

II-2 Regional Mental H.

Item	Description
Objective	A central diagnostic and treatment building and a ward are presently under construction, and two additional wards will be added in accordance with existing plan.
Existing buildings	As described above.
Extension	Dining room and dietary service facilities are to be added in addition to the above.
Environment, site layout and exterior facilities	Parking area, bicycle storage and access road will be newly constructed.
Functions, department and future plan	Services will be given from Cagayan R.H. planned to be built in adjacent to the mental hospital. One additional ward should be added in future. Since classification of patients' conditions (such as chronic, unrestrained) and stage of social reversion cannot be determined because there is no authorized person in this hospital at this time so that these matters should be fully examined at the stage of preliminary design.
Others	Houses must be planned by hospital and therefore will not be included in this project. Administrative or operating relation or tie-up between adjacent Cagayan R.H. and this mental hospital is unknown at the stage of this planning.

(Name of Facilities) II-2 REGIONAL MENTAL HOSPITAL

Sheet 1 (medical care)

A Area	Region II	Location Tugueguegarao	Special feature of location
B Treatment scale Rank	Current	Requested	Project
Bed capacity () actual	Current	Requested	Jugement
Outpatients per day	Current	Requested	Project
C Staff Total (Dr/N)	Current	Requested	Project
D Medical Departments Major fields	Current Psychiartic		
Special fields	Current		
E Sections Ward	Current	Requested	Project
Out-Patient	Current		
Central treatment			
Administration			
Service			
Living quarters	Current		Project
Training school			
F System	Method of record filing		
	Food service	Laundry	

NEW SITE (On the same site as Cagayan RH)

Sheet 2 (infrastructure)

G	Site	Site area	Distance from neighboring town	Neighboring environment		
	Site condition					
	Site ground	Ground condition	Groundwater level			
	Site environment	View	Terrain	Vegetation		
	Car park	Current	Requested			
H	Climate	Maximum temperature (annual average)	Mean temperature (annual average)	Minimum temperature (annual average)		
	Humidity	Mean humidity (annual average)	Annual precipitation (annual average)	Inundation		
	Precipitation					
	Wind	Maximum velocity	Wind direction	Typhoon		
I	Pollution			Salt damage		
J	Existing facilities	Type	Structure	Stories	Area m ²	Year of construction
		(Sub-total)				
K	Design of existing facilities	Style	Materials	Color		
L	Present condition of facilities	Water source	Drainage	Waste treatment		
	Water supply & drainage					
	Air-conditioning and others	Cooling	Kitchen facilities	Laundry facilities		
	Power	Supply				
M	Others	Ward under construction (48 beds).				



II-3 Kalinga Apayao P.H.

Item	Description
Objective	Existing facilities are appropriate except that scale is insufficient.
Existing buildings	<p>Administration department and out-patient department will be remodeled to ward for forming a shape similar to standard plan and, thus, nursing unit of the ward in future can be operated at 50 beds/1 NU. Since existing central diagnostic & treatment department seems to have insufficient space and central corridor may have dead ends, this building should be remodeled to isolation ward. Toilets of the ward must be remodeled also. Part of quarter should be left as it is and service department is to be demolished. Location of 2-story guest house seems to be functionally improper so that it should be remodeled to morgue and its 2nd floor should be turned to storage.</p> <p>Guest house should be provided in part of a quarter.</p>
Extension	<p>- Hospital -</p> <p>Central diagnostic and treatment department, out-patient department, administration department and service department should be newly constructed.</p> <p>- Quarters -</p> <p>Most of quarters will be newly constructed except that house of Chief of Hospital will be remodeled.</p>
Environment, site layout and exterior facilities	<p>Since there is possibility of ponding, levels of buildings and exterior corridors must be located above the ground level.</p> <p>Group of hospital buildings is to be located along the road and group of houses and quarters should be located on sloped area behind the hospital buildings. Parking area and bicycle storage are to be newly constructed.</p>
Others	Construction of training school was requested, and school will be plotted within the site but will not be included in this project.

(Name of Facilities) II-3 KALINGA APAYAO PROVINCIAL HOSPITAL

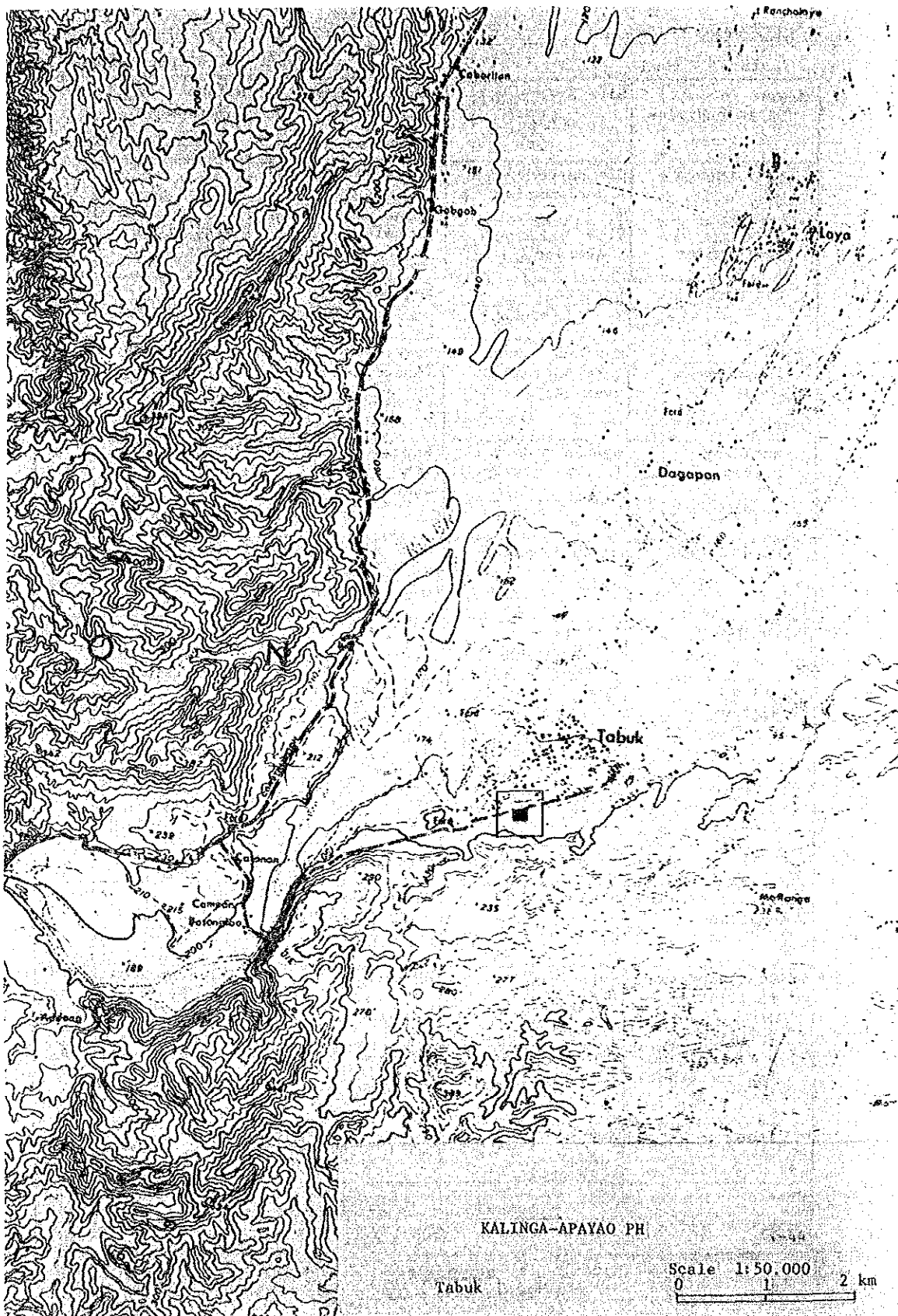
Sheet 1 (medical care)

A	Area	Region II	Location Tabuk	Special feature of location Basin
B	Treatment scale Rank	Current MC·RH (PH)·EH	Requested PH	Project PH
	Bed capacity () actual	Current 100 ()	Requested 100	Jugement 100
	Outpatients per day	Current 130	Requested	Project
C	Staff Total (Dr/N)	Current 95 (4/42)	Requested	Project 131 (11/46)
D	Medical Departments Major fields	Current Internal medicine, Surgery, OB-GYNE, Pediatrics		
	Special fields	Current TB, Malnutrition, Infectious disease ward		
E	Sections Ward	Current Internal 40 ^B , Surgical 20 ^B , Pediatrics 20 ^B , OB-GYNE 20 ^B PR2 ^B , Neonates 4 ^B , COMD4 ^B , TB4 ^B	Requested	Project
	Out-Patient	Current		
	Central treatment	Rehabilitation requested.		
	Administration			
	Service			
	Living quarters	Current		Project
	Training school	School of nursing requested.		
F	System	Method of record filing		
		Food service Central dietary	Laundry	

NEW SITE

Sheet 2 (Infrastructure)

G	Site	Site area	Distance from neighboring town	Neighboring environment		
	Site condition	60,000 m ²	Suburbs	Fields and hills		
	Site ground	Ground condition Reclamation	Groundwater level			
	Site environment	View Average	Terrain Flat, Undulated at the back	Vegetation Little		
	Car park	Current	Requested			
H	Climate	Maximum temperature (annual average)	Mean temperature (annual average)	Minimum temperature (annual average)		
	Humidity	Mean humidity (annual average)	Annual precipitation (annual average)	Inundation		
	Precipitation			Positive		
	Wind	Maximum velocity	Wind direction (Wet season) (Dry season)	Typhoon Positive		
I	Pollution	Dust Fly attack Mosquito attack		Salt damage Negative		
J	Existing facilities	Type	Structure	Stories	Area m ²	Year of construction
						1973 ~ 1976
		(Sub-total) 1,240 m ²				
K	Design of existing facilities	Style	Materials RC, Iron Plate roofing	Color Blue roof, Bear concrete		
L	Present condition of facilities	Water source	Drainage	Waste treatment		
	Water supply & drainage	Well, Fountain	Open canal	Incineration in open pit		
	Air-conditioning and others	Cooling	Kitchen facilities	Laundry facilities		
	Power	Supply Private franchise				
M	Others					



II-4 Cagayan P.H.

Item	Description
Site objective	<p>Since present site and proposed site seem to be inadequate because of possible ponding and other reasons, other new site should be selected. All required buildings for 100-bed hospital of standard plan will be constructed in new site.</p>
Selection of site	<p>Conditions of appropriate hospital site are shown below for reference.</p> <ol style="list-style-type: none"> 1. Natural hazard such as ponding should rarely occur. 2. Sufficient area with ground surface as flat as possible. 3. Stable ground conditions. 4. There shall be no source of pollution such as noise and odor in nearby location. 5. Quiet environment with many green. 6. Site is to be close to city in some degree with convenient traffic means. 7. Location should be convenient for supplying materials. 8. Infrastructure such as water and electrical power facilities should be easily provided. <p>If some of above conditions are not met, it must be possible to take some measures for covering shortcoming but this shortcoming should not be unusual. Extra cost for this will be added.</p>

(Name of Facilities) II-4 CAGAYAN PROVINCIAL HOSPITAL

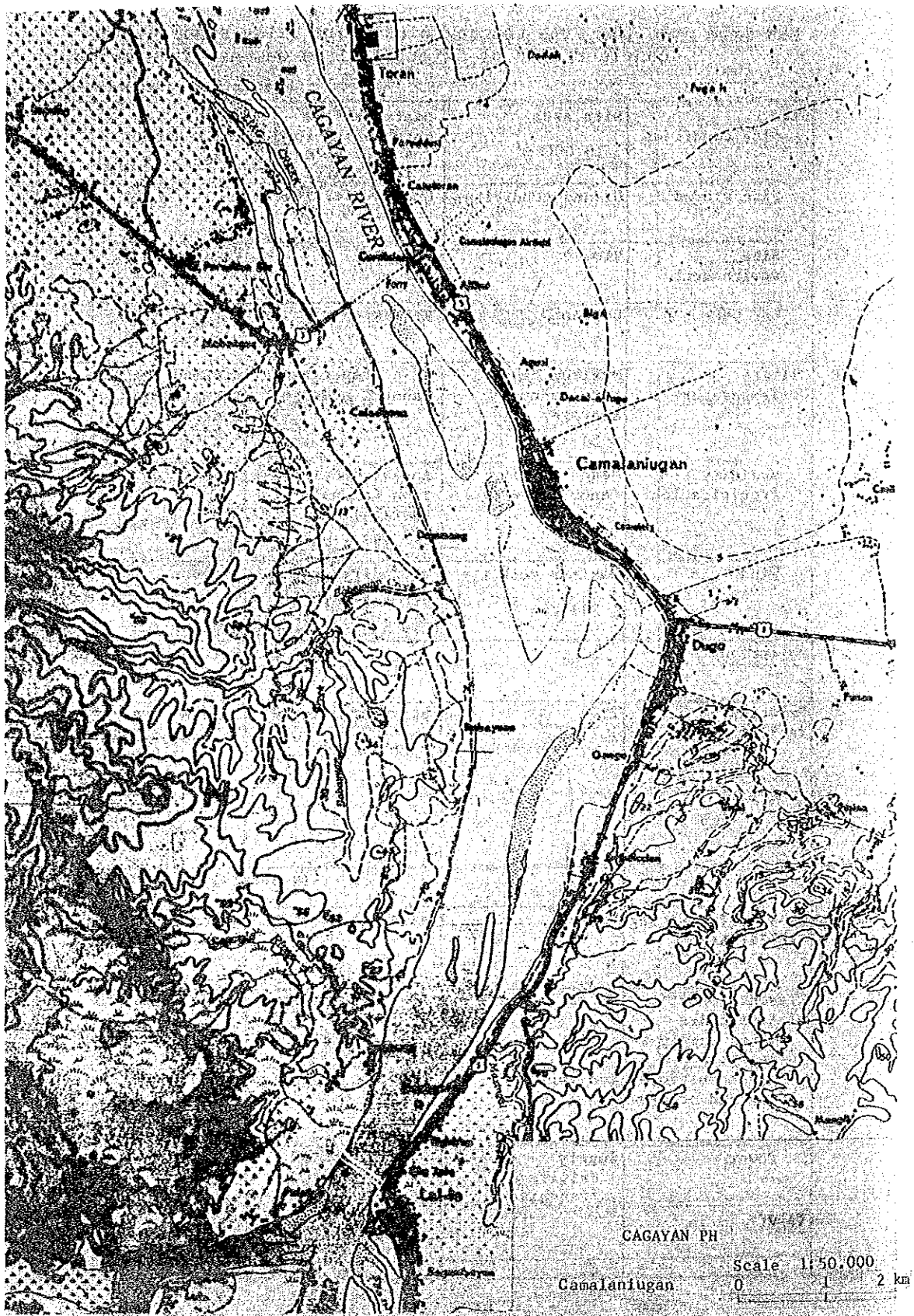
Sheet 1 (medical care)

A	Area	Region II	Location Aparri	Special feature of location Coastal town
B	Treatment scale Rank	Current MC·RH·PH (EH)	Requested PH	Project PH
	Bed capacity () actual	Current 25 (32)	Requested 100	Jugement 100
	Outpatients per day	Current 16.7	Requested	Project 100
C	Staff Total (Dr/N)	Current 21 (1/8)	Requested	Project 131 (11/45)
D	Medical Departments Major fields	Current (Emergency hopsital)		
	Special fields	Current		
E	Sections Ward	Current Internal 5 ^B , Surgical 5 ^B , Pediatrics 5 ^B , OB-GYNE 5 ^B , CONDL5 ^B , Infectious (4 ^B)	Requested	Project
	Out-Patient	Current		
	Central treatment	Rehabilitation requested.		
	Administration			
	Service			
	Living quarters	Current		Project
	Training school			
F	System	Method of record filing		
		Food service Central dietary	Laundry	

NEW SITE At the time the new sites were being studied, the configuration of existing sites was as given below.

Sheet 2 (infrastructure)

G	Site condition	Site area 10,000 m ²	Distance from neighboring town 4 min. by car from Aparri		Neighboring environment Sea side
	Site ground	Ground condition	Groundwater level		
	Site environment	View	Terrain		Vegetation
	Car park	Current 3 cars	Requested		
H	Climate Temperature	Maximum temperature (annual average) 30.3°C	Mean temperature (annual average) 26.7°C		Minimum temperature (annual average) 23.1°C
	Humidity Precipitation	Mean humidity (annual average) 81.7%	Annual precipitation (annual average) 2,257.1 mm		Inundation
	Wind	Maximum velocity 209 kph	Wind direction (Wet season) Spring SW (Dry season) Summer SW Autum/winter NE		Typhoon Negative
I	Pollution	None			Salt damage
J	Existing facilities	Type	Structure	Stories	Area m ² Year of construction 1971
		(Sub-total) 750 m ²			
K	Design of existing facilities	Style	Materials		Color
L	Present condition of facilities	Water source	Drainage		Waste treatment
	Water supply & drainage	Well	Open canal		Incineration in open pit
	Air-conditioning and others	Cooling	Kitchen facilities		Laundry facilities Washing out-of-door
	Power	Supply Private franchise			
M	Others				



II-5 Isabela P.H.

Item	Description
Objective	Existing facilities have normal conditions and, thus, will be remodeled except deteriorated portion, and insufficient spaces will be newly constructed.
Existing buildings	Since saving of exterior walls was strongly requested, inside of the building will be remodeled to ward. Part of ward will be used as it is, kitchen will be demolished, and dining room will be left and used as store and resting area for patients and attendants. Garage and dining area will be left as they are, and reinforced concrete storage will be remodeled to quarter as its location is appropriate. House for Chief of Hospital is located on high hill with good environment but it is too old and too close to hospital group established on plot plan. Since this house disturbs the layout of other departments, it will be inevitably demolished and new house will be built within the group of quarters.
Extension	<p>- Hospital -</p> <p>Central diagnostic and treatment department, out-patient department, administration department and service department will be newly constructed. And two toilets will be added to wards.</p> <p>- Quarters -</p> <p>Four top officers' houses including Chief of Hospital, doctors' houses and more than half of employees' quarters will be newly constructed.</p>
Environment, site layout and exterior facilities	Area along the road will be used for hospital group and sloped land behind the hospital will be used for quarter group. Parking area, bicycle storage and partial road will be newly constructed, and earth grading is necessary at some part of the site.
Functions and departments	Laundry is presently ordered outside and officials want the same in future. But this should be examined in detail at the stage of preliminary design.

(Name of Facilities) II-5 ISABELA PROVINCIAL HOSPITAL

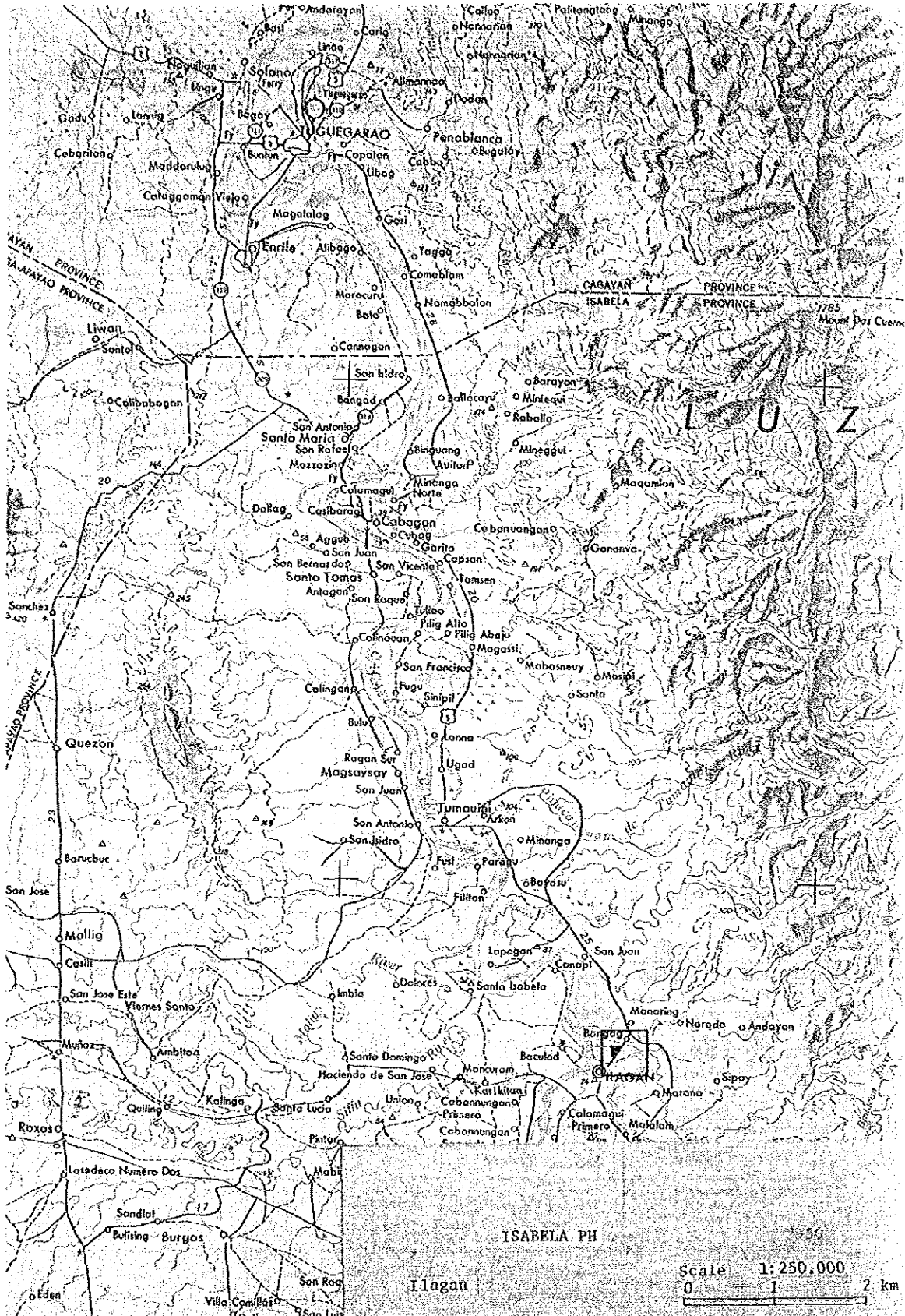
Sheet 1 (medical care)

A	Area	Region II	Location Ilagan	Special feature of location Plain
B	Treatment scale Rank	Current MC·RH (PH) EH	Requested PH	Project PH
	Bed capacity () actual	Current 100 ()	Requested 200	Jugement 100 + 50
	Outpatients per day	Current 40	Requested	Project 140
C	Staff Total (Dr/N)	Current 102 (12/45)	Requested	Project 161 (17/60)
D	Medical Departments Major fields	Current Internal medicine, Surgery, OB-GYNE, Pediatrics		
	Special fields	Current Malnutrition, TB, Infectious disease ward		
E	Sections Ward	Current Internal 30 ^B , Surgical 25 ^B , Pediatrics 25 ^B , OB-GYNE 15 ^B , EENS ^B , ICU(1 ^B), 1B 18 ^B	Requested	Project
	Out-Patient	Current		
	Central treatment	Rehabilitation requested.		
	Administration			
	Service	Contracting out desired for laundry service.		
	Living quarters	Current		Project
	Training school			
F	System	Method of record filing		
		Food service Central dietary	Laundry	

NEW SITE

Sheet 2 (infrastructure)

G	Site	Site area	Distance from neighboring town	Neighboring environment		
	Site condition	50,000 m ²	3 min. by car	City Hall at the back		
	Site ground	Ground condition	Groundwater level			
	Site environment	View Good	Terrain Inclined at the back	Vegetation Ample		
	Car park	Current 450 cars	Requested			
H	Climate	Maximum temperature (annual average)	Mean temperature (annual average)	Minimum temperature (annual average)		
	Humidity	Mean humidity (annual average)	Annual precipitation (annual average)	Inundation		
	Precipitation			Negative		
	Wind	Maximum velocity	Wind direction (Wet season) (Dry season)	Typhoon Negative		
I	Pollution	None		Salt damage Negative		
J	Existing facilities	Type	Structure	Stories	Area m ²	Year of construction 1941
		(Sub-total) 1,646 m ²				
K	Design of existing facilities	Style Colonial style	Materials RC, Iron plate roofing	Color Red roof and yellow wall		
L	Present condition of facilities	Water source	Drainage	Waste treatment		
	Water supply & drainage	Well	Open canal	Incineration in open pit		
	Air-conditioning and others	Cooling	Kitchen facilities	Laundry facilities		Contract out
	Power	Supply Own generator				
M	Others					



II-6 Quirino P.H.

Item	Description
Objective	<p>10 m lower level area, part of the site, is paddy field and should not be used. However, 2.5 m lower level at south side should be filled at least 1.0 m and be used as construction area for building necessary facilities.</p>
Existing buildings	<p>Buildings under construction should be completed as wards. Central diagnostic and treatment department which is now being used has insufficient space so that this department should be remodeled to medical ward for easier combination of nursing unit of wards. And new central diagnostic and treatment department should be constructed. Old main building should be demolished after completion of administration building.</p>
Extension	<p>- Hospital -</p> <p>Out-patient department, administration department and central diagnostic and treatment department should be newly constructed in lower level portion and be connected to existing building with sloped passages. Service department is to be newly constructed.</p> <p>- Quarters -</p> <p>Three top officers' houses including Chief of Hospital, doctors' houses and employees' quarters are to be newly constructed.</p>
Environment, site layout and exterior facilities	<p>Filling should be made in site. Road, parking area and bicycle storage are to be newly constructed</p>
Functions and departments	
Others	

(Name of Facilities) II-6 QUIRINO PROVINCIAL HOSPITAL

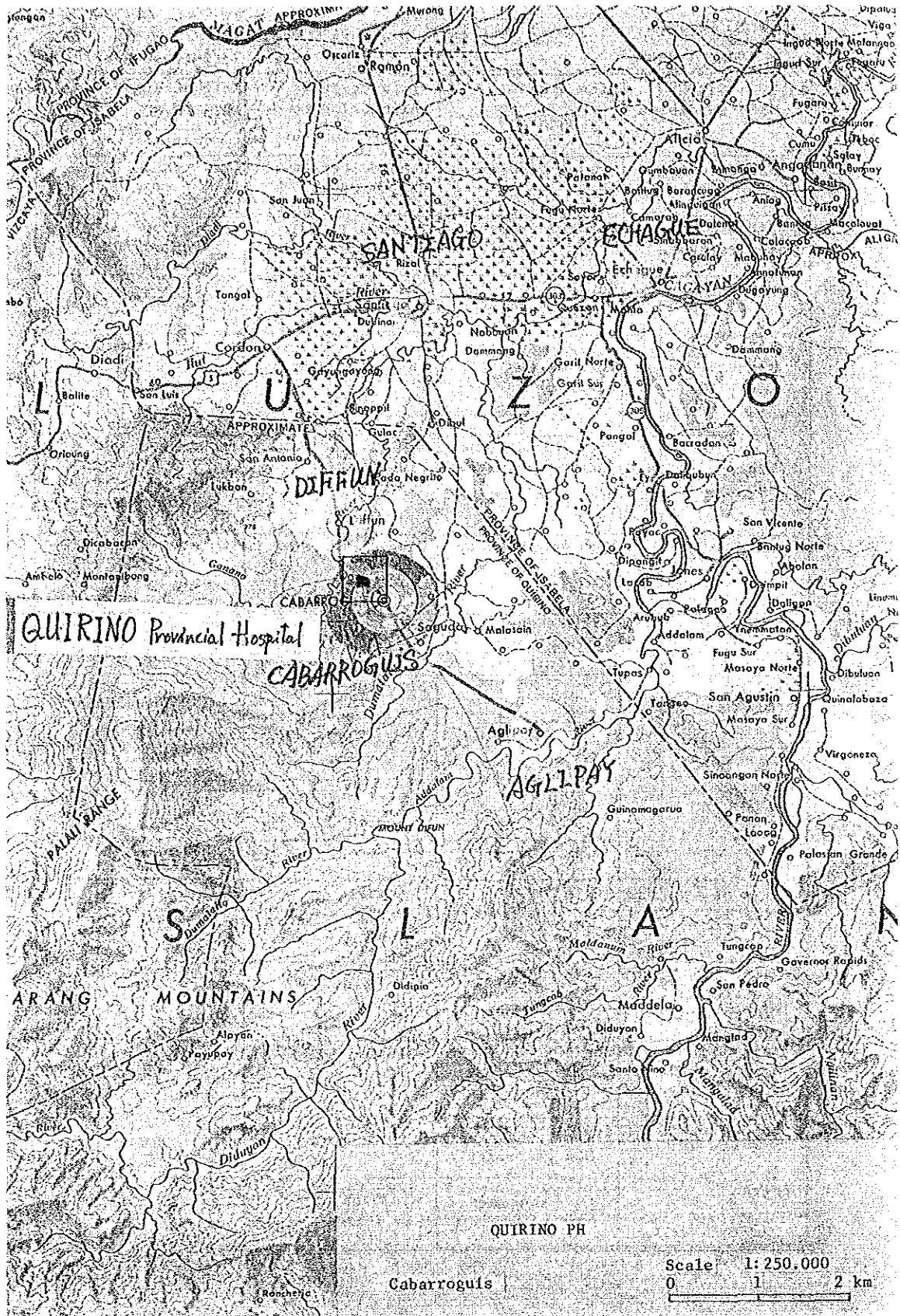
Sheet 1 (medical care)

A	Area	Region II	Location Cabarroguis	Special feature of location
B	Treatment scale Rank	Current MC·RH (PH) EH	Requested PH	Project PH
	Bed capacity () actual	Current 100 (73)	Requested 100	Jugement 100
	Outpatients per day	Current 33	Requested	Project 100
C	Staff Total (Dr/N)	Current 66 (3/27)	Requested	Project 313 (11/46)
D	Medical Departments Major fields	Current Internal medicine, Surgery, OB-GYNE, Pediatrics		
	Special fields	Current		
E	Sections Ward	Current	Requested	Project
	Out-Patient	Current		
	Central treatment	Rehabilitation requested.		
	Administration			
	Service	Laundry currently contracted out.		
	Living quarters	Current		Project
	Training school			
F	System	Method of record filing		
		Food service Central dietary	Laundry	

NEW SITE

Sheet 2 (infrastructure)

G	Site Site condition	Site area 25,000 m ²	Distance from neighboring town City, Suburbs	Neighboring environment Fields; paddy fields at the back		
	Site ground	Ground condition	Groundwater level			
	Site environment	View Average	Terrain Drop	Vegetation Trees at the entrance		
	Car park	Current 0 car	Requested			
H	Climate Temperature	Maximum tempera- ture (annual average)	Mean temperature (annual average)	Minimum tempera- ture (annual average)		
	Humidity Precipitation	Mean humidity (annual average)	Annual precipita- tion (annual average)	Inundation Negative		
	Wind	Maximum velocity	Wind direction (Wet season) Summer S, SE, E, NE (Dry season) Autum N, NW, W, SW	Typhoon Negative		
I	Pollution	Noise dusty Fly attack Mosquito attack		Salt damage Negative		
J	Existing facilities	Type	Structure	Stories	Area m ²	Year of construc- tion 1973
		(Sub-total)				
K	Design of existing facilities	Style	Materials RC, Iron plate foofing	Color		
L	Present condition of facilities	Water source Well Fountain	Drainage	Waste treatment Incineration in open pit		
	Water supply & drainage	Cooling	Kitchen facilities	Laundry facilities To be washed in the river		
	Air-condition- ing and others	Power Own generator				
M	Others					



II-7 Ifugao P.H.

Item	Description
Site objective	A 100-bed hospital is to be constructed on a new site based on the standard plan.
Existing buildings	The building already under construction is to be completed to house wards.
Extension	Most of the hospital and living quarters to be newly constructed.
Environment, site layout and exterior facilities	<p>Earthwork is in progress on the depression on the south side of the site. However, it is doubtful if the roller has been used in a few stages to make the ground stable. In view of the size of the site and the form, living quarters are to be placed there at a low level. However, if the ground is found to be unstable, they are to be placed along the site.</p> <p>Internal roads, parking facilities for cars and bicycles are to be provided. Further, the slope of the approach is to be further improved.</p>
Functions and departments	The slope on the town side leading to the entrance is to be for outpatients and the back slope to be used as a service road to divide the traffic into persons and goods.
Others	The blood bank requested is to be placed within the site, though it is to be a separate construction.

(Name of Facilities) II-7 IFUGAO PROVINCIAL HOSPITAL

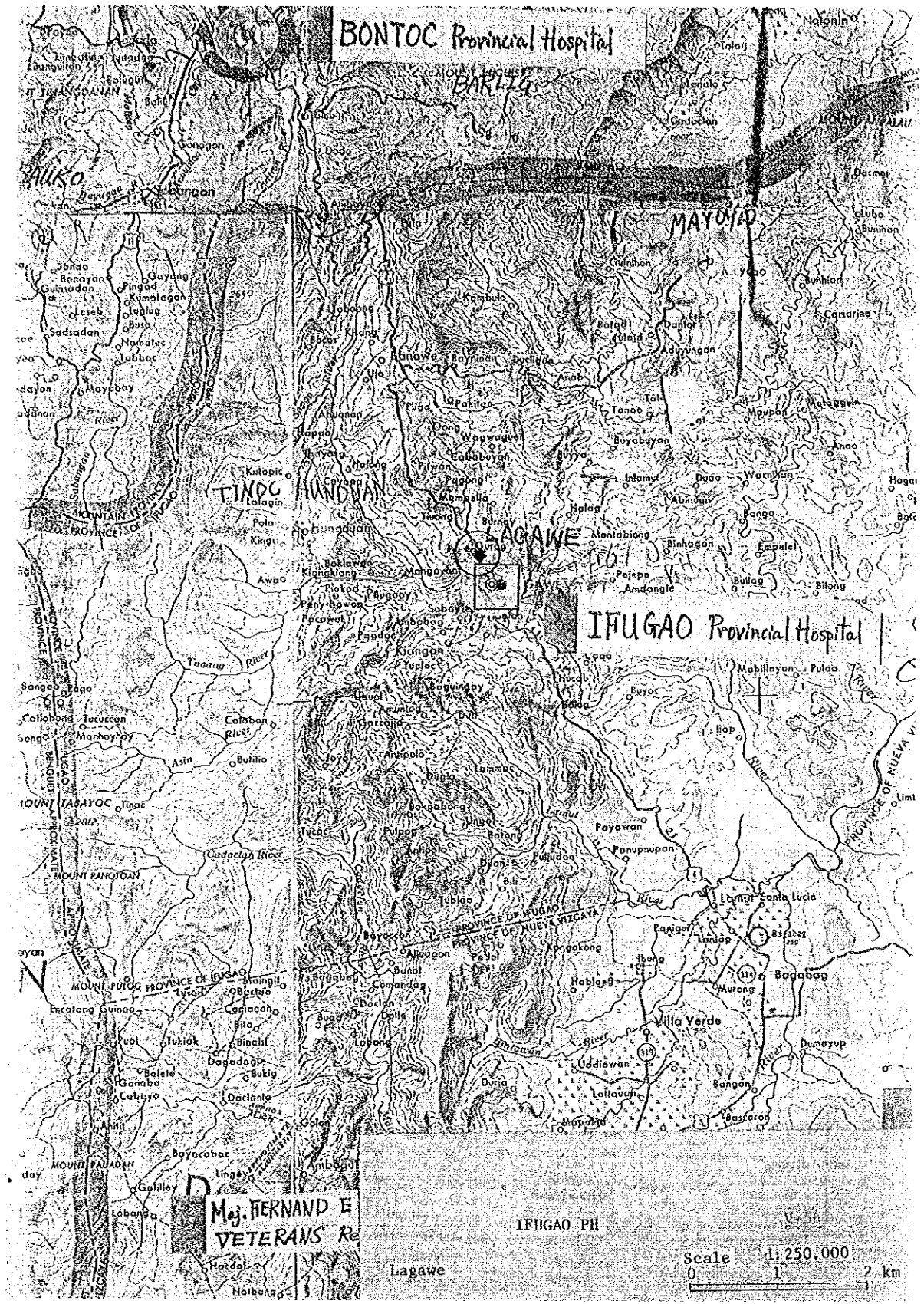
Sheet 1 (medical care)

A	Area	Region II	Location Lagawe	Special feature of location Mountains
B	Treatment scale	Current	Requested	Project
	Rank	MC·RH PH EH	PH	PH
	Bed capacity () actual	Current 75 ()	Requested 100	Jugement 100
C	Outpatients per day	Current 80	Requested	Project 100
	Staff Total (Dr/N)	Current 75 (2/32)	Requested	Project 131 (11/46)
	Medical Departments Major fields	Current Internal medicine, Surgery, OB-GYNE, Pediatrics		
E	Special fields	Current		
	Sections Ward	Current	Requested	Project
	Out-Patient	Current		
	Central treatment	Rehabilitation requested		
	Administration			
	Service			
	Living quarters	Current		Project
	Training school			
F	System	Method of record filing		
		Food service Central dietary	Laundry	

NEW SITE

Sheet 2 (infrastructure)

G	Site	Site area	Distance from neighboring town	Neighboring environment		
	Site condition	20,000 m ²	3 km from the town	Mountains		
	Site ground	Ground condition Excavation, Rock, Partial earthwork	Groundwater level			
	Site environment	View Surrounded by mountains	Terrain Developed land, Approx. 5m lower than road	Vegetation Little due to development		
	Car park	Current 5 cars	Requested			
H	Climate	Maximum temperature (annual average)	Mean temperature (annual average)	Minimum temperature (annual average)		
	Humidity Precipitation	Mean humidity (annual average)	Annual precipitation (annual average)	Inundation Negative		
	Wind	Maximum velocity	Wind direction (Wet season) (Dry season)	Typhoon Negative		
I	Pollution	None		Salt damage Negative		
J	Existing facilities	Type	Structure	Stories	Area m ²	Year of construction
		(Sub-total) 920 m ²				
K	Design of existing facilities	Style	Materials	Color		
L	Present condition of facilities	Water source	Drainage	Waste treatment		
	Water supply & drainage	Fountain	Open canal	Incineration in open pit		
	Air-conditioning and others	Cooling	Kitchen facilities	Laundry facilities		
	Power	Supply Own generator				
M	Others	Block under construction				



BONTOC Provincial Hospital

MAYOBAO

TINGUIAN

LAGAWE

IFUGAO Provincial Hospital

Maj. FERNAND E VETERANS Re

IFUGAO PH

Scale 1:250,000
0 1 2 km

II-8 Maj. F. Marcos Veteran M.H.

Item	Description
Site Objective	The site is separated from that of the existing hospital. Since it is developed on inclined land, external structure such as the treatment of rain water is to be reviewed. And additional facilities required are to be constructed.
Existing buildings	As above.
Extension	<ul style="list-style-type: none"> - Hospital - Service wards I and II to be constructed (a morgue is not included). - Living quarters - Residential houses are to be built for Director and 4 other officials, together with those for physicians and staff.
Environment, site layout and exterior facilities	Development partially by excavation. Approach is to be improved and parking facilities for cars and bicycles are to be provided. Since the land is bear, afforestation is to be carried out.
Functions, department and future plan	As planned, construction of additional wards on the west of the building under construction is anticipated.
Others	Existing buildings of the present hospital are to be left as they are to be excluded from the present plan.

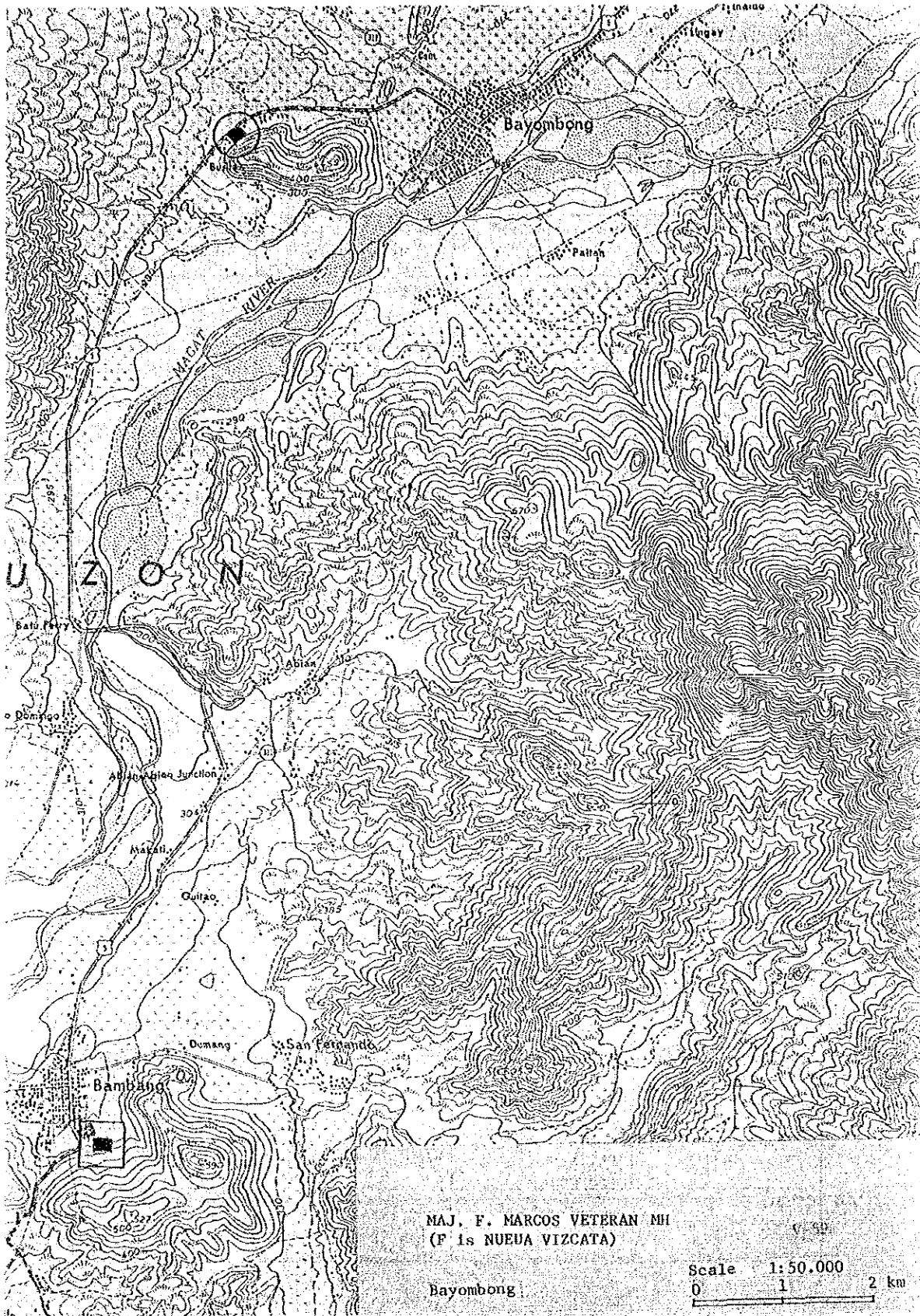
(Name of Facilities) II-8 MAJ. F. MARCOS VETERANS MEMORIAL HOSPITAL
 Sheet 1 (medical care)

A	Area	Region II	Location Bayombong	Special feature of location Basin
B	Treatment scale Rank	Current MC·RH·PH·EH	Requested RH	Project RH
	Bed capacity () actual	Current 200 (115)	Requested 200	Jugement 150
	Outpatients per day	Current 120	Requested	Project 200
C	Staff Total (Dr/N)	Current 103 (12/42)	Requested	Project 206 (24/76)
	Medical Departments Major fields	Current Internal medicine, Surgery, OB-GYNE, Pediatrics		Added today
	Special fields	Current		
E	Sections Ward	Current	Requested	Project
	Out-Patient	Current		
	Central treatment	Rehabilitation requested.		
	Administration			
	Service			
	Living quarters	Current		Project
	Training school			
F	System	Method of record filing		
		Food service Central dietary	Laundry	

NEW SITE

Sheet 2 (infrastructure)

G	Site Site condition	Site area 23,325 m ²	Distance from neighboring town 3 min. by car (1.2 km)	Neighboring environment Fields and mountains		
	Site ground	Ground condition Prepared land	Groundwater level			
	Site environment	View Good	Terrain Mid-slope of a hill developed	Vegetation Little		
	Car park	Current 22 cars	Requested 50 cars			
H	Climate Temperature	Maximum tempera- ture (annual average)	Mean temperature (annual average)	Minimum tempera- ture (annual average)		
	Humidity Precipitation	Mean humidity (annual average)	Annual precipita- tion (annual average)	Inundation Negative		
	Wind	Maximum velocity	Wind direction (Wet season) Summer SE (Dry season) Winter NE	Typhoon Negative		
I	Pollution	Dust smell Mosquito attack		Salt damage Negative		
J	Existing facilities	Type	Structure	Stories	Area m ²	Year of construc- tion 1945 Under construc- tion
		(Sub-total)				
K	Design of existing facilities	Style	Materials RC, 3F concrete roofing	Color Bear concrete		
L	Present condition of facilities	Water source Well	Drainage Street sewerage	Waste treatment Incineration in open pit		
	Water supply & drainage					
	Air-condition- ing and others	Cooling	Kitchen facilities	Laundry facilities Washing in the river		
	Power	Supply Private franchise				
M	Others					



MAJ. F. MARCOS VETERAN MH
(F is NUEVA VIZCATA)

Scale 1:50,000
0 1 2 km

II-9 Nueva Vizcaya P.H.

Item	Description
Objective	<p>Since site is located on a plateau of hill, only small portion is effective for planning. Since construction work was started very recently, only partial addition should be made to provide 100 bed capacity.</p>
Existing buildings	<p>When addition is made, connecting area of building must be remodeled. Service department such as existing garage should be remodeled, and nurses' quarter should be left as it is.</p>
Extension	<p>- Hospital -</p> <p>Part of out-patient and central diagnostic department and kitchen should be added, and one isolation ward of 25 beds should be newly added.</p> <p>- Quarter -</p> <p>Doctors' houses and employees' quarter should be constructed.</p>
Environment, site layout and exterior facilities	<p>Grading with partial cutting, and grading with filling at isolation ward area are required. Site for doctors' houses must be graded also.</p>
Functions and departments	
Others	<p>Training classes were requested. This building will be plotted on site plan as future plan but will not be included in this project.</p>

(Name of Facilities) II-9 NUEVA VIZCAYA PROVINCIAL HOSPITAL

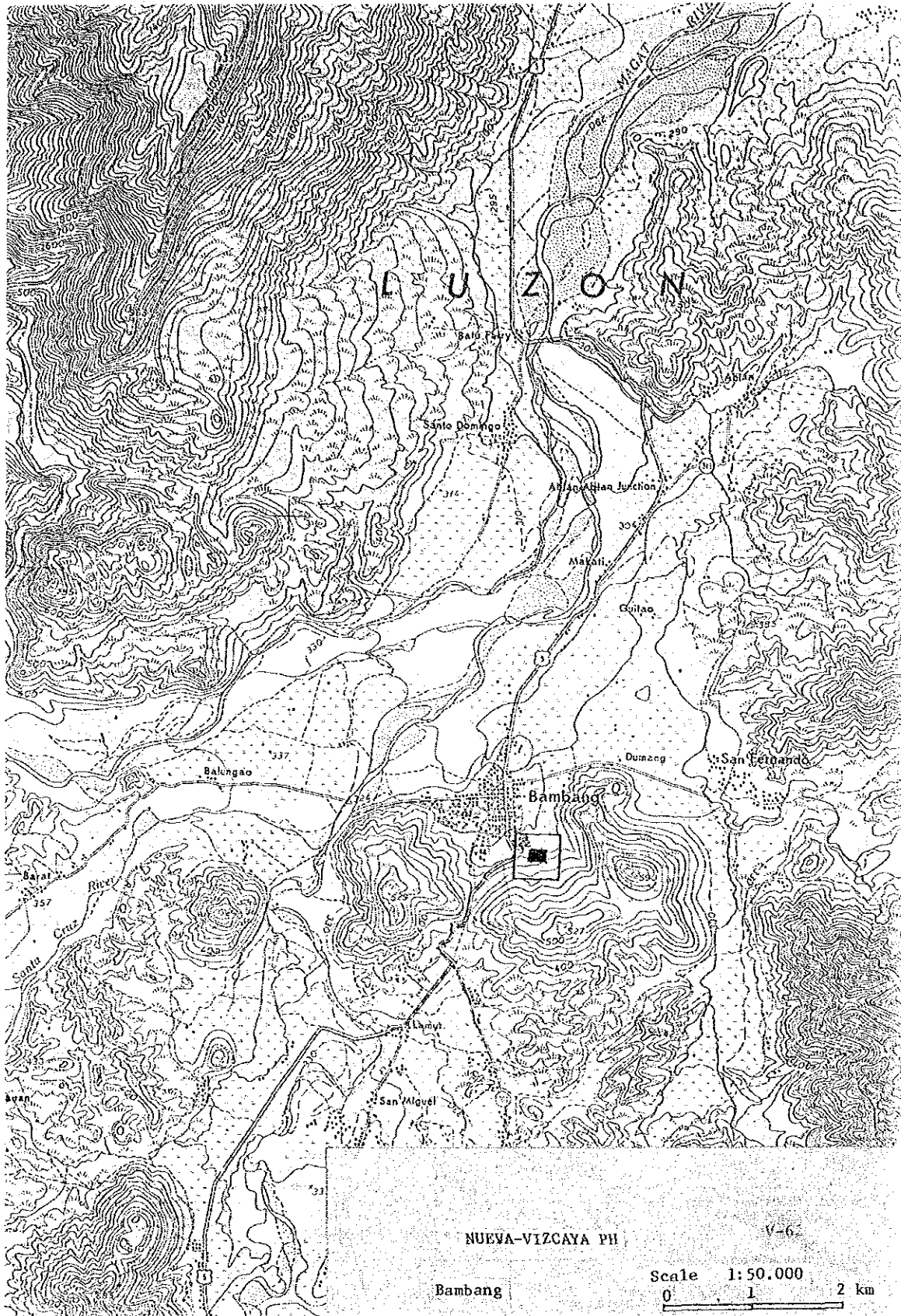
Sheet 1 (medical care)

A	Area	Region II	Location Bambang	Special feature of location Basin
B	Treatment scale Rank	Current MC·RH (PH) ER	Requested PH	Project PH
	Bed capacity () actual	Current 50 (56)	Requested 100	Jugement 75
	Outpatients per day	Current 60	Requested	Project 100
C	Staff Total (Dr/N)	Current 48 (4/16)	Requested	Project 131 (11/46)
D	Medical Departments Major fields	Current Internal, Surgical, Pediatrics OB-GYNE		
	Special fields	Current		
E	Sections Ward	Current Internal 20 ^B (20 ^B), Surgical 10 ^B (15 ^B), Pediatrics 10 ^B (15 ^B), OB-GYNE 10 ^B (15 ^B), Neonates (15 ^B), COM (10 ^B), Cancer (10 ^B)	Requested	Project
	Out-Patient	Current		
	Central treatment	Rehabilitation required.		
	Administration			
	Service			
	Living quarters	Current		Project
	Training school	School of nursing requested.		
F	System	Method of record filing		
		Food service Central dietary	Laundry	

NEW SITE

Sheet 2 (infrastructure)

G	Site	Site area	Distance from neighboring town	Neighboring environment		
	Site condition	116,257 m ²	Suburbs	Mountains		
	Site ground	Ground condition	Groundwater level			
		Rock				
	Site environment	View	Terrain	Vegetation		
		Good	Mid-slope of a mountain developed	Ample		
	Car park	Current	Requested			
		3 cars	3 cars			
H	Climate	Maximum temperature (annual average)	Mean temperature (annual average)	Minimum temperature (annual average)		
	Humidity	Mean humidity (annual average)	Annual precipitation (annual average)	Inundation		
	Precipitation			Negative		
	Wind	Maximum velocity	Wind direction (Wet season) Spring (Dry season) Summer Autumn	Typhoon NE Negative		
I	Pollution	Mosquito attack		Salt damage Negative		
J	Existing facilities	Type	Structure	Stories	Area m ²	Year of construction
						1976
		(Sub-total) 1,320 m ²				
K	Design of existing facilities	Style	Materials	Color		
			RC, iron plate roofing	Green roof		
L	Present condition of facilities	Water source	Drainage	Waste treatment		
	Water supply & drainage	Well Fountain	Open canal	Incineration in open pit		
	Air-conditioning and others	Cooling	Kitchen facilities	Laundry facilities		
	Power	Supply		Washing out-of-door		
		Own generator				
M	Others					



II-10 Batanes P.H.

Item	Description
Objective	Standard size 100-bed hospital cannot be placed due to small site area, and 75-bed hospital will be constructed instead.
Existing buildings	Ward under construction will be completed as out-patient and administration building. Out-patient; central diagnostic and treatment and ward are all remodeled to ward. Quarter, service building, and old ward adjacent to service building will be demolished.
Extension	2-story central diagnostic and treatment department will be constructed at existing service building location, and sloped passage will be provided at area where there is 1.4 m difference in levels. Minimum size service department should be constructed. Morque is to be located below sloped passage, using double-layer door.
Environment, site layout and functions	Since typhoon is strong on this island, measures for withstanding against wind pressure and for preventing damage by sea wind should be taken.
Others	Private house is presently located at north-west area in the site. This house should be moved outside of the site as quick as possible. And this area should be used as service yard and additional rooms should be added to service department if needed. Quarters will be built outside of the site and not included in this project.

(Name of Facilities) II-10 BATANES PROVINCIAL HOSPITAL

Sheet 1 (medical care)

A	Area	Region II	Location Basco	Special feature of location Island
B	Treatment scale Rank	Current MC-RH (PH) EH	Requested PH	Project PH
	Bed capacity () actual	Current 75 (40)	Requested 100	Jugement 75
	Outpatients per day	Current 70	Requested	Project 100
C	Staff Total (Dr/N)	Current 57 (0/16)	Requested	Project 131 (11/46)
D	Medical Departments Major fields	Current Internal medicine, Surgery, OB-GYNE, Pediatrics		
	Special fields	Current		
E	Sections Ward	Current Internal 25 ^B , Surgical 12 ^B , Pediatrics 25 ^B , OB-GYNE 6 ^B , Neonates 6 ^B , COM 1 ^B , Infectious 6 ^B	Requested	Project
	Out-Patient	Current		
	Central treatment	Rehabilitation requested.		
	Administration			
	Service			
	Living quarters	Current		Project
	Training school			
F	System	Method of record filing		
		Food service Central dietary	Laundry	

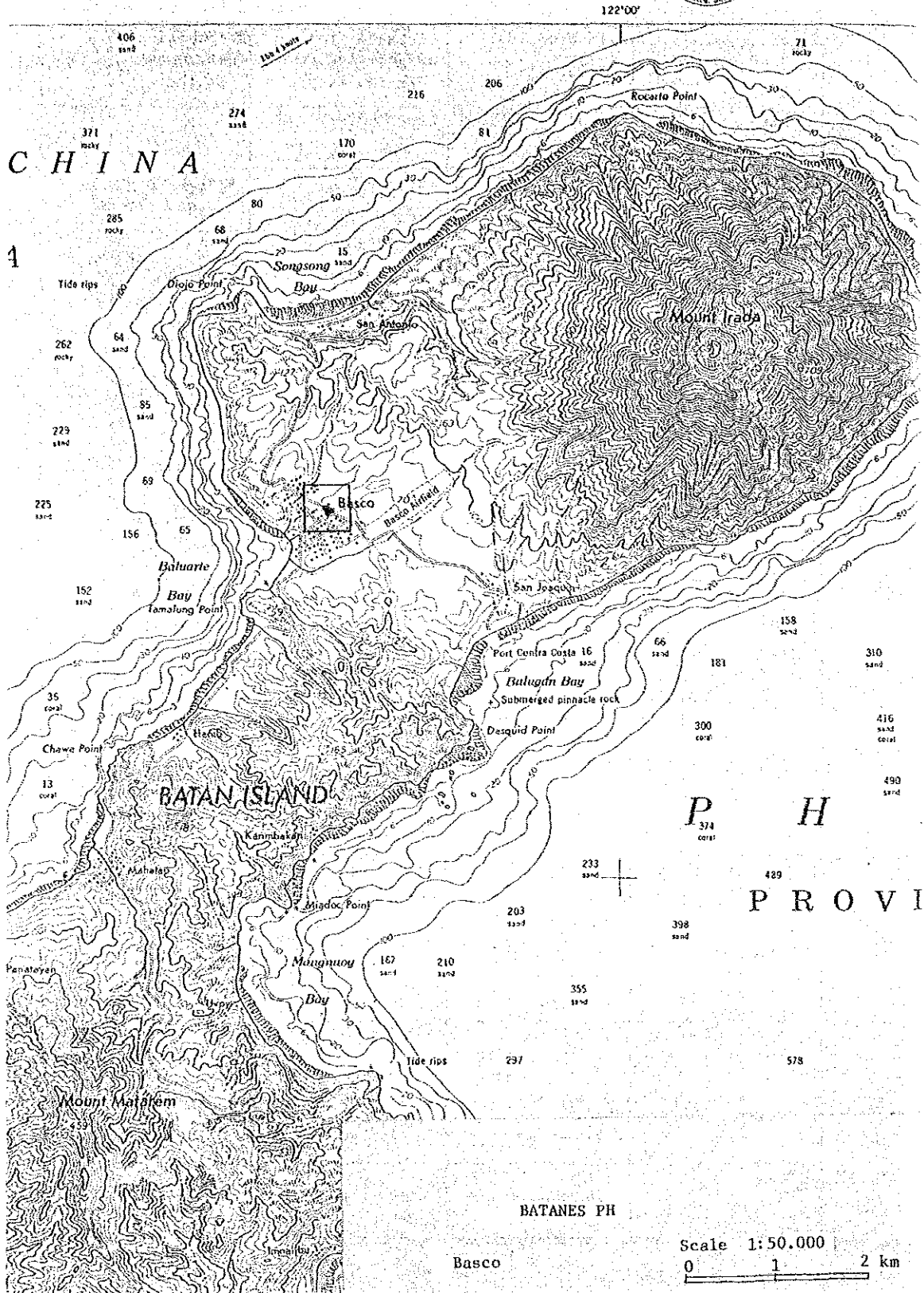
NEW SITE

Sheet 2 (Infrastructure)

G	Site	Site area	Distance from neighboring town		Neighboring environment
	Site condition	3,637 m ²	In the city		In the city
	Site ground	Ground condition	Groundwater level		
	Site environment	View Good	Terrain Flat with a drop	Vegetation Coconut trees	
	Car park	Current 3 cars	Requested		
H	Climate	Maximum temperature (annual average)	Mean temperature (annual average)	Minimum temperature (annual average)	
	Temperature	28.5°C	25.6°C	22.8°C	
	Humidity Precipitation	Mean humidity (annual average) 83.2%	Annual precipitation (annual average) 3,067.9 mm	Inundation Negative	
	Wind	Maximum velocity 222 Kph	Wind direction (Wet season) NE (Dry season)	Typhoon Positive	
I	Pollution	None			Salt damage Positive
J	Existing facilities	Type	Structure	Stories	Area m ² Year of construction
		(Sub-total) 3,640 m ²			
K	Design of existing facilities	Style	Materials Bricks and iron plate roofing	Color Red roof	
L	Present condition of facilities	Water source Well Fountain	Drainage Open canal	Waste treatment Incineration in drums	
	Water supply & drainage	Air-conditioning and others	Cooling	Kitchen facilities	Laundry facilities
	Power	Supply N.P.C. & Own generator			
M	Others	Private houses on the grounds.			



BASCO



V-6 ELECTRICITY

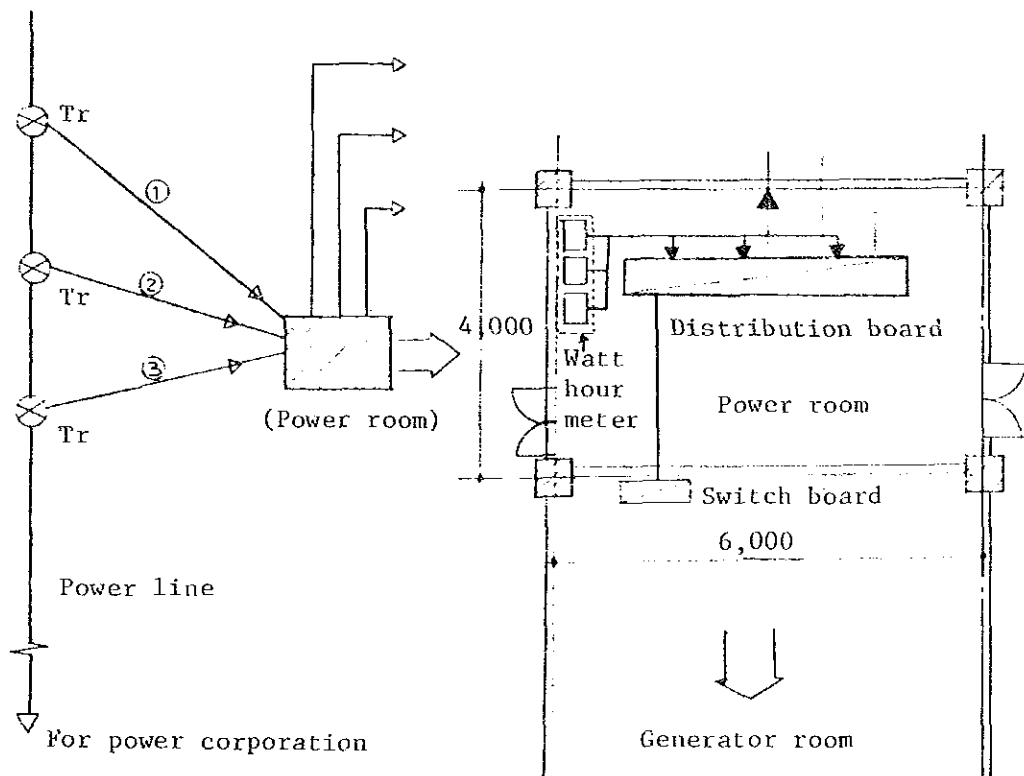
1. Basic Items of Upgrading

1) Power leading method

Leading is to be by aerial leading from the transformer on the electric pole, and concrete poles (13 m) for wiring are to be installed at an interval of 20 m on the site, which are also to be used for telephone and weak current wiring.

2) Power room

The service entrance switch, the watt hour meter, the switch board, etc. are all to be installed in the power room. (Distribution types I, II and III for 100, 200 and 300 beds are shown under IV-5-2.)



3) Private power generating facilities

Existing generators are to be replaced by new units according to a specific standard. (Generator combinations I, II and III are shown under IV-5-2.)

4) Lighting and power plugs

Except for those blocks already equipped, lights of the standard illumination and power plugs are to be provided.

5) Medical power facilities

Power is to be supplied to the load of Rank 1, Rank 2 and Rank 3 generators in all blocks including existing ones, reconstructed and newly constructed ones.

6) Communication facilities

5-1 Telephone facilities

5-2 Intercom

5-3 Nurse call

5-4 Public address

To be provided according to the standard at reconstructed and newly constructed blocks.

7) Fire alarm facilities

To be installed at all blocks according to the standard except for existing blocks.

2. Improvement Plan for Each Hospital

IMPROVEMENT CHECK LIST for each item of facilities and TRANSFORMATION SKELTON DIAGRAM showing the improvement are shown below for each hospital. As for details, please refer to Chapter XII.

TYPES shown under GENERATOR/POWER BOARD on the Improvement Check List refer to those mentioned under IV-5-2.

PANGASINAN MEDICAL CENTER

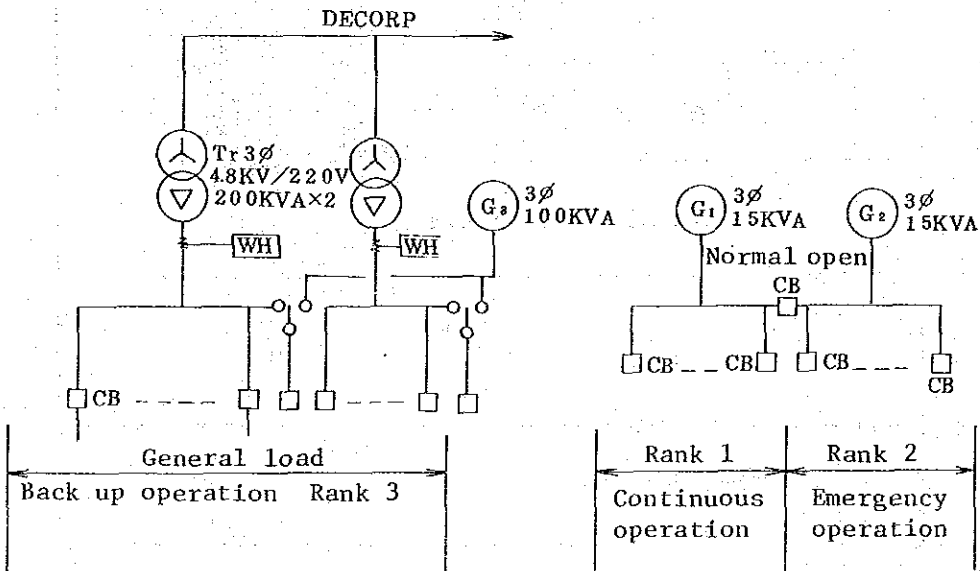
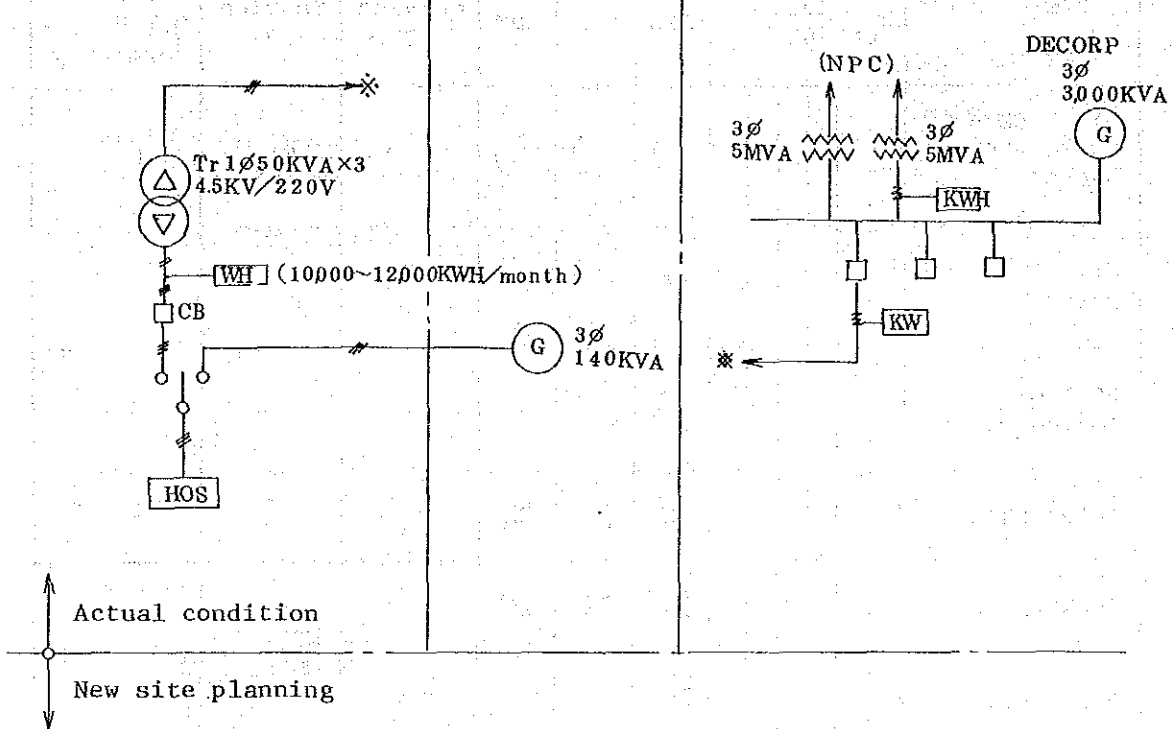
Item \ D'T	Ward			ANC	OPD	ADM	Service 1	Service 2	Doctor Q.T.R. dormitory
	100	200	300						
Lighting & convenient outlet			○	○	○	○	○	○	○
Air condition power			○	○	—	—	○	○	—
Medical equipment			○	○	○	—	—	—	—
Telephone			○	○	○	○	—	—	—
Speaker			○	○	○	○	○	—	—
Nurse call			○	○	—	—	—	—	—
Interphone			○	○	○	○	○	—	—
Fire alarm			○	○	○	○	—	—	○
Lead in power	Showed other figure								
Generator	Type . 3			100 KVA 15 KVA 15 KVA			KVA KVA		
Distribution panel	Type . 2								
Legend	○ be installed based on standard ✕ not include this project								

PANGASINAN MEDICAL CENTER

Installation of hospital

Generator

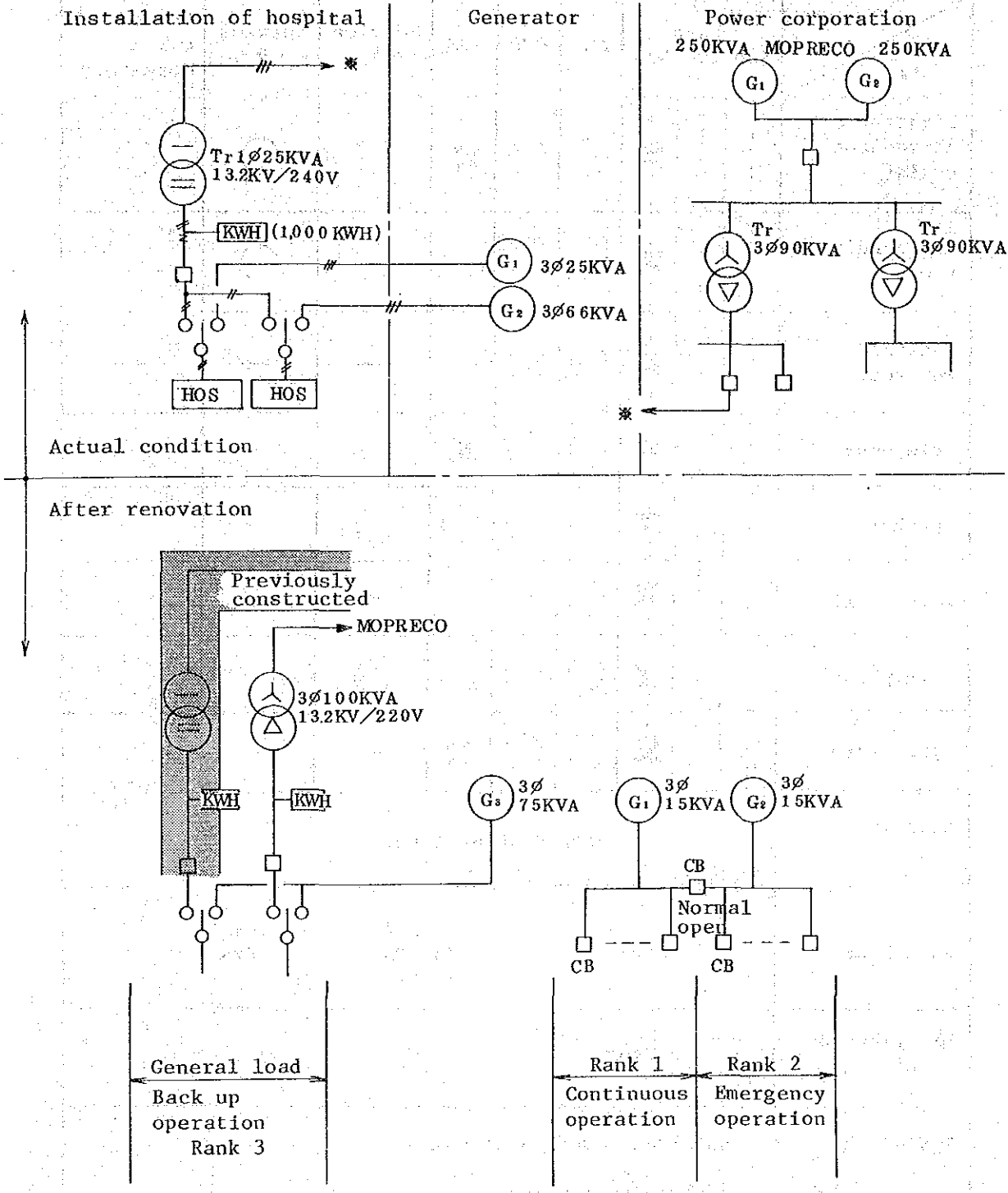
Power corporation



BONTOC PROVINCIAL HOSPITAL

Item	D'T			ANC	OPD	ADM	Service 1	Service 2	Doctor Q.T.R. dormitory
	Ward 100	Ward 200	Ward 300						
Lighting & convenient outlet	○			○	○	○	○	○	○
Air condition power	○			✕	—	—	○	○	—
Medical equipment	○			○	○	—	—	—	—
Telephone	○			✕	✕	✕	—	—	—
Speaker	○			✕	✕	✕	○	—	—
Nurse call	○			✕	—	—	—	—	—
Interphone	○			○	○	○	○	—	○
Fire alarm	○			✕	✕	✕	—	—	—
Lead in power	Showed other figure								
Generator	Type. 1			75 KVA 15 KVA 15 KVA			KVA KVA		
Distribution panel	Type. 1								
Legend	○ be installed based on standard ✕ not include this project								

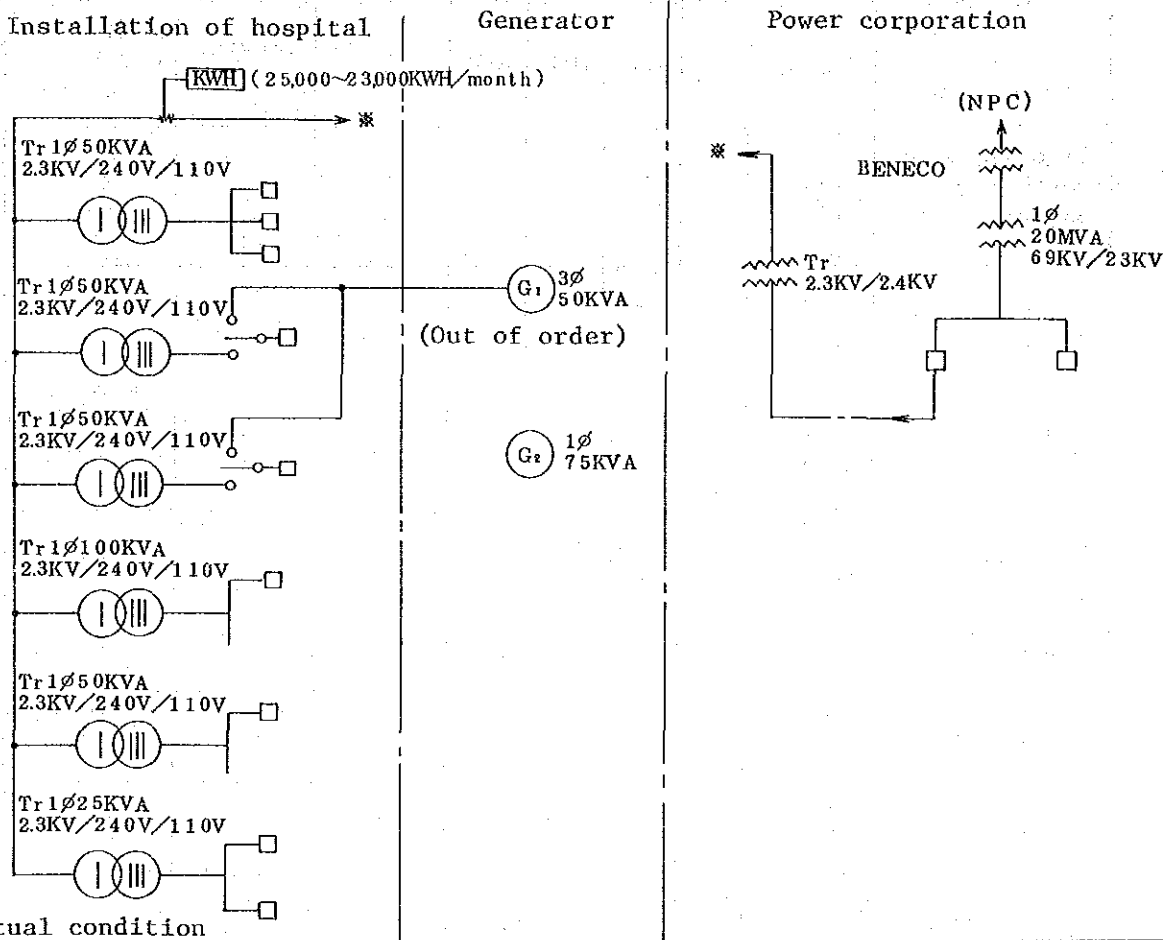
BONTOC PROVINCIAL HOSPITAL



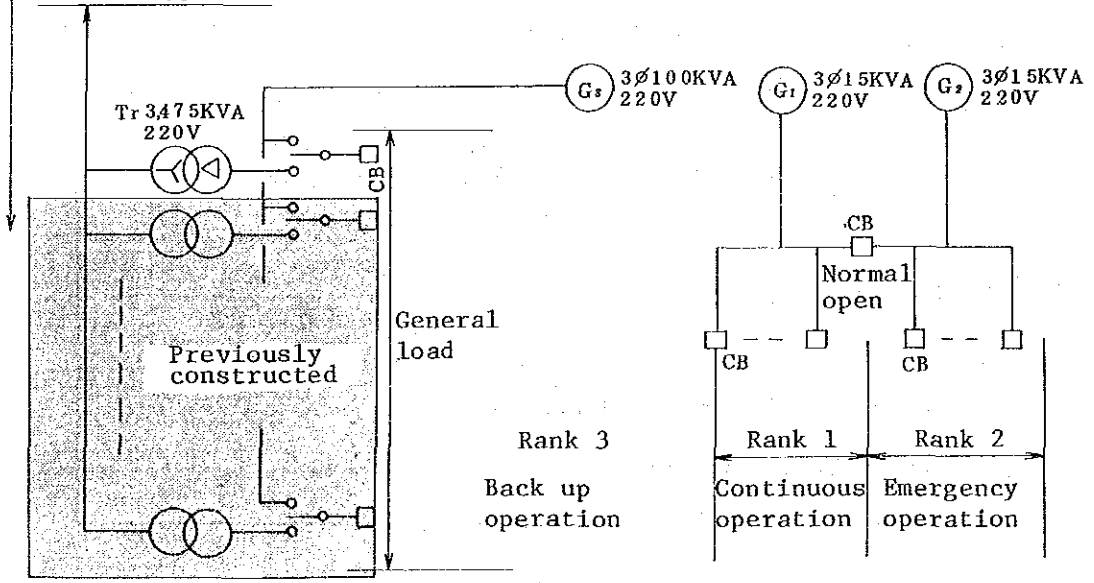
BAGUIO MEDICAL CENTER

Item \ D'T	Ward			ANC	OPD	ADM	Service 1	Service 2	Doctor Q.T.R. dormitory
	100	200	300						
Lighting & convenient outlet			X	○	○	X	○	○	○
Air condition power			X	○	—	—	○	○	—
Medical equipment			X	○	○	—	—	—	—
Telephone			X	○	○	X	—	—	—
Speaker			X	○	○	○	○	—	—
Nurse call			X	○	—	—	—	—	—
Interphone			X	○	○	○	○	—	○
Fire alarm			X	○	○	X	—	—	—
Lead in power	Showed other figure								
Generator	Type. 3			100 KVA	75 KVA	75 KVA	KVA	KVA	
Distribution panel	Type. 3								
Legend	○ be installed based on standard X not include this project								

BAGUIO MEDICAL CENTER



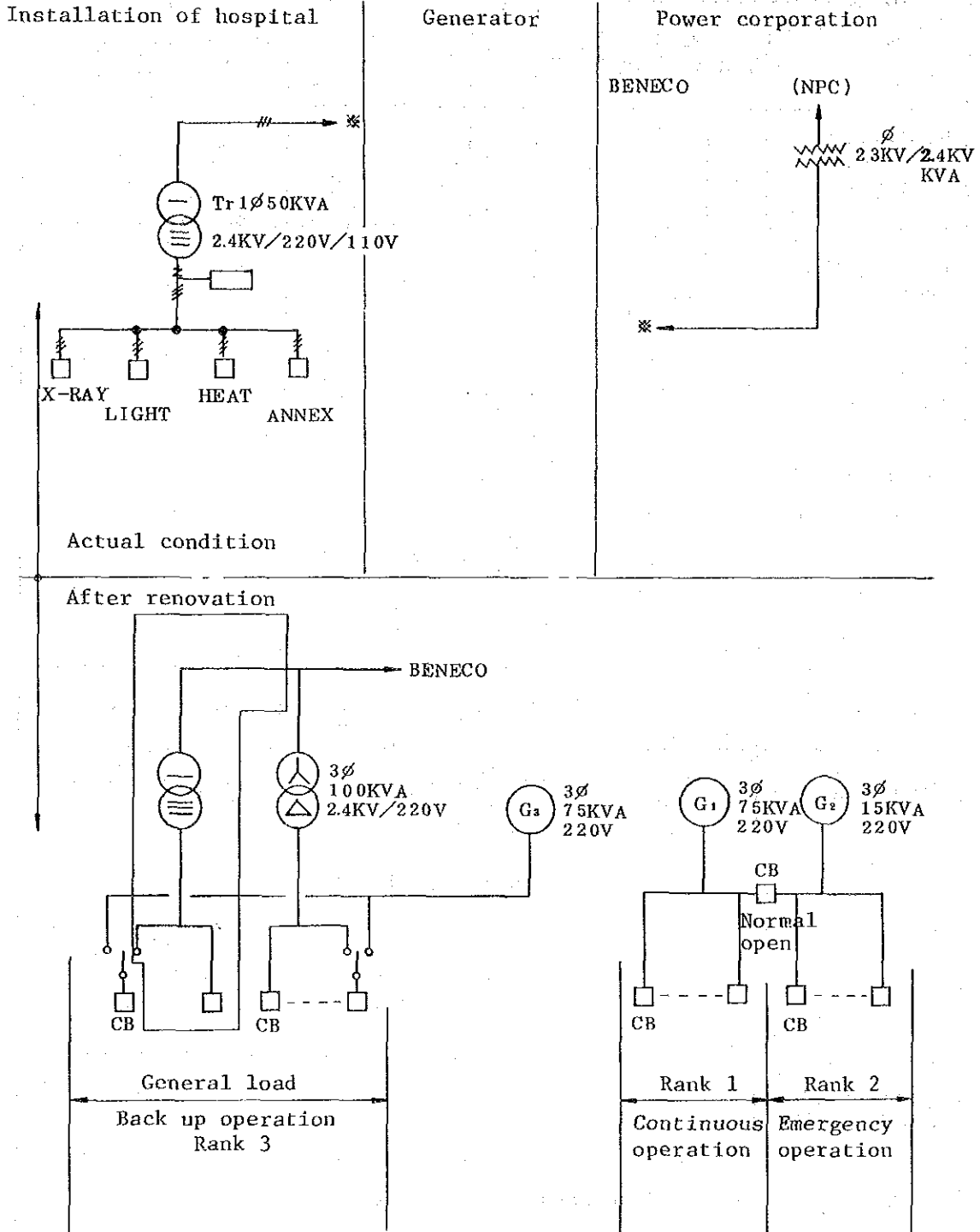
Actual condition
After renovation
BENEKO



BENGUET PROVINCIAL HOSPITAL

Item \ D'T	Ward			ANC	OPD	ADM	Service 1	Service 2	Doctor Q.T.R. dormitory	
	100	200	300							
Lighting & convenient outlet	○			○	○	○	○	○	○	
Air condition power	○			○	—	—	○	○	—	
Medical equipment	○			○	○	—	—	—	—	
Telephone	○			○	○	○	—	—	—	
Speaker	○			○	○	○	○	—	—	
Nurse call	○			○	—	—	—	—	—	
Interphone	○			○	○	○	○	—	○	
Fire alarm	○			○	○	○	—	—	—	
Lead in power	Showed other figure									
Generator	Type. 1					75 KVA 15 KVA 15 KVA	KVA KVA			
Distribution panel	Type. 1									
Legend	○	be installed based on standard								
	✕	not include this project								

BENGUET PROVINCIAL HOSPITAL



LA UNION REGIONAL HOSPITAL

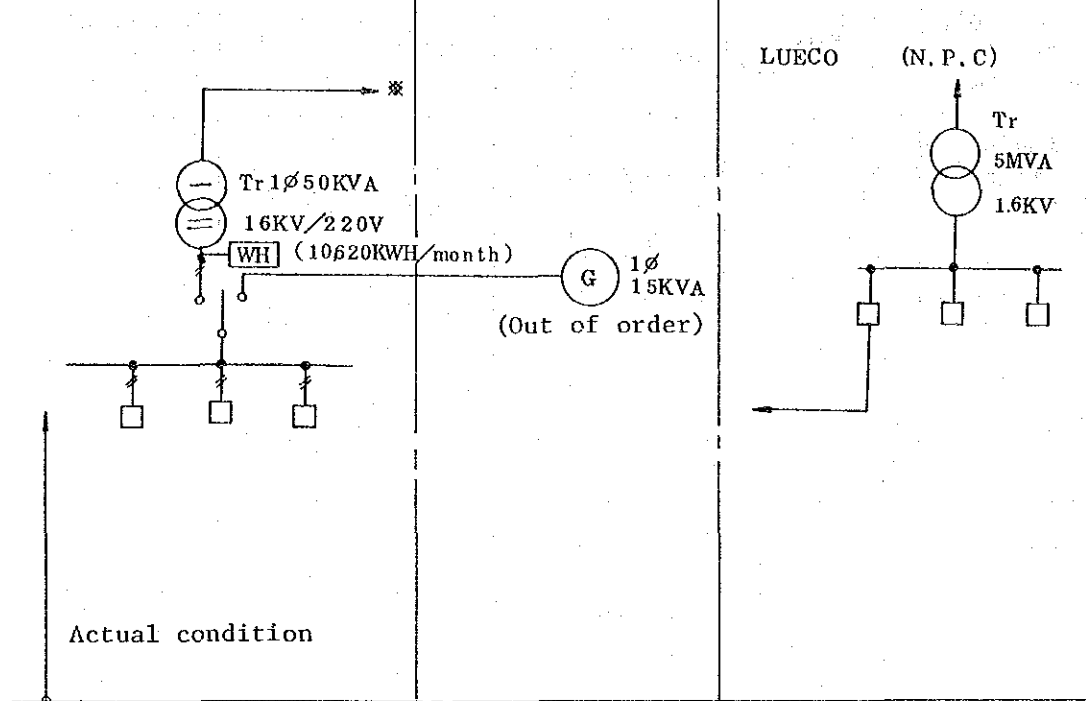
Item \ D'T	Ward			ANC	OPD	ADM	Service 1	Service 2	Doctor Q.T.R. dormitory
	100	200	300						
Lighting & convenient outlet		○		○	○	○	○	○	○
Air condition power		○		○	—	—	○	○	—
Medical equipment		○		○	○	—	—	—	—
Telephone		○		○	○	○	—	—	—
Speaker		○		○	○	○	○	—	—
Nurse call		○		○	—	—	—	—	—
Interphone		○		○	○	○	○	—	○
Fire alarm		○		○	○	○	—	—	—
Lead in power	Showed other figure								
Generator	Type. 1			75 KVA 15 KVA 15 KVA			KVA KVA		
Distribution panel	Type. 2								
Legend	○ be installed based on standard ✕ not include this project								

LA UNION REGIONAL HOSPITAL

Installation of hospital

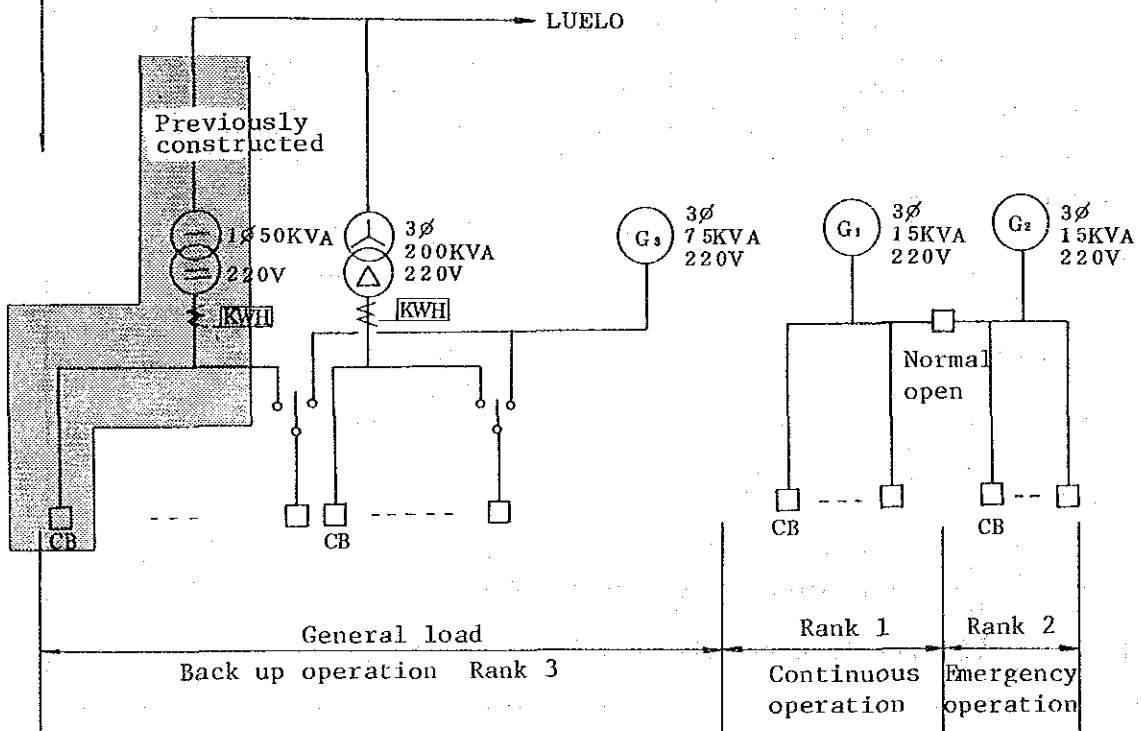
Generator

Power corporation



Actual condition

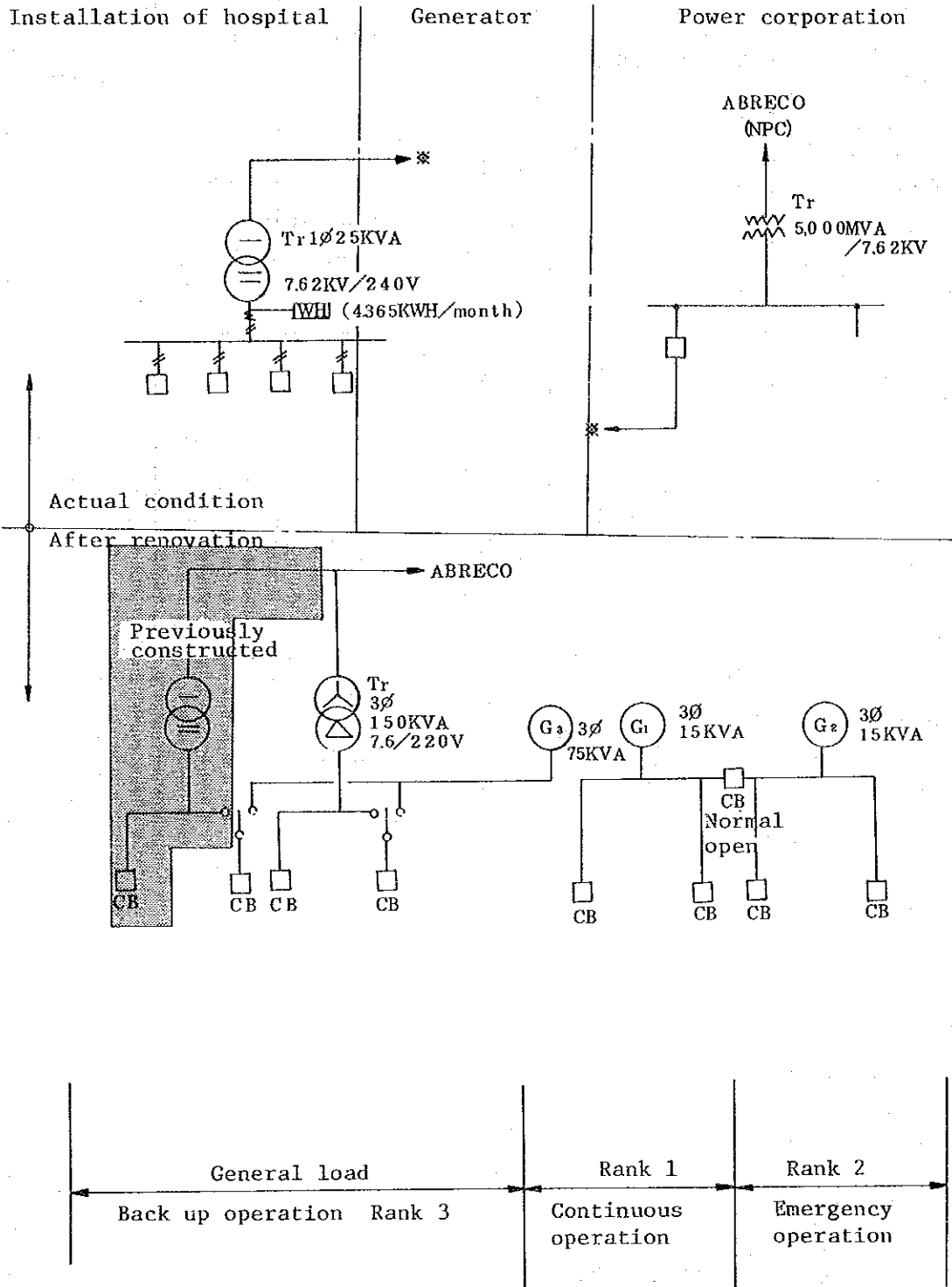
After renovation



ABRA PROVINCIAL HOSPITAL

Item \ D'T	Ward			ANC	OPD	ADM	Service 1	Service 2	Doctor Q.T.R. dormitory
	100	200	300						
Lighting & convenient outlet	○			○	○	○	○	○	○
Air condition power	○			○	—	—	○	○	—
Medical equipment	○			○	○	—	—	—	—
Telephone	○			○	○	○	—	—	—
Speaker	○			○	○	○	○	—	—
Nurse call	○			○	—	—	—	—	—
Interphone	○			○	○	○	○	—	○
Fire alarm	○			○	○	○	—	—	—
Lead in power	Showed other figure								
Generator	Type. 1			75 KVA 15 KVA 15 KVA			KVA KVA		
Distribution panel	Type. 1								
Legend	○ be installed based on standard × not include this project								

ABRA PROVINCIAL HOSPITAL



GABRIELA SILANG PROVINCIAL HOSPITAL

Item	D'T			ANC	OPD	ADM	Service 1	Service 2	Doctor Q.T.R. dormitory
	100	200	300						
Lighting & convenient outlet	○			○	○	○	○	○	○
Air condition power	○			○	—	—	○	○	—
Medical equipment	○			○	○	—	—	—	—
Telephone	○			○	○	○	—	—	—
Speaker	○			○	○	○	○	—	—
Nurse call	○			○	—	—	—	—	—
Interphone	○			○	○	○	○	—	○
Fire alarm	○			○	○	○	—	—	—
Lead in power	Showed other figure								
Generator	Type. 1			75 KVA 15 KVA 15 KVA			KVA KVA		
Distribution panel	Type. 1								
Legend	○ be installed based on standard ✕ not include this project								