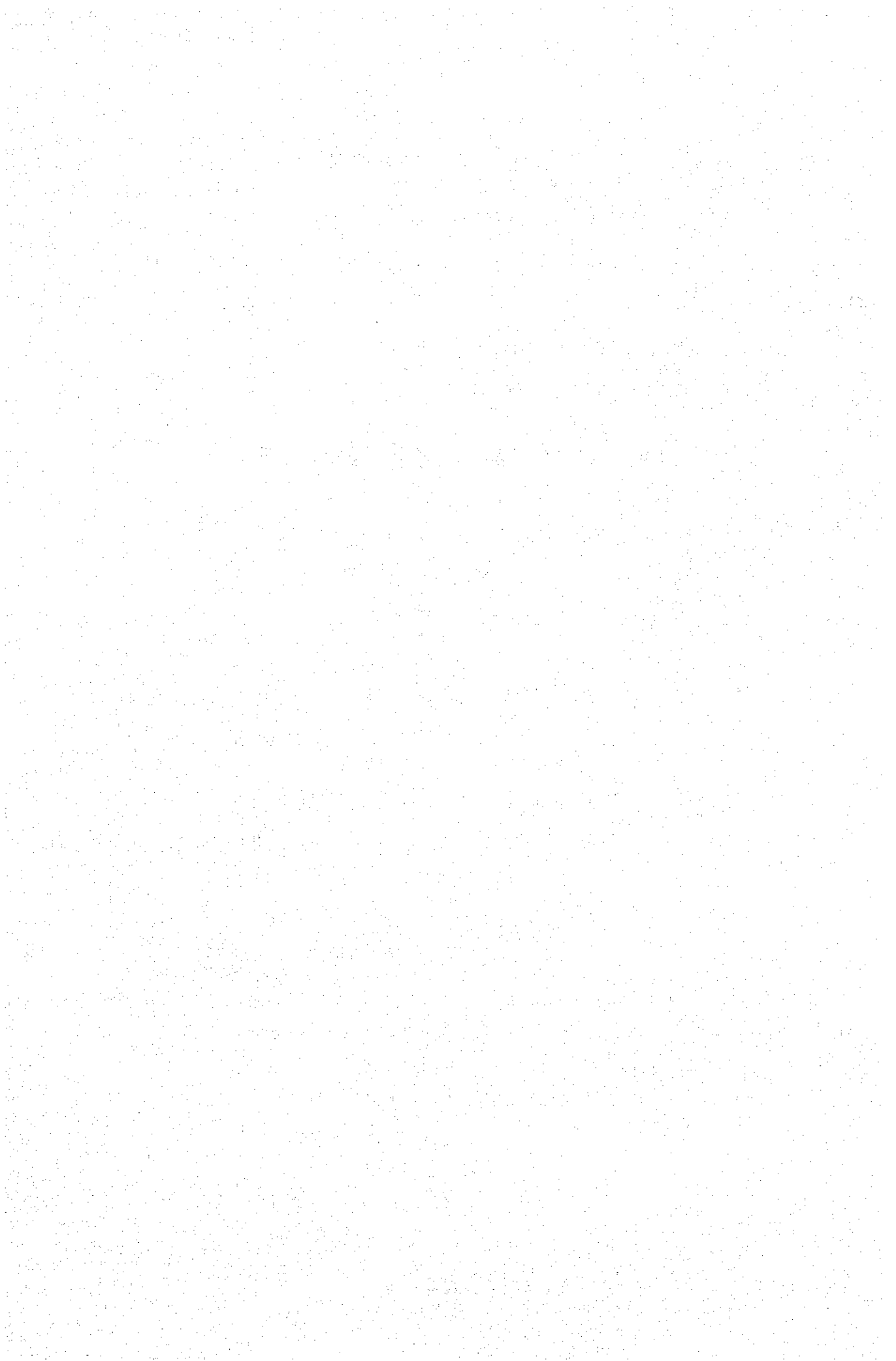


10. BOC 番号計画



DEVELOPMENT OF THE NUMBERING PLAN
(BY TOLL NETWORK COMMITTEE, BOC)

A. OBJECTIVES

The objective of the Numbering Plan is to -

- a) Assign to each subscriber in the direct distance dialling scheme, a unique and distinctive national telephone number that does not conflict with the number of any other subscriber connected to the network.
- b) Encompass at least 50 years development with provision for future expansion without a change in the basic structure of the plan.
- c) Assign uniform special service codes which will be as short as possible and easy to remember.
- d) Provide for future international subscribers dialling capability.

B. TYPE OF NUMBERING

The numbering plan is the basis for instructions given to subscribers so that they may dial their own calls over the national telephone system. It should be simple to understand and capable of being used accurately, otherwise, it will result in wasteful use of expensive trunk lines and switching equipment and inconvenience to the subscribers. The numbering plan should facilitate the economic use of plant by allowing application of flexible switching equipment.

These requirements are most satisfactorily met by a numbering scheme in which each subscriber's service is identified by a unique telephone number - the same telephone number being dialled to reach a particular subscriber regardless of where the call is originated. This type of numbering is called a "closed numbering" scheme and is the scheme adopted for the National Telecommunications Network with some modifications to provide shorter numbers on calls within networks (areas) covering local communities of interest.

The number to be dialled for a national trunk call consists of the following:

- a trunk prefix or access code ("0" is adopted)
- a trunk code (network selection code or area code)
- A subscriber's telephone number (the number to be dialled to reach the subscriber in the same local network or numbering area.)

The national significant number consists of the trunk code and the subscriber's telephone number. In this plan, the national significant number consists of 8 digits.

C. CAPACITY OF THE NUMBERING PLAN

The ultimate capacity of the numbering plan adopted is 5,120 codes in the A-BCD range giving access to 10,000 subscribers or a total of 51,200,000 subscribers for the entire country. Arrangement is as follows:

LISTED DIRECTORY NUMBER			
ACCESS CODE	AREA CODE	OFFICE CODE	STATION NUMBER
"0"	N	NNX	XXXX

Where N = Any number from 2 to 9

X = Any number from 0 to 9

This capacity can further be increased in the future to a total of 64,000,000 by using the N-NXX-XXXX scheme.

D. SELECTION OF AREA CODES

With the N-NXX-XXXX (A-BCD-XXXX) numbering scheme, each A digit corresponding to an area is capable of providing a total of 6,400,000 subscribers numbers. Each numbering area is limited by the projected number of subscribers and the number of probable central offices to be served within the area.

Under the above constraints, the numbering areas were drawn coincident with existing provincial boundaries without exceeding the ultimate central office code capacity for each area.

Following the trunk access code "0", the A digits of the area codes were allotted as follows:

- | | | |
|---------|----|--|
| A digit | 1. | Special Service |
| | 2. | Metro Manila |
| | 3. | Central Luzon & part of Southern Tagalog |
| | 4. | Southern Tagalog & Bicol |
| | 5. | Northern Luzon & part of Central Luzon |
| | 6. | Visayas & Palawan |
| | 7. | Mindanao |
| | 8. | Spare |
| | 9. | Spare |
| | 0. | Reserved for international dialling |

The areas with the probable heaviest incoming traffic are allotted area codes of the lower numbers to obtain faster setting up of the large number of calls to these networks and reduce the amount of common equipment required and provide greater convenience to subscribers.

E. DIALLING PROCEDURES

Studies show that as development of telecommunications progresses, the probable long term community of interest disperses, however, the bulk of the traffic originating from any exchange is confined to a relatively small surrounding area.

Two dialling procedures will apply in the national numbering plan as follows:

- a) For calls within a local closed numbering area, dial the subscriber's directory number.
- b) For calls outside the local numbering area, dial the trunk prefix ("0") followed by the national number.

The introduction of more than two dialling procedure will not result in worthwhile savings in switching equipment and will have the disadvantage of a more complicated directory instructions.

F. SPECIAL SERVICE CODES

Special service codes have been assigned on a 3-digit basis, all beginning with digit "1". These codes are the same codes to be dialled by subscribers throughout the network:

1. Public Local Special Services

- 103 Complaints
- 104 Local information
- 105 Local operating company
- 108 Information on LD charging
- 109 LD information at Origin

2. Long Distance Special Codes

(To be dialled after the trunk prefix and trunk code of the numbering area where they are located.)

- 121 LD information at destination
- 129 Assistance operator to extend calls to areas not yet operating on DDD.

3. Maintenance Special Codes

- 127 Installer's trunks
- 176 Inspector's trunks
- 177 Installer's dispatch
- 178 Repair dispatch

4. Emergency Service

- 191 Police
- 192 Ambulance
- 193 Fire

Additional codes shall be assigned as other special services as recorded announcements, weather forecasts, wake-up service, etc. are introduced.

NUMBERING PLAN AREA COVERAGE
NATIONAL TELECOMMUNICATIONS NETWORK

AREA CODE	AREA COVERAGE PROVINCE/CITY/MUNICIPALITY
02	<u>Metropolitan Manila</u> : Caloocan, Manila, Pasay, Quezon City, Makati, Malabon, Mandaluyong, Navotas, Las Pinas, Paranaque, San Juan, Pasig, Rizal and Valenzuela, Bulacan
03	<u>Central Luzon Region</u> : Bataan, Bulacan, Pampanga, Tarlac, Zambales <u>Southern Tagalog Region</u> : Cavite, Rizal
04	<u>Southern Tagalog Region</u> : Batangas, Laguna, Marinduque, Occidental Mindoro, Oriental Mindoro, Quezon <u>Bicol Region</u> : Albay, Camarines Norte, Camarines Sur, Catanduanes, Sorsogon
05	<u>Ilocos Region</u> : Abra, Benguet, Ilocos Norte, Ilocos Sur, La Union, Mt. Province <u>Cagayan Valley Region</u> : Batanes, Cagayan, Ifugao, Isabela, Kalinga-Apayao, Nueva Viscaya, Quirino <u>Central Luzon Region</u> : Nueva Ecija, Pangasinan <u>Southern Tagalog Region</u> : Aurora
06	<u>Southern Tagalog Region</u> : Romblon, Palawan <u>Bicol Region</u> : Masbate <u>Western Visayas Region</u> : Aklan, Antique, Capiz, Iloilo, Negros Occidental <u>Eastern Visayas Region</u> : Bohol, Cebu, Negros Oriental <u>Central Visayas Region</u> : Leyte, Southern Leyte, Eastern Samar, Northern Samar, Western Samar
07	<u>Western Mindanao Region</u> : Sulu, Zamboanga del Norte, Zamboanga del Sur <u>Northern Mindanao Region</u> : Agusan del Norte, Agusan del Sur, Bukidnon, Camiguin, Lanao del Norte, Lanao del Sur, Misamis Occidental, Misamis Oriental, Surigao del Norte, Surigao del Sur <u>Southern Mindanao Region</u> : Cotabato, South Cotabato, Davao del Norte, Davao del Sur, Davao Oriental

NATIONAL TELEPHONE NUMBERING PLAN
CENTRAL OFFICE CODE ASSIGNMENT
(METROPOLITAN MANILA)

(02) 221-	(02) 268-	(02) 336-
222-	269-	337-
223-	260-	338-
224-		339-
225-	271-	330-
226-	272-	
227-	273-	341-Gubao
228-	274-	342-Gubao
229-	275-	343-Gubao
220-	276-	344-Gubao
	277-	345-
231-Caloocan	278-	346-
232-Caloocan	279-	347-
233-Caloocan	270-	348-
234-Caloocan		349-
235-Caloocan	281-Quezon City	340-
236-Caloocan	282-Quezon City	
237-	283-Quezon City	351-G. Park
238-	284-Quezon City	352-G. Park
239-	285-Quezon City	353-G. Park
230-	286-Quezon City	354-G. Park
	287-	355-G. Park
241-	288-	356-G. Park
242-	289-	357-
243-	280-	358-
244-		359-
245-	291-Polo	350-
246-	292-Polo	
247-	293-	361-
248-	294-	362-
249-	295-	363-
240-	296-	364-
	297-	365-
251-Valenzuela	298-	366-
252-Valenzuela	299-	367-
253-Valenzuela	290-	368-
254-Valenzuela		
255-	321-Del Monte	371-Camarin
256-	322-Del Monte	372-Camarin
257-	323-Del Monte	373-Camarin
258-	324-Del Monte	374-Camarin
259-	325-Del Monte	375-Camarin
250-	326-Del Monte	376-
	327-	377-
261-Tondo	328-	378-
262-Tondo		379-
263-	331-T. Sora	370-
264-	332-T. Sora	
265-	333-T. Sora	381-Balara
266-	334-T. Sora	382-Balara
267-	335-T. Sora	383-Balara

NATIONAL TELEPHONE NUMBERING PLAN
CENTRAL OFFICE CODE ASSIGNMENT
(METROPOLITAN MANILA)

(02) 384-Balara	(02) 451-	(02) 498-
385-	452-	499-
386-	453-	490-
387-	454-	
388-	455-	521-
389-	456-	522-
380-	457-	523-
	458-	524-
391-Novaliches	459-	525-
392-Novaliches	450-	526-
393-Novaliches		527-
394-Novaliches	461-	528-
395-Novaliches	462-	529-
396-	463-	520-
397-	464-	
398-	465-	531-
399-	466-	532-
390-	467-	533-
	468-	534-
421-	469-	535-
422-	460-	536-
423-		537-
424-	471-	538-
425-	472-	539-
426-	473-	530-
427-	474-	
428-	475-Intramuros	541-San Andres
429-	476-Intramuros	542-San Andres
420-	477-Intramuros	543-San Andres
	478-Intramuros	544-San Andres
431-	479-Intramuros	545-San Andres
432-	470-Intramuros	546-San Andres
433-		547-San Andres
434-	481-	548-
435-	482-	549-
436-	483-	540-
437-	484-	
438-	485-	551-Quiapo
439-	486-	552-Quiapo
430-	487-	553-Quiapo
	488-	554-Quiapo
441-	489-	555-
442-	480-	556-
443-		557-
444-	491-	558-
445-	492-	559-
446-	493-	550-
447-	494-	
448-	495-	561-
449-	496-	562-
440-	497-	563-

NATIONAL TELEPHONE NUMBERING PLAN
 CENTRAL OFFICE CODE ASSIGNMENT
 (METROPOLITAN MANILA)

(02) 564-	(02) 631-	(02) 678-
565-	632-	679-
566-	633-	670-
567-	634-	
568-	635-	681-
569-	636-	682-
560-	637-	683-
	638-	684-
571-	639-	685-
572-	630-	686-
573-		687-
574-	641-Sampaloc	688-
575-	642-Sampaloc	689-
576-	643-Sampaloc	680-
577-	644-Sampaloc	
578-	645-Sampaloc	691-Pasig
579-	646-Sampaloc	692-Pasig
570-	647-	693-Pasig
	648-	694-
581-	649-	695-
582-	640-	696-
583-		697-
584-	651-	698-
585-	652-	699-
586-Malate	653-	690-
587-Malate	654-	
588-Malate	655-	721-
589-Malate	656-	722-
580-Malate	657-	723-
	658-	724-
591-	659-	725-
592-	650-	726-
593-		727-
594-	661-	728-
595-	662-	729-
596-	663-	720-
597-	664-	
598-	665-	731-
599-	666-	732-
590-	667-	733-
	668-	734-
621-Sta. Mesa	669-	735-
622-Sta. Mesa	660-	736-
623-Sta. Mesa		737-
624-	671-	738-
625-	672-	739-
626-	673-	730-
627-	674-	
628-	675-	741-
629-	676-	742-
620-Sta. Mesa	677-	743-

NATIONAL TELEPHONE NUMBERING PLAN
CENTRAL OFFICE CODE ASSIGNMENT
(METROPOLITAN MANILA)

(02) 744-	(02) 791-	(02) 857-
745-	792-	858-
746-	793-	859-
747-	794-	850-
748-	795-	861-Highway
749-	796-Mandaluyong	862-Highway
740-	797-Mandaluyong	863-Highway
751-	798-Mandaluyong	864-Highway
752-	799-Mandaluyong	865-
753-	790-	866-
754-	821-Pasay	867-
755-	822-Pasay	868-
756-	823-Pasay	869-
757-	824-Pasay	860-
758-	825-Pasay	871-
759-	826-Pasay	872-
750-	827-	873-
761-	828-	874-
762-	829-	875-
763-	820-	876-
764-	831-	877-
765-	832-Peranaque	878-
766-	833-Peranaque	879-
767-	834-Peranaque	870-
768-	835-Peranaque	881-
769-	836-Peranaque	882-Makati
760-	837-Peranaque	883-Makati
771-DND	838-	884-Makati
772-DND	839-	885-Makati
773-DND	830-	886-Makati
774-DND	841-	887-Makati
775-DND	842-	888-Makati
776-DND	843-	889-Makati
777-DND	844-	880-
778-DND	845-	891-
779-DND	846-	892-
770-	847-	893-
781-DND	848-	894-
782-DND	849-	895-
783-DND	840-	896-
784-DND	851-	897-
785-DND	852-	898-
786-DND	853-	899-
787-DND	854-	890-
789-DND	855-	
780-	856-	

NATIONAL TELEPHONE NUMBERING PLAN
CENTRAL OFFICE CODE ASSIGNMENT
(METROPOLITAN MANILA)

(02) 921-Las Pinas	(02) 967-
922-Las Pinas	968-
923-Las Pinas	969-
924-Las Pinas	960-
925-Las Pinas	
926-	971-
927-	972-
928-	973-
929-	974-
920-	975-
	976-
931-Baclaran	977-
932-Baclaran	978-
933-Baclaran	979-
934-Baclaran	970-
935-Baclaran	
936-	981-
937-	982-
938-	983-
939-	984-
930-	985-
	986-
941-	987-
942-	988-
943-	989-
944-	980-
945-	
946-	991-
947-	992-
948-	993-
949-	994-
940-	995-
	996-
951-	997-Quezon City
952-	998-Quezon City
953-	999-Quezon City
954-	990-
955-	
956-	
957-	
958-	
959-	
950-	
961-	
962-	
963-	
964-	
965-	
966-	

NATIONAL TELEPHONE NUMBERING PLAN
CENTRAL OFFICE CODE ASSIGNMENT

(ZAMBALES - BATAAN)

(03) 221-Olongapo City	(03) 272-	(03) 336-
222-	273-	337-Minalin, Pamp.
223-	274-	338-
224-	275-	339-Mexico, Pamp.
225-Subic, Zambales	276-	330-
226-	277-	341-Angeles City
227-Castellejos, Zamb.	278-	342-
228-	279-	343-Posas, Pamp.
229-	270-	344-
231-San Narciso, Zamb.	281-Mariveles, Bataan	345-Mabalacat, Pamp.
232-	282-	346-
233-San Antonio, Zamb.	283-	347-Magalang, Pamp.
234-	284-	348-
235-San Marcelino, Zamb.	285-	349-
236-	286-	340-
237-San Felipe, Zamb.	287-	351-
238-	288-	352-
239-	289-	353-
230-	280-	354-
241-Iba, Zambales	291-Hermosa, Bataan	355-
242-	292-	356-
243-Botolan, Zamb.	293-Dinalupihan, Bataan	357-
244-	294-	358-
245-Palauig, Zamb.	295-Orani, Bataan	359-
246-	296-	350-
247-	297-Samal, Bataan	361-Sta. Ana. Pamp.
248-	298-	362-
249-	299-	363-San Luis, Pamp.
240-	290-	364-
251-Masinloc, Zamb.	(PAMPANGA)	365-Candaba, Pampanga
252-	321-San Fdo., Pamp.	366-
253-Candelaria, Zamb.	322-San Fdo., Pamp.	367-Apalit, Pamp.
254-	323-	368-
255-	324-	369-San Simon, Pamp.
256-	325-Bacolor, Pamp.	370-
257-	326-	371-
258-	327-Sta. Rita, Pamp.	372-
259-	328-	
250-	329-Guagua, Pamp.	
261-Balanga, Bataan	330-	
262-	331-Lubao, Pamp	
263-Pilar, Bataan	332-	
264-	333-	
265-Orion, Mataan	334-	
266-	335-Sto. Tomas, Pamp.	
267-Limay, Bataan		
268-		
269-		

NATIONAL TELEPHONE NUMBERING PLAN
CENTRAL OFFICE CODE ASSIGNMENT

(PAMPANGA)

(03) 373-
374-
375-
376-
377-
378-
379-
370-

381-Masantol, Pamp.
382-
383-Macabebe, Pamp.
384-
385-
386-
387-Floridablanca, Pamp.
388-
389-Arayat
380-

391-
392-
393-
394-
395-
396-
397-
398-
399-
390-

(TARLAC)

(03) 421-Tarlac
422-Tarlac
423-
424-
425-
426-
427-Victoria
428-
429-La Paz
420-

431-
432-
433-
434-
435-

(03) 436-
437-
438-
439-
430-

441-Capaz
442-
443-Bamban
444-
445-Concepcion
446-
447-
448-
449-
440-

451-
452-
453-
454-
455-
456-
457-
458-
459-
450-

461-Camiling
462-
463-
464-
465-Sta. Ignacia
466-
467-
468-
469-
460-

471-
472-
473-
474-
475-
476-
477-
478-
479-
470-

(03) 481-Paniqui
482-
483-Gerona
484-
485-
486-
487-
488-
489-
480-

491-Moncada
492-
493-
494-
495-
496-
497-
498-
499-
490-

(BULACAN)

(03) 521-
522-Malolos
523-
524-
525-Paombong
526-
527-Hagonoy
528-
529-Bulacan
520-

531-Guiguinto
532-
533-Plaridel
534-
535-Pulilan
536-
537-Calumpit
538-
539-
530-

541-Matilao
542-
543-Meycauayan

NATIONAL TELEPHONE NUMBERING PLAN
CENTRAL OFFICE CODE ASSIGNMENT

(BULACAN)	(03) 587-San Ildefonso	(03) 651-
(03) 544-	588-	652-
545-Obando	589-San Miguel	653-
546-	580-	654-
547-Bocau	591-	655-
548-	592-	656-
549-	593-	657-
540-	594-	658-
	595-	659-
	596-	650-
551-	597-	661-
552-	598-	662-
553-	599-	663-
554-	590-	664-
555-		665-
556-	621-	666-
557-	622-	667-
558-	623-	668-
559-	624-	669-
550-	625-	660-
561-Angat	626-	
562-	627-	671-
563-Norzagaray	628-	672-
564-	629-	673-
565-Sta. Maria	620-	674-
566-		675-
567-Pandi	631-	676-
568-	632-	677-
569-San Jose	633-	678-
560-	634-	679-
	635-	670-
571-	636-	
572-	637-	681-
573-	638-	682-
574-	639-	683-
575-	630-	684-
576-		685-
577-	641-	686-
578-	642-	687-
579-	643-	688-
570-	644-	689-
	645-	680-
581-Baliwan	646-	
582-	647-	691-
583-Bustos	648-	692-
584-	649-	693-
585-	640-	694-
586-		695-

NATIONAL TELEPHONE NUMBERING PLAN
CENTRAL OFFICE CODE ASSIGNMENT

(BULACAN)

(03) 696-
697-
698-
699-
690-

721-
722-
723-
724-
725-
726-
727-
728-
729-
720-

731-
732-
733-
734-
735-
736-
737-
738-
739-
730-

741-
742-
743-
744-
745-
746-
747-
748-
749-
740-

751-
752-
753-
754-
755-
756-
757-
758-
759-
750-

(03) 761-
762-
763-
764-
765-
766-
767-
768-
769-
760-

771-DND
772-DND
773-DND
774-DND
775-DND
776-DND
777-DND
778-DND
779-DND
770-

781-DND
782-DND
783-DND
784-DND
785-DND
786-DND
787-DND
788-DND
789-DND
780-

791-
792-
793-
794-
795-
796-
797-
798-
799-
790-

(RIZAL)

(03) 821-Pateros
822-
823-Taguig
824-
825-Muntinglupa
826-
827-San Mateo
828-
829-Montalban
820-

831-
832-
833-
834-
835-
836-
837-
838-
839-
830-

841-Cainta
842-
843-Taytay
844-
845-Antipolo
846-
847-Marikina
848-
849-
840-

851-
852-
853-
854-
855-
856-
857-
858-
859-
850-

NATIONAL TELEPHONE NUMBERING PLAN
CENTRAL OFFICE CODE ASSIGNMENT

<p>(RIZAL)</p> <p>(03) 861-Morong 862- 863-Angono 864- 865- 866- 867-Binangonan 868- 869- 860- 871- 872- 873- 874- 875- 876- 877- 878- 879- 870- 881-Pililla 882- 883-Tanay 884- 885- 886- 887-Teresa 888- 889- 880- 891- 892- 893- 894- 895- 896- 897- 898- 899- 890-</p>	<p>(CAVITE)</p> <p>(03) 921-Kawit 922- 923-Noveleta 924- 925-Rosario 926- 927-Gen. Trias 928- 929-Tanza 920- 931-Cavite City 932- 933-Imus 934- 935-Bacoor 936- 937- 938- 939- 930- 941-Dasmarinas 942- 943-Silang 944- 945-Carmona 946- 947- 948- 949-Trece Martires City 940- 951- 952- 953- 954- 955- 956- 957- 958- 959- 950- 961-Naic 962- 963-</p>	<p>(03) 964- 965- 966- 967- 968- 969- 960- 971- 972- 973- 974- 975- 976- 977- 978- 979- 970- 981-Tagaytay 982- 983- 984- 985-Indang 986- 987- 988- 989- 980- 991- 992- 993- 994- 995- 996- 997- 998- 999- 990-</p>
---	--	---

NATIONAL TELEPHONE NUMBERING PLAN
CENTRAL OFFICE CODE ASSIGNMENT

(LAGUNA)	(04) 265-	(04) 329-
(04) 221-San Pablo City	266-	320-
222-San Pablo City	267-	
223-	268-	331-Candelaria
224-	269-	332-
225-	260-	333-Sariaya
226-	271-Sta. Cruz	334-
227-	272-	335-Tiaong
228-	273-	336-
229-	274-	337-
220-	275-	338-
	276-	339-
231-Los Banes	277-	330-
232-	278-	341-
233-Calamba	279-Pagsanjan	342-
234-	270-	343-
235-Calauan		344-
236-	281-	345-
237-Bay	282-	346-
238-	283-	347-Lucban
239-	284-	348-
230-	285-	349-
	286-	340-
241-Binan	287-Lumban	
242-	288-	351-
243-Sta. Rosa	289-Sta. Maria	352-
244-	280-	353-
245-Cabuyao		354-
246-	291-	355-
247-San Pedro	292-	356-
248-	293-	357-
249-	294-	358-
240-	295-	359-
	296-	350-
251-	297-	
252-	298-	361-Mauban
253-	299-	362-
254-	290-	363-Real
255-		364-
256-	(QUEZON)	365-Atimonan
257-	(04) 321-Lucena City	366-
258-	322-Lucena City	367-Infanta
259-	323-	368-
250-	324-Tayabas	369-
	325-	360-
261-Nagcarlan	326-Pagbilao	
262-	327-	371-
263-Rizal	328-	372-
264-		373-

NATIONAL TELEPHONE NUMBERING PLAN
CENTRAL OFFICE CODE ASSIGNMENT

(QUEZON)	(04) 439-	(04) 485-San Andres
	430-	486-
(04) 374-		487-San Narciso
375-	441-	488-
376-	442-	489-
377-	443-	480-
378-	444-	
379-	445-	491-
370-	446-	492-
	447-	493-
381-Polillo	448-	494-
382-	449-	495-
383-Burdeos	440-	496-
384-		497-
385-	451-	498-
386-	452-	499-
387-	453-	490-
388-	454-	
389-	455-	(BATANGAS)
380-	456-	
	457-	(04) 521-Batangas City
391-	458-	522-
392-	459-	523-Buan/Laurel
393-	450-	524-
394-		525-Mabini
395-	461-Catantuan	526-
396-	462-	527-
397-	463-	528-
398-	464-	529-San Pascual
399-	465-	520-
390-	466-	
	467-	531-Rosario
421-Gumaca	468-	532-
422-	469-	533-
423-	460-	534-
424-		535-Padre Garcia
425-	471-	536-
426-	472-	537-Ibaan
427-	473-	538-
428-	474-	539-San Jusan
429-	475-	530-
420-	476-	
	477-	541-Lipa City
431-Lopez	478-	542-
432-	479-	543-
433-Calauag	470-	544-
434-		545-
435-Tagkawayan	481-Mulanay	546-San Jose
436-	482-	547-
437-Guinayangan	483-San Francisco	548-
438-	484-	549-
		540-

NATIONAL TELEPHONE NUMBERING PLAN
CENTRAL OFFICE CODE ASSIGNMENT

(BATANGAS)

(04) 551-Tanauan
552-
553-
554-
555-Sto. Tomas
556-
557-Talisay
558-
559-Lobo
550-

561-Semery
562-
563-Taal
564-
565-San Luis
566-
567-
568-
569-
560-

571-
572-
573-
574-
575-
576-
577-
578-
579-
570-

581-
582-
583-
584-
585-
586-
587-
588-
589-
580-

591-Balayan
592-
593-Calaca
594-

(04) 595-Tuy
596-
597-Lian
598-
599-Nasugbu
590-

(MINDORO-MARINDUQUE)

(04) 621-Calapan Or.M.
622-
623-
624-
625-Naujan, Or.M.
626-
627-
628-
629-
620-

631-Victoria, Or.M.
632-
633-Pola, Or. M.
634-
635-Pinamalayan,
Or.M.
636-
637-Gloria, Or.M.
638-
639-Socorro, Or.M.
630-

641-Bansud, Or.M.
642-
643-Bongabong,
Or.M.
644-
645-Roxas, Or.M.
646-
647-Mansalaya,
Or.M.
648-
649-
640-

651-Mamburao,
Occ.M.
652-
653-
654-

(04) 655-
656-
657-
658-
659-Sablayan,
Occ. M.
650-

661-Lubang, Occ.M.
662-
663-
664-
665-
666-
667-
668-
669-
660-

671-San Jose,
Occ.M.
672-
673-Magsaysay,
Occ. M.
674-
675-
676-
677-
678-
679-
670-

681-Boac,
Marinduque
682-
683-Mogpog,
Marinduque
684-
685-
686-
687-Sta. Cruz,
Marinduque
688-
689-
680-

691-Gasan,
Marinduque
692-
693-

NATIONAL TELEPHONE NUMBERING PLAN
CENTRAL OFFICE CODE ASSIGNMENT

(MINDORO-MARINDUQUE)

(04) 694-
695-
696-
697-Torrijos,
Marinduque
698-
699-
690-

(CAM. NORTH-CATANDUANES-DND)

(04) 721-Daet, Cam. Norte
722-
723-
724-
725-Mercedes, Cam. N.
726-
727-Basud, Cam. N.
728-
729-
720-

731-Labo, Cam. N.
732-
733-
734-
735-Vinzona, Cam. N.
736-
737-
738-
739-
730-

741-J. Panganiban,
C. M.
742-
743-Paracale,
Cam. N.
744-
745-
746-
747-Capalonga,
Cam. N.
748-
749-
740-

(04) 751-Virac, Catanduanes (04) 795-
752- 796-
753-Bato, Catanduanes 797-
754- 798-
755- 799-
756- 790-
757-
758-
759-San Andres,
Catan.
750-

761-
762-
763-Viga, Catanduanes
764-
765-
766-
767-
768-
769-Caramoan,
Catanduanes
760-

771-DND
772-DND
773-DND
774-DND
775-DND
776-DND
777-DND
778-DND
779-DND
770-DND

781-DND
782-DND
783-DND
784-DND
785-DND
786-DND
787-DND
788-DND
789-DND
780-

791-
792-
793-
794-

(ALBAY-SORSOGON-
MASBATE)

(04) 821-Legaspi City
822-
823-Daraga, Albay
824-
825-Pio Duran,
Albay
826-
827-
828-
829-
820-

831-Guinobatan,
Albay
832-
833-Camalig, Albay
834-
835-Sto. Domingo,
Albay
836-
837-Bagacay, Albay
838-
839-Rapu-Rapu,
Albay
830-

841-Polangui,
Albay
842-
843-Libon, Albay
844-
845-Oas, Albay
846-
847-Ligao, Albay
848-
849-
840-

851-Tabaco, Albay
852-

NATIONAL TELEPHONE NUMBERING PLAN
CENTRAL OFFICE CODE ASSIGNMENT

(ALBAY-SORSOGON-MASBATE)	(04) 891-Irosan, Sorsogon	(04) 956-
	892-	957-
(04) 853-Malilipot, Albay	893-Bulan, Sorsogon	958-
854-	894-	959-
855-Malinao, Albay	895-Matnog, Sorsogon	950-
856-	896-	
857-Tiwi, Albay	897-	(04) 961-Goa
858-	898-	962-
859-	899-	963-
850-	890-	964-
		965-Tigoan
	(CAMARINES SUR)	966-
861-Sorsogon, Sorsogon		967-
862-	(04) 921-Kawit	968-
863-Bacon, Sorsogon	922-	969-Laganoy
864-	923-Noveleta	960-
865-Cubat, Sorsogon	924-	
866-	925-Rosario	971-Tinambac
867-	926-	972-
868-	927-Gen. Trias	973-
869-	928-	974-
860-	929-	975-
	920-	976-
		977-Caramoan
871-Casiguran, Sorsogon	931-Cavite City	978-
872-	932-	979-
873-	933-Isus	970-
874-	934-	
875-Magallanes, Sorsogon	935-Bacoor	981-
876-	936-	982-
877-	937-	983-Pasacao
878-	938-	984-
879-Castilla, Sorsogon	939-	985-
870-	930-	986-
		987-Libmanan
	941-Desmarinas	988-
	942-	989-
881-Pilar, Sorsogon	943-Silang	980-
882-	944-	
883-Donsol, Sorsogon	945-Carmena	991-Sipocot
884-	946-	992-
885-	947-	993-
886-	948-	994-
887-	949-Trece Martires City	995-
888-	940-	996-
889-		997-Ragay
880-Claveria, Masbate	951-	998-
	952-	999-
	953-	990-
	954-	
	955-	

NATIONAL TELEPHONE NUMBERING PLAN
CENTRAL OFFICE CODE ASSIGNMENT

(PANGASINAN)	(05) 265-	(05) 327-Bautista, Pang.
	266-	328-
(05) 221-Dagupan City	267-	329-Alcala, Pang.
222-Dagupan City	268-	320-
223-	269-	
224-	260-	331-Rosales, Pang.
225-		332-
226-	271-	333-Villasis, Pang.
227-Bugallon	272-	334-
228-	273-	335-
229-Aguilar	274-	336-
220-	275-	337-
	276-	338-
231-Lingayen	277-	339-
232-	278-	330-
233-Binmaley	279-	
234-	270-	341-Pozorrubio,
235-Calasiao		Pang.
236-	281-	342-
237-Sta. Barbara	282-	343-Sison, Pang.
238-	283-	344-
239-	284-	345-Binalonan,
230-	285-	Pang.
	286-	346-
241-Mangaldan	287-Mangatarem	347-
242-	288-	348-
243-San Fabian	289-Urbiztondo	349-
244-	280-	340-
245-San Jacinto		
246-	291-San Carlos	351-Tayug, Pang.
247-	292-	352-
248-	293-Malasiqui	353-Sta. Maria,
249-	294-	Pang.
240-	295-	354-
	296-	355-
251-Bolinao	297-Manaoag	356-
252-	298-	357-
253-	299-Mapandan	358-
254-	290-	359-
255-Bani		350-
256-	(PANGASINAN-NUEVA	
257-	ECIJA-AURORA	361-San Manuel,
258-	SUB-PROVINCE)	Pang.
259-Alaminos		362-
250-	(05) 321-Urdaneta, Pang.	363-San Nicolas,
	322-	Pang.
261-	323-Asingan, Pang.	364-
262-	324-	365-
263-	325-Bayambang, Pang.	366-
264-	326-	367-

NATIONAL TELEPHONE NUMBERING PLAN
CENTRAL OFFICE CODE ASSIGNMENT

(PANGASINAN-NUEVA
ECIJA-AURORA
SUB-PROVINCE)

(05) 368-
369-
360-

371-San Jose City
372-
373-Munoz, Nueva Ecija
374-
375-Lupao, Nueva Ecija
376-
377-
378-
379-Carrangalan,
Nueva Ecija
370-

381-Pantabangan,
Nueva Ecija
382-
383-Rizal, Nueva Ecija
384-
385-
386-
387-Casiguran, Aurora
388-
389-
380-

391-
392-
393-Cuyapo, Nueva Ecija
394-
395-
396-
397-
398-
399-Guimba, Nueva Ecija
390-

(NUEVA ECIJA-AURORA
SUB-PROVINCE)

(05) 421-Cabanatuan City
422-Cabanatuan City
423-
424-
425-
426-
427-Sta. Rosa,
Nueva E.
428-
429-San Leonardo,
Nueva E.
420-
431-Gen. Tinio,
Nueva E.
432-
433-
434-
435-
436-
437-
438-
439-
430-

441-Gapan, Nueva E.
442-
443-Jaen, Nueva E.
444-
445-San Isidro,
Nueva E.
446-
447-San Antonio,
Nueva E.
448-
449-Cabiao, Nueva E.
440-

451-Aliaga,
Nueva E.
452-
453-Zaragosa,
Nueva E.
454-
455-
456-
457-Quezon, Nueva E.

(05) 458-
459-
450-

461-Talavera,
Nueva E.
462-
463-Llavera,
Nueva E.
464-
465-Sto Domingo,
Nueva E.
466-
467-
468-
469-
460-
471-
472-
473-
474-
475-
476-
477-
478-
479-
470-

481-Bongabon,
Nueva E.
482-
483-Laur, Nueva E.
484-
485-Palayan City
486-
487-Gen. Natividad,
Nueva E.
488-
489-
480-

491-M. Aurora,
Aurora
492-
493-
494-
495-Dipaculao,
Aurora
496-

NATIONAL TELEPHONE NUMBERING PLAN
CENTRAL OFFICE CODE ASSIGNMENT

(NUEVA ECIJA-AURORA SUB-PROVINCE)	(05) 551-Balaoan, La Union	(05) 595-
	552-	596-
(05) 497-	553-	597-
498-	554-	598-
499-Gabaldon, Nueva Ecija	555-Luna, La Union	599-
490-	556-	(ILOCOS SUR - ILOCOS NORTE)
	557-Bangar, La Union	
(LA UNION -- ABRA)	558-	(05) 621-Vigan, Ilocos Sur
(05) 521-San Fdo., La Union	559-	622-
522-	560-	623-
523-	561-Bangued, Abra	624-
524-	562-	625-Bantay, Ilocos Sur
525-	563-	626-
526-	564-	627-
527-Bacnotan, La Union	565-	628-
528-	566-	629-
529-	567-	620-
520-	568-	
	569-	631-Narvacan Ilocos Sur
531-Bauang, La Union	570-	632-
532-	571-	633-
533-Naguilian, La Union	572-	634-
534-	573-	635-
535-	574-	636-
536-	575-	637-
537-Caba, La Union	576-	638-
538-	577-	639-
539-Aringay, La Union	578-	630-
530-	579-	641-Candon, Ilocos Sur
	580-	642-
541-Agoo, La Union	581-	643-
542-	582-	644-
543-Sto. Tomas, La Union	583-	645-
544-	584-	646-
545-	585-	647-Sta. Cruz, Ilocos Sur
546-	586-	648-
547-	587-	649-
548-	588-	640-
549-Rosario, La Union	589-	651-
540-	590-	652-
	591-	653-
	592-	
	593-	
	594-	

NATIONAL TELEPHONE NUMBERING PLAN
CENTRAL OFFICE CODE ASSIGNMENT

(ILOCOS SUR - ILOCOS NORTE)	(05) 691-	(05) 751-Bontoc, Mt. Province
	692-	752-
(05) 654-	693-	753-
655-	694-	754-
656-	695-	755-
657-	696-	756-
658-	697-	757-
659-	698-	758-
650-	699-	759-
	690-	750-
661-Laoag City	(BENGUET - MT. PROVINCE	
662-	- IFUGAO)	761-Benaue, Ifugao
663-Bacarra, Ilocos Norte	(05) 721-Baguió City	762-
664-	722-	763-Mayaoyao, Ifugao
665-	723-La Trinidad, Benguet	764-
666-	724-	765-
667-Vintar, Ilocos Norte	725-Tuba, Benguet	766-
668-	726-	767-Lagaue, Ifugao
669-	727-	768-
660-Kabugap, Ilocos Norte	728-	769-
	729-	760-
671-Dingras, Ilocos Norte	720-	
672-	731-	771-DND
673-	732-	772-DND
674-	733-	773-DND
675-San Nicolas, Ilocos Norte	734-	774-DND
676-	735-Kapangan, Benguet	775-DND
677-	736-	776-DND
678-	737-Itógan, Benguet	777-DND
679-	738-	778-DND
670-	739-	779-DND
	730-	780-
681-Batac, Ilocos Norte	741-	781-DND
682-	742-	782-DND
683-	743-	783-DND
684-	744-	784-DND
685-	745-	785-DND
686-	746-	786-DND
687-	747-	787-DND
688-	748-	788-DND
689-	749-Mankayan, Menguét	789-DND
680-	740-	790-

NATIONAL TELEPHONE NUMBERING PLAN
CENTRAL OFFICE CODE ASSIGNMENT

(BENGUET - MT. PROVINCE
- IFUGAO)

(05) 791-
792-
793-
794-
795-
796-
797-
798-
799-
790

(ISABELA - MT. PROVINCE
-QUIRINO)

(05) 821-Ilagan, Isabela
822-
823-
824-
825-Cauayan, Isabela
826-
827-Naguilian,
Isabela
828-
829-Cabatuan, Isabela
820-Paracelis,
Mt. Province
831-San Manuel,
Isabela
832-
833-Roxas, Isabela
834-
835-Aurora, Isabela
836-
837-
838-
839-
830-
841-Tamauini, Isabela
842-
843-
844-
845-
846-
847-
848-
849-
840-

(05) 851-Cabagan, Isabela (05) 895-

852-
853-
854-
855-
856-
857-
858-
859-
850-

861-Santiago, Isabela

862-
863-

864-
865-Jonas, Isabela

866-
867-
868-
869-
860-

871-Alician,
Isabela

872-
873-Echague, Isabela

874-
875-

876-
877-

878-
879-

870-

881-San Mateo,
Isabela

882-
883-

884-
885-

886-
887-

888-
889-

880-

891-Cabarrogis,
Quirino

892-

893-Diffun, Quirino

894-

896-
897-
898-
899-Madella,
Quirino
890-

(CAGAYAN-KALINGA-
APAYAO-BATANES-
N. VIZCAYA)

(05) 921-Tuguegaroa,
Cagayan

922-

923-Enrile/Solane,
Cagayan

924-

925-Penablanca,
Cagayan

926-

927-

928-

929-

920-Tabuk, Kalinga-
Apayao

931-Amuling,
Kalinga-Apayao

932-

933-Alcala/Baggao,
Cag.

934-

935-Tuao, Cagayan

936-

937-

938-

939-

930-

941-Aparri, Cagayan

942-

943-

944-

945-Lazam, Cagayan

946-

947-Gattaran,
Cagayan

948-

949-

940-

NATIONAL TELEPHONE NUMBERING PLAN
CENTRAL OFFICE CODE ASSIGNMENT

(CAGAYAN-KALINGA-
APAYO-BATANES-
N. VIZCAYA)

(05) 951-Baguey, Cagayan

952-

953-

954-

955-

956-

957-Allacapan, Cagayan

958-

959-

950-

961-Ballesteros,
Cagayan

962-

963-Abulug, Cagayan

964-

965-Sanchez-Mira,
Cagayan

966-

967-

968-

969-Claveria,
Cagayan

960-

971-Basco, Batanes

972-

973-

974-

975-

976-

977-

978-

979-

970-

981-Bayombong,
N. Vizcaya

982-

983-Solano,
N. Vizcaya

984-

985-

986-

987-

988-

989-

980-

(05) 991-Bambang,
N. Vizcaya

992-

993-Aritae/Dupax,
N. Vizcaya

994-

995-Diadi, N. Vizcaya

996-

997-

998-

999-Kayapa, N. Vizcaya

990-

NATIONAL TELEPHONE NUMBERING PLAN
CENTRAL OFFICE CODE ASSIGNMENT

(CAPIZ-AKLAN-
ROMBLON)

(06) 221-Roxas City
222-
223-
224-
225-Panitan, Capiz
226-
227-Panay, Capiz
228-
229-Pontevedra,
Capiz
220-
231-Pres. Roxas,
Capiz
232-
233-Pilar, Capiz
234-
235-Maayon, Capiz
236-
237-
238-
239-Mambusao/Jamindan,
Capiz
230-
241-
242-
243-
244-
245-Dumalag, Capiz
246-
247-Dumarao, Capiz
248-
249-Tupaz, Capiz
240-
251-Kalibo, Aklan
252-
253-
254-
255-
256-
257-Banga, Aklan
258-
259-New Washington,
Aklan
250-

(06) 261-
262-
263-
264-
265-
266-
267-
268-
269-
260-
271-Ibajay, Aklan
272-
273-
274-
275-
276-
277-
278-
279-
270-Pandan, Aklan
281-Romblon,
Romblon
282-
283-
284-
285-
286-
287-
288-
289-
280-
291-San Agustin,
Romblon
292-
293-Odiongan,
Romblon
294-
295-
296-
297-
298-
299-
290-

(NEGROS OCC. -- NEGROS
OR. -- PALAWAN)

(06) 321-Bacolod City
322-Bacolod City
323-Bacolod City
324-
325-Murcia, Negros
Occ.
326-
327-Silay, Neg.
Occidental
328-
329-Talisay, Neg.
Occ.
320-Canlaon City/
Vallehermoso
Negros Oriental
331-La Carlota
City
332-
333-Pontevedra,
Neg. Occ.
334-
335-
336-
337-Bago City
338-
339-Pulupandan,
Neg. Occ.
330-
341-San Carlos/
Calatrava,
N. Occ.
342-
343-Escalante/
Toboso, N. Occ.
344-
345-Cadiz City/
Sagay, Neg. Occ.
346-
347-Victorias/
Saravia, Neg.
Occ.
348-
349-Manapla, Neg.
Occ.
340-

NATIONAL TELEPHONE NUMBERING PLAN
CENTRAL OFFICE CODE ASSIGNMENT

(NEGROS OCC. - NEGROS OR. -- PALAWAN)	(06) 384-	(06) 441-Leon, Iloilo
	385-Taytay, Palawan	442-
	386-	443-
	387-	444-
(06) 351-Binalbagan, Neg. Occ.	388-	445-Tigbauan, Iloilo
352-	389-	446-
353-Himamaylan, Neg. Occ.	380-	447-
354-	391-Narra/Aborlan, Palawan	448-
355-Isabela, Neg. Occ.	392-	449-Miagao, Iloilo
356-	393-Quezon, Palawan	440-
357-Hinigaran, Neg. Occ.	394-	451-Pototan, Iloilo
358-	395-Brooker's Point, Palawan	452-
359-La Kastellana, Neg. Occ.	396-	453-Barotac Nuevo/ Dingle
350-	397-	454-
361-Kabankalan, Neg. Occ.	398-	455-
362-	399-	456-
363-Ilog/Kawayan, Neg. Occ.	390-	457-Janjuang/ Cabatuan, Iloilo
364-	(ILOILO - ANTIQUE)	458-
365-	(06) 421-Iloilo City	459-Lambunao/ Badiangan
366-	422-Iloilo City	450-
367-Sipalay, Neg. Occ.	423-	461-
368-	424-	462-
369-	425-	463-
360-	426-	464-
371-	427-Sta. Barbara, Iloilo	465-Passi, Iloilo
372-	428-	466-
373-	429-	467-
374-	420-	468-
375-	431-Jordan/ Buenavista, Iloilo	469-Dumangas, Iloilo
376-	432-	460-
377-	433-Nueva Valencia, Iloilo	471-Carlos, Iloilo
378-	434-	472-
379-	435-	473-
370-	436-	474-
381-P. Princess/ San Vicente	437-San Joaquin, Iloilo	475-Sara/Ajuy, Iloilo
382-	438-	476-
383-Roxas, Palawan	439-	477-Concepcion, Iloilo
	430-	

NATIONAL TELEPHONE NUMBERING PLAN
CENTRAL OFFICE CODE ASSIGNMENT

(ILOILO-ANTIQUÉ)	(06) 537-Mandawe City	(06) 581-Danao City
(06) 478-	538-Mandawe City	582-
479-	539-Mandawe City	583-
470-	530-	584-
	541-	585-Carmen
481-San Jose, Antique	542-	586-
482-	543-	587-Balamban/ Asturias
483-Hamtic/Sibalom, Antique	544-	588-
484-	545-	589-Toledo City
485-Dao, Antique	546-	580-
486-	547-Consolacion	591-Tuburan
487-	548-	592-
488-	549-Liloan	593-Tabuelan
489-Patnongon, Antique	540-	594-
480-	551-Dalaguete	595-Sogod
	552-	596-
491-Bugasong, Antique	553-	597-
492-	554-	598-
493-	555-	599-
494-	556-	590-
495-	557-	(NEGROS OR. -
496-	558-	MASBATE - CEBU-
497-	559-	SIQUIJOR)
498-	550-	(06) 621-Dumaguete City
499-Culasi, Antique	561-	622-
490-	562-	623-
(CEBU)	563-Badian	624-
(06) 521-Cebu City	564-	625-
522-Cebu City	565-	626-
523-Cebu City	566-	627-
524-Cebu City	567-	628-
525-Cebu City	568-	629-
526-Cebu City	569-	620-
527-Cebu City	560-	
528-Cebu City	571-San Fdo.	631-Tanjay/ Pamplona, Neg. Or.
529-Cebu City	572-	632-
520-	573-Carcar	633-Bais City
	574-	634-
531-Mandawe City	575-Sibonga/Argao	635-Mabinay, Neg.Or.
532-Mandawe City	576-	636-
533-Mandawe City	577-Pinamungahan	637-Bayawan/ Sta. Catalina
534-Mandawe City	578-	638-
535-Mandawe City	579-Barili	639-
536-Mandawe City	570-	630-

NATIONAL TELEPHONE NUMBERING PLAN
CENTRAL OFFICE CODE ASSIGNMENT

(NEGROS OR. - MASBATE-CEBU- SIQUIJOR)	(06) 676-	(06) 734-
	677-Cataingan/ P.V. Corpus, M.	735-
	678-	736-
(06) 641-	679-Placer/Cauayan, Masbate	737-
642-	670-	738-
643-Guihulngan, Neg. Or.		739-
644-	681-Bantayan, Cebu	730-
645-La Libertad N. Or.	682-	741-
646-	683-	742-
647-Tayasan/Ayungon, Neg. Or.	684-	743-
648-	685-Daanbantayan/ Medellin, C.	744-
649-Manjugod/Bindoy, Neg. Or.	686-	745-
640-	687-Bogo/San Domingo, Cebu	746-
	688-	747-
651-Masbate, Masbate	689-Tabogon, Cebu	748-
652-	680-	749-
653-Mobo, Masbate		750-
654-	691-Siquijor, Siquijor	751-Inabangan
655-Milagors, Masbate	692-	752-
656-	693-	753-
657-San Jacinto/ Montreal, M.	694-	754-
658-	695-San Francisco, Cebu	755-Tubigon
659-	696-	756-
650-	697-	757-
	698-	758-
661-	699-	759-
662-	690-	760-
663-Arroy, Masbate	(SOHOL - DND)	761-
664-		762-
665-	(06) 721-Tagbilaran City	763-
666-	722-	764-
667-Mandaon, Masbate	723-	765-
668-	724-	766-
669-Balud, Masbate	725-	767-
660-	726-	768-
	727-	769-
671-Dimesalang, Masbate	728-	770-
672-	729-	771-DND
673-Uson, Masbate	720-	772-DND
674-	731-Loon	773-DND
675-Palanes, Masbate	732-	774-DND
	733-Calapa	775-DND
		776-DND
		777-DND
		778-DND
		779-DND
		780-

NATIONAL TELEPHONE NUMBERING PLAN
CENTRAL OFFICE CODE ASSIGNMENT

(SOHOL - DND)	(06) 841-Naval, Leyte	(06) 883-Abuyog, Leyte
(06) 781-DND	842-	884-
782-DND	843-	885-
783-DND	844-	886-
784-DND	845-	887-
785-DND	846-	888-
786-DND	847-	889-
787-DND	848-	880-
788-DND	849-	891-
789-DND	840-	892-
780-	851-Ormoc City	893-St. Bernard, So. Leyte
791-Talibon	852-	894-
792-	853-	895-
793-	854-	896-
794-	855-Albuera/Kananga, Leyte	897-
795-Ubay	856-	898-
796-	857-	899-
797-	858-	890-
798-	859-	
799-Jagna	850-	(SAMAR-NORTHERN SAMAR-EASTERN SAMAR)
790-	861-Villaba, Leyte	
(LEYTE - SO. LEYTE)	862-	(06) 921-Catbelogan, Samar
(06) 821-Tacloban City	863-Tabangon, Leyte	922-
822-	864-	923-Gandara, Samar
823-	865-Calubian, Leyte	924-
824-Berugo, Leyte	866-	925-
825-Carigara, Leyte	867-San Isidro, Leyte	926-
826-	868-	927-
827-Alangalang/ Jaro, Leyte	869-Leyte, Leyte	928-
828-	860-	929-
829-	871-Maesin, So. Leyte	920-
820-	872-	931-
831-Tanauan/ Palo/Tolosa	873-	932-
832-	874-	933-
833-	875-Hilongos, Leyte	934-
834-	876-	935-
835-Burauen, Leyte	877-	936-
836-	878-	937-
837-Dulag, Leyte	879-Baybay, Leyte	938-
838-	870-	939-
839-	881-Sogod, So. Leyte	930-
830-	882-	941-Calbayog City
		942-

NATIONAL TELEPHONE NUMBERING PLAN
CENTRAL OFFICE CODE ASSIGNMENT

(SAMAR-NORTHERN
SAMAR-EASTERN SAMAR)

(06) 943-
944-
945-
946-
947-
948-
949-Catubog/
Las Navas, N.S.
940-

951-Catarman,
Northern Samar
952-
953-
954-
955-Laoang, N. Samar
956-
957-Palapag, N. Samar
958-
959-
950-

961-
962-
963-
964-
965-
966-
967-
968-
969-
960-

971-Borongan, E. Samar
972-
973-
974-
975-
976-
977-
978-
979-
970-

981-
982-
983-Guiuan, E. Samar

(06) 984-
985-
986-
987-
988-
989-
980-

991-Dolores, E. Samar
992-
993-Oras, E. Samar
994-
995-
996-
997-
998-
999-
990-

NATIONAL TELEPHONE NUMBERING PLAN
CENTRAL OFFICE CODE ASSIGNMENT

(DAVAO DEL SUR -
DAVAO DEL NORTE)

(07) 221-Davao City	(07) 256-	(07) 291-Nabunturan,
222-Davao City	257-Sta. Maria,	Davao del N.
223-Davao City	Davao del Sur	292-
224-Davao City	258-	293-Mawab, Davao
225-Davao City	259-	del N.
226-Davao City	250-	294-
227-Davao City	261-Samal, Davao	295-Compostela,
228-Davao City	del Norte	Davao del N.
229-Davao City	262-	296-
220-	263-Babak, Davao	297-New Bataan,
231-Panabo, Davao	del Norte	Davao del N.
del Norte	264-	298-
232-	265-Kaputian, Davao	299-Mankayo,
233-Magsaysay,	del Norte	Davao del N.
Davao del S.	266-	290-
234-	267-Malita, Davao	(SO. COTABATO-SULTAN
235-	del Norte	KUDARAT-NORTE COTABATO-
236-	268-	MAGUINDANAO-DAVA OR.)
237-	269-J.A. Santos,	(07) 321-Gen. Santos
238-	Davao del Norte	City
239-	260-	322-
230-	271-Tagun, Davao	323-Malapatan,
241-Digos, Davao	del Norte	So. Cotabato
del Sur	272-	324-
242-	273-Maco, Davao	325-Malungo,
243-Matanao, Davao	del Norte	So. Cotabato
del Sur	274-	326-
244-	275-	327-Maasim, So.
245-Bansalan,	276-	Cotabato
Davao del Sur	277-	328-
246-	278-	329-Glan, South
247-Sta. Cruz,	279-	Cotabato
Davao del Sur	270-	320-
248-	281-Sto. Tomas,	331-Polomolok,
249-Hagonoy, Davao	Davao del Norte	So. Cotabato
del Sur	282-	332-
240-	283-Kapalong, Davao	333-Tupi, So.
251-Sulop, Davao	del Norte	Cotabato
del Sur	284-	334-
252-	285-	335-Kiamba, So.
253-	286-	Cotabato
254-	287-New Corella,	336-
255-Malalag, Davao	Davao del Norte	337-Maitum, So.
del Sur	288-	Cotabato
	289-Asuncion, Davao	338-
	del Norte	339-Palimbing,
	280-	Sultan Kudarat
		330-

NATIONAL TELEPHONE NUMBERING PLAN
CENTRAL OFFICE CODE ASSIGNMENT

(SO. COTABATO--SULTAN
KUDARAT--NORTE
COTABATO--MAGUINDANAO--
DAVA OR.)

(07) 469--
460--

471--Koronadal,
So. Cotabato
472--
473--Tampakan,
So. Cotabat
474--
475--Lutayan,
Sultan Kudarat
476--
477--Surallah,
So. Cotabato
478--
479--Banga, So.
Cotabato
470--

481--Noralala, So.
Cotabato
482--
483--
484--
485--
486--
487--Isulan, Sultan
Kudarat
488--
489--Bagumbayan,
Sultan Kudarat
480--

491--Buluan,
Maguindanao
492--
493--Tacurong,
Sultan Kudarat
494--
495--Sultan, Sa
Barogis, M.
496--
497--
498--
499--
490--

(MISAMIS ORIENTAL--
BUKIDNON--CAMIGUIN)

(07) 521--Cagayan de Oro
522--
523--
524--
525--
526--
527--
528--
529--Libona,
Bukidnon
520--

531--
532--
533--
534--
535--
536--
537--Initao,
Misamis Or.
538--
539--
530--

541--El Salvador,
Misamis Or.
542--
543--
544--
545--
546--
547--
548--
549--
540--

551--Gingoog City
552--
553--Medina,
Misamis Or.
554--
555--Magsaysay,
Misamis Or.
556--
557--Villanueva,
Misamis Or.
558--
559--Tagaloan,
Misamis Or.

(07) 550--

561--Balingasag,
Misamis Or.
562--
563--Salay, Misamis
Or.
564--
565--
566--
567--Jasaan, Misamis
Or.
568--
569--
560--

571--
572--
573--
574--
575--
576--
577--
578--
579--
570--

581--
582--
583--
584--
585--
586--
587--
588--
589--
580--

591--Mambajao,
Camiguin
592--
593--
594--
595--
596--
597--
598--
599--
590--

NATIONAL TELEPHONE NUMBERING PLAN
CENTRAL OFFICE CODE ASSIGNMENT

(LANAO DEL NORTE -
LANAO DEL SUR -
BUKIDNON)

(07) 621-Iligan City	(07) 655-	(07) 691-Kibawe, Bukidnon
622-	656-	692-
623-	657-	693-Dangcagan, Bukidnon
624-	658-	694-
625-Balot, Lanao Norte	659-Balabagan/ Malabang, L.S.	695-Kitao tao, Bukidnon
626-	650-	696-
627-Kauswagan, Lanao Norte	661-	697-Quezon, Bukidnon
628-	662-	698-
629-Tangkai, Lanao Norte	663-Losa Bayabao/ Masiu, L.S.	699-Don Carlos, Bukidnon
620-	664-	690-
631-Tubod/Lala, Lanao Norte	665-Bayang, Lanao Sur	(SURIGAO DEL NORTE- AGUSAN DEL NORTE- SURIGAO DEL SUR-DND)
632-	666-	(07) 721-Surigao City
633-	667-Tuburan/Lumbatan, L.S.	722-
634-	668-	723-
635-Sapad, Lanao Norte	669-	724-
636-	670-	725-
637-	671-Malaybalay, Bukidnon	726-
638-	672-	727-
639-Karomatan, Lanao Norte	673-Lantapan, Bukidnon	728-
630-	674-	729-
641-Marawi City	675-	720-Kitcherao, Agusan Norte
642-	676-	731-Gigaquit, Surigao Norte
643-Saguiran/Mapantao, L.S.	677-M. Portrich, Bukidnon	732-
644-	678-	733-Placer, Surigao Norte
645-Ramain/Malundo, L. Sur	679-	734-
646-	680-	735-
647-	681-Valencia, Bukidnon	736-
648-	682-	737-Moinit, Surigao Norte
649-	683-Maramag, Bukidnon	738-
640-Wao, Lanao del Sur	684-	739-Malimono, Surigao Norte
651-	685-	730-
652-	686-	741-Dinagat/Cagdiano/ Dibjo
653-	687-Kalilangan, Bukidnon	742-
654-	688-	743-Loreto/Tubajon/ Rizal
	689-Pangantokan, Bukidnon	
	690-	

NATIONAL TELEPHONE NUMBERING PLAN
CENTRAL OFFICE CODE ASSIGNMENT

(SURIGAO DEL NORTE-
AGUSAN DEL NORTE-
SURIGAO DEL SUR-DND)

(07) 744-
745-Dapa/Numbucia/
Gen. Luna
746-
747-Pilar/San
Isidro
748-Sta. Monica/
Burgos
749-
740-Socorro,
Surigao Norte

751-Lianga/Barobo,
Surigao Sur
752-
753-
754-
755-Tago, Surigao
Sur
756-
757-Tandag, Surigao
Sur
758-
759-Cagwait,
Surigao Sur
750-

761-
762-
763-Cantillan,
Surigao Sur
764-
765-
766-
767-
768-
769-San Miquel,
Surigao Sur
760-

771-DND
772-DND
773-DND
774-DND
775-DND
776-DND

(07) 777-DND
778-DND
779-DND
770-

781-DND
782-DND
783-DND
784-DND
785-DND
786-DND
787-DND
788-DND
789-DND
780-

791-Tagbina,
Surigao Sur
792-
793-Minatuan,
Surigao Sur
794-
795-Bialig,
Surigao Sur
796-
797-Linging,
Surigao Sur
798-
799-
790-

(ZAMB. NORTE-MIS.
OCC-AGUSAN NORTE-
AGUSAN SUR)

(07) 821-Dipolog City
822-
823-Dapitan City
824-
825-Polanco, Zamb.
Norte
826-
827-
828-
829-Rizal, Zamb.
Norte
820-
831-Katipunan/Pres.
Roxas

(07) 832-
833-Manukan, Zamb.
Norte
834-
835-Sindangan,
Zamb. Norte
836-
837-Salug/Liloy,
Zamb. Norte
838-
839-
830-

841-Ozamis City
842-
843-Clarin, Misamis
Occ.
844-
845-
846-
847-Tangub City
848-
849-Bonifacio,
Misamis Occ.
840-

851-Oroquieta City
852-
853-Lopez Jaena,
Misamis Occ.
854-
855-Aloran, Misamis
Occ.
856-
857-Sinabacan/Tudela,
M. Occ.
858-
859-Jimenez, Misamis
Occ.
850-

861-Calamba,
Misamis Occ.
862-
863-Sapang, Dalaga,
Mis. Occ.
864-
865-
866-
867-Plaridel, Mis.
Occ.

NATIONAL TELEPHONE NUMBERING PLAN
CENTRAL OFFICE CODE ASSIGNMENT

(ZAMB. NORTE-MIS.OCC--
AGUSAN NORTE--
AGUSAN SUR)

(07) 868-
869-
860-

871-Butuan City
872-
873-Cabadbaran,
Agusan N.
874-
875-Nasipit/Carmen,
Agusan N.
876-
877-Buenavista,
Agusan N.
878-
879-Tabonga,
Agusan Norte
870-

881-Bayugan,
Agusan Sur
882-
883-Esperanza,
Agusan Sur
884-
885-
886-
887-
888-
889-
880-

891-Prosperidad,
Agusan Sur
892-
893-Trento,
Agusan Sur
894-
895-Loreto,
Agusan Sur
896-
897-Bunawan,
Agusan Sur
898-
899-San Francisco/
Rosario, A.S.
890-

(ZAMB. SUR -- BASILAN--
ZAMB. NORTE - TAWI-TAWI--
SULU)

(07) 921-Zamboanga City
922-Zamboanga City
923-Zamboanga City
924-Zamboanga City
925-Zamboanga City
926-
927-
928-
929-Basilan City
920-Sibuco, Zamb.
Norte

931-Ipil, Zamb.
Sur
932-
933-Titay, Zamb.
Sur
934-
935-Naga Zamb.
Sur
936-
937-Kabasalan,
Zamb. Sur
938-
939-Tungawan,
Zamb. Sur
930-

941-Siay, Zamb.
Sur.
942-
943-Bayog, Zamb.
Sur
944-
945-Alicia,
Zamb. Sur
946-
947-Olutanga/
Mabuhay, Z.S.
948-
949-
940-Labason, Zamb.
Sur

951-Pagadian City
952-
953-Dumalinao/
Libangan, Z.S.

(07) 954-
955-Molave, Zamb.
Sur.
956-
957-Mahayag/
Tambulig, Zamb. S.
958-
959-Aurora/Tuburan,
Zamb. S.
950-

961-Dumingag, Zamb.
Sur.
962-
963-Midsalip, Zamb.
Sur.
964-
965-Buug, Zamb. Sur
966-
967-Kumalarang,
Zamb. Sur
968-
969-Malangas, Zamb.
Sur
960-

971-San Pablo,
Zamb. Sur
972-
973-Dimataling,
Zamb. Sur
974-
975-San Miguel/
Lapuyan, Z.S.
976-
977-Dinas, Zamb. Sur
978-
979-Margosatubig,
Zamb.Sur
970-

981-Bonggao,
Tawi-Tawi
982-
983-Balimbing/
Simunul, Tawi-
Tawi
984-
985-Tandubas, Tawi-
Tawi
986-

NATIONAL TELEPHONE NUMBERING PLAN
CENTRAL OFFICE CODE ASSIGNMENT

(ZAMB. SUR - BASILAN-
ZAMB. NORTE-
TAWI-TAWI-SULU)

- (07) 987-
988-
989-Sitangkay,
Tawi-Tawi
980-

991-Jolo/Patikul,
Sulu
992-
993-Indanan/Parang/
Maimbung S.
994-
995-Pananao/
Talipao,
Luuk, S.
996-
997-Siasi/Tapul/
Panguturan, S.
998-
999-Tongkil, Sulu
990-

11. Rural 地域の電話拡張計画 (1977~1987^年)

RURAL TELEPHONE (NEW AREA) EXPANSION
PROGRAM (CY '77-'87)

REGION I

(With BOC's Authorization)

Province	Operators and Municipalities to be Served			
	PLDT	RETELCO	FILTEL	BUTEL
1977				
1. Ilocos Norte				
1978				
1. Benguet			Itogon	
2. Ilocos Norte		Sn. Nicolas		
3. Mt. Province				Bontoc
4. Pangasinan				Umingan (T) Alaminos
1979				
1. Abra		Licuan		
2. Pangasinan	Galasio	Tayong		Asingan San Fabian San Jacinto Bugallon (T) St. Baroara (T)
1980				
1. Benguet			Tuba	
2. Ilocos Sur				Cabugan
3. Pangasinan				Bolinac Mapandan
4. La Union		Bacnotan Balaoan Bangar Luna		
1981				
1. Benguet			Sablan	
2. Ilocos Norte				Dingras Vintar

(Region I - Continuation)

Province	Operators and Municipalities to be Served			
	PLDT	RETELCO	FILTEL	BUTEL
3. Pangasinan 1982				Pozorrubio (T) Mangalsan (T)
1. Pangasinan 1983-87	Manaoag Mangatarem			Alcala Sison Urbiztondo
1. Benguet				Bakod Mankayan
2. Ilocos Norte	Bacarra			
3. Ilocos Sur				Narvacan Sto. Domingo Tagudin
4. Pangasinan	San Manuel			Bani Binalonan San Quintin

RURAL TELEPHONE (NEW AREA) EXPANSION
PROGRAM (CY '77-'87)

REGION II

(With BOC's Authorization)

Province	Operators and Municipalities to be Served			
	PLDT	RETELCO	FILTEL	BUTEL
<u>1977</u>				
1. Kalinga-Apayao				Tabuk
2. Nueva Vizcaya				Solano (T)
<u>1978</u>				
1. Batanas				Basco
2. Cagayan		Aparri		
3. Ifugao		Lagaue		
4. Isabelala		Ilagan		Alicia (T)
<u>1981</u>				
1. Cagayan				Baggao (T) Ballesteros (T) Enrile
2. Quirino				Cabarruguis
3. Isabelala				San Mateo
<u>1982</u>				
1. Cagayan				Sanchez-Mira
2. Isabelala				Callan
<u>1983-87</u>				
1. Cagayan				Tual Solano
2. Ifugao				La Naue
3. Isabelala	Roxas			San Mariano Tumawini
4. Nueva Vizcaya				Bambang Dupax

RURAL TELEPHONE (NEW AREA) EXPANSION
PROGRAM (CY '77-'87)

REGION III

(With BOC's Authorization)

Province	Operators and Municipalities to be Served			
	PLDT	RETELCO	FILTEL	BUTEL
<u>1977</u>				
1. Bataan		Orion		Dinalupihan (T)
2. Bulacan	Calumpit San Miguel			Angat (T)
3. Nueva Ecija	Capan			
4. Tarlac	Paniqui			Gerona (T)
5. Zambales			Subic	
<u>1978</u>				
1. Bataan				Bagac
2. Bulacan	Norzagaray			
3. Nueva Ecija	Guimba Bongabon			
4. Pangpanga	Sto. Tomas			
5. Zambales	San Narciso			Iba (T) Botolan (T)
<u>1979</u>				
1. Bulacan				Pandi
2. Nueva Ecija	Cuyapo Munoz Talavera			Lupao Pantabangan
3. Zambales	San Marcelino San Antonio			
<u>1980</u>				
1. Nueva Ecija				Zaragosa
2. Tarlac	Moncada			
3. Zambales	Masinloc			

(Region III - Continuation)

Province	Operators and Municipalities to be Served			
	PLDT	RETELCO	FILTEL	BUTEL
<u>1981</u>				
1. Bataan				Abucay
2. Nueva Ecija	Palayan City			San Isidro Quezon
<u>1982</u>				
1. Nueva Ecija	Gen. Tinio			Alicia Cabiao Gabaldon Llanera
2. Zambales	San Felipe			
<u>1983-87</u>				
1. Bataan	Hermosa		Morong	Sahal
2. Bulacan				Bustos San Ildefonso San Rafael
3. Nueva Ecija	Rizal Leur San Leonardo			
4. Pampanga	Minalin Floridablanca			Arayat Candaba Mexico Porac
5. Tarlac	Victoria Sta. Ignacio			La Paz
6. Zambales	Sta. Cruz		Catellejos	

RURAL TELEPHONE (NEW AREA) EXPANSION
PROGRAM (CY '77-'87)

REGION IV

(With BOC's Authorization)

Province	Operators and Municipalities to be Served			
	PLDT	RETELCO	FILTEL	BUTEL
<u>1978</u>				
1. Rizal		Binangonan Tanay Morong Cardona Pililla		
<u>1979</u>				
1. Cavite				Naic (T)

RURAL TELEPHONE (NEW AREA) EXPANSION
PROGRAM (CY '77-'87)

REGION IV-A

(With BOC's Authorization)

Province	Operators and Municipalities to be Served			
	PLDT	RETELCO	FILTEL	BUTEL
<u>1977</u>				
1. Batangas				Ibaan
2. Occidental Mindoro				Mamburao
3. Quezon				Mauban Sariaya (T)
4. Laguna		Pnoto		
<u>1978</u>				
1. Batangas		San Jose San Juan Cuenca		
2. Laguna		Liliw		
3. Quezon	Lukban			
4. Romblon				Romblon
<u>1979</u>				
1. Batangas		Calatagan Lian Rosario Talisay		
2. Quezon	Pagbilao Tayabas			Infanta (T)
<u>1980</u>				
1. Marindugue	Atomonan Calawag Tlang		Mogpog	
<u>1983-87</u>				
1. Batangas				Padre Garcia
2. Marindugue			Tenejaros Buena-visna Cuwit (Gasan)	

(Region IV - A Continued)

Province	Operators and Municipalities to be Served			
	PLDT	RETELCO	FILTEL	BUTEL
3. Occidental Mindoro				Lubang
4. Oriental Mindoro				Bongabong Baujan
5. Palawan			Brooke's Pt. Roxas	
6. Quezon	Tagkawayan Baler			Alabat Catanuan Guinanyangan Unisan
7. Romblon				Odiangan

RURAL TELEPHONE (NEW AREA) EXPANSION
PROGRAM (CY '77-'87)

REGION V

(With BOC's Authorization)

Province	Operators and Municipalities to be Served			
	PLDT	RETELCO	FILTEL	BUTEL
<u>1977</u>				
1. Camarines Sur				Buhi
<u>1978</u>				
1. Sorsogon				Batnog
<u>1979</u>				
1. Camarines Norte				Mercedez
2. Camarines Sur				Goa
3. Sorsogon	Bulan			
<u>1980</u>				
1. Albay				Pio Duran Paracale
2. Camarines Norte				Vinzons
3. Gubat Sorsogon Gubat				Donsol
<u>1981</u>				
1. Albay				Bacacay
2. Sorsogon	Irosin			
<u>1982</u>				
1. Camarines Norte	J. Panganiban			
2. Hasbate				San Jacinto
<u>1983-87</u>				
1. Albay	Calabanga Bato			Bula Carmonan Libmanan
2. Camarines Sur				Ragay Sipocot Tigson Tinambok

(Region V - Continued)

Province	Operators and Municipalities to be Served			
	PLDT	RETELCO	FILTEL	BUTEL
3. Hasbata			Claveria Pimasalang Aruroy Cataingan Placor Uson	
4. Sorsogon	Magallanen			Pilar Bulusan

RURAL TELEPHONE (NEW AREA) EXPANSION
PROGRAM (CY '77-'87)

REGION VI

(With BOC's Authorization)

Province	Operators and Municipalities to be Served			
	PLDT	RETELCO	FILTEL	BUTEL
<u>1977</u>				
1. Iloilo				Pototan
2. Negros Occidental	Kabankalan			Sagay
<u>1978</u>				
1. Negros Occidental	Escalante			Pulupandan (T)
<u>1979</u>				
1. Capiz				Pres. Roxas
2. Negros Occidental				Murcia
<u>1980</u>				
1. Capiz				
2. Negros Occidental	Bago City			Isabela
<u>1981</u>				
1. Negros Occidental				Potenvedra
<u>1983-87</u>				
1. Aklan				New Washington
2. Antique				Culasi Hamtic Sibalon
3. Capiz				Mamburao Pontevedra
4. Iloilo				Barotac Kuevo Barotac Viejo Cabanatuan Januiay Leon Miagao Passi

(Region VI - Continued)

Province	Operators and Municipalities to be Served			
	PLDT	RETELCO	FILTEL	BUTEL
5. Iloilo				Sta. Barbara Tigbanuan
6. Negros Occidental		Hinigaran La Castellana		Calatrava Gauayan E. Magalona Himamaylan Ilog Manapla Sipalay Taboso Villadolid

RURAL TELEPHONE (NEW AREA) EXPANSION
PROGRAM (CY '77-'87)

REGION VII

(With BOC's Authorization)

Province	Operators and Municipalities to be Served			
	PLDT	RETELCO	FILTEL	BUTEL
<u>1977</u>				
1. Negros Oriental	Bais City			Cuihulagan
<u>1978</u>				
1. Negros Oriental				Canlaon City
<u>1979</u>				
1. Bohol				Talibon
2. Cebu	Carcar Toledo City			
3. Negros Oriental				Bayawan
<u>1980</u>				
1. Negros Oriental	Tanjay			
<u>1981</u>				
1. Cebu	Bogo			
2. Siquijor				Siquijor
<u>1983-87</u>				
1. Bohol				Calape Carman Jagna Laon Ubay
2. Cebu	Bantayan			Argao Balamban Barili Danngbantayan Dalagueta Lilican Medellin Sibonga Tuburan
3. Negros Occidental				La Libertad

RURAL TELEPHONE (NEW AREA) EXPANSION
PROGRAM (CY '77-'87)

REGION VIII

(With BOC's Authorization)

Province	Operators and Municipalities to be Served			
	PLDT	RETELCO	FILTEL	BUTEL
<u>1977</u>				
1. Eastern Samar				Borongan Cuiuan
2. Leyte				Baybay (T)
3. Northern Samar				Cataraan (T)
<u>1978</u>				
1. Leyte				Villaba
<u>1979</u>				
1. Leyte				Tanuan (T)
<u>1981</u>				
1. Leyte	Burawan Talosa			Abuyog
2. Northern Samar				Laoang
<u>1983-87</u>				
1. Samar				Basay
2. Leyte	Carigara			Bato Abangalang Calubian Bulag Hilougao Jaro Naval Palmpon

RURAL TELEPHONE (NEW AREA) EXPANSION
PROGRAM (CY '77-'87)

REGION IX

(With BOC's Authorization)

Province	Operators and Municipalities to be Served			
	PLDT	RETELCO	FILTEL	BUTEL
<u>1978</u>				
1. Tawi-Tawi				Bonggao
2. Basilan		Basilan		
<u>1979</u>				
1. Sulu				Siasi
<u>1980</u>				
1. Zamboanga del Sur				Siay
<u>1981</u>				
1. Zamboanga del Norte	Dapitan City			
<u>1983-87</u>				
1. Zamboanga del Norte	Bandangan			
2. Zamboanga del Sur	Buug Molave Margosatubig			Aurora Dinas Dumingag

RURAL TELEPHONE (NEW AREA) EXPANSION
PROGRAM (CY '77-'87)

REGION X

(With BOC's Authorization)

Province	Operators and Municipalities to be Served			
	PLDT	RETELCO	FILTEL	BUTEI
<u>1977</u>				
1. Bukidnon				Maramag (T)
<u>1978</u>				
1. Agusan del Sur				Prosperidad
2. Misamis Occidental		Ozamis City Jimenez Oroquieta		
3. Misamis Oriental	Villanueva Tagaloan			
<u>1979</u>				
1. Bukidnon				San Carlos
<u>1980</u>				
1. Bukidnon		Kibawe		Valencia
2. Agusan del Sur				Esperansa (T) Sn. Francisco(T)
<u>1981</u>				
1. Camaguin				Mambujao
2. Misamis Occidental	Tangub City			
<u>1982</u>				
1. Bukidnon				
<u>1983-87</u>				
1. Agusan del Sur	Bayugan			
2. Bukidnon				M. Fortich
3. Misamis Occidental				Calamba Jimenez Plaridel

(Region X - Continued)

Province	Operators and Municipalities to be Served			
	PLDT	RETELCO	FILTEL	BUTEL
4. Misamis Oriental				Balingasag Initao Medina Salay
5. Surigao del Norte				Dapa Mainit

RURAL TELEPHONE (NEW AREA) EXPANSION
PROGRAM (CY '77-'87)

REGION XI

(With BOC's Authorization)

Province	Operators and Municipalities to be Served			
	PLDT	RETELCO	FILTEL	BUTEL
<u>1978</u>				
1. Davao del Sur				Sulop
2. Surigao del Sur		Didlig		
<u>1979</u>				
1. Davao del Sur	Bansalan Sta. Cruz			Mulita
2. Davao Oriental	Lupon			
3. South Cotabato				Tupi
<u>1981</u>				
1. Davao del Sur				Magwaysay
2. Davao Oriental				San Isidro
<u>1982</u>				
1. Davao Oriental	Gov. Generosa			
2. South Cotabato	Polomolok			
3. Surigao del Sur				Cantillan
<u>1983-87</u>				
1. Surigao del Sur	Lianga			Barobo Minatuan Tago
2. Davao del Norte	Panabo Sto. Tomas Kubunturan			Bacak Monkayo New Bataan
3. Davao del Sur	Sta. Maria Malalag			Kbilawan Pagonoy

(Region XI - Continued)

Province	Operators and Municipalities to be Served			
	PLDT	RETELCO	FILTEL	BUTEL
4. Davao Oriental	Banganga			Hanay
5. South Cotabato	Korola Banga Melapatan Glan Halungon			Kiamba Suraldan

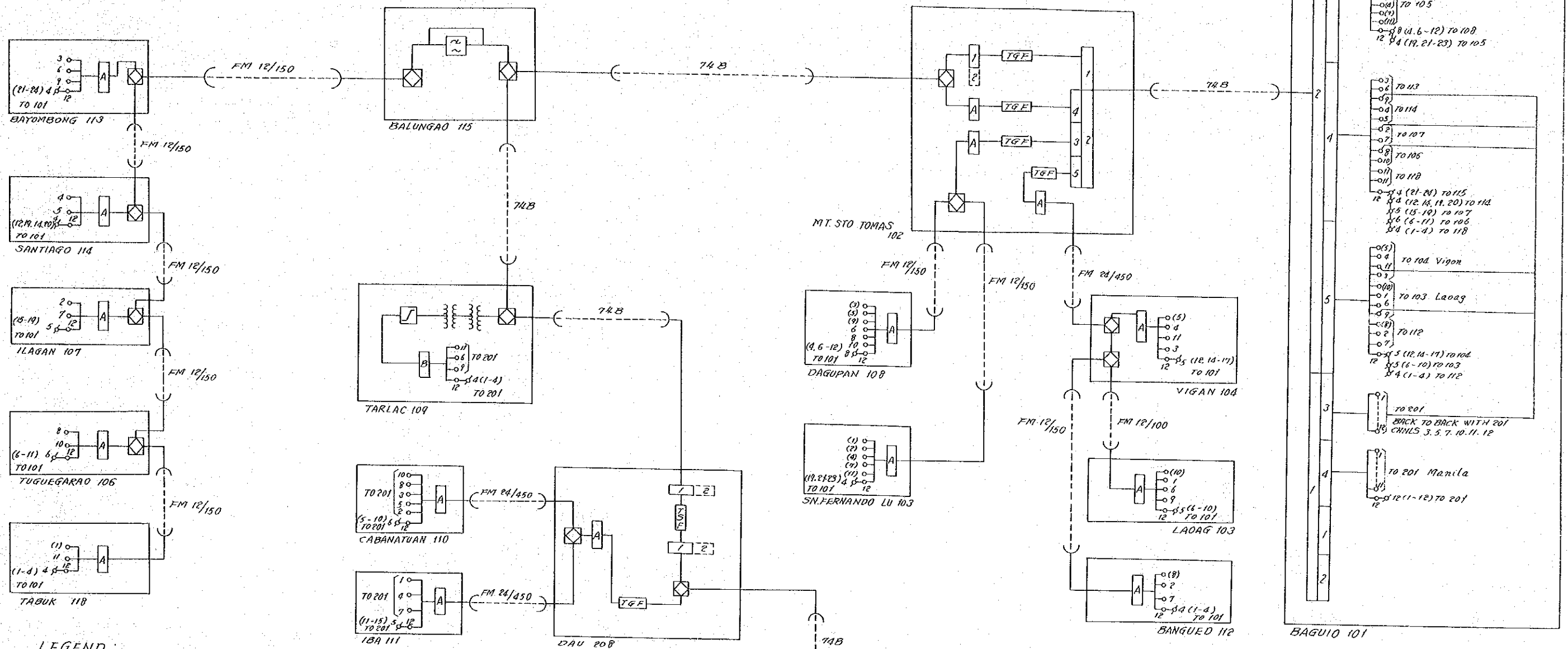
RURAL TELEPHONE (NEW AREA) EXPANSION
PROGRAM (CY '77-'87)

REGION XII

(With BOC's Authorization)

Province	Operators and Municipalities to be Served			
	PLDT	RETELCO	FILTEL	BUTEL
<u>1978</u>				
1. North Cotabato				Pigcauayan
<u>1979</u>				
1. Maguindanao				Parang
<u>1980</u>				
1. Maguindanao				Dinaig (T)
2. North Cotabato	Midayap	Carmen Pikit		Makilala
3. Sultan Kudarat				Tacurong
<u>1981</u>				
1. Maguindanao				Bulcan Kabacan
<u>1982</u>				
1. Lanao del Sur				Malabang
2. Maguindanao				
<u>1983-87</u>				
1. Maguindanao				Ampatuan Datu Piang Sultan sa Barongis Upi
2. North Cotabato	M'lang			Libungan Magpat Tuluan
3. Sultan Kudarat	Isulan			Kalamansig Lebak

12. 電話回線拡張計画



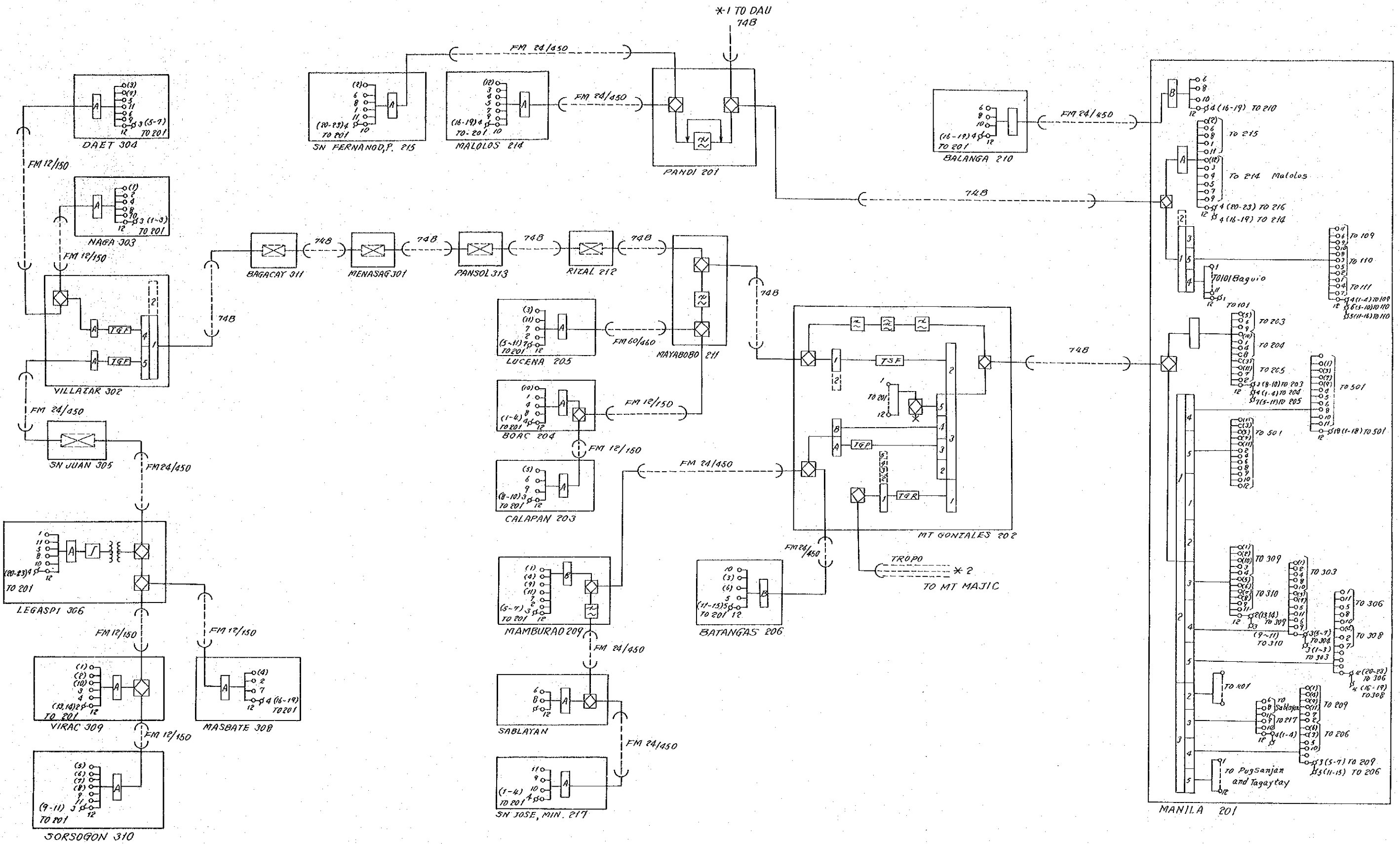
LEGEND :

- (3) PROPOSED ADDITIONAL TELEPHONE CHANNEL
- 7 EXISTING TELEPHONE CHANNEL
- 3A (1-4) TELEGRAPH CHANNEL (CHNLS 1 TO 4) WITH DESTINATION TO BAGUIO 101
- TGF — THROUGH GROUP FILTER
- TSE — THROUGH SUPERGROUP FILTER
- 1/2 NUMBERS OF EQUIPPED SUPER GROUP
- HYBRID
- 2/1 NUMBERS OF EQUIPPED GROUP

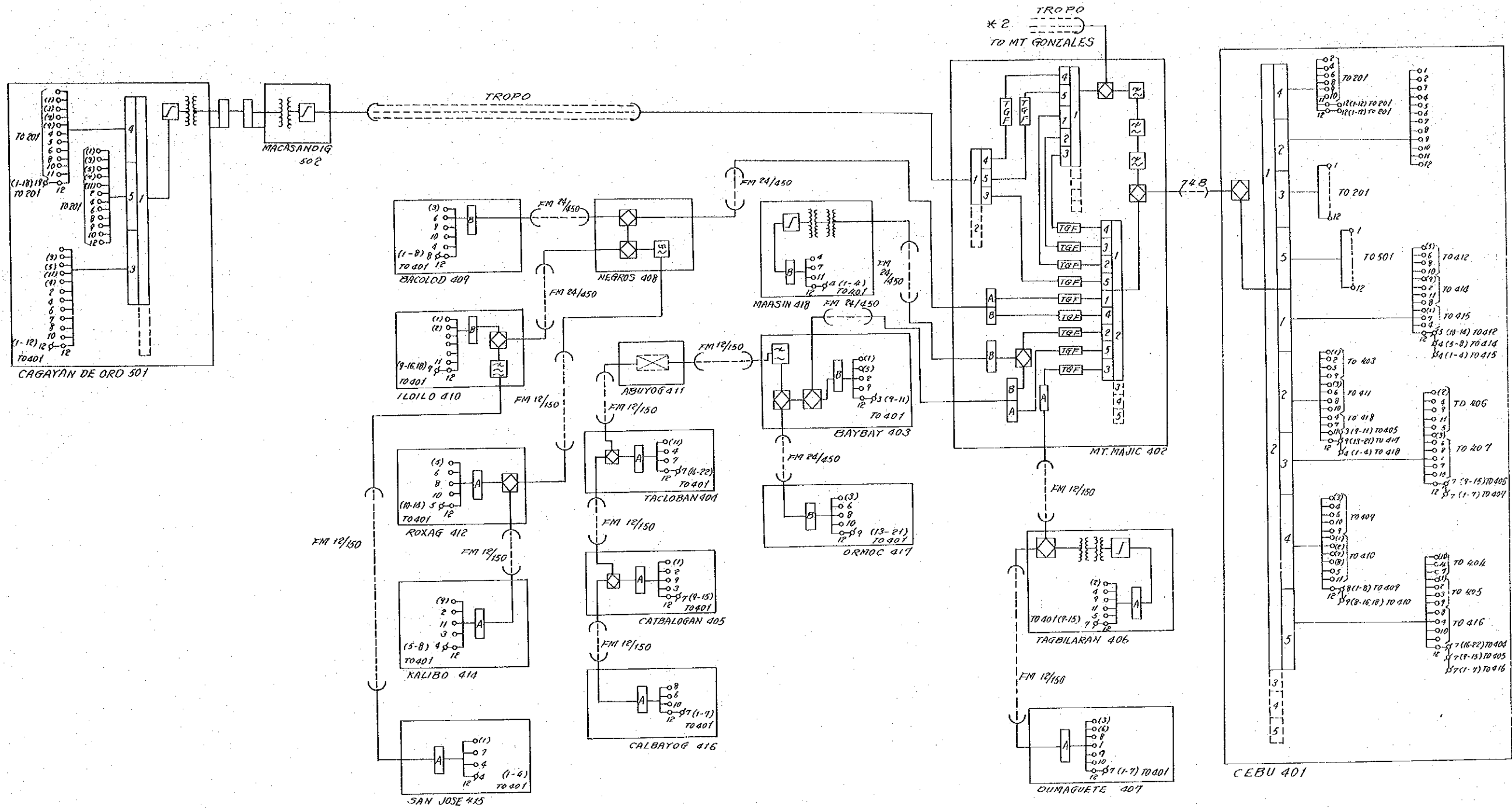
- A 24-CHANNEL SYSTEM WITH GROUPS A & B OF GROUP A OR GROUP B ONLY
- B
- LINE COIL WITH EQUALIZER

- TYPES OF RADIO LINKS**
- 1) TROPO - TROPOSPHERIC WAVE
 - 2) 74B - MICROWAVE
 - 3) FM 24/450 - ULTRA HIGH FREQUENCY (UHF)
 - 4) FM 12/150 - VERY HIGH FREQUENCY (VHF)

電話回線拡張計画 (その1)



電話回線拡張計画 (その2)



電話回線拡張計画 (その3)

13. 運營体別電話局施設一覽表

Private Telephone Operators in the Philippines

(As of Jan. 1, 1978)

<u>I. Philippine Long Distance Telephone Co.</u>	<u>Exchange</u>	<u>Capacity</u>	<u>Load</u>
1. Cebu City-Minglanilla-Consalacion-Talisay	SXS	14,600	21,292
2. Nandawe City-Lapu-lapu, Cebu	SXS	2,200	4,085
3. Davao Dity, Davao dol Sur	SXS	5,800	10,999
4. Iloilo City-Oton	SXS	5,000	8,798
5. San Fernnado-Bacnotan-San Juna, La Union	SXS	900	1,449
6. San Pablo City, Lagune	SXS	2,000	2,282
7. Intramuros, Manila	SXS	31,916	50,275
8. Sta.Mesa, Manila	SXS	25,366	31,574
9. Makate, Manila	SXS	28,952	49,006
10. Tondo, Manila	SXS	32,223	39,145
11. Grace Park, Binondo, Manila	SXS	11,400	20,385
12. Bacolod City, Negros Occ.	SXS	8,800	12,222
13. Silny-Talisay, Negros Occ.	SXS	1,000	986
14. San Fernado-Sto. Tomas, Pampanga	SXS	1,000	2,360
15. Dagupan City-Calasino-Mangaldan-Bonuan-San Fabian, Pang.	SXS	350	2,786
16. Lucena City, Quezon	SXS	2,000	2,731
17. East Ave., Quezon City	SXS	30,412	42,106
18. Novaliches, Quezon City	SXS	4,201	5,147
19. Paranaque, Rizal	SXS	9,625	15,102
20. Pasay City, Rizal	SXS	7,690	9,616
21. Caloocan City-Valenzuela, Rizal	SXS	11,574	12,692
22. Makati, Rizal	SXS	36,944	74,984
23. Mandaluyong, Rizal	SXS	29,657	44,444
24. Concepcion-Bamban-Capas, Tarlac (Pineda Tel. Co.)	M	420	305
25. Tarlac, Tarlac	XB	1,600	1,679
26. Zamboanga City, Zamboanga del Norte	SXS	2,000	3,313
27. Roxas City, Capiz	SXS	480	517
28. Kabankalan, Negros Occ.		200	94
29. Camiling, Tarlac	SXS		76

				<u>Exchange</u>	<u>Capacity</u>	<u>Load</u>
30. San Miguel, Bulacan	-	-	-	SXS	-	-
				TOTAL	- 310,051	- 469,749

II. Republic Telephone Co., Inc.

1. Balanga, Bataan	-	-	-	CXP	- 1,000	- 366
2. Limay, Bataan	-	-	-	SXS	- 200	- 381
3. Mariveles, Bataan	-	-	-	SXS	- 50	- 28
4. Lipa City, Batangas	-	-	-	CXP	- 600	- 415
5. Batangas City-Bauan-San Pascual	-	-	-	XB	- 1,000	- 1,345
6. Tanuan-Sto. Tomas-Batangas	-	-	-	CXP	- 500	- 354
7. Trinidad, Baguio	-	-	-	SXS	- 50	- 200
8. Polo-Obando, Bulacan	-	-	-	XB	- 720	- 907
9. Baliwag, Bulacan	-	-	-	CXP	- 400	- 184
10. Malolos-Plaridel, Bulacan	-	-	-	CXP	- 1,000	- 547
11. Tuguegarao, Cagayan	-	-	-	CXP	- 630	- 456
12. Galamba-Cabuyao-Sta. Rosa, Laguna	-	-	-	CXP	- 1,100	- 952
13. Los Banos, Laguna	-	-	-	SXS	- 600	- 1,178
14. Sta. Cruz-Lumban-Pagsanjan, Laguna	-	-	-	CXP	- 1,000	- 699
15. Cabanatuan City, N.E.	-	-	-	XB	- 1,000	- 1,037
16. Cainta-Antipolo-Taytay, Rizal	-	-	-	EAX	- 4,000	- 2,452
17. Binangonan, Rizal	-	-	-	M	- 200	- 112
18. Marikina-San Mateo-Montalban, Rizal	-	-	-	EAX	- 4,000	- 4,053
19. Muting Lupa-San Pedro, Rizal	-	-	-	XB	- 1,580	- 1,886
20. Angono, Rizal	-	-	-	M	- 200	- 135
21. Pasig-Peteros-Taguig, Rizal	-	-	-	EAX	- 4,000	- 14,841
22. San Mateo, Rizal	-	-	-	SXS	- 50	- 24
23. Tanay, Rizal	-	-	-	M	- 200	- 99
				TOTAL	- 28,080	- 32,762

III. Pilipino Telephone Corp.

1. Baguio City	-	-	-	XB	- 5,430	- 4,848
2. Boae, Marinduque	-	-	-	M	- 150	- 122
3. Sta. Cruz, Marinduque	-	-	-	M	- 75	- 35
4. Masbate, Masbate	-	-	-	XB	- 250	- 246
5. Puerto Princesa, Palawan	-	-	-	XBP	- 250	- 282
6. Olongapo City, Zambales	-	-	-	XBP	- 3,600	- 888

			<u>Exchange</u>		<u>Capacity</u>	<u>Load</u>
7.	Gen. Santos City, S. Cotabato	-	SXS	-	1,200	1,290
8.	Digos, Davao del Sur	-	XB	-	100	330
					<u>11,055</u>	<u>8,041</u>
<u>IV. Pilipinas Telephone Co., Inc.</u>						
1.	Cavite City	-	SXS	-	1,000	1,095
2.	Imus, Cavite	-	SXS	-	500	401
3.	Bacoor, Cavite	-	SXS	-	500	211
4.	Rosario-Navoleta, Cavite	-	SXS	-	600	145
5.	Guagua, Pampanga	-	M	-	300	403
6.	Bacolor, Pampanga	-	SXS	-	200	120
7.	Dasmarinas, Cavite	-	SXS	-	200	
8.	Carmona, Cavite	-	SXS	-	200	
					<u>3,500</u>	<u>2,377</u>
<u>V. Ramirez Telephone Corp. (Mayon Tel.)</u>						
1.	Legaspi City, Albay	-	SXS	-	1,000	586
2.	Daraga, Albay	-	SXS	-	400	530
3.	Tabaco - Malinao - Malilipot, Albay	-	M	-	200	181
					<u>1,600</u>	<u>1,297</u>
<u>VI. San Carlos Telephone Corp.</u>						
1.	Bayambang, Pangasinan	-	XB	-	150	62
2.	San Carlos City, Pangaxinan	-	XB	-	100	80
					<u>250</u>	<u>142</u>
<u>VII. Western Batangas Telephone System</u>						
1.	Balayán, Batangas	-	M	-	340	240
2.	Nasugbo, Batangas	-	M	-	320	64
3.	Lemery, Batangas	-	M	-	340	135
					<u>900</u>	<u>439</u>

<u>VIII. Radio City Telephone Co. (E. Papa)</u>	<u>Exchange</u>	<u>Capacity</u>	<u>Load</u>
1. Marilao, Bulacan - - -	M -	320 -	161
2. Bocaue, Bulacan - - -	M -	340 -	301
3. Sta. Maria, Bulacan - - -	M -	100 -	69
4. Meycauayan, Bulacan(Meyeauayan Tel)	M -	360 -	688
		<u>1,120</u>	<u>1,219</u>
<u>IX. Iriga Telephone Co.</u>			
1. Iriga City, Camarines Sur - -	SXS -	400 -	251
2. Nabua, Camarines Sur - - -	M -	200 -	111
		<u>600</u>	<u>362</u>
<u>X. Rural Telephone Co., Inc.</u>			
1. Lingayen, Pangasinan - - -	XB -	50 -	54
2. Urdaneta, Pangasinan - - -	SXS -	200 -	186
3. San Jose del Monte, Bulncan - -	SXS -	200 -	87
		<u>450</u>	<u>327</u>
<u>XI. Marcelino S. Aquino</u>			
1. Butuan City, Agusan del Norte -	XB -	1,000 -	1,266
<u>XII. Bicol Telephone Corp.</u>			
1. Tabaco, Albay - - -	M -	200 -	181
<u>XIII. Delfin A. Papa</u>			
1. Orani, Bataan - - -	M -	200 -	265
<u>XIV. Augusto R. Gana</u>			
1. Kidupawan, North Cotabato - -	XB -	150 -	94
<u>XV. Domingo da Asis (Balagtas Tel. Sys.)</u>			
1. Balagtas, Bulacan - - -	XB -	200 -	227

<u>XVI. Labo Telephone System</u>			<u>Exchange</u>		<u>Capacity</u>		<u>Load</u>
1. Labo, Camarines Norte	-	-	M	-	200	-	38
<u>XVII. North Camarines Telephone Co., Inc.</u>							
1. Daet Camarines North	-	-	M	-	400	-	275
<u>XVIII. Naga Telephone Co., Inc.</u>							
1. Naga City, Camarines Sur	-	-	SXS	-	1,000	-	707
<u>XIX. Marbel Telephone System (Antonio G. Yap)</u>							
1. Koronadol South Cotabato	-	-	XB	-	350	-	278
<u>XX. Mati Telephone System (Jesus Go)</u>							
1. Mati, Davao del Norte	-	-	SXS	-	400	-	394
<u>XXI. Tagum Telephone System (De Claro-San Jose Partnership)</u>							
1. Tagum, Davao del Norte	-	-	XB	-	200	-	320
<u>XXII. Maco Telephone System</u>							
1. Maco, Davao del Norte	-	-	XB	-	100	-	80
<u>XXIII. Northern Telephone Co.</u>							
1. Agoo, La Union	-	-	XB	-	200	-	195
2. Aringay, La Union	-	-	SXS	-	50	-	21
3. Bauang, La Union	-	-	XB	-	100	-	43
4. Naguillan, La Union	-	-	XB	-	50	-	43
5. Rosario, La union	-	-	XB	-	50	-	27
					450		329
<u>XXIV. Independent Telephone Co., Inc.</u>							
1. Biñan, Laguna	-	-	XB	-	250	-	577

<u>XXV. Maranao Telephone Co.</u>	<u>Exchange</u>	<u>Capacity</u>	<u>Load</u>
1. Iligan City, Lanao del Norte - -	XB -	1,000 -	812
<u>XXVI. Ormoc City Telephone Co. Inc.</u>			
1. Ormoc City, Lanao del Norte - -	SXS -	400 -	175
<u>XXVII. Calapan Telephone System Inc.</u>			
1. Calapan, Mindoro Or. - - -	M -	400 -	428
<u>XXVIII. Bionisio R. Parulan</u>			
1. Gingoog City, Misamis Or. - -	XB -	200 -	96
<u>XXIX. Renato C. Yulo</u>			
1. Binalbagan, Negros Occ. - - -	XB -	150 -	126
<u>XXX. Manang Telephone Co.</u>			
1. Cadiz City, Negros Occ. - - -	XB -	300 -	155
<u>XXXI. Victorias Telephone System</u>			
1. Victorias, Negros Occ. - - -	XB -	150 -	129
<u>XXXII. San Carlos Tel. Sys. (Angeline Y. Antonio)</u>			
1. San Carlos City, Negros Occ. - -	M -	600 -	370
<u>XXXIII. Placido A. Ausejo</u>			
1. Dumaguete City, Negros Or. - -	M -	480 -	308
<u>XXXIV. Nationxide Telephone Corp.</u>			
1. Jolo, Sulu - - -	M -	300 -	352
<u>XXXV. Mario Serra Ty</u>			
1. Tandag, Surigao del Sur - - -	XB -	100 -	100

<u>XXXVI. Craz Telephone Co. (Julio S. Cruz)</u>	<u>Exchange</u>	<u>Capacity</u>	<u>Load</u>
1. Dipolog City, Zamboanga del Norte	XB -	600	500
<u>XXXVII. Dionisio R. Parulan</u>			
1. Pagadian City, Zamboanga del Norte	SXS -	250	111
<u>XXXVIII. Ipil Telephone Co.</u>			
1. Ipil, Zamboanga del Sur	- - XB -	150	70
<u>XXXIX. Evangelistn Telephone Co.</u>			
1. Angeles, Pampanga	- - - SXS -	4,100	5,066
<u>XL. Mabalacat, Telephone Co., Inc.</u>			
1. Mabalacat, Pampanga	- - - M -	400	800
<u>XLI. Pampanga Telephone Co.</u>			
1. Macabebe, Pampanga	- - - M -	200	120
2. Masantol, Pampanga	- - - M -	200	210
		<u>400</u>	<u>330</u>
<u>XLII. Ernesto Quisumbing</u>			
1. Calbayog City, Western Samar	- SXS -	300	120
<u>XLIII. Dancar Industries Telephone Co.</u>			
1. Danao City, Cebu	- - - SXS -	250	62
<u>XLIV. Lucban Telephone System</u>			
1. Lucban, Quezon	- - - SXS -	200	200
<u>XLV. Valencia Telephone Co.</u>			
1. Apalit, Pampanga	- - - SXS -	200	154

<u>XLVI. Magiliw Telephone Co.</u>	<u>Exchange</u>	<u>Capacity</u>	<u>Load</u>
1. Rosales, Pangasinan - - -	XB -	200	160
<u>XLVII. Sharigan Telephone Corp.</u>			
1. Marawi City - - -	XB -	150	150
<u>XLVIII. Utilities Management Corp.</u>			
1. Plocos Nortto Telephone Sys. -	XB -	500	181
2. Cagayan Valley Utilities - -	M -	240	209
3. Tacloban City Telephone Sys. -	XB -	1,000	1,355
4. Ozamis Telephone Co., Inc. - -	M -	540	362
		<u>2,280</u>	<u>2,107</u>
<u>XLIX. General Telephone Co. (Jaime Ramos)</u>			
1. Gumaca, Quezon - - -	-	-	-

Recapitulation

No. Of Franchised Operators - - 49
 No. of Private Exchanges - - 133

Government Telephone Operators

As of Jan. 1, 1978

<u>I. Bureau of Telecommunications</u>	<u>Exchange</u>	<u>Capacity</u>	<u>Load</u>
1. Candon, Ilocos Sur	SXS	300	199
2. Vigan, Ilocos Sur	XB	800	562
3. Bangued, Abra	XB	200	200
4. Bayombong, Nueva Vizcaya	XB	500	215
5. Solano, Nueva Vizeaya (Ext'n of Bayombong)	-	-	-
6. Santiago, Isabela	XB	500	267
7. Hagonoy, Bulacan	XB	100	63
8. Tarlac, Tarlac	XB	500	97
9. Sta. Rosa, Nueva Ecija (1/22/77)	XB	500	143
10. San Jose, Mindoro Occ.	XB	500	411
11. Baet, Camarines Norte	XB	600	521
12. Sorsogon, Sorsogon	XB	500	300
13. Virac, Catanduanes	XB	500	378
14. Kalibo, Aklan	XB	500	492
15. San Jose, Antique	XB	500	365
16. Calinog, Iloilo (not yet Commercialized)	-	500	163
17. Bacolod, City	XB	900	68
18. Dumaguete City	XB	1,500	1,371
19. Tagbilaran City	XB	800	723
20. Catbalogan, Samar	XB	500	425
21. Maasin, S. Leyte	XB	500	315
22. Ormoc City	XB	500	450
23. Surigao City	XB	800	606
24. Remedios, Metro Manila	XB	3,000	729
25. Pandacan "	XB	2,250	746
26. Sta. Cruz "	XB	2,250	753
27. Caloocan City	SXS	2,400	744
28. San Prahcisco Del Monte	SXS	2,400	449
29. Cubao "	SXS	2,400	783
30. Mandaluyong "	SXS	2,400	731
31. Roces Ave. "	SXS	2,400	1,128

				<u>Exchange</u>		<u>Capacity</u>		<u>Load</u>
32. Diliman	--	--	--	SXS	--	2,400	--	707
33. Paranaque	--	--	--	SXS	--	2,400	--	593
						<u>36,800</u>		<u>15,860</u>
<u>II. City of Butuan Telephone System</u>								
1. Butuan City, Agusan del Norte	--	--	--	XB	--	250	--	240
<u>III. Municipality of Nasipit</u>								
1. Nasipit, Agusan del Norte	--	--	--	XB	--	250	--	100
<u>IV. Davao City Telephone System</u>								
1. Davao City	--	--	--	XB	--	2,550	--	3,550
<u>V. Ilocos Norte Prov. Gov't. Telephone System</u>								
1. Laoag City, Ilocos Norte	--	--	--	XB	--	500	--	250
<u>VI. La Union Prov. Gov't. Telephone System</u>								
1. San Fernando, La Union	--	--	--	M	--	104	--	158
<u>VII. Misamis Occ. Gov't. Telephone Sys.</u>								
1. Ozamis City	--	--	--	XB	--	400	--	250
<u>VIII. North Cotabato Prov. Gov't. Tel. System</u>								
1. Cotabato City	--	--	--	SXS	--	1,000	--	1,100
<u>IX. Cagayan de Oro City Telephone System</u>								
1. Cagayan de Oro City, Misamis Or.	--	--	--	M	--	3,000	--	2,350
<u>X. Oroquieta City Telephone System</u>								
1. Oroquieta City, Misamis Or.	--	--	--	SXS	--	100	--	85

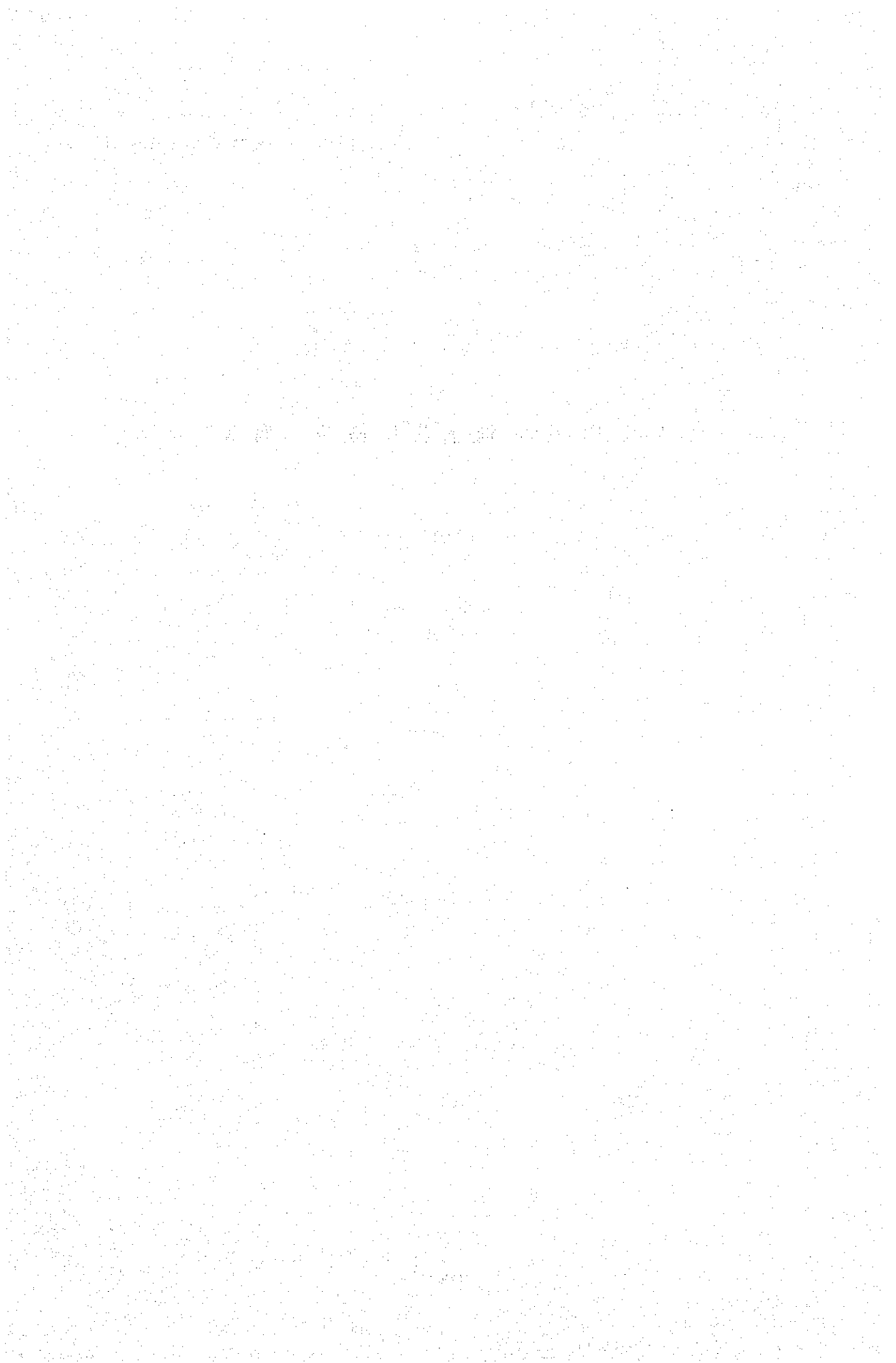
<u>XI. Municipal Telephone System</u>	<u>Exchange</u>	<u>Capacity</u>	<u>Load</u>
1. Surigao City, Surigao del Norte	M	200	561
<u>XII. Municipal Telephone of Dipolog</u>			
1. Dipolog City, Zamboanga del Norte	M	240	337
<u>XIII. City of Basilan Telephone System</u>			
1. Bnsilan City, Zamboanga del Sur	M	240	333
<u>XIV. Tagbilaran Prov. Gov't. Telephone System</u>			
1. Tagbilaran City	M	100	60
<u>XV. Bukidnon Prov. Gov't. Telephone System</u>			
1. Malaybalay, Bukidnon	SXS	100	188
<u>XVI. Pangasinan Prov. Telephone System</u>			
1. Lingayen, Pangasinan	M	-	54
<u>XVII. Prov. Telephone System</u>			
1. Bayombong, N. V.	M	50	12
<u>XVIII. Zambales Prov. Telephone System</u>			
1. Iba, Zambales	M	600	150
<u>XIX. Municipal of San Jose Telephone System</u>			
1. San Jose, Nueva Ecija	XB	100	25
<u>XX. Community and Electricity Development Authority</u>			
1. Tejeros, Cavite (Philips Auto Exch.)	XB	100	30
2. Naic, Cavite	XB	50	40
3. Trece Martires	XB	50	50

	<u>Exchange</u>	<u>Capacity</u>	<u>Load</u>
4. Binakayan (Dacoor, Cavite)	XB	100	80
		300	200

No. of Government Operators - 20

No. of Government Exchange - 55

14. Province 別電話局施設一覽表



EXISTING TELEPHONE SYSTEM IN THE PHILIPPINES

(1 JAN. 1978)

SERVICE	NO. OF FRANCHISED TELEPHONE OPERATORS	TYPE OF EXCHANGE	LOCATION	CAPACITY	TELEPHONE LOAD			REMARK
					RES	BUS	EXT	
ABRA	1. Bureau of Telecommunications	1. XB	Bangad	200	85	103	-	183 Government
AGUSAN DEL NORTE	2. Marcelina S. Aquino	1. XB	Butuan City	1,000	-	-	-	1,266 Private
	3. City of Butuan Telephone System	2. XB	Butuan City	250	60	180	-	240 Government
	4. Municipality of Nasipit	3. XB	Nasipit	250	-	-	-	100 -do-
AKLAN	5. Bureau of Telecommunications	1. XB	Kalibo	500	251	142	58	451 Government
ALBAY	6. Ramirez Telephone Corp. (Mayon Tel.)	1. SXS	Legaspi City	900	169	343	74	512 Private
	7. -do-	2. SXS	Daraga	300	284	208	38	492 -do-
	8. Mayon Telephone Corporation	3. SXS	Tabaco-Malinao-Mailipot	200	56	106	19	181 -do-
	9. Bicol Telephone Corporation	4. M	Tabaco	100	-	-	-	135 -do-
ANTIQUE	10. Bureau of Telecommunications	1. XB	San Jose	500	121	151	26	328 Government
BATAAN	11. Republic Telephone Company, Inc.	1. CXP-5	Balanga	1,000	135	145	42	322 Private
	12. -do-	2. SXS	Limay	200	-	-	-	377 -do-
	13. -do-	3. SXS	Mariveles	50	-	-	-	78 -do-
	14. Delfin A. Papa	4. M	Orani	200	165	99	1	305 -do-
BATANGAS	15. Republic Telephone Company, Inc.	1. CXP-5	Lipa City	600	-	-	-	383 Private
	16. -do-	2. XB	Batangas	1,000	-	-	-	1,281 -do-
	17. -do-	3. CXP-5	Tanauan	500	-	-	-	321 -do-
	18. Western Batangas Telephone System	4. M	Balayan	260	84 - 17	126	13	240 -do-
	19. -do-	5. M	Nasugbu	100	44 - 4	12	4	64 -do-
	20. -do-	6. M	Lemery	156	47 - 9	72	7	135 -do-
BENGUET	21. Filipino Telephone Corporation	1. XB	Reguio City	3,000	1,981	1,019	250	3,250 Private
	22. Republic Telephone Company, Inc.	2. SXS	Trinidad	50	44	67	-	182 -do-

SERVICE	NO. OF FRANCHISED TELEPHONE OPERATORS	TYPE OF EXCHANGE	LOCATION	CAPACITY	TELEPHONE LOAD				REMARK
					RES	BUS	EXT	TOTAL	
BOHOL	23. Tagbilaran Gov't. Telephone Sys.	1. M	Tagbilaran City	100	37	23	-	60	Government
	24. Bureau of Telecommunications	2. XB	Tagbilaran City	800	-	-	6	164	-do-
BURIDNON	25. Provincial Gov't. Telephone Sys.	1. SXS	Malaybalay	100	76	81	31	188	Government
BULACAN	26. Radio City Telephone Co. (D. Papa)	1. M	Meycauayan	360	477	196	15	688	Private
	27. -do-	2. M	Marilao	320	123	36	5	161	-do-
	28. -do-	3. M	Bocaue	340	183	111	7	301	-do-
	29. -do-	4. M	Sta. Maria	100	47	21	1	69	-do-
	30. Republic Telephone Company, Inc.	5. XB	Polo-Obando	600	-	-	-	846	-do-
	31. -do-	6. CXP-5	Baliwag	400	65	69	6	140	-do-
	32. -do-	7. CXP-5	Malolos-Plaridel	600	-	-	-	482	-do-
	33. Bureau of Telecommunications	8. XB	Hagonoy	100	25	60	5	91	Government
	34. Bominge de Asis	9. XB	Balaugas	200	155	40	12	227	Private
	35. Rural Telephone Company	10. SXS	San Jose	200	-	-	-	87	-do-
	36. Phil. Long Distance Telephone	11. SXS	San Miguel	200	-	-	-	-	-do-
CAGAYAN	37. Republic Telephone Company, Inc.	1. CXP-5	Tuguegarao	630	-	-	-	347	Private
	38. Provincial Gov't. Telephone Sys.	2. M	Tuguegarao	72	-	-	-	96	Government
CAMARINES NORTE	39. North Camarines Telephone Co. Inc.	1. M	Daet	400	-	-	-	275	Private
	40. Bureau of Telecommunications	2. XB	Daet	1,500	-	-	-	1,291	Government
	41. Labo Telephone System	3. M	Labo	200	24	14	-	38	Private
CAMARINES SUR	42. Naga Telephone Company, Inc.	1. SXS	Naga City	1,000	52	179	-	231	Private
	43. Iriga Telephone Company	2. SXS	Iriga City	400	140	111	-	251	-do-
	44. -do-	3. M	Nabua	200	78	14	-	92	-do-
CAPIZ	45. Phil. Long Distance Telephone (Belle-Tel. Co.)	1. SXS	Roxas City	480	226	198	-	448	Private
CATANDUANES	46. Bureau of Telecommunications	1. XB	Virac	500	-	-	-	336	Government

SERVICE	NO. OF FRANCHISED TELEPHONE OPERATORS	TYPE OF EXCHANGE	LOCATION	CAPACITY	TELEPHONE LOAD				REMARK
					RES	BUS	EXT	TOTAL	
CAVITE	47. Philipinas Telephone Company, Inc.	1. SXS	Cavite City	1,000	930	165	-	1,095	Private
	48. -do-	2. SXS	Imus	500	338	63	-	401	-do-
	49. -do-	3. SXS	Bacoor-Kawit	500	184	27	-	211	-do-
	50. -do-	4. SXS	Rosario-Noveleta	600	60	6	-	145	-do-
	51. -do-	5. SXS	Carmona	200	-	-	-	-	-do-
	52. -do-	6. SXS	Dasmariñas	200	-	-	-	-	-do-
CEBU	53. Phil. Long Distance Telephone Co.	1. SXS	Cebu City -Minglanilla -Conselacion -Talisay	14,000	-	-	-	20,400	Private
	54. -do-	2. SXS	Mondawo City -Lapu-Lapu	2,200	-	-	-	3,623	-do-
	55. Bureau of Telecommunications	3. SB	Cebu City	1,000	-	-	-	119	Government
	56. Dancar Industries Telephone Co.	4. SXS	Danao City	-	-	-	-	-	-
NORTH COTABAIO	57. Provincial Gov't. Tel. System	1. SXS	Cotabato City	1,000	451	549	100	1,100	Government
	58. Augusto R. Gana	2. XB	Kidapawan	150	41	46	7	94	Private
SOUTH COTABAIO	59. Filipino Telephone Corporation	1. SXS	General Santos City	1,000	454	508	30	992	Private
	60. Antonio Yap (Marbel Tel. Sys.)	2. XB	Koronadal	350	76	172	18	266	-do-
DAVAO DEL NORTH	61. Jesus Co. (Mati Telephone System)	1. SXS	Mati	400	-	-	-	258	Private
	62. De Claro-San Jose Partnership	2. XB	Tagum	200	-	-	-	320	-do-
	63. Maco Telephone System	3. XB	Maco	100	-	-	-	80	-do-
DAVAO DEL SUR	64. FILTEL (Digos Telephone System)	1. XB	Digos	100	304	14	12	330	Private
	65. Davao City Telephone System	2. XB	Davao City	1,500	-	-	-	3,530	Government
	66. Phil. Long Distance Telephone Co.	3. SXS	Davao City	5,200	-	-	-	10,719	Private
ILOCOS NORTE	67. Ilocos Norte Gov't. Telephone Co.	1. XB	Laog City	500	-	-	-	250	Government
	68. Ilocos Norte Telephone System (Utilities Management Corp. - RETELCO)	2. M	Laog City	300	-	-	-	147	Private

SERVICE	NO. OF FRANCHISED TELEPHONE OPERATORS	TYPE OF EXCHANGE	LOCATION	CAPACITY	TELEPHONE LOAD			REMARK	
					RES	BUS	EXT		
ILOCOS SUR	69. Bureau of Telecommunications	1. XB	Vigan	800	293	227	30	550	Government
	70. -do-	2. SXS	Candon	300	50	69	-	119	-do-
ILOILO	71. Phil. Long Distance Telephone Co.	1. SXS	Iloilo City-Oton	5,000	-	-	-	8,389	Private
	72. Bureau of Telecommunications	2. XB	Calinog	-	-	-	-	-	Government
ISABELA	73. Cagayan Valley Utilities (Utilities Management Corp., RUTELCO)	1. M	Iligan	240	144	118	-	262	Private
	74. Bureau of Telecommunications	2. XB	Santiago	500	-	-	-	337	Government
LA UNION	75. Provincial Gov't. Tel. System	1. M	San Fernando	104	124	34	-	158	Government
	76. Phil. Long Distance Telephone Co.	2. SXS	San Fernando-Bacnotan-San Juan	900	-	-	-	1,295	Private
	77. Agoo Telephone Co.	3. XB	Agoo	200	-	-	-	100	-do-
	78. Northern Telephone Co.	4. XB	Batang	100	-	-	-	-	-do-
	79. -do-	5. SXS	Aringay	50	-	-	-	-	-do-
	80. -do-	6. XB	Naguilalan	50	-	-	-	-	-do-
	81. -do-	7. XB	Rosario	0	-	-	-	-	-do-
LAGUNA	82. Independent Telephone Company, Inc.	1. XB	Linan	250	-	-	-	442	Private
	83. Phil. Long Distance Company	2. SXS	San Pablo City	2,000	-	-	-	2,144	-do-
	84. Republic Telephone Company, Inc.	3. CXP-5	Calamba-Cabuyao-Sta. Rosa	1,000	-	-	-	621	-do-
	85. -do-	4. SXS	Los Baños	600	-	-	-	1,103	-do-
	86. -do-	5. CXP-5	Sta. Cruz-Pagsarjan	1,000	-	-	-	663	-do-
LANAO DEL NORTE	87. Maranao Telephone Company	1. XB	Iligan City	1,000	325	487	-	812	Private
LANAO DEL SUR	88. Sharigan Telephone Company	1. M	Marawi	-	-	-	-	-	Private
NORTHERN LEYTE	89. Ormoc City Telephone Co., Inc.	1. SXS	Ormoc City	400	-	-	-	175	Private

SERVICE	NO. OF FRANCHISED TELEPHONE OPERATORS	TYPE OF EXCHANGE	LOCATION	CAPACITY	TELEPHONE LOAD			REMARK
					RES	BUS	EXT	
	90. Provincial Gov't. Telephone Sys. (Utilities Management Corp. - RETELCO)	2. XB	Tacloban City	1,000	-	-	1,348	Private
	91. Bureau of Telecommunications	3. XB	Ormoc City	500	268	168	457	Government
SOUTHERN LEYTE	92. Bureau of Telecommunications	1. XB	Maasin	500	-	-	313	Government
MANILA	93. Phil. Long Distance Telephone Co.	1. SXS	Intramuros	37,000	-	-	52,839	Private
	94. -do-	2. SXS	Sta. Mesa	21,000	-	-	50,950	-do-
	95. -do-	3. SXS	Malate	25,000	-	-	41,774	-do-
	96. -do-	4. SXS	Tondo	21,000	-	-	38,149	-do-
	97. -do-	5. SXS	Grace Park	5,400	-	-	18,111	-do-
	98. Bureau of Telecommunications	6. XB	Remedios	3,000	-	-	1,074	Government
	99. -do-	7. XB	Pandacan	3,250	-	-	922	-do-
MARINDUQUE	100. Pilipino Telephone Corporation	1. M	Boae	150	43	70	122	Private
	101. -do-	2. M	Sta. Cruz	150	26	8	54	-do-
MASBATO	102. Pilipino Telephone Corporation	1. XB	Masbato	250	105	119	224	Private
MINDORO OCC.	103. Bureau of Telecommunication	1. XB	San Jose	500	-	-	391	Government
MINDORO OR.	104. Calapaa Telephone System, Inc.	1. M	Calapan	400	-	-	428	Private
MISAMIS OCC.	105. Ozamis Tel. Co., Inc. (Utilities Management Corp. - RETELCO)	1. M	Ozamis City	540	-	-	606	Private
	106. Provincial Gov't. Telephone Sys.	2. XB	Ozamis City	400	-	-	250	Government
MISAMIS OR.	107. Dionisio R. Parulan	1. XB	Gingoog City	200	-	-	95	Private
	108. Provincial Gov't. Tel. System	2. XB	Cagayan de Oro City	3,000	1,143	1,207	2,350	Government
	109. Oroquieta City Telephone System	3. SXS	Oroquieta City	100	-	-	85	-do-
NEGROS OCC.	110. (Renato C. Yulo) Rcy Telephone System	1. XB	Binalbagan	105	40	55	115	Private

SERVICE	NO. OF FRANCHISED TELEPHONE OPERATORS	TYPE OF EXCHANGE	LOCATION	CAPACITY	TELEPHONE LOAD				REMARK
					RES	BUS	RKT	TOTAL	
NEGROS OR.	111. Maneng Telephone Co., Inc.	2. XB	Cadiz City	200	114	38	17	159	Private
	112. Victorias Telephone System	3. XB	Victorias	150	63	66	-	129	-do-
	113. (Angelina Y. Antonio) San Carlos City Telephone System	4. M	San Carlos City	600	186	142	24	407	-do-
	114. Phil. Long Distance Telephone Co.	5. SXS	Bacolod City	8,800	-	-	-	11,916	-do-
	-do-	6. SXS	Bilay-Talisay	800	-	-	-	933	-do-
	116. -do-	7. XB	Kabankalan	-	-	-	-	-	-do-
	117. Bureau of Telecommunications	8. XB	Bacolod City	900	18	41	9	68	Government
	118. Placido A. Ausejo	1. M	Dumaguete City	480	-	-	-	388	Private
NUEVA ECIJA	119. Bureau of Telecommunications	2. XB	Duangueto City	1,500	-	-	-	1,891	Government
	120. Phil. Long Distance Telephone Co.	3. XB	Bais	-	-	-	-	-	Private
	121. Republic Telephone Company, Inc.	1. XB	Cabanatuan City	-	465	410	100	975	Private
NUEVA VISCAYA	122. Bureau of Telecommunications	2. XB	Sta. Rosa	-	-	-	-	-	Government
	123. Phil. Long Distance Tel. Co.	3. SXS	Gapan	-	-	-	-	-	Private
PALAWAN	124. Bureau of Telecommunications	1. XB	Bayombong	500	-	-	-	380	Government
	125. -do-	2. XB	Solano	-	-	-	-	180	-do-
PAMPANGA	126. Pilipino Telephone Corporation	1. XB	Puerto Princesa	250	103	81	14	158	Private
	127. Evangelista Telephone Co., Inc.	1. SXS	Angelea City	4,100	-	-	-	5,066	Private
	128. Filipinas Telephone Co., Inc.	2. M	Guaga	300	-	-	-	405	-do-
	129. -do-	3. SXS	Bacolor	200	-	-	-	120	-do-
	130. Mabalacat Telephone Co., Inc.	4. M	Mabalacat	400	624	151	25	800	-do-
	131. Phil. Long Distance Tel. Co., Inc.	5. SXS	San Fernando-Sto. Tomas	1,000	-	-	-	2,183	Private
	132. Pampanga Telephone Co.	6. M	Macabebe	200	-	-	-	120	-do-
	133. -do-	7. M	Masantol	200	53	53	104	210	-do-
134. Valencia Telephone Co.	8. SXS	Apalit	200	-	-	-	154	-do-	

SERVICE	NO. OF FRANCHISED TELEPHONE OPERATORS	TYPE OF EXCHANGE	LOCATION	CAPACITY	RES	TELEPHONE LOAD			REMARK
						BUS	RKT	TOTAL	
PANGASINAN	135.	San Carlos Telephone Co., Inc.	Bayambang	150	49	13	-	67	Private
	136.	-do-	San Carlos City	180	27	-	-	120	-do-
	137.	Phil. Long Distance Tel. Co.	Dagupan City- Calasiao- Mangaldan-Bonuan- San Fabian	2,350	780	859	-	1,639	-do-
	138.	Rural Telephone Co., Inc.	Lingayen	50	32	11	-	54	-do-
	139.	-do-	Urdaneta	200	77	91	-	186	-do-
	140.	Magiliw Telephone Co.	Rosales	200	-	-	-	160	-do-
QUEZON	141.	Phil. Long Distance Tel.	Lacena City	3,000	650	419	-	1,069	Private
	142.	Jeime Ramos Telephone System	Gumaca	200	-	-	-	50	-do-
	143.	Lukban Telephone System	Lukban	100	-	-	-	55	-do-
QUEZON CITY	144.	Phil. Long Distance Tel. Co.	East Ave., Q.E.	20,800	-	-	-	39,420	Private
	145.	-do-	Novaliches	1,600	-	-	-	4,023	-do-
	146.	Bureau of Telecommunications	San Francisco Del Monte	2,200	-	-	-	925	Government
	147.	-do-	A. Roces	2,200	-	-	-	1,323	-do-
	148.	-do-	Diliman	2,200	-	-	-	812	-do-
	149.	-do-	Cubao	2,200	-	-	-	1,158	-do-
	150.	-do-	Novaliches	400	-	-	-	48	-do-
RIZAL	151.	Phil. Long Distance Telephone	Paranaque	8,000	-	-	-	14,285	Private
	152.	-do-	Pasay City	6,430	-	-	-	8,883	-do-
	153.	-do-	Caloocan City	11,400	-	-	-	11,862	-do-
	154.	-do-	Makati	29,800	-	-	-	70,275	-do-
	155.	-do-	Mandaluyong	25,200	-	-	-	41,557	-do-
	156.	Republic Telephone Company, Inc.	Cainta-Antipdo- Taytay	4,000	-	-	-	2,198	-do-
	157.	-do-	Binangonan	200	-	-	-	110	-do-
	158.	-do-	Marikina-San Mateo-Montalban	4,000	-	-	-	2,551	-do-
	159.	-do-	Muntinglupa-San Pedro	1,580	-	-	-	1,679	-do-
	160.	-do-	Angono	200	-	-	-	125	-do-
	161.	-do-	Pasig-Pateros Tagnag	4,000	-	-	-	6,285	-do-
	162.	-do-	Pasig-Pateros- Taguig	4,000	-	-	-	5,250	-do-

SERVICE	NO. OF FRANCHISED TELEPHONE OPERATORS	TYPE OF EXCHANGE	LOCATION	CAPACITY	TELEPHONE LOAD			REMARK	
					RES	BUS	RKI		TOTAL
	163. Bureau of Telecommunications	13. SXS	Caloocan City	2,200	-	-	-	1,090	Government
	164. Republic Telephone Company, Inc.	14. M	Tanay	200	-	-	-	98	Private
	165. Bureau of Telecommunications	15. SXS	Mandaluyong	2,200	-	-	-	792	Government
	166. -do-	16. SXS	Makati	2,209	-	-	-	310	-do-
	167. -do-	17. SXS	Paranaque	2,200	-	-	-	739	-do-
WESTERN SAMAR	168. Bureau of Telecommunications	1. XB	Catbalogan	500	-	-	-	425	Government
	169. Calbayog Tel. System (Ernesto Quisumbing)	2. SXS	Calbayog City	100	-	-	-	150	Private
SORSOGON	170. Bureau of Telecommunications	1. XB	Sorsogon	500	-	-	-	309	Government
SULU	171. Nationwide Telephone Corp.	1. M	Jolo	380	100	117	135	352	Private
SURIGAO DEL NORTH	172. Municipal Telephone System	1. M	Surigao City	100	-	-	-	61	Government
	173. Bureau of Telecommunications	2. XB	Surigao City	500	-	-	-	454	-do-
SURIGAO DEL SUR	174. Mario Serra Ty	1. XB	Tandag	100	52	48	-	100	Private
TARLAC	175. Pindea Telephone Co., In. (PLDT)	1. XB	Bamban	50	34	9	1	44	Private
	176. -do-	2. XB	Capas	50	26	22	1	49	-do-
	177. -do-	3. M	Concepcion	320	193	86	1	284	-do-
	178. Phil. Long Distance Telephone Co.	4. SXS	Tarlac	1,460	-	-	-	1,558	-do-
	179. -do-	5. SXS	Camiling	-	-	-	-	-	-do-
	180. Bureau of Telecommunications	6. XB	Tarlac	500	-	-	-	162	Government
ZAMBALES	181. Pilipino Telephone Corporation	1. XB	Olongapo City (New)	3,600	-	-	-	2,000	Private
ZAMBOANGA DEL NORTE	182. Municipal Telephone of Dipolog	1. M	Dipolog City	240	-	-	-	337	Government
	183. Julio S. Cruz (GRUZTELCO)	2. XB	Dipolog City	600	-	-	-	500	Private
ZAMBOANGA DEL SUR	184. City of Basilan Telephone Sys.	1. M	Basilan City	240	133	200	-	333	Government
	185. Dionisio R. Parulan	2. SXS	Pagadian City	250	27	84	-	111	-do-
	186. Phil. Long Distance Telephone Co.	3. SXS	Zamboanga City	2,000	-	-	-	2,413	-do-
	187. Ipil Telephone Company	4. XB	Ipil	150	-	-	-	70	-do-

I. BY COVERAGE NO. OF EXCHANGE

Luzon	- - - - -	135
Visayas	- - - - -	24
Mindanao	- - - - -	27
		Total - 186

II. BY TYPE

Electronic (EAX)	- - - - -	3
Cross Point (CXP-5)	- - - - -	8
Cross Bar (XB)	- - - - -	67
Strowger Step by Step (SXS)	- - - - -	73
Manual (M)	- - - - -	35
		Total - 186

III. BY OPERATOR

Local Government	- - - - -	13
Bureau of Telecommunications	- - - - -	35
Philippine Long Distance Co.	- - - - -	31
Republic Telephone Co.	- - - - -	23
Pilipino Telephone Co.	- - - - -	8
Filipinas Telephone Co., Inc.	- - - - -	8
Others	- - - - -	68
		Total - 186

