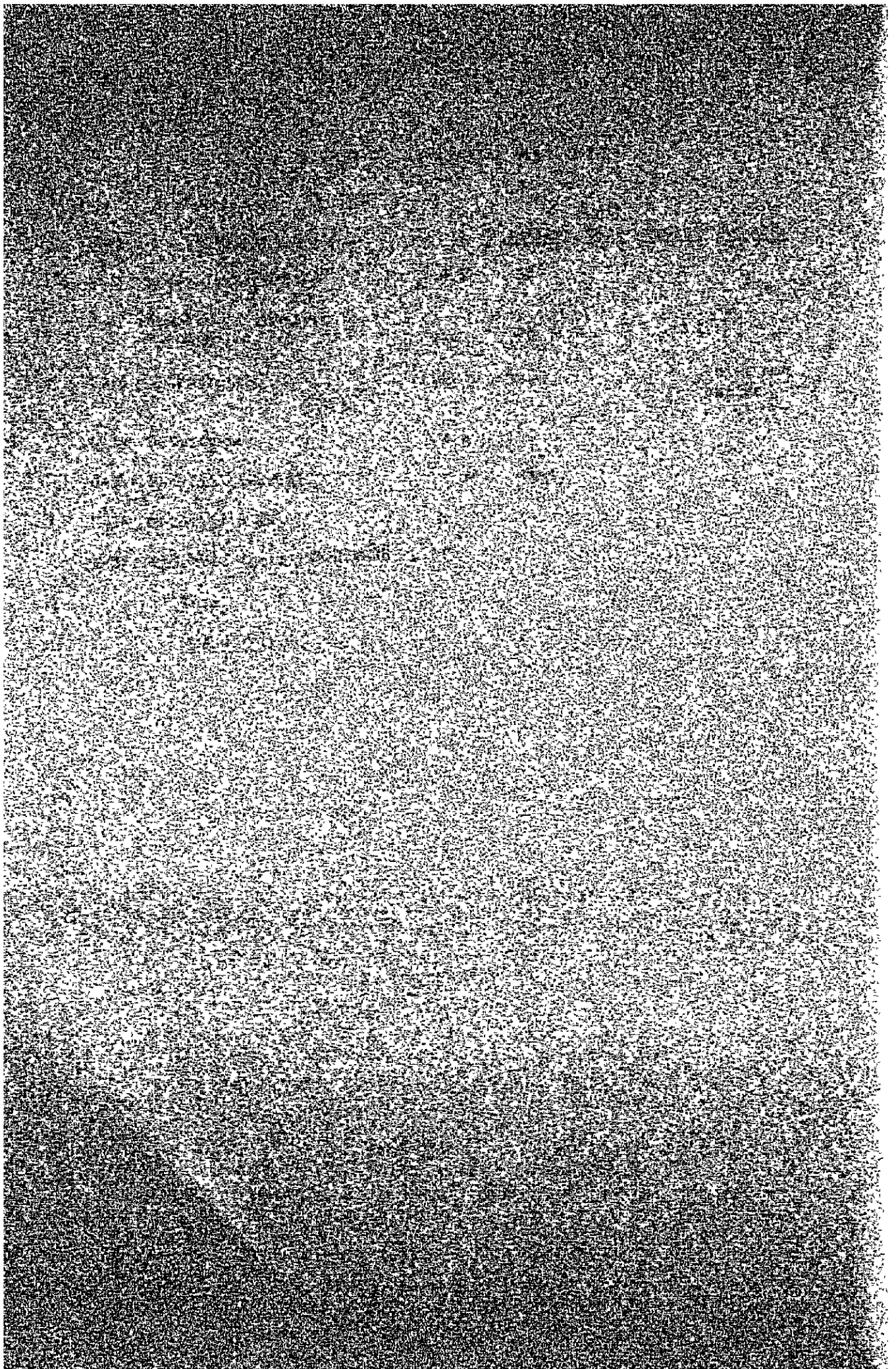


VIII. DRAWINGS



LIST OF DRAWINGS

(DAO)

<u>DWG NO.</u>	<u>TITLE</u>
APC-D-1	PROPOSED EXPERIMENTAL FARM
APC-D-2	IRRIGATION FACILITIES
APC-D-3	PIPE-WORKS AROUND TUBE WELL
APC-D-4	PUMPING HOUSE

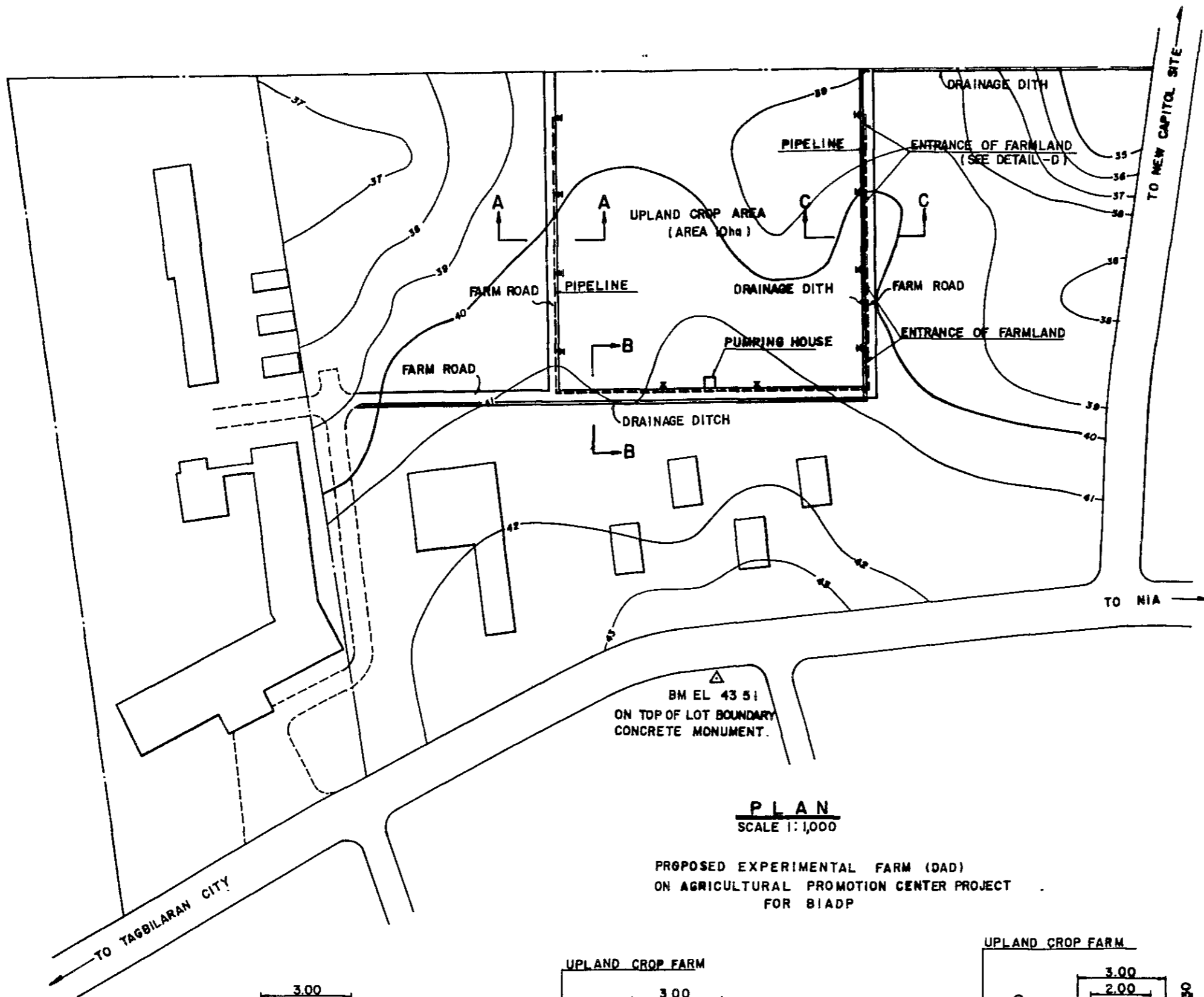
(BILAR)

APC-B-1	PLAN OF DIKE PROTECTION & MAIN CANAL
APC-B-2	PLAN OF PROPOSED EXPERIMENTAL FARM
APC-B-3 - 6	DIVERSION WEIR (1) - (4)
APC-B-7 - 8	PROFILE OF MAIN CANAL (1) - (2)
APC-B-9	CANAL & ROAD
APC-B-10-11	NATIONAL ROAD CROSSING (1) - (2)
APC-B-12-14	ROAD CROSSING (TYPE A) - (TYPE C)
APC-B-15	FARM INLET & FARM OUTLET
APC-B-16	ENTRANCE WORK

(UBAY)

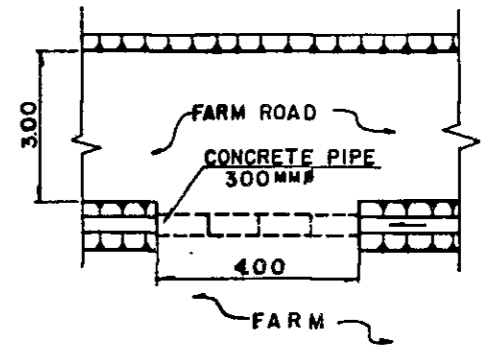
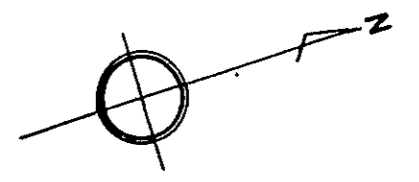
APC-U-1	PROFILE AND TYPICAL SECTION OF DAM
APC-U-2	PLAN AND PROFILE OF SPILLWAY
APC-U-3	CROSS SECTION OF SPILLWAY

(23)



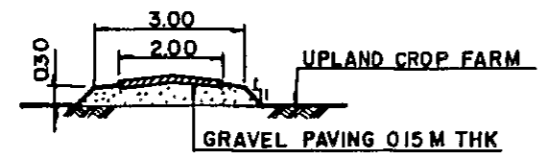
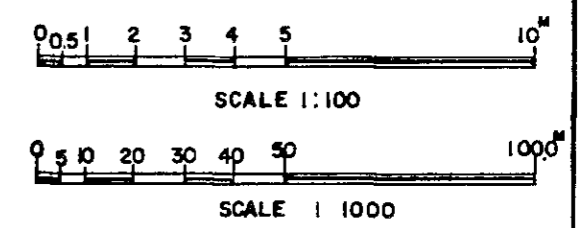
PLAN
SCALE 1:1,000

PROPOSED EXPERIMENTAL FARM (DAD)
ON AGRICULTURAL PROMOTION CENTER PROJECT
FOR BIADP

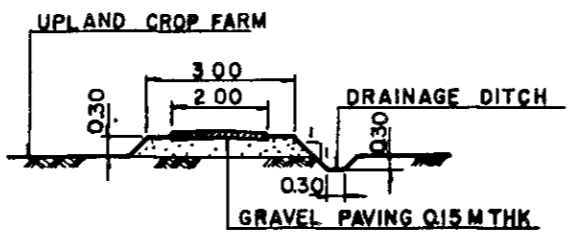


DETAIL D
SCALE 1:100
ENTRANCE OF FARMLAND

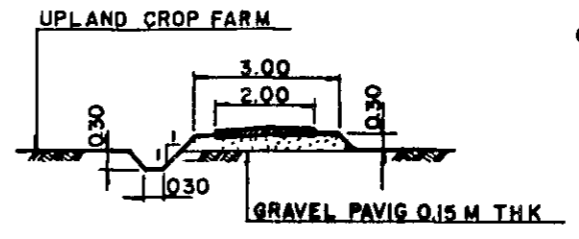
NOTES
ALL DIMENSIONS ARE GIVEN
IN METERS EXCEPT
OTHERWISE SHOWN.



A-A SECTION
SCALE 1:100

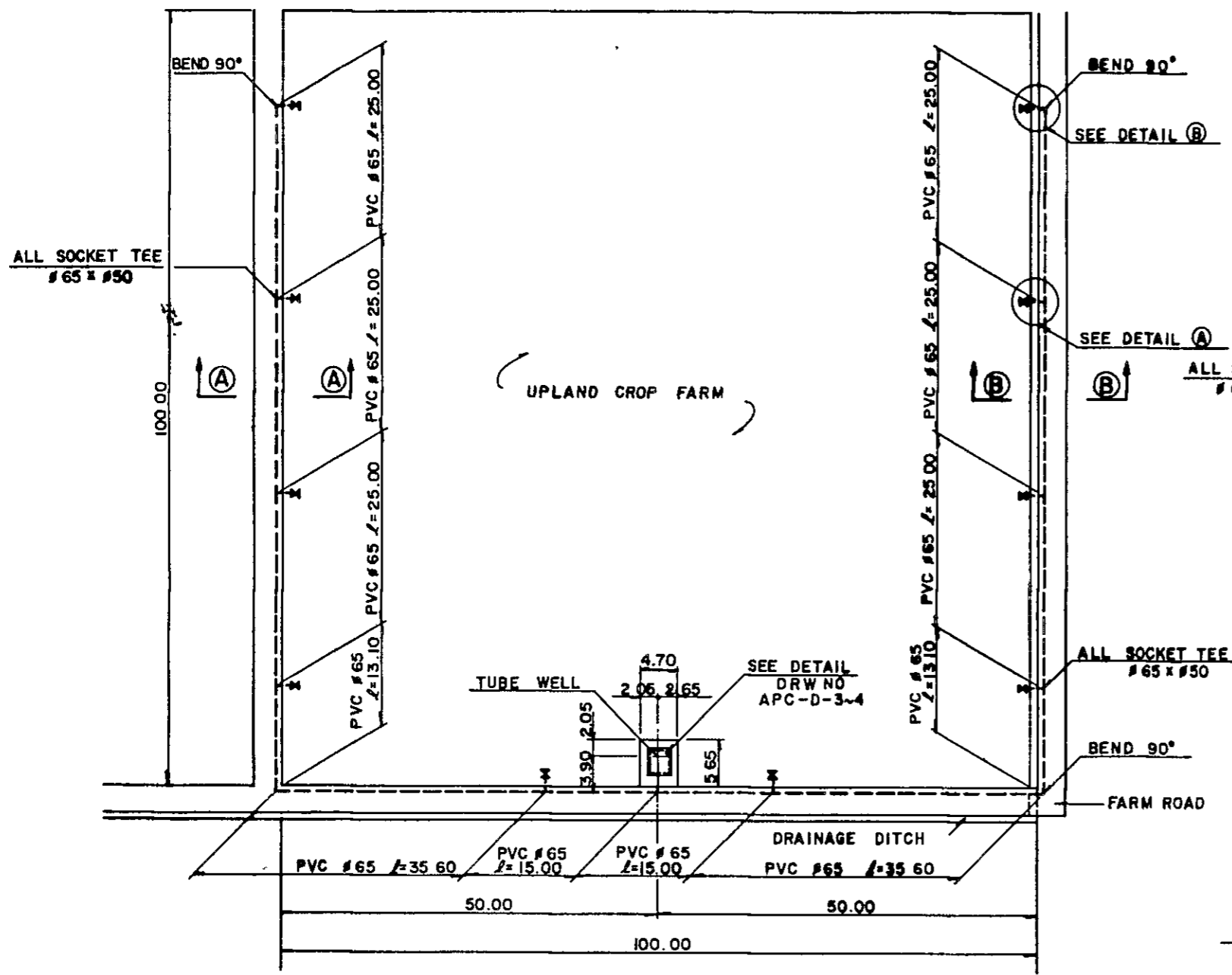


B-B SECTION
SCALE 1:100
FARM ROAD

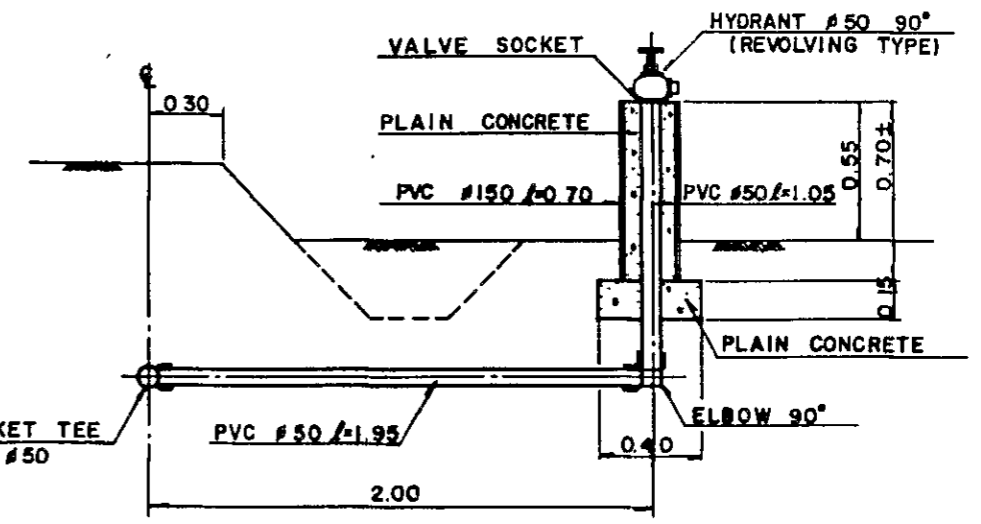


C-C SECTION
SCALE 1:100

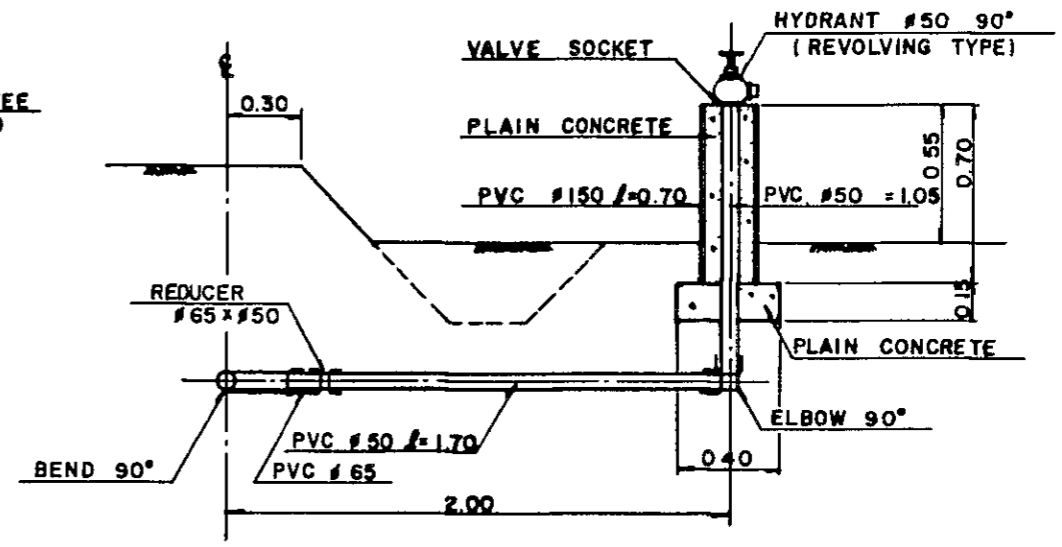
AGRICULTURAL PROMOTION CENTER PROJECT (APC)	
PROPOSED EXPERIMENTAL FARM DAO, TAGBILARAN CITY	
DRAWING NO. APC-D-1	SCALE
JAPAN INTERNATIONAL COOPERATION AGENCY	



PLAN OF IRRIGATION FACILITIES
SCALE 1 : 500

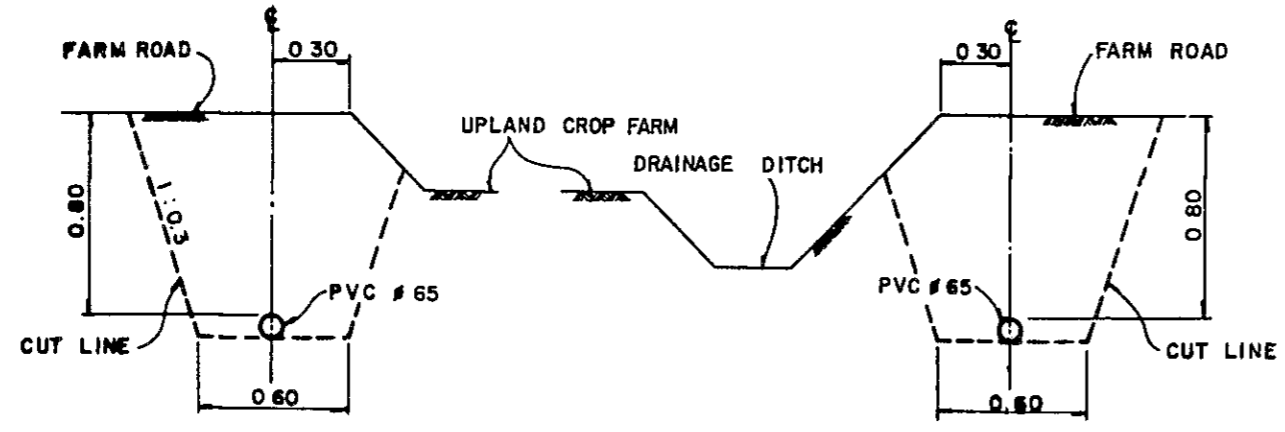


DETAIL A
SCALE 1 : 20



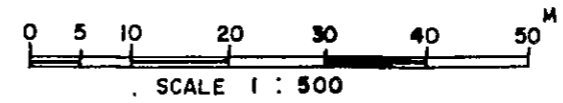
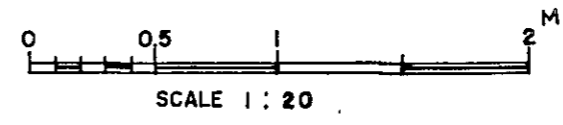
DETAIL B
SCALE 1 : 20

- NOTES**
1. ALL DIMENSIONS ARE GIVEN IN METERS EXCEPT OTHERWISE SHOWN.
 2. ALL BARS' DIAMETER ARE SHOWN IN MILLIMETERS.

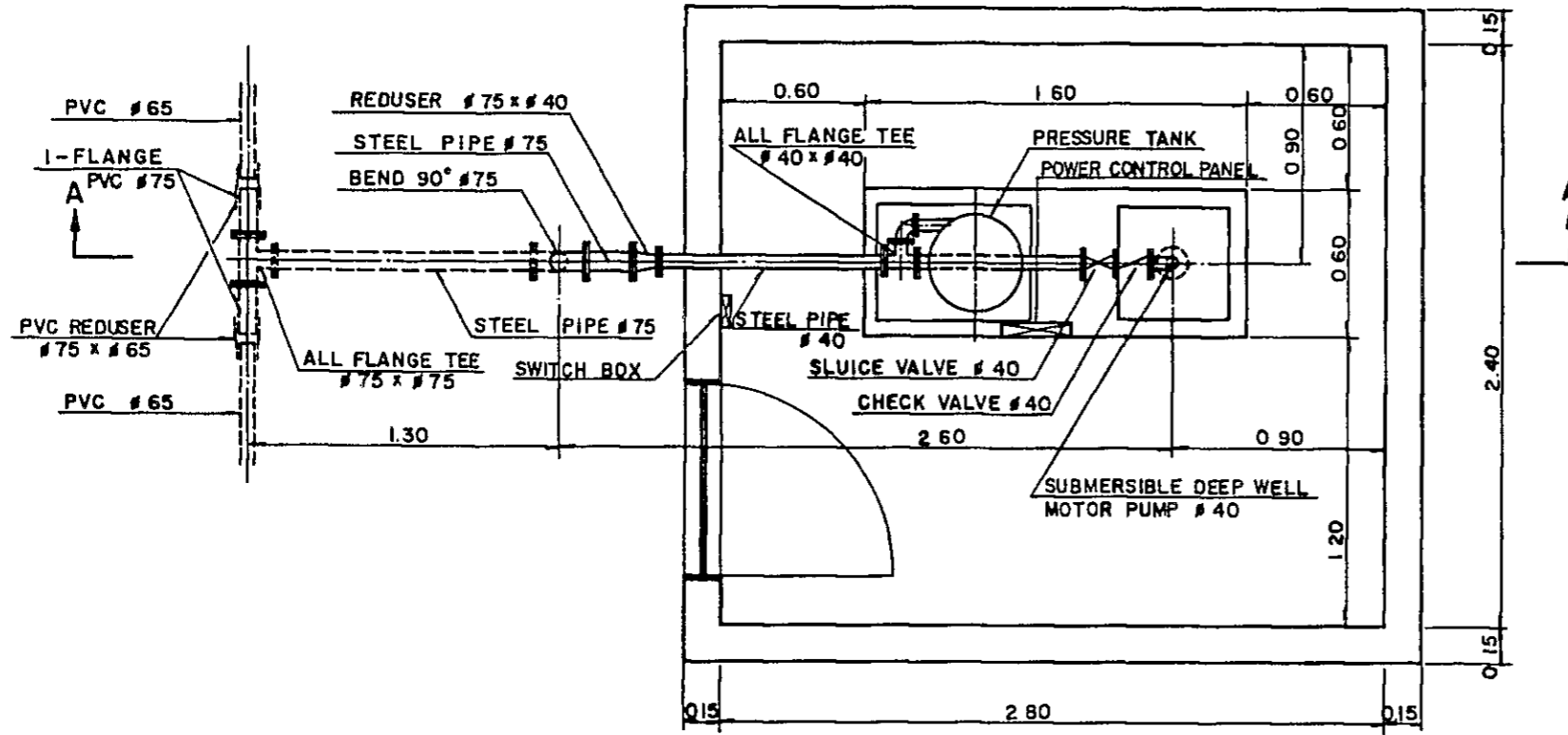


SECTION A-A SCALE 1 : 20

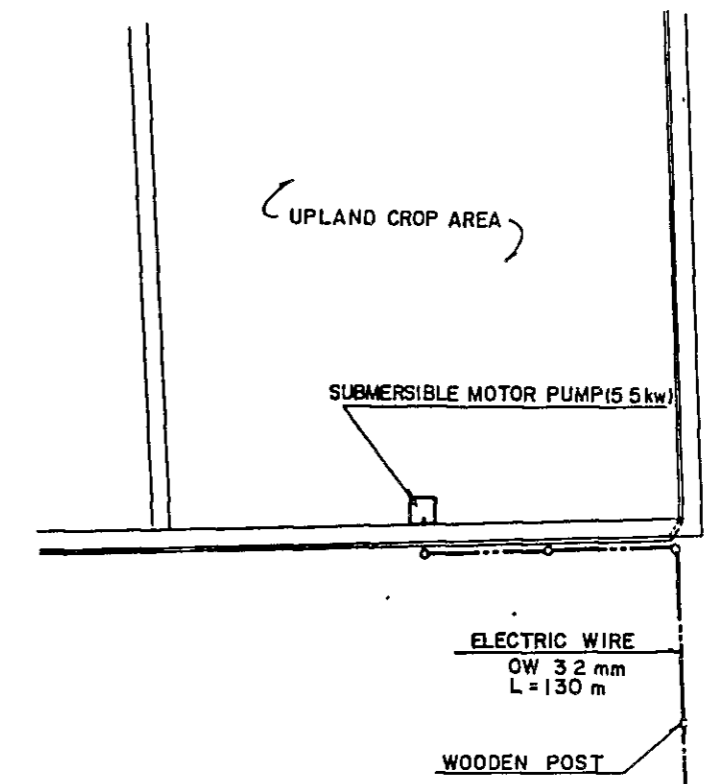
SECTION B-B SCALE 1 : 20



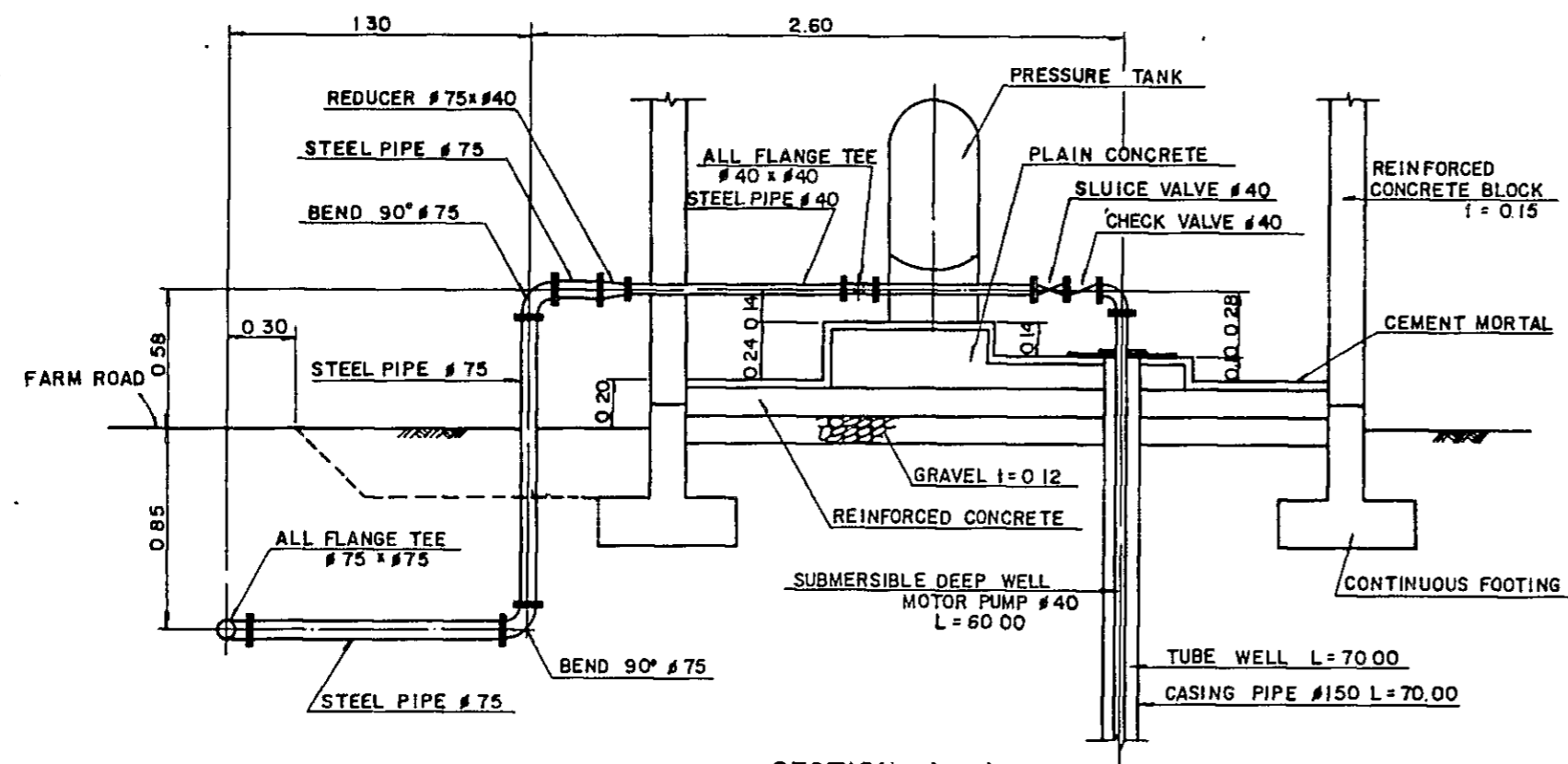
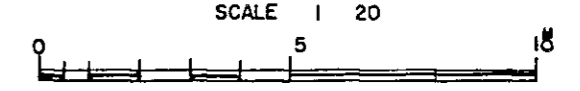
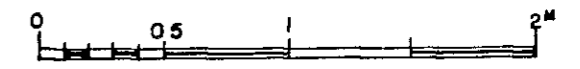
AGRICULTURAL PROMOTION CENTER PROJECT (A P C)	
IRRIGATION FACILITIES DAO	
DRAWING NO. APC-D-2	SCALE
JAPAN INTERNATIONAL COOPERATION AGENCY	



PLAN OF PIPE-WORKS AROUND TUBE WELL
SCALE 1 20



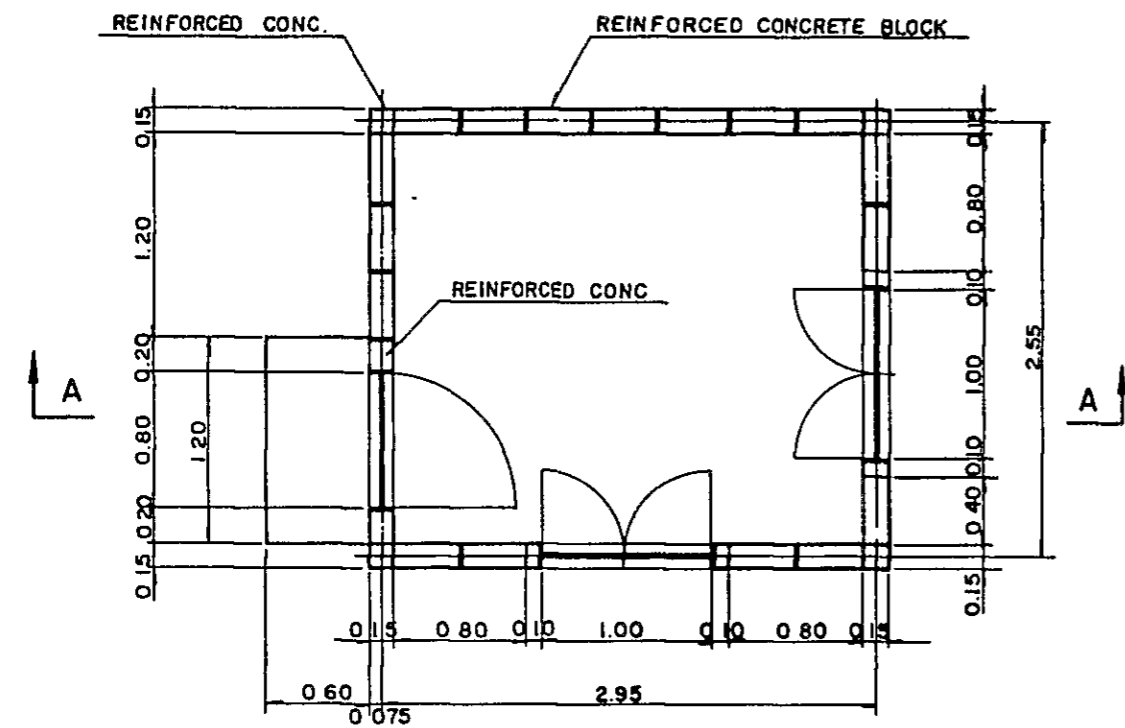
PLAN OF ELECTRIC FACILITIES
SCALE 1 100



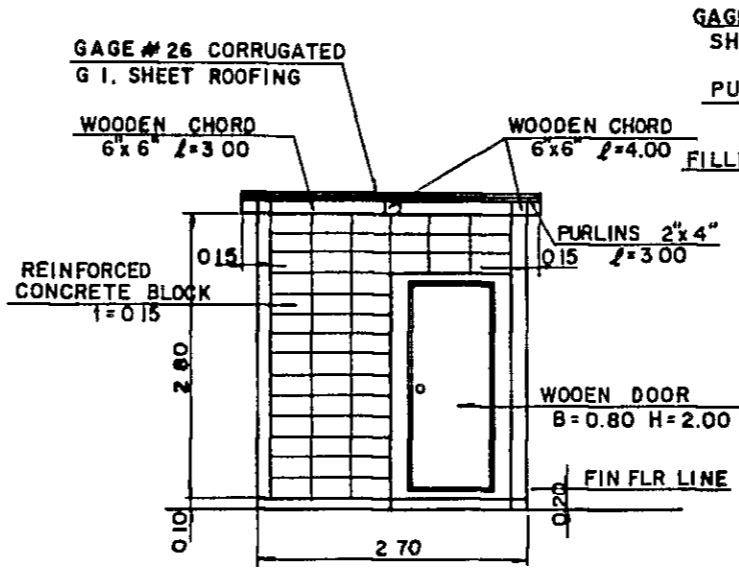
SECTION A - A
SCALE 1 20

- NOTES
1. ARRANGEMENT OF PIPES BETWEEN THE OUTLET OF THE PUMP AND PVC - PIPELINES MAY BE REDESIGNED BY THE CONTRACTOR DEPENDING ON THE KIND OF PRESSURE TANK AFTER GETTING THE ENGINEER'S APPROVAL
 2. ALL DIMENSIONS ARE GIVEN IN METERS EXCEPT OTHERWISE SHOWN

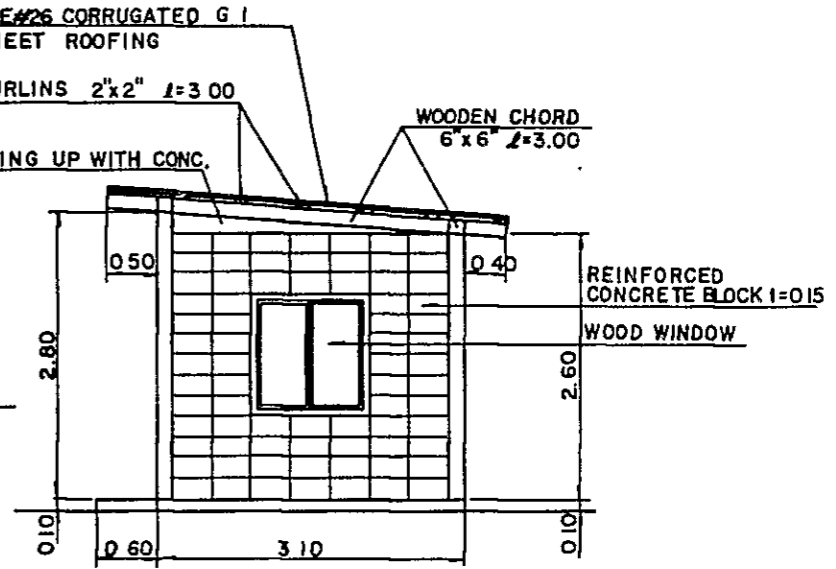
AGRICULTURAL PROMOTION CENTER PROJECT (A P C)	
PIPE -WORKS AROUND TUBE WELL DAO	
DRAWING NO APC-D-3	SCALE
JAPAN INTERNATIONAL COOPERATION AGENCY	



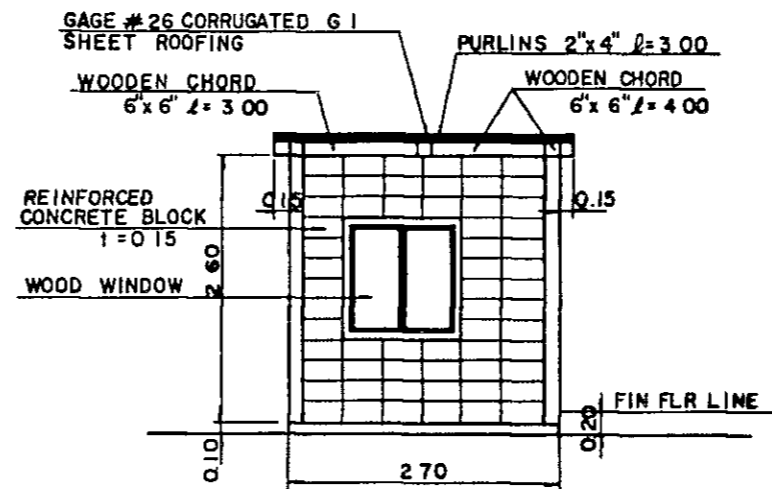
PLAN
SCALE 1:30



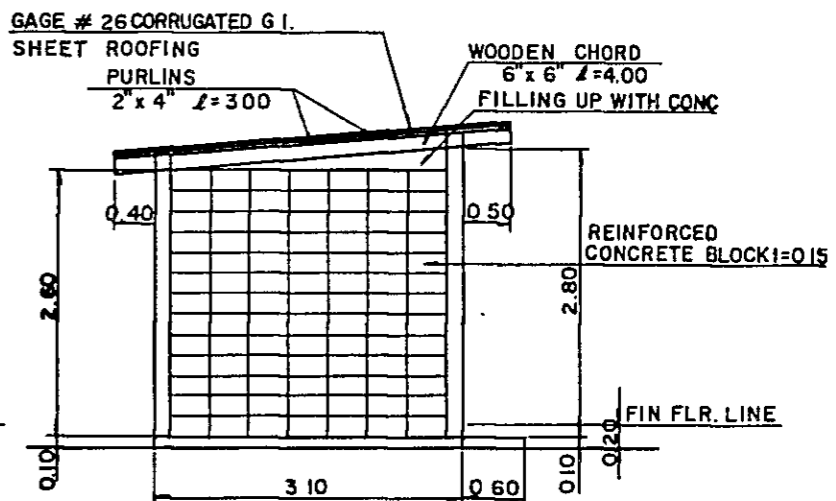
FRONT ELEVATION
SCALE 1:50



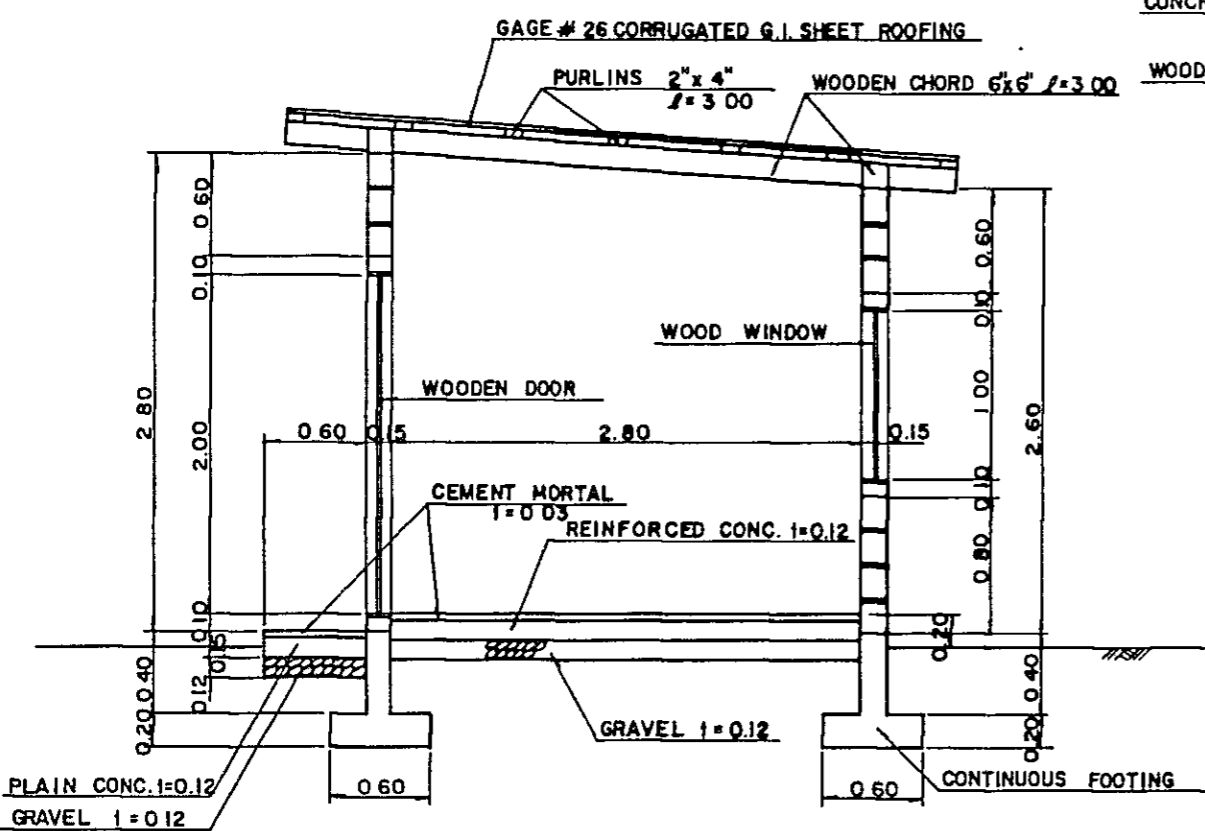
RIGHT SIDE ELEVATION
SCALE 1:50



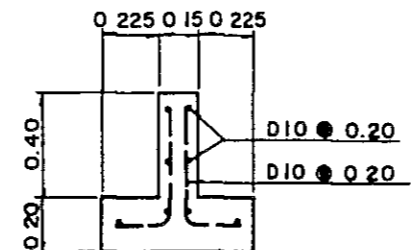
REAR ELEVATION
SCALE 1:50



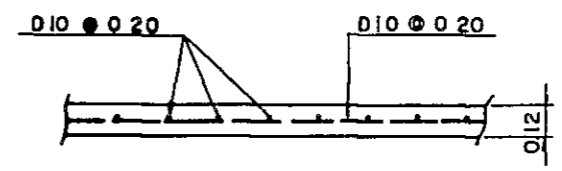
LEFT SIDE ELEVATION
SCALE 1:50



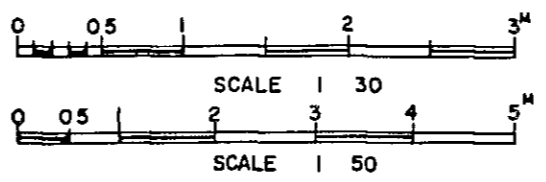
SECTION A-A
SCALE 1:30



DETAIL OF CONTINUOUS FOOTING
SCALE 1:20

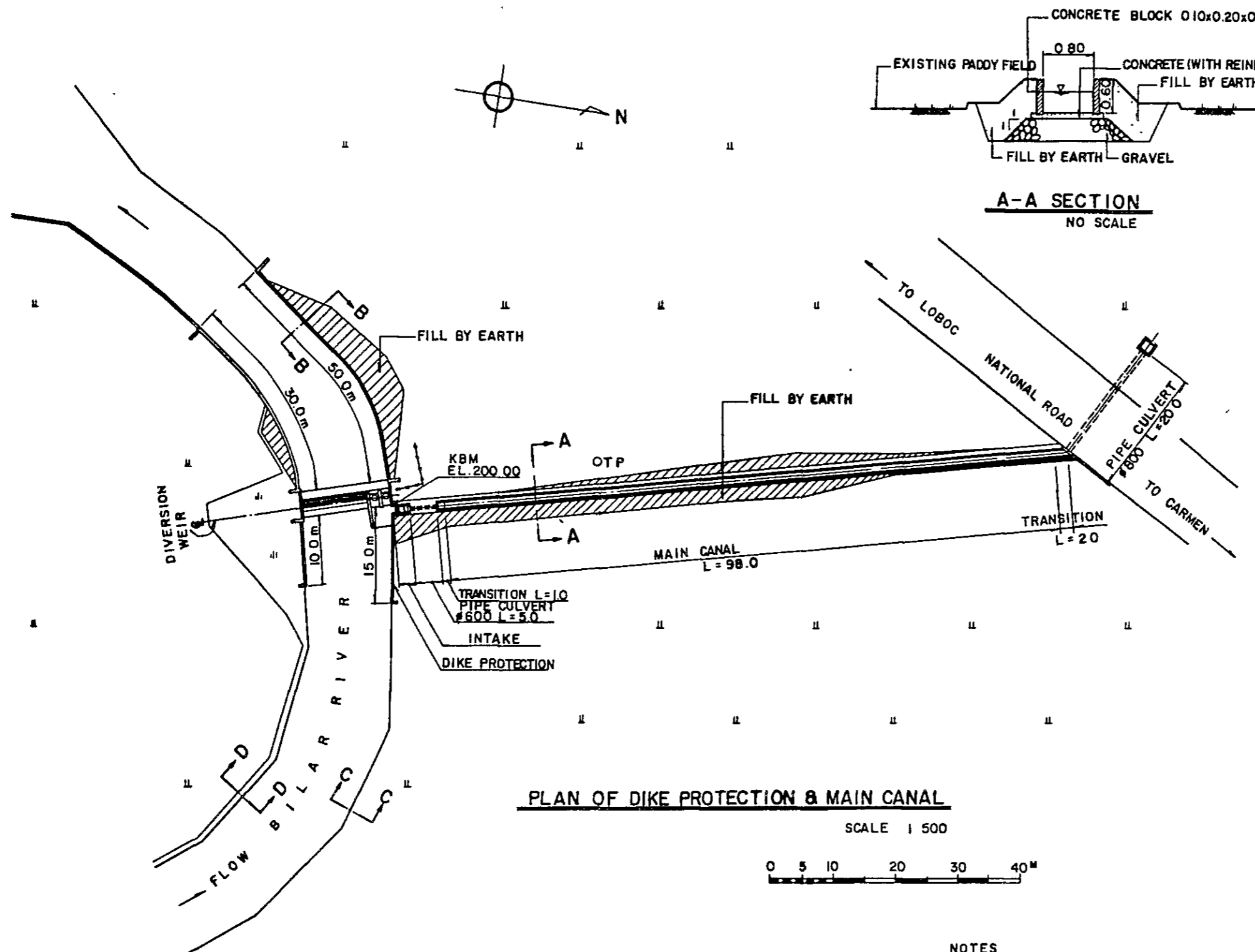


DETAIL OF FLOOR CONCRETE
SCALE 1:20



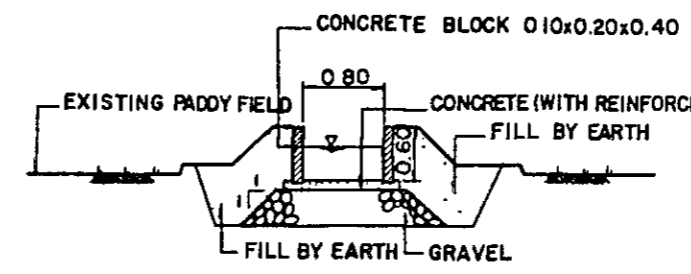
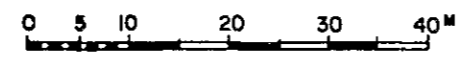
- NOTES
1 ALL DIMENSIONS ARE GIVEN IN METERS EXCEPT OTHERWISE SHOWN
2 ALL BARS DIAMETER ARE SHOWN IN MILLIMETERS

AGRICULTURAL PROMOTION CENTER PROJECT (A.P.C.)
PUMPING HOUSE
DAO
DRAWING NO APC-D-4 SCALE
JAPAN INTERNATIONAL COOPERATION AGENCY

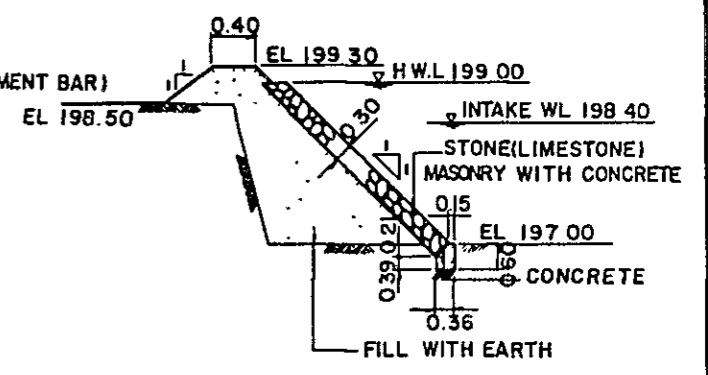


PLAN OF DIKE PROTECTION & MAIN CANAL

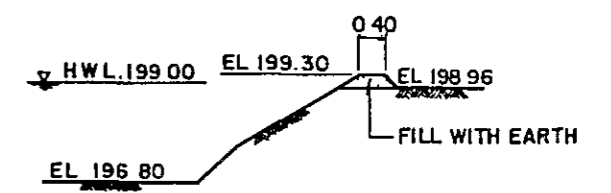
SCALE 1 500



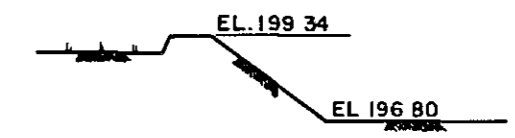
A-A SECTION
NO SCALE



B-B SECTION
NO SCALE



C-C SECTION
NO SCALE



D-D SECTION
NO SCALE

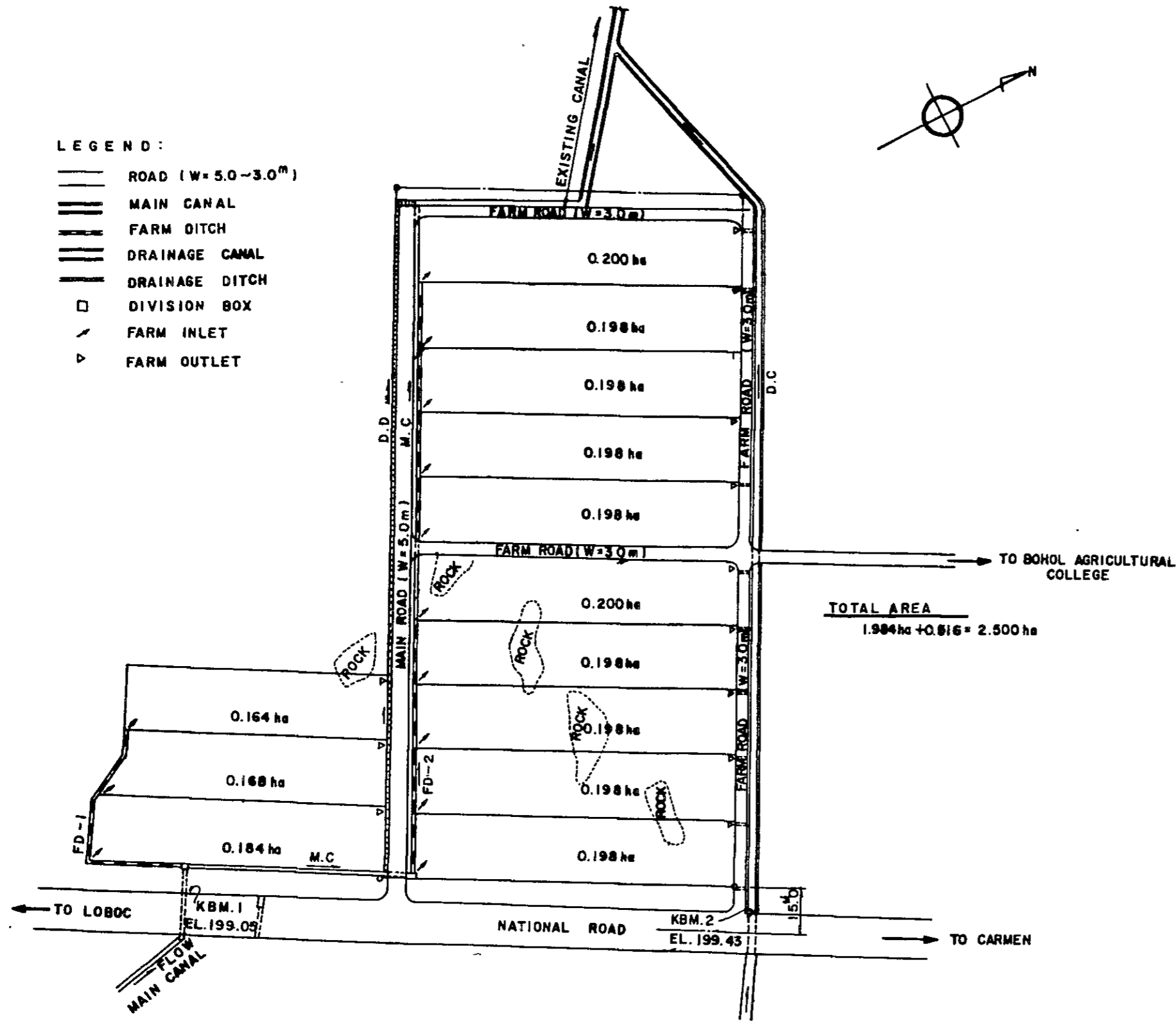
NOTES

ALL ELEVATIONS AND DEMENSIONS ARE GIVEN IN METERS EXCEPT OTHERWISE SHOWN.

AGRICULTURAL PROMOTION CENTER PROJECT (A P C)	
PLAN OF DIKE PROTECTION & MAIN CANAL BILAR, BOHOL	
DRAWING NO APC-B-1	SCALE
JAPAN INTERNATIONAL COOPERATION AGENCY	

LEGEND:

- ROAD (W=5.0~3.0m)
- MAIN CANAL
- FARM DITCH
- DRAINAGE CANAL
- DRAINAGE DITCH
- DIVISION BOX
- FARM INLET
- FARM OUTLET

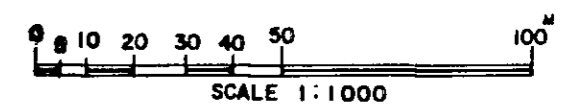
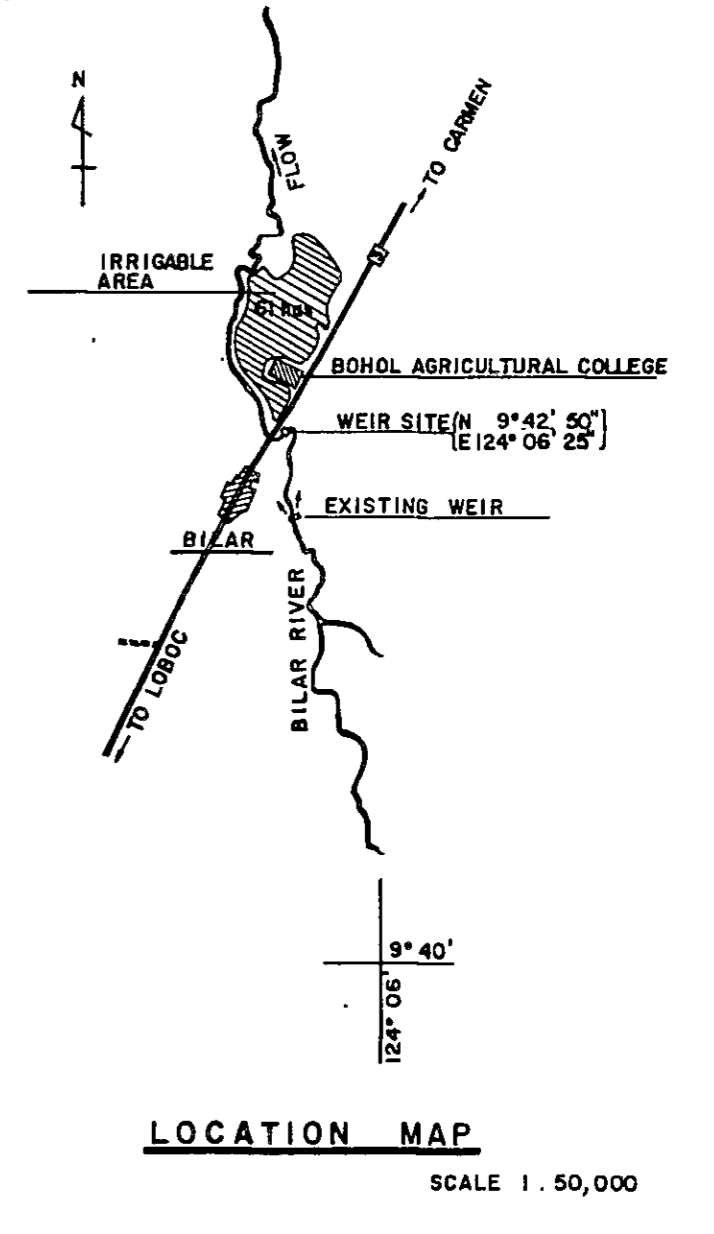


**PLAN OF PROPOSED EXPERIMENTAL FARM (BILAR)
ON
AGRICULTURAL PROMOTION CENTER PROJECT
FOR
BIAD P**

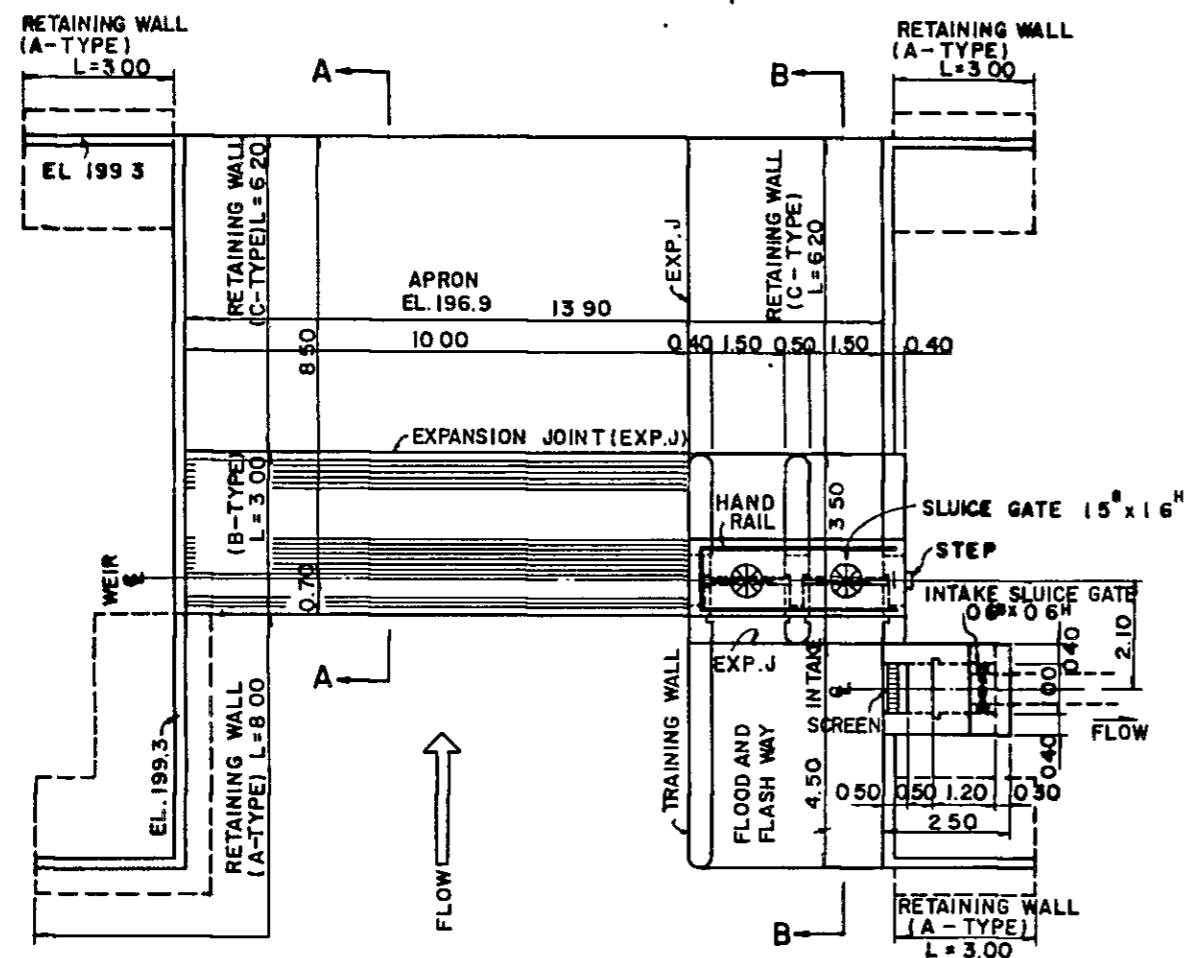
SCALE: 1:1,000

NOTES.

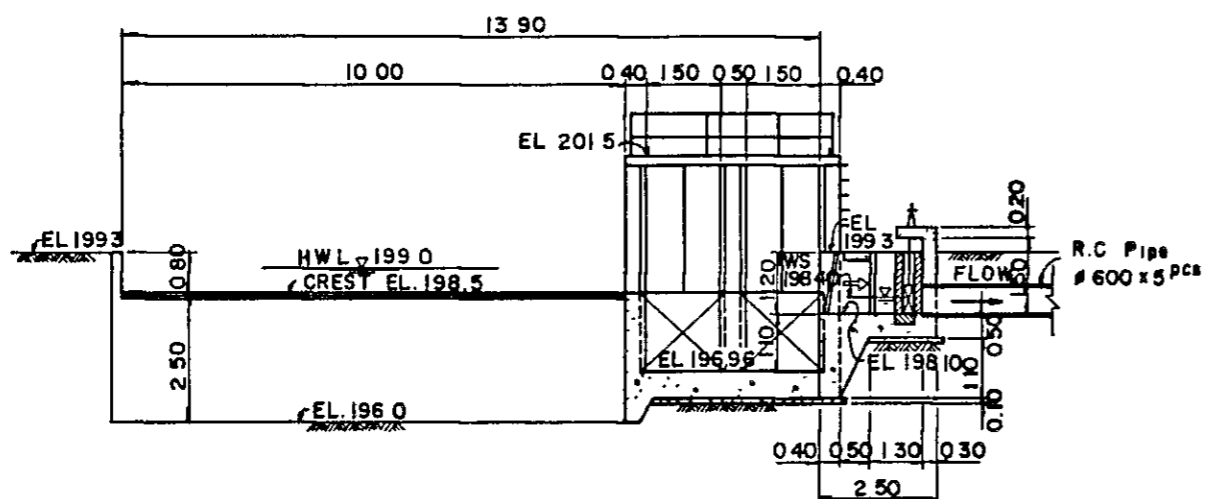
1. ALL DIMENSIONS ARE GIVEN IN METERS EXCEPT OTHERWISE SHOWN.



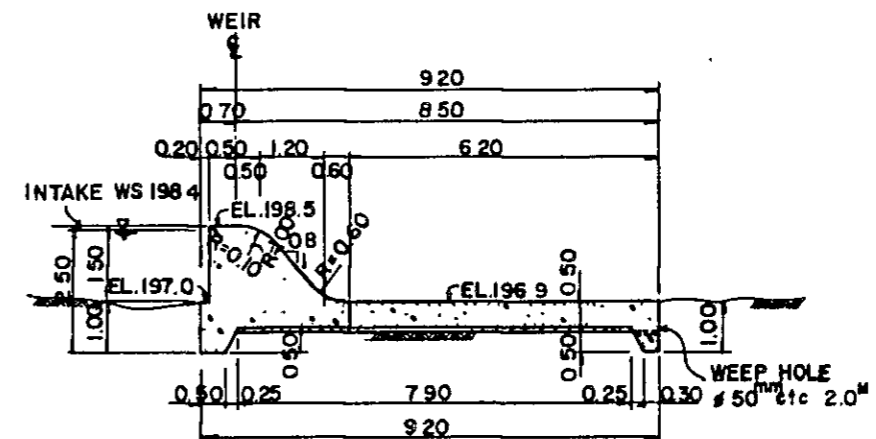
AGRICULTURAL PROMOTION CENTER PROJECT (A.P.C.)	
PLAN OF PROPOSED EXPERIMENTAL FARM (BILAR)	
DRAWING NO. APC-S-2	SCALE
JAPAN INTERNATIONAL COOPERATION AGENCY	



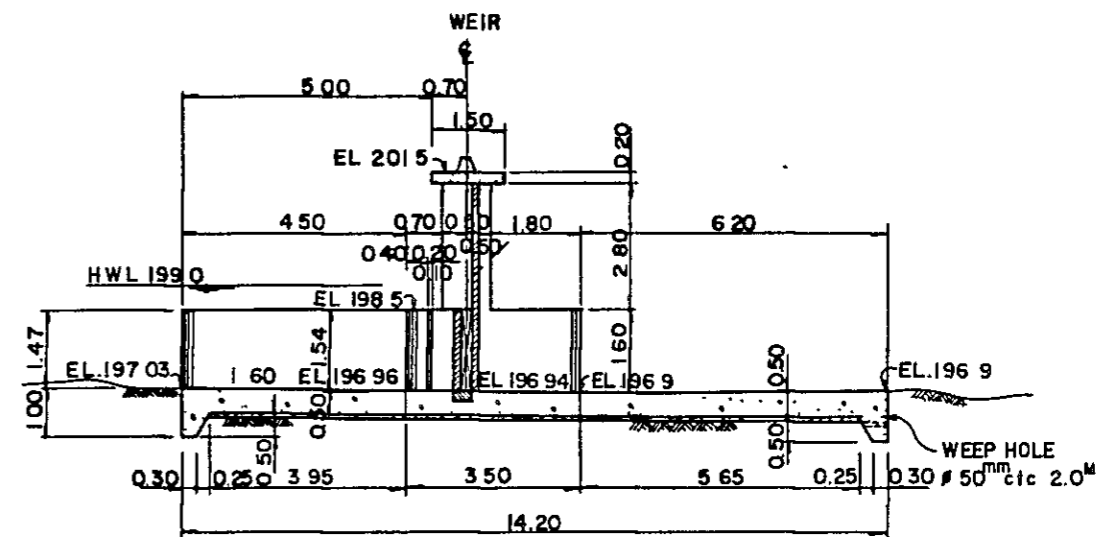
PLAN
SCALE 1:100



UPSTREAM ELEVATION
SCALE 1:100

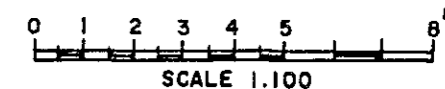


SECTION A-A
SCALE 1:100

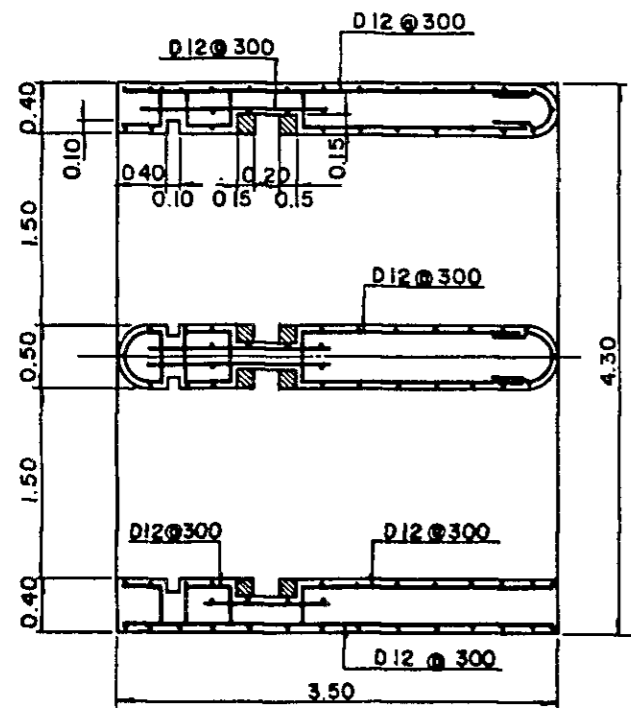


SECTION B-B
SCALE 1:100

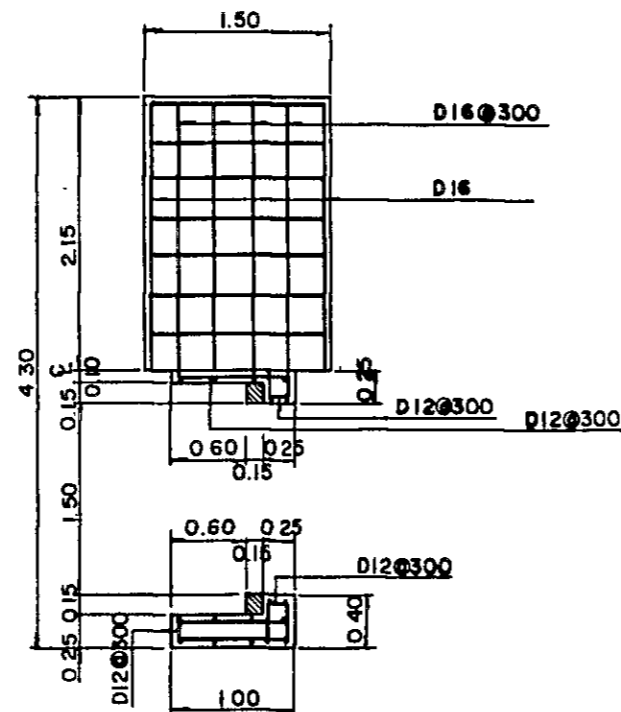
NOTE
 ALL ELEVATIONS AND DIMENSIONS ARE GIVEN IN METERS EXCEPT OTHERWISE SHOWN.



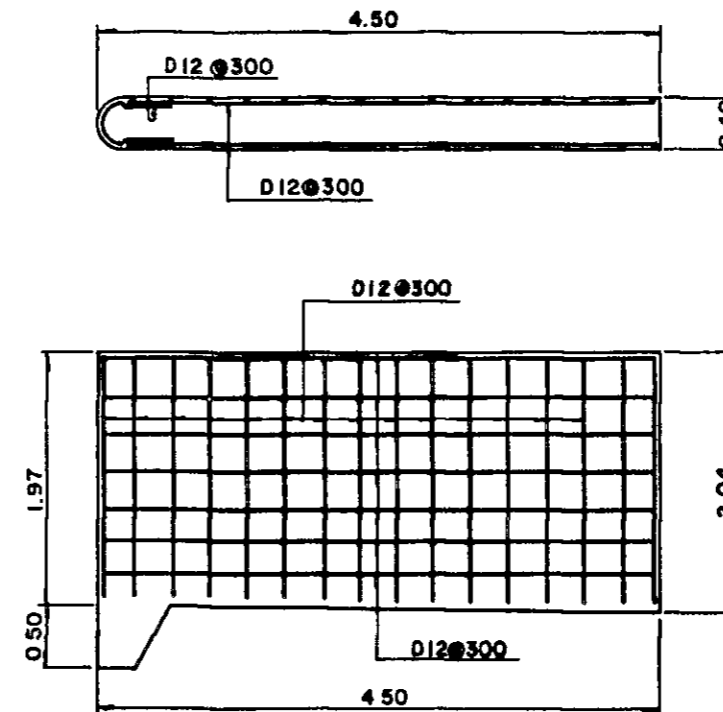
AGRICULTURAL PROMOTION CENTER PROJECT (A.P.C.)	
DIVERSION WEIR (I) (BILAR RIVER)	
DRAWING NO. APC-B-3	SCALE
JAPAN INTERNATIONAL COOPERATION AGENCY	



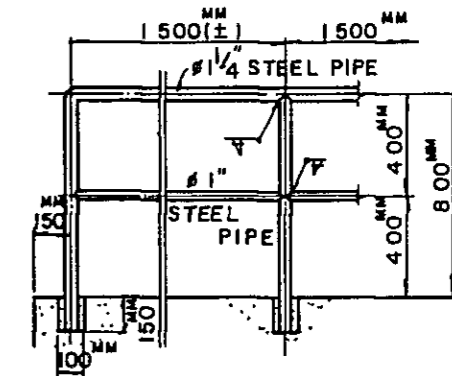
SECTION B-B



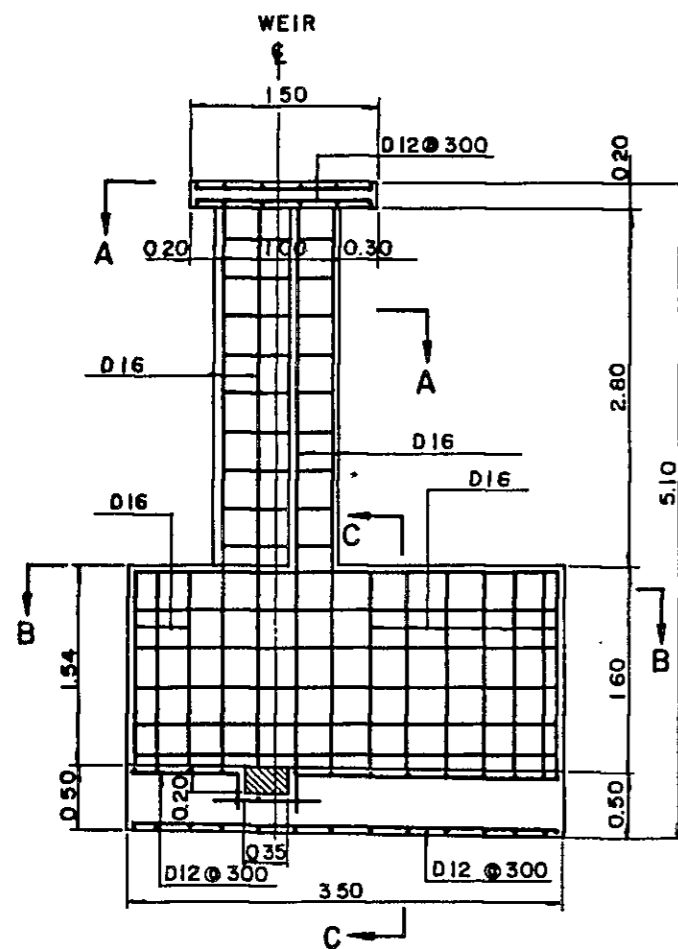
SECTION A-A



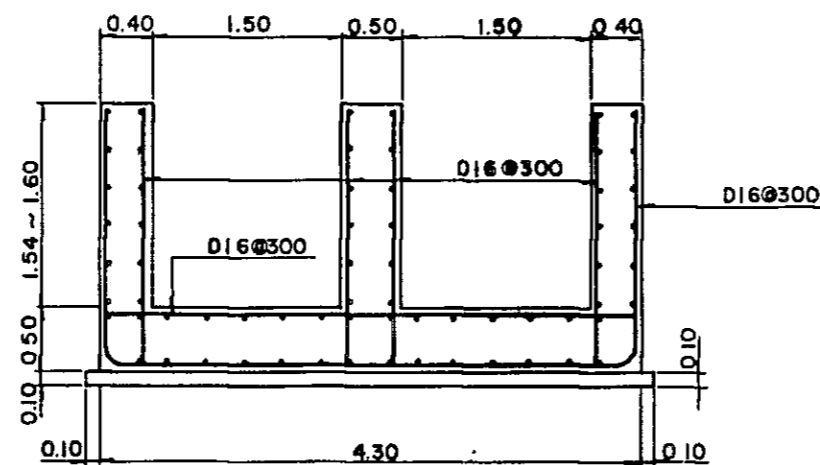
PROFILE OF TRAINING WALL



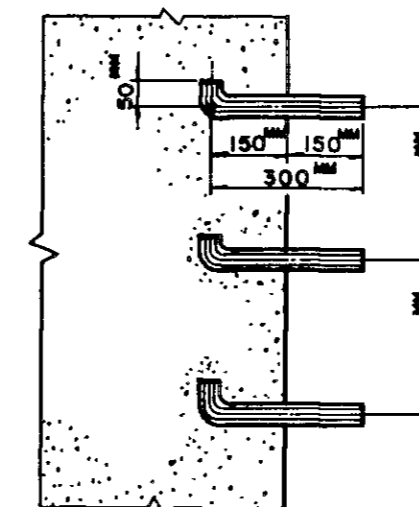
HAND RAIL
SCALE 1:20



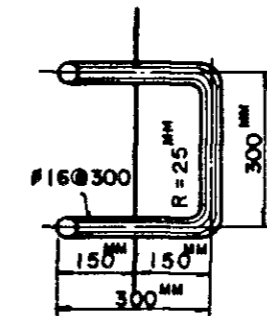
PROFILE OF GATE PORTION



SECTION C-C



STEP
SCALE 1:10



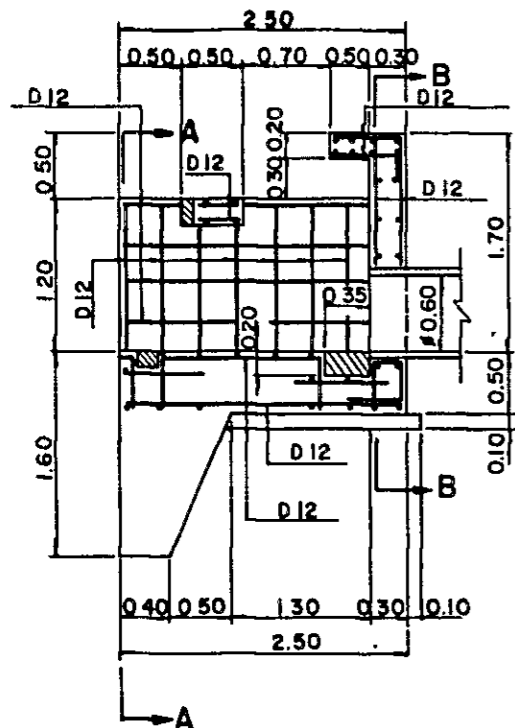
NOTES

1. ALL DIMENSIONS ARE GIVEN IN METERS EXCEPT OTHERWISE SHOWN
2. ALL BARS DIAMETER ARE SHOWN IN MILLIMETERS

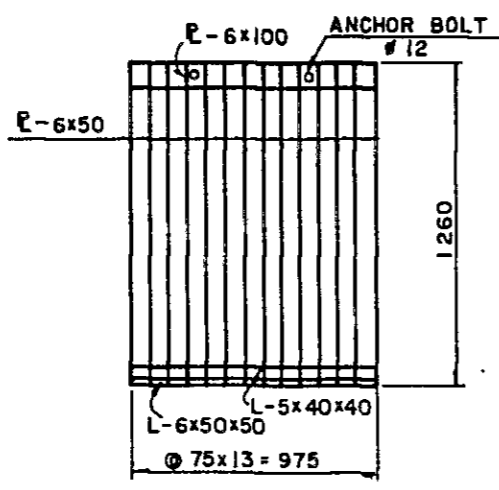


SCALE 1:40

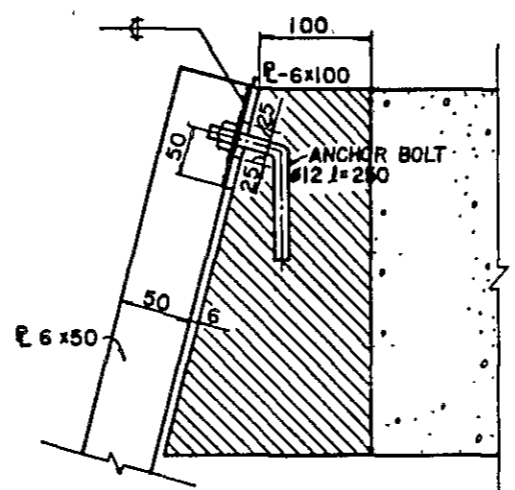
AGRICULTURAL PROMOTION CENTER PROJECT (A P C)	
DIVERSION WEIR (2)	
BRAWING NO. APC-B-4	SCALE
JAPAN INTERNATIONAL COOPERATION AGENCY	



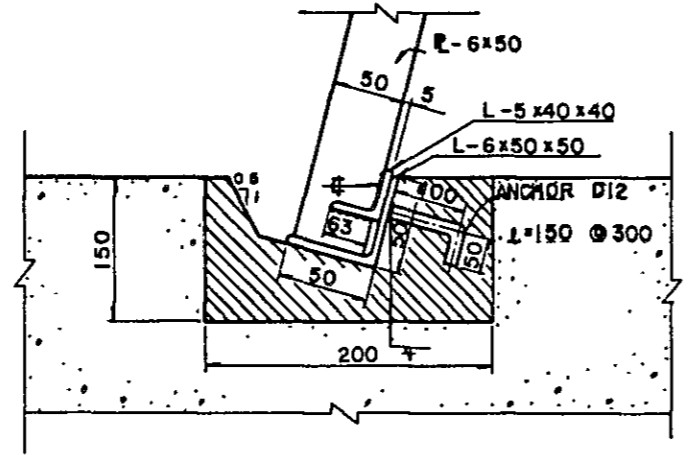
PROFILE OF INTAKE



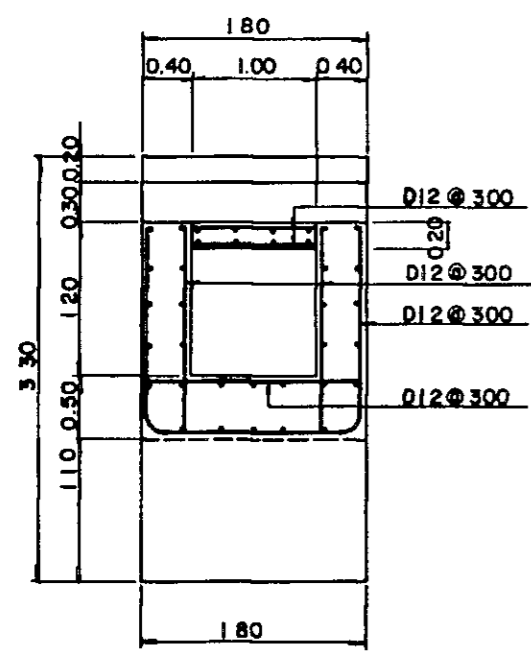
FRONT OF SCREEN
SCALE 1:20



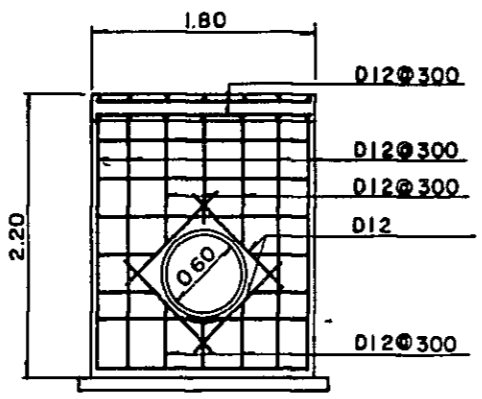
TOP OF SCREEN
NO SCALE



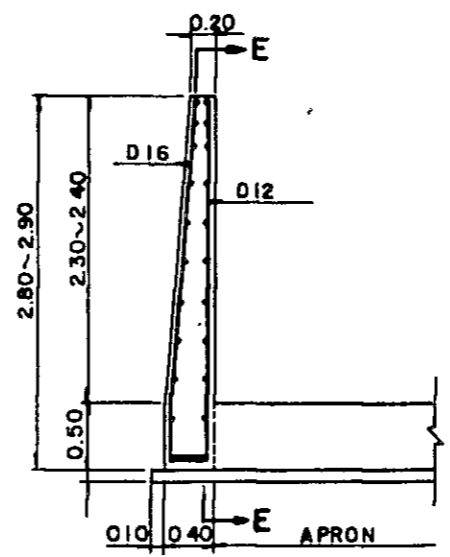
BOTTOM OF SCREEN
NO SCALE



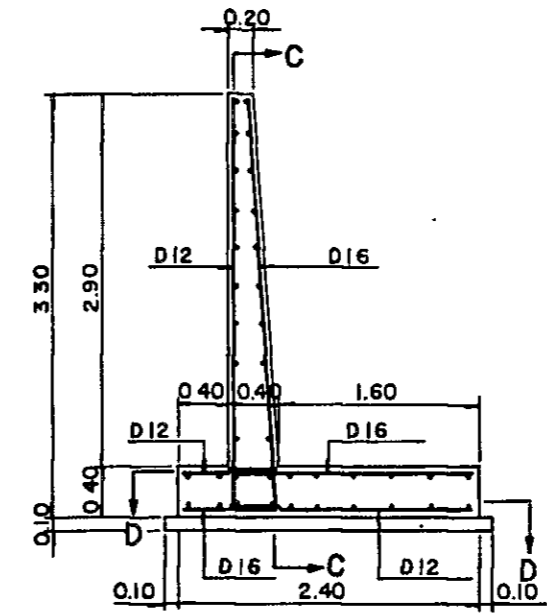
SECTION A-A



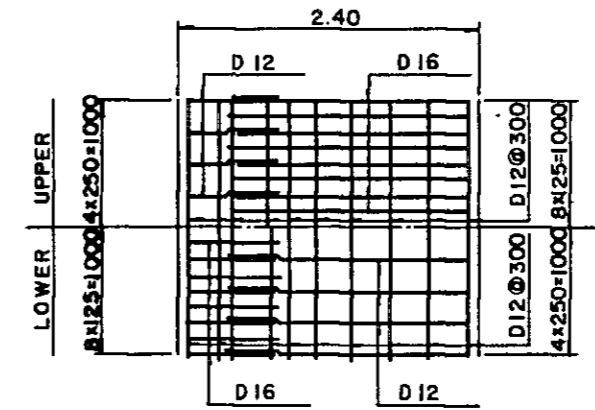
SECTION B-B



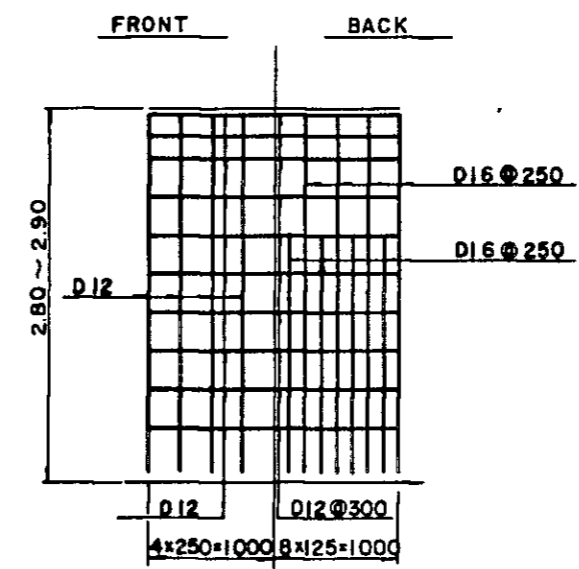
TYPE-B AND C



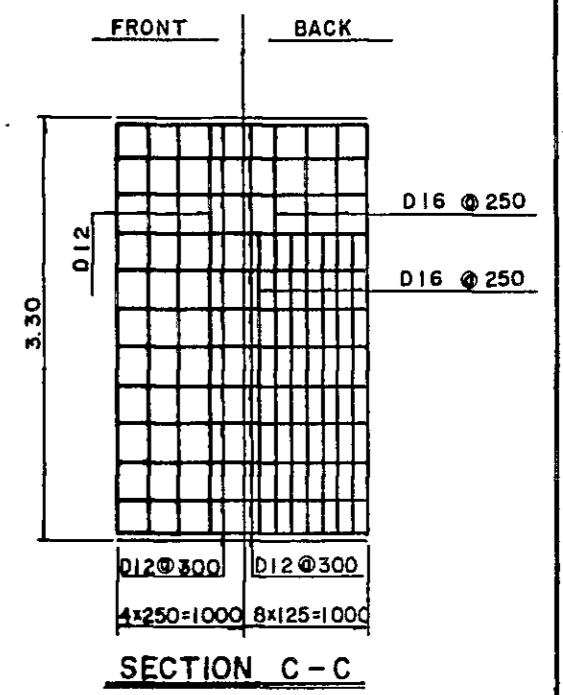
RETAINING WALL (TYPE A)



SECTION D-D

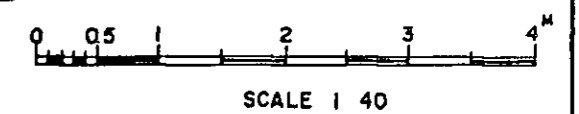
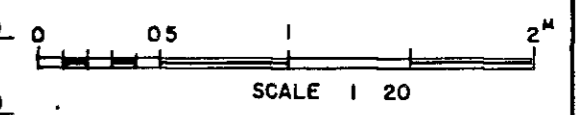


SECTION E-E

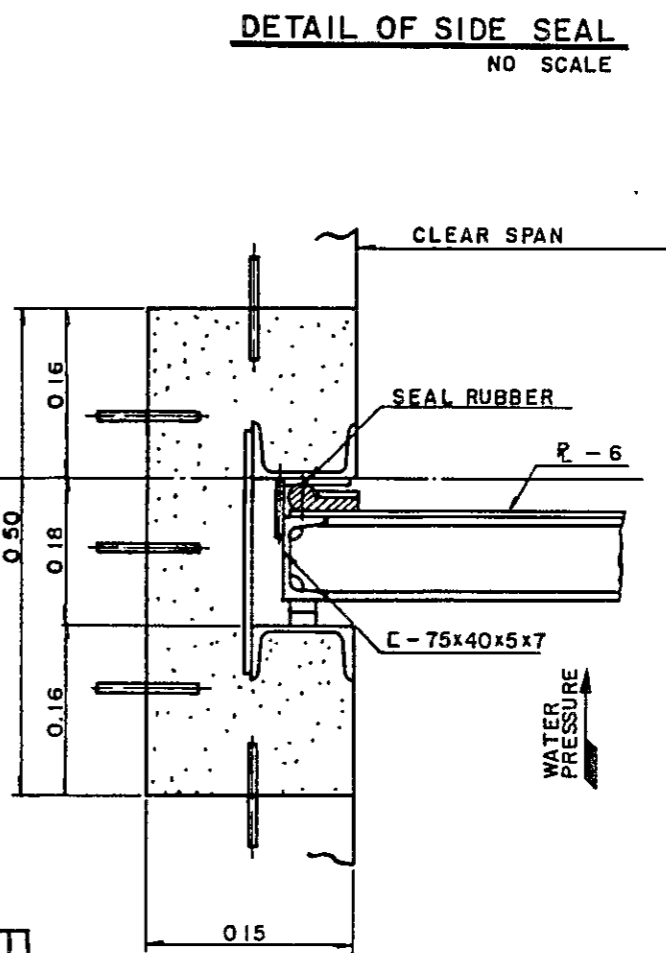
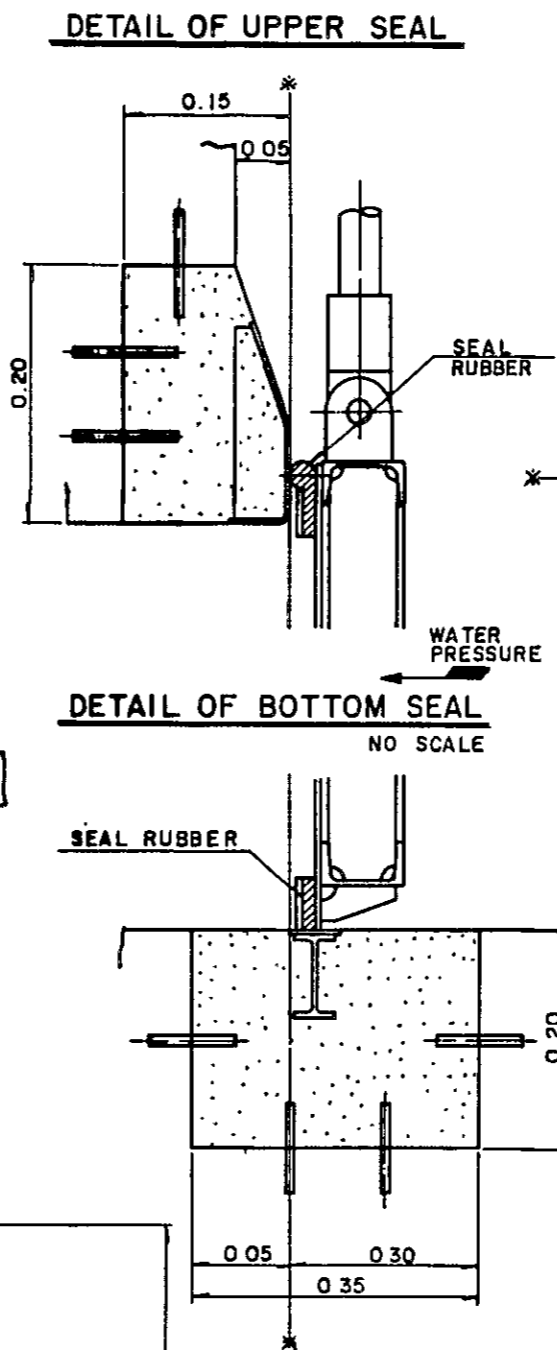
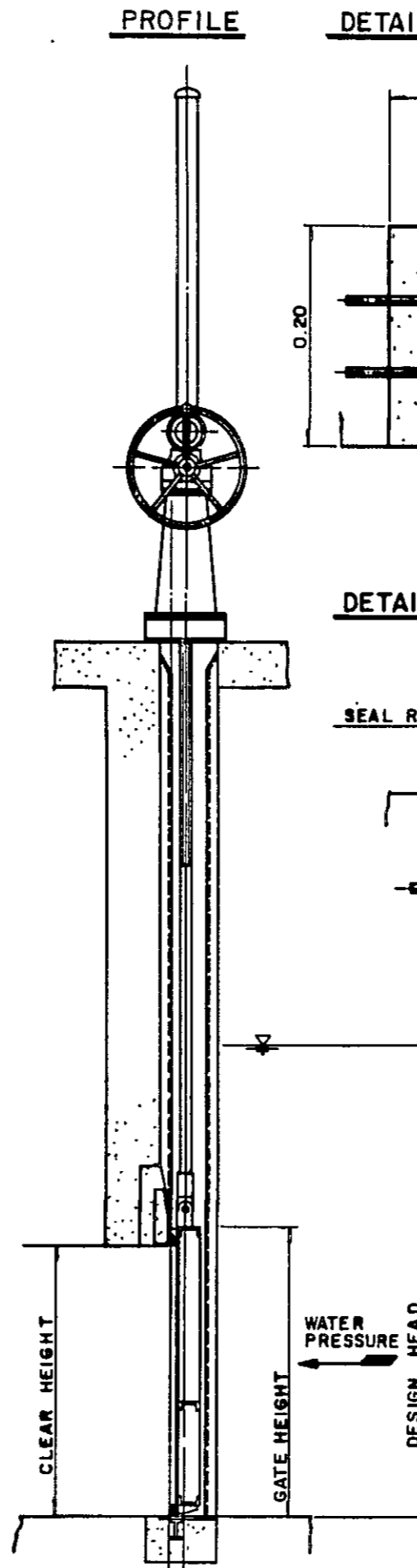
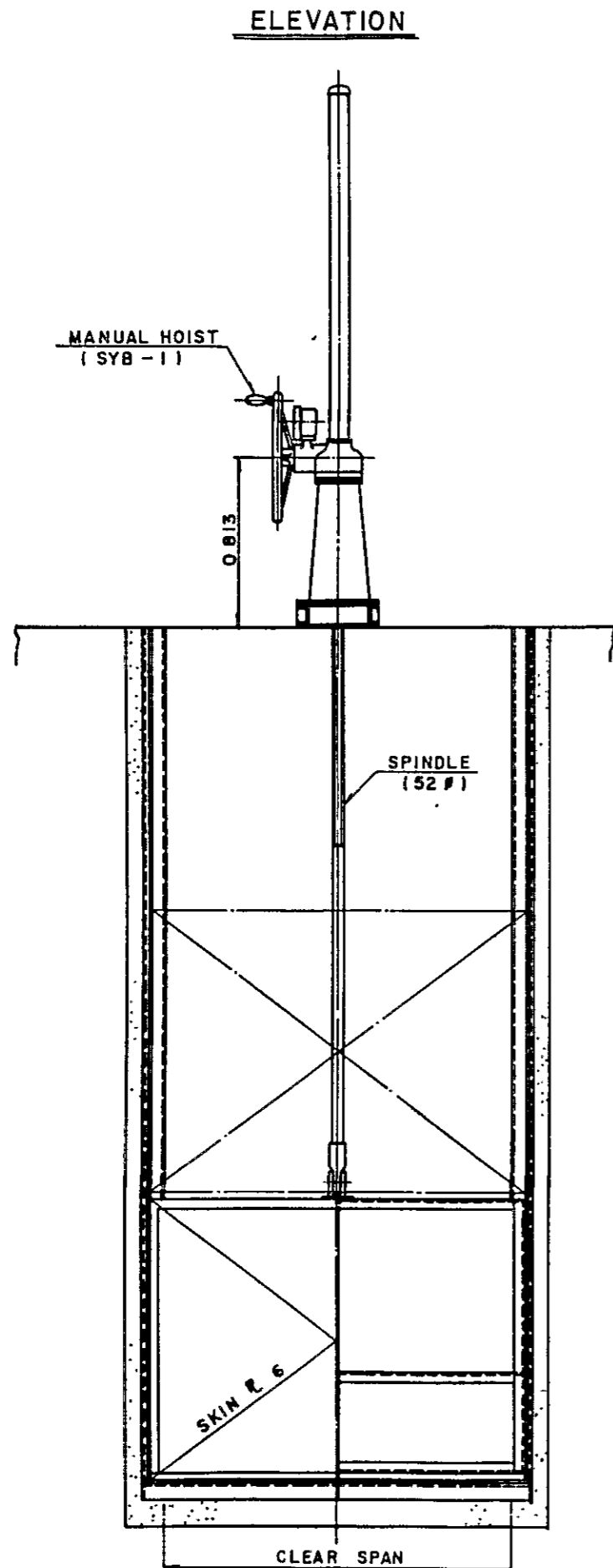


SECTION C-C

- NOTES**
1. ALL DIMENSIONS ARE GIVEN IN METERS EXCEPT OTHERWISE SHOWN.
 2. ALL BARS DIAMETER ARE SHOWN IN MILLIMETERS.



AGRICULTURAL PROMOTION CENTER PROJECT (A P C)	
DIVERSION WEIR (3)	
DRAWING NO. APC-B-5	SCALE
JAPAN INTERNATIONAL COOPERATION AGENCY	



DESIGN DATA		
PLACE	FLASHWAY, FLOOD WAY	INTAKE
TYPE	SLUICE GATE	SLUICE GATE
QUANTITY	2 SETS	1 SET
CLEAR SPAN	15 ^M	0.6 ^M
CLEAR HIGHT	1.6	0.6
DESIGN HEAD	2.06	0.9
WATER TIGHTNESS	RUBBER SEAL ON 3 SIDES	4 SIDES
OPERATING SYSTEM	MANUAL HOIST	MANUAL HOIST

NOTES

- 1) DIMENSION UNLESS OTHERWISE SHOWN ARE IN METERS.
- 2) MARK * SHOWS THE BASIC LINE OF ELECTION

AGRICULTURAL PROMOTION CENTER PROJECT (A.P.C.)	
DIVERSION WEIR (4)	
DAO	
DRAWING NO. APC-B-6	SCALE
JAPAN INTERNATIONAL COOPERATION AGENCY	

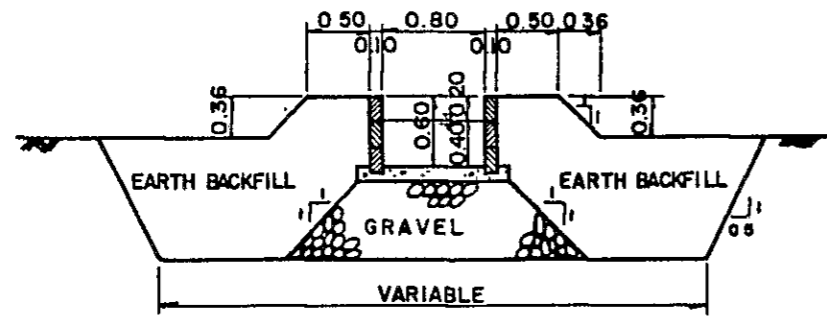
PROFILE OF MAIN CANAL (I)
BILAR

DRAWING NO. APC-B-7 SCALE

JAPAN INTERNATIONAL COOPERATION AGENCY

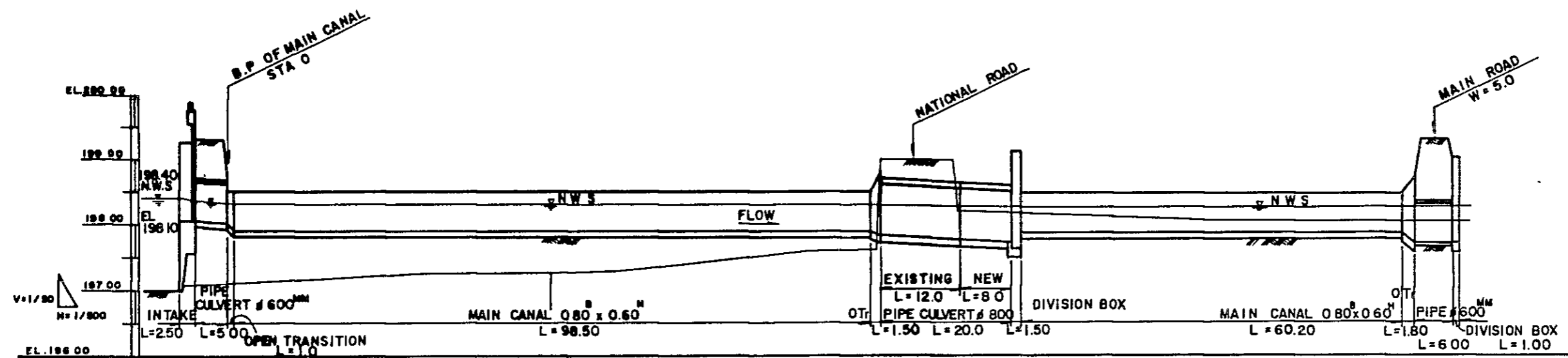
NOTES

ALL STATIONS, ELEVATIONS AND DIMENSIONS
ARE GIVEN IN METERS EXCEPT OTHERWISE SHOWN



TYPICAL SECTION OF MAIN CANAL (TYPE A)

SCALE 1:40



DESIGN ELEVATION	SLOPE		SLOPE	
	1:1/3700		1:1/3700	
CANAL TOP				
WATER SURFACE				
CANAL BOTTOM				
GROUND ELEVATION				
ACCUM DISTANCE				
DISTANCE				
STA				

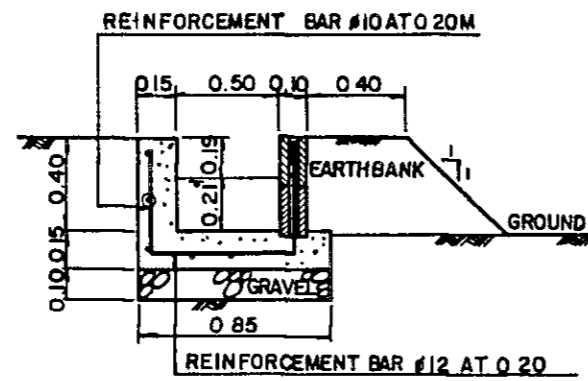
PROFILE OF MAIN CANAL (2)
BILAR

DRAWING NO APC-B-5 SCALE

JAPAN INTERNATIONAL COOPERATION AGENCY

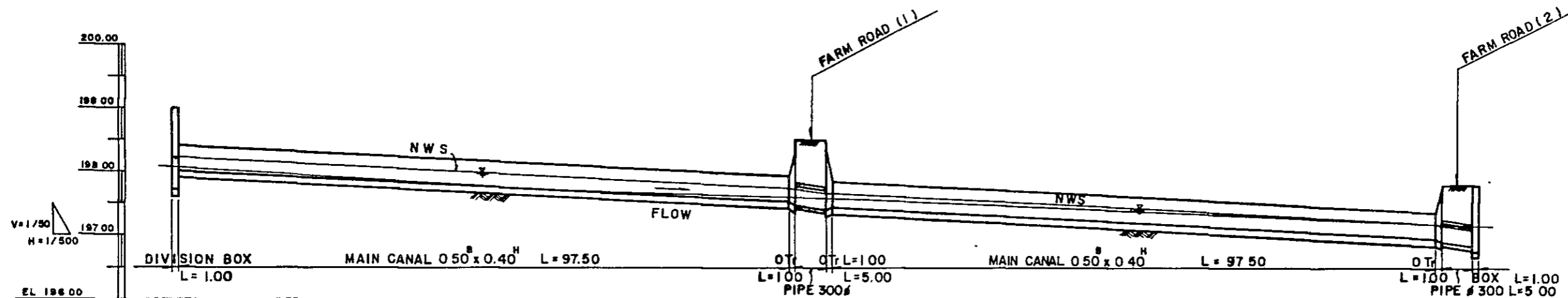
NOTES

ALL STATIONS, ELEVATIONS AND DIMENSIONS
ARE GIVEN IN METERS EXCEPT OTHERWISE SHOWN.

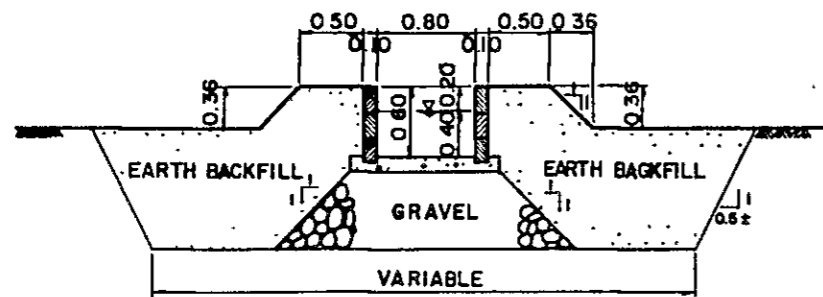


MAIN CANAL (TYPE B)

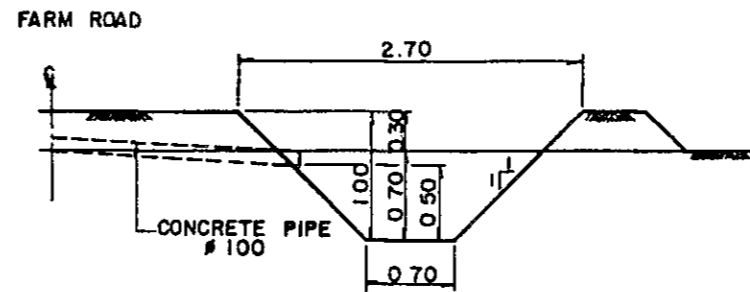
SCALE 1/20



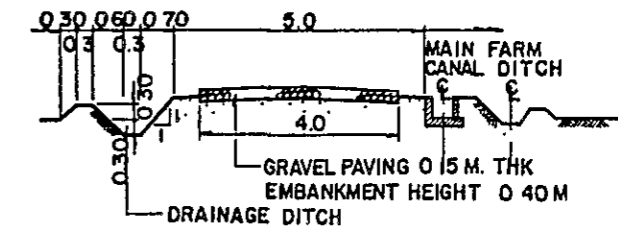
DESIGN ELEVATION	SLOPE		1 = 1/200		1 = 1/200	
	CANAL TOP	WATER SURFACE	CANAL BOTTOM	GROUND ELEVATION	ACCUM DISTANCE	DISTANCE
STA 3+40.5	198.09	197.70	198.09	198.09	0.00	6.00
STA 3+41.5	198.23	198.02	198.02	198.02	1.00	1.00
STA 4	198.38	198.19	198.19	198.00	200.00	8.50
STA 5	198.13	197.94	197.94	197.71	250.00	50.00
STA 5+38.00	197.93	197.74	197.74	197.53	288.00	38.00
STA 5+39.00	197.93	197.74	197.74	197.47	290.00	1.00
STA 5+40.00	197.85	197.66	197.66	197.39	296.00	5.00
STA 5+46.00	197.85	197.66	197.66	197.43	300.00	4.00
STA 6	197.58	197.39	197.39	197.56	300.00	0.00
STA 7	197.36	197.17	197.17	197.36	350.00	50.00
STA 7+43.50	197.36	197.17	197.17	197.36	393.50	43.50
STA 7+44.50	197.36	197.17	197.17	197.36	395.50	1.00
STA 7+49.50	197.36	197.17	197.17	196.82	400.00	5.00
STA 8	197.15	196.82	196.82	197.15	400.00	0.00



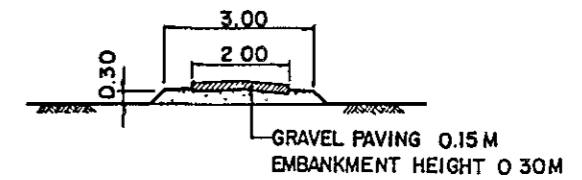
TYPICAL SECTION OF MAIN CANAL (TYPE A)
SCALE 1:40



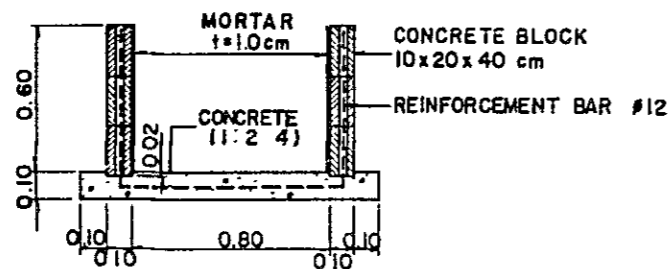
DRAINAGE CANAL
SCALE 1:40



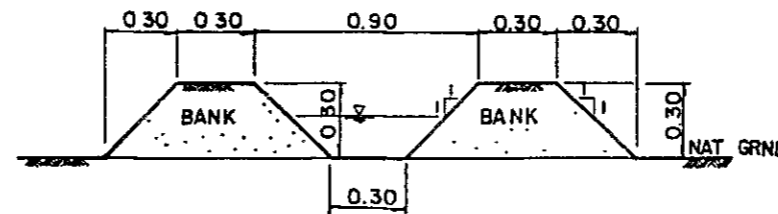
MAIN - ROAD
SCALE 1:100



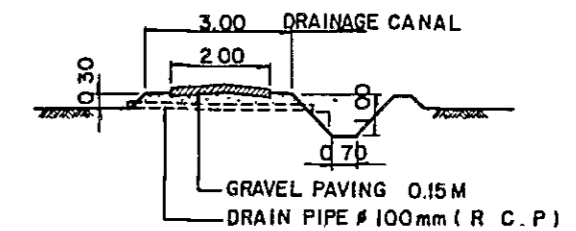
FARM ROAD - 1
SCALE 1:100



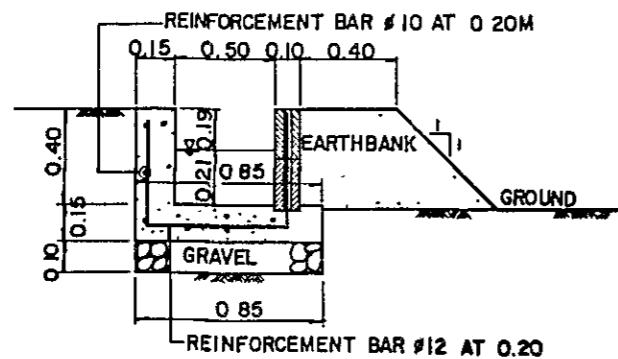
DETAIL OF BLOCK CANAL
SCALE 1:20



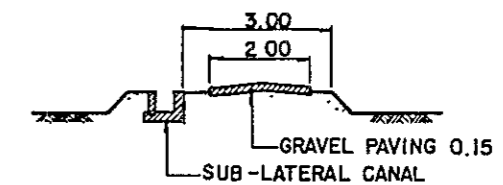
FARM DITCH
SCALE 1:20



FARM ROAD - 2
SCALE 1:100



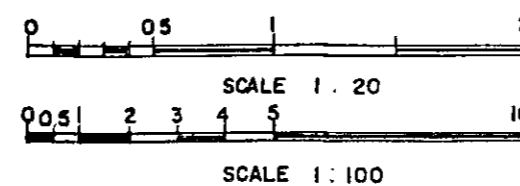
MAIN CANAL (TYPE B)
SCALE 1:20



FARM ROAD - 3
SCALE 1:100

NOTE

ALL DIMENSIONS ARE GIVEN IN METERS EXCEPT OTHERWISE SHOWN

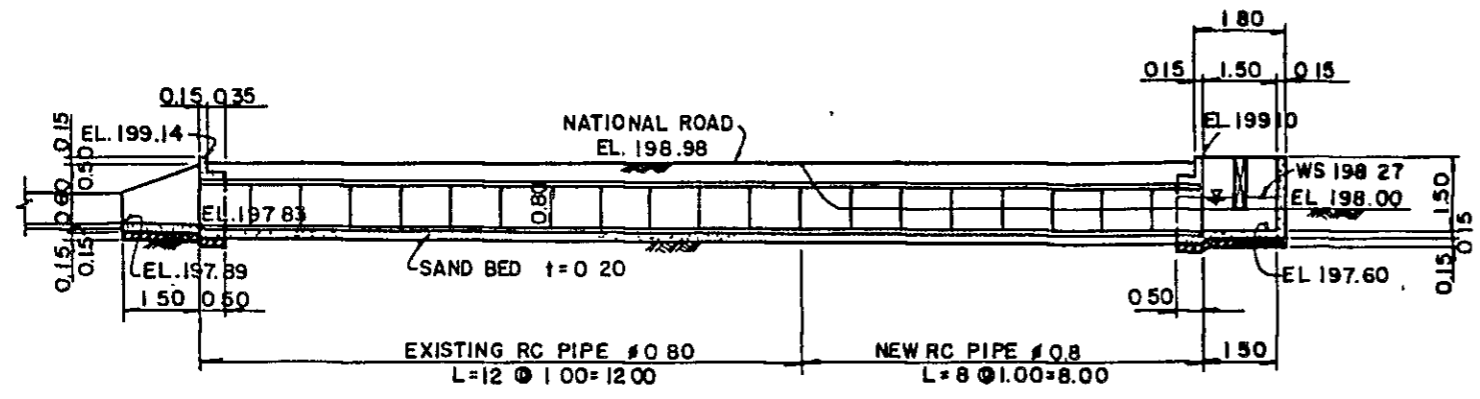


AGRICULTURAL PROMOTION CENTER PROJECT
(APC)

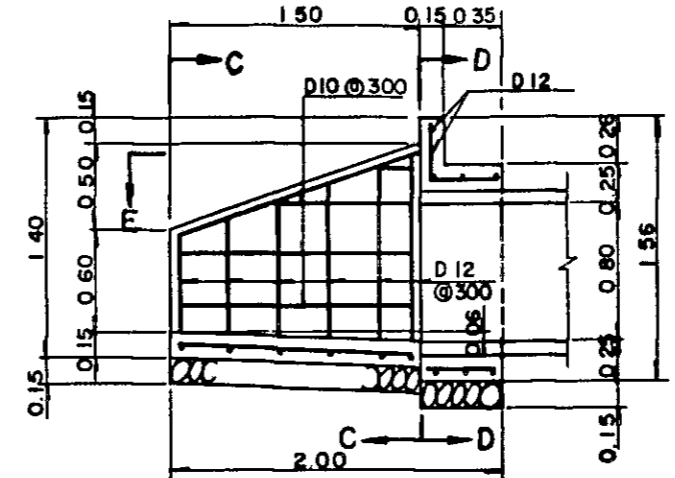
CANAL & ROAD
AT PROPOSED EXPERIMENTAL FARM
BILAR, BOHOL

DRAWING NO APC-B-9 SCALE

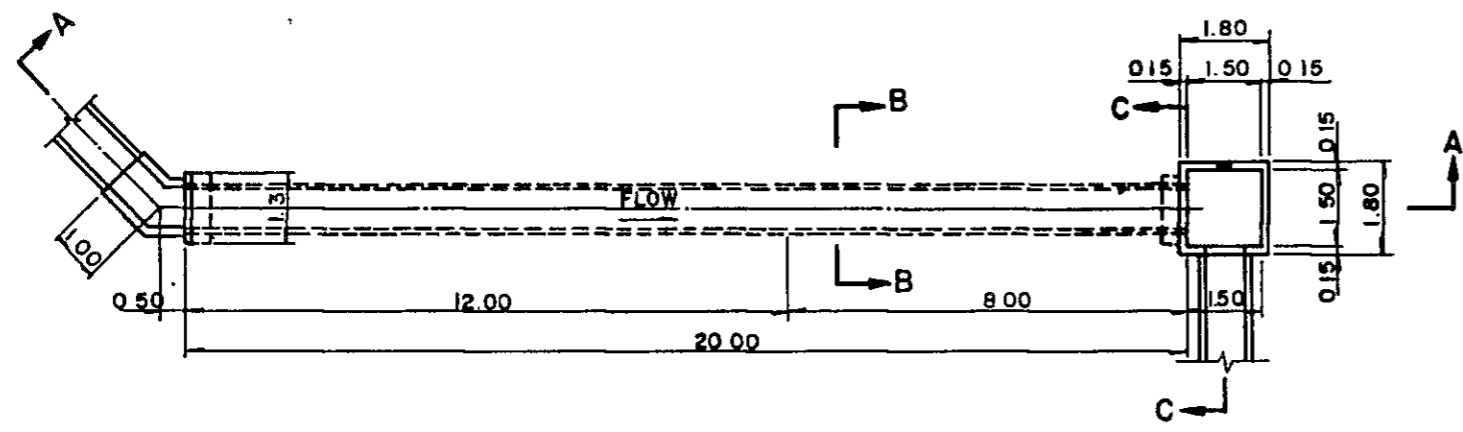
JAPAN INTERNATIONAL COOPERATION AGENCY



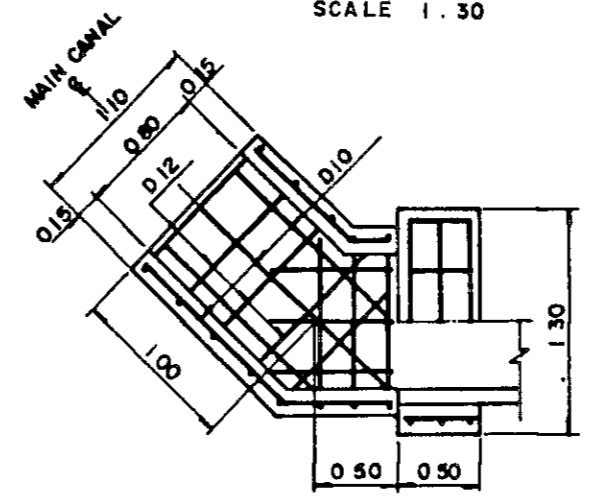
SECTION A-A



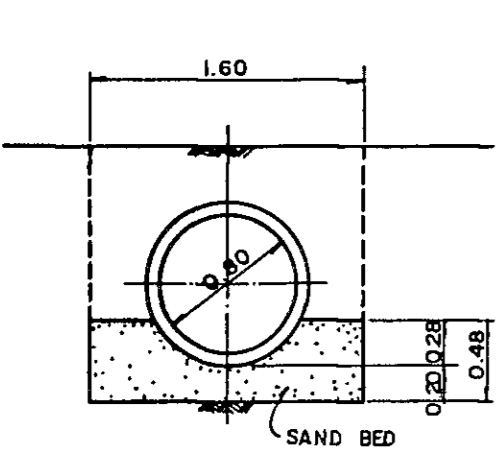
PROFILE OF INLET
SCALE 1 : 30



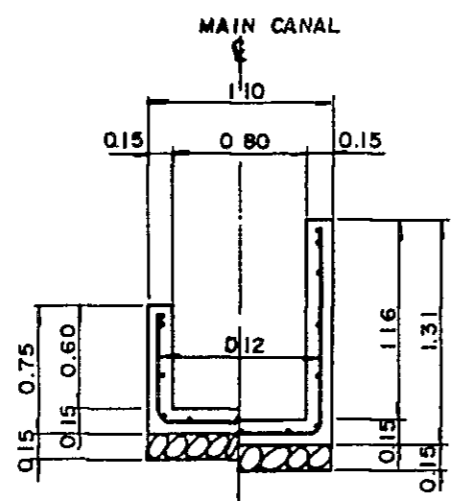
PLAN OF NATIONAL ROAD CROSSING
SCALE 1 : 100



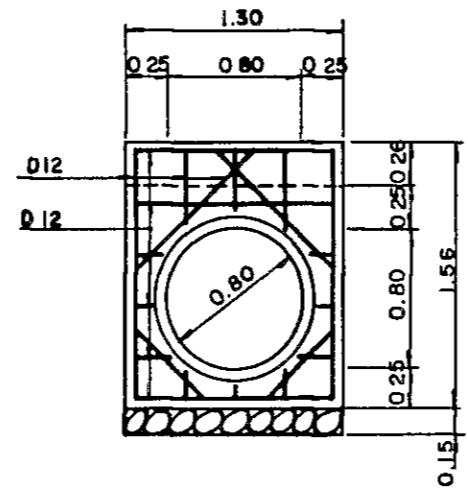
SECTION E-E
SCALE 1 : 30



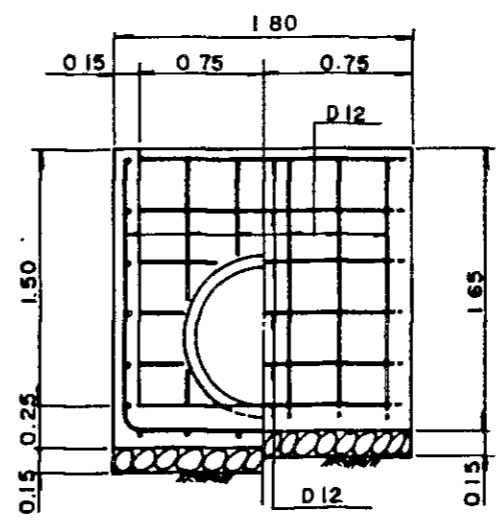
SECTION B-B
SCALE 1 : 30



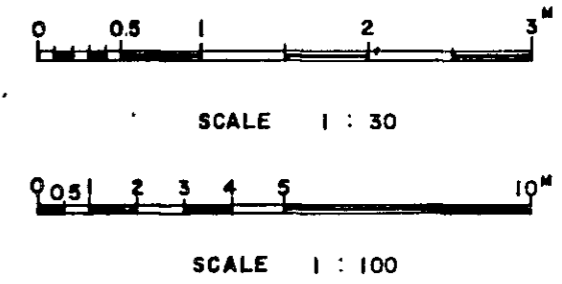
SECTION C-C
SCALE 1 : 30



SECTION D-D

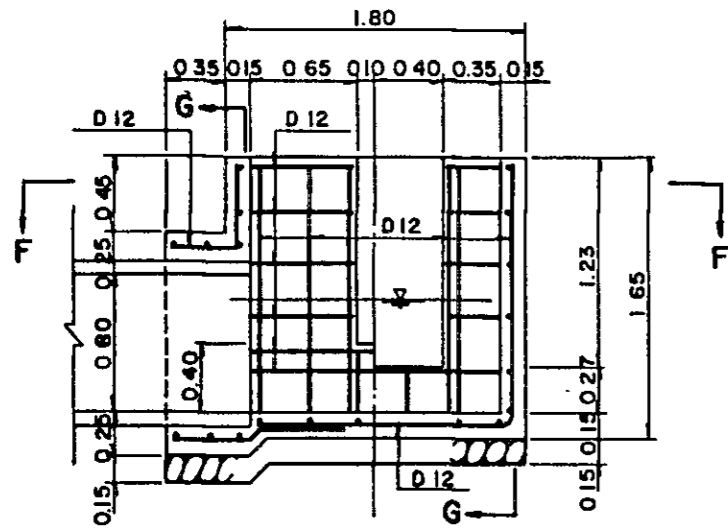


SECTION F-F
SCALE 1 : 30

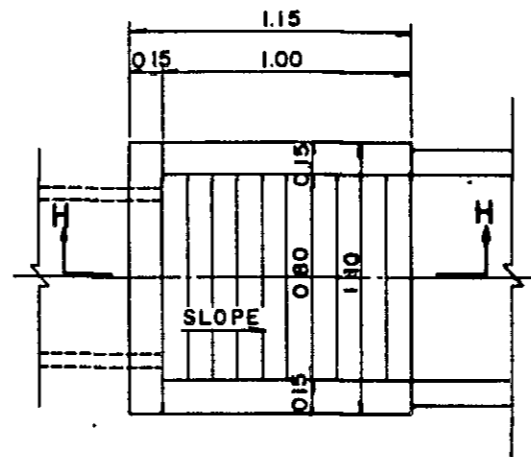


- NOTES
1. ALL ELEVATIONS AND DIMENSIONS ARE GIVEN IN METERS EXCEPT OTHERWISE SHOWN.
 2. ALL BAR'S DIAMETER ARE SHOWN IN MILLIMETERS.

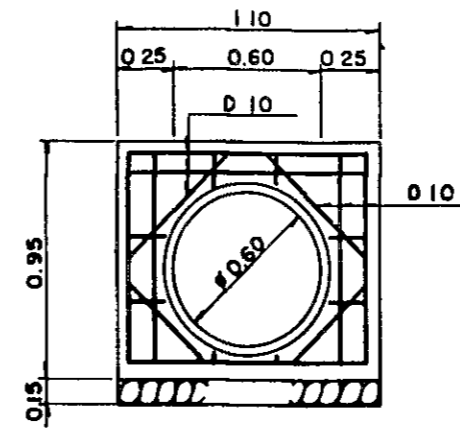
AGRICULTURAL PROMOTION CENTER PROJECT (APC)	
NATIONAL ROAD CROSSING (I) BILAR	
DRAWING NO. APC-B-10	SCALE
JAPAN INTERNATIONAL COOPERATION AGENCY	



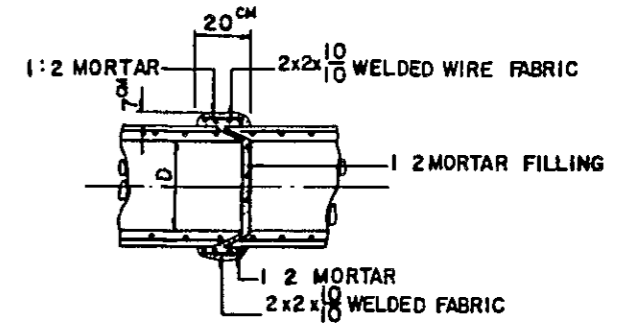
PROFILE OF OUTLET
SCALE 1:30



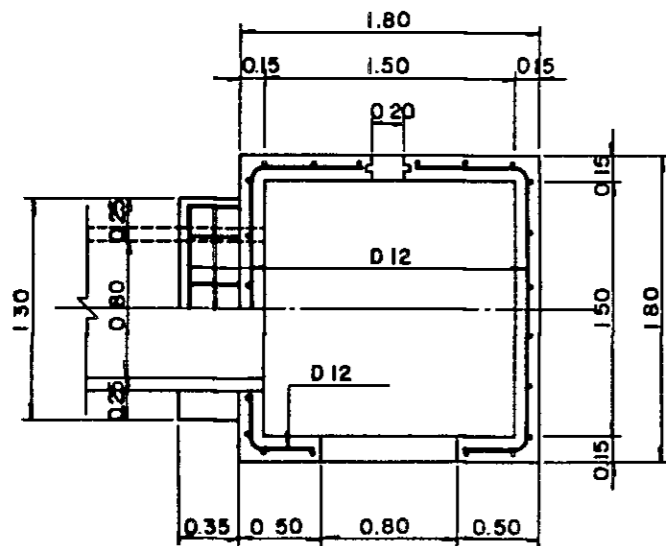
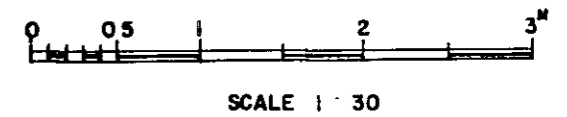
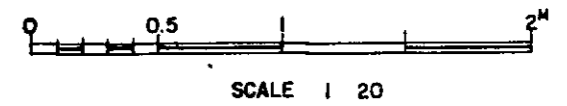
PLAN OF OTr-1
SCALE 1:20



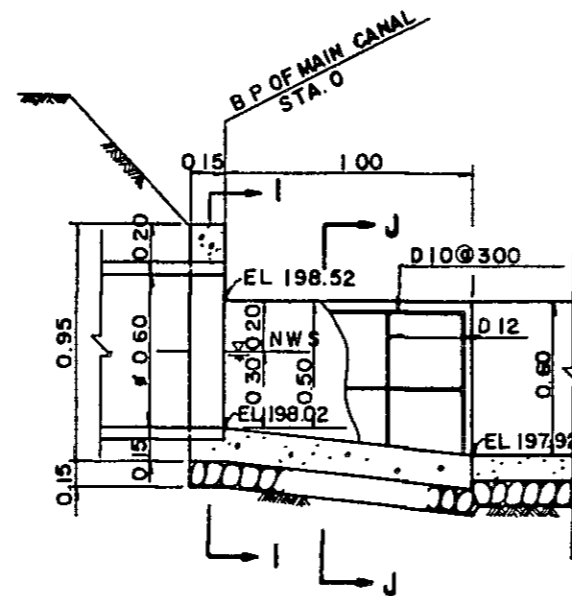
SECTION I-I
SCALE 1:20



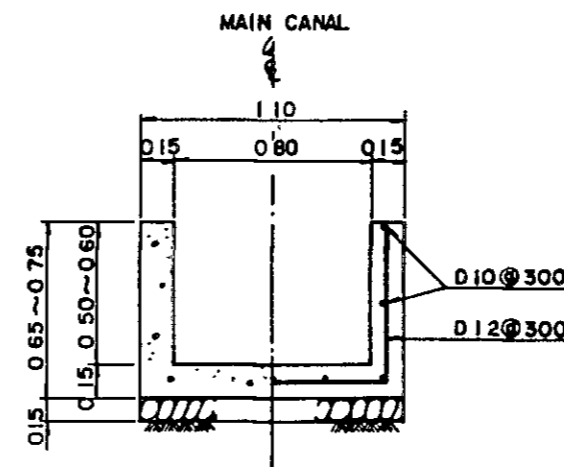
PIPE COLLAR
NO SCALE



SECTION F-F
SCALE 1:30



SECTION H-H
SCALE 1:20



SECTION J-J
SCALE 1:20

NOTES

- 1 ALL ELEVATIONS AND DIMENSIONS ARE GIVEN IN METERS EXCEPT OTHERWISE SHOWN.
- 2 ALL BARS' DIAMETERS ARE SHOWN IN MILLIMETERS.

AGRICULTURAL PROMOTION CENTER PROJECT
(APC)

NATIONAL ROAD CROSSING(2)
BILAR

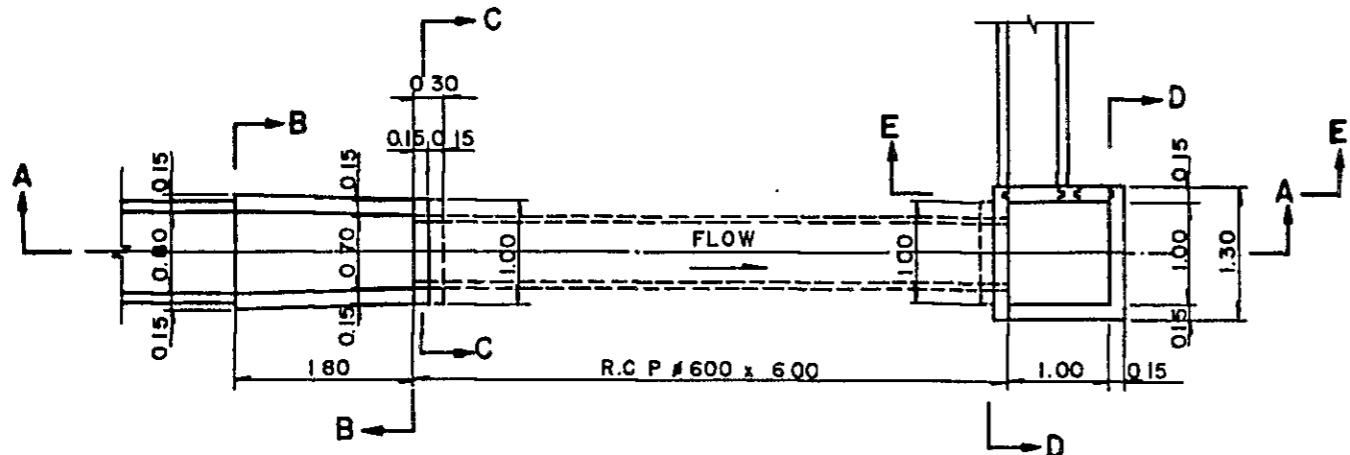
DRAWING NO. APC-B-11 SCALE

JAPAN INTERNATIONAL COOPERATION AGENCY

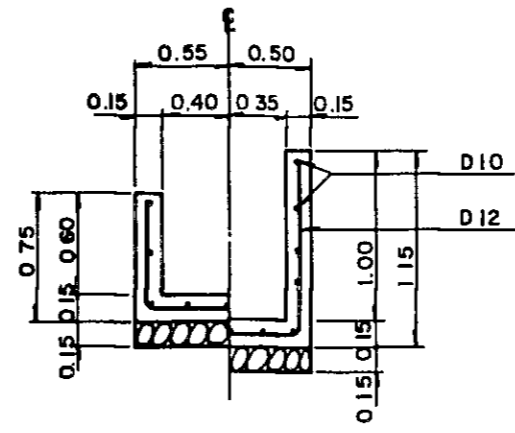
NOTES

1. ALL ELEVATIONS AND DIMENSIONS ARE GIVEN IN METERS EXCEPT OTHERWISE SHOWN.

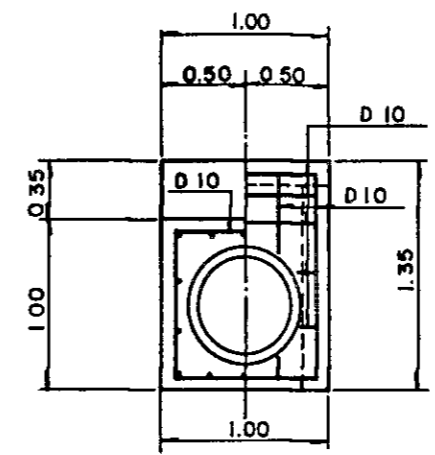
2. ALL BARS' DIAMETERS ARE SHOWN IN MILLIMETERS.



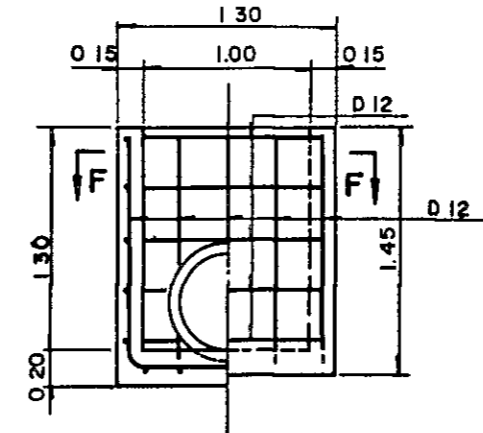
PLAN OF ROAD CROSSING (TYPE A)
SCALE 1 : 50



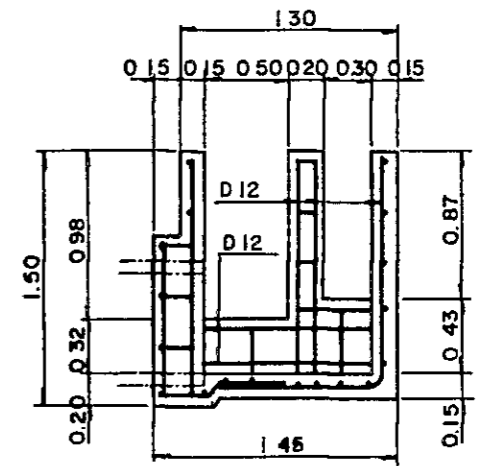
SECTION B-B
SCALE 1 : 30



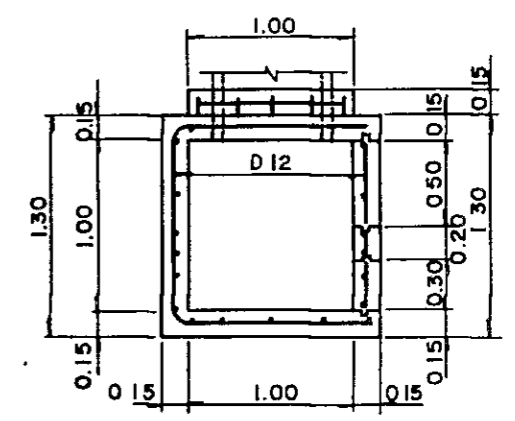
SECTION C-C
SCALE 1 : 30



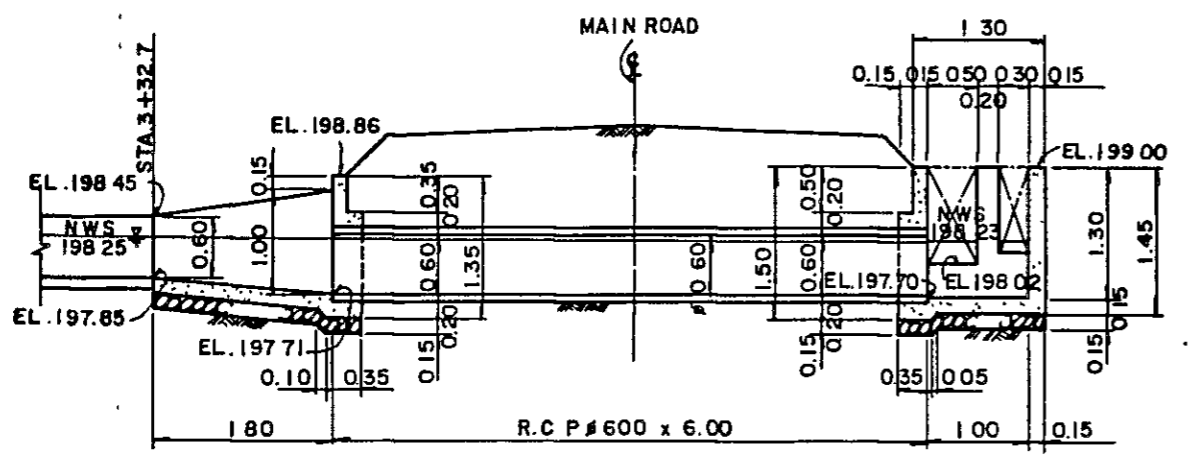
SECTION D-D
SCALE 1 : 30



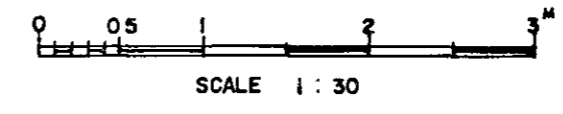
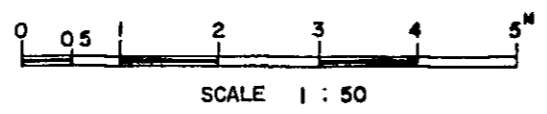
SECTION E-E
SCALE 1 : 30



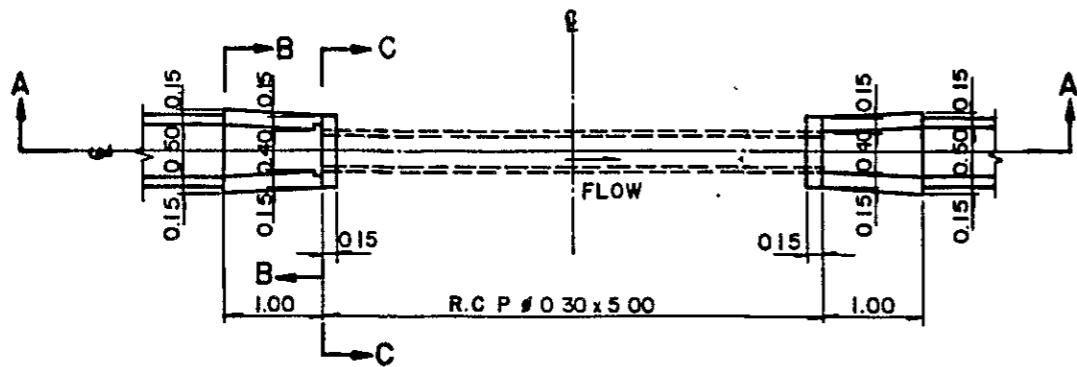
SECTION F-F
SCALE 1 : 30



SECTION A-A
SCALE 1 : 50

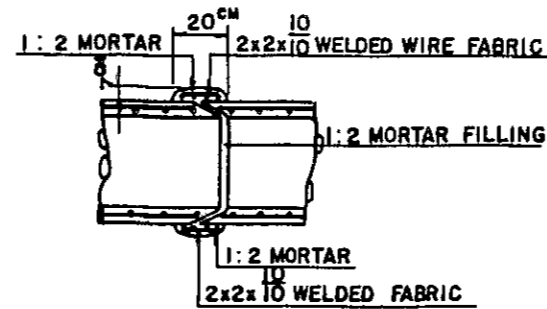


AGRICULTURAL PROMOTION CENTER PROJECT (A.P.C.)	
ROAD CROSSING (TYPE A) BILAR	
DRAWING NO. APC-B-12	SCALE
JAPAN INTERNATIONAL COOPERATION AGENCY	



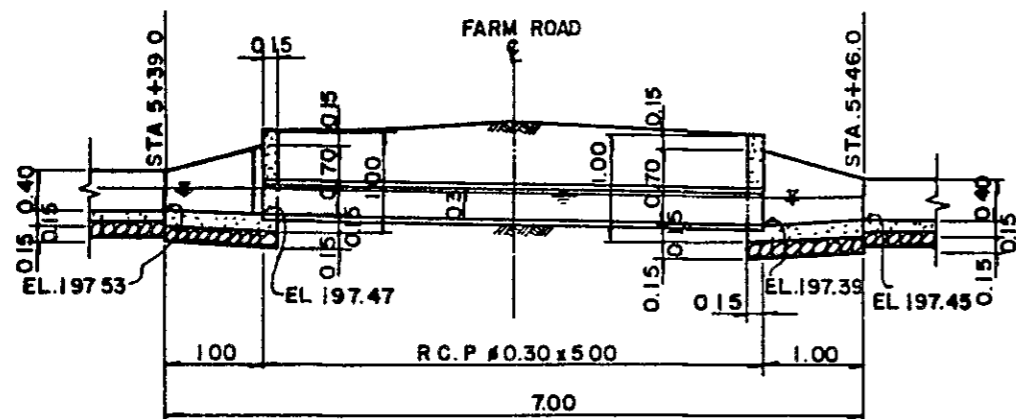
PLAN OF ROAD CROSSING (TYPE B)

SCALE 1 : 50



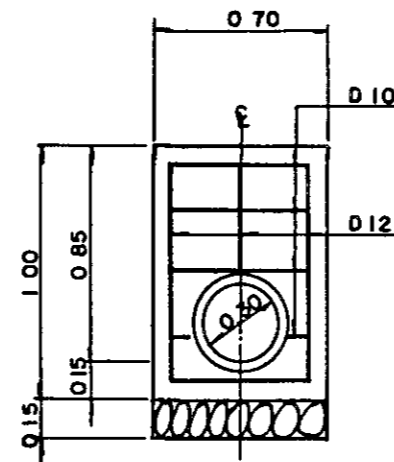
PIPE COLLAR

NO SCALE



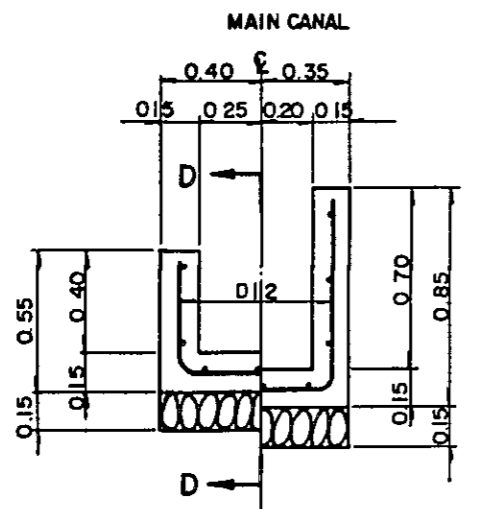
SECTION A-A

SCALE 1 : 50



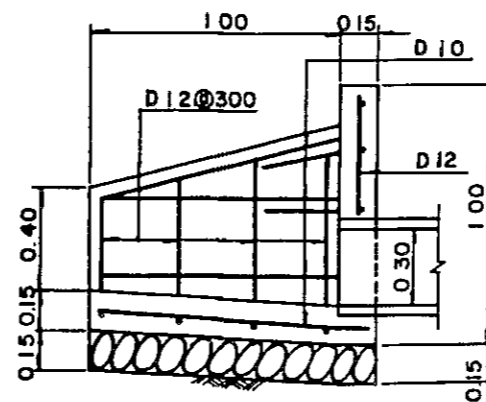
SECTION C-C

SCALE 1 : 20



SECTION B-B

SCALE 1 : 20



SECTION D-D

SCALE 1 : 20

NOTES

1. ALL ELEVATIONS AND DIMENSIONS ARE GIVEN IN METERS EXCEPT OTHERWISE SHOWN.

2. ALL BARS' DIAMETERS ARE SHOWN IN MILLIMETERS.



SCALE 1 : 20



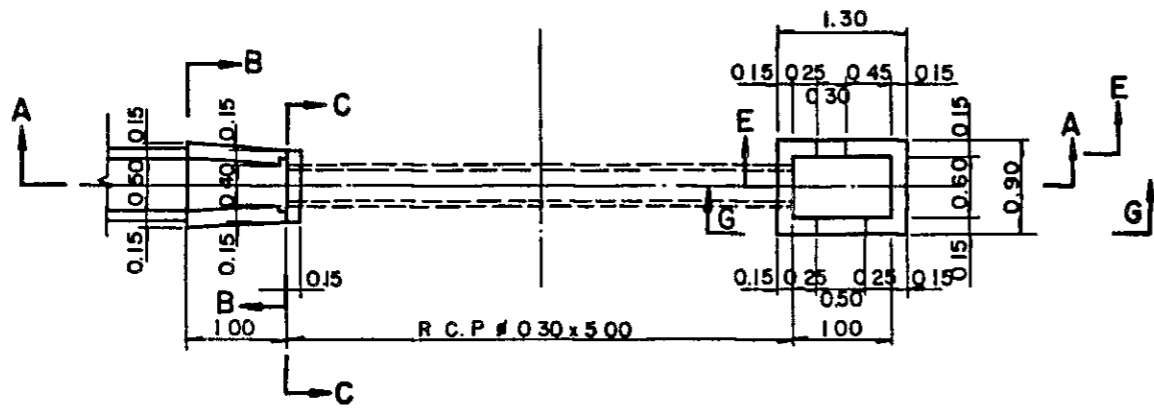
SCALE 1 : 50

AGRICULTURAL PROMOTION CENTER PROJECT
(A.P.C.)

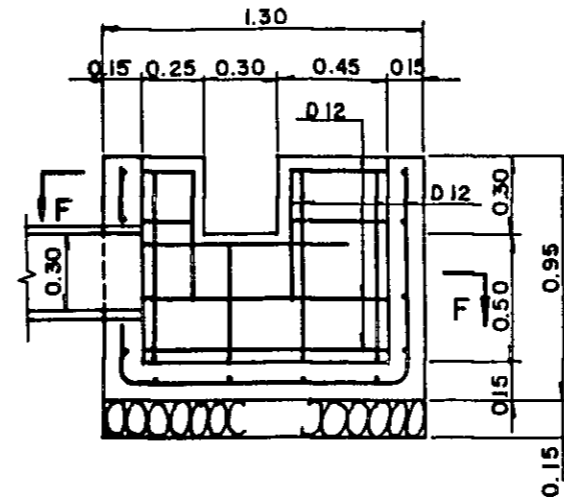
ROAD CROSSING (TYPE B)
BILAR

DRAWING NO. APC-B-13 SCALE

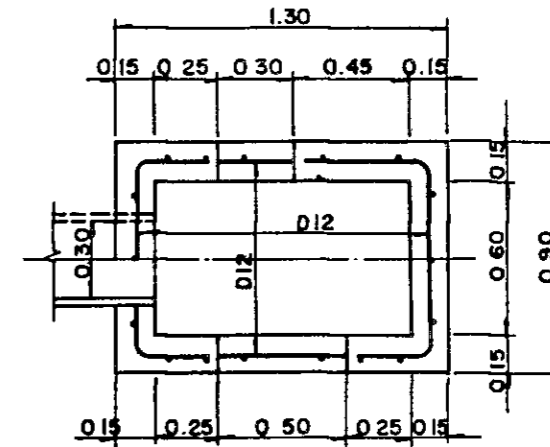
JAPAN INTERNATIONAL COOPERATION AGENCY



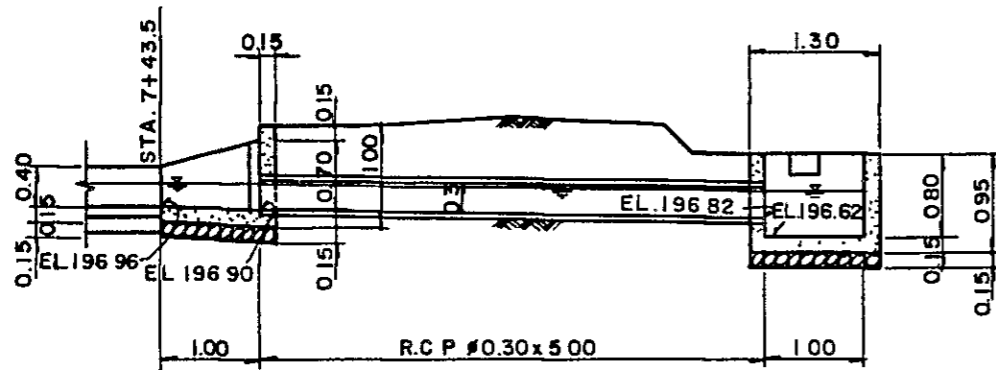
PLAN OF ROAD CROSSING (TYPE C)
SCALE 1 : 50



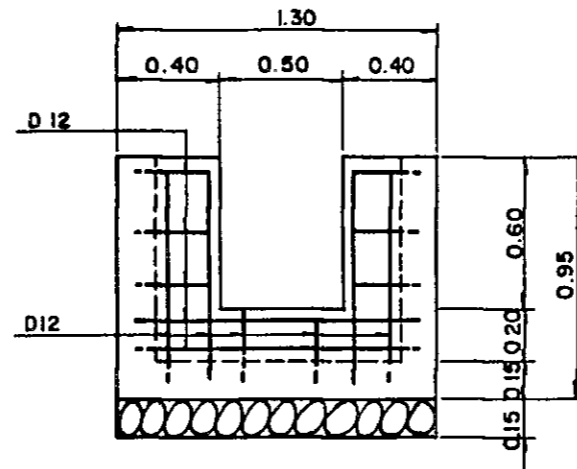
SECTION E-E
SCALE 1 : 20



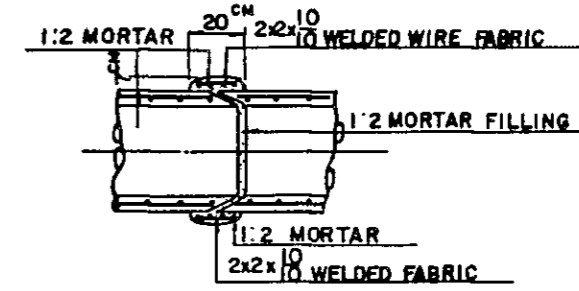
SECTION F-F
SCALE 1 : 20



SECTION A-A
SCALE 1 : 50



SECTION G-G
SCALE 1 : 20

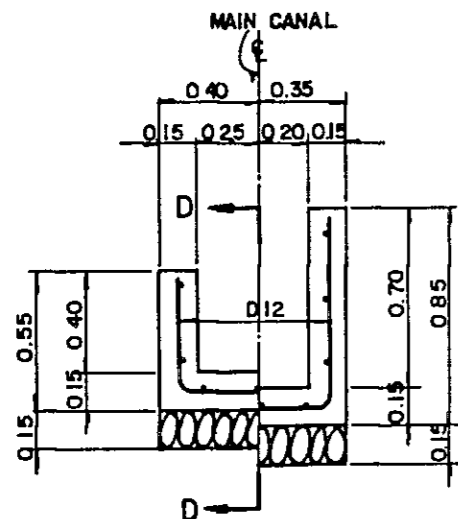


PIPE COLLAR
NO SCALE

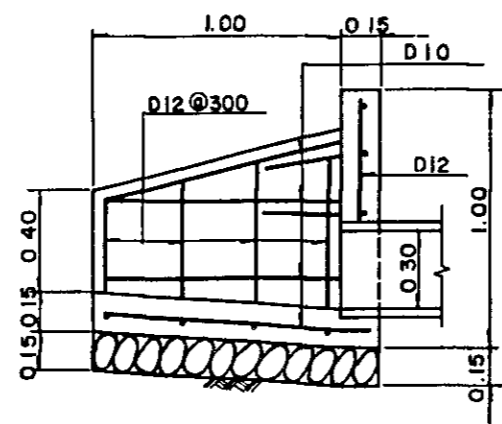
ALL DIMENSIONS ARE SHOWN
IN CENTIMETERS

NOTES

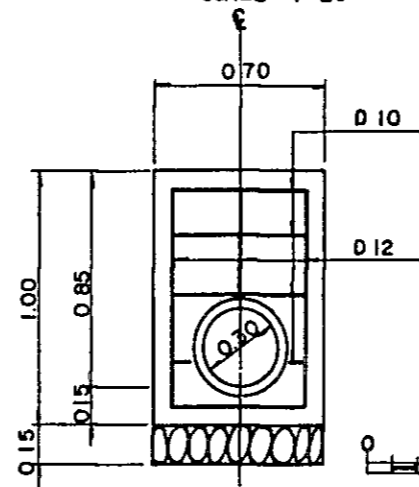
1. ALL ELEVATIONS AND DIMENSIONS ARE GIVEN IN METERS EXCEPT OTHERWISE SHOWN
2. ALL BARS' DIAMETER ARE SHOWN IN MILLIMETERS.



SECTION B-B
SCALE 1 : 20



SECTION D-D
SCALE 1 : 20



SECTION C-C
SCALE 1 : 20



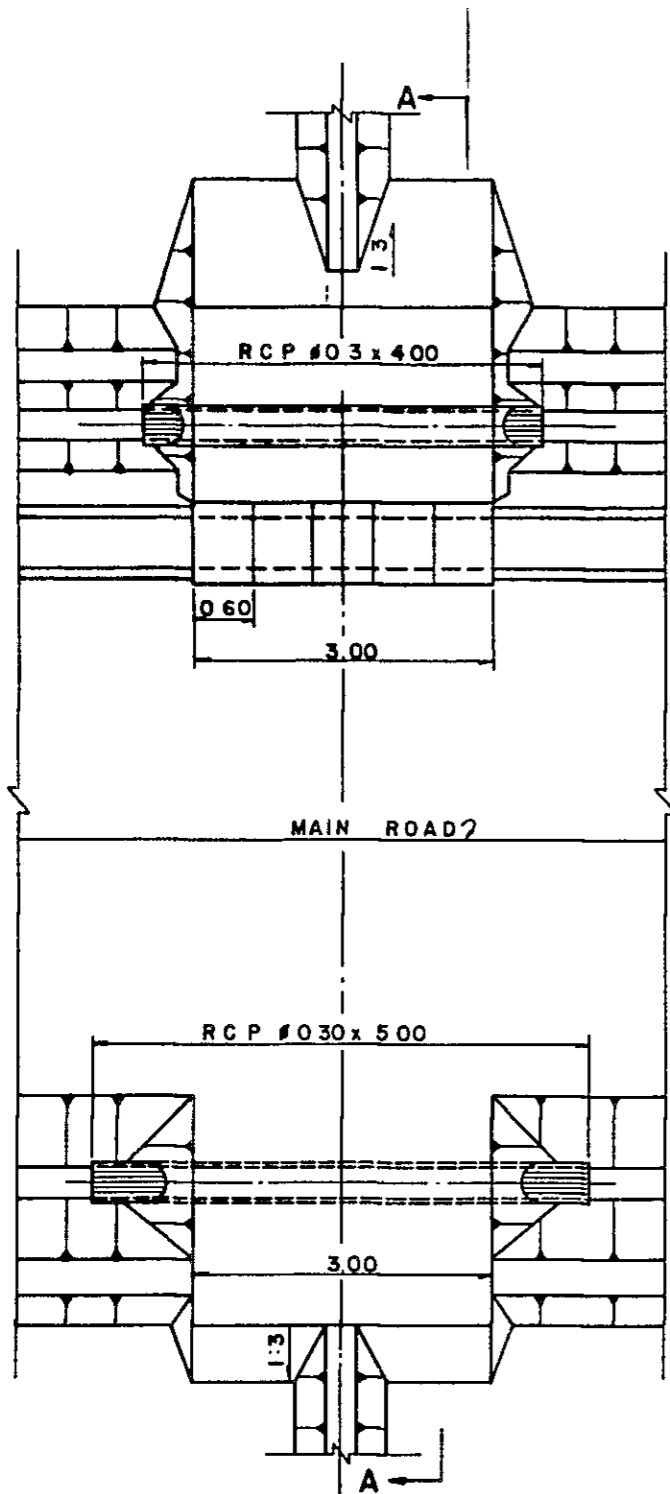
SCALE 1 : 20

SCALE 1 : 50

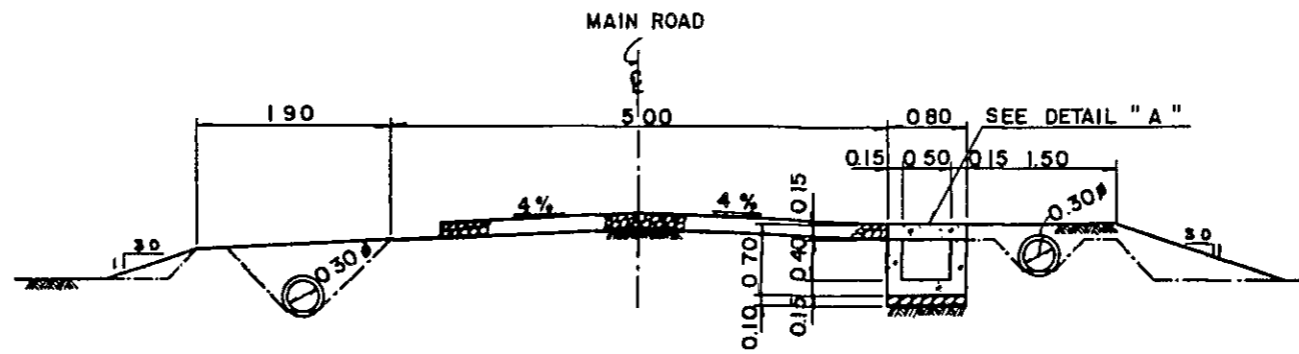
AGRICULTURAL PROMOTION CENTER PROJECT (APC)	
ROAD CROSSING (TYPE C) BILAR	
DRAWING NO APC-B-14	SCALE
JAPAN INTERNATIONAL COOPERATION AGENCY	

NOTES

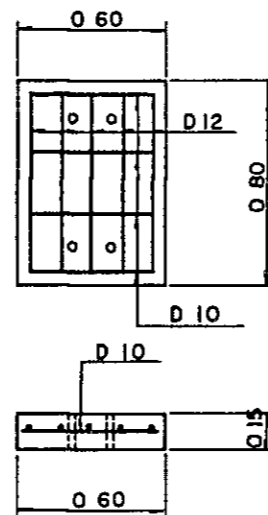
- 1. ALL ELEVATIONS AND DIMENSIONS ARE GIVEN IN METERS EXCEPT OTHERWISE SHOWN.
- 2. ALL BARS' DIAMETERS ARE SHOWN IN MILLIMETERS.



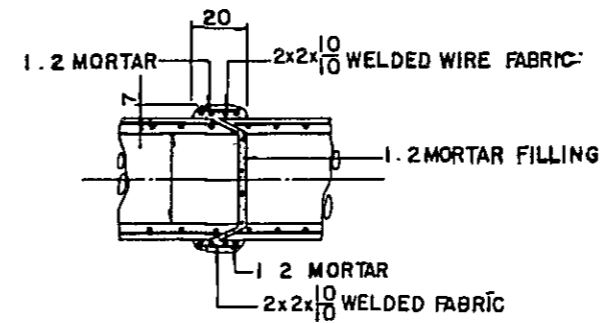
PLAN OF ENTRANCE WORK
SCALE 1 : 50



SECTION A-A
SCALE 1 : 50



DETAIL "A"
SCALE 1 : 20



PIPE COLLAR
NO SCALE

ALL DIMENSIONS ARE SHOWN
IN CENTIMETERS.



SCALE 1 : 20



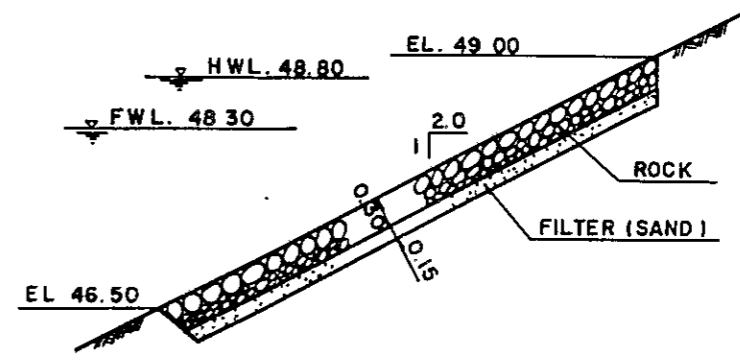
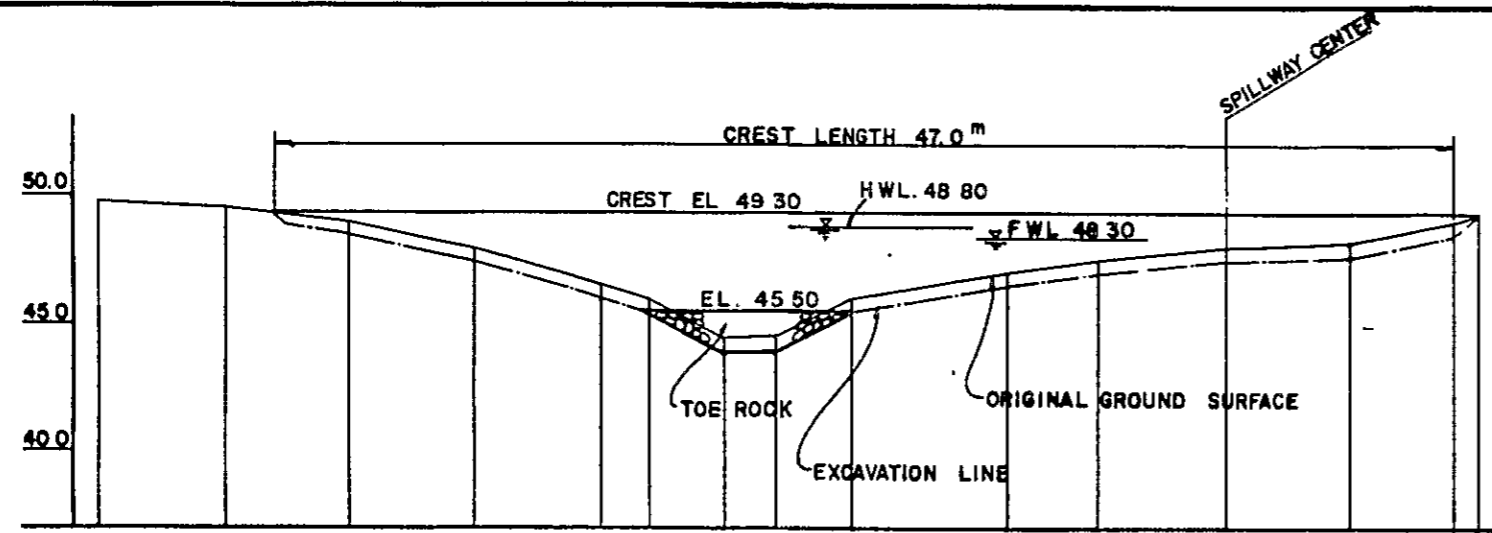
SCALE 1 : 50

AGRICULTURAL PROMOTION CENTER PROJECT
(APC)

ENTRANCE WORK

DRAWING NO. APC-B-16 SCALE

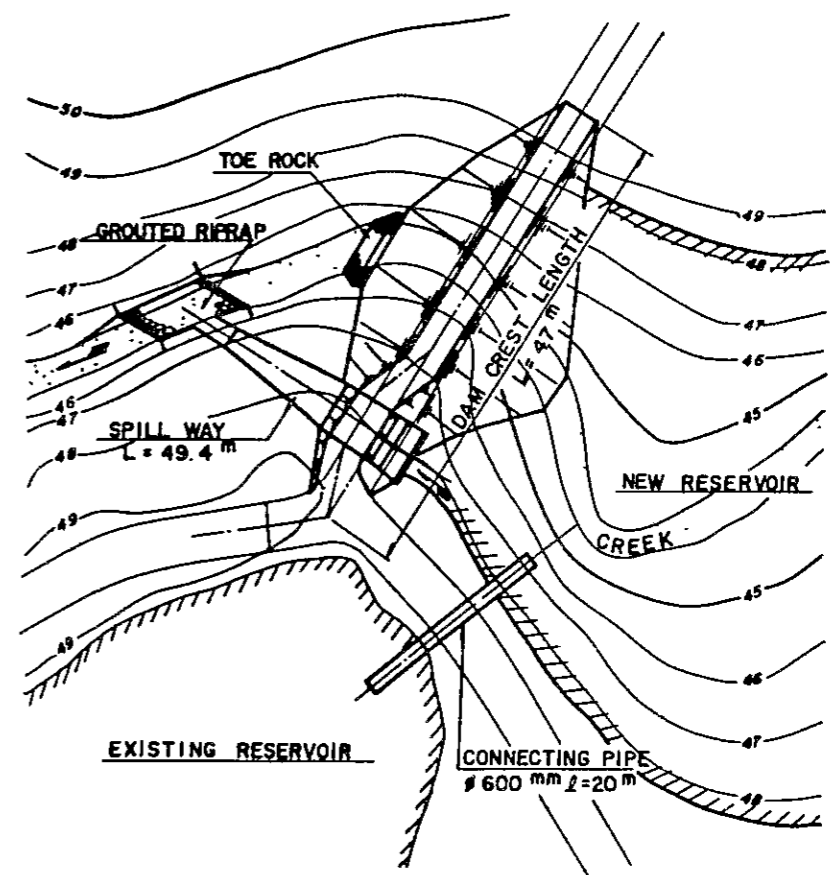
JAPAN INTERNATIONAL COOPERATION AGENCY



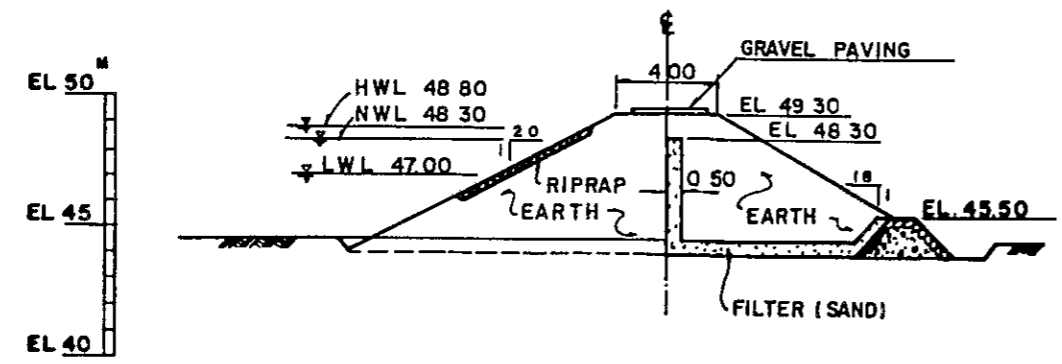
DETAIL OF RIPRAP
 SCALE 1/50

DAM HEIGHT			0.30	1.30	2.80	3.30	4.80	4.80	3.30	2.30	1.80	1.30	1.10	0.30	0
DAM CREST E.L.		49.30	49.30	49.30	49.30	49.30	49.30	49.30	49.30	49.30	49.30	49.30	49.30	49.30	49.30
GROUND ELEVATION	49.70	49.30	49.00	48.00	46.50	46.0	44.50	44.50	46.00	47.00	47.50	48.00	48.20	49.0	49.30
ACCUH DISTANCE	0.0	5.0	10.0	15.0	20.0	2.0	25.0	27.0	30.0	36.4	40.0	45.0	50.0	54.0	55.0
DISTANCE	0.0	5.0	5.0	5.0	5.0	2.0	5.0	2.0	3.0	6.4	3.6	5.0	10.0	4.0	1.0
STA	N00	+5	N01	+5	N0.2	+2	+5	+7	N0.3	+6.4	N0.4	+5	N0.5	+4	+5

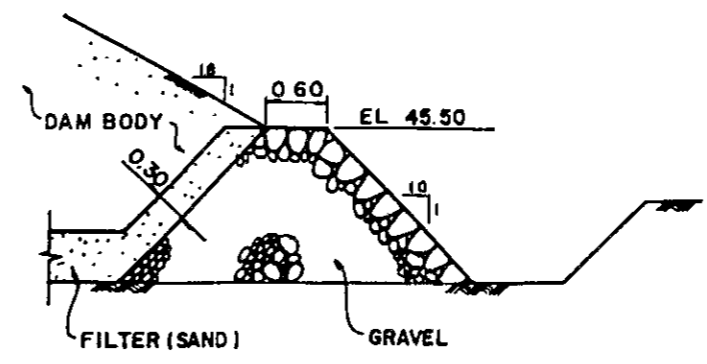
PROFILE OF DAM AXIS SCALE VERTICAL 1/200
 HORIZONTAL 1/200



GENERAL MAP
 SCALE 1/500

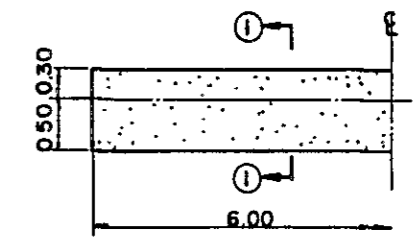
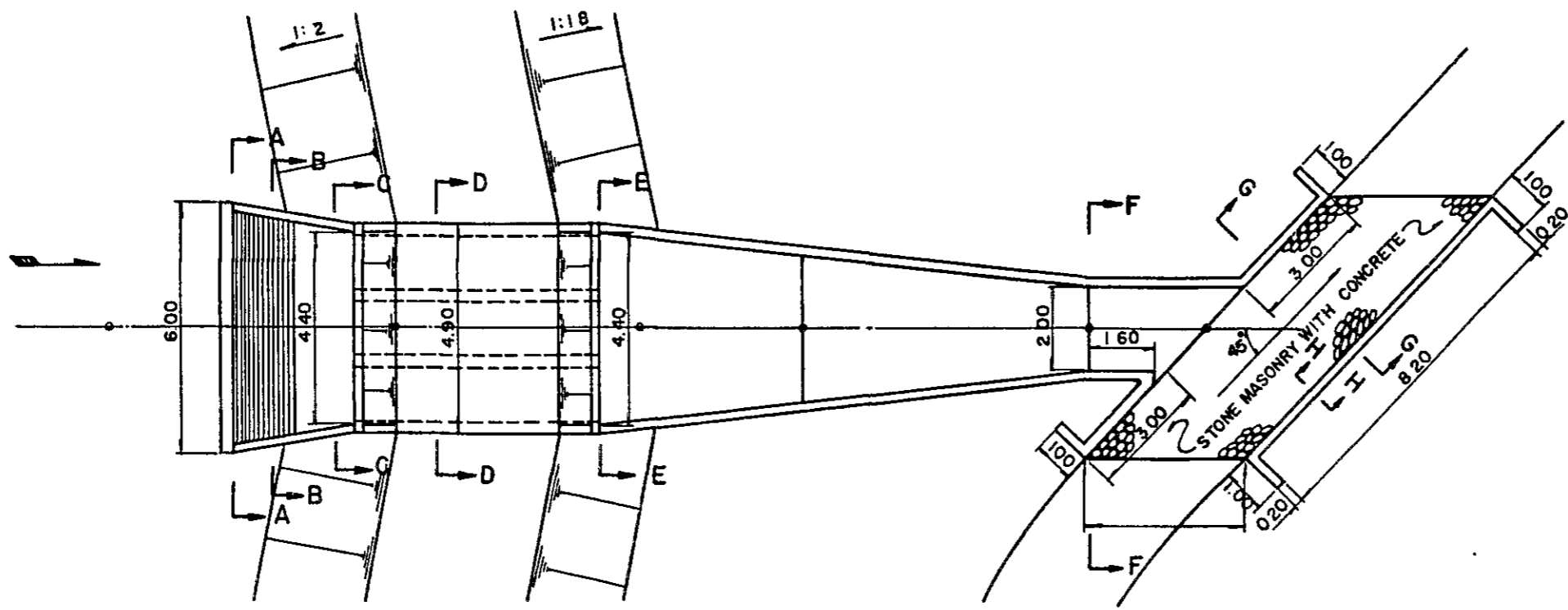


TYPICAL SECTION OF DAM SCALE 1/200

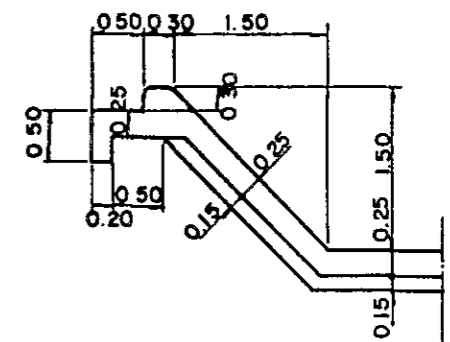


DETAIL OF TOE ROCK
 SCALE 1/50

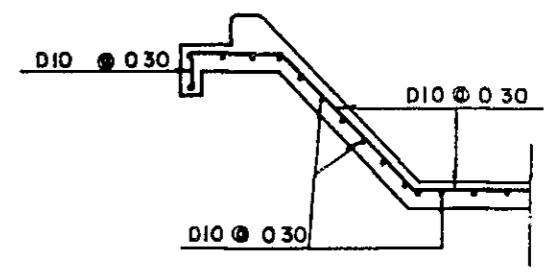
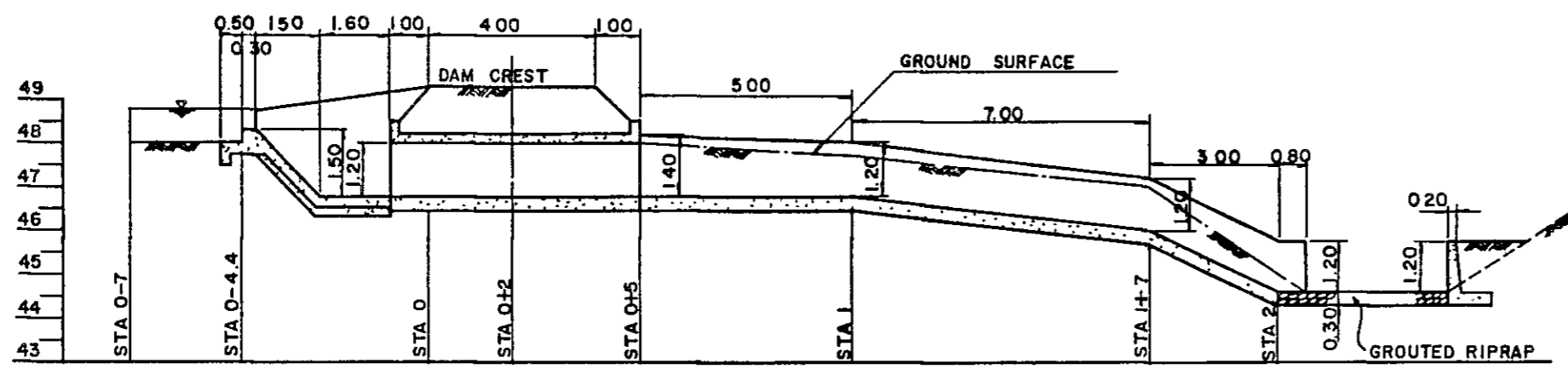
AGRICULTURAL PROMOTION CENTER PROJECT (A.P.C.)
PROFILE AND TYPICAL SECTION OF DAM
 UBAY
 DRAWING NO. APC-U-1 SCALE
 JAPAN INTERNATIONAL COOPERATION AGENCY



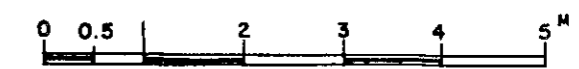
A~A SECTION



①~① SECTION



SCALE 1 : 50



SCALE 1 : 50



SCALE 1 : 100

CUT AND BANK	0	0	0	1.20	1.20	0.90	1.00	0.40	0	0
DESIGN BOTTOM ELEVATION	48.0	48.00	48.80	46.90	46.80	46.80	46.00	44.60	44.60	45.80
GROUND ELEVATION	48.0	48.0	48.0	48.0	48.0	47.7	47.0	45.0	44.6	45.8
ACCUH DISTANCE	-7.0	-4.4	0.0	2.0	5.0	10.0	17.0	20.0	24.0	26.0
DISTANCE	-2.6	-4.4	0.0	2.0	3.0	5.0	7.0	3.0	4.0	2.0
STA	0-7	0-4.4	0	+2	+5	N01	+7	N02	+4	+6

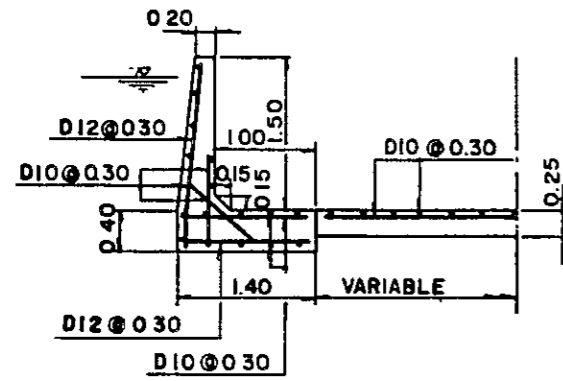
PROFILE OF SPILLWAY SCALE VERTICAL 1 : 100 HORIZONTAL 1 : 100

AGRICULTURAL PROMOTION CENTER PROJECT (A.P.C.)

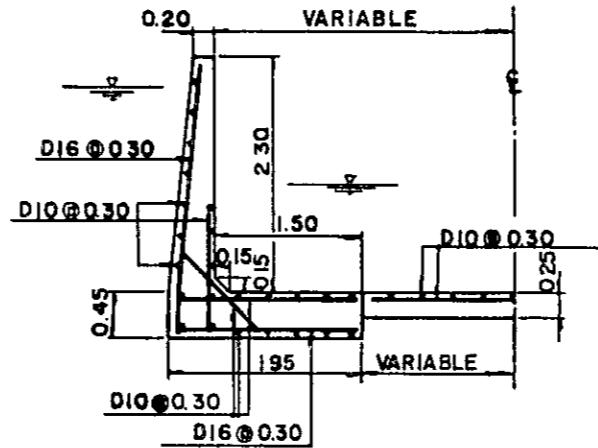
PLAN AND PROFILE OF SPILLWAY UBAY

DRAWING NO. APC-U-2 SCALE

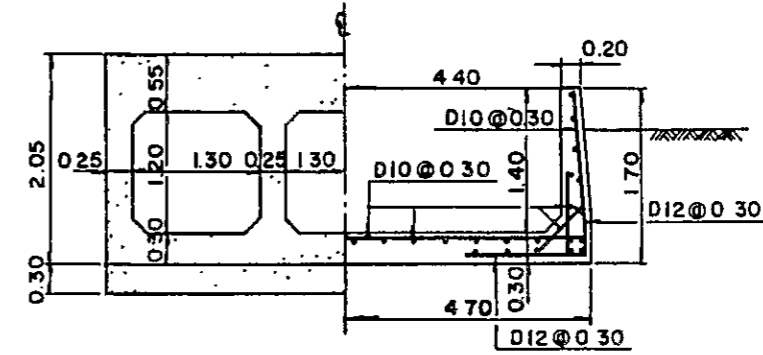
JAPAN INTERNATIONAL COOPERATION AGENCY



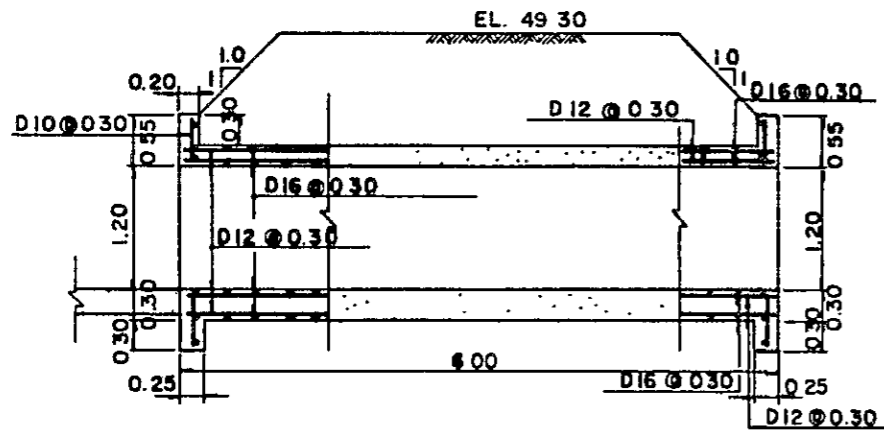
B-B SECTION SCALE 1 : 50



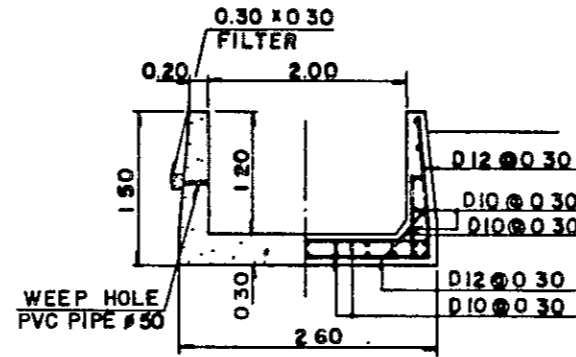
C-C SECTION SCALE 1 : 50



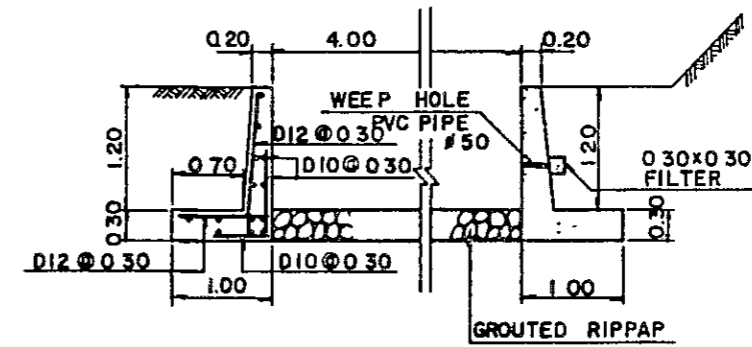
E-E SECTION SCALE 1 : 50



BOX CULVERT SCALE 1 : 50

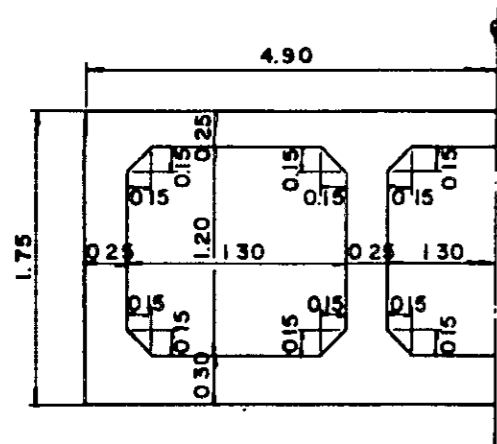


F-F SECTION SCALE 1 : 50



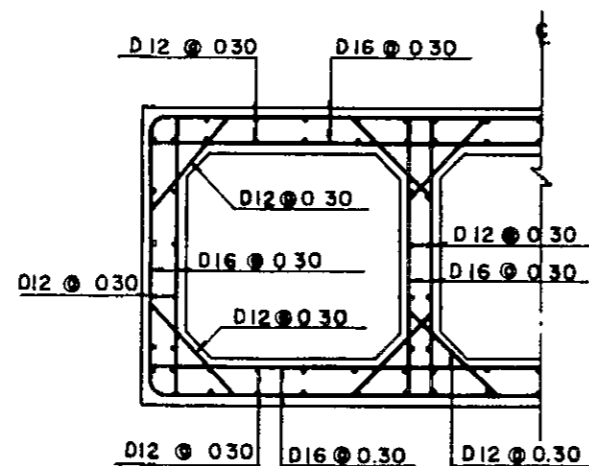
G-G SECTION
SCALE 1 : 50

- NOTES
1. ALL ELEVATIONS AND DEMENSIONS ARE GIVEN IN METERS
 2. ALL BARS' DIAMETERS ARE SHOWN IN MILLIMETERS.

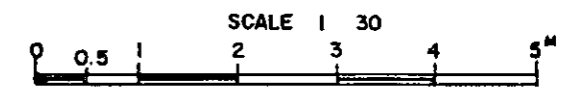
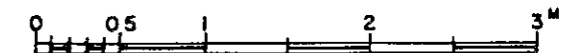


D-D SECTION

SCALE 1 : 30



H-H SECTION SCALE 1 : 50



SCALE 1 : 50

AGRICULTURAL PROMOTION CENTER PROJECT
(A P C)

CROSS SECTION OF
SPILLWAY

UBAY

DRAWING NO. APC-U-3 SCALE

JAPAN INTERNATIONAL COOPERATION AGENCY

JICA