



REPUBLIC OF KENYA

MINISTRY OF TRANSPORT AND COMMUNICATIONS

**THE NAIROBI BYPASS CONSTRUCTION PROJECT
FEASIBILITY STUDY
FINAL REPORT**

**VOLUME 4
(DRAWINGS)**

FEBRUARY 1988

JAPAN INTERNATIONAL COOPERATION AGENCY

S D F
██████████
88 - 026

THE NAIROBI BYPASS CONSTRUCTION PROJECT FEASIBILITY STUDY VOLUME 4 FEBRUARY 1988



JICA LIBRARY



1042040E43

国際協力事業団		
受入 月日	'88.4.7	L407
登録 No.	17465	737 SDF



REPUBLIC OF KENYA

MINISTRY OF TRANSPORT AND COMMUNICATIONS

**THE NAIROBI BYPASS CONSTRUCTION PROJECT
FEASIBILITY STUDY
FINAL REPORT**

**VOLUME 4
(DRAWINGS)**

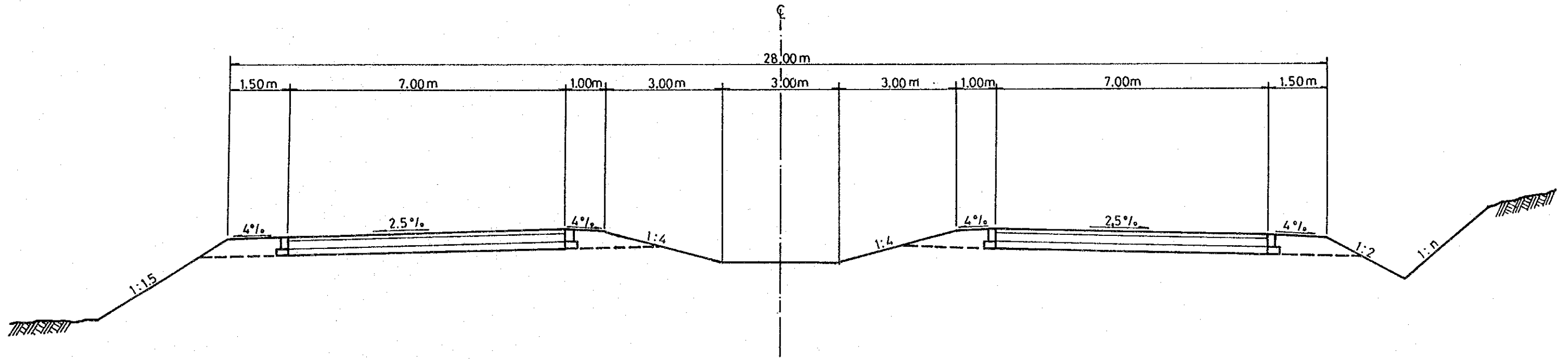
FEBRUARY 1988

JAPAN INTERNATIONAL COOPERATION AGENCY

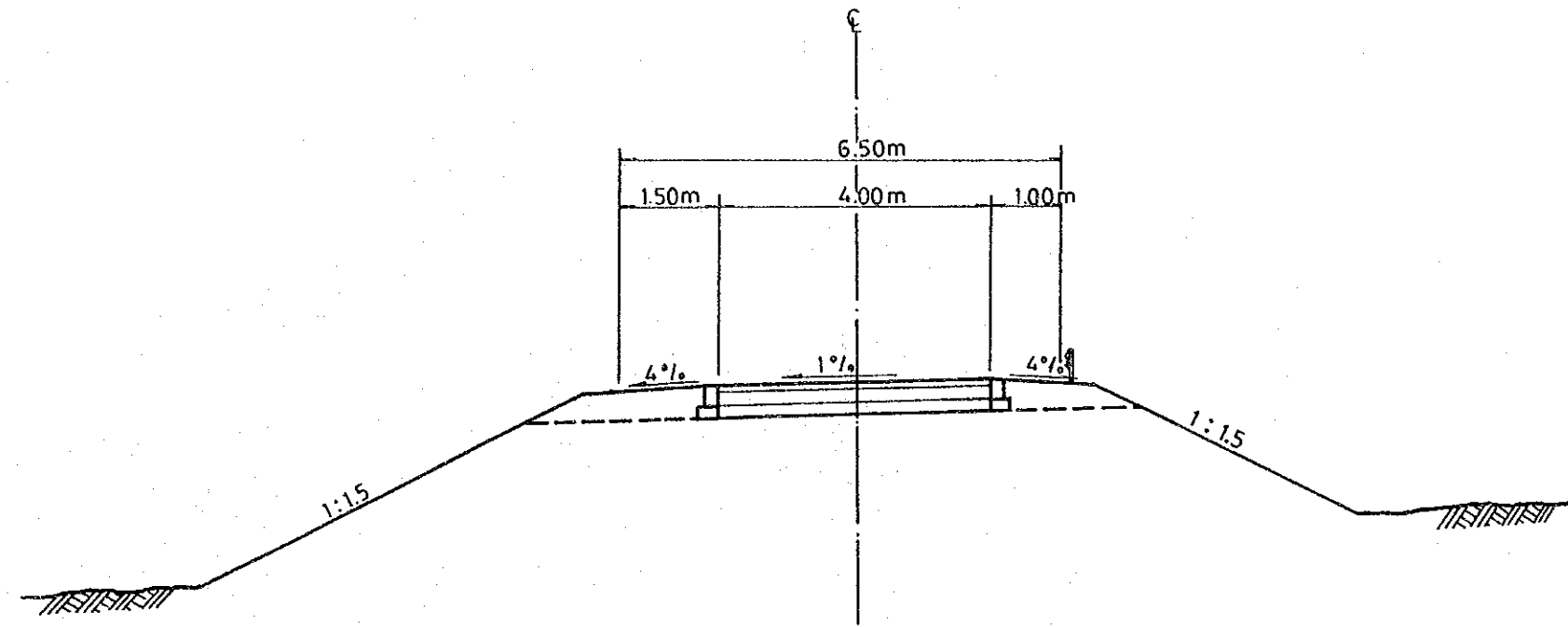
DRAWING INDEX

	DESCRIPTION	PAGE
1	TYPICAL CROSS SECTION	1 ~ 2
2	PLAN & PROFIL	3 ~ 40
3	BRIDGE	41 ~ 43
4	CULVERT	43 ~ 53

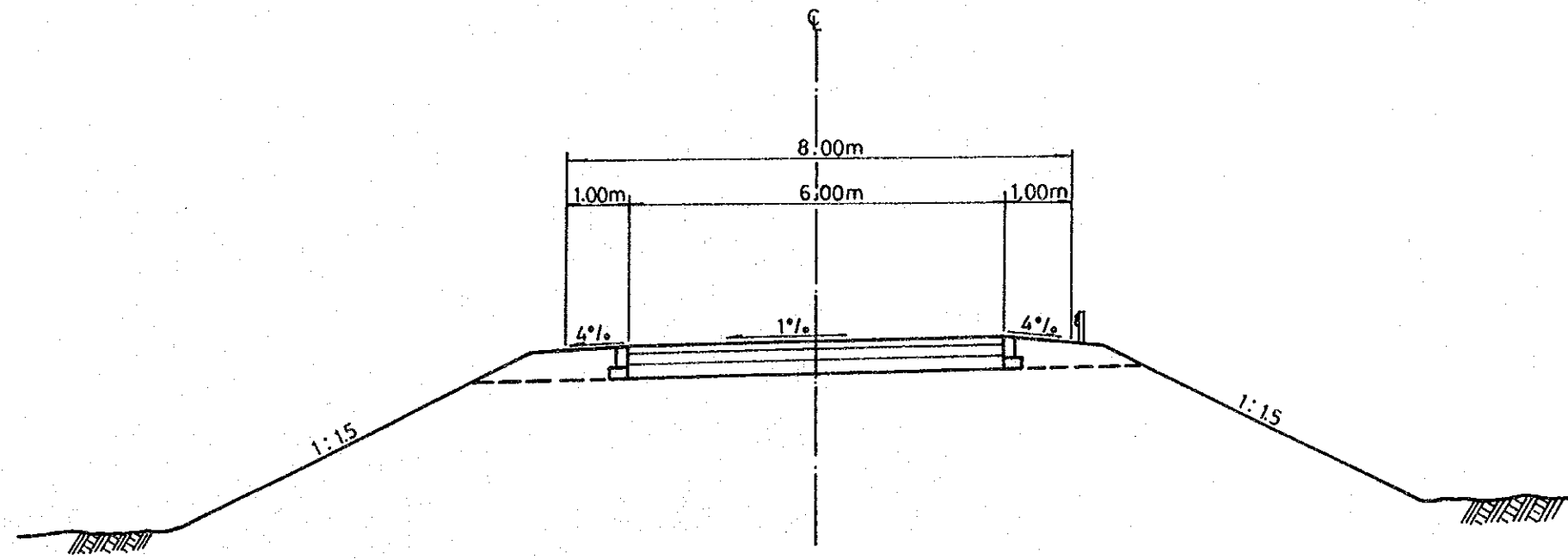
TYPICAL CROSS SECTION OF BY PASS SCALE: 1:100



TYPICAL CROSS SECTION OF RAMPS SCALE : 1:100



ONE-LANE



TWO-LANE