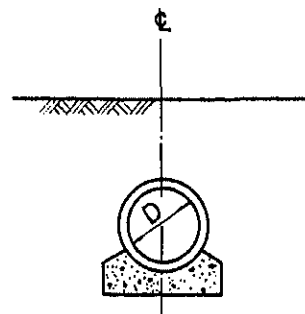
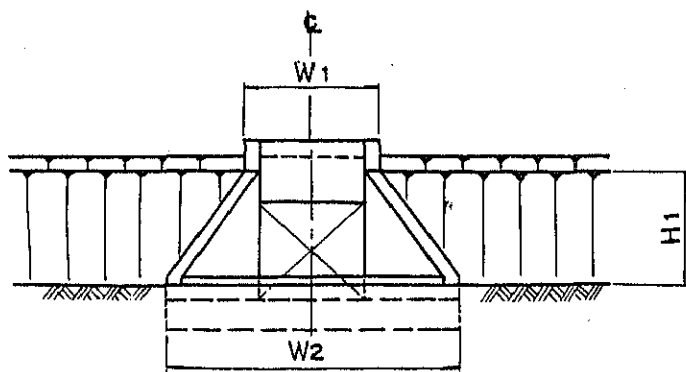
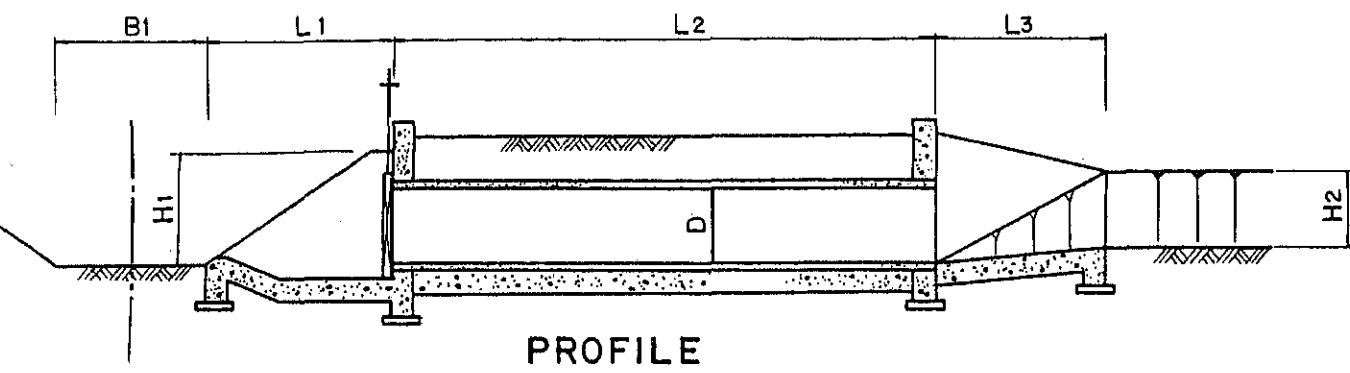
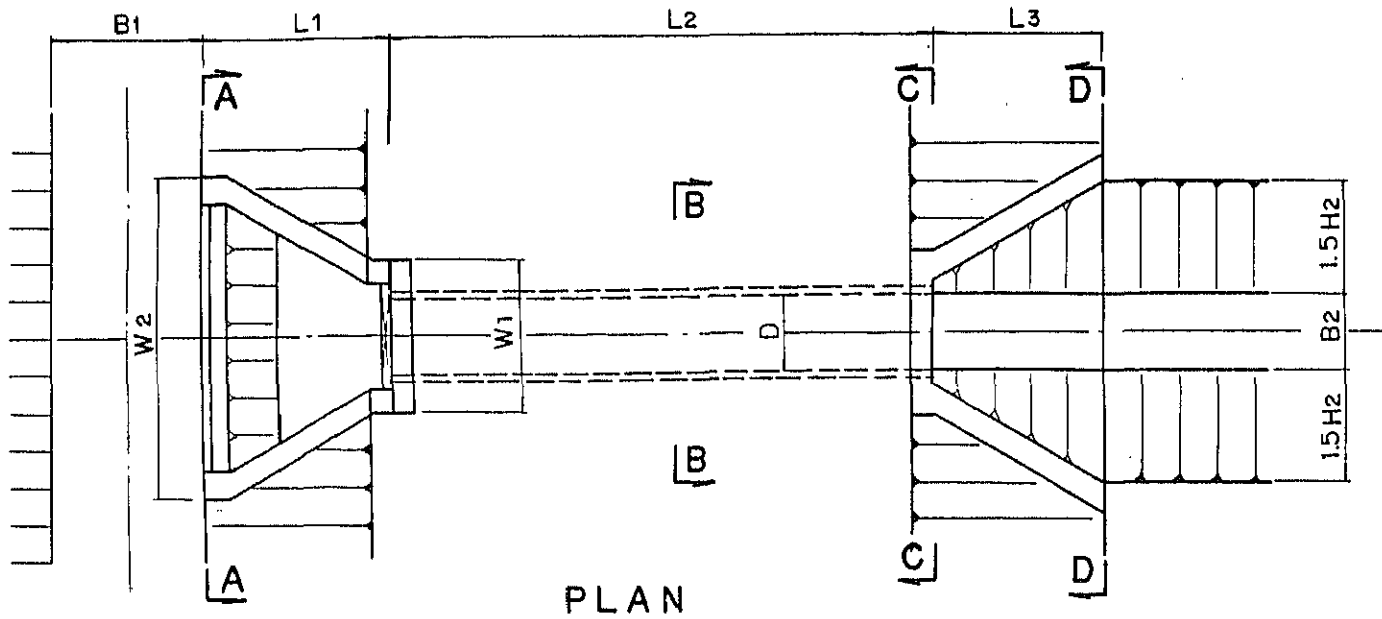


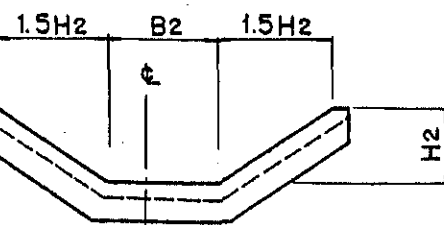
TURNOUT

TYPE - A

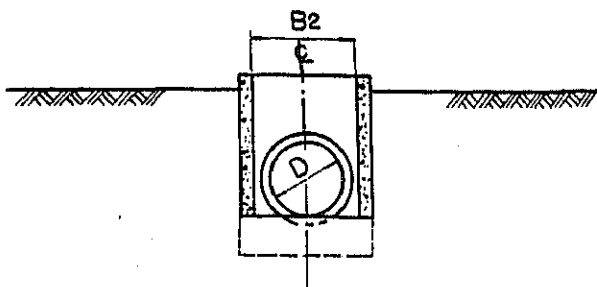
TYPE - B



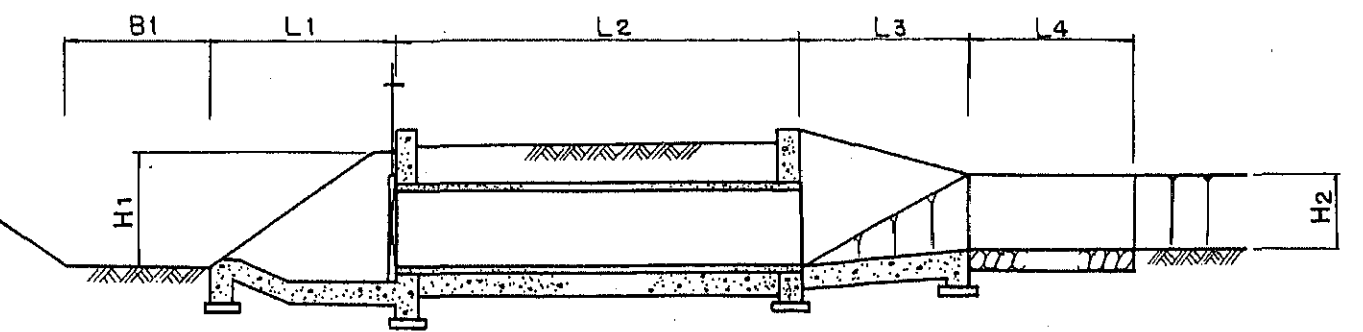
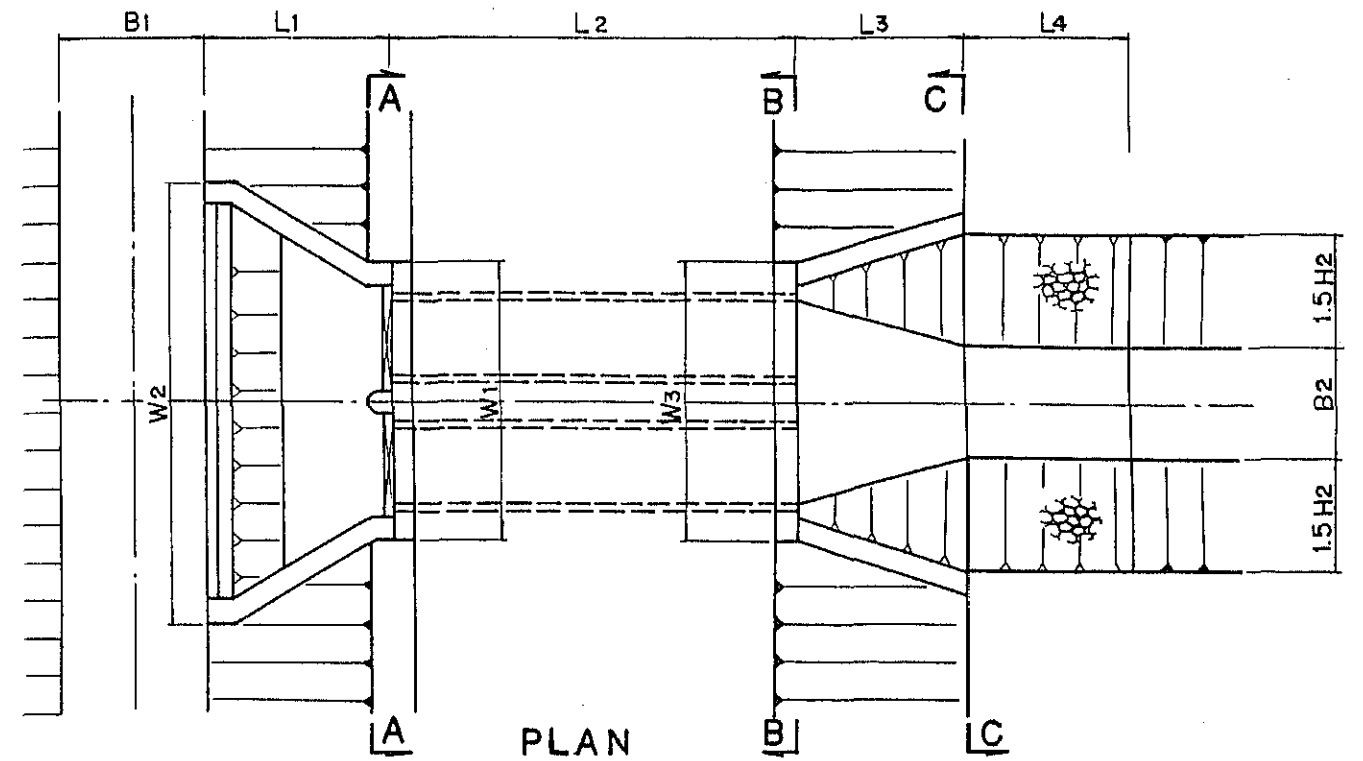
SECTION A-A



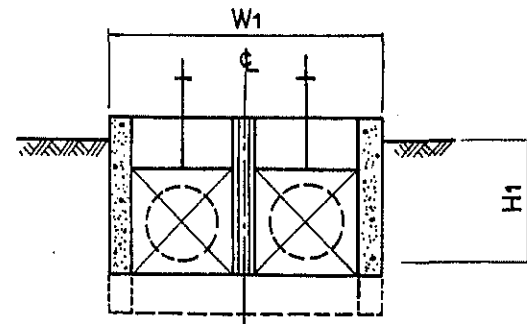
SECTION D-D



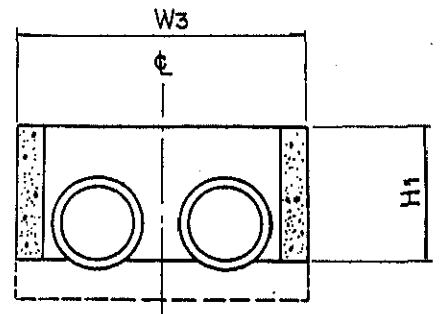
SECTION C-C



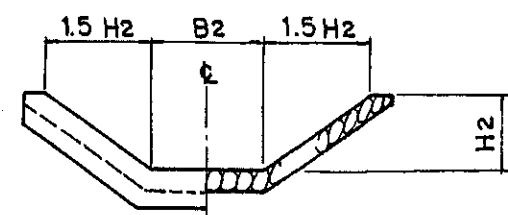
PROFILE



SECTION A-A



SECTION B-B

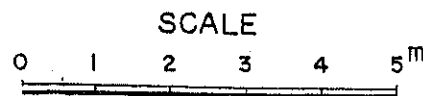
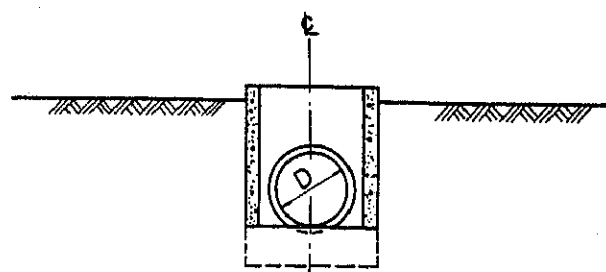
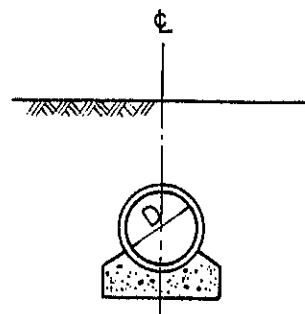
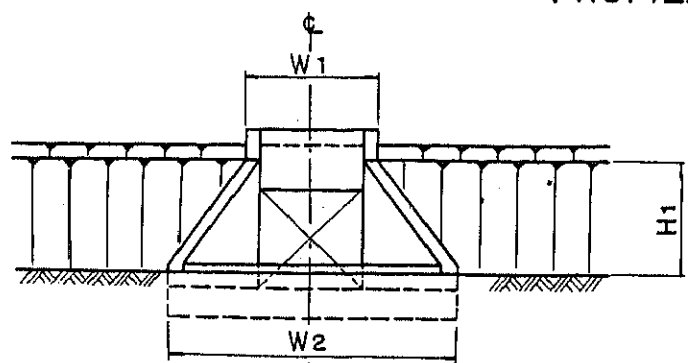
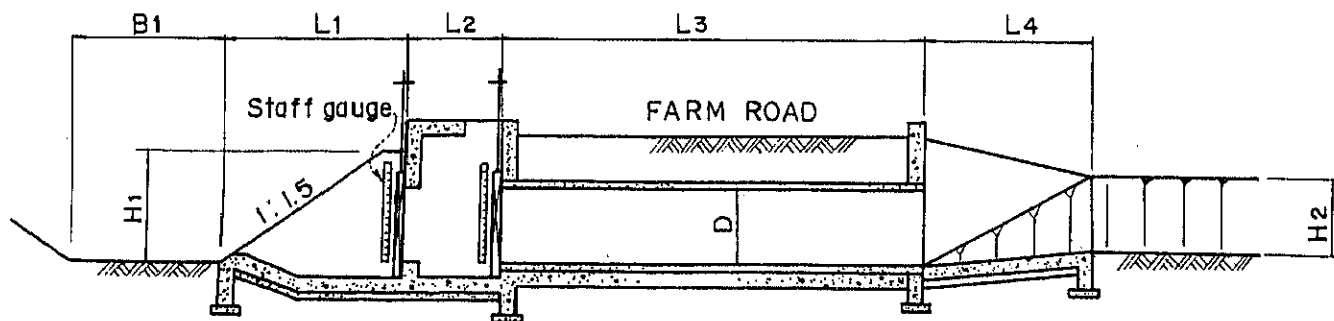
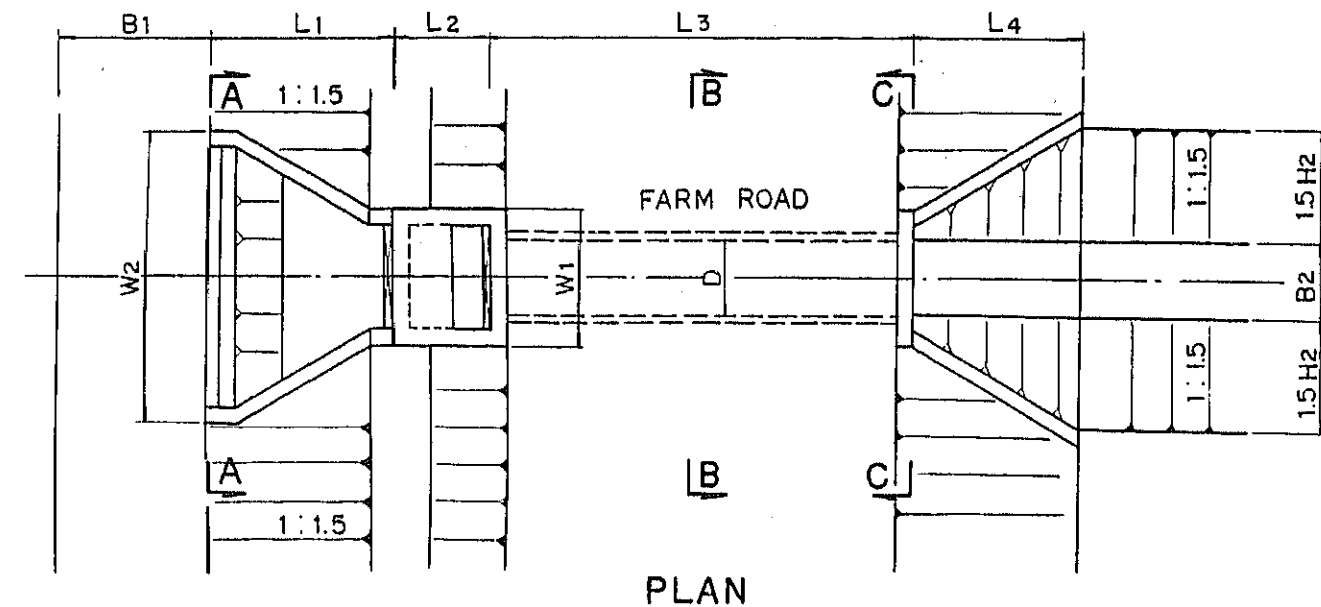


SECTION C-C

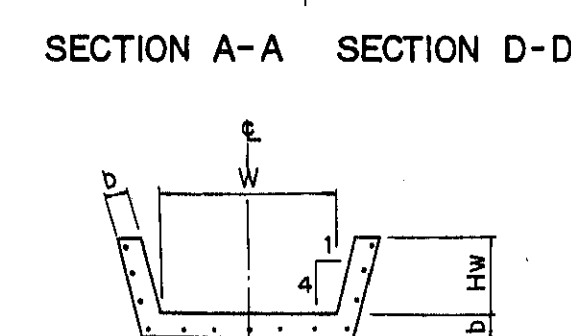
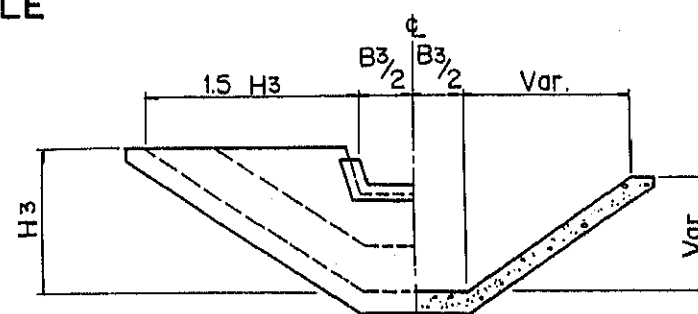
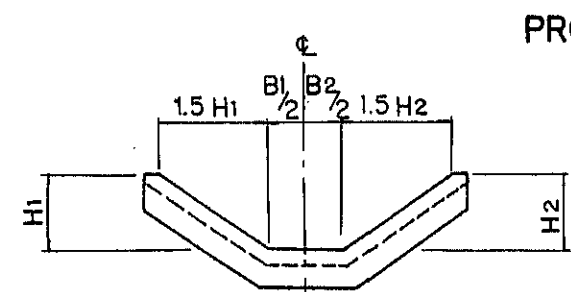
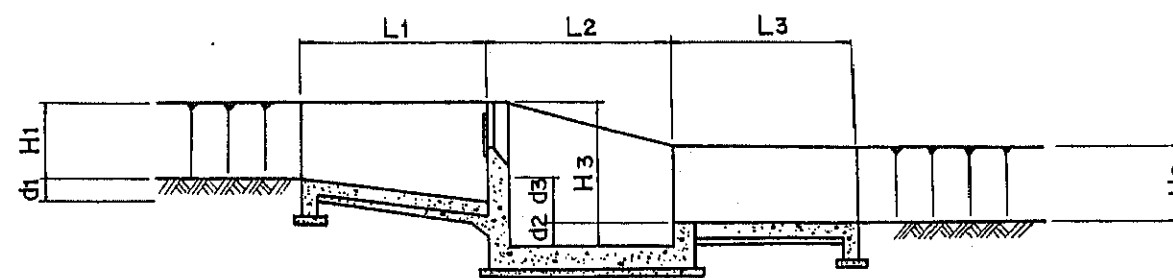
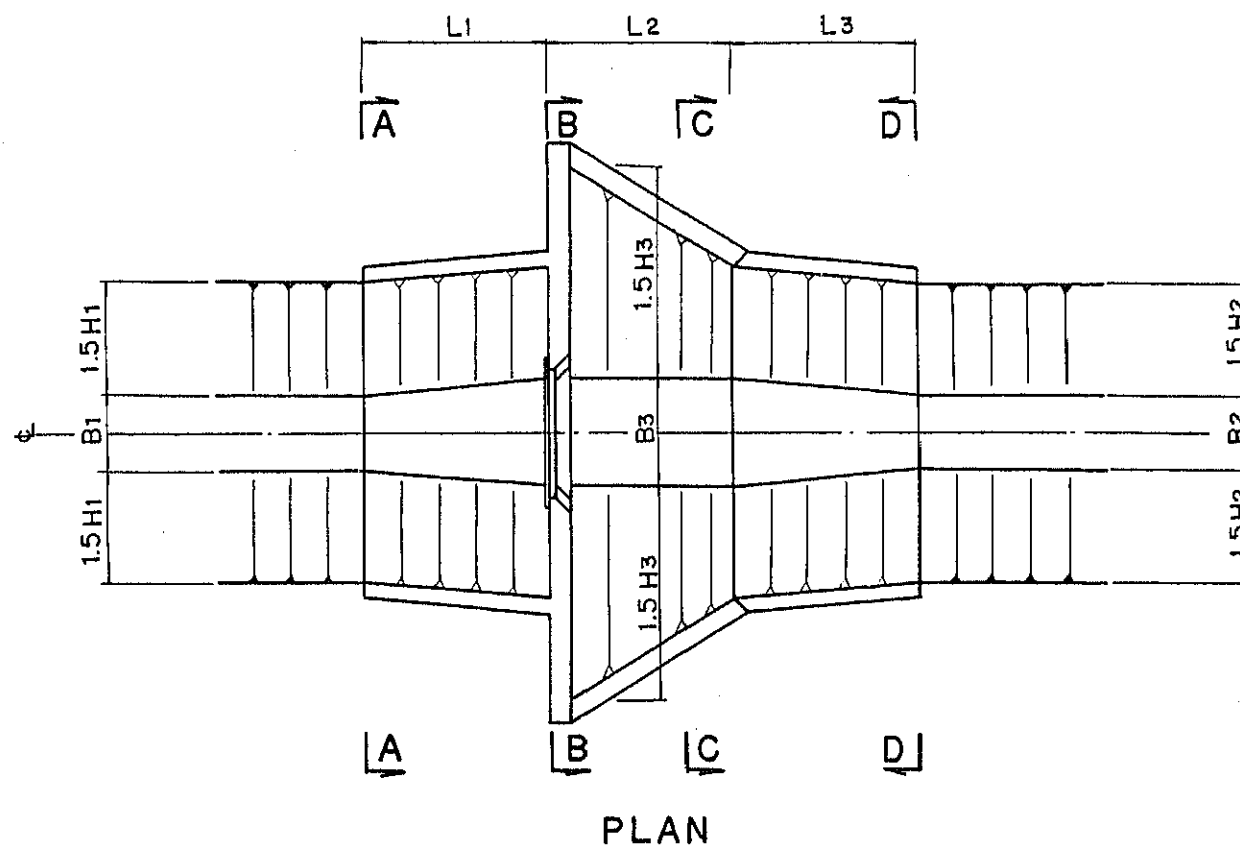


REPUBLIC OF KENYA NATIONAL IRRIGATION BOARD	
THE MWEA IRRIGATION DEVELOPMENT PROJECT	
TITLE OF DRAWING TURNOUT (TYPE-A,B)	
JAPAN INTERNATIONAL COOPERATION AGENCY TOKYO JAPAN	DWG. No. 3046

OFFTAKE



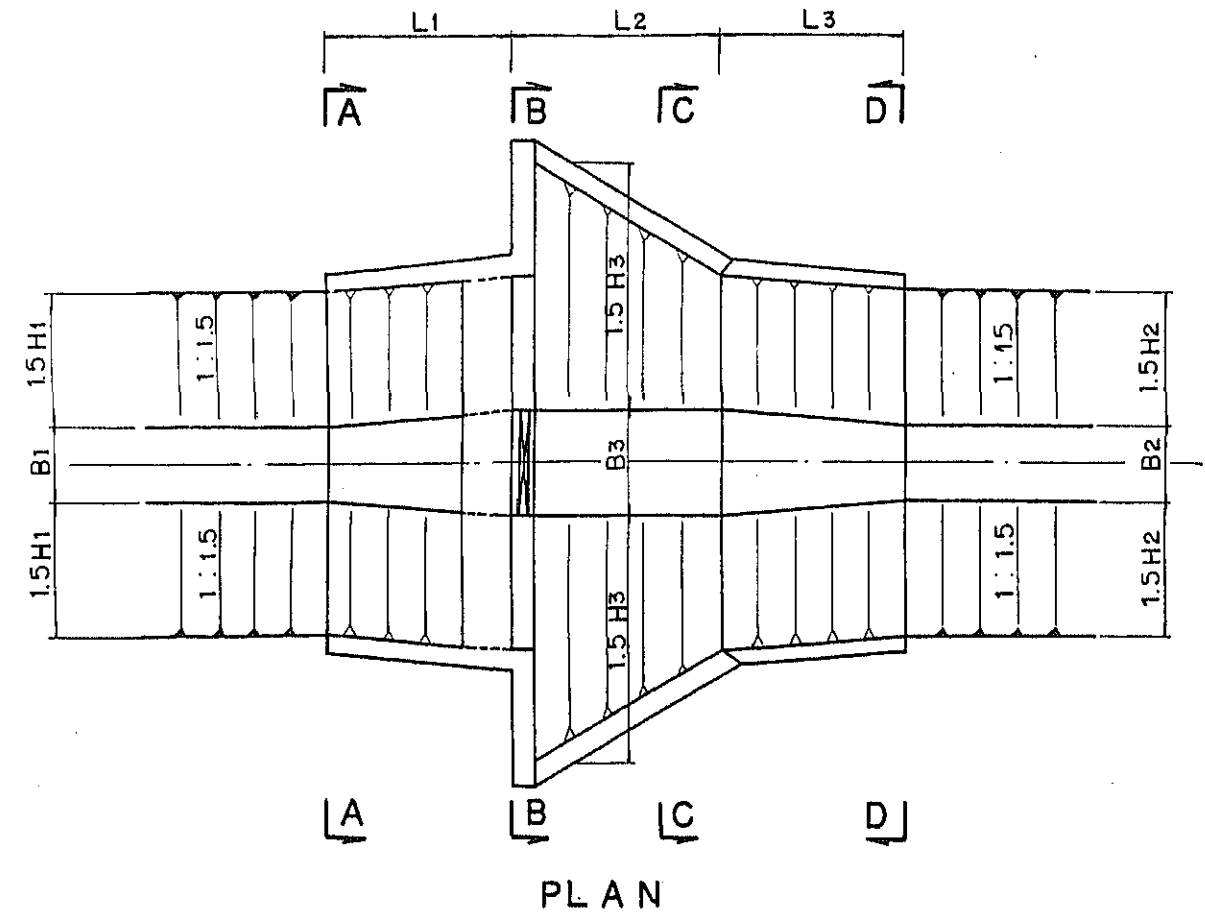
CIPOLLETTI WEIR



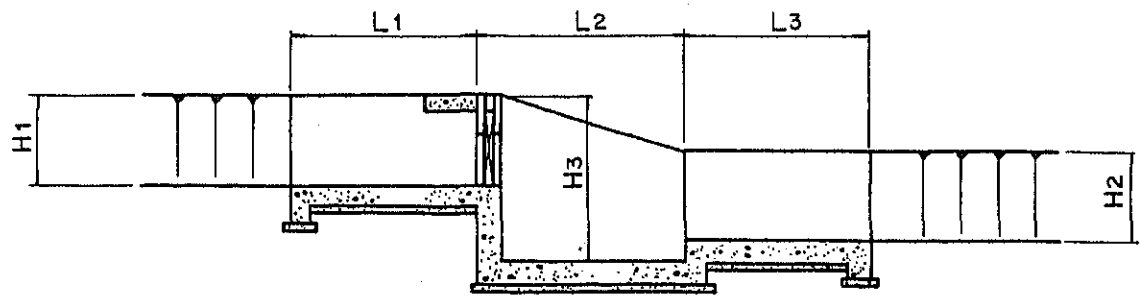
REPUBLIC OF KENYA	
NATIONAL IRRIGATION BOARD	
THE MWEA IRRIGATION DEVELOPMENT PROJECT	
TITLE OF DRAWING	
OFFTAKE, CIPOLLETTI WEIR	
JAPAN INTERNATIONAL COOPERATION AGENCY TOKYO JAPAN	DWG. No. 3047

CHECK

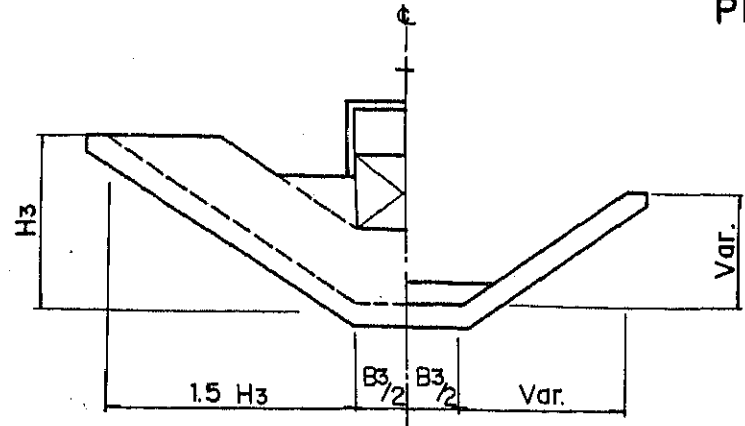
TYPE - A



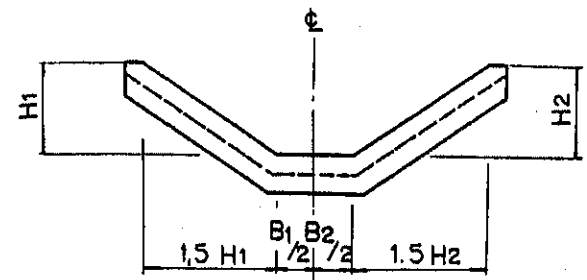
PLAN



PROFILE

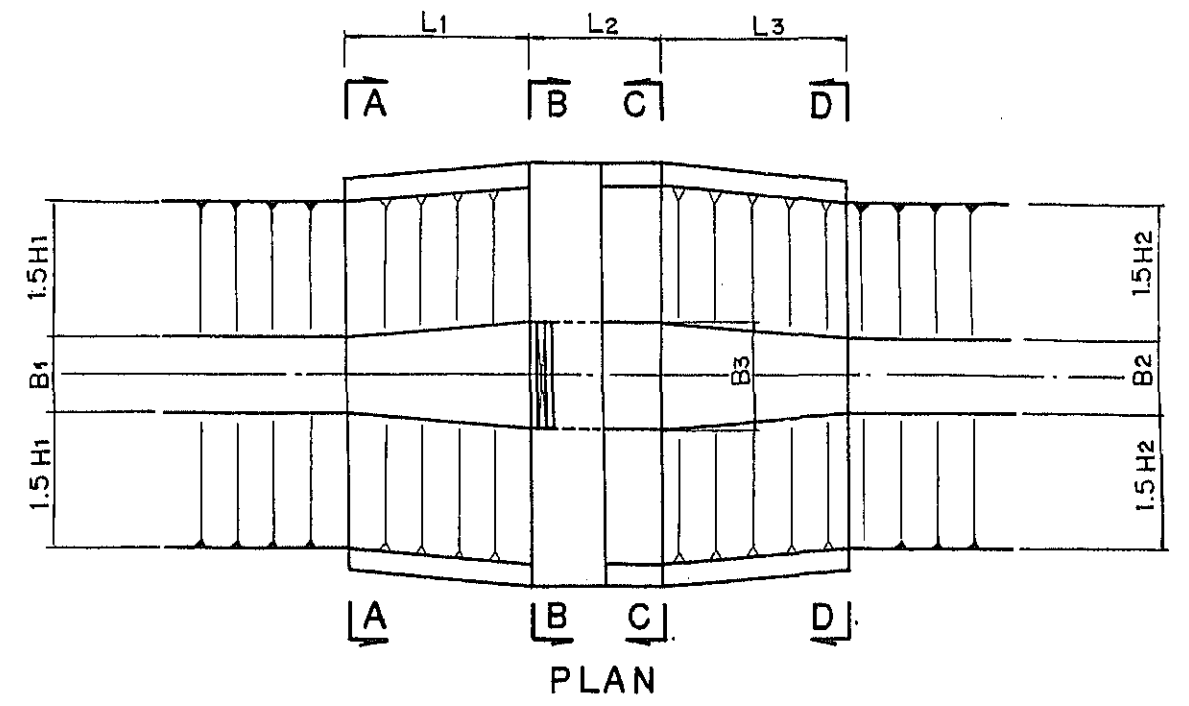


SECTION B-B SECTION C-C

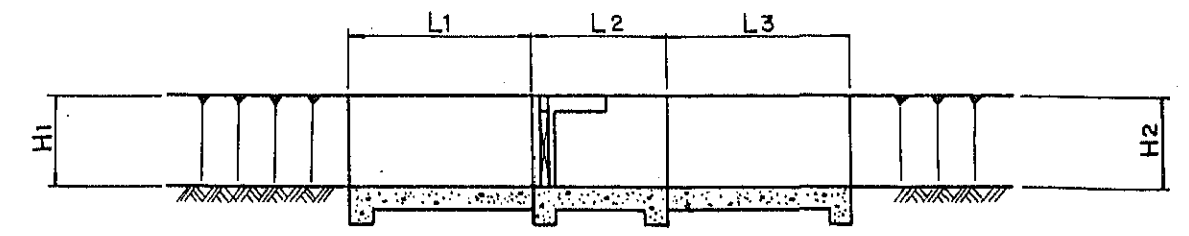


SECTION A-A SECTION D-D

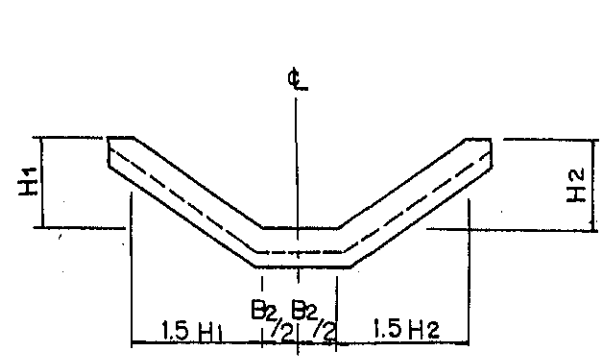
TYPE - B



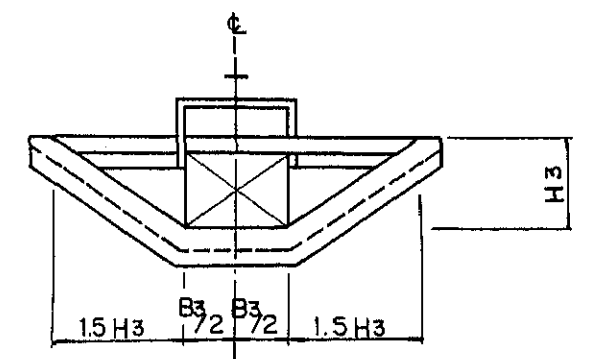
PLAN



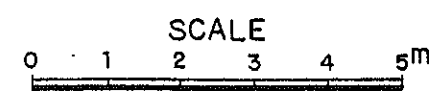
PROFILE



SECTION A-A SECTION D-D

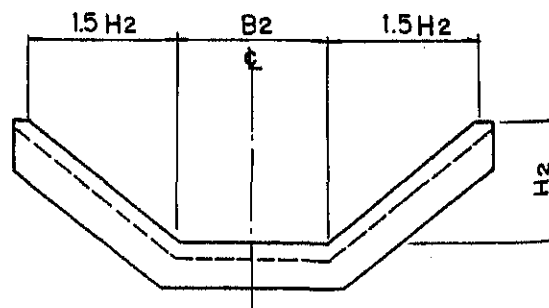
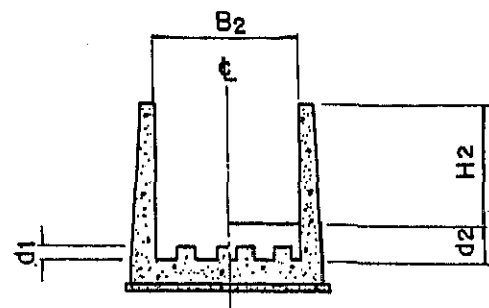
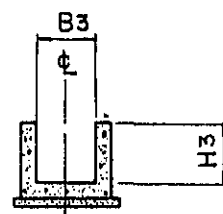
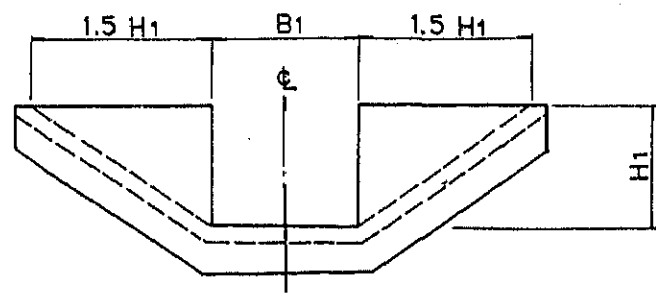
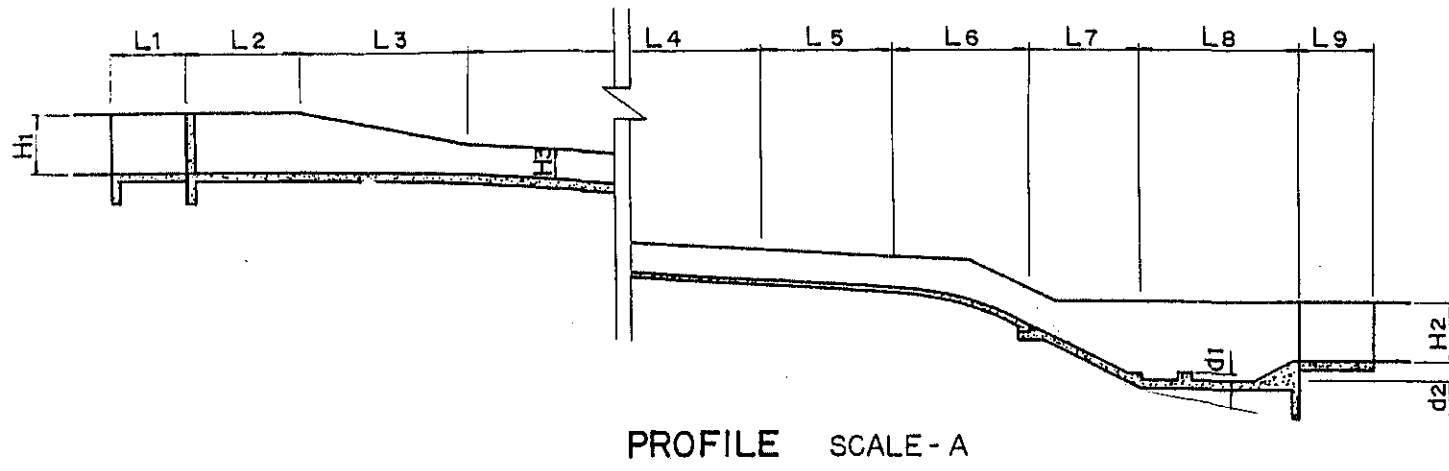
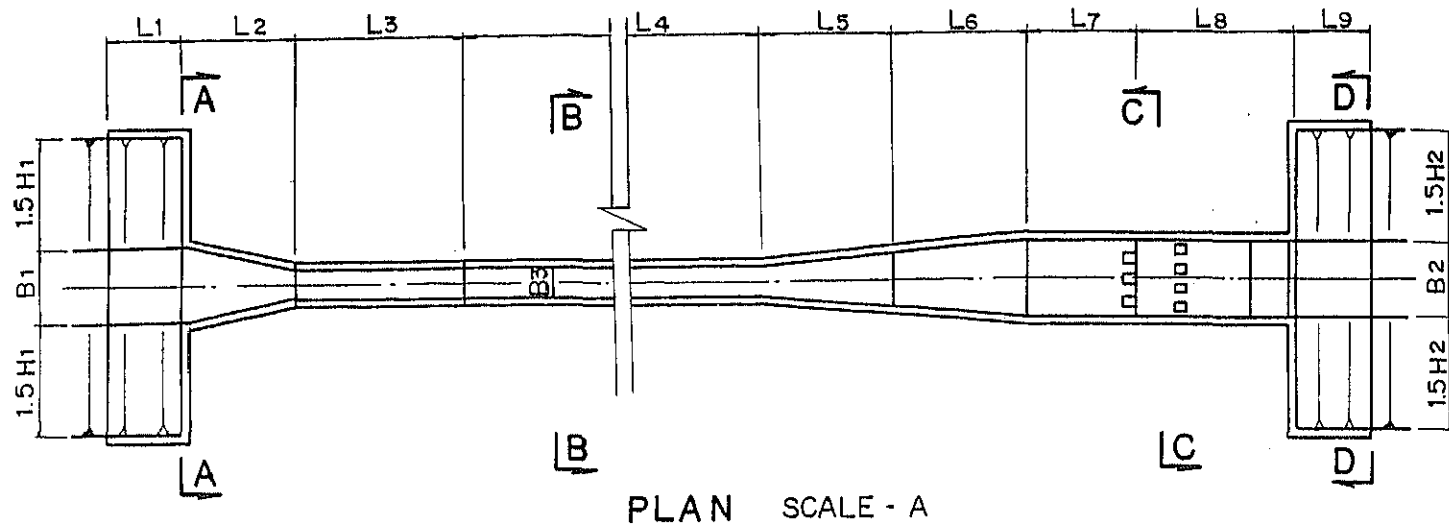


SECTION B-B SECTION C-C

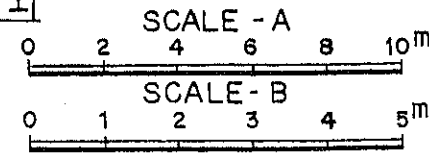
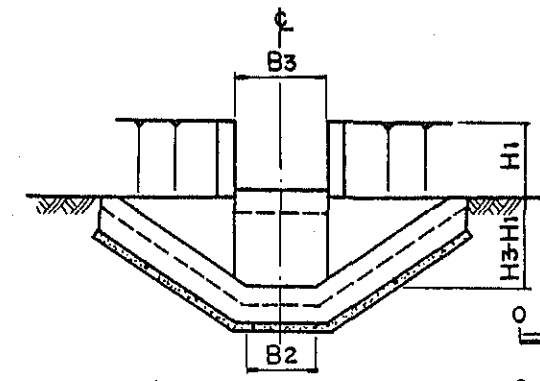
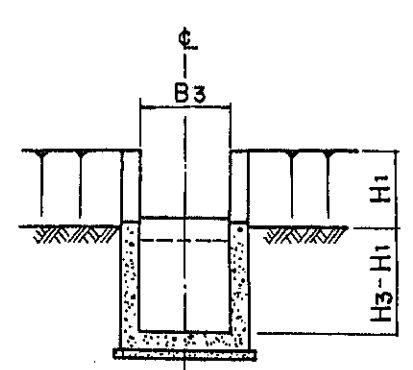
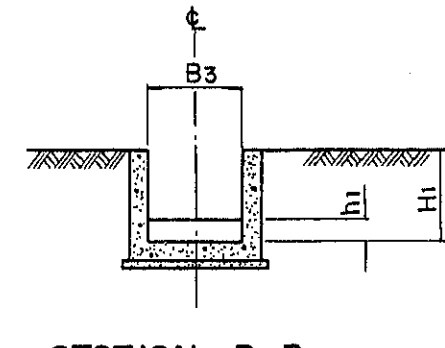
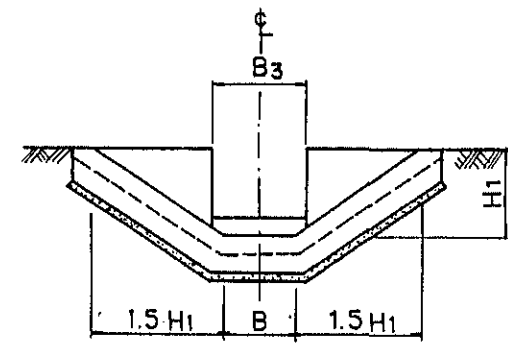
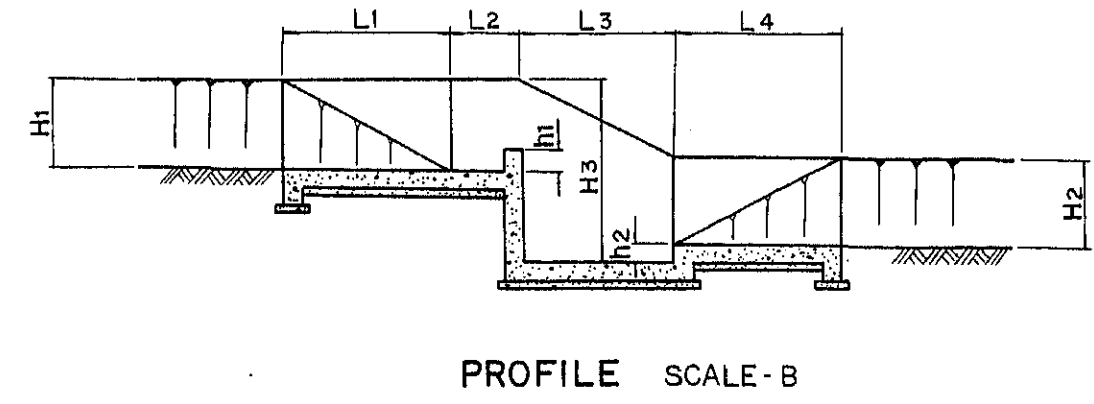
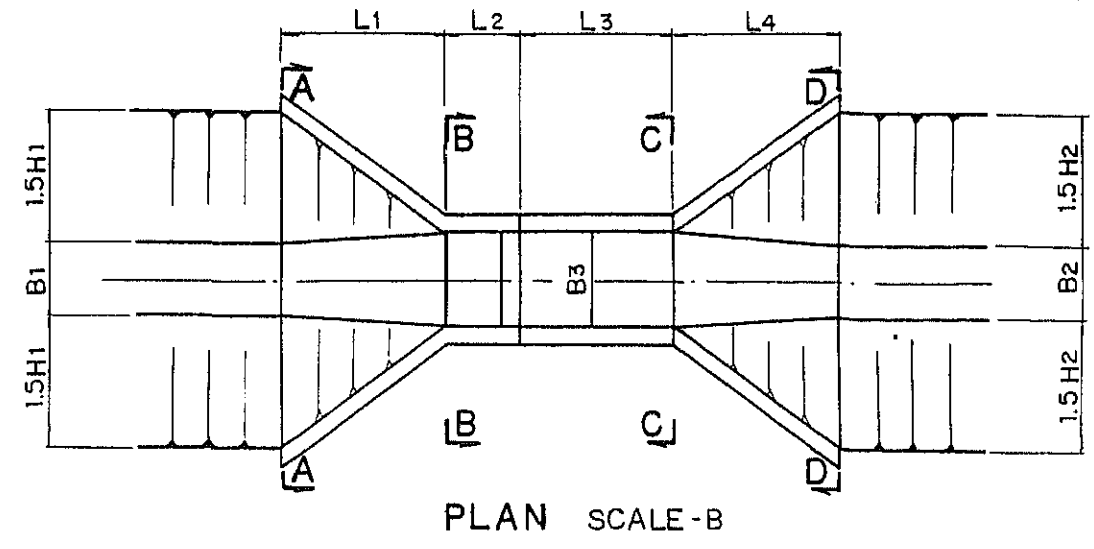


REPUBLIC OF KENYA NATIONAL IRRIGATION BOARD	
THE MWEA IRRIGATION DEVELOPMENT PROJECT	
TITLE OF DRAWING CHECK (TYPE-A,B)	
JAPAN INTERNATIONAL COOPERATION AGENCY TOKYO JAPAN	DWG. No. 3048

CHUTE

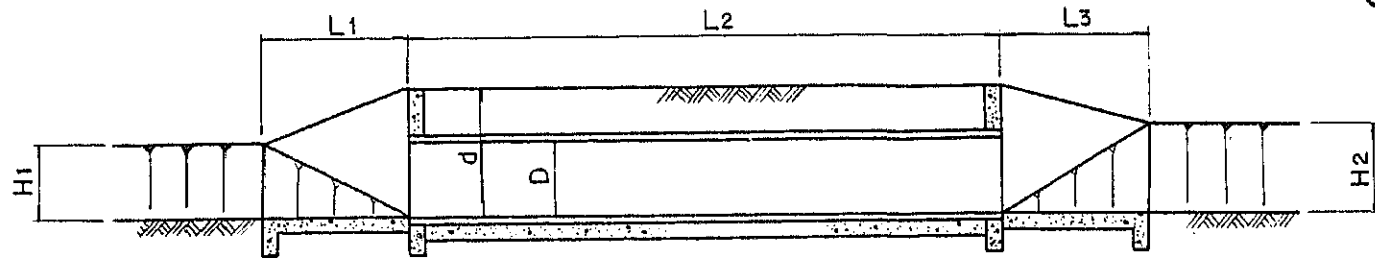


DROP

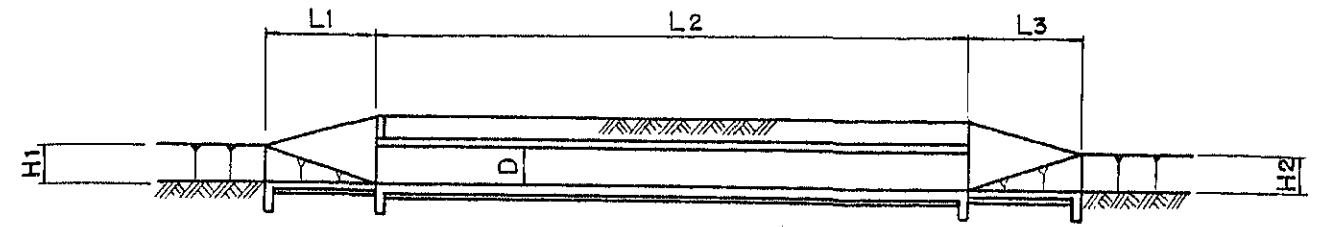


REPUBLIC OF KENYA NATIONAL IRRIGATION BOARD	
THE MWEA IRRIGATION DEVELOPMENT PROJECT	
TITLE OF DRAWING CHUTE, DROP	
JAPAN INTERNATIONAL COOPERATION AGENCY TOKYO JAPAN	DWG. No. 3049

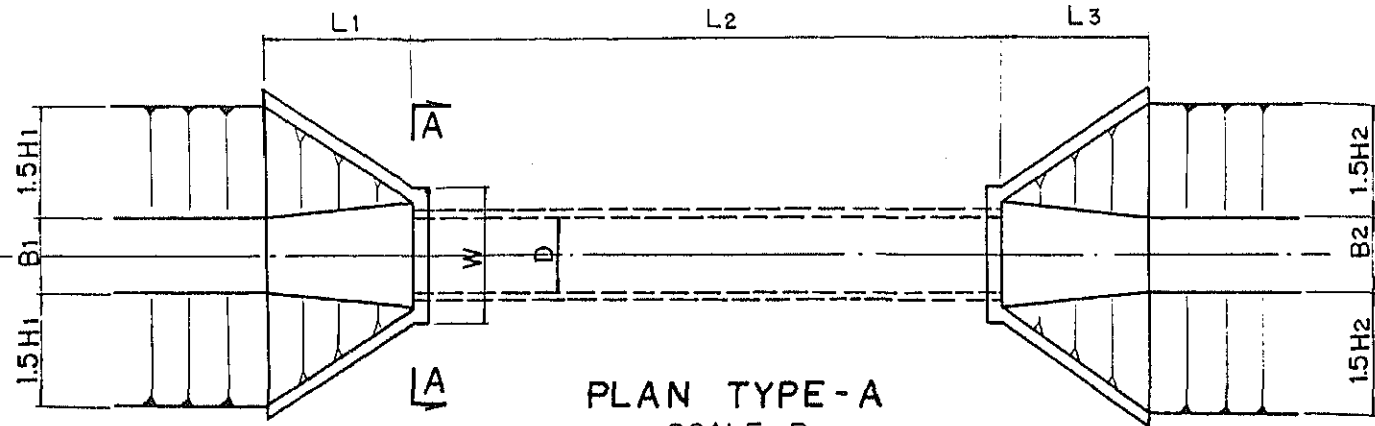
CULVERT



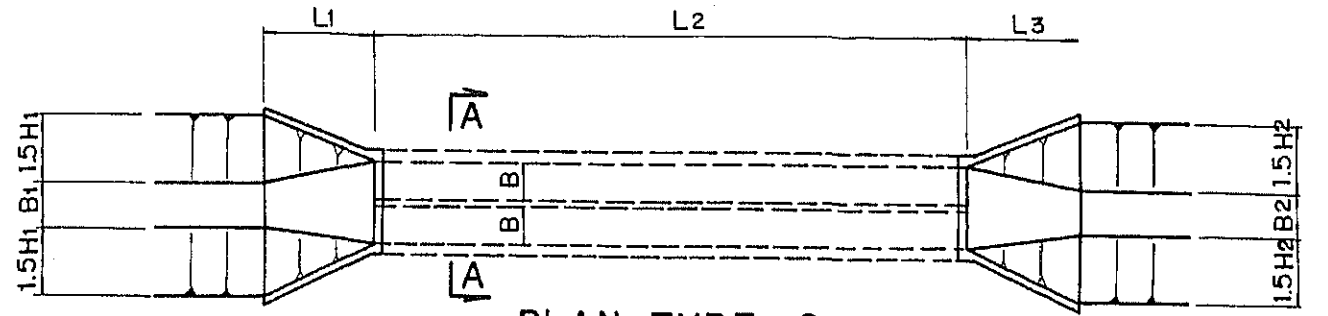
PROFILE SCALE - B



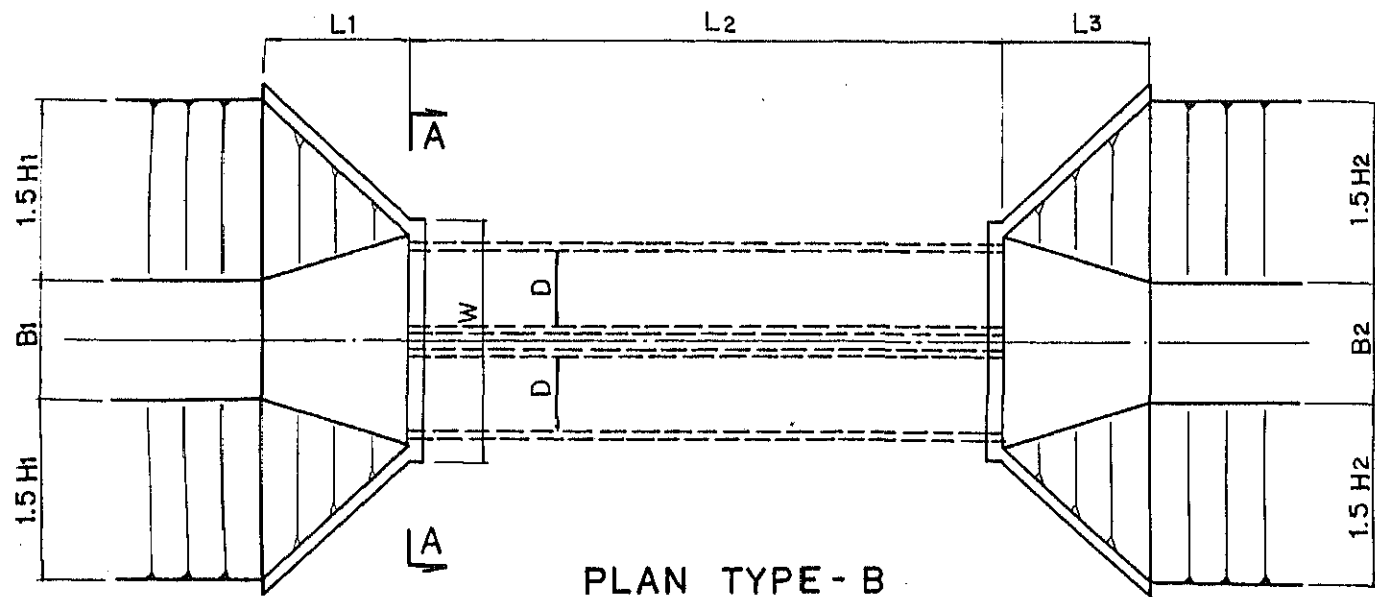
PROFILE SCALE - A



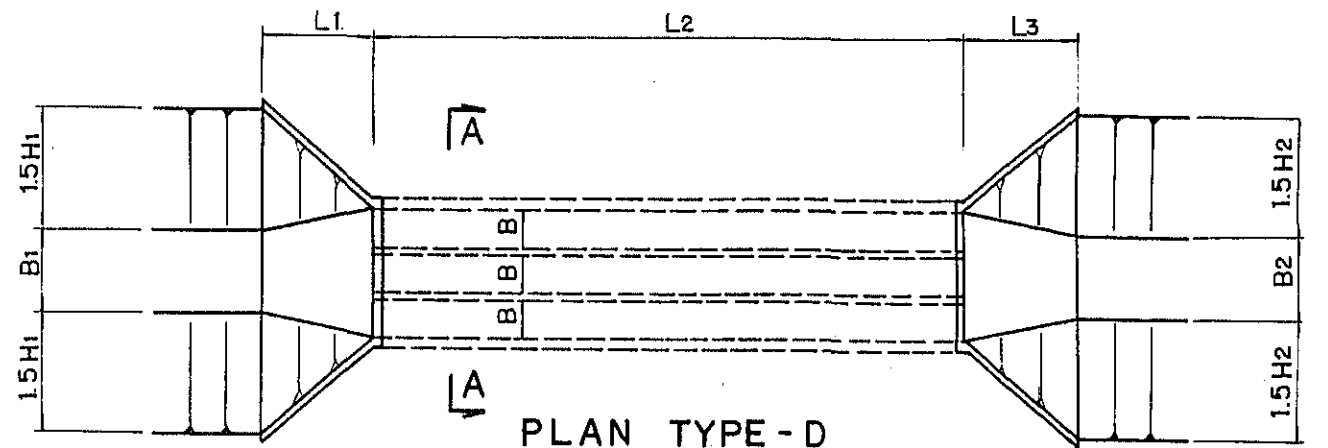
PLAN TYPE - A
SCALE - B



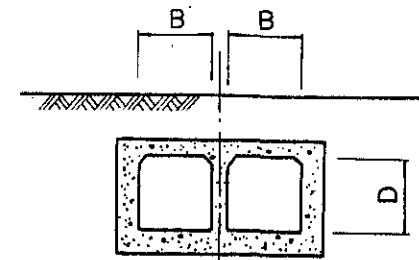
PLAN TYPE - C
SCALE - A



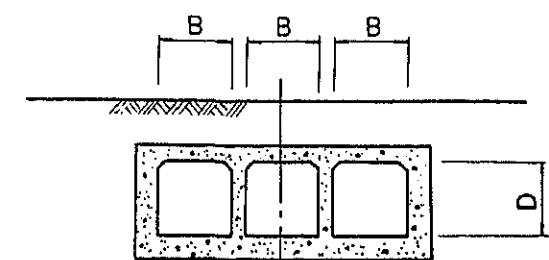
PLAN TYPE - B
SCALE - B



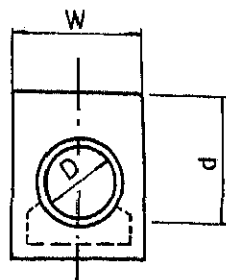
PLAN TYPE - D
SCALE - A



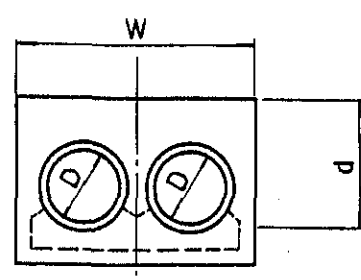
SECTION A-A TYPE - C
SCALE - B



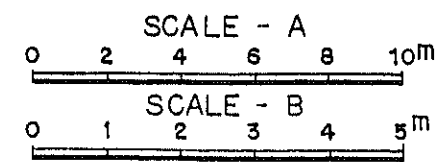
SECTION A-A TYPE - D
SCALE - B



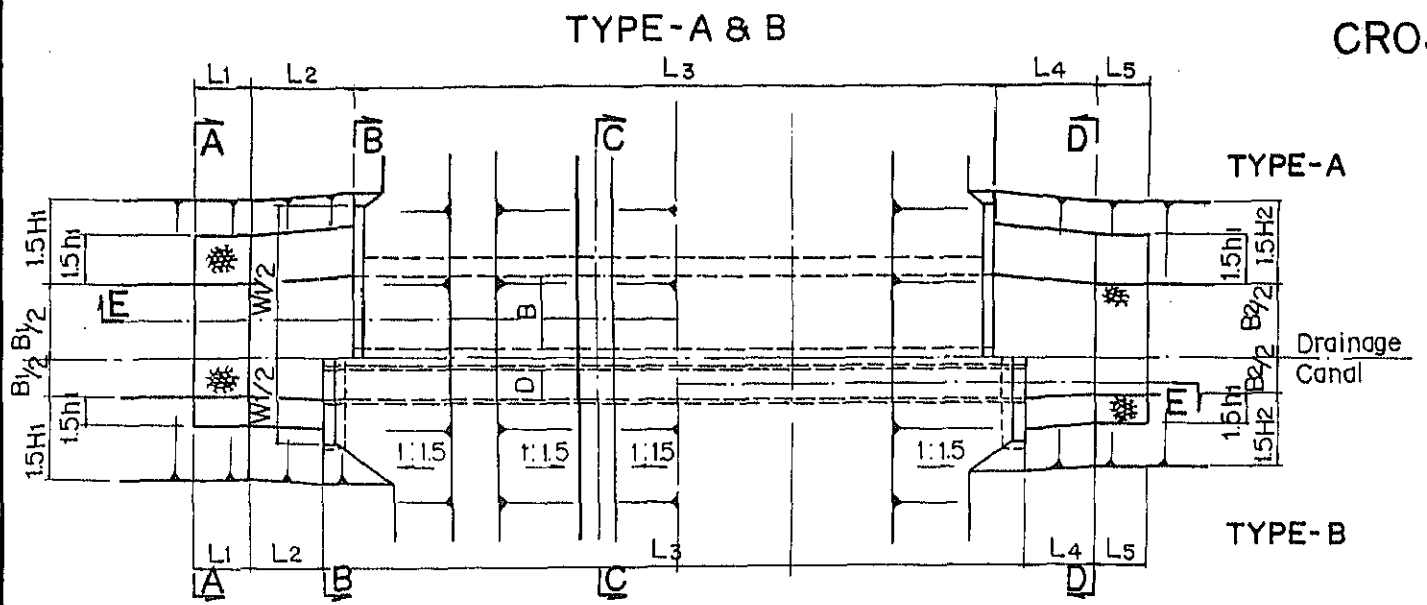
SECTION A-A TYPE - A
SCALE - B



SECTION A-A TYPE - B
SCALE - B



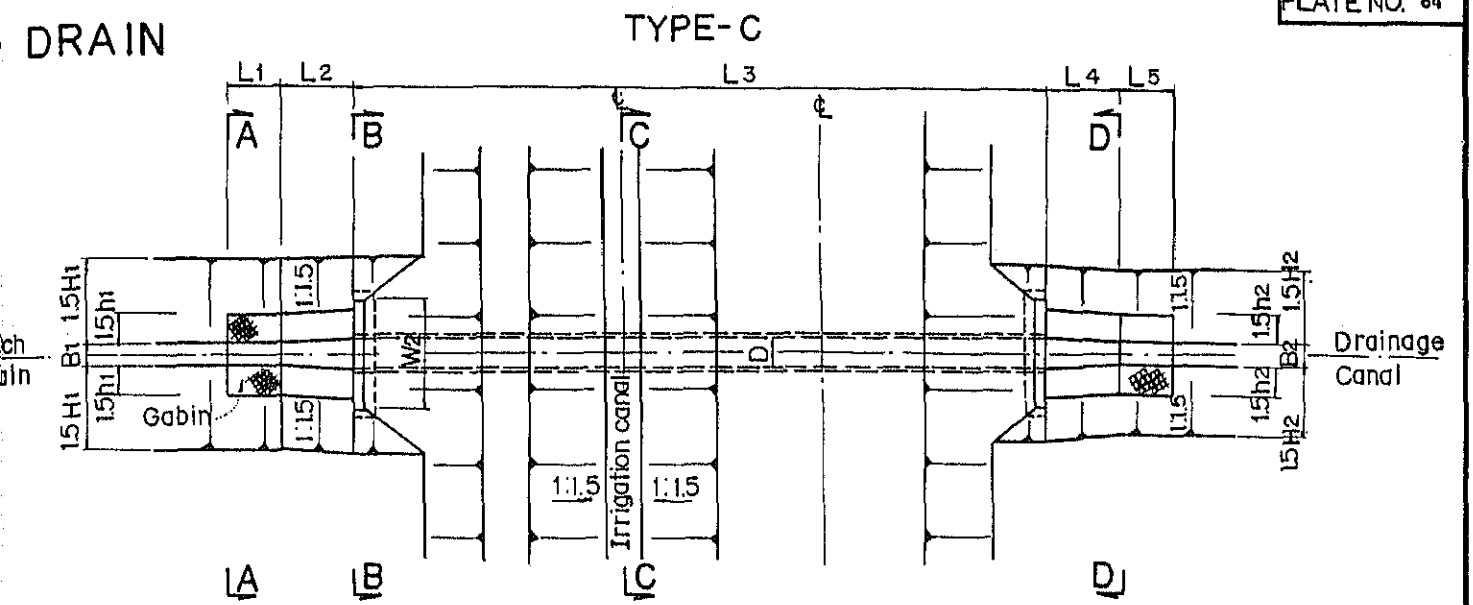
REPUBLIC OF KENYA	
NATIONAL IRRIGATION BOARD	
THE MWEA IRRIGATION DEVELOPMENT PROJECT	
TITLE OF DRAWING	
CULVERT (TYPE-A,B,C,D)	
JAPAN INTERNATIONAL COOPERATION AGENCY TOKYO JAPAN	DWG. No. 3050



TYPE-A & B

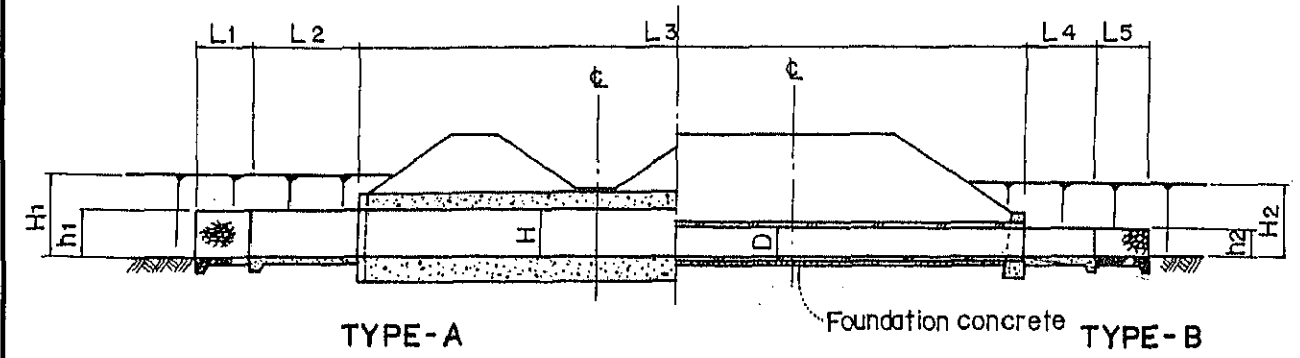
PLAN

CROSS DRAIN



TYPE-C

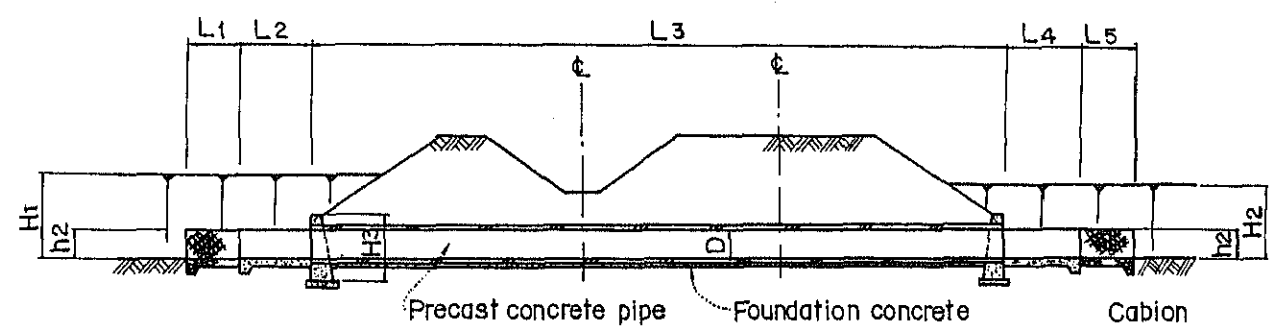
PLAN



TYPE-A

TYPE-B

PROFILE (E-E)

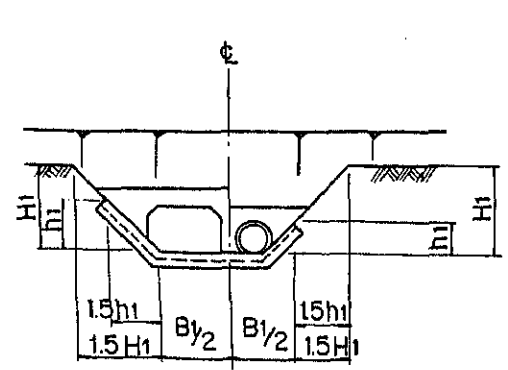


Precast concrete pipe

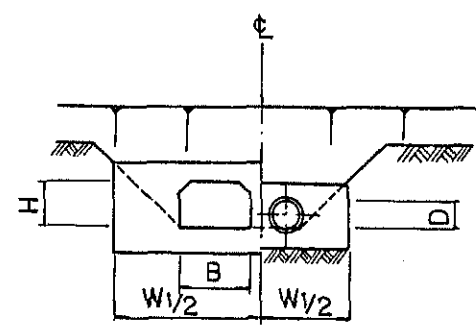
Foundation concrete

Cabion

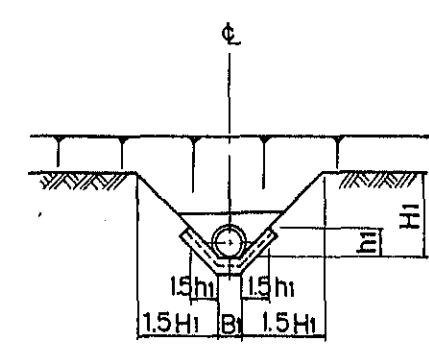
PROFILE



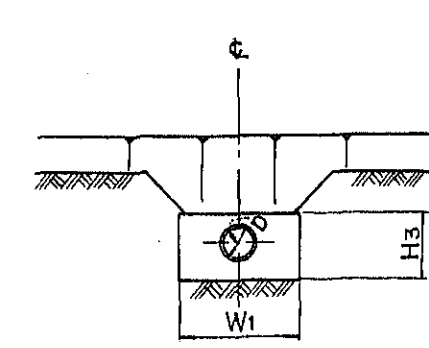
SECTION A-A



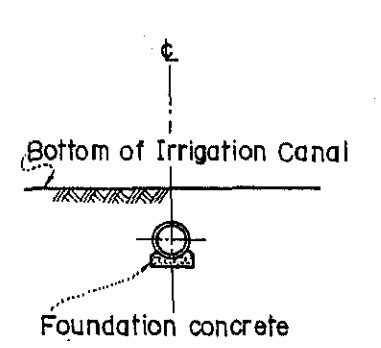
SECTION B-B



SECTION A-A



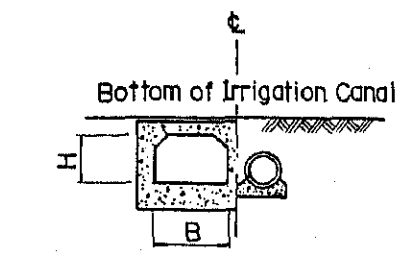
SECTION B-B



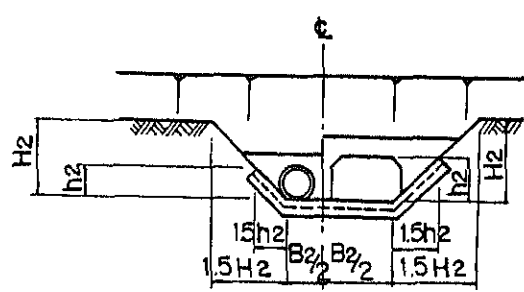
SECTION C-C

Bottom of Irrigation Canal

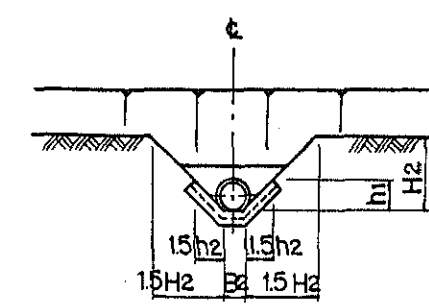
Foundation concrete



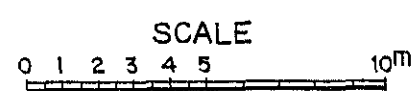
SECTION C-C



SECTION D-D



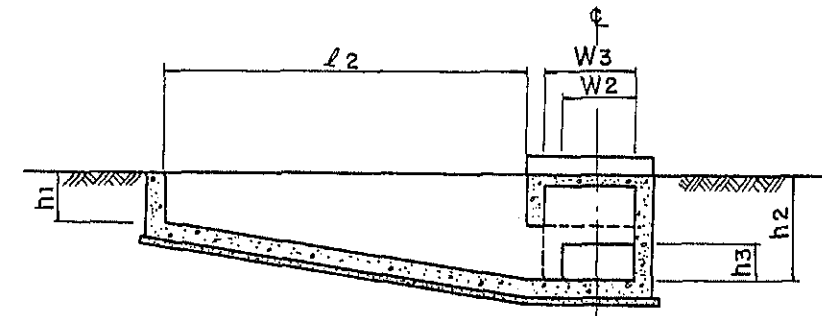
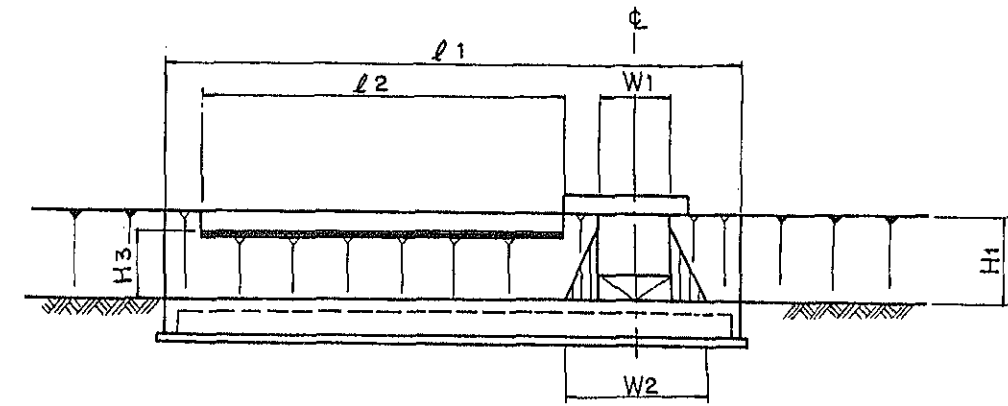
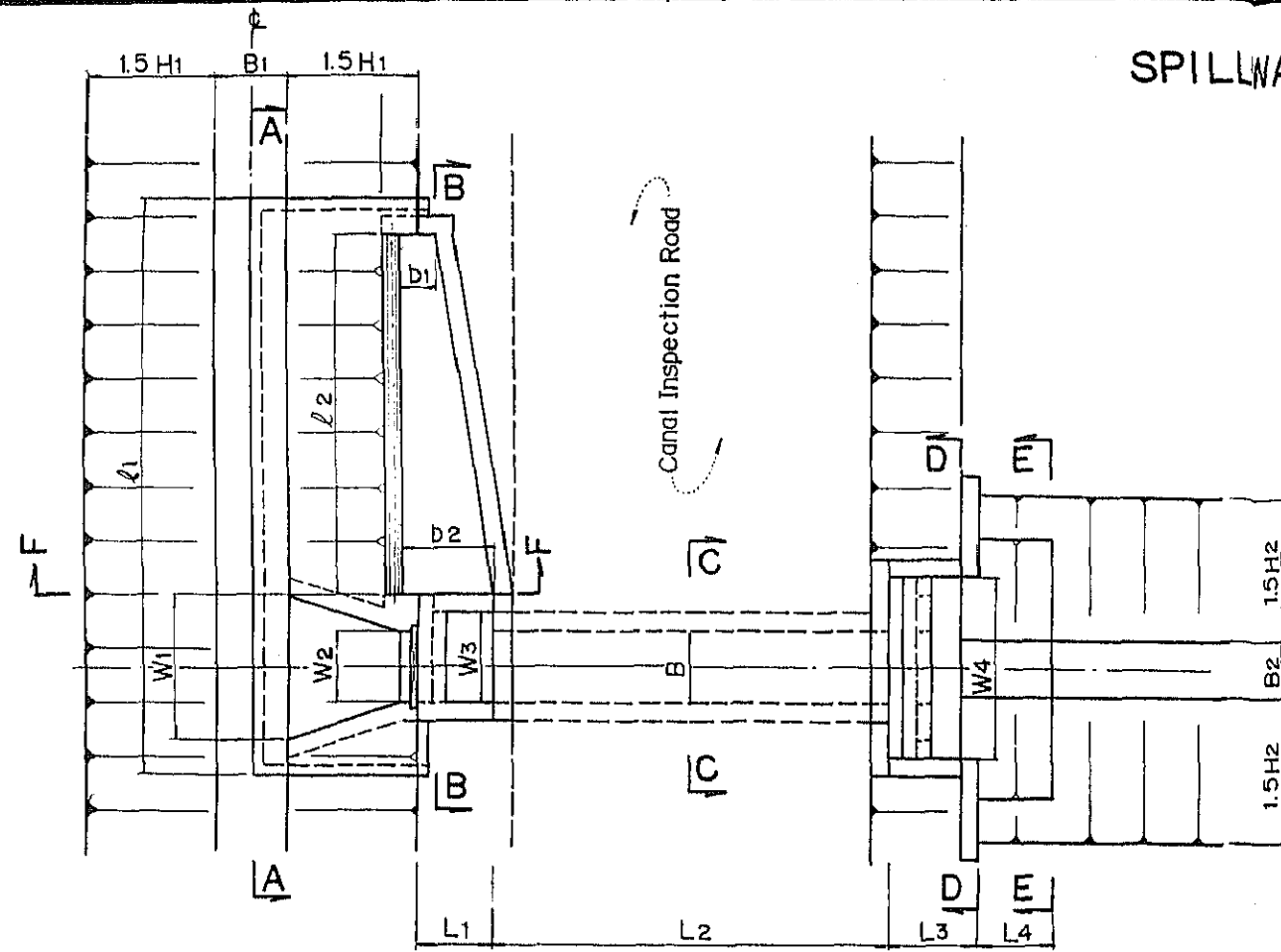
SECTION D-D



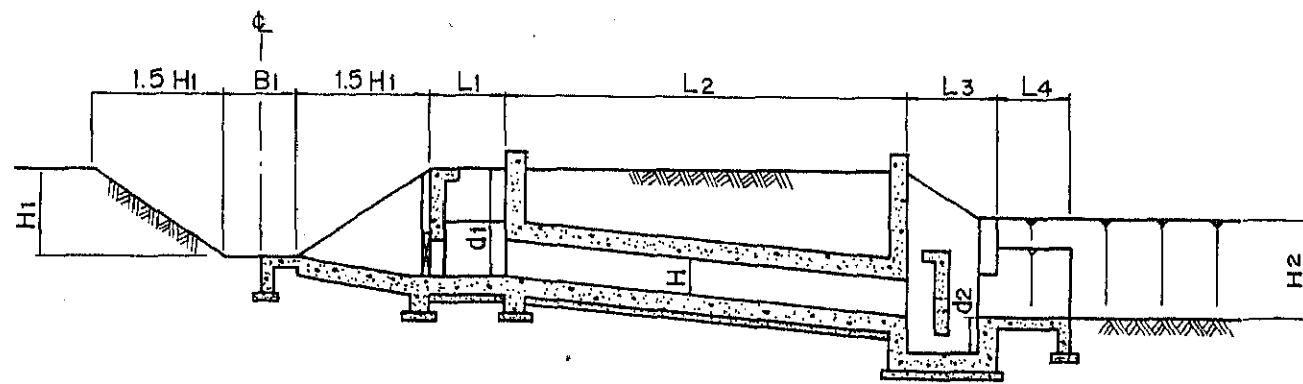
SCALE

REPUBLIC OF KENYA NATIONAL IRRIGATION BOARD	
THE MWEA IRRIGATION DEVELOPMENT PROJECT	
TITLE OF DRAWING CROSS DRAIN (TYPE-A,B,C)	
JAPAN INTERNATIONAL COOPERATION AGENCY TOKYO JAPAN	DWG. No. 3052

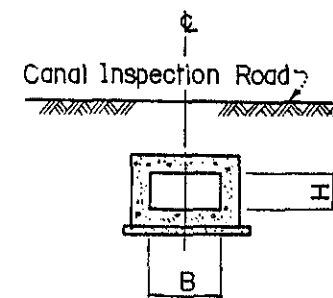
SPILLWAY TYPE-A



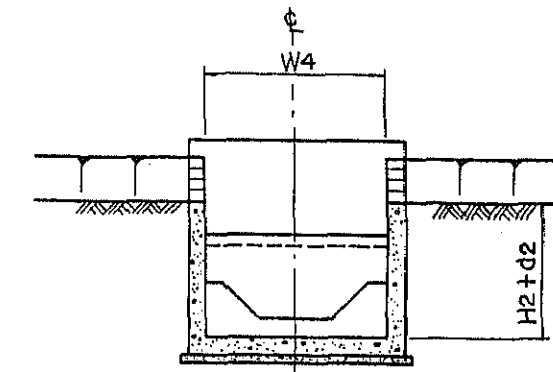
SECTION B-B



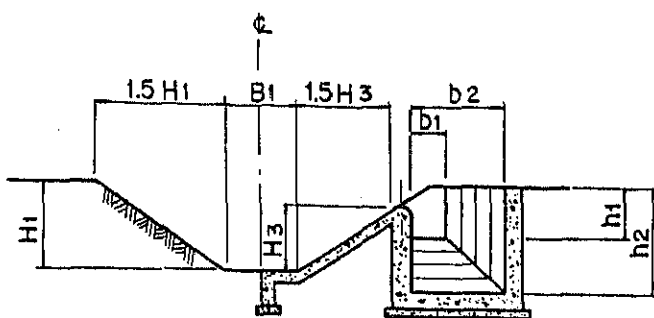
PROFILE



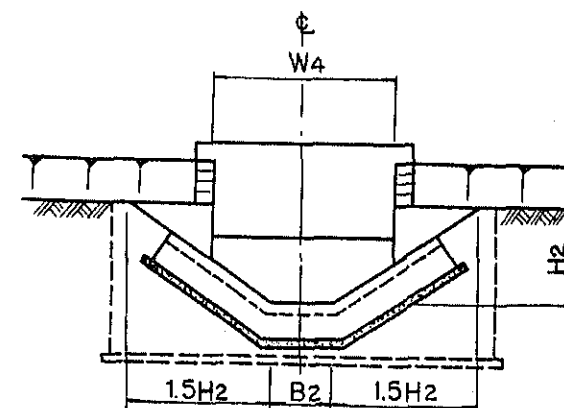
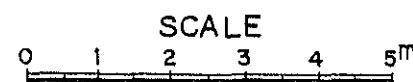
SECTION C-C



SECTION D-D



SECTION F-F

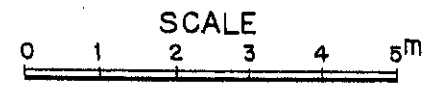
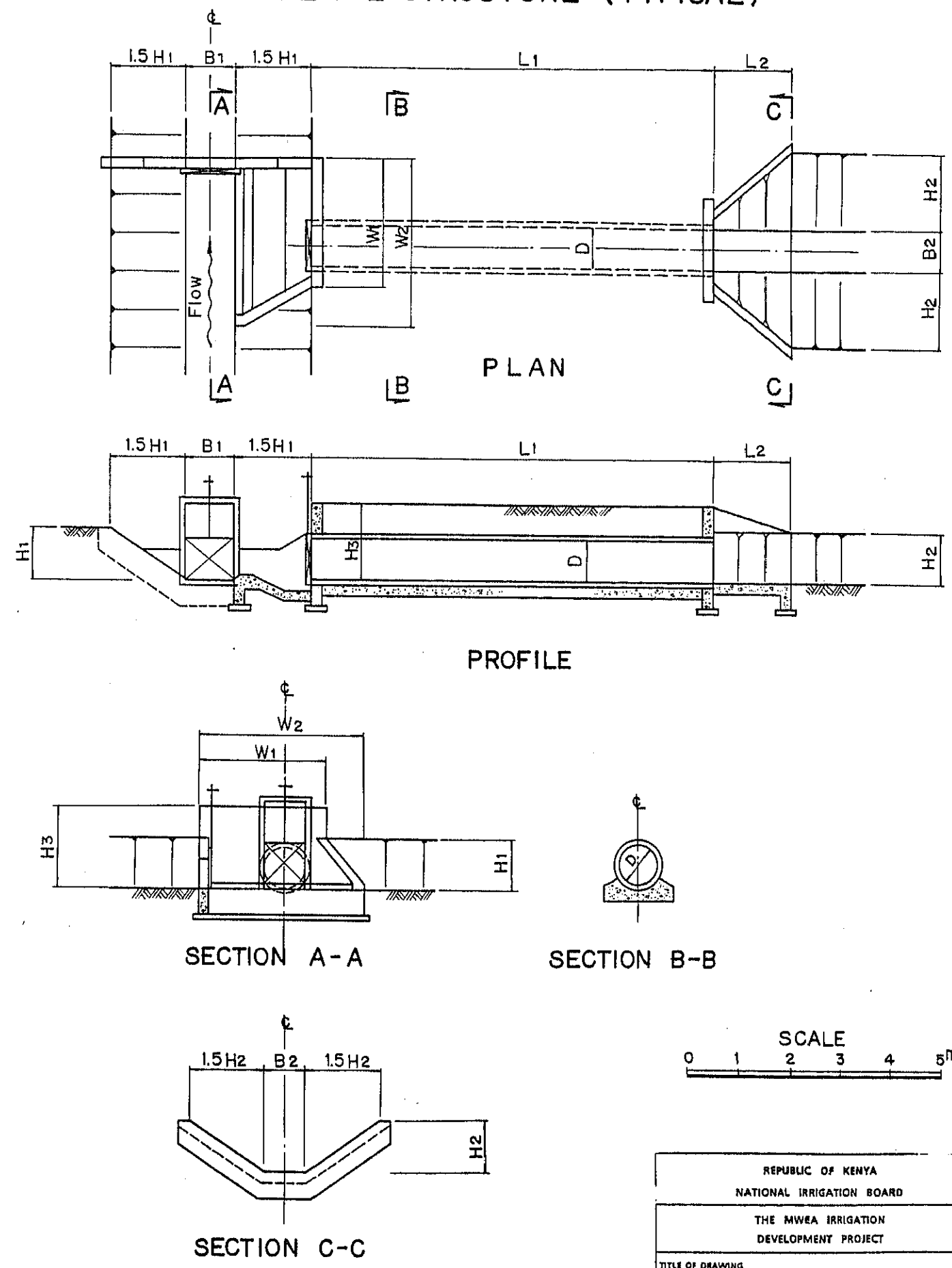
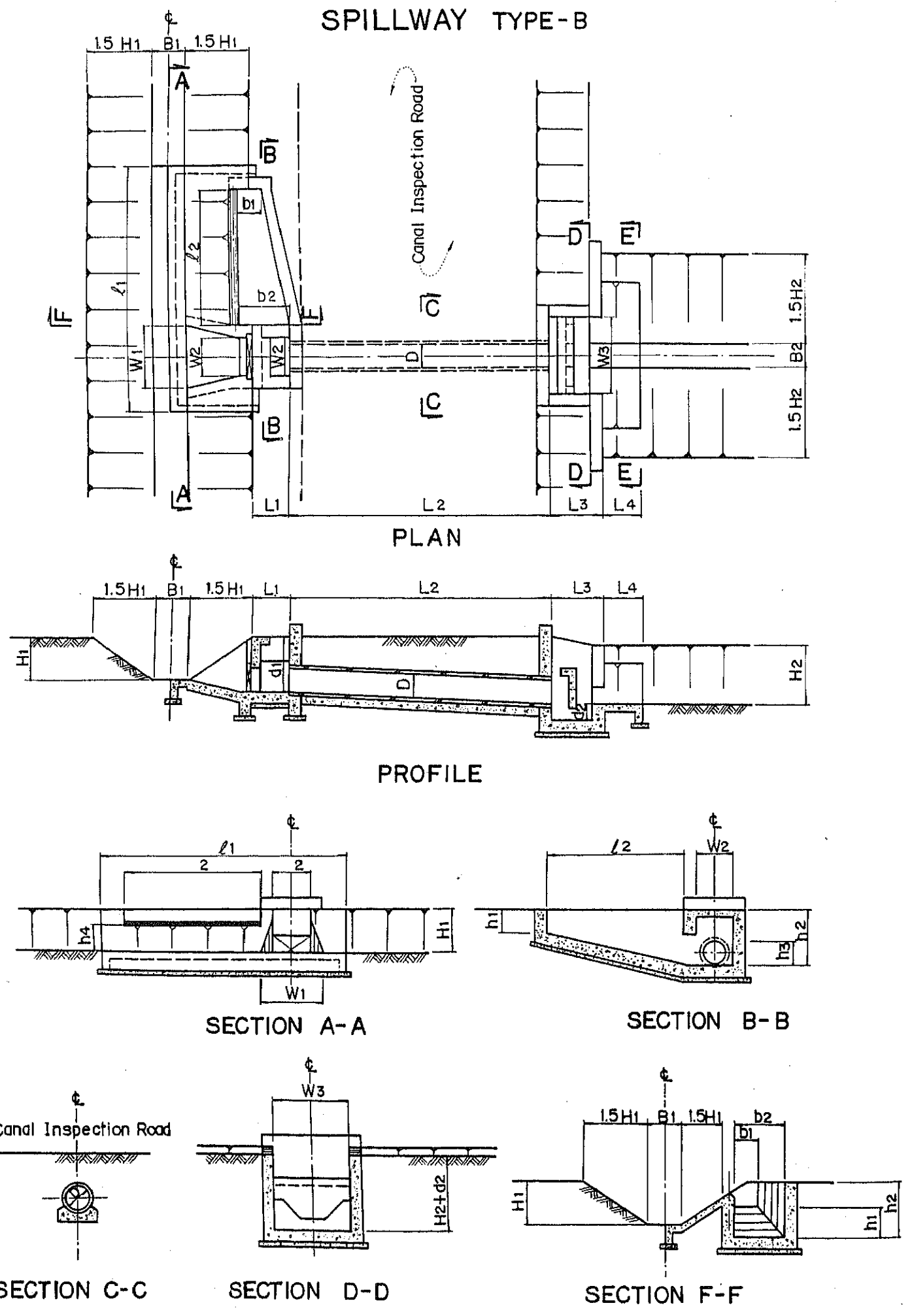


SECTION E-E

REPUBLIC OF KENYA NATIONAL IRRIGATION BOARD	
THE MWEA IRRIGATION DEVELOPMENT PROJECT	
TITLE OF DRAWING SPILLWAY (TYPE-A)	
JAPAN INTERNATIONAL COOPERATION AGENCY TOKYO JAPAN	DWG. No. 3051

SPILLWAY TYPE-B

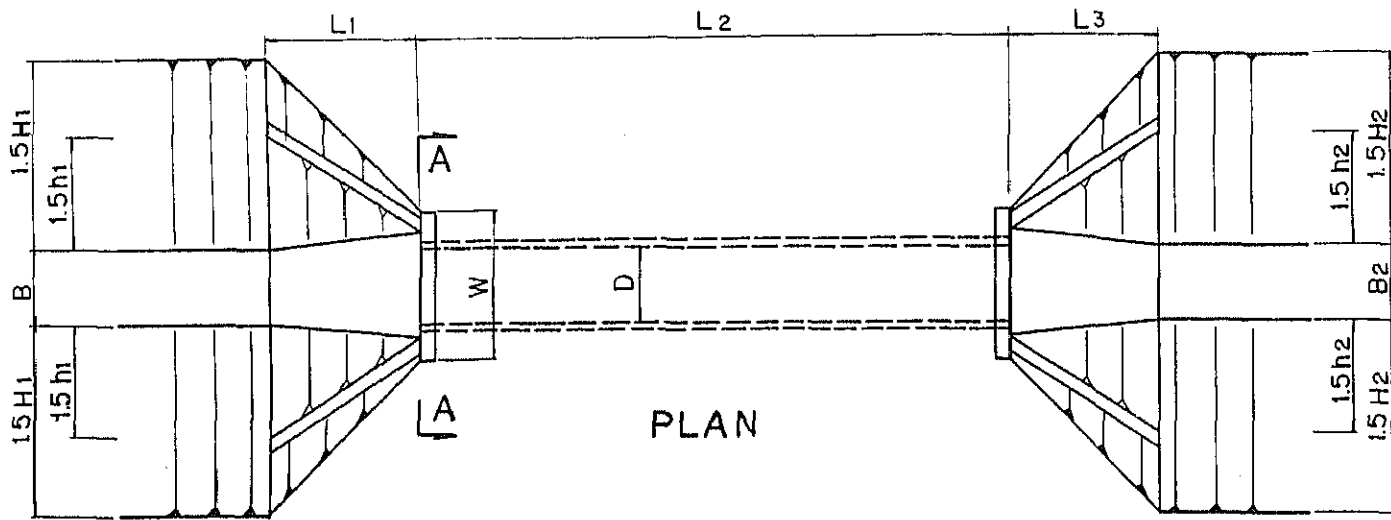
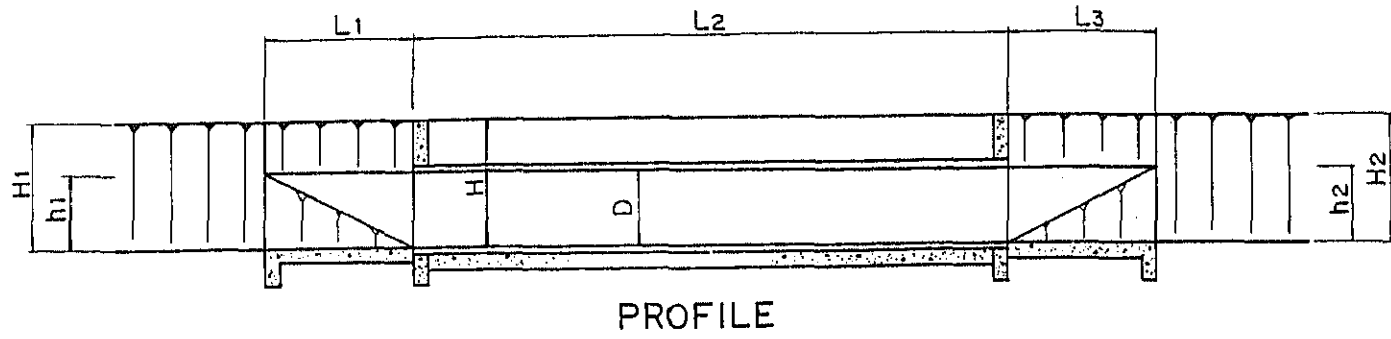
RE-USE STRUCTURE (TYPICAL)



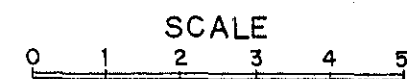
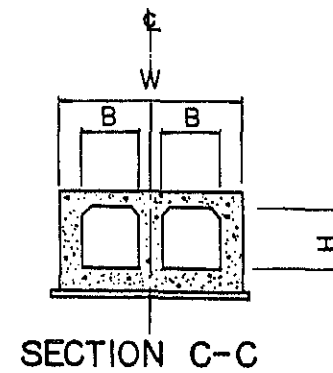
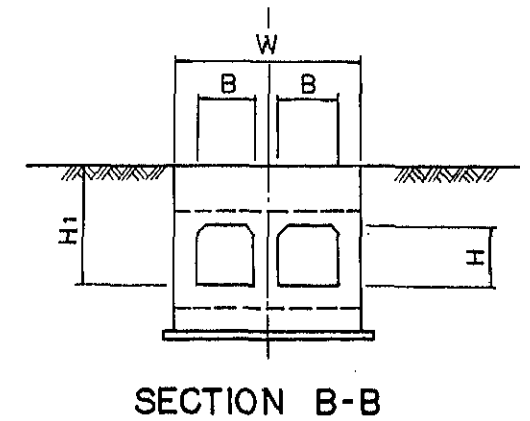
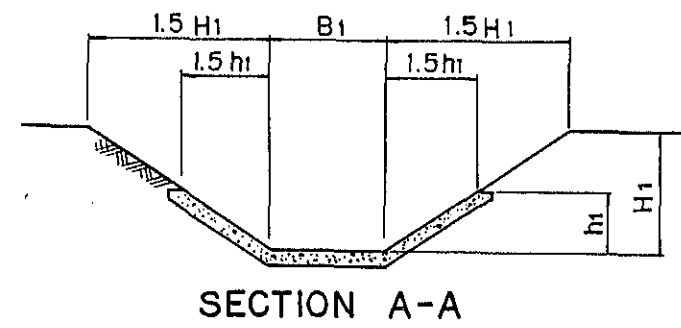
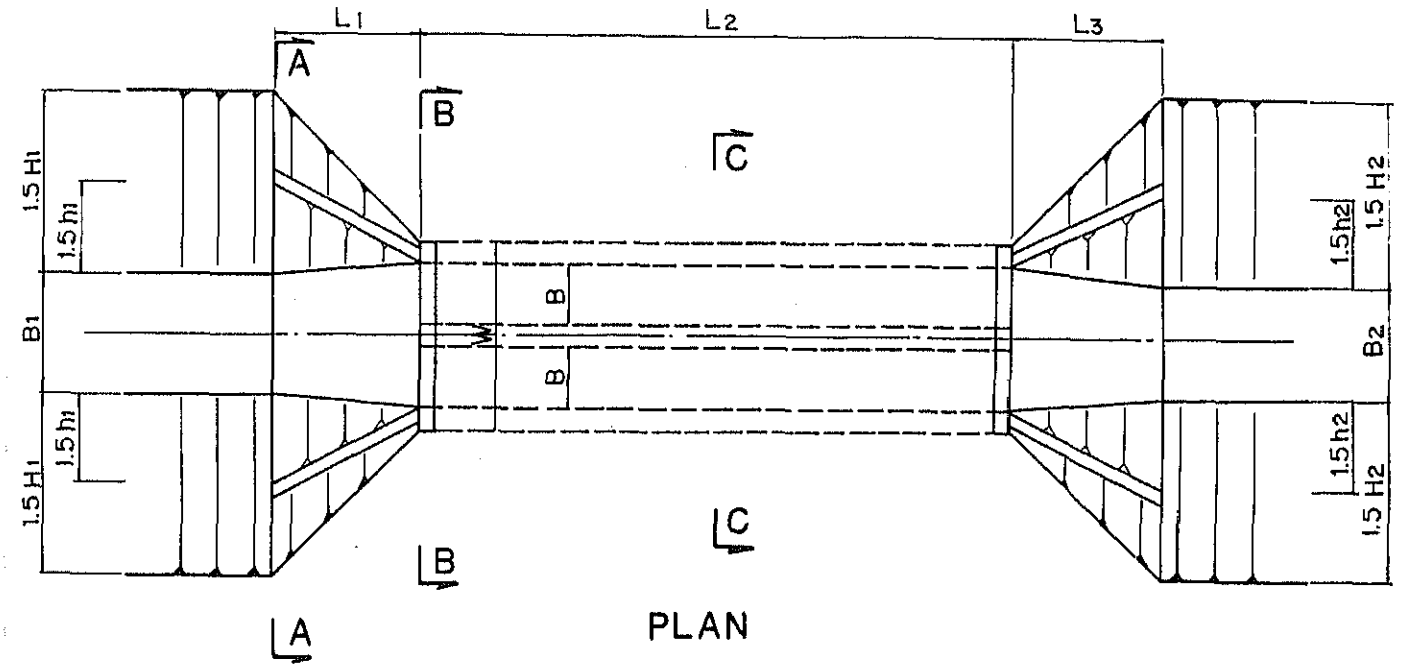
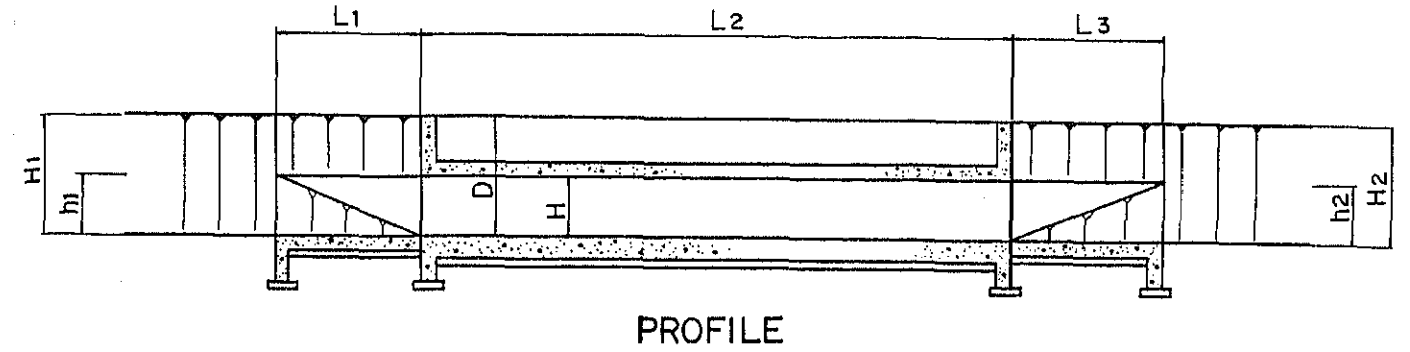
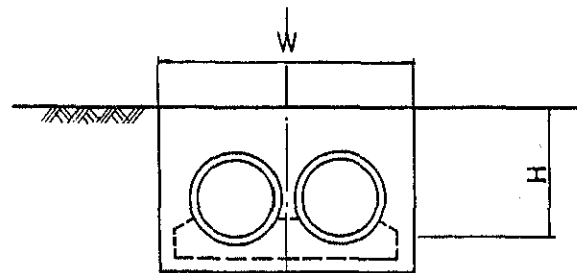
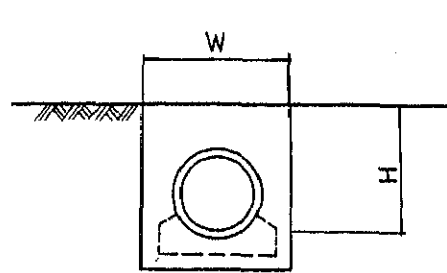
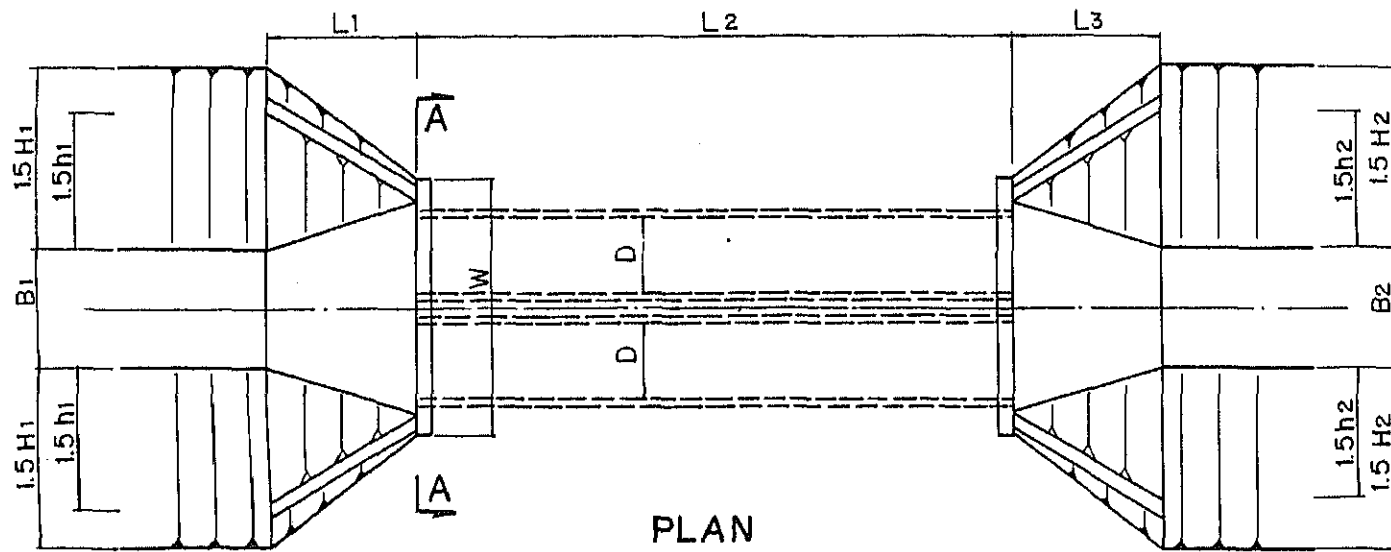
REPUBLIC OF KENYA NATIONAL IRRIGATION BOARD	
THE MWEA IRRIGATION DEVELOPMENT PROJECT	
TITLE OF DRAWING SPILLWAY (TYPE-B), RE-USE STRUCTURE (TYPICAL)	
JAPAN INTERNATIONAL COOPERATION AGENCY TOKYO JAPAN	DWG. No. 3053

TYPE - A

DRAINAGE CULVERT

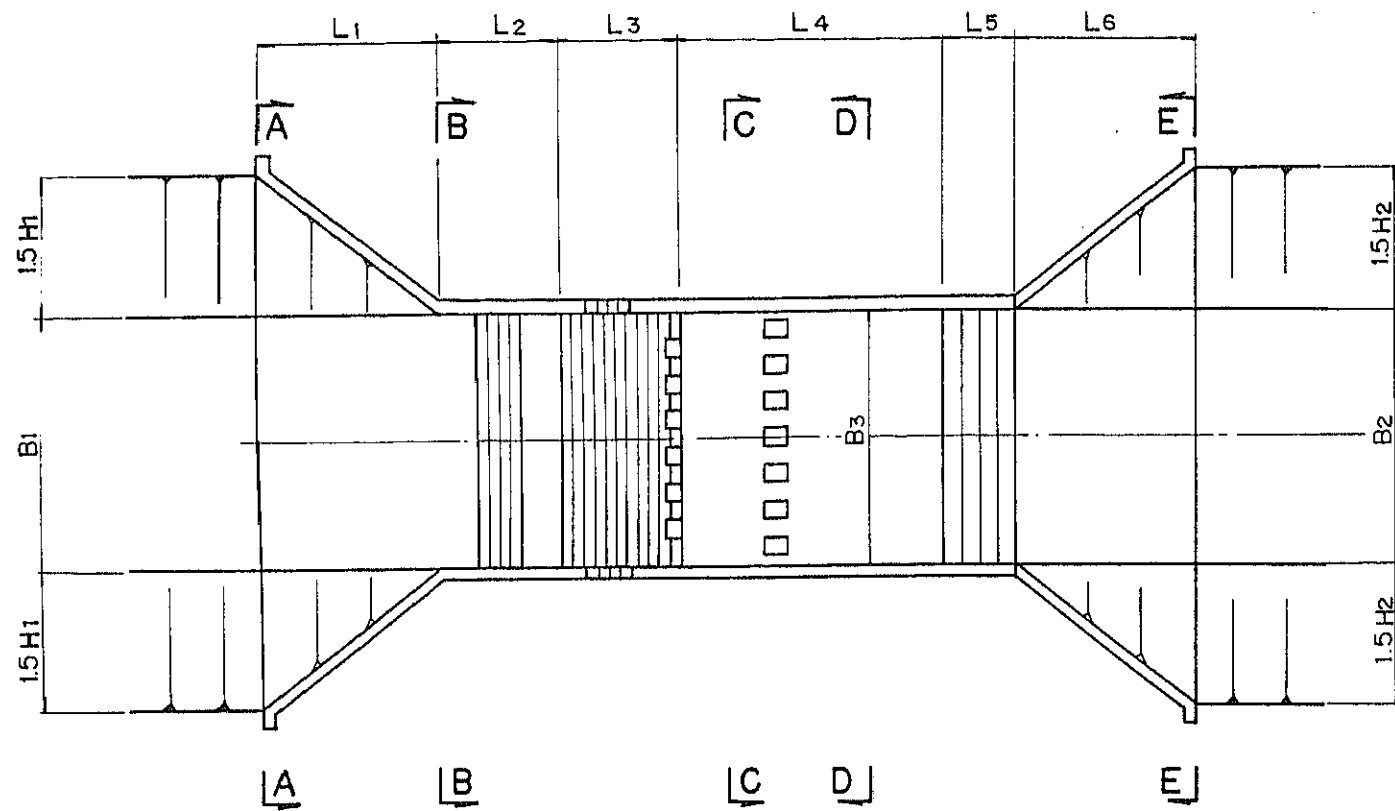


TYPE - B

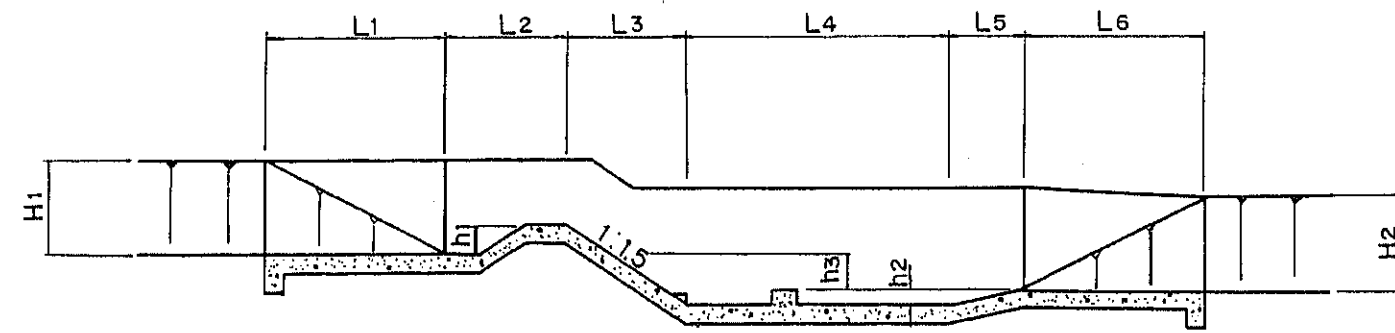


REPUBLIC OF KENYA NATIONAL IRRIGATION BOARD	
THE MWEA IRRIGATION DEVELOPMENT PROJECT	
TITLE OF DRAWING DRAINAGE CULVERT (TYPE-A,B,C)	
JAPAN INTERNATIONAL COOPERATION AGENCY TOKYO JAPAN	DWG. No. 3054

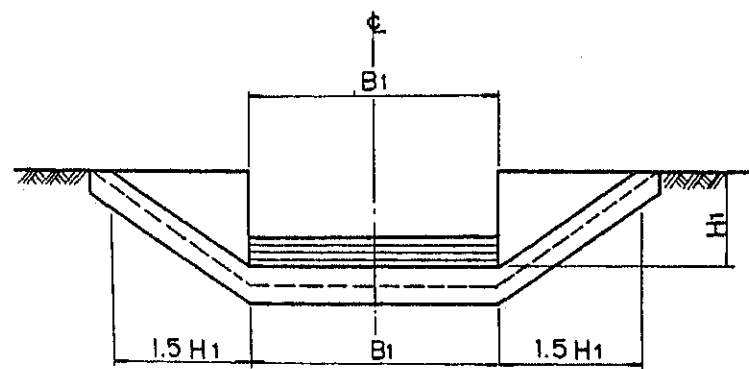
DRAINAGE DROP



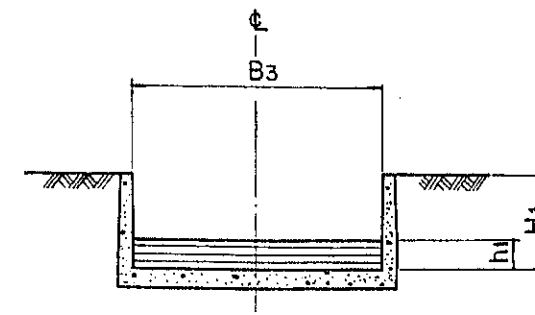
PLAN



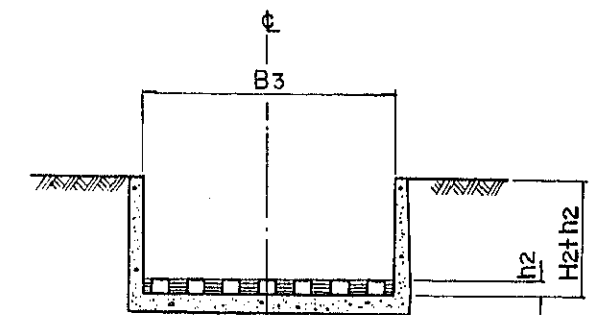
PROFILE



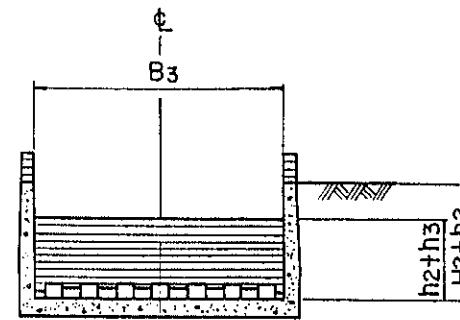
SECTION A-A



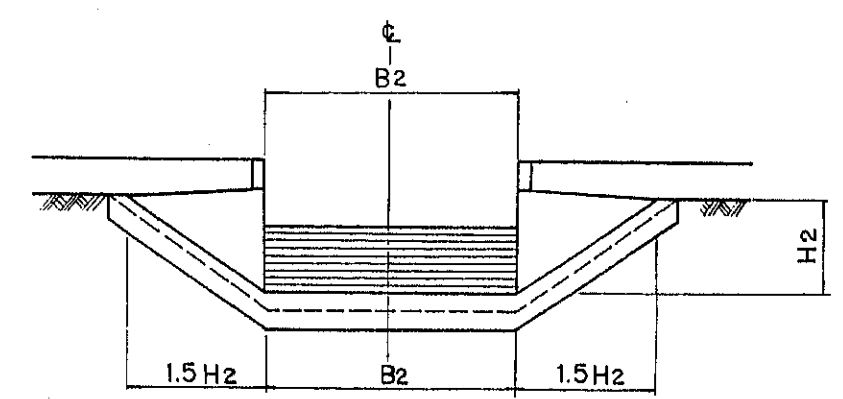
SECTION B-B



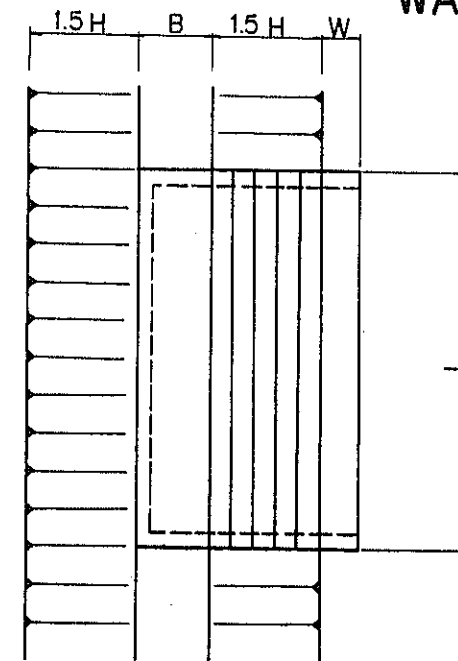
SECTION C-C



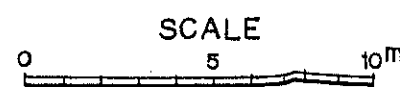
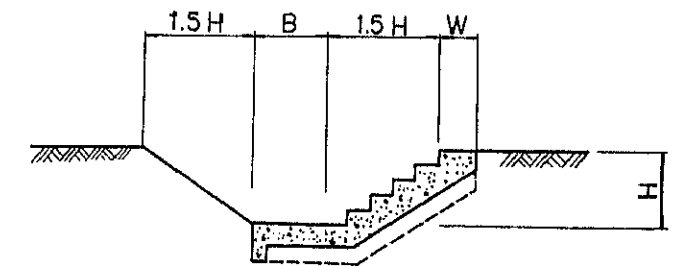
SECTION D-D



SECTION E-E



WASHING STEP

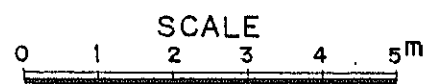
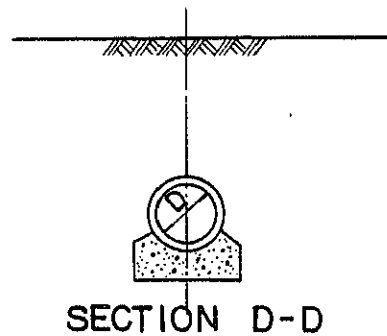
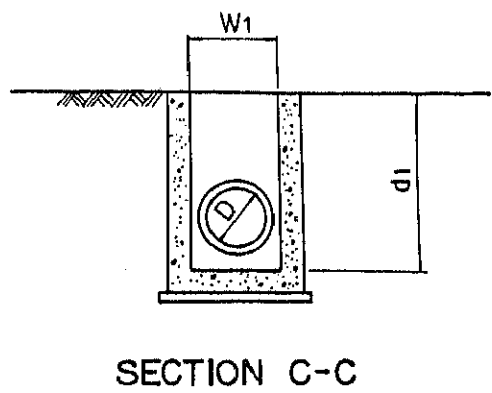
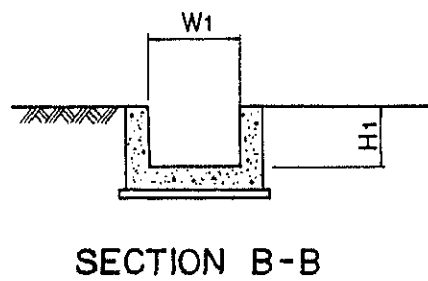
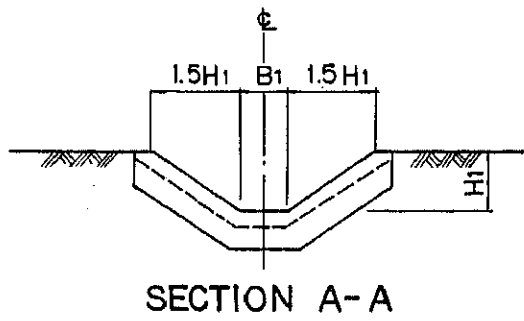
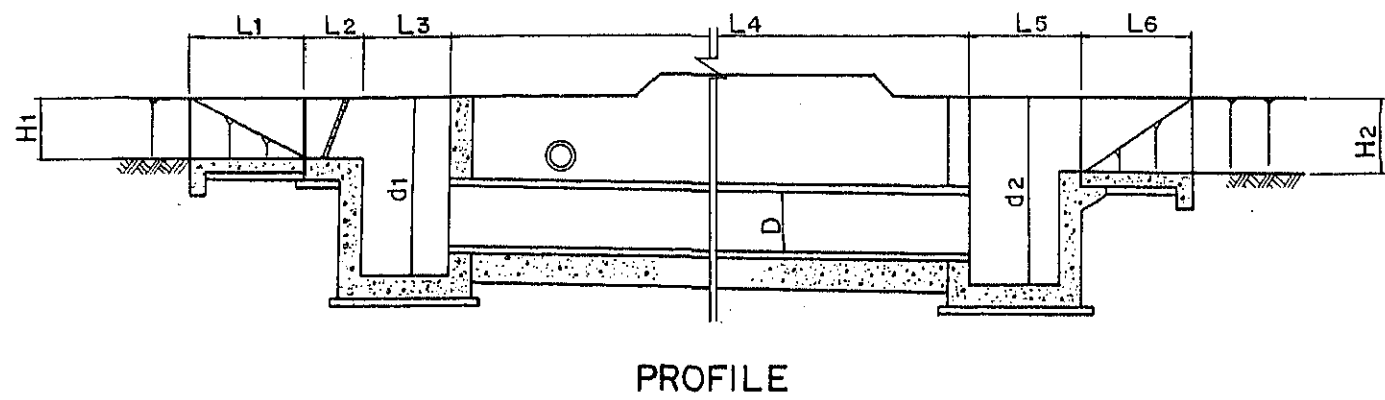
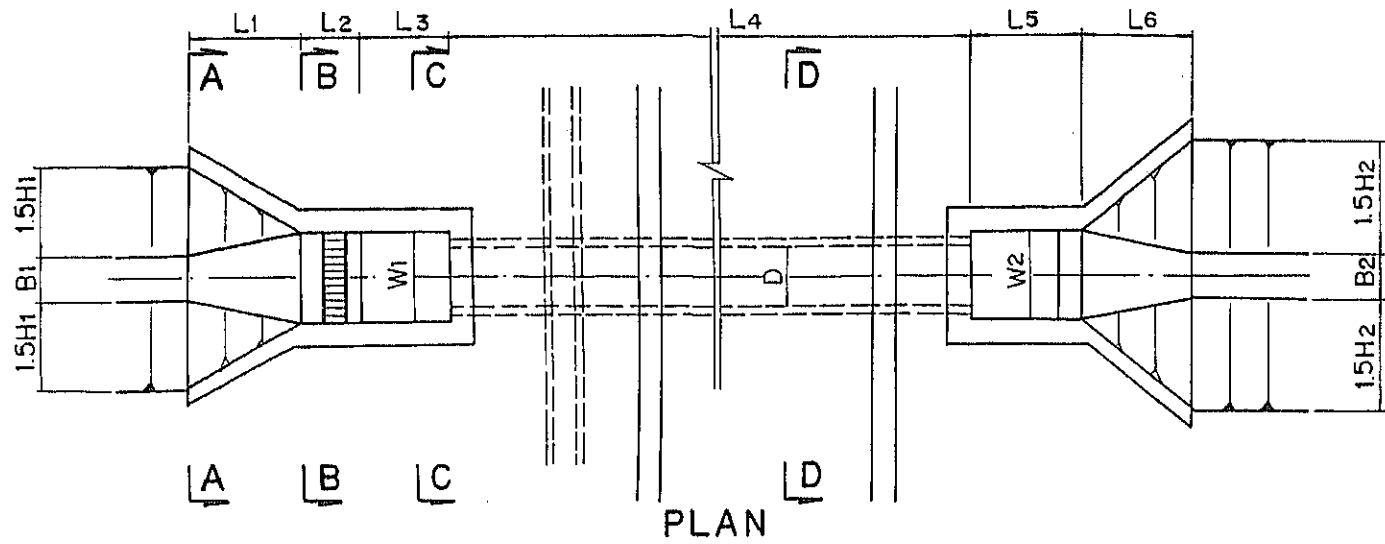


SCALE

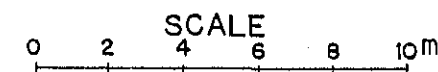
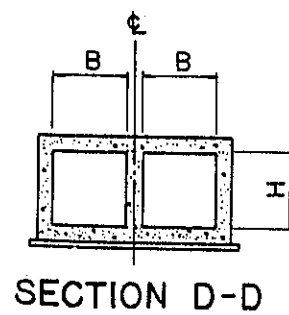
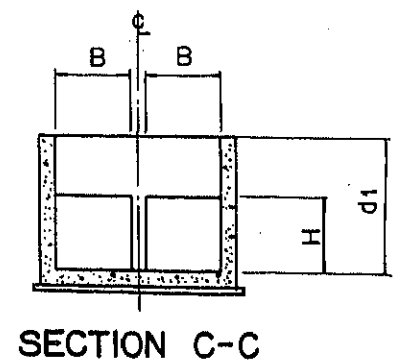
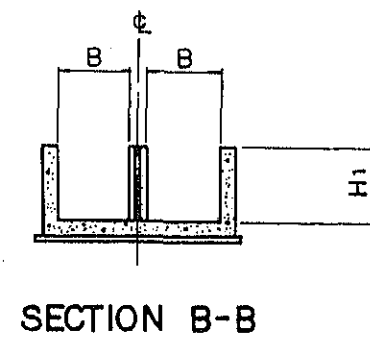
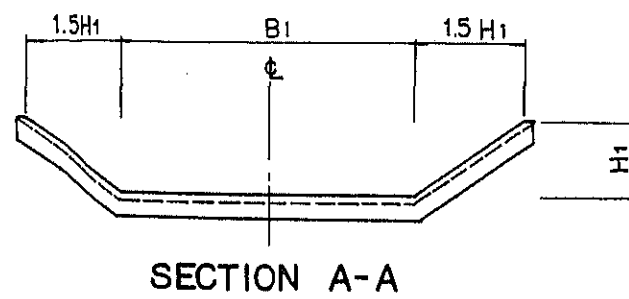
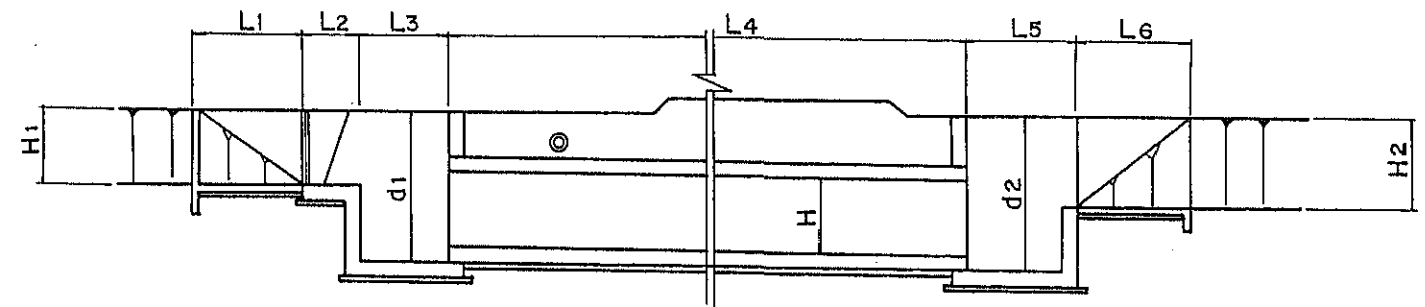
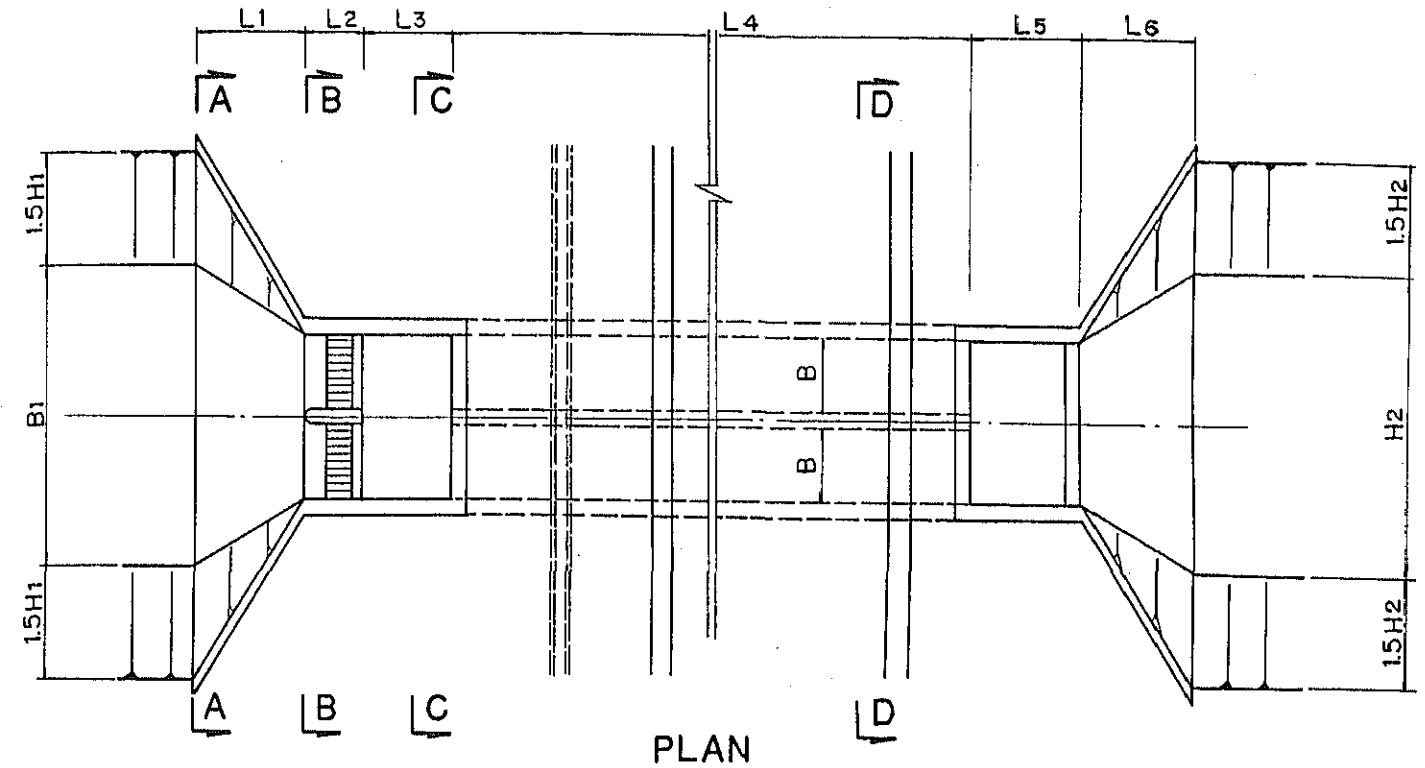
REPUBLIC OF KENYA	
NATIONAL IRRIGATION BOARD	
THE MWEA IRRIGATION DEVELOPMENT PROJECT	
TITLE OF DRAWING	
DRAINAGE DROP	
JAPAN INTERNATIONAL COOPERATION AGENCY TOKYO JAPAN	DWG. No. 3055

SYPHON

TYPE - A

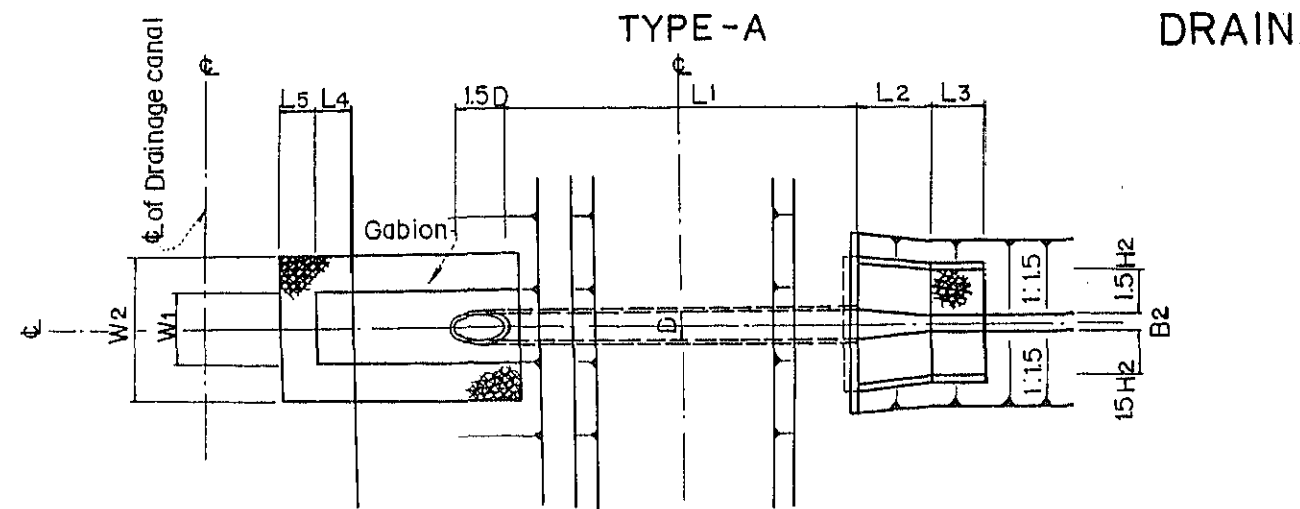


TYPE - B

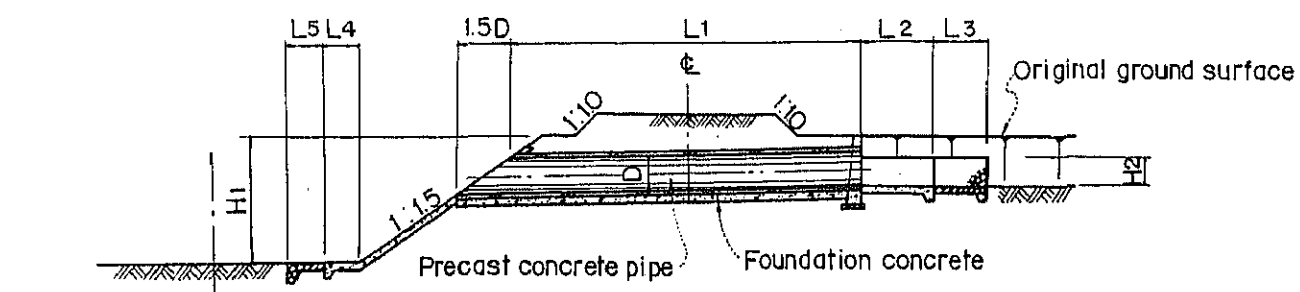


REPUBLIC OF KENYA NATIONAL IRRIGATION BOARD	
THE MWEA IRRIGATION DEVELOPMENT PROJECT	
TITLE OF DRAWING SYPHON (TYPE-A,B)	
JAPAN INTERNATIONAL COOPERATION AGENCY TOKYO JAPAN	DWG. No. 3056

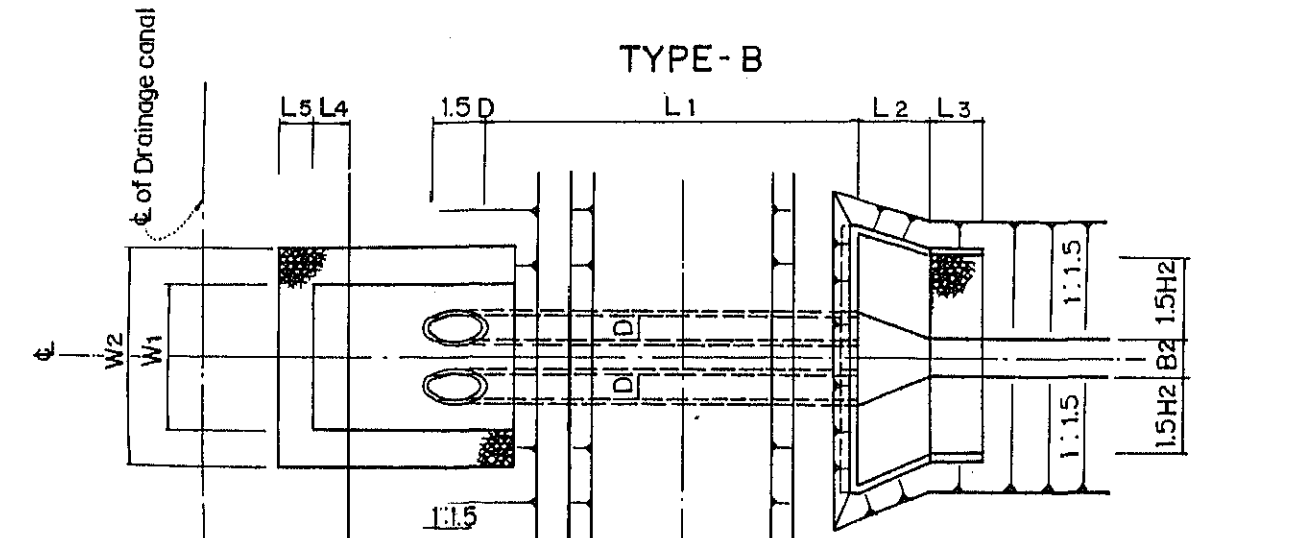
DRAINAGE INLET



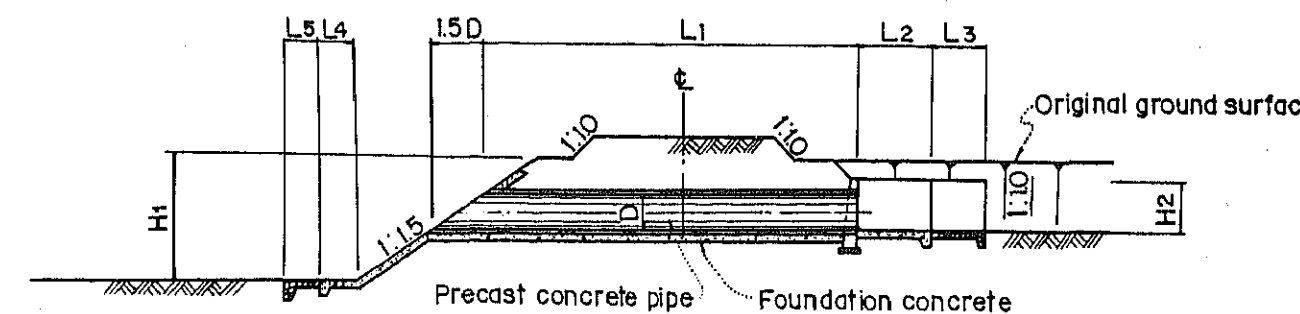
PLAN SCALE-A



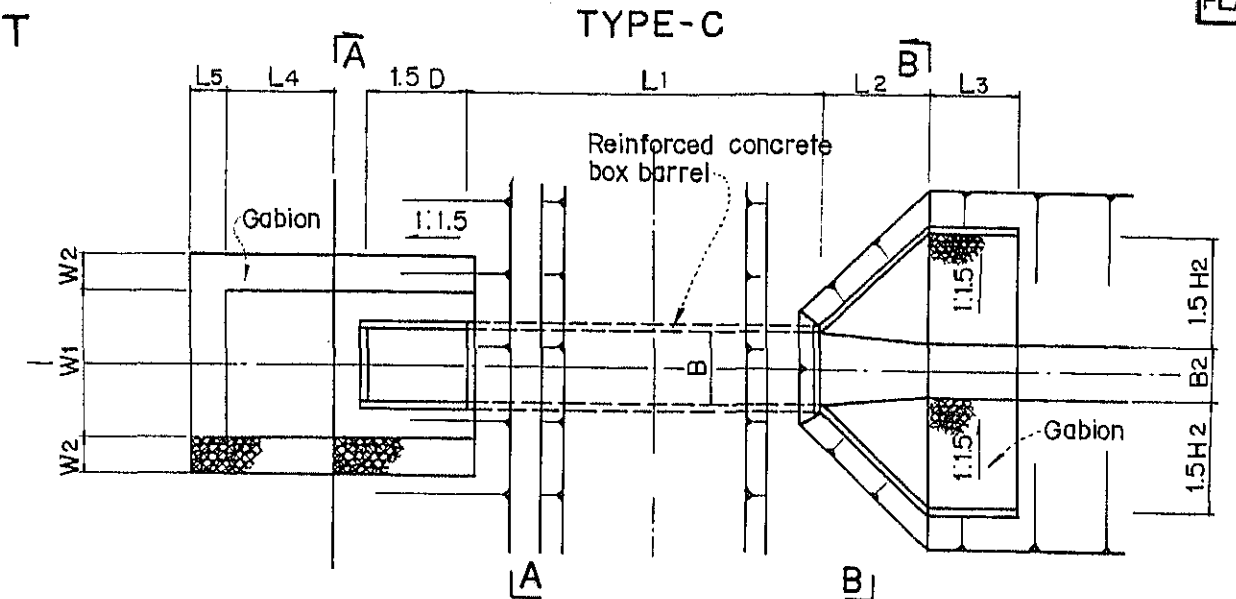
PROFILE SCALE-A



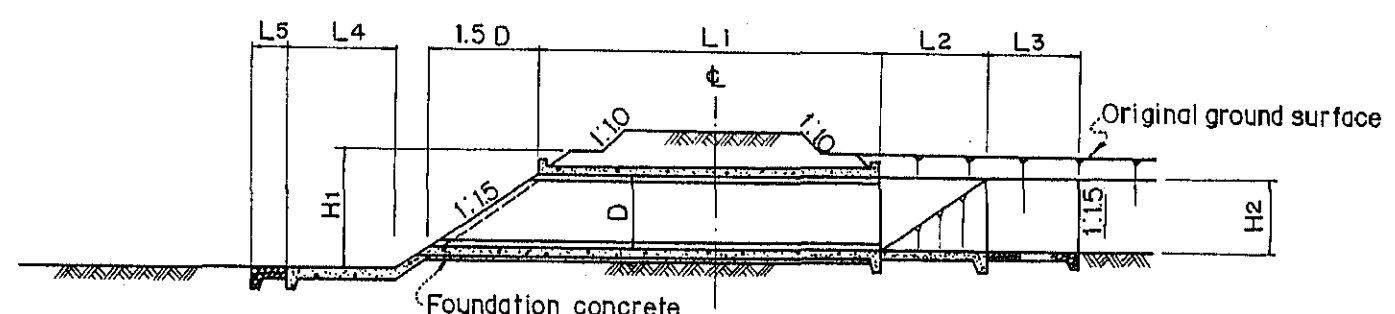
PLAN SCALE-A



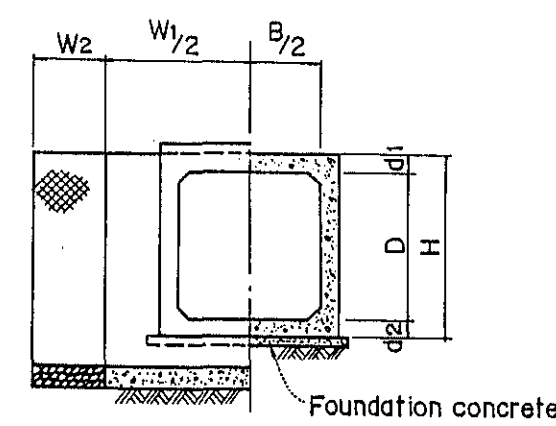
PROFILE SCALE-A



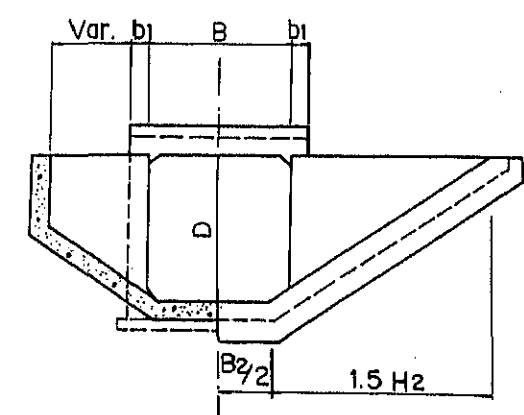
PLAN SCALE-A



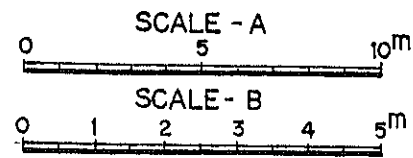
PROFILE SCALE-A



SECTION A-A SCALE-B

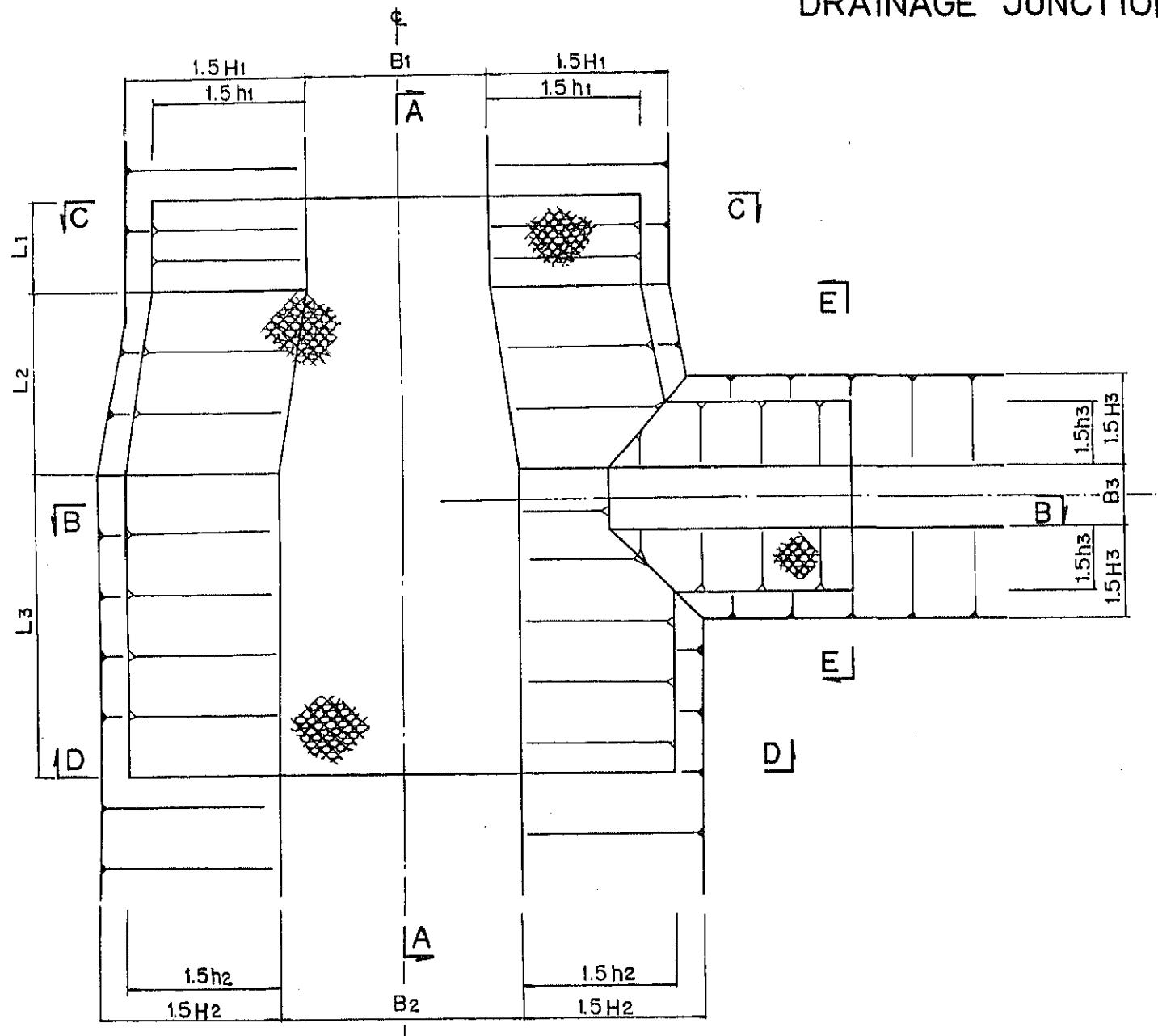


SECTION B-B SCALE-B

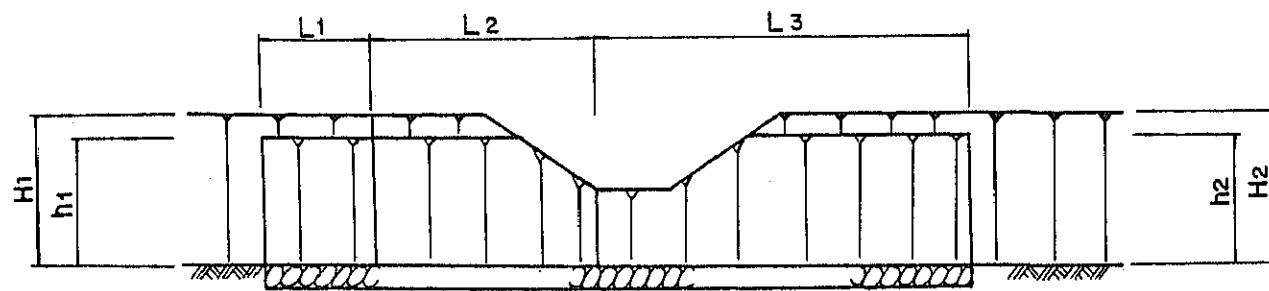


REPUBLIC OF KENYA NATIONAL IRRIGATION BOARD	
THE MWEA IRRIGATION DEVELOPMENT PROJECT	
TITLE OF DRAWING DRAINAGE INLET (TYPE-A,B,C)	
JAPAN INTERNATIONAL COOPERATION AGENCY TOKYO JAPAN	DWG. No. 3057

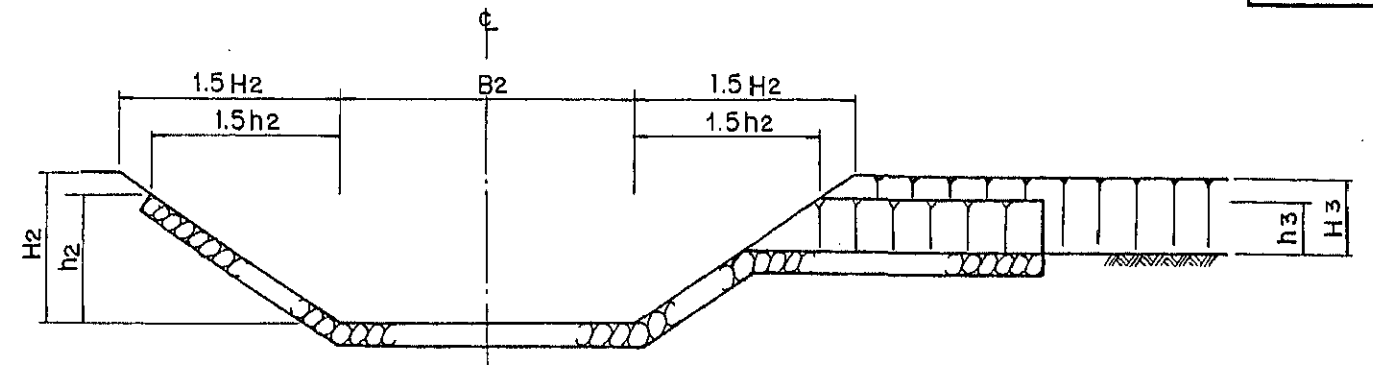
DRAINAGE JUNCTION



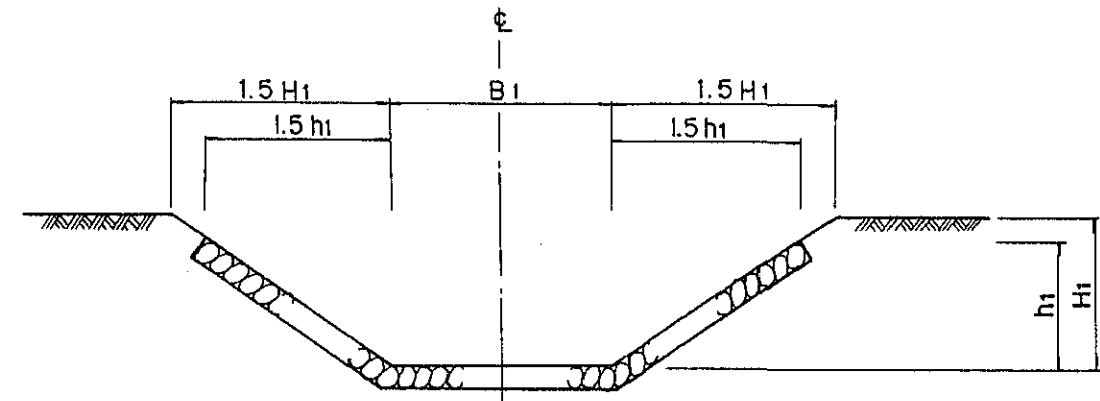
PLAN



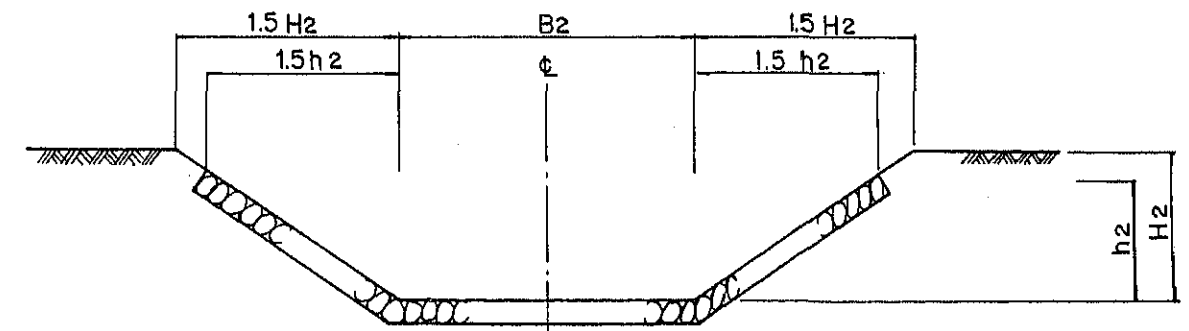
SECTION A-A



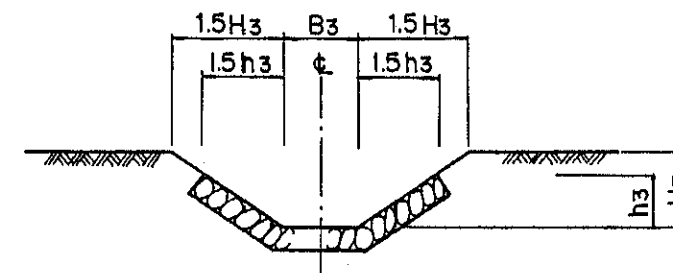
SECTION B-B



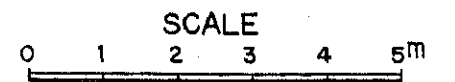
SECTION C-C



SECTION D-D



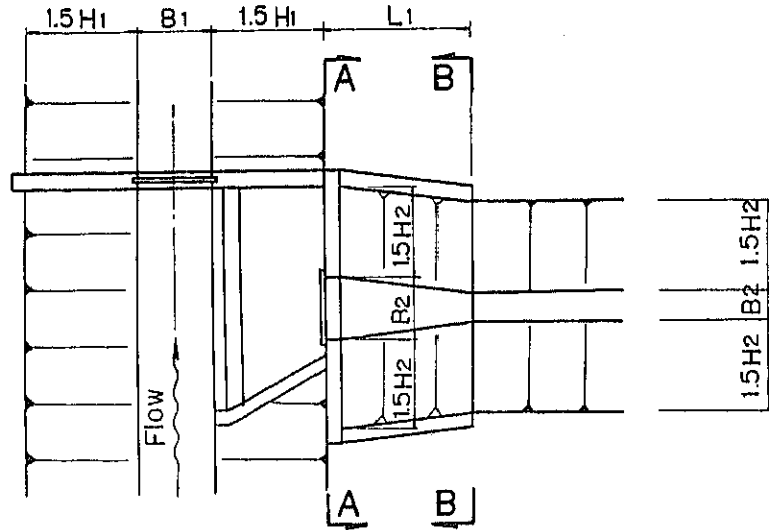
SECTION E-E



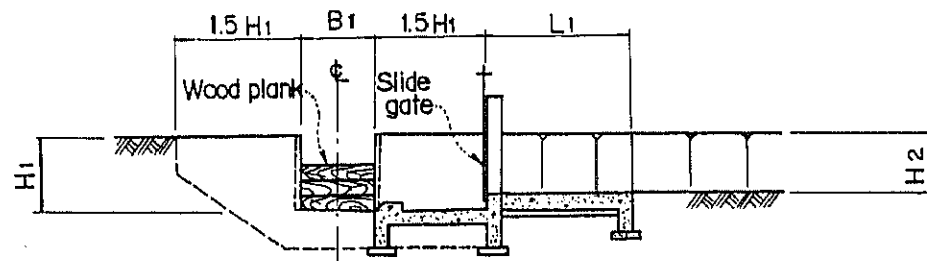
REPUBLIC OF KENYA NATIONAL IRRIGATION BOARD	
THE MWEA IRRIGATION DEVELOPMENT PROJECT	
TITLE OF DRAWING DRAINAGE JUNCTION	
JAPAN INTERNATIONAL COOPERATION AGENCY TOKYO JAPAN	DWG. No. 3058

ON-FARM FACILITIES

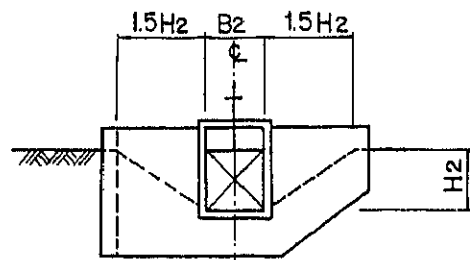
OFFTAKE



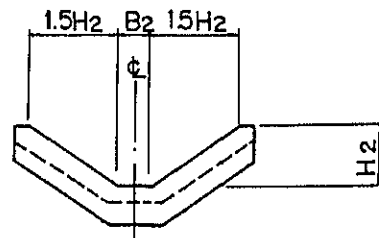
PLAN SCALE-A



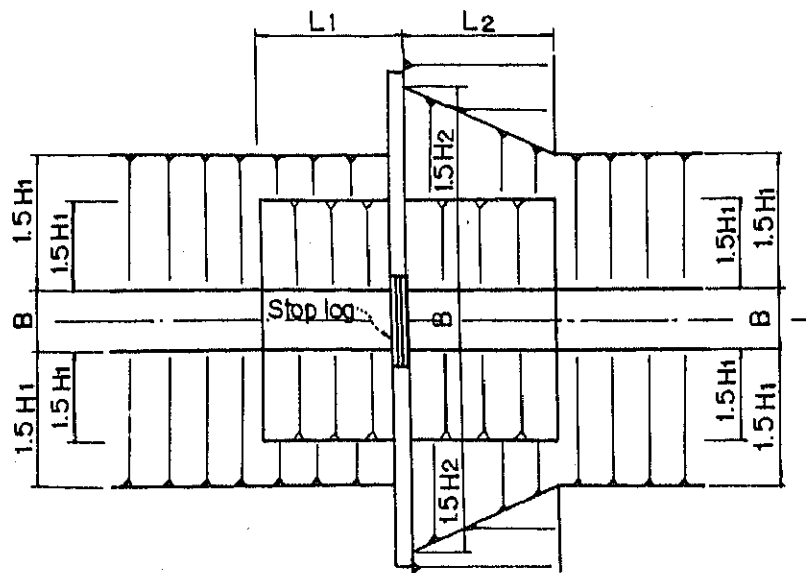
PROFILE SCALE-A



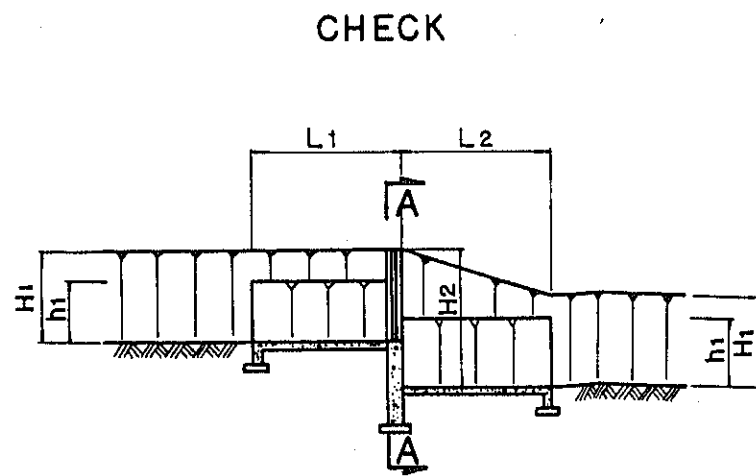
SECTION A-A SCALE-A



SECTION B-B SCALE-A



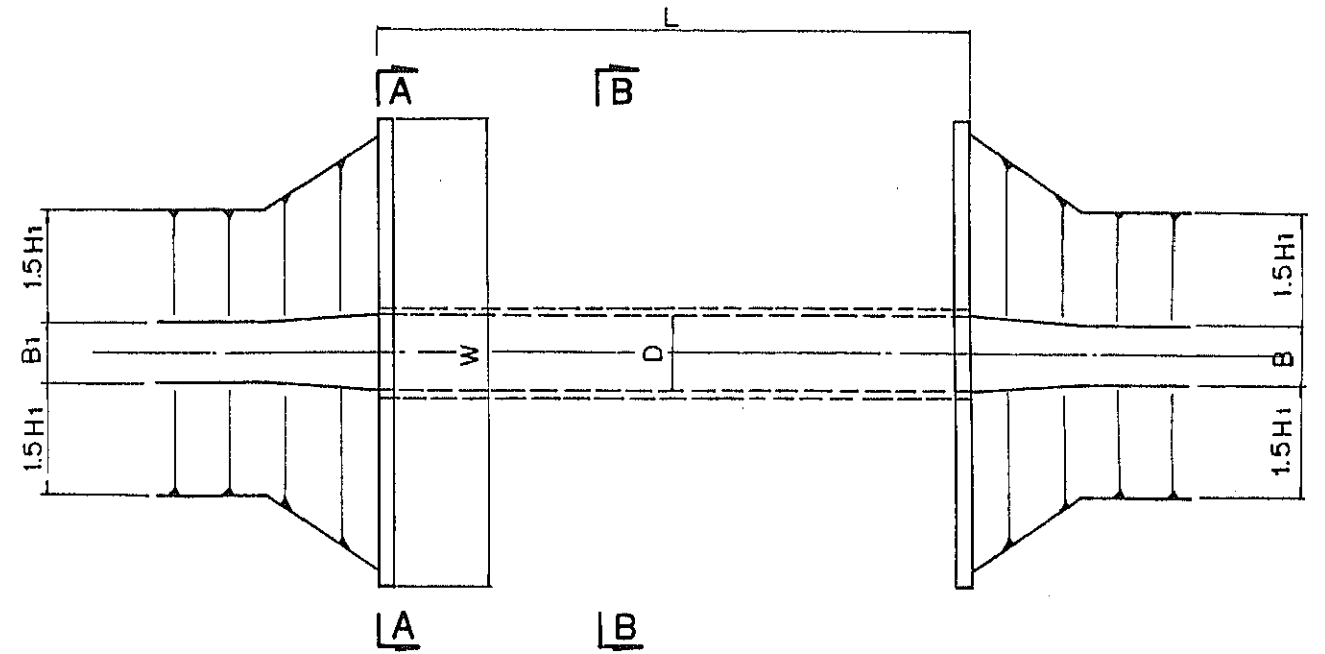
PLAN SCALE-B



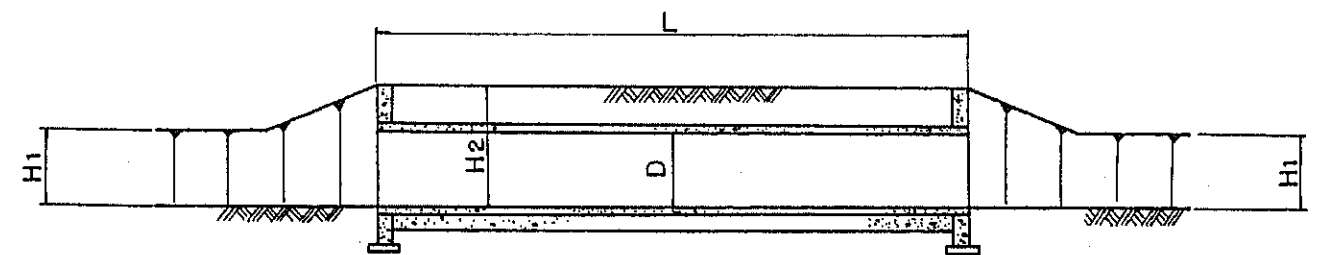
PROFILE SCALE-B

CHECK

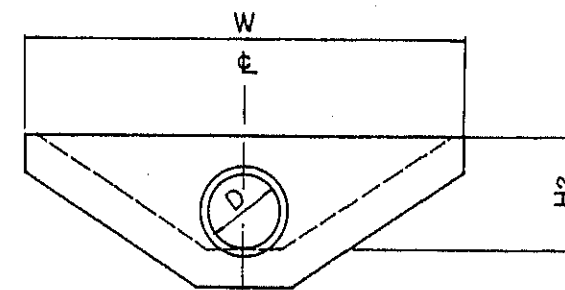
CULVERT



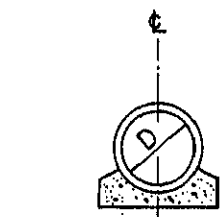
PLAN SCALE-A



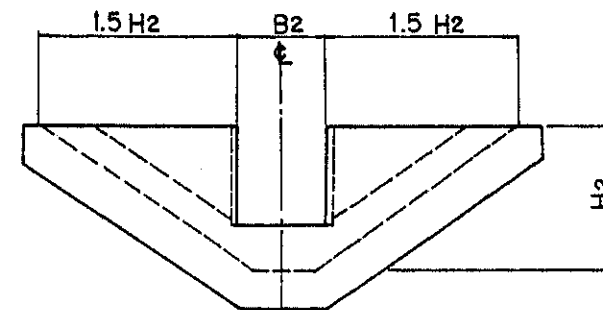
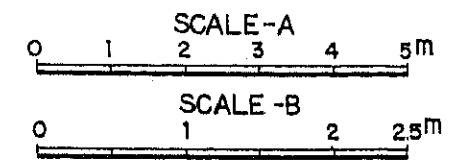
PROFILE SCALE



SECTION A-A SCALE-A

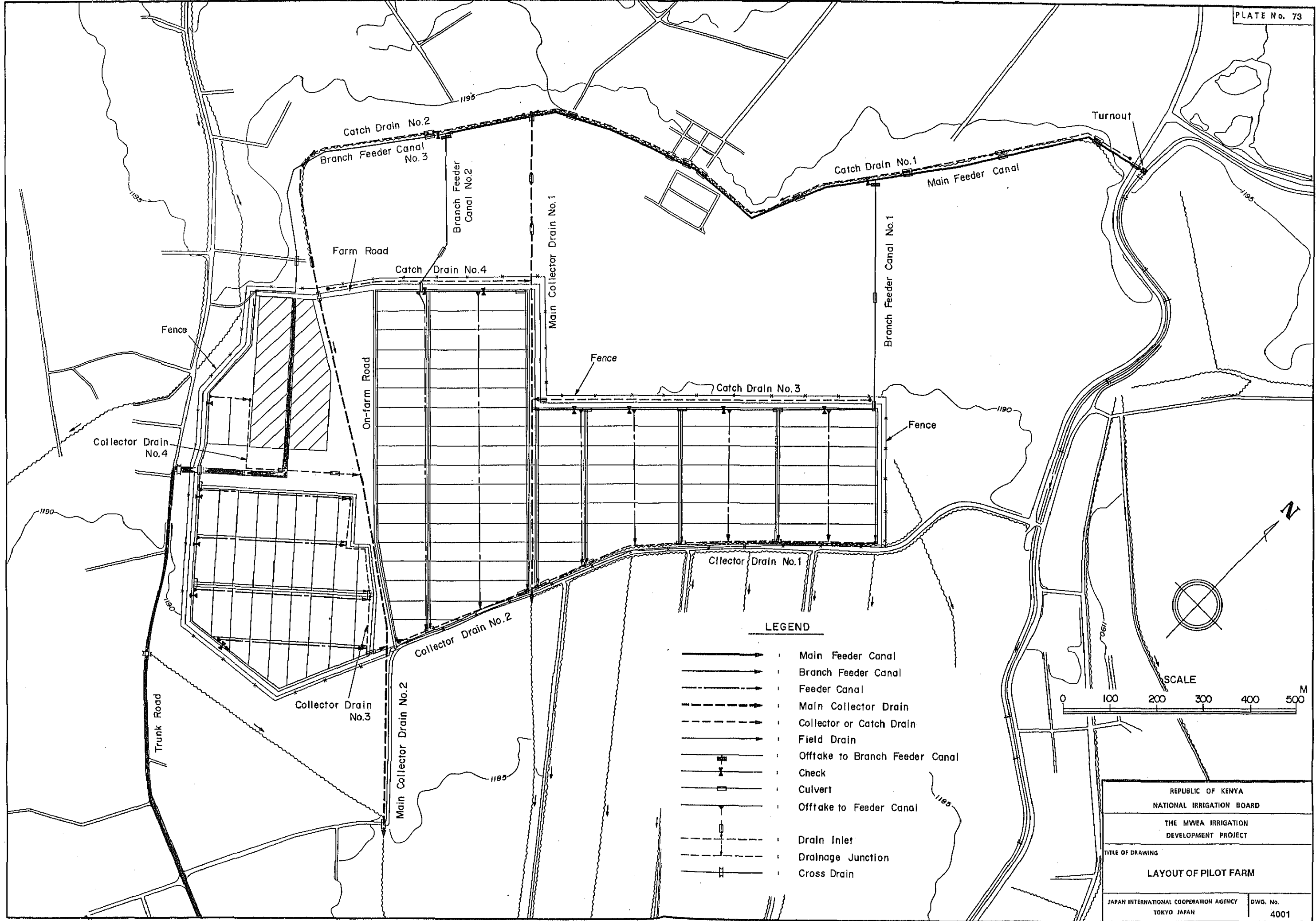


SECTION B-B SCALE-A



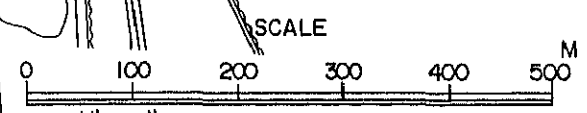
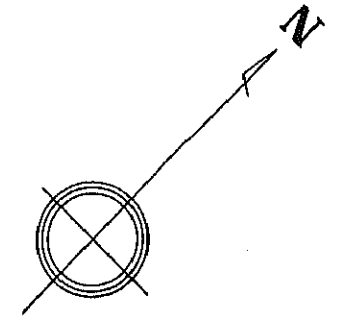
SECTION A-A SCALE-B

REPUBLIC OF KENYA	
NATIONAL IRRIGATION BOARD	
THE MWEA IRRIGATION DEVELOPMENT PROJECT	
TITLE OF DRAWING ON-FARM FACILITIES (OFFTAKE,CULVERT,CHECK)	
JAPAN INTERNATIONAL COOPERATION AGENCY TOKYO JAPAN	DWG. No. 3059



LEGEND

- > Main Feeder Canal
- > Branch Feeder Canal
- > Feeder Canal
- - - - -> Main Collector Drain
- - - - -> Collector or Catch Drain
- > Field Drain
- ⊥ Offtake to Branch Feeder Canal
- ⊥ Check
- ⊥ Culvert
- ⊥ Offtake to Feeder Canal
- ⊥ Drain Inlet
- ⊥ Drainage Junction
- ⊥ Cross Drain



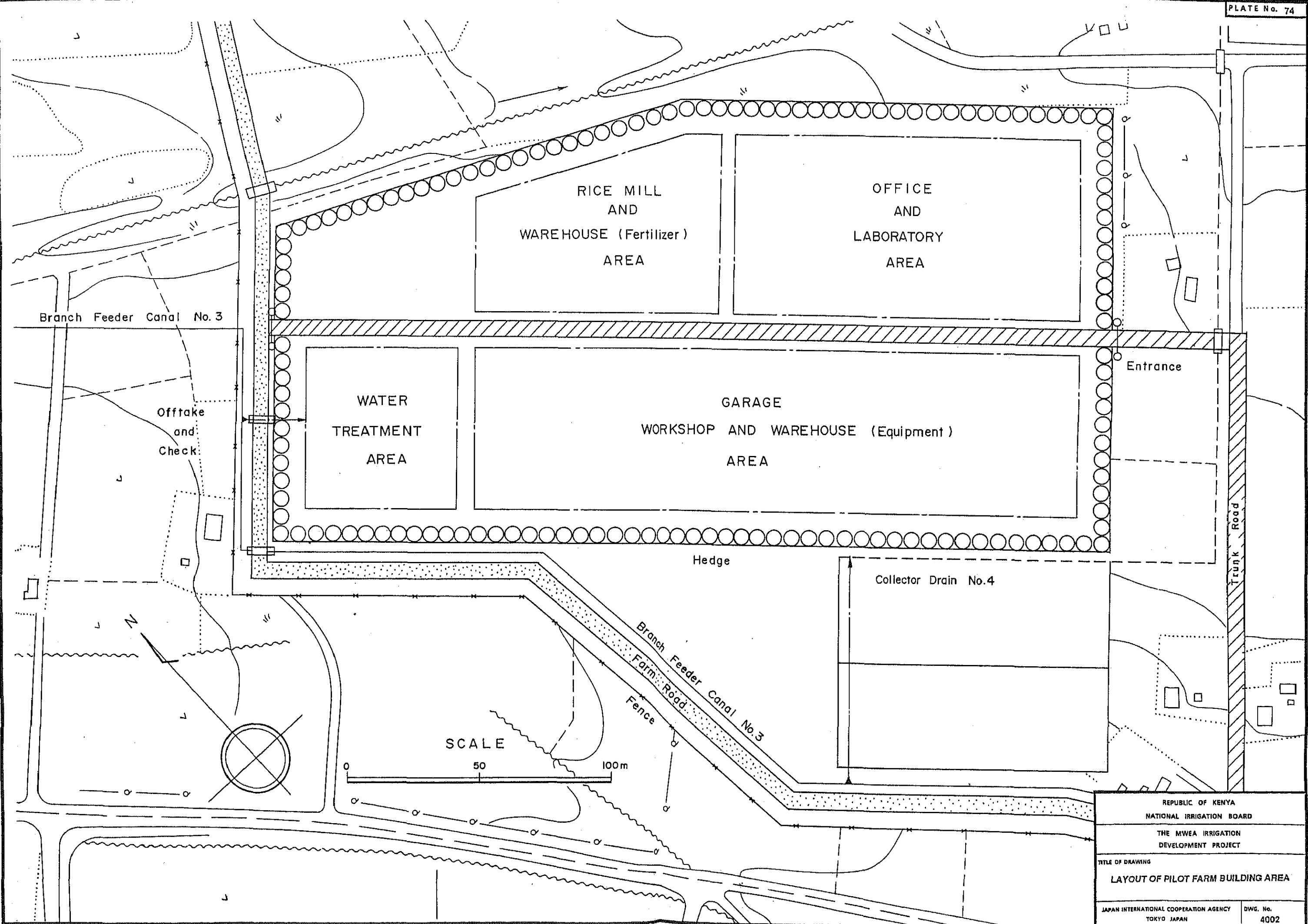
REPUBLIC OF KENYA
NATIONAL IRRIGATION BOARD

THE MWEA IRRIGATION
DEVELOPMENT PROJECT

TITLE OF DRAWING
LAYOUT OF PILOT FARM

JAPAN INTERNATIONAL COOPERATION AGENCY
TOKYO JAPAN

DWG. No.
4001



REPUBLIC OF KENYA NATIONAL IRRIGATION BOARD	
THE MWEA IRRIGATION DEVELOPMENT PROJECT	
TITLE OF DRAWING LAYOUT OF PILOT FARM BUILDING AREA	
JAPAN INTERNATIONAL COOPERATION AGENCY TOKYO JAPAN	DWG. No. 4002

JICA