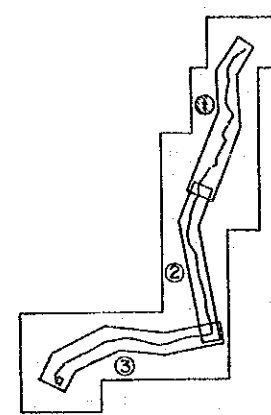
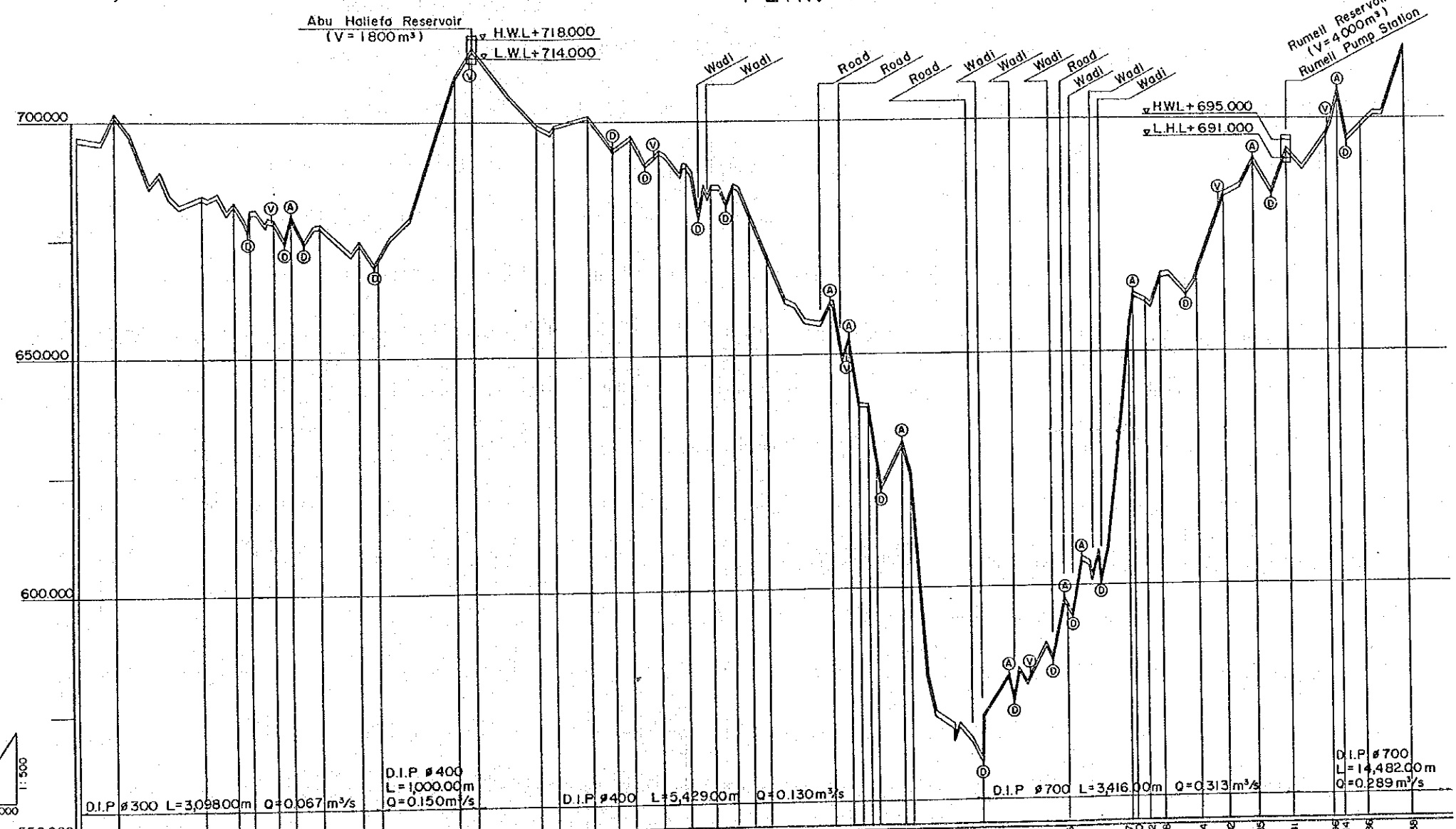
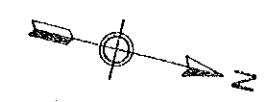
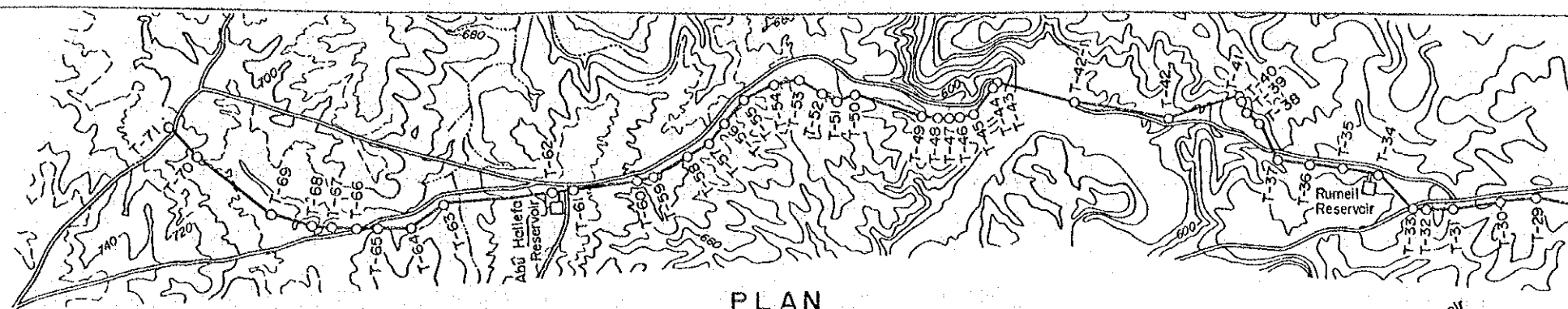


LEGEND

- : Well
- : Pipeline
- : Reservoir
- - - : Pipeline (for on-going Project)

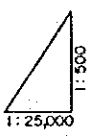
DRAWING NO. 8 : RUMEIL-MADABA PIPELINE
GENERAL LAYOUT

THE HASHEMITE KINGDOM OF JORDAN
 HYDROGEOLOGICAL AND WATER USE
 STUDY OF THE MUJIB WATERSHED
 JAPAN INTERNATIONAL COOPERATION AGENCY



LEGEND

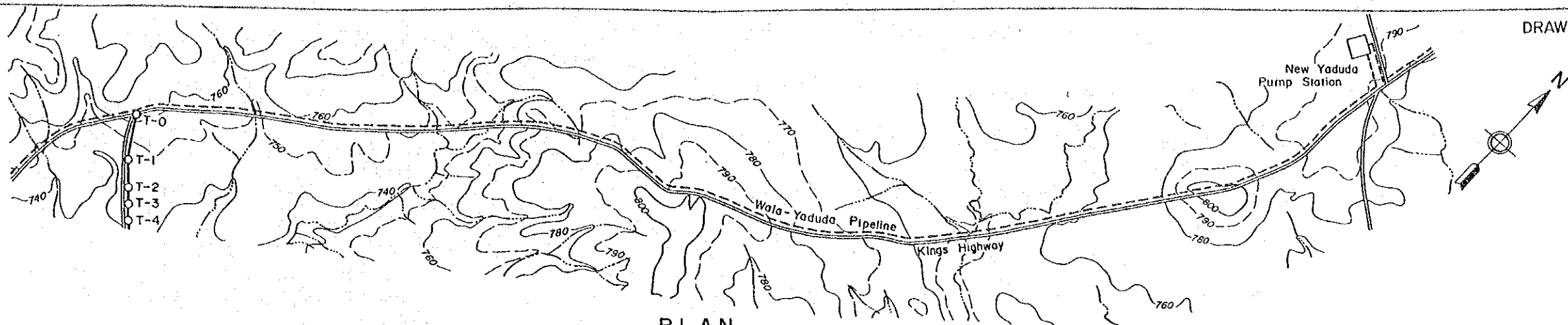
	Air Valve
	Blow Off
	Valve
	Pipeline
	On-going Pipeline



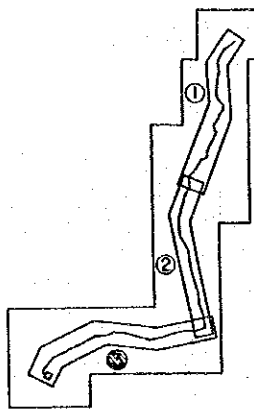
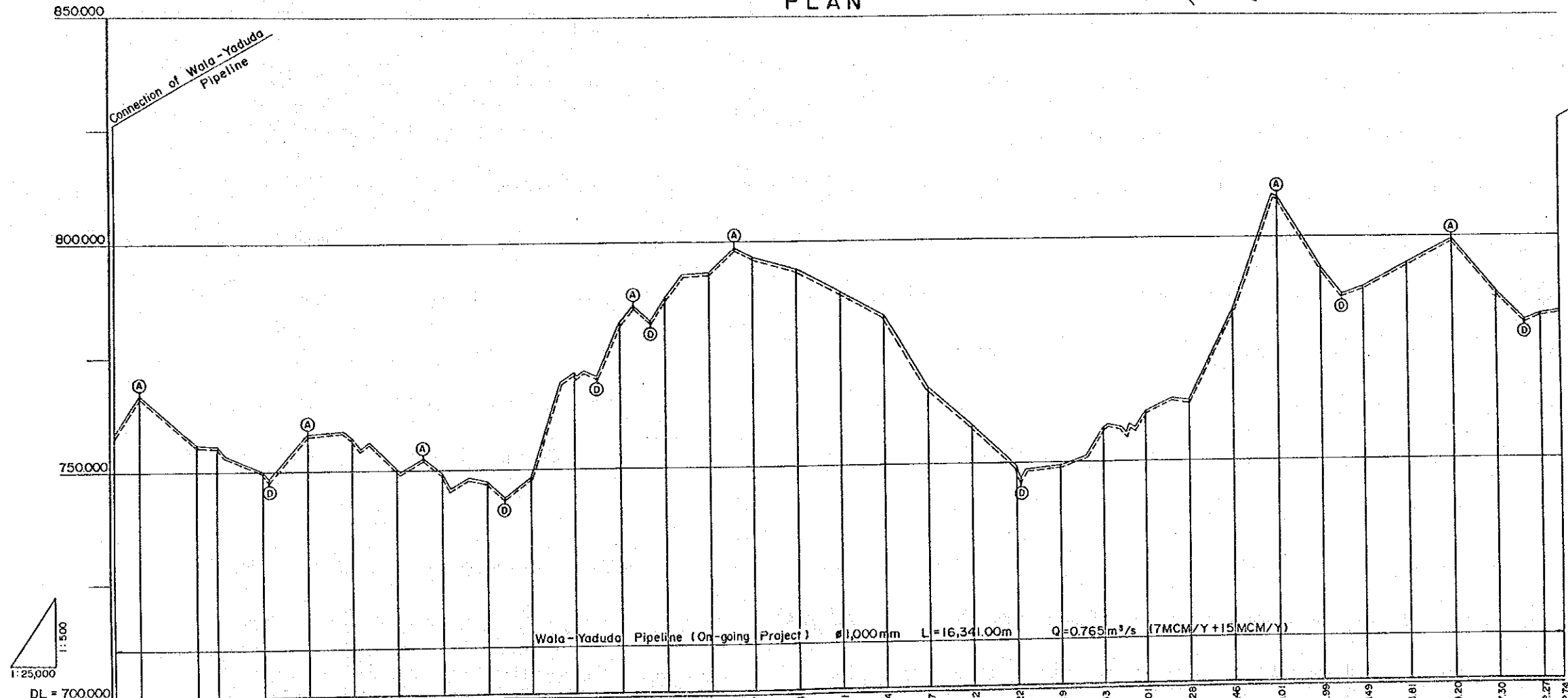
Station NO.	Distance (m)	Accumulated Distance (m)	Earth-covering Depth (m)	Ground Elevation (m)
T-71	0	0	1.00	696.33
T-70	392	392	1.00	700.87
T-69	875	1,267	1.00	684.23
T-68	340	1,607	1.00	682.84
T-67	171	1,778	1.00	680.95
T-66	238	2,016	1.00	679.02
T-65	189	2,205	1.00	679.98
T-64	308	2,513	1.00	678.14
T-63	395	2,908	1.00	674.57
T-62	1000	3,908	1.00	710.04
T-61	190	4,098	1.00	716.06
T-60	673	4,771	1.00	699.20
T-59	188	4,959	1.00	699.05
T-58	375	5,334	1.00	700.85
T-57	242	5,576	1.00	693.58
T-56	185	5,761	1.00	696.77
T-55	304	6,065	1.00	692.98
T-54	302	6,367	1.00	690.61
T-53	265	6,632	1.00	686.23
T-52	247	6,879	1.00	686.28
T-51	163	7,042	1.00	679.59
T-50	182	7,224	1.00	670.62
T-49	667	7,891	1.00	661.19
T-48	203	8,094	1.00	653.76
T-47	101	8,195	1.00	659.54
T-46	99	8,294	1.00	659.39
T-45	85	8,379	1.00	628.47
T-44	284	8,663	1.00	631.48
T-43	95	8,758	1.00	625.46
T-42	771	9,529	1.00	572.79
T-41	930	10,459	1.00	566.35
T-40	730	11,189	1.00	655.37
T-39	49	11,238	1.00	652.60
T-38	141	11,379	1.00	661.32
T-37	170	11,549	1.00	666.86
T-36	396	11,945	1.00	667.44
T-35	298	12,243	1.00	684.02
T-34	325	12,568	1.00	691.35
T-33	377	12,945	1.00	693.41
T-32	446	13,391	1.00	696.96
T-31	135	13,526	1.00	706.14
T-30	269	13,795	1.00	698.86
T-29	474	14,270	1.00	716.39

DRAWING NO. 9 : RUMEIL-MADABA PIPELINE (1/2)
PLAN & PROFILE

THE HASHEMITE KINGDOM OF JORDAN
HYDROGEOLOGICAL AND WATER USE
STUDY OF THE MUJIB WATERSHED
JAPAN INTERNATIONAL COOPERATION AGENCY



PLAN



KEY PLAN

LEGEND

	Air Valve
	Blow Off
	Valve
	Pipeline
	On-going Pipeline

DL = 700000
I: 25,000

Wala-Yaduda Pipeline (On-going Project) ϕ 1,000mm L=16,341.00m Q=0.765m³/s (7MCM/Y+15MCM/Y)

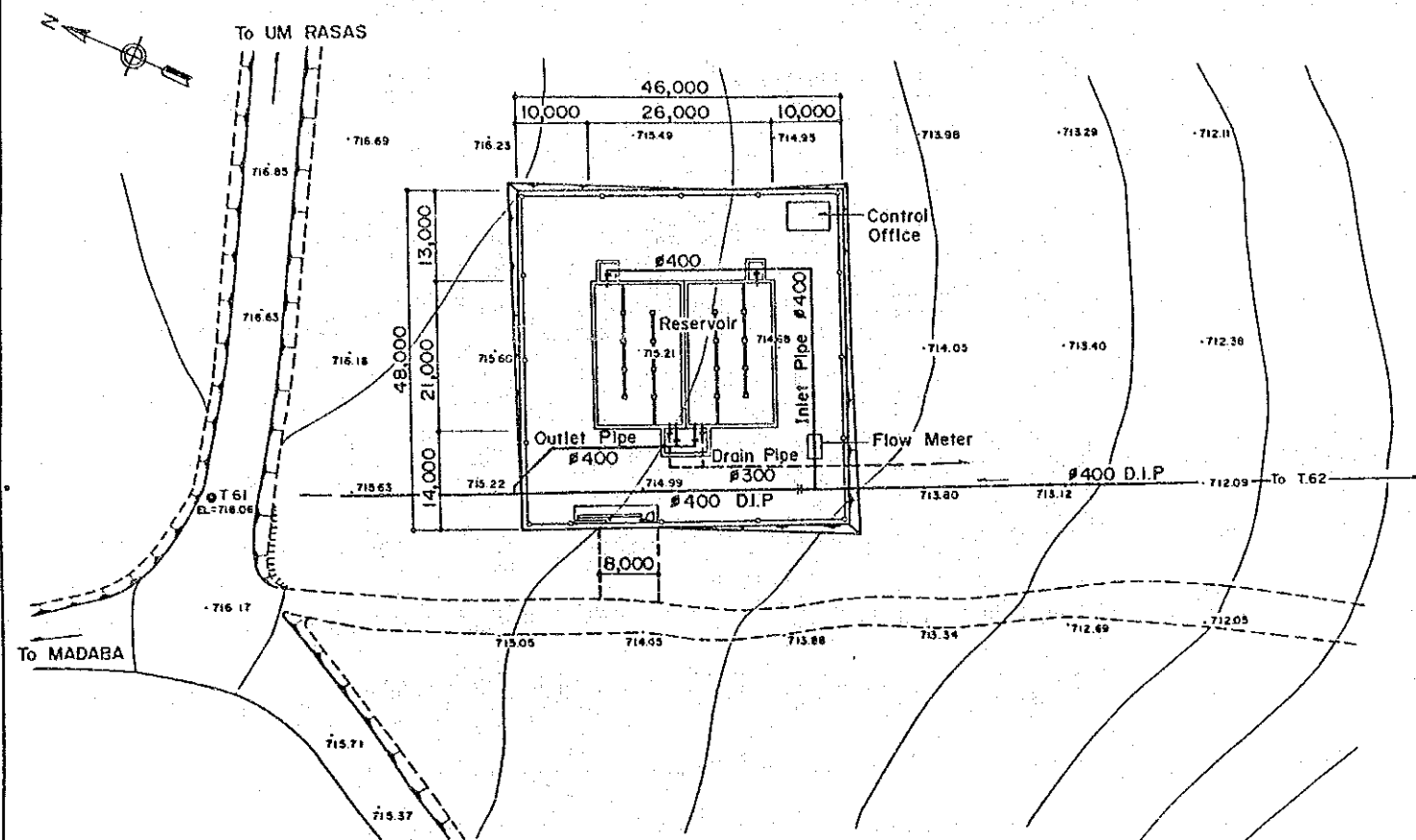


Ground Elevation(m)	756.77	756.37	756.16	755.71	750.20	758.07	757.34	750.37	749.41	747.21	759.05	771.49	782.32	787.50	793.17	796.57	793.71	778.91	773.44	767.17	758.72	749.22	749.19	737.33	761.01	768.28	783.45	805.01	792.99	788.49	793.61	799.20	787.30	782.27	782.74
Formation Height (m)	756.76	765.37	753.79	753.70	748.19	755.05	753.33	749.35	747.40	745.20	756.04	769.48	780.31	785.49	791.16	794.56	791.10	776.90	771.43	765.15	755.11	747.51	747.18	755.32	759.00	807.00	790.96	786.46	791.80	796.90	795.29	785.29	779.95	780.93	
Accumulated Distance (m)	27 425	27 707	28 336	28 566	29 066	29 566	30 066	30 556	31 066	31 566	32 066	32 566	33 066	33 566	34 066	34 566	35 066	35 566	36 066	36 566	37 066	37 566	38 066	38 566	39 066	39 566	40 066	40 566	41 066	41 566	42 066	42 560	43 066	43 560	43 766
Distance(m)	0	282	629	230	500	500	500	500	500	500	500	500	500	500	500	500	500	500	500	500	500	500	500	500	500	500	500	500	500	500	500	500	500	500	200
Station NO.	T.O +282	T.O +791	T.O +1140	T.O +1641	T.O +2141	T.O +2641	T.O +3141	T.O +3641	T.O +4141	T.O +4641	T.O +5141	T.O +5641	T.O +6141	T.O +6641	T.O +7141	T.O +7641	T.O +8141	T.O +8641	T.O +9141	T.O +9641	T.O +10141	T.O +10641	T.O +11141	T.O +11641	T.O +12141	T.O +12641	T.O +13141	T.O +13641	T.O +14141	T.O +14641	T.O +15141	T.O +15641	T.O +16141	T.O +16341	

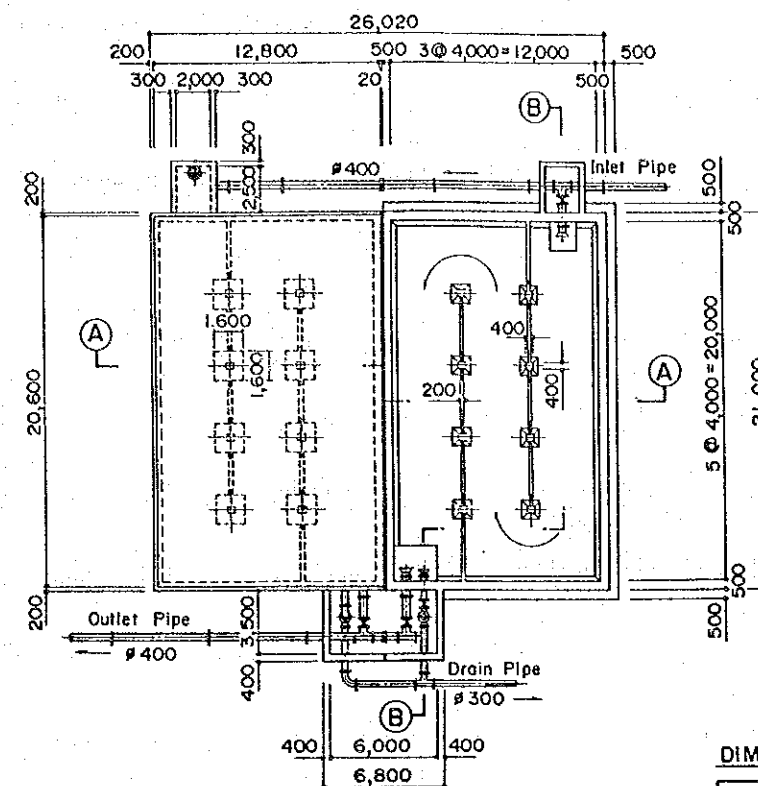
PROFILE

DRAWING NO. 11 : MADABA-YADUDA PIPELINE (ON-GOING PROJECT)
PLAN & PROFILE

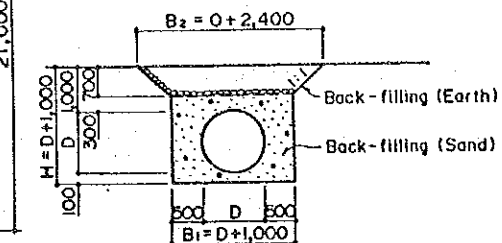
THE HASHEMITE KINGDOM OF JORDAN
HYDROGEOLOGICAL AND WATER USE
STUDY OF THE MUJIB WATERSHED
JAPAN INTERNATIONAL COOPERATION AGENCY



GENERAL LAYOUT SCALE A



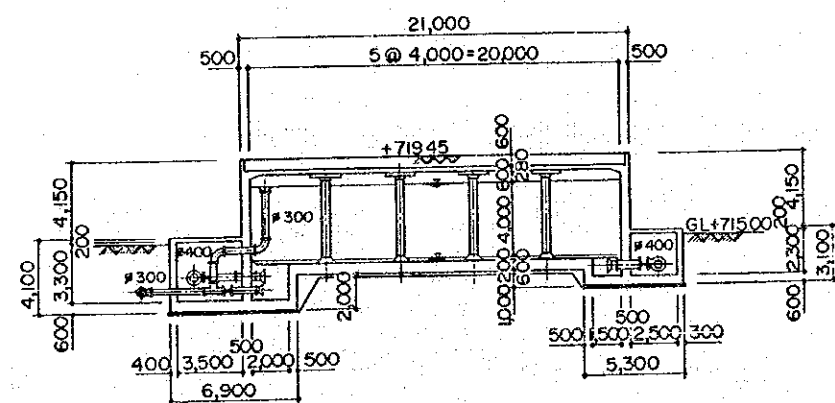
PLAN SCALE B



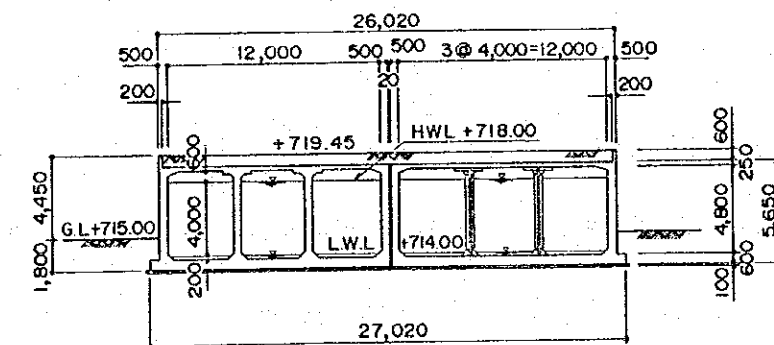
TYPICAL CROSS SECTION OF PIPELINE

DIMENSION TABLE

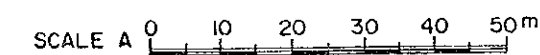
D (mm)	B1 (m)	B2 (m)	H (m)	Cross Sectional Area of Pipe (m ²)	Back filling Sand (m ³)	Back filling Earth (m ³)	Surplus Soil (m ³)
150	1.15	2.35	1.25	0.02	0.62	1.30	0.64
200	1.20	2.60	1.30	0.03	0.69	1.33	0.72
300	1.30	2.70	1.40	0.07	0.84	1.40	0.91
400	1.40	2.80	1.50	0.13	0.99	1.47	1.12
500	1.50	2.90	1.60	0.20	1.15	1.54	1.35
600	1.60	3.00	1.70	0.28	1.32	1.61	1.60
700	1.70	3.10	1.80	0.38	1.49	1.68	1.87
800	1.80	3.20	1.90	0.50	1.66	1.75	2.16



SECTION (B)-(B) SCALE B

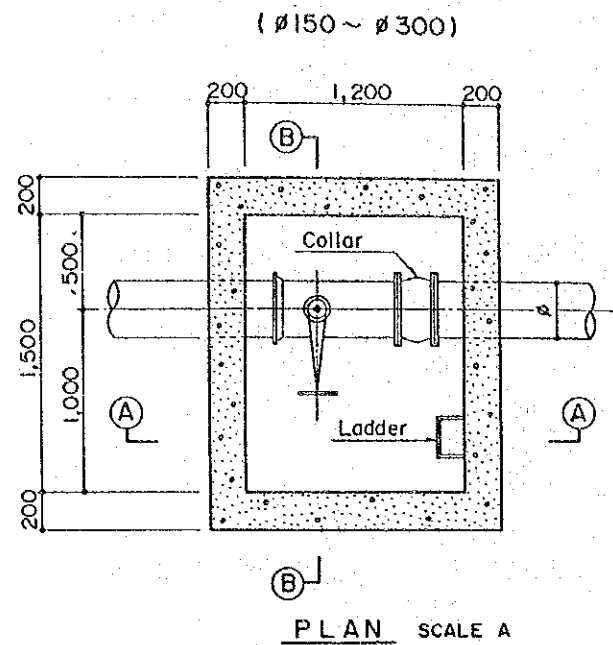


SECTION (A)-(A) SCALE B

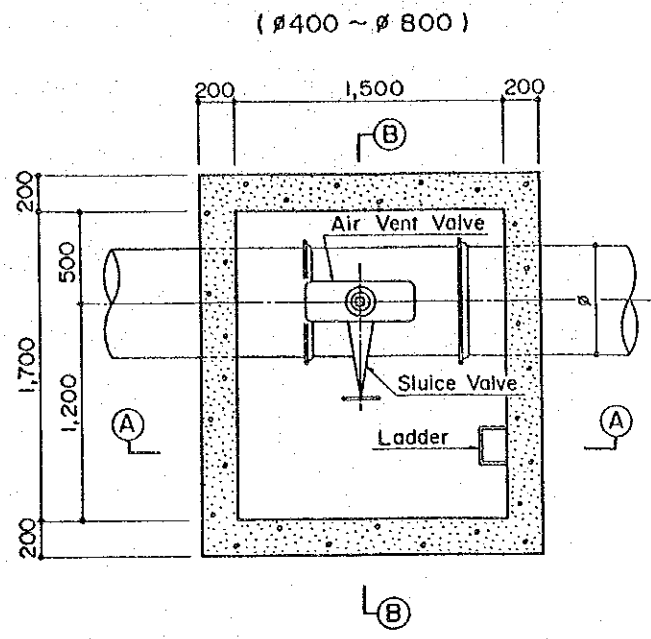


DRAWING NO. 12 : RUMEIL - MADABA PIPELINE
ABU HALIEFA RESERVOIR (T-61)

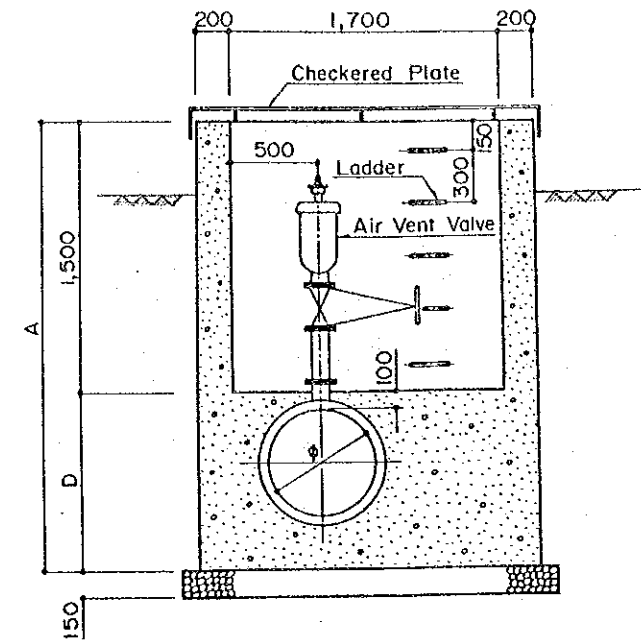
THE HASHEMITE KINGDOM OF JORDAN
HYDROGEOLOGICAL AND WATER USE
STUDY OF THE MUJIB WATERSHED
JAPAN INTERNATIONAL COOPERATION AGENCY



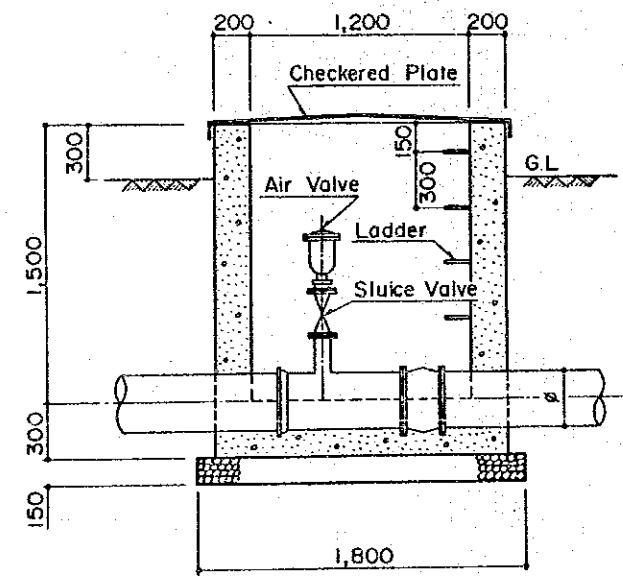
PLAN SCALE A



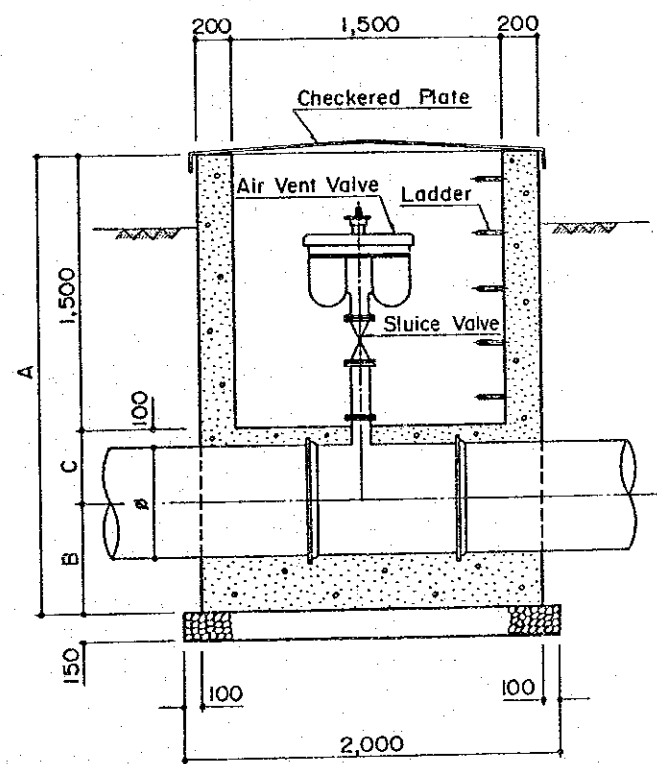
PLAN SCALE A



SECTION (B)-(B) SCALE A



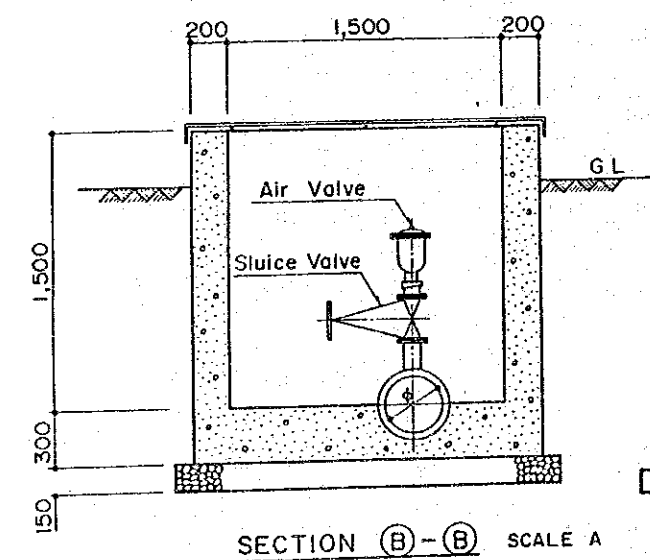
SECTION (A)-(A) SCALE A



SECTION (A)-(A) SCALE A

DIMENSIONS

φ	A	B	C	D
400	2,300	500	300	800
500	2,400	550	350	900
600	2,500	600	400	1,000
700	2,600	650	450	1,100
800	2,700	700	500	1,200

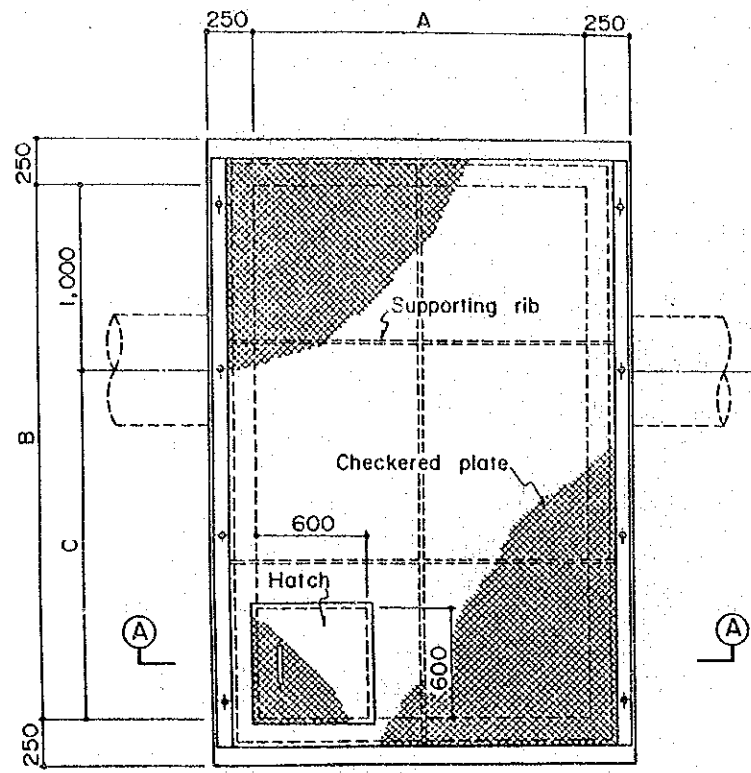


SECTION (B)-(B) SCALE A

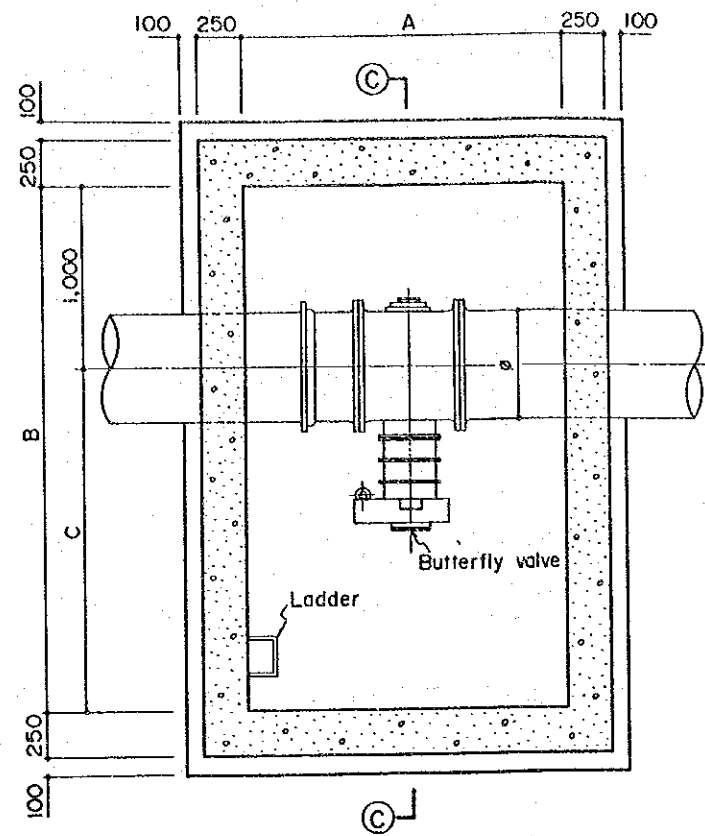


DRAWING NO. 14 : TYPICAL DRAWING OF AIR VALVE CHAMBER

THE HASHEMITE KINGDOM OF JORDAN
 HYDROGEOLOGICAL AND WATER USE
 STUDY OF THE MUJIB WATERSHED
 JAPAN INTERNATIONAL COOPERATION AGENCY



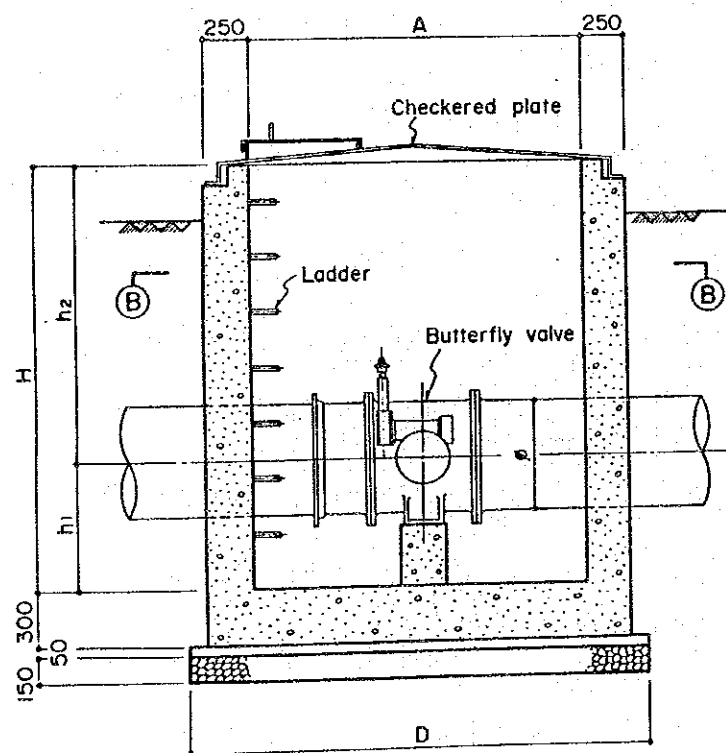
PLAN SCALE A



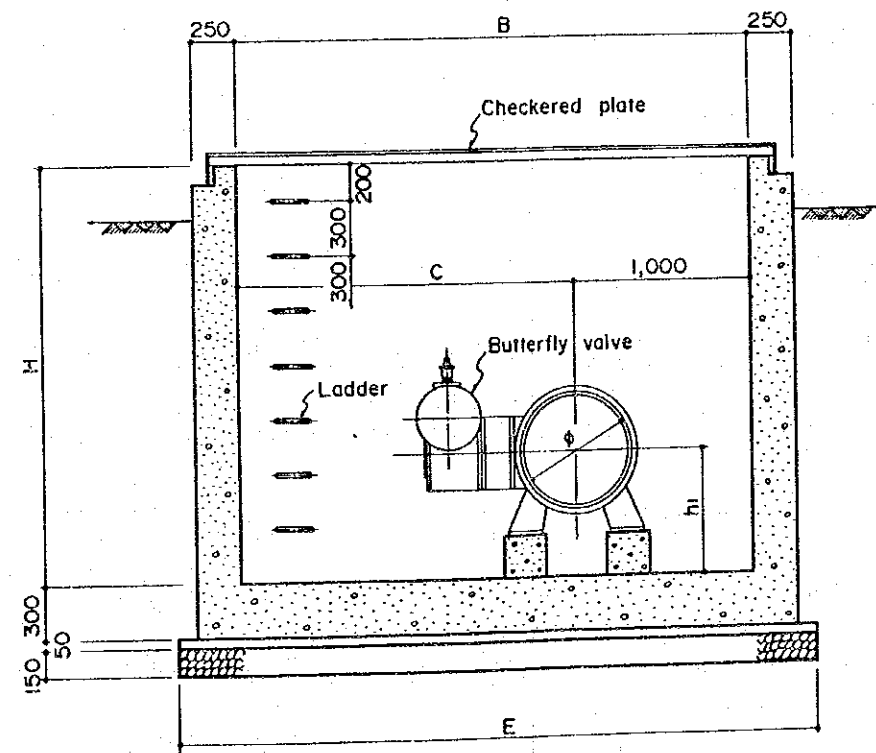
SECTION (B)-(B) SCALE A

DIMENSIONS

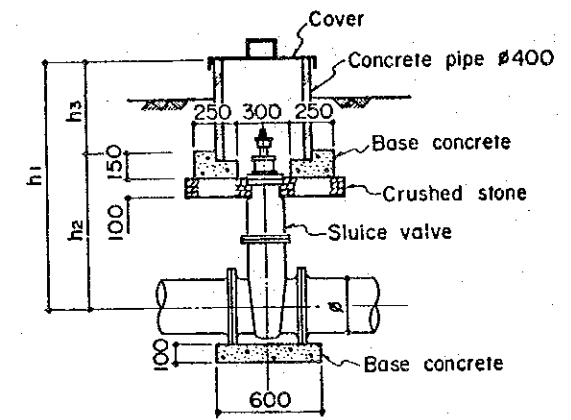
∅	A	B	C	D	E	H	h ₁	h ₂
400	1,600	2,700	1,700	2,300	3,400	2,000	500	1,500
500	"	"	"	"	"	2,100	550	1,550
600	1,800	2,900	1,900	2,500	3,600	2,300	700	1,600
700	"	"	"	"	"	2,400	750	1,650
800	2,000	3,200	2,200	2,700	3,900	2,500	800	1,700



SECTION (A)-(A) SCALE A



SECTION (C)-(C) SCALE A



DETAIL OF VALVE CHAMBER SCALE A

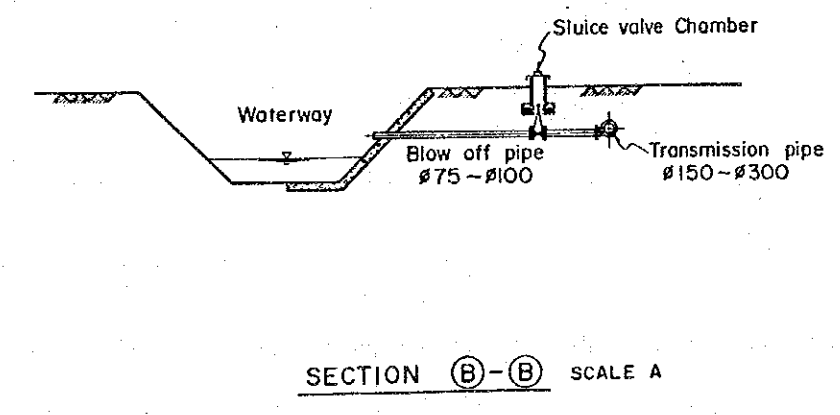
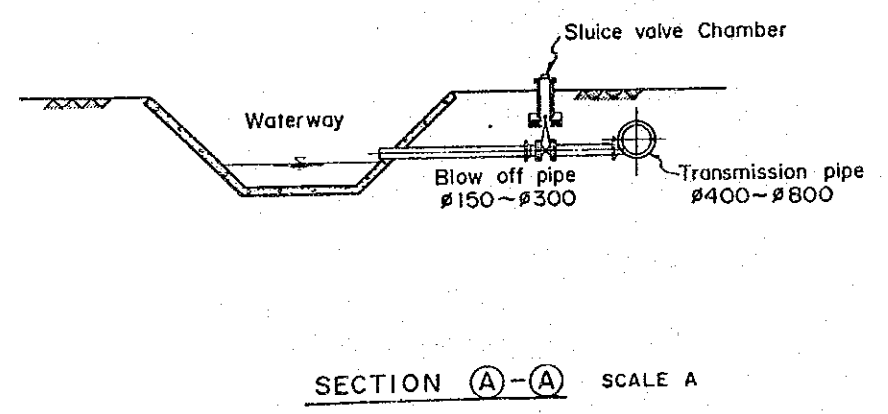
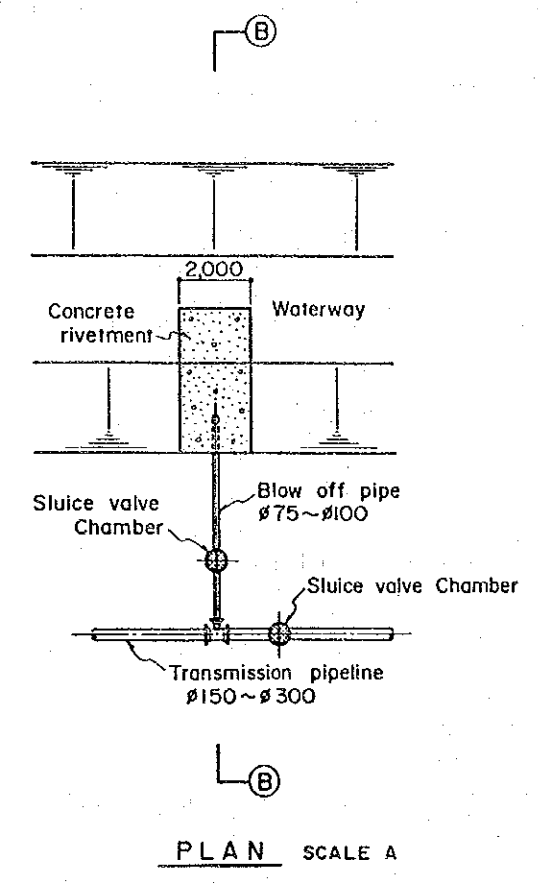
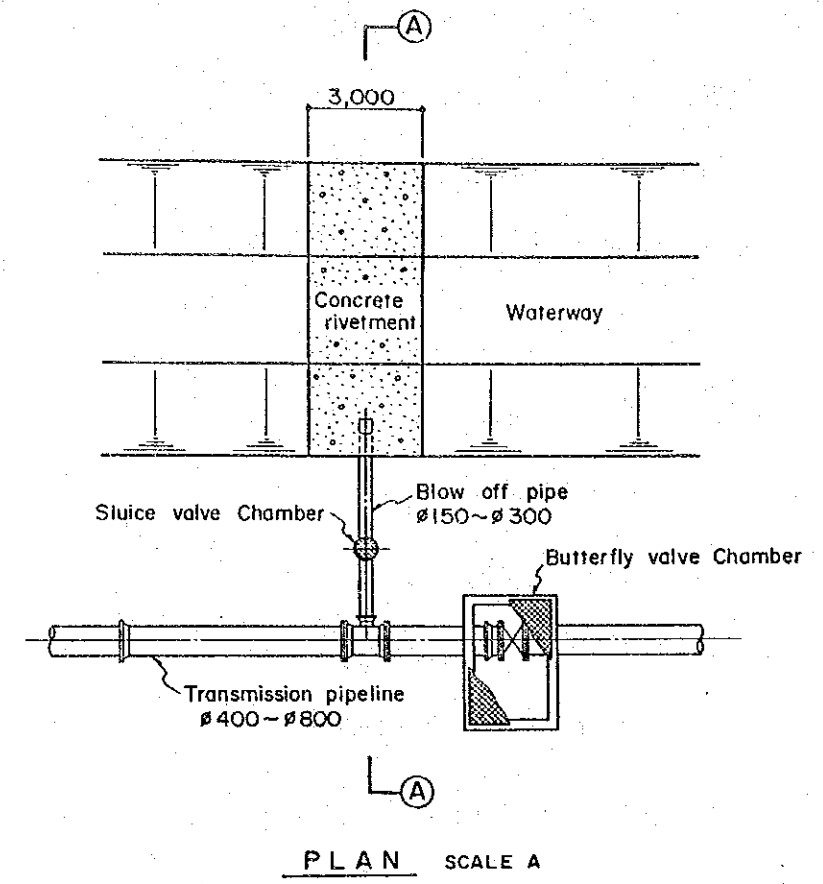
DIMENSIONS

∅	h ₁	h ₂	h ₃
150	1,400	500	900
200	1,400	600	800
250	1,450	900	550



DRAWING NO. 15 : TYPICAL DRAWING OF VALVE CHAMBER

THE HASHEMITE KINGDOM OF JORDAN
 HYDROGEOLOGICAL AND WATER USE
 STUDY OF THE MUJIB WATERSHED
 JAPAN INTERNATIONAL COOPERATION AGENCY



DRAWING NO. 16 : TYPICAL DRAWING OF BLOW - OFF

THE HASHEMITE KINGDOM OF JORDAN
 HYDROGEOLOGICAL AND WATER USE
 STUDY OF THE MUJIB WATERSHED
 JAPAN INTERNATIONAL COOPERATION AGENCY

JICA