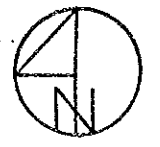


5

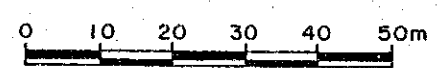


LEGEND

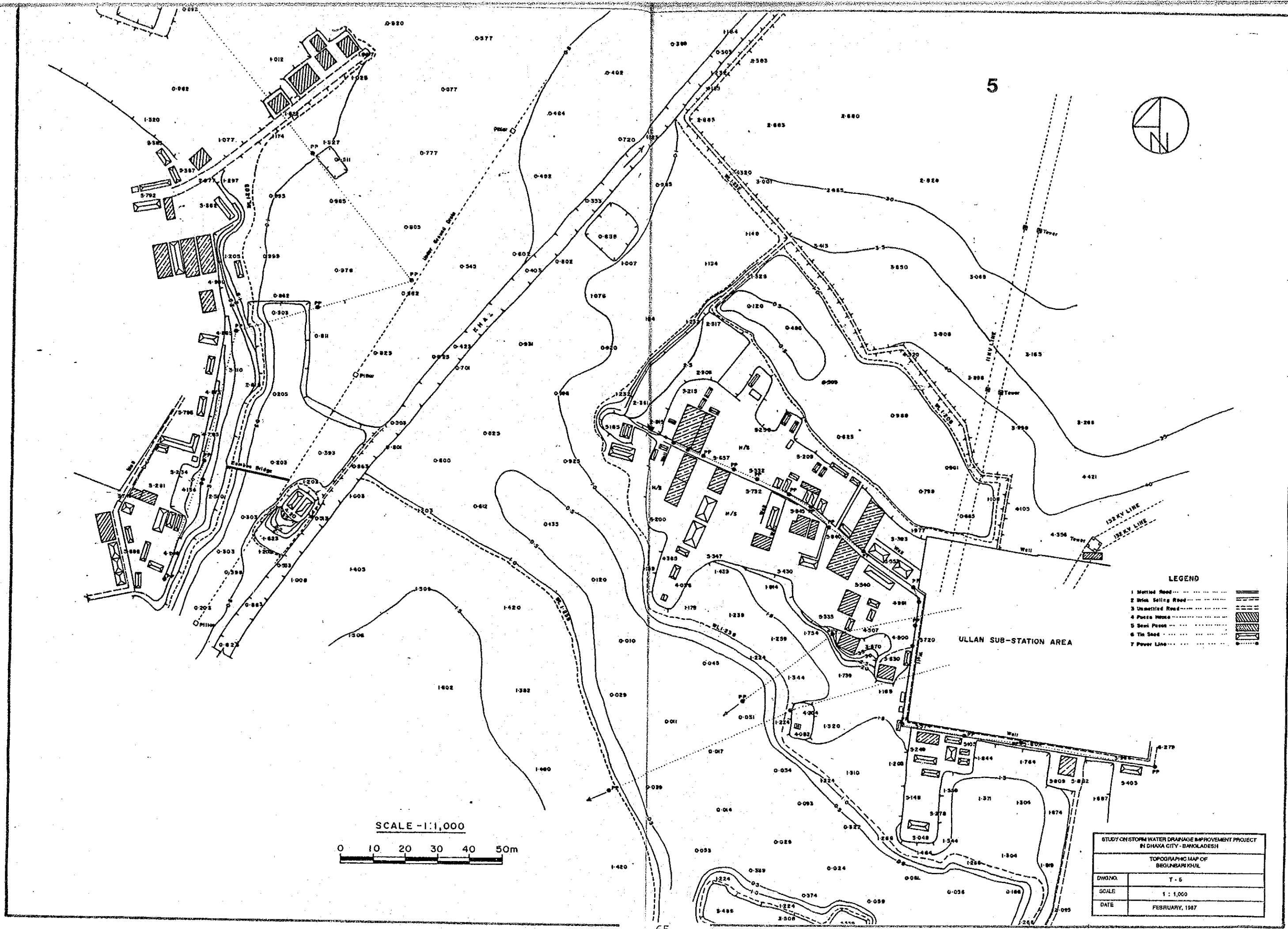
- 1 Metalled Road
- 2 Brick Paving Road
- 3 Unmetalled Road
- 4 Posts Home
- 5 Sewer Pipe
- 6 Tin Shed
- 7 Power Line

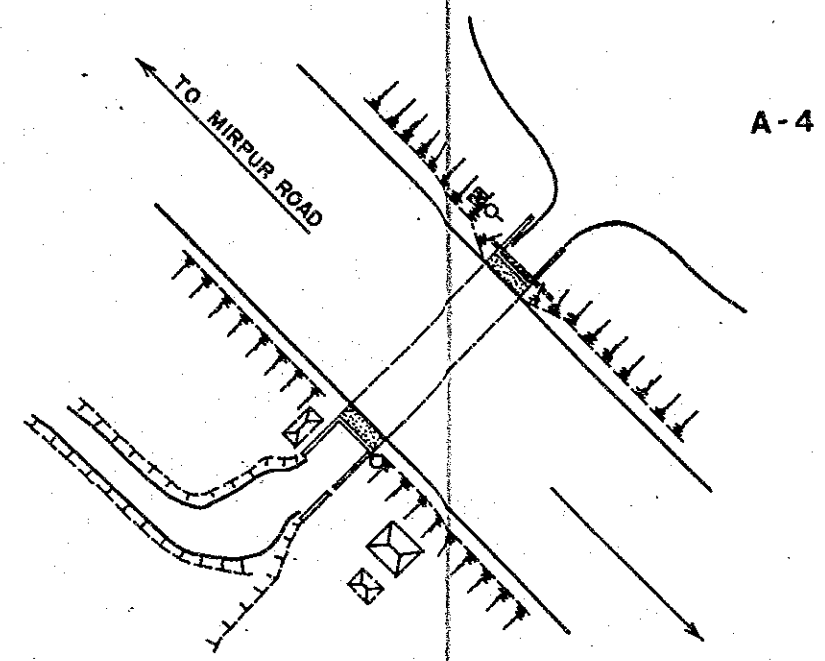
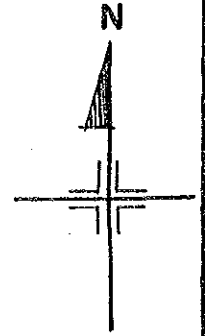
ULLAN SUB-STATION AREA

SCALE - 1:1,000



STUDY ON STORM WATER DRAINAGE IMPROVEMENT PROJECT IN DHAKA CITY - BANGLADESH	
TOPOGRAPHIC MAP OF BEGUNNARI KHUL	
DRAWN BY	T - 5
SCALE	1 : 1,000
DATE	FEBRUARY, 1967

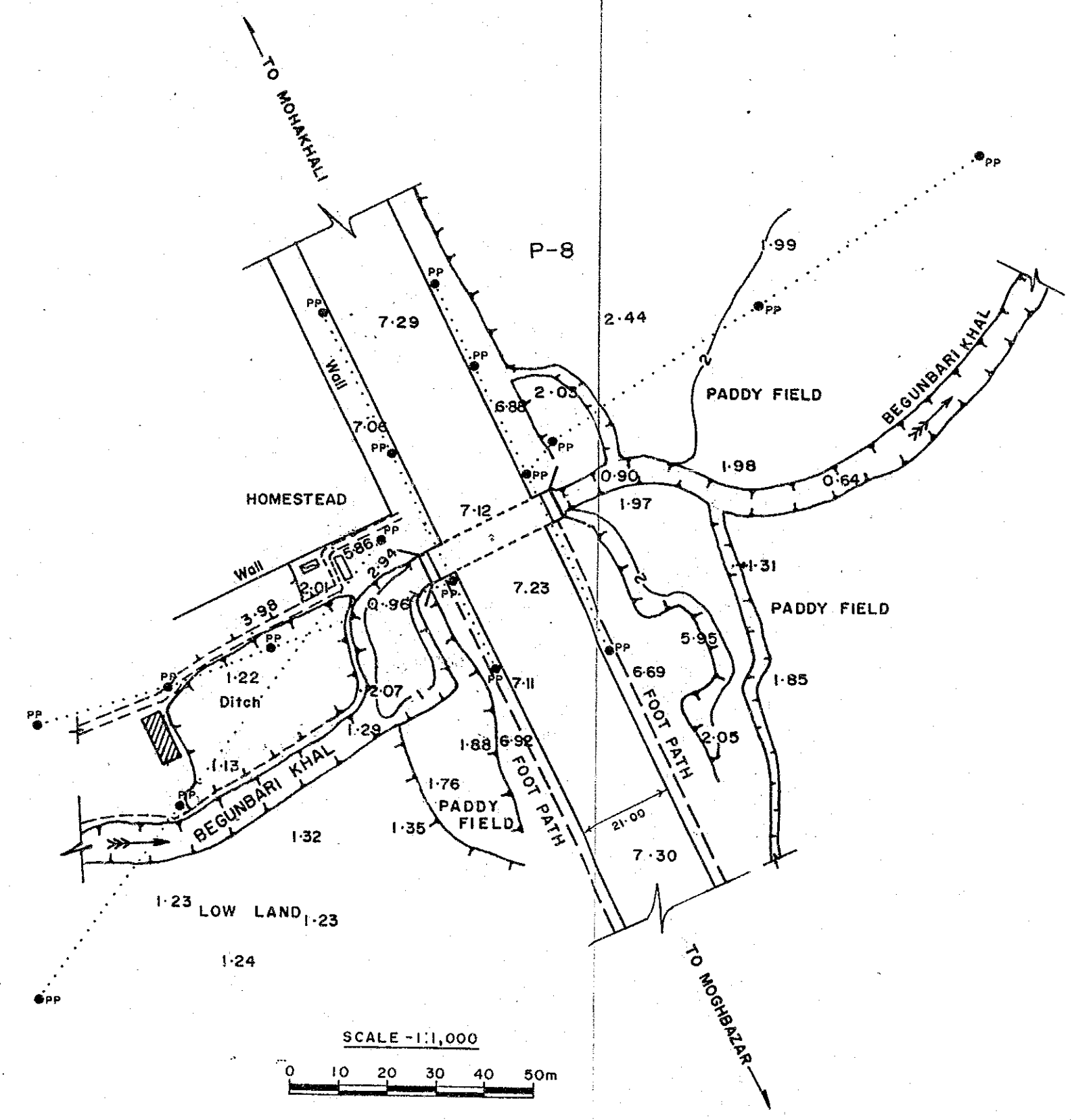
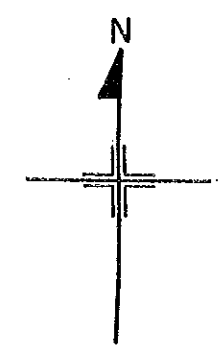




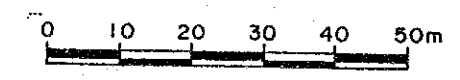
SCALE - 1 : 1,000



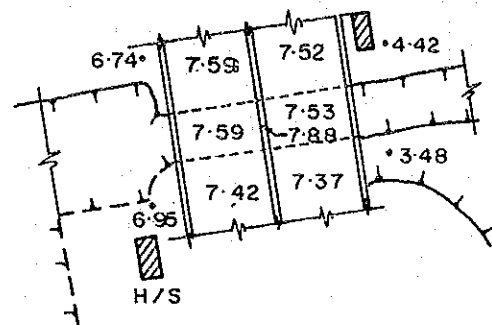
STUDY ON STORM WATER DRAINAGE IMPROVEMENT PROJECT IN DHAKA CITY - BANGLADESH	
TOPOGRAPHIC MAP OF KALYANPUR	
DWG. NO.	T - 0
SCALE	1 : 1,000
DATE	FEBRUARY, 1967



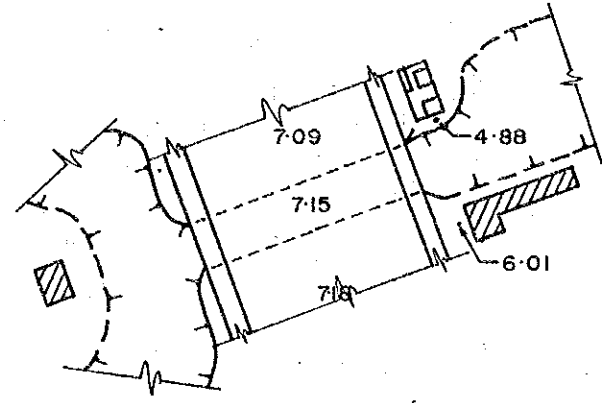
SCALE - 1:1,000



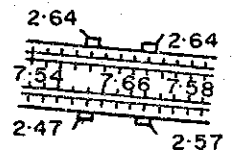
STUDY ON STORM WATER DRAINAGE IMPROVEMENT PROJECT IN DHAKA CITY - BANGLADESH	
TOPOGRAPHIC MAP OF BEGUNBARI KHAL	
DWG. NO.	T-7
SCALE	1 : 1,000
DATE	FEBRUARY, 1987



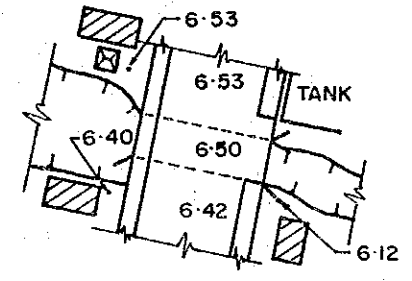
P-13



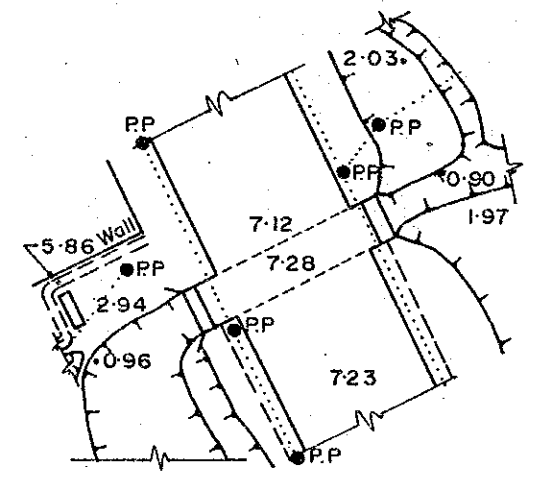
P-18



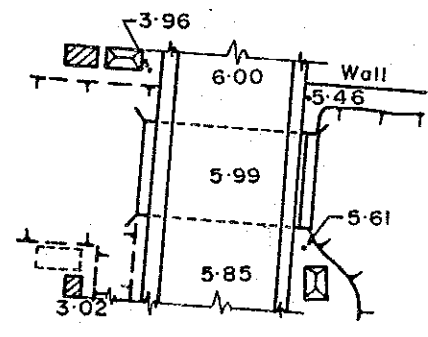
P-10



P-16



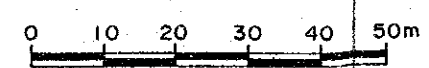
P-8



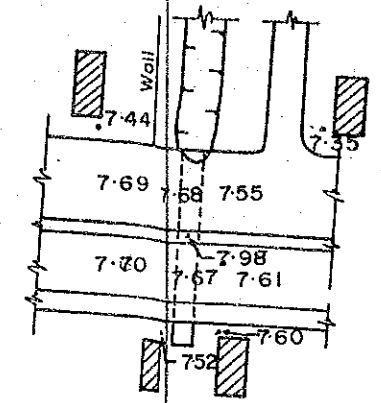
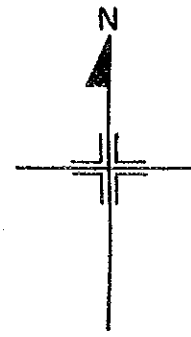
P-14



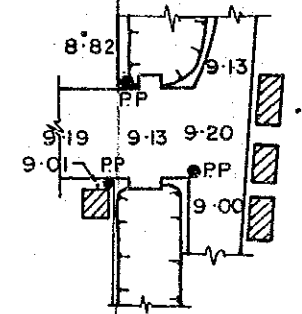
SCALE - 1:1,000



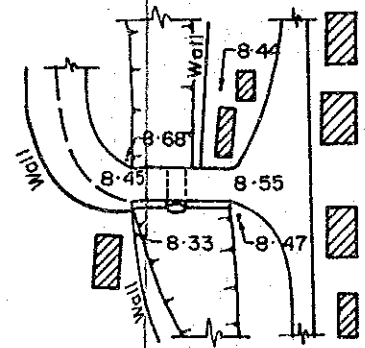
STUDY ON STORM WATER DRAINAGE IMPROVEMENT PROJECT IN DHAKA CITY - BANGLADESH	
TOPOGRAPHIC MAP OF BEGUNBARI KHAL	
DWG. NO.	T - 8
SCALE	1 : 1,000
DATE	FEBRUARY, 1987



Q-5

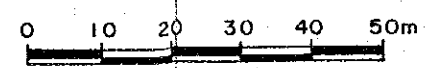


Q-3

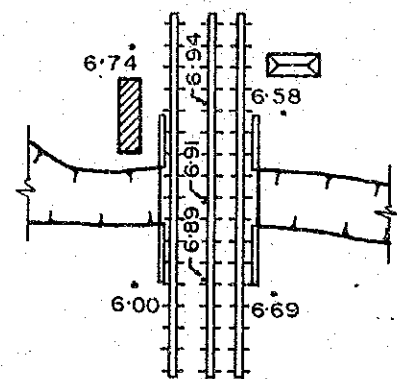


Q-2

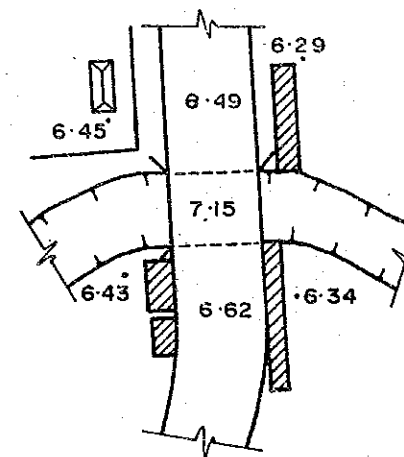
SCALE - 1:1,000



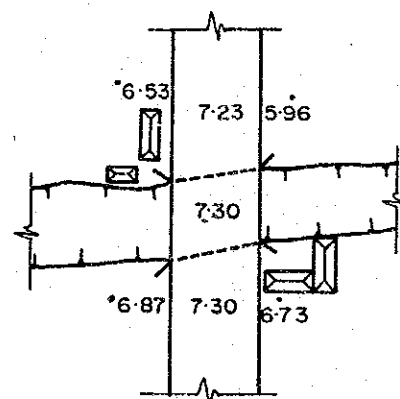
STUDY ON STORM WATER DRAINAGE IMPROVEMENT PROJECT IN DHAKA CITY - BANGLADESH	
TOPOGRAPHIC MAP OF PERRAGH KHAL	
DWG. NO.	T - 9
SCALE	1 : 1,000
DATE	FEBRUARY, 1987



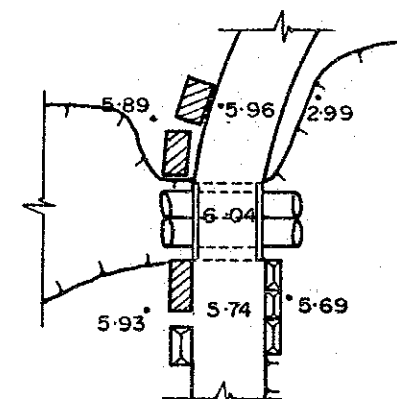
R-3



R-8



R-2

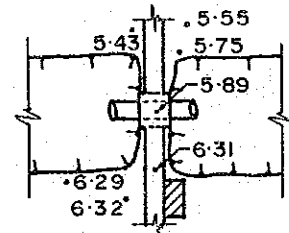


R-6

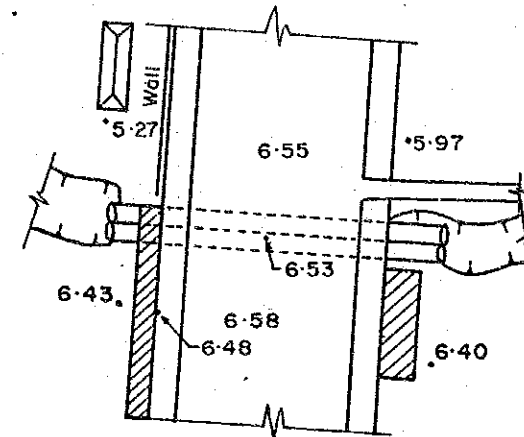
SCALE - 1:1,000



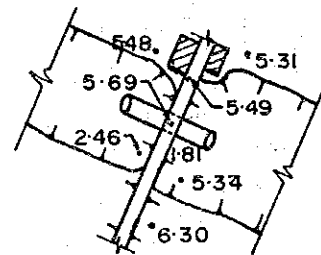
STUDY ON STORM WATER DRAINAGE IMPROVEMENT PROJECT IN DHAKA CITY - BANGLADESH	
TOPOGRAPHIC MAP OF SEGUNBAGICHA KHAL	
DWG. NO.	T - 10
SCALE	1 : 1,000
DATE	FEBRUARY, 1967



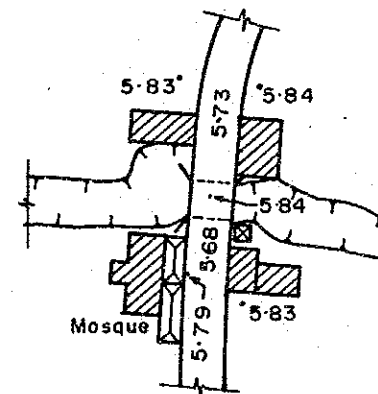
R-II



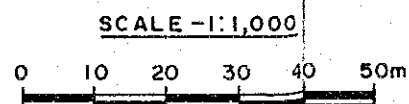
R-15



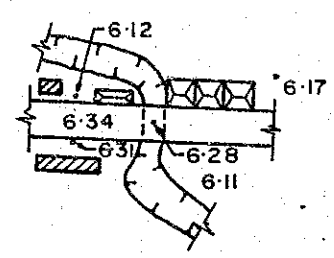
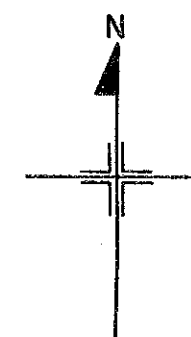
R-10



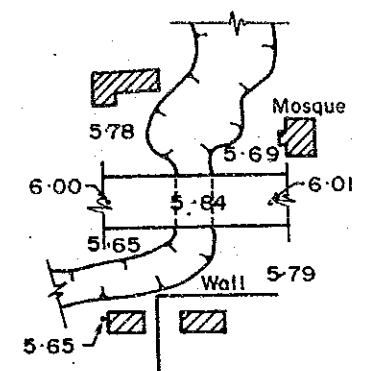
R-13



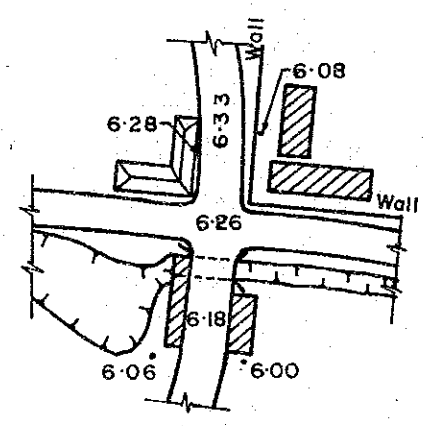
STUDY ON STORM WATER DRAINAGE IMPROVEMENT PROJECT IN DHAKA CITY - BANGLADESH	
TOPOGRAPHIC MAP OF SECURABAGCHA KANAL	
DWG. NO.	T - 11
SCALE	1 : 1,000
DATE	FEBRUARY, 1987



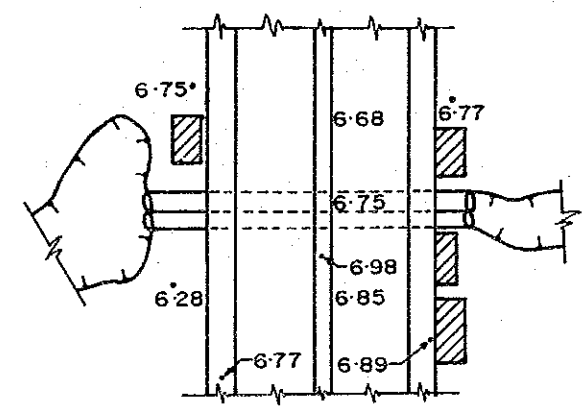
R-18



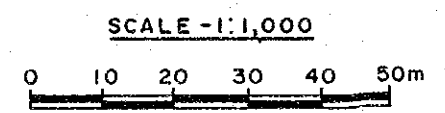
R-21



R-17



R-20



STUDY ON STORM WATER DRAINAGE IMPROVEMENT PROJECT IN DHAKA CITY - BANGLADESH	
TOPOGRAPHIC MAP OF BEGUNBOICHIA KHAL	
DWG. NO.	T - 12
SCALE	1 : 1,000
DATE	FEBRUARY, 1987

JICA

1