

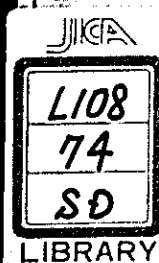
THE REPUBLIC OF INDONESIA

NEW RAILWAY LINE FOR CENGGKARENG AIRPORT

PRELIMINARY DESIGN DRAWINGS

JULY 1983

JAPAN INTERNATIONAL COOPERATION AGENCY  
(JICA)

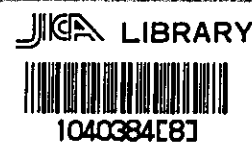


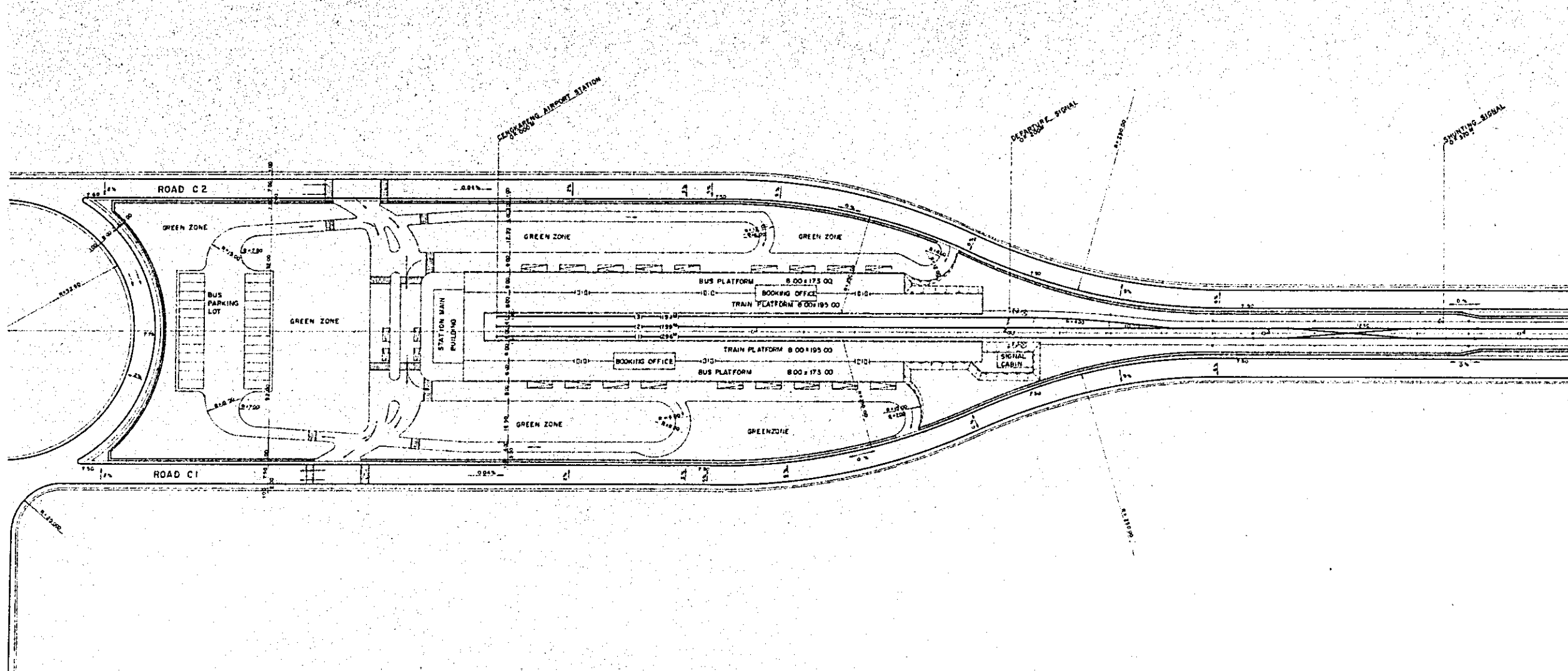
国際協力事業団

受入 月日	'87.10.21	L108
登録 No.	16964	74 SD

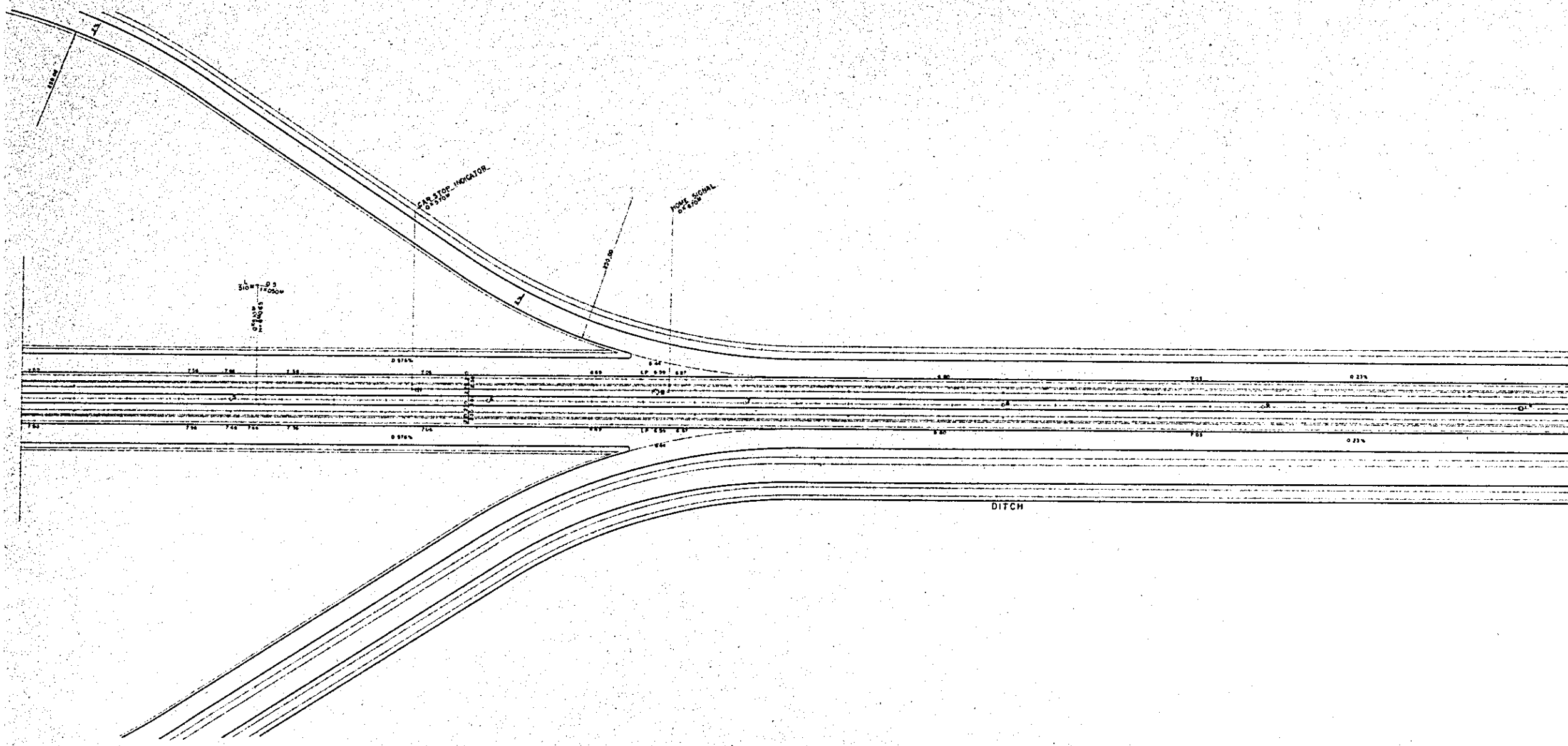
# CONTENTS

PLAN	NO. 1~ NO. 4	S=1:500	---- 1/17~4/17
PROFILE		(V=1:400 H=1:2500)	---- 5/17
CROSS SECTION	NO. 1~ NO. 8	S=1:100	---- 6/17~13/17
STATION BUILDING	NO. 1~ NO. 2	S=1:200	---- 14/17~15/17
BRIDGE		S=1:100	----- 16/17
LEVEL CROSSING		S=1:25	----- 17/17

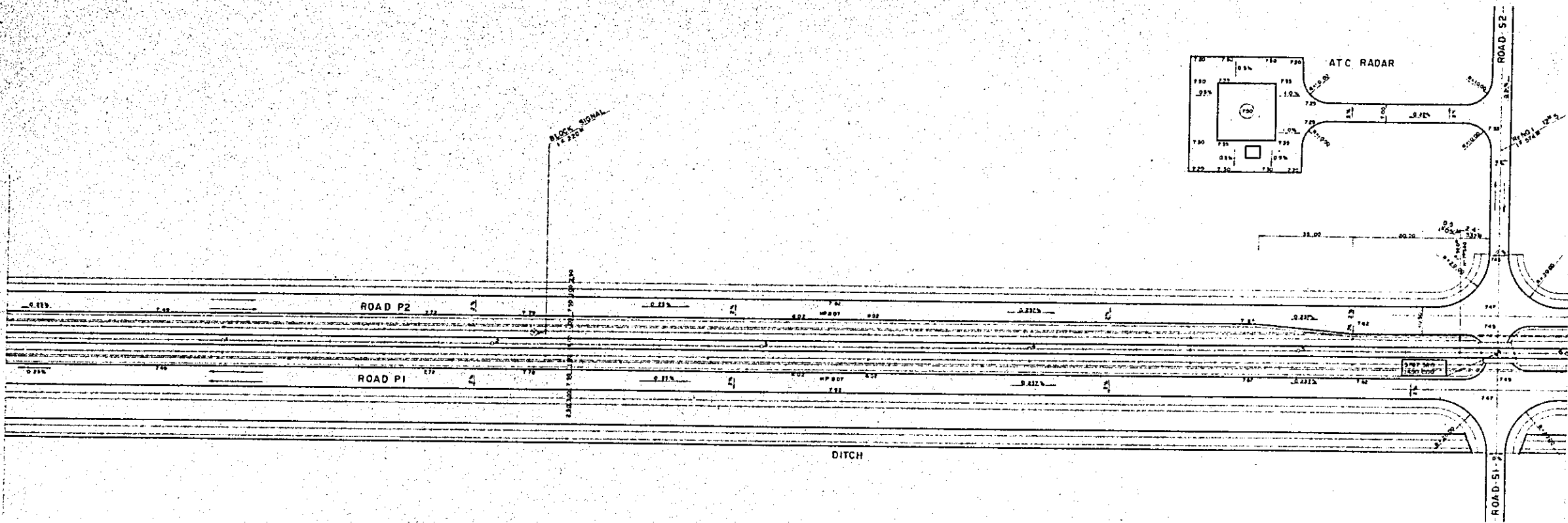




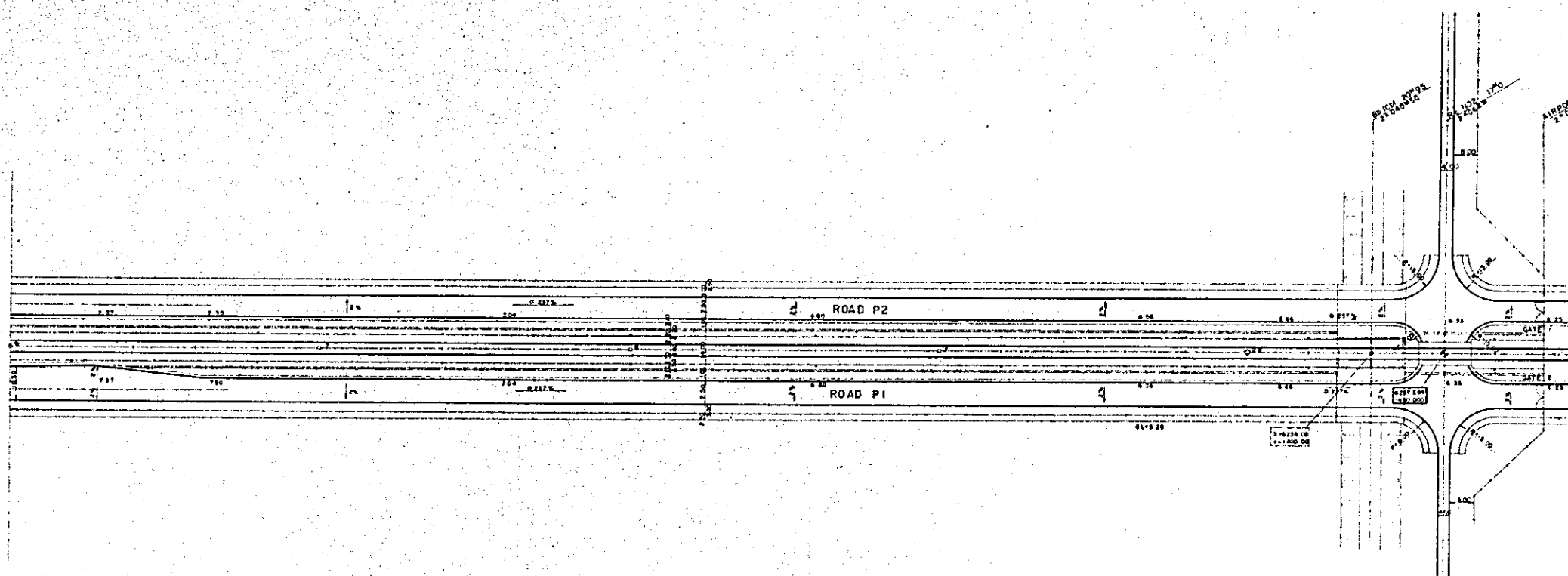
NEW RAILWAY LINE FOR  
CENKARENG AIRPORT  
PLAN NO 1  
SCALE 1:500  
1/17



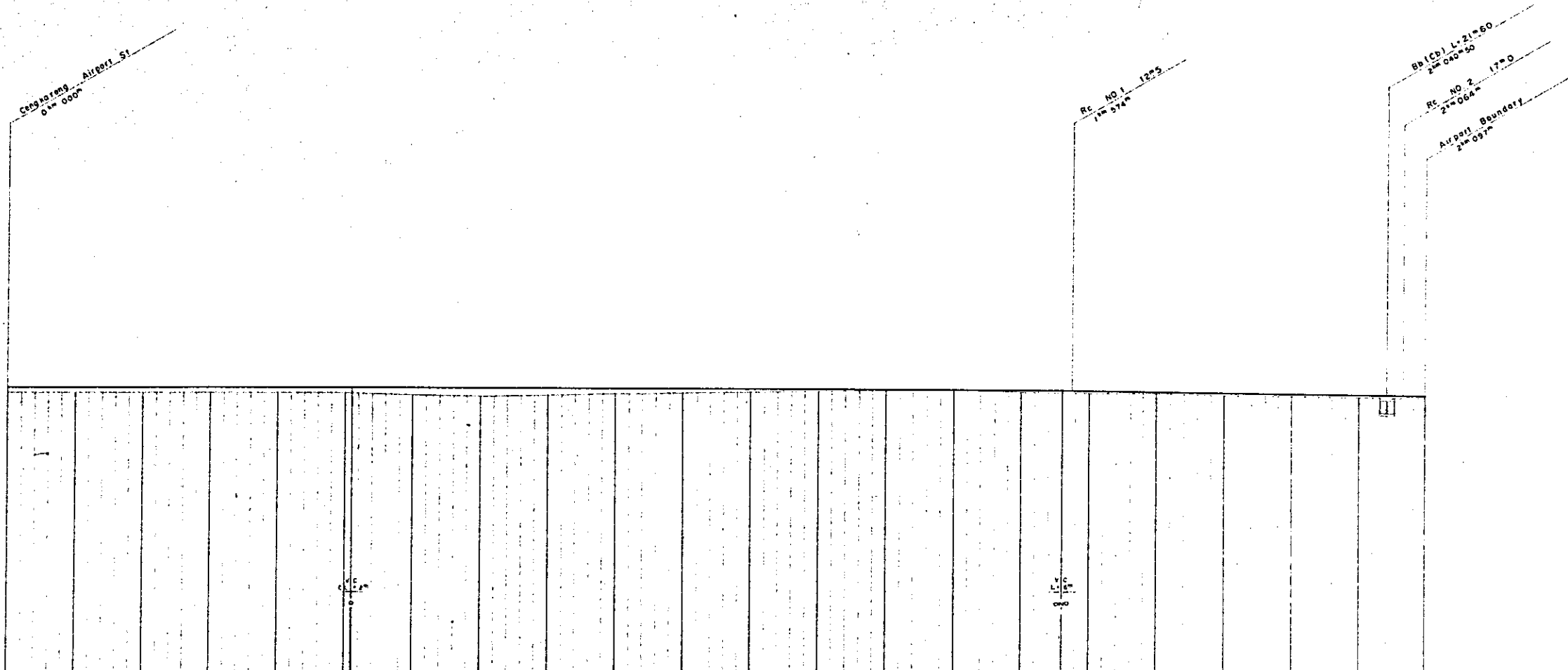
NEW RAILWAY LINE FOR  
 CENGKARENG AIRPORT  
 PLAN NO 2  
 SCALE 1 500  
 2/17



NEW RAILWAY LINE FOR  
 CENKARENG AIRPORT  
 PLAN NO 3  
 SCALE 1 500  
 3/17



NEW RAILWAY LINE FOR  
CENGKARENG AIRPORT  
PLAN NO 4  
SCALE 1 500  
4/17



GRADIENT	0.04	0.5	2.4
CUTTING			
EMBANKMENT			
RAIL LEVEL	7.000	7.000	7.000
FORMATION LEVEL	7.000	7.000	7.000
GROUND LEVEL	7.000	7.000	7.000
DISTANCE & CURVE	0	510	560

NEW RAILWAY LINE FOR  
CENGKARENG AIRPORT

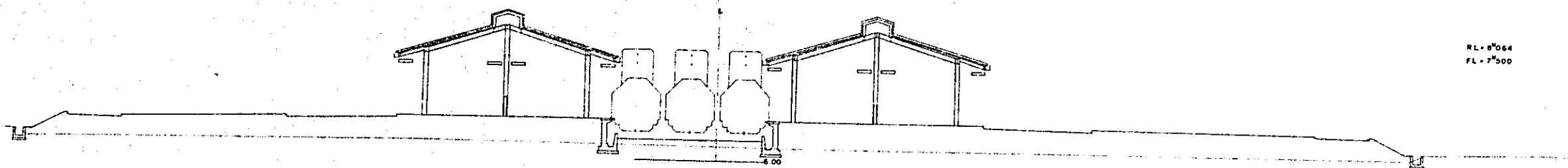
PROFILE

SCALE  
VERTICAL 1:400  
HORIZONTAL 1:2500

5/17

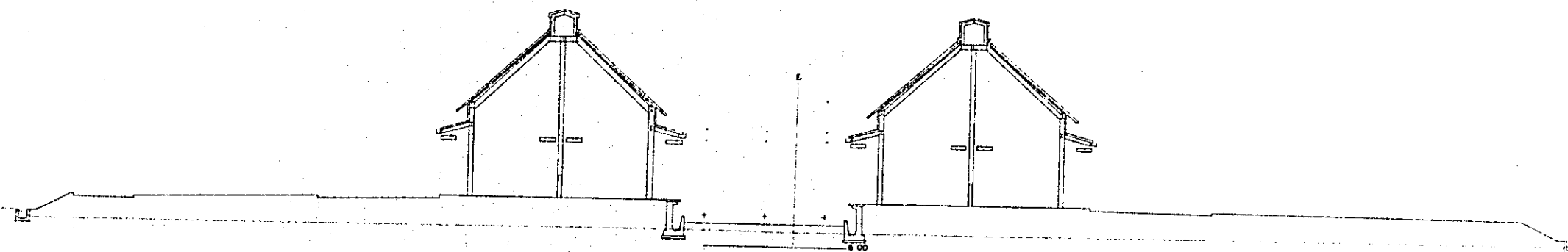


0+000



RL - 8'064  
FL - 7'500

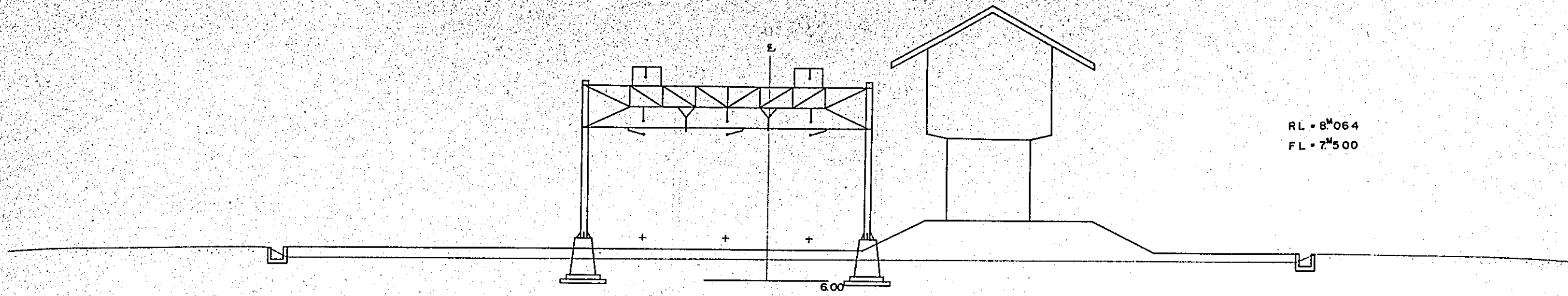
0+090



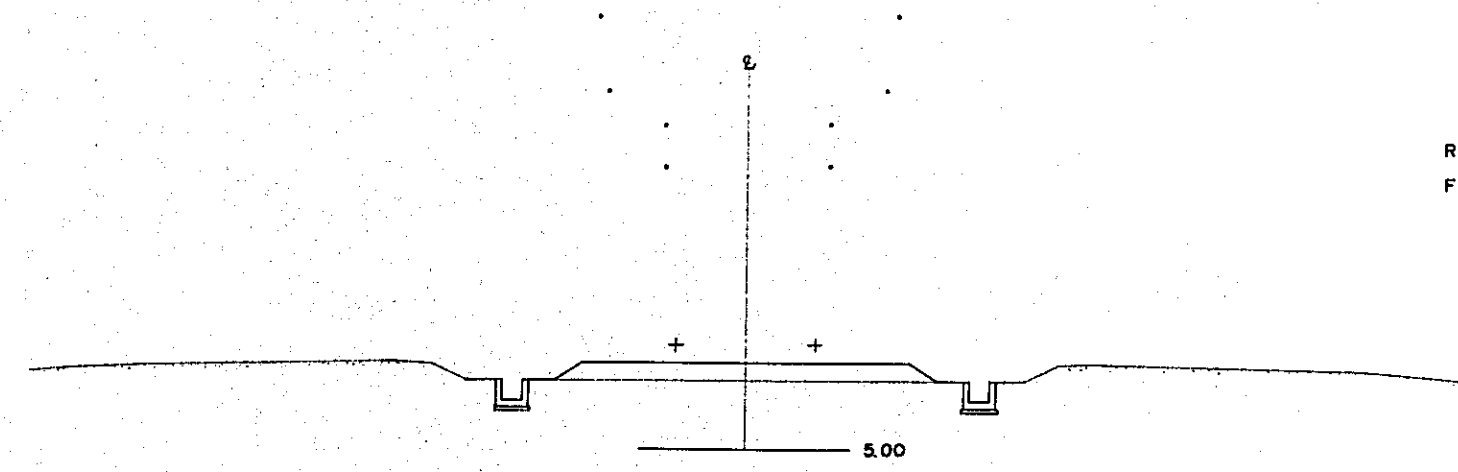
RL - 8'064  
FL - 7'500

NEW RAILWAY LINE FOR  
CENGKARENG AIRPORT  
CROSS SECTION  
NO 1  
SCALE 1:100  
6/17

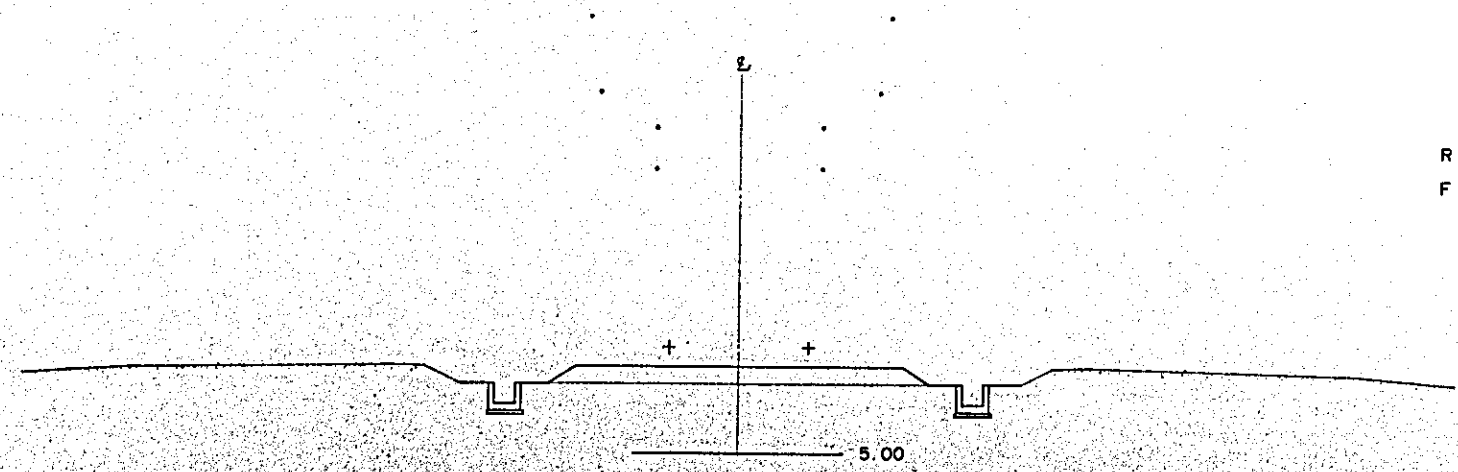
0<sup>K</sup>200<sup>M</sup>



0<sup>K</sup>300<sup>M</sup>



0<sup>K</sup>400<sup>M</sup>



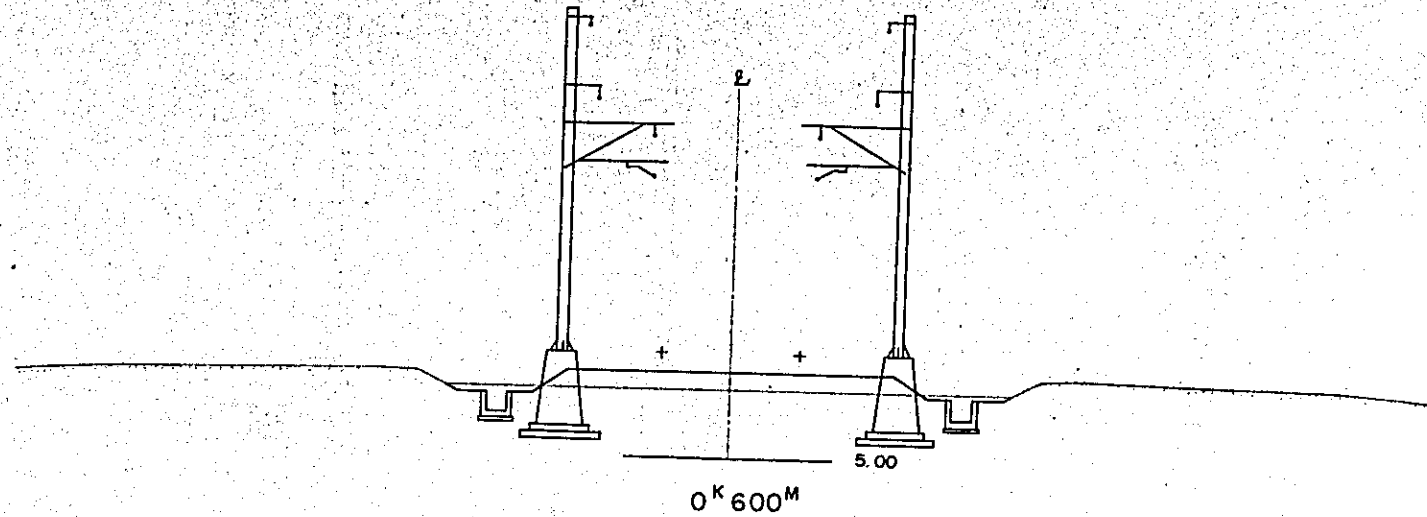
NEW RAILWAY LINE FOR  
CENG KARENG AIRPORT

CROSS SECTION  
NO. 2

SCALE 1:100

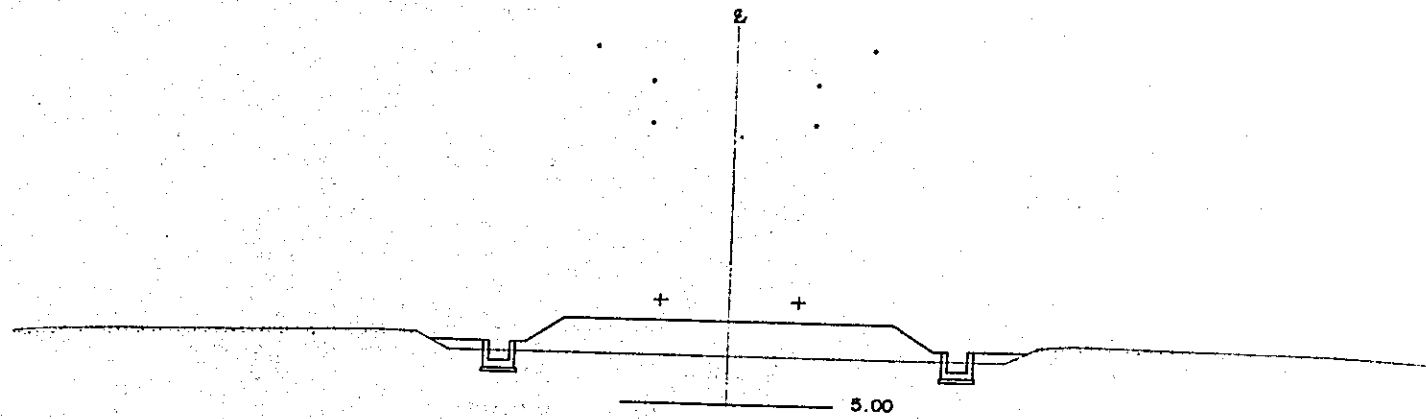
7/17

0<sup>K</sup>500<sup>M</sup>



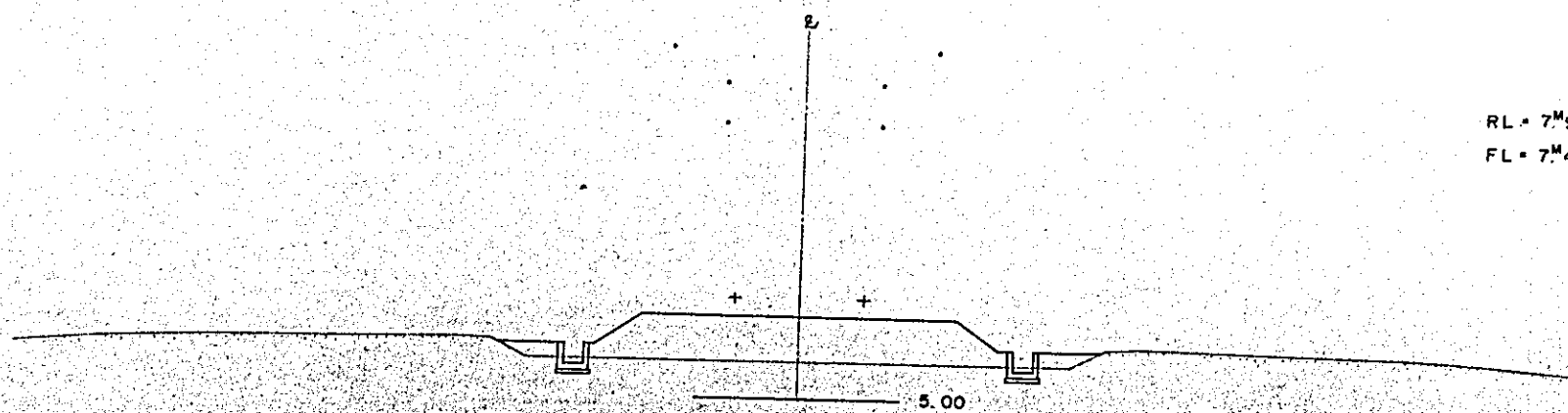
RL = 8<sup>M</sup>064  
FL = 7<sup>M</sup>500

0<sup>K</sup>600<sup>M</sup>



RL = 8<sup>M</sup>064  
FL = 7<sup>M</sup>500

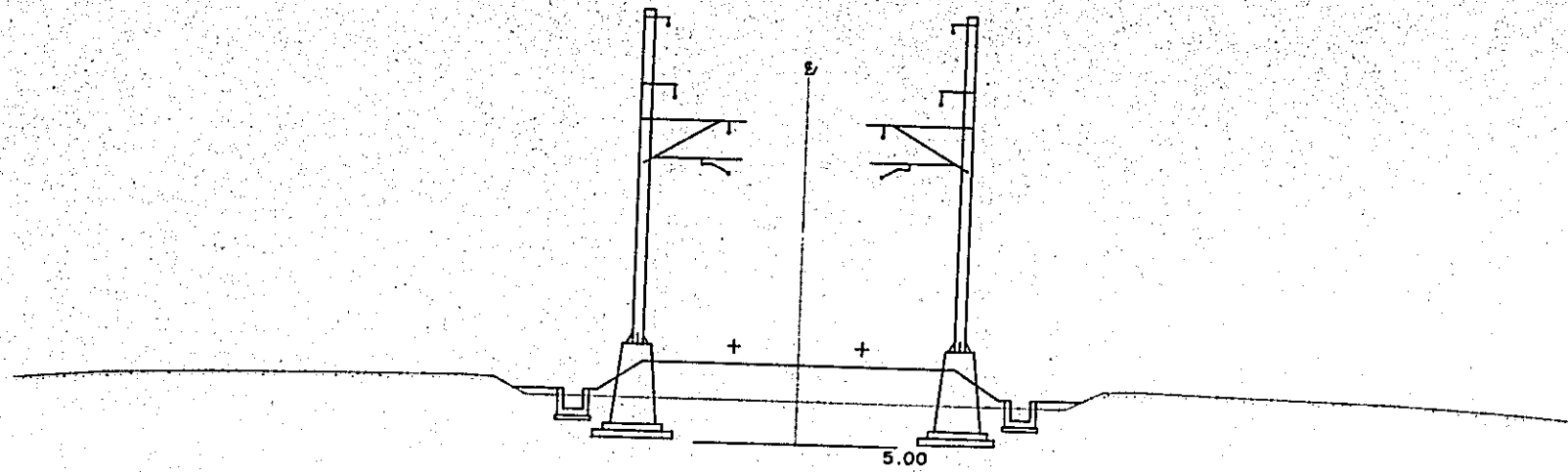
0<sup>K</sup>700<sup>M</sup>



RL = 7<sup>M</sup>970  
FL = 7<sup>M</sup>406

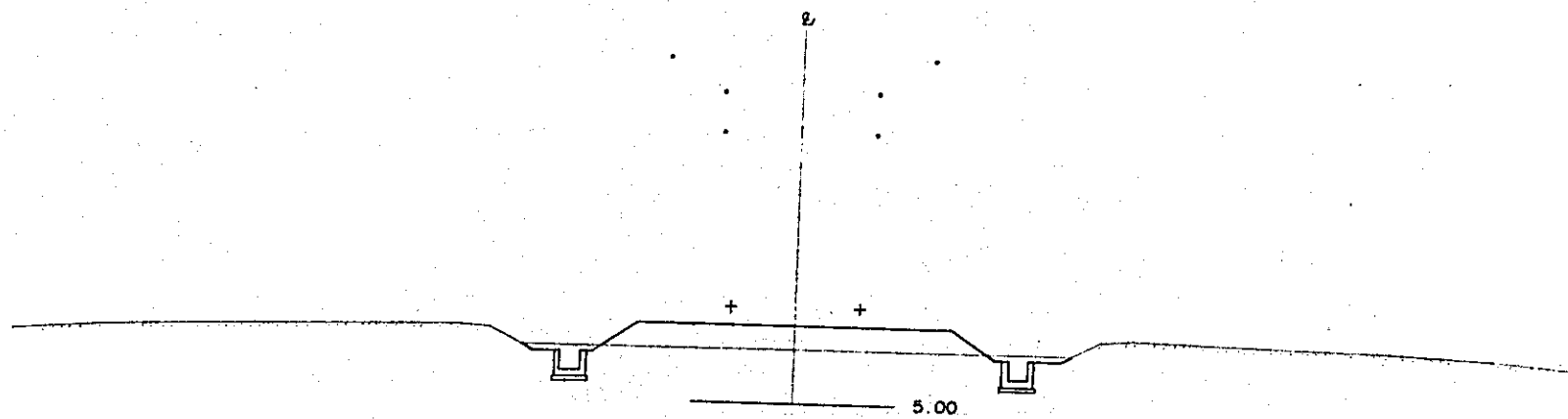
NEW RAILWAY LINE FOR  
CENKARENG AIRPORT  
CROSS SECTION  
NO. 3  
SCALE 1:100  
8/17

0<sup>K</sup> 800<sup>M</sup>



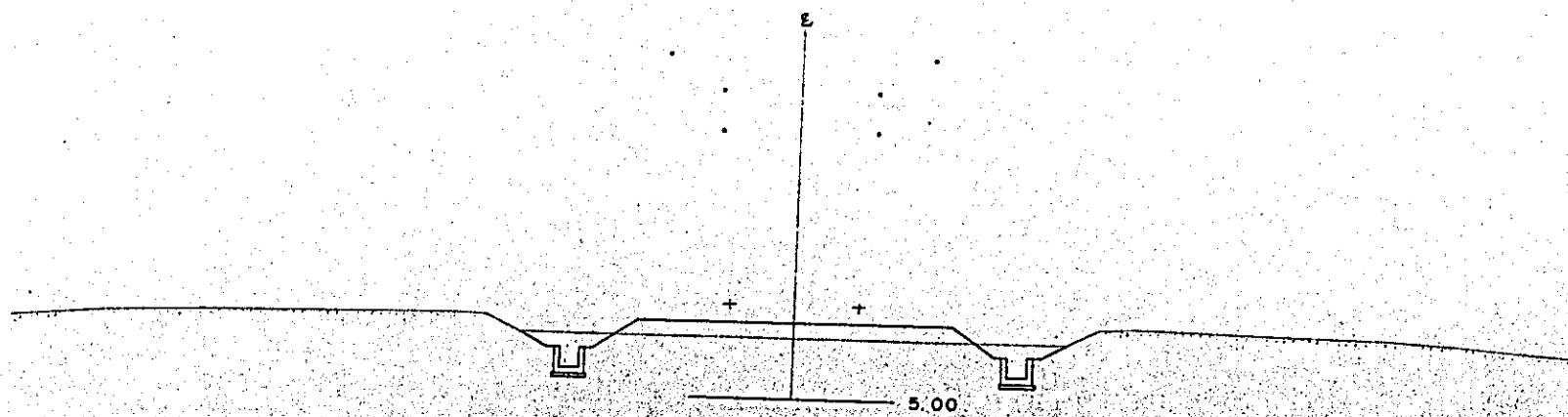
RL = 7<sup>M</sup>920  
FL = 7<sup>M</sup>356

0<sup>K</sup> 900<sup>M</sup>



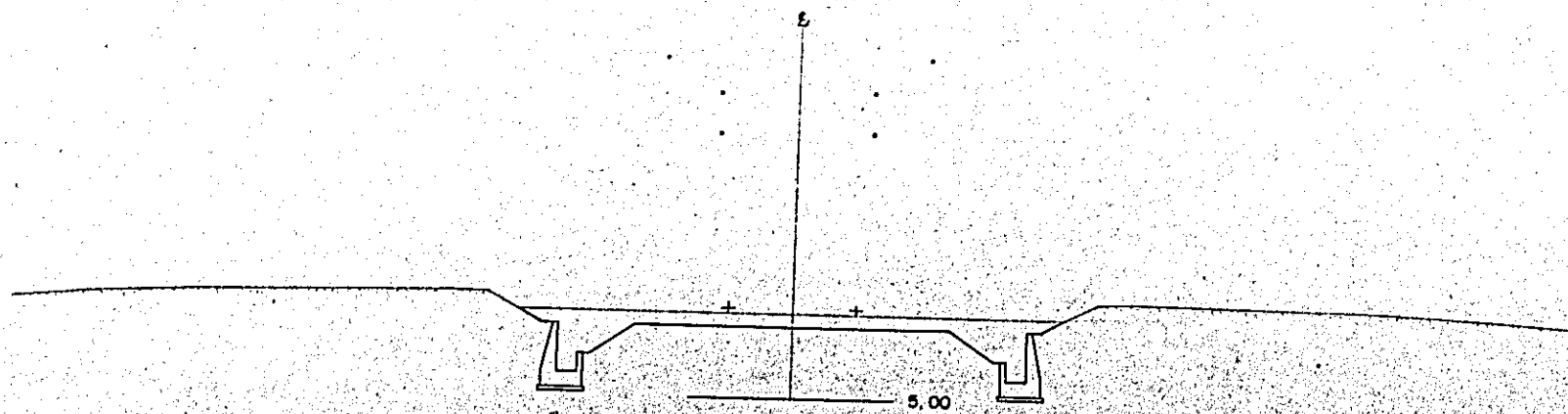
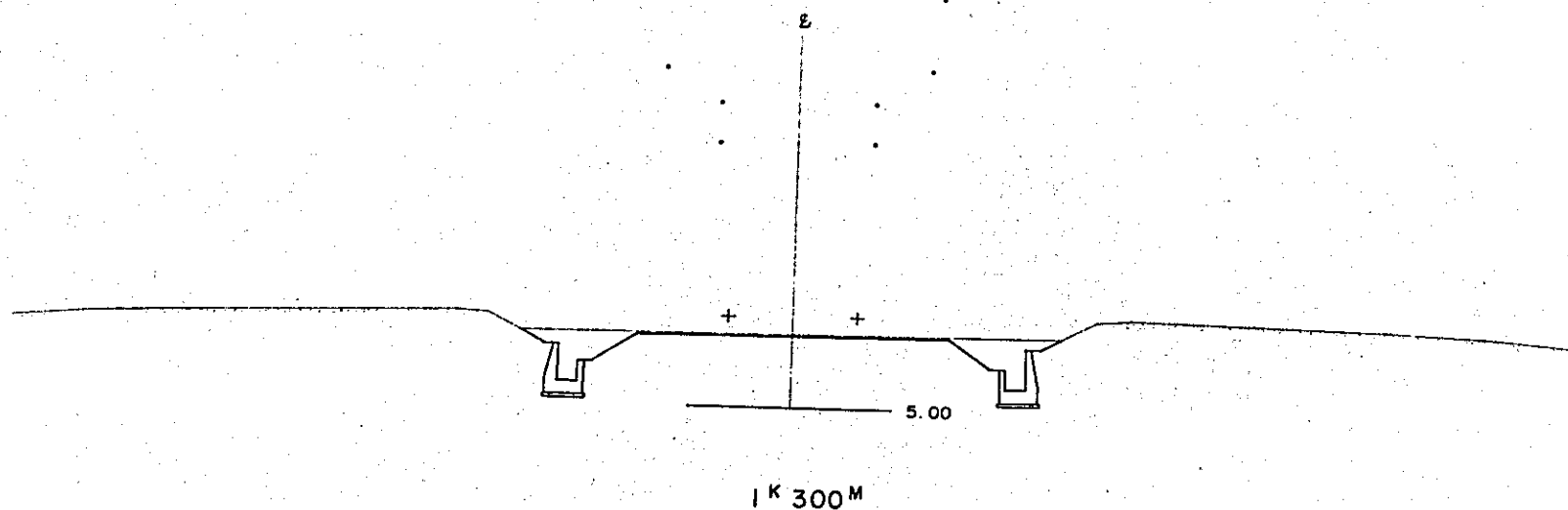
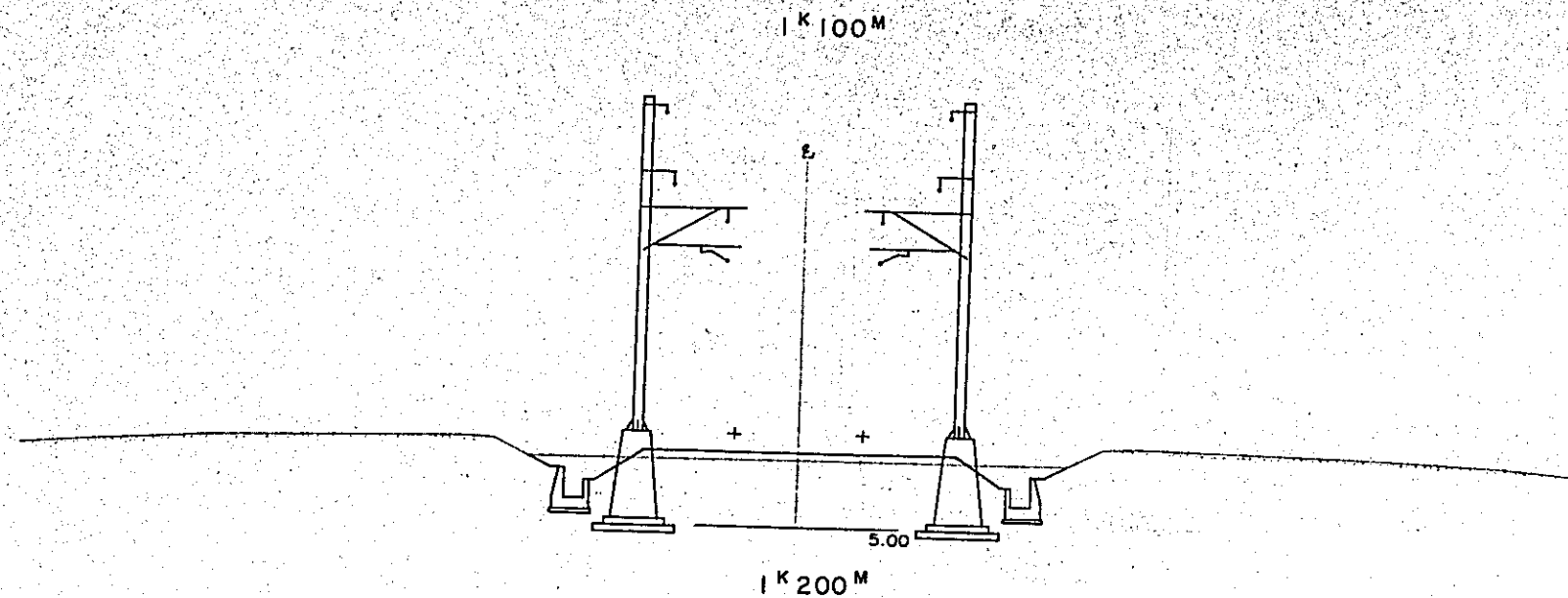
RL = 7<sup>M</sup>870  
FL = 7<sup>M</sup>306

1<sup>K</sup> 000<sup>M</sup>



RL = 7<sup>M</sup>820  
FL = 7<sup>M</sup>256

NEW RAILWAY LINE FOR  
CENGKARENG AIRPORT  
  
CROSS SECTION  
NO. 4  
  
SCALE 1:100  
9/17

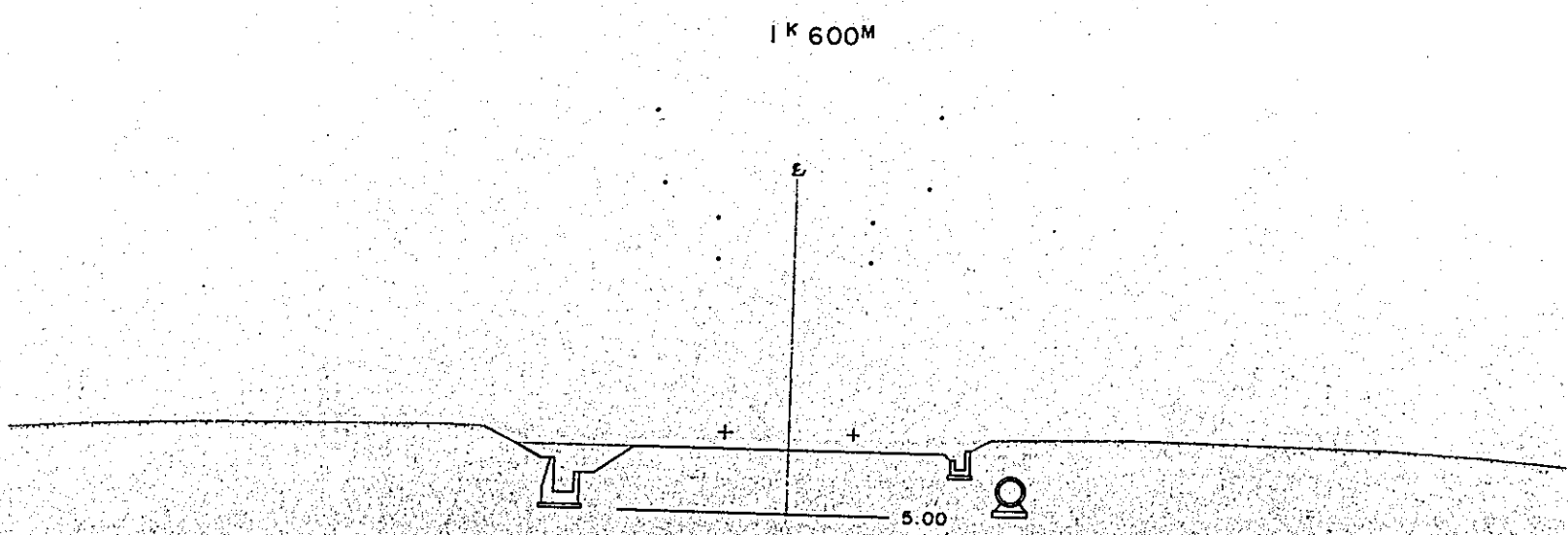
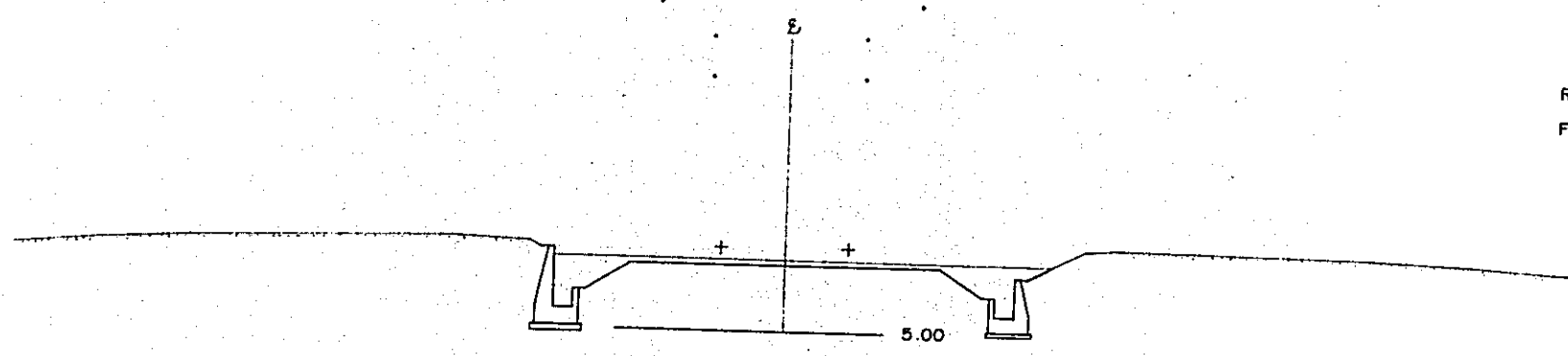
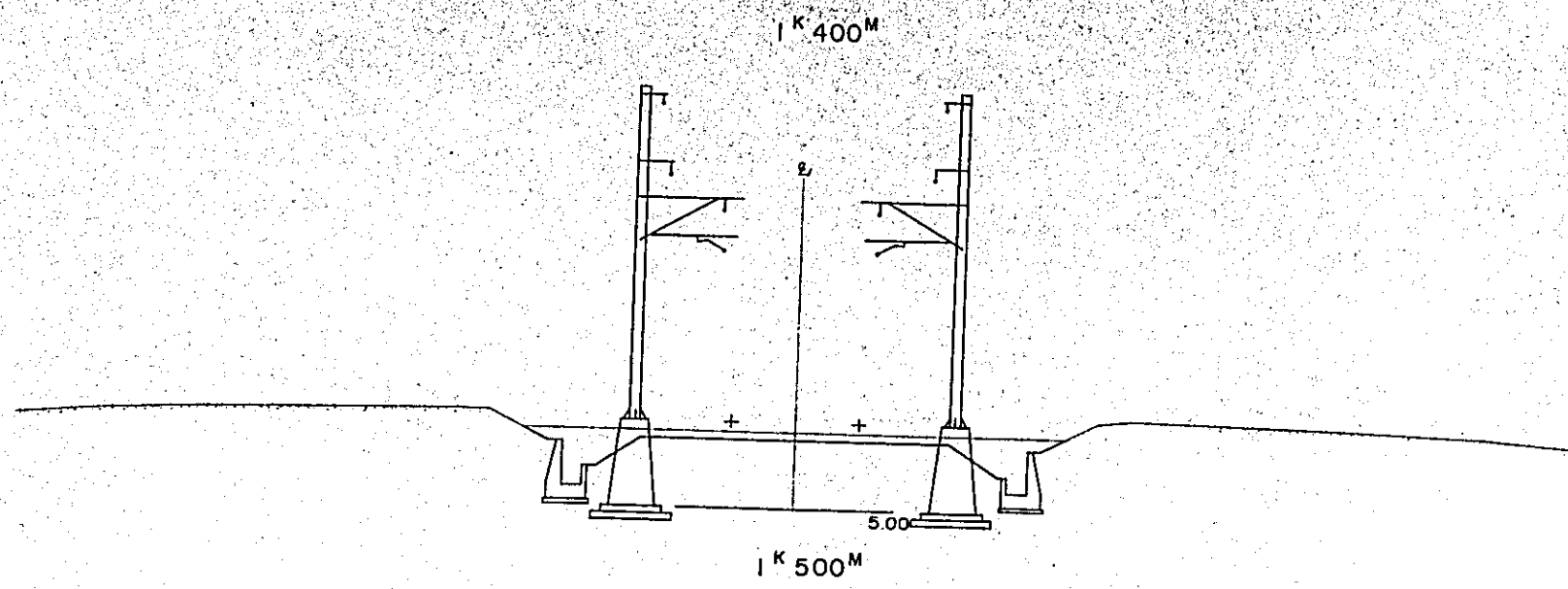


NEW RAILWAY LINE FOR  
CENKARENG AIRPORT

CROSS SECTION  
NO 5

SCALE 1:100

10/17

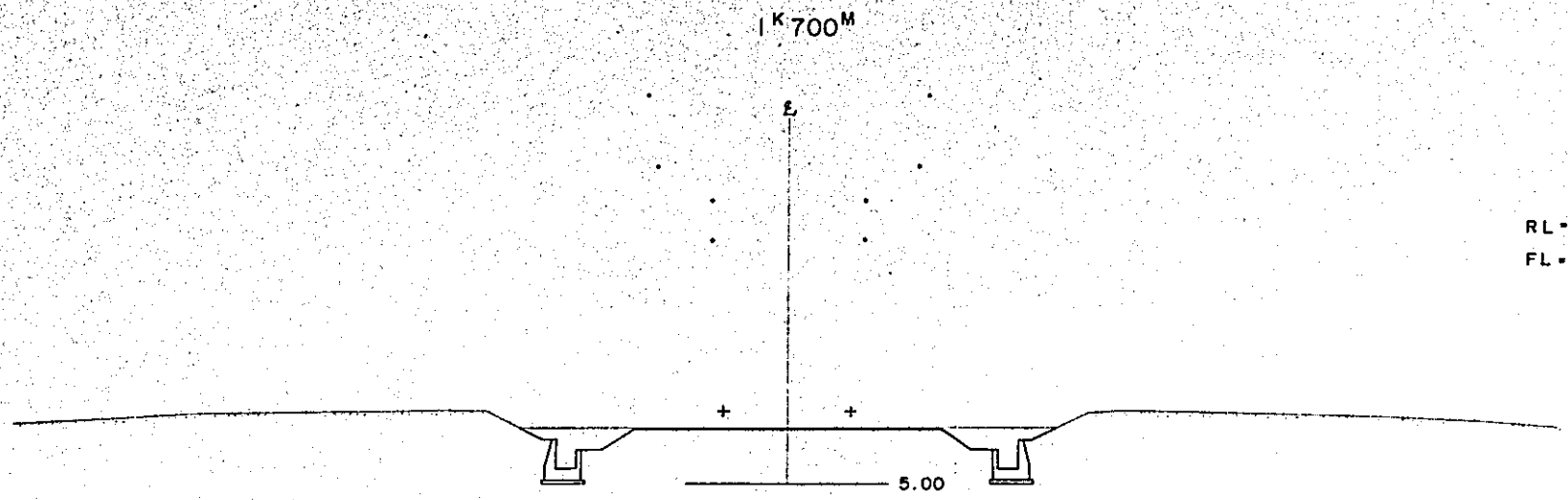


NEW RAILWAY LINE FOR  
CENGKARENG AIRPORT

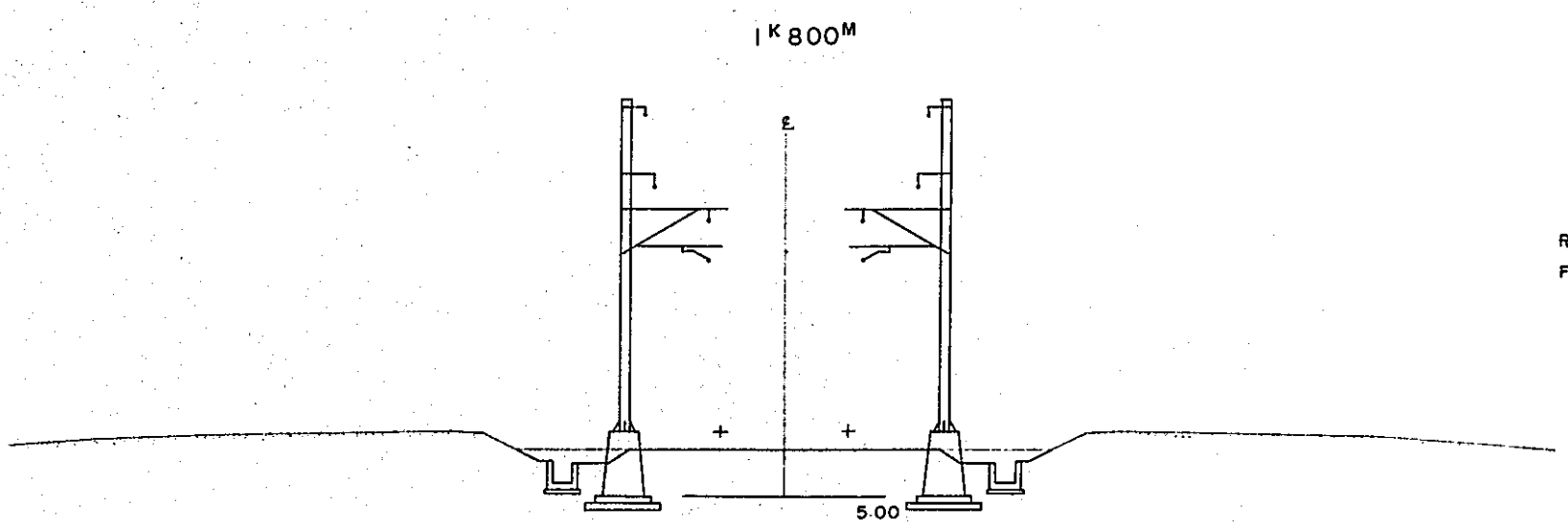
CROSS SECTION  
NO. 6

SCALE 1:100

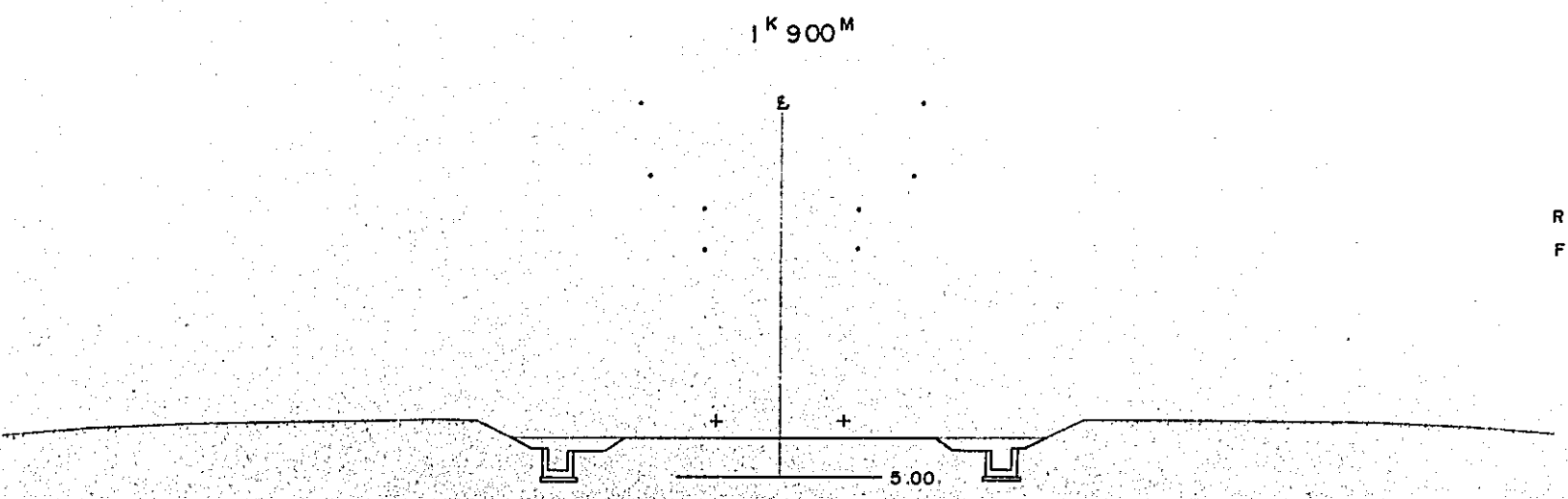
1/17



RL - 7<sup>M</sup>204  
 FL - 6<sup>M</sup>640



RL - 6<sup>M</sup>964  
 FL - 6<sup>M</sup>400



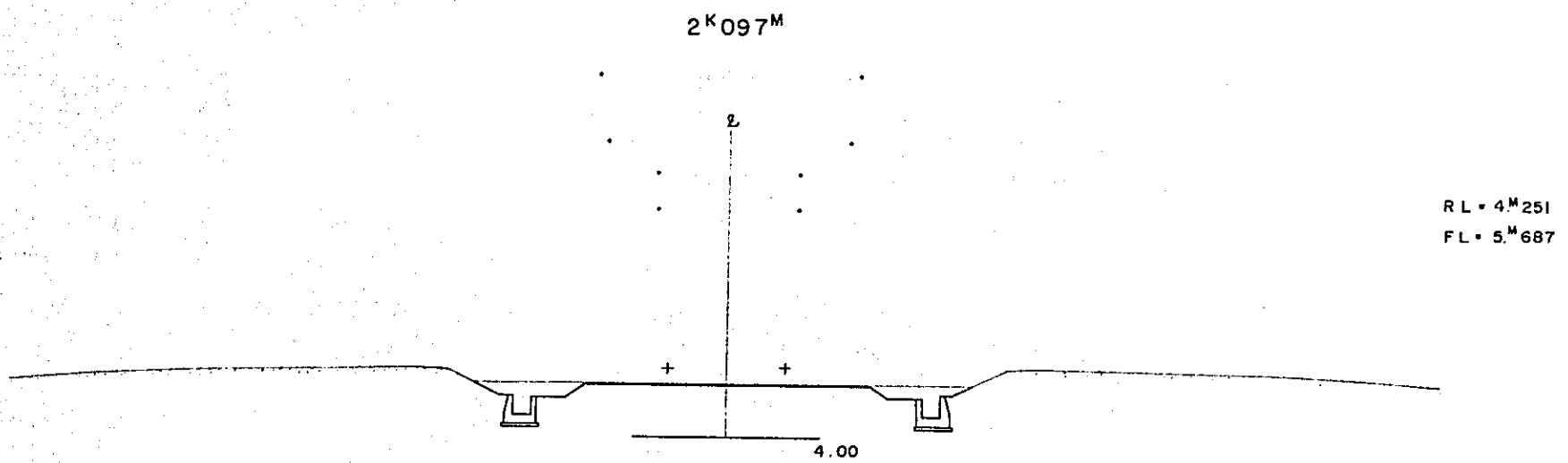
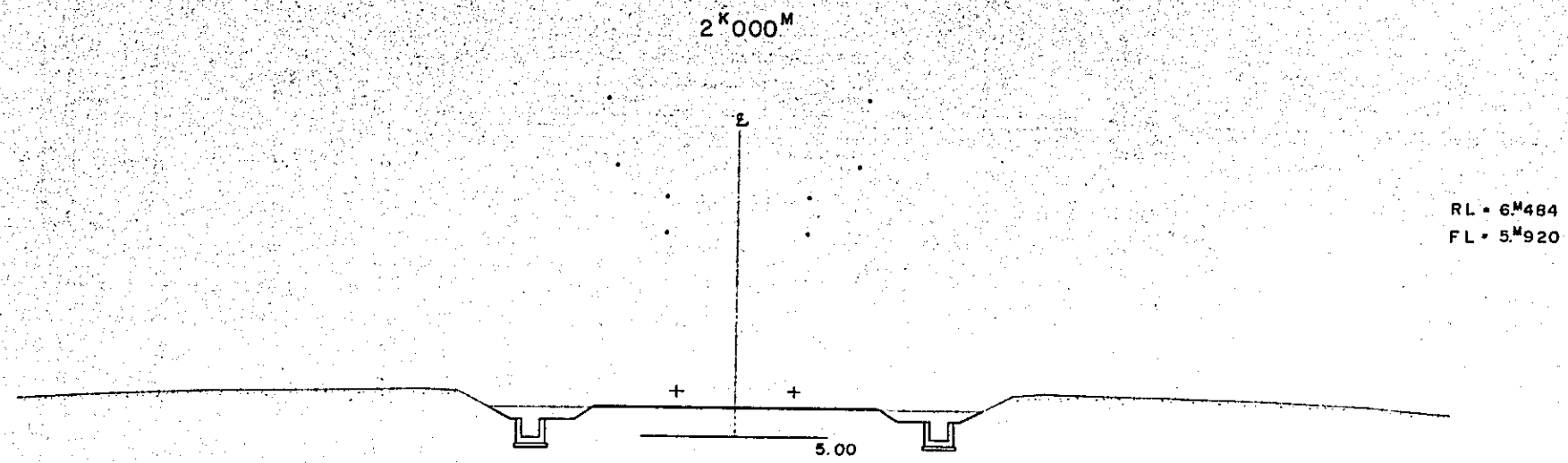
RL - 6<sup>M</sup>724  
 FL - 6<sup>M</sup>160

NEW RAILWAY LINE FOR  
 CENGKARENG AIRPORT

CROSS SECTION

NO. 7

SCALE 1:100



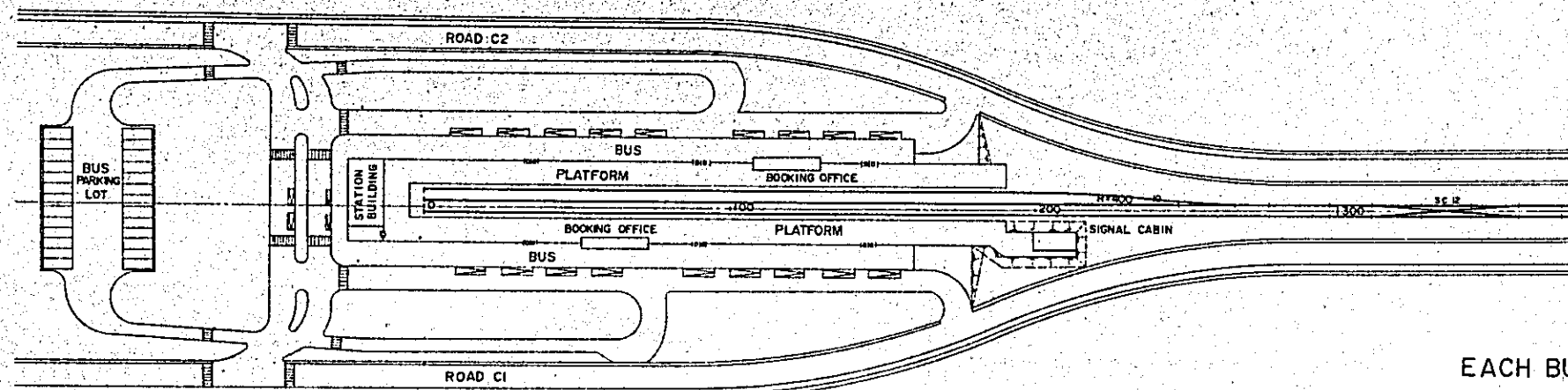
NEW RAILWAY LINE FOR  
CENGKARENG AIRPORT

CROSS SECTION  
NO. 8

SCALE 1:100

13/17

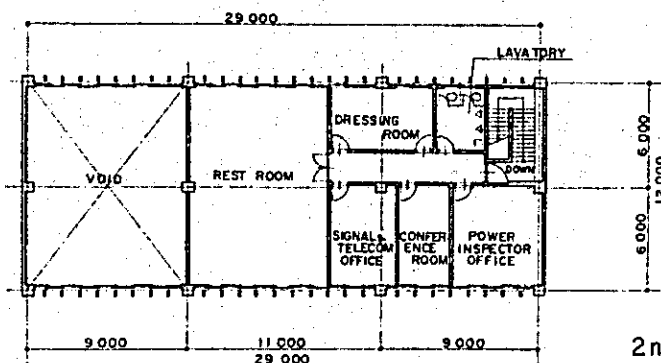




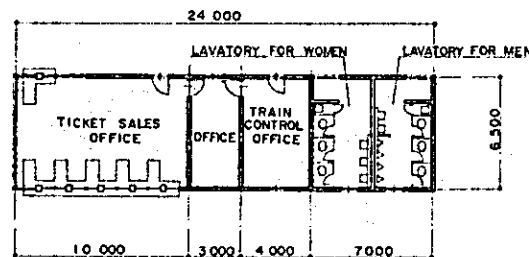
PLOT PLAN S = 1/1000

EACH BUILDING AREA

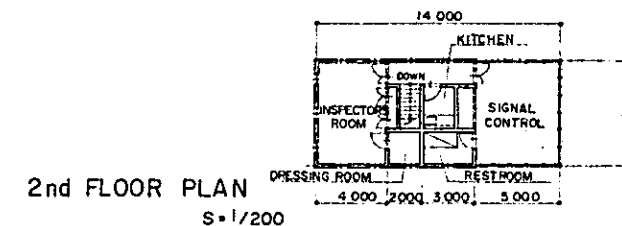
BUILDINGS	1st FLOOR AREA	2nd FLOOR AREA	TOTAL FLOOR AREA
STATION BUILDING	348,000 m <sup>2</sup>	348,000 m <sup>2</sup>	696,000 m <sup>2</sup>
BOOKING OFFICE	156,000 m <sup>2</sup> x 2		312,000 m <sup>2</sup>
SIGNAL CABIN	48,000 m <sup>2</sup>	84,000 m <sup>2</sup>	132,000 m <sup>2</sup>



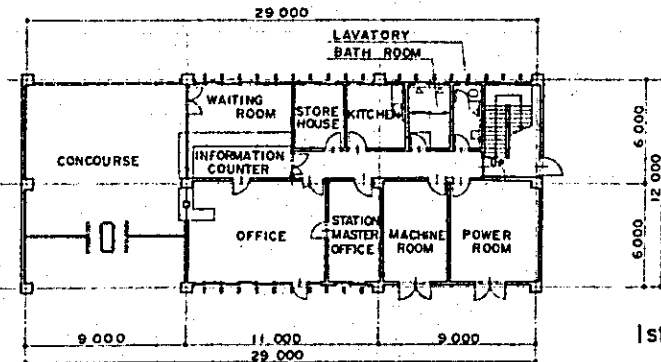
2nd FLOOR PLAN S = 1/200



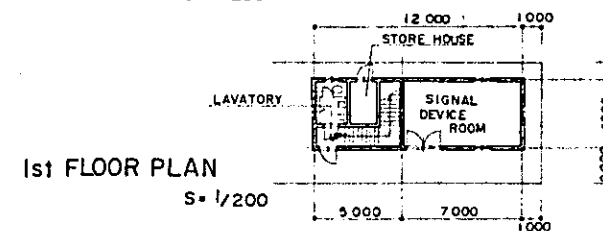
BOOKING OFFICE PLAN S = 1/200



2nd FLOOR PLAN S = 1/200



1st FLOOR PLAN S = 1/200



1st FLOOR PLAN S = 1/200

SIGNAL CABIN PLAN

STATION BUILDING PLAN



SIGNAL CABIN ELEVATION S = 1/200



BOOKING OFFICE ELEVATION S = 1/200

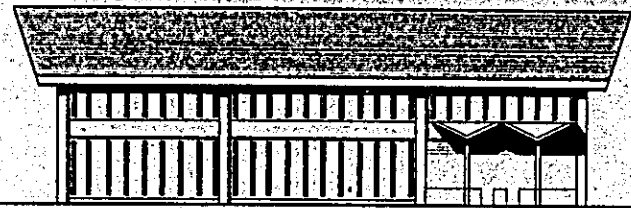
NEW RAILWAY LINE FOR  
CENKARENG AIRPORT

STATION BUILDING

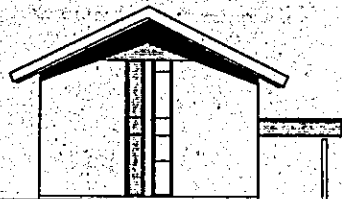
NO. 1

SCALE 1:1000  
1:200

14/17



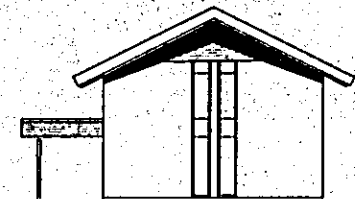
WEST ELEVATION 1:200



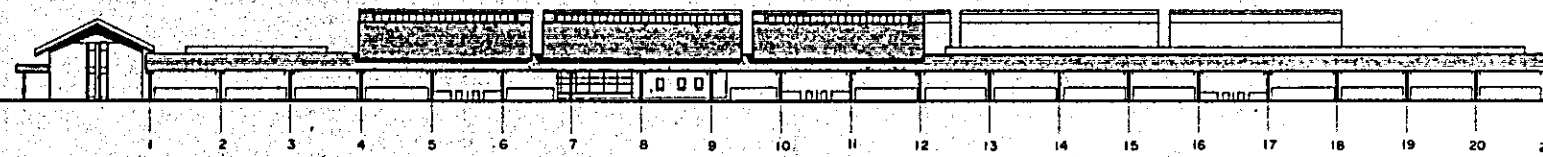
NORTH ELEVATION 1:200



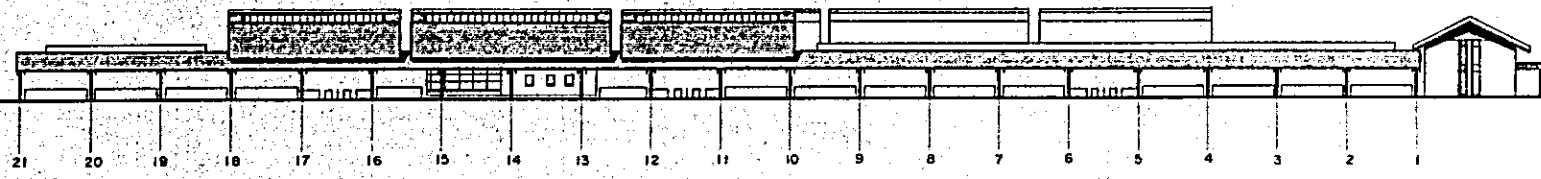
EAST ELEVATION 1:200



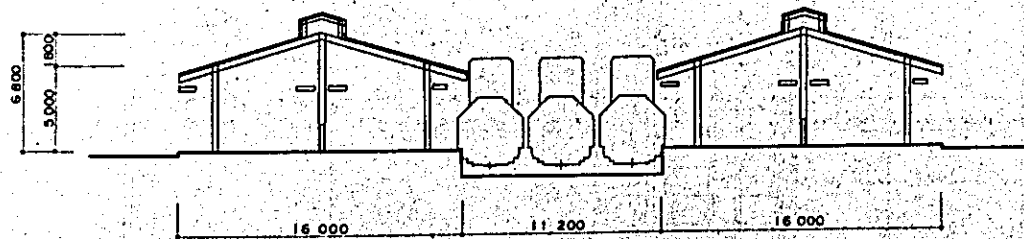
SOUTH ELEVATION 1:200



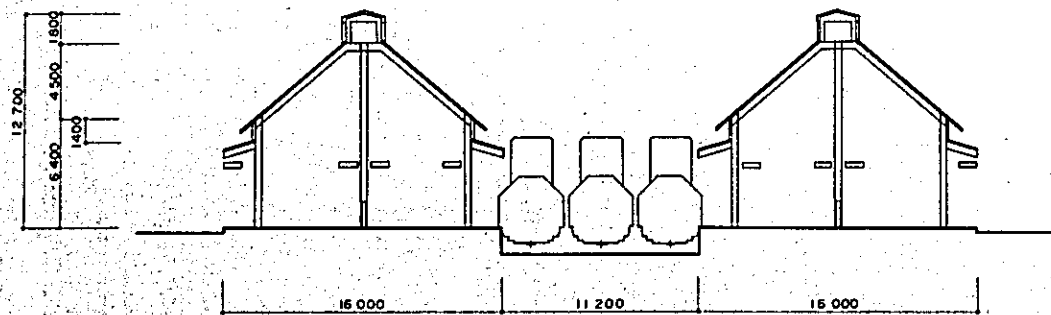
SOUTH ELEVATION 1:500



NORTH ELEVATION 1:500



CROSS SECTION 1:200



CROSS SECTION 1:200

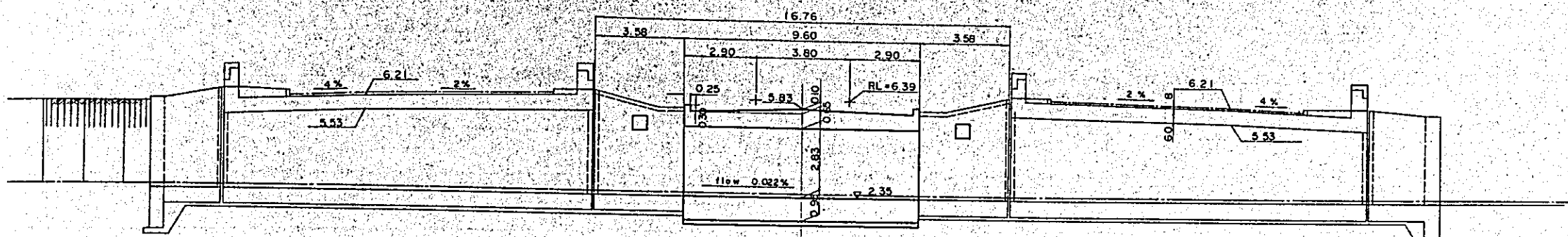
NEW RAILWAY LINE FOR  
CENGKARENG AIRPORT

STATION BUILDING

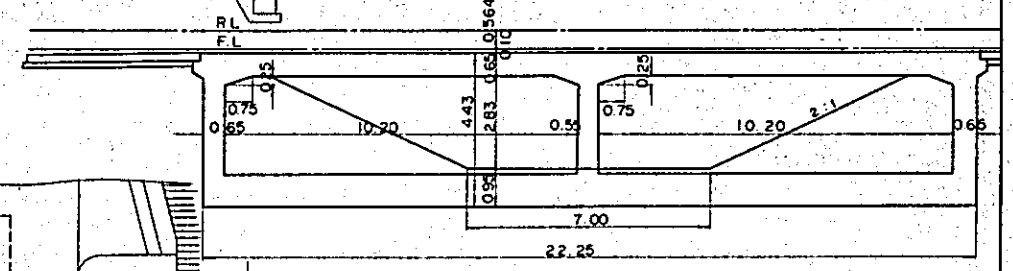
NO. 2

SCALE 1:500  
1:200

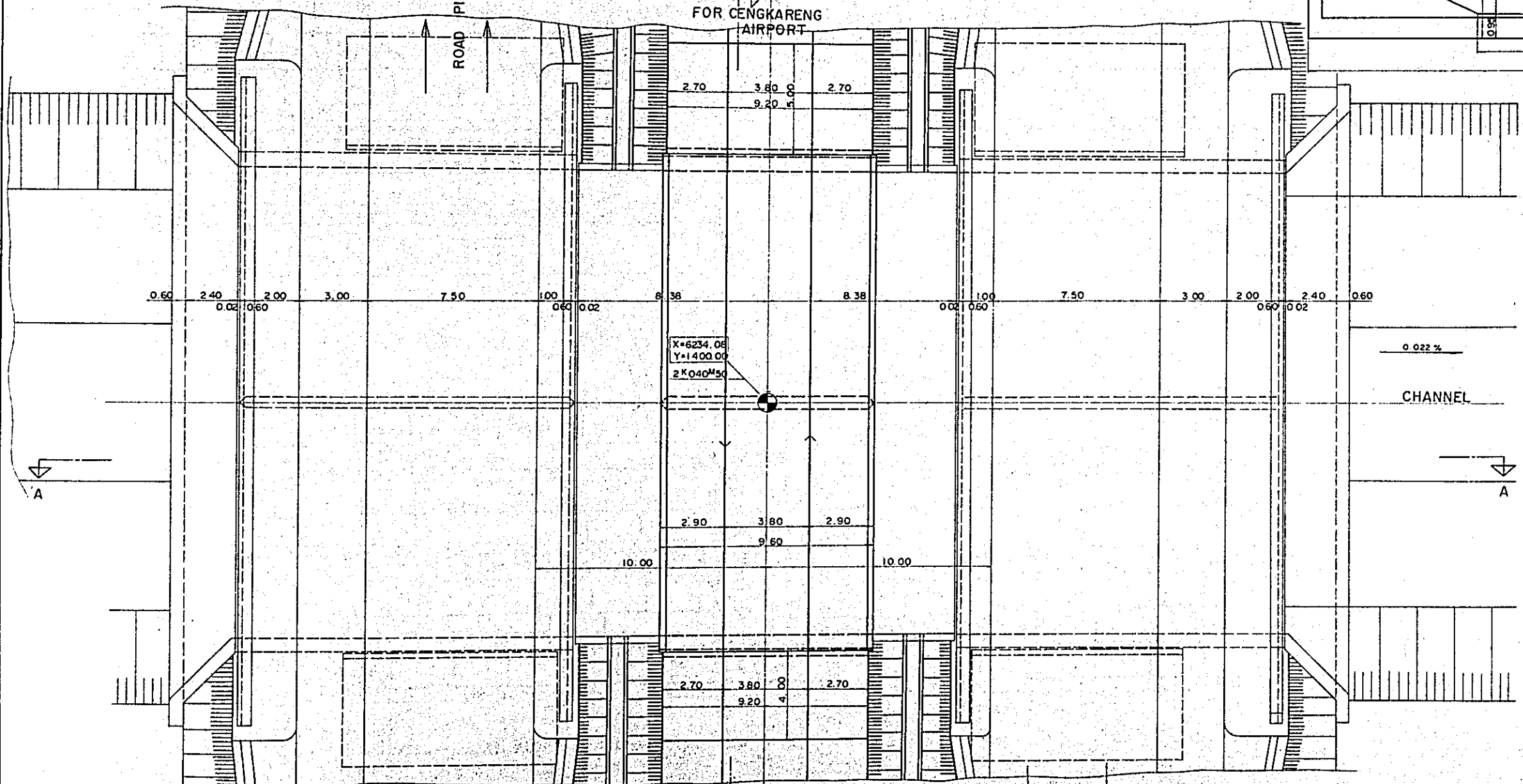
SECTION A-A



SECTION B-B



FOR CENGKARENG AIRPORT



FOR JAKARTA

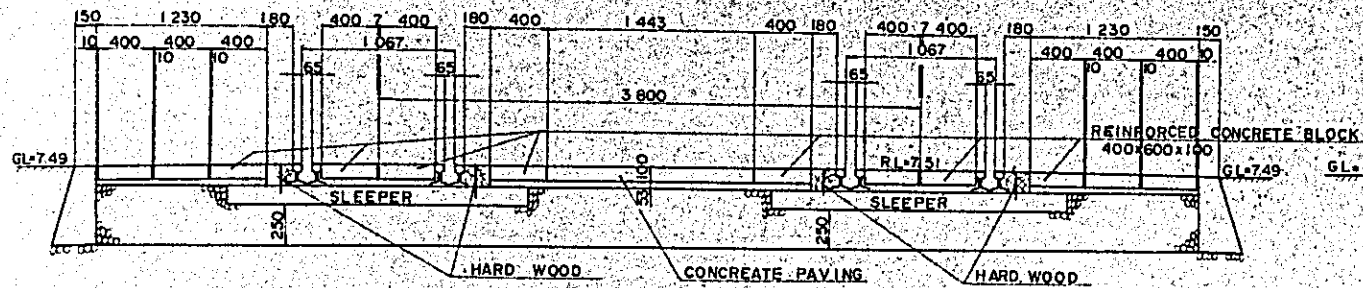
PLAN VIEW

NEW RAILWAY LINE FOR  
CENGKARENG AIRPORT  
BRIDGE (2K040M50)  
GENERAL VIEW

SCALE 1:100

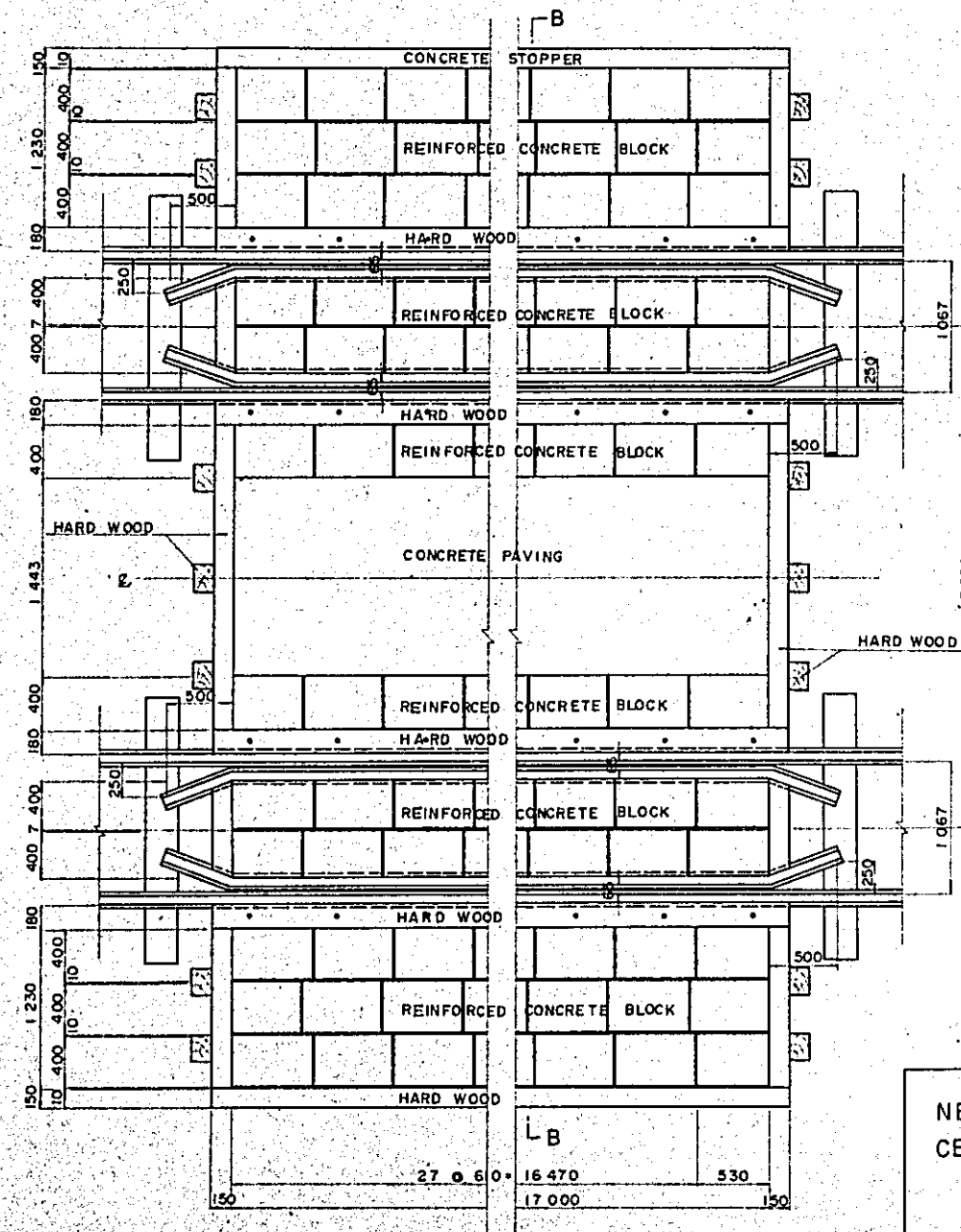
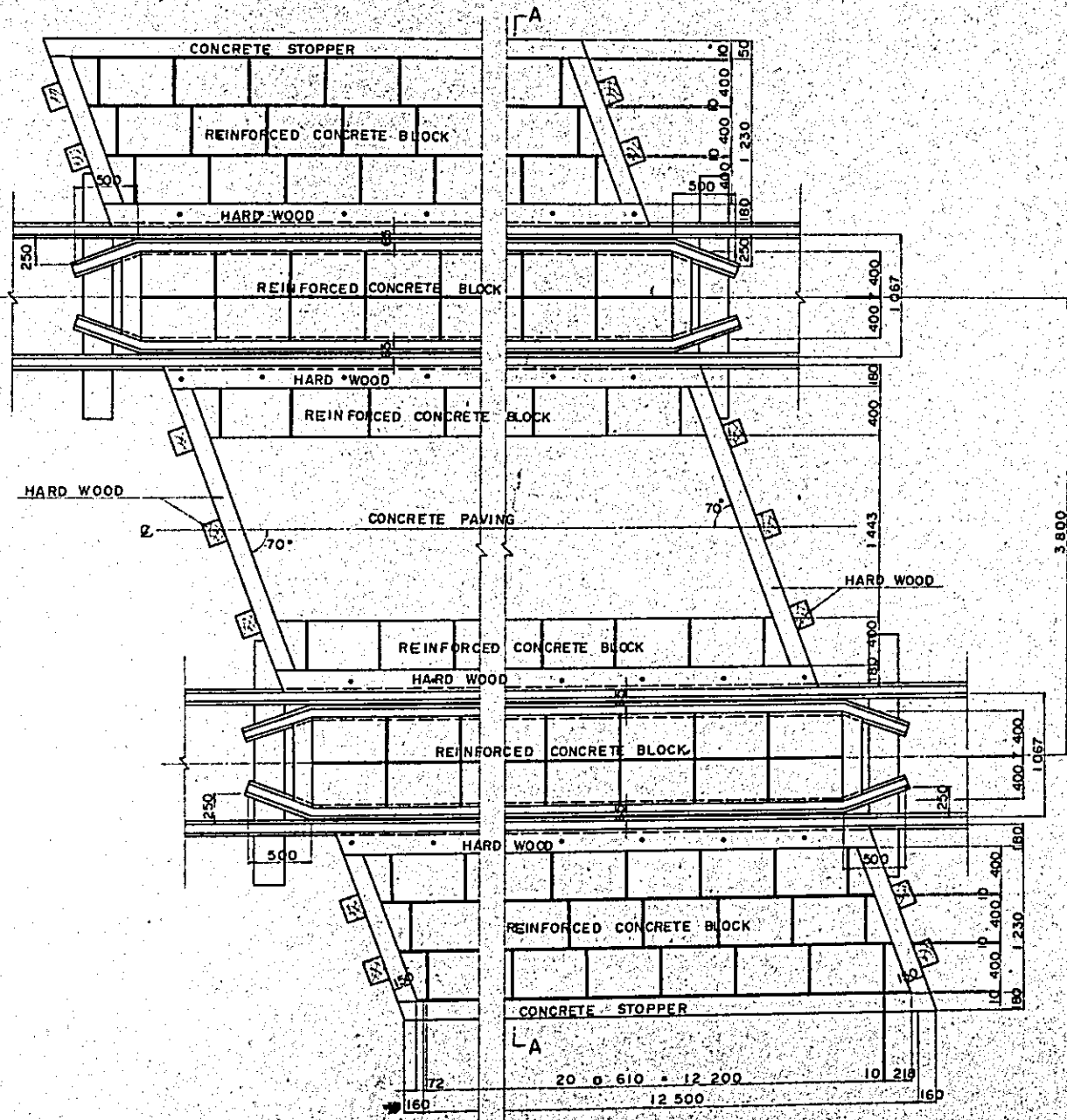
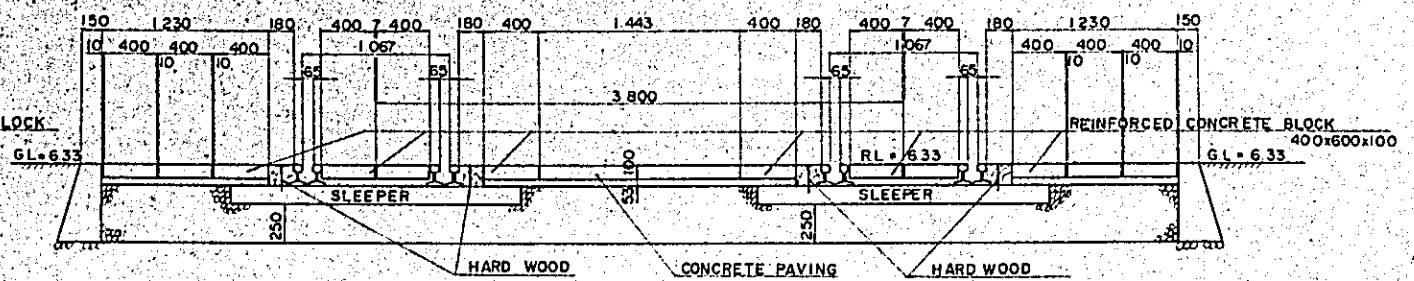
LEVEL CROSSING NO. 1 s=1/25  
1'K574m

A-A

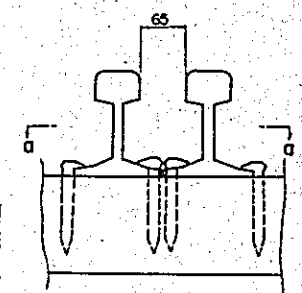


LEVEL CROSSING NO. 2 s=1/25  
2'K064m

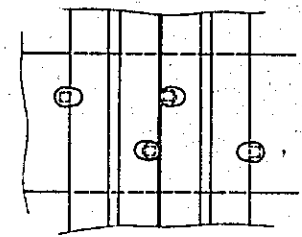
B-B



rail fastening s=1/5



a-a



NEW RAILWAY LINE FOR  
CENGKARENG AIRPORT  
LEVEL CROSSING  
PAVEMENT  
NO. 1 1'K574M00  
NO. 2 2'K064M00  
SCALE 1:25  
1:5

