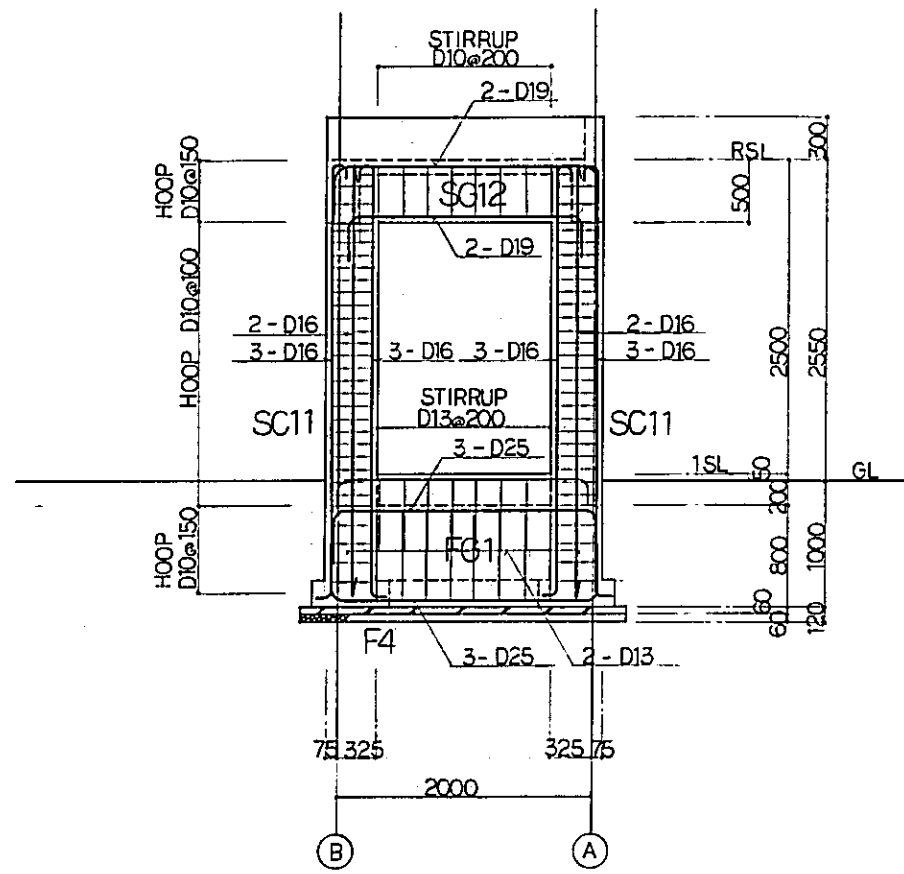


250  
125 125  
150  
35  
35  
BASE PLATE . R-9  
ANCHOR BOLTS . 2-M16  
SECTION A  
SCALE 1:30

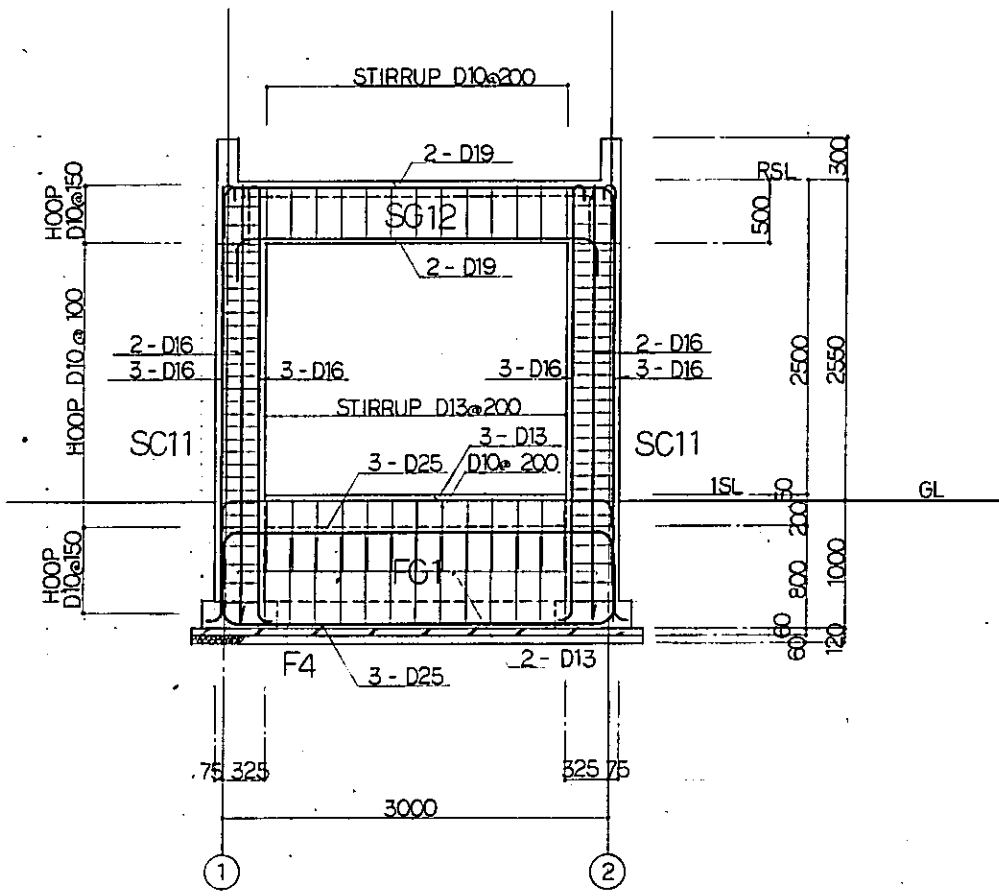
① LINE FRAMING DETAIL  
SCALE 1:30  
UNLESS OTHERWISE NOTED  
WEB BAR : 2 - D10

② LINE FRAMING DETAIL  
SCALE 1:30

REPUBLIC OF INDONESIA MINISTRY OF COMMUNICATIONS DIRECTORATE GENERAL OF LAND TRANSPORT AND INLAND WATERWAYS					
NEW RAILWAY LINE FOR CENGKARENG AIRPORT CONSTRUCTION PROJECT					
JAPAN INTERNATIONAL COOPERATION AGENCY (JICA)					
B	1 AUG 94	DLN	SKM	AK	
A	15 FEB 89	SKM	SKM	AK	
REVISIONS	DATE	DESIGNED	DRAWN	CHECKED	SUBMITTED
SIGNAL CABIN B FRAMING DETAIL					
PACKAGE: I CIVIL AND ARCHITECTURAL WORK					
SCALE 1:30	DRAWING NO: AS.- 021				



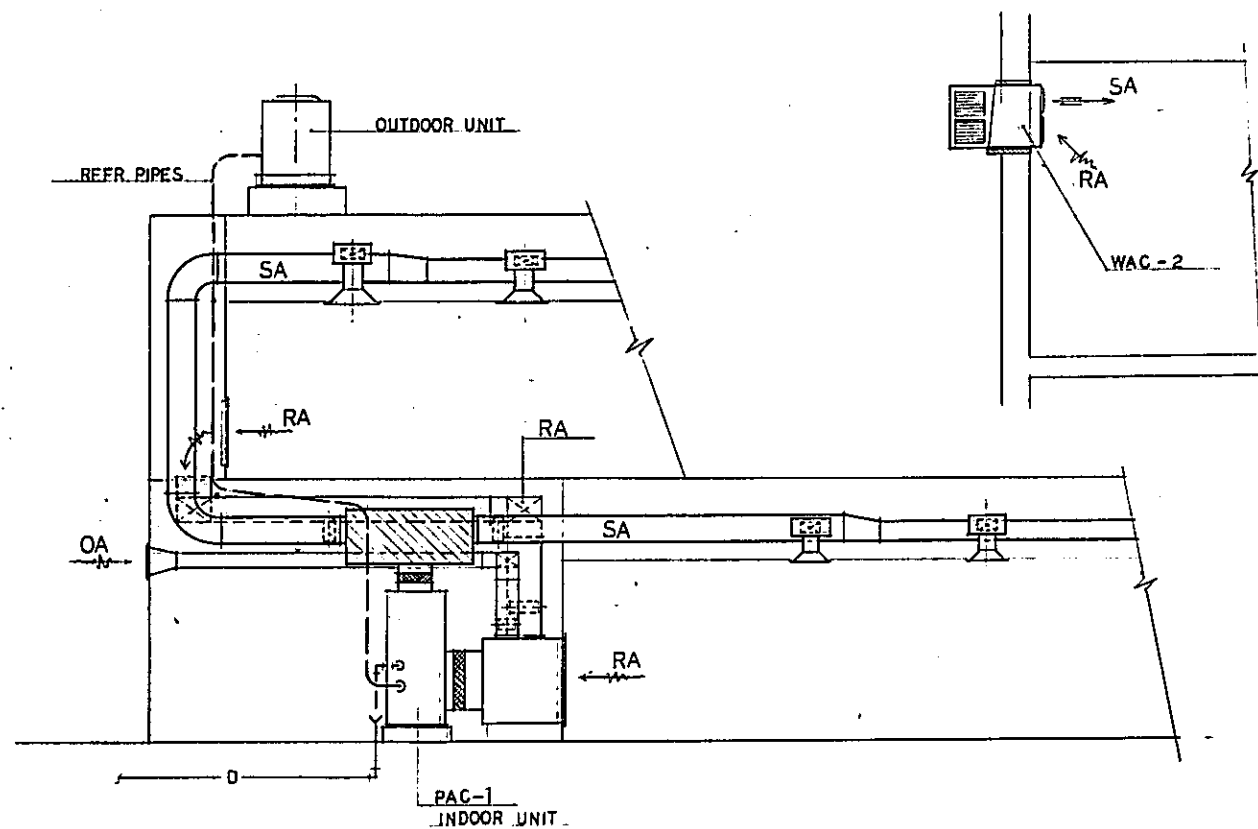
① LINE FRAMING DETAIL  
SCALE 1:30



② LINE FRAMING DETAIL  
SCALE 1:30

REPUBLIC OF INDONESIA MINISTRY OF COMMUNICATIONS DIRECTORATE GENERAL OF LAND TRANSPORT AND INLAND WATERWAYS					
NEW RAILWAY LINE FOR CENGKARENG AIRPORT CONSTRUCTION PROJECT					
JAPAN INTERNATIONAL COOPERATION AGENCY (JICA)					
B	1 AUG 2014	HM	SK	K.M	M.K
A	15 FEB 2014	CH	SK	K.M	M.K
REVISIONS	DATE	DESIGNED	DRAWN	CHECKED	SUBMITTED
CROSSING WATCHMAN'S BOX FRAMING DETAIL					
PACKAGE: I CIVIL AND ARCHITECTURAL WORK					
SCALE: 1:30		DRAWING NO: AS - 022			

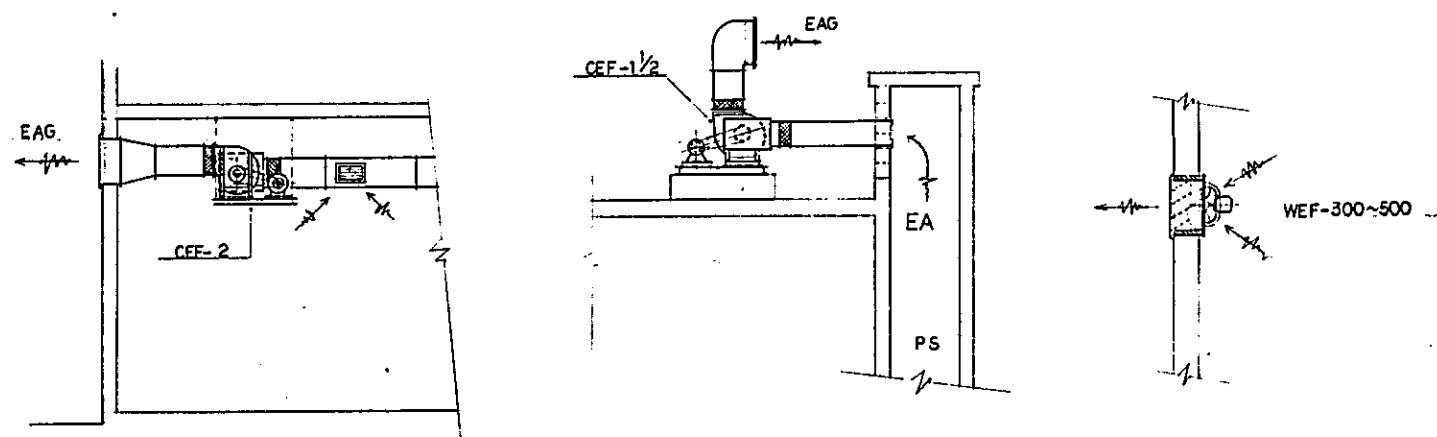
AIR CONDITIONING DIAGRAM



SCHEDULE OF VAC EQUIPMENT

SYMBOL	NAME OF EQUIPMENT	SPECIFICATION	ELEC DATA			ACCESSORIES	QTY
			V	PHASE	HZ		
PAC-1	AIR-COOLED TYPE PACKAGED AIR CONDITIONER	CAP: 16 <sup>RT</sup> , INDOOR-UNIT COMP. FAN 15 KW 3.7KW OUTDOOR-UNIT FAN 0.4KW x 2	380	3	50	REFR-PIPES	1
2	DITTO	CAP: 6 <sup>RT</sup> , INDOOR-UNIT COMP. FAN 5.5KW 0.55KW OUTDOOR-UNIT FAN 0.3 KW	220	1	50	DITTO	
WAC-1	WINDOW-MOUNTED ROOM AIR CONDITIONER	CAP: 1.9 <sup>RT</sup> , APPROX. 650 <sup>W</sup> x420 <sup>H</sup> x760 <sup>D</sup> , 3.4 <sup>KW</sup>	220	1	50	COOLER FRAME	
2	DITTO	CAP: 1.4 <sup>RT</sup> , APPROX. 650 <sup>W</sup> x420 <sup>H</sup> x650 <sup>D</sup> , 2.3 <sup>KW</sup>	220	1	50	DITTO	2
CEF-1/2	CENTRIFUGAL FAN	1400 x 400 x 400 mm, 0.75 KW	380	3	50	ANTIVIBRATION FRAME	1
2	DITTO	3600 x 350 x 150 mm	380	3	50	DITTO	1
2 1/2	DITTO	5600 x 450 x 220 mm	380	3	50	DITTO	
PEF-200	PIPE EXHAUST FAN	200 x 300 x 100 mm, 75 W	220	1	50	HS	
WEF-250	WALL-TYPE EXHAUST FAN	250 x 300 x 60 mm, 25 W	220	1	50	EAG	
300	DITTO	300 x 600 x 80 x 50 mm	220	1	50	DITTO	1
350	DITTO	350 x 850 x 80 x 100 mm	220	1	50	DITTO	2
400	DITTO	400 x 1300 x 80 x 200 mm	220	1	50	DITTO	
500	DITTO	500 x 1600 x 150 x 300 mm	220	1	50	DITTO	1

VENTILATION SYSTEM DIAGRAM



DUCT MATERIAL

MINIMUM DUCT GALVANIZED SHEET STEEL METAL GAGES

GAGE / THK (mm)	RECTANGULAR (mm)	ROUND (φmm)
26 0.5 APPROX	UP THROUGH 300 <sup>(1)</sup>	UP THROUGH 200
24 0.6	325 " 762	255 " 558
22 0.8	778 " 1300	583 " 900
20 1.0	1325 " 2130	925 " 1270
18 1.2	2155 " 3050	

(1) DIMENSION OF LONGEST SIDE

REPUBLIC OF INDONESIA  
MINISTRY OF COMMUNICATIONS  
DIRECTORATE GENERAL OF LAND TRANSPORT AND INLAND WATERWAYS

NEW RAILWAY LINE FOR CENGKARENG AIRPORT CONSTRUCTION PROJECT

JAPAN INTERNATIONAL COOPERATION AGENCY (JICA)

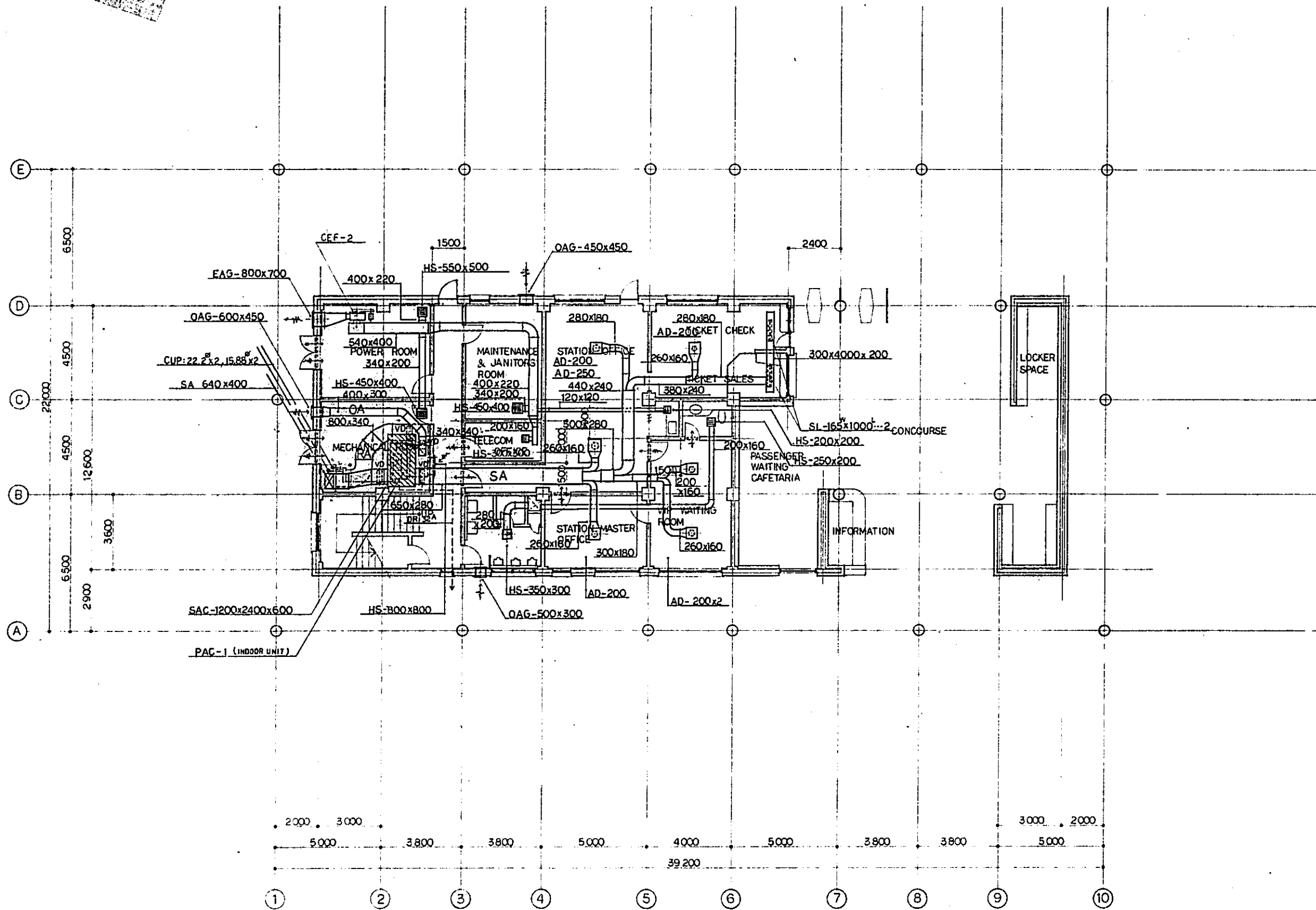
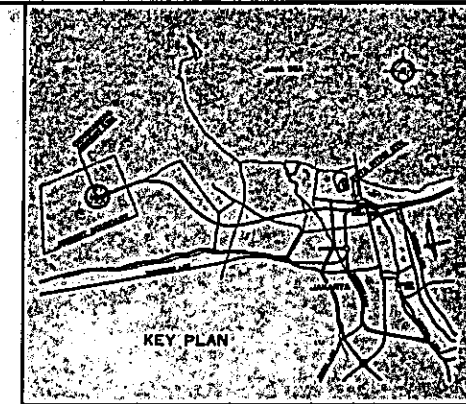
B	1 AUG 89	OK	OK	OK	OK	OK
A	15 FEB 89	OK	OK	OK	OK	OK

REVISIONS DATE DESIGN DRAWN CHECKED REVIEWED SUBMITTED

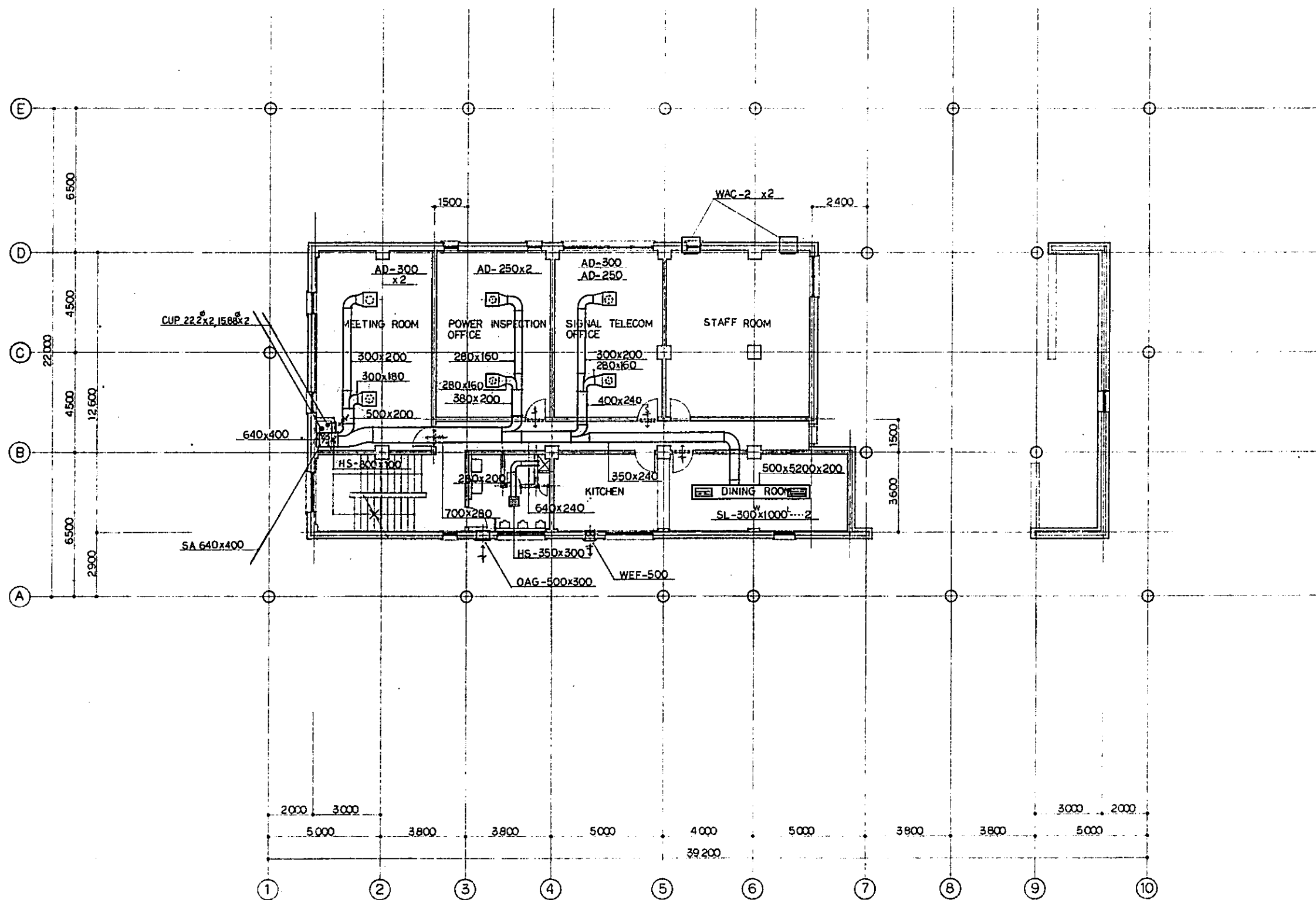
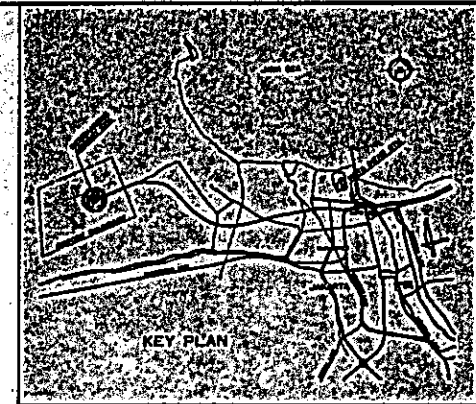
AIRPORT TERMINAL BUILDING  
VAC  
GENERAL NOTES AND APPARATUS SCHEDULE

PACKAGE: I CIVIL AND ARCHITECTURAL WORK

SCALE: NONE DRAWING NO: AM-001



REPUBLIC OF INDONESIA MINISTRY OF COMMUNICATIONS DIRECTORATE GENERAL OF LAND TRANSPORT AND INLAND WATERWAYS					
NEW RAILWAY LINE FOR CENGKARENG AIRPORT CONSTRUCTION PROJECT					
JAPAN INTERNATIONAL COOPERATION AGENCY (JICA)					
B	1 AUG 89	MM	MM	5.26 KM	MM
A	15 FEB 89	MM	MM	5.26 KM	MM
REVISIONS	DATE	DESIGNED	DRAWN	CHECKED	REVIEWED
AIRPORT TERMINAL BUILDING VAC 1F PLAN					
PACKAGE: I CIVIL AND ARCHITECTURAL WORK					
SCALE	DRAWING NO.				
1:100	AM-002				



REPUBLIC OF INDONESIA  
 MINISTRY OF COMMUNICATIONS  
 DIRECTORATE GENERAL OF LAND TRANSPORT AND INLAND WATERWAYS

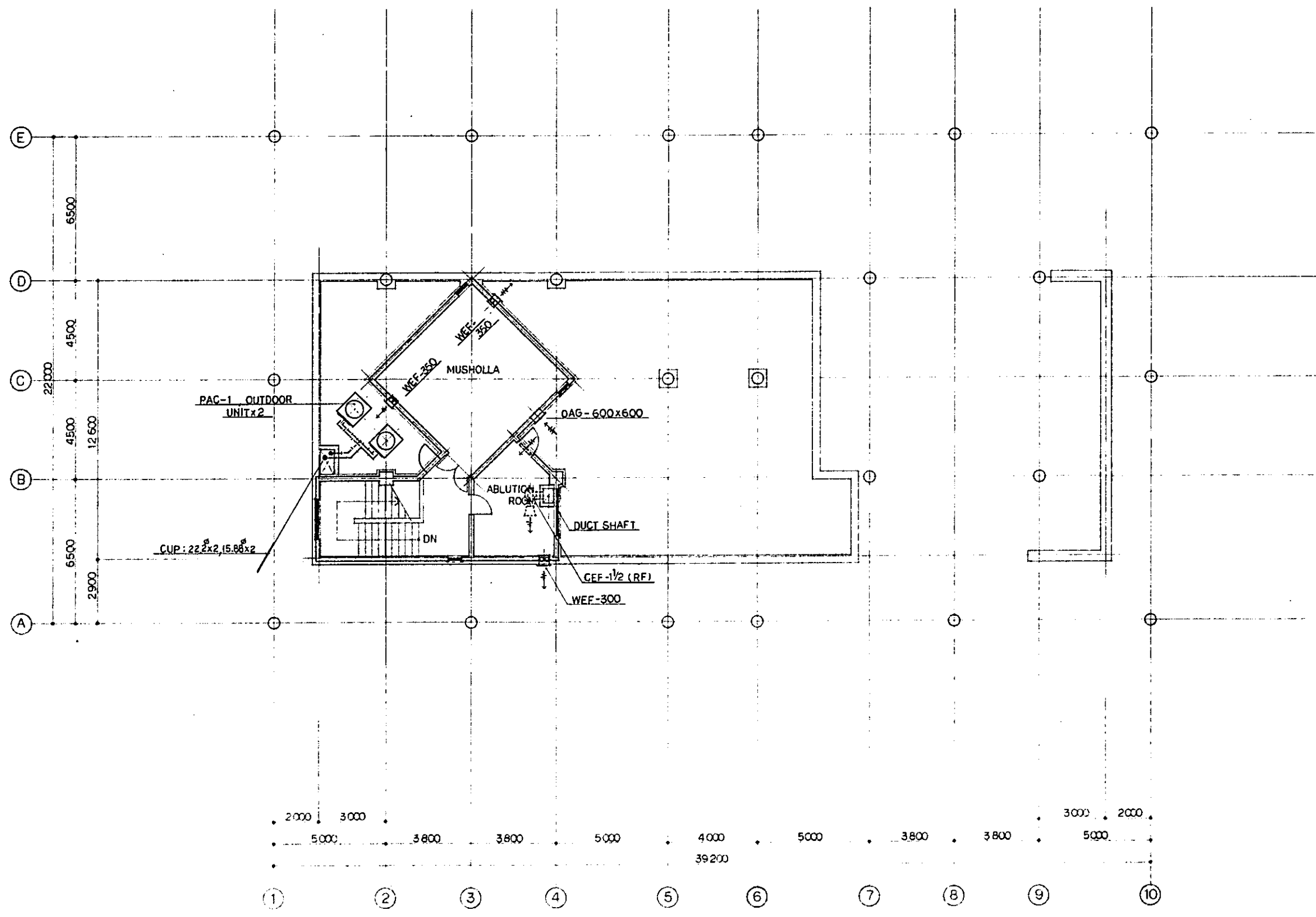
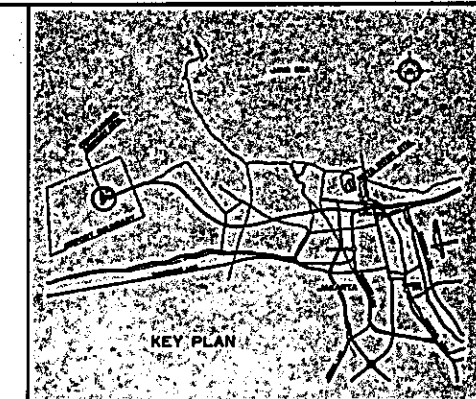
NEW RAILWAY LINE FOR CENGKARENG AIRPORT  
 CONSTRUCTION PROJECT

JAPAN INTERNATIONAL COOPERATION AGENCY (JICA)

REVISED	DATE	BY	CHECKED	DATE	BY	CHECKED	DATE	BY	CHECKED
B	1 AUG 89	[Signature]	[Signature]	10 FEB 89	[Signature]	[Signature]	[Signature]	[Signature]	[Signature]

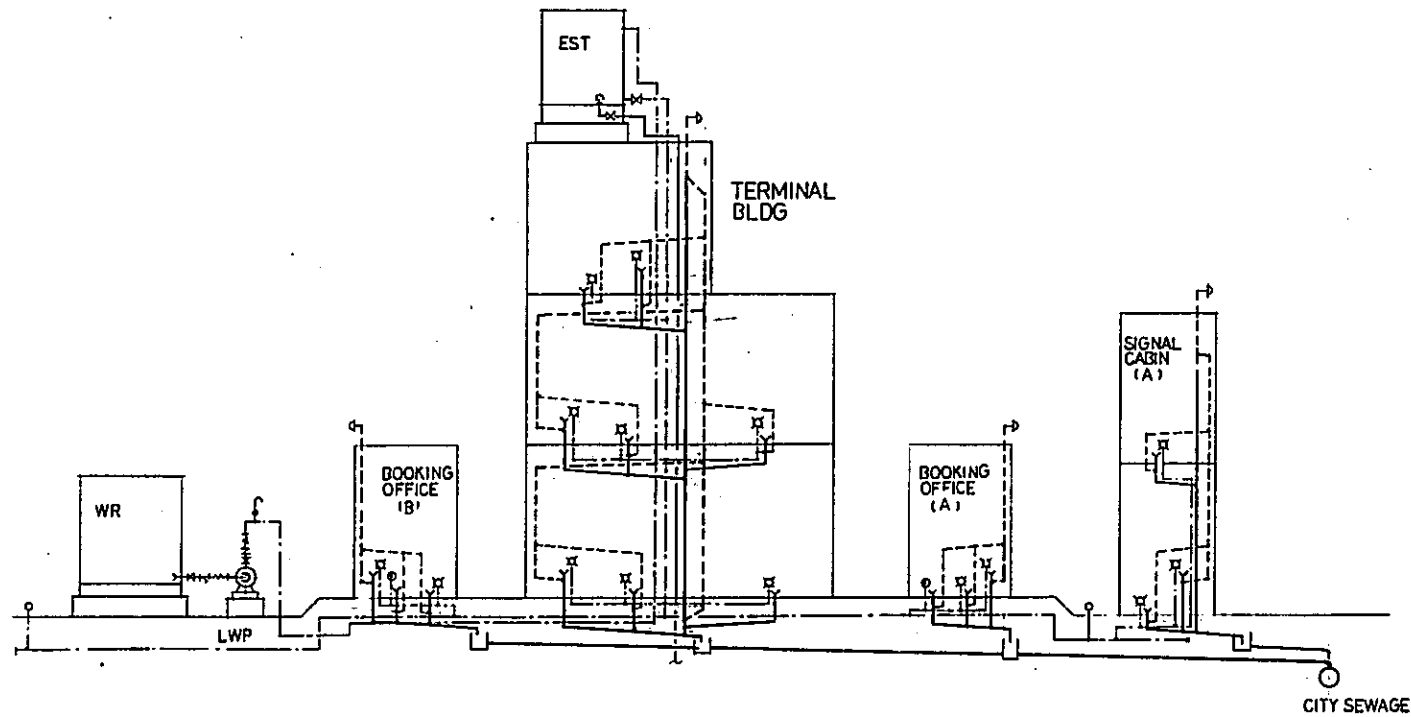
AIRPORT TERMINAL BUILDING  
 VAC  
 2F PLAN

PACKAGE: I. CIVIL AND ARCHITECTURAL WORK  
 SCALE: 1:100  
 DRAWING NO: AM-003



REPUBLIC OF INDONESIA MINISTRY OF COMMUNICATIONS DIRECTORATE GENERAL OF LAND TRANSPORT AND INLAND WATERWAYS					
NEW RAILWAY LINE FOR CENGKARENG AIRPORT CONSTRUCTION PROJECT					
JAPAN INTERNATIONAL COOPERATION AGENCY (JICA)					
B	1 AUG 89	DR	DR	3,200 KM	MK
A	15 FEB 88	DR	DR	3,200 KM	MK
REVISIONS	DATE	DESIGNED	DRAWN	CHECKED	REVIEWED
AIRPORT TERMINAL BUILDING VAC 3F PLAN					
PACKAGE: I CIVIL AND ARCHITECTURAL WORK					
SCALE	DRAWING NO.				
1:100	AM - 004				

PLUMBING SYSTEM DIAGRAM



PLUMBING FIXTURES SCHEDULE

SYMBOL	FIXTURE NAME	DESCRIPTION			QTY	CONNECTION PIPE		
		MATERIAL	SIZE APPROX.	ACCESSORIES		WATER	WASTE	VENT
WC-1	WATER CLOSET EASTERN TYPE	VITREOUS CHINA	280x570x300 <sup>H</sup>	P-TRAP, F-2	2	25	100	80
WC-2	DITTO WESTERN TYPE	DITTO	360x600x360 <sup>H</sup>	DITTO, FLUSH-VALVE, TOILET PAPER HOLDER	1	25	100	80
UR-1	URINAL, FLOOR MOUNTED TYPE	DITTO	380x380x920 <sup>H</sup>	FLUSH-VALVE, INLET SPUD	6	20	75	50
LV-1	LAVATORY WALL HUNG	DITTO	530x430	F-1, P-TRAP, SHUT OFF VALVE, CONNECTING PIPE	4	20	50	40
LV-2	DITTO COUNTER-TOP	DITTO	480 <sup>Ø</sup>	DITTO	1	20	50	40
SK-1	SERVICE SINK	DITTO	560x450x630 <sup>H</sup>	F-2, SINK-TRAP		20	75	40
KS-1	KITCHEN SINK CABINET TYPE	STAINLESS STEEL	1000x560x800 <sup>H</sup>	F-1, SINK-TRAP	1	20	50	40
KS-2	DITTO	DITTO	1500x560x800 <sup>H</sup>	DITTO	1	20 <sub>x2</sub>	50	40
F-1	FAUCET	CHROME PLATED	1/2			20		
F-2	DITTO	DITTO	3/4		4	25		
F-3	DITTO FOR IRRIGATION	DITTO	3/4	VALVE-BOX, w/KEY	48	25		
FD-1	FLOOR DRAIN	CAST IRON		WASTE FITTING	7		50	
FD-2	DITTO	DITTO		DITTO	1		75	
LWP-1	LIFT WATER PUMP CENTRIFUGAL-TYPE	65-50 <sup>Ø</sup> x 550 <sup>H</sup> x 24 x 3.7 <sup>KW</sup>			1			
LWP-2	DITTO	50-40 <sup>Ø</sup> x 250 <sup>H</sup> x 24 x 2.2 <sup>KW</sup>						

NOTES : PIPING

1. GALVANIZED STEEL PIPES FOR POTABLE WATER, VENT AND DRAIN

SIZE NOMINAL	15	20	25	32	40	50	65	80	100	125	150	REMARKS
OUTSIDE DIAMETER	21,7	27,2	34,0	42,7	48,6	60,5	76,3	89,1	114,3	139,8	165,2	SCREW-JOINTED
WALL THICKNESS	2,8	2,8	3,2	3,5	3,5	3,8	4,2	4,2	4,5	4,5	4,6	

FITTINGS SHALL COMPLY WITH THE PIPE MATERIAL.

2. CAST IRON PIPE FOR SOIL AND SEWER

SIZE NOMINAL	50	75	100	125	150	200	REMARKS
OUTSIDE DIAMETER	59	84	109	134	159	212	ONE TOUCH JOINT-TYPE
WALL THICKNESS	4,5	4,5	4,5	4,5	4,5	6,0	

FITTINGS SHALL COMPLY WITH THE PIPE MATERIAL.

REPUBLIC OF INDONESIA  
 MINISTRY OF COMMUNICATIONS  
 DIRECTORATE GENERAL OF LAND, TRANSPORT AND INLAND WATERWAYS

NEW RAILWAY LINE FOR CENKARENG AIRPORT CONSTRUCTION PROJECT

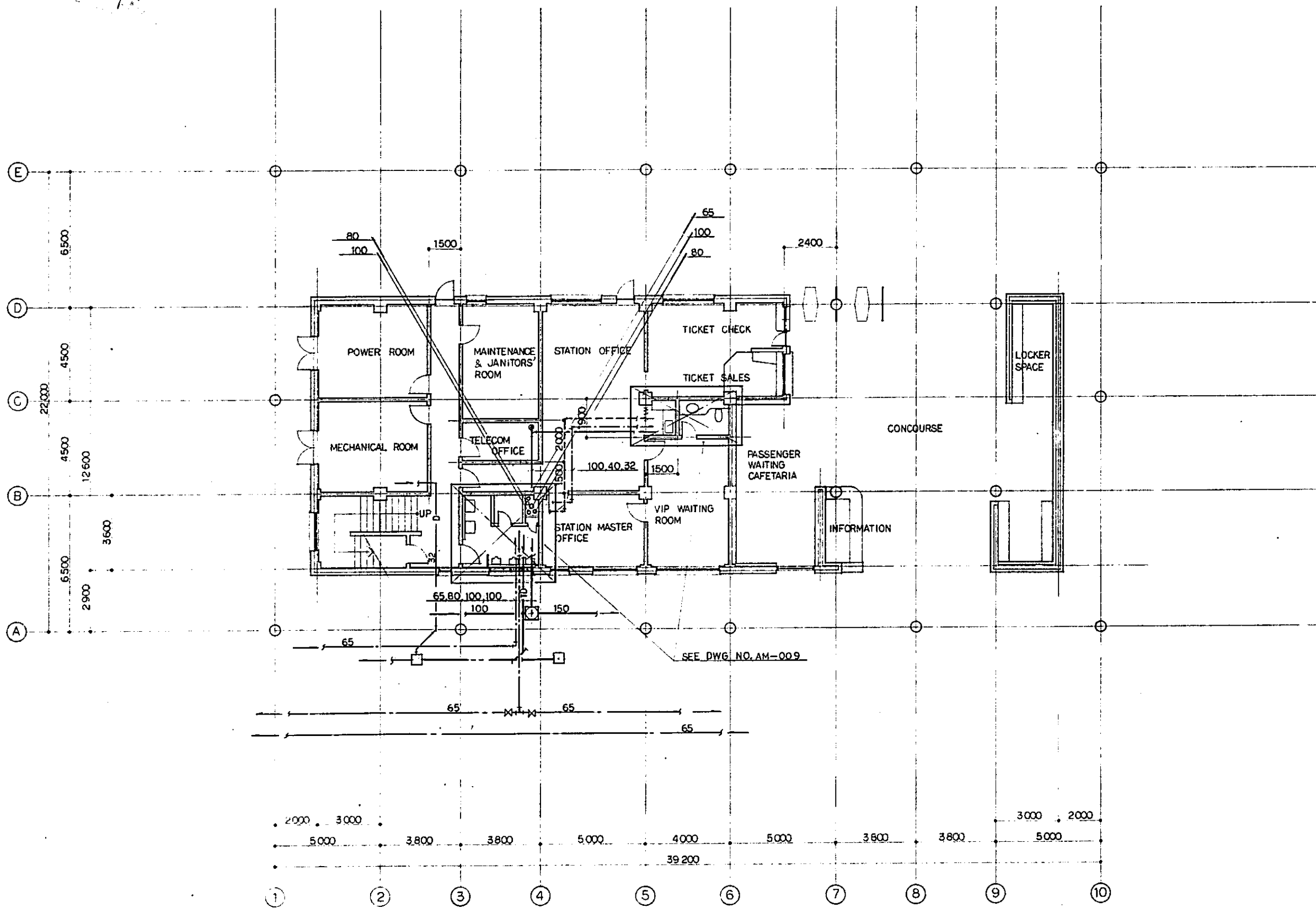
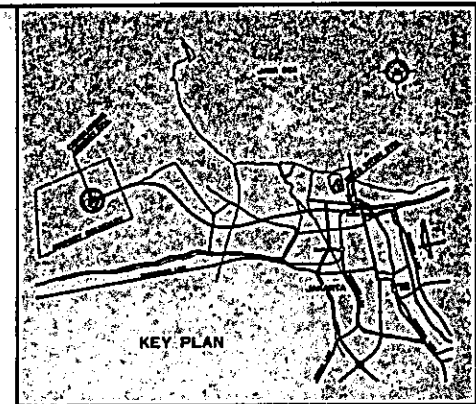
JAPAN INTERNATIONAL COOPERATION AGENCY (JICA)

REVISIONS	DATE	BY	CHKD	EXTD	APPROV
B	1 AUG 89	[Signature]	[Signature]	[Signature]	[Signature]
A	15 FEB 89	[Signature]	[Signature]	[Signature]	[Signature]

AIRPORT TERMINAL BUILDING  
 PLUMBING  
 GENERAL NOTES AND  
 FIXTURES SCHEDULE

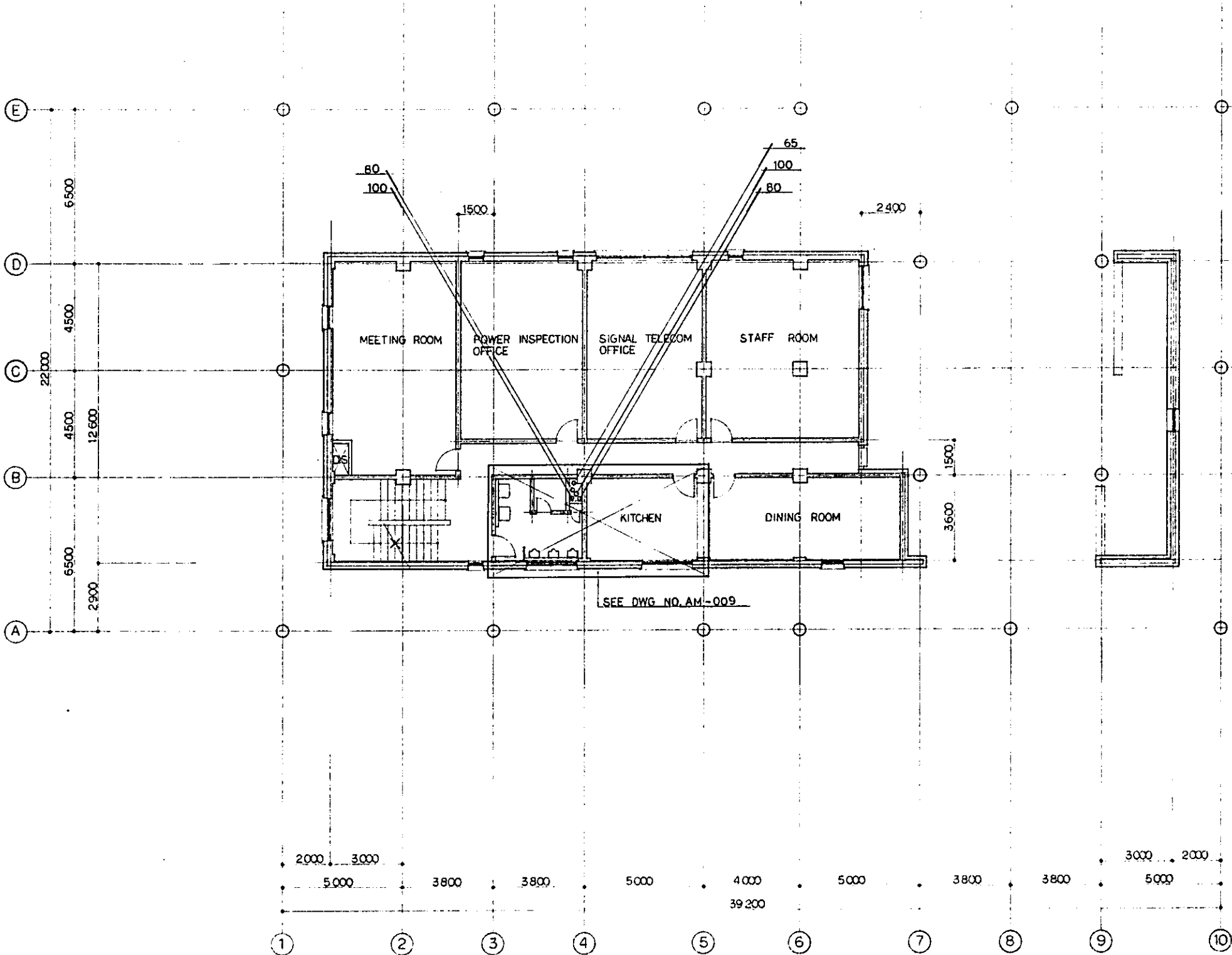
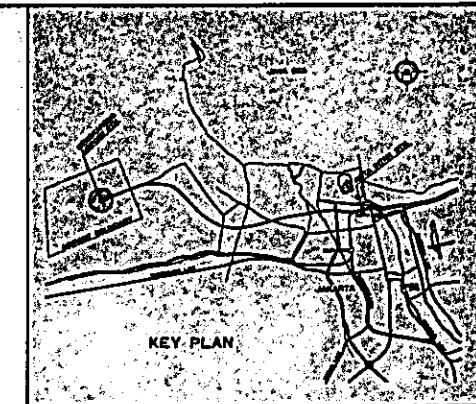
PACKAGE: 1. CIVIL AND ARCHITECTURAL WORK

SCALE: NONE DRAWING NO: AM-005



REPUBLIC OF INDONESIA MINISTRY OF COMMUNICATIONS DIRECTORATE GENERAL OF LAND TRANSPORT AND INLAND WATERWAYS					
NEW RAILWAY LINE FOR CENGKARENG AIRPORT CONSTRUCTION PROJECT					
JAPAN INTERNATIONAL COOPERATION AGENCY (JICA)					
B	1 AUG 80	W	U	Syuh K.M	AK
A	15 FEB 81	W	U	Syuh K.M	AK
REVISIONS	DATE	DESIGNED	DRAWN	CHECKED	REVIEWED
AIRPORT TERMINAL BUILDING PLUMBING 1F PLAN					
PACKAGE: I CIVIL AND ARCHITECTURAL WORK					
SCALE	1:100	DRAWING NO.	AM-006		





REPUBLIC OF INDONESIA  
 MINISTRY OF COMMUNICATIONS  
 DIRECTORATE GENERAL OF LAND TRANSPORT  
 AND INLAND WATERWAYS

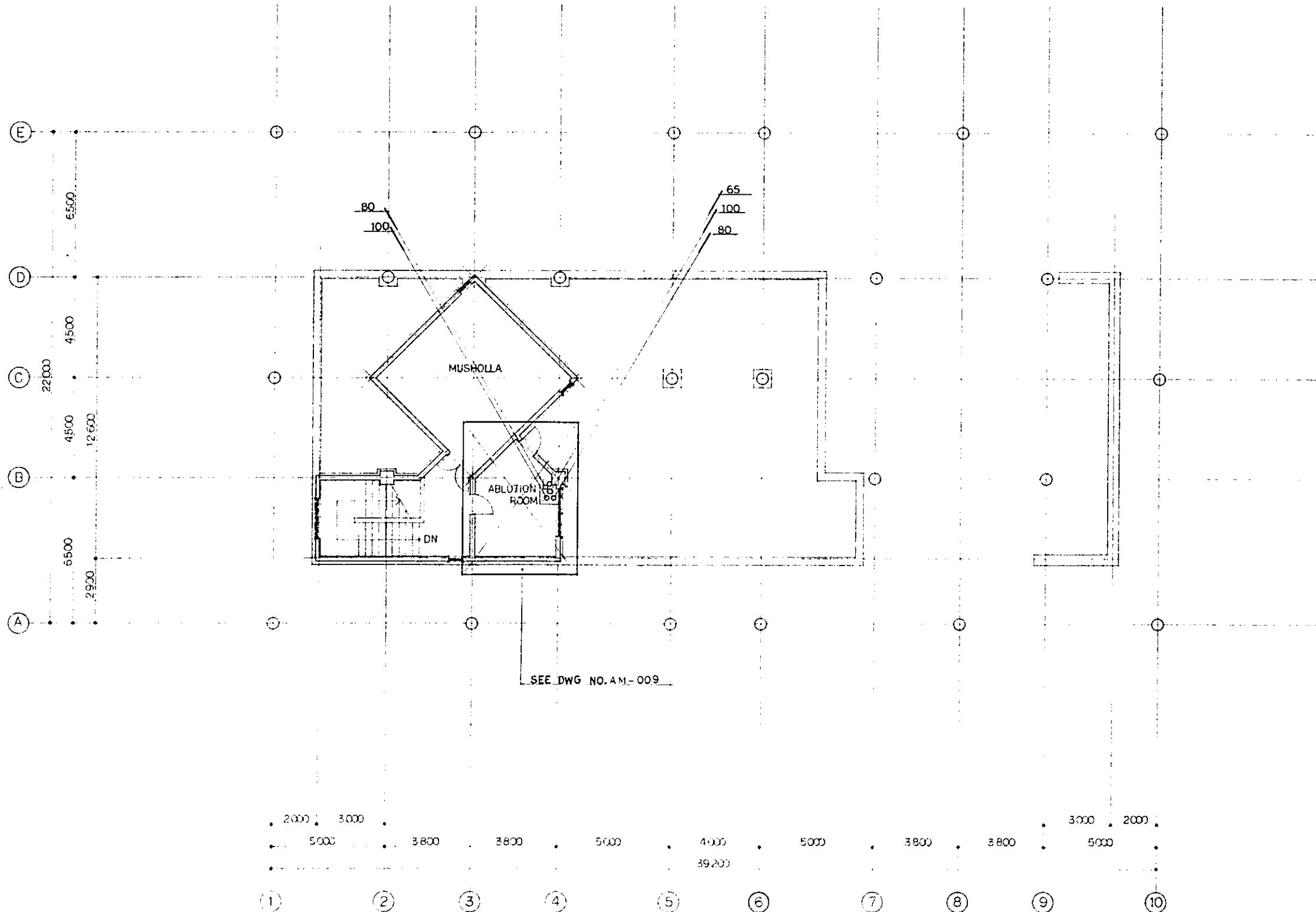
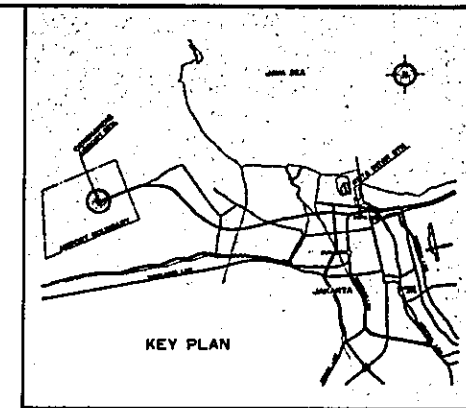
NEW RAILWAY LINE FOR CENGKARENG AIRPORT  
 CONSTRUCTION PROJECT

JAPAN INTERNATIONAL COOPERATION AGENCY  
 (JICA)

REVISIONS	DATE	DESIGNED	DRAWN	CHECKED	REVISED	SUBMITTED
B	1 AUG 89	DT	HT	Sing	K.M	K
A	15 FEB 89	DT	HT	Sing	K.M	K

AIRPORT TERMINAL BUILDING  
 PLUMBING  
 2F PLAN

PACKAGE: I CIVIL AND ARCHITECTURAL WORK  
 SCALE: 1:100      DRAWING NO: AM - 007



**REPUBLIC OF INDONESIA**  
**MINISTRY OF COMMUNICATIONS**  
 DIRECTORATE GENERAL OF LAND TRANSPORT  
 AND INLAND WATERWAYS

---

**NEW RAILWAY LINE FOR CENGKARENG AIRPORT**  
**CONSTRUCTION PROJECT**

---

JAPAN INTERNATIONAL COOPERATION AGENCY  
 (JICA)

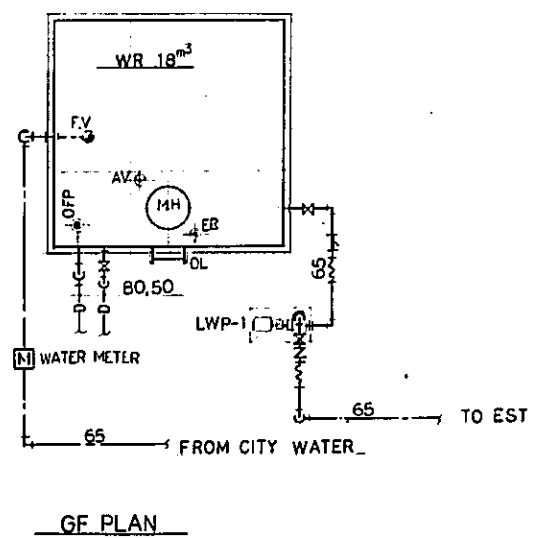
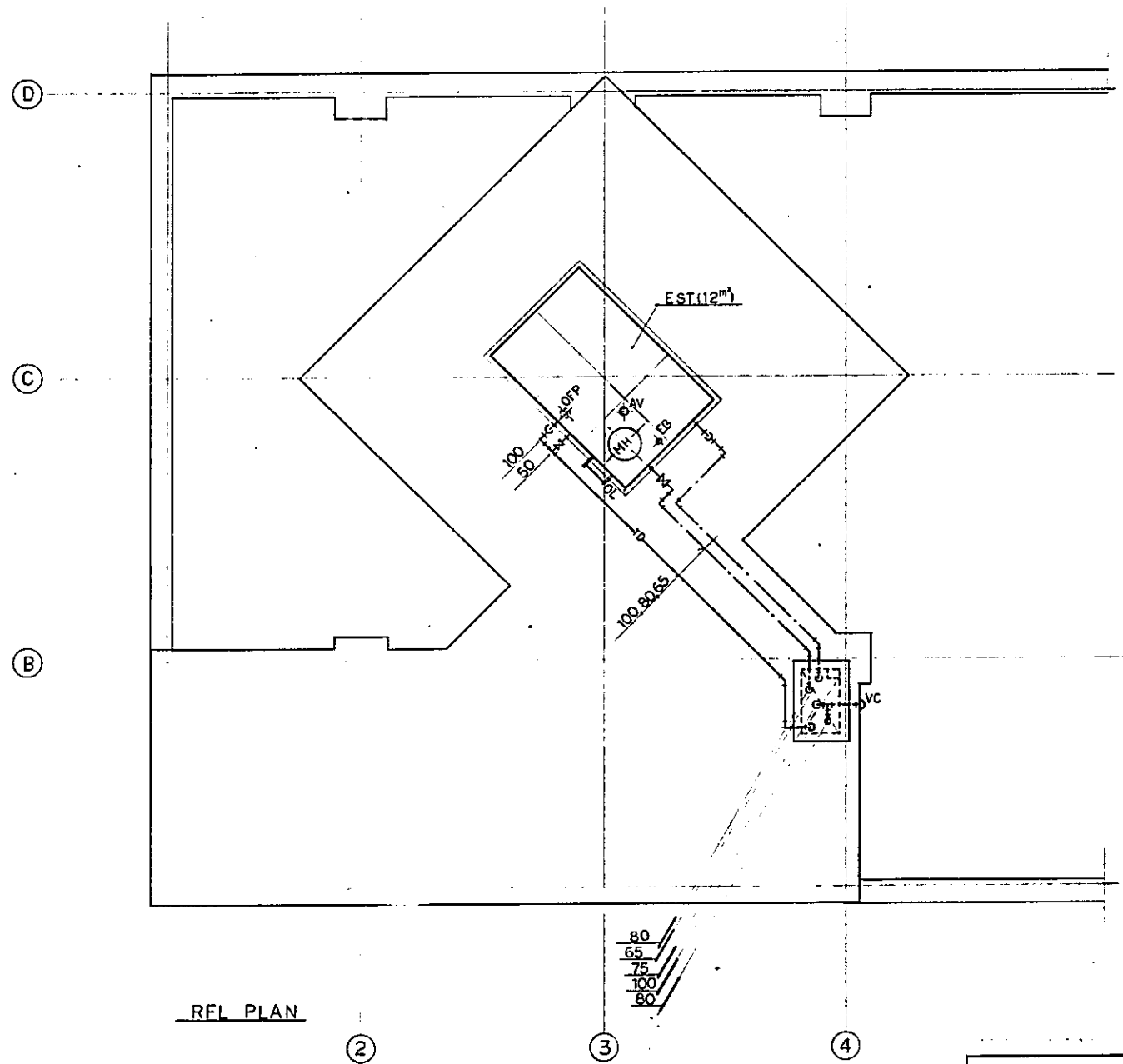
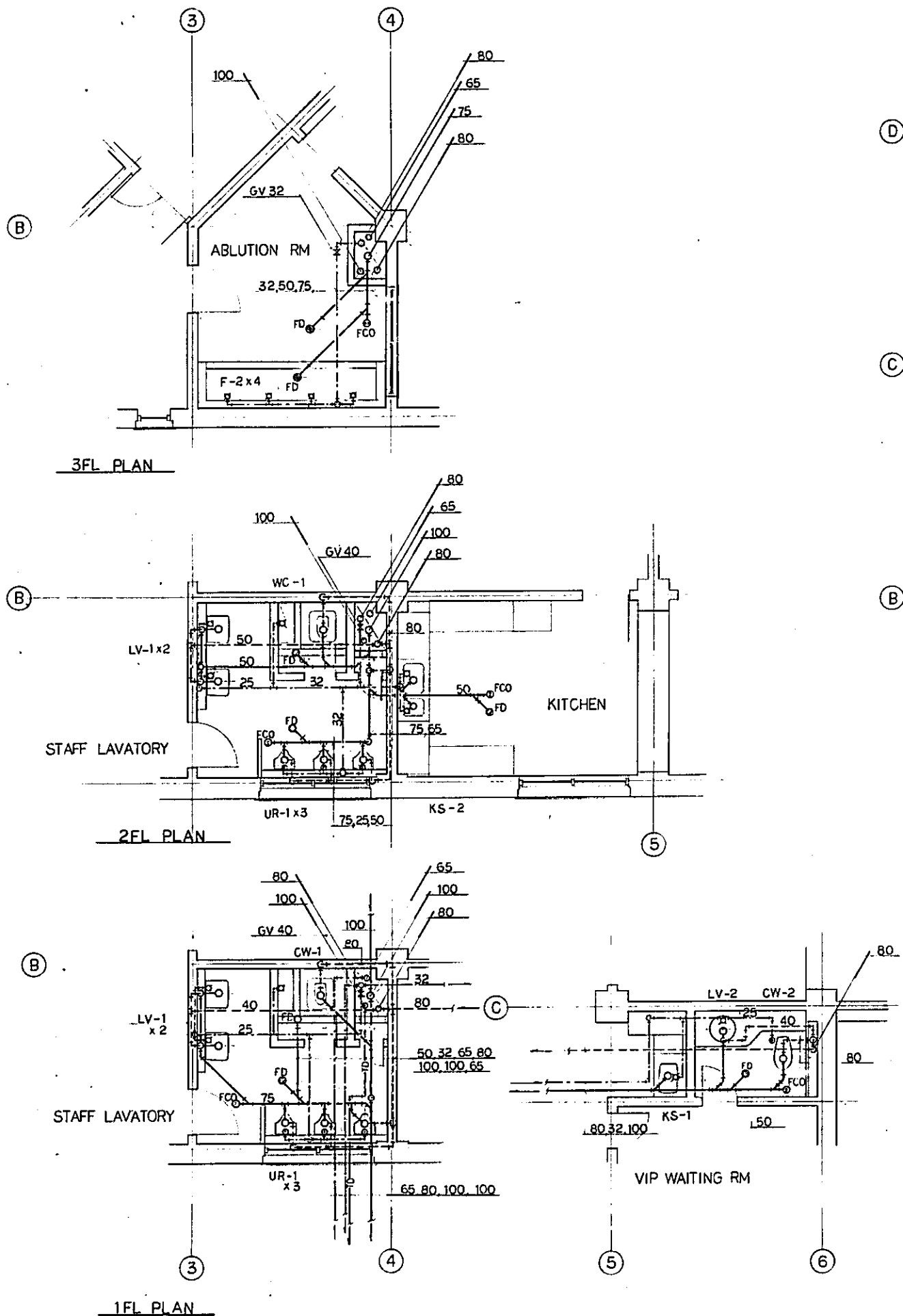
B	1 AUG. 89	HT	HT	S	K.M.	K
A	15 FEB. 89	HT	HT	S	K.M.	K

REVISIONS	DATE	DESIGNED	DRAWN	CHECKED	REVIEWED	SUBMITTED

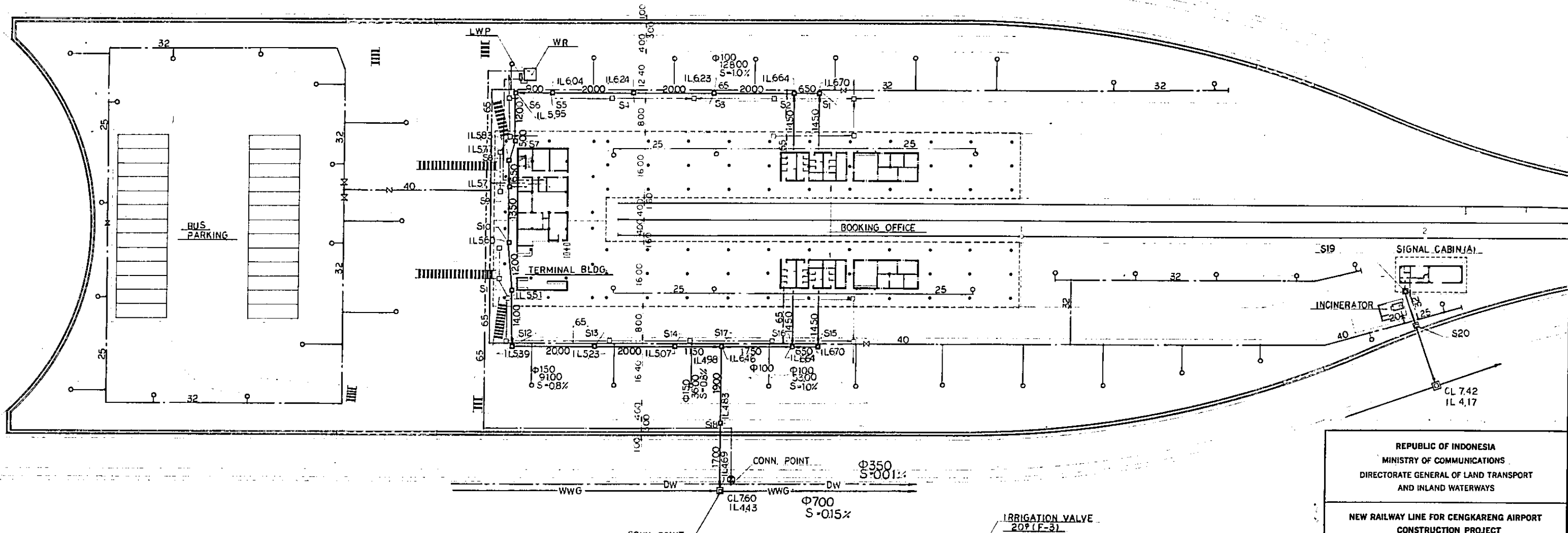
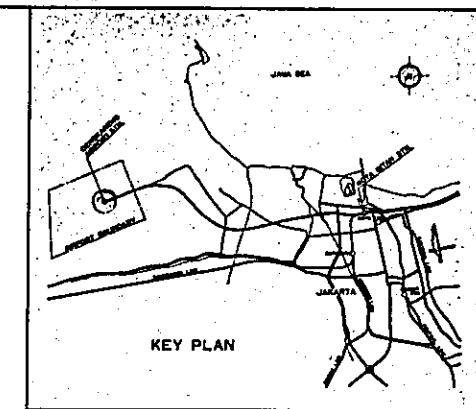
**AIRPORT TERMINAL BUILDING**  
**PLUMBING**  
**3F PLAN**

---

PACKAGE: I CIVIL AND ARCHITECTURAL WORK  
 SCALE: 1:100      DRAWING NO: AM - 008



REPUBLIC OF INDONESIA MINISTRY OF COMMUNICATIONS DIRECTORATE GENERAL OF LAND TRANSPORT AND INLAND WATERWAYS					
NEW RAILWAY LINE FOR CENKARENG AIRPORT CONSTRUCTION PROJECT					
JAPAN INTERNATIONAL COOPERATION AGENCY (JICA)					
B	1 AUG 79			K.M.	K
A	15 FEB 79			K.M.	K
REVISIONS	DATE	DESIGNED	CHECKED	REVISED	SUBMITTED
AIRPORT TERMINAL BUILDING PLUMBING DETAIL PLAN					
PACKAGE: I CIVIL AND ARCHITECTURAL WORK					
SCALE	DRAWING NO.				
1:100	AM - 009				



**LEGEND**

- DRINKING WATER
- WASTE WATER GRAVITY FLOW
- RAIN WATER
- SANITARY SEWER

**NOTES**

- S1~S16, S19, S20 ----- 600x600
- S17, S18 ----- 900x900

REPUBLIC OF INDONESIA  
 MINISTRY OF COMMUNICATIONS  
 DIRECTORATE GENERAL OF LAND TRANSPORT  
 AND INLAND WATERWAYS

NEW RAILWAY LINE FOR CENKARENG AIRPORT  
 CONSTRUCTION PROJECT

JAPAN INTERNATIONAL COOPERATION AGENCY  
 (JICA)

REVISIONS	DATE	DESIGNED	DRAWN	CHECKED	REVIEWED	SUBMITTED
B	1 AUG 39	UT	UT	UT	K.M	AK
A	15 FEB 78	UT	UT	UT	K.M	AK

AIRPORT TERMINAL STATION  
 GENERAL SITE PLAN OF PLUMBING  
 AND IRRIGATION SYSTEM

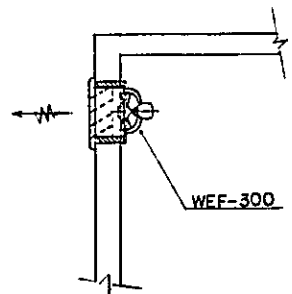
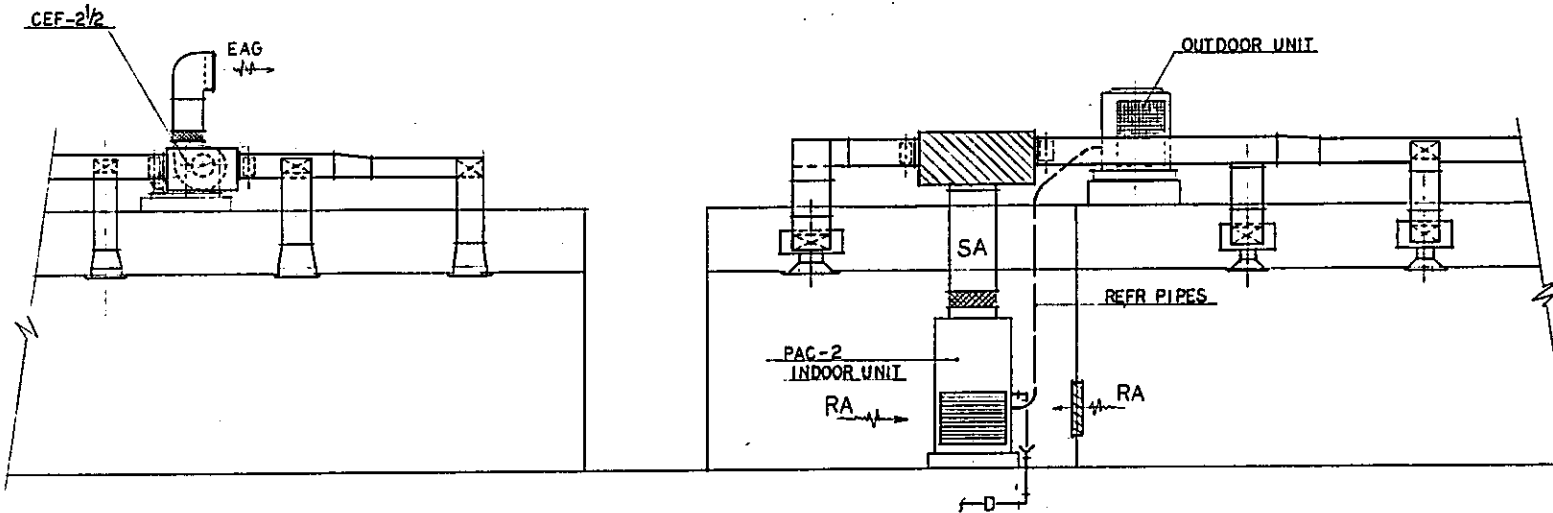
PACKAGE: I CIVIL AND ARCHITECTURAL WORK  
 SCALE: 1:500      DRAWING NO: AM - 010

SCHEDULE OF VAC EQUIPMENT

SYMBOL	NAME OF EQUIPMENT	SPECIFICATION	ELEC DATA			ACCESSORIES	QTY
			V	PHASE	HZ		
PAC-1	AIR-COOLED TYPE PACKAGED AIR CONDITIONER	CAP: 16 RT, INDOOR-UNIT COMP. FAN 15 KW 3.7 KW OUTDOOR-UNIT FAN 0.4 KW x 2	380	3	50	REFR-PIPES	
2	DITTO	CAP: 6 RT, INDOOR-UNIT COMP. FAN 5.5 KW 0.55 KW OUTDOOR-UNIT FAN 0.3 KW				DITTO	1
WAC-1	WINDOW MOUNTED ROOM AIR CONDITIONER	CAP: 1.9 RT, APPROX 650 W x 420 H x 760 D, 3.4 KW	220	1		COOLER FRAME	
2	DITTO	CAP: 1.4 RT, DITTO 650 W x 420 H x 650 D, 2.3 KW				DITTO	
CEF-1/2	CENTRIFUGAL FAN	1400 mmHg, 40 mmHg, 0.75 KW	380	3		ANTIVIBRATION FRAME	
2	DITTO	3600 x 35" x 1.5'				DITTO	
2/2	DITTO	5600 x 45" x 2.2'				DITTO	1
PEF-200	PIPE EXHAUST FAN	200 mmHg, 300 mmHg, 10" x 75" W	220	1		HS	
WEF-250	WALL-TYPE EXHAUST FAN	250 mmHg, 300 mmHg, 6" x 25" W				EAG	
300	DITTO	300 x 600 x 8" x 50"				DITTO	1
350	"	350 x 850 x 8" x 100"				DITTO	
400	"	400 x 1300 x 8" x 200"				DITTO	
500	"	500 x 1600 x 15" x 300"				DITTO	

VENTILATION SYSTEM DIAGRAM

AIR CONDITIONING SYSTEM DIAGRAM



DUCT MATERIAL

MINIMUM DUCT GALVANIZED SHEET STEEL METAL GAGES

GAGE/THK (mm)	REGTANGULAR (mm)	ROUND (φmm)
26 0.5 APPROX	UP THROUGH 300 <sup>(1)</sup>	UP THROUGH 200
24 0.6	325 " 762	255 " 558
22 0.8	778 " 1300	583 " 900
20 1.0	1325 " 2130	925 " 1270
18 1.2	2155 " 3050	

(1) DIMENSION OF LONGEST SIDE

REPUBLIC OF INDONESIA  
MINISTRY OF COMMUNICATIONS  
DIRECTORATE GENERAL OF LAND TRANSPORT AND INLAND WATERWAYS

NEW RAILWAY LINE FOR CENGKARENG AIRPORT CONSTRUCTION PROJECT

JAPAN INTERNATIONAL COOPERATION AGENCY (JICA)

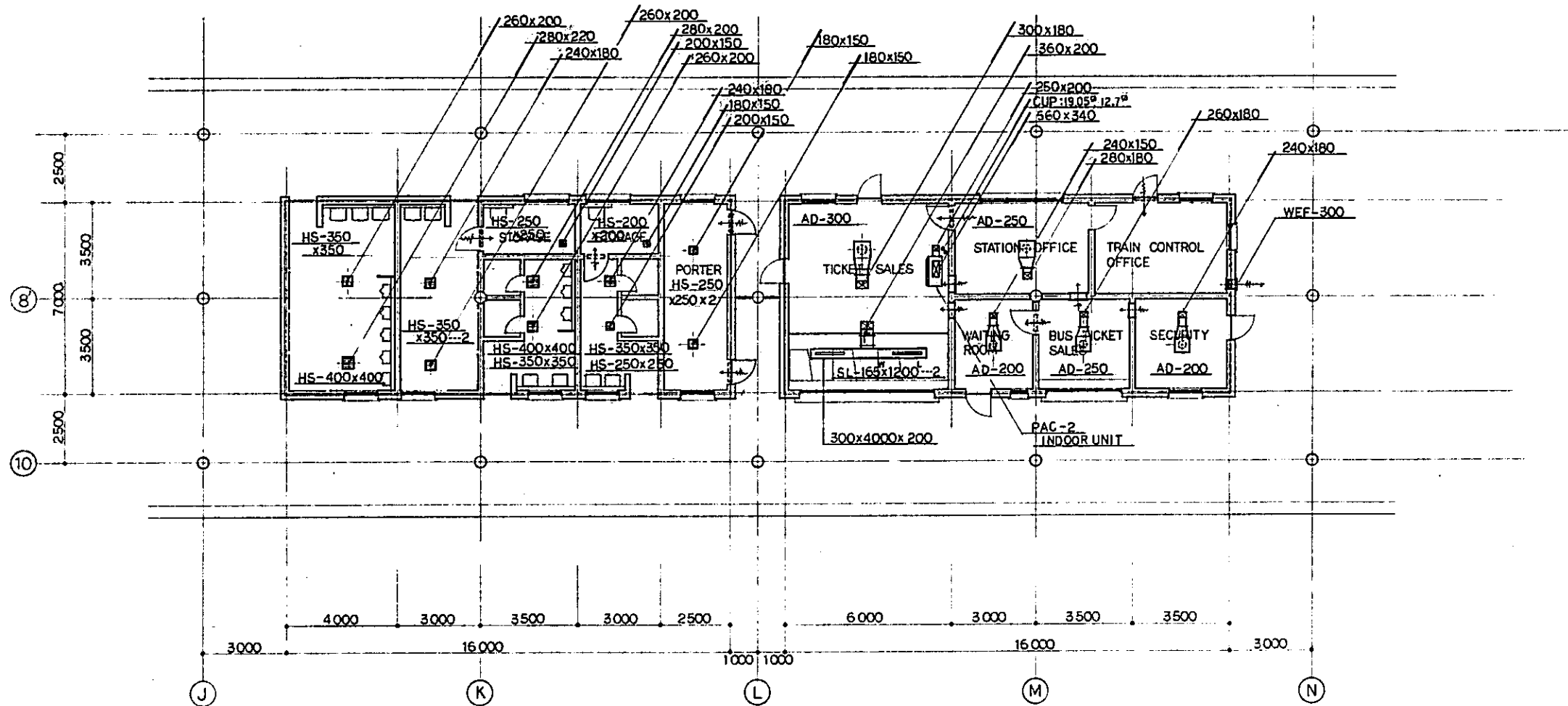
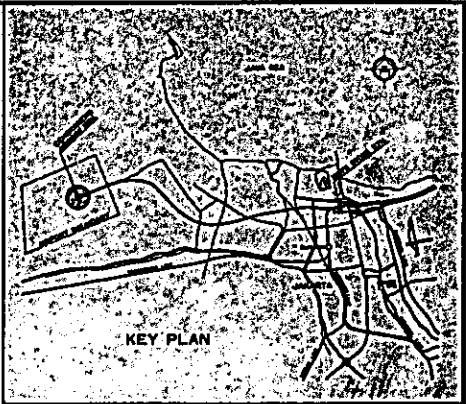
B	1 AUG 89					
A	15 FEB 89					

REVISIONS    DATE    DESIGNED    DRAWN    CHECKED    REVIEWED    SUBMITTED

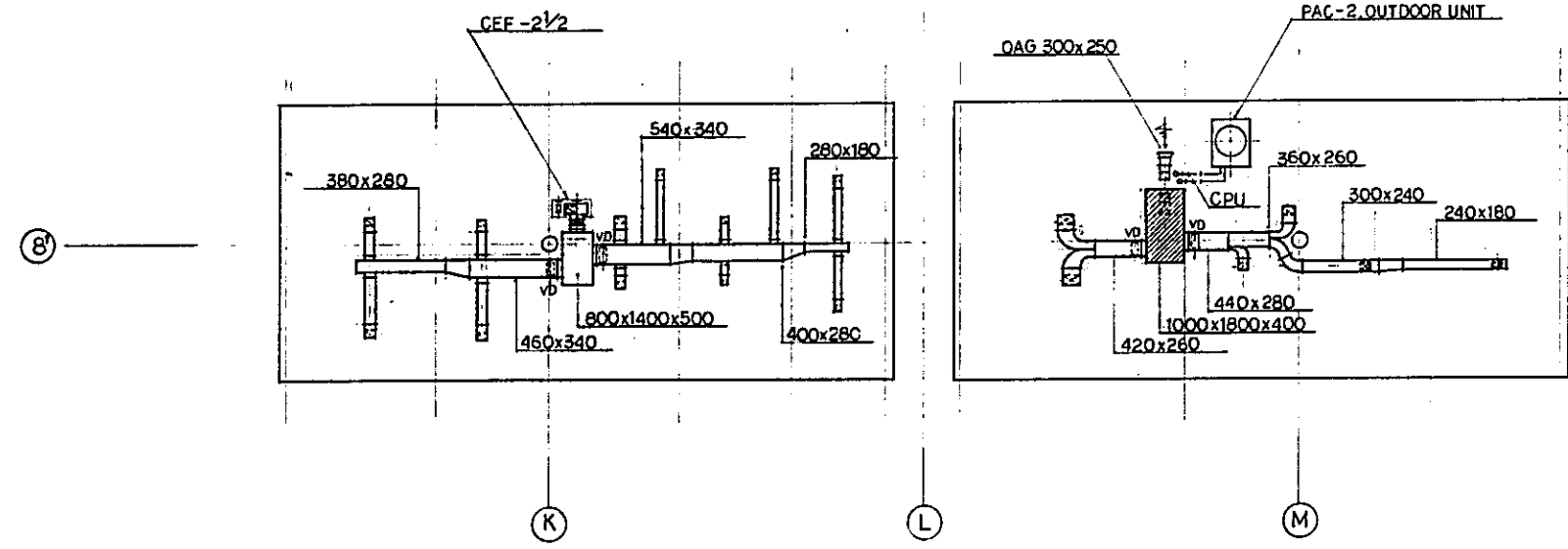
BOOKING OFFICE  
VAC  
GENERAL NOTES AND APPARATUS SCHEDULE

PACKAGE: I CIVIL AND ARCHITECTURAL WORK

SCALE: NONE    DRAWING NO: AM - 011



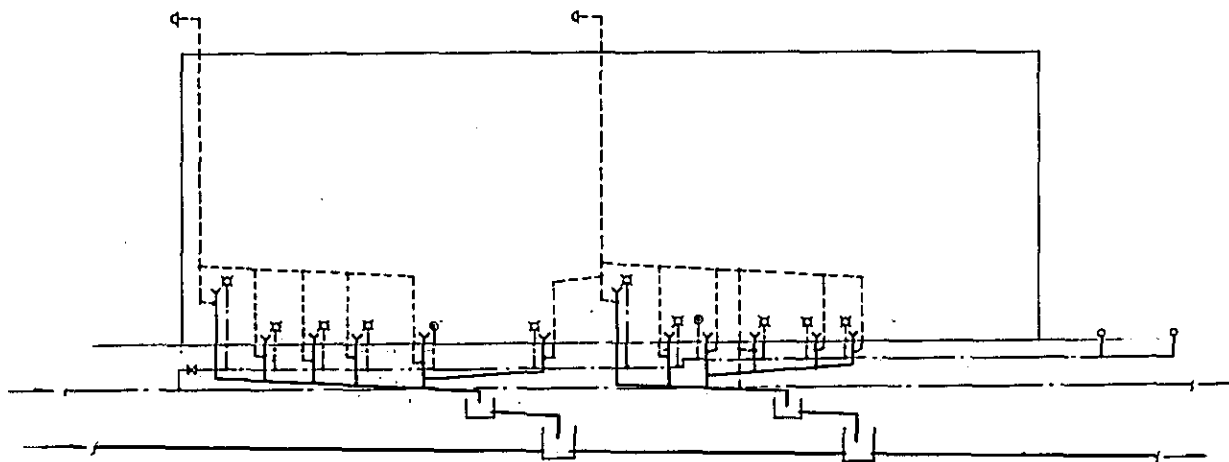
1F PLAN SCALE 1/100



RF PLAN SCALE 1/100

REPUBLIC OF INDONESIA MINISTRY OF COMMUNICATIONS DIRECTORATE GENERAL OF LAND TRANSPORT AND INLAND WATERWAYS						
NEW RAILWAY LINE FOR CENGKARENG AIRPORT CONSTRUCTION PROJECT						
JAPAN INTERNATIONAL COOPERATION AGENCY (JICA)						
REVISIONS	DATE	DESIGNED	DRAWN	CHECKED	REVIEWED	SUBMITTED
B	1 AUG 89	W	W	W	W	W
A	15 FEB 89	W	W	W	W	W
BOOKING OFFICE VAC 1F AND RF PLAN						
PACKAGE: I CIVIL AND ARCHITECTURAL WORK						
SCALE: 1:100		DRAWING NO: AM - 012				

PLUMBING SYSTEM DIAGRAM



PLUMBING FIXTURES SCHEDULE

SYMBOL	FIXTURE NAME	DESCRIPTION			QTY	CONNECTION PIPE		
		MATERIAL	SIZE APPROX.	ACCESSORIES		WATER	WASTE	VENT
WC-1	WATER CLOSET EASTERN TYPE	VITREOUS CHINA	280x570x300 <sup>H</sup>	P-TRAP, F-2	6	25	100	80
WC-2	DITTO WESTERN TYPE	DITTO	360x600x360 <sup>H</sup>	DITTO, FLUSH-VALVE, TOILET PAPER HOLDER	4	25	100	80
UR-1	URINAL, FLOOR MOUNTED TYPE	DITTO	380x380x920 <sup>H</sup>	FLUSH-VALVE, INLET SPUD	8	20	75	50
LV-1	LAVATORY WALL HUNG	DITTO	530x430	F-1, P-TRAP, SHUT OFF VALVE, CONNECTING PIPE	9	20	50	40
LV-2	DITTO COUNTER-TOP	DITTO	480 <sup>ø</sup>	DITTO		20	50	40
SK-1	SERVICE SINK	DITTO	560x450x630 <sup>H</sup>	F-2, SINK-TRAP	2	20	75	40
KS-1	KITCHEN SINK CABINET TYPE	STAINLESS STEEL	1000x560x800 <sup>H</sup>	F-1, SINK-TRAP		20	50	40
KS-2	DITTO	DITTO	1500x560x800 <sup>H</sup>	DITTO		20	50	40
F-1	FAUCET	CHROME PLATED	1/2			20		
F-2	DITTO	DITTO	3/4			25		
F-3	DITTO FOR IRRIGATION	DITTO	3/4	VALVE-BOX, w/KEY		25		
FD-1	FLOOR DRAIN	CAST IRON		WASTE FITTING	8		50	
FD-2	DITTO	DITTO		DITTO			75	
LWP-1	LIFT WATER PUMP CENTRIFUGAL-TYPE	65-50 x 550 x 24 x 3.7 <sup>ø L/min mH KW</sup>						
LWP-2	DITTO	50-40 x 250 x 24 x 2.2 <sup>ø L/min mH KW</sup>						

NOTES: PIPING

1. GALVANIZED STEEL PIPES FOR POTABLE WATER, VENT AND DRAIN

SIZE NOMINAL	15	20	25	32	40	50	65	80	100	125	150	REMARKS
OUTSIDE DIAMETER	21,7	27,2	34,0	42,7	48,6	60,5	76,3	89,1	114,3	139,8	165,2	SCREW-JOINTED
WALL THICKNESS	2,8	2,8	3,2	3,5	3,5	3,8	4,2	4,2	4,5	4,5	4,6	

FITTINGS SHALL COMPLY WITH THE PIPE MATERIAL.

2. CAST IRON PIPE FOR SOIL AND SEAWER

SIZE NOMINAL	50	75	100	125	150	200	REMARKS
OUTSIDE DIAMETER	59	84	109	134	159	212	ONE TOUCH JOINT-TYPE
WALL THICKNESS	4,5	4,5	4,5	4,5	4,5	6,0	

FITTINGS SHALL COMPLY WITH THE PIPE MATERIAL.

**REPUBLIC OF INDONESIA**  
**MINISTRY OF COMMUNICATIONS**  
 DIRECTORATE GENERAL OF LAND TRANSPORT AND INLAND WATERWAYS

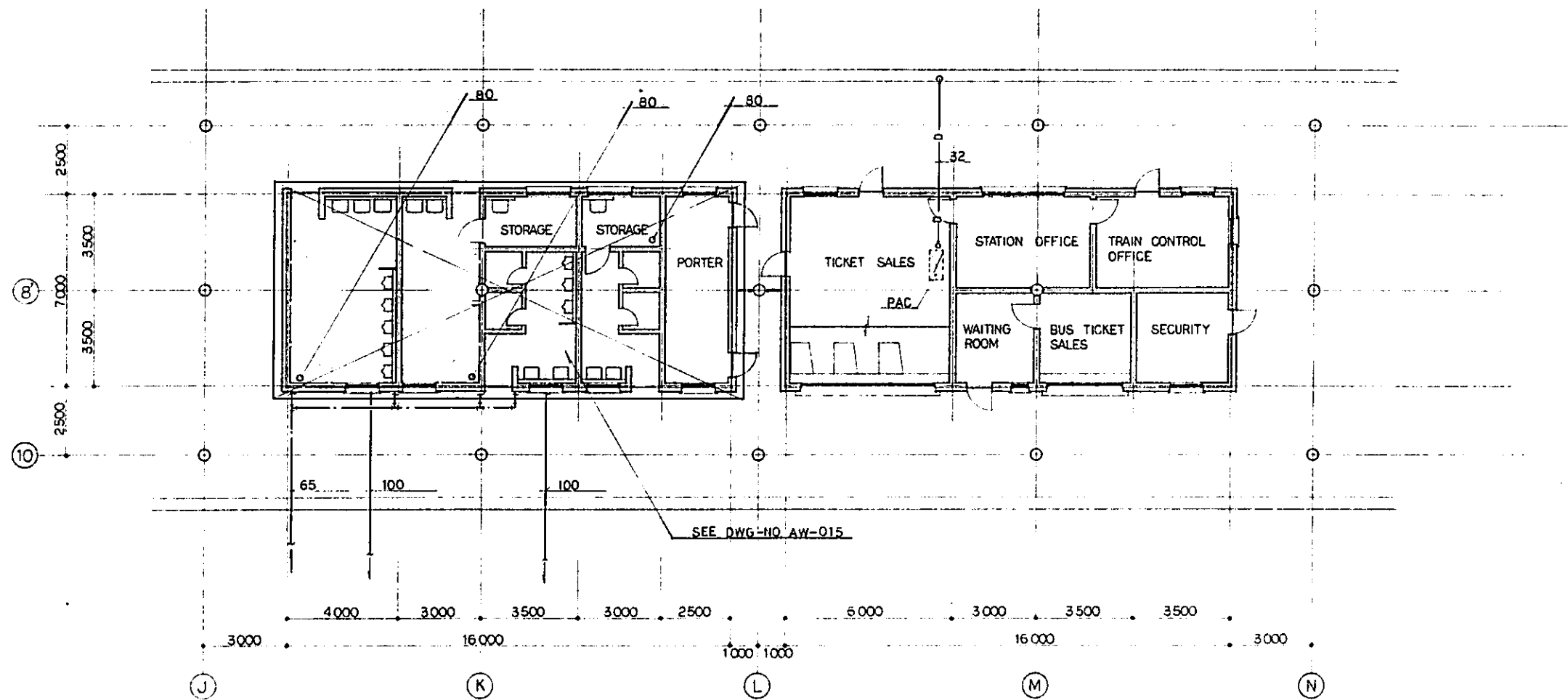
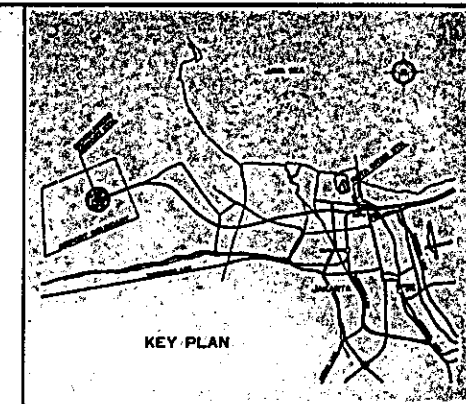
**NEW RAILWAY LINE FOR CENGKARENG AIRPORT CONSTRUCTION PROJECT**

JAPAN INTERNATIONAL COOPERATION AGENCY (JICA)

REVISED	DATE	BY	CHECKED	DATE	BY	CHECKED	DATE	BY	CHECKED

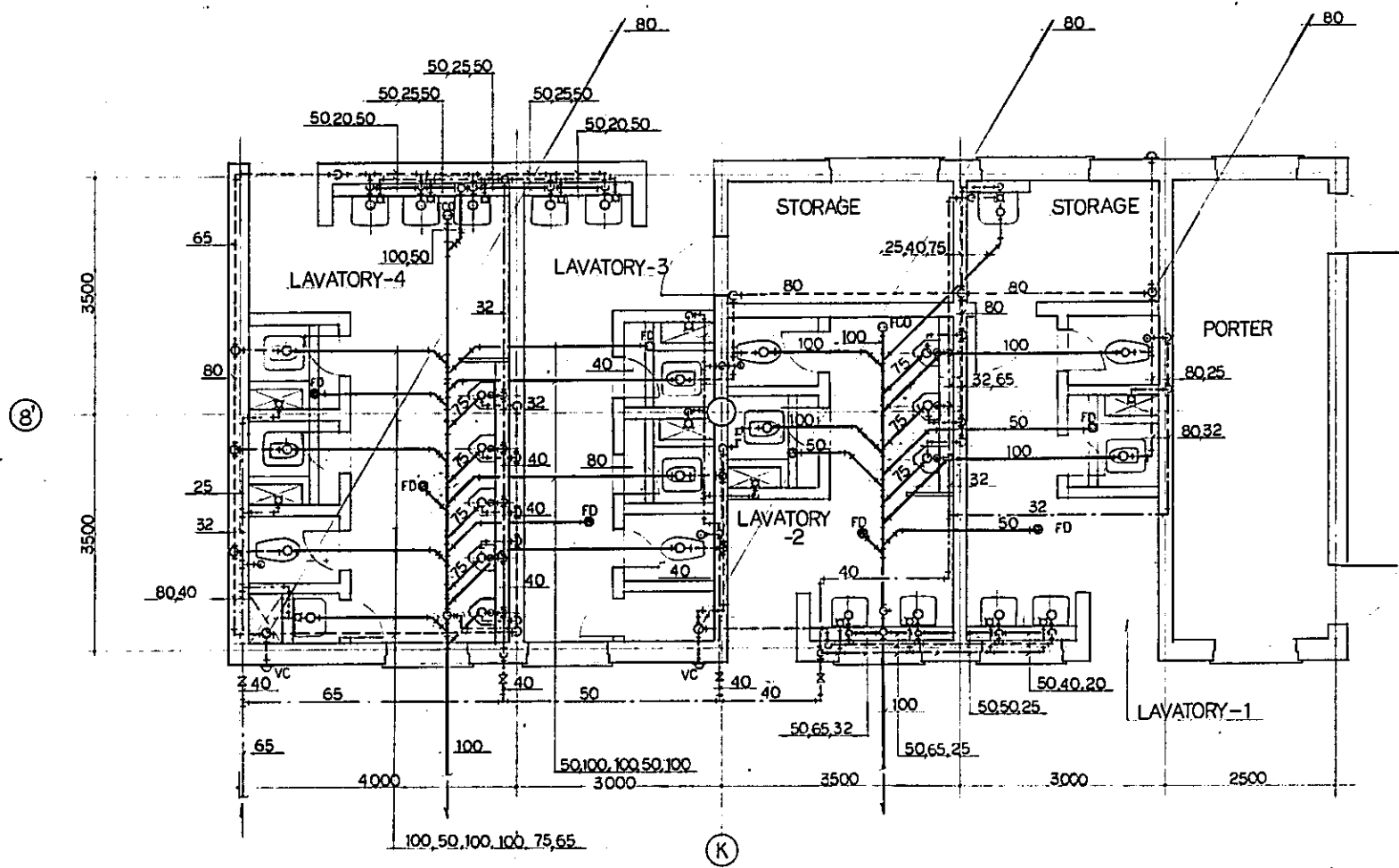
**BOOKING OFFICE**  
**PLUMBING**  
**GENERAL NOTES AND**  
**FIXTURES SCHEDULE**

PACKAGE: I CIVIL AND ARCHITECTURAL WORK  
 SCALE: NONE  
 DRAWING NO: AM - 013



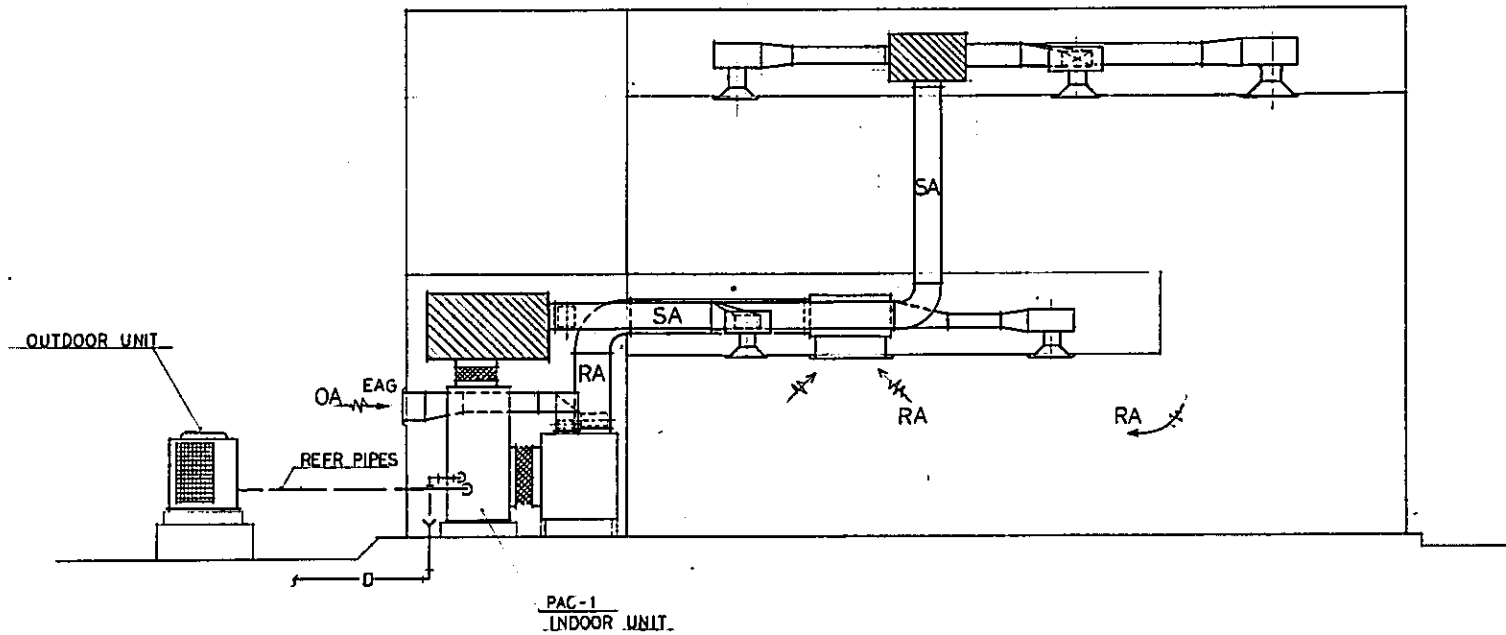
REPUBLIC OF INDONESIA MINISTRY OF COMMUNICATIONS, DIRECTORATE GENERAL OF LAND TRANSPORT AND INLAND WATERWAYS					
NEW RAILWAY LINE FOR CENGKARENG AIRPORT CONSTRUCTION PROJECT					
JAPAN INTERNATIONAL COOPERATION AGENCY (JICA)					
B	1 AUG 84	WT	WT	Eng. K.M.K.	
A	15 FEB 84	WT	WT	Eng. K.M.K.	
REVISIONS	DATE	DESIGNED	DRAWN	CHECKED	REVIEWED
BOOKING OFFICE PLUMBING IF PLAN					
PACKAGE: I CIVIL AND ARCHITECTURAL WORKS					
SCALE: 1:100		DRAWING NO: AM - 014			





REPUBLIC OF INDONESIA MINISTRY OF COMMUNICATIONS DIRECTORATE GENERAL OF LAND TRANSPORT AND INLAND WATERWAYS						
NEW RAILWAY LINE FOR CENGKARENG AIRPORT CONSTRUCTION PROJECT						
JAPAN INTERNATIONAL COOPERATION AGENCY (JICA)						
B	1 AUG 89	HT	HT	Spdy	K.M	m.K
A	15 FEB 88	HT	HT	Spdy	K.M	m.K
REVISIONS	DATE	DESIGNED	DRAWN	CHECKED	REVIEWED	SUBMITTED
BOOKING OFFICE PLUMBING DETAIL PLAN						
PACKAGE: I CIVIL AND ARCHITECTURAL WORK						
SCALE	DRAWING NO.					
1:100	AM - 015					

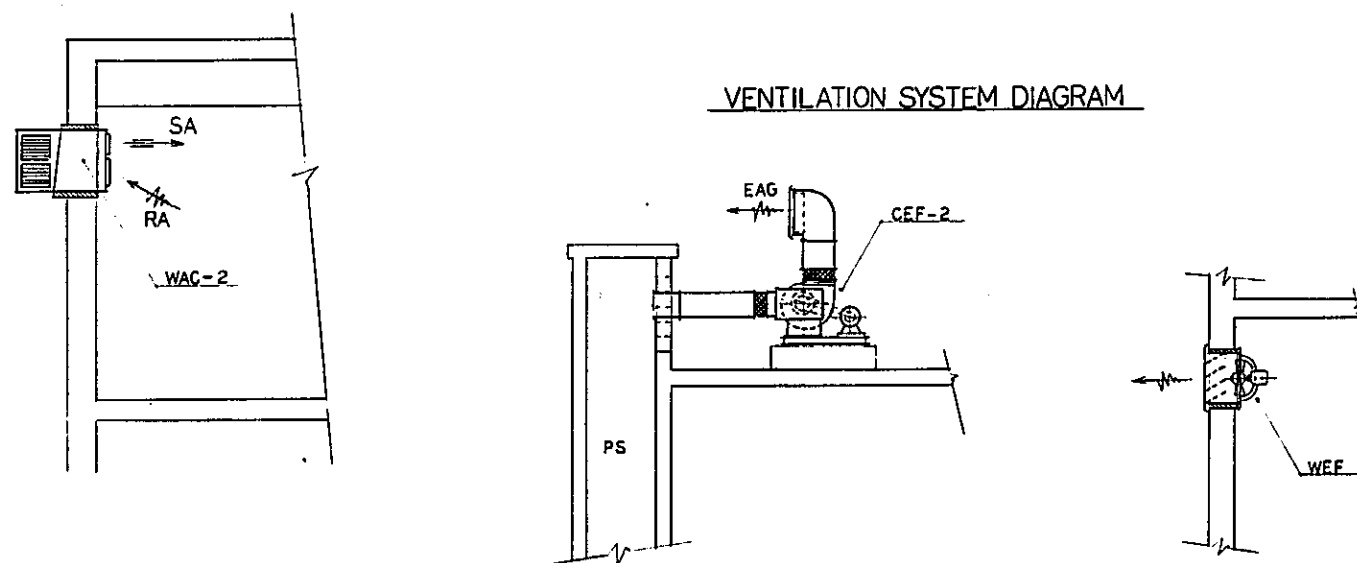
AIR CONDITIONING SYSTEM DIAGRAM



SCHEDULE OF VAC EQUIPMENT

SYMBOL	NAME OF EQUIPMENT	SPECIFICATION	ELEC DATA			ACCESSORIES	QTY
			V	PHASE	HZ		
PAC-1	AIR-COOLED TYPE PACKAGED AIR CONDITIONER	CAP: 16 <sup>RT</sup> , INDOOR-UNIT COMP. FAN 15 KW 3.7 KW OUTDOOR-UNIT FAN 0.4 KW x 2	380	3	50	REFR-PIPES	1
2	DITTO	CAP: 6 <sup>RT</sup> , INDOOR-UNIT COMP. FAN 5.5 KW 0.55 KW OUTDOOR-UNIT FAN 0.3 KW	220	1	50	DITTO	
WAC-1	WINDOW-MOUNTED ROOM AIR CONDITIONER	CAP: 1.9 <sup>RT</sup> , APPROX 650 <sup>W</sup> x420 <sup>H</sup> x760 <sup>D</sup> 3.4 KW	220	1	50	COOLER FRAME	
2	DITTO	CAP: 1.4 <sup>RT</sup> , DITTO 650 <sup>W</sup> x420 <sup>H</sup> x650 <sup>D</sup> 2.3 KW	220	1	50	DITTO	4
CEF-1/2	CENTRIFUGAL FAN	1400 x 40 mmHg x 0.75 KW	380	3	50	ANTIVIBRATION FRAME	
2	DITTO	3600 x 35 x 1.5	380	3	50	DITTO	1
2 1/2	DITTO	5600 x 45 x 2.2	380	3	50	DITTO	
PEF-200	PIPE EXHAUST FAN	200 x 300 x 10 mmHg x 75 W	220	1	50	HS	
WEF-250	WALL-TYPE EXHAUST FAN	250 x 300 x 6 mmHg x 25 W	220	1	50	EAG	
300	DITTO	300 x 600 x 8 x 50	220	1	50	DITTO	2
350	DITTO	350 x 850 x 8 x 100	220	1	50	DITTO	4
400	DITTO	400 x 1300 x 8 x 200	220	1	50	DITTO	5
500	DITTO	500 x 1600 x 15 x 300	220	1	50	DITTO	1

VENTILATION SYSTEM DIAGRAM



DUCT MATERIAL

MINIMUM DUCT GALVANIZED SHEET STEEL METAL GAGES

GAGE/THK (mm)	RECTANGULAR (mm)	ROUND (φmm)
26 0.5 APPROX	UP THROUGH 300 <sup>(1)</sup>	UP THROUGH 200
24 0.6	325 x 762	255 x 558
22 0.8	778 x 1300	583 x 900
20 1.0	1325 x 2130	925 x 1270
18 1.2	2155 x 3050	

(1) DIMENSION OF LONGEST SIDE

REPUBLIC OF INDONESIA  
MINISTRY OF COMMUNICATIONS  
DIRECTORATE GENERAL OF LAND TRANSPORT AND INLAND WATERWAYS

NEW RAILWAY LINE FOR CENGKARENG AIRPORT  
CONSTRUCTION PROJECT

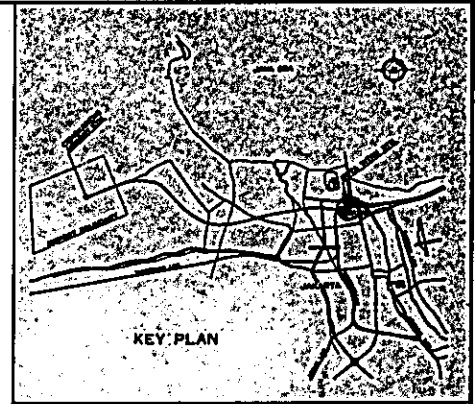
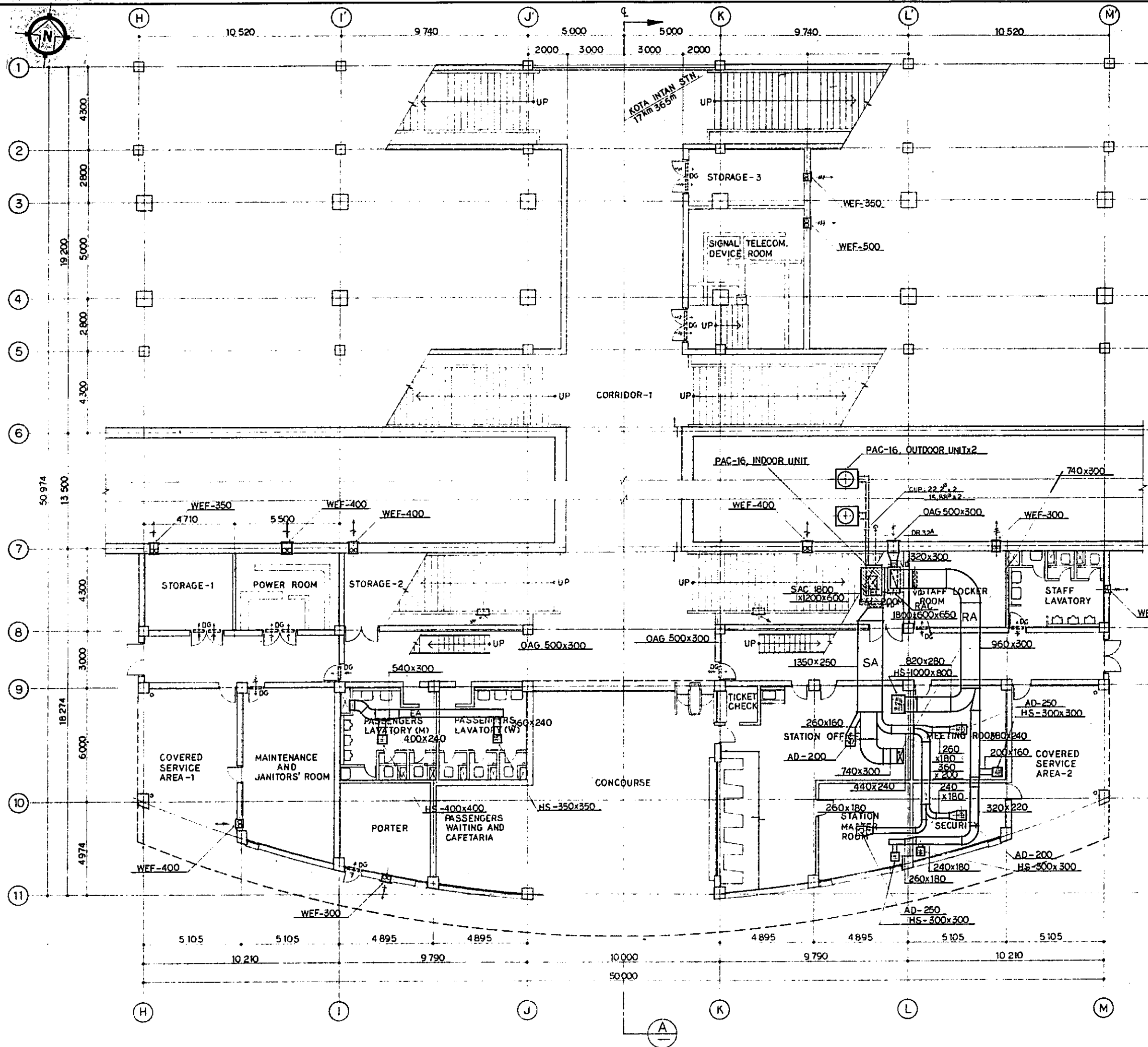
JAPAN INTERNATIONAL COOPERATION AGENCY (JICA)

B	1 AUG 89	OK	OK	OK	OK	OK
A	6 FEB 89	OK	OK	OK	OK	OK

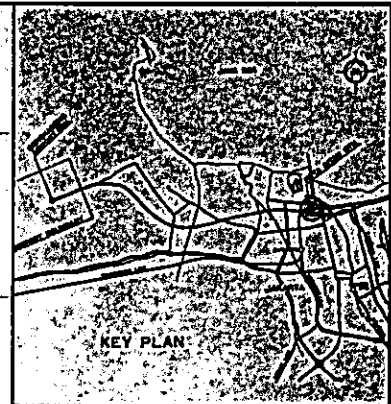
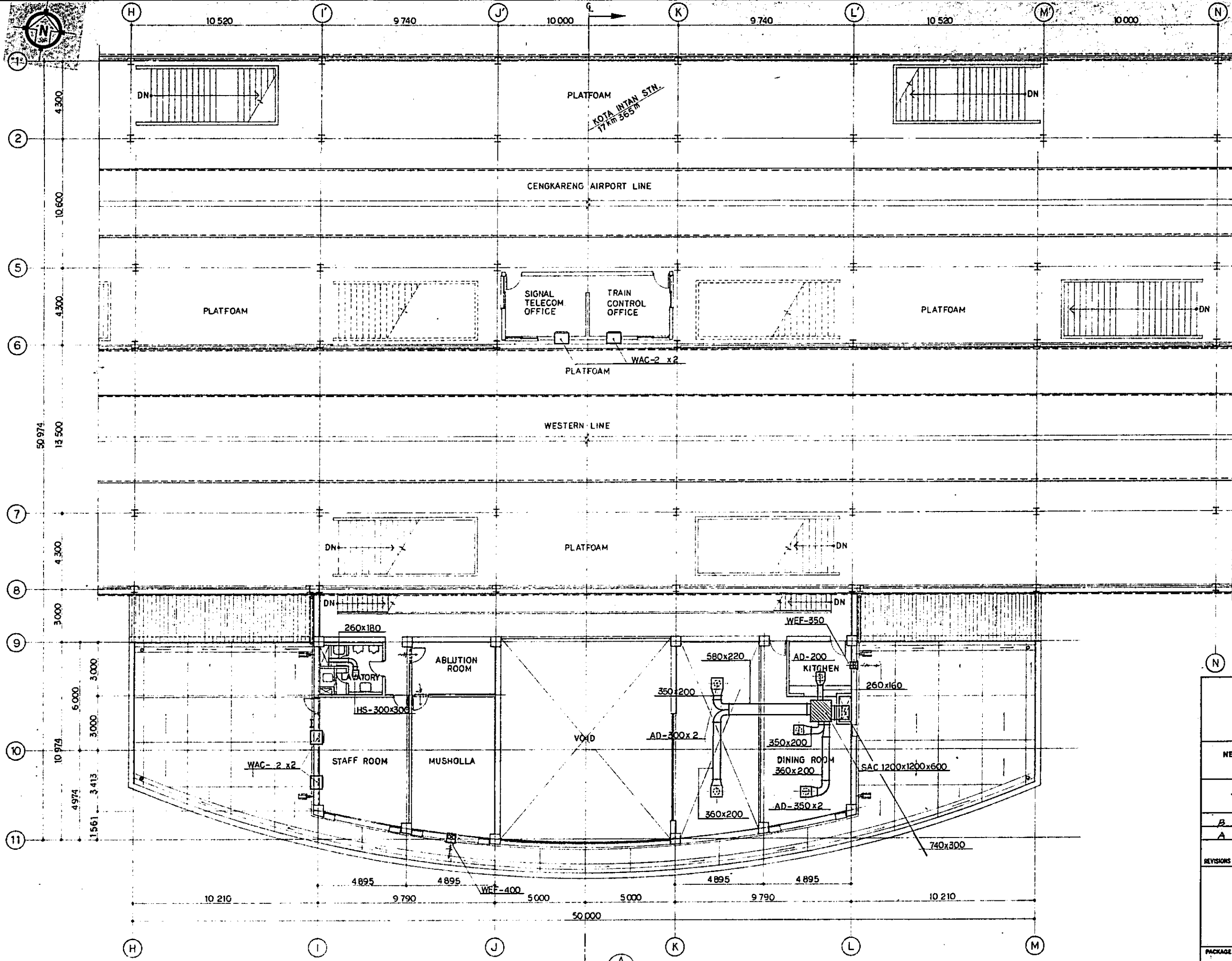
KOTA INTAN STATION  
VAC  
GENERAL NOTES AND  
APPARATUS SCHEDULE

PACKAGE: I CIVIL AND ARCHITECTURAL WORK

SCALE: NONE DRAWING NO: AM - 016



REPUBLIC OF INDONESIA MINISTRY OF COMMUNICATIONS DIRECTORATE GENERAL OF LAND TRANSPORT AND INLAND WATERWAYS					
NEW RAILWAY LINE FOR CENKARENG AIRPORT CONSTRUCTION PROJECT					
JAPAN INTERNATIONAL COOPERATION AGENCY (JICA)					
B	1 AUG 89	INT	F. B. K. M. A. K.		
A	1 FEB 89	INT	S. G. U. R. A. K.		
REVISIONS	DATE	DESIGNED	DRAWN	CHECKED	APPROVED
<b>KOTA INTAN STATION</b> <b>VAC</b> <b>IF PLAN</b>					
PACKAGE: I CIVIL AND ARCHITECTURAL WORK					
SCALE: 1:100			DRAWING NO: AM - 017		



REPUBLIC OF INDONESIA  
 MINISTRY OF COMMUNICATIONS  
 DIRECTORATE GENERAL OF LAND TRANSPORT AND INLAND WATERWAYS

NEW RAILWAY LINE FOR CENKARENG AIRPORT CONSTRUCTION PROJECT

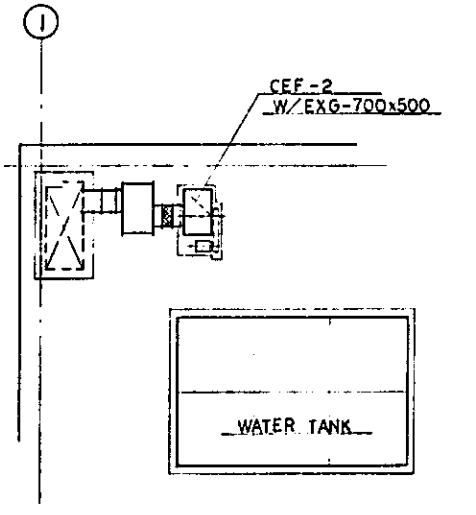
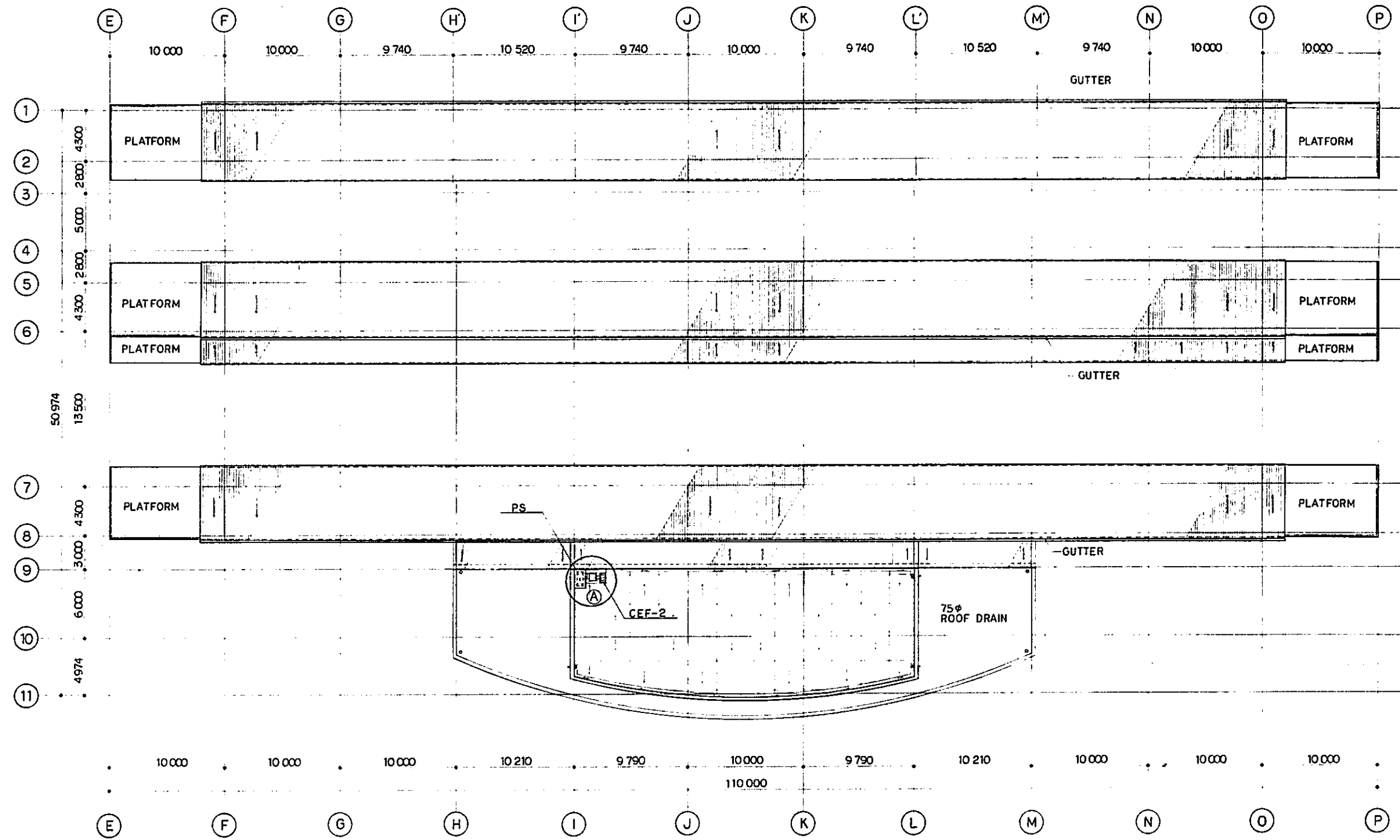
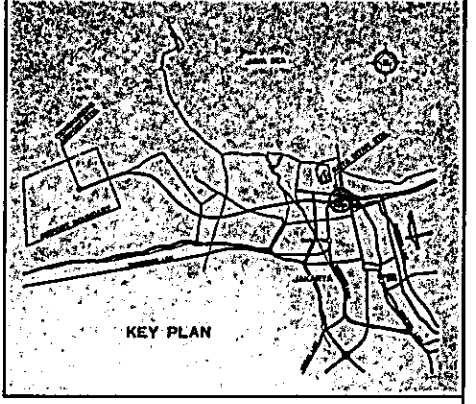
JAPAN INTERNATIONAL COOPERATION AGENCY (JICA)

REVISIONS	DATE	DESIGNED	DRAWN	CHECKED	REVIEWED	SUBMITTED
B	1 AUG 84	[Signature]	[Signature]	[Signature]	[Signature]	[Signature]
A	1 FEB 84	[Signature]	[Signature]	[Signature]	[Signature]	[Signature]

KOTA INTAN STATION  
 VAC  
 2F PLAN

PACKAGE: I CIVIL AND ARCHITECTURAL WORK.

SCALE: 1:100      DRAWING NO: AM - 018

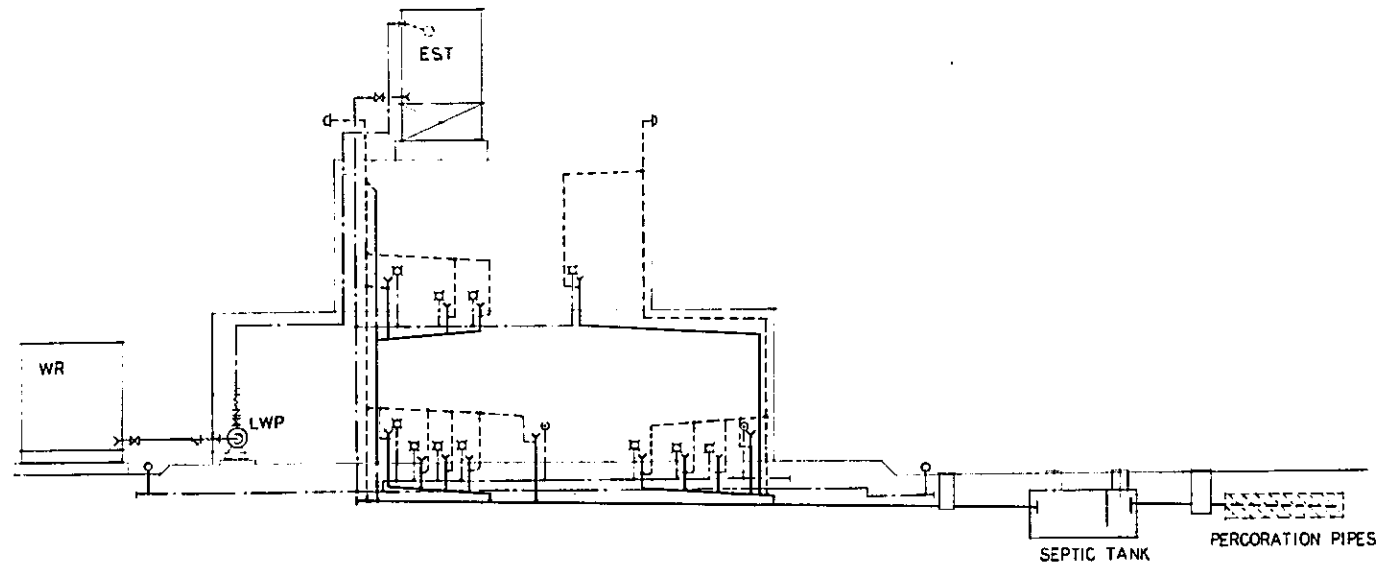


Ⓐ DETAIL SCALE 1/50

ROOF PLAN  
SCALE 1:200

REPUBLIC OF INDONESIA MINISTRY OF COMMUNICATIONS DIRECTORATE GENERAL OF LAND TRANSPORT AND INLAND WATERWAYS					
NEW RAILWAY LINE FOR CENKARENG AIRPORT CONSTRUCTION PROJECT					
JAPAN INTERNATIONAL COOPERATION AGENCY (JICA)					
REVISIONS	DATE	DESIGNED	DRAWN	CHECKED	SUBMITTED
B	1 AUG 89	HT	HT	Engk	K.M. mk
A	15 FEB 89	HT	HT	Engk	K.M. mk
KOTA INTAN STATION VAC RF PLAN					
PACKAGE: I CIVIL AND ARCHITECTURAL WORK					
SCALE: 1:200		DRAWING NO: AM - 019			

PLUMBING SYSTEM DIAGRAM



PLUMBING FIXTURES SCHEDULE

SYMBOL	FIXTURE NAME	DESCRIPTION			QTY	CONNECTION PIPE		
		MATERIAL	SIZE APPROX.	ACCESSORIES		WATER	WASTE	VENT
WC-1	WATER CLOSET EASTERN TYPE	VITREOUS CHINA	280x570x300 <sup>H</sup>	P-TRAP, F-2	8	25	100	80
WC-2	DITTO WESTERN TYPE	DITTO	360x600x360 <sup>H</sup>	DITTO, FLUSH-VALVE, TOILET PAPER HOLDER		25	100	80
UR-1	URINAL, FLOOR MOUNTED TYPE	DITTO	380x380x920 <sup>H</sup>	FLUSH-VALVE, INLET SPUD	8	20	75	50
LV-1	LAVATORY WALL HUNG	DITTO	530x430	F-1, P-TRAP, SHUT OFF VALVE, CONNECTING PIPE	8	20	50	40
LV-2	DITTO COUNTER-TOP	DITTO	480 <sup>ø</sup>	DITTO		20	50	40
SK-1	SERVICE SINK	DITTO	560x450x630 <sup>H</sup>	F-2, SINK-TRAP	3	20	75	40
KS-1	KITCHEN SINK CABINET TYPE	STAINLESS STEEL	1000x560x800 <sup>H</sup>	F-1, SINK-TRAP	1	20	50	40
KS-2	DITTO	DITTO	1500x560x800 <sup>H</sup>	DITTO	1	20	50	40
F-1	FAUCET	CHROME PLATED	1/2		3	20		
F-2	DITTO	DITTO	3/4			25		
F-3	DITTO FOR IRRIGATION	DITTO	3/4	VALVE-BOX, w/KEY	15	25		
FD-1	FLOOR DRAIN	CAST IRON		WASTE FITTING	10		50	
FD-2	DITTO	DITTO		DITTO	1		75	
LWP-1	LIFT WATER PUMP CENTRIFUGAL-TYPE	65-50x550 <sup>ø</sup> x 24 x 3,7 <sup>L/min mH KW</sup>						
LWP-2	DITTO	50-40x250 <sup>ø</sup> x 24 x 2,2 <sup>L/min mH KW</sup>			1			

NOTES : PIPING

1. GALVANIZED STEEL PIPES FOR POTABLE WATER, VENT AND DRAIN

SIZE NOMINAL	15	20	25	32	40	50	65	80	100	125	150	REMARKS
OUTSIDE DIAMETER	21,7	27,2	34,0	42,7	48,6	60,5	76,3	89,1	114,3	139,8	165,2	SCREW-JOINTED
WALL THICKNESS	2,8	2,8	3,2	3,5	3,5	3,8	4,2	4,2	4,5	4,5	4,6	

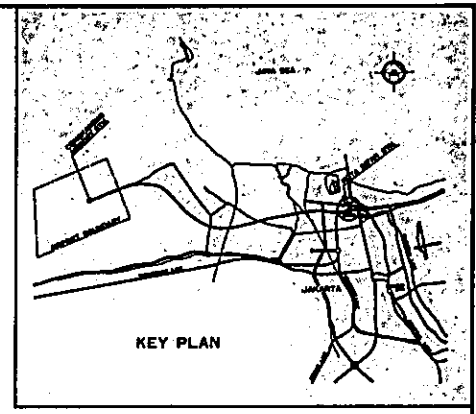
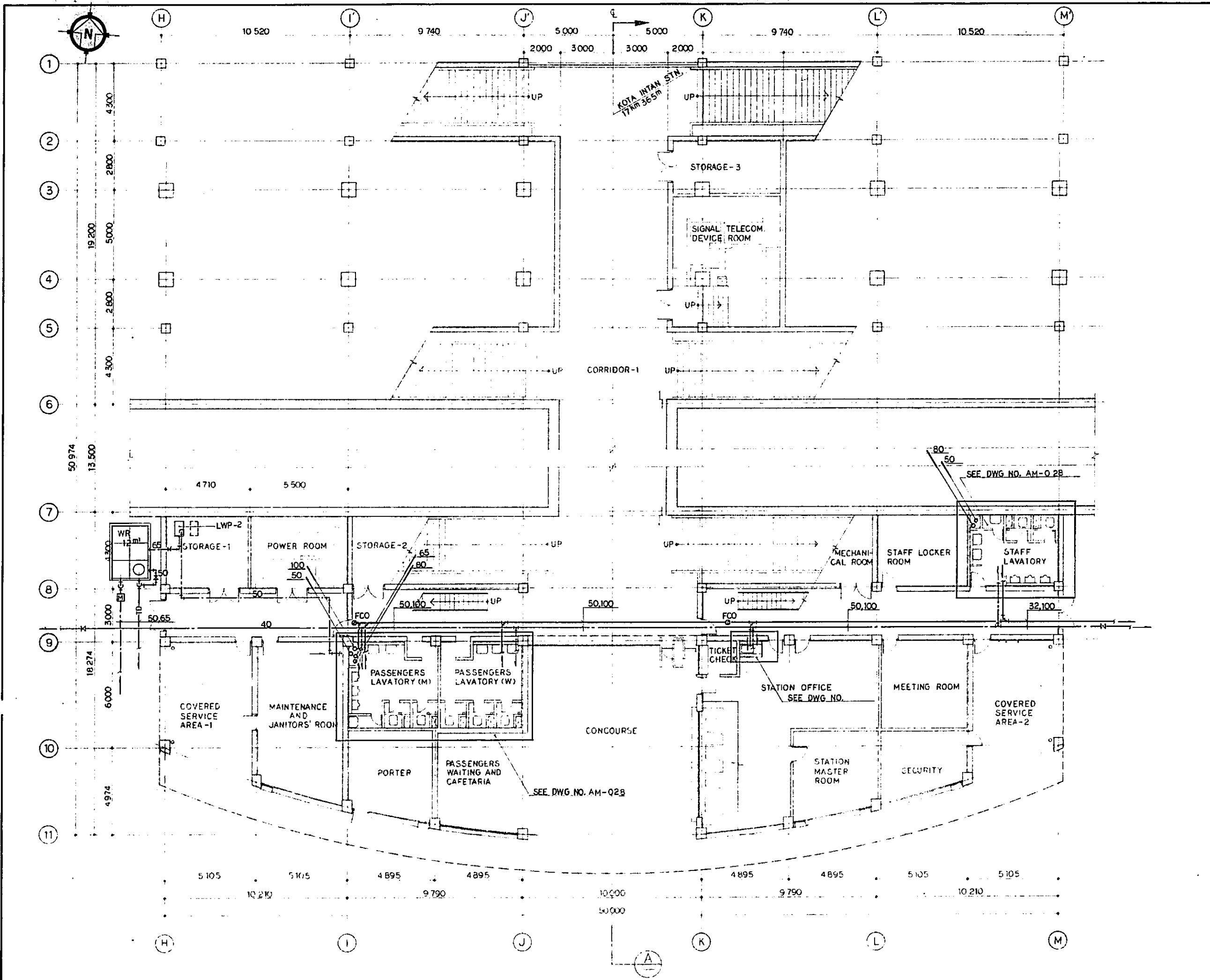
FITTINGS SHALL COMPLY WITH THE PIPE MATERIAL.

2. CAST IRON PIPE FOR SOIL AND SEWER

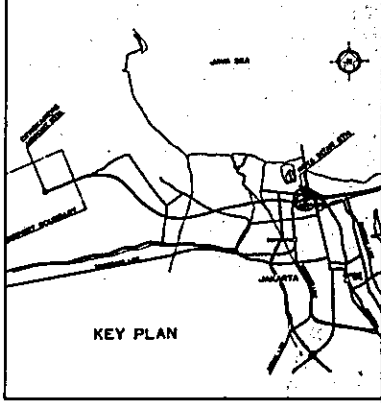
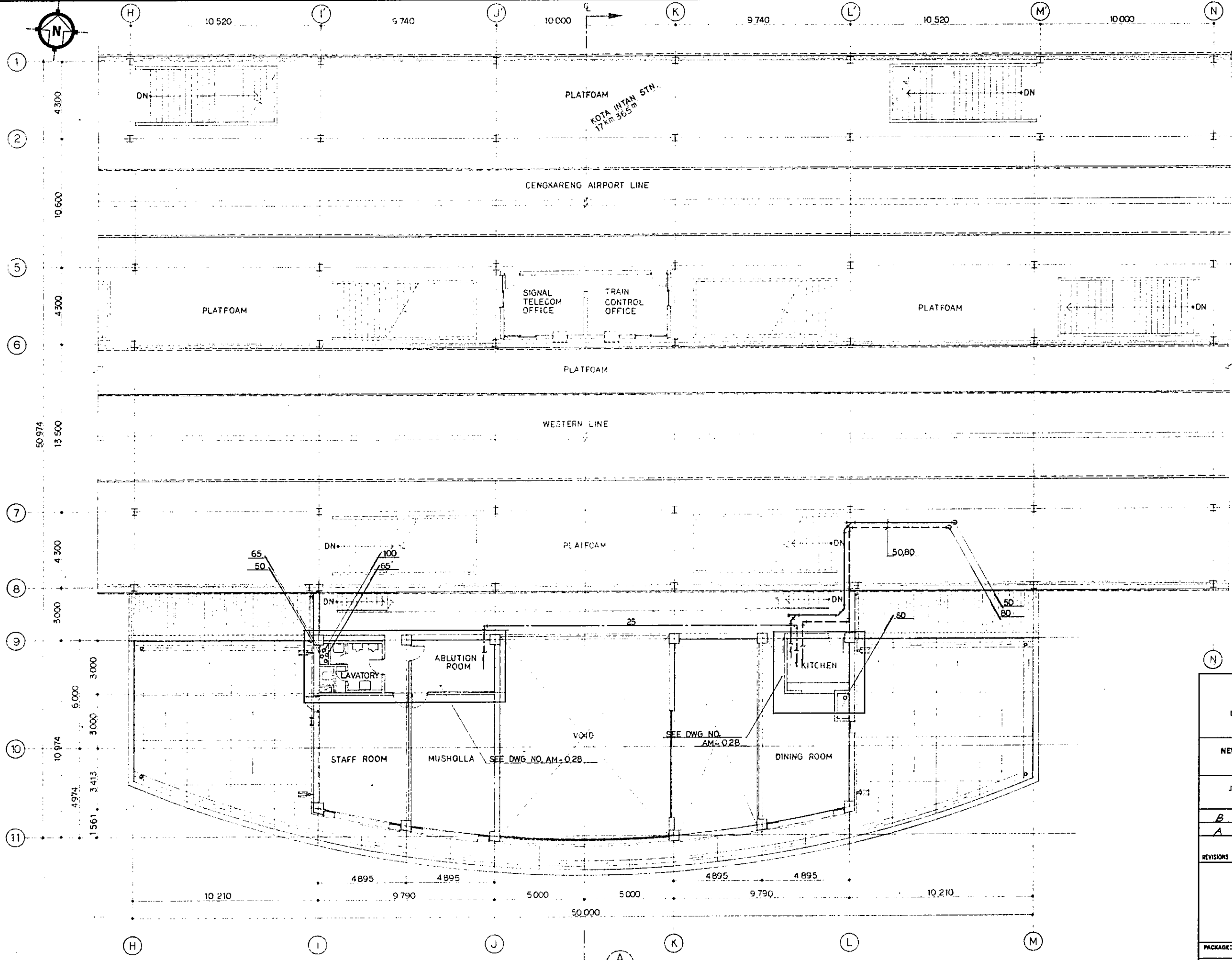
SIZE NOMINAL	50	75	100	125	150	200	REMARKS
OUTSIDE DIAMETER	59	84	109	134	159	212	ONE TOUCH JOINT-TYPE
WALL THICKNESS	4,5	4,5	4,5	4,5	4,5	6,0	

FITTINGS SHALL COMPLY WITH THE PIPE MATERIAL.

REPUBLIC OF INDONESIA MINISTRY OF COMMUNICATIONS DIRECTORATE GENERAL OF LAND TRANSPORT AND INLAND WATERWAYS					
NEW RAILWAY LINE FOR CENGKARENG AIRPORT CONSTRUCTION PROJECT					
JAPAN INTERNATIONAL COOPERATION AGENCY (JICA)					
B	1 APR 89	W	W	K.M	K
A	1 FEB 89	W	W	K.M	K
REVISIONS	DATE	DESIGNED	DRAWN	CHECKED	REVIEWED
KOTA INTAN STATION PLUMBING GENERAL NOTES AND APPARATUS SCHEDULE					
PACKAGE: I CIVIL AND ARCHITECTURAL WORK					
SCALE: NONE		DRAWING NO: AM - 020			

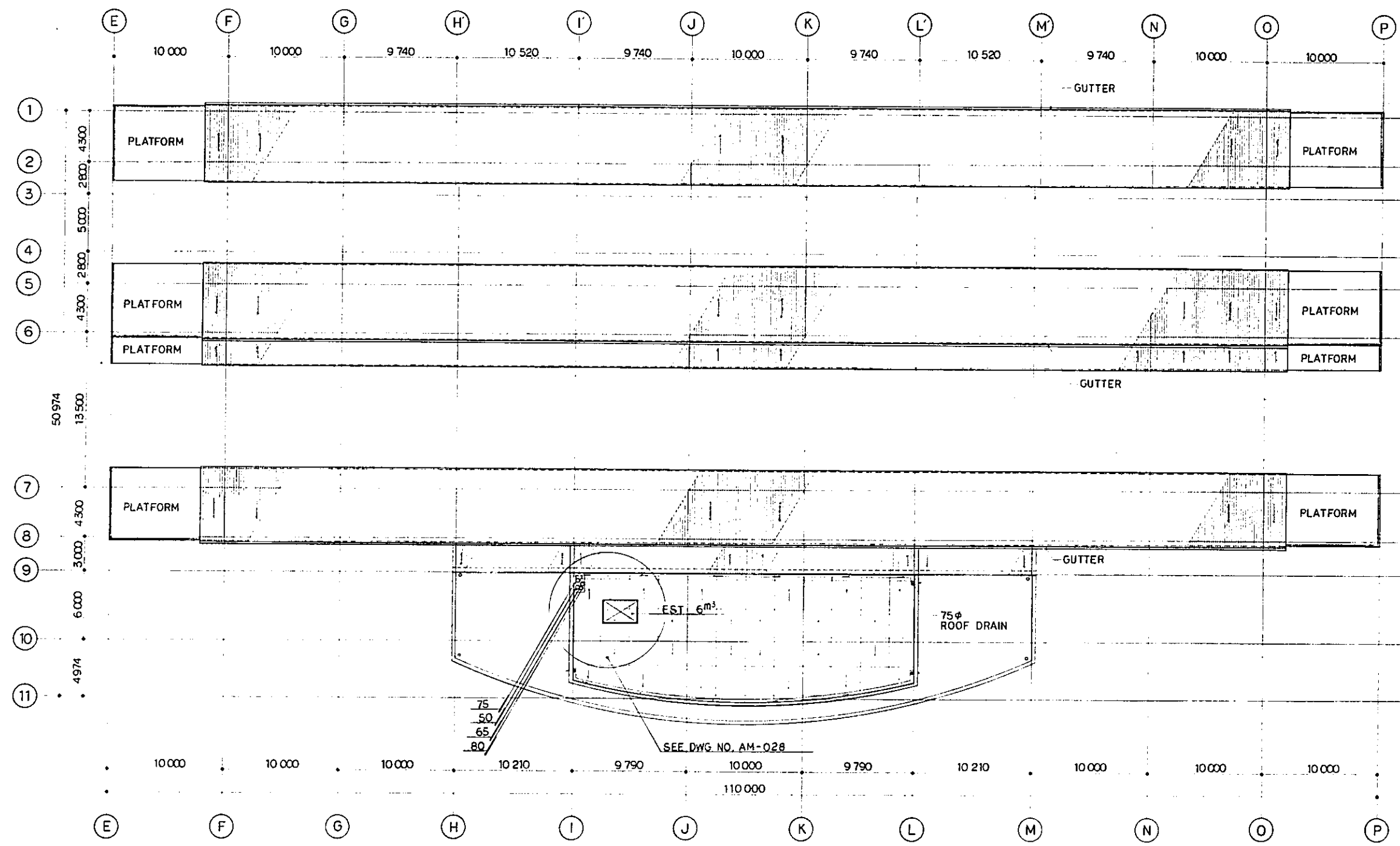
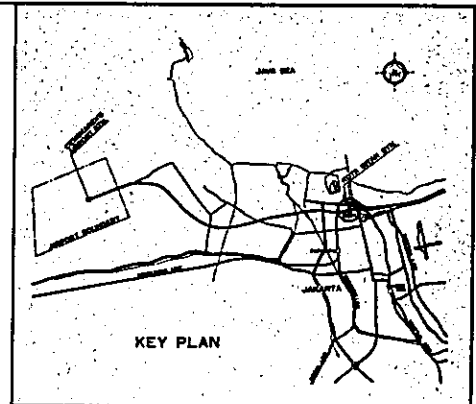


REPUBLIC OF INDONESIA MINISTRY OF COMMUNICATIONS DIRECTORATE GENERAL OF LAND TRANSPORT AND INLAND WATERWAYS						
NEW RAILWAY LINE FOR CENGKARENG AIRPORT CONSTRUCTION PROJECT						
JAPAN INTERNATIONAL COOPERATION AGENCY (JICA)						
B	1 AUG. 89	JH	DM	SK	K.M	M.K
A	15 FEB. 89	JH	DM	SK	K.M	M.K
REVISIONS	DATE	DESIGNED	DRAWN	CHECKED	REVIEWED	SUBMITTED
KOTA INTAN STATION PLUMBING IF PLAN						
PACKAGE: I CIVIL AND ARCHITECTURAL WORK						
SCALE: 1:100		DRAWING NO.: AM - 021				



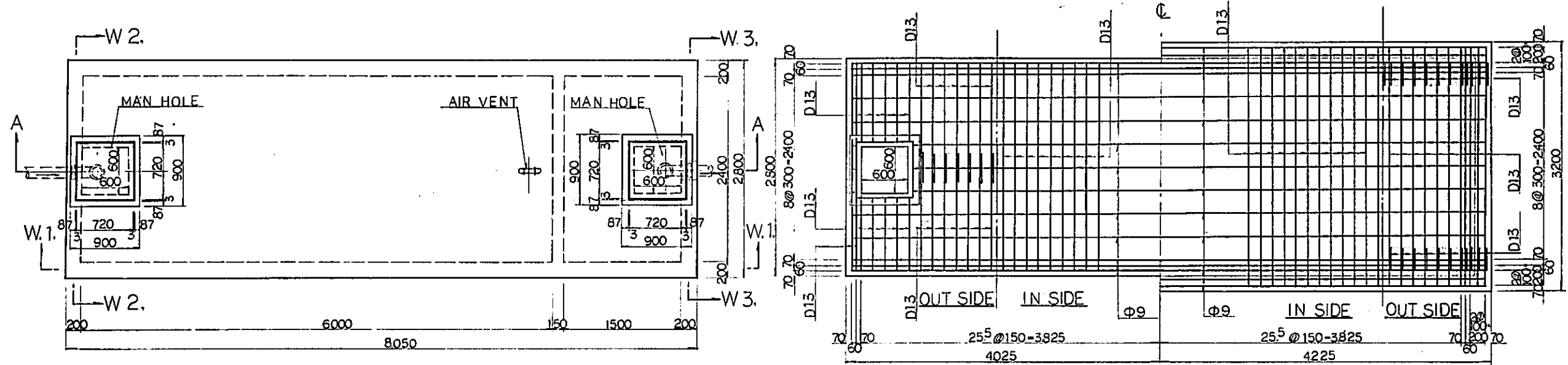
REPUBLIC OF INDONESIA MINISTRY OF COMMUNICATIONS DIRECTORATE GENERAL OF LAND TRANSPORT AND INLAND WATERWAYS					
NEW RAILWAY LINE FOR CENKARENG AIRPORT CONSTRUCTION PROJECT					
JAPAN INTERNATIONAL COOPERATION AGENCY (JICA)					
B	1 AUG 79	AM	AM	K.M	K
A	15 FEB 79	AM	AM	K.M	K
REVISIONS	DATE	DESIGNED	DRAWN	CHECKED	SUBMITTED
KOTA INTAN STATION PLUMBING 2F PLAN					
PACKAGE: I CIVIL AND ARCHITECTURAL WORK					
SCALE: 1:100		DRAWING NO: AM - 022			





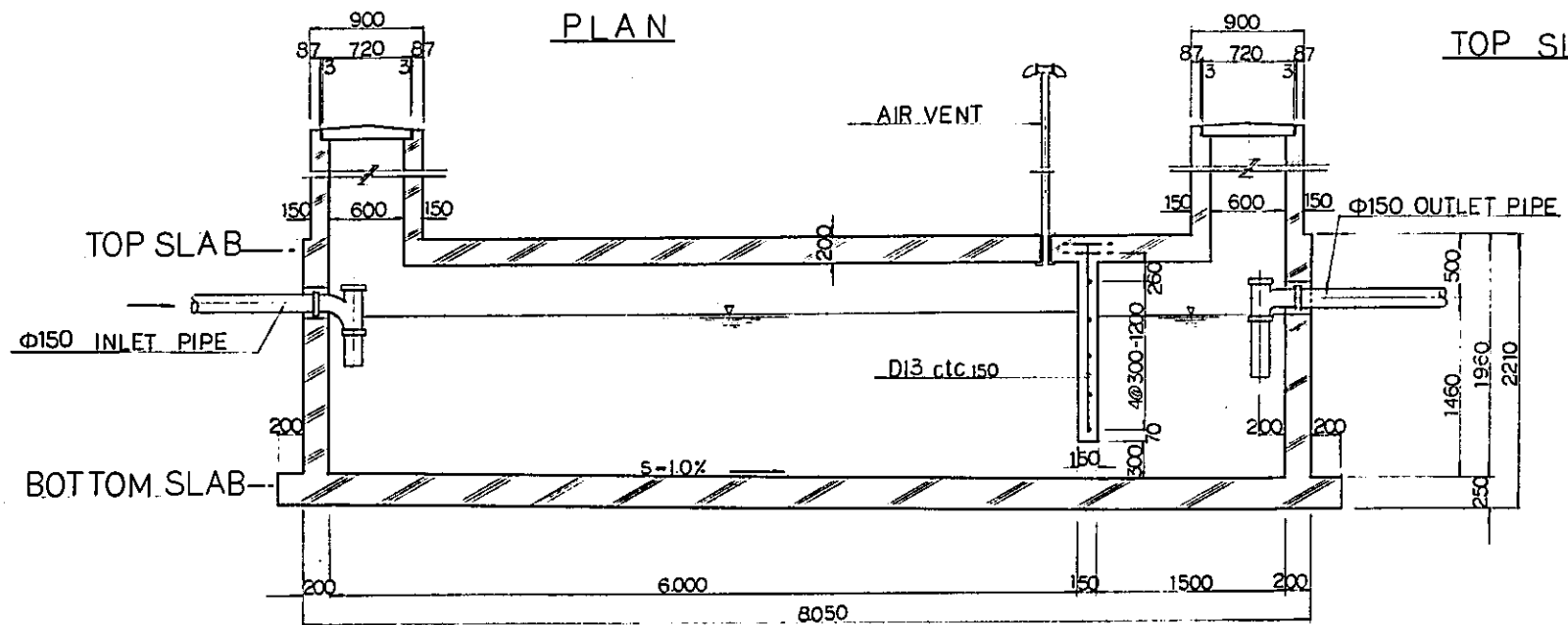
ROOF PLAN  
SCALE 1:200

REPUBLIC OF INDONESIA MINISTRY OF COMMUNICATIONS DIRECTORATE GENERAL OF LAND TRANSPORT AND INLAND WATERWAYS						
NEW RAILWAY LINE FOR CENGKARENG AIRPORT CONSTRUCTION PROJECT						
JAPAN INTERNATIONAL COOPERATION AGENCY (JICA)						
REVISIONS	DATE	DESIGNED	DRAWN	CHECKED	REVIEWED	SUBMITTED
B	1 AUG 89	HT	HT	HT	K.M.	M.K.
A	1 FEB 89	HT	HT	HT	K.M.	M.K.
KOTA INTAN STATION PLUMBING RF PLAN						
PACKAGE: I CIVIL AND ARCHITECTURAL WORK						
SCALE: 1:200		DRAWING NO: AM - 023				

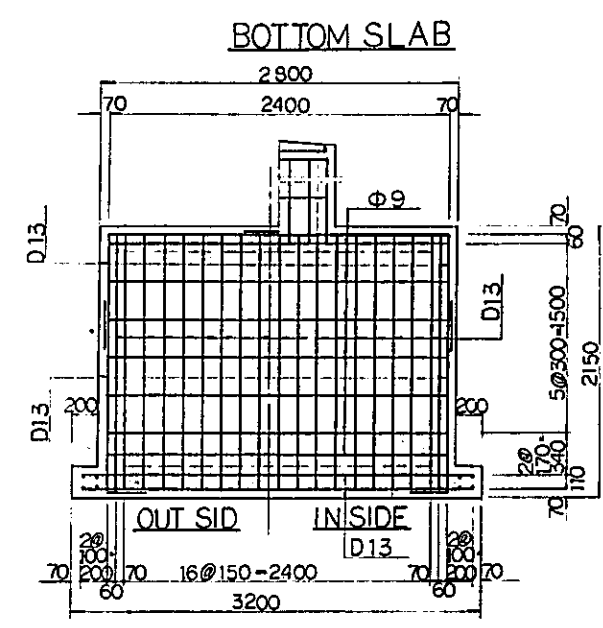


PLAN

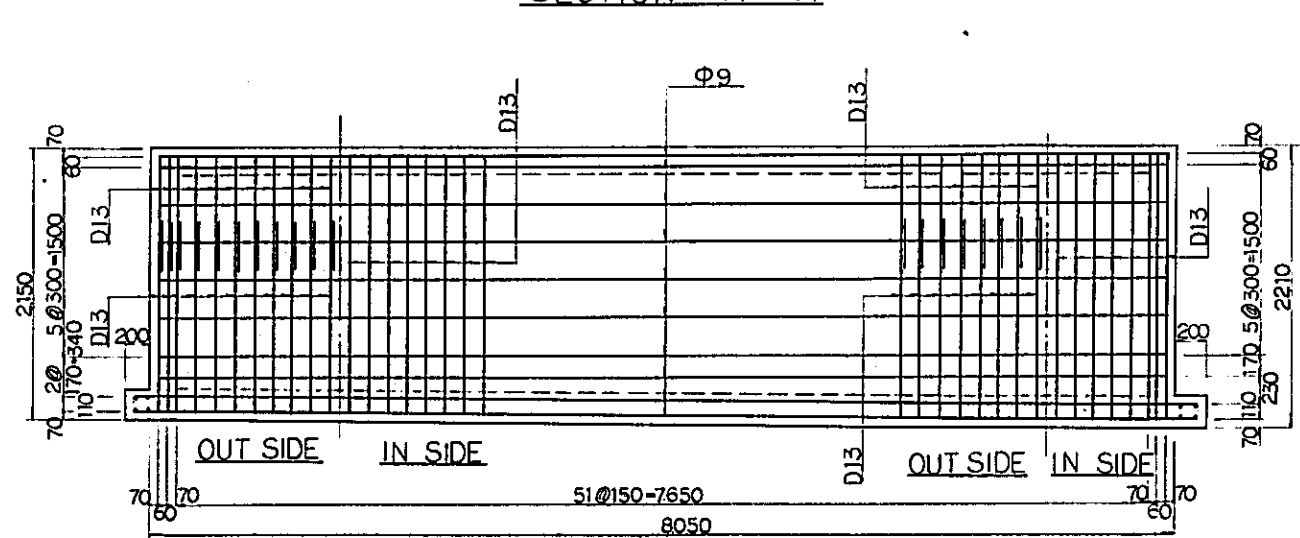
TOP SLAB



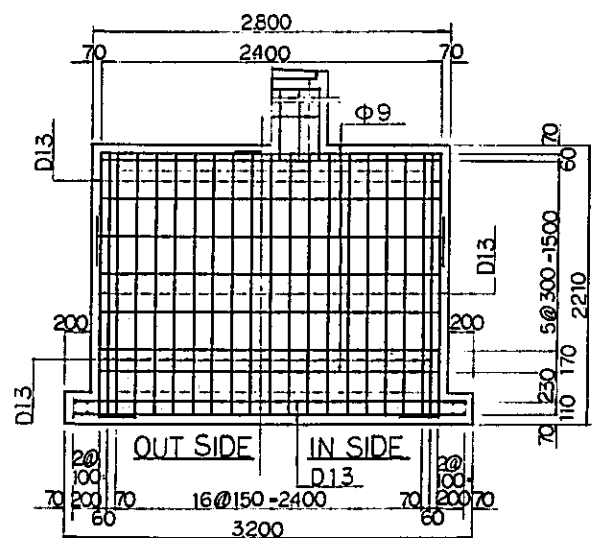
SECTION A - A



WALL 2

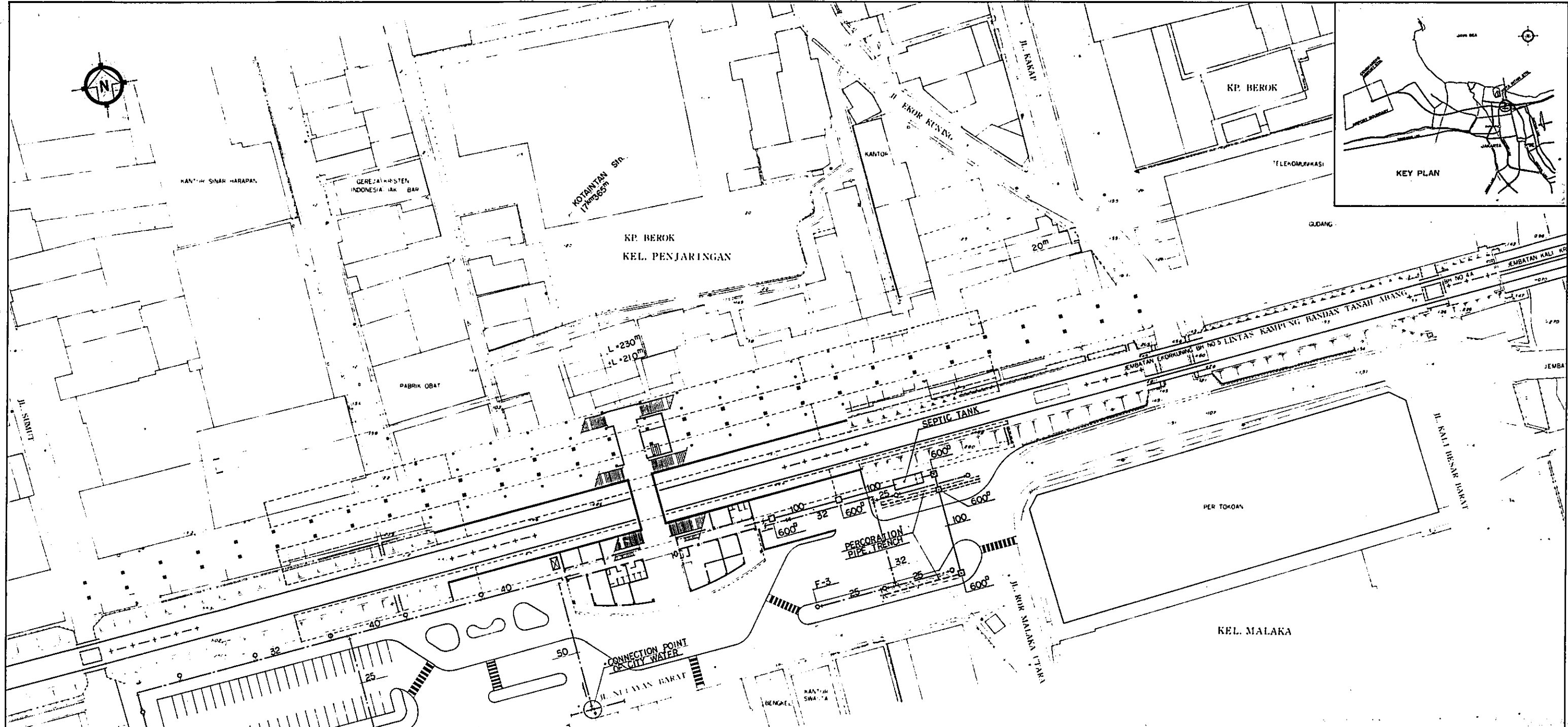
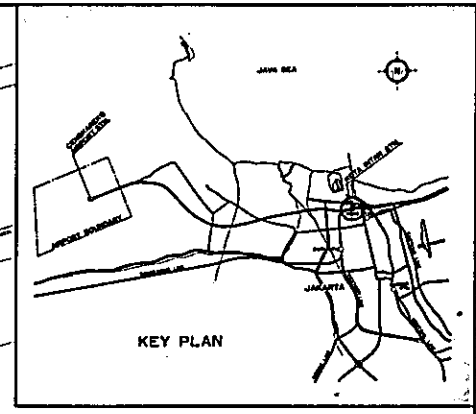


WALL 1

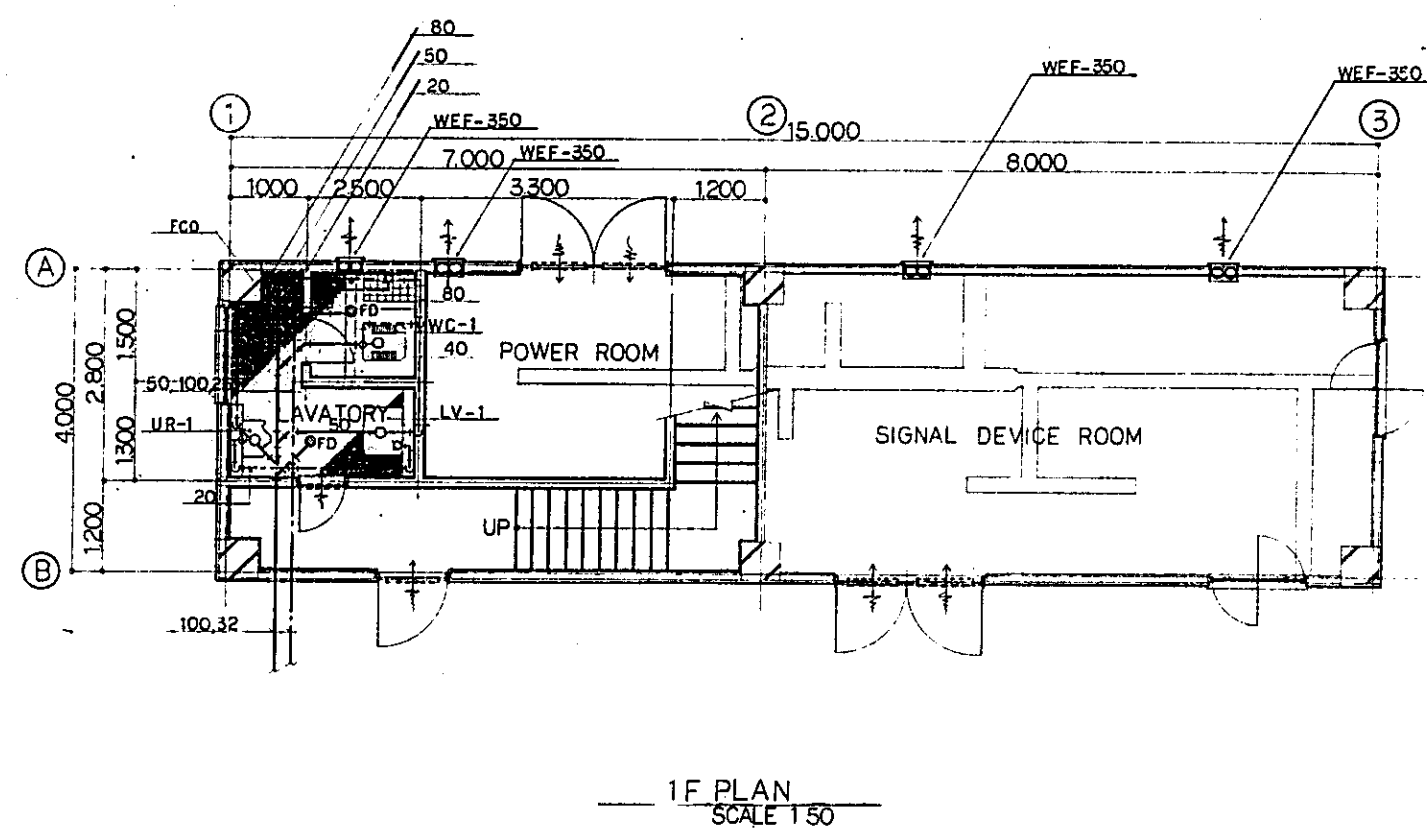
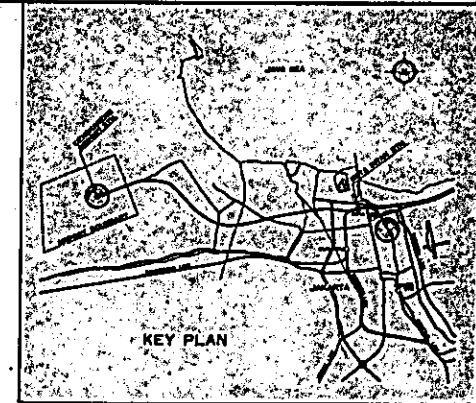


WALL 3

REPUBLIC OF INDONESIA MINISTRY OF COMMUNICATIONS DIRECTORATE GENERAL OF LAND TRANSPORT AND INLAND WATERWAYS					
NEW RAILWAY LINE FOR CENGKARENG AIRPORT CONSTRUCTION PROJECT					
JAPAN INTERNATIONAL COOPERATION AGENCY (JICA)					
REVISIONS	DATE	DESIGNED	DRAWN	CHECKED	SUBMITTED
B	1 APR 89	WH	WH	WH	K.M. K
A	15 FEB 89	WH	WH	WH	K.M. K
KOTA INTAN STATION PLUMBING SEPTIC TANK					
PACKAGE: I CIVIL AND ARCHITECTURAL WORK					
SCALE: 1:30		DRAWING NO: AM - 024			

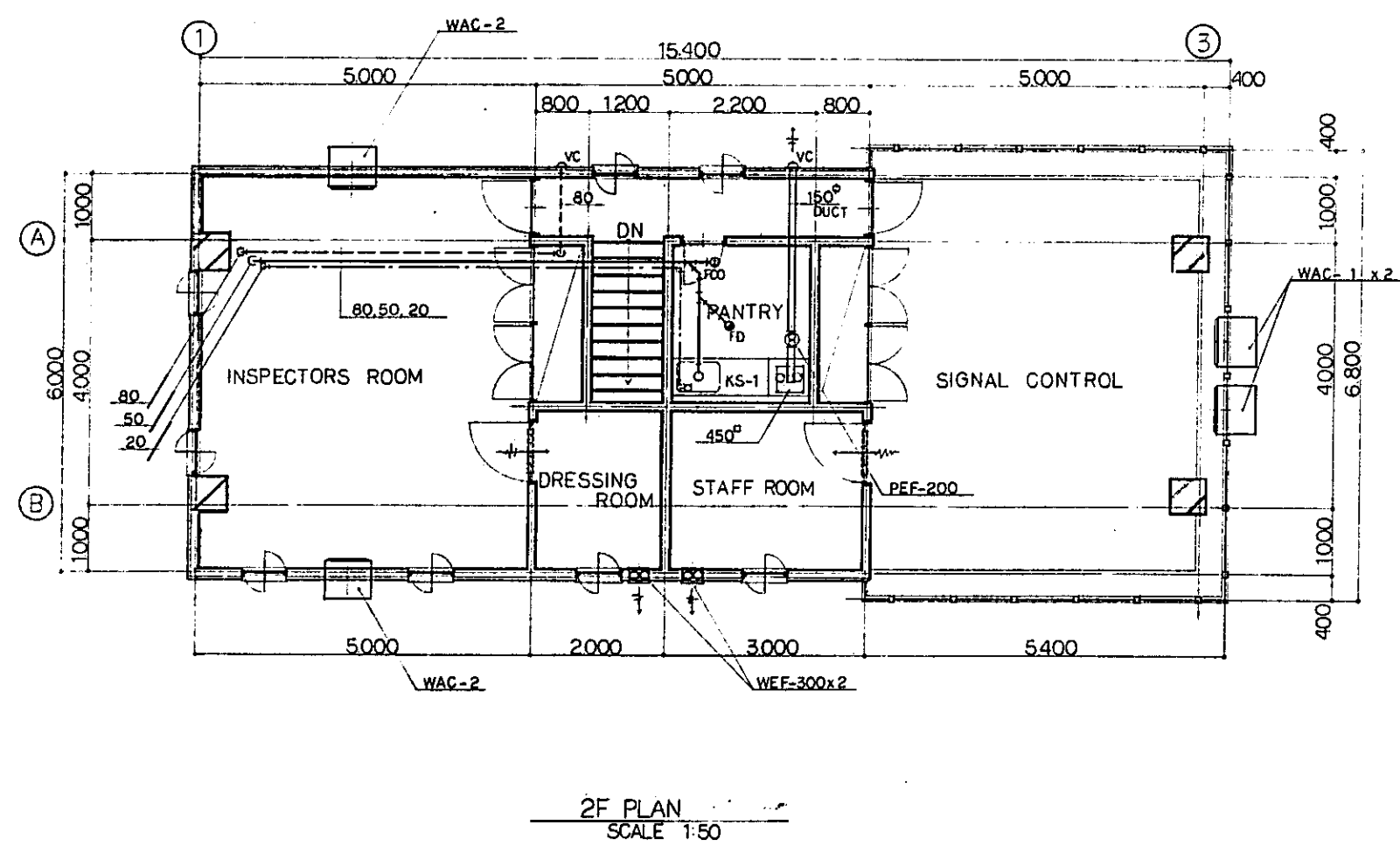


REPUBLIC OF INDONESIA MINISTRY OF COMMUNICATIONS DIRECTORATE GENERAL OF LAND TRANSPORT AND INLAND WATERWAYS					
NEW RAILWAY LINE FOR CENGKARENG AIRPORT CONSTRUCTION PROJECT					
JAPAN INTERNATIONAL COOPERATION AGENCY (JICA)					
B	1 AUG 79	JKH	JKH	JKH	JKH
A	15 FEB 79	JKH	JKH	JKH	JKH
REVISIONS	DATE	DESIGNED	DRAWN	CHECKED	REVIEWED
KOTA INTAN STATION GENERAL SITE PLAN OF PLUMBING AND IRRIGATION SYSTEM					
PACKAGE: I CIVIL AND ARCHITECTURAL WORK					
SCALE	DRAWING NO:				
1:500	AM - 025				



**SCHEDULE OF VAC AND PLUMBING EQUIPMENT**

SYMBOL	NAME OF EQUIPMENT	SPECIFICATION	QTY	REMARKS
WAC-1	WINDOW MOUNTED ROOM AIR CONDITIONER	CAP 1.9 KW APPROX 650x420x760	2	W/COOLER FRAME
WAC-2	DITTO	14x23x10 APPROX 650x420x650	2	DITTO
PEF-200	PIPE EXHAUST FAN	200x300x100 (220x110)	1	HS, VC
WEF-250	WALL-TYPE EXHAUST FAN	250x300x100 (DITTO)	1	EAG
WAC-300	DITTO	300x600x80 (DITTO)	2	DITTO
WAC-350	DITTO	350x850x80 (DITTO)	4	
WAC-400	DITTO	400x1300x80 (DITTO)	1	
WC-1	WATER CLOSET EASTERN TYPE	VITREOUS CHINA APPROX 280x570x300	1	W/P-TRAP, F-2
UR-1	URINAL FLOOR MOUNTED TYPE	DITTO DITTO 380x350x920	1	W/FLUSH VALVE INLET SPUD
LV-1	LAVATORY WALL-HUNG	530x430	1	W/F-1, P-TRAP, SHUT OFF VALVE



REPUBLIC OF INDONESIA  
 MINISTRY OF COMMUNICATIONS  
 DIRECTORATE GENERAL OF LAND TRANSPORT AND INLAND WATERWAYS

NEW RAILWAY LINE FOR CENGKARENG AIRPORT CONSTRUCTION PROJECT

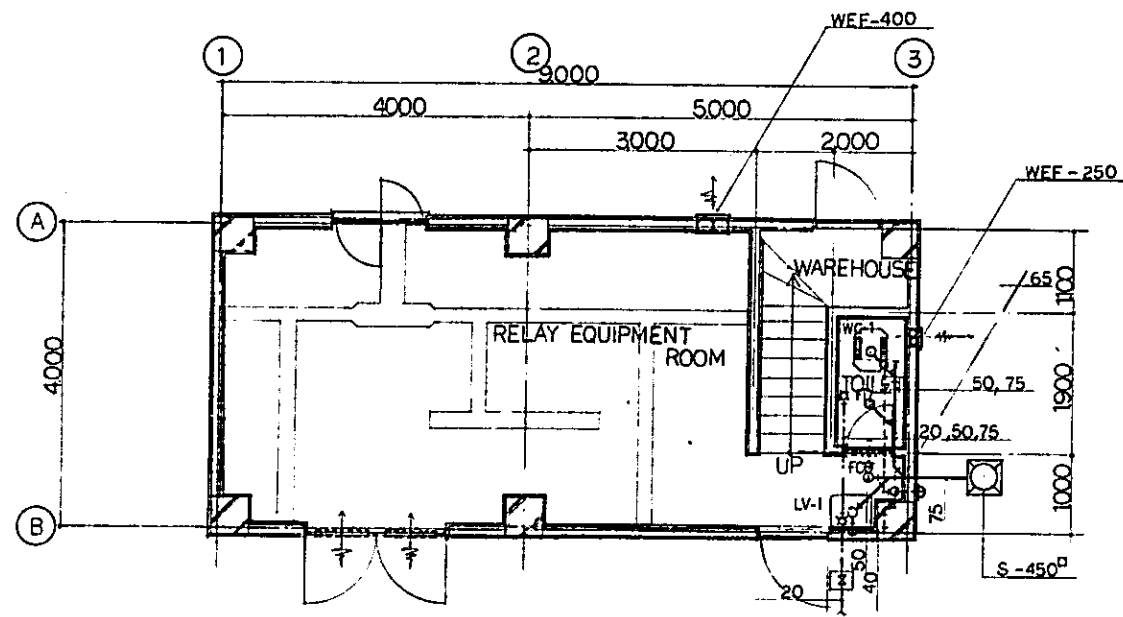
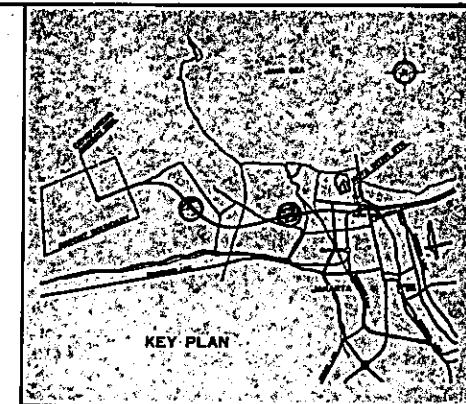
JAPAN INTERNATIONAL COOPERATION AGENCY (JICA)

REVISIONS	DATE	DESIGNED	DRAWN	CHECKED	REVIEWED	SUBMITTED
A	1 AUG 89	Y. S. K. M.	Y. S. K. M.	Y. S. K. M.	Y. S. K. M.	Y. S. K. M.

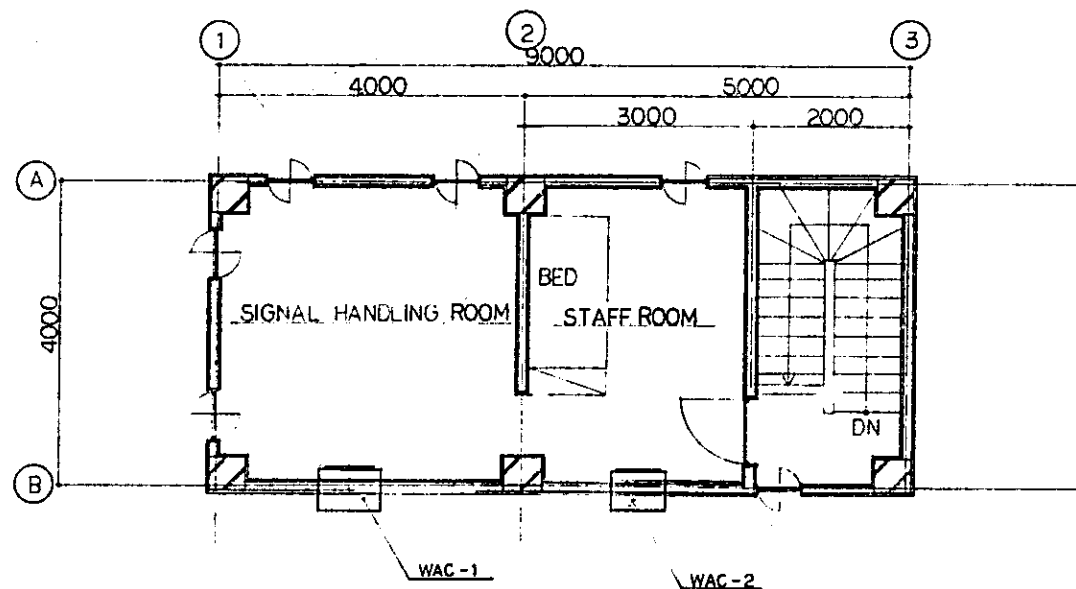
SIGNAL CABIN A  
 VAC AND PLUMBING  
 1F, 2F PLAN AND APPARATUS SCHEDULE

PACKAGE: I CIVIL AND ARCHITECTURAL WORK

SCALE: 1:50 DRAWING NO: AM - 026



1F PLAN  
SCALE 1:50



2F PLAN  
SCALE 1:50

SCHEDULE OF VAC AND PLUMBING EQUIPMENT

SYMBOL	NAME OF EQUIPMENT	SPECIFICATION	QTY	REMARKS
WAC-1	WINDOW MOUNTED ROOM AIR CONDITIONER	RT 1.9 KW V.F. CAP: 1.9 x 3.4 x 220 x 11 APPROX: 650 x 420 x 760	1	W/COOLER FRAME
WAC-2	DITTO	1.4 x 2.3 x 650 x 420 x 650	1	DITTO
PEF-200	PIPE EXHAUST FAN	200 x 300 x 10 x 75 x (220 x 1)		HS, VC
WEF-250	WALL-TYPE EXHAUST FAN	250 x 300 x 6 x 25 x (DITTO)		EAG
WAC-300	DITTO	300 x 600 x 8 x 50 x ( )		DITTO
WAC-350	DITTO	350 x 850 x 8 x 100 x ( )		
WAC-400	DITTO	400 x 1300 x 8 x 200 x ( )	1	
WC-1	WATER CLOSET EASTERN TYPE	VITREOUS CHINA APPROX: 280 x 570 x 300 <sup>H</sup>	1	W/P-TRAP, F-2
UR-1	URINAL, FLOOR MOUNTED TYPE	DITTO DITTO 380 x 380 x 920		W/FLUSH VALVE INLET SPUD
LV-1	LAVATORY, WALL-HUNG	530 x 430	1	W/P-TRAP, SHUT OFF VALVE

REPUBLIC OF INDONESIA  
MINISTRY OF COMMUNICATIONS  
DIRECTORATE GENERAL OF LAND TRANSPORT AND INLAND WATERWAYS

NEW RAILWAY LINE FOR CENGKARENG AIRPORT CONSTRUCTION PROJECT

JAPAN INTERNATIONAL COOPERATION AGENCY (JICA)

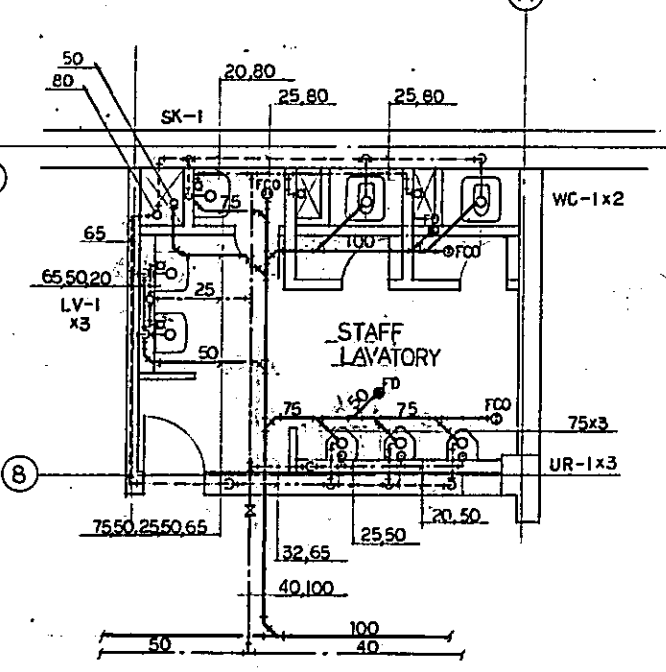
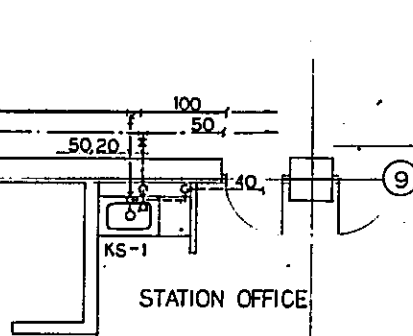
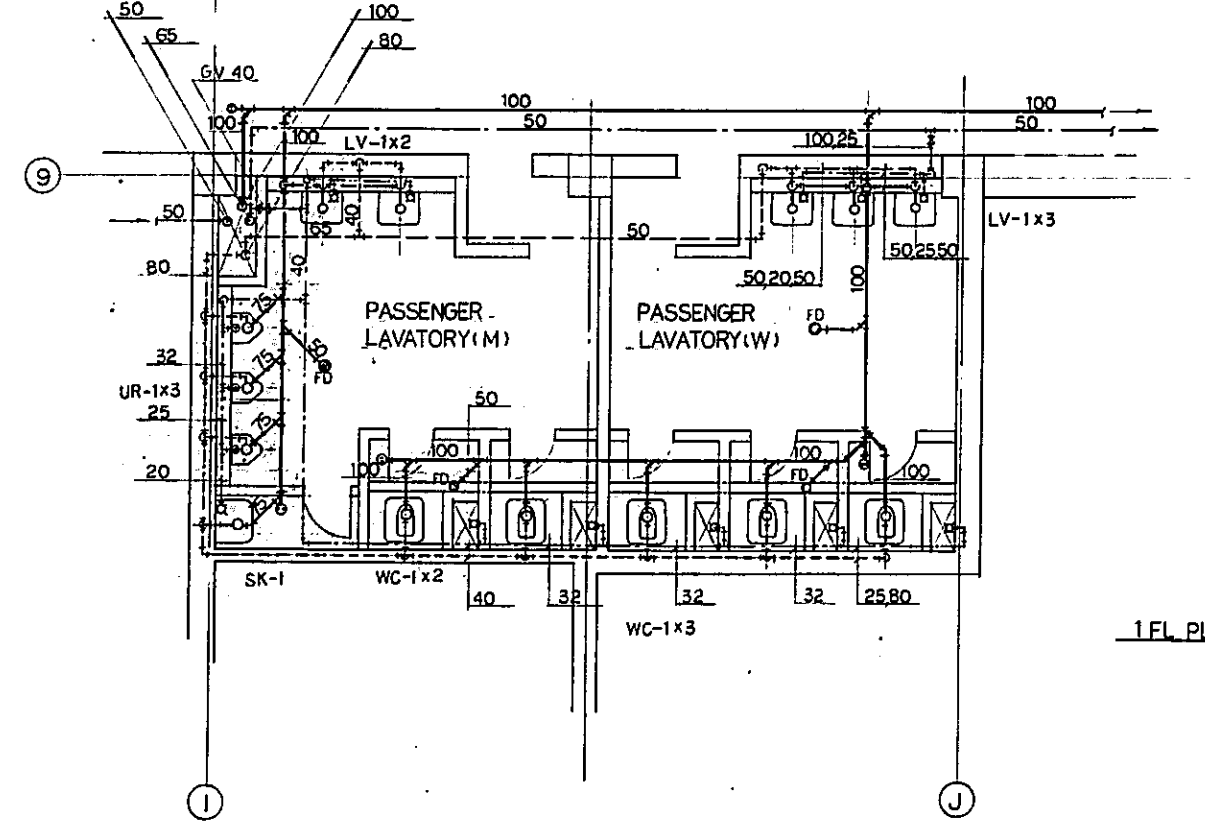
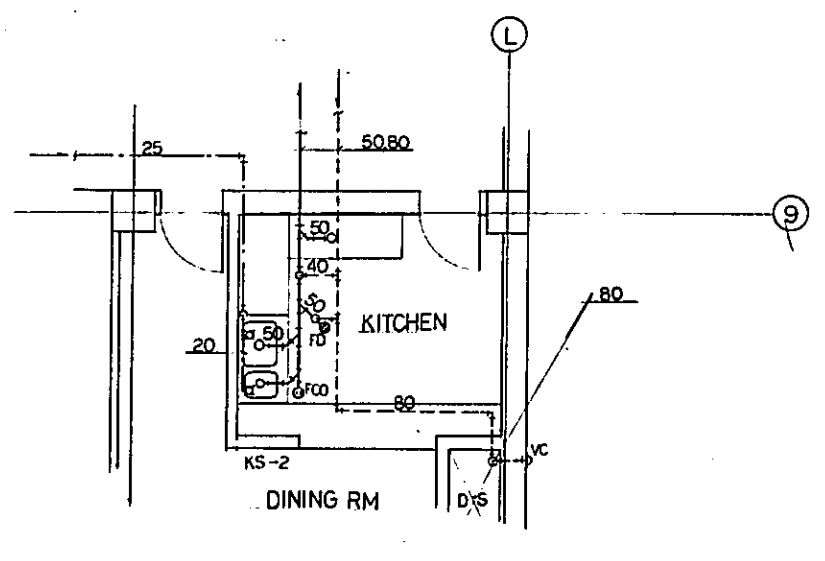
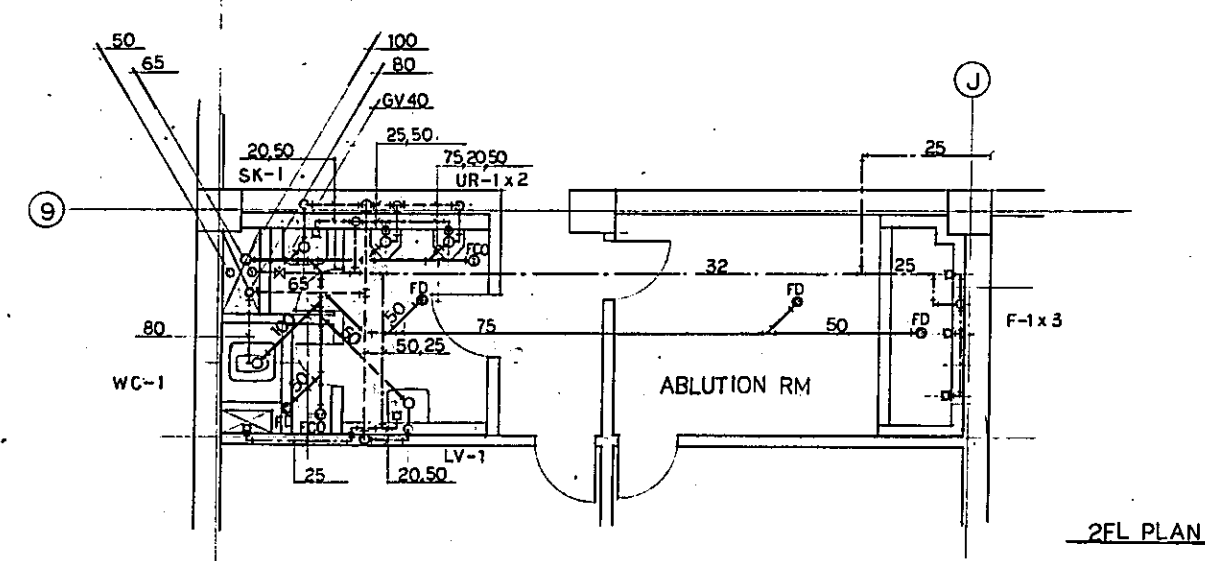
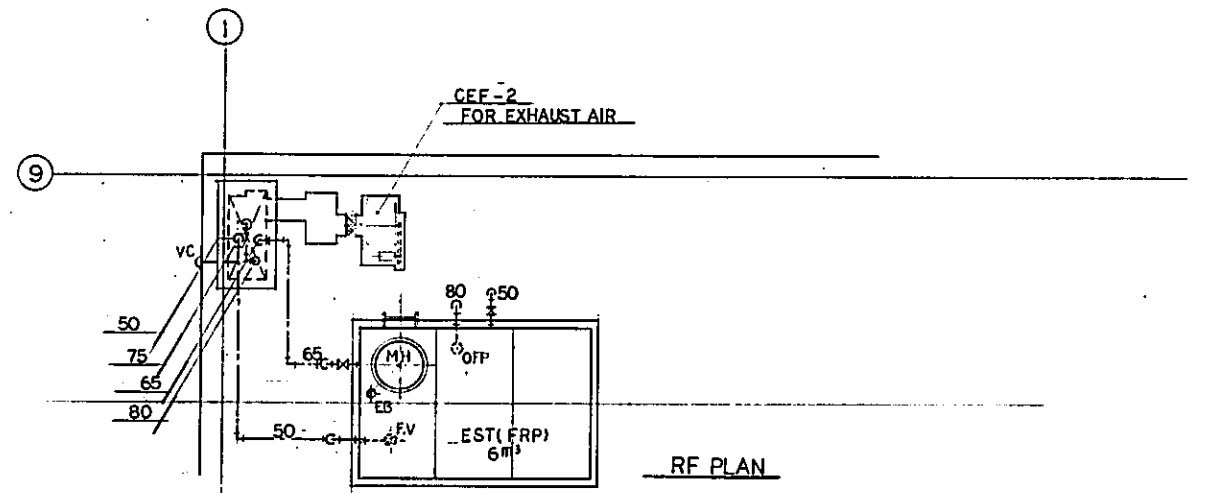
B	1 AUG 89	W	W	W	W	W
A	5 FEB 89	W	W	W	W	W

REVISIONS DATE DESIGNED DRAWN CHECKED REVIEWED SUBMITTED

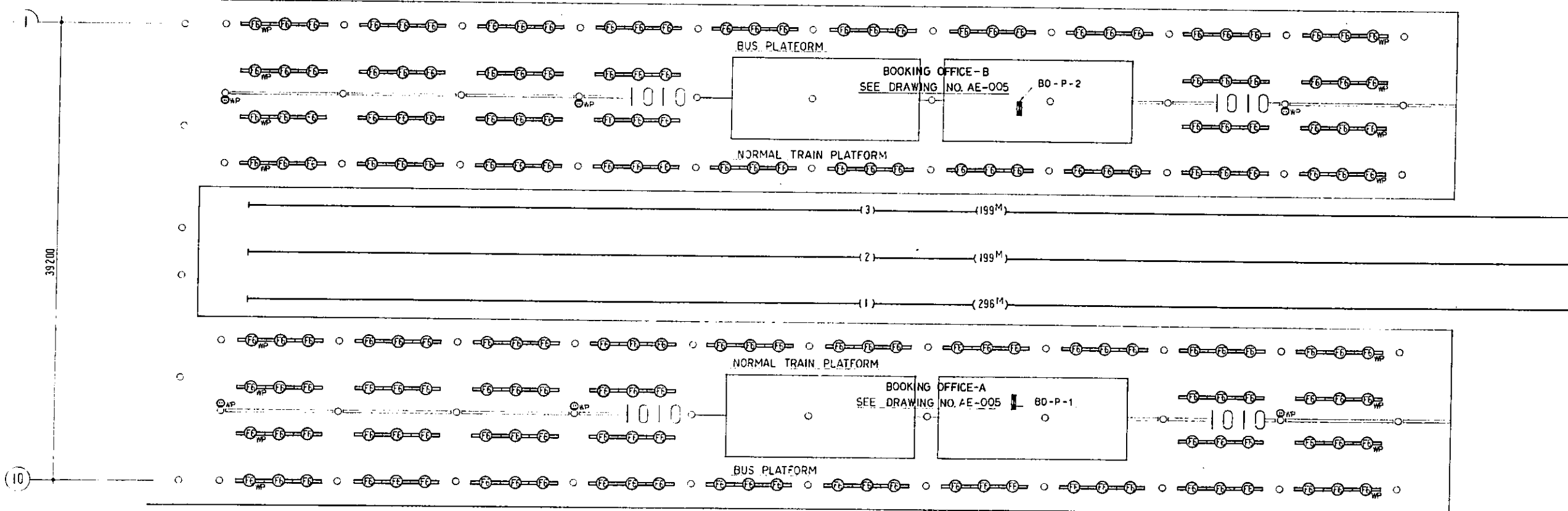
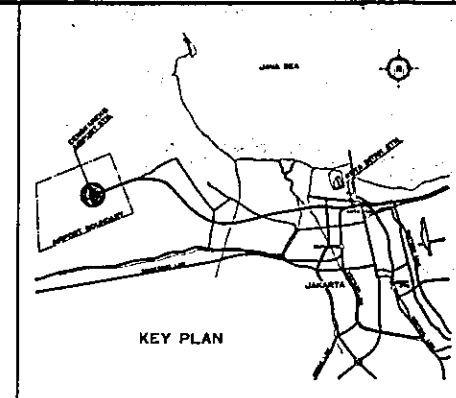
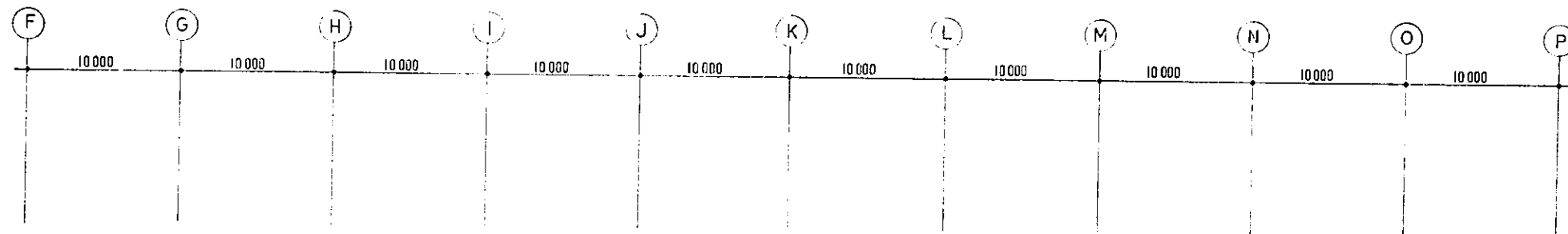
SIGNAL CABIN B  
VENTILATION AND PLUMBING  
1F, 2F PLAN AND  
APPARATUS SCHEDULE

PACKAGE: I CIVIL AND ARCHITECTURAL WORK

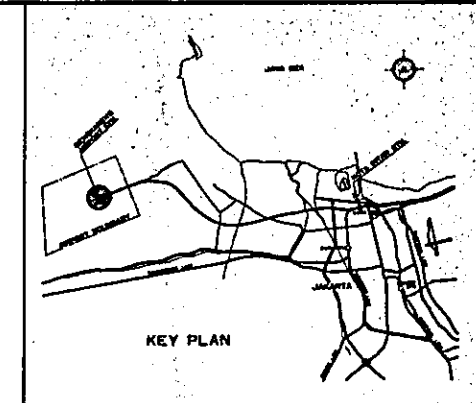
SCALE: 1:50 DRAWING NO: AM - 027



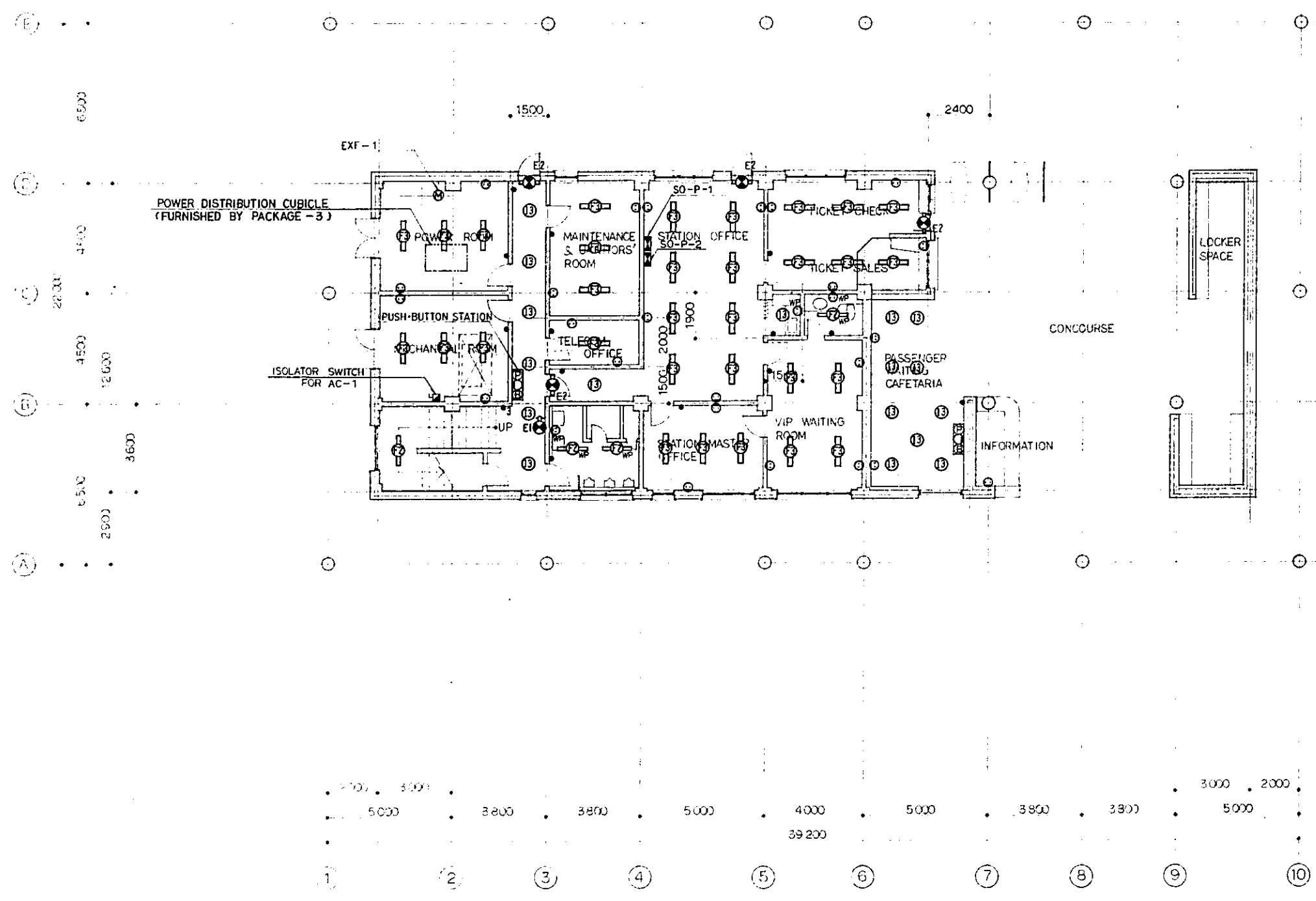
REPUBLIC OF INDONESIA MINISTRY OF COMMUNICATIONS DIRECTORATE GENERAL OF LAND TRANSPORT AND INLAND WATERWAYS					
NEW RAILWAY LINE FOR CENGKARENG AIRPORT CONSTRUCTION PROJECT					
JAPAN INTERNATIONAL COOPERATION AGENCY (JICA)					
B	1 AUG 78	10	5	K.M	AK
A	15 FEB 81	10	5	K.M	AK
REVISIONS	DATE	ISSUED	BY	CHECKED	REVIEWED
KOTA INTAN STATION PLUMBING DETAIL PLAN					
PACKAGE: 1. CIVIL AND ARCHITECTURAL WORK					
SCALE: 1:50		DRAWING NO: AM - 028			



REPUBLIC OF INDONESIA MINISTRY OF COMMUNICATIONS DIRECTORATE GENERAL OF LAND TRANSPORT AND INLAND WATERWAYS					
NEW RAILWAY LINE FOR CENGKARENG AIRPORT CONSTRUCTION PROJECT					
JAPAN INTERNATIONAL COOPERATION AGENCY (JICA)					
B	1 AUG 79	ET	TSUKAM	AK	
A	15 FEB 79	ET	ET	ET	AK
REVISIONS	DATE	DESIGNED	DRAWN	CHECKED	SUBMITTED
AIRPORT TERMINAL STATION PLATFORM LIGHTING AND RECEPTACLE SYSTEM					
PACKAGE: 1 CIVIL AND ARCHITECTURAL WORK					
SCALE: 1:200			DRAWING NO: AE-001		

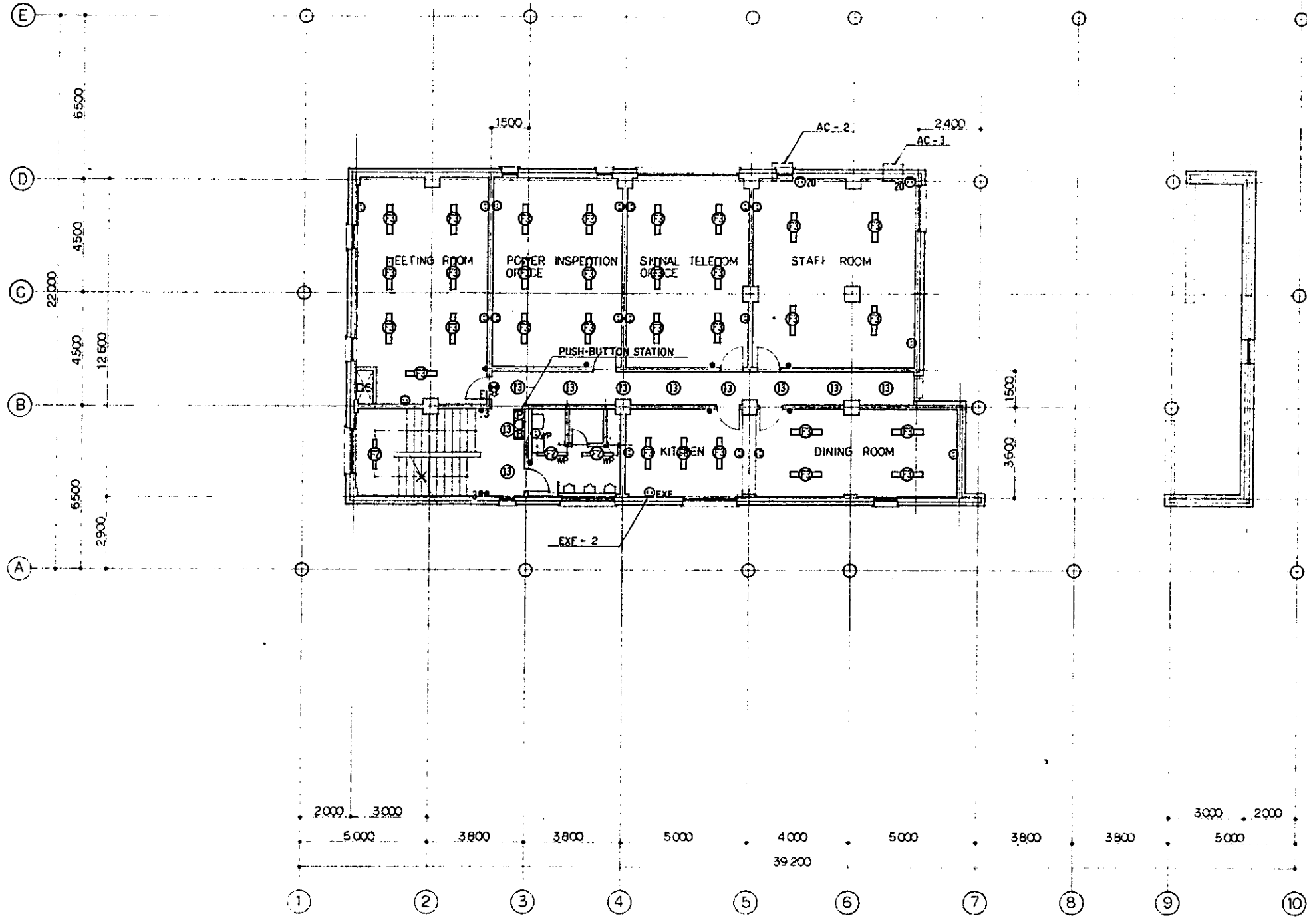
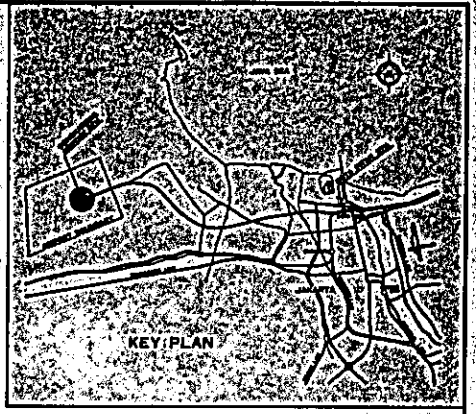


- NOTES**
- 1 ALL STAIRCASES SHALL HAVE NORMAL AND EMERGENCY LIGHTING.
  - 2 THREE WAY SWITCHES SHALL BE USED FOR ALL THE STAIRCASES.
  - 3 EMERGENCY LIGHTING SHALL BE PROVIDED IN OPERATING AREAS, AND ALL OTHER CRITICAL AREAS FOR OPERATING PERSONNEL SAFETY.



REPUBLIC OF INDONESIA MINISTRY OF COMMUNICATIONS DIRECTORATE GENERAL OF LAND TRANSPORT AND INLAND WATERWAYS						
NEW RAILWAY LINE FOR CENKARENG AIRPORT CONSTRUCTION PROJECT						
JAPAN INTERNATIONAL COOPERATION AGENCY (JICA)						
B	1 AUG 84	E.T	E.T	Emb	K.M	m.K
A	1 FEB 84	ST	ET	Emb	K.M	m.K
REVISIONS	DATE	DESIGNED	DRAWN	CHECKED	REVIEWED	SUBMITTED
<b>TERMINAL BLDG.</b> <b>1F</b> <b>LIGHTING AND RECEPTACLE SYSTEM</b>						
PACKAGE: I CIVIL AND ARCHITECTURAL WORK						
SCALE: 1:100		DRAWING NO: AE - 002				





- NOTES**
1. ALL STAIRCASES SHALL HAVE NORMAL AND EMERGENCY LIGHTING
  2. THREE-WAY SWITCHES SHALL BE USED FOR ALL THE STAIRCASES
  3. EMERGENCY LIGHTING SHALL BE PROVIDED IN OPERATING AREAS AND ALL OTHER CRITICAL AREAS FOR OPERATING PERSONNEL SAFETY.

REPUBLIC OF INDONESIA  
 MINISTRY OF COMMUNICATIONS  
 DIRECTORATE GENERAL OF LAND TRANSPORT  
 AND INLAND WATERWAYS

NEW RAILWAY LINE FOR CENGKARENG AIRPORT  
 CONSTRUCTION PROJECT

JAPAN INTERNATIONAL COOPERATION AGENCY  
 (JICA)

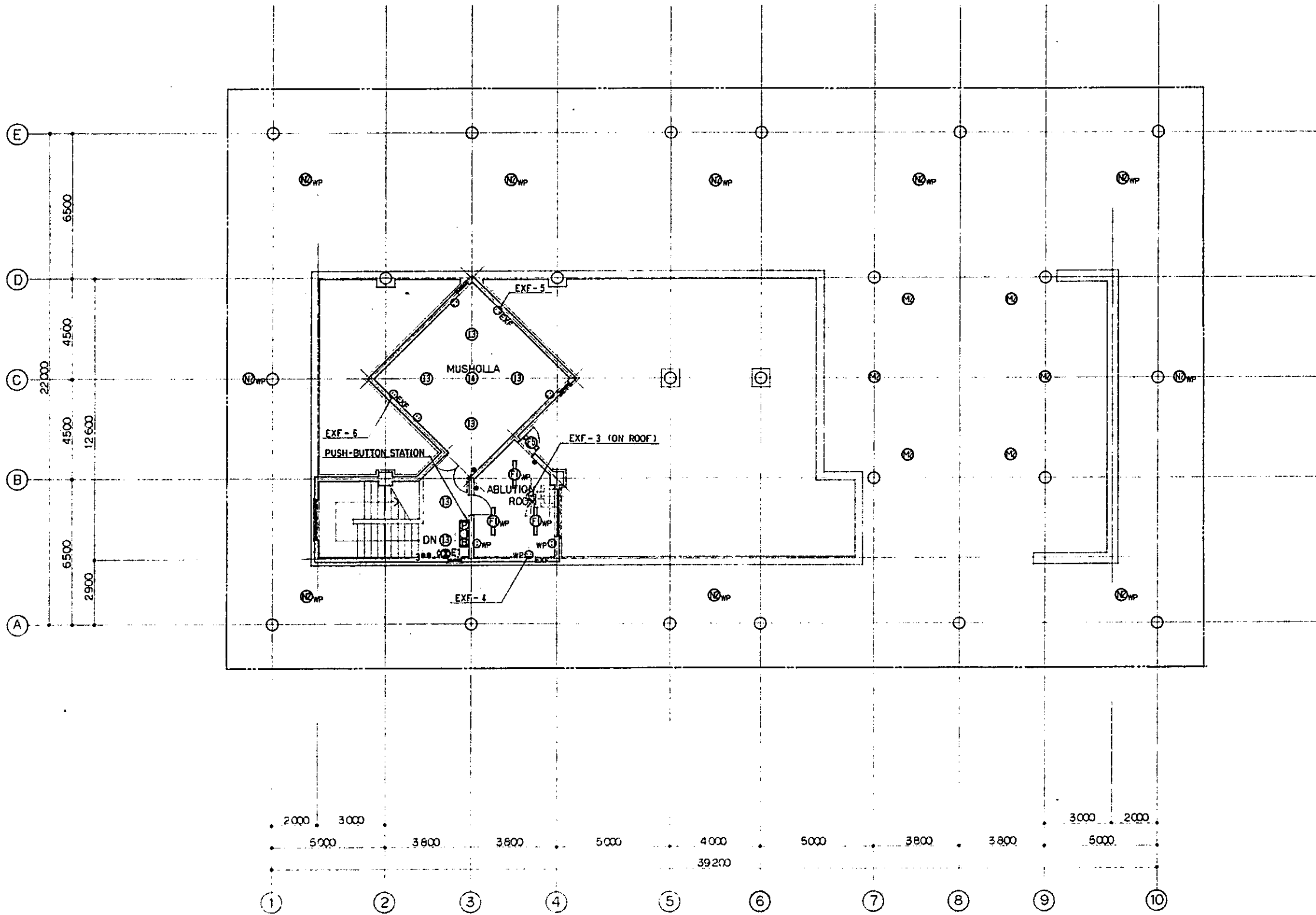
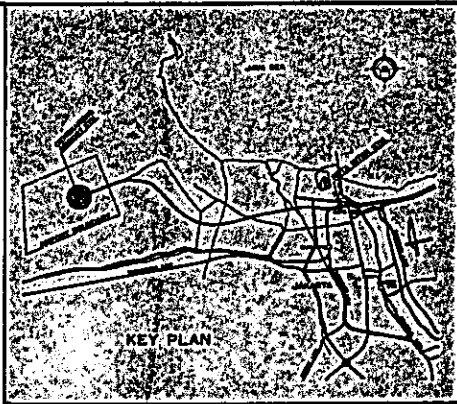
B	1 AUG 99	E.T.	E.T.	SMB	K.M.	A.K.
A	15 FEB 99	S.T.	S.T.	SMB	K.M.	A.K.

REVISIONS	DATE	DRAWN	CHECKED	REVIEWED	SUBMITTED
-----------	------	-------	---------	----------	-----------

TERMINAL BLDG.  
 2F  
 LIGHTING AND RECEPTACLE SYSTEM

PACKAGE: I CIVIL AND ARCHITECTURAL WORK

SCALE: 1:100	DRAWING NO: AE-003
--------------	--------------------



- NOTES**
1. ALL STAIRCASES SHALL HAVE NORMAL AND EMERGENCY LIGHTING
  2. THREE WAY SWITCHES SHALL BE USED FOR ALL THE STAIRCASES
  3. EMERGENCY LIGHTING SHALL BE PROVIDED IN OPERATING AREAS, AND ALL OTHER CRITICAL AREAS FOR OPERATING PERSONNEL SAFETY.

REPUBLIC OF INDONESIA  
 MINISTRY OF COMMUNICATIONS  
 DIRECTORATE GENERAL OF LAND TRANSPORT  
 AND INLAND WATERWAYS

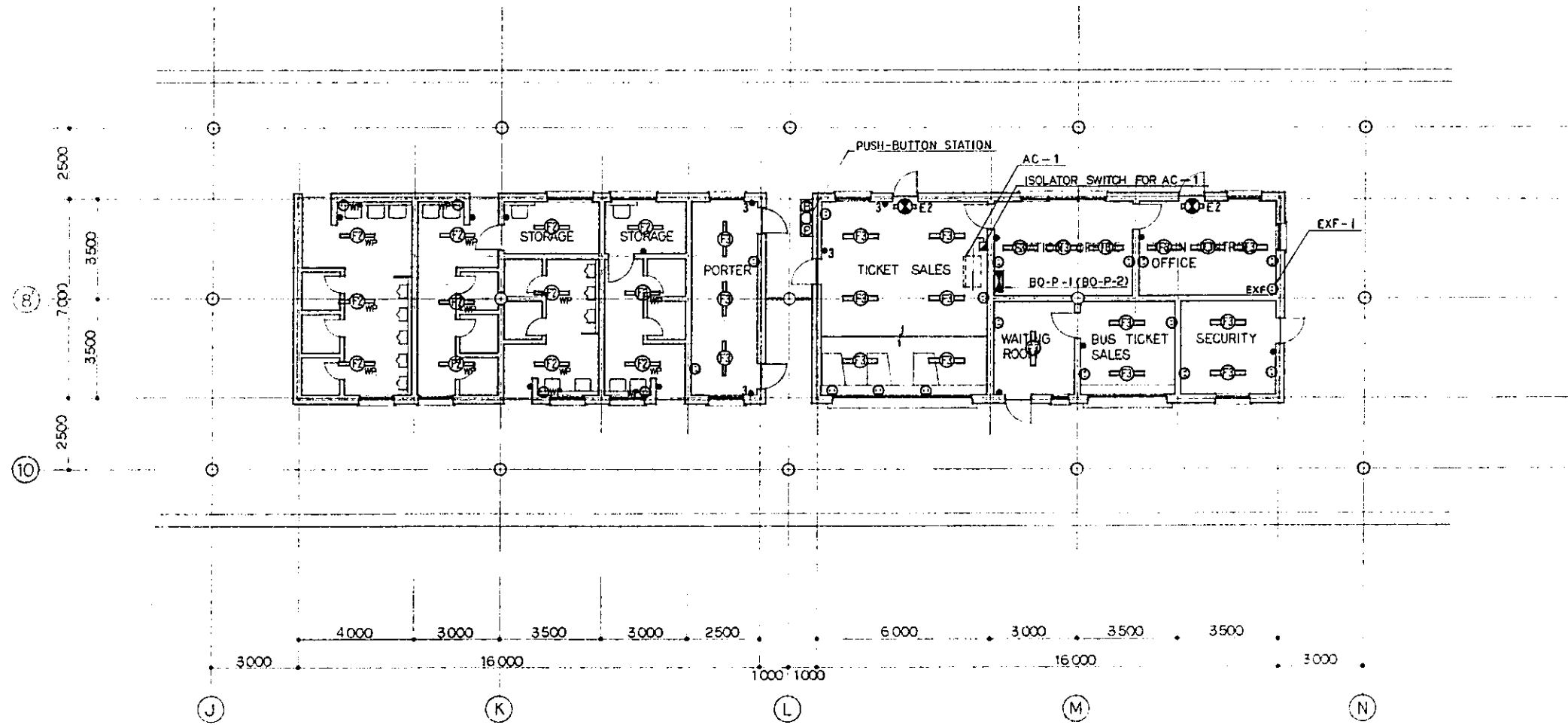
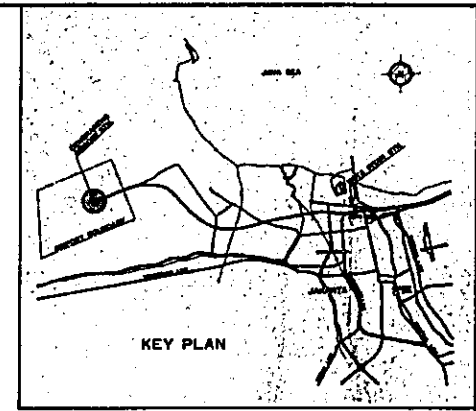
NEW RAILWAY LINE FOR CENGKARENG AIRPORT  
 CONSTRUCTION PROJECT

JAPAN INTERNATIONAL COOPERATION AGENCY  
 (JICA)

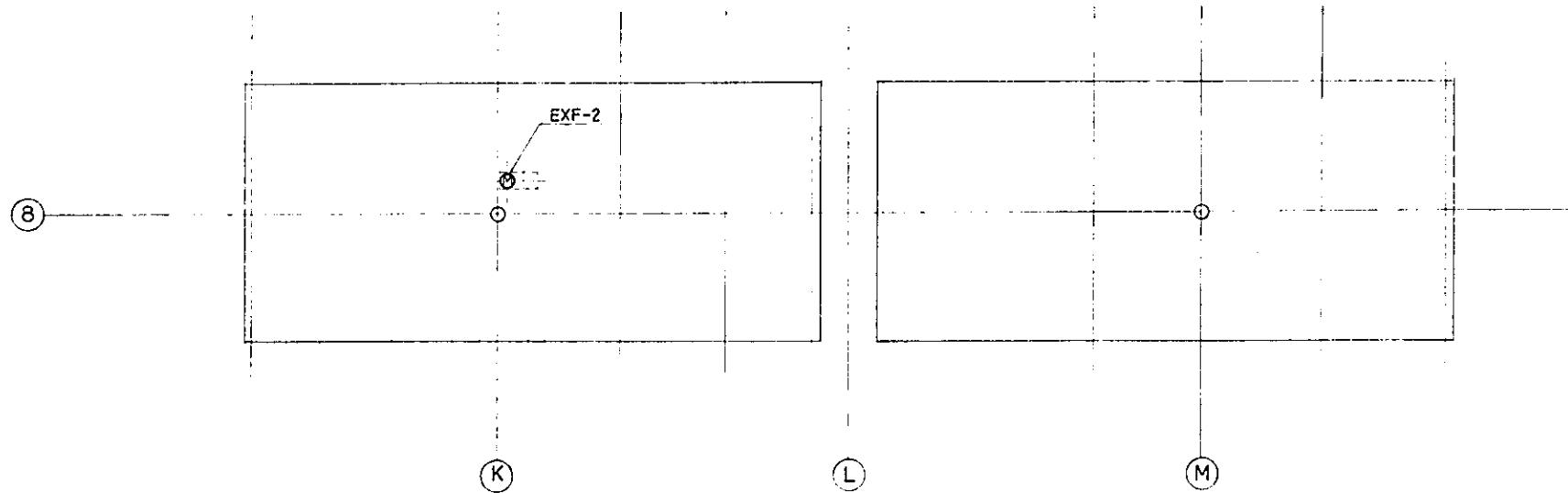
REV. NO.	DATE	BY	CHECKED	DATE	BY	CHECKED	DATE

**TERMINAL - BLDG.**  
**3F**  
**LIGHTING AND RECEPTACLE SYSTEM**

PACKAGE: I CIVIL AND ARCHITECTURAL WORK  
 SCALE: 1:100      DRAWING NO: AE-004



FL PLAN SCALE 1/100



RF PLAN SCALE 1/100

**NOTES**

- 1 ALL STAIRCASES SHALL HAVE NORMAL AND EMERGENCY LIGHTING.
- 2 THREE WAY SWITCHES SHALL BE USED FOR ALL THE STAIRCASES.
- 3 EMERGENCY LIGHTING SHALL BE PROVIDED IN OPERATING AREAS, AND ALL OTHER CRITICAL AREAS FOR OPERATING PERSONNEL SAFETY.

REPUBLIC OF INDONESIA  
 MINISTRY OF COMMUNICATIONS  
 DIRECTORATE GENERAL OF LAND TRANSPORT  
 AND INLAND WATERWAYS

NEW RAILWAY LINE FOR CENGKARENG AIRPORT  
 CONSTRUCTION PROJECT

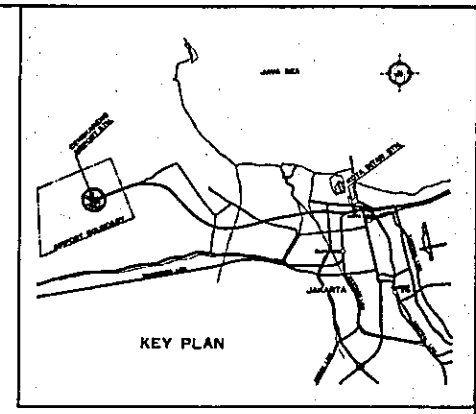
JAPAN INTERNATIONAL COOPERATION AGENCY  
 (JICA)

REVISIONS	DATE	DESIGNED	DRAWN	CHECKED	REVIEWED	SUBMITTED
B	1 AUG 89	E.T	E.T	E.T	K.M	m.k
A	15 FEB 89	BT	E.T	E.T	K.M	m.k

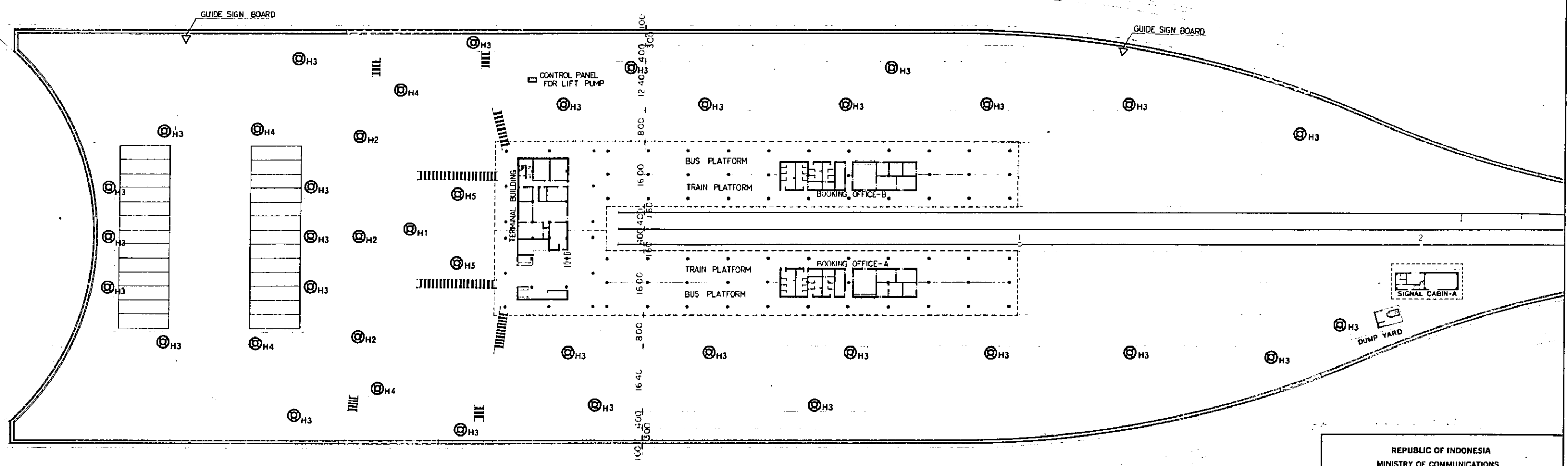
BOOKING OFFICE  
 LIGHTING AND RECEPTACLE SYSTEM

PACKAGE: I CIVIL AND ARCHITECTURAL WORK

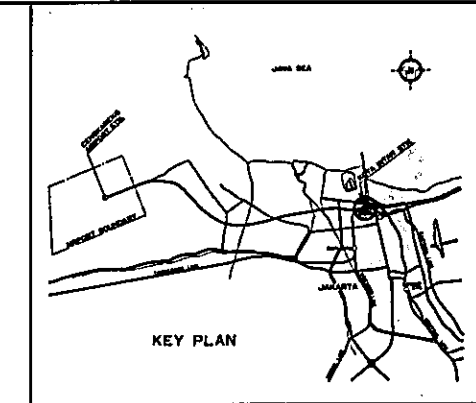
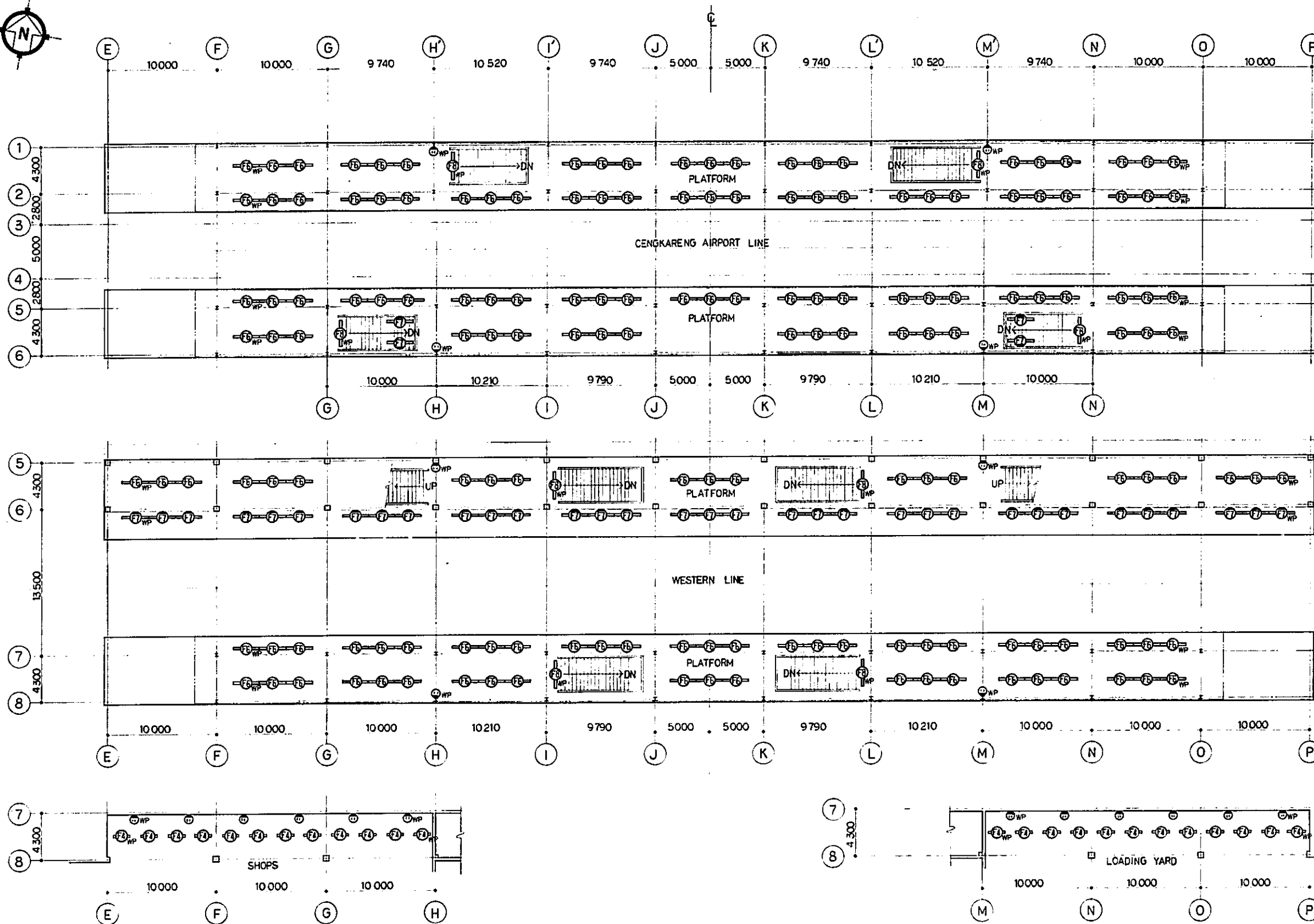
SCALE: 1:100 DRAWING NO: AE - 005



KEY PLAN

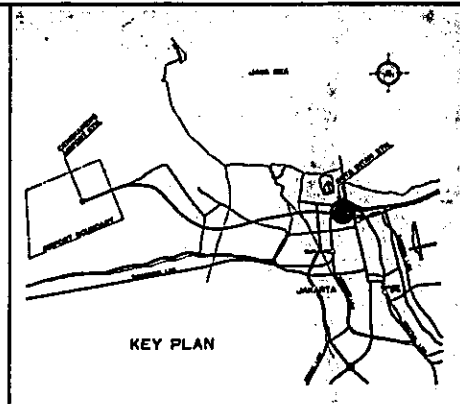
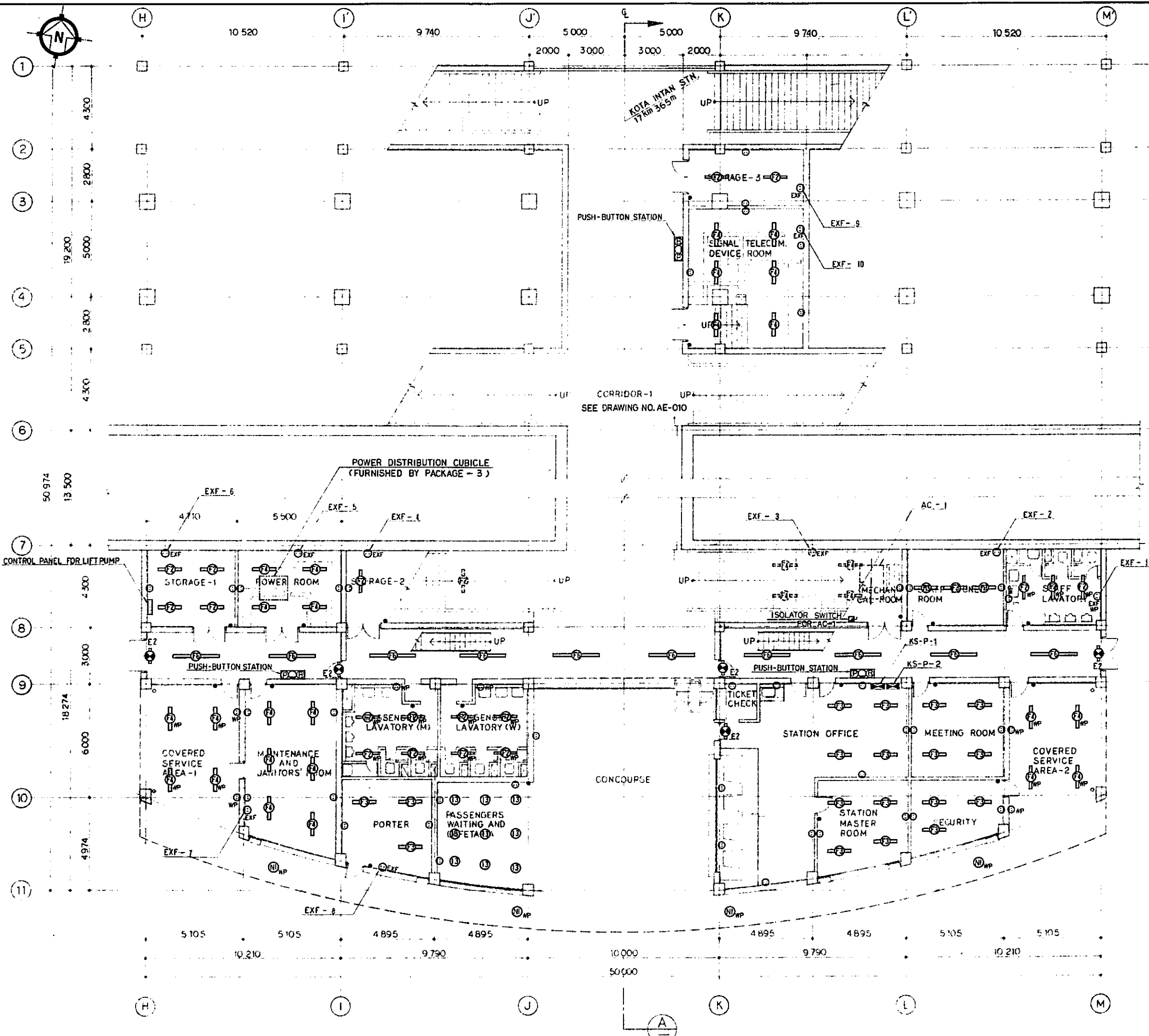


REPUBLIC OF INDONESIA MINISTRY OF COMMUNICATIONS DIRECTORATE GENERAL OF LAND TRANSPORT AND INLAND WATERWAYS						
NEW RAILWAY LINE FOR CENGKARENG AIRPORT CONSTRUCTION PROJECT						
JAPAN INTERNATIONAL COOPERATION AGENCY (JICA)						
B	1 AUG 89	E.T	E.T	2.7	2.7	K.M
A	15 FEB 84	E.T	E.T	2.7	2.7	K.M
REVISIONS	DATE	DESIGNED	DRAWN	CHECKED	REVIEWED	SUBMITTED
AIRPORT TERMINAL STATION STATION PLAZA LIGHTING AND RECEPTACLE SYSTEM						
PACKAGE: I CIVIL AND ARCHITECTURAL WORK						
SCALE		DRAWING NO.				
1:500		AE - 006				



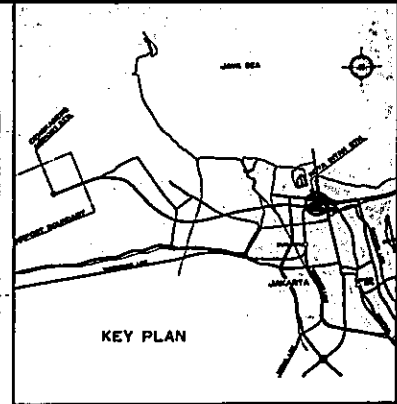
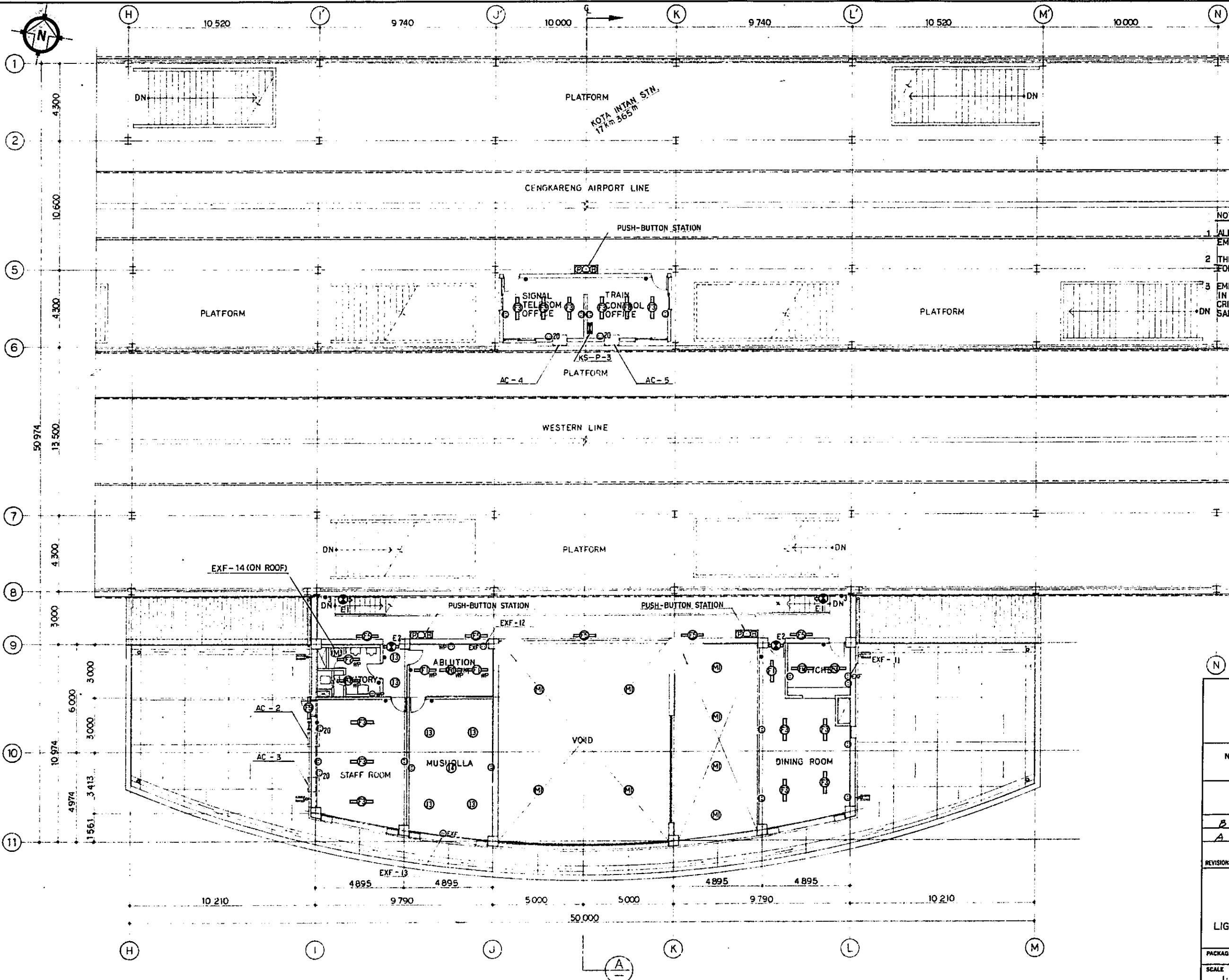
KEY PLAN

REPUBLIC OF INDONESIA MINISTRY OF COMMUNICATIONS DIRECTORATE GENERAL OF LAND TRANSPORT AND INLAND WATERWAYS					
NEW RAILWAY LINE FOR CENKARENG AIRPORT CONSTRUCTION PROJECT					
JAPAN INTERNATIONAL COOPERATION AGENCY (JICA)					
B	1 AUG 89	ET	B.T.	3.5	K.M. MK
A	15 FEB 89	ET	ST	3.5	K.M. MK
REVISIONS	DATE	DESIGNED	DRAWN	CHECKED	REVIEWED
KOTA INTAN STATION PLATFORM LIGHTING AND RECEPTACLE SYSTEM					
PACKAGE: I CIVIL AND ARCHITECTURAL WORK					
SCALE: 1:200		DRAWING NO: AE - 007			



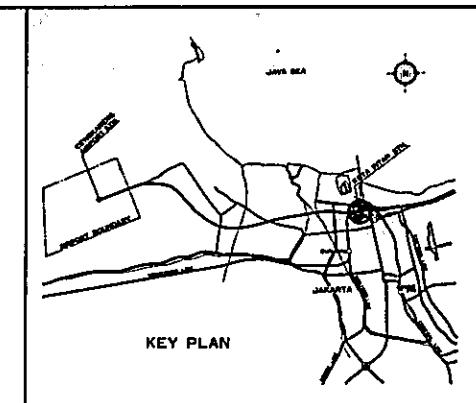
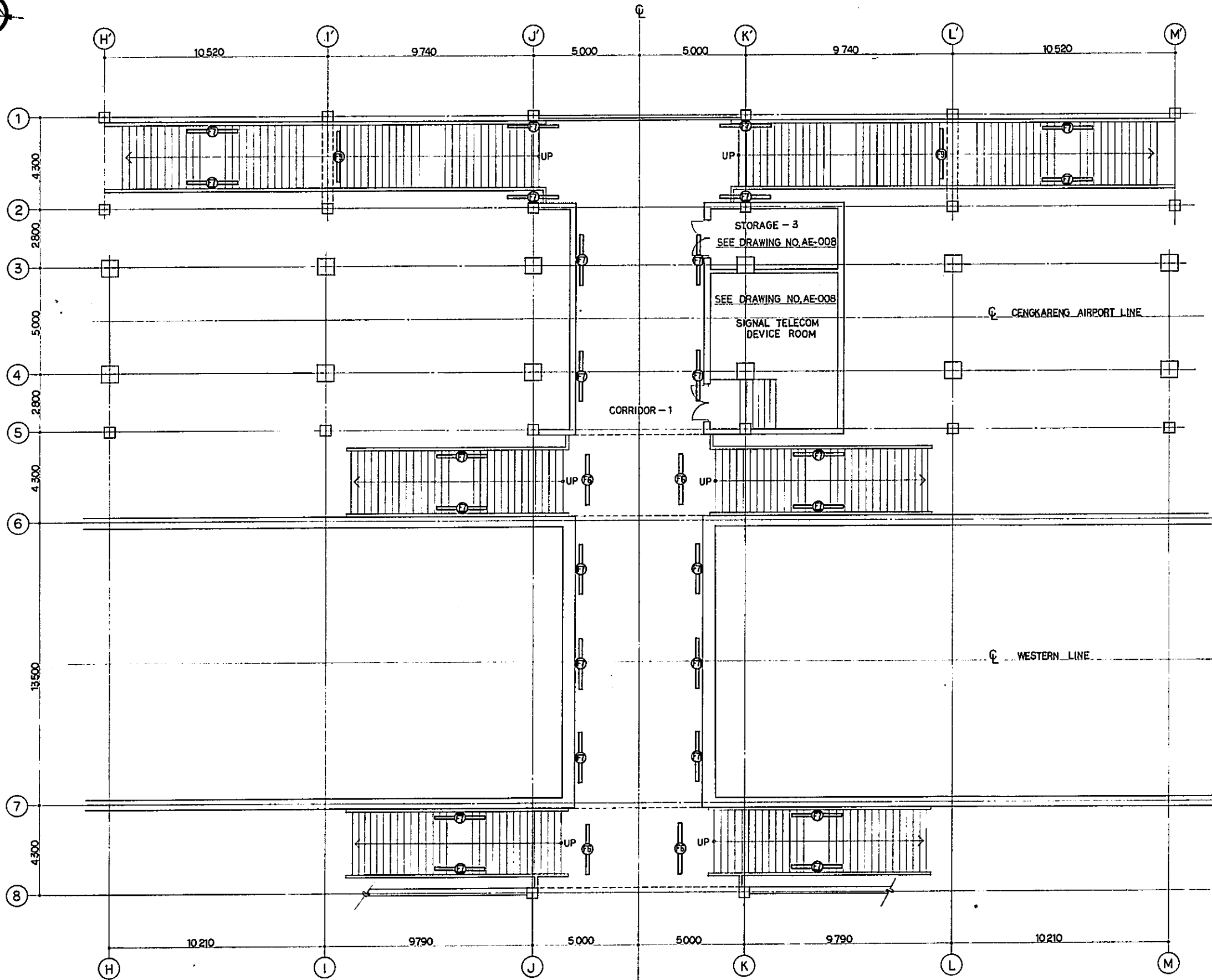
- NOTES**
- 1 ALL STAIRCASES SHALL HAVE NORMAL AND EMERGENCY LIGHTING.
  - 2 THREE WAY SWITCHES SHALL BE USED FOR ALL THE STAIRCASES.
  - 3 EMERGENCY LIGHTING SHALL BE PROVIDED IN OPERATING AREAS, AND ALL OTHER CRITICAL AREAS FOR OPERATING PERSONNEL SAFETY.

REPUBLIC OF INDONESIA MINISTRY OF COMMUNICATIONS DIRECTORATE GENERAL OF LAND TRANSPORT AND INLAND WATERWAYS					
NEW RAILWAY LINE FOR CENGKARENG AIRPORT CONSTRUCTION PROJECT					
JAPAN INTERNATIONAL COOPERATION AGENCY (JICA)					
B	1 AUG 89	S.T	S.T	S.K.M	M.K
A	15 FEB 87	S.T	S.T	S.K.M	M.K
REVISIONS	DATE	DESIGNED	DRAWN	CHECKED	SUBMITTED
<b>KOTA INTAN STATION</b> <b>IF</b> <b>LIGHTING AND RECEPTACLE SYSTEM</b>					
PACKAGE: 1 CIVIL AND ARCHITECTURAL WORK					
SCALE: 1:100		DRAWING NO: AE - 008			



- NOTES**
- 1 ALL STAIRCASES SHALL HAVE NORMAL AND EMERGENCY LIGHTING.
  - 2 THREE WAY SWITCHES SHALL BE USED FOR ALL THE STAIRCASES.
  - 3 EMERGENCY LIGHTING SHALL BE PROVIDED IN OPERATING AREAS, AND ALL OTHER CRITICAL AREAS FOR OPERATING PERSONNEL SAFETY.

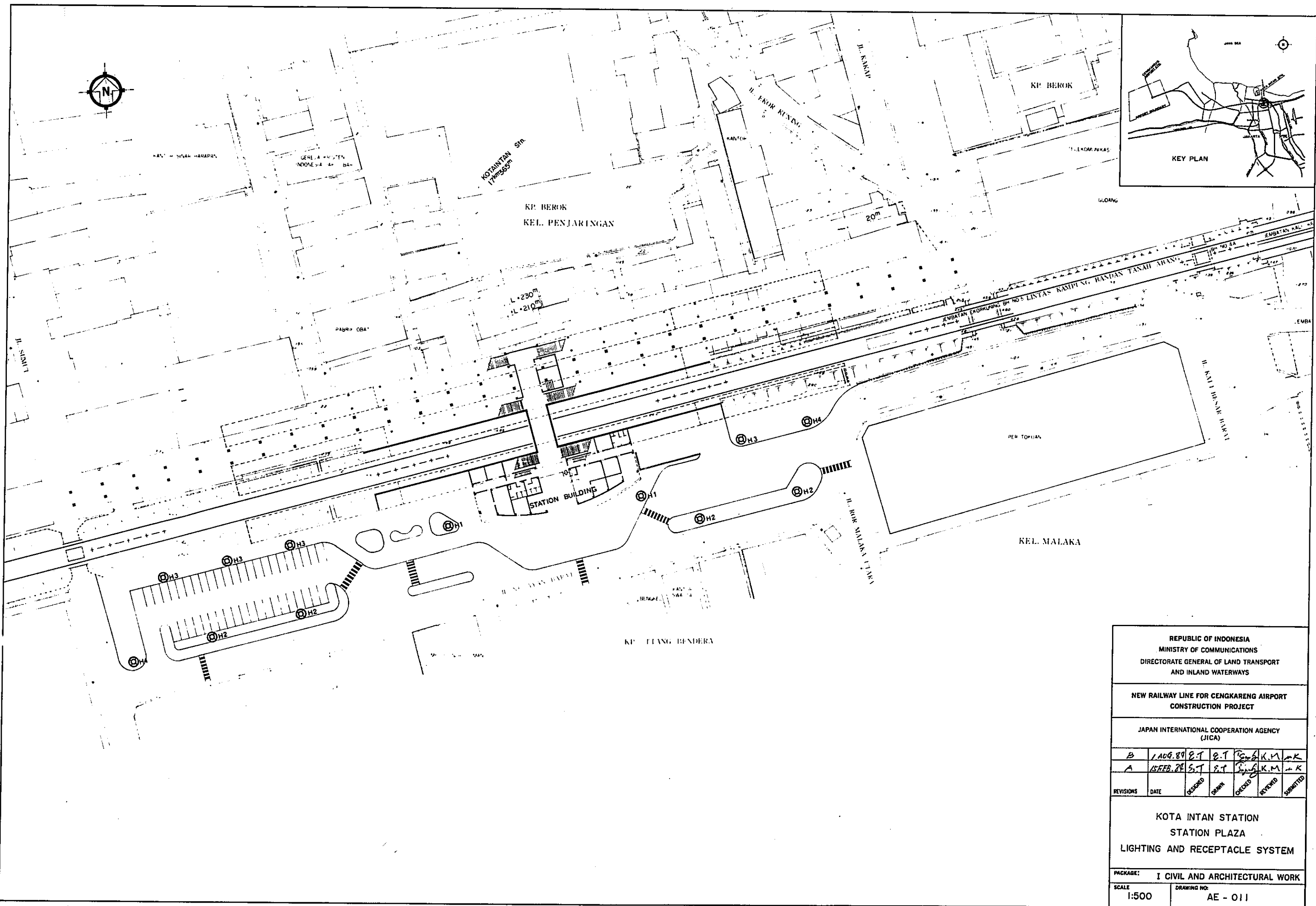
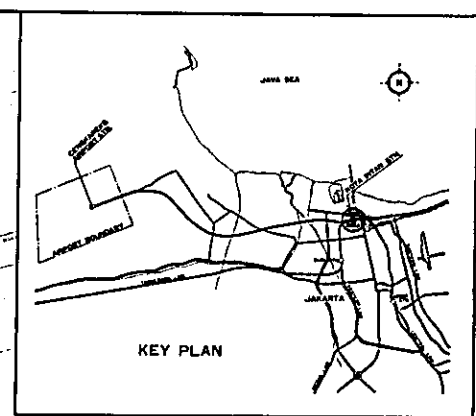
REPUBLIC OF INDONESIA MINISTRY OF COMMUNICATIONS DIRECTORATE GENERAL OF LAND TRANSPORT AND INLAND WATERWAYS					
NEW RAILWAY LINE FOR CENGKARENG AIRPORT CONSTRUCTION PROJECT					
JAPAN INTERNATIONAL COOPERATION AGENCY (JICA)					
B	1 AUG 89	E.T	E.T	Syuhri K.M.	M.K
A	15 FEB 89	E.T	E.T	Syuhri K.M.	M.K
REVISIONS	DATE	DESIGNED	DRAWN	CHECKED	REVIEWED
KOTA INTAN STATION 2F LIGHTING AND RECEPTACLE SYSTEM					
PACKAGE: I CIVIL AND ARCHITECTURAL WORK					
SCALE: 1:100		DRAWING NO: AE - 009			



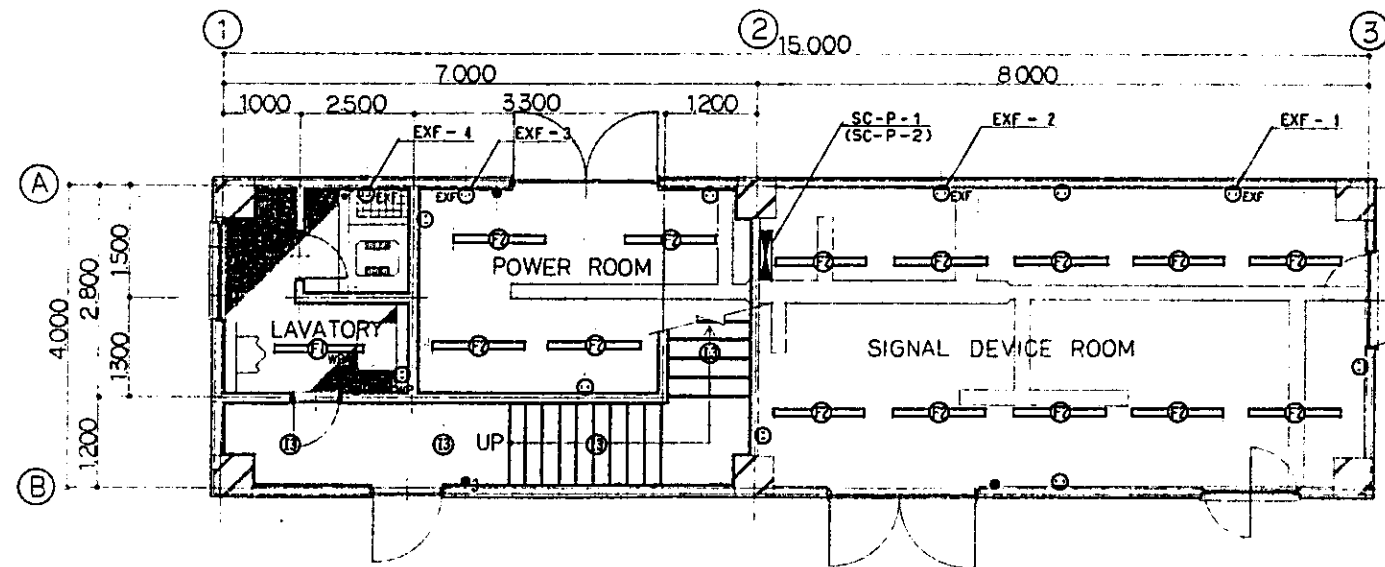
- NOTES**
- 1 ALL STAIRCASES SHALL HAVE NORMAL AND EMERGENCY LIGHTING.
  - 2 THREE WAY SWITCHES SHALL BE USED FOR ALL THE STAIRCASES.
  - 3 EMERGENCY LIGHTING SHALL BE PROVIDED IN OPERATING AREAS, AND ALL OTHER CRITICAL AREAS FOR OPERATING PERSONNEL SAFETY.

REPUBLIC OF INDONESIA MINISTRY OF COMMUNICATIONS DIRECTORATE GENERAL OF LAND TRANSPORT AND INLAND WATERWAYS						
NEW RAILWAY LINE FOR CENGKARENG AIRPORT CONSTRUCTION PROJECT						
JAPAN INTERNATIONAL COOPERATION AGENCY (JICA)						
B	1 AUG 80	E.T	E.T	SK	K.M	M.K
A	15 FEB 79	E.T	E.T	SK	K.M	M.K
REVISIONS	DATE	DESIGNED	DRAWN	CHECKED	REVIEWED	SUBMITTED
KOTA INTAN STATION CORRIDOR LIGHTING AND RECEPTACLE SYSTEM						
PACKAGE: I CIVIL AND ARCHITECTURAL WORK						
SCALE: 1:100		DRAWING NO: AE - 010				

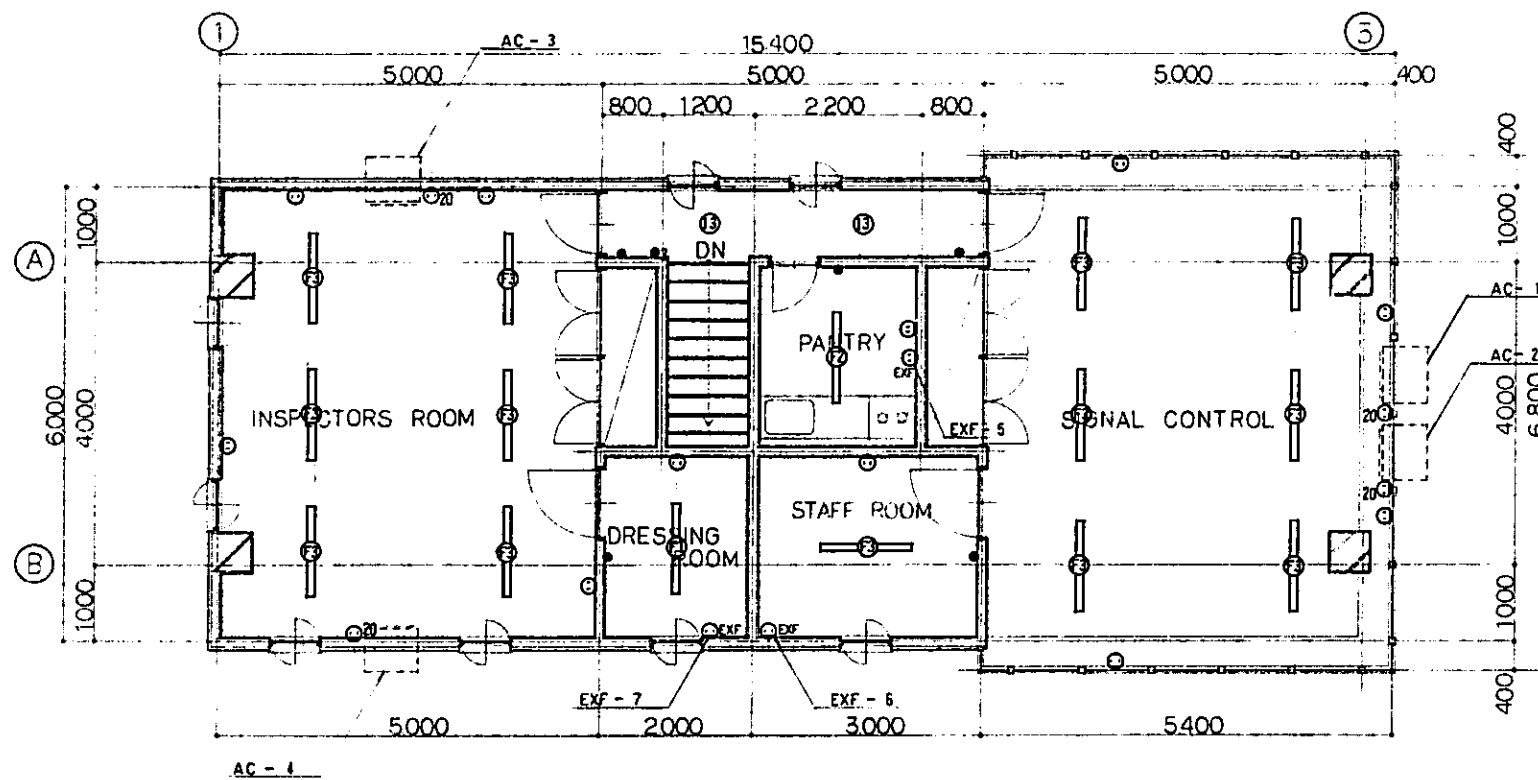




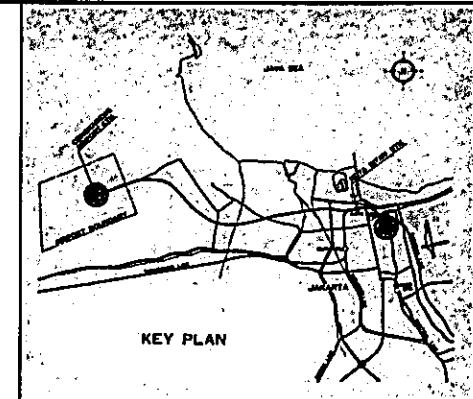
REPUBLIC OF INDONESIA MINISTRY OF COMMUNICATIONS DIRECTORATE GENERAL OF LAND TRANSPORT AND INLAND WATERWAYS					
NEW RAILWAY LINE FOR CENGKARENG AIRPORT CONSTRUCTION PROJECT					
JAPAN INTERNATIONAL COOPERATION AGENCY (JICA)					
B	1 AUG. 89	E.T	E.T	Syuh K.M	K
A	15 FEB. 78	S.T	E.T	Syuh K.M	K
REVISIONS	DATE	DESIGNED	DRAWN	CHECKED	SUBMITTED
KOTA INTAN STATION STATION PLAZA LIGHTING AND RECEPTACLE SYSTEM					
PACKAGE: I CIVIL AND ARCHITECTURAL WORK					
SCALE: 1:500		DRAWING NO: AE - 011			



1st FLOOR PLAN  
SCALE 1:50

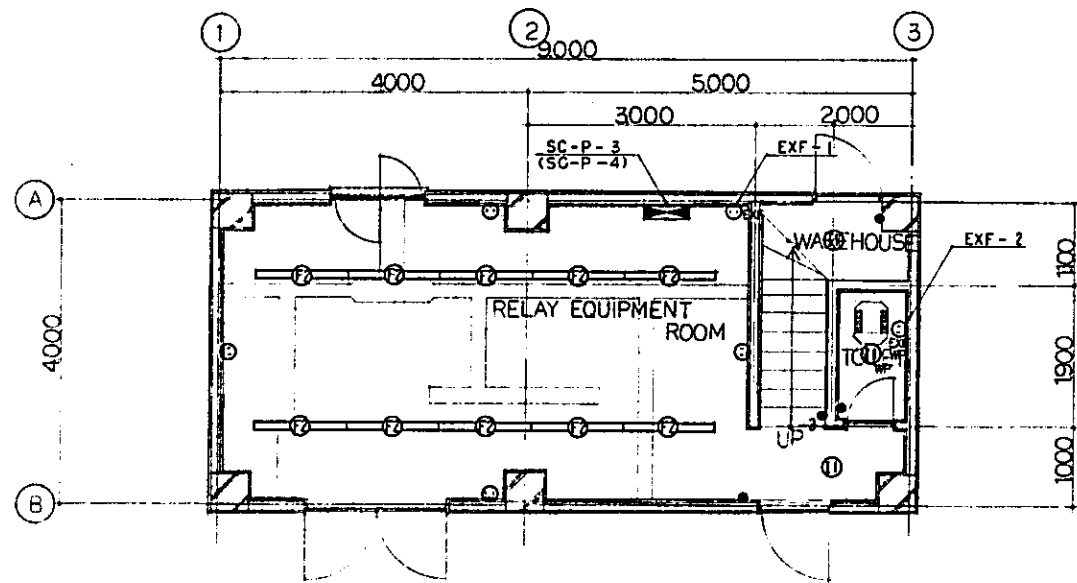


2nd FLOOR PLAN  
SCALE 1:50

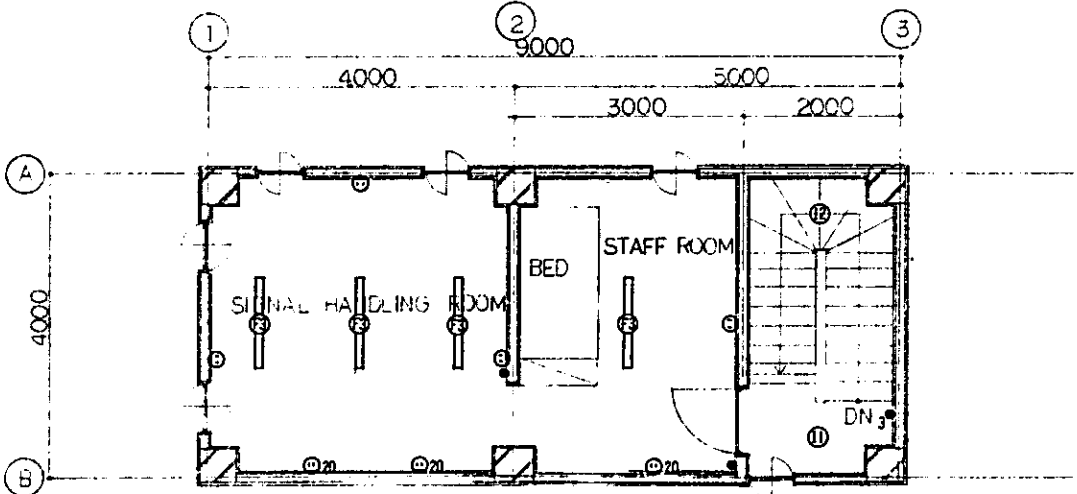


- NOTES**
1. ALL STAIRCASES SHALL HAVE NORMAL AND EMERGENCY LIGHTING.
  2. THREE WAY SWITCHES SHALL BE USED FOR ALL THE STAIRCASES.
  3. EMERGENCY LIGHTING SHALL BE PROVIDED IN OPERATING AREAS, AND ALL OTHER CRITICAL AREAS FOR OPERATING PERSONNEL SAFETY.

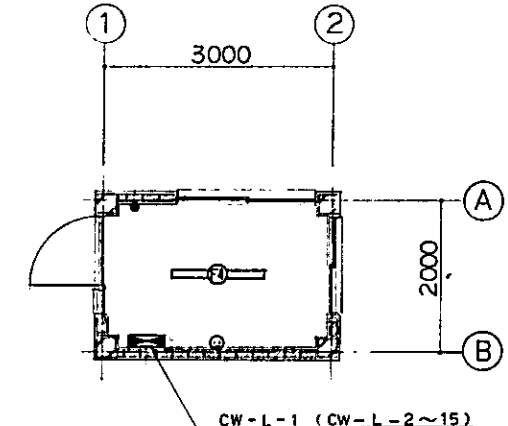
REPUBLIC OF INDONESIA MINISTRY OF COMMUNICATIONS DIRECTORATE GENERAL OF LAND TRANSPORT AND INLAND WATERWAYS					
NEW RAILWAY LINE FOR CENKARENG AIRPORT CONSTRUCTION PROJECT					
JAPAN INTERNATIONAL COOPERATION AGENCY (JICA)					
B	1 AUG 89	E.T	E.T	Sign K.M	AK
A	15 FEB 89	E.T	E.T	Sign K.M	AK
REVISIONS	DATE	DESIGNED	DRAWN	CHECKED	REVIEWED
<b>SIGNAL CABIN A</b> <b>LIGHTING AND RECEPTACLE SYSTEM</b>					
PACKAGE: I CIVIL AND ARCHITECTURAL WORK					
SCALE: 1:50		DRAWING NO: AE - 012			



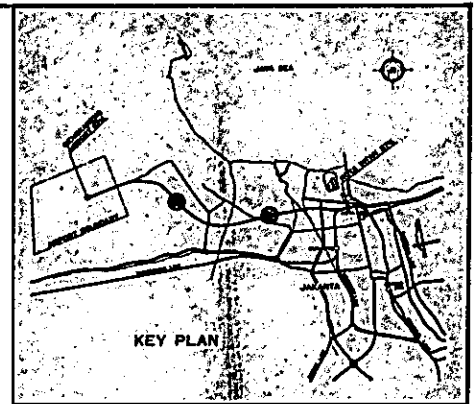
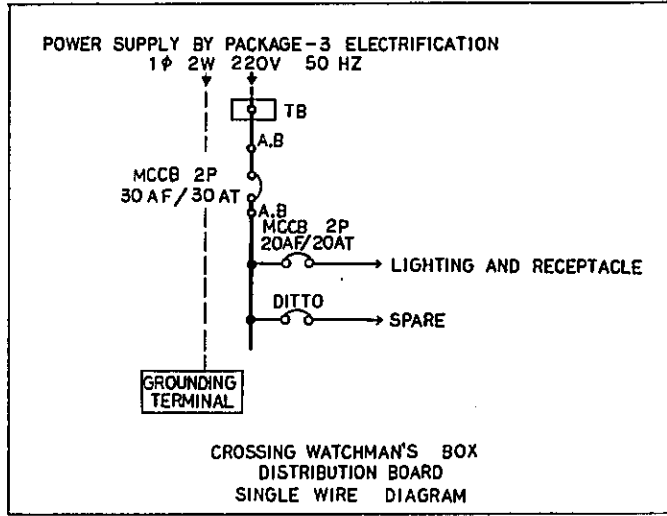
1<sup>st</sup> FLOOR PLAN  
SCALE 1:50



2<sup>nd</sup> FLOOR PLAN  
SCALE 1:50  
SIGNAL CABIN B



CROSSING WATCHMAN'S BOX  
PLAN SCALE 1:50

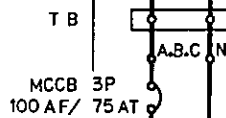


- NOTES:
1. ALL STAIRCASES SHALL HAVE NORMAL AND EMERGENCY LIGHTING.
  2. THREE WAY SWITCHES SHALL BE USED FOR ALL THE STAIRCASES.
  3. EMERGENCY LIGHTING SHALL BE PROVIDED IN OPERATING AREAS, AND ALL OTHER CRITICAL AREAS FOR OPERATING PERSONNEL SAFETY.

REPUBLIC OF INDONESIA MINISTRY OF COMMUNICATIONS DIRECTORATE GENERAL OF LAND TRANSPORT AND INLAND WATERWAYS					
NEW RAILWAY LINE FOR CENKARENG AIRPORT CONSTRUCTION PROJECT					
JAPAN INTERNATIONAL COOPERATION AGENCY (JICA)					
B	1 AUG 88	E.T	E.T	Sign	K.M. m.k
A	15 FEB 88	E.T	E.T	Sign	K.M. m.k
REVISIONS	DATE	DESIGNED	DRAWN	CHECKED	REVIEWED
SIGNAL CABIN B AND CROSSING WATCHMAN'S BOX LIGHTING AND RECEPTACLE SYSTEM.					
PACKAGE: I. CIVIL AND ARCHITECTURAL WORK					
SCALE: 1:50		DRAWING NO: AE - 013			

FROM  
POWER DISTRIBUTION CUBICLE-1  
(FURNISHED BY PACKAGE-3, ELECTRIFICATION WORK)

4<sup>Ø</sup> x 50MM<sup>2</sup> + 35 MM<sup>2</sup>

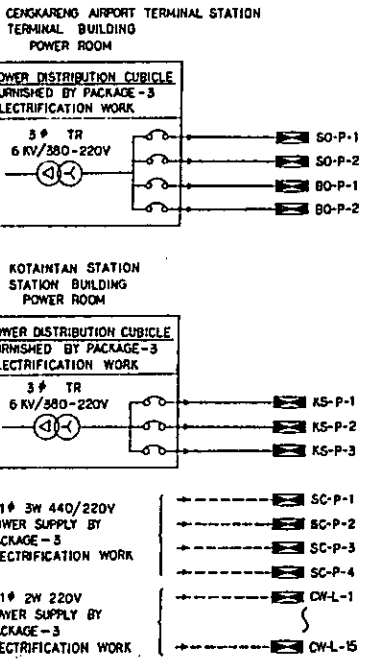


EQUIPMENT NAME	DISTRIBUTION PANEL
EQUIPMENT NO.	SO-P-1
VOLTAGE	3Ø 4W 380/220V 50HZ
LOCATION	STATION OFFICE

PHASE - PHASE OR PHASE - NEUTRAL	LOAD CURRENT (A)	LOAD CAPACITY (VA)
A - N	45.9	10098
B - N	44.0	9676
C - N	39.7	8714
A - B - C	---	---
TOTAL	129.6	28488

CIRCUIT NO.	MCCB	DESCRIPTION	TOTAL LOAD CURRENT(A)	TOTAL LOAD CAPACITY(VA)	WIRE/CABLE (MM <sup>2</sup> )	Q'TY	AREA
①	1 P 20AF/20AT	LIGHTING	13.1	2880	4	6 (M2)	CONCOURSE
②	DITTO	DITTO	11.0	2408	4	25 (I3, F2, F3)	PASSENGER WAITING AND CAFE, TICKET SALES/CHECK VIP WAITING ROOM, STATION MASTER ROOM
③	DITTO	DITTO	12.4	2724	4	27 (I3, F2, F3)	STATION OFFICE, MAINTENANCE AND JANITOR'S, TELECOM OFFICE POWER ROOM, MECHANICAL ROOM, CORRIDOR (1FL)
④	DITTO	DITTO	14.9	3276	4	33 (F2, F3)	MEETING ROOM, POWER INSPECTION OFFICE, SIGNAL TELECOM OFFICE STAFF ROOM, DINING ROOM, KITCHEN, STAFF LAVATORY
⑤	DITTO	DITTO	9.2	2008	4	21 (I3, I4, F1, F5)	CORRIDOR (2FL-3FL), ABLUTION ROOM, MUSHOLLA
⑥	DITTO	DITTO	13.7	3000	4	10 (N2)	CORRIDOR (OUT-DOOR)
⑦	DITTO	EMERGENCY LIGHTING	1.0	182	4	7 (E1, E2)	TICKET CHECK, STATION OFFICE, CORRIDOR
⑧	DITTO	RECEPTACLE	9.6	2100	4	14	INFORMATION, PASSENGER WAITING AND CAFE, TICKET SALES/CHECK VIP WAITING ROOM, LAVATORY, STATION MASTER ROOM
⑨	DITTO	DITTO	8.9	1950	4	13	POWER ROOM, MECHANICAL ROOM, MAINTENANCE AND JANITOR'S ROOM TELECOM OFFICE, STATION OFFICE, STAFF LAVATORY
⑩	DITTO	DITTO	9.6	2100	4	14	MEETING ROOM, POWER INSPECTION OFFICE SIGNAL TELECOM OFFICE, REST ROOM
⑪	DITTO	DITTO	6.9	1500	4	10	KITCHEN, DINING ROOM, STAFF LAVATORY ABLUTION ROOM, MUSHOLLA
⑫	DITTO	PUSH-BUTTON STATION	0.2	40	4	4	CORRIDOR (1FL, 2FL, 3FL), PASSENGER WAITING AND CAFE,
⑬	DITTO	TELECOM	3.0	660	—	—	
⑭	DITTO	TELECOM	3.0	660	—	—	
⑮	DITTO	SIGN	4.6	1000	4		
⑯	DITTO	SIGN	4.6	1000	4		
⑰	DITTO	SIGN	4.6	1000	4		
⑱	DITTO	SPARE					
⑳	DITTO	SPARE					

POWER SUPPLY SYSTEM DIAGRAM



GROUNDING TERMINAL NEUTRAL TERMINAL

REPUBLIC OF INDONESIA  
MINISTRY OF COMMUNICATIONS  
DIRECTORATE GENERAL OF LAND TRANSPORT AND INLAND WATERWAYS

NEW RAILWAY LINE FOR CENKARENG AIRPORT  
CONSTRUCTION PROJECT

JAPAN INTERNATIONAL COOPERATION AGENCY  
(JICA)

REVISIONS	DATE	DESIGNED	DRAWN	CHECKED	REVISED	SUBMITTED
B	1 AUG 88	E.T	E.T	E.T	K.M	M.K
A	15 FEB 88	E.T	E.T	E.T	K.M	M.K

AIRPORT TERMINAL STATION  
DISTRIBUTION BOARD  
SINGLE WIRE DIAGRAM  
( SHEET 1 OF 2 )

PACKAGE: I CIVIL AND ARCHITECTURAL WORK

SCALE: NONE DRAWING NO: AE - 014

FROM POWER DISTRIBUTION CUBICLE (FURNISHED BY PACKAGE-3, ELECTRIFICATION WORK)

4C x 95MM<sup>2</sup> + 50MM<sup>2</sup>

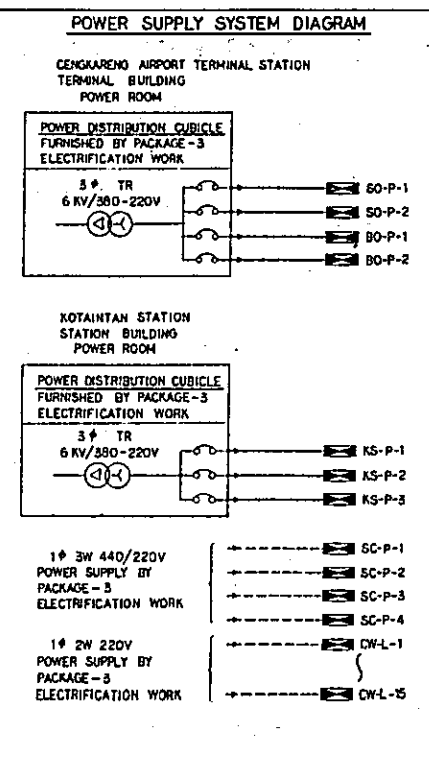
T B

MCCB 3P 225 AF/150 AT

EQUIPMENT NAME	DISTRIBUTION PANEL
EQUIPMENT NO.	50 - P - 2
VOLTAGE	3 $\phi$ 4W 380/220V 50HZ
LOCATION	STATION OFFICE

PHASE - PHASE OR PHASE - NEUTRAL	LOAD CURRENT (A)	LOAD CAPACITY (VA)
A - N	39.5	8 690
B - N	37.7	8 294
C - N	35.0	7 700
A - B - C	63.3	41 645
TOTAL	175.5	66 329

CIRCUIT NO.	MCCB	DESCRIPTION	TOTAL LOAD CURRENT (A)	TOTAL LOAD CAPACITY (VA)	WIRE/CABLE (MM <sup>2</sup> )	Q'TY	AREA
①	3 P 75AF/50AT	AIR CONDITIONER AC-1	40.0	26 322	4 <sup>C</sup> x 16	1	MECHANICAL ROOM
②	3 P 30AF/30AT	LIFT PUMP	18.0	11 847	4 <sup>C</sup> x 10	1	OUT-DOOR
③	1 P 20AF/20AT	AIR CONDITIONER AC-2	14.0	3 080	4	1	STAFF ROOM
④	DITTO	AIR CONDITIONER AC-3	14.0	3 080	4	1	STAFF ROOM
⑤	DITTO	EXHAUST FAN EXF-1	3.5	2 310	3 <sup>C</sup> x 4	1	POWER ROOM
⑥	DITTO	EXHAUST FAN EXF-3	1.8	1 166	3 <sup>C</sup> x 4	1	ROOF
⑦	DITTO	EXHAUST FAN EXF-2,4,5,6	3.9	858	4	4	KITCHEN, ABLUTION ROOM, MUSHOLLA
⑧	DITTO	LIGHTING	12.6	2 772	2 <sup>C</sup> x 25	9 (H3)	STATION PLAZA
⑨	DITTO	DITTO	14.0	3 080	2 <sup>C</sup> x 25	10 (H3)	DITTO
⑩	1 P 30AF/30AT	DITTO	22.4	4 928	2 <sup>C</sup> x 16	3 (H1, H5)	DITTO
⑪	1 P 20AF/20AT	DITTO	12.8	2 816	2 <sup>C</sup> x 16	6 (H2, H3, H4)	DITTO
⑫	DITTO	DITTO	11.5	2 530	2 <sup>C</sup> x 16	6 (H2, H3, H4)	DITTO
⑬	DITTO	DITTO	7.0	1 540	2 <sup>C</sup> x 16	5 (H3)	DITTO
⑭	DITTO	SPARE					
⑮	DITTO	SPARE					
⑯	DITTO	SPARE					



GROUNDING TERMINAL NEUTRAL TERMINAL

REPUBLIC OF INDONESIA  
MINISTRY OF COMMUNICATIONS  
DIRECTORATE GENERAL OF LAND TRANSPORT AND INLAND WATERWAYS

NEW RAILWAY LINE FOR CENGKARENG AIRPORT  
CONSTRUCTION PROJECT

JAPAN INTERNATIONAL COOPERATION AGENCY (JICA)

B	1 AUG 89	E.T	E.T	SM	K.M	M.K
A	15 FEB 89	E.T	E.T	SM	K.M	M.K

REVISIONS    DATE    DESIGNED    DRAWN    CHECKED    REVIEWED    SUBMITTED

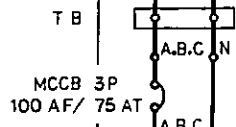
AIRPORT TERMINAL STATION  
DISTRIBUTION BOARD  
SINGLE WIRE DIAGRAM  
( SHEET 2 OF 2 )

PACKAGE: I CIVIL AND ARCHITECTURAL WORK

SCALE: NONE    DRAWING NO: AE - 015

FROM  
POWER DISTRIBUTION CUBICLE-1  
(FURNISHED BY PACKAGE-3, ELECTRIFICATION WORK)

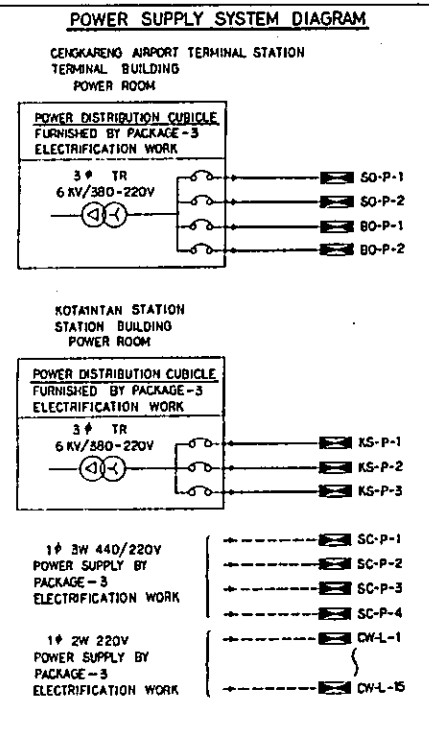
4<sup>c</sup> x 70MM<sup>2</sup> + 35MM<sup>2</sup>



EQUIPMENT NAME	DISTRIBUTION PANEL
EQUIPMENT NO.	B0-P-1 / B0-P-2
VOLTAGE	3 <sup>φ</sup> 4W 380/220V 50HZ
LOCATION	STATION OFFICE

PHASE - PHASE OR PHASE - NEUTRAL	LOAD CURRENT (A)	LOAD CAPACITY (VA)
A - N	30.2	6630
B - N	29.8	6556
C - N	39.2	8620
A - B - C	18.2	11935
TOTAL	117.4	33741

CIRCUIT NO.	MCCB	DESCRIPTION	TOTAL LOAD CURRENT (A)	TOTAL LOAD CAPACITY (VA)	WIRE/CABLE (MM <sup>2</sup> )	Q'TY	AREA
①	1P 20AF/20AT	LIGHTING	8.1	1768	4	17 (F3)	TICKET SALES, STATION OFFICE, TRAIN CONTROL OFFICE, WAITING ROOM, BUS TICKET SALES, SECURITY.
②	DITTO	DITTO	4.3	936	4	15 (F2, F3)	PORTER, LAVATORY, STORAGE
③	DITTO	DITTO	15.3	3360	6	24 (F6)	TRAIN PLATFORM
④	DITTO	DITTO	15.3	3360	4	24 (F6)	DITTO
⑤	DITTO	DITTO	15.3	3360	6	24 (F6)	BUS PLATFORM
⑥	DITTO	DITTO	15.3	3360	4	24 (F6)	DITTO
⑦	DITTO	EMERGENCY LIGHTING	0.3	52	4	2 (E2)	TICKET SALES TRAIN CONTROL OFFICE
⑧	DITTO	RECEPTACLE	10.3	2250	4	15	TICKET SALES, STATION OFFICE, TRAIN CONTROL OFFICE, WAITING ROOM, BUS TICKET SALES, SECURITY.
⑨	DITTO	DITTO	4.1	900	4	6	PORTER, LAVATORY STORAGE.
⑩	DITTO	DITTO	2.1	450	4	3	TRAIN PLATFORM.
⑪	3P 20AF/20AT	AIR CONDITIONER (AC-1)	13.0	8512	3 <sup>c</sup> x 4	1	TICKET SALES.
⑫	DITTO	EXHAUST FAN (EXF-2)	5.2	3423	4	1	ROOF
⑬	1P 20AF/20AT	PUSH-BUTTON STATION	0.1	10	4	1	CORRIDOR
⑭	DITTO	SIGN	4.6	1000	4		
⑮	DITTO	SIGN	4.6	1000	4		
⑯	DITTO	SPARE					
⑰	DITTO	SPARE					
⑱	DITTO	SPARE					
○							
○							
○							
○							
○							
○							
○							
○							
○							
○							
○							
○							
○							



GROUNDING TERMINAL NEUTRAL TERMINAL

REPUBLIC OF INDONESIA  
MINISTRY OF COMMUNICATIONS  
DIRECTORATE GENERAL OF LAND TRANSPORT AND INLAND WATERWAYS

NEW RAILWAY LINE FOR CENGKARENG AIRPORT - CONSTRUCTION PROJECT

JAPAN INTERNATIONAL COOPERATION AGENCY (JICA)

B	1 AUG 2011	E.T.	T.S.	K.M.	M.K.
A	15 FEB 2011	S.T.	T.S.	K.M.	M.K.

REVISIONS DATE DESIGNED DRAWN CHECKED REVIEWED SUBMITTED

BOOKING OFFICE  
DISTRIBUTION BOARD  
SINGLE WIRE DIAGRAM.

PACKAGE: I CIVIL AND ARCHITECTURAL WORK  
SCALE: NONE DRAWING NO: AE - 016

FROM  
POWER DISTRIBUTION CUBICLE  
(FURNISHED BY PACKAGE-3 ELECTRIFICATION WORK)

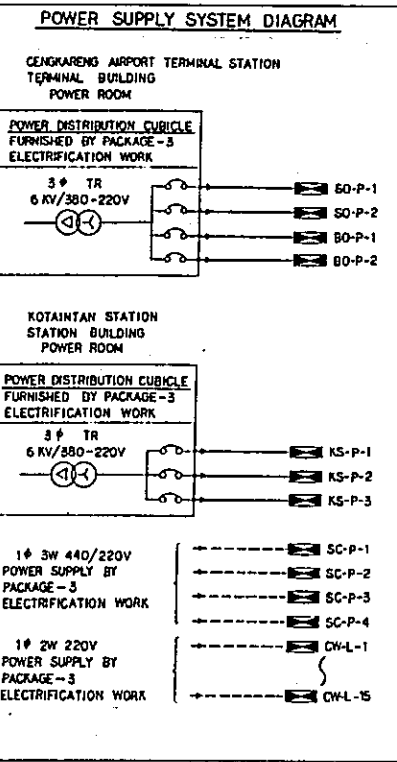
4C x 35MM<sup>2</sup> + 25MM<sup>2</sup>

T B  
MCCB 3P  
100AF/ 75 AT  
A,B,C N  
A,B,C

EQUIPMENT NAME	DISTRIBUTION PANEL
EQUIPMENT NO.	KS - P - 1
VOLTAGE	3 $\phi$ 4W 380 / 220V 50 HZ
LOCATION	STATION OFFICE

PHASE - PHASE OR PHASE - NEUTRAL	LOAD CURRENT (A)	LOAD CAPACITY (VA)
A - N	67.9	13 148
B - N	60.7	13 346
C - N	37.3	10 014
A - B - C	—	—
TOTAL	165.9	36 508

CIRCUIT NO.	MCCB	DESCRIPTION	TOTAL LOAD CURRENT(A)	TOTAL LOAD CAPACITY(VA)	WIRE/CABLE (MM <sup>2</sup> )	Q' TY	AREA
①	1 P 20AF/ 20AT	LIGHTING	13.0	2 860	4	29 (F2.F3.F4)	STATION OFFICE. STATION MASTER ROOM. MEETING ROOM SECURITY. COVERED SERVICE AREA-2. MECHANICAL ROOM STAFF LOCKER ROOM. STAFF LAVATORY
②	DITTO	DITTO	15.5	3 396	4	40 (I3.F2.F3.F4)	PASSENGER WAITING AND CAFE. PORTER. PASSENGER LAVATORY (M/W) MAINTENANCE AND JANITOR'S ROOM. COVERED SERVICE AREA-1 POWER ROOM. STORAGE-1.2.
③	DITTO	DITTO	12.8	2 800	4	14 (F6.M1)	STATION OFFICE. CORRIDOR (1FL)
④	DITTO	DITTO	11.5	2 520	4	18 (F6.F7)	CORRIDOR-1
⑤	DITTO	DITTO	10.2	2 240	4	14 (F7.F9)	CORRIDOR-1
⑥	DITTO	DITTO	3.4	728	4	8 (F2.F4)	SIGNAL TELECOM DEVICE ROOM. STORAGE-3
⑦	DITTO	DITTO	10.8	2 360	4	28 (I3.I4) (F1.F2.F3.F5)	KITCHEN. DINING ROOM. STAFF ROOM ABLUTION ROOM. MUSHOLLA. CORRIDOR (2FL). LAVATORY
⑧	DITTO	DITTO	10.0	2 200	4	8 (M1.N1)	CONCOURSE CORRIDOR (OUT-DOOR)
⑨	DITTO	EMERGENCY LIGHTING	1.1	234	4	9 (E1.E2)	
⑩	DITTO	RECEPTACLE	14.4	3 150	4	21	STATION OFFICE. STATION MASTER ROOM. MEETING ROOM. SECURITY COVERED SERVICE AREA-2. MECHANICAL ROOM. STAFF LOCKER ROOM STAFF LAVATORY
⑪	DITTO	DITTO	13.0	2 850	4	19	PASSENGER WAITING AND CAFE. PORTER. PASSENGER'S LAVATORY (M/W) MAINTENANCE AND JANITOR'S ROOM. COVERED SERVICE AREA-1 STORAGE-1.2 POWER ROOM
⑫	DITTO	DITTO	8.2	1 800	4	12	KITCHEN. DINING ROOM. STAFF ROOM ABLUTION ROOM MUSHOLLA. LAVATORY
⑬	DITTO	PUSH-BUTTON STATION	0.3	50	4	5	CORRIDOR
⑭	DITTO	TELECOM	3.0	660	—	—	
⑮	DITTO	TELECOM	3.0	660	—	—	
⑯	DITTO	SIGN	9.1	2 000	4		
⑰	DITTO	SIGN	9.1	2 000	4		
⑱	DITTO	SIGN	9.1	2 000	4		
⑳	DITTO	SPARE					
㉑	DITTO	SPARE					
㉒	DITTO	SPARE					
○							
○							
○							
○							
○							



GROUNDING TERMINAL NEUTRAL TERMINAL

REPUBLIC OF INDONESIA  
MINISTRY OF COMMUNICATIONS  
DIRECTORATE GENERAL OF LAND TRANSPORT  
AND INLAND WATERWAYS

NEW RAILWAY LINE FOR CENGKARENG AIRPORT  
CONSTRUCTION PROJECT

JAPAN INTERNATIONAL COOPERATION AGENCY  
(JICA)

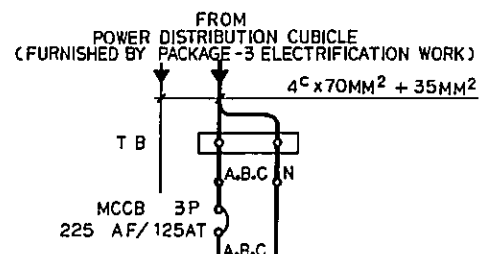
B	1 AUG 88	E.T	E.T	Sign	K.M	M.K
A	15 FEB 88	E.T	E.T	Sign	K.M	M.K

REVISIONS DATE DESIGNED DRAWN CHECKED REVIEWED SUBMITTED

KOTA INTAN STATION  
STATION BLDG.  
DISTRIBUTION BOARD  
SINGLE WIRE DIAGRAM  
( SHEET 1 OF 2 )

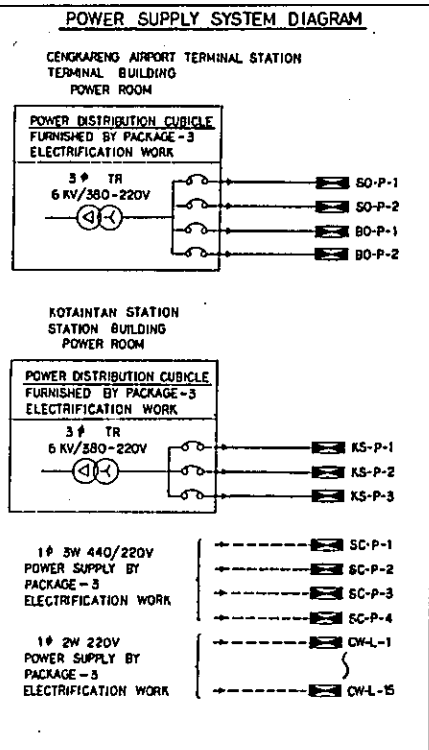
PACKAGE: I CIVIL AND ARCHITECTURAL WORK  
SCALE NONE DRAWING NO: AE - 017

PHASE — PHASE OR PHASE — NEUTRAL	LOAD CURRENT (A)	LOAD CAPACITY (VA)
A — N	39.1	8596
B — N	38.0	8358
C — N	42.2	9276
A — B — C	50.6	33305
TOTAL	169.9	59535



EQUIPMENT NAME	DISTRIBUTION PANEL
EQUIPMENT NO.	KS-P-2
VOLTAGE	3 φ 4W 380/220V 50HZ
LOCATION	STATION OFFICE

CIRCUIT NO.	MCCB	DESCRIPTION	TOTAL LOAD CURRENT (A)	TOTAL LOAD CAPACITY (VA)	WIRE/CABLE (MM²)	Q'TY	AREA
①	3 P 75AF/50AT	AIR CONDITIONER (AC-1)	40.0	26322	4 <sup>c</sup> x16	1	MECHANICAL ROOM
②	3 P 20AF/20AT	LIFT PUMP	7.1	4673	4 <sup>c</sup> x4	1	STORAGE 1
③	1 P 20AF/20AT	AIR CONDITIONER (AC-2)	11.0	2420	4	1	STAFF ROOM
④	DITTO	DITTO (AC-3)	11.0	2420	4	1	STAFF ROOM
⑤	DITTO	EXHAUST FAN (EXF-1~10)	10.6	2332	4	10	STAFF LAVATORY. STAFF LOCKER ROOM, MECHANICAL ROOM POWER ROOM. STORAGE-1. STORAGE-2. MAINTENANCE AND JANITOR'S ROOM SIGNAL TELECOM DEVICE ROOM. STORAGE-3
⑥	DITTO	EXHAUST FAN (EXF-11.12.13)	2.5	550	4	3	KITCHEN. ABLUTION ROOM. MUSHOLLA
⑦	1 P 30AF/30AT	LIGHTING	21.8	4796	2 <sup>c</sup> x10	1 (H1)	STATION PLAZA
⑧	DITTO	DITTO	21.8	4796	2 <sup>c</sup> x10	4 (H2,H3,H4)	STATION PLAZA
⑨	1 P 20AF/20AT	DITTO	9.1	2002	2 <sup>c</sup> x10	1 (H1)	STATION PLAZA
⑩	DITTO	DITTO	11.9	2618	2 <sup>c</sup> x25	6 (H2,H3,H4)	STATION PLAZA
⑪	1 P 20AF/20AT	LIGHTING	5.7	1248	4	12 (F4)	SHOPS
⑫	DITTO	DITTO	5.7	1248	4	12 (F4)	LOADING YARD
⑬	DITTO	RECEPTACLE	4.1	900	4	6	SHOPS
⑭	DITTO	DITTO	4.1	900	4	6	LOADING YARD
⑮	3 P 20AF/20AT	EXHAUST FAN (EXF-14)	3.5	2310	3 <sup>c</sup> x4	1	ROOF
⑯	1 P 20AF/20AT	SPARE					
⑰	DITTO	SPARE					
⑱	DITTO	SPARE					



GROUNDING TERMINAL NEUTRAL TERMINAL

REPUBLIC OF INDONESIA  
 MINISTRY OF COMMUNICATIONS  
 DIRECTORATE GENERAL OF LAND TRANSPORT AND INLAND WATERWAYS

NEW RAILWAY LINE FOR CENGKARENG AIRPORT CONSTRUCTION PROJECT

JAPAN INTERNATIONAL COOPERATION AGENCY (JICA)

B	1 AUG 89	G.T	S.T	Signature	K.M	m.k
A	15 FEB 89	S.T	S.T	Signature	K.M	m.k

REVISIONS DATE DESIGNED DRAWN CHECKED REVIEWED SUBMITTED

KOTA INTAN STATION STATION BLDG. DISTRIBUTION BOARD SINGLE WIRE DIAGRAM ( SHEET 2 OF 2 )

PACKAGE: I CIVIL AND ARCHITECTURAL WORK

SCALE: NONE DRAWING NO: AE-018



FROM  
POWER DISTRIBUTION CUBICLE-2  
(FURNISHED BY PACKAGE-3 ELECTRIFICATION WORK)

4<sup>c</sup> x 70MM<sup>2</sup> + 35 MM<sup>2</sup>

T B

A.B.C.N

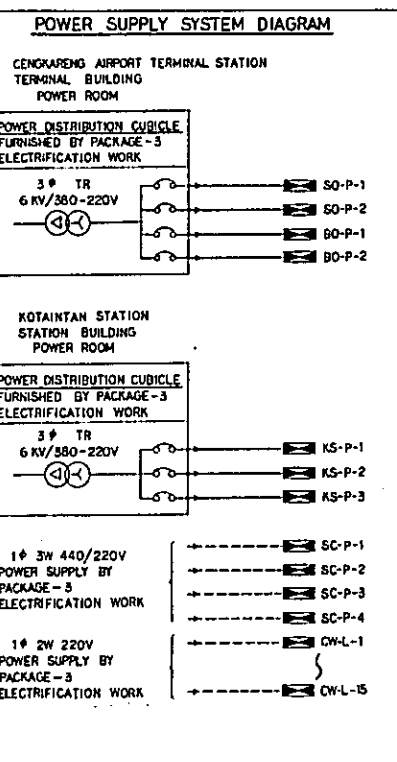
MCCB 3 P  
100AF/100AT

A.B.C

EQUIPMENT NAME	DISTRIBUTION PANEL
EQUIPMENT NO.	KS-P-3
VOLTAGE	3 <sup>φ</sup> 4W 380/220V 50HZ
LOCATION	TRAIN CONTROL OFFICE

PHASE — PHASE OR PHASE — NEUTRAL	LOAD CURRENT (A)	LOAD CAPACITY (VA)
A — N	72.0	15844
B — N	59.6	13 110
C — N	56.5	12 420
A — B — C	—	—
TOTAL	188.1	41 374

CIRCUIT NO.	MCCB	DESCRIPTION	TOTAL LOAD CURRENT (A)	TOTAL LOAD CAPACITY (VA)	WIRE/CABLE (MM <sup>2</sup> )	Q'TY	AREA
①	1 P 20AF/20AT	LIGHTING	2.9	624	4	6 (F3)	SIGNAL TELECOM OFFICE. TRAIN CONTROL OFFICE
②	DITTO	DITTO	10.9	2 380	6	16 (F6.F8)	PLATFORM (CENGKARENG AIRPORT LINE)
③	DITTO	DITTO	11.5	2 520	6	18 (F6)	DITTO ( DITTO )
④	DITTO	DITTO	10.9	2 380	6	16 (F6.F8)	DITTO ( DITTO )
⑤	DITTO	DITTO	12.1	2 660	4	18 (F6.F7.F8)	DITTO ( DITTO )
⑥	DITTO	DITTO	9.6	2 100	4	15 (F6)	DITTO ( DITTO )
⑦	DITTO	DITTO	12.1	2 660	4	18 (F6.F7.F8)	DITTO ( DITTO )
⑧	DITTO	DITTO	13.4	2 940	6	21 (F6.F7)	PLATFORM (WESTERN LINE)
⑨	DITTO	DITTO	10.2	2 240	6	14 (F6.F7.F8)	DITTO ( DITTO )
⑩	DITTO	DITTO	13.4	2 940	6	21 (F6.F7)	DITTO ( DITTO )
⑪	DITTO	DITTO	11.5	2 520	6	18 (F6)	DITTO ( DITTO )
⑫	DITTO	DITTO	10.2	2 240	6	14 (F6.F8)	DITTO ( DITTO )
⑬	DITTO	DITTO	11.5	2 520	6	18 (F6)	DITTO ( DITTO )
⑭	DITTO	RECEPTACLE	1.4	300	4	2	PLATFORM (CENGKARENG AIRPORT LINE)
⑮	DITTO	DITTO	1.4	300	4	2	DITTO ( DITTO )
⑯	DITTO	DITTO	1.4	300	4	2	PLATFORM (WESTERN LINE)
⑰	DITTO	DITTO	1.4	300	4	2	DITTO ( DITTO )
⑱	DITTO	DITTO	2.8	600	4	4	SIGNAL TELECOM OFFICE. TRAIN CONTROL OFFICE
⑲	DITTO	AIR CONDITIONER (AC-4)	11.0	2 420	4	1	SIGNAL TELECOM OFFICE
⑳	DITTO	AIR CONDITIONER (AC-5)	11.0	2 420	4	1	TRAIN CONTROL OFFICE
㉑	DITTO	PUSH-BUTTON STATION	0.1	10	4	1	PLATFORM (CENGKARENG AIRPORT LINE)
㉒	DITTO	SIGN	9.1	2 000	4		
㉓	DITTO	SIGN	9.1	2 000	4		
㉔	DITTO	SPARE					
㉕	DITTO	SPARE					
㉖	DITTO	SPARE					
㉗	DITTO	SPARE					



GROUNDING TERMINAL NEUTRAL TERMINAL

REPUBLIC OF INDONESIA  
MINISTRY OF COMMUNICATIONS  
DIRECTORATE GENERAL OF LAND TRANSPORT  
AND INLAND WATERWAYS

NEW RAILWAY LINE FOR CENGKARENG AIRPORT  
CONSTRUCTION PROJECT

JAPAN INTERNATIONAL COOPERATION AGENCY  
(JICA)

B	1 AUG 79	E.T	E.T	BS	PK	M	M.K
A	15 FEB 89	E.T	E.T	BS	PK	M	M.K

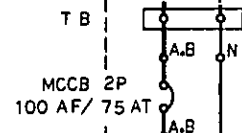
REVISIONS DATE DESIGNED DRAWN CHECKED REVIEWED SUBMITTED

KOTA INTAN STATION  
PLATFORM  
DISTRIBUTION BOARD  
SINGLE WIRE DIAGRAM

PACKAGE: I CIVIL AND ARCHITECTURAL WORK

SCALE NONE DRAWING NO: AE - 019

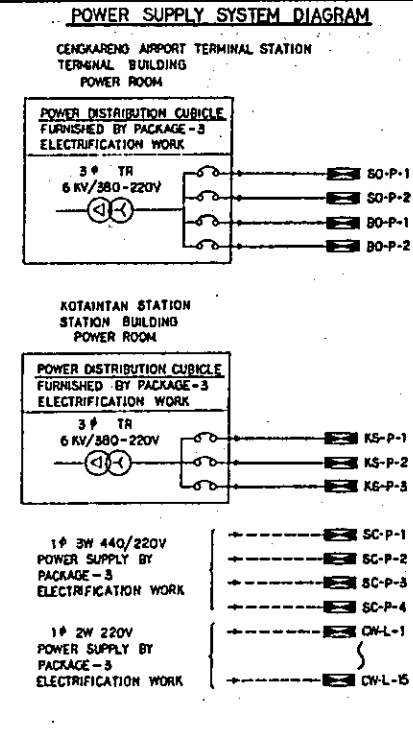
FROM  
POWER SUPPLY BY PACKAGE-3, ELECTRIFICATION WORK



EQUIPMENT NAME	DISTRIBUTION PANEL
EQUIPMENT NO.	SC-P-1/SC-P-2
VOLTAGE	1φ 3W 440/220V 50HZ
LOCATION	SIGNAL DEVICE ROOM

PHASE — PHASE OR PHASE — NEUTRAL	LOAD CURRENT (A)	LOAD CAPACITY (VA)
A — N	44.6	9796
B — N	45.6	10036
C — N	—	—
A — B — C	—	—
TOTAL	90.2	19832

CIRCUIT NO.	MCCB	DESCRIPTION	TOTAL LOAD CURRENT(A)	TOTAL LOAD CAPACITY(VA)	WIRE/CABLE (MM <sup>2</sup> )	Q'TY	AREA
①	1P 20AF/20AT	LIGHTING	6.3	1380	4	21 (F1.F2.F3.I3)	SIGNAL DEVICE ROOM. POWER ROOM LAVATORY CORRIDOR(1FL.2FL)
②	DITTO	DITTO	6.7	1456	4	15 (F1. F3)	SIGNAL CONTROL ROOM. INSPECTORS ROOM. DRESSING ROOM. STAFF ROOM. PANTRY.
③	DITTO	RECEPTACLE	5.5	1200	4	8	SIGNAL DEVICE ROOM. POWER ROOM. LAVATORY.
④	DITTO	DITTO	7.5	1650	4	11	SIGNAL CONTROL ROOM. INSPECTORS ROOM. DRESSING ROOM. STAFF ROOM. PANTRY
⑤	DITTO	AIR CONDITIONER (AC-1)	16.0	3520	4	1	SIGNAL CONTROL ROOM.
⑥	DITTO	DITTO (AC-2)	16.0	3520	4	1	DITTO
⑦	DITTO	DITTO (AC-3)	11.0	2420	4	1	INSPECTORS ROOM.
⑧	DITTO	DITTO (AC-4)	11.0	2420	4	1	DITTO
⑨	DITTO	EXHAUST FAN (EXF-1.2.3.4)	2.8	616	4	4	SIGNAL DEVICE ROOM. POWER ROOM. LAVATORY.
⑩	DITTO	DITTO (EXF-5.6.7)	1.5	330	4	3	PANTRY. STAFF ROOM. DRESSING ROOM.
⑪	DITTO	TELECOM	3.0	660	—	—	
⑫	DITTO	DITTO	3.0	660	—	—	
⑬	DITTO	SPARE					
⑭	DITTO	SPARE					
⑮	DITTO	SPARE					
⑯	DITTO	INCINERATOR	2.8	615	2 <sup>c</sup> x4	1	DUMP YARD (SC-P-1 ONLY)



GROUNDING TERMINAL NEUTRAL TERMINAL

REPUBLIC OF INDONESIA  
MINISTRY OF COMMUNICATIONS  
DIRECTORATE GENERAL OF LAND TRANSPORT  
AND INLAND WATERWAYS

NEW RAILWAY LINE FOR CENGKARENG AIRPORT  
CONSTRUCTION PROJECT

JAPAN INTERNATIONAL COOPERATION AGENCY  
(JICA)

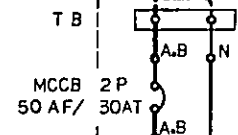
REVISIONS	DATE	DESIGNED	DRAWN	CHECKED	REVIEWED	SUBMITTED
B	1 AUG 89	E.T	E.T	Sugih K.M		
A	15 FEB 89	E.T	E.T	Sugih K.M		

SIGNAL CABIN A  
DISTRIBUTION BOARD  
SINGLE WIRE DIAGRAM

PACKAGE: I CIVIL AND ARCHITECTURAL WORK

SCALE: NONE DRAWING NO: AE - 020

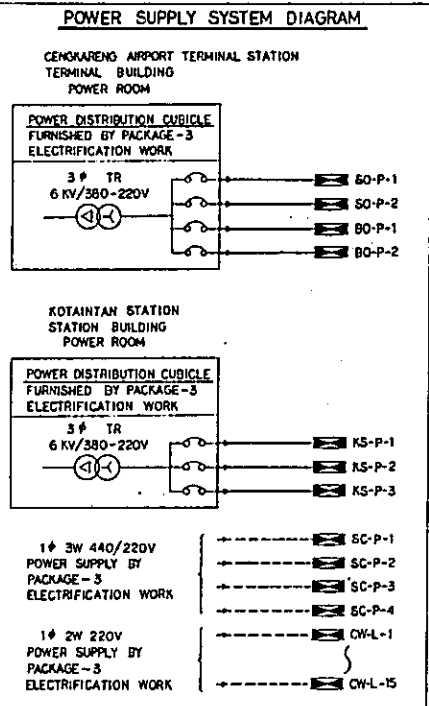
FROM  
POWER SUPPLY BY PACKAGE-3. ELECTRIFICATION WORK



EQUIPMENT NAME	DISTRIBUTION PANEL
EQUIPMENT NO.	SC-P-3/SC-P-4
VOLTAGE	1 φ 3W 440/220V 50HZ
LOCATION	RELAY EQUIPMENT ROOM

PHASE - PHASE OR PHASE - NEUTRAL	LOAD CURRENT (A)	LOAD CAPACITY (VA)
A - N	21.0	4616
B - N	29.4	6456
C - N	—	—
A - B - C	—	—
TOTAL	50.4	11 072

CIRCUIT NO.	MCCB	DESCRIPTION	TOTAL LOAD CURRENT (A)	TOTAL LOAD CAPACITY (VA)	WIRE/CABLE (MM <sup>2</sup> )	Q'TY	AREA
①	1 P 20AF/20AT	LIGHTING	3.3	720	4	12 (11. F2)	RELAY EQUIPMENT ROOM. TOILET. WARE HOUSE
②	DITTO	DITTO	3.3	716	4	7 (11. 12. F3)	SIGNAL HANDLING ROOM. STAFF ROOM. STAIR
③	DITTO	RECEPTACLE	2.8	600	4	4	RELAY EQUIPMENT ROOM
④	DITTO	DITTO	2.8	600	4	4	SIGNAL HANDLING ROOM. STAFF ROOM
⑤	DITTO	EXHAUST FAN (EXF-1.2)	1.8	396	4	2	RELAY EQUIPMENT ROOM. TOILET
⑥	DITTO	AIR CONDITIONER (AC-1)	11.0	2240	4	1	STAFF ROOM.
⑦	DITTO	TELECOM	3.0	660	—	—	
⑧	DITTO	TELECOM	3.0	660	—	—	
⑨	DITTO	AIR CONDITIONER (AC-2)	11.0	2240	4	1	SIGNAL HANDLING ROOM
⑩	DITTO	DITTO (AC-3)	11.0	2240	4	1	DITTO
⑪	DITTO	SPARE					
⑫	DITTO	SPARE					



GROUNDING TERMINAL    NEUTRAL TERMINAL

**REPUBLIC OF INDONESIA**  
 MINISTRY OF COMMUNICATIONS  
 DIRECTORATE GENERAL OF LAND TRANSPORT  
 AND INLAND WATERWAYS

**NEW RAILWAY LINE FOR CENGKARENG AIRPORT  
 CONSTRUCTION PROJECT**

JAPAN INTERNATIONAL COOPERATION AGENCY  
 (JICA)

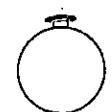
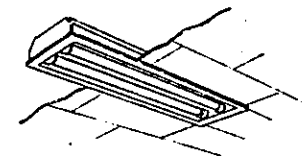

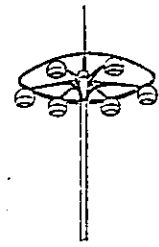

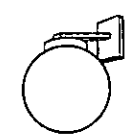


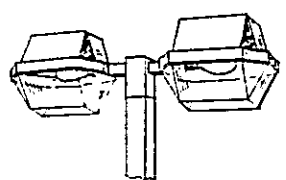
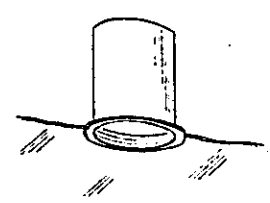

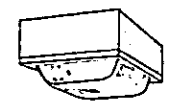
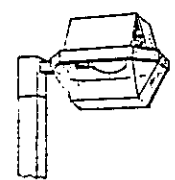
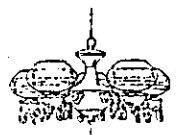

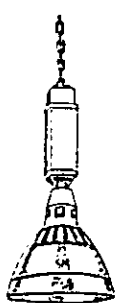

B	1 AUG. 89	E.T.	E.T.	Syuh	K.M.	M.K.
A	15 FEB. 89	E.T.	E.T.	Syuh	K.M.	M.K.

REVISIONS    DATE    DESIGNED    DRAWN    CHECKED    REVIEWED    SUBMITTED

**SIGNAL CABIN B  
 DISTRIBUTION BOARD  
 SINGLE WIRE DIAGRAM**

PACKAGE: I CIVIL AND ARCHITECTURAL WORK

SCALE: NONE    DRAWING NO: AE - 021

 IL 100W 220V TYPE I1	 TYPE F1 FL 40Wx1 220V TYPE F3 FL 40Wx2 220V TYPE F1, F3	 FL 20Wx1 220V TYPE E1	 HL 700Wx6 220V TYPE H1	 HL 40Wx1 220V TYPE H5
 IL 100W 220V TYPE I2	 TYPE F2 FL 40Wx1 220V TYPE F4 FL 40Wx2 220V TYPE F6 FL 110Wx1 220V TYPE F8 FL 110Wx2 220V TYPE F2, F4, F6, F8	 FL 20Wx1 220W TYPE E2	 HL 250Wx2 220V TYPE H2	
 IL 100W 220V TYPE I3	 FL 40Wx1 220V TYPE F5	 TYPE N1 NL 150Wx1 220V TYPE N2 NL 250Wx1 220V TYPE N1, N2	 HL 250Wx1 220V TYPE H3	
 IL 40Wx5 220V TYPE I4	 TYPE F7 FL 110Wx1 220V TYPE F9 FL 110Wx2 220V TYPE F7, F9	 TYPE M1 ML 300Wx1 220V TYPE M2 ML 400Wx1 220V TYPE M1, M2	 HL 200Wx1 220V TYPE H4	

REPUBLIC OF INDONESIA  
 MINISTRY OF COMMUNICATIONS  
 DIRECTORATE GENERAL OF LAND TRANSPORT  
 AND INLAND WATERWAYS

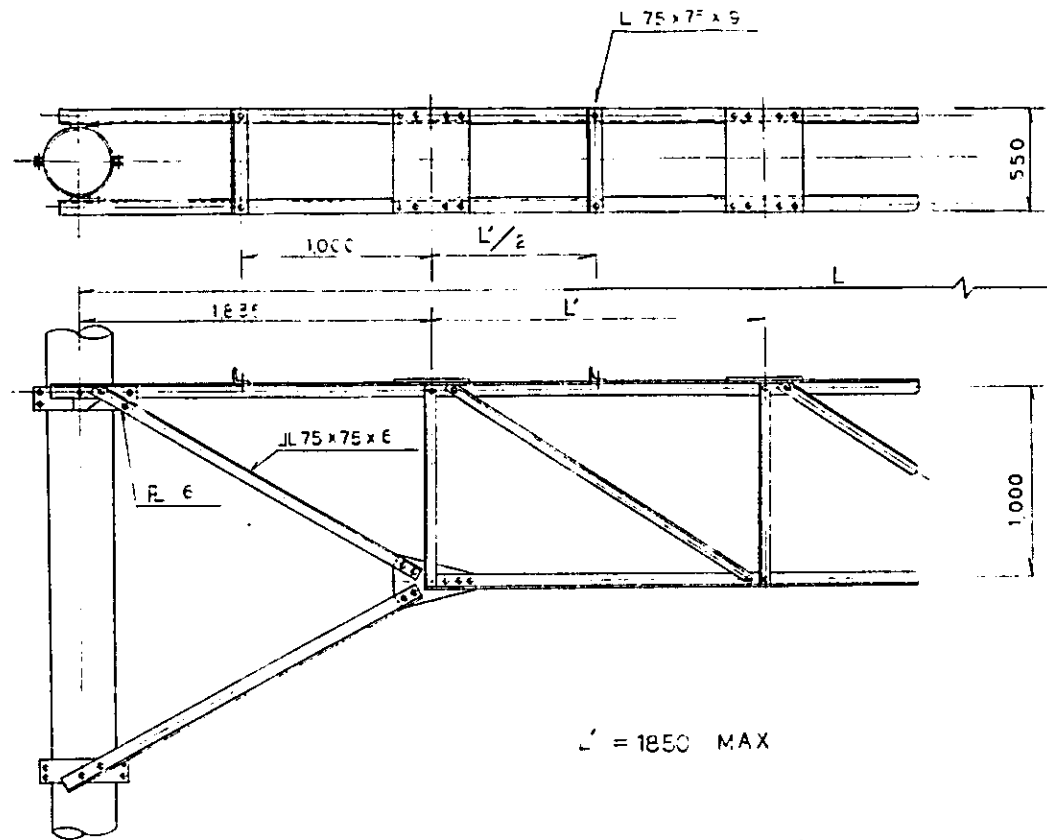
NEW RAILWAY LINE FOR CENKARENG AIRPORT  
 CONSTRUCTION PROJECT

JAPAN INTERNATIONAL COOPERATION AGENCY  
 (JICA)

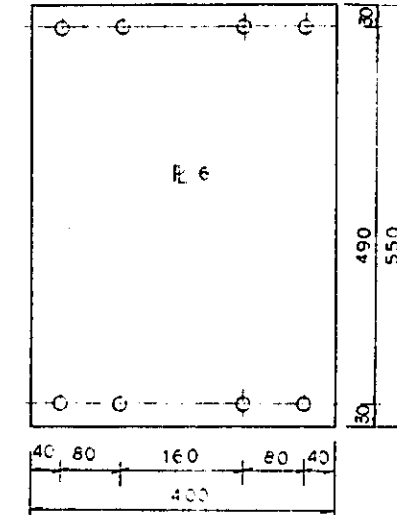
REV. NO.	DATE	BY	CHECKED	DESIGNED	DRAWN	APPROVED	SCALE
B	1. AUG. 89	E.T.	E.T.	E.T.	E.T.	E.T.	
A	15. FEB. 88	E.T.	E.T.	E.T.	E.T.	E.T.	

STANDARD DETAIL OF  
 LIGHTING FIXTURE

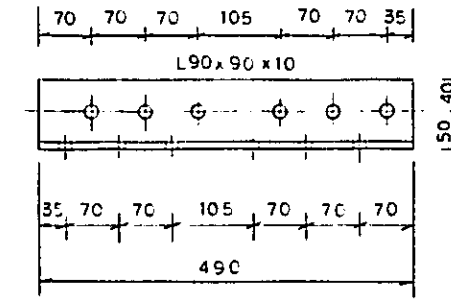
PACKAGE: I CIVIL AND ARCHITECTURAL WORK  
 SCALE: NONE      DRAWING NO: AE - 022



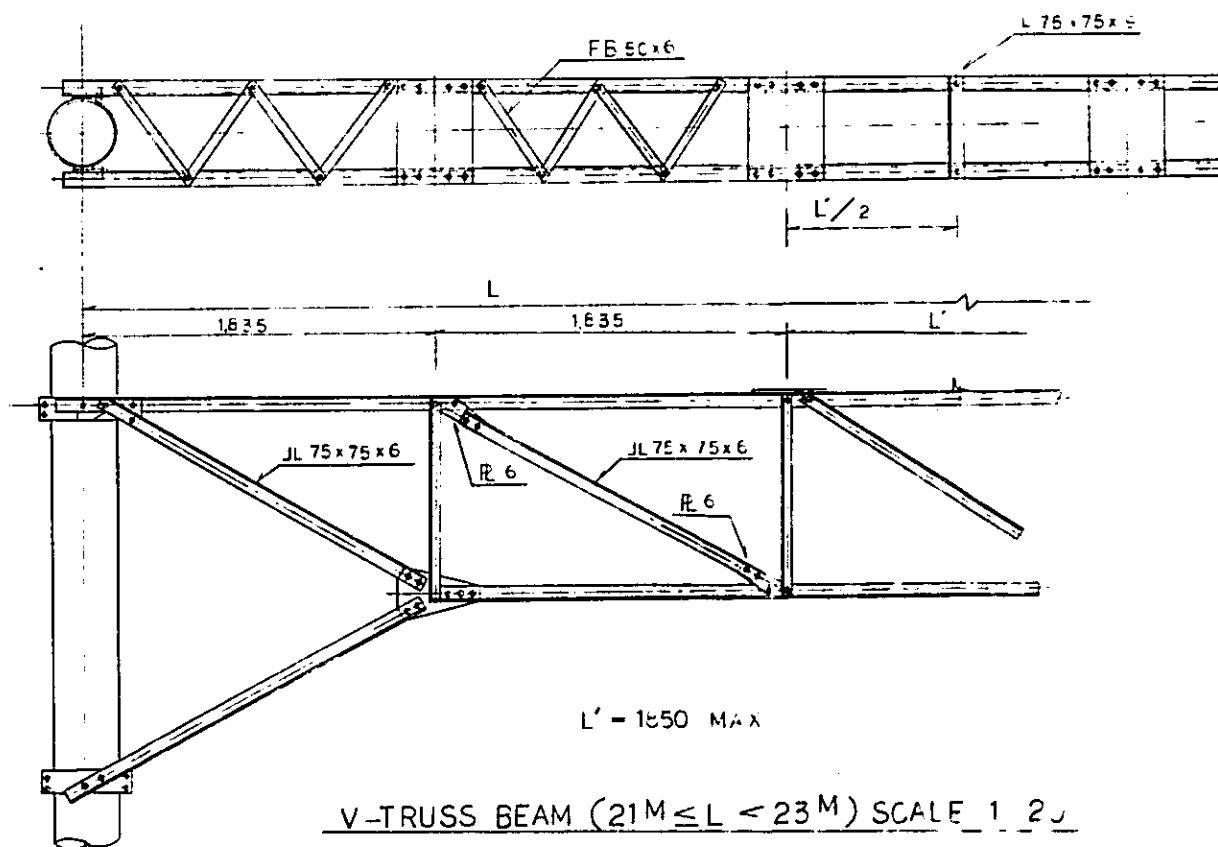
V-TRUSS BEAM ( $19M \leq L < 21M$ ) SCALE 1:20



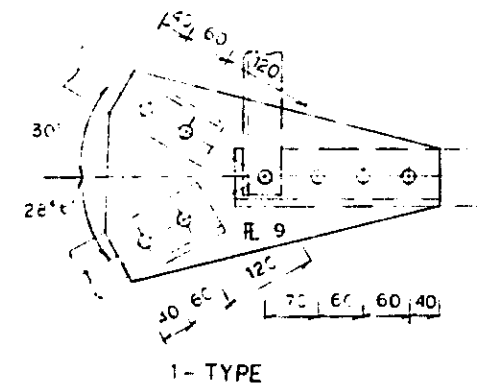
TRUSS BEAM PLATE SCALE 1:5



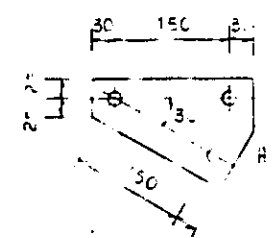
JOINTING ANGLE SCALE 1:5



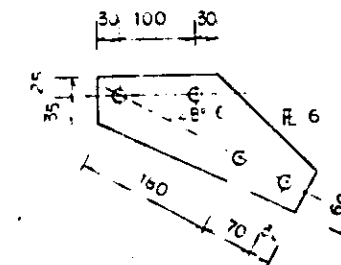
V-TRUSS BEAM ( $21M \leq L < 23M$ ) SCALE 1:20



1-TYPE



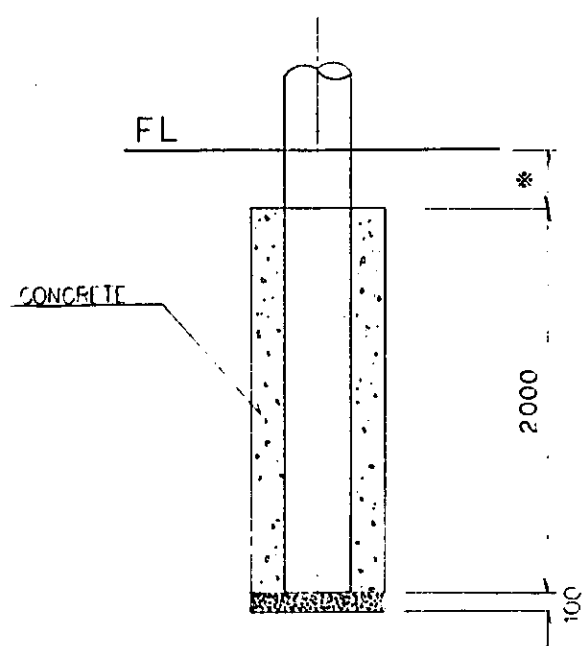
2-TYPE



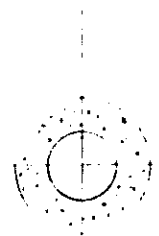
3-TYPE

GUSSET PLATES SCALE 1:5

REPUBLIC OF INDONESIA MINISTRY OF COMMUNICATIONS DIRECTORATE GENERAL OF LAND TRANSPORT AND INLAND WATERWAYS						
NEW RAILWAY LINE FOR CENGKARENG AIRPORT CONSTRUCTION PROJECT						
JAPAN INTERNATIONAL COOPERATION AGENCY (JICA)						
B	1 Aug. '84	S.H.	S.H.	K.U.	K.M.	M.K.
A	15 Feb. '84	S.H.	S.H.	K.U.	K.M.	M.K.
REVISIONS	DATE	DESIGNED	DRAWN	CHECKED	REVIEWED	SUBMITTED
DETAILS OF V-TRUSS BEAM (2)						
PACKAGE: I CIVIL AND ARCHITECTURAL WORK						
SCALE AS NOTED		DRAWING NO. EC - 015				

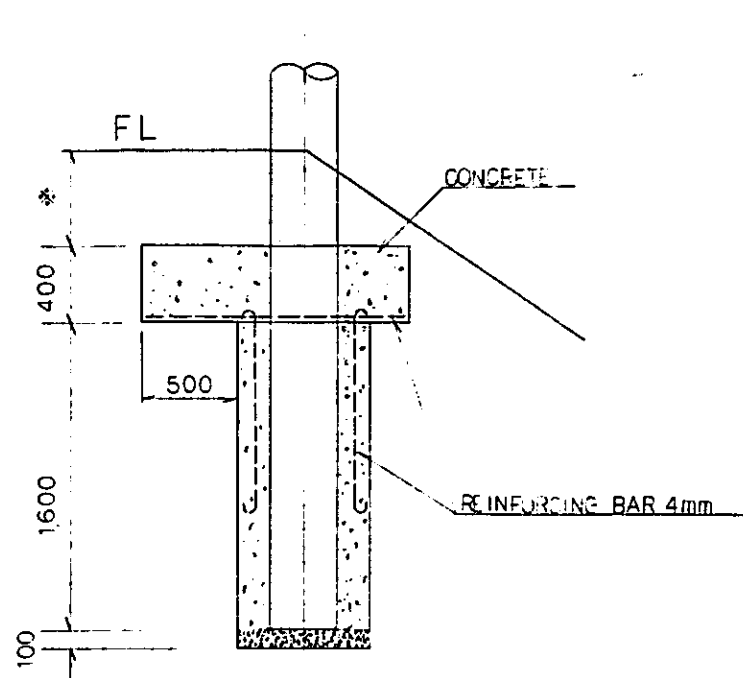


\* 100 ~ 300  
STANDARD 300

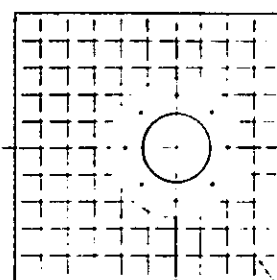


700φ

I - TYPE



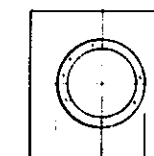
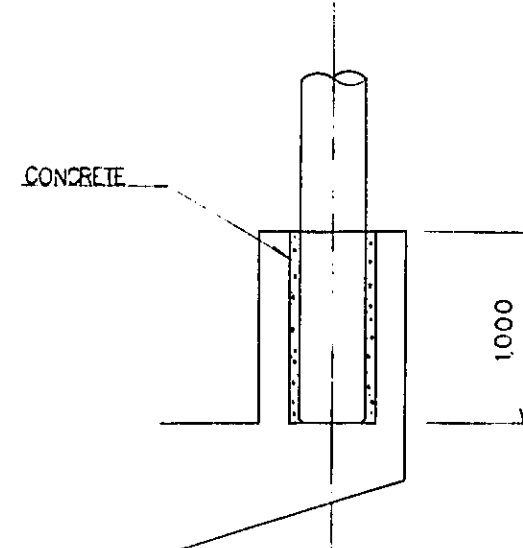
\* 300 ~ 600  
STANDARD 500



700φ

1400

T - TYPE



450φ

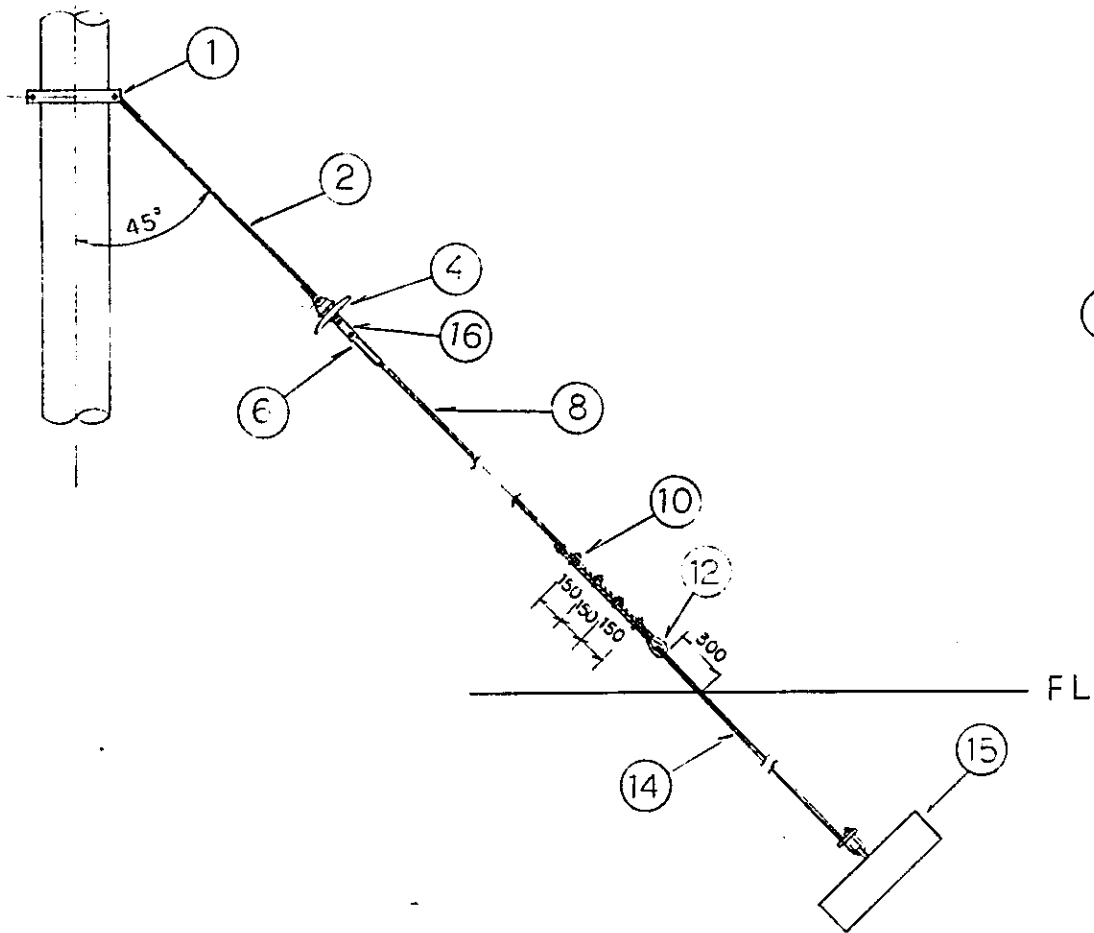
E - TYPE

NOTE:  
CONCRETE CLASS SHALL BE CLASS F

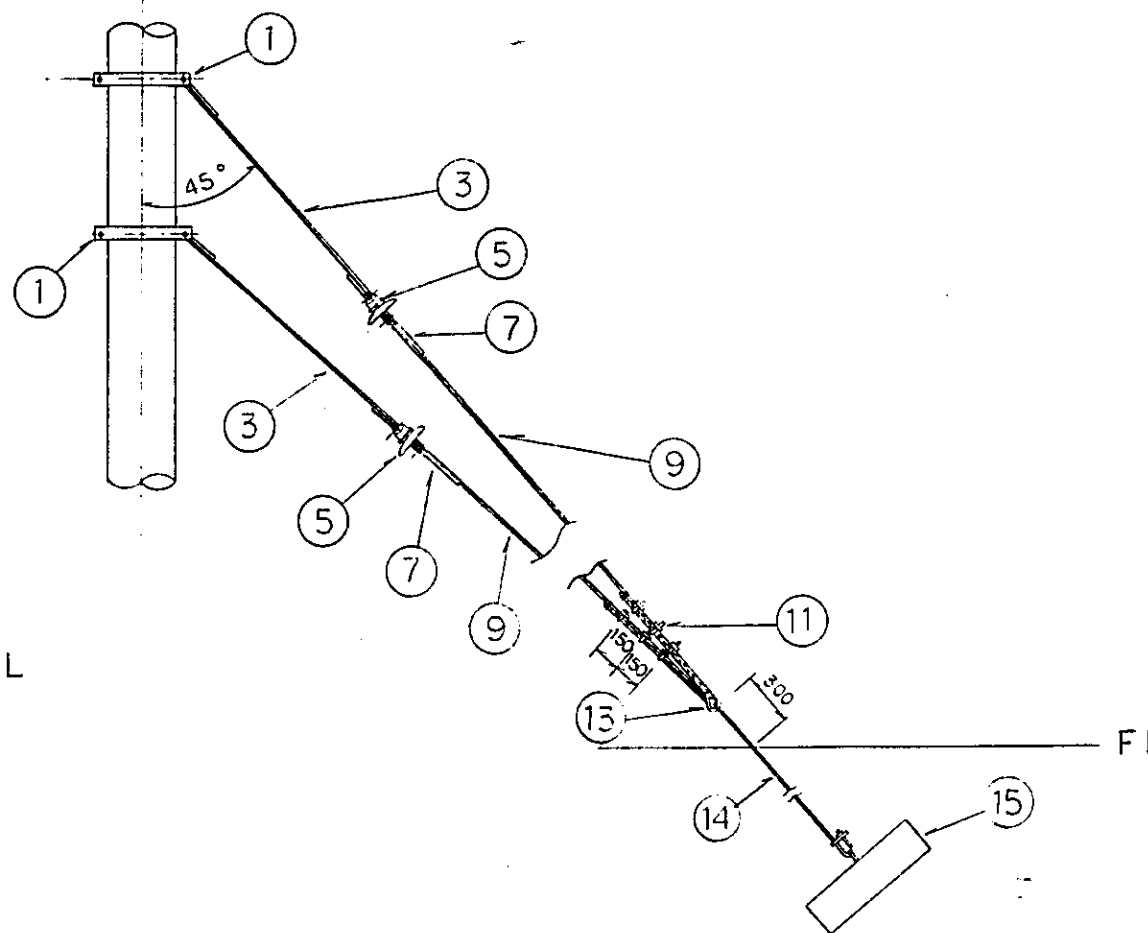
MATERIAL TABLE

SECTION	BEAM TYPE	CONCRETE POLE	POLE FOUNDATION		
			FLAT	EMBANKMENT BANK	ELEVATED STRUCTURE
INSIDE OF STATION	RIGID CANTILEVER	10-35-N1000			E - TYPE
		12-35-N5000	I - TYPE	T - TYPE	
	V-TRUSS BEAM	10-35-N5000	I - TYPE		E - TYPE
		11-35-N5000	I - TYPE		
BETWEEN STATIONS	RIGID CANTILEVER	10-35-N5000			E - TYPE
		12-35-N5000	I - TYPE	T - TYPE	
	V-TRUSS BEAM	10-35-N5000			E - TYPE
		11-35-N5000	I - TYPE		
		12-35-N5000	I - TYPE		

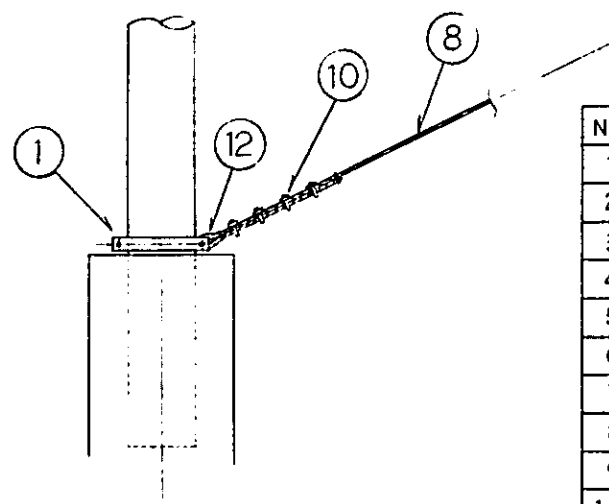
REPUBLIC OF INDONESIA MINISTRY OF COMMUNICATIONS DIRECTORATE GENERAL OF LAND TRANSPORT AND INLAND WATERWAYS						
NEW RAILWAY LINE FOR CENGKARENG AIRPORT CONSTRUCTION PROJECT						
JAPAN INTERNATIONAL COOPERATION AGENCY (JICA)						
B	1 Aug '84	S.H	S.H	K.M	U.M	M.K
A	15 Feb '84	S.H	S.H	K.M	U.M	M.K
REVISIONS	DATE	DESIGNED	DRAWN	CHECKED	REVIEWED	SUBMITTED
DETAILS OF CONCRETE POLE FOUNDATION						
PACKAGE: I CIVIL AND ARCHITECTURAL WORK						
SCALE	1:20	DRAWING NO.		EC - 016		



ST 135 mm<sup>2</sup> SINGLE TYPE SCALE 1:20



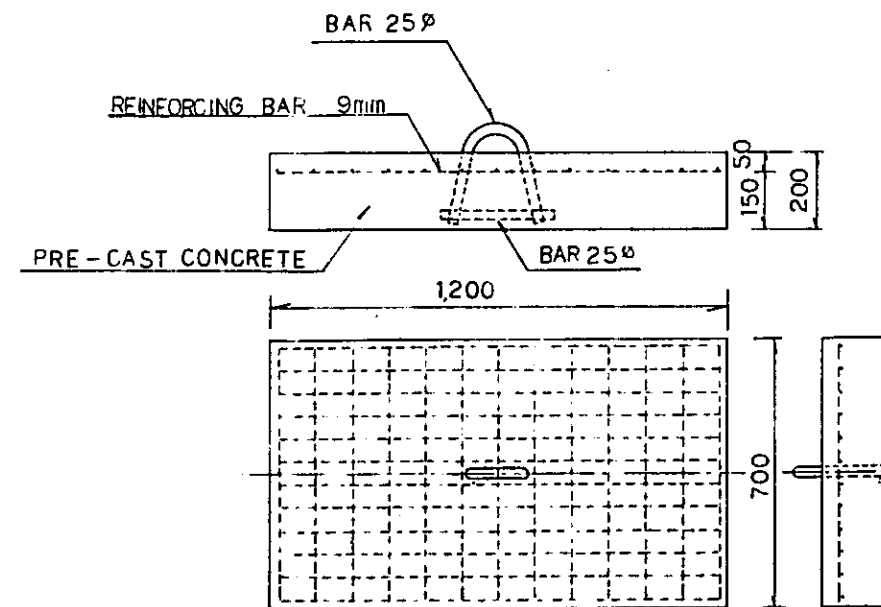
ST 90 mm<sup>2</sup> V-TYPE SCALE 1:20



ELEVATED STRUCTURE SCALE 1:20

MATERIAL TABLE

No	ARTICLE	TYPE
1	POLE BAND	B 2
2	CONNECTING ROD	19 <sup>ø</sup> x 1.500
3	DO	16 <sup>ø</sup> x 1.500
4	SUSPENSION INSULATOR	250 EP-J
5	DO	180 C
6	COMPRESSION DEAD-END FITTING	FOR 135 mm <sup>2</sup>
7	DO	FOR 90 mm <sup>2</sup>
8	GALVANIZED STEEL WIRE STRANDS	135 mm <sup>2</sup>
9	DO	90 mm <sup>2</sup>
10	WIRE CLIP	FOR 135 mm <sup>2</sup> x 2
11	DO	FOR 90 mm <sup>2</sup> x 2
12	GUY THIMBLE	FOR 135 mm <sup>2</sup> x 1
13	DO	FOR 90 mm <sup>2</sup> x 2
14	GUY ROD	25 <sup>ø</sup> x 3.000
15	GUY ANCHOR	CONCRETE TYPE
16	CONNECTING FITTING	H TYPE



GUY ANCHOR SCALE 1:10

REPUBLIC OF INDONESIA  
 MINISTRY OF COMMUNICATIONS  
 DIRECTORATE GENERAL OF LAND TRANSPORT  
 AND INLAND WATERWAYS

NEW RAILWAY LINE FOR CENGKARENG AIRPORT  
 CONSTRUCTION PROJECT

JAPAN INTERNATIONAL COOPERATION AGENCY  
 (JICA)

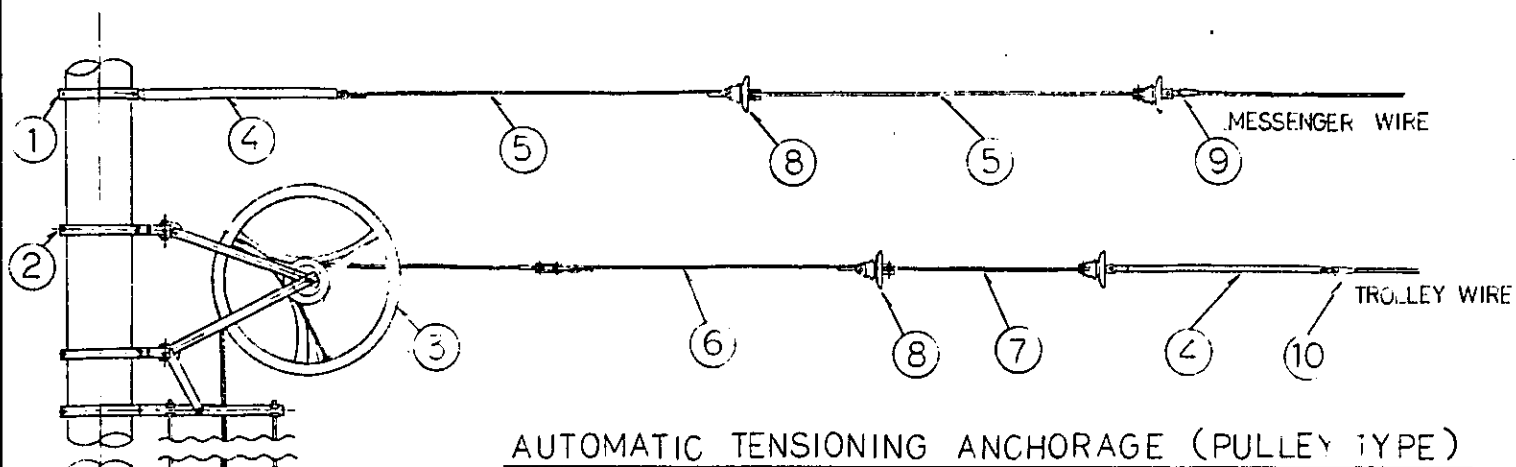
B	1 Aug 84	S.H	S.H	K.U	K.M	M.K
A	15 Feb 84	S.H	S.H	K.U	U.M	M.K

REVISIONS    DATE    DESIGNED    DRAWN    CHECKED    REVISIONS    SUBMITTED

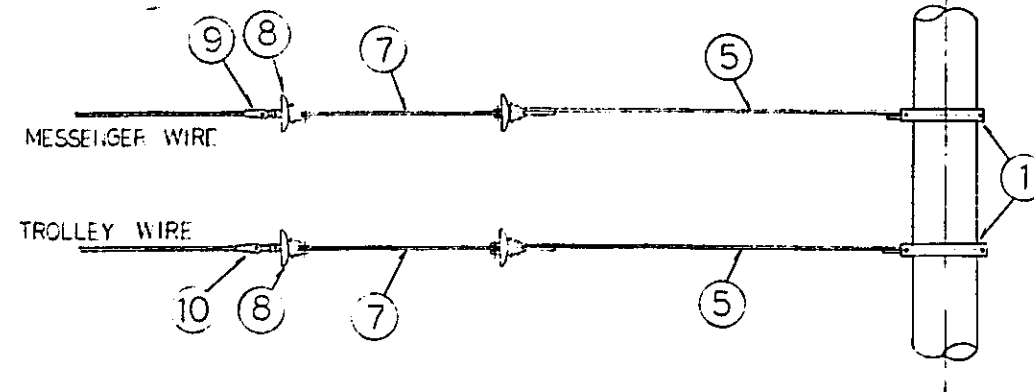
DETAILS OF GUY

PACKAGE: I CIVIL AND ARCHITECTURAL WORK

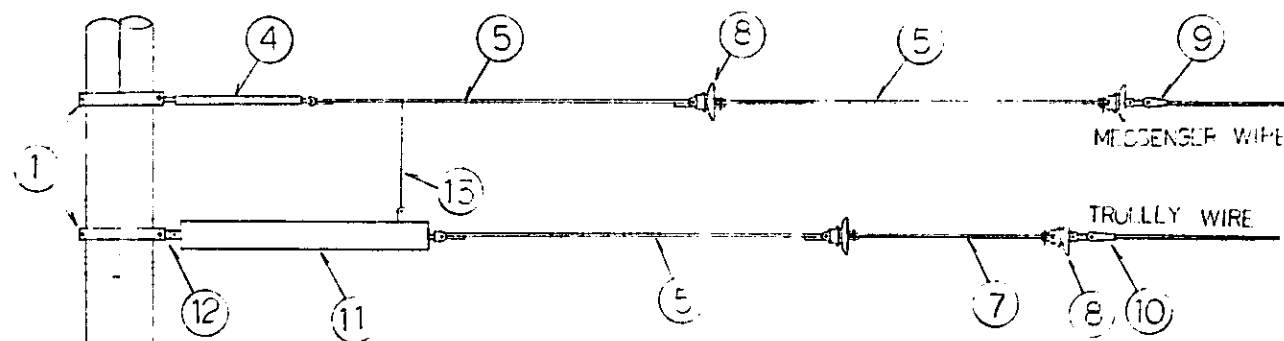
SCALE: AS NOTED    DRAWING NO: EC - 017



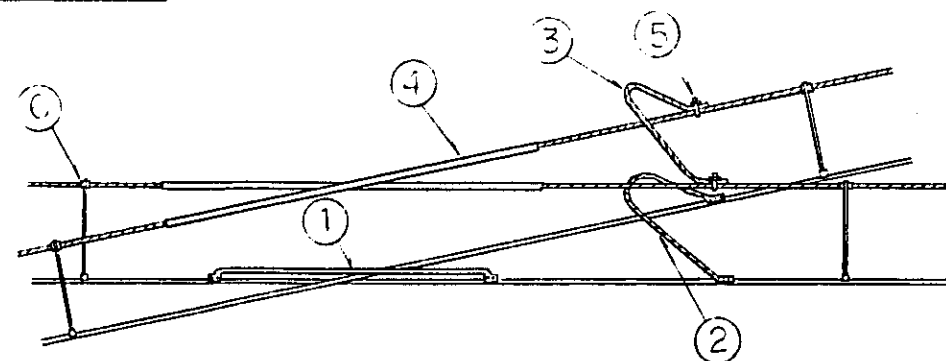
AUTOMATIC TENSIONING ANCHORAGE (PULLEY TYPE)



FIXED ANCHORAGE



AUTOMATIC TENSIONING ANCHORAGE (SPRING TYPE)



CROSSOVER EQUIPMENT

ANCHORAGE MATERIAL TABLE

NO	ARTICLE	TYPE
1	POLE BAND	B2
2	DO	TK 1
3	AUTOMATIC TENSIONING DEVICE	PULLEY TYPE
4	TURNBUCKLE	L = 600 mm
5	CONNECTING ROD	16 <sup>ø</sup> x 2000
6	DO	16 <sup>ø</sup> x 1500
7	DO	16 <sup>ø</sup> x 1000
8	SUSPENSION TYPE INSULATOR	180 C
9	DEAL-END FITTING	BS 90
10	DO	WTS 90
11	AUTOMATIC TENSIONING DEVICE	SPRING TYPE
12	CONNECTING FITTING	9 x 50 x 200

MATERIAL TABLE

NO	ARTICLE	TYPE
1	CROSS CLAMP	
2	FEELER EAR	Cu 100 mm <sup>2</sup> l = 800
3	CONNECTOR	St 90 mm <sup>2</sup>
4	LINE GUARD	St 90 mm <sup>2</sup> L = 2000
5	WIRE CLIP	St 90 mm <sup>2</sup> x 2
6	MESSENGER WIRE PROTECTOR	

REPUBLIC OF INDONESIA  
 MINISTRY OF COMMUNICATIONS  
 DIRECTORATE GENERAL OF LAND TRANSPORT  
 AND INLAND WATERWAYS

NEW RAILWAY LINE FOR CENGKARENG AIRPORT  
 CONSTRUCTION PROJECT

JAPAN INTERNATIONAL COOPERATION AGENCY  
 (JICA)

B	1 Aug. '84	S.H.	S.H.	K.U.	K.M.	M.E.
A	15 Feb. '82	S.H.	S.H.	K.U.	K.M.	M.E.

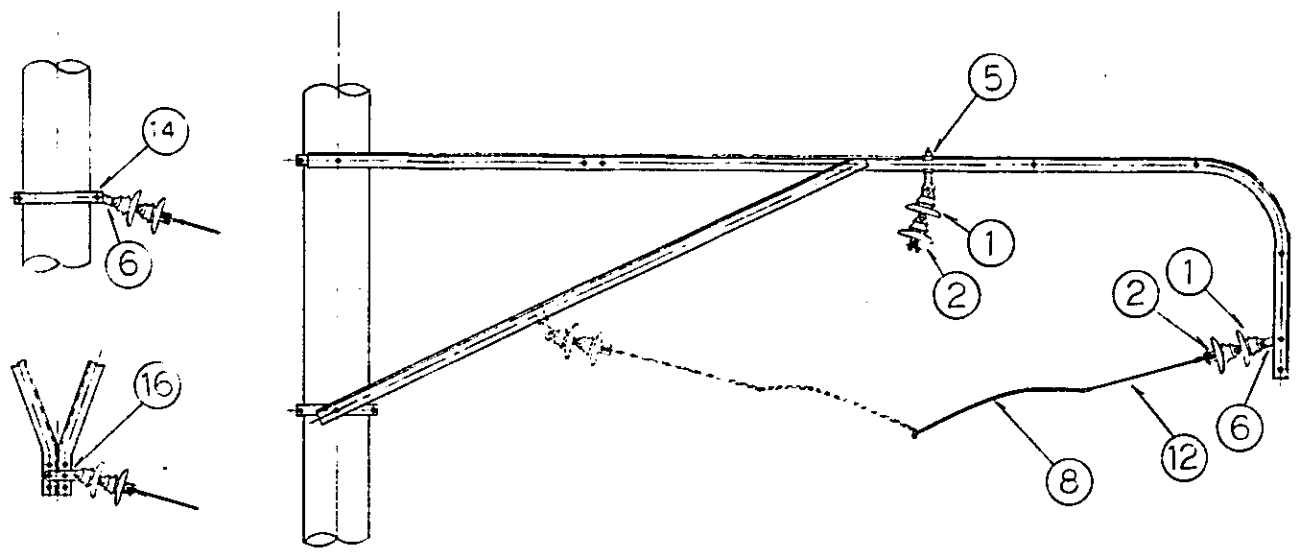
REVISIONS	DATE	DESIGNED	DRAWN	CHECKED	REVIEWED	SUBMITTED
-----------	------	----------	-------	---------	----------	-----------

DETAILS OF AUTOMATIC  
 TENSIONING EQUIPMENT

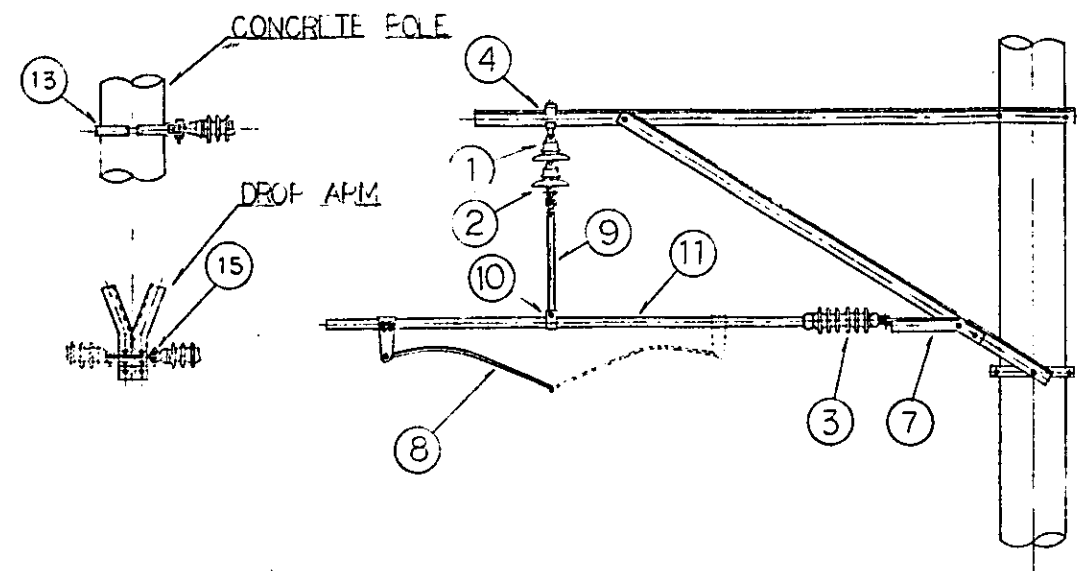
PACKAGE: I CIVIL AND ARCHITECTURAL WORK

SCALE: NON SCALE  
 DRAWING NO: EC - 020

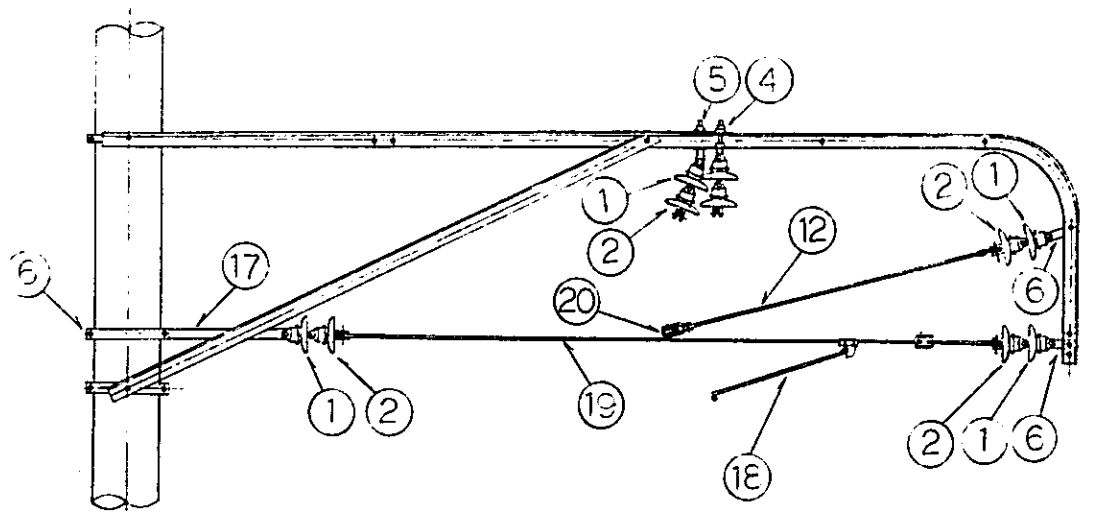




PULL - OFF



STEADY BRACE (FOR MOVABLE PIPE)



STEADY BRACE ( FOR SPAN WIRE )

MATERIAL TABLE

No	ARTICLE	TYPE
1	SUSPENSION INSULATOR	180 EP
2	DO	180 C
3	STEM INSULATOR	D C
4	INSULATOR SUSPENSION FITTING	FOR STRAIGHT SECTION
5	DO	FOR CURVED SECTION
6	CONNECTING FITTING	6 x 50 x 100
7	INSULATOR INSTALLING FITTING	FOR RIGID CANTILEVER
8	PULL-OFF	BOWED - TYPE L=900
9	DROPPER	6 x 38 x 565
10	DROPPER FITTING	48.6 P
11	PIPE	48.6 P
12	HARD DRAWN COPPER WIRE	CU 35mm <sup>2</sup>
13	POLE BAND	F 1
14	DO	B 1
15	INSULATOR INSTALLING FITTING	FOR DROP ARM
16	CONNECTING FITTING	6 x 50 x 150
17	DO	6 x 50 x 150
18	STEADY BRACE	
19	ROD FOR SPAN WIRE	13 P
20	PULLEY FOR PULL-OFF	

REPUBLIC OF INDONESIA  
 MINISTRY OF COMMUNICATIONS  
 DIRECTORATE GENERAL OF LAND TRANSPORT  
 AND INLAND WATERWAYS

NEW RAILWAY LINE FOR CENGKARENG AIRPORT  
 CONSTRUCTION PROJECT

JAPAN INTERNATIONAL COOPERATION AGENCY  
 (JICA)

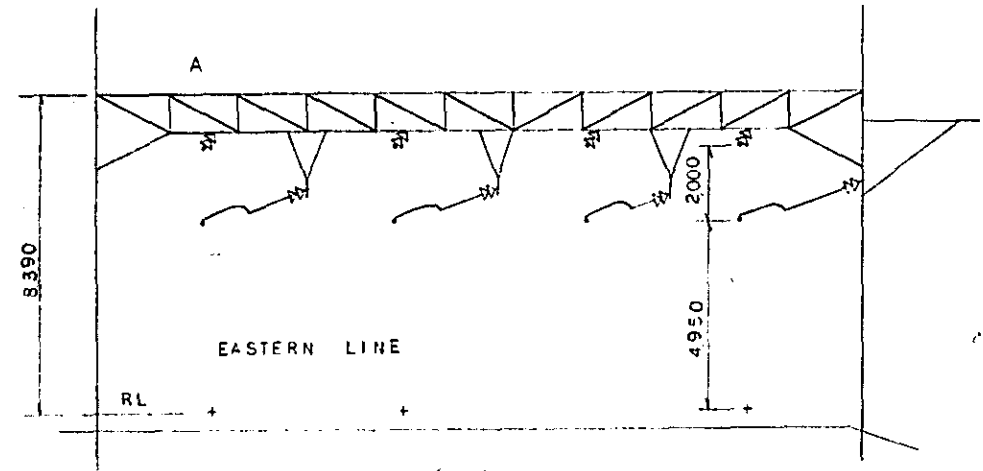
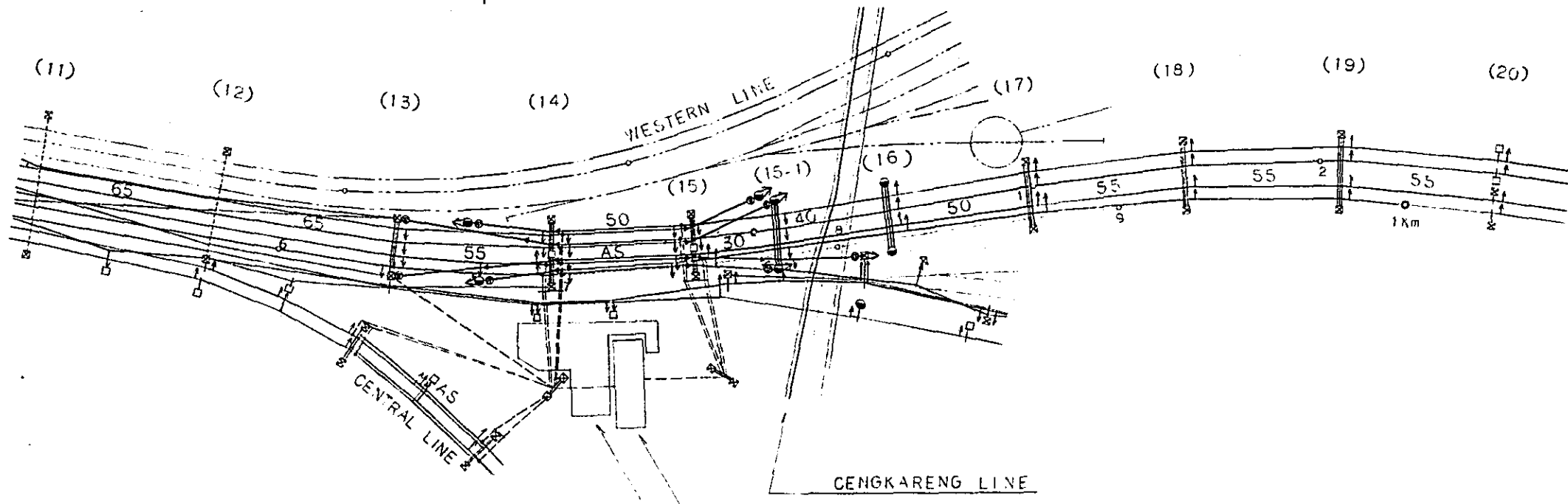
B	1 Aug 82	S.H	S.H	KU	K.M	M.K
A	15 Feb 82	S.H	S.H	KU	K.M	M.K

REVISIONS    DATE    DESIGNED    DRAWN    CHECKED    REVISION    SUBMITTED

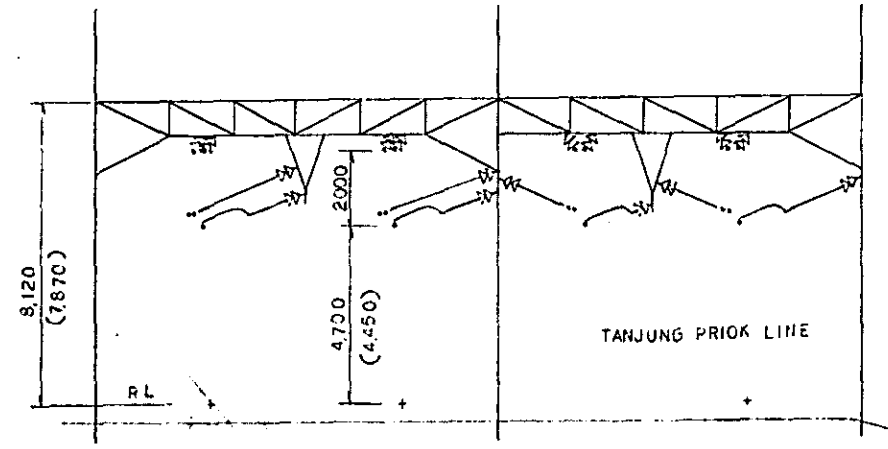
DETAILS OF PULL-OFF  
 AND  
 STEADY BRACE

PACKAGE: I CIVIL AND ARCHITECTURAL WORK

SCALE: 1:20    DRAWING NO: EC-021

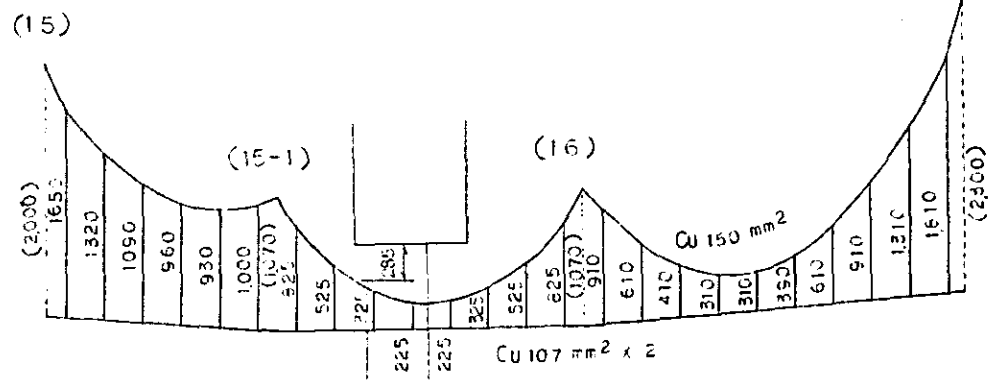


(13)



(14) (15)

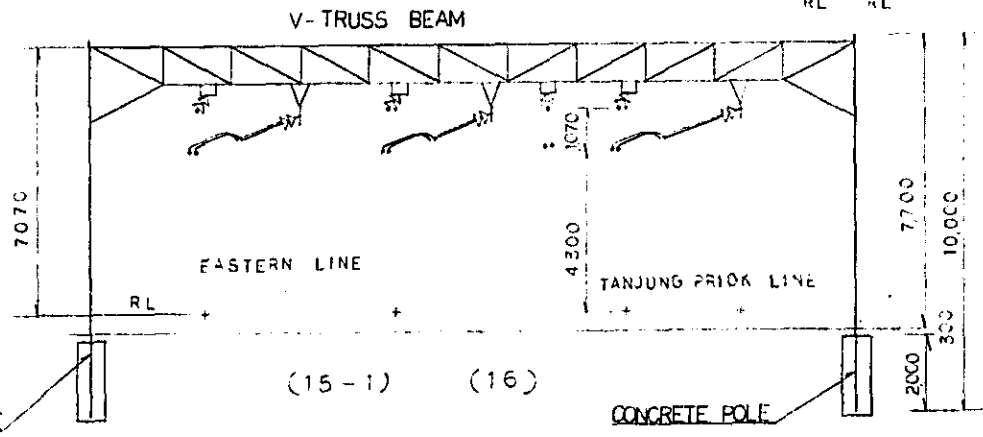
KOTA SWITCH HOUSE  
KOTA SUBSTATION



LENGTH OF HANGER (mm)  
SCALE (H) 1:500 (V) 1:30

HEIGHT FROM RAIL TOP (m)

POLE NO.	MESSENGER	TROLLEY	GRADIENT OF TROLLEY
12	7.2	5.2	3.8 / 1000
13	6.99	4.95	4.5 /
14	6.72	4.70	5.0 /
15	6.47	4.45	5.0 /
15-1	5.37	4.3	0
16	5.37	4.3	4.4 /
17	6.52	4.52	4.9 /
18	6.79	4.79	4.9 /
19	7.06	5.06	4.3 /
20	7.3	5.3	



ASSEMBLY SKETCHES SCALE 1:100

REPUBLIC OF INDONESIA  
MINISTRY OF COMMUNICATIONS  
DIRECTORATE GENERAL OF LAND TRANSPORT  
AND INLAND WATERWAYS

NEW RAILWAY LINE FOR CENKARENG AIRPORT  
CONSTRUCTION PROJECT

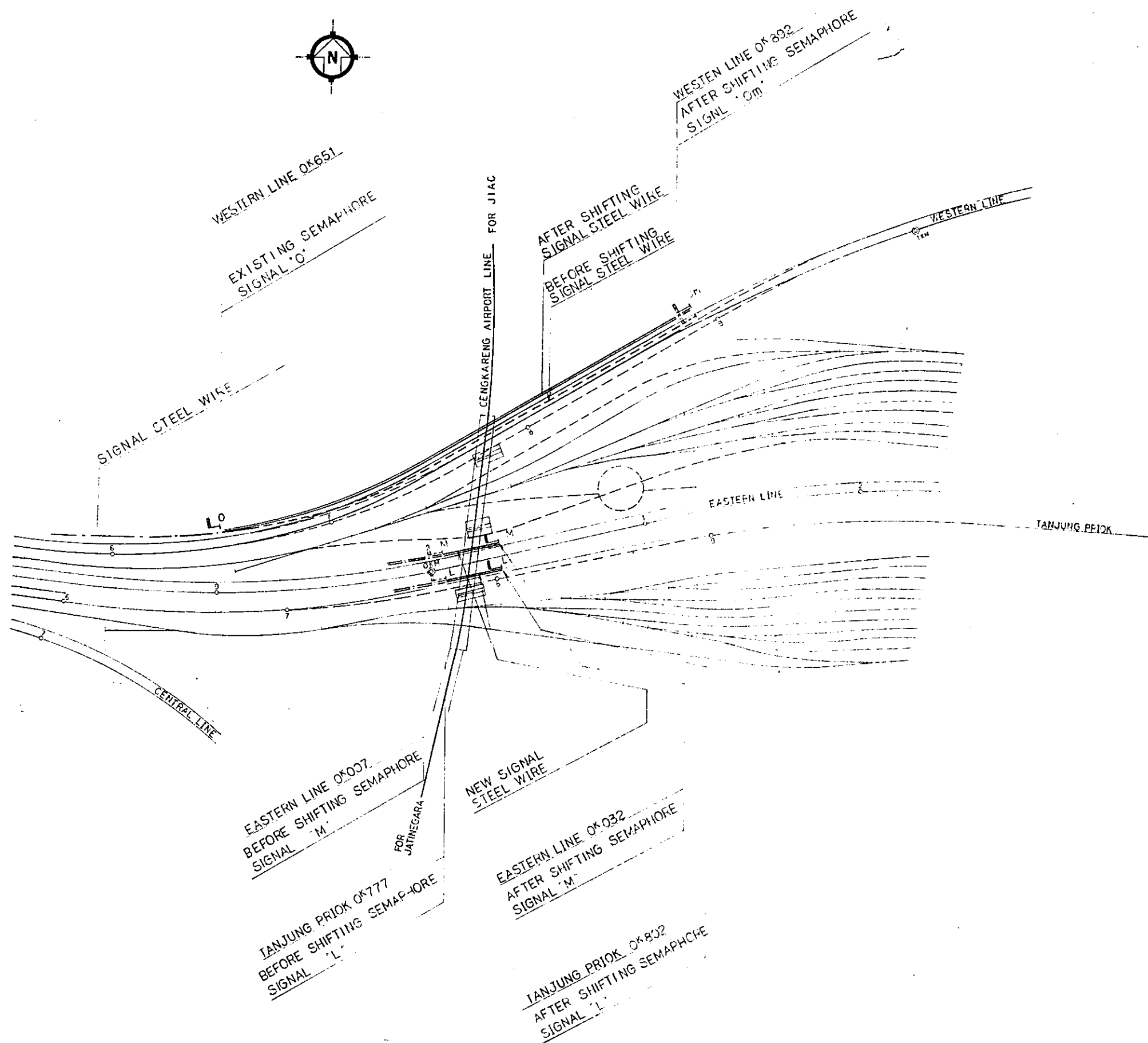
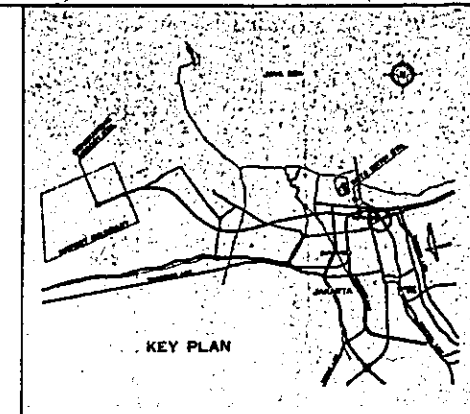
JAPAN INTERNATIONAL COOPERATION AGENCY  
(JICA)

B	1 AUG '84	S.H.	S.H.	REL	U.M.	P.K.
A	15 Feb '84	S.H.	S.H.	REL	U.M.	P.K.

REVISIONS: DATE, REVISION, DRAWN, CHECKED, REVISION, APPROVED

DIAGRAMMATIC PLAN OF TRACTION  
POWER DISTRIBUTION LINE FOR  
JAKARTA-KOTA STATION

PACKAGE: CIVIL AND ARCHITECTURAL WORK  
SCALE: AS NOTED DRAWING NO: EC-025



REPUBLIC OF INDONESIA MINISTRY OF COMMUNICATIONS DIRECTORATE GENERAL OF LAND TRANSPORT AND INLAND WATERWAYS						
NEW RAILWAY LINE FOR CENKARENG AIRPORT CONSTRUCTION PROJECT						
JAPAN INTERNATIONAL COOPERATION AGENCY (JICA)						
B	1 AUG '84	S.H.	S.H.	KU	K.M.	M.K.
A	15 FEB '84	S.H.	S.H.	U.Y.	K.M.	M.K.
REVISIONS	DATE	DESIGNED	DRAWN	CHECKED	REVIEWED	SUBMITTED
MODIFICATION OF EXISTING SIGNAL EQUIPMENT AT JAKARTA KOTA STATION						
PACKAGE: I CIVIL AND ARCHITECTURAL WORK						
SCALE		DRAWING NO.				
1:1,000		ES - 035				