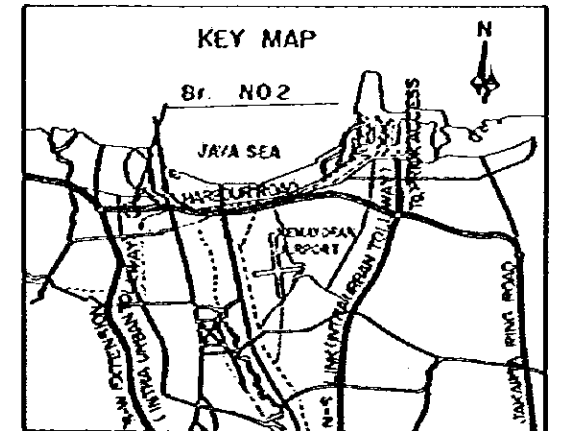
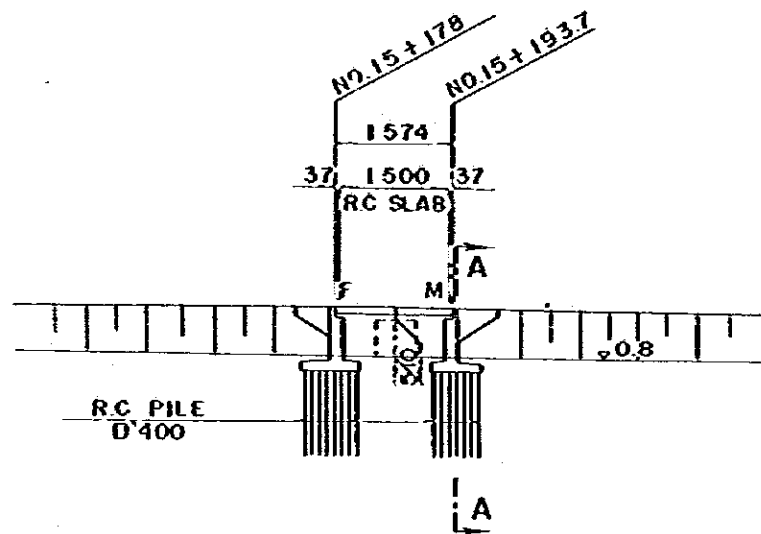


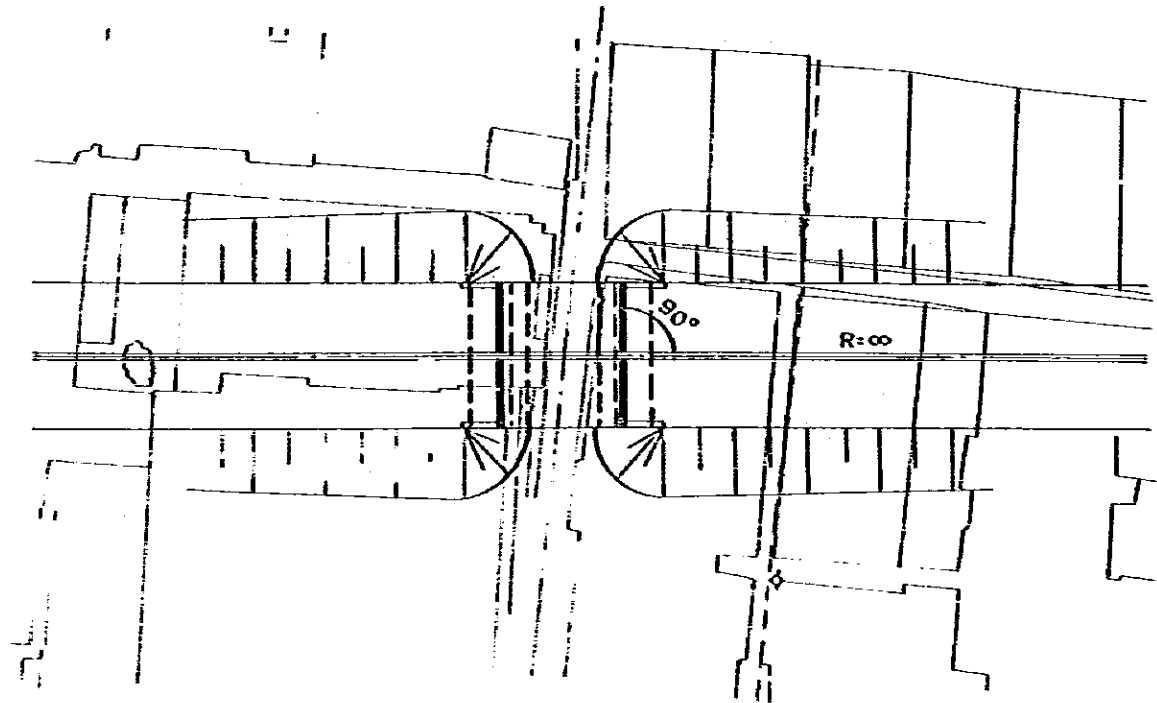
PROJECT	PROJECT CODE / ITR	PROVINCE	SHEET NO	TOTAL SHEET
JAKARTA HASSOUR ROAD		DKI JKT	2	15
Br. NO.2			SCALE 1/500, 1/1000	



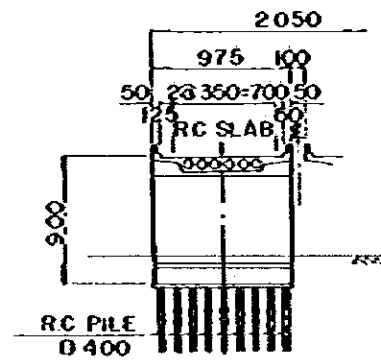
ELEVATION S=1:1000



PLAN S=1:1000



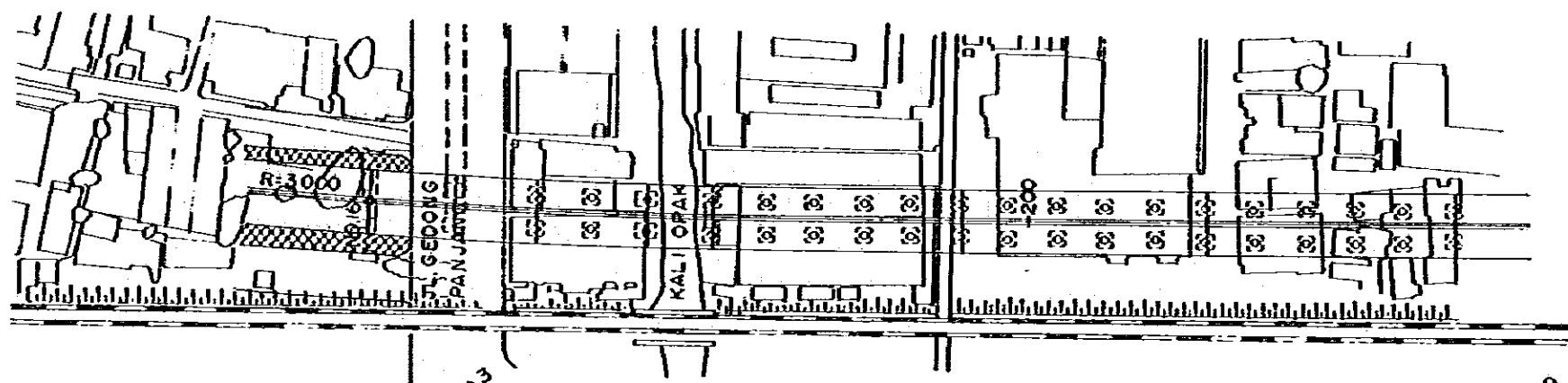
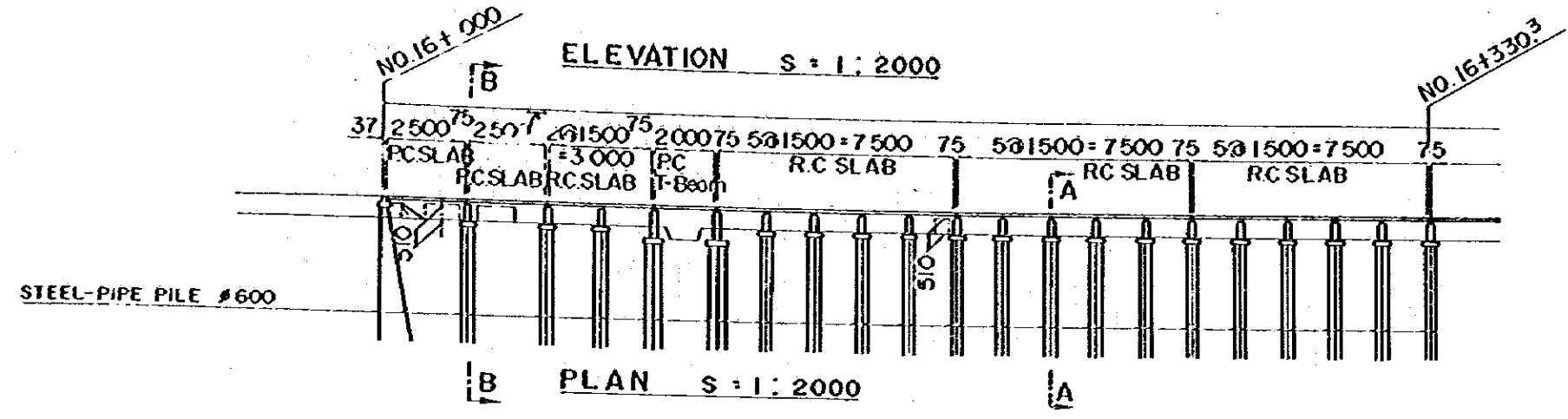
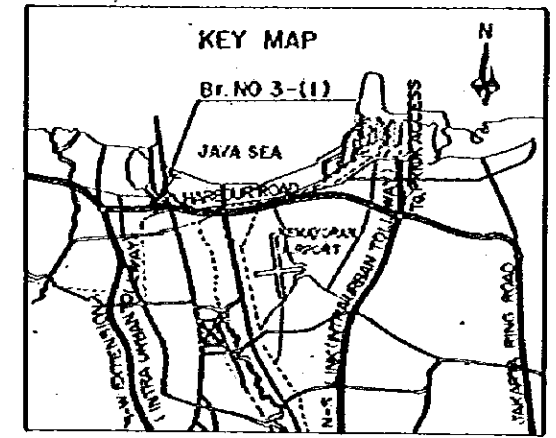
SECTION A-A S=1:500



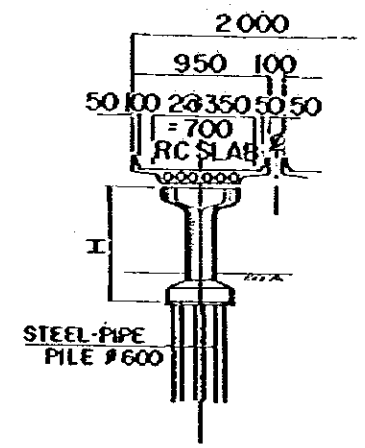
NOTES

- SIZES OF SUPERSTRUCTURES AND SUBSTRUCTURES AND TYPES OF FOUNDATION PILES SHOWN ON THIS DRAWING ARE PRELIMINARY ONLY.
- DIMENSIONS SHOWN ARE IN CENTIMETERS

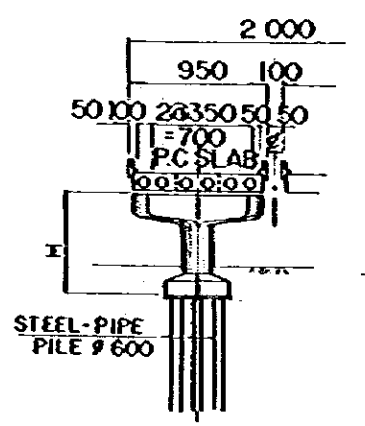
PROJECT	PROJECT CODE / ITR	PROVINCE	SHEET NO	TOTAL SHEET
JAKARTA HARBOUR ROAD		DKI JKT	3	15
Br. NO3-(1)			SCALE 1/500, 1/2000	



SECTION A-A S=1:500



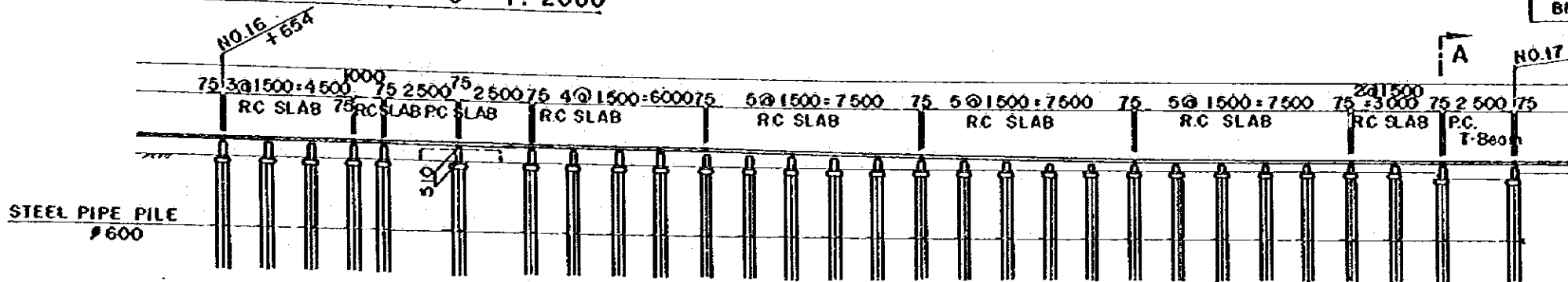
SECTION B-B S=1:500



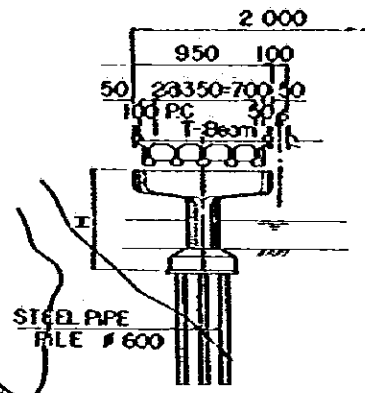
- NOTES**
- SIZES OF SUPERSTRUCTURES AND SUBSTRUCTURES AND TYPES OF FOUNDATION PILES SHOWN ON THIS DRAWING ARE PRELIMINARY ONLY.
 - DIMENSIONS SHOWN ARE IN CENTIMETERS

PROJECT	PROJECT CODE/YR	PROVINCE	SHEET NO	TOTAL SHEET
JAWARA HARBOUR ROAD		DKI. JKT	4	15
Bf. NO 3 - (2)			SCALE 1/500 1/2000	

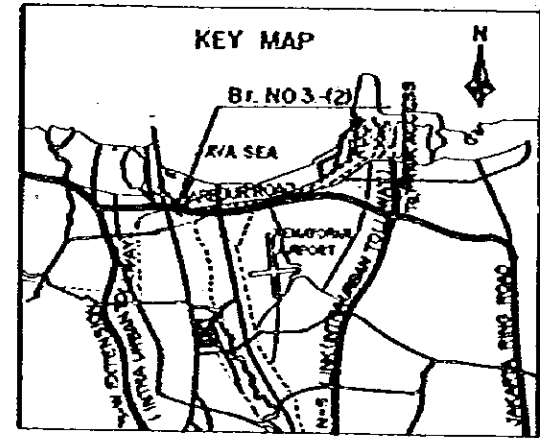
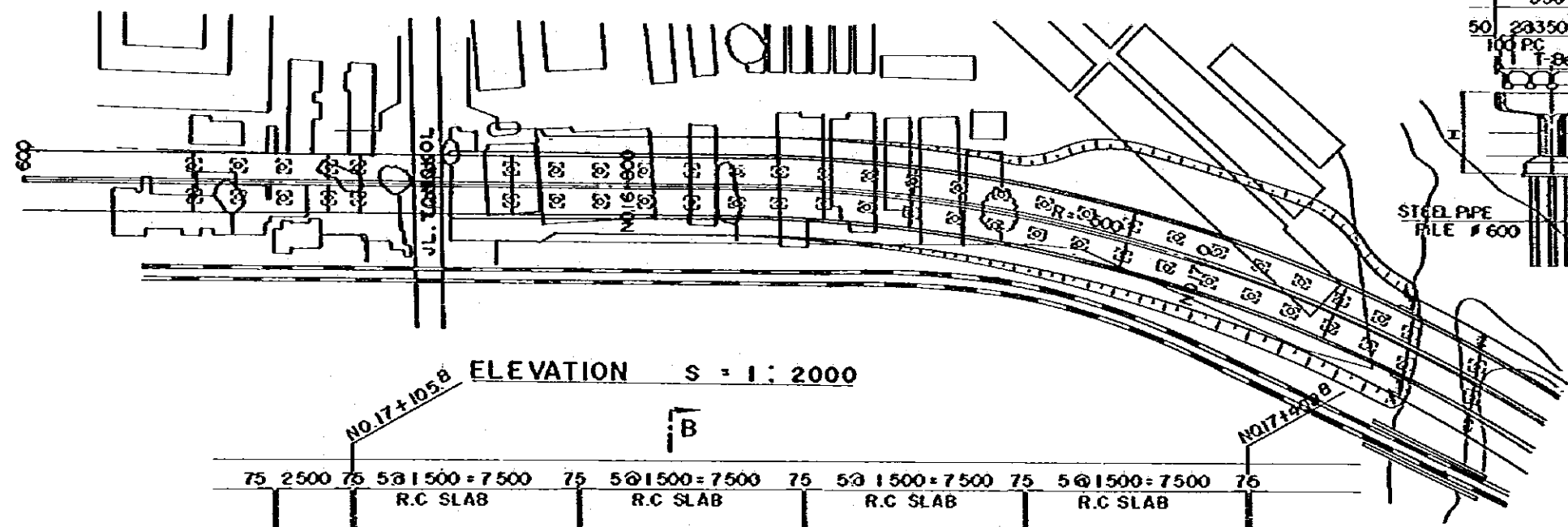
ELEVATION S = 1:2000



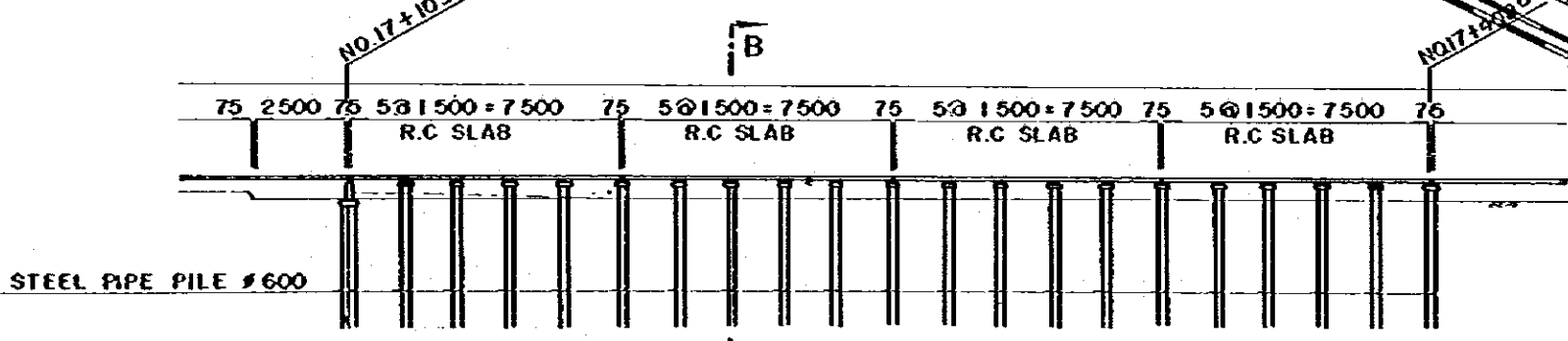
A SECTION A-A S=1:500



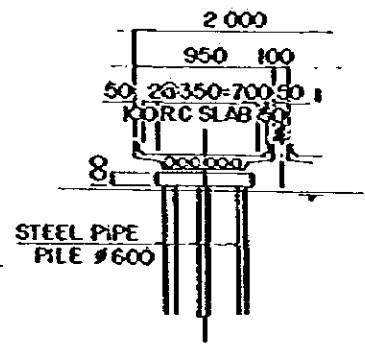
PLAN S=1:2000



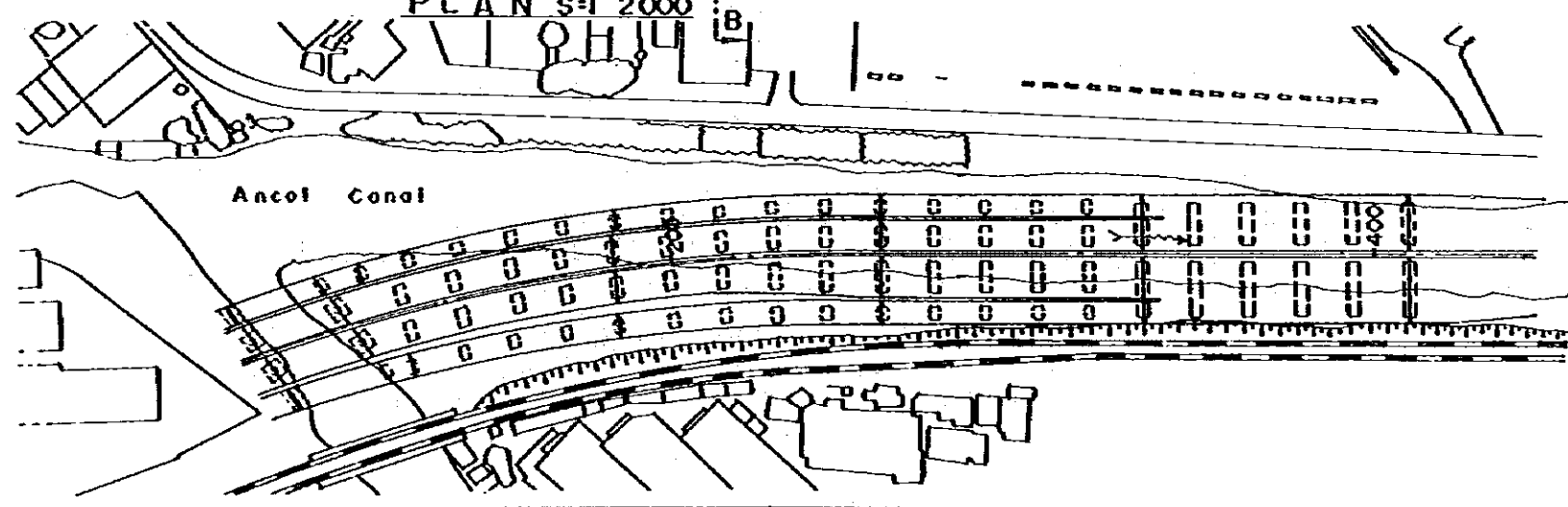
ELEVATION S = 1:2000



B SECTION B-B S=1:500

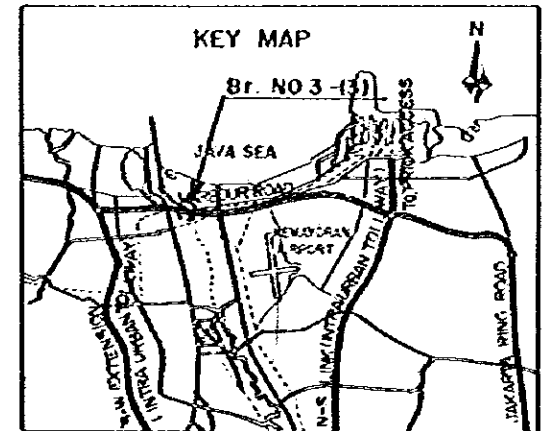
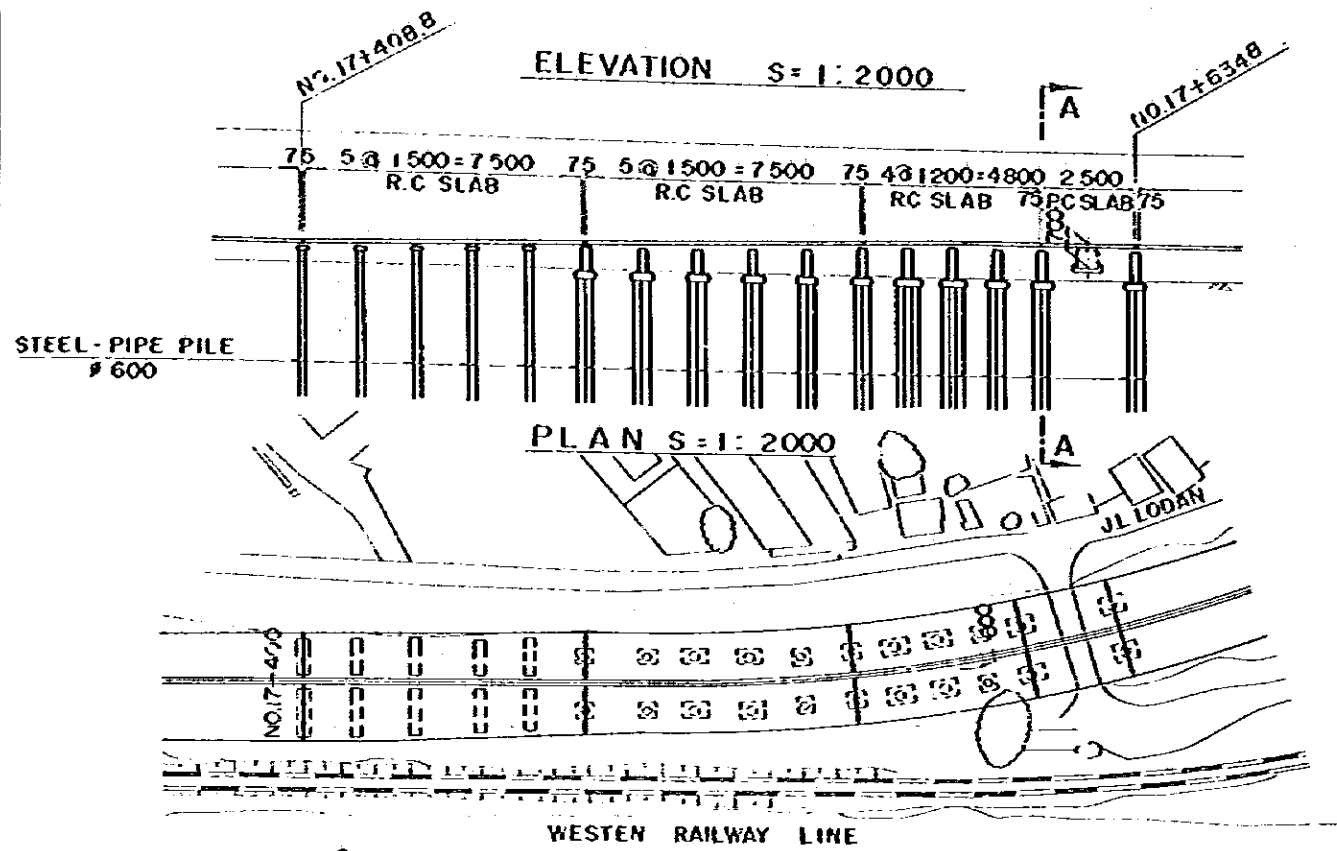


PLAN S=1:2000

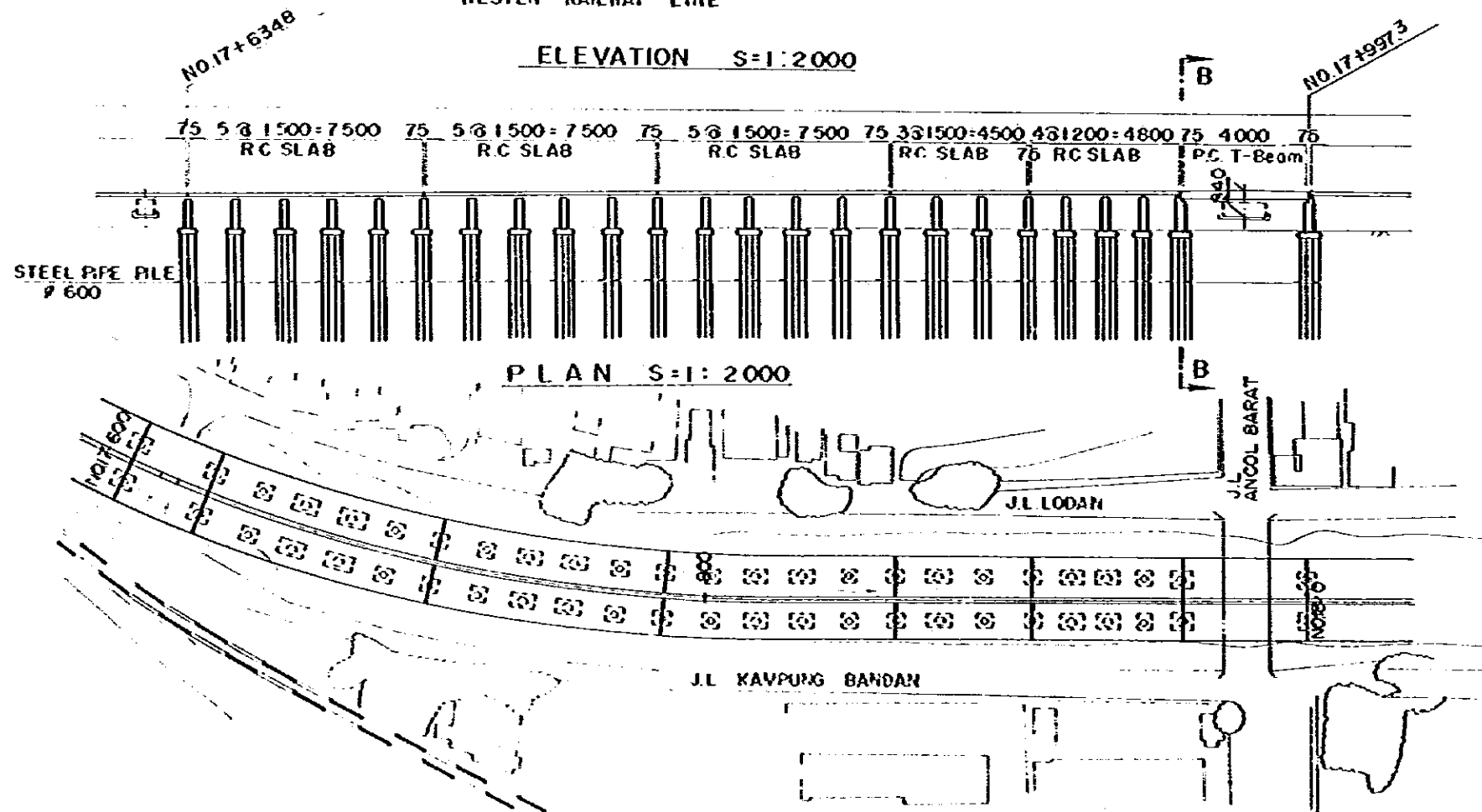
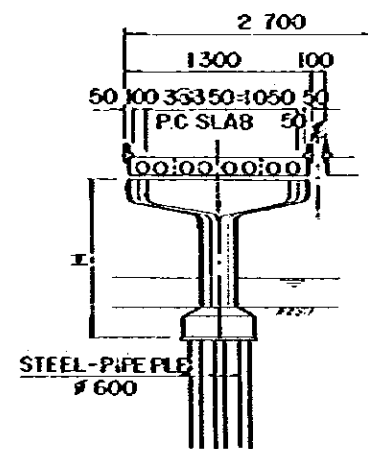


- NOTES
- SIZES OF SUPERSTRUCTURES AND SUBSTRUCTURES AND TYPES OF FOUNDATION PILES SHOWN ON THIS DRAWING ARE PRELIMINARY ONLY.
 - DIMENSIONS SHOWN ARE IN CENTIMETERS

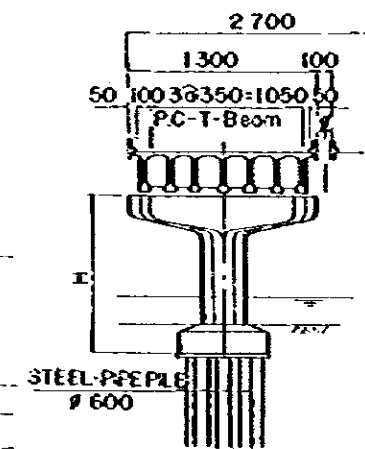
PROJECT	PROJECT CODE / NR	PROVINCE	SHEET NO	TOTAL SHEET
JAKARTA HARBOUR ROAD		DKI JKT	5	15
Br. NO.3-(3)			SCALE 1/500, 1/2000	



SECTION A-A S=1:500



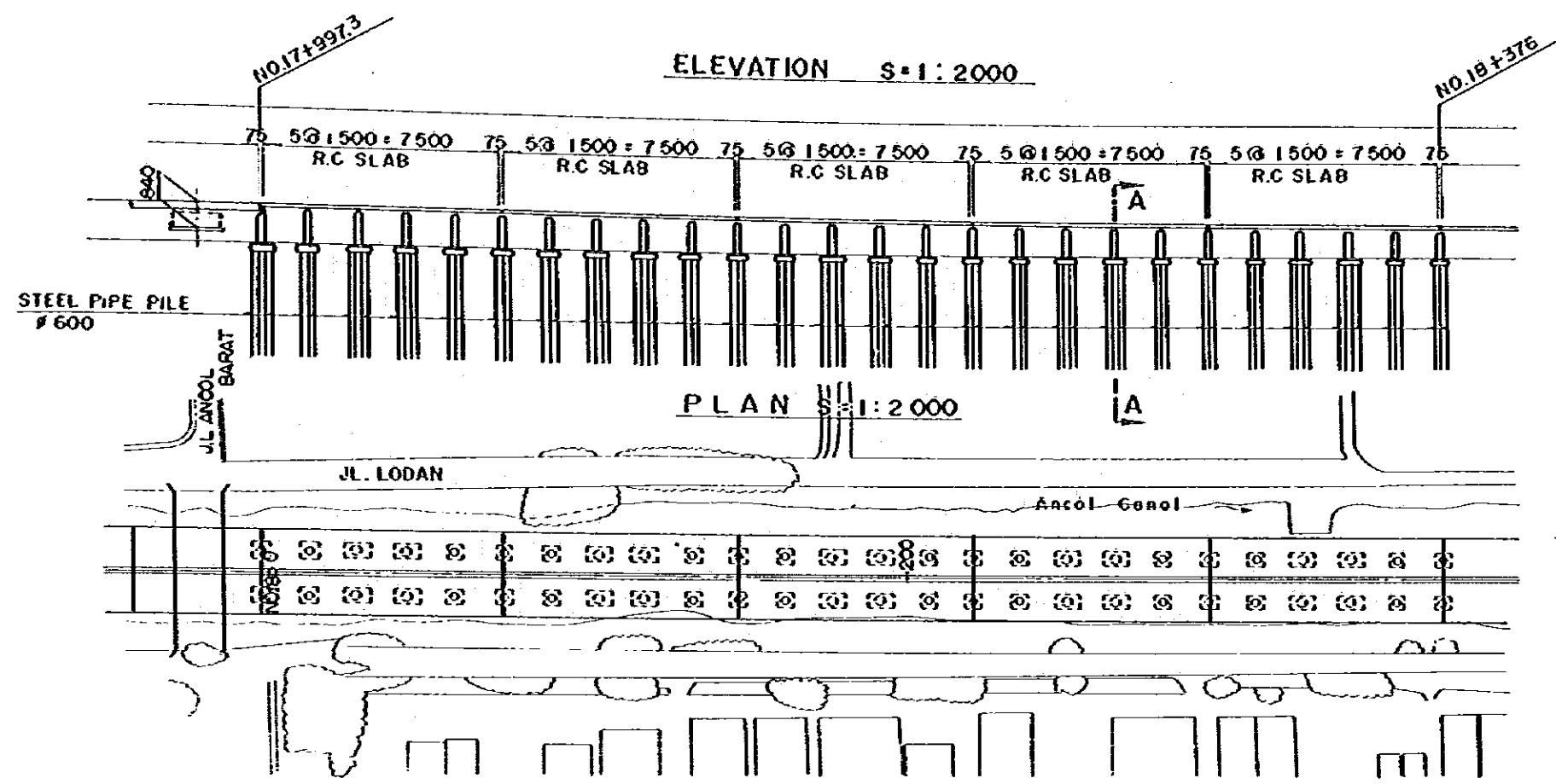
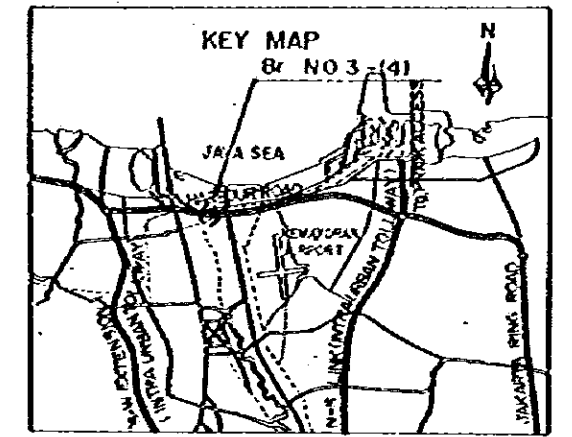
SECTION B-B S=1:500



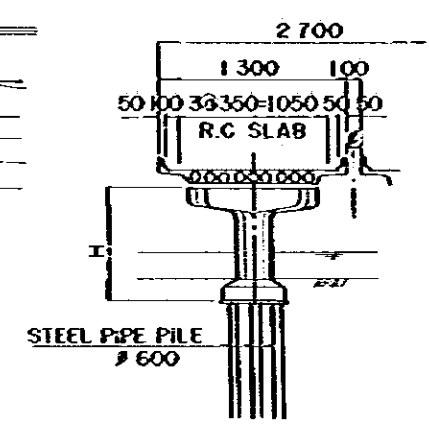
NOTES

1. SIZES OF SUPERSTRUCTURES AND SUBSTRUCTURES AND TYPES OF FOUNDATION PILES SHOWN ON THIS DRAWING ARE PRELIMINARY ONLY.
2. DIMENSIONS SHOWN ARE IN CENTIMETERS

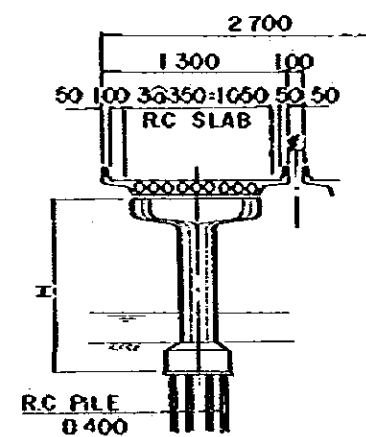
PROJECT	PROJECT CODE / YR	PROVINCE	SHEET NO	TOTAL SHEET
JAKARTA HARBOUR ROAD		DKI JKT	6	15
Br NO.3-(4)			SCALE 1/500, 1/2000	



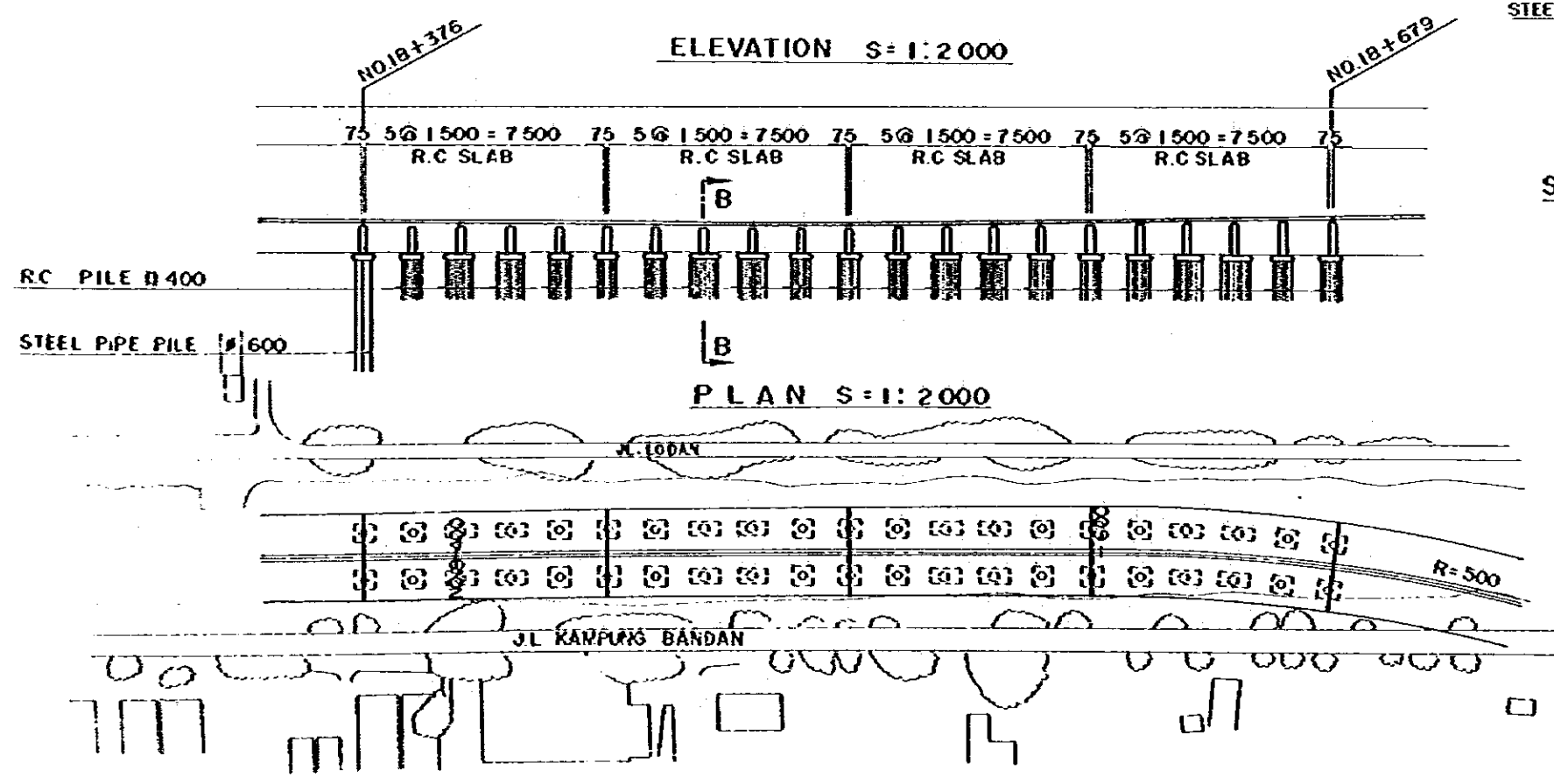
SECTION A-A S=1:500



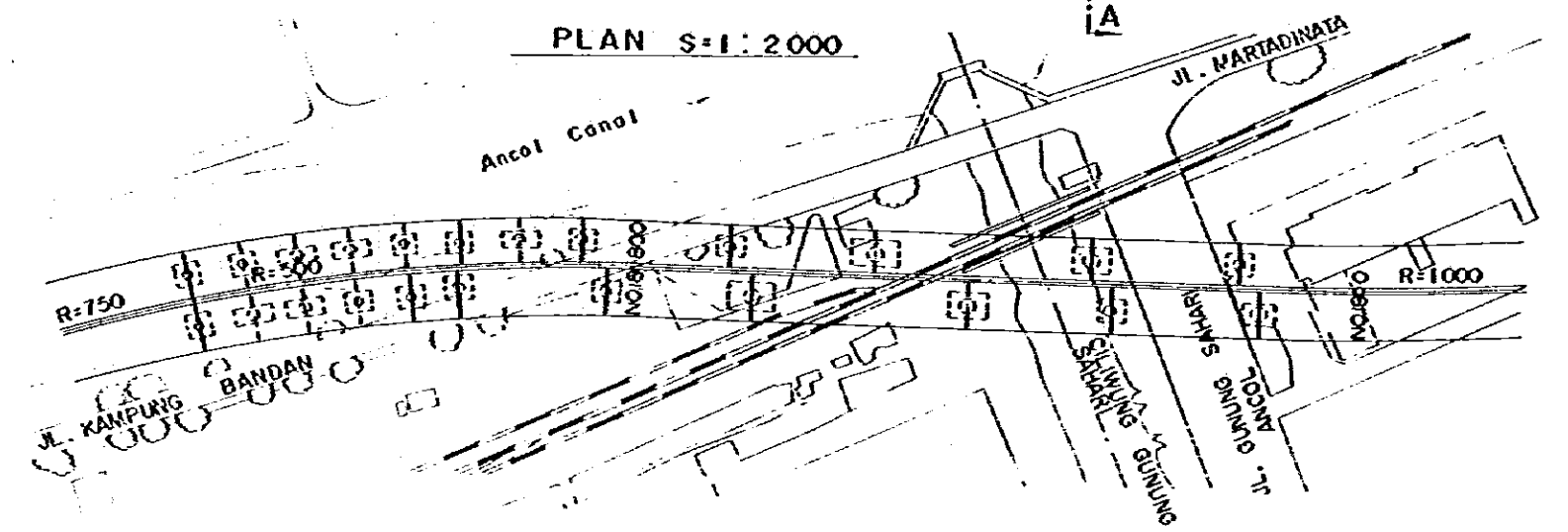
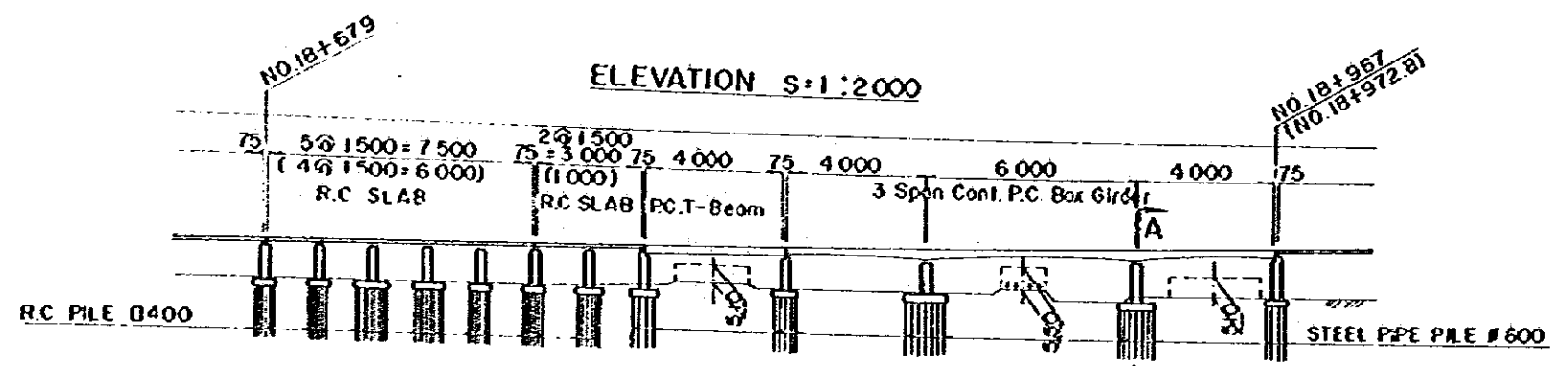
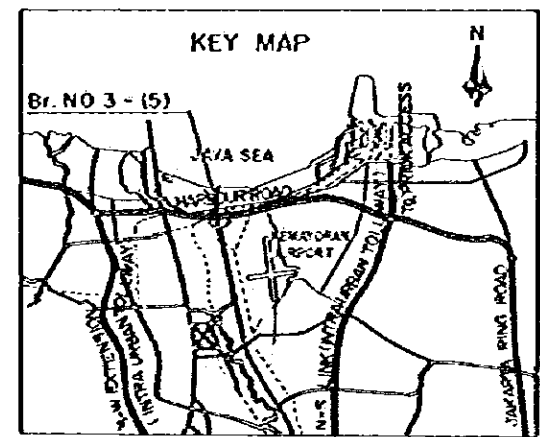
SECTION B-B S=1:500



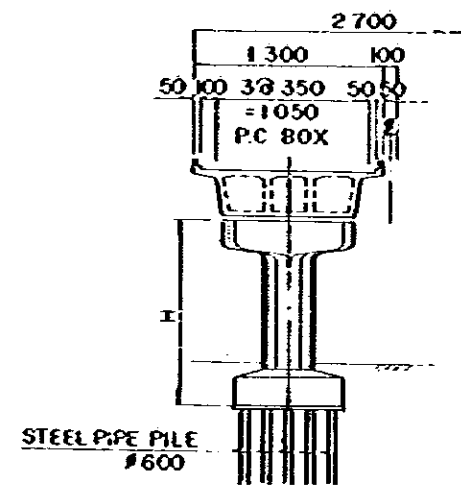
- NOTES
- SIZES OF SUPERSTRUCTURES AND SUBSTRUCTURES AND TYPES OF FOUNDATION PILES SHOWN ON THIS DRAWING ARE PRELIMINARY ONLY.
 - DIMENSIONS SHOWN ARE IN CENTIMETERS



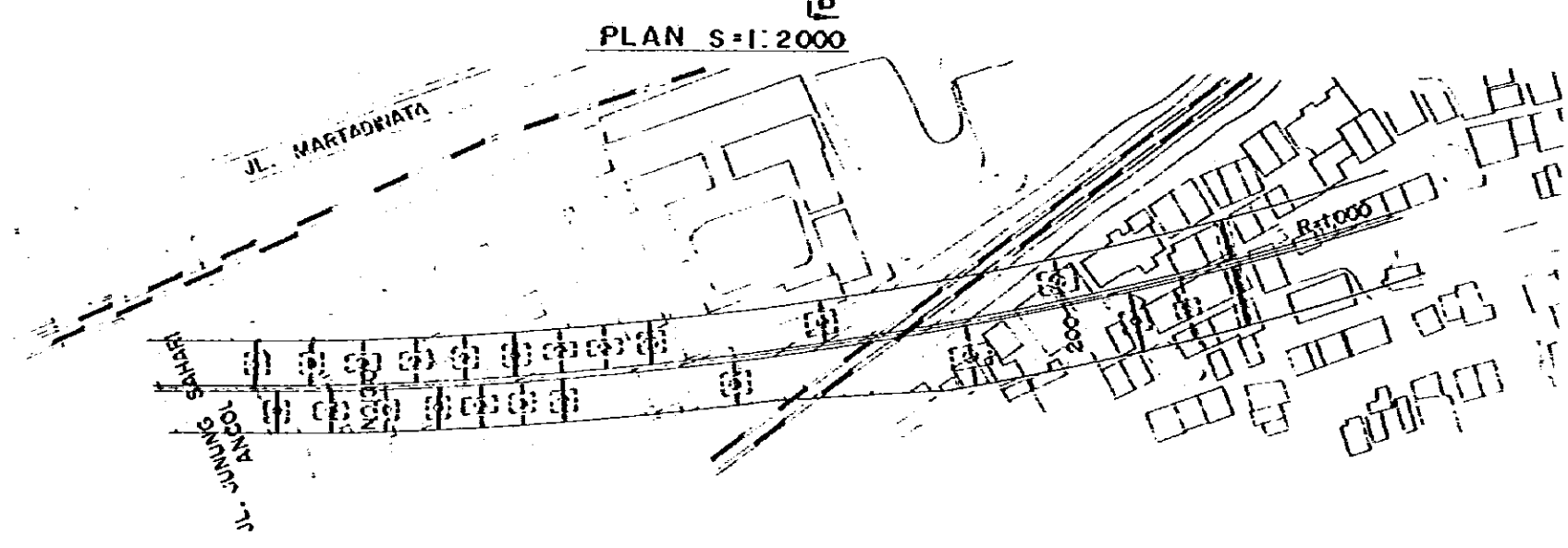
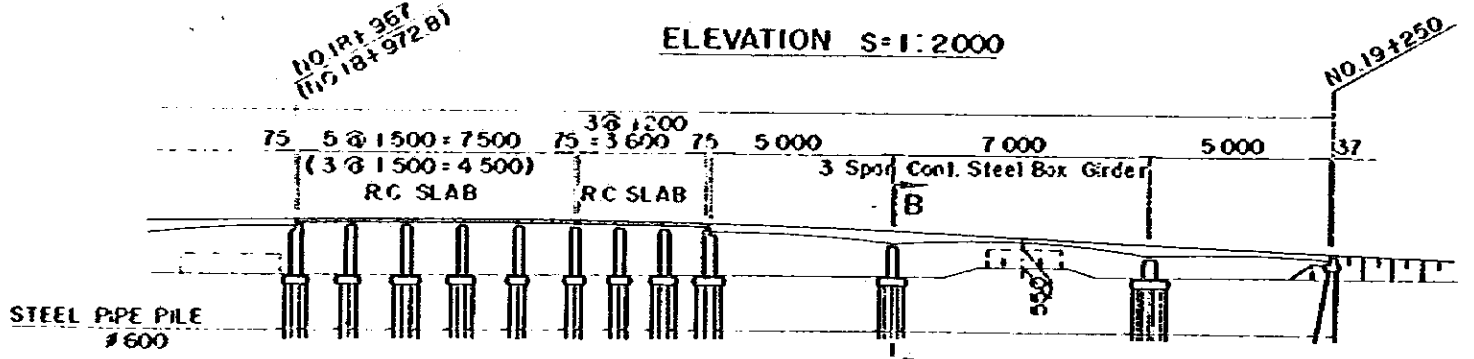
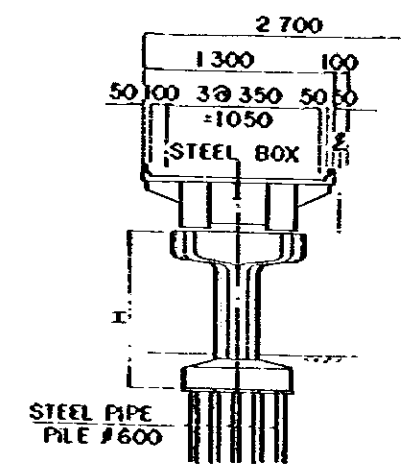
PROJECT	PROJECT CODE / 12	PROVINCE	SHEET NO	TOTAL SHEET
JAKARTA HARBOUR ROAD		DKI JKT	7	15
Br. NO3-(15)			SCALE 1/500, 1/2000	



SECTION A-A S=1:500

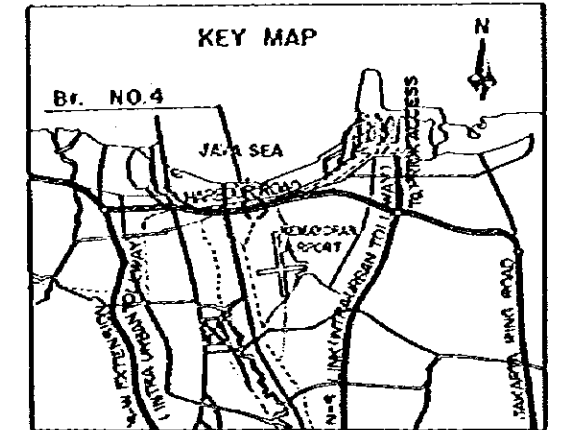


SECTION B-B S=1:500

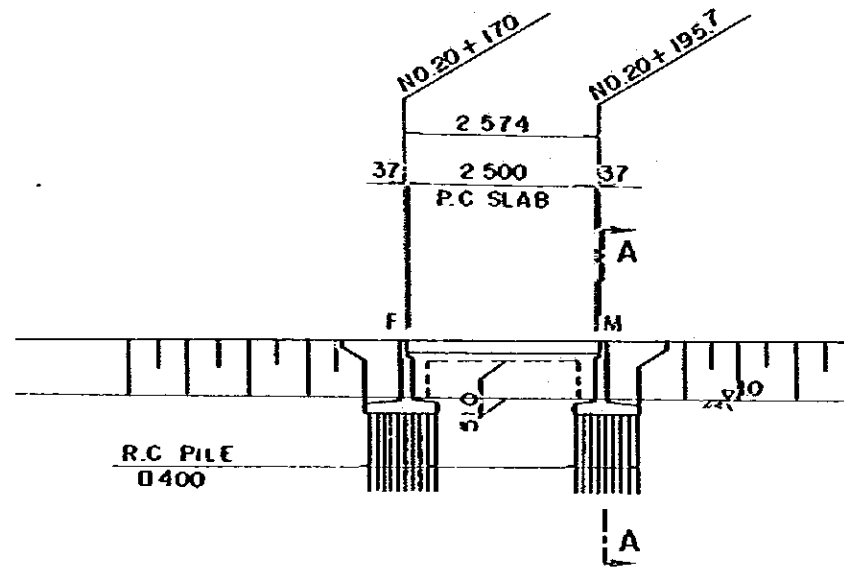


- NOTES
- SIZES OF SUPERSTRUCTURES AND SUBSTRUCTURES AND TYPES OF FOUNDATION PILES SHOWN ON THIS DRAWING ARE PRELIMINARY ONLY
 - DIMENSIONS SHOWN ARE IN CENTIMETERS

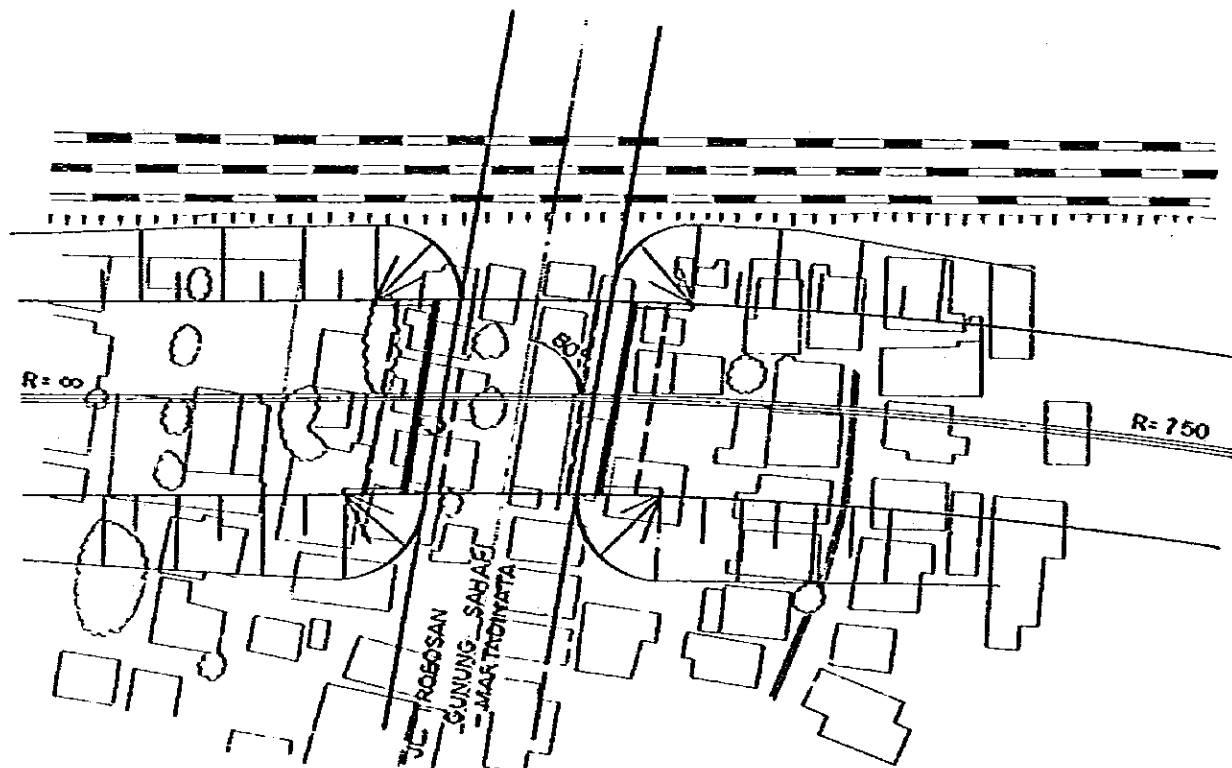
PROJECT	PROJECT CODE / I/R	PROVINCE	SHEET NO	TOTAL SHEET
JAKARTA HARBOUR ROAD		DKI JKT	8	15
Br. NO. 4 (JL. TROBOSAN G.S-M)			SCALE 1/500, 1/1000	



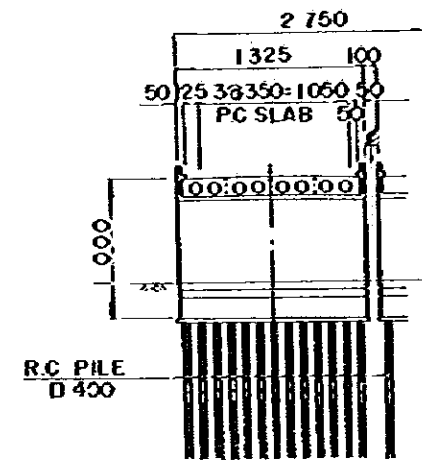
ELEVATION S=1:1000



PLAN S=1:1000



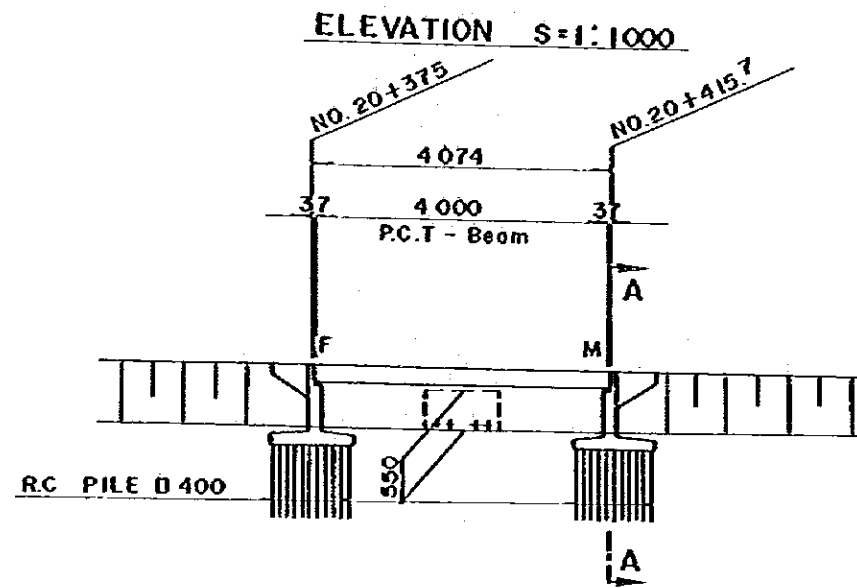
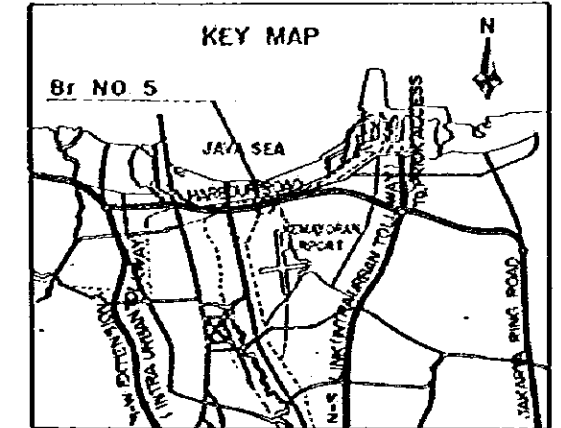
SECTION A-A S=1:500



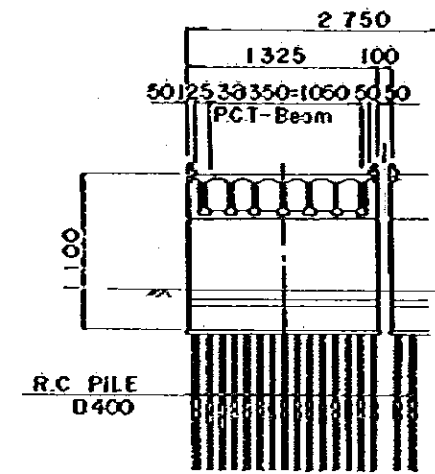
NOTES

1. SIZES OF SUPERSTRUCTURES AND SUBSTRUCTURES AND TYPES OF FOUNDATION PILES SHOWN ON THIS DRAWING ARE PRELIMINARY ONLY.
2. DIMENSIONS SHOWN ARE IN CENTIMETERS

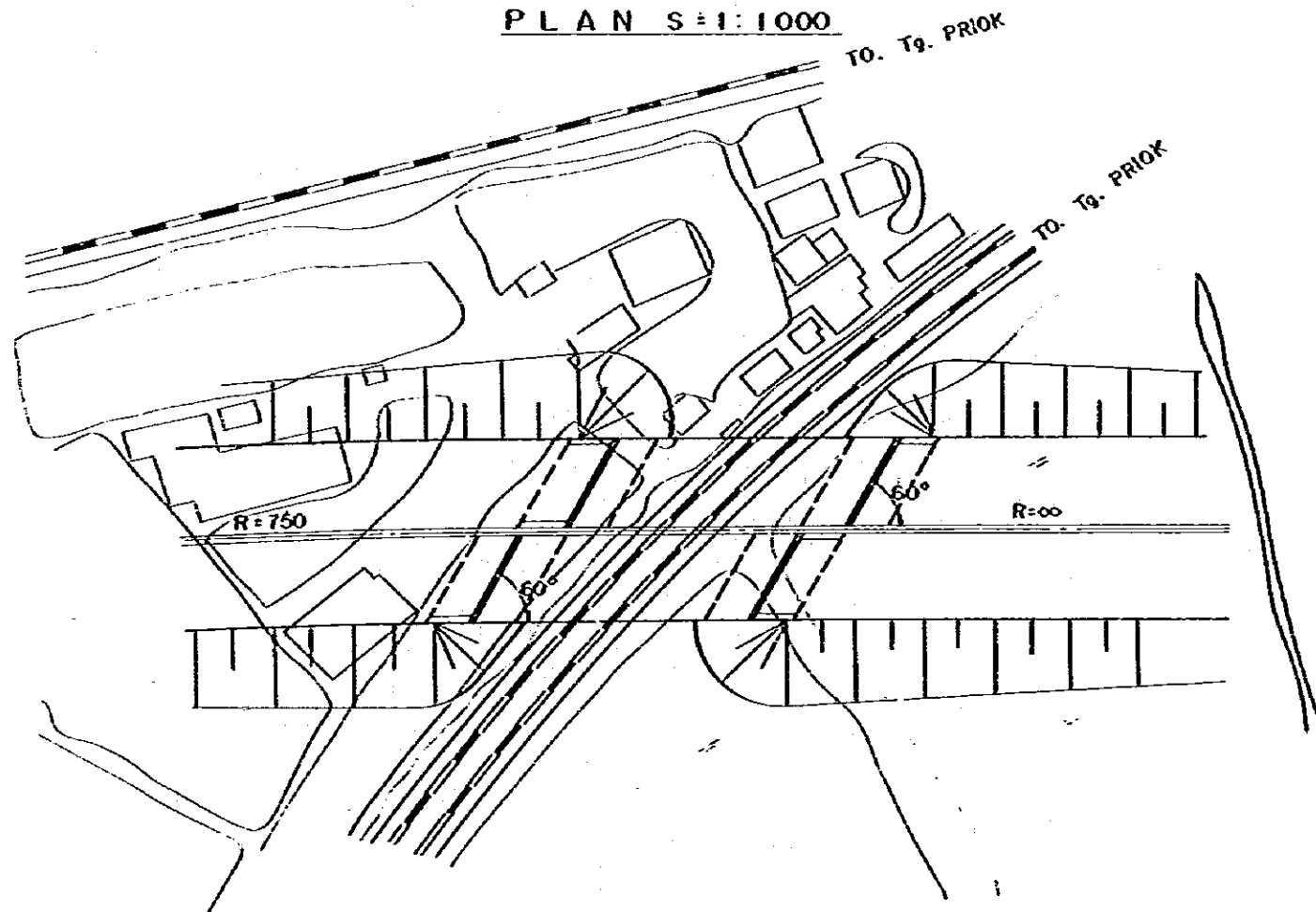
PROJECT	PROJECT CODE/YR	PROVINCE	SHEET NO	TOTAL SHEET
JAKARTA HARBOUR ROAD		DKI JKT	9	15
Br. NO 5 (Tg. PRIOK RAILWAY LINE) SCALE 1/500, 1/1000				



SECTION A-A S=1:500



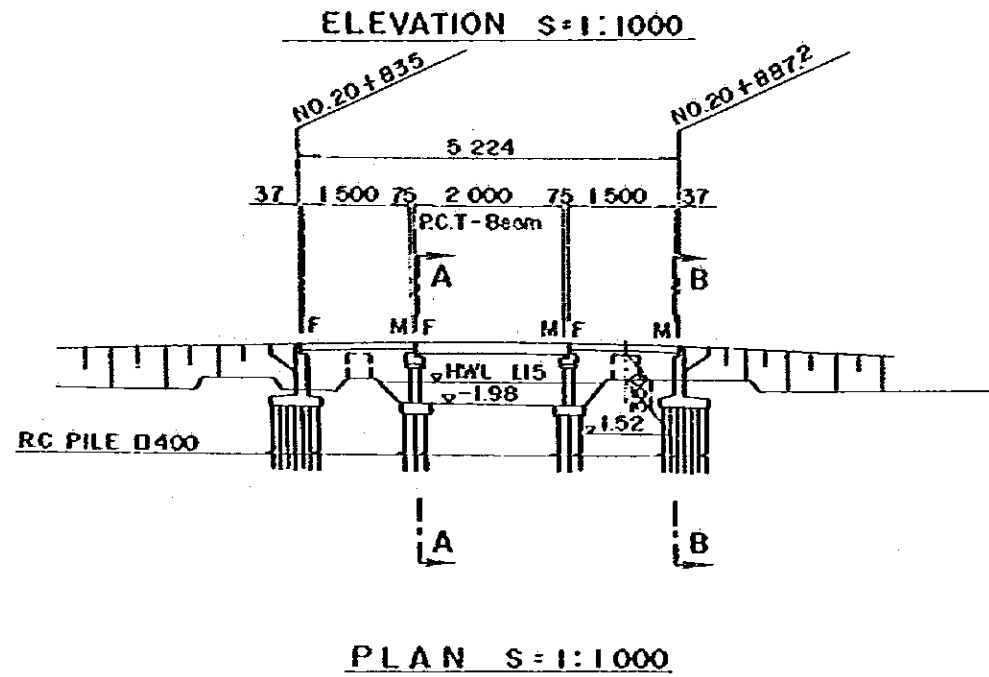
PLAN S=1:1000



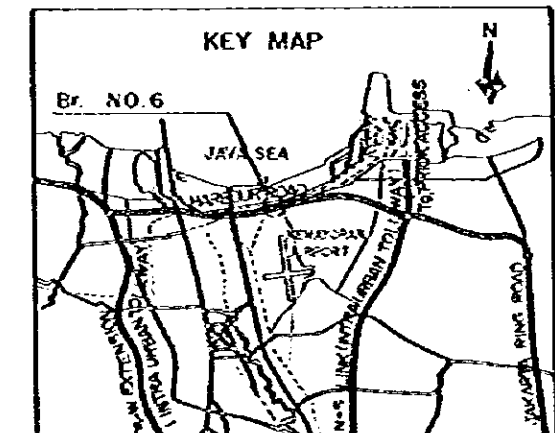
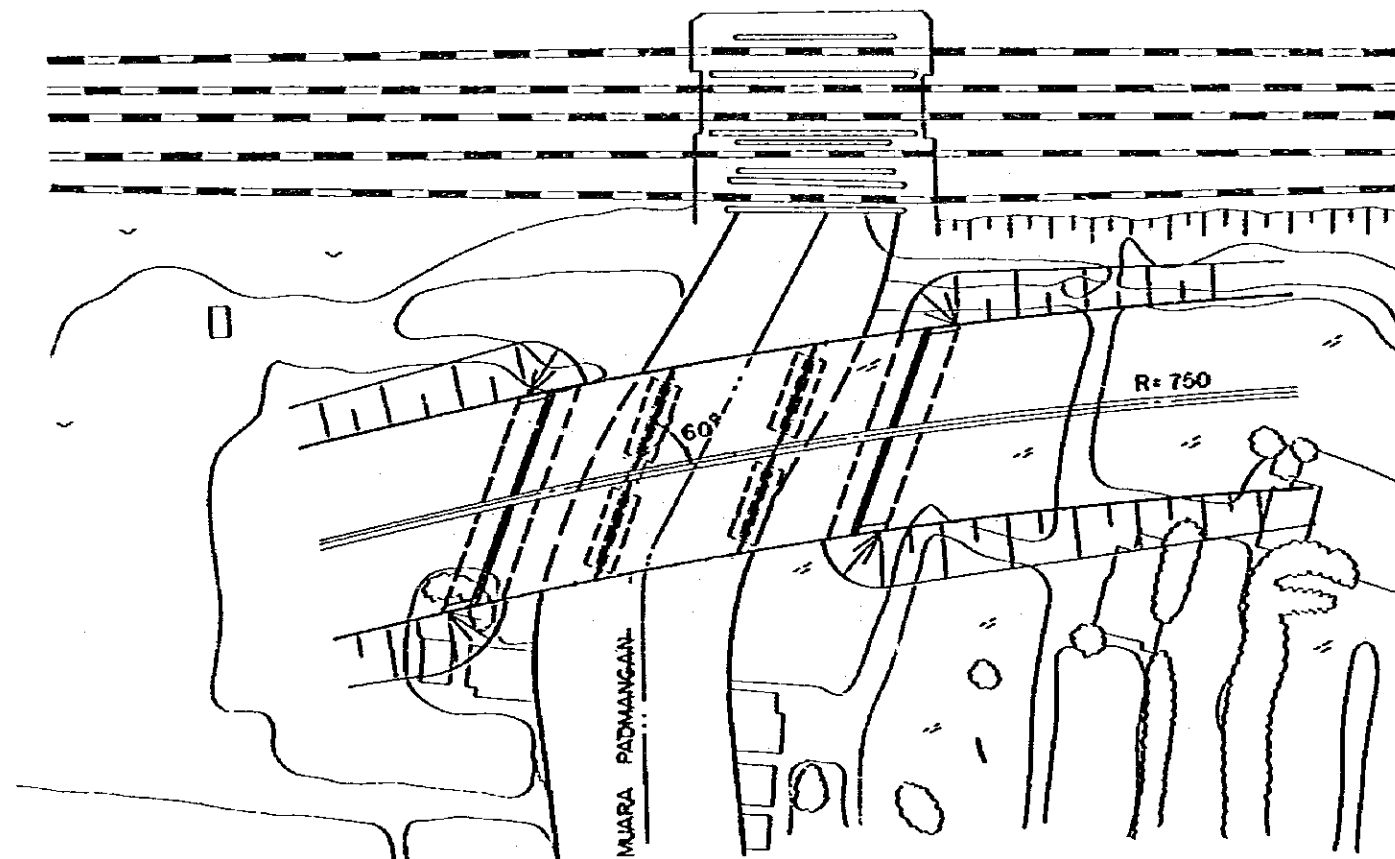
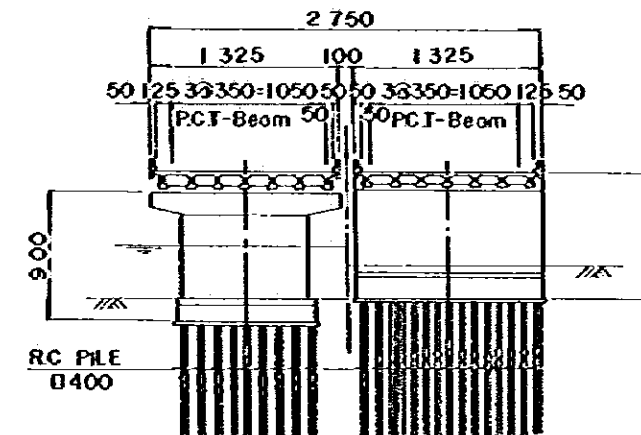
NOTES

1. SIZES OF SUPERSTRUCTURES AND SUBSTRUCTURES AND TYPES OF FOUNDATION PILES SHOWN ON THIS DRAWING ARE PRELIMINARY ONLY.
2. DIMENSIONS SHOWN ARE IN CENTIMETERS

PROJECT	PROJECT CODE / IR	PROVINCE	SHEET NO	TOTAL SHEET
JAKARTA HARBOUR ROAD		DKI JKT	10	15
Br. NO. 6 (MUARA PADMANGAN)			SCALE	



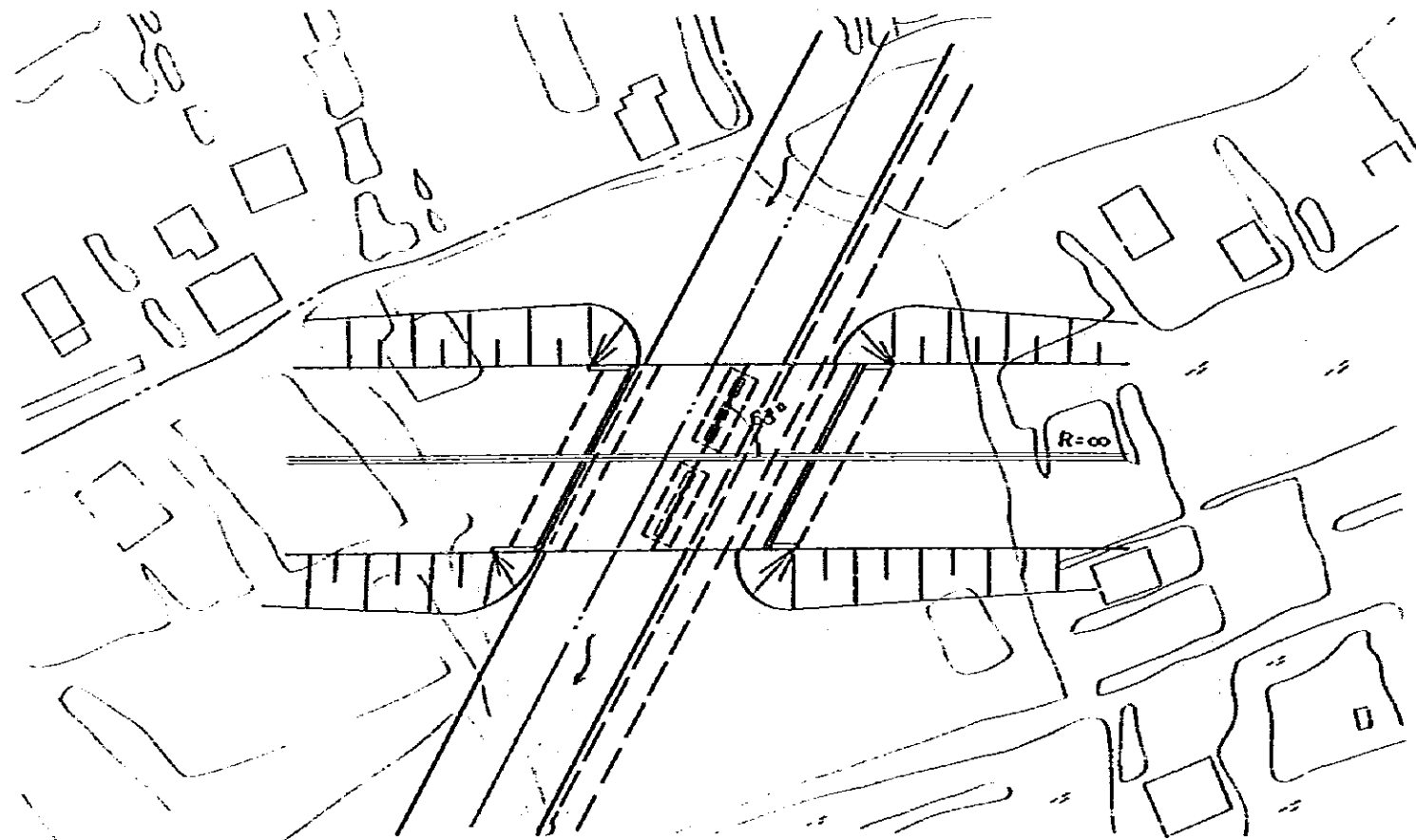
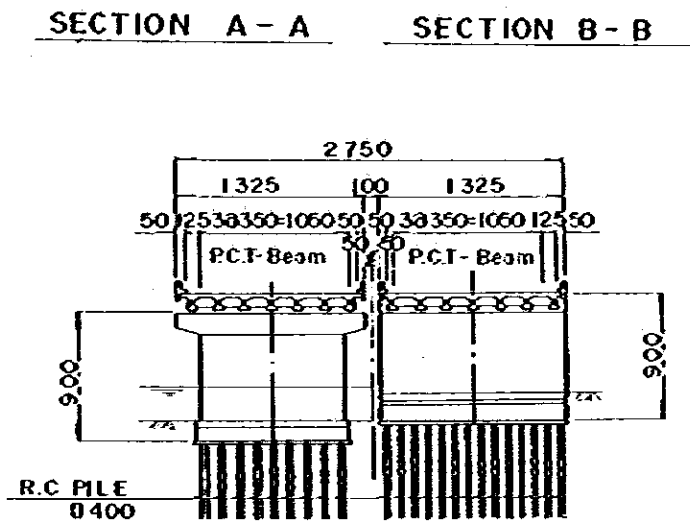
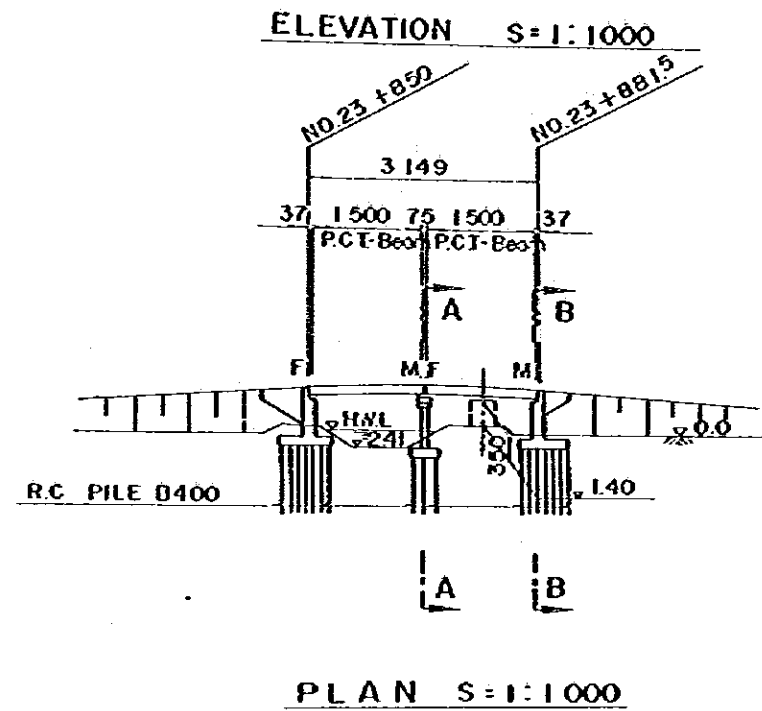
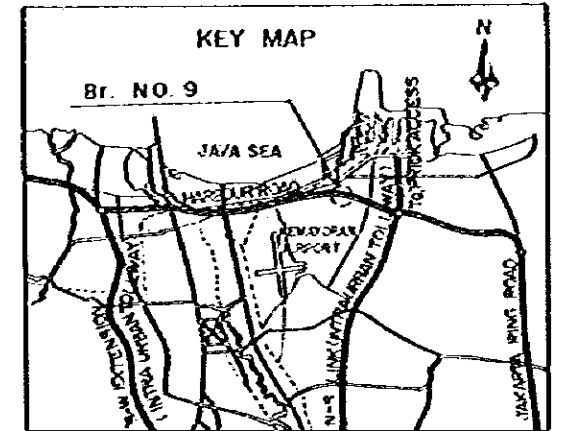
SECTION A-A SECTION B-B S=1:500



NOTES

1. SIZES OF SUPERSTRUCTURES AND SUBSTRUCTURES AND TYPES OF FOUNDATION PILES SHOWN ON THIS DRAWING ARE PRELIMINARY ONLY.
2. DIMENSIONS SHOWN ARE IN CENTIMETERS

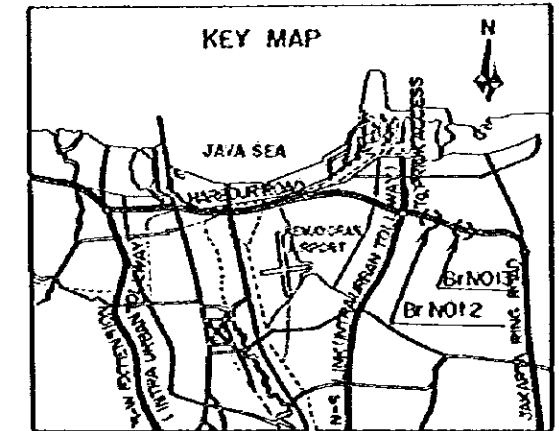
PROJECT	PROJECT CODE / I/R	PROVINCE	SHEET NO	TOTAL SHEET
JAKARTA HARBOUR ROAD		DKI JKT	11	15
Br. NO. 9			SCALE 1/500, 1/1000	



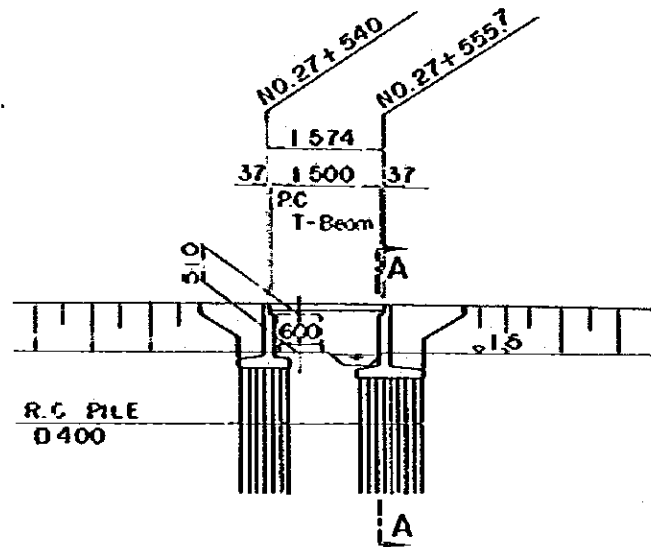
NOTES

1. SIZES OF SUPERSTRUCTURES AND SUBSTRUCTURES AND TYPES OF FOUNDATION PILES SHOWN ON THIS DRAWING ARE PRELIMINARY ONLY.
2. DIMENSIONS SHOWN ARE IN CENTIMETERS.

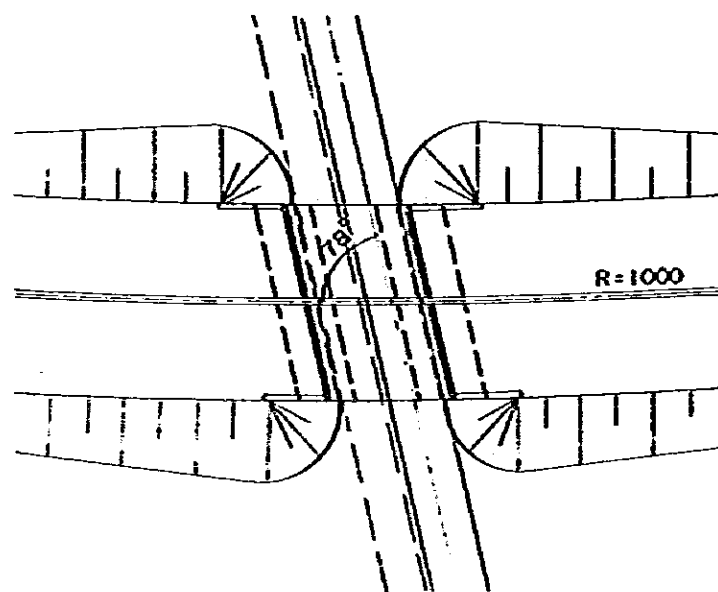
PROJECT	PROJECT CODE / ITR	PROVINCE	SHEET NO	TOTAL SHEET
JAKARTA HARBOUR ROAD		DKI JKT	12	15
Br. NO.12,13			SCALE 1/500, 1/1000	



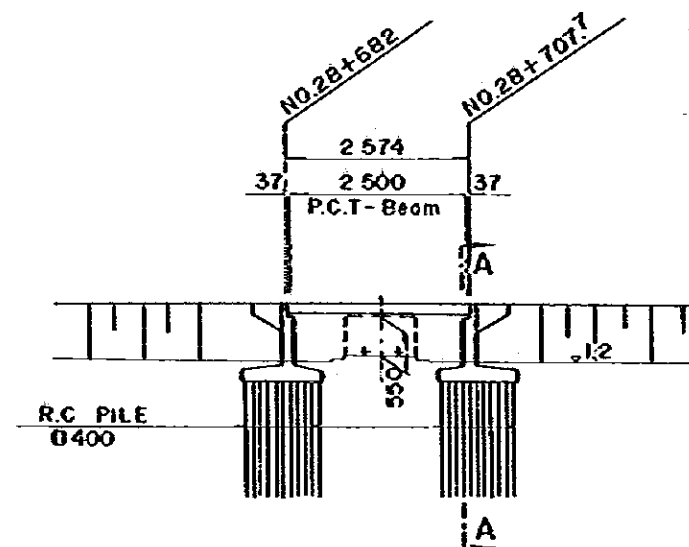
ELEVATION S=1:1000



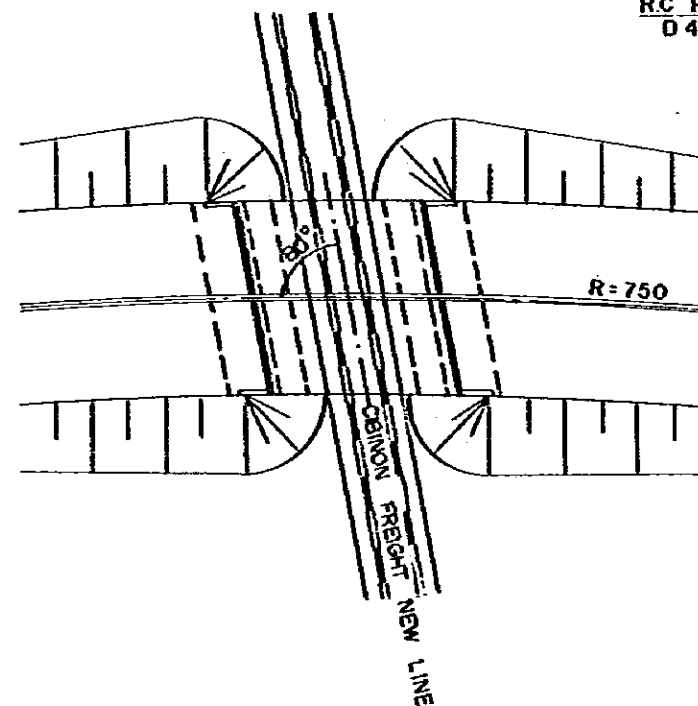
PLAN S=1:1000



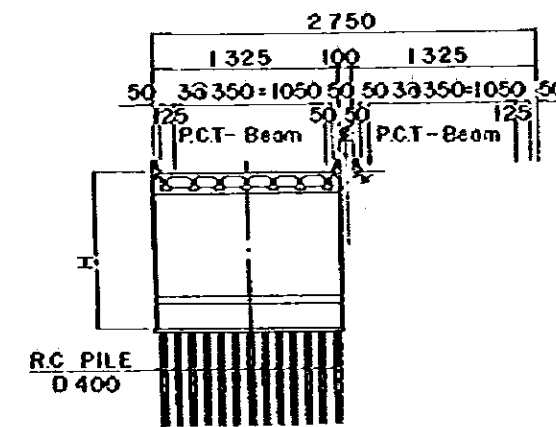
ELEVATION S=1:1000



PLAN S=1:1000



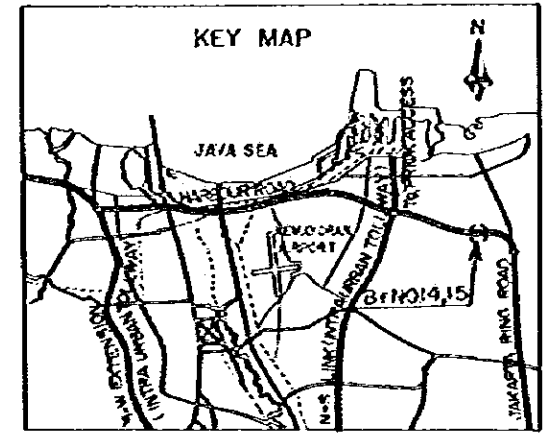
SECTION A-A S=1:500



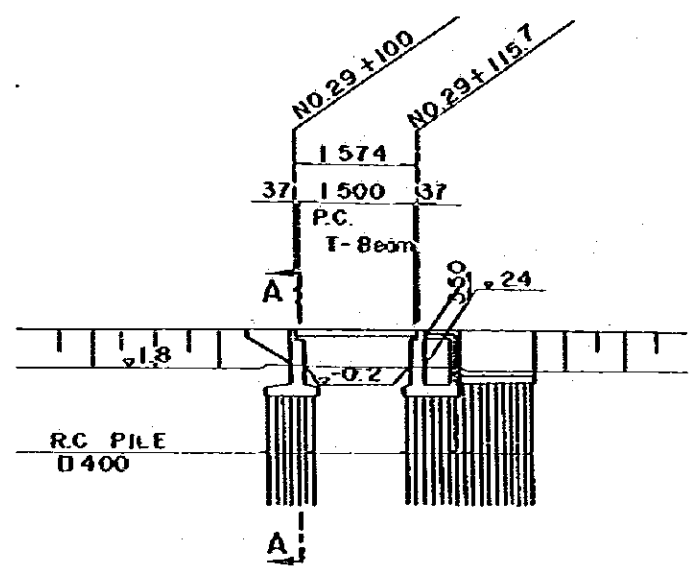
NOTES

- SIZES OF SUPERSTRUCTURES AND SUBSTRUCTURES AND TYPES OF FOUNDATION PILES SHOWN ON THIS DRAWING ARE PRELIMINARY ONLY.
- DIMENSIONS SHOWN ARE IN CENTIMETERS.

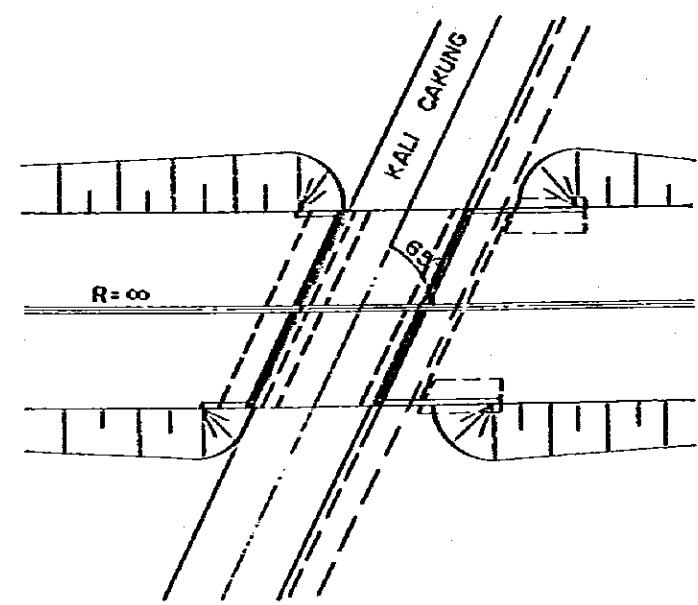
PROJECT	PROJECT CODE / YR	PROVINCE	SHEET NO	TOTAL SHEET
JAKARTA HARBOUR ROAD		DKI .KT	13	15
Br. NO. 14, 15			SCALE 1/500, 1/1000	



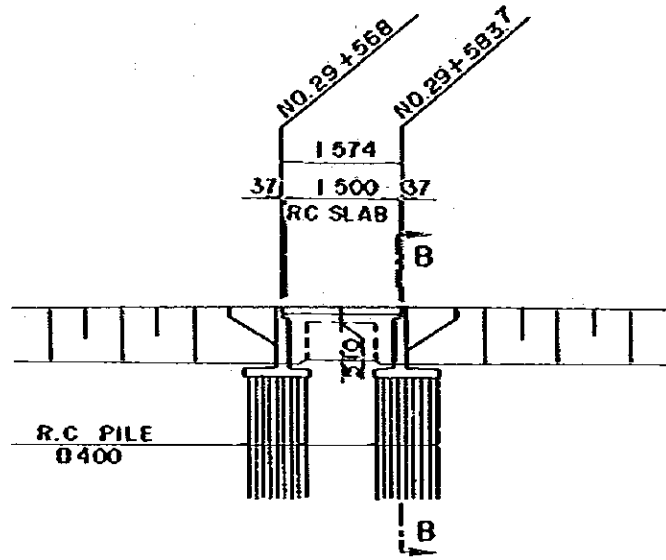
ELEVATION S=1:1000



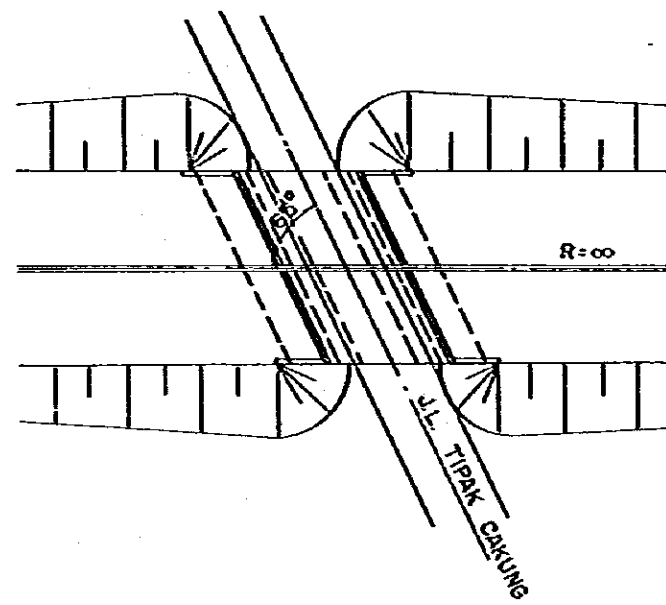
PLAN S=1:1000



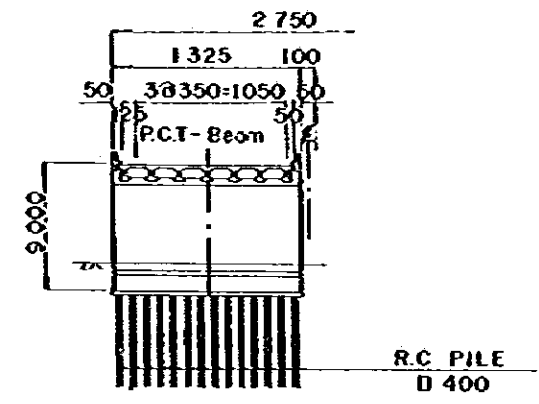
ELEVATION S=1:1000



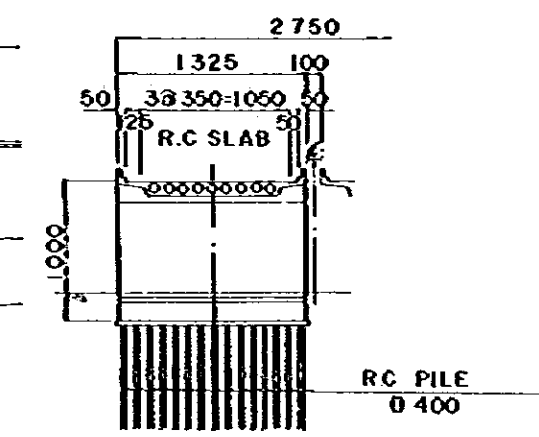
PLAN S=1:1000



SECTION A-A S=1:500



SECTION B-B S=1:500

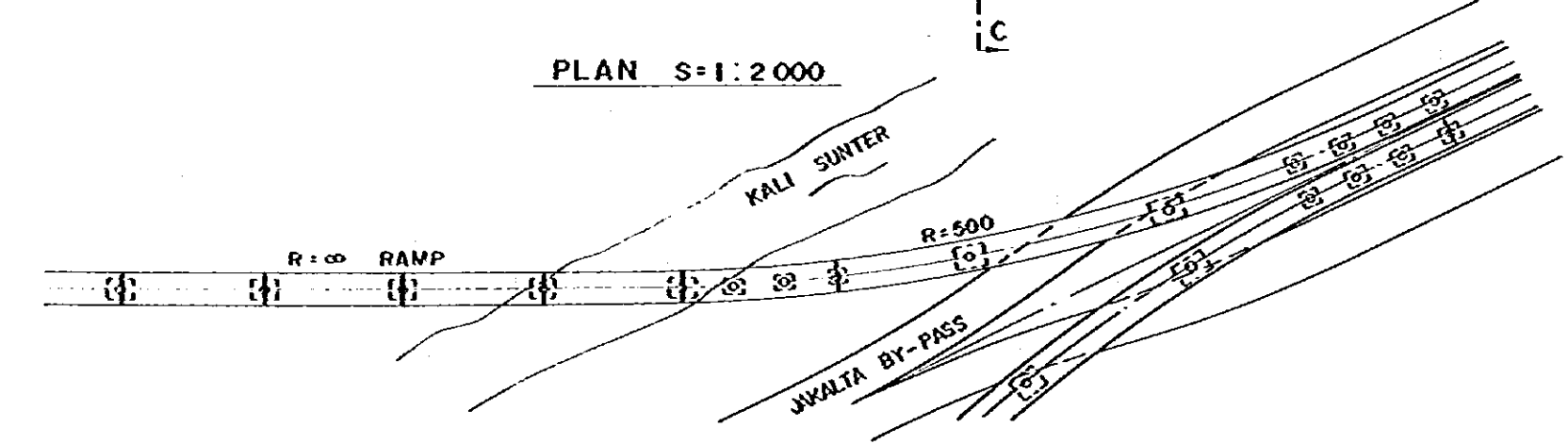
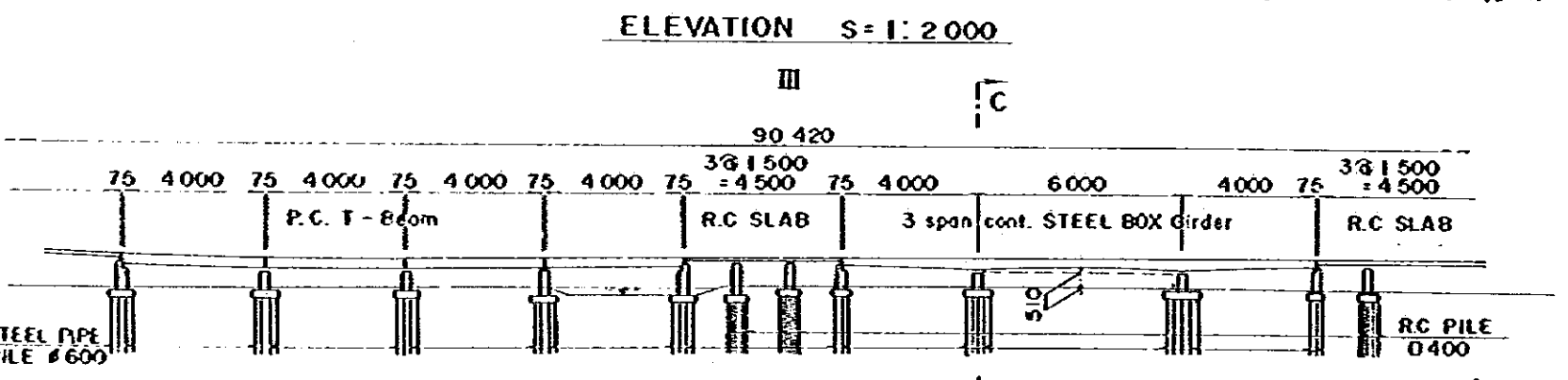
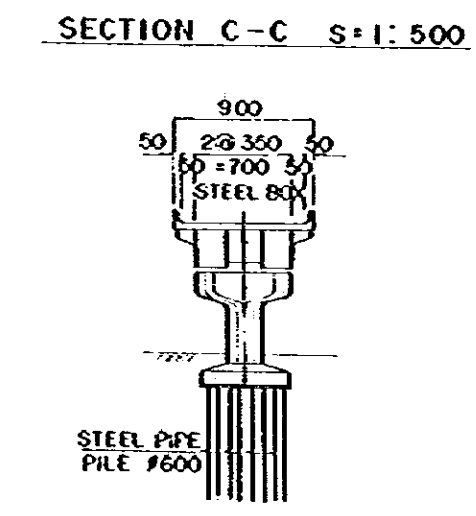
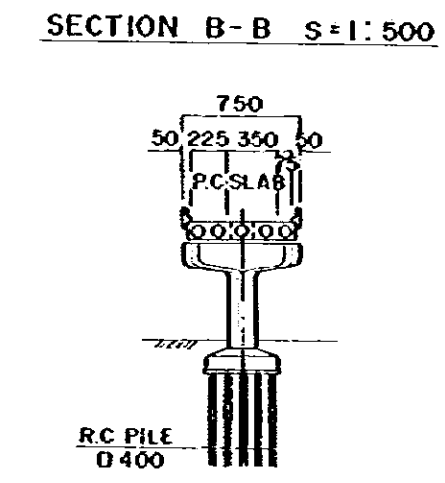
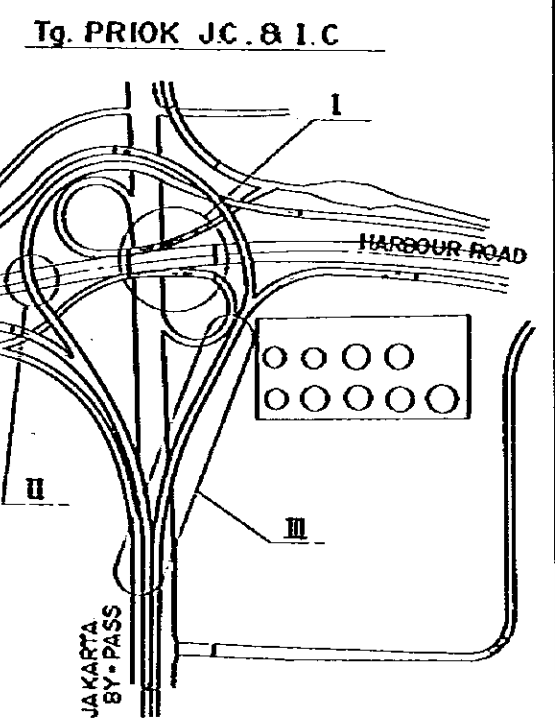
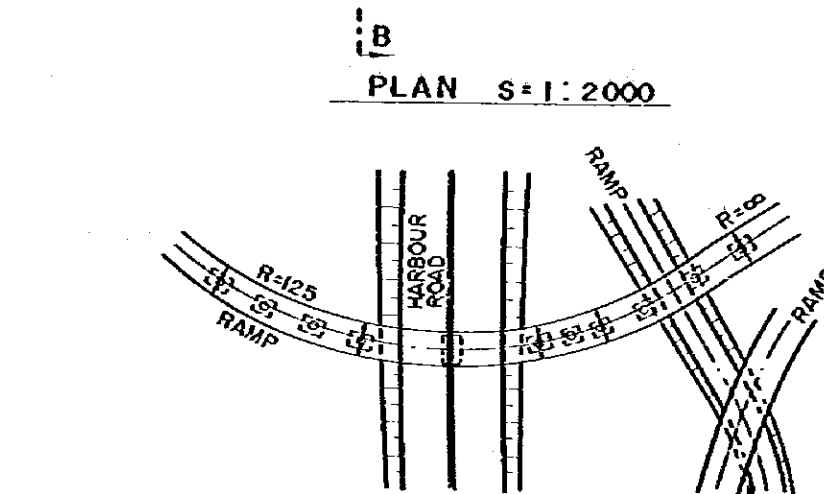
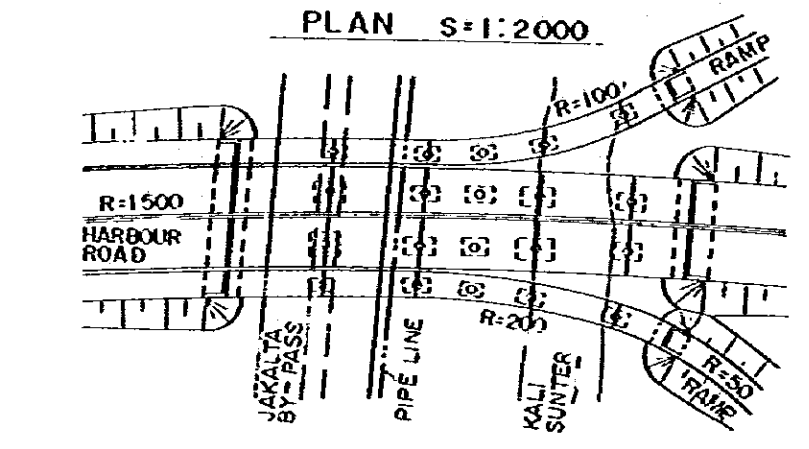
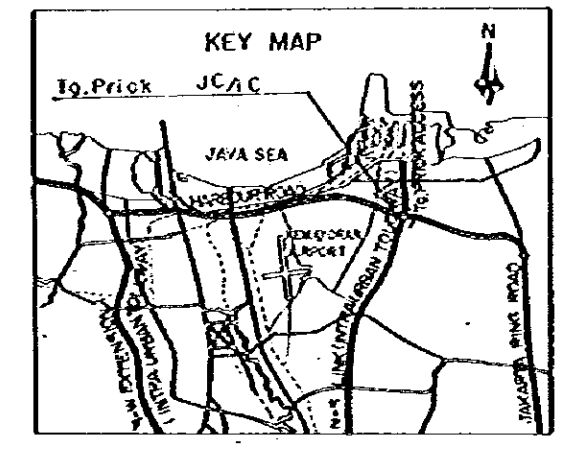
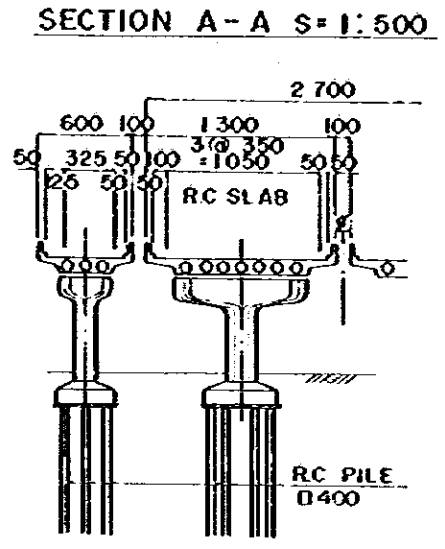
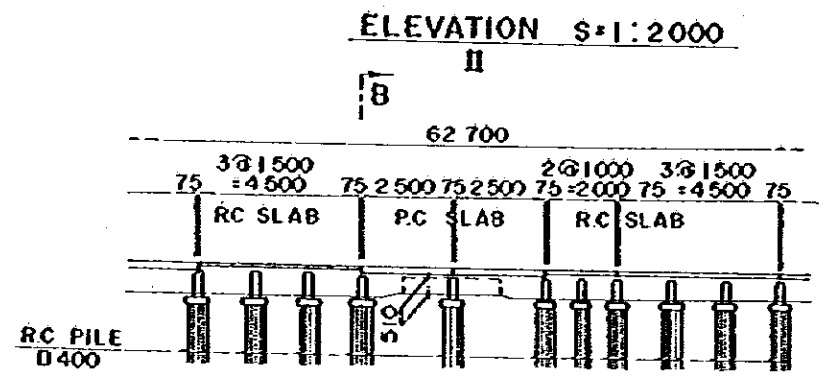
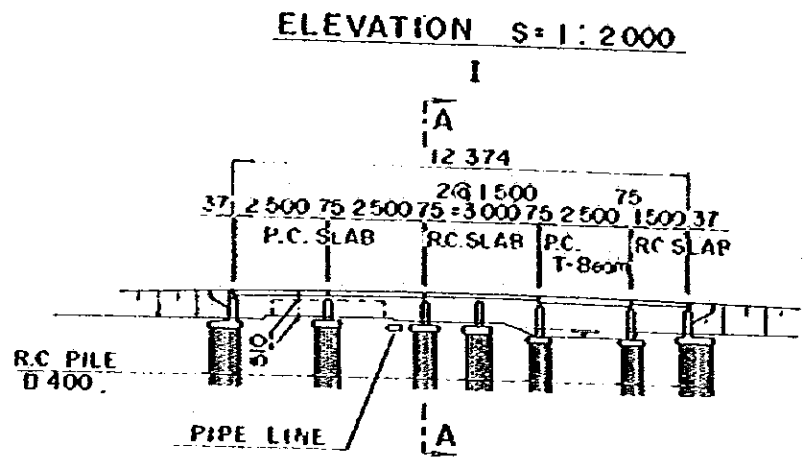


NOTES

1. SIZES OF SUPERSTRUCTURES AND SUBSTRUCTURES AND TYPES OF FOUNDATIONS ARE SHOWN ON THIS DRAWING ARE PRELIMINARY ONLY.
2. DIMENSIONS SHOWN ARE IN CENTIMETERS.

PROJECT	PROJECT CODE/IR	PROVINCE	SHEET NO	TOTAL SHEET
JAKARTA HARBOUR ROAD		DKI JKT	14	15
Tg. PRIOK J.C. / I.C.			SCALE 1/500, 1/2000	

Tg. PRIOK J.C. & I.C.

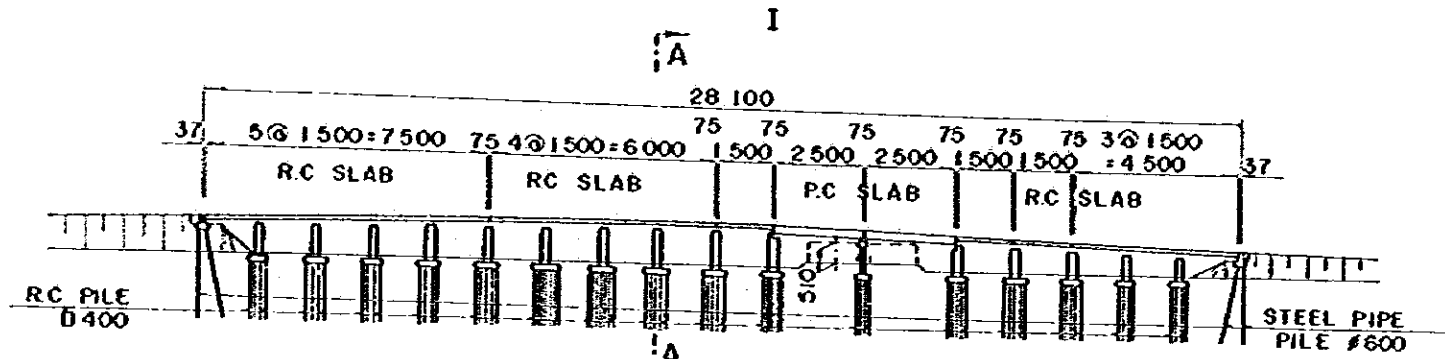


- NOTES**
- SIZES OF SUPERSTRUCTURES AND SUBSTRUCTURES AND TYPES OF FOUNDATION PILES SHOWN ON THIS DRAWING ARE PRELIMINARY ONLY.
 - DIMENSIONS SHOWN ARE IN CENTIMETERS.

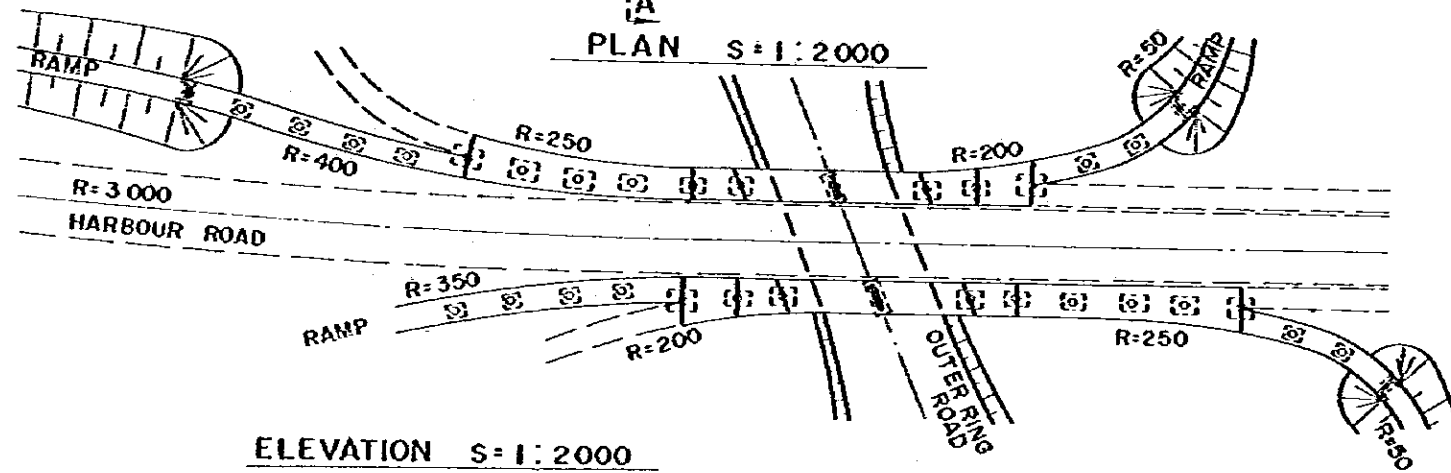
CILINCING J.C. & I.C.

PROJECT	PROJECT CODE / YR	PROVINCE	SHEET NO	TOTAL SHEET
JAKARTA HARBOUR ROAD		DKI JKT	15	15
CILINCING	JC / I.C.		SCALE 1/500, 1/2000	

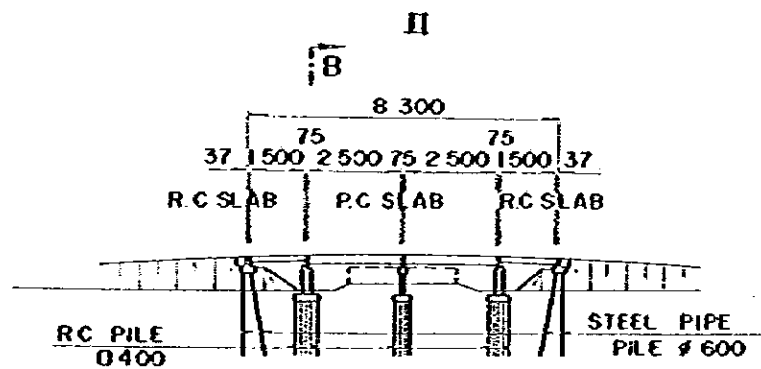
ELEVATION S = 1 : 2000



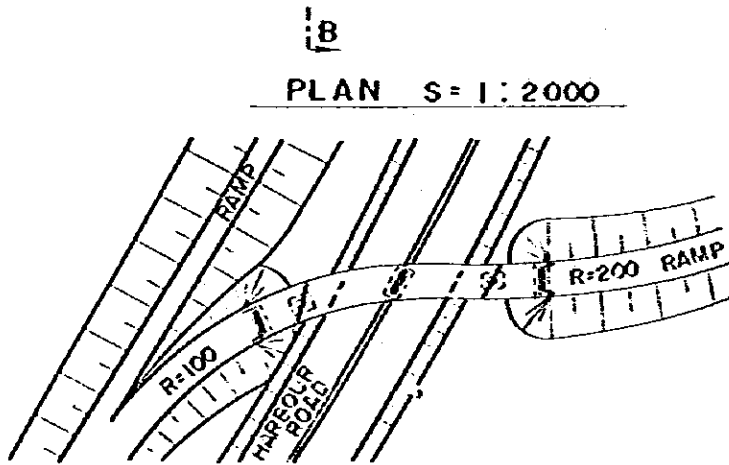
PLAN S = 1 : 2000



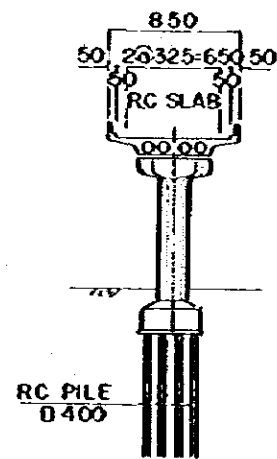
ELEVATION S = 1 : 2000



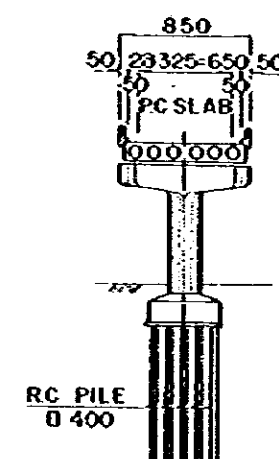
PLAN S = 1 : 2000



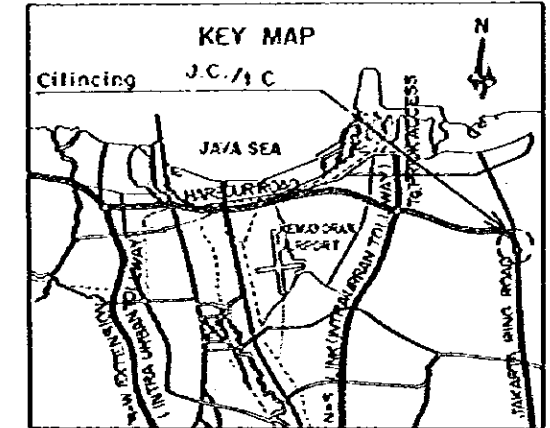
SECTION A-A



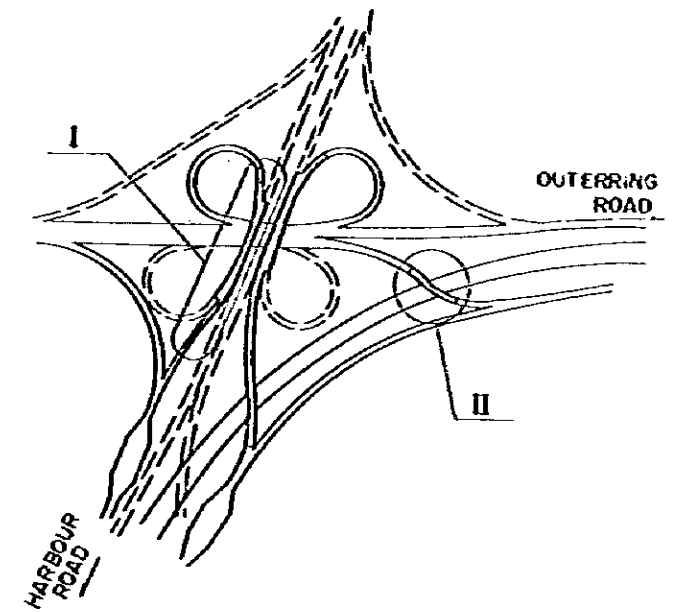
SECTION B-B



S = 1 : 500



CILINCING J.C. & I.C.



NOTES

- SIZES OF SUPERSTRUCTURES AND SUBSTRUCTURES AND TYPES OF FOUNDATION PILES SHOWN ON THIS DRAWING ARE PRELIMINARY ONLY.
- DIMENSIONS SHOWN ARE IN CENTIMETERS.

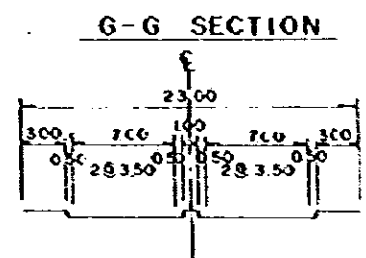
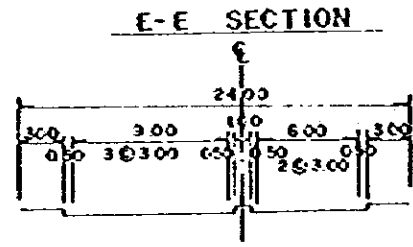
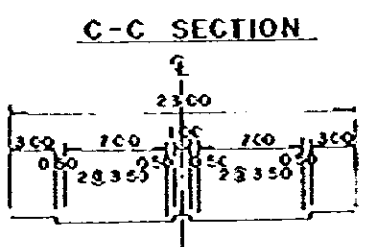
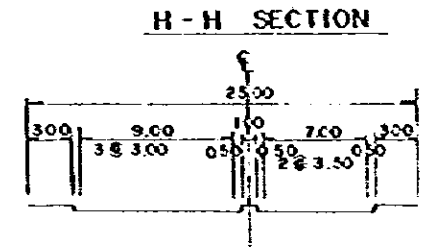
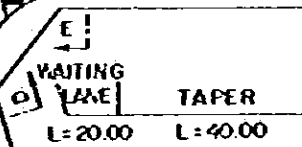
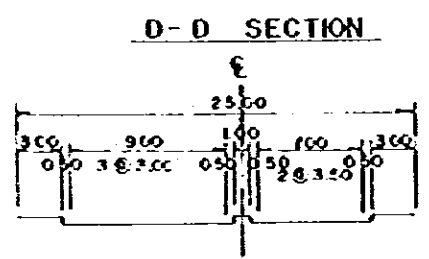
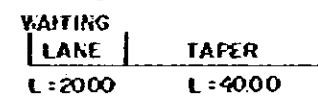
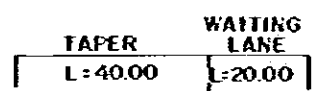
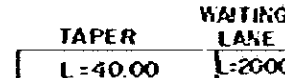
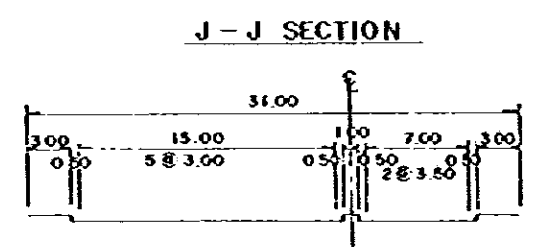
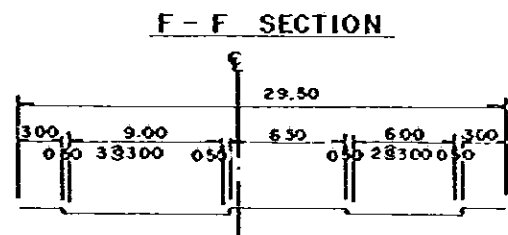
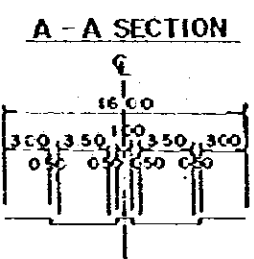
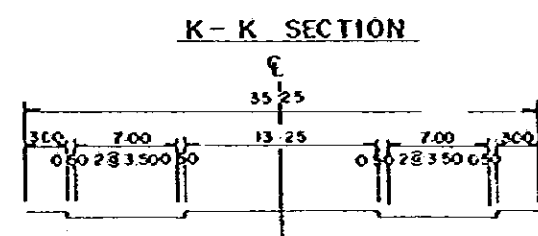
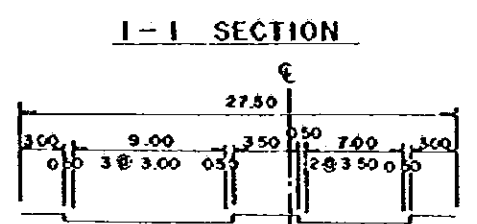
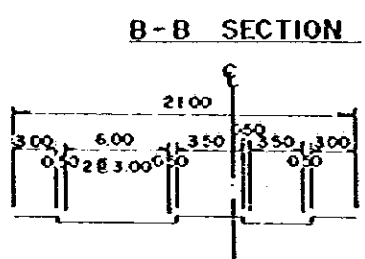
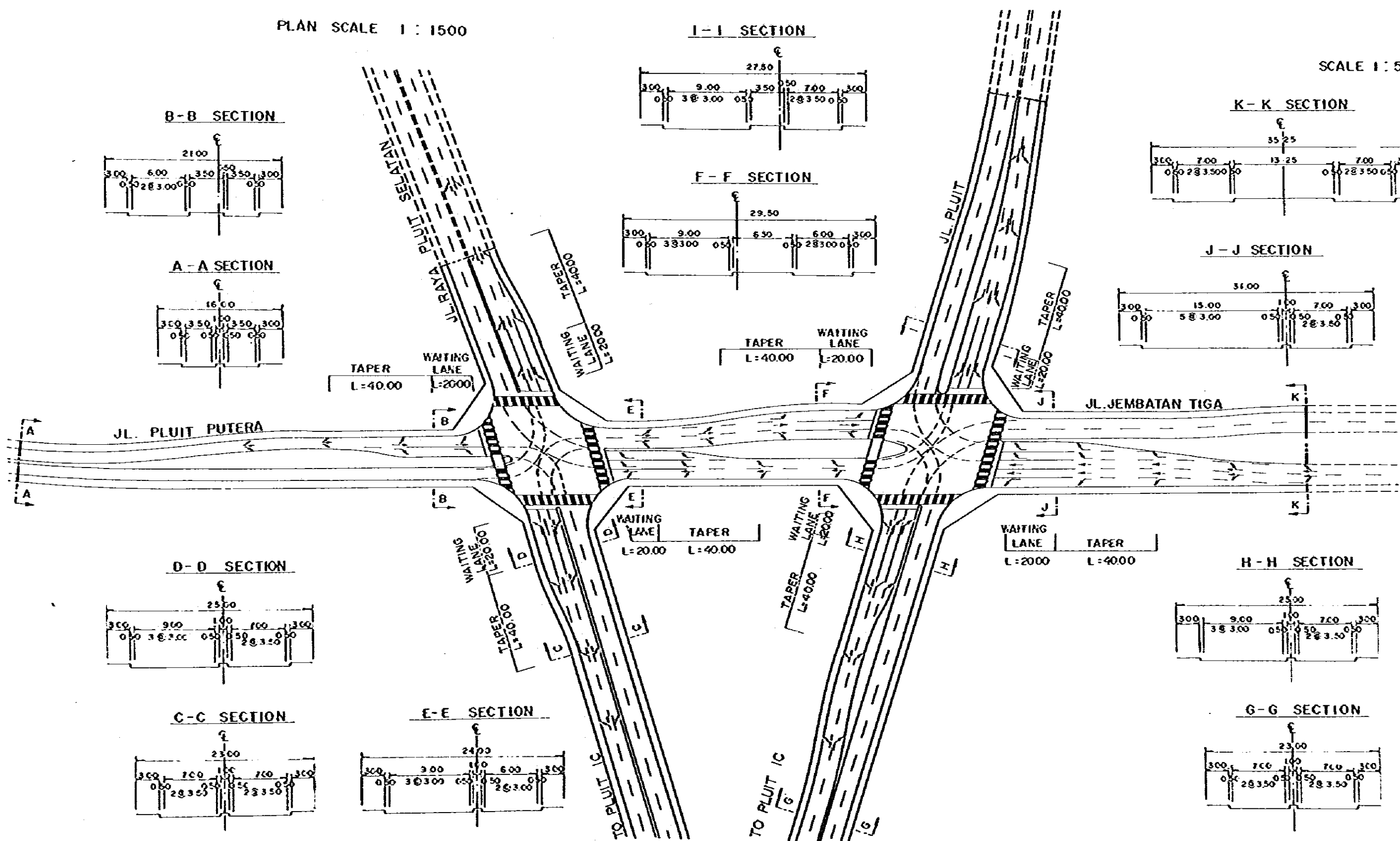


PLUIT INTERSECTION JL. JEMBATAN TIGA - JL. RAYA PLUIT SELATAN JL. PLUIT

PROJECT	PROJECT CODE / YR	PROVINCE	SHEET NO	TOTAL SHEET
JAKARTA HARBOUR ROAD		DKI JKT	I	4
PLUIT INTERSECTION			SCALE 1:1500	

PLAN SCALE 1:1500

SCALE 1:500

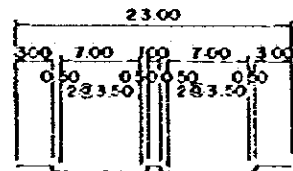




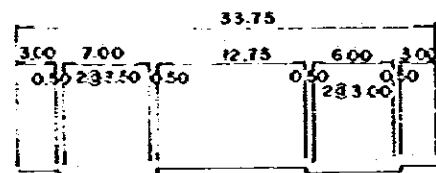
ANCOL INTERSECTION
(JL. GUNUNG SAHARI ANCOL)

PLAN SCALE 1:1500

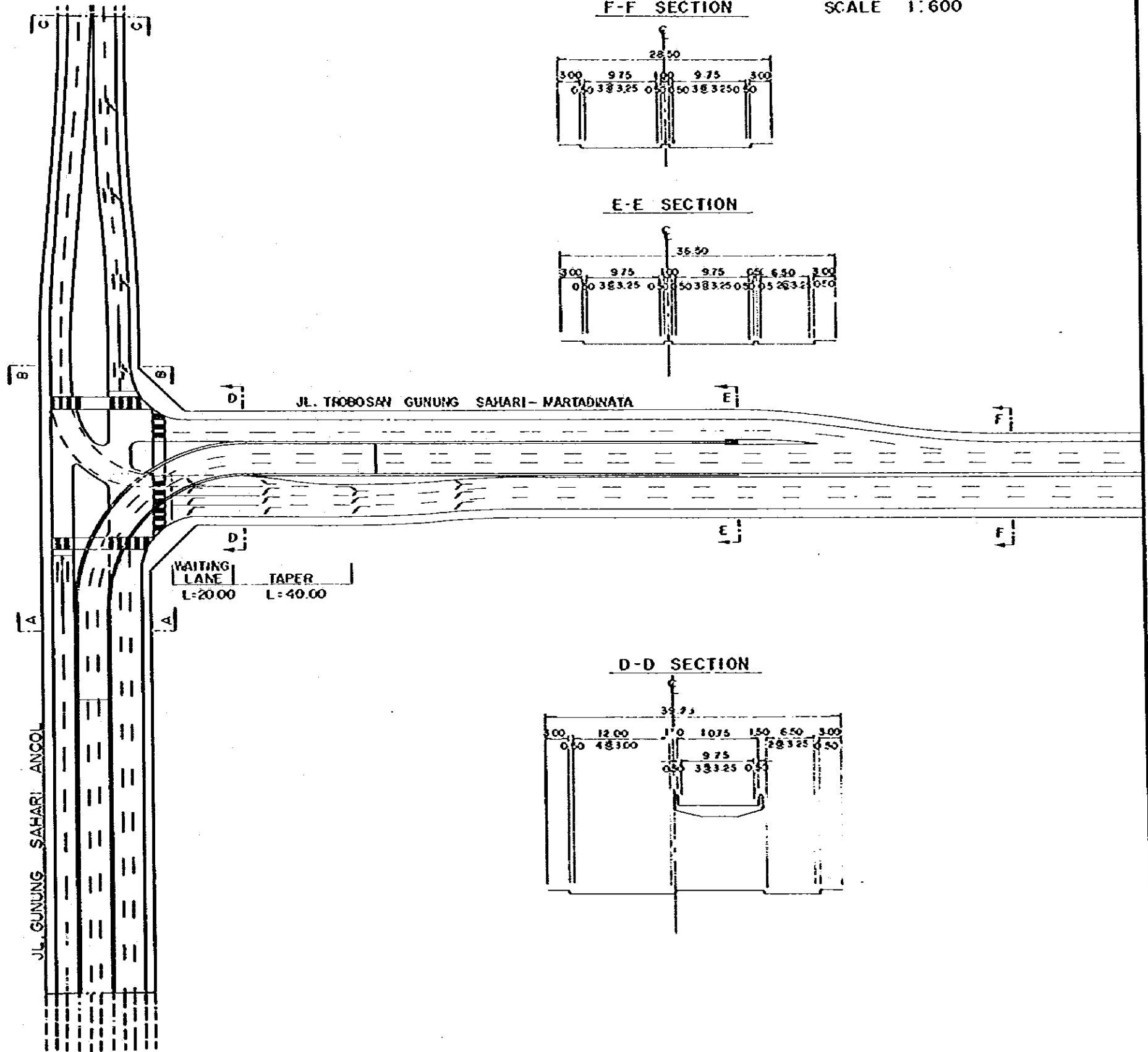
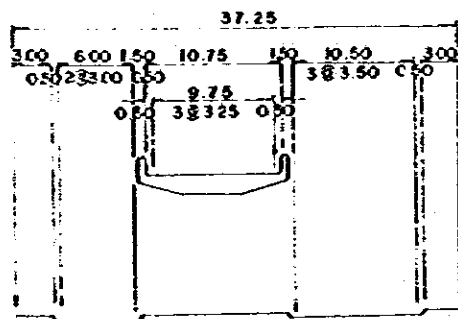
C-C SECTION



B-B SECTION

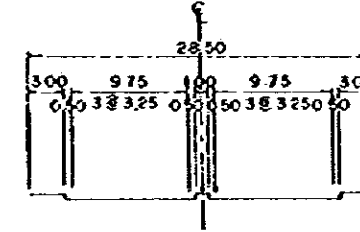


A-A SECTION

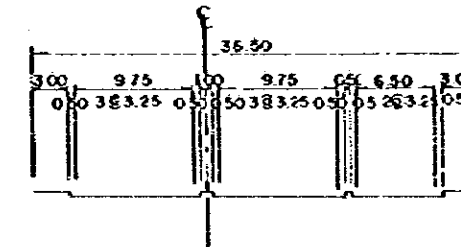


F-F SECTION

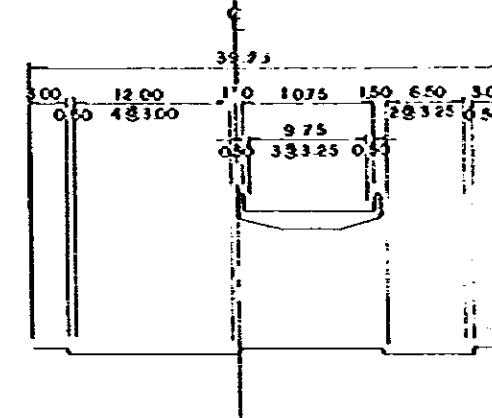
SCALE 1:600



E-E SECTION



D-D SECTION



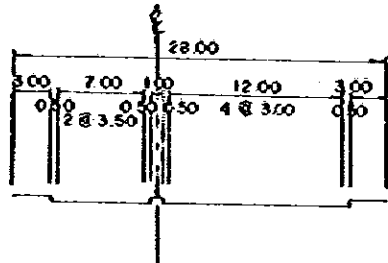
PROJECT	PROJECT CODE / YR	PROV. / NCE	SHEET NO	TOTAL SHEET
JAKARTA HARBOUR ROAD		DKI JKT	3	4
MELATI INTERSECTION			SCALE 1:1500	



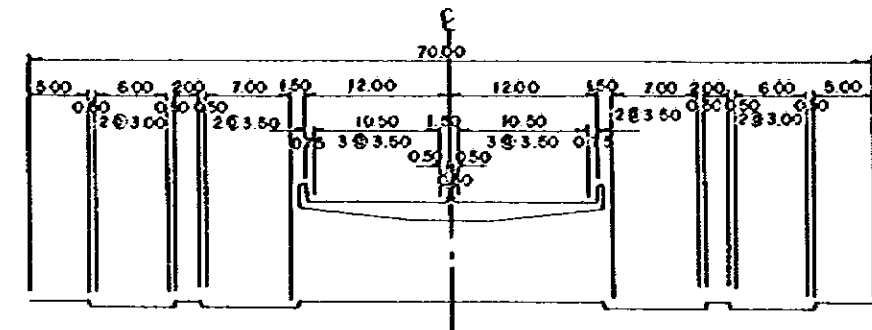
Tg. PRIOK ACCESS INTERSECTION (JL. MELATI)

PLAN SCALE 1:1500

F-F SECTION



C-C SECTION SCALE 1:600



Tg. PRIOK ACCESS

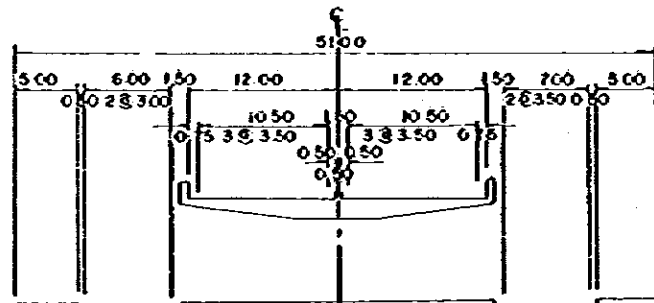
Tg. PRIOK ACCESS

+400

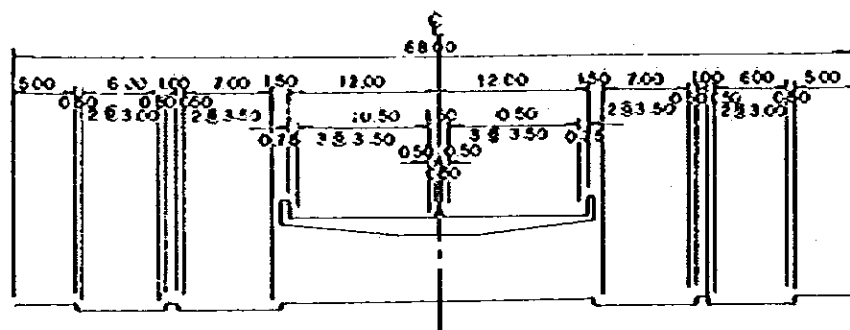
+200

TO Tg. PRIOK JC/IC

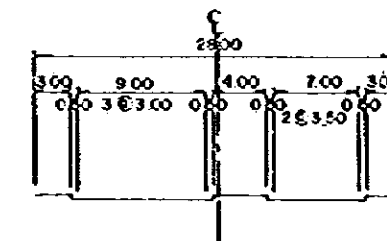
B-B SECTION



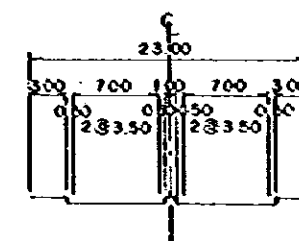
A-A SECTION



E-E SECTION



D-D SECTION

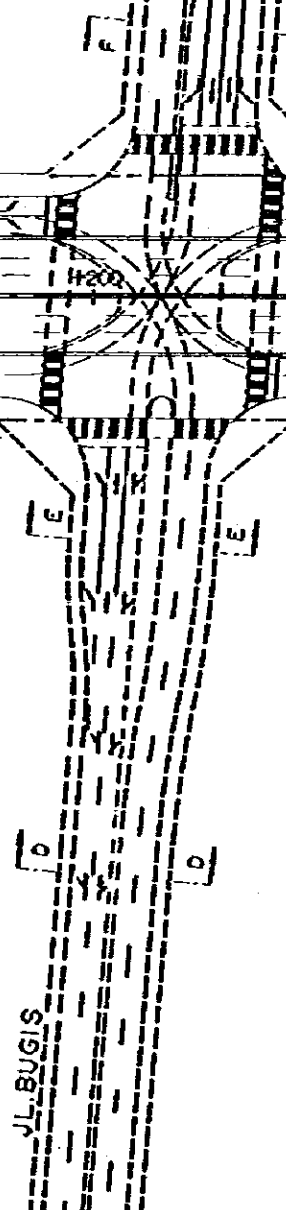


JL. MELATI

JL. BUGIS

WAITING LANE L=20.00
TAPER L=40.00

WAITING LANE L=20.00
TAPER L=40.00



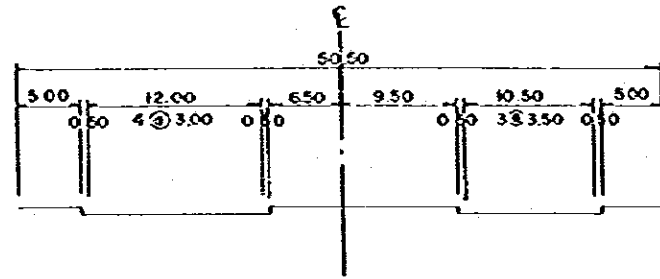
PROJECT	PROJECT CODE / YR	PROV. / CE	SHEET NO	TOTAL SHEET
JAKARTA HARBOUR ROAD		DKI JKT	4	4
ENGGANO INTERSECTION			SCALE 1:1,500	



Tg. PRIOK ACCESS INTERSECTION (JL. ENGGANO)

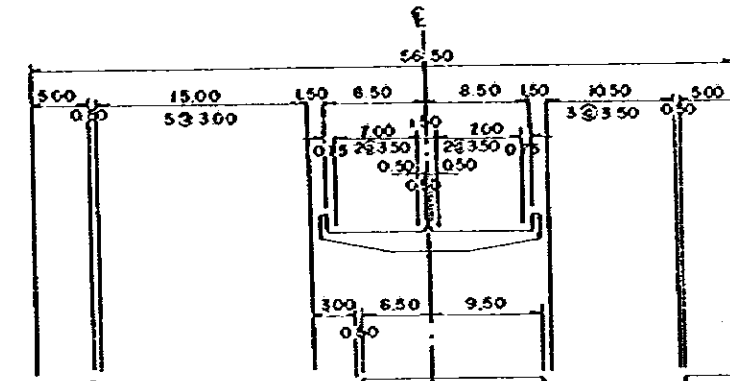
PLAN SCALE 1:1500

A-A SECTION



TAPER	WAITING LANE
L = 40.00	L = 20.00
TAPER	WAITING LANE
L = 40.00	L = 20.00

B-B SECTION SCALE 1:500

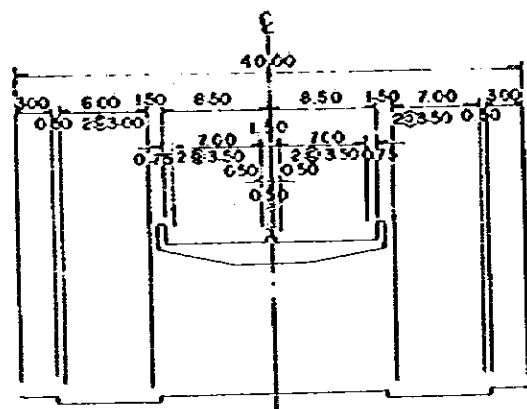


LAGA BUNTU RIVER

Tg. PRIOK ACCESS

TO JL. ENGGANO

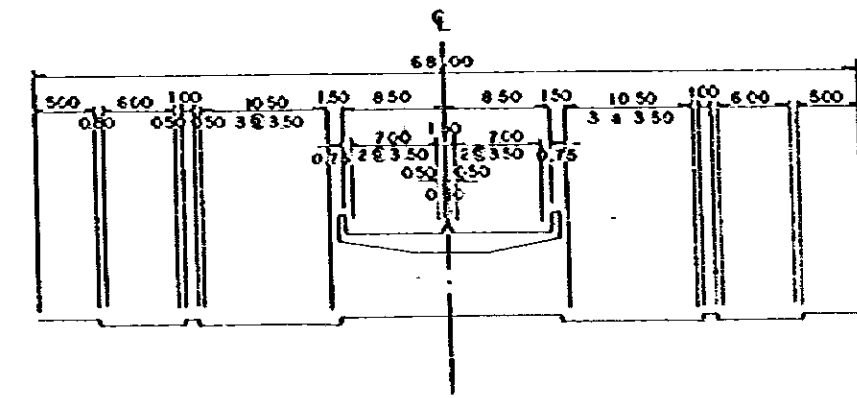
D-D SECTION



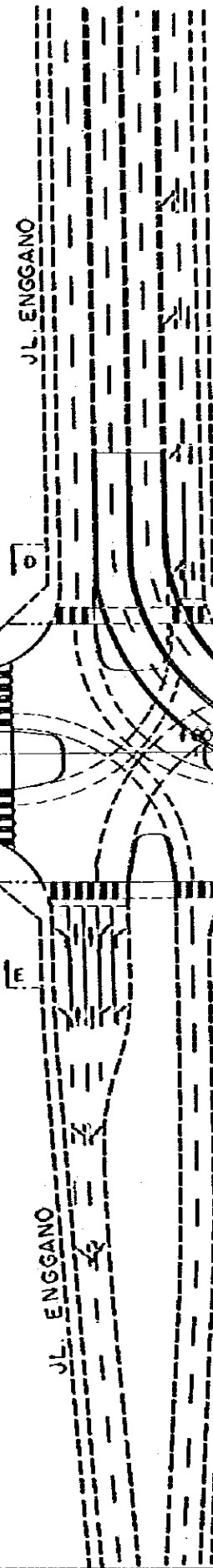
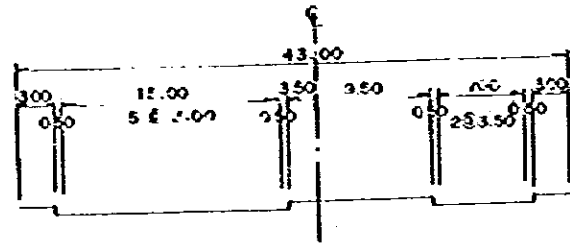
WAITING LANE	TAPER
L = 20.00	L = 40.00
WAITING LANE	TAPER
L = 20.00	L = 40.00

WAITING LANE	TAPER
L = 20.00	L = 40.00

C-C SECTION



E-E SECTION



JICA