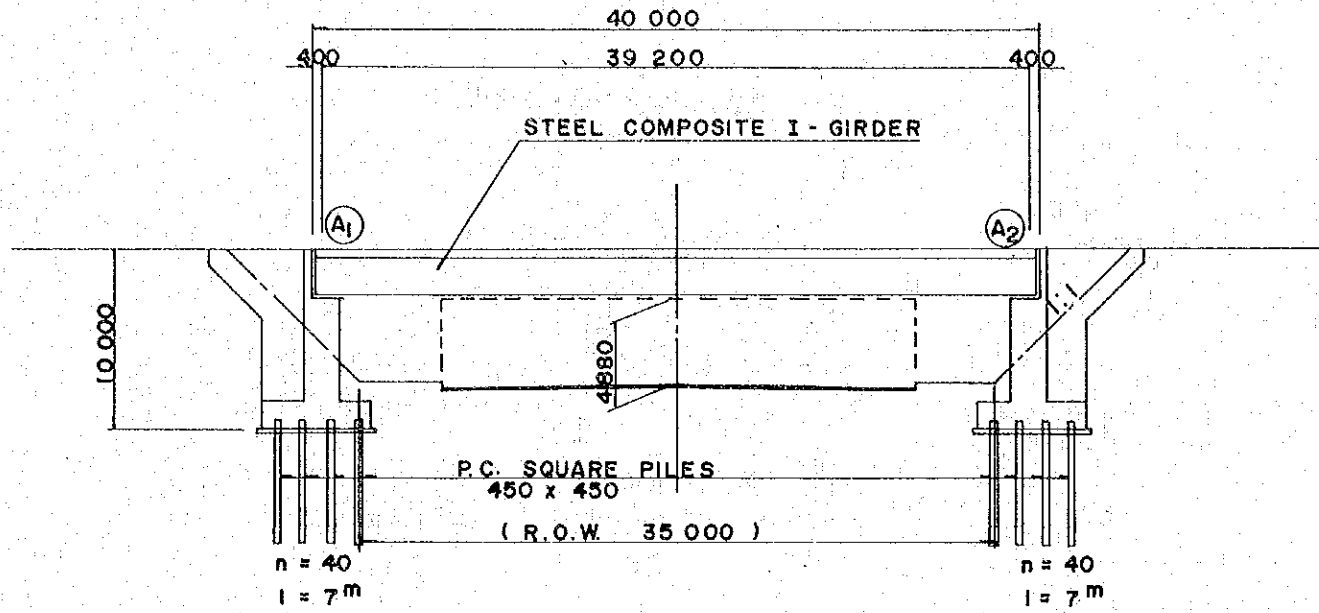
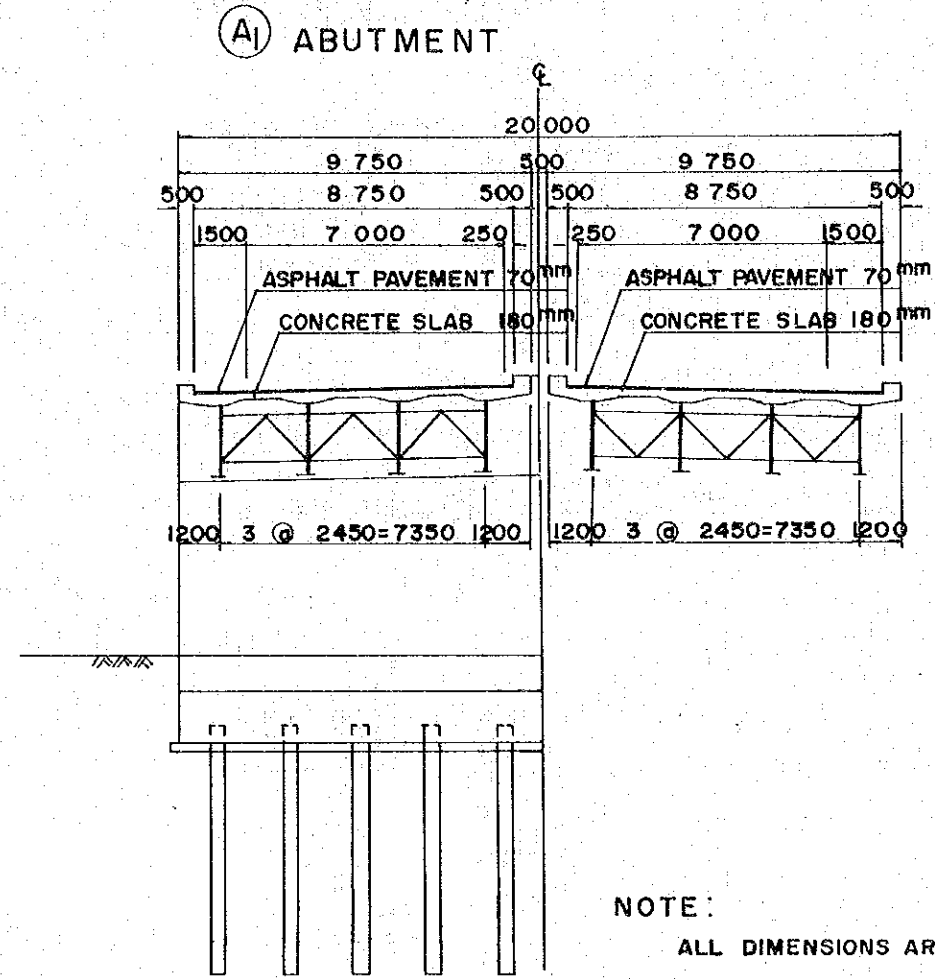


# BR.- 3 (A-ROUTE)

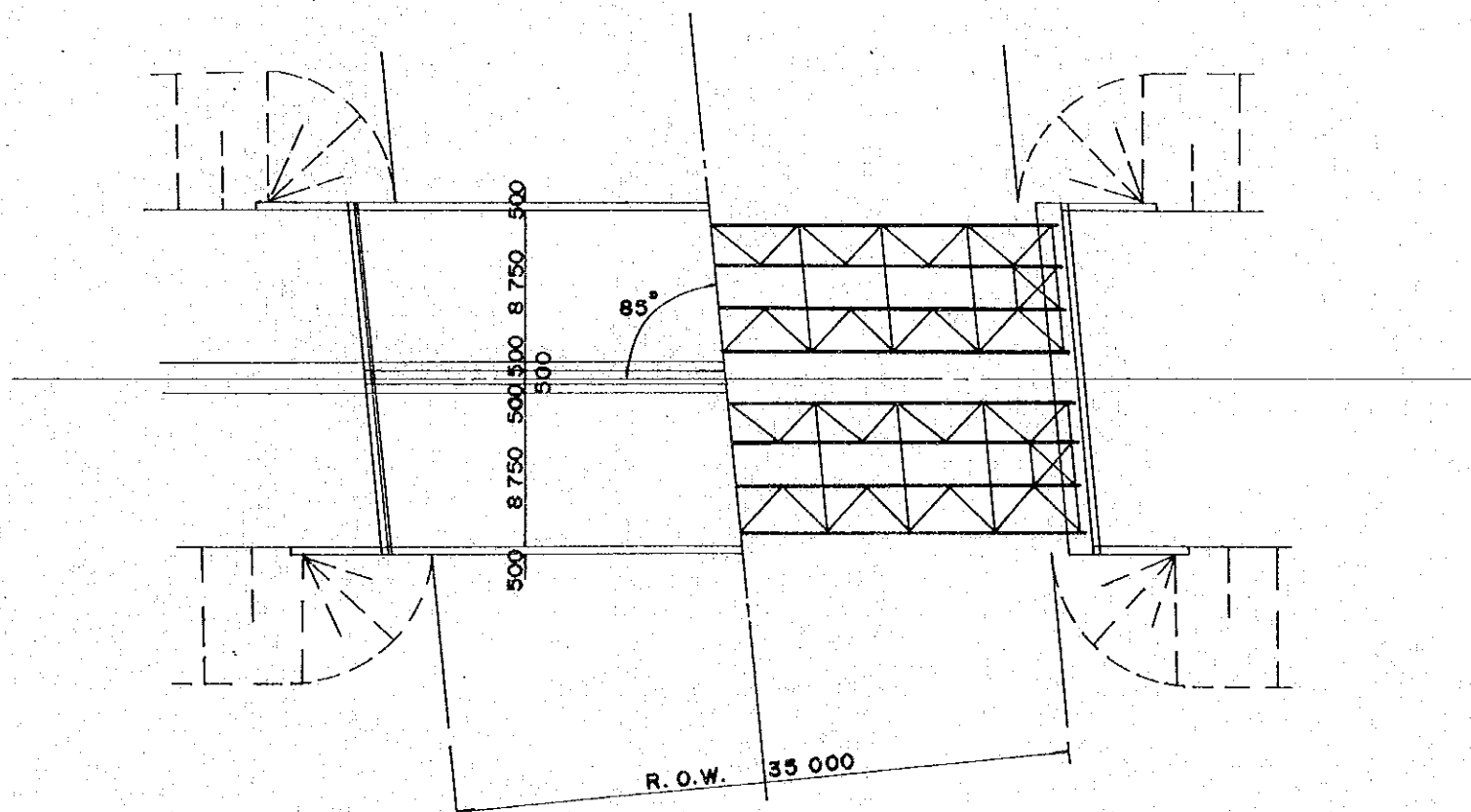
PROFILE SCALE 1: 400



SECTION SCALE 1: 200

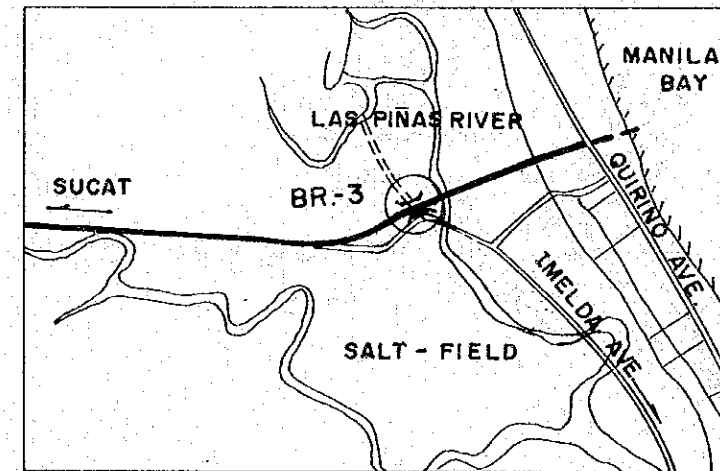


PLAN SCALE 1: 400



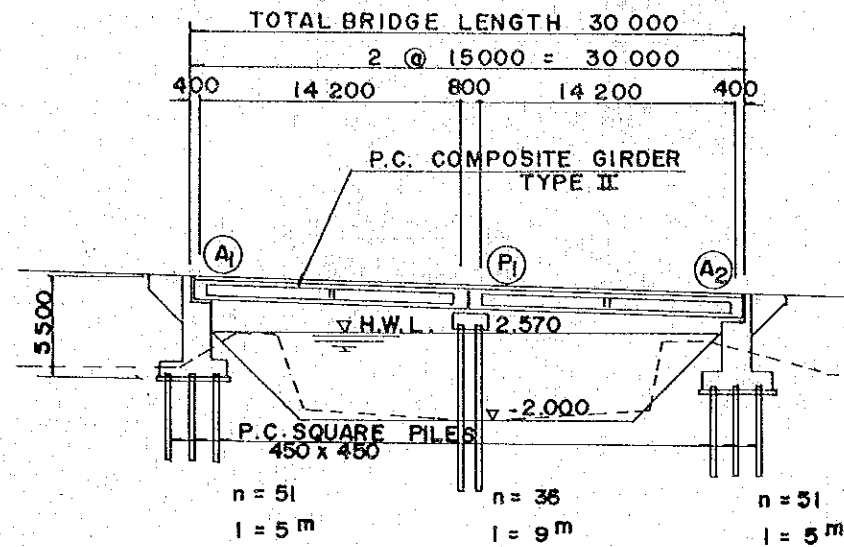
LOCATION MAP

SCALE 1: 25000

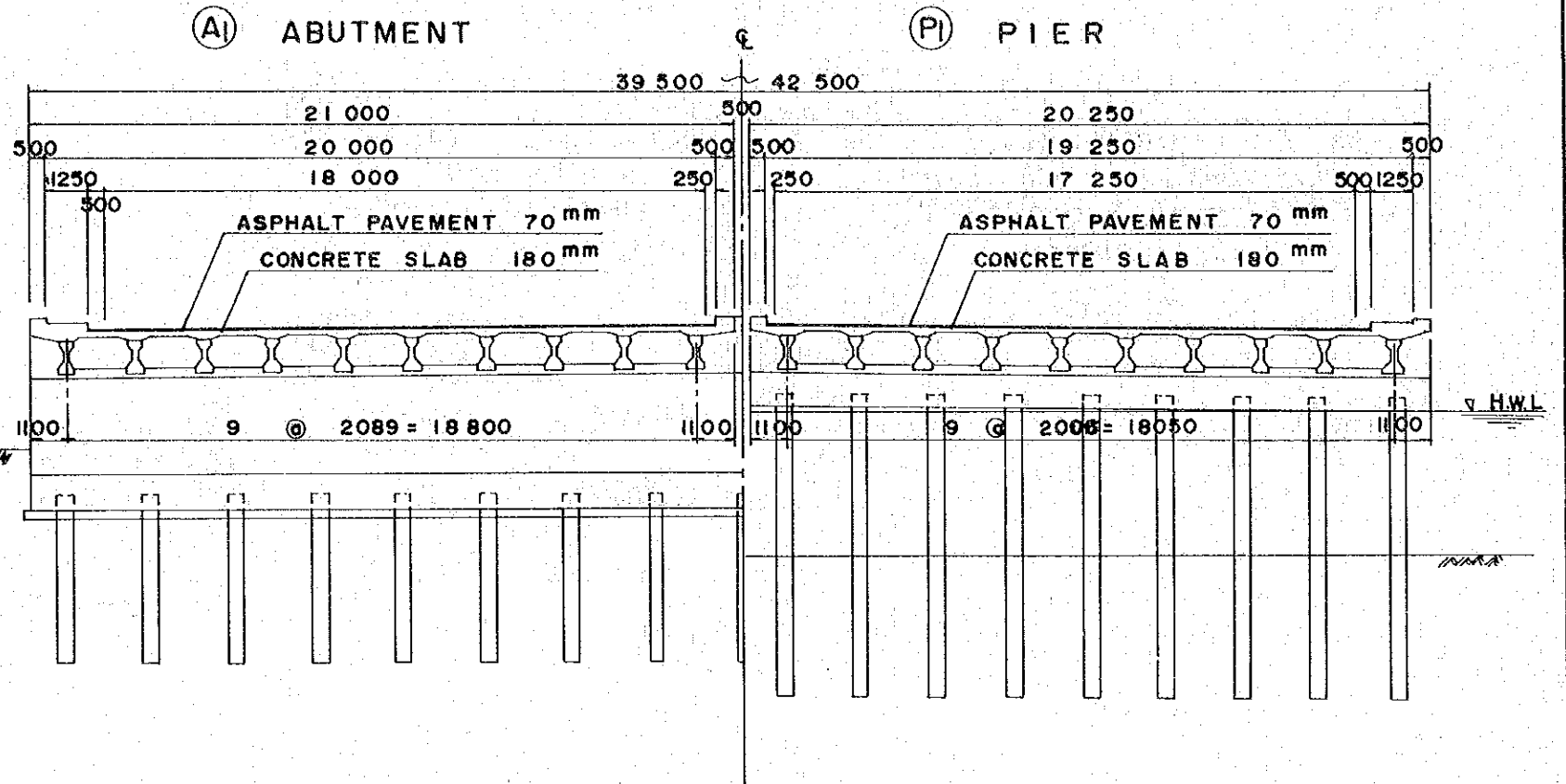


BR.- 4 (A-ROUTE)

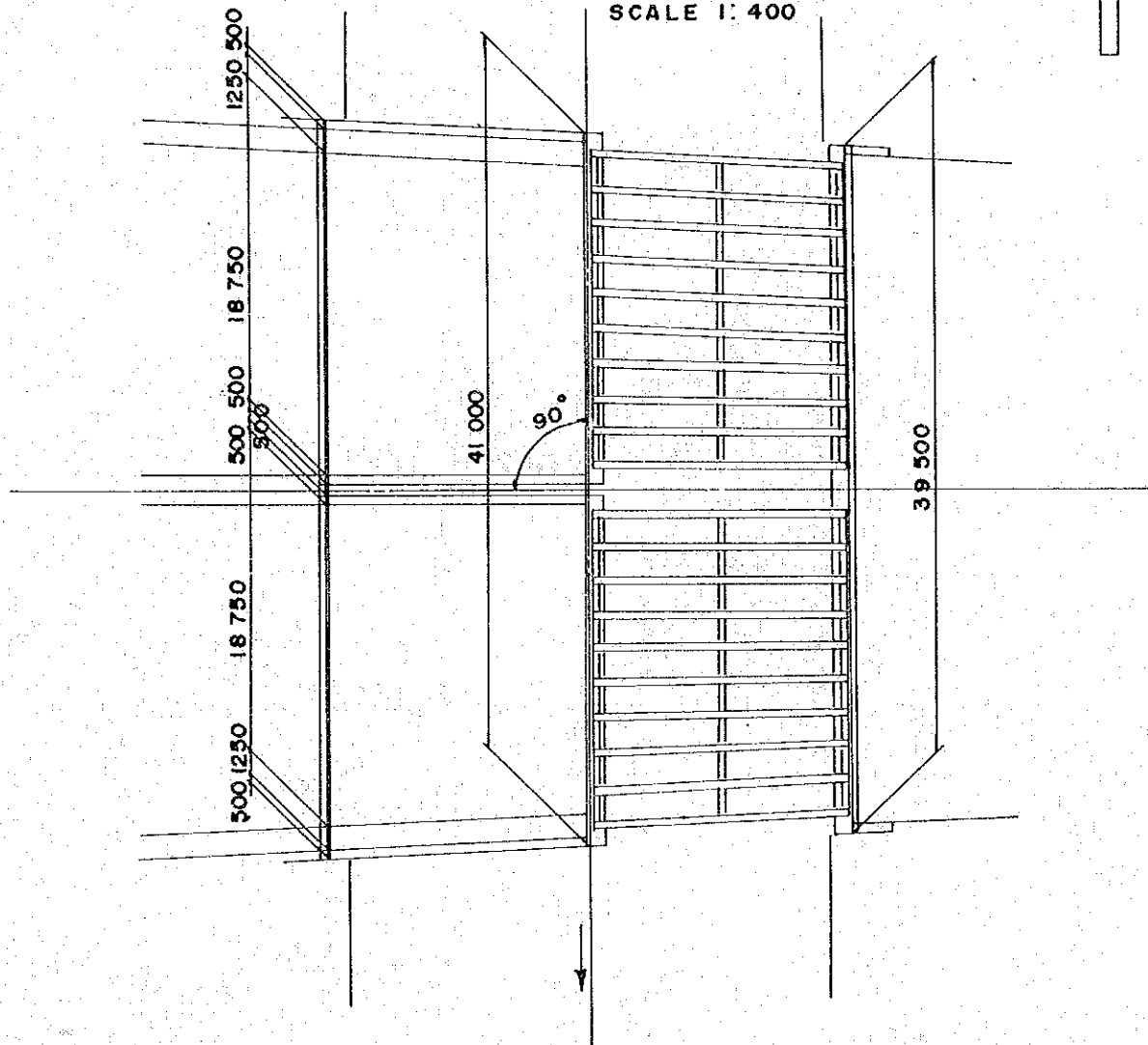
PROFILE SCALE 1: 400



SECTION SCALE 1: 200



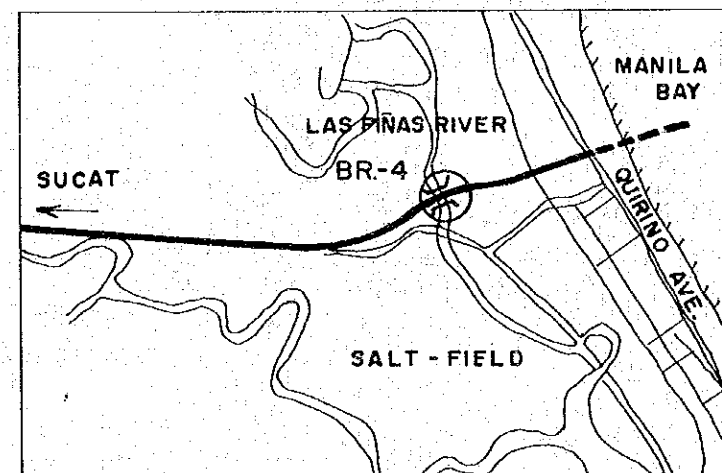
PLAN SCALE 1: 400



NOTE:  
 ALL DIMENSIONS ARE IN MILLIMETERS.

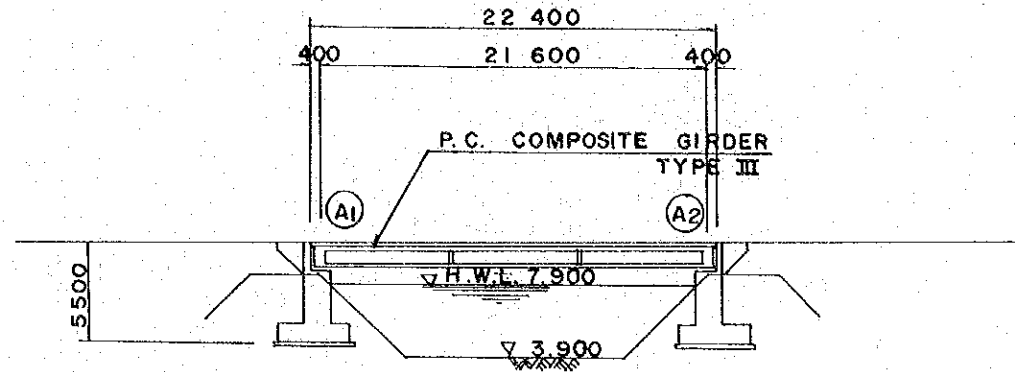
LOCATION MAP

SCALE 1: 25 000

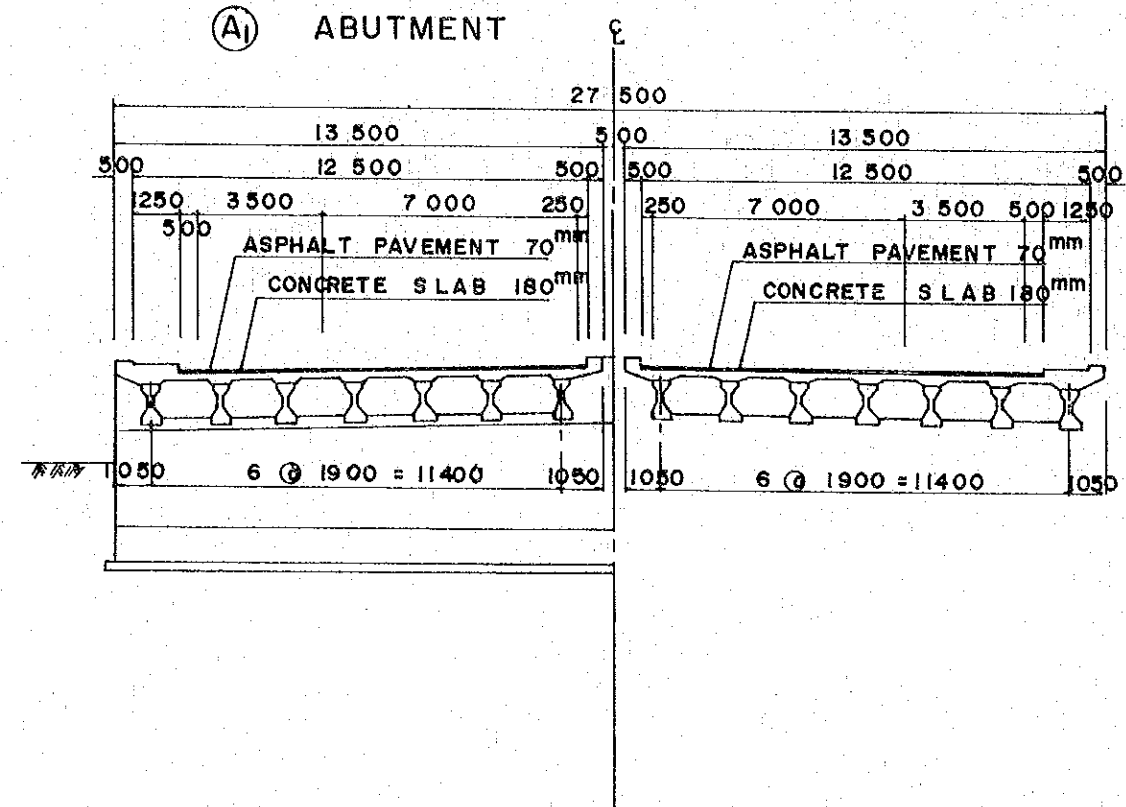


# BR - 1 (B-ROUTE)

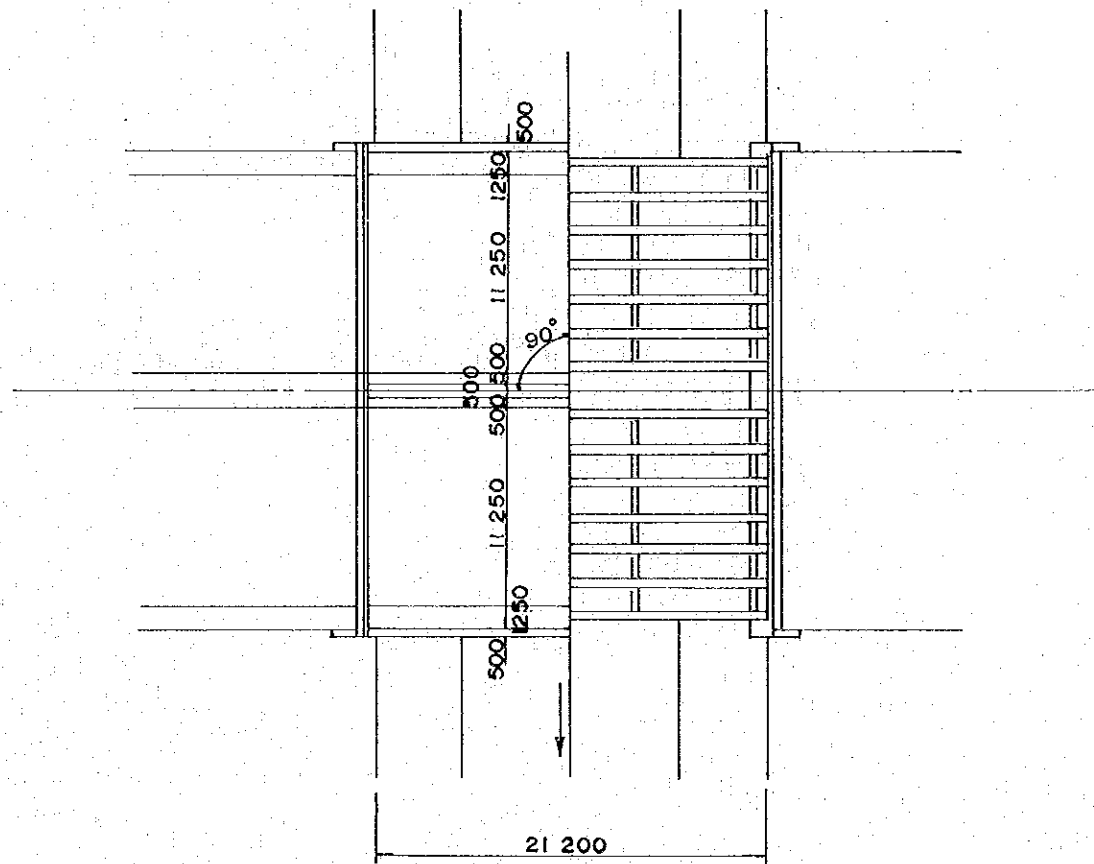
PROFILE SCALE 1:400



SECTION SCALE 1:200

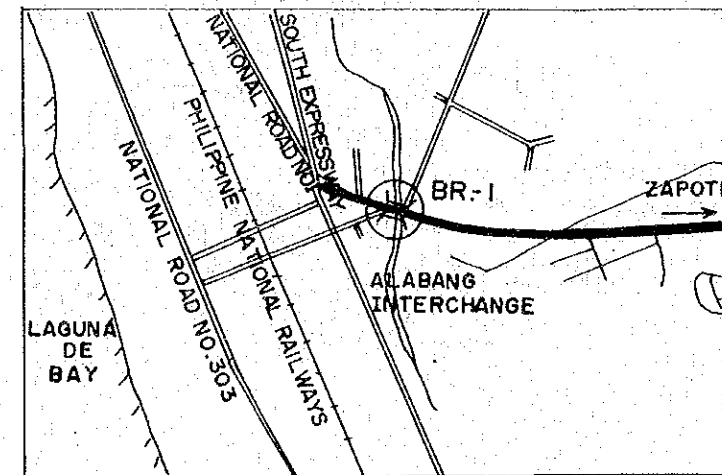


PLAN SCALE 1:400



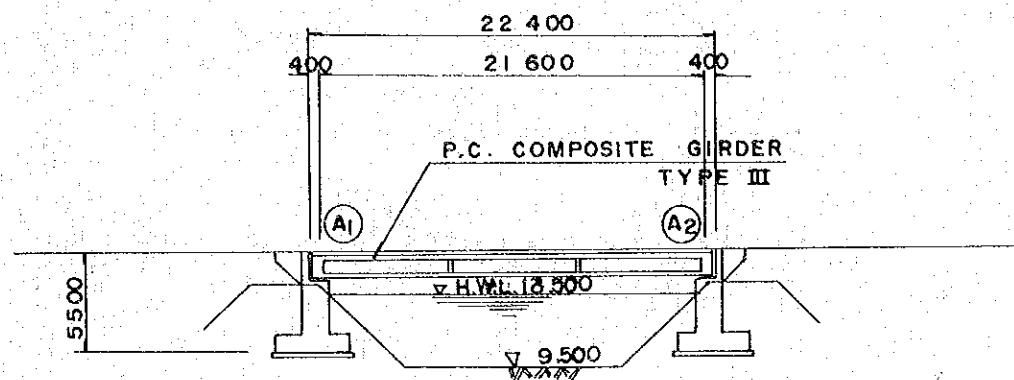
NOTE:  
ALL DIMENSIONS ARE IN MILLIMETERS.

LOCATION MAP SCALE 1:25,000

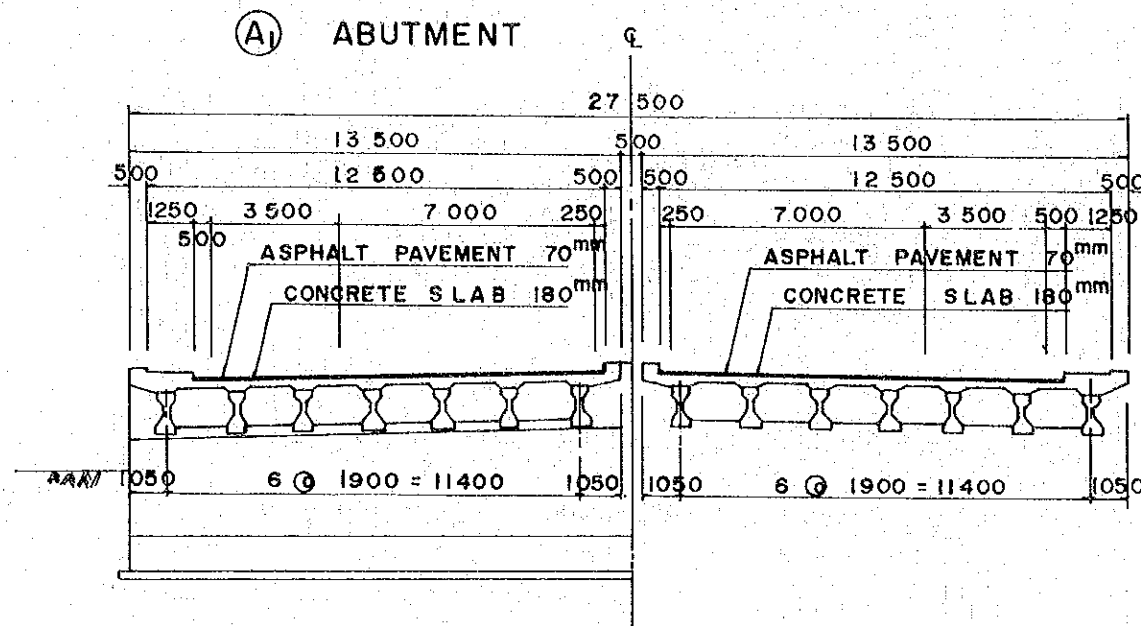


BR- 2 (B-ROUTE)

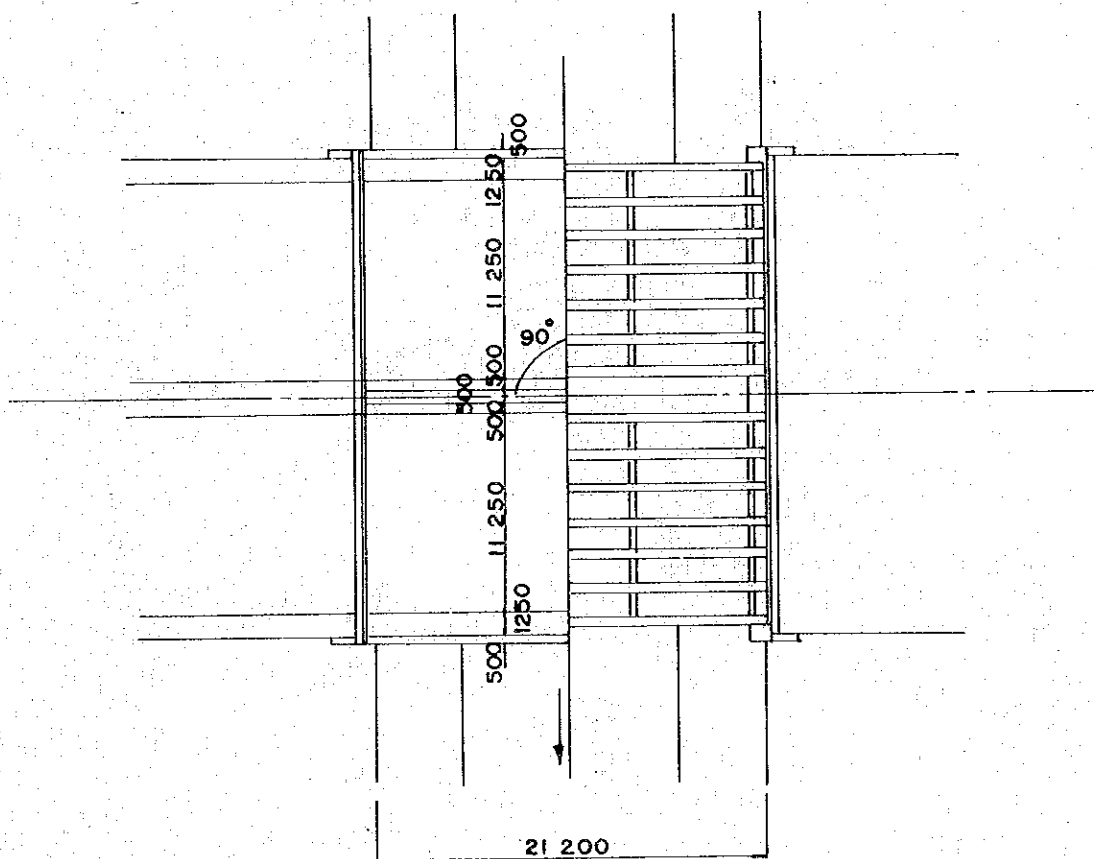
PROFILE SCALE 1: 400



SECTION SCALE 1: 200



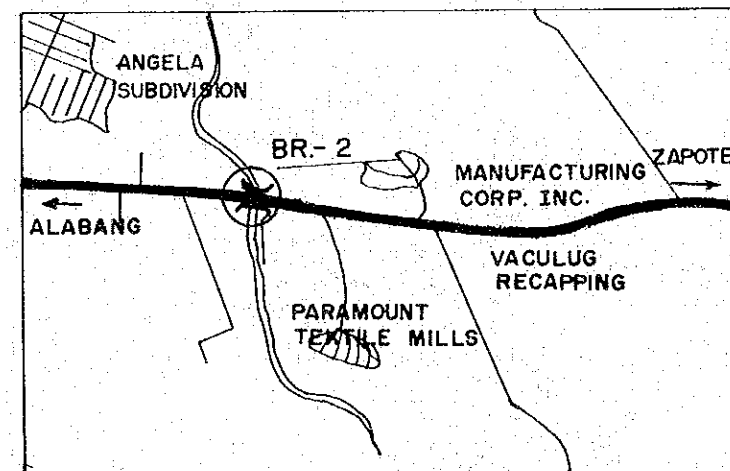
PLAN SCALE 1: 400



NOTE:  
 ALL DIMENSIONS ARE IN MILLIMETERS.

LOCATION MAP

SCALE 1: 25,000



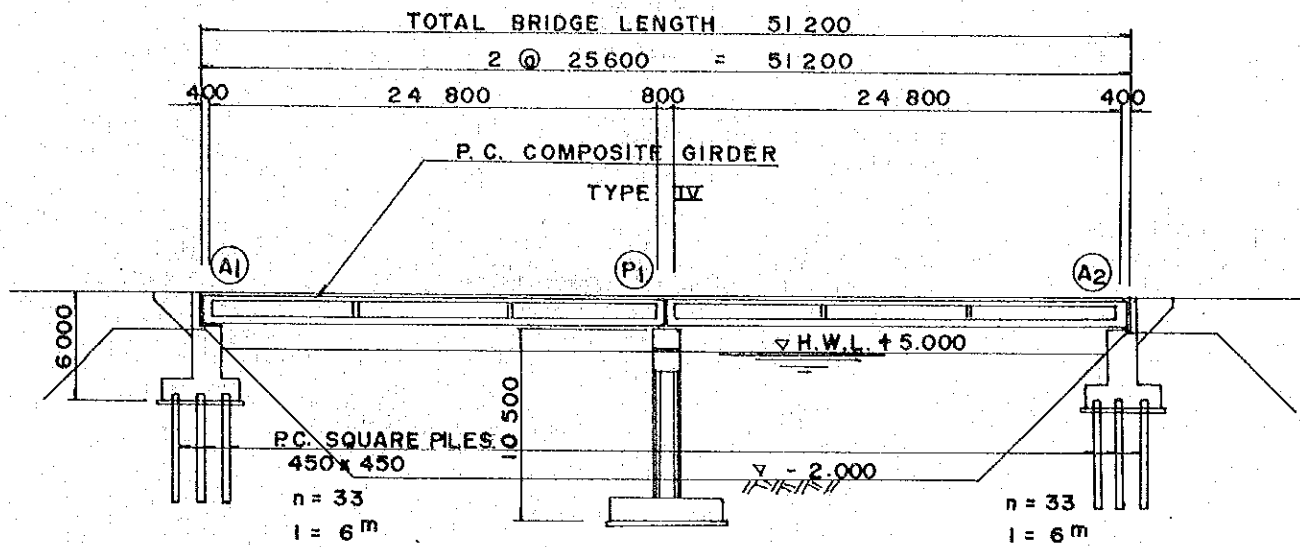
BR.- 3 (B-ROUTE)

SCALE  
1:400  
1:200

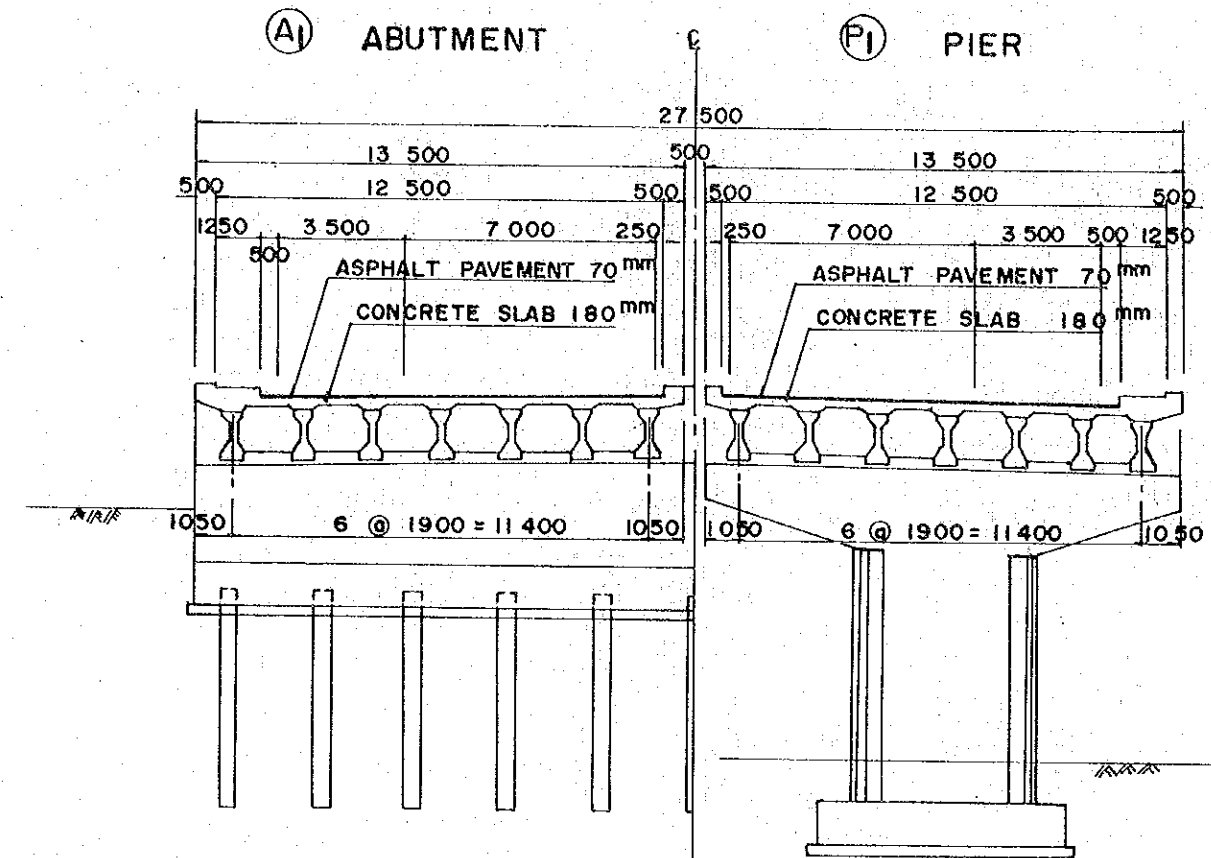
BR.- 3 (B-ROUTE)  
PLAN AND PROFILE

DRAWING NO.  
7/25

PROFILE SCALE 1:400

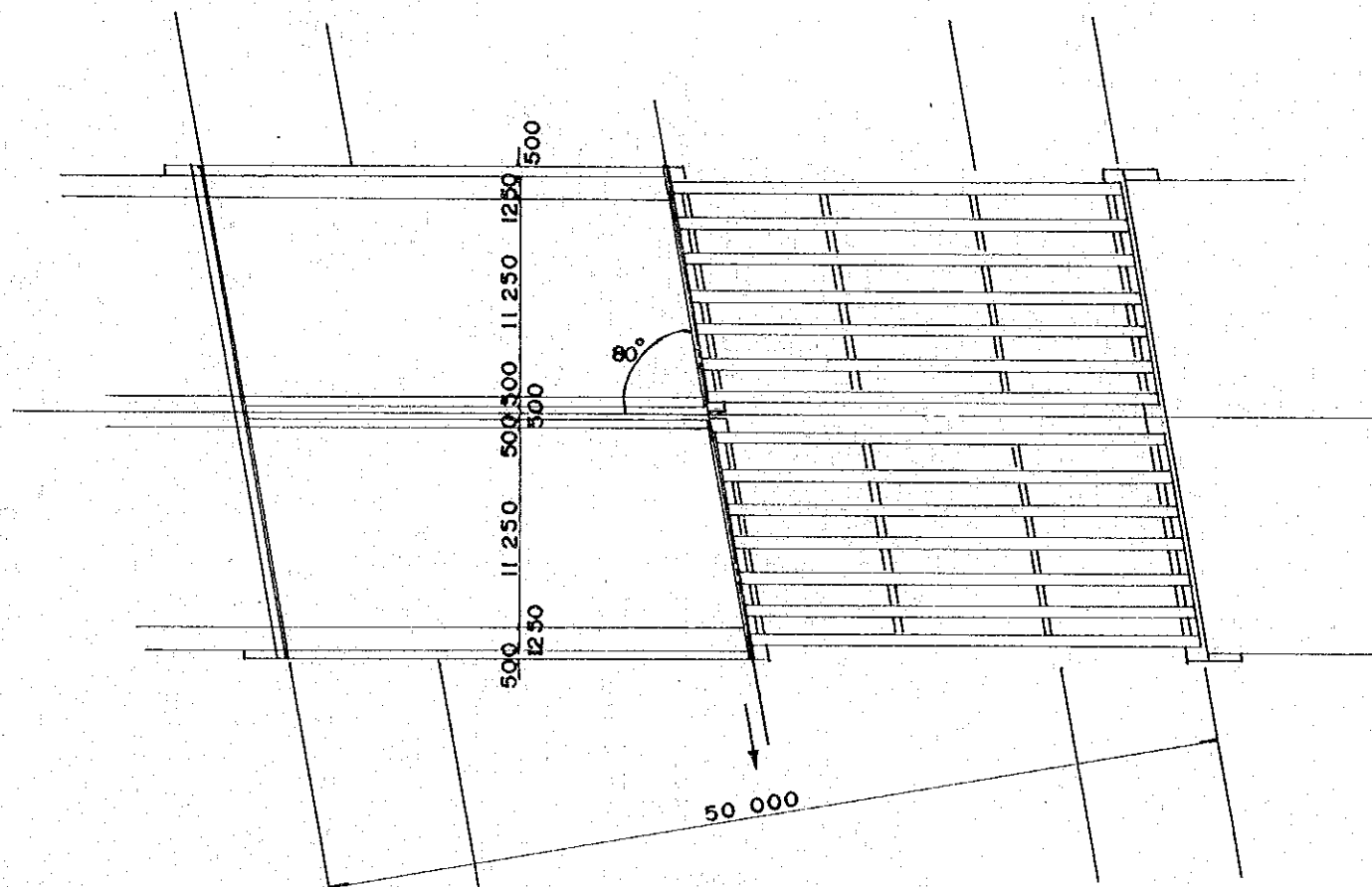


SECTION SCALE 1:200

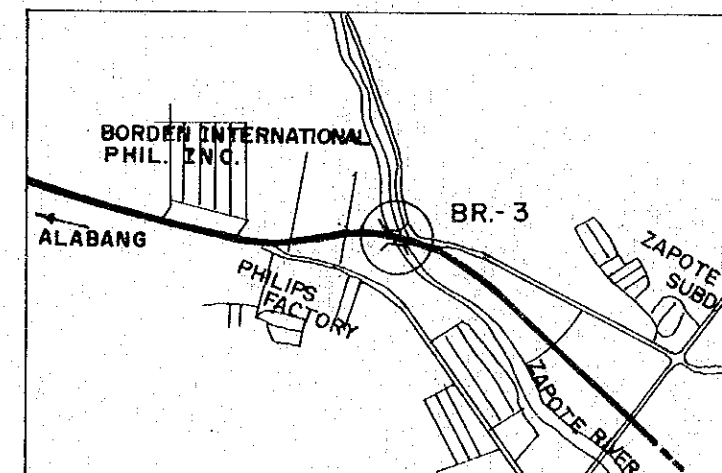


NOTE:  
ALL DIMENSIONS ARE IN MILLIMETERS.

PLAN SCALE 1:400

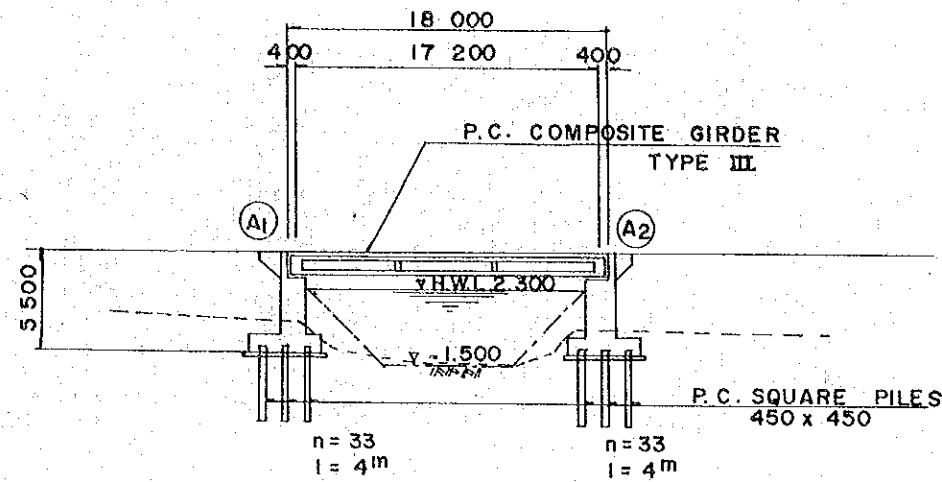


LOCATION MAP SCALE 1:25000

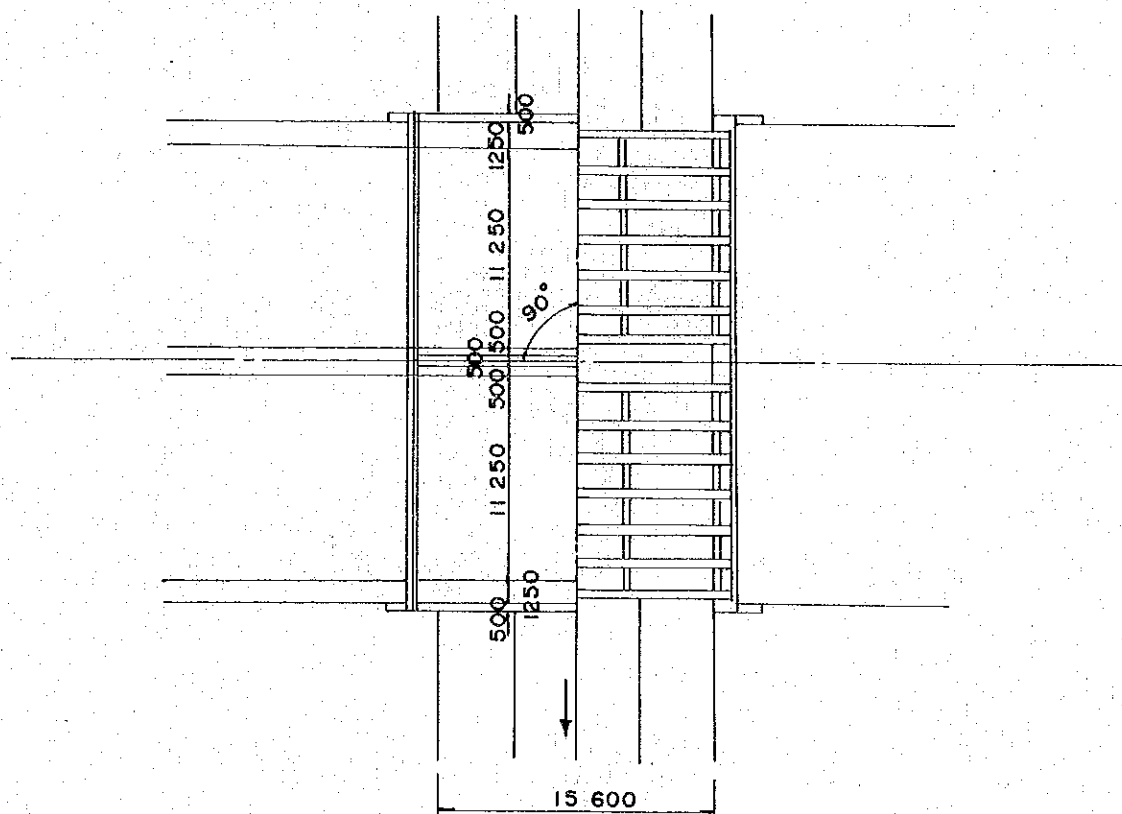


# BR.- 4 (B-ROUTE)

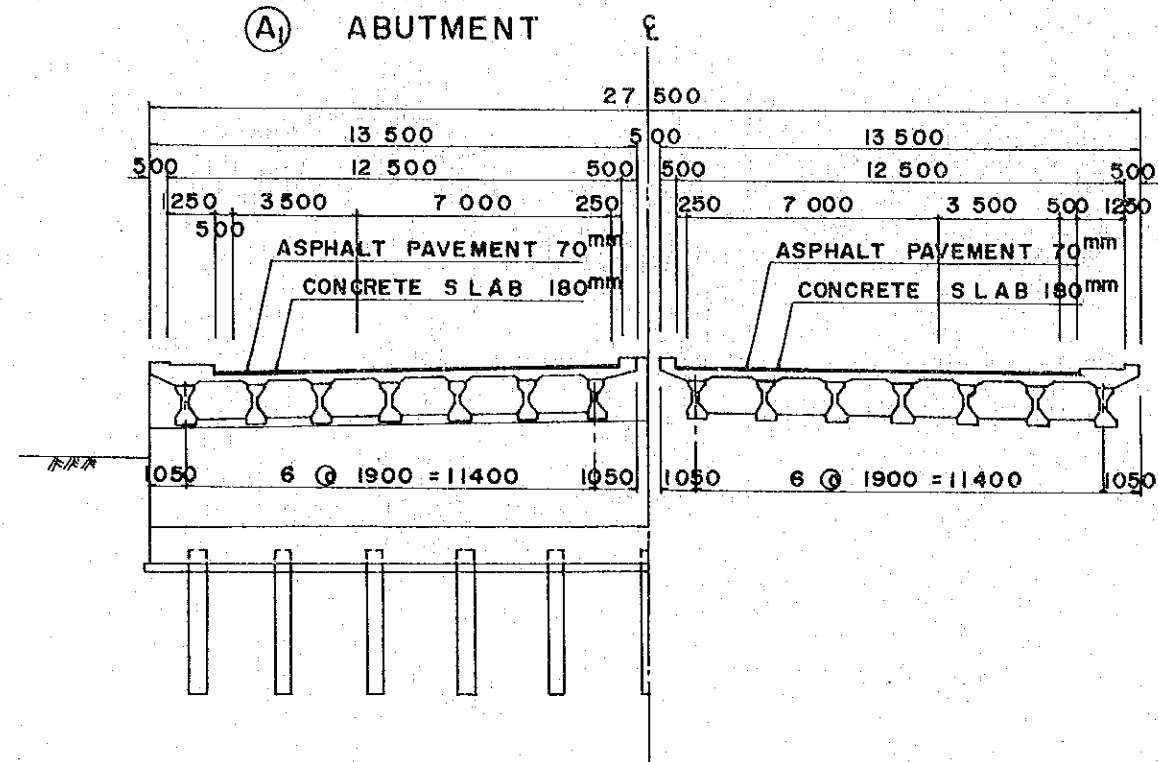
PROFILE SCALE 1:400



PLAN SCALE 1:400

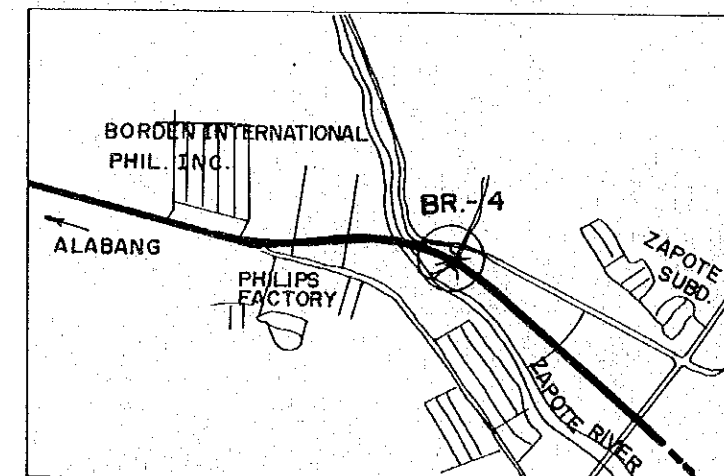


SECTION SCALE 1:200



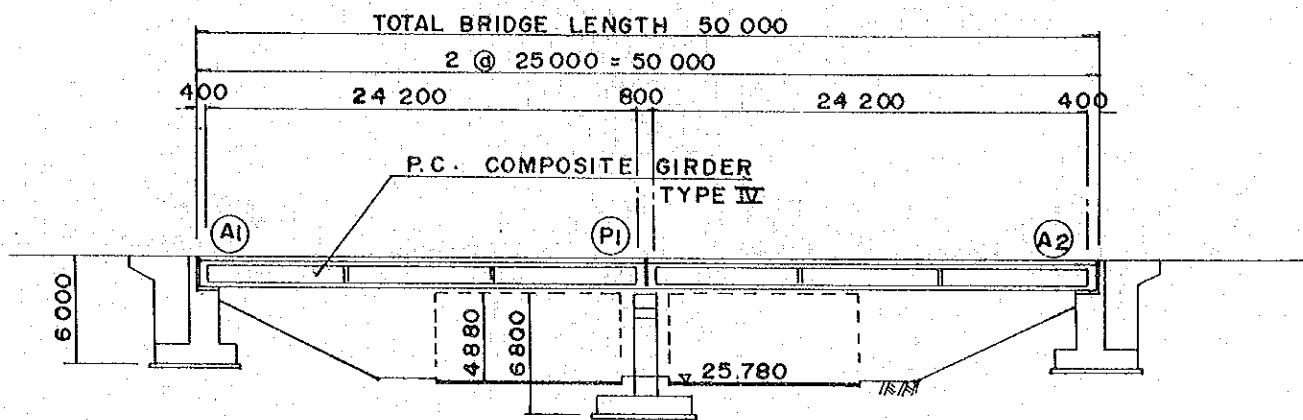
NOTE:  
ALL DIMENSIONS ARE IN MILLIMETERS

LOCATION MAP SCALE 1:25 000

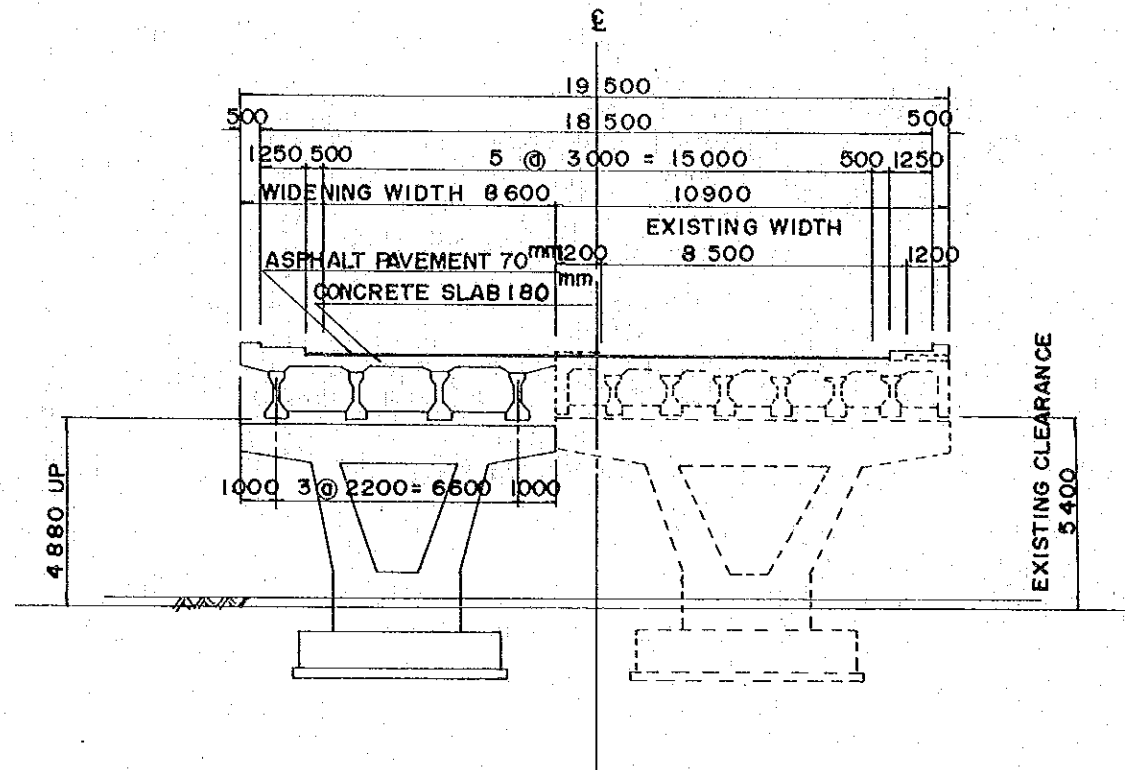


BR-1 (C-ROUTE)

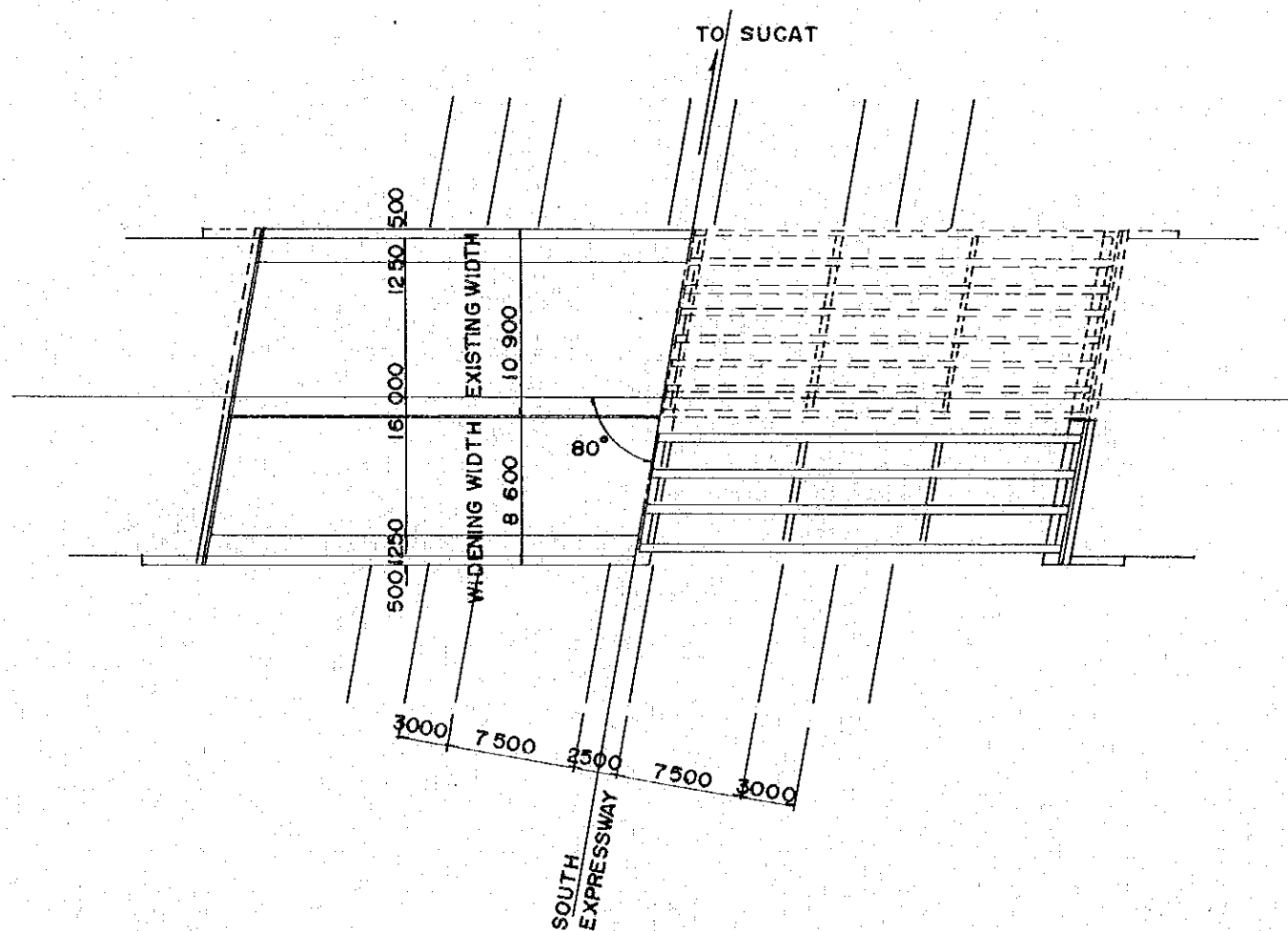
PROFILE SCALE 1: 400



SECTION SCALE 1: 200



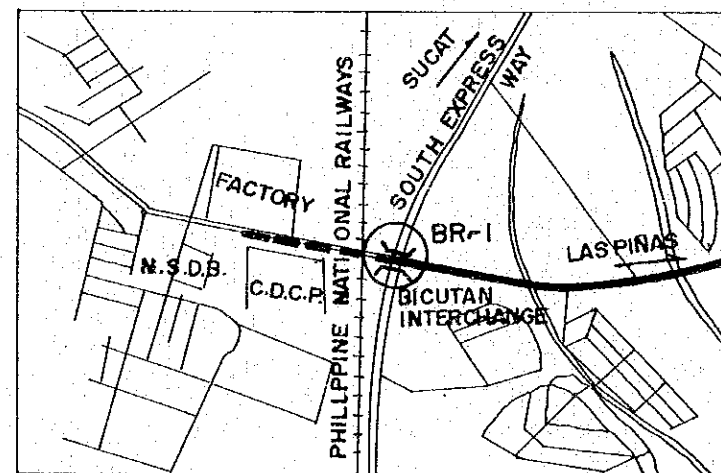
PLAN SCALE 1: 400



NOTES:

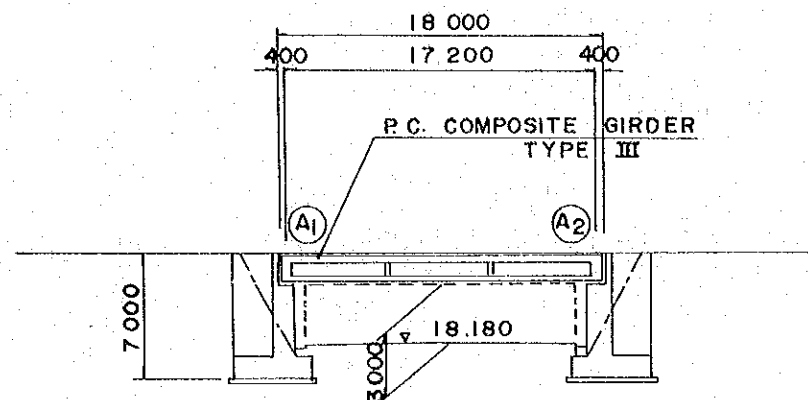
ALL DIMENSIONS ARE IN MILLIMETERS.  
DOTTED LINES SHOW EXISTING BRIDGE.

LOCATION MAP SCALE 1: 25 000

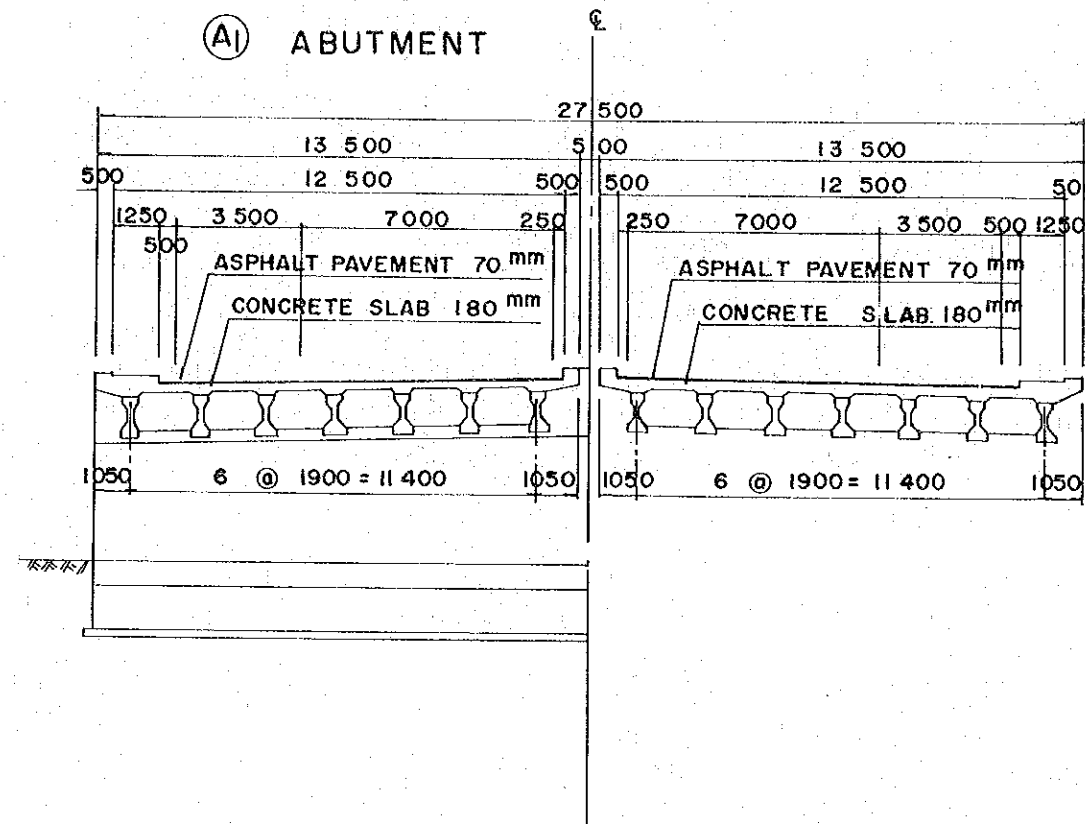


# BR.- 2 (C-ROUTE)

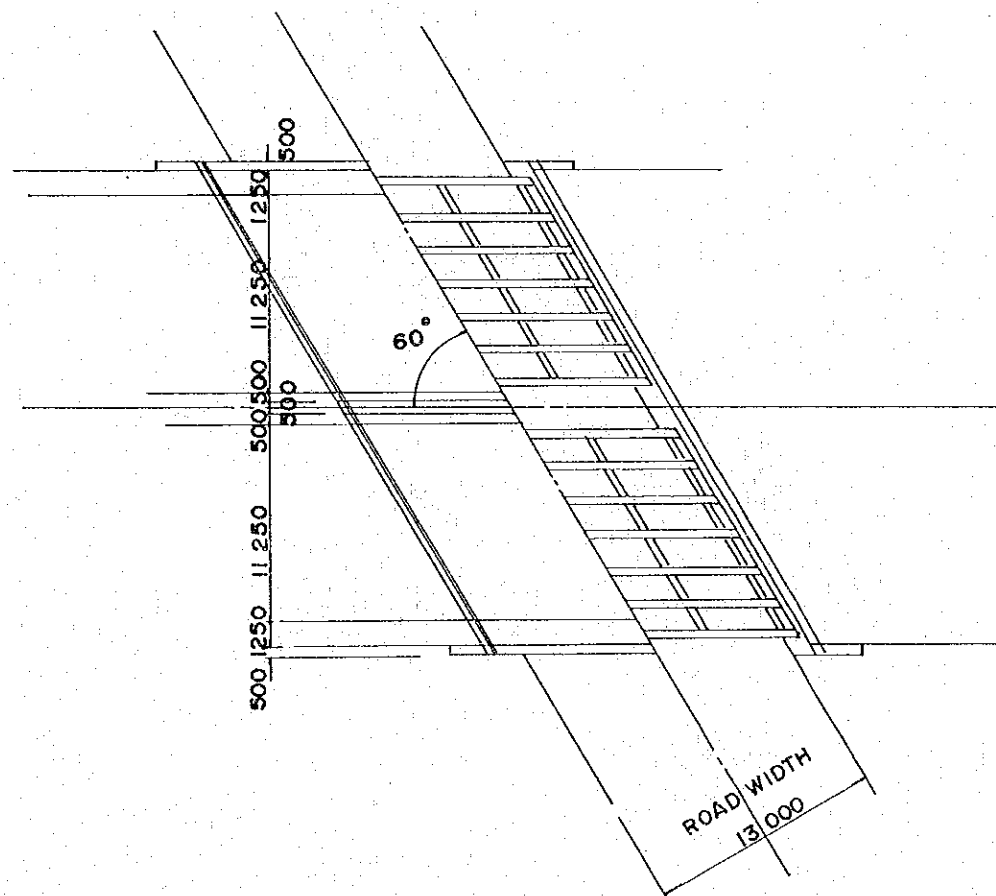
PROFILE SCALE 1:400



SECTION SCALE 1:200



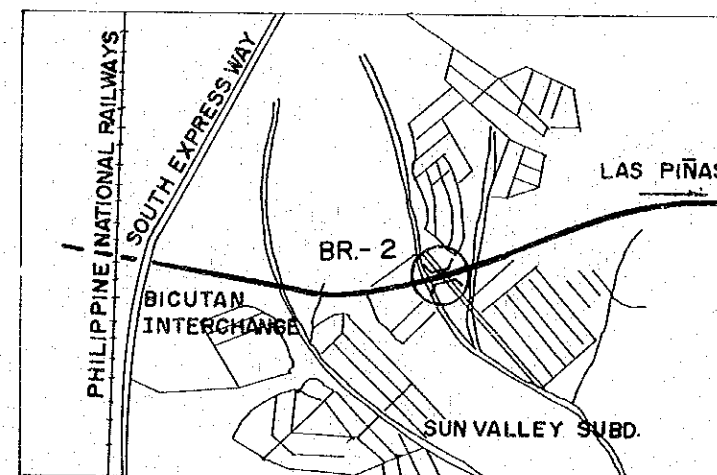
PLAN SCALE 1:400



NOTE:  
ALL DIMENSIONS ARE IN MILLIMETERS

LOCATION MAP

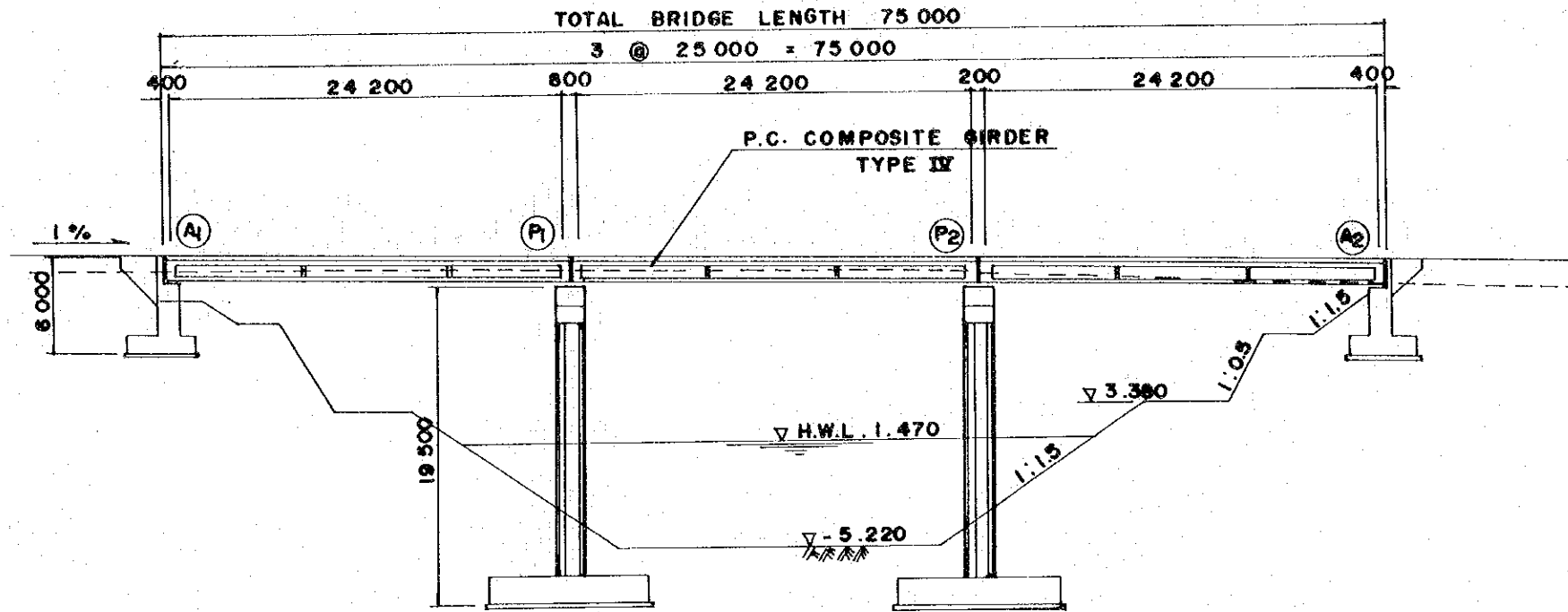
SCALE 1:25000



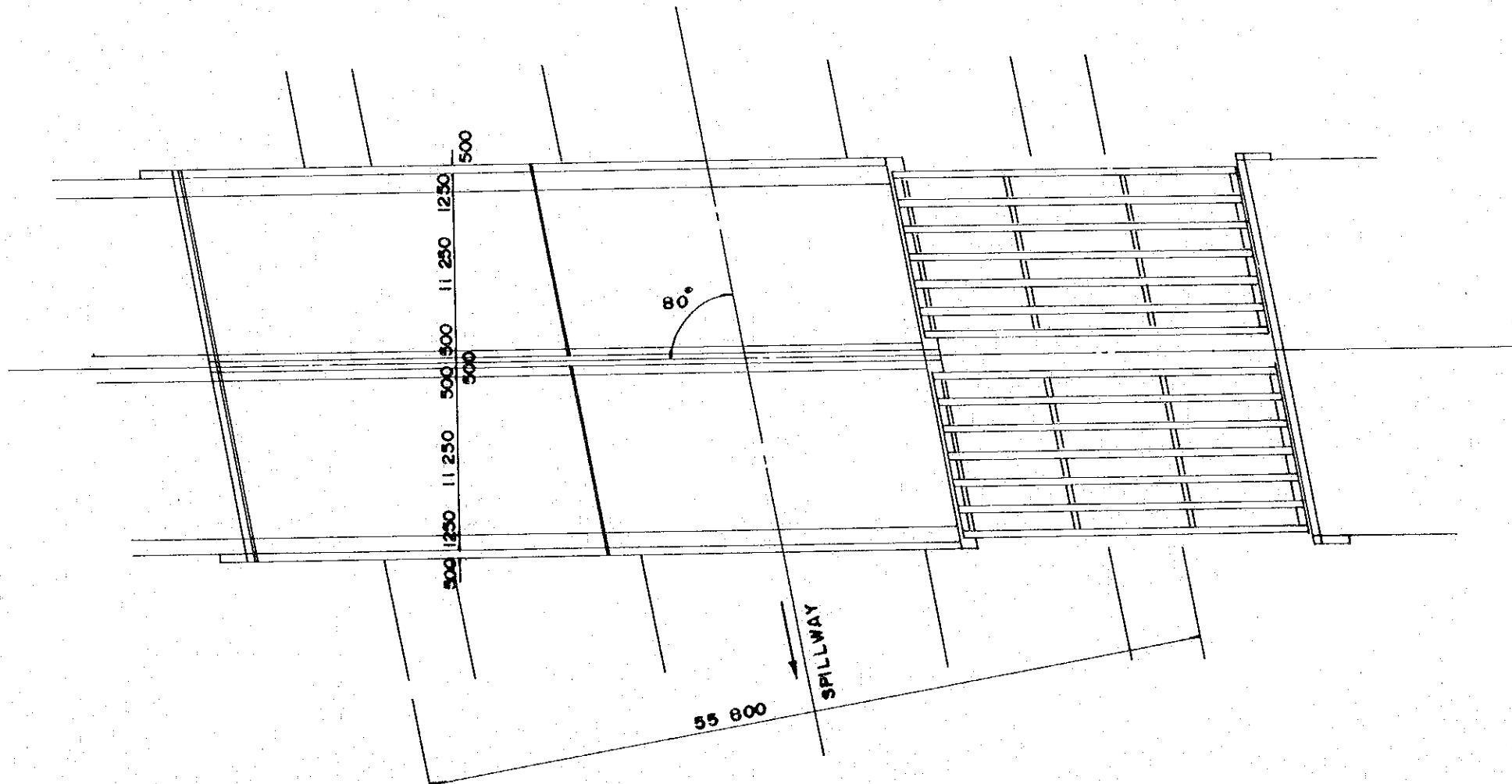


BR.- 3 (C-ROUTE)

PROFILE SCALE 1:400

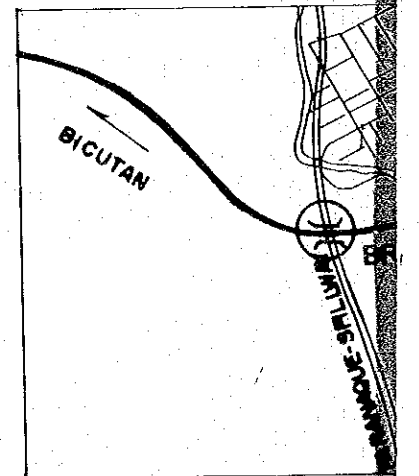


PLAN SCALE 1:400



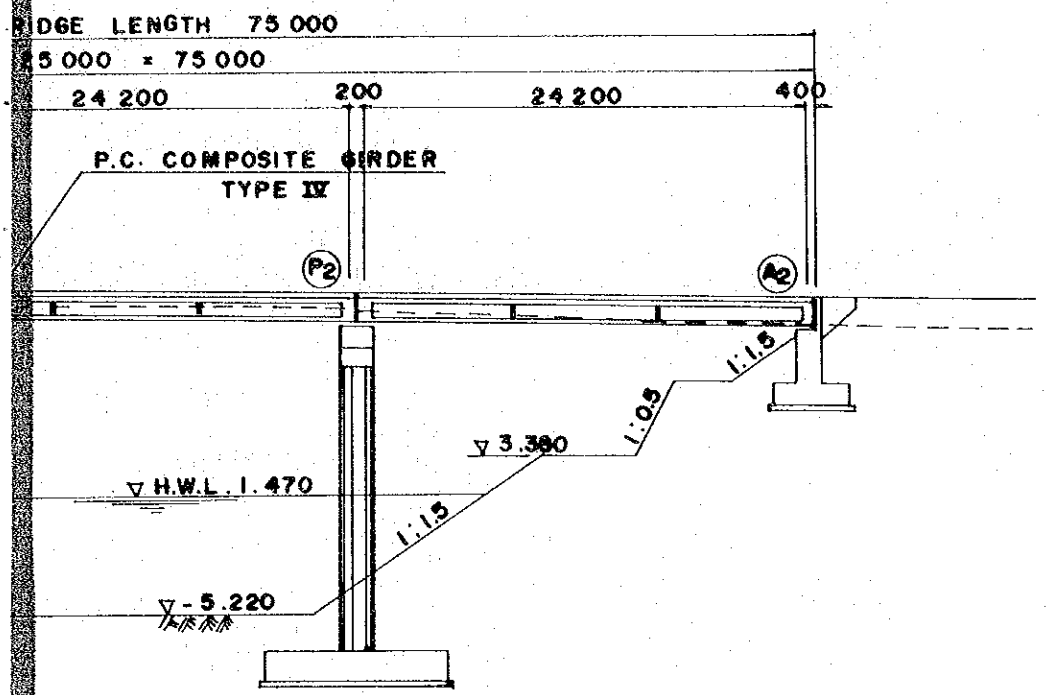
NOTE:  
ALL DIMEN

LOCATIO

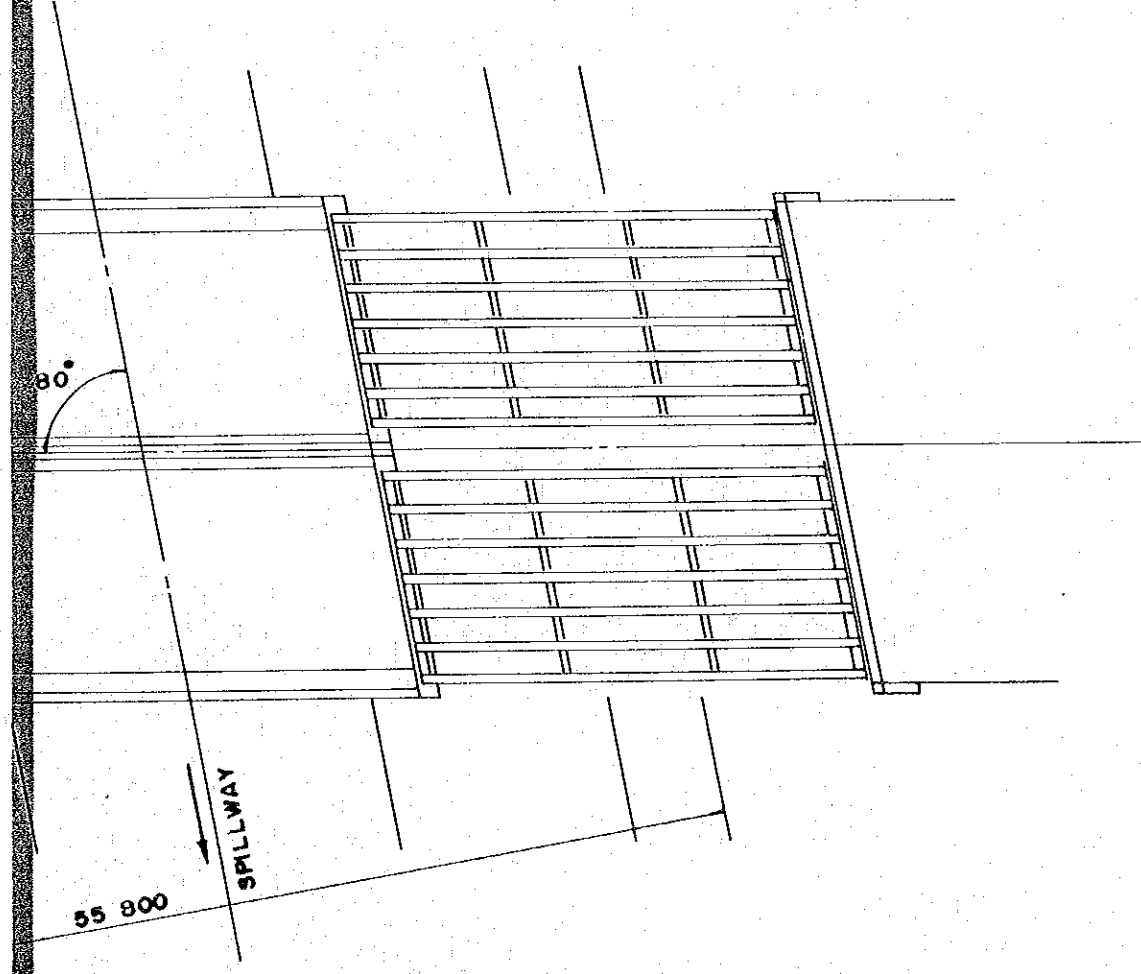


BR.-3 (C-ROUTE)

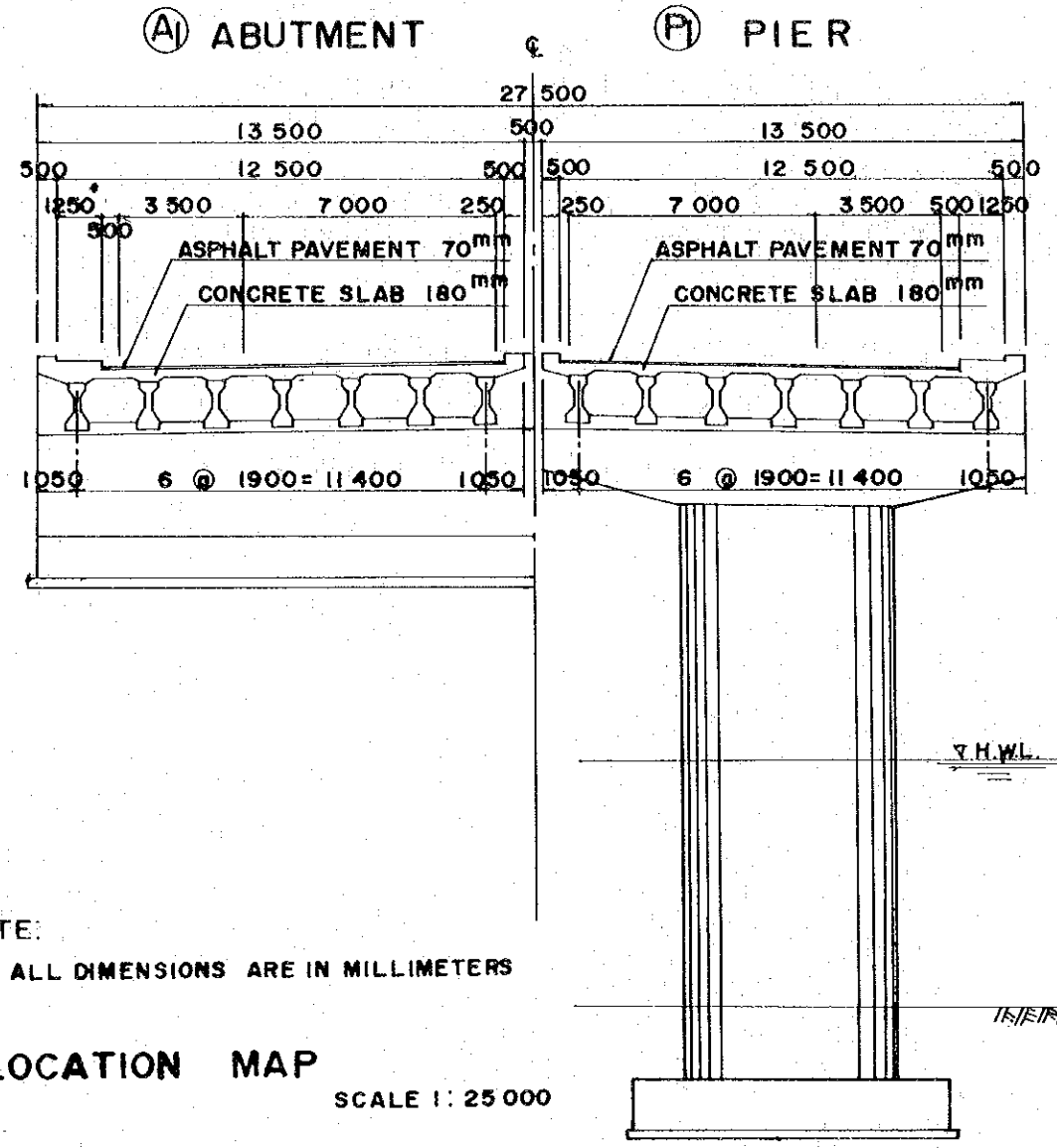
PROFILE SCALE 1:400



PLAN SCALE 1:400

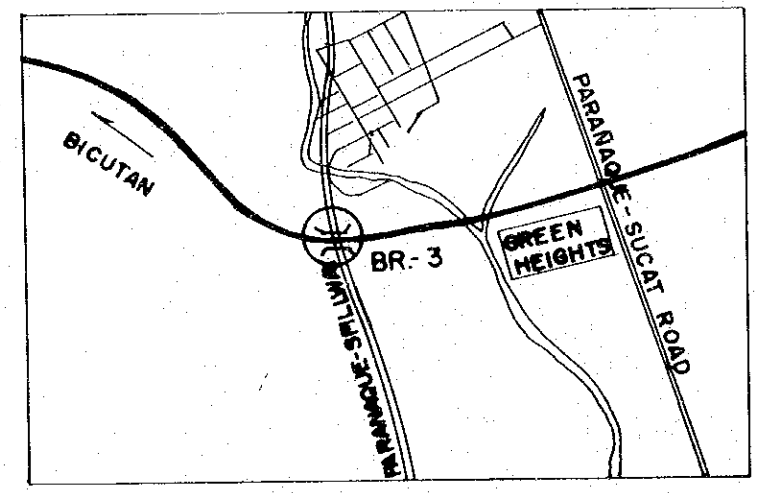


SECTION SCALE 1:200



NOTE:  
 ALL DIMENSIONS ARE IN MILLIMETERS

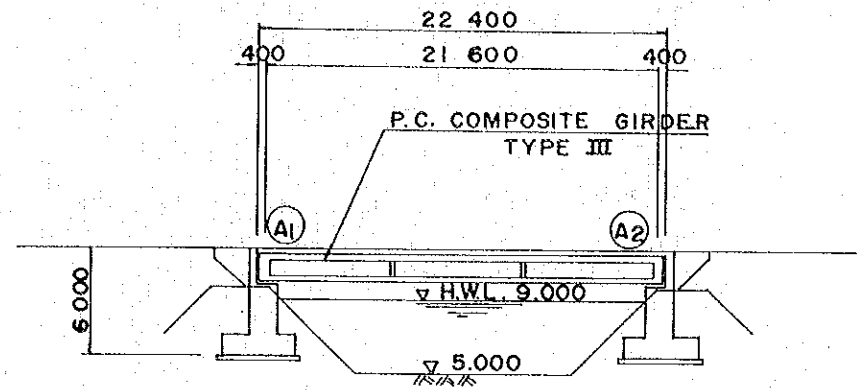
LOCATION MAP SCALE 1:25,000



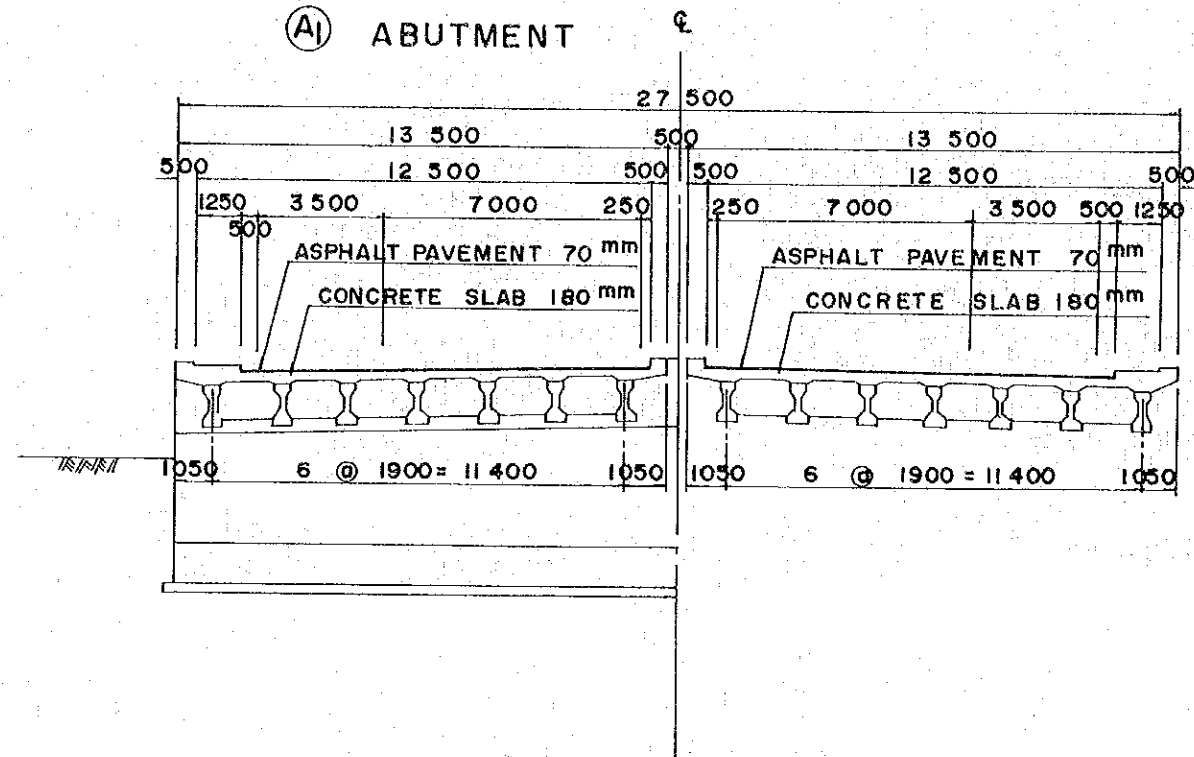
# BR.- 4 (C-ROUTE)

THE METRO MANILA OUTER MAJOR ROADS PROJECT (SOUTHERN PACKAGE)		
SCALE 1:400 1:200	BR.- 4 (C-ROUTE) PLAN AND PROFILE	DRAWING NO. 12/25

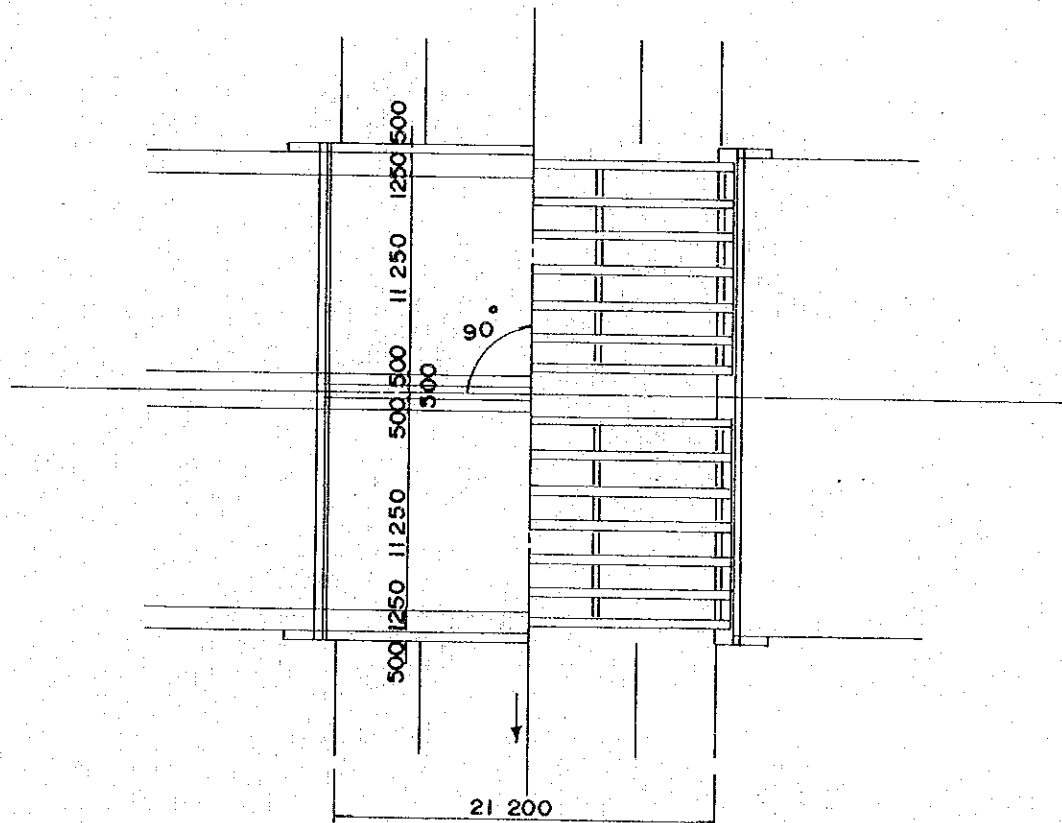
PROFILE SCALE 1:400



SECTION SCALE 1:200

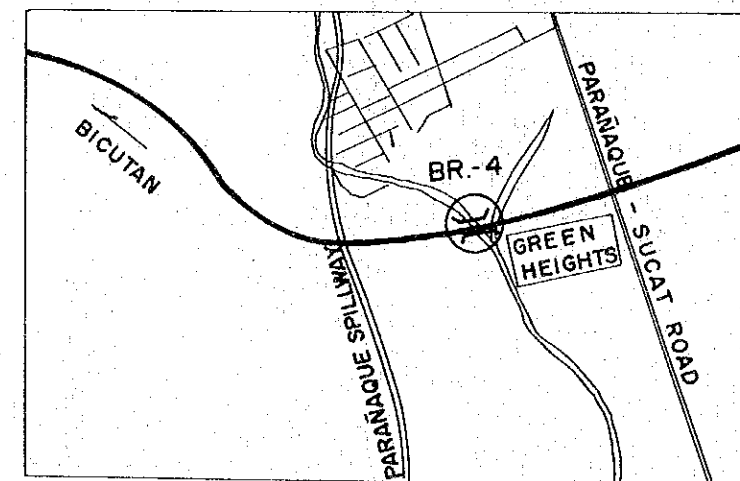


PLAN SCALE 1:400



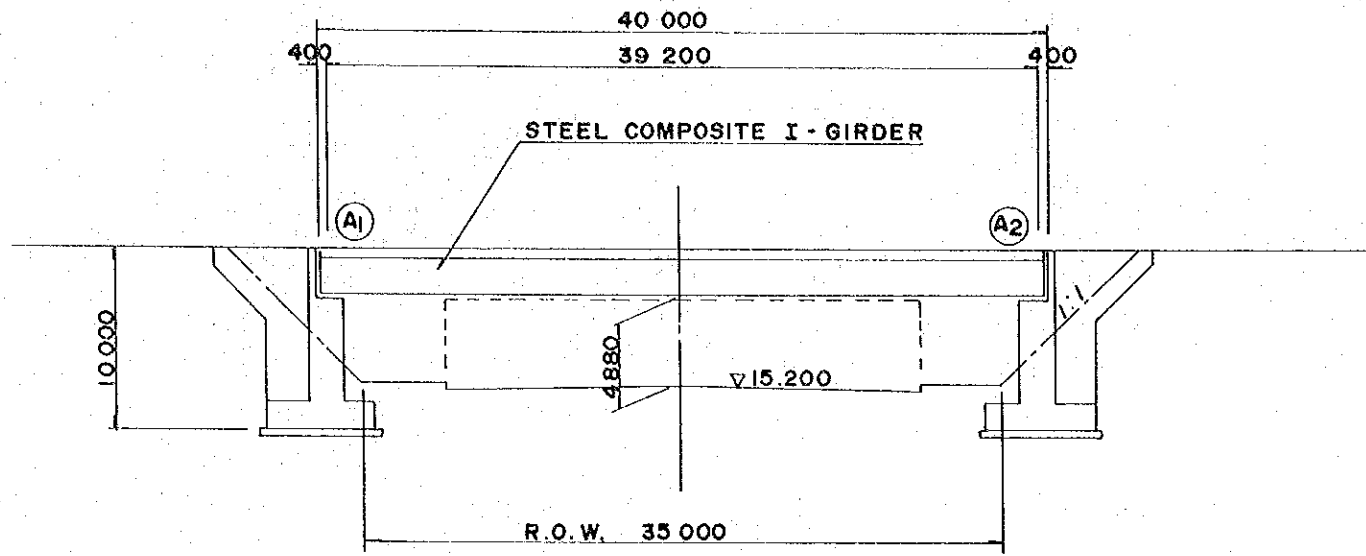
NOTE:  
ALL DIMENSIONS ARE IN MILLIMETERS.

LOCATION MAP SCALE 1:25000

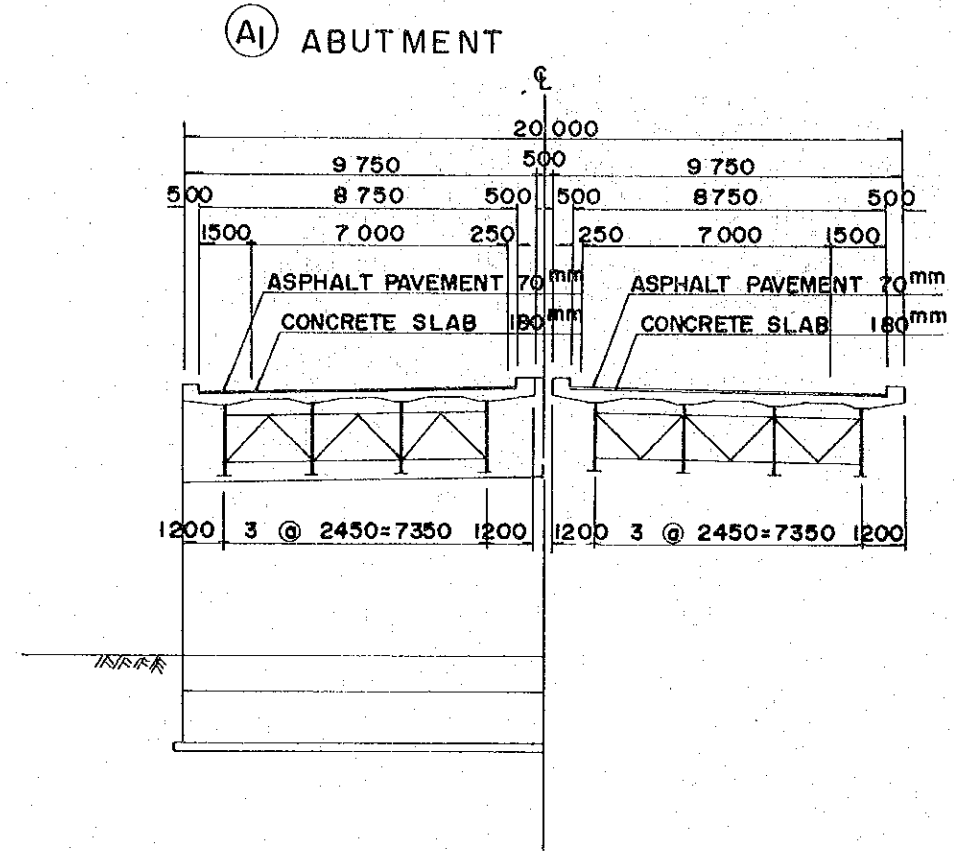


# BR.- 5 ( C-ROUTE )

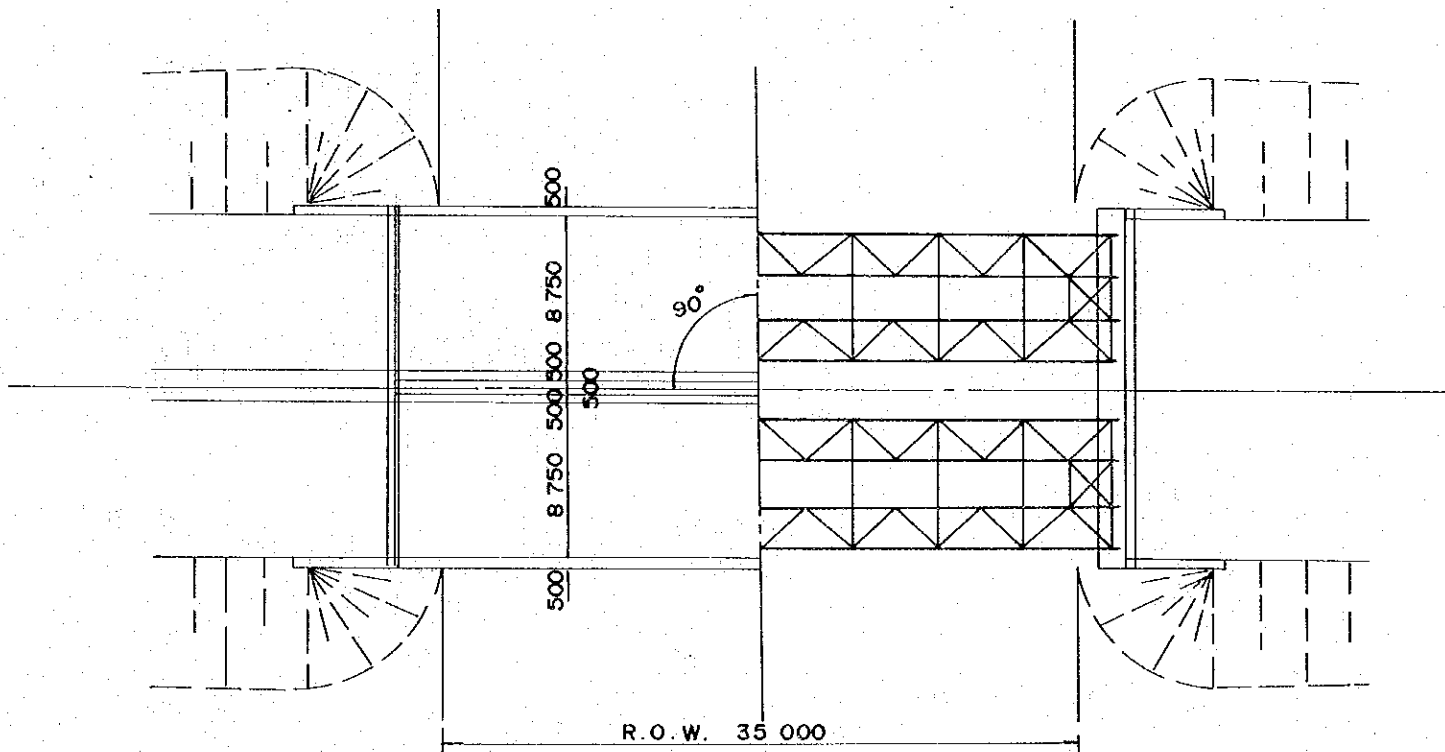
PROFILE SCALE 1:400



SECTION SCALE 1:200

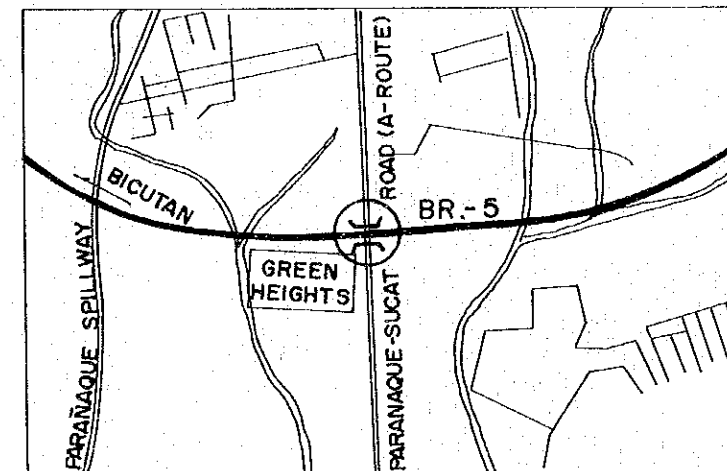


PLAN SCALE 1:400



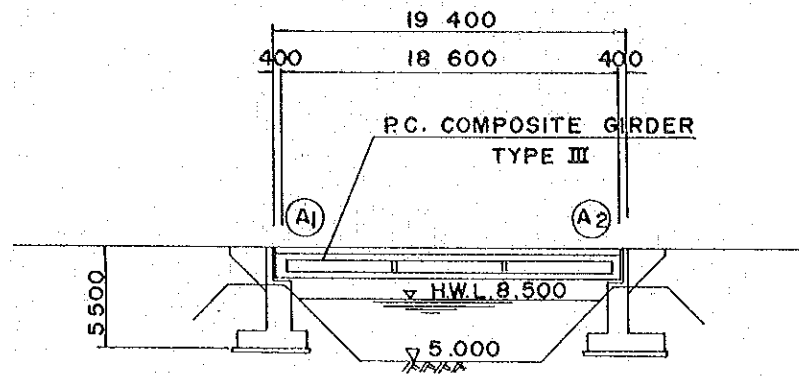
NOTE:  
 ALL DIMENSIONS ARE IN MILLIMETERS

LOCATION MAP SCALE 1:25,000

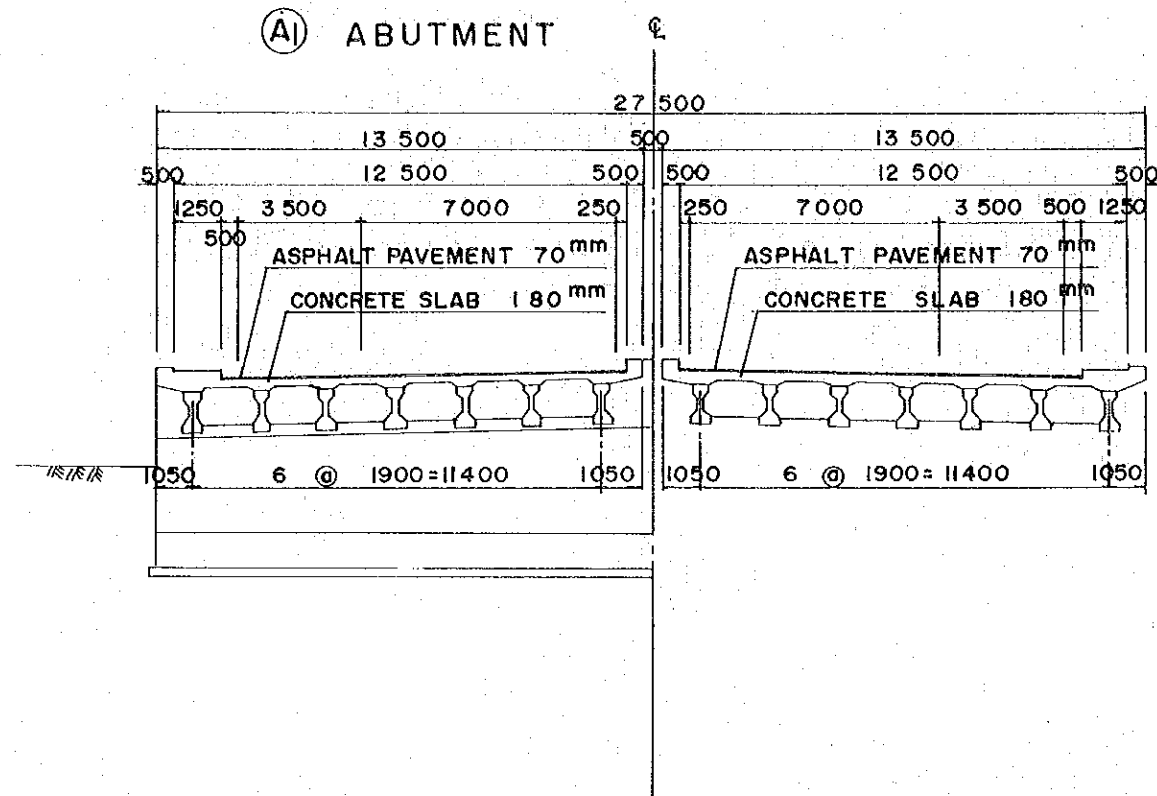


BR.- 6 (C-ROUTE)

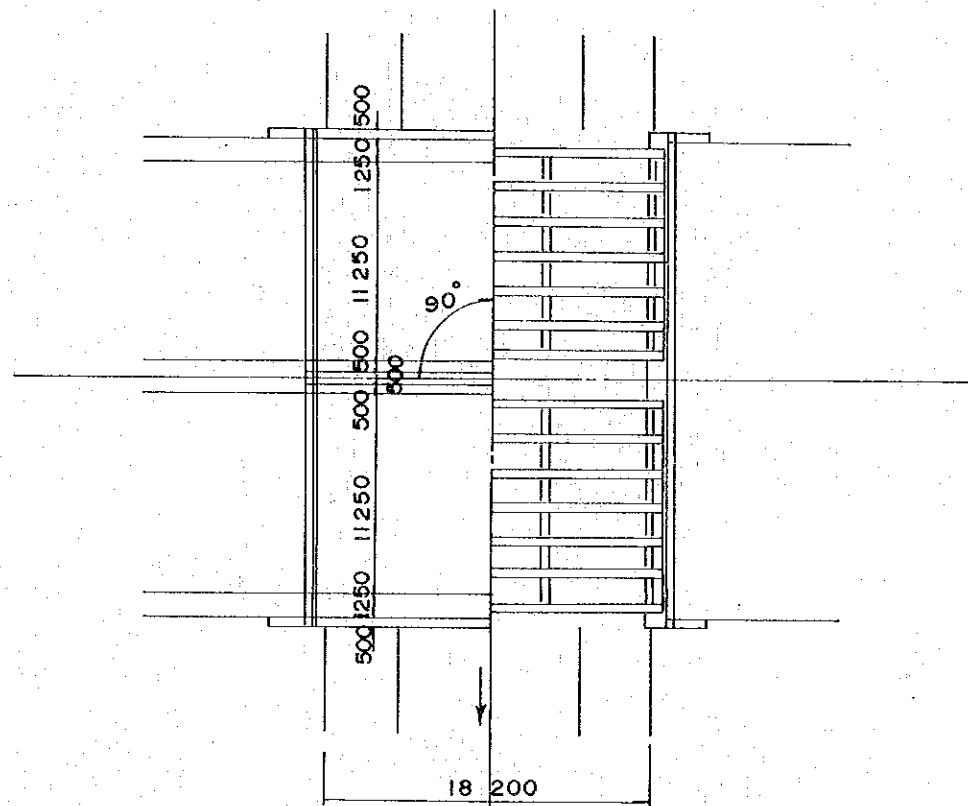
PROFILE SCALE 1: 400



SECTION SCALE 1: 200



PLAN SCALE 1: 400

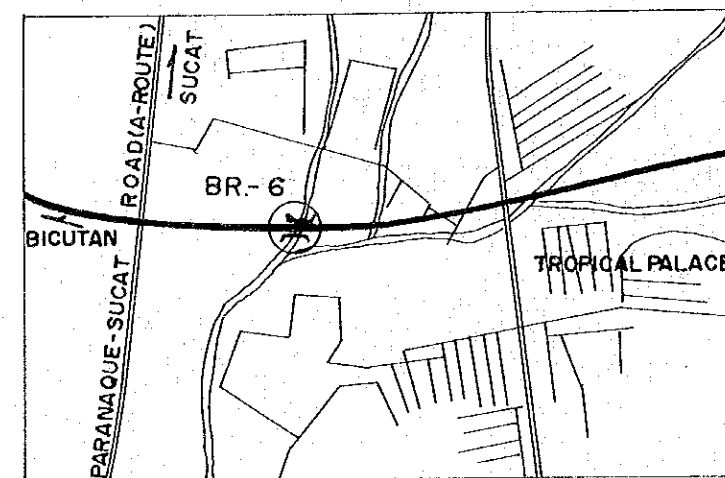


NOTE:

ALL DIMENSIONS ARE IN MILLIMETERS.

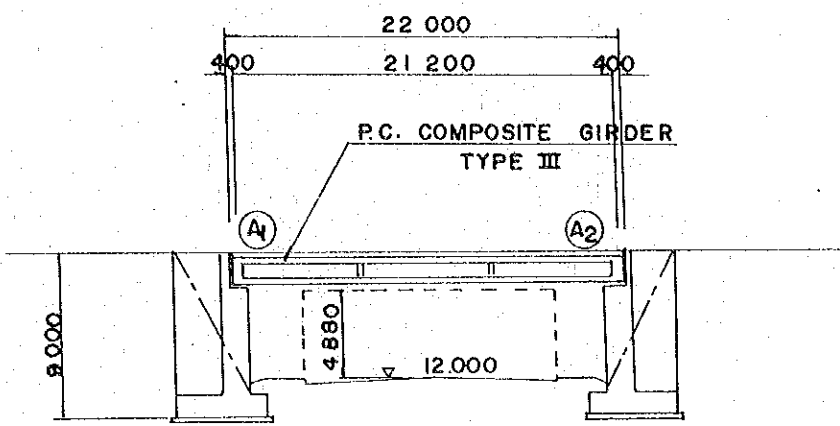
LOCATION MAP

SCALE 1: 25 000

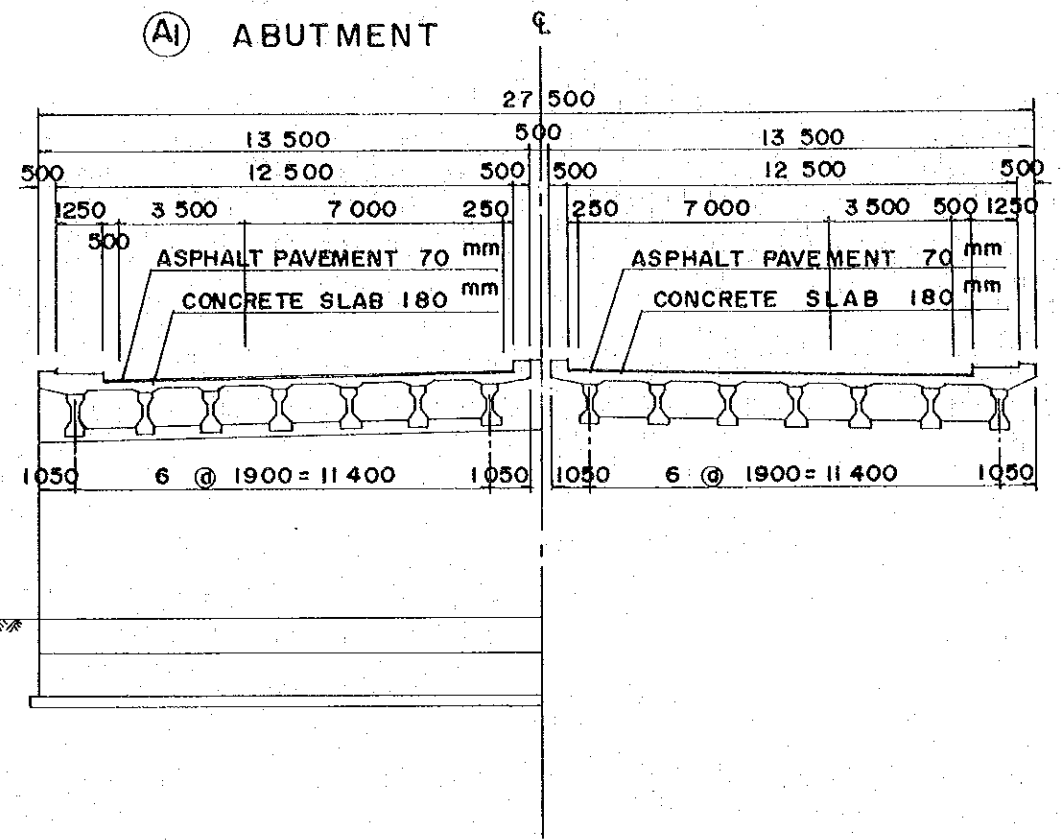


# BR.- 7 (C-ROUTE)

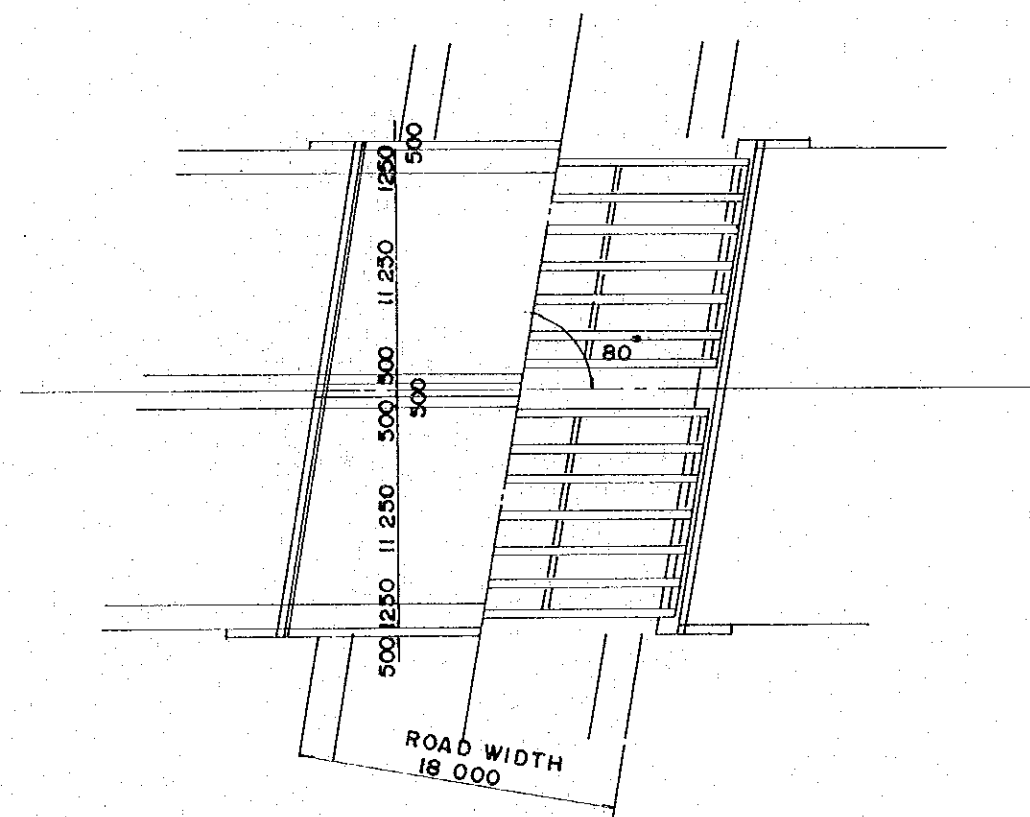
PROFILE SCALE 1:400



SECTION SCALE 1:200



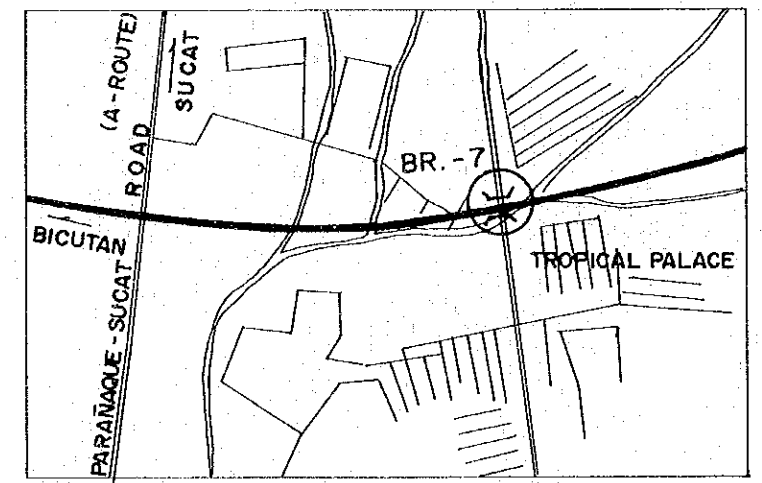
PLAN SCALE 1:400



NOTE:  
ALL DIMENSIONS ARE IN MILLIMETERS.

LOCATION MAP

SCALE 1:25000



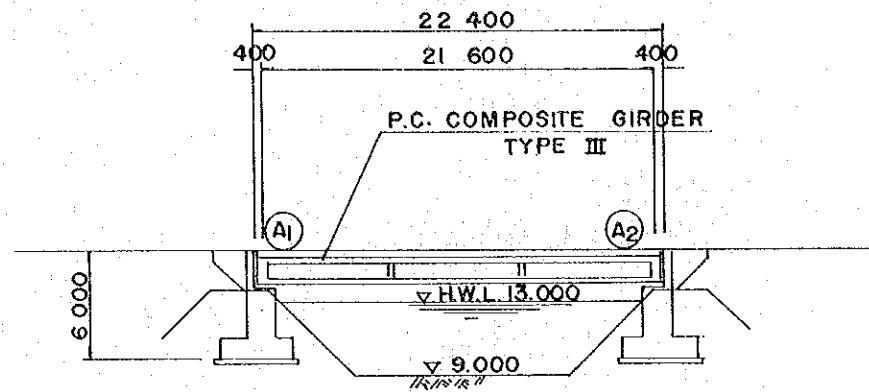
# BR.- 8 (C-ROUTE)

SCALE  
1:400  
1:200

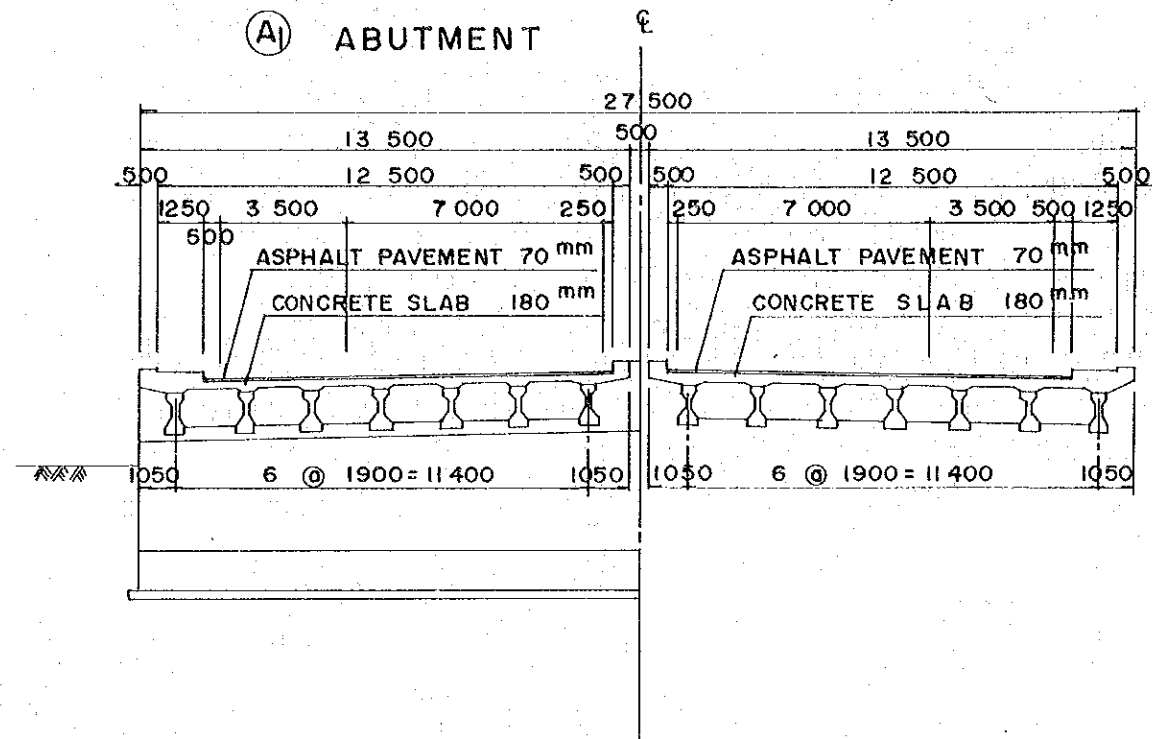
BR.- 8 (C-ROUTE)  
PLAN AND PROFILE

DRAWING NO.  
16/25

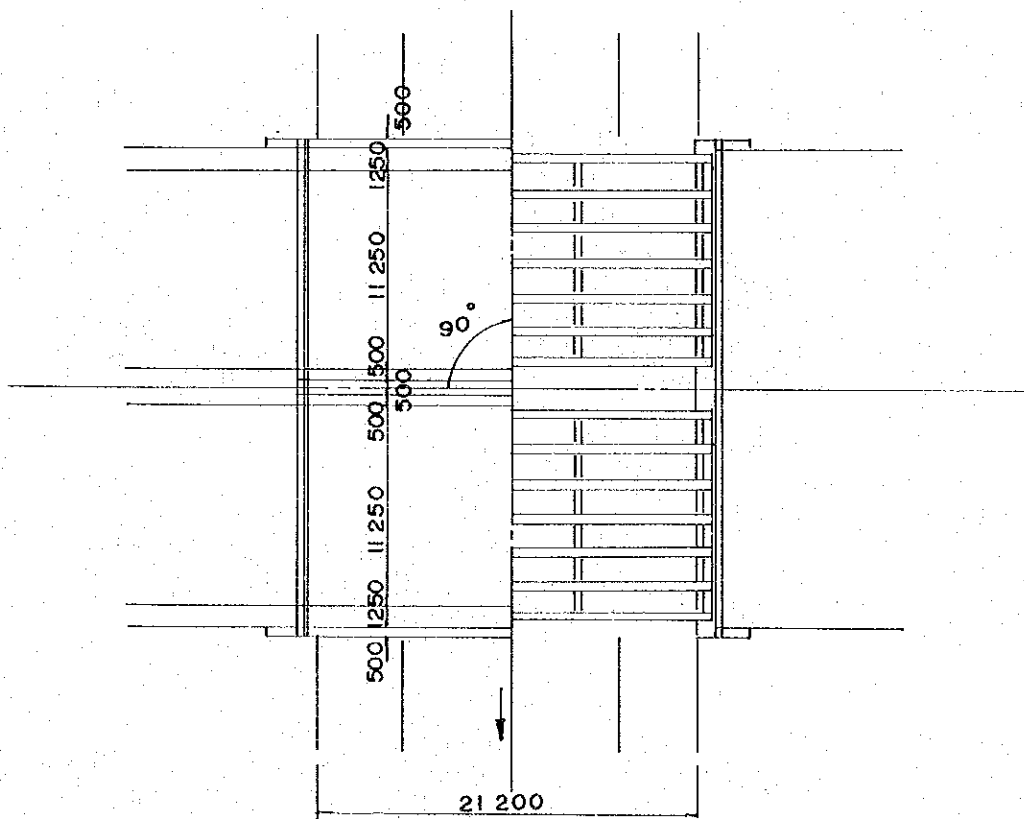
**PROFILE** SCALE 1:400



**SECTION** SCALE 1:200



**PLAN** SCALE 1:400

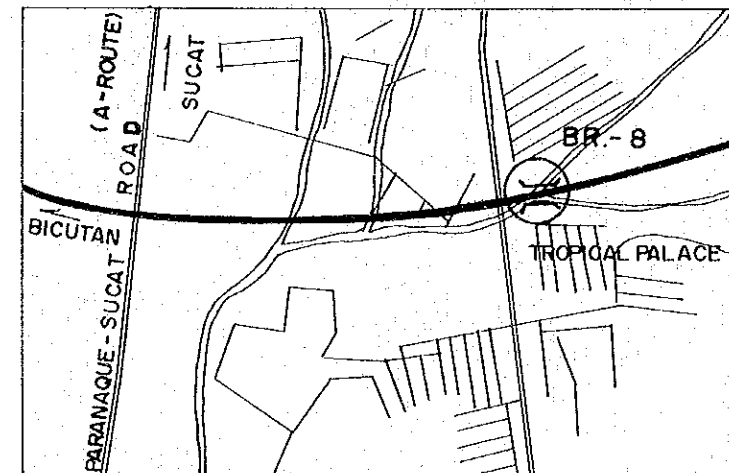


NOTE:

ALL DIMENSIONS ARE IN MILLIMETERS.

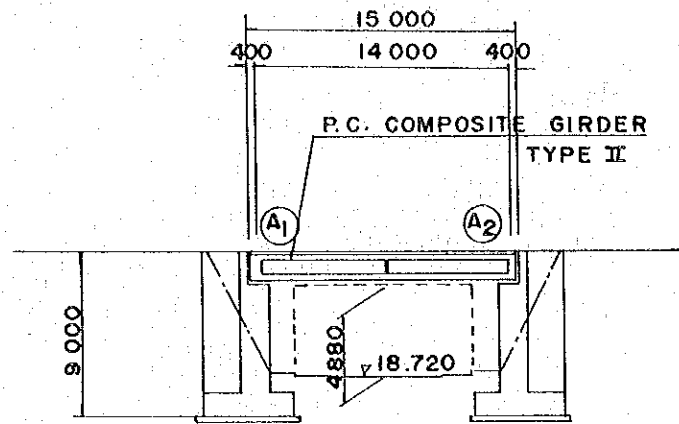
**LOCATION MAP**

SCALE 1:25000

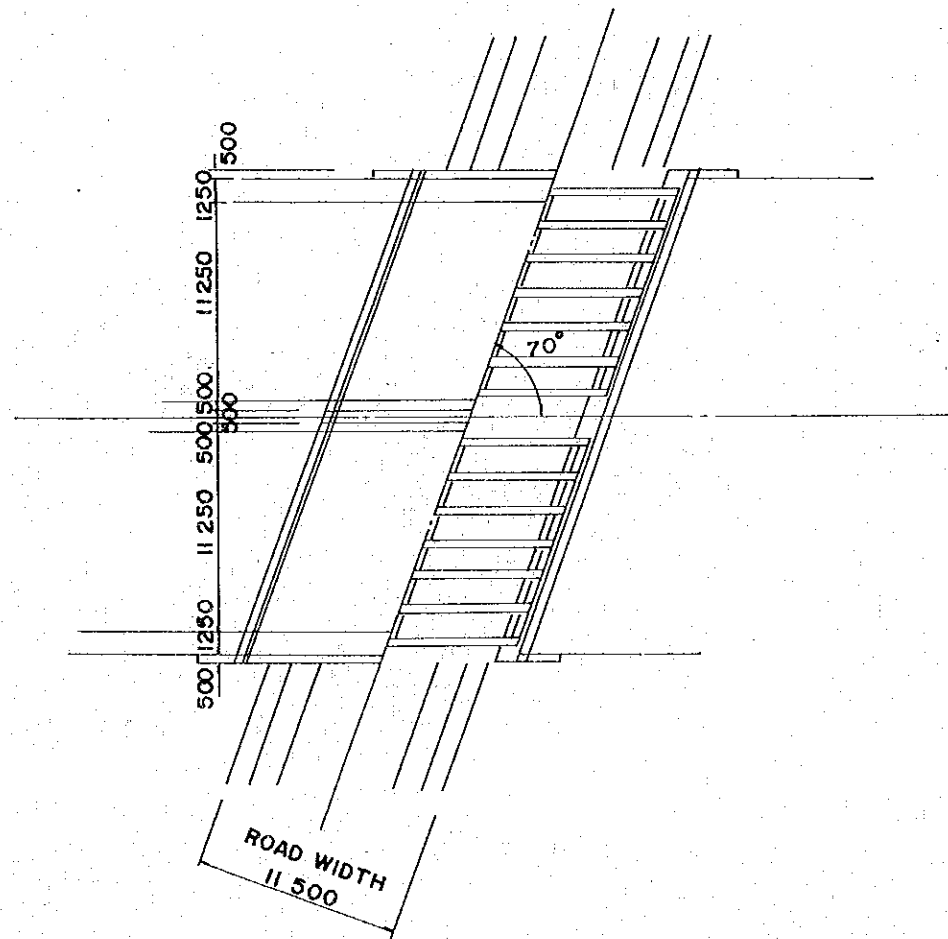


# BR-9 (C-ROUTE)

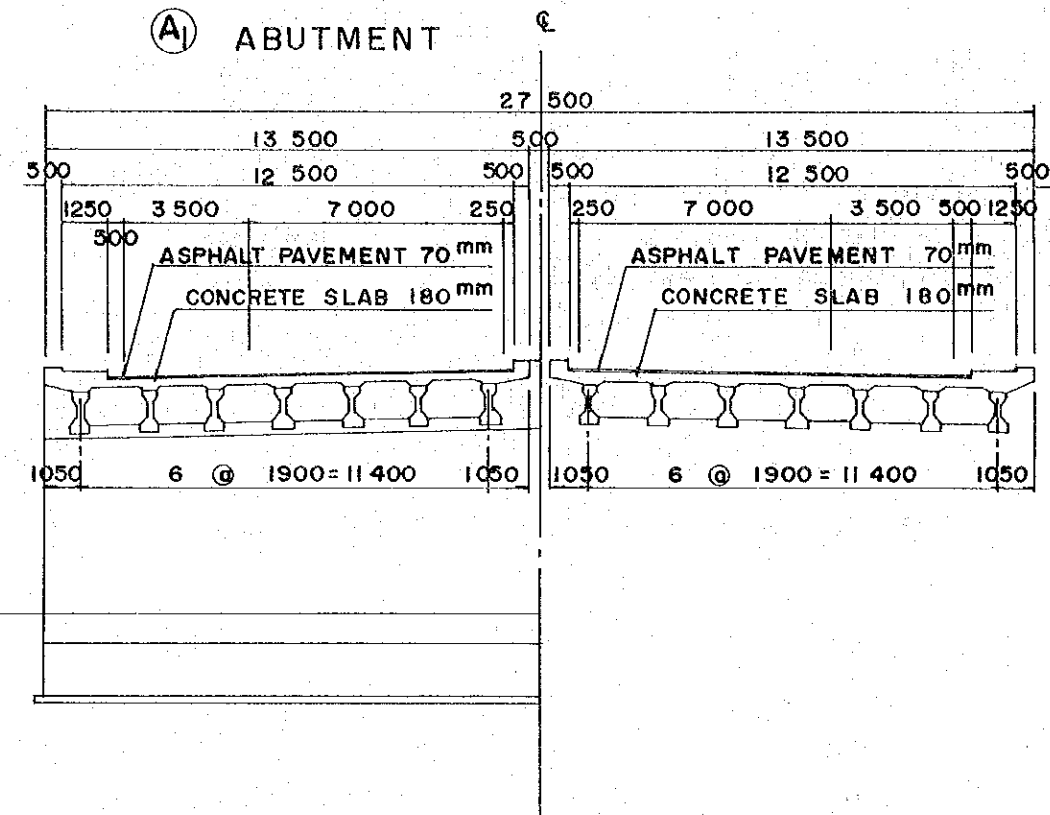
PROFILE SCALE 1:400



PLAN SCALE 1:400



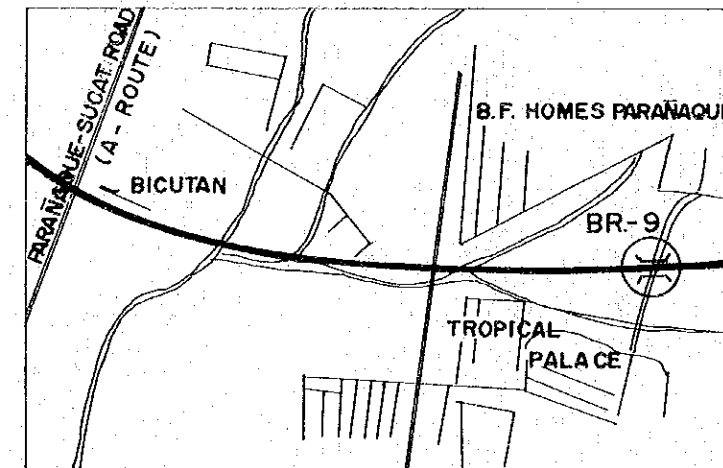
SECTION SCALE 1:200



NOTE:  
ALL DIMENSIONS ARE IN MILLIMETERS

LOCATION MAP

SCALE 1:25000





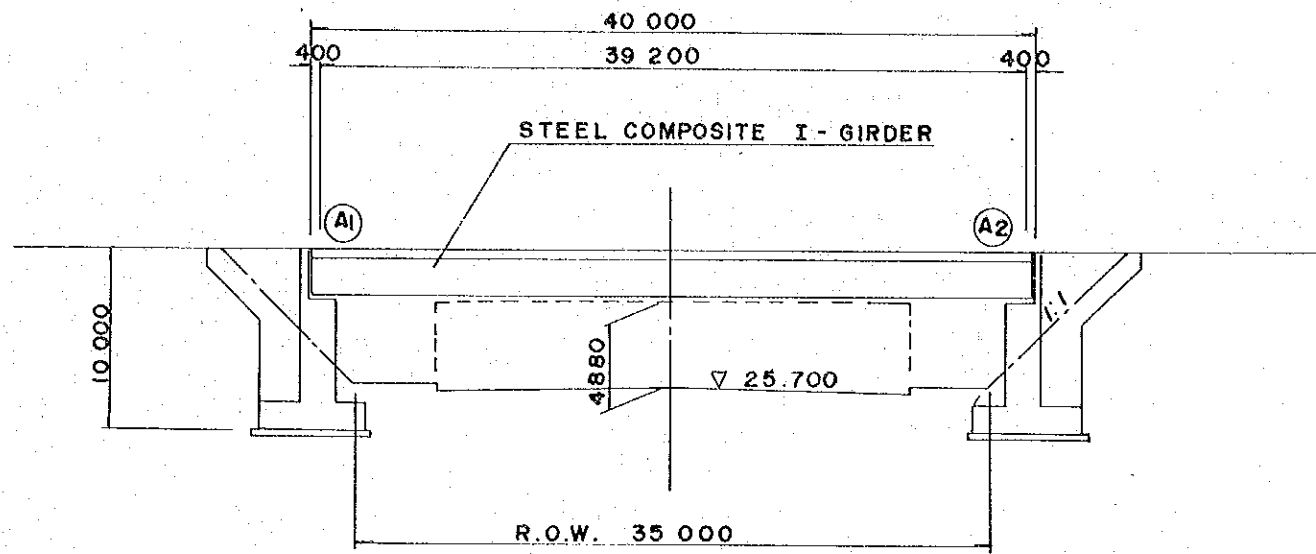
BR.- 10 (C-ROUTE)

SCALE  
1:400  
1:200

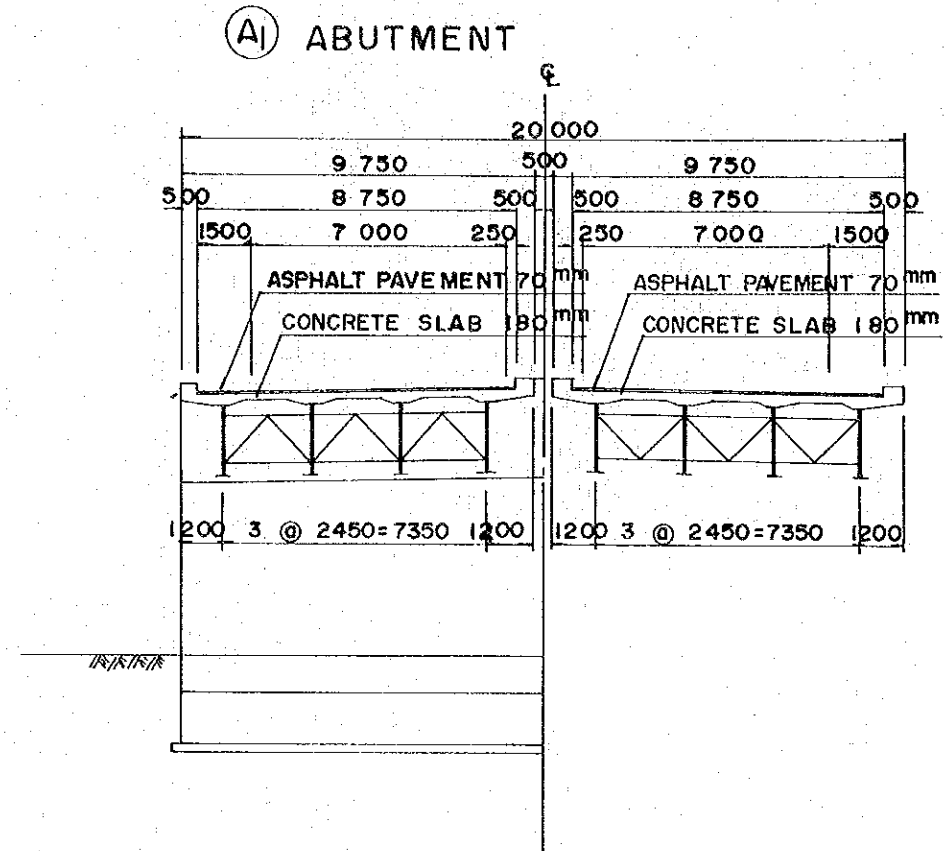
BR.- 10 (C-ROUTE)  
PLAN AND PROFILE

DRAWING NO.  
18/25

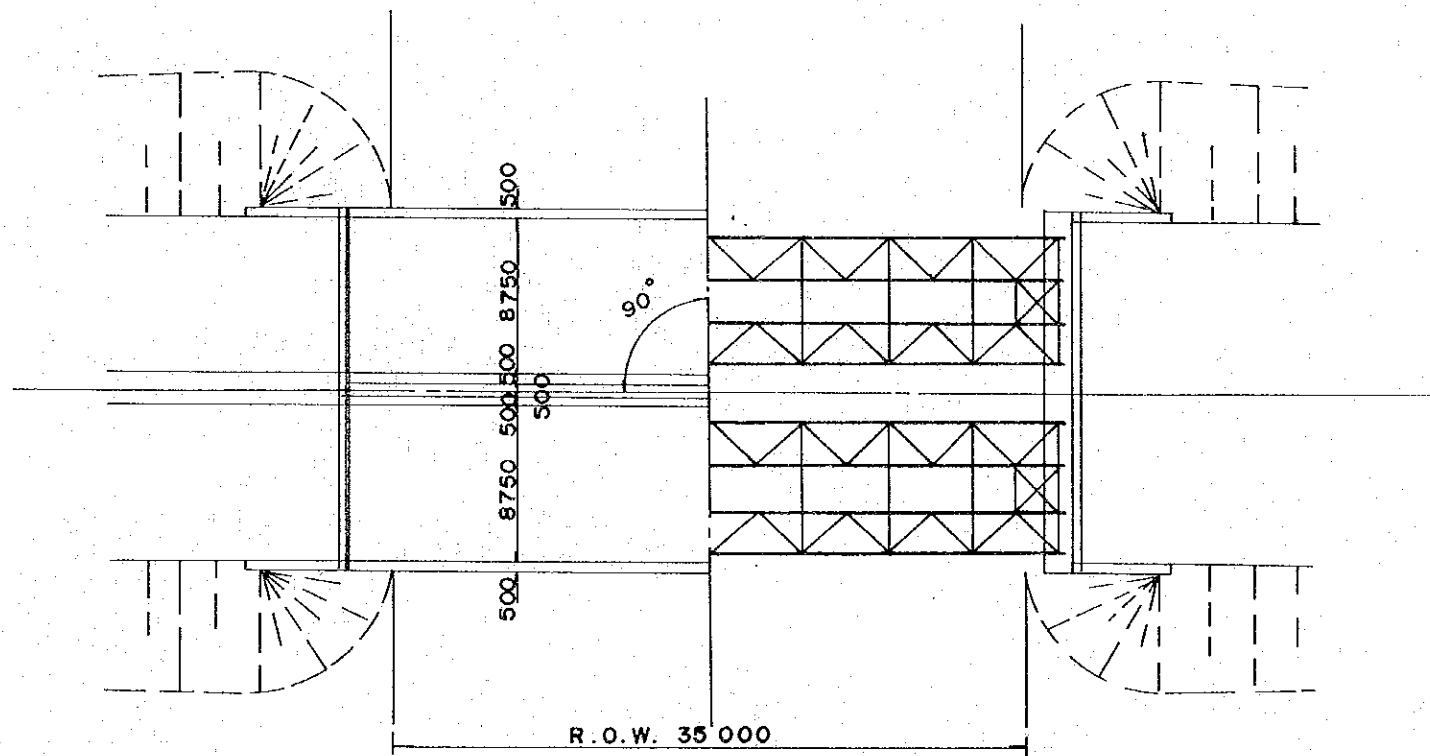
PROFILE SCALE 1:400



SECTION SCALE 1:200

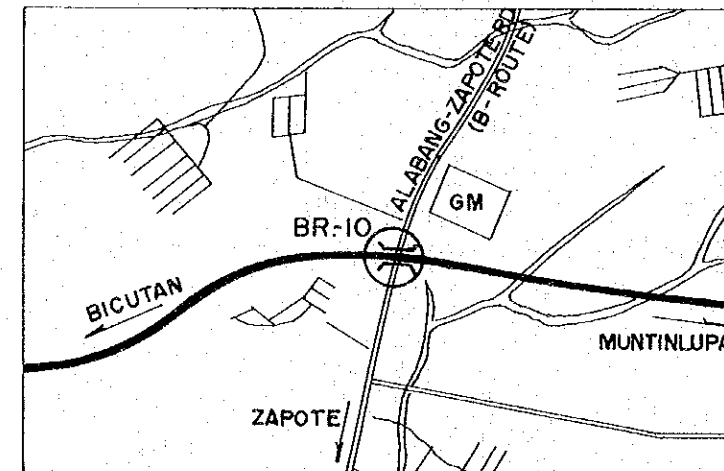


PLAN SCALE 1:400



NOTE:  
ALL DIMENSIONS ARE IN MILLIMETERS.

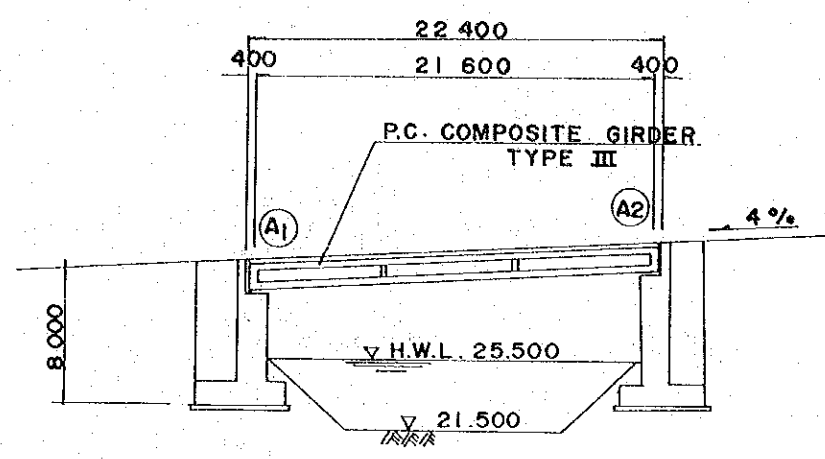
LOCATION MAP SCALE 1:25 000



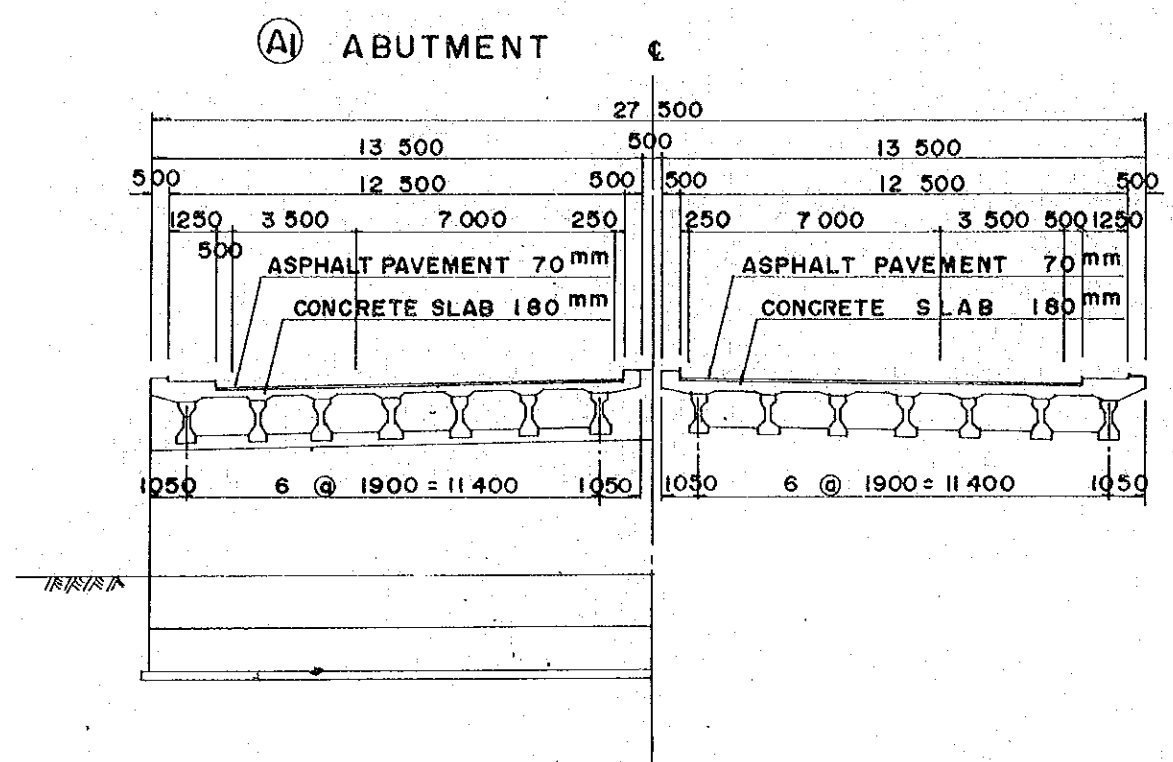
# BR.- II (C-ROUTE)

THE METRO MANILA OUTER MAJOR ROADS PROJECT (SOUTHERN PACKAGE)		
SCALE	BR.- II (C-ROUTE)	DRAWING NO.
1: 400	PLAN AND PROFILE	19/25
1: 200		

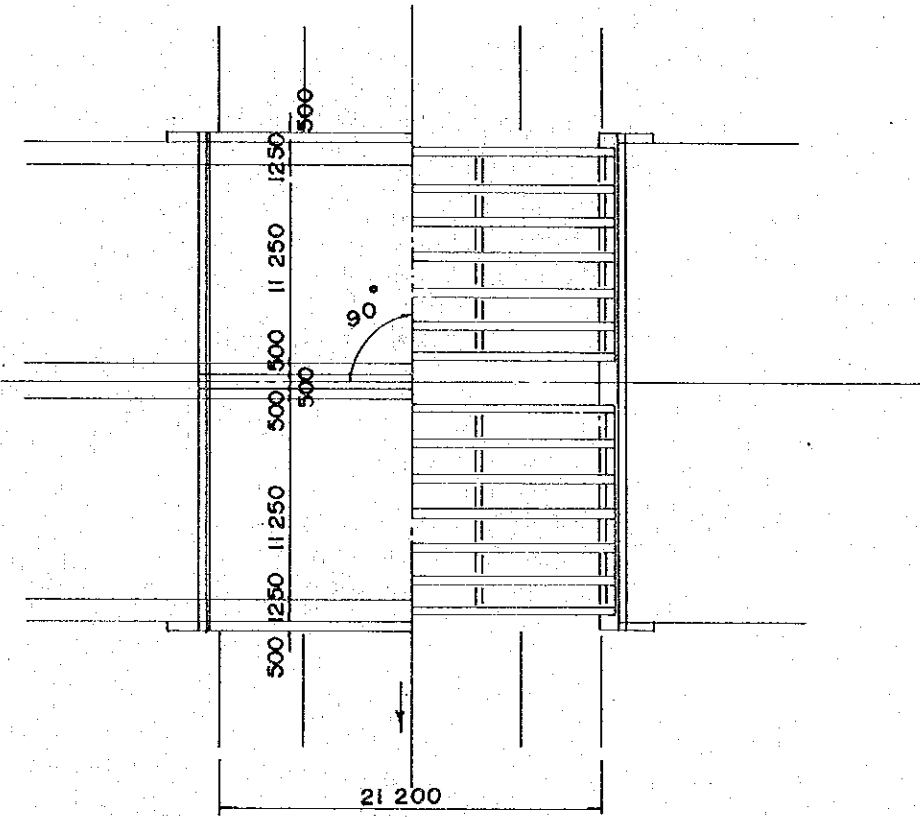
**PROFILE** SCALE 1: 400



**SECTION** SCALE 1: 200



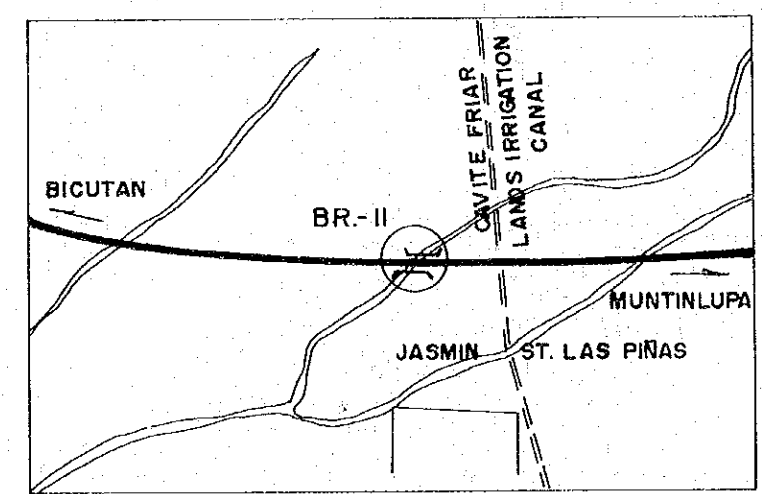
**PLAN** SCALE 1: 400



NOTE:  
ALL DIMENSIONS ARE IN MILLIMETERS.

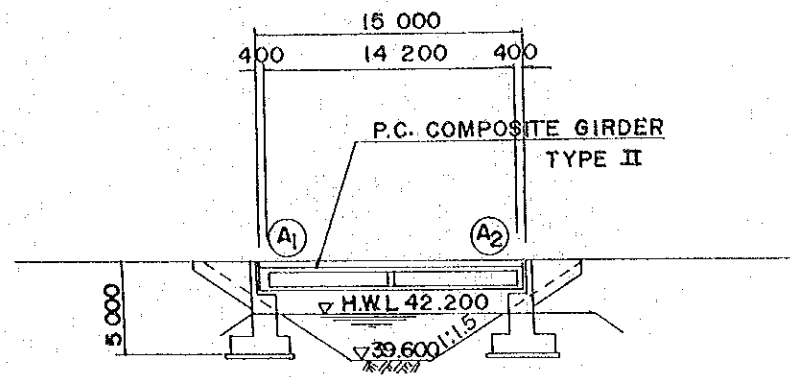
**LOCATION MAP**

SCALE 1: 25 000

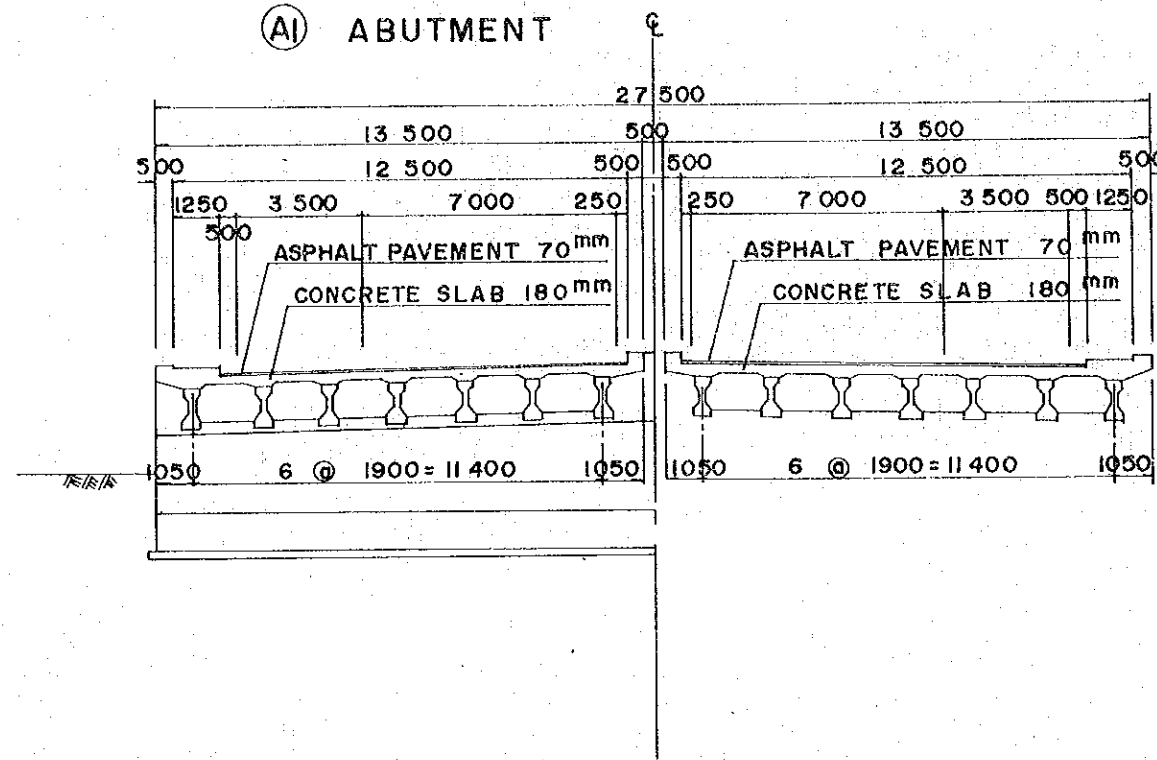


# BR-12 (C-ROUTE)

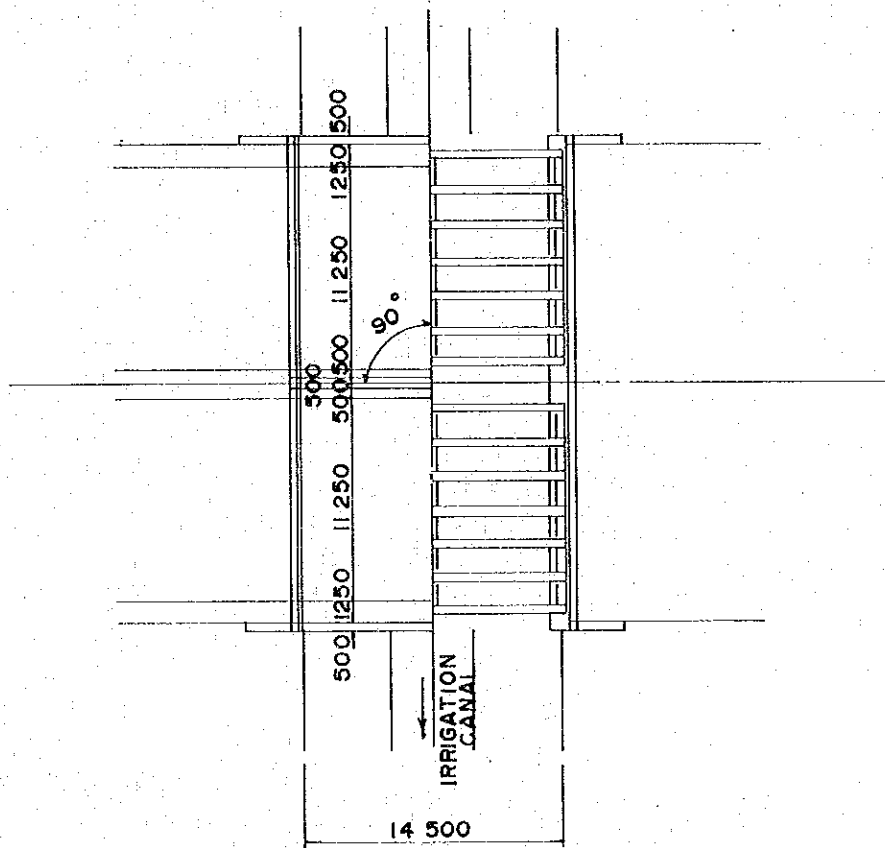
PROFILE SCALE 1:400



SECTION SCALE 1:200



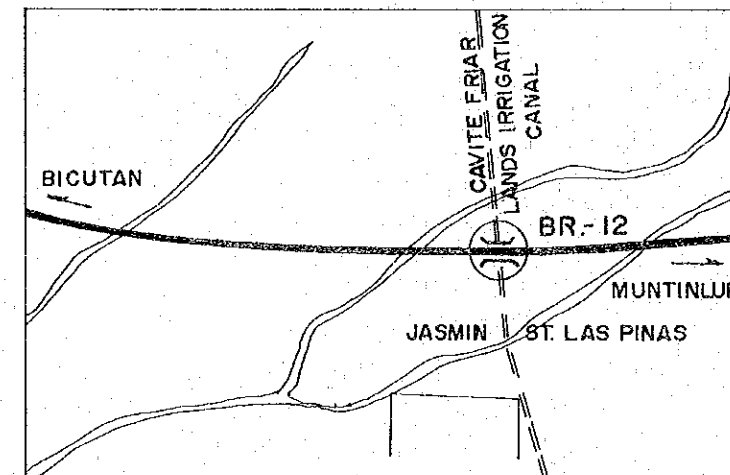
PLAN SCALE 1:400



NOTE:  
ALL DIMENSIONS ARE IN MILLIMETERS.

LOCATION MAP

SCALE 1:25 000



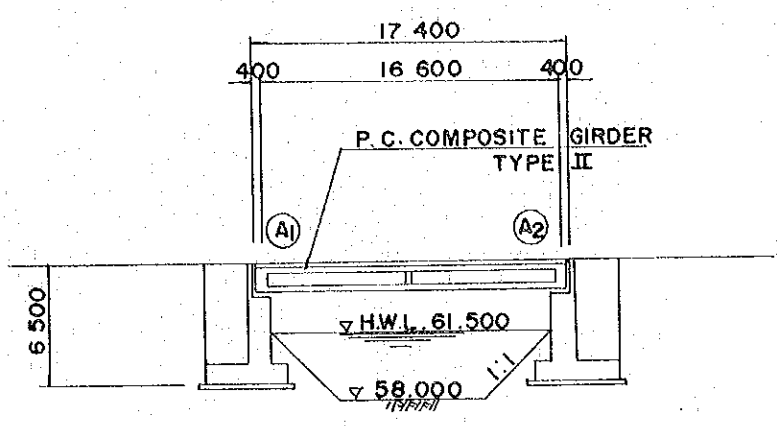
# BR.- 13 (C-ROUTE)

SCALE  
1:400  
1:200

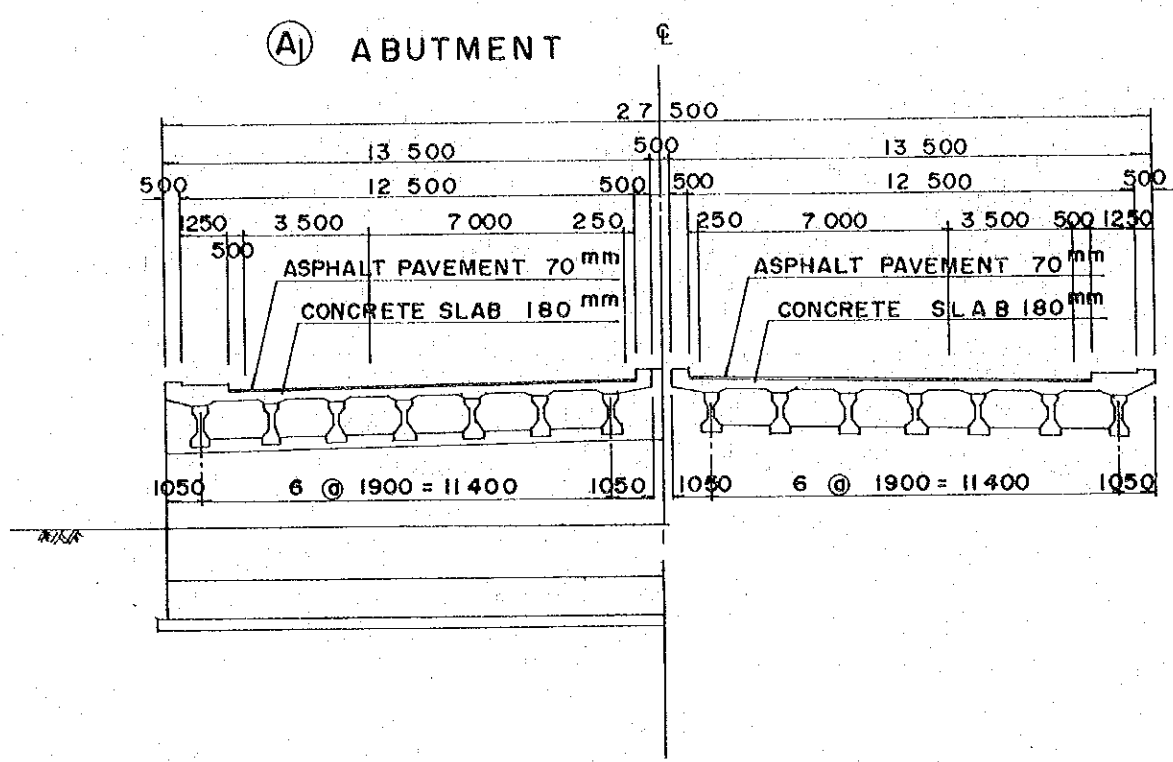
BR.- 13 (C-ROUTE)  
PLAN AND PROFILE

DRAWING NO.  
21/25

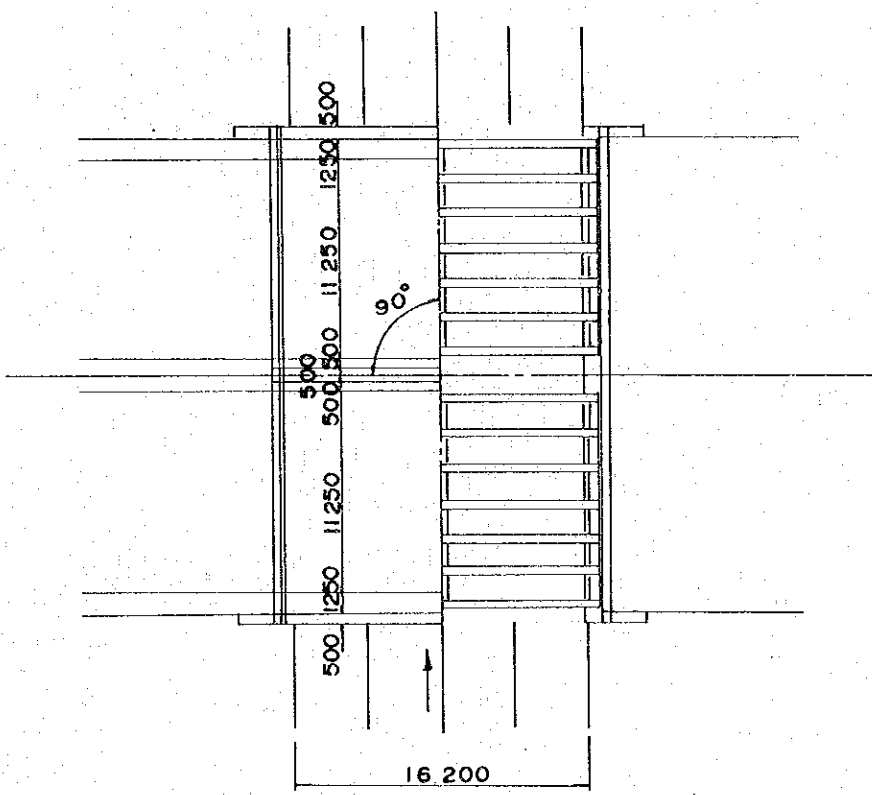
PROFILE SCALE 1:400



SECTION SCALE 1:200



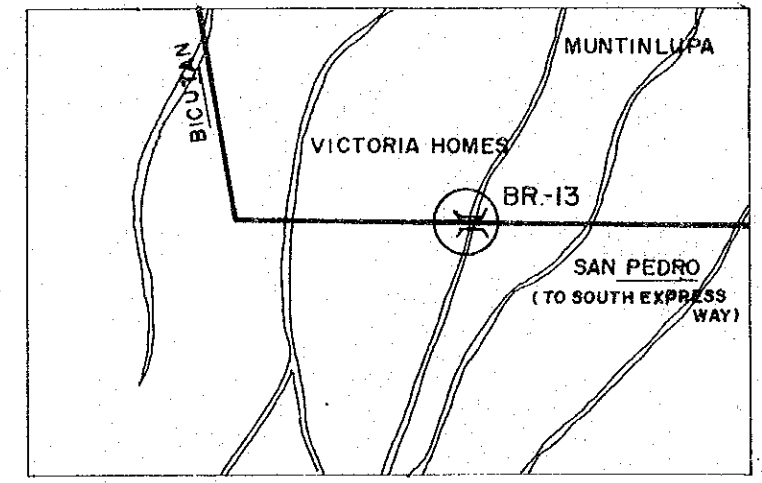
PLAN SCALE 1:400



NOTE:  
ALL DIMENSIONS ARE IN MILLIMETERS.

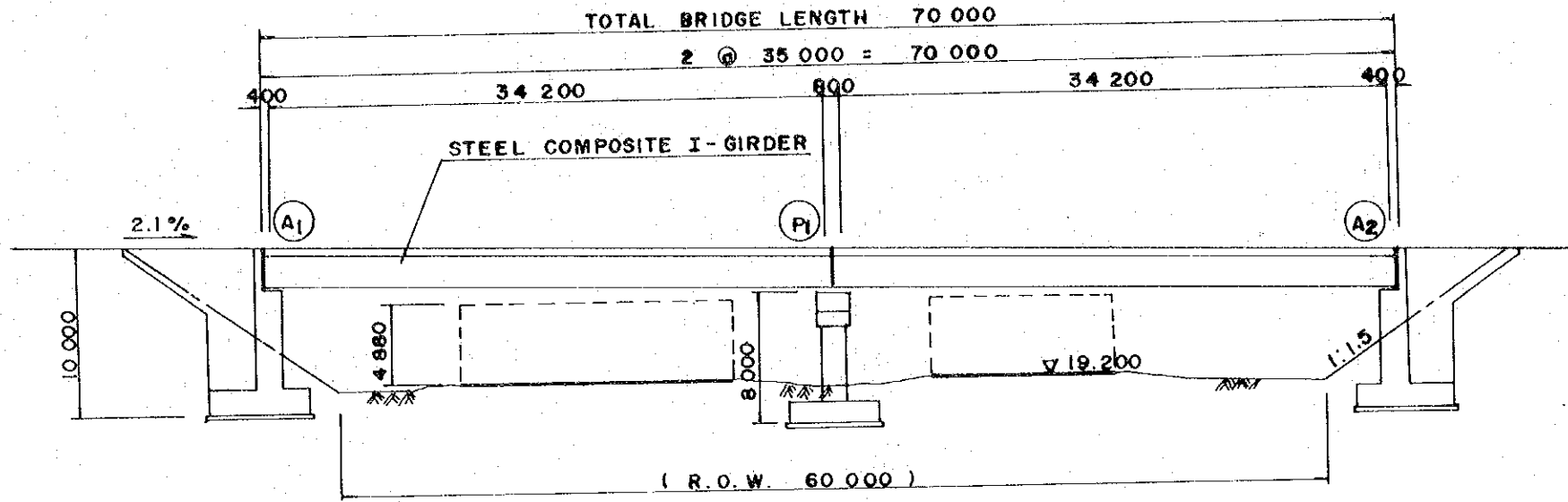
LOCATION MAP

SCALE 1:25,000

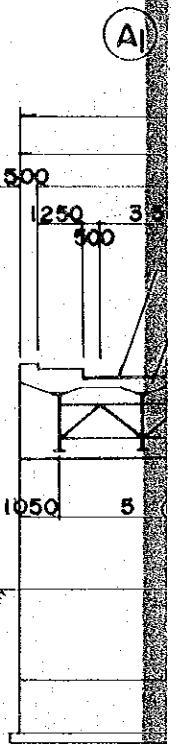
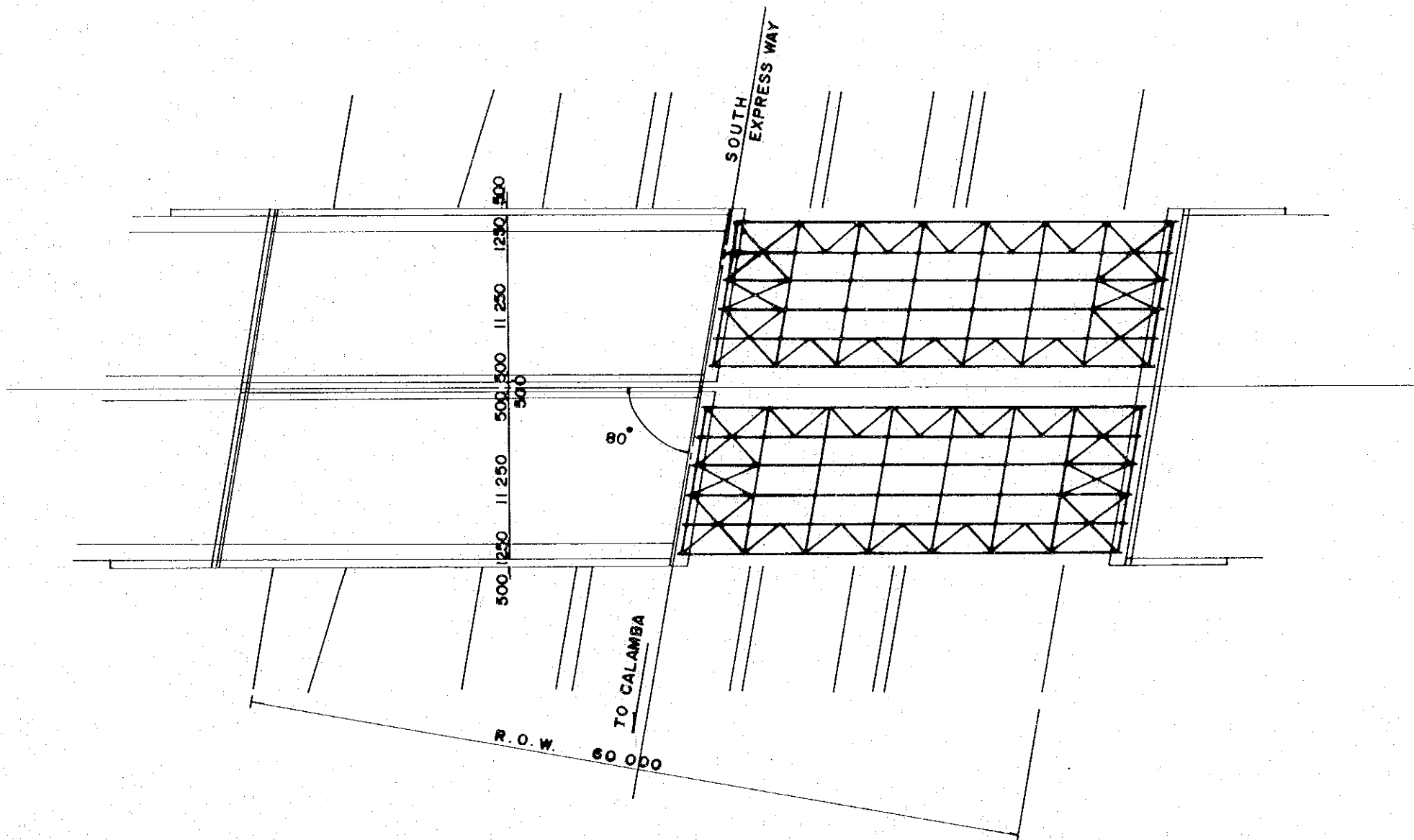


BR.- 14 ( C-ROUTE )

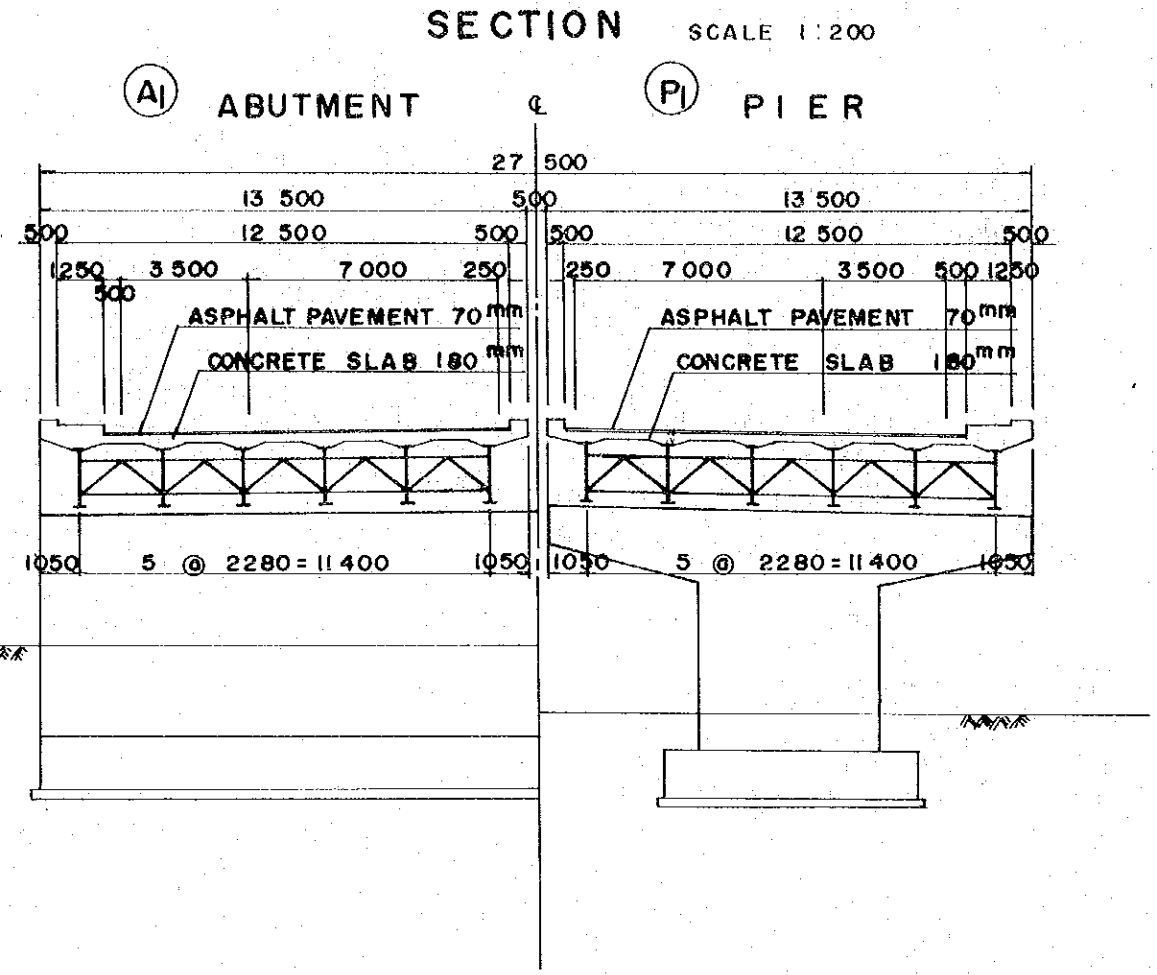
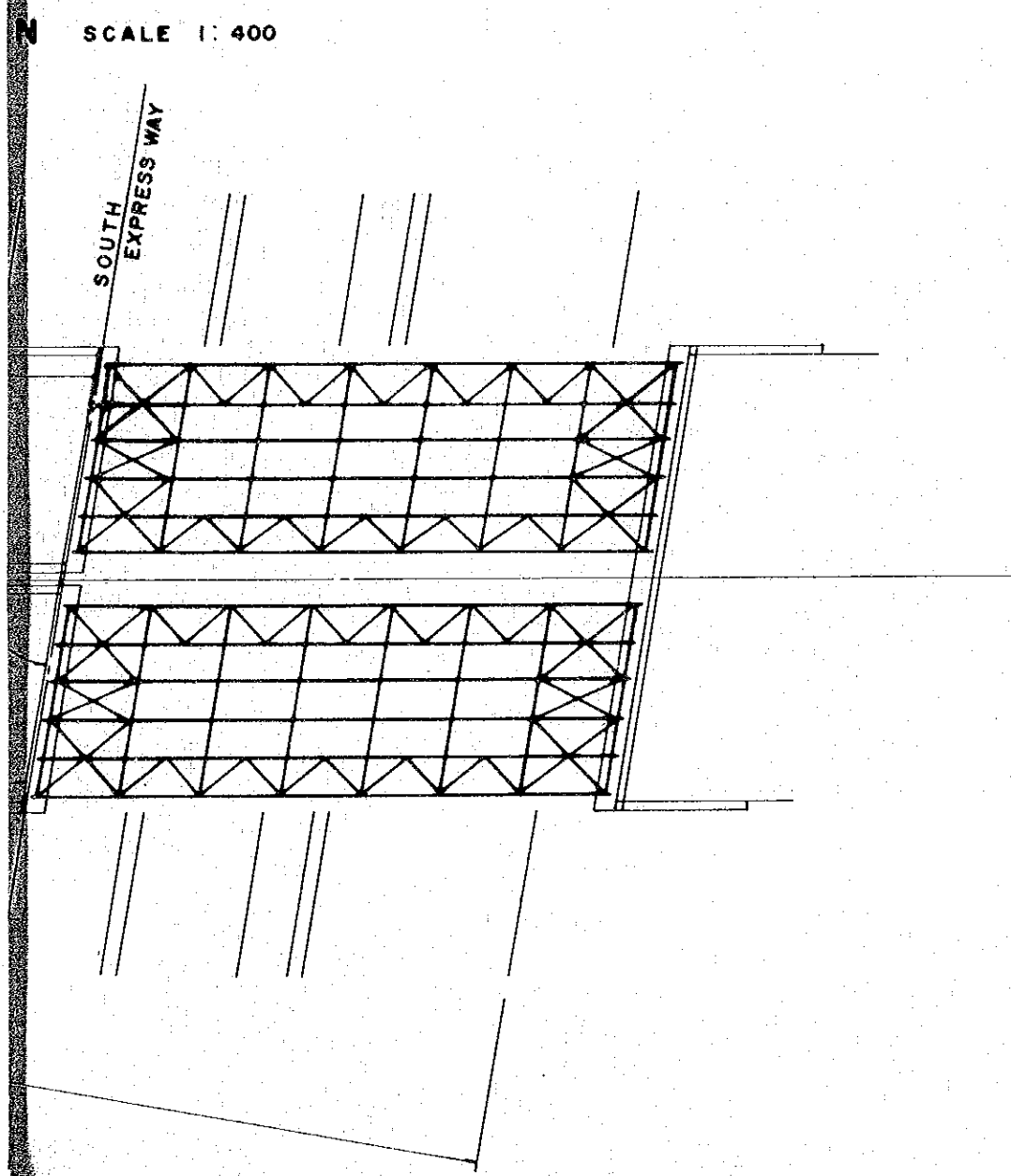
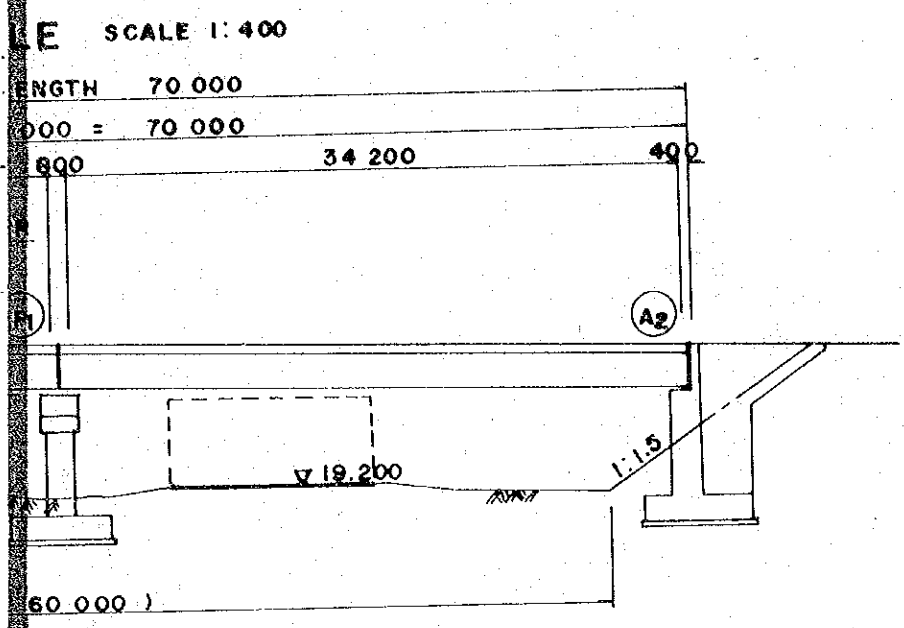
PROFILE SCALE 1:400



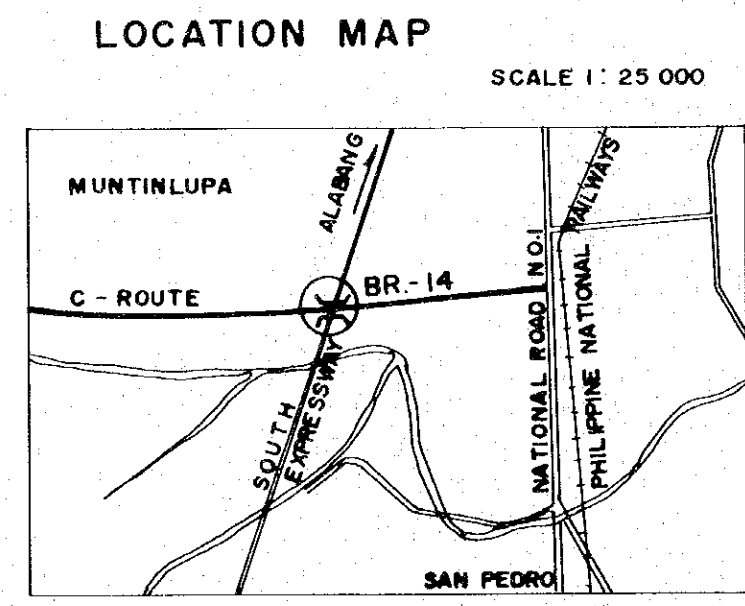
PLAN SCALE 1:400



# BR-14 (C-ROUTE)



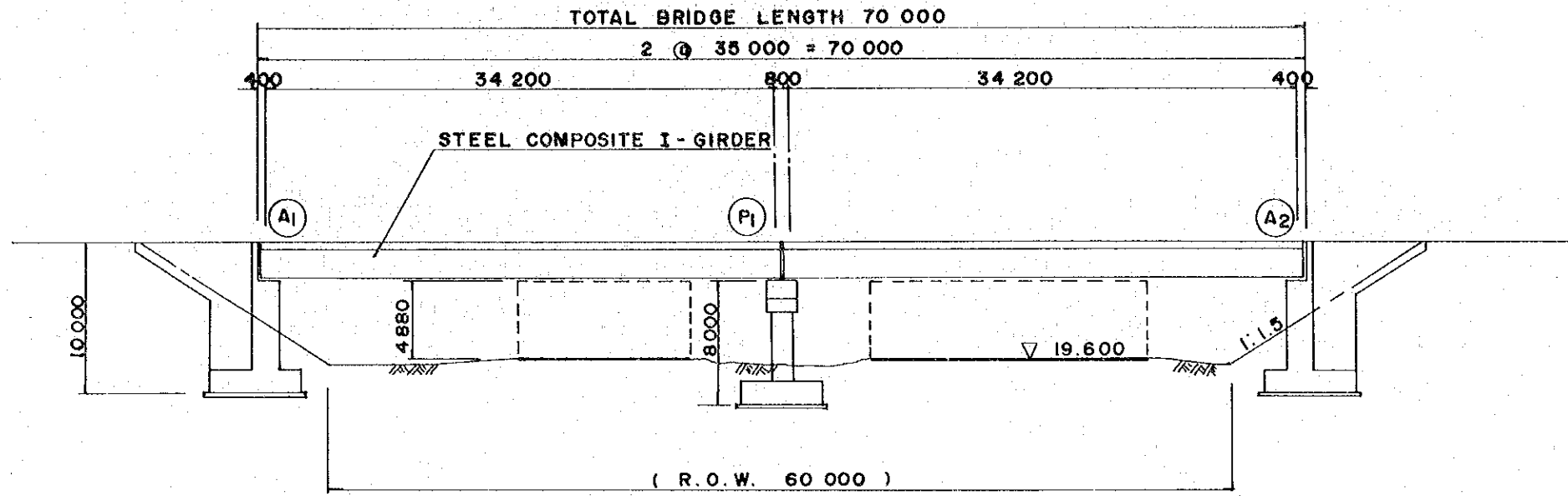
NOTE:  
 ALL DIMENSIONS ARE IN MILLIMETERS



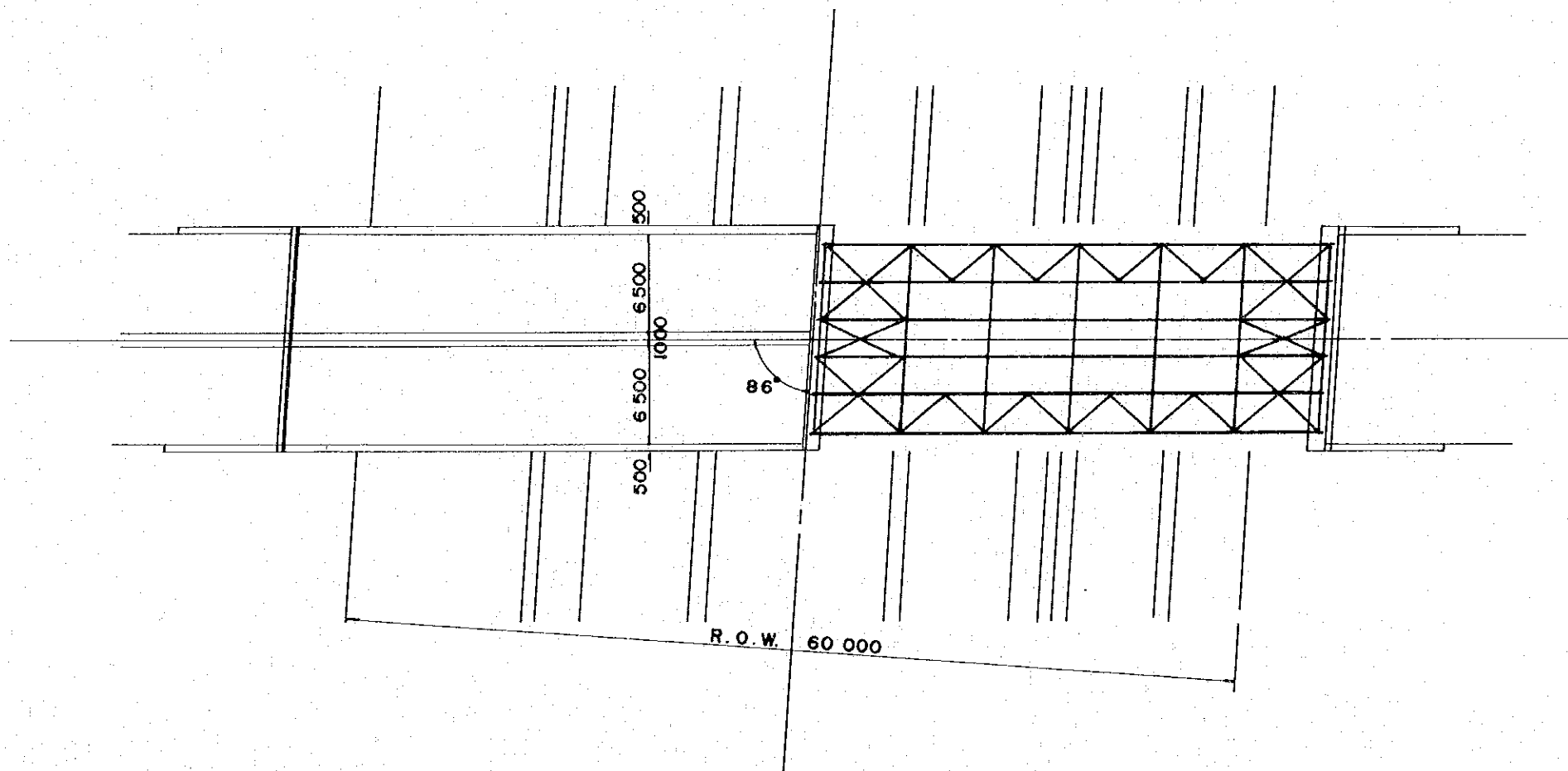
# BR-15 (C-ROUTE)

THE METRO MANILA OUTER M...  
 SCALE  
 1:400  
 1:200  
 BR-15  
 PLAN A

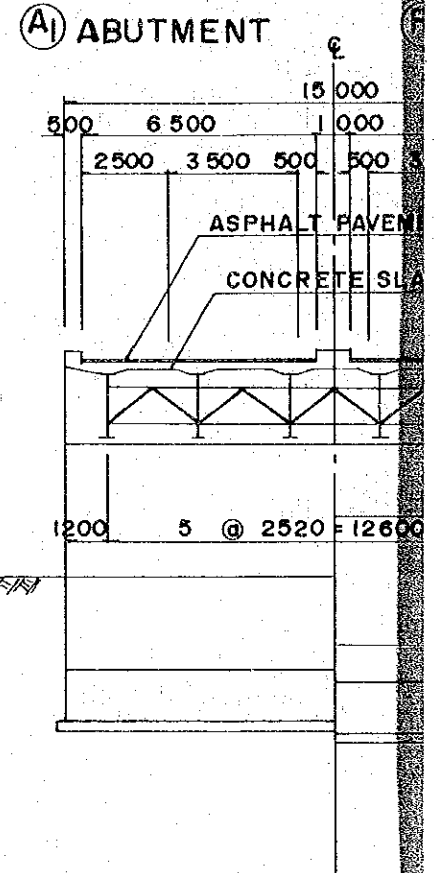
PROFILE SCALE 1:400



PLAN SCALE 1:400

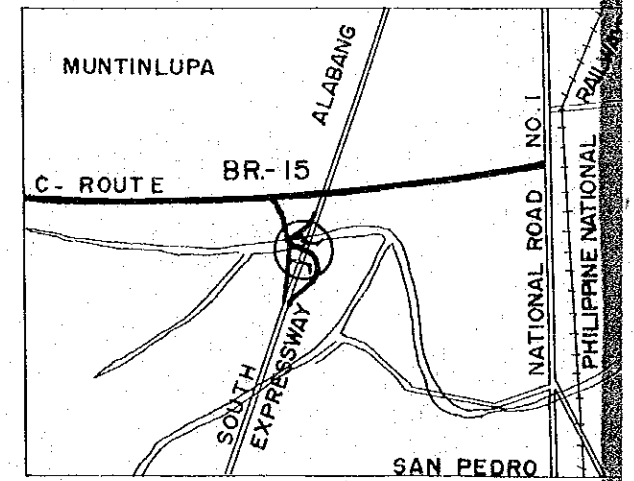


SECTION



NOTE:  
 ALL DIMENSIONS ARE IN METERS

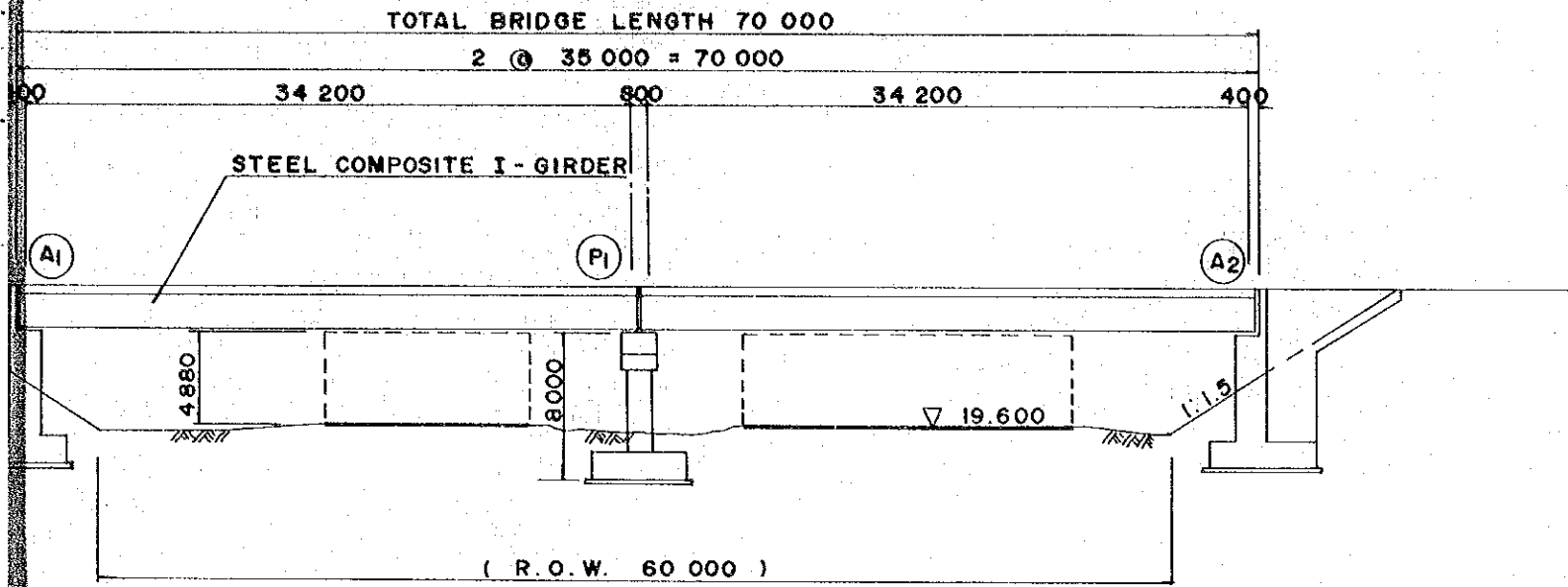
LOCATION MAP SCALE



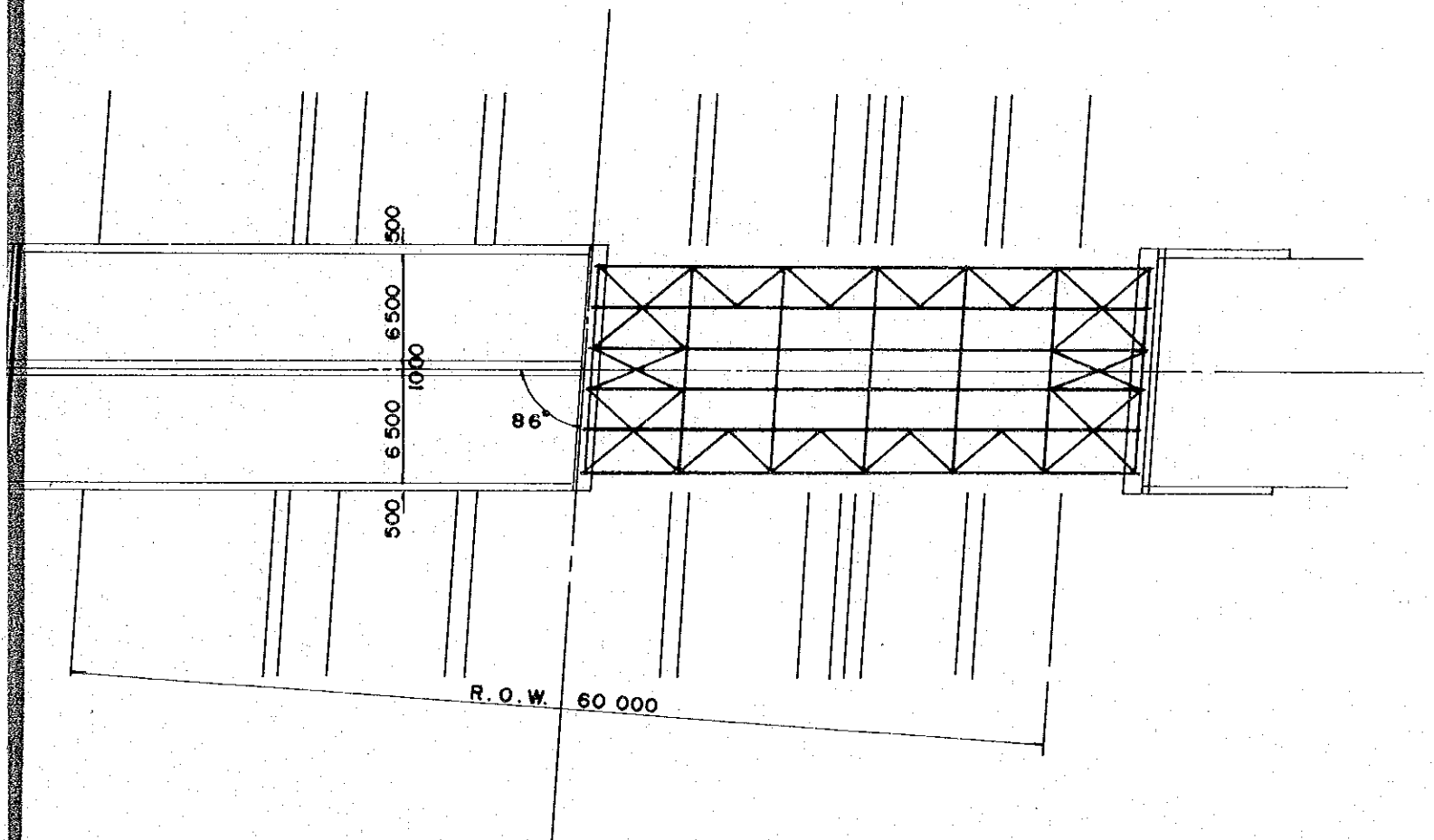
# BR.- 15 (C-ROUTE)

THE METRO MANILA OUTER MAJOR ROADS PROJECT (SOUTHERN PACKAGE)		
SCALE 1:400 1:200	BR.- 15 (C-ROUTE) PLAN AND PROFILE	DRAWING NO. 23/25

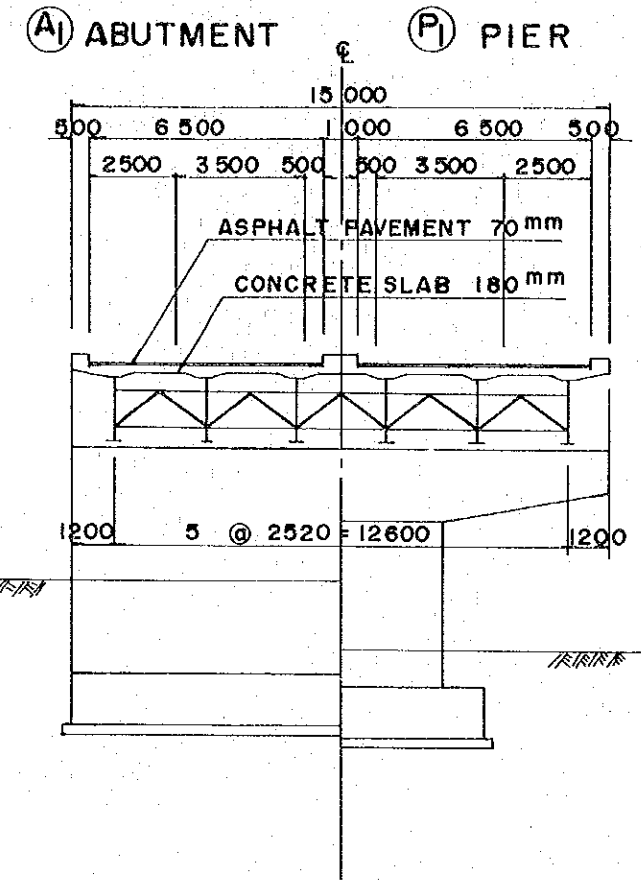
PROFILE SCALE 1:400



PLAN SCALE 1:400

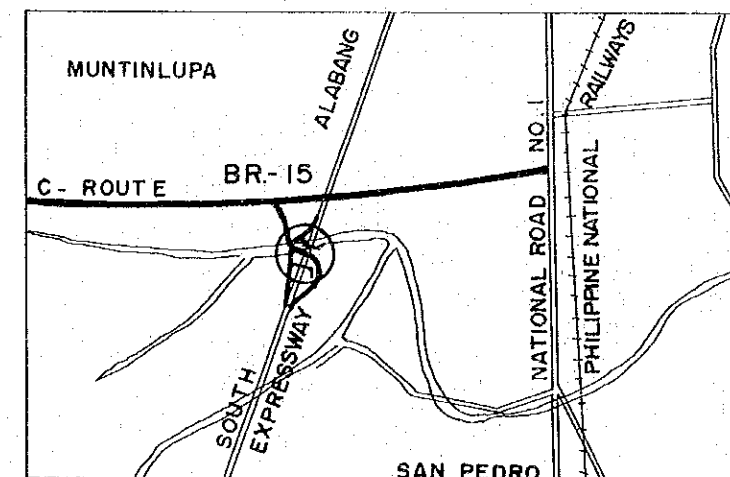


SECTION SCALE 1:200



NOTE:  
ALL DIMENSIONS ARE IN MILLIMETERS.

LOCATION MAP SCALE 1:25 000





# PEDESTRIAN BRIDGE

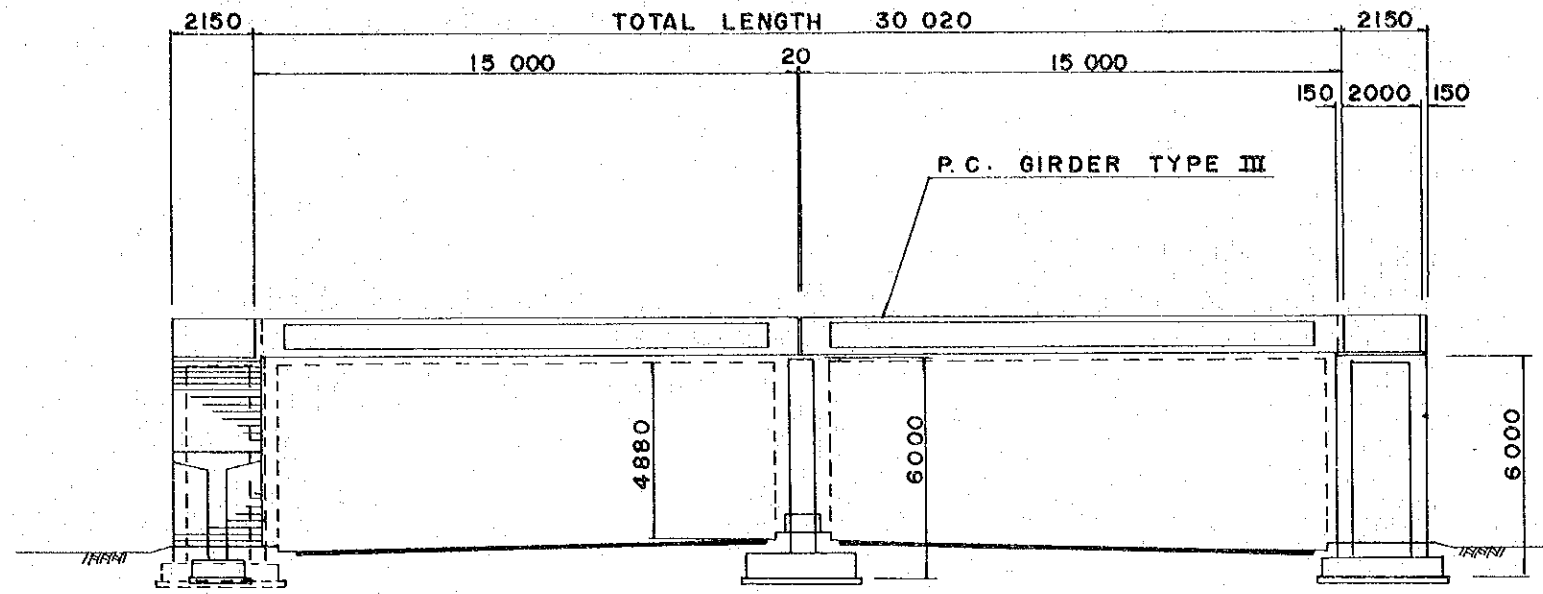
THE METRO MANILA OUTER MAJOR ROADS PROJECT (SOUTHERN PACKAGE)

SCALE  
1:200  
1:100

PEDESTRIAN BRIDGE  
PLAN AND PROFILE

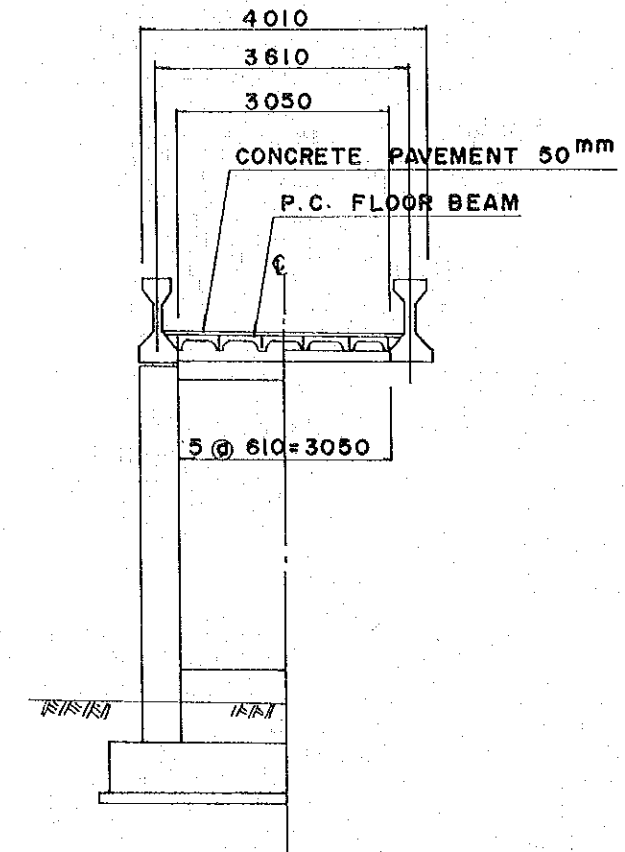
DRAWING NO.  
24/25

PROFILE SCALE 1:200

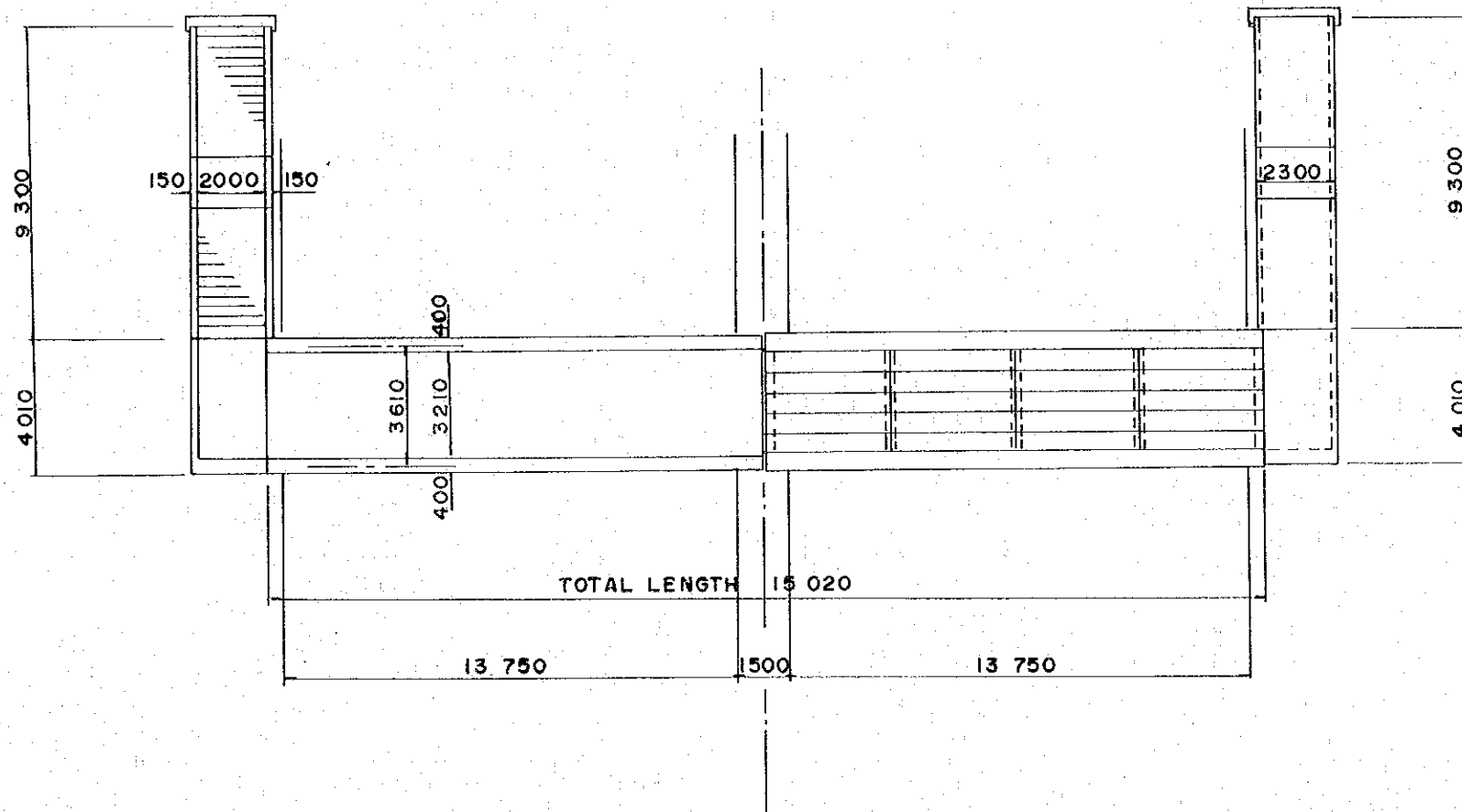


SECTION SCALE 1:100

## PIER



PLAN SCALE 1:200

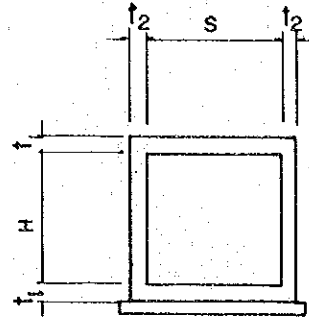


## NOTES:

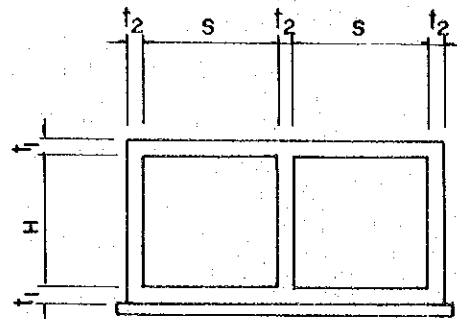
- ALL DIMENSIONS ARE IN MILLIMETERS.
- TOTAL LENGTH INCLUDES FUTURE STAGE.

**BOX CULVERTS** SCALE 1:100

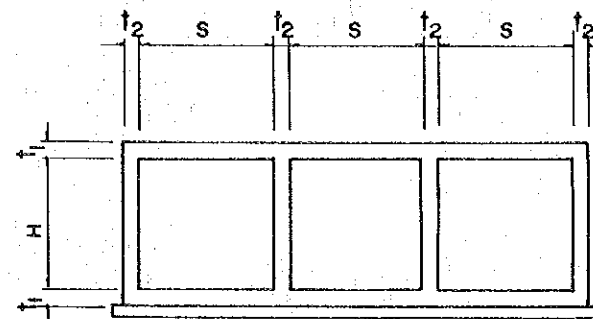
SINGLE



DOUBLE



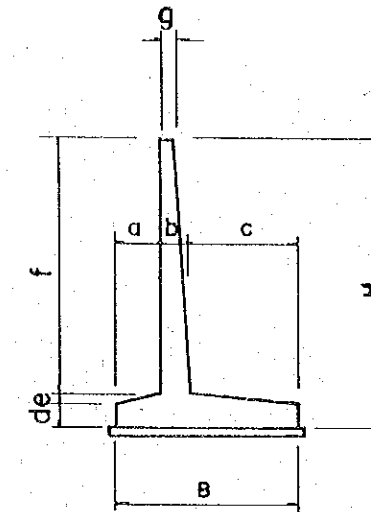
TRIPLE



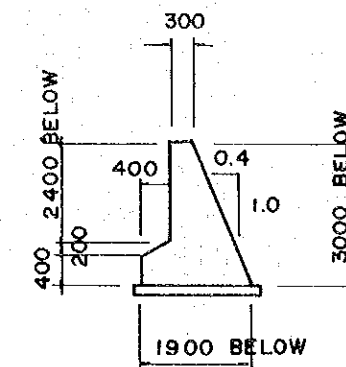
SPAN	SIZE (mm)		
	HEIGHT	SLAB	SIDE WALL
S	H	t <sub>1</sub>	t <sub>2</sub>
	1520	230	180
1830	1830	230	180
	2130	240	200
2440	2130	300	280
	2440	300	280
3050	2440	380	300
	3050	380	300

**RETAINING WALLS** SCALE 1:100

REVERSED-T

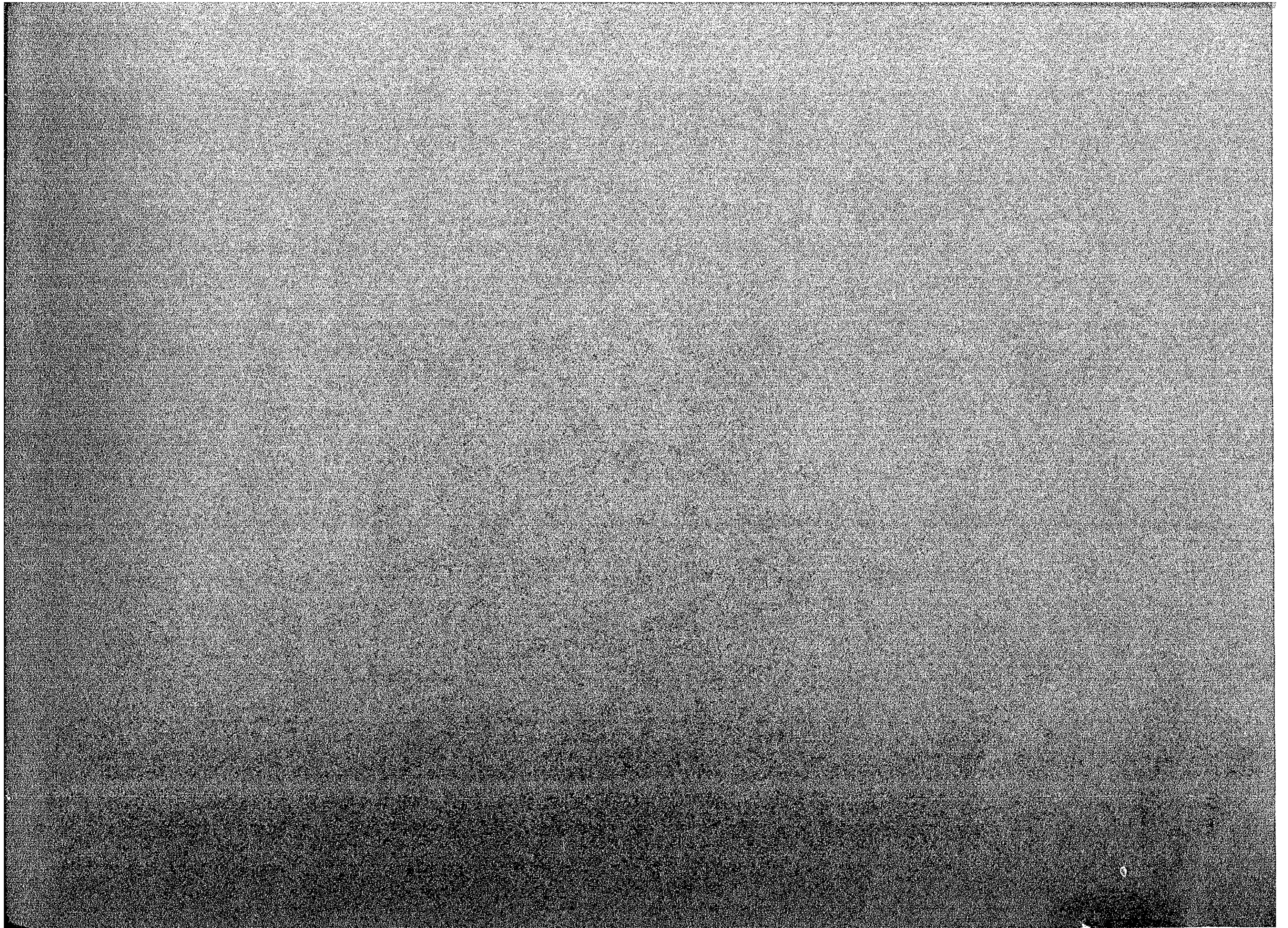


GRAVITY



H	SIZE (mm)							
	a	b	c	d	e	f	g	B
8500	1000	800	3000	700	150	7650	250	4800
6000	900	600	2000	550	100	5350	250	3500
4000	600	400	1500	350	100	3550	250	2500
3000	500	400	1100	300	100	2600	250	2000

H = 3000 BELOW GRAVITY TYPE



JICA