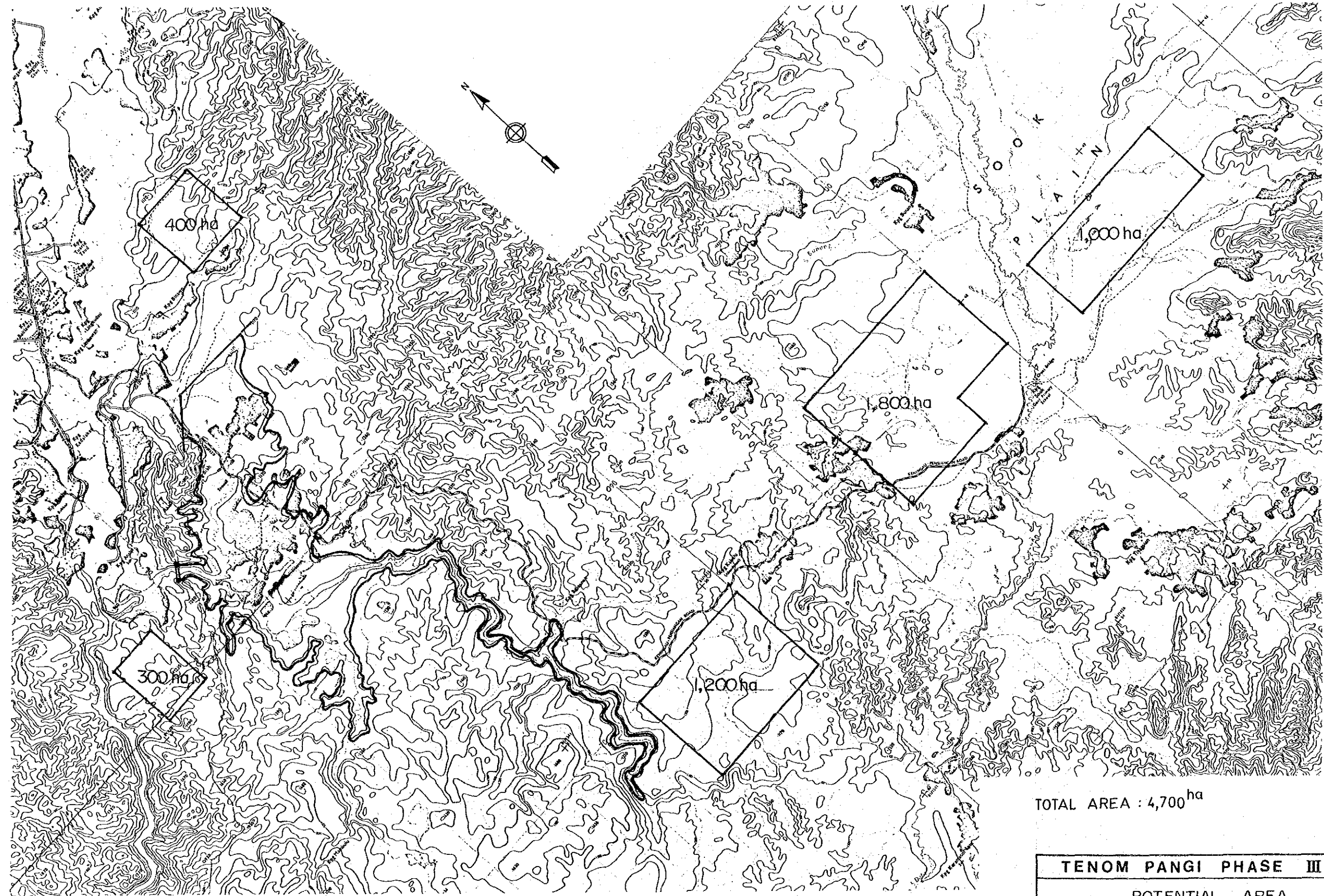


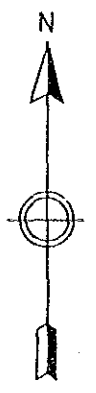
FIGURE NO.A-8. I



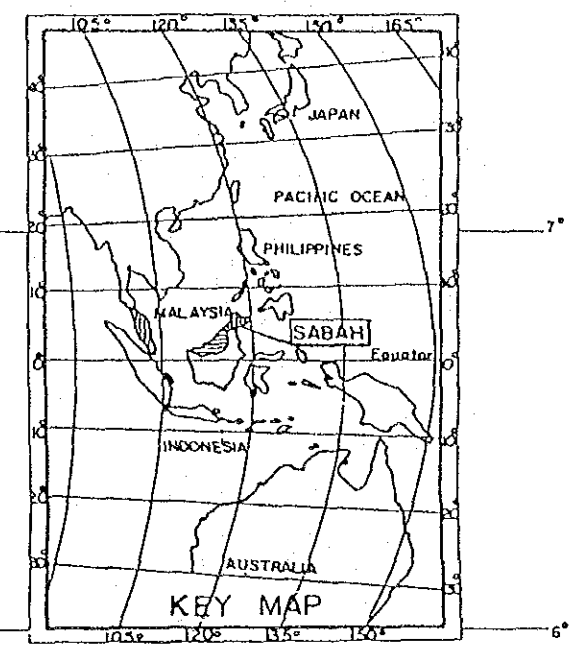
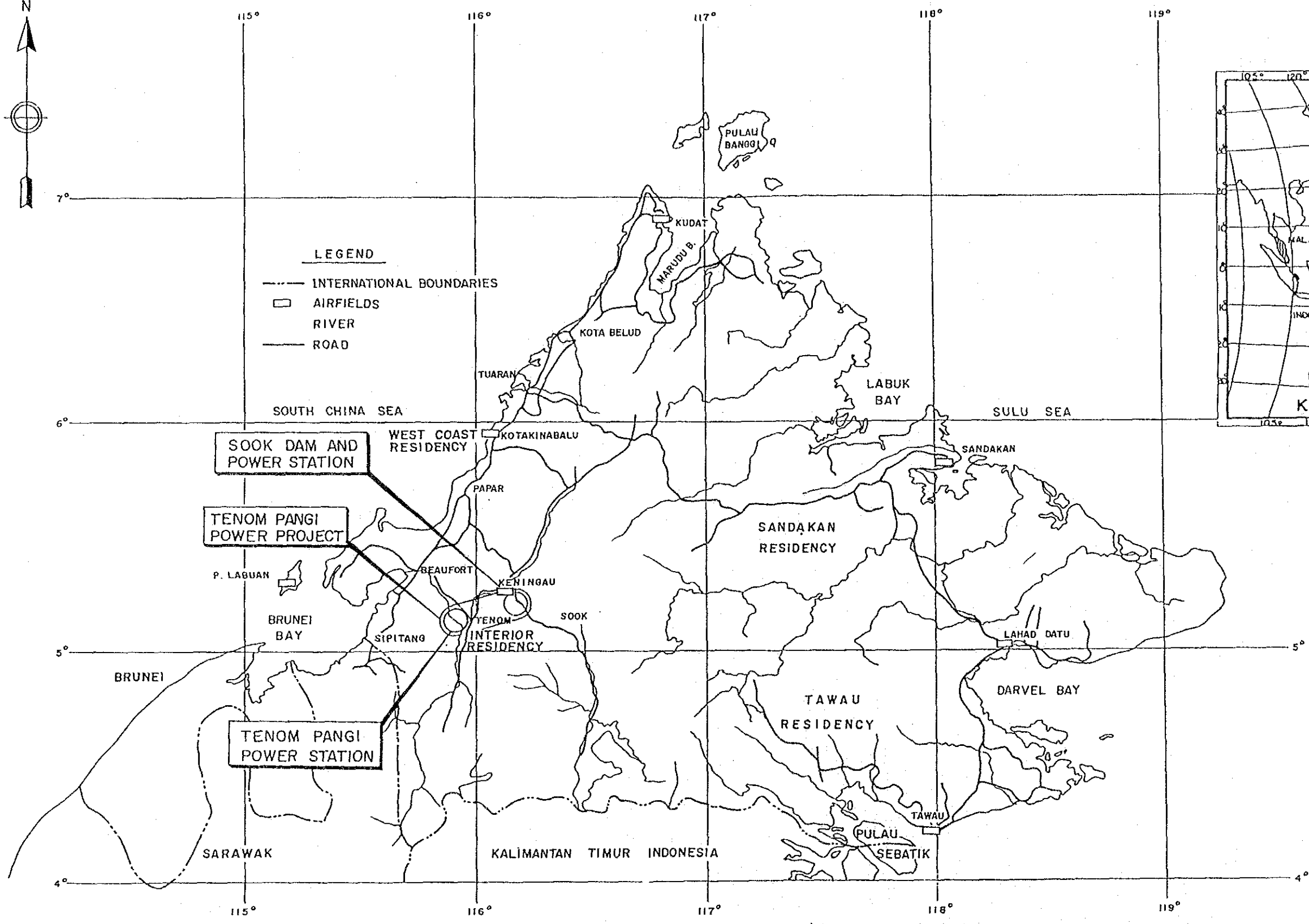
TOTAL AREA : 4,700^{ha}

SCALE 0 5km
(1 100,000)

TENOM PANGI PHASE III
POTENTIAL AREA FOR RELOCATING VILLAGE
SEB / JICA

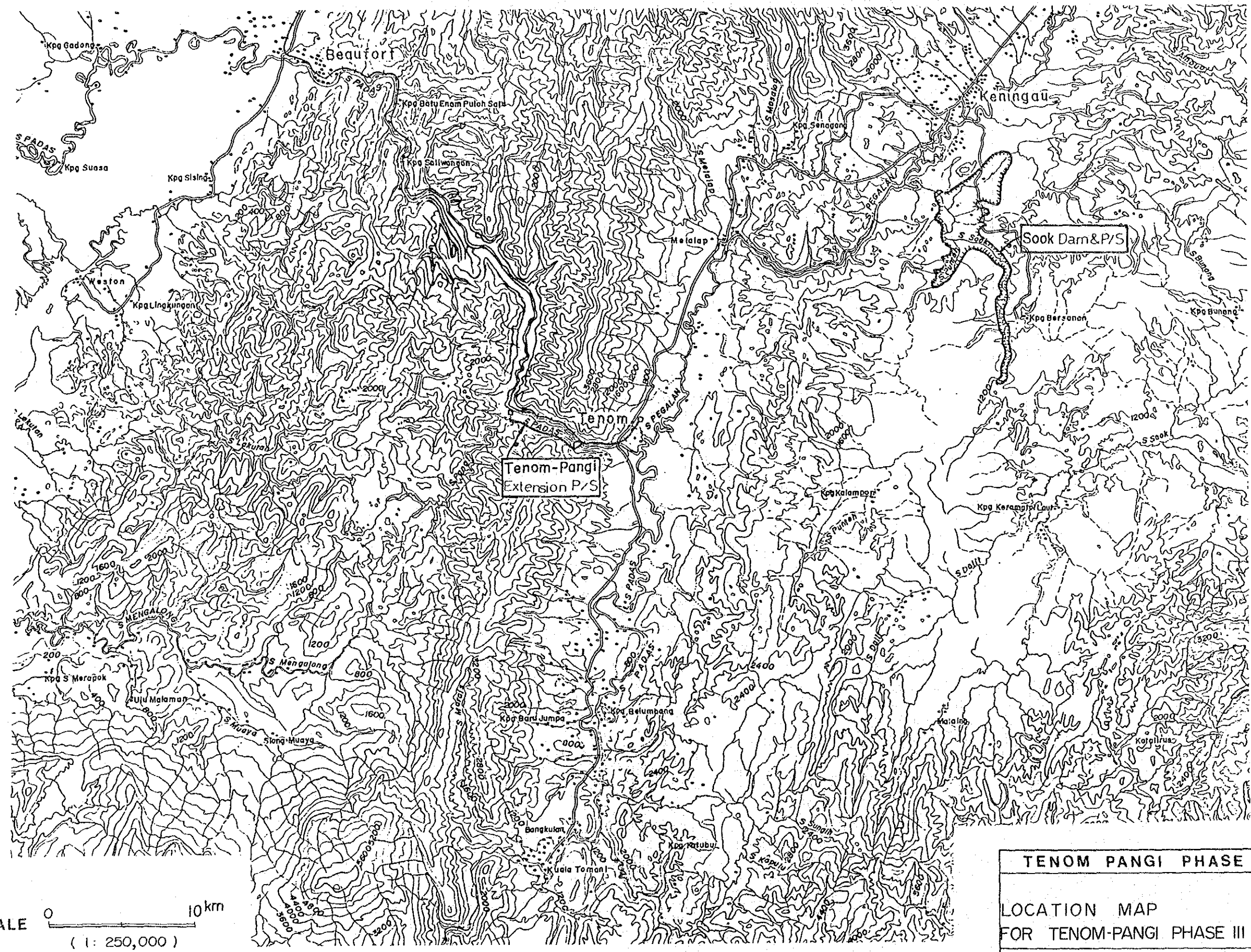


- LEGEND**
- INTERNATIONAL BOUNDARIES
 - AIRFIELDS
 - RIVER
 - ROAD



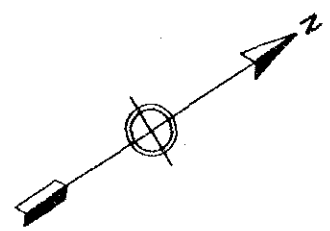
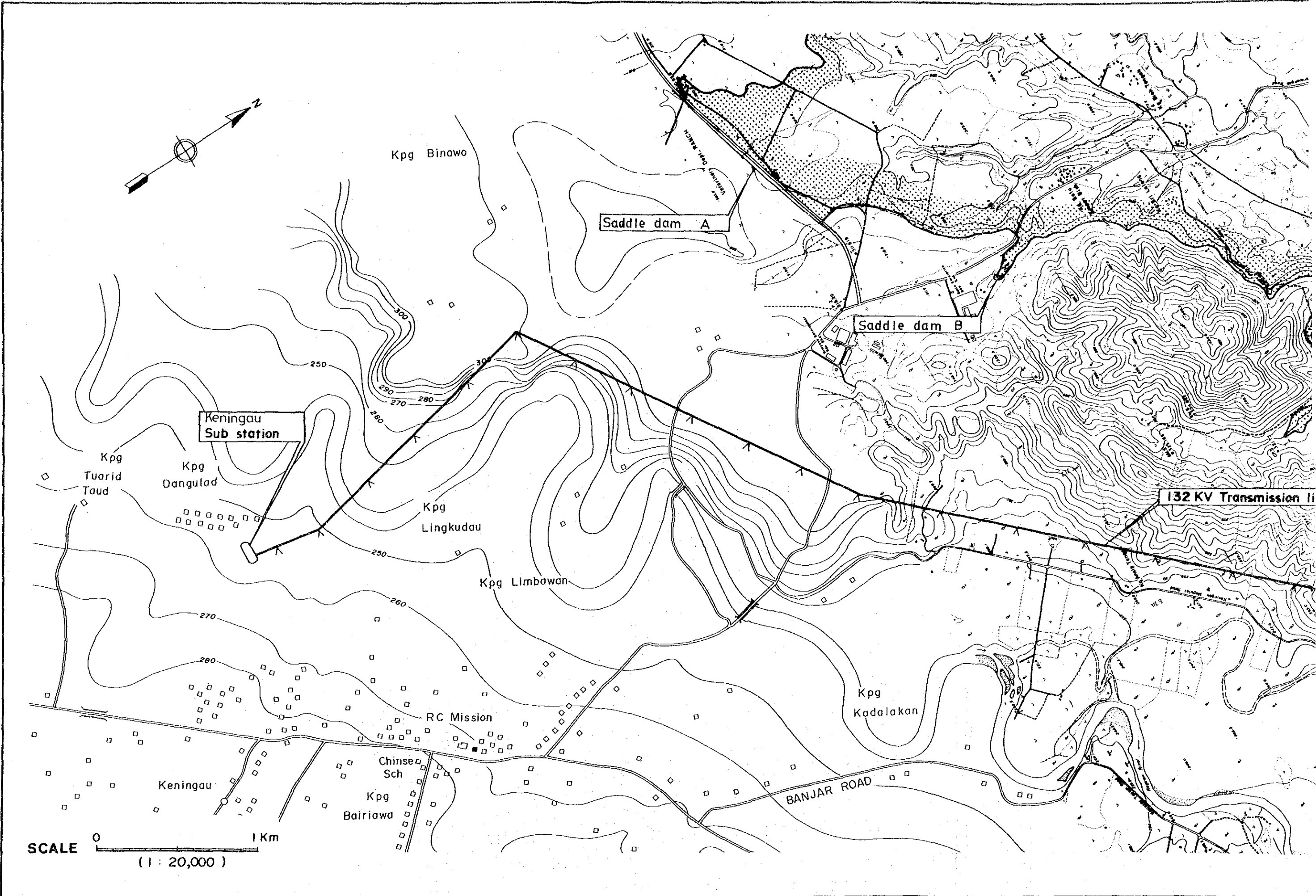
SCALE 0 100Km
(1 : 2,000,000)

TENOM PANGI PHASE III
LOCATION MAP
SEB / JICA

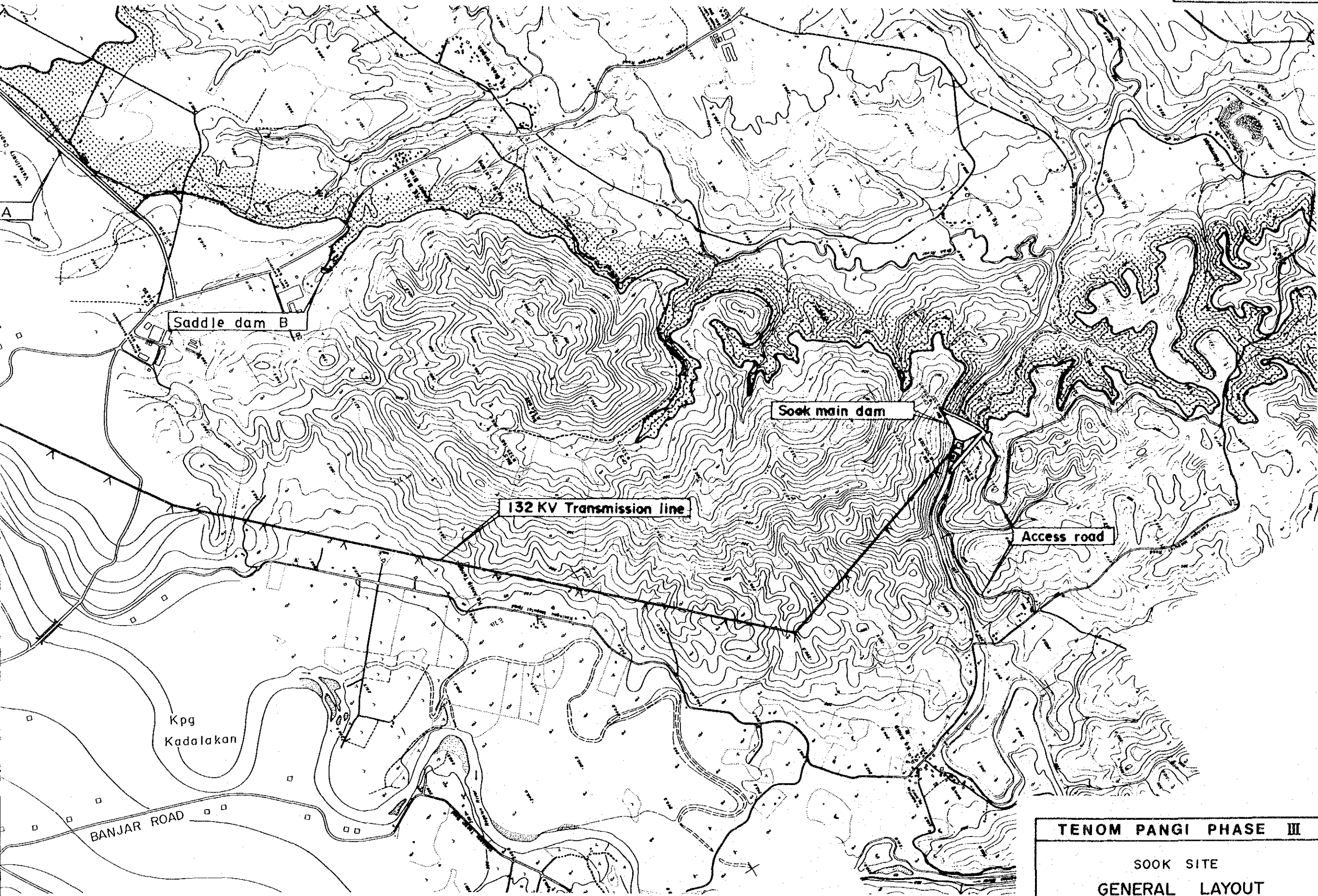


SCALE 0 10 km
(1 : 250,000)

TENOM PANGI PHASE III
LOCATION MAP FOR TENOM-PANGI PHASE III PROJECT
SEB / JICA



SCALE 0 1 Km
(1 : 20,000)

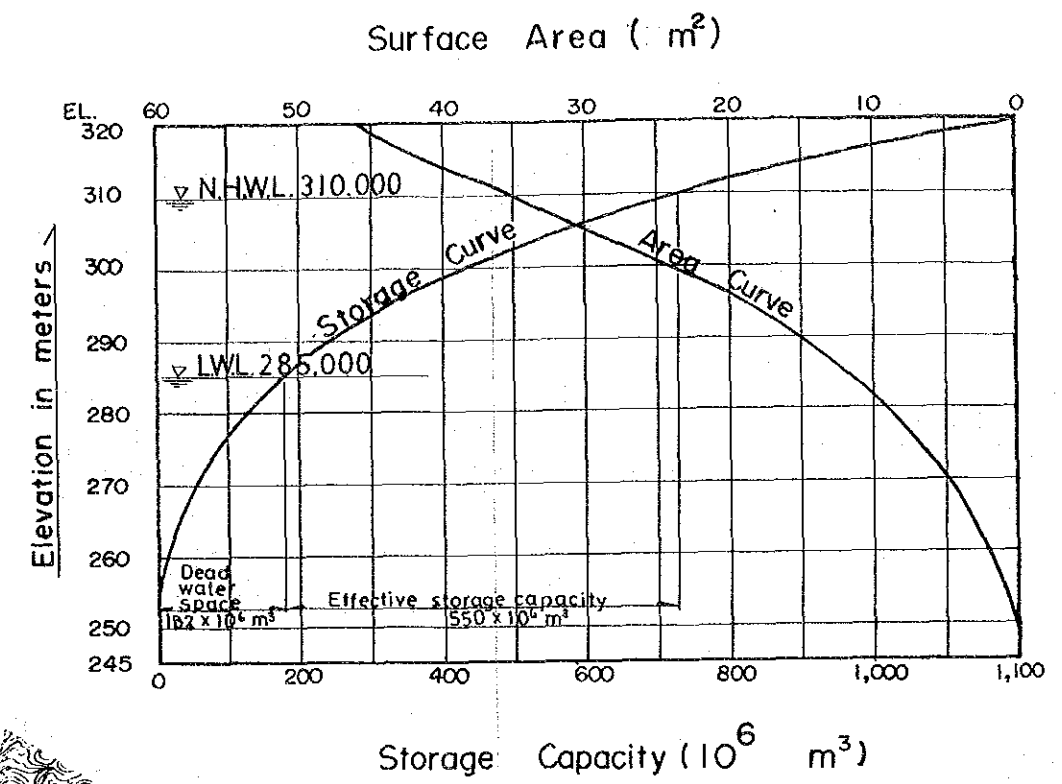


TENOM PANGI PHASE III
SOOK SITE GENERAL LAYOUT
SEB / JICA

SADDLE DAM

Main dam

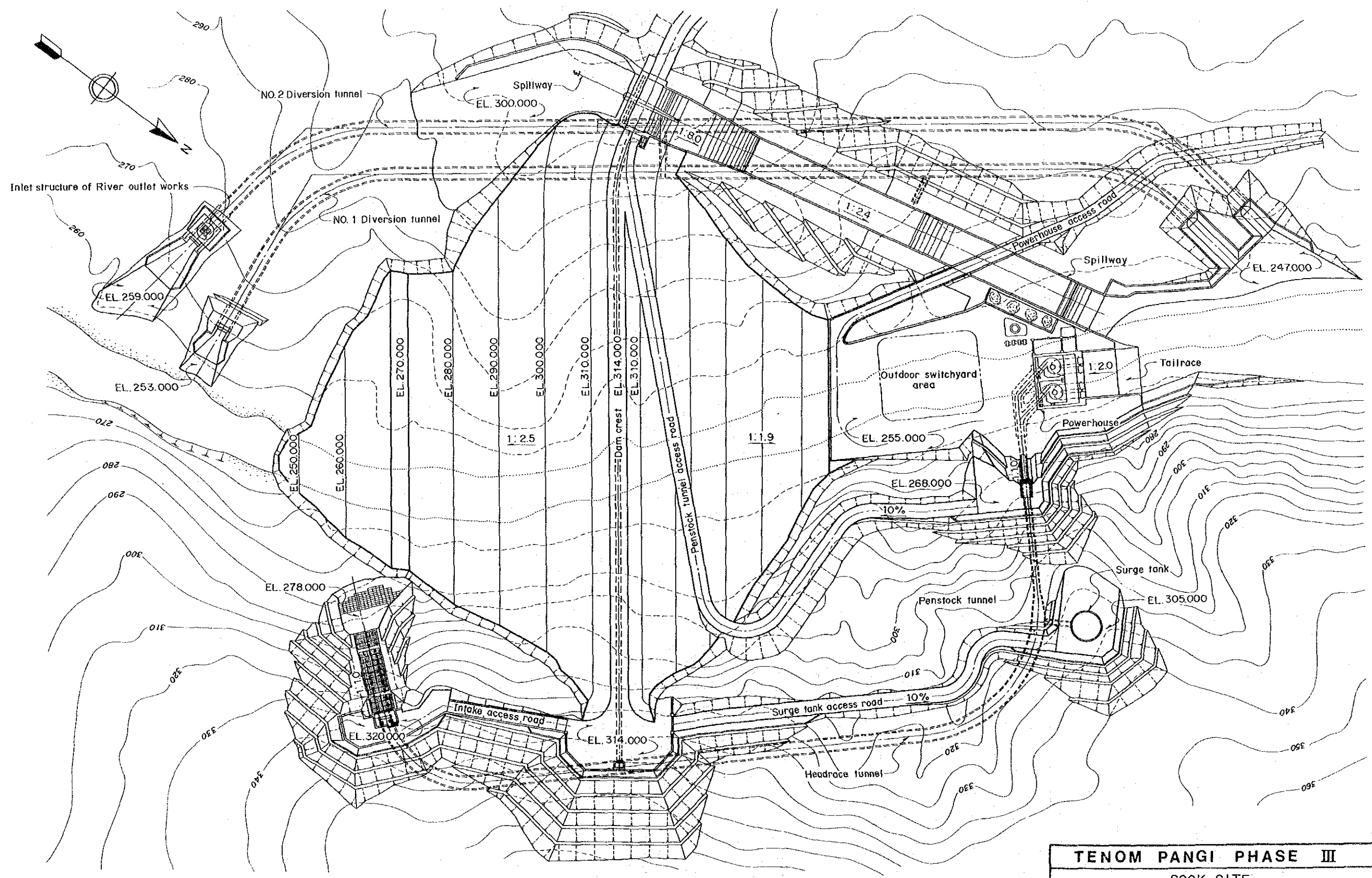
(Reservoir)



Stage (E.L.)	Area (Km ²)	Storage (MCM)
245.0	0	0
250.0	0.03	0.16
260.0	2.71	13.87
270.0	5.23	53.57
280.0	9.32	126.31
285.0	11.54	188.89
290.0	14.75	241.47
300.0	24.26	436.52
310.0	34.81	731.87
320.0	45.90	1,135.44

SCALE 0 2 km
(1:50,000)

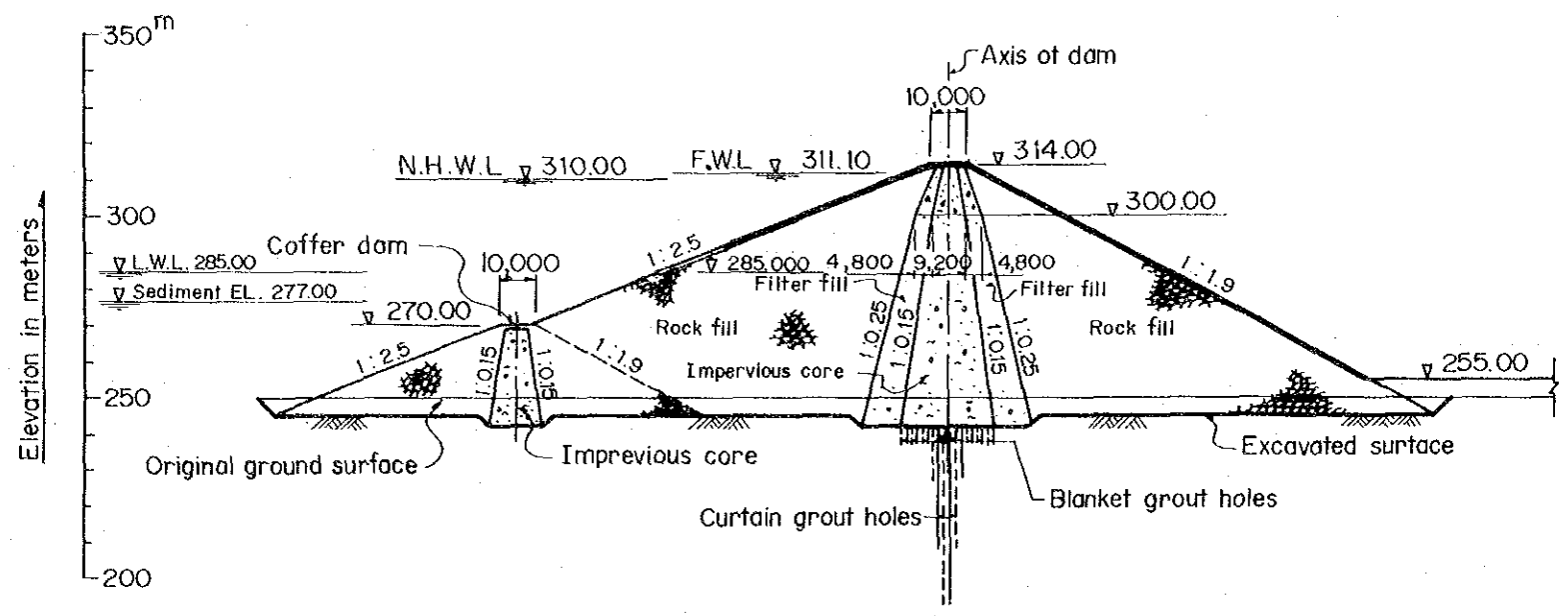
TENOM PANGI PHASE III
SOOK SITE
RESERVOIR
SEB / JICA



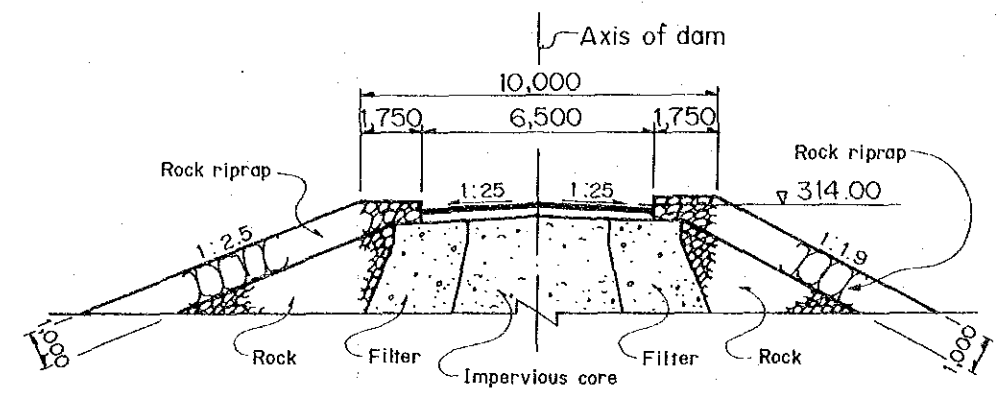
SCALE 0 100m
(1 : 2,000)

PLAN

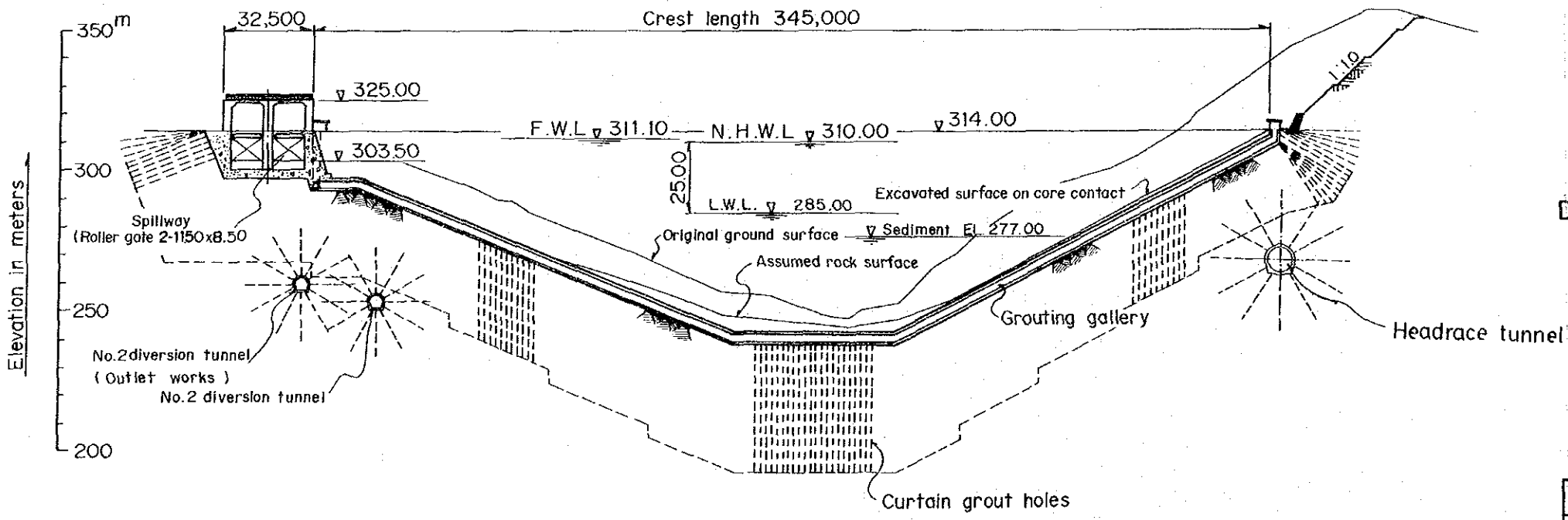
TENOM PANGI PHASE III
SOOK SITE GENERAL
GENERAL PLAN
SEB / JICA



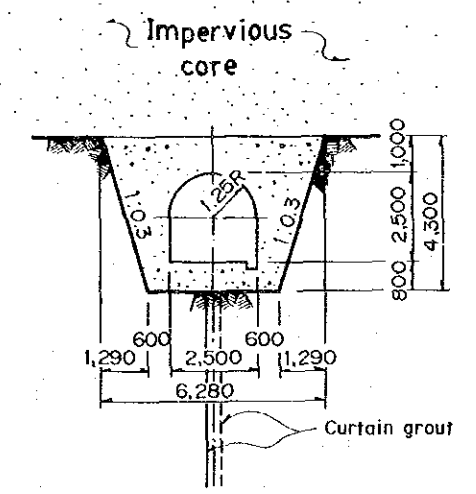
TYPICAL SECTION SCALE A



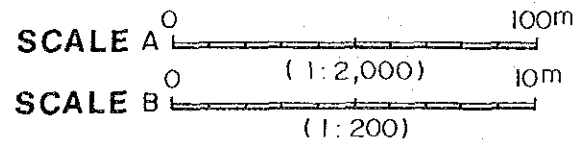
CREST DETAIL SCALE B



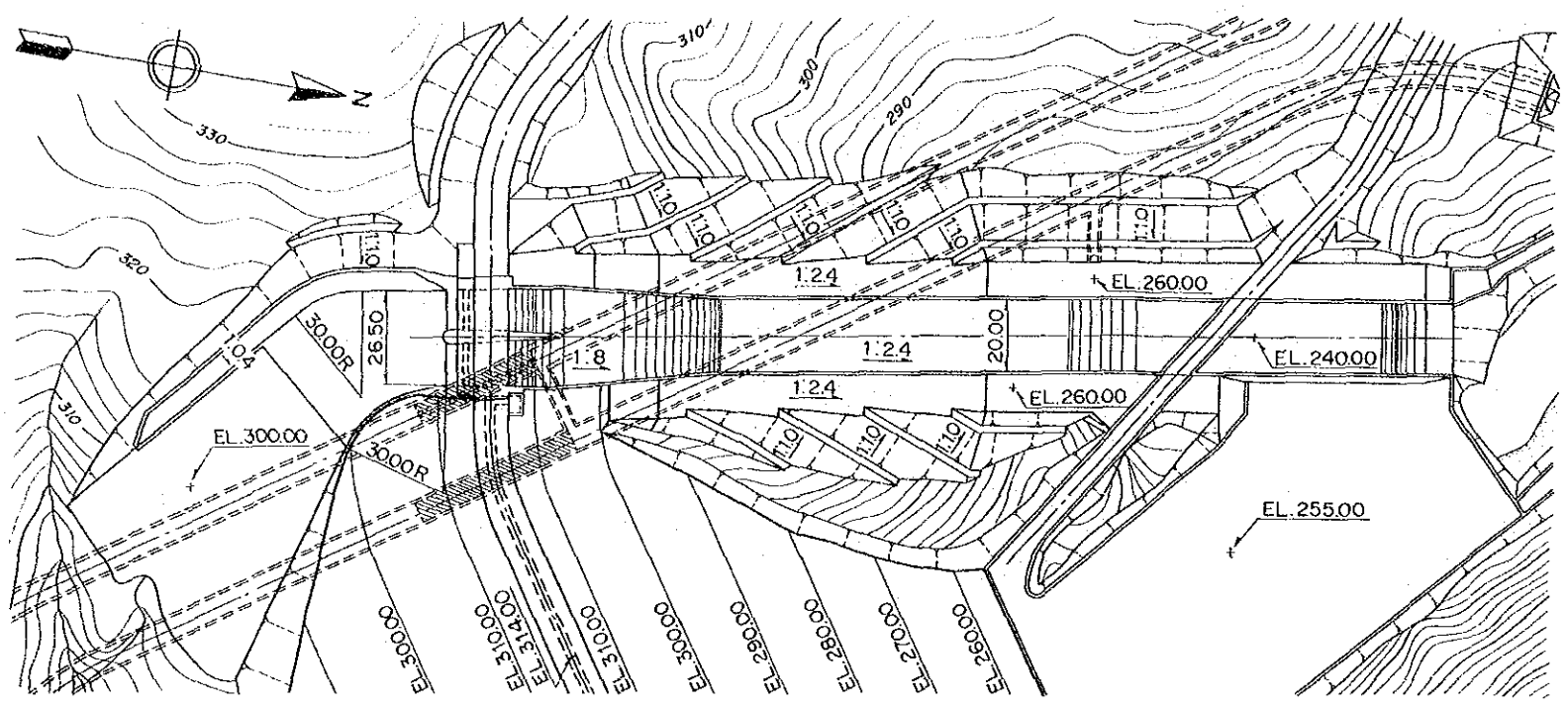
PROFILE SCALE A



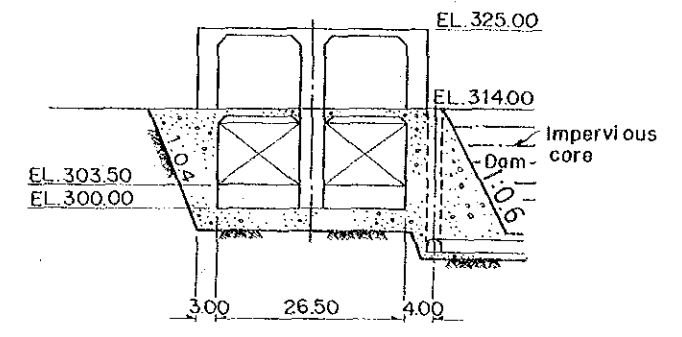
DETAIL OF GALLERY SCALE B



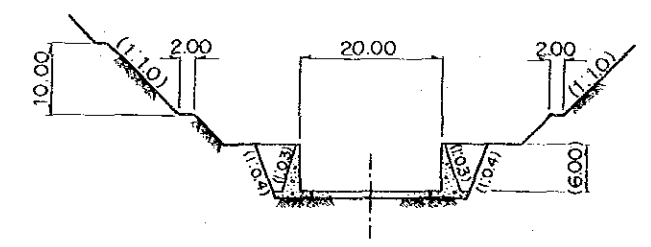
TENOM PANGI PHASE III
SOOK SITE MAIN DAM
PROFILE, TYPICAL SECTION AND DETAILS
SEB / JICA



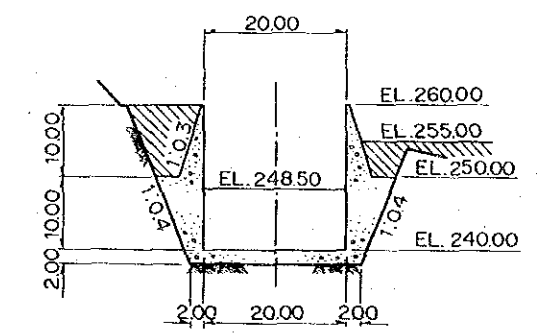
PLAN SCALE A



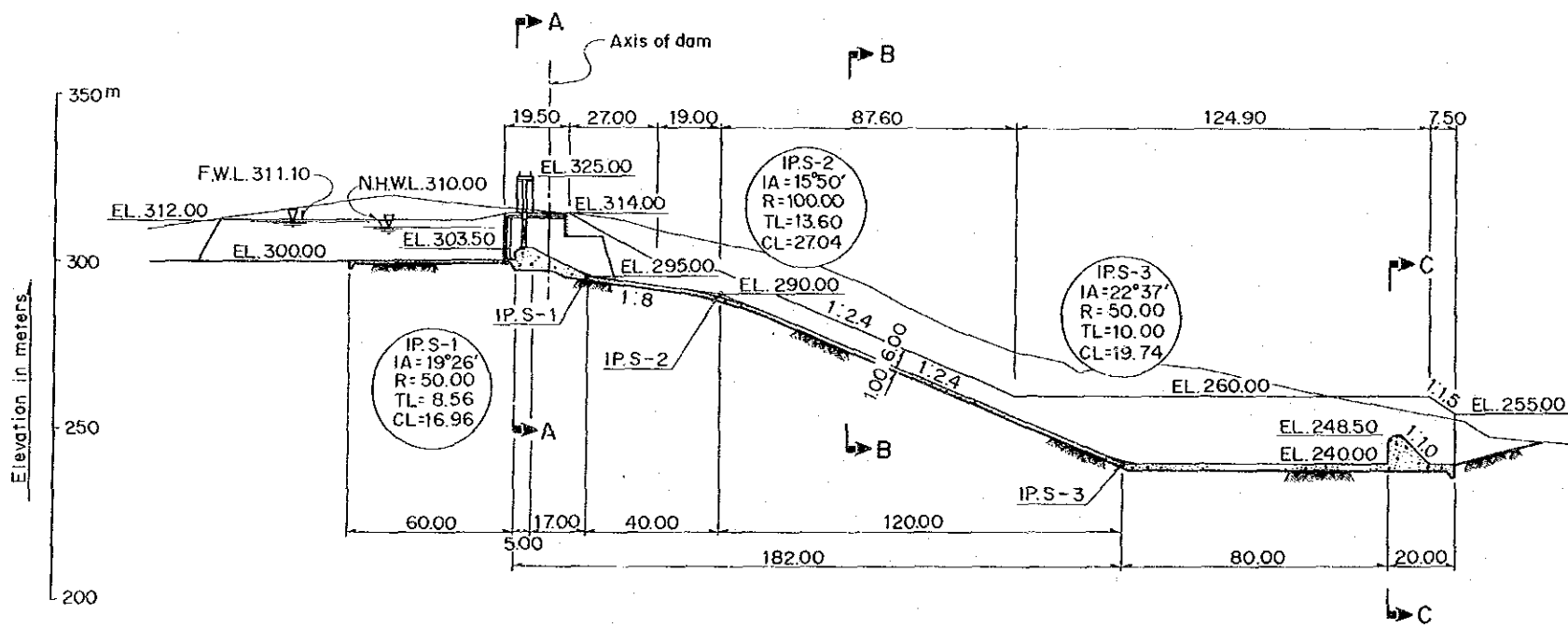
SECTION A - A SCALE B



SECTION B - B SCALE B

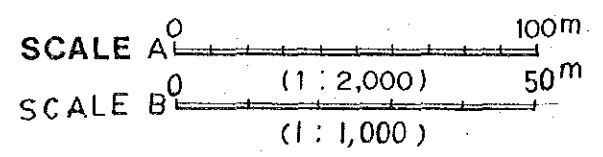


SECTION C - C SCALE B

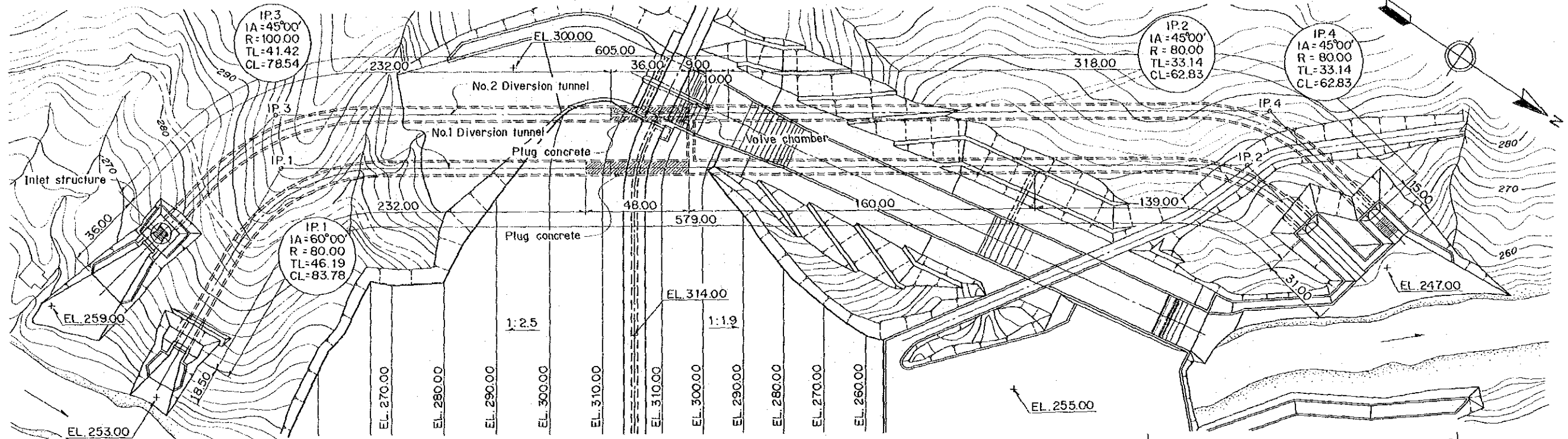


PROFILE SCALE A

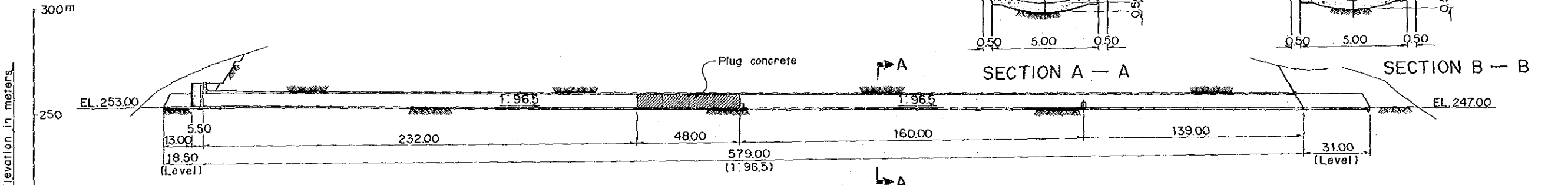
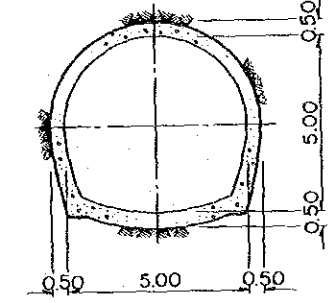
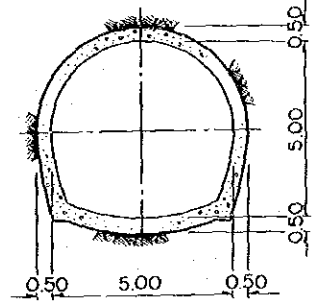
Station	Distance	Total distance	Formation height
-1	60.00	60.00	300.00
0	0	0	303.50
1	14.34	14.34	298.83
2	16.15	30.49	293.94
3	18.02	48.51	291.69
4	26.04	74.55	284.77
5	98.22	172.77	243.85
6	192.3	192.00	240.00
7	900.0	282.00	240.00



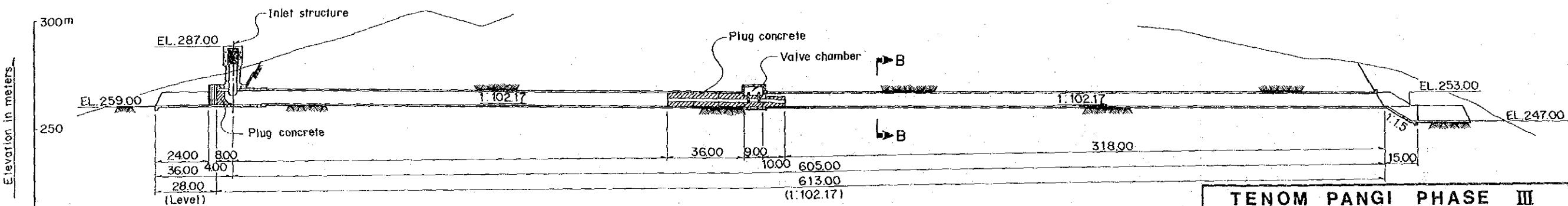
TENOM PANGI PHASE III
 SOOK SITE
 SPILLWAY
 PLAN, PROFILE AND SECTIONS
SEB / JICA



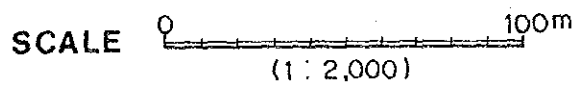
PLAN



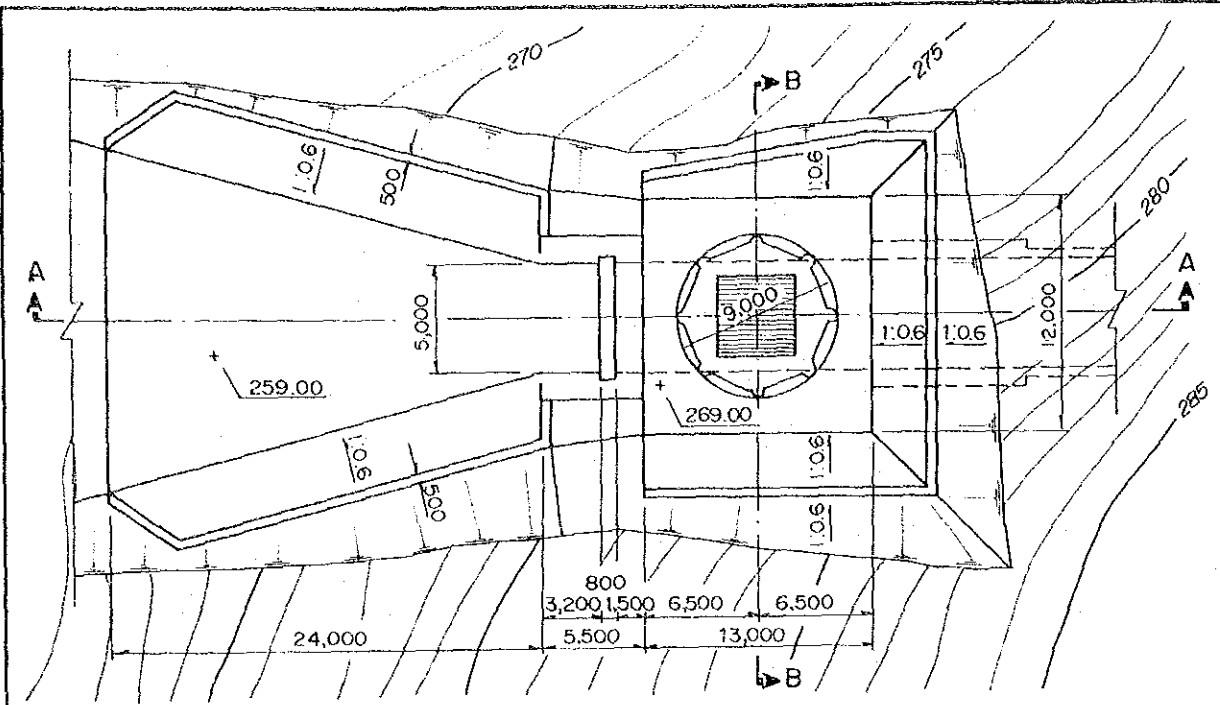
PROFILE OF NO.1 DIVERSION TUNNEL



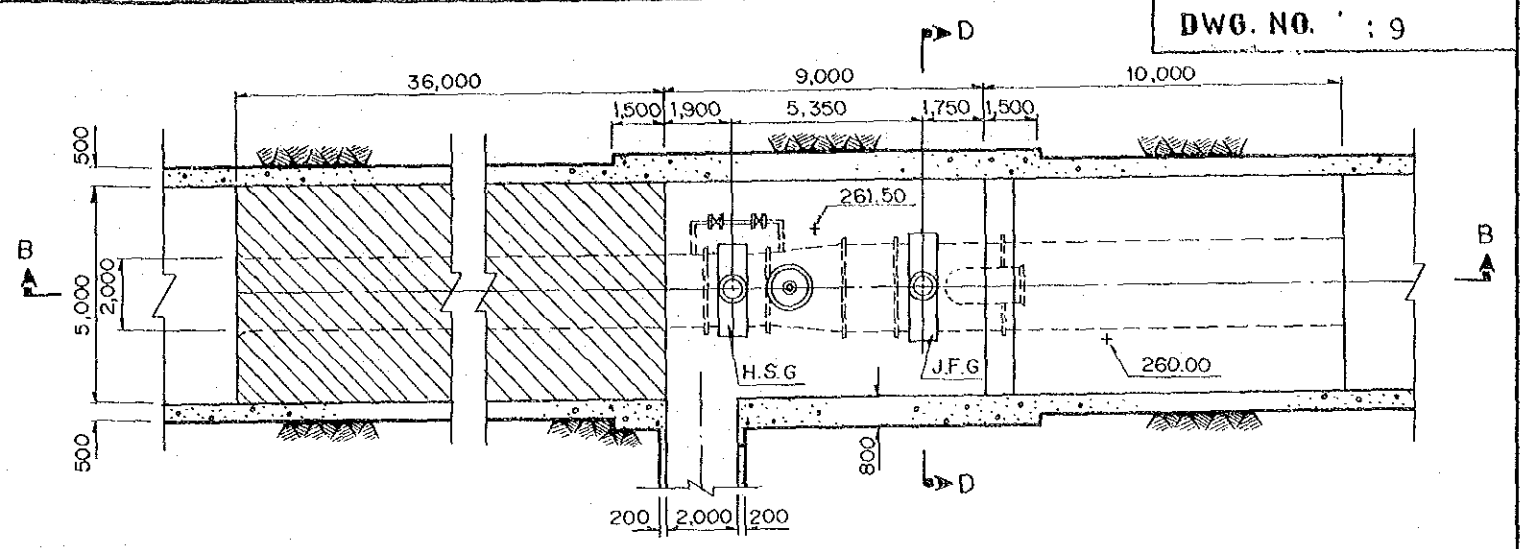
PROFILE OF NO.2 DIVERSION TUNNEL



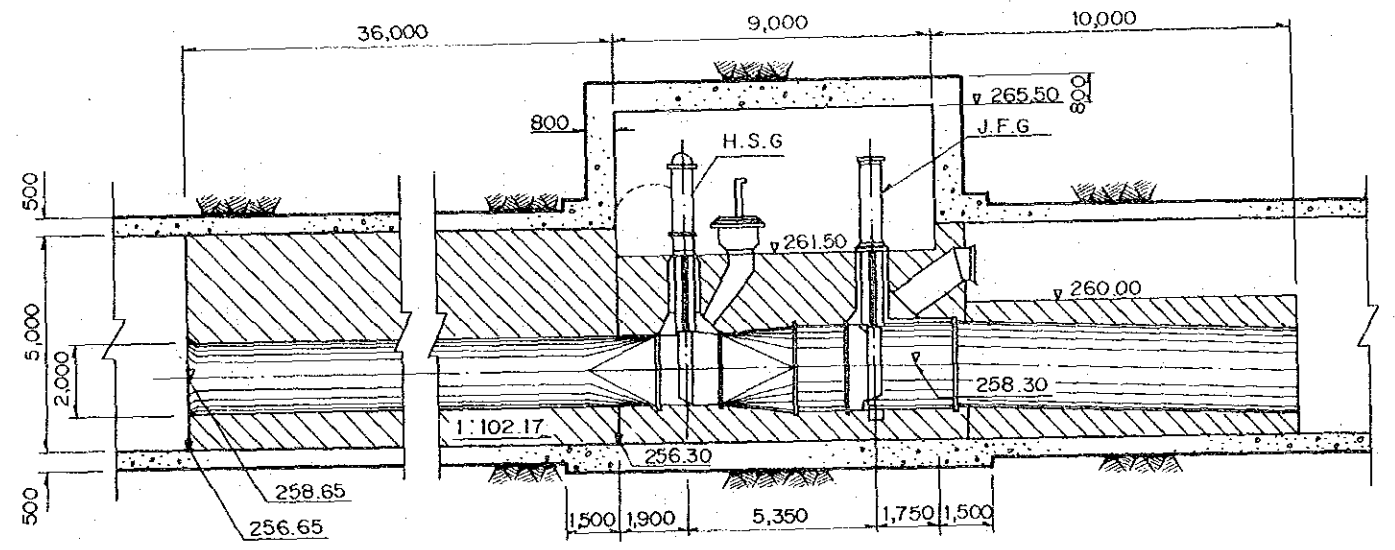
TENOM PANGI PHASE III
 SOOK SITE
 DIVERSION TUNNEL
 PLAN, PROFILE AND SECTIONS
SEB / JICA



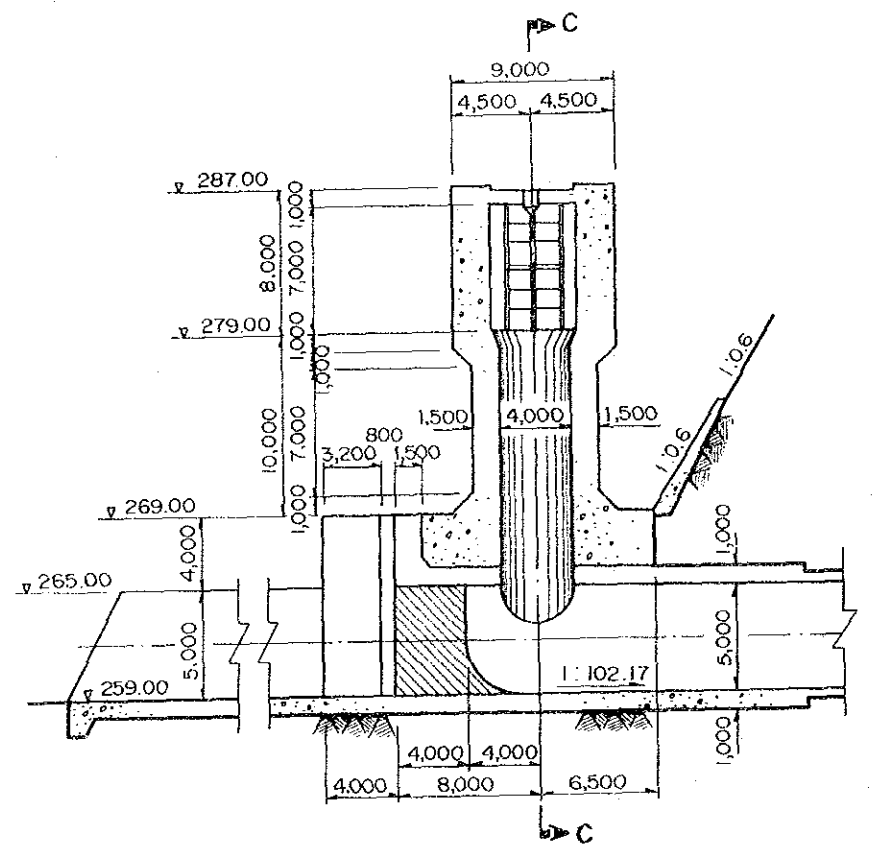
PLAN SCALE A



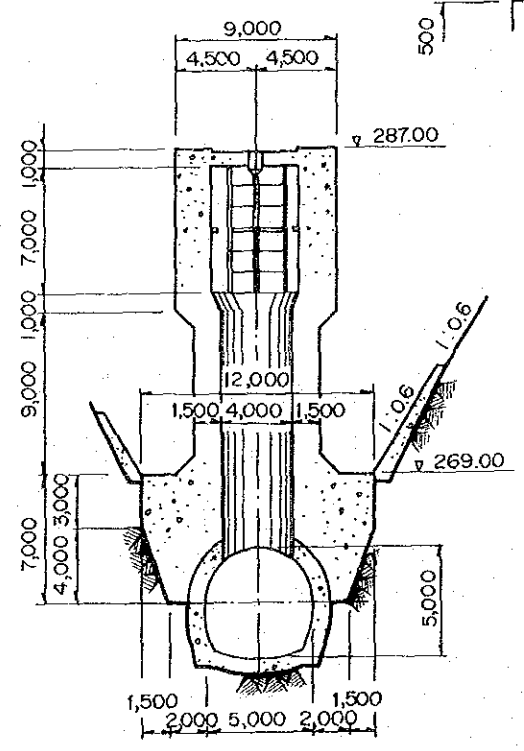
PLAN SCALE B



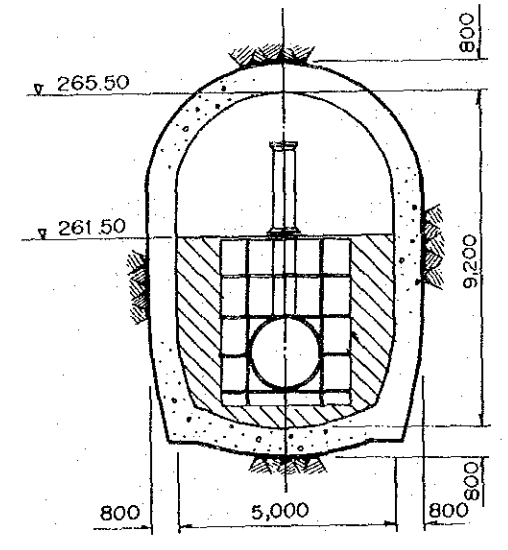
SECTION B-B SCALE B



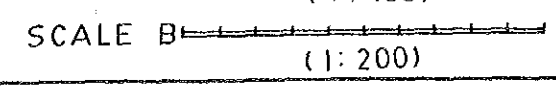
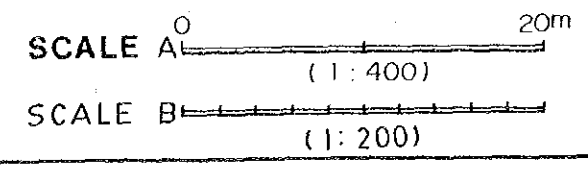
SECTION A-A SCALE A



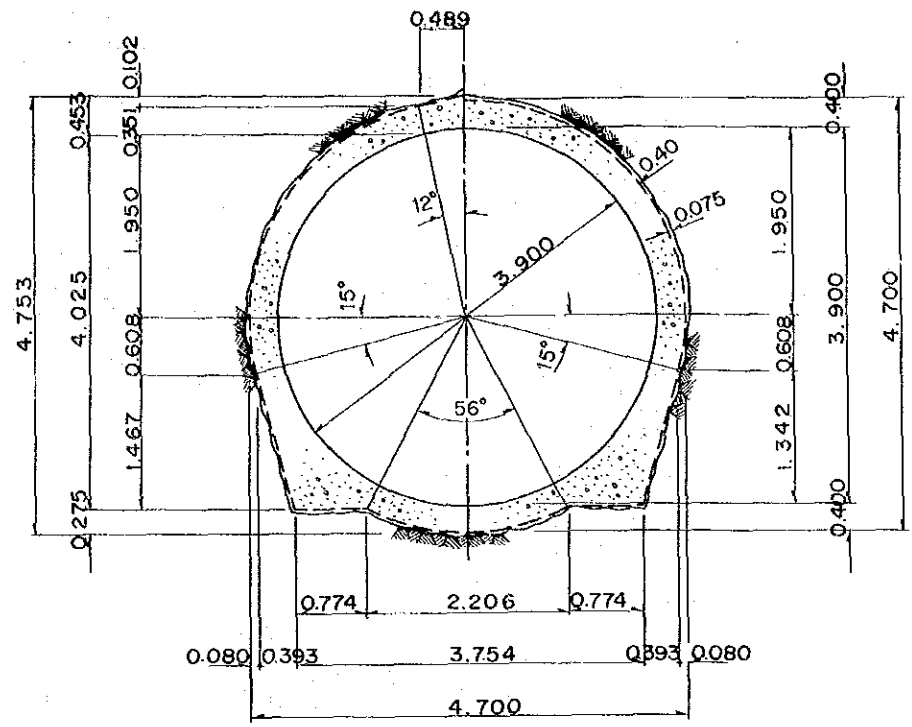
SECTION C-C SCALE A



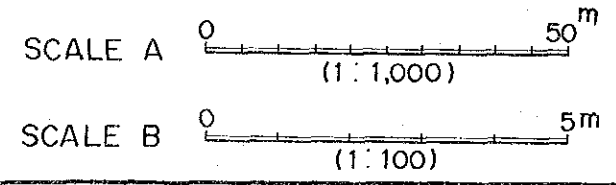
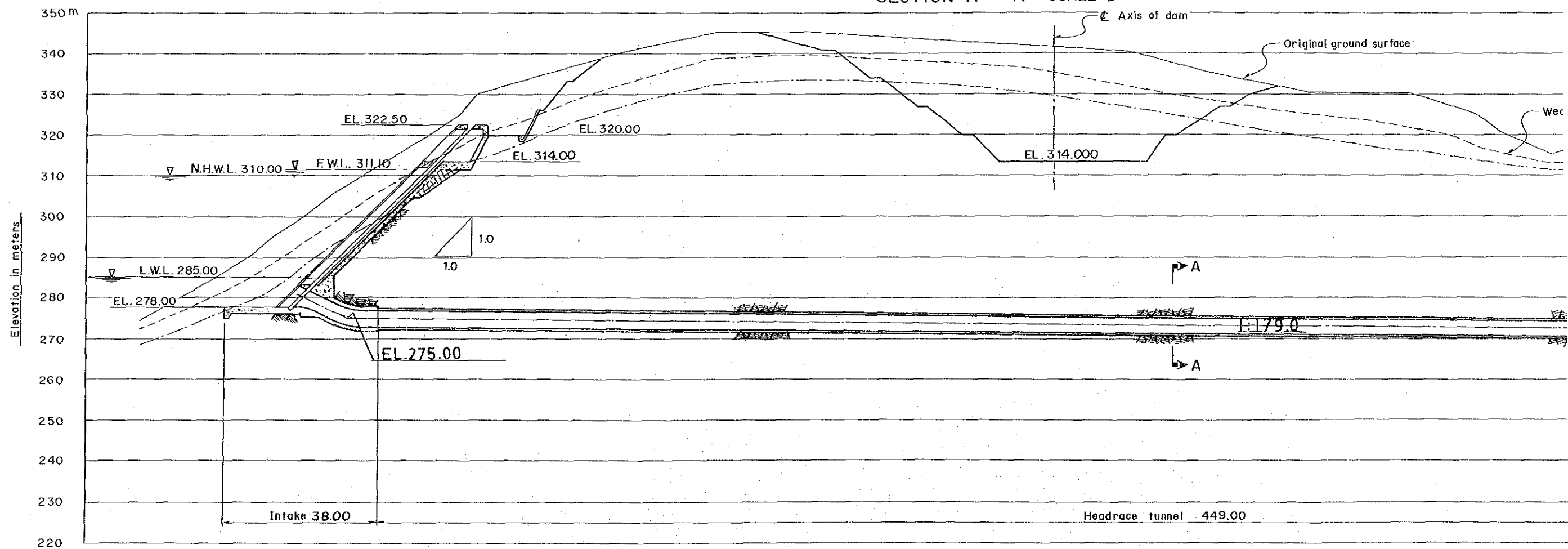
SECTION D-D



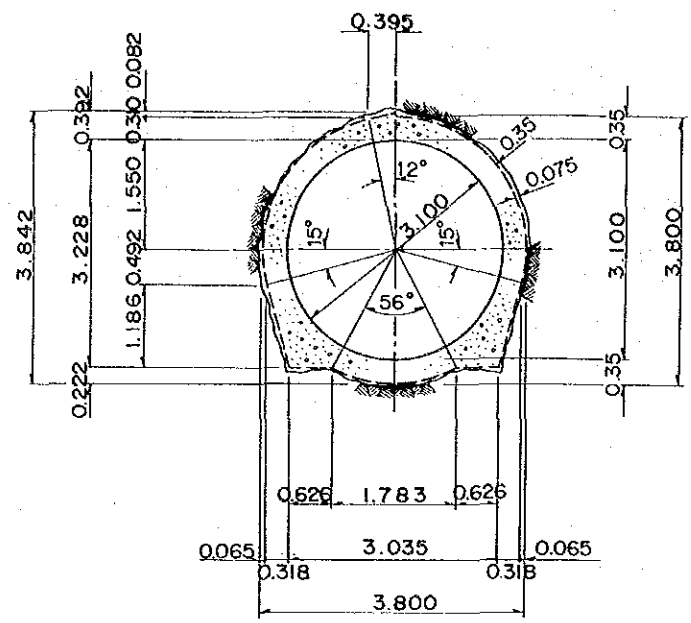
TENOM PANGI PHASE III
SOOK SITE VALVE CHAMBER
PLAN, PROFILE AND SECTIONS
SEB / JICA



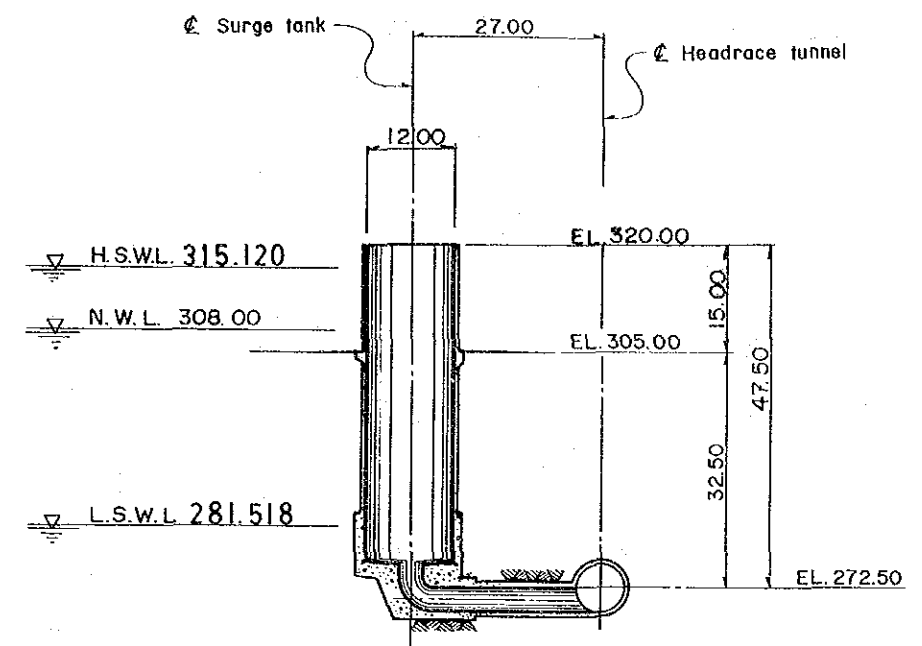
SECTION A — A SCALE B



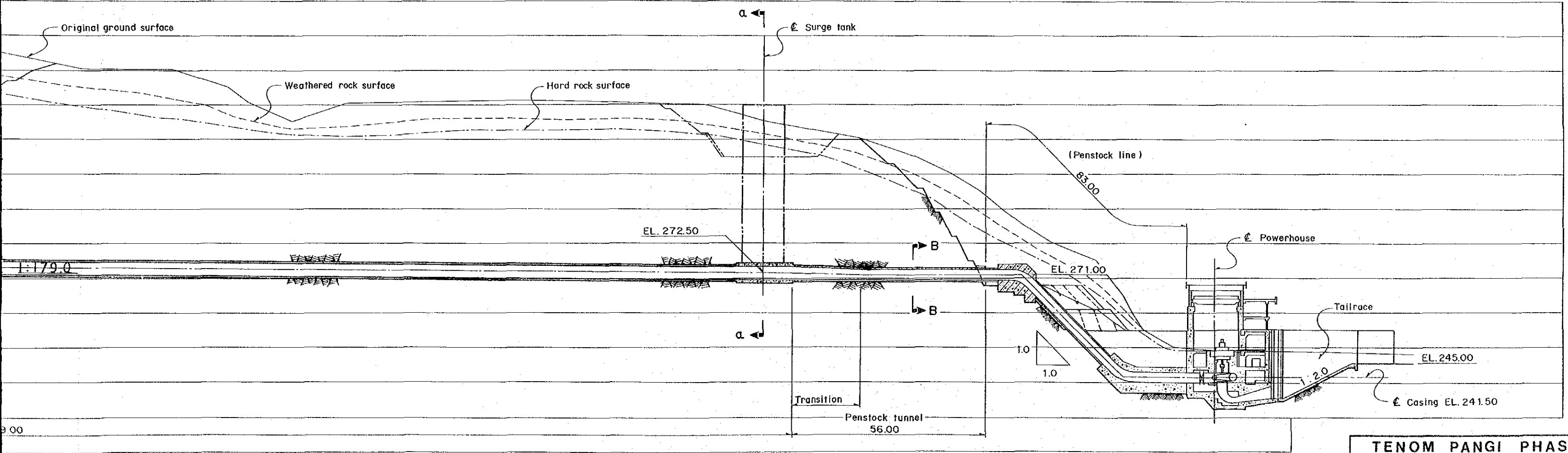
PROFILE SCALE A



SECTION B — B SCALE B

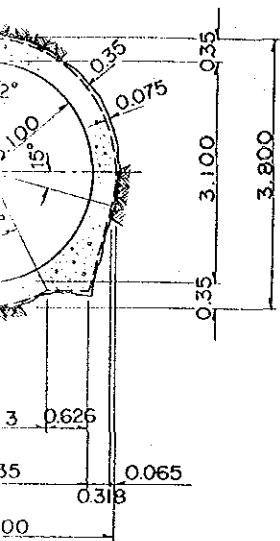


SECTION a — a SCALE A

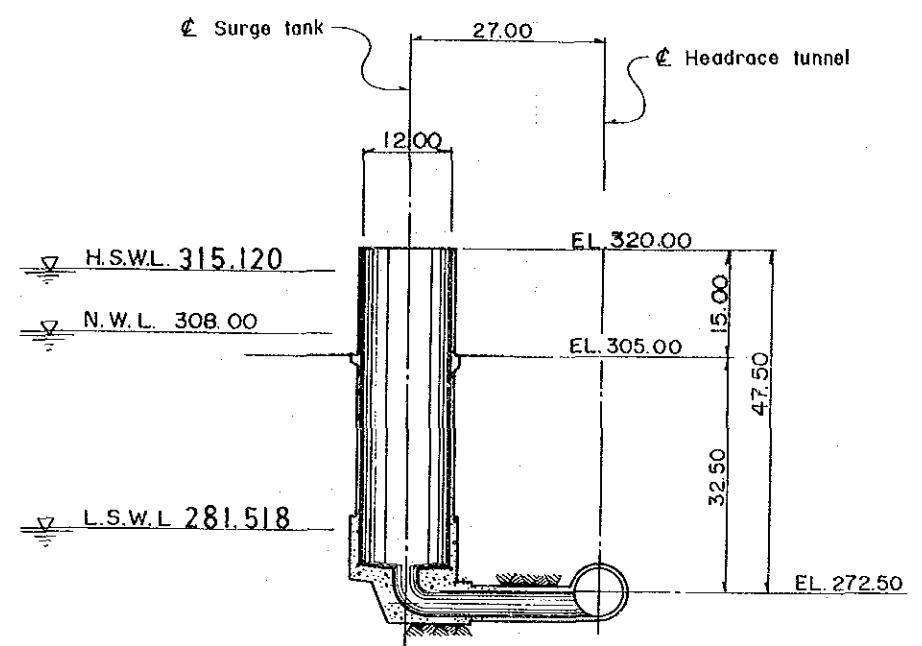


PROFILE SCALE A

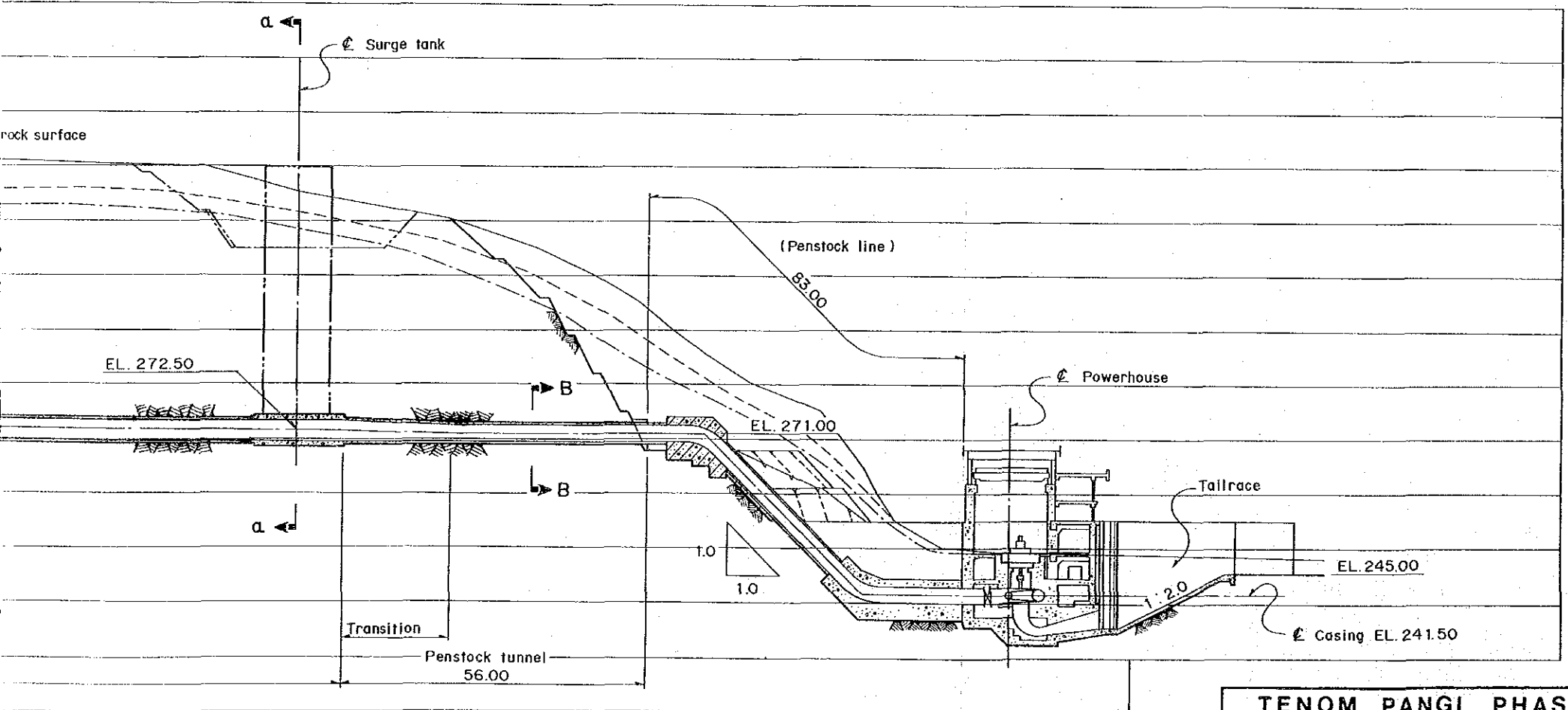
TENOM PANGI PHASE
SOOK SITE WATER WAY
PROFILE AND SECTION
SEB / JICA



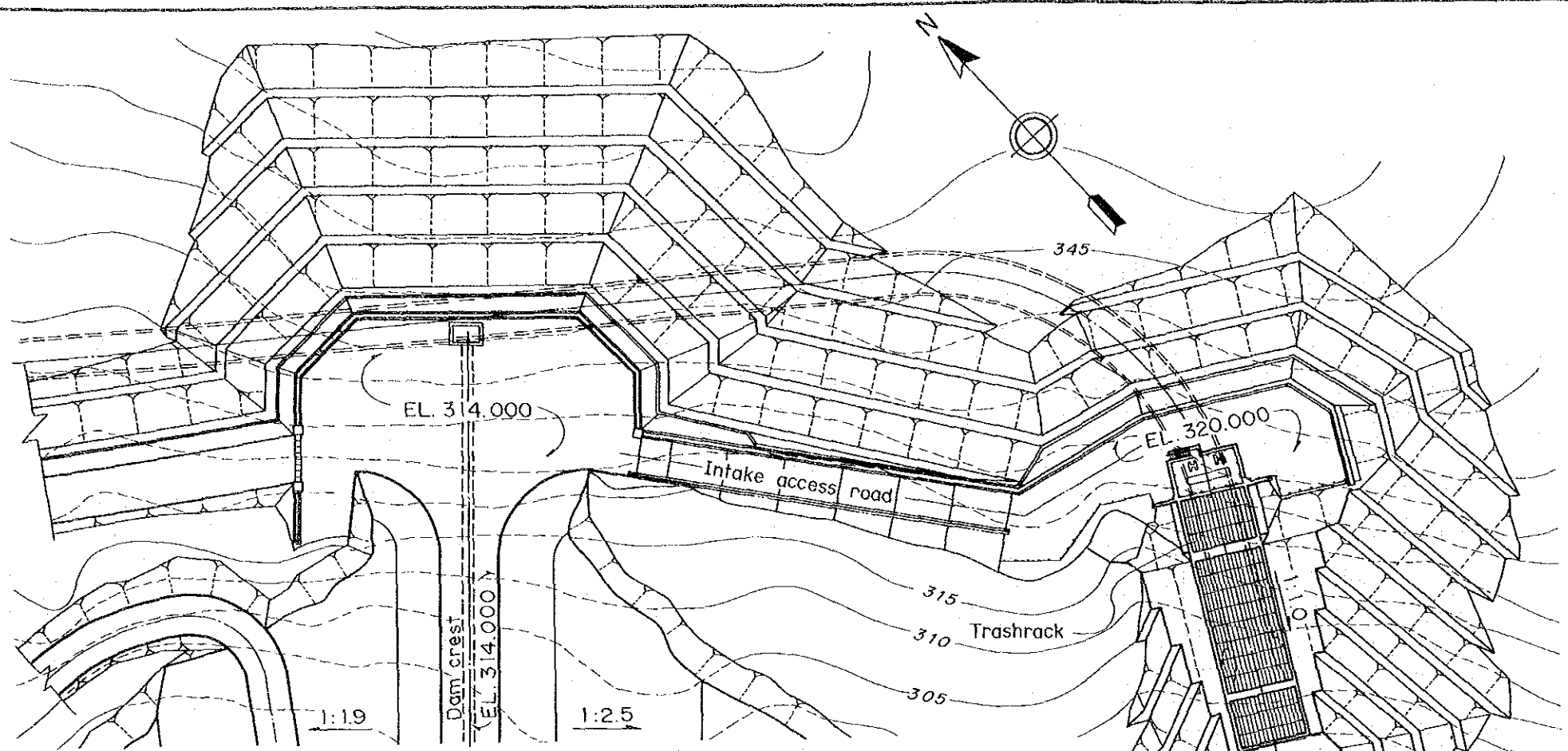
— B SCALE B



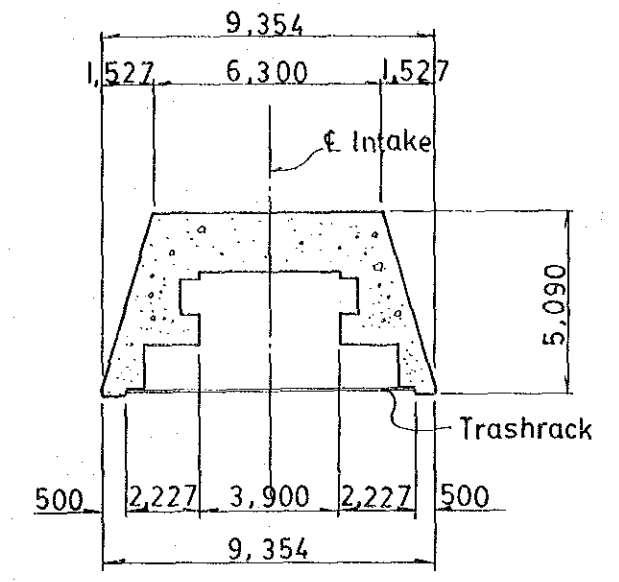
SECTION a — a SCALE A



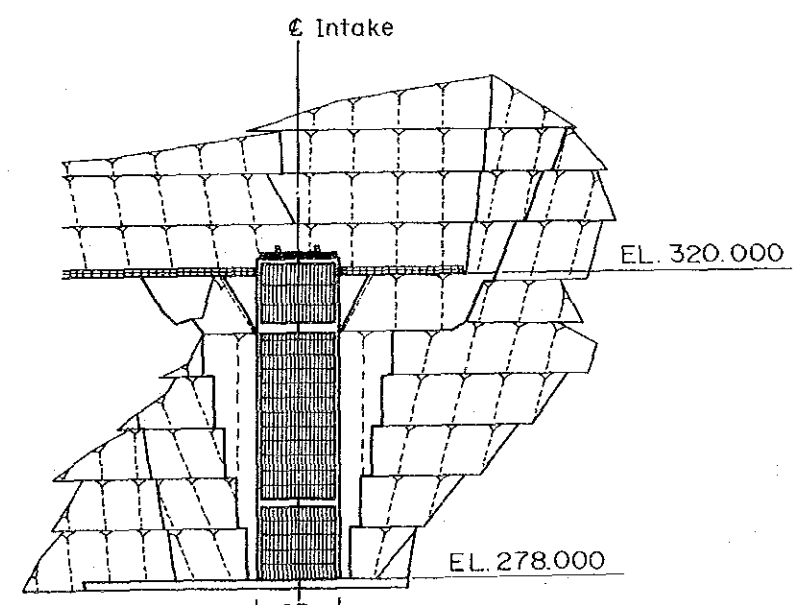
TENOM PANGI PHASE III
 SOOK SITE
 WATER WAY
 PROFILE AND SECTIONS
 SEB / JICA



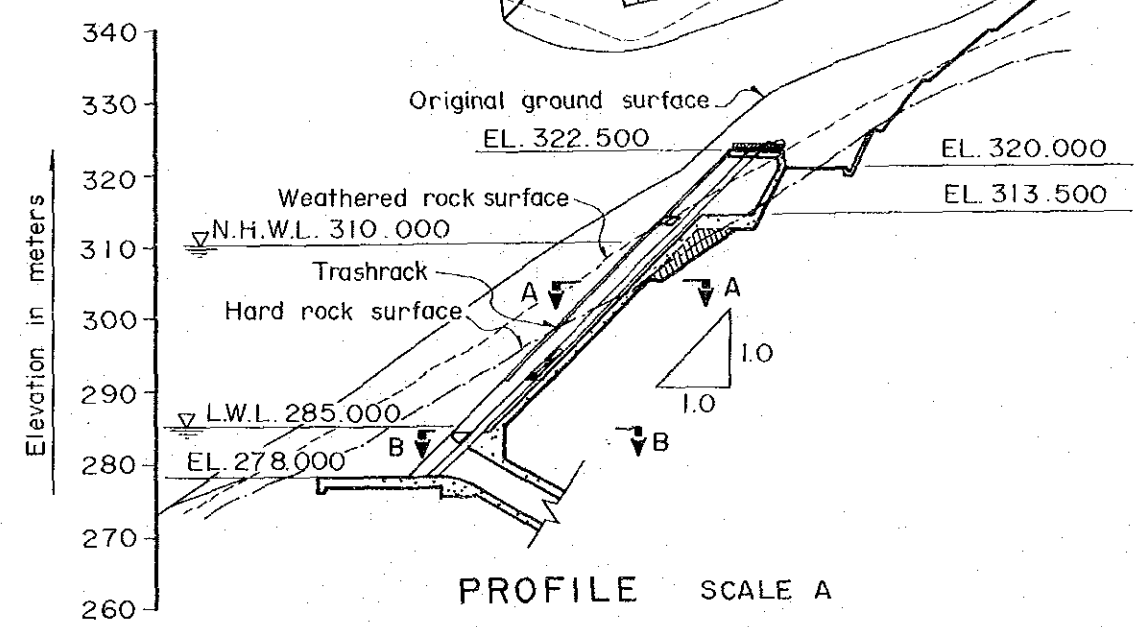
PLAN SCALE A



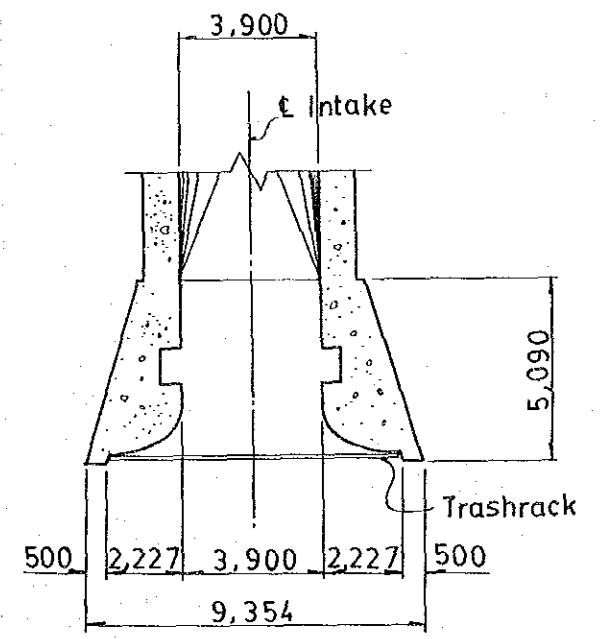
SECTION A - A SCALE B



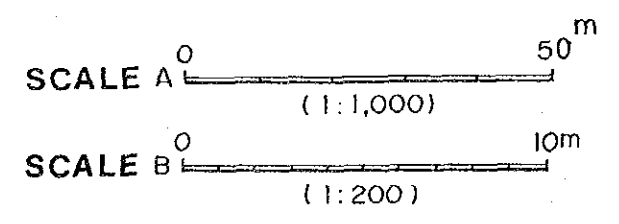
ELEVATION SCALE A



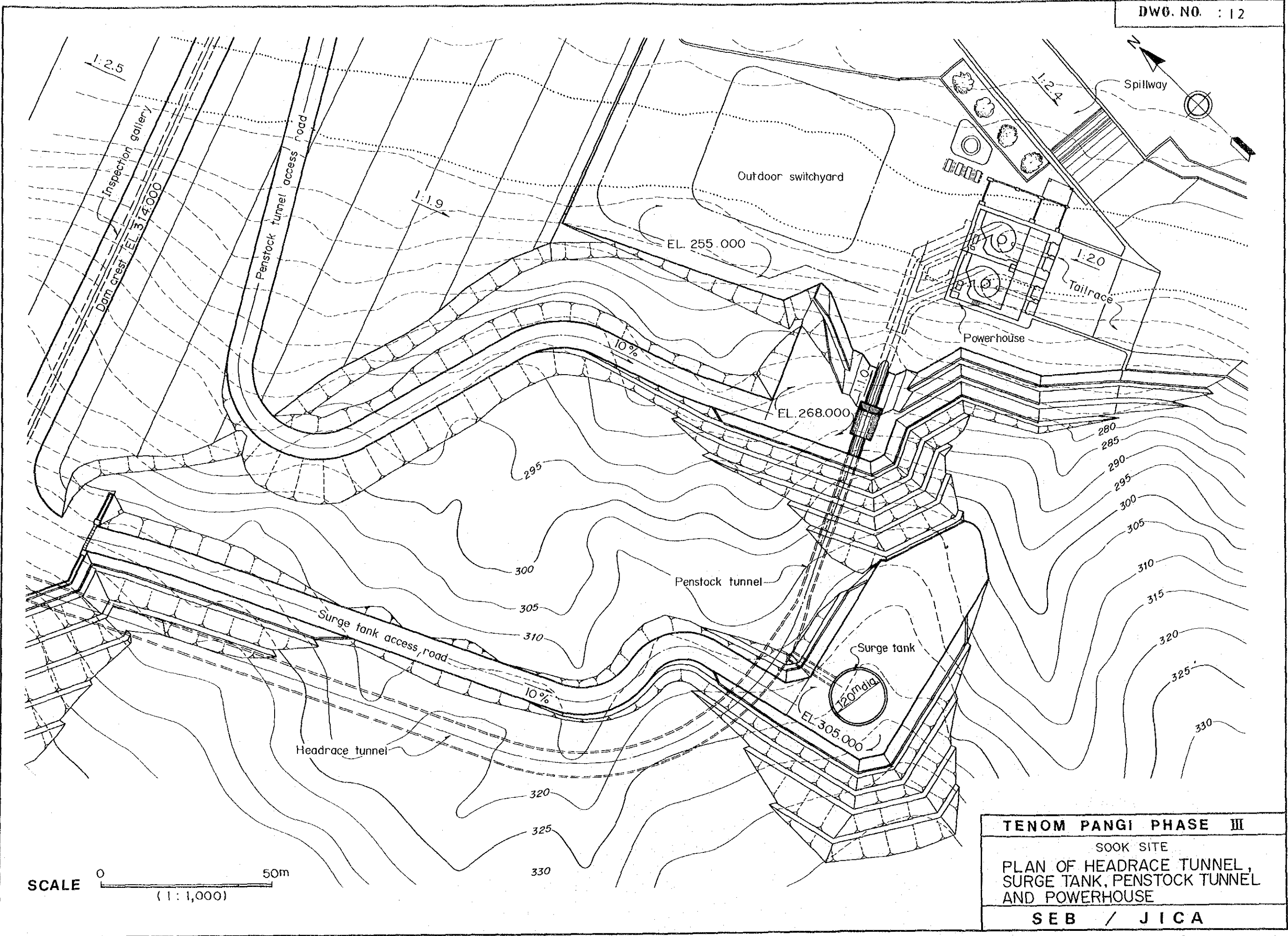
PROFILE SCALE A



SECTION B - B SCALE B

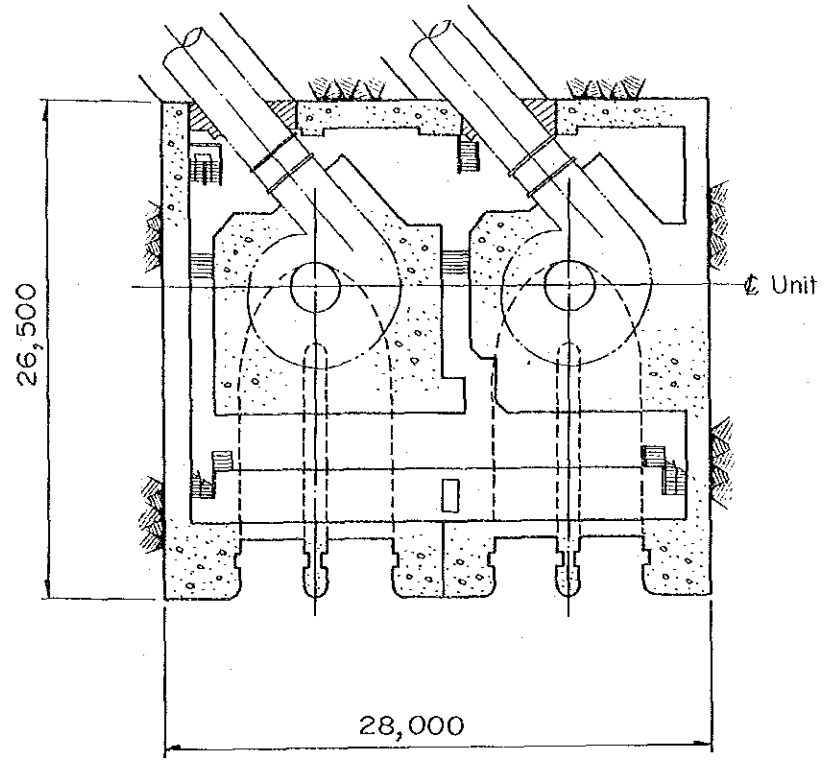


TENOM PANGI PHASE III
SOOK SITE INTAKE
PLAN, PROFILE AND SECTIONS
SEB / JICA

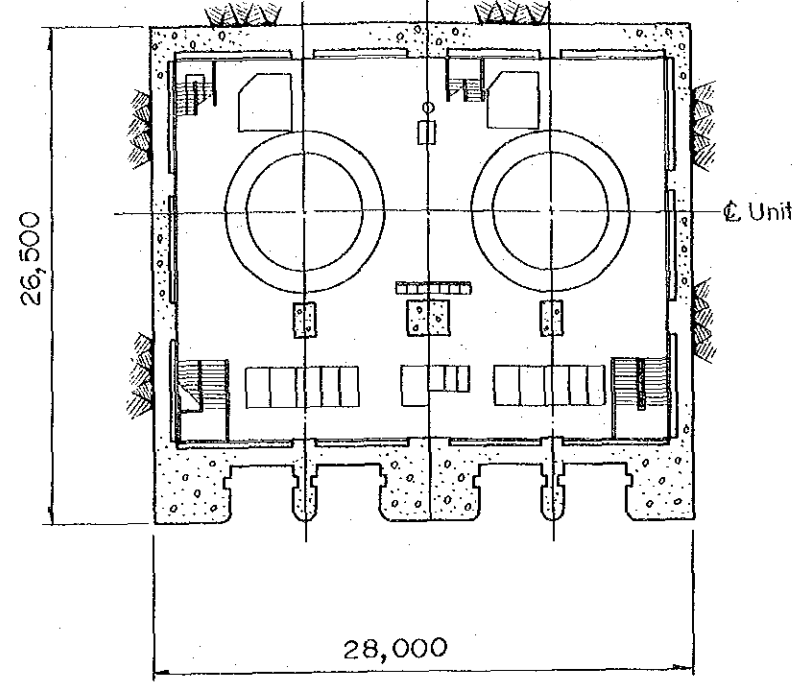


SCALE 0 50m
(1:1,000)

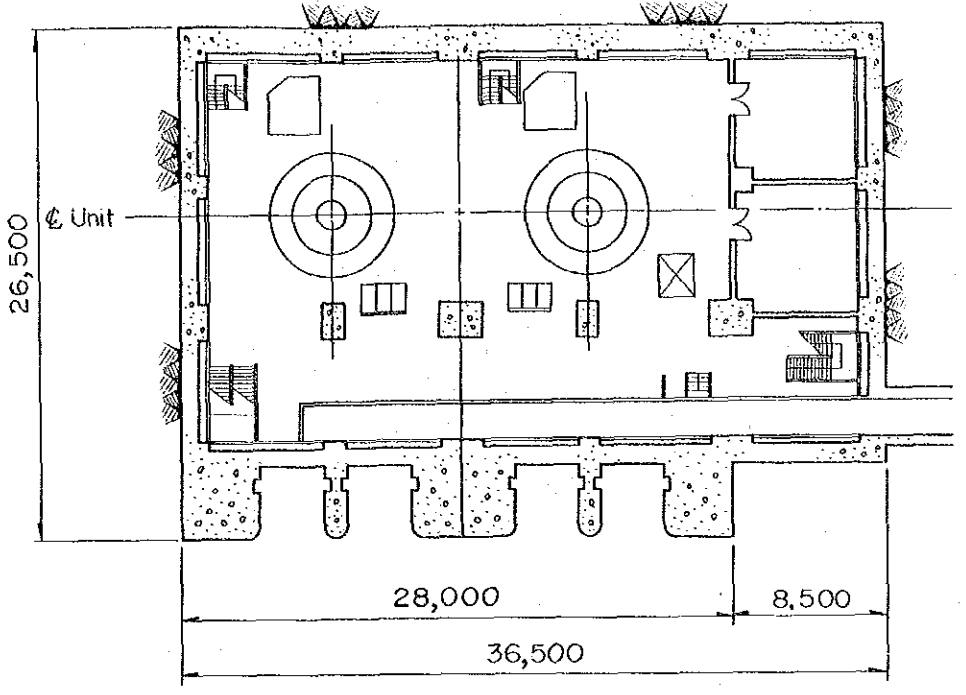
TENOM PANGI PHASE III
 SOOK SITE
 PLAN OF HEADRACE TUNNEL,
 SURGE TANK, PENSTOCK TUNNEL
 AND POWERHOUSE
SEB / JICA



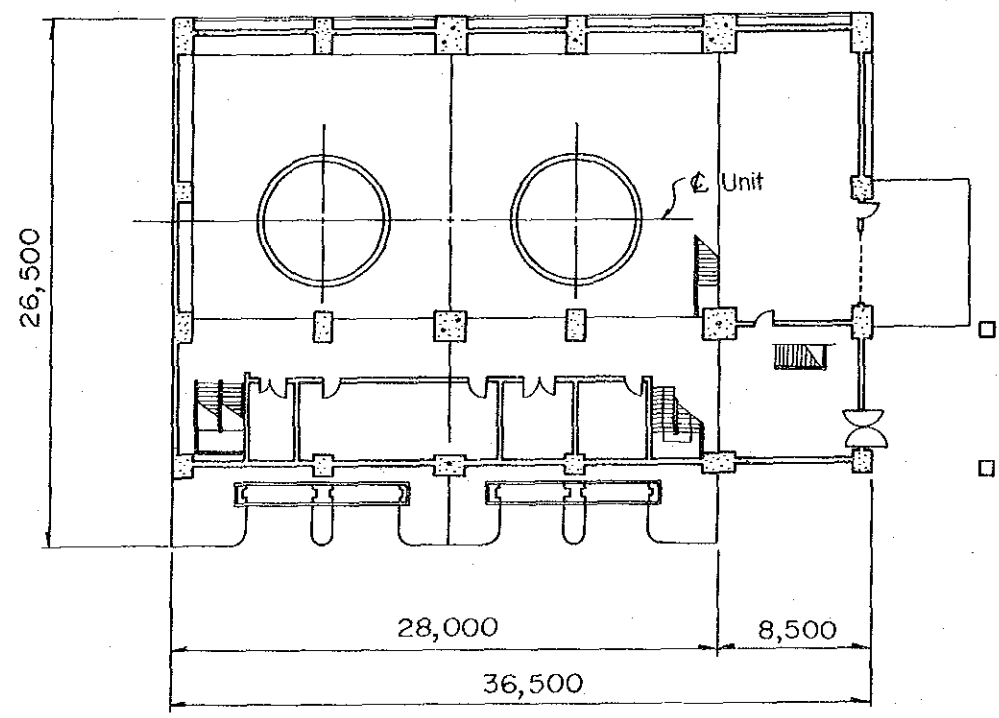
EL. 238.000 EL. 249.000 AND 241.000
FLOOR PLAN



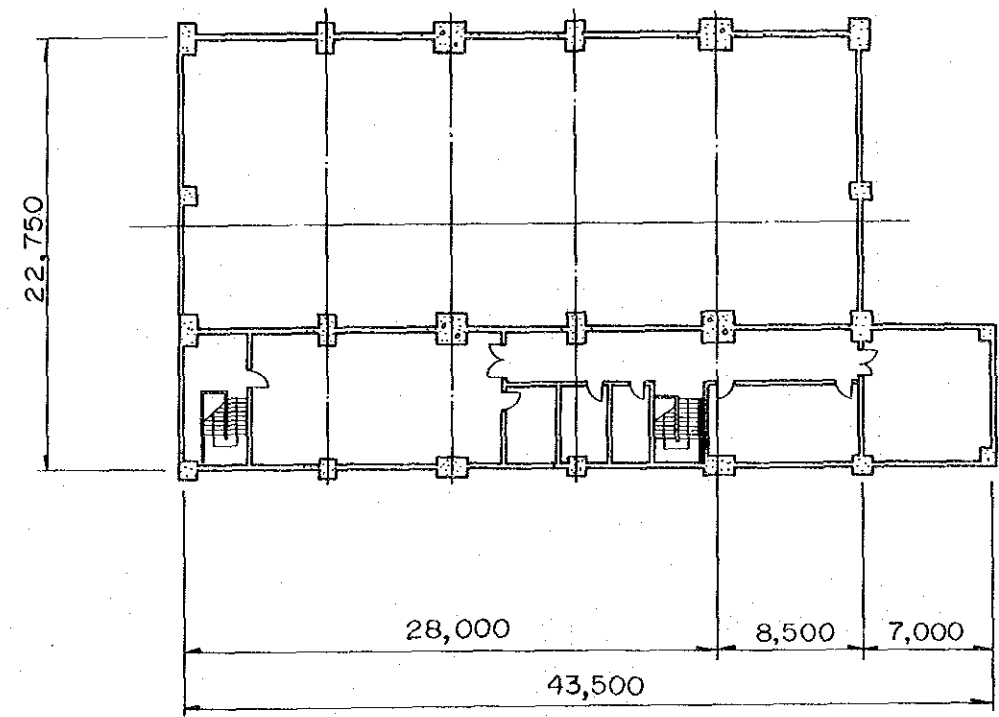
EL. 244.500
FLOOR PLAN



EL. 249.300
FLOOR PLAN



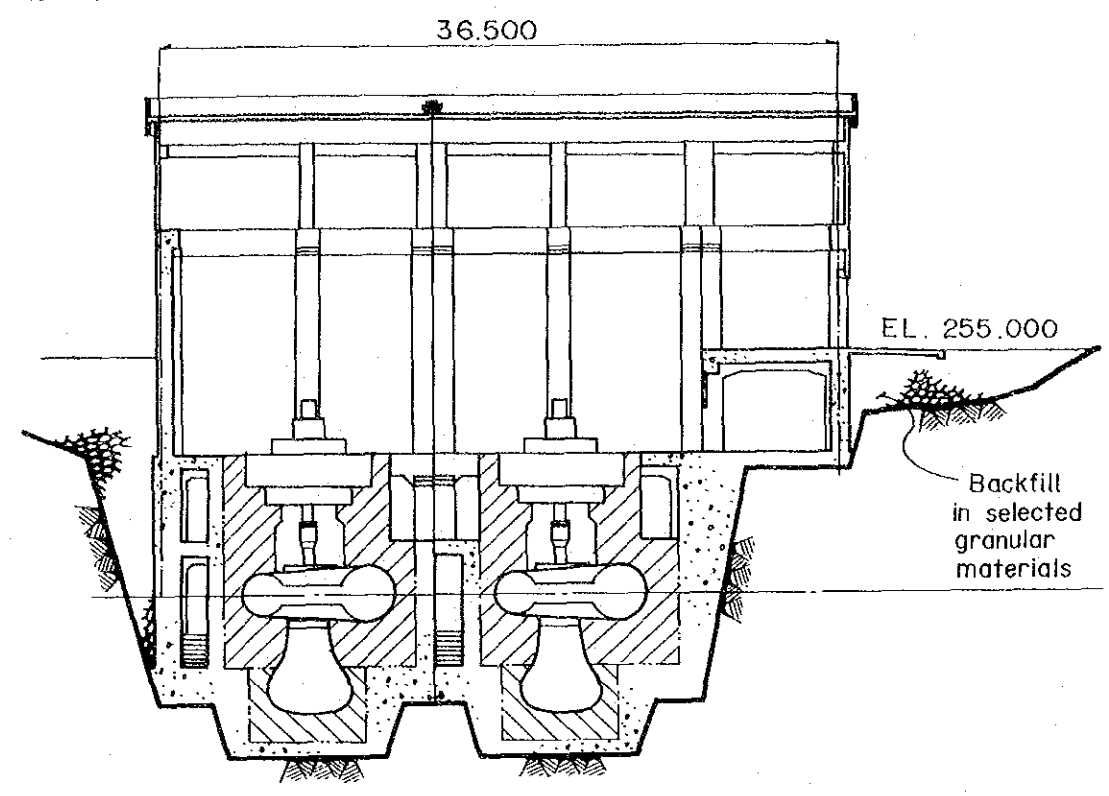
EL. 255.500
FLOOR PLAN



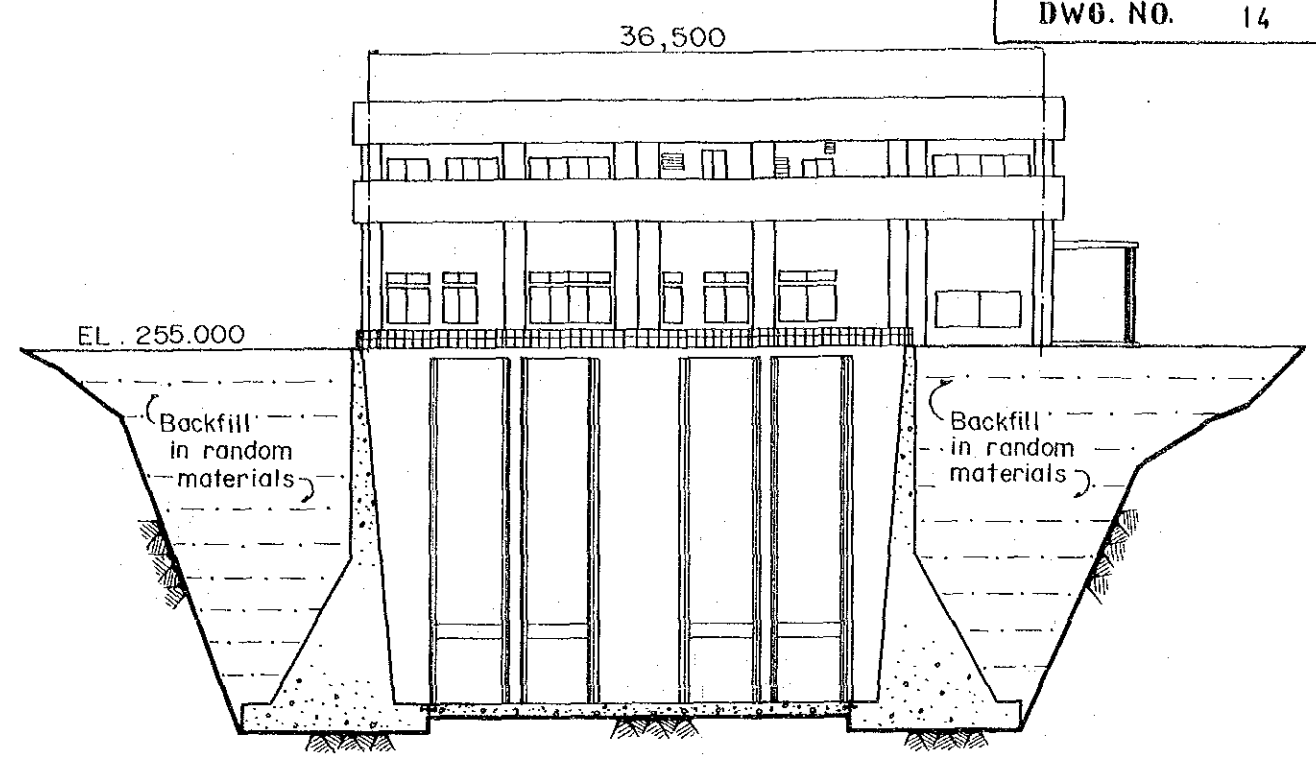
EL. 258.700
FLOOR PLAN

SCALE 0 20m
(1 : 400)

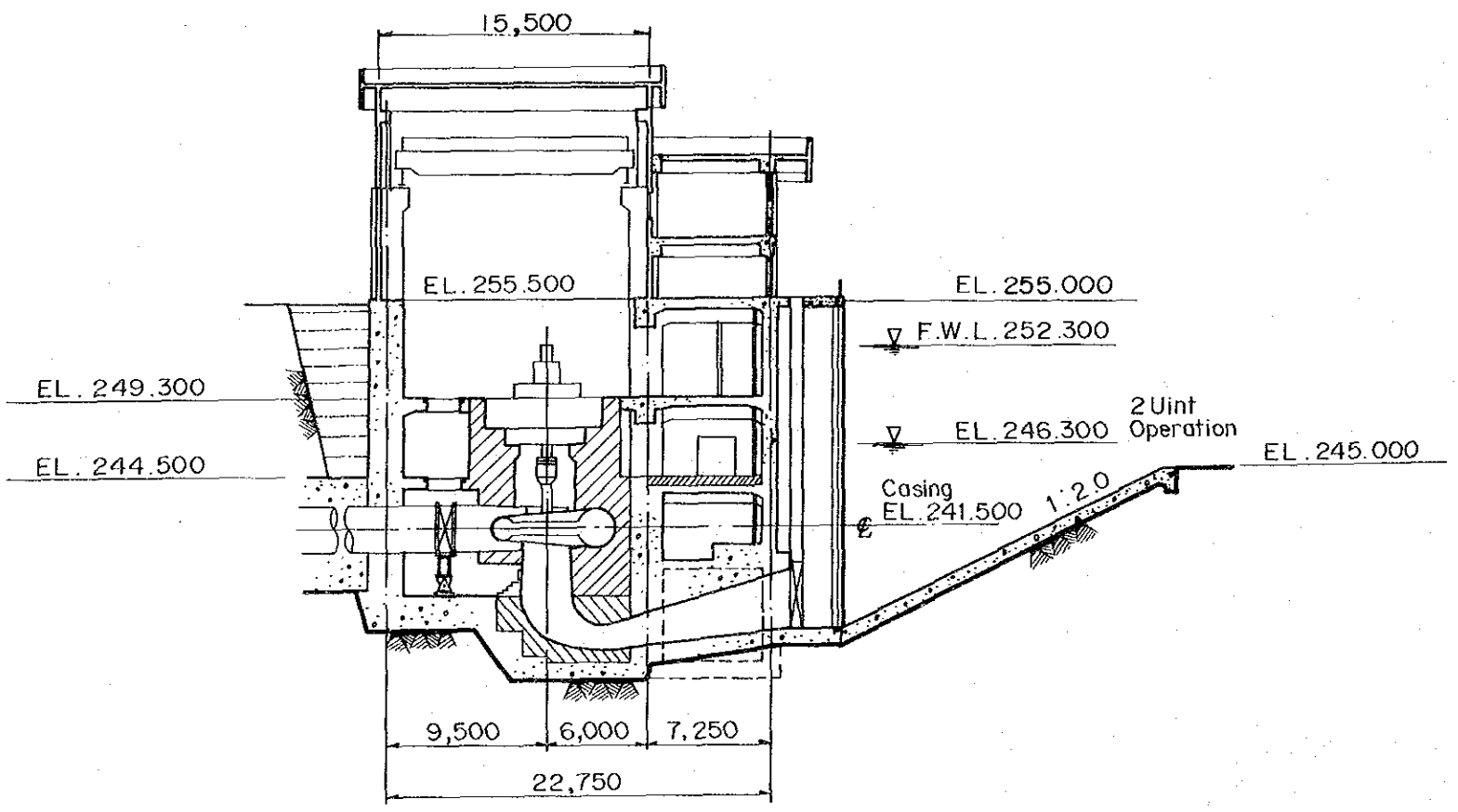
TENOM PANGI PHASE III
SOOK SITE POWER HOUSE
FLOOR PLAN
SEB / JICA



LONGITUDINAL SECTION (UNIT CENTER)



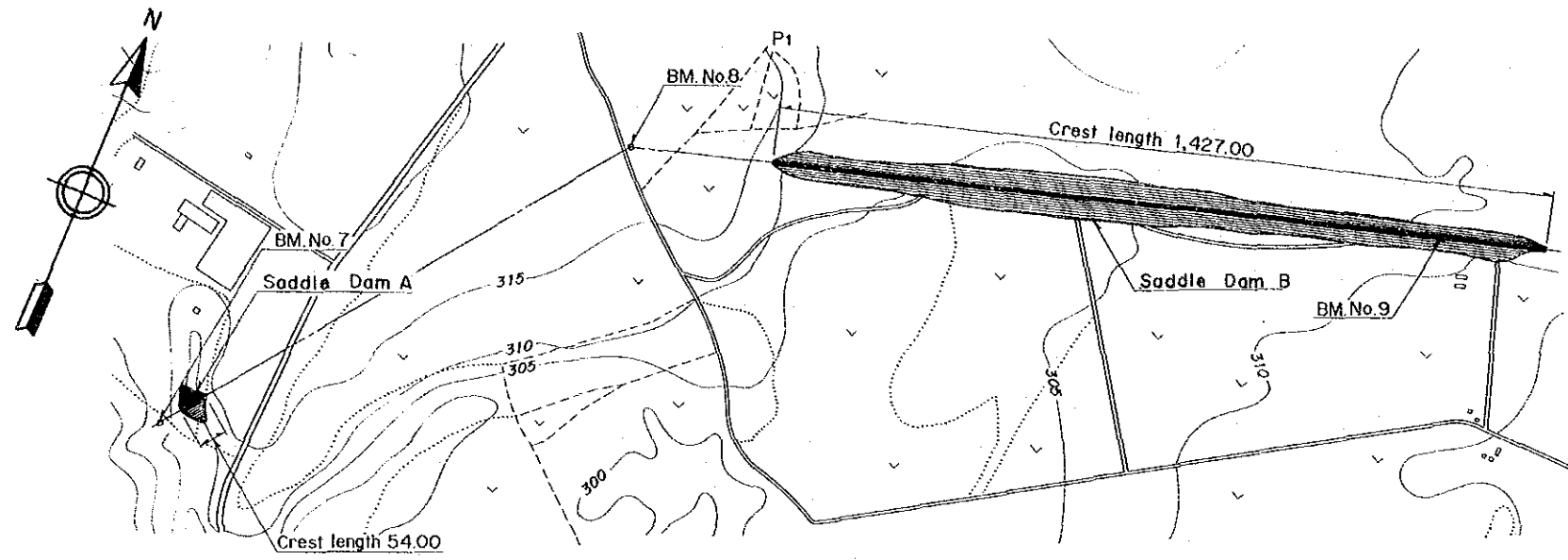
LONGITUDINAL SECTION (DOWN STREAM FACE)



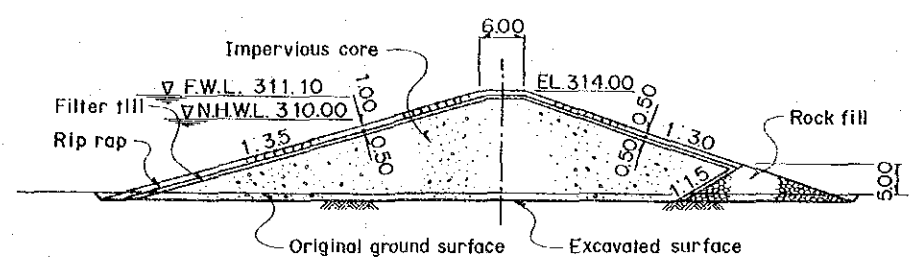
TRANSVERSE SECTION

SCALE 0 20m
(1 : 400)

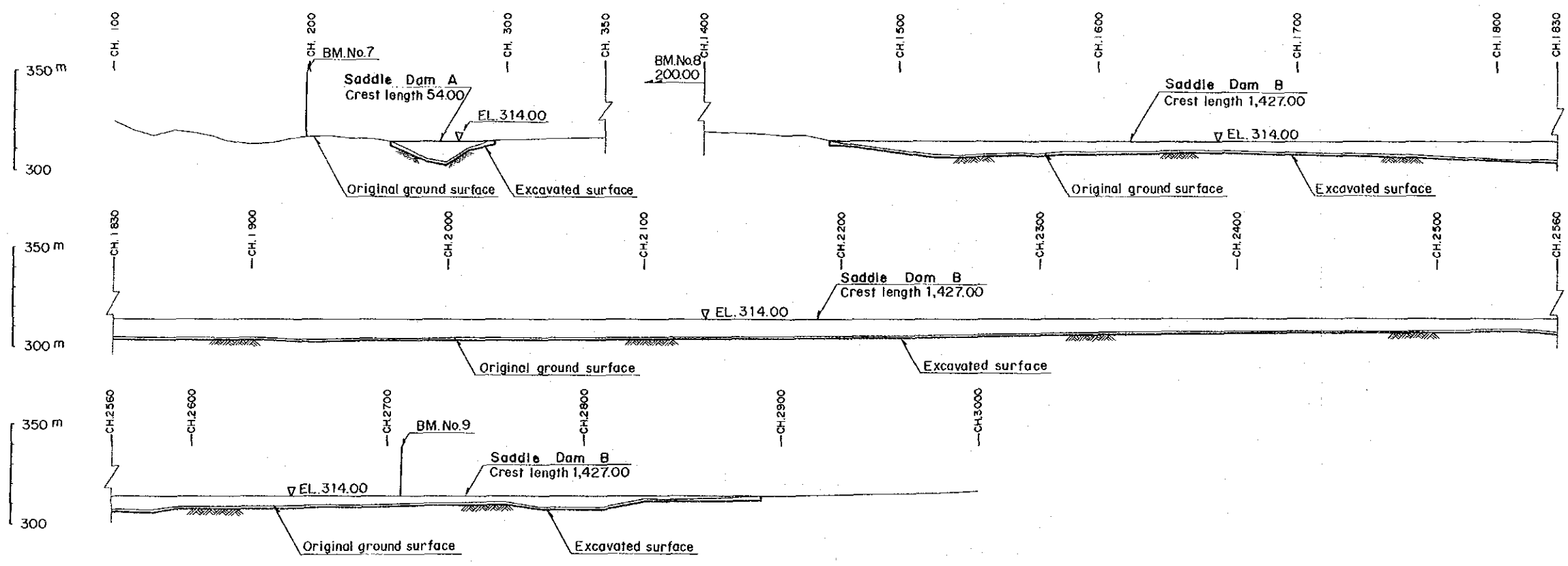
TENOM PANGI PHASE III
SOOK SITE POWERHOUSE
FLOOR PLAN AND TRANSVERS SECTION
SEB / JICA



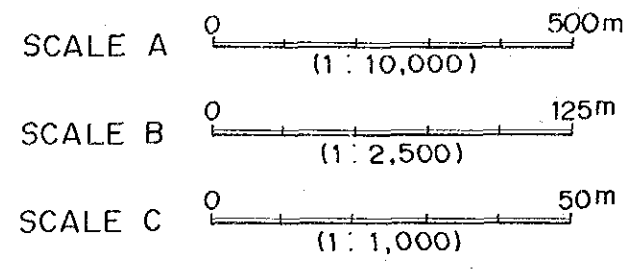
PLAN SCALE A



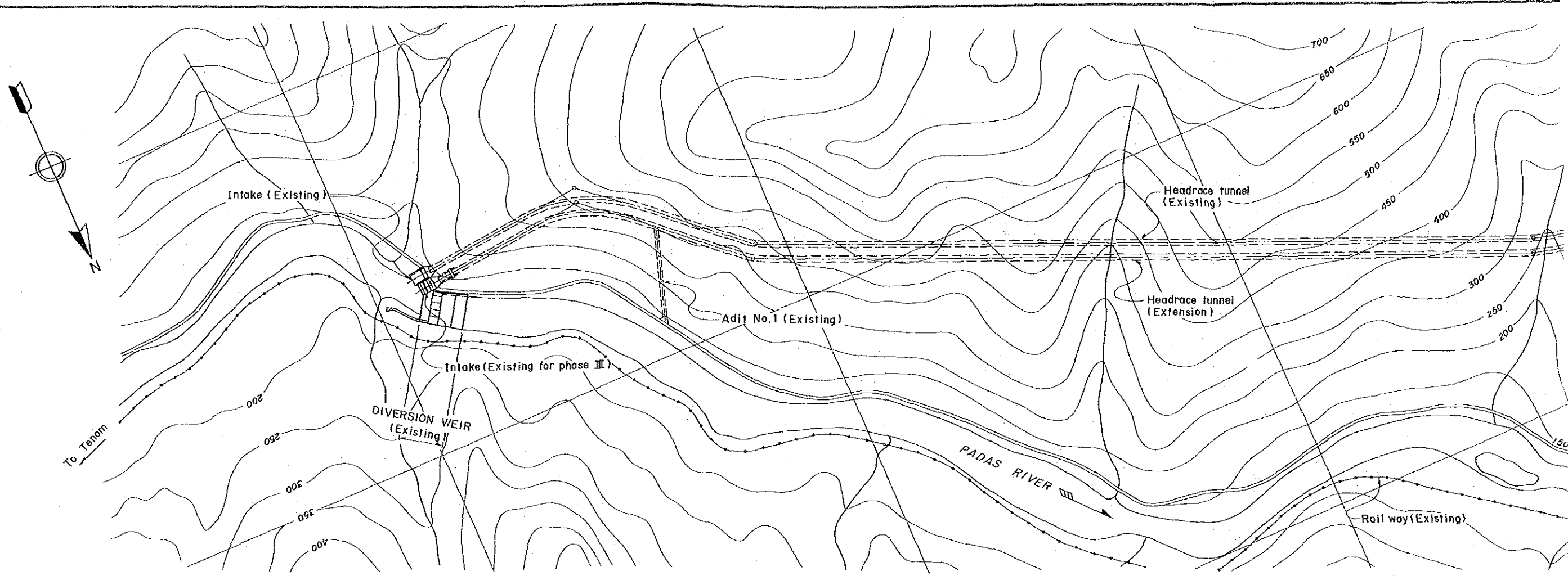
TYPICAL SECTION OF SADDLE DAM SCALE C



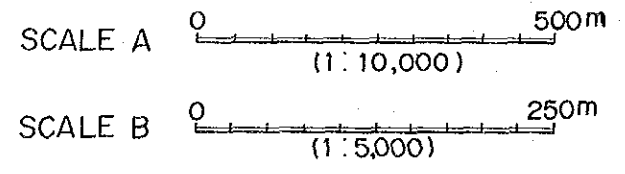
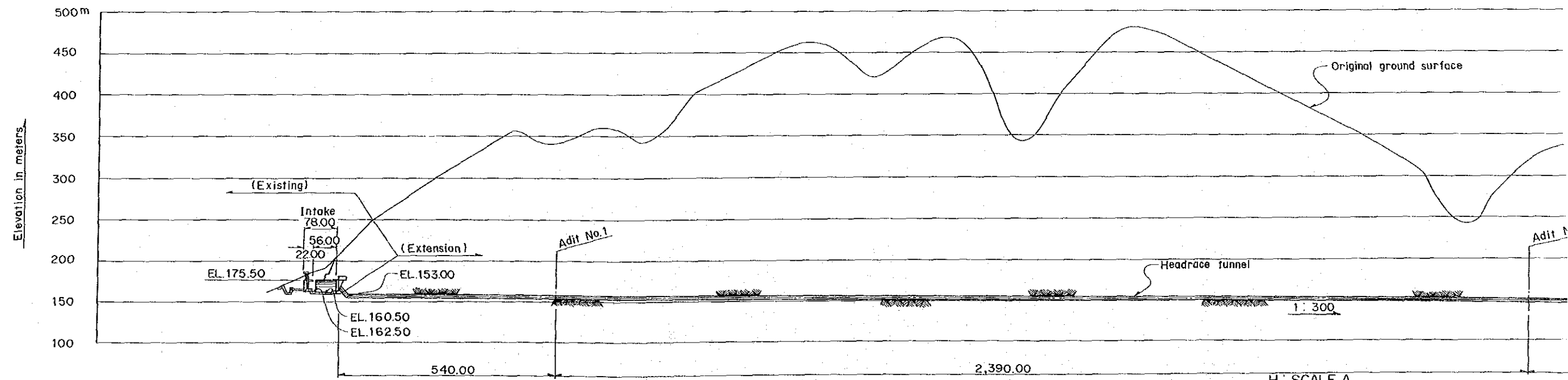
PROFILE OF SADDLE DAM SCALE B



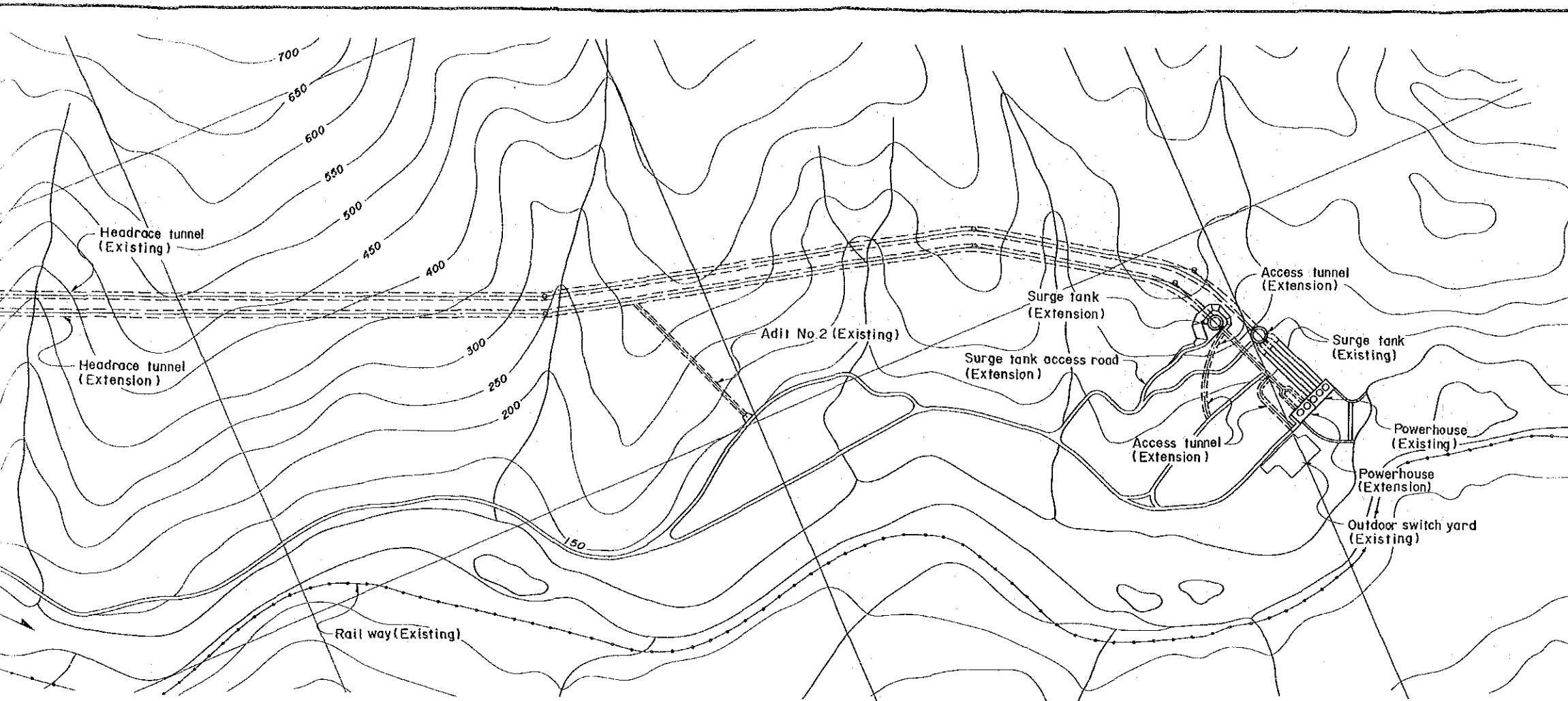
TENOM PANGI PHASE III
SOOK SITE SADDLE DAM
PLAN, PROFILE AND SECTIONS
SEB / JICA



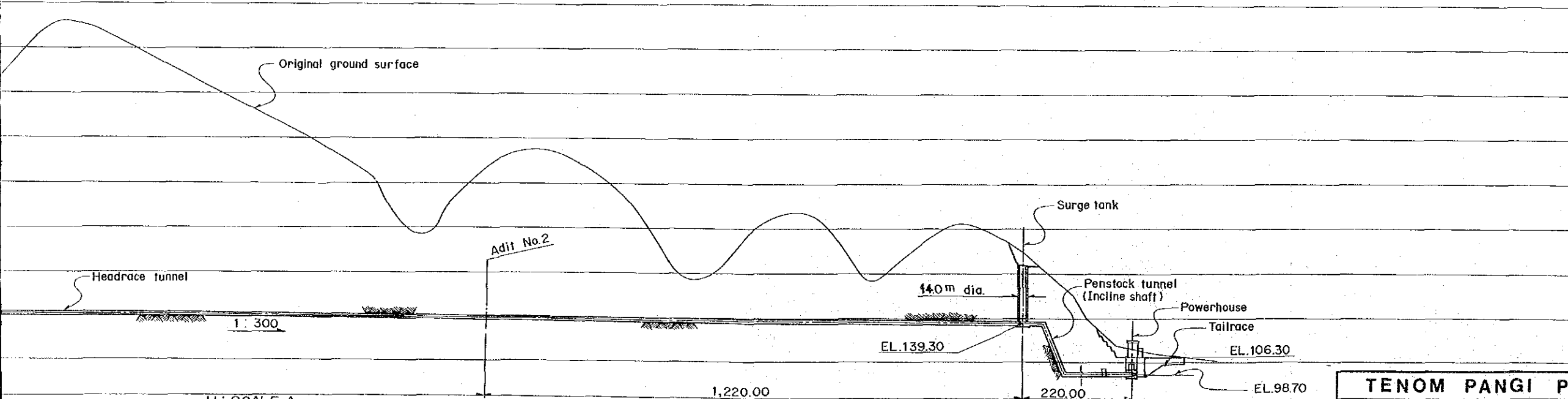
PLAN SCALE A



PROFILE H: SCALE A
V: SCALE B

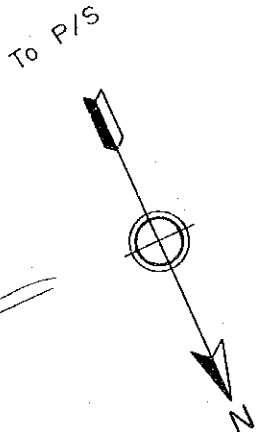
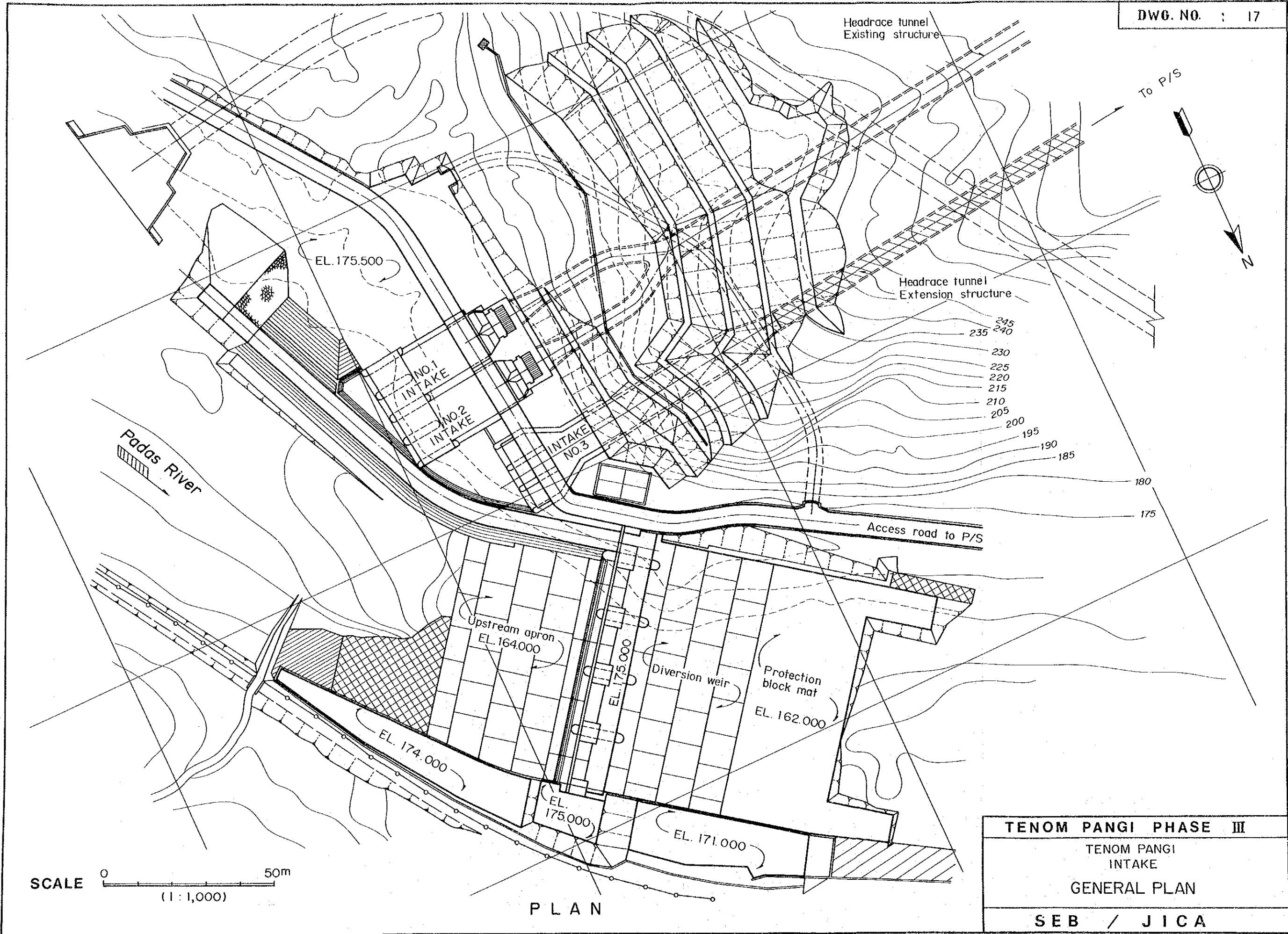


PLAN SCALE A



PROFILE H: SCALE A
V: SCALE B

TENOM PANGI PHASE III
TENOM PANGI GENERAL
GENERAL LAYOUT
SEB / JICA



245
240
235
230
225
220
215
210
205
200
195
190
185
180
175

Padas River

Headrace tunnel
Existing structure

Headrace tunnel
Extension structure

NO.1
INTAKE

NO.2
INTAKE

INTAKE
NO.3

Access road to P/S

Upstream apron
EL. 164.000

Diversion weir

Protection
block mat
EL. 162.000

EL. 174.000

EL. 175.000

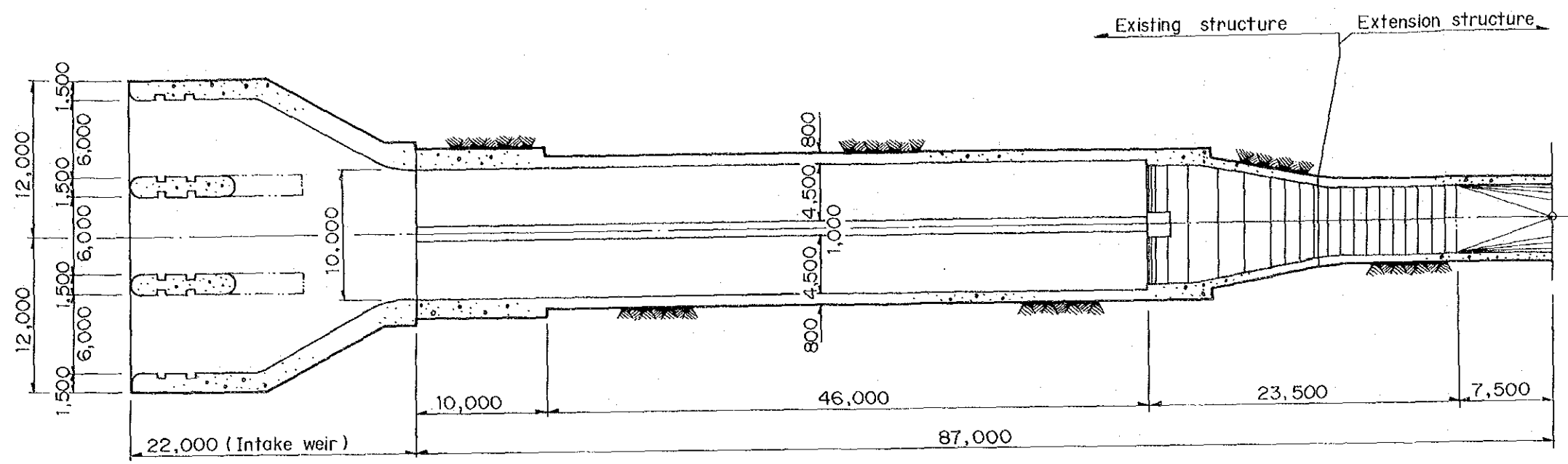
EL. 171.000

EL. 175.500

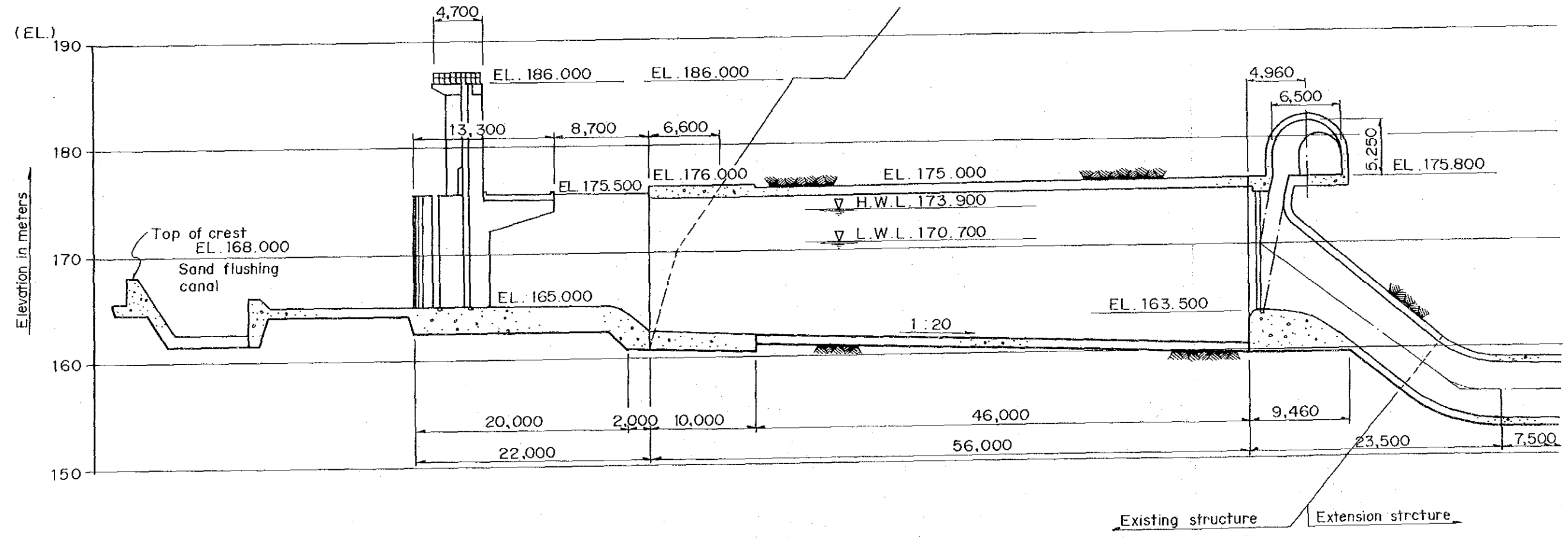
SCALE 0 50m
(1 : 1,000)

PLAN

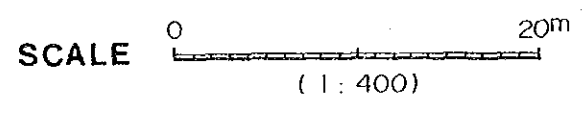
TENOM PANGI PHASE III
TENOM PANGI INTAKE
GENERAL PLAN
SEB / JICA



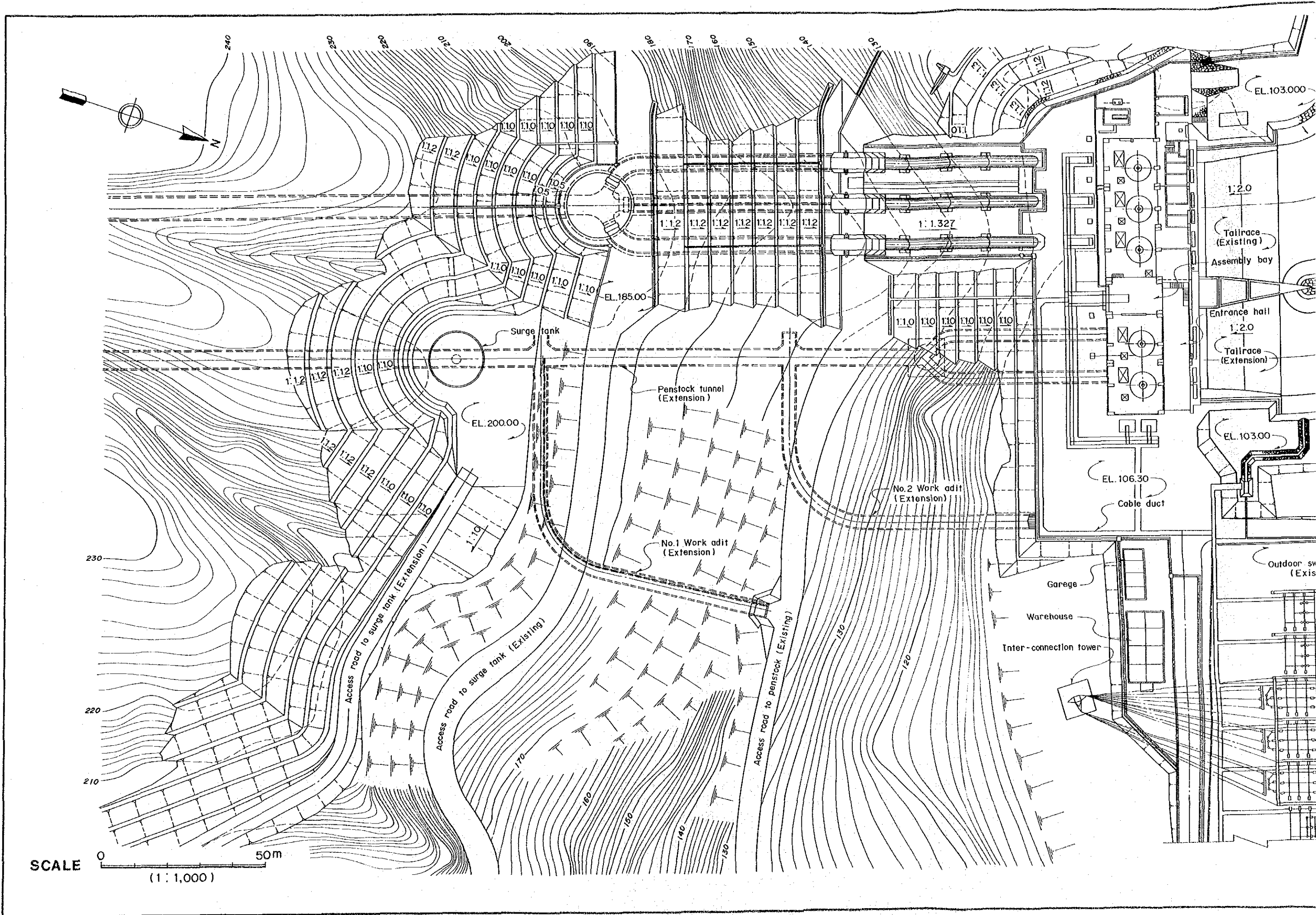
PLAN

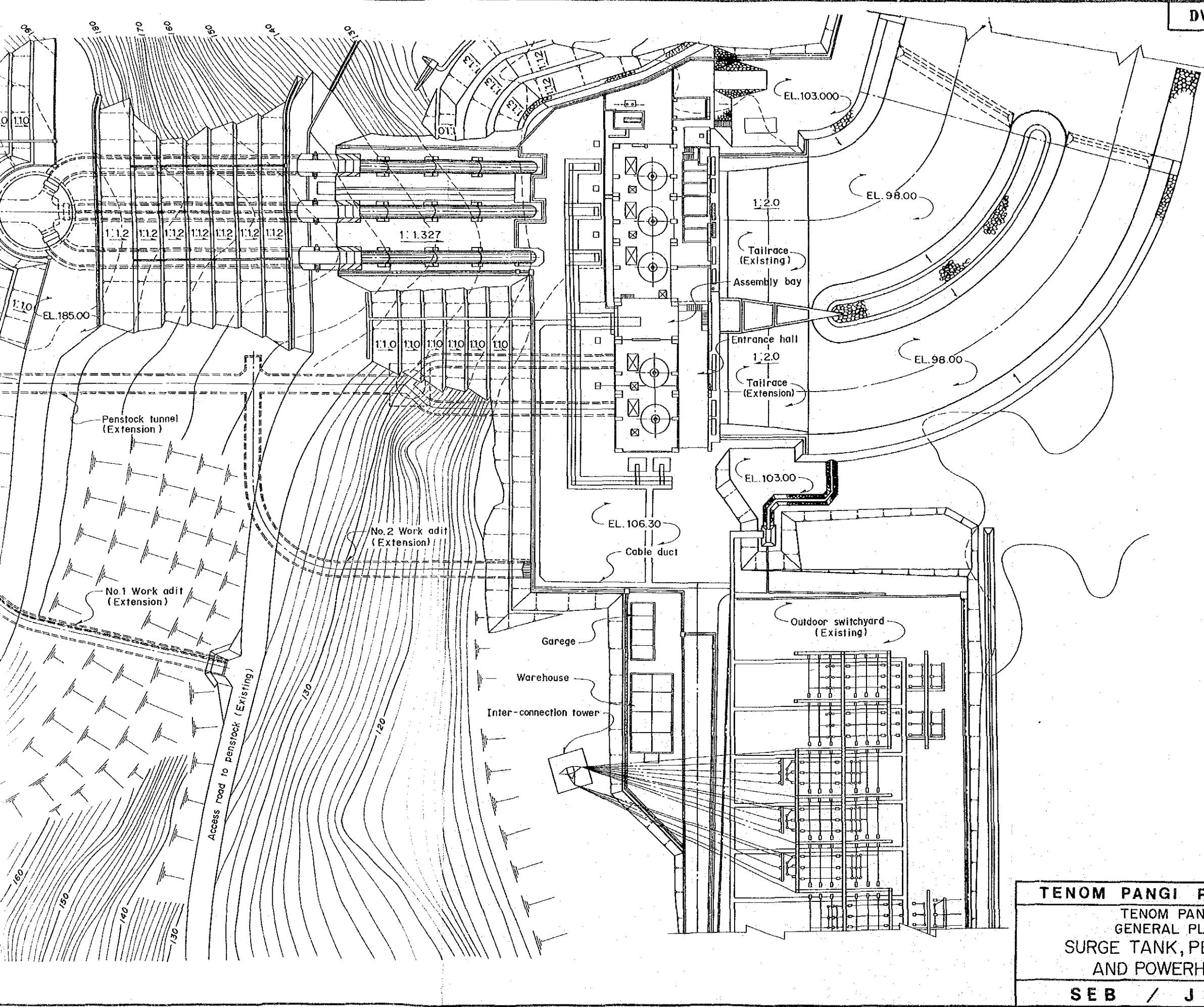


PROFILE

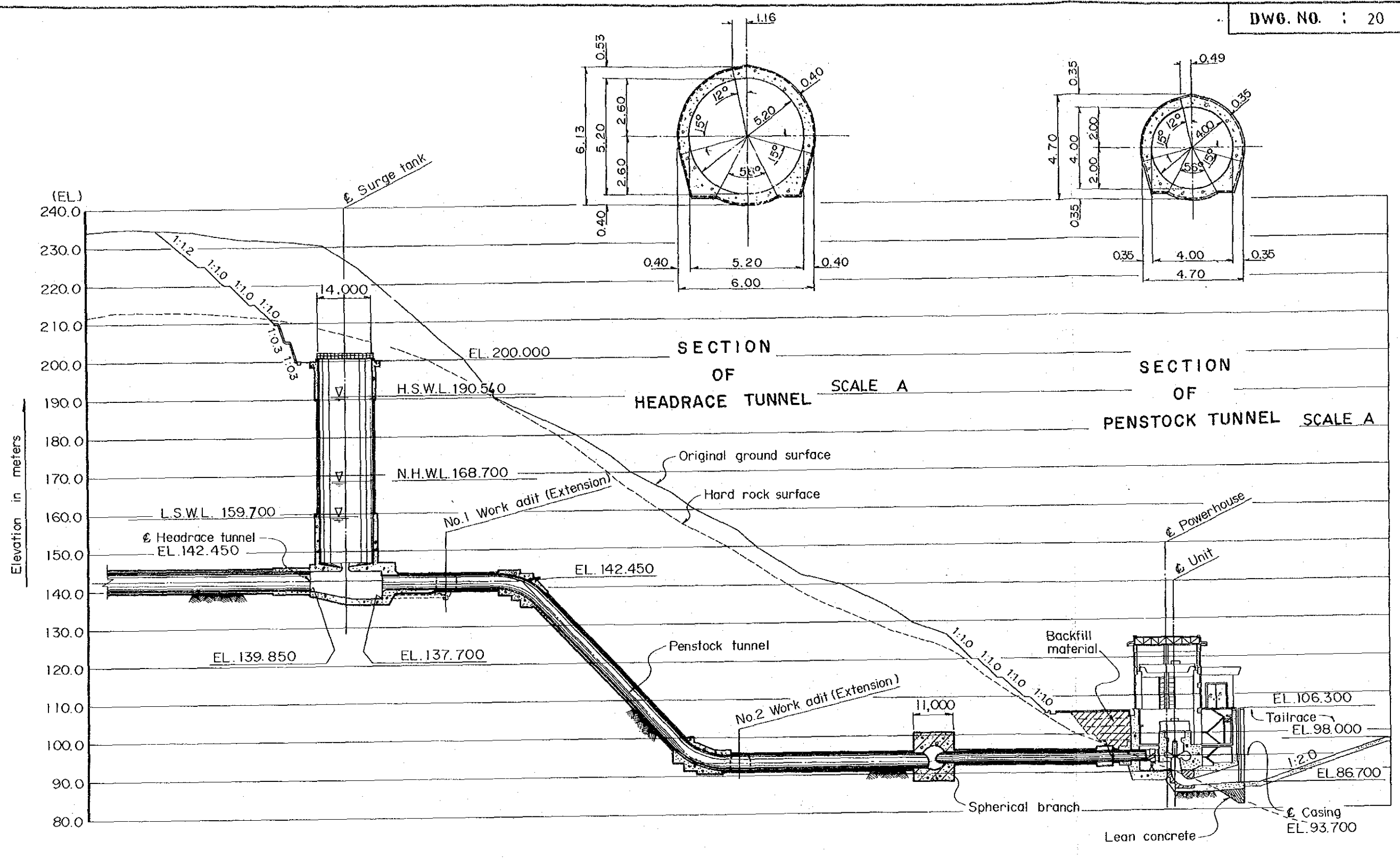


TENOM PANGI PHASE III
TENOM PANGI INTAKE
PLAN AND PROFILE
SEB / JICA





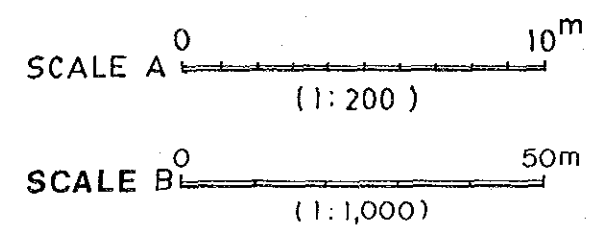
TENOM PANGI PHASE III
TENOM PANGI
GENERAL PLAN
SURGE TANK, PENSTOCK
AND POWERHOUSE
SEB / JICA



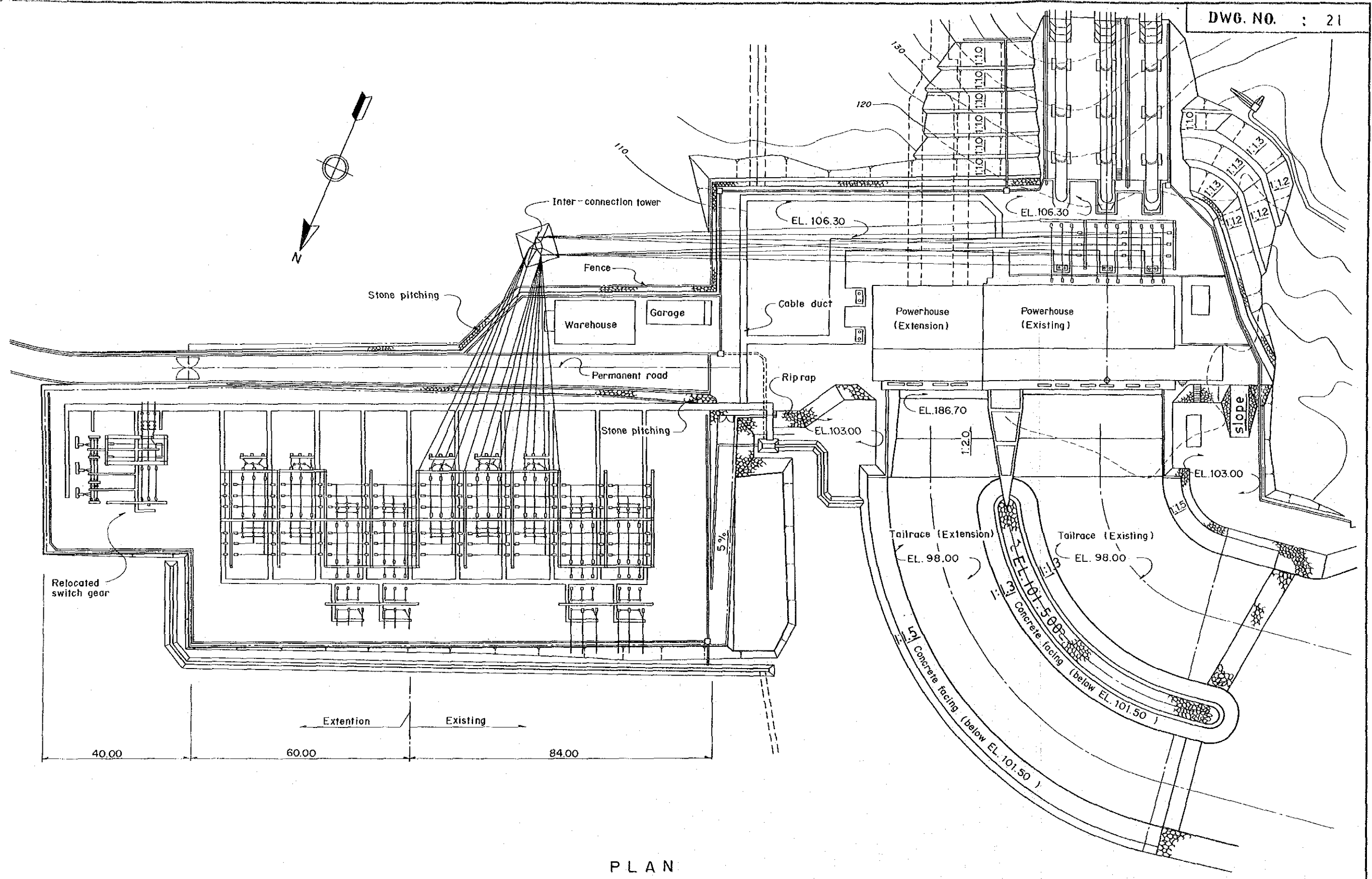
SECTION OF HEADRACE TUNNEL SCALE A

SECTION OF PENSTOCK TUNNEL SCALE A

PROFILE SCALE B



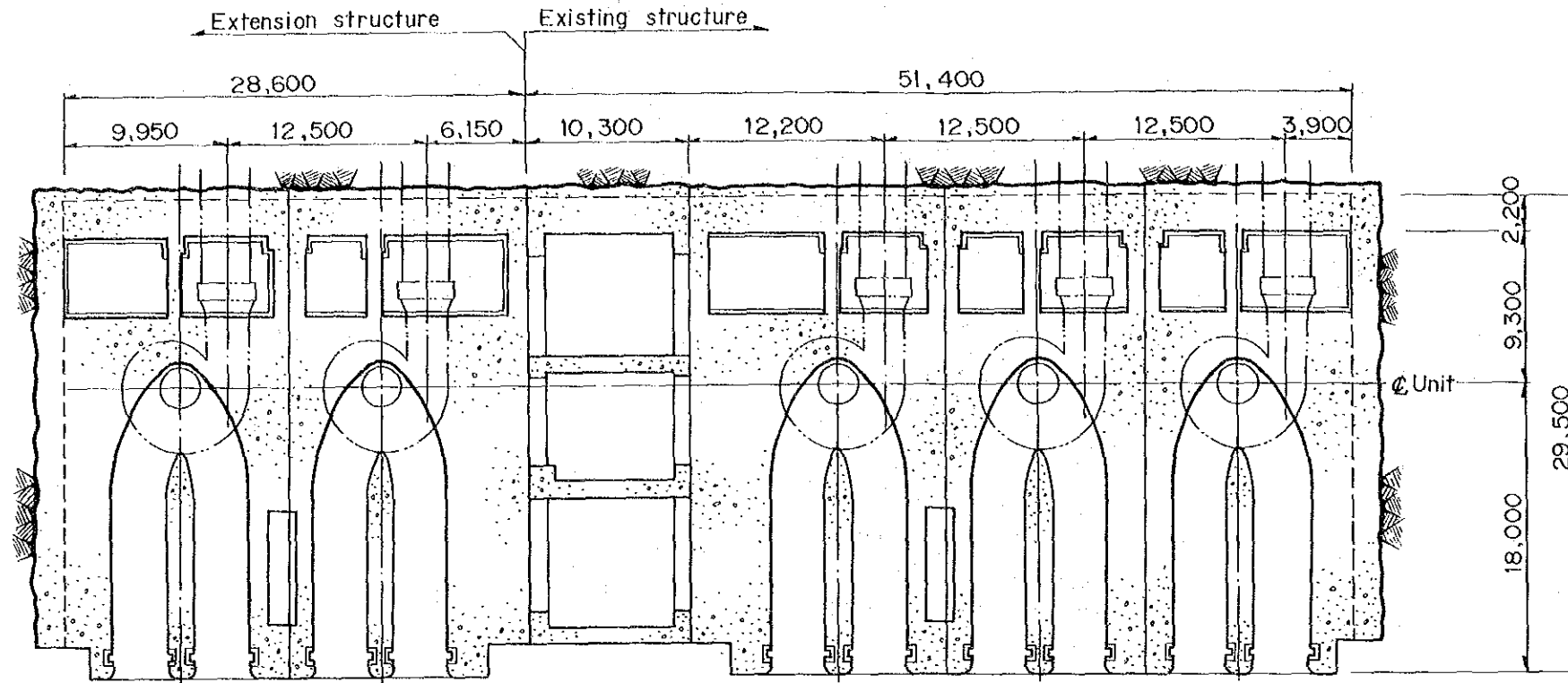
TENOM PANGI PHASE III
TENOM PANGI PENSTOCK TUNNEL
PROFILE
SEB / JICA



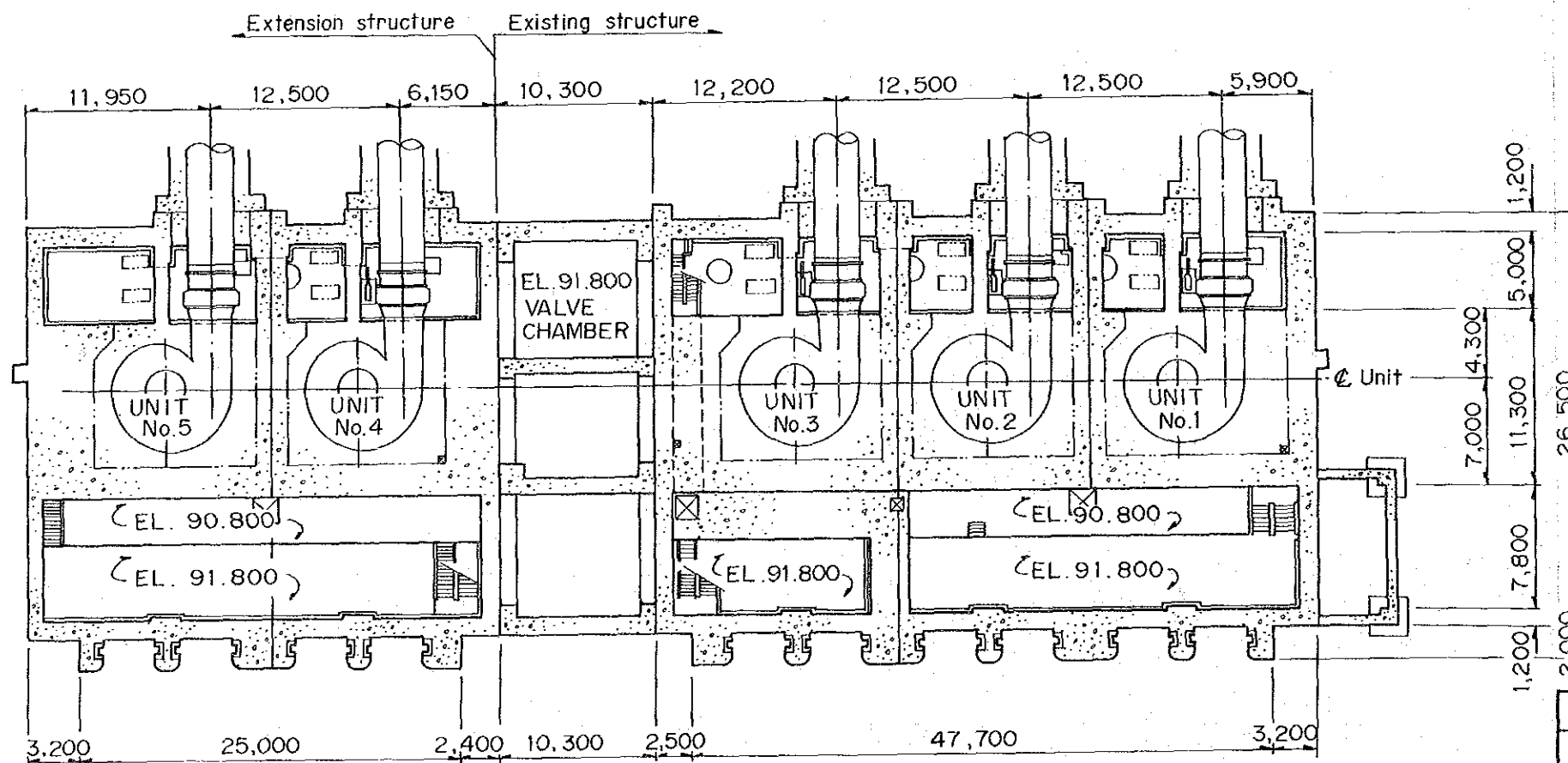
PLAN

SCALE 0 50m
(1 : 1,000)

TENOM PANGI PHASE III
TENOM PANGI POWERHOUSE
GENERAL PLAN
SEB / JICA



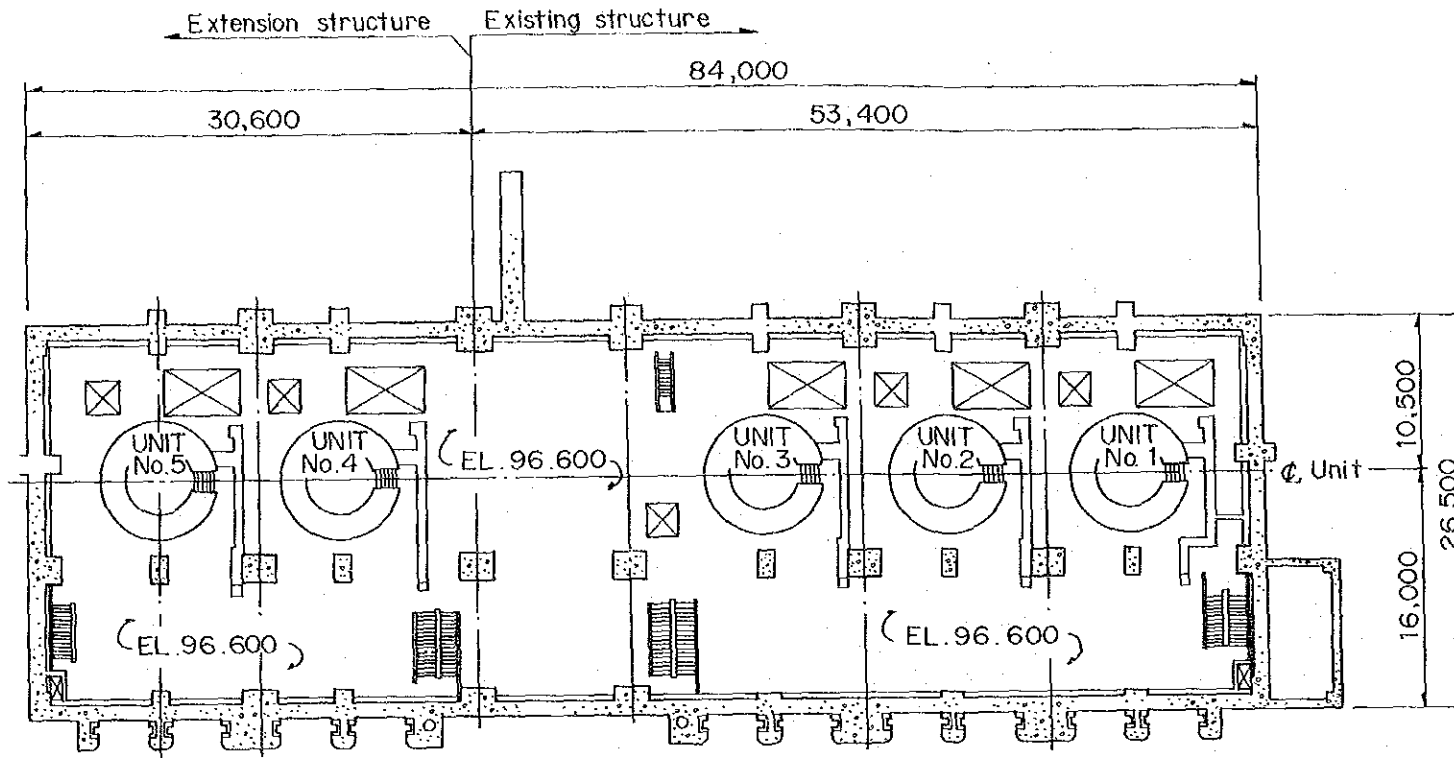
FLOOR PLAN EL 91.800 AND EL. 86.700



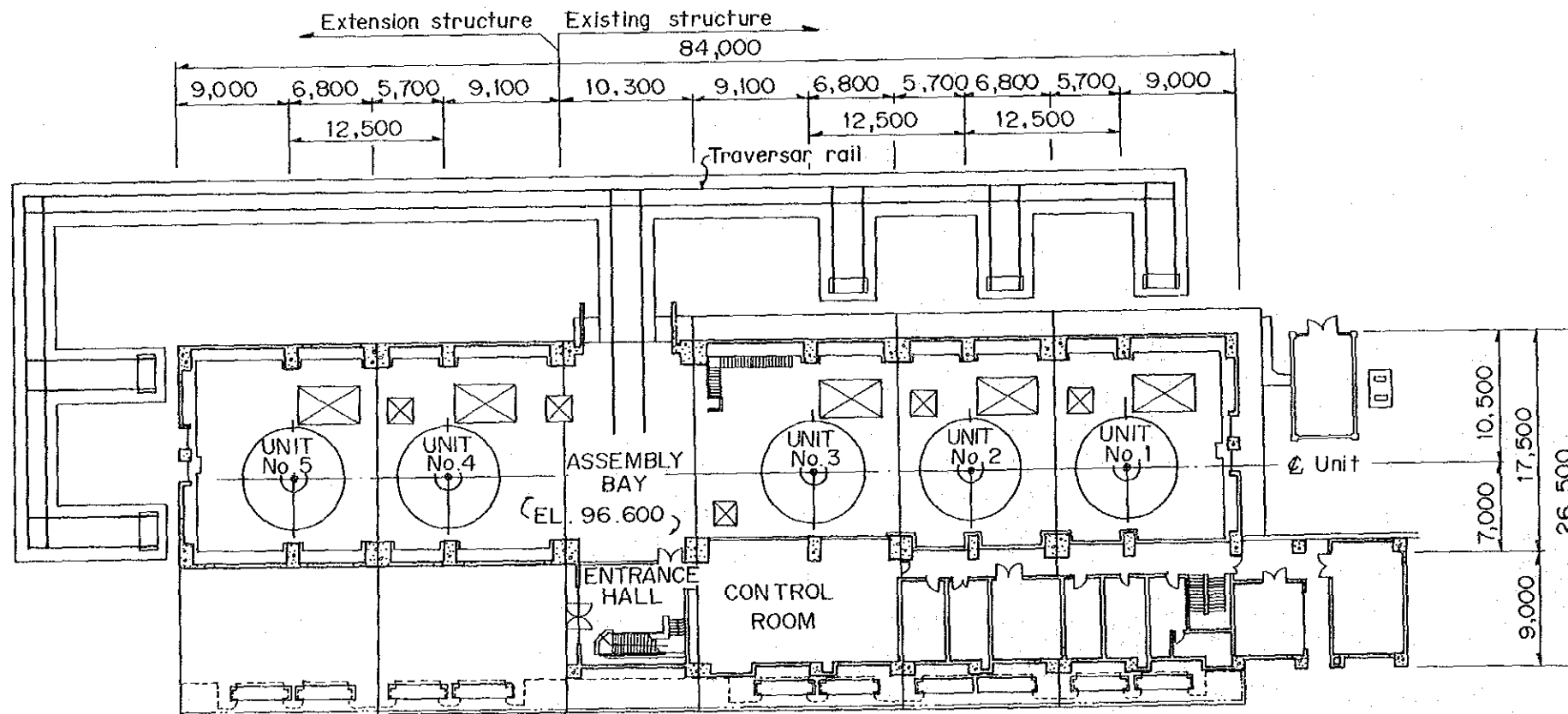
FLOOR PLAN EL. 91.800

SCALE 0 20m
(1 : 400)

TENOM PANGI PHASE III
TENOM PANGI POWERHOUSE
FLOOR PLAN (1)
SEB / JICA



FLOOR PLAN EL. 96.6000



FLOOR PLAN EL. 106.500

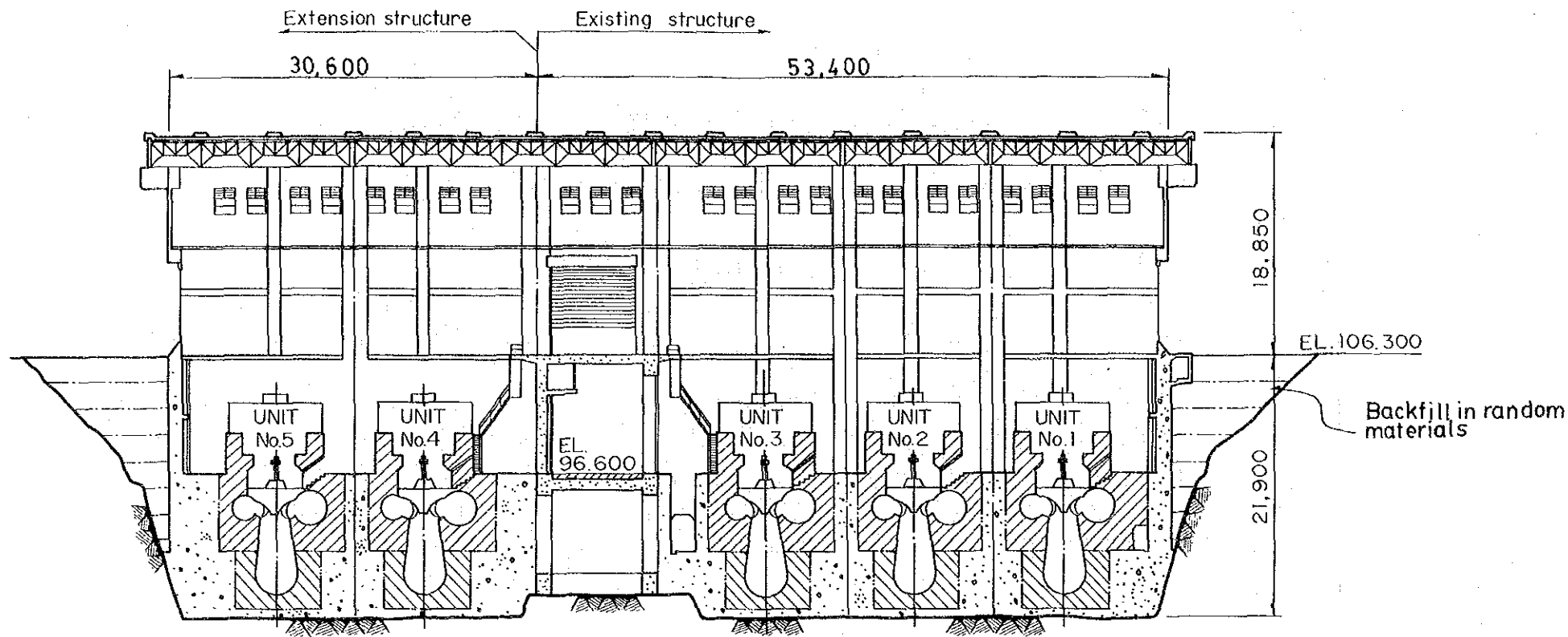
SCALE 0 25m
(1 : 500)

TENOM PANGI PHASE III

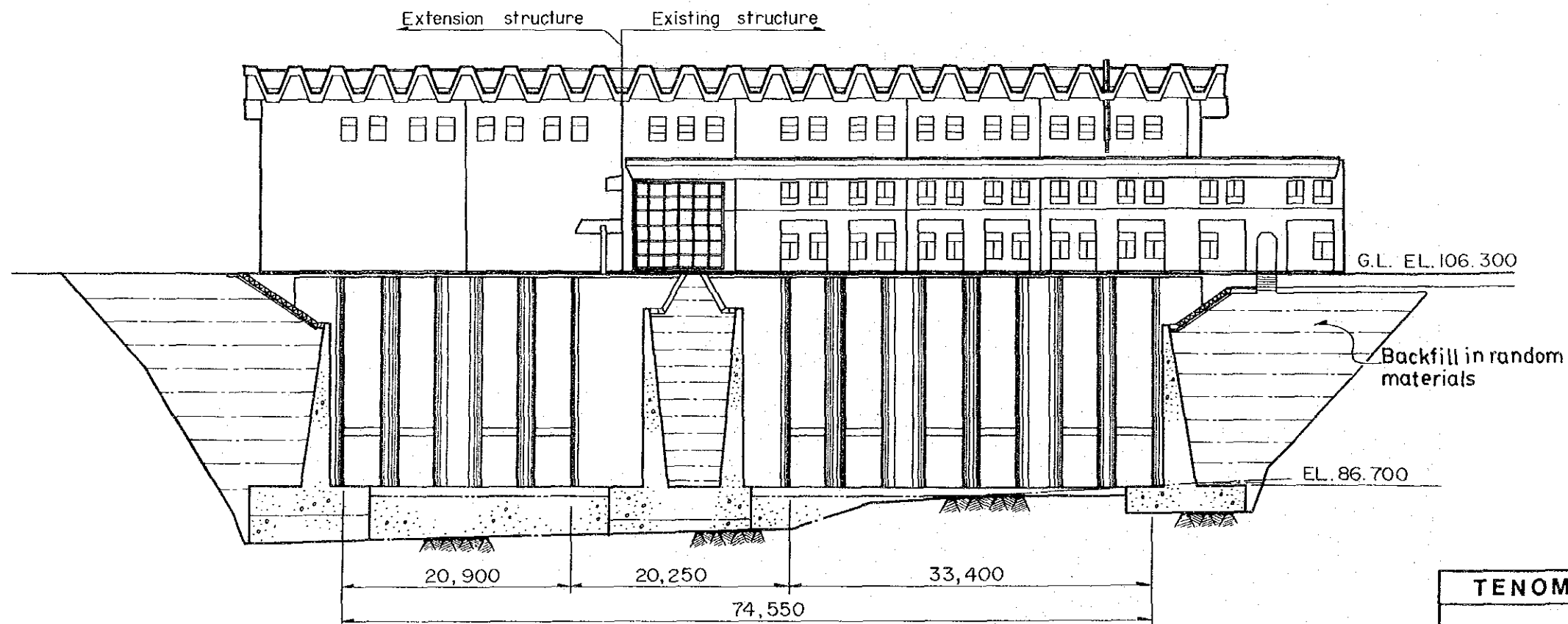
TENOM PANGI
POWERHOUSE

FLOOR PLAN (2)

SEB / JICA



LONGITUDINAL SECTION
(UNIT CENTER)

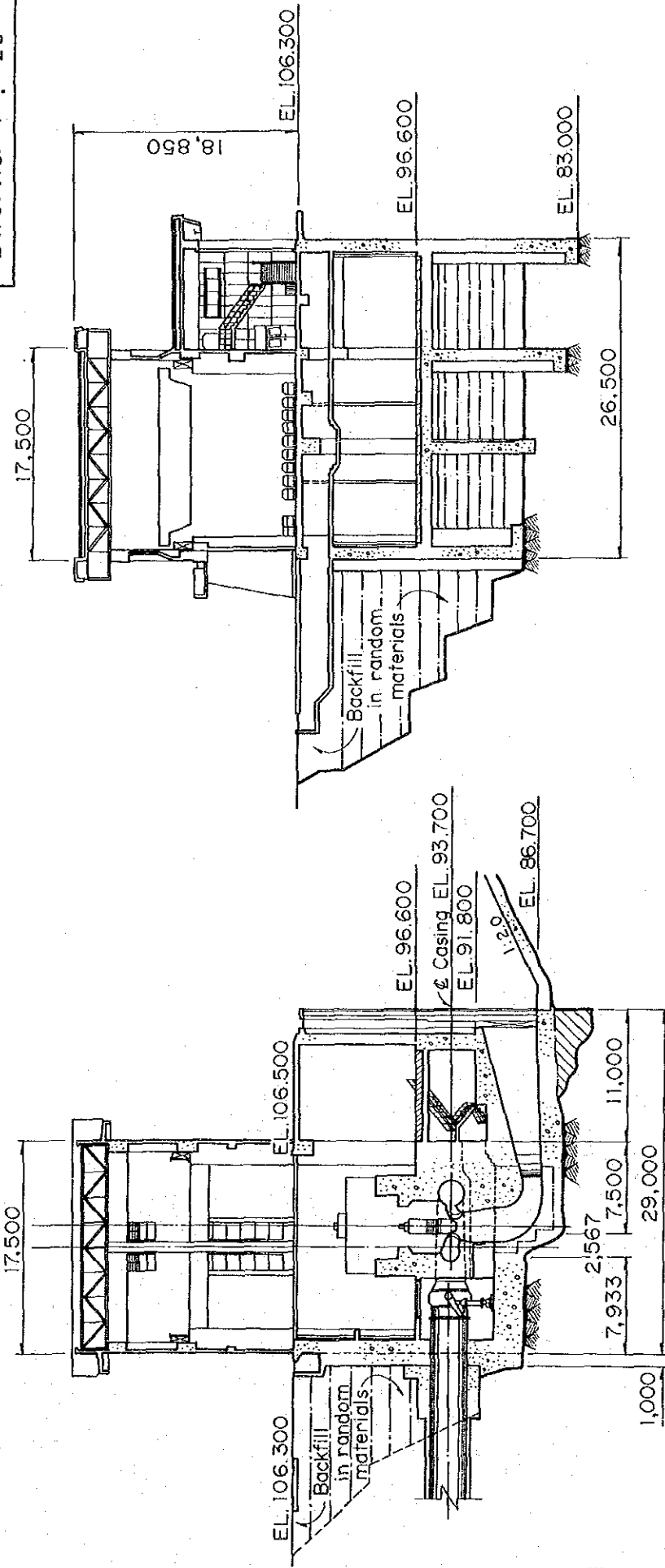


LONGITUDINAL SECTION
(TAILRACE)

SCALE 0 25m
(1 : 500)

TENOM PANGI PHASE III
TENOM PANGI POWER HOUSE
LONGITUDINAL SECTIONS
SEB / JICA

DWG. NO. : 25



Assembly bay

Unit center

SCALE 0 ——— 25m
(1:500)

TENOM PANGI PHASE III

TENOM PANGI
POWERHOUSE

TRANSVERSE SECTIONS

SEB / JICA

JICA