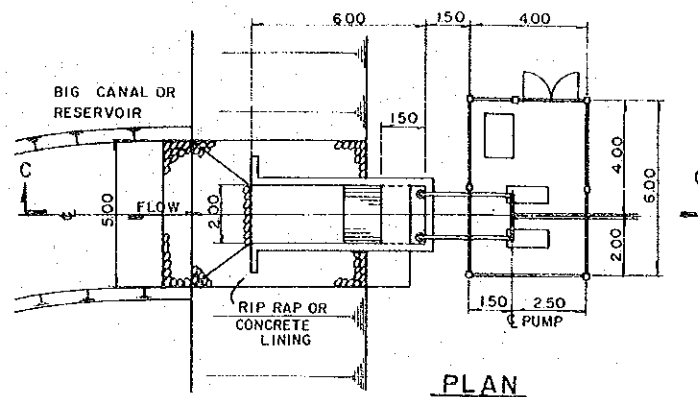


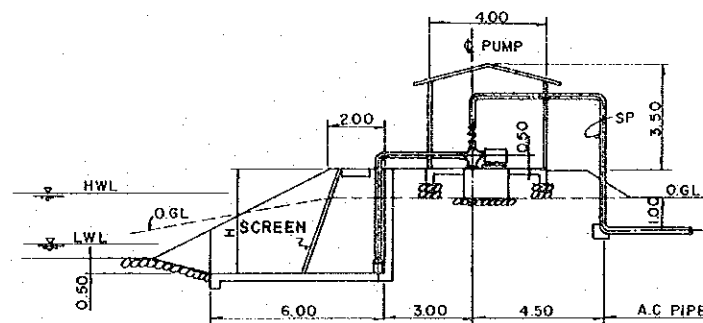
PLAN



PLAN

**STRUCTURAL DIMENSIONS** (UNIT: m)

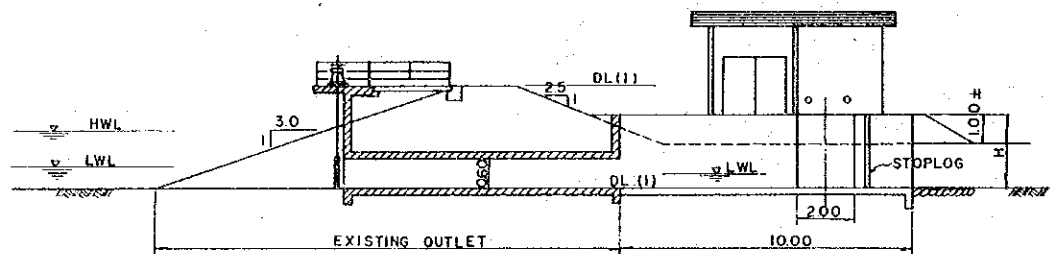
N. S. D.	TYPE	WATE-INTAKE	HWL	LWL	DL (1)	DL (2)	H	
5	KHAM SAKAE SANG	1	BUN CHIWUK Re	98.5	97.2	100.0	96.5	2.5
6	NONG BUA LAI	3	NONG SAMP Re	98.1	96.6	100.0	—	3.5
7	HUAI THALAEANG	2	NONG TAKAI Re	177.6	176.5	179.8	176.8	2.5
8	NONG KI	3	TUNG KRATEN Re	99.0	97.5	100.0	—	3.0
10	HUAI RAT	3	STORAGE POND	97.9	96.3	103.7	—	4.0
12	KHUN HAN	3	NONG SI Re	97.0	94.5	97.3	—	3.0
13	KUSU MAN	5	GROUND WATER	—	—	—	—	—
17	PHON CHAROEN	3	NONG LOENG Re	92.8	89.9	93.3	—	3.5
18	NONG SONG HONG	2	NONG SONG HONG Re	99.0	96.45	101.3	—	4.0
20	HUAI KHA YUNG	4	HUAI KHA YUNG RI	97.0	86.65	97.3	—	—



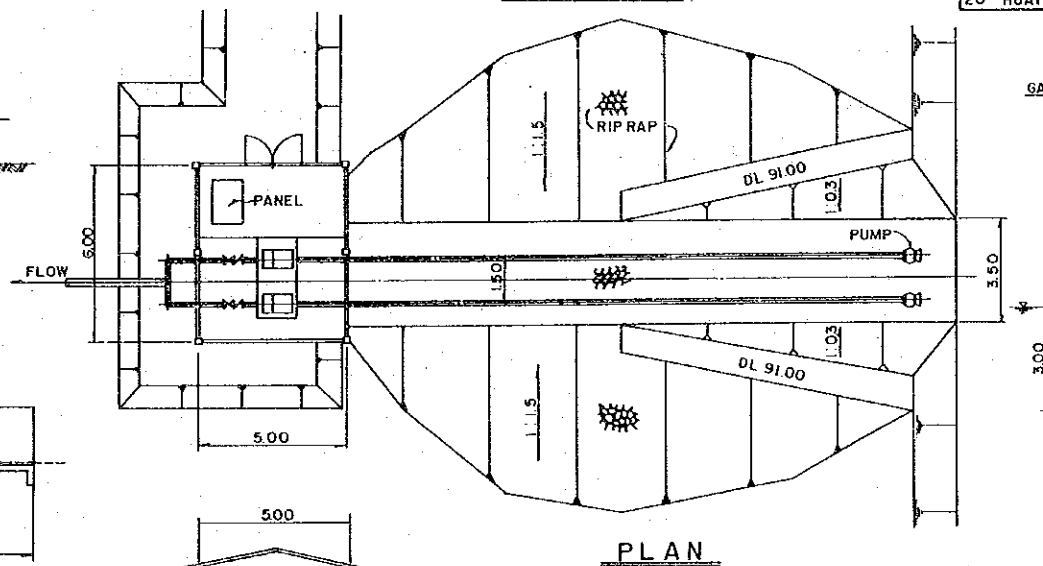
SECTION C-C (TYPE-3)

**PUMP CAPACITY**

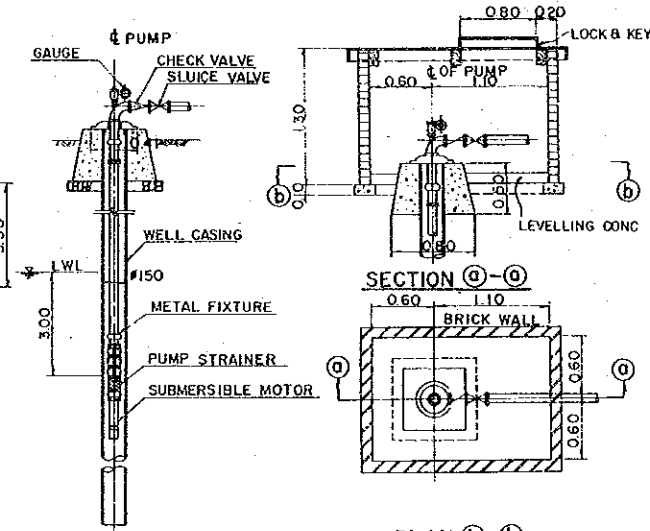
N. S. D.	TYPE	BORE (MM)	DISCHARGE CUM/m	HEAD M	OUTPUT KW
5	KHAM SAKAE SANG	# 80	0.687	32.0	11.0
6	NONG BUA LAI	# 80	0.469	9.0	2.2
7	HUAI THALAEANG	# 125	1.528	48.0	30
8	NONG KI	# 150	1.937	35.0	22
10	HUAI RAT	# 80	0.562	12.0	3.7
12	KHUN HAN	# 80	0.521	10.0	2.2
13	KUSU MAN	WELL DIA D=150	0.236	32.0	3.7
17	PHON CHAROEN	# 125	1.215	70.0	30
18	NONG SONG HONG	# 100	0.986	11.0	3.7
20	HUAI KHA YUNG	# 80	0.562	22.0	5.5



SECTION A-A (TYPE-1)

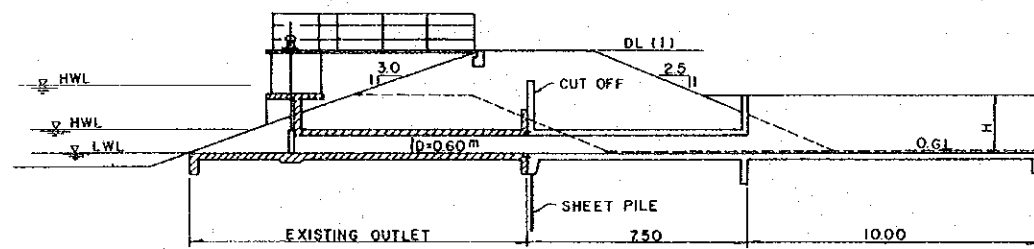


PLAN

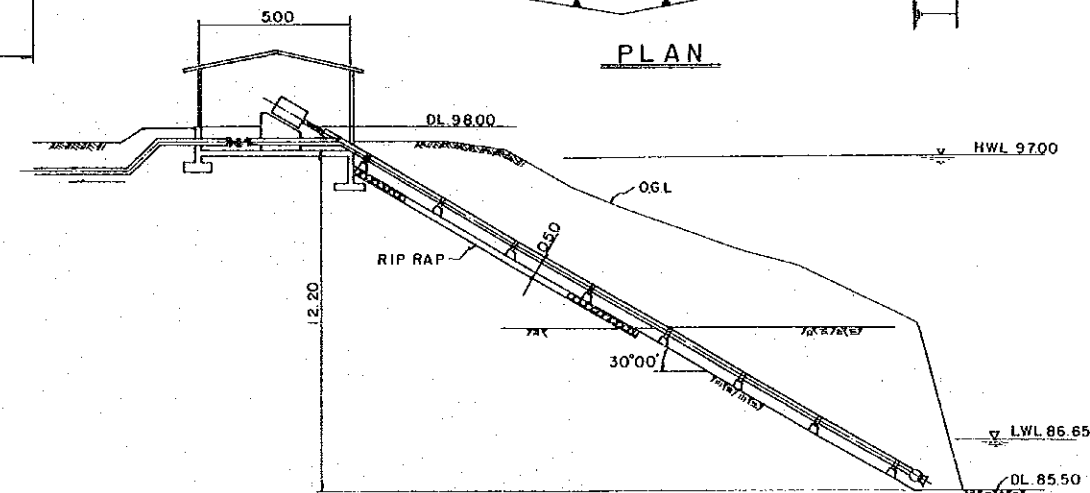


PLAN (b-b)

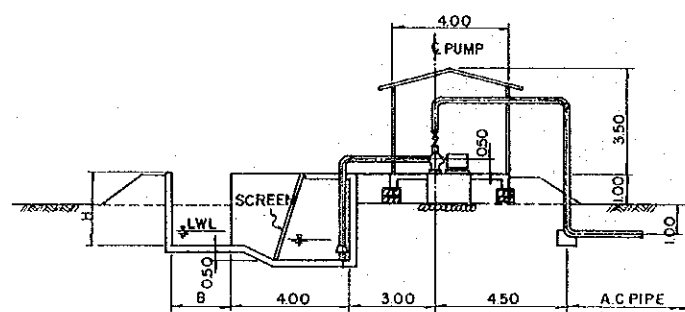
DEEP WELL (TYPE-5)



SECTION A'-A' (TYPE-2)



SECTION D-D (TYPE-4)



SECTION B-B

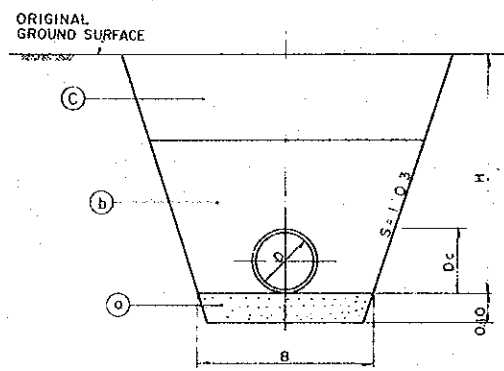
- NOTE
1. DIMENSION — METERS
  2. SCALE — NOT TO SCALE

KINGDOM OF THAILAND MINISTRY OF INTERIOR  
PUBLIC WORKS DEPARTMENT

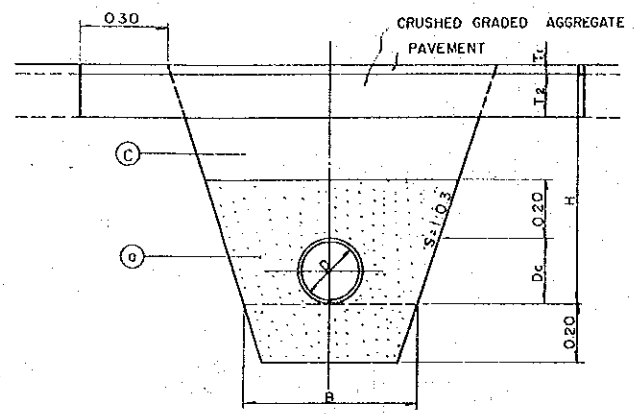
THE SANITARY DISTRICT WATER WORKS PROJECT  
IN THE NORTH EASTERN REGION OF THAILAND

**TYPICAL DRAWING  
INTAKE PUMPING STATION**

DATE	DWG	24
JAPAN INTERNATIONAL COOPERATION AGENCY		



TRENCH OF OFF-ROAD



TRENCH OF UNDER-ROAD

DIMENSION TABLE FOR EXCAVATION

PIPE DIA (mm)	50	100	150	200	250
B (m)	0.60	0.60	0.80	0.85	0.90
H (m)	0.90	0.90	0.95	1.00	1.15

DIMENSION TABLE FOR EXCAVATION

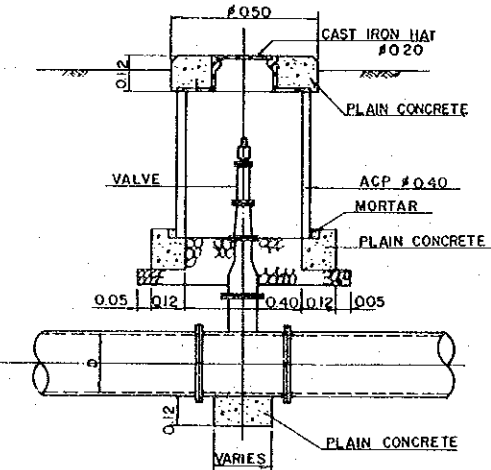
PIPE DIA (mm)	50	100	150	200	250
B (m)	0.60	0.60	0.80	0.85	0.90
H (m)	1.10	1.10	1.15	1.30	1.40

- (a) SAND OR OTHER APPROVED MATERIAL COMPACTED BY COMPACTING PLATE OR HAND TAMPER
- (b) SELECTED MATERIAL COMPACTED BY COMPACTING PLATE OR HAND TAMPER
- (c) BACKFILL COMPACTED BY HAND TAMER

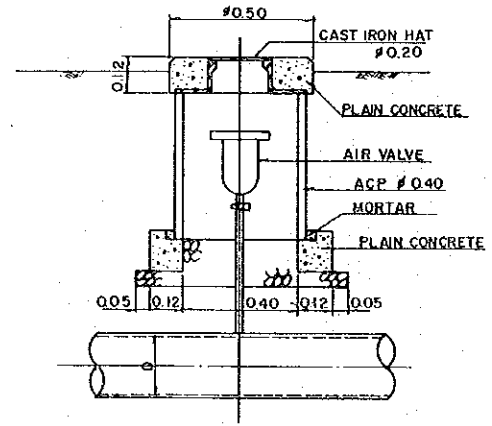
DIMENSION TABLE FOR PAVEMENT

CLASS	T <sub>1</sub> (m)	T <sub>2</sub> (m)	REMARK
PAVED ROAD	0.03	0.15	OR AS EXISTING
GRAVEL ROAD	-	0.20	CONDITIONS

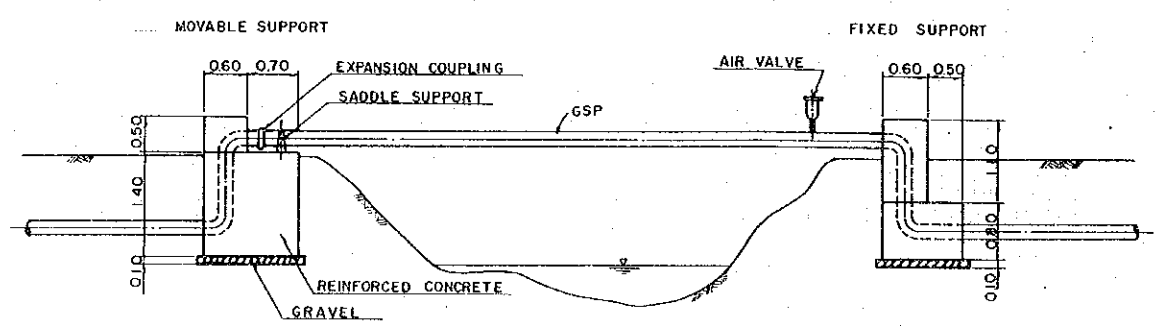
TYPICAL EARTHWORK OF PIPELINE



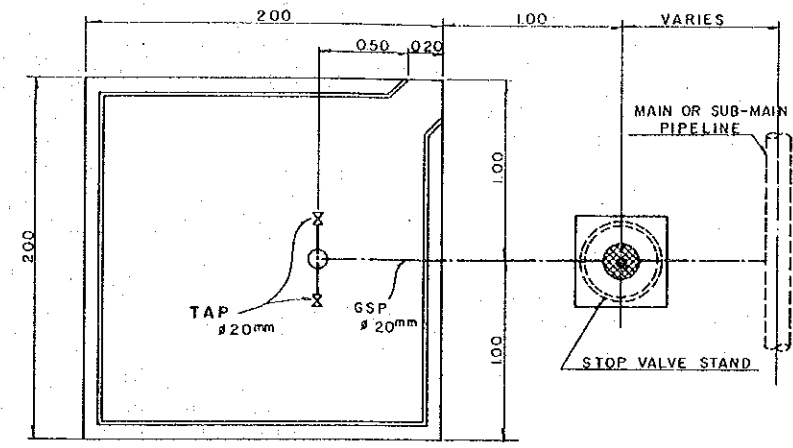
STOP VALVE PIT



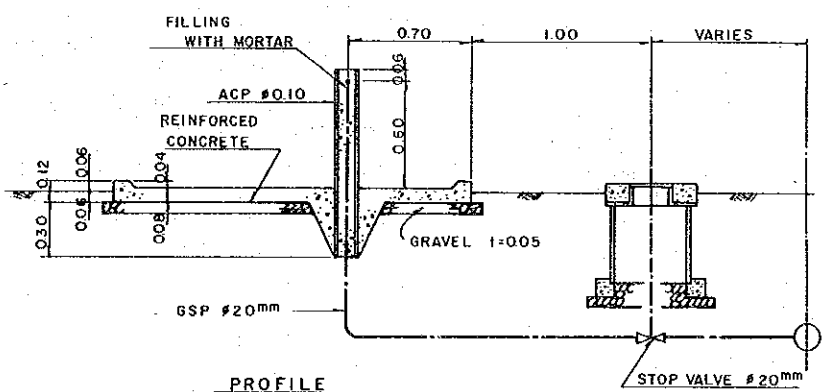
AIRVALVE PIT



AQUEDUCT

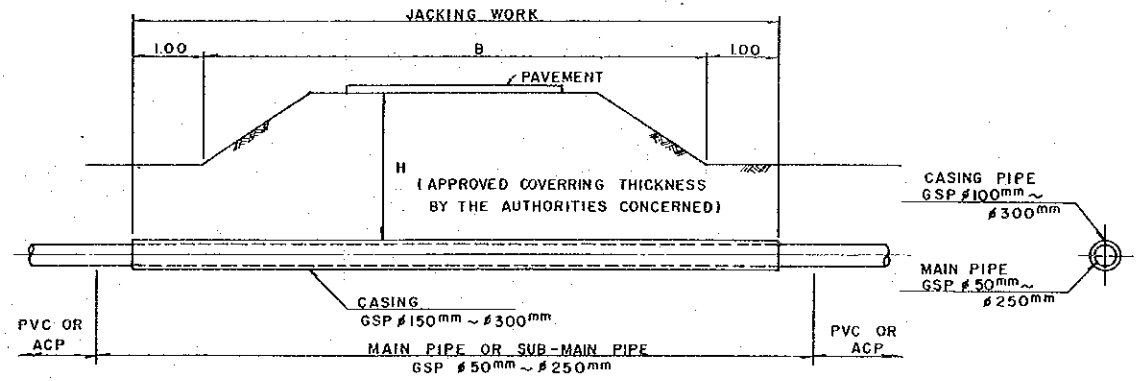


PLAN

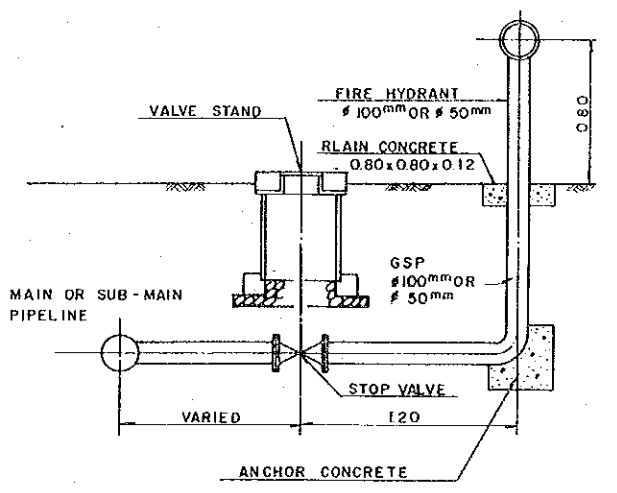


PROFILE

MULTIPLE - TAP



JACKING WORK



FIRE HYDRANT

KINGDOM OF THAILAND MINISTRY OF INTERIOR  
PUBLIC WORKS DEPARTMENT

THE SANITARY DISTRICT WATER WORKS PROJECT  
IN THE NORTH EASTERN REGION OF THAILAND

TYPICAL DRAWING  
TYPICAL CROSS SECTION &  
APPURTENANT STRUCTURES OF PIPE LINE

DATE \_\_\_\_\_ DWG 25

JAPAN INTERNATIONAL COOPERATION AGENCY

JICA