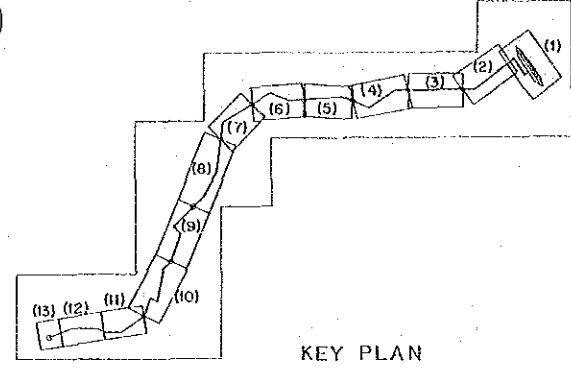
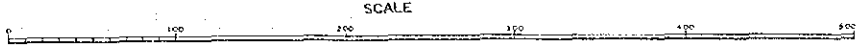
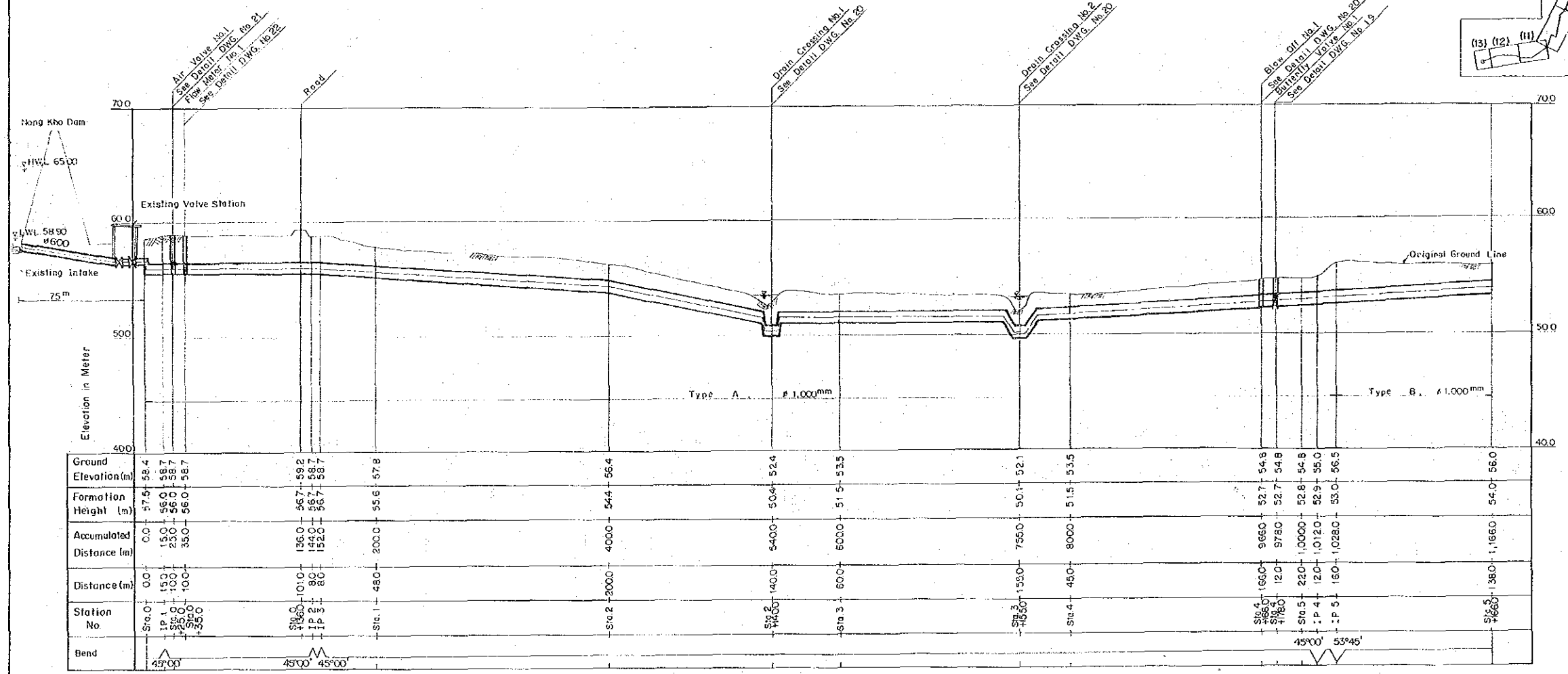


PLAN



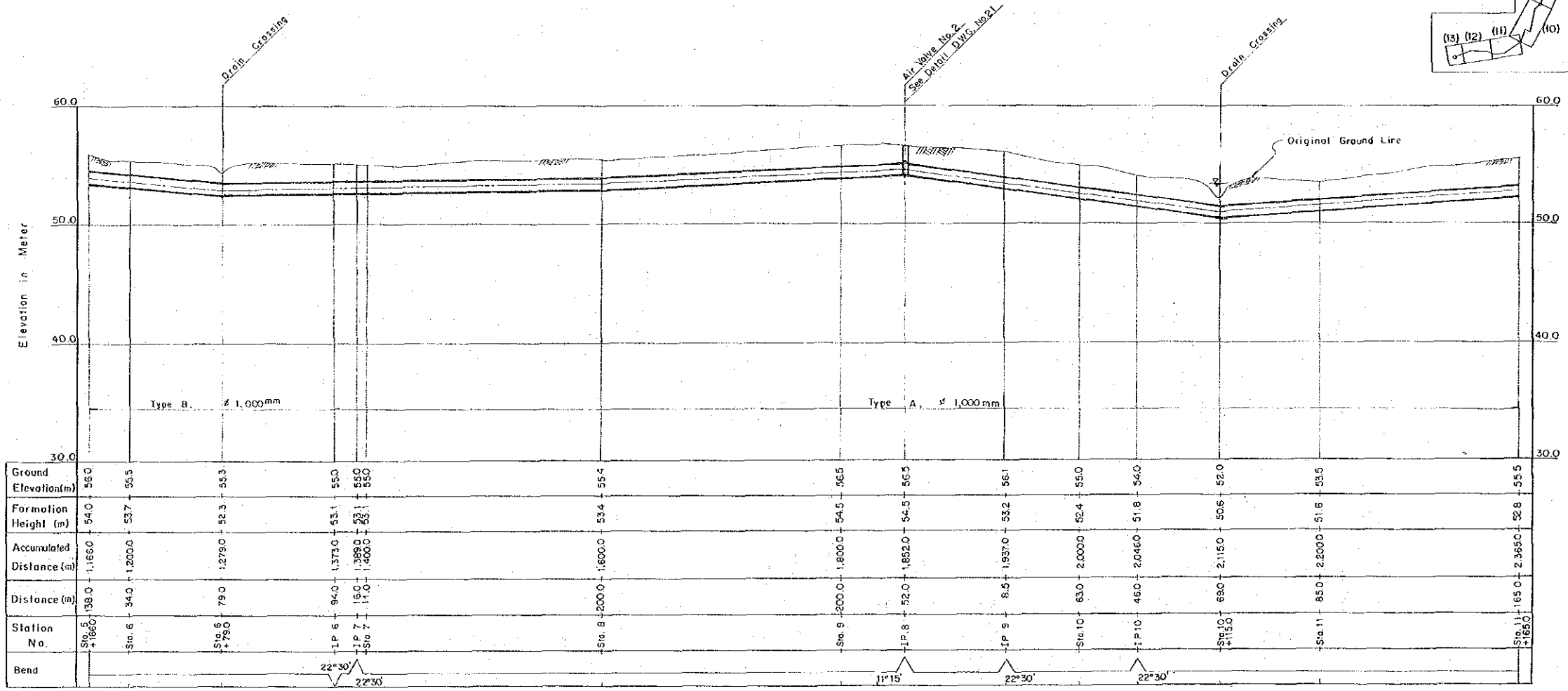
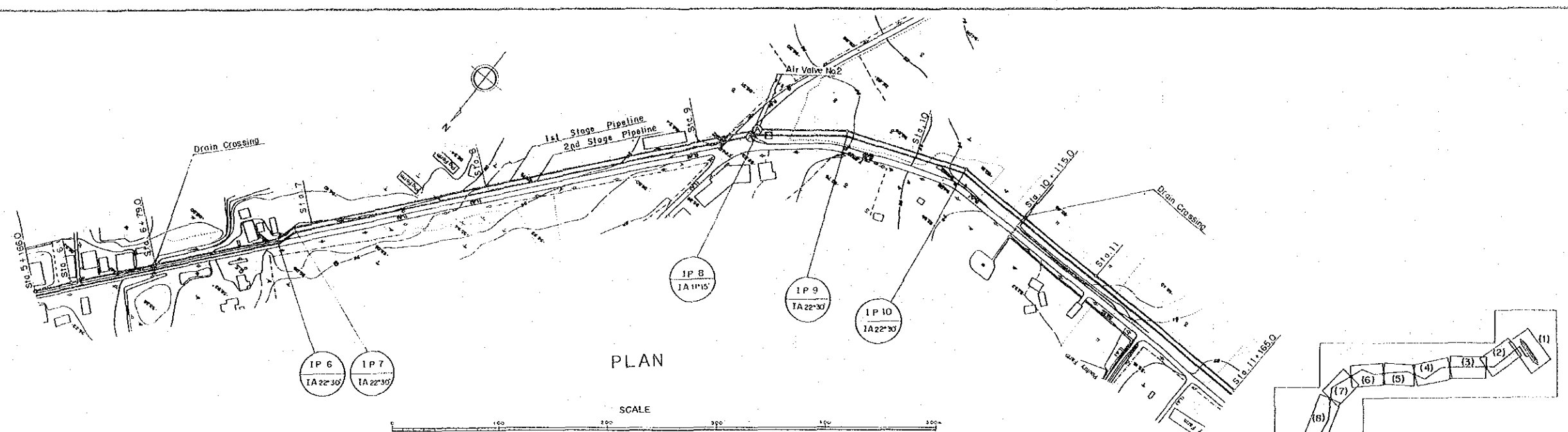
KEY PLAN



Ground Elevation (m)	Formation Height (m)	Accumulated Distance (m)	Distance (m)	Station No.	Bend
68.4	57.5	0.0	0.0	Sta. 0	45°00'
68.7	58.0	15.0	15.0	IP 1	
68.7	58.0	30.0	15.0	IP 2	
68.7	58.0	50.0	35.0	IP 3	
69.2	58.7	136.0	101.0	Sta. 1	45°00'
68.7	58.0	144.0	90.0	IP 4	45°00'
57.8	55.6	200.0	480.0	Sta. 2	
56.4	54.4	400.0	2000.0		
52.4	50.4	540.0	140.0	Sta. 3	
53.5	51.5	600.0	60.0	Sta. 4	
52.1	50.1	755.0	155.0	Sta. 5	
53.5	51.5	800.0	45.0	Sta. 6	
54.8	52.7	966.0	166.0	Sta. 7	
54.8	52.7	978.0	12.0	IP 5	
54.8	52.8	1000.0	22.0	IP 6	45°00'
55.0	52.9	1012.0	12.0	IP 7	53°45'
56.5	53.0	1028.0	16.0	IP 8	
56.5	54.0	1166.0	138.0	Sta. 8	

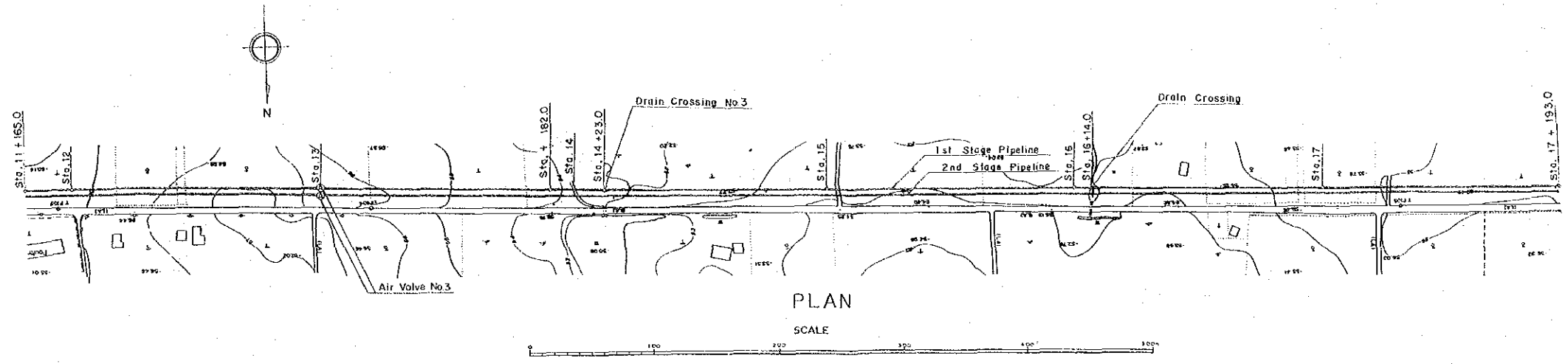
PROFILE

KINGDOM OF THAILAND PUBLIC WORKS DEPARTMENT	PIPELINE, PLAN & PROFILE (1)
THE NONG KHO-LAEM CHABANG WATER PIPELINE PROJECT	DATE MARCH 1984
JAPAN INTERNATIONAL COOPERATION AGENCY	DWG. NO. 2



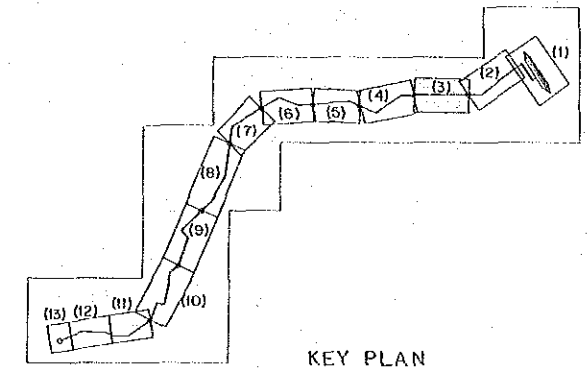
Ground Elevation(m)	56.0	56.3	55.3	55.0	55.0	55.0	55.4	56.5	56.5	56.1	55.0	54.0	52.0	53.5	55.5
Formation Height (m)	54.0	53.7	52.3	53.1	53.1	53.1	53.4	54.5	54.5	53.2	52.4	51.8	50.6	51.6	52.8
Accumulated Distance (m)	1,160.0	1,200.0	1,279.0	1,373.0	1,388.0	1,400.0	1,600.0	1,800.0	1,852.0	1,937.0	2,000.0	2,046.0	2,115.0	2,200.0	2,365.0
Distance (m)	139.0	34.0	79.0	94.0	16.0	11.0	200.0	52.0	52.0	8.5	63.0	46.0	69.0	85.0	165.0
Station No.	Sta. 5 +139.0	Sta. 6 +173.0	Sta. 7 +252.0	IP 6 +346.0	IP 7 +402.0	Sta. 8 +413.0	Sta. 9 +613.0	IP 8 +665.0	IP 9 +717.0	IP 9 +769.0	Sta. 10 +832.0	IP 10 +878.0	Sta. 10 +947.0	Sta. 11 +1032.0	Sta. 11 +1197.0
Bend				22°30'	22°30'			11°15'	22°30'	22°30'		22°30'			

KINGDOM OF THAILAND PUBLIC WORKS DEPARTMENT	PIPELINE, PLAN & PROFILE (2)
THE NONG KHO-LAEM CHABANG WATER PIPELINE PROJECT	DATE MARCH 1984
JAPAN INTERNATIONAL COOPERATION AGENCY	DWG NO. 3

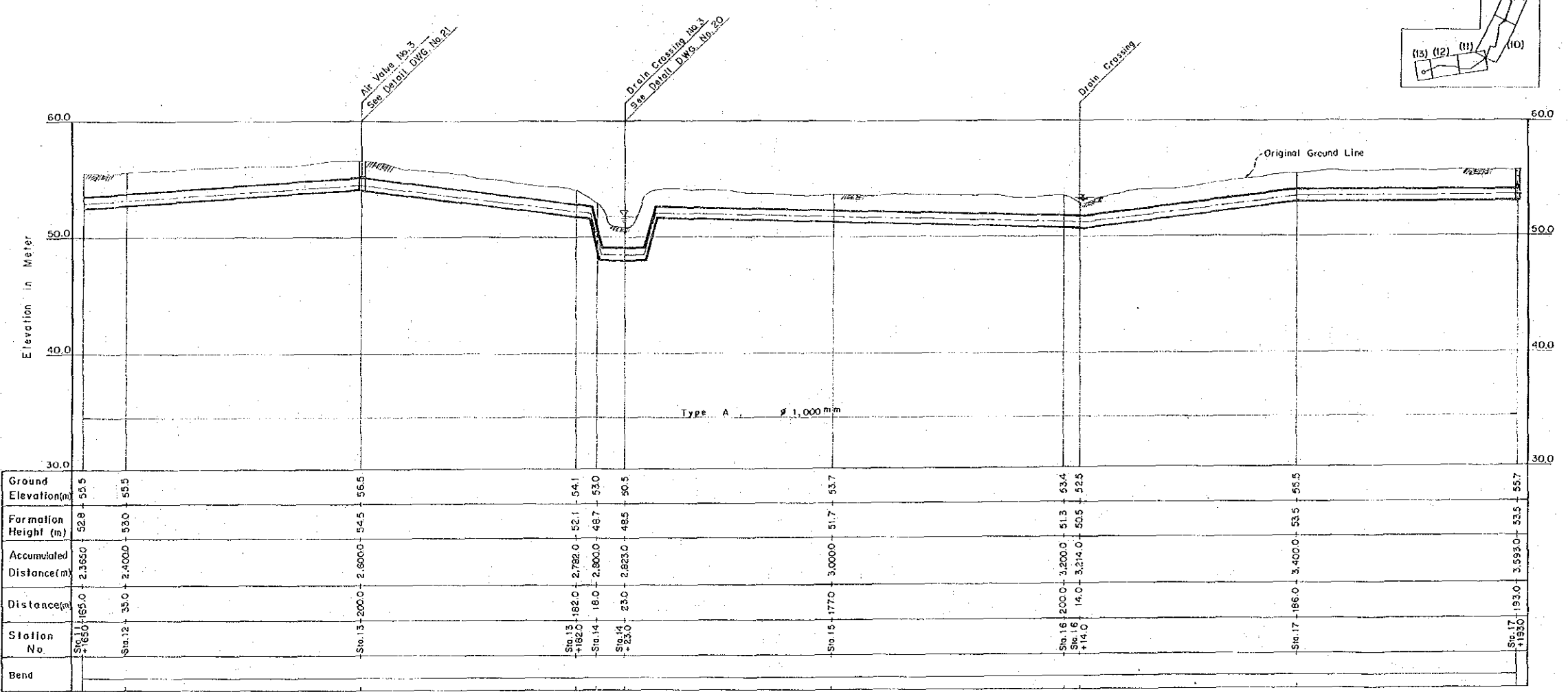


PLAN

SCALE



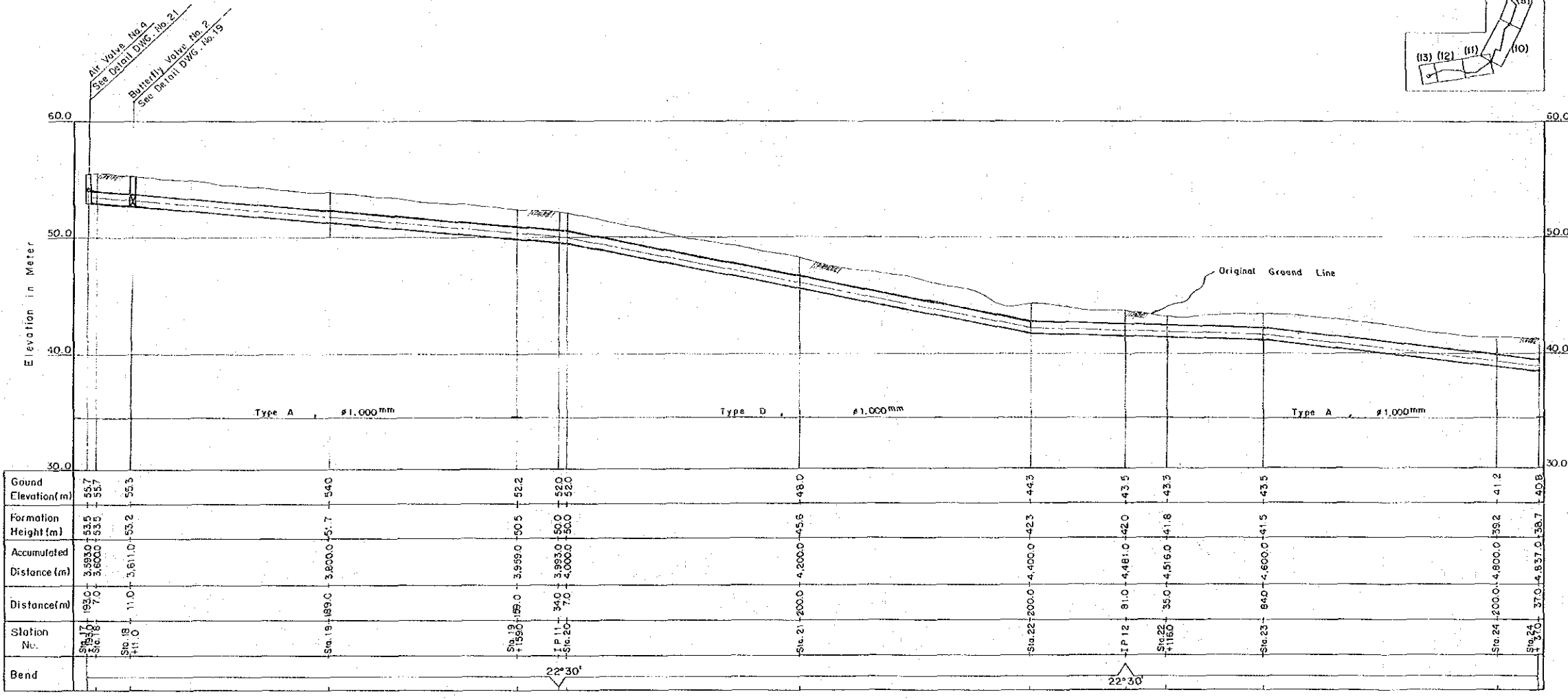
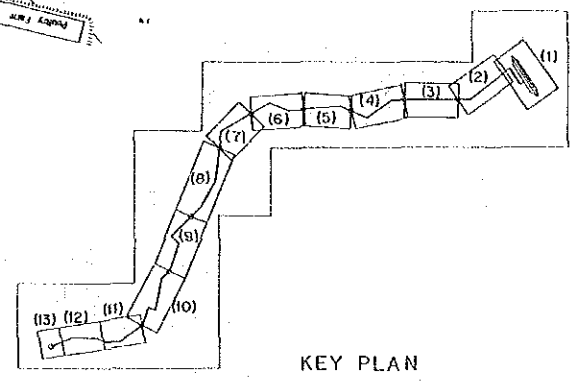
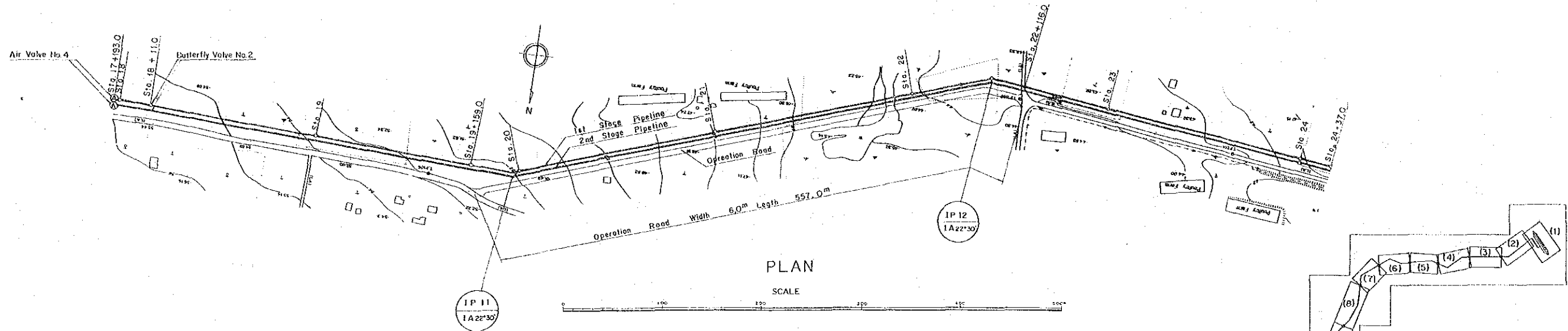
KEY PLAN



PROFILE

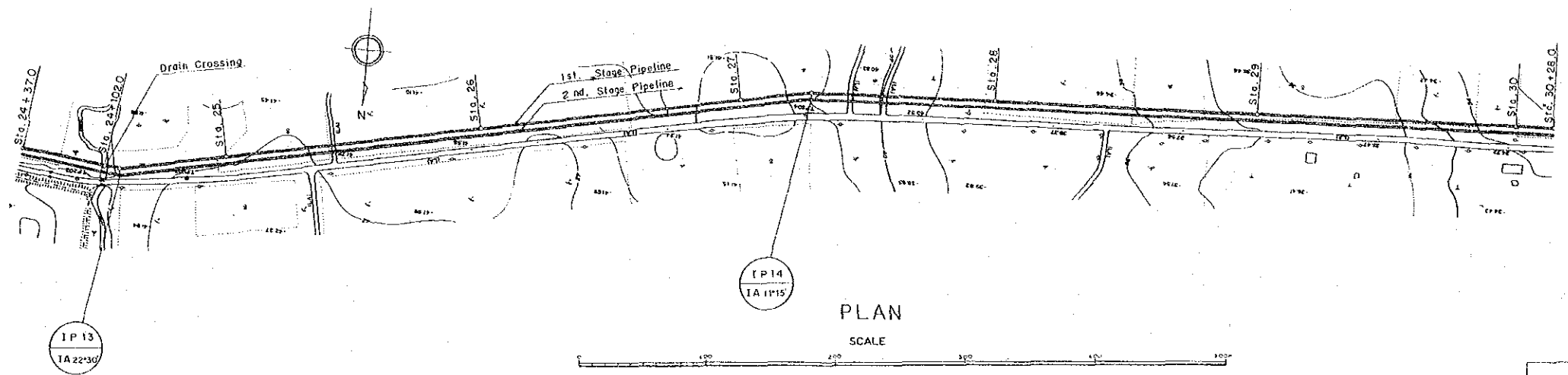
Ground Elevation(m)	55.5	55.5	56.5	54.1	53.0	50.5	53.7	53.4	55.5	55.7
Formation Height (m)	52.8	53.0	54.5	52.1	48.7	48.5	51.7	51.3	53.5	53.5
Accumulated Distance(m)	2,365.0	2,400.0	2,600.0	2,792.0	2,800.0	2,823.0	3,000.0	3,200.0	3,400.0	3,595.0
Distance(m)		35.0	200.0	182.0	18.0	23.0	177.0	200.0	186.0	193.0
Station No.	Sta. 11 + 185.0	Sta. 12	Sta. 13 + 200.0	Sta. 13 + 182.0	Sta. 14 + 18.0	Sta. 14 + 23.0	Sta. 15 + 177.0	Sta. 16 + 200.0 + 14.0	Sta. 17 + 186.0	Sta. 17 + 193.0
Bend										

KINGDOM OF THAILAND PUBLIC WORKS DEPARTMENT	PIPELINE, PLAN & PROFILE (3)
THE NONG KHO-LAEM CHABANG WATER PIPELINE PROJECT	DATE MARCH 1984
JAPAN INTERNATIONAL COOPERATION AGENCY	DWG NO. 4



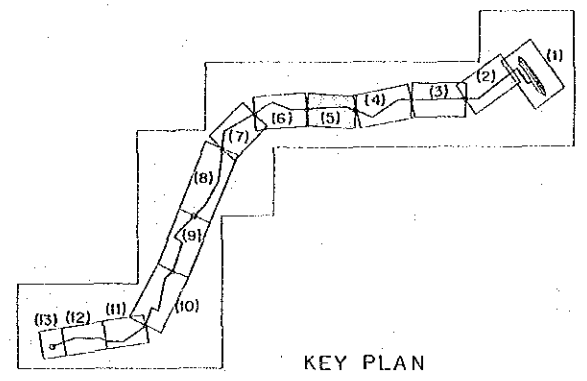
PROFILE

KINGDOM OF THAILAND PUBLIC WORKS DEPARTMENT	PIPELINE, PLAN & PROFILE (4)
THE NONG KHO-LAEM CHARANG WATER PIPELINE PROJECT	DATE MARCH 1984
JAPAN INTERNATIONAL COOPERATION AGENCY	DWG NO. 5

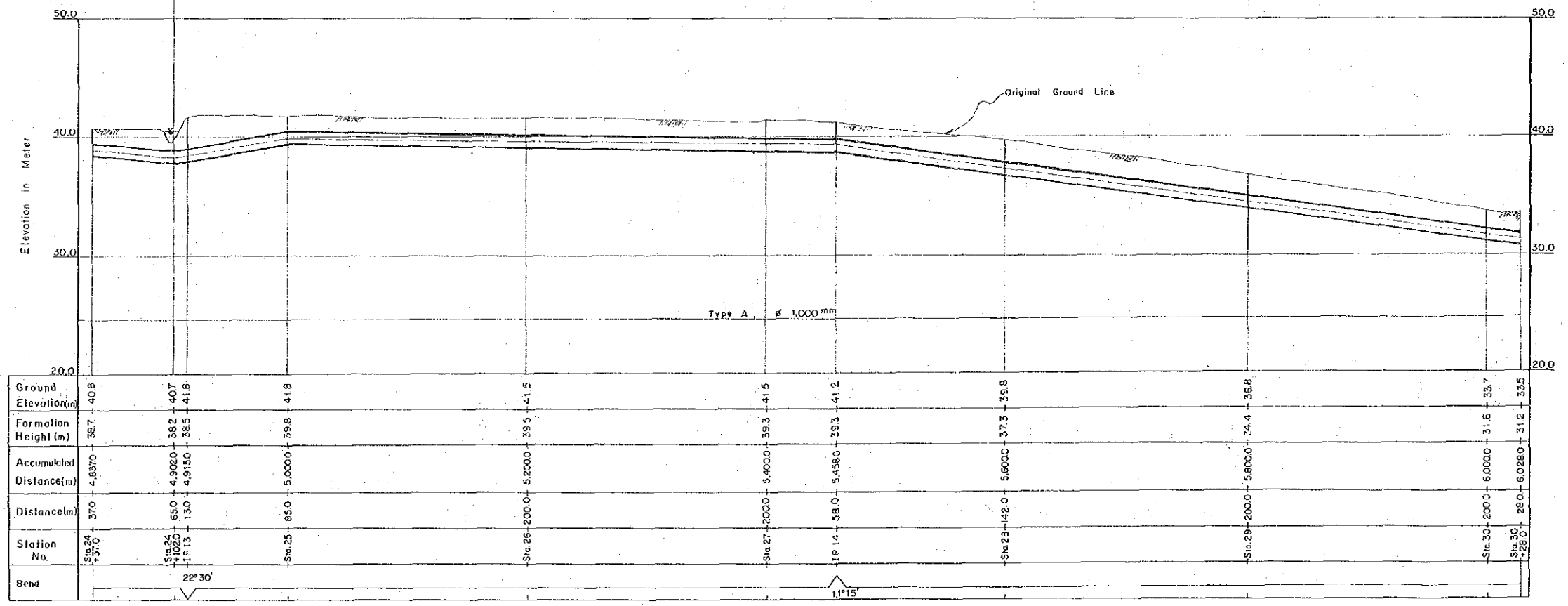


PLAN

SCALE

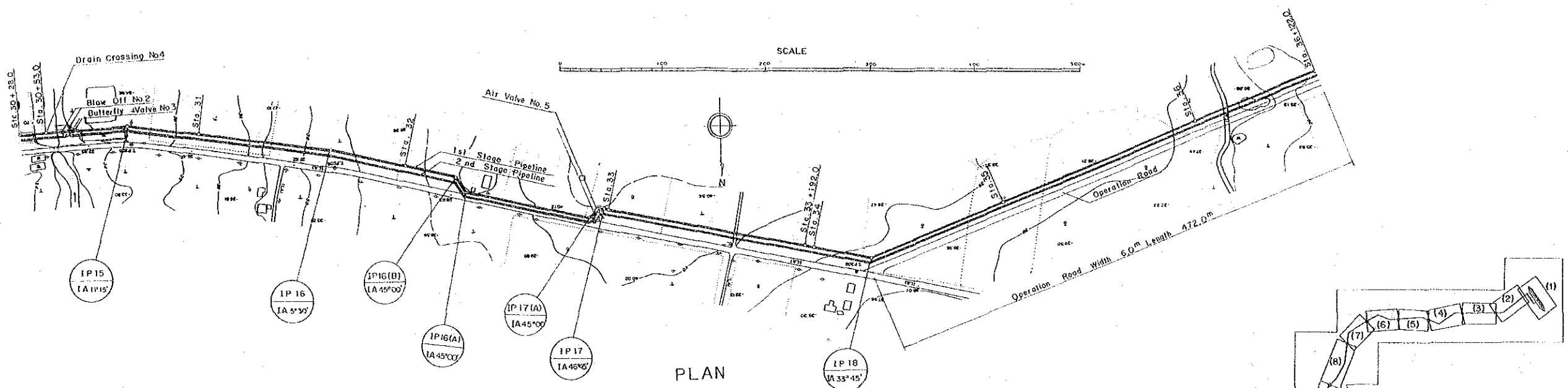


KEY PLAN

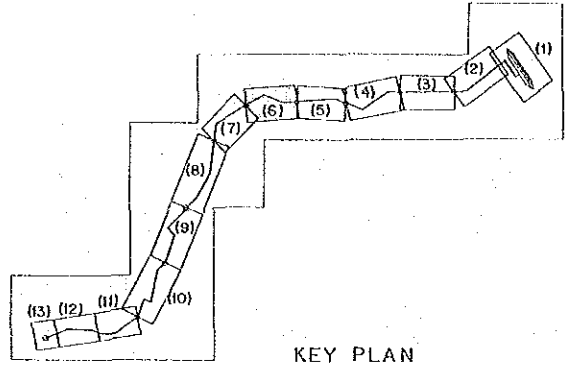


PROFILE

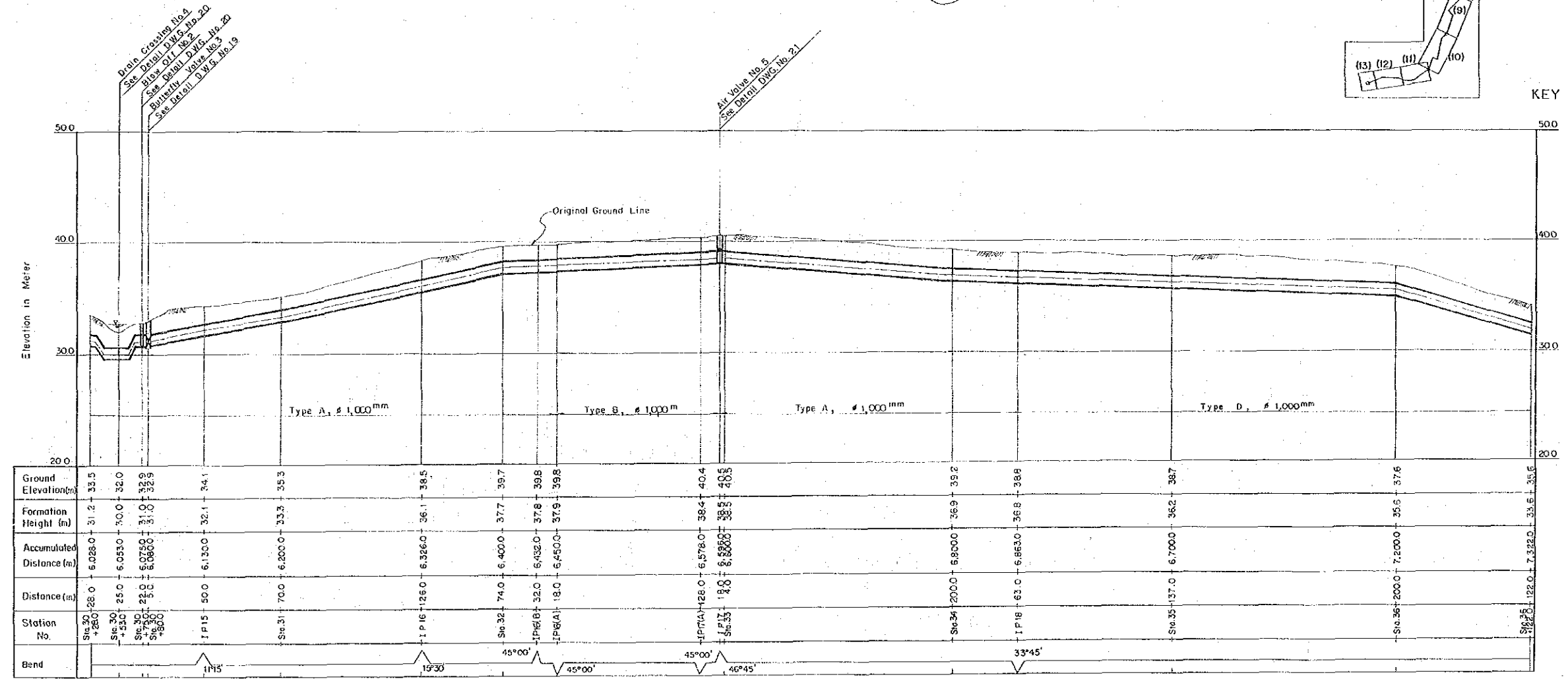
KINGDOM OF THAILAND PUBLIC WORKS DEPARTMENT	PIPELINE, PLAN & PROFILE (5)
THE NONG KHO-LAEM CHABANG WATER PIPELINE PROJECT	DATE MARCH 1984
JAPAN INTERNATIONAL COOPERATION AGENCY	DWG NO. 6



PLAN

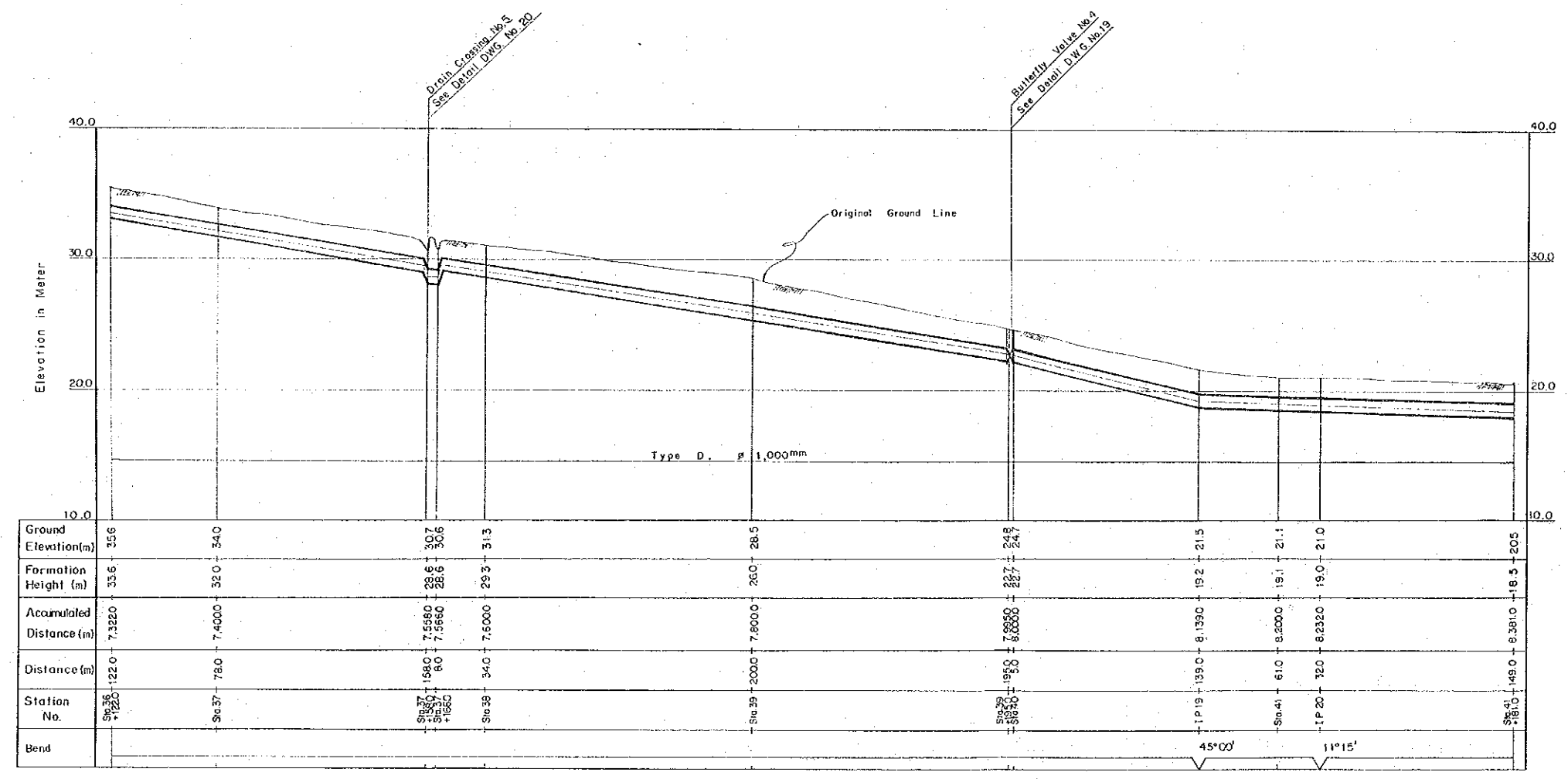
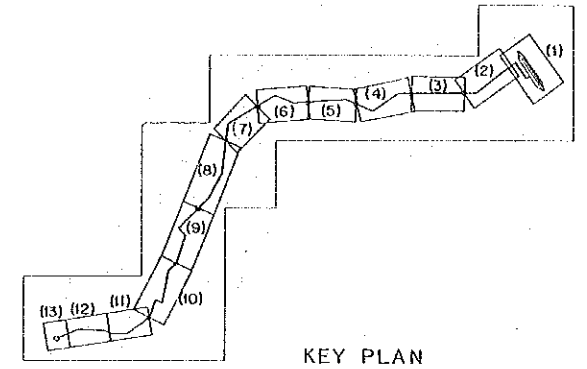
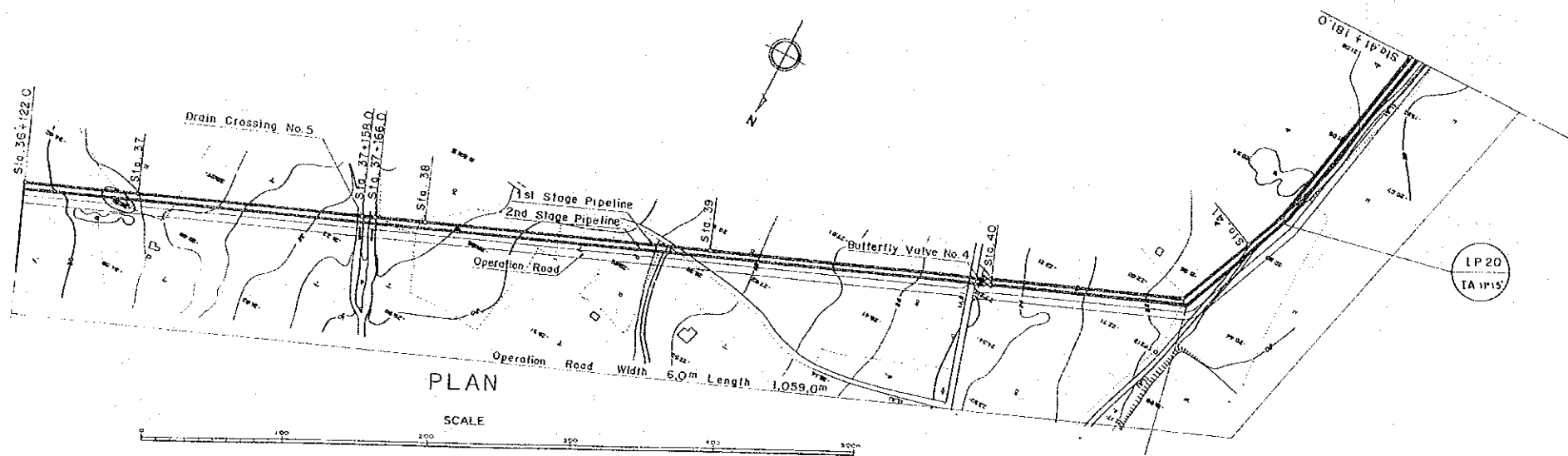


KEY PLAN



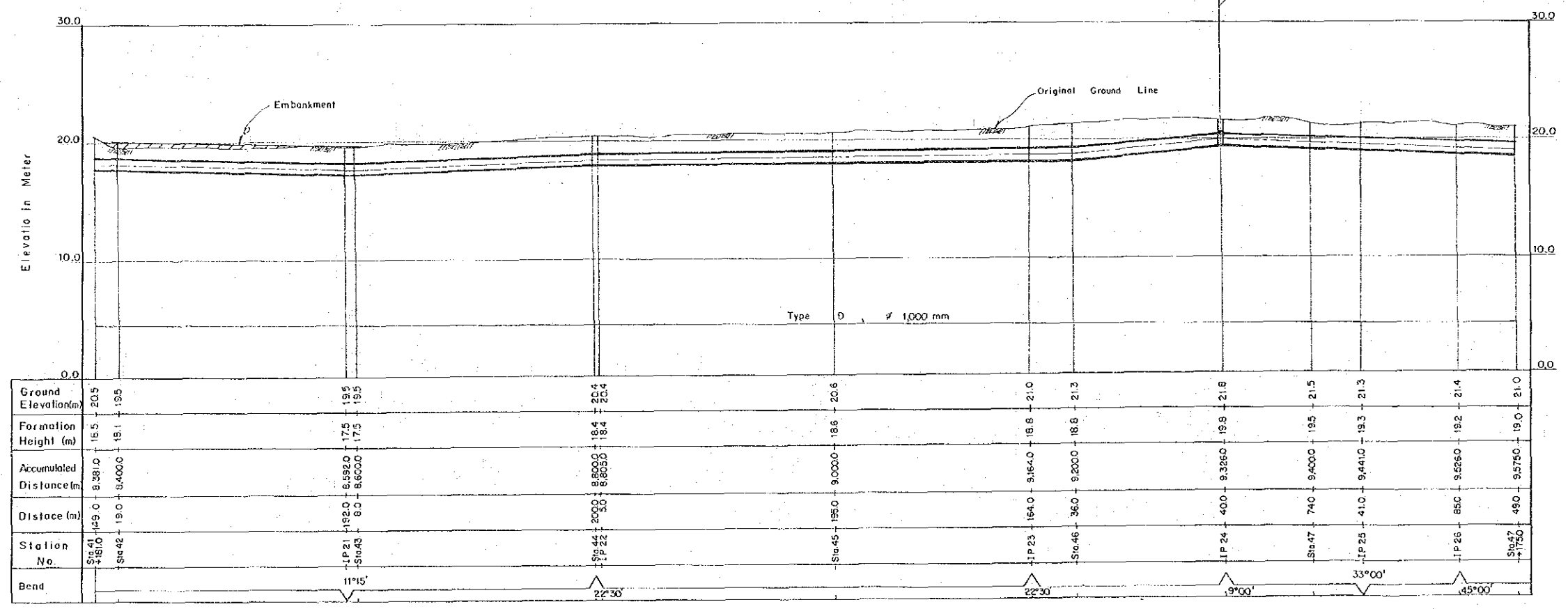
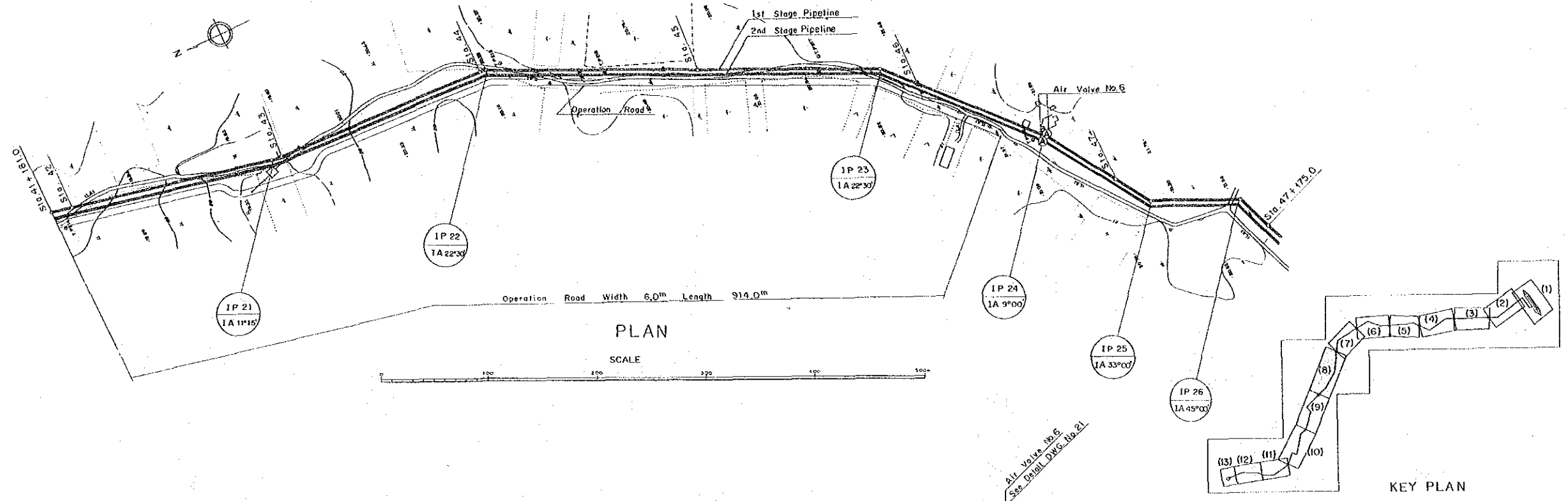
PROFILE

KINGDOM OF THAILAND PUBLIC WORKS DEPARTMENT	PIPELINE PLAN & PROFILE (6)
THE NONG KHO-LAEM CHABANG WATER PIPELINE PROJECT	DATE MARCH 1984
JAPAN INTERNATIONAL COOPERATION AGENCY	DWG NO. 7



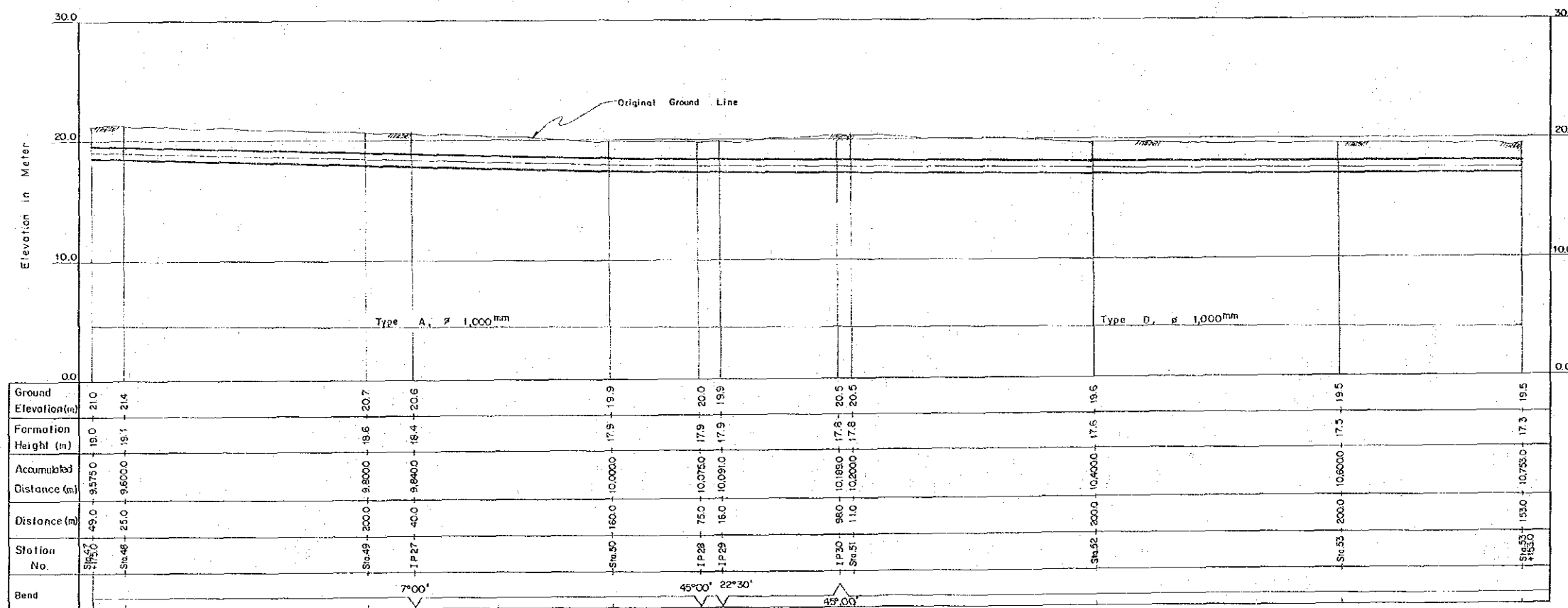
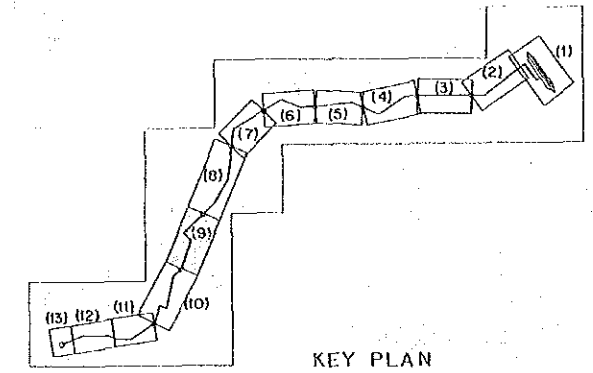
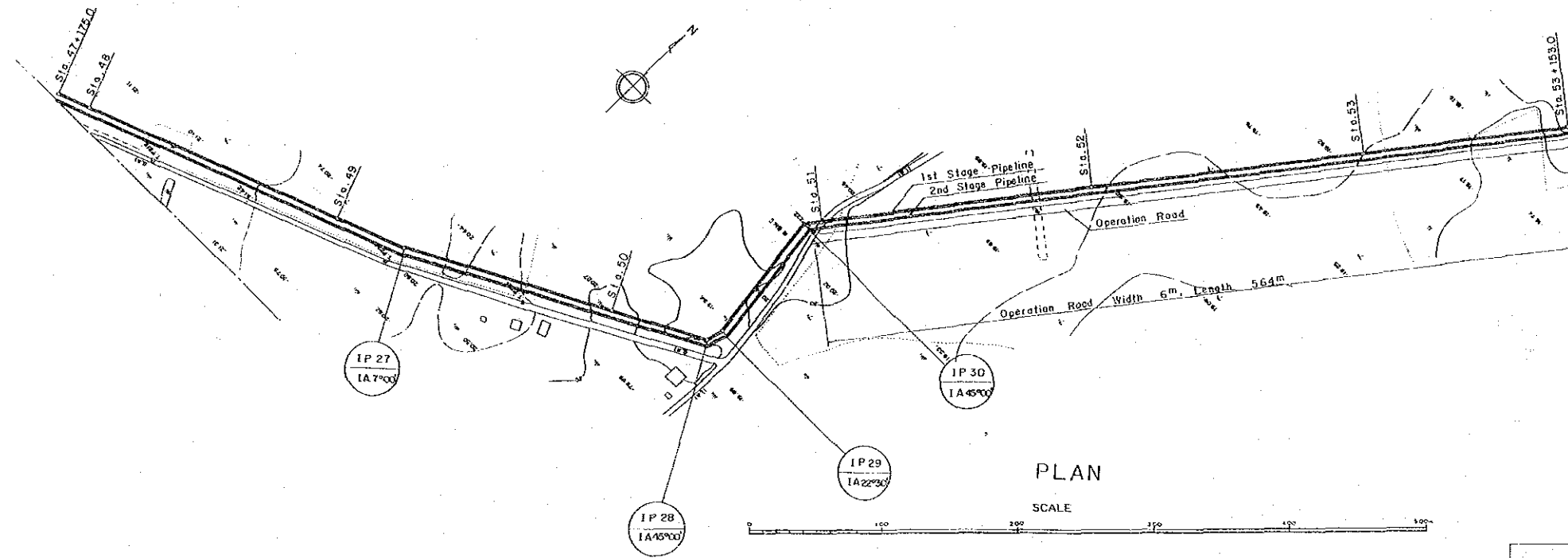
PROFILE

KINGDOM OF THAILAND PUBLIC WORKS DEPARTMENT	PIPELINE, PLAN & PROFILE (7)
THE NONG KHU-LAEM CHABANG WATER PIPELINE PROJECT	DATE MARCH 1984
JAPAN INTERNATIONAL COOPERATION AGENCY	DWG NO. 8

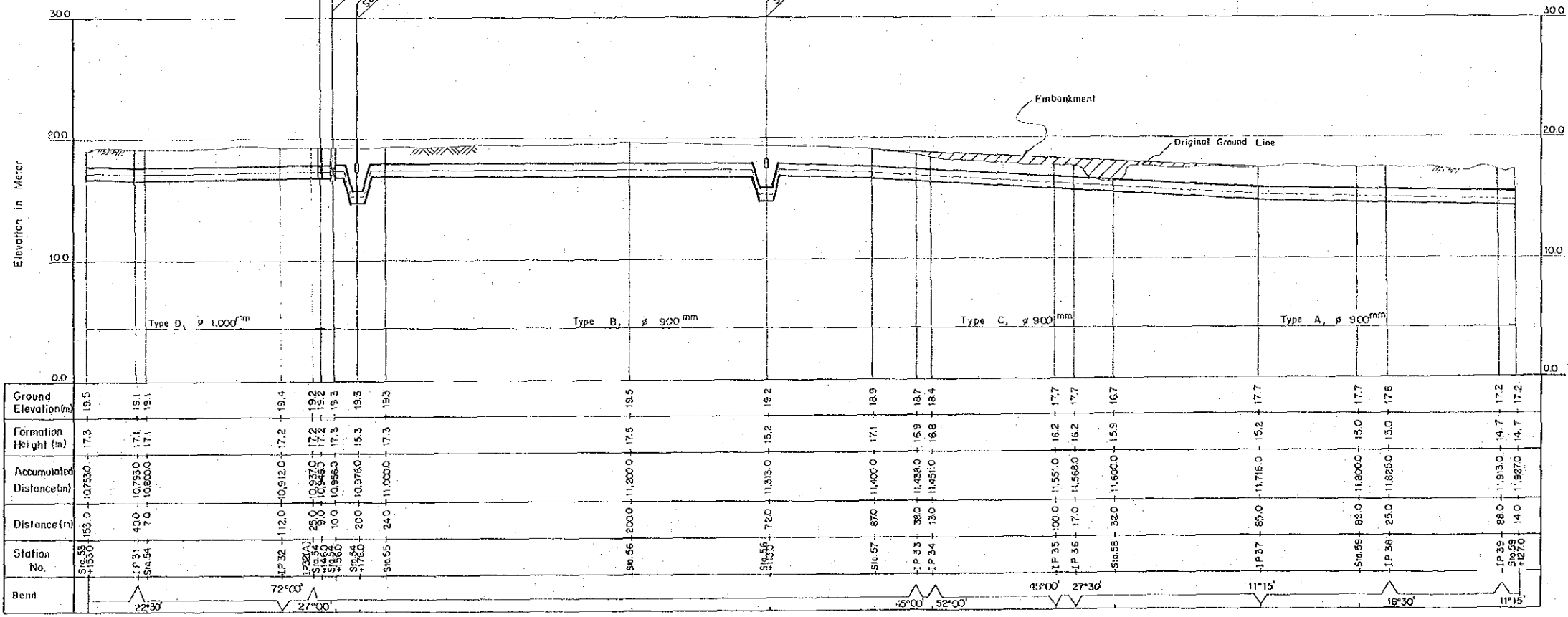
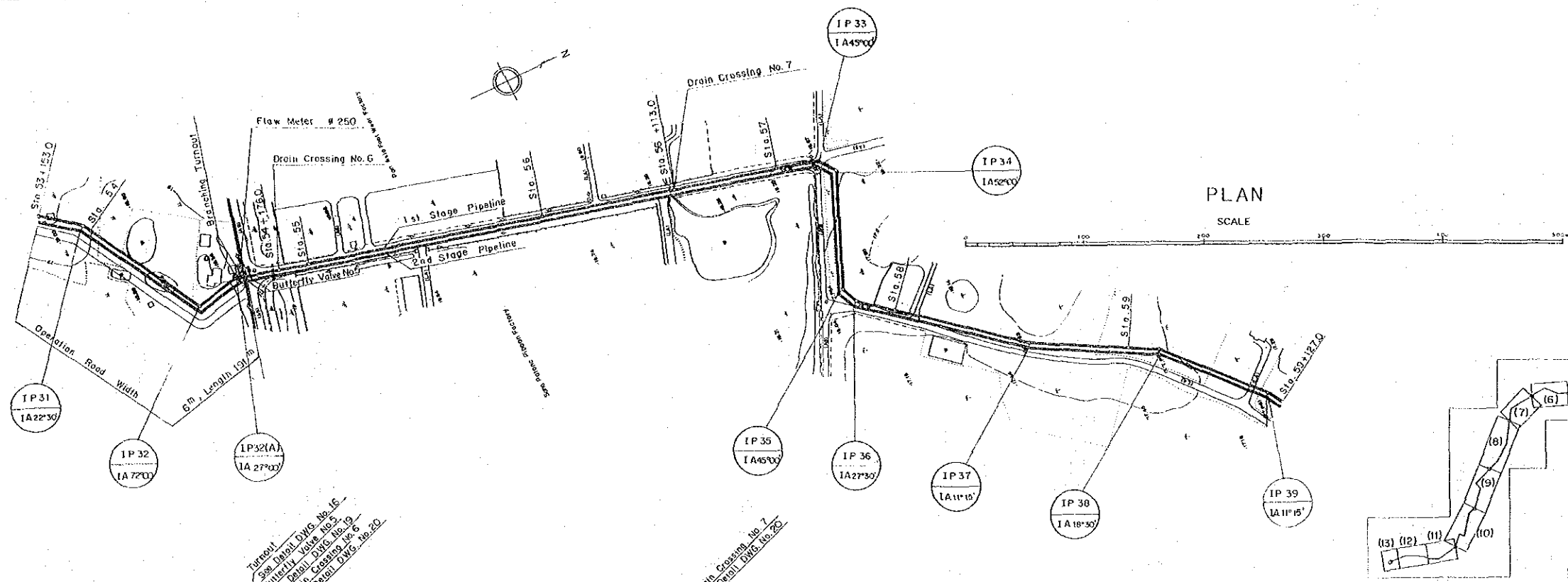


PROFILE

KINGDOM OF THAILAND PUBLIC WORKS DEPARTMENT	PIPELINE, PLAN & PROFILE (8)
THE NONG KHO LAEM-CHABANG WATER PIPELINE PROJECT	DATE MARCH 1984
JAPAN INTERNATIONAL COOPERATION AGENCY	DWG NO. 9



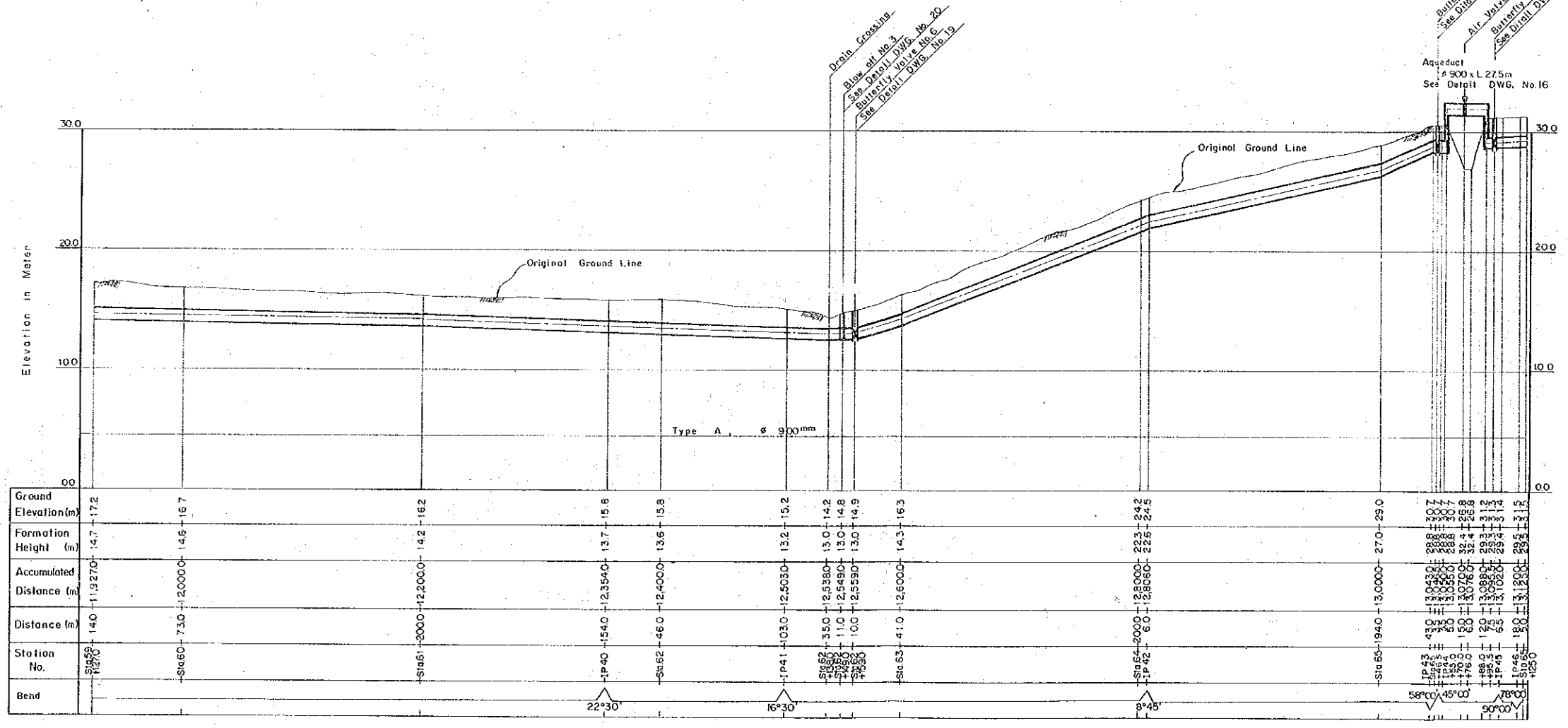
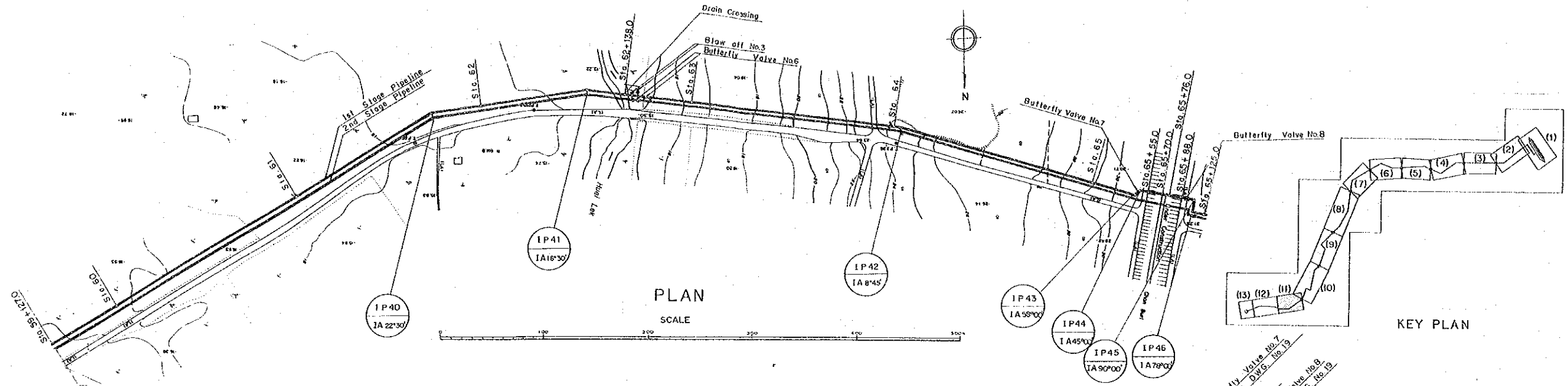
KINGDOM OF THAILAND PUBLIC WORKS DEPARTMENT	PIPELINE, PLAN & PROFILE (9)
THE NONG KHO-LAEM CHABANG WATER PIPELINE PROJECT	DATE MARCH 1984
JAPAN INTERNATIONAL COOPERATION AGENCY	DWG NO. 10



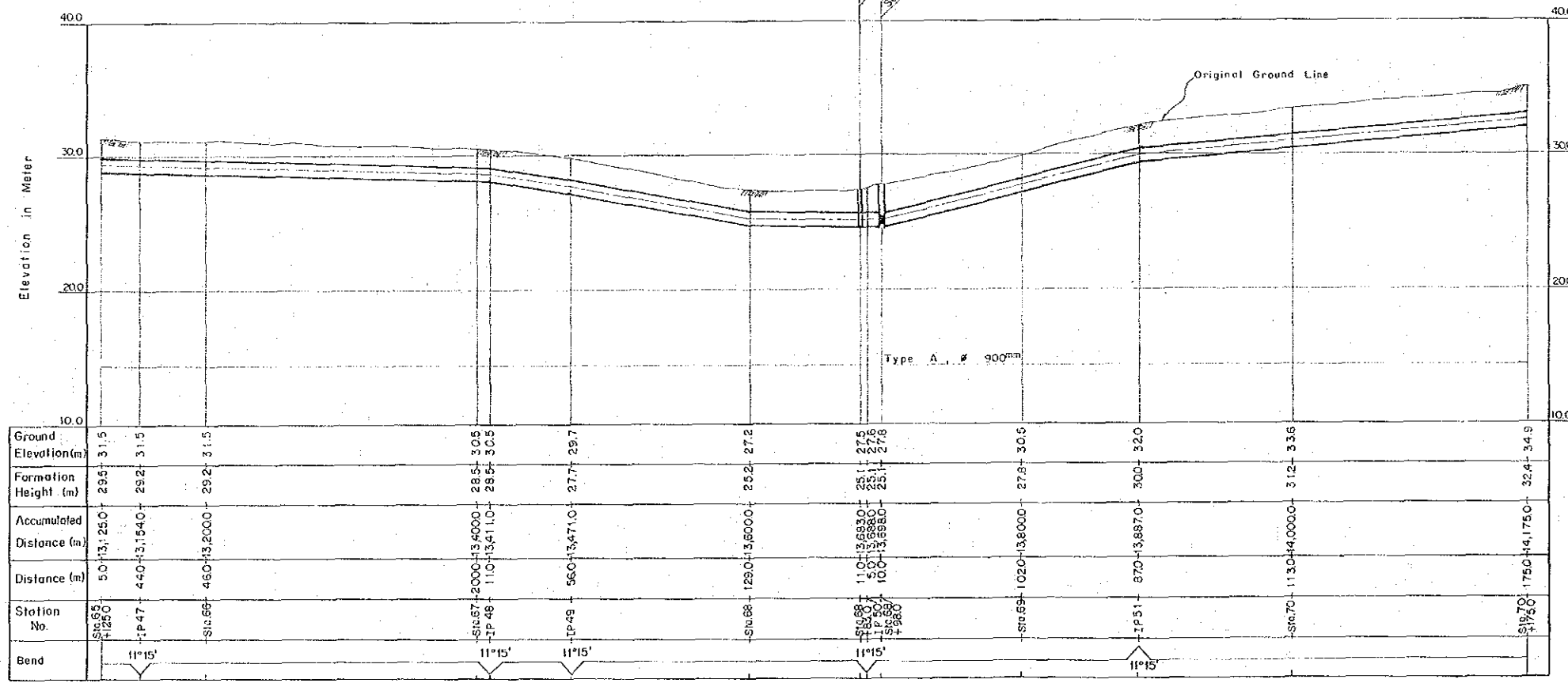
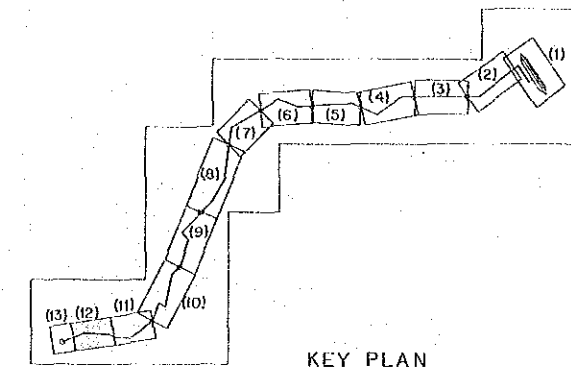
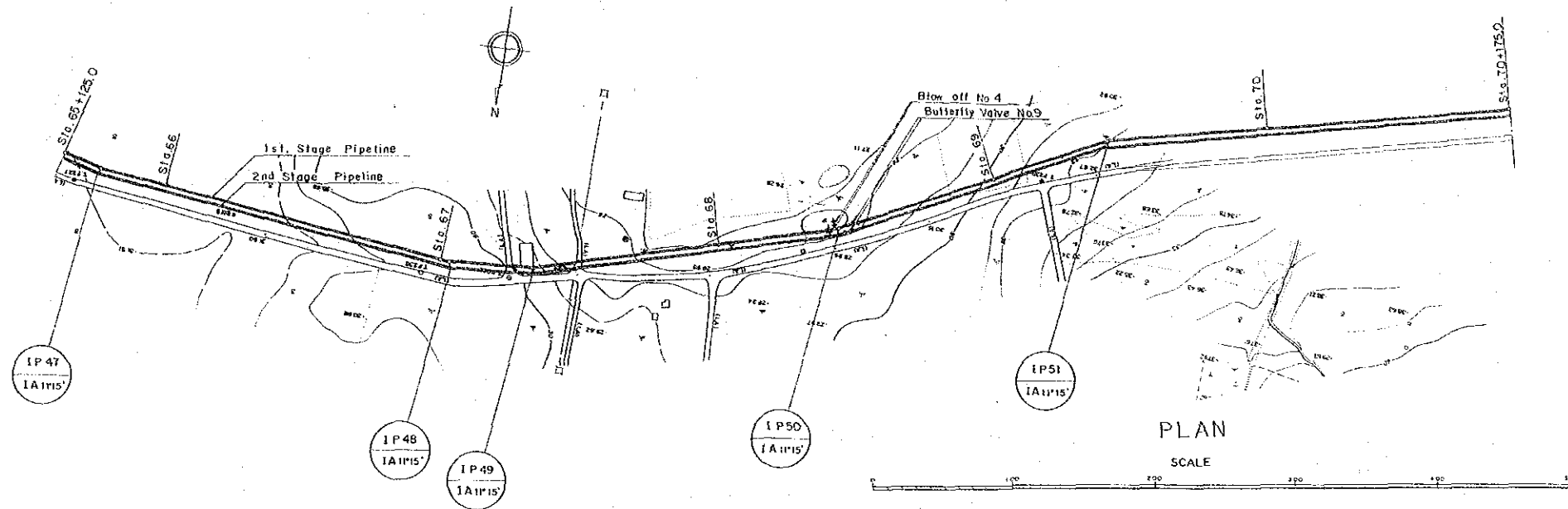
Ground Elevation (m)	Formation Height (m)	Accumulated Distance (m)	Distance (m)	Station No.	Bend
19.5	17.3	0.0	0.0	IP 31 Sta. 54	22°30'
19.1	17.1	10.7530	4.00	IP 32(A) Sta. 54	27°00'
19.4	17.2	10.9120	12.00	IP 32	72°00'
19.2	17.2	10.9370	25.00	IP 32(A)	
19.3	17.3	10.9560	10.00	IP 32	
19.3	15.3	10.9760	20.00	IP 32	
19.3	17.3	11.0000	24.00	IP 32	
19.5	17.5	11.2000	200.00	IP 35	
19.2	15.2	11.3100	72.00	IP 35	
18.9	17.1	11.4000	87.00	IP 35	
18.7	15.9	11.4380	38.00	IP 33	45°00'
18.4	18.8	11.4510	13.00	IP 34	52°00'
17.7	16.2	11.5510	100.00	IP 35	45°00'
17.7	16.2	11.5680	17.00	IP 35	27°30'
16.7	15.9	11.6000	32.00	IP 35	
17.7	15.2	11.7180	85.00	IP 37	11°15'
17.7	15.0	11.8000	82.00	IP 38	
17.6	15.0	11.8250	25.00	IP 38	16°30'
17.2	14.7	11.9300	88.00	IP 39	11°15'
17.2	14.7	11.9870	14.00	IP 39	

PROFILE

KINGDOM OF THAILAND PUBLIC WORKS DEPARTMENT	PIPELINE, PLAN & PROFILE (10)
THE NONG KHO-LAEM CHABANG WATER PIPELINE PROJECT	DATE MARCH 1984
JAPAN INTERNATIONAL COOPERATION AGENCY	DWG NO. 11

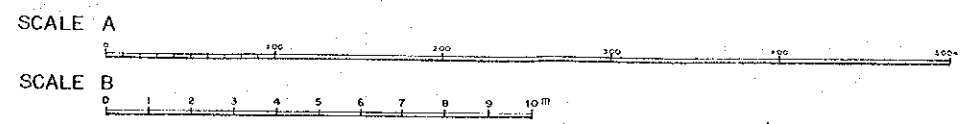
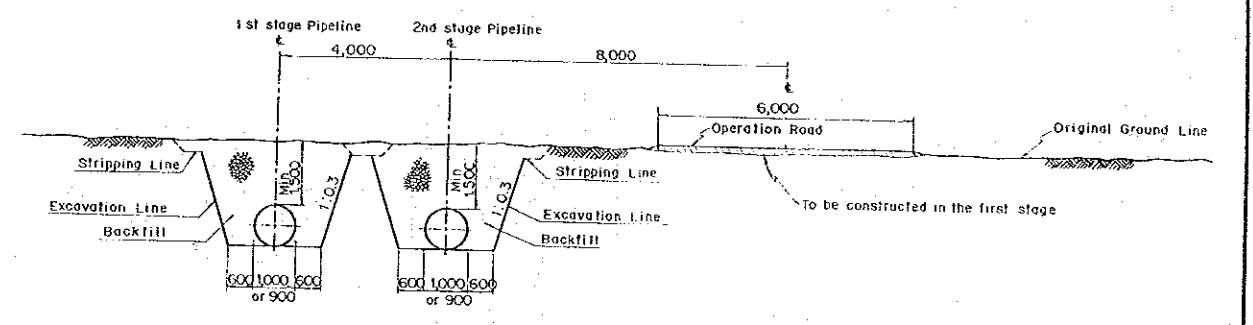
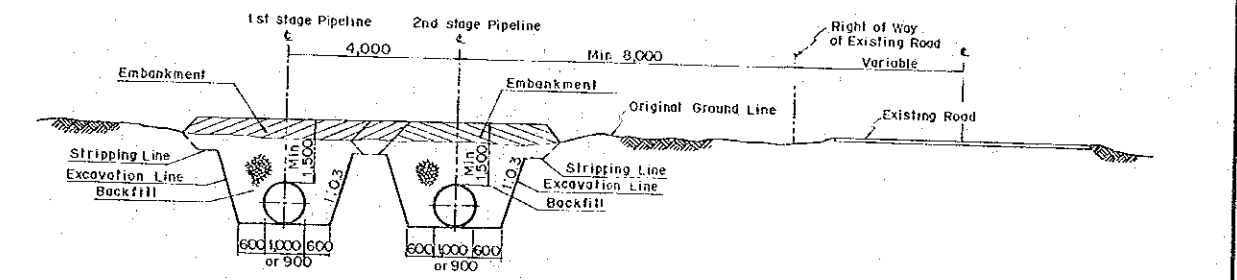
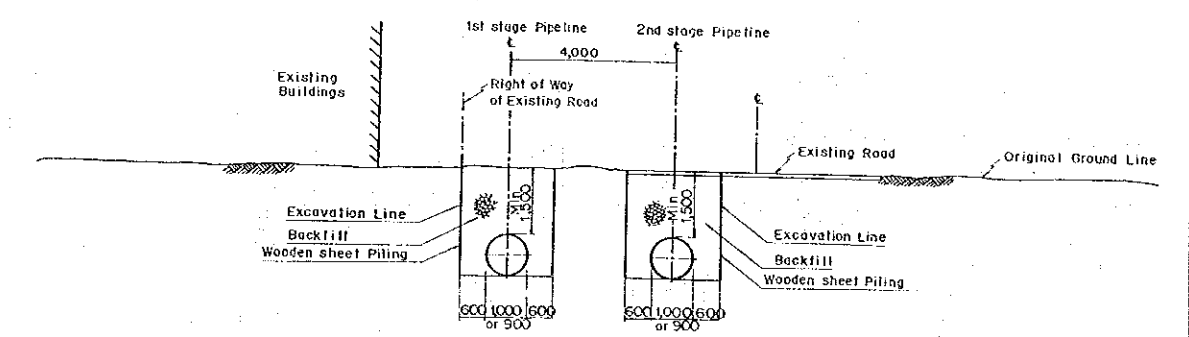
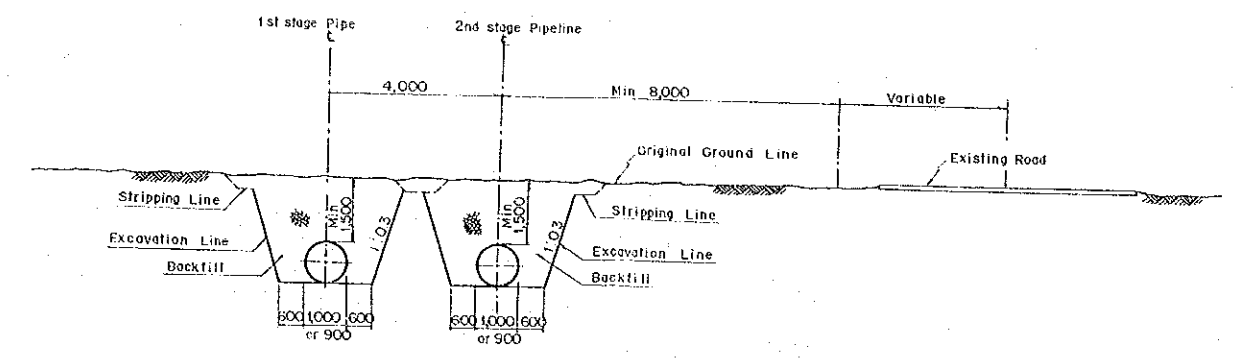
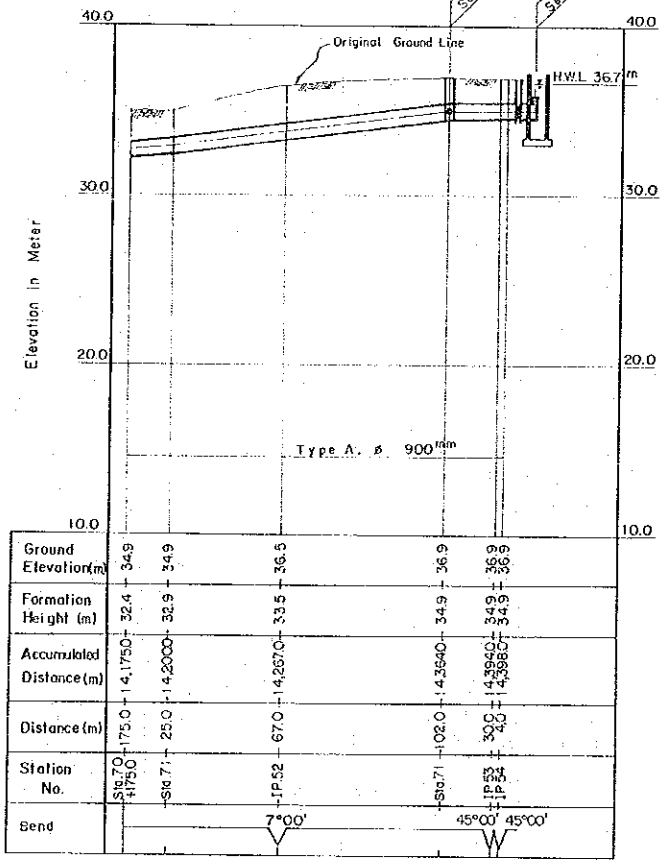
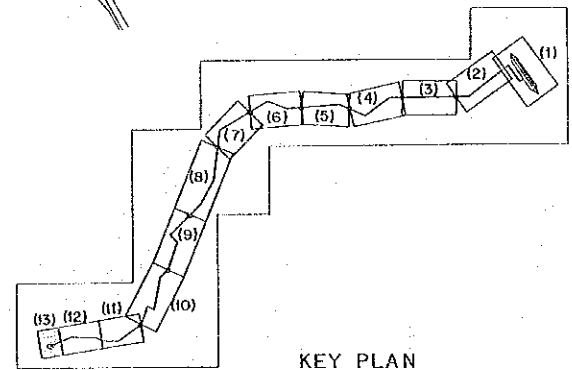
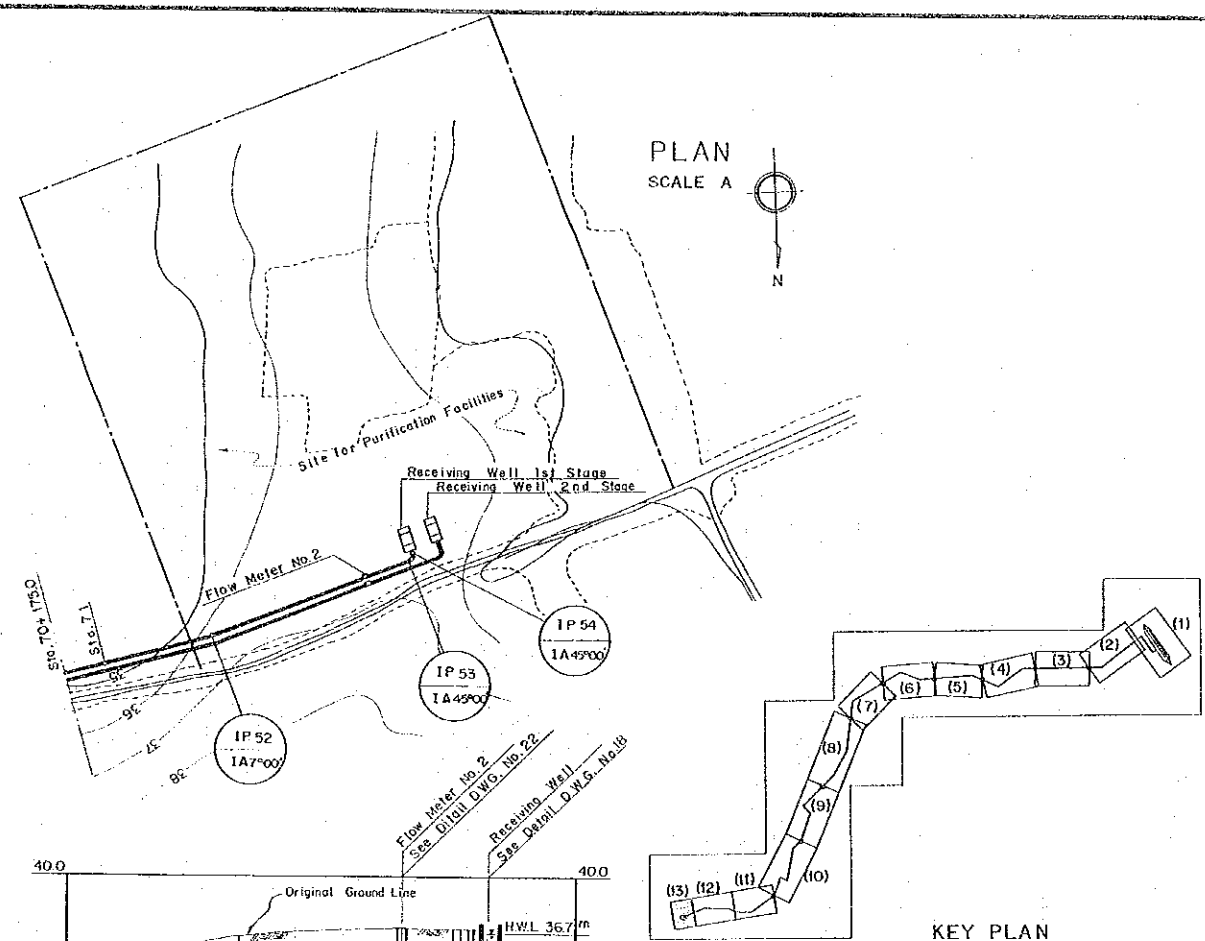


KINGDOM OF THAILAND PUBLIC WORKS DEPARTMENT	PIPELINE, PLAN & PROFILE (11)
THE NONG KHO-LAEM CHABANG WATER PIPELINE PROJECT	DATE MARCH 1984
JAPAN INTERNATIONAL COOPERATION AGENCY	DWG NO. 12



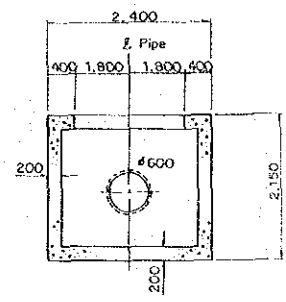
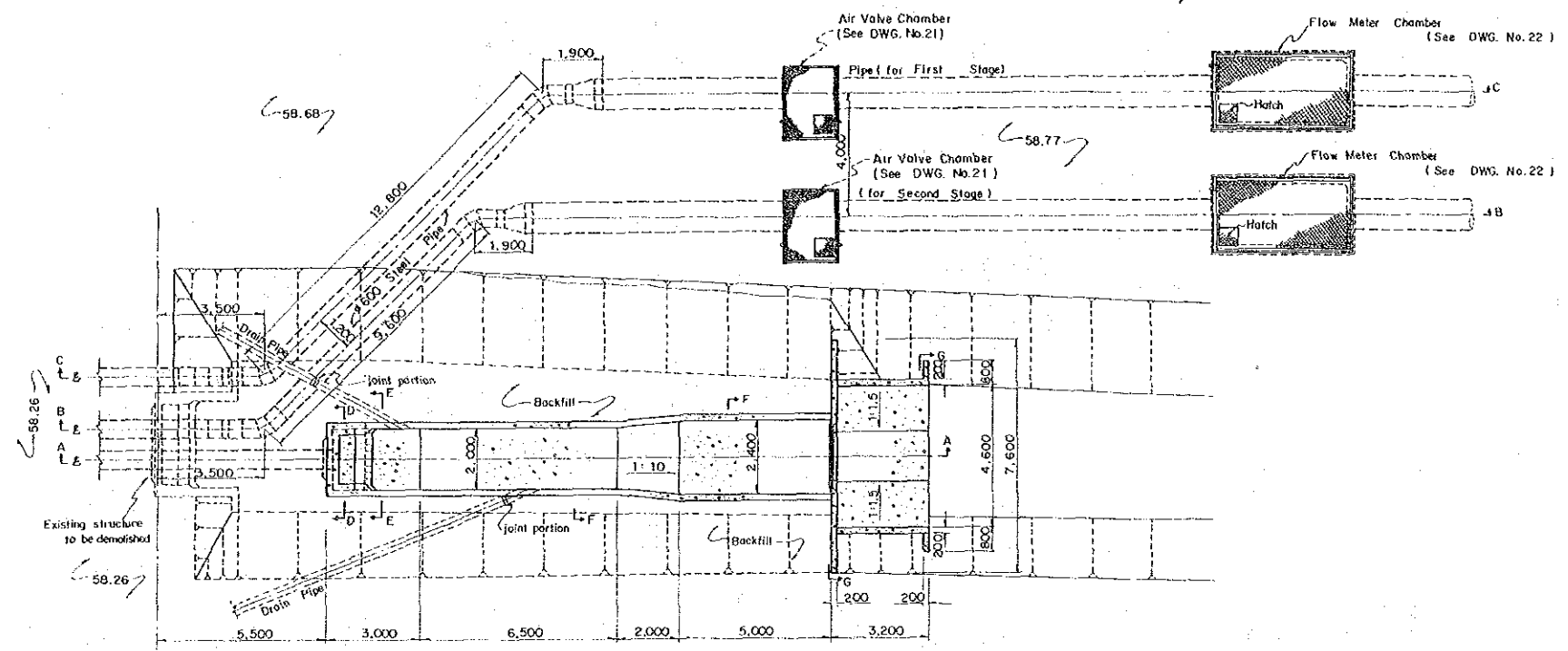
PROFILE

KINGDOM OF THAILAND PUBLIC WORKS DEPARTMENT	PIPELINE, PLAN B
THE NONG KHO-LAEM CHABANG WATER PIPELINE PROJECT	PROFILE (12)
JAPAN INTERNATIONAL COOPERATION AGENCY	DATE MARCH 1984 DWG. NO. 13

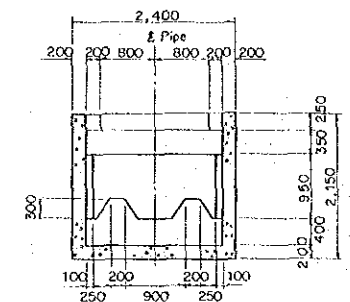


KINGDOM OF THAILAND PUBLIC WORKS DEPARTMENT	PIPELINE PLAN & PROFILE (13)
THE NONG KHO-LAEM CHABANG WATER PIPELINE PROJECT	DATE MARCH 1984
JAPAN INTERNATIONAL COOPERATION AGENCY	DWG NO. 14

58.707

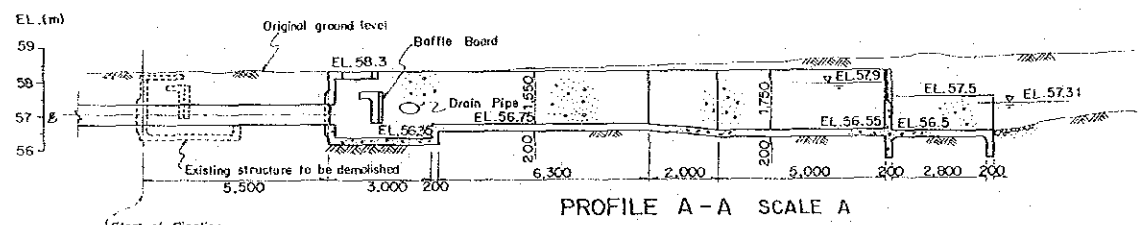


SECTION D-D SCALE B

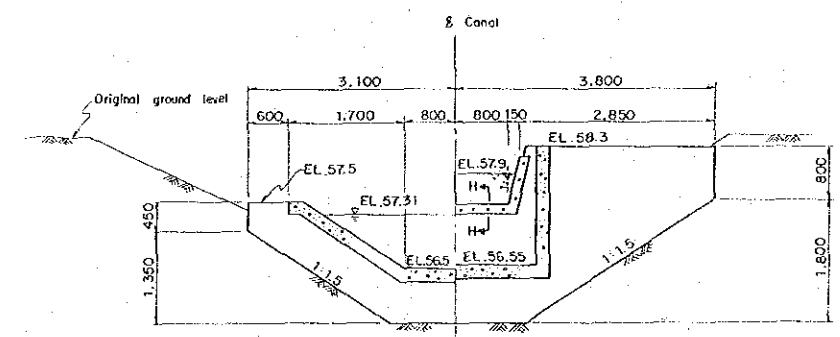


SECTION E-E SCALE B

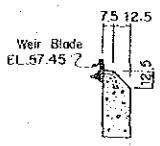
Start of Pipeline
PLAN SCALE A



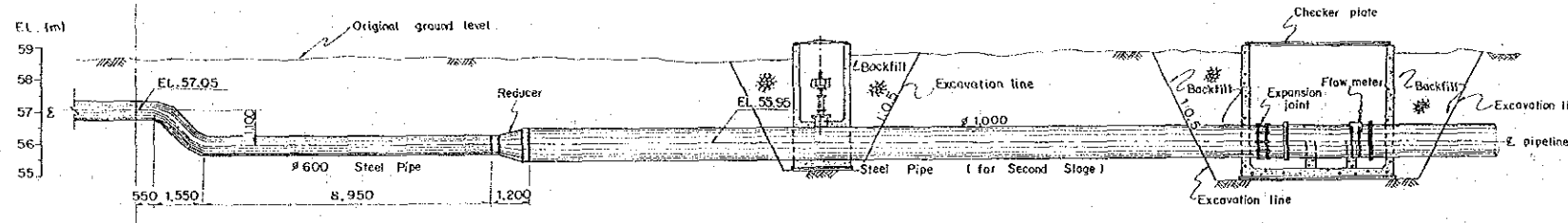
PROFILE A-A SCALE A



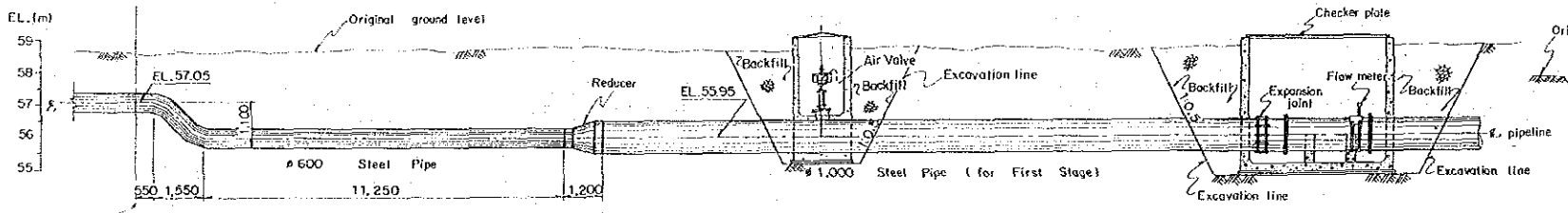
SECTION G-G SCALE B



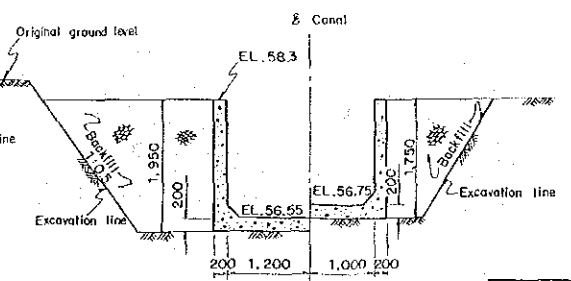
SECTION H-H SCALE C



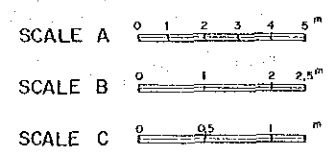
PROFILE B-B SCALE A



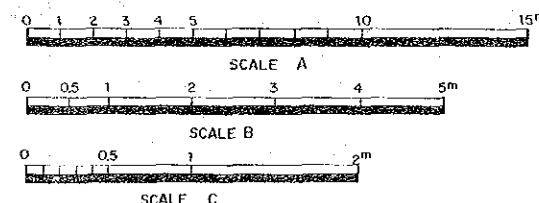
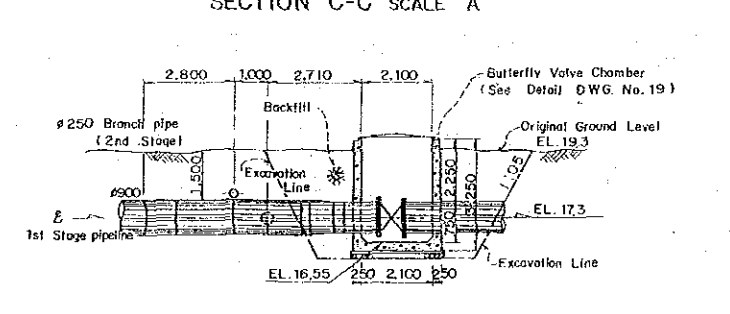
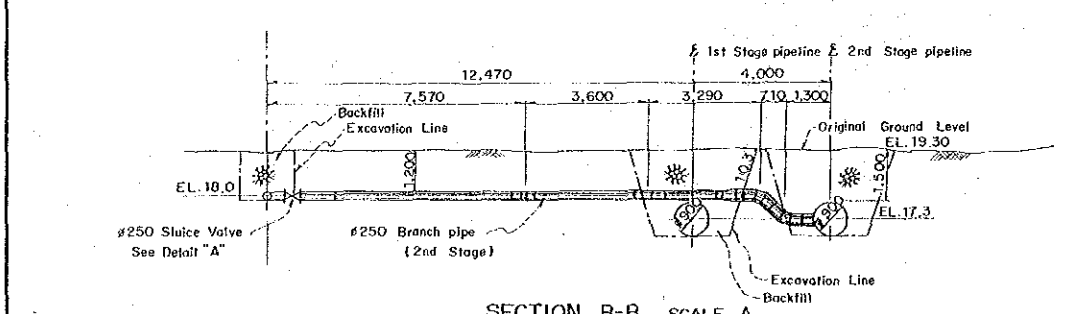
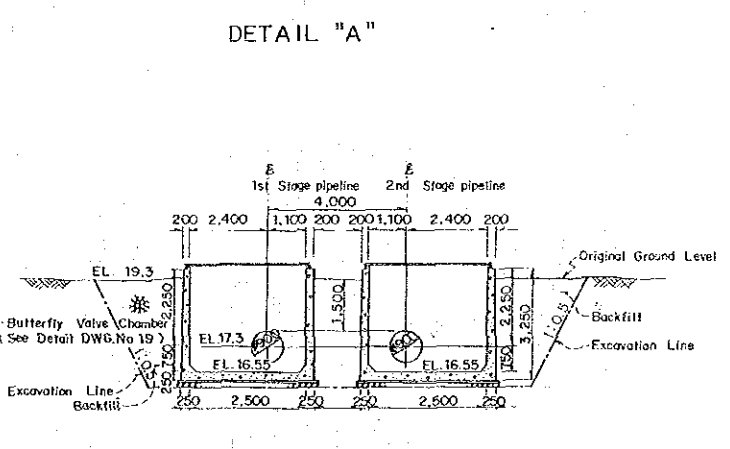
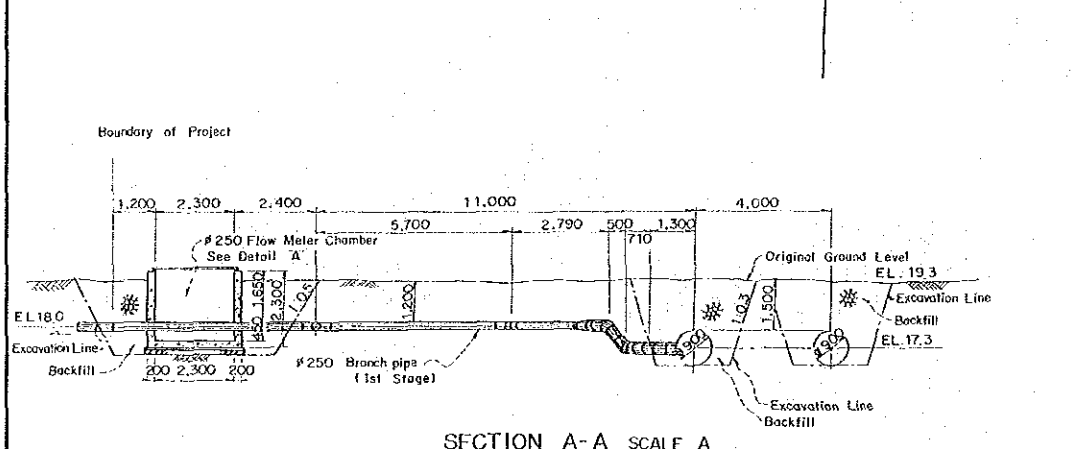
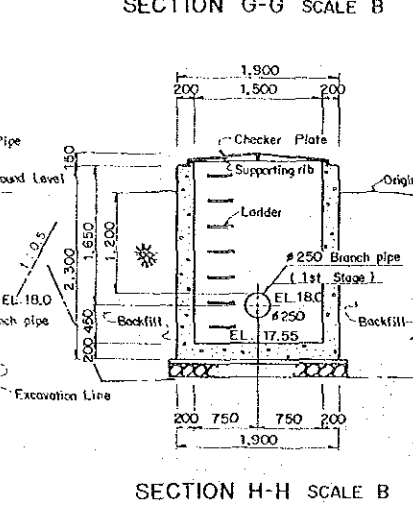
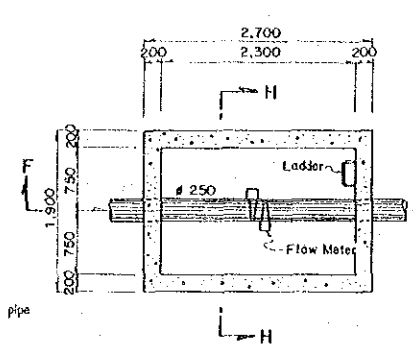
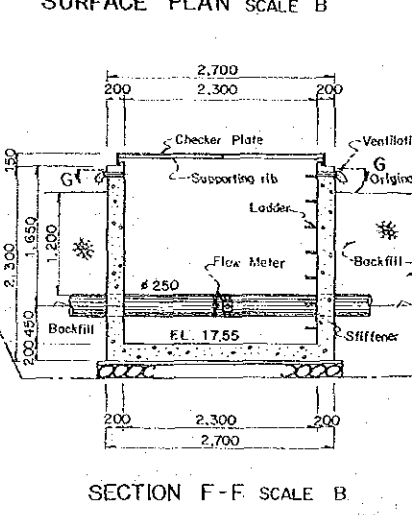
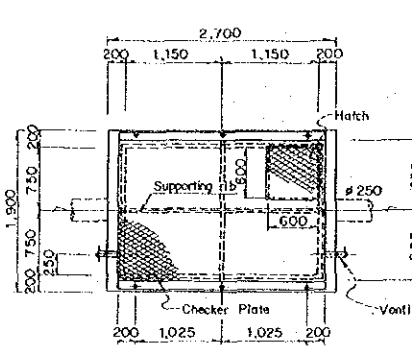
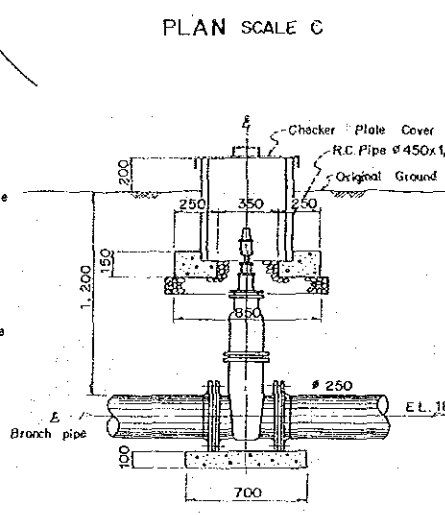
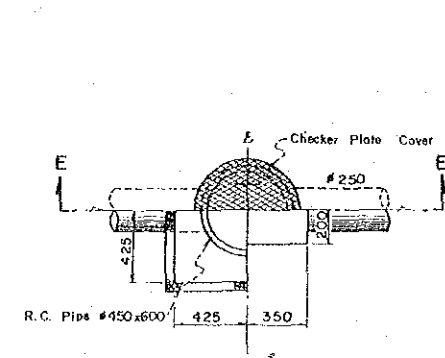
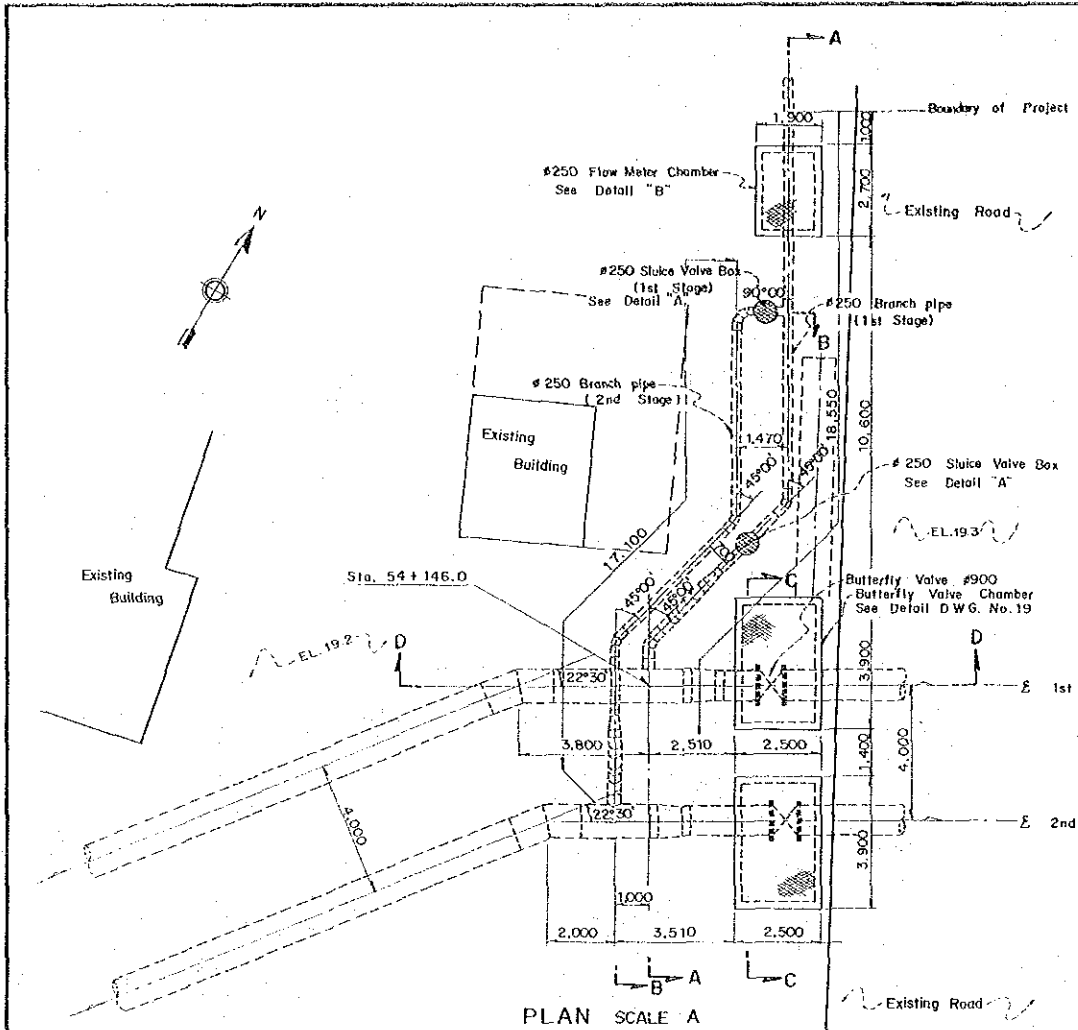
PROFILE C-C SCALE A



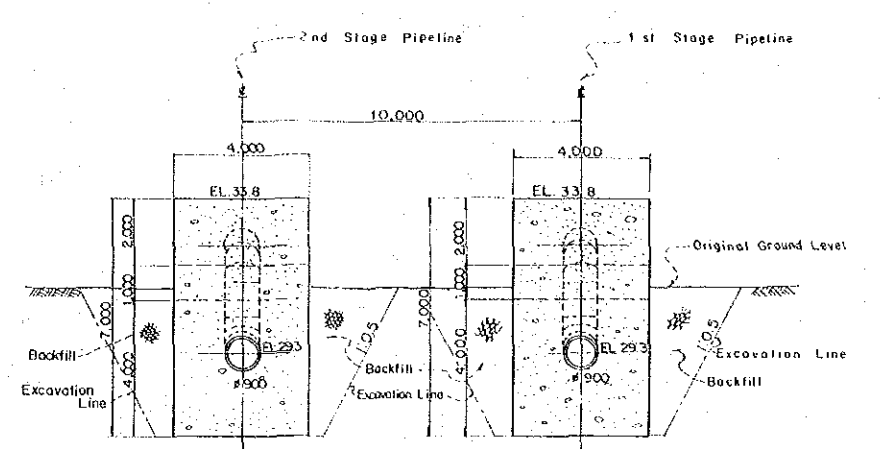
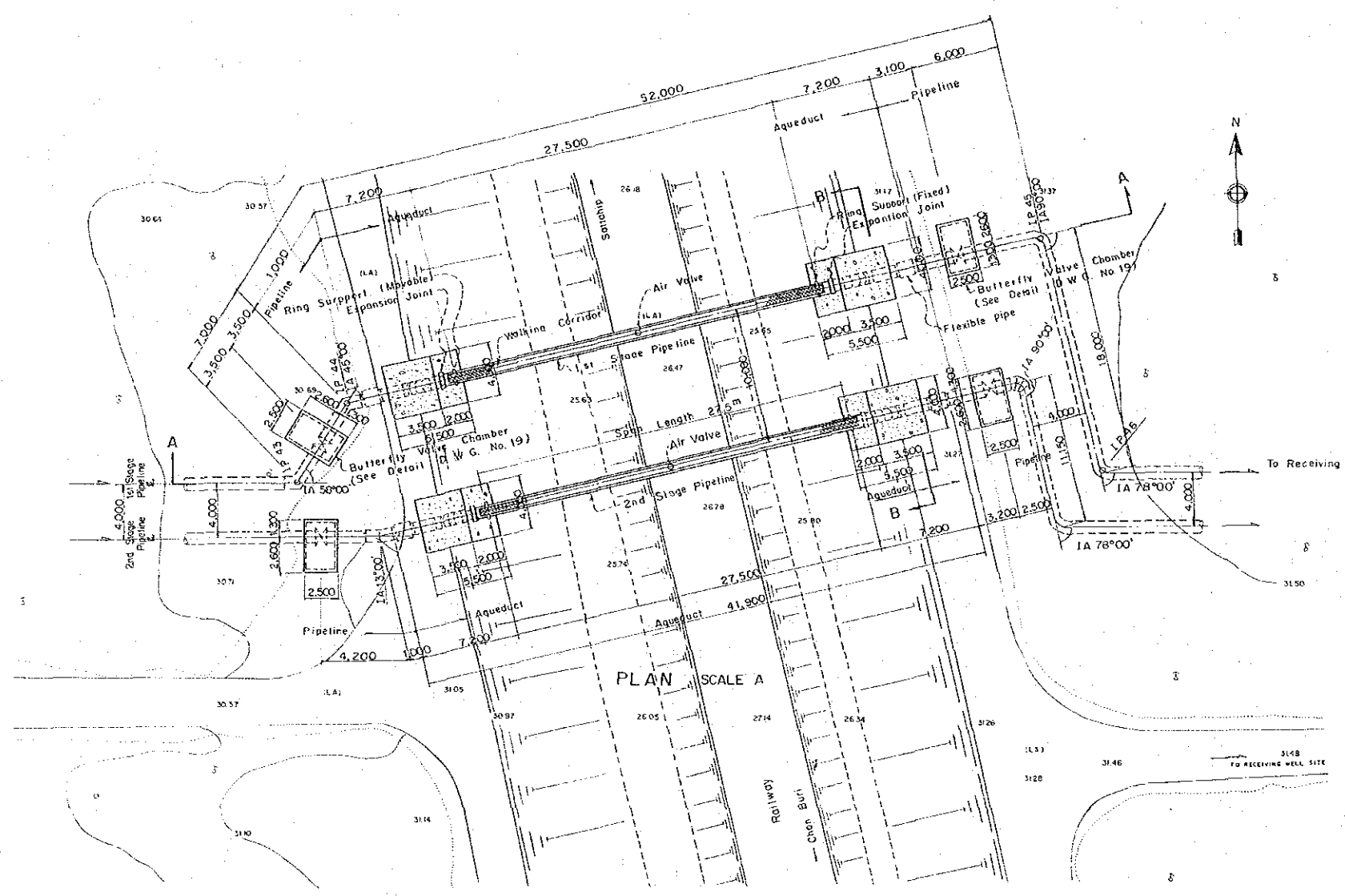
SECTION F-F SCALE B



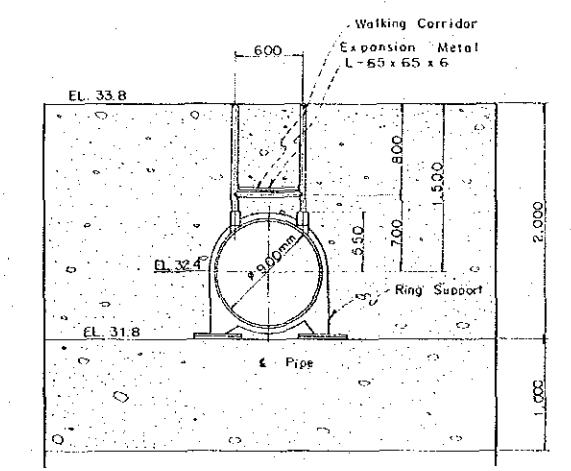
KINGDOM OF THAILAND PUBLIC WORKS DEPARTMENT		INTAKE
THE NONG KHO-LAEM CHABANG WATER PIPELINE PROJECT		
DATE	MARCH 1984	
JAPAN INTERNATIONAL COOPERATION AGENCY		DWG. NO. 15



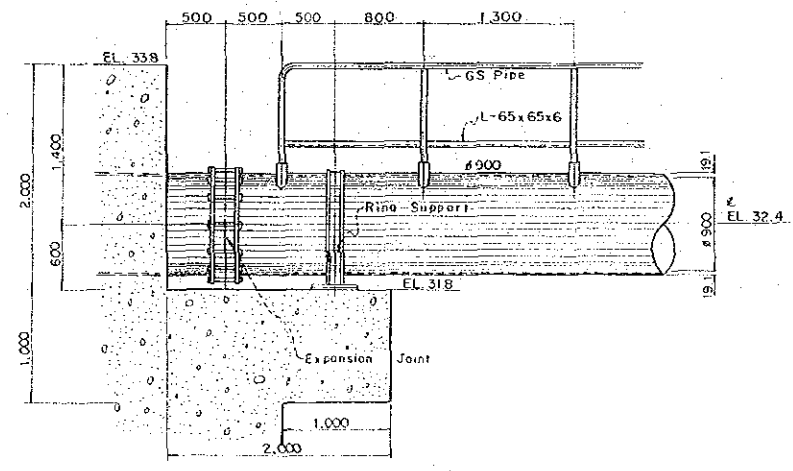
KINGDOM OF THAILAND PUBLIC WORKS DEPARTMENT		AO UDOM TURNOUT
THE NONG KHO-LAEM CHABANG WATER PIPELINE PROJECT		
JAPAN INTERNATIONAL COOPERATION AGENCY		DATE MARCH 1984
		DWG. NO. 16



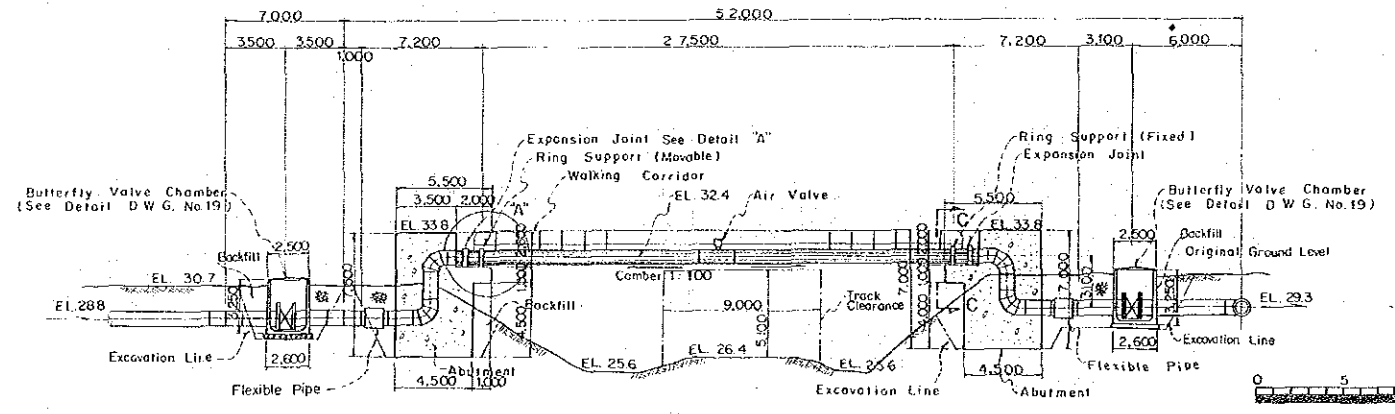
SECTION B-B SCALE B



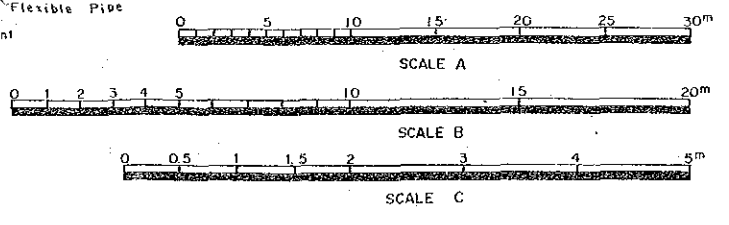
SECTION C-C SCALE C



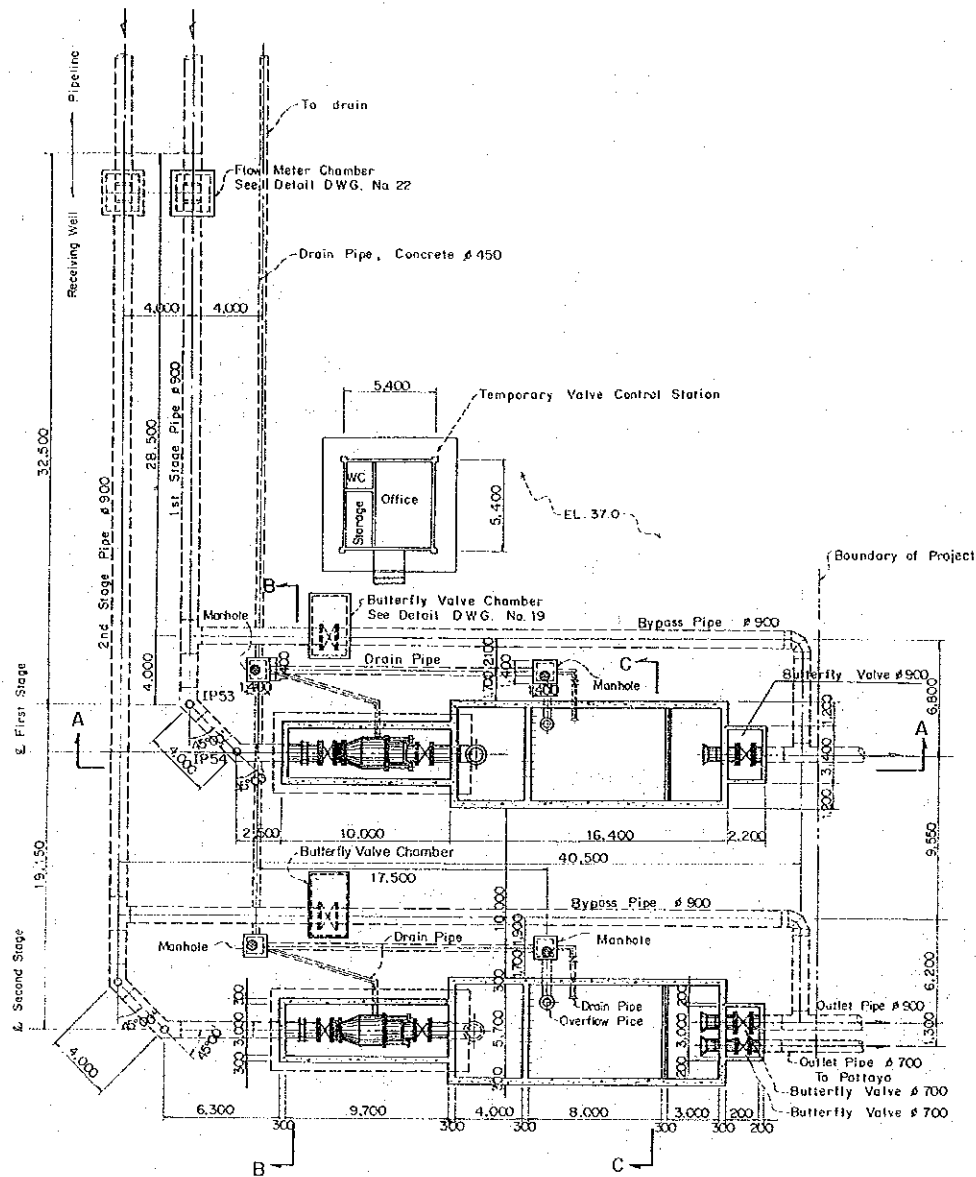
DETAILS 'A' SCALE C



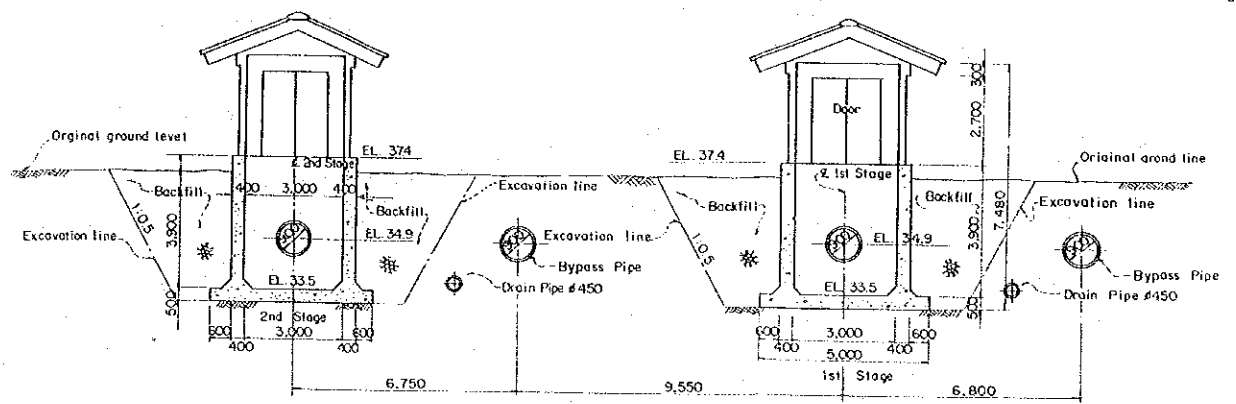
SECTION A-A SCALE A



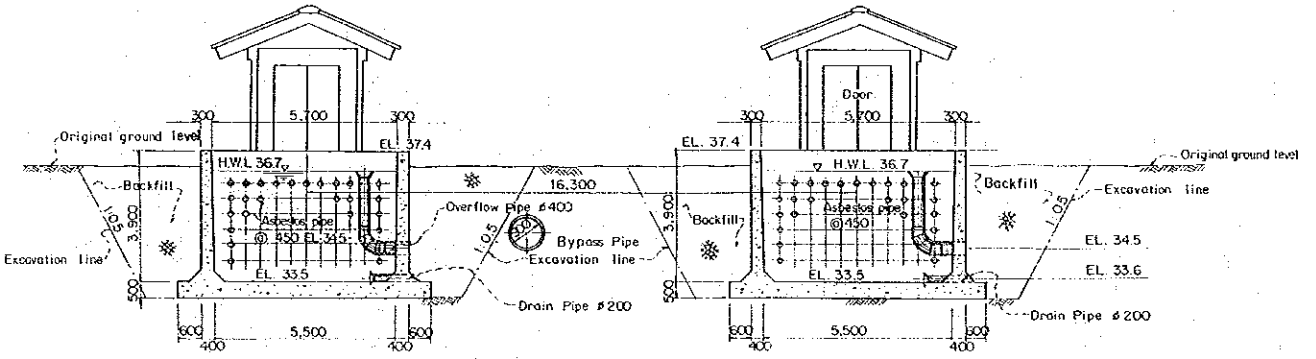
KINGDOM OF THAILAND PUBLIC WORKS DEPARTMENT		AQUEDUCT
THE NONG KHO-LAEM CHABANG WATER PIPELINE PROJECT		
JAPAN INTERNATIONAL COOPERATION AGENCY		DATE MARCH 1984 DWG. NO. 17



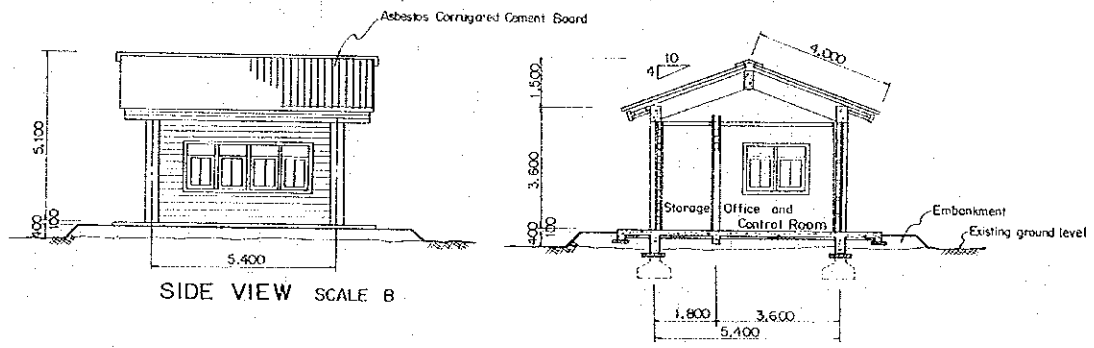
PLAN SCALE A



SECTION B-B SCALE B



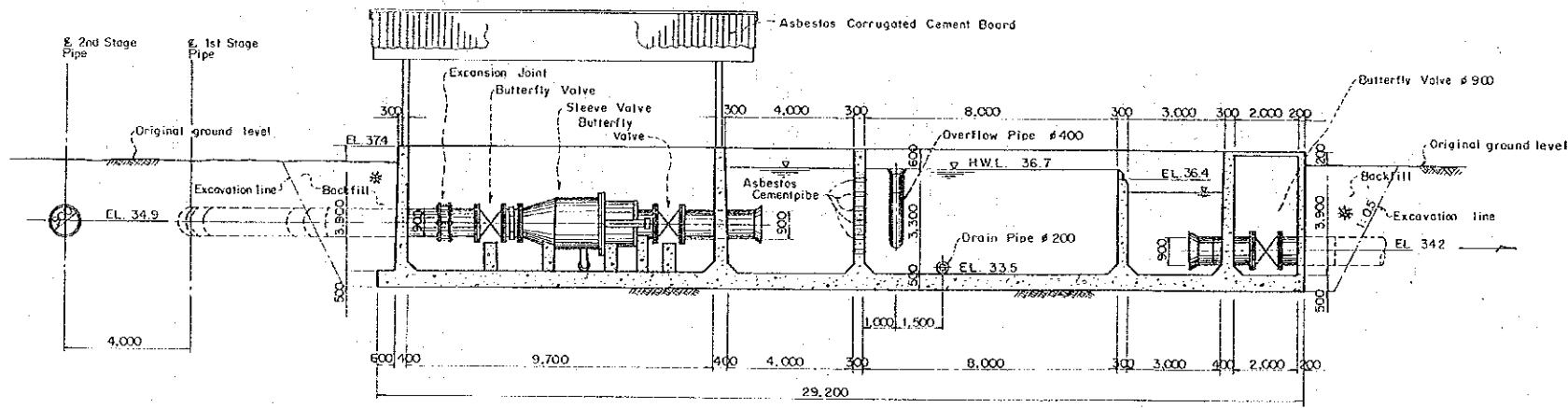
SECTION C-C SCALE B



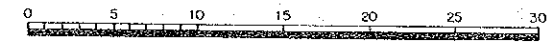
SIDE VIEW SCALE B

SECTION SCALE B

TEMPORARY VALVE CONTROL STATION



SECTION A-A SCALE B



SCALE A

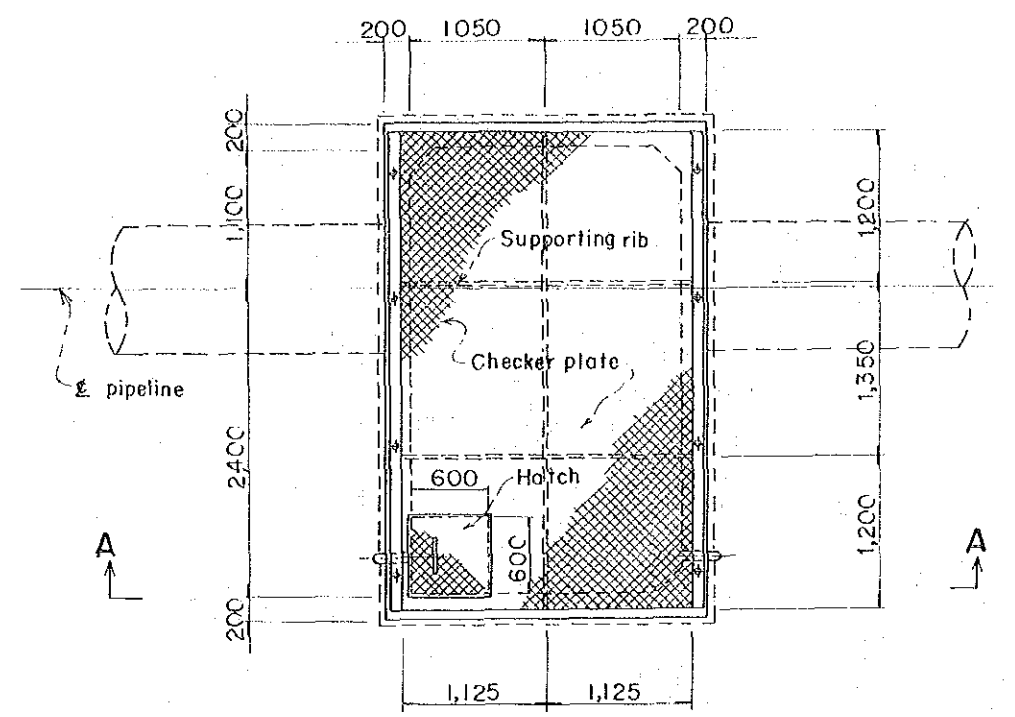


SCALE B

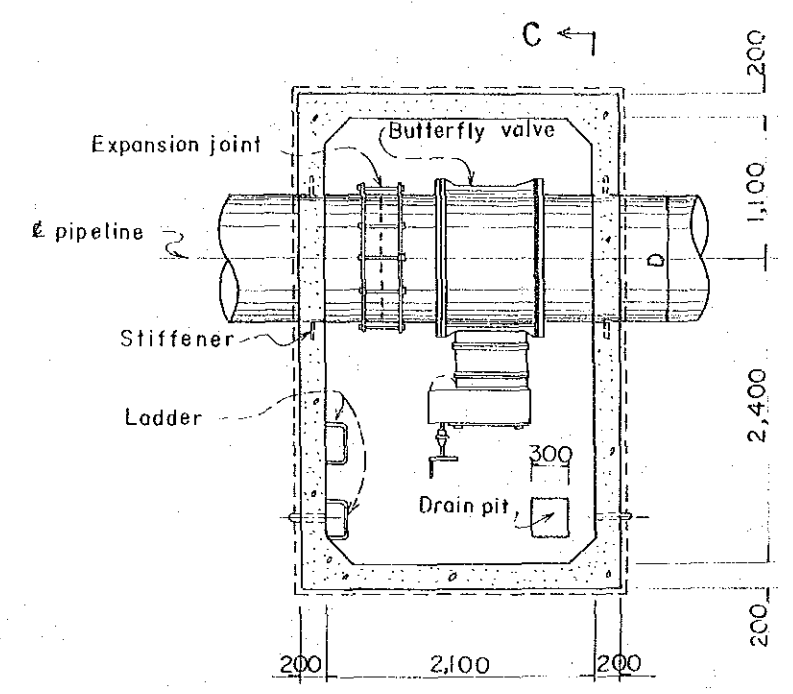
KINGDOM OF THAILAND PUBLIC WORKS DEPARTMENT		RECEIVING WELL
THE NONG KHO-LAEM CHABANG WATER PIPELINE PROJECT		
JAPAN INTERNATIONAL COOPERATION AGENCY		DATE MARCH 1984 DWG. NO. 18

DIMENSIONS

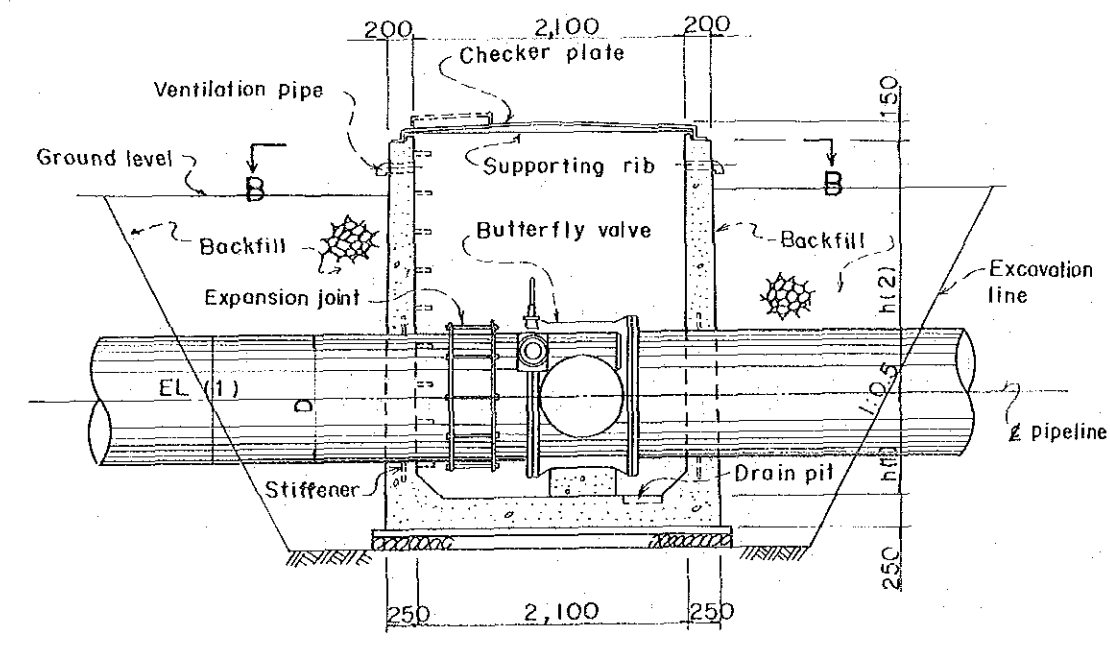
Str No	D (mm)	EL(1) (ELm)	h (1) (mm)	h (2) (mm)
1	1,000	52.7	800	2,300
2	1,000	53.2	800	2,300
3	1,000	31.0	800	2,300
4	1,000	22.7	800	2,300
5	900	17.3	750	2,250
6	900	13.0	750	2,250
7	900	28.8	750	2,250
8	900	29.3	750	2,250
9	900	25.1	750	2,250



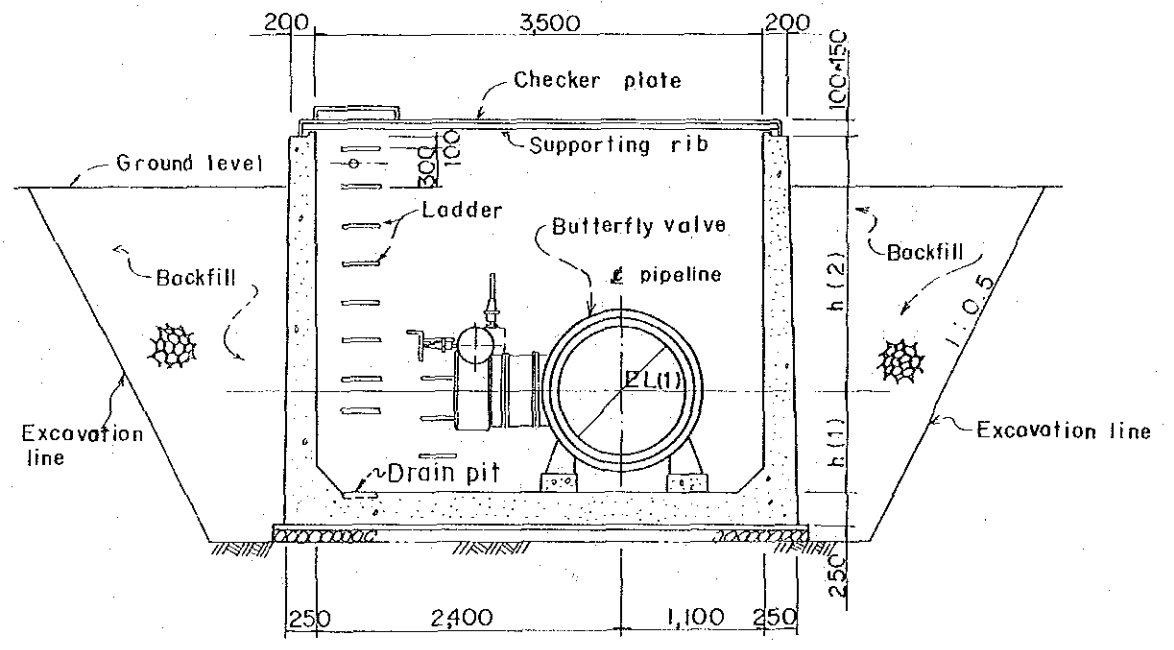
PLAN



SECTION B-B



SECTION A-A

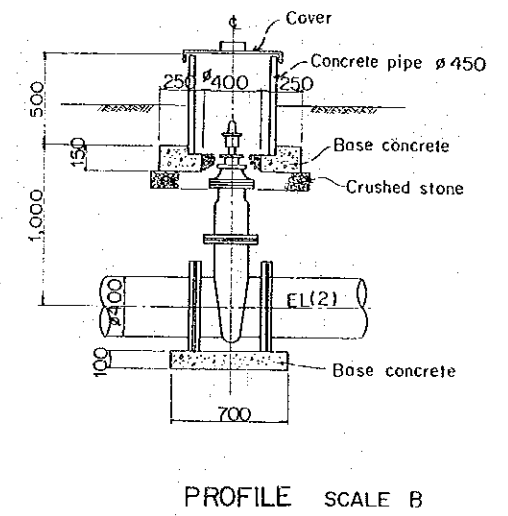
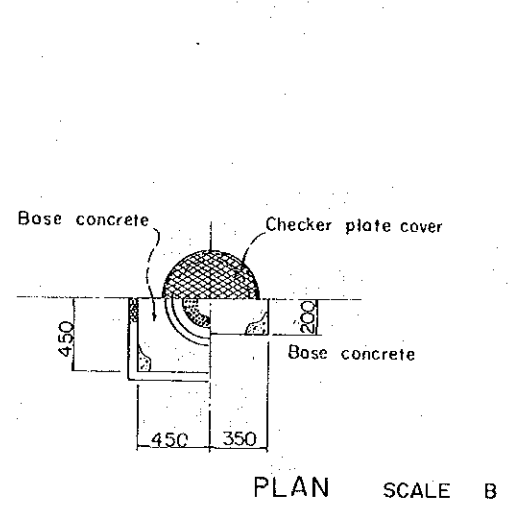
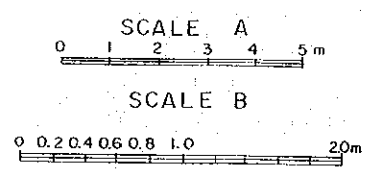
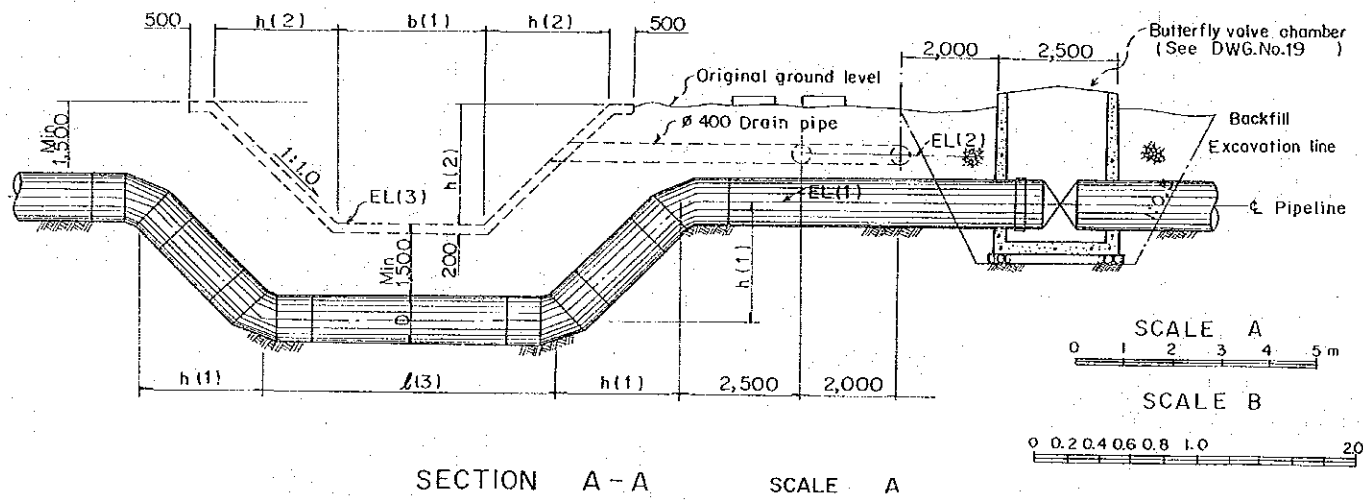
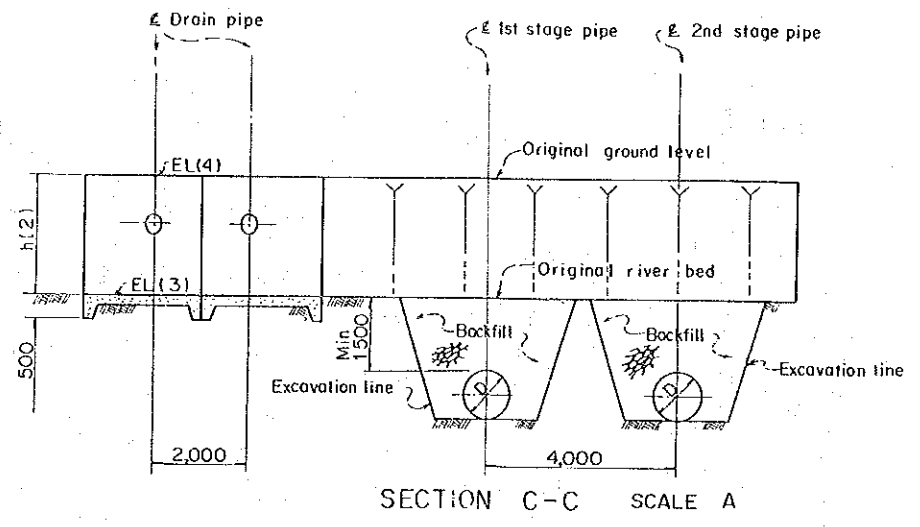
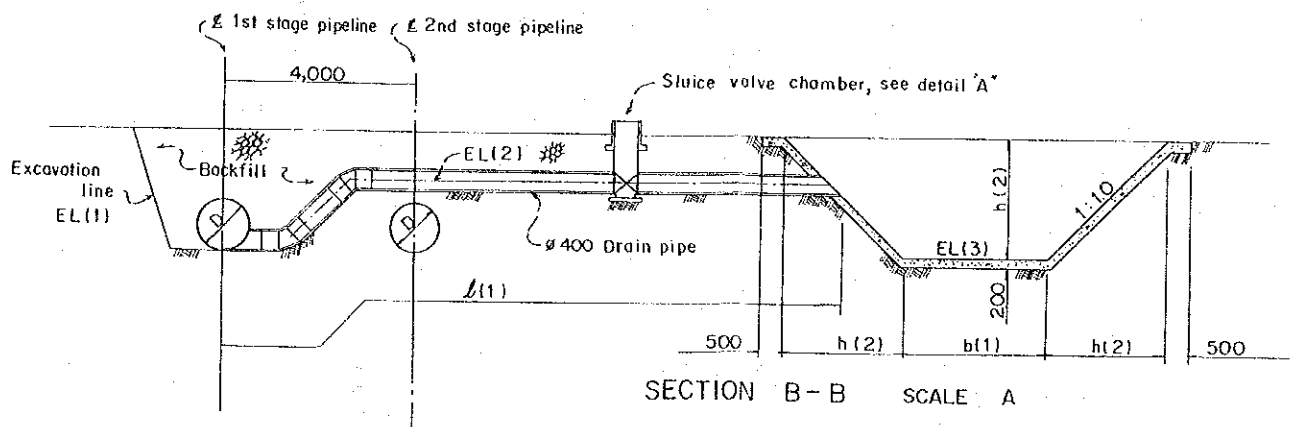
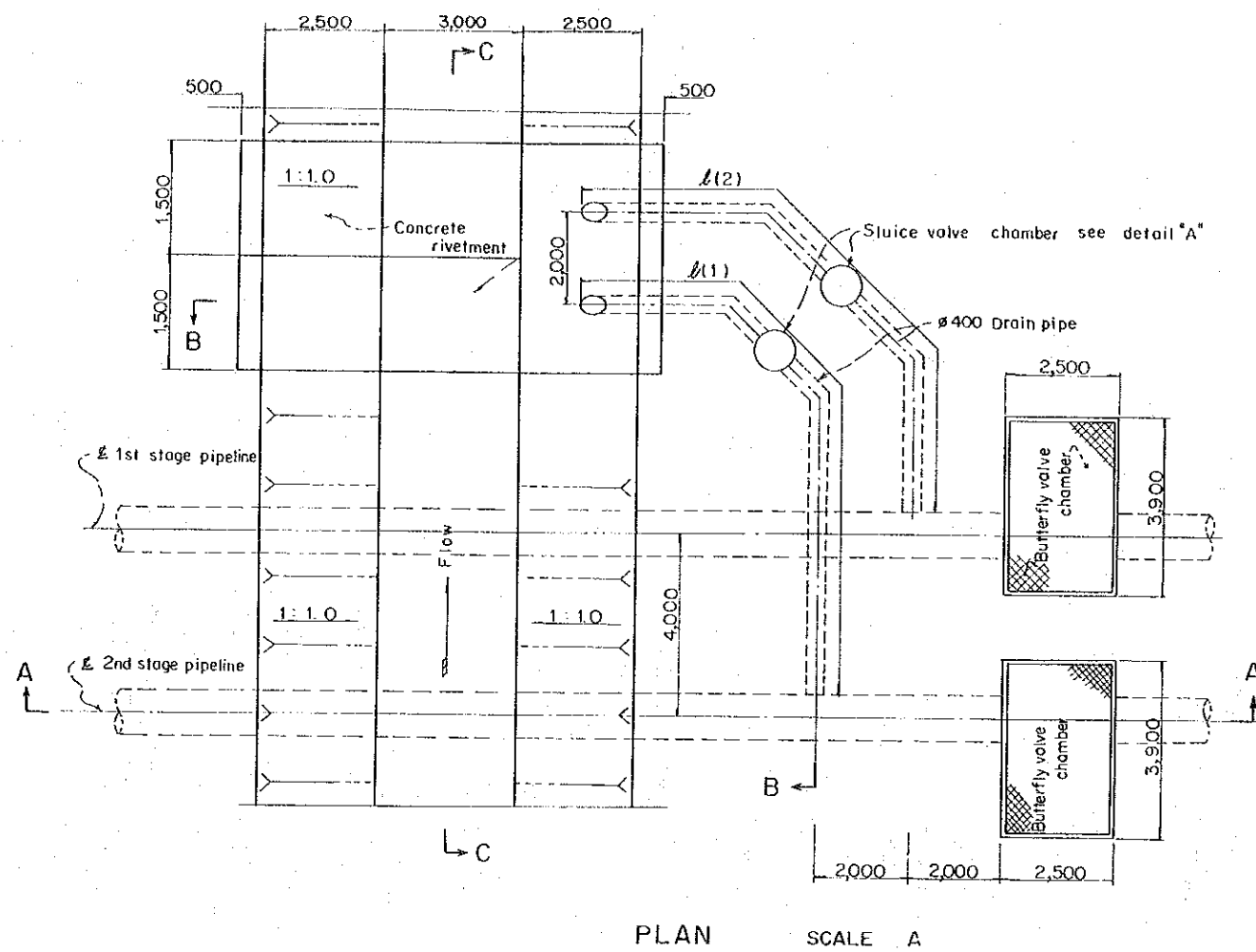


SECTION C-C

SCALE



KINGDOM OF THAILAND PUBLIC WORKS DEPARTMENT		BUTTERFLY VALVE CHAMBER	
THE NONG KHUO-LAEM CHABANG WATER PIPELINE PROJECT		DATE	MARCH 1984
JAPAN INTERNATIONAL COOPERATION AGENCY		DWG.	110. 19



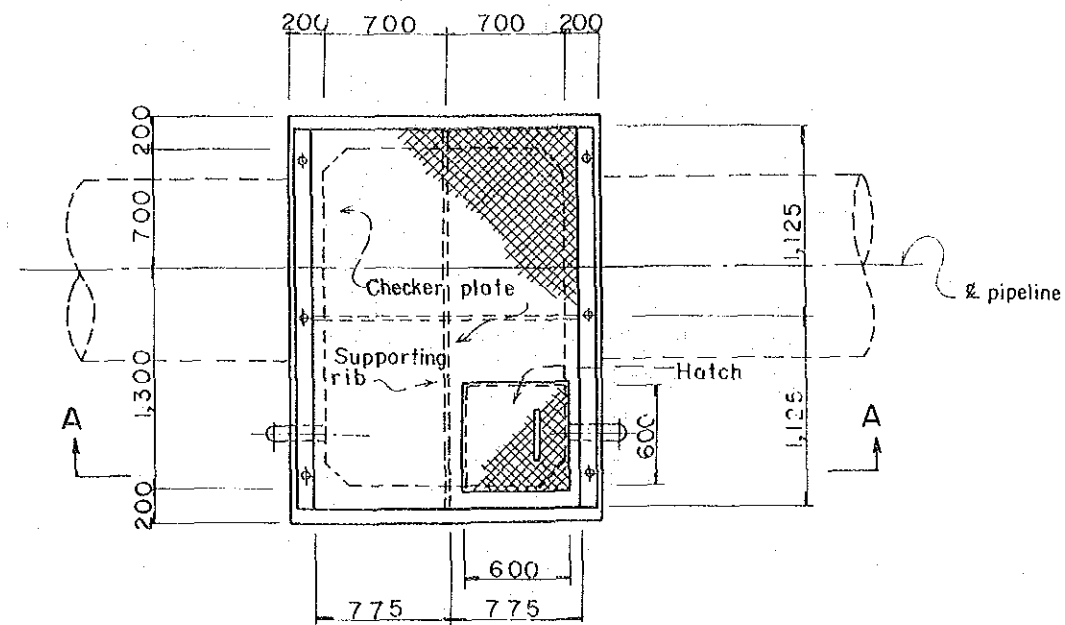
Dimension : Blow off

Str No	D (mm)	EL(1) (ELm)	EL(2) (ELm)	EL(3) (ELm)	h(1) (mm)	h(2) (mm)	L(1) (mm)	L(2) (mm)	L(3) (mm)	b(1) (mm)
1	1,000	52.7	53.7	51.5	0	2,000	11,000	7,000	---	3,000
2	1,000	32.1	34.5	33.0	1,100	2,000	14,000	20,000	25,000	3,000
3	900	13.8	16.3	14.8	1,000	2,000	11,000	24,000	15,000	3,000
4	900	25.1	26.1	25.1	0	2,000	7,000	7,000	---	3,000

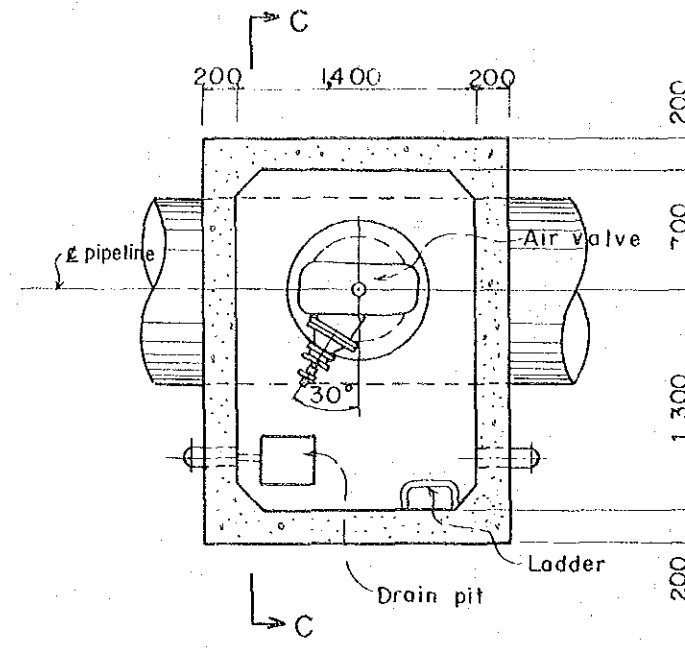
Dimension : Drain Crossing

Str. No	D (mm)	EL(1) (ELm)	L(3) (mm)	h(1) (mm)
1	1,000	50.4	10,000	1,100
2	1,000	50.1	10,000	1,400
3	1,000	52.1	40,000	3,400
4	1,000	31.2	25,000	900
5	1,000	28.6	10,000	1,100
6	900	17.3	20,000	2,000
7	900	15.2	25,000	2,300

KINGDOM OF THAILAND PUBLIC WORKS DEPARTMENT	BLOW - OFF
THE NONG KHO-LAEM CHABANG WATER PIPELINE PROJECT	
JAPAN INTERNATIONAL COOPERATION AGENCY	
DATE	MARCH 1984
DWG. NO.	20

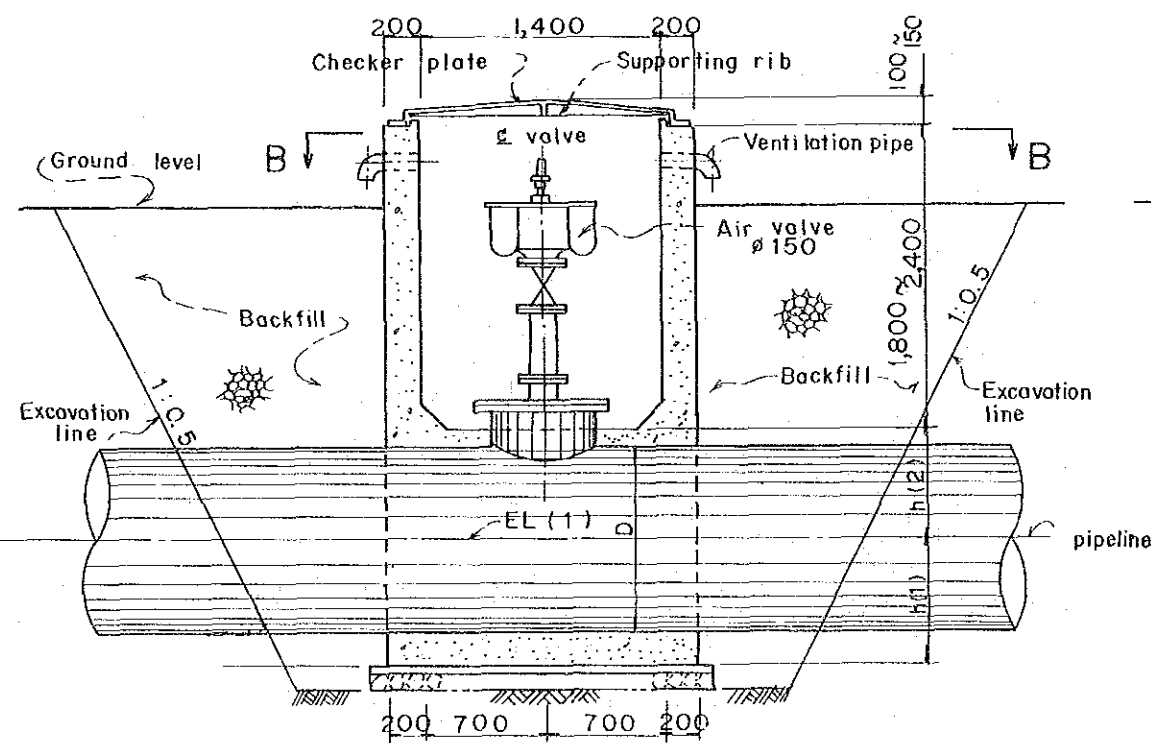


PLAN

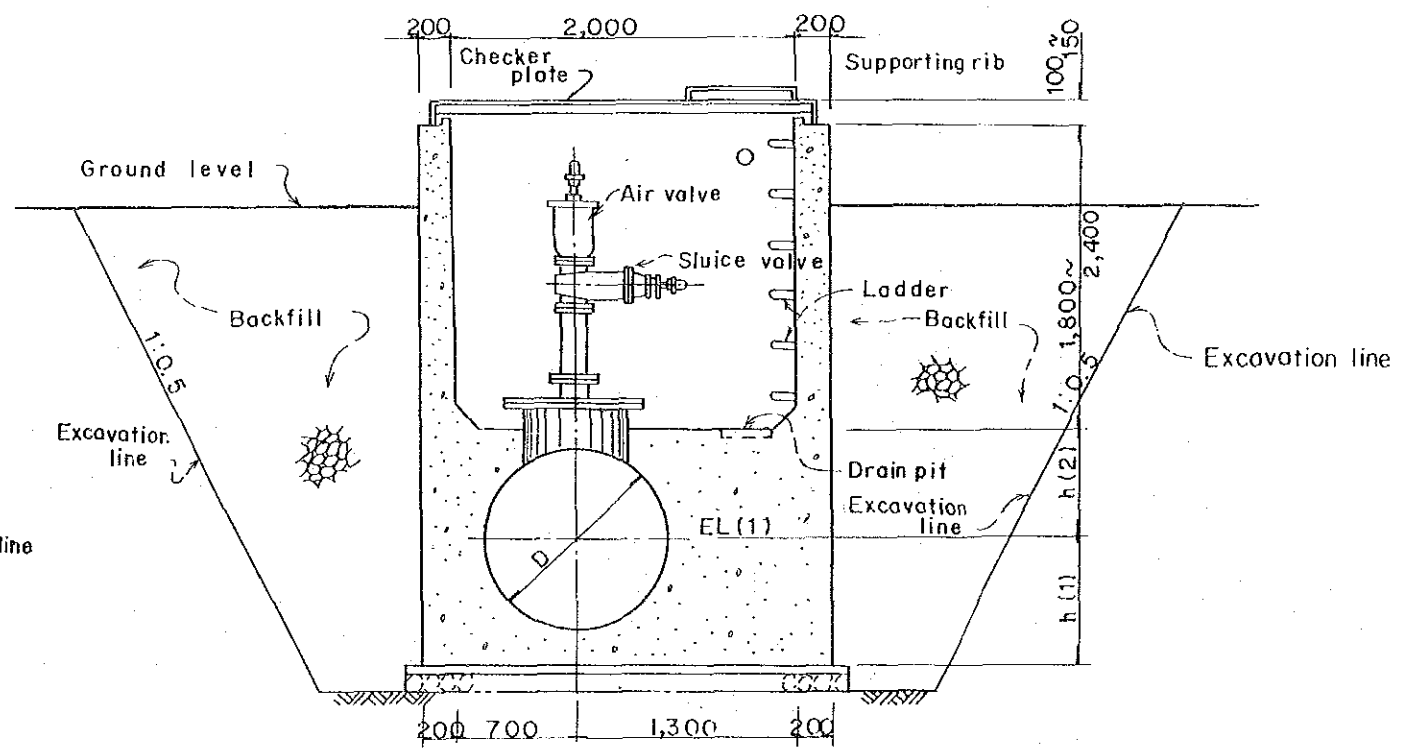


SECTION B-B

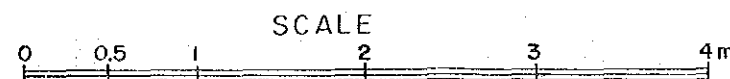
Str. No.	D (mm)	EL(1) (EL.m)	h (1) (mm)	h (2) (mm)
1	1,000	56.0	750	650
2	1,000	54.5	750	650
3	1,000	54.5	750	650
4	1,000	53.5	750	650
5	1,000	38.5	750	650
6	1,000	19.8	750	650



SECTION A-A

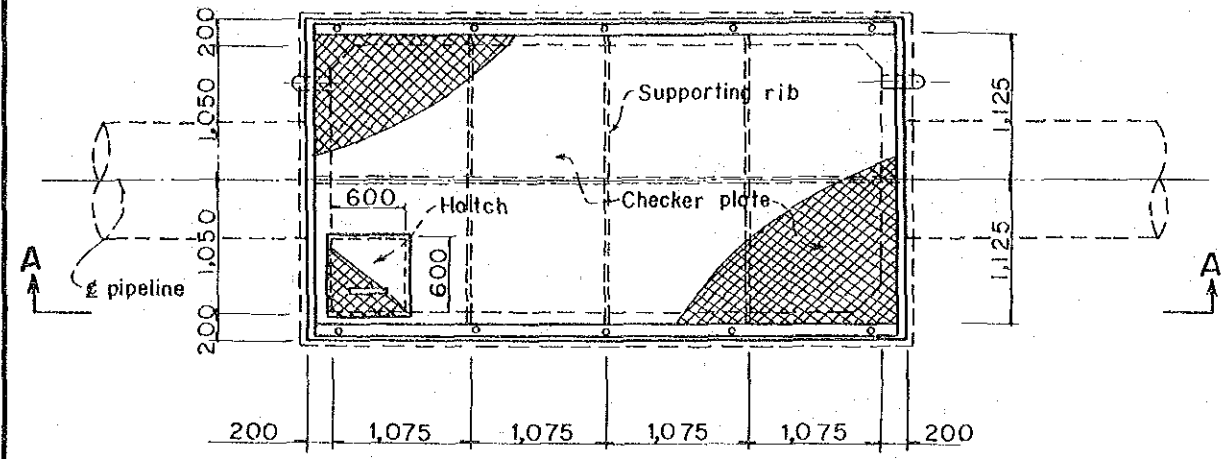


SECTION C-C

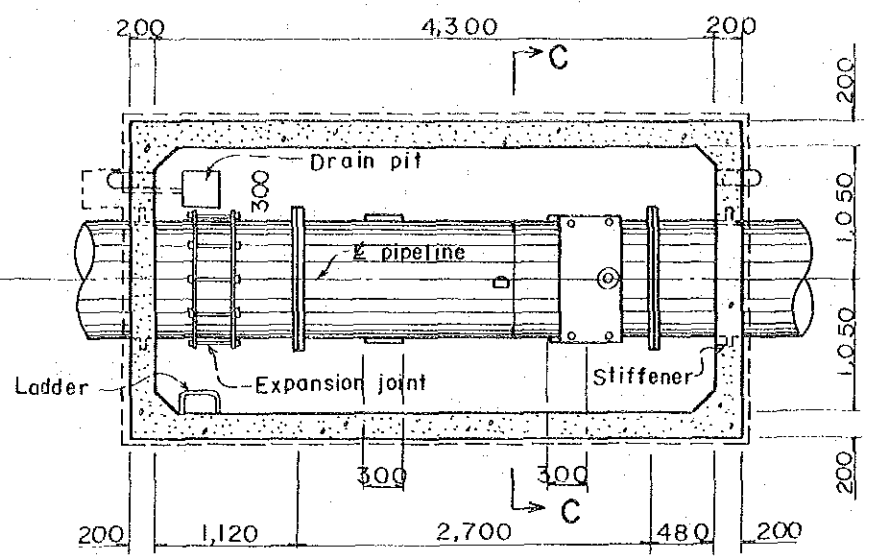


KINGDOM OF THAILAND PUBLIC WORKS DEPARTMENT	AIR VALVE CHAMBER
THE NONG KHO-LAEM CIABANG WATER PIPELINE PROJECT	
JAPAN INTERNATIONAL COOPERATION AGENCY	DATE MARCH 1984 DWG. NO. 21

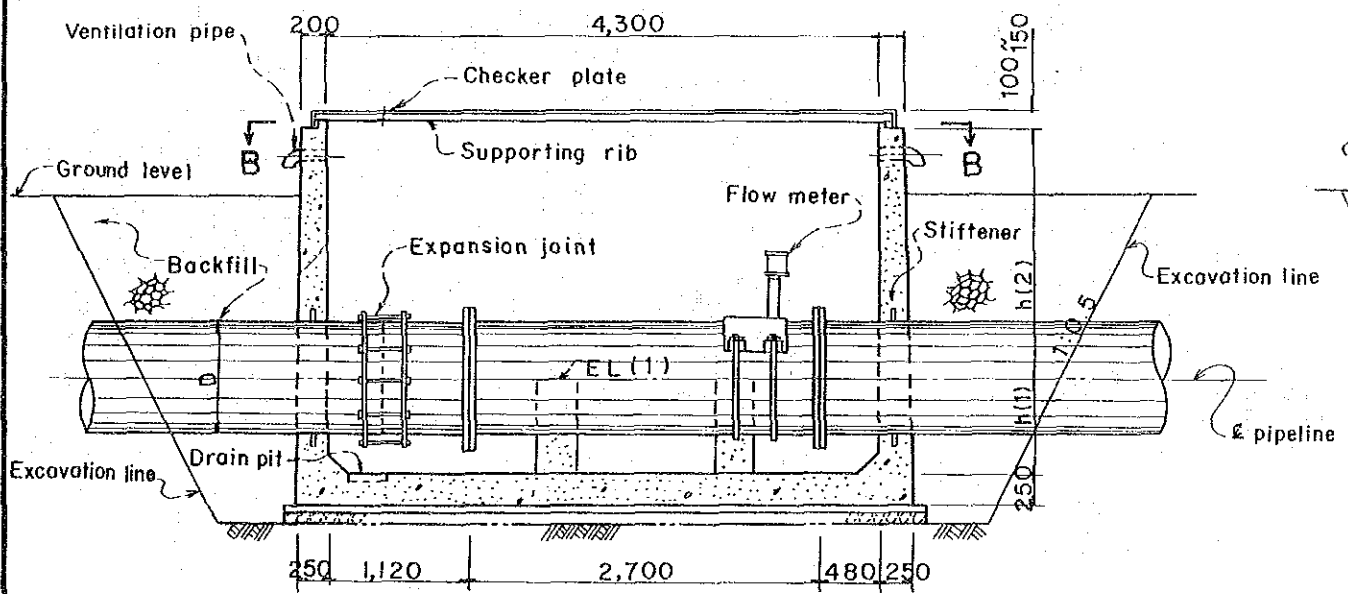
Str No	D (mm)	EL(1) (EL.m)	h(1) (mm)	h(2) (mm)
1	1,000	56.0	900	3,000
2	900	34.9	800	2,300



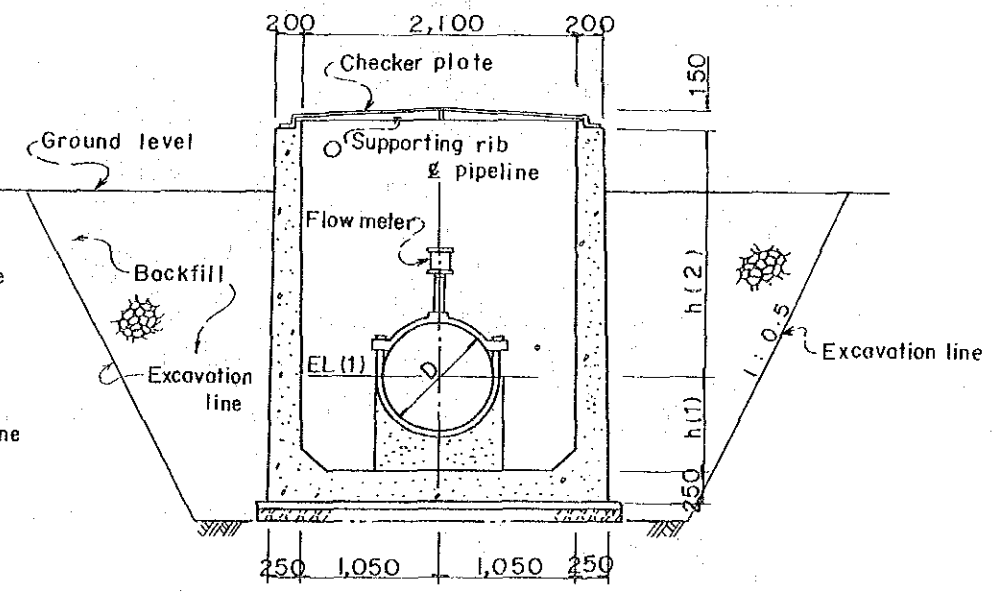
PLAN



SECTION B-B



SECTION A-A



SECTION C-C



KINGDOM OF THAILAND PUBLIC WORKS DEPARTMENT	FLOW METER CHAMBER
THE NONG KHO-LAEM CHABANG WATER PIPELINE PROJECT	DATE MARCH 1984
JAPAN INTERNATIONAL COOPERATION AGENCY	DWG. NO. 22

