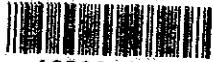


THE DEMOCRATIC SOCIALIST REPUBLIC OF
BURUNDI
MASTER PLAN
FOR
THE DOMESTIC TELECOMMUNICATIONS NETWORK
VOLUME II

OCTOBER, 1985

INTERNATIONAL COOPERATION AGENCY

JICA LIBRARY



1030647E03

THE DEMOCRATIC SOCIALIST REPUBLIC OF
SRI LANKA
MASTER PLAN
FOR
THE DOMESTIC TELECOMMUNICATIONS NETWORK

— VOLUME II —

OCTOBER, 1985

JAPAN INTERNATIONAL COOPERATION AGENCY

国際協力事業団

受入 月日 '86. 2. 27	120
登録No. 12438	78
	SDS

CONTENTS

	<u>Page</u>
GENERAL	1
LIST OF ABBREVIATIONS, EXCHANGE NAME AND CODE LIST	3
CHAPTER 1 OUTLINE OF ON-GOING TELECOMMUNICATION PROJECTS AND APPROVED PROJECTS	11
1. Existing Multi Access Radio Table 1-1	14
2. Scope of IDA Project Table 1-2	15
3. Scope of Hambantota Project Table 1-3	17
4. Scope of WCY Project Table 1-4	21
CHAPTER 2 DEMAND FORECAST AND DEMAND DISTRIBUTION ...	29
1. Summary of Demand Distribution by SSC Table 2-1 ...	32
2. Demand Distribution by Town Table 2-2 ...	34
3. Demand Distribution by Exchange Table 2-3 ...	65
CHAPTER 3 TRAFFIC FORECAST AND CIRCUIT CALCULATION ...	95
1. Estimated Traffic and No. of Circuits Required (LE) Table 3-1 ...	98
2. Estimated Traffic and No. of Circuits Required (SSC) Table 3-2 ...	111
3. Estimated Traffic and No. of Circuits Required (Colombo TSC) Tables 3-3 to 3-5 ...	113
4. Circuit Grouping Diagram Figures 3-1 to 3-6 ...	125
CHAPTER 4 NETWORK EXPANSION PLAN	157
1. Switching Equipment Expansion Plan Tables 4-1 to 4-6 ...	161
2. Transmission and Radio System Expansion Plan Tables 4-7 and 4-8 ...	205
3. Cable Network Expansion Plan Tables 4-9 to 4-11 ...	229

GENERAL

GENERAL

Volume II, as an addendum of Volume I, contents the detailed result of studies on the Master Plan for the Domestic Telecommunications Network in the Democratic Socialist Republic of Sri Lanka.

LIST OF ABBREVIATIONS, EXCHANGE NAME AND CODE LIST

Abbreviations, exchange names and these codes which appear in Volume I and Volume II are unified by the following lists.

LIST OF ABBREVIATIONS

CADS	Colombo Area Development Scheme
CAMA	Centralized Automatic Message Accounting
ESS	Electronic Switching System
FTZ	Free Trade Zone
GDP	Gross Domestic Product
IDA	International Development Association
IPZ	Investment Promotion Zone
ISC	International Switching Center
LAMA	Local Automatic Message Accounting
LE	Local Exchange
MC	Maintenance Center
OCADS	Outer Colombo Area Development Scheme
OTS	Overseas Telecommunications System
Rs	Rupees
RSU	Remote Switching Unit (Digital)
SEAMEE	Submarine Cable Project between Sri Lanka and Indonesia
SLTD	Sri Lanka Telecommunications Department
SPC	Stored Program Control
SSC	Secondary Switching Center
SXS	Step-by-Step Switching Equipment
TD	Time Division type (Digital) Equipment
TSC	Tertiary Switching Center
WCY	World Communications Year (Project)
XB	Cross-bar Switching Equipment
XB-SE	Semi-electronic XB Switching Equipment
16-QAM	16 level Quadruple Amplitude Modulation

Abbreviations for each exchange name are shown
in another list "Exchange Name and Code List".

EXCHANGE NAME AND CODE LIST

EXCHANGE NAME	EXCHANGE CODE	EXCHANGE NAME	EXCHANGE CODE	EXCHANGE NAME	EXCHANGE CODE
ADAMPAN	ADM	BAKAMUNA	BKM	DEHIOWITA	DHW
AGALAWATTA	AGL	BALANGODA	BLN	DELFT	DLF
AGARAPATANA	AGR	BAMBARABOTUWA	BMB	DEMODARA	DMD
AHANGAMA	AHN	BANDARAWELA	BNR	DENIYAYA	DNY
AKKARAPATTU	AKP	BATTALUOYA	BTY	DERANIYAGALA	DRN
AKURANA	AKR	BATTICALOA	BTC	DEYYANDARA	DYN
AKURESSA	AKS	BELIATTA	BLT	DIGANA	DGN
ALAVEDDI	ALV	BELIHULOYA	BLH	DIKWELLA	DKW
ALAWATUGODA	ALT	BENAGAMUWA	BNG	DIYATALAWA	DYT
ALAWWA	ALW	BENTOTA	BNT	DODANDUWA	DND
AMBALANGODA	AMB	BERALAPANATARA	BRL	DODANGASLANDA	DNS
AMBALANTOTA	AML	BIBILE	BLE	DOLOSEAGE	DLS
AMBANPITIYA	AMP	BINGIRIYA	BNY	DUNAGAHA	DNG
AMBANPOLA	AMN	BORAGAS	BRG		
AMPARA	AMP	BORALESGAMUWA	BRS		
AMPITTIKANDA	AMK	BULATKOHUPITTIYA	BRS	ERALIYAGODA	EHL
ANAMADUWA	AND	BUTTALA	BLK	ELAHERA	ELH
ANGODA	ANG	BUTATHSINGHALA	BTL	ELAYAPATTUWA	ELY
ANGUNUKOLAPELESSA	ANK		BTS	ELKADUWA	ELK
ANKUMBURA	ANM			ELLA	ELA
ANURADAPURA	ANR			ELPITIYA	ELP
ARANAYAKE	ARN	CHAVAKACHCHERI	CHV	EMBILIPITTIYA	EMB
ATAKALAMPANNA	ATK	CHEDDIKULAM	CHD	EPPAWALA	EPW
ATCHUVELY	ATC	CHILLAVATHURA	CHL	ERRUKKALAMPIDDI	ERK
AVISSAWELLA	AVS	CHILLAW	CHW	ETTAMPITTIYA	ETM
AYAGAMA	AYG	CHINABAY	CHN		
		CHUNNAKAM	CHK		
		COLOMBO-CENTRAL	CNT		
		CRAIG-HEAD	CRG		
BADALGAMA	BDM			GALAGEDARA	GLG
BADALKUMUBURA	BDK			GALAHA	GLH
BADARAGAMA	BND			GALAPITAMADA	GLT
BADDEGAMA	BDG	DAMBULLA	DMB	GALENDUNDUNUWEWA	GLB
BADULLA	BDL	DANKOTUWA	DNK	GALEWELA	GLW
BAGAWANTALAWA	BGW	DAULAGALA	DLG	GALGAMUWA	GLM

EXCHANGE NAME	EXCHANGE CODE	EXCHANGE NAME	EXCHANGE CODE	EXCHANGE NAME	EXCHANGE CODE	EXCHANGE NAME	EXCHANGE CODE
GALLE	GLE	HEWAHETA	HWH	KANDY	KND		
GALNEWA	GLN	HINGURAKGODA	HNG	KANKESANTURAI	KNS		
GAMADUWA	GMD	HINGURANA	HNR	KANTALE	KNT		
GAMPAHA	GMH	HOKANDARA	HKN	KARAINAGAR	KRA		
GAMPOLA	GMP	HOMAGAMA	HMG	KARAVEDDY	KRV		
GANEMULLA	GNM	HORANA	HRN	KATARAGAMA	KTR		
GELIOYA	GLY	HOROWPATANA	HRW	KATUGASTOTA	KTS		
GINIGATHENA	GNG			KATUNAYAKA	KTN		
GIRIULLA	GRL			KATUPOTHA	KTU		
GLEN-ALPIN	GLP			KATUWANA	KTW		
GODAKAWELA	GDK	IBBAGAMUWA	IBG	KAYTS	KYT		
GOKARELLA	GKR	IMADUWA	IMD	KEBITTIGOLLEWA	KBT		
GOMARANKADAWELA	GMR	INGIRIYA	ING	KEGALLE	KGL		
GOMILA	GML	IPOLOGAMA	IPL	KEKIRAWA	KRW		
GONAWILA	GNW			KELANIYA	KLA		
GOWINNA	GWN			KILINOHCHI	KLC		
GURUDENIYA	GRD			KILLIVEDDI	KLV		
GURUTALAWA	GRT	JA-ELA	JLA	KIMBISSA	KMB		
		JAFFNA	JFN	KINNIYA	KNY		
				KIRIELLA	KRL		
HABARADUWA	HBR			KIRINDIWELA	KRN		
HABARANA	HBN	KADAWATA	KDT	KITHULGALA	KTH		
HAKMANA	HKM	KADUGANNAW	KDG	KOBAIGANE	KBG		
HALDUMULLA	HLD	KADUWELA	KDW	KOCHCHIKADE	KCH		
HALGRANOYA	HLG	KAHATAGASDIGILLIYA	KHT	KODIKAMAM	KDK		
HALIELA	HLA	KAHAWAITTA	KHW	KOHOLAGEARA	KHL		
HAMBANTOTA	HMB	KALAGEDIHENA	KLG	KOLONNE	KLN		
HANGURANKETHA	HNK	KALAWANA	KLW	KOPAY	KPY		
HANWELLA	HNW	KALELIYA	KLY	KOSGAMA	KSM		
HAPUTALE	HPT	KALMUNAI	KLM	KOSGODA	KSG		
HATARALIYADDA	HTR	KALPITIYA	KLP	KOSLANDA	KSL		
HATTON	HTN	KALUTARA	KLT	KOTADENIYAWA	KTD		
HAVELOCK	HVL	KAMBURUPITIYA	KMR	KOTAGALA	KTL		
HEMATAGAMA	HMT	KANDAKETIYA	KNK	KOTAPOLA	KTP		
HETTIPPOLA	HTP	KANDEPOLA	KNP	KOTIYAKUMBURA	KTY		
				KOTMALE	KTM		

EXCHANGE NAME	EXCHANGE CODE	EXCHANGE NAME	EXCHANGE CODE	EXCHANGE NAME	EXCHANGE CODE	EXCHANGE NAME	EXCHANGE CODE
KOTTE	KTE	MAMPURI	MPR	NAINATIVU	NTV		
KOTTEGODA	KTG	MANIPAY	MNP	NALANDA	NLN		
KUCHCHAVELLI	KCV	MANKULAM	MNK	NAMUNUKULA	NMN		
KULIYAPITIYA	KYP	MANNAR	MNR	NANTAN	NTN		
KURNEGALA	KRG	MARADANA	MRD	NARAMMALA	NRM		
KURUWITA	KRT	MARADANKADAWELA	MRN	NAULA	NLA		
		MARAWILA	MWL	NAWALAPITIYA	NWL		
		MASKELIYA	MSK	NEBODA	NBD		
		MASPOTHA	MSP	NEDUNKERNI	NDN		
LABUGAMA	LBG	MATUGAMA	MTG	NEGAMPAHA	NGP		
LAGGALA	LGL	MATURATA	MTA	NEGOMBO	NGM		
LAHUGALA	LHG	MAUSSA-ELIYA	MSL	NELUNDENIYA	NLD		
LATPANDURA	LTP	MATALE	MTL	NIKADALUPOTHA	NKD		
LUNUGALA	LNG	MATARA	MTR	NIKAWERATIYA	NKW		
LUNUWILA	LNW	MAWANELLA	MWN	NILAWELI	NLW		
		MAWATAGAMA	MWT	NILDANDAHINNA	NLD		
		MEDAGAMA	MDG	NIVITIGALA	NVT		
		MEDAMAHANUWARA	MDM	NOCHCHIYAGAMA	NCH		
MADAMPE	MDP	MEDAWACHCHIYA	MDH	NORTON-BRIDGE	NRT		
MADAWALA-ULPATHA	MDW	MEEGAHATENNA	MGH	NUGEGODA	NGD		
MADIPOLA	MDL	MENIKDIWELA	MNW	NUWARA-ELIYA	NWR		
MADUCHURCH	MDC	MIDDENIYA	MDN				
MADULKELE	MDL	MIHINTALE	MHN				
MADULSIMA	MDS	MIRIGAMA	MRG				
MADURANKULI	MDK	MONARAGALA	MNG				
MADUROAD	MDR	MORATUWA	MRT	ODDICHUDAN	ODC		
MAHADUWA	MHD	MORAWAKA	MWK	OMANTAI	OMN		
MAHAGAMA	MHG	MORAWEWA	MRW				
MAHALIUPPALLAMA	MHL	MOUNT-LAVINIYA	MNL				
MAHAOYA	MHY	MULATIVU	MLT	PADAVISIPURA	PDS		
MAHARAGAMA	MHR	MULLIYAWALAI	MLY	PADAVIYA	PDV		
MAHAWELA	MHW	MUNDEL	MND	PADIYAPALALLA	PDY		
MAHIYANGANA	MHI	MURUNKAN	MRK	PADIYATALAWA	PDT		
MAHO	MHO	MURUTALAWA	MRL	PADUKKA	PDK		
MALWANA	MLW	MUTIHIYANWELA	MTH	PALLAI	PLI		
MALWATTA	MLA	MUTUR	MTU	PALLEWELA	PLW		

EXCHANGE NAME EXCHANGE CODE

WARAKAPOLA	WRK
WARIYAPOLA	WRY
WATAGODA	WTG
WATAWALA	WTW
WATTALA	WTL
WATTEGAMA	WTM
WEERAKETTIYA	WRT
WELIMADA	WLD
WELIPENNA	WLN
WELLAMPITIYA	WLP
WELLAVAYA	WLY
WELLAWA	WLW
WERALLAGAMA	WRL
WATUMULLA	WML
WELIGAMA	WLG

YAKKALAMULLA	YKL
YATTIYANA	TTY
YATTIYANTOTA	YTN
YOGAMA	YGM
YOGAPURAM	YGP

CHAPTER 1 OUTLINE OF ON-GOING
TELECOMMUNICATION PROJECTS
AND APPROVED PROJECTS

CHAPTER 1 OUTLINE OF ON-GOING TELECOMMUNICATION PROJECTS AND APPROVED PROJECTS

Summary of on-going or approved projects at present in Sri Lanka are shown below.

These projects, however, are to be regarded as completed projects in the Master Plan.

- | | |
|------------------------|-----------|
| (1) Mas Project | Table 1-1 |
| (2) IDA Project | Table 1-2 |
| (3) Hanbantota Project | Table 1-3 |
| (4) WCY Project | Table 1-4 |

Table 1-1 Existing Multi Access Radio

Base Station	RF CH	Exchange	No. of Subs
Namunukula	4	Badulla	16
Hambantota	8	Hambantota	8
Ratnapura	8	Ratnapura	12
Jaffna	4	Jaffna	16
Galle	4	Galle	8
Katunayake	4	Katunayake	8
Matara	4	Matara	N.A.
Gampaha	4	Gampaha	6
Puttalam	4	Puttalam	5
Polonnaruwa	10	Polonnaruwa	N.A.
Batticaloa	4	Batticaloa	3
Diggana	4	Kandy	N.A.
Kalmunai	4	Kalmunai	N.A.
Awissawella	4	Awissawella	N.A.
Tangalle	4	Tangalle	N.A.
Bandarawela	6	Bandarawela	N.A.
Anuradhapura	8	Anuradhapura	11
Kurunegala	8	Kurunegala	20
Colombo	16	Colombo	13
Suriyakanda	8	Ratnapura	N.A.
Chilaw	8	Chilaw	7
Trincomalee	8	Trincomalee	17
Amparai	8	Amparai	N.A.

Note-

N.A. : Not Available

Table 1-2 Scope of IDA Project

1. Provision of Switching Equipment

(1) Newly Established (SPC Digital Type)

- a) Tertiary Centre : Kandy
Galle
- b) Secondary Centre : Trincomalee
Matale
Negombo
Kegalle
Nuwara-Eliya
Bandarawella
Awissawella
Kalutara

c) Remote Switching Unit:

All R.S.U.s are newly established by IDA project.

(2) Expansion (SPC Digital Type)

- a) Tertiary Centre : Anuradhapura
Colombo
- b) Secondary Centre : Jaffna
Kurunegala
Badulla
Ratnapura

(3) Automatic Number Identification for Analogue Exchanges

- a) Tertiary Centre : Kandy (two units)
Galle
- b) Secondary Centre : Gampaha
Negombo
Nawalapitiya
Hatton
Panadura
Matara
Hambantota

c) Local Exchange : Mt Laviniya

(4) Centralized Automatic Message Accounting for T S C

Colombo
Kandy
Anuradhapura
Galle

2 Provision of Transmission Link

(1) Trunk Lines between Tertiary Centre and Secondary Centre.

Main trunk line is 4GHz 68 Mbit/s or 8GHz 68 Mbit/s digital radio system and some spur routs are 17 Mbit/s or 34 Mbit/s digital radio systems of 2 GHz band.

Most of entrance systems between exchange stations and radio terminal stations are cable PCM systems. Only one entrance system between Kandy and Primrose-Hill is 34 Mbit/s optical fiber system.

All transmission links are interfaced with digital switching system on 2 Mbit/s stage.

(2) Junction Link between Secondary Centre, Independent EX and Remote Switching Unit

Junction link consists of 2 GHz UHF radio system and cable PCM system. There are three type capacities in 2 GHz UHF system, those are 34 Mbit/s, 17 Mbit/s and 4 Mbit/s.

Total, 68 links are established in all of Sri Lanka.

All transmission links are interfaced with digital switching system on 2 Mbit/s stage.

3. Construction of new Building and Erection of Antenna

Supporting Tower

36 stations are newly constructed and 53 towers are newly erected.

4. Provision of Subscriber Network

(1) Subscriber cable network is installed in each exchange area.

(2) Multi-access subscriber radio systems are expanded in many areas.

Table 1-3 Scope of Hambantota Project

1. Provision of Switching Equipment (SPC Digital Type)
 - (1) Secondary Centre : Hambantota
 - (2) Independent EX : Hambantota : 400 lines
 - Ambalantota : 500 lines
 - Embilipitiya : 500 lines
 - Tissamaharama : 400 lines
 - Tangalle : 500 lines
 - (3) Remote Switching Unit : Kataragama : 256 Lines
 - Angunakolapelessa : 192 Lines
 - Tanamalwila : 64 Lines
 - Hungama : 192 Lines
 - Timbolketiya : 128 Lines
 - Middeniya : 192 Lines
 - Weeraketiya : 192 Lines
 - Walasmulla : 192 Lines
 - Beliatta : 300 Lines
2. Provision of Junction Network between Secondary Centre, Independent EX and Remote Switching Unit
 - (1) Digital Radio Link
 - a. Hambantota - Kataragama Peak
 - b. Kataragama Peak - Tanamalwila
 - c. Hambantota - Tissamaharama
 - d. Hambantota - Embilipitiya
 - e. Embilipitiya - Timbolketiya
 - f. Hambantota - Ambalantota
 - g. Ambalantota - Hungama
 - h. Hambantota - Angunakolapelessa
 - i. Hambantota - Tangalle
 - j. Tangalle - Middeniya Transmission Station
 - k. Tangalle - Weeraketiya (Kandegola)
 - (2) PCM Cable Link
 - a. Kataragama Peak - Kataragama
 - b. Middeniya Transmission - Middeniya
 - c. Weeraketiya (Kandegala) - Weeraketiya
 - d. Weeraketiya - Walasmulla

3. Provision of Trunk Line to Galle TSC

- (1) Hambantota - Suriyakanda :
17 Mbit/s digital radio system (fully equipped)
(2 Mbit/s x 8)
- (2) Interconnection with 68 Mbit/s digital microwave link
(provided by IDA project) on 34 Mbit/s stage by using
3rd order digital MUX in Suriyakanda.
- (3) Interface with digital switching equipment in Galle
TSC by using 3rd and 2nd order digital MUX (2Mbit/s x 8)

4. Erection of Antenna Supporting Tower

- (1) Ambalantota : 40m high, self-supporting tower
- (2) Angunakolapelessa : 50m high, guyed mast
- (3) Embilipitiya : 70m high, guyed mast (replace)
- (4) Hambantota : 75m high, self-supporting tower (replace)
- (5) Hungama : 50m high, guyed mast
- (6) Kataragama peak : 10m high, roof-top
- (7) Middeniya transmission st. : 85m high, guyed mast
- (8) Tanamalwilla : 20m high, guyed mast
- (9) Timbolketiya : 40m high, guyed mast
- (10) Tissamaharama : 50m high, self-supporting Tower
- (11) Weeraketiya (Kandegala) : 20m high, self-supporting Tower

5. Provision of Subscriber Network

- (1) Installation of subscriber cable network in each exchange
area
 - a. Ambalantota
 - b. Angunakolapelessa
 - c. Beliatta
 - d. Embilipitiya
 - e. Hambantota
 - f. Hungama
 - g. Kataragama
 - h. Middeniya
 - i. Tanamalwila
 - j. Tangalle
 - k. Timbolketiya
 - l. Tissamaharama
 - m. Walasmulla
 - n. Weeraketiya

- (2) Installation of multi-access subscriber radio
 - (a) Installation of base station in the following two sites :
 - Kataragama Peak
 - Middeniya transmission station
 - (b) Provision of subscriber radio terminals
30 terminals for each base station
- (3) Supply of telephone sets
3,100 sets in total

6. Provision of Power and Air Conditioning Equipment

- (1) Rectifiers and batteries will be installed in all exchanges, RSUs and transmission stations except Suriyakanda.
- (2) Diesel engine generators will be installed in the following stations:
 - Embilipitiya (Replace)
 - Ambalantota
 - Tissamaharama
 - Tanamalwila
- (3) One trailer-mounted stand-by generator will be provided to serve longer power cuts at any location of network. The base location of this generator is Hambantota.
- (4) Air Conditioning equipment will be provided in the following stations:
 - Tangalle
 - Embilipitiya
 - Ambalantota
 - Tissamaharama
 - Hambantota.

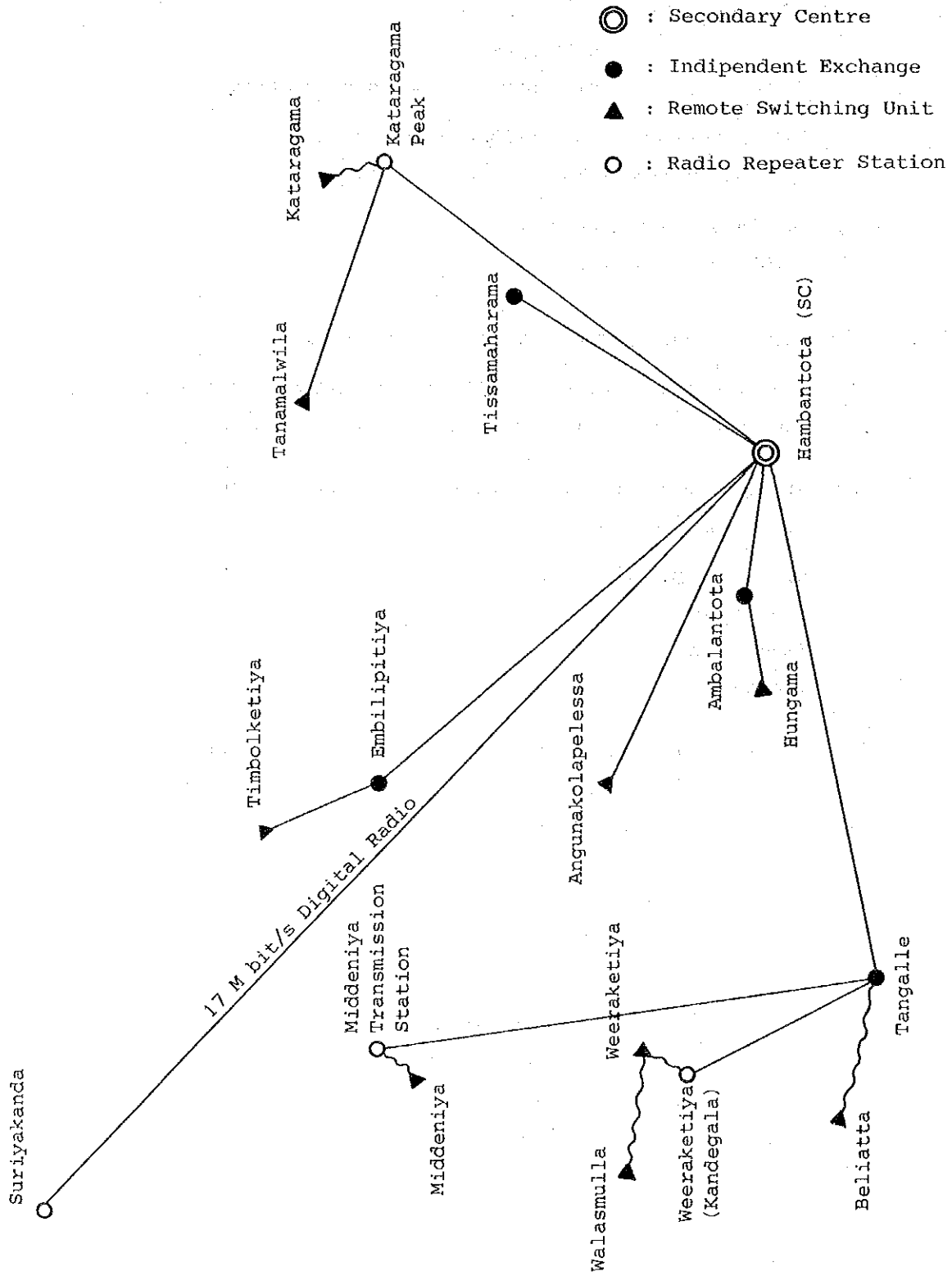


Fig. 1-1 Transmission Route Map on Hambantota Project

Table 1-4 Scope of WCY Project
(ITU WCY SRL.1 Project)

1. Provision of Digital Radio Link

(1) Colombo - Gampaha : 2GHz 17 Mbit/s system

a) Colombo Side

2 Mbit/s interface with NEAX 61 (2 Mbit/s x 4)

b) Gampaha Side

Voice interface with C460 (30ch x 4)

(2) Gampaha - Mirigama : 2GHz 4 Mbit/s system

a) Gampaha Side

Voice interface with C460 subscriber terminal or
manual board (30ch x 2)

b) Mirigama Side

Voice interface with PLESSY Exchange (30ch x 1)

Voice interface with subscriber (DEL) (30ch x 1)

(3) Gampaha - Pasyala : 2 GHz 4 Mbit/s system

a) Gampaha Side

Voice interface with C460 subscriber terminal or
manual board (30ch x 2)

b) Pasyala Side

Voice interface with subscriber (DEL) (30ch x 2)

2 Erection of Antenna Supporting Tower

(1) Gampaha : 50 m high, self-supporting tower

(2) Mirigama : 35 m high, guyed mast

(3) Pasyala : 60 m high, guyed mast

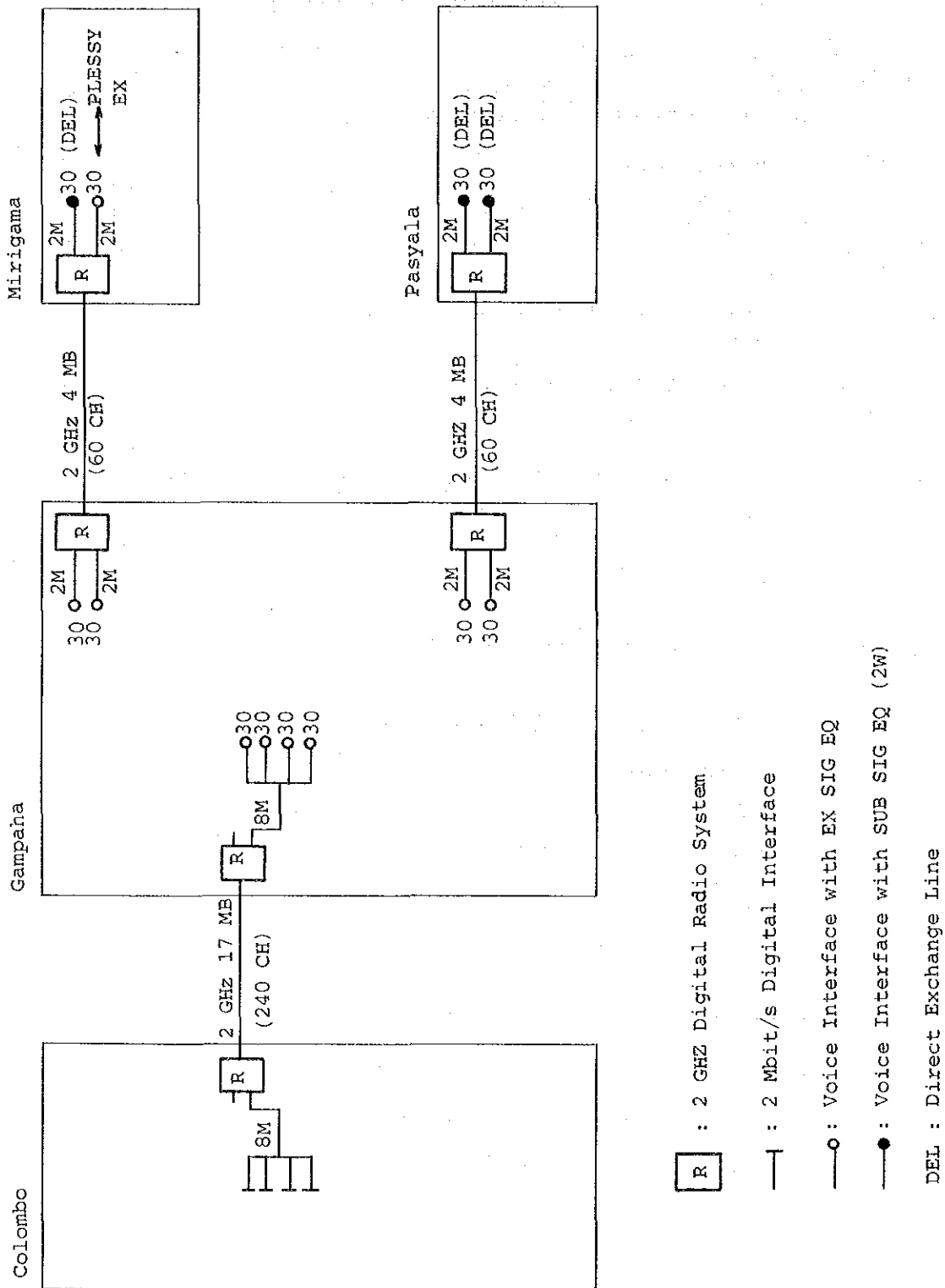


Fig. 1-2 Multiplex Configuration in WCY Project for Gampaha District

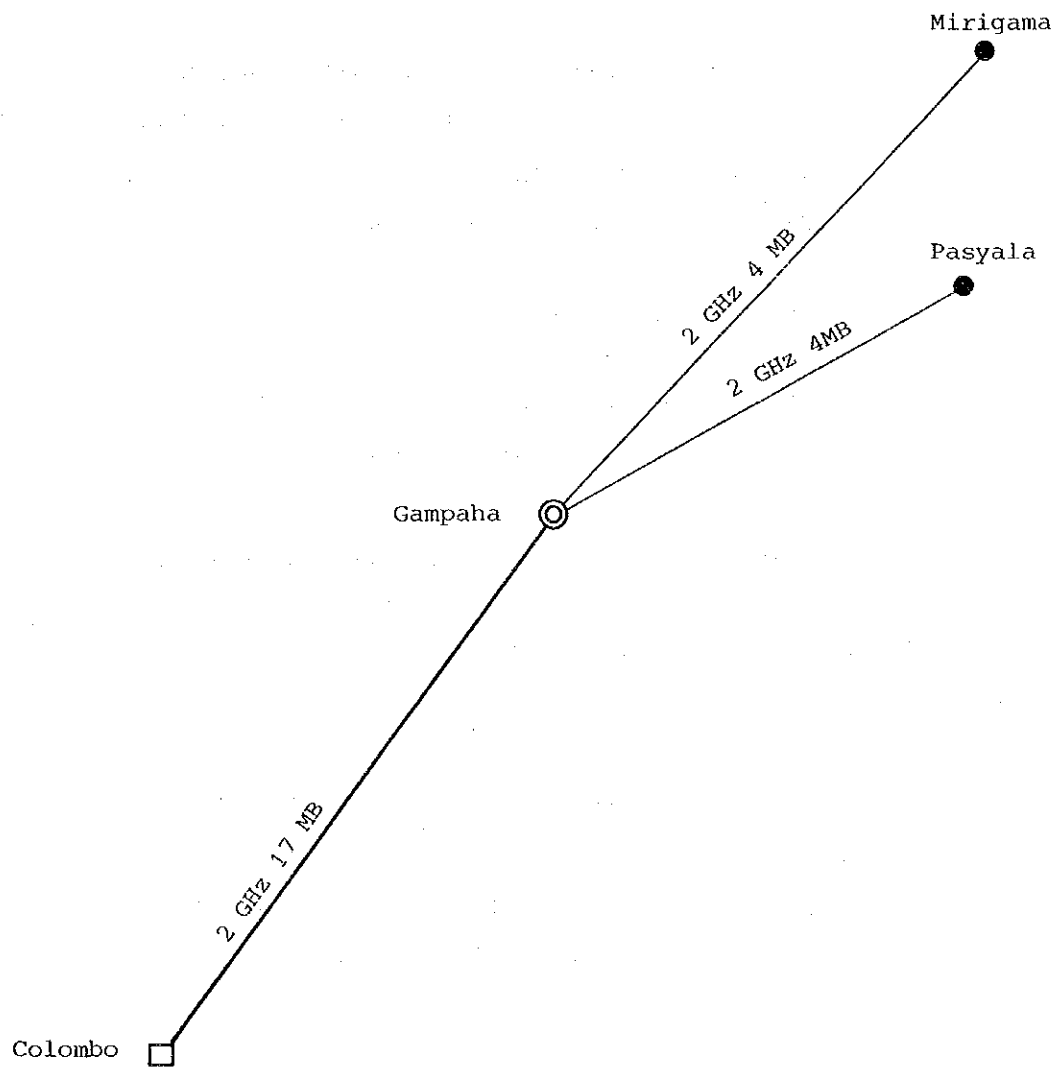


Fig. 1-3 Transmission Route Map on WCY Project in Gampaha District

Scope of WCY Project in Hatton District

(ITU WCY SRL.1 Project)

1. Provision of Digital Radio Link

(1) Nuwara Eliya - Single Tree Hill:

2GHz 17 Mbit/s system

a. Nuwara Eliya Side

2Mbit/s interface with NEAX61 (2Mbit/s x 3)

voice interface with manual board (30 ch x 1)

b. Single Tree Hill Side

Through connection without MUX

(2) Single Tree Hill - Dell:

2GHz 17 Mbit/s system

a. Single Tree Hill Side

Through connection without MUX

b. Dell Side

Branch to Talawakele and Kirkoswald with MUX

(3) Dell - Talawakele:

2GHz 4 Mbit/s system

a. Dell Side

2Mbit/s interface with 17Mbit/s radio system

b. Talawakele Side

2Mbit/s interface with RSU to be provided

by the Department (2 Mbit/s x 2)

(4) Dell - Kirkoswald :

2GHz 4 Mbit/s system

a. Dell Side

2 Mbit/s interface with 17Mbit/s radio system

b. Kirkoswald Side

2 Mbit/s interface with cable PCM system

to Bogawantalawa and Maskeliya

2. Provision of Cable PCM Link

(1) Kirkoswald - Bogawantalawa :

2 Mbit/s cable PCM 1 system, 3 regenerators

a. Kirkoswald Side

2Mbit/s interface with 4Mbit/s digital radio system

b. Bogawantalawa Side

voice interface with existing RAX (30 ch x 1)

(2) Kirkoswald - Maskeliya :

2Mbit/s cable PCM 1 system, 5 regenerators

a. Kirkoswald Side

2Mbit/s interface with 4 Mbit/s digital radio system

b. Maskeliya Side

2Mbit/s interface with RSU to be provided by the
Department.

3. Provision of RSU to be connected with Nuwara Eliya
digital exchange (NEAX61) to the following stations:

(1) Bogawantalawa

(2) Maskeliya

This provision is to be excuted by the Department.

4. Erection of Antenna Supporting Tower

(1) Dell : 50m high, guyed mast

(2) Talawakelle : 35m high, guyed mast

(3) Kirkoswald ; 35m high, guyed mast

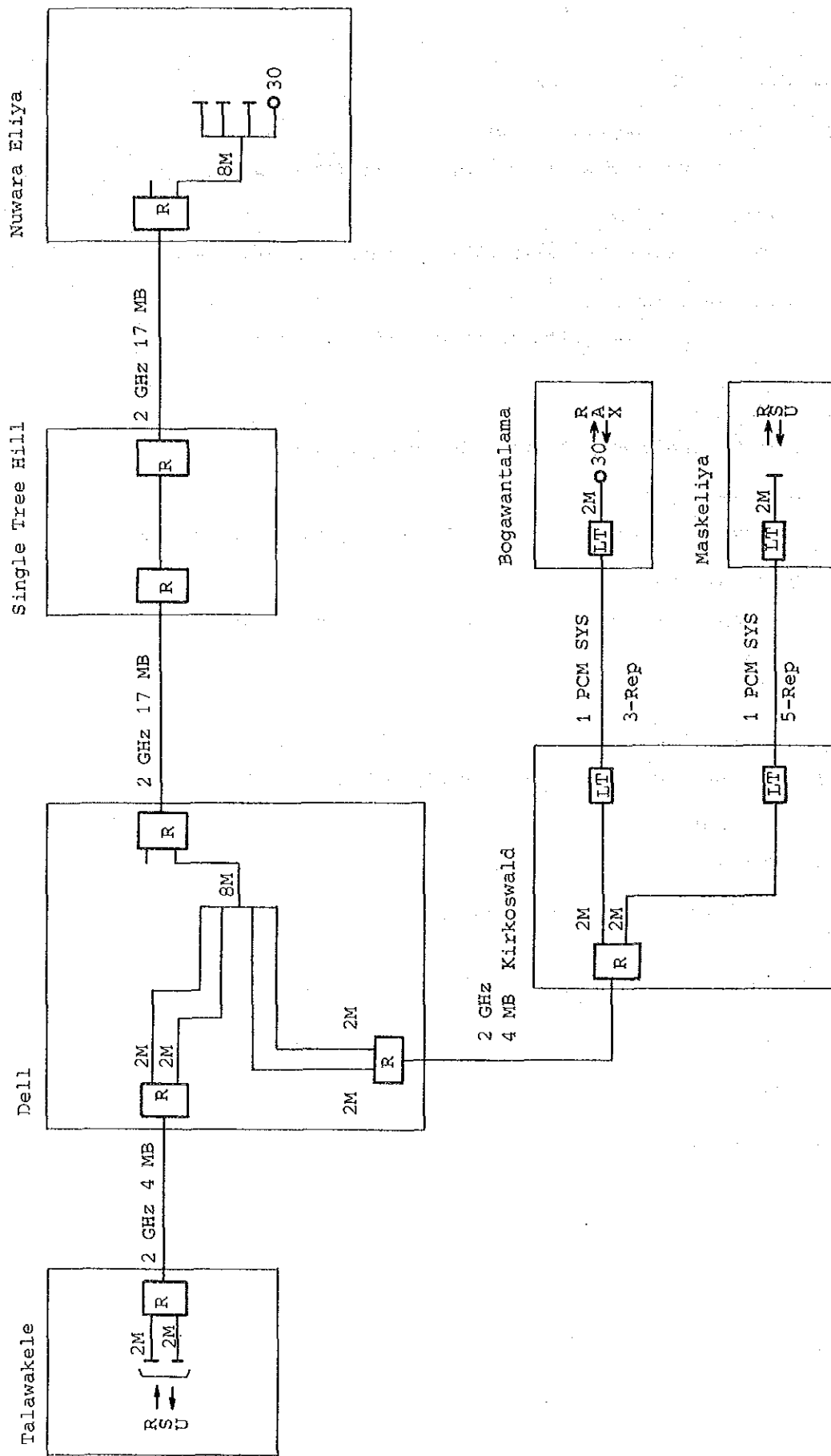


Fig. 1-4 Multiplex Configuration in WCY Project for Hatton District

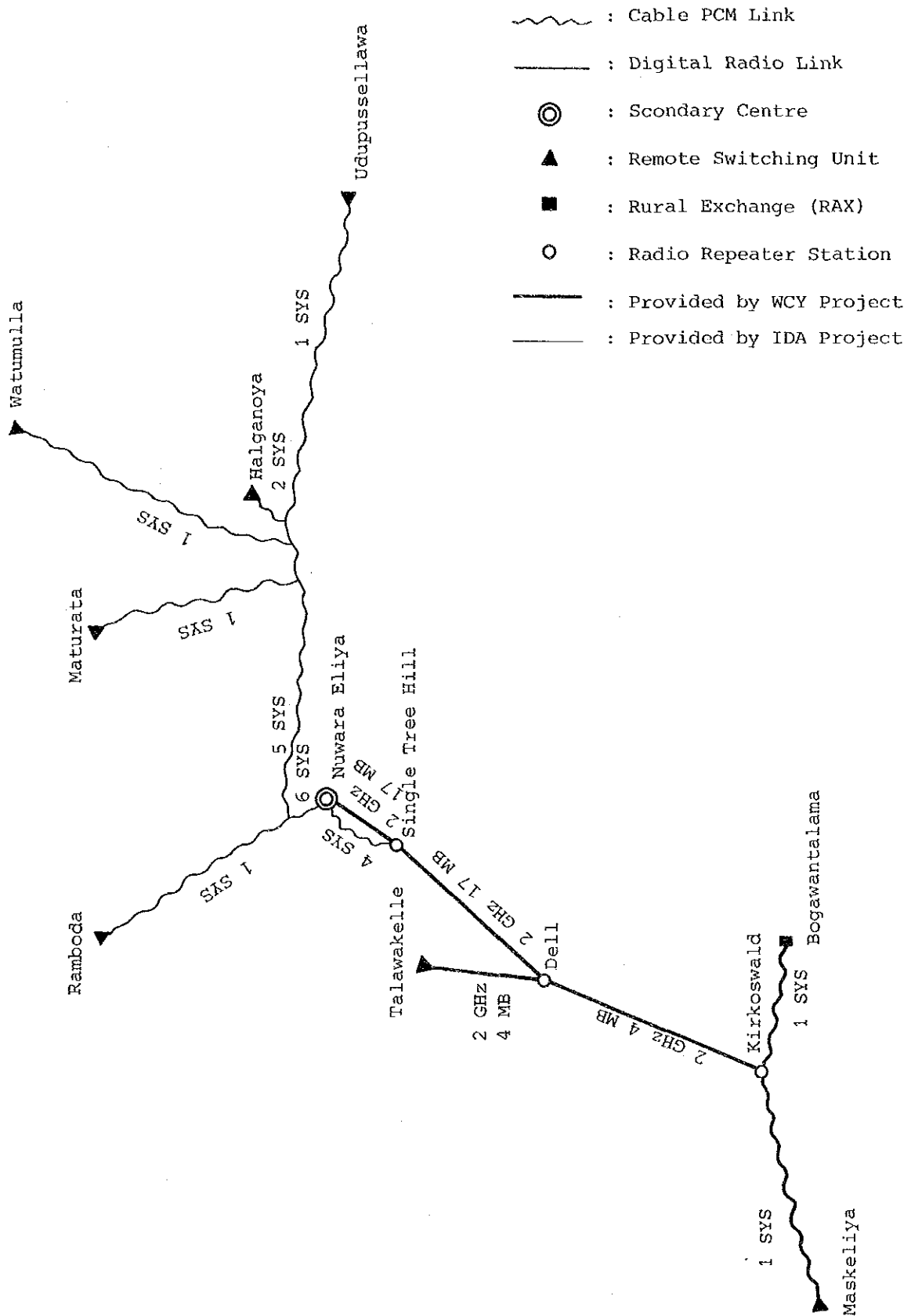


Fig. 1-5 Transmission Route Map in Nuwala Eliya Secondary Area

CHAPTER 2 DEMAND FORECAST AND DEMAND DISTRIBUTION

CHAPTER 2 DEMAND FORECAST AND DEMAND DISTRIBUTION

In this Chapter 2, the details of demand forecast and demand distribution are shown.

- | | |
|---|-----------|
| (1) Summary of Demand Distribution by SSC | Table 2-1 |
| (2) Demand Distribution by Town | Table 2-2 |
| (3) Demand Distribution by Exchange | Table 2-3 |

Though forecasting methods for the long term plan is described in Volume I, Chapter 3, the short term forecast for actual projects implementation must be done in more detail with taking into considerations of population density in the projected area, number of households, characteristics of the area, area economic indexes and so on.

Table 2-1 (1/2) Summary of Demand Distribution (by SSC)

SSC Area		Existing (1983)			Distribution by Year			
No.	CODE	Working Sub.	Waiting Sub.	Total	1986	1990	1996	2000
1	ANR	917	359	1276	1808	3484	6582	12207
2	AMR	241	66	280	394	763	1442	2677
3	AVS	504	251	755	1069	2065	3896	7223
4	BDL	659	168	827	1172	2258	4267	7914
5	BTC	701	424	1125	1582	3063	5794	10754
6	BNR	809	216	1025	1446	2796	5285	9805
7	CNT	46468	19237	65705	100171	193914	366912	680902
8	CHW	364	164	528	747	1141	2724	5051
9	GLE	1673	987	2660	3748	7246	13705	25431
10	GMH	792	545	1337	1884	3644	6893	12787
11	HMB	281	184	465	658	1269	2398	4448
12	HTN	826	193	1019	1439	2779	5254	9748
13	JFN	2801	2519	5320	7495	14490	27409	50861
14	KLM	480	268	748	1053	2037	3853	7151
15	KND	4342	2536	6878	9686	18733	35433	65753

Table 2-1 (2/2) Summary of Demand Distribution (by SSC)

SSC Area		Existing (1983)			Distribution by Year			
No.	CODE	Working Sub.	Waiting Sub.	Total	1986	1990	1996	2000
16	KLT	1258	446	1704	2401	4644	8781	16291
17	KGL	525	189	714	1011	1948	3683	6830
18	KRG	1354	576	1930	2725	5266	9952	18459
19	MNR	218	110	328	467	899	1696	3140
20	MTL	771	334	1105	1559	3015	5700	10572
21	MTR	1335	517	1852	2618	5053	9550	17714
22	NWL	267	101	368	520	1003	1898	3520
23	NGM	1938	1879	3817	5370	10393	19960	36486
24	NWR	762	124	886	1251	2417	4567	8472
25	PLN	300	-	300	422	818	1546	2868
26	PND	968	410	1378	1941	3752	7099	13173
27	PTL	171	159	330	467	901	1702	3155
28	RTN	692	803	1495	2109	4076	7708	14297
29	TRN	673	89	763	1081	2082	3932	7291
30	VNY	341	246	587	831	1603	3028	5617

Table 2-2 (1/31) Demand Distribution by Town

S.S.C CODE NO.	NAME OF EXCHANGE	1983			Demand Distribution				
		Working Sub 1	Waiting Sub 2	Total 3	1985 4	1990 5	1995 6	2000 7	
	ANURADAPURA D.S.C.								
1	Ambanpola	7	6	13	19	36	67	125	
2	Anuradapura	576	167	743	1045	2023	3827	7102	
3	Cheddikulam	8	11	19	27	52	98	182	
4	Eppawala	14	14	28	40	77	145	268	
5	Galenbindunuwewa	10	6	16	23	44	83	153	
6	Galgamuwa	29	11	40	57	109	206	383	
7	Galnewa	14	9	23	33	63	119	220	
8	Horowpatana	10	9	19	27	52	98	182	
9	Ipologama	9	14	23	33	63	119	220	
10	Kahatagasdigiiliya	21	10	31	44	84	160	297	
11	Kebitigollewa	13	10	23	33	63	119	220	
12	Kekirawa	54	26	80	113	217	412	765	
13	Medavachchiya	27	11	38	54	104	196	364	
14	Maha Iluppallama	10	6	16	23	44	83	153	
15	Maho	37	14	51	72	139	263	488	
16	Maradankadawela	9	1	10	14	28	52	96	
17	Mihintale	4	6	10	14	28	52	96	
18	Nanatan	4	1	5	8	14	26	48	
19	Negampaha	7	5	12	17	33	62	114	
20	Nochchiyagama	18	5	23	33	63	119	220	
	Sub Total	881	342	1223	1729	3336	6306	11696	

Table 2-2 (2/31) Demand Distribution by Town

S.S.C CODE	NO.	NAME OF EXCHANGE	1983			Demand Distribution				
			Working Sub 1	Waiting Sub 2	Total 3	1985 4	1990 5	1995 6	2000 7	
ANR	21	Sippukulam	4	2	6	9	17	31	58	
	22	Talava	8	5	13	19	36	67	125	
	23	Tambuttesama	14	3	17	24	47	88	163	
	24	Tirapane	1	3	4	6	11	21	39	
	25	Elayapattuvu	2	1	3	5	9	16	29	
	26	Rambava	3	2	5	8	14	26	48	
	27	Ratmalgahawe	3	1	4	6	11	21	39	
	28	Vijithapura	1	-	1	2	3	6	10	
		Sub Total	36	17	53	79	148	276	511	
		Total	917	359	1276	1808	3484	6582	12207	

Table 2-2 (3/31) Demand Distribution by Town

S.S.C CODE	NO.	NAME OF EXCHANGE	1983				Demand Distribution			
			Working Sub 1	Waiting Sub 2	Total	1985 4	1990 5	1995 6	2000 7	
AHR	1	AMPARA S.S.C. Ampara	214	66	280	394	763	1442	2677	
		Total	214	66	280	394	763	1442	2677	

Table 2-2 (4/31) Demand Distribution by Town

S.S.C. CODE	NO.	NAME OF EXCHANGE	1983			Demand Distribution						
			Working Sub 1	Waiting Sub 2	Total 3	1985 4	1990 5	1995 6	2000 7			
		AVISSAWELLA S.S.C										
AVS	1	Avisawella	186	26	212	299	578	1092	2027			
	2	Dehiowita	27	7	34	48	93	176	325			
	3	Bulatkohupitiya	17	0	17	24	47	88	163			
	4	Deraniyagala	28	5	33	47	90	170	316			
	5	Ehaliyagoda	46	80	126	178	343	649	1205			
	6	Hanwella	16	30	46	65	126	237	440			
	7	Kithulgala	11	3	14	20	39	73	134			
	8	Kosgama	22	44	66	93	180	340	631			
	9	Labugama	9	1	10	15	28	52	96			
	10	Parakaduwa	11	3	14	20	39	73	134			
	11	Pugoda	21	21	42	60	115	217	402			
	12	Waga	13	4	17	24	47	88	163			
	13	Waharaka	9	-	9	13	25	47	87			
	14	Yatiyantota	38	3	41	58	112	212	392			
	15	Yogama	10	0	10	15	28	52	96			
	16	Ruwanwella	40	24	64	90	175	330	612			
		Total	504	251	755	1069	2065	3896	7223			

Table 2-2 (5/31) Demand Distribution by Town

S.S.C CODE	S.S.C NO.	NAME OF EXCHANGE	1983			Demand Distribution							
			Working Sub 1	Waiting Sub 2	Total 3	1985 4	1990 5	1995 6	2000 7				
		BADULLA S.S.C.											
80L	1	Badalkumbura	5	4	9	13	25	47	87				
	2	Badulla	380	125	505	711	1375	2601	4827				
	3	Bibile	36	0	36	51	98	186	345				
	4	Demodara	23	5	28	40	77	145	268				
	5	Ettampitiya	9	0	9	13	25	47	87				
	6	Glenalpin	18	0	18	26	49	93	173				
	7	Haliela	47	20	67	95	183	346	641				
	8	Kandaketiya	3	-	3	5	9	16	29				
	9	Lunugala	22	5	27	38	74	140	259				
	10	Madulsima	15	0	15	22	41	78	144				
	11	Mahaoya	9	1	10	15	28	52	96				
	12	Medagama	3	3	6	9	17	31	58				
	13	Namunukula	20	5	25	36	69	129	239				
	14	Padiyatalawa	4	0	4	6	11	21	39				
	15	Passara	65	0	65	92	177	335	622				
		Total	659	168	827	1172	2258	4267	7914				

Table 2-2 (6/31) Demand Distribution by Town

S.S.C		NAME OF EXCHANGE	1983		Demand Distribution				
CODE	NO.		Working Sub	Waiting Sub	Total	1985	1990	1995	2000
		BATTICALOA S.S.C.							
BTC	1	Batticaloa	639	326	965	1357	2627	4970	9224
	2	Valachchanai	62	98	160	225	436	824	1530
		Total	701	424	1125	1582	3063	5794	10754

Table 2-2 (7/31) Demand Distribution by Town

S.S.C CODE	S.S.C NO.	NAME OF EXCHANGE	1983			Demand Distribution								
			Working Sub 1	Waiting Sub 2	Total 3	1985 4	1990 5	1995 6	2000 7					
		BANDARAWELA S.S.C.												
BNR	1	Ampitikanda	20	2	22	31	60	114	211					
	2	Bandarawela	360	63	423	595	1152	2179	4044					
	3	Buttala	9	11	20	29	55	103	192					
	4	Diyatalava	61	6	67	95	183	346	641					
	5	Ella	18	0	18	26	49	93	173					
	6	Curutalava	2	6	8	12	22	42	77					
	7	Ialdumulla	23	6	29	41	79	150	278					
	8	Iaputale	74	17	91	128	248	469	870					
	9	Koslada	25	7	32	45	88	165	306					
	10	Malwatta	19	5	24	34	66	124	230					
	11	Monaragala	82	43	125	176	341	644	1195					
	12	Vellavaya	11	16	27	38	74	140	259					
	13	Velimada	105	34	139	196	379	716	1329					
		Total	809	216	1025	1446	2796	5285	9805					

Table 2-2 (8/31) Demand Distribution by Town

S.S.C. CODE	S.S.C. NO.	NAME OF EXCHANGE	1983			Demand Distribution						
			Workings Sub 1	Waiting Sub 2	Total 3	1985 4	1990 5	1995 6	2000 7			
		COLOMBO S.S.C.										
	1	Angoda	126	148	274	353	682	1291	2396			
	2	Boralesgamuwa	90	228	318	368	712	1347	2500			
	3	Colombo central	15202	4000	19202	26111	50548	95645	177493			
	4	Co-Havelock Town	9012	1425	10437	16959	32830	62120	115280			
	5	Co-Maradana	6548	2221	8769	14370	27818	52637	97681			
	6	Hokandara	53	66	119	299	580	1097	2035			
	7	Homagawa	115	183	298	395	765	1448	2688			
	8	Ja-Ela	393	128	521	699	1353	2560	4750			
	9	Kadavata	146	335	481	817	1582	2994	5556			
	10	Kaduvela	65	112	177	523	1013	1916	3556			
	11	Kelaniya	693	562	1255	2407	4660	8817	16362			
	12	Kotte	2361	1629	3990	8378	16218	30688	56949			
	13	Maharagama	355	774	1129	1356	2625	4966	9216			
	14	Malwana(Biyagama)	67	120	187	323	625	1183	2195			
	15	Moratuwa	872	780	1652	2246	4347	8226	15265			
	16	Mount Lavinia	4950	2500	7450	9452	18297	34621	64248			
	17	Nugegoda	2272	2273	4545	6096	11802	22331	41441			
	18	Padukka	42	45	87	154	299	565	1049			
	19	Piliyandala	155	130	285	503	973	1841	3417			
	20	Ragama	159	136	295	506	979	1852	3438			
	21	Wattala	448	426	874	1585	3068	5804	10772			
	22	Wellampitiya	219	326	545	1444	2795	5288	9813			
	23	Kollupitiya	1500	450	1950	3343	6472	12245	22720			
	24	Mattakkuliya	625	240	865	1484	2871	5430	10082			
		Total	46468	19237	65705	100171	193914	366912	680902			

Table 2-2 (9/31) Demand Distribution by Town

S.S.C CODE	S.S.C NO.	NAME OF EXCHANGE	1983			Demand Distribution				
			Working Sub 1	Waiting Sub 2	Total 3	1985 4	1990 5	1995 6	2000 7	
		CHILLAW S.S.C.								
CHW	1	Battaluoya	4	1	5	8	14	26	48	
	2	Chillaw	188	13	201	283	548	1036	1922	
	3	Madampe	43	46	89	126	243	459	851	
	4	Mundel(Palavi)	14	4	18	26	49	93	173	
	5	Rajakadaluwa	14	13	27	38	74	140	259	
	6	Bingiriya	13	10	23	33	63	119	220	
	7	Marawila	86	77	163	230	444	840	1558	
	8	Udappu	2	0	2	3	6	11	20	
		Total	364	164	528	747	1441	2724	5051	

Table 2-2 (10/31) Demand Distribution by Town

S.S.C CODE	NO.	NAME OF EXCHANGE	1983				Demand Distribution					
			Working Sub 1	Waiting Sub 2	Total 3	1985 4	1990 5	1995 6	2000 7			
		GALLE S.S.C.										
GLE	1	Ahangama	25	11	36	51	98	186	345			
	2	Ambalangoda	276	116	392	552	1068	2019	3747			
	3	Saddegama	45	35	80	113	218	412	765			
	4	Dodanduwa	11	10	21	30	58	109	201			
	5	Elpitiya	50	20	70	99	190	361	670			
	6	Galle	1160	714	1874	2635	5102	9652	17912			
	7	Habaraduwa	24	23	47	67	128	243	450			
	8	Imaduwa	13	12	25	36	69	129	239			
	9	Kosgoda	16	17	33	47	90	170	316			
	10	Pitigala	8	11	19	27	52	98	182			
	11	Nagoda	12	-	12	17	33	62	115			
	12	Yakkalamulla	14	6	20	29	55	103	192			
	13	Udugama	16	7	23	33	63	119	220			
	14	Urugasmanhandiya	3	5	8	12	22	42	77			
		Total	1673	987	2660	3748	7246	13705	25431			

Table 2-2 (11/31) Demand Distribution by Town

S.S.C CODE	S.S.C NO.	NAME OF EXCHANGE	1983			Demand Distribution					
			Working Sub 1	Waiting Sub 2	Total 3	1985 4	1990 5	1995 6	2000 7		
		GAMPANA S.S.C.									
GMH	1	Gampaha	512	335	847	1191	2306	4363	8096		
	2	Kirindiwela	20	16	36	51	98	186	345		
	3	Kotadeniyawa	4	-	4	6	11	21	39		
	4	Mirigama	44	69	113	159	308	582	1081		
	5	Pallewela	8	4	12	17	33	62	115		
	6	Pasyala	18	19	37	53	101	191	354		
	7	Urapola	2	-	2	3	6	11	20		
	8	Veliveriya	39	22	61	86	167	315	584		
	9	Veyangoda	141	80	221	311	602	1139	2113		
	10	Ganemulla	1	0	1	2	3	6	10		
	11	Kalagedihena	1	0	1	2	3	6	10		
	12	Kaleliya	2	0	2	3	6	11	20		
		Total	792	545	1337	1884	3644	6893	12787		

Table 2-2 (12/31) Demand Distribution by Town

S.S.C CODE	S.S.C NO.	NAME OF EXCHANGE	1983			Demand Distribution						
			Working Sub 1	Waiting Sub 2	Total 3	1985 4	1990 5	1995 6	2000 7			
		HAMBANTOTA S.S.C.										
HMB	1	Ambalanlota	42	39	81	114	221	418	775			
	2	Embilipitiya	44	40	84	119	229	433	803			
	3	Hambantota	117	54	171	241	466	881	1635			
	4	Kataragama	23	14	37	53	101	191	354			
	5	Tanamalwila	5	3	8	12	22	42	77			
	6	Thimbotketiya	12	1	13	19	36	67	125			
	7	Tissamaharama	38	33	71	100	194	366	679			
		Total	281	184	465	658	1269	2398	4448			

Table 2-2 (13/31) Demand Distribution by Town

S.S.C CODE	S.S.C NO.	NAME OF EXCHANGE	1983				Demand Distribution					
			Working Sub 1	Waiting Sub 2	Total 3	1985 4	1990 5	1995 8	2000 7			
		HATTON S.S.C.										
HTN	1	Asarapatana	46	8	54	76	147	279	517			
	2	Bagavantatalawa	48	21	69	98	188	356	660			
	3	Hatton	401	48	449	632	1223	2313	4292			
	4	Ginigathena	20	25	45	64	123	232	431			
	5	Maskeliya	64	17	81	114	221	418	775			
	6	Norton Bridge	18	10	29	41	79	150	278			
	7	Pundaluoya	40	13	53	75	145	273	507			
	8	Talavakele	93	13	106	150	289	546	1014			
	9	Tillicountry	40	7	47	67	128	243	450			
	10	Upcot	22	2	24	34	66	124	230			
	11	Watagoda	10	3	13	19	36	67	125			
	12	Watawala	23	26	49	69	134	253	469			
		Total	826	193	1019	1439	2779	5254	9748			

Table 2-2 (14/31) Demand Distribution by Town

S.S.C		NAME OF EXCHANGE	1983			Demand Distribution				
CODE	NO.		Working Sub 1	Waiting Sub 2	Total 3	1985 4	1990 5	1995 6	2000 7	
		JAFFNA S.S.C.								
JFN	1	Alaveddi	5	0	5	8	14	26	48	
	2	Atchuvvely	42	39	81	114	221	418	775	
	3	Chavakachcheri	90	68	159	224	433	819	1520	
	4	Chunnakam	141	127	268	377	730	1381	2562	
	5	Delft	3	2	5	8	14	26	48	
	6	Jaffna	1829	1537	3366	4733	9163	17335	32173	
	7	Kankesanturai	45	56	101	143	275	521	966	
	8	Karainagar	22	47	69	98	188	356	660	
	9	Karaveddy	46	44	90	127	245	464	861	
	10	Kayts	45	27	72	102	196	371	689	
	11	Kilinochchi	124	115	239	337	651	1231	2285	
	12	Kopay	42	50	92	130	251	474	880	
	13	Manipay	48	59	107	151	292	552	1023	
	14	Nainativu	4	4	8	12	22	42	77	
	15	Pallai	31	6	37	53	101	191	354	
	16	Pandateruppu	44	55	99	140	270	510	947	
	17	Point-pedru	95	90	185	261	504	953	1769	
	18	Poonery	*	*	*	0	*	*	*	
	19	Punakari	9	3	12	17	33	62	115	
	20	Punkudutivu	10	9	19	27	52	98	182	
	21	Sitankerni	0	0	0	0	0	0		
	22	Tellipallai	9	33	42	60	115	217	402	
	23	Vaddukkoddai	47	47	94	133	256	485	899	
	24	Valvetiturai	48	80	128	180	349	660	1224	
	25	Velanai	22	20	42	60	115	217	402	
		Total	2801	2519	5320	7495	14490	27409	50861	

Table 2-2 (15/31) Demand Distribution by Town

S.S.C CODE	NO.	NAME OF EXCHANGE	1983			Demand Distribution							
			Working Sub 1	Waiting Sub 2	Total	1985 4	1990 5	1995 6	2000 7				
		KALMUNAI S.S.C.											
KLM	1	Akkarapattu	135	68	203	286	553	1046					1941
	2	Kalmunai	345	200	545	767	1484	2807					5210
		Total	480	268	748	1053	2037	3853					7151

Table 2-2 (16/31) Demand Distribution by Town

S.S.C CODE	NO.	NAME OF EXCHANGE	1983			Demand Distribution					
			Working Sub 1	Waiting Sub 2	Total 3	1985 4	1990 5	1995 6	2000 7		
		KANDY S.S.C.									
KND	1	Akurana	25	100	125	176	341	644	1195		
	2	Daulagala	25	33	58	82	158	299	555		
	3	Digana	102	8	110	155	300	567	1052		
	4	Ekkaduwa	15	3	18	26	49	93	173		
	5	Galagedara	47	17	64	90	175	330	612		
	6	Gahaha	49	24	73	103	199	376	698		
	7	Gellioya	25	12	37	53	101	191	354		
	8	Gurudeniya	30	58	88	124	240	454	842		
	9	Hanguranketha	9	3	12	17	33	62	115		
	10	Hataraliyadda	14	4	18	26	49	93	173		
	11	Hewaheta	24	4	28	40	77	145	268		
	12	Kadugannaw	167	67	234	330	637	1206	2237		
	13	Kandy	2317	1550	3867	5438	10526	19916	36961		
	14	Katugastota	327	242	569	801	1549	2931	5439		
	15	Madulkele	30	8	38	54	104	196	364		
	16	Medamahawuara	6	7	13	19	36	67	125		
	17	Menikdiwala	18	17	35	50	96	181	335		
	18	Murutalawa	25	45	70	99	191	361	670		
	19	Panwila	15	10	25	36	69	129	239		
	20	Peradeniya	465	155	620	872	1688	3193	5926		
	21	Rangala	12	3	15	22	41	78	144		
	22	Talatuoya	36	26	62	88	169	320	593		
	23	Wattegama	115	31	146	206	398	752	1396		
	24	Gampola	357	73	430	605	1171	2215	4110		
	25	Pussellawa	52	11	63	89	172	325	603		
	26	Rikillagaskada	35	25	60	85	164	309	574		
		Total	4342	2536	6878	9686	18733	35433	65753		

Table 2-2 (17/31) Demand Distribution by Town

S.S.C CODE	NO.	NAME OF EXCHANGE	1983			Demand Distribution						
			Working Sub 1	Waiting Sub 2	Total 3	1985 4	1990 5	1995 6	2000 7			
		KALUTARA S.S.C.										
KLT	1	Agalavatta	29	7	36	51	98	186	345			
	2	Bentota	417	174	591	831	1609	3044	5649			
	3	Kalutara	601	210	811	1141	2208	4177	7752			
	4	Latpandura	17	4	21	30	58	109	201			
	5	Mahagama	22	9	31	44	85	160	297			
	6	Matugama	116	22	138	195	376	711	1320			
	7	Meegahatenna	9	16	25	36	69	129	239			
	8	Neboda	19	2	21	30	58	109	201			
	9	Tebuvana	13	1	14	20	39	73	134			
	10	Velipenna	15	1	16	23	44	83	153			
		Total	1258	446	1704	2401	4644	8781	16291			

Table 2-2 (18/31) Demand Distribution by Town

S.S.C CODE	NO.	NAME OF EXCHANGE	1983			Demand Distribution							
			Working Sub 1	Waitings Sub 2	Total 3	1985 4	1990 5	1995 6	2000 7				
		KEGALLE S.S.C.											
KGL	1	Ambanpitiya	8	0	8	12	22	42	77				
	2	Aranayake	22	8	30	43	82	155	287				
	3	Galapitamada	4	0	4	6	11	21	39				
	4	Kegalle	311	65	376	529	1024	1937	3594				
	5	Kotiyakumbura	16	0	16	23	44	83	153				
	6	Mawanelia	86	40	126	178	343	649	1205				
	7	Nelundeniya	10	0	10	15	28	52	96				
	8	Tuntota	5	-	5	8	14	26	48				
	9	Undugoda	15	0	15	22	41	78	144				
	10	Varakapola	46	69	115	162	314	593	1100				
	11	Hemmatagama	2	7	9	13	25	47	87				
		Total	525	189	714	1011	1948	3683	6830				

Table 2-2 (19/31) Demand Distribution by Town

S.S.C CODE	S.S.C NO.	NAME OF EXCHANGE	1983			Demand Distribution						
			Working Sub 1	Waiting Sub 2	Total	1985 4	1990 5	1995 6	2000 7			
		KURUNEGALA S.S.C.										
KRG	1	Alawa	44	42	86	121	235	443	822			
	2	Dodangaslanda	13	1	14	20	39	73	134			
	3	Giriulla	44	21	65	92	177	335	622			
	4	Gokarella	14	1	15	22	41	78	144			
	5	Gonawila	5	0	5	8	14	26	48			
	6	Hettippola	16	0	16	23	44	83	153			
	7	Ibbagamuwa	20	14	34	48	93	176	325			
	8	Katupotha	8	12	20	29	55	103	192			
	9	Kohilagedara	8	0	8	12	22	42	77			
	10	Kuliyapitiya	155	17	172	242	469	886	1644			
	11	Kobaigane	6	2	8	12	22	42	77			
	12	Kurunegala	606	226	832	1170	2265	4285	7953			
	13	Maspotha	7	4	11	16	30	57	106			
	14	Mavathagama	41	56	97	137	265	500	928			
	15	Narammala	48	42	90	127	245	464	861			
	16	Nikadalupotha	11	3	14	20	39	73	134			
	17	Pannala	19	17	36	51	98	186	345			
	18	Polgahavala	83	18	101	143	275	521	966			
	19	Pothuhera	20	12	32	45	88	165	306			
	20	Rambodagalla	20	7	27	38	74	140	259			
	21	Rambukkana	62	2	64	90	175	330	612			
	22	Ridigama	-	-	-	-	-	-	-			
	23	Udubeddova	6	1	7	10	20	37	67			
	24	Uhumiya	5	1	6	9	17	31	58			
	25	Wariyapola	40	33	73	103	199	376	698			
	26	Wellawa	7	12	19	27	52	98	182			
	27	Nikaweratiya	46	32	78	110	213	402	746			
		Total	1354	576	1930	2725	5266	9952	18459			

Table 2-2 (20/31) Demand Distribution by Town

S.S.C CODE	S.S.C NO.	NAME OF EXCHANGE	1983			Demand Distribution				
			Working Sub 1	Waiting Sub 2	Total	1985 4	1990 5	1995 6	2000 7	
MNR	1	Adampam	11	3	14	20	39	73	134	
	2	Mannar	137	43	180	254	490	927	1721	
	3	Pesalai	12	3	15	22	41	78	144	
	4	Talaimannar	21	6	27	38	74	140	259	
	5	Uyitankulama	11	4	15	22	41	78	144	
	6	Chillavathura	10	0	10	15	28	52	96	
	7	Errukkalampiddi	5	29	34	48	93	176	325	
	8	Nantan	3	4	7	10	20	37	67	
	9	Maduroad	3	10	13	19	36	67	125	
	10	Maduchurch	3	4	7	10	20	37	67	
	11	Vidalativu	2	4	6	9	17	31	58	
		Total	218	110	328	467	899	1696	3140	

Table 2-2 (21/31) Demand Distribution by Town

S.S.C CODE	NO.	NAME OF EXCHANGE	1983			Demand Distribution						
			Working Sub 1	Waiting Sub 2	Total 3	1985 4	1990 5	1995 6	2000 7			
		MATALE S.S.C.										
MTL	1	Ankumbura	3	15	18	26	49	93	173			
	2	Bakamuna	3	-	3	5	9	16	29			
	3	Dambulla	60	16	76	107	207	392	727			
	4	Elahara	1	13	14	20	39	73	134			
	5	Galnewa	40	40	80	113	218	412	765			
	6	Gammaduwa	4	-	4	6	11	21	39			
	7	Kimbissa	3	1	4	6	11	21	39			
	8	Laggala	3	1	4	6	11	21	39			
	9	Madipola	2	-	2	3	6	11	20			
	10	Mahawela	16	11	27	38	74	140	259			
	11	Matale	549	170	719	1011	1958	3703	6873			
	12	Mausa Eliya	7	-	7	10	20	37	67			
	13	Nalanda	4	-	4	6	11	21	39			
	14	Naula	23	14	37	52	101	191	354			
	15	Rattota	21	23	44	62	120	227	421			
	16	Alawatugoda	15	21	36	51	98	186	345			
	17	Ilabarana	16	3	19	27	52	98	182			
	18	Madawala-Ulpatha	1	6	7	10	20	37	67			
		Total	771	334	1105	1559	3015	5700	10572			

Table 2-2 (22/31) Demand Distribution by Town

S.S.C CODE	S.S.C NO.	NAME OF EXCHANGE	1983			Demand Distribution							
			Working Sub 1	Waiting Sub 2	Total 3	1985 4	1990 5	1995 6	2000 7				
		MATARA S.S.C.											
MTR	1	Akuressa	55	11	66	93	180	340	631				
	2	Angunukolapelessa	12	3	15	22	41	78	144				
	3	Beliatta	19	20	39	55	107	201	373				
	4	Benegamuwa	3	2	5	8	14	26	48				
	5	Beralapanatara	6	2	8	12	22	42	77				
	6	Deniyaya	48	16	64	90	175	330	612				
	7	Dikvella	38	13	51	72	139	263	488				
	8	Hakmana	27	13	40	57	109	206	383				
	9	Kamburupitiya	52	19	71	100	194	366	679				
	10	Kotapola	6	5	11	16	30	57	106				
	11	Kottegoda	8	5	13	19	36	67	125				
	12	Matara	768	250	1018	1432	2771	5243	9731				
	13	Middeniya	7	3	10	15	28	52	96				
	14	Morawaka	17	10	27	38	74	140	259				
	15	Ranna	1	-	1	2	3	6	10				
	16	Tangalle	97	44	141	199	384	727	1348				
	17	Tellicjawila	13	9	22	31	60	114	211				
	18	Urubokka	7	-	7	10	20	37	67				
	19	Wasmulla	22	9	31	44	85	160	297				
	20	Weeraketiya	21	5	26	37	71	134	249				
	21	Weligama	95	75	170	240	463	876	1625				
	22	Yatiyana	3	-	3	5	9	16	29				
	23	Deyyandara	2	1	3	5	9	16	29				
	24	Gomilla	3	0	3	5	9	16	29				
	25	Katuwana	3	2	5	8	14	26	48				
	26	Mahaduwa	2	0	2	3	6	11	20				
		Total	1335	517	1852	2618	5053	9550	17714				

Table 2-2 (23/31) Demand Distribution by Town

S.S.C	CODE	S.S.C NO.	NAME OF EXCHANGE	1983			Demand Distribution							
				Working Sub 1	Waiting Sub 2	Total 3	1985 4	1990 5	1995 6	2000 7				
	NWL		NAWALAPITIYA S.S.C.											
		1	Craig Head	7	-	7	10	20	37	67				
		2	Dolosbage	15	3	18	26	49	93	173				
		3	Kotmale	21	9	30	43	82	155	287				
		4	Navalapitiya	191	86	277	390	754	1427	2648				
		5	Ulapane	33	3	36	51	98	186	345				
			Total	267	101	368	520	1003	1898	3520				

Table 2-2 (24/31) Demand Distribution by Town

S.S.C CODE	S.S.C NO.	NAME OF EXCHANGE	1983			Demand Distribution						
			Working Sub 1	Waiting Sub 2	Total 3	1985 4	1990 5	1995 6	2000 7			
		NEGOMBO S.S.C.										
NGM	1	Badalagama	15	25	40	57	109	206	383			
	2	Dankotuwa	47	33	80	113	218	412	765			
	3	Dunagaha	83	83	166	234	452	855	1587			
	4	Katunayake	517	366	883	1242	2404	4548	8440			
	5	Lunuwila	99	130	229	322	624	1180	2189			
	6	Negombo	1163	1235	2398	3372	6528	12350	22921			
	7	Sandalankawa	14	7	21	30	58	109	201			
	8	Kochchikade	0	0	0							
		Total	1938	1879	3817	5370	10393	19660	36486			

Table 2-2 (25/31) Demand Distribution by Town

S.S.C CODE	S.S.C NO.	NAME OF EXCHANGE	1983			Demand Distribution							
			Working Sub 1	Waiting Sub 2	Total 3	1985 4	1990 5	1995 6	2000 7				
		NUVARA-ELIYA S.S.C.											
NVR	1	Boragas	18	10	28	40	77	145	268				
	2	Halgranoya	50	5	55	78	150	284	526				
	3	Kandepola	38	8	46	65	126	237	440				
	4	Maturata	27	4	31	44	85	160	297				
	5	Niidandahinna	7	0	7	10	20	37	67				
	6	Nuvara Eliya	557	80	637	896	1734	3281	6089				
	7	Padiyapatalia	3	2	5	8	14	26	48				
	8	Raddella	15	4	19	27	52	98	182				
	9	Ramboda	17	8	25	36	69	129	239				
	10	Udapussejilava	30	3	33	47	90	170	316				
		Total	762	124	886	1251	2417	4567	8472				

Table 2-2 (27/31) Demand Distribution by Town

S.S.C		NAME OF EXCHANGE	1983			Demand Distribution			
CODE	NO.		Working Sub 1	Waiting Sub 2	Total 3	1985 4	1990 5	1995 6	2000 7
		PANADURA S.S.C.							
PND	1	Bandaragama	44	25	69	98	188	356	660
	2	Govinna	7	5	12	17	33	62	115
	3	Horana	183	30	213	300	580	1097	2036
	4	Ingiriya	27	10	37	53	101	191	354
	5	Panadura	707	340	1047	1473	2850	5393	10008
		Total	968	410	1378	1941	3752	7099	13173

Table 2-2 (28/31) Demand Distribution by Town

S.S.C CODE	S.S.C NO.	NAME OF EXCHANGE	1983			Demand Distribution						
			Workings Sub 1	Waitings Sub 2	Total 3	1985 4	1990 5	1995 6	2000 7			
		PUTTALAM S.S.C.										
PTL	1	Anamaduwa	18	14	32	45	88	165	306			
	2	Puttalam	134	113	247	348	673	1273	2361			
	3	Kalpitiya	12	18	30	43	82	155	287			
	4	Madurankuli	3	13	16	23	44	83	153			
	5	Mampur	4	1	5	8	14	26	48			
		Total	171	159	330	467	901	1702	3155			

Table 2-2 (29/31) Demand Distribution by Town

S.S.C CODE	S.S.C NO.	NAME OF EXCHANGE	1983			Demand Distribution						
			Working Sub 1	Waiting Sub 2	Total 3	1985 4	1990 5	1995 6	2000 7			
		RATNAPURA S.S.C.										
RTN	1	Atakalampanna	2	-	2	3	6	11	20			
	2	Avagama	4	-	4	6	11	21	39			
	3	Balangoda	117	58	175	247	477	902	1673			
	4	Bambarabotuwa	14	-	14	20	39	73	134			
	5	Godakawela	21	3	24	34	66	124	230			
	6	Kahawatta	49	114	163	230	444	840	1558			
	7	Kalawana	16	6	22	31	60	114	211			
	8	Kiriella	14	4	18	26	49	93	173			
	9	Kolonna	4	-	4	6	11	21	39			
	10	Kuruwita	24	20	44	62	120	227	421			
	11	Nivitigalal	39	35	74	105	202	382	708			
	12	Pelmadulla	30	84	114	161	311	588	1090			
	13	Rakwana	40	10	50	71	137	258	478			
	14	Ratnapura	318	469	787	1107	2143	4054	7523			
		Total	692	803	1495	2109	4076	7708	14297			

Table 2-2 (30/31) Demand Distribution by Town

S.S.C CODE	NO.	NAME OF EXCHANGE	1983			Demand Distribution						
			Working Sub 1	Waiting Sub 2	Total 3	1985 4	1990 5	1995 6	2000 7			
		TRINCOMALEE S.S.C.										
TRN	1	China-Bay	43	14	57	81	156	294	545			
	2	Gomarahkadavela	5	-	5	8	14	26	48			
	3	Kantale	39	6	45	64	123	232	431			
	4	Kiliveddi	5	1	6	9	17	31	58			
	5	Kinniya	6	3	10	13	25	47	87			
	6	Kuchchavelli	7	1	8	12	22	42	77			
	7	Morawewa	4	1	5	8	14	26	48			
	8	Mutur	19	10	29	41	79	150	278			
	9	Nilaveli	14	14	28	40	77	145	268			
	10	Pulmudai	2	-	2	3	6	11	20			
	11	Seruvila	5	-	5	8	14	26	48			
	12	Thampalakamam	7	1	8	12	22	42	77			
	13	Toppur	2	-	2	3	6	11	20			
	14	Trincomalee	512	38	550	774	1498	2833	5257			
	15	Padavisipura	3	0	3	5	9	16	29			
		Total	673	89	763	1081	2082	3932	7291			

Table 2-2 (31/31) Demand Distribution by Town

S.S.C CODE	S.S.C NO.	NAME OF EXCHANGE	1983			Demand Distribution							
			Working Sub 1	Waiting Sub 2	Total 3	1985 4	1990 5	1995 6	2000 7				
		VAVUNIYA S.S.C.											
VNY	1	Mulativu	40	35	75	106	205	387	717				
	2	Murunkan	18	7	25	36	69	129	239				
	3	Muthiyawela	9	3	12	17	33	62	115				
	4	Nedunkerni	9	13	22	31	60	114	211				
	5	Omantai	2	10	12	17	33	62	115				
	6	Padaviya	9	2	11	16	30	57	106				
	7	Puthukudiruppu	3	1	4	6	11	21	39				
	8	Oddichudan	2	9	11	16	30	57	106				
	9	Tunukai	6	3	9	13	25	47	87				
	10	Vavuniya	211	142	353	497	961	1818	3374				
	11	Mulliyawalai	9	3	12	17	33	62	115				
	12	Mankulam	20	18	38	54	104	196	364				
	13	Yogapuram	3	0	3	5	9	16	29				
		Total	341	246	587	831	1603	3028	5617				

Table 2-3 (1/30) Demand Distribution by Exchange

S.S.C		NAME OF EXCHANGE	1983			Demand Distribution				
CODE	NO.		Working Sub 1	Waiting Sub 2	Total 3	1985 4	1990 5	1995 6	2000 7	
ANR	1	ANURADAPURA D.S.C. Anuradapura Minitalia Tajawa Tiripane Rambawa	589	181	770	1092	2112	3993	7410	
	2	Eppawata Galneva Mana Iuppallama	38	29	67	96	184	347	641	
	3	Galenbindunuweva	10	6	16	23	44	83	153	
	4	Horowpatana	10	9	19	27	52	98	182	
	5	Kahatagasdigiliya	28	13	41	59	112	212	394	
	6	Kebitigollewa	13	10	23	33	63	119	220	
	7	Kekirawa Ipolagama	80	46	126	179	344	651	1205	
	8	Medawachchiya Cheddikulam	38	24	62	81	156	294	546	
	9	Nochchiyagama	18	5	23	33	63	119	220	
	10	Tambuttesama	14	3	17	24	47	88	163	
		Total	838	326	1164	1647	3177	6004	11134	

Table 2-3 (3/30) Demand Distribution by Exchange

S.S.C CODE	NO.	NAME OF EXCHANGE	1983			Demand Distribution							
			Working Sub 1	Waiting Sub 2	Total 3	1985 4	1990 5	1995 6	2000 7				
		AVISSAWELLA S.S.C.											
AVS	1	Avissawella Dehiowita Labugama	222	34	256	362	699	1320		2448			
	2	Bulatkohupitiya	17	0	17	24	47	88		163			
	3	Deraniyagala	28	5	33	47	90	170		316			
	4	Ehaliyagoda Parakaduwa Yagama	67	83	150	213	410	774		1435			
	5	Kithulgala	11	3	14	20	39	73		134			
	6	Kosgama Hanwalle pugoda Waga	72	99	171	242	468	882		1636			
	7	Ruwanwella Waharaka Yatiantota	87	27	114	161	312	589		1091			
		Total	504	251	755	1069	2065	3896		7223			

Table 2-3 (4/30) Demand Distribution by Exchange

S.S.C CODE	S.S.C NO.	NAME OF EXCHANGE	1983			Demand Distribution						
			Workings Sub 1	Waiting Sub 2	Total 3	1985 4	1990 5	1995 6	2000 7			
		BADULLA S.S.C.										
BDL	1	Badulla Demodara Ettampitiya Glenalpin Halliela	477	150	627	885	1709	3232		5996		
	2	Bibile Medagama	39	3	42	60	115	217		403		
	3	Kandaketiya	3	0	3	5	9	16		29		
	4	Madulsima	15	0	15	22	41	78		144		
	5	Monaragala Buttala	91	54	145	205	396	747		1387		
	6	Namunukula	20	5	25	36	69	129		239		
	7	Padiyatalawa Mahaoya	13	1	14	21	39	73		135		
	8	Passara Badalkumbura Lunugala	92	9	101	143	276	522		968		
	9	Wellawaya	11	16	27	38	74	140		259		
	10	Mahiyangana	50	35	85	120	232	438		813		
		Total	811	273	1084	1535	2960	5592		10373		

Table 2-3 (6/30) Demand Distribution by Exchange

S.S.C CODE	S.S.C NO.	NAME OF EXCHANGE	1983			Demand Distribution						
			Working Sub 1	Waiting Sub 2	Total 3	1985 4	1990 5	1995 6	2000 7			
		BANDARAWELA S.S.C										
BNR	1	Ampitikanda	20	2	22	31	60	114	211			
	2	Bandarawela Diyatalawa Eliya Malwatta	458	74	532	750	1450	2742	5088			
	3	Haputale Haldummulla	97	23	120	169	327	619	1148			
	4	Koslanda	25	7	32	45	88	165	306			
	5	Welimada Gurutalawa	107	40	147	208	401	758	1406			
		Total	707	146	853	1203	2326	4398	8159			

Table 2-3 (7/30) Demand Distribution by Exchange

S.S.C CODE	NO.	NAME OF EXCHANGE	1983			Demand Distribution							
			Working Sub 1	Waiting Sub 2	Total 3	1985 4	1990 5	1995 6	2000 7				
		COLOMBO S.S.C.											
CNT	1	Angoda	126	148	274	353	682	1291					2396
	2	Boralesgamuwa	90	228	318	368	712	1347					2500
	3	Colombo central	15202	4000	19202	26111	50548	95645					177493
	4	Co-Havelock Town	9012	1425	10437	16959	32830	62120					115280
	5	Co-Maradana	6548	2221	8769	14370	27818	52637					97681
	6	Hokandara	53	66	119	299	580	1097					2035
	7	Homagama	115	183	298	395	765	1448					2688
	8	Ja-Ela	393	128	521	699	1353	2560					4750
	9	Kadawata	146	335	481	817	1582	2994					5556
	10	Kaduwela	65	112	177	523	1013	1916					3556
	11	Kelaniya	693	562	1255	2407	4660	8817					16362
	12	Kotte	2361	1629	3990	8378	16218	30688					56949
	13	Maharagama	355	774	1129	1356	2625	4966					9216
	14	Malwana(Biyagama)	67	120	187	323	625	1183					2195
	15	Moratuwa	872	780	1652	2246	4347	8226					15265
	16	Mount Lavinia	4950	2500	7450	9452	18297	34621					64248
	17	Nugegoda	2272	2273	4545	6096	11802	22331					41441
	18	Padukka	42	45	87	154	299	565					1049
	19	Piliyandala	155	130	285	503	973	1841					3417
	20	Ragama	159	136	295	506	979	1852					3438
	21	Wattala	448	426	874	1585	3068	5804					10772
	22	Wellampitiya	219	326	545	1444	2795	5288					9813
	23	Kollupitiya	1500	450	1950	3343	6472	12245					22720
	24	Mattakkuliya	625	240	865	1484	2871	5430					10082
		Total	46468	19237	65705	100171	193914	366912					680902

Table 2-3 (8/30) Demand Distribution by Exchange

S.S.C CODE	NO.	NAME OF EXCHANGE	1983				Demand Distribution							
			Working Sub 1	Waiting Sub 2	Total 3	1985 4	1990 5	1995 6	2000 7					
		CHILAW S.S.C												
CHW	1	Bingiriya	13	10	23	33	63	119	220					
	2	Chilaw	188	13	201	283	548	1036	1922					
	3	Madampe	43	46	89	126	243	459	851					
	4	Marawila	86	77	163	230	444	840	1558					
	5	Mundel Battaluoya Udappu	20	5	25	37	69	130	241					
	6	Rajakadaluwa	14	13	27	38	74	140	259					
		Total	364	164	528	747	1441	2724	5051					

Table 2-3 (9/30) Demand Distribution by Exchange

S.S.C CODE	S.S.C NO.	NAME OF EXCHANGE	1983			Demand Distribution							
			Working Sub 1	Waiting Sub 2	Total 3	1985 4	1990 5	1995 6	2000 7				
		GALLE S.S.C.											
GLE	1	Ambalangoda	276	116	392	552	1068	2019	3747				
	2	Baddegama	45	35	80	113	218	412	765				
	3	Elpitiya Pitigala	58	31	89	126	242	459	852				
	4	Galle Dodanduwa Yakkalamulla	1185	730	1915	2694	5215	9864	18305				
	5	Habaraduwa Ahangama	49	34	83	118	226	429	795				
	6	Imaduwa	13	12	25	36	69	129	239				
	7	Kosgoda	19	22	41	59	112	212	393				
	8	Nagoda	12	-	12	17	33	62	115				
	9	Udugama	16	7	23	33	63	119	220				
		Total	1673	987	2660	3748	7246	13705	25431				

Table 2-3 (10/30) Demand Distribution by Exchange

S.S.C CODE	NO.	NAME OF EXCHANGE	1983				Demand Distribution														
			Working Sub I	Waiting Sub 2	Total 3	1985 4	1990 5	1995 6	2000 7												
GMH		GAMPAHA S.S.C.																			
	1	Gampaha Urapola Ganemulila Kalagedihena	516	335	851	1198	2318														8136
	2	Mirigama Kotadeniyawa	48	69	117	165	319														1120
	3	Pallewela	8	4	12	17	33														115
	4	Pasyala Kaleliya	20	19	39	56	107														374
	5	Velliveriya Kirindiwela	59	38	97	137	265														929
	6	Veyangoda	141	80	221	311	602														2113
		Total	792	545	1337	1884	3644														12787

Table 2-3 (11/30) Demand Distribution by Exchange

S.S.C CODE	NO.	NAME OF EXCHANGE	1983			Demand Distribution						
			Working Sub 1	Waiting Sub 2	Total 3	1985 4	1990 5	1995 6	2000 7			
		HAMBANTOTA S.S.C.										
HMB	1	Ambalantota Hungama	45	39	84	119	230	434	804			
	2	Embilipitiya	44	40	84	119	229	433	803			
	3	Hambantota	117	54	171	241	466	881	1635			
	4	Kataragama	23	14	37	53	101	191	354			
	5	Tanamalwila	5	3	8	12	22	42	77			
	6	Thimbolketiya	12	1	13	19	36	67	125			
	7	Tissamaharama	38	33	71	100	194	366	679			
	8	Angunakolapelessa	12	3	15	22	41	78	144			
	9	Tangalle	98	44	142	200	387	732	1358			
	10	Beliatta	19	20	39	55	107	201	373			
	11	Walasmulla	22	9	31	44	85	160	297			
	12	Weeraketiya	21	5	26	37	71	134	249			
	13	Middeniya	10	5	15	15	28	52	96			
		Total	466	270	736	1036	1997	3771	6994			

Table 2-3 (12/30) Demand Distribution by Exchange

S.S.C CODE	S.S.C NO.	NAME OF EXCHANGE	1983				Demand Distribution				
			Working Sub 1	Waiting Sub 2	Total 3	1985 4	1990 5	1995 6	2000 7		
HTN	1	HATTON S.S.C. Agarapatana	46	8	54	76	147	279	517		
	2	Hatton Watagoda	411	51	462	651	1259	2380	4417		
	3	Norton-Bridge	19	10	29	41	79	150	278		
	4	Pundaluoya	40	13	53	75	145	273	507		
	5	Tillicountry	40	7	47	67	128	243	450		
	6	Upcot	22	2	24	34	66	124	230		
	7	Watawala Ginigathena	43	51	94	133	257	485	900		
		Total	621	142	763	1077	2081	3934	7299		

Table 2-3 (13/30) Demand Distribution by Exchange

S.S.C CODE	NO.	NAME OF EXCHANGE	1988			Demand Distribution				
			Working Sub 1	Waiting Sub 2	Total 3	1985 4	1990 5	1995 6	2000 7	
JFN	1	JAFFNA S.S.C Chavakachcheri	90	69	159	224	433	819	1520	
	2	Jaffna Atchchuvely Chunnakam Kopay Manipay	2102	1812	3914	5505	10657	20160	37413	
	3	Karaveddy Point-pedru Valvetiturai	189	214	403	568	1098	2077	3854	
	4	Kayts Karainagar Velanal	89	94	183	260	499	944	1751	
	5	Kilinochchi	124	115	239	337	651	1231	2285	
	6	Pallai	31	6	37	53	101	191	354	
	7	Pooneryn Punakari	9	3	12	17	33	62	115	
	8	Punkudutivu Deift Nainativu	17	15	32	47	88	166	307	
	9	Sitankerni Pandateruppu Vaddukkodai	91	102	193	273	526	995	1846	
	10	Tellipallai Alaveddi Kankesanturai	59	89	148	211	404	764	1416	
		Total	2801	2519	5320	7495	14490	27409	50861	

Table 2-3 (15/30) Demand Distribution by Exchange

S.S.C CODE	S.S.C NO.	NAME OF EXCHANGE	1983			Demand Distribution						
			Working Sub 1	Waiting Sub 2	Total 3	1985 4	1990 5	1995 6	2000 7			
		KANDY S.S.C.										
KND	1	Digana	114	11	125	177	341	645	1196			
	2	Galagedara Hatariyadda	61	21	82	116	224	423	785			
	3	Galaha	49	24	73	103	199	376	698			
	4	Kaduhannawa Menikdiwela	185	84	269	380	733	1387	2572			
	5	Kandy Gurudeniya Medamahanuwara Talatuoaya	2389	1641	4030	5669	10971	20757	38521			
	6	Katugastota Akurana Warallagama	379	352	731	1030	1991	3766	6988			
	7	Madulkele	30	8	38	54	104	196	364			
	8	Peradeniya Dauigala Gellioya Murutalawa	540	245	785	1106	2138	4044	7505			
	9	Wattesama Elkaduwa Panwilla	145	44	189	268	516	974	1808			
	10	Rikillagaskada Ilangufanketha	68	32	100	142	274	516	957			
	11	Gampola	390	76	466	656	1269	2400	4455			
	12	Pussellawa	52	11	63	89	172	325	603			
		Total	4402	2549	6951	9790	18932	35809	66452			

Table 2-3 (16/30) Demand Distribution by Exchange

S.S.C CODE	NO.	NAME OF EXCHANGE	1983			Demand Distribution			
			Working Sub 1	Waiting Sub 2	Total 3	1985 4	1990 5	1995 6	2000 7
KRG	1	KURUNEGALA S.S.C. Giriulla	44	21	65	92	177	335	622
	2	Hettipola Kobajjana	22	2	24	35	66	125	230
	3	Kuliyapitiya	161	18	179	252	489	923	1711
	4	Kurunegala Ibbamuwa Kohiyasedara Maspotha Mawathagama Pothuheta Uthmiya Wellawa	714	325	1039	1464	2832	5354	9935
	5	Narammala Katupotha	56	54	110	156	300	567	1053
	6	Nikadalupotha	11	3	14	20	39	73	134
	7	Pannala Gonawilla	24	17	41	59	112	212	393
	8	Polgahawela Alawa	127	60	187	264	510	964	1788
	9	Ridigama Dodangaslanda Gokarella Rambadagalla	47	9	56	80	154	291	537
	10	Wariyapola	40	33	73	103	199	376	698
	11	Nikaweratiya	46	32	78	110	213	402	746
	12	Galgamuwa	29	11	40	57	109	206	383
	13	Maho	44	20	64	90	175	330	612
		Total	1365	605	1970	2782	5375	10158	18842

Table 2-3 (17/30) Demand Distribution by Exchange

S.S.C CODE	NO.	NAME OF EXCHANGE	1983			Demand Distribution				
			Working Sub 1	Waiting Sub 2	Total 3	1985 4	1990 5	1995 6	2000 7	
KLT	1	Bentota	417	174	591	831	1609	3044	5649	
	2	Kalutara	601	210	811	1141	2208	4177	7752	
	3	Matugama	177	34	211	299	576	1089	2019	
	4	Agalawatta								
	5	Lalpandura								
	6	Welipanna								
	7	Migahatenna	9	16	25	36	69	129	239	
	8	Neboda	32	3	35	50	97	182	335	
	9	Tebuwana								
	10	Bulathsinghala	22	9	31	44	85	160	297	
	11	Mahagama								
		Total	1258	446	1704	2401	4644	8781	16291	

Table 2-3 (18/30) Demand Distribution by Exchange

S.S.C CODE	S.S.C NO.	NAME OF EXCHANGE	1983			Demand Distribution								
			Working Sub I	Waiting Sub 2	Total 3	1985 4	1990 5	1995 6	2000 7					
		KEGALLE S.S.C.												
KGL	1	Aranayake	22	8	30	43	82	155	287					
	2	Kesalle	319	65	384	541	1046	1979	3671					
	3	Kotiyakumbura	21	0	21	31	58	109	201					
	4	Mawanella	88	47	135	191	368	696	1292					
	5	Nelundeniya	10	0	10	15	28	52	96					
	6	Undugoda	15	0	15	22	41	78	144					
	7	Warakapola	50	69	119	168	325	614	1139					
	8	Rombukkana	62	2	64	90	175	330	612					
		Total	587	191	778	1101	2123	4013	7442					

Table 2-3 (19/30) Demand Distribution by Exchange

S.S.C		NAME OF EXCHANGE	1983			Demand Distribution				
CODE	NO.		Working Sub I	Waiting Sub 2	Total 3	1985 4	1990 5	1995 6	2000 7	
		MANNAR S.S.C.								
MNR	1	Adampan	11	3	14	20	39	73	134	
	2	Mannar Errukkalampidi	142	72	214	302	583	1103	2046	
	3	Pesalai	12	3	15	22	41	78	144	
	4	Talaimannar	21	6	27	38	74	140	259	
	5	Uvilankulam Nantan	14	8	22	32	61	115	211	
	6	Vidalativu	2	4	6	9	17	31	58	
	7	Chillavathura	10	-	10	15	28	52	96	
	8	Murunkan Madu road Madu Chruch	24	21	45	65	125	233	431	
		Total	236	117	353	503	968	1825	3379	

Table 2-3 (20/30) Demand Distribution by Exchange

S.S.C CODE	S.S.C NO.	NAME OF EXCHANGE	1983			Demand Distribution						
			Working Sub 1	Waiting Sub 2	Total 3	1985 4	1990 5	1995 6	2000 7			
		MATALE S.S.C.										
MTL	1	Dambulla Hobarana	76	19	95	134	259	490	909			
	2	Elahara Bakamuna	4	13	17	25	48	89	163			
	3	Mahawela Madipola Madawala Ulpotha	19	17	36	51	100	188	346			
	4	Matale Aukumbura Alawatugoda	567	206	773	1088	2105	3982	7391			
	5	Naula Galewela Kimbissa Nalanda	70	55	125	177	341	645	1197			
	6	Rattota Gammaduwwa Laggala Masua Eliya	35	24	59	84	162	306	566			
	7	Wilgomuwa	-	-	-	-	-	-	-			
		Total	771	334	1105	1559	3015	5700	10572			

Table 2-3 (21/30) Demand Distribution by Exchange

S.S.C		NAME OF EXCHANGE	1983			Demand Distribution				
CODE	NO.		Working Sub I	Waiting Sub 2	Total 3	1985 4	1990 5	1995 6	2000 7	
		MATARA S.S.C.								
MTR	1	Akuressa	55	11	66	93	180	340	631	
	2	Deniyaya	54	21	75	106	205	387	718	
	3	Dikwella	38	13	51	72	139	263	488	
	4	Hakmana	32	14	46	67	127	238	441	
	5	Kamburupitiya	55	19	74	105	203	382	708	
	6	Kottegoda	8	5	13	19	36	67	125	
	7	Matara	768	250	1018	1482	2771	5243	9731	
	8	Morawaka	17	10	27	38	74	140	259	
	9	Telijjawila	13	9	22	31	60	114	211	
	10	Urubokka	16	4	20	30	56	105	192	
	11	Weligama	95	75	170	240	463	876	1625	
	12	Mahaduwa	2	0	2	3	6	11	20	
		Total	1153	431	1584	2236	4320	8166	15149	

Table 2-3 (22/30) Demand Distribution by Exchange

S.S.C CODE	S.S.C NO.	NAME OF EXCHANGE	1983			Demand Distribution						
			Working Sub 1	Waiting Sub 2	Total 3	1985 4	1990 5	1995 6	2000 7			
		NAWALAPITIYA S.S.C.										
NWL	1	Craig Herd	7	-	7	10	20	37	67			
	2	Dolosbage	15	3	18	26	49	93	173			
	3	Kotmale	21	9	30	43	82	155	287			
	4	Nawalapitiya	191	86	277	390	754	1427	2648			
		Total	234	98	332	469	905	1712	3175			

Table 2-3 (23/30) Demand Distribution by Exchange

S.S.C CODE	S.S.C NO.	NAME OF EXCHANGE	1983			Demand Distribution						
			Working Sub 1	Waiting Sub 2	Total 3	1985 4	1990 5	1995 6	2000 7			
		NEGOMBO S.S.C.										
NGM	1	Badalagama	15	25	40	57	109	206	383			
	2	Dunagaha	83	83	166	234	452	855	1587			
	3	Katunayake	517	366	883	1242	2404	4548	8440			
	4	Lunvila	99	130	229	322	624	1180	2189			
	5	Negombo	1163	1235	2398	3372	6528	12350	22921			
	6	Sandalankawa	14	7	21	30	58	109	201			
	7	Kochchikade Dankotuwa	47	33	80	113	218	412	765			
		Total	1938	1879	3817	5370	10393	19660	36486			

Table 2-3 (24/30) Demand Distribution by Exchange

S.S.C CODE	S.S.C NO.	NAME OF EXCHANGE	1983			Demand Distribution												
			Working Sub 1	Waiting Sub 2	Total 3	1985 4	1990 5	1995 6	2000 7									
		NUWARA-ELUYA S.S.C.																
NWR	1	Halgranoya	50	5	55	78	150	284										526
	2	Maturata Padiyapelella	30	6	36	52	99	186										345
	3	Nuwara Elliya	628	102	730	1028	1989	3761										6979
	4	Ramboda	17	8	25	36	89	129										239
	5	Udapussalawa	30	3	33	47	90	170										316
	6	Bagawantalawa	48	21	69	98	188	356										660
	7	Maskeliya	64	17	81	114	221	418										775
	8	Talawakele	93	13	106	150	289	546										1014
	9	Watumulla Nizdandahinna	7	0	7	10	20	37										67
		Total	967	175	1142	1613	3115	5887										10921

Table 2-3 (25/30) Demand Distribution by Exchange

S.S.C CODE	S.S.C NO.	NAME OF EXCHANGE	1983			Demand Distribution							
			Working Sub 1	Waiting Sub 2	Total 3	1985 4	1990 5	1995 6	2000 7				
		POLONNARUWA S.S.C.											
PLN	1	Hingurakgoda	96	-	96	135	262	495	918				
	2	Polonnaruwa	204	-	204	287	556	1051	1950				
		Total	300	-	300	422	818	1546	2868				

Table 2-3 (26/30) Demand Distribution by Exchange

S.S.C CODE	NO.	NAME OF EXCHANGE	1983			Demand Distribution						
			Working Sub I	Waiting Sub 2	Total 3	1985 4	1990 5	1995 6	2000 7			
		PANADURA S.S.C.										
PND	1	Horana Govinna Ingiriya	217	45	262	370	714	1350	2505			
	2	Panadura Bandaragama	751	365	1116	1571	3038	5749	10668			
		Total	968	410	1378	1941	3752	7099	13173			

Table 2-3 (27/30) Demand Distribution by Exchange

S.S.C CODE	S.S.C NO.	NAME OF EXCHANGE	1983			Demand Distribution							
			Working Sub 1	Waiting Sub 2	Total 3	1985 4	1990 5	1995 6	2000 7				
		PUTTALAM S.S.C.											
PTL	1	Anamaduwa	18	14	32	45	88	165	306				
	2	Puttalam	134	113	247	348	673	1273	2361				
	3	Kalpitiya	12	18	30	43	82	155	287				
	4	Madurankuli	3	13	16	23	44	83	153				
	5	Mampuri	4	1	5	8	14	26	48				
		Total	171	159	330	467	901	1702	3155				

Table 2-3 (28/30) Demand Distribution by Exchange

S.S.C CODE	NO.	NAME OF EXCHANGE	1983			Demand Distribution						
			Working Sub 1	Waiting Sub 2	Total 3	1985 4	1990 5	1995 6	2000 7			
		RATNAPURA S.S.C.										
RTN	1	Balangoda	117	58	175	247	477	902	1673			
	2	Bambarabotuwa	14	0	14	20	39	73	134			
	3	Kalawana	16	6	22	31	60	114	211			
	4	Kiriella	18	4	22	32	60	114	212			
	5	Nivitigala	39	35	74	105	202	382	708			
	6	Pelmadulla Atakalampanna Kahawatta	81	198	279	394	761	1439	2668			
	7	Rakwana Godakawela Kofonne	65	13	78	111	214	403	747			
	8	Ratnapura Kuruwita	342	489	831	1169	2263	4281	7944			
		Total	692	803	1495	2109	4076	7708	14297			

Table 2-3 (29/30) Demand Distribution by Exchange

S.S.C CODE	S.S.C NO.	NAME OF EXCHANGE	1983			Demand Distribution						
			Working Sub 1	Waiting Sub 2	Total 3	1985 4	1990 5	1995 6	2000 7			
		TRINCOMALLEE S.S.C.										
TRN	1	China-Bay Kinniya	49	17	66	94	181	341	632			
	2	Kantalei	39	6	45	64	123	232	431			
	3	Killiveddi	5	1	6	9	17	31	58			
	4	Kuchchaveli	7	1	8	12	22	42	77			
	5	Morawewa Gomarankadawela	9	1	10	16	28	52	96			
	6	Mutur	19	10	29	41	79	150	278			
	7	Nilaveli	14	14	28	40	77	145	268			
	8	Pulmudai Padavisipura	5	-	5	8	15	27	49			
	9	Seruwila Toppur	7	-	7	11	20	37	68			
	10	Thampalakamam	7	1	8	12	22	42	77			
		Trincomalee	512	38	550	774	1498	2833	5257			
		Total	673	89	762	1081	2082	3932	7291			

Table 2-3 (30/30) Demand Distribution by Exchange

S.S.C CODE	S.S.C NO.	NAME OF EXCHANGE	1983			Demand Distribution				
			Working Sub 1	Waiting Sub 2	Total 3	1985 4	1990 5	1995 6	2000 7	
VNY	1	VAVUNIYA S.S.C. Mulativu	40	35	75	106	205	387	717	
	2	Muthiyawela	9	3	12	17	33	62	115	
	3	Nedunkerni Puthkudiruppu Oddichudan Mulliyawalai	23	26	49	70	134	254	471	
	4	Padaviya	9	2	11	16	30	57	106	
	5	Vavuniya Omantai	213	152	365	514	994	1880	3489	
	6	Mankulam Tunukai Yogapuram	29	21	50	72	138	259	480	
		Total	323	239	562	795	1534	2899	5378	