

スリランカ
民主社会主義共和国
全国電気通信網整備計画
調査報告書

— 第2分冊(付属書) —

昭和60年10月

国際協力事業団

開 二

85 - 132

スリランカ
民主社会主義共和国
全国電気通信網整備計画
調査報告書

— 第2分冊(付属書) —

JICA LIBRARY



1030643E9J

昭和60年10月

国際協力事業団

国際協力事業団	
受入 月日 '85.12.21	120
	78
登録No. 12246	SDS

目 次

(第2分冊 付属書)

概 要	1
略号表, 局名コード表	3
第1章 進行中又は計画中の電気通信プロジェクトの概要	11
1. MASプロジェクト 表1-1	14
2. IDAプロジェクト 表1-2	15
3. Hambantotaプロジェクト 表1-3	17
4. WCYプロジェクト 表1-4	21
第2章 需要予測と需要分散	29
1. 集中局別需要統計 表2-1	32
2. 市町村別需要分散 表2-2	34
3. 電話局別需要分散 表2-3	65
第3章 トラヒック予測と回線算出	95
1. 端局(LE)毎のトラヒック予測と回線算出 表3-1	98
2. 集中局(SSC)間トラヒック予測と回線算出 表3-2	111
3. コロンボ首都圏中継線トラヒックと回線算出 表3-3~3-5	113
4. 伝送路回線収集図 図3-1~3-6	125
第4章 通信網拡充計画	157
1. 交換機増設計画 表4-1~4-5	161
2. 伝送路増設計画 表4-6~4-8	205
3. 線路網増設計画 表4-9~4-11	229
図4-1~4-3	279

概 要

概 要

第2分冊には、第1分冊の「付属書」としてスリランカ民主社会主義共和国全国電気通信網整備計画調達の詳細な検討結果を収録してある。

略号表，局名コード表

第1編（本文）および第2編（付属書）に使用されている略号，および局名・コードは本表により統一する。

LIST OF ABBREVIATIONS

CADS	Colombo Area Development Scheme
CAMA	Centralized Automatic Message Accounting
ESS	Electronic Switching System
FTZ	Free Trade Zone
GDP	Gross Domestic Product
IDA	International Development Association
IPZ	Investment Promotion Zone
ISC	International Switching Center
LAMA	Local Automatic Message Accounting
LE	Local Exchange
MC	Maintenance Center
OCADS	Outer Colombo Area Development Scheme
OTS	Overseas Telecommunications System
Rs	Rupees
RSU	Remote Switching Unit (Digital)
SEAMEE	Submarine Cable Project between Sri Lanka and Indonesia
SLTD	Sri Lanka Telecommunications Department
SPC	Stored Program Control
SSC	Secondary Switching Center
SXS	Step-by-Step Switching Equipment
TD	Time Division type (Digital) Equipment
TSC	Tertiary Switching Center
WCY	World Communications Year (Project)
XB	Cross-bar Switching Equipment
XB-SE	Semi-electronic XB Switching Equipment
16-QAM	16 level Quadruple Amplitude Modulation

Abbreviations for each exchange name are shown
in another list "Exchange Name and Code List".

EXCHANGE NAME AND CODE LIST

EXCHANGE NAME	EXCHANGE CODE	EXCHANGE NAME	EXCHANGE CODE	EXCHANGE NAME	EXCHANGE CODE
ADAMPAN	ADM	BAKAMUNA	BKM	DEHIOWITA	DHW
AGALAWATTA	AGL	BALANGODA	BLN	DELFT	DLF
AGARAPATANA	AGR	BAMBARABOTUWA	BMB	DEMODARA	DMD
AHANGAMA	AHN	BANDARAWELA	BNR	DENIYAYA	DNY
AKKARAPATTU	AKP	BATTALUOYA	BTY	DERANIYAGALA	DRN
AKURANA	AKR	BATTICALOA	BTC	DEYYANDARA	DYN
AKURESSA	AKS	BELIATTA	BIT	DIGANA	DGN
ALAVEDDI	ALV	BELIHULOYA	BLH	DIKWELLA	DKW
ALAWATUGODA	ALT	BENAGAMUWA	BNG	DIYATALAWA	DYT
ALAWWA	ALW	BENTOTA	BNT	DODANDUWA	DND
AMBALANGODA	AMB	BERALAPANATAPA	BRL	DODANGASLANDA	DNS
AMBALANTOTA	AML	BIBILE	BLE	DOLOSBAE	DLS
AMBANPITIYA	AMP	BINGIRIYA	BNY	DUNAGAHA	DNG
AMBANPOLA	AMN	BORAGAS	BRG		
AMPARA	AMR	BORALESGAMUWA	BRS		
AMPITIKANDA	AMK	BULATKOHUPITIYA	BLK		
ANAMADUWA	AND	BUTTALA	BTL	EHALIYAGODA	EHL
ANGODA	ANG	BUTATHSINGHALA	BTS	ELAHERA	ELH
ANGUNUKOLAPELESSA	ANK			ELAYAPATTUWA	ELY
ANKUMBURA	ANM			ELKADUWA	ELK
ANURADAPURA	ANR			ELLA	ELA
ARANAYAKE	ARN	CHAVAKACHHERI	CHV	ELPITIYA	ELP
ATAKALAMPANNA	ATK	CHEDDIKULAM	CHD	EMBILIPITIYA	EMB
ATCHUVELY	ATC	CHILLAVATHURA	CHL	EPPAWALA	EPW
AVISSAWELLA	AVS	CHILLAW	CHW	ERRUKKALAMPIDDI	ERK
AYAGAMA	AYG	CHINABAY	CHN	ETTAMPITIYA	ETM
		CHUNNAKAM	CHK		
		COLOMBO-CENTRAL	CNT		
		CRAIG-HEAD	CRG		
BADALGAMA	BDM			GALAGEDARA	GLG
BADALKUMUEURA	BDK			GALAHA	GLH
BADARAGAMA	BND			GALAPITAMADA	GLT
BADDEGAMA	BDG	DAMBULLA	DMB	GALENBINDUNUWEWA	GLB
BADULLA	BDL	DANKOTUWA	DNK	GALEWELA	GLW
BAGAWANTALAWA	BGW	DAULAGALA	DLG	GALGAMUWA	GLM

EXCHANGE NAME	EXCHANGE CODE	EXCHANGE NAME	EXCHANGE CODE	EXCHANGE NAME	EXCHANGE CODE
GALLE	GLE	HEWAHETA	HWH	KANDY	KND
GALNEWA	GLN	HINGURAKGODA	HNG	KANKESANTURAI	KNS
GAMADUWA	GMD	HINGURANA	HNR	KANTALE	KNT
GAMPAHA	GMP	HOKANDARA	HKN	KARAINAGAR	KRA
GAMPOLA	GMP	HOMAGAMA	HMG	KARAVEDDY	KRV
GANEMULLA	GNM	HORANA	HRN	KATAPAGAMA	KTR
GELIOYA	GLY	HOROWPATANA	HRW	KATUGASTOTA	KTS
GINIGATHENA	GNG			KATUNAYAKA	KTN
GIRIULLA	GRL			KATUPOTHA	KTU
GLEN-ALPIN	GLP			KATUWANA	KTW
GODAKAWELA	GDK	IBBAGAMUWA	IBG	KAYTS	KYT
GOKARELLA	GKR	IMADUWA	IMD	KEBITTIGOLLEWA	KBT
GOMARANKADAWELA	GMR	INGIRIYA	ING	KEGALLE	KGL
GOMILA	GML	IPOLOGAMA	IPL	KEKIRAWA	KRW
GONAWILA	GNW			KELANIYA	KLA
GOWINNA	GWN			KILINCHCHI	KLC
GURDENIYA	GRD	JA-ELA	JLA	KILLIVEDDI	KLV
GURUTALAWA	GRT	JAFFNA	JFN	KIMBISSA	KMB
				KINNIYA	KNY
				KIRIELLA	KRL
HABARADUWA	HRB			KIRJINDIWELA	KRN
HABARANA	HRN	KADAWATA	KDT	KITHULGALA	KTH
HAKMANA	HKM	KADUGANNAW	KDG	KOBAIGANE	KBG
HALDUMMULLA	HLD	KADUWELA	KDW	KOCHCHIKADE	KCH
HALGRANOYA	HLG	KAHATAGASDIGILLIYA	KHT	KODIKAMAM	KDK
HALIELA	HLA	KAHAWATTA	KHW	KOHOLAGEARA	KHL
HAMBANTOTA	HMB	KALAGEDIHENA	KLG	KOLONNE	KLN
HANGURANKETHA	HNK	KALAWANA	KLW	KOPAY	KPY
HANWELLA	HNW	KALELIYA	KLY	KOSGAMA	KSM
HAPUTALE	HPT	KALMUNAI	KLM	KOSGODA	KSG
HATARALIYADDA	HTR	KALPITIYA	KLP	KOSLANDA	KSL
HATTON	HTN	KALUTARA	KLT	KOTADENIYAWA	KTD
HAVELOCK	HVL	KAMBURUPITIYA	KMR	KOTAGALA	KTL
HEMATAGAMA	HMT	KANDAKETTIYA	KNK	KOTAPOLA	KTP
HETTIPPOLA	HTP	KANDEPOLA	KNP	KOTIYAKUMBURA	KTY
				KOTMALE	KTM

EXCHANGE NAME	EXCHANGE CODE	EXCHANGE NAME	EXCHANGE CODE	EXCHANGE NAME	EXCHANGE CODE	EXCHANGE NAME	EXCHANGE CODE
KOTTE	KTE	MAMPURI	MPR	NAINATIVU	NTV		
KOTTEGODA	KTG	MANIPAY	MNP	NALANDA	NLN		
KUCHCHAVELI	KCV	MANKULAM	MNK	NAMUNUKULA	NMN		
KULIYAPITIYA	KYP	MANNAR	MNR	NANTAN	NTN		
KURUNEGALA	KRG	MARADANA	MRD	NARAMMALA	NRM		
KURUWITA	KRT	MARADANKADAWELA	MRN	NAULA	NLA		
		MARAWILA	MWL	NAWALAPITIYA	NWL		
		MASKELIYA	MSK	NEBODA	NBD		
		MASPOTHA	MSP	NEDUNKERNI	NDN		
LABUGAMA	LBG	MATUGAMA	MTG	NEGAMPAHA	NGP		
LAGGALA	LGL	MATURATA	MTA	NEGOMBO	NGM		
LAHUGALA	LHG	MAUSSA-ELIYA	MSL	NELUNDENIYA	NLD		
LATPANDURA	LTP	MATALE	MTL	NIKADALUPOTHA	NKD		
LUNUGALA	LNG	MATARA	MTR	NIKAWERATIYA	NKW		
LUNJWILA	LNW	MAWANELLA	MWN	NILAWELI	NLW		
		MAWATAGAMA	MWT	NILDANDAHINNA	NLD		
		MEDAGAMA	MDG	NIVITIGALA	NVT		
		MEDAMAHANUWARA	MDM	NOCHCHIYAGAMA	NCH		
MADAMPE	MDP	MEDAWACHCHIYA	MDH	NORTON-BRIDGE	NRT		
MADAWALA-ULPATHA	MDW	MEEGAHATENNA	MGH	NUGEGODA	NGD		
MADIPOLA	MDL	MENIKOIWELA	MNW	NUWARA-ELIYA	NWR		
MADUCHURCH	MDC	MIDDENIYA	MDN				
MADULKELE	MDL	MIHINTALE	MHN				
MADULSIMA	MDS	MIRIGAMA	MRG				
MADURANKULI	MDK	MONARAGALA	MNG	ODDICHUDAN	ODC		
MADUROAD	MDR	MORATUWA	MRT	OMANTAI	OMN		
MAHADUWA	MHD	MORAWAKA	MWK				
MAHAGAMA	MHG	MORAWEWA	MRW				
MAHAILUPPALLAMA	MHL	MOUNT-LAVINIYA	MNL				
MAHAOYA	MHY	MULATIVU	MLT	PADAVISIPURA	PDS		
MAHARAGAMA	MHR	MULLIYAWALAI	MLY	PADAVIYA	PDV		
MAHAWELA	MHW	MUNDEL	MND	PADIYAPALALLA	PDY		
MAHIYANGANA	MHI	MURUNKAN	MRK	PADIYATALAWA	PDT		
MAHO	MHC	MURUTALAWA	MRL	PADUKKA	PDK		
MALWANA	MLW	MUTHIYANWELA	MTH	PALLAI	PLI		
MALWATTA	MLA	MUTUR	MTU	PALLEWELA	PLW		

EXCHANGE NAME	EXCHANGE CODE	EXCHANGE NAME	EXCHANGE CODE	EXCHANGE NAME	EXCHANGE CODE	EXCHANGE NAME	EXCHANGE CODE
PANADURA	PND	RANGALA	RNG	TRINCOMALEE	TRN		
PANDATERUPPU	PNT	RANNA	RNA	TUNTOTA	TNT		
PANNALA	PNL	RATMALGAHAWEWA	RTM	TUNUKAI	TNK		
PANWILA	PNW	RATNAPURA	RTN				
PARAKADUWA	PRK	RATTOTA	RTA				
PASSARA	PSR	RIDIGAMA	RDG	UDAPPU	UDP		
PASYALA	PSY	RIKILLAGASKADA	RKL	UDAPUSSELLAWA	UDS		
PELMADULLA	PLD	RUWANWELLA	RWN	UDUBEDDAWA	UDE		
PERADENIYA	PRD			UDUGAMA	UDG		
PESALAI	PSL			URUMIYA	UHM		
PILIYANDALA	PLY	SANDALANKAWA	SND	ULAPANE	ULP		
PITIGALA	PTG	SERUWILA	SRW	UNDUGODA	UND		
POINT-PEDRU	PNP	SIPPUKULAM	SPK	UPCOOT	UPC		
POLGAHAWELA	PLG	SITANKERNI	STN	URAPOLA	URP		
POLONNARUWA	PLN			URUBOKKA	URB		
POTHUHERA	PTR			URUGASAMANENDIYA	URG		
PUGODA	PGD			UYILANKULAMA	UYL		
PULMUDAI	PLM	TALAIMANNAR	TLM				
PUNAKARI	PNR	TALATUOYA	TLT				
PUNDALUOYA	PNY	TALAWA	TLW				
PUNKUDUTIVU	PNK	TALAWAKELE	TLK	VADDUKKODDAI	VDK		
PUSSELAWA	PSW	TALGASWELA	TLG	VALACHCHANAI	VLC		
PUTHUKUDIRUPPU	PTH	TAMBUUTTEGAMA	TMB	VAVUNIYA	VNY		
PUTTALAM	PTL	TANAMALWILA	TNM	VELANAI	VLN		
POONERYN	PON	TANGALLE	TNG	VELIVERIYA	VLV		
		TEBUWANA	TBW	VELVETITURAI	VLT		
		TEL DENIYA	TLD	VEYANGODA	VYN		
RADDELLA	RDL	TELLIJJAWILA	TLJ	VIDALATIVU	VDT		
RAGAMA	RGM	TELLIPALLAI	TLP	VIJITHAPURA	VJT		
RAJAKADALUWA	RJK	THAMPALAKAMAM	THP				
RAKWANA	RKW	THIMBOLKETIYA	THM				
RAMBAWA	RMW	TILLICOUNTRY	TLC				
RAMBODA	RMB	TIRIPANE	TRP				
RAMODAGALLA	RMD	TISSAMAHARAMA	TSM				
RAMBUKKANA	RMK	TOPPUR	TPR				
				WAGA	WGA		
				WAHARAKA	WHR		
				WALASMULLA	WLS		

EXCHANGE NAME EXCHANGE CODE

WARAKAPOLA WRK
 WARIYAPOLA WRY
 WATAGODA WTC
 WATAWALA WTW
 WATTALA WTL
 WATTEGAMA WTM
 WEERAKETIYA WRT
 WELIMADA WLD
 WELIPENNA WLN
 WELLAMPITIYA WLP
 WELAVAYA WLY
 WELLAWA WLW
 WERALLAGAMA WRL
 WATUMULLA WML
 WELIGAMA WLG

YAKKALAMULLA YKL
 YATIYANA TTY
 YATIYANTOTA YTN
 YOGAMA YGM
 YOGAPURAM YGP

第1章 進行中又は計画中の 電気通信プロジェクトの概要

第 1 章 進行中または計画中の電気通信プロジェクトの概要

現在、スリランカ国で進行中の、または計画中の電気通信プロジェクトの概要を以下に示す。

なお、本長期計画では、ここに示すプロジェクトは全て完了したものとして、既設設備として取扱った。

- | | |
|-----------------------|---------|
| (1) M A S プロジェクト | 表 1 - 1 |
| (2) I D A プロジェクト | 表 1 - 2 |
| (3) Hambantota プロジェクト | 表 1 - 3 |
| (4) W C Y プロジェクト | 表 1 - 4 |

表 1-1 MASプロジェクト

Base Station	RF	CH	Exchange	No. of Subs
Namunukula		4	Badulla	16
Hambantota		8	Hambantota	8
Ratnapura		8	Ratnapura	12
Jaffna		4	Jaffna	16
Galle		4	Galle	8
Katunayake		4	Katunayake	8
Matara		4	Matara	N.A.
Gampaha		4	Gampaha	6
Puttalam		4	Puttalam	5
Polonnaruwa		10	Polonnaruwa	N.A.
Batticaloa		4	Batticaloa	3
Diggana		4	Kandy	N.A.
Kalmunai		4	Kalmunai	N.A.
Awissawella		4	Awissawella	N.A.
Tangalle		4	Tangalle	N.A.
Bandarawela		6	Bandarawela	N.A.
Anuradhapura		8	Anuradhapura	11
Kurunegala		8	Kurnegala	20
Colombo		16	Colombo	13
Suriyakanda		8	Ratnapura	N.A.
Chilaw		8	Chilaw	7
Trincomalee		8	Trincomalee	17
Amparai		8	Amparai	N.A.

Note-

N.A. : Not Available

表 1 - 2 I D A プロジェクト

1. Provision of Switching Equipment

(1) Newly Established (SPC Digital Type)

- a) Tertiary Centre : Kandy
Galle

- b) Secondary Centre : Trincomalee
Matale
Negombo
Kegalle
Nuwara-Eliya
Bandarawella
Awissawella
Kalutara

c) Remote Switching Unit:

All R.S.U.s are newly established by IDA project.

(2) Expansion (SPC Digital Type)

- a) Tertiary Centre : Anuradhapura
Colombo

- b) Secondary Centre : Jaffna
Kurunegala
Badulla
Ratnapura

(3) Automatic Number Identification for Analogue Exchanges

- a) Tertiary Centre : Kandy (two units)
Galle

- b) Secondary Centre : Gampaha
Negombo
Nawalapitiya
Hatton
Panadura
Matara
Hambantota

c) Local Exchange : Mt Laviniya

(4) Centralized Automatic Message Accounting for T S C

Colombo
Kandy
Anuradhapura
Galle

2 Provision of Transmission Link

(1) Trunk Lines between Tertiary Centre and Secondary Centre.

Main trunk line is 4GHz 68 Mbit/s or 8GHz 68 Mbit/s digital radio system and some spur routs are 17 Mbit/s or 34 Mbit/s digital radio systems of 2 GHz band.

Most of entrance systems between exchange stations and radio terminal stations are cable PCM systems. Only one entrance system between Kandy and Primrose-Hill is 34 Mbit/s optical fiber system.

All transmission links are interfaced with digital switching system on 2 Mbit/s stage.

(2) Junction Link between Secondary Centre, Independent EX and Remote Switching Unit

Junction link consists of 2 GHz UHF radio system and cable PCM system. There are three type capacities in 2 GHz UHF system, those are 34 Mbit/s, 17 Mbit/s and 4 Mbit/s.

Total, 68 links are established in all of Sri Lanka.

All transmission links are interfaced with digital switching system on 2 Mbit/s stage.

3. Construction of new Building and Erection of Antenna Supporting Tower

36 stations are newly constructed and 53 towers are newly erected.

4. Provision of Subscriber Network

(1) Subscriber cable network is installed in each exchange area.

(2) Multi-access subscriber radio systems are expanded in many areas.

表1-3 Hambantotaプロジェクト

1. Provision of Switching Equipment (SPC Digital Type)

(1) Secondary Centre	:	Hambantota	
(2) Independent EX	:	Hambantota	: 400 lines
		Ambalantota	: 500 lines
		Embilipitiya	: 500 lines
		Tissamaharama	: 400 lines
		Tangalle	: 500 lines
(3) Remote Switching Unit	:	Kataragama	: 256 Lines
		Angunakolapelessa	: 192 Lines
		Tanamalwila	: 64 Lines
		Hungama	: 192 Lines
		Timbolketiya	: 128 Lines
		Middeniya	: 192 Lines
		Weeraketiya	: 192 Lines
		Walasmulla	: 192 Lines
		Beliatta	: 300 Lines

2. Provision of Junction Network between Secondary Centre, Independent EX and Remote Switching Unit

(1) Digital Radio Link

- a. Hambantota - Kataragama Peak
- b. Kataragama Peak - Tanamalwila
- c. Hambantota - Tissamaharama
- d. Hambantota - Embilipitiya
- e. Embilipitiya - Timbolketiya
- f. Hambantota - Ambalantota
- g. Ambalantota - Hungama
- h. Hambantota - Angunakolapelessa
- i. Hambantota - Tangalle
- j. Tangalle - Middeniya Transmission Station
- k. Tangalle - Weeraketiya (Kandegola)

(2) PCM Cable Link

- a. Kataragama Peak - Kataragama
- b. Middeniya Transmission - Middeniya
- c. Weeraketiya (Kandegala) - Weeraketiya
- d. Weeraketiya - Walasmulla

3. Provision of Trunk Line to Galle TSC

- (1) Hambantota - Suriyakanda :
17 Mbit/s digital radio system (fully equipped)
(2 Mbit/s x 8)
- (2) Interconnection with 68 Mbit/s digital microwave link
(provided by IDA project) on 34 Mbit/s stage by using
3rd order digital MUX in Suriyakanda.
- (3) Interface with digital switching equipment in Galle
TSC by using 3rd and 2nd order digital MUX (2Mbit/s x 8)

4. Erection of Antenna Supporting Tower

- (1) Ambalantota : 40m high, self-supporting tower
- (2) Angunakolapelessa : 50m high, guyed mast
- (3) Embilipitiya : 70m high, guyed mast (replace)
- (4) Hambantota : 75m high, self-supporting tower (replace)
- (5) Hungama : 50m high, guyed mast
- (6) Kataragama peak : 10m high, roof-top
- (7) Middeniya transmission st. : 85m high, guyed mast
- (8) Tanamalwilla : 20m high, guyed mast
- (9) Timbolketiya : 40m high, guyed mast
- (10) Tissamaharama : 50m high, self-supporting Tower
- (11) Weeraketiya (Kandegala) : 20m high, self-supporting Tower

5. Provision of Subscriber Network

- (1) Installation of subscriber cable network in each exchange
area
 - a. Ambalantota
 - b. Angunakolapelessa
 - c. Beliatta
 - d. Embilipitiya
 - e. Hambantota
 - f. Hungama
 - g. Kataragama
 - h. Middeniya
 - i. Tanamalwila
 - j. Tangalle
 - k. Timbolketiya
 - l. Tissamaharama
 - m. Walasmulla
 - n. Weeraketiya

- (2) Installation of multi-access subscriber radio
 - (a) Installation of base station in the following two sites :
 - Kataragama Peak
 - Middeniya transmission station
 - (b) Provision of subscriber radio terminals
30 terminals for each base station.
- (3) Supply of telephone sets
3,100 sets in total

6. Provision of Power and Air Conditioning Equipment

- (1) Rectifiers and batteries will be installed in all exchanges, RSUs and transmission stations except Suriyakanda.
- (2) Diesel engine generators will be installed in the following stations:
 - Embilipitiya (Replace)
 - Ambalantota
 - Tissamaharama
 - Tanamalwila
- (3) One trailer-mounted stand-by generator will be provided to serve longer power cuts at any location of network. The base location of this generator is Hambantota.
- (4) Air Conditioning equipment will be provided in the following stations:
 - Tangalle
 - Embilipitiya
 - Ambalantota
 - Tissamaharama
 - Hambantota.

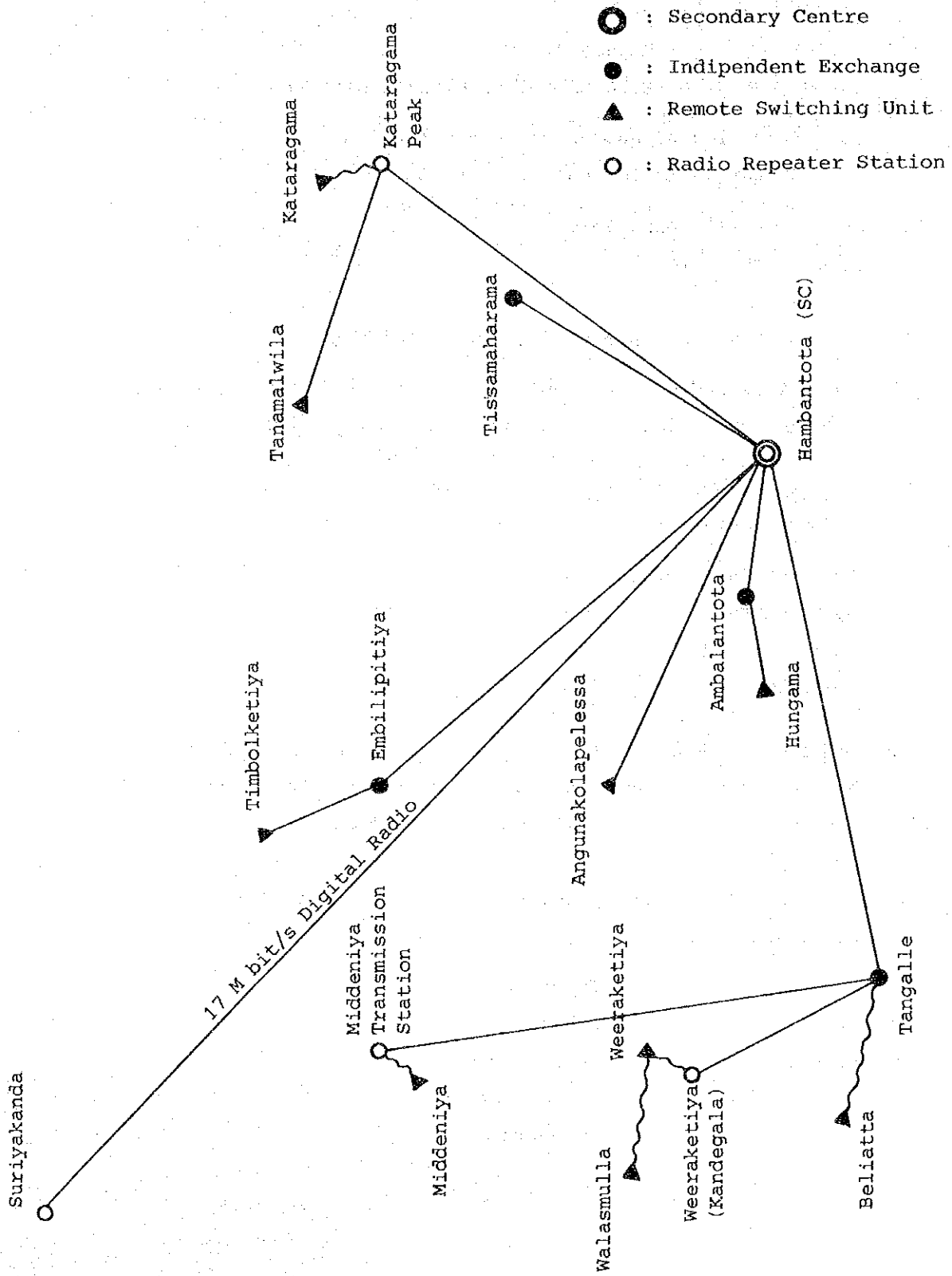


Fig. 1-1 Transmission Route Map on Hambantota Project

表 1 - 4 WCYプロジェクト
(ITU WCY SRL.1 Project)

1. Provision of Digital Radio Link

(1) Colombo - Gampaha : 2GHz 17 Mbit/s system

a) Colombo Side

2 Mbit/s interface with NEAX 61 (2 Mbit/s x 4)

b) Gampaha Side

Voice interface with C460 (30ch x 4)

(2) Gampaha - Mirigama : 2GHz 4 Mbit/s system

a) Gampaha Side

Voice interface with C460 subscriber terminal or
manual board (30ch x 2)

b) Mirigama Side

Voice interface with PLESSY Exchange (30ch x 1)

Voice interface with subscriber (DEL) (30ch x 1)

(3) Gampaha - Pasyala : 2 GHz 4 Mbit/s system

a) Gampaha Side

Voice interface with C460 subscriber terminal or
manual board (30ch x 2)

b) Pasyala Side

Voice interface with subscriber (DEL) (30ch x 2)

2 Erection of Antenna Supporting Tower

(1) Gampaha : 50 m high, self-supporting tower

(2) Mirigama : 35 m high, guyed mast

(3) Pasyala : 60 m high, guyed mast

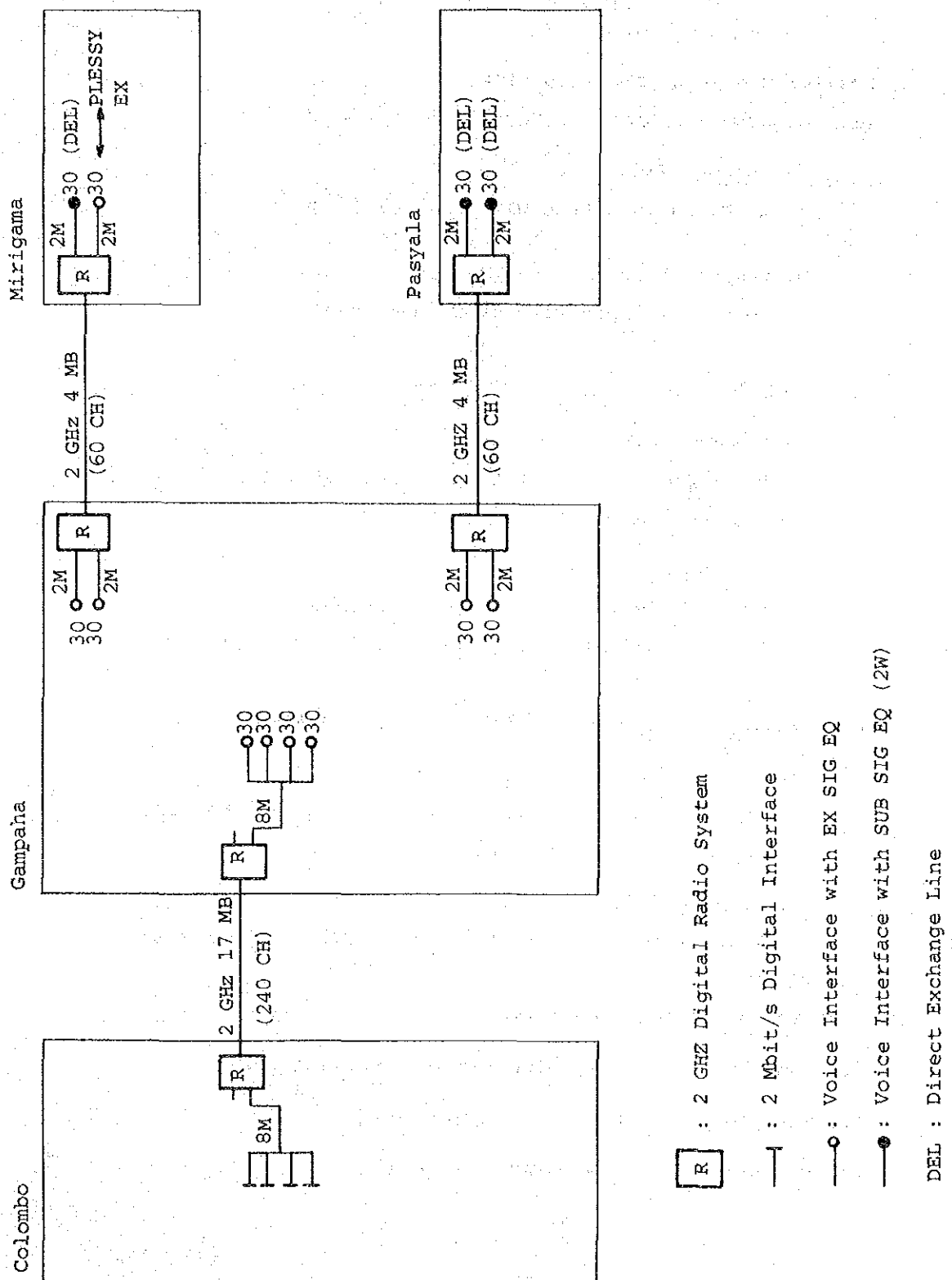


Fig. 1-2 Multiplex Configuration in WCY Project for Gampaha District

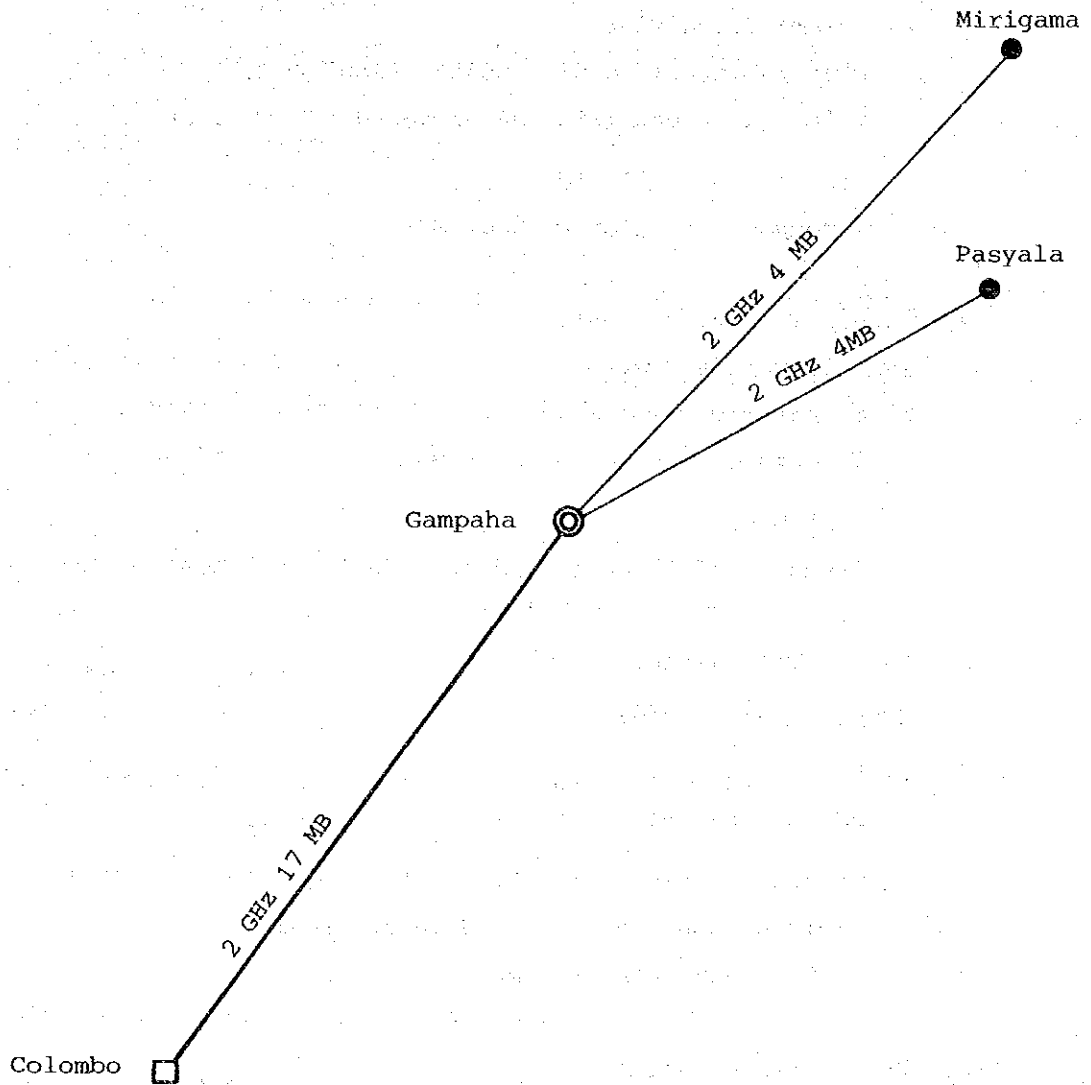


Fig. 1-3 Transmission Route Map on WCY Project in Gampaha District

Scope of WCY Project in Hatton District
(ITU WCY SRL.1 Project)

1. Provision of Digital Radio Link

(1) Nuwara Eliya - Single Tree Hill:

2GHz 17 Mbit/s system

a. Nuwara Eliya Side

2Mbit/s interface with NEAX61 (2Mbit/s x 3)
voice interface with manual board (30 ch x 1)

b. Single Tree Hill Side

Through connection without MUX

(2) Single Tree Hill - Dell:

2GHz 17 Mbit/s system

a. Single Tree Hill Side

Through connection without MUX

b. Dell Side

Branch to Talawakele and Kirkoswald with MUX

(3) Dell - Talawakele:

2GHz 4 Mbit/s system

a. Dell Side

2Mbit/s interface with 17Mbit/s radio system

b. Talawakele Side

2Mbit/s interface with RSU to be provided
by the Department (2 Mbit/s x 2)

(4) Dell - Kirkoswald :

2GHz 4 Mbit/s system

a. Dell Side

2 Mbit/s interface with 17Mbit/s radio system

b. Kirkoswald Side

2 Mbit/s interface with cable PCM system
to Bogawantalawa and Maskeliya

2. Provision of Cable PCM Link

(1) Kirkoswald - Bogawantalawa :

2 Mbit/s cable PCM 1 system, 3 regenerators

a. Kirkoswald Side

2Mbit/s interface with 4Mbit/s digital radio system

b. Bogawantalawa Side

voice interface with existing RAX (30 ch x 1)

(2) Kirkoswald - Maskeliya :

2Mbit/s cable PCM 1 system, 5 regenerators

a. Kirkoswald Side

2Mbit/s interface with 4 Mbit/s digital radio system

b. Maskeliya Side

2Mbit/s interface with RSU to be provided by the
Department.

3. Provision of RSU to be connected with Nuwara Eliya
digital exchange (NEAX61) to the following stations:

(1) Bogawantalawa

(2) Maskeliya

This provision is to be excuted by the Department.

4. Erection of Antenna Supporting Tower

(1) Dell : 50m high, guyed mast

(2) Talawakelle : 35m high, guyed mast

(3) Kirkoswald ; 35m high, guyed mast

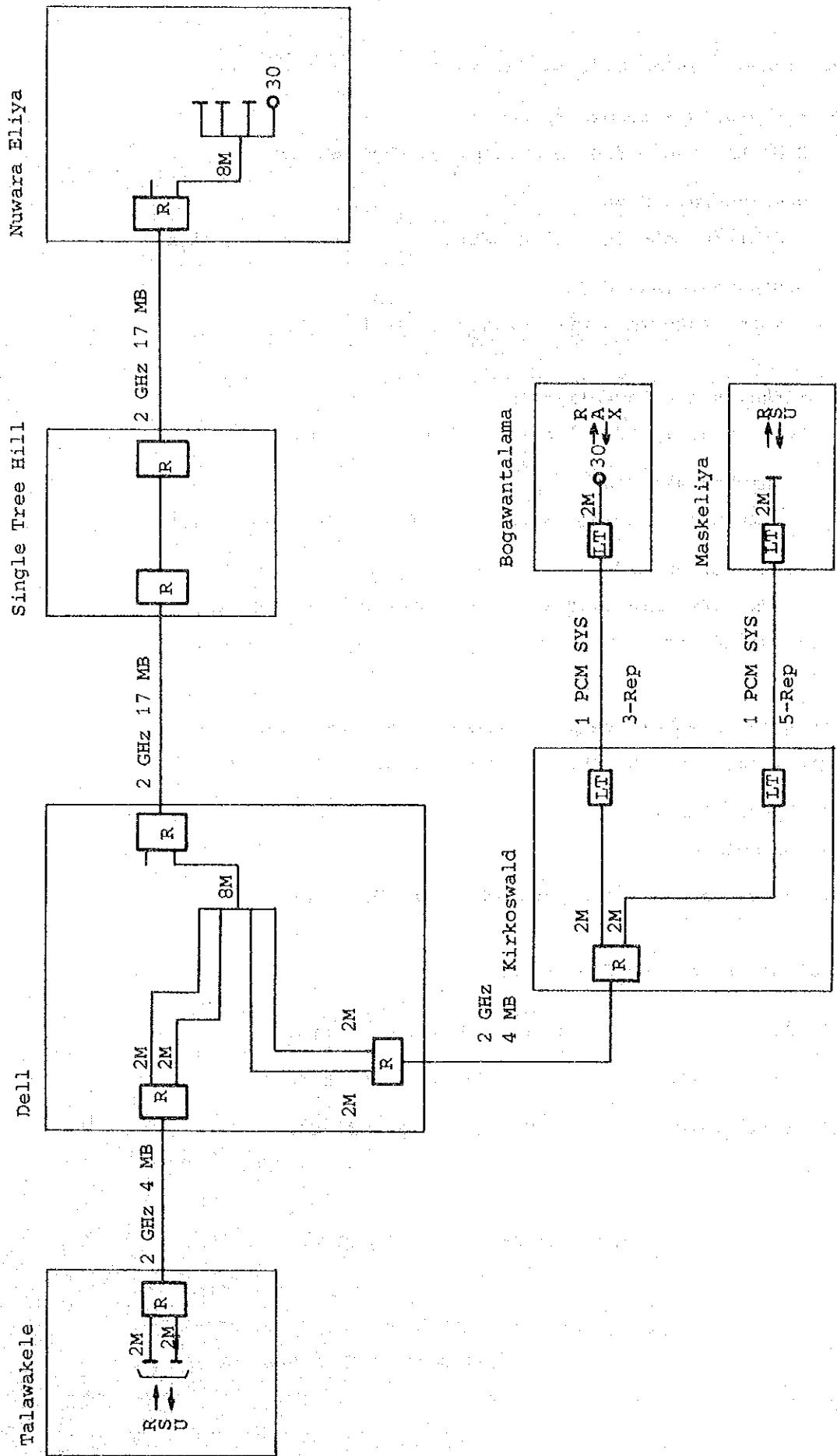


Fig. 1-4 Multiplex Configuration in WCY Project for Hatton District

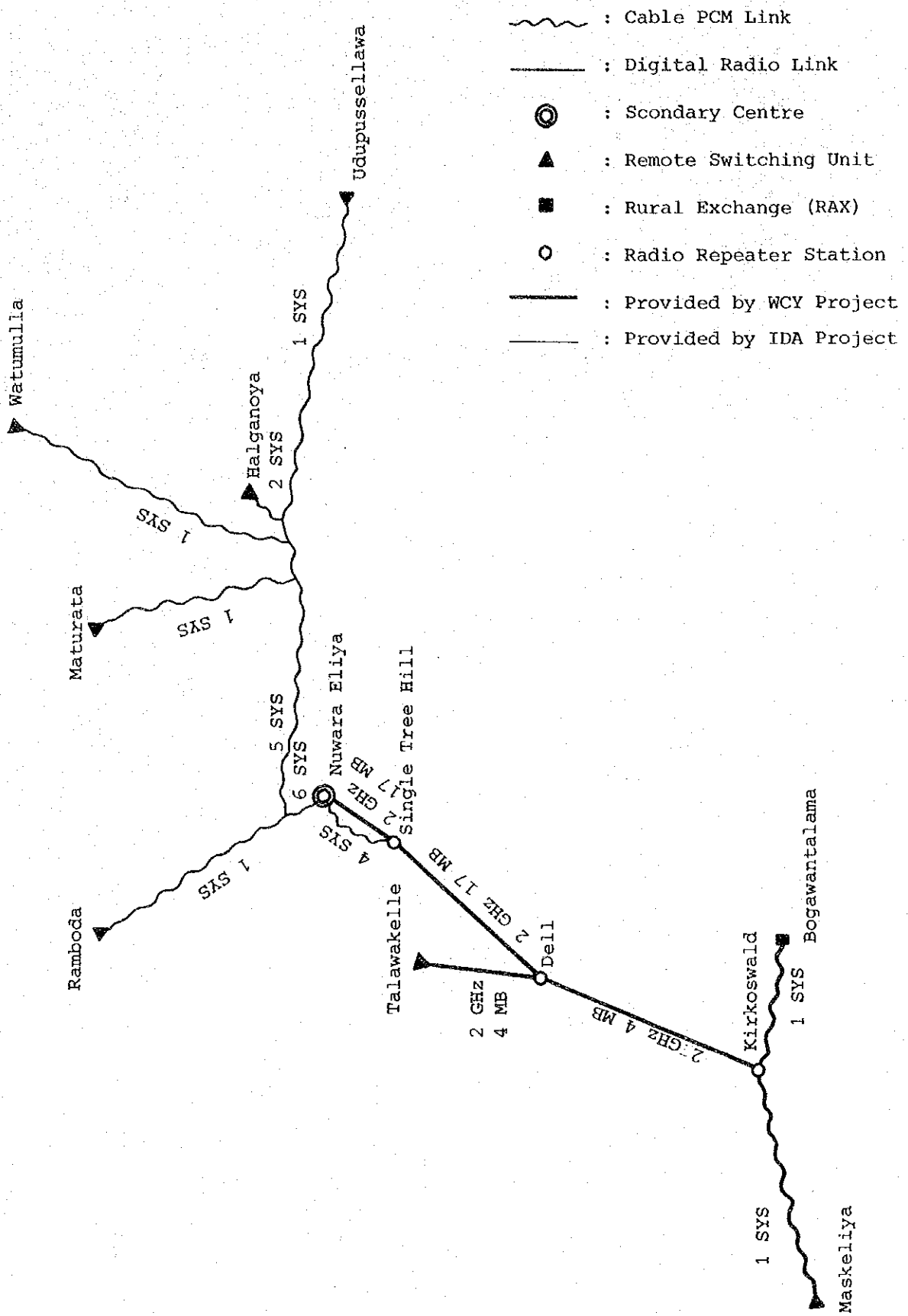


Fig. 1-5 Transmission Route Map in Nuwala Eliya Secondary Area

第2章 需要予測と需要分散

第2章 需要予測と需要分散

本章では需要予測の詳細結果を示す。

- | | |
|--------------------|------|
| (1) 集中局（SSC）別需要統計表 | 表2-1 |
| (2) 市町村別需要分散 | 表2-2 |
| (3) 電話局別需要予測 | 表2-3 |

長期計画のための需要の予測の方法は、第1分冊第3章に述べられているが、具体的プロジェクト実施のための短年間予測をする場合には、当該地域の人口密度、家屋数、地域性格、地域経済指数などを考慮し、きめ細かな予測をする必要がある。

表 2-1 (1/2) 集中局別需要統計

SSC Area		Existing (1983)			Distribution by Year			
No.	CODE	Working Sub.	Waiting Sub.	Total	1986	1990	1996	2000
1	ANR	917	359	1276	1808	3484	6582	12207
2	AMR	241	66	280	394	763	1442	2677
3	AVS	504	251	755	1069	2065	3896	7223
4	BDL	659	168	827	1172	2258	4267	7914
5	BTC	701	424	1125	1582	3063	5794	10754
6	BNR	809	216	1025	1446	2796	5285	9805
7	CNT	46468	19237	65705	100171	193914	366912	680902
8	CHW	364	164	528	747	1141	2724	5051
9	GLE	1673	987	2660	3748	7246	13705	25431
10	GMH	792	545	1337	1884	3644	6893	12787
11	HMB	281	184	465	658	1269	2398	4448
12	HTN	826	193	1019	1439	2779	5254	9748
13	JFN	2801	2519	5320	7495	14490	27409	50861
14	KLM	480	268	748	1053	2037	3853	7151
15	KND	4342	2536	6878	9686	18733	35433	65753

表 2 - 1 (2 / 2) 集中局別需要統計

SSC Area		Existing (1983)			Distribution by Year			
No.	CODE	Working Sub.	Waiting Sub.	Total	1986	1990	1996	2000
16	KLT	1258	446	1704	2401	4644	8781	16291
17	KGL	525	189	714	1011	1948	3683	6830
18	KRG	1354	576	1930	2725	5266	9952	18459
19	MNR	218	110	328	467	899	1696	3140
20	MTL	771	334	1105	1559	3015	5700	10572
21	MTR	1335	517	1852	2618	5053	9550	17714
22	NWL	267	101	368	520	1003	1898	3520
23	NGM	1938	1879	3817	5370	10393	19960	36486
24	NWR	762	124	886	1251	2417	4567	8472
25	PLN	300	-	300	422	818	1546	2868
26	PND	968	410	1378	1941	3752	7099	13173
27	PTL	171	159	330	467	901	1702	3155
28	RTN	692	803	1495	2109	4076	7708	14297
29	TRN	673	89	763	1081	2082	3932	7291
30	VNY	341	246	587	831	1603	3028	5617

表 2-2 (1/31) 市町村別需要分散

S.S.C CODE	NO.	NAME OF EXCHANGE	1983			Demand Distribution						
			Working Sub 1	Waiting Sub 2	Total 3	1985 4	1990 5	1995 6	2000 7			
		ANURADAPURA D.S.C.										
ANR	1	Ambanpola	7	6	13	19	36	67	125			
	2	Anuradapura	576	167	743	1045	2023	3827	7102			
	3	Cheddikulam	8	11	19	27	52	98	182			
	4	Eppawala	14	14	28	40	77	145	268			
	5	Galenbindinuweva	10	6	16	23	44	83	153			
	6	Galgamuwa	29	11	40	57	109	206	383			
	7	Galneva	14	9	23	33	63	119	220			
	8	Horowpatana	10	9	19	27	52	98	182			
	9	Ipolagama	9	14	23	33	63	119	220			
	10	Kanatagasdigihiya	21	10	31	44	84	160	297			
	11	Kebitigollewa	13	10	23	33	63	119	220			
	12	Kekirawa	54	26	80	113	217	412	765			
	13	Medawachchiya	27	11	38	54	104	196	364			
	14	Maha Juppallama	10	6	16	23	44	83	153			
	15	Naho	37	14	51	72	139	263	488			
	16	Naradankadawela	9	1	10	14	28	52	96			
	17	Mihintale	4	6	10	14	28	52	96			
	18	Nanatan	4	1	5	8	14	26	48			
	19	Negampaha	7	5	12	17	33	62	114			
	20	Nochchiyagama	18	5	23	33	63	119	220			
		Sub Total	881	342	1223	1729	3336	6306	11696			

表 2 - 2 (2 / 3 1) 市町村別需要分散

S.S.C CODE	S.S.C NO.	NAME OF EXCHANGE	1983			Demand Distribution				
			Working Sub 1	Waiting Sub 2	Total 3	1985 4	1990 5	1995 6	2000 7	
ANR	21	Sippukulam	4	2	6	9	17	31	58	
	22	Talawa	8	5	13	19	36	67	125	
	23	Tambuttegama	14	3	17	24	47	88	163	
	24	Tirapane	1	3	4	6	11	21	39	
	25	Ejayapattuwa	2	1	3	5	9	16	29	
	26	Rambawa	3	2	5	8	14	26	48	
	27	Ratmalgahawe	3	1	4	6	11	21	39	
	28	Vijithapura	1	-	1	2	3	6	10	
		Sub Total	36	17	53	79	148	276	511	
		Total	917	359	1276	1808	3484	6582	12207	

表 2 - 2 (3 / 3 1) 市町村別需要分散

S.S.C		NAME OF EXCHANGE	1983					Demand Distribution				
CODE	NO.		Working Sub 1	Waiting Sub 2	Total 3	1984	1990 5	1995 6	2000 7			
		AMPARA S.S.C.										
AMR	1	Ampara	214	66	280	394	763	1442	2677			
		Total	214	66	280	394	763	1442	2677			

表2-2 (4/31) 市町村別需要分散

S.S.C CODE	NO.	NAME OF EXCHANGE	1983			Demand Distribution						
			Working Sub 1	Waiting Sub 2	Total 3	1985 4	1990 5	1995 6	2000 7			
AVS	1	AVISSAWELLA S.S.C	186	26	212	299	578	1092	2027			
	2	Dehiowita	27	7	34	48	93	176	325			
	3	Bulatkohupitiya	17	0	17	24	47	88	163			
	4	Deraniyagala	28	5	33	47	90	170	316			
	5	Ehaliyagoda	46	80	126	178	343	649	1205			
	6	Hanwella	16	30	46	65	126	237	440			
	7	Kithulgala	11	3	14	20	39	73	134			
	8	Kosgama	22	44	66	93	180	340	631			
	9	Labugama	9	1	10	15	28	52	96			
	10	Parakaduwa	11	3	14	20	39	73	134			
	11	Pugoda	21	21	42	60	115	217	402			
	12	Waga	13	4	17	24	47	88	163			
	13	Waharaka	9	-	9	13	25	47	87			
	14	Yatiantota	38	3	41	58	112	212	392			
	15	Yogama	10	0	10	15	28	52	96			
	16	Ruwanwella	40	24	64	90	175	330	612			
		Total	504	251	755	1069	2065	3896	7223			

表 2 - 2 (5 / 3 1) 市町村別需要分散

S.S.C CODE	S.S.C NO.	NAME OF EXCHANGE	1983			Demand Distribution						
			Working Sub 1	Waiting Sub 2	Total 3	1985 4	1990 5	1995 6	2000 7			
		BADULLA S.S.C.										
BDL	1	Badaikumbura	5	4	9	13	25	47	87			
	2	Badulla	380	125	505	711	1375	2601	4827			
	3	Bibile	36	0	36	51	98	186	345			
	4	Demodara	23	5	28	40	77	145	268			
	5	Ettampitiya	9	0	9	13	25	47	87			
	6	Glenaipin	18	0	18	26	49	93	173			
	7	Haliela	47	20	67	95	183	346	641			
	8	Kandaketiya	3	-	3	5	9	16	29			
	9	Lunugala	22	5	27	38	74	140	259			
	10	Madulsima	15	0	15	22	41	78	144			
	11	Mahaoya	9	1	10	15	28	52	96			
	12	Medagama	3	3	6	9	17	31	58			
	13	Namunukula	20	5	25	36	69	129	239			
	14	Padiyatalawa	4	0	4	6	11	21	39			
	15	Passara	65	0	65	92	177	335	622			
		Total	659	168	827	1172	2258	4267	7914			

表 2-2 (6/31) 市町村別需要分散

S.S.C		NAME OF EXCHANGE	1983			Demand Distribution				
CODE	NO.		Working Sub 1	Waiting Sub 2	Total 3	1985 4	1990 5	1995 6	2000 7	
		BATTICALOA S.S.C.								
BTC	1	Batticaloa	639	326	965	1357	2627	4970	9224	
	2	Vajachchanaï	62	98	160	225	436	824	1530	
		Total	701	424	1125	1582	3063	5794	10754	

表 2 - 2 (7/31) 市町村別需要分散

S.S.C		NAME OF EXCHANGE	1983			Demand Distribution				
CODE	NO.		Working Sub 1	Waiting Sub 2	Total 3	1985 4	1990 5	1995 6	2000 7	
		BANDARAVELA S.S.C.								
BNR	1	Ampitikanda	20	2	22	31	60	114	211	
	2	Bandarawela	360	63	423	595	1152	2179	4044	
	3	Buttala	9	11	20	29	55	103	192	
	4	Diyatalawa	61	6	67	95	183	346	641	
	5	Ella	18	0	18	26	49	93	173	
	6	Gurutalawa	2	6	8	12	22	42	77	
	7	Haldumulla	23	6	29	41	79	150	278	
	8	Haputale	74	17	91	128	248	469	870	
	9	Koslinda	25	7	32	45	88	165	306	
	10	Malwattha	19	5	24	34	66	124	230	
	11	Monaragala	82	43	125	176	341	644	1195	
	12	Wellavaya	11	16	27	38	74	140	259	
	13	Wellimada	105	34	139	196	379	716	1329	
		Total	809	216	1025	1446	2796	5285	9805	

表 2 - 2 (8 / 3 1) 市 町 村 別 需 要 分 散

S.S.C CODE	NO.	NAME OF EXCHANGE	1983			Demand Distribution							
			Working Sub 1	Waiting Sub 2	Total 3	1985 4	1990 5	1995 6	2000 7				
		COLOMBO S.S.C.											
CNT	1	Angoda	126	148	274	353	682	1291	2396				
	2	Boralesgamuwa	90	228	318	368	712	1347	2500				
	3	Colombo central	15202	4000	19202	26111	50548	95645	177493				
	4	Co-Havelock Town	9012	1425	10437	16959	32830	62120	115280				
	5	Co-Maradana	6548	2221	8769	14370	27818	52637	97681				
	6	Hokandara	53	66	119	299	580	1097	2035				
	7	Homagawa	115	183	298	395	765	1448	2688				
	8	Ja-Ela	393	128	521	699	1353	2560	4750				
	9	Kadawata	146	335	481	817	1582	2994	5556				
	10	Kaduvela	65	112	177	523	1013	1916	3556				
	11	Kelaniya	693	562	1255	2407	4660	8817	16362				
	12	kotte	2361	1629	3990	8378	16218	30688	56949				
	13	Maharagama	355	774	1129	1356	2625	4966	9216				
	14	Malwana(Biyagama)	67	120	187	323	625	1183	2195				
	15	Moratuwa	872	780	1652	2246	4347	8226	15265				
	16	Mount Lavinia	4950	2500	7450	9452	18297	34621	64248				
	17	Nugesoda	2272	2273	4545	6096	11802	22331	41441				
	18	Padukka	42	45	87	154	299	565	1049				
	19	Piliyandala	155	130	285	503	973	1841	3417				
	20	Ragama	159	136	295	506	979	1852	3438				
	21	Wattala	448	426	874	1585	3068	5804	10772				
	22	Wellampitiya	219	326	545	1444	2795	5288	9813				
	23	Kollupitiya	1500	450	1950	3343	6472	12245	22720				
	24	Mattakkuliya	625	240	865	1484	2871	5430	10082				
		Total	46468	19237	65705	100171	193914	366912	680902				

表 2 - 2 (9 / 3 1) 市 町 村 別 需 要 分 散

S.S.C CODE	S.S.C NO.	NAME OF EXCHANGE	1983			Demand Distribution					
			Working Sub 1	Waiting Sub 2	Total 3	1985 4	1990 5	1995 6	2000 7		
CHW	1	Battaluoya	4	1	5	8	14	26	48		
	2	Chillaw	188	13	201	283	548	1036	1922		
	3	Madampe	43	46	89	126	243	459	851		
	4	Mundei(Palavi)	14	4	18	26	49	93	173		
	5	Rajakadalawa	14	13	27	38	74	140	259		
	6	Bingiriya	13	10	23	33	63	119	220		
	7	Marawila	86	77	163	230	444	840	1558		
	8	Udappu	2	0	2	3	6	11	20		
		Total	364	164	528	747	1441	2724	5051		

表 2 - 2 (1 0 / 3 1) 市 町 村 別 需 要 分 散

S.S.C		NAME OF EXCHANGE	1983			Demand Distribution				
CODE	NO.		Working Sub	Waiting Sub	Total	1985	1990	1995	2000	
		GALLE S.S.C.								
GLE	1	Ahangama	25	11	36	51	98	186	345	
	2	Ambalangoda	276	116	392	552	1068	2019	3747	
	3	Baddegama	45	35	80	113	218	412	765	
	4	Dodanduwa	11	10	21	30	58	109	201	
	5	Elpitiya	50	20	70	99	190	361	670	
	6	Galle	1160	714	1874	2635	5102	9652	17912	
	7	Habaraduwa	24	23	47	67	128	243	450	
	8	Imaduwa	13	12	25	36	69	129	239	
	9	Kosgoda	16	17	33	47	90	170	316	
	10	Pitigala	8	11	19	27	52	98	182	
	11	Nagoda	12	-	12	17	33	62	115	
	12	Yakkalamulla	14	6	20	29	55	103	192	
	13	Udugama	16	7	23	33	63	119	220	
	14	Urugasmannandiya	3	5	8	12	22	42	77	
		Total	1673	987	2660	3748	7246	13705	25431	

表 2 - 2 (11 / 31) 市町村別需要分散

S.S.C CODE	NO.	NAME OF EXCHANGE	1983			Demand Distribution						
			Working Sub 1	Waiting Sub 2	Total	1985 4	1990 5	1995 6	2000 7			
		GAMPANA S.S.C.										
GMH	1	Gampaha	512	335	847	1191	2306	4363	8096			
	2	Kirindiwela	20	16	36	51	98	186	345			
	3	Kotadeniyava	4	-	4	6	11	21	39			
	4	Mirigama	44	69	113	159	308	582	1081			
	5	Pallewela	8	4	12	17	33	62	115			
	6	Pasyala	18	19	37	53	101	191	354			
	7	Urapola	2	-	2	3	6	11	20			
	8	Veliveriya	39	22	61	86	167	315	584			
	9	Veyangoda	141	80	221	311	602	1139	2113			
	10	Ganemulla	1	0	1	2	3	6	10			
	11	Kalagedihena	1	0	1	2	3	6	10			
	12	Kaleliya	2	0	2	3	6	11	20			
		Total	792	545	1337	1884	3644	6893	12787			

表 2 - 2 (12 / 31) 市町村別需要分散

S.S.C		NAME OF EXCHANGE	1983						Demand Distribution				
CODE	NO.		Working Sub 1	Waiting Sub 2	Total 3	1984	1995	1996	2007				
		HAMBANTOTA S.S.C.											
HMB	1	Ambalantota	42	39	81	114	221	418	775				
	2	Embilipitiya	44	40	84	119	229	433	803				
	3	Hambantota	117	54	171	241	466	881	1635				
	4	Kataragama	23	14	37	53	101	191	354				
	5	Tanamaliya	5	3	8	12	22	42	77				
	6	Thimbolketiya	12	1	13	19	36	67	125				
	7	Tissamaharama	38	33	71	100	194	366	679				
		Total	281	184	465	658	1269	2398	4448				

表 2 - 2 (13 / 31)

市町村別需要分散

S.S.C CODE	NO.	NAME OF EXCHANGE	1983			Demand Distribution						
			Working Sub 1	Waiting Sub 2	Total 3	1985 4	1990 5	1995 6	2000 7			
		HATTON S.S.C.										
HTN	1	Agarapatana	46	8	54	76	147	279	517			
	2	Bagawantalawa	48	21	69	98	188	356	660			
	3	Hatton	401	48	449	632	1223	2313	4292			
	4	Ginigathena	20	25	45	64	123	232	431			
	5	Maskelliya	64	17	81	114	221	418	775			
	6	Norton Bridge	19	10	29	41	79	150	278			
	7	Pundaluoya	40	13	53	75	145	273	507			
	8	Talawakele	93	13	106	150	289	546	1014			
	9	Tillicountry	40	7	47	67	128	243	450			
	10	Upcot	22	2	24	34	66	124	230			
	11	Watagoda	10	3	13	19	36	67	125			
	12	Watawata	23	26	49	69	134	253	469			
		Total	826	193	1019	1439	2779	5254	9748			

表 2 - 2 (1 4 / 3 1) 市町村別需要分散

S.S.C CODE	NO.	NAME OF EXCHANGE	1983			Demand Distribution						
			Working Sub 1	Waiting Sub 2	Total 3	1985 4	1990 5	1995 6	2000 7			
		JAFFNA S.S.C.										
JFN	1	Alaveddi	5	0	5	8	14	26	48			
	2	Atchuvvely	42	39	81	114	221	418	775			
	3	Chavakachcheri	90	69	159	224	433	819	1520			
	4	Chunnakam	141	127	268	377	730	1381	2562			
	5	Delft	3	2	5	8	14	26	48			
	6	Jaffna	1829	1537	3366	4733	9163	17335	32173			
	7	Kankesanturai	45	56	101	143	275	521	966			
	8	Karainagar	22	47	69	98	188	356	660			
	9	Karaveddy	46	44	90	127	245	464	861			
	10	Kayts	45	27	72	102	196	371	689			
	11	Kilinochchi	124	115	239	337	651	1231	2285			
	12	Kopay	42	50	92	130	251	474	880			
	13	Manipay	48	59	107	151	292	552	1023			
	14	Nainativu	4	4	8	12	22	42	77			
	15	Pallai	31	6	37	53	101	191	354			
	16	Pandateruppu	44	55	99	140	270	510	947			
	17	Point-pedru	95	90	185	261	504	953	1769			
	18	Poonery	*	*	*	0	*	*	*			
	19	Punakari	9	3	12	17	33	62	115			
	20	Punkudutivu	10	9	19	27	52	98	182			
	21	Sitankerni	0	0	0	0	0	0	0			
	22	Telipallai	9	33	42	60	115	217	402			
	23	Vaddukkodda	47	47	94	133	256	485	899			
	24	Valvetiturai	48	80	128	180	349	660	1224			
	25	Velanai	22	20	42	60	115	217	402			
		Total	2801	2519	5320	7495	14490	27409	50861			

表 2 - 2 (15 / 31) 市町村別需要分散

S.S.C CODE	S.S.C NO.	NAME OF EXCHANGE	1983			Demand Distribution																
			Working Sub 1	Waiting Sub 2	Total 3	1984	1985	1990	1995	2000												
		KALMUNAI S.S.C.																				
KLM	1	Akkarapattu	135	68	203	286		553	1046												1941	
	2	Kalmunai	345	200	545	767		1484	2807												5210	
		Total	480	268	748	1053		2037	3853												7151	

表 2 - 2 (16 / 31) 市町村別需要分散

S.S.C. CODE	S.S.C. NO.	NAME OF EXCHANGE	1983			Demand Distribution				
			Working Sub 1	Waiting Sub 2	Total 3	1985 4	1990 5	1995 6	2000 7	
		KANDY S.S.C.								
KND	1	Akurana	25	100	125	176	341	644	1195	
	2	Daujagala	25	33	58	82	158	299	555	
	3	Digana	102	8	110	155	300	587	1052	
	4	Elkaduwa	15	3	18	26	49	93	173	
	5	Galagedara	47	17	64	90	175	330	612	
	6	Galaha	49	24	73	103	199	376	698	
	7	Gellioya	25	12	37	53	101	191	354	
	8	Gurudeniya	30	58	88	124	240	454	842	
	9	Hanguranketha	9	3	12	17	33	62	115	
	10	Hataraliyadda	14	4	18	26	49	93	173	
	11	Ilewaheta	24	4	28	40	77	145	268	
	12	Kadugannaw	167	67	234	330	637	1206	2237	
	13	Kandy	2317	1550	3867	5438	10526	19916	36961	
	14	Katugastota	327	242	569	801	1549	2931	5439	
	15	Madulkele	30	8	38	54	104	196	364	
	16	Medamahanuwara	6	7	13	19	36	67	125	
	17	Menikdiwala	18	17	35	50	96	181	335	
	18	Murutalava	25	45	70	99	191	361	670	
	19	Panwila	15	10	25	36	69	129	239	
	20	Peradeniya	465	155	620	872	1688	3193	5926	
	21	Rangala	12	3	15	22	41	78	144	
	22	Talatuoya	36	26	62	88	169	320	593	
	23	Wattegama	115	31	146	206	398	752	1396	
	24	Gampola	357	73	430	605	1171	2215	4110	
	25	Pussellava	52	11	63	89	172	325	603	
	26	Rikillagaskada	35	25	60	85	164	309	574	
		Total	4342	2536	6878	9686	18733	35433	65753	

表 2 - 2 (17 / 31) 市町村別需要分散

S.S.C CODE	S.S.C NO.	NAME OF EXCHANGE	1983			Demand Distribution						
			Working Sub 1	Waiting Sub 2	Total 3	1985 4	1990 5	1995 6	2000 7			
		KALUTARA S.S.C.										
KLT	1	Agaiawatta	29	7	36	51	98		186	345		
	2	Bentota	417	174	591	831	1609		3044	5849		
	3	Kalutara	601	210	811	1141	2208		4177	7752		
	4	Latpandura	17	4	21	30	58		109	201		
	5	Mahagama	22	9	31	44	85		160	297		
	6	Matugama	116	22	138	195	376		711	1320		
	7	Meegahatenna	9	16	25	36	69		129	239		
	8	Neboda	19	2	21	30	58		109	201		
	9	Tebuwana	13	1	14	20	39		73	134		
	10	Welipenna	15	1	16	23	44		83	153		
		Total	1258	446	1704	2401	4644		8781	16291		

表 2-2 (18/31)

市町村別需要分散

S.S.C CODE	NO.	NAME OF EXCHANGE	1983			Demand Distribution				
			Working Sub 1	Waiting Sub 2	Total 3	1985 4	1990 5	1995 6	2000 7	
KGL	1	KEGALLE S.S.C. Ambapitiya	8	0	8	12	22	42	77	
	2	Aranayake	22	8	30	43	82	155	287	
	3	Galapitamada	4	0	4	6	11	21	39	
	4	Kegalle	311	65	376	529	1024	1937	3594	
	5	Kotiyakumbura	16	0	16	23	44	83	153	
	6	Mawanella	86	40	126	178	343	649	1205	
	7	Nelundeniya	10	0	10	15	28	52	96	
	8	Tuntota	5	-	5	8	14	26	48	
	9	Undugoda	15	0	15	22	41	78	144	
	10	Warakapola	46	69	115	162	314	593	1100	
	11	Hemmatagama	2	7	9	13	25	47	87	
		Total	525	189	714	1011	1948	3683	6830	

表 2-2 (19/31) 市町村別需要分散

S.S.C CODE	NO.	NAME OF EXCHANGE	1983			Demand Distribution						
			Working Sub 1	Waiting Sub 2	Total 3	1985 4	1990 5	1995 6	2000 7			
		KURUNEGALA S.S.C.										
KRG	1	Alawa	44	42	86	121	235	443	822			
	2	Dodangaslanda	13	1	14	20	39	73	134			
	3	Giriulla	44	21	65	92	177	335	622			
	4	Gokarella	14	1	15	22	41	78	144			
	5	Gonawila	5	0	5	8	14	26	48			
	6	Hettippola	16	0	16	23	44	83	153			
	7	Ibbagamuwa	20	14	34	48	93	176	325			
	8	Katupotha	8	12	20	29	55	103	192			
	9	Kohilagedara	8	0	8	12	22	42	77			
	10	Kuliyapitiya	155	17	172	242	469	886	1644			
	11	Kobalgane	6	2	8	12	22	42	77			
	12	Kurunegala	606	228	832	1170	2265	4285	7953			
	13	Maspotha	7	4	11	16	30	57	106			
	14	Mawathagama	41	56	97	137	265	500	928			
	15	Narammala	48	42	90	127	245	464	861			
	16	Nikadalupotha	11	3	14	20	39	73	134			
	17	Pannala	19	17	36	51	98	186	345			
	18	Poigahawela	83	18	101	143	275	521	966			
	19	Pothuhera	20	12	32	45	88	165	306			
	20	Rambodagalla	20	7	27	38	74	140	259			
	21	Rambukkana	62	2	64	90	175	330	612			
	22	Ridigama										
	23	Udubeddowa	6	1	7	10	20	37	67			
	24	Uhumiya	5	1	6	9	17	31	58			
	25	Wariyapola	40	33	73	103	199	376	698			
	26	Wellawa	7	12	19	27	52	98	182			
	27	Nikaveratiya	46	32	78	110	218	402	746			
		Total	1354	576	1930	2725	5266	9952	18459			

表 2 - 2 (2 0 / 3 1) 市 町 村 別 需 要 分 散

S.S.C CODE	S.S.C NO.	NAME OF EXCHANGE	1983				Demand Distribution					
			Working Sub 1	Waiting Sub 2	Total 3	1985 4	1990 5	1995 6	2000 7			
		MANNAR S.S.C.										
MNR	1	Adampn	11	3	14	20	39	73	134			
	2	Mannar	137	43	180	254	490	927	1721			
	3	Pesalai	12	3	15	22	41	78	144			
	4	Talaimannar	21	6	27	38	74	140	259			
	5	Uyilankufama	11	4	15	22	41	78	144			
	6	Chillavathura	10	0	10	15	28	52	96			
	7	Errukkalampiddi	5	29	34	48	93	176	325			
	8	Nantan	3	4	7	10	20	37	67			
	9	Maduroad	3	10	13	19	36	67	125			
	10	Maduchurch	3	4	7	10	20	37	67			
	11	Vidalativu	2	4	6	9	17	31	58			
		Total	218	110	328	467	899	1696	3140			

表2-2 (21/31) 市町村別需要分散

S.S.C CODE	S.S.C NO.	NAME OF EXCHANGE	1983			Demand Distribution						
			Working Sub 1	Waiting Sub 2	Total 3	1985 4	1990 5	1995 6	2000 7			
		MATALE S.S.C.										
MTL	1	Ankumbura	3	15	18	26	49	93	173			
	2	Bakamuna	3	-	3	5	9	16	29			
	3	Dambulla	60	16	76	107	207	392	727			
	4	Elahara	1	13	14	20	39	73	134			
	5	GaInewa	40	40	80	113	218	412	765			
	6	Gammaduva	4	-	4	6	11	21	39			
	7	Kimbissa	3	1	4	6	11	21	39			
	8	Laggala	3	1	4	6	11	21	39			
	9	Madipola	2	-	2	3	6	11	20			
	10	Manawela	16	11	27	38	74	140	259			
	11	Matale	549	170	719	1011	1958	3703	6873			
	12	Mausa Eliya	7	-	7	10	20	37	67			
	13	Nalanda	4	-	4	6	11	21	39			
	14	Naula	23	14	37	52	101	191	354			
	15	Rattota	21	23	44	62	120	227	421			
	16	Alavatugoda	15	21	36	51	98	186	345			
	17	Habarana	16	3	19	27	52	98	182			
	18	Madawala-Ulpatha	1	6	7	10	20	37	67			
		Total	771	334	1105	1559	3015	5700	10572			

表 2 - 2 (2 2 / 3 1) 市 町 村 別 需 要 分 散

S.S.C CODE	NO.	NAME OF EXCHANGE	1983			Demand Distribution						
			Working Sub 1	Waiting Sub 2	Total	1985 4	1980 5	1995 6	2000 7			
MTR		MATARA S.S.C.										
	1	Akuressa	55	11	66	93	180	340	631			
	2	Angunukolapelessa	12	3	15	22	41	78	144			
	3	Belliatta	19	20	39	55	107	201	373			
	4	Benegamuwa	3	2	5	8	14	26	48			
	5	Beralapanatara	6	2	8	12	22	42	77			
	6	Deniyaya	48	16	64	90	175	330	612			
	7	Dikwella	38	13	51	72	139	263	488			
	8	Hakmana	27	13	40	57	109	206	383			
	9	Kamburupitiya	52	19	71	100	194	366	679			
	10	Kotapola	6	5	11	16	30	57	106			
	11	Kottegoda	8	5	13	19	36	67	125			
	12	Matara	768	250	1018	1432	2771	5243	9731			
	13	Middeniya	7	3	10	15	28	52	96			
	14	Morawaka	17	10	27	38	74	140	259			
	15	Ranna	1	-	1	2	3	6	10			
	16	Tangalle	97	44	141	199	384	727	1348			
	17	Teliljaviila	13	9	22	31	60	114	211			
	18	Urubokka	7	-	7	10	20	37	67			
	19	Walasmulla	22	9	31	44	85	160	297			
	20	Weeraketiya	21	5	26	37	71	134	249			
	21	Weligama	95	75	170	240	463	876	1625			
	22	Yatiyana	3	-	3	5	9	16	29			
	23	Deyyandara	2	1	3	5	9	16	29			
	24	Gomila	3	0	3	5	9	16	29			
	25	Katuwana	3	2	5	8	14	26	48			
	26	Mahaduwa	2	0	2	3	6	11	20			
		Total	1335	517	1852	2618	5053	9550	17714			

表 2-2 (23/31) 市町村別需要分散

S.S.C CODE	S.S.C NO.	NAME OF EXCHANGE	1983			Demand Distribution				
			Working Sub 1	Waiting Sub 2	Total 3	1985 4	1990 5	1995 6	2000 7	
		NAVALAPITIYA S.S.C.								
NWL	1	Craig Head	7	-	7	10	20	37	67	
	2	Dolosbaga	15	3	18	26	49	93	173	
	3	Kotmale	21	9	30	43	82	155	287	
	4	Navalapitiya	191	86	277	390	754	1427	2648	
	5	Ulapane	33	3	36	51	98	186	345	
		Total	267	101	368	520	1003	1898	3520	

表 2-2 (24/31) 市町村別需要分散

S.S.C CODE	S.S.C NO.	NAME OF EXCHANGE	1983			Demand Distribution				
			Working Sub 1	Waiting Sub 2	Total 3	1985 4	1990 5	1995 6	2000 7	
		NECOMBO S.S.C.								
NGM	1	Badalagama	15	25	40	57	109	206	383	
	2	Dankotuwa	47	33	80	113	218	412	765	
	3	Dunagaha	83	83	166	234	452	855	1587	
	4	Katunayake	517	366	883	1242	2404	4548	8440	
	5	Lunuwila	99	130	229	322	624	1180	2189	
	6	Negombo	1163	1235	2398	3372	6528	12350	22921	
	7	Sandalankawa	14	7	21	30	58	109	201	
	8	Kochchikade	0	0	0					
		Total	1938	1879	3817	5370	10393	19660	36486	

表 2 - 2 (25 / 31) 市町村別需要分散

S.S.C CODE	S.S.C NO.	NAME OF EXCHANGE	1983			Demand Distribution				
			Workings Sub 1	Waiting Sub 2	Total 3	1985 4	1990 5	1995 6	2000 7	
		NUWARA-ELIYA S.S.C.								
	1	Boragas	18	10	28	40	77	145	268	
	2	Haigranoya	50	5	55	78	150	284	526	
	3	Kandepola	38	8	46	65	126	237	440	
	4	Maturata	27	4	31	44	85	160	297	
	5	Nildandahinna	7	0	7	10	20	37	67	
	6	Nuvara Eliya	557	80	637	896	1734	3281	6089	
	7	Padiyapalalla	3	2	5	8	14	26	48	
	8	Raddella	15	4	19	27	52	98	182	
	9	Ramboda	17	8	25	36	69	129	239	
	10	Udapussellawa	30	3	33	47	90	170	316	
		Total	762	124	886	1251	2417	4567	8472	

表 2 - 2 (26 / 31) 市町村別需要分散

S.S.C		NAME OF EXCHANGE	1983			Demand Distribution			
CODE	NO.		Working Sub 1	Waiting Sub 2	Total 3	1985 4	1990 5	1995 6	2000 7
		POLONNARUWA S.S.C.							
PLN	1	Hingurakgoda	96	-	96	135	262	485	918
	2	Polonnaruwa	204	-	204	287	556	1051	1950
		Total	300	-	300	422	818	1546	2868

表 2 - 2 (27 / 31) 市町村別需要分散

S.S.C CODE	S.S.C NO.	NAME OF EXCHANGE	1983			Demand Distribution																	
			Working Sub 1	Waiting Sub 2	Total 3	1984	1990	1995	1996	2000 7													
		PANADURA S.S.C.																					
PND	1	Bandaragama	44	25	69	98	188	356	680														
	2	Gowinna	7	5	12	17	33	62	115														
	3	Horana	183	30	213	300	580	1097	2036														
	4	Ingiriya	27	10	37	53	101	191	354														
	5	Panadura	707	340	1047	1473	2850	5393	10008														
		Total	988	410	1378	1941	3752	7099	13173														

表 2 - 2 (28 / 31) 市町村別需要分散

S.S.C CODE	NO.	NAME OF EXCHANGE	1983				Demand Distribution					
			Working Sub 1	Waiting Sub 2	Total 3	1985 4	1990 5	1995 6	2000 7			
		PUTTALAM S.S.C.										
PTL	1	Anamaduva	18	14	32	45	88	165	306			
	2	Puttalam	134	113	247	348	673	1273	2361			
	3	Kalpitiya	12	18	30	43	82	155	287			
	4	Madurankuli	3	13	16	23	44	83	153			
	5	Mampuri	4	1	5	8	14	26	48			
		Total	171	159	330	467	901	1702	3155			

表 2 - 2 (29 / 31) 市町村別需要分散

S.S.C. CODE	NO.	NAME OF EXCHANGE	1983			Demand Distribution					
			Working Sub 1	Waiting Sub 2	Total 3	1984 4	1990 5	1995 6	2000 7		
		RATNAPURA S.S.C.									
RTN	1	Atakalampanna	2	-	2	3	6	11	20		
	2	Avagama	4	-	4	6	11	21	39		
	3	Balangoda	117	58	175	247	477	902	1673		
	4	Bambarabotuva	14	-	14	20	39	73	184		
	5	Godakawela	21	3	24	34	66	124	230		
	6	Kahavatta	49	114	163	230	444	840	1558		
	7	Kalavana	16	6	22	31	60	114	211		
	8	Kiriella	14	4	18	26	49	93	173		
	9	Kolonna	4	-	4	6	11	21	39		
	10	Kuruwita	24	20	44	62	120	227	421		
	11	Nivitigalal	39	35	74	105	202	382	708		
	12	Pelmadulla	30	84	114	161	311	588	1090		
	13	Rakwana	40	10	50	71	137	258	478		
	14	Ratnapura	318	469	787	1107	2143	4054	7523		
		Total	692	803	1495	2109	4076	7708	14297		

表 2 - 2 (30/31) 市町村別需要分散

S.S.C		NAME OF EXCHANGE	1983			Demand Distribution				
CODE	NO.		Working Sub 1	Waiting Sub 2	Total 3	1985 4	1990 5	1995 6	2000 7	
		TRINCOMALEE S.S.C.								
TRN	1	China-Bay	43	14	57	81	156	294	545	
	2	Gomarakadavala	5	-	5	8	14	26	48	
	3	Kantale	39	6	45	64	123	232	431	
	4	Killiveddi	5	1	6	9	17	31	58	
	5	Kinniya	6	3	10	13	25	47	87	
	6	Kuchchaveli	7	1	8	12	22	42	77	
	7	Morawewa	4	1	5	8	14	26	48	
	8	Mutur	19	10	29	41	79	150	278	
	9	Nilaweli	14	14	28	40	77	145	268	
	10	Pulmudai	2	-	2	3	6	11	20	
	11	Seruwila	5	-	5	8	14	26	48	
	12	Thampalakamam	7	1	8	12	22	42	77	
	13	Toppur	2	-	2	3	6	11	20	
	14	Trincomalee	512	38	550	774	1498	2833	5257	
	15	Padavisipura	3	0	3	5	9	16	29	
		Total	673	89	763	1081	2082	3932	7291	

表 2-2 (31/31) 市町村別需要分散

S.S.C CODE	NO.	NAME OF EXCHANGE	1983			Demand Distribution						
			Working Sub 1	Waiting Sub 2	Total 3	1985 4	1990 5	1995 6	2000 7			
		VAVUNIYA S.S.C.										
VNY	1	Mulativu	40	35	75	106	205	387	717			
	2	Murukkan	18	7	25	36	69	129	239			
	3	Muthiyavwela	9	3	12	17	33	62	115			
	4	Nedunkerni	9	13	22	31	60	114	211			
	5	Omantai	2	10	12	17	33	62	115			
	6	Padaviya	9	2	11	16	30	57	106			
	7	Puthukudiruppu	3	1	4	6	11	21	39			
	8	Oddichudan	2	9	11	16	30	57	106			
	9	Tunukai	6	3	9	13	25	47	87			
	10	Vavuniya	211	142	353	497	961	1818	3374			
	11	Mulliyavalai	9	3	12	17	33	62	115			
	12	Mankulam	20	18	38	54	104	196	364			
	13	Yogapuram	3	0	3	5	9	16	29			
		Total	341	246	587	831	1603	3028	5617			

表 2 - 3 (1/30) 電話局別需要分散

S.S.C CODE	NO.	NAME OF EXCHANGE	1983			Demand Distribution				
			Working Sub I	Waiting Sub 2	Total 3	1985 4	1990 5	1995 6	2000 7	
ANR	1	ANURADAPURA D.S.C. Anuradapura Mihintale Talawa Tiripane Rambava	589	181	770	1092	2112	3993	7410	
	2	Eppawala Galneva Maha Iluppallama	38	29	67	96	184	347	641	
	3	Galenbindunuwewa	10	6	16	23	44	83	153	
	4	Horowpatana	10	9	19	27	52	98	182	
	5	Kahatagasdigiiliya	28	13	41	59	112	212	394	
	6	Kebitigollewa	13	10	23	33	63	119	220	
	7	Kekirawa Ipologama	80	46	126	179	344	651	1205	
	8	Medawachchiya Cheddikulam	38	24	62	81	156	294	546	
	9	Nochchiyagama	18	5	23	33	63	119	220	
	10	Tambuttegama	14	3	17	24	47	88	163	
		Total	838	326	1164	1647	3177	6004	11134	

表 2-3 (2/30) 電話局別需要分散

S.S.C		NAME OF EXCHANGE	1983				Demand Distribution			
CODE	NO.		Working Sub 1	Waiting Sub 2	Total 3	1985 4	1990 5	1995 6	2000 7	
AMR	1	AMPARA S.S.C. Ampara	214	66	280	394	763	1442	2677	

表 2 - 3 (3/30) 電話局別需要分散

S.S.C		NAME OF EXCHANGE	1983			Demand Distribution			
CODE	NO.		Working Sub 1	Waiting Sub 2	Total 3	1985 4	1990 5	1995 6	2000 7
		AVISSAWELLA S.S.C.							
AVS	1	Avissawella Dehiowita Labugama	222	34	256	362	699	1320	2448
	2	Bulatkohupitiya	17	0	17	24	47	88	163
	3	Deraniyagala	28	5	33	47	90	170	316
	4	Ehaliyagoda Parakaduwa Yagama	67	83	150	213	410	774	1435
	5	Kithulgala	11	3	14	20	39	73	134
	6	Kosgama Hanwella Pugoda Waga	72	99	171	242	468	882	1636
	7	Ruwanwella Waharaka Yatliyantota	87	27	114	161	312	589	1091
		Total	504	251	755	1069	2065	3896	7223

表 2 - 3 (4/30) 電話局別需要分散

S.S.C CODE	S.S.C NO.	NAME OF EXCHANGE	1983			Demand Distribution			
			Working Sub 1	Waiting Sub 2	Total 3	1985 4	1990 5	1995 6	2000 7
BDL	1	BADULLA S.S.C. Badulla Demodara Ettampitiya Glenalpin Haliele	477	150	627	885	1709	3232	5996
	2	Bibile Medagama	39	3	42	60	115	217	403
	3	Kandaketiya	3	0	3	5	9	16	29
	4	Madulsima	15	0	15	22	41	78	144
	5	Monaragala Buttala	91	54	145	205	396	747	1387
	6	Namunukula	20	5	25	36	69	129	239
	7	Padiyatalawa Mahaoya	13	1	14	21	39	73	135
	8	Passara Badaikumbura Lunugala	92	9	101	143	276	522	968
	9	Wellawaya	11	16	27	38	74	140	259
	10	Mahiyangana	50	35	85	120	232	438	813
		Total	811	273	1084	1535	2960	5592	10373

表2-3 (5/30) 電話局別需要分散

S.S.C		NAME OF EXCHANGE	1983			Demand Distribution			
CODE	NO.		Working Sub	Waiting Sub	Total	1985	1990	1995	2000
		BATTICALOA S.S.C							
BTC	1	Batticaloa	639	326	965	1357	2627	4970	9224
	2	Valachchana I	62	98	160	225	436	824	1530
		Total	701	424	1125	1582	3063	5794	10754

表 2 - 3 (6 / 3 0) 電 話 局 別 需 要 分 散

S.S.C		NAME OF EXCHANGE	1983			Demand Distribution			
CODE	NO.		Working Sub I	Waiting Sub 2	Total 3	1985 4	1990 5	1995 6	2000 7
BNR	1	BANDARAWELA S.S.C Ampitikanda	20	2	22	31	60	114	211
	2	Bandarawela Diyatalawa Ella Malwatta	458	74	532	750	1450	2742	5088
	3	Haputale Haldummulla	97	23	120	169	327	619	1148
	4	Koslada	25	7	32	45	88	165	306
	5	Wellimada Gurutalawa	107	40	147	208	401	758	1406
		Total	707	146	853	1203	2326	4398	8159

表 2 - 3 (7 / 3 0) 電話局別需要分散

S.S.C CODE	NO.	NAME OF EXCHANGE	1983			Demand Distribution						
			Working Sub 1	Waiting Sub 2	Total 3	1985 4	1990 5	1995 6	2000 7			
		COLOMBO S.S.C.										
CNT	1	Angoda	126	148	274	353	682	1281	2396			
	2	Boralesgamuwa	90	228	318	368	712	1347	2500			
	3	Colombo central	15202	4000	19202	26111	50548	95645	177493			
	4	Co-Havelock Town	9012	1425	10437	16959	32830	62120	115280			
	5	Co-Maradana	6548	2221	8769	14370	27818	52637	97681			
	6	Hokandara	53	66	119	299	580	1097	2035			
	7	Homagama	115	183	298	395	765	1448	2688			
	8	Ja-Eta	393	128	521	699	1353	2560	4750			
	9	Kadawata	146	335	481	817	1582	2994	5556			
	10	Kaduweia	65	112	177	523	1013	1916	3556			
	11	Kefaniya	693	562	1255	2407	4660	8817	16362			
	12	Kotte	2361	1629	3990	8378	16218	30688	56949			
	13	Maharagama	355	774	1129	1356	2625	4966	9216			
	14	Malwana(Biyagama)	67	120	187	323	625	1183	2195			
	15	Moratuwa	872	780	1652	2246	4347	8226	15265			
	16	Mount Lavinia	4950	2500	7450	9452	18297	34621	64248			
	17	Nugegoda	2272	2273	4545	6096	11802	22331	41441			
	18	Padukka	42	45	87	154	299	565	1049			
	19	Piliyandala	155	130	285	503	973	1841	3417			
	20	Ragama	159	136	295	506	979	1852	3438			
	21	Wattala	448	426	874	1585	3068	5804	10772			
	22	Wellampitiya	219	326	545	1444	2795	5288	9813			
	23	Kollupitiya	1500	450	1950	3343	6472	12245	22720			
	24	Mattakkuliya	625	240	865	1484	2871	5430	10082			
		Total	46468	19237	65705	100171	193914	366912	680902			

表 2-3 (8/30) 電話局別需要分散

S.S.C		NAME OF EXCHANGE	1983			Demand Distribution			
CODE	NO.		Working Sub 1	Waiting Sub 2	Total 3	1985 4	1990 5	1995 6	2000 7
CUW		CHILAW S.S.C							
	1	Bingiriya	13	10	23	33	63	119	220
	2	Chilaw	188	13	201	283	548	1036	1922
	3	Madampe	43	46	89	126	243	459	851
	4	Marawila	86	77	163	230	444	840	1558
	5	Mundel Battaluoya Udappu	20	5	25	37	69	130	241
	6	Rajakada luva	14	13	27	38	74	140	259
		Total	364	164	528	747	1441	2724	5051

表 2 - 3 (9/30) 電話局別需要分散

S.S.C CODE	NO.	NAME OF EXCHANGE	1988			Demand Distribution							
			Working Sub I	Waiting Sub 2	Total 3	1985 4	1990 5	1995 6	2000 7				
		GALLE S.S.C.											
GLE	1	Ambalangoda	276	116	392	552	1068	2019	3747				
	2	Baddegama	45	35	80	113	218	412	765				
	3	Elpitiya, pitiyala	58	31	89	126	242	459	852				
	4	Galle Dodanduwa Yakkalamulla	1185	730	1915	2694	5215	9864	18305				
	5	Habaraduwa Ahangama	49	34	83	118	226	429	795				
	6	Imaduwa	13	12	25	36	69	129	239				
	7	Kosgoda	19	22	41	59	112	212	393				
	8	Nagoda	12	-	12	17	33	62	115				
	9	Udugama	16	7	23	33	63	119	220				
		Total	1673	987	2660	3748	7246	13705	25431				

表2-3 (10/30) 電話局別需要分散

S.S.C		NAME OF EXCHANGE	1983				Demand Distribution			
CODE	NO.		Working Sub 1	Waiting Sub 2	Total 3	1985 4	1990 5	1995 6	2000 7	
GMH		GAMPAHA S.S.C.								
	1	Gampaha Urapola Ganemulla Kalagedihena	516	335	851	1198	2318	4386	8136	
	2	Mirigama Kotadeniyawa	48	69	117	165	319	603	1120	
	3	Pallewela	8	4	12	17	33	62	115	
	4	Pasyala Kaleliya	20	19	39	56	107	202	374	
	5	Velliveriya Kirindiwela	59	38	97	137	265	501	929	
	6	Veyangoda	141	80	221	311	602	1139	2113	
		Total	792	545	1337	1884	3644	6893	12787	

表 2 - 3 (11/30) 電話局別需要分散

S.S.C CODE	S.S.C NO.	NAME OF EXCHANGE	1983			Demand Distribution						
			Working Sub 1	Waiting Sub 2	Total 3	1985 4	1990 5	1995 6	2000 7			
		HAMBANTOTA S.S.C.										
HMB	1	Ambalantota Hungama	45	39	84	119	230	434	804			
	2	Embilipitiya	44	40	84	119	229	433	803			
	3	Hambantota	117	54	171	241	466	881	1635			
	4	Kataragama	23	14	37	53	101	191	354			
	5	Tanamalwila	5	3	8	12	22	42	77			
	6	Thimbolketiya	12	1	13	19	36	67	125			
	7	Tissamaharama	38	33	71	100	194	366	679			
	8	Angunakolapelessa	12	3	15	22	41	78	144			
	9	Tangalle	98	44	142	200	387	732	1358			
	10	Beliattha	19	20	39	55	107	201	373			
	11	Walasmulla	22	9	31	44	85	160	297			
	12	Weeraketiya	21	5	26	37	71	134	249			
	13	Middeniya	10	5	15	15	28	52	96			
		Total	466	270	736	1036	1997	3771	6994			

表 2 - 3 (12 / 30) 電話局別需要分散

S.S.C CODE	NO.	NAME OF EXCHANGE	1983			Demand Distribution						
			Working Sub 1	Waiting Sub 2	Total 3	1985 4	1990 5	1995 6	2000 7			
		HATTON S.S.C.										
HTN	1	Agarapatana	46	8	54	76	147	279	517			
	2	Hatton Watagoda	411	51	462	651	1259	2380	4417			
	3	Norton-Bridge	19	10	29	41	79	150	278			
	4	Pundaluoya	40	13	53	75	145	273	507			
	5	Tillicountry	40	7	47	67	128	243	450			
	6	Upcot	22	2	24	34	66	124	230			
	7	Watawala Ginigathena	43	51	94	133	257	485	900			
		Total	621	142	763	1077	2081	3934	7299			

表 2-3 (13/30) 電話局別需要分散

S.S.C CODE	NO.	NAME OF EXCHANGE	1983			Demand Distribution							
			Working Sub I	Waiting Sub 2	Total 3	1985 4	1990 5	1995 6	2000 7				
		JAFFNA S.S.C											
JFN	1	Chavakachcheri	90	69	159	224	433	819	1520				
	2	Jaffna Atchchuvvely Chunnakkam Kopay Manipay	2102	1812	3914	5505	10657	20160	37413				
	3	Karaveddy Point-pedru, Valvetiturai	189	214	403	568	1098	2077	3854				
	4	Kayts karainagar Velanal	89	94	183	260	499	944	1751				
	5	Kilinochchi	124	115	239	337	651	1231	2285				
	6	Pallai	31	6	37	53	101	191	354				
	7	Pooneryn Punakari	9	3	12	17	33	62	115				
	8	Punkudutivu Delft Nainativu	17	15	32	47	88	166	307				
	9	Sitankerni Pandateruppu Vaddukkodai	91	102	193	273	526	995	1846				
	10	Tellipallai Alaveddi Kankesanturai	59	89	148	211	404	764	1416				
		Total	2801	2519	5320	7495	14490	27409	50861				

表 2 - 3 (14 / 30) 電話局別需要分散

S.S.C		NAME OF EXCHANGE	1983			Demand Distribution			
CODE	NO.		Working Sub 1	Waiting Sub 2	Total 3	1985 4	1990 5	1995 6	2000 7
		KALMUNAI S.S.C.							
KLM	1	Akkarapattu	135	68	203	286	553	1046	1941
	2	Kalmunai	345	200	545	767	1484	2807	5210
		Total	480	268	748	1053	2037	3853	7151

表 2-3 (15/30) 電話局別需要分散

S.S.C		NAME OF EXCHANGE	1983			Demand Distribution			
CODE	NO.		Working Sub 1	Waiting Sub 2	Total 3	1985 4	1990 5	1995 6	2000 7
		KANDY S.S.C.							
KND	1	Digana	114	11	125	177	341	645	1196
	2	Galagedara Hataramaliyadda	61	21	82	116	224	423	785
	3	Gahaha	49	24	73	103	199	376	698
	4	Kaduhannawa Menikdiwela	185	84	269	380	733	1387	2572
	5	Kandy Gurudeniya Medamahannuwara Talatuoaya	2389	1641	4030	5669	10971	20757	38521
	6	Katugasastota Akurana Waralagama	379	352	731	1030	1991	3766	6988
	7	Madulkele	30	8	38	54	104	196	364
	8	Peradeniya Dauligala Geliyoa Murutalawa	540	245	785	1106	2138	4044	7505
	9	Wattegama Eikaduwa Panwila	145	44	189	268	516	974	1808
	10	Rikillagaskada Hanguranketha	68	32	100	142	274	516	957
	11	Gampola	390	76	466	656	1269	2400	4455
	12	Pussellawa	52	11	63	89	172	325	603
		Total	4402	2549	6951	9790	18932	35809	66452

表 2 - 3 (16/30) 電話局別需要分散

S.S.C CODE	NO.	NAME OF EXCHANGE	1983			Demand Distribution				
			Working Sub 1	Waiting Sub 2	Total 3	1985 4	1990 5	1995 6	2000 7	
KRG	1	Giriulla	44	21	65	92	177	335	622	
	2	Hettipola Kobalgana	22	2	24	35	66	125	230	
	3	Kuliyapitiya	161	18	179	252	489	923	1711	
	4	Kurunegala Ibbagamulla Kohiyagedara Maspotha Mawathagama Pothuhera Umhiya Wellawa	714	325	1039	1464	2832	5354	9935	
	5	Narammala Katupotha	56	54	110	156	300	567	1053	
	6	Nikadalupotha	11	3	14	20	39	73	134	
	7	Pannala Gonawilla	24	17	41	59	112	212	393	
	8	Polgahawela Alawwa	127	60	187	264	510	964	1788	
	9	Ridigama Dodangaslanda Gokarella Rambadagalla	47	9	56	80	154	291	537	
	10	Wariyapola	40	33	73	103	199	376	698	
	11	Nikaweratiya	46	32	78	110	213	402	746	
	12	Galgamuwa	29	11	40	57	109	206	383	
	13	Maho	44	20	64	90	175	330	612	
		Total	1365	605	1970	2782	5375	10158	18842	

表 2 - 3 (17 / 30) 電話局別需要分散

S.S.C		NAME OF EXCHANGE	1983			Demand Distribution				
CODE	NO.		Working Sub 1	Waiting Sub 2	Total 3	1985 4	1990 5	1995 6	2000 7	
		KALUTARA S.S.C.								
KLT	1	Bentota	417	174	591	831	1609	3044	5649	
	2	Kalutara	601	210	811	1141	2208	4177	7752	
	3	Matugama	177	34	211	299	576	1089	2019	
	4	Agalawatta								
	5	Lalpandura								
	6	Welipanna								
	7	Misahatenna	9	16	25	36	69	129	239	
	8	Neboda	32	3	35	50	97	182	335	
	9	Tebuwana								
	10	Bulathsinghala	22	9	31	44	85	160	297	
	11	Mahagama								
		Total	1258	446	1704	2401	4644	8781	16291	

表 2-3 (18/30) 電話局別需要分散

S.S.C		NAME OF EXCHANGE	1983			Demand Distribution			
CODE	NO.		Working Sub 1	Waiting Sub 2	Total 3	1985 4	1990 5	1995 6	2000 7
		KEGALLE S.S.C.							
KGL	1	Aranayake	22	8	30	43	82	155	287
	2	Kegalle	319	65	384	541	1046	1979	3671
	3	Kotiyakumbura	21	0	21	31	58	109	201
	4	Mawanelle	88	47	135	191	368	696	1292
	5	Nelundeniya	10	0	10	15	28	52	96
	6	Undugoda	15	0	15	22	41	78	144
	7	Warakapola	50	69	119	168	325	614	1139
	8	Rombukkana	62	2	64	90	175	330	612
		Total	587	191	778	1101	2123	4013	7442

表 2-3 (19/30) 電話局別需要分散

S.S.C CODE	S.S.C NO.	NAME OF EXCHANGE	1983			Demand Distribution							
			Working Sub 1	Waiting Sub 2	Total 3	1985 4	1990 5	1995 6	2000 7				
MNR	1	MANNAR S.S.C.											
		Adampan	11	3	14	20	39	78				134	
	2	Mannar Errukkalampidi	142	72	214	302	583	1103				2046	
	3	Pesalai	12	3	15	22	41	78				144	
	4	Talamannar	21	6	27	38	74	140				259	
	5	Uvilankulam Nantan	14	8	22	32	61	115				211	
	6	Vidalativu	2	4	6	9	17	31				58	
	7	Chillavathura	10	-	10	15	28	52				96	
	8	Murunkan Madu road Madu Chruuch	24	21	45	65	125	233				431	
		Total	236	117	353	503	968	1825				3379	

表 2 - 3 (20/30) 電話局別需要分散

S.S.C. CODE	NO.	NAME OF EXCHANGE	1983			Demand Distribution						
			Working Sub 1	Waiting Sub 2	Total 3	1985 4	1990 5	1995 6	2000 7			
		MATALE S.S.C.										
MTL	1	Dambulla Hobarana	76	19	95	134	259	490	909			
	2	Elahara Bakamuna	4	13	17	25	48	89	163			
	3	Mahawela Madipola Madavala Ulpotha	19	17	36	51	100	188	346			
	4	Matale Aukumbura Alawatugoda	567	206	773	1088	2105	3982	7391			
	5	Naula Galewela Kimbissa Nalanda	70	55	125	177	341	645	1197			
	6	Rattota Gammaduwwawa Laggala Masua Eliya	35	24	59	84	162	306	566			
	7	Wilgomuwa	-	-	-	-	-	-	-			
		Total	771	334	1105	1559	3015	5700	10572			

表 2 - 3 (21 / 30) 電話局別需要分散

S.S.C. CODE	S.S.C. NO.	NAME OF EXCHANGE	1983			Demand Distribution						
			Working Sub 1	Waiting Sub 2	Total 3	1985 4	1990 5	1995 6	2000 7			
		MATARA S.S.C.										
MTR	1	Akuressa	55	11	66	93	180	340		631		
	2	Deniyaya	54	21	75	106	205	387		718		
	3	Dikwella	38	13	51	72	139	263		488		
	4	Hakmana	32	14	46	67	127	238		441		
	5	Kamburupitiya	55	19	74	105	203	382		708		
	6	Kottegoda	8	5	13	19	36	67		125		
	7	Matara	768	250	1018	1432	2771	5243		9731		
	8	Morawaka	17	10	27	38	74	140		259		
	9	Telijjawila	13	9	22	31	60	114		211		
	10	Urubokka	16	4	20	30	56	105		192		
	11	Welligama	95	75	170	240	463	876		1625		
	12	Mahaduwa	2	0	2	3	6	11		20		
		Total	1153	431	1584	2236	4320	8166		15149		

表 2 - 3 (22/30) 電話局別需要分散

S.S.C CODE	S.S.C NO.	NAME OF EXCHANGE	1983				Demand Distribution			
			Working Sub 1	Waiting Sub 2	Total 3	1985 4	1990 5	1995 6	2000 7	
NWL	1	NAVALAPITIVA S.S.C. Craig Herd	7	-	7	10	20	37	67	
	2	Dolosbage	15	3	18	26	49	93	173	
	3	Kotmale	21	9	30	43	82	155	287	
	4	Nawalapitiya	191	86	277	390	754	1427	2648	
		Total	234	98	332	469	905	1712	3175	

表 2-3 (23/30) 電話局別需要分散

S.S.C	CODE	S.S.C NO.	NAME OF EXCHANGE	1983			Demand Distribution					
				Working Sub 1	Waiting Sub 2	Total 3	1985 4	1990 5	1995 6	2000 7		
			NEGOMBO S.S.C.									
NGM		1	Badalgama	15	25	40	57	109	206			383
		2	Dunagaha	83	83	166	234	452	855			1587
		3	Katunayake	517	366	883	1242	2404	4548			8440
		4	Lunwila	99	130	229	322	624	1180			2189
		5	Negombo	1163	1235	2398	3372	6528	12350			22921
		6	Sandalankawa	14	7	21	30	58	109			201
		7	Kochchikade Dankotuwa	47	33	80	113	218	412			765
			Total	1938	1879	3817	5370	10393	19660			36486

表 2-3 (24/30) 電話局別需要分散

S.S.C CODE NO.	NAME OF EXCHANGE	1983			Demand Distribution				
		Working Sub I	Waiting Sub 2	Total 3	1985 4	1990 5	1995 6	2000 7	
	NUWARA-ELUYA S.S.C.								
1	Halgranoya	50	5	55	78	150	284	526	
2	Maturata Padiyapelella	30	6	36	52	99	186	345	
3	Nuwara Elliya	628	102	730	1028	1989	3761	6979	
4	Ramboda	17	8	25	36	69	129	239	
5	Udapussallawa	30	3	33	47	90	170	316	
6	Bagawantalawa	48	21	69	98	188	356	660	
7	Maskeliya	64	17	81	114	221	418	775	
8	Talawakele	93	13	106	150	289	546	1014	
9	Watumulla Nizandahinna	7	0	7	10	20	37	67	
	Total	967	175	1142	1613	3115	5887	10921	

表 2 - 3 (25 / 30) 電話局別需要分散

S.S.C CODE	S.S.C NO.	NAME OF EXCHANGE	1983			Demand Distribution			
			Working Sub 1	Waiting Sub 2	Total 3	1985 4	1990 5	1995 6	2000 7
PLN	1	Polonnaruwa S.S.C.	96	-	96	135	262	495	918
	2	Hingurakgoda	204	-	204	287	556	1051	1950
		Total	300	-	300	422	818	1546	2868

表 2 - 3 (2 6 / 3 0) 電 話 局 別 需 要 分 散

S.S.C CODE	S.S.C NO.	NAME OF EXCHANGE	1983			Demand Distribution						
			Working Sub 1	Waiting Sub 2	Total 3	1985 4	1990 5	1995 6	2000 7			
		PANADURA S.S.C.										
PND	1	Horana Govinna Ingiriya	217	45	262	370	714	1350	2505			
	2	Panadura Bandaragama	751	365	1116	1571	3038	5749	10668			
		Total	968	410	1378	1941	3752	7099	13173			

表 2 - 3 (27 / 30) 電話局別需要分散

S.S.C		NAME OF EXCHANGE	1983				Demand Distribution				
CODE	NO.		Working Sub I	Waiting Sub 2	Total 3	1985 4	1990 5	1995 6	2000 7		
		PUTTALAM S.S.C.									
PTL	1	Anamaduwa	18	14	32	45	88	165	306		
	2	Puttalam	134	113	247	348	673	1273	2361		
	3	Kalpitiya	12	18	30	43	82	155	287		
	4	Madurankuli	3	13	16	23	44	83	153		
	5	Mampuri	4	1	5	8	14	26	48		
		Total	171	159	330	467	901	1702	3155		

表 2 - 3 (28/30) 電話局別需要分散

S.S.C		NAME OF EXCHANGE	1983			Demand Distribution			
CODE	NO.		Working Sub 1	Waiting Sub 2	Total 3	1985 4	1990 5	1995 6	2000 7
		RATNAPURA S.S.C.							
RTN	1	Balangoda	117	58	175	247	477	902	1673
	2	Bambarabotuwa	14	0	14	20	39	73	134
	3	Kalawana	16	6	22	31	60	114	211
	4	Kiriella	18	4	22	32	60	114	212
	5	Nivitigala	39	35	74	105	202	382	708
	6	Pelmadulla Atakalampanna Kahawatta	81	198	279	394	761	1439	2668
	7	Rakwana Godakawela Kolonne	65	13	78	111	214	403	747
	8	Ratnapura Kuruwita	342	489	831	1169	2263	4281	7944
		Total	692	803	1495	2109	4076	7708	14297

表 2-3 (29/30) 電話局別需要分散

S.S.C CODE	S.S.C NO.	NAME OF EXCHANGE	1983			Demand Distribution						
			Working Sub 1	Waiting Sub 2	Total 3	1985 4	1990 5	1995 6	2000 7			
		TRINCOMALLEE S.S.C.										
TRN	1	China-Bay Kinniya	49	17	66	94	181	341	632			
	2	Kantalei	39	6	45	64	123	232	431			
	3	Kiliveddi	5	1	6	9	17	31	58			
	4	Kuchchaveli	7	1	8	12	22	42	77			
	5	Morawewa Gomarakadawela	9	1	10	16	28	52	96			
	6	Mutur	19	10	29	41	79	150	278			
	7	Nilaveli	14	14	28	40	77	145	268			
	8	Pulmudal Padavisipura	5	-	5	8	15	27	49			
	9	Seruwila Toppur	7	-	7	11	20	37	68			
	10	Thampalakamam	7	1	8	12	22	42	77			
		Trincomalee	512	38	550	774	1498	2833	5257			
		Total	673	89	762	1081	2082	3932	7291			

表 2-3 (30/30) 電話局別需要分散

S.S.C CODE	S.S.C NO.	NAME OF EXCHANGE	1983			Demand Distribution				
			Working Sub I	Waiting Sub 2	Total 3	1985 4	1990 5	1995 6	2000 7	
VNY	1	VAVUNIYA S.S.C. Mulativu	40	35	75	106	205	387	717	
	2	Muthiyanwela	9	3	12	17	33	62	115	
	3	Nedunkerni Puthkudiruppu Oddichudan Mulliyawalai	23	26	49	70	134	254	471	
	4	Padaviya	9	2	11	16	30	57	106	
	5	Vavuniya Omantai	213	152	365	514	994	1880	3489	
	6	Mankulam Tunukai Yogapuram	29	21	50	72	138	259	480	
		Total	323	239	562	795	1534	2890	5378	

第3章 トラヒック予測と回線算出

第3章 トラヒック予測と回線算出

トラヒック予測に際しては、第1分冊第4章に示すように加入者発信呼率をパターン化して、算出する方法をとっている。

具体的プロジェクトを実施する際には個々の局につき実際に測定したトラヒック資料を基に算出すべきである。

(1) 端局 (LE) 毎のトラヒック予測と回線算出	表 3-1
(2) 集中局 (SSC) 間トラヒック予測と回線算出	表 3-2
(3) コロンボ首都圏サービス種類別トラヒック (1990年, 1995年, 2000年)	表 3-3
コロンボ首都圏中継線トラヒック交流表 (1990年, 1995年, 2000年)	表 3-4
コロンボ首都圏中継線回線数算出 (1990年, 1995年, 2000年)	表 3-5
(4) スリランカ全土回線収束図	図 3-1
コロンボ中心局 (TSC) 内回線収束図	図 3-2
キャンディ中心局 (TSC) 内回線収束図	図 3-3
アヌラダプラ中心局 (TSC) 内回線収束図	図 3-4
ゴール中心局 (TSC) 内回線収束図	図 3-5
集中局 (SSC) 別デジタル・システム計画図	図 3-6

表 3-1 (1/13) 端局 (L.E) 毎のトラフィック予測と回線算出

S.S.C	CODE	NAME OF EXCHANGE	STD Originating Traffic					No. of Circuits Required												
			1985	1990	1995	2000		1985	1990	1995	2000									
	ANR	ANURADAPURA S.S.C.																		
		Anuradapura	49.7	81.3	153.7	233.4					63	98	173	259						
		Eppawala	4.4	8.4	15.8	29.2					10	16	25	41						
		Galenbindunuwewa	1	2	3.8	7					5	7	9	14						
		Horowpatana	1.2	2.4	4.5	8.3					5	7	10	16						
		kahatagasdigiliya	2.7	5.1	9.6	17.9					8	11	17	28						
		Kebitigollewa	1.5	2.9	5.4	10					6	8	12	18						
		kekirawa	8.1	15.7	29.6	54.8					15	25	41	69						
		Medawachchiya	3.7	7.1	13.4	24.8					9	14	22	36						
		Nochchiyagama	1.5	2.9	5.4	10					6	8	12	18						
		Tambuttegama	1.1	2.1	4	7.4					5	7	10	15						
	AMR	AMPARA S.S.C.																		
		Ampara	17.9	34.7	65.6	103.1					28	47	81	121						
	AVS	AVISSAWELLA S.S.C.																		
		Avissawella	16.5	31.8	60	94.2					26	44	75	111						
		Suatakohuotiya	1.1	2.1	4	7.4					5	7	10	14						
		Deraniyagala	2.1	4.1	7.7	14.4					7	10	15	23						
		Ehaliyagoda	9.7	18.7	35.2	65.3					17	29	47	80						
		Kithulgala	0.9	1.8	3.3	6.1					4	6	9	13						
		Kosgama	11	21.3	40.1	74.4					19	32	53	90						
		Ruvanwella	7.3	14.2	26.8	49.6					14	23	38	63						

表 3-1 (2/13) 端局 (L 互) 毎のトラヒック予測と回線算出

S.S.C CODE	S.S.C NO.	NAME OF EXCHANGE	STD Originating Traffic				No. of Circuits Required													
			1985	1990	1995	2000	1985	1990	1995	2000										
		BADULLA S.S.C.																		
BDL		Badulla	40.3	77.8	124.4	188.9	53	94	143	210										
		Bibile	2.7	5.2	9.9	18.3	8	11	18	28										
		Kandaketiya	0.2	0.4	0.7	1.3	2	3	4	5										
		Madulsima	1	1.9	3.5	6.6	5	6	9	13										
		Monaragala	9.3	18	34	63.1	17	28	46	78										
		Namunukula	1.6	3.1	5.9	10.9	6	8	12	19										
		Padiyatalawa	1	1.8	3.3	6.1	5	6	9	13										
		Passara	6.5	12.6	23.8	44	13	21	34	57										
		Wellawaya	1.8	3.4	6.4	11.8	6	9	13	20										
		Mahiyangana	5.5	10.6	19.9	37	12	19	30	49										
		BATICALOA S.S.C.																		
BTC		Batticaloa	61.7	101.1	191.3	290.6	76	118	213	323										
		Valachchanai	10.2	19.8	37.5	69.6	18	30	50	85										
		BANDARAWELA S.S.C.																		
BNR		Ampirikanda	1.4	2.7	5.2	9.6	5	8	11	17										
		Bandarawela	34.1	65	105.6	160.3	46	80	123	180										
		Haputale	7.7	14.9	28.2	52.2	15	24	40	66										
		Koslanda	2	4	7.5	13.9	7	10	15	23										
		Wellimada	9.5	18.2	34.5	64	17	28	47	79										

表3-1 (3/13) 端局 (L E) 毎のトラヒック予測と回線算出

S.S.C CODE	NAME OF EXCHANGE	STD Originating Traffic			No. of Circuits Required				
		1985	1990	1995	2000	1985	1990	1995	2000
	COLOMBO S.S.C.	# Specified in another table							
CNT	Angoda	16.1	31	58.7	92.2	25	43	73	109
	Boralesgamuwa	10.7	32.4	61.3	96.3	26	44	76	113
	Colombo central	822.5	1592.2	3012.8	5591	914	1769	3348	6212
	Co-Havelock Town	534.2	1034.1	1956.8	3231.3	594	1149	2174	3590
	Co-Maradana	452.7	876	1658.1	3077	503	973	1842	3419
	Hokandara	13.6	26.4	49.9	78.3	22	37	64	94
	Honagama	18	34.8	65.9	103.5	28	47	81	121
	Ja-Ela	31.8	61.6	98.6	182.9	44	76	116	203
	Kadawata	37.2	72	115.3	175	50	88	133	196
	Kaduvela	23.8	46.1	87.2	136.9	34	60	104	156
	Kelaniya	92.7	179.4	277.7	515.4	110	200	309	573
	Kotte	263.9	510.9	966.7	1793.9	293	568	1074	1993
	Maharagama	61.7	101.1	191.2	290.3	76	118	212	323
	Malwana(Biyagama)	14.7	28.4	53.8	84.5	24	40	68	101
	Moratuwa	86.5	167.4	259.1	480.8	103	188	288	534
	Mount Lavinia	297.7	576.4	1090.6	2023.8	331	640	1212	2249
	Nugegoda	192	371.8	703.4	1305.4	213	413	782	1450
	Padukka	7	13.6	25.7	47.7	14	22	37	61
	Piliyandala	22.9	44.3	83.8	131.6	33	58	100	150
	Ragama	23	44.5	84.3	132.4	34	58	101	151
	Wattala	72	118.1	182.8	339.3	88	136	203	377
	Wellampitiya	65.7	107.6	166.6	309.1	81	125	187	343
	Kollupitiya	128.7	203.9	385.7	715.7	147	227	429	795
	Mattakkuliya	67.5	110.5	171	317.6	83	128	191	353

表 3-1 (4/13) 端局 (L E) 毎のトラフィック予測と回線算出

S.S.C	CODE	NO.	NAME OF EXCHANGE	STD Originating Traffic				No. of Circuits Required										
				1985	1990	1995	2000	1985	1990	1995	2000							
			CHILAW S.S.C.															
	CHW		Bingiriya	1.5	2.9	5.4	10	6	8	12	18							
			Chilaw	12.9	24.9	47.1	87.5	22	36	61	104							
			Madampe	5.7	11.1	20.9	38.7	12	19	31	51							
			Marawila	10.5	20.2	38.2	70.9	19	30	51	86							
			Mundel(Palavi)	1.7	3.1	5.9	11	6	8	12	19							
			Rajakadaluwa	1.7	3.4	6.4	11.8	6	9	13	20							
			GALLE S.S.C.															
	GLE		Ambalangoda	25.1	48.6	77.7	144.3	36	62	94	164							
			Baddegama	5.1	9.9	18.7	34.8	11	18	29	47							
			Elpitiya	5.7	11	20.9	38.8	12	19	31	51							
			Galle	103.7	164.3	310.7	576.6	121	184	345	641							
			Habaraduwa	5.4	10.3	19.5	36.2	12	18	29	49							
			Imaduwa	1.6	3.1	5.9	10.9	6	8	12	19							
			Kosgoda	2.7	5.1	9.6	17.9	8	11	17	28							
			Talagaswela	0.8	1.5	2.8	5.2	4	6	8	11							
			Udugama	1.5	2.9	5.4	10	6	8	12	18							
			GAMPAHA S.S.C.															
	GMH		Gampaha	54.5	89.2	168.9	256.3	69	106	189	285							
			Mirigama	7.5	14.5	27.4	51	15	23	39	65							
			Pallewela	0.8	1.5	2.8	5.2	4	6	8	11							
			Pasyala	2.5	4.9	9.2	17	7	11	17	27							

表3-1 (5/13) 端局 (L B) 毎のトラヒック予測と回線算出

S.S.C CODE	NAME OF EXCHANGE	STD Originating Traffic				No. of Circuits Required			
		1985	1990	1995	2000	1985	1990	1995	2000
GMH	Velliveriya	6.2	12.1	22.8	42.3	13	21	33	55
	Veyandoda	14.2	27.4	51.8	80.7	23	39	66	92
	HAMBANTOTA S.S.C.								
HNB	Ambantotota	5.4	10.5	19.7	36.6	12	19	30	49
	Embilipitiya	5.4	10.4	19.7	36.5	12	18	30	49
	Hambantota	11	21.2	40	74.4	19	31	53	90
	Kataragama	2.4	4.6	8.7	16.1	7	11	16	25
	Tanamalwila	0.5	1	1.9	3.5	3	5	6	9
	Thimbolketiya	0.9	1.6	3	5.7	4	6	8	12
	Tissamaharama	4.6	8.8	16.7	30.9	11	16	26	43
	Angunakolapelessa	1	1.9	3.5	6.6	5	6	9	13
	Tangalle	9.1	17.6	33.3	61.8	17	27	45	77
	Beliatta	2.5	4.9	9.1	17	7	11	17	27
	Walasmulla	2	3.9	7.3	13.5	7	10	14	22
	Weeraketiya	1.7	3.2	6.1	11.3	6	9	13	20
	Middeniya	0.7	1.3	2.4	4.4	4	5	7	10
	HATTON S.S.C.								
ITN	Agarapatana	3.5	6.7	12.7	23.5	9	14	21	34
	Hatton	29.6	57.3	91.6	170.1	41	72	108	190
	Norton-Bridge	1.9	3.6	6.8	12.6	6	9	14	21
	Pundaluoya	3.4	6.6	12.4	23.1	9	13	21	34
	Tillicountry	3	5.8	11.1	20.5	8	12	19	31

表 3 - 1 (6/13) 端局 (L B) 毎のトラヒック予測と回線算出

S.S.C		NAME OF EXCHANGE	STD Originating Traffic				No. of Circuits Required			
CODE	NO.		1985	1990	1995	2000	1985	1990	1995	2000
HTN		Upcot	1.5	3	5.6	10.5	6	8	12	19
		Watawala	6.1	11.7	22.1	41	13	20	32	54
		JAFFNA S.S.C.								
JFN		Chavakachcheri	10.2	19.7	37.3	69.2	18	30	50	85
		Jaffna	173.4	335.7	635	1178.5	194	373	706	1309
		Karaveddy	25.8	50	78	148.4	37	64	94	168
		Kayts	11.8	22.7	43	79.7	20	33	56	96
		Kilinochchi	15.3	29.6	56	88	24	41	70	105
		Pallai	2.4	4.6	8.7	16.1	7	11	16	25
		Pooneryn	0.8	1.5	2.8	5.2	4	6	8	11
		Punkudutivu	2.1	4	7.6	14	7	10	15	23
		Sitankerni	12.4	23.9	45.3	84	21	35	59	100
		Tellipallai	9.6	18.4	34.8	64.4	17	28	47	79
		KALMUNAI S.S.C.								
KLM		Akkarapattu	13	25.2	47.5	88.3	22	36	61	105
		Kalmunai	34.9	67.5	108.1	164.1	47	83	126	184

表 3-1 (7/13) 端局 (L E) 毎のトラヒック予測と回線算出

S.S.C CODE	S.S.C NO.	NAME OF EXCHANGE	STD Originating Traffic				No. of Circuits Required											
			1985	1990	1995	2000	1985	1990	1995	2000								
		KANDY S.S.C.																
	KND	Digana	8.1	15.5	29.3	54.4	15	25	41	69								
		Galagedara	5.3	10.2	19.2	35.7	12	18	29	48								
		Gataha	4.7	9.1	17.1	31.8	11	17	27	44								
		Kadugannawa	17.9	33.4	63.1	99	28	45	78	116								
		Kandy	178.6	345.6	653.8	1213.4	199	384	726	1348								
		Katugastota	46.9	90.6	145	220.1	60	107	164	245								
		Madulkele	2.5	4.7	8.9	16.6	7	11	16	26								
		Peradeniya	50.3	82.3	155.7	236.4	64	99	176	263								
		Wategama	12.2	23.5	44.3	82.3	20	34	58	98								
		Rikillagaskada	6.5	12.5	23.5	43.5	13	21	34	57								
		Gampola	29.8	57.7	92.4	140.3	47	72	109	160								
		Pussellawa	4	7.8	14.8	27.4	10	15	24	39								
		KURUNEGALA S.S.C.																
	KRG	Giriulla	4.3	8.1	15.2	28.3	10	15	24	40								
		Hettipola	1.6	3	5.7	10.5	6	8	12	19								
		Kuliyapitiya	11.5	22.2	42	77.9	19	33	55	94								
		Kurunegala	66.6	109	168.7	313	82	127	189	348								
		Narammala	7.1	13.7	25.8	47.9	14	22	37	61								
		Nikadalupotha	0.9	1.8	3.3	6.1	4	6	9	13								
		Pannala	2.7	5.1	9.6	17.9	8	11	17	28								
		Polgahawala	12	23.2	43.9	81.4	20	34	57	98								
		Ridigama	3.6	7	13.2	24.4	9	14	22	35								
		Mariyapola	4.7	9.1	17.1	31.8	11	17	27	44								

表 3-1 (8/13) 端局 (L E) 毎のトラヒック予測と回線算出

S.S.C		NAME OF EXCHANGE	STD Originating Traffic				No. of Circuits Required			
CODE	NO.		1985	1990	1995	2000	1985	1990	1995	2000
KRG		Nikaveratiya	5	9.7	18.3	33.9	11	17	28	46
		Galgamuwa	2.6	5	9.4	17.4	8	11	17	27
		Maha	4.1	8	15	27.9	10	15	24	39
		KALUTARA S.S.C.								
KLT		Bentota	37.8	73.2	117.2	177.9	50	89	135	199
		Kalutara	51.9	85	160.8	244.2	66	101	181	271
		Matugama	13.6	26.2	49.5	77.7	22	37	63	93
		Migahatenna	1.6	3.1	5.9	10.9	6	8	12	19
		Nebota	2.3	4.4	8.3	15.2	7	15	24	24
		Butathsinghala	2	3.9	7.3	13.5	7	14	22	22
		KEGALLE S.S.C.								
KGL		Aranayake	2	3.7	7.1	13.1	7	9	14	22
		Kegalle	24.6	47.6	90	141.3	35	61	107	161
		Kotiyakumbura	1.4	2.6	5	9.1	5	8	11	17
		Mawanella	8.7	16.7	31.7	58.8	16	26	43	73
		Nelundeniya	0.7	1.3	2.4	4.4	4	5	7	10
		Undugoda	1	1.9	3.5	6.6	5	6	9	13
		Warakapola	7.6	14.8	27.9	51.8	15	24	39	66
		Rambukkana	4.1	8	15	27.8	10	15	24	39

