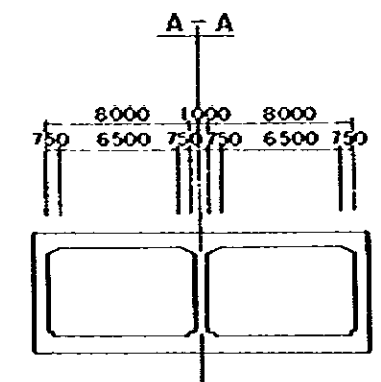
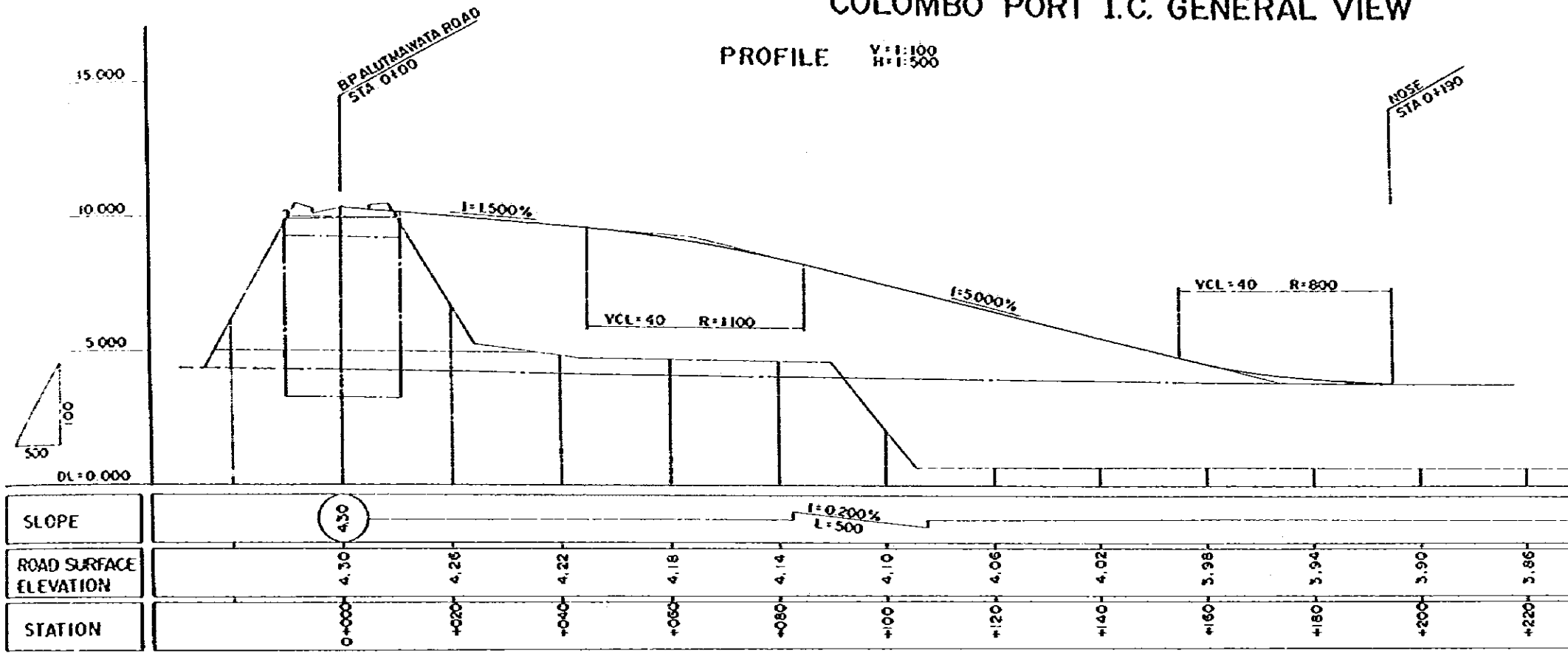


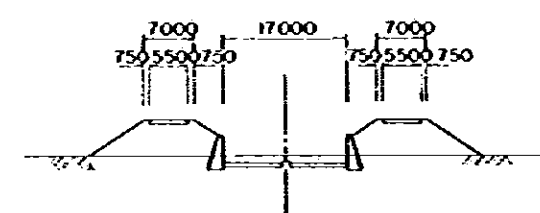
COLOMBO PORT I.C. GENERAL VIEW

PROFILE V:1:100
H:1:500

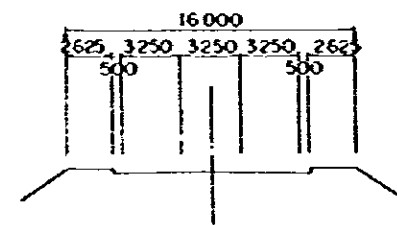
CROSS SECTION SCALE 1:200



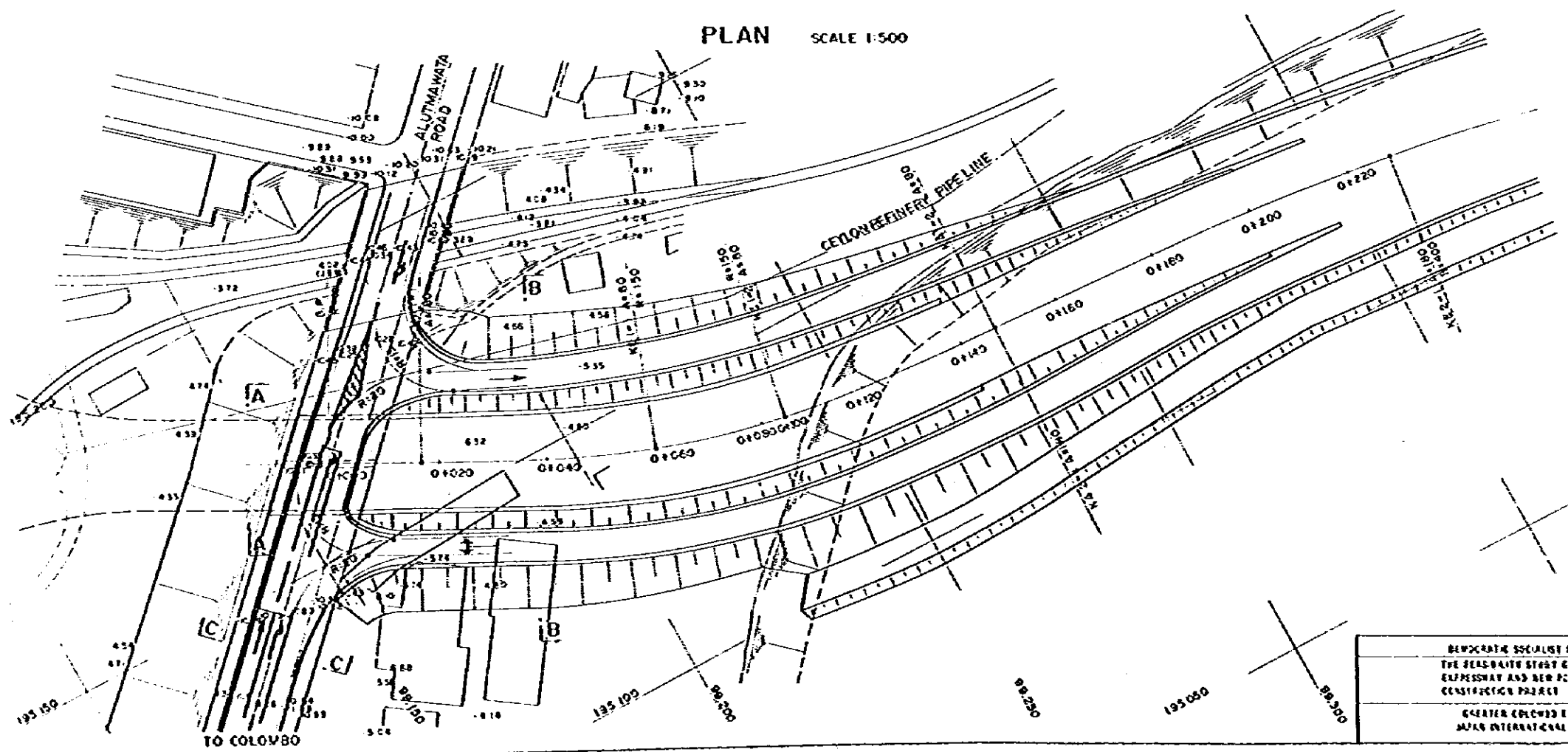
B-B SCALE 1:500



C-C SCALE 1:200
(ALUTAMAWATA RJ)



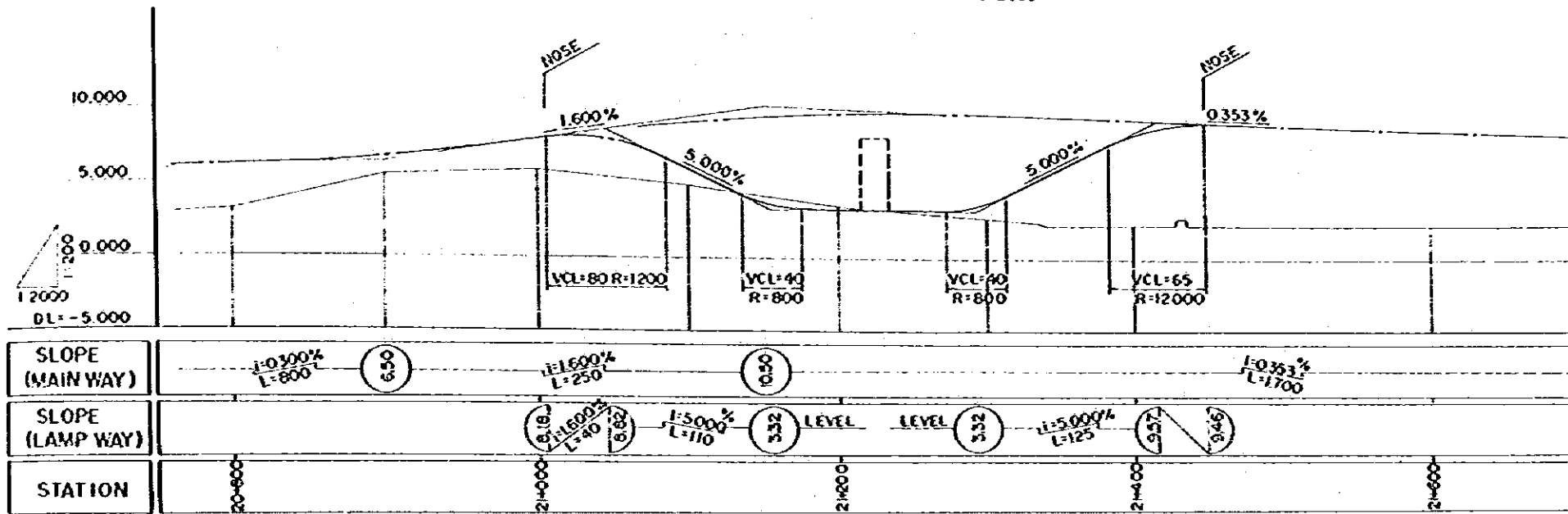
PLAN SCALE 1:500



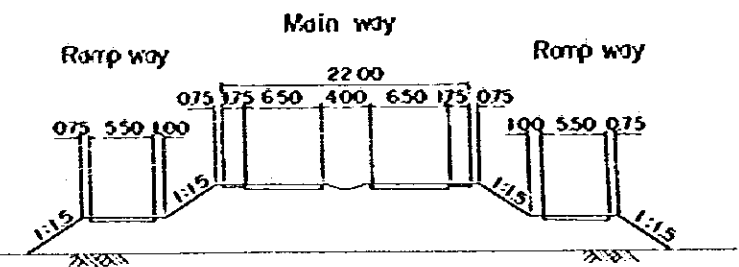
DEMOCRATIC SOCIALIST REPUBLIC OF SRI LANKA THE ROADWAYS STUDY ON COLOMBO RAILWAY EXPRESSWAY AND NEW ROAD ACCESS ROAD CONSTRUCTION PROJECT		TITLE OF ROAD NO.	
CENTRAL COLOMBO ECONOMIC COMMISSION WITH INTERNATIONAL COOPERATION AGENCY		COLOMBO PORT I.C. GENERAL VIEW	
PREPARED CHECKED	APPROVED DATE JANUARY 1984	SHEET NO.	37

EKALA I.C. GENERAL VIEW

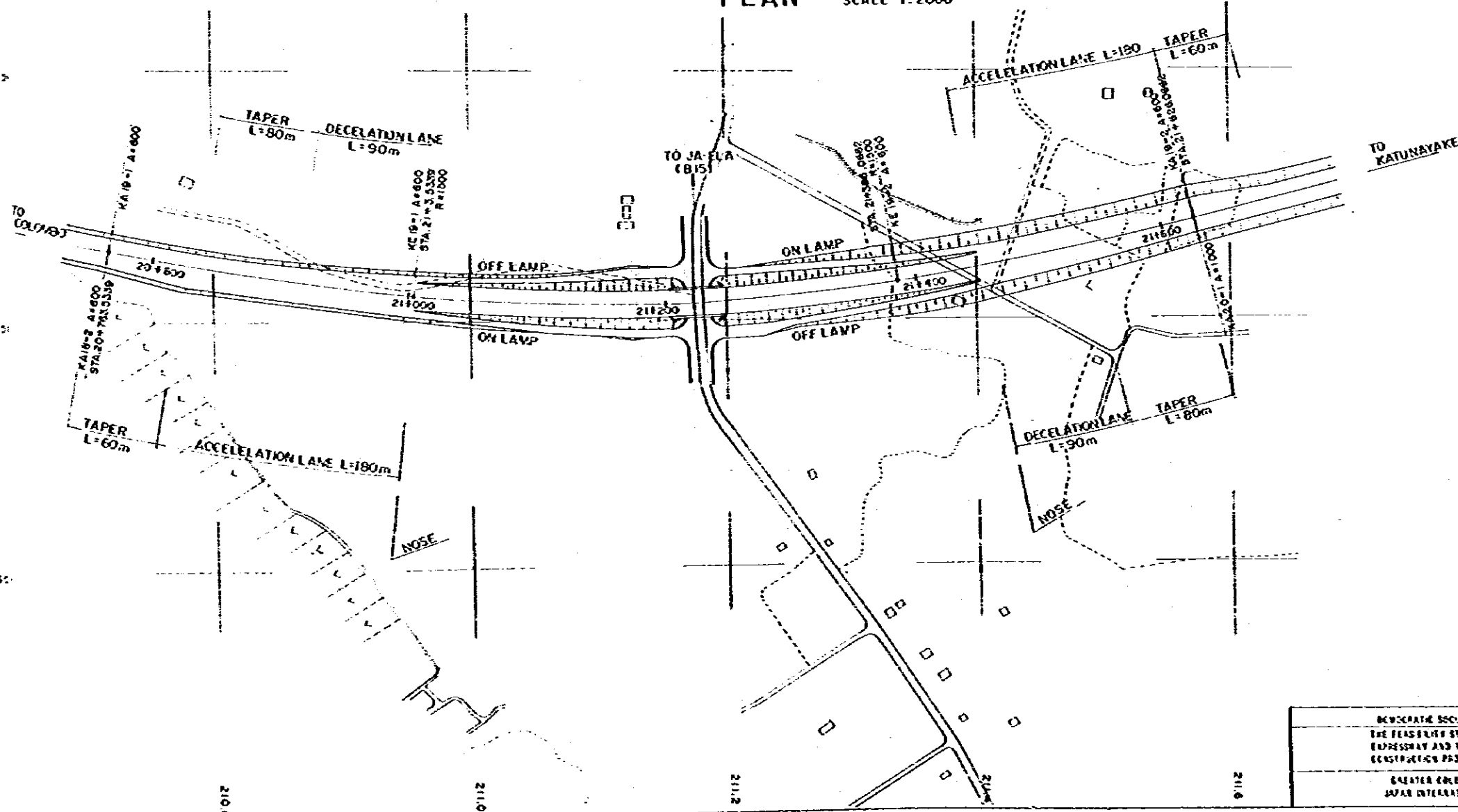
PROFILE V: 1:200
H: 1:2000



CROSS SECTION SCALE 1:300



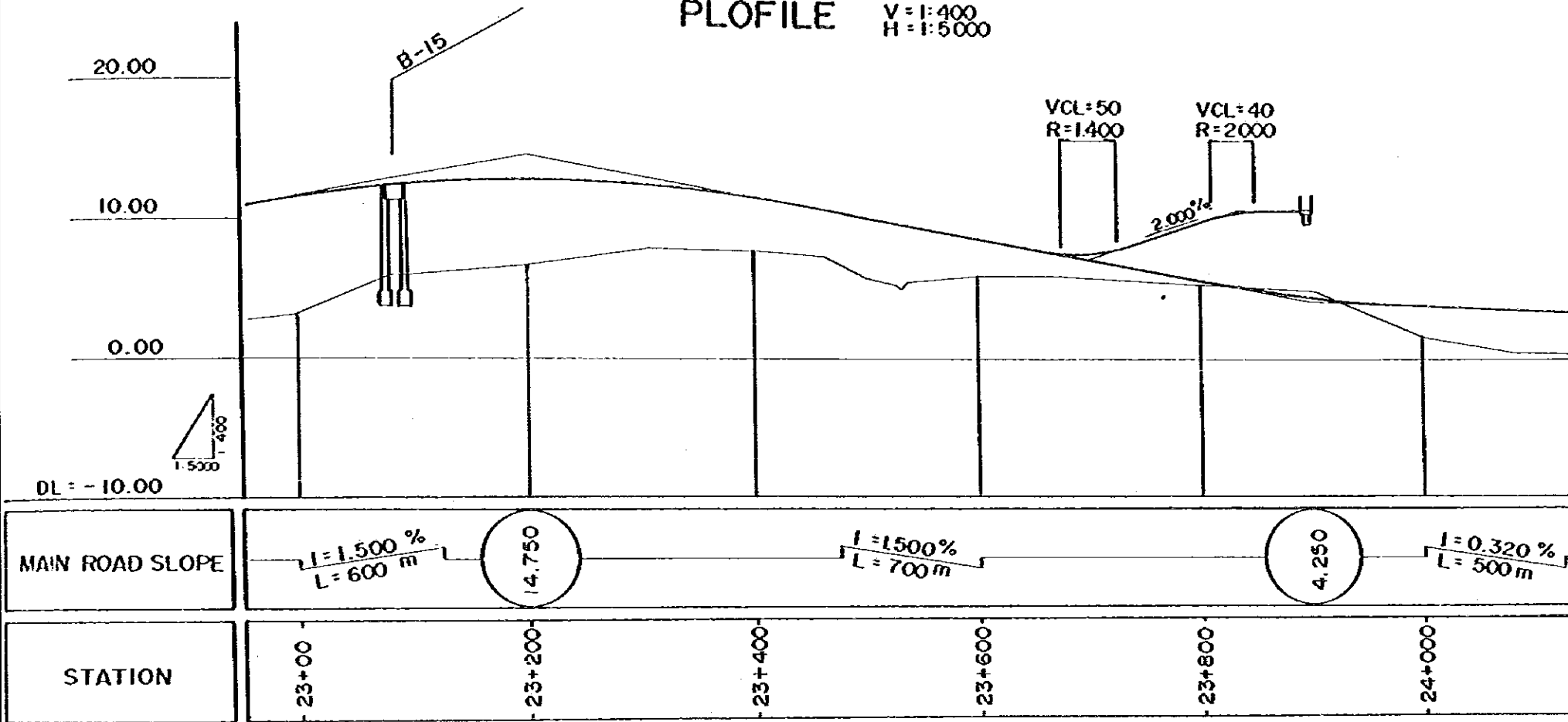
PLAN SCALE 1:2000



DEMOCRATIC SOCIALIST REPUBLIC OF SRI LANKA THE FEASIBILITY STUDY ON ENLARGED KATUNAYAKE EXPRESSWAY AND NEW PORT ACCESS ROAD CONSTRUCTION PROJECT	TITLE OF DRAWING		
GREATER SRI LANKAN ECONOMIC COMMISSION JAPAN INTERNATIONAL COOPERATION AGENCY	EKALA I.C. GENERAL VIEW (WELL DAMPED TYPE)		
PREPARED CHECKED	APPROVED DATE JANUARY 1984	SHEET NO. 38	TOTAL SHEETS 38

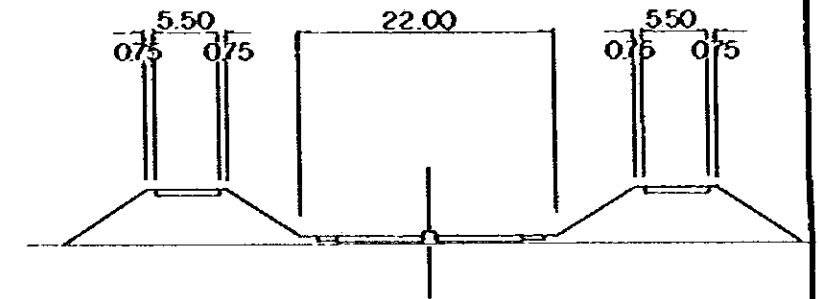
KOTUGODA I.C. GENERAL VIEW

PROFILE V=1:400 H=1:5000

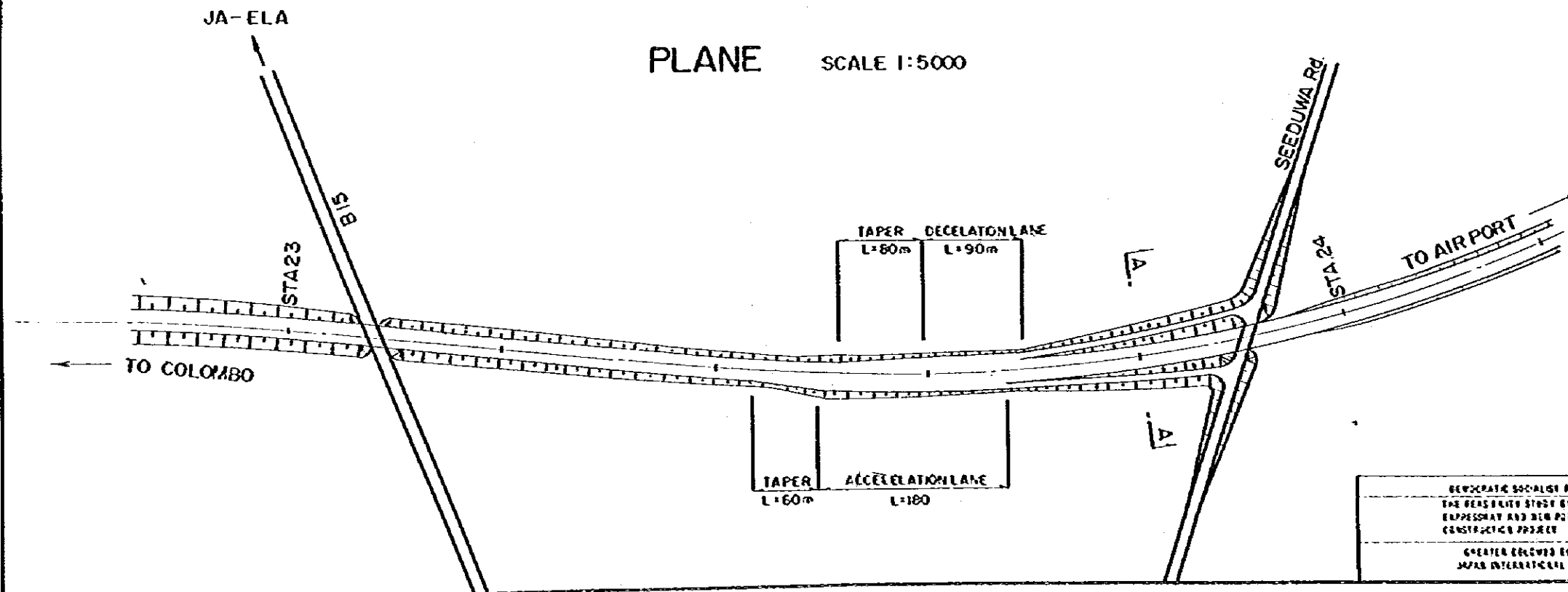


CROSS SECTION (A-A)

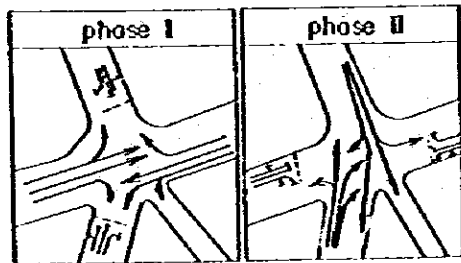
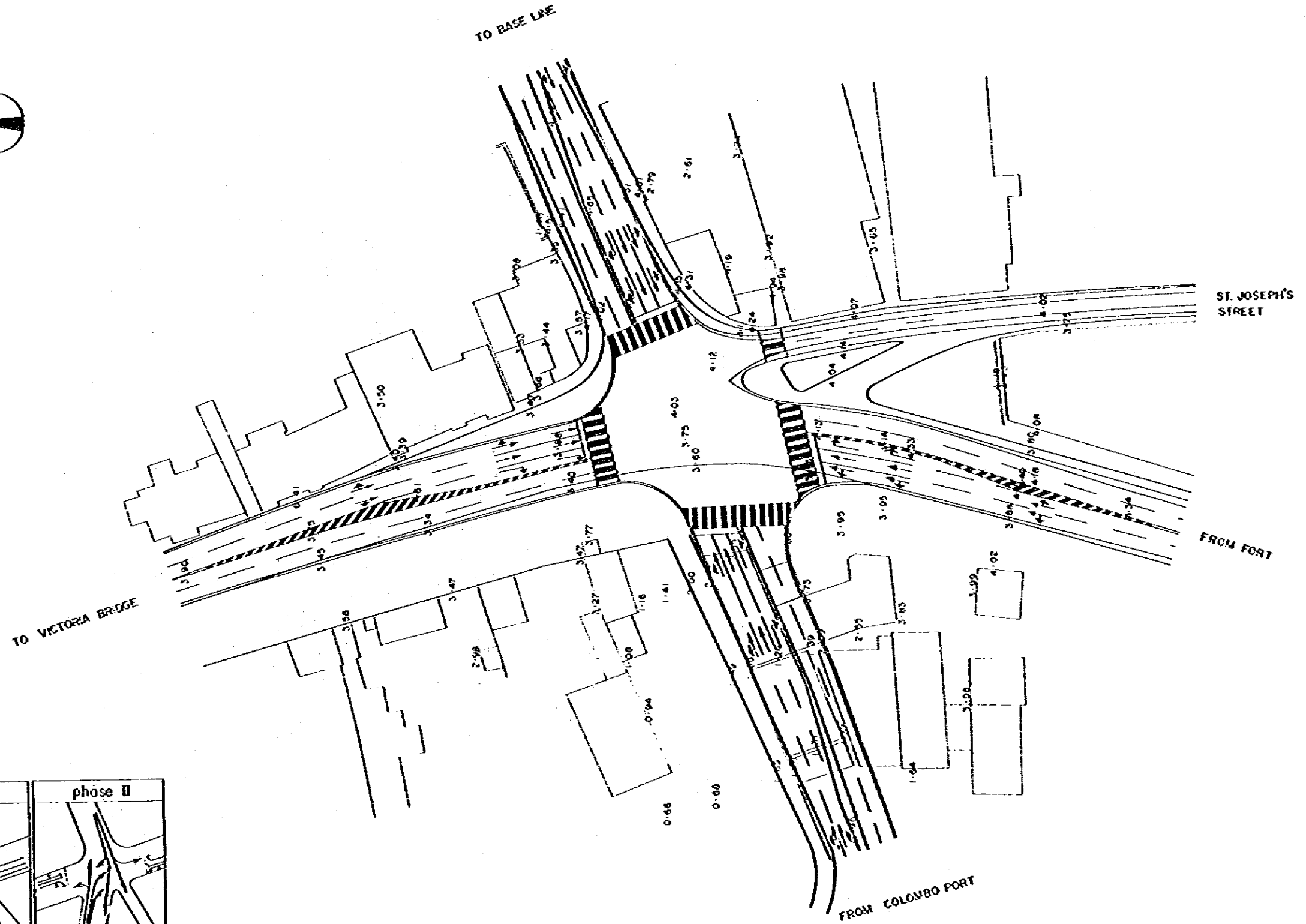
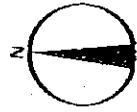
SCALE 1:600



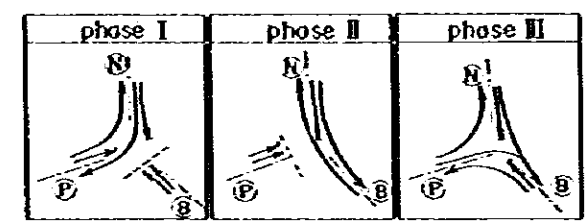
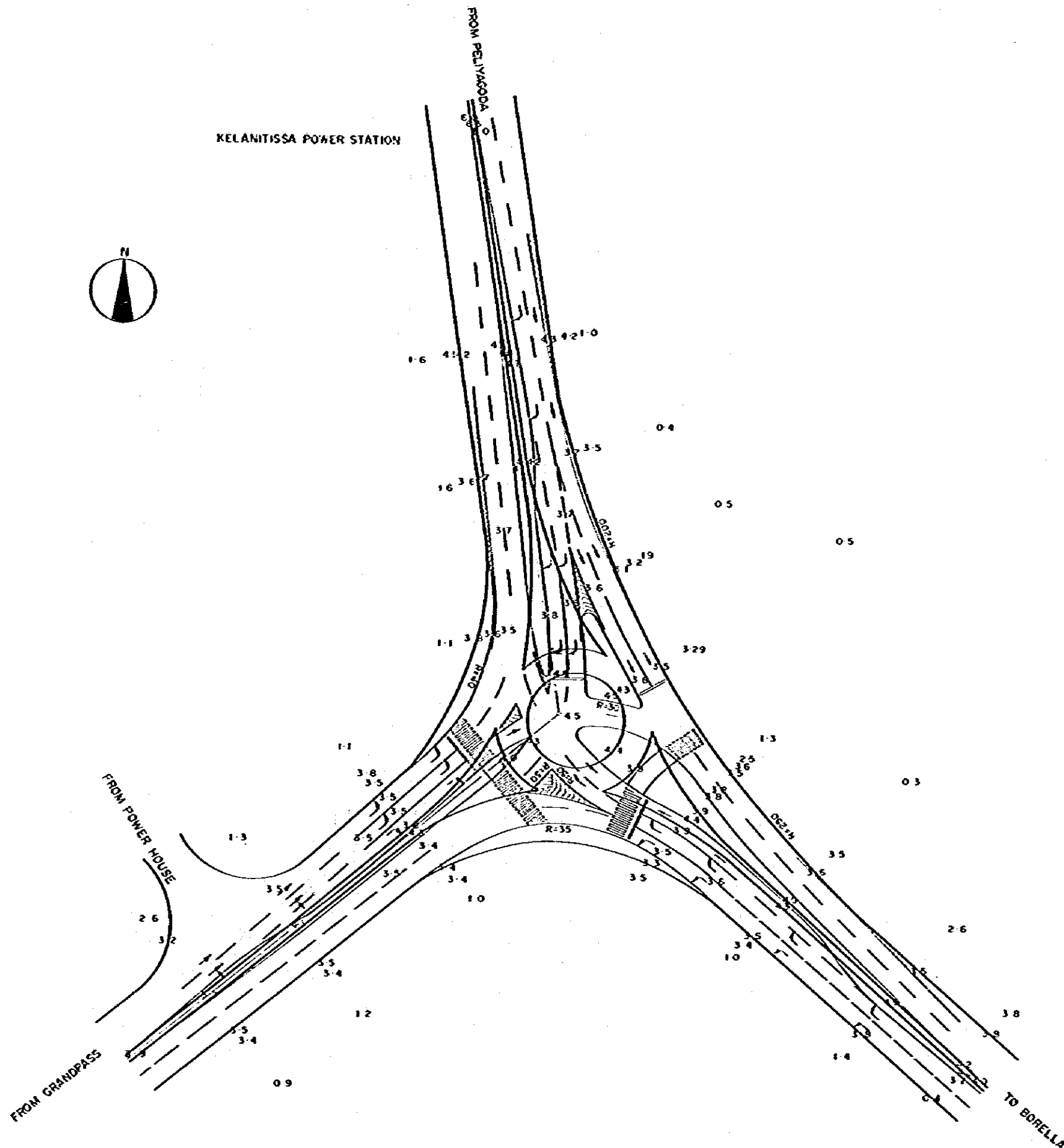
PLANE SCALE 1:5000



DEMOCRATIC SOCIALIST REPUBLIC OF SRI LANKA THE PERMANENT STUDY ON ECONOMIC RATIONALIZATION EXPRESSWAY AND AIRPORT ACCESS ROAD CONSTRUCTION PROJECT	TITLE OF DRAWING KOTUGODA I.C. GENERAL VIEW DRAFT STANDARD TYPES
GREATER COLUMBO ECONOMIC COMMISSION JAPAN INTERNATIONAL COOPERATION AGENCY	PREPARED CHECKED APPROVED DATE JANUARY 1984 DRG. NO. 39

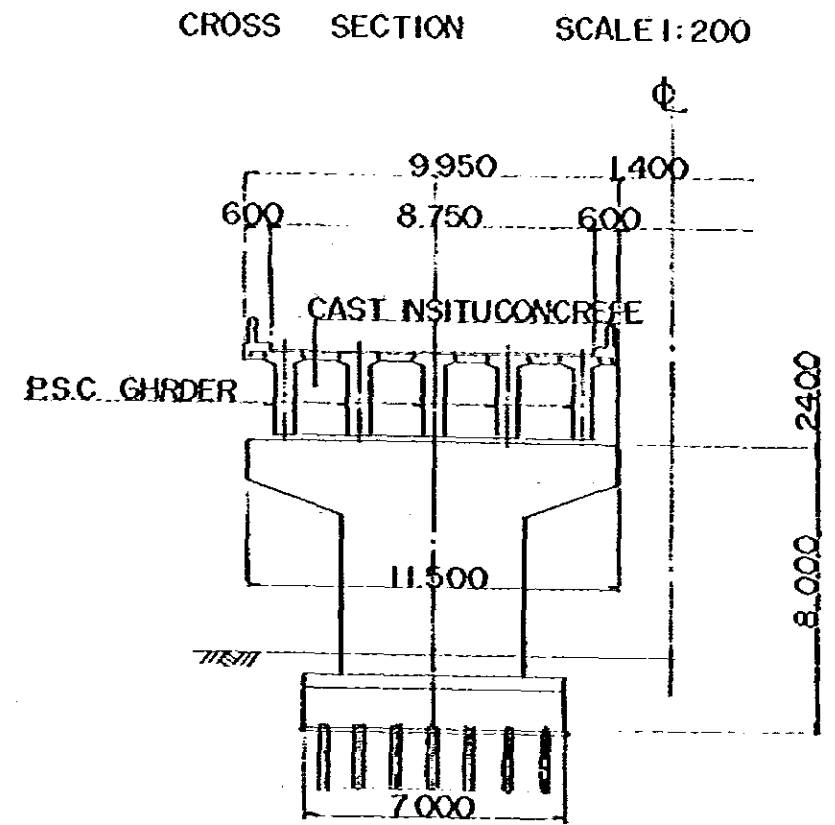
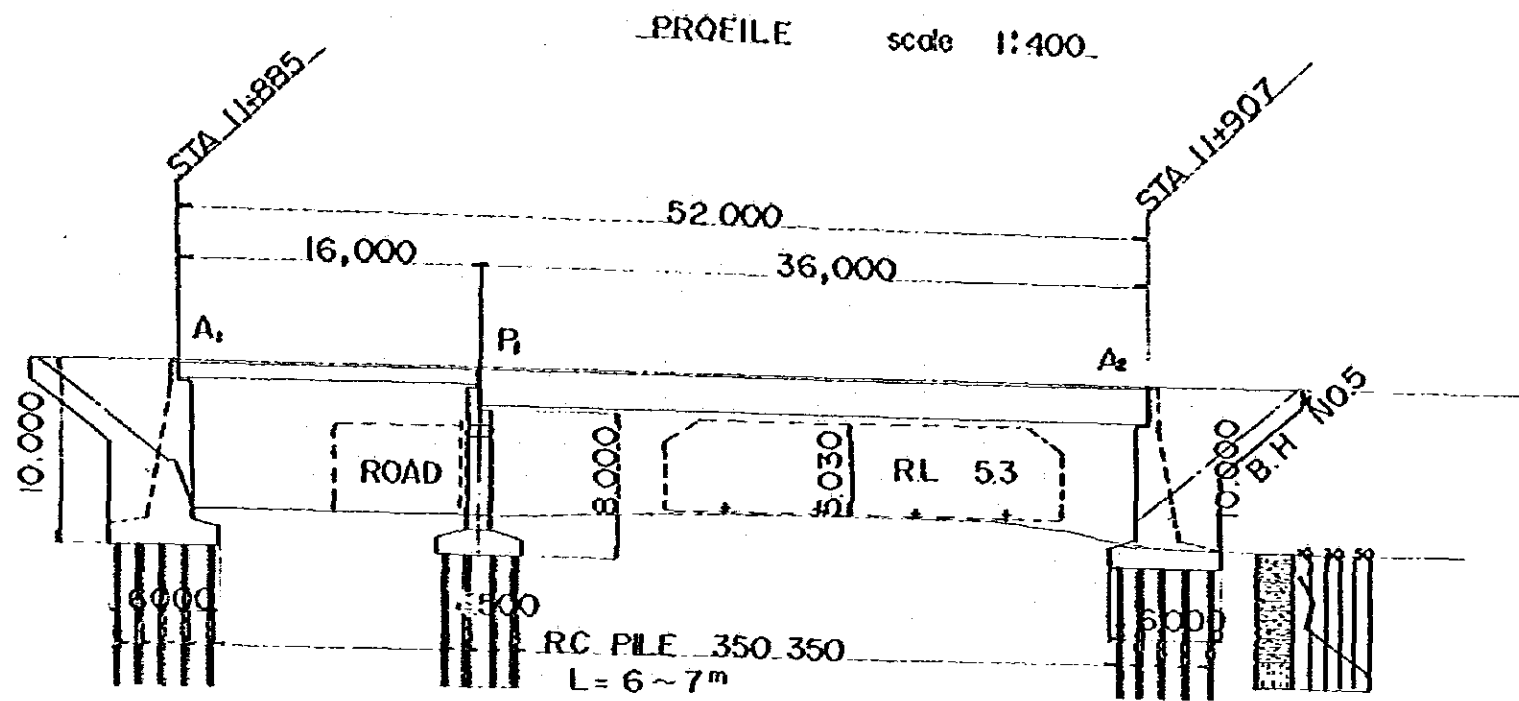


DEMOCRATIC SOCIALIST REPUBLIC OF SRI LANKA THE FEASIBILITY STUDY ON COLOMBO WATERWAY EXPRESSWAY AND NEW POST ACCESS ROAD CONSTRUCTION PACKAGE		TITLE OF DRAWING GRADE OF MAJID JUNCTION DETAILED PLAN	
PREPARED CHECKED	APPROVED DATE JANUARY 1984	ENC. NO. 40	

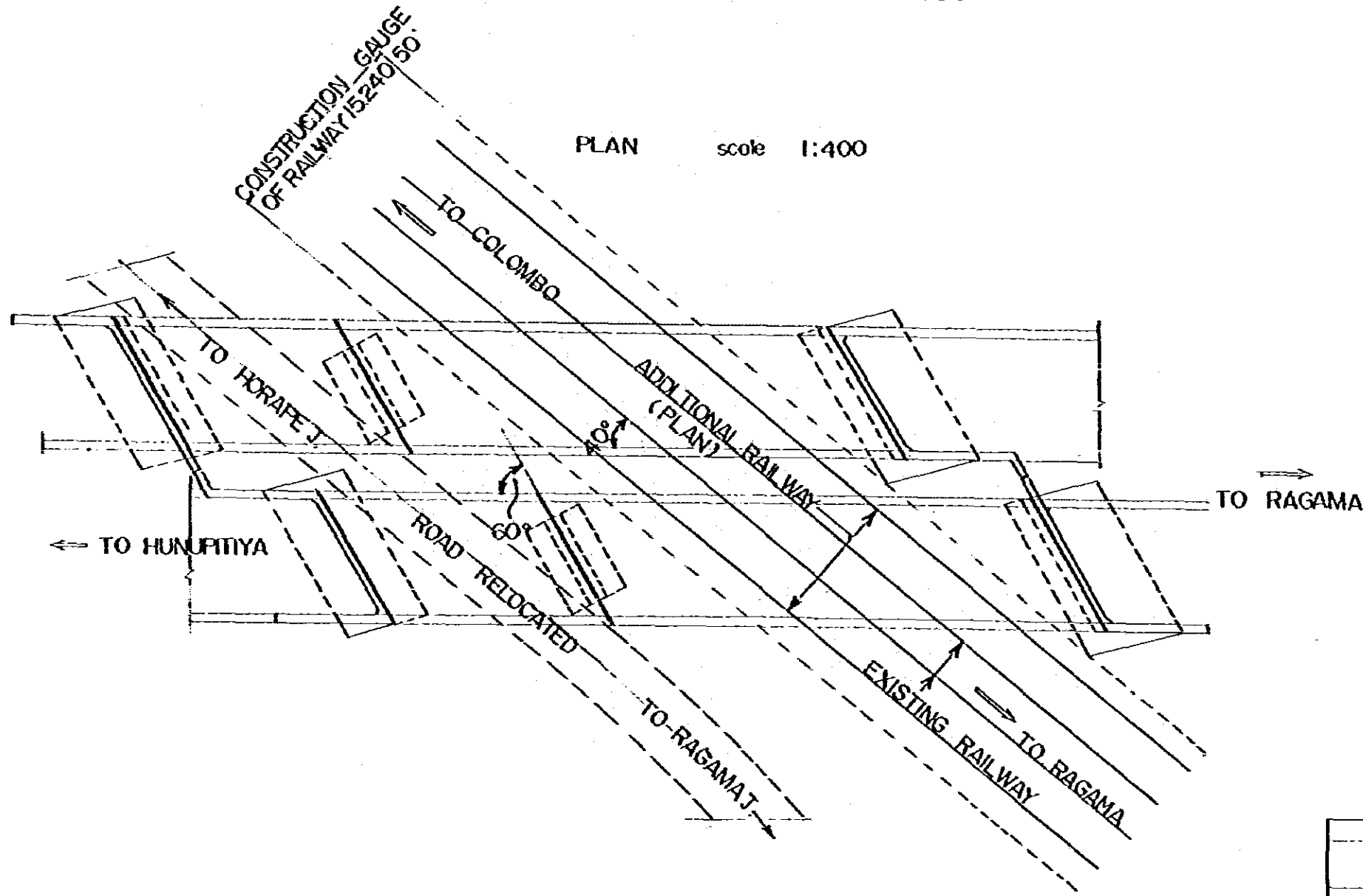
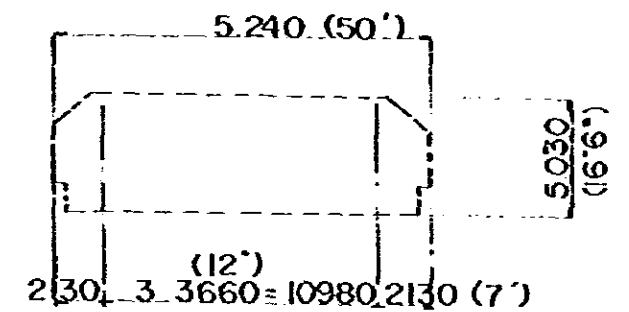


	New Keroni Bridge
	Base Line
	Prince of Wales

DEMOCRATIC SOCIALIST REPUBLIC OF SRI LANKA		TITLE OF DRAWING	
THE FEASIBILITY STUDY ON COLOMBO WATERWAY EXPRESSWAY AND NEW PORT ACCESS ROAD CONSTRUCTION PROJECT		BASE LINE JUSTICE BEYER PLAN	
GREATER SRI LANKA ECONOMIC COMMISSION JAPAN INTERNATIONAL COOPERATION AGENCY		PREPARED CHECKED	APPROVED DATE: MAY 1977 1974
			DWG. NO. 41



CONSTRUCTION GAUGE OF RAILWAY

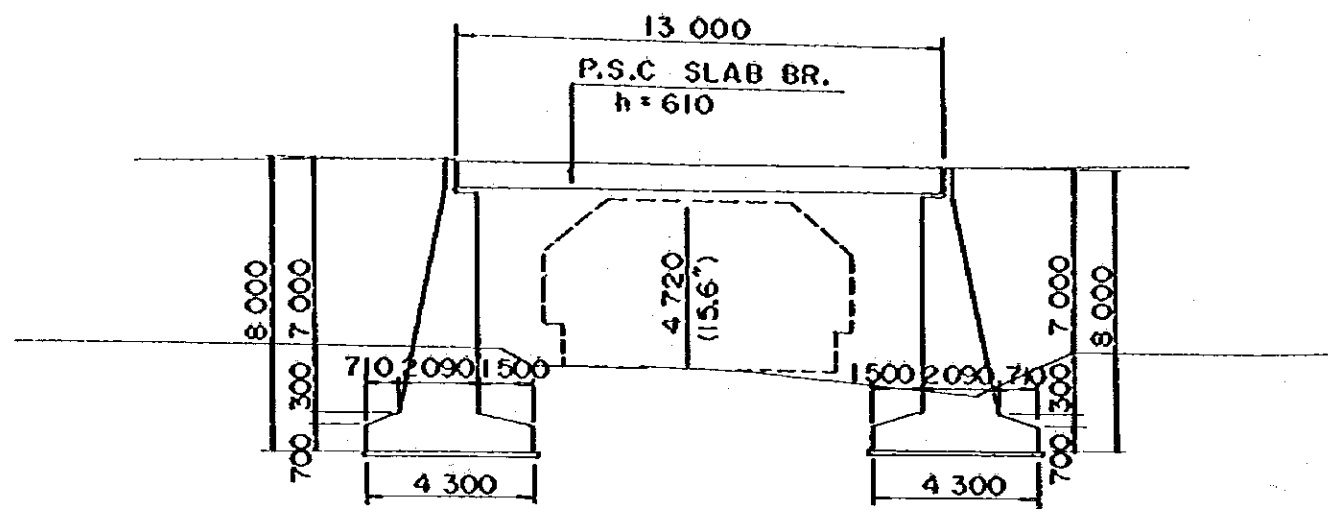


ESTIMATE OF QUANTITIES PER ONE WAY

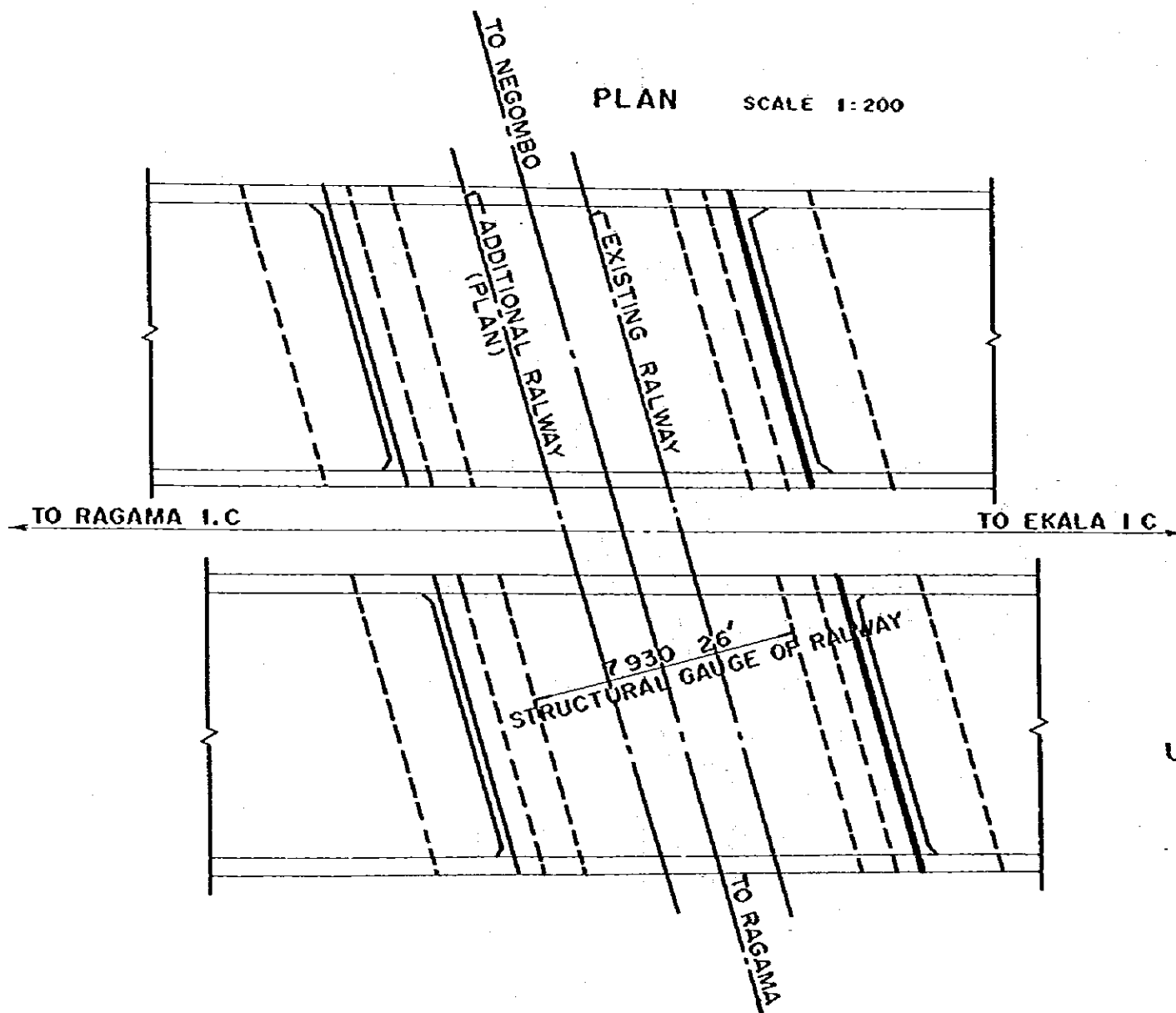
ITEM	UNT	QUANTITIES	REMARKS
superstructure	L = 36 ^m	M ³	315
	L = 16 ^m	M	140
substructure	CONCRETE	M ³	685
	FORM	M ²	740
	REINFORCEMENT	Kg	54,800
PILE	M	830	

DEMOCRATIC SOCIALIST REPUBLIC OF SRI LANKA THE FEDERAL STUDY ON COLOMBO WATERFRONT EXPANSION AND NEW PORT ACCESS ROAD CONSTRUCTION PROJECT		TITLE OF DRAWING GENERAL PLAN OF RAILWAY FLYOVER NEAR HUNUPITIYA	
GREATER COLOMBO ECONOMIC ZONE JAPAN INTERNATIONAL COOPERATION AGENCY		PREPARED CHECKED	APPROVED DATE JANUARY 1984
		PAGE NO 42	

PROFILE SCALE 1:200

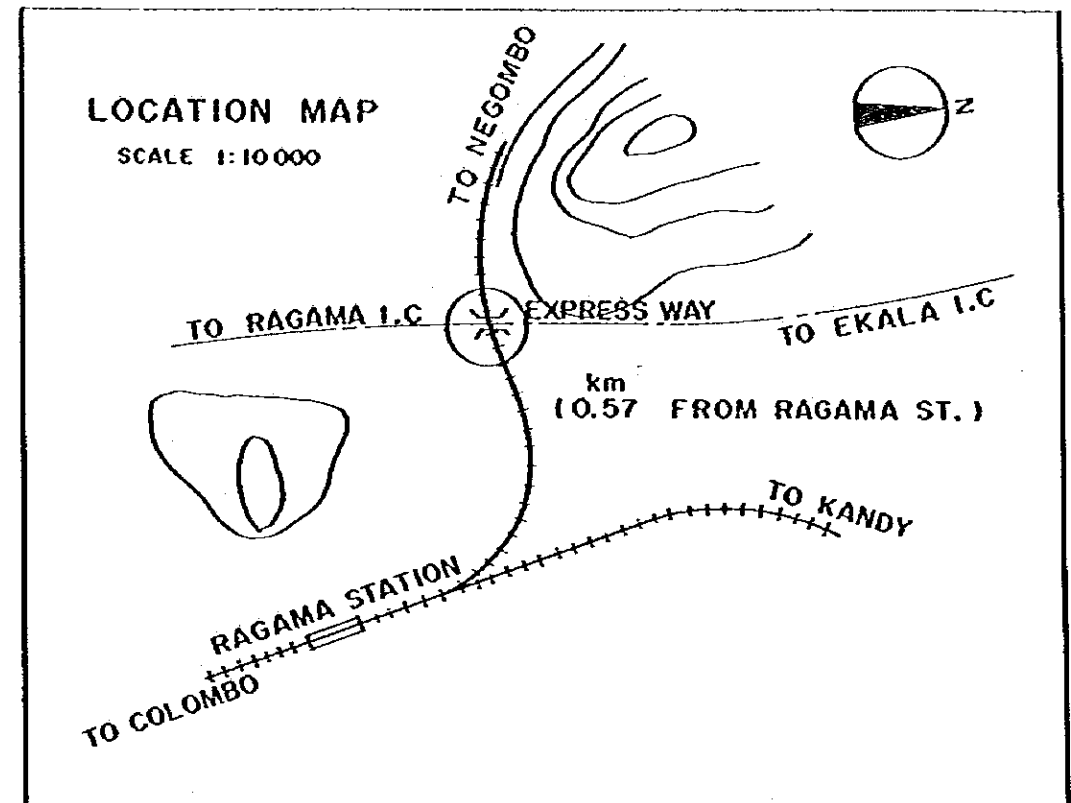


PLAN SCALE 1:200

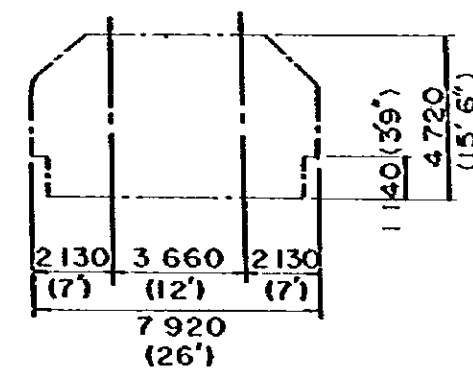


Unit : m

LOCATION MAP SCALE 1:10,000

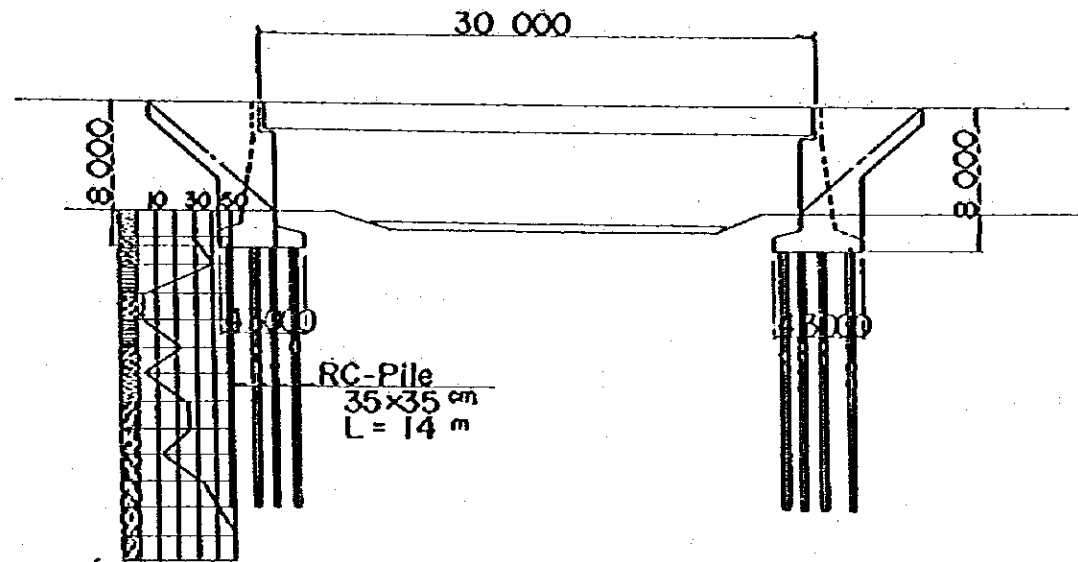


CONSTRUCTION GAUGE OF RAILWAY

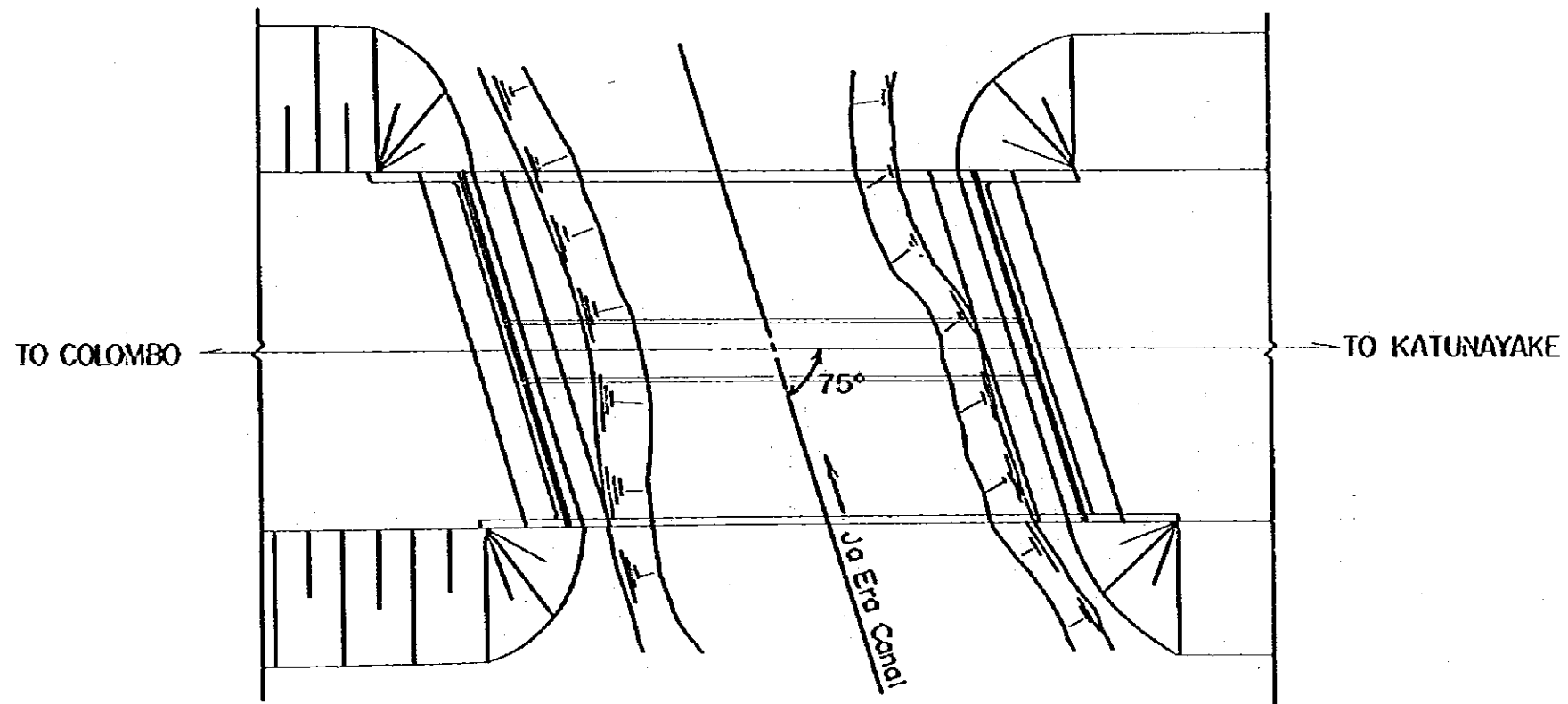


DEMOCRATIC SOCIALIST REPUBLIC OF SRI LANKA THE FEASIBILITY STUDY ON COLOMBO KANDY RAILWAY EXPRESSWAY AND HIGHWAY ACCESS ROAD CONSTRUCTION PROGRAM		TITLE OF DRAWING GENERAL PLAN OF RAILWAY FLYOVER NEAR RAGAMA ST.	
GREATER COLOMBO ECONOMIC COMMISSION JAPAN INTERNATIONAL COOPERATION AGENCY		PREPARED CHECKED	APPROVED DATE JANUARY 1984
			NO. 33 43

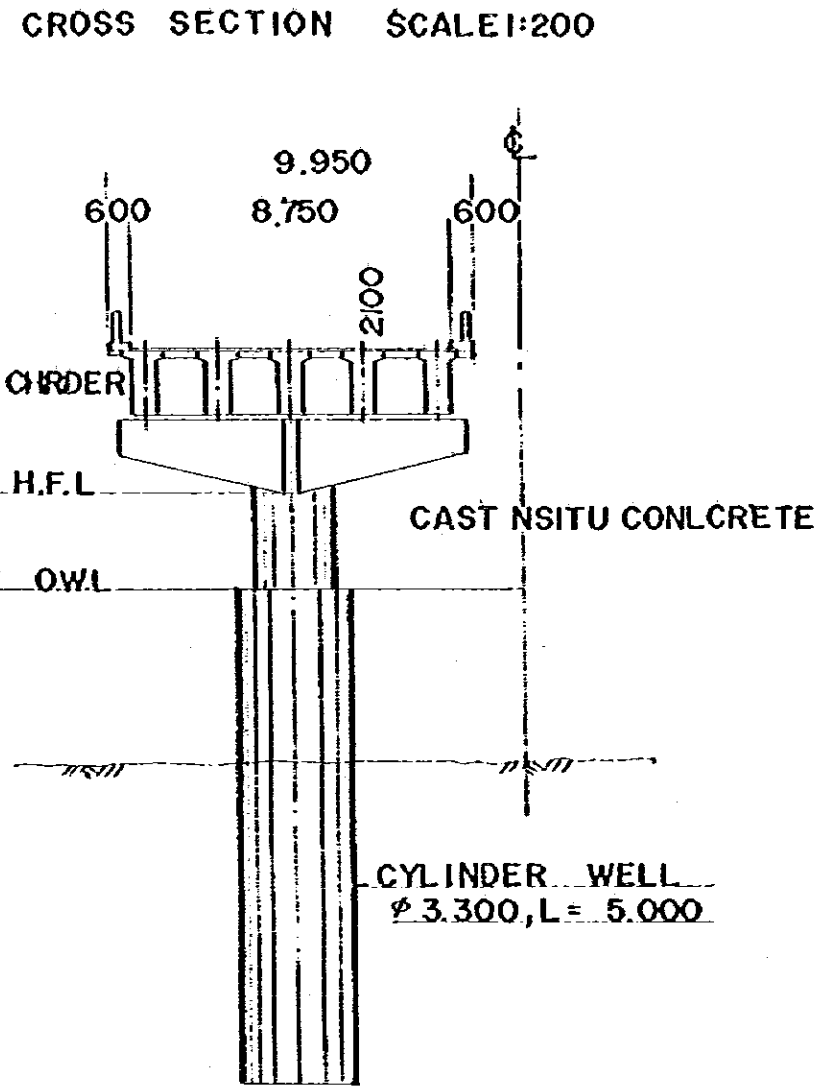
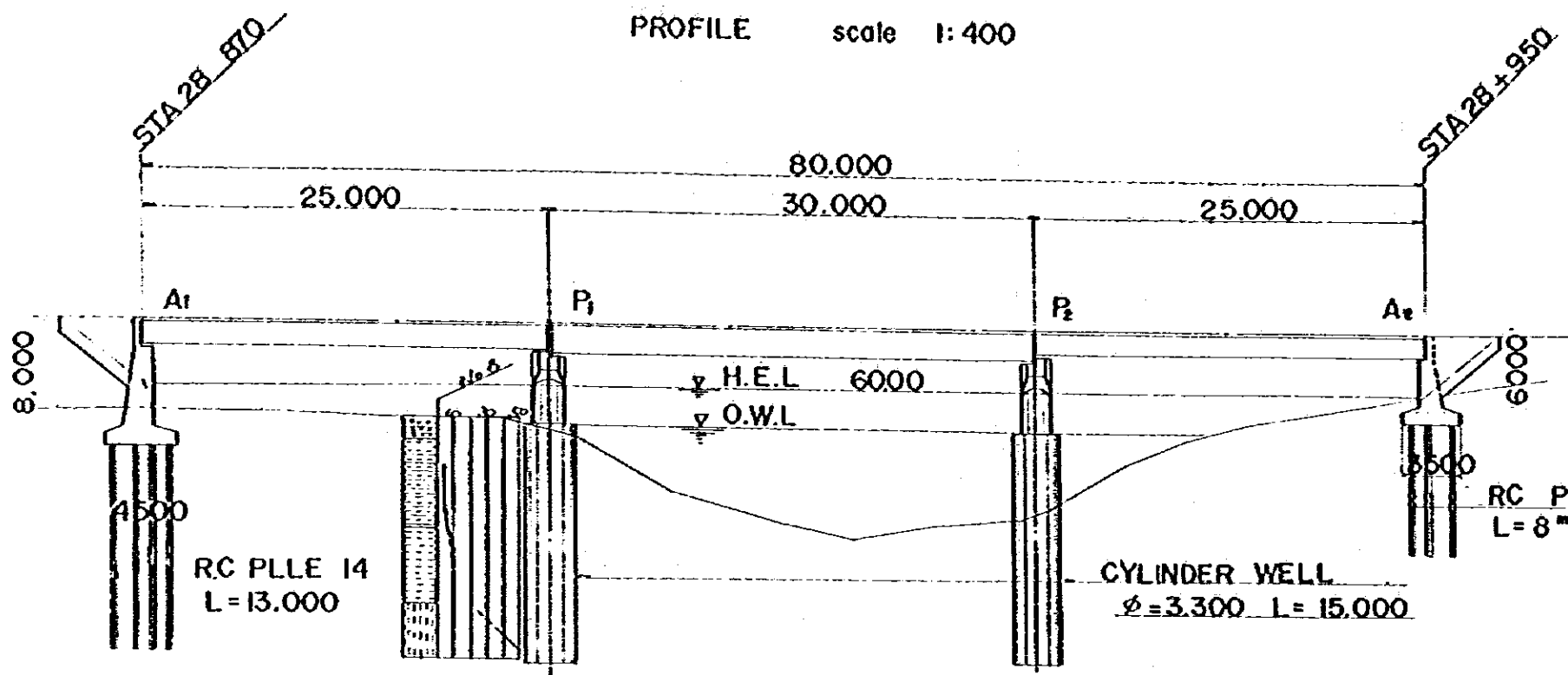
PROFILE Scale 1: 400



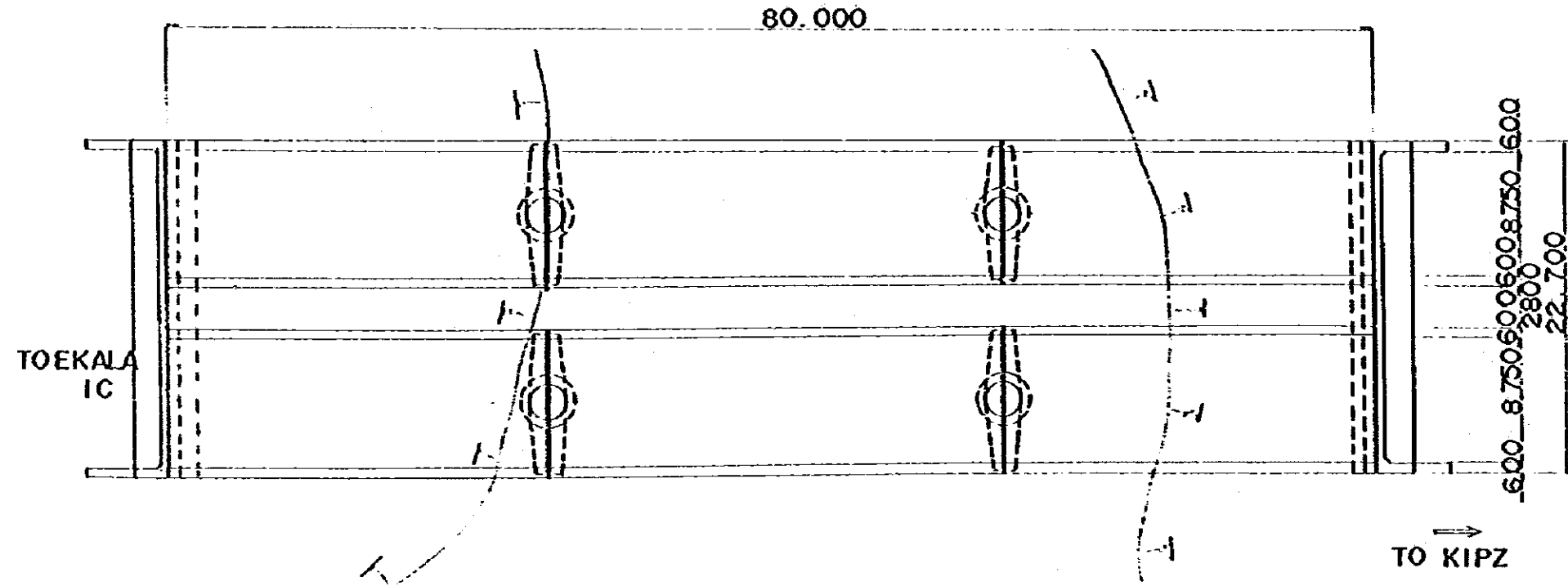
PLAN Scale 1: 400



DEMOCRATIC SOCIALIST REPUBLIC OF SRI LANKA		DATE OF DRAWING	
THE FEASIBILITY STUDY ON COLUSSO KATUNAYAKE		GENERAL PLAN OF JHELA CANAL BRIDGE	
EXPANSION AND NEW PILE ACCESS ROAD			
CONSTRUCTION PROJECT			
GREATER COLUSSO ECONOMIC COMMISSION	PREPARED	APPROVED	ENG. NO.
JAPAN INTERNATIONAL COOPERATION AGENCY	CHECKED	DATE JANUARY 1984	44



PLAN scale 1:400

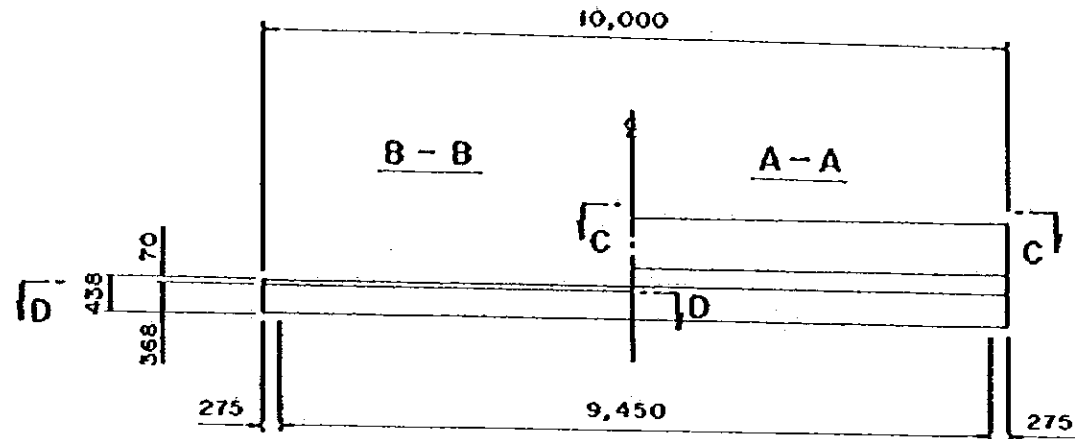


ESTIMATE OF QUANTITIES PER ONE WAY

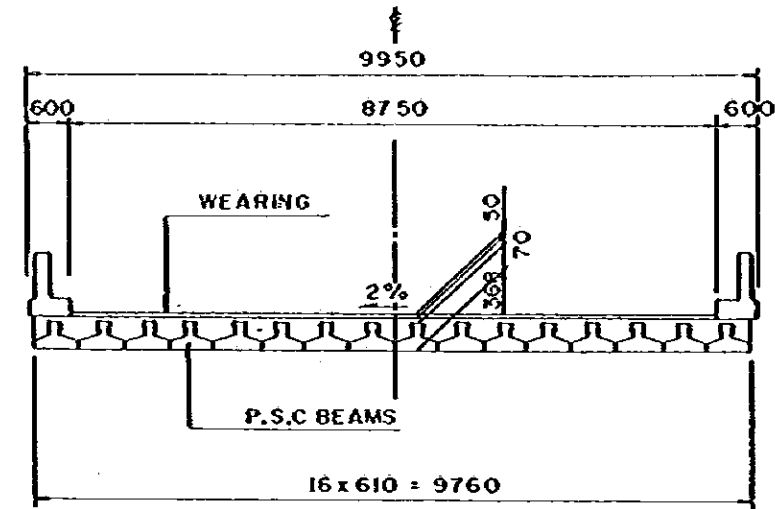
ITEMS	UNIT	QUANTITIES	REMARKS
SUPERSTRUCTURE	M ²	700	L=30m L=25m
CONCRETE	M ³	315	FOOD PER 90% 5
FORM	M ²	500	
REINFORCEMENT			
RC PILE	M	580	(350*350)
CYLINDER WELL	M	30	φ=3.300
CUTTING EDGE	NO.	2	
FORMING ISLAND	NO.	2	depth 6m
EXCAVATION	M ³	400	

DEMOCRATIC SOCIALIST REPUBLIC OF SRI LANKA THE ROADWAY STUDY ON COLOMBO RATTAPALLE EXPRESSWAY AND NEW PORT ACCESS ROAD CONSTRUCTION PROJECT	TITLE OF DRAWING GENERAL PLAN OF BANDARANAIKE BRIDGE
GREATER COLOMBO ECONOMIC COMMISSION JAPAN INTERNATIONAL COOPERATION AGENCY	PREPARED CHECKED
	APPROVED DATE JANUARY 1984
	DRS NO 45

PROFILE SCALE 1:100

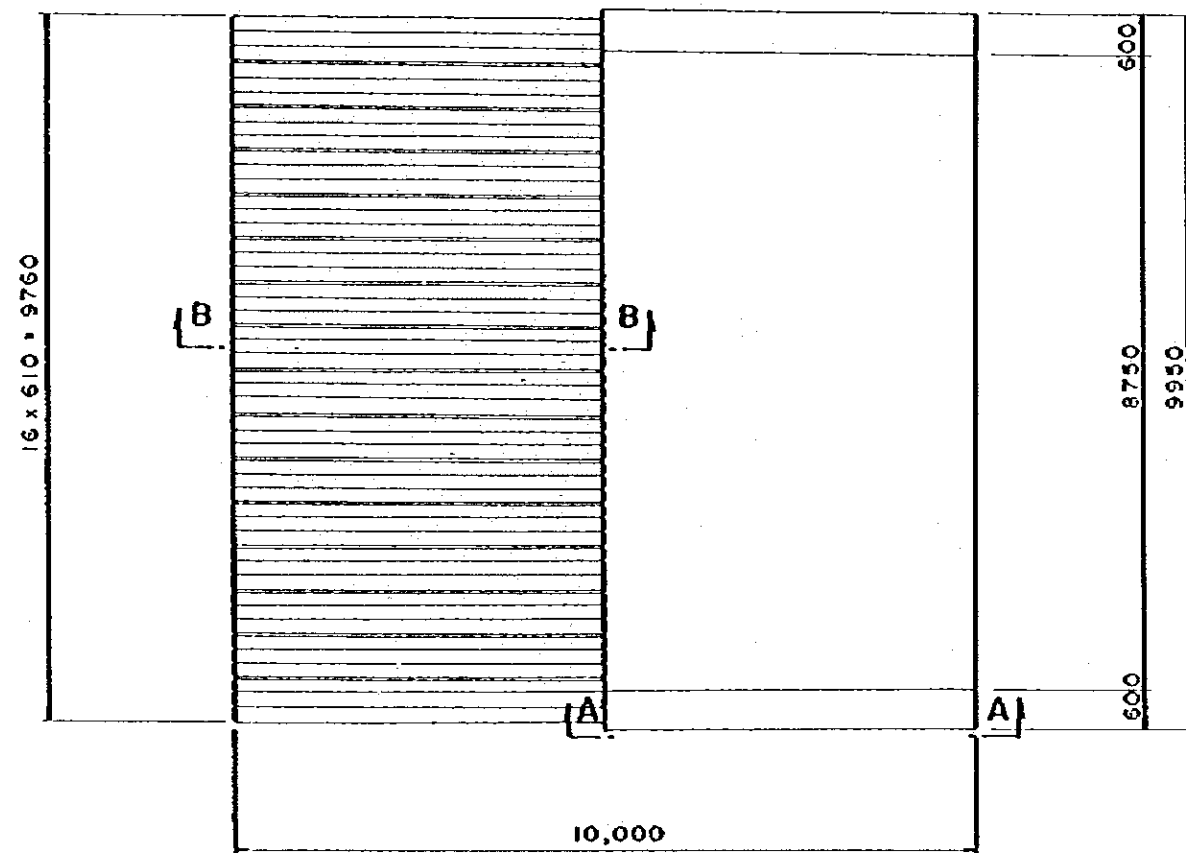


CROSS SECTION SCALE 1:100



PLAN SCALE 1:100

D-D C-C



CROSS SECTION OF P.S.C BEAM SCALE 1:10

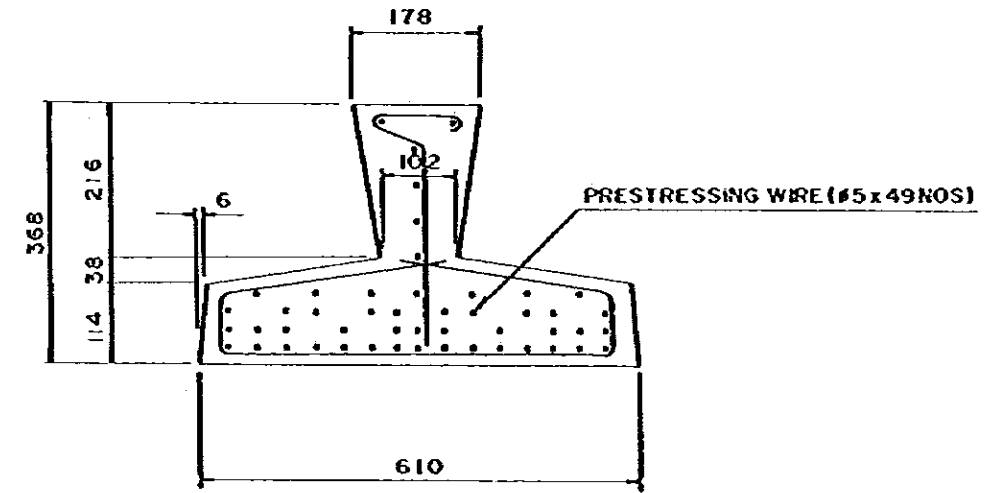
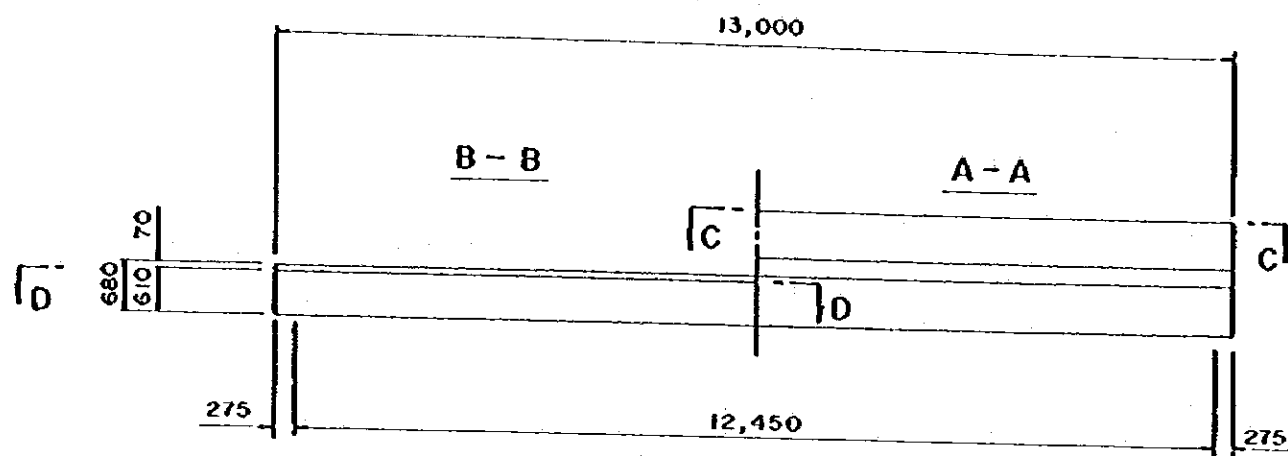


TABLE OF QUANTITIES

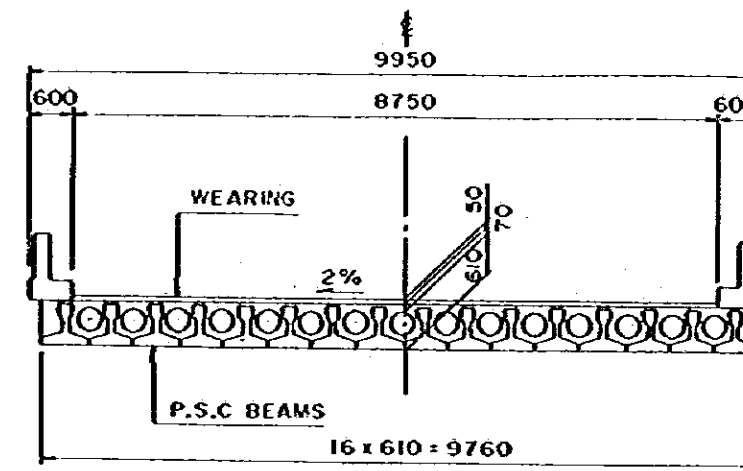
ITEM	UNIT	QUANTITIES
P.S.C BEAM (L = 10 ^m)	NO	16
CONCRETE (1:1½:3) ¾"	CM	24.7
CONCRETE (1:2:4) ¾"	CM	7
FORM	SM	68
REINFORCEMENT	Kg	2044.7
WEARING	CM	4.4

DEMOCRATIC SOCIALIST REPUBLIC OF SOVIET UNION THE PEASANTY STUDY ON COLLECTIVIZATION EXPANSION AND HER ROAD ACCESS ROAD CONSTRUCTION PROJECT		TITLE OF DRAWING STANDARD DESIGN (PSC IR. C-110)	
PREPARED CHECKED	APPROVED DATE JANUARY 1954	DWS. NO. 46	

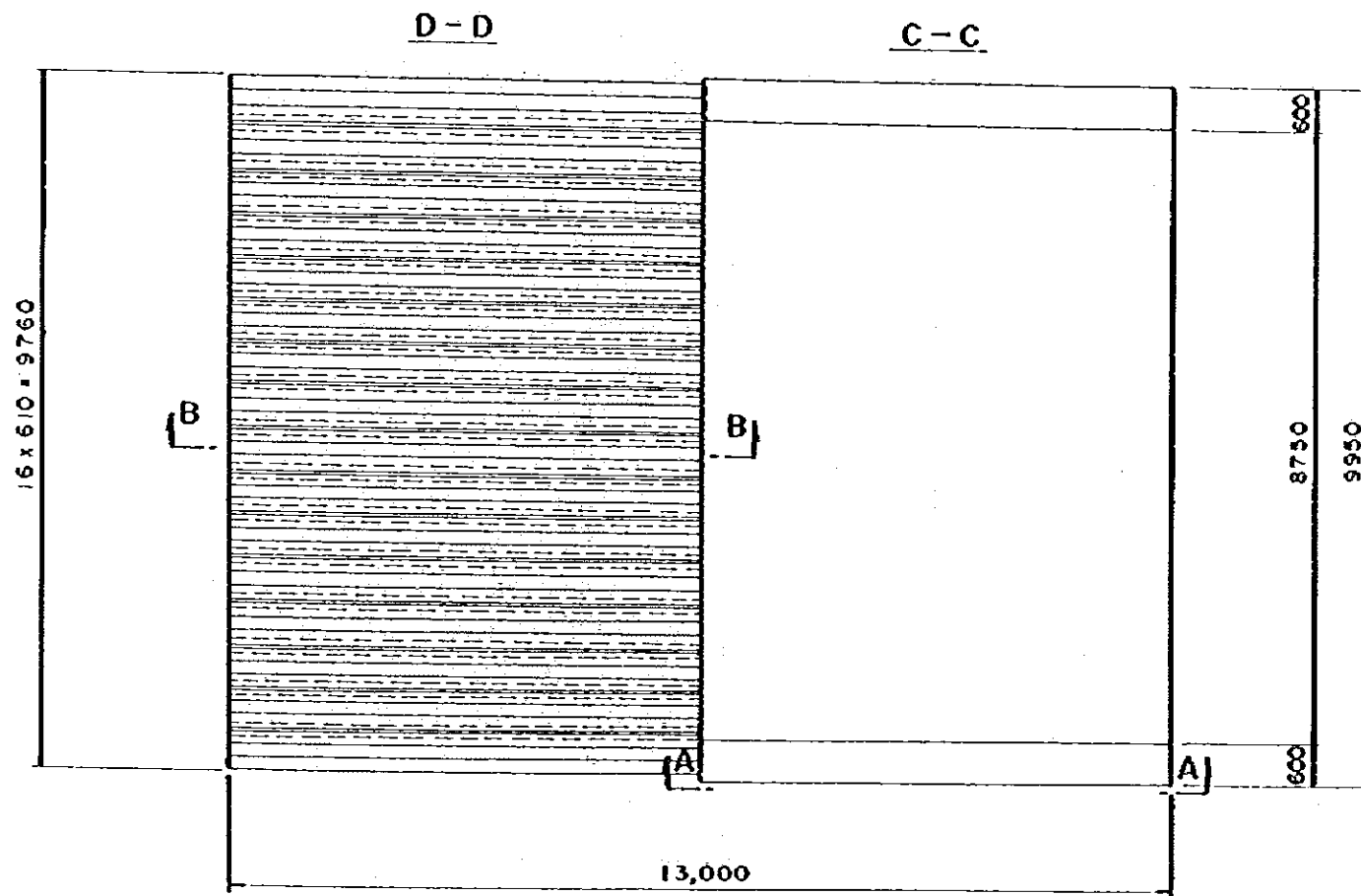
PROFILE SCALE 1:100



CROSS SECTION SCALE 1:100



PLAN SCALE 1:100



CROSS SECTION OF P.S.C BEAM SCALE 1:10

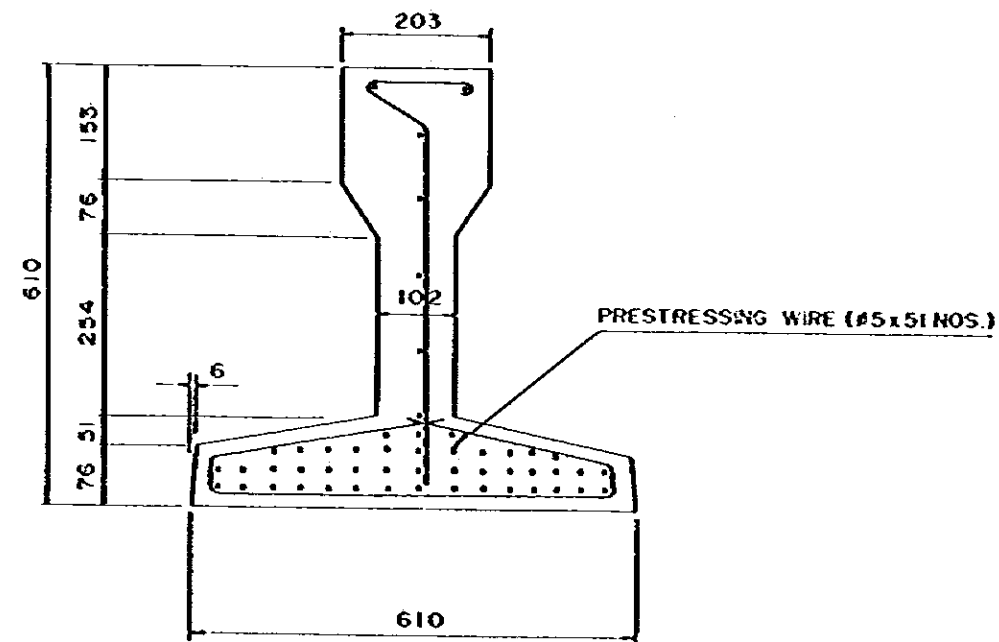
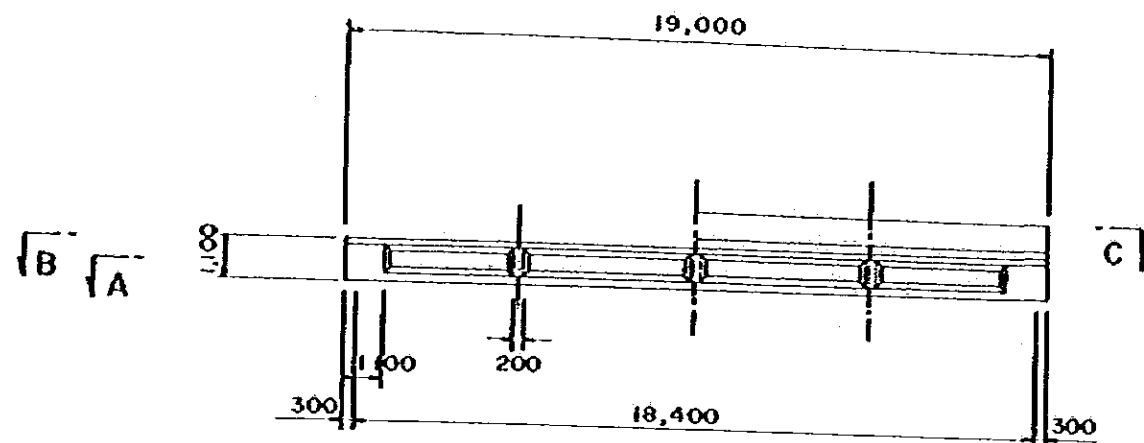


TABLE OF QUANTITIES

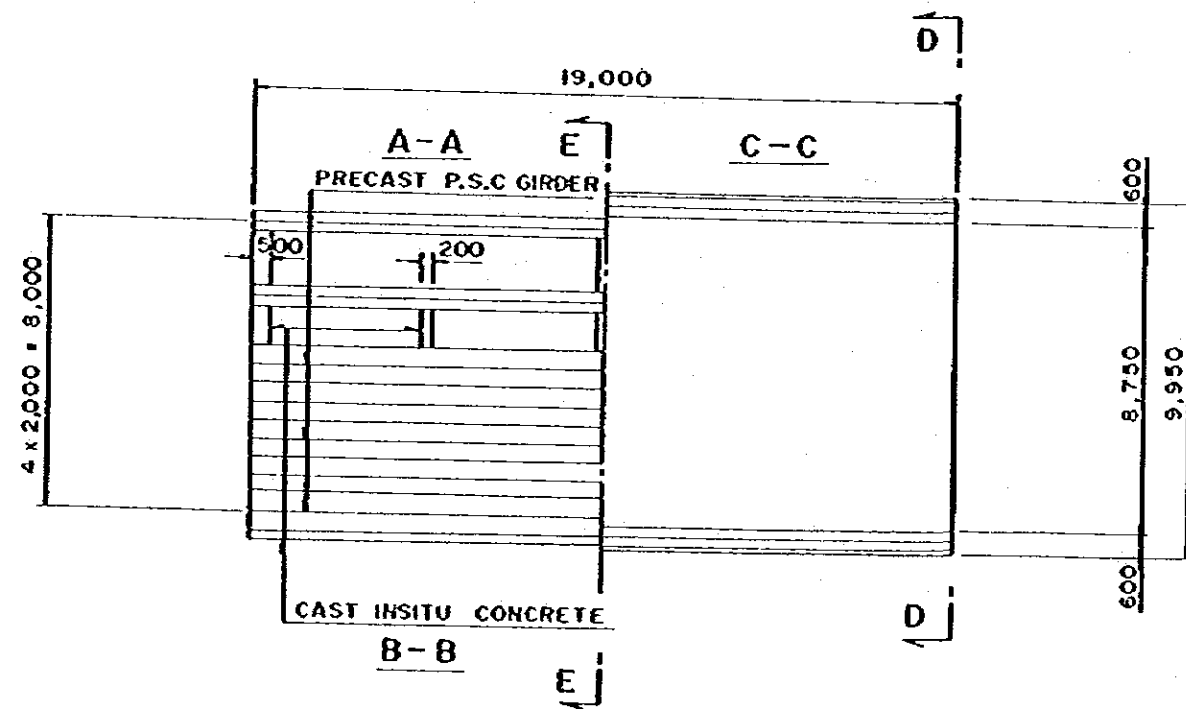
ITEM	UNIT	QUANTITIES
P.S.C BEAM (L = 13 ^m)	NO	16
CONCRETE (1:1 1/2:3) 3/4'	CM	42.4
CONCRETE (1:2:4) 3/4'	CM	9.1
FORM	SM	96.6
REINFORCEMENT	Kg	3509.9
WEARING	CM	5.7

DEMOCRATIC SOCIALIST REPUBLIC OF SAUDI ARABIA THE FEDERALITY BOARD FOR COLLECTIVIZATION EXPRESSWAY AND HIGHWAY ACCESS ROAD CONSTRUCTION PROJECT		TITLE OF DRAWING STANDARD DESIGN (PSC BR. U-13M)	
GREATER BILKIND ECONOMY COMMISSION JAPAN INTERNATIONAL COOPERATION AGENCY		PREPARED CHECKED	APPROVED DATE JANUARY 1984 CNC NO. 47

PROFILE SCALE 1:200



PLAN SCALE 1:200



CROSS SECTION SCALE 1:100

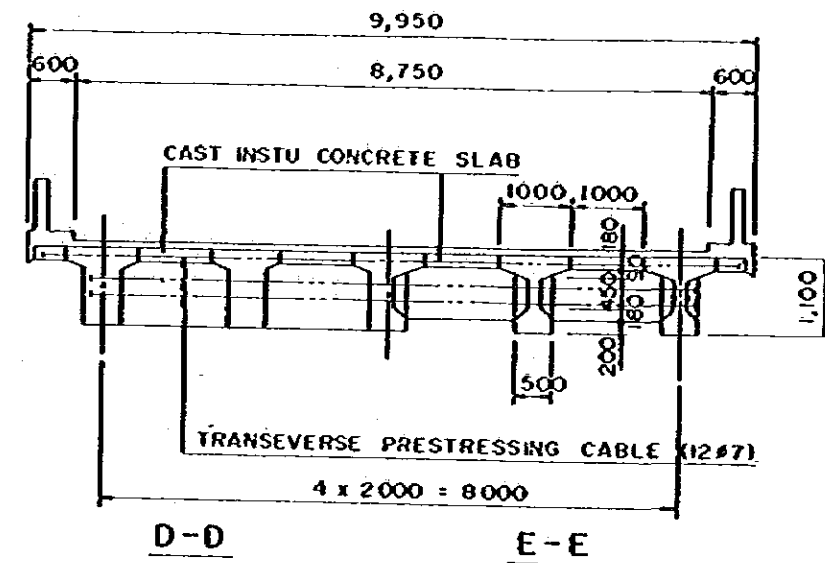


TABLE OF QUANTITIES (ONE GIRDER)

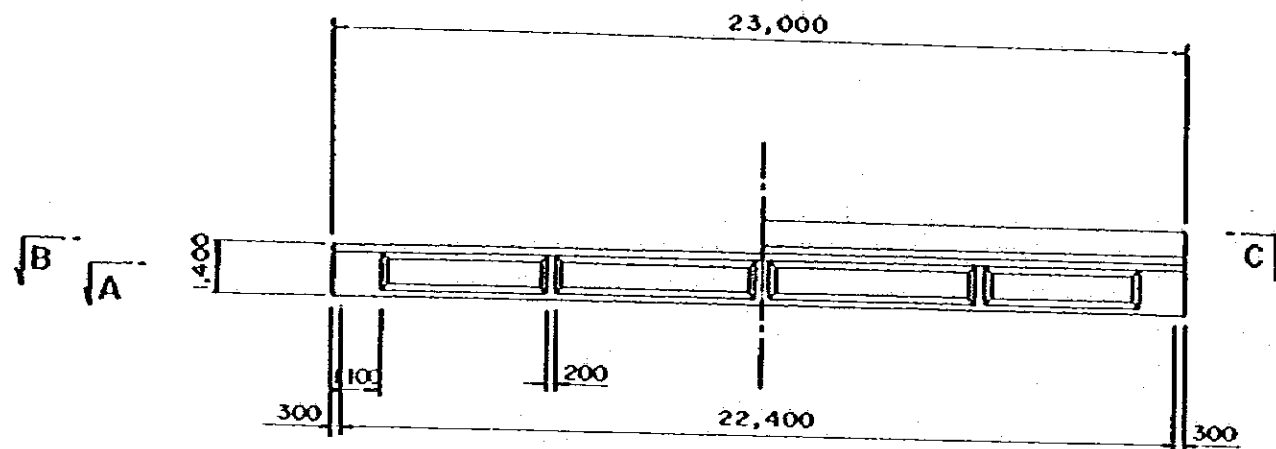
ITEMS	UNIT	QUANTITIES	REMARKS
CONCRETE	M ³	9.5	
FORM	M ²	67.6	
REINFORCEMENT	Kg	756.0	
H.T.S WIRE	Kg	430.0	
No. OF CABLES	NO		

TABLE OF QUANTITIES (ONE GIRDER)

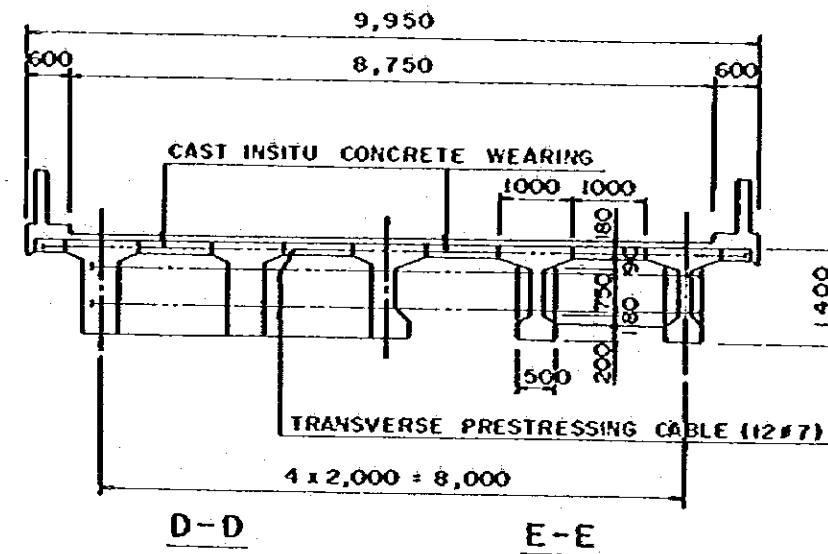
ITEMS	UNIT	QUANTITIES	REMARKS
GIRDER	NO	5	
CONCRETE	M ³	71.7	
FORM	M ²	494.8	
REINFORCEMENT	Kg	6224.0	
H.T.S WIRE	Kg	3262.0	
No. OF CABLES	NO		

DEMOCRATIC SOCIALIST REPUBLIC OF SOMALIA THE TRANSITORY STAFF ON GULOWD KATAYARRE EXPRESSWAY AND NEW PORE ACCESS ROAD CONSTRUCTION PROJECT		TITLE OF DRAWING STANDARD DESIGN (PSC BR. L-134)	
GREATER GULOWD ECONOMIC COMMISSION JAPAN INTERNATIONAL COOPERATION AGENCY		PREPARED CHECKED	APPROVED DATE JANUARY 1984
		DWS NO 48	

PROFILE SCALE 1:200



CROSS SECTION SCALE 1:100



PLAN SCALE 1:200

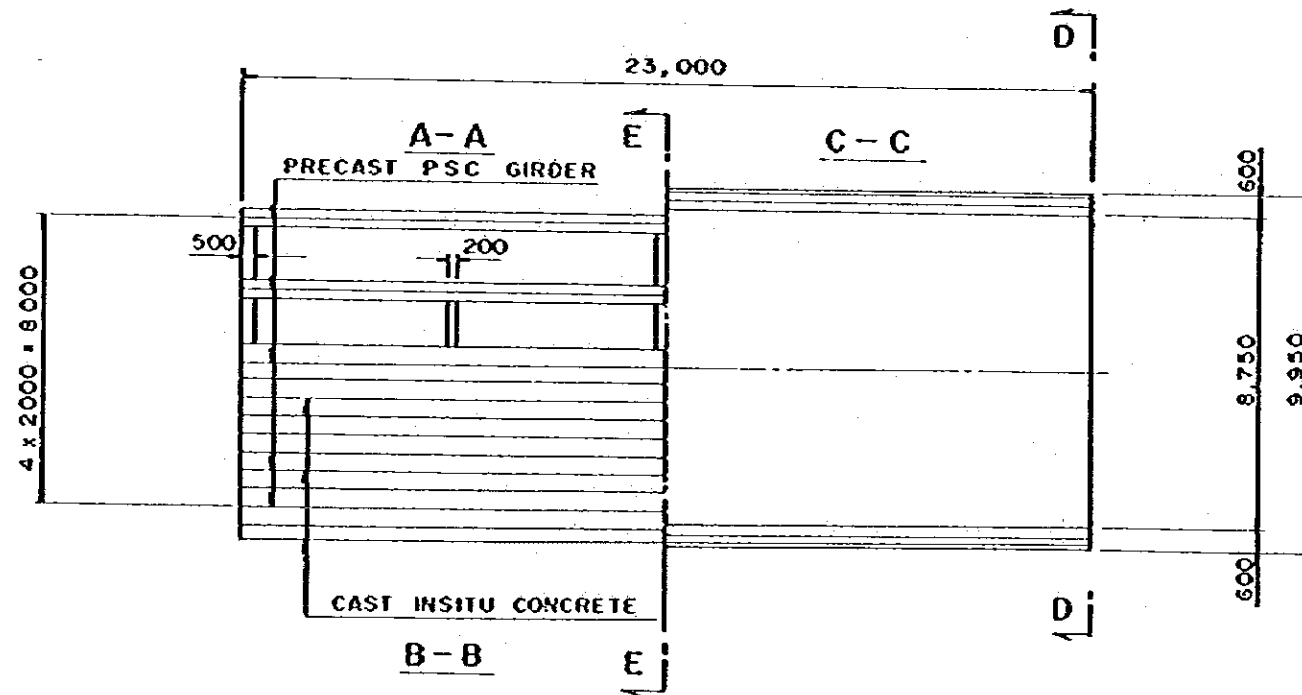


TABLE OF QUANTITIES (ONE GIRDERS)

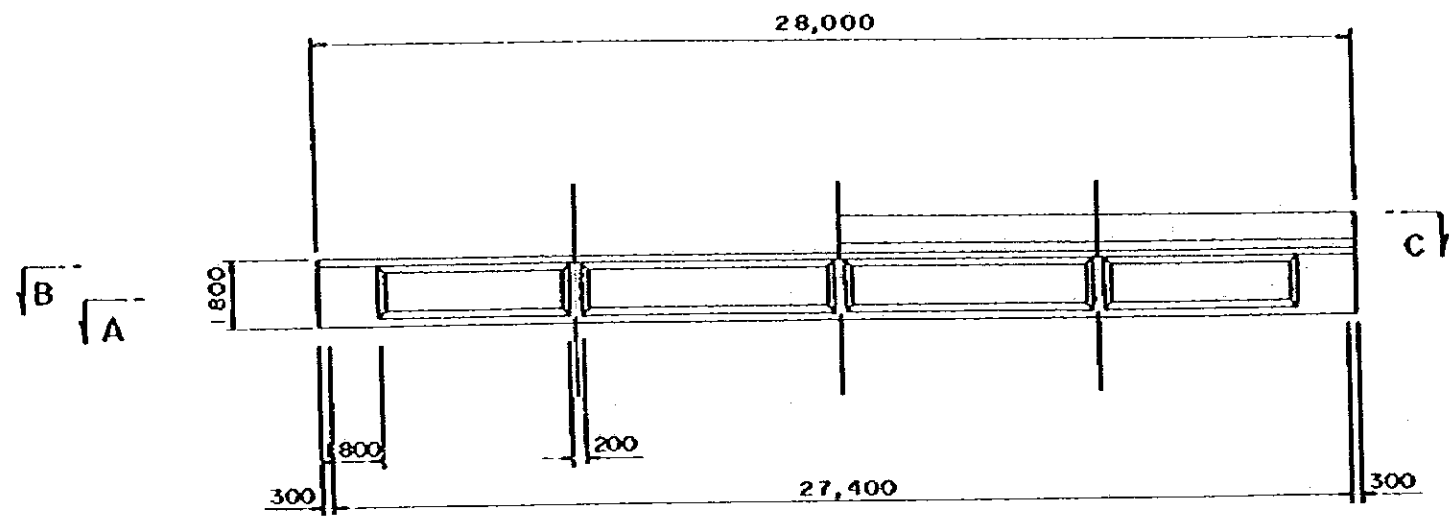
ITEMS	UNIT	QUANTITIES	REMARKS
CONCRETE	M ³	13.1	
FORM	M ²	96.1	
REINFORCEMENT	Kg	1041.0	
H.T.S WIRE	Kg	592.0	
No. OF CABLES	NO		

TABLE OF QUANTITIES (ONE GIRDERS)

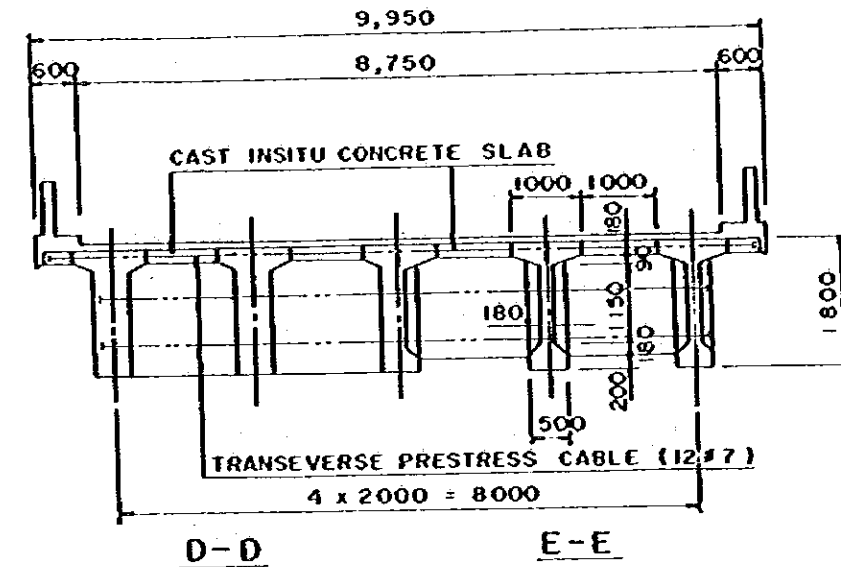
ITEMS	UNIT	QUANTITIES	REMARKS
GIRDER	NO	5	
CONCRETE	M ³	95.8	
FORM	M ²	676.1	
REINFORCEMENT	Kg	8279.0	
H.T.S WIRE	Kg	4380.0	
No. OF CABLES	NO		

DEMOCRATIC SOCIALIST REP. OF SRI LANKA THE PERS BAHU STREET ON COLOMBO INTERNATIONAL EXPRESSWAY AND NEW PORT ACCESS ROAD CONSTRUCTION PROJECT	TITLE OF DRAWING STANDARD DESIGN (PSC BR. N-2340)
CREATED EMPLOYED ECONOMIC COMMISSION ASIAN INTERNATIONAL COOPERATION AGENCY	PREPARED BY CHECKED BY APPROVED DATE JANUARY 1984 PAGE NO. 49

PROFILE SCALE 1:200



CROSS SECTION SCALE 1:100



PLAN SCALE 1:200

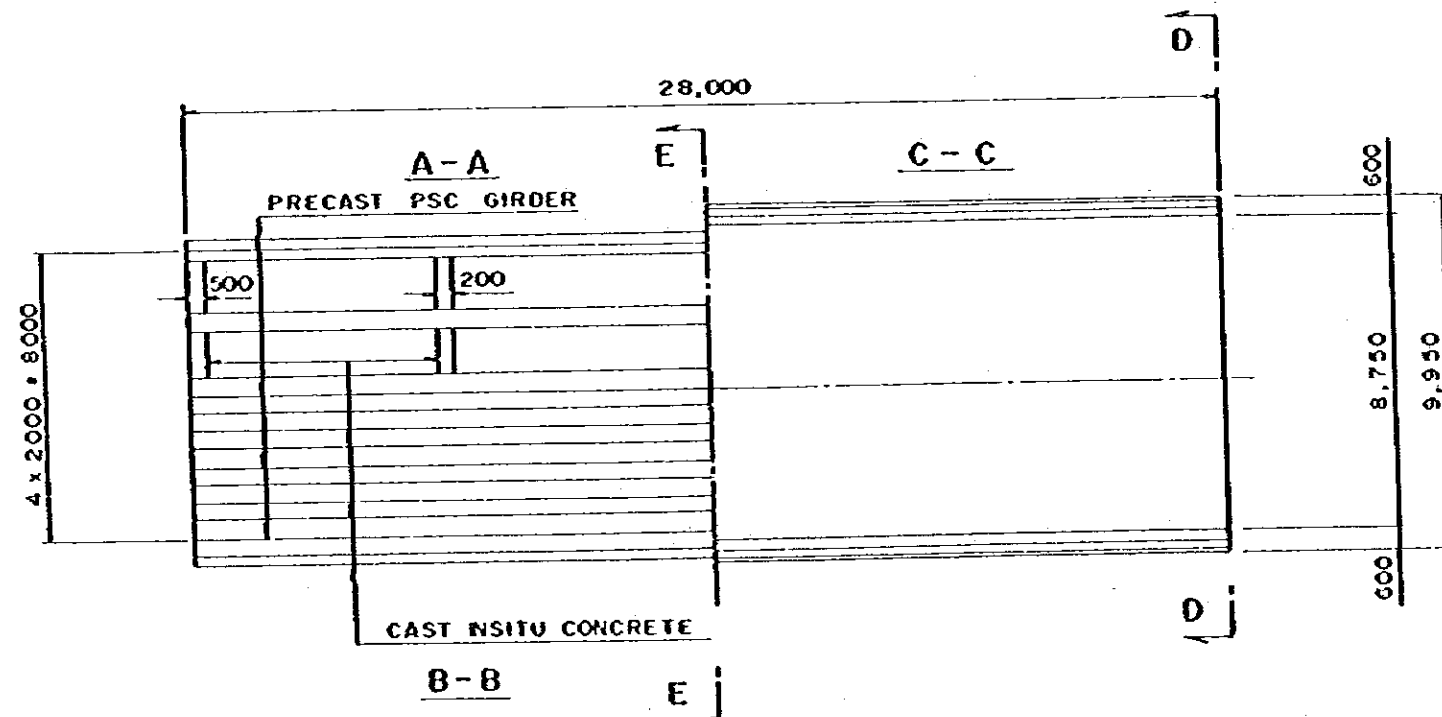


TABLE OF QUANTITIES (ONE GIRDER)

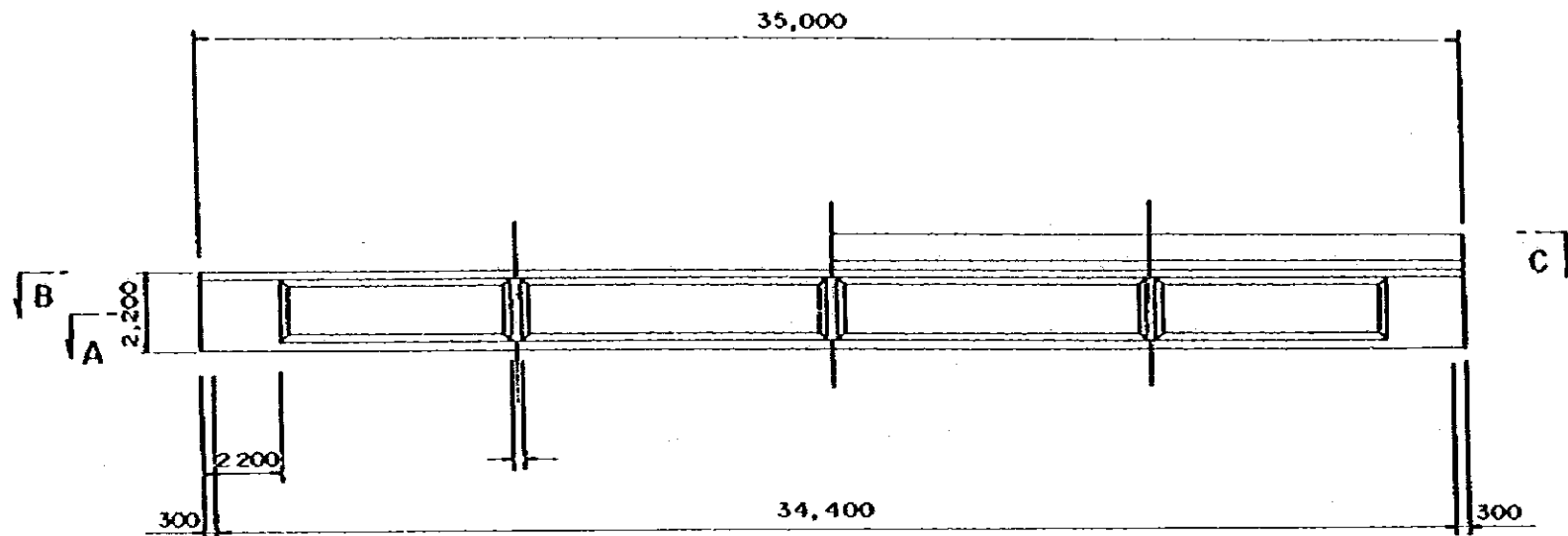
ITEMS	UNIT	QUANTITIES	REMARKS
CONCRETE	M ³	18.4	
FORM	M ²	140.1	
REINFORCEMENT	Kg	1472.8	
H.T.S WIRE	Kg	837.7	
No. OF CABLES	NO		

TABLE OF QUANTITIES (ONE SPAN)

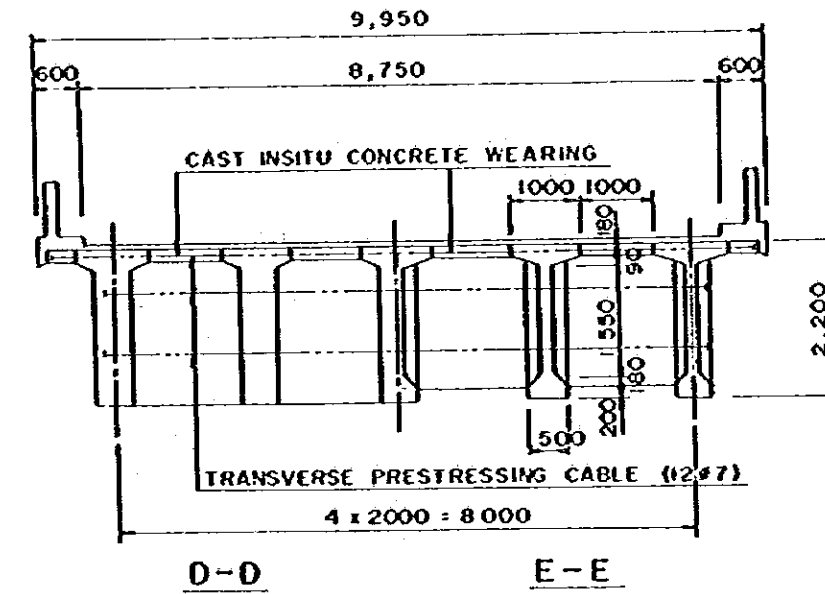
ITEMS	UNIT	QUANTITIES	REMARKS
GIRDER	NO	5	
CONCRETE	M ³	130.9	
FORM	M ²	945.2	
REINFORCEMENT	Kg	11249.0	
H.T.S WIRE	Kg	5983.2	
No. OF CABLES	NO		

DEMOCRATIC SOCIALIST REPUBLIC OF GUINEA THE HEAD QUARTERS STAFF ON COLLECTIVIZATION REPRODUCTION AND NEW POINT ACCESS ROAD CONSTRUCTION PROJECT	TITLE OF DRAWING STANDARD DESIGN (PSC BR. L-210)
GREATER BUREAU ECONOMIC COMMISSION AIDAN INTERNATIONAL COOPERATION AGENCY	PREPARED CHECKED
	APPROVED DATE JANUARY 1984
	50

PROFILE SCALE 1:200



CROSS SECTION SCALE 1:100



PLAN SCALE 1:200

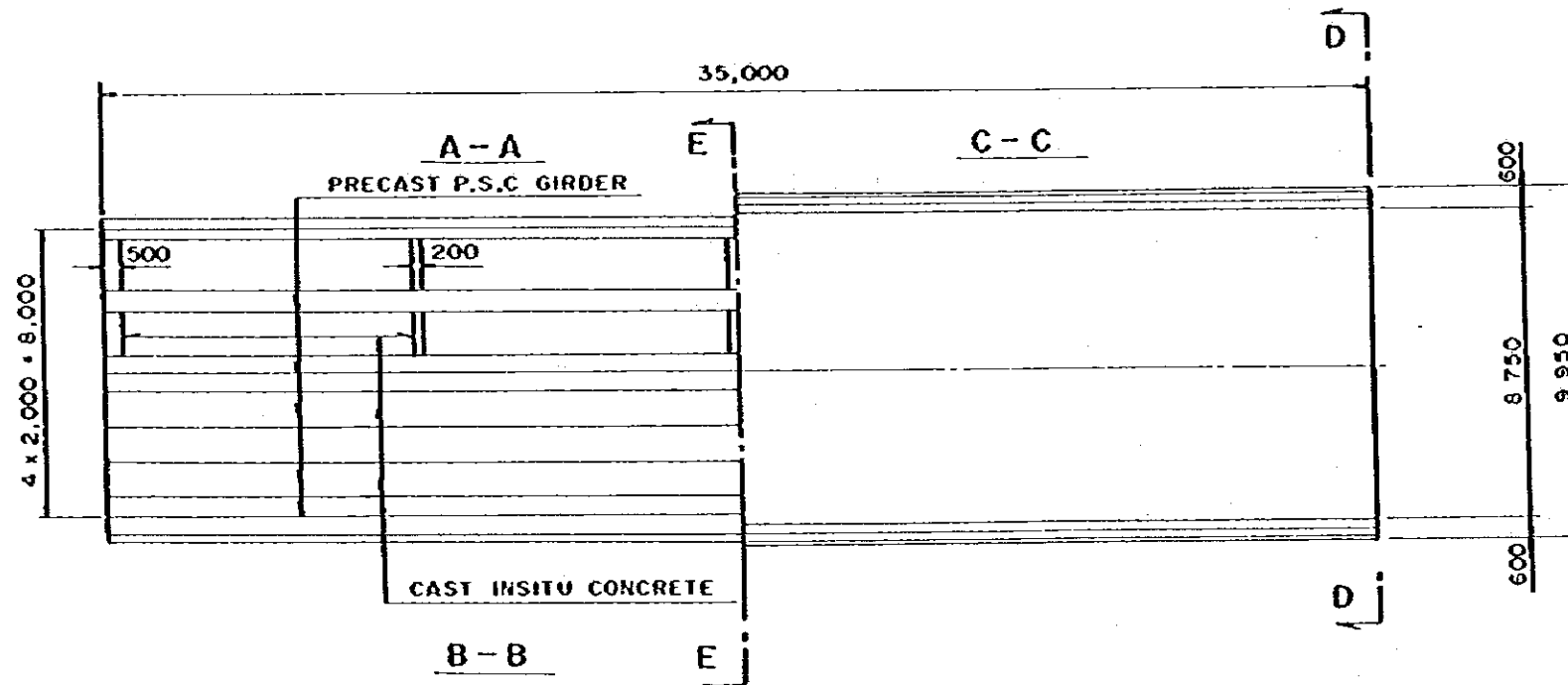


TABLE OF QUANTITIES (ONE GIRDER)

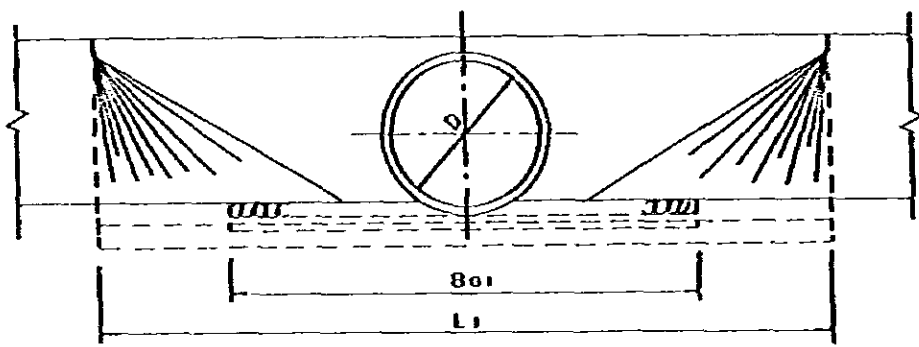
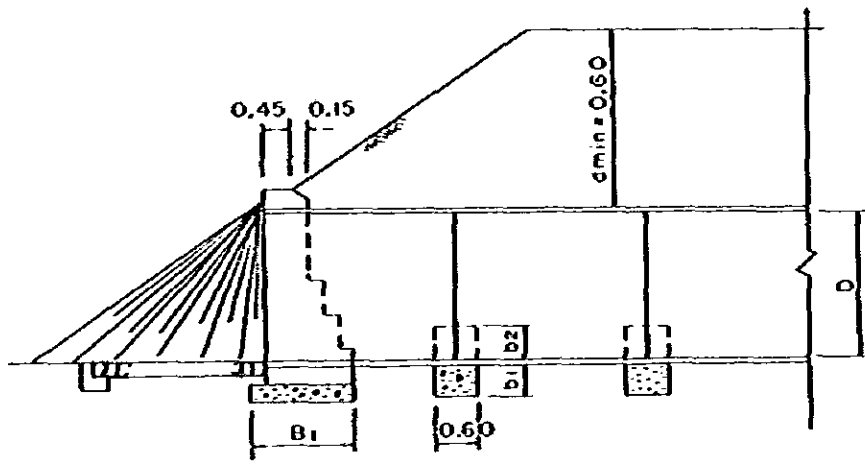
ITEMS	UNIT	QUANTITIES	REMARKS
CONCRETE	M ³	26.1	
FORM	M ²	203.4	
REINFORCEMENT	Kg	2086.4	
H.T.S WIRE	Kg	1186.7	
No. OF CABLES	NO		

TABLE OF QUANTITIES (ONE GIRDER)

ITEMS	UNIT	QUANTITIES	REMARKS
GIRDER	NO	5	
CONCRETE	M ³	179.1	
FORM	M ²	1321.5	
REINFORCEMENT	Kg	15300.0	
H T S WIRE	Kg	8182.3	
No. OF CABLES	NO		

DEMOCRATIC SOCIALIST REPUBLIC OF GUINEA THE FEASIBILITY STUDY ON COLEMBERATERAYAKE RUEPESHAY AND NEW PONT ACCESS ROAD CONSTRUCTION PROJECT	TITLE OF DRAWING		
	STANDARD DESIGN (S.C. DR. E-354D)		
GREATER ECONOMIC COMMISSION JAPAN INTERNATIONAL COOPERATION AGENCY	PREPARED	APPROVED	DATE JANUARY 1964
	CHECKED		51

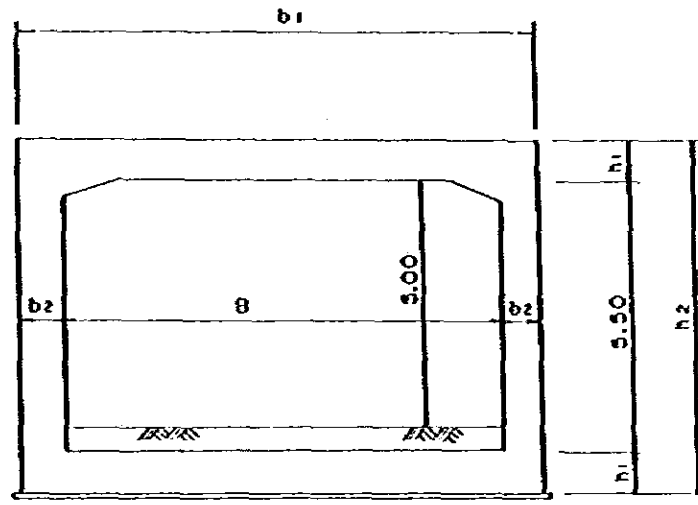
PIPE CULVERT



PIPE CULVERT DIMENSION LIST

(M)					
D (mm)	L ₁	B ₁	B ₀₁	d ₁	d ₂
900	5.4	1.0	1.85	0.225	0.275
1200	7.2	1.2	2.45	0.300	0.350
1500	8.0	1.2	3.05	0.400	0.425
1800	10.2	1.4	3.70	0.475	0.500

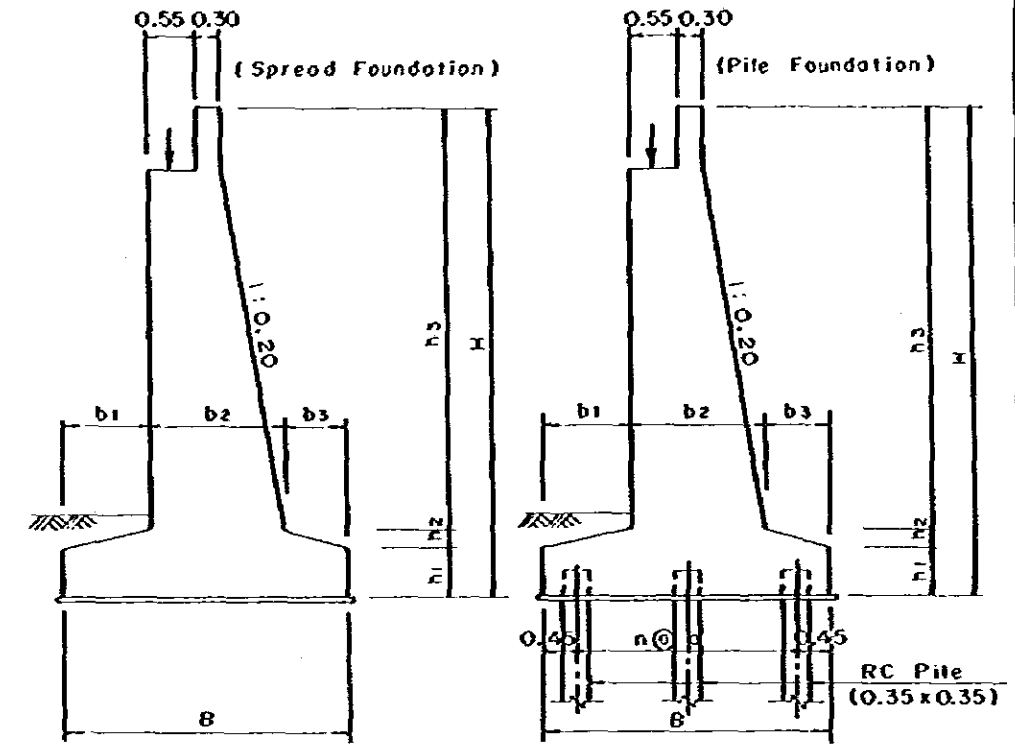
BOX CULVERT



BOX CULVERT DIMENSION LIST

(M)				
B	5.00	6.00	7.00	8.00
b ₁	5.80	7.00	8.20	9.40
b ₂	0.40	0.50	0.60	0.70
h ₁	0.50	0.60	0.70	0.80
h ₂	6.50	6.70	6.90	7.10

ABUTMENT

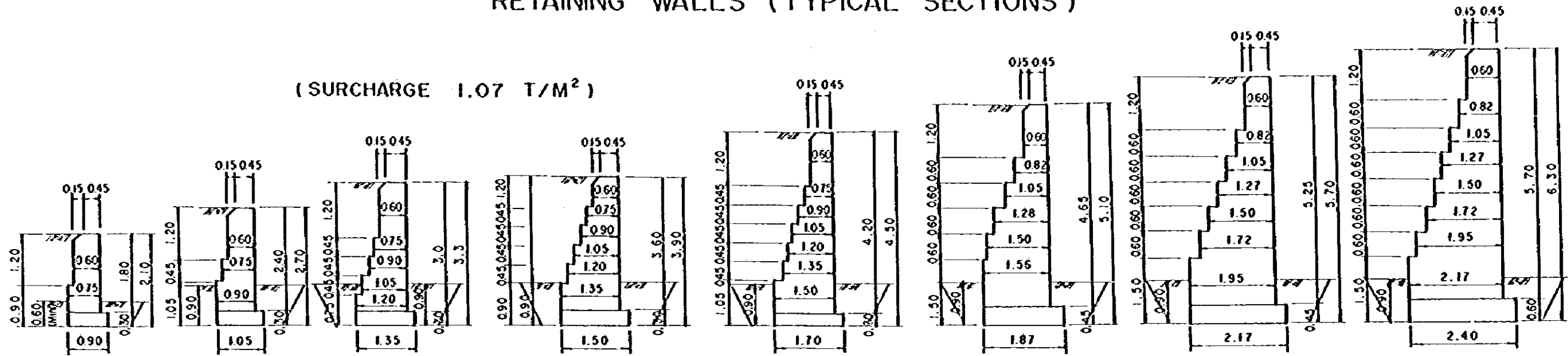


ABUTMENT DIMENSION LIST

(M)			
H	4.00	6.00	8.00
h ₁	0.50	0.60	0.70
h ₂	0.20	0.20	0.30
h ₃	3.30	5.20	7.00
B	2.40	3.20	4.30
b ₁	0.90	1.00	1.50
b ₂	1.35	1.73	2.09
b ₃	0.15	0.47	0.71
n	1	2	3
o	1.50	1.15	1.133

RETAINING WALLS (TYPICAL SECTIONS)

(SURCHARGE 1.07 T/M²)



(SURCHARGE 35°)

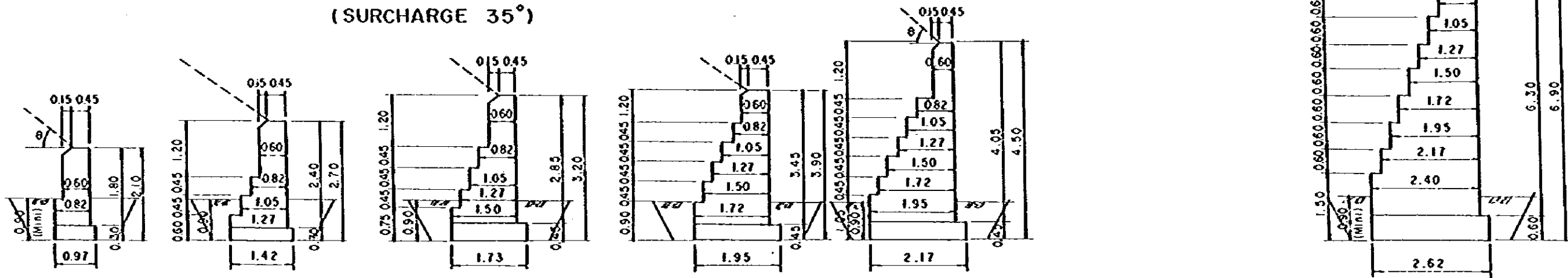


TABLE OF QUANTITIES

LEVEL SURCHARGE ($\theta = 0^\circ$) - PER 10 ^m LENGTH										INCLINED SURCHARGE ($\theta = 35^\circ$) - PER 10 ^m LENGTH					
HEIGHT (m)	2-1	2-7	3-3	3-9	4-5	5-1	5-7	6-3	6-9	HEIGHT (m)	2-1	2-7	3-3	3-9	4-5
CONCRETE (m ³)	Foundation 1:3:6(50mm) Mix Conc.	2-70	3-15	4-05	4-50	5-10	8-42	9-77	14-4	15-72	2-91	4-26	7-79	8-78	9-77
	1:3:6(50mm) 20% ptms	11-70	17-33	24-75	32-85	42-08	51-48	65-90	76-65	91-74	12-12	19-43	25-83	35-82	47-52
FORM (m ²)	44-90	58-10	71-76	85-47	99-44	113-98	129-13	144-21	159-49	45-01	58-74	72-72	86-92	101-46	
EXCAVATION (m ³)	8-85	14-0	14-6	14-63	14-7	15-12	14-72	14-9	14-16	14-4	12-6	14-1	14-1	14-5	

DEMOCRATIC PEOPLE'S REPUBLIC OF SPAIN
THE FEASIBILITY STUDY ON COLUMBIAN RAILWAY
EXPANSION AND NEW PORT ACCESS ROAD
CONSTRUCTION PROJECT

GREATER COLUMBIAN ECONOMIC COMMISSION
JAPAN INTERNATIONAL COOPERATION AGENCY

TITLE OF DRAWING

STANDARD DESIGN (RETAINING WALLS)

PREPARED
CHECKED

APPROVED
DATE: JANUARY 1984

DWS NO.
53

JICA