

APPENDED DRAWINGS
FOR
REPORT OF SURVEY FOR THE DESIGN ON
A HIGHWAY AND THE DRAINAGE SYSTEMS
IN THE REPUBLIC OF VENEZUELA

JULY 1980

JAPAN INTERNATIONAL COOPERATION AGENCY

JICA LIBRARY

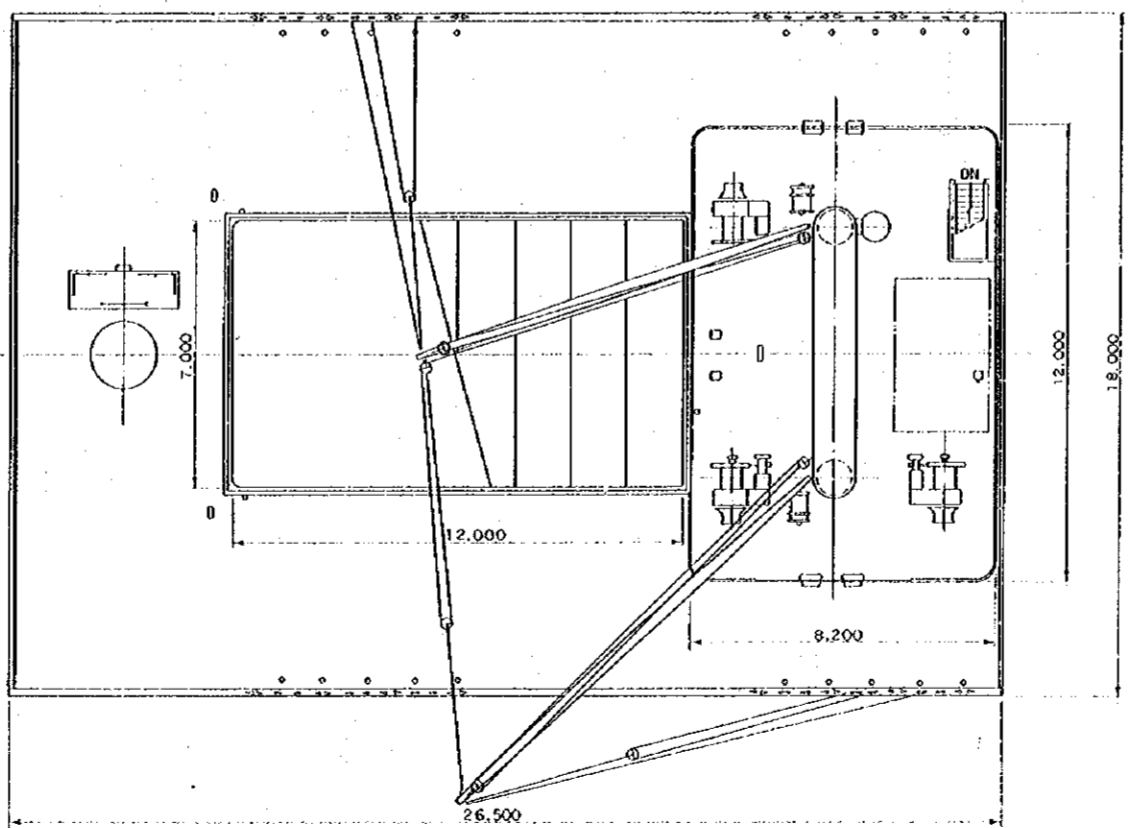
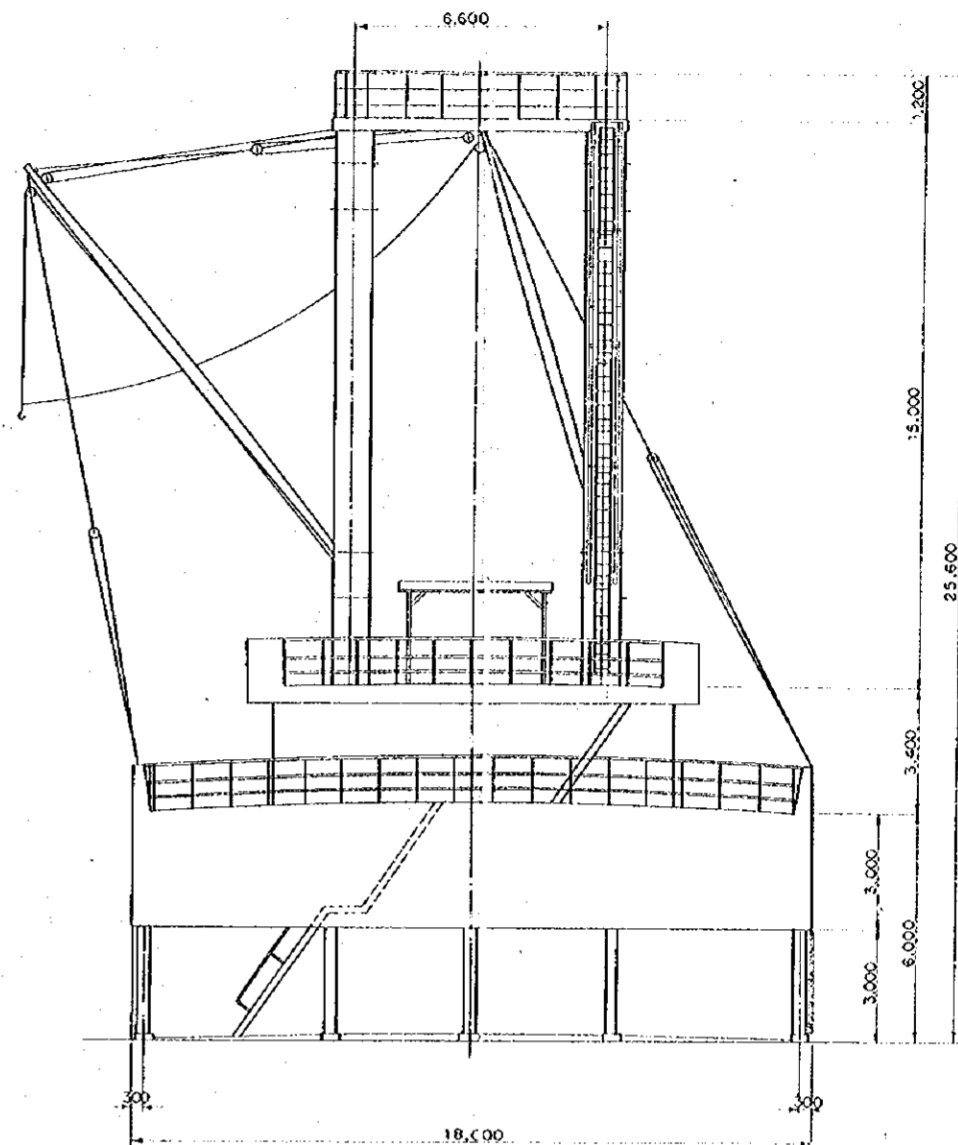
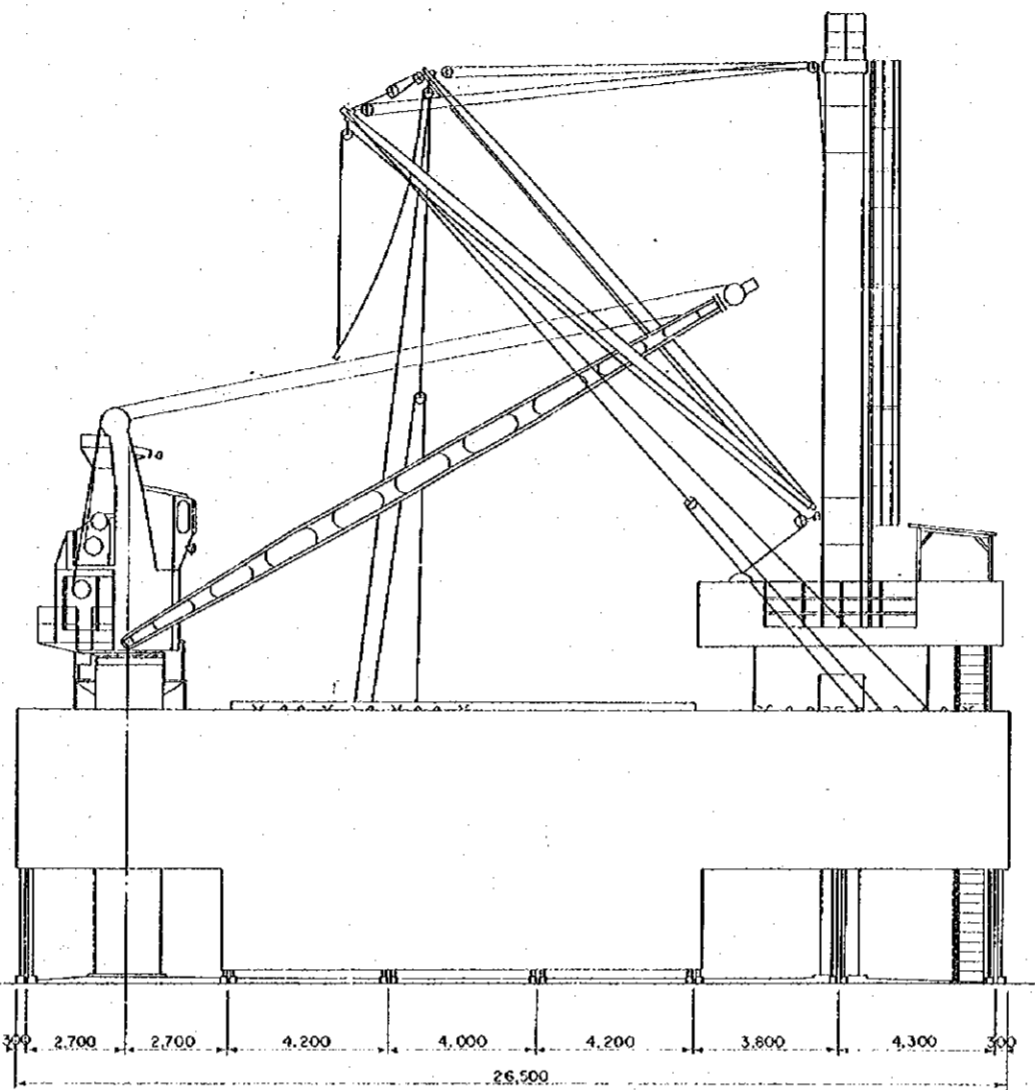
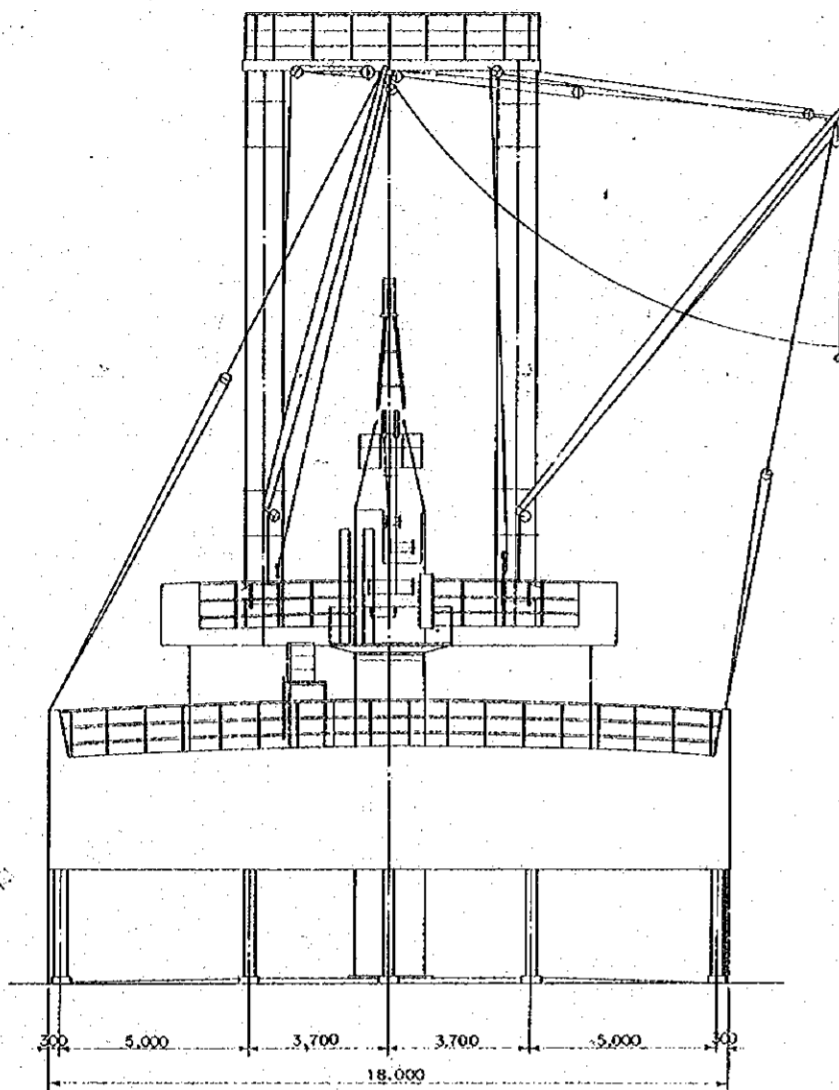


1090404[6]

国際協力事業団		
受入 月日	'87. 1. 30	712
登録 No.	08234	63.6
		SDF

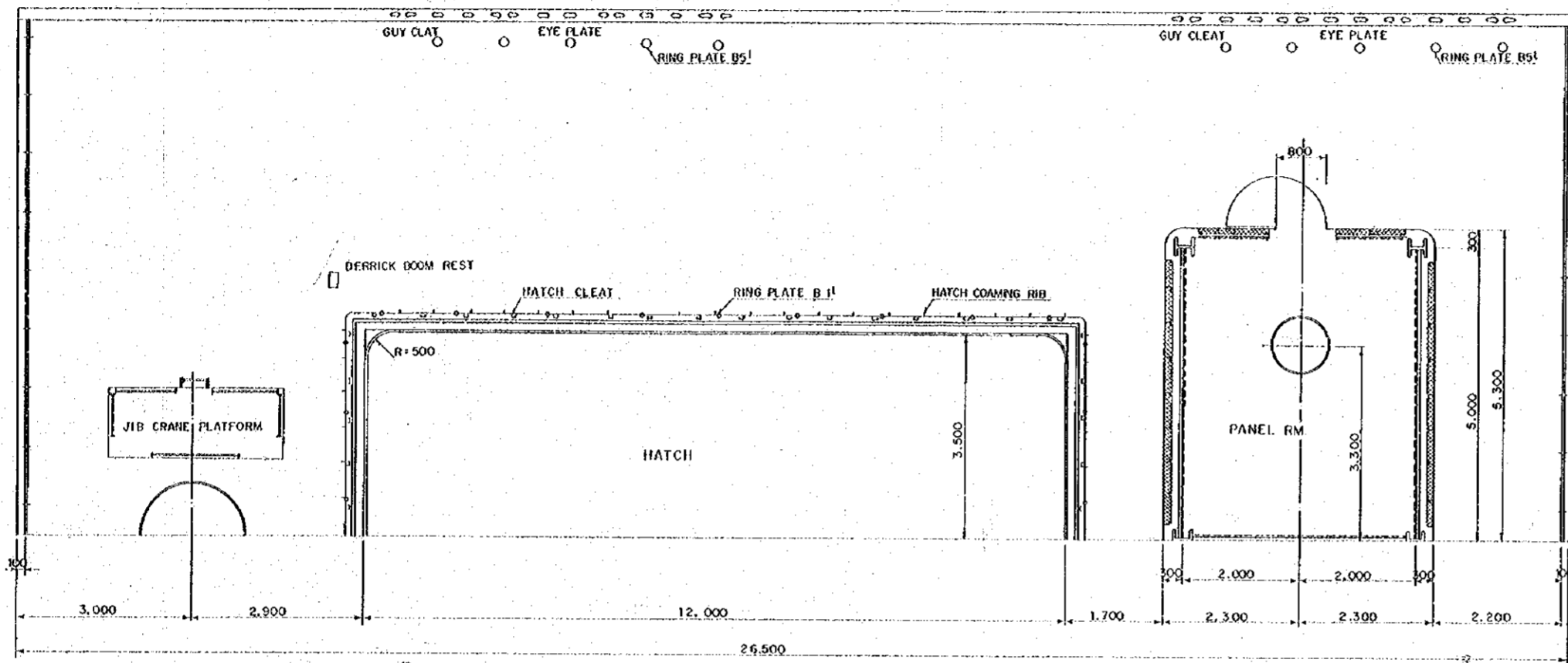
添 付 図 一 覧 表

1. PLAN & ELEVATION.
2. PLAN & SECTION DETAILS.
3. SECTION DETAILS
4. FRAMING PLAN
5. FRAMING SECTION
6. FRAME JOINT DETAILS
7. LADDER HANDRAIL & OTHER DETAILS
8. BOOM REST, SUN SHADE & OTHER DETAILS
9. DOOR, STORE ROOM & OTHER DETAILS
10. HATCH COVER, BOOM & ACCESSORIES DETAILS
11. RIGGING DIAGRAM & ACCESSORIES
12. FOUNDATION & PAVEMENT SLAB DETAILS
13. PILE & FOUNDATION DETAILS
14. ANCHOR BOLTS DETAILS
15. ELECTRICAL SPECIFICATION CONNECTING DIA-
GRAM
16. POWER WIRING
17. LIGHTING WIRING
18. LIGHTNING ARRESTER
19. SIMULATOR PLAN & ELEVATION
20. SIMULATOR DETAILS
21. SIMULATOR ELECTRICAL WIRING
22. SOUNDING DATE No 1
23. SOUNDING DATE No 2

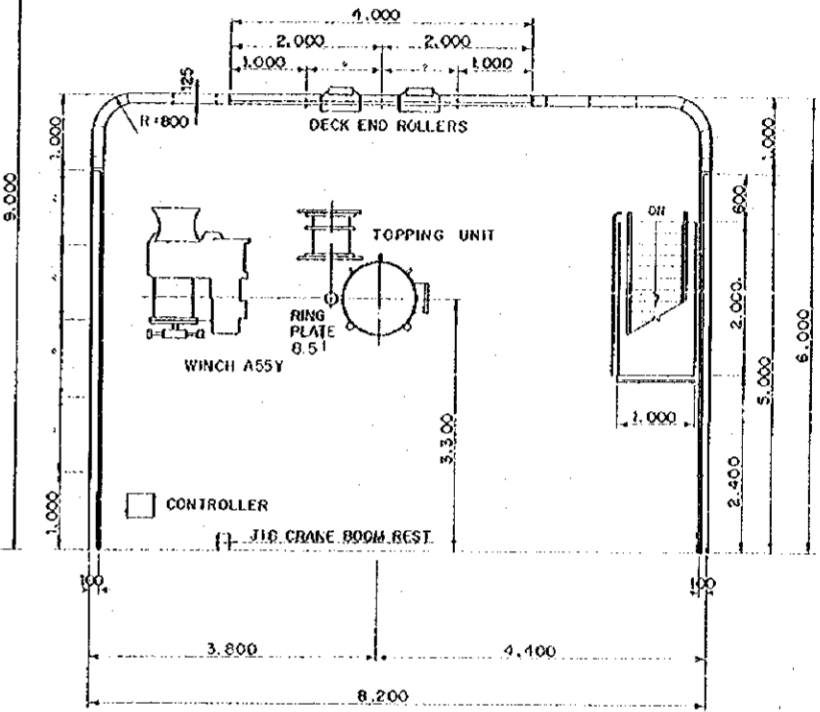


PLAN & ELEVATION 1:100

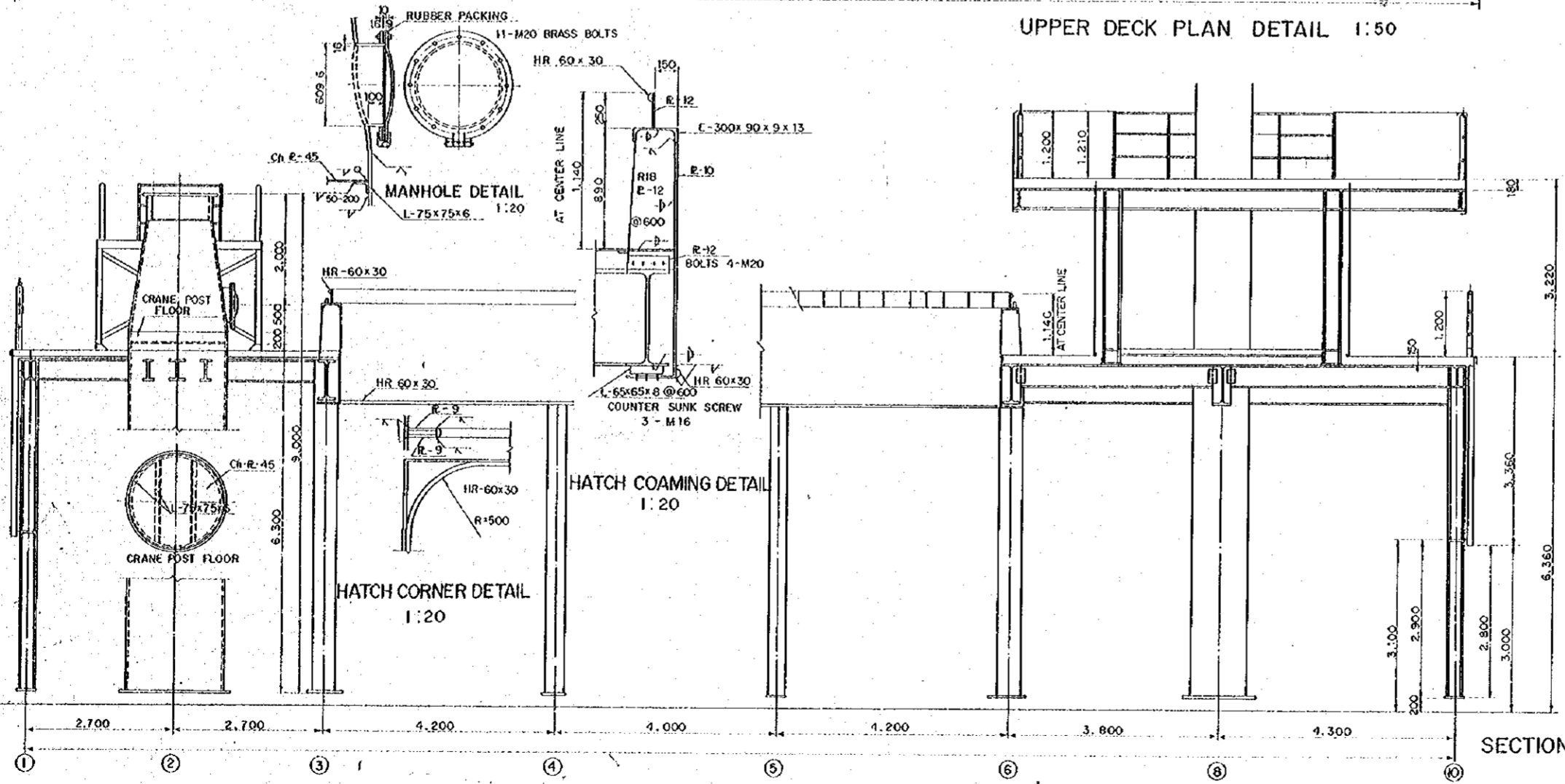
PROJECT	CARGO HANDLING TRAINING EQUIPMENTS			
DRG TITLE	PLAN & ELEVATION			
DATE	JUL '80	SCALE	1:100	DRG NO. 1
JAPAN INTERNATIONAL COOPERATION AGENCY				



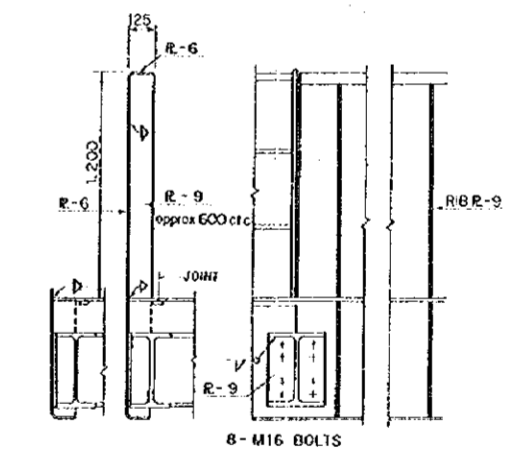
UPPER DECK PLAN DETAIL 1:50



PLATFORM DECK PLAN DETAIL 1:50

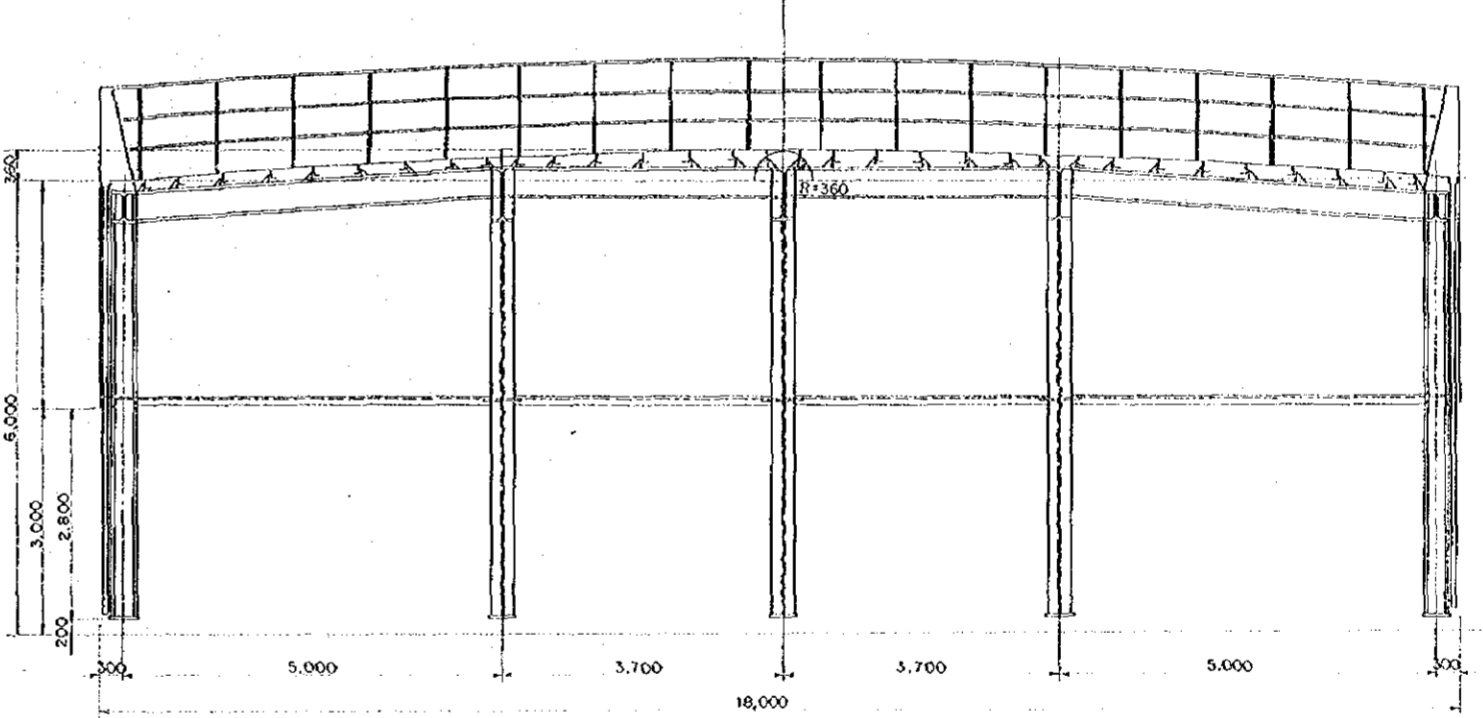
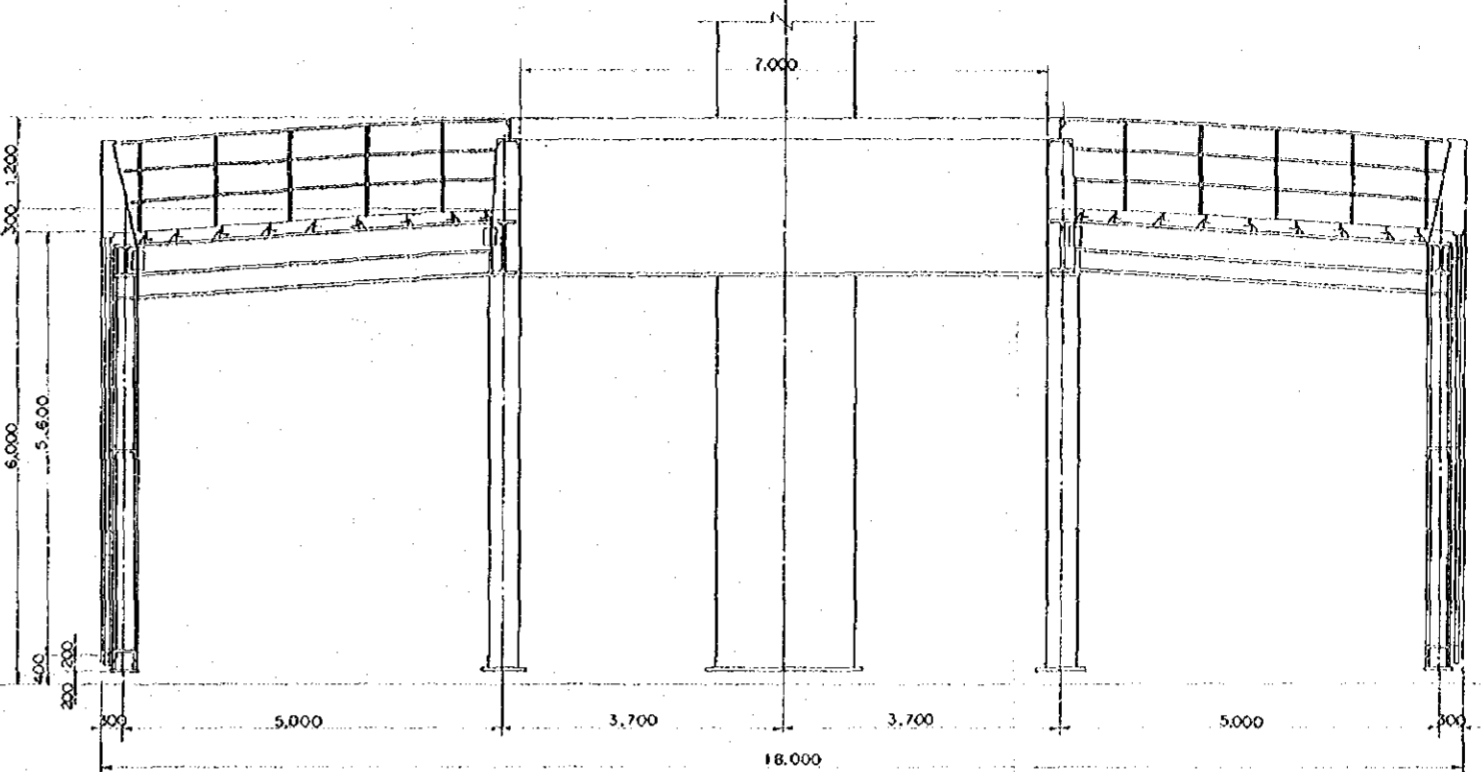
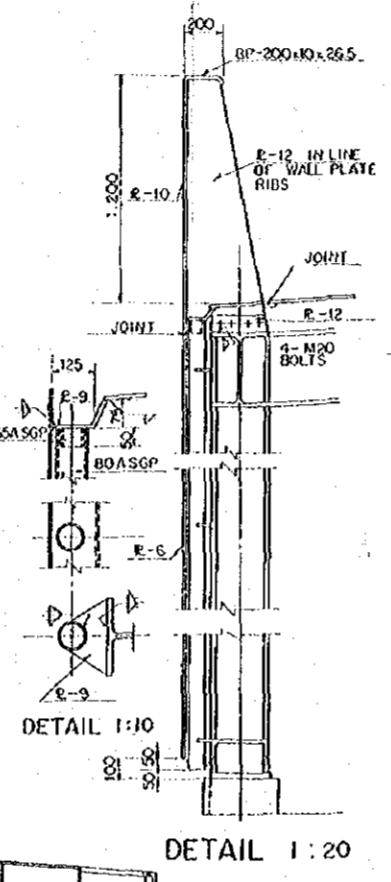
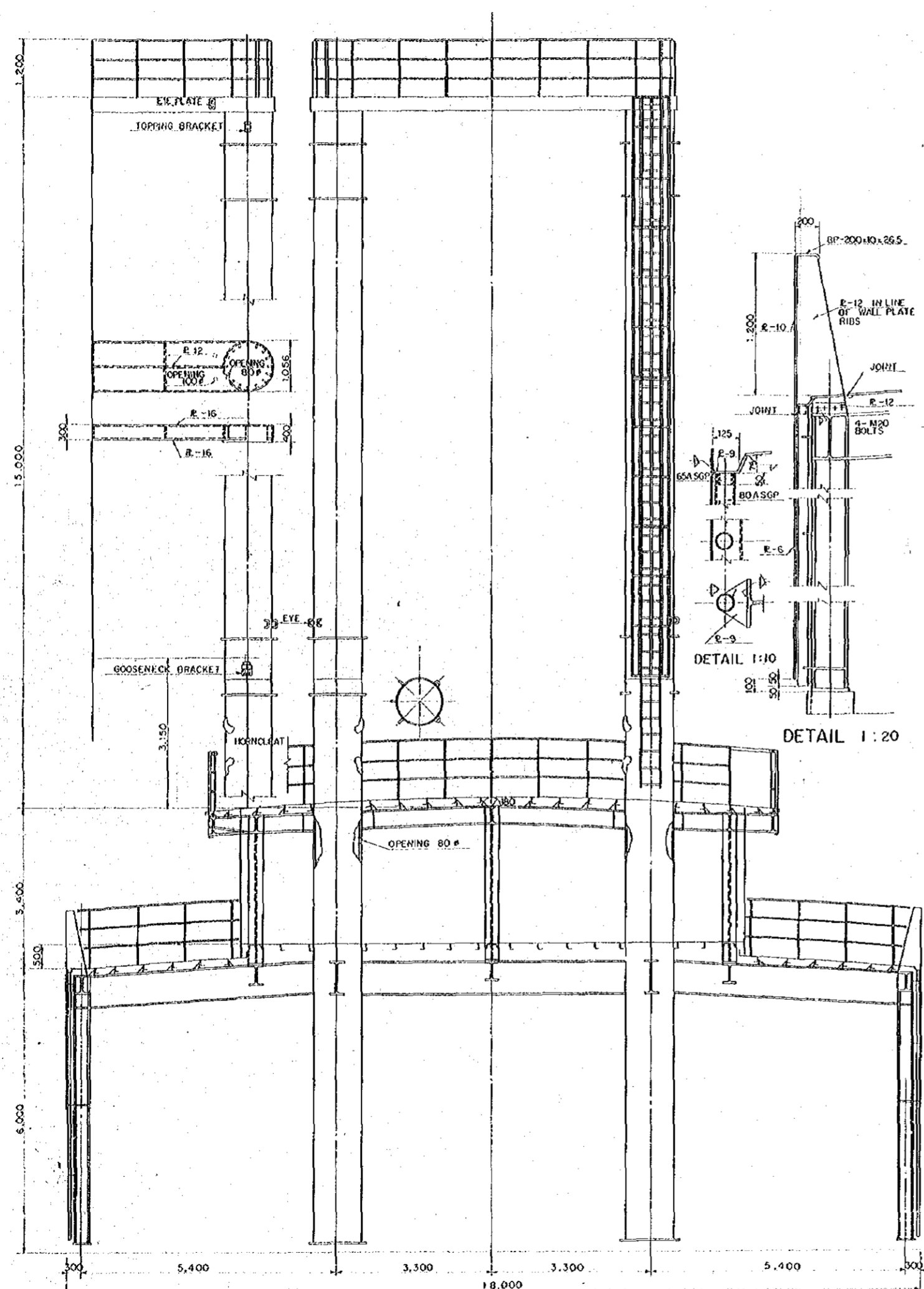


SECTION D DETAIL 1:50

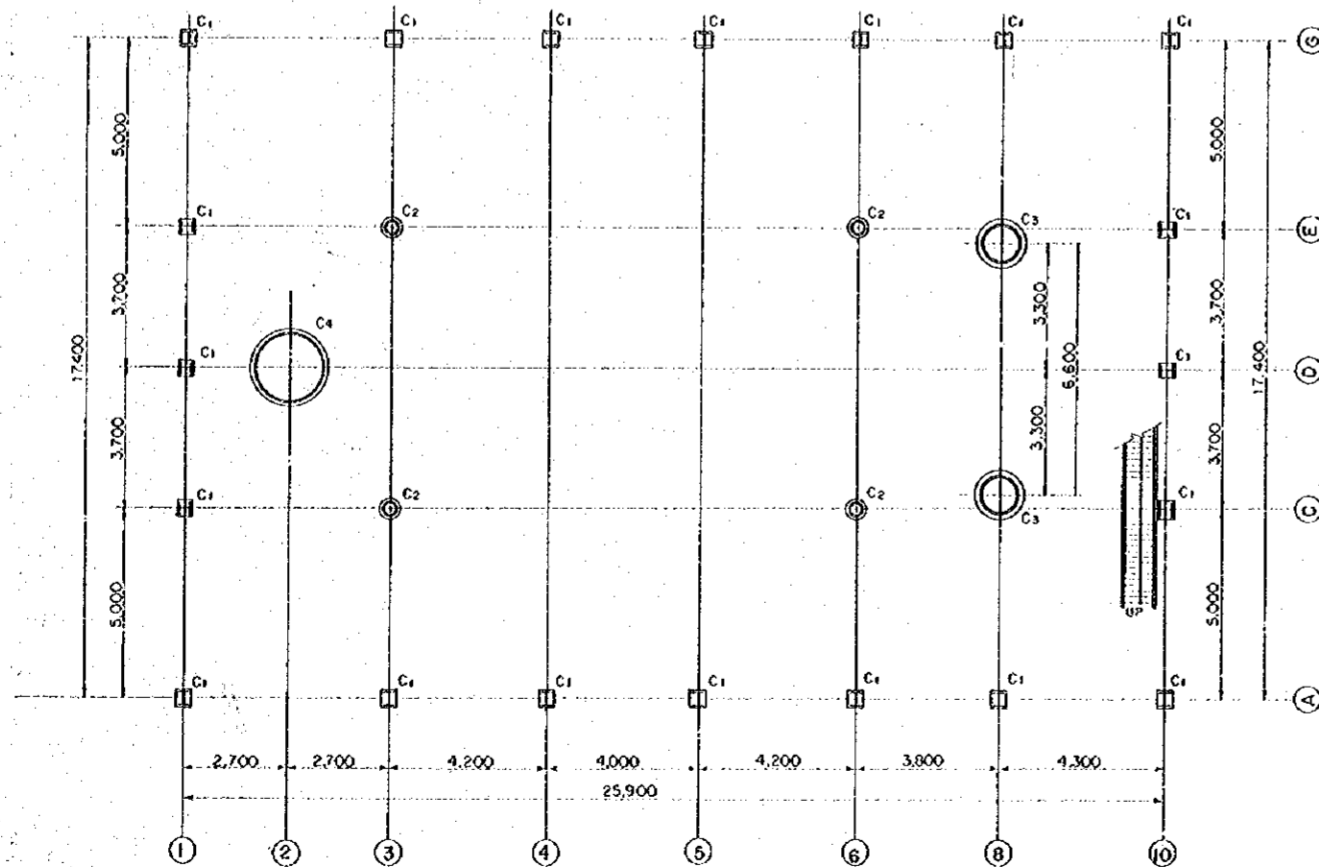
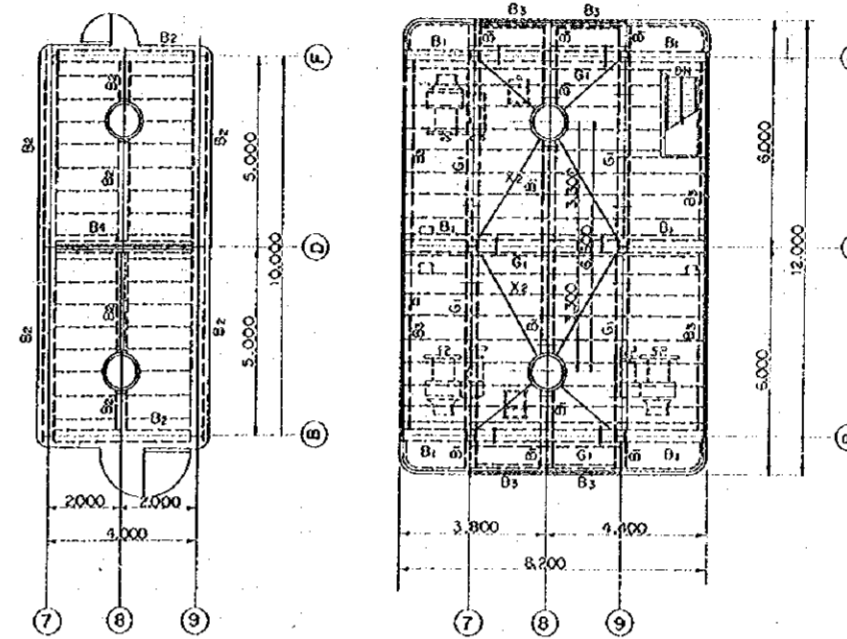
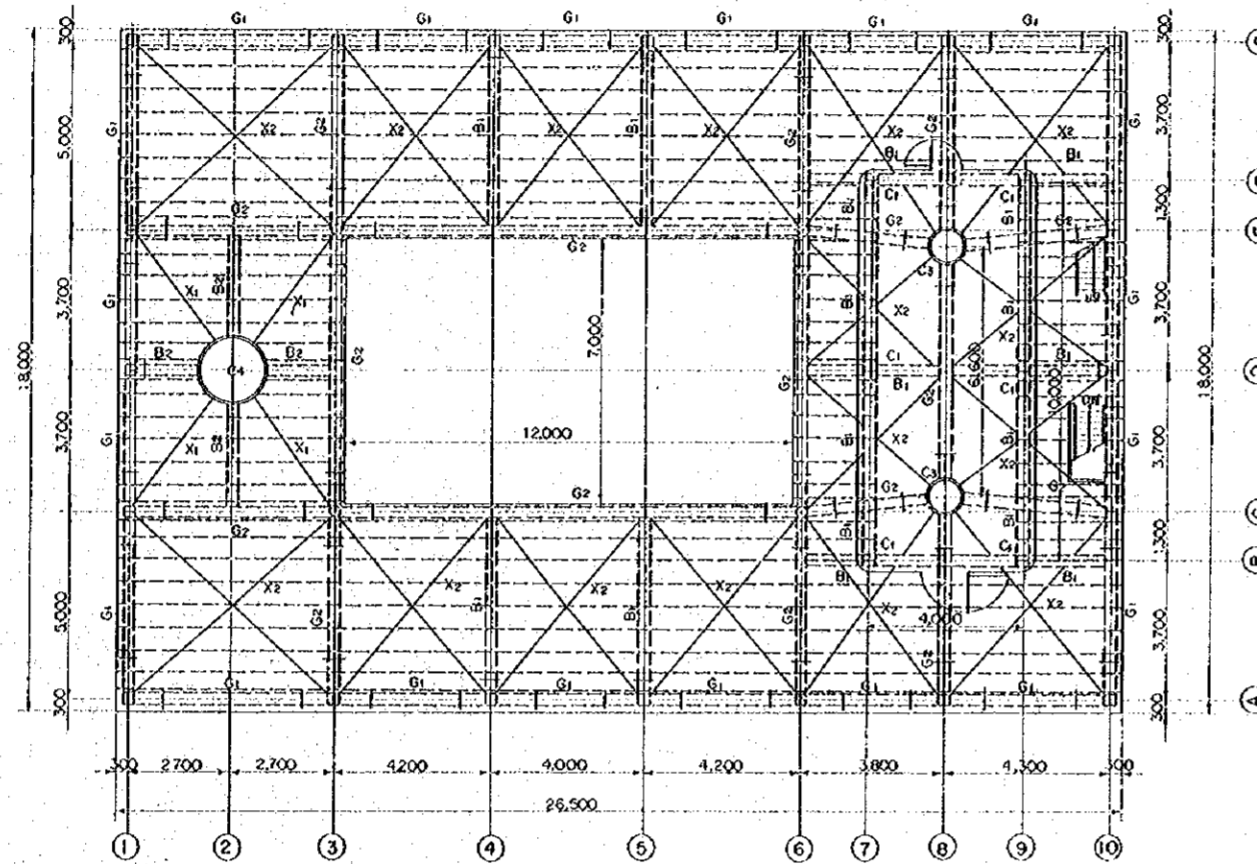


PLATFORM HANDRAIL DETAIL 1:20

PROJECT	CARGO HANDLING TRAINING EQUIPMENTS				
DRG. TITLE	PLAN & SECTION DETAILS				
DATE	JUL '80	SCALE	1:50, 1:20	DRG. NO.	2
JAPAN INTERNATIONAL COOPERATION AGENCY					



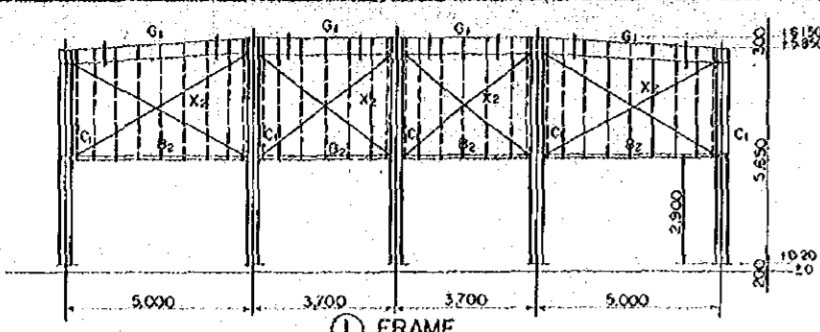
PROJECT	CARGO HANDLING TRAINING EQUIPMENTS				
ORG TITLE	SECTION DETAILS				
DATE	JUL '80	SCALE	1:50	1:20	ORG. NO.
					3
JAPAN INTERNATIONAL COOPERATION AGENCY					



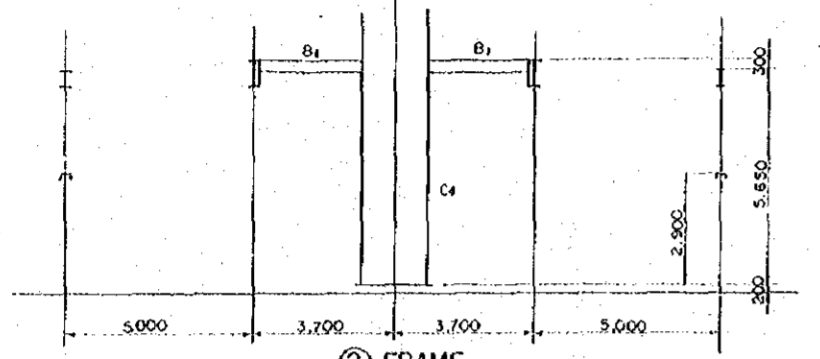
MATERIAL LIST

SYMBOL	MATERIAL
C1	H-300 x 300 x 10 x 15
C2	G-column 400 ^φ x 15 ^t
C3	Structural Pipe 1,016 ^φ x 16 ^t
C4	Steel Pipe Pile 1,000 ^φ x 16 ^t
G1	H-390 x 300 x 10 x 16
G2	H-700 x 300 x 13 x 29
B1	H-390 x 300 x 10 x 16
B2	C-300 x 90 x 9 x 13
B3	H-400 x 200 x 8 x 13
X1	H-400 x 200 x 8 x 13
X2	2 ^φ

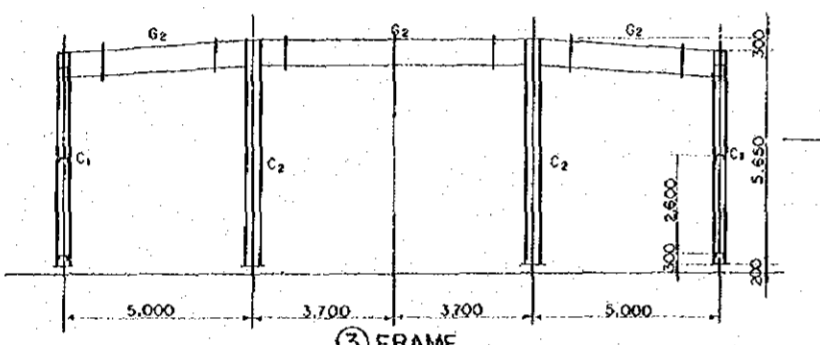
PROJECT	CARGO HANDLING TRAINING EQUIPMENTS			
DRG TITLE	FRAMING PLAN			
DATE	JUL. 80	SCALE	1 : 100	DRG NO. 4
JAPAN INTERNATIONAL COOPERATION AGENCY				



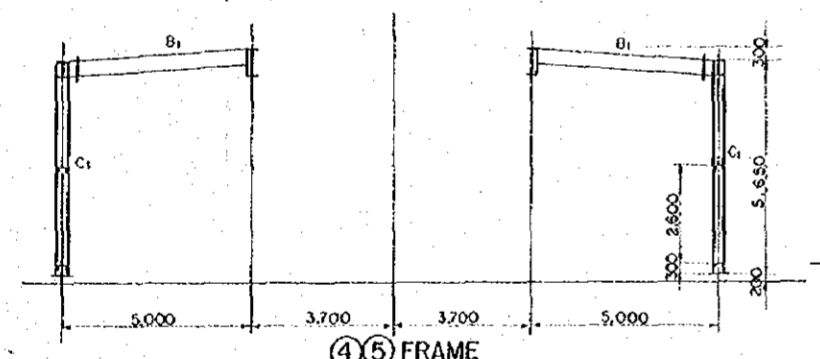
① FRAME



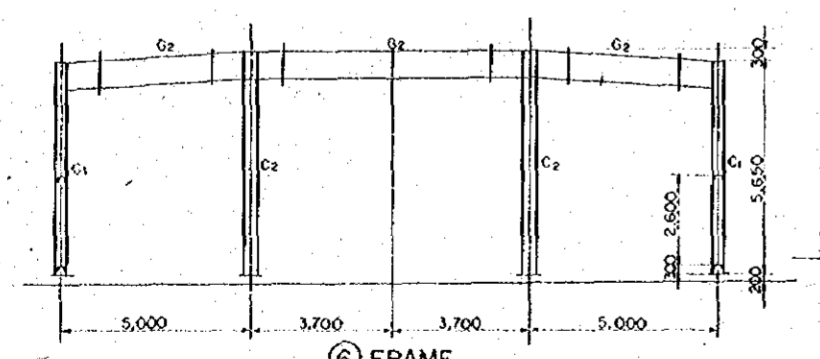
② FRAME



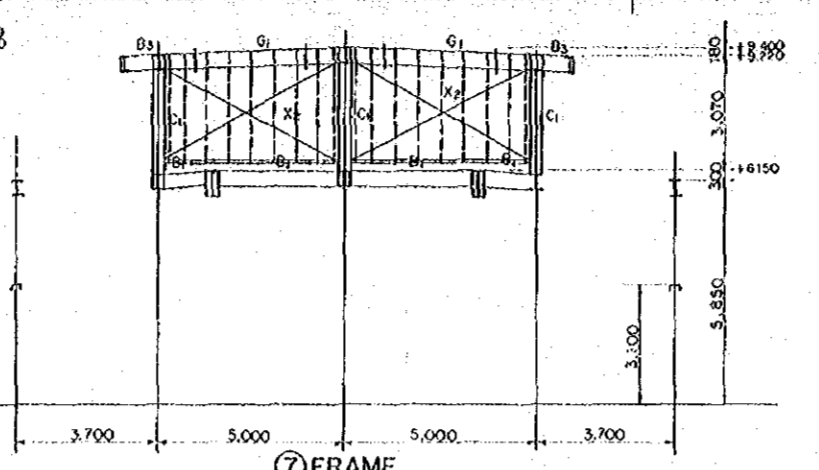
③ FRAME



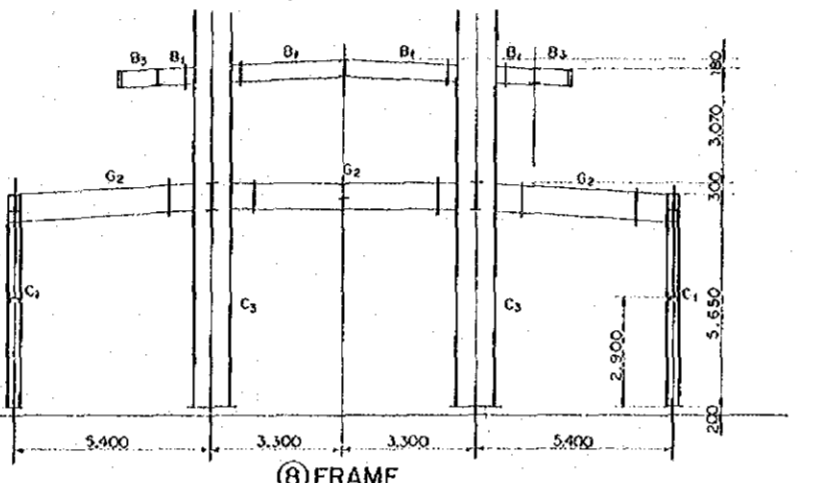
④⑤ FRAME



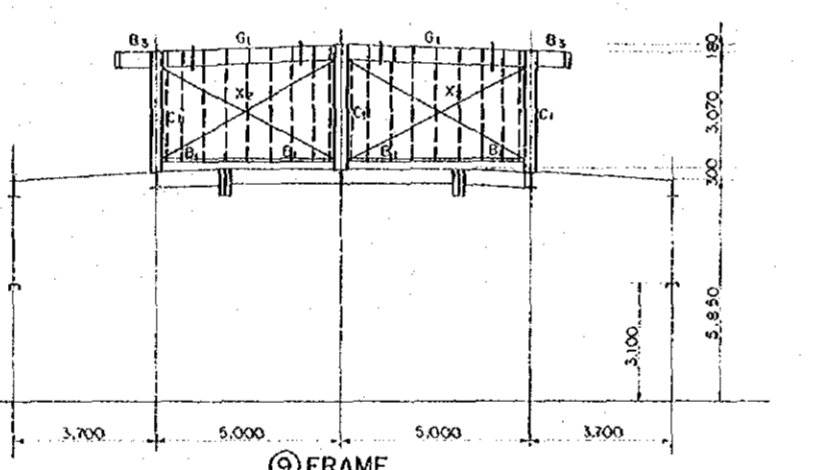
⑥ FRAME



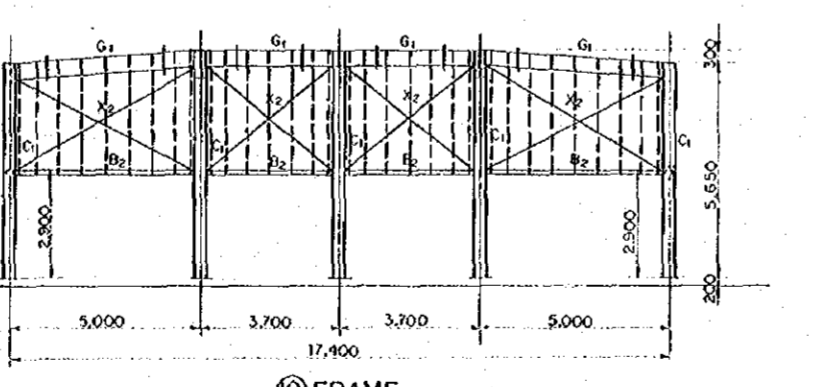
⑦ FRAME



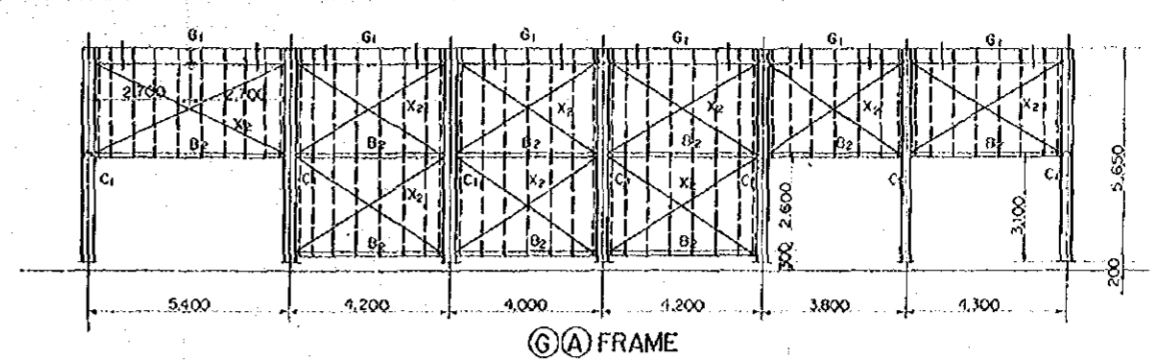
⑧ FRAME



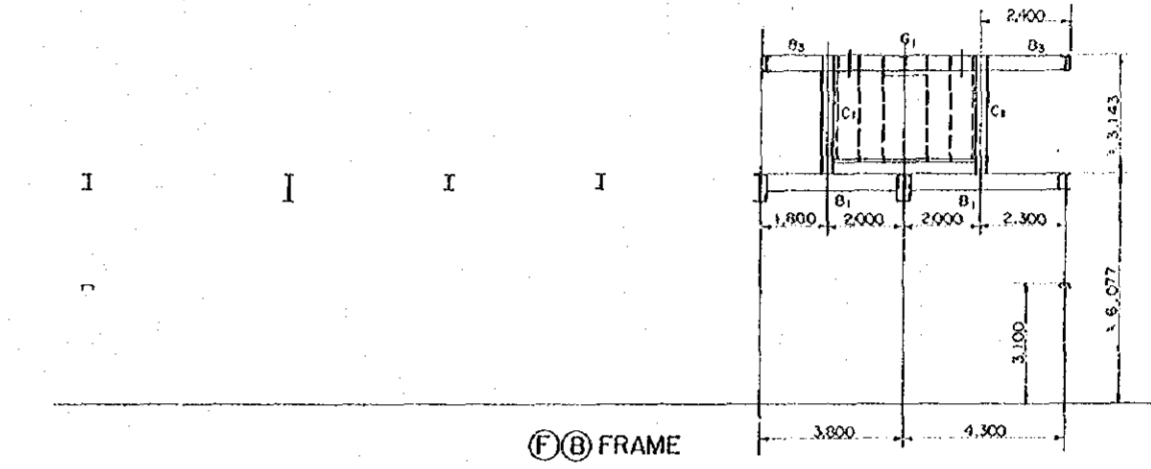
⑨ FRAME



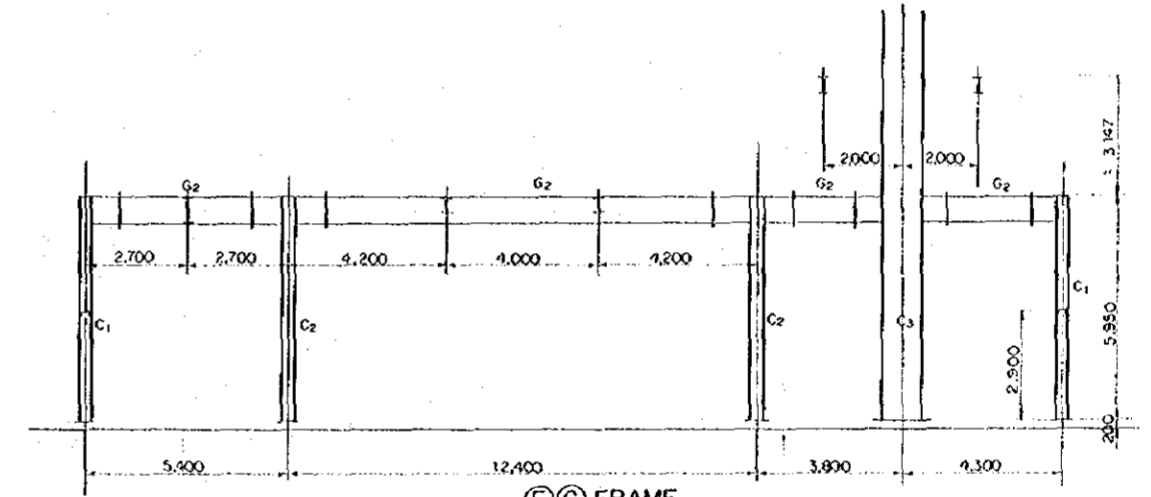
⑩ FRAME



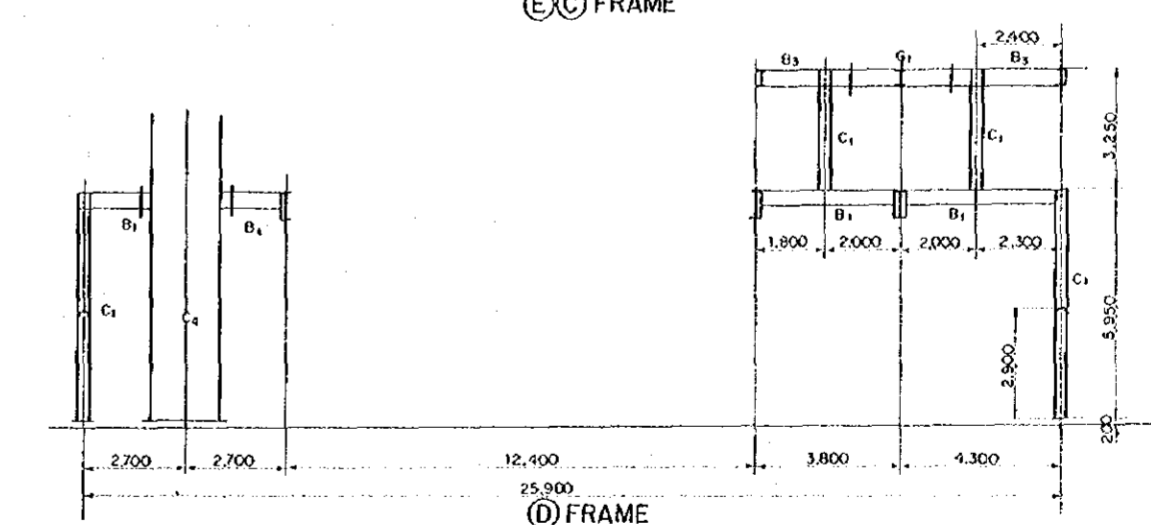
⑥(A) FRAME



⑥(B) FRAME

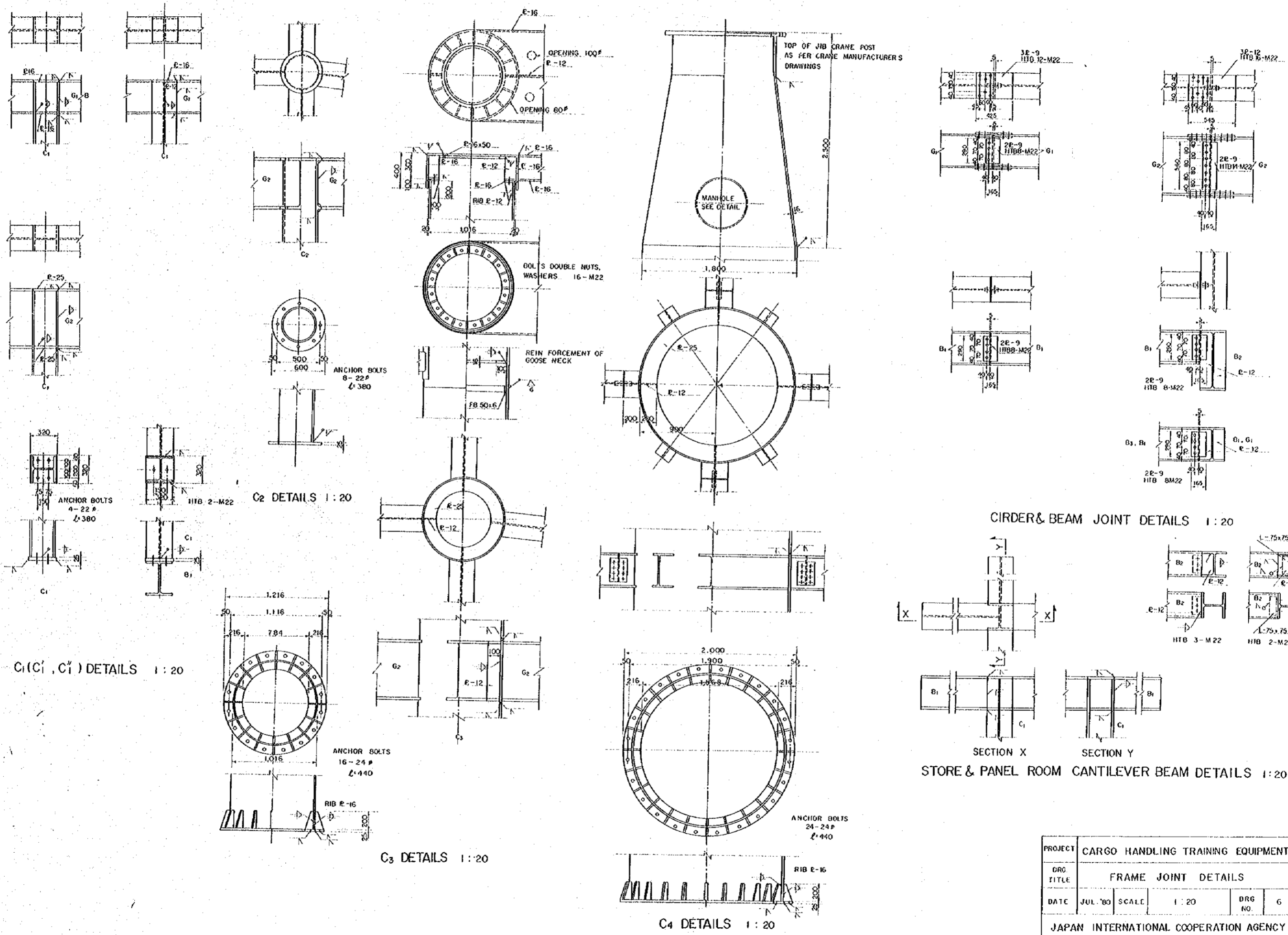


⑥(C) FRAME

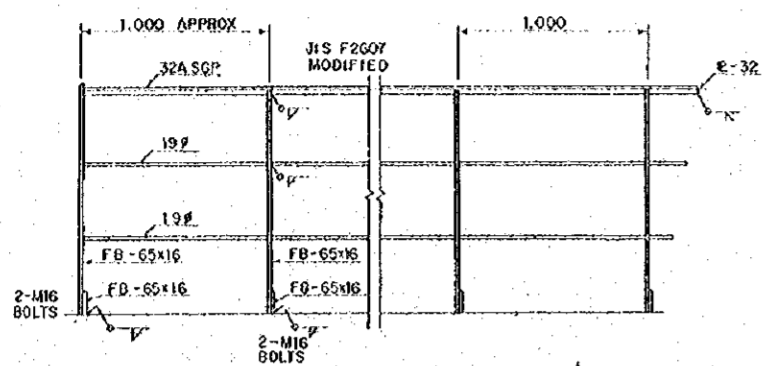


⑥(D) FRAME

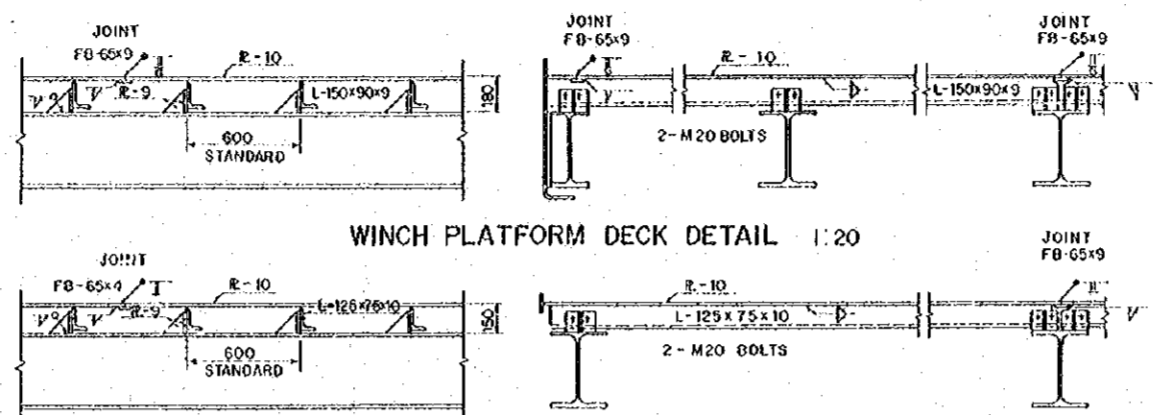
PROJECT	CARGO HANDLING TRAINING EQUIPMENTS				
DRG TITLE	FRAMING SECTION				
DATE	JUL '80	SCALE	1/100	DRG NO	5
JAPAN INTERNATIONAL COOPERATION AGENCY					



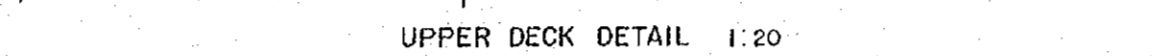
PROJECT	CARGO HANDLING TRAINING EQUIPMENTS				
DRG TITLE	FRAME JOINT DETAILS				
DATE	JUL '80	SCALE	1 : 20	DRG NO.	6
JAPAN INTERNATIONAL COOPERATION AGENCY					



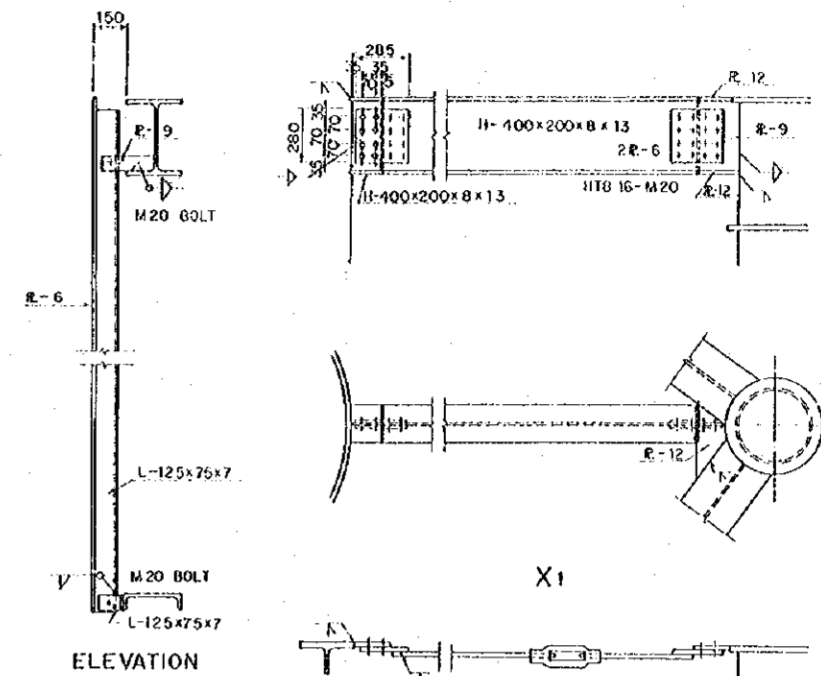
HANDRAIL DETAIL 1:20



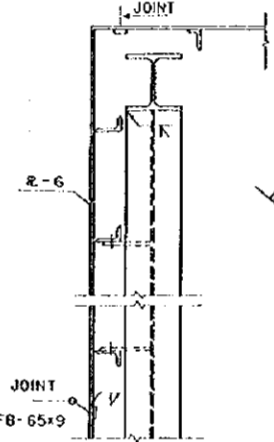
WINCH PLATFORM DECK DETAIL 1:20



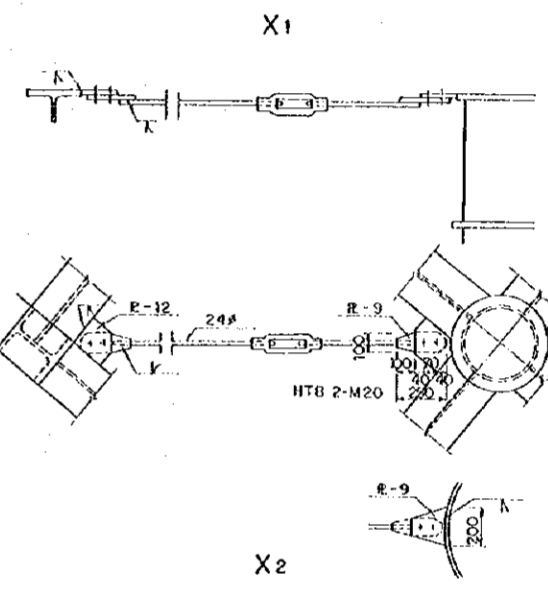
UPPER DECK DETAIL 1:20



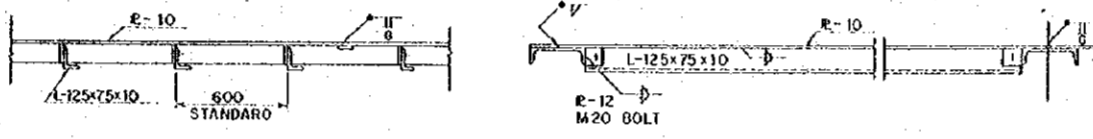
ELEVATION



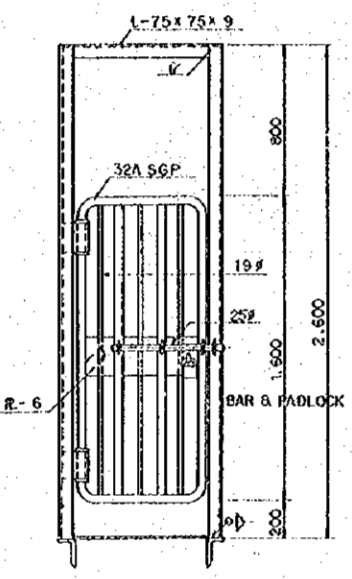
PLAN



FLOOR BRACE DETAIL 1:20

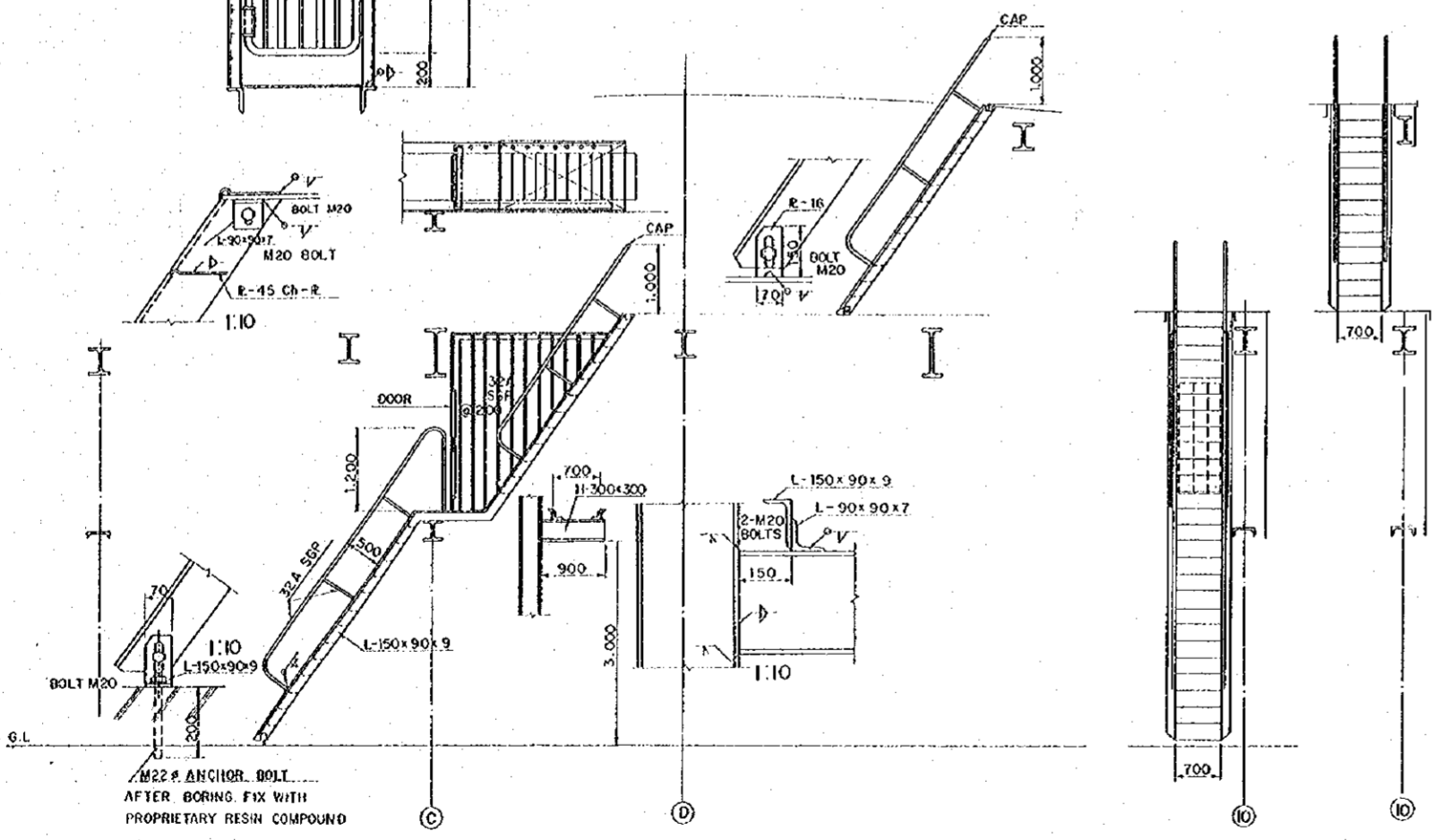


STORE & PANEL ROOM FLOOR DETAIL 1:20

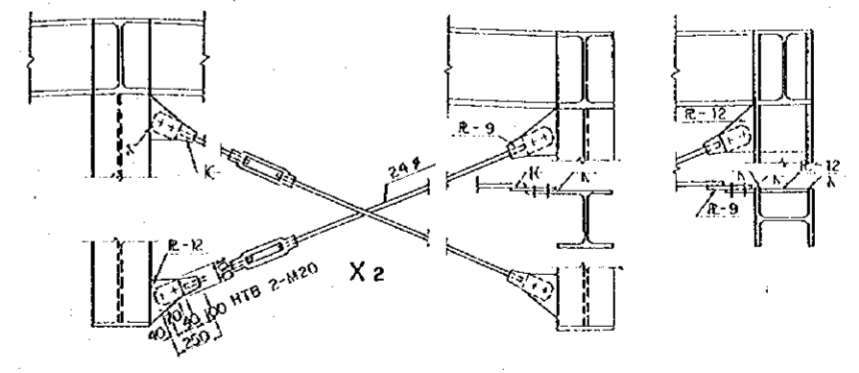


LADDER DOOR DETAIL 1:20

WALL BRACE DETAIL 1:20

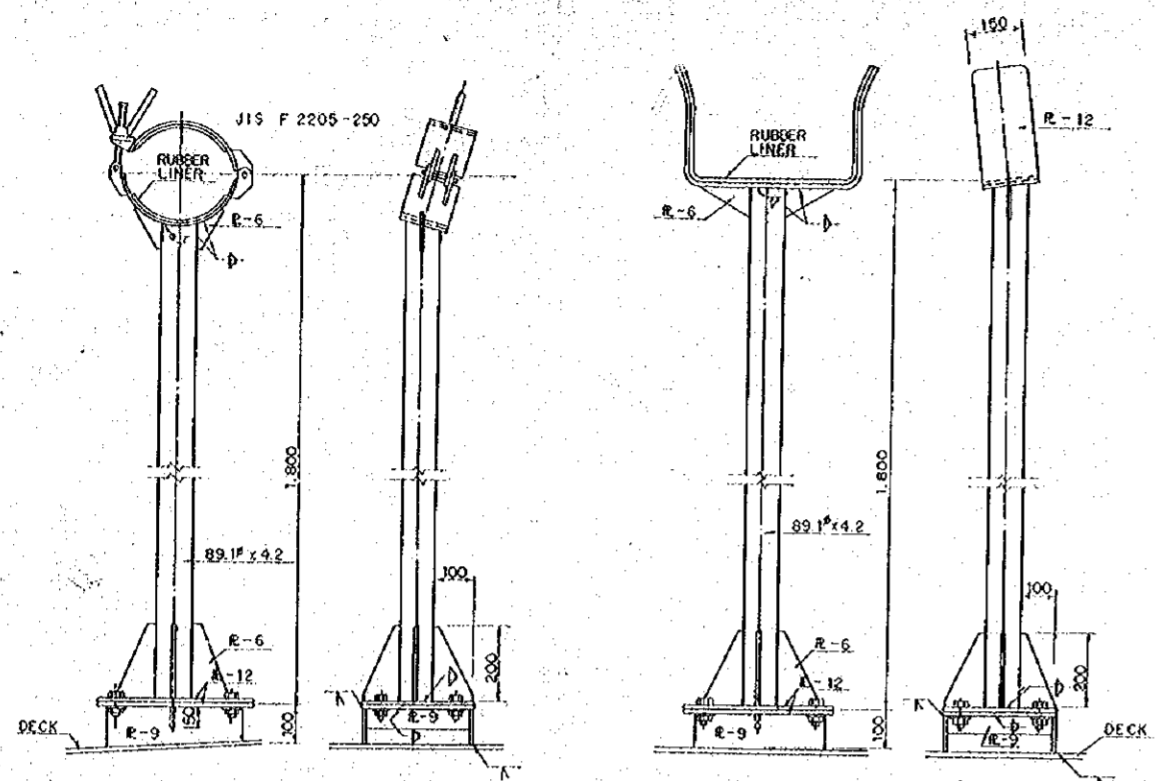


LADDER DETAL 1:50 1:10



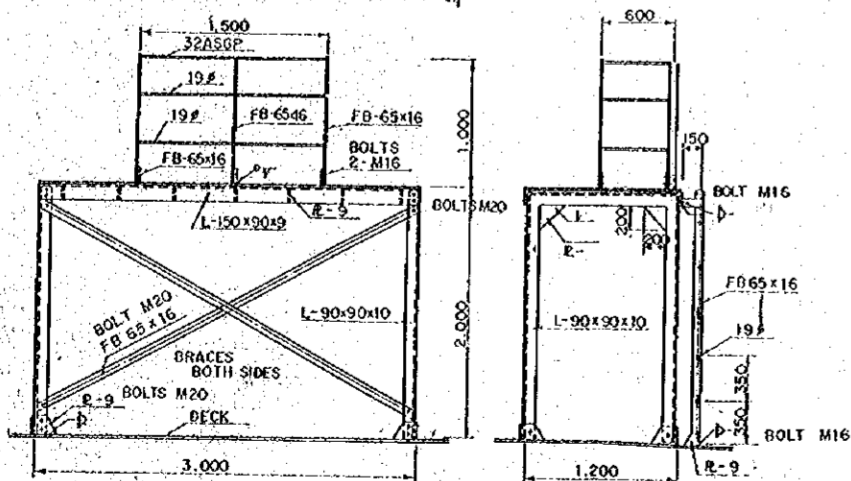
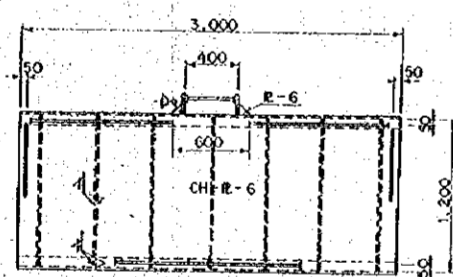
WALL BRACE DETAIL 1:20

PROJECT	CARGO HANDLING TRAINING EQUIPMENTS		
DRG TITLE	LADDER, HANDRAIL & OTHER DETAILS		
DATE	JUL'80	SCALE	1:50 1:20 1:10
DRG NO.			7
JAPAN INTERNATIONAL COOPERATION AGENCY			

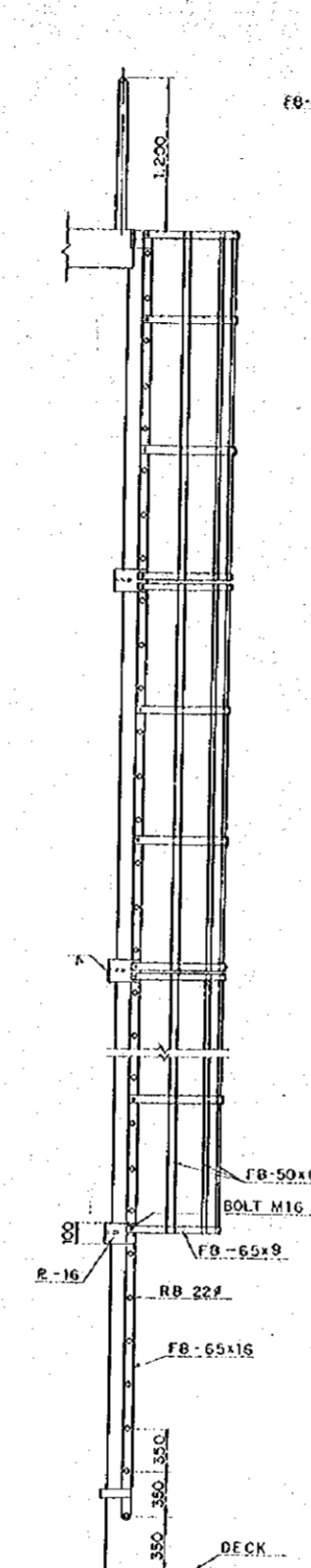


DERRICK BOOM REST DETAIL 1:10

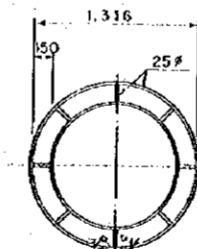
JIB CRANE BOOM REST DETAIL 1:10



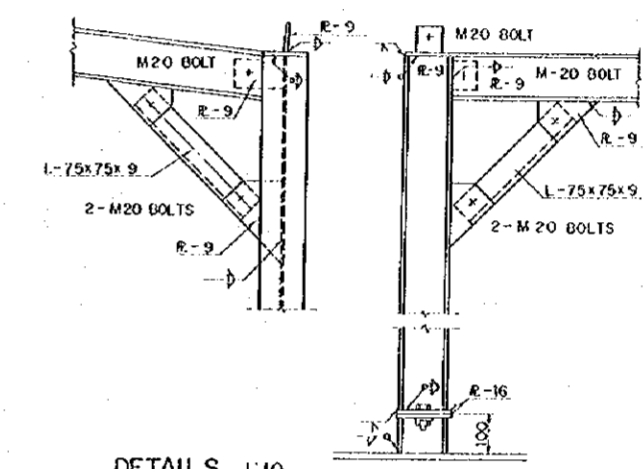
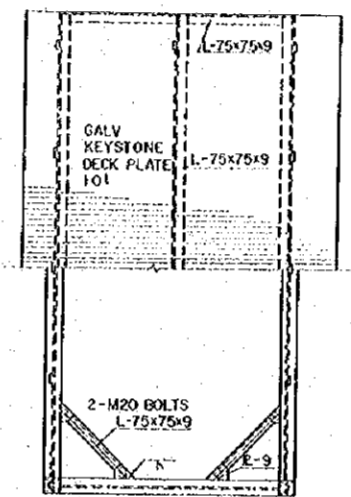
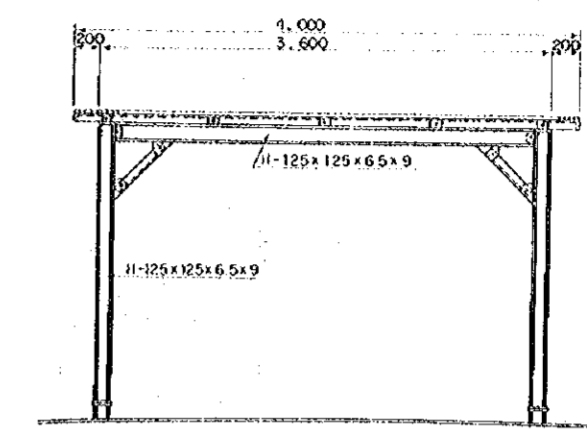
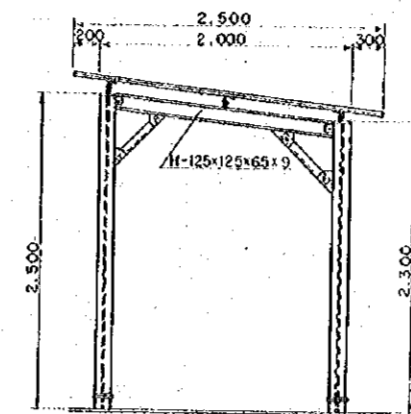
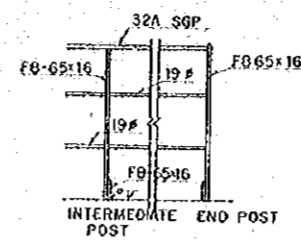
JIB CRANE PLATFORM DETAIL 1:30



MAST LADDER & GUARD DETAIL 1:30

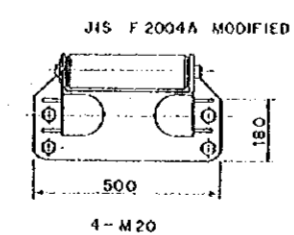
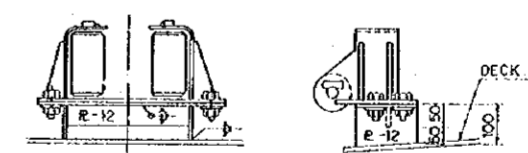


JACK STAY DETAIL 1:30



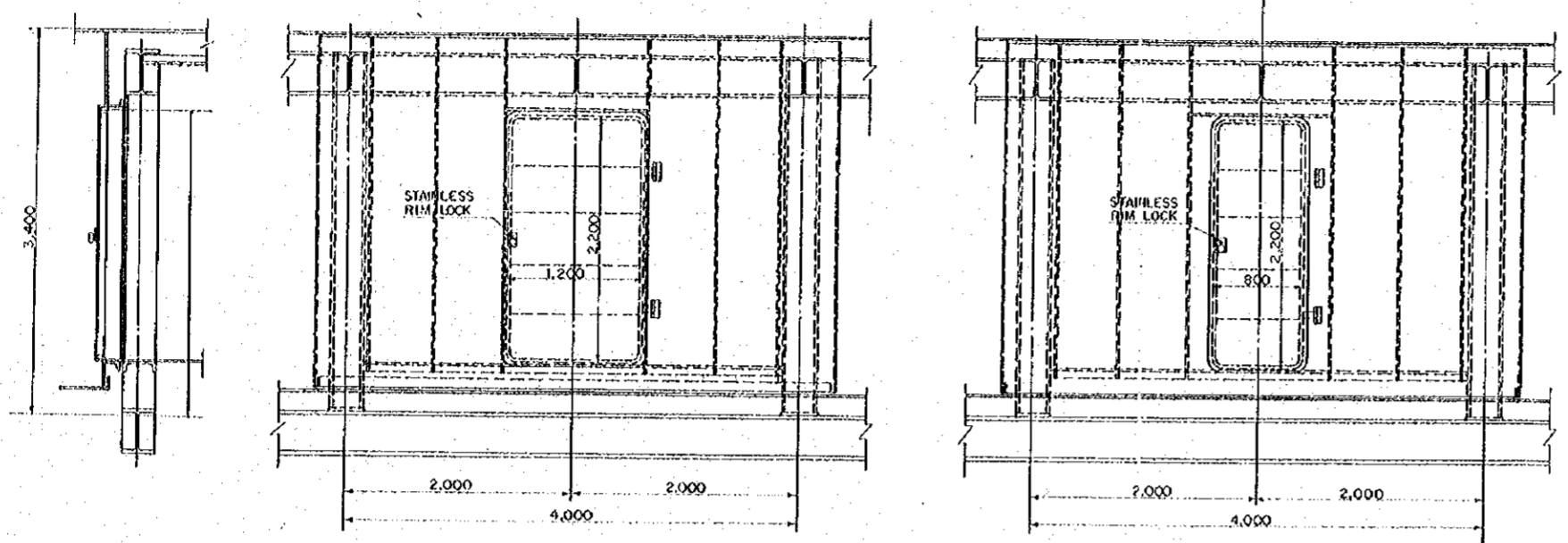
SUN SHADE DETAIL 1:30

NOTE 1. DECK PLATES SHALL BE TACK-WELDED TO PURLINS AT EVERY TROUGH.
2. EDGE JOINTS OF DECK PLATES SHALL BE FILLET-WELDED CONTINUOUSLY

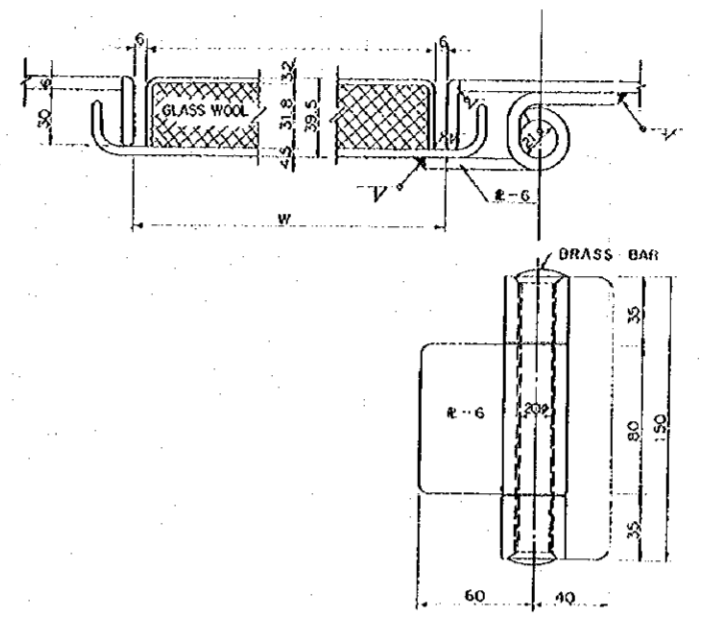


DECK END ROLLER DETAIL 1:10

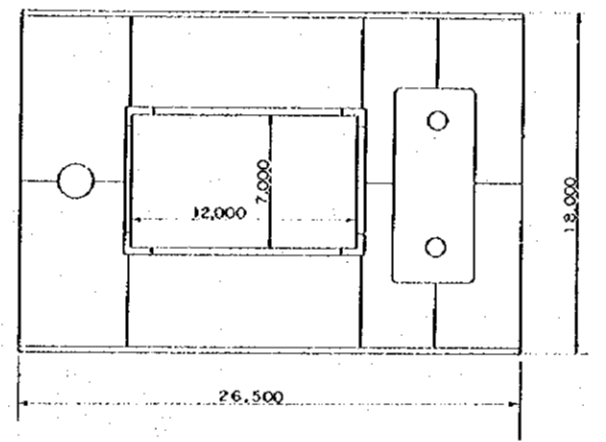
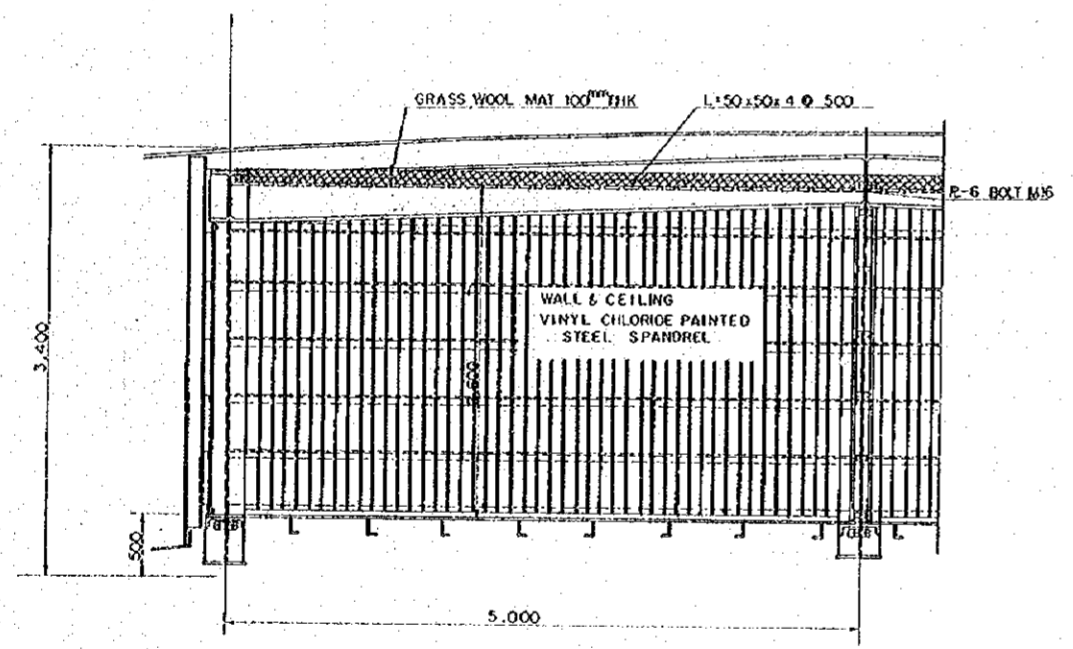
PROJECT	CARGO HANDLING TRAINING EQUIPMENTS			
DRG TITLE	BOOM REST, SUN SHADE & OTHER DETAILS			
DATE	JUL '80	SCALE	1:30, 1:10	DRG NO.
				B
JAPAN INTERNATIONAL COOPERATION AGENCY				



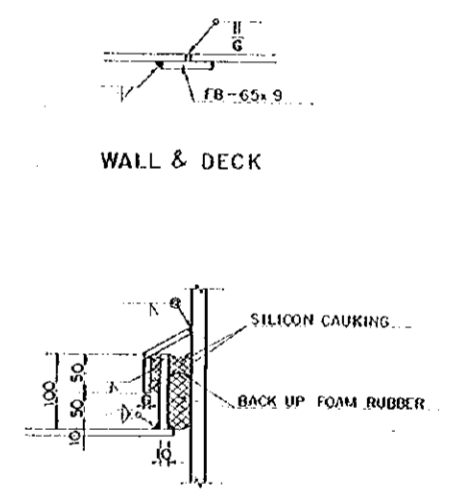
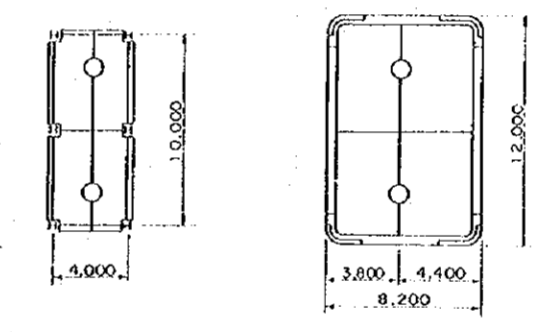
STORE & PANEL ROOM END WALL DETAIL 1:30



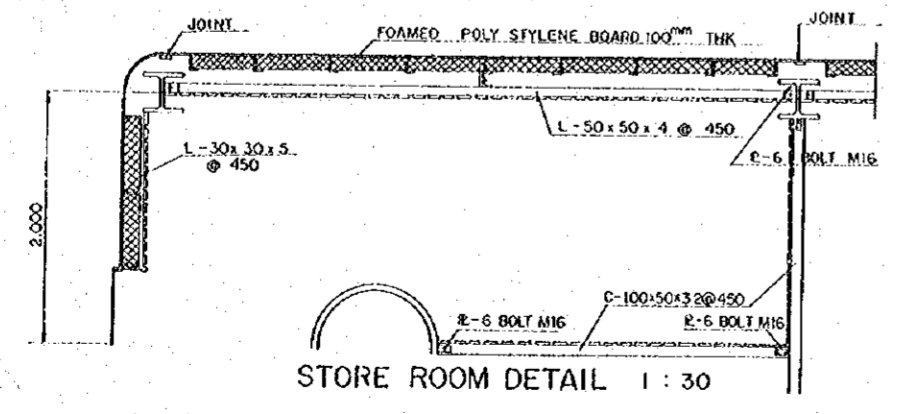
DOOR DETAIL 1:2



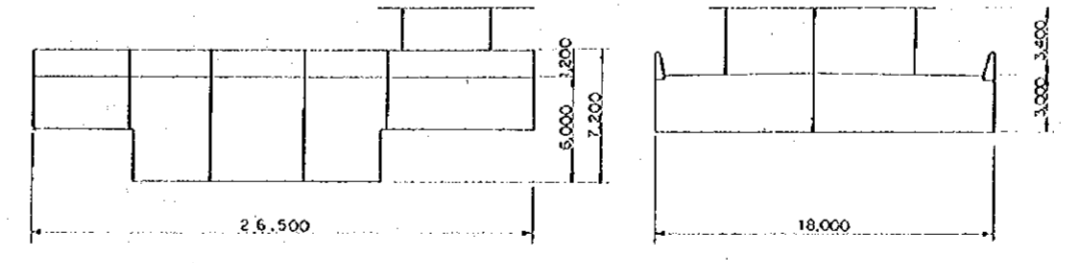
PROPOSED FLOOR & WALL PANEL DIVISION DIAGRAM 1:20



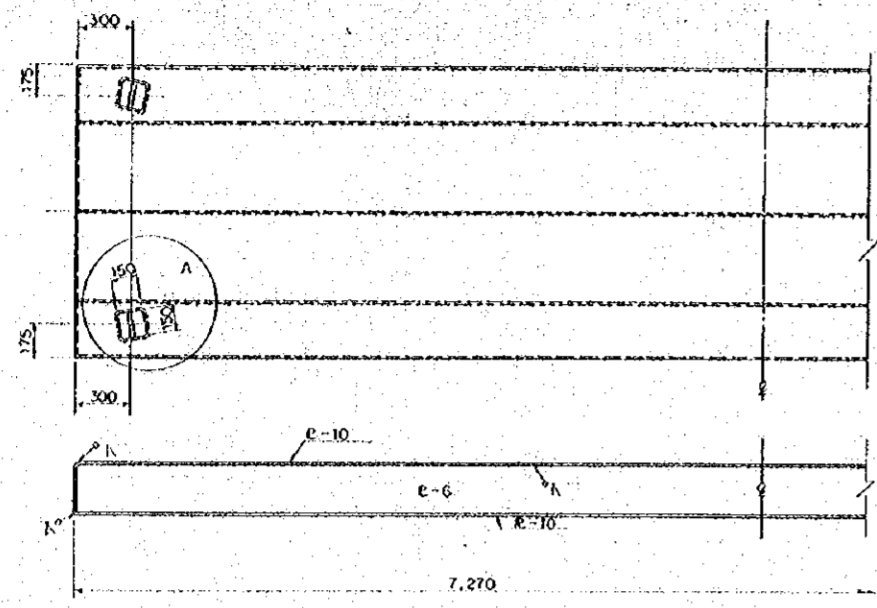
WATER PROOF DETAIL 1:5



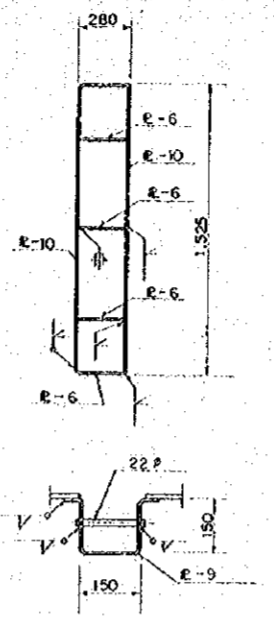
STORE ROOM DETAIL 1:30



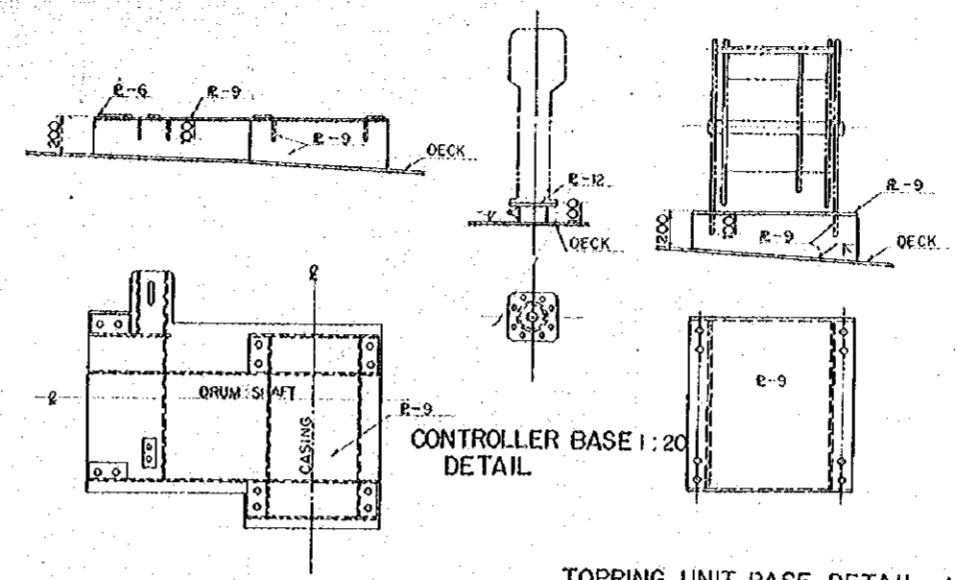
PROJECT	CARGO HANDLING TRAINING EQUIPMENTS			
DRG. TITLE	DOOR STORE ROOM & OTHER DETAILS			
DATE	JUL '80	SCALE	1:30, 1:20, 1:5, 1:2	DRG NO. 9
JAPAN INTERNATIONAL COOPERATION AGENCY				



HATCH COVER DETAIL 1:20



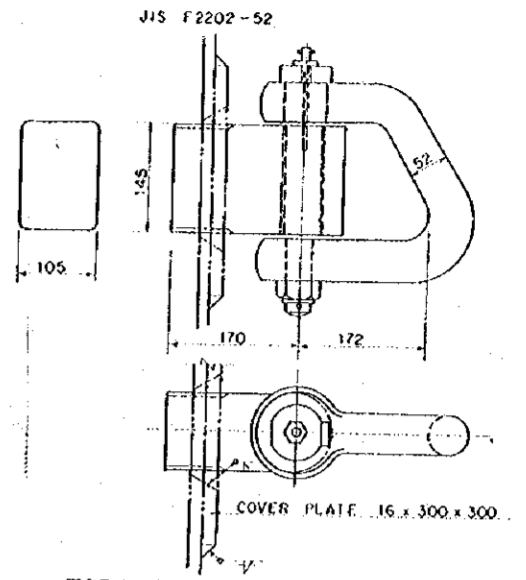
DETAIL A 1:10



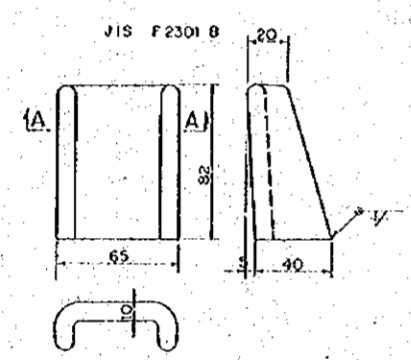
CONTROLLER BASE 1:20
DETAIL

TOPPING UNIT BASE DETAIL 1:20

NOTE: SAME AS CARGO WINCH ASSY BASE

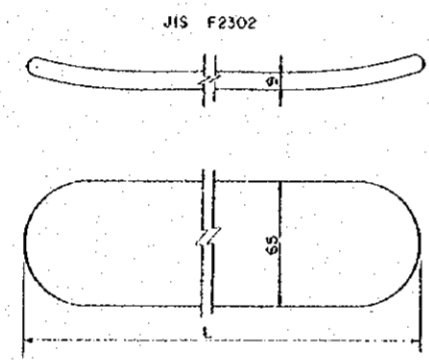


TOPPING BRACKET DETAIL 1:5

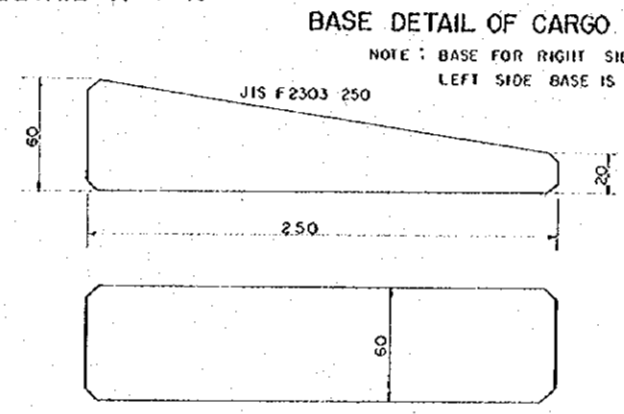


SECTION A-A

HATCH CLEAT DETAIL 1:2



HATCH BATTEN DETAIL 1:2

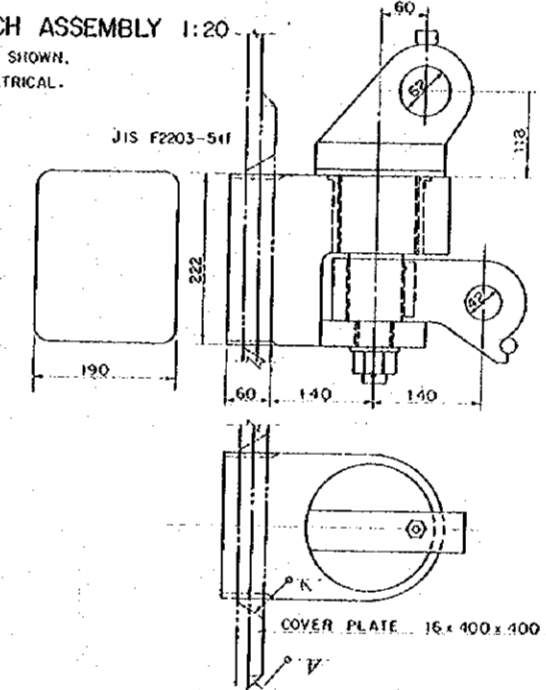


BASE DETAIL OF CARGO WINCH ASSEMBLY 1:20

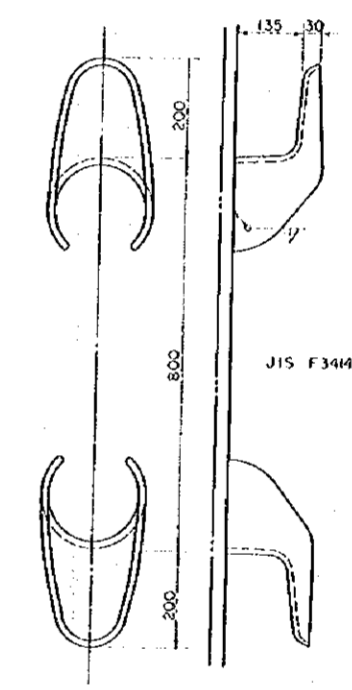
NOTE: BASE FOR RIGHT SIDE IS SHOWN.
LEFT SIDE BASE IS SYMMETRICAL.

HARDWOOD OF 'KEYAKI' OR EQUAL

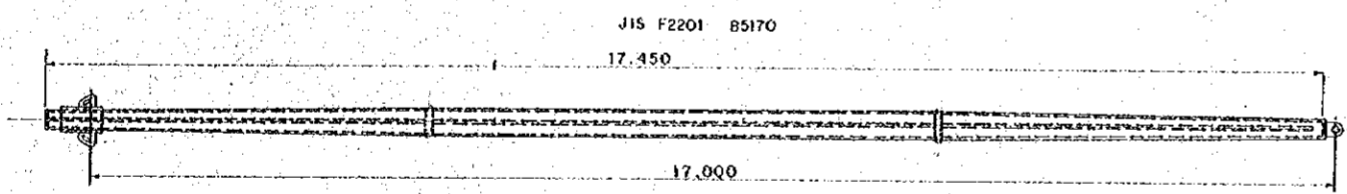
HATCH WEDGE DETAIL 1:2



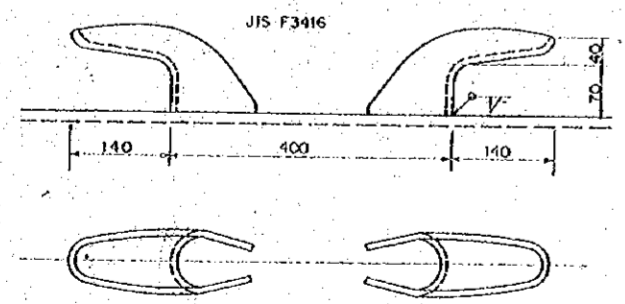
GOOSENECK BRACKET DETAIL 1:5



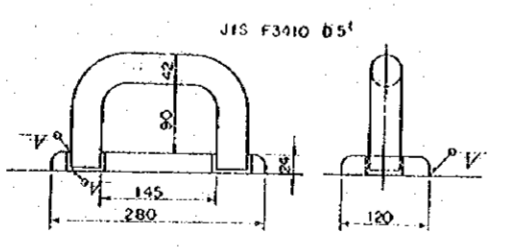
HORN CLEAT DETAIL



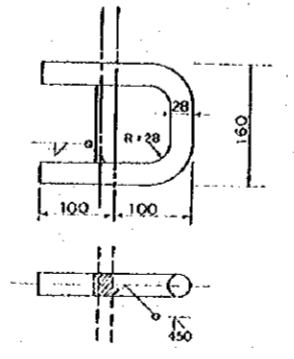
DERRICK BOOM DETAIL 1:50



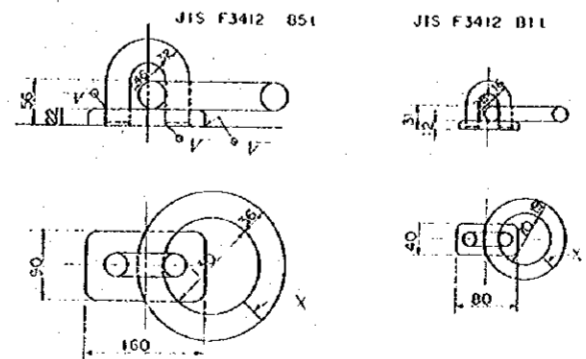
GUY CLEAT DETAIL



EYE PLATE DETAIL 1:5

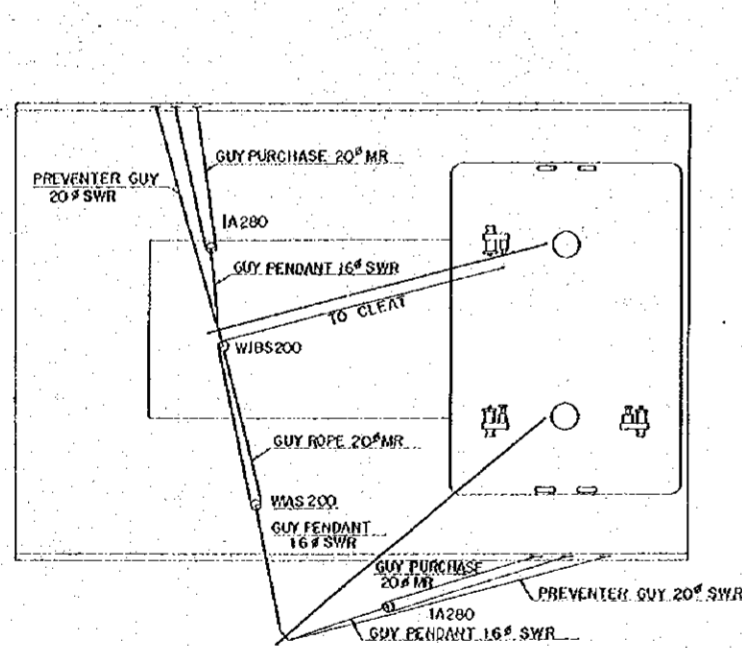
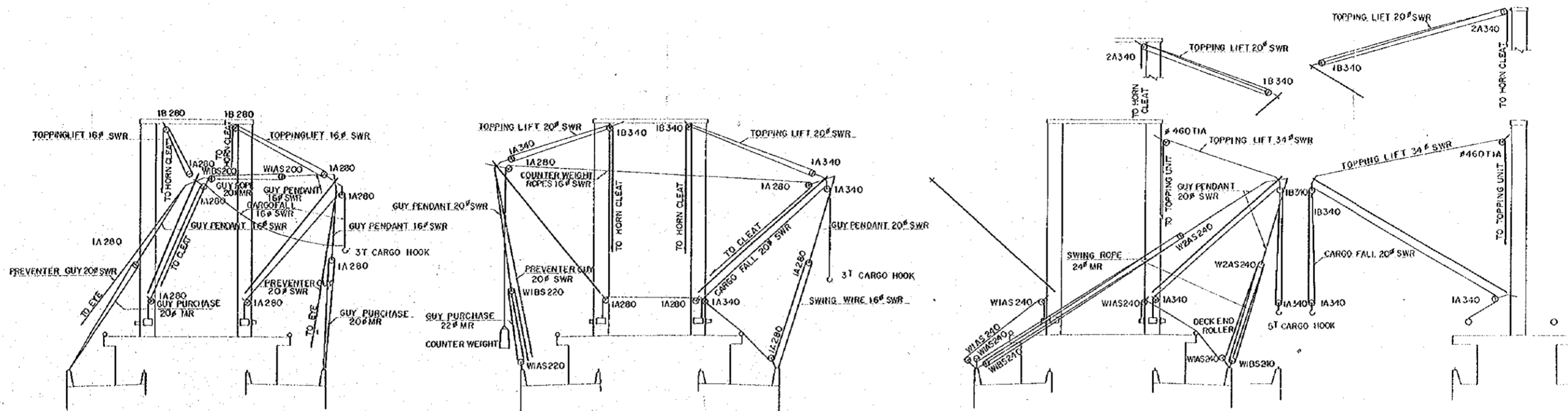


EYE DETAIL 1:5

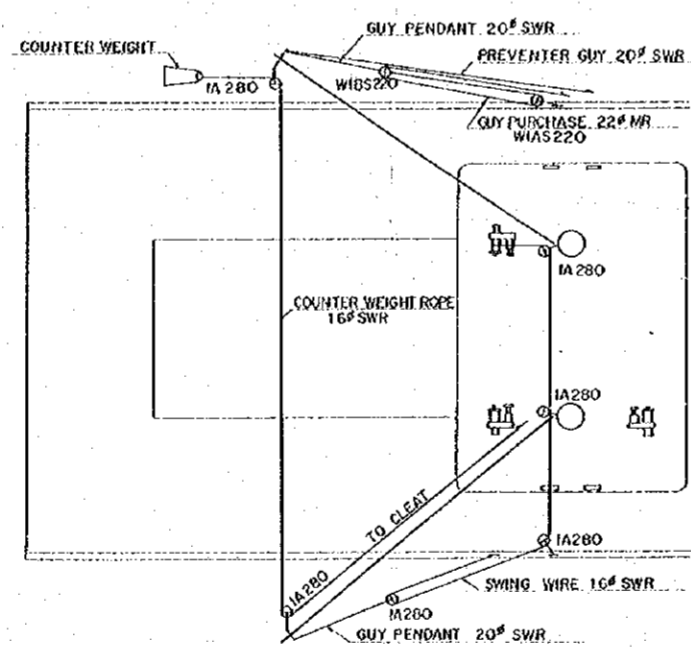


RING PLATE DETAILS 1:5

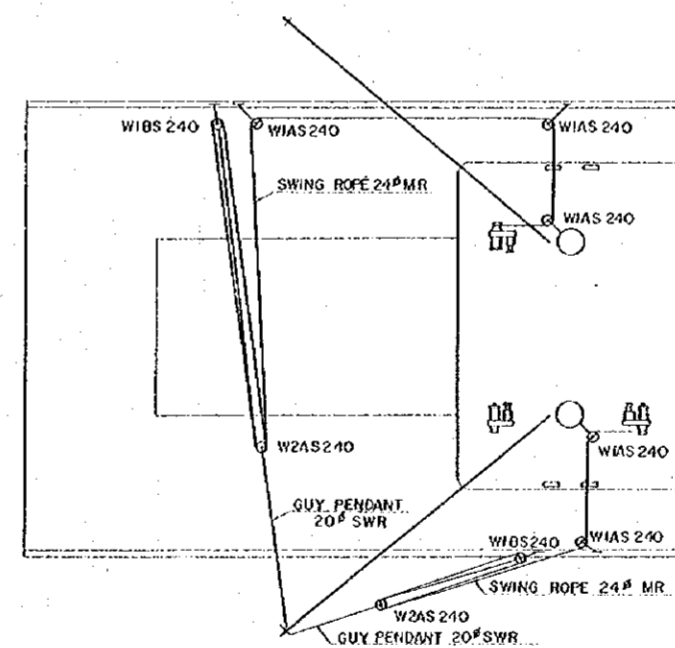
PROJECT	CARGO HANDLING TRAINING EQUIPMENTS				
DRG TITLE	HATCH COVER, BOOM & ACCESSORIES DETAILS				
DATE	JUL '80	SCALE	1:50 1:20 1:5	DRG. NO.	10
JAPAN INTERNATIONAL COOPERATION AGENCY					



BURTONING



COUNTERWEIGHT



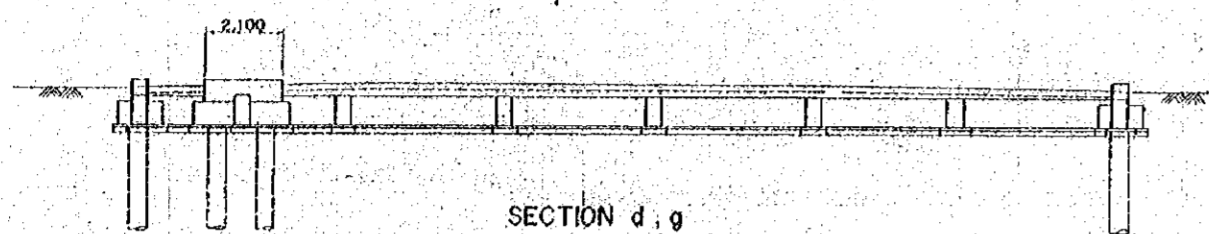
SWING

CARGO HANDLING GEAR ACCESSORIES

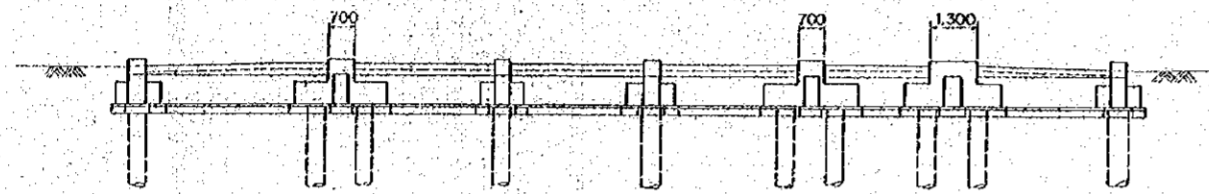
DESCRIPTION	SPECIFICATION	QUANTITY
HOOK	51	2
(JIS F2105)	31	4
CARGO BLOCK	T1A	460
(JIS F3427)	2A	340
(JIS F3421)	1A	340
(JIS F3426)	1B	340
	1A	280
	1B	280
	W2AS	240
	W1BS	240
	WIAS	220
	WIBS	220
	WIAS	200
	WIBS	200
STEEL WIRE	3#	100m
ROPE	20#	350
(JIS G3525 GALV)	16#	400
MANILA ROPE	24#	250m
	22#	100m
	20#	250m
SHACKLE	JIS B 2801	30
WIRE FITTING & END WORK JIS B 2832 ETC		AS REQUIRED

NOTE: SPECIFICATION & QUANTITIES MAY BE CHANGED BY INSTRUCTIONS.

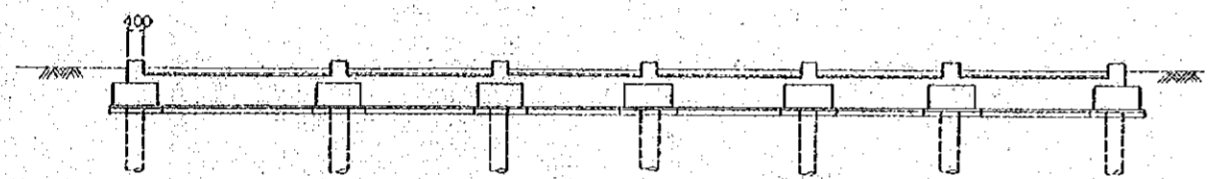
PROJECT	CARGO HANDLING TRAINING EQUIPMENTS				
DRG TITLE	RIGGING DIAGRAM & ACCESSORIES				
DATE	JUL '80	SCALE	1:200	ORG NO	11
JAPAN INTERNATIONAL COOPERATION AGENCY					



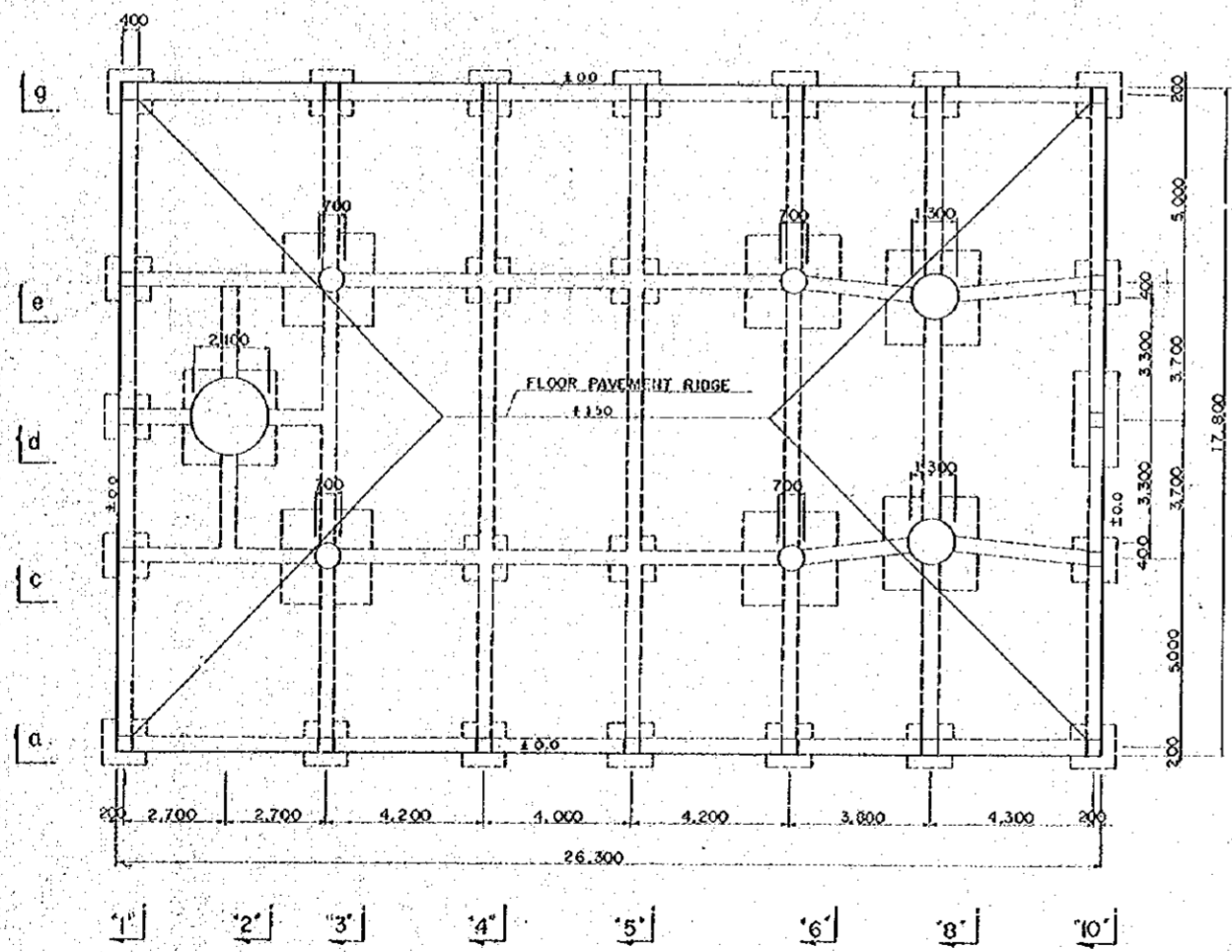
SECTION d, g



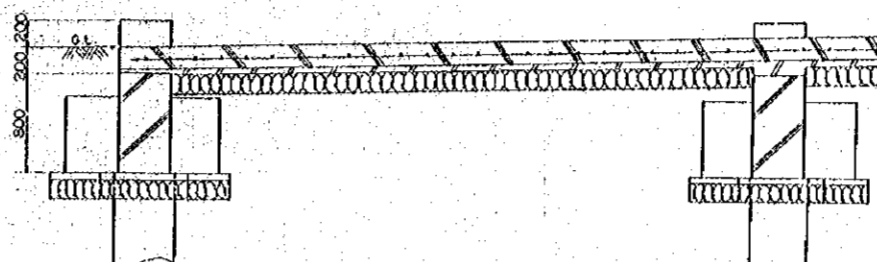
SECTION c, e



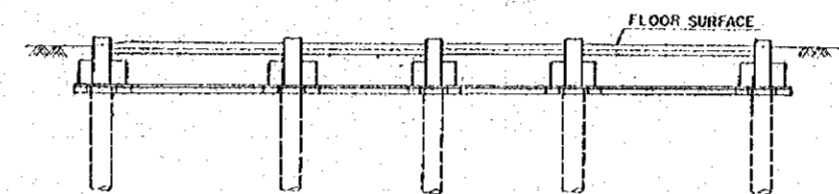
SECTION a



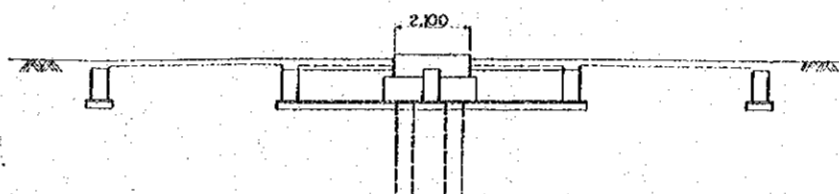
PLAN 1:100



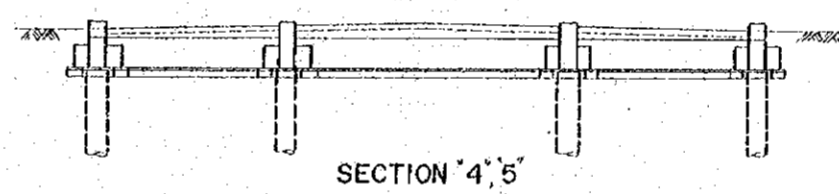
PAVEMENT SLAB DETAIL 1:30



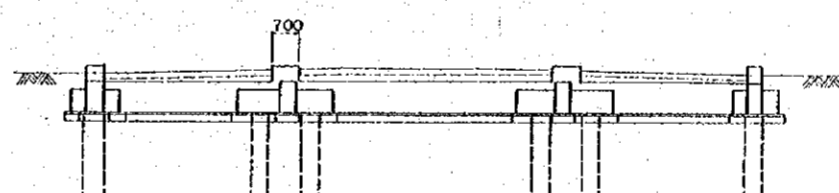
SECTION '1'



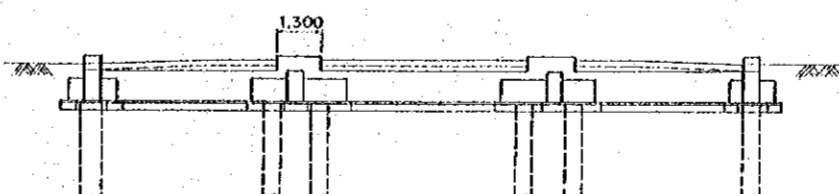
SECTION '2'



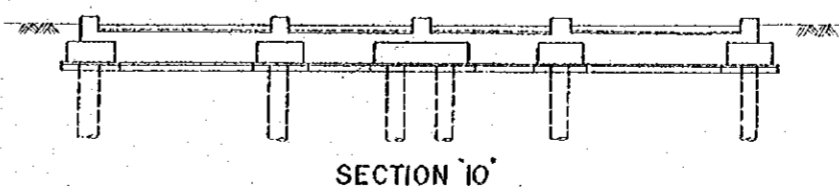
SECTION '4, 5'



SECTION (3), '6'

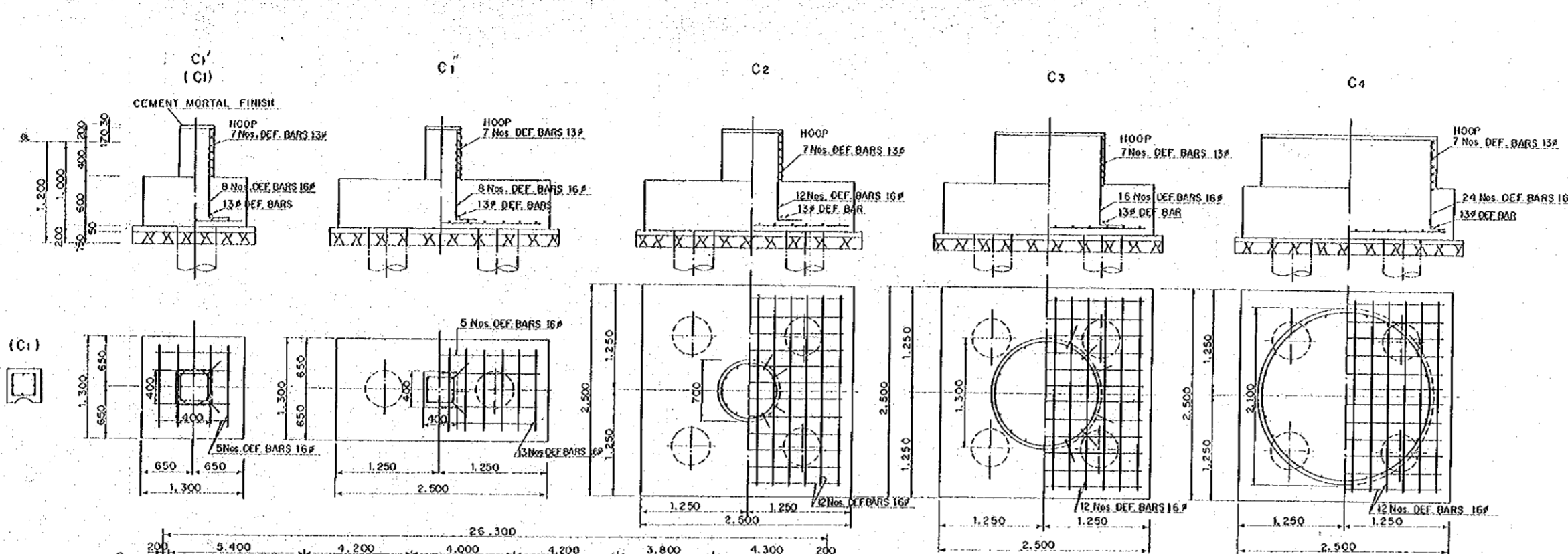


SECTION '8'

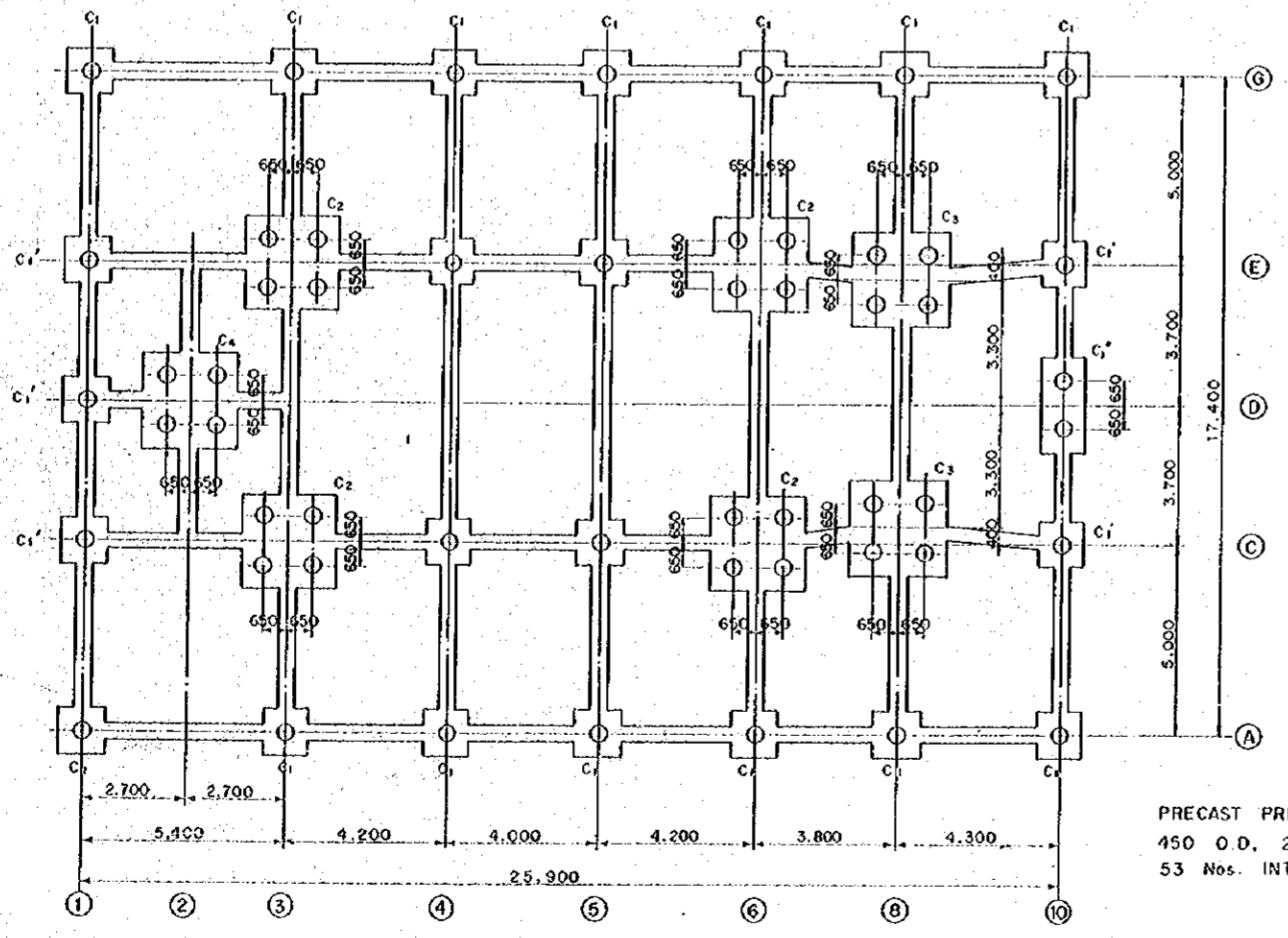
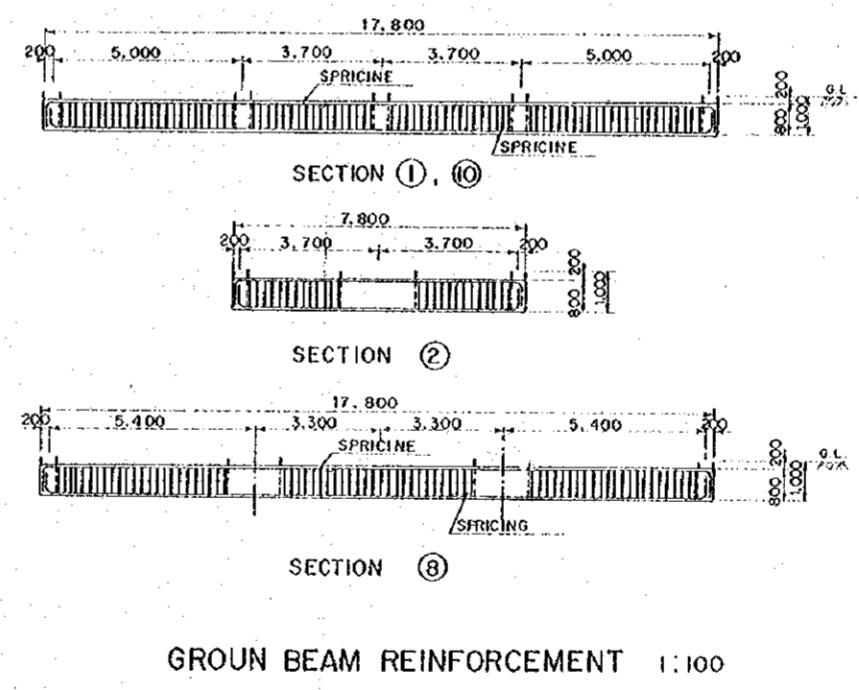
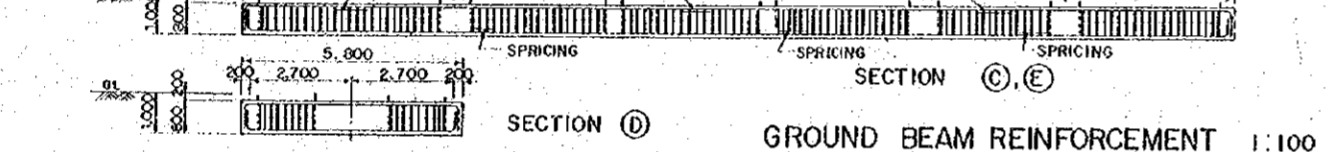


SECTION '10'

PROJECT	CARGO HANDLING TRAINING EQUIPMENTS				
DRG TITLE	FOUNDATION & PAVEMENT SLAB DETAILS				
DATE	JUL 80	SCALE	1:100, 1:30	DRG NO	12
JAPAN INTERNATIONAL COOPERATION AGENCY					

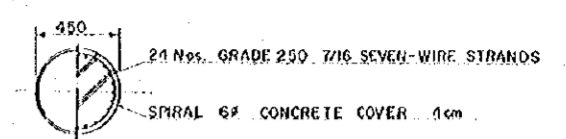


FOUNDATION DETAILS 1:30
 NOTE: CONCRETE COVER OF REINFORCEMENTS OF COLUMN BASES SHALL BE 40~45mm

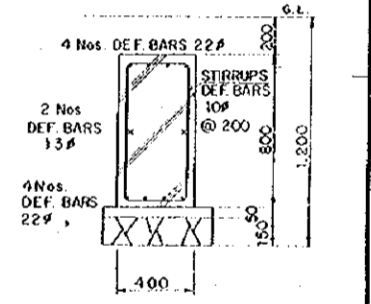


FOUNDATION PLAN 1:100

PRECAST PRESTRESSED CONCRETE PILES
 450 O.D., 25m LENGTH
 53 Nos. INTOTAL



PILE TOP DETAIL 1:20

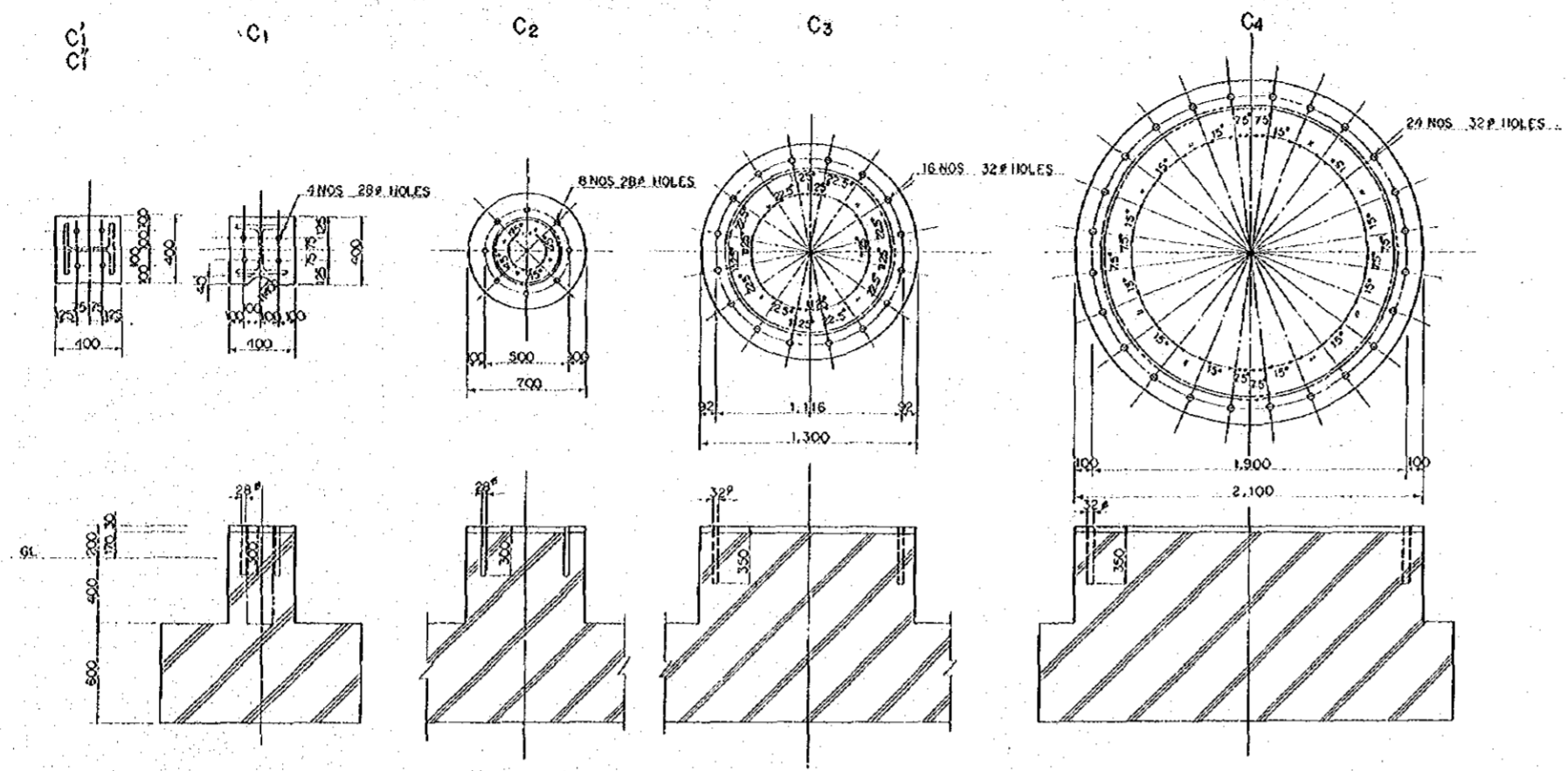


GROUND BEAM DETAIL 1:20

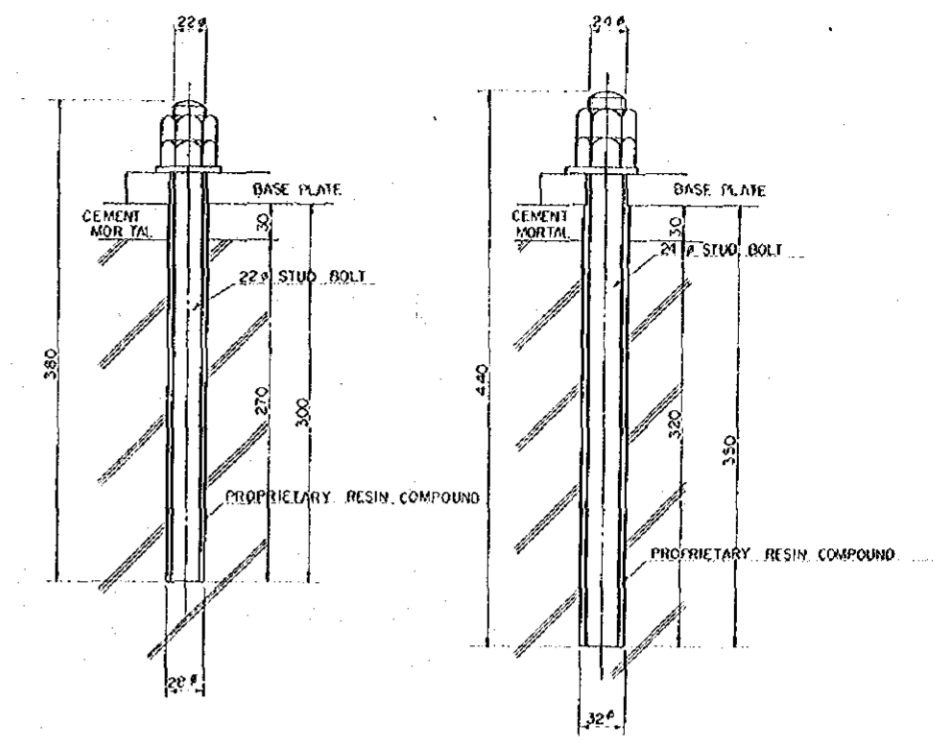


PILE DETAIL 1:20

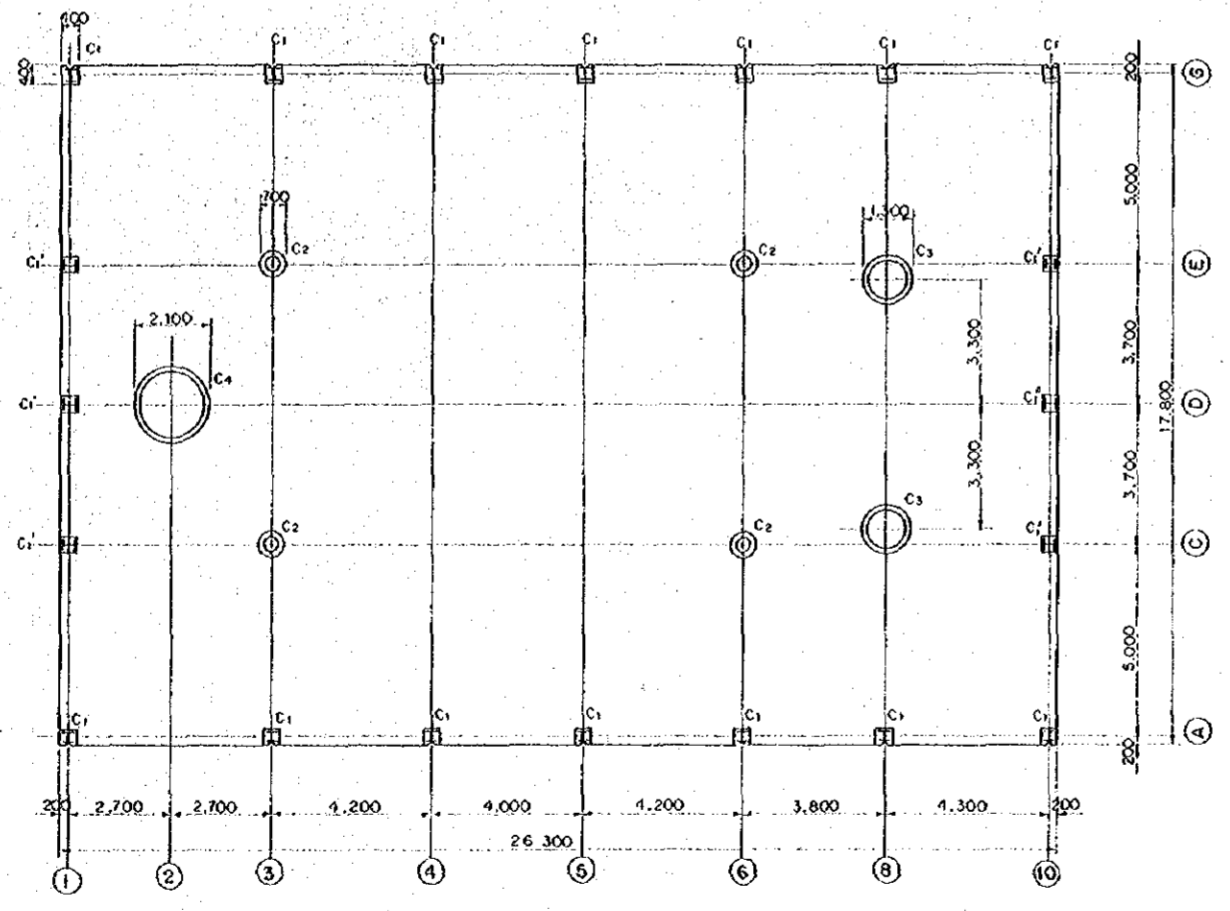
PROJECT	CARGO HANDLING TRAINING EQUIPMENTS			
DRG. TITLE	PILE & FOUNDATION DETAILS			
DATE	JUL'80	SCALE	1:100 1:50 1:20	DRG. NO. 13
JAPAN INTERNATIONAL COOPERATION AGENCY				



ANCHOR BOLT LOCATION DETAILS 1 : 20



ANCHOR DETAILS 1 : 3

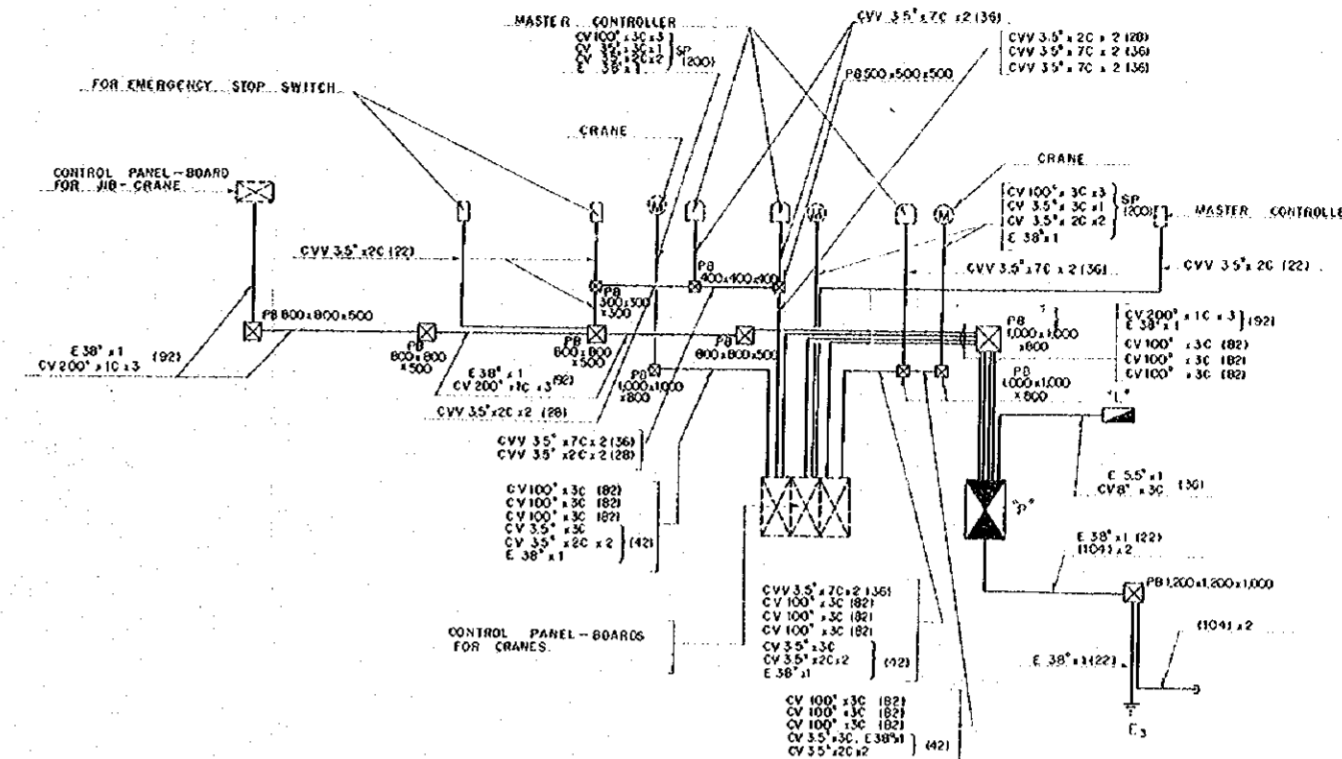


COLUMN PLAN 1 : 100

PROJECT	CARGO HANDLING TRAINING EQUIPMENTS				
DRG TITLE	ANCHOR BOLTS DETAILS				
DATE	JUL '80	SCALE	1:100 1:20 1:3	DRG NO.	14
JAPAN INTERNATIONAL COOPERATION AGENCY					

SPECIFICATION OF MATERIAL

VINYL INSULATED WIRE.	JIS C-3307
CV. CABLE.	JIS C-3605
CVV CABLE.	JIS C-3401
RIGID METARIC CONDUIT.	JIS C-8305
RIGID NONMETARIC CONDUIT.	
COUPLING.	JIS C-8330
ELBOW.	JIS C-8331
UNION COUPLING.	JIS C-8335
ENTERANCE CAP.	JIS C-8345
STEEL PIPE.	JIS C-3152
FLUORESCENT LIGHTING FIXTURE.	SEE DRAWING.
FLUORESCENT LAMP.	JIS C-7601
BALLAST : 220V HIGH POWER FACTOR, GLOW-LAMP STARTER TYPE.	JIS C-8108
MERCURY LAMP LIGHTING FIXTURE.	SEE DRAWING.
MERCURY LAMP.	JIS C-7604
BALLAST : 220V HIGH POWER FACTOR NORMAL TYPE.	
CONVENIENCE OUTLET.	JIS C-8303
	3P. 20A. 250V. WITH CAP. (3P 20A 250V WATER-PROOF TYPE.)
SWITCH.	JIS C-8304
	2P. 10A. 300V.
FLUSH PLATE FOR CONVENIENCE OUTLET AND SWITCH.	
	MADE OF STAINLESS-STEEL 08 ^{mm} .
PANEL-BOARD.	PANEL-BOARD SHALL BE INSTALLED AS SPECIFIED IN "ELECTRICAL EQUIPMENT COMMON SPECIFICATION," (THE MINISTRY OF CONSTRUCTION.) CHAPTER-1, SECTION-5.
CIRCUIT BREAKER.	JIS C-8370
EARTH LEAKAGE BREAKER.	JIS C-8371
PULL BOX.	PULL BOX SHALL BE INSTALLED AS SPECIFIED IN "ELECTRICAL EQUIPMENT COMMON SPECIFICATION," (THE MINISTRY OF CONSTRUCTION.) CHAPTER-1, SECTION-2.
GROUNDING CONDUCTOR.	JIS C-3102
	BARE COPPER WIRE 40 ^{mm} ² (20 ^{mm} x 13)
GROUNDING ROD.	SEE DRAWING.
CONDUCTOR CONNECTOR.	
TERMINAL BOX.	

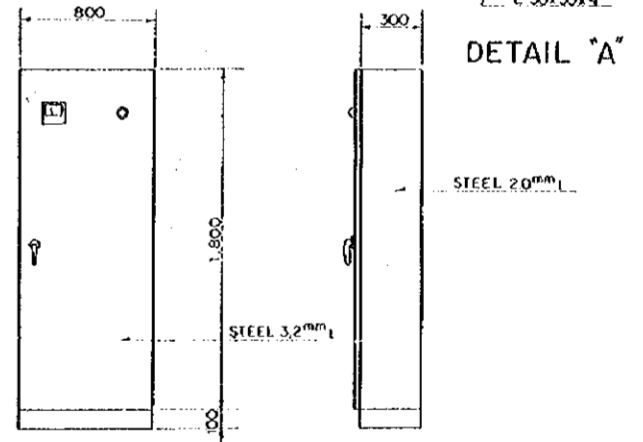
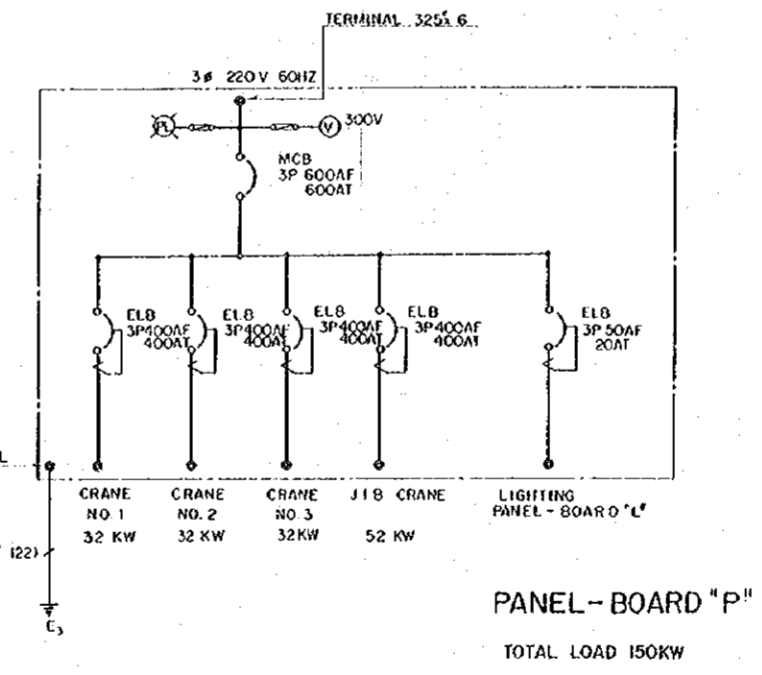
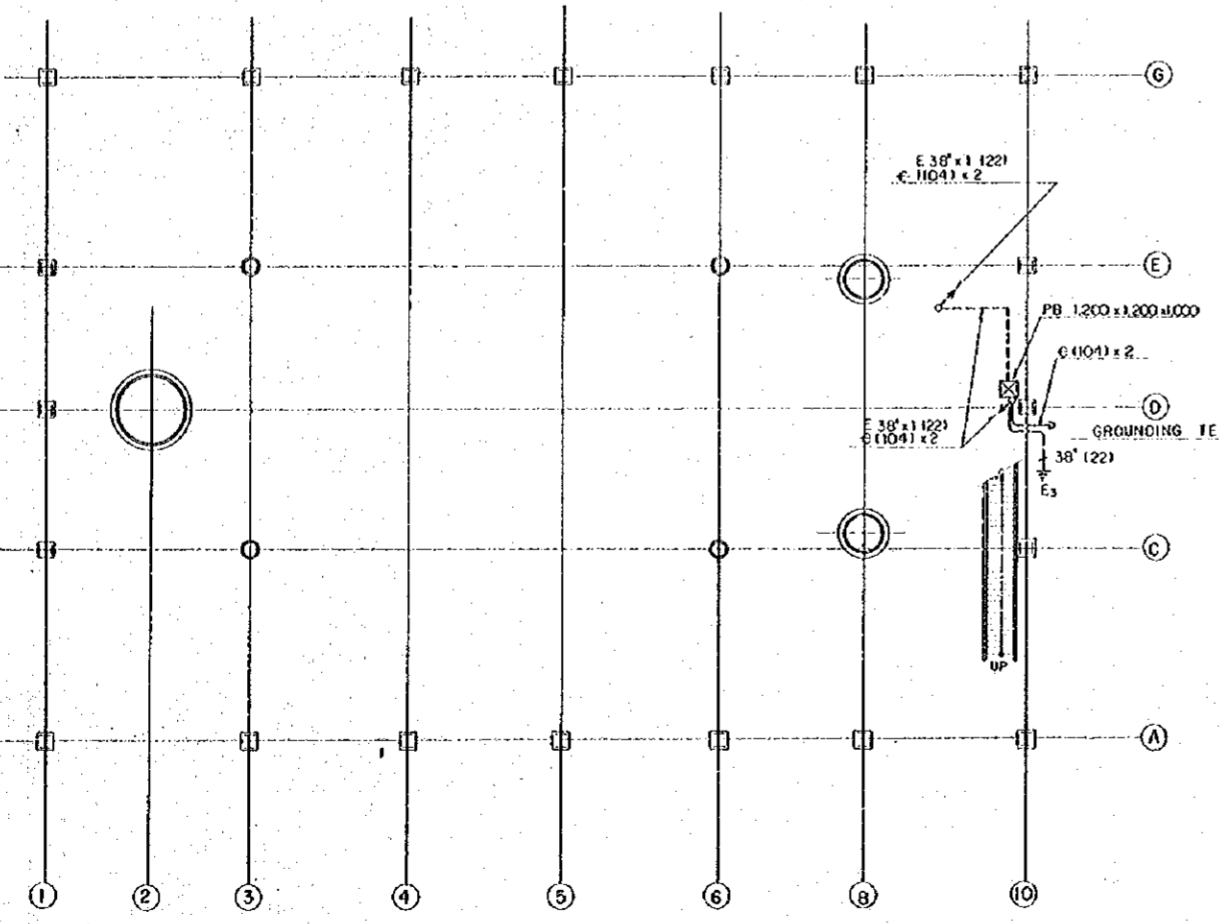
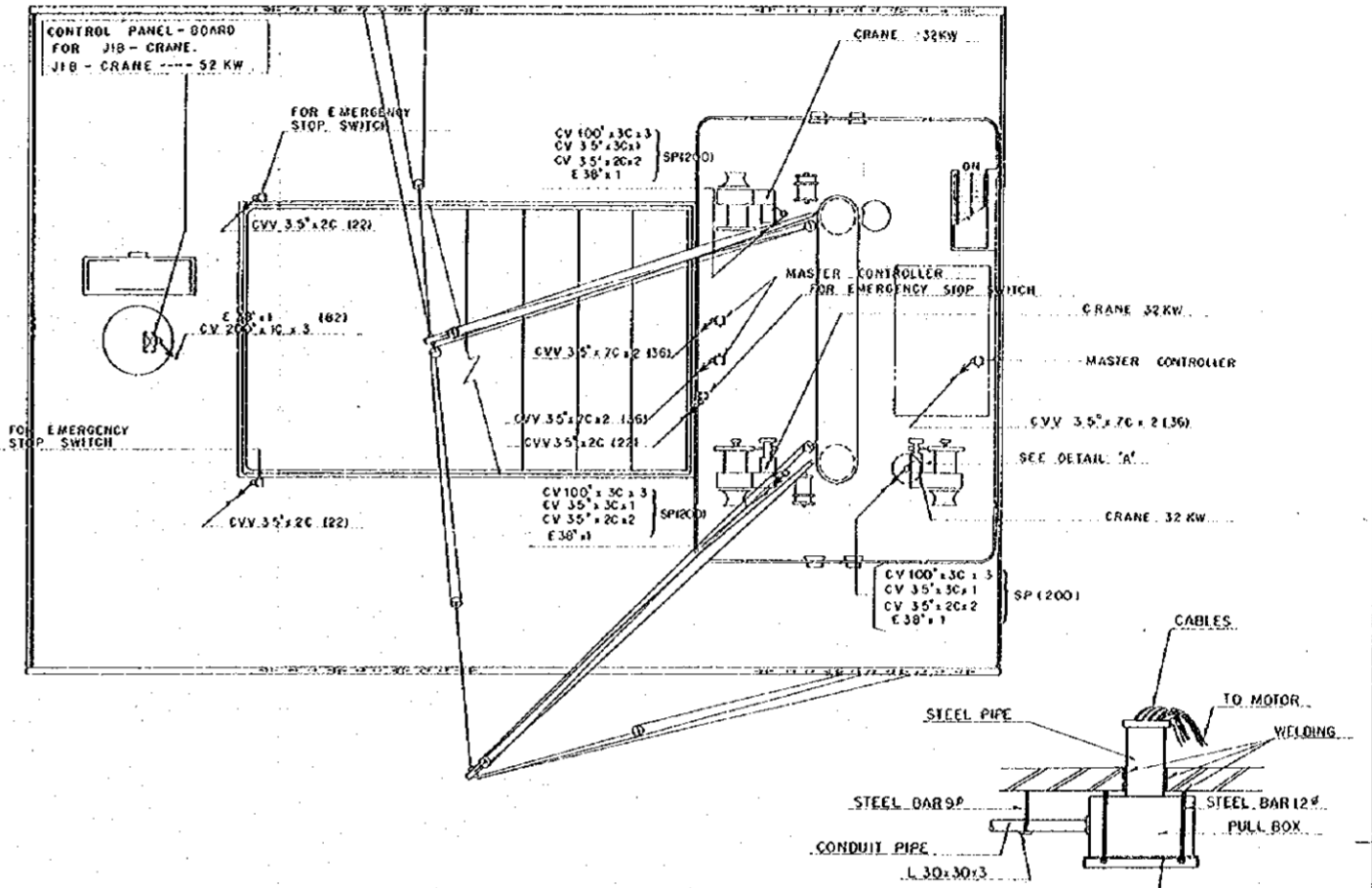
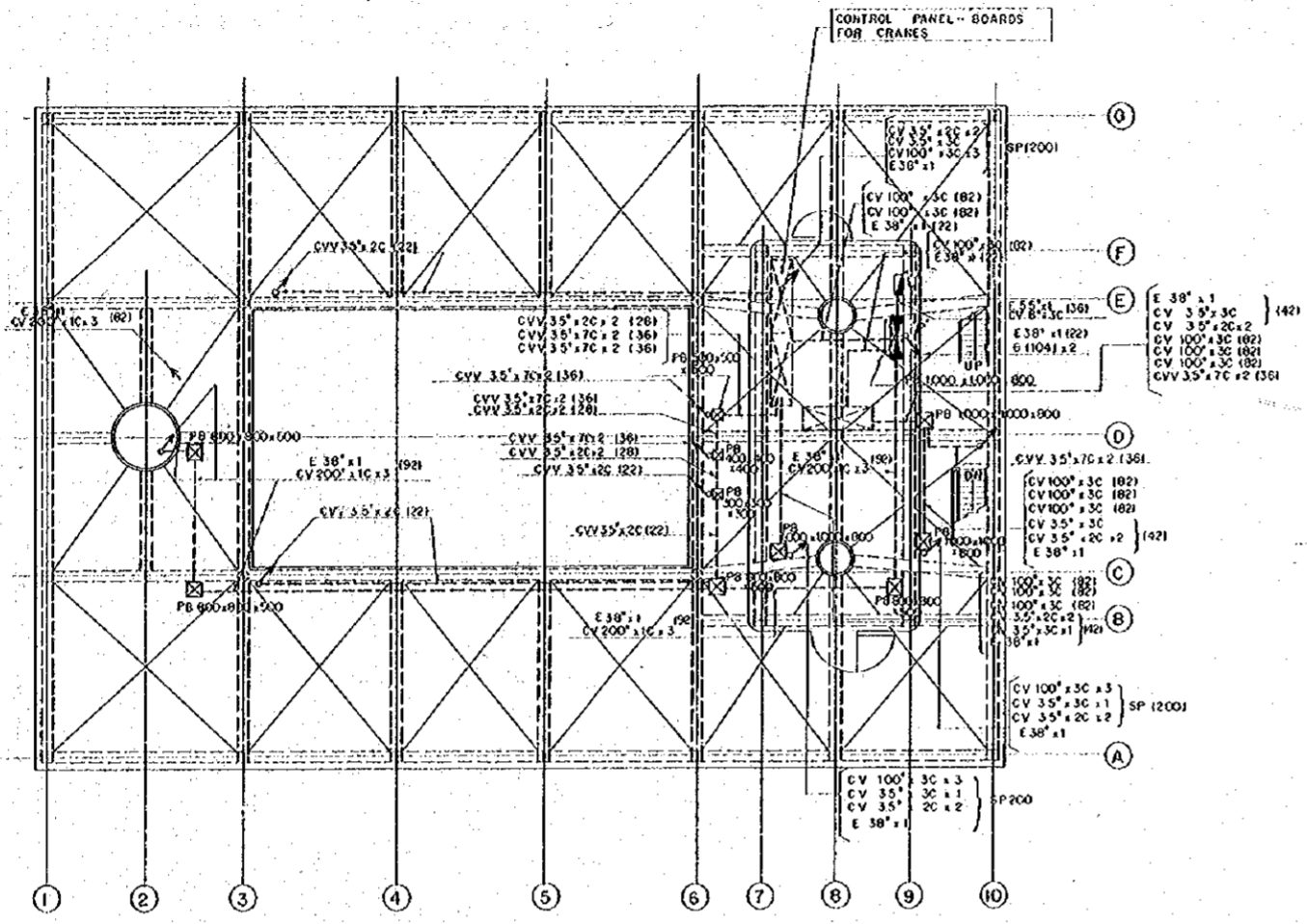


CONNECTION DIAGRAM

LEGEND

□	FLUORESCENT LIGHTING FIXTURE.
⊙	MERCURY LAMP LIGHTING FIXTURE.
⊕	CONVENIENCE OUTLET, 3P 20A. (1P FOR GROUND)
•	SWITCH, 2P 10A.
⊞	PANEL-BOARD.
⊞	PANEL-BOARD FOR LIGHTING.
⊞	PULL BOX.
---	RIGID METAL CONDUIT WIRING, EXPOSE ON CEILING.
↗	RISE.
↘	DROP.
⊥ E1	GROUNDING. GROUND RESISTANCE LESS THAN 10Ω.
⊥ E3	GROUNDING. GROUND RESISTANCE LESS THAN 100Ω.

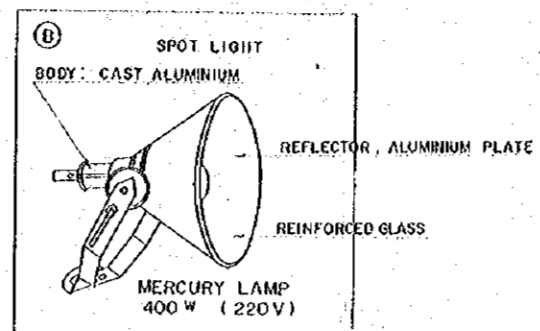
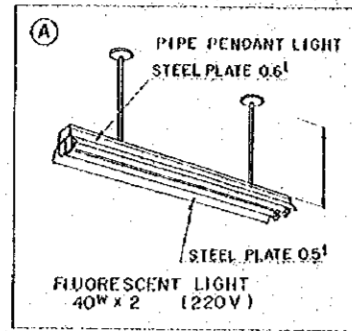
PROJECT	CARGO HANDLING TRAINING EQUIPMENTS			
ORG	ELECTRICAL SPECIFICATION &			
TITLE	CONNECTING DIAGRAM			
DATE	JUL '80	SCALE	DRG NO	15
JAPAN INTERNATIONAL COOPERATION AGENCY				



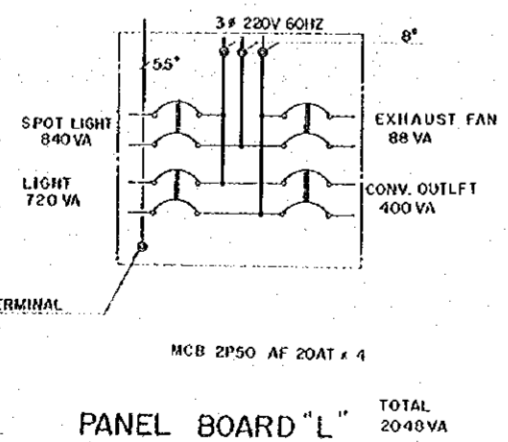
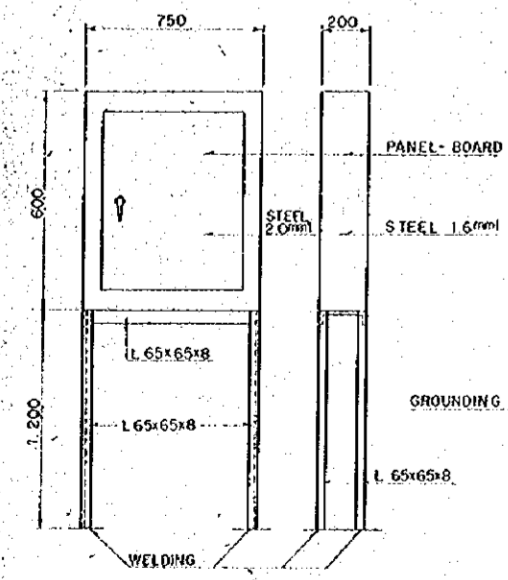
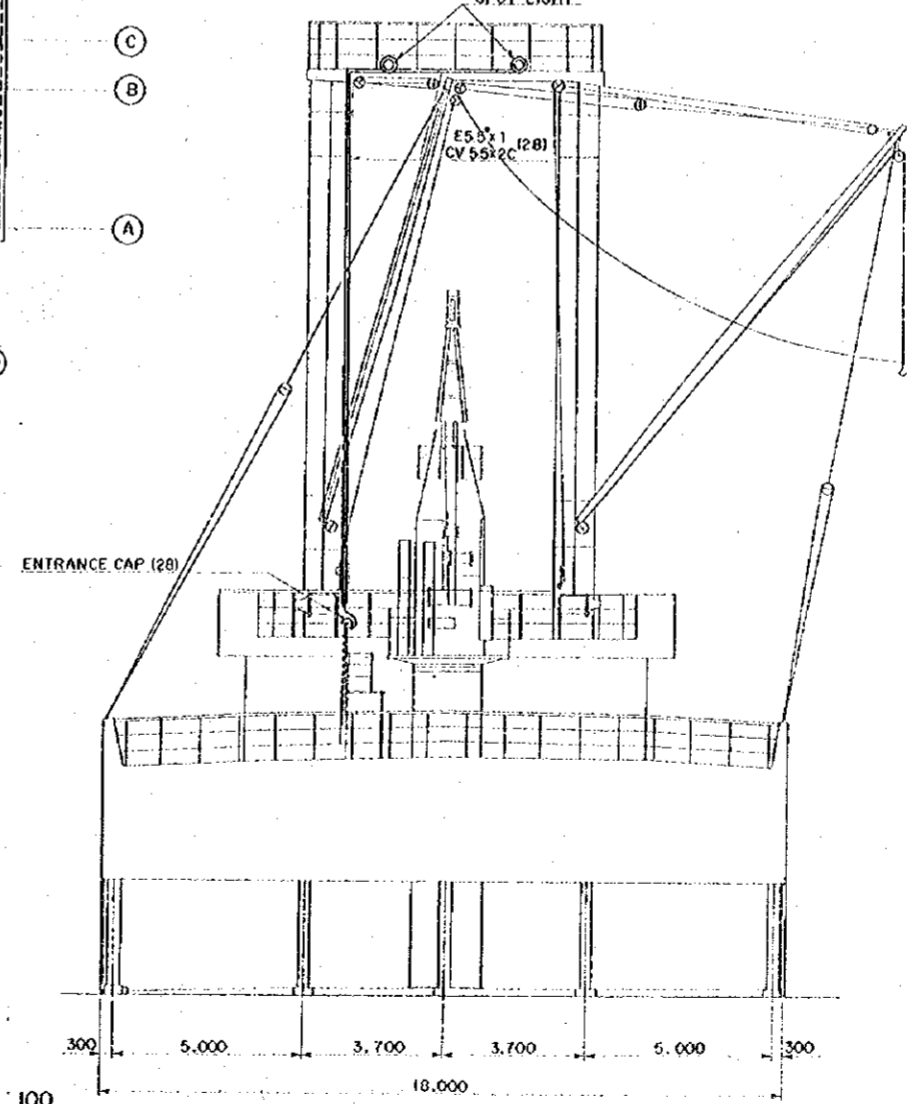
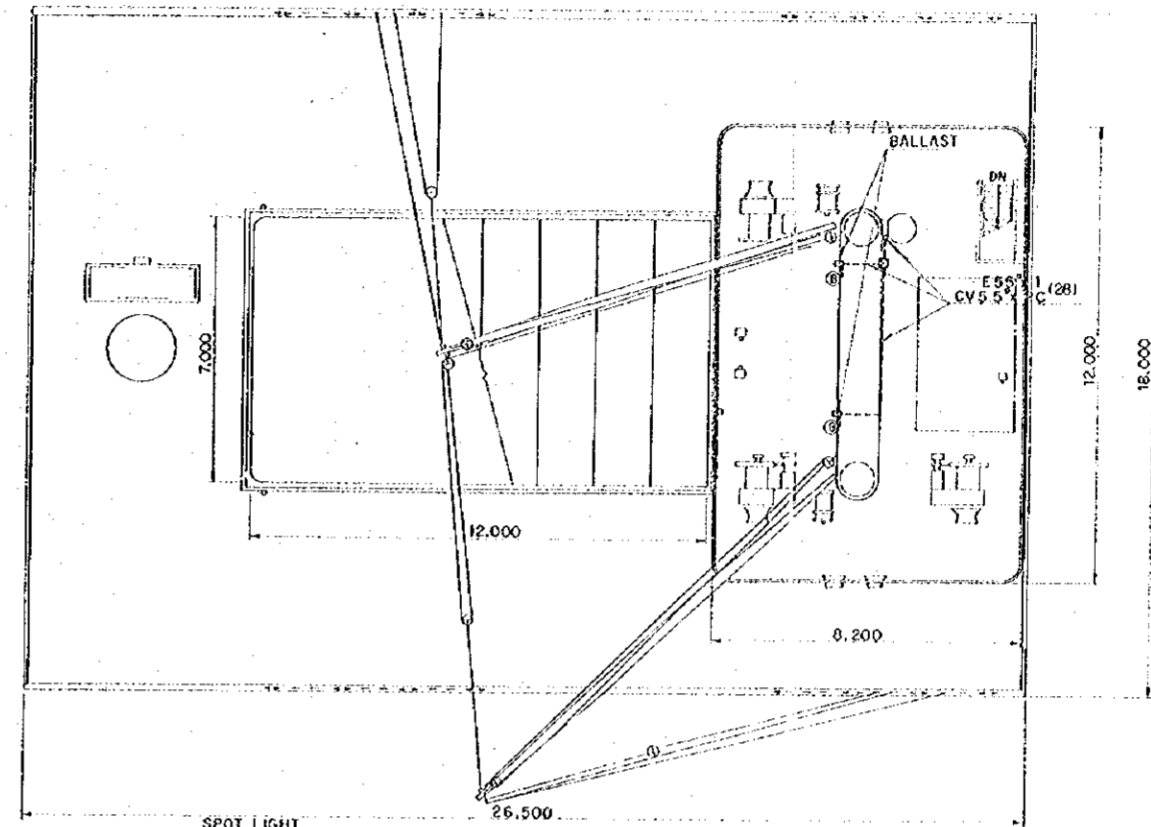
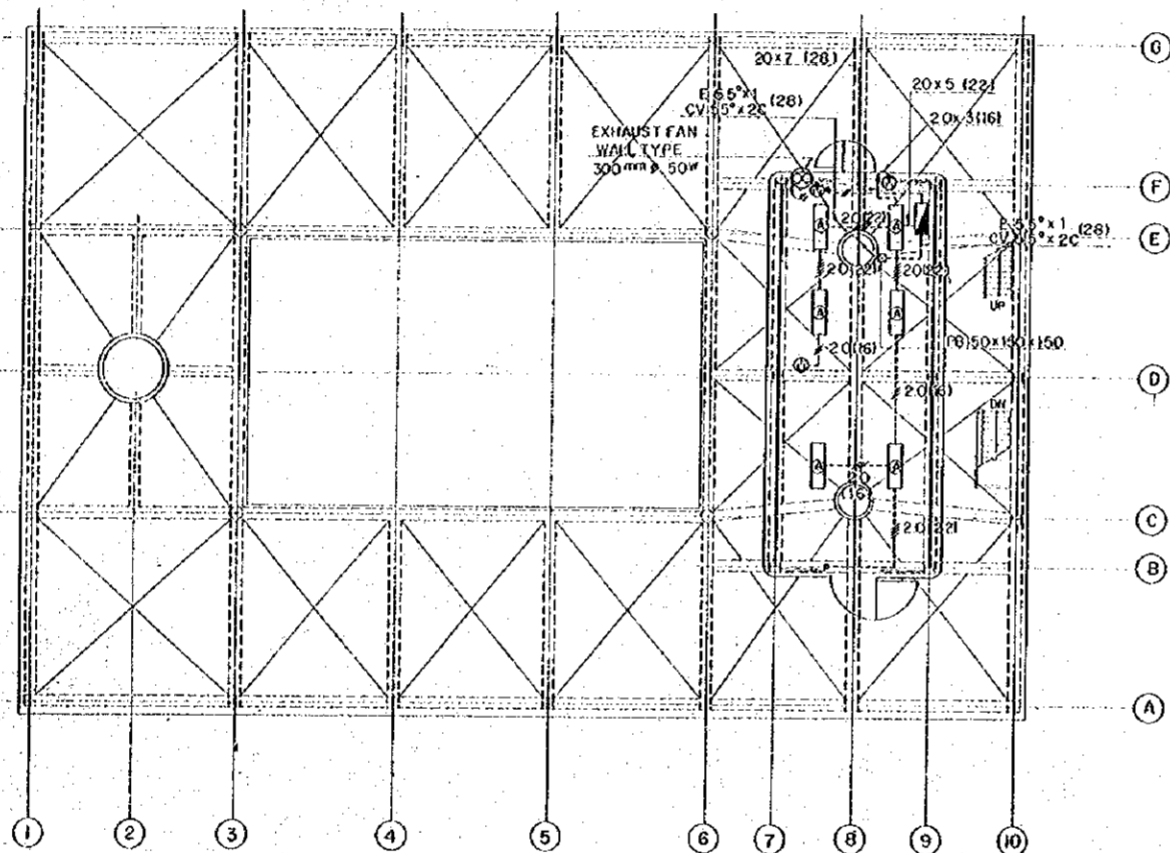
WIRING PLAN 1 : 100

PANEL-BOARD "P"
TOTAL LOAD 150KW

PROJECT	CARGO HANDLING TRAINING EQUIPMENTS				
DRG TITLE	POWER WIRING				
DATE	JUL '80	SCALE	1 : 100	DRG NO	1G
JAPAN INTERNATIONAL COOPERATION AGENCY					

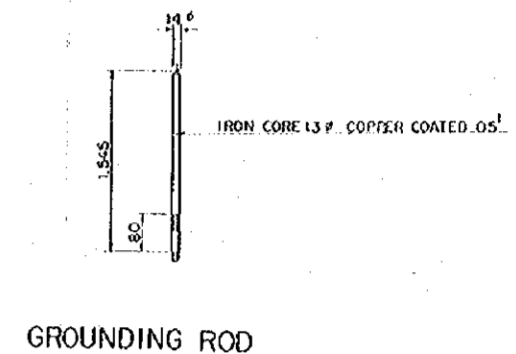
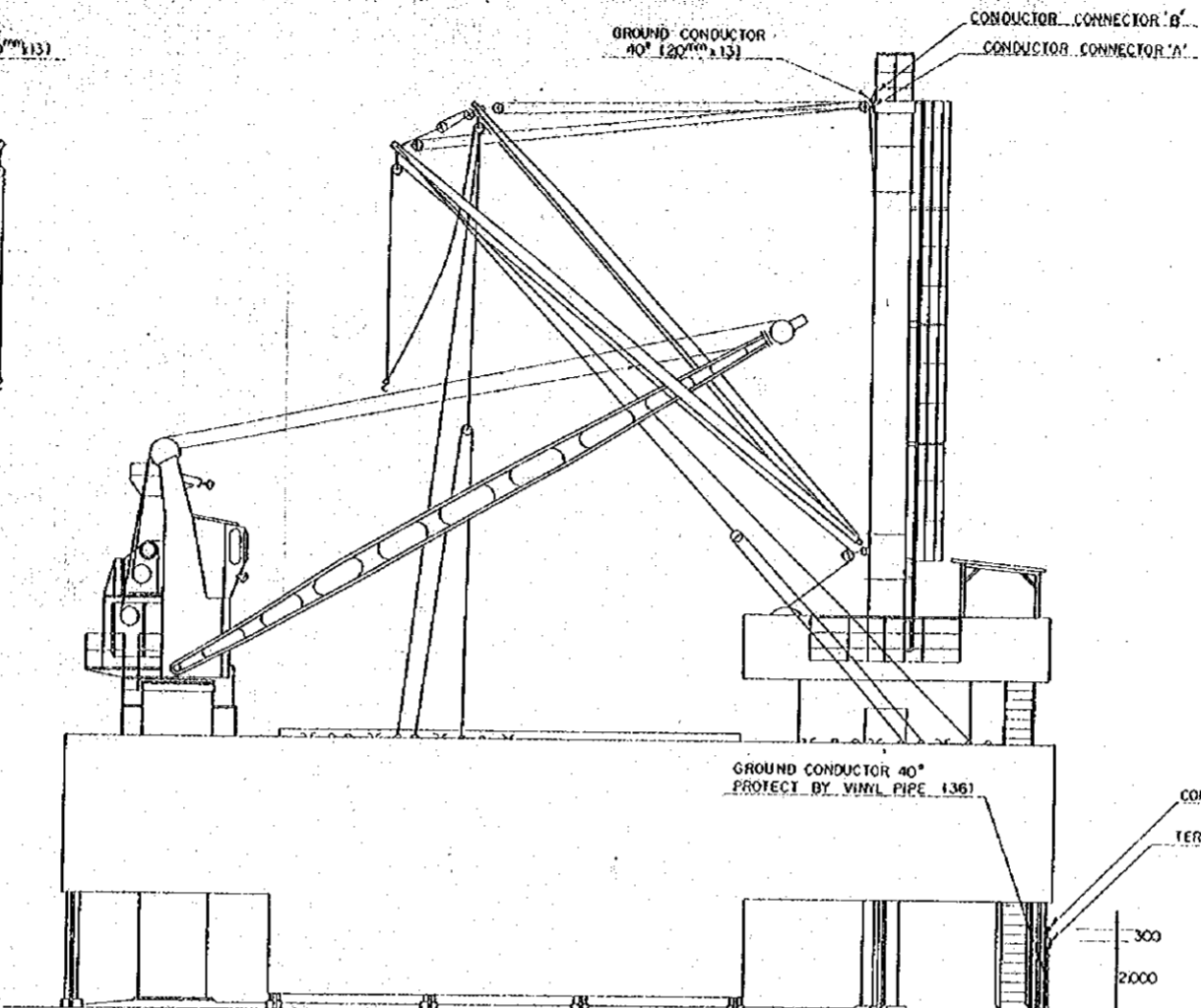
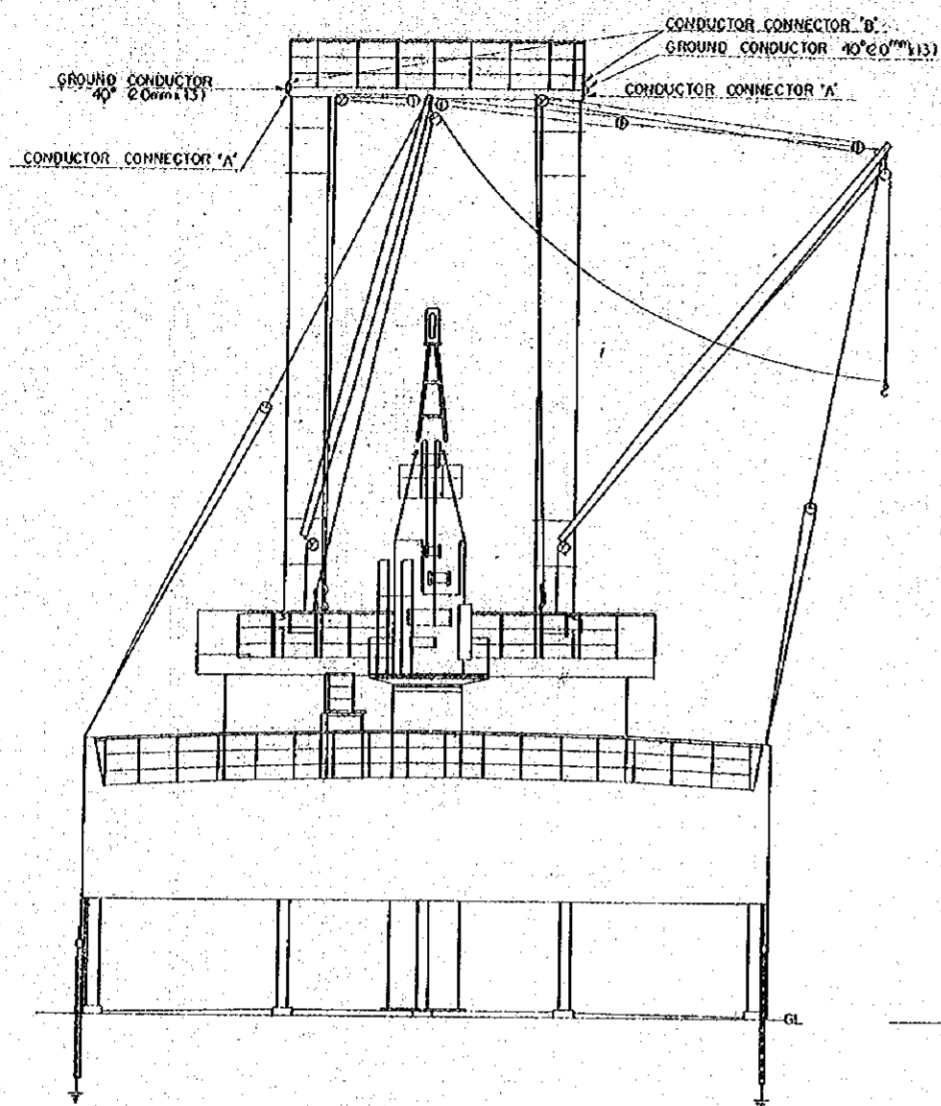


LIGHTING FIXTURE

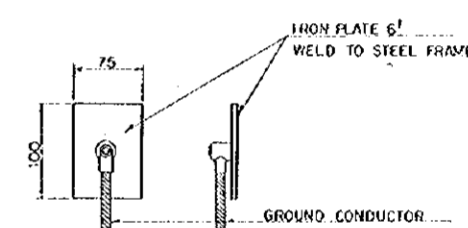


WIRING PLAN 1:100

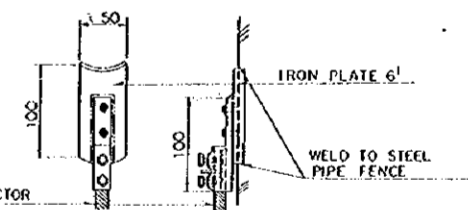
PROJECT	CARGO HANDLING TRAINING EQUIPMENTS				
DRG TITLE	LIGHTING WIRING				
DATE	JUL '80	SCALE	1:100	DRG NO.	17
JAPAN INTERNATIONAL COOPERATION AGENCY					



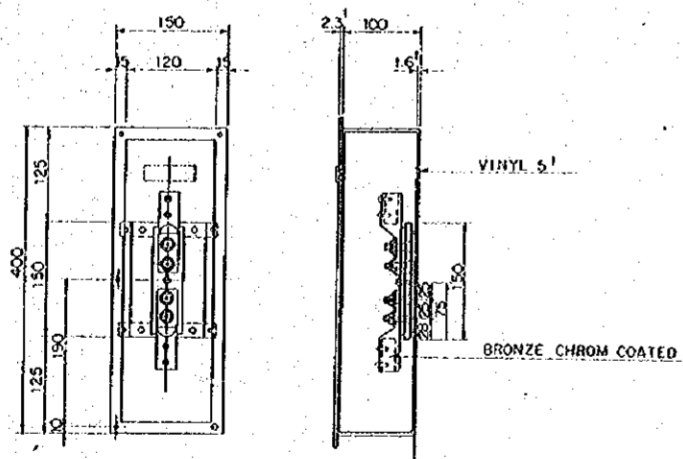
GROUNDING ROD



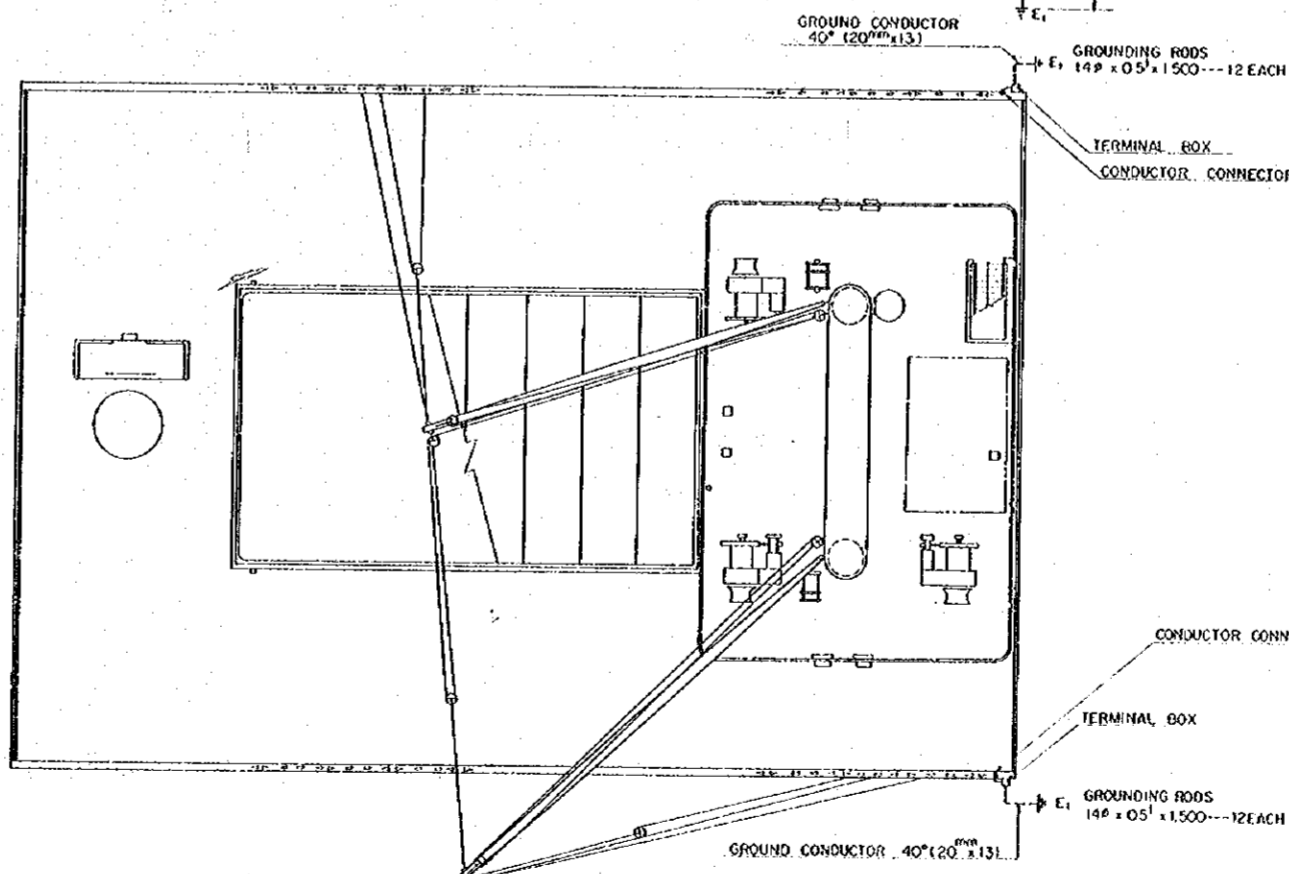
CONDUCTOR CONNECTOR "A"



CONDUCTOR CONNECTOR "B"

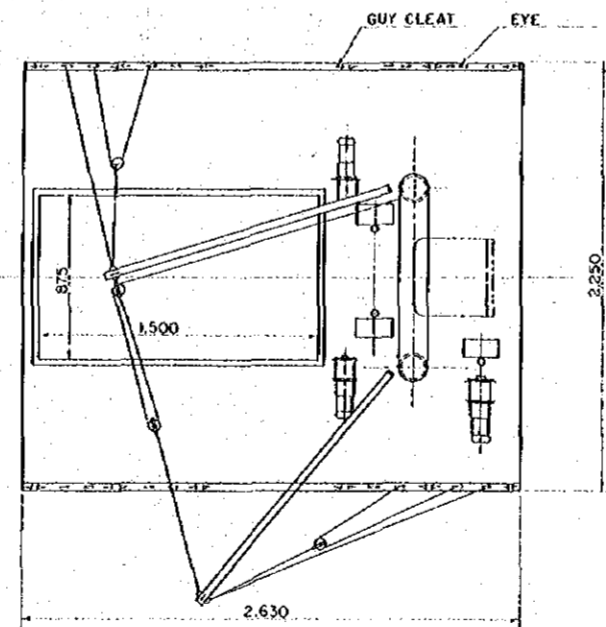
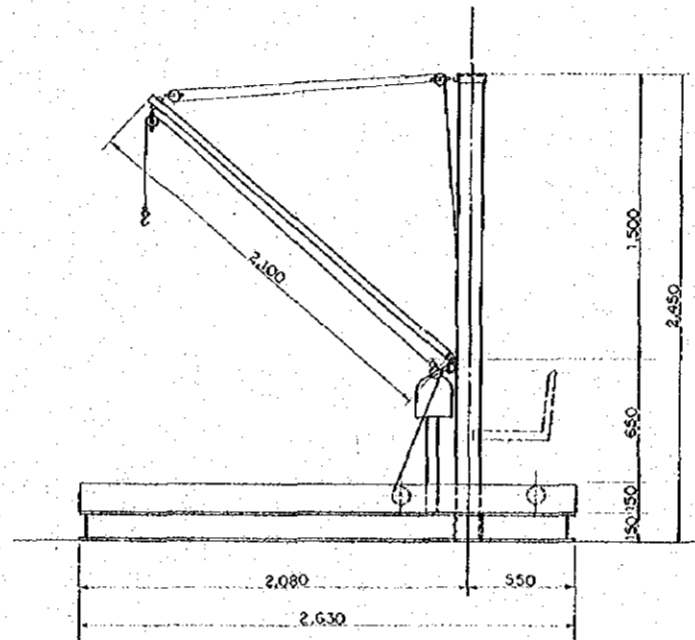
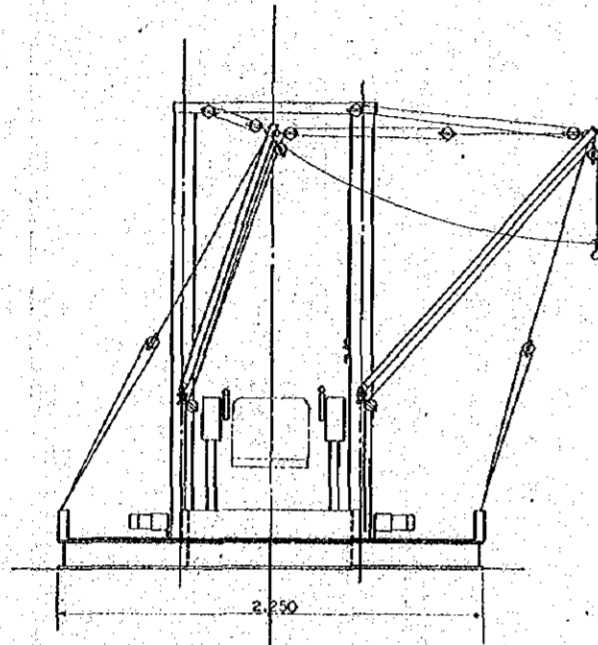


TERMINAL BOX



LIGHTNING ARRESTOR INSTALLATION PLAN 1:100

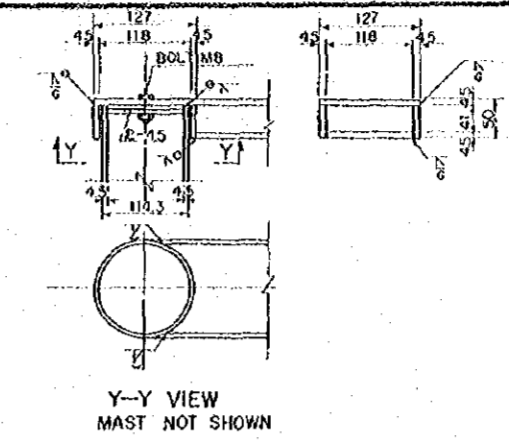
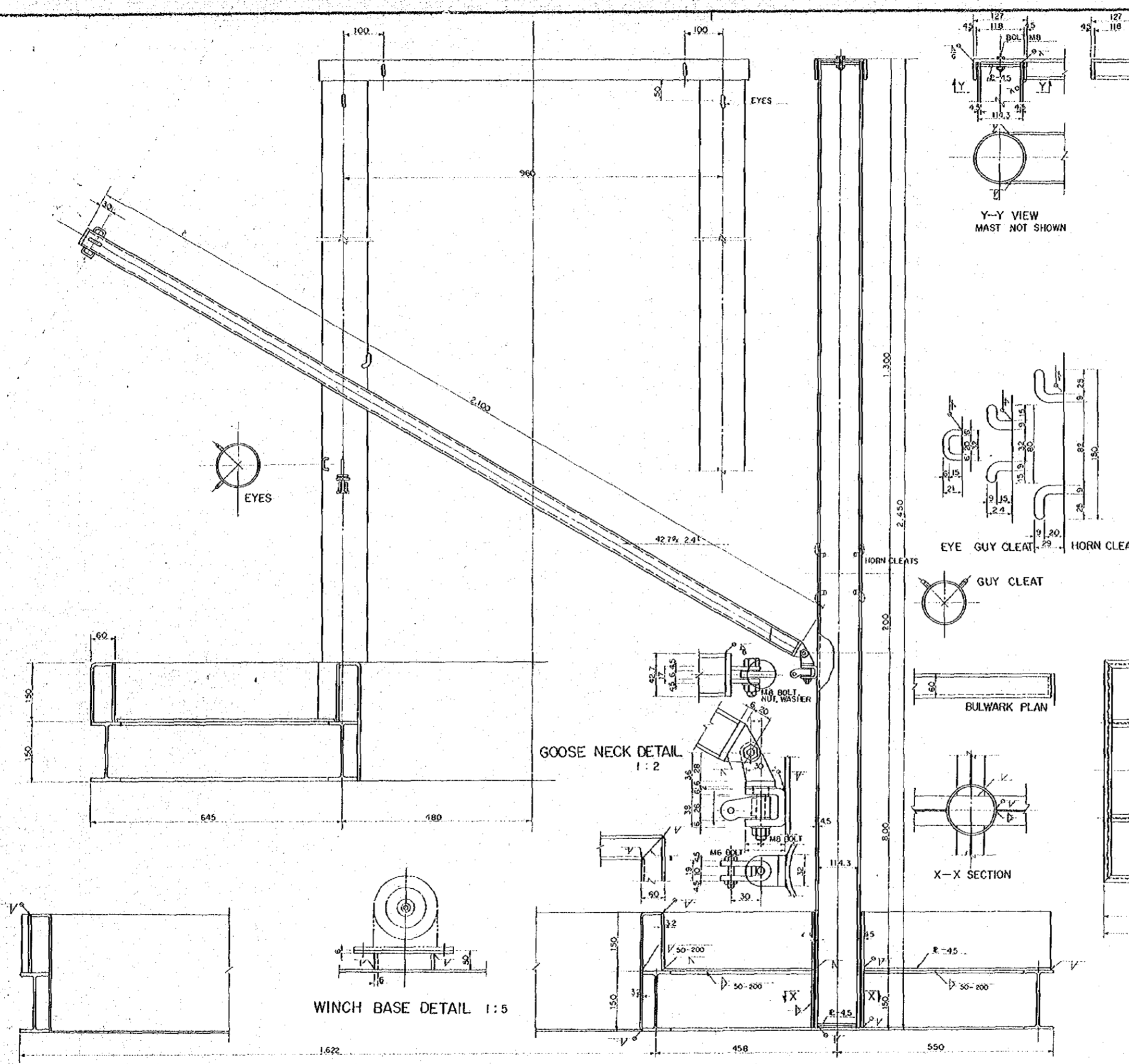
PROJECT	CARGO HANDLING TRAINING EQUIPMENTS		
DRG TITLE	LIGHTNING ARRESTER		
DATE	JUL '80	SCALE	1:100
		DRG. NO.	18
JAPAN INTERNATIONAL COOPERATION AGENCY			



SIMULATOR 1 : 20

- 1. 1/8 SCALE MODEL.
- 2. 10kg CARGO LOAD.

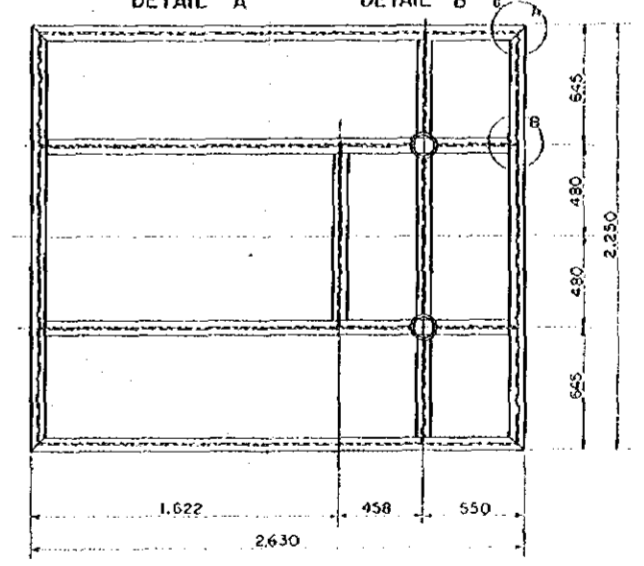
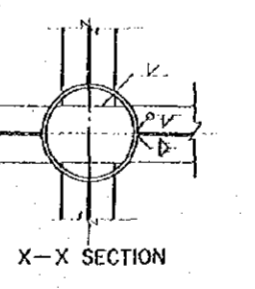
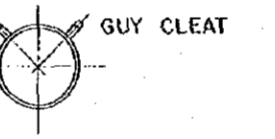
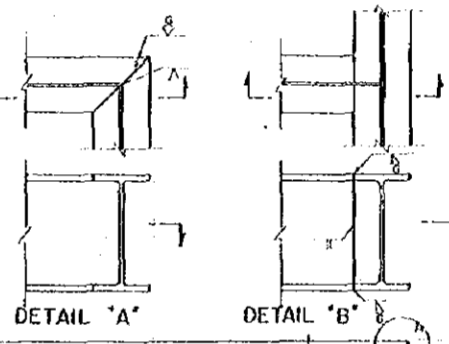
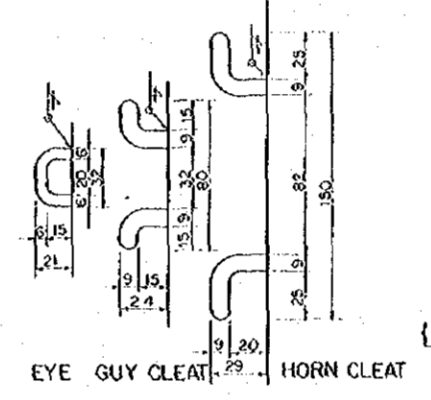
PROJECT	CARGO HANDLING TRAINING EQUIPMENTS				
DRG TITLE	SIMULATOR PLAN & ELEVATION				
DATE	JUL '80	SCALE	1 : 20	DRG NO	19
JAPAN INTERNATIONAL COOPERATION AGENCY					



GEAR ACCESSORIES REQUIREMENT

DESCRIPTION	SPECIFICATION	QUANTITY
HOOK	PELICAN HOOK	3
BLOCK	SINGLE .45 x 14	15
WITH BAND	SGL W/SCKET	6
	DOUBLE	4
ROPE	POLYESTER 15 PLATT	150m
COUNTER	CASTIRON 3 kg	2
SACKLE		30
ROPE FITTING	AS REQD	

NOTE: ALL MATERIALS SHALL BE OF THE FIRST CLASS MANUFACTURE FOR MARINE USE

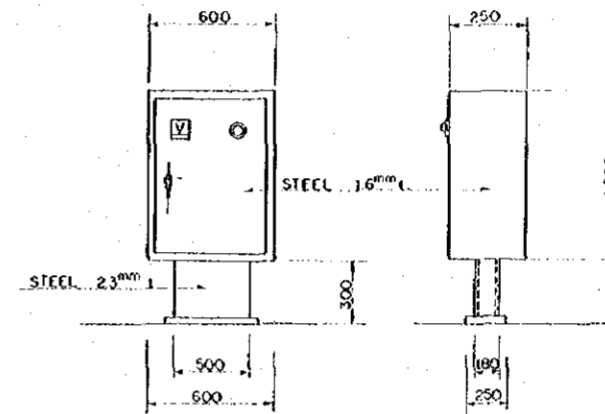
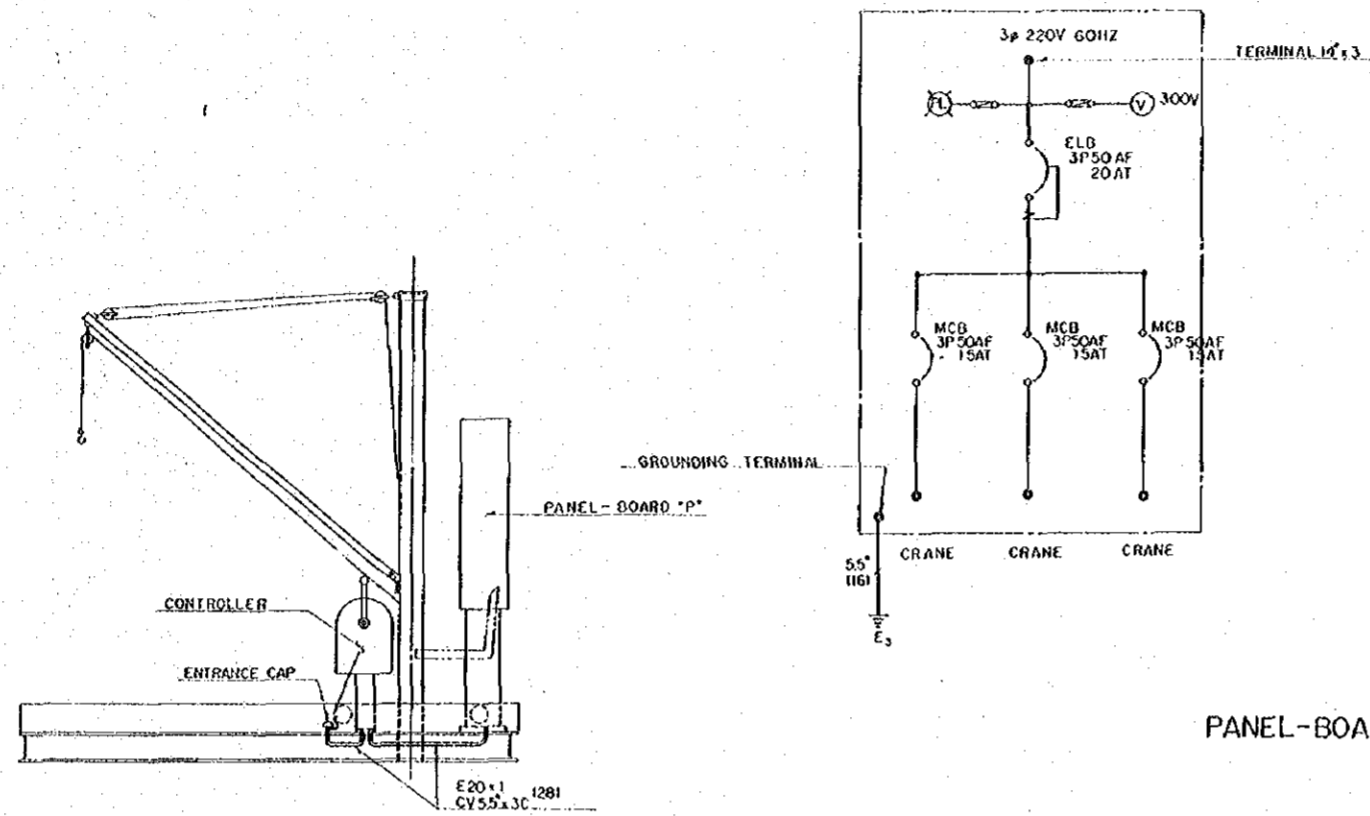


WINCH BASE DETAIL 1:5

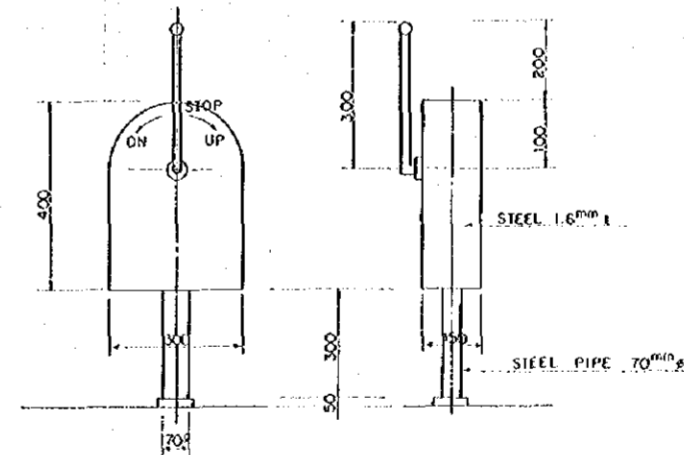
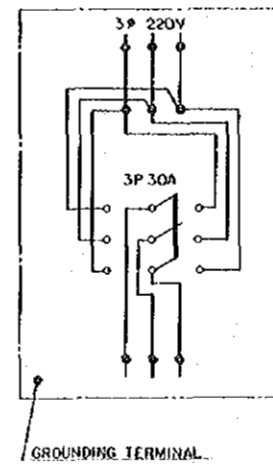
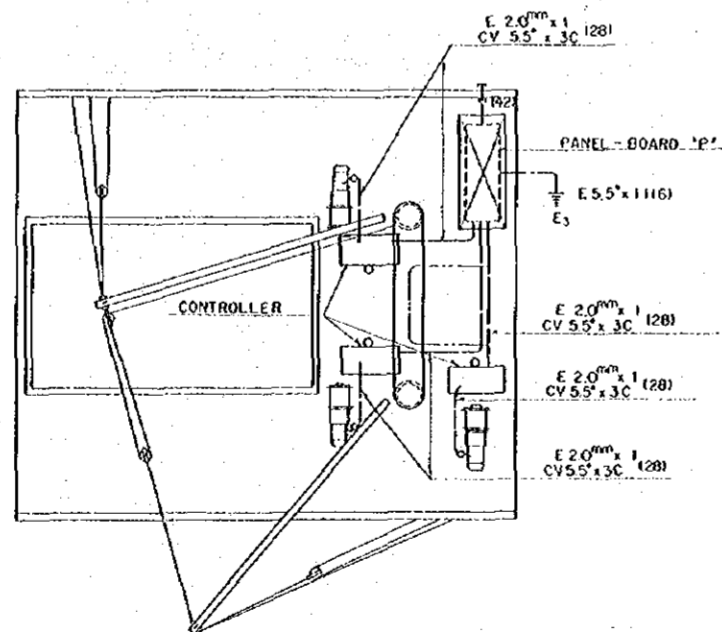
GOOSE NECK DETAIL 1:2

SIMULATOR DETAILS 1:5

PROJECT	CARGO HANDLING TRAINING EQUIPMENTS				
DRG TITLE	SIMULATOR DETAILS				
DATE	JUL '80	SCALE	1.20 1.5 1.2	DRG NO	20
JAPAN INTERNATIONAL COOPERATION AGENCY					



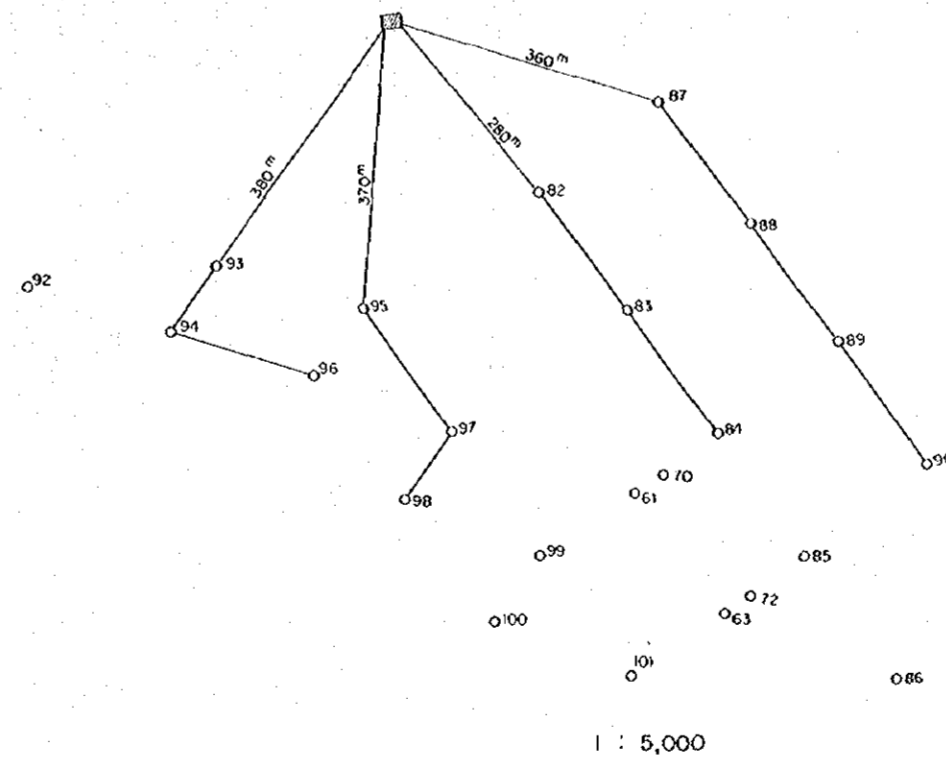
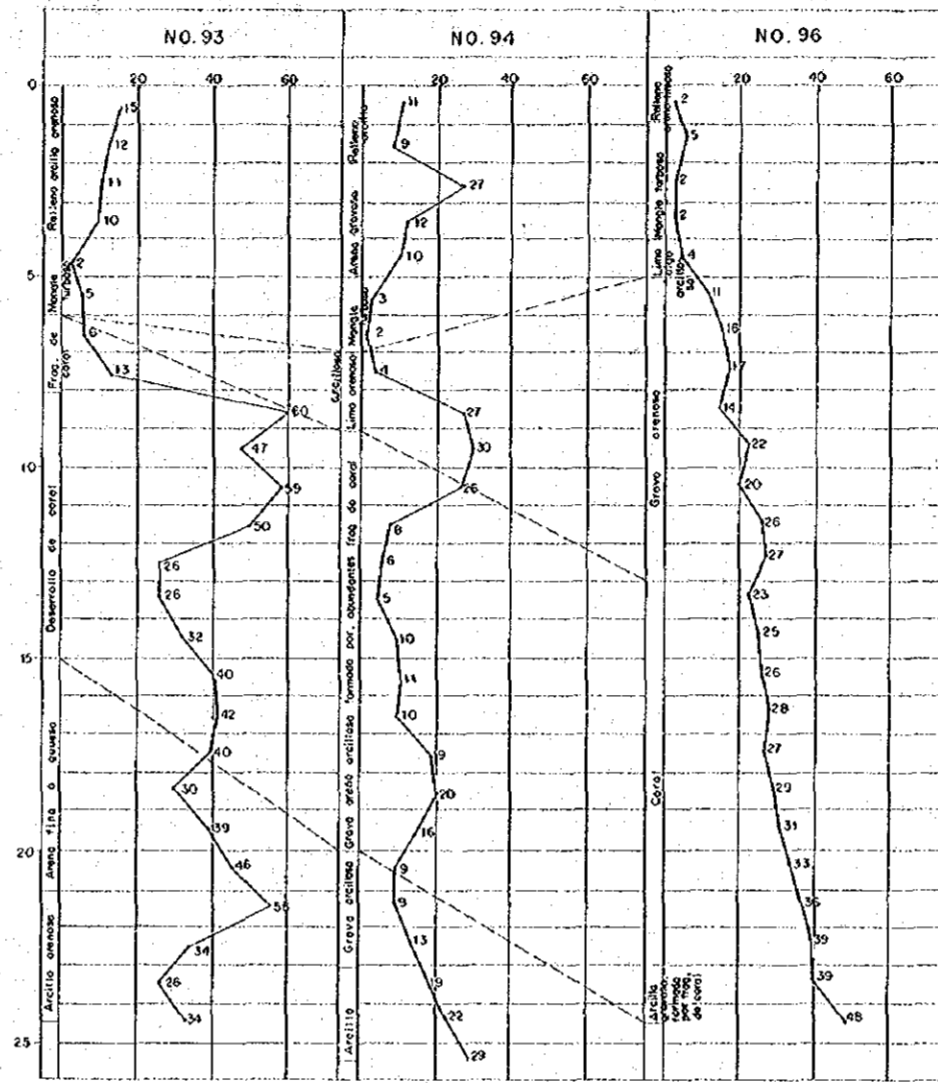
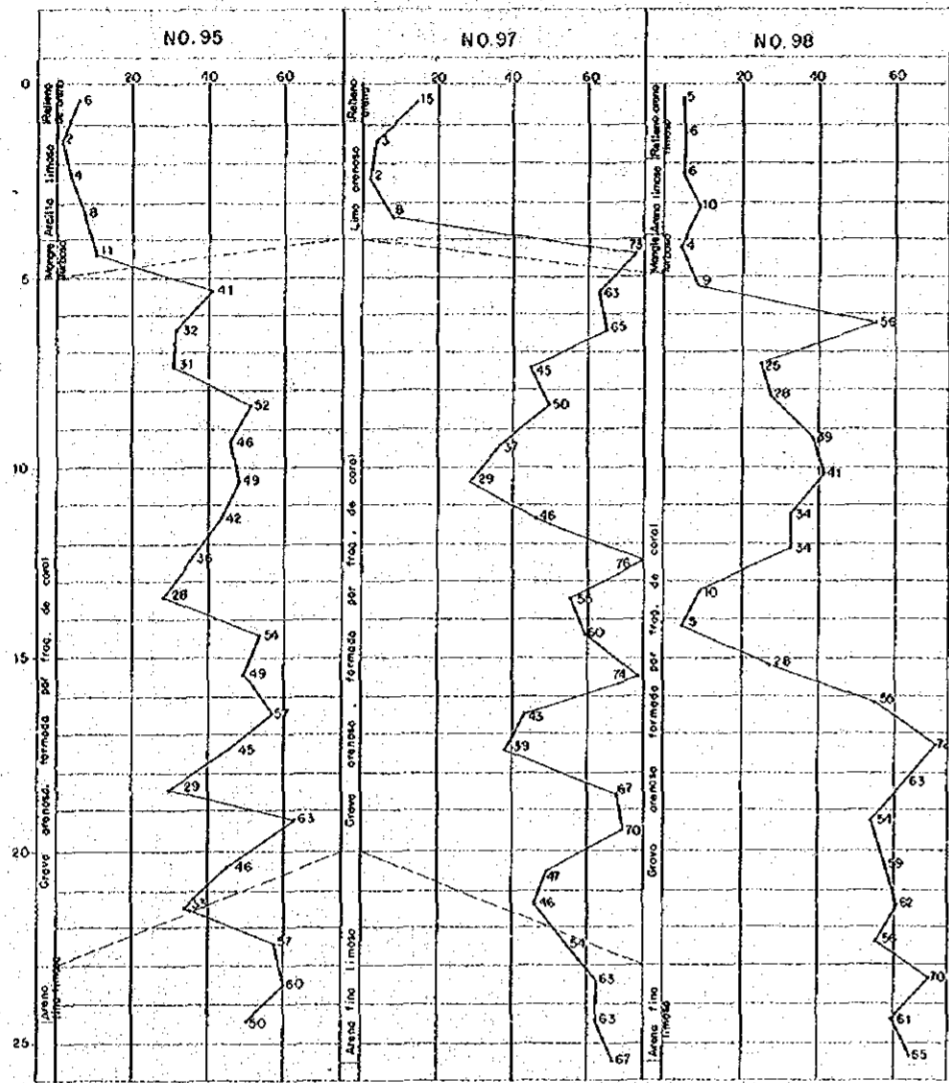
PANEL-BOARD 'P'



CONTROLLER

WIRING PLAN 1 : 20

PROJECT	CARGO HANDLING TRAINING EQUIPMENTS				
DRG TITLE	SIMULATOR ELECTRICAL WIRING				
DATE	JUL '80	SCALE	1 : 20	DRG NO.	21
JAPAN INTERNATIONAL COOPERATION AGENCY					

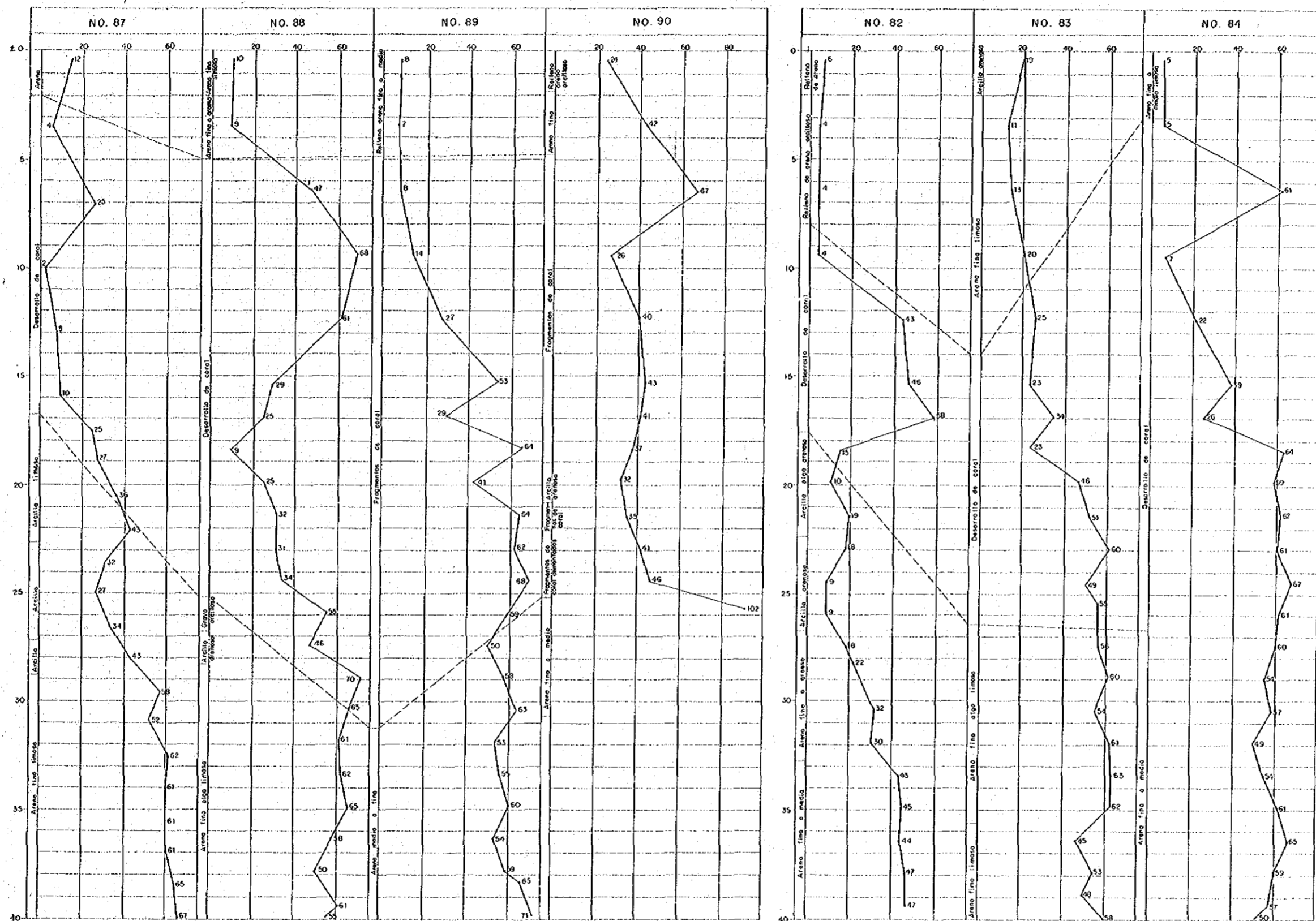


SOUNDING DATA NO. 1

NOTA: NIVEL DE TIERRA +2.0^m APROX.

PROJECT	CARGO HANDLING TRAINING EQUIPMENTS		
DRG. TITLE	SOUNDING DATE No. 1		
DATE	JUL '80	SCALE	1:100
		DRG. NO.	22
JAPAN INTERNATIONAL COOPERATION AGENCY			

1:5,000



SOUNDING DATA NO. 2

PROJECT	CARGO HANDLING TRAINING EQUIPMENTS			
DRG. TITLE	SOUNDING DATA No. 2			
DATE	JUL '80	SCALE	1:100	DRG. NO 23
JAPAN INTERNATIONAL COOPERATION AGENCY				