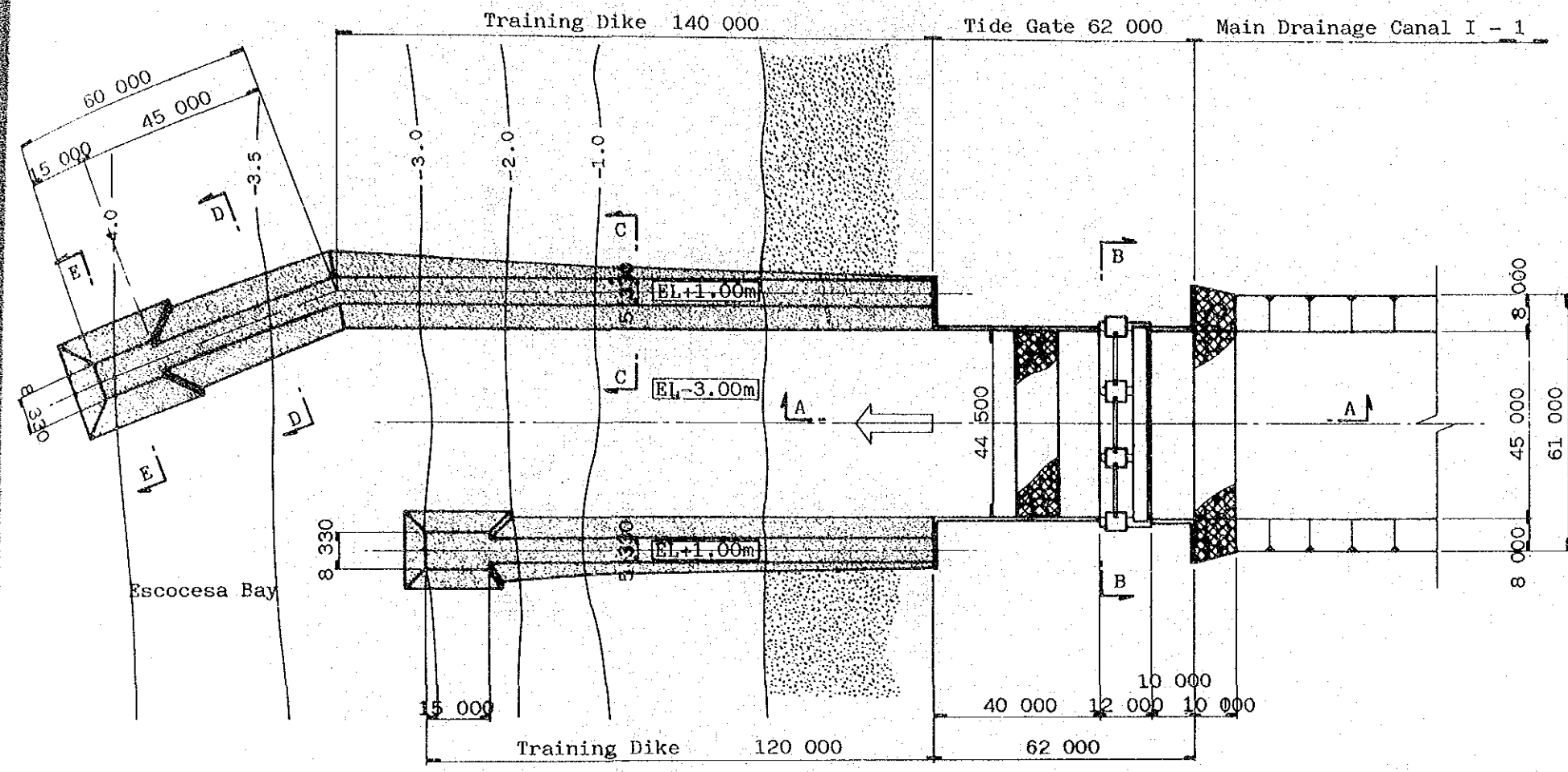
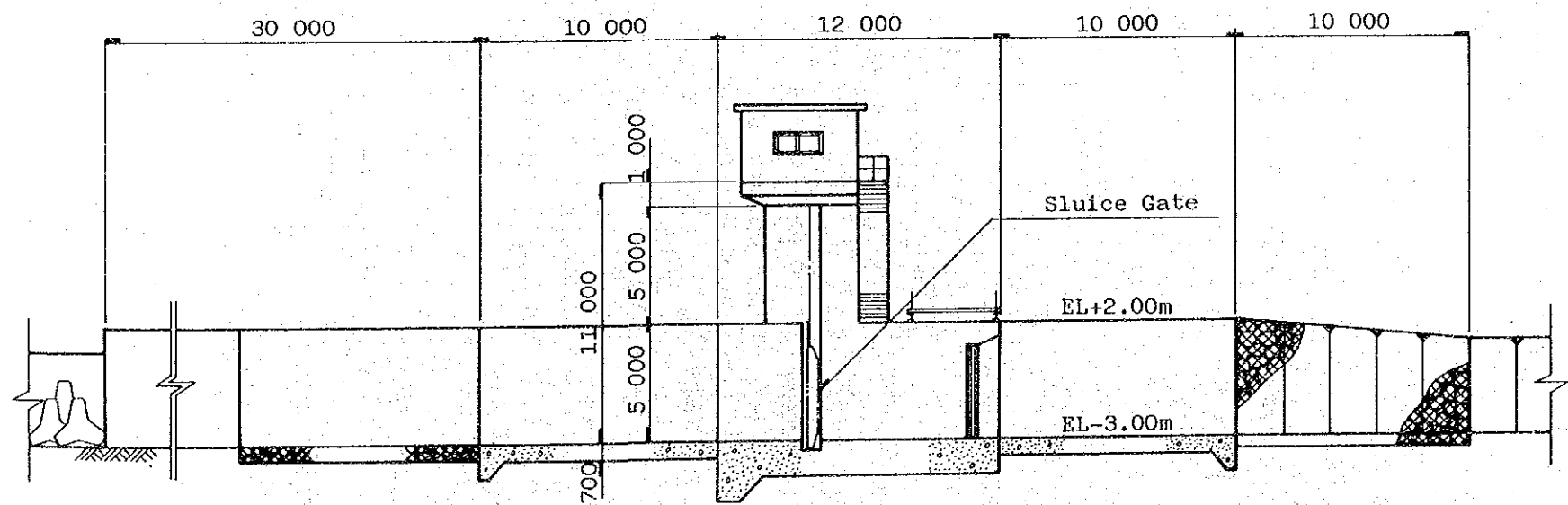


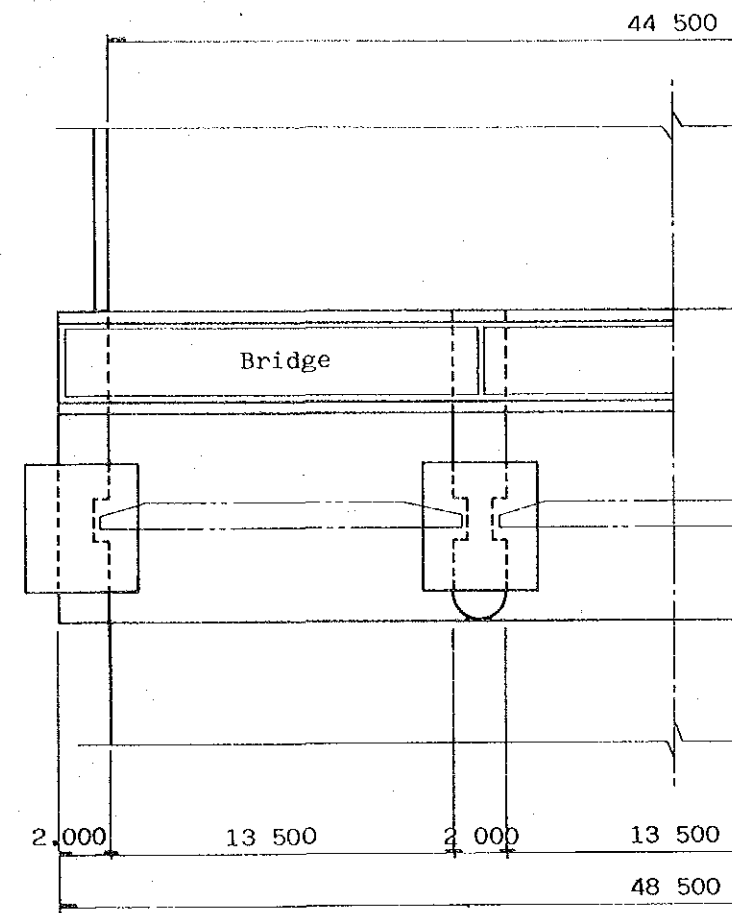
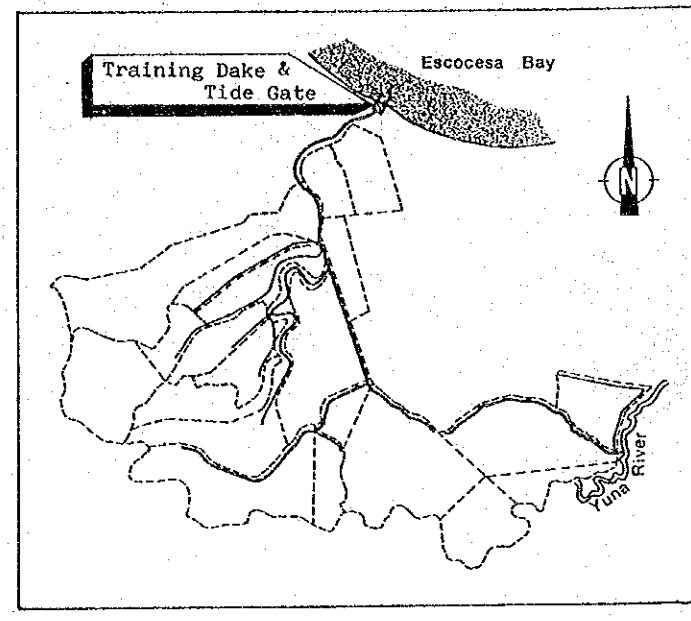
TRAINING DIKE & TIDE GATE



P L A N

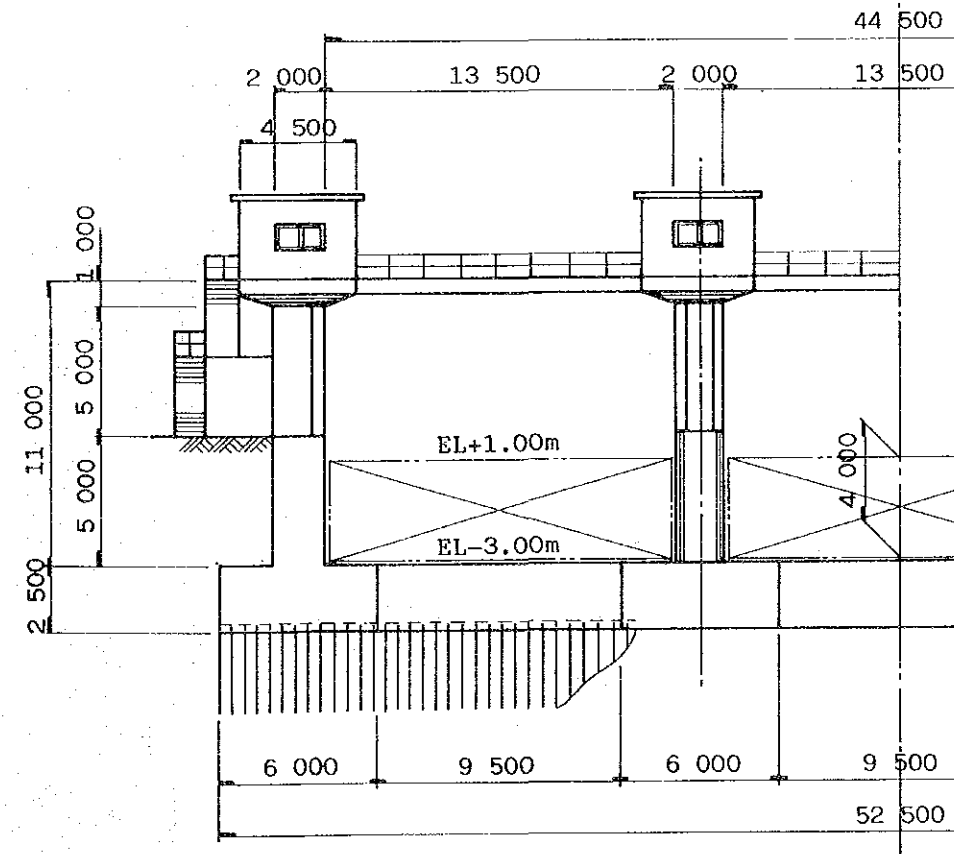


SECTION A - A

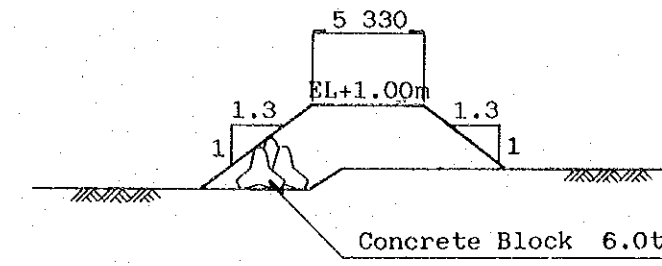
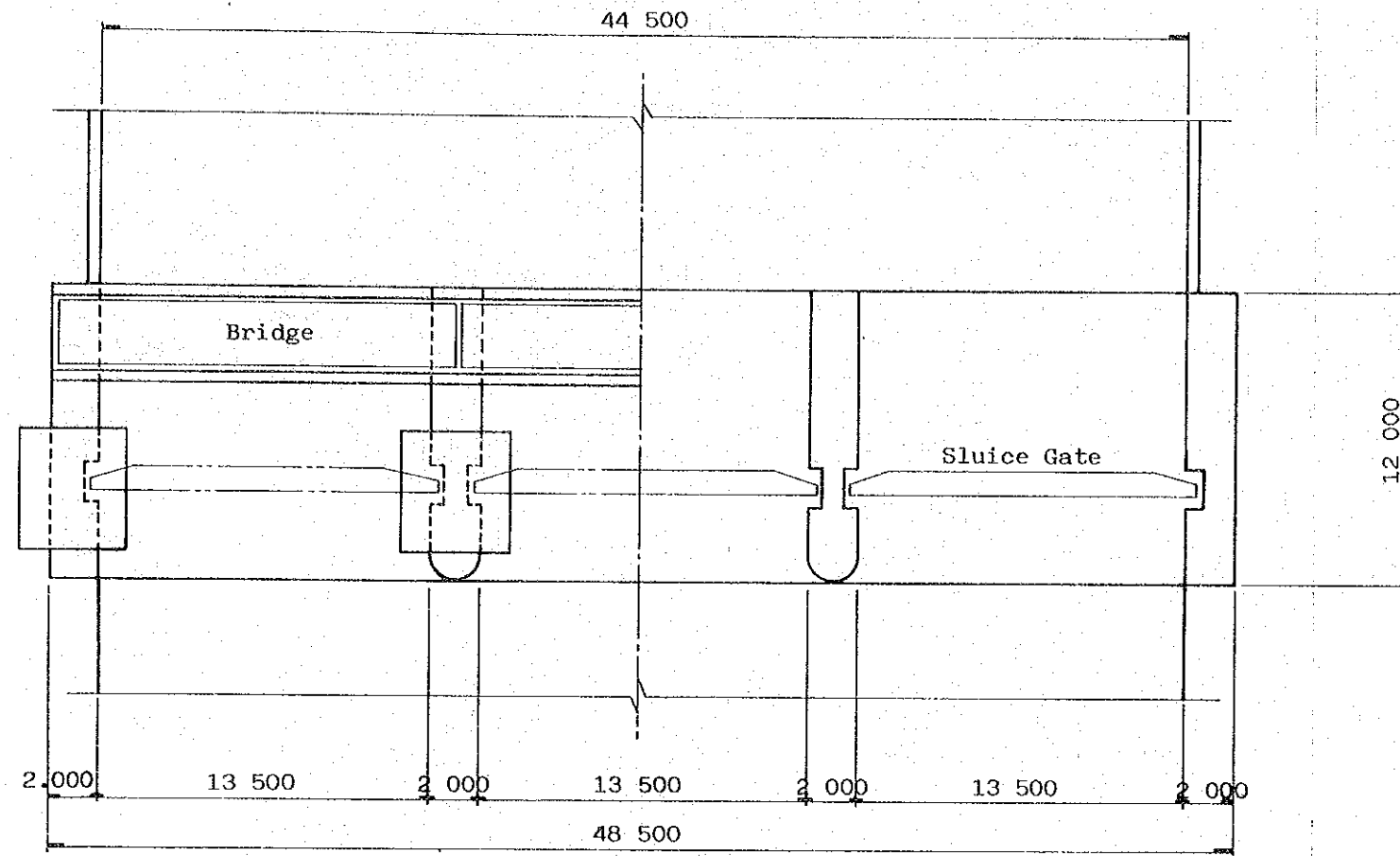
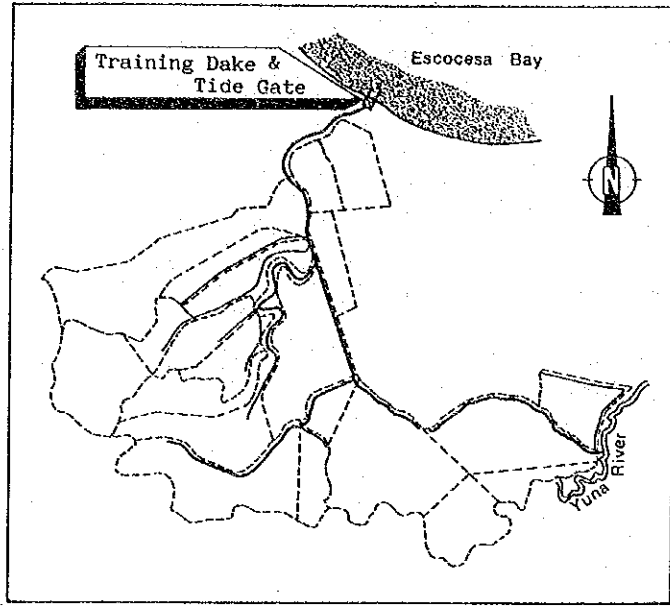


SECTION B -

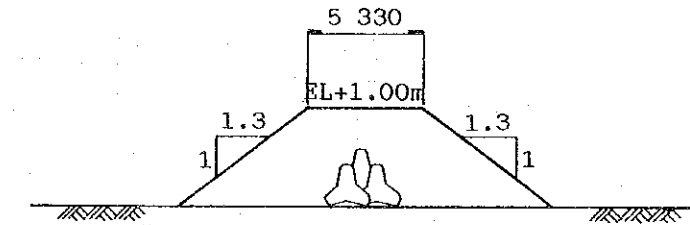
SYM	BOL	N VALUE				
		10	20	30	40	50
○	○	○	○	○	○	○
○	○	○	○	○	○	○
○	○	○	○	○	○	○
○	○	○	○	○	○	○
○	○	○	○	○	○	○
○	○	○	○	○	○	○
○	○	○	○	○	○	○



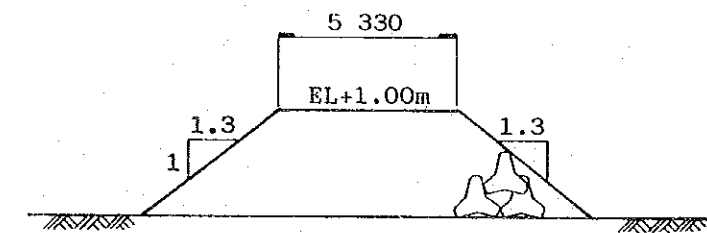
TRAINING DIKE & TIDE GATE



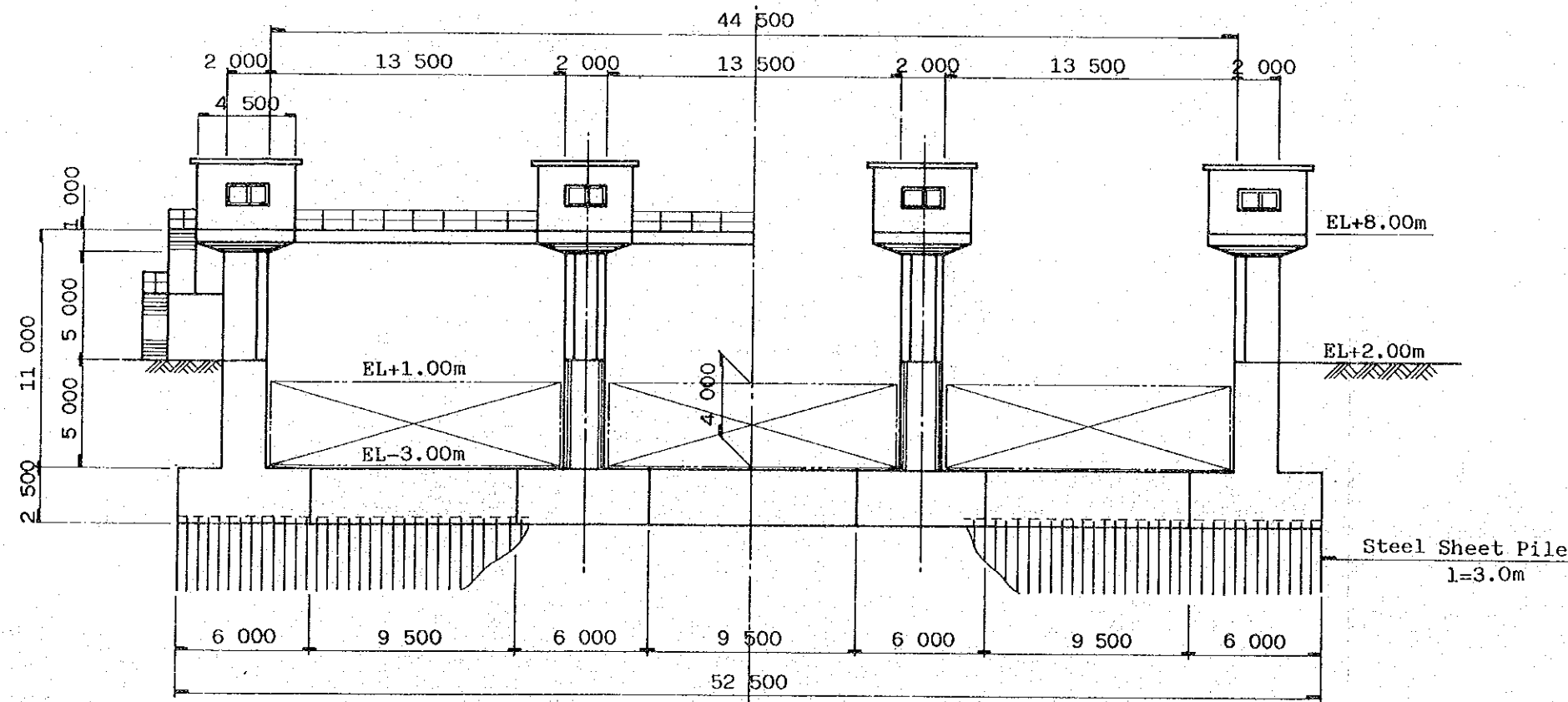
SECTION C - C



SECTION D - D



SECTION E - E

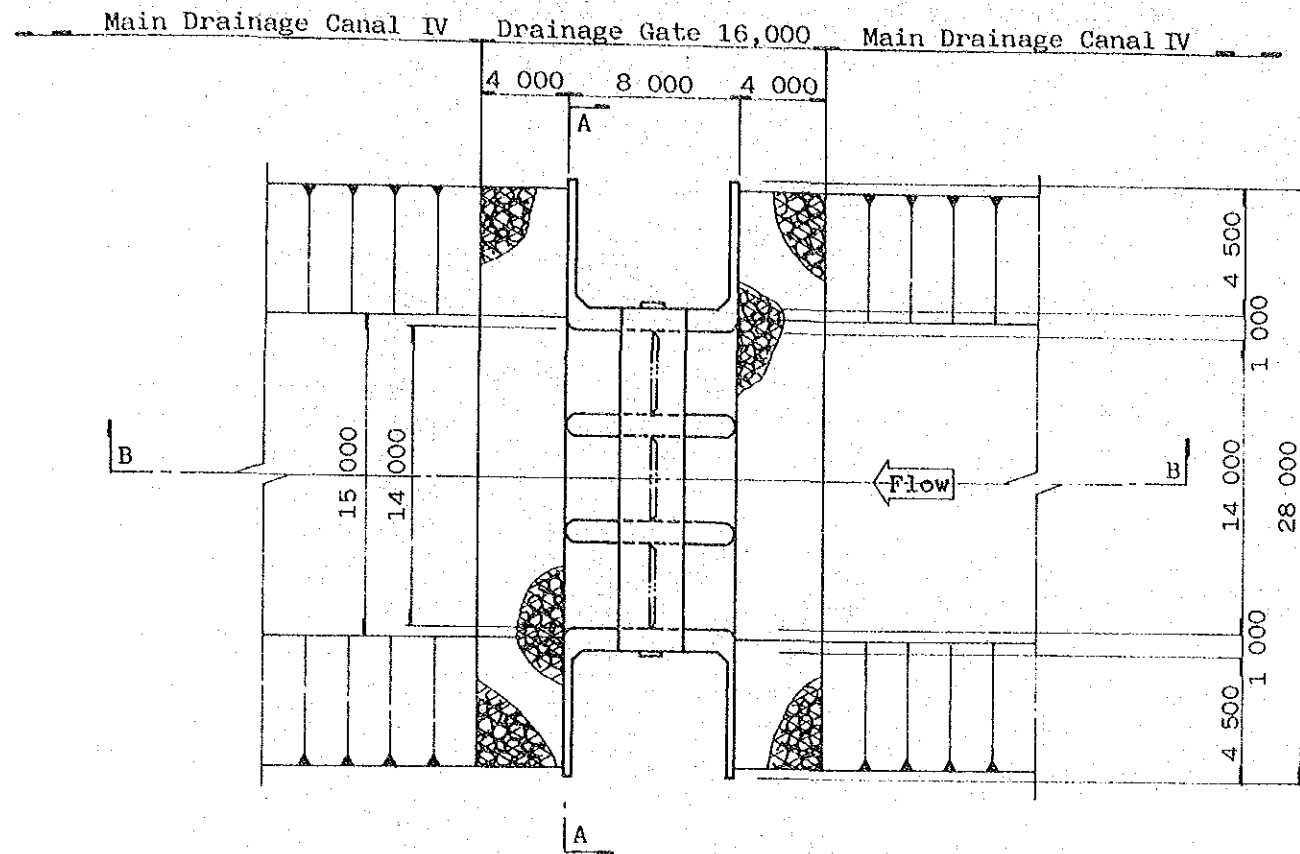


SECTION B - B

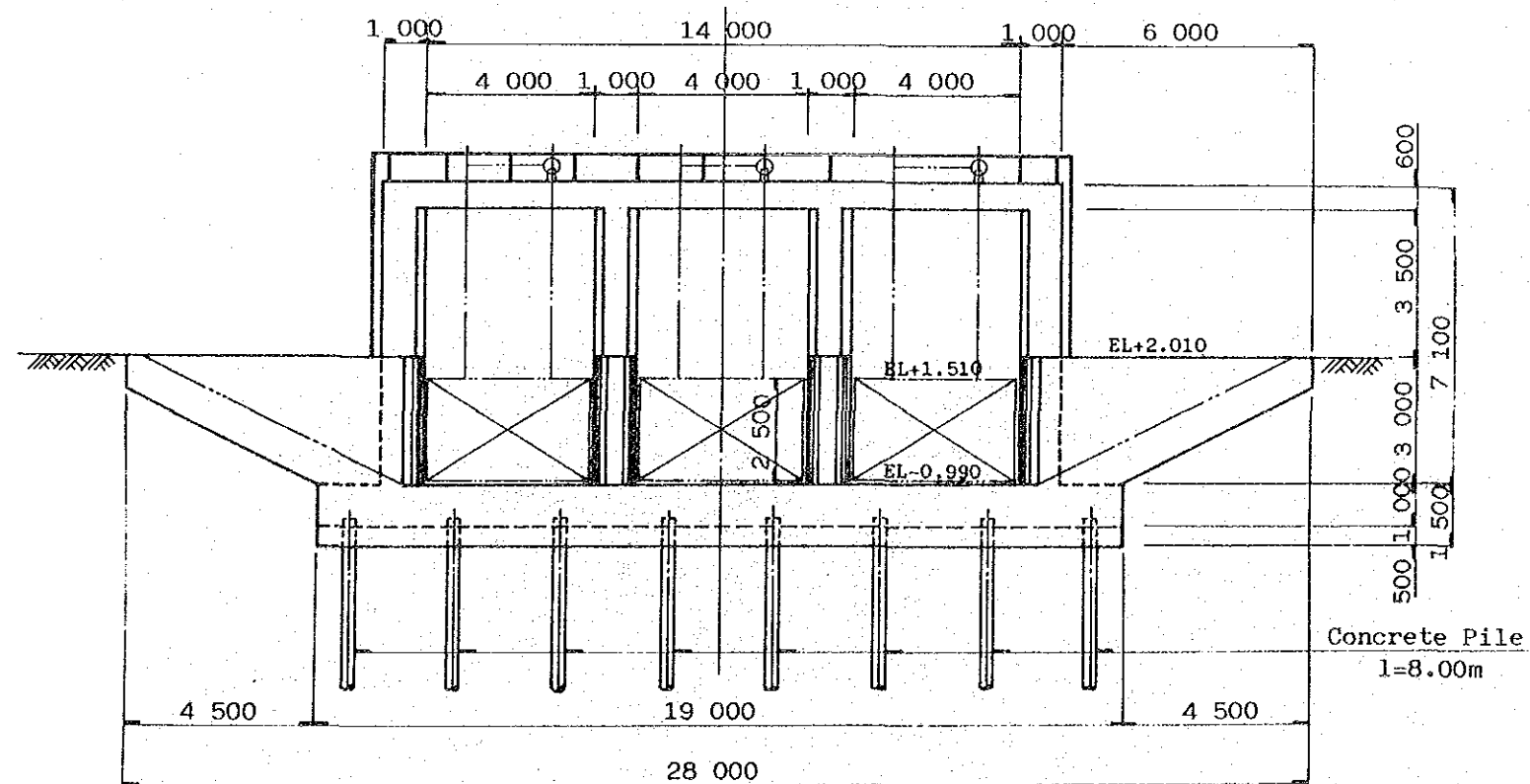
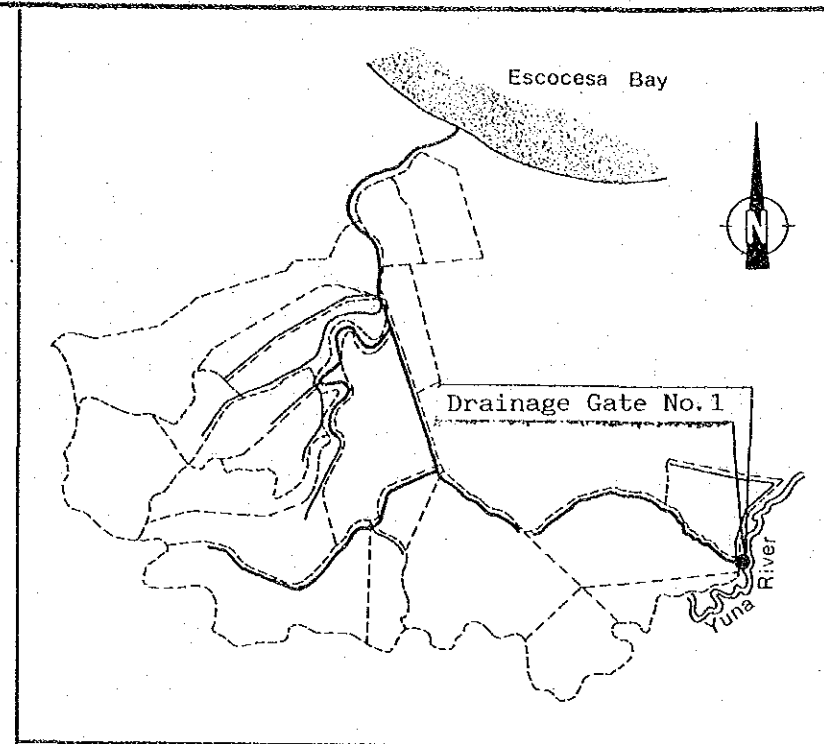
SYM BOL	N VALUE
○	10
○	20
○	30
○	40
○	50

THE DOMINICAN REPUBLIC	
THE AGUACATE-GUAYABO AGRICULTURAL DEVELOPMENT PROJECT	
TRAINING DIKE & TIDE GATE	
AUGUST, 1986	No.21
JAPAN INTERNATIONAL COOPERATION AGENCY (JICA)	

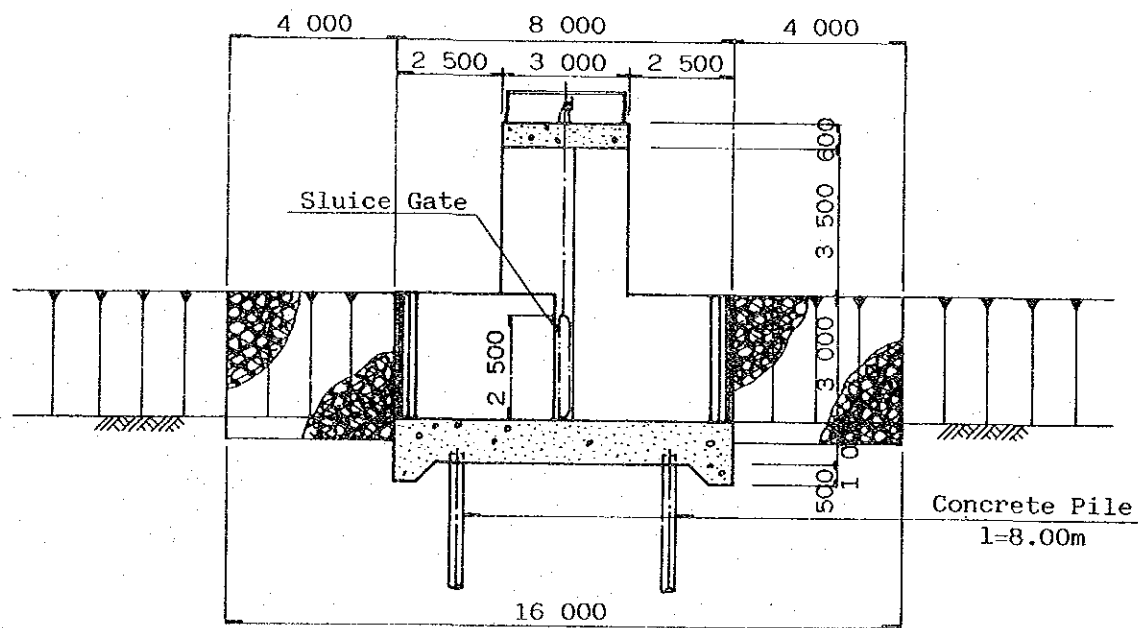
DRAINAGE GATE NO. 1



P L A N



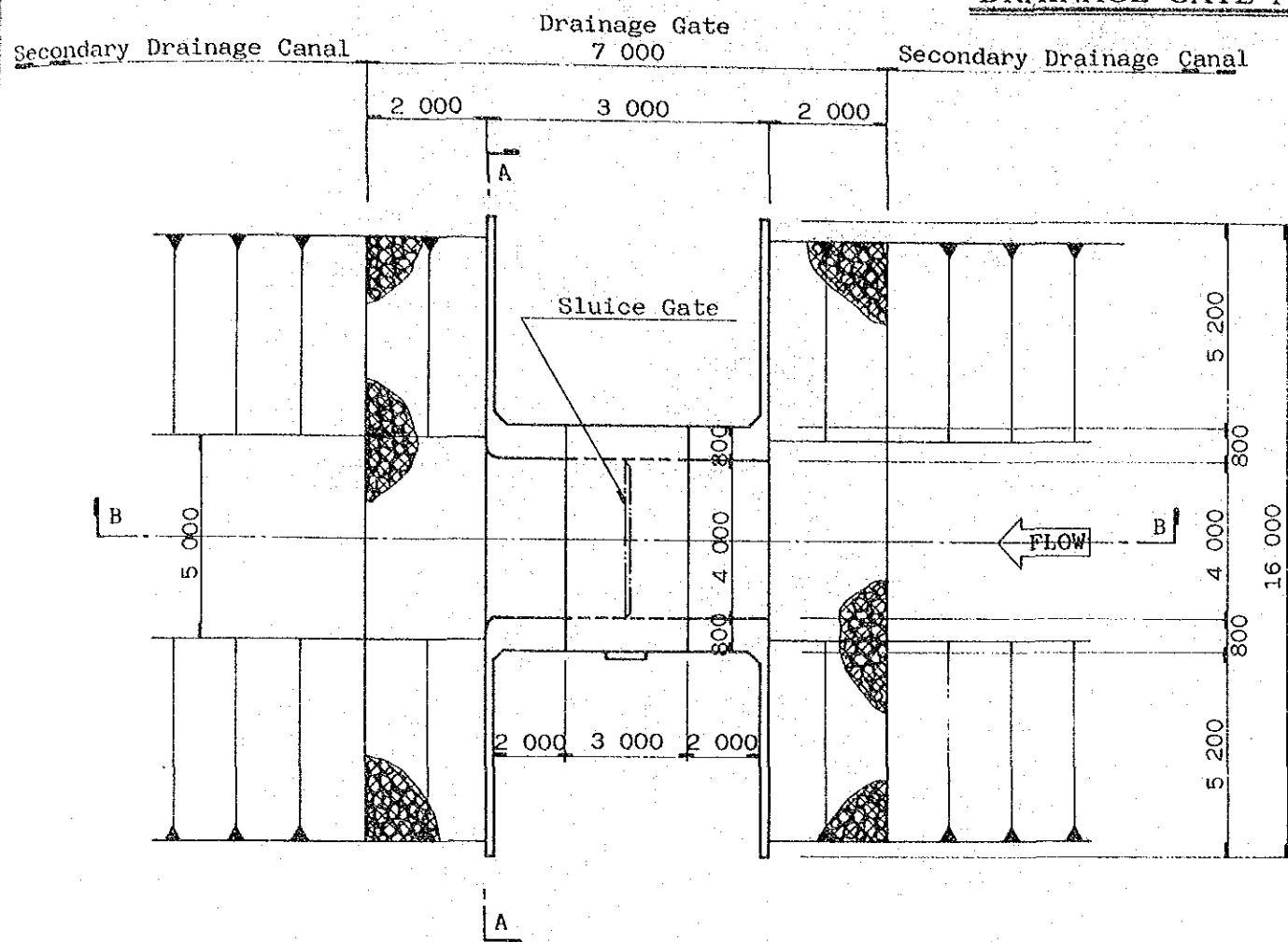
SECTION A - A



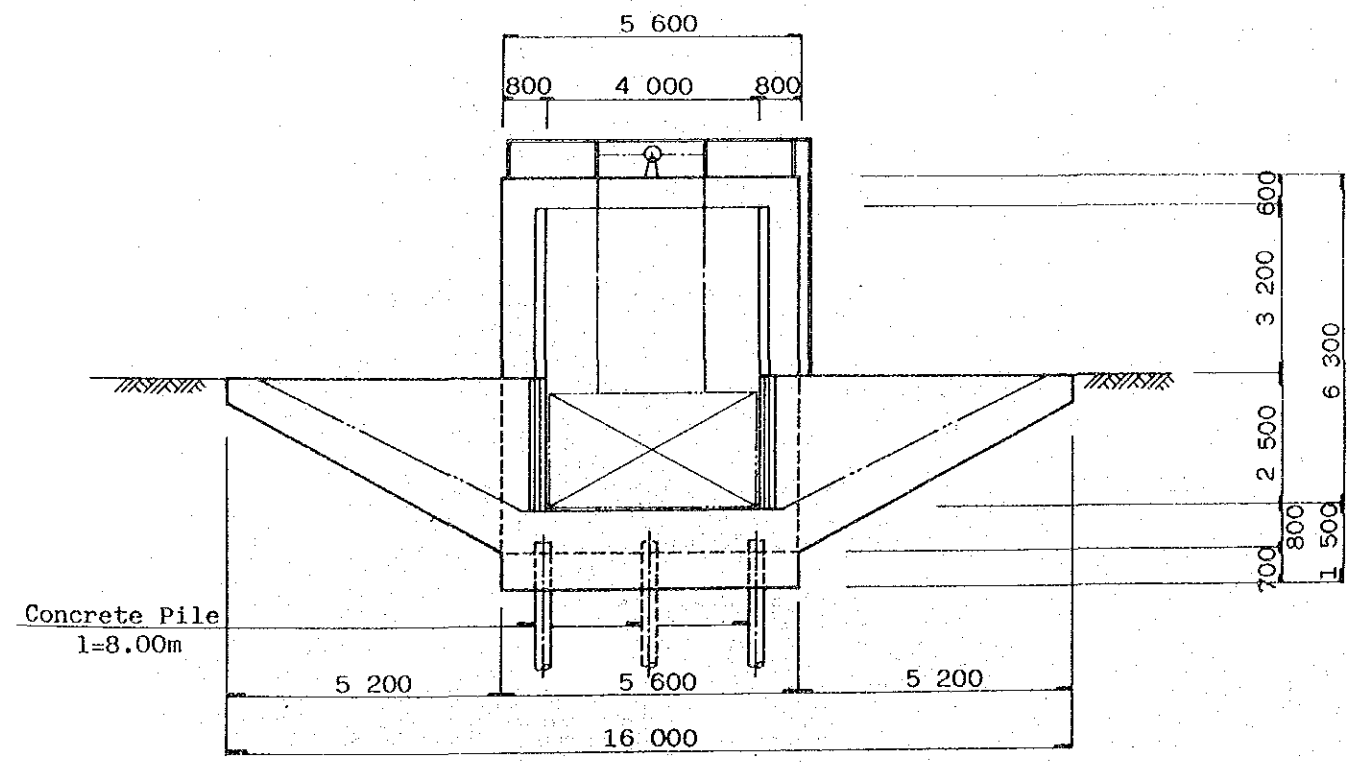
SECTION B - B

THE DOMINICAN REPUBLIC	
THE AGUACATE-GUAYABO AGRICULTURAL DEVELOPMENT PROJECT	
DRAINAGE GATE NO. 1	
AUGUST, 1986	No. 22
JAPAN INTERNATIONAL COOPERATION AGENCY (JICA)	

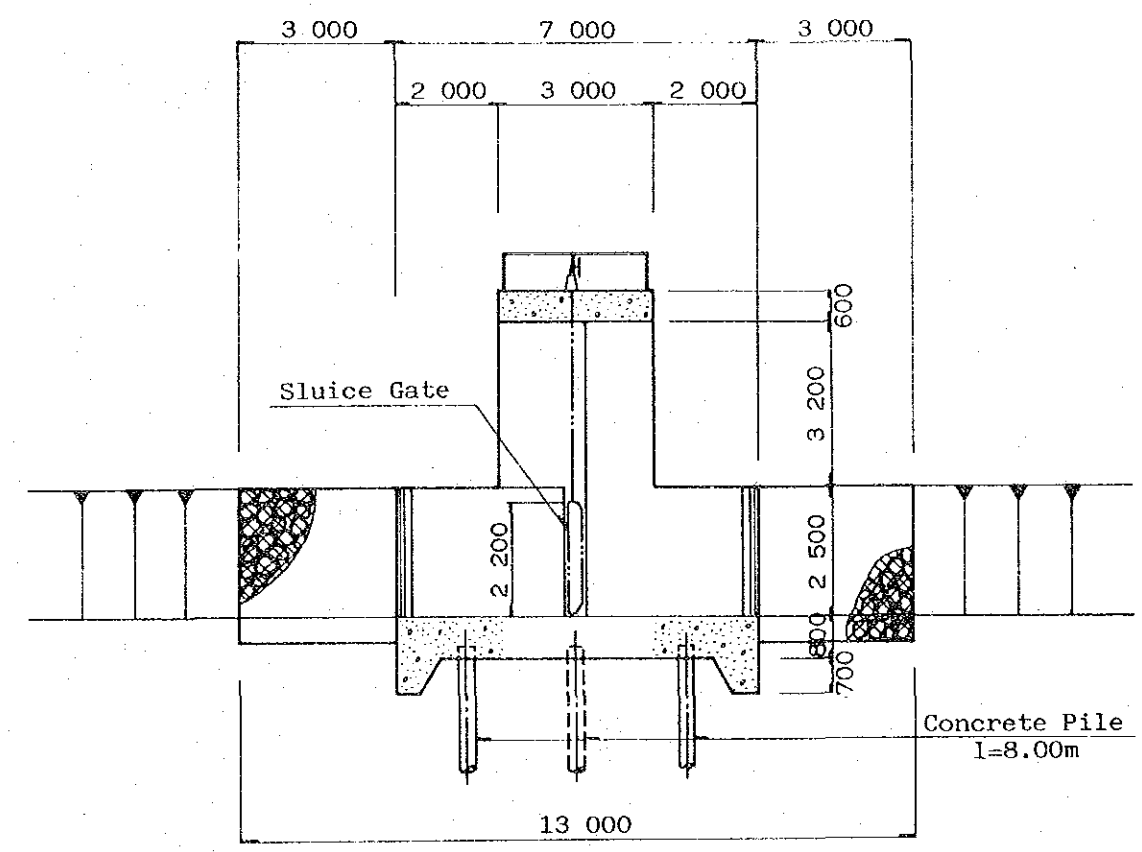
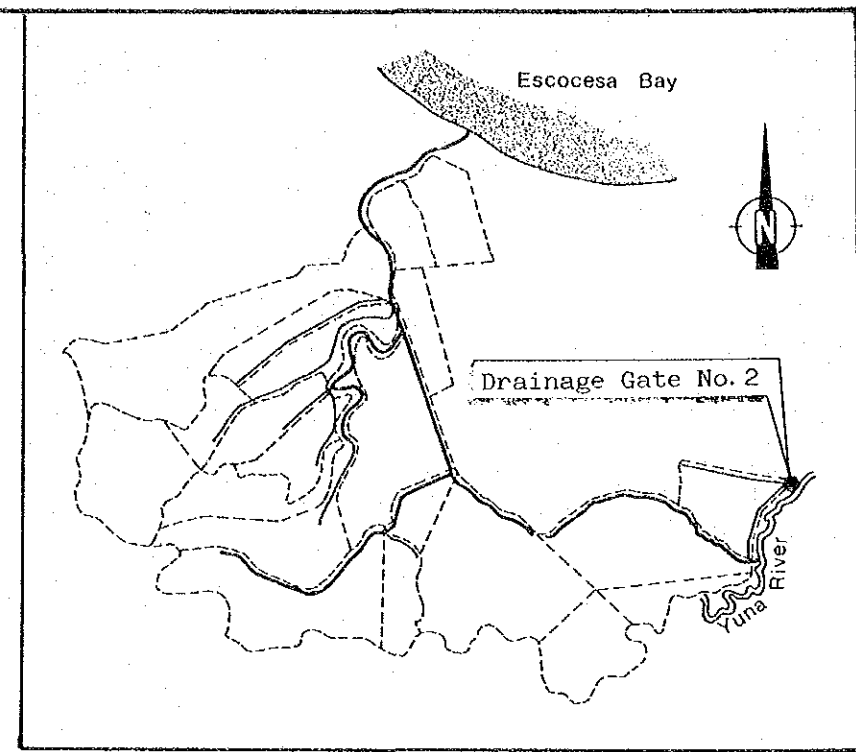
DRAINAGE GATE NO. 2



P L A N



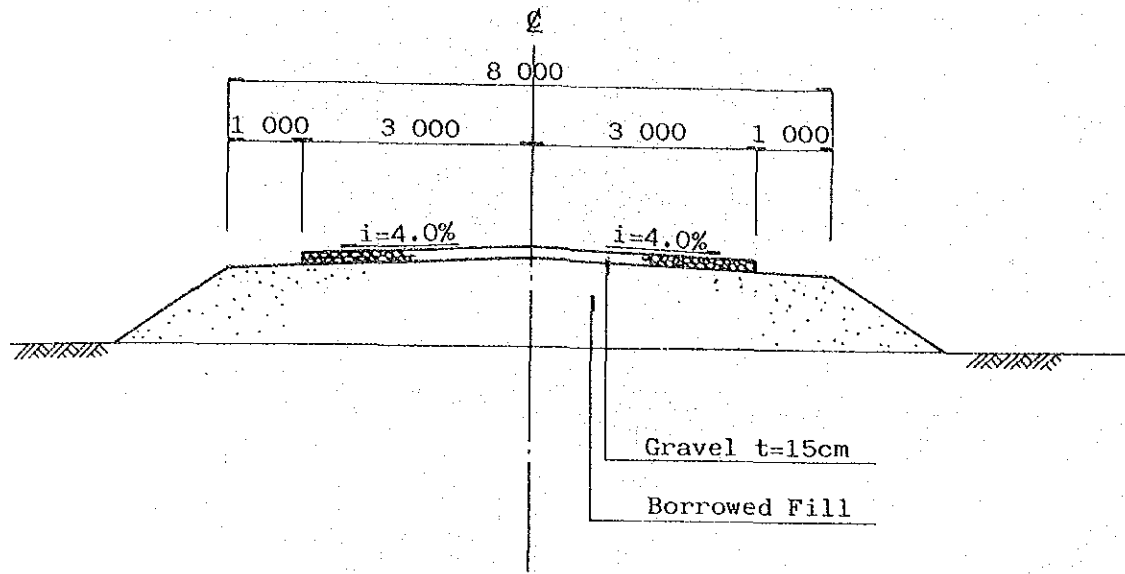
SECTION A - A



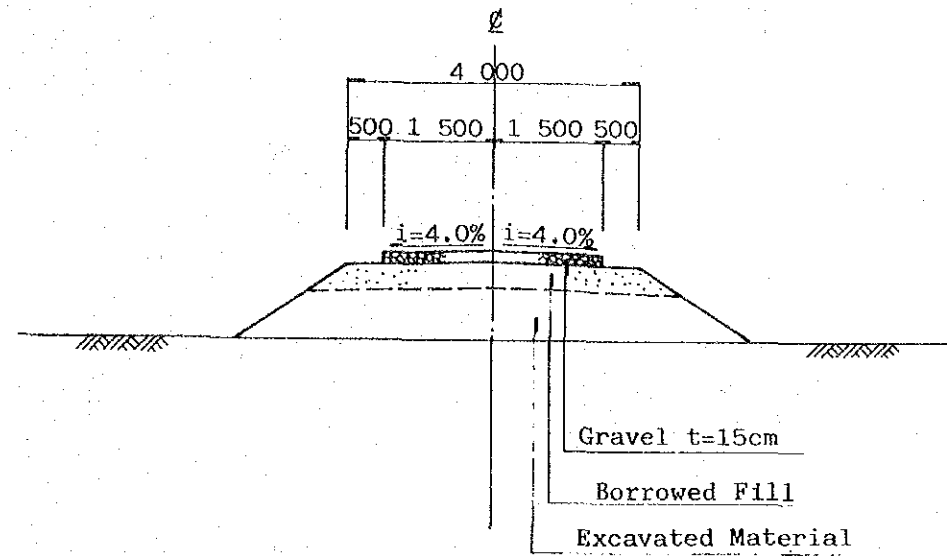
SECTION B - B

THE DOMINICAN REPUBLIC	
THE AGUACATE-GUAYABO AGRICULTURAL DEVELOPMENT PROJECT	
DRAINAGE GATE NO. 2	
AUGUST, 1986	No.23
JAPAN INTERNATIONAL COOPERATION AGENCY (JICA)	

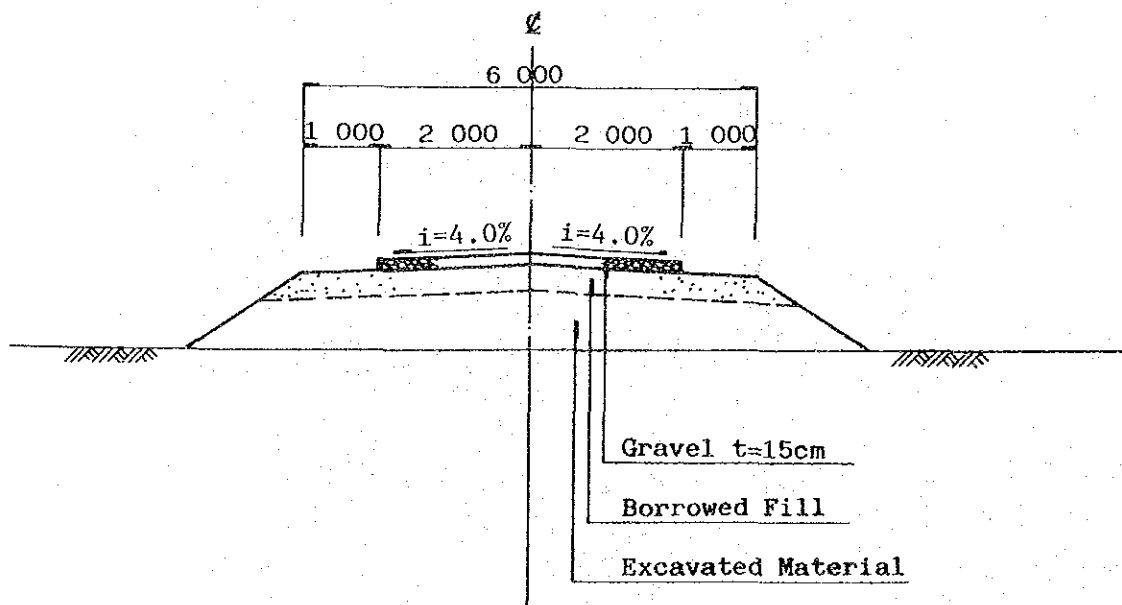
TYPICAL ROAD SECTION



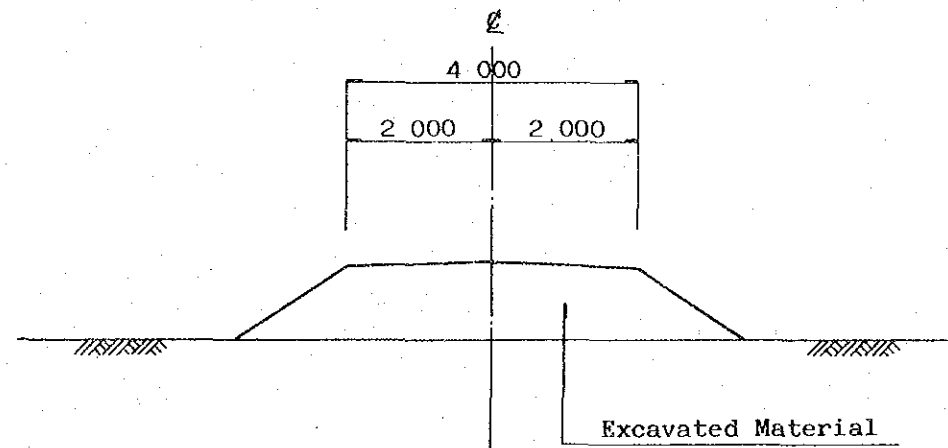
TRUNK ROAD



LATERAL IN-FARM ROAD I



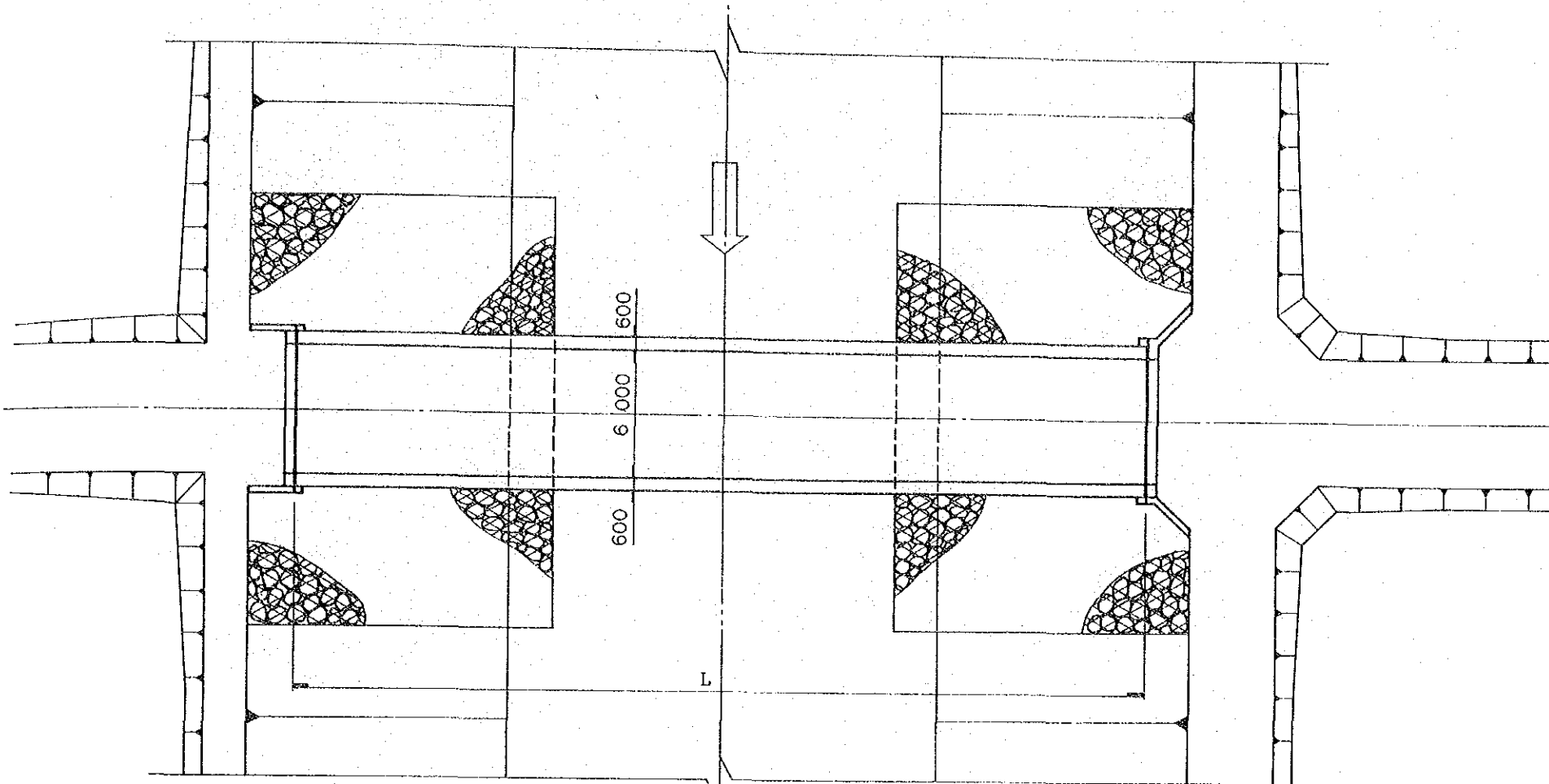
MAIN IN-FARM ROAD



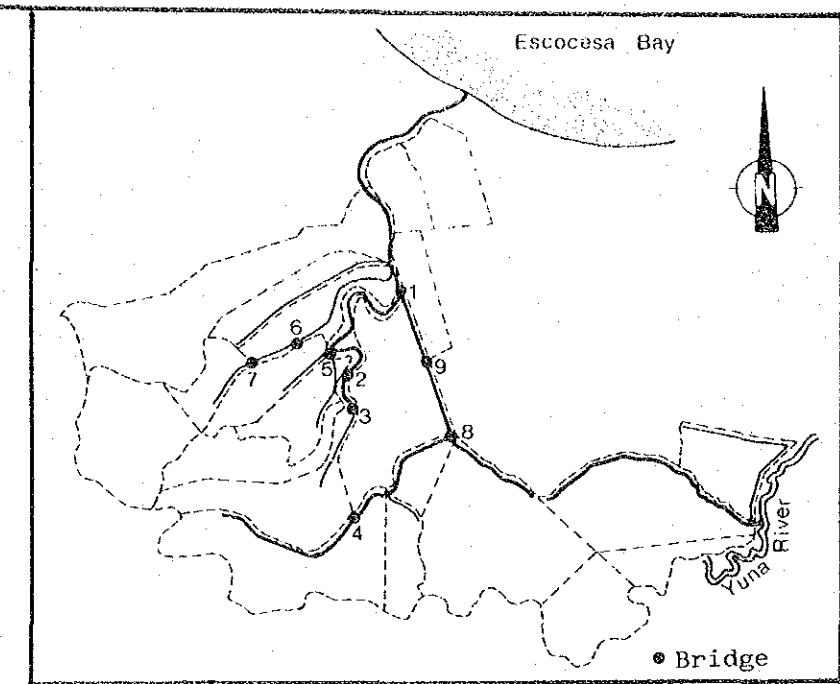
LATERAL IN-FARM ROAD II

THE DOMINICAN REPUBLIC	
THE AGUACATE-GUAYABO AGRICULTURAL DEVELOPMENT PROJECT	
TYPICAL ROAD SECTION	
AUGUST, 1986	No. 24
JAPAN INTERNATIONAL COOPERATION AGENCY (JICA)	

BRIDGE

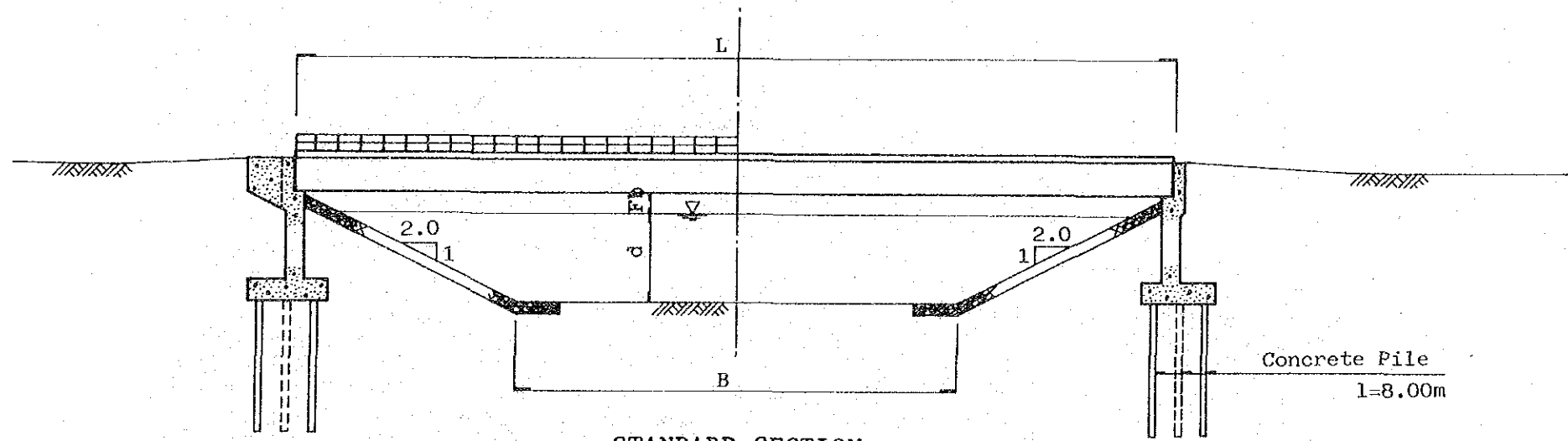


PLAN



DIMENSION OF BRIDGES
(UNIT: mm)

Bridge	B	d	Fb	L	Remarks
NO. 1	15 000	2 000	500	26 000	Alternative A/B
NO. 2	8 000	2 000	500	18 000	"
NO. 3	8 000	2 000	500	18 000	"
NO. 4	6 000	2 000	500	16 000	"
NO. 5	2 500	2 000	500	12 500	"
NO. 6	3 000	2 000	500	19 000	"
NO. 7	4 000	2 000	500	20 000	"
NO. 8	20 000	3 000	500	34 000	"
NO. 9	20 000	3 400	500	35 600	Alternative A



STANDARD SECTION

Concrete Pile
1=8.00m

THE DOMINICAN REPUBLIC	
THE AGUACATE-GUAYABO AGRICULTURAL DEVELOPMENT PROJECT	
BRIDGE	
AUGUST, 1986	No. 25
JAPAN INTERNATIONAL COOPERATION AGENCY (JICA)	

JICA