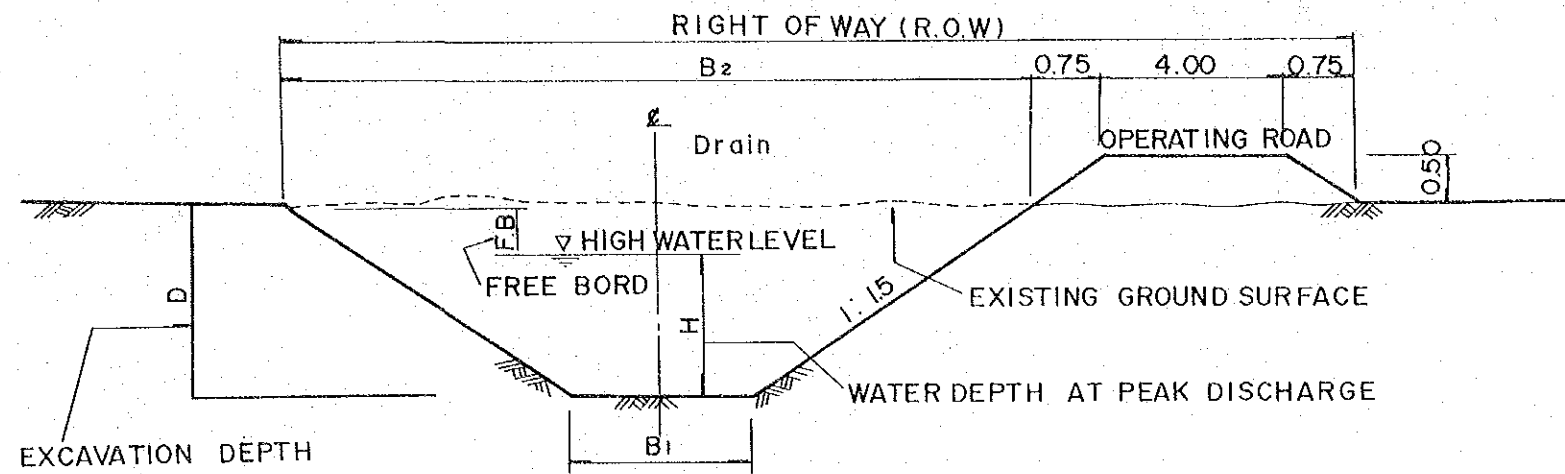


TYPICAL SURFACE DRAIN SECTION



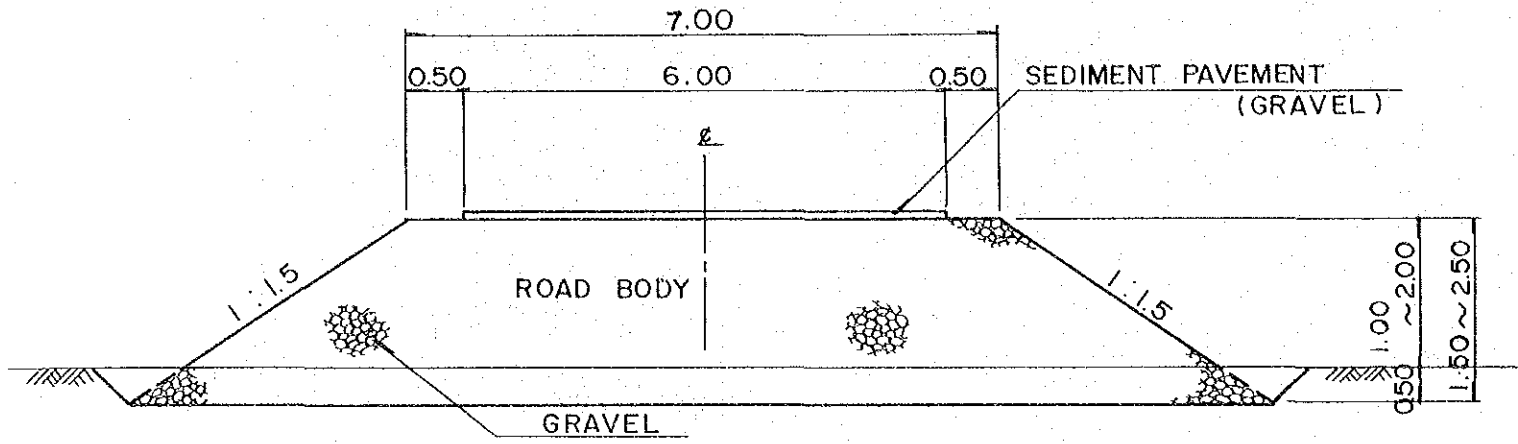
DIMENSION OF DRAIN TYPES UNIT : m

DRAIN TYPE	D	B ₁	B ₂	H	FB	R.O.W	REMARKS
I	2.30	2.00	8.90	2.00	0.30	14.40	
II	1.90	2.00	7.70	1.60	0.30	13.20	
III	1.70	1.50	6.60	1.40	0.20	12.10	
IV	1.20	1.00	4.60	1.00	0.20	10.10	

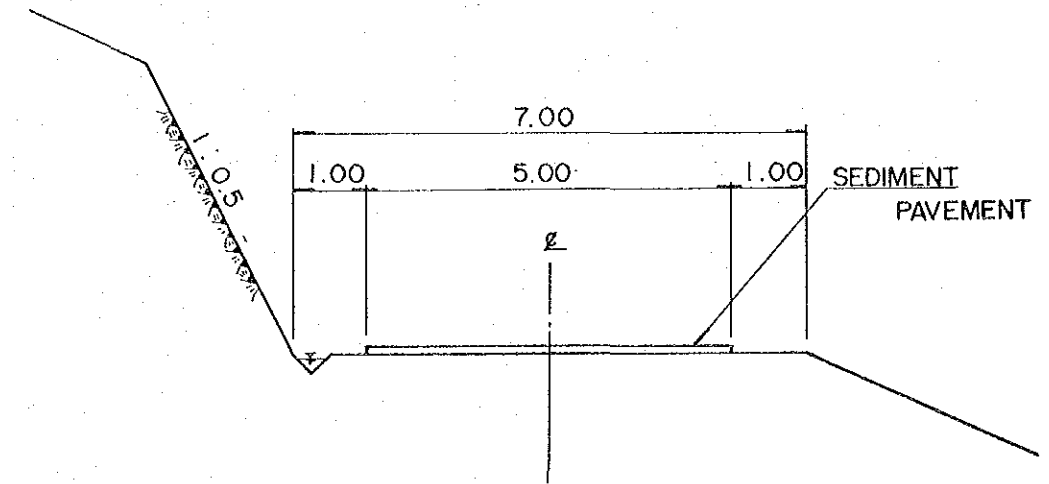
THE REPUBLIC OF HONDURAS	
AGUAN VALLEY AGRICULTURAL DEVELOPMENT PROJECT (SABA - OLANCHITO)	
TYPICAL SURFACE DRAIN SECTION	
1985	NO.16
JAPAN INTERNATIONAL COOPERATION AGENCY	

TYPICAL ROAD SECTION

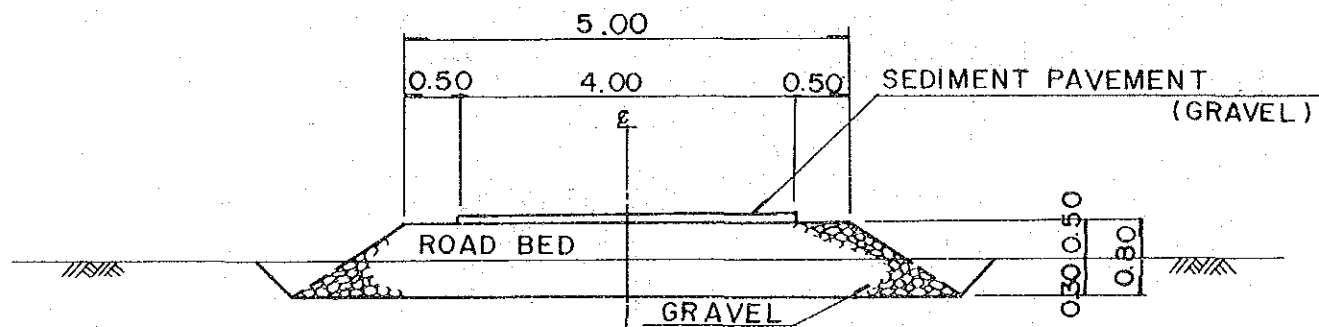
LEFT SIDE OF AGUAN RIVER



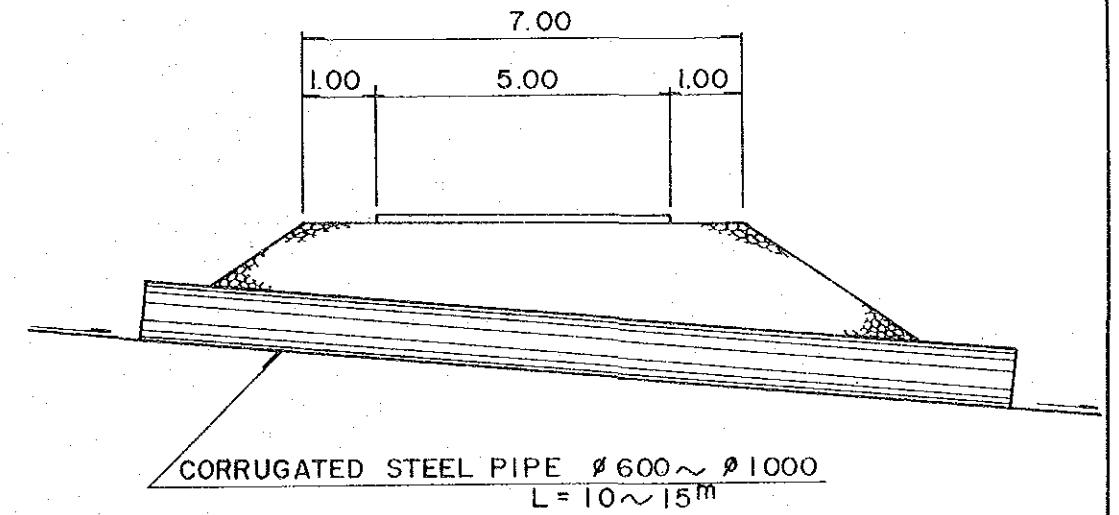
ACCESS ROAD



CROSS SECTION



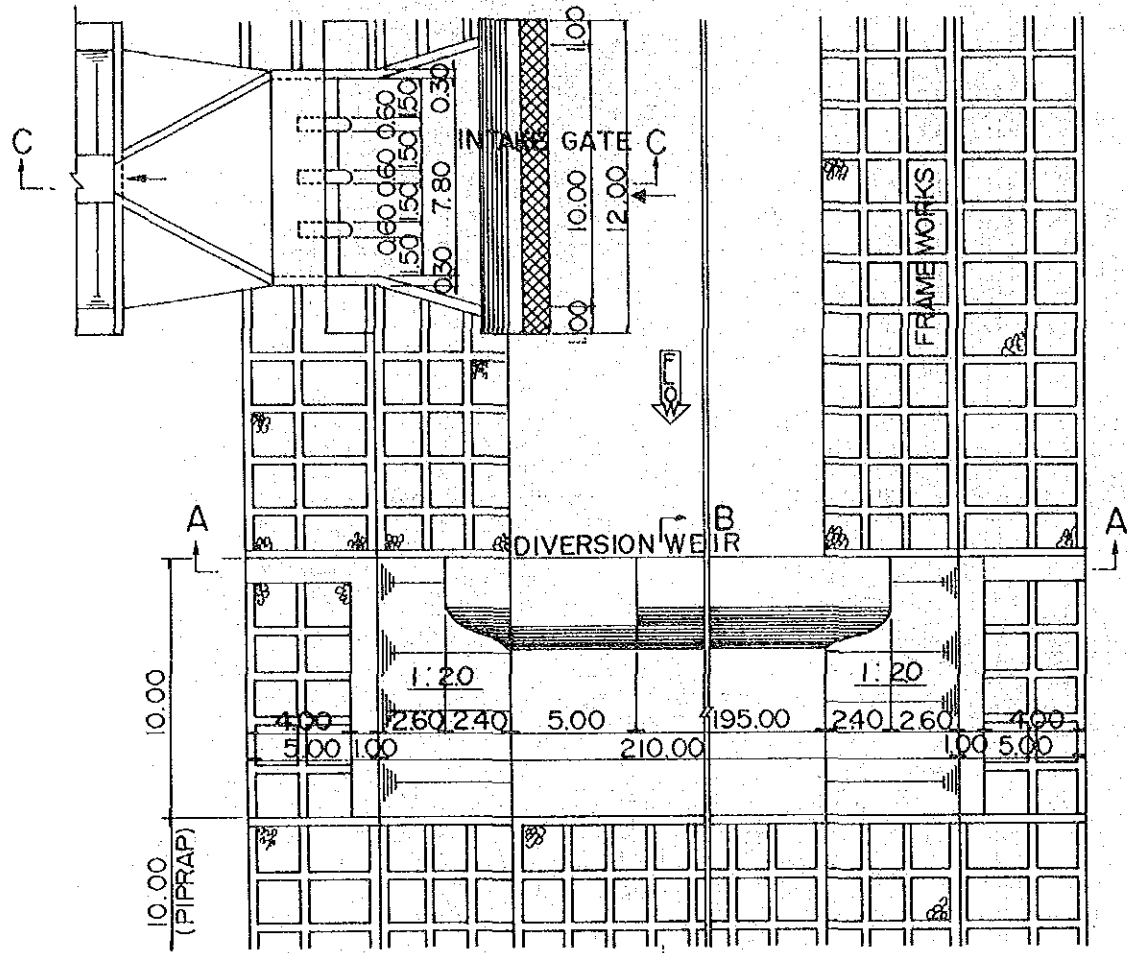
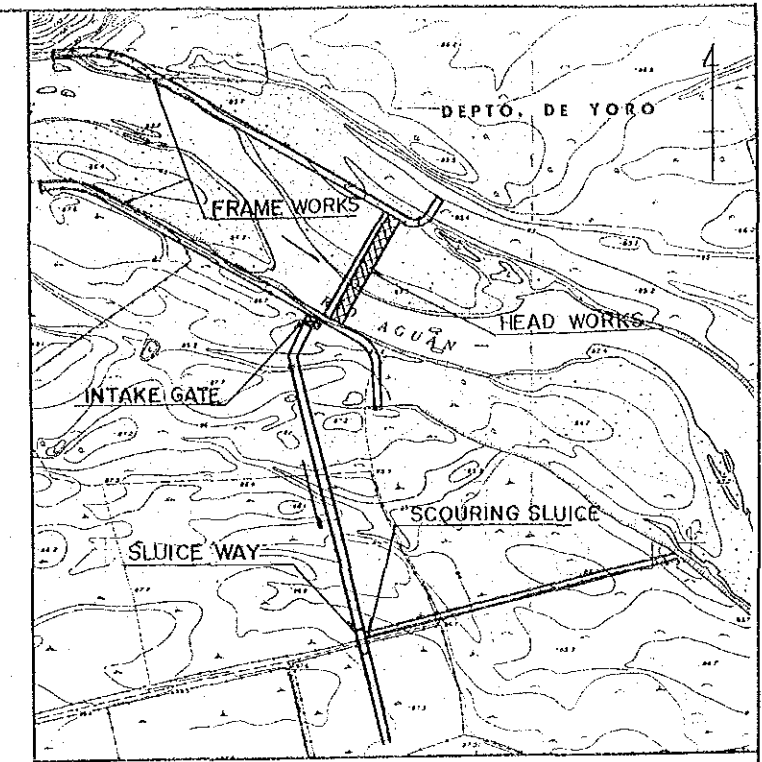
IN-FARM ROAD



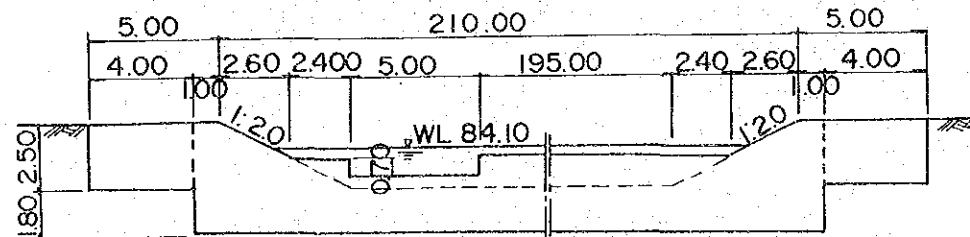
PIPE CULVERT

THE REPUBLIC OF HONDURAS	
AGUAN VALLEY AGRICULTURAL DEVELOPMENT PROJECT (SABA - OLANCHITO)	
TYPICAL ROAD SECTION	
1985	NO. 17
JAPAN INTERNATIONAL COOPERATION AGENCY	

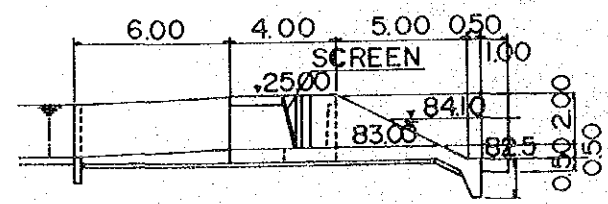
HEAD WORKS (MIDDLE AGUAN RIVER)



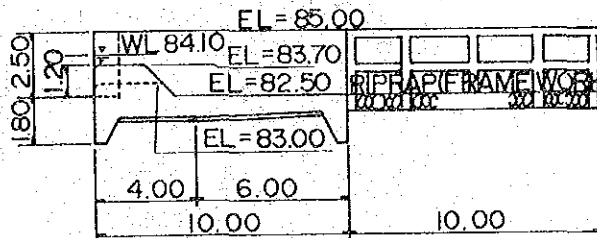
PLAN OF WEIR



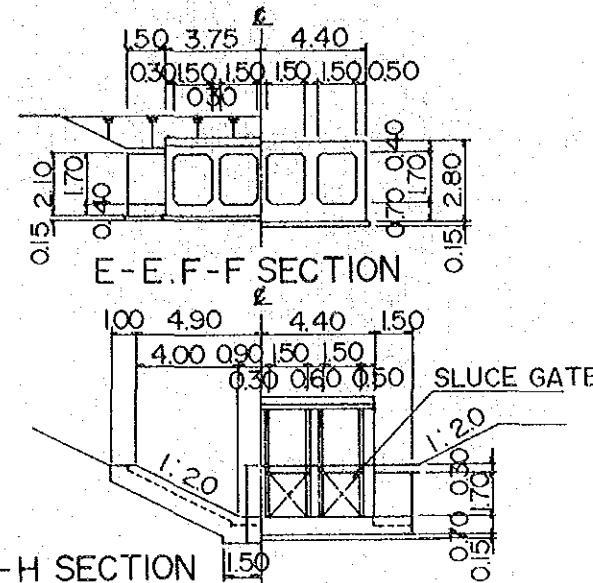
A-A SECTION



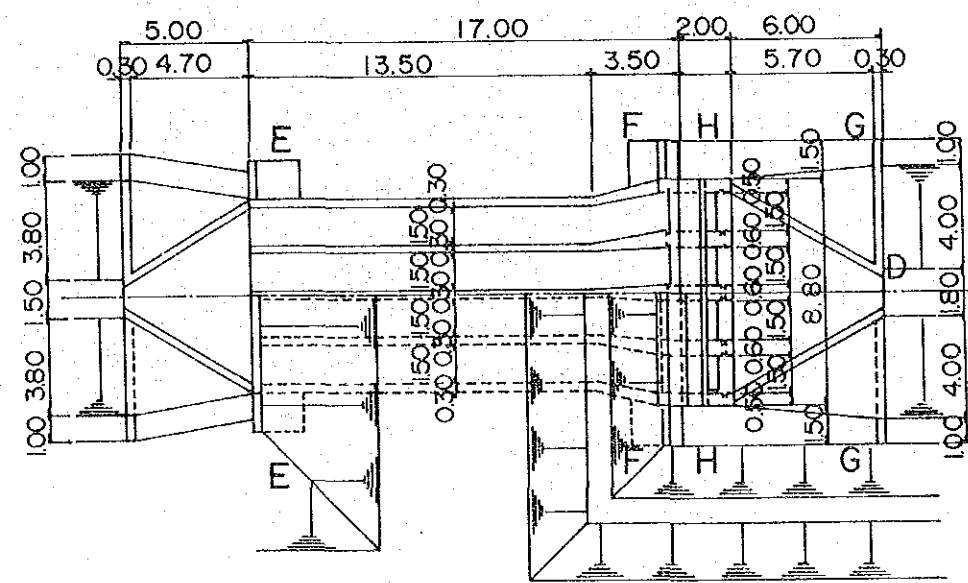
C-C SECTION



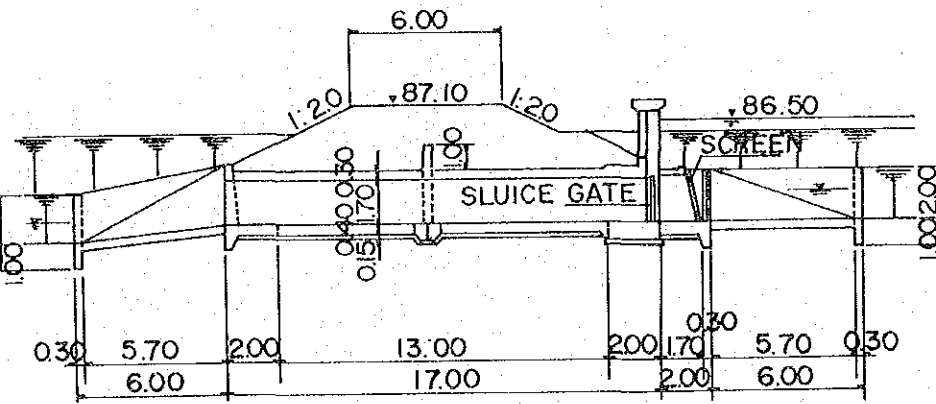
B-B SECTION



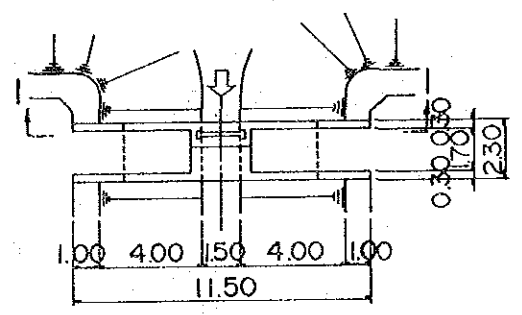
E-E, F-F SECTION



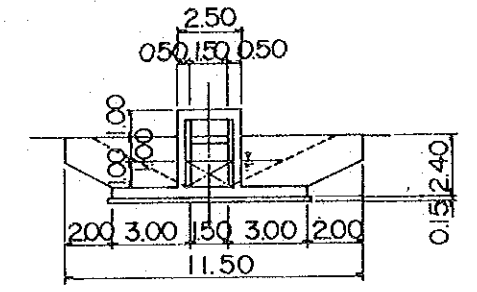
PLAN OF SLUICE WAY



D-D SECTION



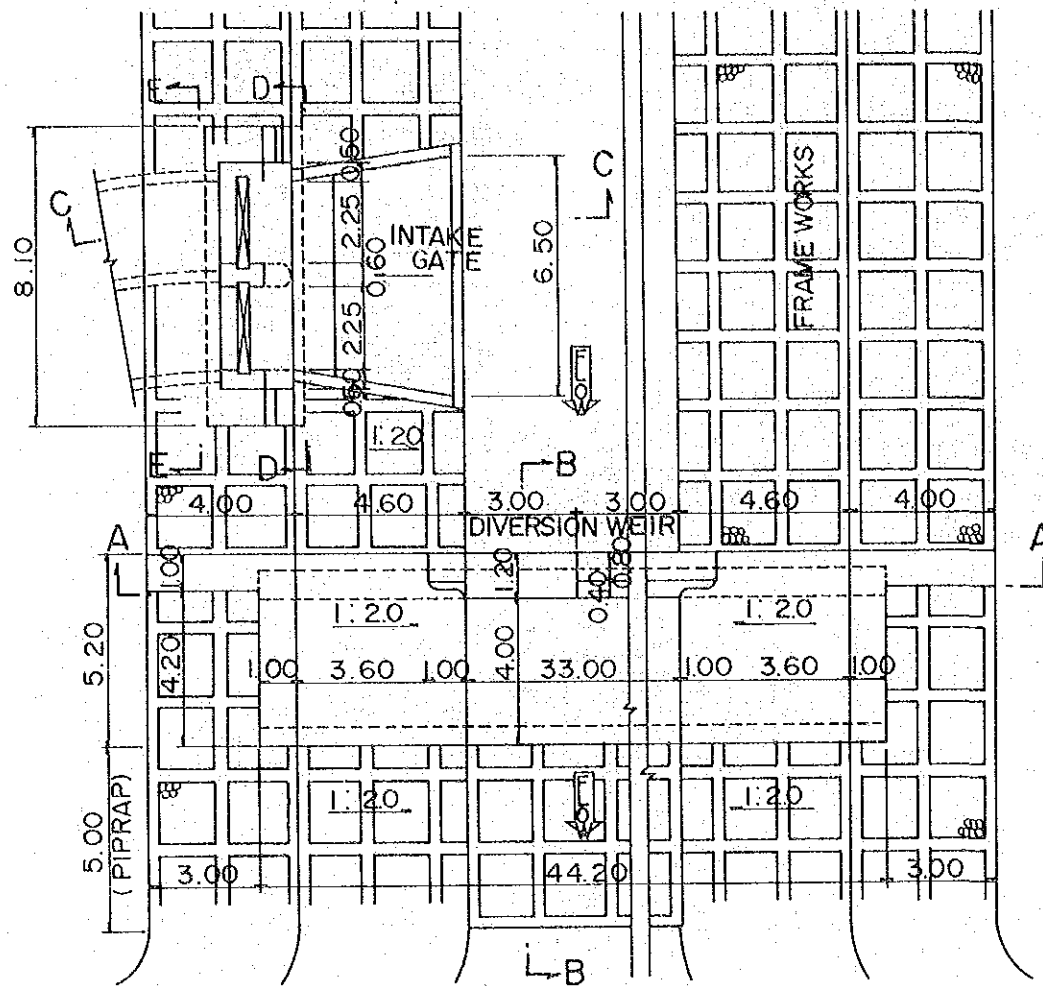
PLAN OF SCOURING SLUICE



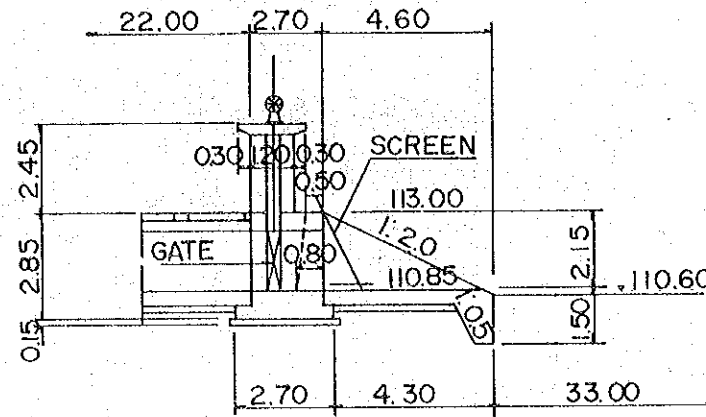
I-I SECTION

THE REPUBLIC OF HONDURAS	
AGUAN VALLEY AGRICULTURAL DEVELOPMENT PROJECT (SABA-OLANCHITO)	
HEAD WORKS (MIDDLE AGUAN RIVER)	
1985	NO. 18
JAPAN INTERNATIONAL COOPERATION AGENCY	

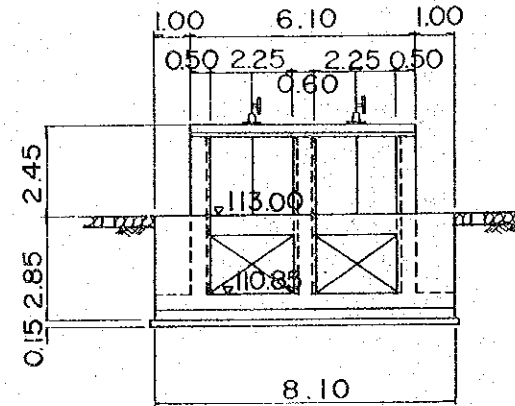
HEAD WORKS (JAGUACA RIVER)



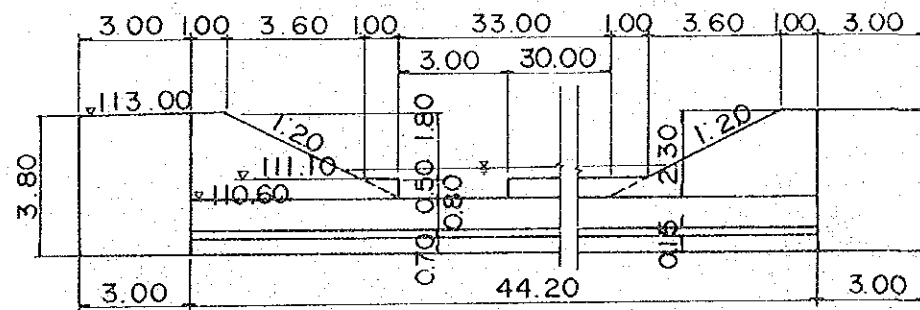
PLAN OF WEIR



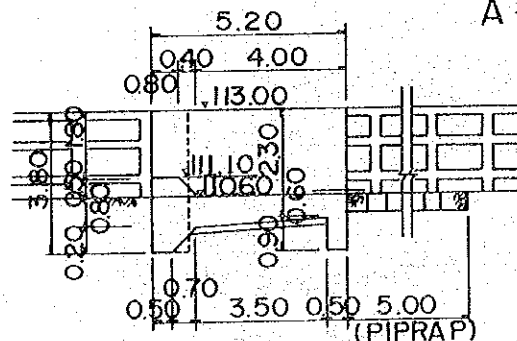
C-C SECTION



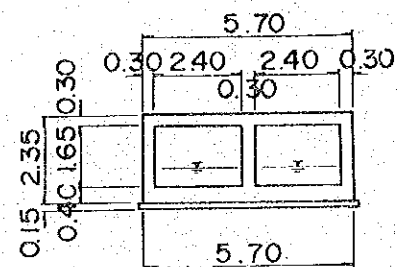
D-D SECTION



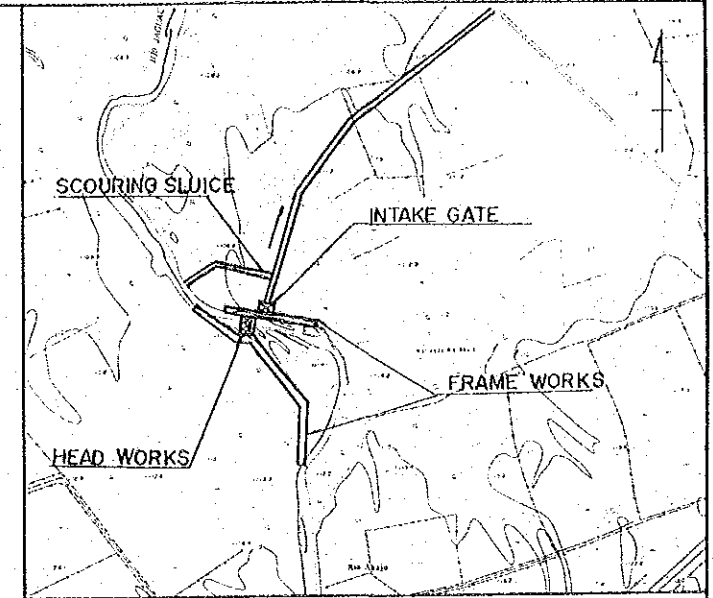
A-A SECTION



B-B SECTION

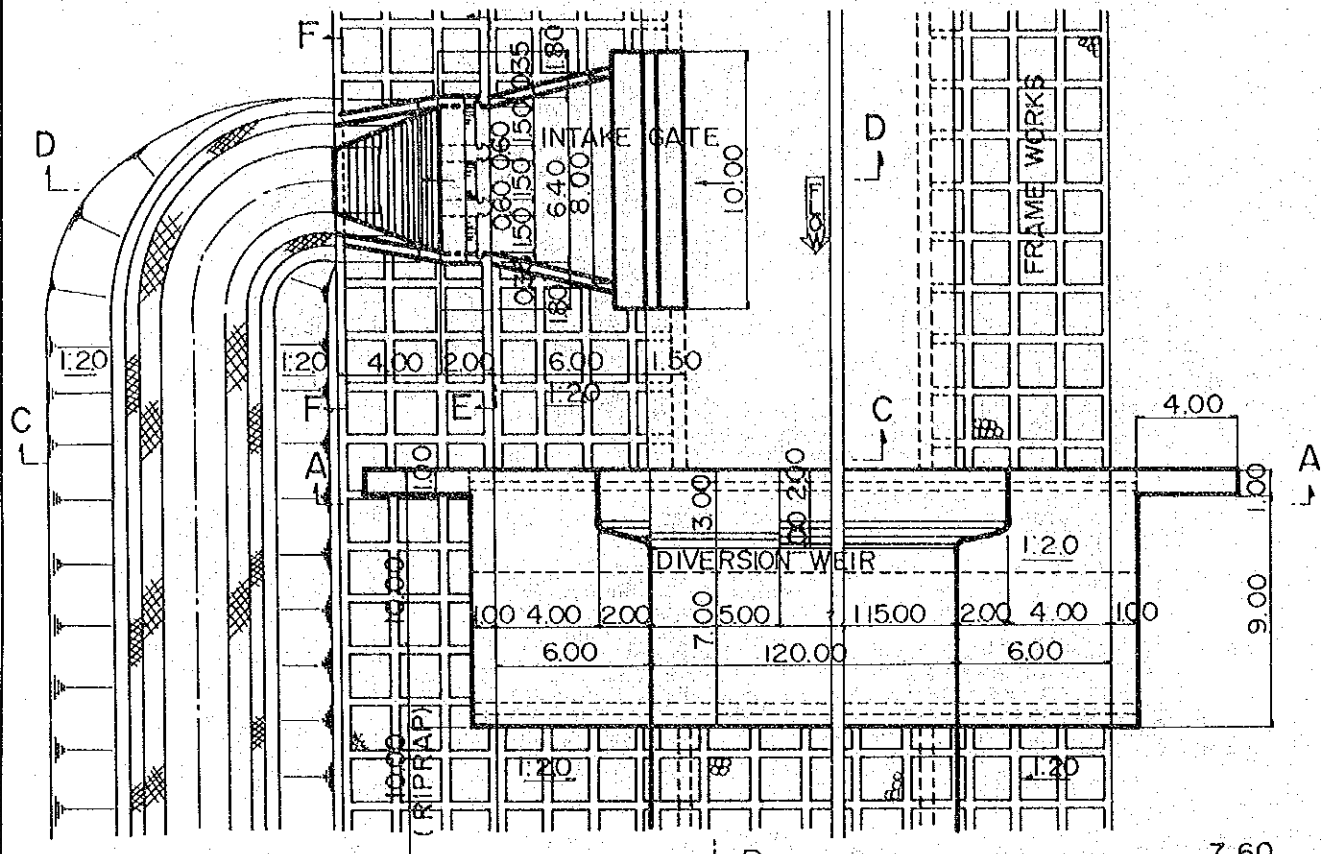


E-E SECTION

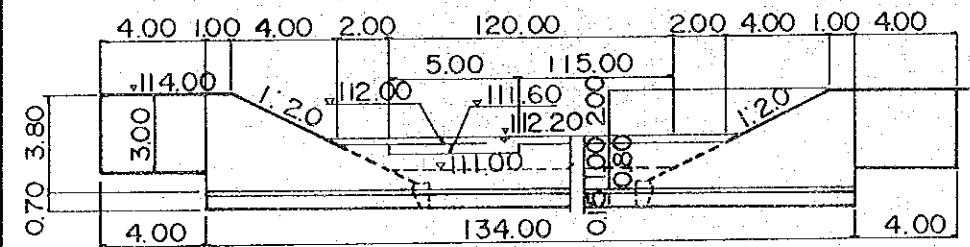


THE REPUBLIC OF HONDURAS
AGUAN VALLEY AGRICULTURAL DEVELOPMENT PROJECT (SABA - OLANCHITO)
HEAD WORKS (JAGUACA RIVER)
1985 NO. 19
JAPAN INTERNATIONAL COOPERATION AGENCY

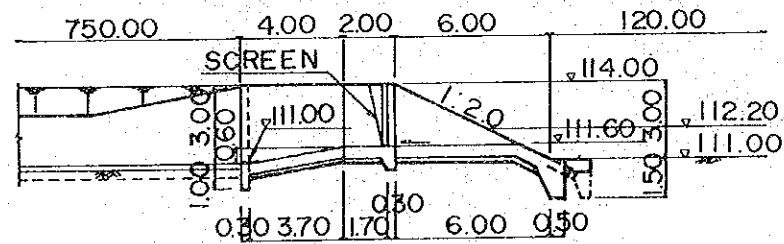
HEAD WORKS (UPPER AGUAN RIVER)



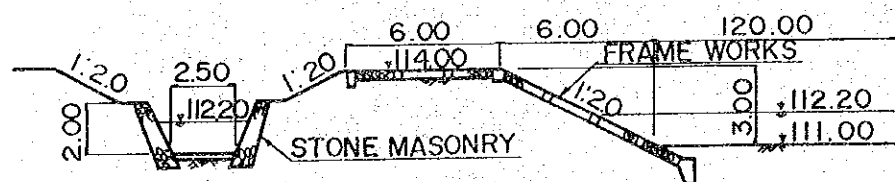
PLAN OF WEIR



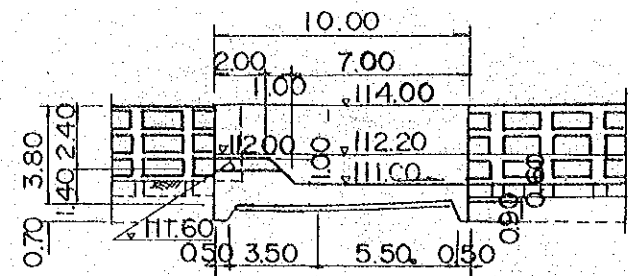
A - A SECTION



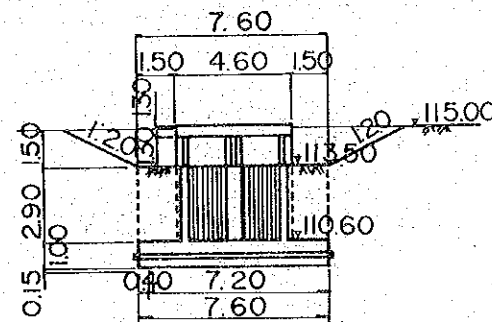
D - D SECTION



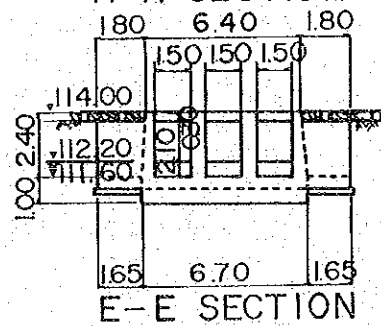
C - C SECTION



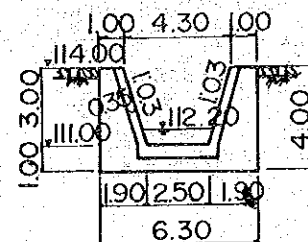
B - B SECTION



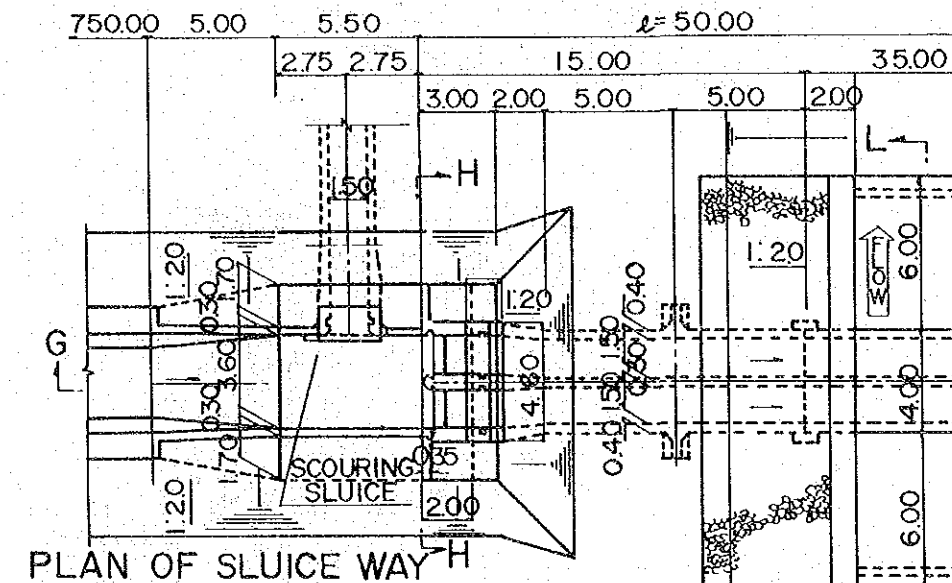
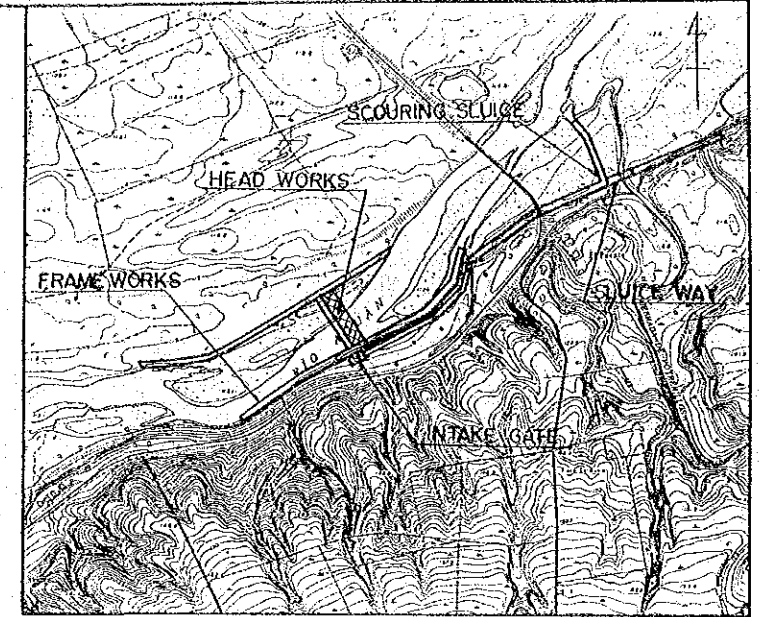
H - H SECTION



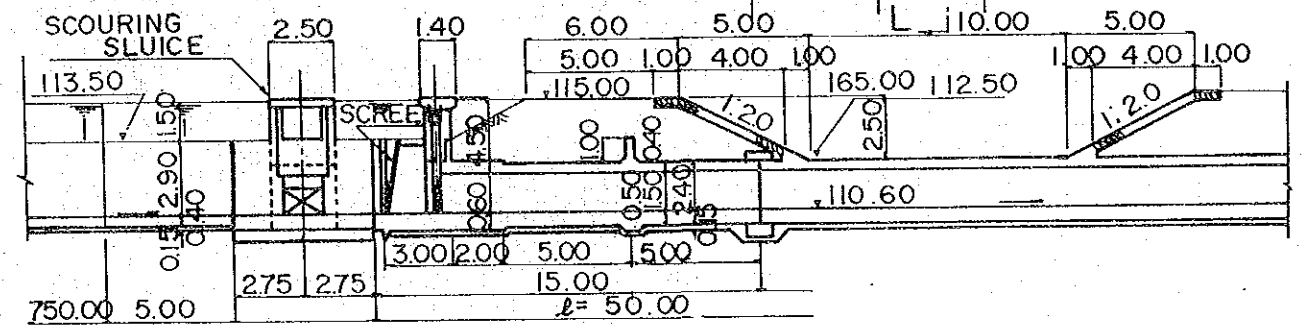
E - E SECTION



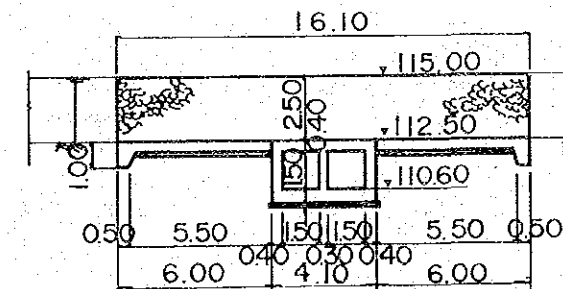
F - F SECTION



PLAN OF SLUICE WAY



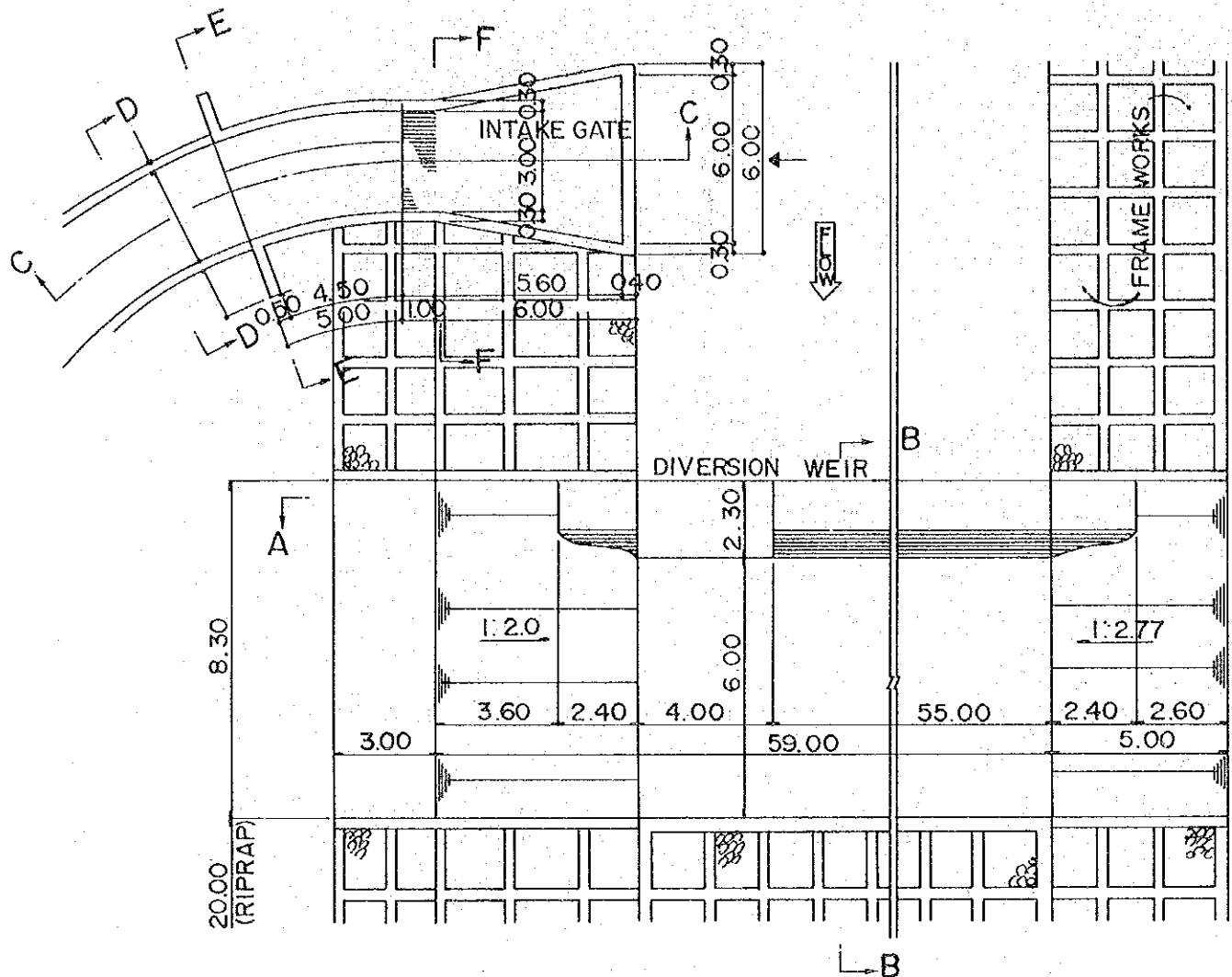
G - G SECTION



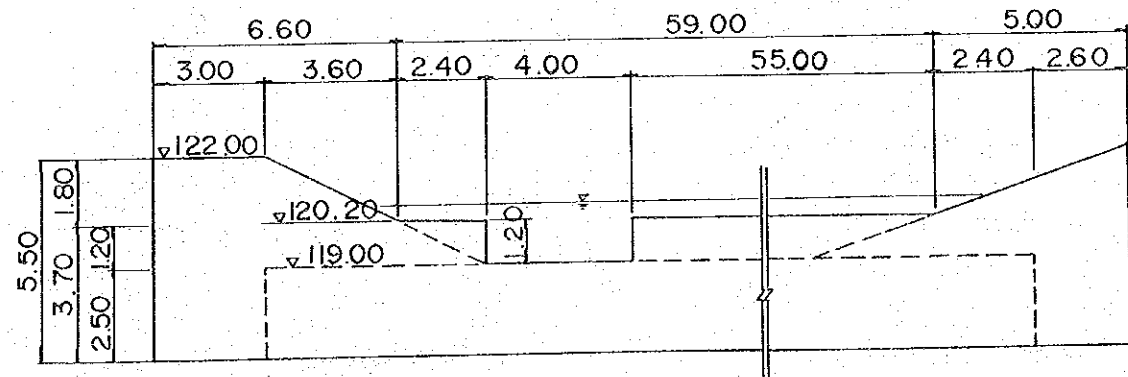
L - L SECTION

THE REPUBLIC OF HONDURAS
 AGUAN VALLEY AGRICULTURAL
 DEVELOPMENT PROJECT
 (SABA-OLANCHITO)
 HEAD WORKS
 (UPPER AGUAN RIVER)
 1985 NO. 20
 JAPAN INTERNATIONAL
 COOPERATION AGENCY

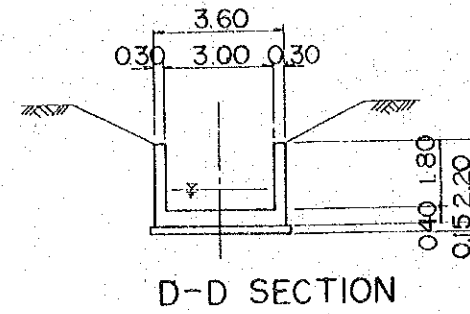
HEAD WORKS (MAME RIVER)



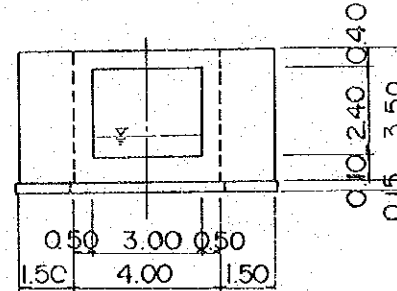
PLAN OF WEIR



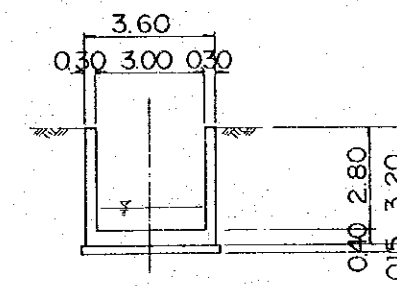
A-A SECTION



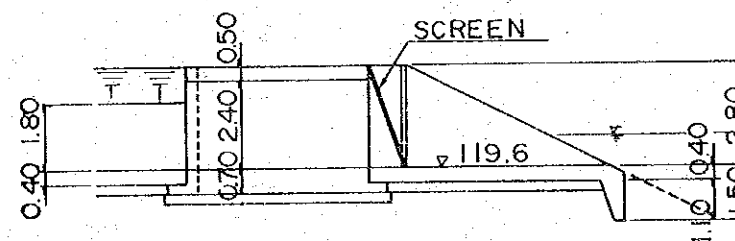
D-D SECTION



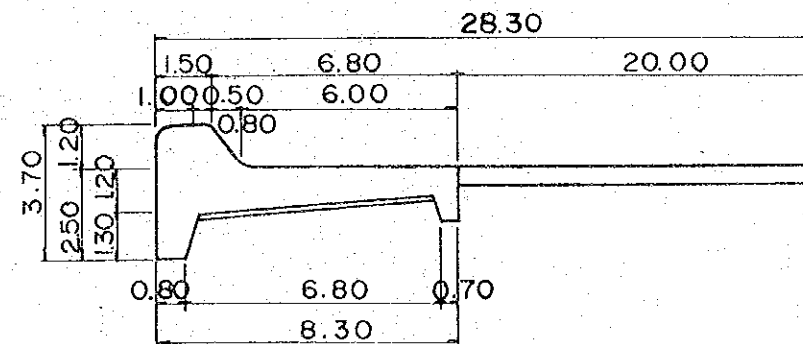
E-E SECTION



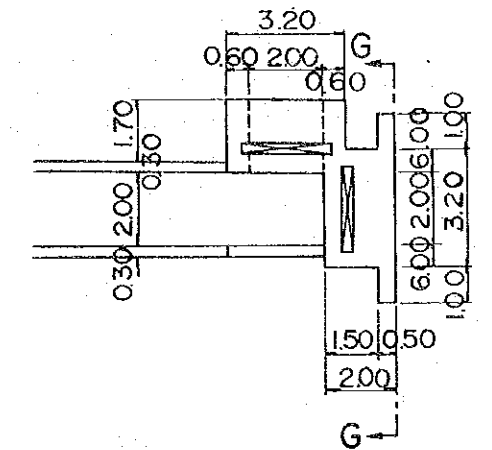
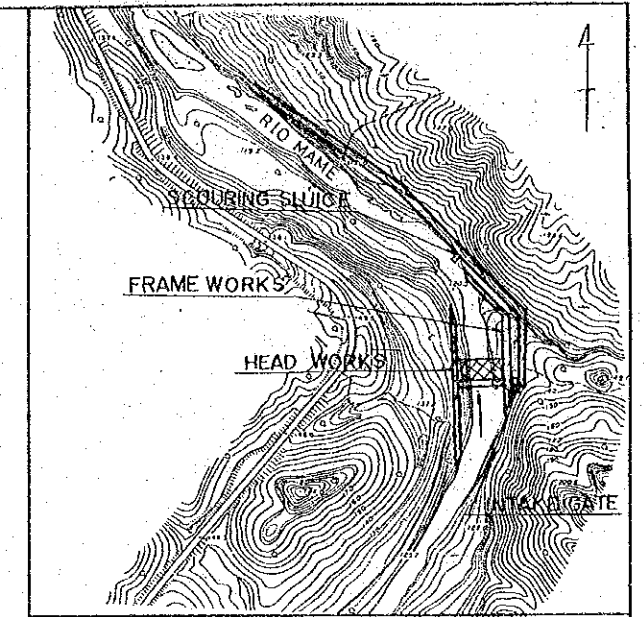
F-F SECTION



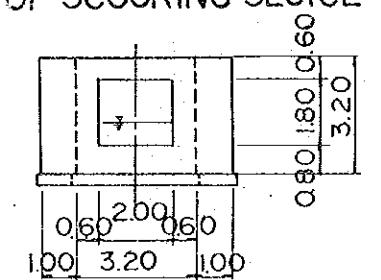
C-C SECTION



B-B SECTION



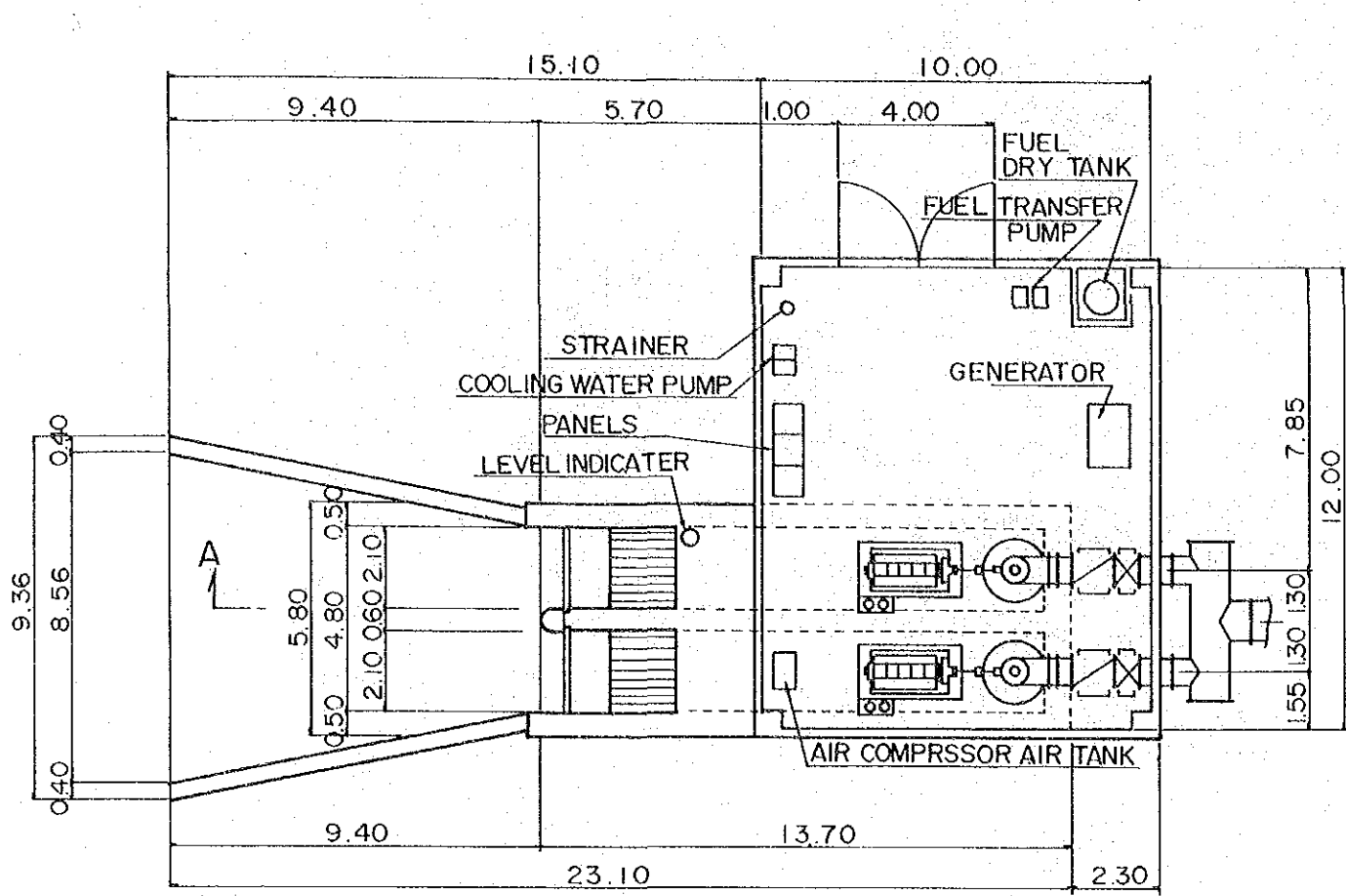
PLAN OF SCOURING SLUICE



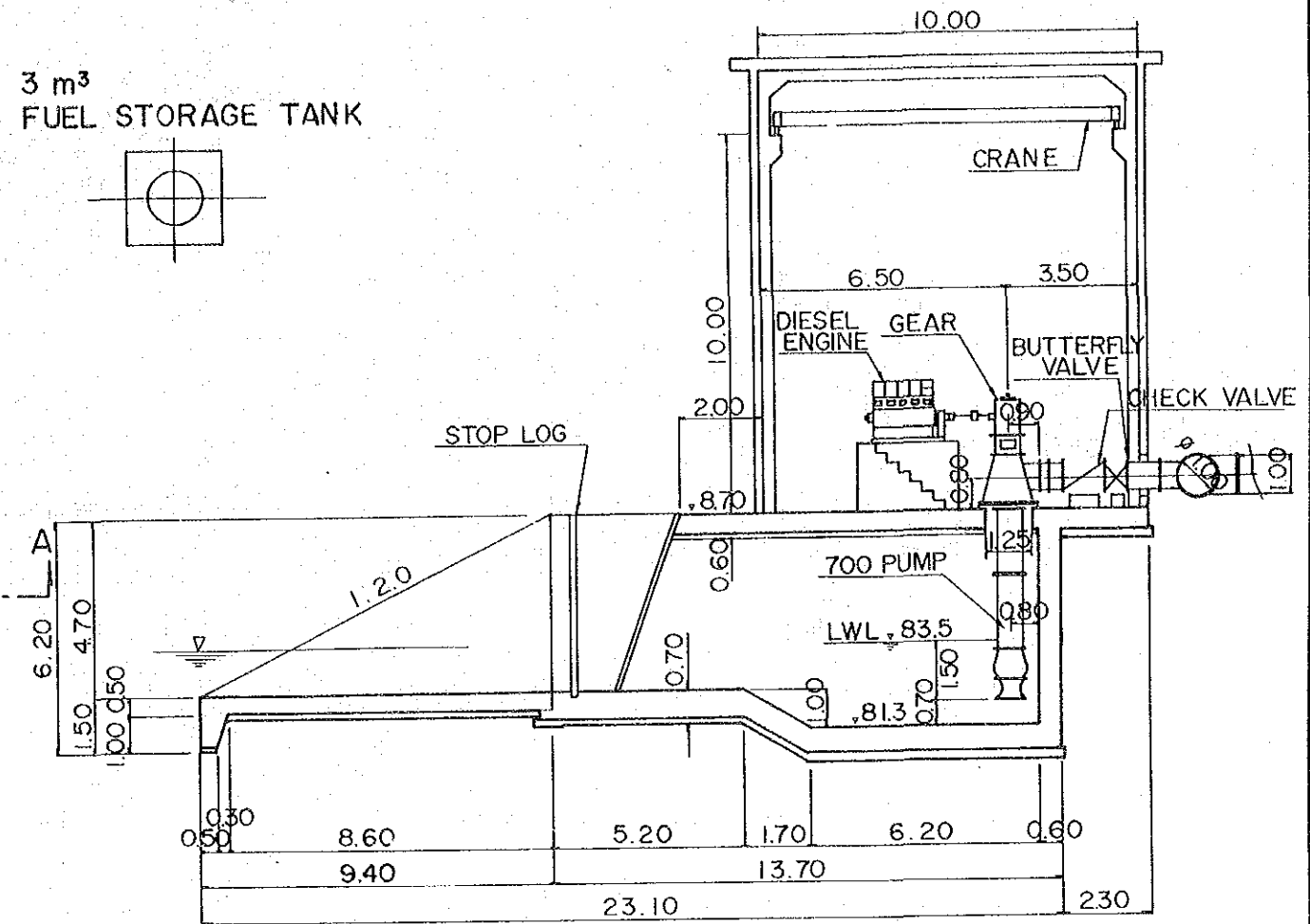
G-G SECTION

THE REPUBLIC OF HONDURAS	
AGUAN VALLEY AGRICULTURAL DEVELOPMENT PROJECT (SABA-OLANCHITO)	
HEAD WORKS (MAME RIVER)	
1985	NO. 21
JAPAN INTERNATIONAL COOPERATION AGENCY	

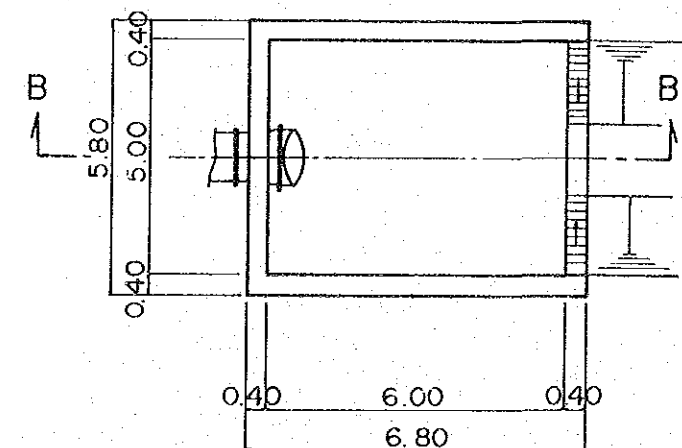
PUMP STATION NO. 1 (MIDDLE AGUAN)



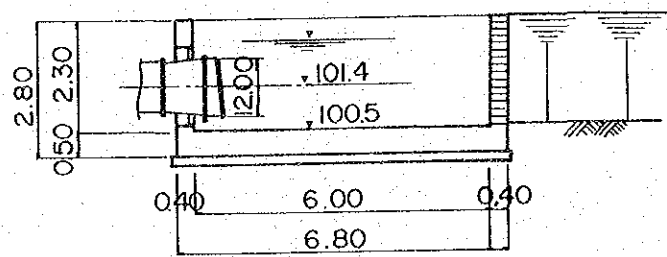
PLAN OF PUMP STATION



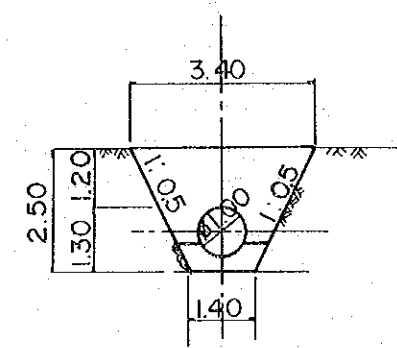
A-A SECTION



PLAN OF RESERVOIR



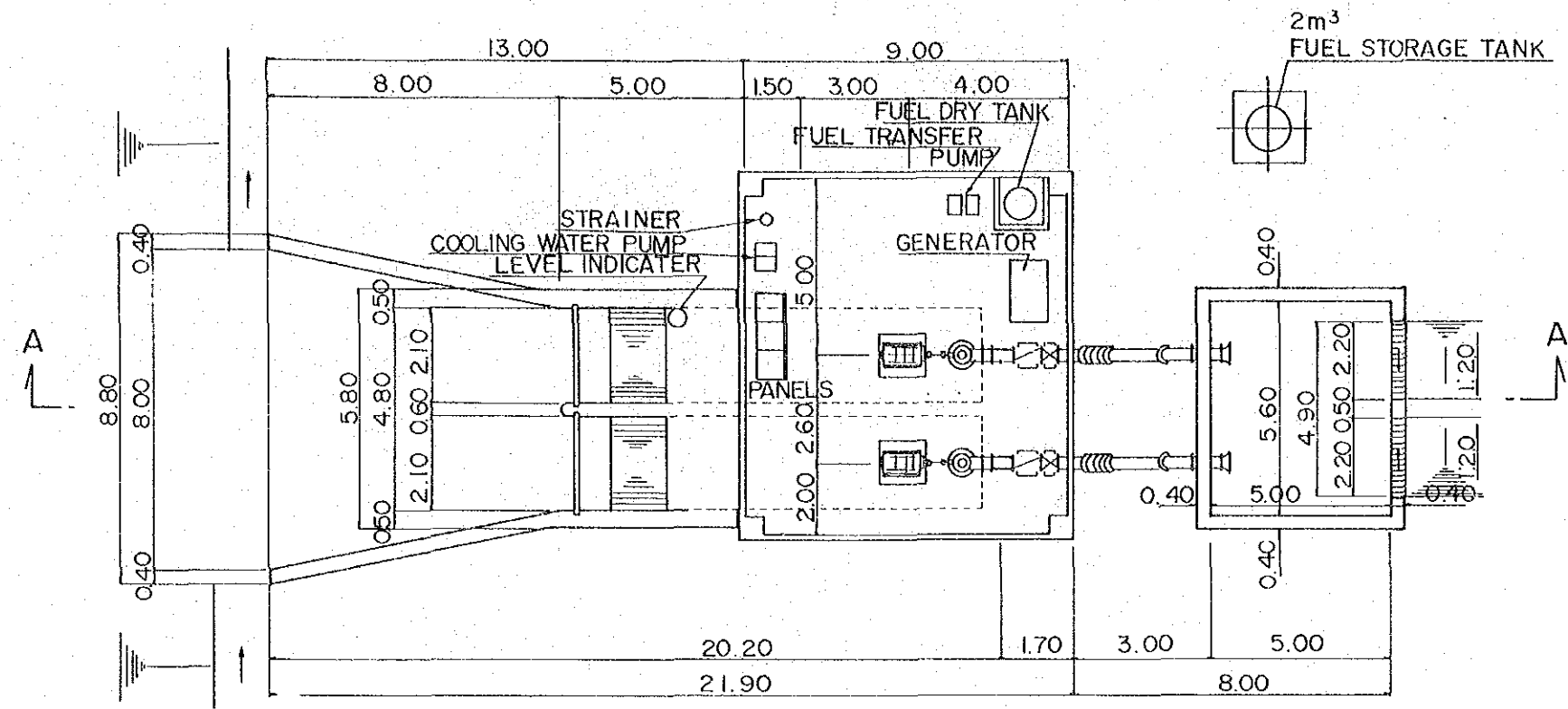
B-B SECTION



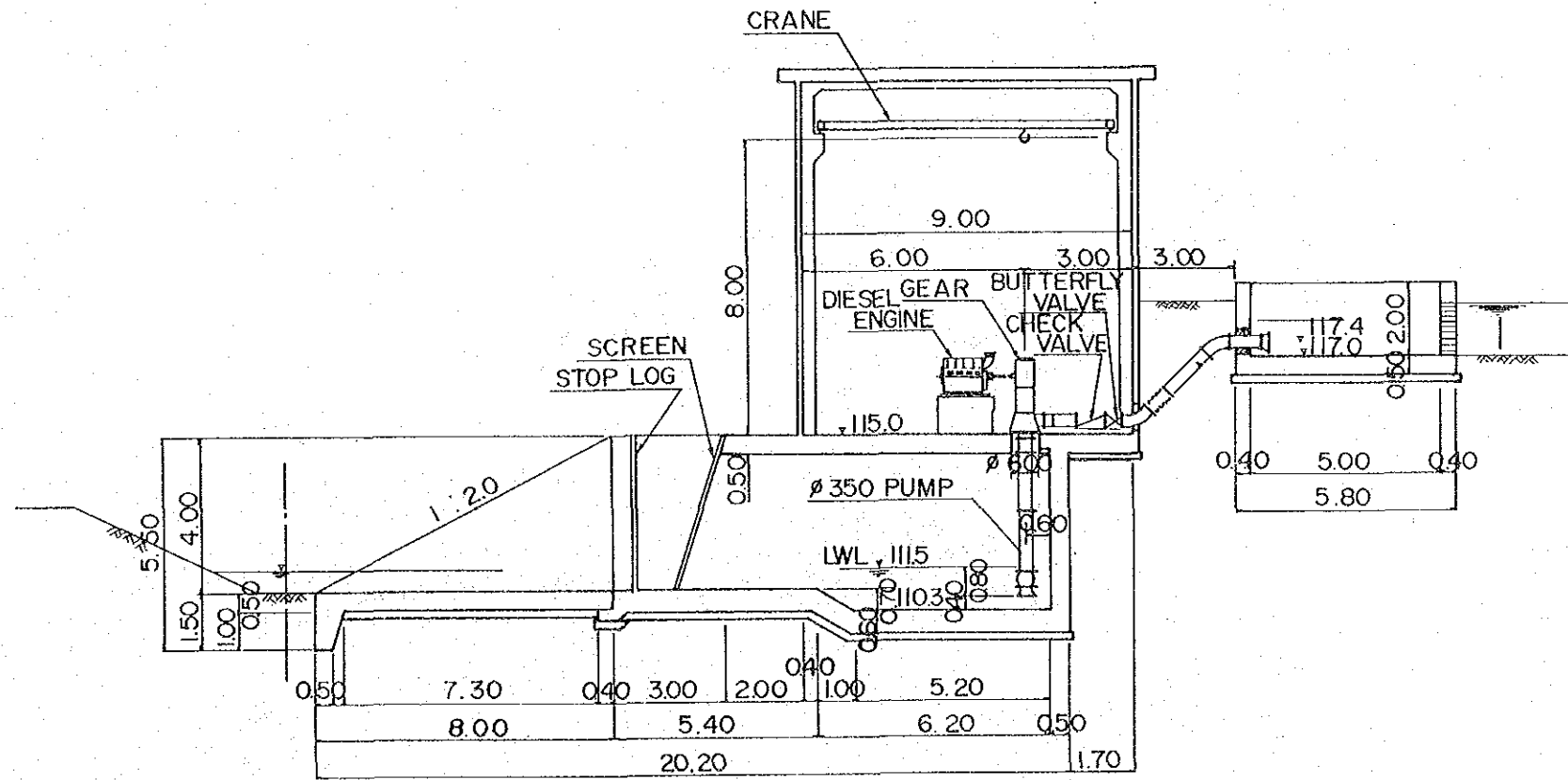
SECTION OF DRIVING PIPE

THE REPUBLIC OF HONDURAS	
AGUAN VALLEY AGRICULTURAL DEVELOPMENT PROJECT (SABA - OLANCHITO)	
PUMP STATION NO. 1 (MIDDLE AGUAN)	
1985	NO. 22
JAPAN INTERNATIONAL COOPERATION AGENCY	

PUMP STATION NO. 2 (UPPER AGUAN)



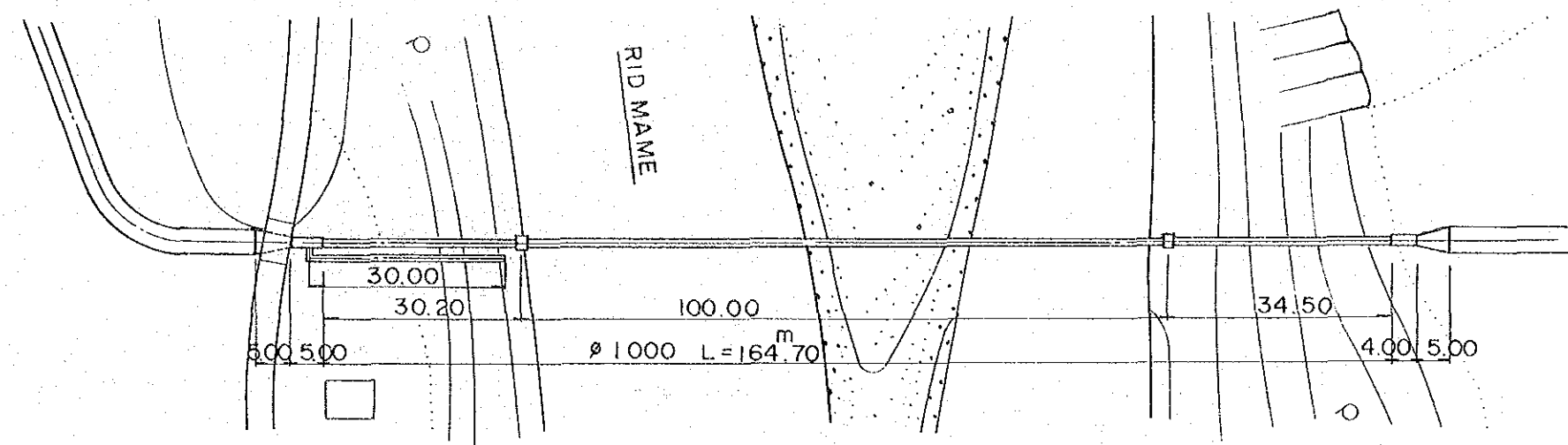
PLAN OF PUMP STATION



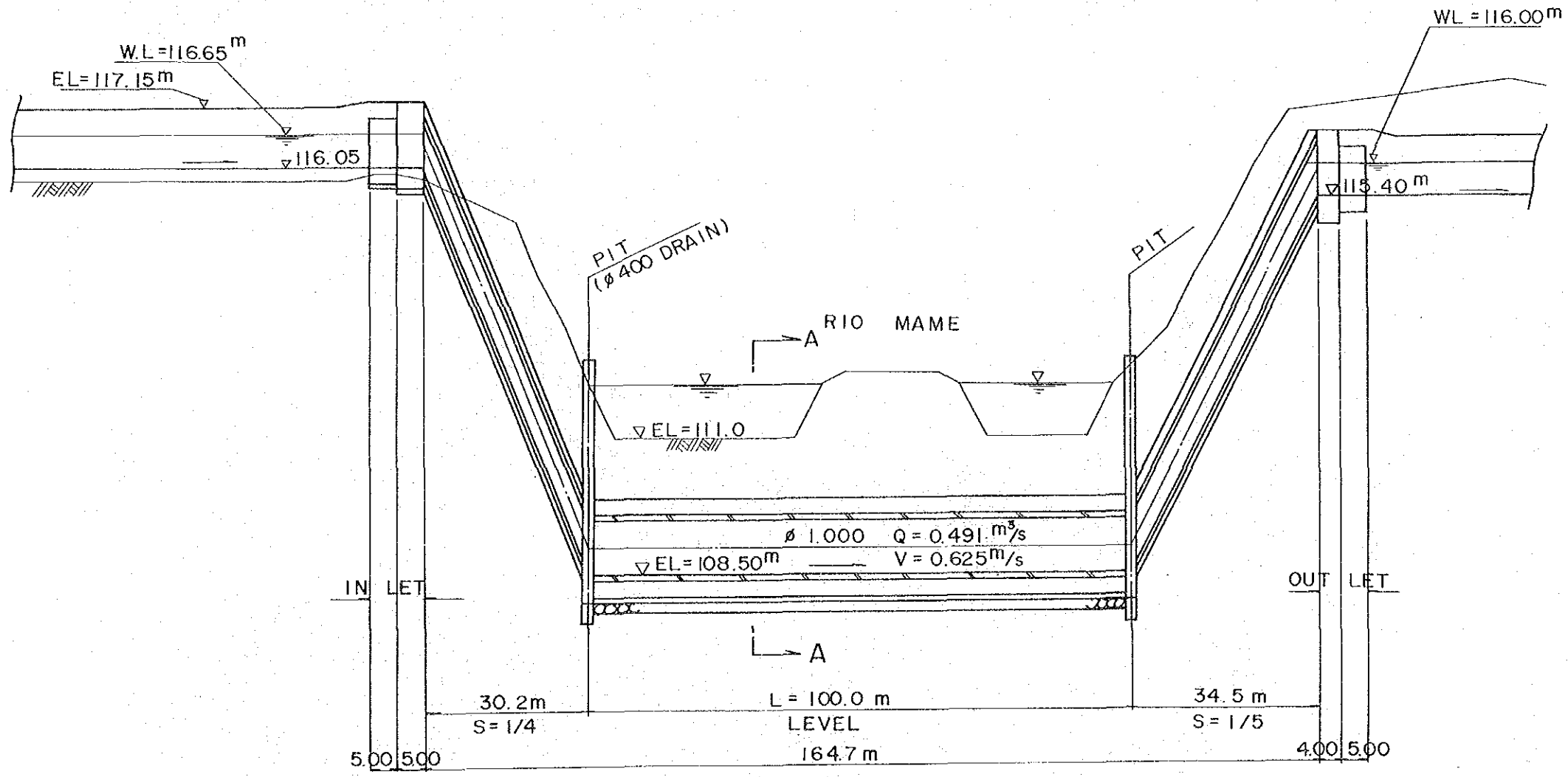
A - A SECTION

THE REPUBLIC OF HONDURAS	
AGUAN VALLEY AGRICULTURAL DEVELOPMENT PROJECT (SABA - OLAN CHITO)	
PUMP STATION NO. 2 (UPPER AGUAN)	
1985	NO. 23
JAPAN INTERNATIONAL COOPERATION AGENCY	

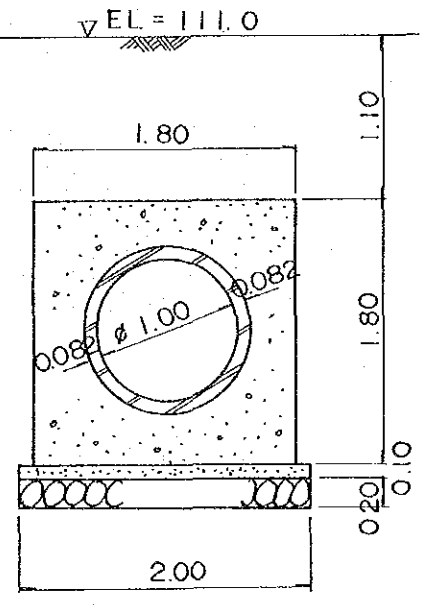
SIPHON (MAME RIVER - I)



PLAN S= 1:1000



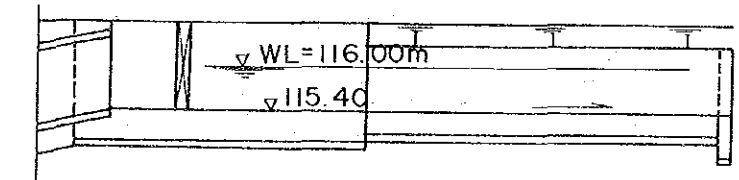
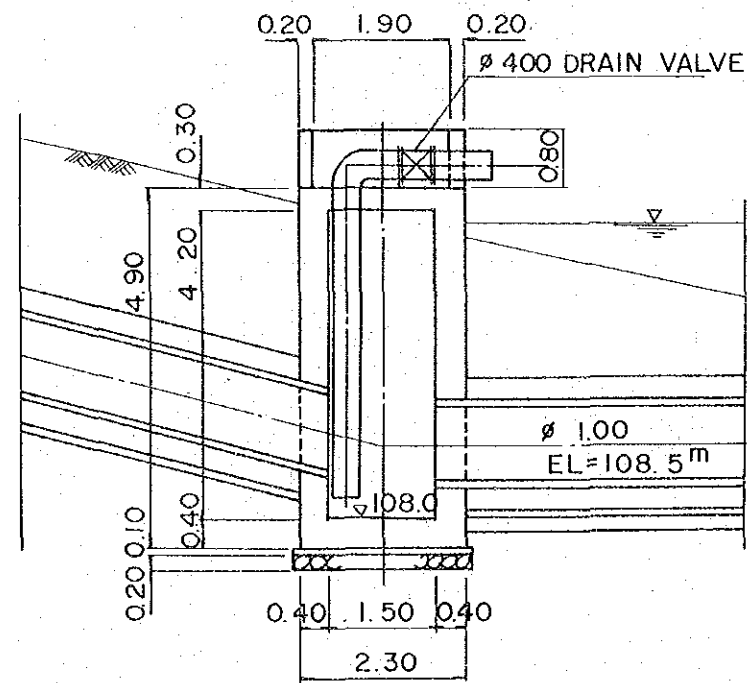
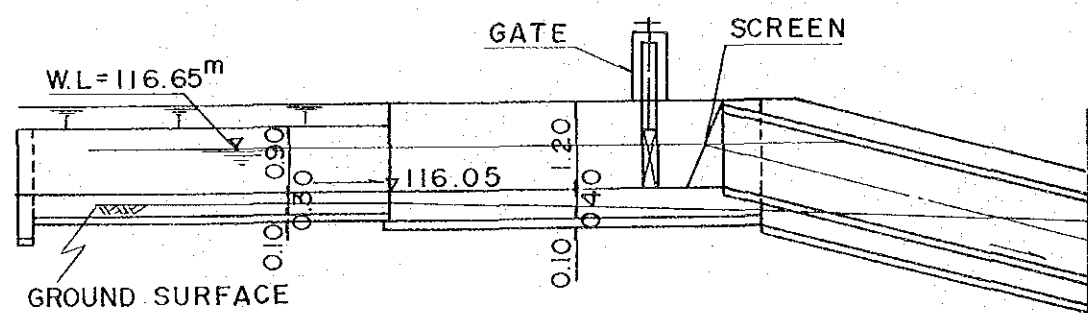
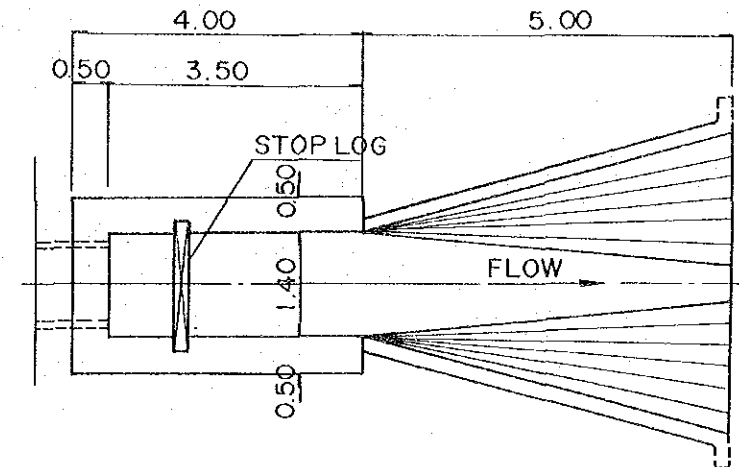
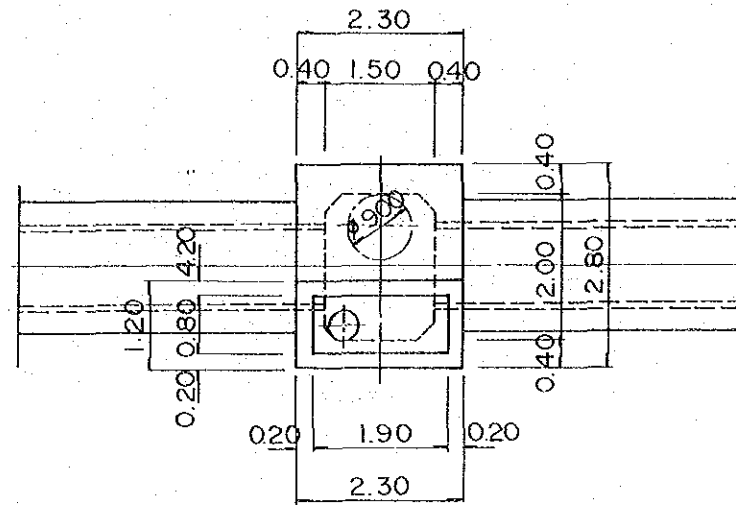
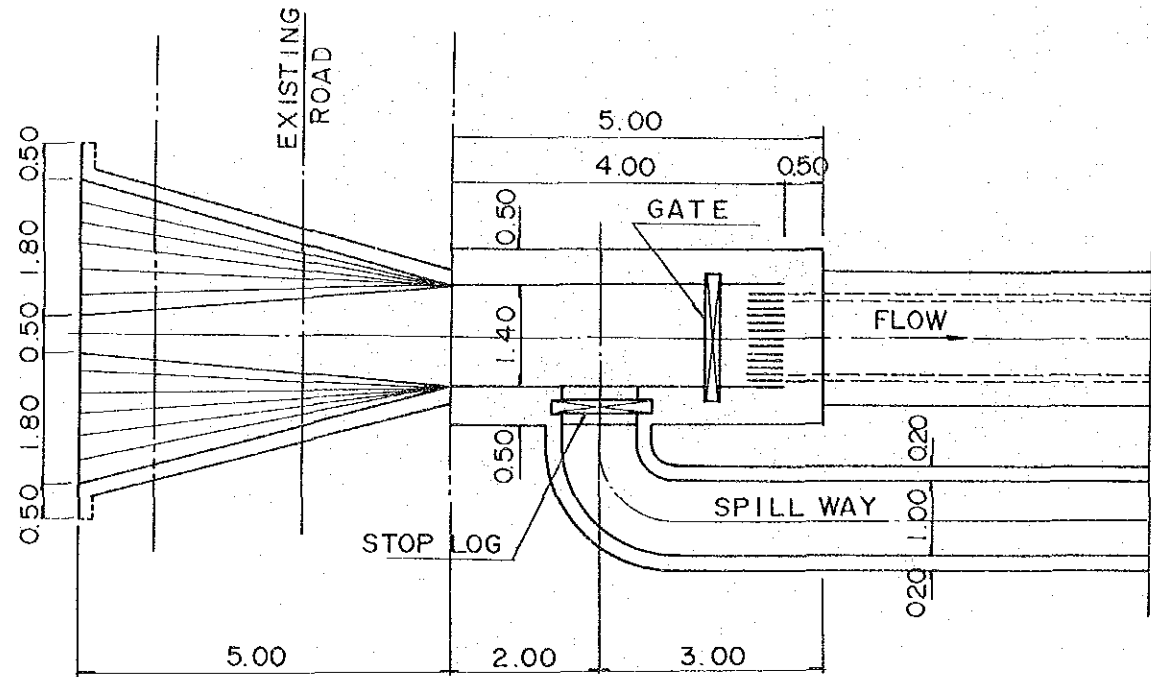
PROFILE H = 1:1000
V = 1:100



SECTION A-A
S = 1:50

THE REPUBLIC OF HONDURAS	
AGUAN VALLEY AGRICULTURAL DEVELOPMENT PROJECT (SABA - OLANCHITO)	
SIPHON (MAME RIVER - I)	
1985	NO. 24
JAPAN INTERNATIONAL COOPERATION AGENCY	

SIPHON (MAME RIVER-2)



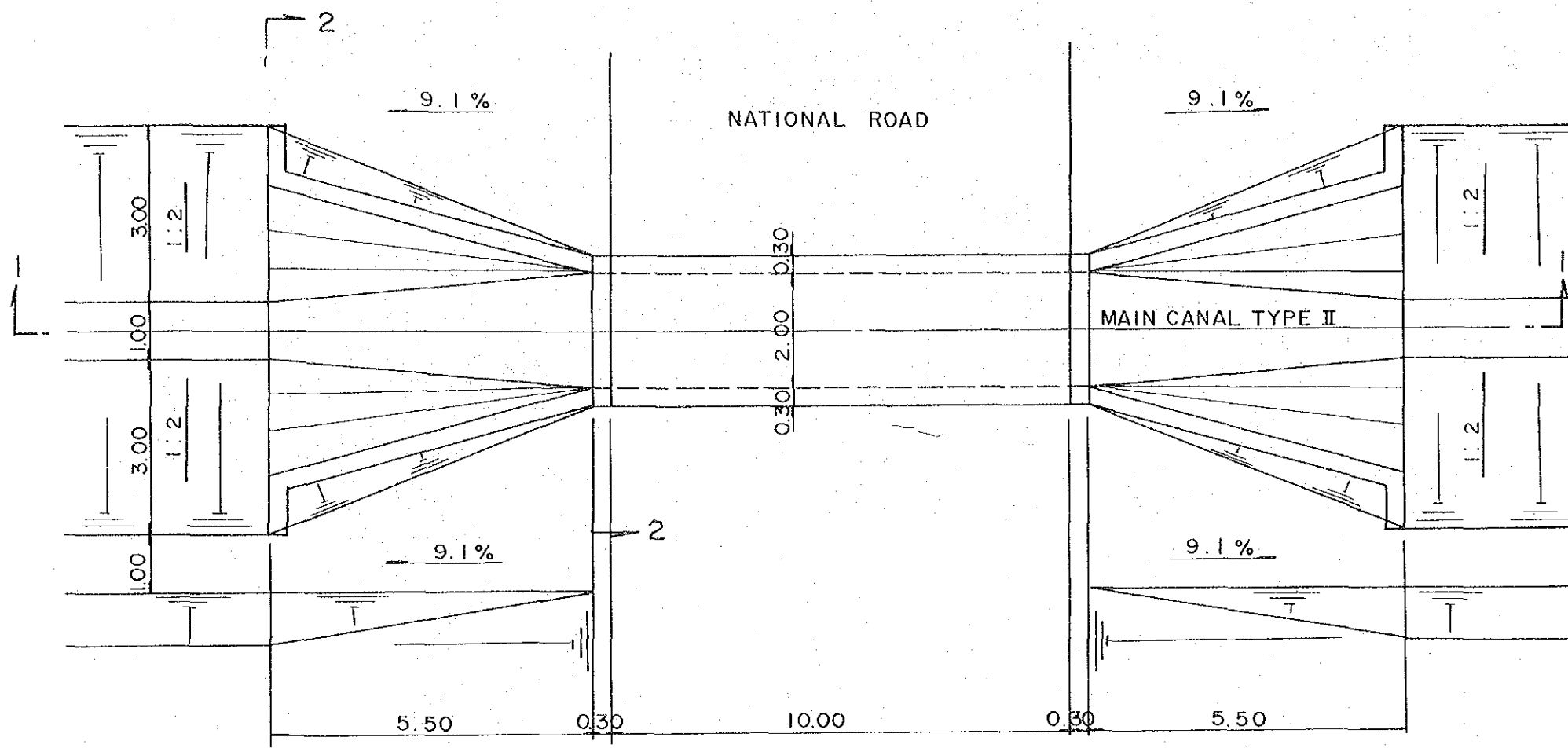
IN LET

PIT

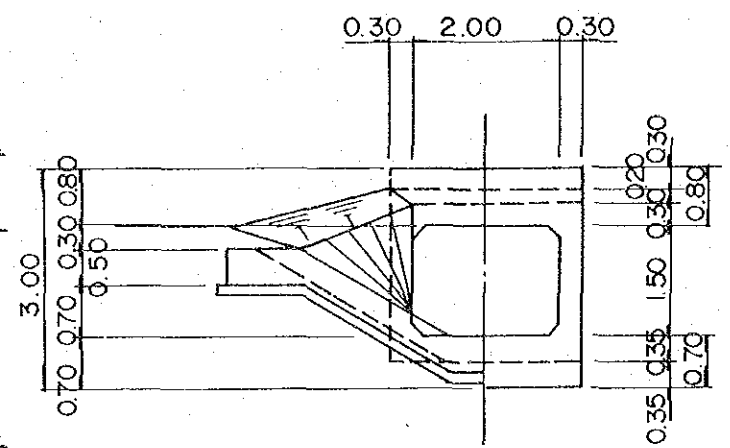
OUT LET

THE REPUBLIC OF HONDURAS	
AGUAN VALLEY AGRICULTURAL DEVELOPMENT PROJECT (SABA - OLANCHITO)	
SIPHON (MAME RIVER-2)	
1985	NO. 25
JAPAN INTERNATIONAL COOPERATION AGENCY	

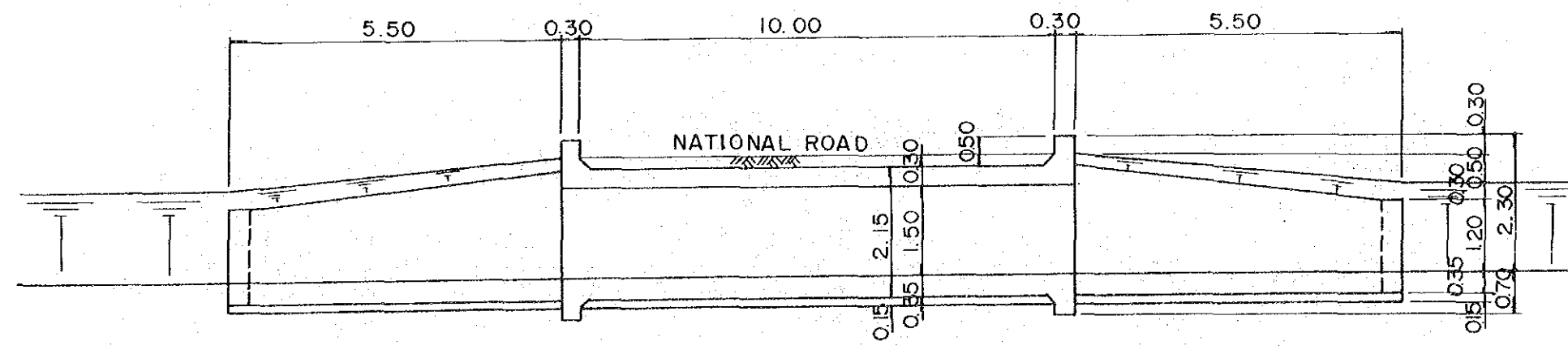
BOX CULVERT (I)



PLAN



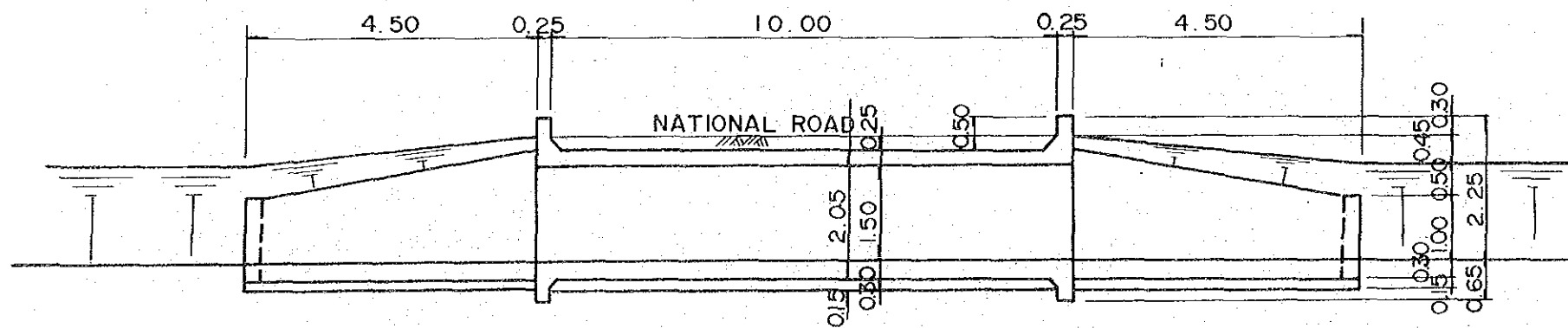
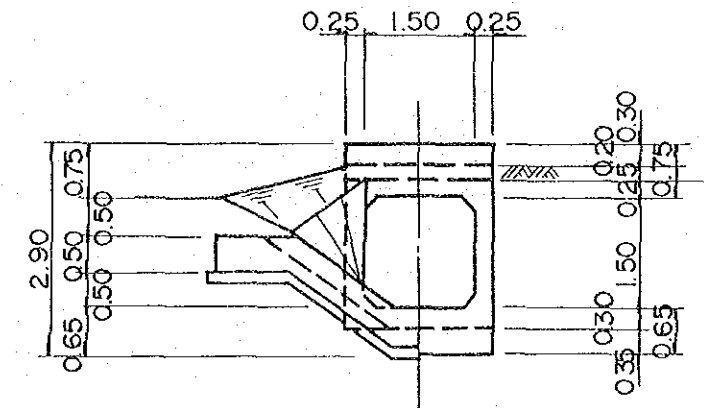
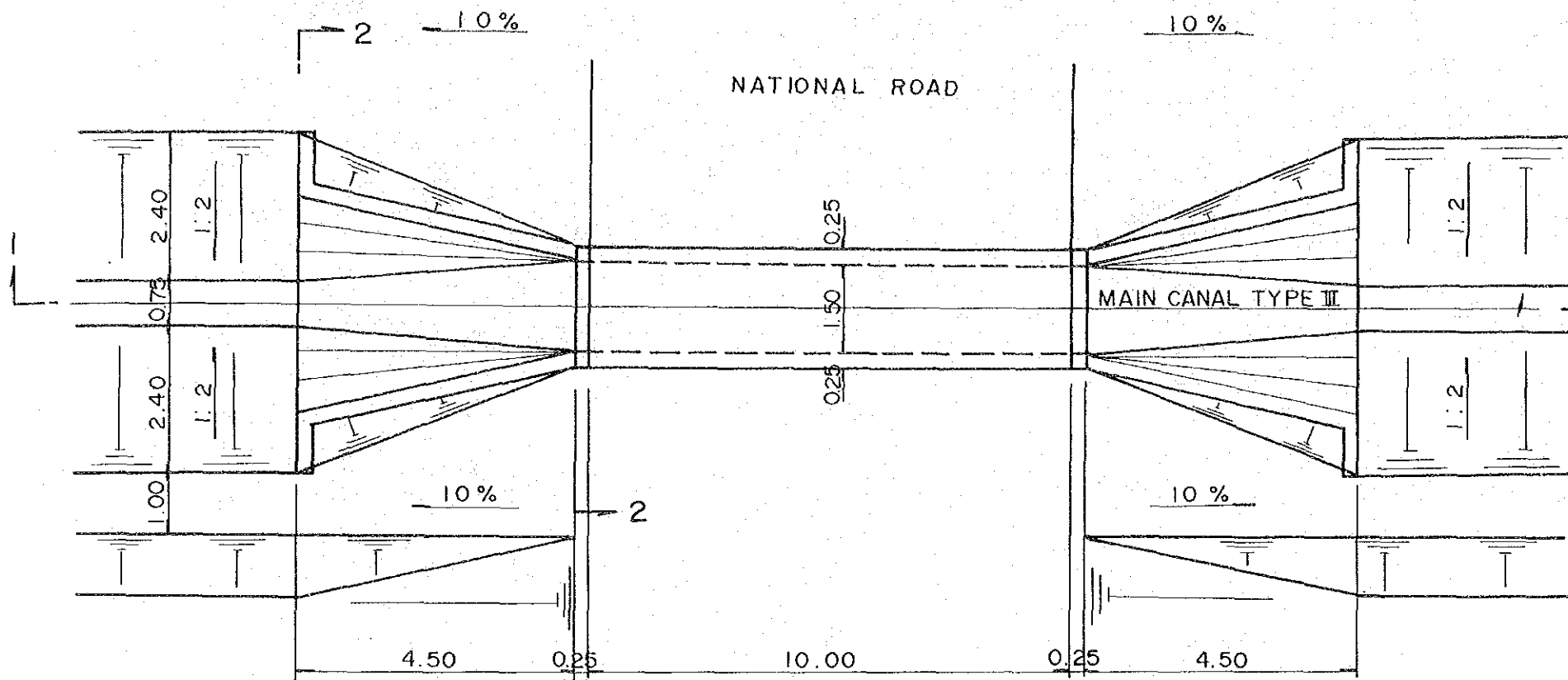
SECTION 2-2



SECTION 1-1

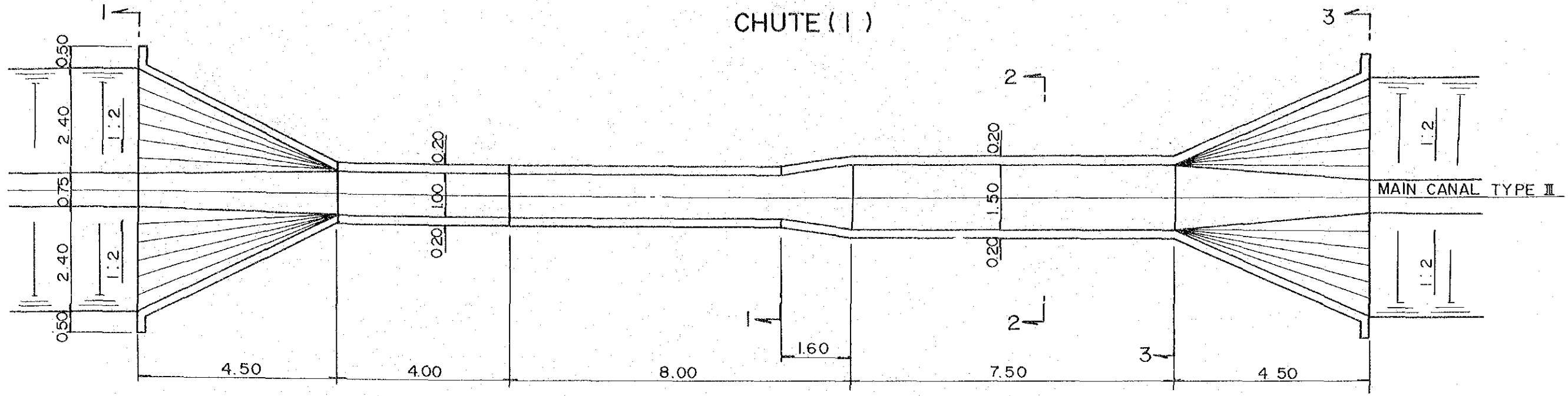
THE REPUBLIC OF HONDURAS	
AGUAN VALLEY AGRICULTURAL DEVELOPMENT PROJECT (SABA - OLANCHITO)	
BOX CULVERT (I)	
1985	NO. 26
JAPAN INTERNATIONAL COOPERATION AGENCY	

BOX CULVERT (2)

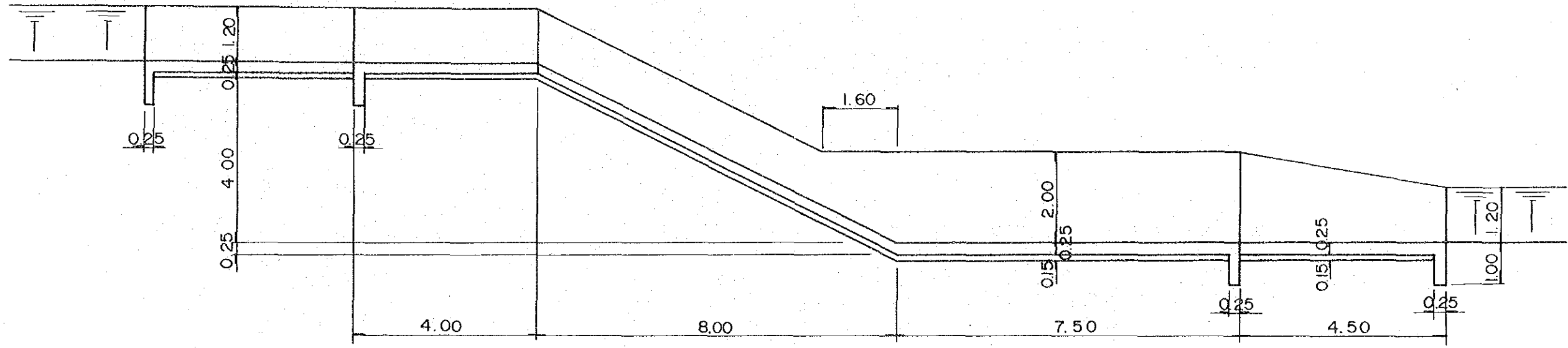


THE REPUBLIC OF HONDURAS	
AGUAN VALLEY AGRICULTURAL DEVELOPMENT PROJECT (SABA - OLANCHITO)	
BOX CULVERT (2)	
1985	NO. 27
JAPAN INTERNATIONAL COOPERATION AGENCY	

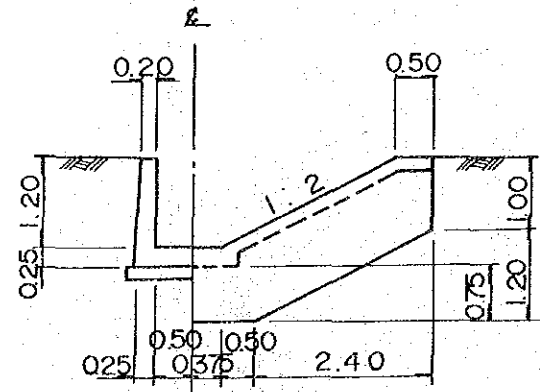
CHUTE (I)



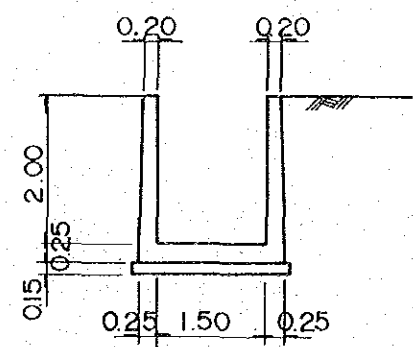
PLAN



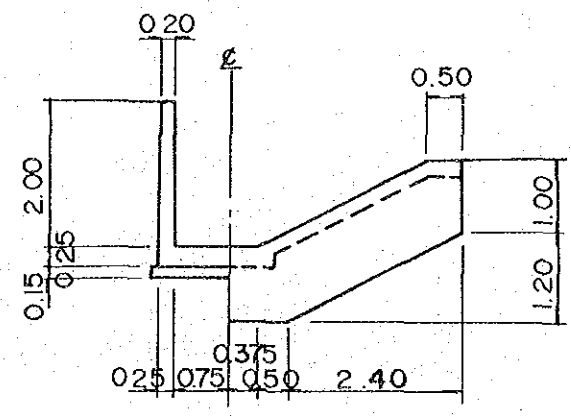
PROFILE



SECTION 1 - 1



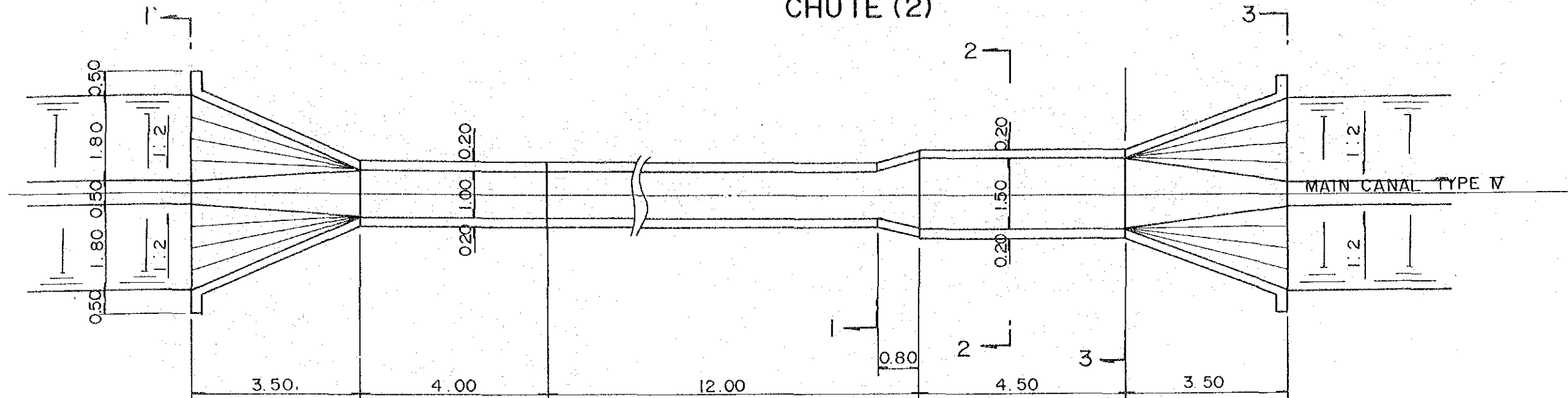
SECTION 2 - 2



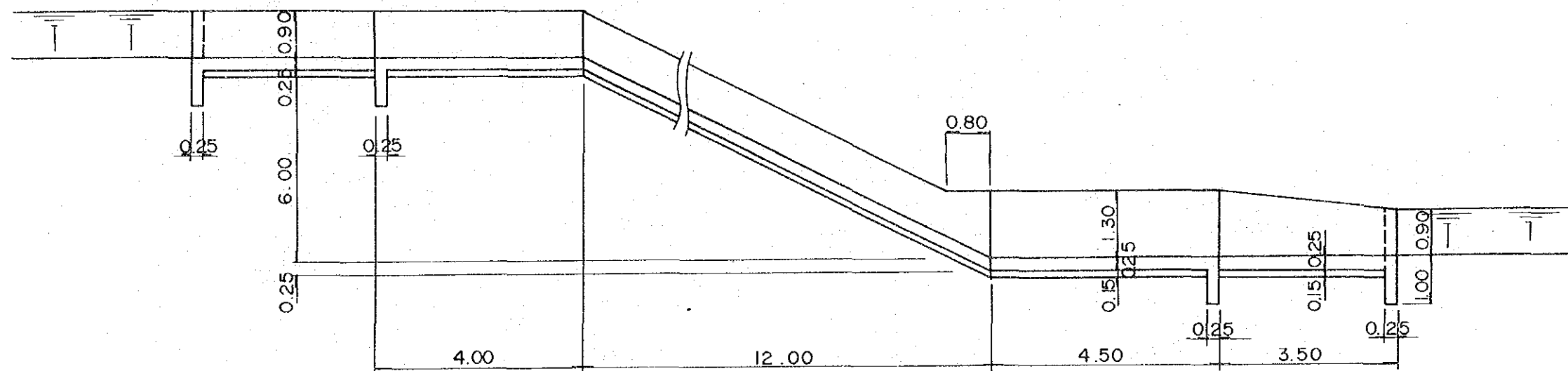
SECTION 3 - 3

THE REPUBLIC OF HONDURAS	
AGUAN VALLEY AGRICULTURAL	
DEVELOPMENT PROJECT	
(SABA-OLANCHITO)	
CHUTE (I)	
1985	NO. 28
JAPAN INTERNATIONAL	
COOPERATION AGENCY	

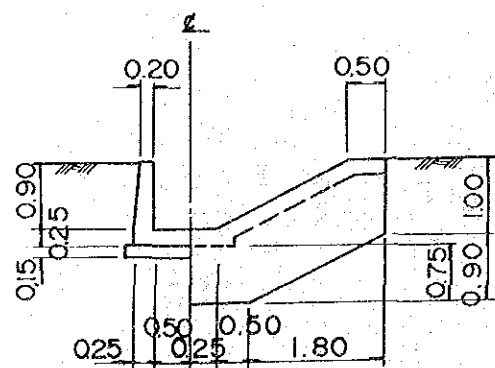
CHUTE (2)



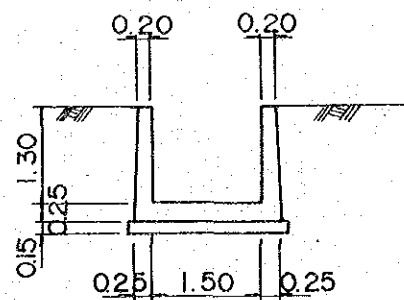
PLAN



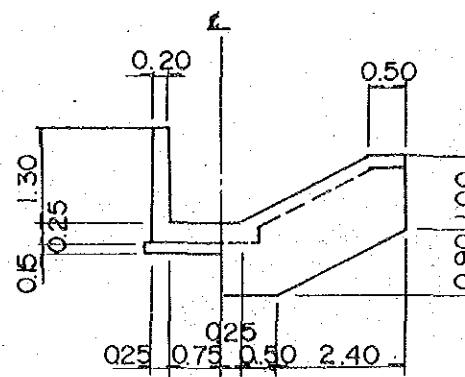
PROFILE



SECTION 1-1



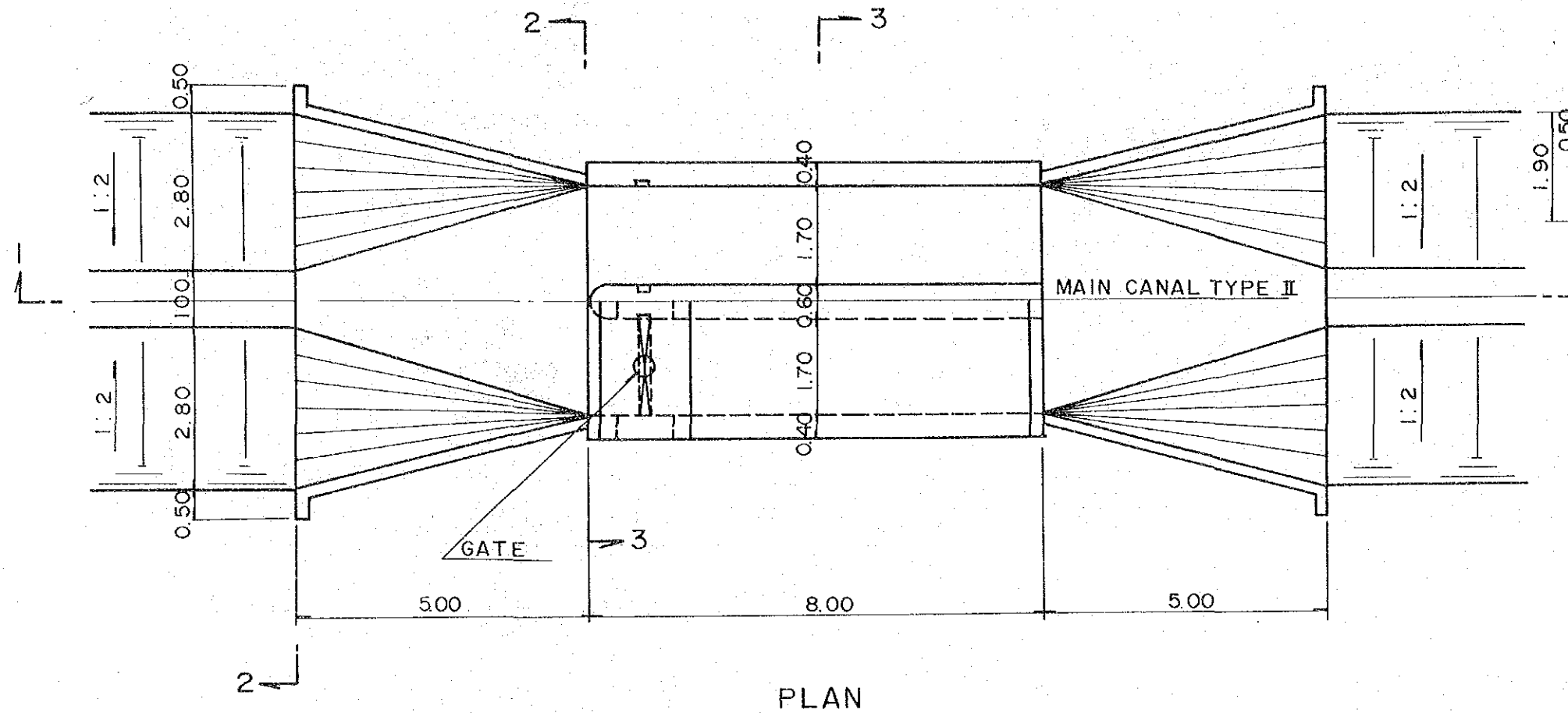
SECTION 2-2



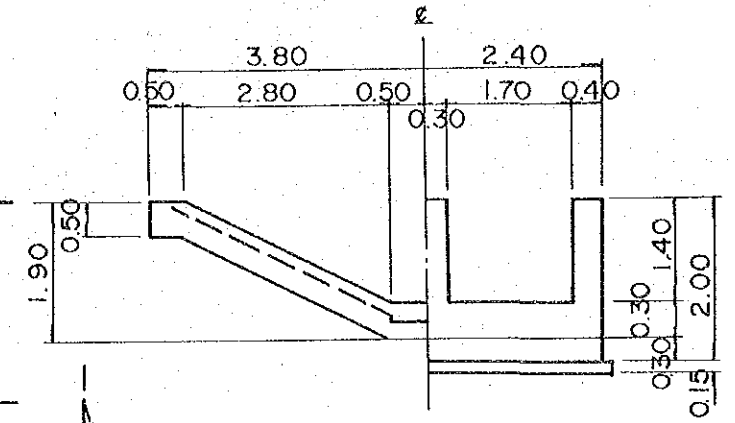
SECTION 3-3

THE REPUBLIC OF HONDURAS	
AGUAN VALLEY AGRICULTURAL DEVELOPMENT PROJECT (SABA - OLANCHITO)	
CHUTE (2)	
1985	NO. 29
JAPAN INTERNATIONAL COOPERATION AGENCY	

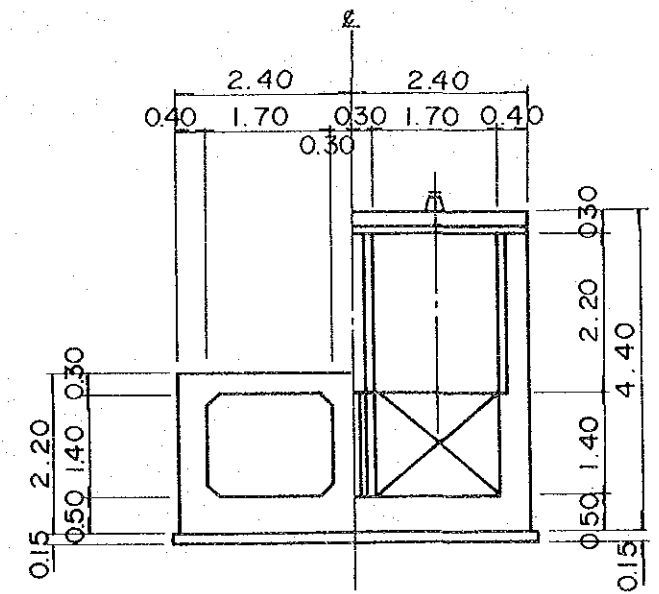
CHECK GATE (1)



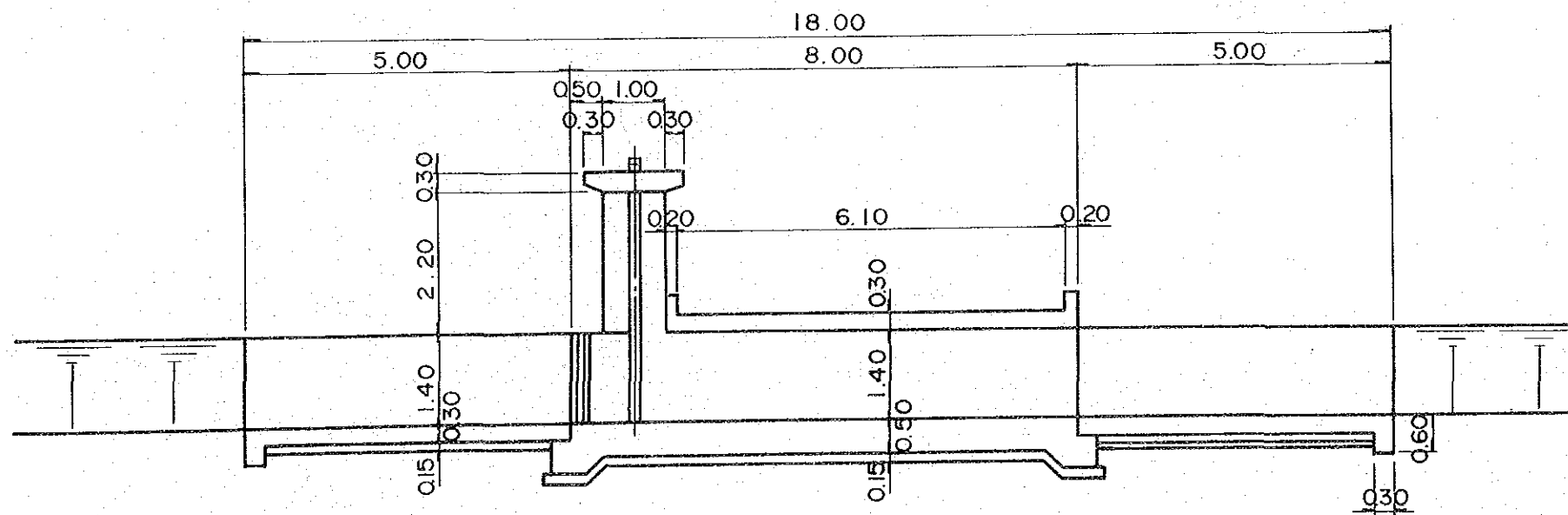
PLAN



SECTION 2-2



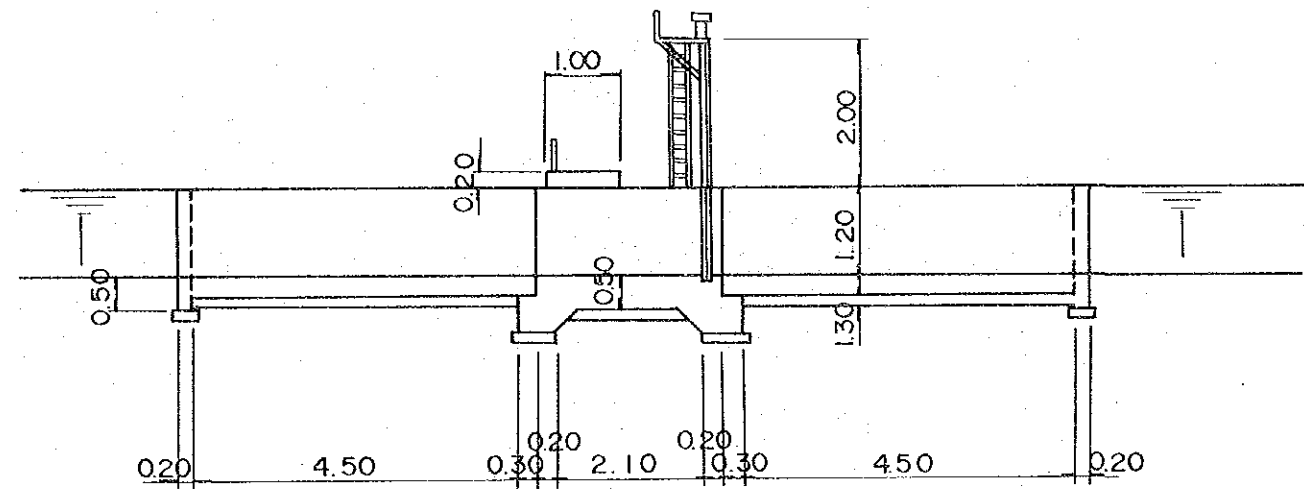
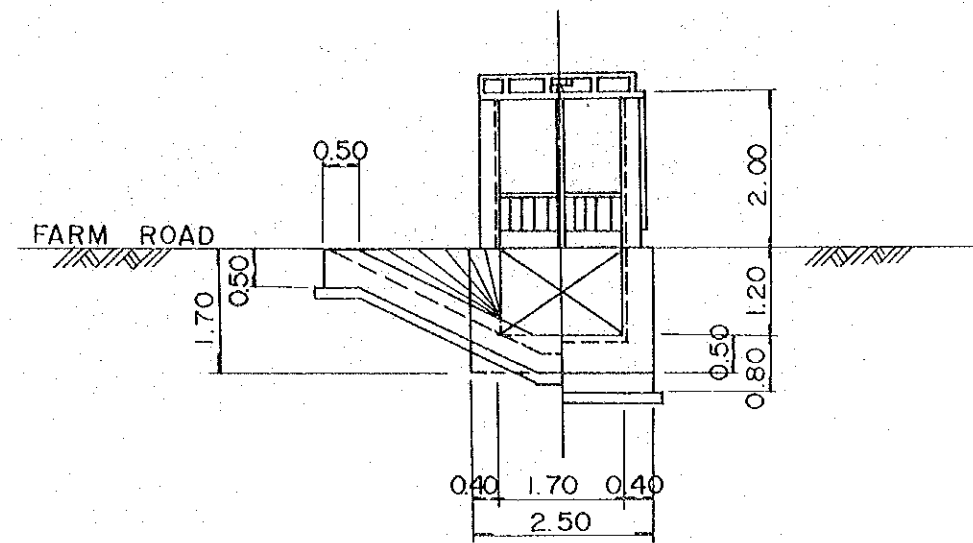
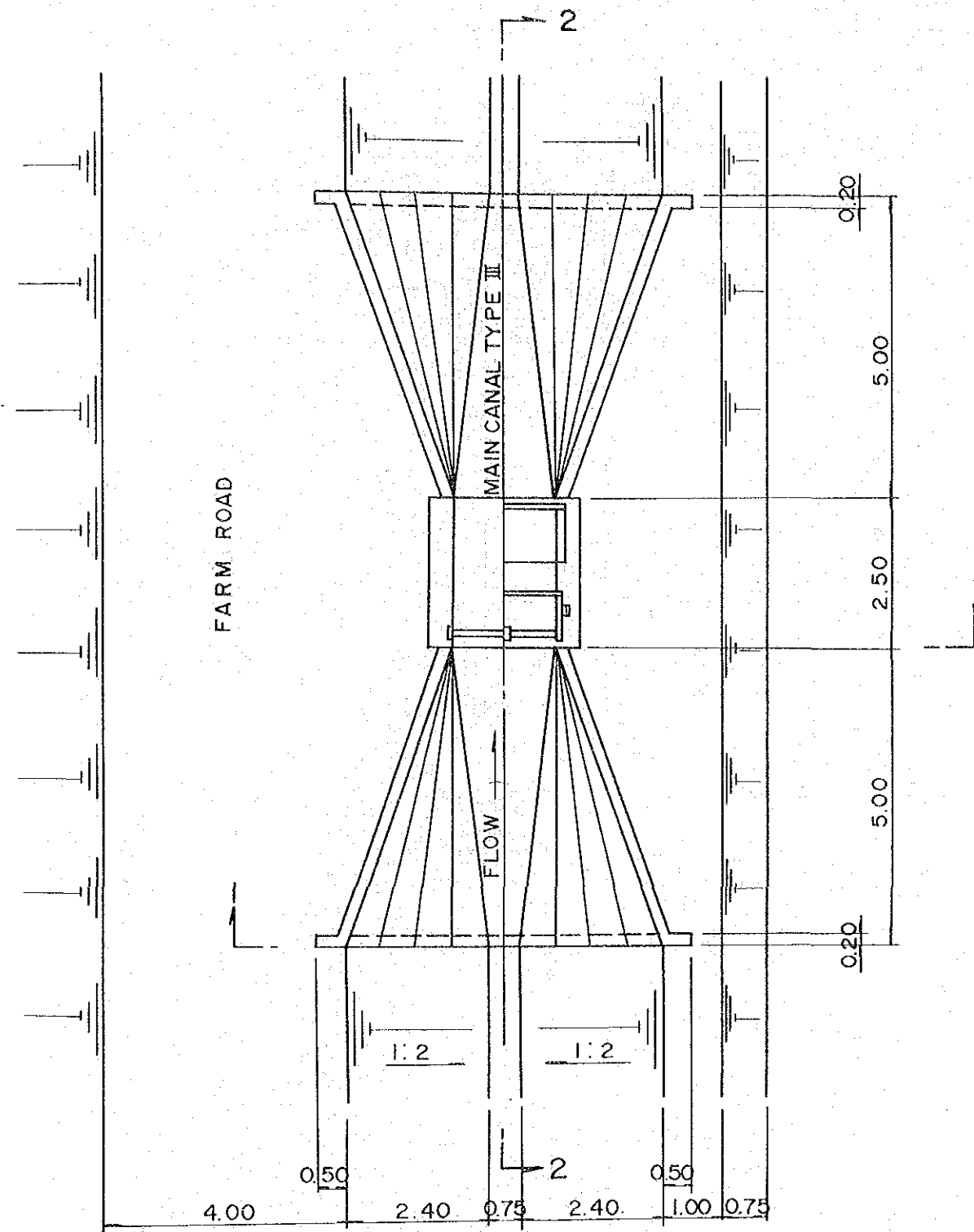
SECTION 3-3



SECTION 1-1

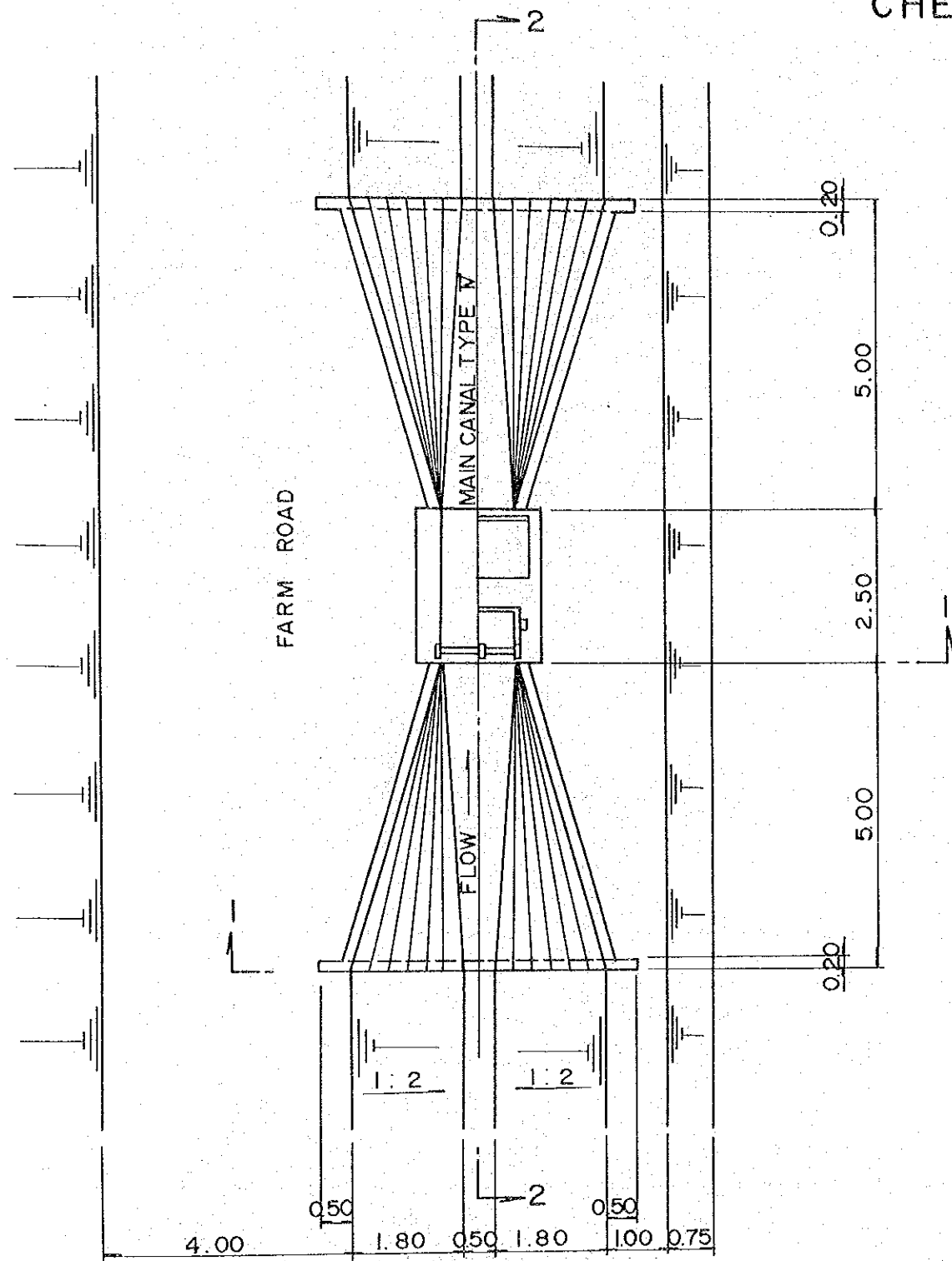
THE REPUBLIC OF HONDURAS	
AGUAN VALLEY AGRICULTURAL DEVELOPMENT PROJECT (SABA - OLANCHITO)	
CHECK GATE (1)	
1985	NO. 30
JAPAN INTERNATIONAL COOPERATION AGENCY	

CHECK GATE (2)

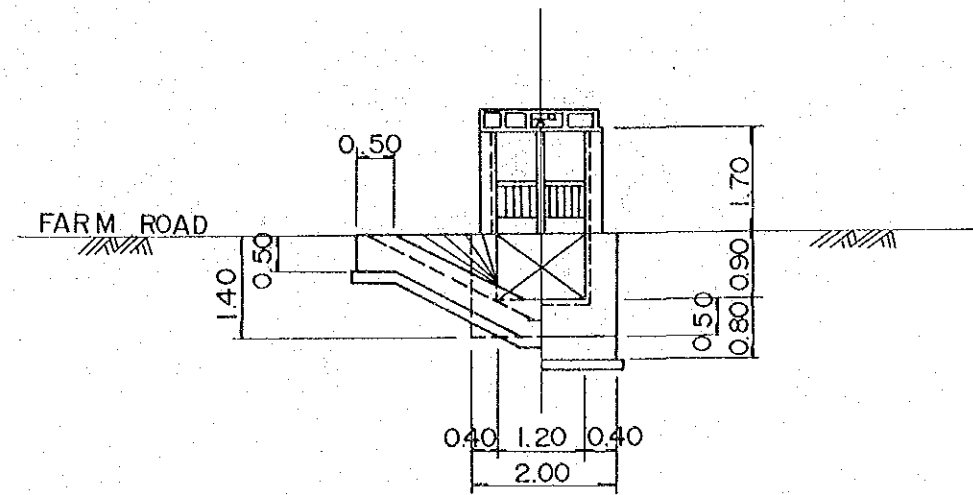


THE REPUBLIC OF HONDURAS	
AGUAN VALLEY AGRICULTURAL DEVELOPMENT PROJECT (SABA - OLANCHITO)	
CHECK GATE(2)	
1985	NO. 31
JAPAN INTERNATIONAL COOPERATION AGENCY	

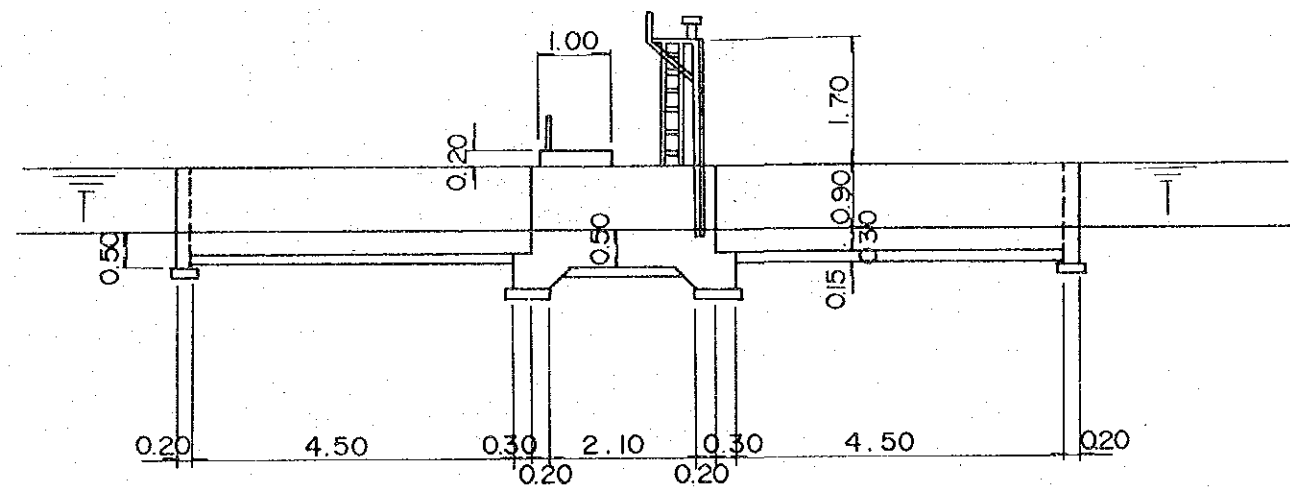
CHECK GATE (3)



PLAN



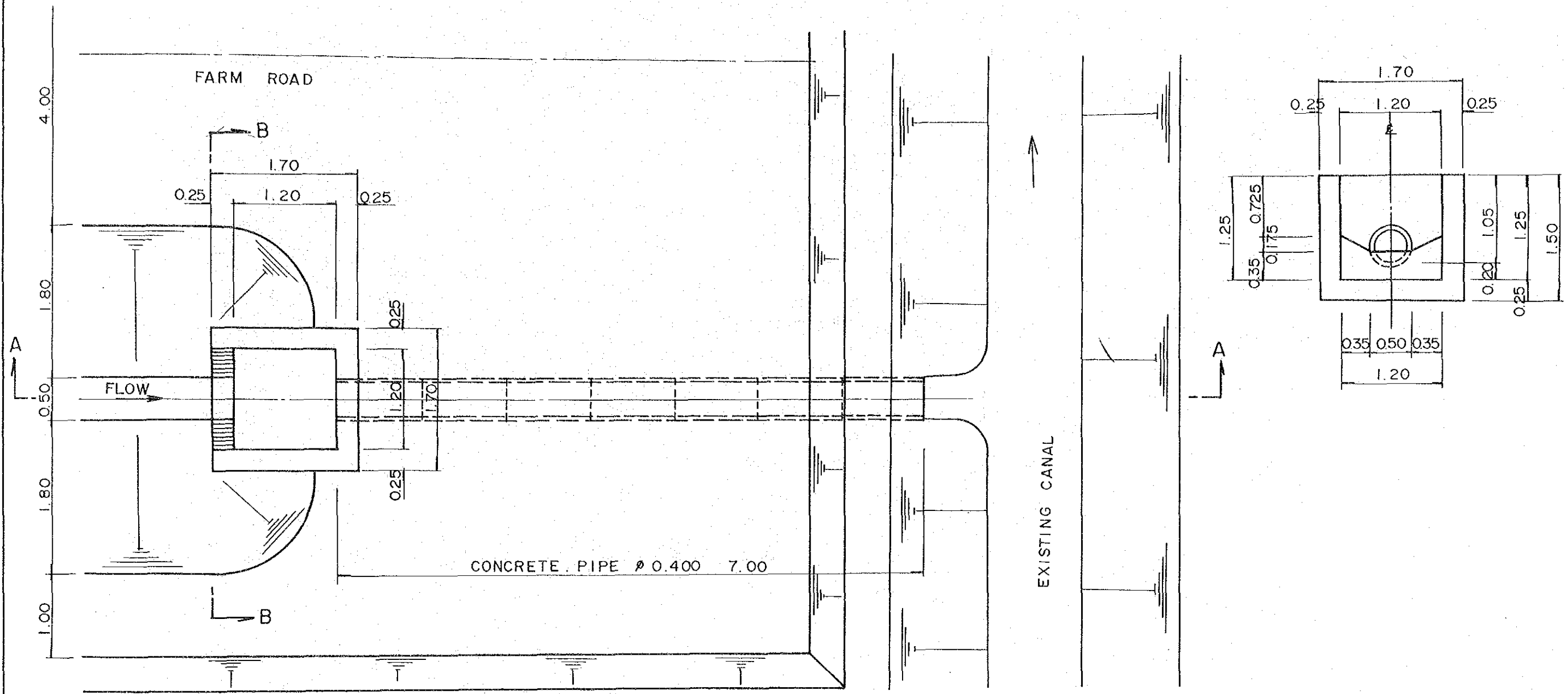
SECTION 1 - 1



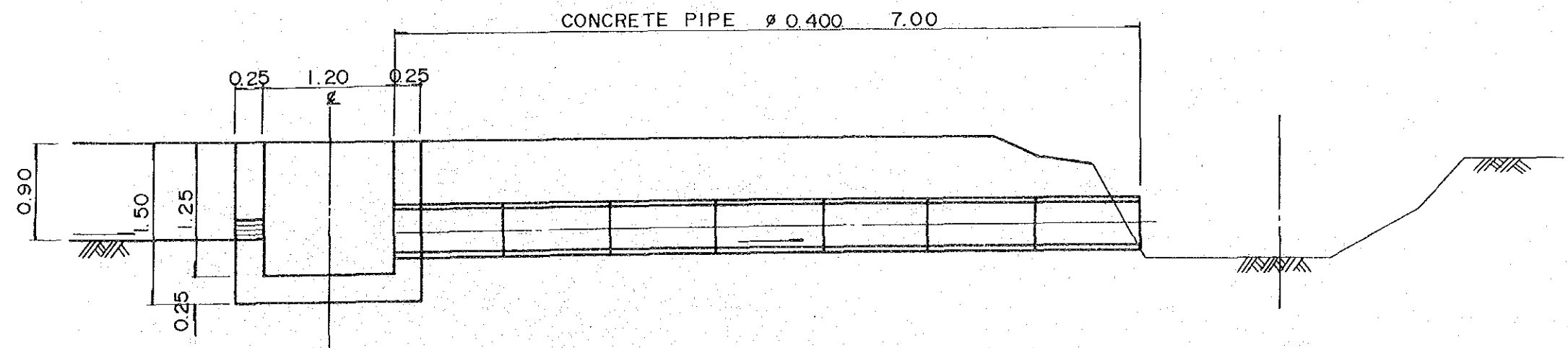
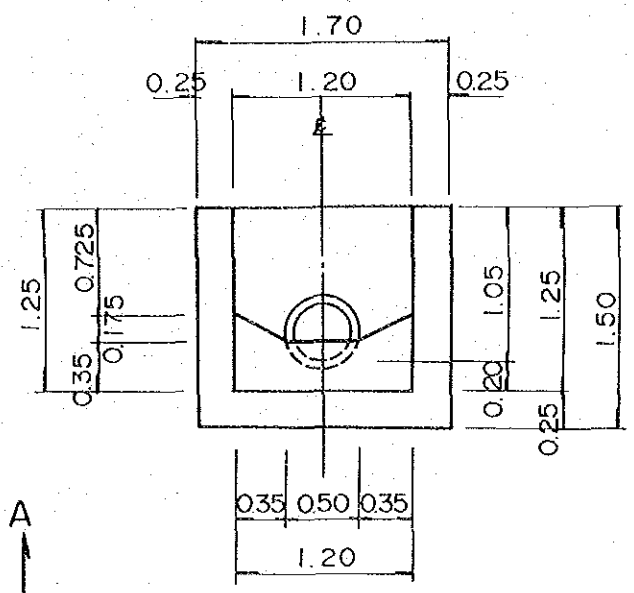
SECTION 2 - 2

THE REPUBLIC OF HONDURAS	
AGUAN VALLEY AGRICULTURAL DEVELOPMENT PROJECT (SABA - OLANCHITO)	
CHECK GATE (3)	
1985	NO. 32
JAPAN INTERNATIONAL COOPERATION AGENCY	

WATER WAY WORKS



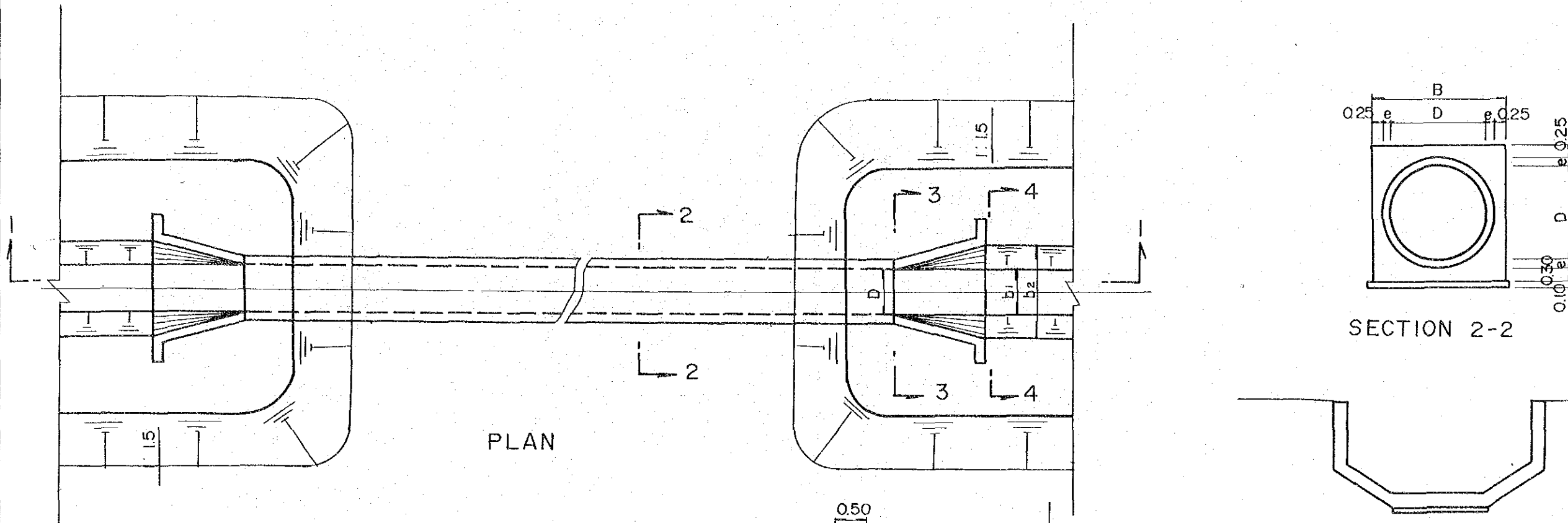
EXISTING CANAL



SECTION A - A

THE REPUBLIC OF HONDURAS	
AGUAN VALLEY AGRICULTURAL DEVELOPMENT PROJECT (SABA - OLANCHITO)	
WATER WAY WORKS	
1985	NO. 33
JAPAN INTERNATIONAL COOPERATION AGENCY	

SIPHON



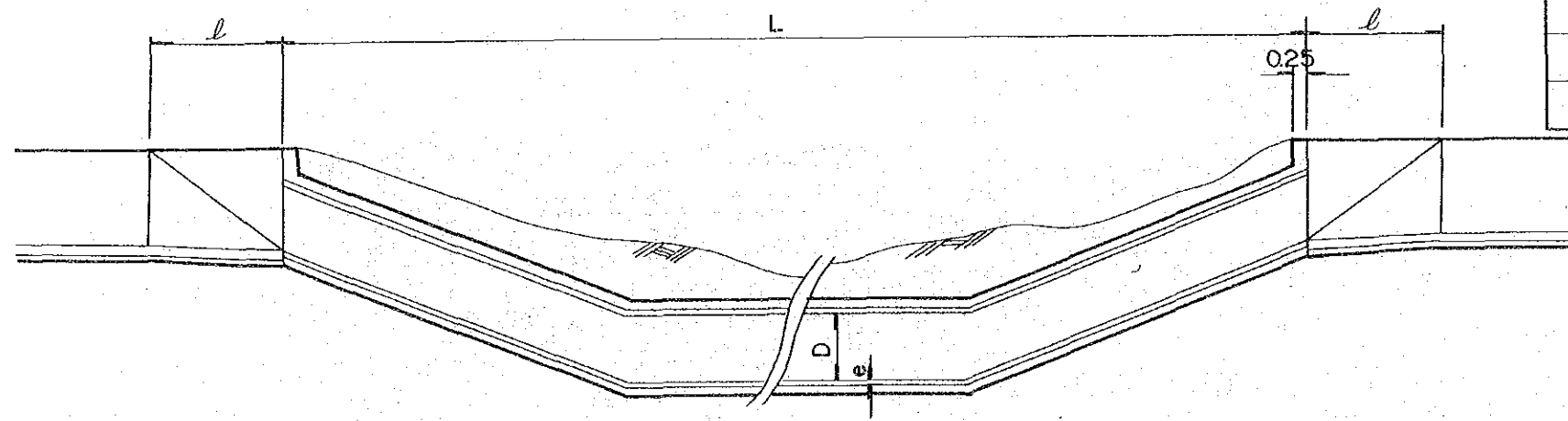
PLAN

SECTION 2-2

SECTION 3-3

SECTION 4-4

SIPHON									
CANAL TYPE	$Q \text{ m}^3/\text{s}$	$A \text{ m}^2$	$V \text{ m/s}$	$l \text{ m}$	$D \text{ } \phi \text{ m}$	$e \text{ m}$	$B \text{ m}$	$b_1 \text{ m}$	$b_2 \text{ m}$
II	2.23	1.13	1.97	6.00	1.20	0.095	1.89	1.00	6.60
III	1.24	0.64	1.95	5.00	0.90	0.075	1.55	0.75	5.55
IV	0.54	0.28	1.91	4.00	0.60	0.050	1.20	0.50	4.10



SECTION 1-1

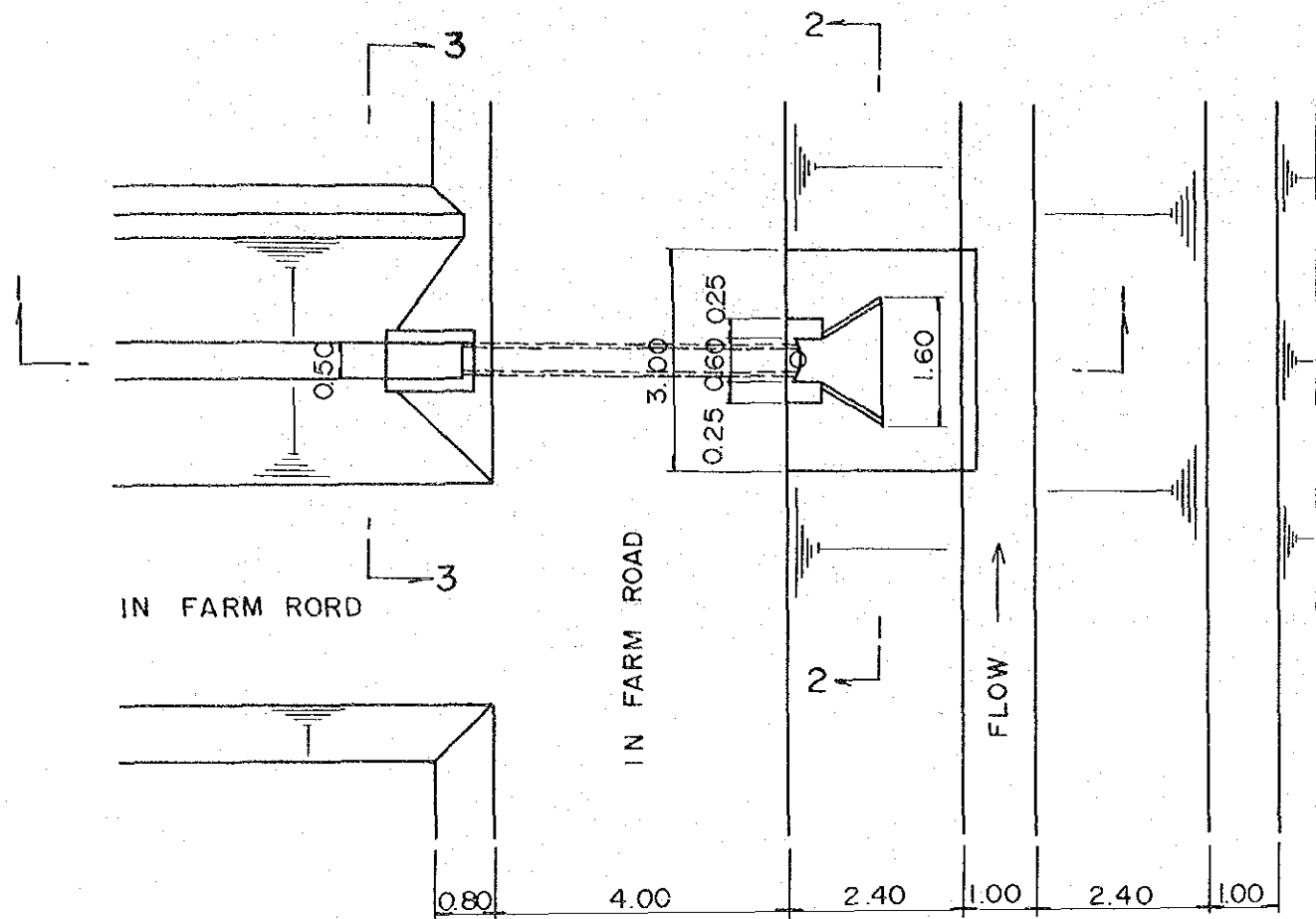
THE REPUBLIC OF HONDURAS
 AGUAN VALLEY AGRICULTURAL
 DEVELOPMENT PROJECT
 (SABA - OLANCHITO)

SIPHON

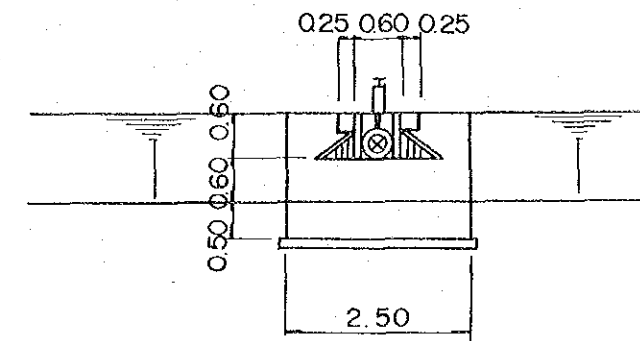
1985 | NO. 34

JAPAN INTERNATIONAL
 COOPERATION AGENCY

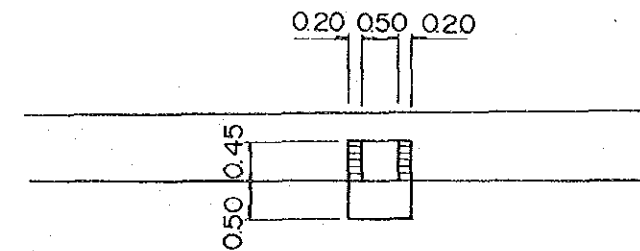
DIVERSION WORKS



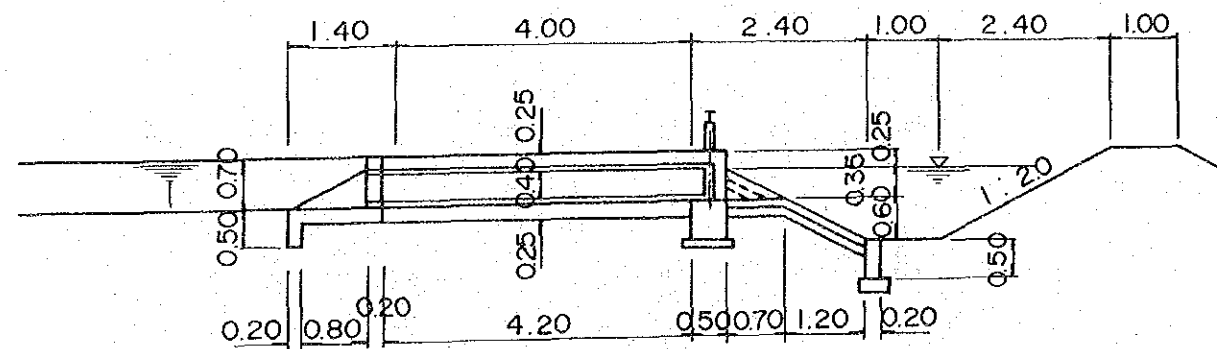
PLAN



SECTION 2-2



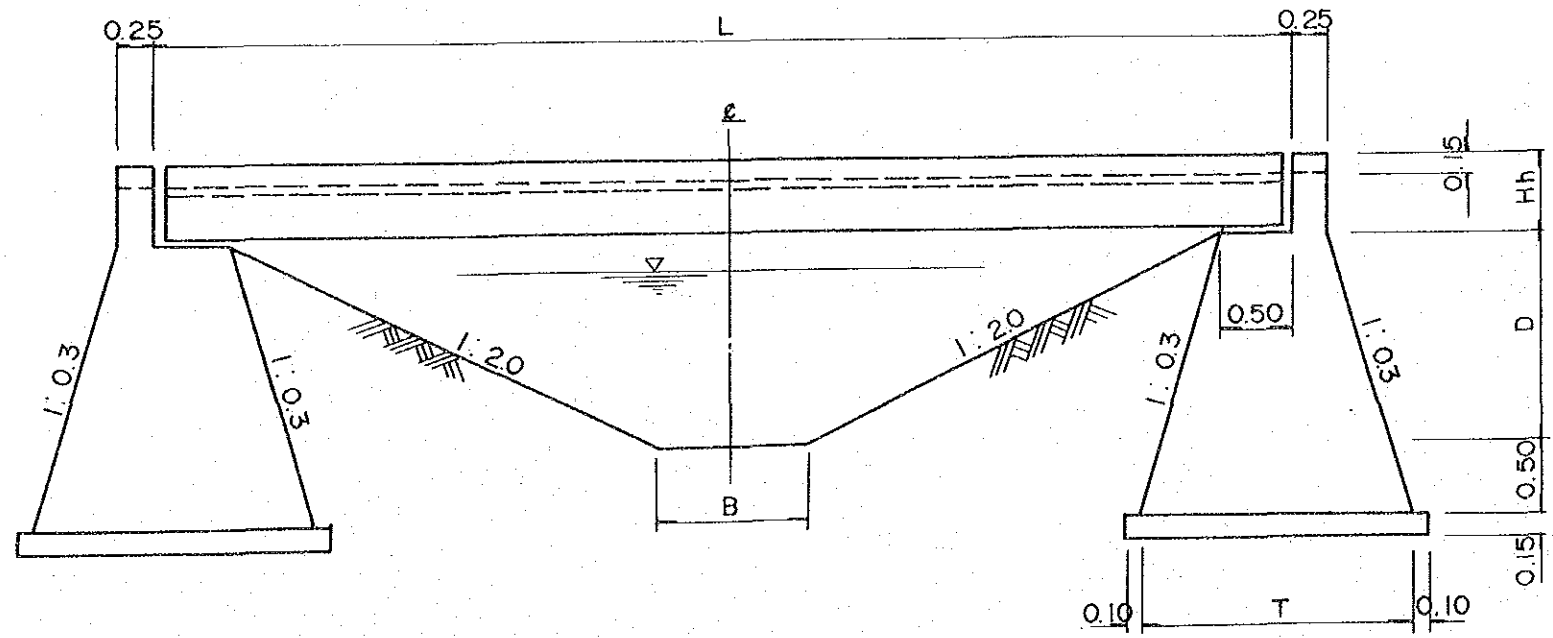
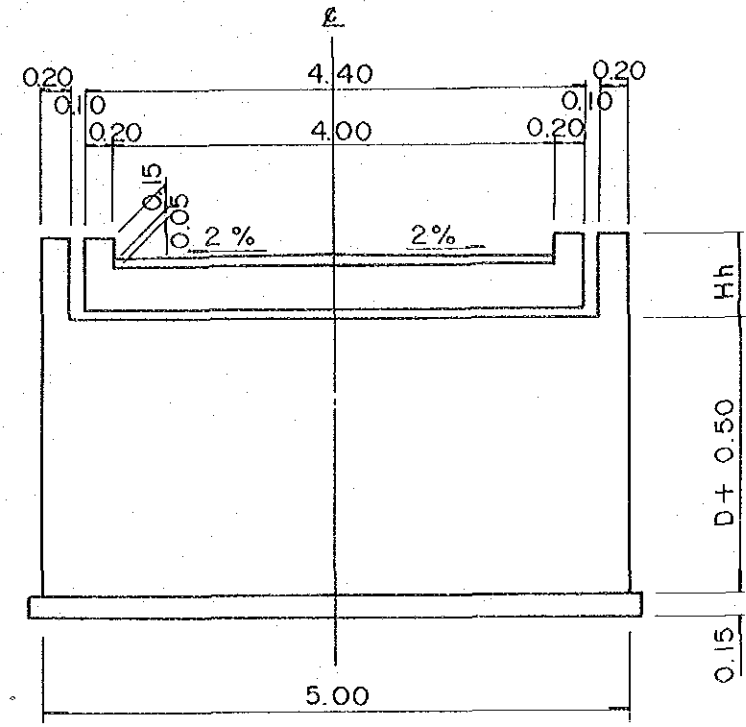
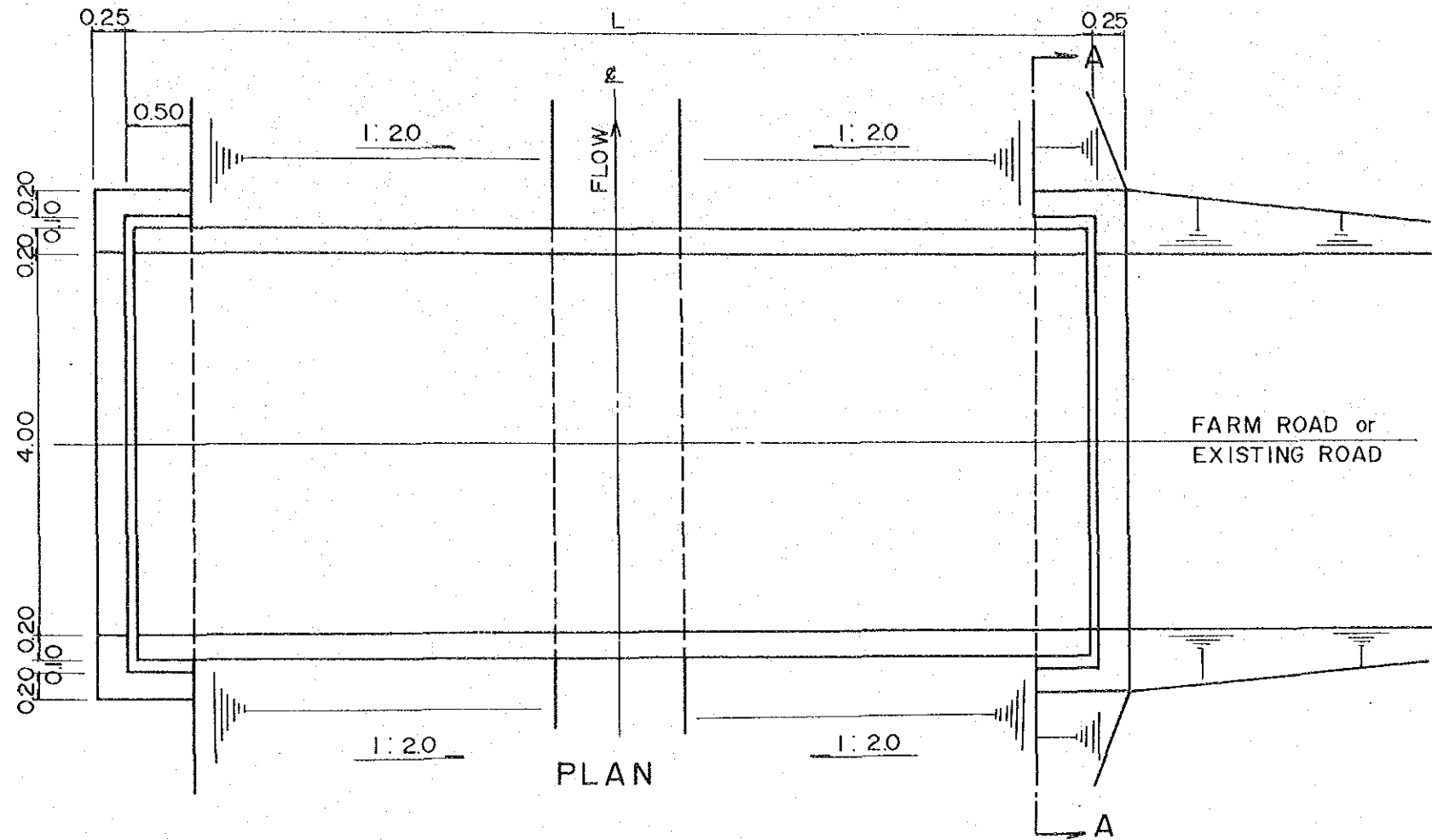
SECTION 3-3



SECTION 1-1

THE REPUBLIC OF HONDURAS	
AGUAN VALLEY AGRICULTURAL DEVELOPMENT PROJECT (SABA - OLANCHITO)	
DIVERSION WORKS	
1985	NO. 35
JAPAN INTERNATIONAL COOPERATION AGENCY	

BRIDGE



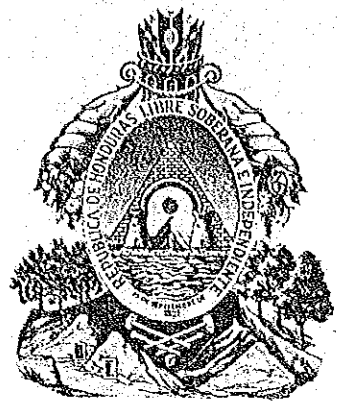
CANAL TYPE	D	B	L	Hh	T
I	2.30	1.50	11.70	0.80	2.43
II	1.80	1.00	9.20	0.70	2.13
III	1.50	0.75	7.30	0.60	1.95
IV	1.10	0.50	5.90	0.50	1.71

THE REPUBLIC OF HONDURAS
 AGUAN VALLEY AGRICULTURAL
 DEVELOPMENT PROJECT
 (SABA -- OLANCHITO)

BRIDGE

1985 NO. 37

JAPAN INTERNATIONAL
 COOPERATION AGENCY



JICA