

APPENDIX M-2

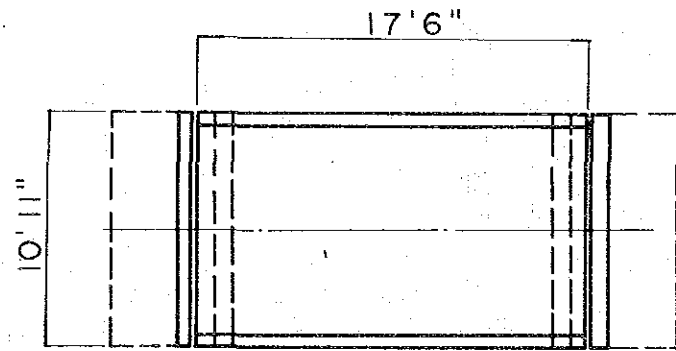
橋梁現況調査表

NO. 1

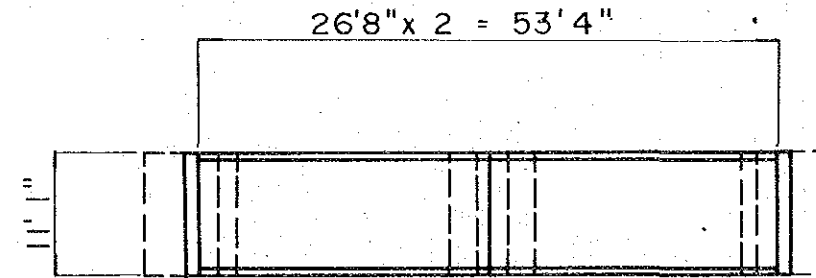
NAME	WARI	STATION	5.3 KM / 3.3 MILE
BRIDGE TYPE	SIMPLE BEAM BRIDGE		
MATERIAL	SUPER STRUCTURE	BEAM : STEEL	SLAB : R.C
	SUB STRUCTURE	ABUT : R.C	

NAME	KUNSHU	STATION	5.9 KM / 3.7 MILE
BRIDGE TYPE	SIMPLE BEAM BRIDGE		
MATERIAL	SUPER STRUCTURE	BEAM : STEEL	SLAB : R.C
	SUB STRUCTURE	ABUT : R.C	PIER : R.C

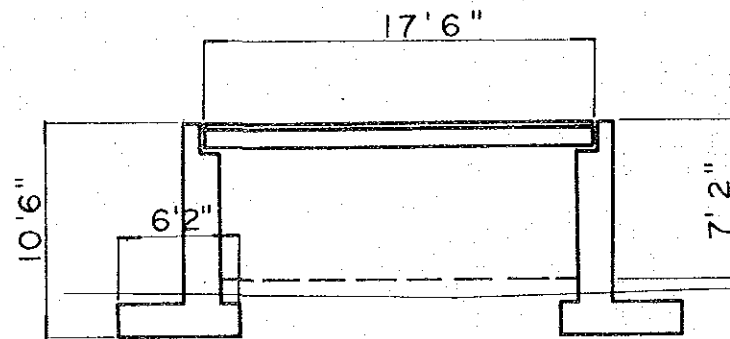
PLAN



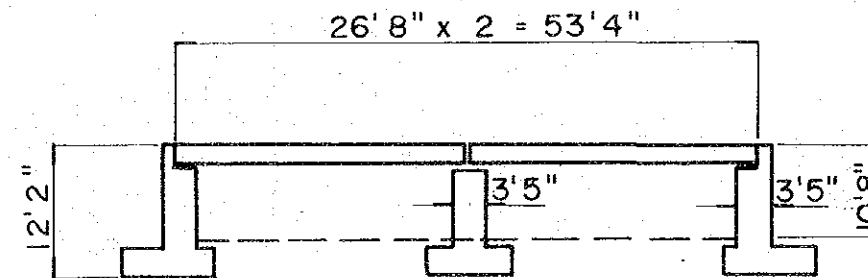
PLAN



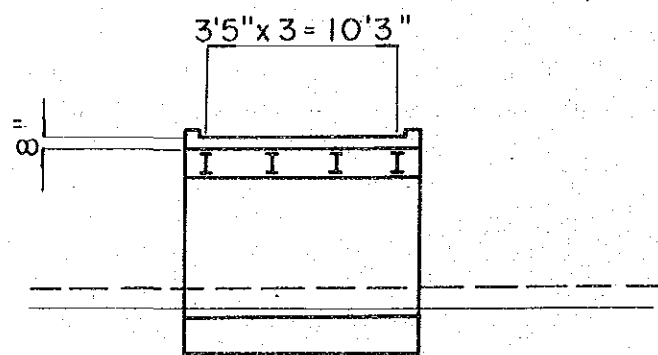
PROFILE



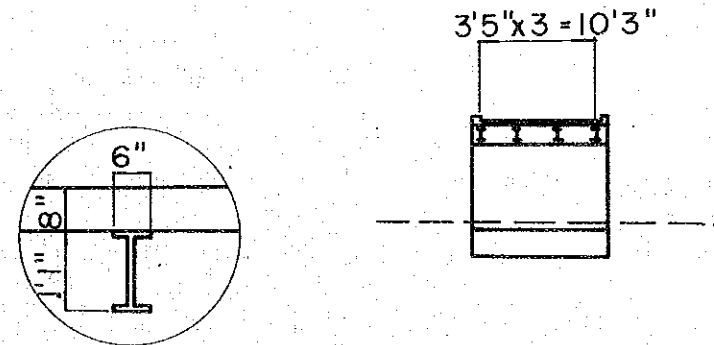
PROFILE



CROSS SECTION

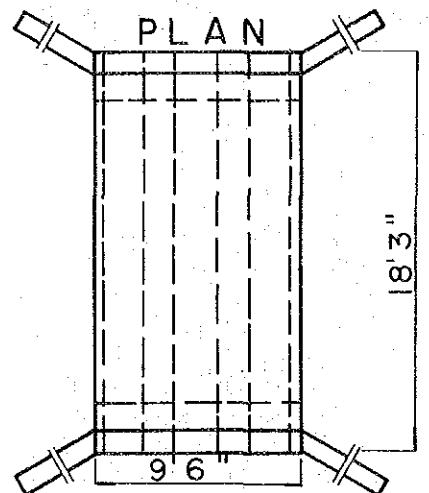
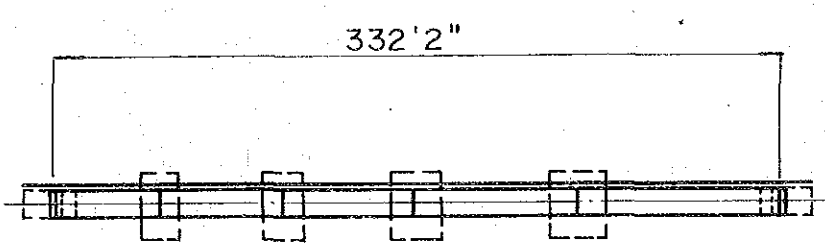
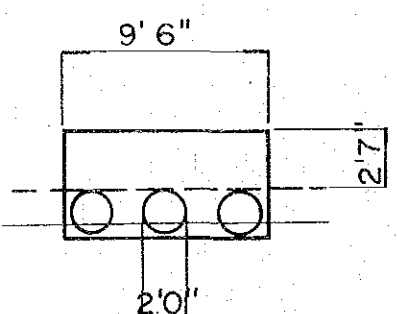
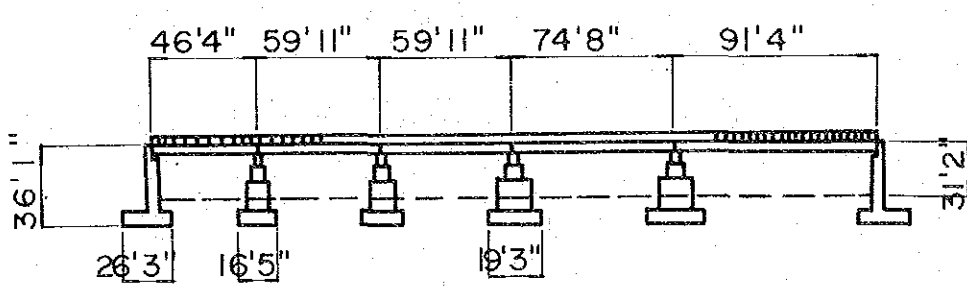
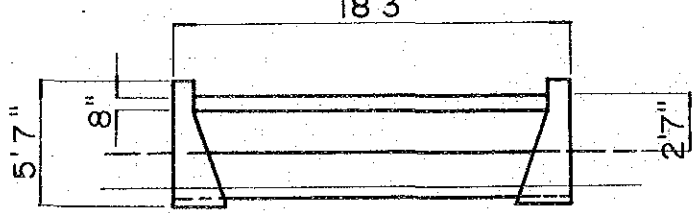
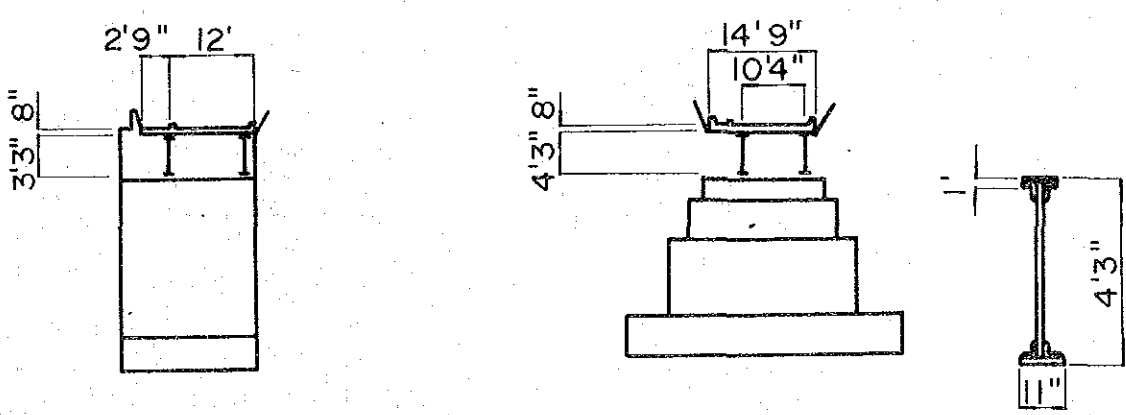


CROSS SECTION



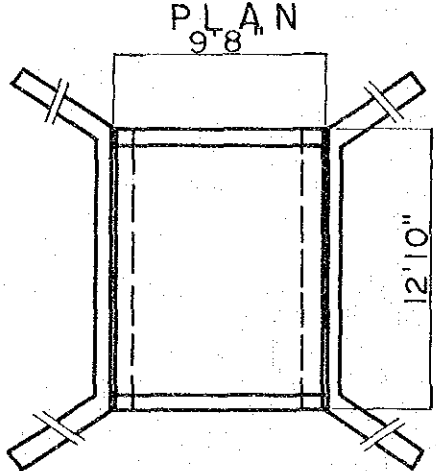
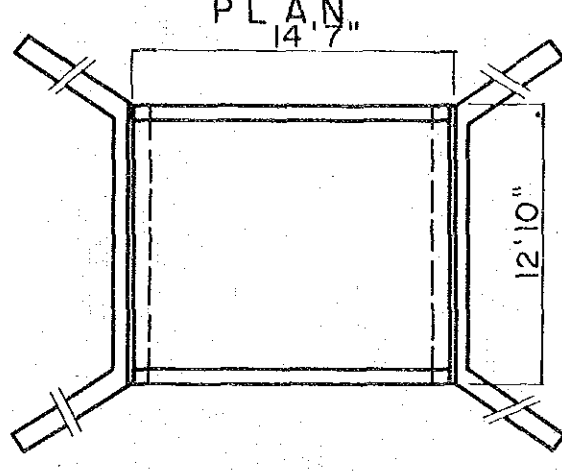
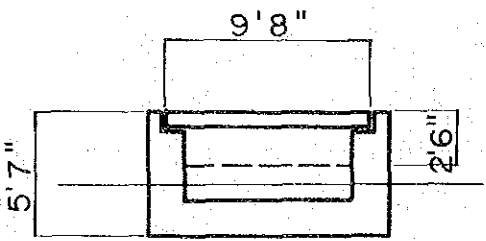
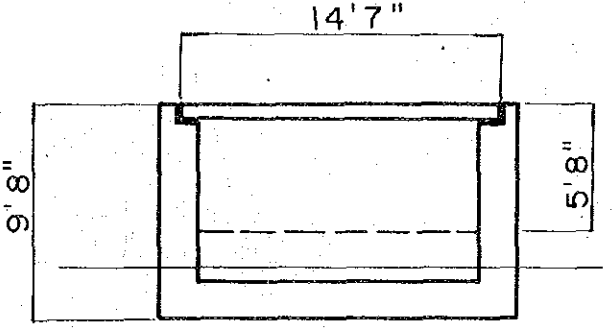
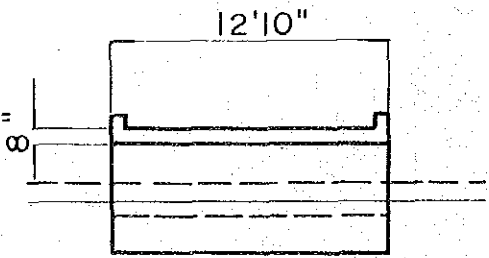
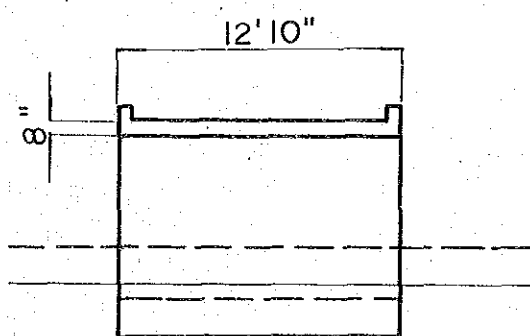
橋 梁 現 況 調 查 表

NO. 2

NAME	MANEGRE	STATION	7.6 KM / 4.8 MILE	NAME	MABOLE	STATION	8.0 KM / 5.0 MILE
BRIDGE	TYPE	MULTIPLE PIPE CULVERT		BRIDGE	TYPE	SIMPLE BEAM BRIDGE	
MATERIAL	SUPER STRUCTURE	—		MATERIAL	SUPER STRUCTURE	BEAM : STEEL SLAB : R.C	
	SUB STRUCTURE	—			SUB STRUCTURE	ABUT : R.C PIER : R.C	
 <p style="text-align: center;">PLAN</p>				 <p style="text-align: center;">PLAN</p>			
 <p style="text-align: center;">PROFILE</p>				 <p style="text-align: center;">PROFILE</p>			
 <p style="text-align: center;">CROSS SECTION</p>				 <p style="text-align: center;">CROSS SECTION</p>			

橋 梁 現 況 調 查 表

NO. 3

NAME	MAFURE	STATION	9.4 KM/5.9 MILE	NAME	—	STATION	10.9 KM/6.8 MILE
BRIDGE	TYPE	SIMPLE BEAM BRIDGE		BRIDGE	TYPE	SIMPLE BEAM BRIDGE	
MATERIAL	SUPER STRUCTURE	BEAM : R.C SLAB : R.C		MATERIAL	SUPER STRUCTURE	BEAM : R.C SLAB : R.C	
	SUB STRUCTURE	ABUT : R.C			SUB STRUCTURE	ABUT : R.C	
<p>PLAN</p> 				<p>PLAN</p> 			
<p>PROFILE</p> 				<p>PROFILE</p> 			
<p>CROSS SECTION</p> 				<p>CROSS SECTION</p> 			

橋梁現況調査表

NO. 4

NAME	—	STATION	13.2 KM / 8.3 MILE	NAME	MAIYATA	STATION	16.2 KM / 10.1 MILE
BRIDGE TYPE	SIMPLE BEAM BRIDGE			BRIDGE TYPE	SIMPLE BEAM BRIDGE		
MATERIAL	SUPER STRUCTURE	BEAM : STEEL SLAB : R.C		MATERIAL	SUPER STRUCTURE	BEAM : STEEL SLAB : R.C	
	SUB STRUCTURE	ABUT : R.C			SUB STRUCTURE	ABUT : R.C	
PLAN 32' 2"				PLAN 15' 1"			
PROFILE 32' 2"				PROFILE 15' 1"			
CROSS SECTION 3' x 3 = 9'				CROSS SECTION 3' x 3 = 9'			

橋梁現況調査表

NO. 5

NAME	MA FURE	STATION	17.0 KM / 10.6 MILE	NAME	MAKAMBI	STATION	22.2 KM / 13.9 MILE
BRIDGE TYPE	T-BEAM BRIDGE			BRIDGE TYPE	T-BEAM BRIDGE		
MATERIAL	SUPER STRUCTURE	BEAM : R.C SLAB : R.C		MATERIAL	SUPER STRUCTURE	BEAM : STEEL SLAB : RC & TIMBER	
	SUB STRUCTURE	ABUT. : R.C			SUB STRUCTURE	ABUT. : R.C	
<p>PLAN 19'7"</p>				<p>PLAN 32'8"</p>			
<p>PROFILE 19'7"</p>				<p>PROFILE 32'8"</p>			
<p>CROSS SECTION 2'11" x 3'8'9"</p>				<p>CROSS SECTION 9'1"</p>			

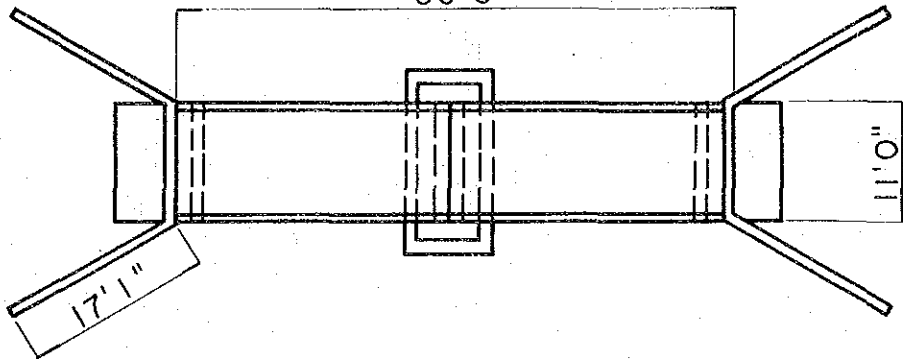
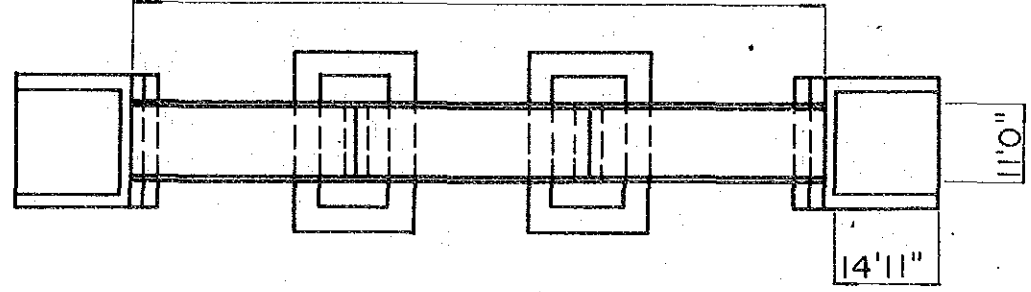
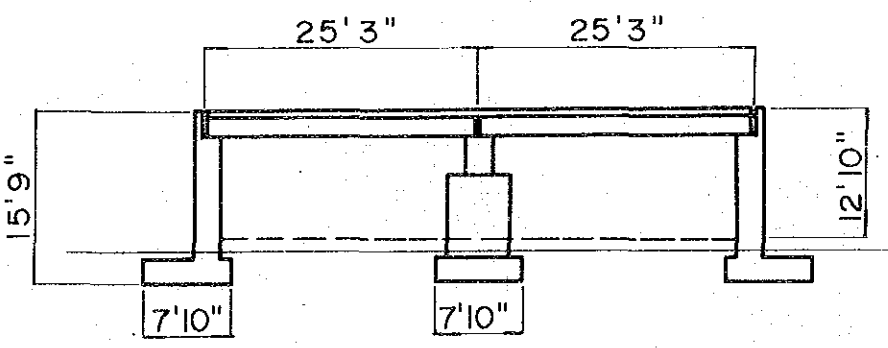
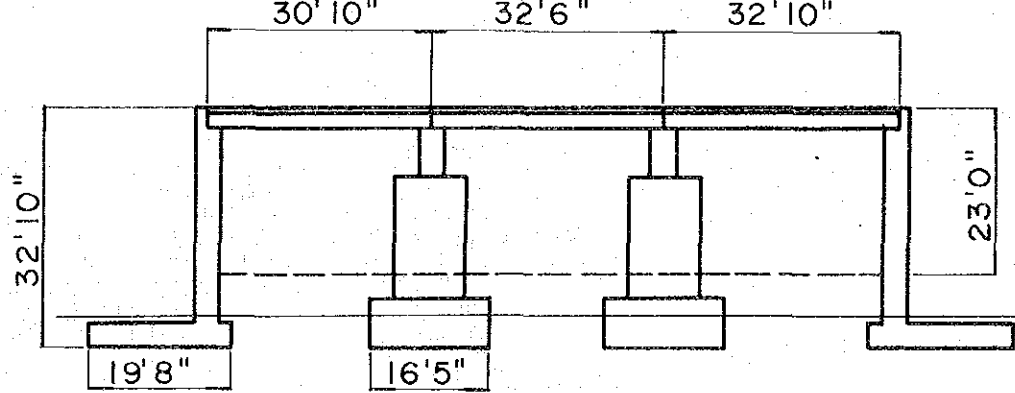
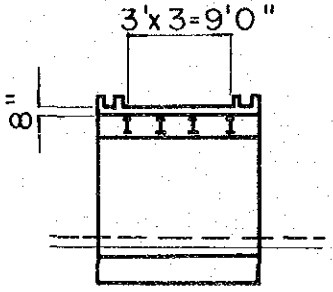
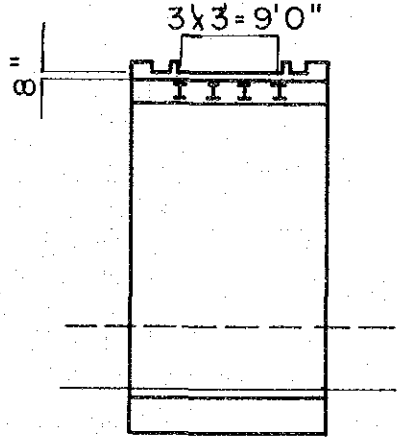
橋梁現況調査表

NO. 6

NAME		STATION		NAME		STATION	
—		23.4 KM / 14.6 MILE		—		23.8 KM / 14.9 MILE	
BRIDGE TYPE	MULTIPLE PIPE CULVERT			BRIDGE TYPE	MULTIPLE PIPE CULVERT		
MATERIAL	SUPER STRUCTURE	—		MATERIAL	SUPER STRUCTURE	—	
	SUB STRUCTURE	—			SUB STRUCTURE	—	
<p>12'0" PLAN</p> <p>18'6"</p>				<p>8'10" PLAN</p> <p>17'6"</p>			
<p>PROFILE</p> <p>12'0"</p> <p>3'3"</p> <p>2'0"</p>				<p>PROFILE</p> <p>8'10"</p> <p>2'0"</p> <p>2'0"</p>			
<p>CROSS SECTION</p> <p>18'6"</p> <p>6'5"</p> <p>3'3"</p>				<p>CROSS SECTION</p> <p>17'6"</p> <p>6'1"</p> <p>2'0"</p>			

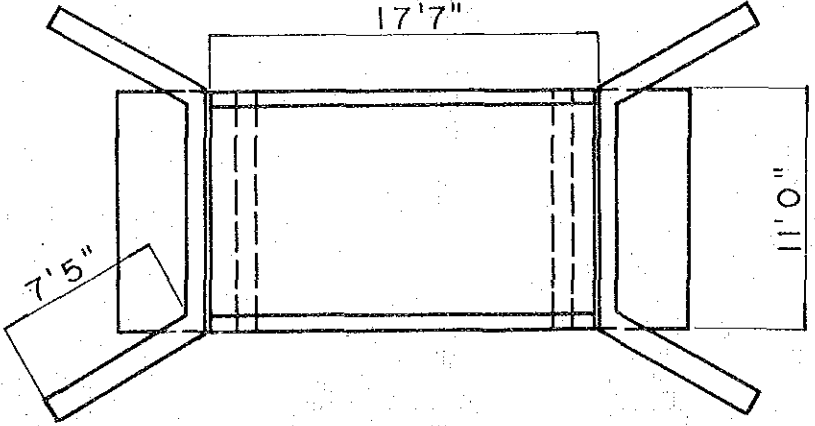
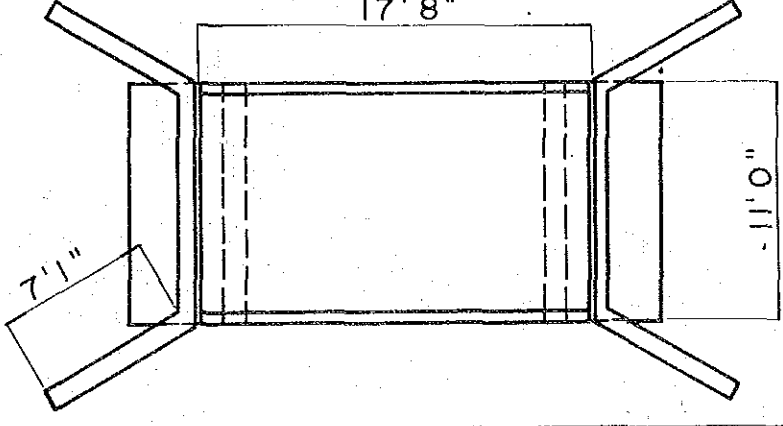
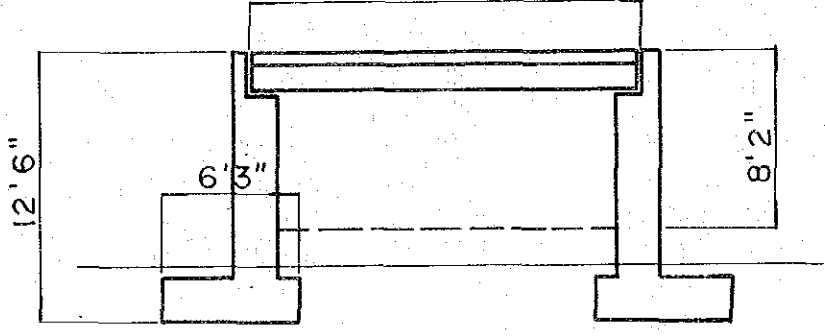
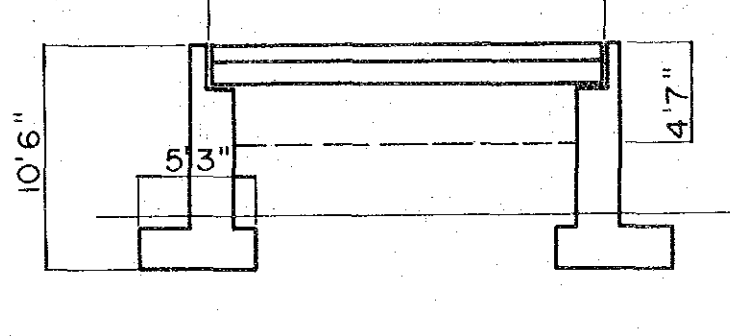
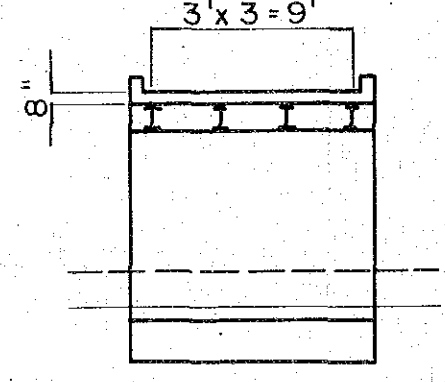
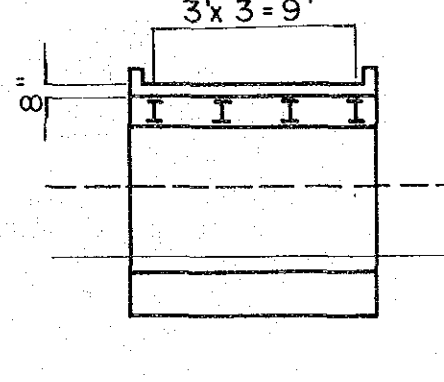
橋梁現況調査表

NO. 7

NAME	—	STATION	26.3 KM / 16.4 MILE	NAME	MATEHUN	STATION	27.2 KM / 17.0 MILE
BRIDGE TYPE	SIMPLE BEAM BRIDGE			BRIDGE TYPE	SIMPLE BEAM BRIDGE		
MATERIAL	SUPER STRUCTURE	BEAM : STEEL SLAB : TIMBER		MATERIAL	SUPER STRUCTURE	BEAM : STEEL SLAB : R.C	
	SUB STRUCTURE	ABUT : R.C PIER : R.C			SUB STRUCTURE	ABUT : R.C PIER : R.C	
<p>PLAN 50'6"</p> 				<p>PLAN 96'2"</p> 			
<p>PROFILE</p> 				<p>PROFILE</p> 			
<p>CROSS SECTION</p> 				<p>CROSS SECTION</p> 			

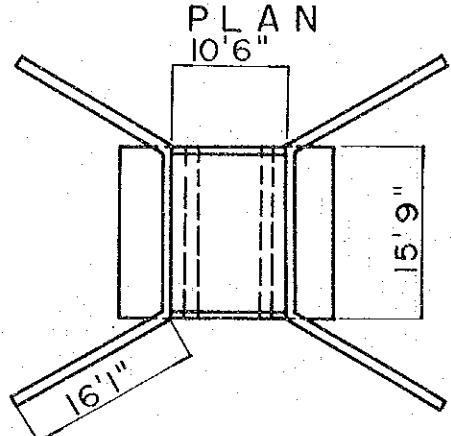
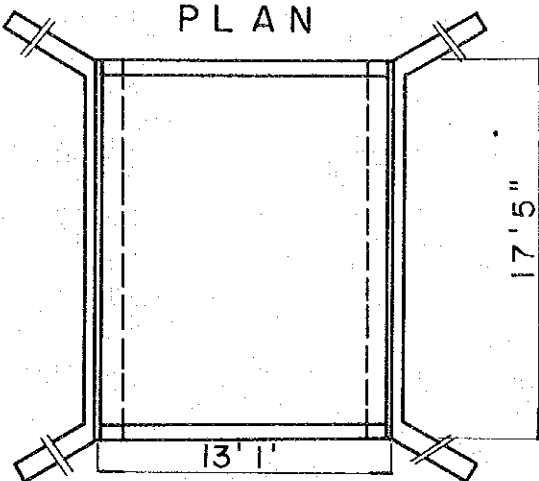
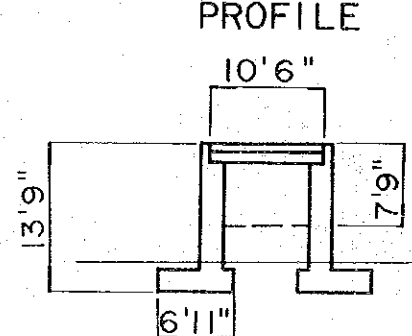
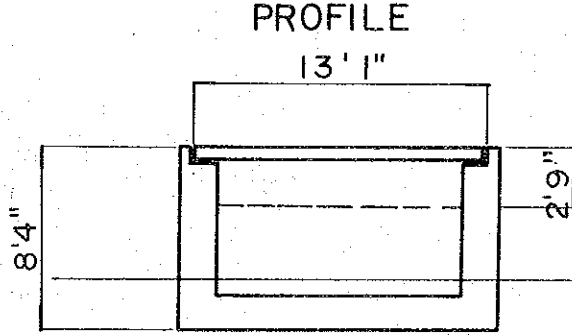
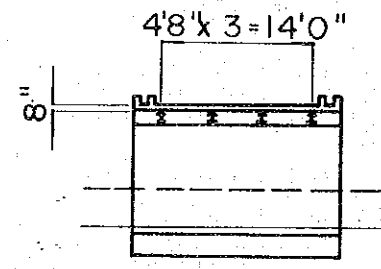
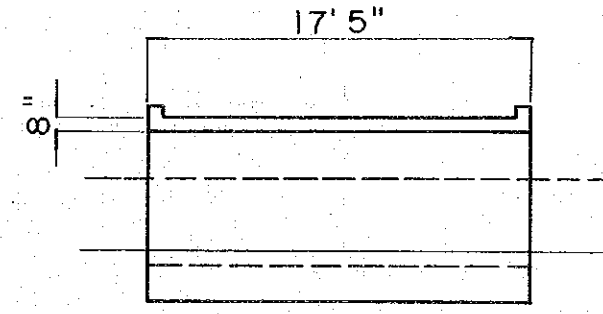
橋梁現況調査表

NO. 8

NAME	—	STATION	27.7 KM / 17.3 MILE	NAME	MANYE	STATION	30.2 KM / 18.9 MILE
BRIDGE	TYPE	SIMPLE BEAM BRIDGE		BRIDGE	TYPE	SIMPLE BEAM BRIDGE	
MATERIAL	SUPER STRUCTURE	BEAM: STEEL SLAB: R.C		MATERIAL	SUPER STRUCTURE	BEAM: STEEL SLAB: R.C	
	SUB STRUCTURE	ABUT: R.C			SUB STRUCTURE	ABUT: R.C	
PLAN 17'7"				PLAN 17'8"			
							
PROFILE 17'7"				PROFILE 17'8"			
							
CROSS SECTION 3'x 3 = 9'				CROSS SECTION 3'x 3 = 9'			
							

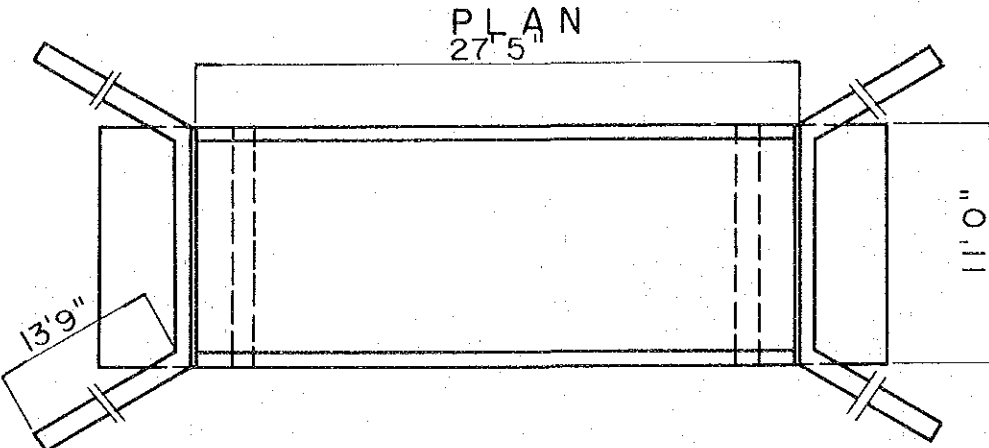
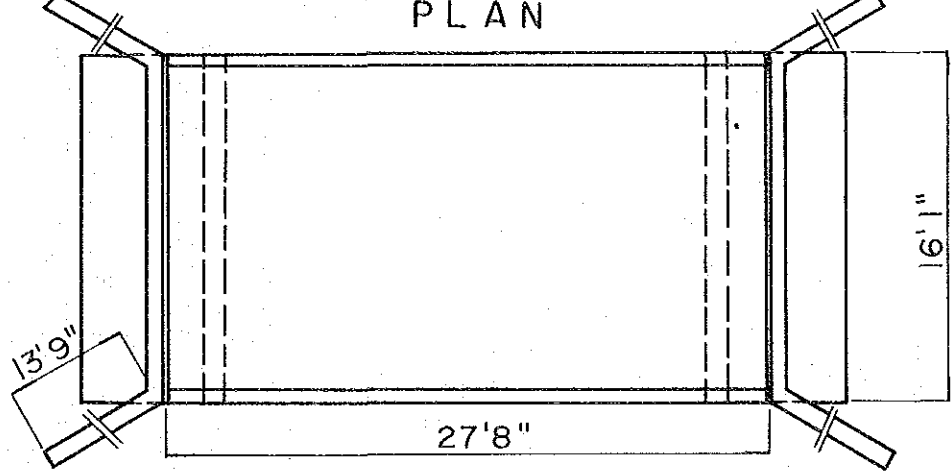
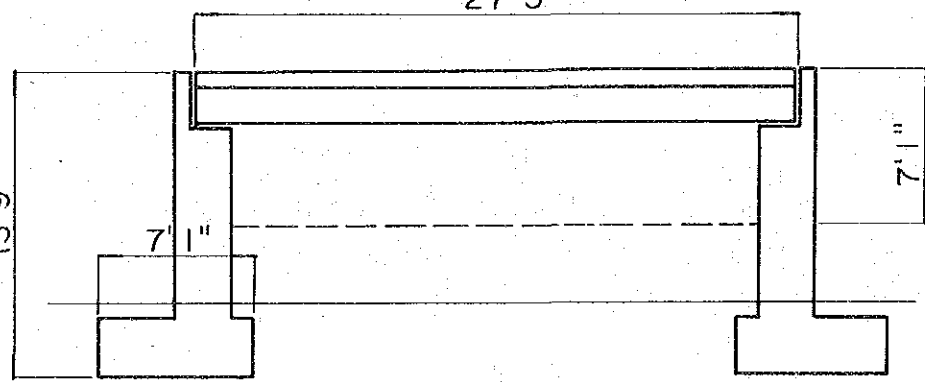
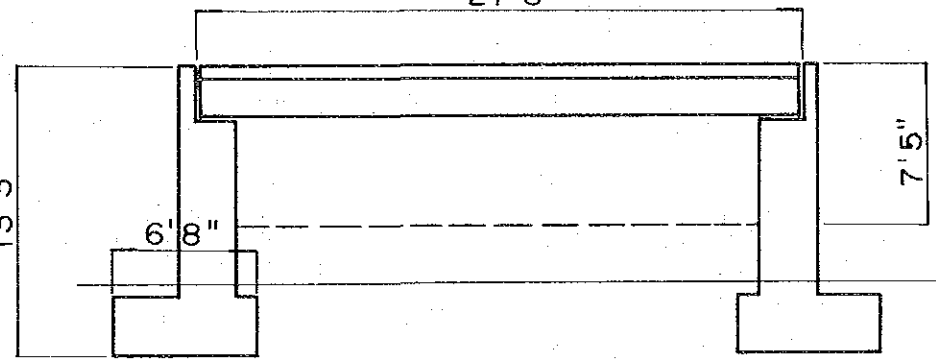
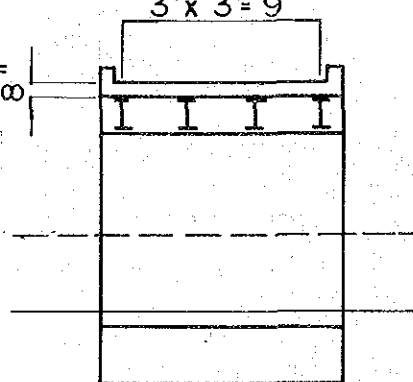
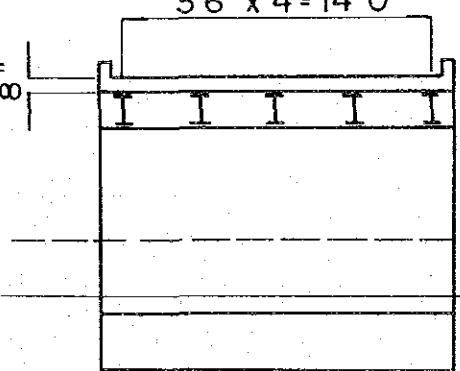
橋 梁 現 況 調 查 表

NO. 9

NAME	—	STATION	32.0 KM/20.0 MILE	NAME	GBENDEMBU	STATION	32.6 KM/20.4 MILE
BRIDGE TYPE	SIMPLE BEAM BRIDGE			BRIDGE TYPE	BRIDGE CULVERT		
MATERIAL	SUPER STRUCTURE	BEAM : STEEL SLAB : R.C		MATERIAL	SUPER STRUCTURE	SLAB : R.C	
	SUB STRUCTURE	ABUT : R.C			SUB STRUCTURE	ABUT : R.C	
 <p style="text-align: center;">PLAN 10'6" 15'9" 16'1"</p>				 <p style="text-align: center;">PLAN 13'1" 17'5"</p>			
 <p style="text-align: center;">PROFILE 10'6" 13'9" 6'11" 7'9"</p>				 <p style="text-align: center;">PROFILE 13'1" 8'4" 2'9"</p>			
 <p style="text-align: center;">CROSS SECTION 48' x 3 = 14'0" 8"</p>				 <p style="text-align: center;">CROSS SECTION 17'5" 8"</p>			

橋梁現況調査表

NO. 10

NAME	MASEMBI	STATION	34.0 KM / 21.3 MILE	NAME	—	STATION	35.1 KM / 21.9 MILE
BRIDGE TYPE		SIMPLE BEAM BRIDGE		BRIDGE TYPE		SIMPLE BEAM BRIDGE	
MATERIAL	SUPER STRUCTURE	BEAM : STEEL SLAB : R.C		MATERIAL	SUPER STRUCTURE	BEAM : STEEL SLAB : R.C	
	SUB STRUCTURE	ABUT : R.C			SUB STRUCTURE	ABUT : R.C	
PLAN 27'5" 				PLAN 27'8" 			
PROFILE 27'5" 				PROFILE 27'8" 			
CROSS SECTION 3' x 3 = 9' 				CROSS SECTION 3'6" x 4 = 14'0" 			

橋 梁 現 況 調 查 表

NO. 11

NAME	MAGBANDANI	STATION	35.9 KM / 22.4 MILE	NAME	—	STATION	37.4 KM / 23.3 MILE
BRIDGE TYPE		BRIDGE CULVERT		BRIDGE TYPE		BRIDGE CULVERT	
MATERIAL	SUPER STRUCTURE	SLAB : R.C		MATERIAL	SUPER STRUCTURE	SLAB : R.C	
	SUB STRUCTURE	ABUT : R.C			SUB STRUCTURE	ABUT : R.C	
<p style="text-align: center;">PLAN 12'2" 13'11" 6'11"</p>				<p style="text-align: center;">PLAN 12'2" 13'9" 6'7"</p>			
<p style="text-align: center;">PROFILE 12'2" 10'10" 4'1"</p>				<p style="text-align: center;">PROFILE 12'2" 5'7" 1'10"</p>			
<p style="text-align: center;">CROSS SECTION 13'11" 8"</p>				<p style="text-align: center;">CROSS SECTION 13'9" 8"</p>			

橋 梁 現 況 調 查 表

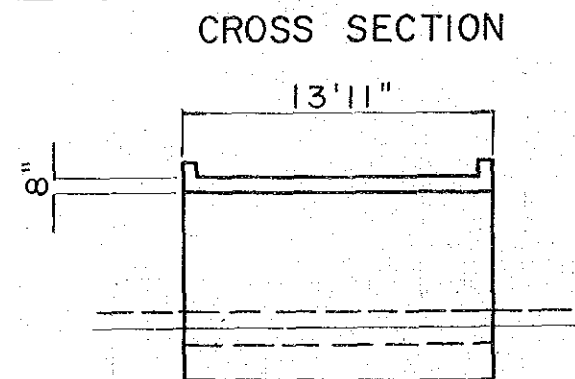
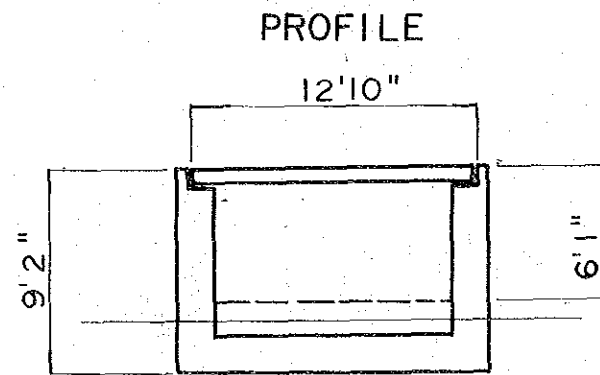
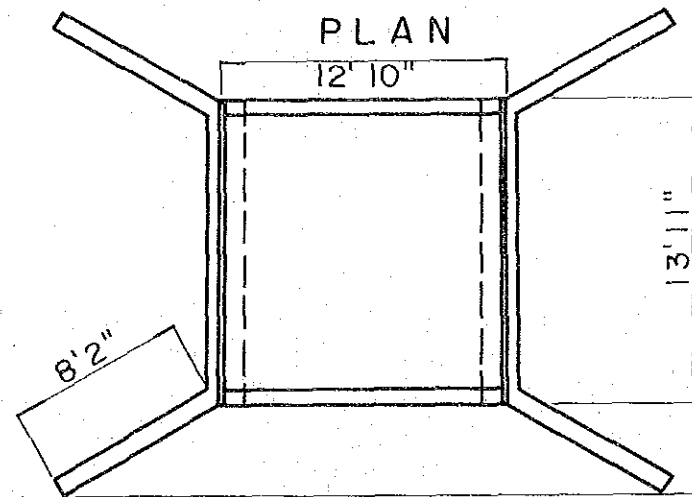
NO. 12

NAME	—	STATION	43.1 KM / 26.9 MILE	NAME	—	STATION	43.9 KM / 27.4 MILE
BRIDGE TYPE	SIMPLE BEAM BRIDGE			BRIDGE TYPE	BRIDGE CULVERT		
MATERIAL	SUPER STRUCTURE	BEAM : STEEL	SLAB : TIMBER	MATERIAL	SUPER STRUCTURE	SLAB : R.C	
	SUB STRUCTURE	ABUT : R.C	PIER : R.C		SUB STRUCTURE	ABUT : R.C	
PLAN 61'8"				PLAN 11'4"			
PROFILE				PROFILE			
CROSS SECTION				CROSS SECTION			

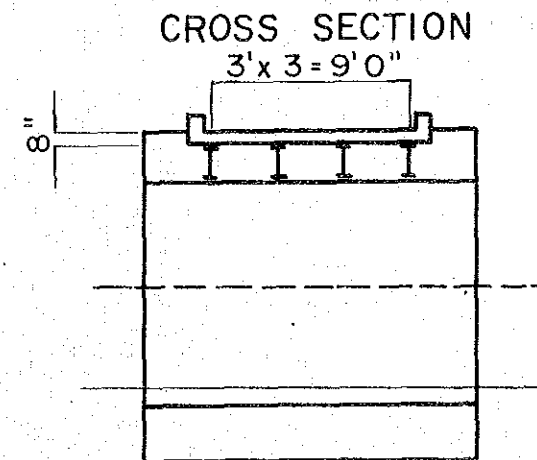
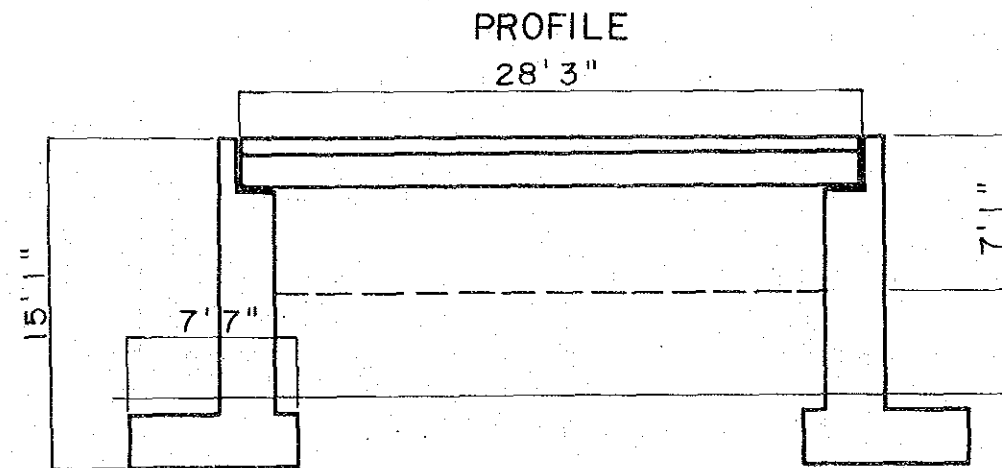
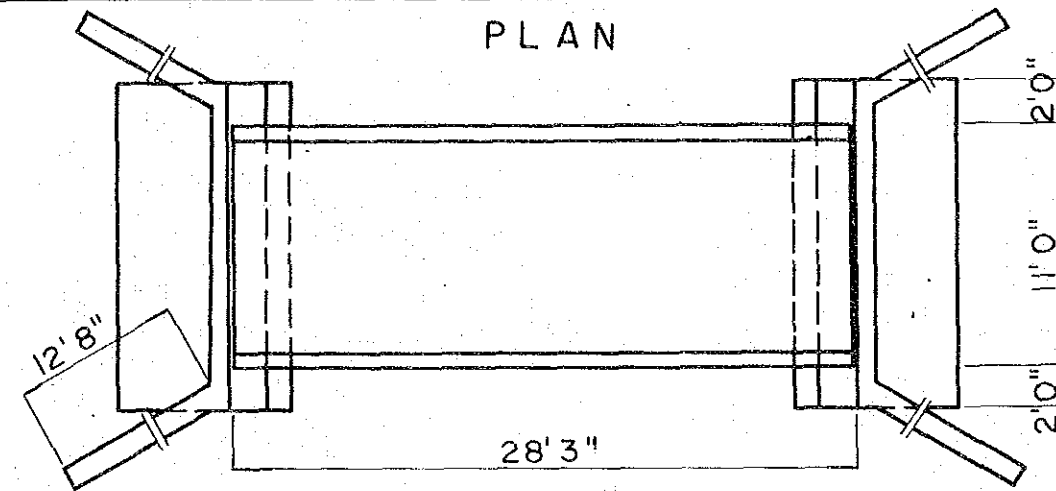
橋梁現況調査表

NO. 13

NAME	—	STATION	44.6 KM/27.9 MILE
BRIDGE TYPE	BRIDGE CULVERT		
MATERIAL	SUPER STRUCTURE	SLAB : R.C	
	SUB STRUCTURE	ABUT : R.C	

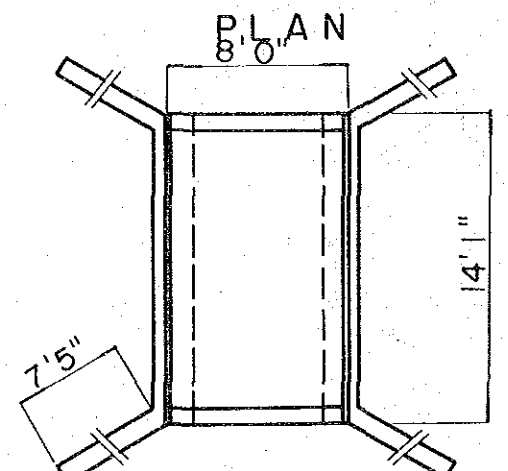
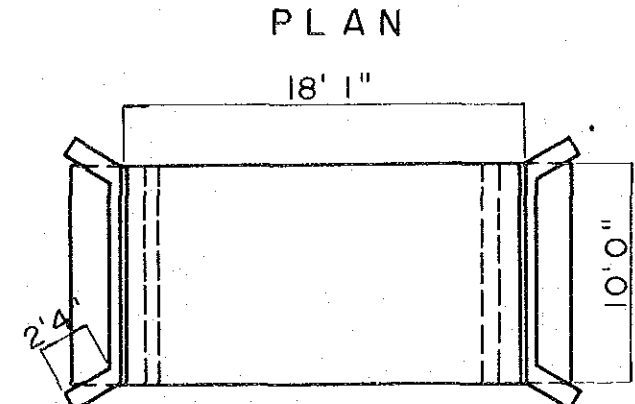
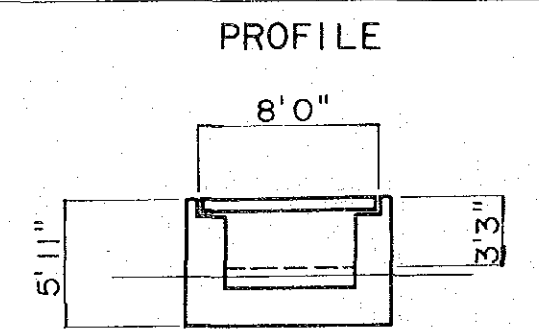
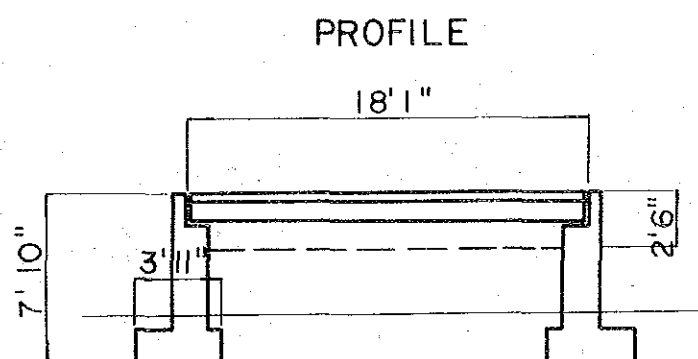
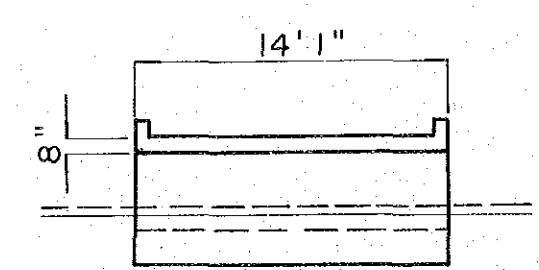
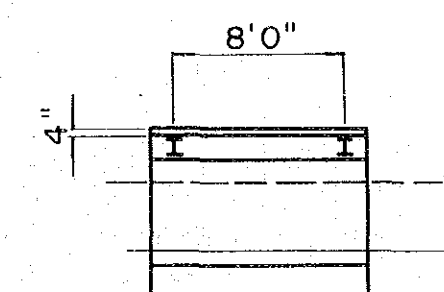


NAME	MABUTI	STATION	45.4 KM/28.4 MILE
BRIDGE TYPE	SIMPLE BEAM BRIDGE		
MATERIAL	SUPER STRUCTURE	BEAM : STEEL SLAB : TIMBER	
	SUB STRUCTURE	ABUT : R.C	



橋梁現況調査表

NO. 14

NAME	RIBIA	STATION	47.1 KM / 29.4 MILE	NAME	MASAKTABA	STATION	49.0 KM / 30.6 MILE
BRIDGE	TYPE	BRIDGE CULVERT		BRIDGE	TYPE	SIMPLE BEAM BRIDGE	
MATERIAL	SUPER STRUCTURE	SLAB : R.C		MATERIAL	SUPER STRUCTURE	BEAM : STEEL SLAB : TIMBER	
	SUB STRUCTURE	ABUT : R.C			SUB STRUCTURE	ABUT : R.C	
 <p style="text-align: center;">PLAN 8'0" 14'1" 7'5"</p>				 <p style="text-align: center;">PLAN 18'1" 10'0" 2'4"</p>			
 <p style="text-align: center;">PROFILE 8'0" 5'11" 3'3"</p>				 <p style="text-align: center;">PROFILE 18'1" 7'10" 2'6"</p>			
 <p style="text-align: center;">CROSS SECTION 14'1" 8"</p>				 <p style="text-align: center;">CROSS SECTION 8'0" 4"</p>			

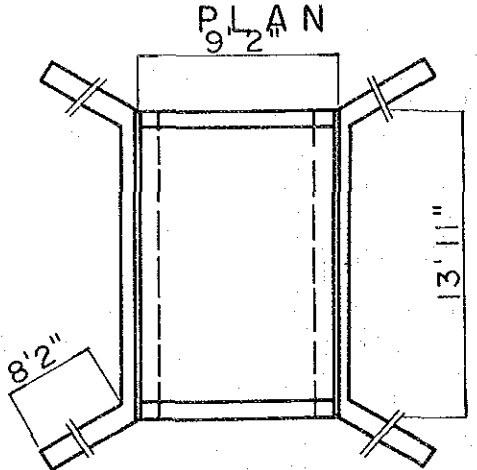
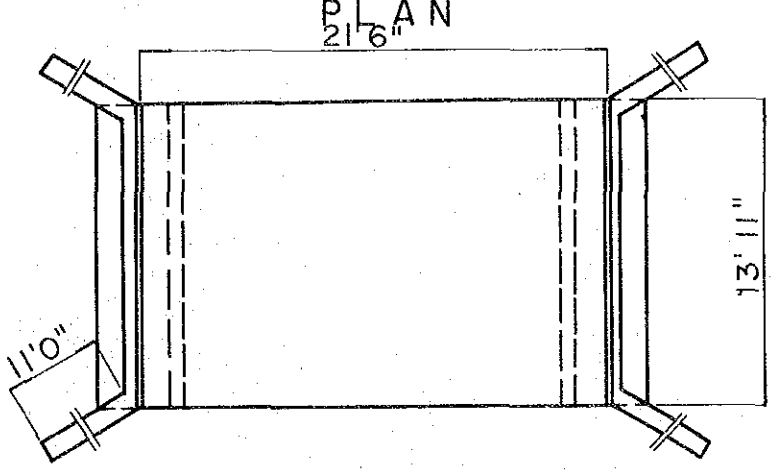
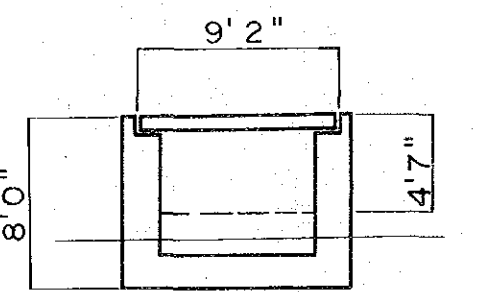
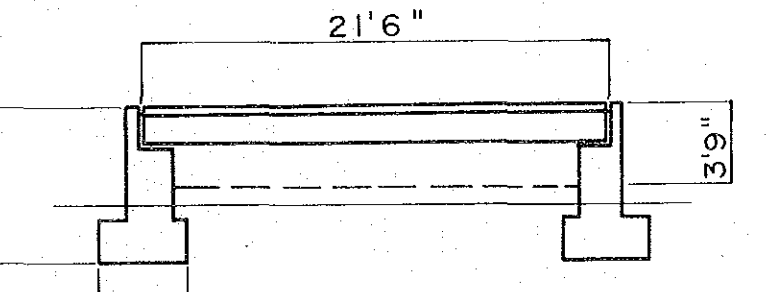
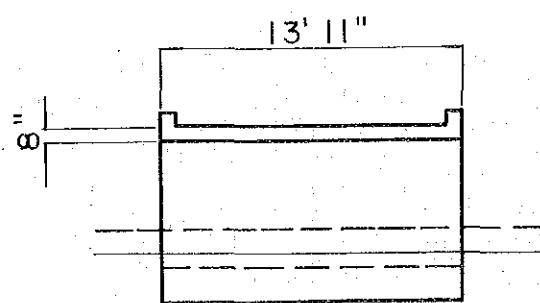
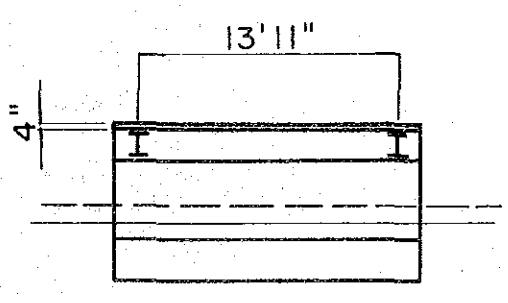
橋梁現況調査表

NO. 15

NAME	—	STATION	49.6 KM / 31.0 MILE	NAME	—	STATION	51.2 KM / 32.0 MILE
BRIDGE TYPE	BRIDGE CULVERT			BRIDGE TYPE	SIMPLE BEAM BRIDGE		
MATERIAL	SUPER STRUCTURE	SLAB : R.C		MATERIAL	SUPER STRUCTURE	BEAM : STEEL SLAB : TIMBER	
	SUB STRUCTURE	ABUT : R.C			SUB STRUCTURE	ABUT : R.C	
<p>PLAN</p>				<p>PLAN</p>			
<p>PROFILE</p>				<p>PROFILE</p>			
<p>CROSS SECTION</p>				<p>CROSS SECTION</p>			

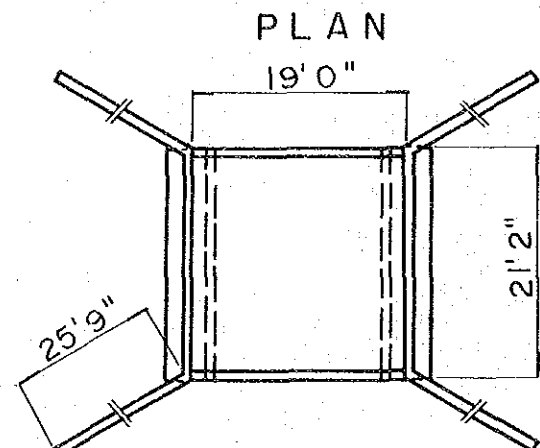
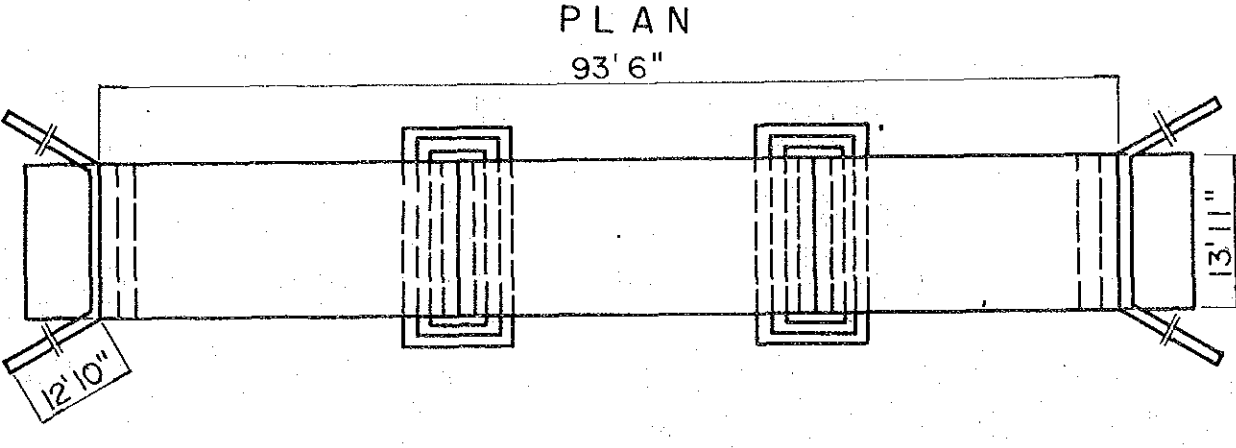
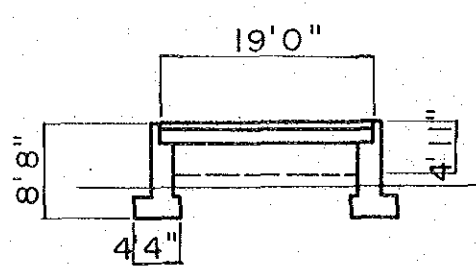
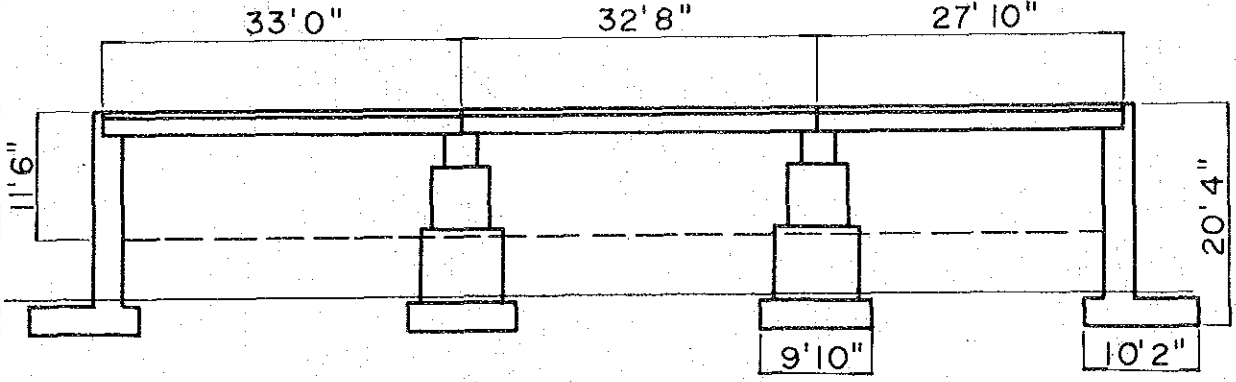
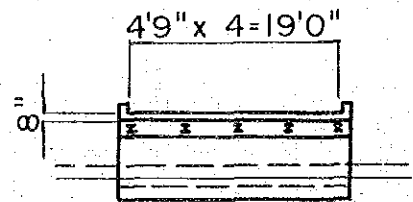
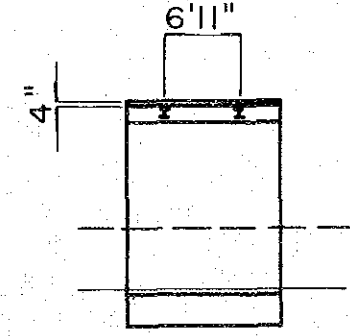
橋 梁 現 況 調 查 表

NO. 16

NAME	MAKUMBU	STATION	53.3 KM/33.3 MILE	NAME	—	STATION	57.0 KM/35.6 MILE	
BRIDGE TYPE	BRIDGE CULVERT			BRIDGE TYPE	SIMPLE BEAM BRIDGE			
MATERIAL	SUPER STRUCTURE	SLAB : R.C			MATERIAL	SUPER STRUCTURE	BEAM : STEEL SLAB : TIMBER	
	SUB STRUCTURE	ABUT : R.C				SUB STRUCTURE	ABUT : R.C	
PLAN				PLAN				
								
PROFILE				PROFILE				
								
CROSS SECTION				CROSS SECTION				
								

橋 梁 現 況 調 查 表

NO. 17

NAME	—	STATION	58.1 KM / 36.3 MILE	NAME	KAMARANKA	STATION	60.3 KM / 37.7 MILE
BRIDGE TYPE	SIMPLE BEAM BRIDGE			BRIDGE TYPE	SIMPLE BEAM BRIDGE		
MATERIAL	SUPER STRUCTURE	BEAM : STEEL SLAB : R.C		MATERIAL	SUPER STRUCTURE	BEAM : STEEL SLAB : TIMBER	
	SUB STRUCTURE	ABUT : R.C			SUB STRUCTURE	ABUT : R.C PIER : R.C	
PLAN				PLAN			
							
PROFILE				PROFILE			
							
CROSS SECTION				CROSS SECTION			
							

橋梁現況調査表

NO. 18

NAME	—	STATION	61.5 KM/38.4 MILE	NAME	—	STATION	64.1 KM/40.1 MILE
BRIDGE TYPE	BRIDGE CULVERT			BRIDGE TYPE	SIMPLE BEAM BRIDGE		
MATERIAL	SUPER STRUCTURE	SLAB : R.C		MATERIAL	SUPER STRUCTURE	BEAM : STEEL SLAB : TIMBER	
	SUB STRUCTURE	ABUT : R.C			SUB STRUCTURE	ABUT : R.C	
<p>PLAN</p>				<p>PLAN</p>			
<p>PROFILE</p>				<p>PROFILE</p>			
<p>CROSS SECTION</p>				<p>CROSS SECTION</p>			

橋梁現況調査表

NO. 19

NAME	—	STATION	64.8 KM / 40.5 MILE	NAME	—	STATION	67.0 KM / 41.9 MILE
BRIDGE TYPE	SIMPLE BEAM BRIDGE			BRIDGE TYPE	SIMPLE BEAM BRIDGE		
MATERIAL	SUPER STRUCTURE	BEAM : STEEL	SLAB : TIMBER	MATERIAL	SUPER STRUCTURE	BEAM : STEEL	SLAB : TIMBER
	SUB STRUCTURE	ABUT : R.C			SUB STRUCTURE	ABUT : R.C	PIER : P.C
<p>PLAN</p>				<p>PLAN</p>			
<p>PROFILE</p>				<p>PROFILE</p>			
<p>CROSS SECTION</p>				<p>CROSS SECTION</p>			

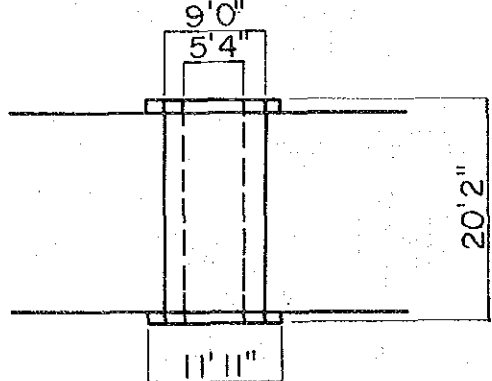

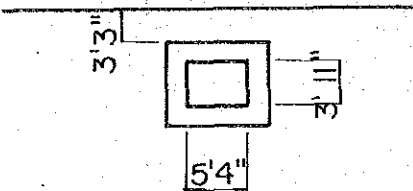

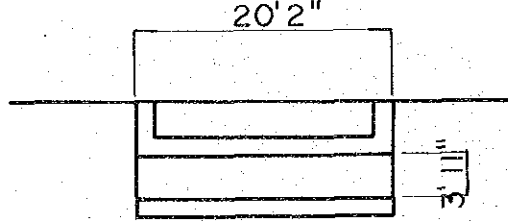
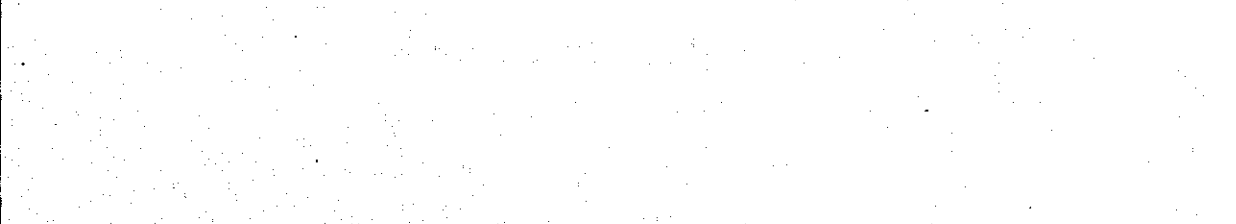
橋梁現況調査表

NO.20

NAME	STATION		67.4 KM/42.1 MILE	NAME	BANKA	STATION	74.2 KM/46.4 MILE
BRIDGE TYPE	BRIDGE CULVERT			BRIDGE TYPE	SIMPLE BEAM BRIDGE		
MATERIAL	SUPER STRUCTURE	SLAB : R.C		MATERIAL	SUPER STRUCTURE	BEAM : STEEL SLAB : TIMBER	
	SUB STRUCTURE	ABUT : R.C			SUB STRUCTURE	ABUT : R.C PIER : R.C	
<p>PLAN</p>				<p>PLAN</p>			
<p>PROFILE</p>				<p>PROFILE</p>			
<p>CROSS SECTION</p>				<p>CROSS SECTION</p>			

橋梁現況調査表

NO. 21

NAME		STATION	74.4 KM / 46.5 MILE	NAME		STATION	
BRIDGE	TYPE	BRIDGE CULVERT		BRIDGE	TYPE		
MATERIAL	SUPER STRUCTURE	SLAB : R.C		MATERIAL	SUPER STRUCTURE		
	SUB STRUCTURE	ABUT : R.C			SUB STRUCTURE		
PLAN				PLAN			
							
PROFILE				PROFILE			
							
CROSS SECTION				CROSS SECTION			
							

APPENDIX N 地形測量

測量個所一覽表

1. (ROAD SURVEY)

(No.)	(Part No.)	(Sta. B.P.)		(Sta. E.P.)		(Region)	(Dist)	
		(Km)	(Mile)	(Km)	(Mile)		(Km)	(Mile)
1.	Part - 1	0 + 00	0	0 + 40	0.2	Panlap	400	0.2
2.	" - 2	1 + 10	0.7	1 + 70	1.1	Panlap - A	600	0.4
3.	" - 3	3 + 00	1.9	3 + 80	2.4	Yoni	800	0.5
4.	" - 4	5 + 20	3.2	10 + 00	6.2	Mabole	4,800	3.0
5.	" - 5	12 + 60	7.8	14 + 00	8.7	Tambiana	1,400	0.9
6.	" - 6	15 + 60	9.7	16 + 30	10.1	Miayata	700	0.4
7.	" - 7	17 + 20	10.7	18 + 20	11.3	Mafure - 1	1,000	0.6
8.	" - 8A	19 + 00	11.8	20 + 20	12.6	Mafure	1,200	0.7
9.	" - 8B	23 + 50	14.6	24 + 00	14.9	Makambi-Makonko	500	0.3
10.	" - 9	25 + 00	15.5	27 + 00	16.8	Matehun	2,000	1.2
11.	" - 10A	44 + 80	27.8	46 + 20	28.7	Ribia	1,400	0.9
12.	" - 10B	46 + 80	29.1	47 + 60	29.6	Bom	800	0.5
13.	" - 11	48 + 00	29.8	49 + 50	30.8	Masaktaba	1,500	0.9
14.	" - 12	51 + 40	31.9	51 + 70	32.1	Makaiba	300	0.2
15.	" - 13A	52 + 10	32.4	53 + 50	33.3	Machichi	1,400	0.9
16.	" - 13B	54 + 50	33.9	55 + 50	34.5	Masonka	1,000	0.6
17.	" - 13C	55 + 80	34.7	56 + 60	35.2	Wari	800	0.5
18.	" - 13D	56 + 90	35.4	57 + 80	35.9	Kamaranka	900	0.6
19.	" - 14	58 + 30	36.2	58 + 60	36.4	Mane	300	0.2
20.	" - 15	59 + 40	36.9	60 + 30	37.5	Mamank	900	0.6
21.	" - 16	62 + 00	38.5	64 + 50	40.1	Sindugu/Songwia	2,500	1.6
22.	" - 17	68 + 50	42.6	69 + 10	42.9	Bankabi	600	0.4
23.	" - 18	75 + 30	46.8	76 + 80	47.7	Maruka/Kenedi	1,500	0.9
24.	" - 19	77 + 60	48.2	79 + 60	49.5	Makanka	2,000	1.2
25.	" - 20	84 + 40	52.5	85 + 00	52.8	Kamakwic	600	0.4
Total							(29,900)	(18.6)

2. (RIVER SURVEY)

1.	Part - A	0 + 00	0	21 + 00	13.1	Panlap-Mafure	21,000	13.1
2.	" - B	21 + 00	13.1	42 + 00	26.1	Mafure-Ribia	21,000	13.1
3.	" - C	42 + 00	26.1	63 + 00	39.2	Ribia-Sindugu/Songwia	21,000	13.1
4.	" - D	63 + 00	39.2	85 + 00	52.8	Sindugu/Songwia-Kamakwic	22,000	13.7
Total							(85,000)	(52.8)

Source : JICA Mission

APPENDIX 0 気象データ

(1) RECORDS OF DAILY RAIN FALL in 1975

Location : MAKENI
Unit : Millimeter

Location : KABALA
Unit : Millimeter

	Jan.	Feb.	Mar.	Apr.	May	Jun.	Jul.	Aug.	Sep.	Oct.	Nov.	Dec.	Year
1	0.0	0.0	0.0	0.0	0.0	0.0	0.0	2.8	17.6	13.7	0.0	0.0	33.5
2	0.0	0.0	0.0	0.0	0.0	0.0	10.2	0.0	73.7	62.2	0.0	0.0	146.1
3	0.0	0.0	0.0	14.0	0.0	0.0	0.0	11.7	0.0	11.4	0.0	36.8	73.9
4	0.0	0.0	0.0	0.0	0.0	0.0	11.4	6.3	35.6	0.0	0.0	0.0	53.3
5	0.0	0.0	0.0	0.0	0.0	0.0	0.0	2.5	12.2	11.7	0.0	0.0	26.4
6	0.0	0.0	0.0	0.0	0.0	16.8	4.3	29.2	0.0	0.0	0.0	0.0	50.3
7	0.0	0.0	0.0	0.0	33.0	1.8	0.0	18.0	10.9	32.5	0.0	0.0	96.2
8	0.0	0.0	0.0	0.0	0.0	0.0	36.3	34.8	0.0	0.0	0.0	0.0	71.1
9	0.0	0.0	0.0	0.0	36.6	56.9	3.1	181.9	7.8	14.6	0.0	0.0	310.9
10	0.0	0.0	0.0	0.0	3.8	10.7	7.6	72.9	2.8	20.3	24.9	0.0	143.0
11	0.0	0.0	5.6	0.0	0.0	24.1	6.9	3.1	6.3	2.3	0.0	0.0	48.3
12	0.0	0.0	0.0	66.5	6.9	16.5	61.0	124.5	25.4	30.2	0.0	0.0	331.0
13	0.0	0.0	0.0	15.7	0.0	28.5	20.6	0.0	14.5	18.5	0.0	0.0	97.8
14	0.0	0.0	0.0	0.0	12.2	0.0	0.0	4.6	21.8	16.0	0.0	0.0	54.6
15	0.0	0.0	0.0	0.0	6.3	50.3	0.0	46.0	8.1	0.0	0.0	0.0	110.7
16	0.0	0.0	0.0	0.0	9.4	7.1	5.6	3.8	90.9	0.0	0.0	0.0	116.8
17	0.0	0.0	0.0	0.0	0.0	0.0	238.0	11.7	18.5	0.0	0.0	0.0	313.2
18	0.0	0.0	0.0	0.0	0.0	56.4	34.0	0.0	0.0	41.1	0.0	0.0	131.5
19	0.0	0.0	0.0	0.0	0.0	0.0	63.5	6.9	0.0	20.1	0.0	0.0	90.5
20	0.0	0.0	0.0	0.0	7.1	32.3	0.0	8.4	5.6	4.8	0.0	0.0	58.2
21	0.0	0.0	0.0	3.1	21.3	0.0	0.0	8.1	2.5	68.3	0.0	0.0	103.3
22	0.0	0.0	0.0	0.0	30.5	0.0	61.0	0.0	30.5	3.8	0.0	0.0	125.8
23	0.0	0.0	0.0	0.0	27.4	7.6	5.1	5.1	0.0	28.2	0.0	0.0	73.4
24	0.0	0.0	0.0	0.0	0.0	8.9	0.0	5.3	5.6	6.1	0.0	0.0	25.9
25	0.0	0.0	1.8	0.0	0.0	0.0	7.4	20.3	6.1	11.7	0.0	0.0	47.3
26	0.0	0.0	0.0	0.0	17.3	38.1	48.3	0.0	5.8	0.0	0.0	0.0	109.5
27	0.0	0.0	0.0	0.0	0.0	10.7	38.1	34.0	38.1	0.0	0.0	0.0	120.9
28	0.0	0.0	0.0	0.0	29.0	7.4	10.2	6.3	17.0	19.1	0.0	0.0	89.0
29	0.0	-	0.0	0.0	13.2	0.0	12.5	29.7	0.0	10.9	0.0	0.0	66.3
30	0.0	-	0.0	0.0	0.0	0.0	0.0	5.1	17.0	24.9	0.0	0.0	47.0
31	0.0	-	0.0	-	0.0	-	0.0	4.8	-	0.0	-	0.0	4.8
Total	0.0	0.0	7.4	99.3	254.0	374.1	730.1	687.8	483.7	472.4	24.9	36.8	3,170.5
No. of Rain Days	0	0	2	4	14	16	20	26	23	22	1	1	

	Jan.	Feb.	Mar.	Apr.	May	Jun.	Jul.	Aug.	Sep.	Oct.	Nov.	Dec.	Year
1	0.0	0.0	0.0	0.0	0.0	17.0	0.8	24.8	1.3	35.8	0.0	0.0	79.7
2	0.0	0.0	6.4	0.0	15.1	1.3	0.3	9.8	16.2	67.5	0.0	0.0	116.6
3	0.0	0.0	2.0	0.0	8.0	2.3	0.8	14.3	25.1	6.9	0.0	0.0	59.4
4	0.0	0.0	0.0	0.0	6.8	67.3	16.0	5.7	3.5	56.9	0.0	0.0	156.2
5	0.0	0.0	0.0	0.0	0.0	0.0	0.0	5.1	16.2	5.1	0.0	0.0	26.4
6	0.0	0.0	0.0	0.0	8.7	15.7	16.8	3.6	TR	0.0	14.8	0.0	59.6
7	0.0	0.0	0.0	0.0	0.0	1.3	8.4	2.7	31.7	0.0	2.3	0.0	46.4
8	0.0	0.0	0.0	0.0	6.9	25.6	TR	2.3	0.8	20.3	0.0	0.0	55.9
9	0.0	TR	8.3	0.0	0.0	0.0	9.9	22.1	0.0	5.9	0.8	TR	46.7
10	0.0	0.0	2.3	0.0	21.3	6.1	26.9	2.4	0.0	1.3	2.8	0.0	63.1
11	0.0	0.0	16.0	0.0	0.0	0.0	TR	TR	0.0	14.4	0.0	0.0	30.4
12	0.0	0.0	0.0	0.0	5.9	29.0	13.0	0.0	2.5	TR	0.0	0.0	50.4
13	0.0	0.0	0.0	0.0	0.0	5.8	8.4	8.4	74.6	3.1	0.0	0.0	100.3
14	0.0	0.0	3.7	0.0	5.6	14.8	3.3	21.3	20.2	0.0	0.0	0.0	69.5
15	31.0	0.0	0.0	0.0	10.7	0.0	16.3	2.4	0.0	7.4	0.0	0.0	67.8
16	0.0	0.0	8.6	0.0	6.6	26.8	59.3	0.3	6.1	10.4	0.0	0.0	118.1
17	0.0	0.0	19.0	48.2	0.0	0.0	TR	0.8	1.0	0.0	0.0	0.0	69.0
18	0.0	0.0	17.8	TR	0.0	TR	43.0	3.8	3.8	9.0	0.0	0.0	77.4
19	0.0	0.0	0.0	5.0	0.0	0.0	27.6	5.4	22.9	15.5	0.0	TR	76.4
20	0.0	0.0	0.0	0.0	0.0	6.7	0.0	2.4	9.8	51.3	0.0	1.3	71.5
21	0.0	0.0	0.0	2.3	12.7	0.5	0.0	2.2	4.4	0.5	0.0	0.0	23.1
22	0.0	0.5	0.0	0.0	3.8	0.3	24.7	10.3	37.9	10.6	0.0	0.0	131.1
23	0.0	43.5	0.0	0.0	0.0	0.0	4.4	5.7	10.8	7.9	0.0	0.0	28.8
24	0.0	0.0	0.0	0.0	1.5	26.9	2.0	36.7	6.2	8.2	0.0	0.0	81.5
25	0.0	0.0	0.0	0.0	2.1	1.2	1.3	0.8	14.5	17.9	0.0	0.0	37.8
26	0.0	0.0	7.8	0.0	0.3	1.3	14.2	0.3	0.5	2.1	0.0	0.0	26.5
27	0.0	0.0	0.0	0.0	11.0	0.5	1.3	19.6	5.1	0.0	16.6	0.0	54.1
28	0.0	0.0	2.6	0.0	2.6	8.4	7.7	11.4	5.6	0.0	2.6	0.0	40.9
29	0.0	-	0.0	0.0	TR	2.1	1.4	5.4	0.0	0.0	TR	0.0	8.9
30	0.0	-	TR	0.0	24.3	0.5	37.7	29.2	11.4	14.8	0.0	0.0	117.9
31	0.0	-	0.0	-	1.5	-	4.9	21.3	-	2.0	-	0.0	29.7
Total	31.0	44.0	94.2	55.5	155.4	260.6	350.2	281.1	332.1	374.8	39.9	1.3	2,021.0
No. of Rain Days	1	2	11	3	19	22	25	29	25	23	6	1	

Source : METEOROLOGICAL DEPARTMENT
MINISTRY OF TRANSPORT AND COMMUNICATIONS

(2) RECORDS OF TEMPERATURE

VALUE OF MEAN MAXIMUM TEMPERATURE

Location : MAKENI
Unit : F°

YEAR	Jan.	Feb.	Mar.	Apr.	May	June	July	Aug.	Sep.	Oct.	Nov.	Dec.	YEAR
1970	93.3	95.7	96.0	95.7	92.4	89.0	85.8	85.1	86.9	89.1	88.8	88.9	90.56
1971	91.4	92.7	96.3	93.9	91.2	89.8	-	-	-	88.5	88.5	89.4	91.30
1972	89.9	93.9	94.8	93.7	90.7	88.4	-	-	-	89.7	89.4	90.5	91.22
1973	92.5	96.0	97.5	98.1	92.8	90.2	86.5	86.2	88.2	-	-	-	92.00
1974	91.3	94.1	95.4	95.4	92.1	89.8	85.7	84.6	85.4	88.0	89.6	90.4	90.15
1975	91.9	95.3	96.4	94.4	91.3	89.6	85.6	85.0	86.4	88.2	-	-	90.41
1976	92.2	95.0	95.3	94.5	91.5	88.7	87.6	-	-	-	-	-	92.11
1977	-	-	-	-	92.7	88.3	-	-	88.0	89.2	88.9	89.6	89.45
1978	88.5	93.4	-	-	-	91.2	84.2	87.4	-	-	-	89.8	89.08
1979	92.7	94.3	95.5	97.2	95.7	90.1	87.6	88.9	-	-	-	-	92.75
AVE.	91.52	94.48	95.90	95.36	92.26	89.5	86.14	86.20	86.98	88.78	89.04	89.76	90.46

VALUE OF MEAN MAXIMUM TEMPERATURE

Location : KABALA
Unit : F°

YEAR	Jan.	Feb.	Mar.	Apr.	May	June	July	Aug.	Sep.	Oct.	Nov.	Dec.	YEAR
1970	92.4	95.1	95.3	93.2	88.0	86.2	82.7	81.5	82.4	86.2	86.3	86.4	87.98
1971	90.1	92.9	95.6	89.9	87.6	85.0	81.3	79.7	82.8	85.4	86.5	87.2	87.00
1972	90.0	93.6	93.9	89.0	86.7	84.7	83.7	83.1	82.9	86.8	88.3	88.9	87.63
1973	92.5	97.7	91.5	94.8	89.0	86.5	83.7	83.7	84.7	86.8	88.9	88.5	89.03
1974	90.3	94.2	94.3	92.6	89.4	85.5	81.6	82.2	83.6	85.9	88.2	90.1	88.16
1975	90.2	95.5	95.8	92.4	88.2	86.0	81.7	81.9	85.9	87.3	89.9	89.9	88.73
1976	90.6	93.9	94.6	90.8	86.0	84.6	80.9	80.6	83.8	82.9	85.4	87.6	86.81
1977	91.4	94.6	95.5	92.5	89.1	84.9	82.6	81.8	83.5	86.0	88.9	89.4	88.35
1978	91.3	93.4	93.4	90.1	86.9	83.5	80.6	81.3	83.8	85.8	86.7	88.3	87.09
1979	93.9	94.1	94.0	92.3	89.1	84.9	82.8	83.3	-	-	-	-	89.30
AVE.	91.27	94.5	94.39	91.76	88.00	85.18	82.16	81.91	83.71	85.90	87.67	88.48	87.91

VALUES OF MEAN MINIMUM TEMPERATURE

Location : MAKENI
Unit : F°

YEAR	Jan.	Feb.	Mar.	Apr.	May	June	July	Aug.	Sep.	Oct.	Nov.	Dec.	YEAR
1970	69.5	70.2	71.4	72.3	73.0	72.5	71.7	69.1	-	-	-	-	71.21
1971	62.8	68.2	65.4	-	-	-	71.1	-	-	-	-	-	66.88
1972	-	69.0	69.6	72.1	73.2	71.5	-	-	-	-	-	63.3	69.78
1973	62.9	70.0	70.9	73.3	71.4	73.6	72.7	72.1	72.5	-	-	-	71.04
1974	62.4	68.4	70.5	71.9	71.5	71.4	71.8	72.2	69.1	71.4	70.4	69.3	70.03
1975	62.7	68.0	70.2	72.5	71.9	71.0	71.5	72.6	73.1	-	-	-	70.39
1976	68.8	72.9	72.4	71.1	71.1	70.3	-	-	-	-	-	-	71.10
1977	-	-	-	-	74.7	75.2	-	-	-	74.8	76.3	-	75.25
1978	-	72.9	-	-	73.6	72.3	71.6	70.5	-	-	-	68.4	71.55
1979	70.0	68.2	70.3	70.0	71.8	71.4	70.9	70.3	-	-	-	-	70.36
AVE.	65.85	69.74	70.08	71.88	72.46	72.13	71.61	71.13	71.56	73.10	73.35	67.00	70.82

VALUES OF MEAN MINIMUM TEMPERATURE

Location : KABALA
Unit : F°

YEAR	Jan.	Feb.	Mar.	Apr.	May	June	July	Aug.	Sep.	Oct.	Nov.	Dec.	YEAR
1970	63.6	66.9	70.0	71.3	70.8	69.8	69.1	68.7	68.3	68.1	66.8	60.4	67.82
1971	55.2	64.7	66.6	68.8	68.7	68.4	68.5	68.0	68.5	67.5	68.1	63.9	66.41
1972	61.6	66.5	68.1	69.5	70.4	68.9	69.6	69.3	68.9	68.7	68.6	62.9	67.75
1973	62.7	68.3	70.5	73.0	70.3	70.4	70.1	69.7	69.0	67.6	65.0	58.1	67.89
1974	60.4	66.8	70.7	71.0	69.6	69.2	68.7	69.2	68.5	68.5	65.7	60.6	67.41
1975	61.7	66.5	70.1	71.6	70.5	69.4	68.4	68.2	67.3	66.9	64.0	68.1	67.73
1976	59.5	65.1	68.0	69.4	68.7	68.5	69.3	68.9	69.1	69.3	63.5	59.9	66.60
1977	62.2	64.4	68.2	71.2	70.3	69.8	69.2	68.9	69.3	68.9	66.3	61.1	67.48
1978	65.5	70.0	69.6	71.6	71.1	69.4	68.7	69.4	69.3	68.7	66.7	63.1	68.59
1979	57.2	62.6	59.0	69.8	66.2	66.2	66.2	66.2	-	-	-	-	64.18
AVE.	60.96	66.18	68.08	70.72	69.66	69.00	68.78	68.65	68.69	68.24	66.08	62.01	67.25

Source : METEOROLOGICAL DEPARTMENT
MINISTRY OF TRANSPORT AND COMMUNICATIONS

(3) RECORDS OF RELATIVE HUMIDITY

VALUE OF MEAN MAXIMUM RELATIVE HUMIDITY

Location : MAKENI
Unit : Percent

YEAR	Jan.	Feb.	Mar.	Apr.	May	June	July	Aug.	Sep.	Oct.	Nov.	Dec.	YEAR
1970	90	84	81	87	87	85	91	92	85	-	89	86	87.00
1971	85	87	87	86	-	90	90	93	90	90	87	90	88.64
1972	-	85	73	83	86	89	-	-	-	81	-	84	83.00
1973	81	82	81	79	85	86	89	91	90	86	87	77	84.50
1974	74	92	78	75	84	89	92	92	90	87	87	87	85.58
1975	74	85	78	79	81	88	90	93	92	89	89	89	85.58
1976	83	78	-	79	88	91	89	-	-	-	-	-	84.67
1977	-	-	-	-	-	-	-	-	95	-	-	-	95.00
1978	-	-	-	-	84	82	95	93	-	-	-	85	87.80
1979	89	88	82	79	88	89	89	90	-	-	-	-	86.75
AVE.	82.3	85.1	80.0	80.9	85.4	87.4	90.6	92.0	90.3	86.6	87.8	85.4	86.15

VALUE OF MEAN MAXIMUM RELATIVE HUMIDITY

Location : KABALA
Unit : Percent

YEAR	Jan.	Feb.	Mar.	Apr.	May	June	July	Aug.	Sep.	Oct.	Nov.	Dec.	YEAR
1970	81	75	77	75	84	87	91	91	91	90	90	81	84.42
1971	65	78	69	81	83	88	89	93	92	90	90	86	83.67
1972	85	79	72	82	85	89	91	92	90	89	92	72	84.83
1973	51	73	63	76	85	89	91	92	91	89	88	72	80.00
1974	53	64	76	72	84	89	92	94	91	91	87	78	80.92
1975	48	74	71	79	83	87	90	92	93	88	88	81	81.17
1976	64	72	71	80	83	90	93	92	91	93	86	76	82.58
1977	82	70	64	73	83	88	92	92	93	92	90	81	83.33
1978	88	89	87	84	90	93	93	93	92	89	88	83	89.08
1979	83	94	65	69	86	89	93	92	-	-	-	-	83.88
AVE.	70.0	76.8	71.5	77.1	84.6	88.9	91.5	92.3	91.6	90.1	88.8	78.9	83.51

VALUES OF MEAN MINIMUM RELATIVE HUMIDITY

Location : MAKENI
Unit : Percent

YEAR	Jan.	Feb.	Mar.	Apr.	May	June	July	Aug.	Sep.	Oct.	Nov.	Dec.	YEAR
1970	57	50	55	56	60	68	-	78	-	-	69	66	62.11
1971	50	63	-	-	-	77	76	80	75	68	66	69	69.33
1972	-	-	36	44	63	75	-	-	-	62	-	52	55.33
1973	54	43	41	49	59	67	72	72	70	65	63	46	58.42
1974	44	39	44	44	54	63	71	78	-	68	63	63	57.36
1975	49	44	41	48	60	64	72	72	72	-	-	-	58.00
1976	-	-	67	55	73	76	-	-	67	-	-	-	67.60
1977	-	-	-	-	-	-	-	-	-	-	-	-	-
1978	-	-	-	-	65	-	-	-	-	-	-	56	60.50
1979	59	51	49	46	63	66	73	66	-	-	-	-	59.13
AVE.	52.2	48.3	47.6	48.9	62.1	69.5	72.8	74.3	71.0	65.8	65.3	58.7	61.38

VALUES OF MEAN MINIMUM RELATIVE HUMIDITY

Location : KABALA
Unit : Percent

YEAR	Jan.	Feb.	Mar.	Apr.	May	June	July	Aug.	Sep.	Oct.	Nov.	Dec.	YEAR
1970	27	28	33	42	59	65	73	74	71	65	61	41	53.25
1971	21	28	26	50	62	63	72	79	72	66	65	48	54.33
1972	40	33	32	50	63	69	71	72	67	65	55	35	54.33
1973	17	22	28	43	61	66	72	74	69	67	55	35	50.75
1974	19	22	34	44	56	67	75	75	70	65	49	29	50.42
1975	19	21	30	44	58	64	77	76	83	71	53	35	52.58
1976	27	27	33	49	64	68	71	74	69	73	52	37	53.67
1977	29	21	27	39	56	67	73	74	73	70	46	41	51.33
1978	47	46	59	44	67	73	76	77	70	65	51	37	59.33
1979	36	44	28	40	57	70	73	75	-	-	-	-	52.88
AVE.	28.2	29.2	33.0	44.5	60.3	67.2	73.3	75.0	71.6	67.4	54.1	37.5	53.69

Source : METEOROLOGICAL DEPARTMENT
MINISTRY OF TRANSPORT AND COMMUNICATIONS

(4) RECORDS OF MEAN SUNSHINE HOURS

Location : LUNGI
Unit : Hours/Day

YEAR	Jan.	Feb.	Mar.	Apr.	May	June	July	Aug.	Sep.	Oct.	Nov.	Dec.	YEAR
1970	8.2	8.2	8.5	7.0	5.8	6.8	3.8	2.4	4.7	6.1	6.5	6.7	6.23
1971	8.5	7.6	8.6	8.0	6.9	6.2	4.3	2.7	4.4	7.0	5.7	6.3	6.35
1972	7.5	9.0	8.0	6.8	5.9	5.7	4.5	3.4	5.3	6.3	5.0	6.3	6.14
1973	7.7	8.2	5.5	7.1	6.4	4.9	4.4	4.4	4.7	6.4	7.9	7.8	6.28
1974	7.8	7.3	6.7	6.5	8.3	5.9	3.2	2.3	4.0	6.4	8.3	6.9	6.13
1975	7.9	8.9	8.4	6.6	7.5	5.8	3.5	2.6	3.5	6.1	7.1	7.2	6.26
1976	8.3	8.7	7.7	8.0	6.3	5.7	3.4	3.3	5.1	3.9	6.6	8.1	6.26
1977	7.8	8.1	6.7	6.9	5.9	4.8	3.0	3.1	4.6	5.6	8.0	7.4	5.99
1978	7.8	7.8	8.1	7.0	6.0	4.6	3.5	2.6	4.5	5.5	6.5	7.0	5.91
1979	8.2	8.3	6.8	6.3	7.3	5.0	3.4	-	-	-	-	-	6.47
AVE.	7.97	8.21	7.50	7.02	6.63	5.54	3.70	2.98	4.53	5.92	6.84	7.08	6.16

(5) RECORDS OF EVAPORATION VALUES

Location : LUNGI
Unit : Centimeter

YEAR	Jan.	Feb.	Mar.	Apr.	May	June	July	Aug.	Sep.	Oct.	Nov.	Dec.	YEAR
1970	4.9	6.8	7.4	6.8	5.2	4.0	2.9	3.5	3.7	3.7	4.0	4.4	4.78
1971	5.3	6.9	8.3	5.7	5.9	3.9	4.0	2.9	2.9	3.2	3.3	3.7	4.67
1972	4.0	5.9	6.4	6.6	5.0	3.1	2.7	2.5	2.6	2.7	2.9	4.6	4.08
1973	5.1	5.1	6.3	5.7	3.8	2.7	2.5	2.1	2.3	3.0	3.4	4.5	3.88
1974	5.5	5.6	5.7	6.0	5.2	3.9	2.5	2.0	2.2	2.6	3.4	3.5	4.01
1975	5.6	4.5	5.4	4.7	4.1	2.8	2.3	2.2	2.1	2.5	2.8	2.7	3.48
1976	5.1	4.7	4.9	4.6	3.7	2.9	3.6	2.3	2.5	1.3	2.6	3.7	3.49
1977	3.6	4.5	4.7	5.3	4.1	3.0	2.0	1.8	2.2	2.4	3.3	3.3	3.35
1978	4.2	4.7	6.0	4.9	3.3	2.5	2.4	1.7	2.2	2.5	2.9	3.1	3.37
1979	3.6	4.4	5.8	5.8	4.2	2.5	2.0	-	-	-	-	-	4.04
AVE.	4.69	5.31	6.09	5.61	4.45	3.13	2.69	2.33	2.52	2.66	3.18	3.72	3.87

Location : KABALA
Unit : Hours/Day

YEAR	Jan.	Feb.	Mar.	Apr.	May	June	July	Aug.	Sep.	Oct.	Nov.	Dec.	YEAR
1970	7.8	8.7	8.4	6.8	5.9	6.5	4.0	3.0	4.5	6.2	6.4	7.0	6.27
1971	9.2	7.8	8.9	7.4	7.5	6.7	4.6	3.1	5.2	6.4	6.7	7.5	6.75
1972	7.4	8.7	7.8	7.3	5.8	5.2	5.7	4.4	5.4	6.5	6.2	6.6	6.42
1973	7.5	8.2	6.1	7.1	7.2	6.1	5.4	5.0	5.2	6.7	8.3	8.0	6.73
1974	8.0	8.0	8.0	7.2	8.0	5.3	3.7	3.2	4.9	6.7	7.9	7.8	6.56
1975	8.1	9.0	8.7	6.6	6.7	6.3	3.2	3.8	4.1	7.0	8.2	7.8	6.63
1976	8.5	8.6	8.3	7.9	6.1	6.2	4.2	4.2	5.5	4.0	6.5	8.0	6.50
1977	7.8	8.0	6.7	7.4	7.2	5.4	4.6	4.2	4.4	6.2	8.5	7.9	6.53
1978	7.7	7.5	8.6	7.5	6.0	5.3	3.7	4.0	5.0	6.2	6.5	7.5	6.29
1979	7.6	8.3	6.5	7.3	6.7	5.2	4.1	4.7	-	-	-	-	6.30
AVE.	7.96	8.28	7.80	7.25	6.71	5.82	4.32	3.96	4.91	6.21	7.24	7.57	6.50

Location : KABALA
Unit : Centimeter

YEAR	Jan.	Feb.	Mar.	Apr.	May	June	July	Aug.	Sep.	Oct.	Nov.	Dec.	YEAR
1970	7.2	9.4	9.3	7.4	4.1	2.7	2.0	2.1	2.0	2.2	2.5	4.5	4.62
1971	7.1	8.1	10.8	5.3	4.4	3.4	2.6	2.2	2.4	2.1	2.9	3.5	4.57
1972	5.7	8.6	8.1	5.5	3.3	2.5	2.4	2.0	2.1	2.3	2.7	5.4	4.22
1973	9.7	10.1	10.8	7.9	3.5	2.9	2.5	2.1	2.0	2.4	2.9	5.8	5.22
1974	10.9	14.9	14.6	14.6	7.4	3.6	2.8	2.3	2.2	2.1	3.2	4.9	6.96
1975	9.0	8.6	9.6	6.7	4.0	2.7	1.8	1.8	1.6	1.9	3.2	5.0	4.66
1976	8.2	8.2	8.2	6.5	3.7	2.5	1.9	1.6	1.9	1.5	3.1	5.8	4.43
1977	6.9	9.3	10.4	8.2	5.0	3.1	2.3	2.0	1.4	1.6	2.8	4.2	4.77
1978	4.2	4.5	5.5	3.7	2.5	2.1	1.8	1.6	1.7	1.9	2.8	4.5	3.07
1979	5.3	5.7	8.4	7.7	3.6	2.2	1.8	1.6	-	-	-	-	4.54
AVE.	7.42	8.74	9.57	7.35	4.15	2.77	2.19	1.93	1.92	2.00	2.90	4.84	4.65

Source : METEOROLOGICAL DEPARTMENT
MINISTRY OF TRANSPORT AND COMMUNICATIONS