

REPUBLIC OF CAMEROON
MINISTRY OF AGRICULTURE

**FEASIBILITY REPORT
ON
BAIGOM AGRICULTURAL DEVELOPMENT PROJECT**

ANNEX VOLUME 2

SEPTEMBER 1986

JAPAN INTERNATIONAL COOPERATION AGENCY
TOKYO, JAPAN

A F T

86 - 17

国際協力事業団		
受入 月日	'86.11.15	505
登録 No.	15687	80.7
		AFT

マイクロ
フィルム作成

*REPUBLIC OF CAMEROON
MINISTRY OF AGRICULTURE*

***FEASIBILITY REPORT
ON
BAIGOM AGRICULTURAL DEVELOPMENT PROJECT***

ANNEX VOLUME 2

 LIBRARY



1029636[6]

SEPTEMBER 1986

*JAPAN INTERNATIONAL COOPERATION AGENCY
TOKYO, JAPAN*







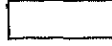
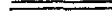

BAIGOM AGRICULTURE DEVELOPMENT PROJECT

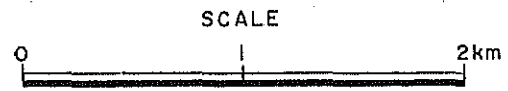
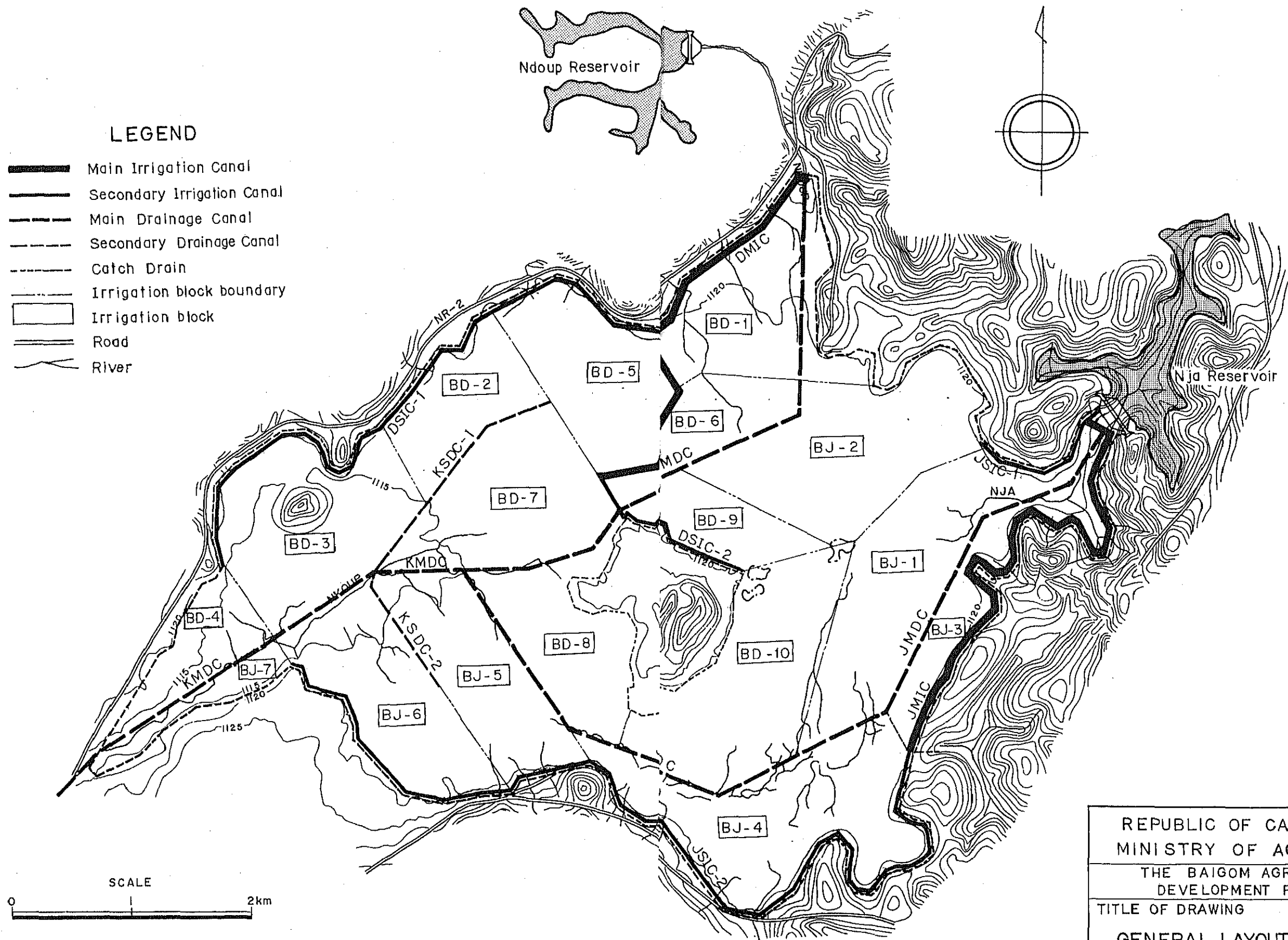
ANNEX XII DRAWINGS

PLATE NO.	DWG NO.	TITLE
1	I-1	GENERAL LAYOUT OF PROPOSED IRRIGATION AND DRAINAGE SYSTEM
2	II-1	NDOUP DAM (1/3) GENERAL PLAN, TYPICAL CROSS SECTION AND LONGITUDINAL SECTION
3	II-2	NDOUP DAM (2/3) SPILLWAY AND DIVERSION CHANNEL
4	II-3	NDOUP DAM (3/3) INTAKE AND OUTLET
5	II-4	NJA DAM (1/4) GENERAL PLAN
6	II-5	NJA DAM (2/4) TYPICAL CROSS SECTION AND LONGITUDINAL SECTION
7	II-6	NJA DAM (3/4) SPILLWAY AND DIVERSION CHANNEL
8	II-7	NJA DAM (4/4) INTAKE AND OUTLET
9	III-1	NDOUP INTAKE WEIR
10	III-2	PROFILE OF NDOUP MAIN IRRIGATION CANAL AND NDOUP SECONDARY IRRIGATION CANAL NO. 1
11	III-3	PROFILE OF NDOUP SECONDARY IRRIGATION CANAL NO. 2 AND NJA MAIN IRRIGATION CANAL
12	III-4	PROFILE OF NJA SECONDARY IRRIGATION CANAL NO. 1 AND NO. 2
13	III-5	PROFILE OF NKOUP MAIN DRAINAGE CANAL AND NJA MAIN DRAINAGE CANAL
14	III-6	PROFILE OF NDOUP MAIN DRAINAGE CANAL, NKOUP SECONDARY DRAINAGE CANAL NO. 1, NO. 2 AND NJA DIVERSION FLOOD WAY
15	III-7	TYPICAL CROSS SECTIONS OF IRRIGATION AND DRAINAGE CANALS AND FARM ROAD
16	III-8	TURNOUT AND DROP RELATED TO IRRIGATION CANALS
17	III-9	CHECK GATE (TYPE-A, B) RELATED TO IRRIGATION CANALS
18	III-10	SPILLWAY (TYPE-A) RELATED TO IRRIGATION CANALS
19	III-11	SPILLWAY (TYPE-B) AND CULVERT RELATED TO IRRIGATION CANALS
20	III-12	REGULATING GATE
21	III-13	DRAINAGE JUNCTION
22	III-14	DRAINAGE INLET
23	III-15	CULVERT (TYPE-A, B, C) RELATED TO DRAINAGE CANALS

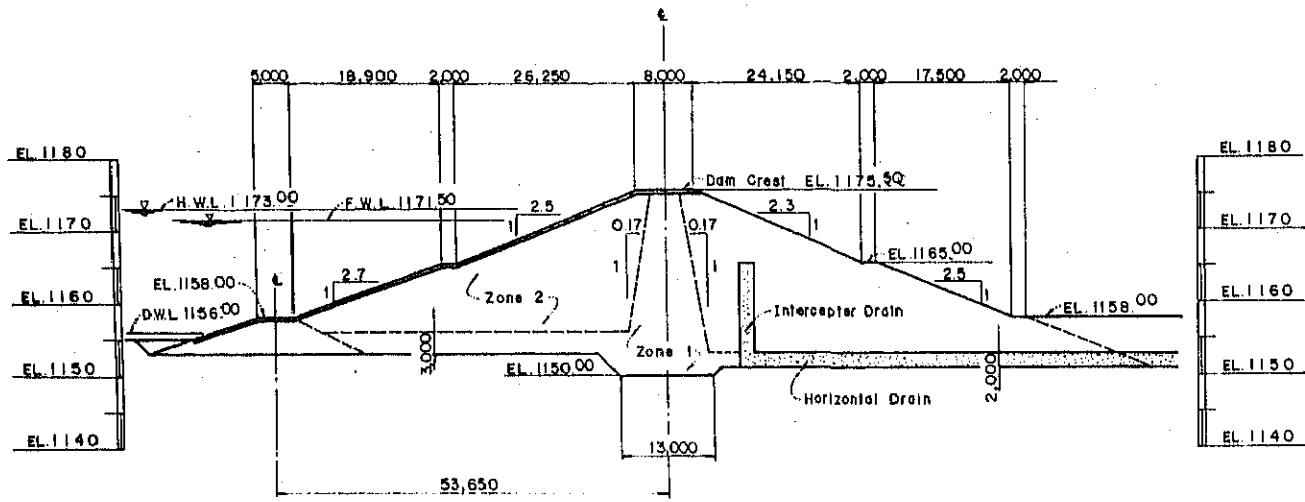
PLATE NO.	DWG NO.	TITLE
24	III-16	DROP RELATED TO DRAINAGE CANALS
25	III-17	CROSS DRAIN (TYPE-A1, A2 & B)
26	III-18	SPILLWAY TO DIVERSION FLOOD WAY
27	III-19	CROSS DRAIN IN DIVERSION FLOOD WAY
28	IV-1	GENERAL LAYOUT OF PILOT SCHEME
29	IV-2	TYPICAL FARM LAYOUT, TURNOUT, CULVERT, DROP AND DIVISION BOX FOR PILOT SCHEME
30	IV-3	NDOUP INTAKE WEIR FOR PILOT SCHEME
31	V-1	LAYOUT OF BUILDINGS FOR PILOT SCHEME
32	V-2	MAIN OFFICE FOR FARM OPERATION OF PILOT SCHEME
33	V-3	WORK SHOP FOR FARM OPERATION OF PILOT SCHEME
34	V-4	WAREHOUSE, RICE-MILL AND WAREHOUSE, AND GARAGE FOR FARM OPERATION OF PILOT SCHEME
35	V-5	FINISH SCHEDULE OF BUILDINGS FOR FARM OPERATION OF PILOT SCHEME
36	V-6	LABORATORY AND LECTURE HALL IN EXPERIMENTAL AND DEMONSTRATION FARM OF PILOT SCHEME
37	V-7	NURSERY BED IN EXPERIMENTAL AND DEMONSTRATION FARM OF PILOT SCHEME
38	V-8	HUT, NET HOUSE A, B, AND WAREHOUSE IN EXPERIMENTAL AND DEMONSTRATION FARM OF PILOT SCHEME
39	V-9	GARAGE, OVERNIGHT QUARTERS AND METEOROLOGICAL OFFICE IN EXPERIMENTAL AND DEMONSTRATION FARM OF PILOT SCHEME
40	V-10	FINISH SCHEDULE OF BUILDINGS IN EXPERIMENTAL AND DEMONSTRATION FARM OF PILOT SCHEME
41	V-11	FAMILY HOUSING FOR STAFF OF PILOT SCHEME
42	V-12	BACHELOR QUARTER FOR STAFF OF PILOT SCHEME
43	V-13	DOMITORY FOR STAFF OF PILOT SCHEME
44	V-14	FINISH SCHEDULE OF RESIDENTIAL BUILDINGS FOR PILOT SCHEME

PROPOSED IRRIGATION AND DRAINAGE SYSTEMS

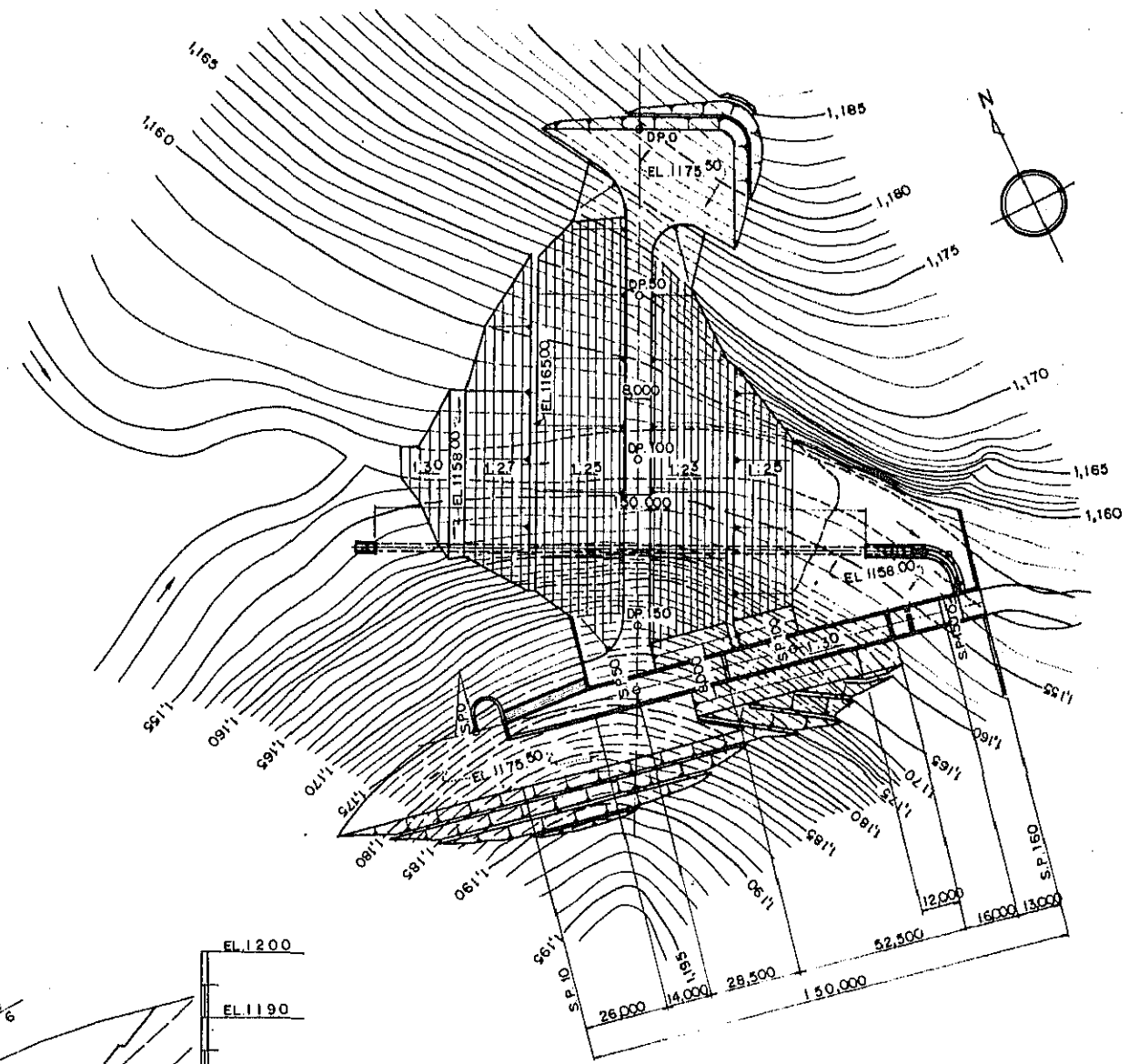
- LEGEND**
-  Main Irrigation Canal
 -  Secondary Irrigation Canal
 -  Main Drainage Canal
 -  Secondary Drainage Canal
 -  Catch Drain
 -  Irrigation block boundary
 -  Irrigation block
 -  Road
 -  River



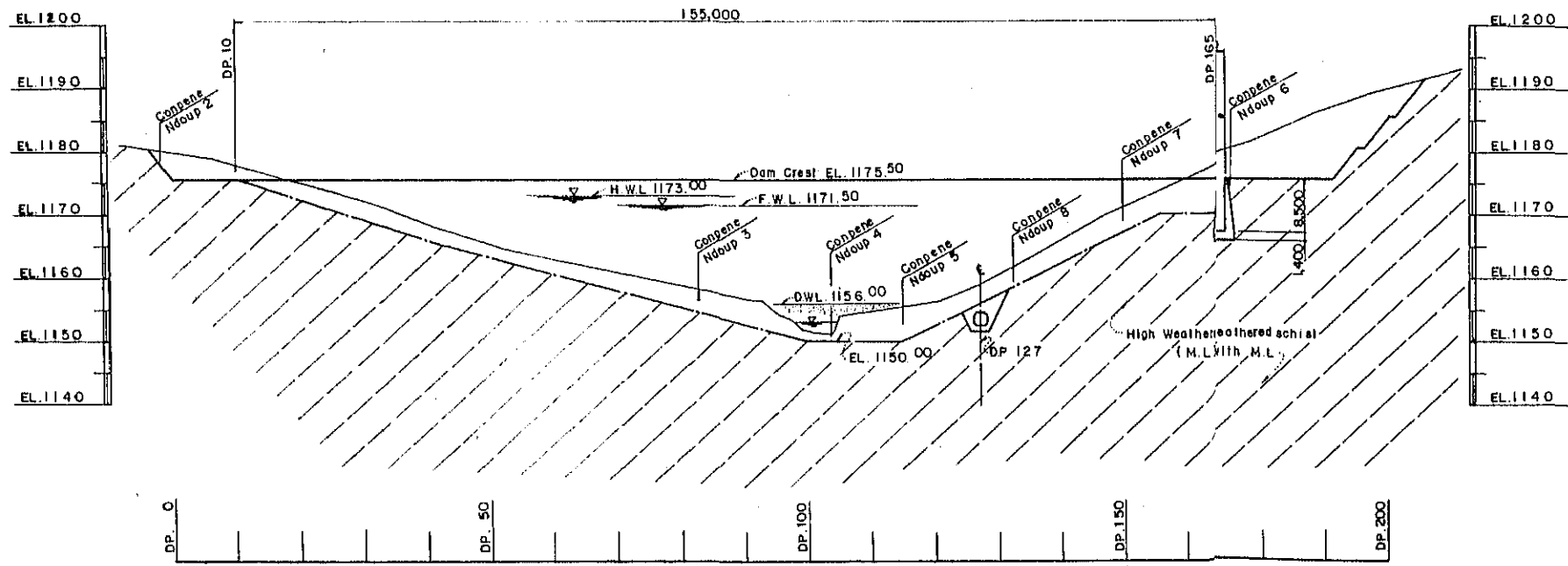
REPUBLIC OF CAMEROON	
MINISTRY OF AGRICULTURE	
THE BAIGOM AGRICULTURAL DEVELOPMENT PROJECT	
TITLE OF DRAWING	
GENERAL LAYOUT OF PROPOSED IRRIGATION AND DRAINAGE SYSTEM	
JAPAN INTERNATIONAL COOPERATION AGENCY	D.W.G. NO.
TOKYO JAPAN	I - 1



TYPICAL CROSS SECTION
SCALE - B



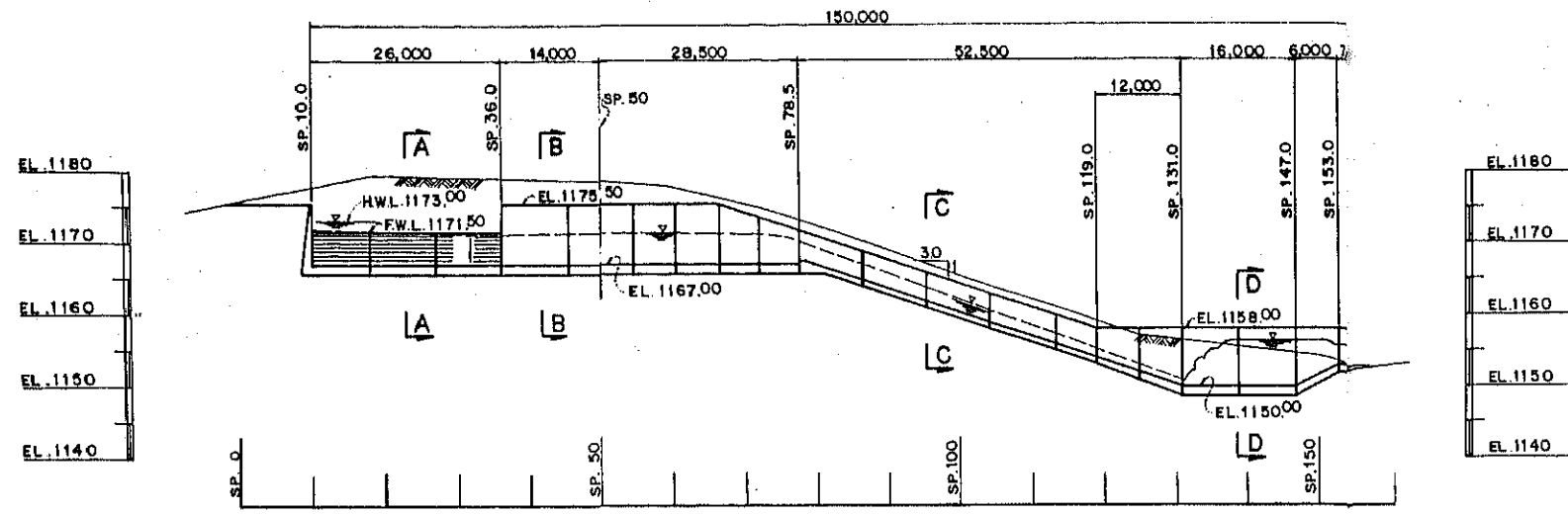
PLAN
SCALE - A



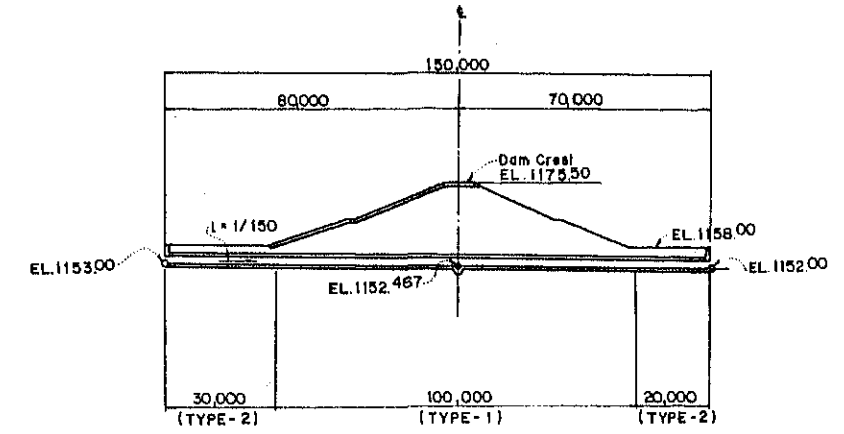
LONGITUDINAL SECTION
SCALE - B



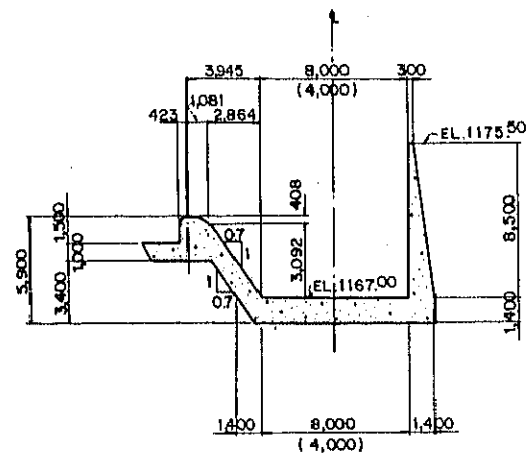
REPUBLIC OF CAMEROON	
MINISTRY OF AGRICULTURE	
THE BAIGOM AGRICULTURAL DEVELOPMENT PROJECT	
TITLE OF DRAWING	
NDOUP DAM (1/3) GENERAL PLAN	
TYPICAL CROSS SECTION AND	
LONGITUDINAL SECTION	
JAPAN INTERNATIONAL COOPERATION AGENCY	DWG. NO.
TOKYO JAPAN	II - 1



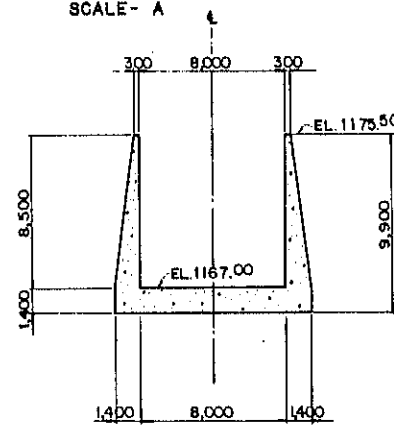
LONGITUDINAL SECTION
SCALE - A



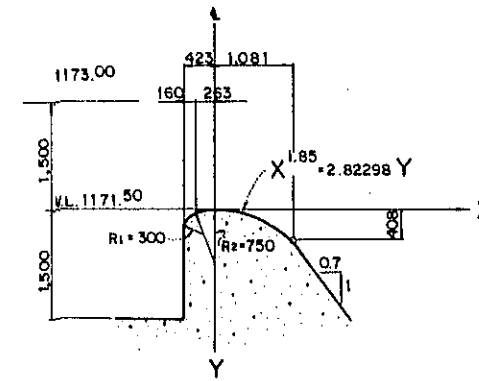
TYPICAL CROSS SECTION
SCALE - C



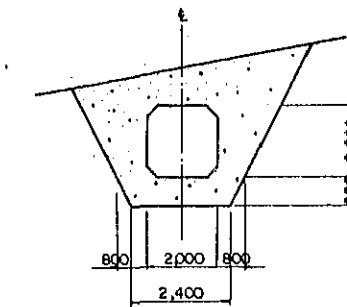
SECTION A-A
SCALE - B



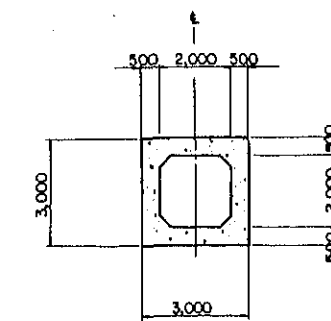
SECTION B-B
SCALE - B



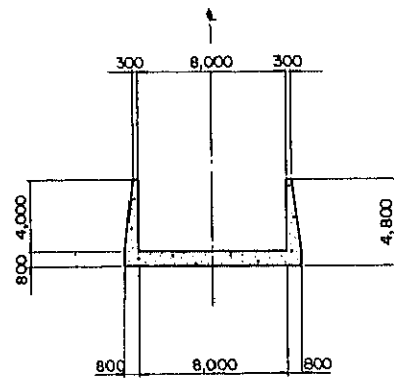
DETAIL OF WEIR
SCALE - E



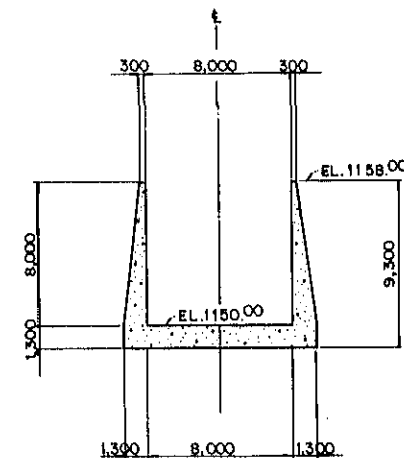
TYPE - 1
SCALE - D



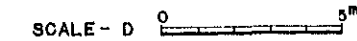
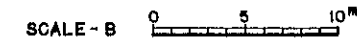
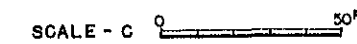
TYPE - 2
SCALE - D



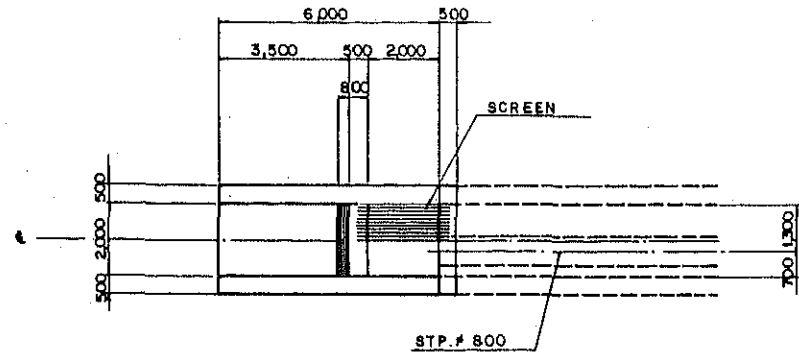
SECTION C-C
SCALE - B



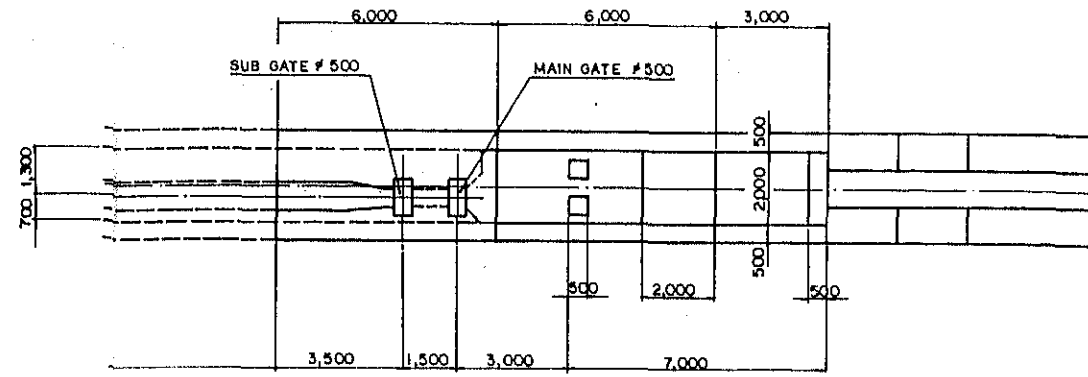
SECTION D-D
SCALE - B



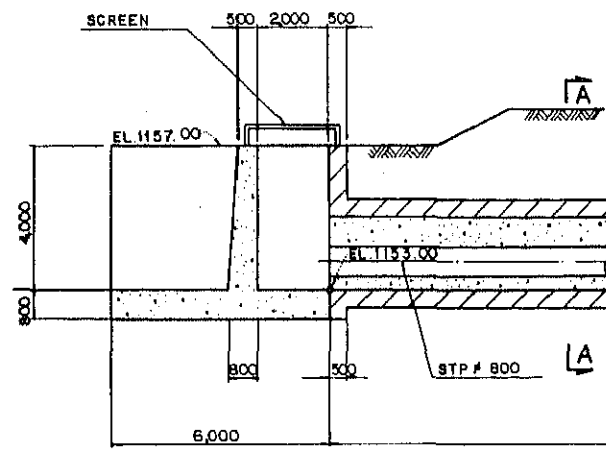
REPUBLIC OF CAMEROON	
MINISTRY OF AGRICULTURE	
THE BAIGOM AGRICULTURAL DEVELOPMENT PROJECT	
TITLE OF DRAWING	
NDOUP DAM (2/3)	
SPILLWAY AND DIVERSION CHANNEL	
JAPAN INTERNATIONAL COOPERATION AGENCY	DWG. NO.
TOKYO JAPAN	II - 2



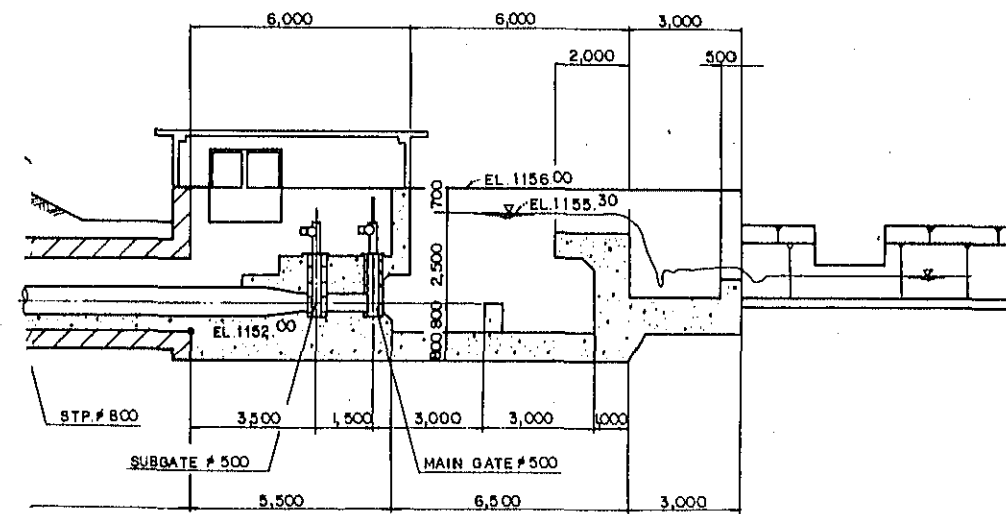
PLAN
SCALE - A



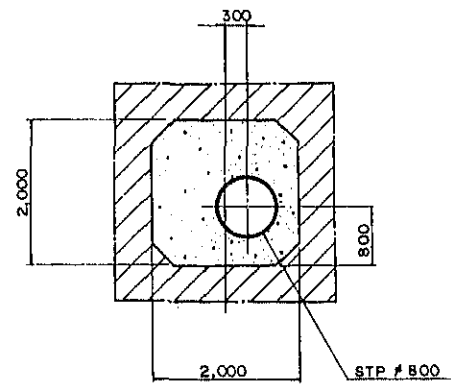
PLAN
SCALE - A



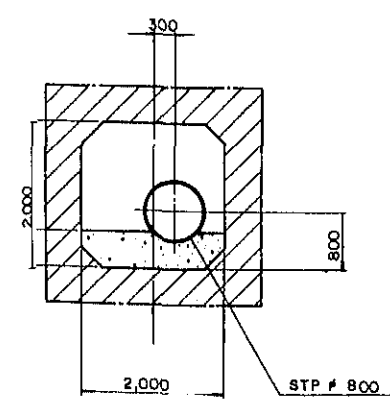
PROFILE
SCALE - A



PROFILE
SCALE - A



SECTION A-A
SCALE - B

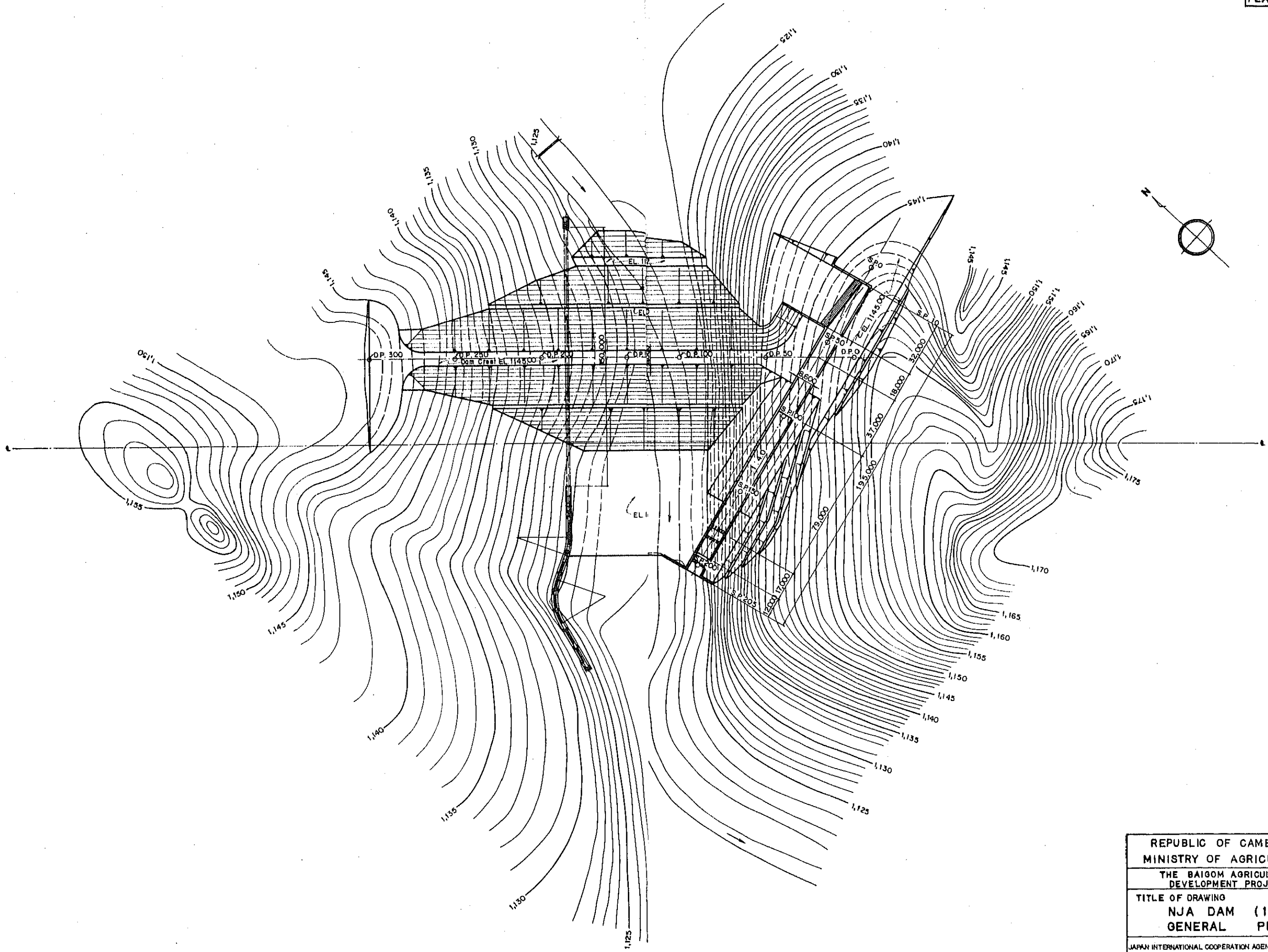


SECTION B-B
SCALE - B

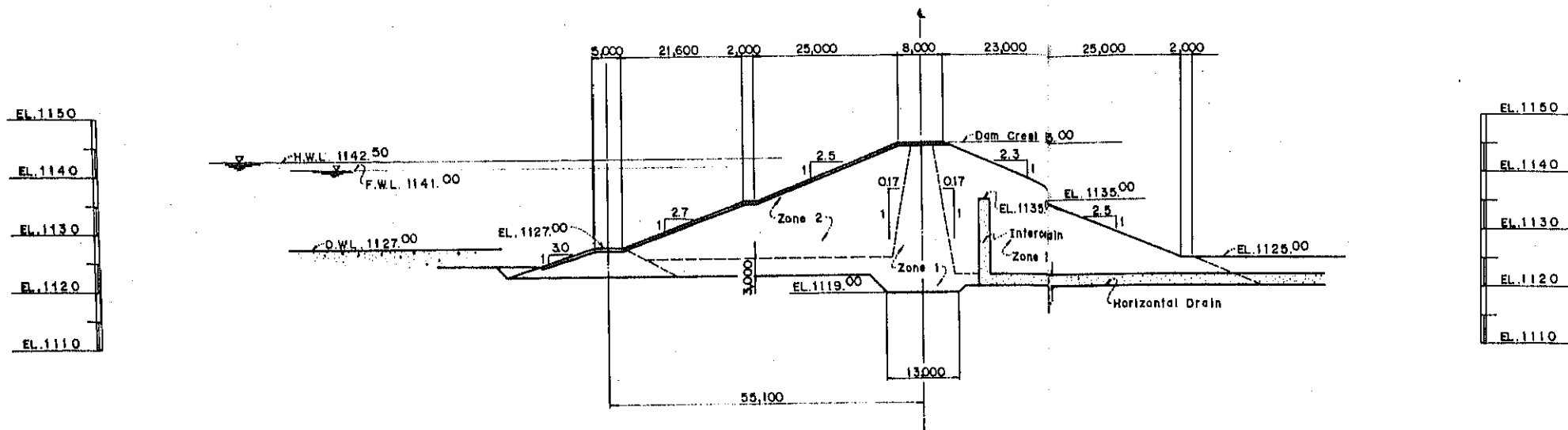
SCALE - A 0 1 2 3 4 5m

SCALE - B 0 1 2 3m

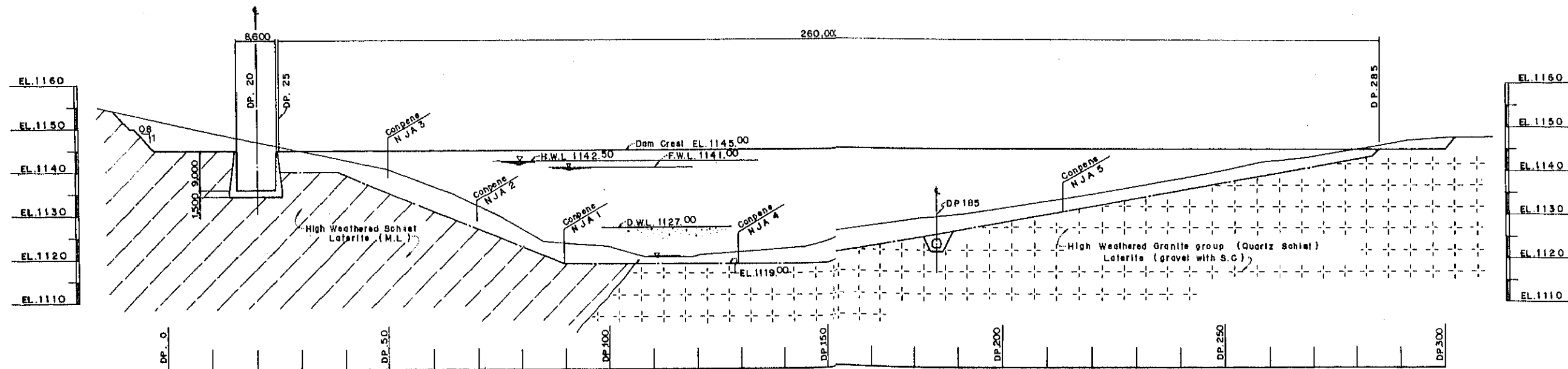
REPUBLIC OF CAMEROON	
MINISTRY OF AGRICULTURE	
THE BAIGOM AGRICULTURAL DEVELOPMENT PROJECT	
TITLE OF DRAWING	
NDOUP DAM (3/3)	
INTAKE AND OUTLET	
JAPAN INTERNATIONAL COOPERATION AGENCY	DWG. NO.
TOKYO JAPAN	II - 3



REPUBLIC OF CAMEROON	
MINISTRY OF AGRICULTURE	
THE BAIGOM AGRICULTURAL DEVELOPMENT PROJECT	
TITLE OF DRAWING	
NJA DAM (1/4)	
GENERAL PLAN	
JAPAN INTERNATIONAL COOPERATION AGENCY TOKYO JAPAN	D.W.G. NO. II - 4



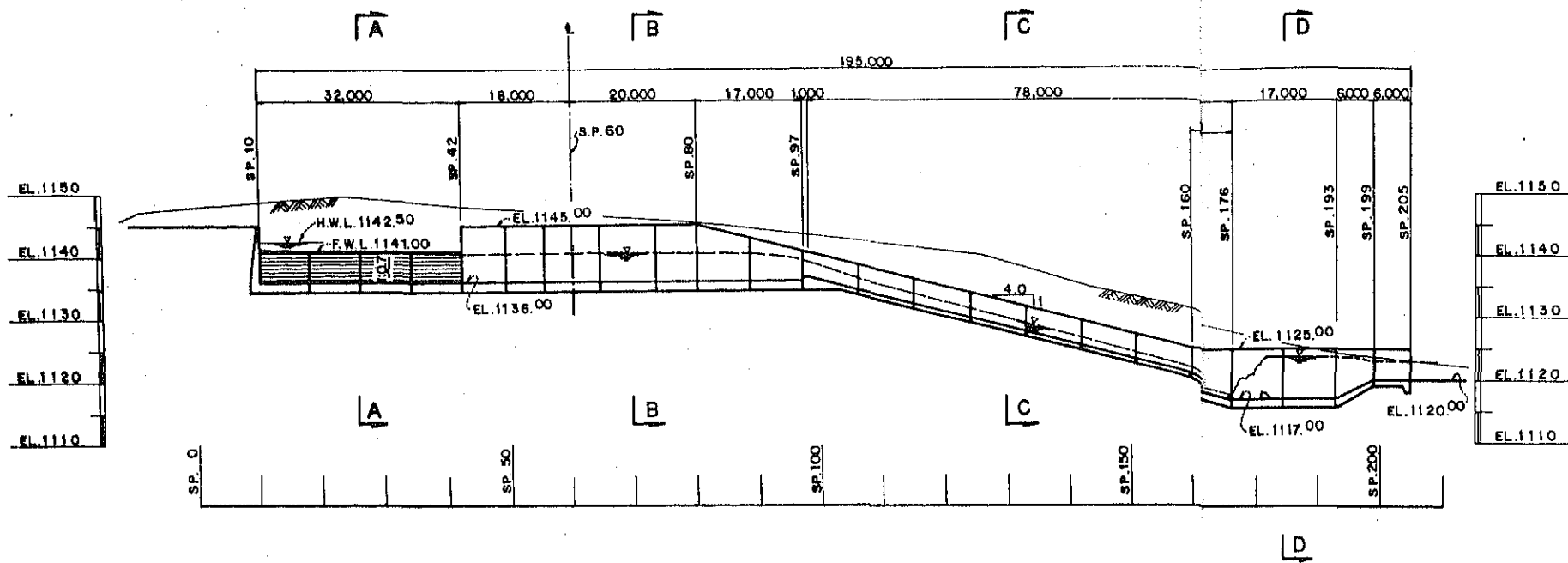
TYPICAL CROSS SECTI



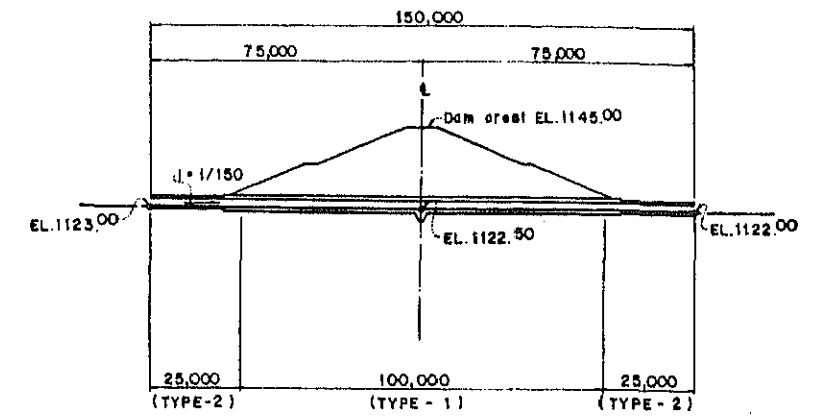
LONGITUDINAL SECTI



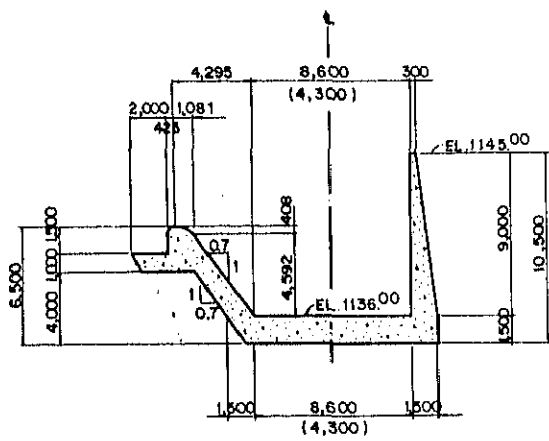
REPUBLIC OF CAMEROON	
MINISTRY OF AGRICULTURE	
THE BAIGOM AGRICULTURAL DEVELOPMENT PROJECT	
TITLE OF DRAWING NJA DAM (2/4) TYPICAL CROSS SECTION AND LONGITUDINAL SECTION	
JAPAN INTERNATIONAL COOPERATION AGENCY	D.W.G. NO. II - 5
TOKYO JAPAN	



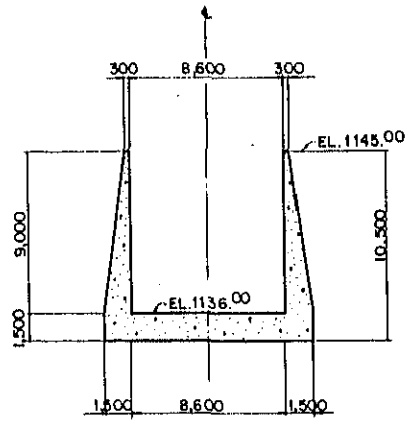
LONGITUDINAL SECTION
SCALE - A



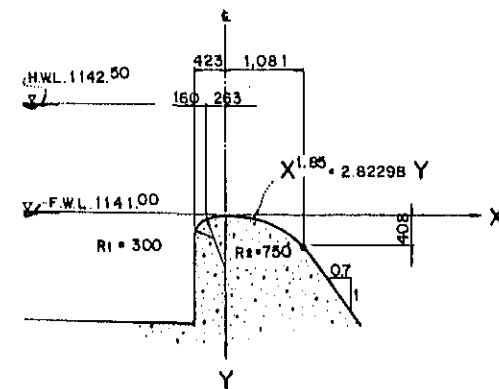
LONGITUDINAL SECTION
SCALE - C



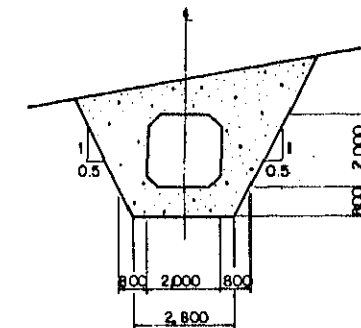
SECTION A-A
SCALE - B



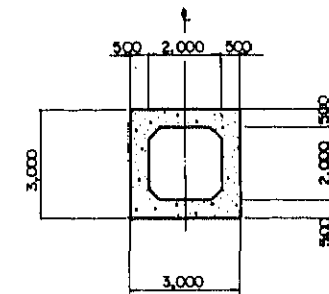
SECTION B-B
SCALE - B



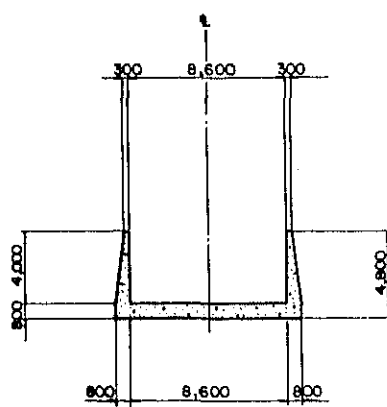
DETAIL OF WEIR
SCALE - E



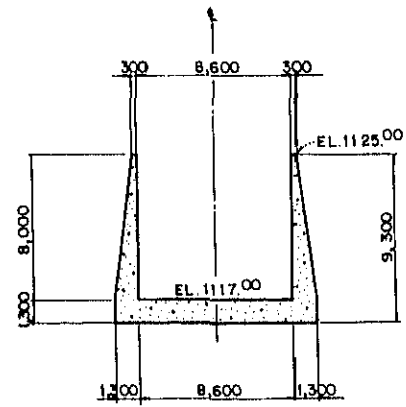
TYPE - 1
SCALE - D



TYPE - 2
SCALE - D



SECTION C-C
SCALE - B



SECTION E-E
SCALE - B

SCALE - A 0 10 20 30m

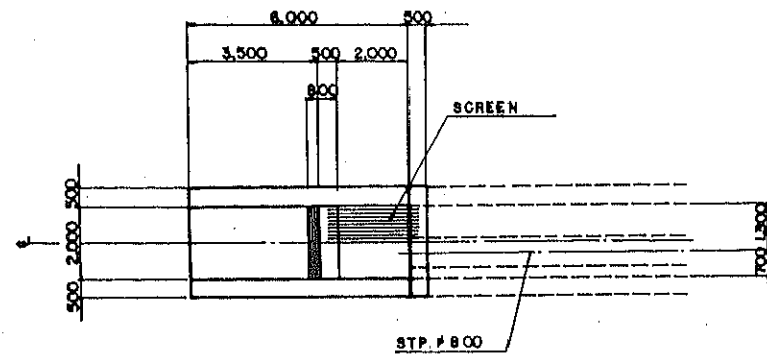
SCALE - B 0 5 10m

SCALE - C 0 50m

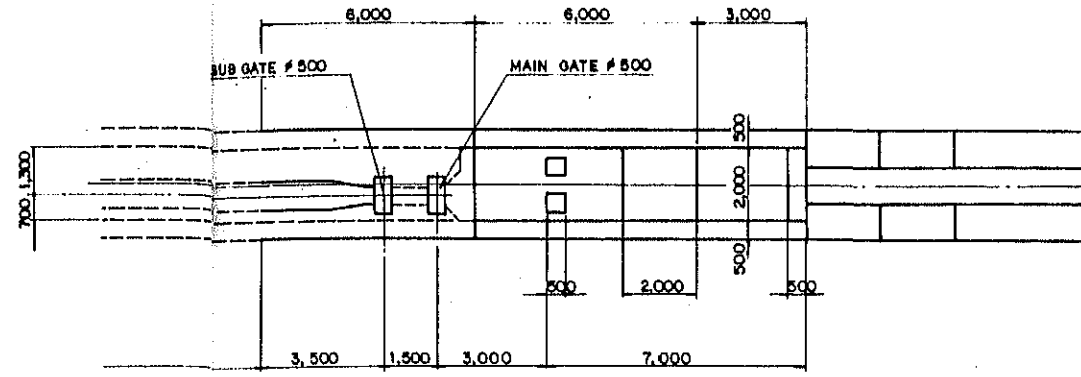
SCALE - D 0 5m

SCALE - E 0 1 2 3m

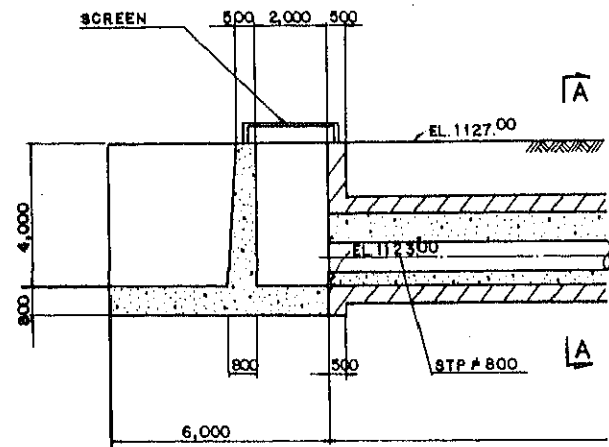
REPUBLIC OF CAMEROON	
MINISTRY OF AGRICULTURE	
THE BAIGOM AGRICULTURAL DEVELOPMENT PROJECT	
TITLE OF DRAWING	
NJA DAM (3/4)	
SPILLWAY AND DIVERSION CHANNEL	
JAPAN INTERNATIONAL COOPERATION AGENCY	D.W.G. NO.
TOKYO JAPAN	II - 6



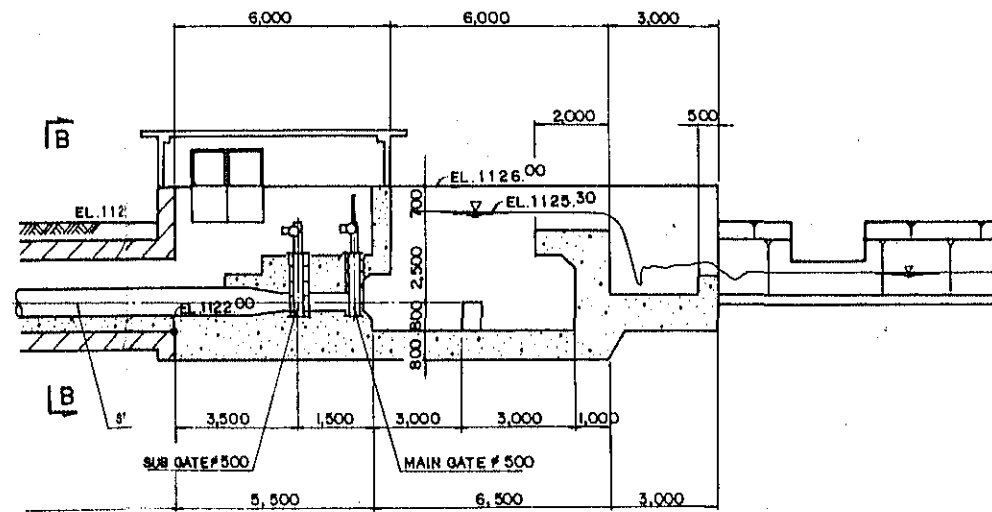
PLAN
SCALE - A



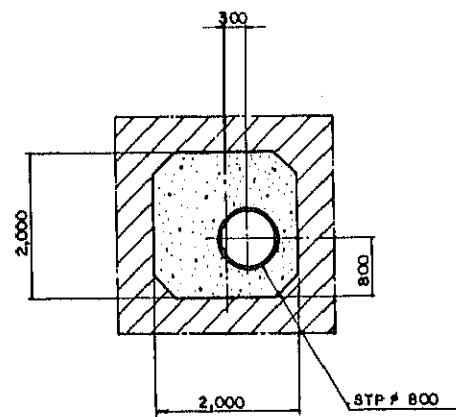
PLAN
SCALE - A



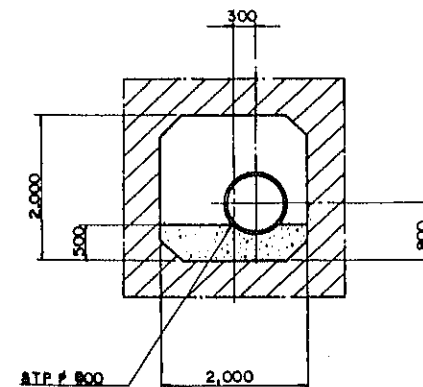
PROFILE
SCALE - A



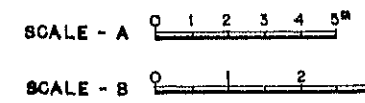
PROFILE
SCALE - A



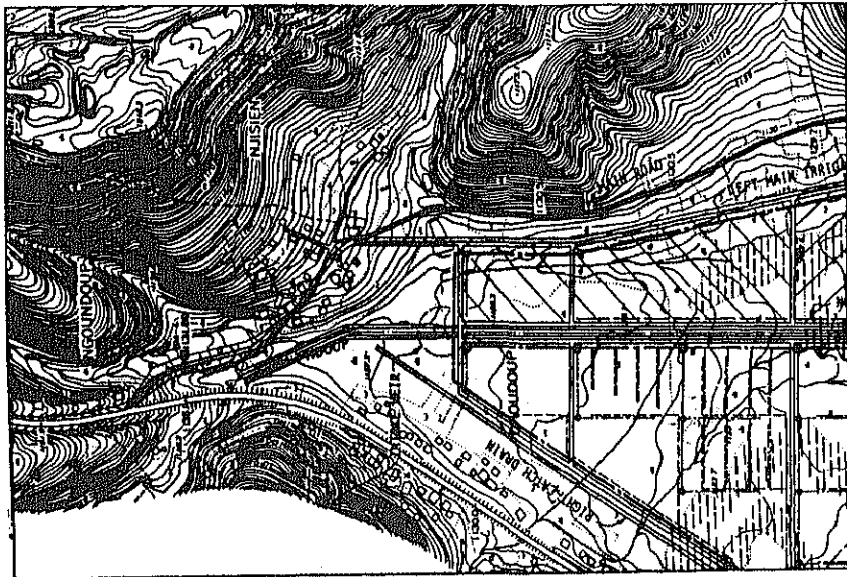
SECTION A-A
SCALE - B



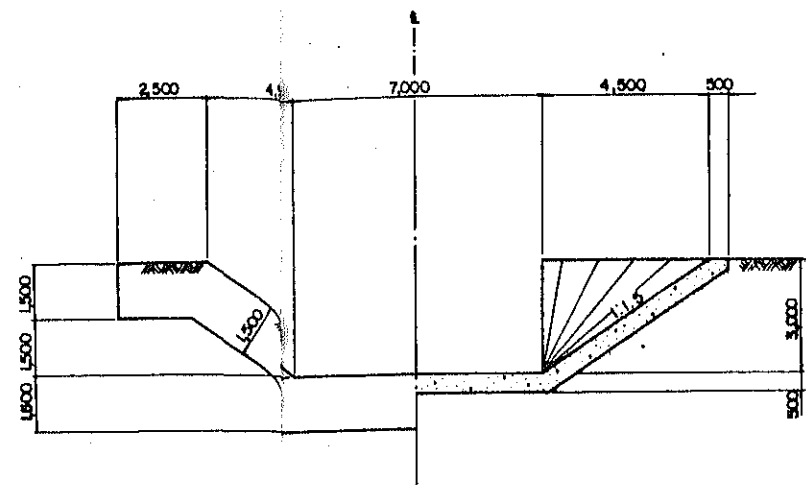
SECTION B-B
SCALE - B



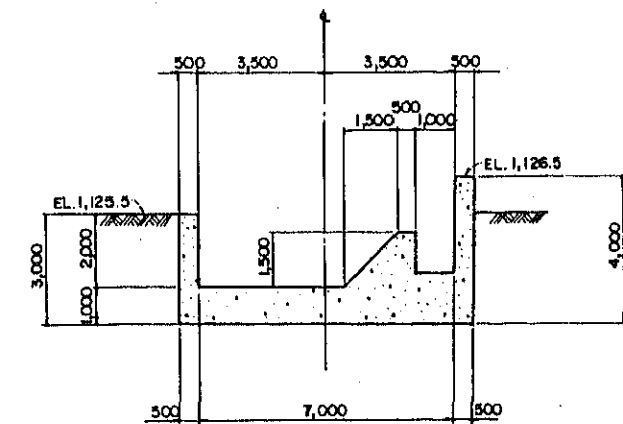
REPUBLIC OF CAMEROON	
MINISTRY OF AGRICULTURE	
THE BAIGOM AGRICULTURAL DEVELOPMENT PROJECT	
TITLE OF DRAWING	
NJA DAM (4/4)	
INTAKE AND OUTLET	
JAPAN INTERNATIONAL COOPERATION AGENCY	D.W.G. NO.
TOKYO JAPAN	II - 7



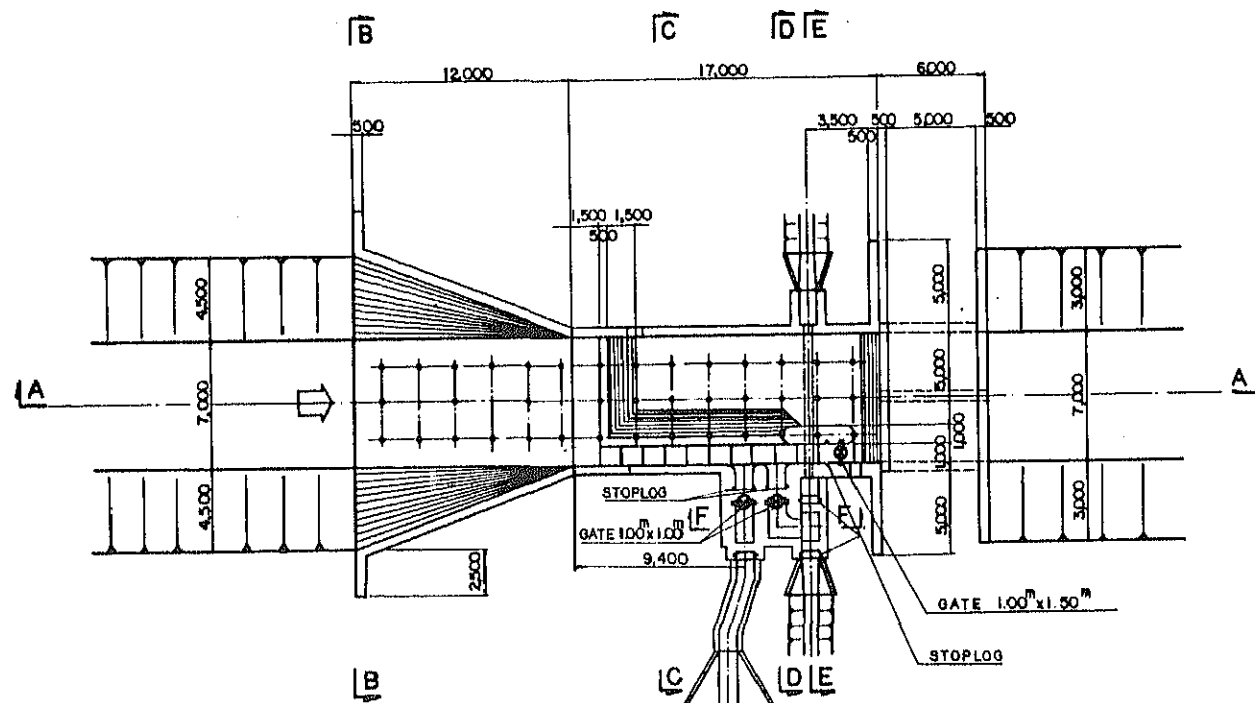
LOCATION MAP



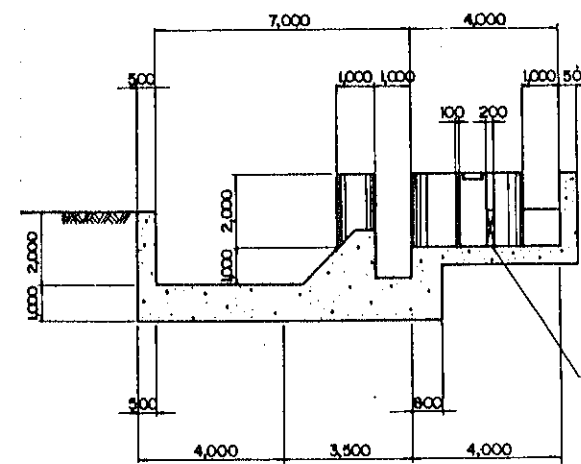
SECTION B-B
SCALE - B



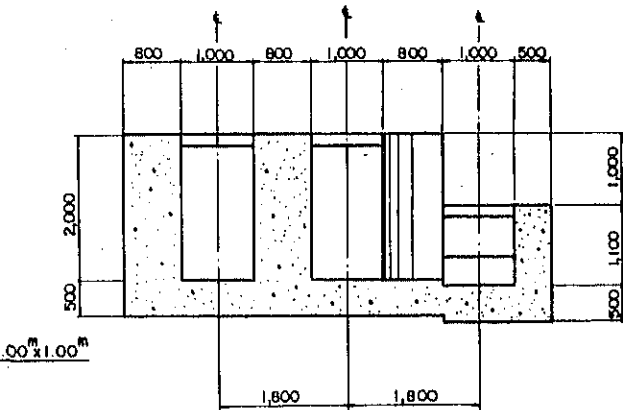
SECTION C-C
SCALE - B



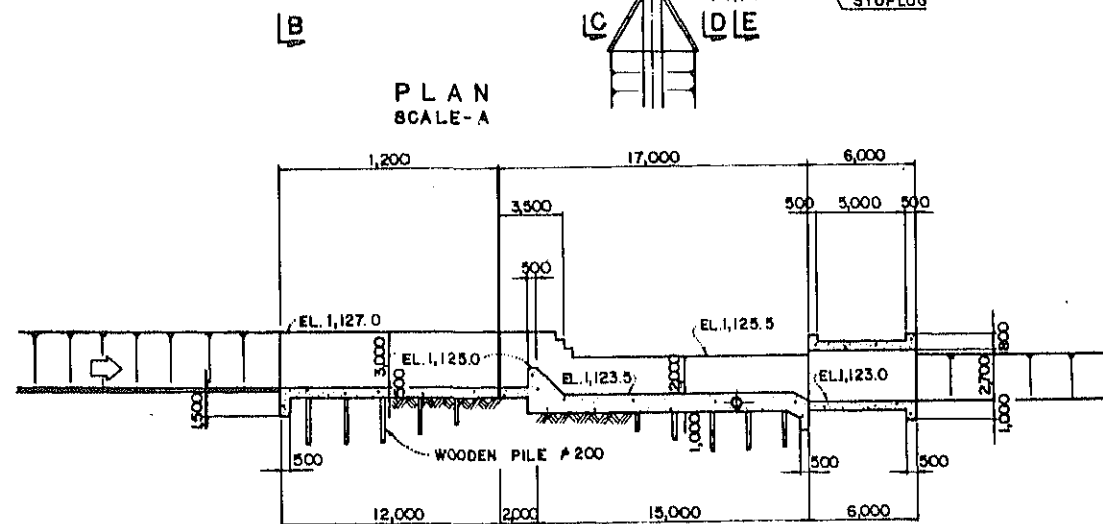
PLAN
SCALE - A



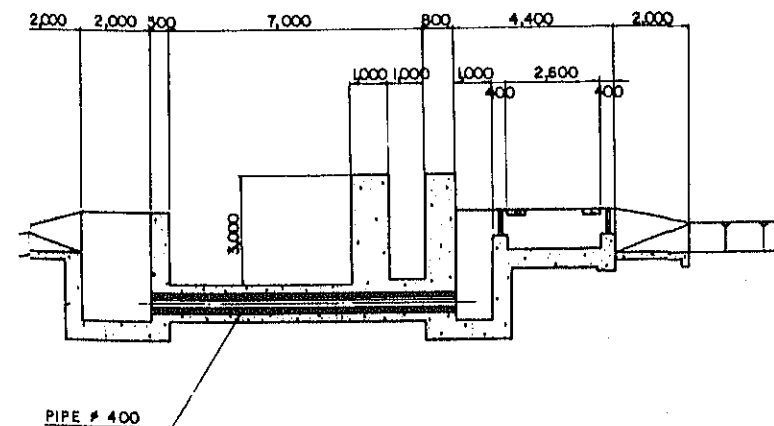
SECTION D-D
SCALE - B



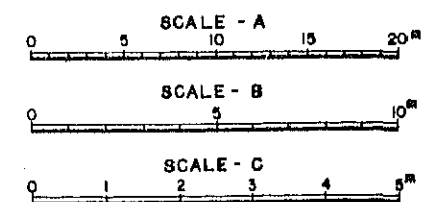
SECTION F-F
SCALE - C



SECTION A-A
SCALE - A

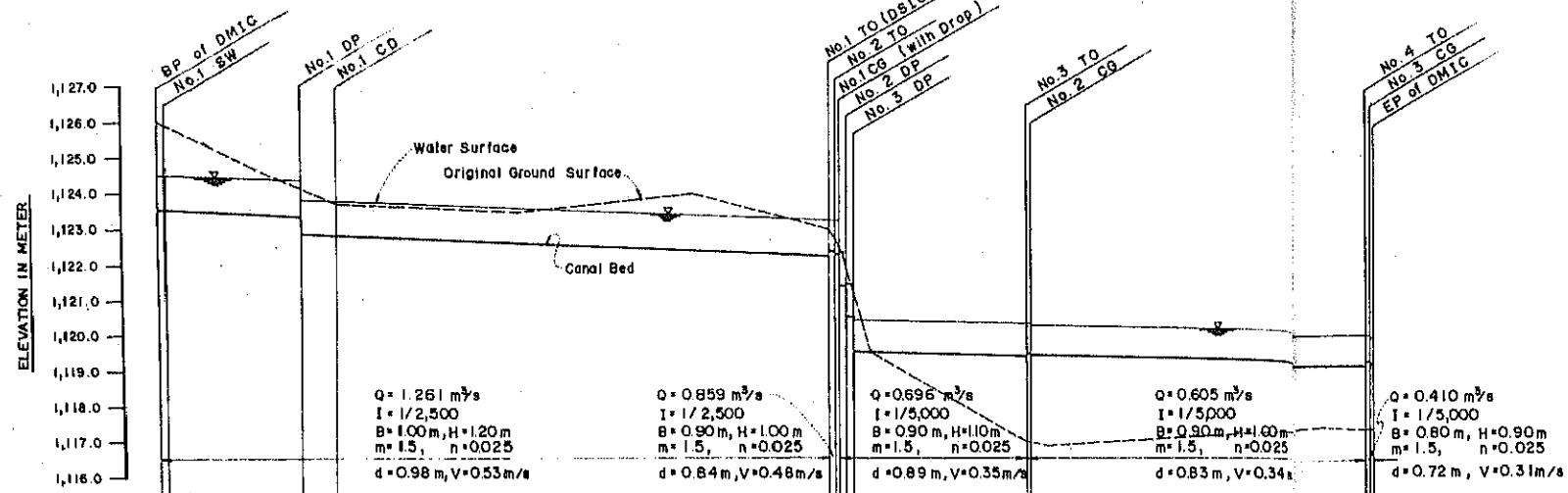


SECTION E-E
SCALE - B



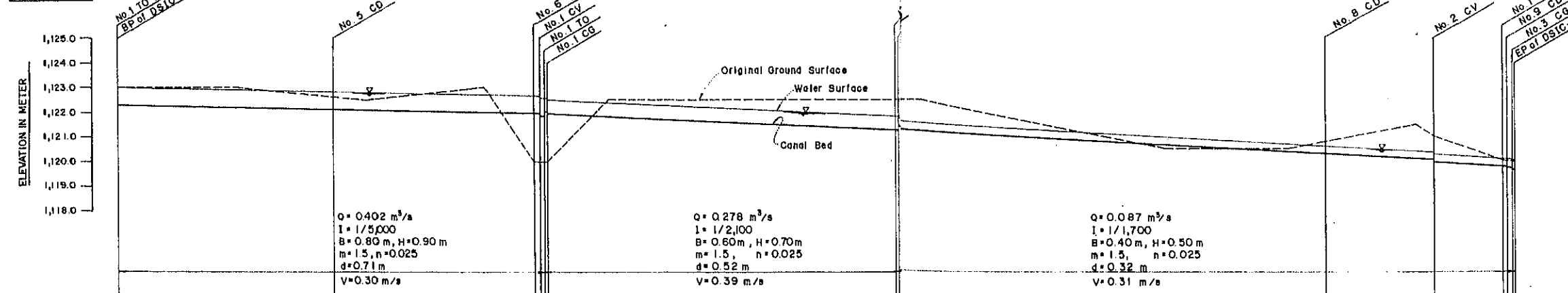
REPUBLIC OF CAMEROON	
MINISTRY OF AGRICULTURE	
THE BAIKOM AGRICULTURAL DEVELOPMENT PROJECT	
TITLE OF DRAWING	
NDOUP INTAKE WEIR	
JAPAN INTERNATIONAL COOPERATION AGENCY	D.W.G. NO.
TOKYO JAPAN	III - I

DMIC



PROPOSED CANAL BED ELEVATION	1,123.52	1,123.51	1,123.44	1,122.82	1,122.62	1,122.42	1,122.27	1,121.95	1,120.81	1,119.25
PROPOSED WATER SURFACE ELEVATION	1,124.50	1,124.49	1,124.42	1,123.80	1,123.60	1,123.40	1,123.34	1,123.04	1,120.81	1,119.25
GROUND SURFACE ELEVATION	1,125.0	1,125.0	1,125.0	1,124.1	1,123.5	1,124.0	1,123.7	1,123.4	1,121.5	1,120.0
REDUCED DISTANCE	0.0	200.0	200.0	400.0	500.0	1,000.0	1,500.0	2,000.0	3,500.0	4,500.0
DISTANCE	0.0	200.0	180.0	200.0	100.0	500.0	500.0	440.0	150.0	150.0
STATION	NO. 0	NO. 1	NO. 2	NO. 3	NO. 4	NO. 5	NO. 6	NO. 7	NO. 8	NO. 9

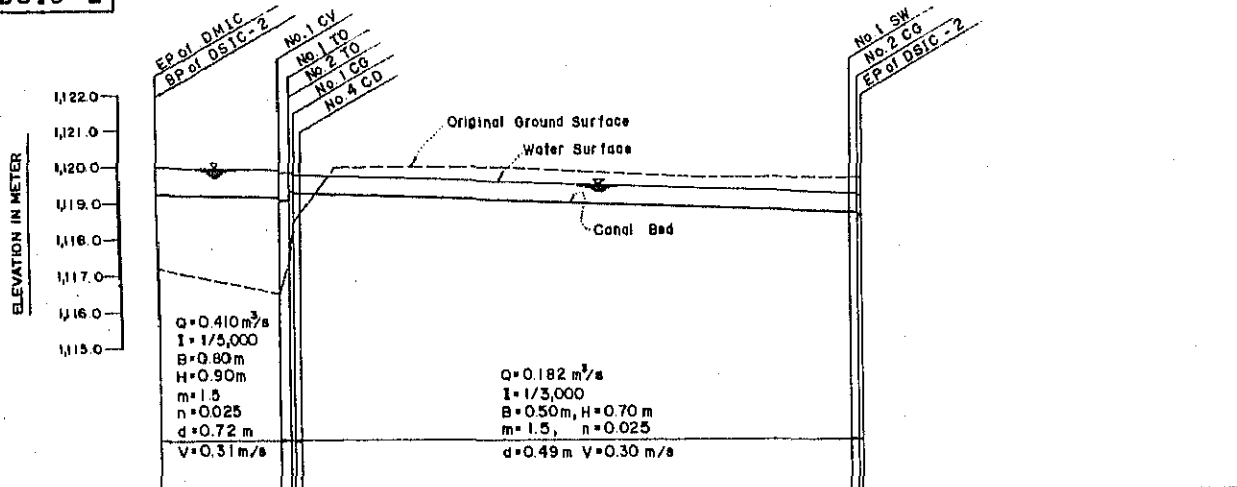
DSIC-1



PROPOSED CANAL BED ELEVATION	1,122.28	1,122.8	1,122.10	1,121.98	1,121.84	1,121.72	1,121.60	1,121.56	1,121.25	1,120.85	1,120.36	1,120.28	1,120.07	1,119.83	1,119.77	1,119.77	1,119.77	1,119.77
PROPOSED WATER SURFACE ELEVATION	1,123.28	1,123.28	1,122.8	1,122.69	1,122.54	1,122.44	1,122.32	1,122.28	1,121.95	1,120.81	1,120.36	1,120.28	1,120.07	1,119.83	1,119.77	1,119.77	1,119.77	1,119.77
GROUND SURFACE ELEVATION	1,123.0	1,123.0	1,122.6	1,122.6	1,122.5	1,122.5	1,122.5	1,122.5	1,121.5	1,120.5	1,120.5	1,120.7	1,121.0	1,121.0	1,120.0	1,120.0	1,120.0	1,120.0
REDUCED DISTANCE	0.0	500.0	880.0	1,000.0	1,500.0	2,250.0	2,500.0	3,000.0	3,500.0	4,500.0	5,000.0	5,400.0	5,500.0	5,570.0	5,650.0	5,670.0	5,690.0	5,700.0
DISTANCE	0.0	500.0	390.0	120.0	500.0	250.0	250.0	500.0	500.0	180.0	500.0	140.0	360.0	70.0	20.0	20.0	20.0	10.0
STATION	NO. 0	NO. 1	NO. 2	NO. 3	NO. 4	NO. 5	NO. 6	NO. 7	NO. 8	NO. 9	NO. 10	NO. 11	NO. 12	NO. 13	NO. 14	NO. 15	NO. 16	NO. 17

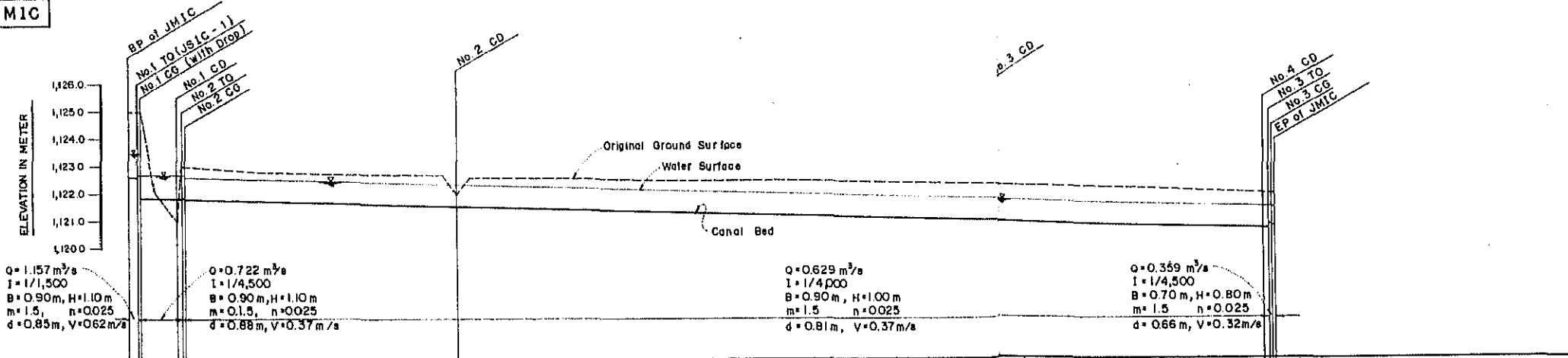
REPUBLIC OF CAMEROON
 MINISTRY OF AGRICULTURE
 THE BAIGOM AGRICULTURAL DEVELOPMENT PROJECT
 TITLE OF DRAWING
 PROFILE OF NDOUP MAIN IRRIGATION CANAL AND NDOUP SECONDARY IRRIGATION CANAL NO.1
 JAPAN INTERNATIONAL COOPERATION AGENCY D.W.G. NO.
 TOKYO JAPAN III - 2

DSIC - 2



PROPOSED CANAL BED ELEVATION	1120.00	1119.75	1119.50	1119.25	1119.00	1118.75	1118.50	1118.25	1118.00	1117.75	1117.50	1117.25	1117.00	1116.75	1116.50	1116.25	1116.00	1115.75	1115.50	1115.25	1115.00	
PROPOSED WATER SURFACE ELEVATION	1120.00	1119.75	1119.50	1119.25	1119.00	1118.75	1118.50	1118.25	1118.00	1117.75	1117.50	1117.25	1117.00	1116.75	1116.50	1116.25	1116.00	1115.75	1115.50	1115.25	1115.00	
GROUND SURFACE ELEVATION	1117.2	1117.5	1117.8	1118.1	1118.4	1118.7	1119.0	1119.3	1119.6	1119.9	1120.2	1120.5	1120.8	1121.1	1121.4	1121.7	1122.0	1122.3	1122.6	1122.9	1123.2	1123.5
REDUCED DISTANCE	0.0	300.0	300.0	300.0	300.0	300.0	300.0	300.0	300.0	300.0	300.0	300.0	300.0	300.0	300.0	300.0	300.0	300.0	300.0	300.0	300.0	300.0
DISTANCE	0.0	300.0	600.0	900.0	1200.0	1500.0	1800.0	2100.0	2400.0	2700.0	3000.0	3300.0	3600.0	3900.0	4200.0	4500.0	4800.0	5100.0	5400.0	5700.0	6000.0	6300.0
STATION	NO. 0	NO. 1	NO. 2	NO. 3	NO. 4	NO. 5	NO. 6	NO. 7	NO. 8	NO. 9	NO. 10	NO. 11	NO. 12	NO. 13	NO. 14	NO. 15	NO. 16	NO. 17	NO. 18	NO. 19	NO. 20	

JMIC

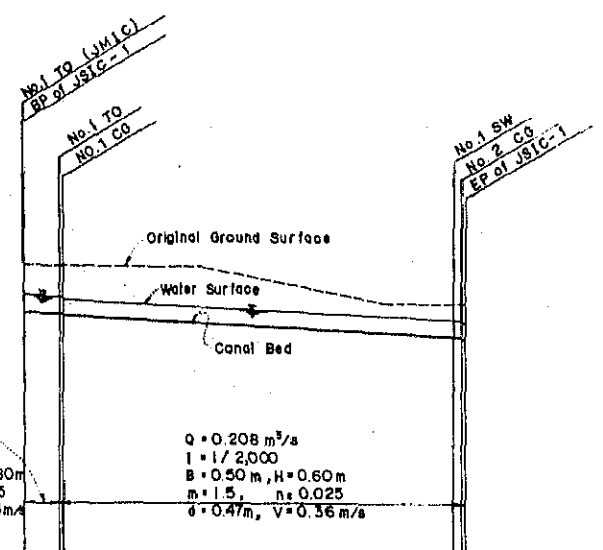


PROPOSED CANAL BED ELEVATION	1220.00	1219.75	1219.50	1219.25	1219.00	1218.75	1218.50	1218.25	1218.00	1217.75	1217.50	1217.25	1217.00	1216.75	1216.50	1216.25	1216.00	1215.75	1215.50	1215.25	1215.00	1214.75	1214.50	1214.25	1214.00	1213.75	1213.50	1213.25	1213.00	1212.75	1212.50	1212.25	1212.00	1211.75	1211.50	1211.25	1211.00	1210.75	1210.50	1210.25	1210.00		
PROPOSED WATER SURFACE ELEVATION	1220.00	1219.75	1219.50	1219.25	1219.00	1218.75	1218.50	1218.25	1218.00	1217.75	1217.50	1217.25	1217.00	1216.75	1216.50	1216.25	1216.00	1215.75	1215.50	1215.25	1215.00	1214.75	1214.50	1214.25	1214.00	1213.75	1213.50	1213.25	1213.00	1212.75	1212.50	1212.25	1212.00	1211.75	1211.50	1211.25	1211.00	1210.75	1210.50	1210.25	1210.00		
GROUND SURFACE ELEVATION	1223.0	1223.0	1223.0	1223.0	1223.0	1223.0	1223.0	1223.0	1223.0	1223.0	1223.0	1223.0	1223.0	1223.0	1223.0	1223.0	1223.0	1223.0	1223.0	1223.0	1223.0	1223.0	1223.0	1223.0	1223.0	1223.0	1223.0	1223.0	1223.0	1223.0	1223.0	1223.0	1223.0	1223.0	1223.0	1223.0	1223.0	1223.0	1223.0	1223.0	1223.0	1223.0	1223.0
REDUCED DISTANCE	0.0	300.0	300.0	300.0	300.0	300.0	300.0	300.0	300.0	300.0	300.0	300.0	300.0	300.0	300.0	300.0	300.0	300.0	300.0	300.0	300.0	300.0	300.0	300.0	300.0	300.0	300.0	300.0	300.0	300.0	300.0	300.0	300.0	300.0	300.0	300.0	300.0	300.0	300.0	300.0	300.0	300.0	
DISTANCE	0.0	300.0	600.0	900.0	1200.0	1500.0	1800.0	2100.0	2400.0	2700.0	3000.0	3300.0	3600.0	3900.0	4200.0	4500.0	4800.0	5100.0	5400.0	5700.0	6000.0	6300.0	6600.0	6900.0	7200.0	7500.0	7800.0	8100.0	8400.0	8700.0	9000.0	9300.0	9600.0	9900.0	10200.0	10500.0	10800.0	11100.0	11400.0	11700.0	12000.0		
STATION	NO. 0	NO. 1	NO. 2	NO. 3	NO. 4	NO. 5	NO. 6	NO. 7	NO. 8	NO. 9	NO. 10	NO. 11	NO. 12	NO. 13	NO. 14	NO. 15	NO. 16	NO. 17	NO. 18	NO. 19	NO. 20	NO. 21	NO. 22	NO. 23	NO. 24	NO. 25	NO. 26	NO. 27	NO. 28	NO. 29	NO. 30	NO. 31	NO. 32	NO. 33	NO. 34	NO. 35	NO. 36	NO. 37	NO. 38	NO. 39	NO. 40		

REPUBLIC OF CAMEROON
 MINISTRY OF AGRICULTURE
 THE BAIGOM AGRICULTURAL DEVELOPMENT PROJECT
 TITLE OF DRAWING
 PROFILE OF NDOUP SECONDARY IRRIGATION CANAL NO.2 AND NJA MAIN IRRIGATION CANAL
 JAPAN INTERNATIONAL COOPERATION AGENCY DW.G. NO.
 TOKYO JAPAN III - 3

JSIC-1

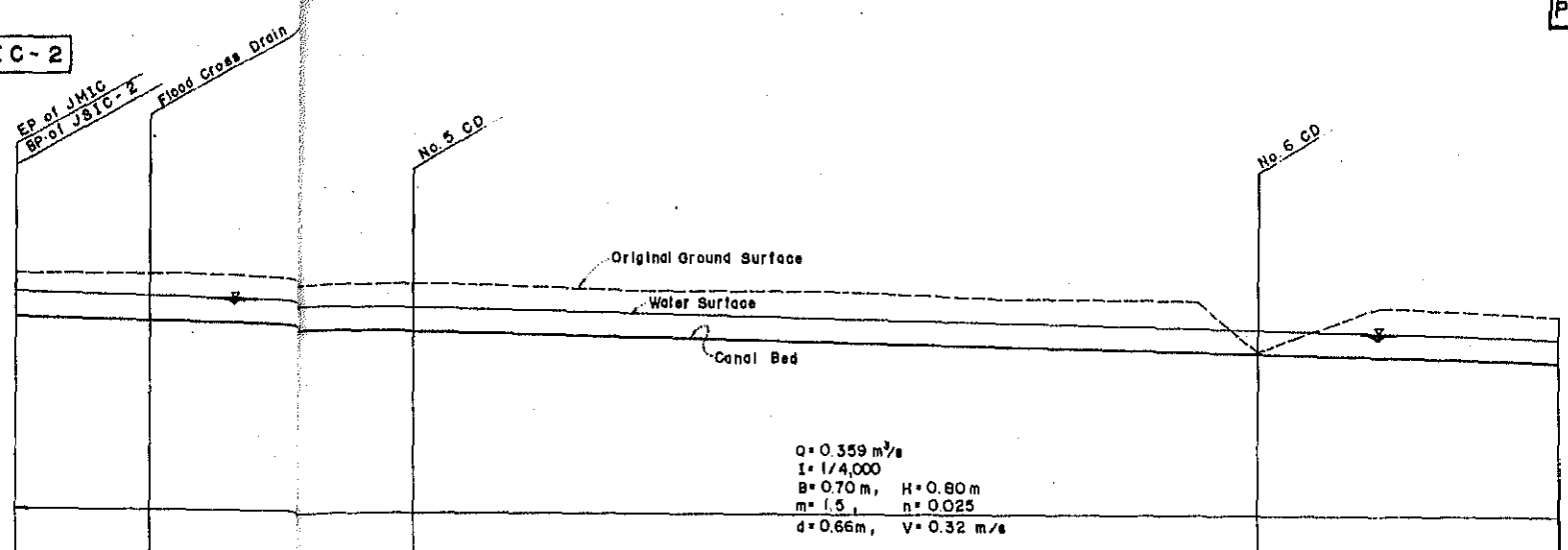
ELEVATION IN METER
1,127.0
1,126.0
1,125.0
1,124.0
1,123.0
1,122.0
1,121.0
1,120.0



PROPOSED CANAL BED ELEVATION	PROPOSED WATER SURFACE ELEVATION	GROUND SURFACE ELEVATION	REDUCED DISTANCE	DISTANCE	STATION
1,122.61	1,123.22	1,123.0	0.0	0.0	NO. 0
1,122.55	1,123.17	1,124.0	100.0	100.0	+1100.0
1,122.45	1,123.16	1,124.0	170.0	170.0	+1100.0
1,122.45	1,123.16	1,123.5	300.0	300.0	NO. 1
1,122.20	1,122.67	1,123.0	1,000.0	500.0	NO. 2
1,122.10	1,122.57	1,123.0	1,200.0	200.0	+1300.0
1,122.05	1,122.50	1,123.0	1,250.0	70.0	+1300.0
1,122.05	1,122.50	1,123.0	1,250.0	70.0	+1300.0

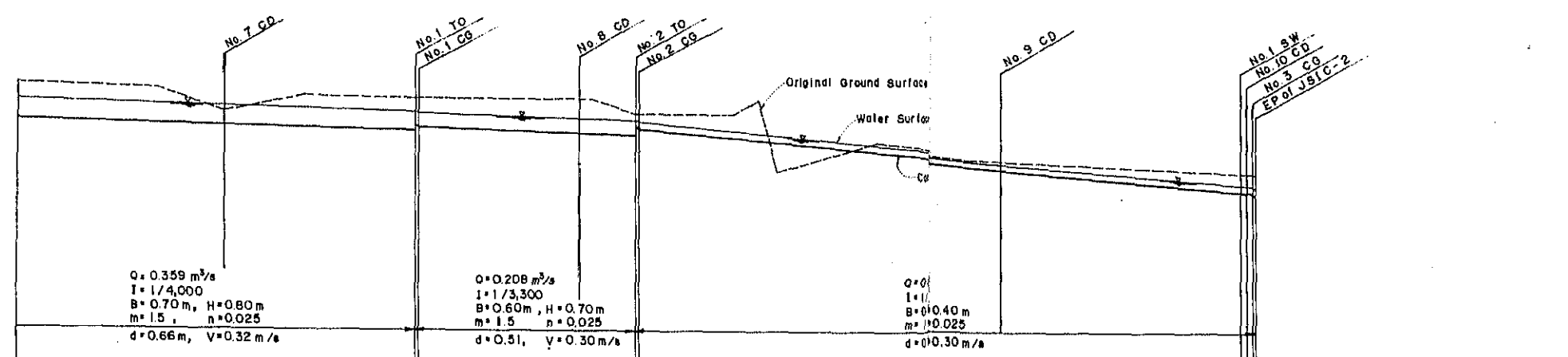
JSIC-2

ELEVATION IN METER
1,125.0
1,124.0
1,123.0
1,122.0
1,121.0
1,120.0
1,119.0
1,118.0



PROPOSED CANAL BED ELEVATION	PROPOSED WATER SURFACE ELEVATION	GROUND SURFACE ELEVATION	REDUCED DISTANCE	DISTANCE	STATION
1,120.96	1,121.35	1,120.96	0.0	0.0	NO. 0
1,120.74	1,121.40	1,120.74	500.0	500.0	NO. 1
1,120.52	1,121.18	1,121.8	1,350.0	350.0	+3300.0
1,120.49	1,121.8	1,121.8	1,500.0	150.0	NO. 3
1,120.38	1,121.6	1,121.6	2,000.0	500.0	NO. 4
1,120.25	1,121.5	1,121.5	2,500.0	500.0	NO. 5
1,120.13	1,121.4	1,121.4	3,000.0	500.0	NO. 6
1,120.00	1,121.4	1,121.4	3,500.0	500.0	NO. 7
1,119.96	1,120.0	1,120.0	3,670.0	170.0	+4170.0
1,119.89	1,120.35	1,121.5	4,000.0	330.0	NO. 8
1,119.75	1,121.0	1,121.0	4,500.0	500.0	NO. 9

ELEVATION IN METER
1,121.0
1,120.0
1,119.0
1,118.0
1,117.0
1,116.0
1,115.0



PROPOSED CANAL BED ELEVATION	PROPOSED WATER SURFACE ELEVATION	GROUND SURFACE ELEVATION	REDUCED DISTANCE	DISTANCE	STATION
1,119.75	1,120.42	1,121.0	4,500.0	500.0	NO. 9
1,119.64	1,120.30	1,120.8	5,000.0	500.0	NO. 10
1,119.59	1,120.25	1,120.0	5,200.0	200.0	+2200.0
1,119.51	1,120.17	1,120.5	5,500.0	300.0	NO. 11
1,119.48	1,120.05	1,120.5	5,890.0	390.0	+3390.0
1,119.46	1,120.00	1,120.5	6,000.0	400.0	+3500.0
1,119.46	1,120.00	1,120.5	6,000.0	400.0	+3500.0
1,119.37	1,119.97	1,120.5	6,000.0	100.0	NO. 12
1,119.32	1,119.85	1,120.5	6,450.0	450.0	+4050.0
1,119.31	1,119.82	1,120.5	6,500.0	40.0	NO. 13
1,119.28	1,119.77	1,120.0	6,650.0	160.0	+4160.0
1,119.25	1,119.75	1,120.0	6,670.0	10.0	+4170.0
1,119.25	1,119.75	1,120.0	6,670.0	10.0	+4170.0
1,119.19	1,119.60	1,120.0	6,850.0	180.0	+4350.0
1,119.24	1,119.46	1,120.0	7,000.0	150.0	NO. 14
1,119.17	1,119.39	1,120.5	7,080.0	80.0	+480.0
1,119.11	1,119.33	1,120.0	7,150.0	70.0	+490.0
1,119.74	1,118.96	1,119.0	7,200.0	350.0	NO. 15
1,118.26	1,118.50	1,118.5	7,800.0	600.0	NO. 16
1,118.13	1,118.5	1,118.4	8,170.0	370.0	+4170.0
1,117.85	1,118.05	1,118.5	8,500.0	330.0	NO. 17
1,117.38	1,117.50	1,118.0	9,000.0	500.0	NO. 18
1,117.30	1,117.30	1,118.0	9,200.0	200.0	+200.0
1,117.28	1,117.28	1,118.0	9,200.0	20.0	+200.0
1,117.28	1,117.28	1,118.0	9,200.0	10.0	+200.0

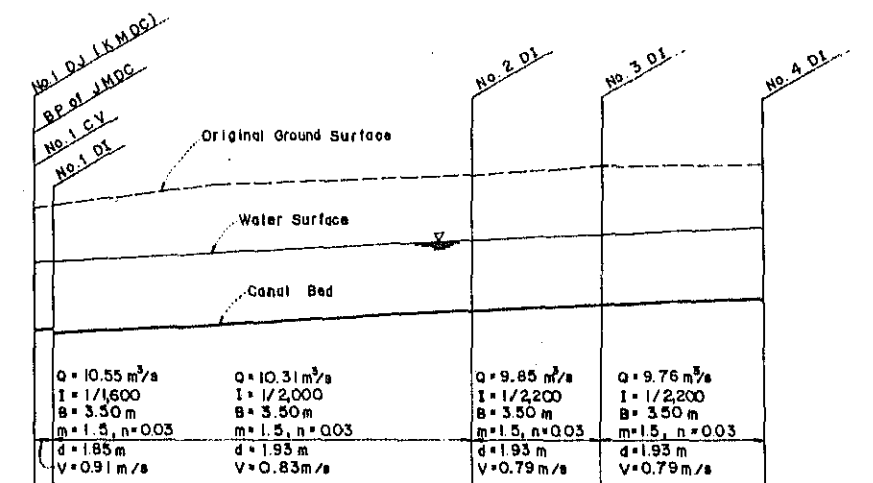
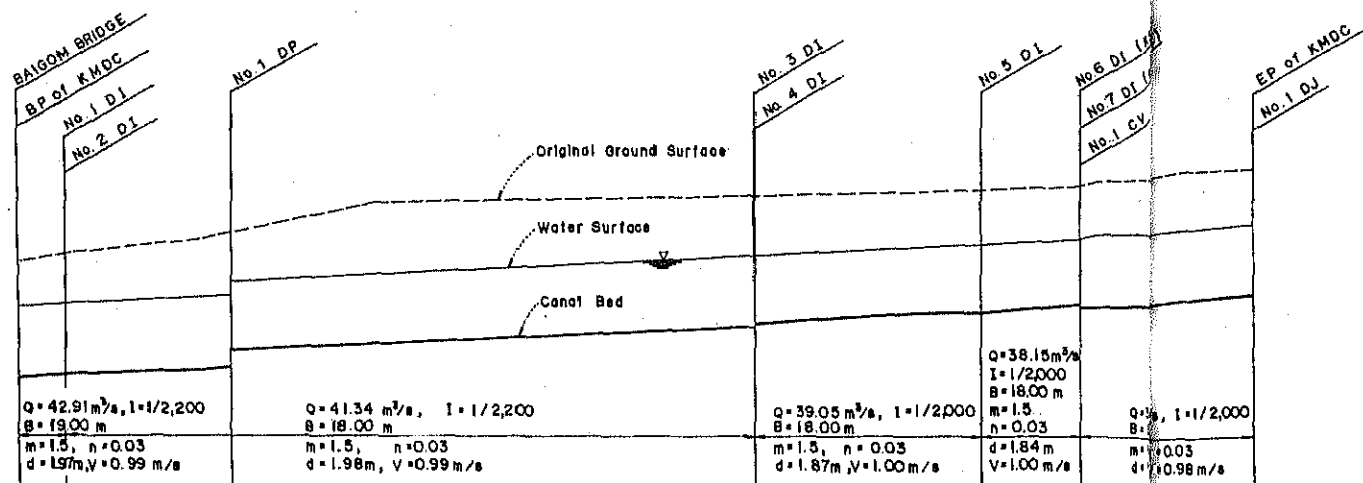
REPUBLIC OF CAMEROON
MINISTRY OF AGRICULTURE
THE BAIGOM AGRICULTURAL
DEVELOPMENT PROJECT
TITLE OF DRAWING
PROFILE OF NJA SECONDARY
IRRIGATION CANAL NO.1 AND NO.2
JAPAN INTERNATIONAL COOPERATION AGENCY D.W.G. NO.
TOKYO JAPAN III - 4

KMDC

JMDC

ELEVATION IN METER
1,115.0
1,114.0
1,113.0
1,112.0
1,111.0
1,110.0

ELEVATION IN METER
1,116.0
1,115.0
1,114.0
1,113.0
1,112.0
1,111.0

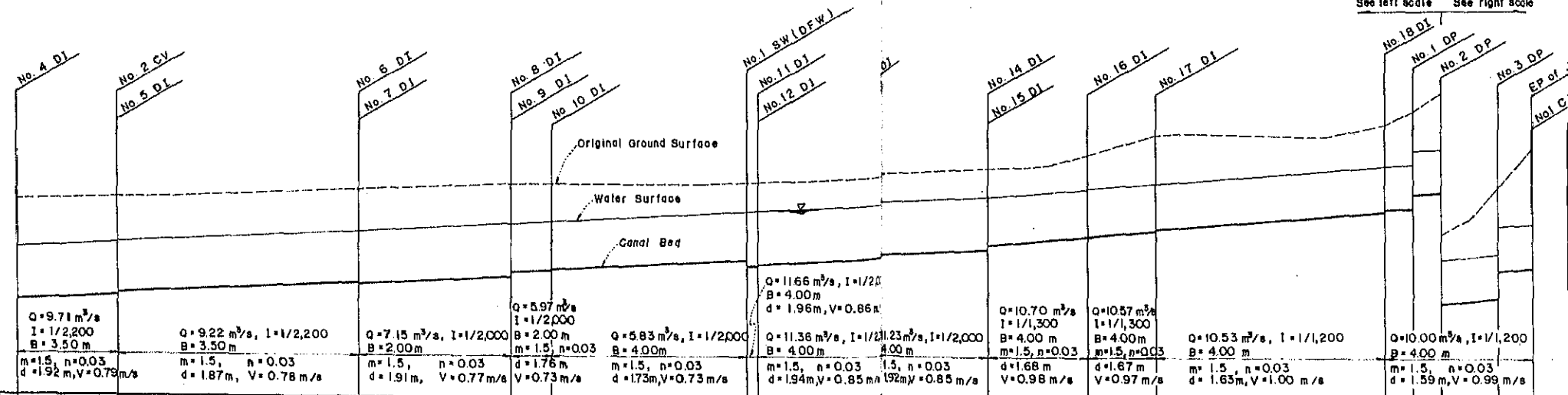


PROPOSED CANAL BED ELEVATION	PROPOSED WATER SURFACE ELEVATION	GROUND SURFACE ELEVATION	REDUCED DISTANCE	DISTANCE	STATION
109.08	111.05	112.5	0	0	BP
109.15	111.11	112.5	130.0	130.0	+130.0
109.30	111.29	112.9	500.0	370.0	No. 1
109.34	111.32	113.1	600.0	100.0	+100.0
110.02	112.00	113.9	4000.0	4000.0	No. 2
110.25	112.23	114.0	500.0	500.0	No. 3
110.48	112.46	114.1	500.0	500.0	No. 4
110.61	112.48	114.1	50.0	50.0	+50.0
110.84	112.71	114.2	4500.0	4500.0	No. 5
111.28	112.80	114.3	180.0	180.0	+180.0
111.51	112.83	114.4	280.0	280.0	+280.0
111.65	112.87	114.4	40.0	40.0	No. 6
111.88	113.10	114.5	500.0	500.0	No. 7
111.28	113.25	114.9	500.0	500.0	EP
111.37	113.34	114.9	190.0	190.0	EP

PROPOSED CANAL BED ELEVATION	PROPOSED WATER SURFACE ELEVATION	GROUND SURFACE ELEVATION	REDUCED DISTANCE	DISTANCE	STATION
111.54	113.39	114.9	0	0	BP
111.57	113.42	114.9	50.0	50.0	+50.0
111.72	113.65	115.5	300.0	450.0	No. 1
111.97	113.90	115.7	4000.0	5000.0	No. 2
112.07	114.00	115.8	2000.0	2000.0	+2000.0
112.21	114.14	116.0	500.0	3000.0	No. 3
112.23	114.16	116.0	55.0	55.0	+55.0
112.45	114.36	116.1	4450.0	4450.0	No. 4

ELEVATION IN METER
1,118.0
1,117.0
1,116.0
1,115.0
1,114.0
1,113.0

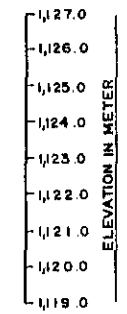
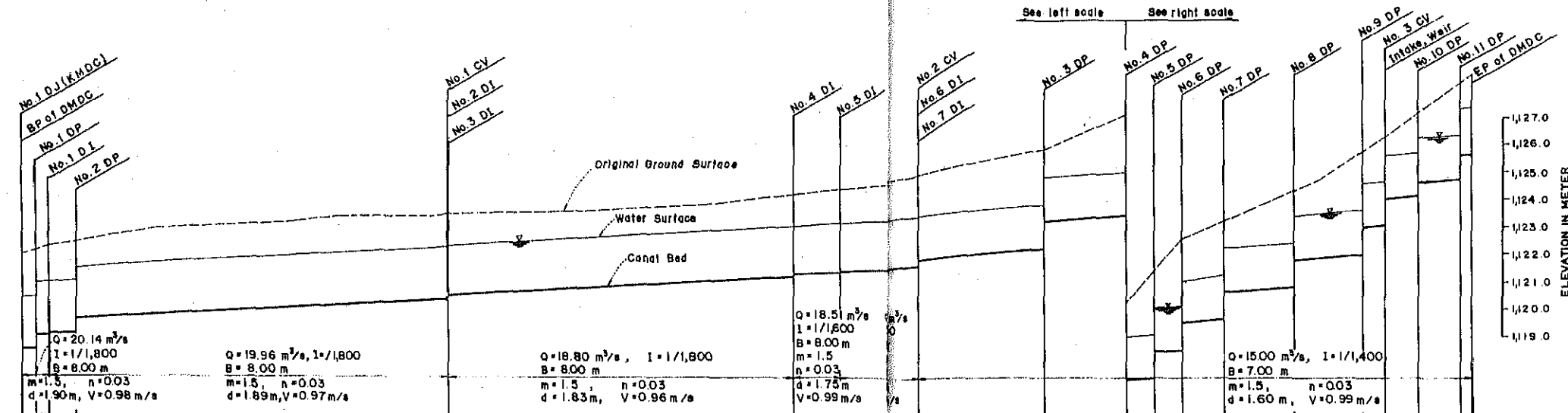
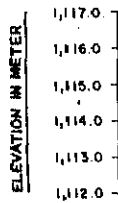
ELEVATION IN METER
1,124.0
1,123.0
1,122.0
1,121.0
1,120.0
1,119.0
1,118.0



PROPOSED CANAL BED ELEVATION	PROPOSED WATER SURFACE ELEVATION	GROUND SURFACE ELEVATION	REDUCED DISTANCE	DISTANCE	STATION
112.42	114.36	116.1	0	4450.0	No. 4
112.61	114.58	116.2	370.0	370.0	+370.0
112.77	114.82	116.3	150.0	520.0	No. 5
113.00	115.07	116.4	5000.0	5000.0	No. 6
113.11	115.26	116.5	2400.0	2400.0	+2400.0
113.20	115.41	116.6	2800.0	5500.0	No. 7
113.35	115.56	116.7	300.0	300.0	+300.0
113.58	115.81	116.7	150.0	450.0	No. 8
113.78	116.06	116.7	50.0	400.0	+50.0
113.89	116.31	116.7	5000.0	5000.0	No. 9
114.20	116.56	116.8	160.0	4660.0	+160.0
114.35	116.81	116.8	400.0	4700.0	+400.0
114.50	117.06	116.9	300.0	5000.0	No. 10
114.80	117.31	117.2	270.0	5500.0	No. 11
114.95	117.56	117.3	280.0	5780.0	+280.0
115.10	117.81	117.4	230.0	6000.0	No. 12
115.25	118.06	117.4	140.0	6140.0	+140.0
115.35	118.31	117.5	24.5	6385.0	+24.5
115.50	118.56	117.5	115.0	6500.0	No. 13
115.61	118.81	117.6	5000.0	7000.0	No. 14
115.78	119.06	117.7	2000.0	7200.0	+2000.0
115.90	119.31	117.8	100.0	7300.0	+100.0
116.05	119.56	117.9	1000.0	7400.0	+1000.0
116.18	119.81	118.0	100.0	7500.0	No. 15
116.35	120.06	118.1	100.0	7600.0	+100.0
116.50	120.31	118.2	125.0	7725.0	+125.0
116.75	120.56	118.3	0	7725.0	EP

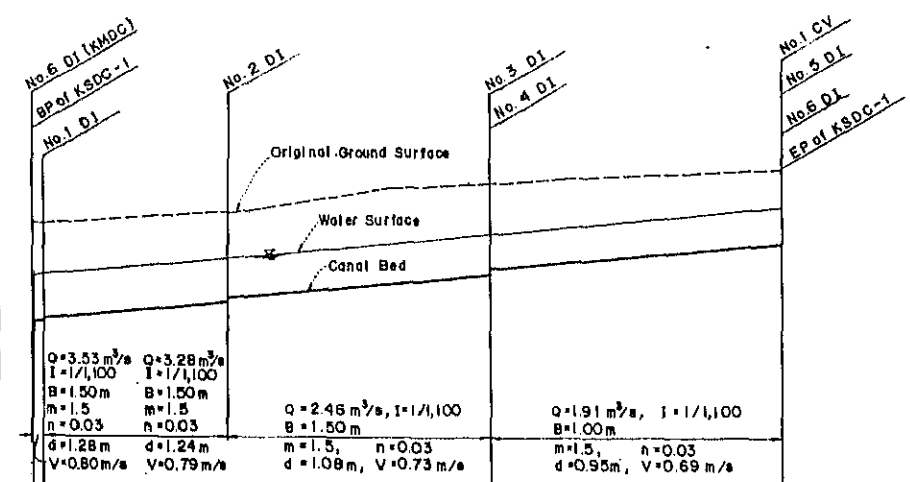
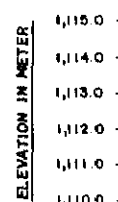
REPUBLIC OF CAMEROON
 MINISTRY OF AGRICULTURE
 THE BAIGOM AGRICULTURAL DEVELOPMENT PROJECT
 TITLE OF DRAWING
 PROFILE OF NKOUP MAIN DRAINAGE CANAL AND NJA MAIN DRAINAGE CANAL
 JAPAN INTERNATIONAL COOPERATION AGENCY D.W.O. NO.
 TOKYO JAPAN III - 5

D M D C



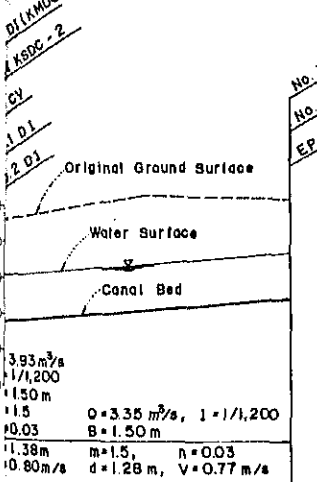
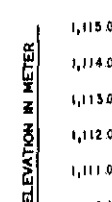
PROPOSED CANAL BED ELEVATION	PROPOSED WATER SURFACE ELEVATION	GROUND SURFACE ELEVATION	REDUCED DISTANCE	DISTANCE	STATION
1114.4	1113.4	1114.9	0	0	BP
1113.7	1112.7	1114.2	50.0	50.0	+50.0
1113.0	1112.0	1115.2	100.0	100.0	+100.0
1112.3	1111.3	1115.4	200.0	200.0	+200.0
1111.6	1110.6	1115.9	300.0	300.0	No. 1
1111.0	1110.0	1116.2	500.0	500.0	No. 2
1110.3	1109.3	1116.1	1000.0	1000.0	No. 3
1109.6	1108.6	1116.3	1500.0	1500.0	No. 4
1108.9	1107.9	1116.4	2000.0	2000.0	No. 5
1108.2	1107.2	1116.5	2500.0	2500.0	No. 6
1107.5	1106.5	1116.7	3000.0	3000.0	No. 7
1106.8	1105.8	1116.8	3500.0	3500.0	No. 8
1106.1	1104.8	1117.0	4000.0	4000.0	No. 9
1105.4	1104.1	1117.1	4500.0	4500.0	No. 10
1104.7	1103.4	1117.2	5000.0	5000.0	No. 11
1104.0	1102.7	1117.3	5500.0	5500.0	EP

KSDC-1



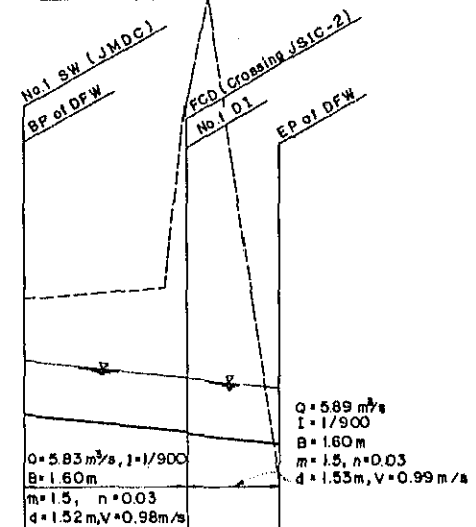
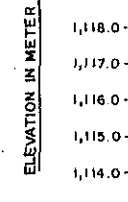
PROPOSED CANAL BED ELEVATION	PROPOSED WATER SURFACE ELEVATION	GROUND SURFACE ELEVATION	REDUCED DISTANCE	DISTANCE	STATION
1111.8	1110.8	1114.4	0	0	BP
1111.1	1110.1	1114.4	30.0	30.0	+30.0
1110.4	1109.4	1114.7	100.0	100.0	No. 1
1109.7	1108.7	1114.7	200.0	200.0	No. 2
1109.0	1108.0	1115.4	300.0	300.0	No. 3
1108.3	1107.3	1115.7	400.0	400.0	No. 4
1107.6	1106.6	1115.9	500.0	500.0	EP

KSDC-2



PROPOSED CANAL BED ELEVATION	PROPOSED WATER SURFACE ELEVATION	GROUND SURFACE ELEVATION	REDUCED DISTANCE	DISTANCE	STATION
1111.5	1110.5	1114.4	0	0	BP
1110.8	1109.8	1114.7	30.0	30.0	No. 1
1110.1	1109.1	1115.3	100.0	100.0	No. 2
1109.4	1108.4	1115.7	200.0	200.0	No. 3
1108.7	1107.7	1116.1	300.0	300.0	No. 4
1108.0	1106.8	1116.4	400.0	400.0	EP

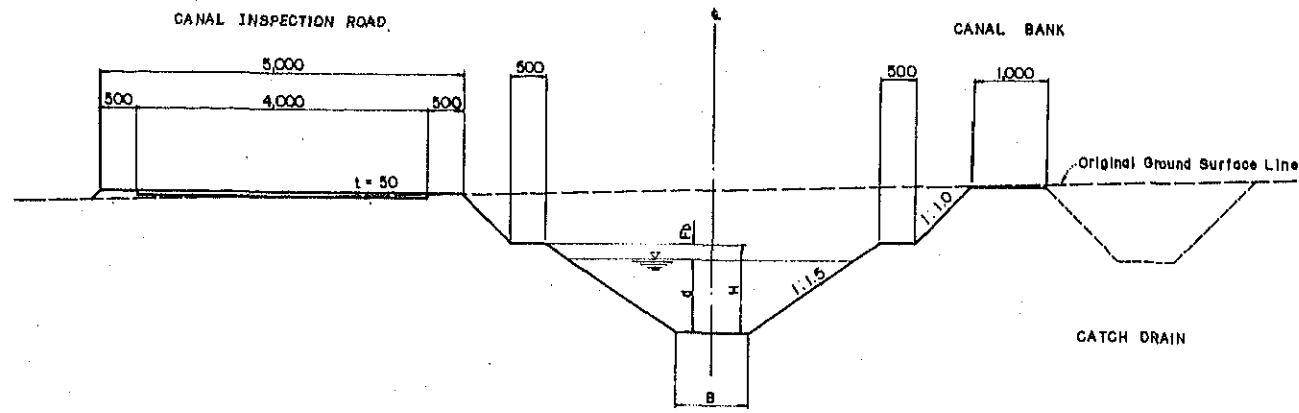
DFW



PROPOSED CANAL BED ELEVATION	PROPOSED WATER SURFACE ELEVATION	GROUND SURFACE ELEVATION	REDUCED DISTANCE	DISTANCE	STATION
1113.8	1112.8	1116.7	0	0	BP
1113.1	1112.1	1117.0	380.0	380.0	No. 1
1112.4	1111.4	1117.0	440.0	440.0	No. 2
1111.7	1110.7	1117.1	500.0	500.0	No. 3
1111.0	1109.8	1117.2	700.0	700.0	EP

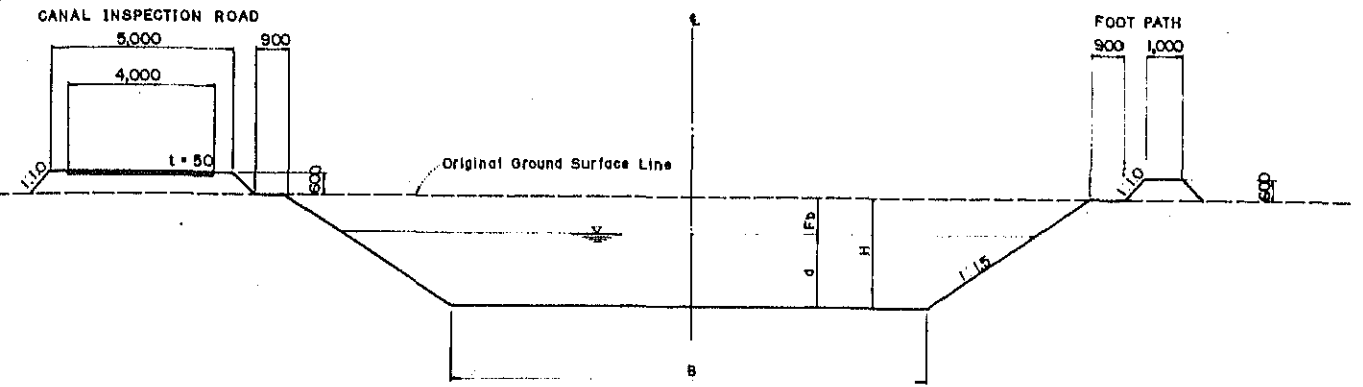
REPUBLIC OF CAMEROON
 MINISTRY OF AGRICULTURE
 THE BAIGOM AGRICULTURAL DEVELOPMENT PROJECT
 TITLE OF DRAWING
 PROFILE OF NDOUP MAIN DRAINAGE CANAL AND NKOUF SECONDARY DRAINAGE CANAL No.1, No.2 AND NJA DIVERSION FLOOD WAY
 JAPAN INTERNATIONAL COOPERATION AGENCY D.W.G. NO.
 TOKYO JAPAN III - 6

IRRIGATION CANAL

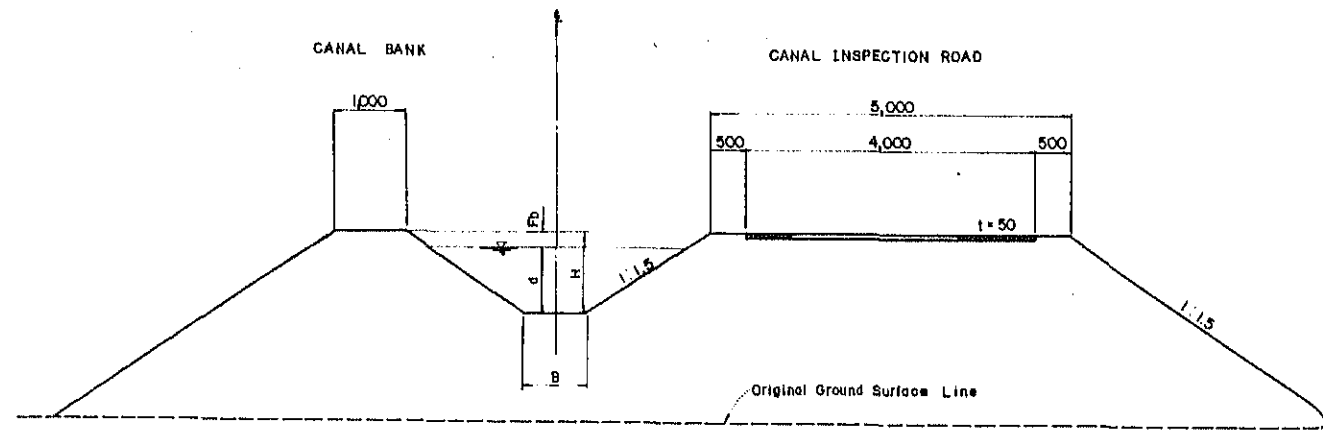


MAIN OR SECONDARY IRRIGATION CANAL
SCALE - A

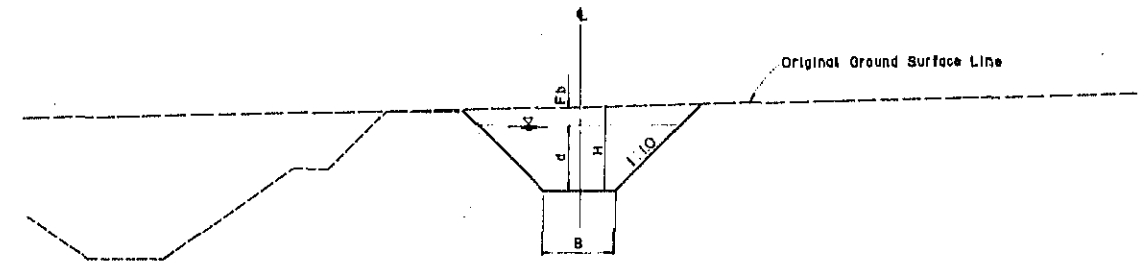
DRAINAGE CANAL



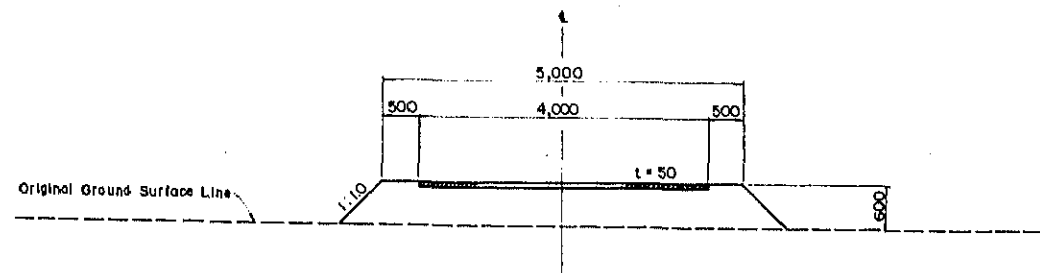
MAIN OR SECONDARY DRAINAGE CANAL
SCALE - B



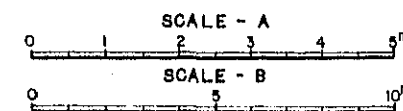
MAIN OR SECONDARY IRRIGATION CANAL
SCALE - A



CATCH DRAIN
SCALE - A

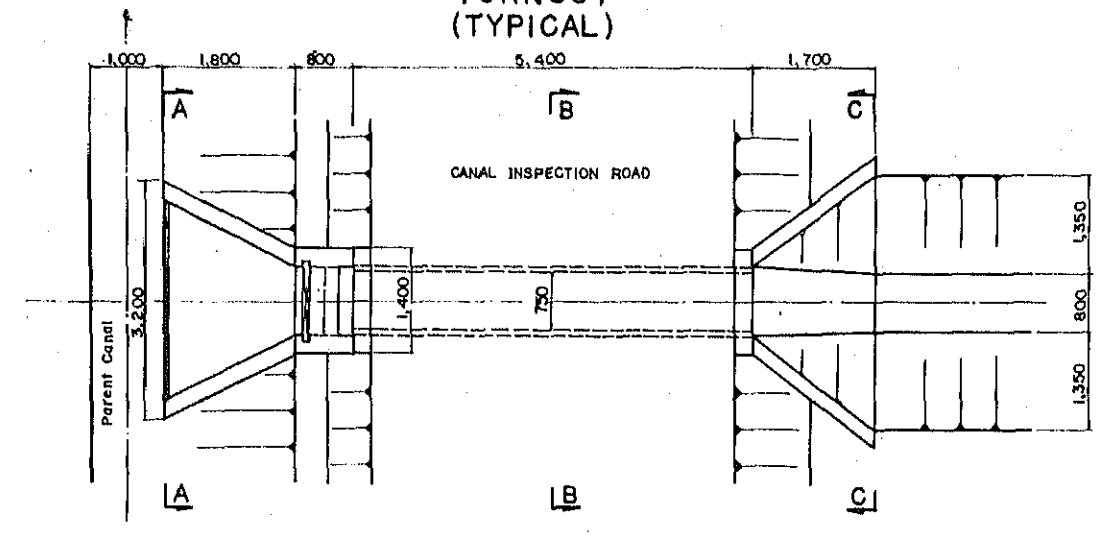


MAIN FARM ROAD
SCALE - A

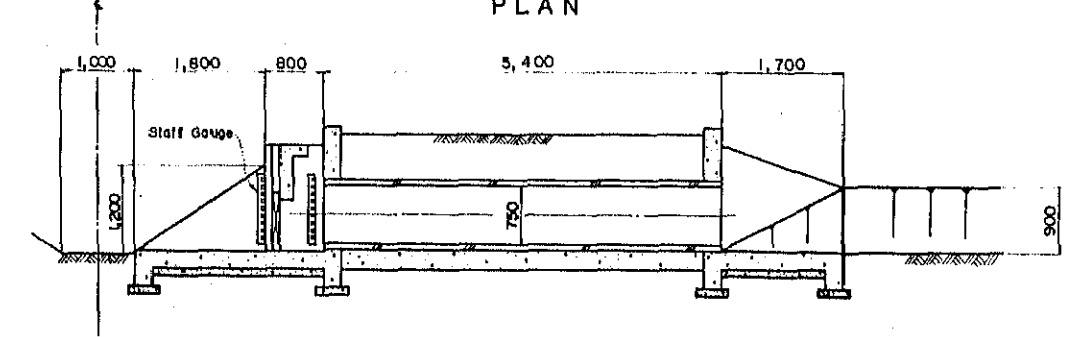


REPUBLIC OF CAMEROON	
MINISTRY OF AGRICULTURE	
THE BAIGOM AGRICULTURAL DEVELOPMENT PROJECT	
TITLE OF DRAWING	
TYPICAL CROSS SECTIONS OF IRRIGATION AND DRAINAGE CANALS AND FARM ROAD	
JAPAN INTERNATIONAL COOPERATION AGENCY	D.W.G. NO.
TOKYO JAPAN	III - 7

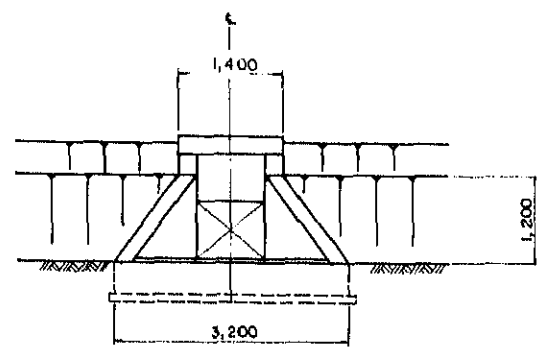
TURNOUT (TYPICAL)



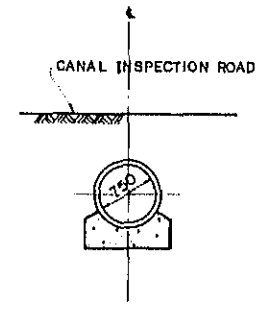
PLAN



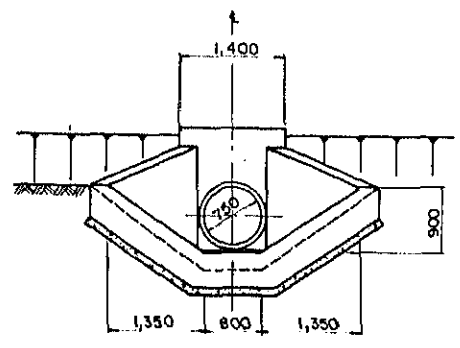
PROFILE



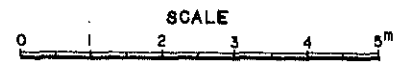
SECTION A-A



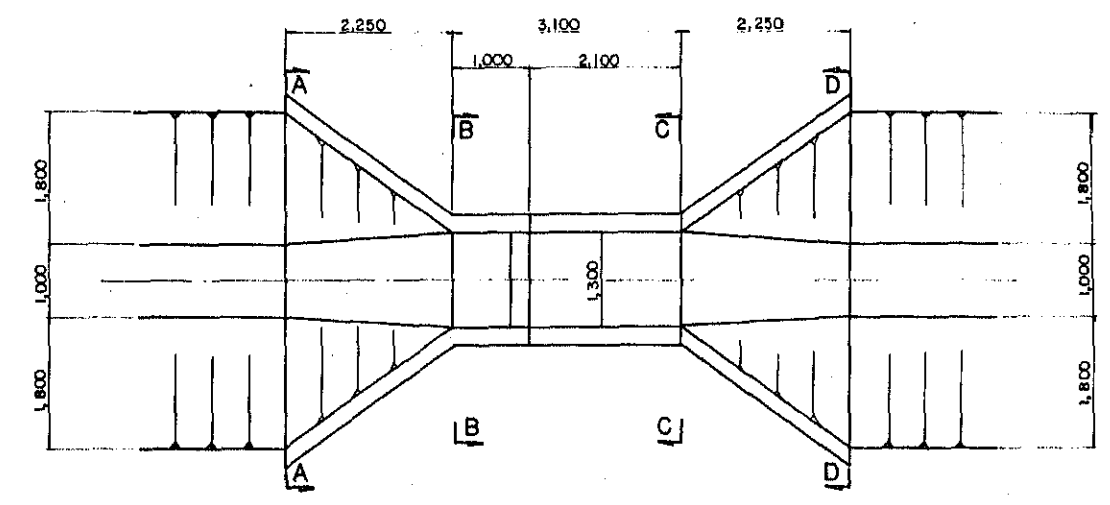
SECTION B-B



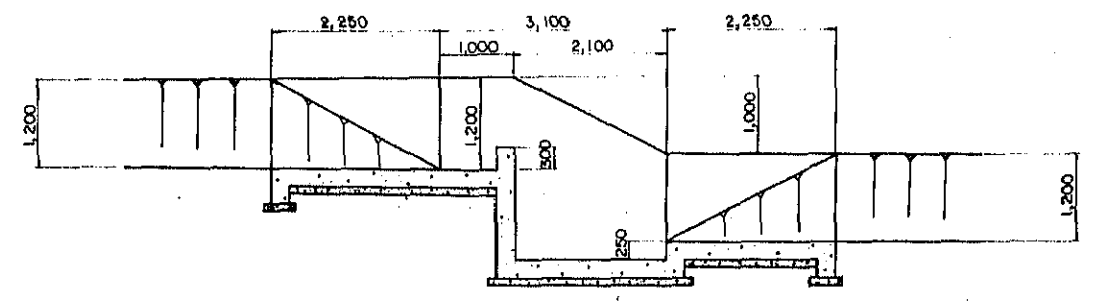
SECTION C-C



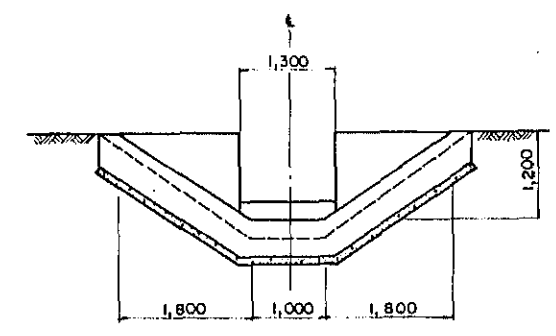
DROP (TYPICAL)



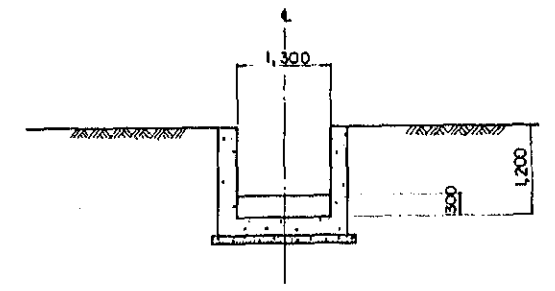
PLAN



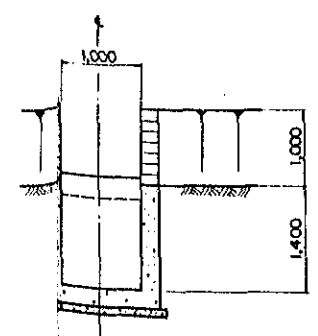
PROFILE



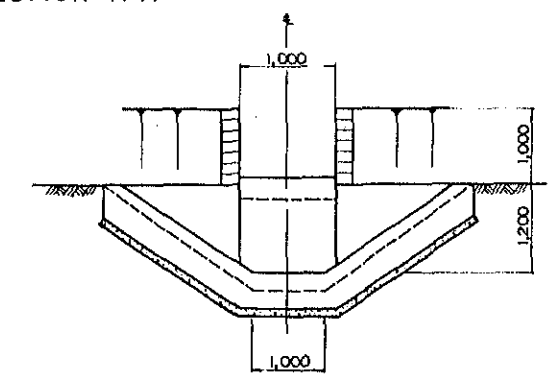
SECTION A-A



SECTION B-B



SECTION C-C

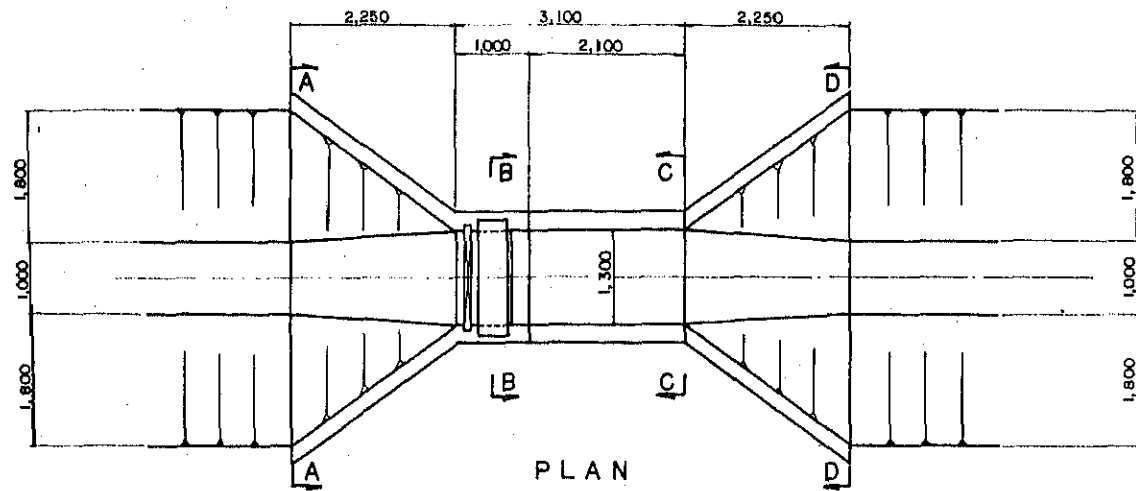


SECTION D-D

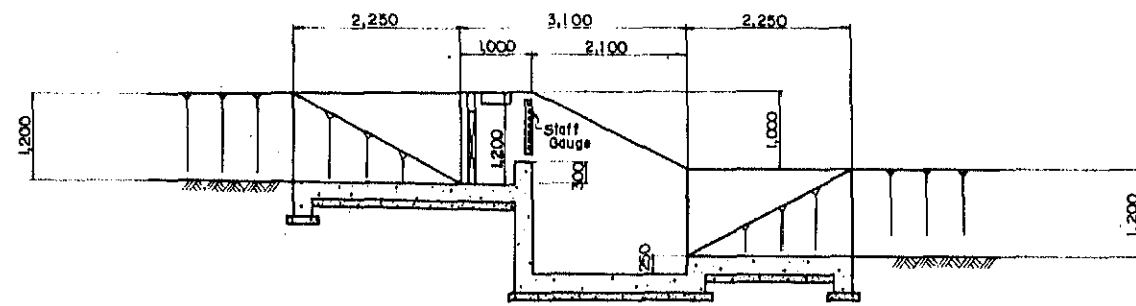
REPUBLIC OF CAMEROON	
MINISTRY OF AGRICULTURE	
THE BAIGOM AGRICULTURAL DEVELOPMENT PROJECT	
TITLE OF DRAWING	
TURNOUT AND DROP RELATED TO IRRIGATION CANALS	
JAPAN INTERNATIONAL COOPERATION AGENCY	D.W.G. NO.
TOKYO JAPAN	III - 8

CHECK GATE
(TYL)

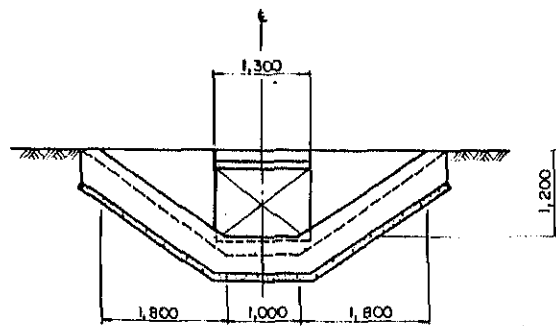
TYPE - A



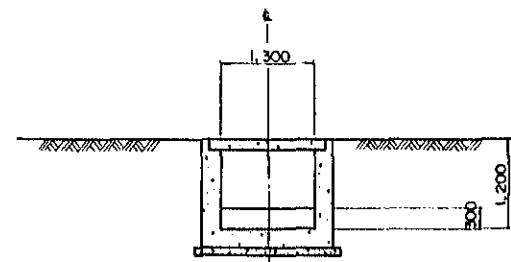
PLAN



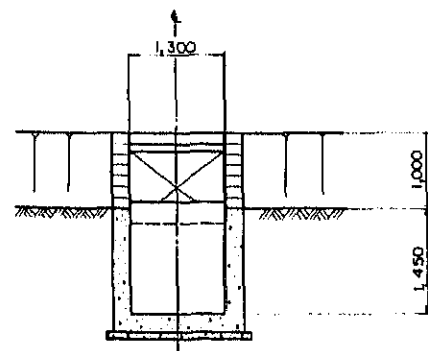
PROFILE



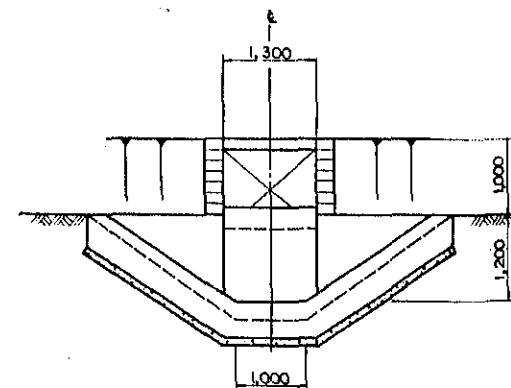
SECTION A-A



SECTION B-B

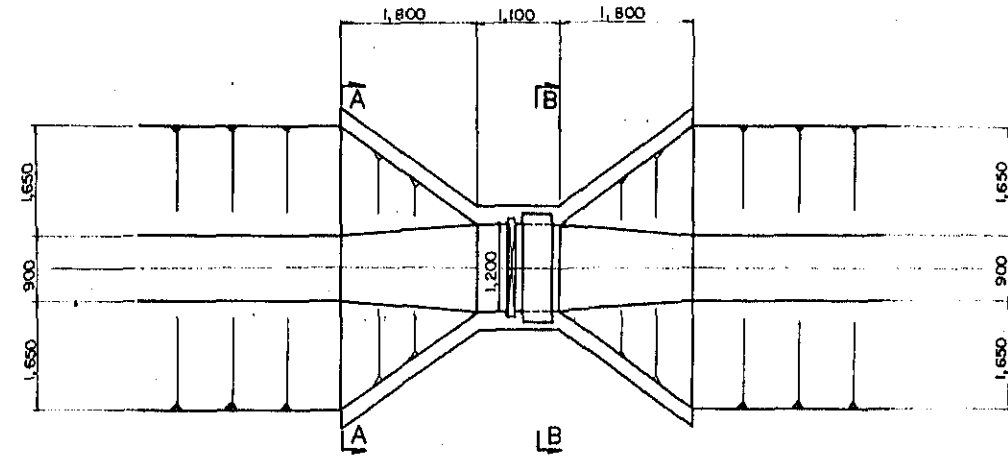


SECTION C-C

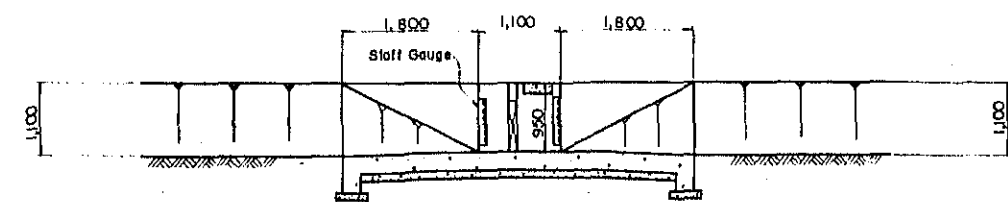


SECTION D-D

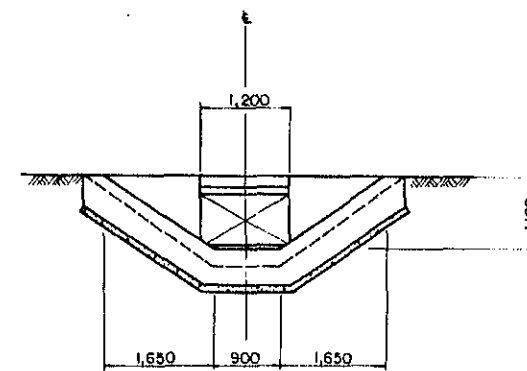
TYPE - B



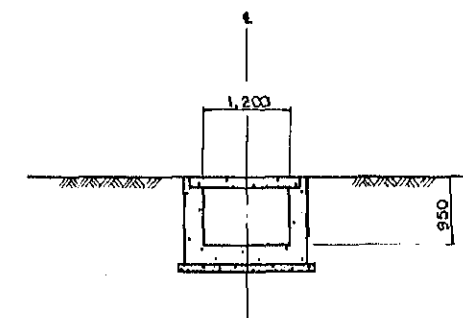
PLAN



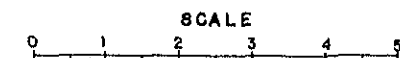
PROFILE



SECTION A-A

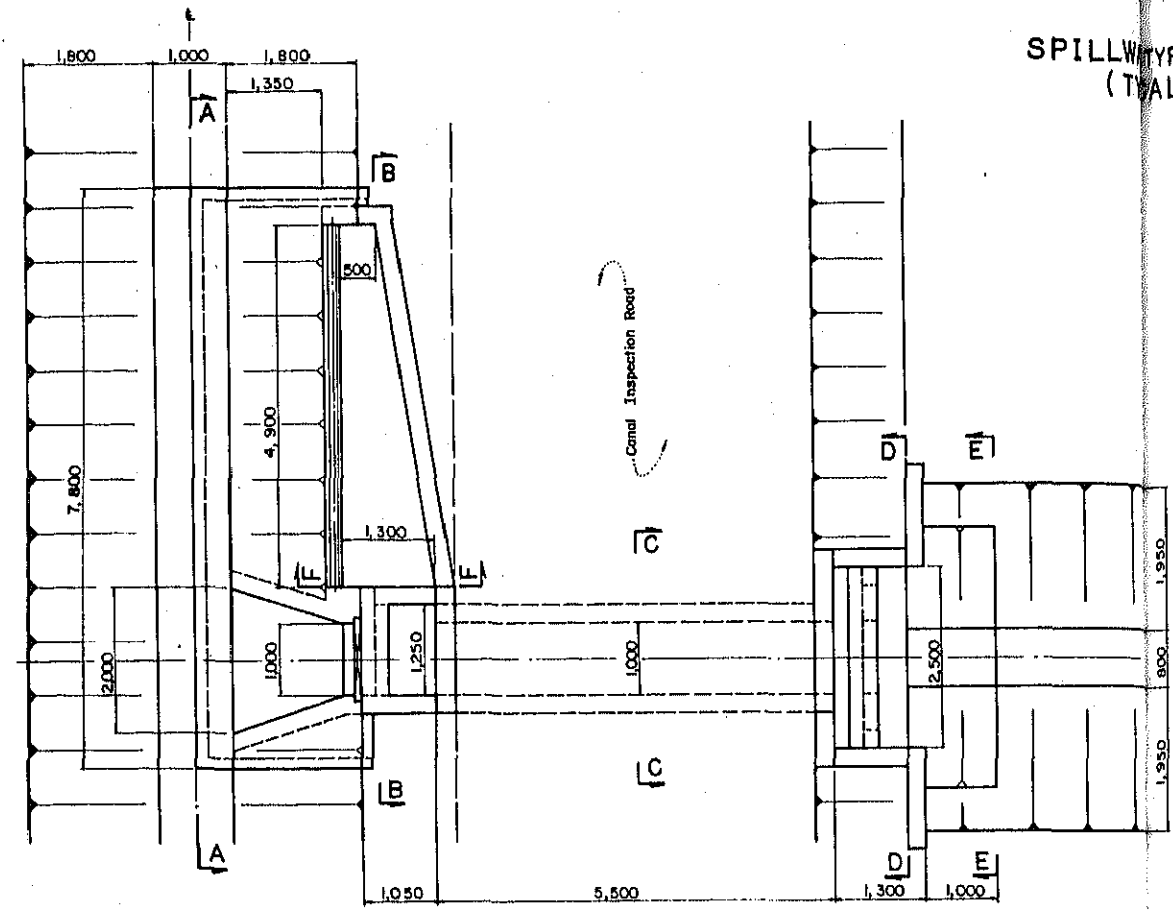


SECTION B-B

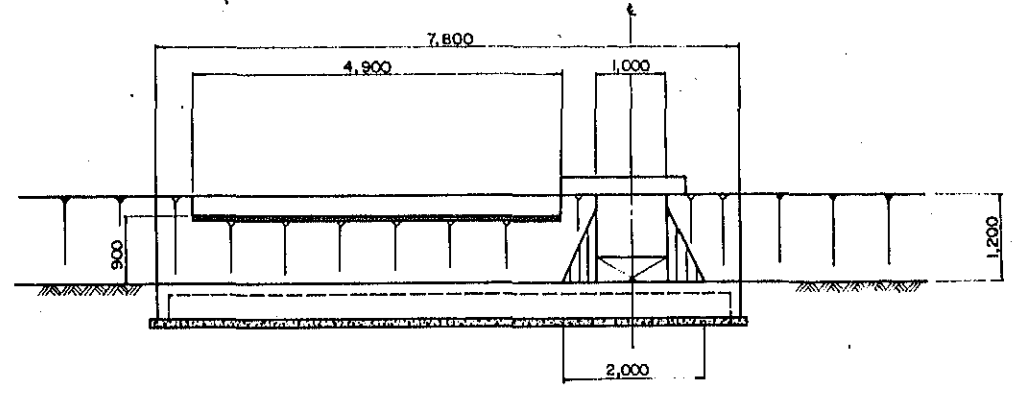


REPUBLIC OF CAMEROON	
MINISTRY OF AGRICULTURE	
THE BAÏOM AGRICULTURAL DEVELOPMENT PROJECT	
TITLE OF DRAWING	
CHECK GATE (TYPE-A, B)	
RELATED TO IRRIGATION CANALS	
JAPAN INTERNATIONAL COOPERATION AGENCY	D.W.G. NO.
TOKYO JAPAN	III - 9

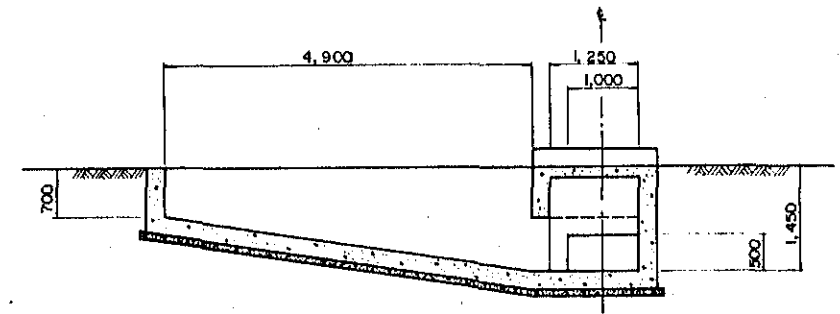
SPILLWAY TYPE - A
(TVAL)



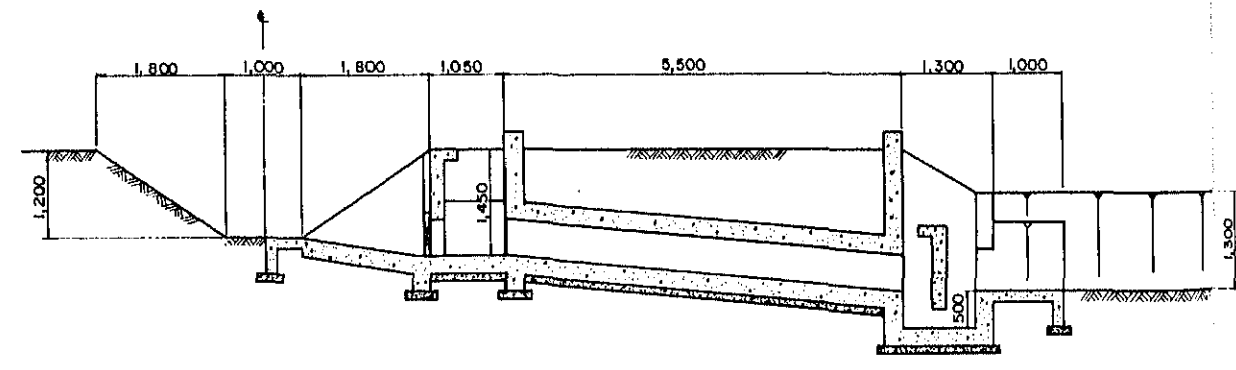
PLAN



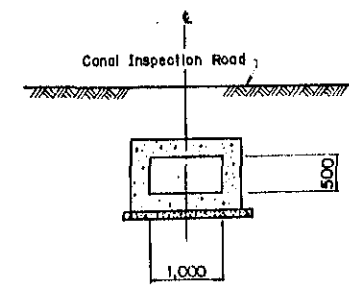
SECTION A-A



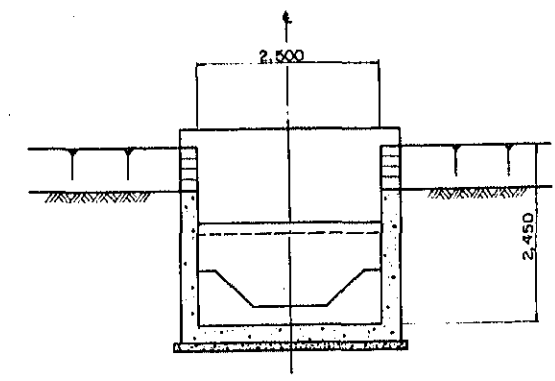
SECTION B-B



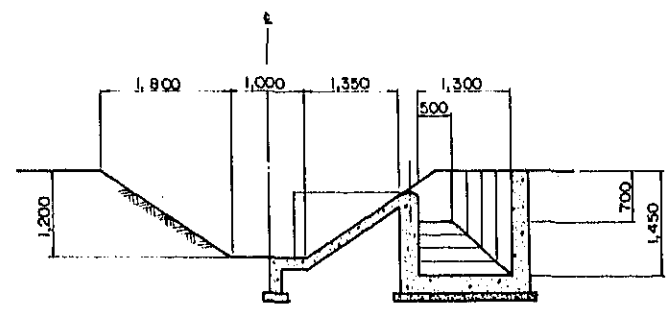
PROFILE



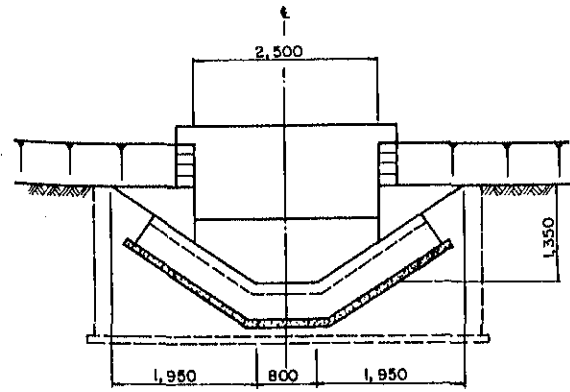
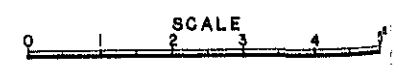
SECTION C-C



SECTION D-D



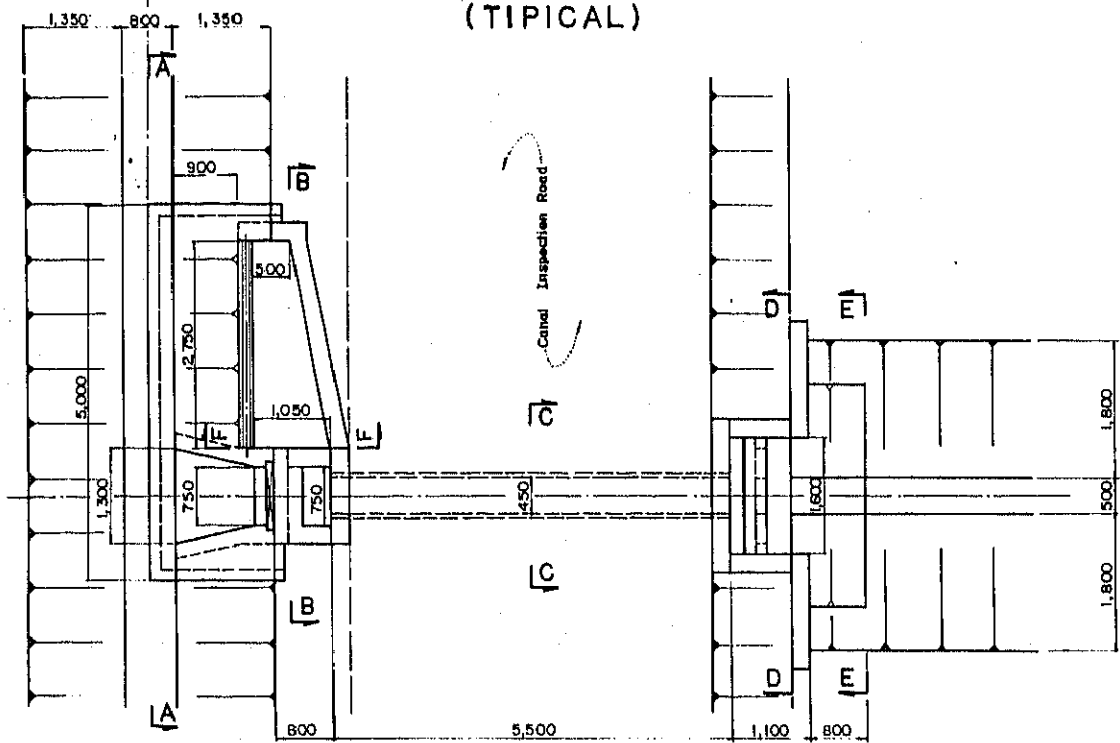
SECTION F-F



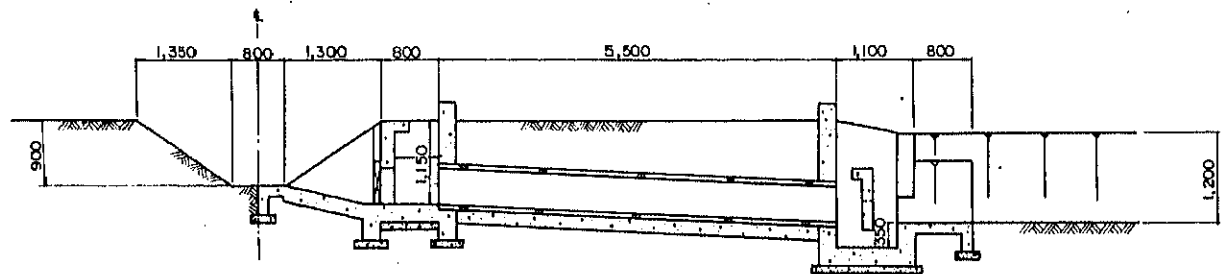
SECTION E-E

REPUBLIC OF CAMEROON	
MINISTRY OF AGRICULTURE	
THE BAÏDOM AGRICULTURAL DEVELOPMENT PROJECT	
TITLE OF DRAWING	
SPILLWAY (TYPE - A)	
RELATED TO IRRIGATION CANALS	
JAPAN INTERNATIONAL COOPERATION AGENCY	D.W.G. NO.
TOKYO JAPAN	III - 10

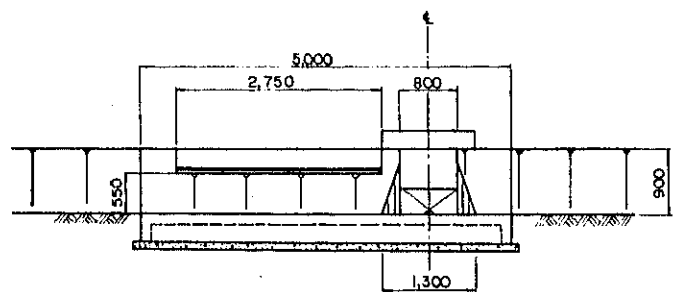
SPILLWAY TYPE-B
(TYPICAL)



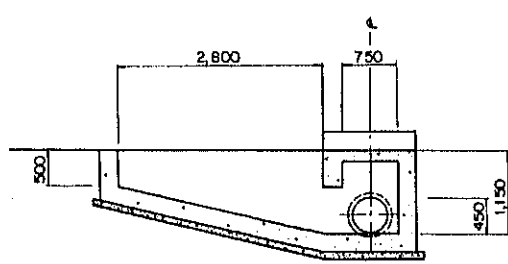
PLAN



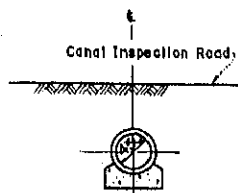
PROFILE



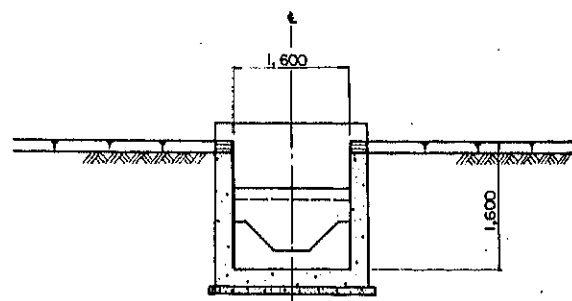
SECTION A-A



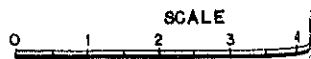
SECTION B-B



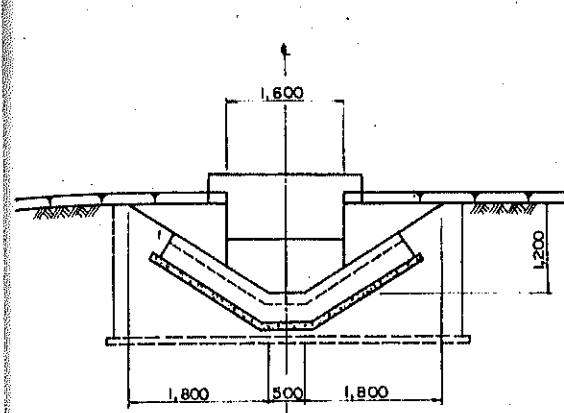
SECTION C-C



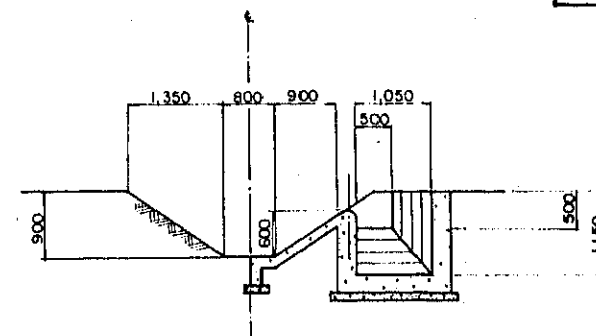
SECTION D-D



SCALE

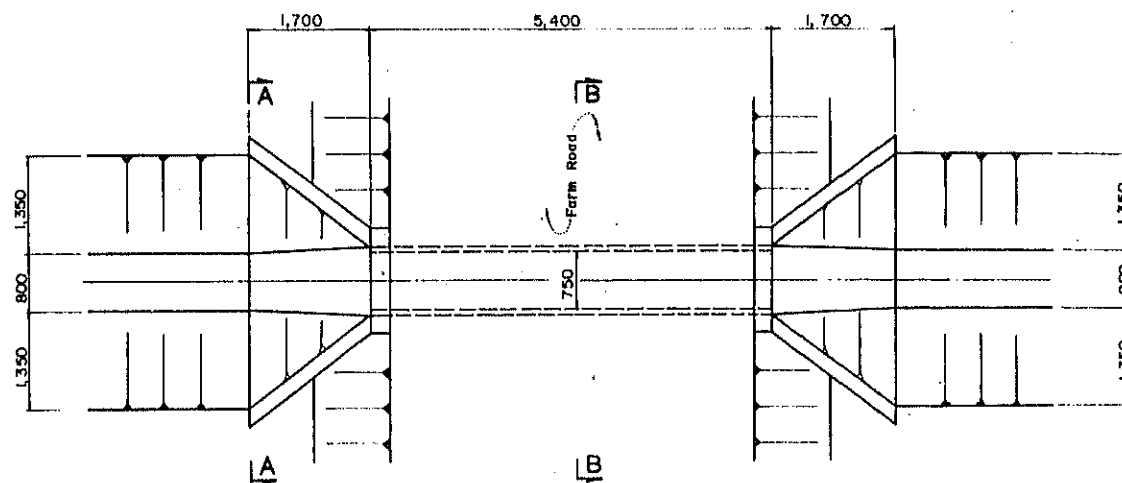


SECTION E-E

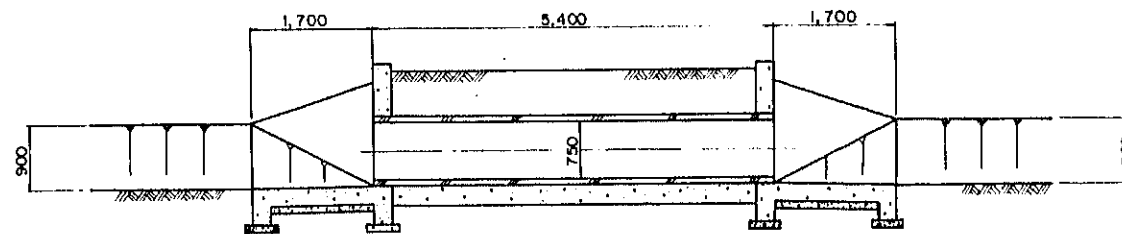


SECTION F-F

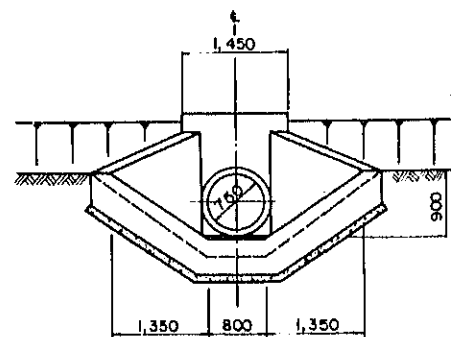
CULVERT (TYPICAL)



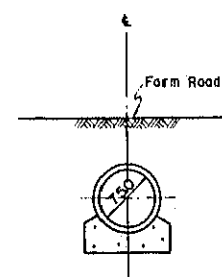
PLAN



PROFILE



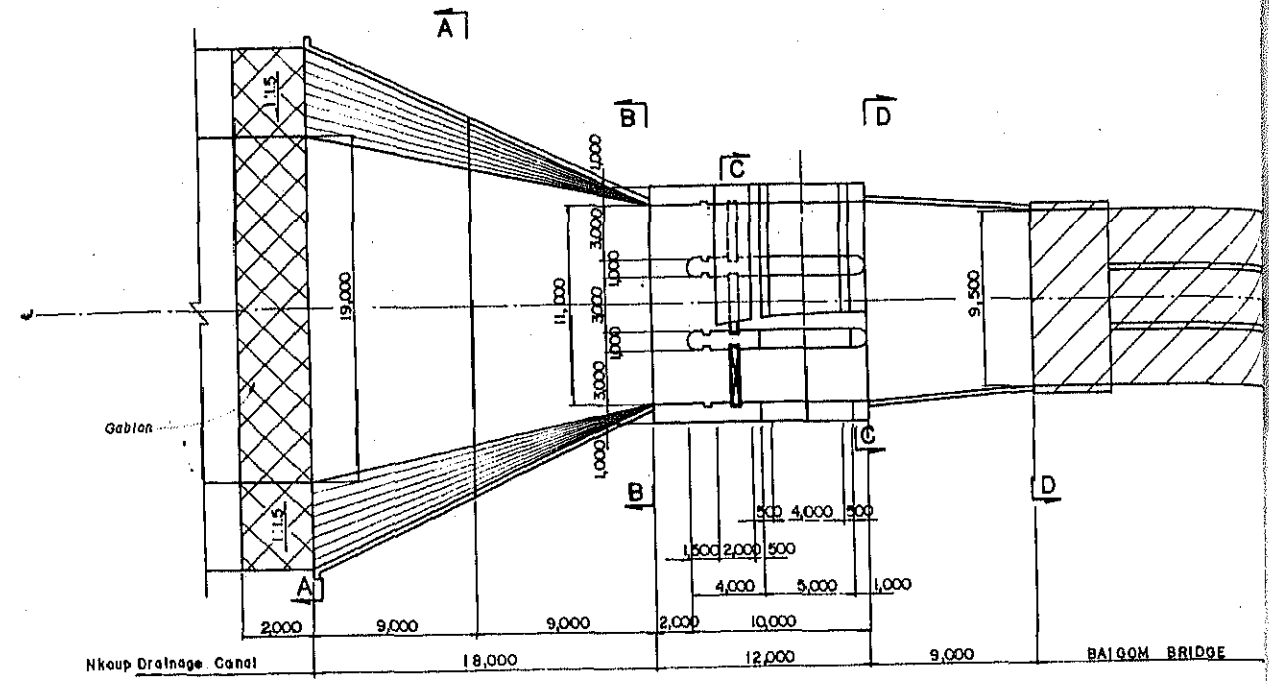
SECTION A-A



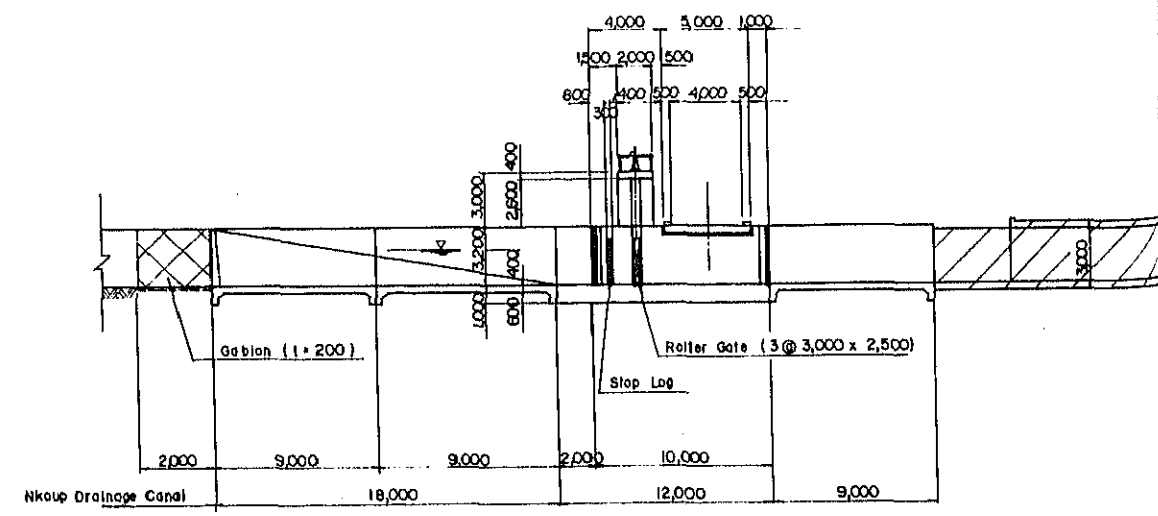
SECTION B-B

REPUBLIC OF CAMEROON
MINISTRY OF AGRICULTURE
THE BAIGOM AGRICULTURAL
DEVELOPMENT PROJECT
TITLE OF DRAWING
SPILLWAY(TYPE-B) AND CULVERT
RELATED TO IRRIGATION CANALS
JAPAN INTERNATIONAL COOPERATION AGENCY
TOKYO JAPAN
D.W.G. NO.
III - 11

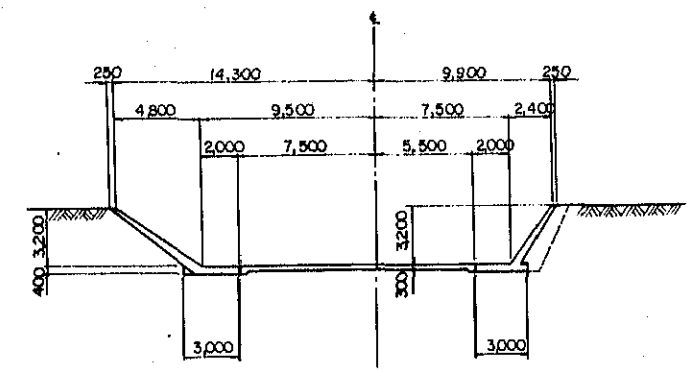
REGULATING GATE



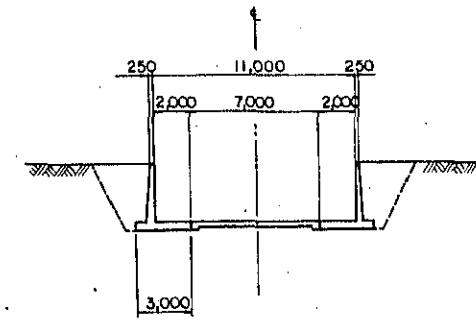
PLAN



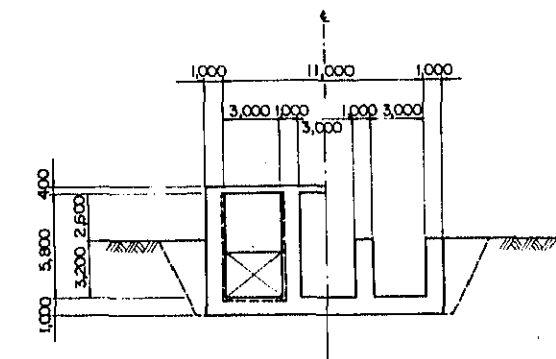
PROFILE



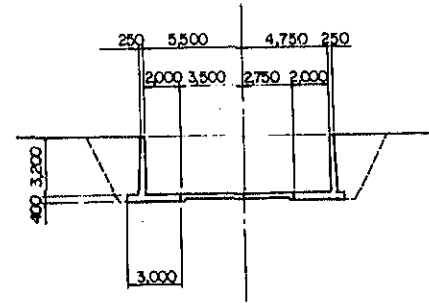
SECTION A-A



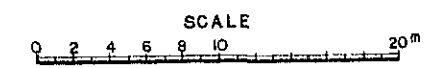
SECTION B-B



SECTION C-C

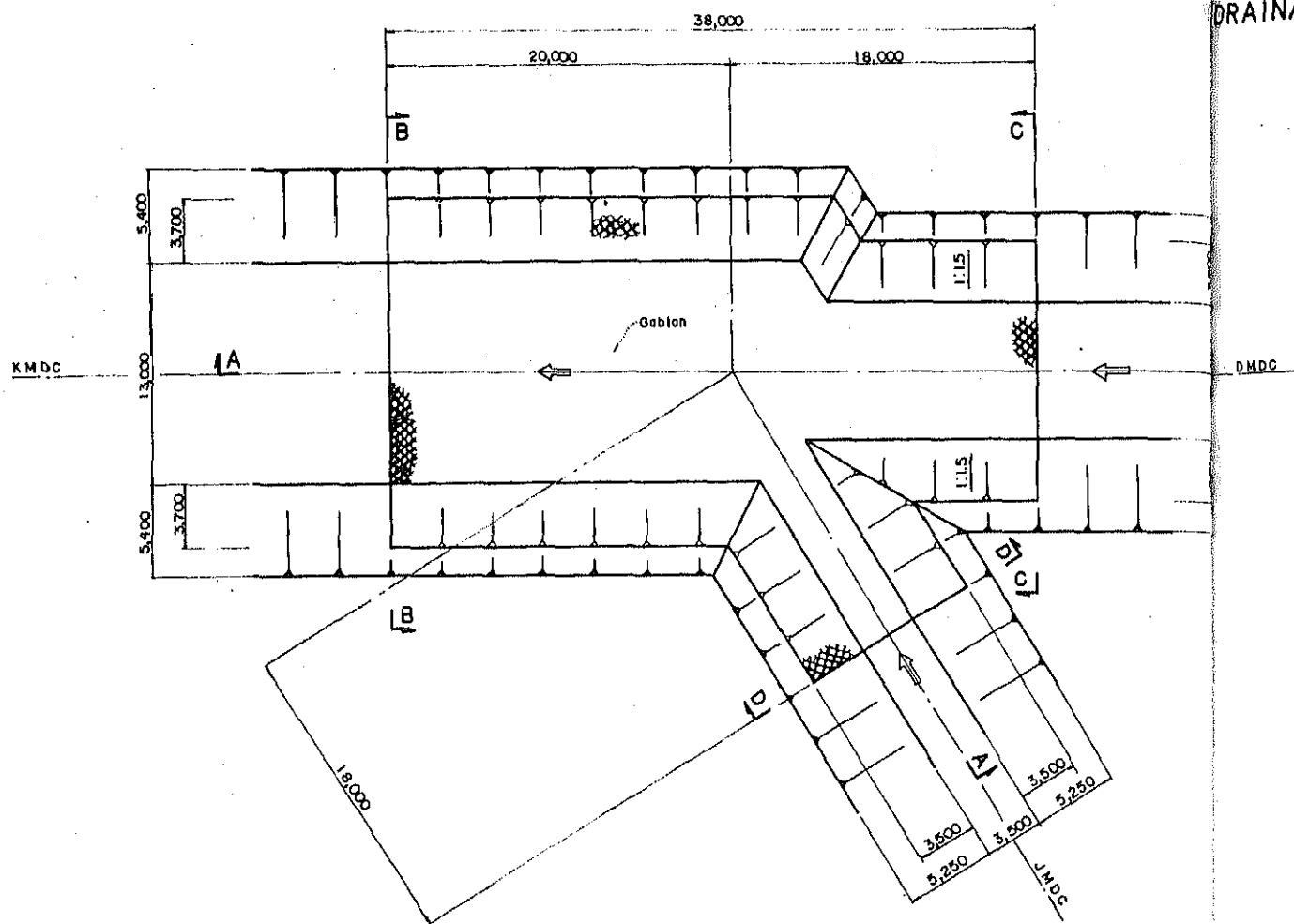


SECTION D-D

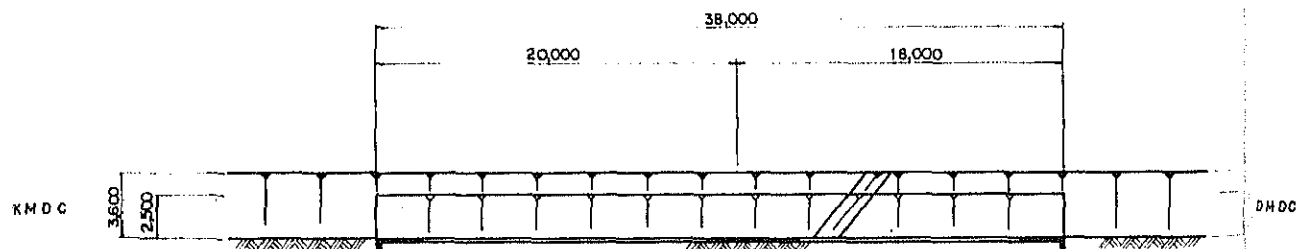


REPUBLIC OF CAMEROON
 MINISTRY OF AGRICULTURE
 THE BAIGOM AGRICULTURAL
 DEVELOPMENT PROJECT
 TITLE OF DRAWING
REGULATING GATE
 JAPAN INTERNATIONAL COOPERATION AGENCY D.W.G. NO.
 TOKYO JAPAN III - 12

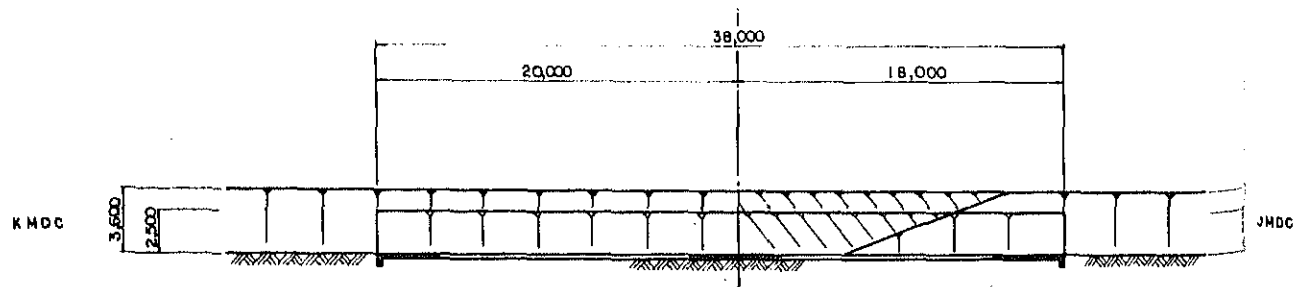
DRAINAGE JUNCTION



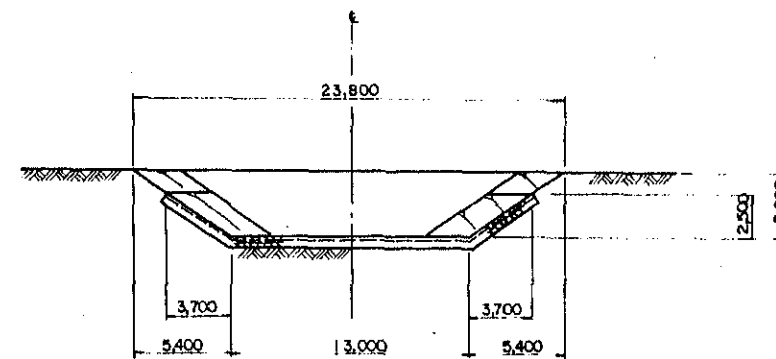
PLAN



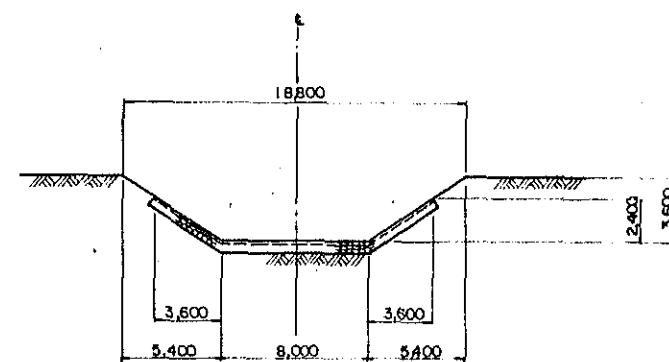
PROFILE



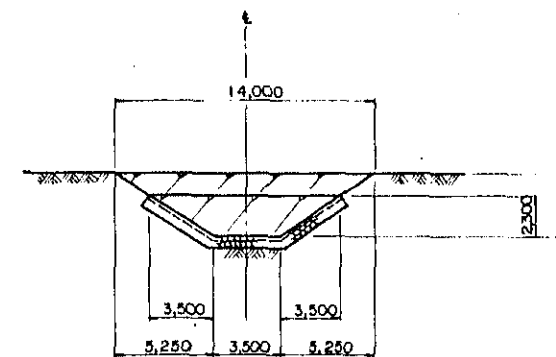
SECTION A-A



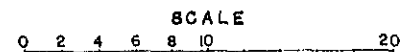
SECTION B-B



SECTION C-C



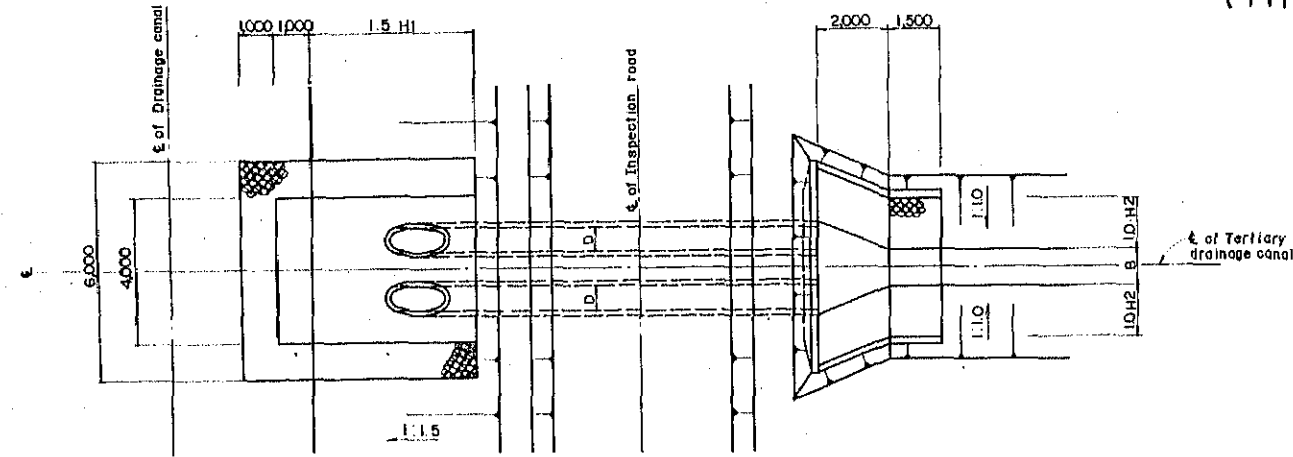
SECTION D-D



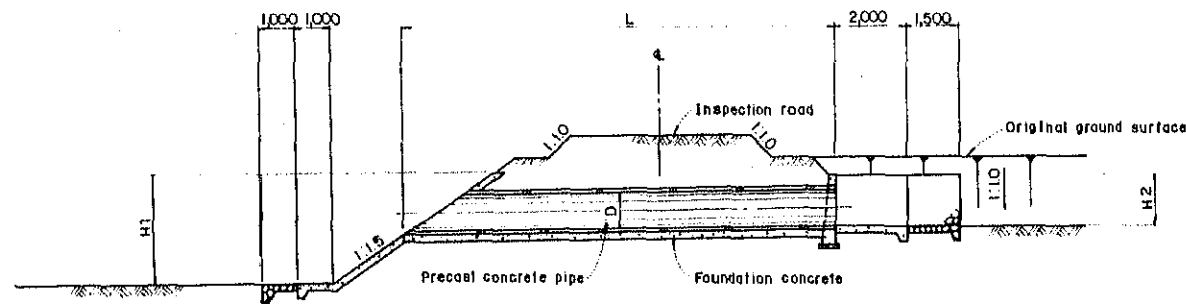
REPUBLIC OF CAMEROON	
MINISTRY OF AGRICULTURE	
THE BAIGOM AGRICULTURAL DEVELOPMENT PROJECT	
TITLE OF DRAWING	
DRAINAGE JUNCTION	
JAPAN INTERNATIONAL COOPERATION AGENCY	D.W.G. NO.
TOKYO JAPAN	III - 13

DRAINAGE INLET (TYPICAL)

TYPE - B

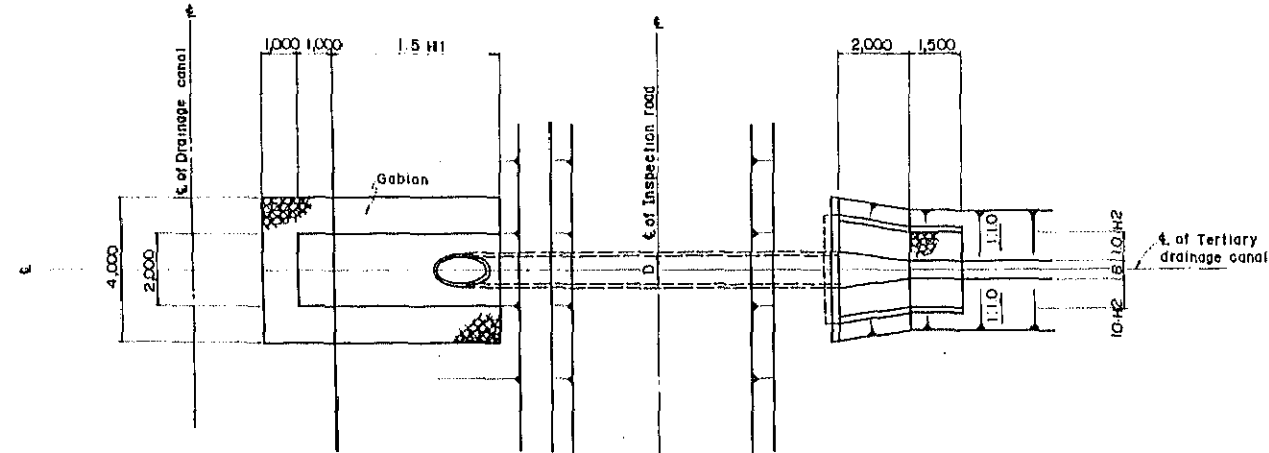


PLAN SCALE - A

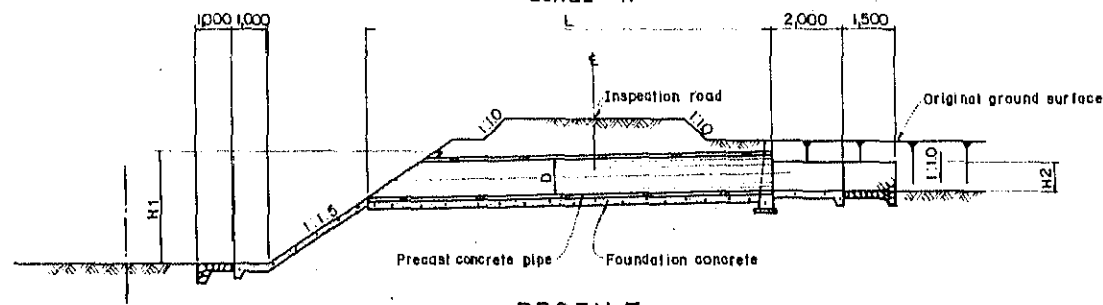


PROFILE SCALE - A

TYPE - C

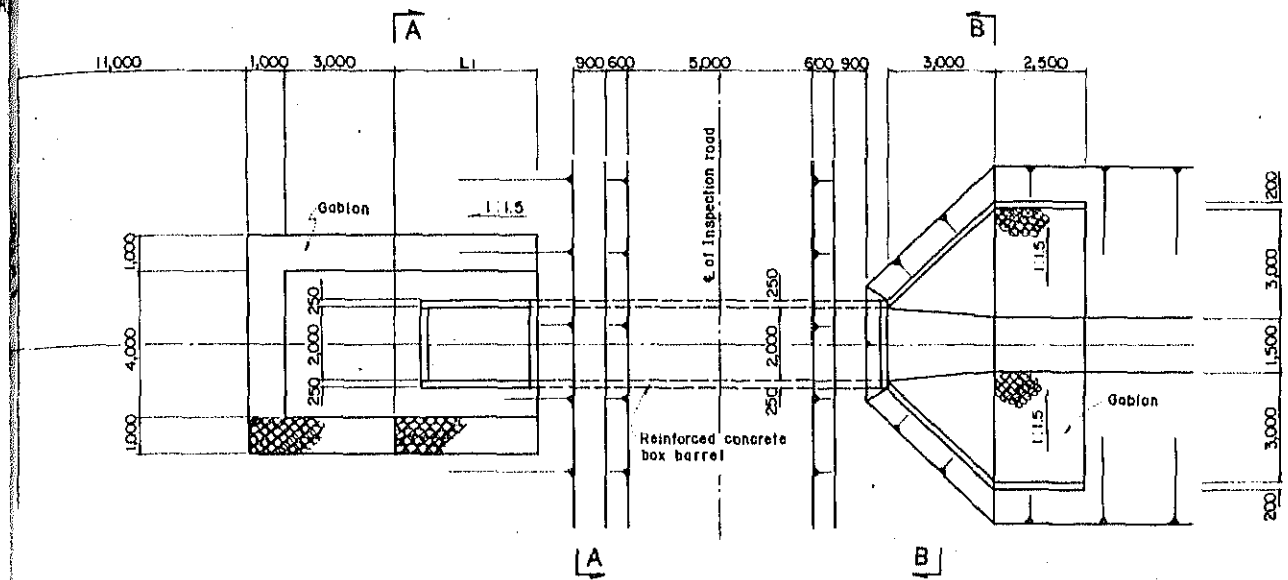


PLAN SCALE - A

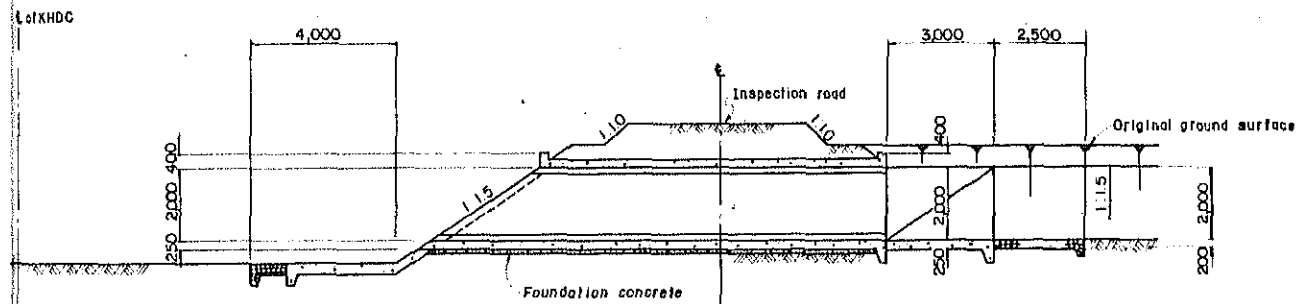


PROFILE SCALE - A

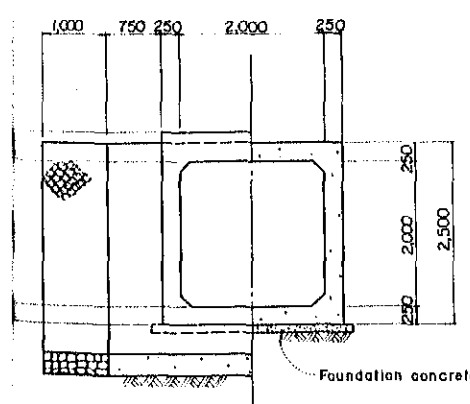
TYPE - A



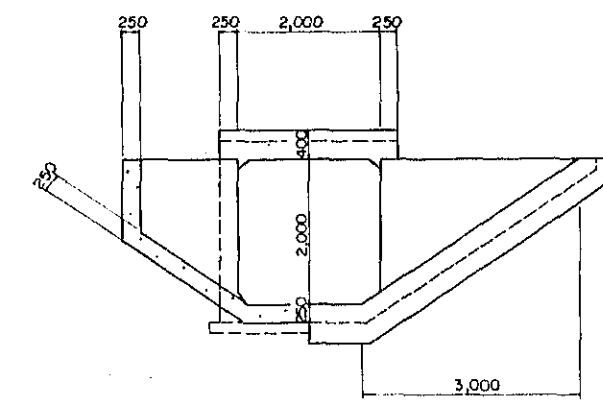
PLAN SCALE - A



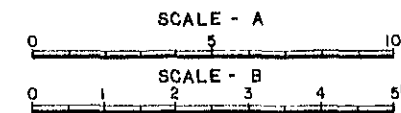
PROFILE SCALE - A



SECTION A-A SCALE - B

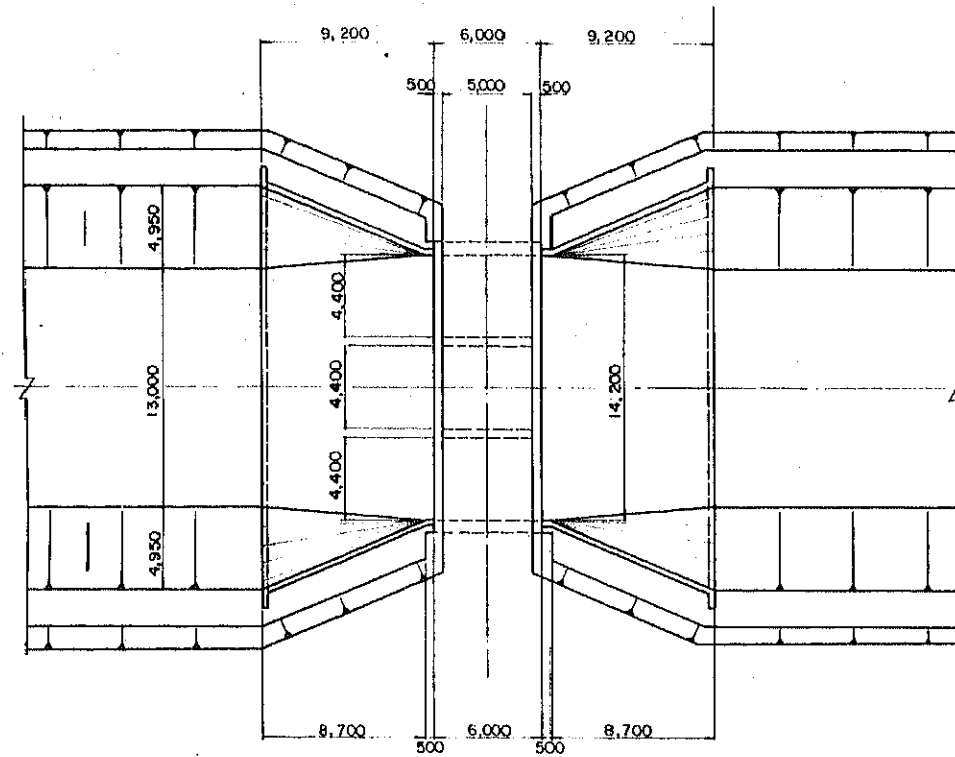


SECTION B-B SCALE - B

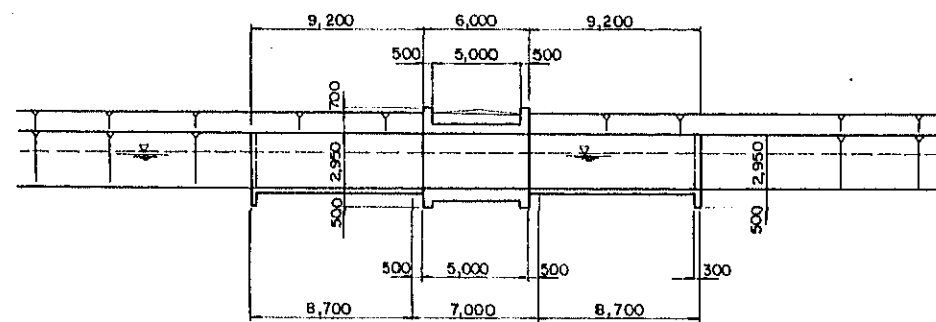


REPUBLIC OF CAMEROON
 MINISTRY OF AGRICULTURE
 THE BAIGOM AGRICULTURAL
 DEVELOPMENT PROJECT
 TITLE OF DRAWING
DRAINAGE INLET
 JAPAN INTERNATIONAL COOPERATION AGENCY D.W.G. NO.
 TOKYO JAPAN III - 14

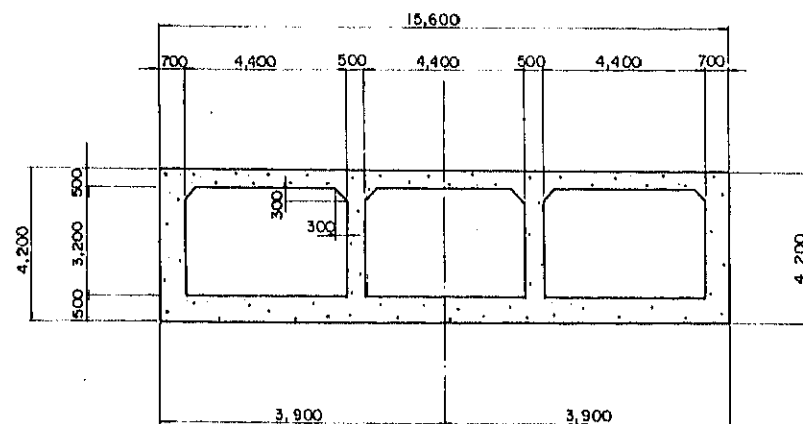
CULVERT (TYPICAL)



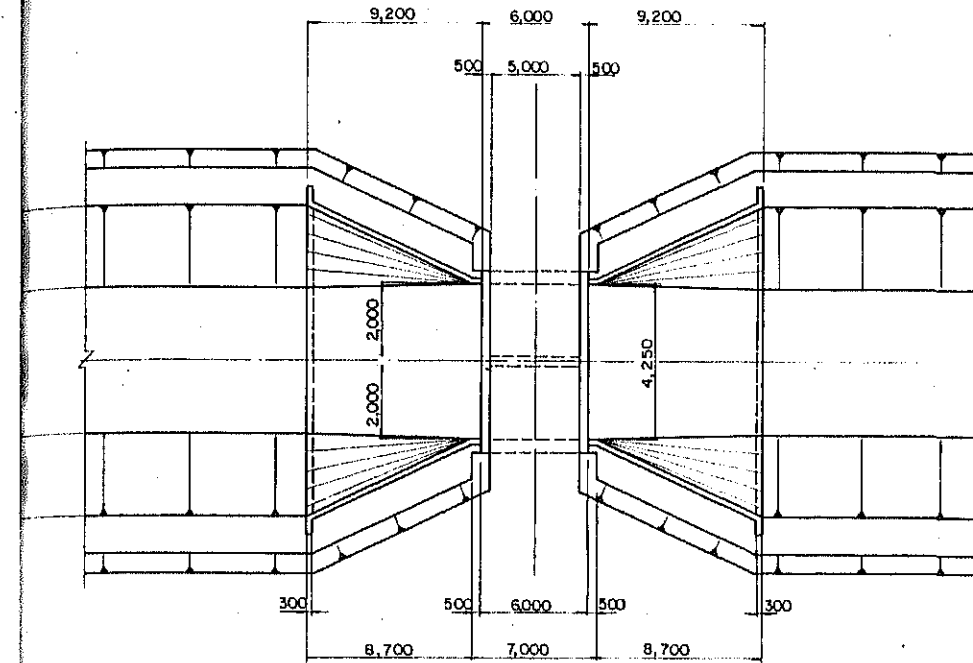
PLAN TYPE - A SCALE - A



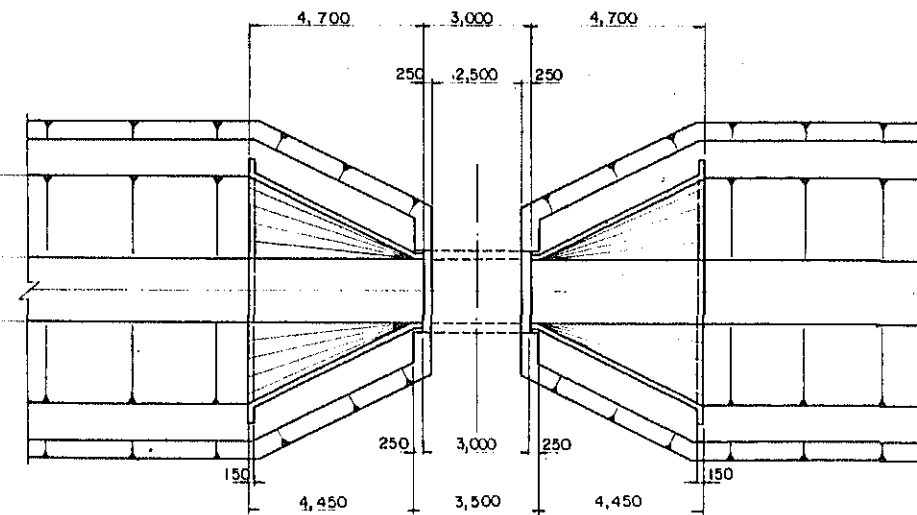
PROFILE TYPE - B SCALE - A



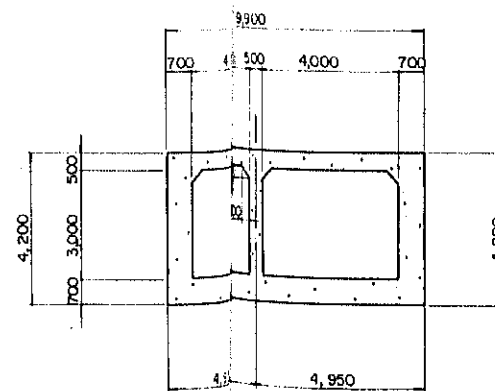
SECTION TYPE - A
SCALE - B



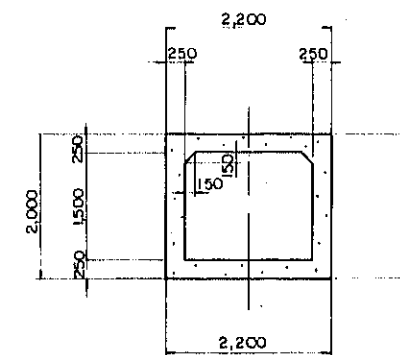
PLAN TYPE - B SCALE - A



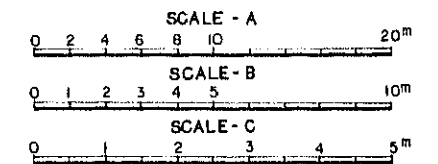
PLAN TYPE - C SCALE - B



SECTION TYPE - B
SCALE - B

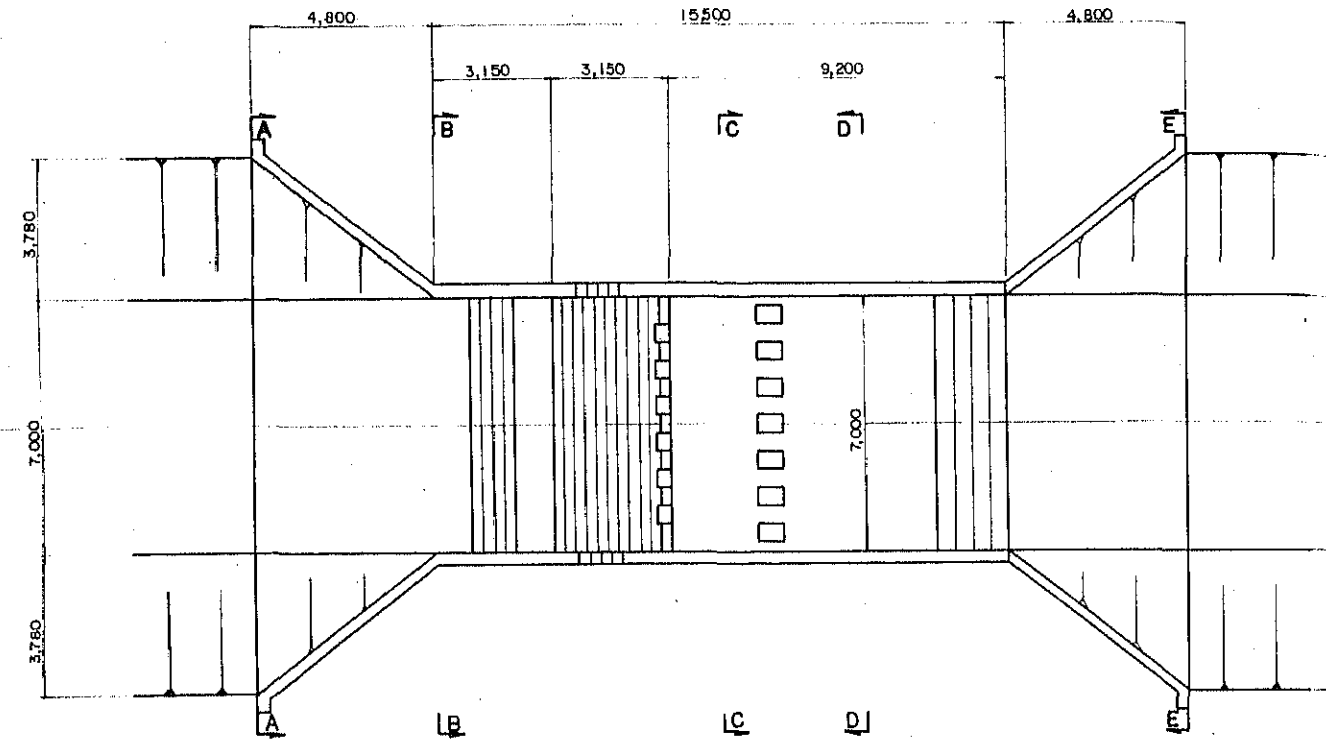


SECTION TYPE - C
SCALE - C

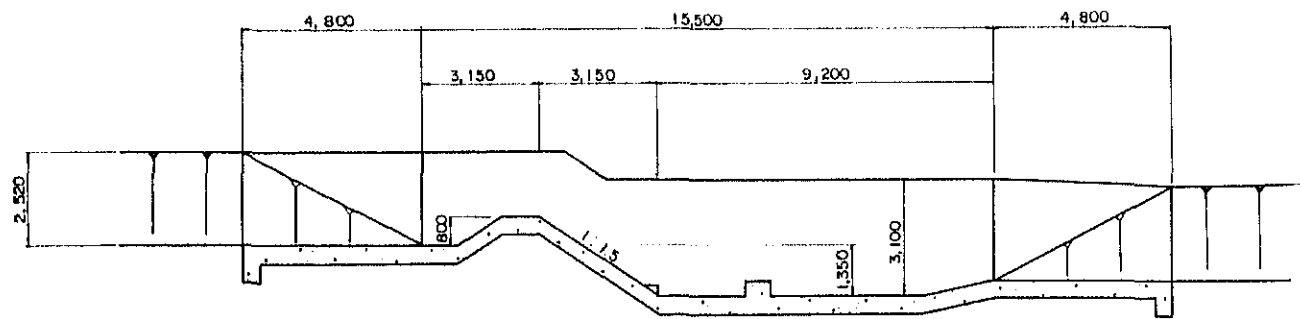


REPUBLIC OF CAMEROON
 MINISTRY OF AGRICULTURE
 THE BAIGOM AGRICULTURAL
 DEVELOPMENT PROJECT
 TITLE OF DRAWING
 CULVERT (TYPE - A, B, C)
 RELATED TO DRAINAGE CANALS
 JAPAN INTERNATIONAL COOPERATION AGENCY D.W.G. NO.
 TOKYO JAPAN III - 15

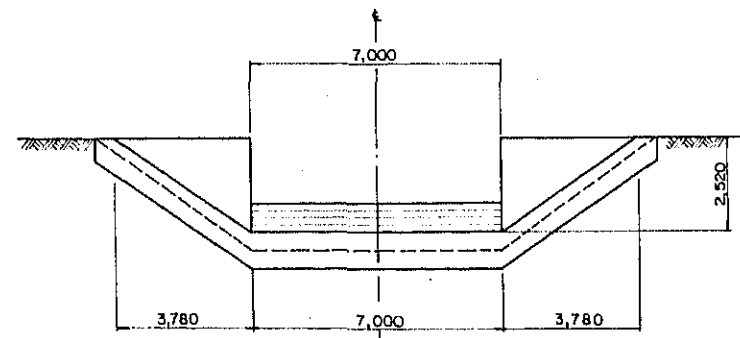
DRAINAGE DROP (TYPICAL)



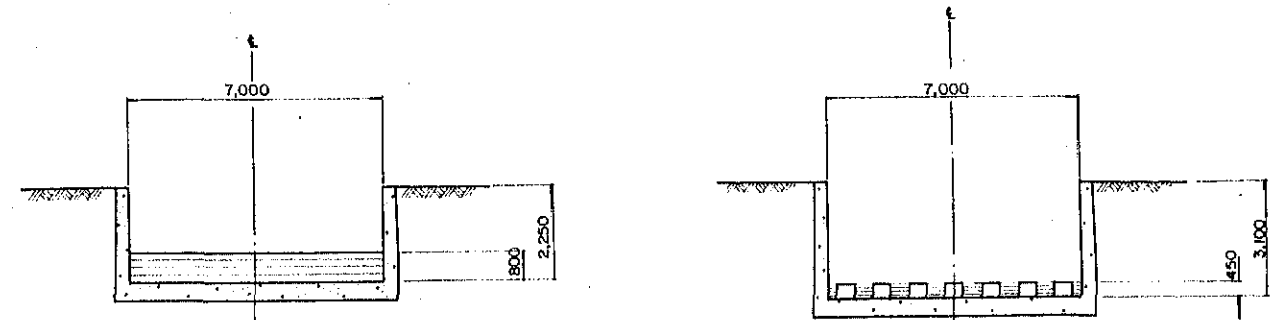
PLAN



PROFILE

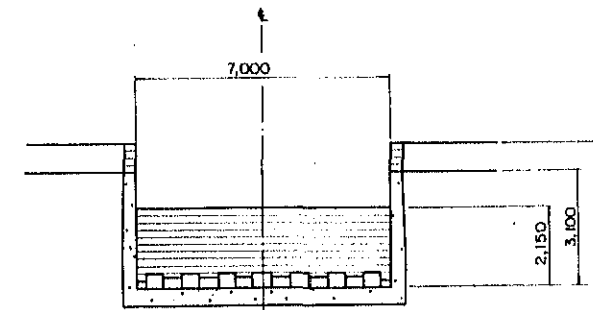


SECTION A-A

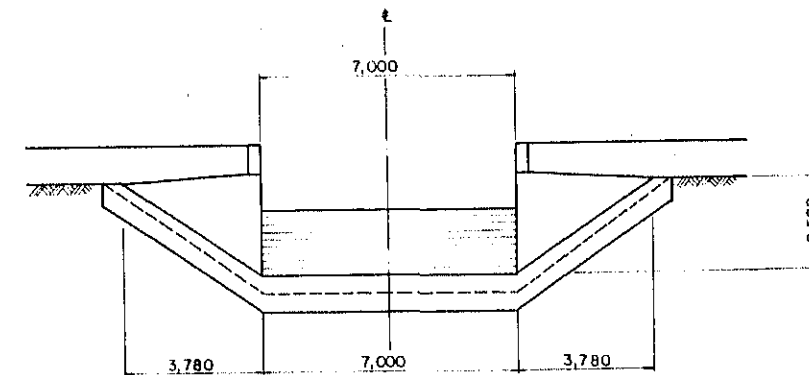


SECTION B-B

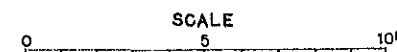
SECTION C-C



SECTION D-D



SECTION E-E

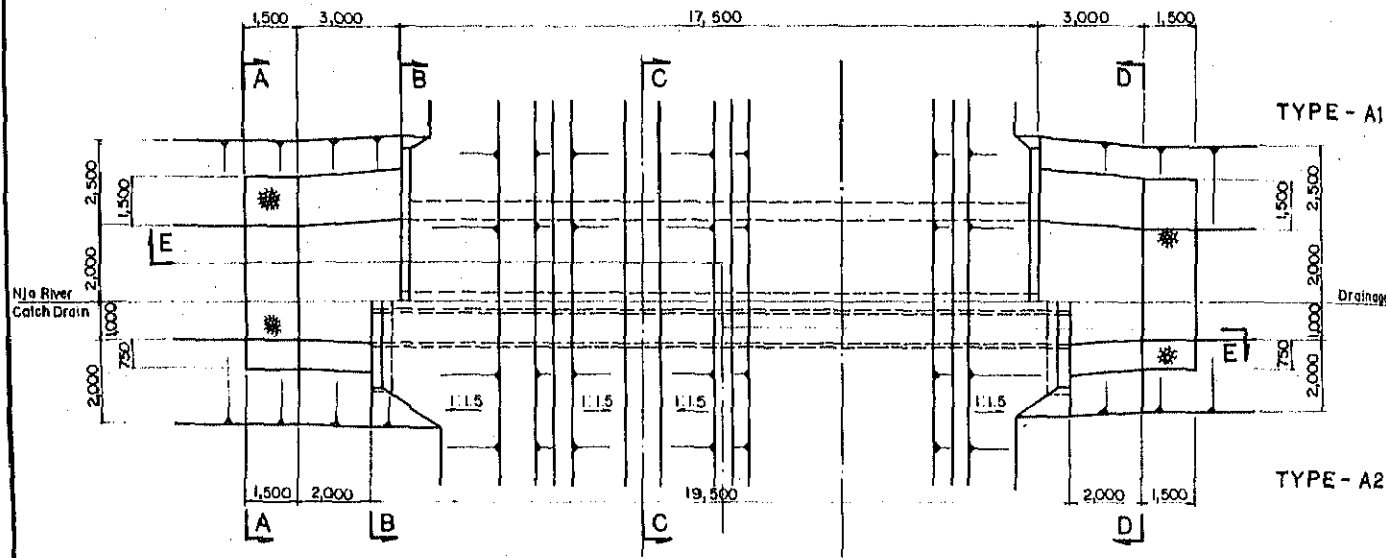


REPUBLIC OF CAMEROON	
MINISTRY OF AGRICULTURE	
THE BAIKOM AGRICULTURAL DEVELOPMENT PROJECT	
TITLE OF DRAWING	
DROP RELATED TO DRAINAGE CANALS	
JAPAN INTERNATIONAL COOPERATION AGENCY	D.W.G. NO.
TOKYO JAPAN	III - 16

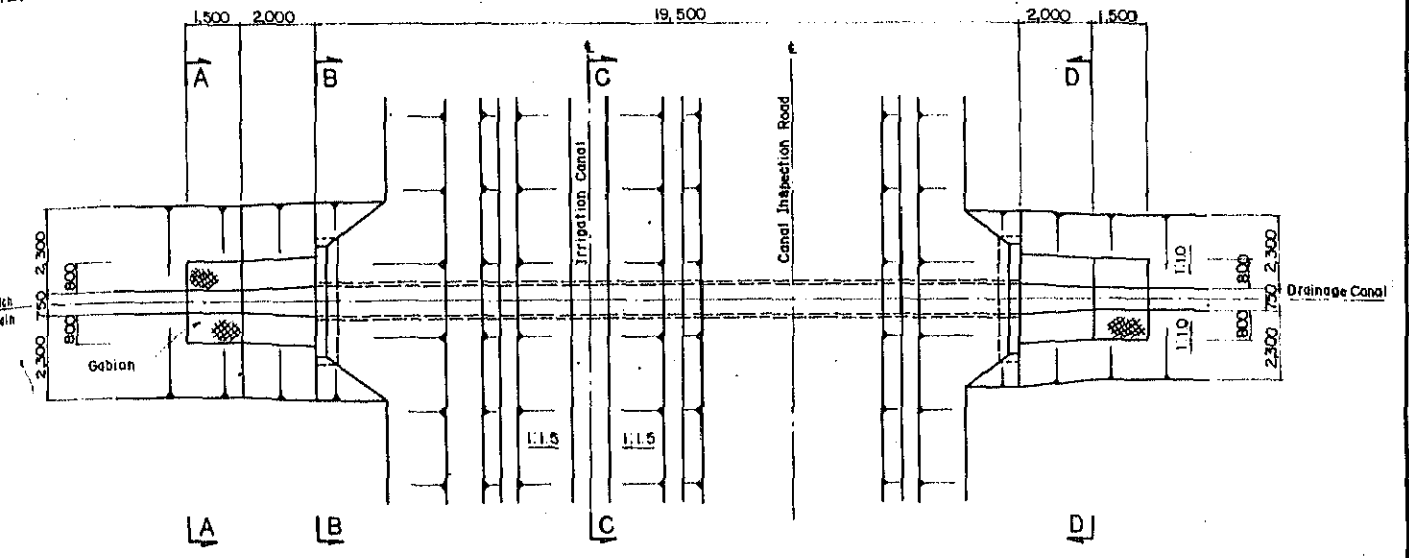
TYPE - A1 & A2

CROSS DRAIN (TYPAL)

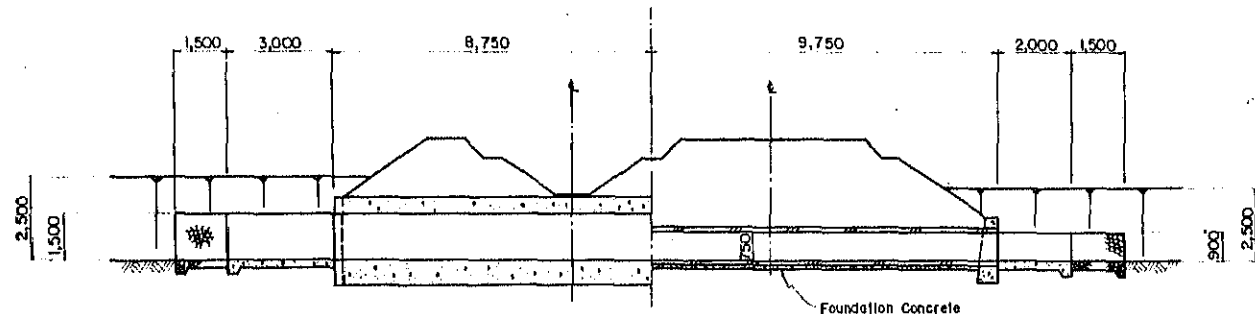
TYPE - B



PLAN



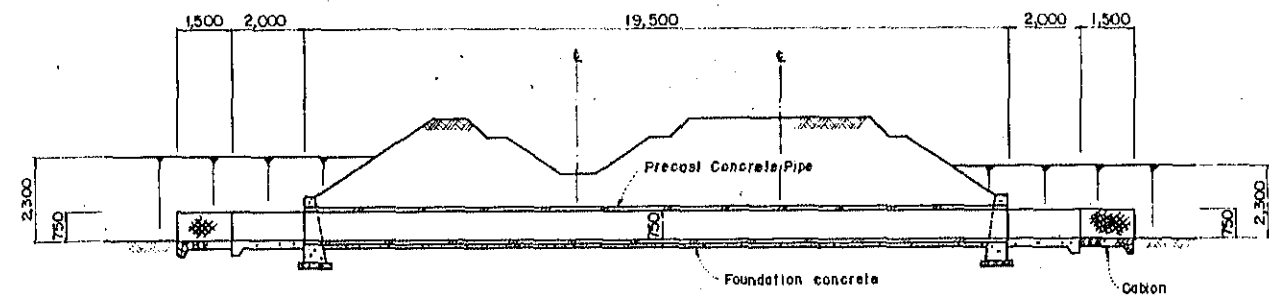
PLAN



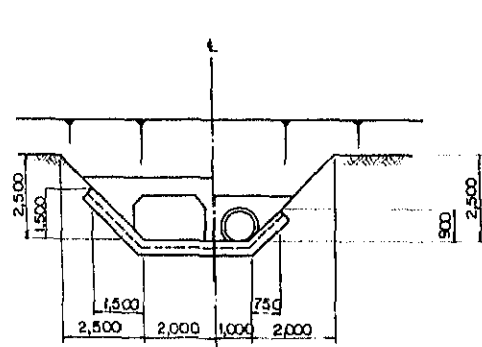
TYPE - A1

TYPE - A2

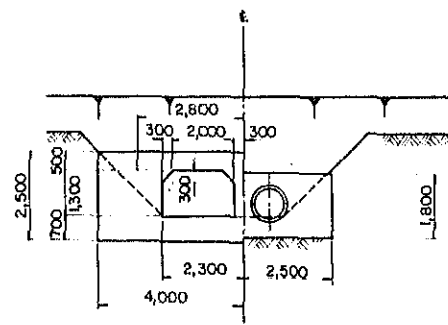
PROFILE (E - E)



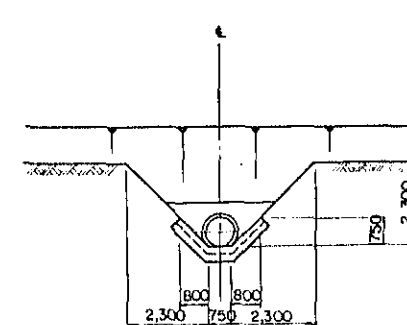
PROFILE



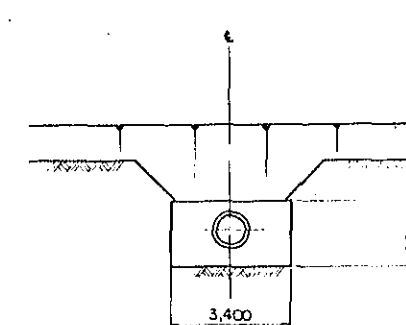
SECTION A-A



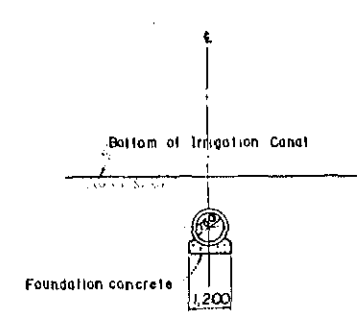
SECTION B-B



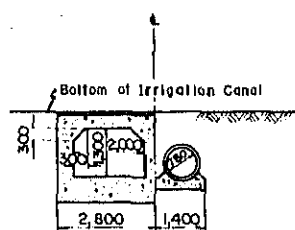
SECTION A-A



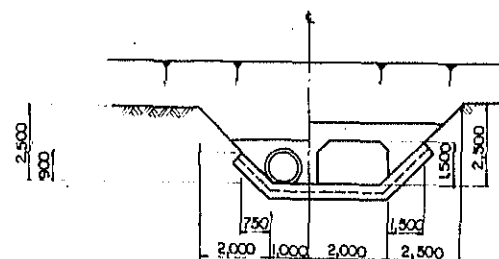
SECTION B-B



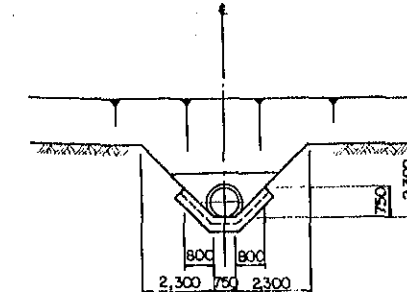
SECTION C-C



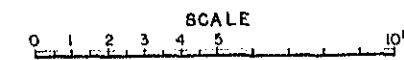
SECTION C-C



SECTION D-D

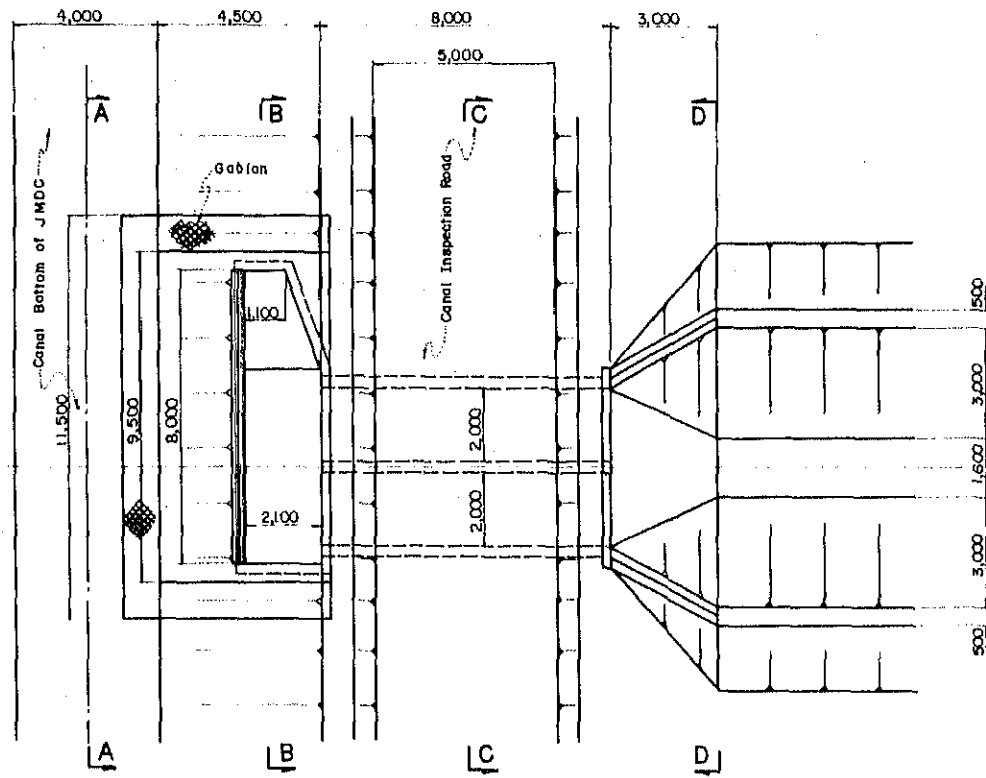


SECTION D-D

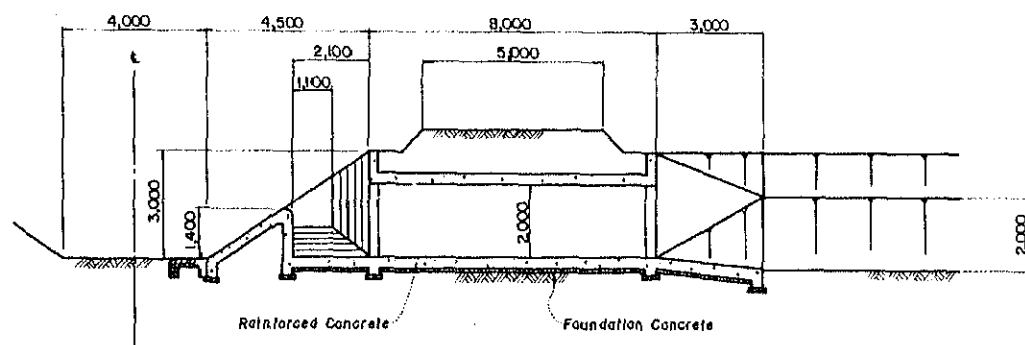


REPUBLIC OF CAMEROON
 MINISTRY OF AGRICULTURE
 THE BAIGOM AGRICULTURAL
 DEVELOPMENT PROJECT
 TITLE OF DRAWING
CROSS DRAIN (TYPE-A1, A2 & B)
 JAPAN INTERNATIONAL COOPERATION AGENCY DWG. NO.
 TOKYO JAPAN III - 17

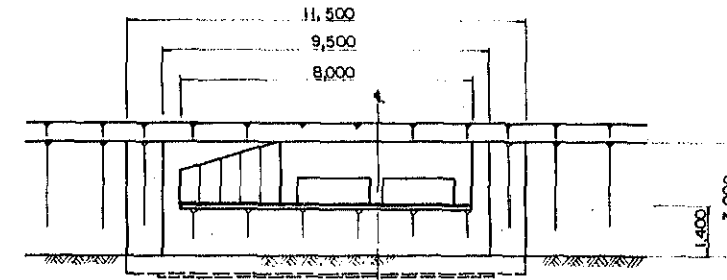
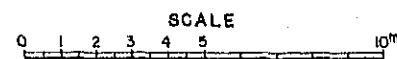
SPILLWAY
(TO NJA DIVERSION FLOOD WAY)



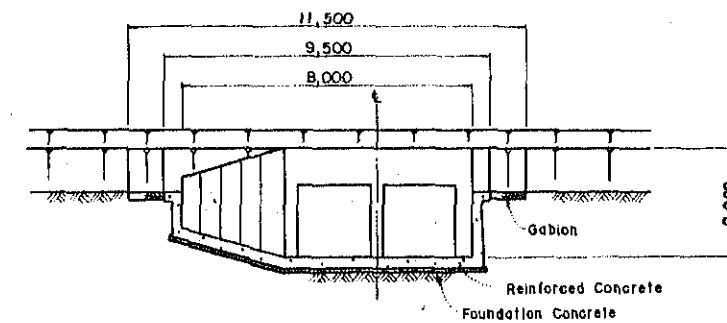
PLAN



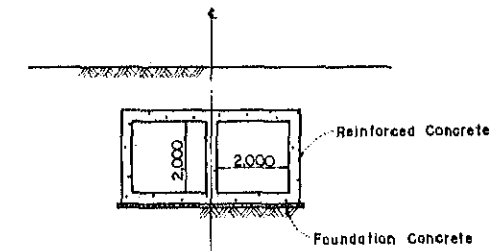
PROFILE



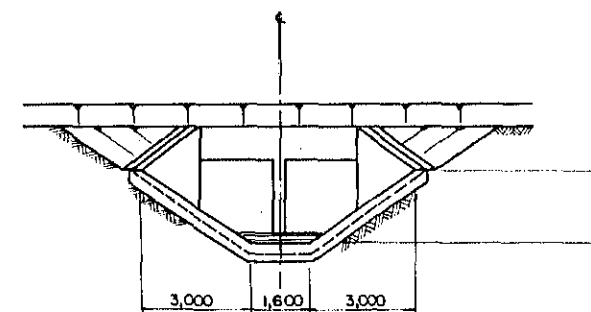
SECTION A-A



SECTION B-B



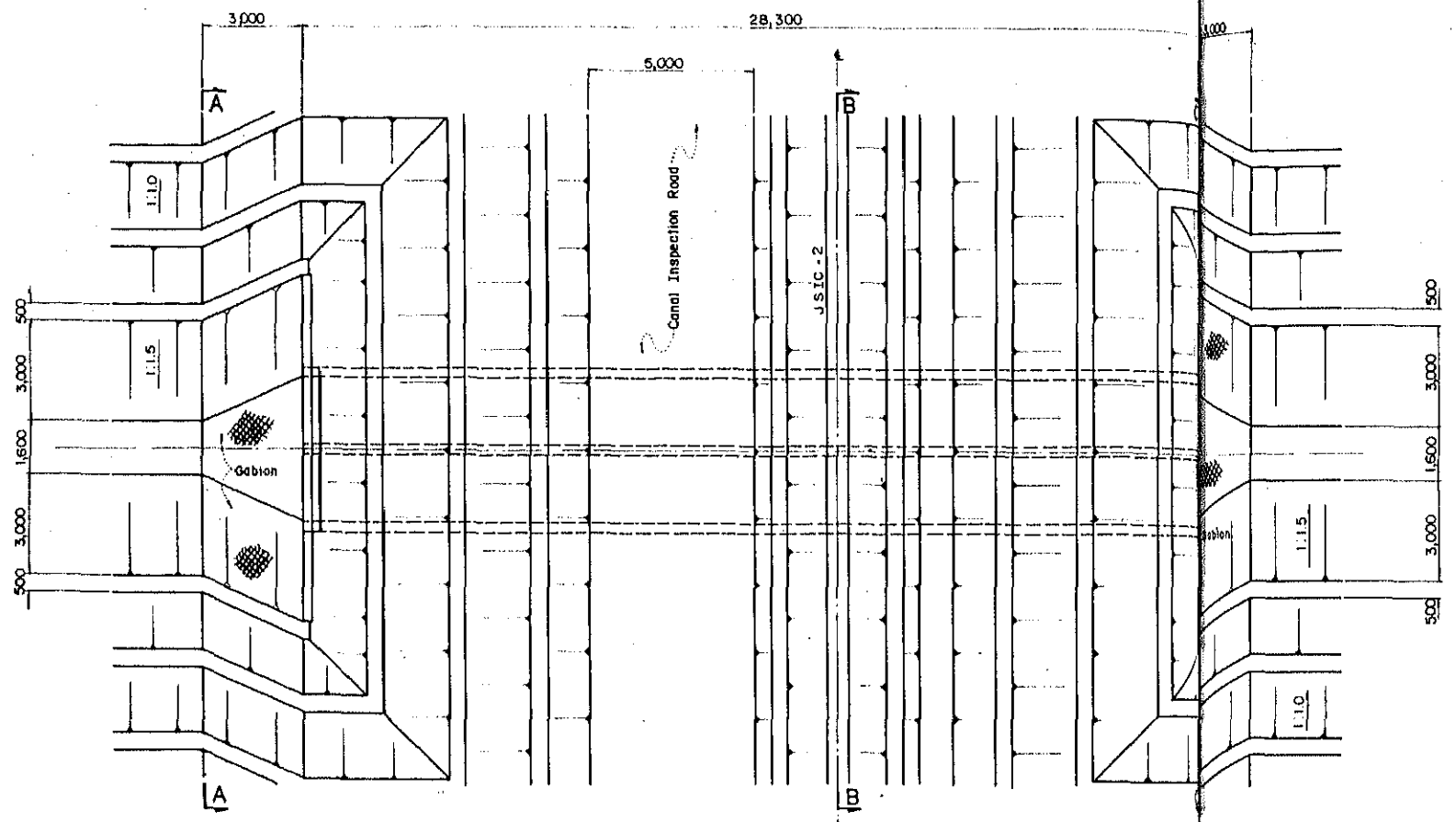
SECTION C-C



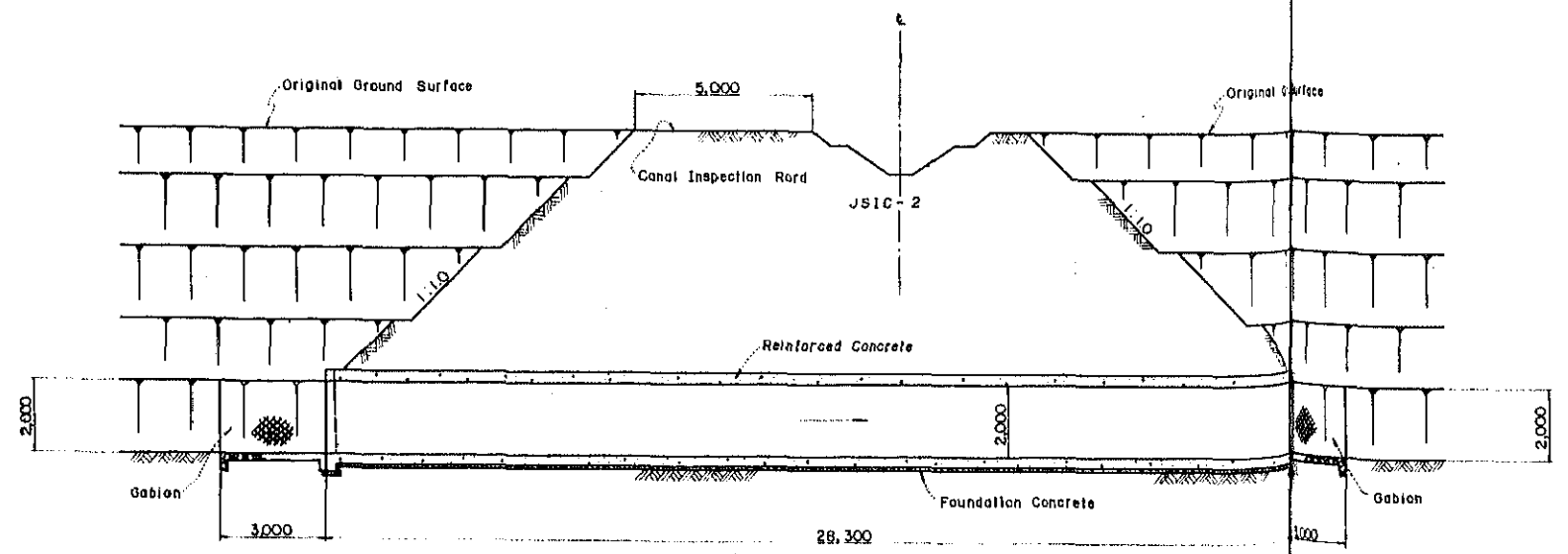
SECTION D-D

REPUBLIC OF CAMEROON	
MINISTRY OF AGRICULTURE	
THE BAIGOM AGRICULTURAL DEVELOPMENT PROJECT	
TITLE OF DRAWING	
SPILLWAY (TO NJA DIVERSION FLOOD WAY)	
JAPAN INTERNATIONAL COOPERATION AGENCY	D.W.G. NO.
TOKYO JAPAN	III-18

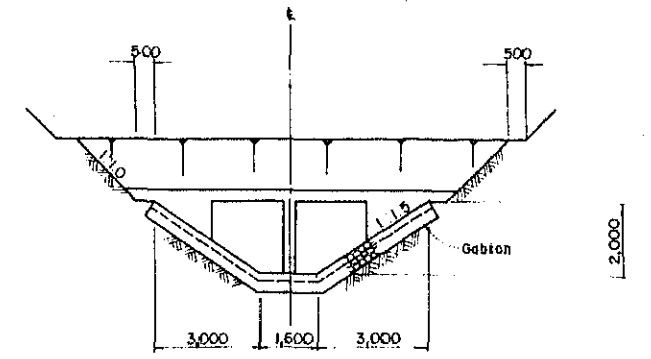
CROSS DRAIN
(IN NJA DIVERSION FLOOD WAY)



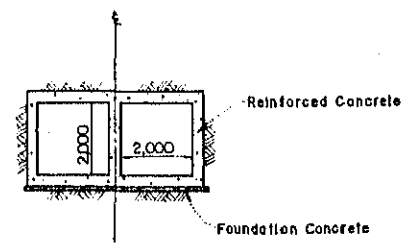
PLAN



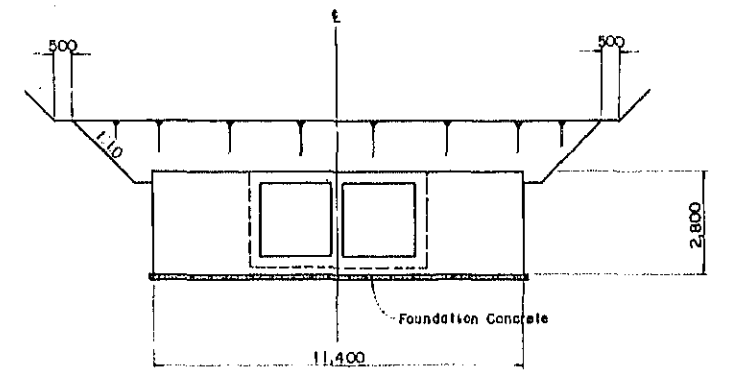
PROFILE



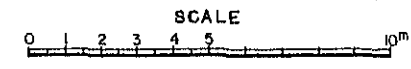
SECTION A-A



SECTION B-B

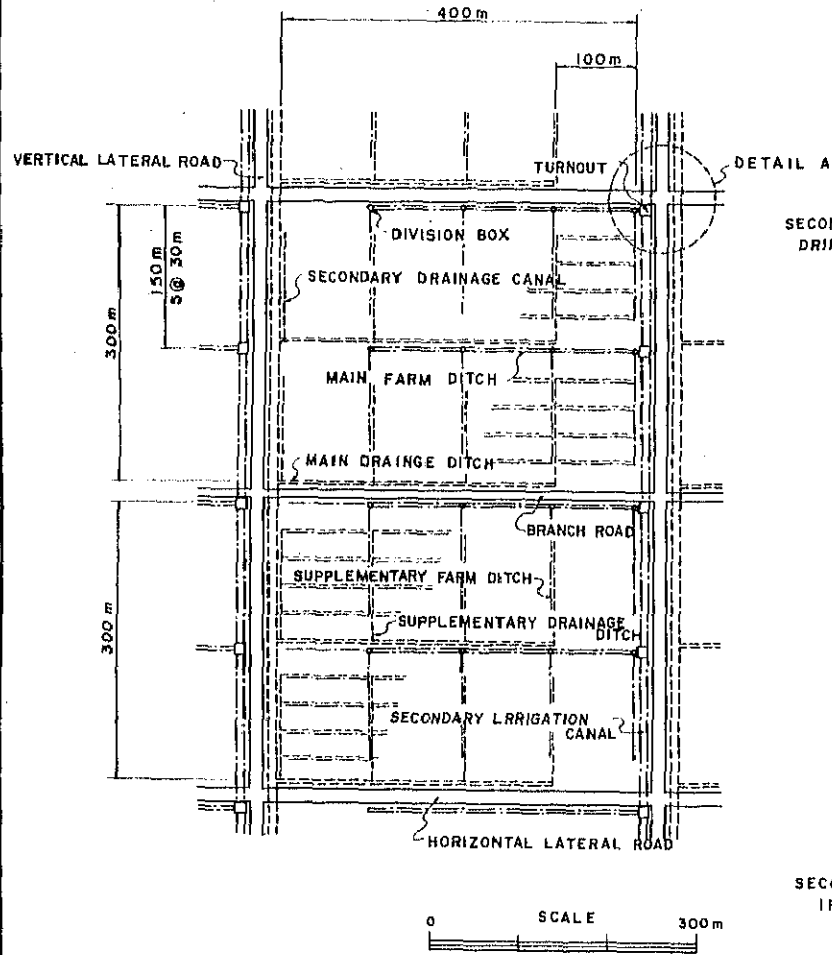


SECTION C-C

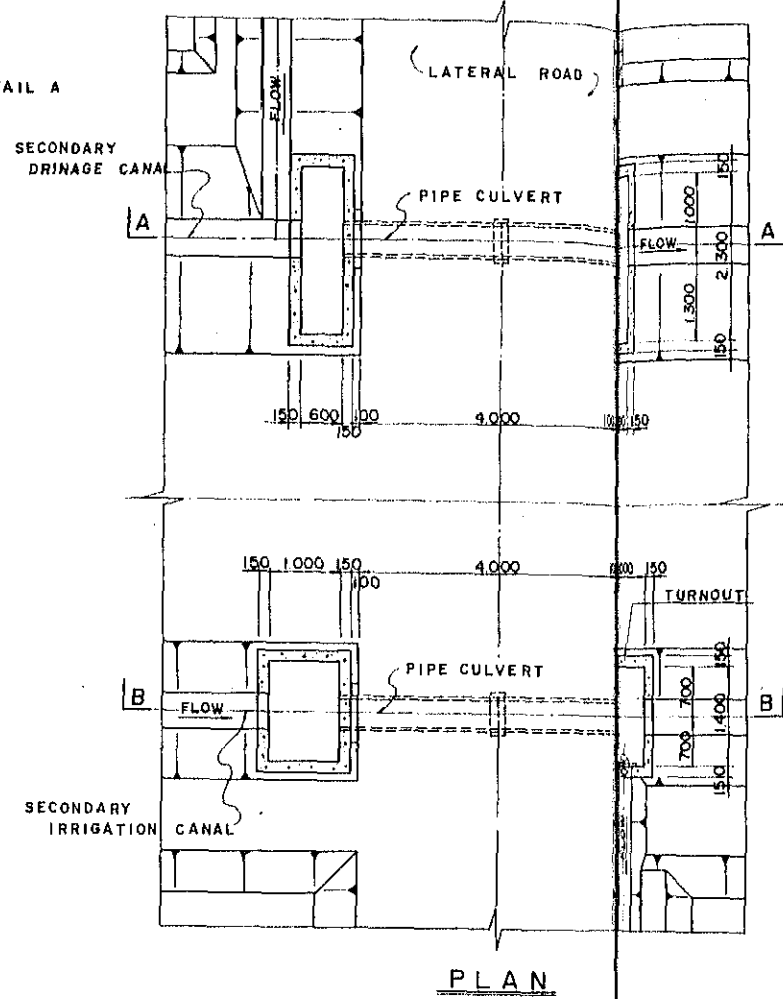


REPUBLIC OF CAMEROON	
MINISTRY OF AGRICULTURE	
THE BAIGOM AGRICULTURAL DEVELOPMENT PROJECT	
TITLE OF DRAWING	
CROSS DRAIN IN DIVERSION FLOOD WAY	
JAPAN INTERNATIONAL COOPERATION AGENCY	D.W.G. NO.
TOKYO JAPAN	III-19

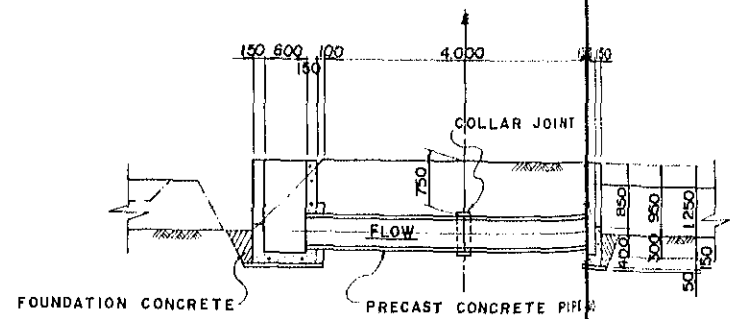
TYPICAL FARM LAYOUT



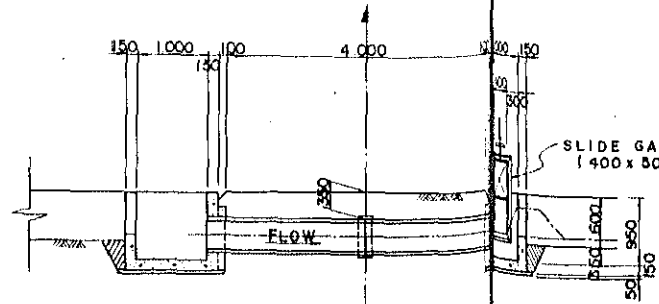
DETAIL A
SCALE - A



PLAN

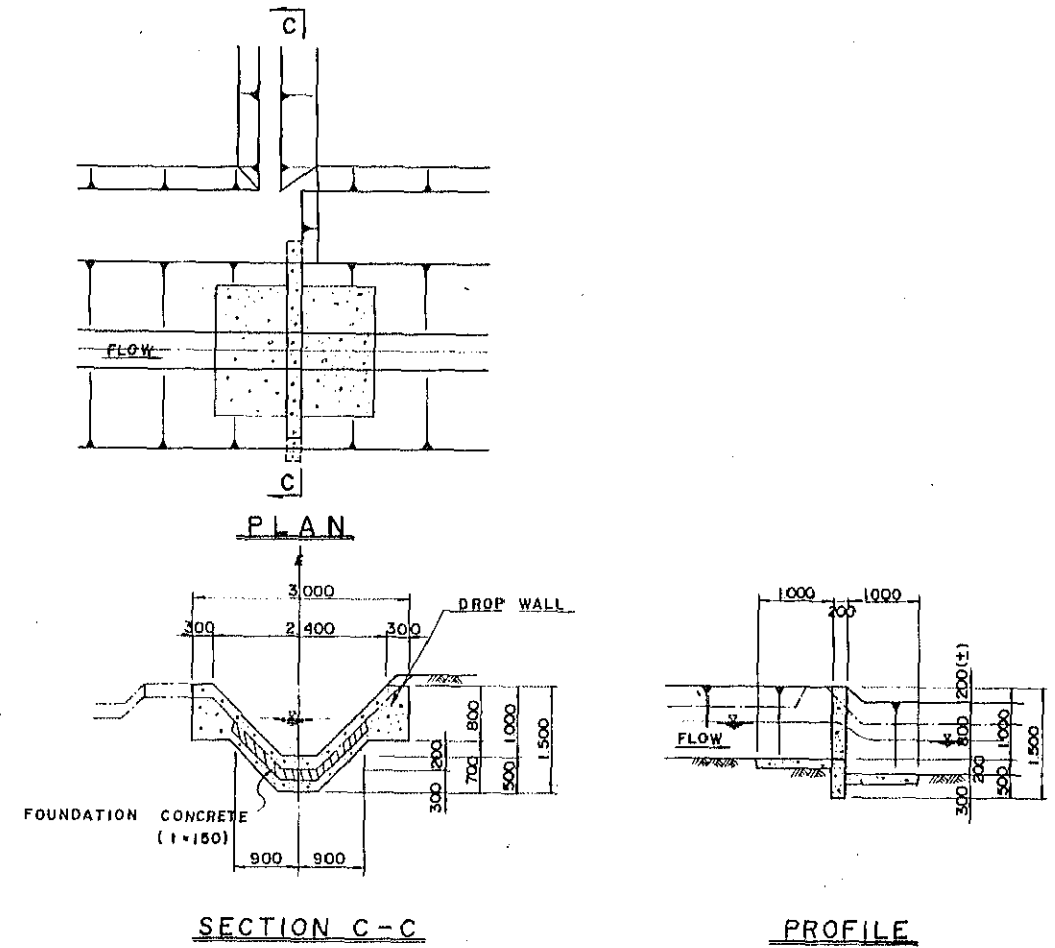


SECTION A-A

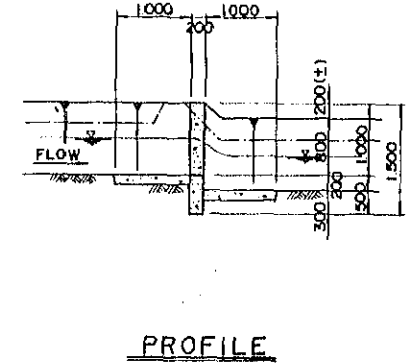


SECTION B-B

DROP OF SECONDARY CANAL
SCALE - A

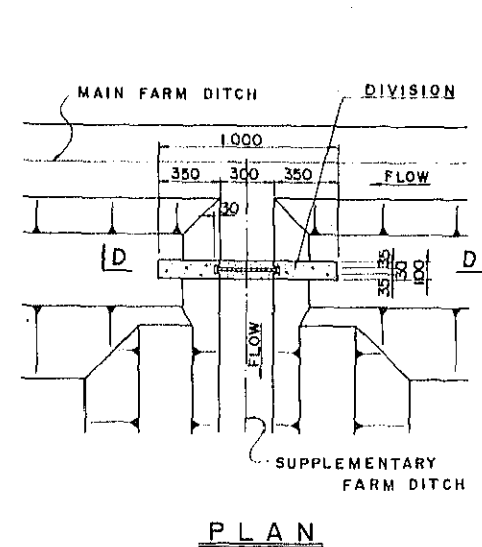


SECTION C-C

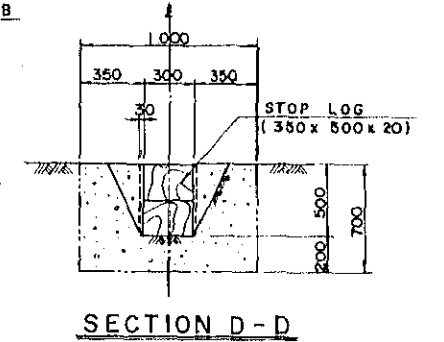


PROFILE

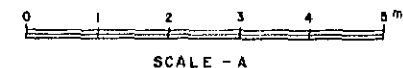
DIVISION BOX
SCALE - B



PLAN



SECTION D-D



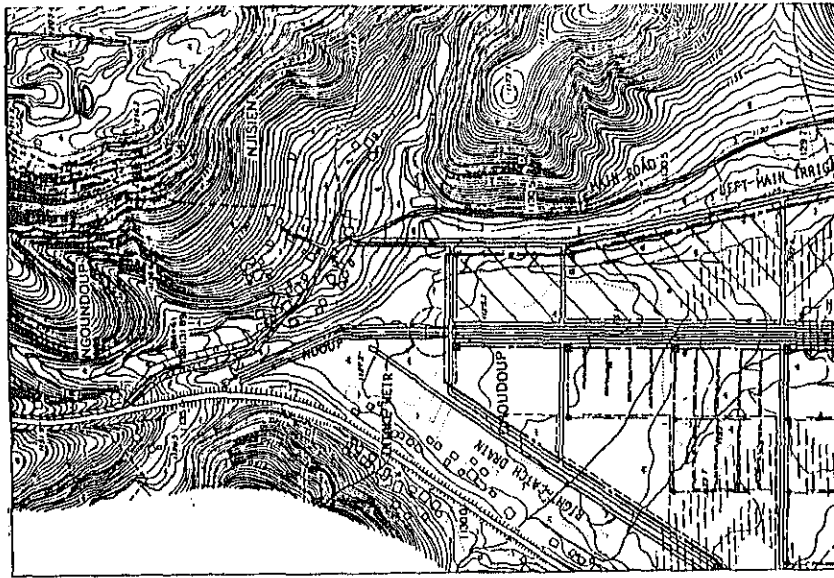
SCALE - A



SCALE - B

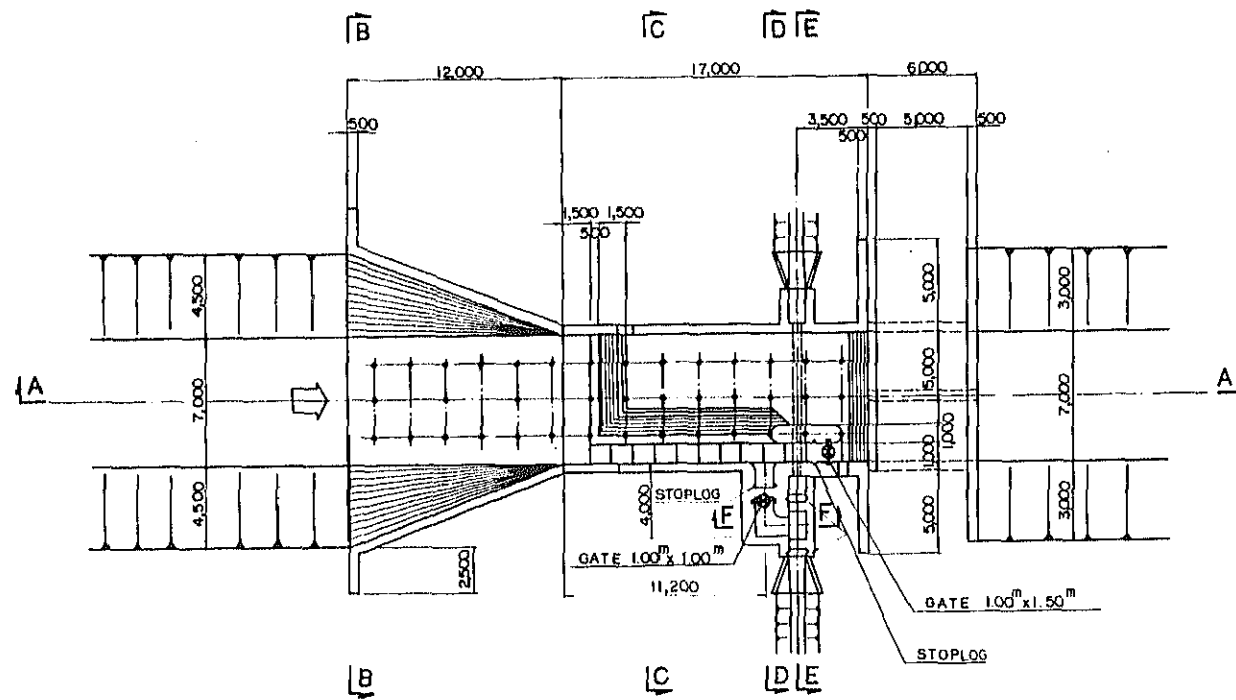
REPUBLIC OF CAMEROON
 MINISTRY OF AGRICULTURE
 THE BAIGOM AGRICULTURAL
 DEVELOPMENT PROJECT
 TITLE OF DRAWING
**TYPICAL FARM LAYOUT, TURNOUT,
 CULVERT, DROP AND DIVISION BOX
 FOR PILOT SCHEME**
 JAPAN INTERNATIONAL COOPERATION AGENCY
 TOKYO JAPAN

DWG. NO.
 IV-2

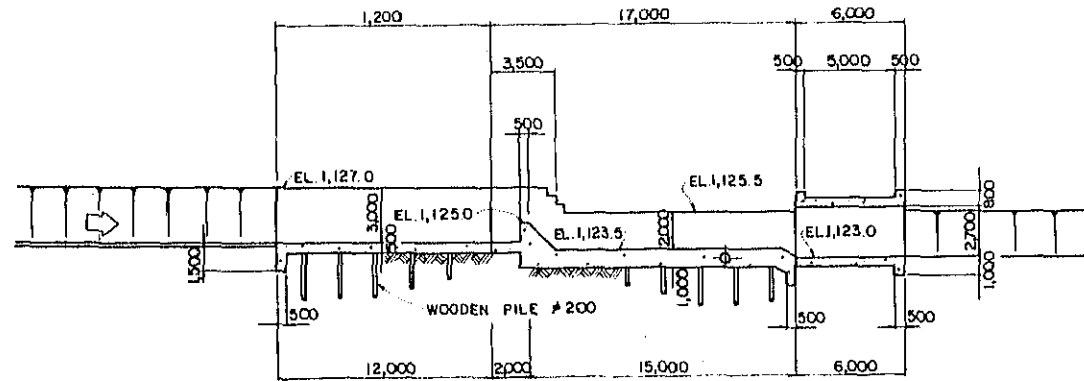


LOCATION MAP

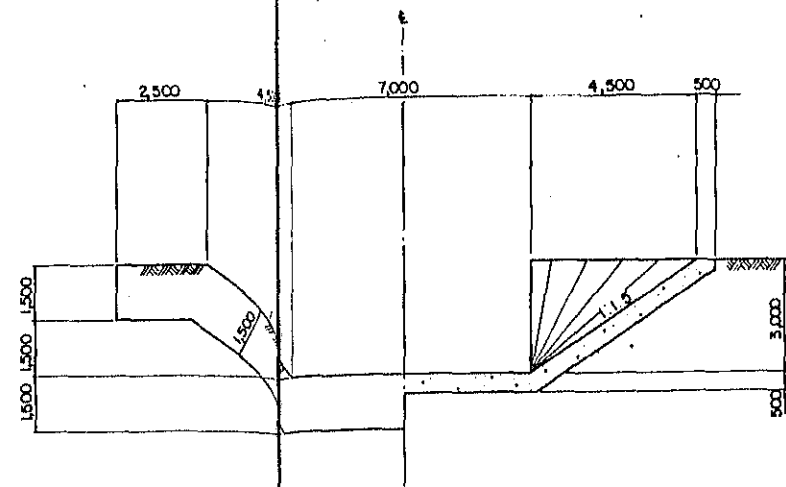
SCALE 500m



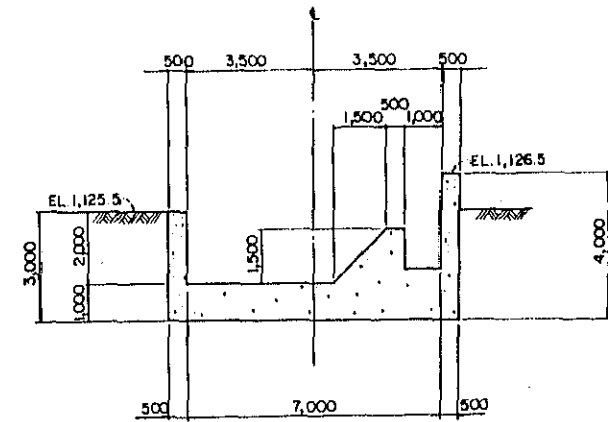
PLAN SCALE - A



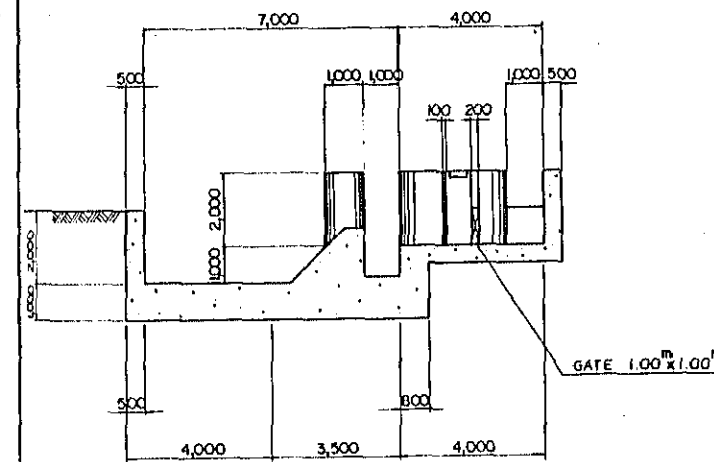
SECTION A-A SCALE - A



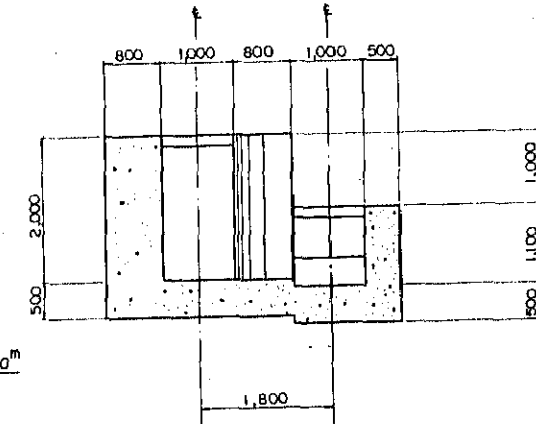
SECTION B-B SCALE - B



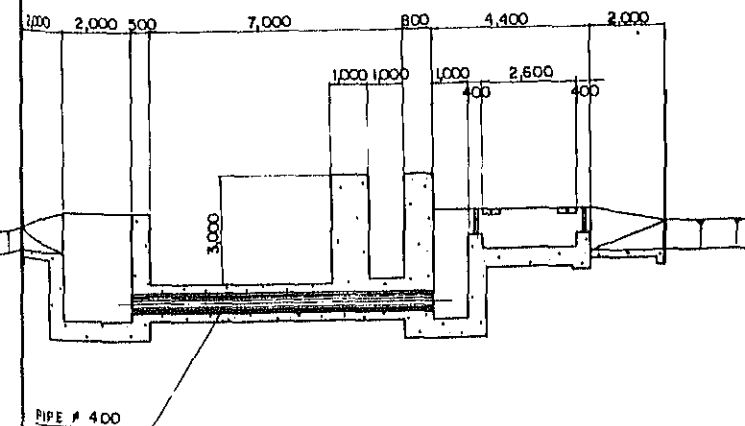
SECTION C-C SCALE - B



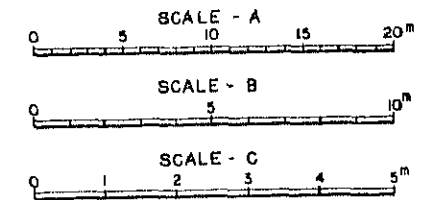
SECTION D-D SCALE - B



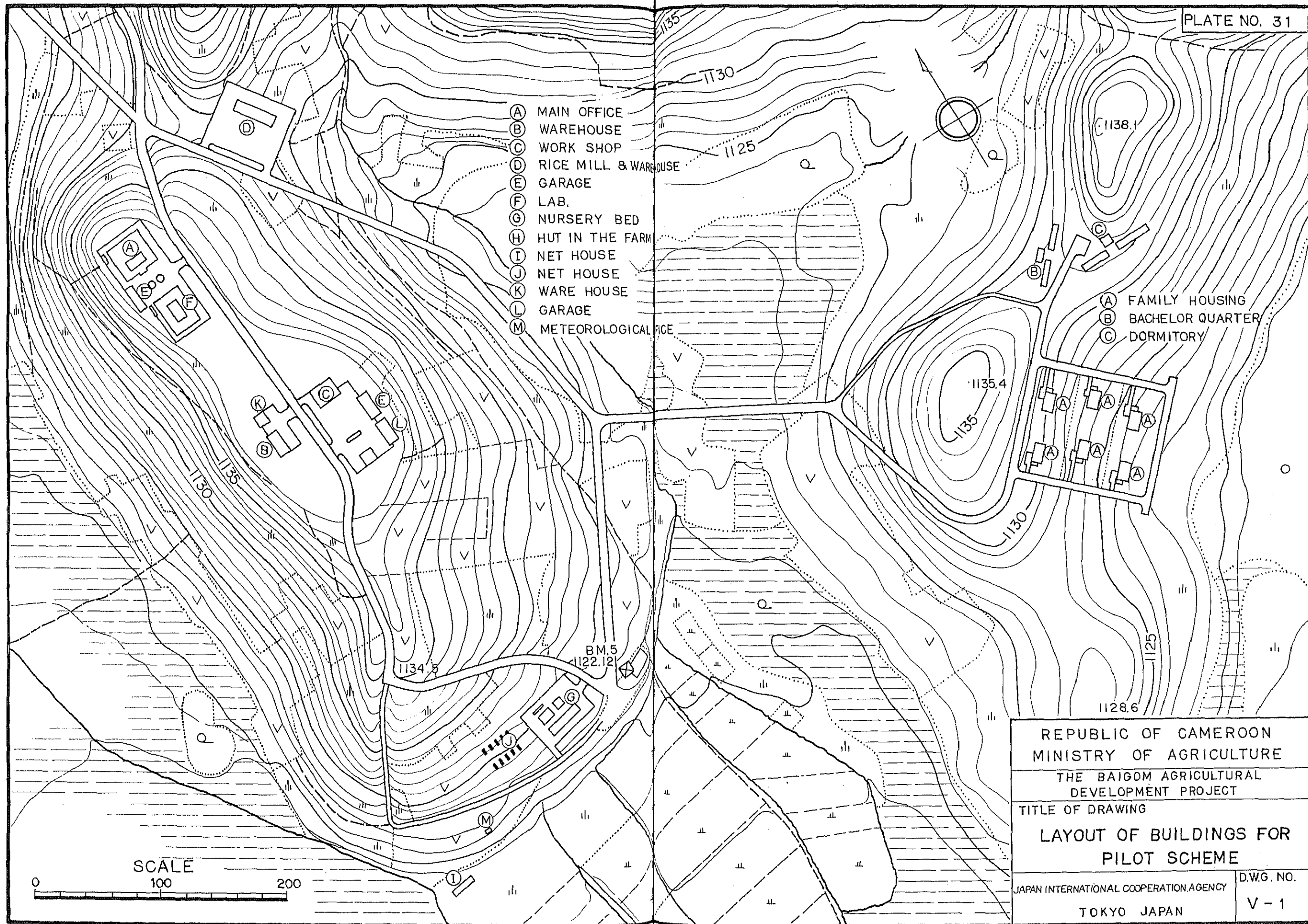
SECTION F-F SCALE - C



SECTION E-E SCALE - B



REPUBLIC OF CAMEROON	
MINISTRY OF AGRICULTURE	
THE BAIGOM AGRICULTURAL DEVELOPMENT PROJECT	
TITLE OF DRAWING	
NDROUP INTAKE WEIR FOR PILOT SCHEME	
JAPAN INTERNATIONAL COOPERATION AGENCY	D.W.G. NO.
TOKYO JAPAN	IV - 3

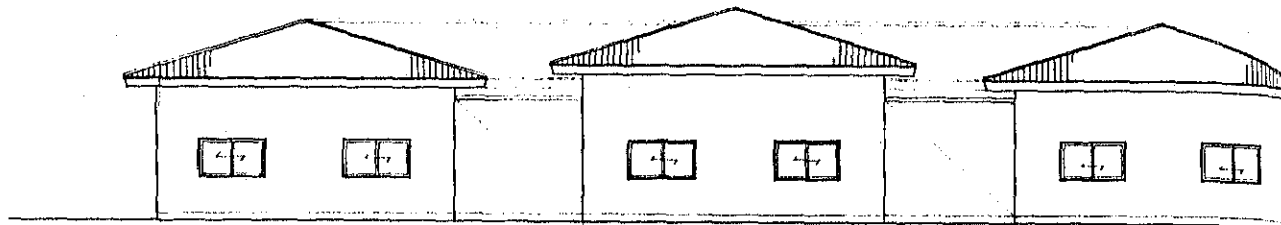


- (A) MAIN OFFICE
- (B) WAREHOUSE
- (C) WORK SHOP
- (D) RICE MILL & WAREHOUSE
- (E) GARAGE
- (F) LAB.
- (G) NURSERY BED
- (H) HUT IN THE FARM
- (I) NET HOUSE
- (J) NET HOUSE
- (K) WARE HOUSE
- (L) GARAGE
- (M) METEOROLOGICAL

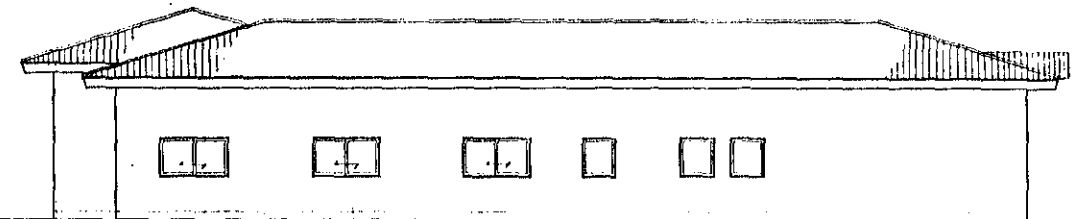
- (A) FAMILY HOUSING
- (B) BACHELOR QUARTER
- (C) DORMITORY



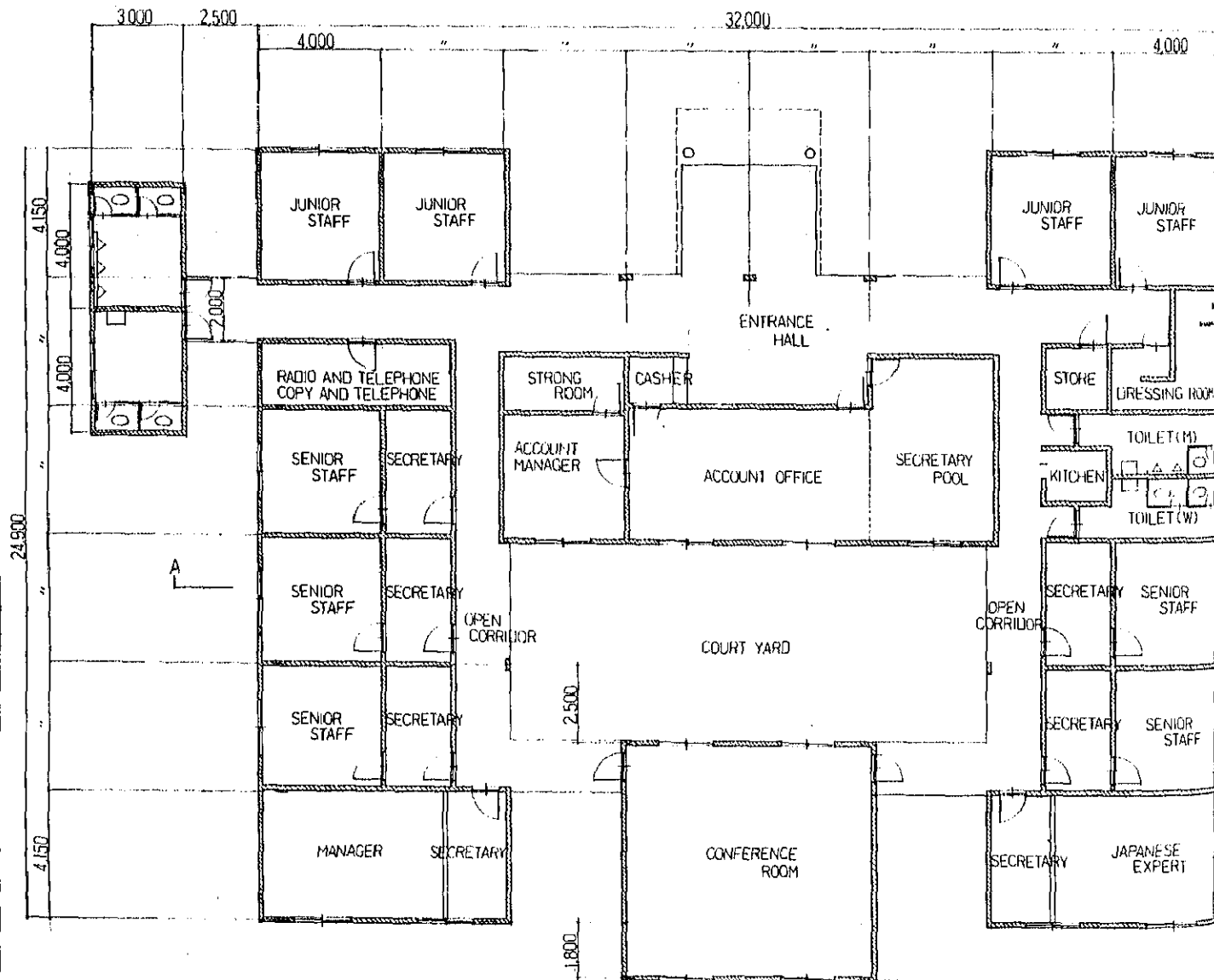
REPUBLIC OF CAMEROON	
MINISTRY OF AGRICULTURE	
THE BAIGOM AGRICULTURAL DEVELOPMENT PROJECT	
TITLE OF DRAWING	
LAYOUT OF BUILDINGS FOR PILOT SCHEME	
JAPAN INTERNATIONAL COOPERATION AGENCY	D.W.G. NO.
TOKYO JAPAN	V-1



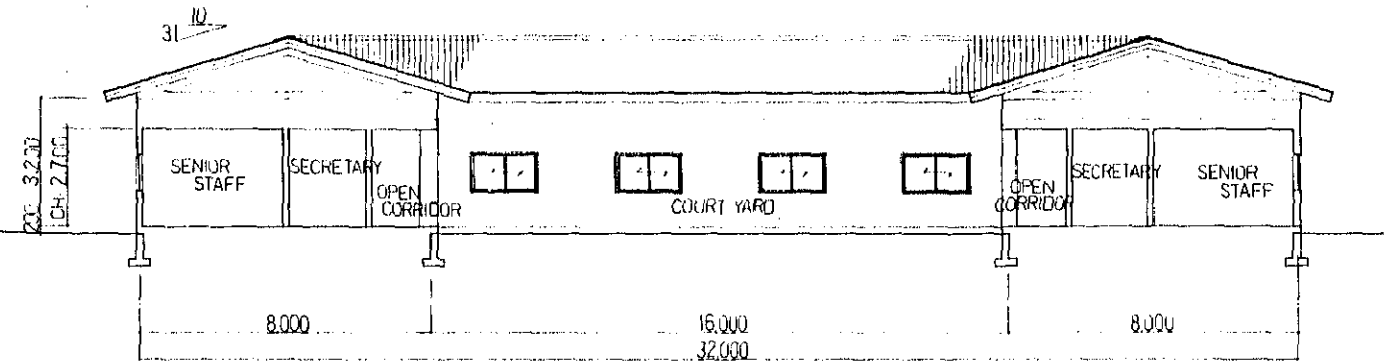
REAR ELEVATION



SIDE ELEVATION



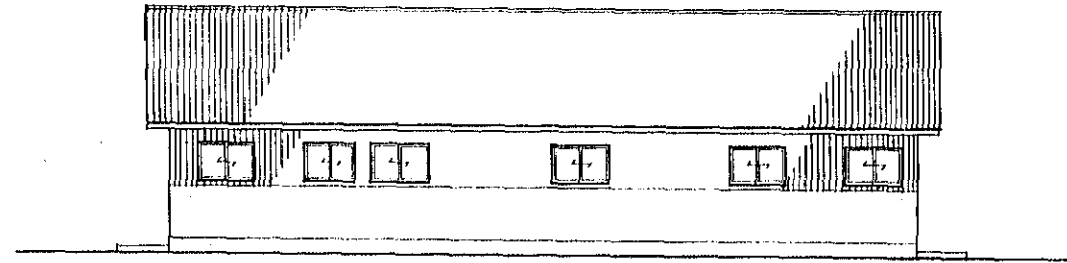
PLAN



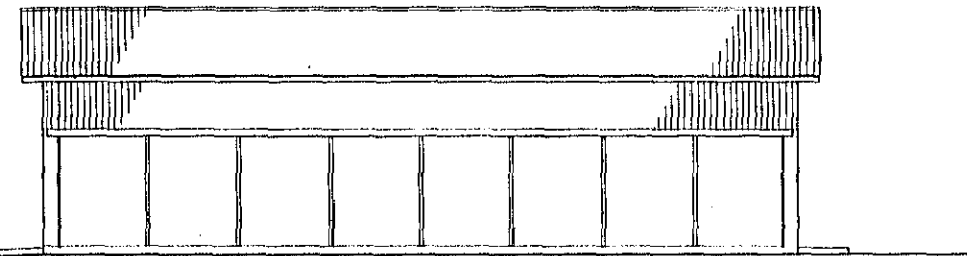
A-A SECTION

(1) a MAIN OFFICE S=1/100

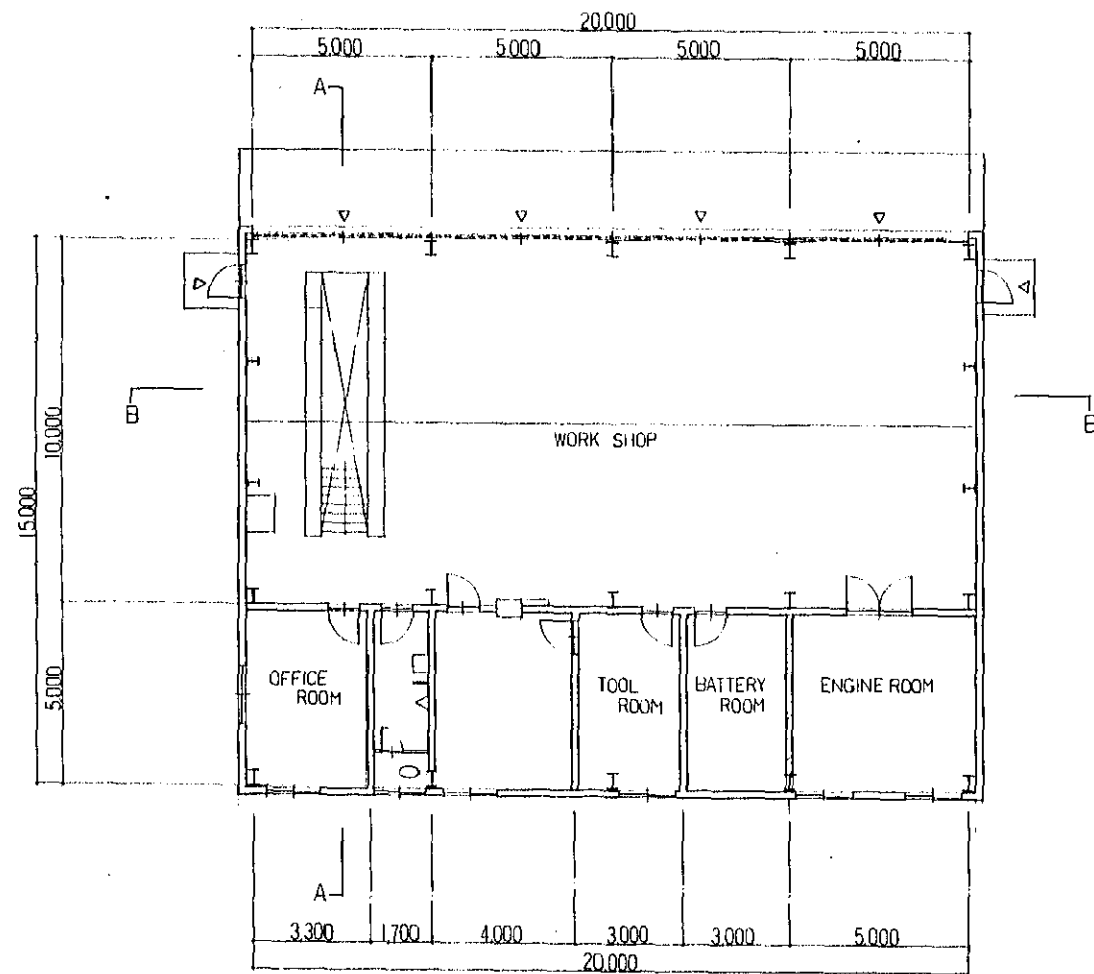
REPUBLIC OF CAMEROON	
MINISTRY OF AGRICULTURE	
THE BAIKOM AGRICULTURAL DEVELOPMENT PROJECT	
TITLE OF DRAWING	
MAIN OFFICE FOR FARM OPERATION OF PILOT SCHEME	
JAPAN INTERNATIONAL COOPERATION AGENCY	D.W.O. NO.
TOKYO JAPAN	V - 2



REAR ELEVATION

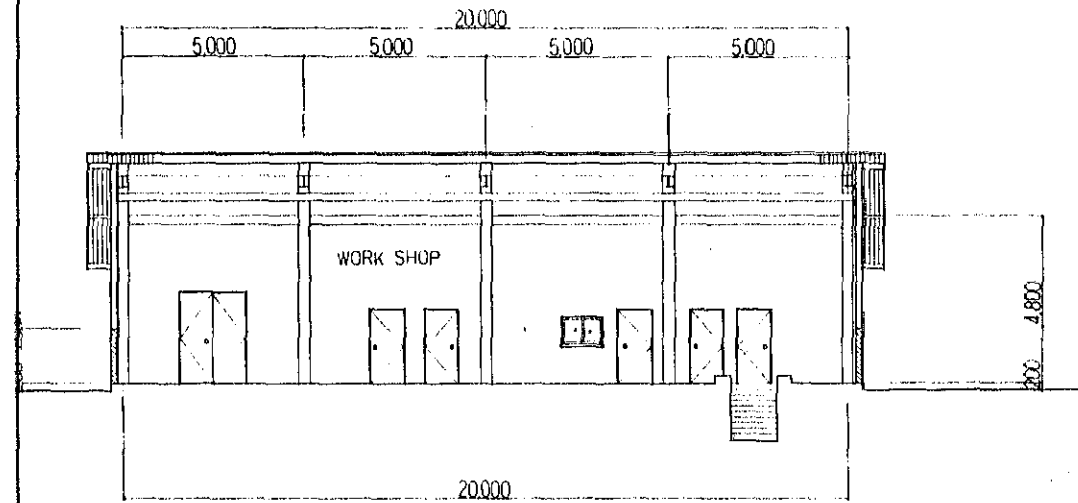


FRONT ELEVATION

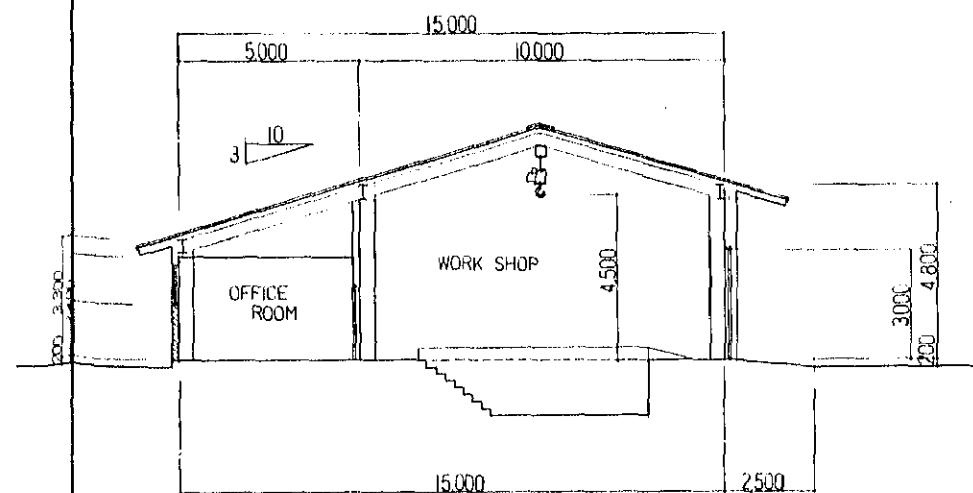


PLAN

BUILDING AREA 300 M²



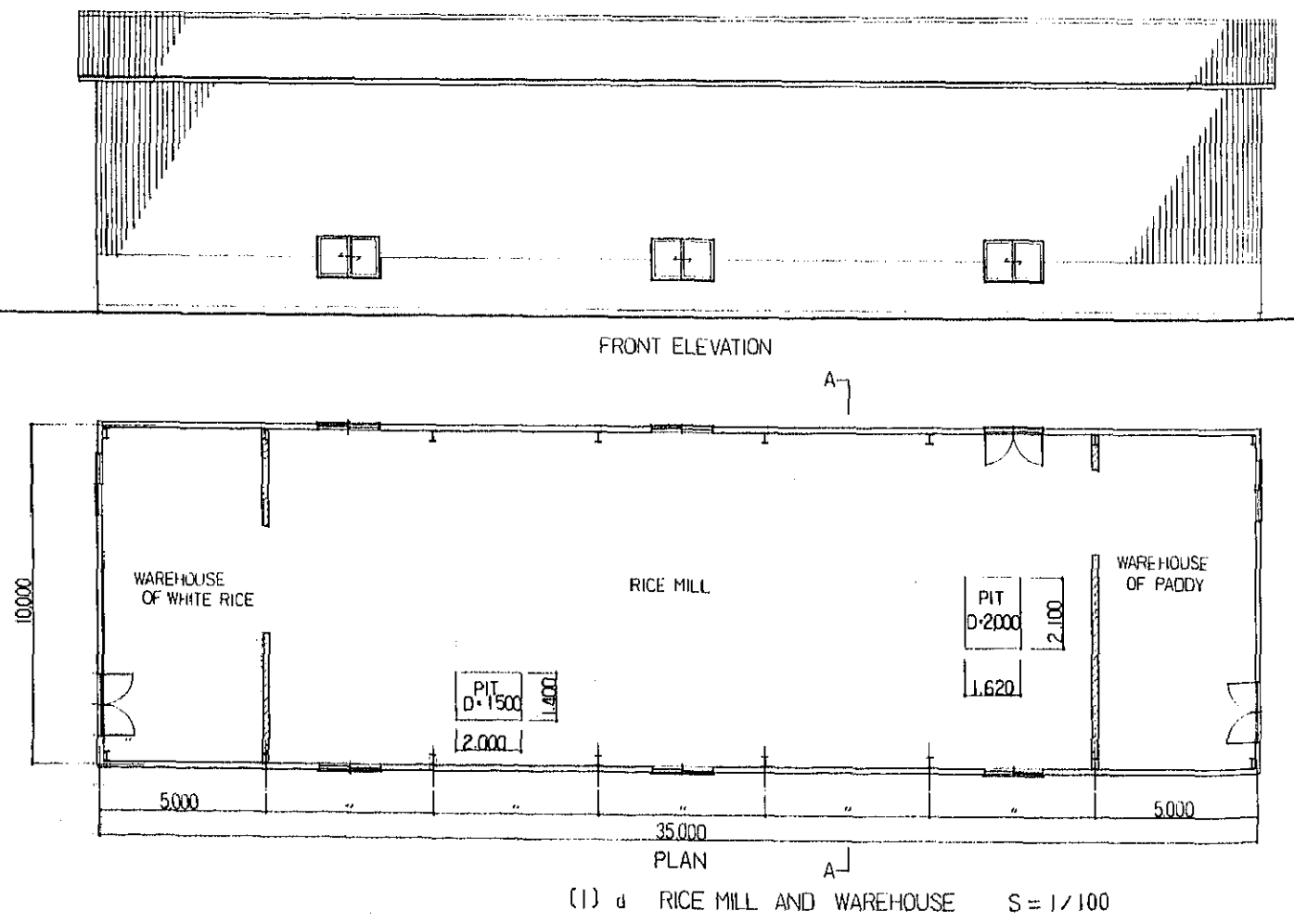
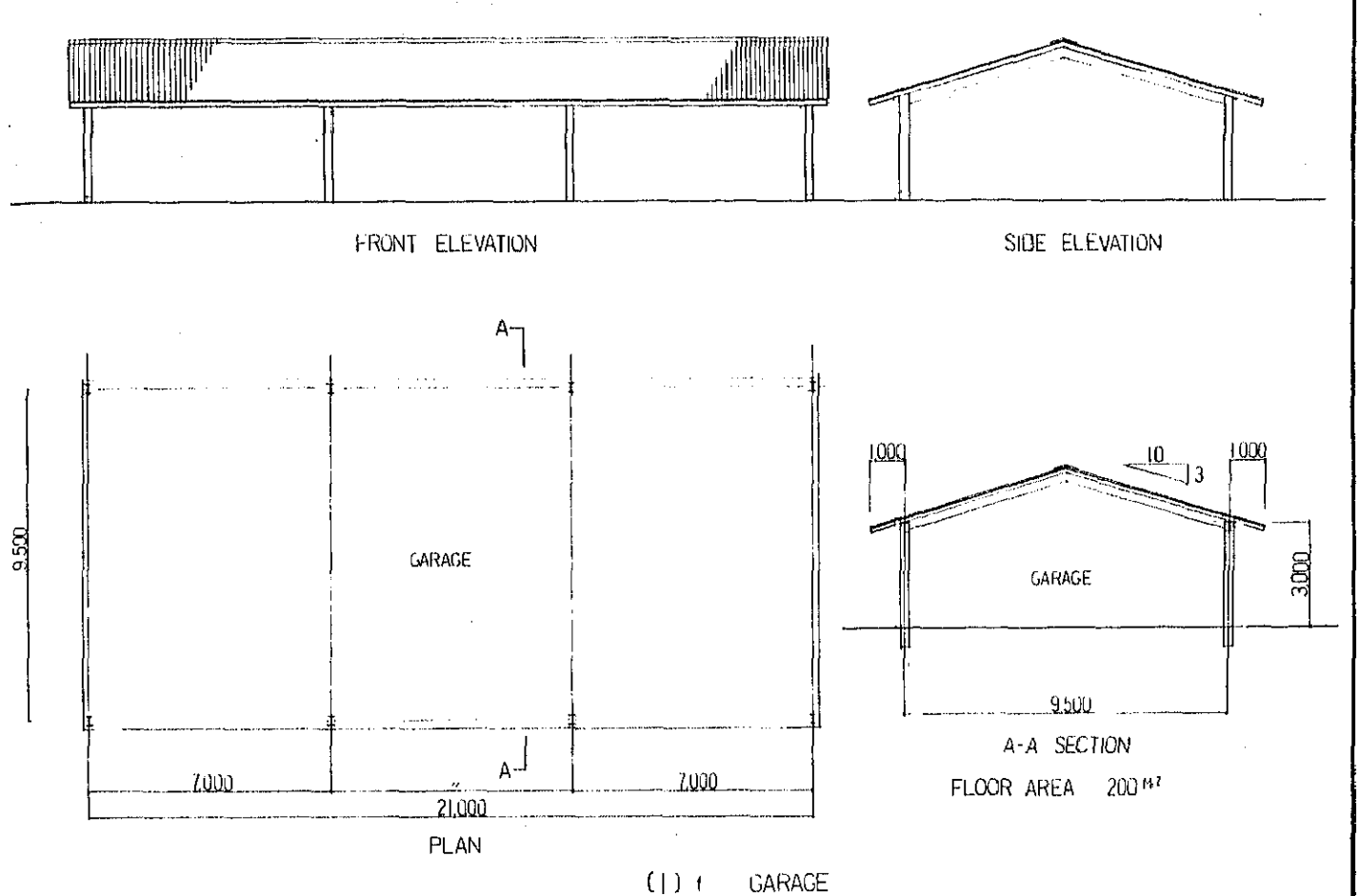
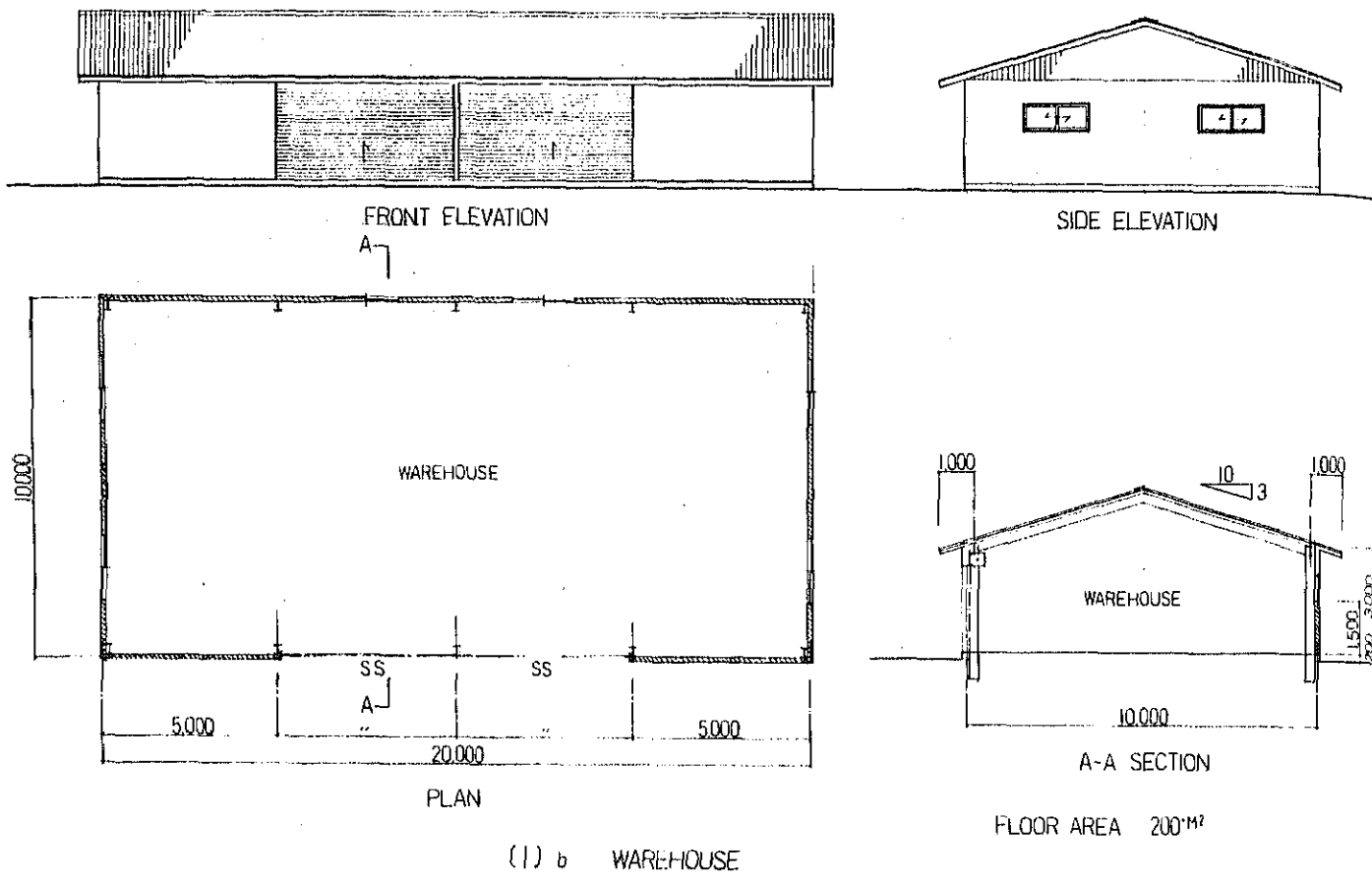
B-B SECTION



A-A SECTION

(1) c WORK SHOP S = 1 / 100

REPUBLIC OF CAMEROON	
MINISTRY OF AGRICULTURE	
THE BAIGOM AGRICULTURAL DEVELOPMENT PROJECT	
TITLE OF DRAWING	
WORK SHOP FOR FARM OPERATION OF PILOT SCHEME	
JAPAN INTERNATIONAL COOPERATION AGENCY	D.W.G. NO.
TOKYO JAPAN	V - 3



REPUBLIC OF CAMEROON
 MINISTRY OF AGRICULTURE
 THE BAÏGOM AGRICULTURAL
 DEVELOPMENT PROJECT
 TITLE OF DRAWING
 WAREHOUSE, RICE-MILL AND WARE-
 HOUSE, AND GARAGE FOR FARM
 OPERATION OF PILOT SCHEME
 JAPAN INTERNATIONAL COOPERATION AGENCY
 TOKYO JAPAN

D.W.G. NO.
 V-4

FINISH SCHEDULE

1. Farm Operation

a. Main Office

- Structure : Wood truss, Concrete block wall with reinforced concrete bond beam
Reinforced concrete foundation
- Exterior finish : Roof -- corrugated aluminum sheet
Wall -- trowelled mortar on concrete block painted
Window -- aluminum, clear glass
Door -- steel flush painted, full glazed steel door painted for entrance

Interior finish (Door - plywood flush painted)

Room	Floor	Base	Wall	Ceiling	Remarks
Entrance hall, corridor, conference room, senior staff w/secretary room, Manager w/secretary room, Japanese expert w/secretary room	Colored mortar	Trowelled mortar painted	Trowelled mortar painted	Textured gypsum board	
Junior staff room, Copy & Telex room, Account office, Account manager room, Secretary pool	Colored mortar	Trowelled mortar	Trowelled mortar	Textured gypsum board	
Toilet, Kitchen	Colored mortar	---	Trowelled mortar	Textured gypsum board	Toilet booth Kitchenette
Store	Trowelled concrete	---	Concrete block exposed	Roof exposed	
Strong room (reinforced concrete wall and ceiling)	Mortar hardener	---	Exposed concrete	Exposed concrete	

b. Warehouse

- Structure : Steel structure, Concrete block wall with reinforced concrete column and bond beam, Reinforced concrete foundation
- Exterior finish : Roof -- corrugated aluminum sheet
Wall -- trowelled mortar on concrete block
Window -- aluminum, clear glass
Shutter -- Steel shutter
- Interior finish : Ceiling -- roof exposed
Wall -- concrete block exposed
Floor -- trowelled concrete

c. Workshop

- Structure : Steel structure, Reinforced concrete foundation
- Exterior finish : Roof -- corrugated aluminum sheet
Wall -- corrugated aluminum sheet, trowelled mortar on concrete block wainscot
Window -- aluminum, clear glass
Door -- steel angle
Shutter -- steel shutter

Interior finish (Door - steel flush painted)

Room	Floor	Base	Wall	Ceiling	Remarks
Workshop, tool room, engine room	Trowelled concrete with hardener	---	Exterior wall exposed concrete block exposed	Roof exposed	Inspection pit, hoist monorail (3 ton) Tool room counter
Battery room	Acid-resistant chemical floor	Acid-resistant chemical base	Concrete block exposed	Roof exposed	
Office	Colored mortar	Trowelled mortar	Trowelled mortar	Textured gypsum board	
Toilet	Colored mortar	---	Trowelled mortar	Texture gypsum board	Toilet booth

d. Rice mill and Warehouse

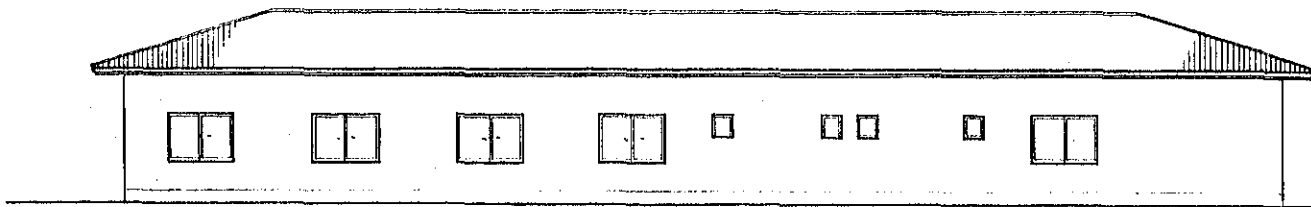
- Structure : Steel structure, Reinforced concrete foundation
- Exterior finish : Roof -- corrugated aluminum sheet
Wall -- corrugated aluminum sheet, trowelled mortar on concrete block wainscot
Floor -- trowelled concrete

f. Garage

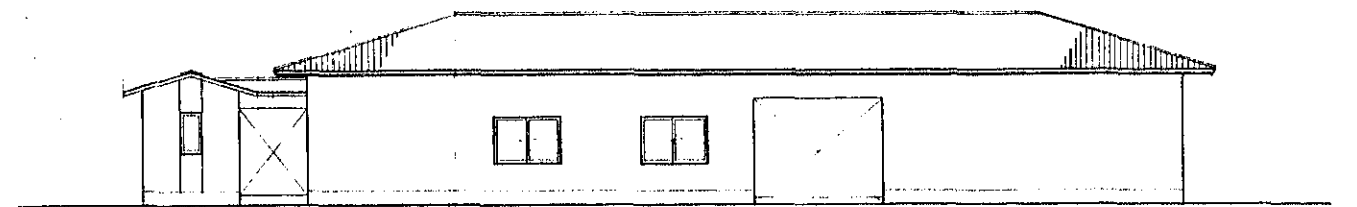
- Structure : Steel structure, Reinforced concrete foundation
- Exterior finish : Roof -- corrugated aluminum sheet

- Interior finish : Ceiling -- roof exposed
Floor -- Trowelled concrete with hardener

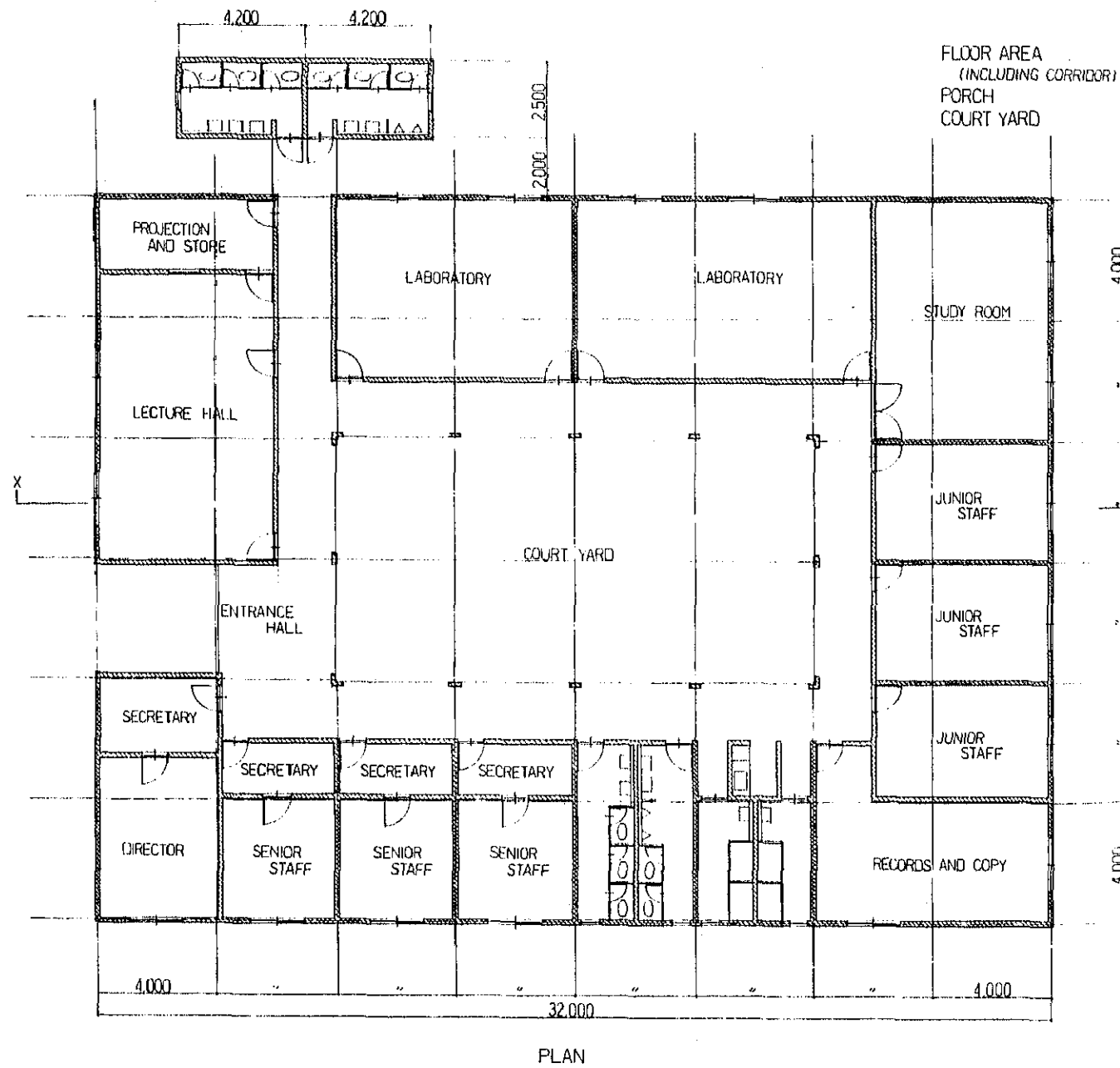
REPUBLIC OF CAMEROON	
MINISTRY OF AGRICULTURE	
THE BAIGOM AGRICULTURAL DEVELOPMENT PROJECT	
TITLE OF DRAWING	
FINISH SCHEDULE OF BUILDINGS FOR FARM OPERATION OF PILOT SCHEME	
JAPAN INTERNATIONAL COOPERATION AGENCY	D.W.G. NO.
TOKYO JAPAN	V - 5



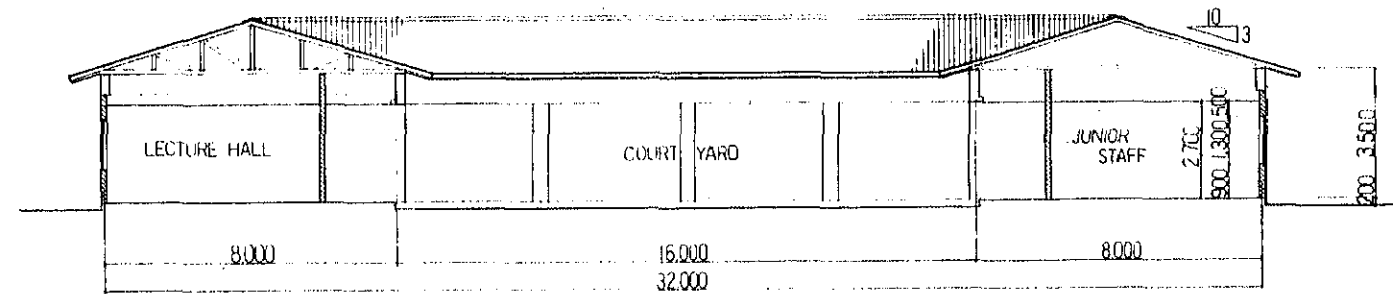
SIDE ELEVATION



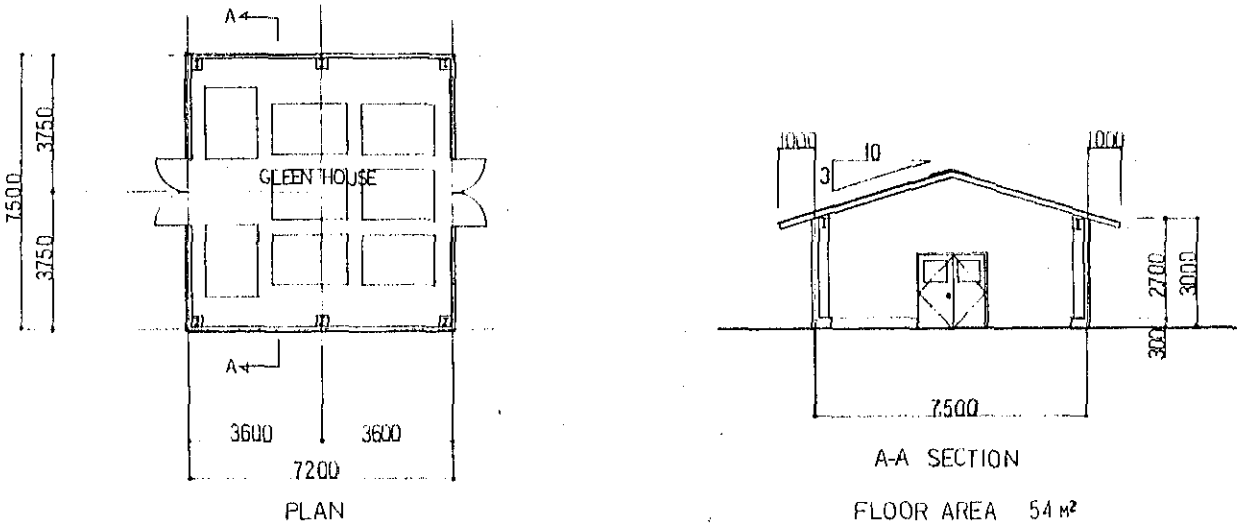
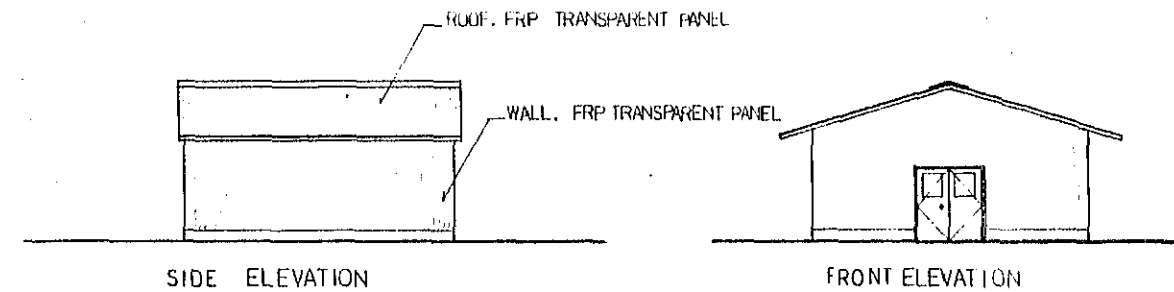
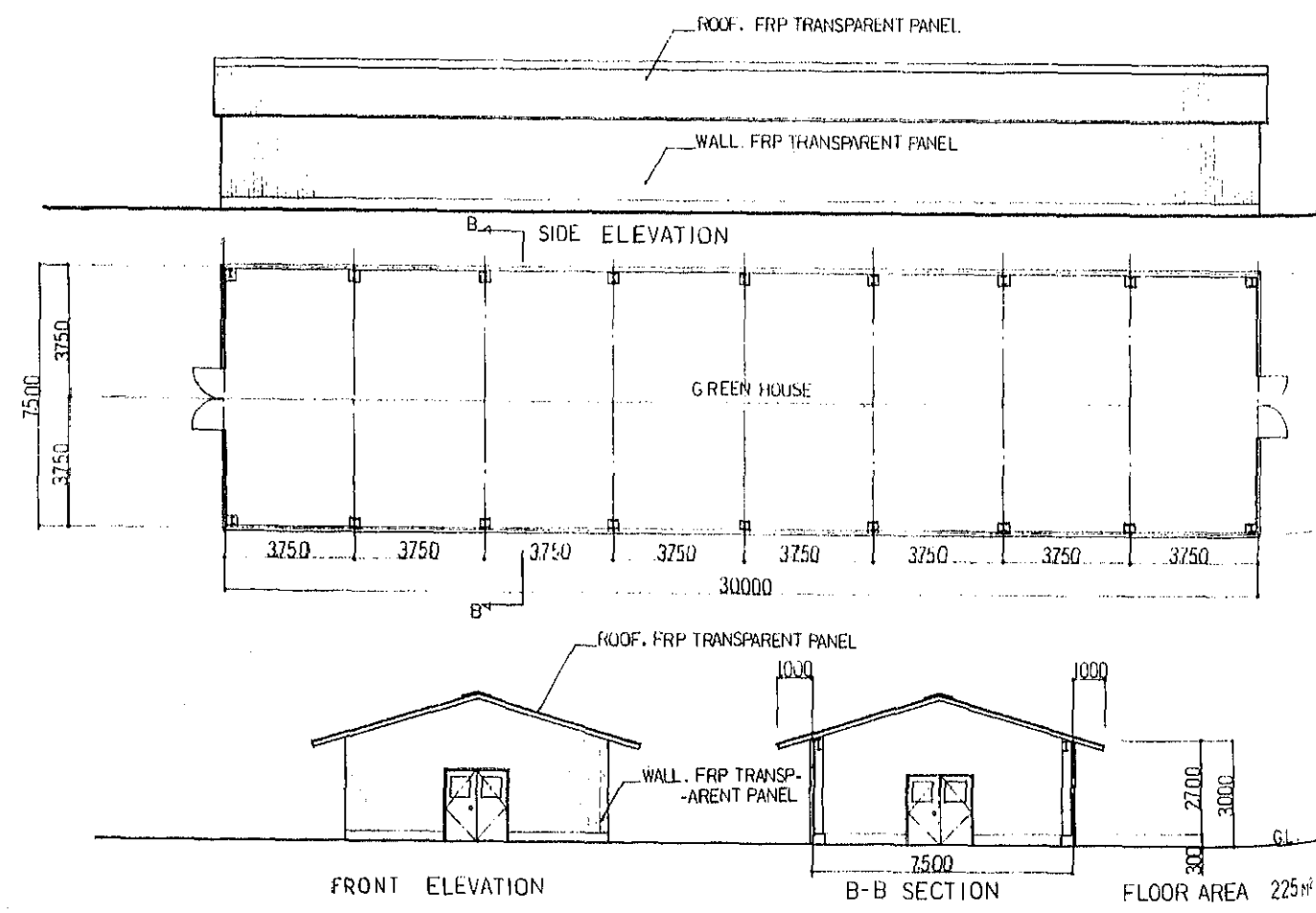
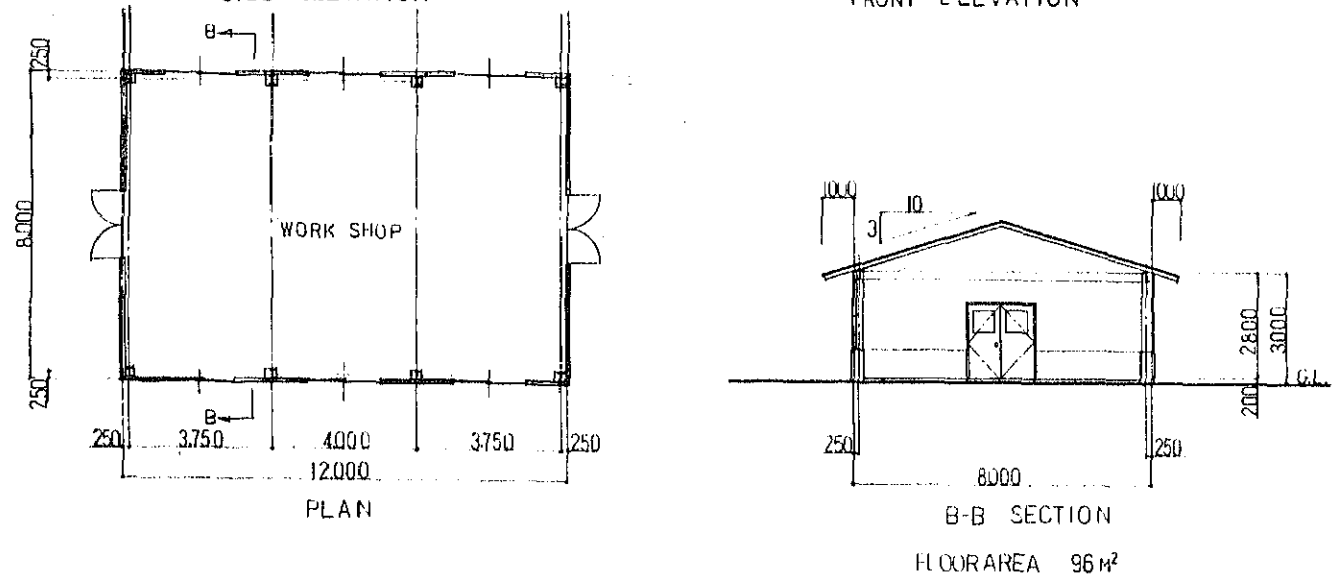
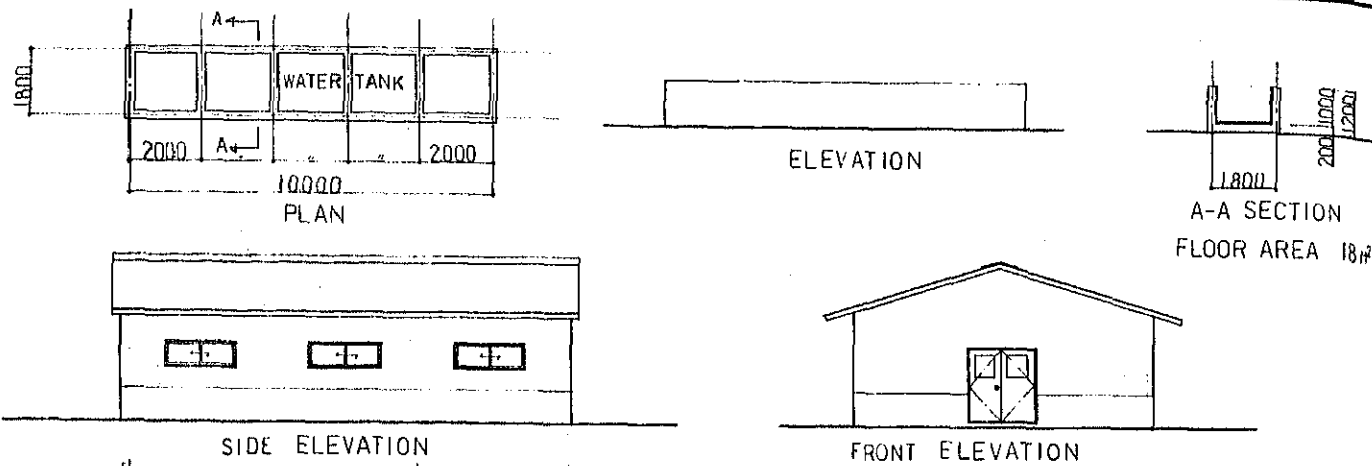
FRONT ELEVATION



(2) a LABORATORY AND LECTURE HALL S = 1/100

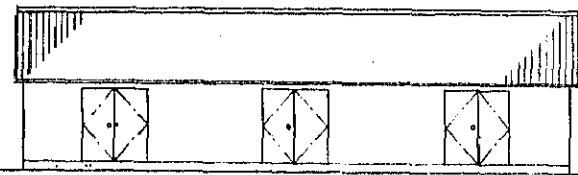


REPUBLIC OF CAMEROON	
MINISTRY OF AGRICULTURE	
THE BAIGOM AGRICULTURAL DEVELOPMENT PROJECT	
TITLE OF DRAWING	
LABORATORY AND LECTURE HALL IN EXPERIMENTAL AND DEMONSTRATION FARM OF PILOT SCHEME	
JAPAN INTERNATIONAL COOPERATION AGENCY	D.W.G. NO.
TOKYO JAPAN	V - 6



(2) b NURSERY BED S = 1/100

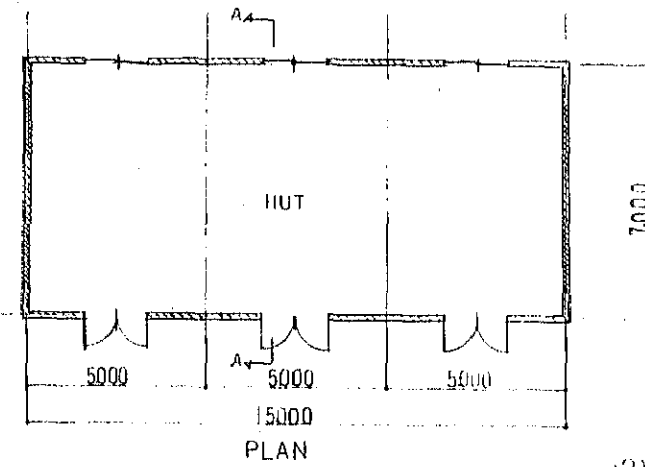
REPUBLIC OF CAMEROON	
MINISTRY OF AGRICULTURE	
THE BAÏOOM AGRICULTURAL DEVELOPMENT PROJECT	
TITLE OF DRAWING	
NURSERY BED IN EXPERIMENTAL & DEMONSTRATION FARM OF PILOT SCHEME	
JAPAN INTERNATIONAL COOPERATION AGENCY	D.W.G. NO.
TOKYO JAPAN	V-7



FRONT ELEVATION

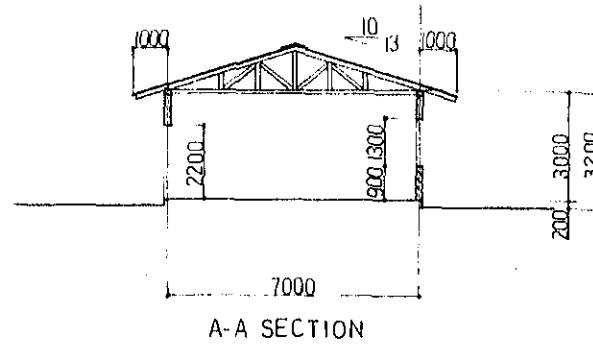


SIDE ELEVATION

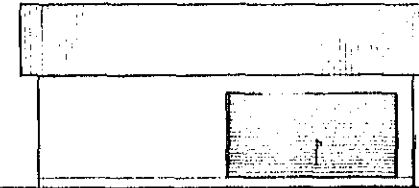


PLAN

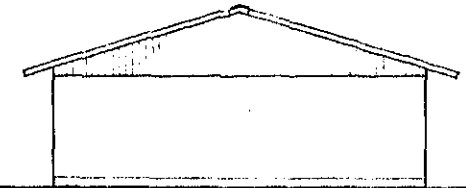
(2) c HUT S=1/100 FLOOR AREA 150 M²



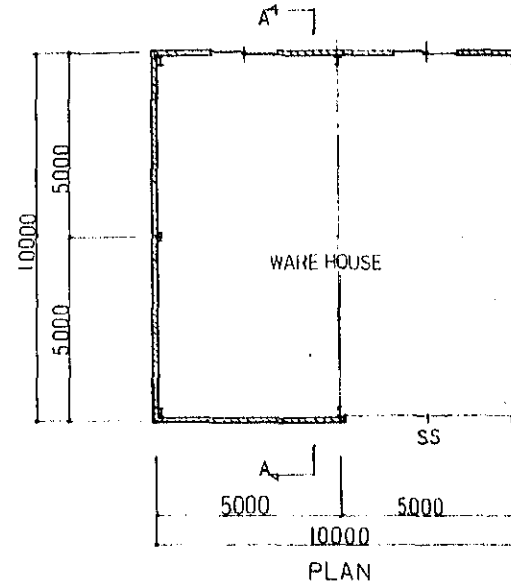
A-A SECTION



FRONT ELEVATION



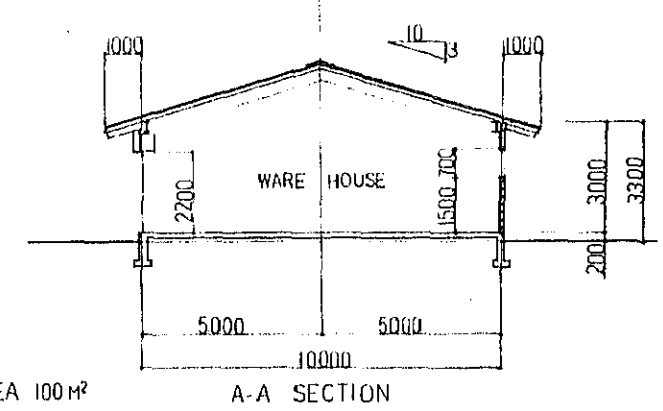
SIDE ELEVATION



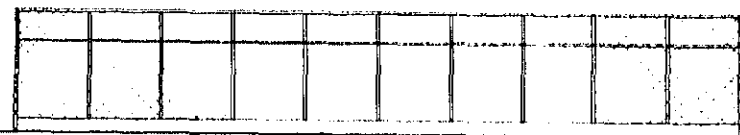
PLAN

FLOOR AREA 100 M²

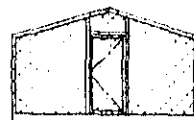
(2) f WARE HOUSE S= 1/100



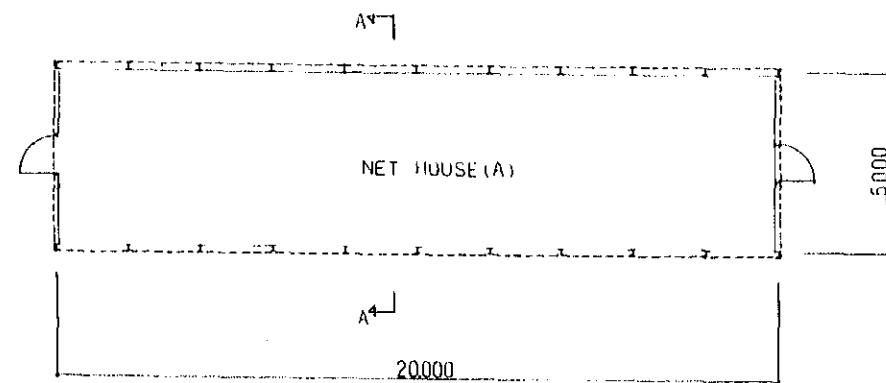
A-A SECTION



SIDE ELEVATION



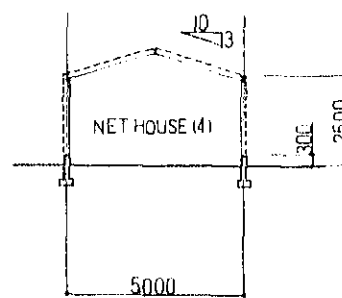
FRONT ELEVATION



PLAN

FLOOR AREA 100 M²

(2) d NET HOUSE (A) S= 1/100



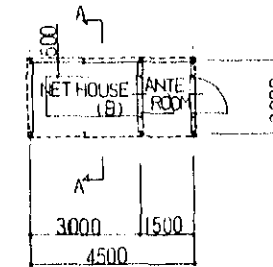
A-A SECTION



SIDE ELEVATION



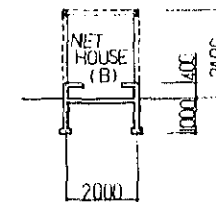
FRONT ELEVATION



PLAN

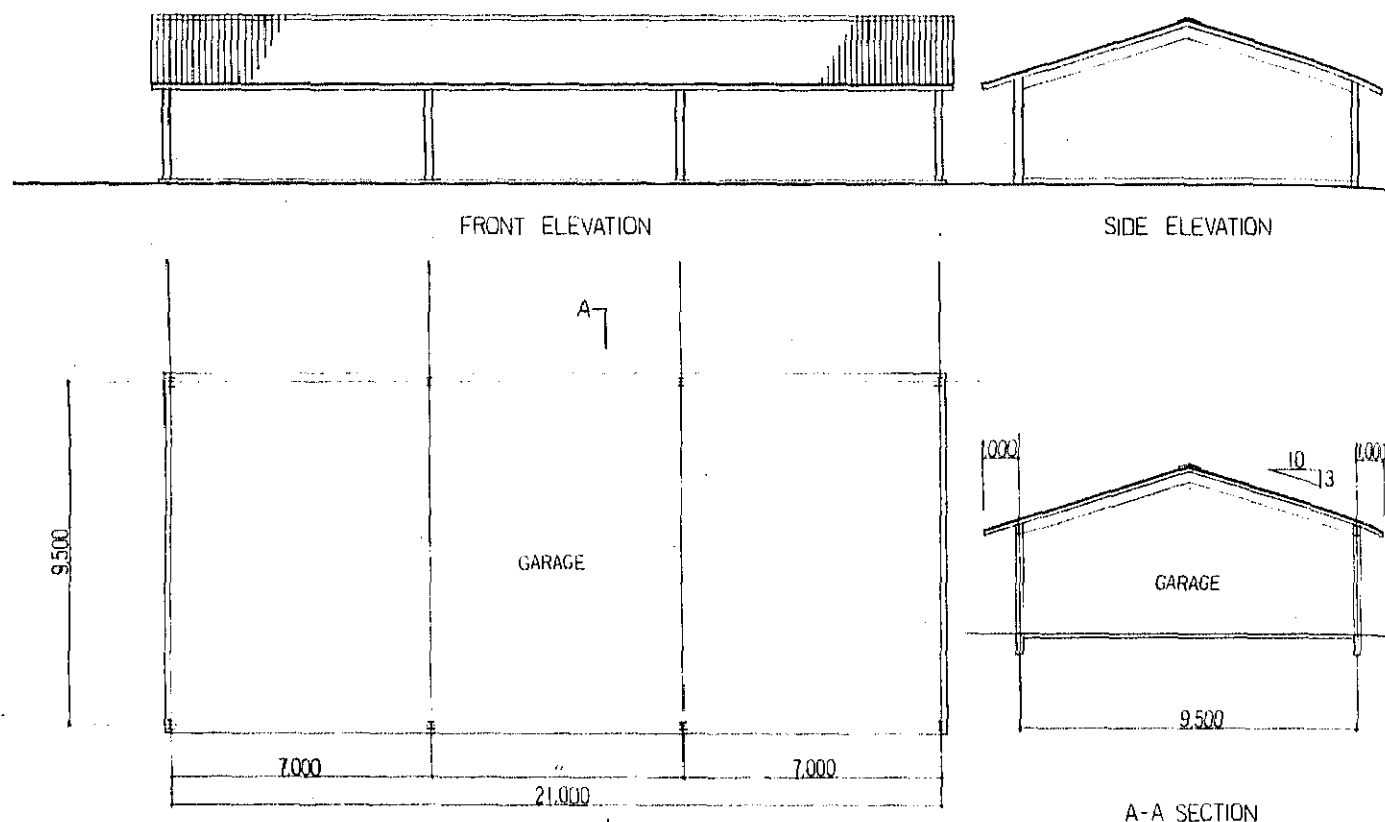
FLOOR AREA 9 M²

(2) e NET HOUSE (B) S= 1/100

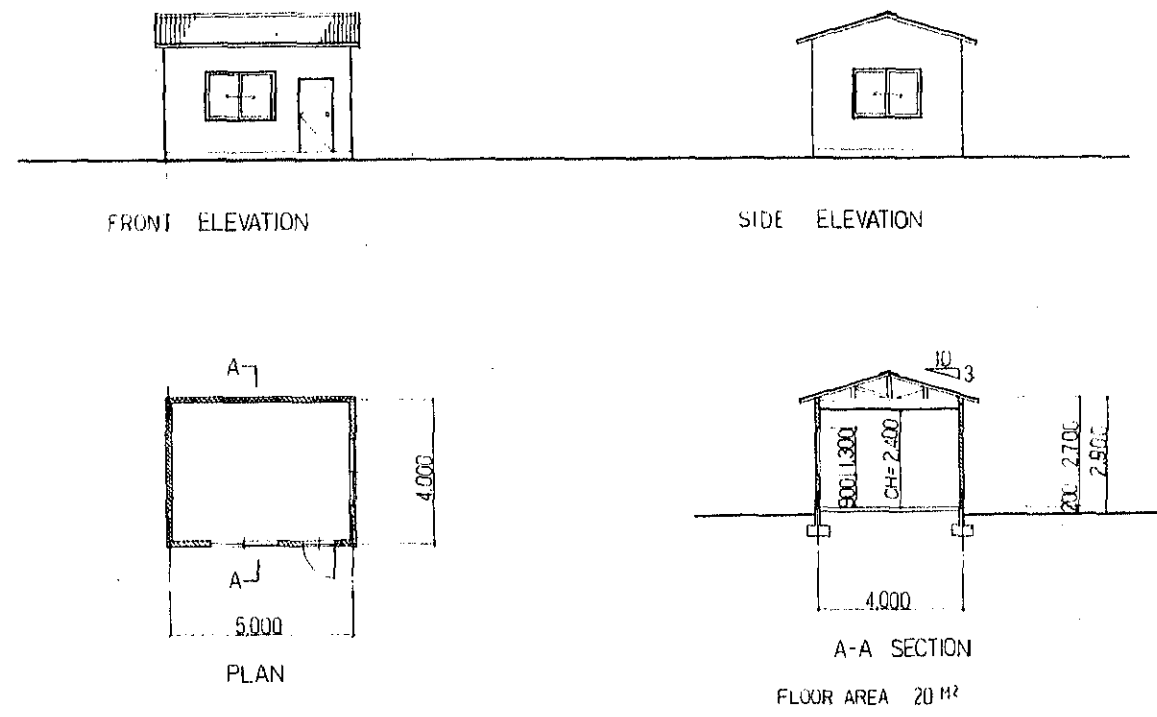


A-A SECTION

REPUBLIC OF CAMEROON
 MINISTRY OF AGRICULTURE
 THE BAIKOM AGRICULTURAL
 DEVELOPMENT PROJECT
 TITLE OF DRAWING
 HUT, NET HOUSE A, B, AND WAREHOUSE
 IN EXPERIMENTAL AND DEMONSTRATION
 FARM OF PILOT SCHEME
 JAPAN INTERNATIONAL COOPERATION AGENCY
 TOKYO JAPAN
 D.W.O. NO.
 V - 8



PLAN
 FLOOR AREA 199.5 M²
 (2) n. GARAGE S = 1/100



(2) METEOROLOGICAL OFFICE S = 1/100

REPUBLIC OF CAMEROON	
MINISTRY OF AGRICULTURE	
THE BAIGOM AGRICULTURAL DEVELOPMENT PROJECT	
TITLE OF DRAWING	
GARAGE, OVERNIGHT QUARTERS AND METEOROLOGICAL OFFICE IN EXPERIMENTAL AND DEMONSTRATION FARM OF PILOT SCHEME	
JAPAN INTERNATIONAL COOPERATION AGENCY	D.W.G. NO.
TOKYO JAPAN	V-9

2. Experimental Farm

a. Laboratory and Lecture Hall

Structure : Wood truss, Concrete block wall with reinforced concrete bond beam
Reinforced concrete foundation

Exterior finish : Roof -- corrugated aluminum sheet
Wall -- trowelled mortar on concrete block painted
Window -- aluminum, clear glass
Door -- steel flush painted, full glazed steel door painted for entrance

Interior finish (Door - plywood flush painted)

Room	Floor	Base	Wall	Ceiling	Remarks
Entrance Hall, Corridor, Lecture Hall, Director with Secretary room, Senior staff with secretary room	Colored mortar	Trowelled mortar painted	Trowelled mortar painted	Textured gypsum board	
Junior staff room, Study room, Records & Copy room, Lab., Projection & Store	Colored mortar	Trowelled mortar	Trowelled mortar	Textured gypsum board	
Toilet, Shower room, Kitchen	Colored mortar	---	Trowelled mortar	Textured gypsum board	Toilet booth Shower booth Kitchenette

b. Nursery Bed

i) Work Shop

Structure : Steel structure, Reinforced concrete foundation

Exterior finish : Roof -- corrugated aluminum sheet
Wall -- corrugated aluminum sheet, trowelled mortar on concrete block wainscot
Window -- aluminum, clear glass
Door -- steel angle

Interior finish : Ceiling -- roof exposed
Wall -- exterior wall exposed
Floor -- trowelled concrete

ii), iii) Green House

Structure : Steel structure, Reinforced concrete foundation

Exterior finish : Roof and Wall - Plastic transparent panel
Door -- steel angle half glazed
Floor -- trowelled concrete

iv) Water Tank

Reinforced concrete, trowelled mortar for inside of tank.

c. Hut

Structure : Wood truss, Concrete block wall with reinforced concrete Reinforced concrete foundation

Exterior finish : Roof -- corrugated aluminum sheet
Wall -- trowelled mortar on concrete block
Window -- aluminum, clear glass
Door -- steel angle

Interior finish : Ceiling -- roof exposed
Wall -- concrete block exposed
Floor -- trowelled concrete

d. Net House (A)

e. Net House (B)

Structure : Light gauge steel structure, Reinforced concrete foundation

Exterior finish : Roof and wall - Net House (A): vinyl coated wire mesh for bird screen
Net House (B): stainless steel wire mesh for insect screen
Door -- steel framed wire mesh door
Concrete wainscot for Net House (B)

Interior finish : Floor -- trowelled concrete (including ante room for Net House (B))
Reinforced concrete rack for Net House (B)

f. Warehouse

Structure : Steel structure, Concrete block wall with reinforced concrete bond beam
Reinforced concrete foundation

Exterior finish : Roof -- corrugated aluminum sheet
Wall -- trowelled mortar on concrete block
Window -- aluminum, clear glass
Shutter -- steel shutter

Interior finish : Ceiling -- roof exposed
Wall -- concrete block exposed
Floor -- trowelled concrete

h. Garage

Structure : Steel structure,
Reinforced concrete foundation

Exterior finish : Roof -- corrugated aluminum sheet

Interior finish : Ceiling -- roof exposed
Floor -- trowelled concrete with hardener

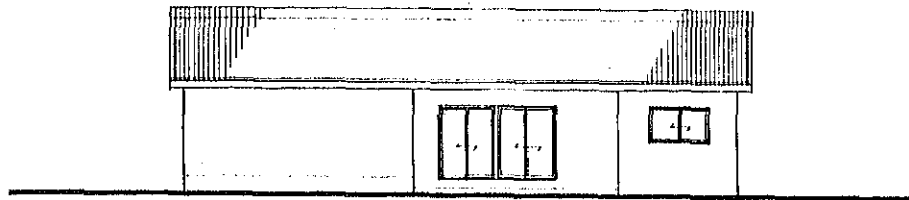
i. Meteorological Office

Structure : Wood truss, Concrete block wall with reinforced concrete Reinforced concrete foundation

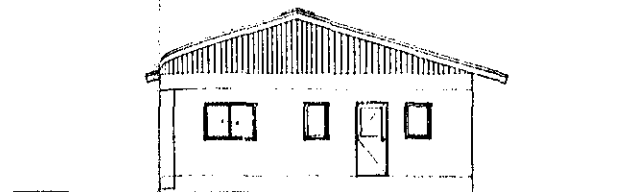
Exterior finish : Roof -- corrugated aluminum sheet
Wall -- trowelled mortar on concrete block
Window -- aluminum, clear glass
Door -- steel angle

Interior finish : Ceiling -- textured gypsum board
Wall -- trowelled mortar on concrete block
Floor -- colored mortar

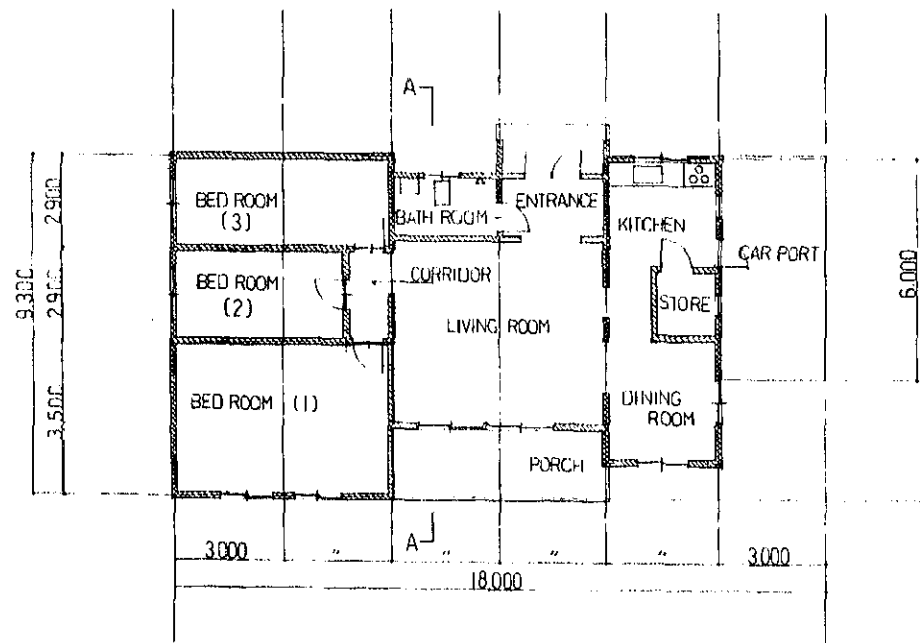
REPUBLIC OF CAMEROON MINISTRY OF AGRICULTURE	
THE BAIGOM AGRICULTURAL DEVELOPMENT PROJECT	
TITLE OF DRAWING FINISH SCHEDULE OF BUILDINGS IN EXPERIMENTAL AND DEMONSTRATION FARM OF PILOT SCHEME	
JAPAN INTERNATIONAL COOPERATION AGENCY TOKYO JAPAN	D.W.G. NO. V - 10



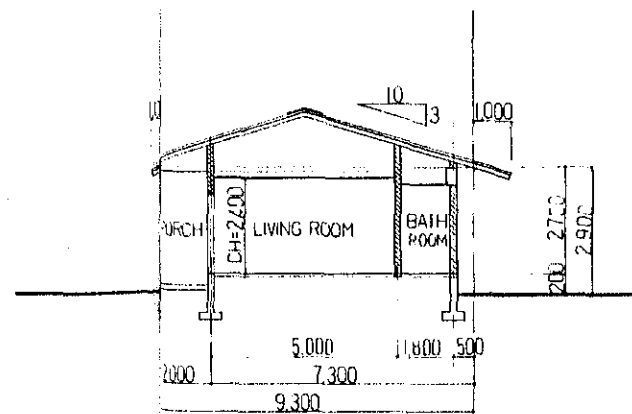
FRONT ELEVATION



SIDE ELEVATION



PLAN

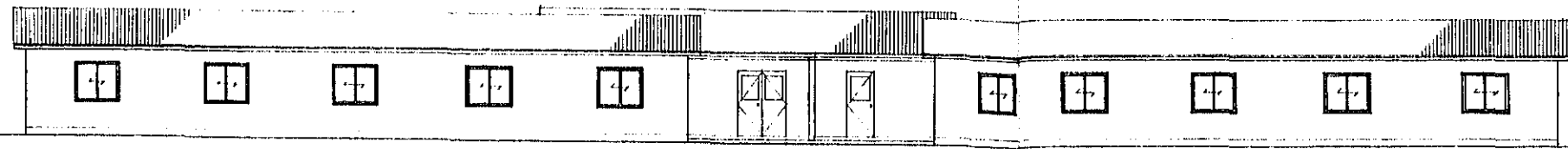


A-A SECTION

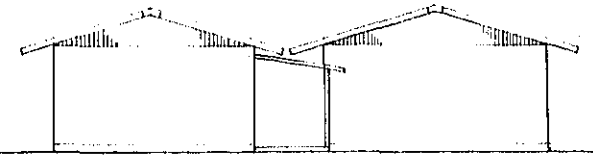
FLOOR AREA	121,5 M ²
PORCH	15 M ²
CAR PORT	18 M ²

(3) a FAMILY HOUSING S= 1/100

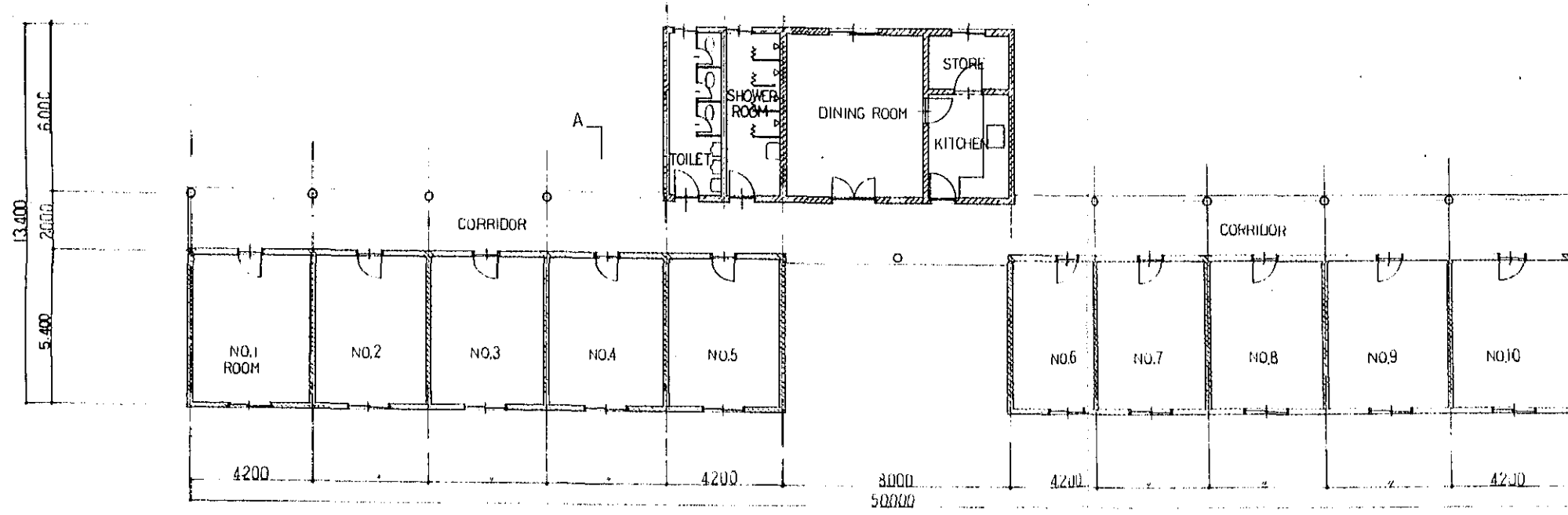
REPUBLIC OF CAMEROON	
MINISTRY OF AGRICULTURE	
THE BAIOM AGRICULTURAL DEVELOPMENT PROJECT	
TITLE OF DRAWING	
FAMILY HOUSING FOR STAFF OF PILOT SCHEME	
JAPAN INTERNATIONAL COOPERATION AGENCY	D.W.G. NO.
TOKYO JAPAN	V-11



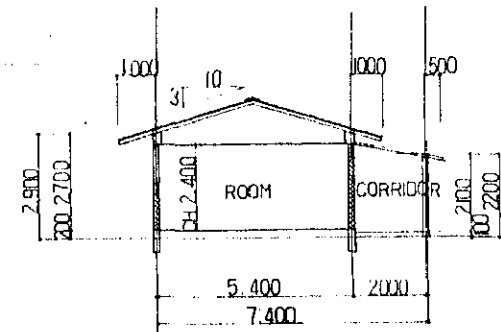
FRONT ELVATION



SIDE ELVATION



PLAN

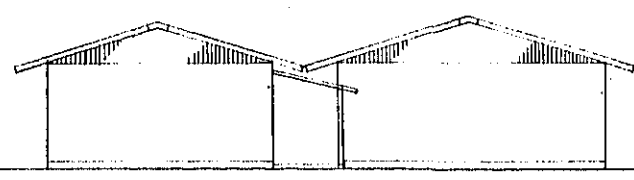


A-A SECTION

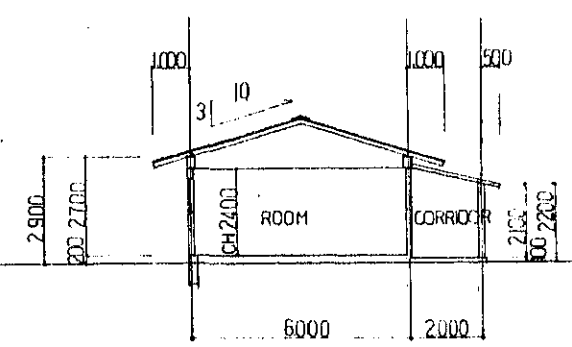
FLOOR AREA 425.2 M²

(3) b BACHELOR QUARTER 1/100

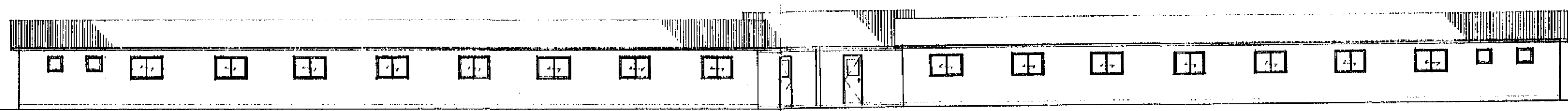
REPUBLIC OF CAMEROON	
MINISTRY OF AGRICULTURE	
THE BAIGOM AGRICULTURAL DEVELOPMENT PROJECT	
TITLE OF DRAWING	
BACHELOR QUARTER FOR STAFF OF PILOT SCHEME	
JAPAN INTERNATIONAL COOPERATION AGENCY	D.W.G. NO.
TOYOYO JAPAN	V-12



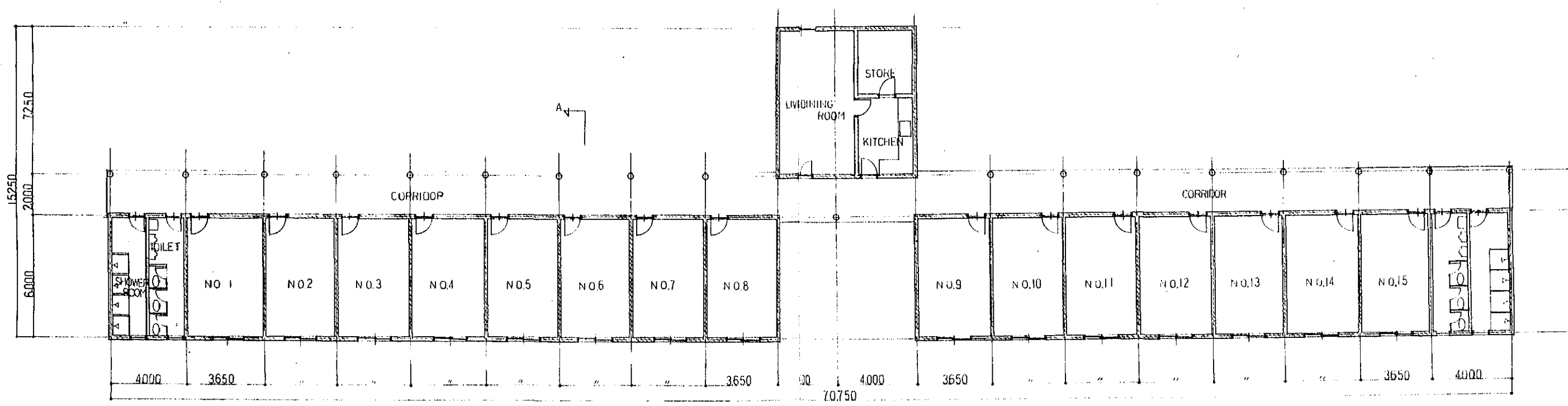
SIDE ELEVATION



A-A SECTION



FRONT ELEVATION



PLAN

(3) c. DORMITORY S = 1/100 FLOOR AREA 560 M²

REPUBLIC OF CAMEROON	
MINISTRY OF AGRICULTURE	
THE BAIGOM AGRICULTURAL DEVELOPMENT PROJECT	
TITLE OF DRAWING	
DORMITORY FOR STAFF OF PILOT SCHEME	
JAPAN INTERNATIONAL COOPERATION AGENCY	D.W.G. NO.
TOKYO JAPAN	V-13

3. Residential Buildings

Structure : Wood truss, Concrete block wall with reinforced concrete bond beam
Reinforced concrete foundation

Exterior finish : Roof -- corrugated aluminum sheet
Wall -- trowelled mortar on concrete block painted
Window -- aluminum, clear glass
Door -- steel flush painted half glazed and full glazed

Interior finish (Door - plywood flush painted)

a. Family Housing

Room	Floor	Base	Wall	Ceiling	Remarks
Bedroom, Living room, Entrance, Diningroom, Kitchen	colored mortar	Trowelled mortar painted	Trowelled mortar painted	Textured gypsum board	Kitchen set
Bathroom	Colored mortar	---	Trowelled mortar	Asbestos cement board painted	

b. Bachelor Quarters

Room	Floor	Base	Wall	Ceiling	Remarks
Bedroom, corridor, dining room, kitchen	Colored mortar	Trowelled mortar painted	Trowelled mortar painted	Texture gypsum board	Kitchen set
Bathroom	Colored mortar	---	Trowelled mortar	Asbestos cement board	

c. Dormitory

Room	Floor	Base	Wall	Ceiling	Remarks
Bedroom, corridor, living dining room, kitchen	Colored mortar	Trowelled mortar painted	Trowelled mortar painted	Textured gypsum board	Kitchen set
Storage	Trowelled concrete	---	Concrete block exposed	Roof exposed	

REPUBLIC OF CAMEROON MINISTRY OF AGRICULTURE	
THE BAIGOM AGRICULTURAL DEVELOPMENT PROJECT	
TITLE OF DRAWING FINISH SCHEDULE OF RESIDENTIAL BUILDINGS FOR PILOT SCHEME	
JAPAN INTERNATIONAL COOPERATION AGENCY TOKYO JAPAN	D.W.G. NO. V-14

JICA