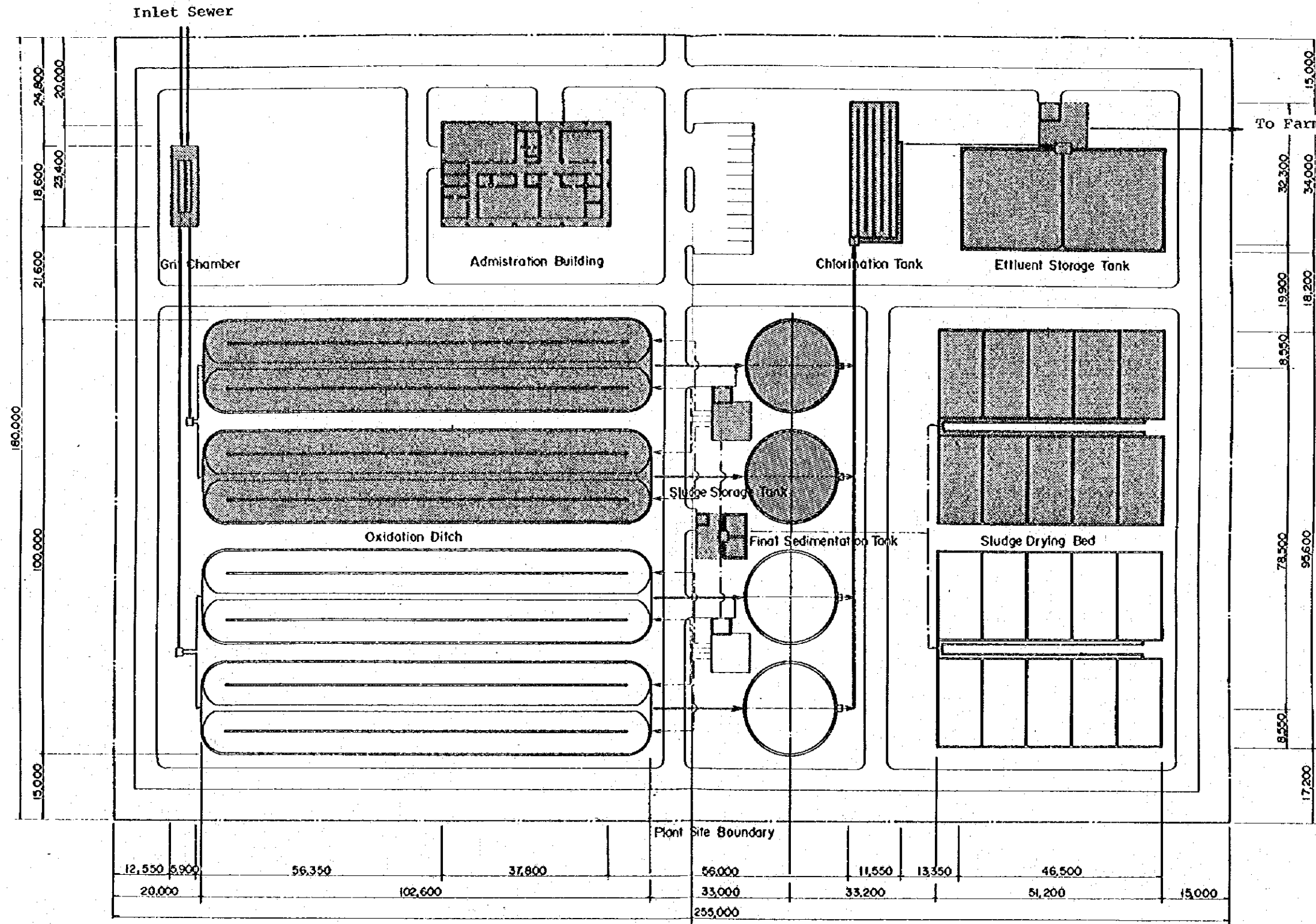
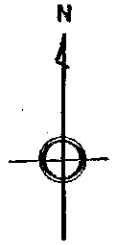


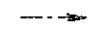


8. SEWAGE TREATMENT PLANT DESIGN

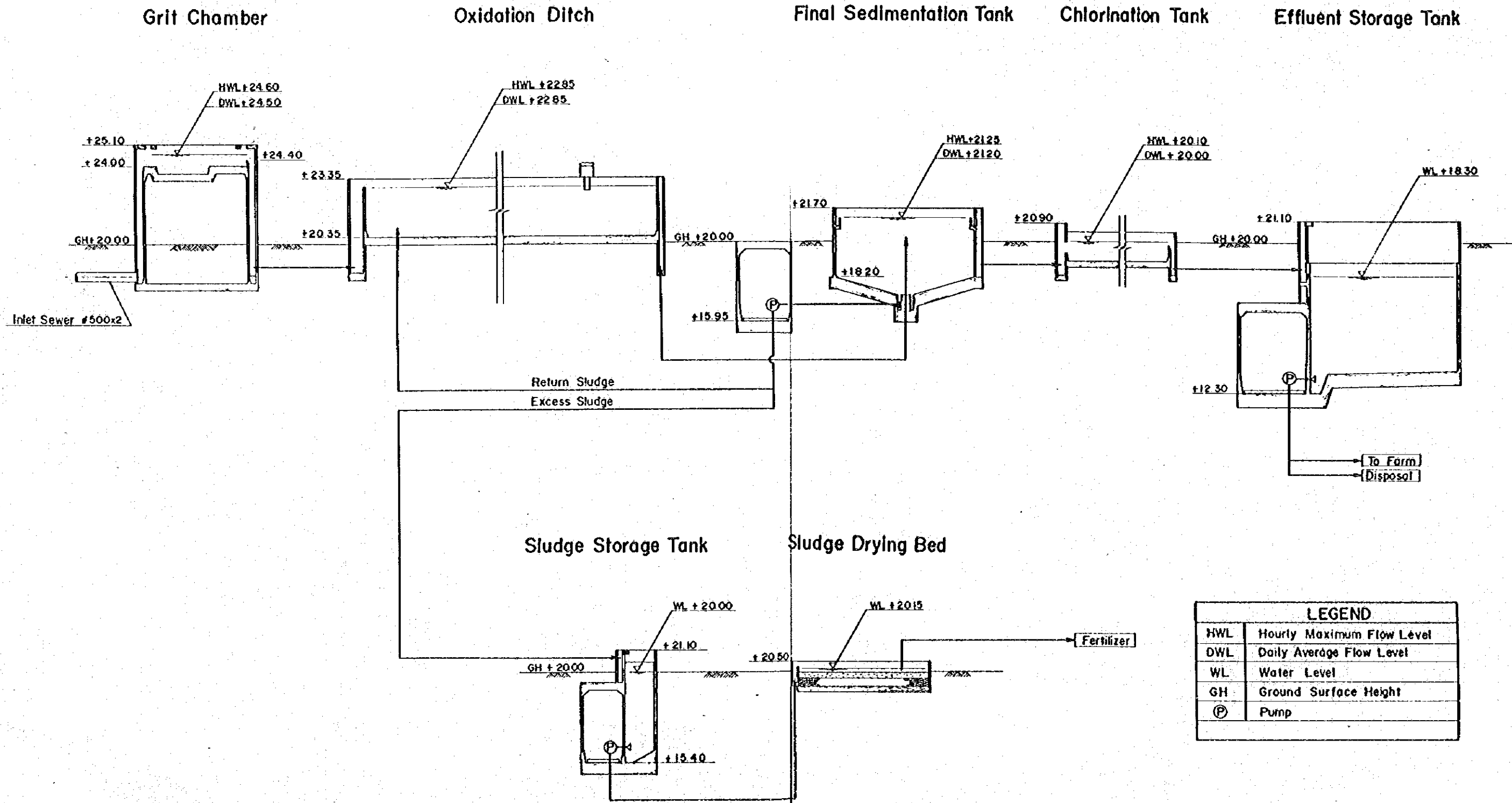
GENERAL PLAN OF JARADA SEWAGE TREATMENT PLANT S=1:1,000



LEGEND

-  1st Stage
-  Water Flow
-  Sludge Flow

HYDRAULIC PROFILE OF SEWAGE TREATMENT PLANT H S=1:600, VS=1:200



Grit Chamber

Oxidation Ditch

Final Sedimentation Tank

Chlorination Tank

Effluent Storage Tank

Sludge Storage Tank

Sludge Drying Bed

Fertilizer

To Farm
Disposal

Inlet Sewer #500x2

Return Sludge
Excess Sludge

HWL +24.60
DWL +24.50

HWL +22.85
DWL +22.85

HWL +21.25
DWL +21.20

HWL +20.10
DWL +20.00

WL +18.30

+15.95

+12.30

WL +20.00

WL +20.15

+15.40

+25.10
+24.00

+24.40

+23.35

+20.35

GH +20.00

+21.70

+18.20

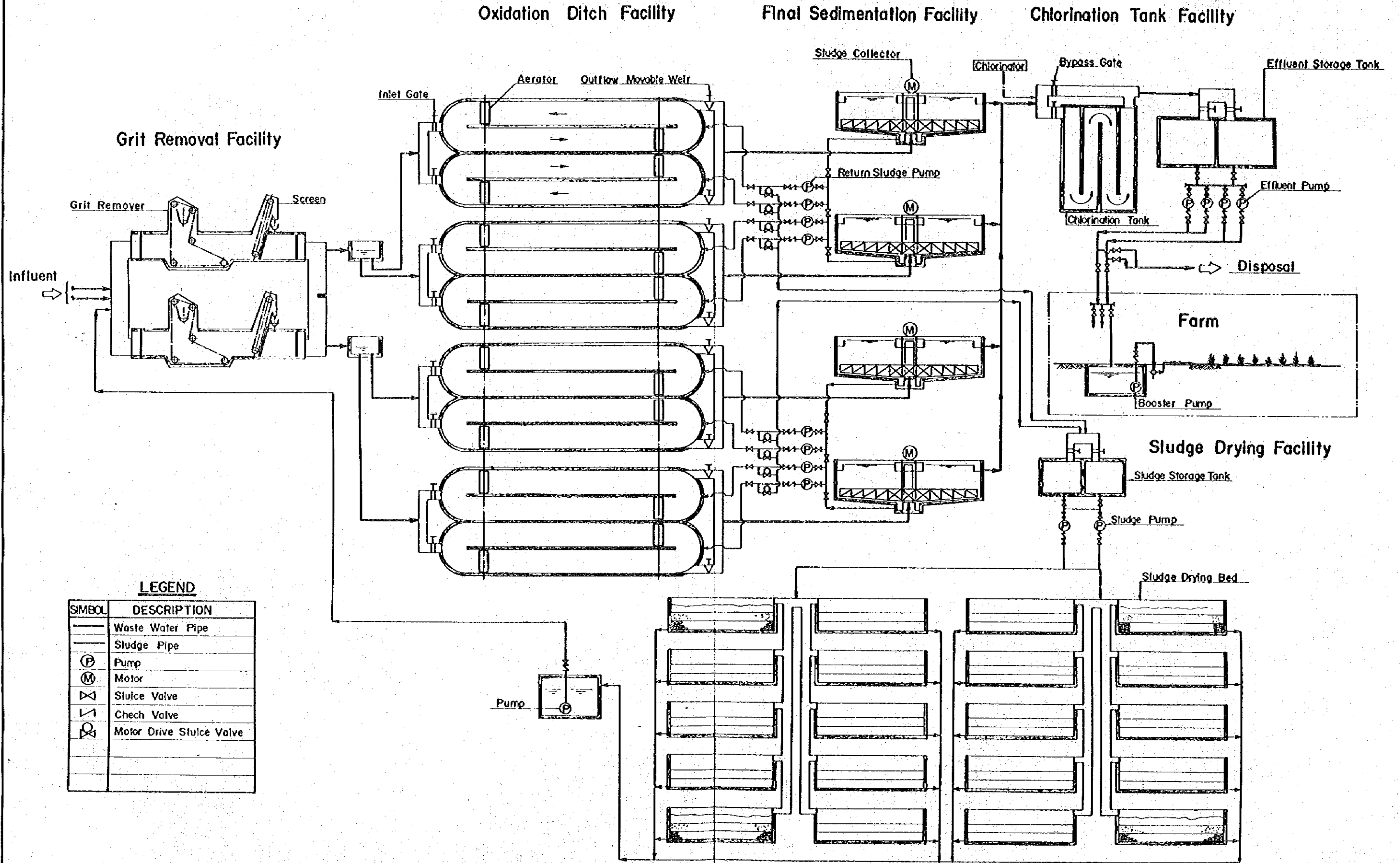
+20.90

GH +20.00

+21.10

+20.50

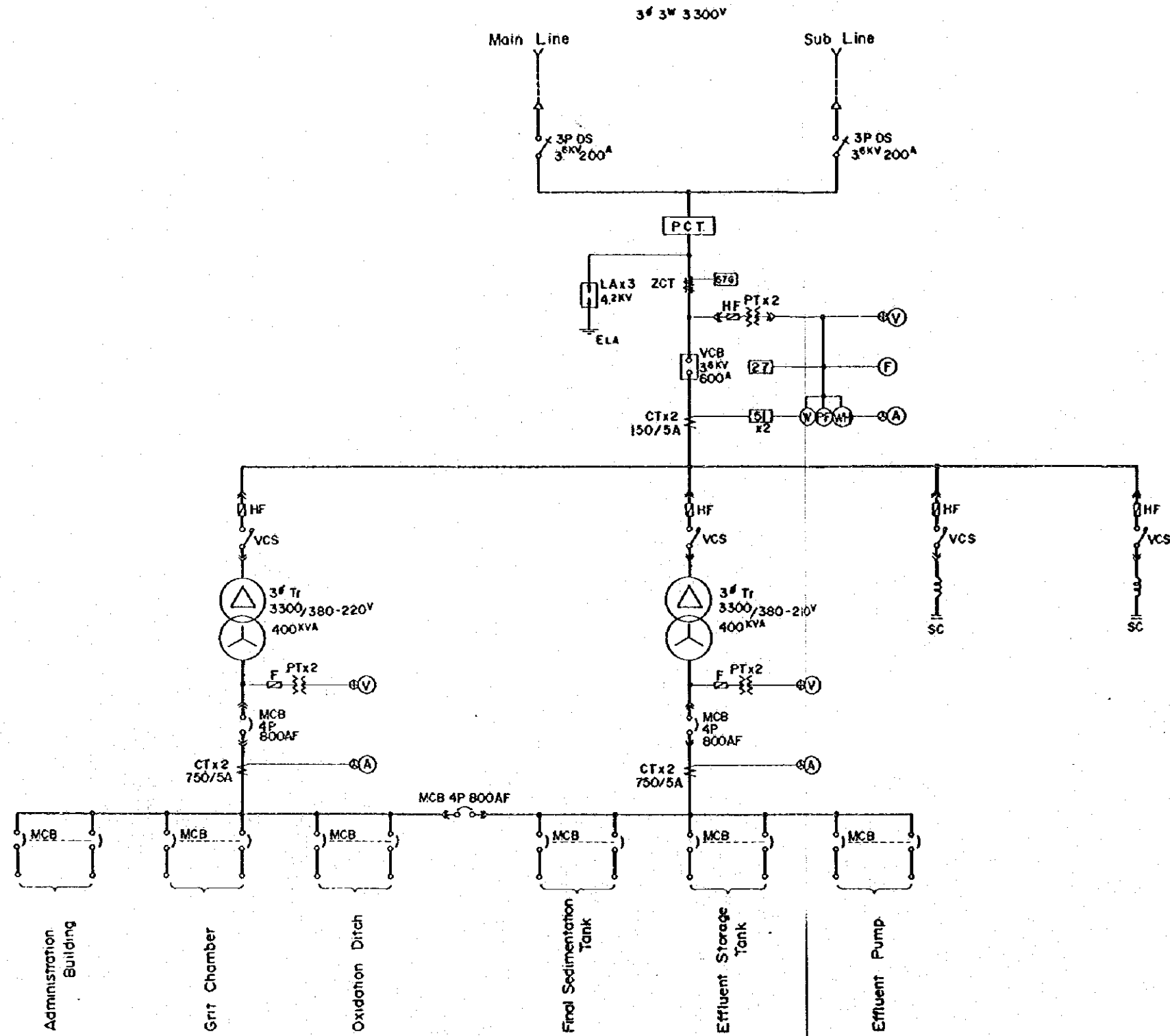
FLWSHEET OF SEWAGE TREATMENT PLANT



LEGEND

SIMBOL	DESCRIPTION
	Waste Water Pipe
	Sludge Pipe
	Pump
	Motor
	Sluice Valve
	Check Valve
	Motor Drive Sluice Valve

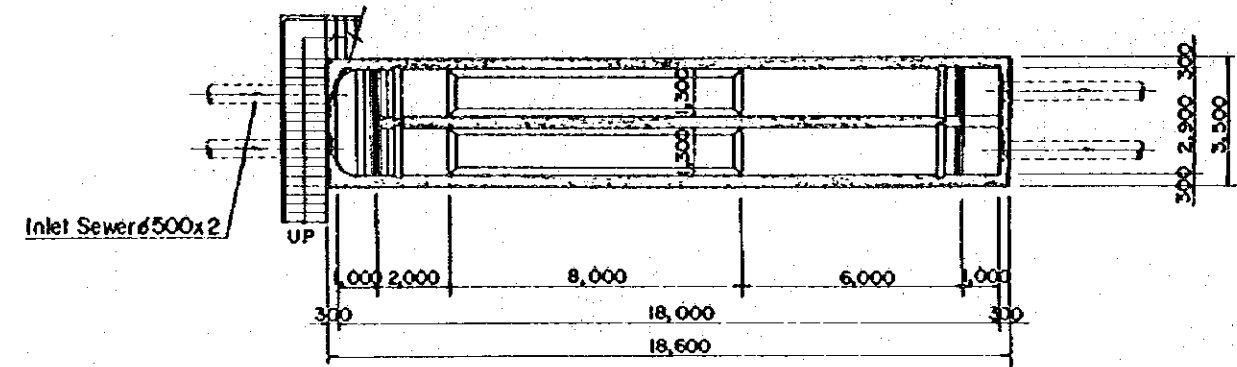
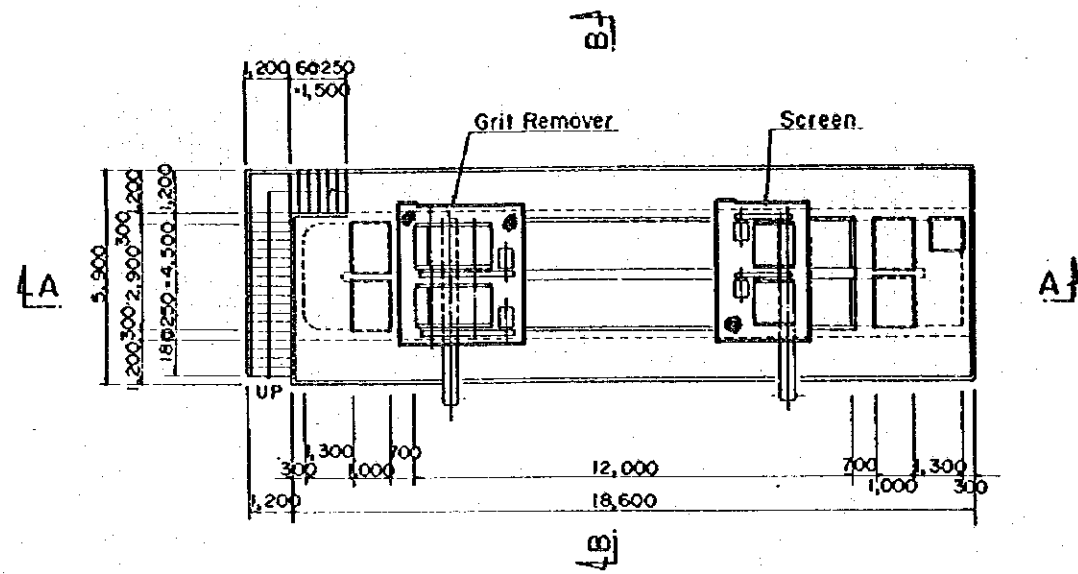
SINGLE LINE DIAGRAM



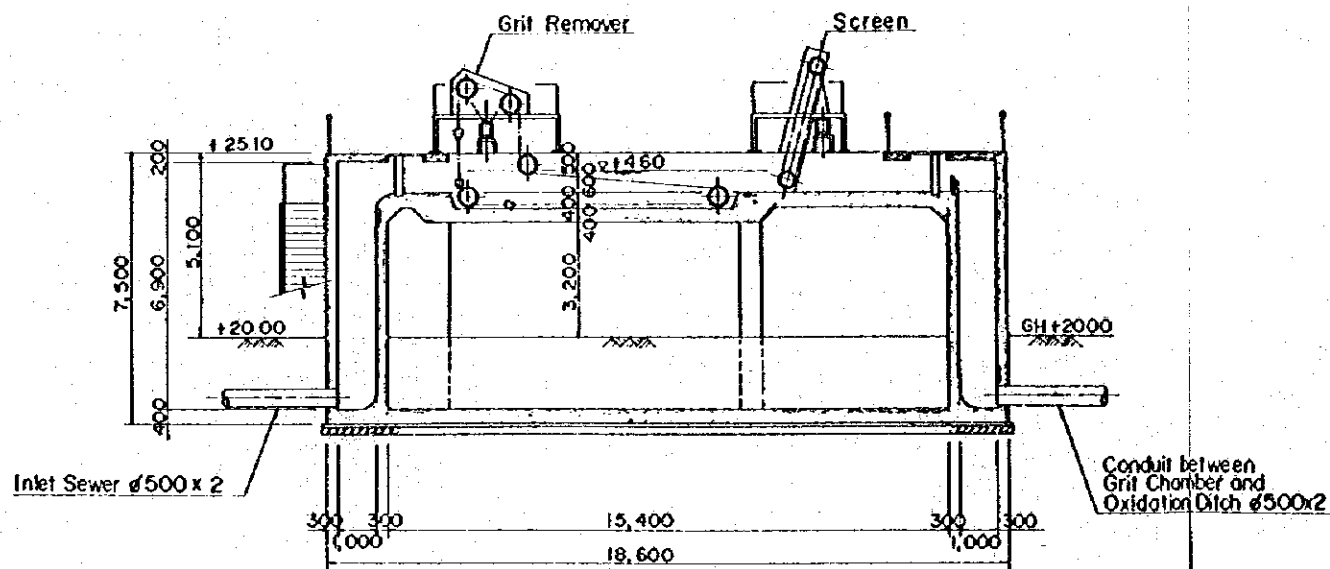
LEGEND

SIMBOL	DESCRIPTION
PCT	Potential Current Transformer
VCB	Vacuum Circuit Breaker
MCB	Molded Case Circuit Breaker
DS	Disconnecting Switch
VCS	Vacuum Switch
LA	Lighting Arrester
Tr	Transformer
SC	Static Capacitor
HF	High Voltage Fuse
F	Low Voltage Fuse
CT	Current Transformer
ZCT	Zero-phase-sequence Current Transformer
PT	Potential Transformer
Ⓐ	Ammeter
ⓐ	Ammeter Change-over Switch
Ⓥ	Voltmeter
Ⓦ	Voltmeter Change-over Switch
Ⓦ	Wattmeter
Ⓦ	Watt-hour Meter
Ⓣ	Frequency Meter
Ⓣ	Power-factor Meter
27	Under-voltage Relay
51	Overcurrent Relay
51G	Overcurrent Ground Relay
67G	Directional Ground Relay

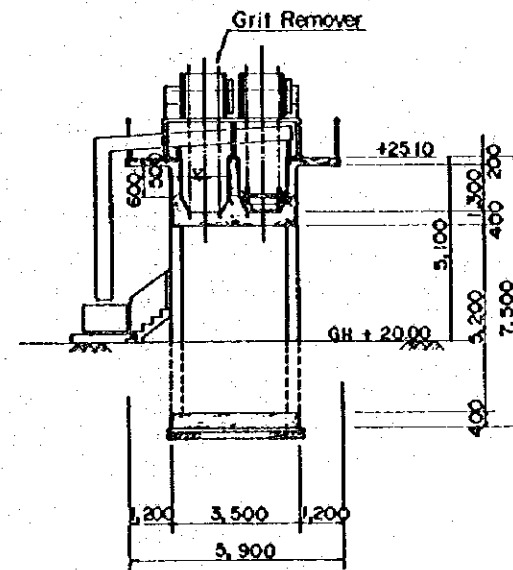
PLAN OF GRIT CHAMBER S=1:200



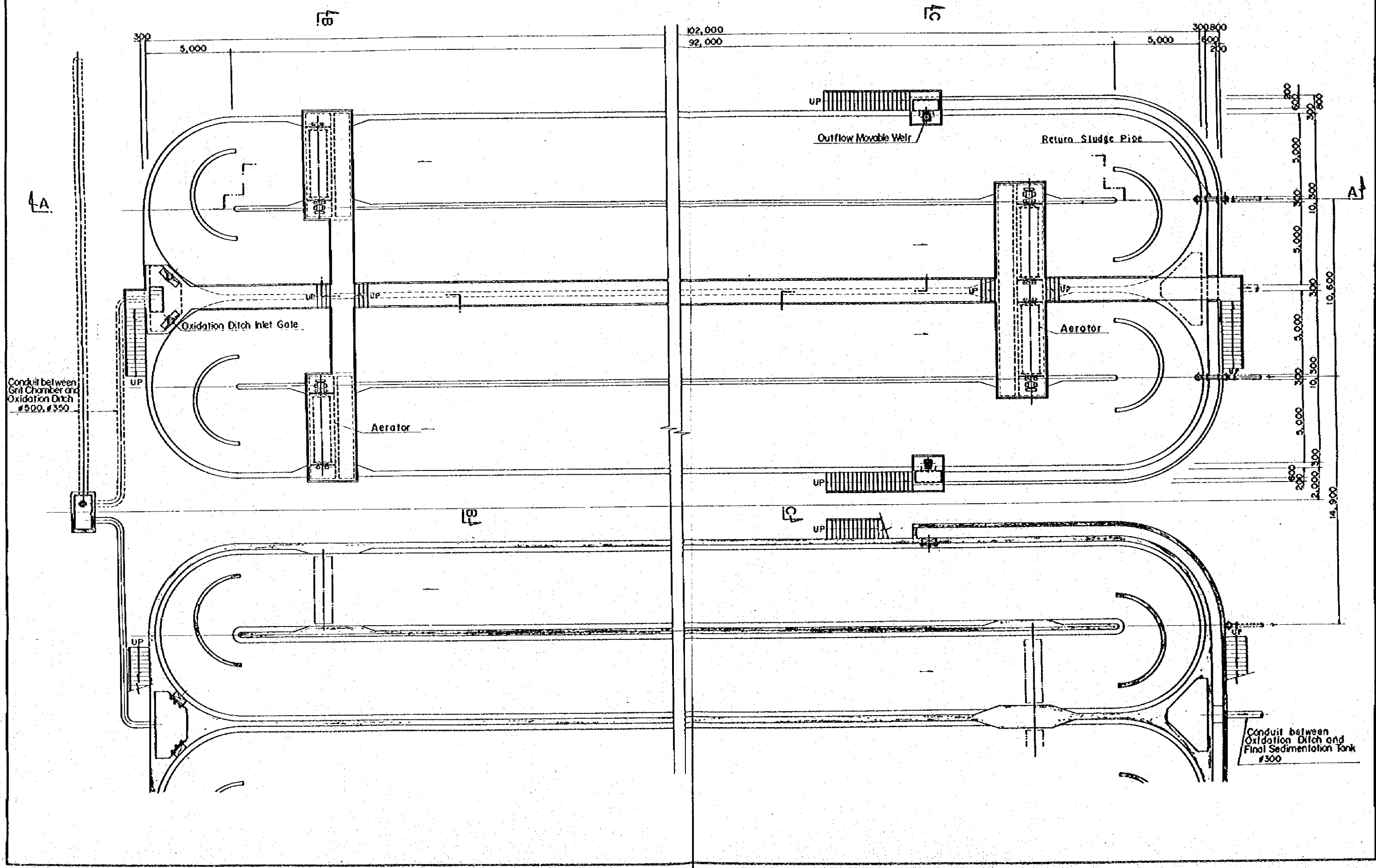
Section A ~ A



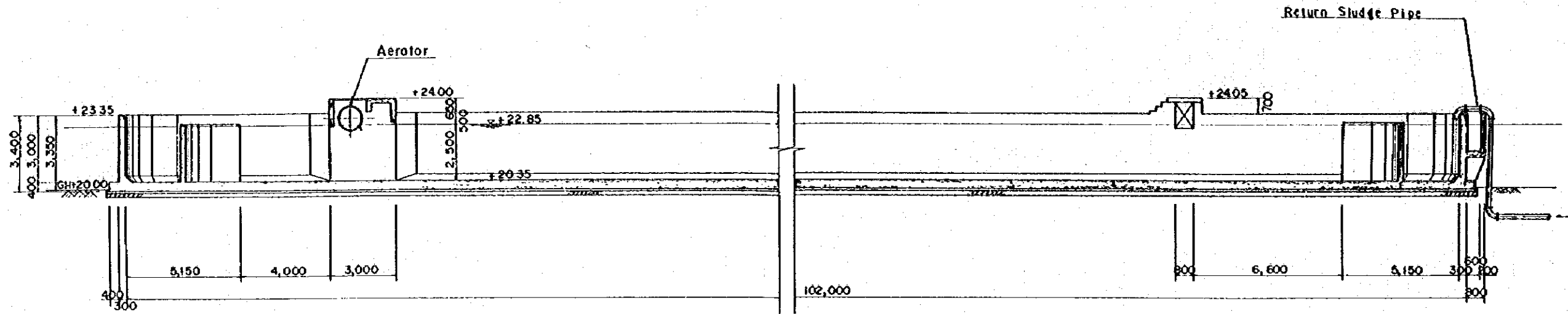
Section B ~ B



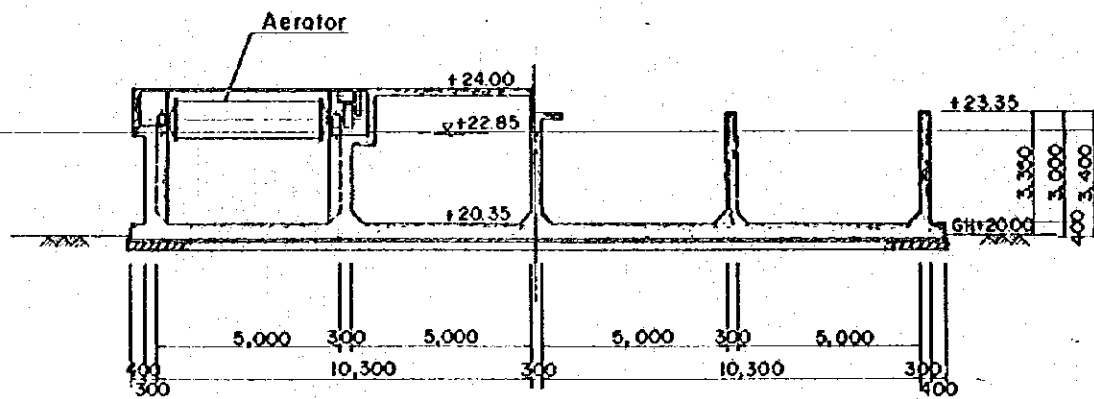
PLAN OF OXIDATION DITCH S = 1:200



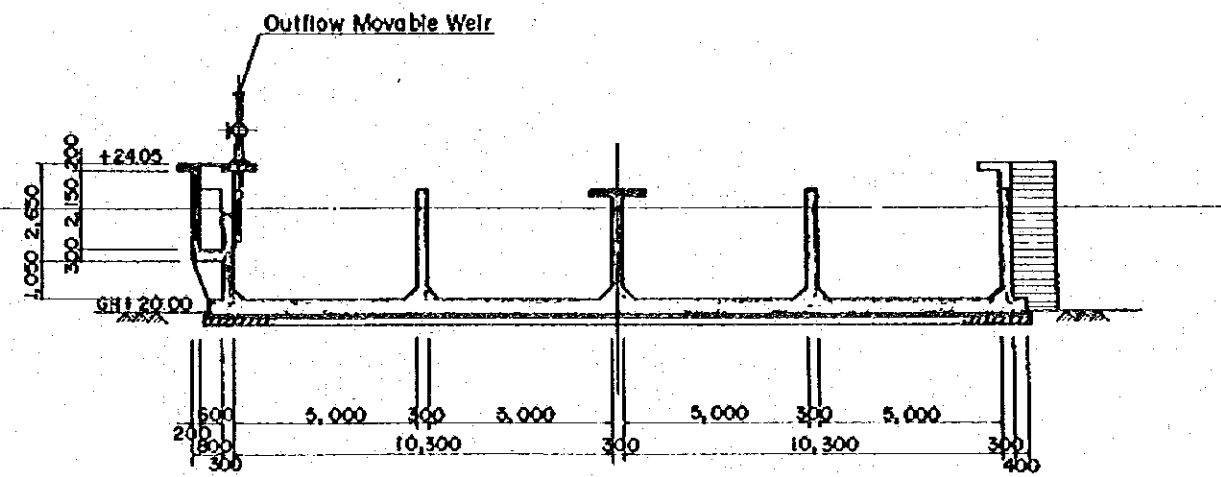
Section A ~ A



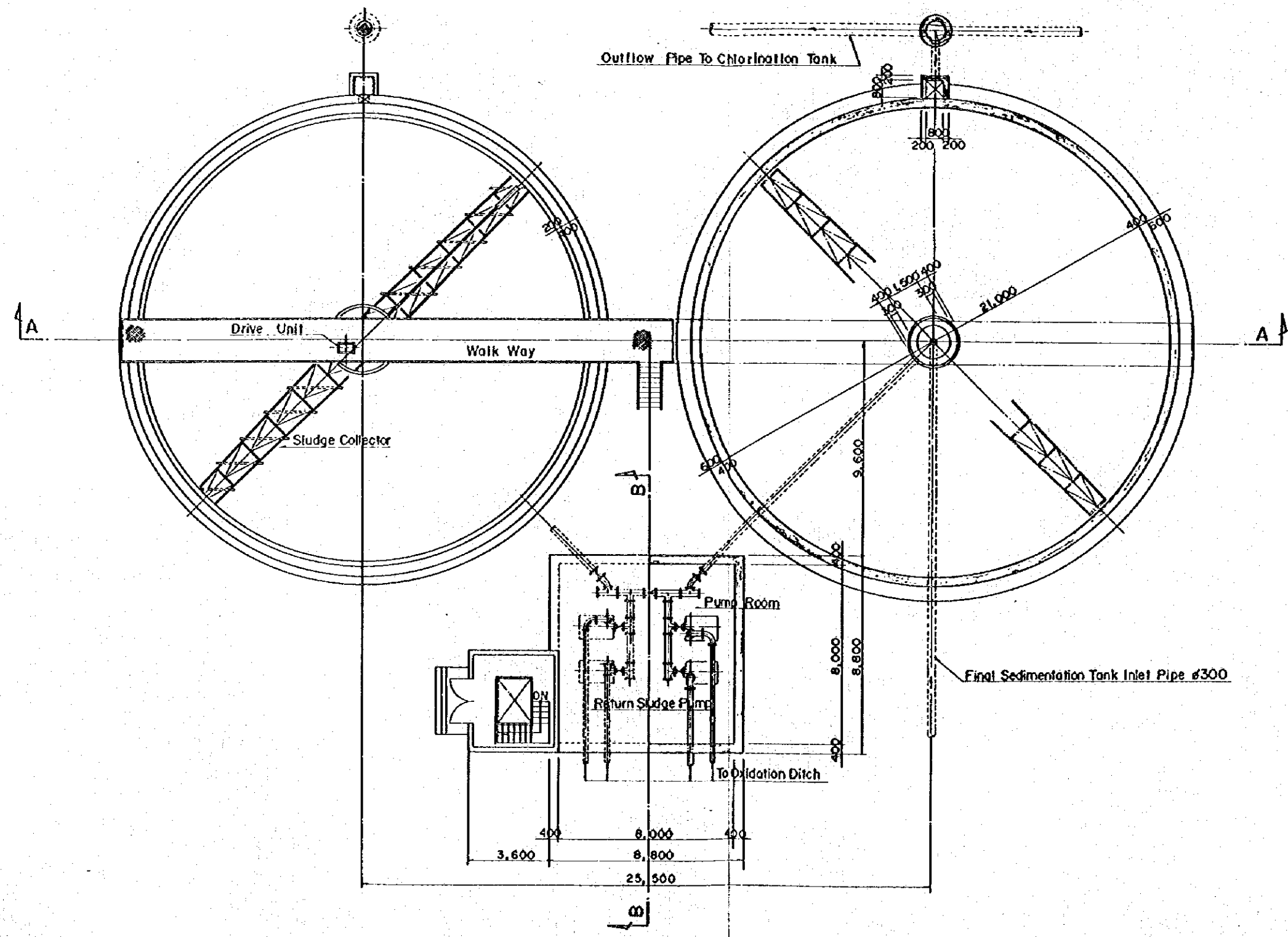
Section B ~ B



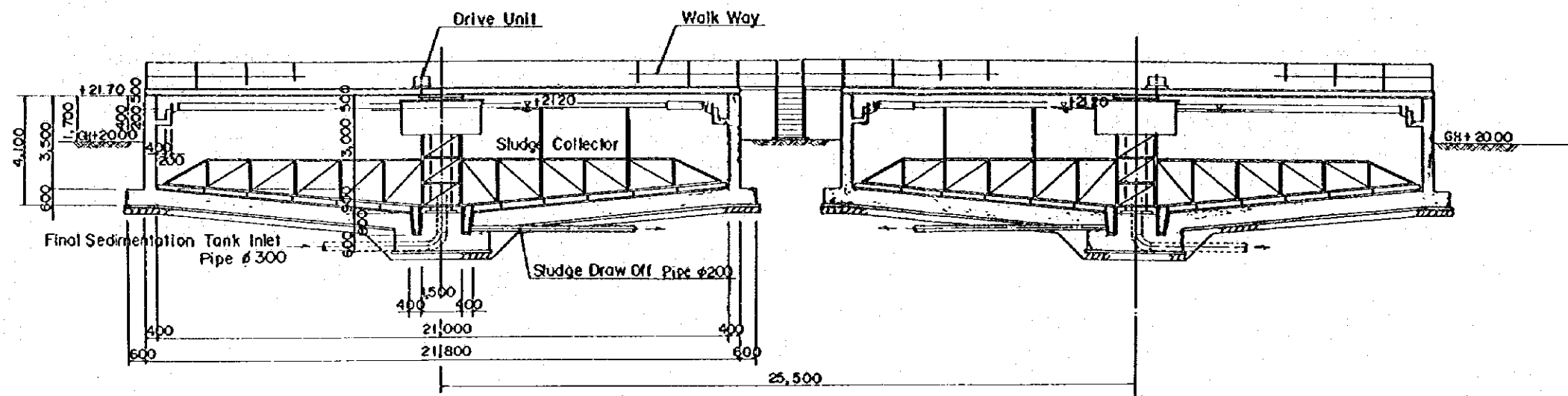
Section C ~ C



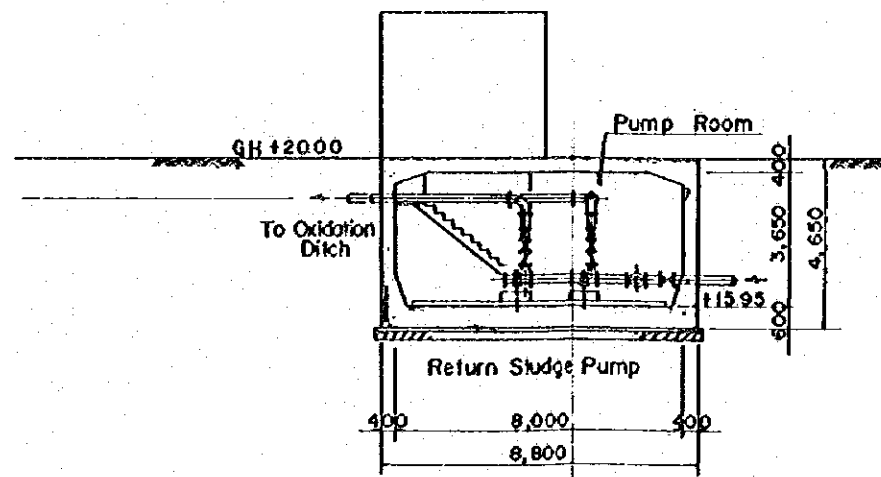
PLAN OF FINAL SEDIMENTATION TANK S=1:200



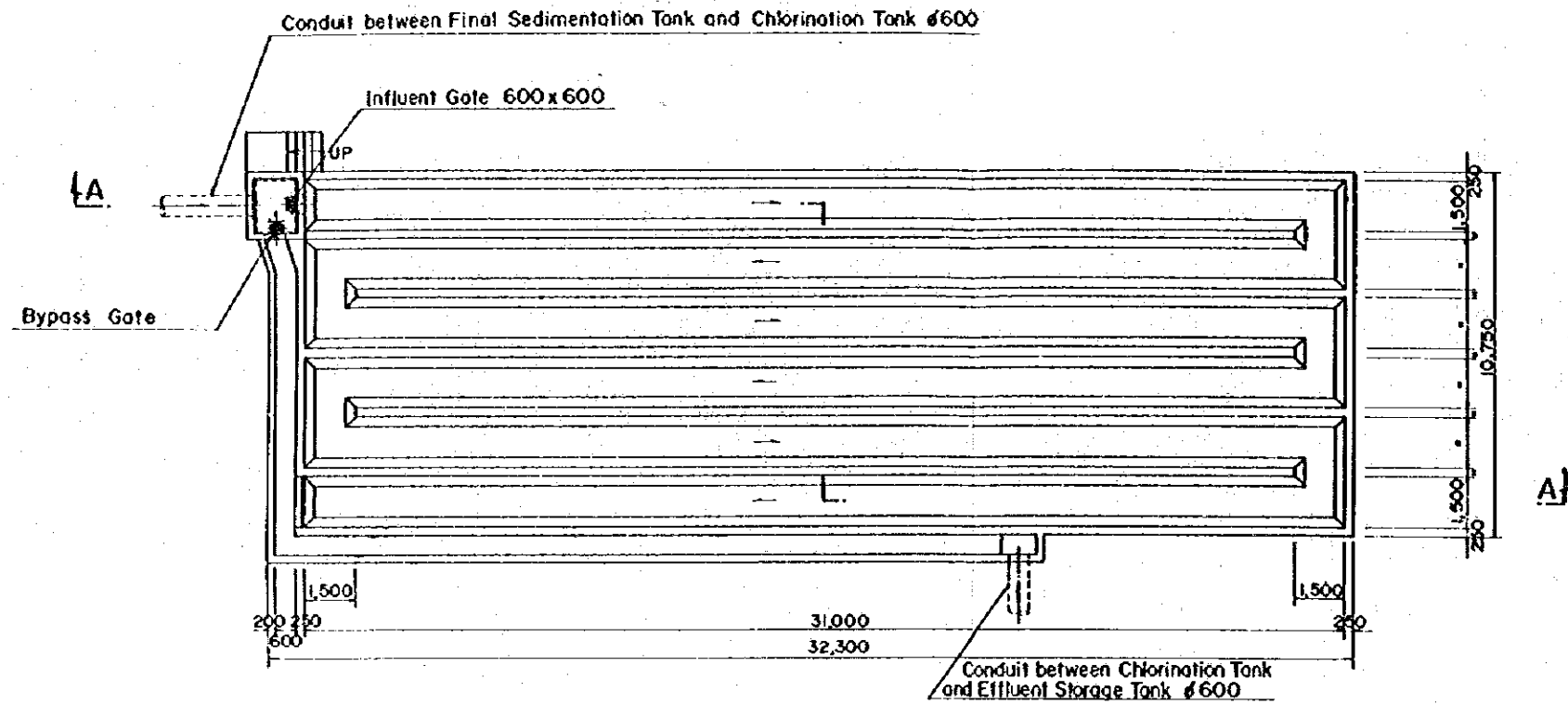
Section A ~ A



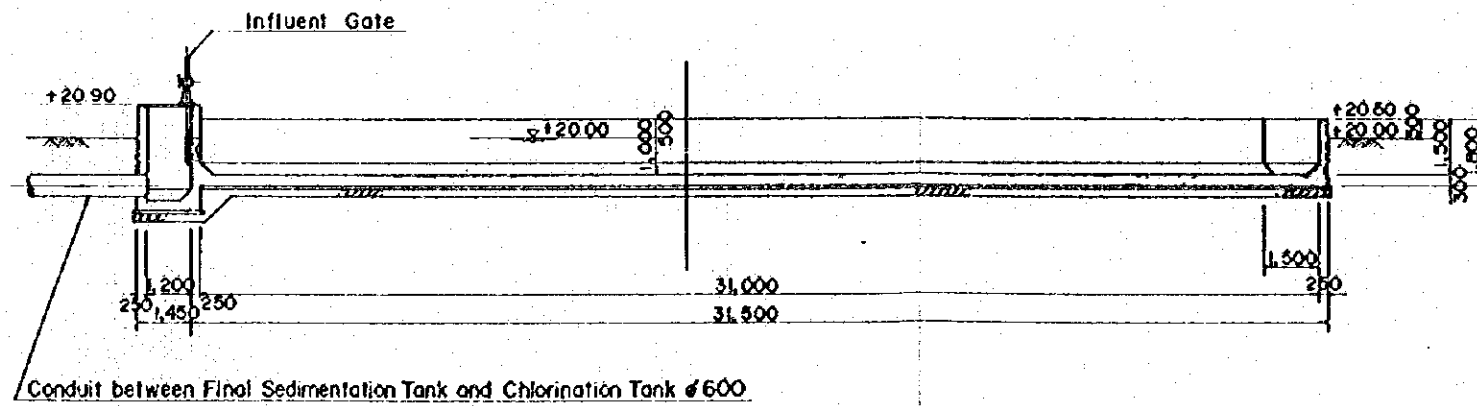
Section B ~ B



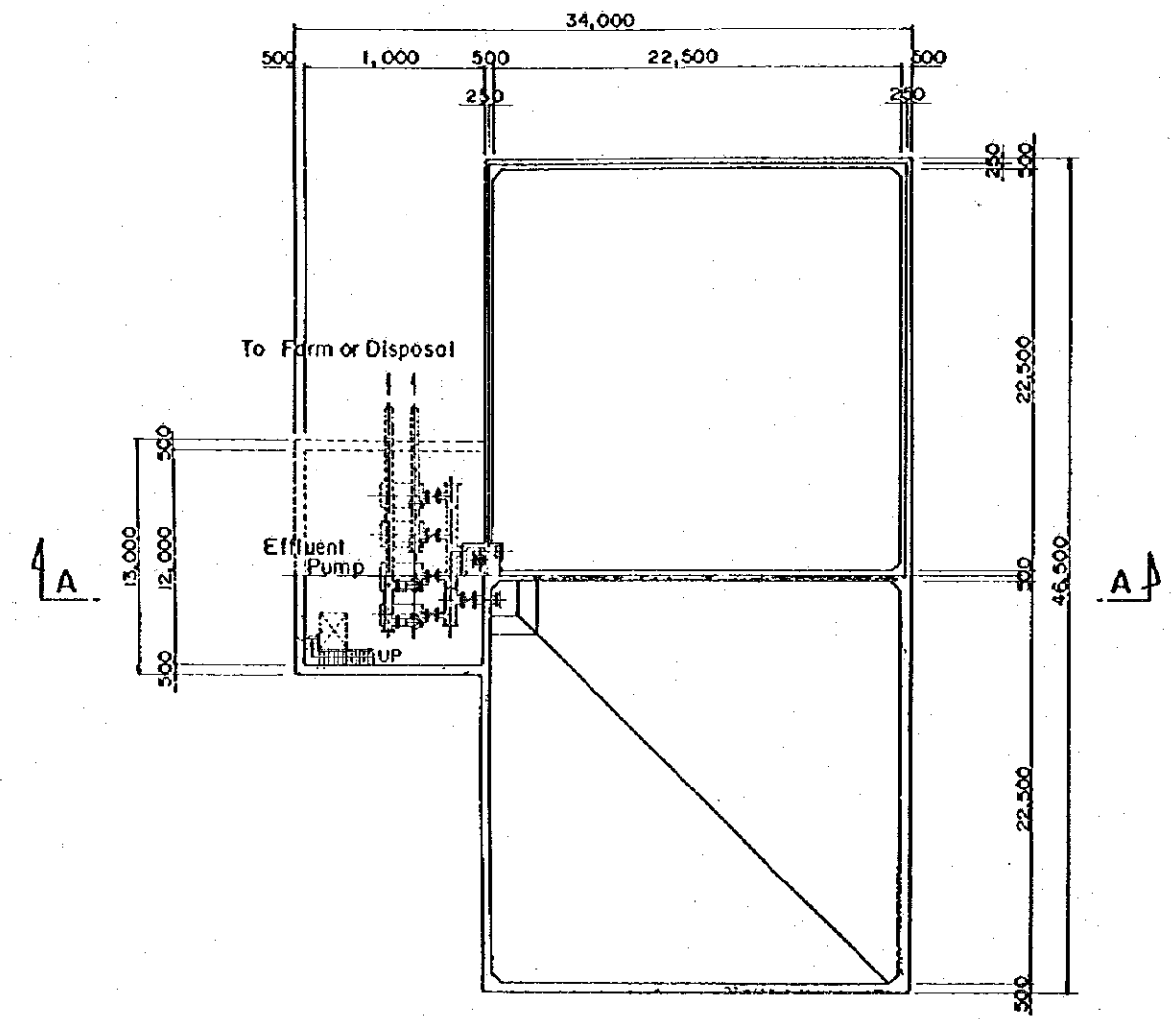
PLAN OF CHLORINATION TANK S=1:200



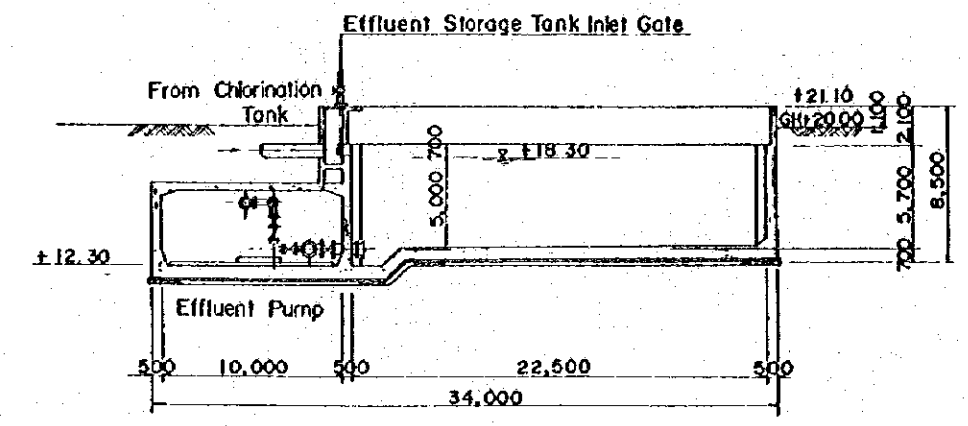
Section A ~ A



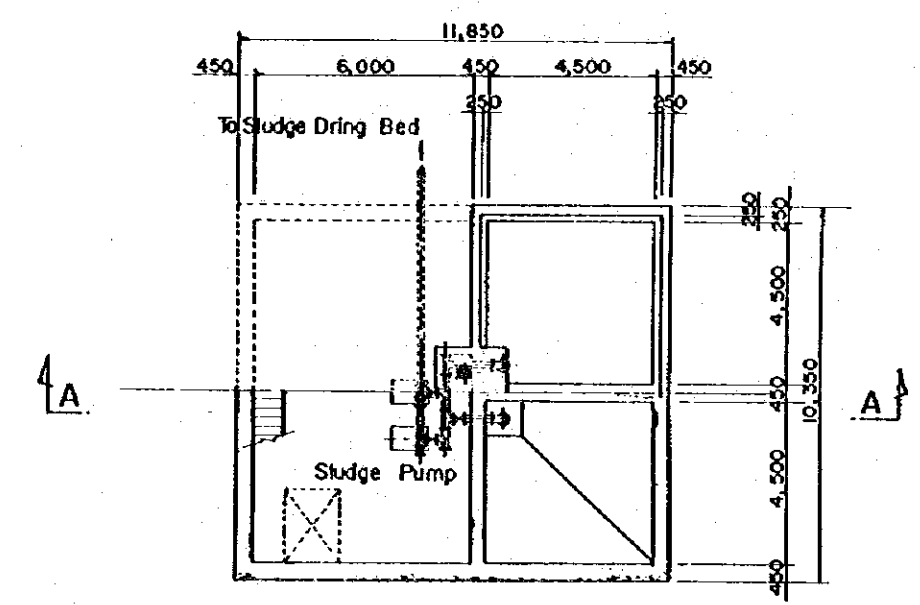
PLAN OF EFFLUENT STORAGE TANK S=1:400



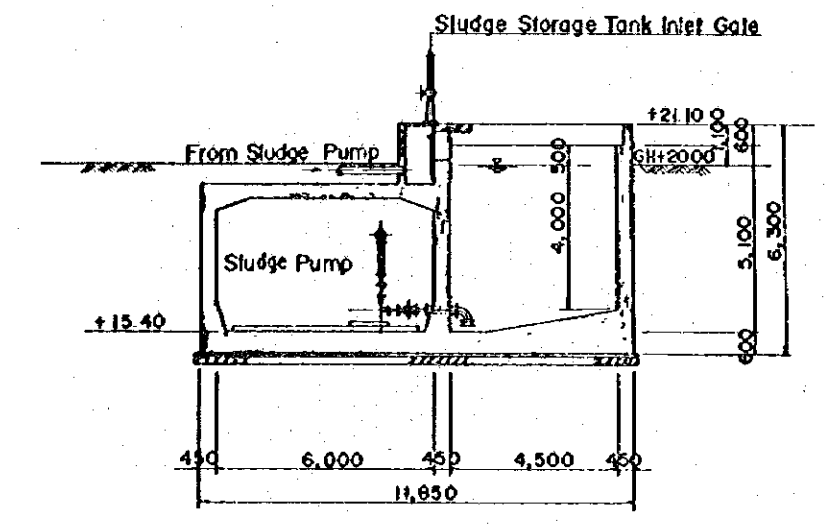
Section A ~ A



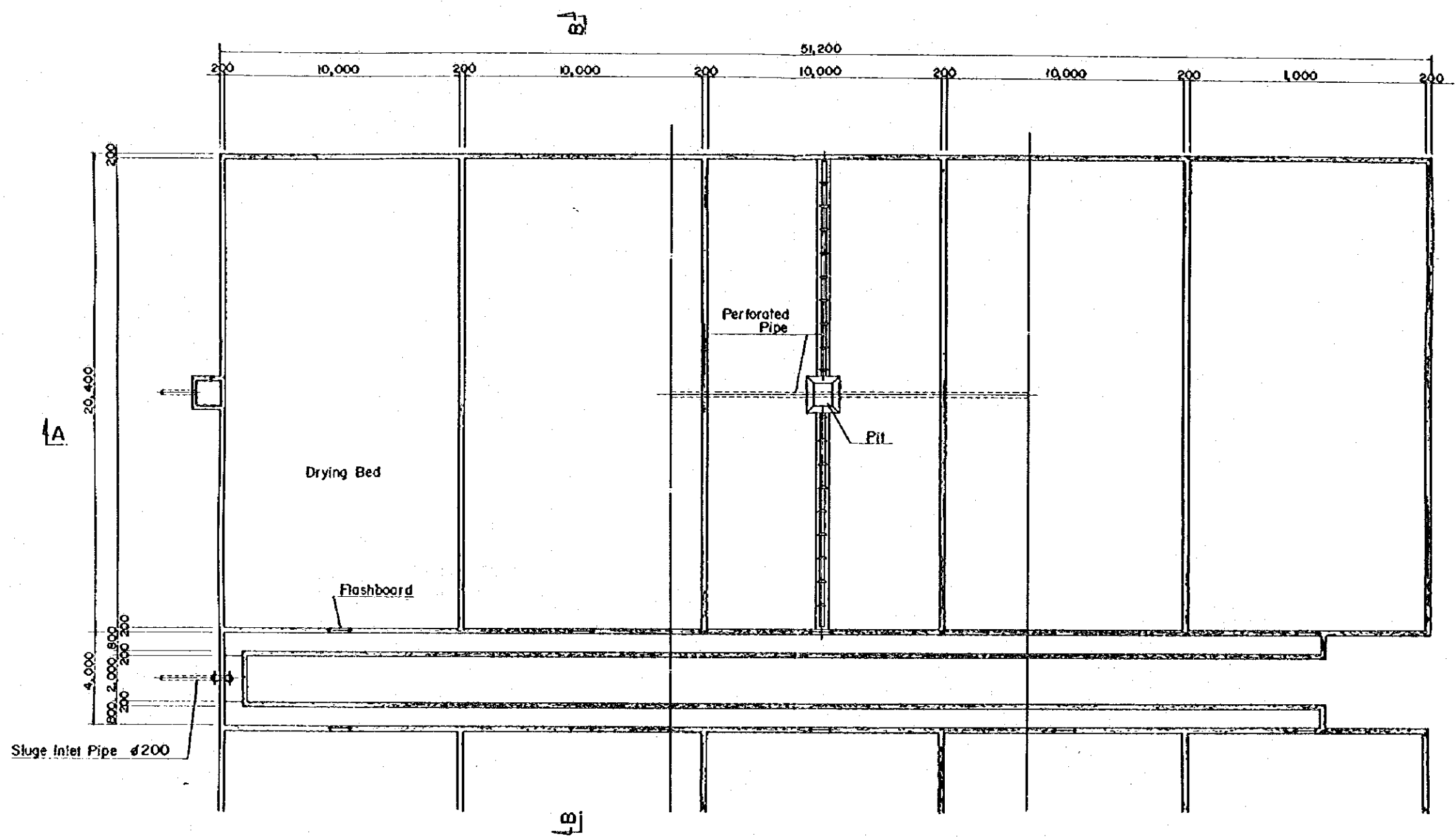
PLAN OF SLUDGE STORAGE TANK S=1:200



Section A ~ A

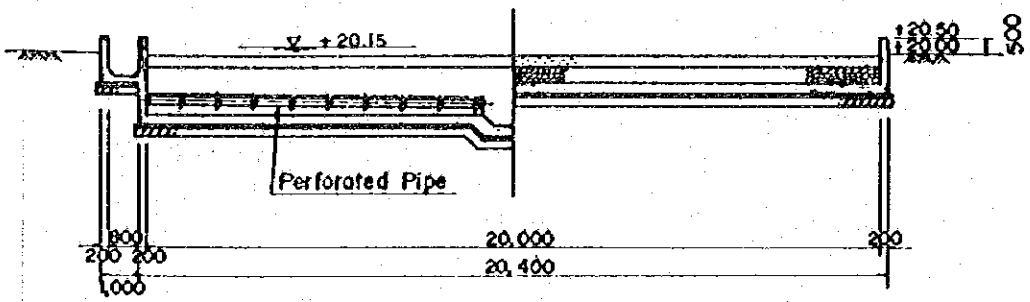
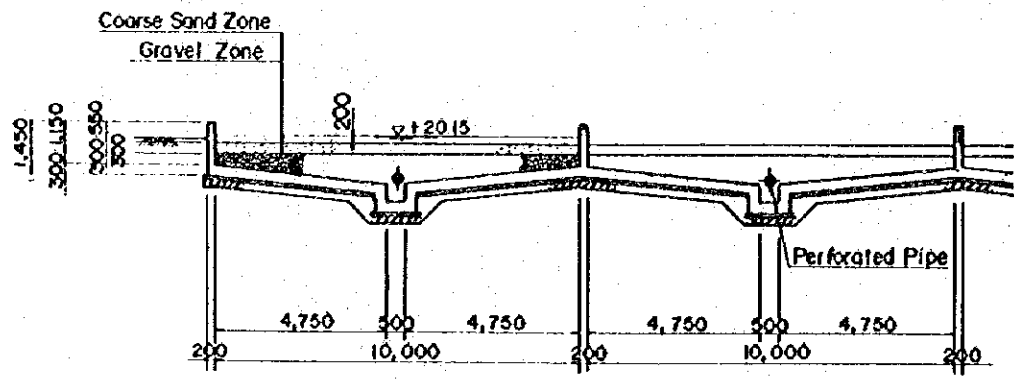


PLAN OF SLUDGE DRYING BED s=1:200

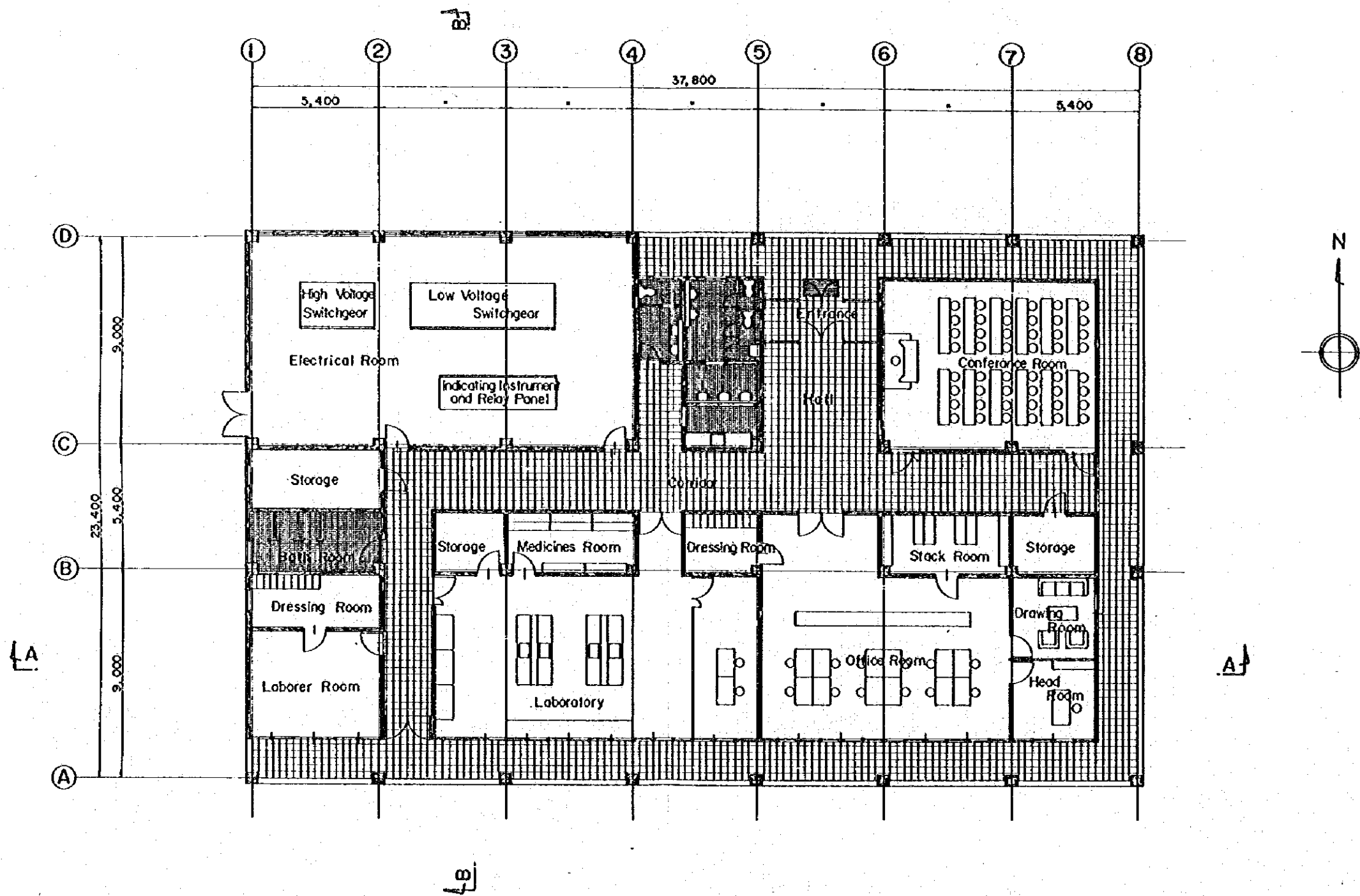


Section A~A

Section B~B

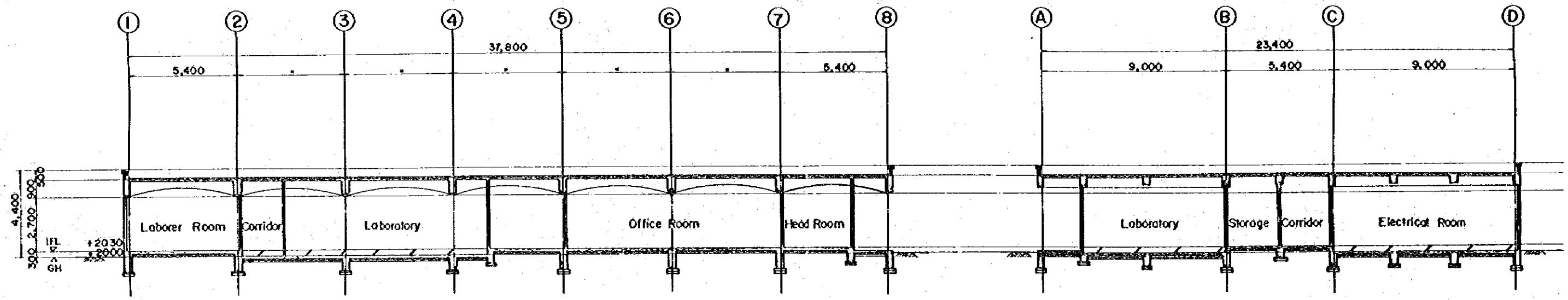


PLAN OF ADMINISTRATION BUILDING S=1:200



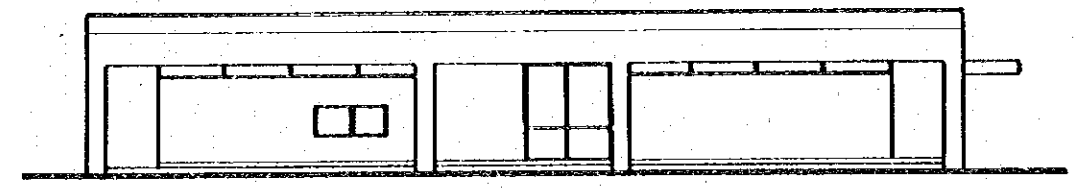
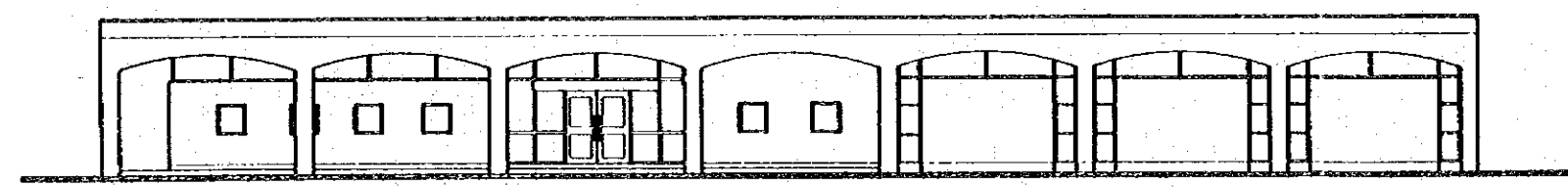
Section A ~ A

Section B ~ B

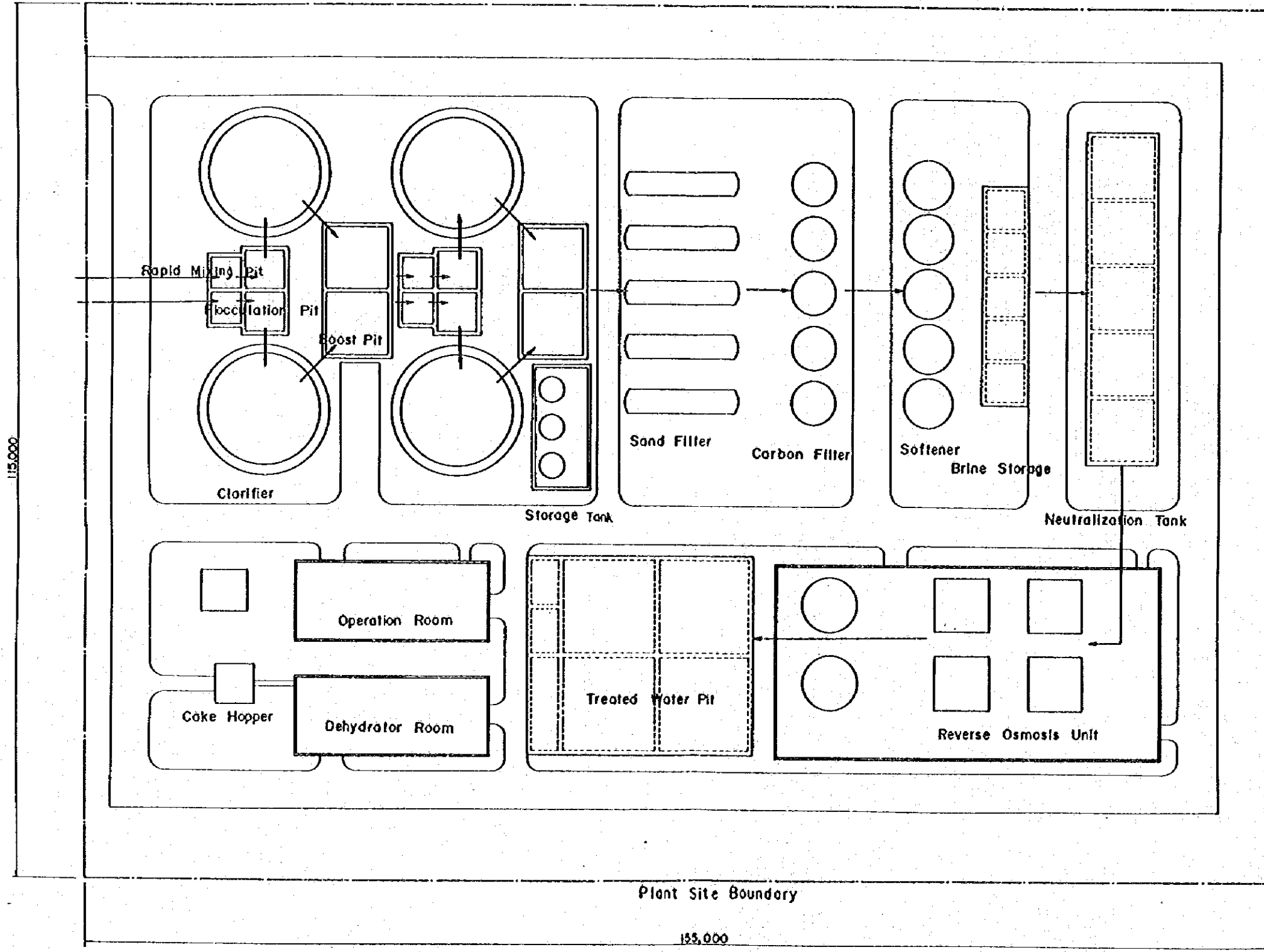
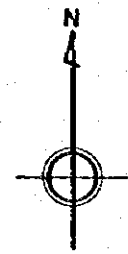
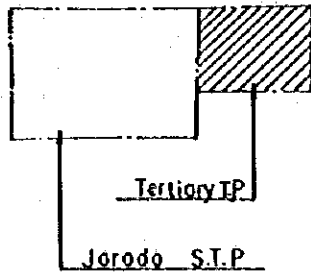


North Elevation

East Elevation



GENERAL PLAN OF TERTIARY TREATMENT PLANT S=1:600



LEGEND
→ Flow Line

