

22 Daily Average Concentration of SO₂ Measured
by Japanese Side and Turkish Side

Daily average values of SO₂ concentration measured by the Japanese side and the Turkish side are shown in comparison in Tables 22-1 through 22-3.

1) Duration

From December 17, 1984 to March 12, 1985.

2) Averaging method

An one-day average value of the Japanese side was obtained by averaging one-hour values starting at 11:00 a.m. of a day and ending 11:00 a.m. of the next day.

3) Conditions for the conversion of the unit

The Turkish values originally expressed in the unit of microgram/m³ were converted to the values in the ppb unit applying the condition of 0°C and 0.9 atmospheric pressure.

Table 22-1 Comparison of Daily Mean Concentration of SO₂ (Dec. 17, 1984 - Jan. 15, 1985)

J: measured by Japanese side
T: measured by Turkish side
(Unit: ppb)

No.	Date	Cebeci		Bahcelievler		Tandogan		Yenimahalle		Cankaya		Kavaklidere		Sihhiye	
		J	T	J	T	J	T	J	T	J	T	J	T	J	T
1	Dec. 17, 84	137	22	250	36	114	52	-	27	112	37	282	82	140	64
2	18	164	49	307	75	135	78	167	76	110	75	274	100	154	105
3	19	169	48	394	84	192	31	216	59	222	79	381	121	192	64
4	20	333	69	523	82	277	91	337	82	298	122	598	187	240	82
5	21	290	201	633	100	300	124	357	75	161	140	592	191	211	87
6	22	191	172	495	74	186	104	198	45	116	69	398	174	163	43
7	23	96	93	268	85	108	76	99	50	150	62	418	112	159	43
8	24	91	53	304	69	120	59	98	41	70	62	191	92	111	73
9	25	143	41	280	51	107	66	126	49	90	48	240	87	147	87
10	26	109	84	380	50	134	49	130	46	43	46	137	80	84	42
11	27	129	66	334	84	156	79	128	70	50	50	162	87	92	48
12	28	72	79	263	88	122	72	97	60	46	41	194	69	92	68
13	29	70	70	203	146	119	94	127	69	199	67	335	109	138	62
14	30	17	58	136	97	50	80	57	84	85	103	296	89	80	68
15	31	34	61	133	83	52	69	54	84	144	86	314	109	95	62
16	Jan. 1, 85	63	49	143	68	47	56	45	64	121	65	302	53	112	48
17	2	191	42	381	63	175	42	180	49	37	49	243	68	250	60
18	3	33	67	138	102	66	99	28	73	0	80	83	124	141	121
19	4	55	40	159	59	97	66	50	61	10	77	101	68	133	81
20	5	85	55	237	70	162	59	72	103	20	37	179	37	209	58
21	6	110	65	276	97	114	42	96	97	27	50	171	49	150	63
22	7	57	68	162	88	90	56	54	70	9	63	120	49	156	53
23	8	114	60	310	88	171	97	154	94	32	58	204	95	207	41
24	9	48	83	184	57	91	60	45	48	20	35	110	64	173	43
25	10	97	68	250	76	135	79	85	65	31	49	156	66	128	62
26	11	65	49	186	79	82	79	62	84	44	47	121	69	109	113
27	12	142	78	363	87	99	107	157	94	101	105	291	102	163	69
28	13	75	81	190	92	59	97	71	99	133	70	325	113	97	51
29	14	167	71	293	73	115	69	162	73	252	74	389	113	177	51
30	15	204	49	501	48	201	81	184	46	133	59	539	76	194	60

Table 22-2 Comparison of Daily Mean Concentration of SO₂ (Jan. 16 - Feb. 12, 1985)

J: measured by Japanese side
T: measured by Turkish side
(Unit: ppb)

No.	Date	Cebeci		Bancelievler		Tandogan		Yenimahalle		Cankaya		Kavaklıdere		Sihhiye	
		J	T	J	T	J	T	J	T	J	T	J	T	J	T
31	Jan. 16, 85	231	90	547	87	222	75	237	101	142	75	725	79	171	49
32	17	143	94	267	80	101	90	98	67	206	79	485	123	170	101
33	18	345	87	447	67	136	84	421	62	335	56	760	78	271	105
34	19	379	73	495	71	255	65	267	59	28	55	274	148	259	122
35	20	232	84	356	44	160	61	176	63	52	59	207	93	191	140
36	21	212	45	436	66	166	38	246	68	213	59	393	87	-	85
37	22	245	60	455	60	234	85	283	66	96	57	325	91	197	59
38	23	168	69	346	61	160	100	268	66	43	74	319	115	162	81
39	24	369	81	547	82	190	67	460	53	288	55	804	90	325	52
40	25	469	89	781	81	338	114	402	82	215	75	758	245	396	144
41	26	317	69	442	115	187	112	262	128	130	75	488	187	258	124
42	27	218	88	376	87	137	109	199	50	148	89	507	114	204	99
43	28	176	52	391	65	197	91	236	59	70	75	422	117	199	93
44	29	71	84	151	84	50	105	68	91	131	87	273	127	88	107
45	30	48	49	110	66	31	75	43	39	128	75	242	99	69	47
46	31	55	84	174	68	47	73	59	98	130	91	187	81	70	101
47	Feb. 1, 85	68	54	262	66	38	60	120	101	106	79	149	105	142	107
48	2	69	76	283	85	54	35	66	76	44	55	152	77	120	41
49	3	72	62	309	85	65	35	97	89	57	59	165	82	149	62
50	4	88	46	299	85	48	32	114	76	126	59	160	103	138	57
51	5	100	63	414	48	91	15	118	70	85	34	221	28	183	64
52	6	136	69	376	58	126	89	119	100	41	56	241	125	214	96
53	7	187	67	375	69	108	66	183	68	37	55	195	93	229	100
54	8	84	75	312	37	67	89	111	86	70	39	167	103	157	57
55	9	317	90	390	51	154	61	242	89	67	58	215	82	218	83
56	10	160	81	229	46	143	61	105	88	16	65	152	65	198	83
57	11	94	61	197	40	87	65	60	79	15	80	126	71	46	71
58	12	54	73	144	49	64	75	42	97	9	68	77	68	149	70

Table 22-3 Comparison of Daily Mean Concentration of SO₂ (Feb. 13 - Mar. 12, 1985)

J: measured by Japanese side
T: measured by Turkish side
(Unit: ppb)

No.	Date	Cebeci		Bahcelievler		Tandogan		Yenimahalle		Cankaya		Kavaklidere		Sihhiye	
		J	T	J	T	J	T	J	T	J	T	J	T	J	T
59	Feb. 13, 85	123	63	299	62	137	77	95	79	-	62	173	84	124	43
60	14	76	62	216	53	68	74	39	43	-	39	133	58	99	69
61	15	135	28	385	55	122	49	130	37	-	29	345	78	157	70
62	16	68	73	249	100	42	90	121	99	229	95	131	143	119	25
63	17	133	66	360	63	167	61	148	94	107	105	309	74	179	43
64	18	162	52	333	75	120	68	259	74	285	100	364	87	230	25
65	19	146	28	429	58	112	43	169	70	105	54	248	187	186	67
66	20	101	85	397	66	97	75	167	70	166	60	193	121	211	93
67	21	208	62	599	37	213	71	381	36	323	46	472	119	318	109
68	22	303	70	716	81	238	151	362	93	330	58	668	221	-	128
69	23	163	105	241	125	57	156	175	81	163	85	398	186	-	106
70	24	65	70	203	81	31	90	88	71	169	57	327	190	-	144
71	25	221	67	511	56	142	66	227	71	299	71	410	164	317	63
72	26	265	67	574	75	226	130	375	75	164	76	259	188	84	205
73	27	147	85	473	92	146	121	189	68	102	94	206	163	-	196
74	28	47	85	455	95	153	84	229	70	208	58	335	112	280	115
75	Mar. 1, 85	44	49	423	52	181	103	256	61	198	53	487	191	212	128
76	2	43	84	416	70	207	139	263	56	134	62	690	136	211	88
77	3	44	87	516	120	202	167	253	79	88	62	557	172	211	88
78	4	39	73	539	99	208	143	243	56	107	62	562	172	189	95
79	5	50	63	505	91	242	144	340	72	740	53	733	155	333	26
80	6	50	88	466	86	211	116	355	69	754	70	662	120	340	112
81	7	215	117	517	95	183	164	279	75	495	122	632	369	252	205
82	8	190	165	486	115	135	136	252	69	127	109	447	322	165	157
83	9	224	112	515	79	183	95	192	61	121	82	509	133	176	96
84	10	189	86	461	118	186	79	231	61	276	68	537	128	167	76
85	11	268	67	473	102	174	115	272	73	548	73	578	122	337	89
86	12	232	78	353	245	164	120	245	76	470	111	470	252	286	196

Part IV

RESULTS OF DATA ANALYSIS
IN
METEOROLOGY AND AMBIENT AIR QUALITY

23 Wind Rose by the Times of Day

Wind roses averaged on the times of day over the observation period are shown in Table 23-1 through 23-12.

Legend

- frequency of wind direction (%)
- average wind speed in that direction (m/s)

Center Circle

- upper : frequency of calm condition (%)
- lower : overall average wind speed (m/s)

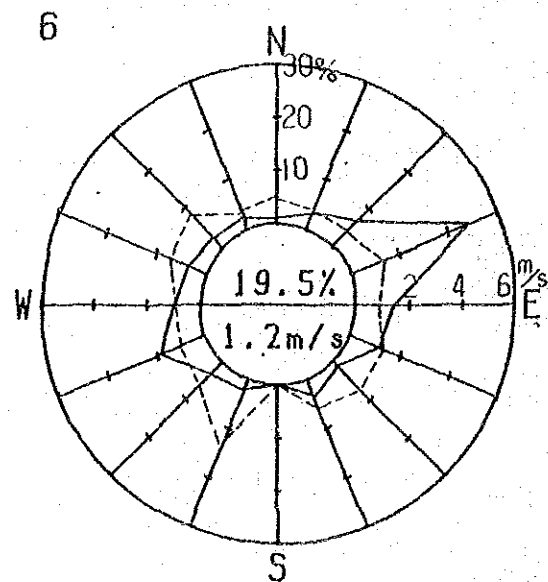
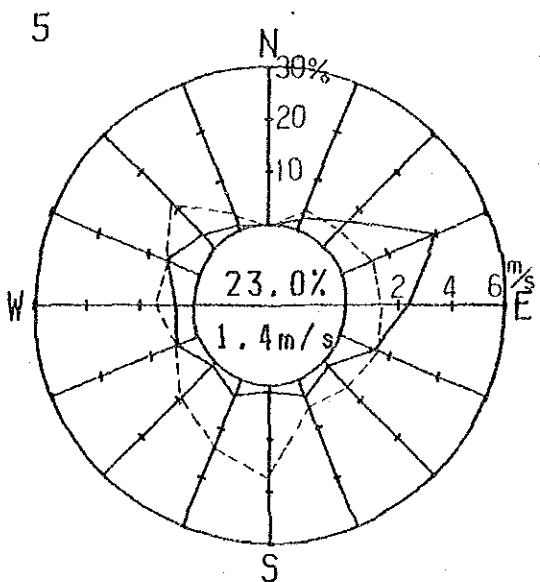
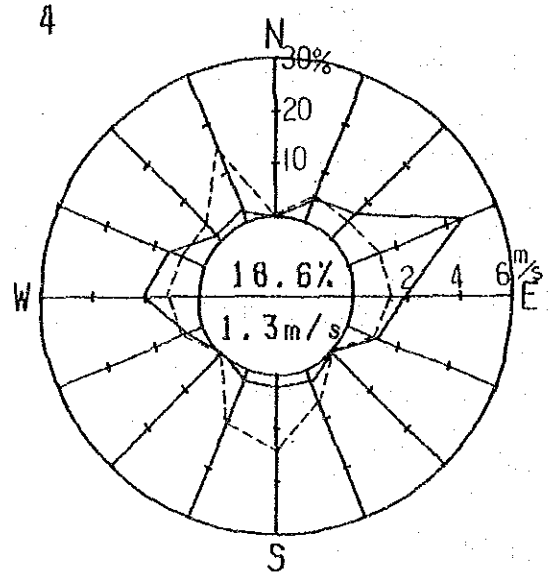
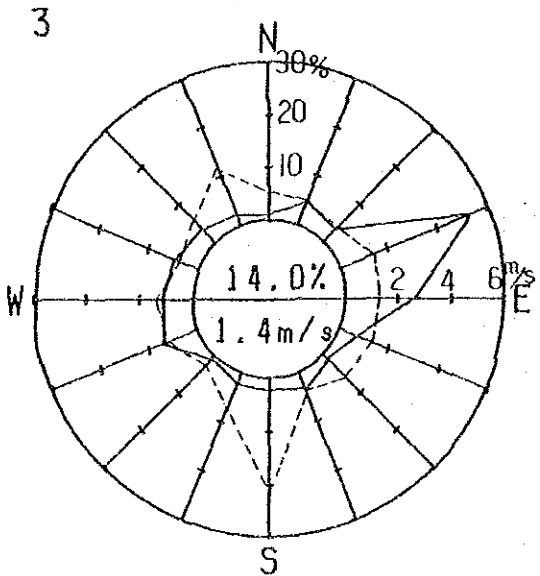
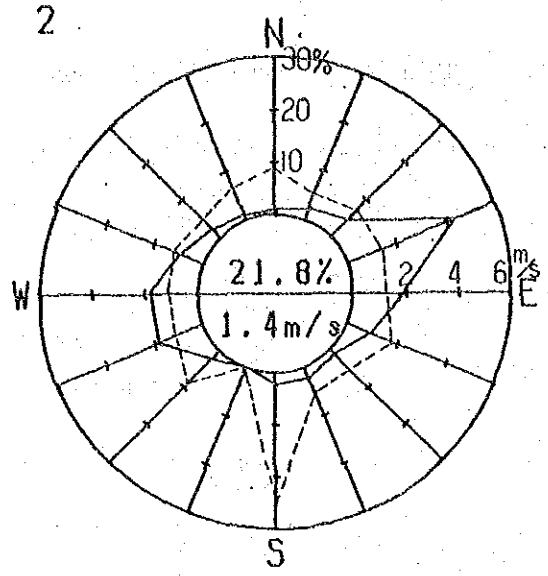
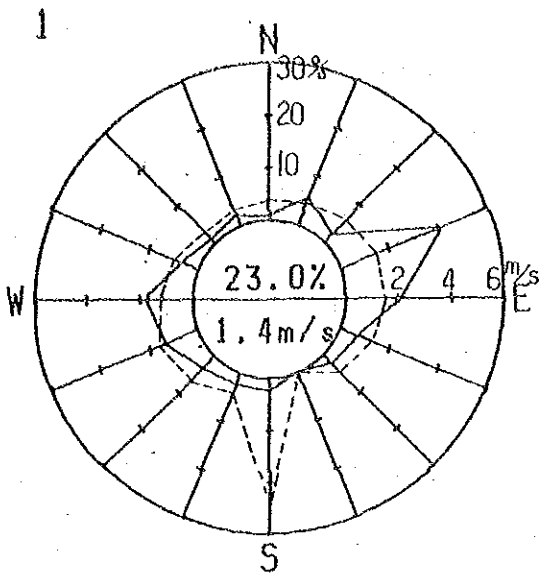


Figure 23-1 Hourly Wind Rose (METEOROLOGICAL AGENCY)

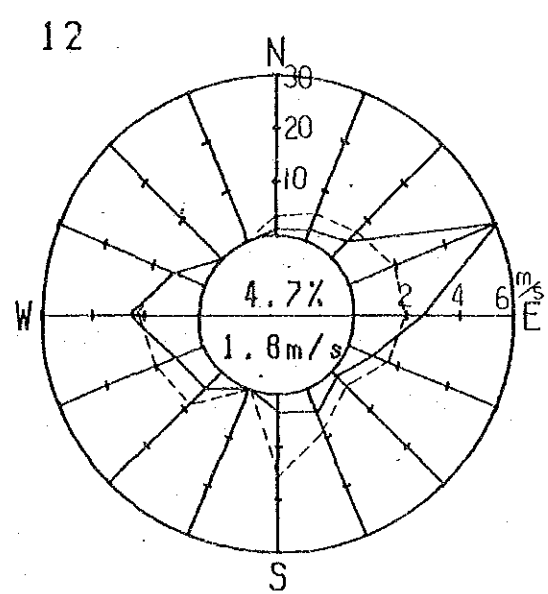
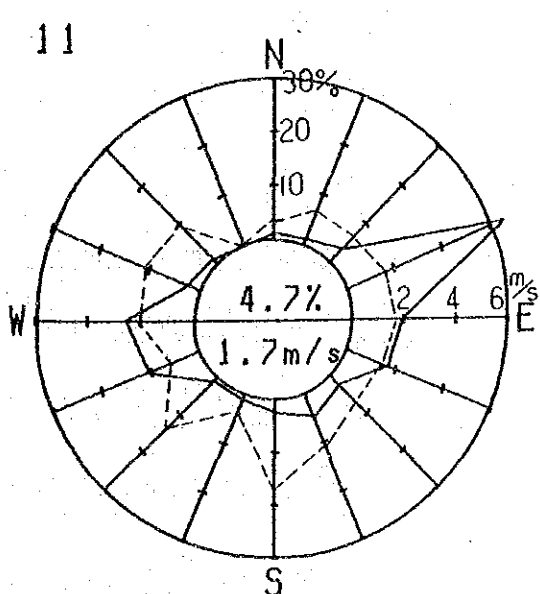
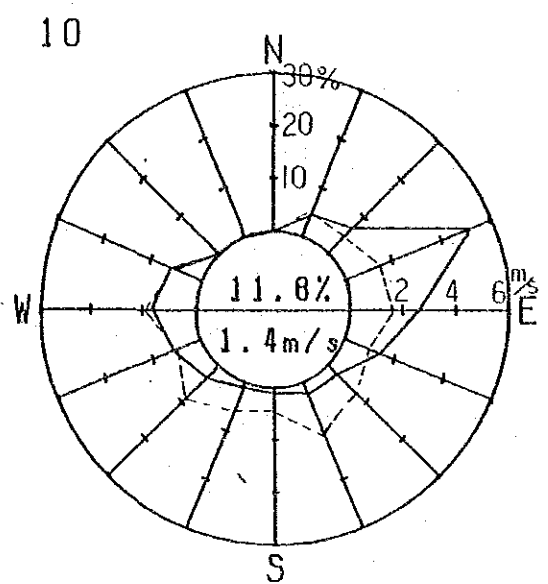
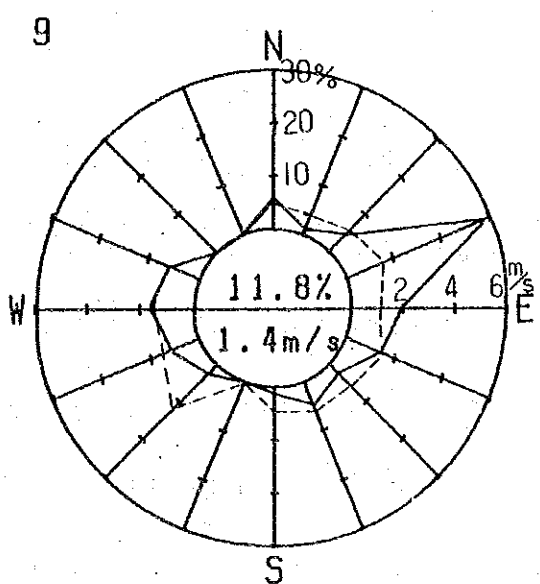
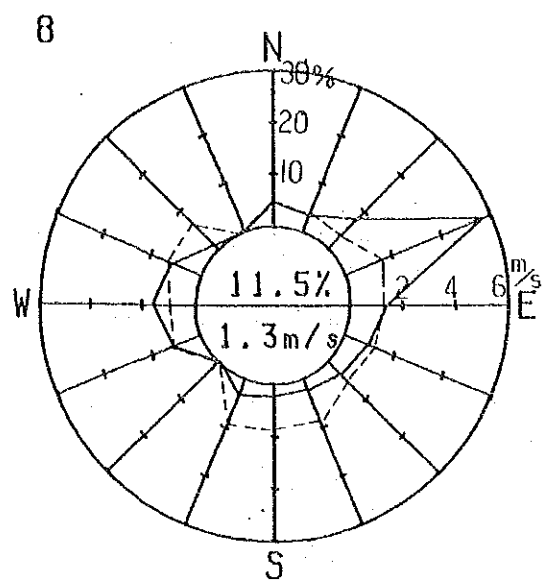
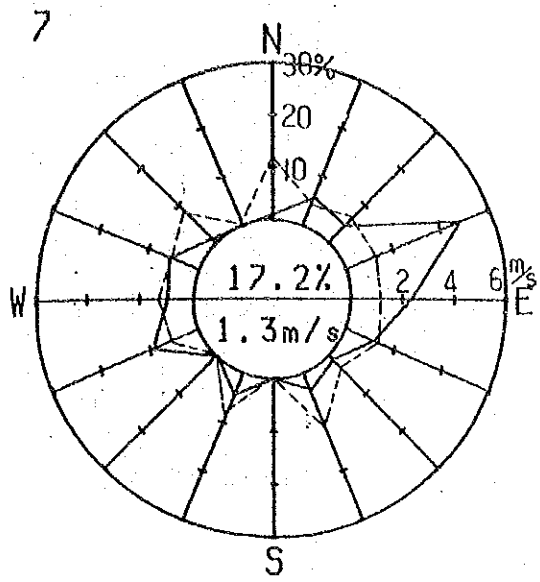


Figure 23-2 Hourly Wind Rose (METEOROLOGICAL AGENCY)

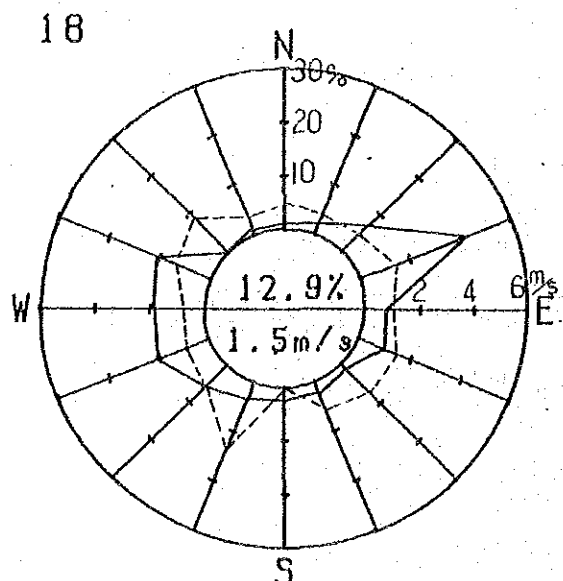
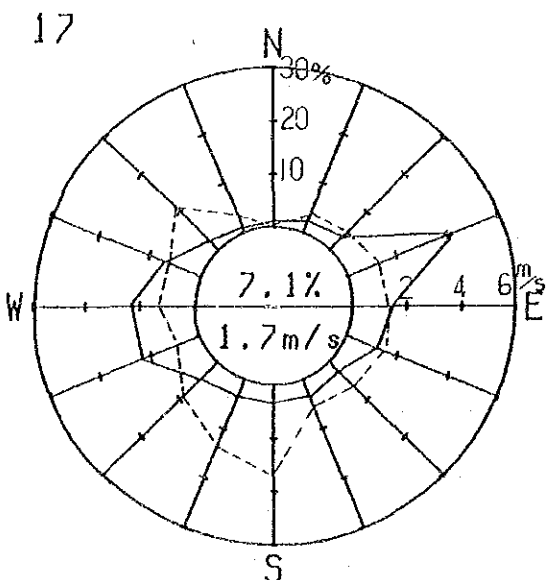
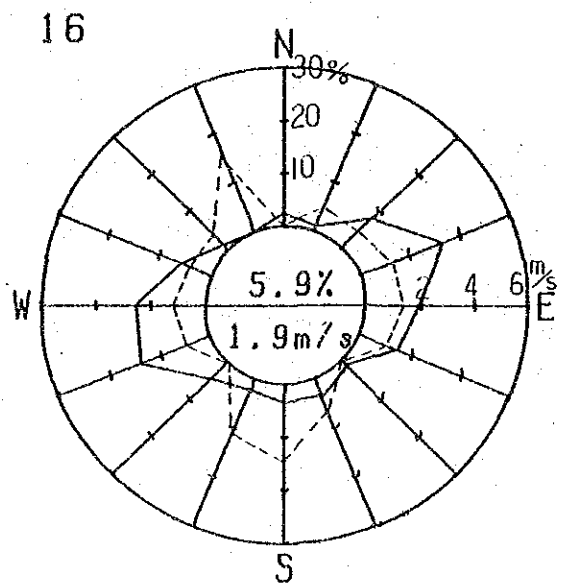
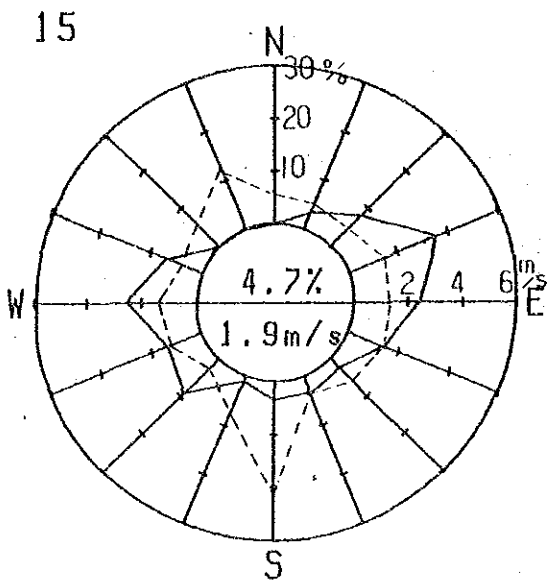
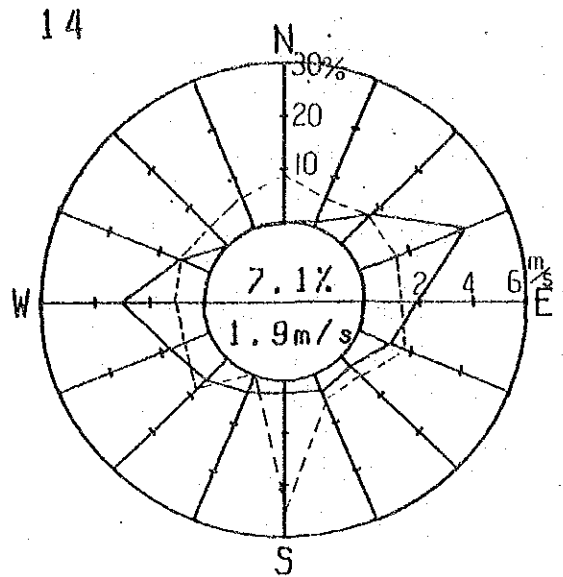
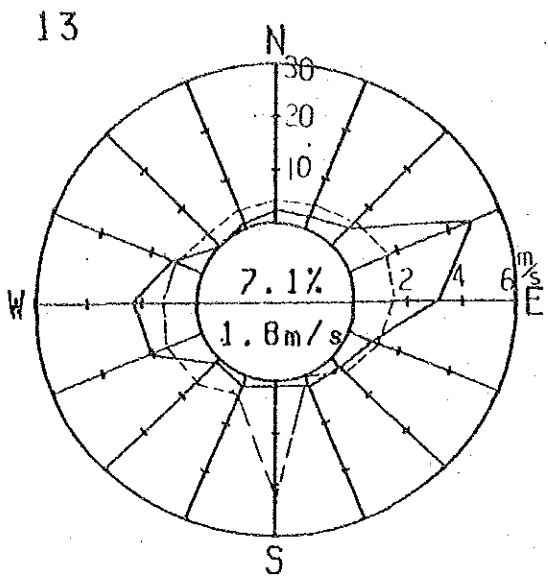


Figure 23-3 Hourly Wind Rose (METEOROLOGICAL AGENCY)

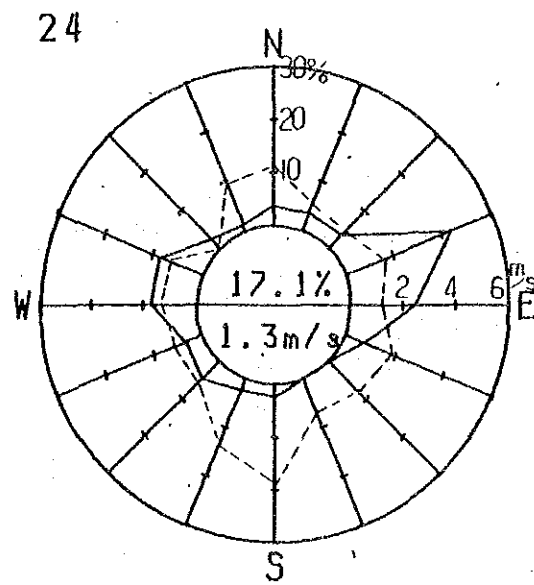
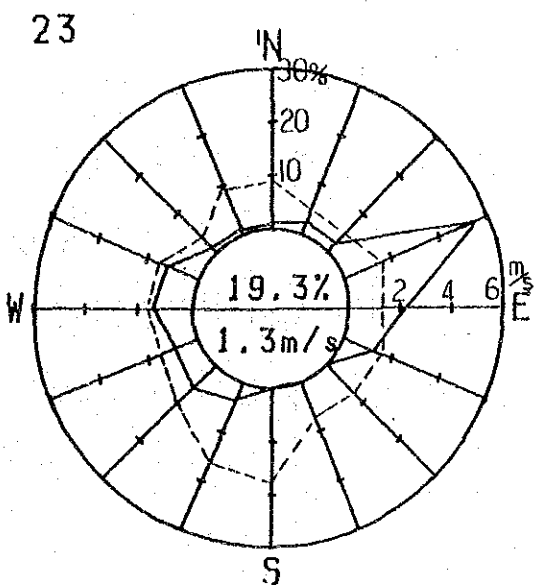
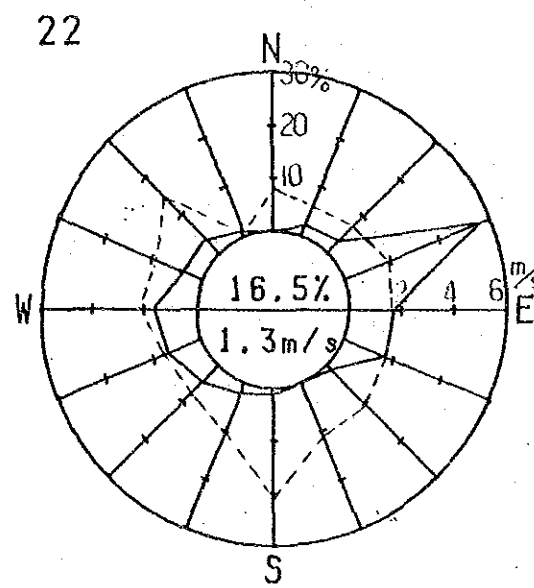
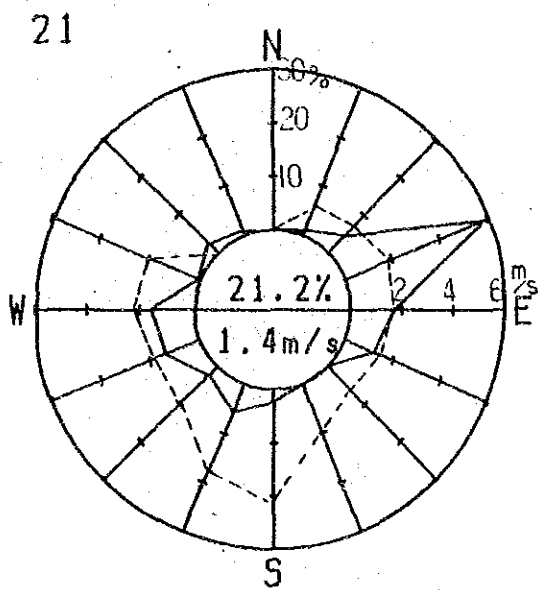
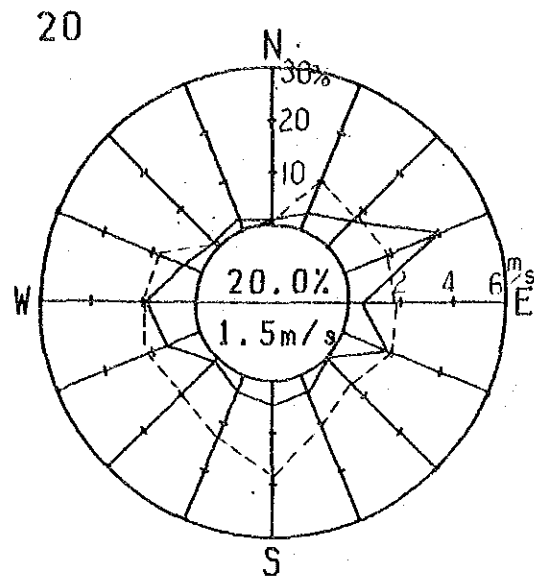
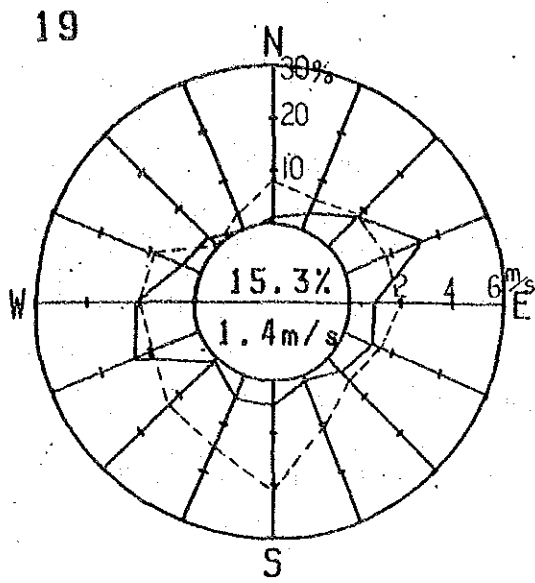


Figure 23-4 Hourly Wind Rose (METEOROLOGICAL AGENCY)

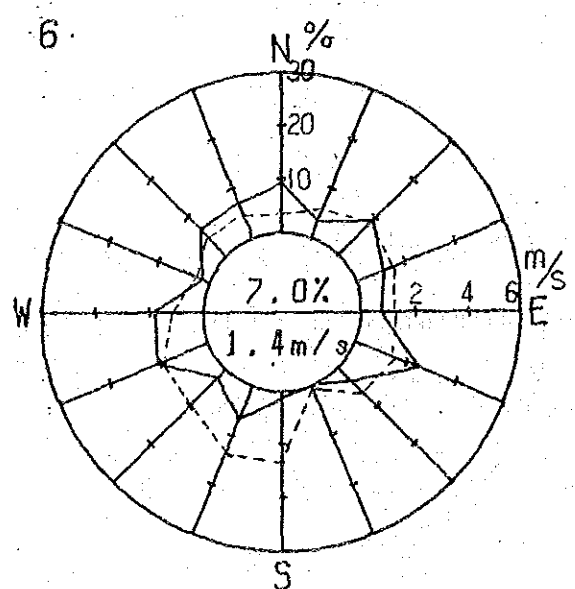
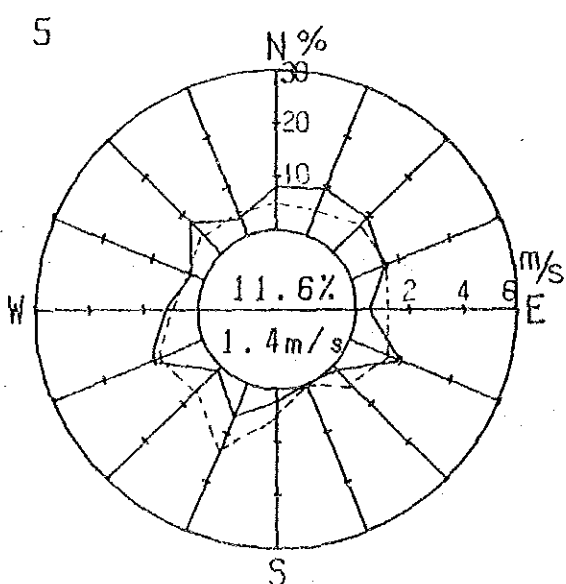
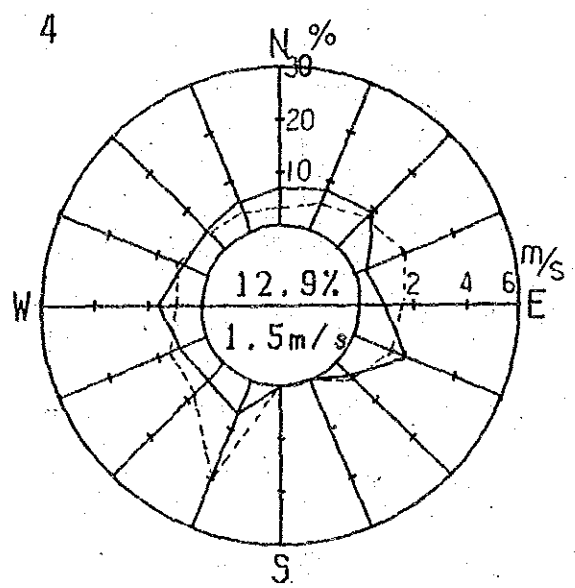
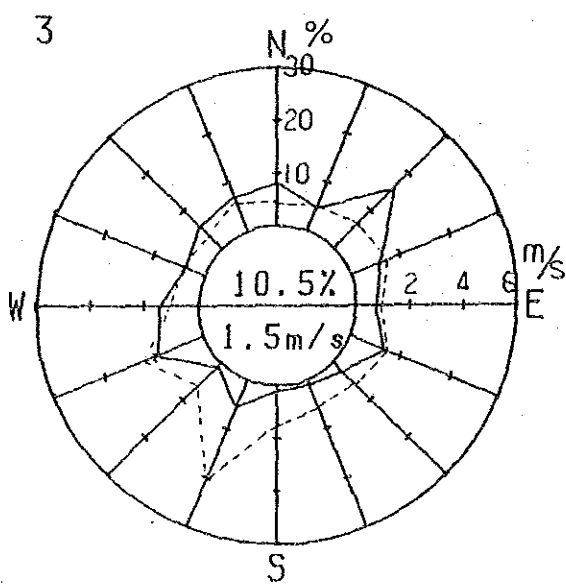
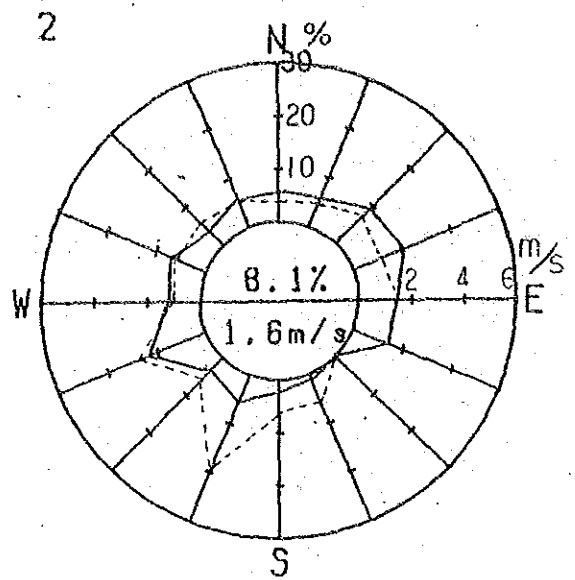
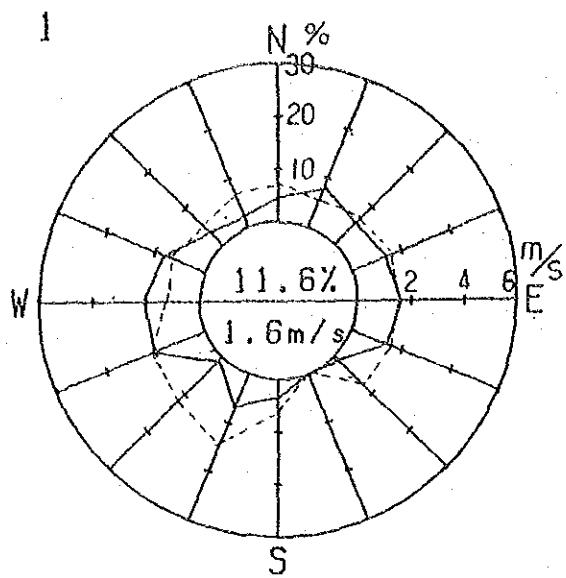


Figure 23-5 Hourly Wind Rose (TANDOGAN)
-227-

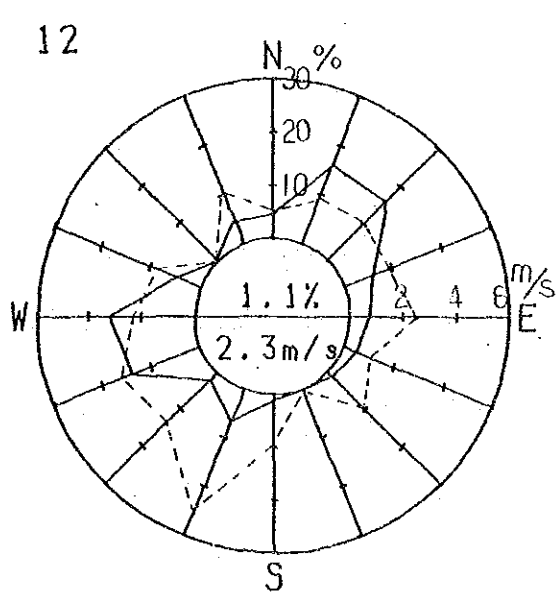
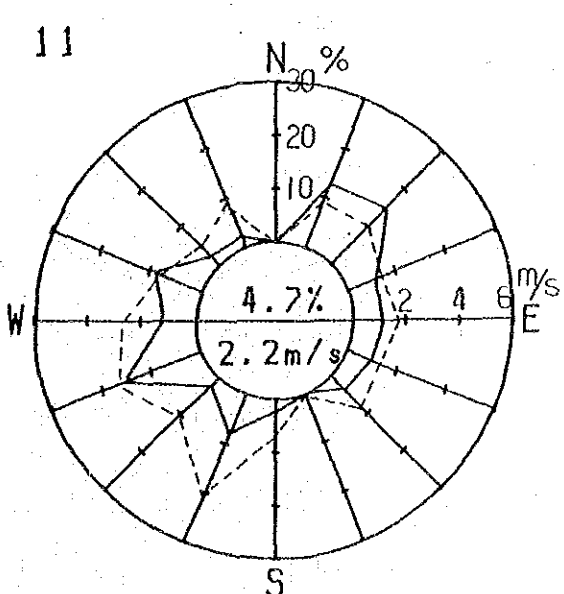
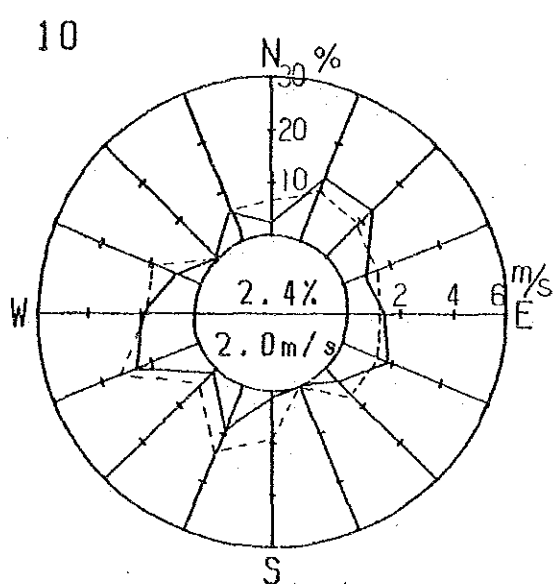
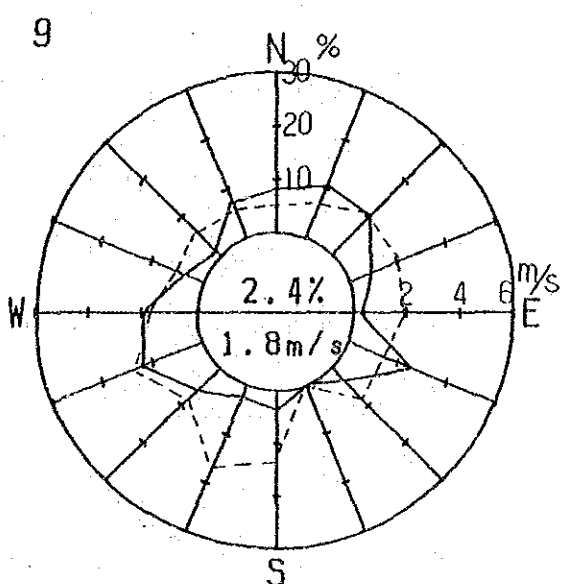
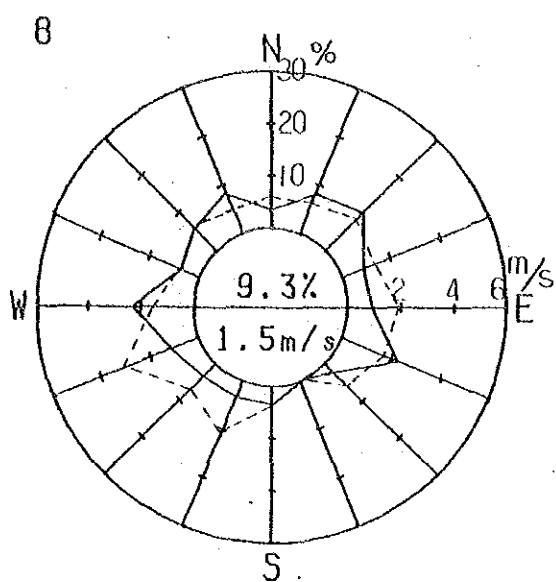
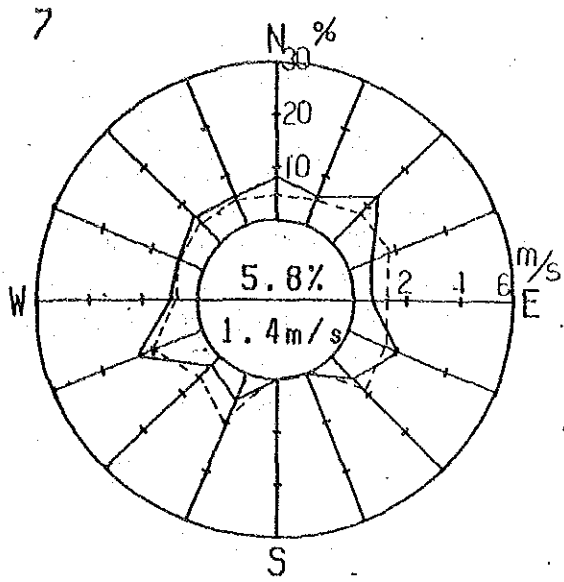


Figure 23-6 Hourly Wind Rose (TANDOGAN)
-228-

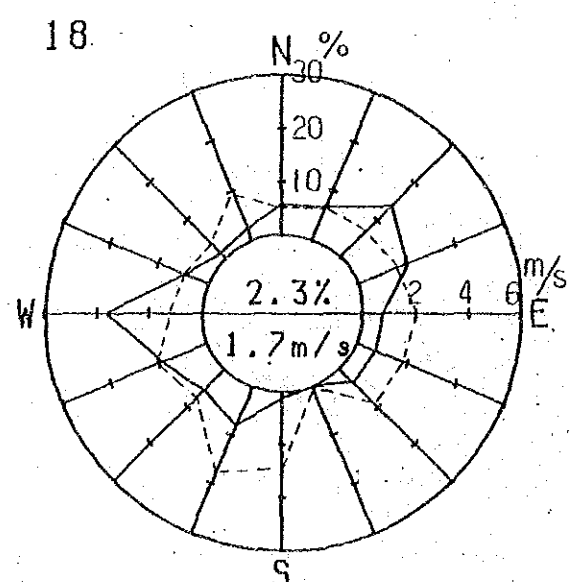
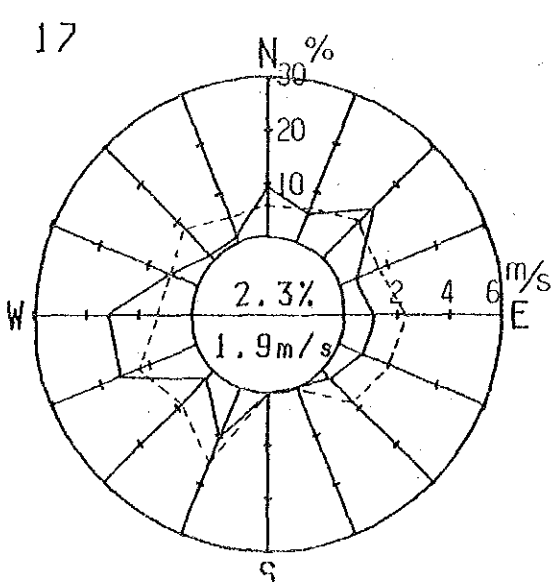
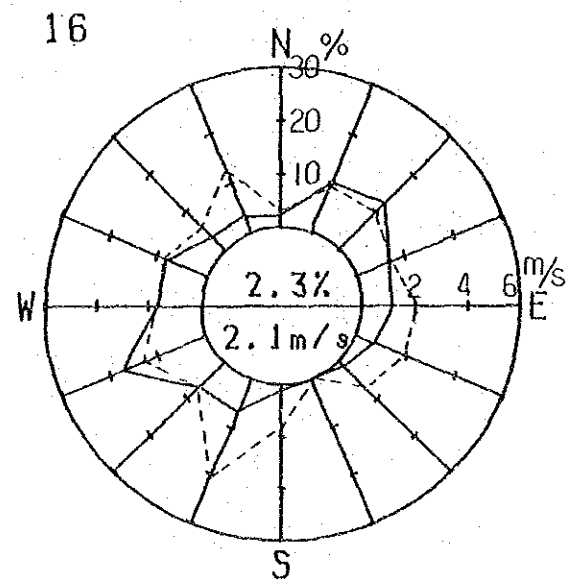
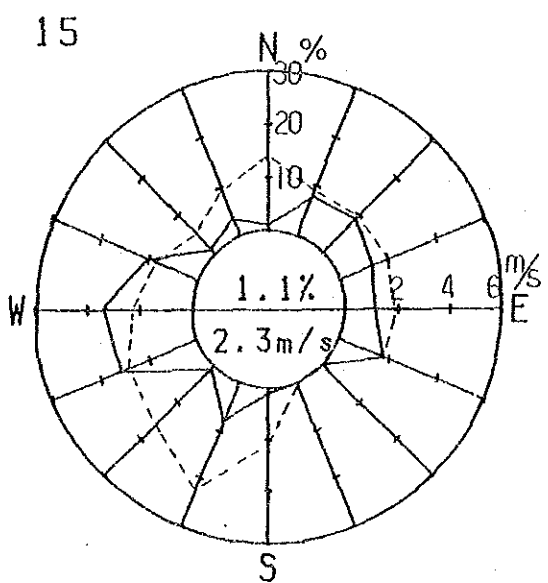
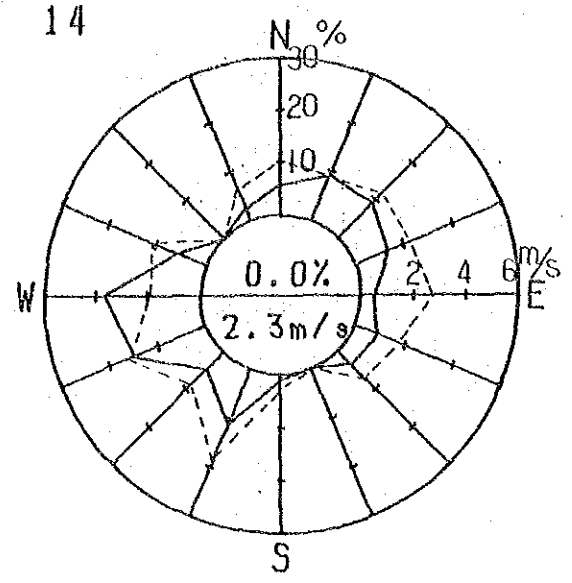
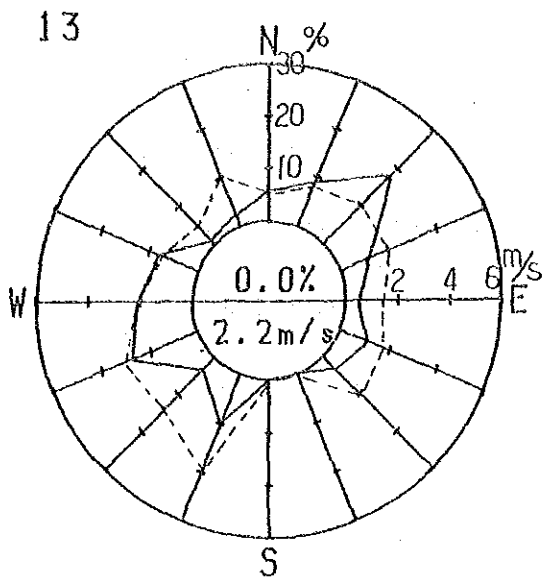


Figure 23-7 Hourly Wind Rose (TANDOGAN)

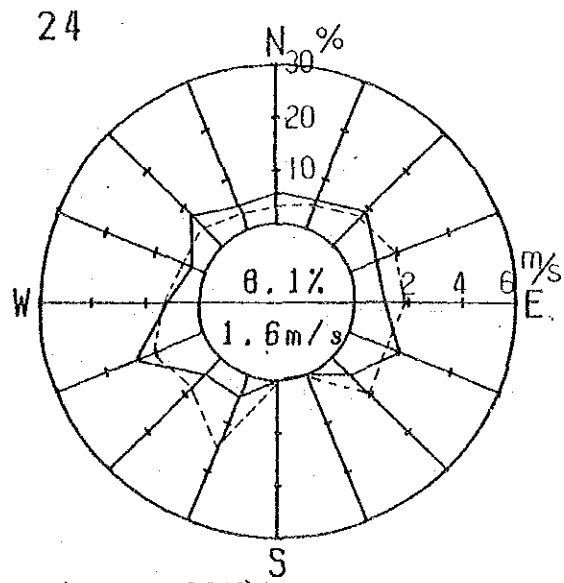
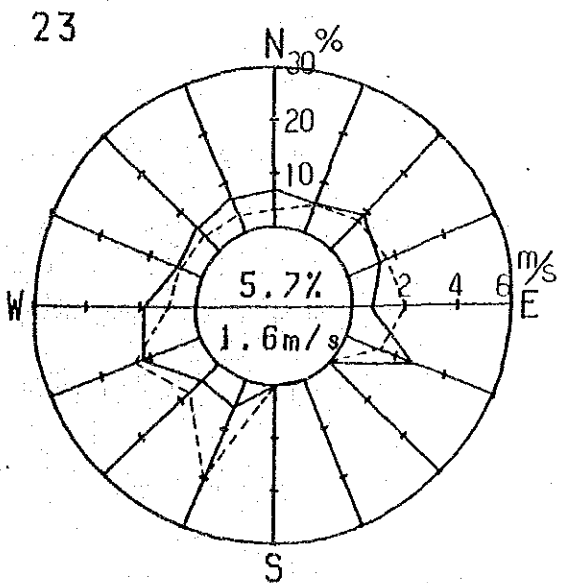
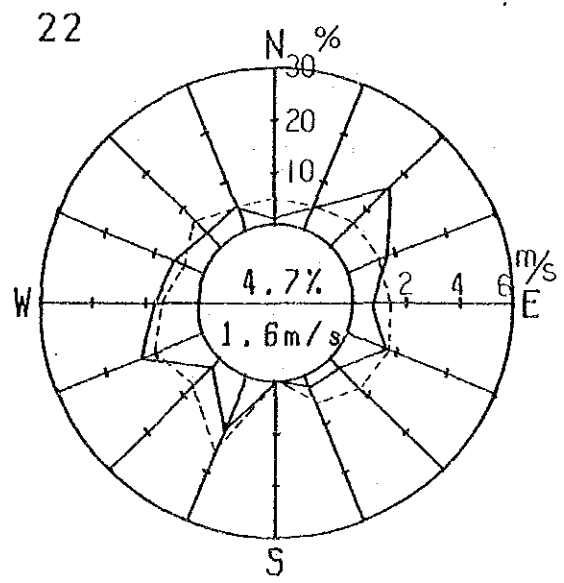
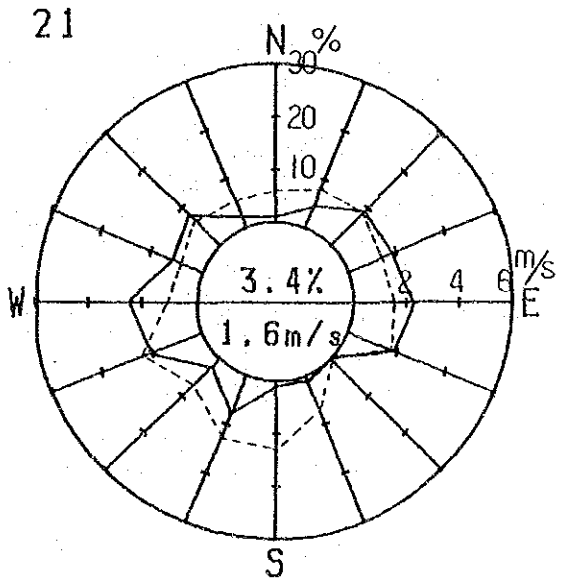
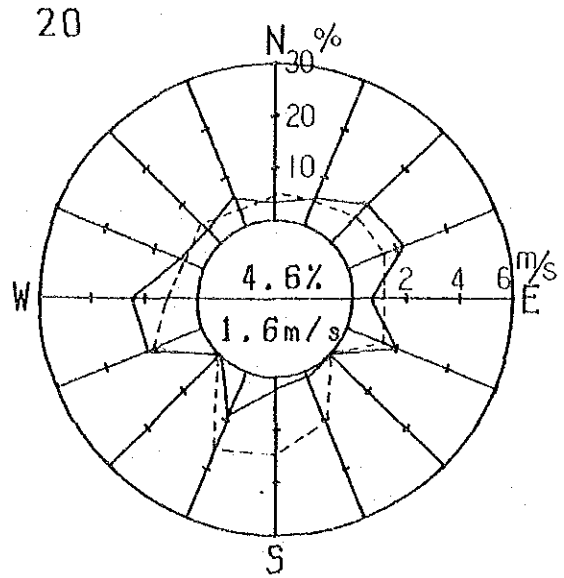
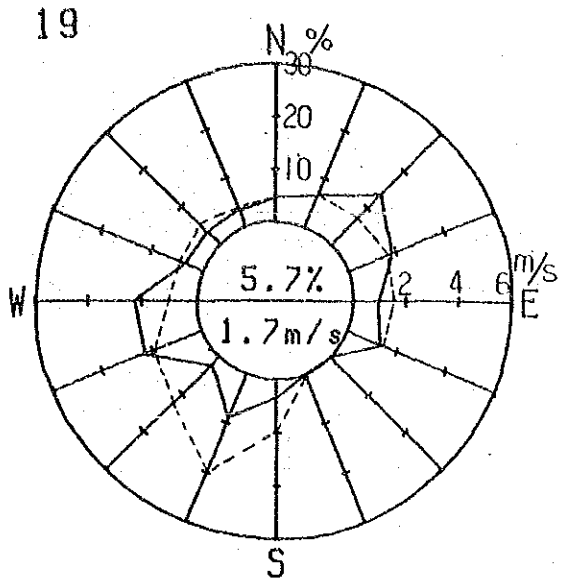


Figure 23-8 Hourly Wind Rose (TANDOGAN)

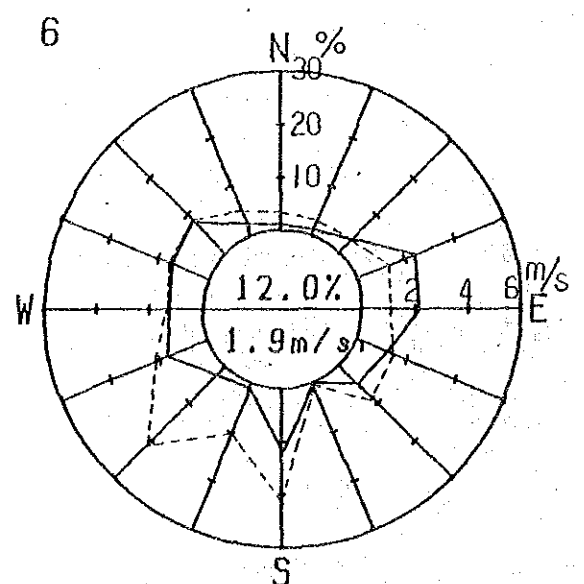
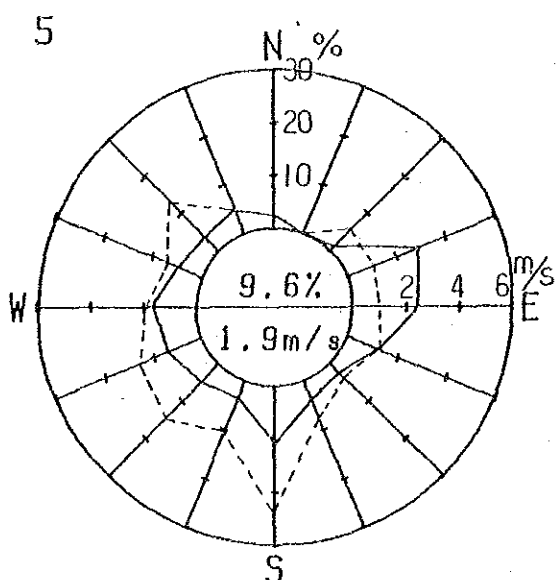
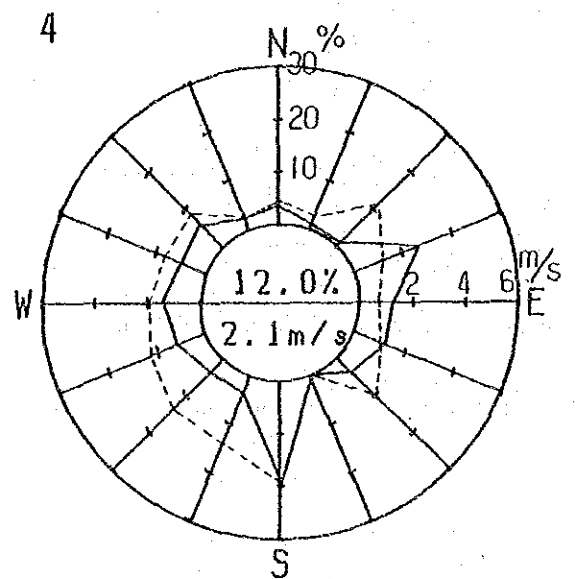
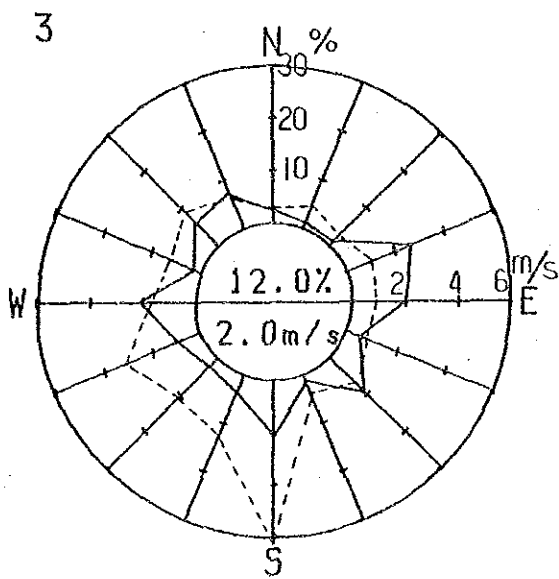
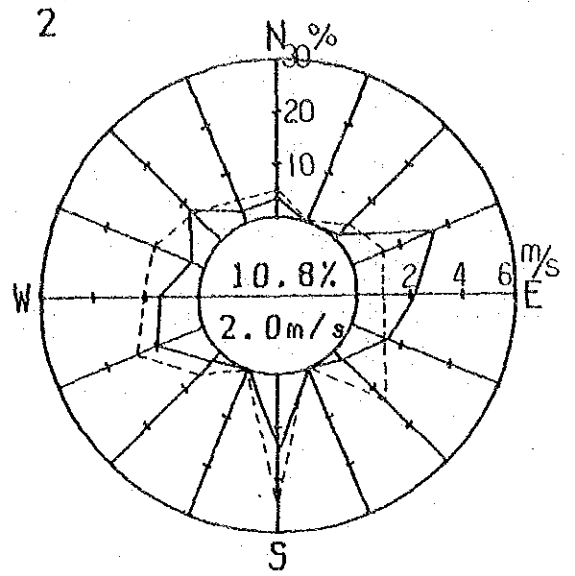
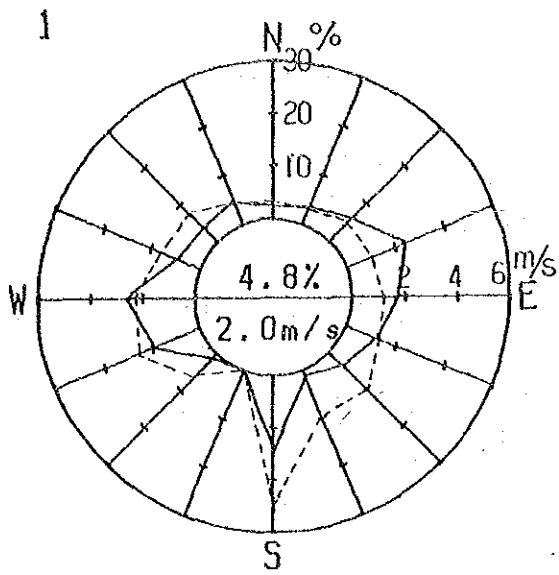


Figure 23-9 Hourly Wind Rose (KAVAKLIDERE)

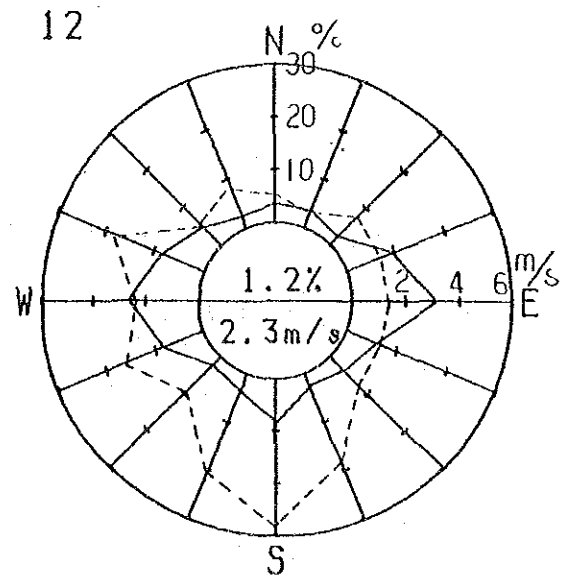
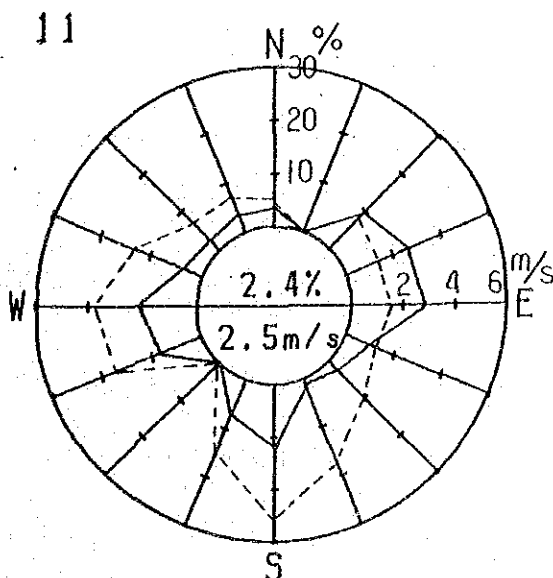
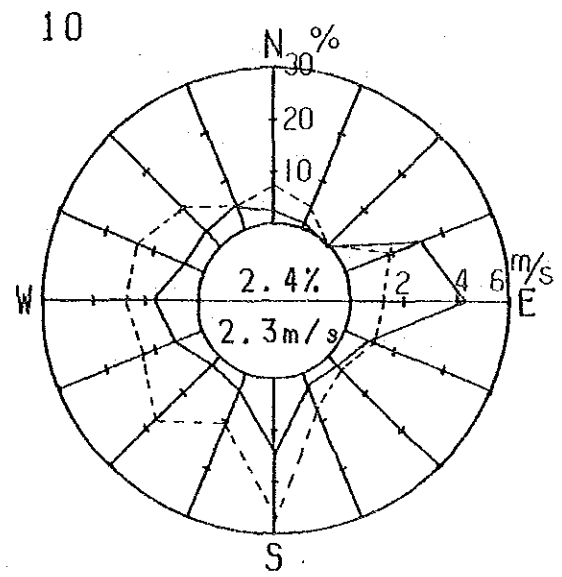
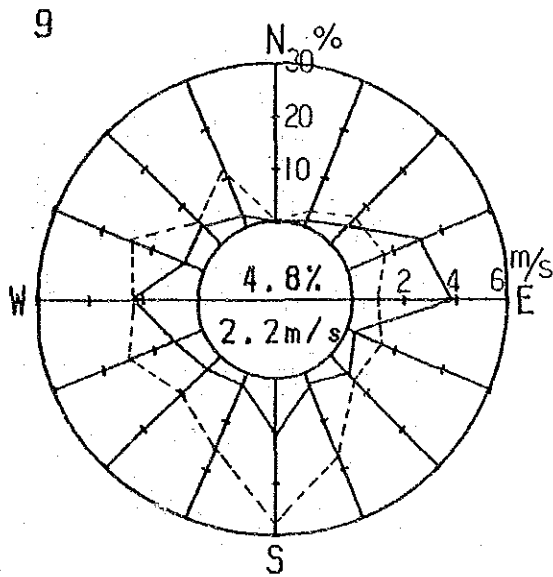
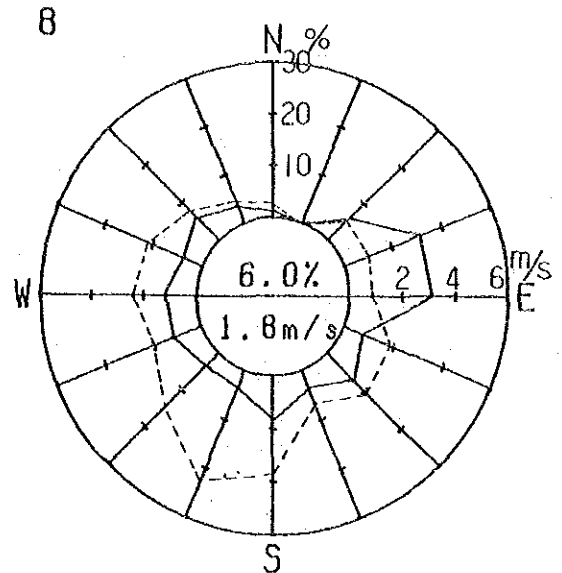
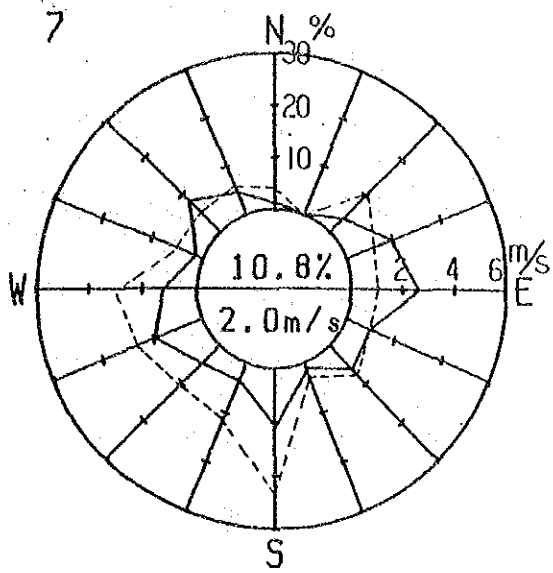


Figure 23-10 Hourly Wind Rose (KAVAKLIDERE)

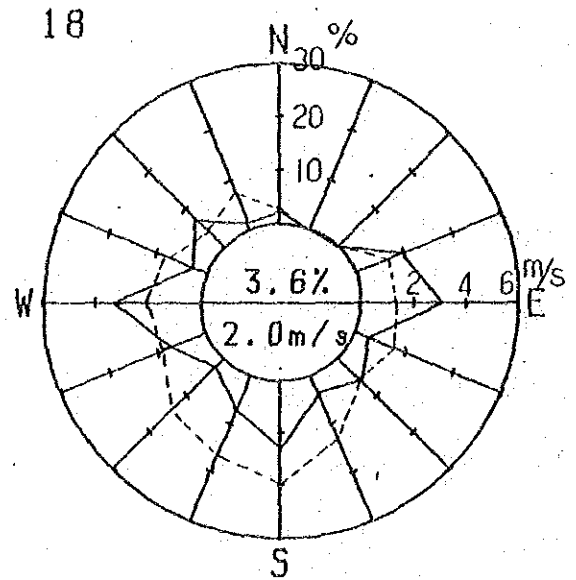
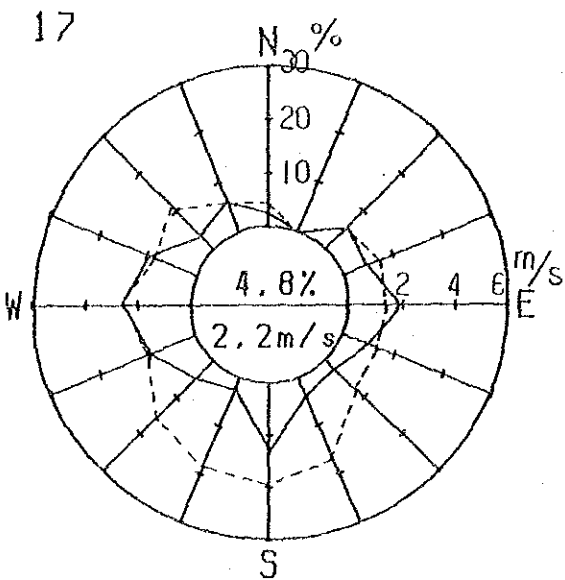
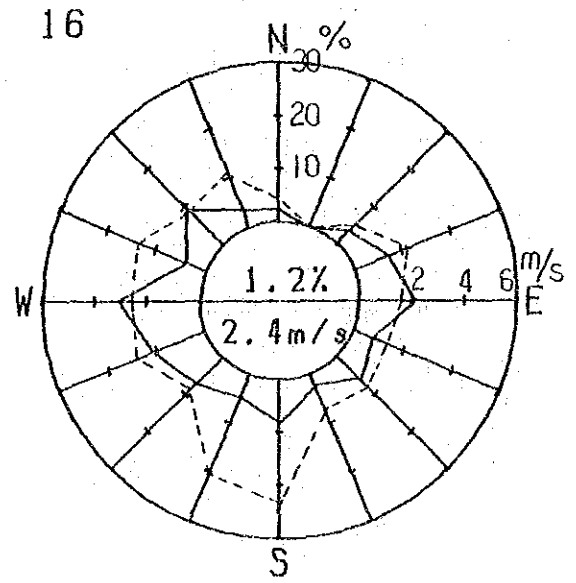
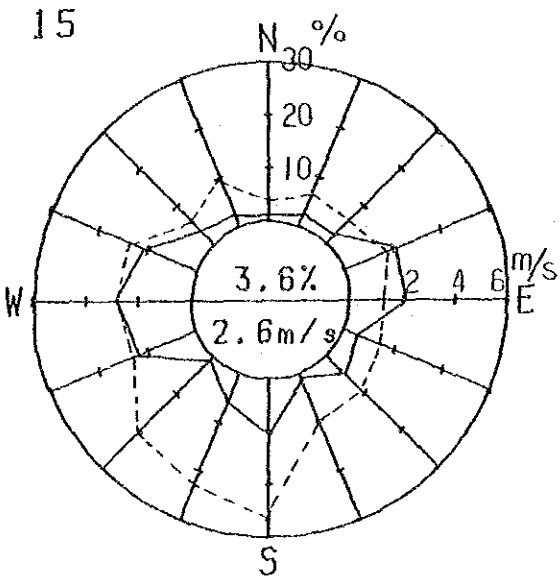
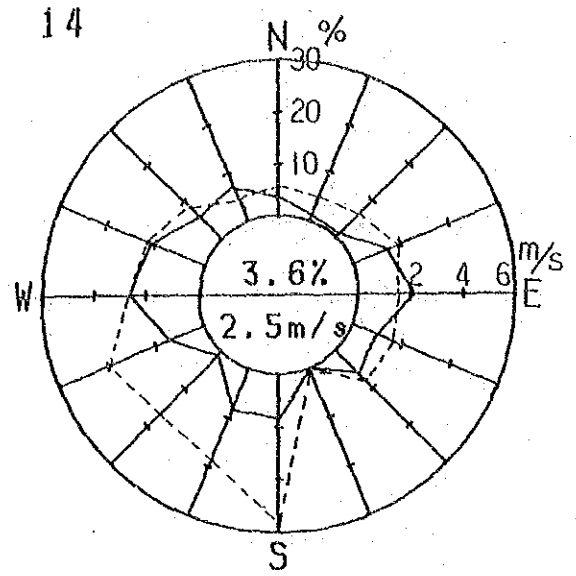
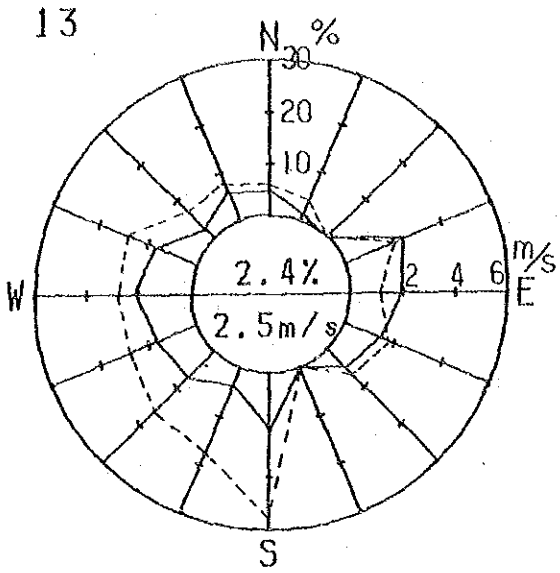
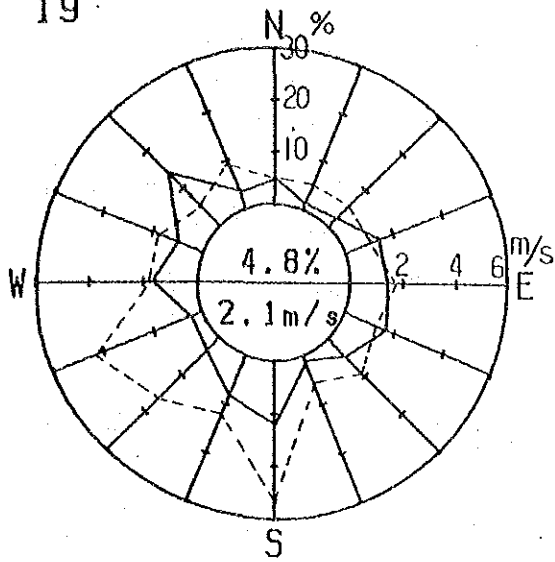
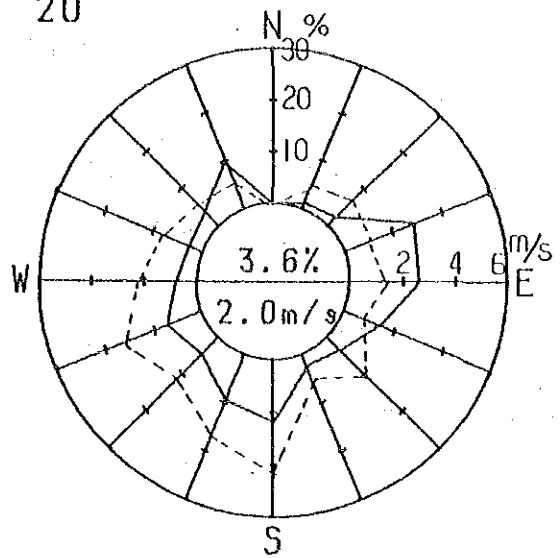


Figure 23-11 Hourly Wind Rose (KAVAKLIDERE)

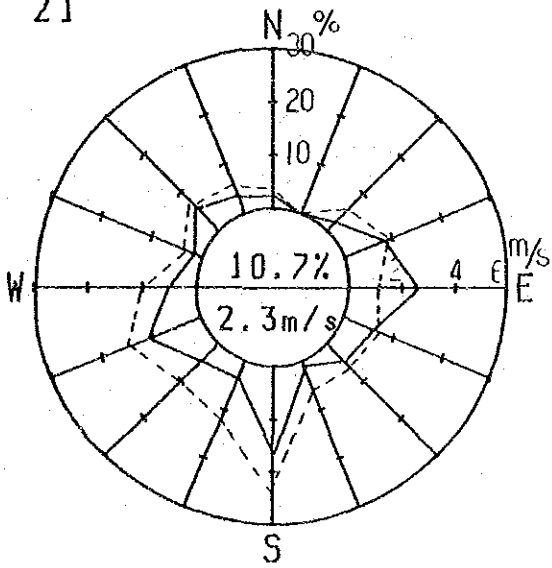
19



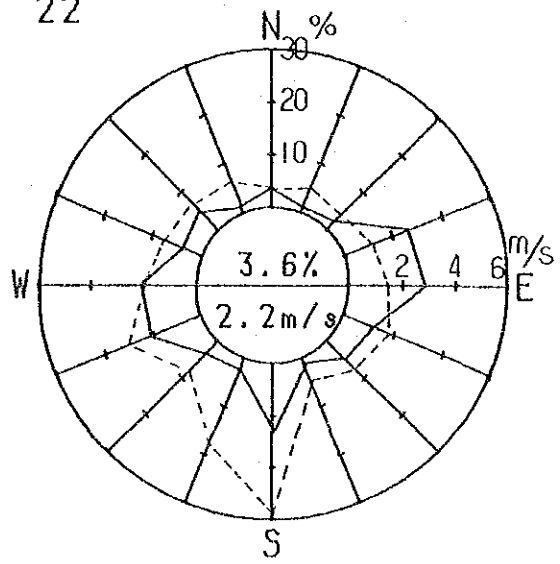
20



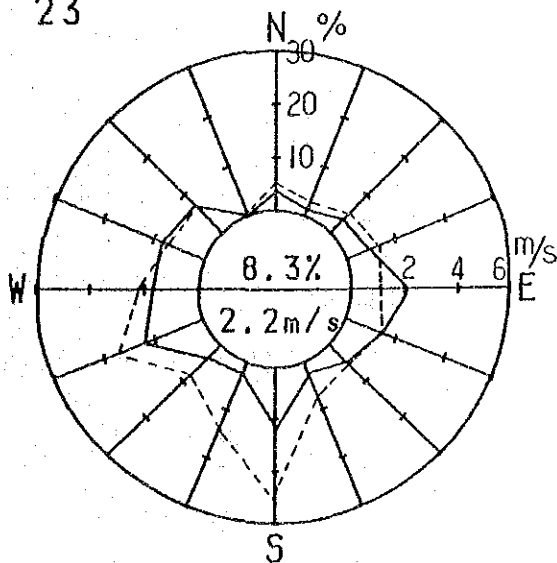
21



22



23



24

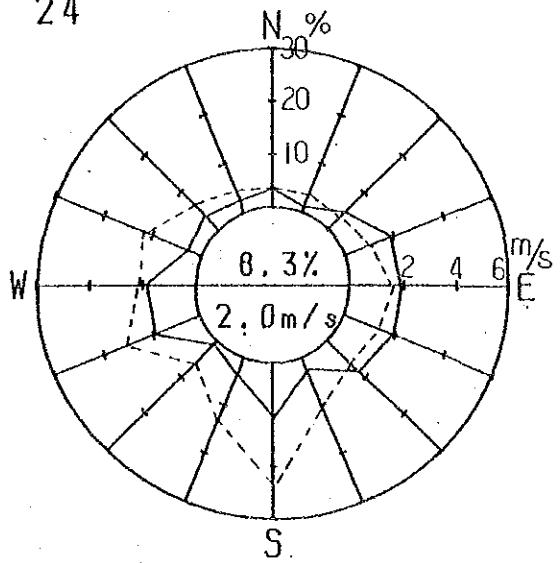


Figure 23-12 Hourly Wind Rose (KAVAKLIDERE)

24 Percent Frequency of Wind Direction by the Times of Day,
and Wind Speed by Directions and the Times of Day

Frequency of Wind Direction (%)

TANDOGAN

calm: u < 0.4m/s

時間別風向頻度 (%)
CALM 0.4 m/秒 以下

Time of Day	N	NNE	NE	ENE	E	ESE	SE	SSE	S	SSW	SW	WSW	W	WNW	NW	NNW	av. speed (m/s)	calm
1	4.7	8.1	5.8	7.0	8.1	7.0	1.2	0.0	3.5	7.0	1.2	10.5	10.5	8.1	3.5	2.3	1.6	11.6
2	5.8	5.8	9.3	10.5	7.0	7.0	0.0	1.2	2.3	5.8	3.5	11.6	5.8	7.0	3.5	5.8	1.6	8.1
3	8.1	4.7	16.3	5.8	3.5	7.0	2.3	1.2	1.2	5.8	1.2	9.3	7.0	3.5	5.8	7.0	1.5	10.5
4	7.1	8.2	9.4	2.4	4.7	10.6	3.5	0.0	0.0	7.1	4.7	5.9	8.2	4.7	4.7	5.9	1.5	12.9
5	8.1	9.3	9.3	7.0	2.3	10.5	1.2	0.0	2.3	7.0	1.2	10.5	5.8	2.3	8.1	3.5	1.4	11.6
6	9.3	3.5	9.3	5.8	3.5	12.8	3.5	0.0	1.2	7.0	2.3	10.5	9.3	1.2	7.0	7.0	1.4	7.0
7	8.1	5.8	12.8	4.7	3.5	10.5	5.8	0.0	0.0	5.8	2.3	12.8	4.7	7.0	5.8	1.4	1.4	5.8
8	3.5	8.1	10.5	4.7	4.7	11.6	2.3	0.0	3.5	3.5	3.5	5.8	11.6	7.0	5.8	8.1	1.5	9.3
9	8.3	10.7	10.7	4.8	1.2	13.1	3.6	0.0	3.6	2.4	6.0	11.9	9.5	3.6	1.2	7.1	1.8	2.4
10	2.4	12.9	12.9	4.7	7.1	9.4	3.5	0.0	1.2	9.4	1.2	12.9	9.4	4.7	0.0	5.9	2.0	2.4
11	0.0	12.8	15.1	5.8	5.8	4.7	3.5	0.0	2.3	8.1	2.3	15.1	5.8	9.3	2.3	2.3	2.2	4.7
12	4.6	16.1	16.1	5.7	3.4	2.3	1.1	0.0	1.1	6.9	2.3	13.8	16.1	4.6	0.0	4.6	2.3	1.1
13	5.7	9.2	18.4	5.7	2.3	5.7	3.4	0.0	0.0	10.3	3.4	13.8	10.3	8.0	1.1	2.3	2.2	0.0
14	5.7	9.2	9.2	6.9	2.3	4.6	3.4	0.0	1.1	11.5	4.6	14.9	18.4	5.7	0.0	2.3	2.3	0.0
15	1.1	8.0	10.3	9.2	5.7	3.4	0.0	0.0	1.1	8.0	1.1	16.1	17.2	10.3	1.1	3.4	2.3	1.1
16	2.3	10.3	12.6	6.9	5.7	3.4	2.3	0.0	1.1	6.9	6.9	17.2	8.0	8.0	3.4	3.4	2.1	2.3
17	9.2	5.7	13.8	3.4	5.7	4.6	3.4	0.0	0.0	10.3	2.3	16.1	16.1	5.7	1.1	1.1	1.9	2.3
18	5.7	6.9	13.8	10.3	3.4	3.4	3.4	0.0	1.1	8.0	5.7	9.2	18.4	4.6	1.1	2.3	1.7	2.3
19	4.6	6.9	13.8	9.2	4.6	6.9	0.0	0.0	3.4	9.2	2.3	11.5	11.5	3.4	3.4	3.4	1.6	4.6
20	3.4	5.7	10.3	11.5	3.4	10.3	0.0	1.1	2.3	9.2	0.0	11.5	12.6	8.0	5.7	2.3	1.6	3.4
21	1.1	4.6	9.2	9.2	11.5	9.2	0.0	1.1	1.1	8.0	2.3	10.3	12.6	5.7	8.0	2.3	1.6	4.6
22	1.2	4.7	16.3	8.1	3.5	8.1	2.3	2.3	0.0	11.6	2.3	12.8	8.1	5.8	3.5	4.7	1.6	4.7
23	6.9	5.7	9.2	6.9	3.4	13.8	0.0	0.0	0.0	5.7	4.6	11.5	9.2	5.7	5.7	6.9	1.6	5.7
24	5.8	5.8	9.3	5.8	5.8	10.5	4.7	0.0	0.0	4.7	4.7	14.0	5.8	2.3	8.1	4.7	1.6	8.1
Whole	5.1	7.9	11.8	6.7	4.7	8.2	2.2	0.3	1.4	7.5	3.0	12.1	10.5	5.3	3.7	4.5	1.8	5.3
Midnight	6.3	6.5	10.0	6.3	5.8	8.4	2.3	0.5	1.4	6.1	3.0	10.3	7.5	5.1	5.1	5.1	1.5	10.3
Early morn.	8.5	6.2	10.5	5.8	3.1	11.2	3.5	0.0	1.2	6.6	1.9	11.2	6.6	2.7	7.4	5.4	1.4	8.1
Morning	4.7	10.6	11.4	4.7	4.3	11.4	3.1	0.0	2.7	5.1	3.5	10.2	10.2	3.9	2.4	7.1	1.7	4.7
Afternoon	4.0	11.8	14.7	6.1	3.5	4.3	2.9	0.0	1.2	9.2	3.2	14.4	12.7	6.9	0.9	2.9	2.3	1.4
Evening	4.2	8.0	11.9	5.7	5.7	5.7	1.1	0.0	0.8	8.4	3.4	16.5	13.8	8.0	1.9	2.7	2.1	1.9
Night	3.8	5.8	12.1	9.2	5.0	8.6	1.0	0.8	1.3	8.6	2.9	11.1	12.1	4.8	4.2	4.2	1.6	4.4
December	2.9	5.4	12.6	14.3	16.6	26.6	8.0	0.9	0.9	0.0	0.3	0.6	4.0	3.2	0.9	1.1	1.6	1.7
January	5.5	8.9	19.4	7.5	3.2	4.4	0.8	0.3	2.7	12.4	3.6	6.9	7.0	3.5	3.9	3.6	1.8	6.2
February	4.0	5.2	4.9	2.7	0.9	0.6	0.1	0.1	0.9	9.4	4.6	27.7	15.8	6.3	4.9	6.9	2.1	4.8
March	9.0	13.8	7.4	4.5	2.9	12.5	3.2	0.0	0.0	0.0	1.0	3.9	14.8	9.6	3.9	5.1	1.3	8.4

Average Wind Speed(m/s)

TANDOĀN

Time of Day	N	NNE	NE	ENE	E	ESE	SE	SSE	S	SSW	SW	WSW	W	WNW	NW	NNW	calm	Average
1	1.4	1.1	1.4	1.7	1.6	1.6	1.6	0.0	1.3	3.1	2.4	2.1	1.1	1.2	1.0	1.4	0.2	1.6
2	0.7	0.9	1.5	1.3	1.6	1.5	0.0	1.2	1.3	3.9	1.3	2.7	0.9	1.2	1.1	1.0	0.1	1.6
3	0.9	1.1	1.5	1.6	1.0	1.5	1.3	1.2	1.5	4.1	1.2	2.3	1.0	0.8	0.7	1.2	0.3	1.5
4	0.7	1.2	1.7	2.1	1.6	1.6	0.9	0.0	0.0	3.8	1.7	1.6	0.9	1.3	1.0	0.9	0.3	1.5
5	1.0	1.1	1.5	1.5	1.2	1.5	1.0	0.0	2.6	2.9	1.3	1.8	0.9	0.6	1.0	1.0	0.2	1.4
6	0.8	1.2	1.8	1.6	1.3	1.6	1.3	0.0	0.0	2.6	1.8	1.9	1.1	0.5	1.0	1.0	0.3	1.4
7	0.9	1.0	1.6	1.8	1.3	1.6	1.9	0.0	0.0	2.1	1.1	2.0	0.7	0.9	1.0	0.3	0.3	1.4
8	1.1	1.2	1.6	1.4	1.9	1.8	1.3	0.0	0.8	2.3	1.5	3.0	1.4	0.7	1.2	0.9	0.3	1.5
9	1.1	1.4	2.2	2.2	2.0	1.5	1.7	0.0	2.7	3.4	1.6	2.6	1.6	1.0	1.2	1.2	0.2	1.8
10	1.3	2.0	1.9	1.6	1.4	1.5	1.5	0.0	1.8	3.4	0.8	3.1	1.7	1.8	0.0	1.2	0.3	2.0
11	0.0	1.9	2.1	1.6	1.8	1.4	1.6	0.0	1.3	4.2	2.0	3.2	2.6	1.6	1.0	1.8	0.4	2.2
12	1.1	1.8	2.1	1.9	2.5	1.2	1.9	0.0	1.8	5.1	2.7	3.1	2.3	1.7	0.0	2.1	0.4	2.3
13	1.0	1.7	2.1	2.0	1.4	1.7	2.0	0.0	0.0	4.0	2.8	3.0	2.2	1.5	1.0	2.1	0.0	2.2
14	2.0	1.8	2.4	2.3	1.9	1.8	0.0	0.0	0.5	3.8	1.7	3.2	1.9	2.2	0.0	1.3	0.1	2.3
15	2.8	1.8	1.9	2.0	2.7	1.8	0.0	0.0	2.1	4.5	3.2	2.9	2.2	1.7	1.0	1.8	0.4	2.3
16	0.7	1.9	2.0	1.4	2.0	1.9	1.5	0.0	1.6	4.3	1.5	2.6	1.7	1.7	1.2	2.5	0.4	2.1
17	1.2	1.3	2.0	1.6	2.4	2.1	1.7	0.0	0.0	3.1	1.8	2.4	1.3	1.1	1.6	1.0	0.2	1.9
18	1.0	1.3	1.5	1.6	2.1	1.9	1.8	0.0	2.9	3.6	1.5	2.1	1.1	1.0	0.7	1.9	0.1	1.7
19	0.9	1.3	1.5	1.7	1.5	1.4	0.0	0.0	1.9	4.1	2.6	2.0	1.1	1.0	1.1	0.8	0.3	1.7
20	1.0	1.1	1.5	1.6	1.3	1.5	0.0	2.1	3.0	3.2	0.0	2.0	1.1	0.7	1.0	0.7	0.2	1.6
21	1.2	1.6	1.7	1.4	1.6	1.8	0.0	1.4	2.6	3.7	1.5	2.4	1.0	0.8	1.3	0.8	0.2	1.6
22	1.0	1.0	1.3	1.4	1.4	1.8	1.7	1.3	0.0	3.2	1.5	2.0	1.3	0.7	1.3	1.0	0.0	1.6
23	0.7	1.2	1.6	1.7	2.1	1.4	0.0	0.0	0.0	4.1	1.7	2.6	1.0	0.9	0.8	0.8	0.2	1.6
24	0.7	1.1	1.7	2.0	1.9	1.6	2.0	0.0	0.0	3.1	1.7	2.1	1.3	0.9	1.0	0.7	0.3	1.6
Whole	1.0	1.5	1.8	1.7	1.7	1.6	1.6	1.4	1.7	3.5	1.7	2.5	1.5	1.3	1.0	1.1	0.2	1.8
Midnight	0.9	1.1	1.5	1.6	1.6	1.5	1.5	1.2	1.3	3.6	1.6	2.2	1.1	1.1	0.9	1.0	0.2	1.5
Early morn.	0.9	1.1	1.6	1.6	1.3	1.5	1.6	0.0	1.5	2.6	1.4	1.9	1.0	0.7	1.0	1.0	0.2	1.4
Morning	1.1	1.6	1.9	1.7	1.6	1.6	1.5	0.0	1.7	2.7	1.5	2.9	1.5	1.2	1.1	1.1	0.3	1.7
Afternoon	1.4	1.8	2.1	1.9	2.0	1.6	1.7	0.0	1.2	4.2	2.3	3.1	2.1	1.7	1.0	1.9	0.4	2.3
Evening	1.2	1.7	2.0	1.7	2.1	1.9	1.6	0.0	1.9	3.8	1.7	2.6	1.8	1.6	1.2	2.0	0.2	2.1
Night	0.9	1.3	1.5	1.5	1.6	1.6	1.8	1.5	2.5	3.5	1.7	2.2	1.1	0.8	1.1	0.9	0.2	1.6
December	1.1	1.5	1.8	1.5	1.9	1.7	1.5	1.2	1.5	0.0	0.6	1.5	1.0	1.0	0.9	1.2	0.4	1.6
January	1.0	1.4	1.8	1.7	1.4	1.4	1.6	1.3	1.7	3.7	1.6	2.0	1.2	1.2	0.9	0.9	0.3	1.8
February	1.1	1.6	1.6	1.8	1.4	1.3	2.2	2.1	2.0	3.2	2.0	2.7	1.8	1.5	1.2	1.4	0.2	2.1
March	0.9	1.5	1.9	1.6	1.1	1.5	1.8	0.0	0.0	0.0	0.8	1.3	1.2	1.1	0.9	0.8	0.2	1.3

 ** Frequency of Wind Direction (%)
 ** 時間別風向頻度 (%)
 ** KAVAKLIDERE
 ** CALM: U < 0.4m/s
 ** *****

Time of Day	N	NNE	NE	ENE	E	ESE	SE	SSE	S	SSW	SW	WSW	W	WNW	NW	NNW	av. speed (m/s)	calm
1	2.4	3.6	6.0	12.0	8.4	6.0	3.6	1.2	14.5	0.0	1.2	9.6	13.3	4.8	3.6	4.8	2.0	4.8
2	3.6	0.0	1.2	16.9	10.8	7.2	2.4	0.0	14.5	0.0	2.4	9.6	17.2	2.4	8.4	2.4	2.0	10.8
3	2.4	1.2	1.2	13.3	9.6	2.4	9.6	1.2	10.8	3.6	2.4	4.8	10.8	1.2	6.0	7.2	2.0	12.0
4	3.6	1.2	1.2	13.3	6.0	6.0	3.6	0.0	19.3	3.6	3.6	6.0	7.2	4.8	6.0	2.4	2.1	12.0
5	2.4	0.0	1.2	14.5	12.0	6.0	2.4	3.6	10.8	3.6	4.8	7.2	8.4	4.8	3.6	4.8	1.9	9.6
6	1.2	1.2	3.6	12.0	10.8	6.0	4.8	0.0	12.0	1.2	2.4	8.4	6.0	7.2	8.4	2.4	1.9	12.0
7	1.2	0.0	3.6	9.6	13.3	4.8	6.0	1.2	10.8	3.6	4.8	9.6	6.0	1.2	8.4	4.8	2.0	10.8
8	1.2	0.0	6.0	15.7	15.7	3.6	7.2	3.6	8.4	3.6	3.6	6.0	6.0	3.6	6.0	3.6	1.8	6.0
9	1.2	1.2	4.8	15.7	19.3	1.2	4.8	2.4	10.8	2.4	3.6	6.0	12.0	3.6	4.8	2.4	2.3	4.8
10	2.4	1.2	0.0	15.7	21.7	4.8	2.4	2.4	14.5	3.6	2.4	6.0	8.4	3.6	3.6	4.8	2.2	2.4
11	3.6	0.0	9.6	13.3	14.5	4.8	2.4	1.2	12.0	7.2	0.0	8.4	10.8	3.6	2.4	3.6	2.5	2.4
12	3.6	3.6	2.4	9.6	15.7	6.0	3.6	2.4	8.4	3.6	2.4	8.4	13.3	4.8	4.8	2.4	2.3	1.2
13	4.8	1.2	0.0	12.0	9.6	7.2	4.8	0.0	10.8	3.6	7.2	8.4	10.8	8.4	2.4	6.0	2.5	2.4
14	3.6	1.2	1.2	7.1	10.7	4.8	6.0	0.0	8.3	8.3	1.2	7.1	13.1	10.7	7.1	7.1	2.5	3.6
15	1.2	2.4	2.4	10.7	10.7	2.4	4.8	1.2	10.7	6.0	1.2	11.9	14.3	10.7	3.6	2.4	2.6	3.6
16	2.4	0.0	3.6	7.1	10.7	3.6	6.0	2.4	8.3	4.8	7.1	10.7	15.5	3.6	9.5	3.6	2.4	1.2
17	2.4	0.0	6.0	4.8	9.5	4.8	2.4	3.6	13.1	2.4	4.8	7.1	13.1	9.5	3.6	6.0	2.0	4.8
18	2.4	0.0	0.0	9.5	15.5	2.4	6.0	3.6	13.1	7.1	2.4	7.1	16.7	2.4	7.1	1.2	2.0	3.6
19	4.8	1.2	2.4	7.2	7.2	8.4	4.8	2.4	12.0	8.4	3.6	2.4	8.4	4.8	14.5	3.6	2.1	4.8
20	0.0	1.2	2.4	14.3	13.1	7.1	3.6	2.4	11.9	9.5	4.8	7.1	3.6	2.4	3.6	9.5	2.0	3.6
21	2.4	0.0	2.4	8.3	13.1	6.0	4.8	1.2	16.7	3.6	4.8	10.7	4.8	1.2	6.0	3.6	2.3	10.7
22	3.6	1.2	2.4	13.1	14.3	6.0	4.8	1.2	13.1	2.4	3.6	10.7	10.7	3.6	4.8	1.2	2.2	3.6
23	3.6	1.2	3.6	4.8	10.7	7.1	4.8	2.4	11.9	2.4	3.6	11.9	8.3	8.3	7.1	0.0	2.2	8.3
24	3.6	1.2	4.8	9.5	9.5	9.5	8.3	2.4	10.7	3.6	1.2	9.5	9.5	2.4	3.6	2.4	2.0	8.3
Whole	2.6	1.0	3.0	11.2	12.2	5.3	4.7	1.7	12.0	4.1	3.3	8.2	9.9	4.9	5.7	3.8	2.2	6.1
Midnight	3.1	1.4	2.9	13.0	8.9	6.3	5.5	1.0	13.9	2.2	2.2	7.9	9.6	3.1	5.5	3.8	2.0	9.6
Early morn.	1.6	0.4	2.8	12.0	12.0	5.6	4.4	1.6	11.2	2.8	4.0	8.4	6.8	4.4	6.8	4.0	1.9	10.8
Morning	1.2	0.8	3.6	15.7	18.9	3.2	4.8	2.8	11.2	3.2	3.2	6.0	8.8	3.6	4.8	3.6	2.1	4.4
Afternoon	3.9	1.5	3.3	10.5	12.6	5.7	4.2	0.9	9.9	5.7	2.7	8.1	12.0	7.8	3.9	4.8	2.5	2.4
Evening	2.0	0.8	4.0	7.5	10.3	3.6	4.4	2.4	10.7	4.4	4.4	10.7	14.3	7.9	5.6	4.0	2.4	3.2
Night	2.8	0.8	2.2	9.5	12.3	6.2	4.8	2.0	13.1	5.6	3.8	8.3	8.7	3.8	7.2	3.2	2.1	5.8
December	0.9	1.2	3.5	18.2	21.6	14.4	16.1	5.2	6.1	0.9	0.3	0.9	2.3	1.2	1.2	0.9	1.6	5.5
January	3.8	1.6	3.5	9.1	10.1	5.0	3.1	1.5	21.1	5.0	3.0	5.3	6.1	4.1	4.9	4.6	2.4	8.2
February	1.6	0.0	1.6	7.2	4.3	0.4	0.9	0.4	8.9	6.0	6.3	18.0	20.7	8.0	7.7	4.9	2.6	2.8
March	4.0	1.6	4.4	19.0	26.6	6.9	4.0	0.8	1.6	0.8	0.4	0.8	2.8	4.0	9.3	2.8	1.1	10.1

Average Wind Speed(m/s)

KAVAKLIDERE

Time of Day	N	NNE	NE	ENE	E	ESE	SE	SSE	S	SSW	SW	WSW	W	WNW	NW	NNW	cal#	Average
1	0.7	0.6	1.0	1.1	1.2	1.3	2.0	1.8	4.9	0.0	1.2	2.5	2.9	1.6	1.5	1.0	0.3	2.0
2	1.0	0.0	0.6	1.1	0.8	1.2	2.4	0.0	4.8	0.0	1.4	2.5	2.1	2.1	1.4	0.9	0.3	2.0
3	0.6	0.9	0.5	1.0	0.9	0.8	1.4	0.8	6.2	2.5	2.7	3.1	1.6	1.2	1.8	1.2	0.3	2.0
4	0.8	0.5	2.2	1.1	0.6	1.3	0.8	0.0	3.9	2.8	2.9	2.3	2.0	1.7	1.8	0.6	0.3	2.1
5	0.6	0.7	1.2	1.4	1.1	1.5	1.7	1.0	4.3	2.0	2.9	2.6	1.9	1.3	2.5	0.9	0.3	1.9
6	0.8	0.0	0.8	1.3	1.1	1.0	1.6	0.6	4.7	2.2	4.2	1.5	1.9	1.6	1.8	1.0	0.3	1.9
7	0.6	0.0	1.1	1.3	0.9	1.9	2.2	1.4	3.8	4.6	2.9	2.5	2.4	1.0	1.6	1.2	0.4	1.8
8	0.0	0.6	1.4	1.6	1.0	1.5	1.3	3.1	5.6	3.1	2.9	1.9	2.8	2.2	1.1	1.0	0.3	2.2
9	1.4	0.8	0.0	1.8	1.2	1.1	0.7	1.4	5.3	2.2	3.6	2.6	2.8	2.8	2.0	2.3	0.4	1.8
10	1.1	0.0	1.8	1.5	1.6	1.3	1.9	3.4	5.3	2.9	0.0	3.3	2.7	2.7	1.4	0.9	0.4	2.3
11	1.1	0.7	1.6	1.5	1.4	1.3	1.5	3.6	5.1	4.0	1.8	3.2	3.7	3.6	1.4	1.4	0.4	2.5
12	1.2	0.8	0.0	2.0	1.1	1.9	1.4	0.0	5.6	3.4	3.2	2.7	2.2	2.8	1.5	1.6	0.4	2.3
13	1.1	1.0	1.3	1.9	1.6	1.6	1.6	0.0	5.6	3.7	3.3	3.9	2.6	2.4	1.7	1.0	0.4	2.5
14	0.9	1.5	1.4	2.2	1.3	1.4	1.8	2.0	5.6	4.4	4.0	2.5	2.8	2.7	1.3	2.0	0.4	2.6
15	0.8	0.0	0.9	1.1	1.5	1.4	1.6	1.6	4.8	4.2	3.8	3.9	2.8	1.6	2.2	2.1	0.4	2.4
16	0.7	0.0	1.1	1.5	1.3	1.4	1.6	1.6	3.9	3.3	3.0	3.9	2.0	1.6	1.7	1.6	0.4	2.5
17	1.0	1.0	1.2	1.4	1.7	1.3	1.9	1.1	5.3	2.4	3.2	4.2	1.8	1.8	1.1	1.8	0.4	2.2
18	0.7	0.0	0.0	1.4	1.3	1.6	1.9	2.5	3.9	3.3	3.8	1.7	2.0	1.6	2.2	2.0	0.4	2.2
19	1.0	1.0	1.2	1.1	1.7	1.3	1.9	1.1	5.3	2.4	3.2	4.2	1.8	1.8	1.1	1.8	0.4	2.1
20	0.7	1.0	1.5	1.1	1.4	0.7	2.0	1.0	4.3	3.4	2.3	3.2	2.2	1.7	1.3	1.2	0.4	2.0
21	0.8	0.0	1.2	1.8	1.1	1.5	1.3	1.3	4.8	2.4	2.0	2.9	1.9	0.6	1.3	1.1	0.3	2.3
22	0.7	1.0	0.9	1.2	1.5	1.7	1.4	1.9	5.7	3.0	1.6	3.0	1.9	1.5	1.4	1.3	0.3	2.2
23	1.0	0.6	1.0	1.5	1.2	1.6	1.1	1.5	5.1	2.7	1.6	3.3	2.1	1.4	1.4	0.0	0.4	2.2
24	0.9	0.8	0.8	1.1	1.6	1.3	1.2	1.9	4.7	2.5	1.2	3.0	2.1	2.4	1.4	1.0	0.3	2.0
Whole	0.9	0.8	1.3	1.4	1.2	1.4	1.5	2.0	4.9	3.2	2.5	2.8	2.3	2.1	1.5	1.2	0.3	2.2
Midnight	0.8	0.7	0.9	1.1	1.0	1.2	1.6	1.6	4.8	2.6	1.9	2.8	2.0	1.8	1.6	1.0	0.3	2.0
Early morn.	0.7	0.7	1.5	1.2	1.1	1.3	1.5	2.1	4.6	2.1	2.8	2.4	2.0	1.4	1.6	1.0	0.3	1.9
Morning	1.1	0.7	1.3	1.5	1.0	1.5	1.6	3.3	5.0	3.3	2.8	2.4	2.4	2.6	1.5	1.2	0.3	2.1
Afternoon	1.2	0.8	1.7	1.7	1.4	1.6	1.6	3.5	5.4	3.5	2.9	3.3	2.8	2.9	1.5	1.3	0.4	2.5
Evening	0.9	1.5	1.1	1.9	1.4	1.4	1.7	4.2	4.5	4.2	2.5	2.5	2.7	2.2	1.7	1.6	0.4	2.4
Night	0.9	0.9	1.1	1.3	1.3	1.4	1.4	3.0	4.8	3.0	2.2	3.0	2.0	1.5	1.2	1.3	0.3	2.1
December	0.9	0.9	2.1	2.0	1.4	1.5	1.6	1.1	1.8	1.2	1.6	1.2	1.2	1.1	1.2	1.1	0.3	1.6
January	0.9	0.9	1.0	1.3	1.3	1.3	1.3	3.2	5.3	3.2	2.2	2.3	2.1	1.8	1.3	1.0	0.3	2.4
February	0.9	0.0	1.3	1.3	1.0	1.1	1.8	3.3	4.9	3.3	2.7	3.0	2.5	2.5	1.7	1.5	0.4	2.6
March	0.9	0.7	1.0	0.9	1.1	1.0	1.4	1.3	2.0	1.3	0.8	1.2	1.3	1.7	1.3	1.2	0.3	1.1

Frequency of Wind Direction (%)
METEOROLOGICAL AGENCY

calm: U < 0.4m/s

** 時間別風向頻度 (%) **
** CALM 0.4 m/秒 以下 **

Time of Day	N	NNE	NE	ENE	E	ESE	SE	SSE	S	SSW	SW	WSW	W	WNW	NW	NNW	av. speed (m/s)	calm
1	1.1	5.7	2.3	20.7	10.3	3.4	2.3	0.0	2.3	2.3	3.4	6.9	9.2	3.4	1.1	2.3	1.4	23.0
2	1.1	2.3	4.6	21.8	9.2	4.6	1.1	2.3	2.3	0.0	2.3	9.2	9.2	2.3	2.3	1.1	1.4	21.8
3	1.2	4.7	3.5	26.7	12.8	3.5	1.2	3.5	2.3	2.3	1.2	7.0	5.8	4.7	3.5	2.3	1.4	14.0
4	0.0	4.7	7.0	23.3	9.3	5.8	0.0	2.3	2.3	2.3	0.0	3.5	10.5	6.9	3.4	1.1	1.3	18.6
5	0.0	2.3	6.9	19.5	11.5	6.9	1.1	3.4	1.1	3.4	1.1	4.6	3.4	7.0	3.4	1.1	1.4	23.0
6	1.1	3.4	6.9	24.1	6.9	5.7	1.1	3.4	0.0	2.3	3.4	9.2	4.6	3.4	2.3	2.3	1.2	19.5
7	1.1	5.7	4.6	24.1	11.5	5.7	1.1	3.4	0.0	4.6	0.0	9.2	4.6	5.7	1.1	0.0	1.3	17.2
8	4.6	3.4	8.0	28.7	6.9	4.6	3.4	2.3	2.3	3.4	0.0	5.7	8.0	5.7	1.1	0.0	1.3	11.5
9	5.9	1.2	4.7	29.4	9.4	7.1	2.4	4.7	1.2	0.0	2.4	5.9	8.2	5.9	0.0	0.0	1.4	11.8
10	0.0	4.7	7.1	25.9	12.9	7.1	2.4	2.4	1.2	1.2	3.5	5.9	8.2	5.9	0.0	0.0	1.4	11.8
11	1.2	1.2	3.5	32.9	9.4	8.2	2.4	4.7	2.4	1.2	1.2	10.6	12.9	2.4	1.2	0.0	1.7	4.7
12	2.4	2.4	4.7	30.6	12.9	4.7	1.2	4.7	3.5	0.0	4.7	5.9	12.9	5.9	0.0	0.0	1.8	4.7
13	2.4	2.4	4.7	24.7	15.3	4.7	2.4	2.4	2.4	2.4	1.2	10.6	11.8	5.9	0.0	1.2	1.8	7.1
14	0.0	1.2	8.2	21.2	9.4	5.9	2.4	3.5	2.4	3.5	5.9	8.2	15.3	5.9	0.0	0.0	1.9	7.1
15	0.0	3.5	8.2	17.6	11.8	7.1	2.4	3.5	3.5	1.2	9.4	7.1	12.9	7.1	0.0	0.0	1.9	4.7
16	2.4	1.2	8.2	16.5	9.4	7.1	1.2	3.5	3.5	2.4	4.7	14.1	12.9	5.9	1.2	0.0	1.9	5.9
17	1.2	2.4	3.5	21.2	7.1	5.9	1.2	3.5	3.5	3.5	5.9	11.8	9.4	7.1	2.4	1.2	1.7	7.1
18	1.2	2.4	7.1	21.2	3.5	4.7	2.4	2.4	2.4	3.5	5.9	10.6	9.4	10.6	0.0	1.2	1.5	12.9
19	1.2	3.5	8.2	16.5	4.7	5.9	3.5	1.2	4.7	4.7	1.2	12.9	10.6	3.5	2.4	0.0	1.4	15.3
20	1.2	3.5	7.1	20.0	2.4	9.4	0.0	3.5	4.7	3.5	1.2	7.1	9.4	3.5	1.2	2.4	1.5	20.0
21	0.0	1.2	4.7	29.4	8.2	5.9	0.0	0.0	2.4	5.9	2.4	7.1	8.2	0.0	1.2	1.4	1.4	21.2
22	0.0	2.4	3.5	28.2	8.2	8.2	1.2	0.0	1.2	2.4	4.7	7.1	8.2	3.5	1.2	1.2	1.3	16.5
23	1.2	2.4	2.4	27.7	10.8	6.0	0.0	0.0	0.0	3.6	6.0	4.8	7.2	6.0	1.2	1.2	1.3	19.3
24	3.7	3.7	3.7	22.0	12.2	3.7	0.0	0.0	2.4	2.4	4.9	3.7	8.5	8.5	2.4	1.2	1.3	17.1
Whole	1.4	3.0	5.6	23.9	9.4	5.9	1.5	2.5	2.2	2.6	3.1	7.9	9.3	5.4	1.4	0.9	1.5	14.0
Midnight	1.4	4.2	4.2	22.9	10.7	4.2	0.9	1.6	2.3	1.9	2.3	6.1	8.6	5.6	2.1	1.9	1.4	18.9
Early morn.	0.8	3.8	6.1	22.6	10.0	6.1	1.1	3.4	0.4	3.4	1.5	7.7	4.2	5.4	2.3	1.1	1.3	19.9
Morning	3.5	3.1	6.6	28.0	9.7	6.2	2.7	3.1	1.6	1.6	1.9	5.8	8.2	5.8	0.4	0.0	1.4	11.7
Afternoon	1.8	1.8	5.3	27.4	11.8	5.9	2.1	3.8	2.4	1.8	3.2	8.8	13.2	5.0	0.3	0.3	1.8	5.9
Evening	1.2	2.4	6.7	18.4	9.4	6.7	2.0	3.5	3.5	2.4	6.3	11.0	12.5	6.7	1.2	0.4	1.8	5.9
Night	0.8	2.6	5.5	23.8	6.3	6.7	1.0	1.2	2.6	3.9	3.5	8.3	8.9	4.5	1.8	1.2	1.4	17.5
December	0.3	0.8	1.4	33.6	13.3	23.1	7.8	8.3	0.0	0.0	0.3	3.1	0.6	0.6	0.0	0.0	1.5	6.9
January	1.4	5.4	6.1	29.4	10.0	3.4	0.0	1.4	3.4	3.2	3.2	5.5	5.8	5.2	1.4	0.8	1.5	14.4
February	2.5	2.7	4.0	11.8	2.2	1.5	0.4	1.0	3.0	4.5	4.8	13.3	19.4	10.3	2.7	1.9	1.6	13.8
March	0.0	0.3	13.0	25.9	19.5	1.0	0.0	1.7	0.0	0.0	2.7	7.2	5.8	0.3	0.3	0.0	1.3	22.2

Average Wind Speed(m/s)

METEOROLOGICAL AGENCY

Time of Day	N	NNE	NE	ENE	E	ESE	SE	SSE	S	SSW	SW	WSW	W	WNW	NW	NNW	C	Average
1	0.8	0.9	1.3	1.5	1.5	1.2	0.9	0.0	4.8	0.8	1.3	1.6	1.2	1.0	0.6	0.7	0.3	1.4
2	1.7	1.1	1.4	1.4	1.3	1.8	1.1	0.1	5.0	0.0	1.8	1.2	1.2	1.2	0.9	1.2	0.3	1.4
3	1.1	1.0	1.0	1.4	1.4	1.4	1.2	0.8	4.3	1.5	0.5	1.2	1.4	0.8	1.1	2.4	0.3	1.4
4	0.0	0.8	1.0	1.4	1.4	1.5	1.3	1.1	3.0	2.2	0.0	1.0	1.2	0.8	3.1	0.3	1.3	
5	0.0	0.8	1.0	1.4	1.4	1.5	1.3	1.1	3.4	2.7	1.8	0.9	1.3	1.1	2.2	0.7	0.2	1.4
6	1.0	0.8	1.4	1.4	0.9	1.4	1.5	1.1	0.0	2.8	1.2	1.0	0.9	1.5	1.8	0.8	0.3	1.2
7	2.4	0.9	1.3	1.3	1.2	1.4	0.7	2.2	0.0	1.8	0.0	1.2	1.3	1.1	0.0	0.0	0.2	1.3
8	0.9	0.9	0.8	1.5	1.2	1.1	1.0	1.7	1.7	1.8	0.0	1.2	1.0	1.4	0.0	0.0	0.2	1.3
9	0.9	0.8	1.2	1.6	1.1	1.6	1.3	1.3	0.9	0.0	2.4	1.5	1.5	1.1	0.0	0.0	0.3	1.4
10	0.0	1.2	1.1	1.6	1.7	1.0	1.5	2.2	0.8	1.1	1.7	0.9	1.8	1.0	0.0	0.0	0.3	1.4
11	0.7	1.4	1.4	1.7	1.7	1.5	1.4	2.2	3.5	0.7	2.7	1.1	2.1	2.2	1.8	0.0	0.4	1.7
12	0.7	1.1	1.4	1.8	1.9	1.6	0.8	1.7	3.3	0.0	1.8	2.0	2.2	1.2	0.0	0.0	0.4	1.8
13	1.6	1.2	1.7	1.7	1.9	1.5	1.2	2.2	4.2	3.0	2.6	2.0	2.0	1.9	0.0	0.6	0.3	1.8
14	0.0	1.8	1.6	1.8	1.8	2.1	1.4	2.2	3.8	2.7	2.1	2.3	1.9	1.7	0.0	0.0	0.2	1.9
15	0.0	1.2	1.5	1.8	1.7	1.5	1.2	1.8	4.2	3.6	1.9	1.9	2.2	2.0	0.0	0.0	0.2	1.9
16	1.6	1.2	1.4	1.9	1.5	1.6	2.1	2.2	4.2	2.1	1.7	1.6	2.2	1.9	3.0	0.0	0.2	1.9
17	1.9	1.1	1.0	1.6	1.4	1.5	1.5	1.4	3.5	3.2	2.0	1.5	1.7	1.7	0.8	1.9	0.3	1.7
18	2.2	1.1	0.9	1.6	1.1	1.9	1.6	1.4	3.8	2.8	1.3	1.2	1.5	1.4	0.0	2.0	0.3	1.5
19	2.5	1.0	1.0	1.6	1.2	1.8	1.3	1.4	4.0	1.2	0.8	0.9	1.4	0.9	0.9	0.0	0.3	1.4
20	1.3	0.9	1.1	1.6	0.7	1.4	0.0	1.6	3.3	2.1	1.1	0.9	1.3	1.4	0.8	1.5	0.3	1.5
21	0.0	0.9	0.8	1.4	1.4	1.2	0.0	0.0	1.6	1.7	3.7	1.2	1.2	0.0	0.9	0.8	0.2	1.4
22	0.0	0.7	1.1	1.4	1.4	1.1	2.1	0.0	2.4	1.3	2.1	1.3	1.3	0.9	1.0	0.5	0.3	1.3
23	0.9	1.0	0.8	1.3	1.2	1.0	0.0	0.0	0.0	1.9	1.7	1.4	1.0	1.1	0.6	0.8	0.3	1.3
24	0.9	0.8	0.8	1.3	1.4	1.9	0.0	0.0	4.2	1.2	1.4	1.3	1.3	1.1	0.7	1.0	0.2	1.3
Whole	1.2	1.0	1.1	1.5	1.5	1.4	1.3	1.6	3.5	2.0	1.8	1.4	1.6	1.3	1.2	1.4	0.3	1.5
Midnight	1.1	0.9	1.1	1.4	1.4	1.5	1.0	1.0	4.2	1.4	1.3	1.2	1.2	1.0	0.9	1.8	0.3	1.4
Early morn.	1.7	0.9	1.0	1.4	1.2	1.5	1.2	1.5	3.4	2.3	1.4	1.0	1.2	1.2	2.0	0.7	0.3	1.3
Morning	0.9	1.0	1.0	1.6	1.4	1.2	1.2	1.6	1.3	1.6	1.9	1.2	1.4	1.2	1.4	0.0	0.3	1.4
Afternoon	1.1	1.3	1.5	1.7	1.8	1.7	1.2	2.0	3.6	2.4	2.1	1.8	2.1	1.7	1.8	0.6	0.3	1.8
Evening	1.7	1.2	1.4	1.8	1.5	1.5	1.5	1.8	4.0	2.9	1.9	1.6	2.1	1.9	1.5	1.9	0.3	1.8
Night	1.7	0.9	1.0	1.5	1.2	1.4	1.5	1.5	3.2	1.8	1.8	1.1	1.3	1.2	0.9	1.2	0.3	1.4
December	0.7	0.8	1.1	1.7	1.9	1.5	1.3	1.5	0.0	0.0	0.7	0.8	0.7	1.0	0.0	0.0	0.3	1.5
January	0.9	1.0	1.2	1.5	1.1	1.6	0.0	2.2	3.8	2.2	2.2	1.3	1.6	1.2	1.0	0.9	0.3	1.5
February	1.5	1.0	1.4	1.6	0.9	1.1	0.9	2.0	3.1	1.9	1.7	1.5	1.7	1.4	1.3	1.6	0.3	1.6
March	0.0	0.7	0.9	1.5	1.6	1.2	0.0	0.5	0.0	0.0	1.1	1.0	0.9	0.9	1.8	0.0	0.3	1.3

25 Number of Occurrence of Stability Classes by the Times of Day

Occurrence of Stability Class

TANDOĞAN

Stability Class

Time of Day	A	A-B	B	B-C	C	C-D	D	E	F	G	Total	most frequent	median
1	0	0	0	0	0	0	32	3	4	37	76	G	F
2	0	0	0	0	0	0	35	4	4	34	77	D	E
3	0	0	0	0	0	0	32	4	1	40	77	G	G
4	0	0	0	0	0	0	30	1	2	43	76	G	G
5	0	0	0	0	0	0	39	2	2	34	77	D	D
6	0	0	0	0	0	0	39	2	4	32	77	D	D
7	0	0	0	0	0	0	58	2	1	16	77	D	D
8	0	0	0	0	0	0	74	0	0	0	77	D	D
9	0	2	13	0	3	0	58	0	0	0	76	D	D
10	0	10	19	2	4	0	41	0	0	0	76	D	D
11	2	12	17	1	8	0	36	0	0	0	76	D	C
12	2	12	22	2	6	0	31	0	0	0	75	D	C
13	3	8	24	5	10	0	25	0	0	0	75	D	B-C
14	1	6	19	4	10	0	36	0	0	0	76	D	B-C
15	0	4	14	3	11	0	43	0	0	0	75	D	C
16	0	1	5	0	7	0	63	0	0	0	76	D	D
17	0	0	1	0	0	0	49	5	3	19	77	D	D
18	0	0	0	0	0	0	25	6	8	38	77	G	F
19	0	0	0	0	0	0	26	5	9	36	76	G	F
20	0	0	0	0	0	0	30	4	4	38	76	G	F
21	0	0	0	0	0	0	28	4	5	40	77	G	G
22	0	0	0	0	0	0	26	2	10	38	76	G	F
23	0	0	0	0	0	0	37	4	4	32	77	D	E
24	0	0	0	0	0	0	35	2	5	33	75	D	F
Whole	8	55	137	17	59	0	928	50	66	510	1830	D	D
Midnight	0	0	0	0	0	0	164	14	16	187	381	G	F
Early morn.	0	0	0	0	0	0	136	6	7	82	231	D	D
Morning	0	12	35	2	7	0	173	0	0	0	229	D	D
Afternoon	8	38	82	12	34	0	128	0	0	0	302	D	C
Evening	0	5	20	3	18	0	155	5	3	19	228	D	D
Night	0	0	0	0	0	0	172	25	40	222	459	G	F
December	0	5	28	2	8	0	226	8	17	50	344	D	D
January	2	26	63	2	24	0	351	18	20	236	742	D	D
February	1	10	36	13	25	0	340	24	29	182	660	D	D
March	5	14	10	0	2	0	11	0	0	42	84	G	D

Occurrence of Stability Class
KAVAKLIDERE

Stability Class

Time of Day	A	A-B	B	B-C	C	C-D	D	E	F	G	Total	most frequent	median
1	0	0	0	0	0	0	38	2	8	28	76	D	D
2	0	0	0	0	0	0	39	4	2	32	77	D	D
3	0	0	0	0	0	0	36	2	1	38	77	G	F
4	0	0	0	0	0	0	33	9	3	32	77	D	E
5	0	0	0	0	0	0	43	3	4	27	77	D	D
6	0	0	0	0	0	0	40	5	2	30	77	D	D
7	0	0	0	0	0	0	60	2	1	14	77	D	D
8	0	0	3	0	0	0	74	0	0	0	77	D	D
9	0	2	13	0	2	0	60	0	0	0	77	D	D
10	0	11	11	5	7	0	43	0	0	0	77	D	D
11	3	15	12	1	6	0	39	0	0	0	76	D	D
12	5	13	17	1	7	0	32	0	0	0	75	D	C
13	3	12	20	4	5	0	31	0	0	0	75	D	B-C
14	0	10	21	2	4	0	39	0	0	0	76	D	D
15	1	4	12	2	11	0	45	0	0	0	75	D	D
16	0	1	4	0	8	0	63	0	0	0	76	D	D
17	0	0	1	0	0	0	50	3	6	16	76	D	D
18	0	0	0	0	0	0	28	9	5	34	76	G	E
19	0	0	0	0	0	0	29	5	9	31	74	G	E
20	0	0	0	0	0	0	34	2	8	31	75	D	E
21	0	0	0	0	0	0	33	4	10	29	76	D	E
22	0	0	0	0	0	0	31	5	9	31	76	G	E
23	0	0	0	0	0	0	40	6	3	27	76	D	D
24	0	0	0	0	0	0	40	5	3	27	75	D	D
全期	12	68	114	15	50	0	1000	66	74	427	1826	D	D
Midnight	0	0	0	0	0	0	186	22	17	157	382	D	E
Early morn.	0	0	0	0	0	0	143	10	7	71	231	D	D
Morning	0	13	27	5	9	0	177	0	0	0	231	D	D
Afternoon	11	50	70	8	22	0	141	0	0	0	302	D	C
Evening	1	5	17	2	19	0	158	3	6	16	227	D	D
Night	0	0	0	0	0	0	195	31	44	183	453	D	F
December	1	6	21	2	7	0	233	10	12	52	344	D	D
January	2	33	57	3	20	0	378	18	29	196	736	D	D
February	1	15	27	10	23	0	378	38	32	138	662	D	D
March	8	14	9	0	0	0	11	0	1	41	84	G	D

Occurrence of Stability Class
METEOROLOGICAL AGENCY

Time of Day	Stability Class										Total	most frequent	median			
	A	A-B	B	B-C	C	C-D	D	E	F	G						
1	0	0	0	0	0	0	0	0	0	0	32	0	4	40	76	G
2	0	0	0	0	0	0	0	0	0	0	33	0	2	42	77	G
3	0	0	0	0	0	0	0	0	0	0	31	3	3	39	75	G
4	0	0	0	0	0	0	0	0	0	0	30	1	2	43	76	G
5	0	0	0	0	0	0	0	0	0	0	38	2	3	34	77	D
6	0	0	0	0	0	0	0	0	0	0	36	1	3	37	77	E
7	0	0	0	0	0	0	0	0	0	0	57	2	1	17	77	F
8	0	0	0	0	0	0	0	0	0	0	74	0	0	0	77	D
9	0	0	3	14	0	0	0	0	0	0	58	0	0	0	77	D
10	1	10	21	1	3	0	0	0	0	0	40	0	0	0	76	D
11	1	15	25	2	4	3	0	0	0	0	29	0	0	0	75	D
12	2	14	25	4	3	3	0	0	0	0	26	0	0	0	74	D
13	1	15	24	3	10	0	0	0	0	0	21	0	0	0	74	B
14	0	8	26	0	9	0	0	0	0	0	32	0	0	0	75	D
15	0	6	15	1	9	0	0	0	0	0	43	0	0	0	74	C
16	0	1	7	0	5	0	0	0	0	0	62	0	0	0	75	D
17	0	0	1	0	0	0	0	0	0	0	50	3	3	19	76	D
18	0	0	0	0	0	0	0	0	0	0	23	4	10	39	76	D
19	0	0	0	0	0	0	0	0	0	0	26	4	4	41	75	G
20	0	0	0	0	0	0	0	0	0	0	31	3	2	39	75	G
21	0	0	0	0	0	0	0	0	0	0	28	2	3	43	76	G
22	0	0	0	0	0	0	0	0	0	0	24	3	3	46	76	G
23	0	0	0	0	0	0	0	0	0	0	35	2	0	39	76	G
24	0	0	0	0	0	0	0	0	0	0	33	2	0	38	73	G
Whole	5	72	161	11	43	0	892	32	43	556	1815	D	D	D	D	D
Midnight	0	0	0	0	0	0	159	6	11	202	378	G	G	G	G	G
Early morn.	0	0	0	0	0	0	131	5	7	88	231	D	D	D	D	D
Morning	1	13	38	1	4	0	172	0	0	0	229	D	D	D	D	D
Afternoon	4	52	100	9	25	0	108	0	0	0	298	B	B	B	B	B
Evening	0	7	23	1	14	0	155	3	3	19	225	D	D	D	D	D
Night	0	0	0	0	0	0	167	18	22	247	454	G	G	G	G	G
December	0	2	27	4	9	0	226	5	13	58	344	D	D	D	D	D
January	0	28	75	3	14	0	336	15	12	244	727	D	D	D	D	D
February	4	28	44	3	20	0	319	12	18	212	660	D	D	D	D	D
March	1	14	15	1	0	0	11	0	0	42	84	G	G	G	G	G

26 Percent Frequency of Wind Direction and Speed by Time Zones and Stability Classes

Percent Frequency of Wind Direction and Speed by Time Zone and Stability Class
[Whole Day] TANDOĞAN

All Classes

Direction Speed	N	NNE	NE	ENE	E	ESE	SE	SSE	S	SSW	SW	WSW	W	WNW	NW	NNW	C	Total
0~ 0.4 M/S	0.0	0.0	0.0	0.0	0.0	0.0	0.0	0.0	0.0	0.0	0.0	0.0	0.0	0.0	0.0	0.0	0.0	4.7
0.5~ 0.9 M/S	2.7	1.8	1.3	0.9	0.5	0.9	0.2	0.0	0.4	0.3	0.5	1.1	2.8	1.7	1.6	2.0	0.0	18.7
1.0~ 1.9 M/S	2.1	4.2	6.7	3.6	3.0	5.3	1.6	0.3	0.7	1.3	1.6	3.4	4.1	2.0	1.8	1.8	0.0	43.4
2.0~ 2.9 M/S	0.1	1.5	3.7	2.2	1.1	1.8	0.4	0.1	0.2	1.4	0.8	3.9	1.7	0.4	0.2	0.2	0.0	19.7
3.0~ 3.9 M/S	0.1	0.1	0.8	0.2	0.3	0.0	0.0	0.0	0.2	2.0	0.2	2.7	0.7	0.3	0.1	0.2	0.0	7.9
4.0 M/S ~	0.0	0.0	0.1	0.0	0.1	0.0	0.0	0.0	0.1	3.4	0.0	1.8	0.1	0.0	0.0	0.1	0.0	5.6
Total	5.0	7.6	12.5	6.9	5.1	8.0	2.1	0.3	1.5	8.3	3.2	13.0	9.5	4.4	3.7	4.3	4.7	100.0

Unstable (A~C-D)

Direction Speed	N	NNE	NE	ENE	E	ESE	SE	SSE	S	SSW	SW	WSW	W	WNW	NW	NNW	C	Total
0~ 0.4 M/S	0.0	0.0	0.0	0.0	0.0	0.0	0.0	0.0	0.0	0.0	0.0	0.0	0.0	0.0	0.0	0.0	0.0	0.3
0.5~ 0.9 M/S	0.2	0.2	0.0	0.2	0.0	0.2	0.0	0.0	0.0	0.0	0.1	0.2	0.3	0.2	0.0	0.1	0.0	1.5
1.0~ 1.9 M/S	0.4	1.1	1.0	0.3	0.2	1.1	0.2	0.0	0.1	0.0	0.0	0.2	0.5	0.4	0.2	0.3	0.0	6.1
2.0~ 2.9 M/S	0.1	0.7	0.7	0.4	0.3	0.1	0.1	0.0	0.1	0.2	0.2	1.0	0.8	0.3	0.0	0.1	0.0	4.9
3.0~ 3.9 M/S	0.1	0.1	0.4	0.2	0.1	0.0	0.0	0.0	0.0	0.1	0.0	0.8	0.3	0.2	0.0	0.2	0.0	2.3
4.0 M/S ~	0.0	0.0	0.0	0.0	0.0	0.0	0.0	0.0	0.0	0.0	0.0	0.0	0.1	0.0	0.0	0.0	0.0	0.1
Total	0.8	2.0	2.1	1.1	0.5	1.4	0.3	0.0	0.1	0.2	0.2	2.1	2.0	1.1	0.2	0.6	0.3	15.1

Neutral (D)

Direction Speed	N	NNE	NE	ENE	E	ESE	SE	SSE	S	SSW	SW	WSW	W	WNW	NW	NNW	C	Total
0~ 0.4 M/S	0.0	0.0	0.0	0.0	0.0	0.0	0.0	0.0	0.0	0.0	0.0	0.0	0.0	0.0	0.0	0.0	0.0	2.1
0.5~ 0.9 M/S	0.8	0.5	0.3	0.3	0.2	0.3	0.1	0.0	0.3	0.2	0.3	0.4	1.3	0.7	0.5	0.7	0.0	7.1
1.0~ 1.9 M/S	0.8	1.9	3.6	2.2	1.8	1.9	1.0	0.2	0.4	0.5	0.9	1.7	1.8	1.1	0.8	1.2	0.0	22.0
2.0~ 2.9 M/S	0.0	0.8	2.3	0.9	0.4	1.1	0.1	0.0	0.1	0.8	0.4	1.4	0.9	0.1	0.2	0.1	0.0	9.6
3.0~ 3.9 M/S	0.0	0.1	0.2	0.0	0.1	0.0	0.0	0.0	0.2	1.6	0.2	1.6	0.3	0.1	0.1	0.1	0.0	4.4
4.0 M/S ~	0.0	0.0	0.1	0.0	0.1	0.0	0.0	0.0	0.1	3.4	0.0	1.8	0.1	0.0	0.0	0.1	0.0	5.5
Total	1.6	3.3	6.7	3.4	2.6	3.4	1.2	0.2	0.9	6.5	1.9	6.9	4.3	2.0	1.5	2.1	2.1	50.7

Stable (E~G)

Direction Speed	N	NNE	NE	ENE	E	ESE	SE	SSE	S	SSW	SW	WSW	W	WNW	NW	NNW	C	Total
0~ 0.4 M/S	0.0	0.0	0.0	0.0	0.0	0.0	0.0	0.0	0.0	0.0	0.0	0.0	0.0	0.0	0.0	0.0	0.0	2.3
0.5~ 0.9 M/S	1.7	1.0	0.7	0.4	0.3	0.4	0.1	0.0	0.1	0.2	0.2	0.5	1.3	0.9	1.1	1.3	0.0	10.2
1.0~ 1.9 M/S	0.9	1.2	2.1	1.0	1.0	2.3	0.3	0.1	0.3	0.7	0.7	1.5	1.7	0.4	0.8	0.3	0.0	15.4
2.0~ 2.9 M/S	0.0	0.1	0.7	0.8	0.4	0.5	0.2	0.1	0.1	0.4	0.2	1.6	0.1	0.1	0.0	0.0	0.0	5.2
3.0~ 3.9 M/S	0.1	0.0	0.1	0.0	0.2	0.0	0.0	0.0	0.0	0.3	0.0	0.3	0.1	0.0	0.0	0.0	0.0	1.1
4.0 M/S ~	0.0	0.0	0.0	0.0	0.0	0.0	0.0	0.0	0.0	0.0	0.0	0.0	0.0	0.0	0.0	0.0	0.0	0.0
Total	2.6	2.3	3.7	2.3	2.0	3.2	0.6	0.2	0.5	1.6	1.0	3.9	3.2	1.3	1.9	1.6	2.3	34.2

[Mid-Night]

All Classes

Direction Speed	N	NNE	NE	ENE	E	ESE	SE	SSE	S	SSW	SW	WSW	W	WNW	NW	NNW	C	Total
0~ 0.4 M/S	0.0	0.0	0.0	0.0	0.0	0.0	0.0	0.0	0.0	0.0	0.0	0.0	0.0	0.0	0.0	0.0	0.0	8.4
0.5~ 0.9 M/S	5.0	2.4	2.1	0.5	1.0	1.0	0.5	0.0	0.3	0.5	0.3	1.0	2.1	2.1	3.1	2.6	0.0	24.7
1.0~ 1.9 M/S	1.3	3.9	6.3	4.5	4.2	5.5	1.3	0.5	1.3	1.3	2.1	4.2	3.9	1.8	1.3	1.3	0.0	44.9
2.0~ 2.9 M/S	0.0	0.3	2.4	2.1	0.5	1.8	0.3	0.0	0.0	0.5	0.8	3.1	0.3	0.5	0.5	0.5	0.0	13.6
3.0~ 3.9 M/S	0.3	0.0	0.5	0.0	0.3	0.0	0.0	0.0	0.0	1.6	0.0	1.3	0.0	0.0	0.0	0.0	0.0	3.9
4.0 M/S ~	0.0	0.0	0.0	0.0	0.3	0.0	0.0	0.0	0.0	2.9	0.0	1.3	0.0	0.0	0.0	0.0	0.0	4.5
Total	6.6	6.6	11.3	7.1	6.3	8.4	2.1	0.5	1.6	6.8	3.1	11.0	6.3	4.5	5.0	4.5	8.4	100.0

Unstable (A~C-D)

Direction Speed	N	NNE	NE	ENE	E	ESE	SE	SSE	S	SSW	SW	WSW	W	WNW	NW	NNW	C	Total
0~ 0.4 M/S	0.0	0.0	0.0	0.0	0.0	0.0	0.0	0.0	0.0	0.0	0.0	0.0	0.0	0.0	0.0	0.0	0.0	0.0
0.5~ 0.9 M/S	0.0	0.0	0.0	0.0	0.0	0.0	0.0	0.0	0.0	0.0	0.0	0.0	0.0	0.0	0.0	0.0	0.0	0.0
1.0~ 1.9 M/S	0.0	0.0	0.0	0.0	0.0	0.0	0.0	0.0	0.0	0.0	0.0	0.0	0.0	0.0	0.0	0.0	0.0	0.0
2.0~ 2.9 M/S	0.0	0.0	0.0	0.0	0.0	0.0	0.0	0.0	0.0	0.0	0.0	0.0	0.0	0.0	0.0	0.0	0.0	0.0
3.0~ 3.9 M/S	0.0	0.0	0.0	0.0	0.0	0.0	0.0	0.0	0.0	0.0	0.0	0.0	0.0	0.0	0.0	0.0	0.0	0.0
4.0 M/S ~	0.0	0.0	0.0	0.0	0.0	0.0	0.0	0.0	0.0	0.0	0.0	0.0	0.0	0.0	0.0	0.0	0.0	0.0
Total	0.0	0.0	0.0	0.0	0.0	0.0	0.0	0.0	0.0	0.0	0.0	0.0	0.0	0.0	0.0	0.0	0.0	0.0

Neutral (D)

Direction Speed	N	NNE	NE	ENE	E	ESE	SE	SSE	S	SSW	SW	WSW	W	WNW	NW	NNW	C	Total
0~ 0.4 M/S	0.0	0.0	0.0	0.0	0.0	0.0	0.0	0.0	0.0	0.0	0.0	0.0	0.0	0.0	0.0	0.0	0.0	2.6
0.5~ 0.9 M/S	0.3	0.3	1.0	0.0	0.3	0.0	0.0	0.0	0.0	0.0	0.3	0.5	1.3	0.5	0.5	0.5	0.0	5.5
1.0~ 1.9 M/S	0.0	1.8	3.7	3.9	2.4	1.6	0.5	0.3	0.8	0.0	1.0	0.8	1.6	0.8	0.5	1.0	0.0	20.7
2.0~ 2.9 M/S	0.0	0.3	1.3	1.6	0.3	1.3	0.0	0.0	0.0	0.5	0.3	0.3	0.3	0.3	0.5	0.5	0.0	7.6
3.0~ 3.9 M/S	0.0	0.0	0.3	0.0	0.0	0.0	0.0	0.0	0.0	1.3	0.0	0.5	0.0	0.0	0.0	0.0	0.0	2.1
4.0 M/S ~	0.0	0.0	0.0	0.0	0.3	0.0	0.0	0.0	0.0	2.9	0.0	1.3	0.0	0.0	0.0	0.0	0.0	4.5
Total	0.3	2.4	6.3	5.5	3.1	2.9	0.5	0.3	0.8	4.7	1.6	3.7	3.1	1.6	1.6	2.1	2.6	43.0

Stable (E~G)

Direction Speed	N	NNE	NE	ENE	E	ESE	SE	SSE	S	SSW	SW	WSW	W	WNW	NW	NNW	C	Total
0~ 0.4 M/S	0.0	0.0	0.0	0.0	0.0	0.0	0.0	0.0	0.0	0.0	0.0	0.0	0.0	0.0	0.0	0.0	0.0	5.8
0.5~ 0.9 M/S	4.7	2.1	1.0	0.5	0.8	1.0	0.5	0.0	0.3	0.5	0.0	0.5	0.8	1.6	2.6	2.1	0.0	19.2
1.0~ 1.9 M/S	1.3	2.1	2.6	0.5	1.8	3.9	0.8	0.3	0.5	1.3	1.0	3.4	2.4	1.0	0.8	0.3	0.0	24.1
2.0~ 2.9 M/S	0.0	0.0	1.0	0.5	0.3	0.5	0.3	0.0	0.0	0.0	0.5	2.6	0.0	0.3	0.0	0.0	0.0	6.0
3.0~ 3.9 M/S	0.3	0.0	0.3	0.0	0.3	0.0	0.0	0.0	0.0	0.3	0.0	0.8	0.0	0.0	0.0	0.0	0.0	1.8
4.0 M/S ~	0.0	0.0	0.0	0.0	0.0	0.0	0.0	0.0	0.0	0.0	0.0	0.0	0.0	0.0	0.0	0.0	0.0	0.0
Total	6.3	4.2	5.0	1.6	3.1	5.5	1.6	0.3	0.8	2.1	1.6	7.3	3.1	2.9	3.4	2.4	5.8	57.0

[Early Morning]

All Classes

Direction Speed	N	NNE	NE	ENE	E	ESE	SE	SSE	S	SSW	SW	WSW	W	WNW	NW	NNW	C	Total
0~ 0.4 M/S	0.0	0.0	0.0	0.0	0.0	0.0	0.0	0.0	0.0	0.0	0.0	0.0	0.0	0.0	0.0	0.0	0.0	7.8
0.5~ 0.9 M/S	4.3	2.2	1.3	1.3	0.9	0.4	0.4	0.0	0.4	0.4	0.9	1.3	3.9	1.3	3.0	3.0	0.0	25.1
1.0~ 1.9 M/S	2.6	3.9	6.1	3.5	2.2	9.1	2.6	0.0	0.4	1.7	0.9	5.2	2.2	0.9	3.9	2.2	0.0	47.2
2.0~ 2.9 M/S	0.0	0.0	3.5	1.7	0.4	1.3	0.4	0.0	0.4	2.2	0.0	3.9	0.4	0.0	0.0	0.0	0.0	14.3
3.0~ 3.9 M/S	0.0	0.0	0.4	0.0	0.0	0.0	0.0	0.0	0.0	2.2	0.4	1.7	0.0	0.0	0.0	0.0	0.0	4.8
4.0 M/S ~	0.0	0.0	0.0	0.0	0.0	0.0	0.0	0.0	0.0	0.9	0.0	0.0	0.0	0.0	0.0	0.0	0.0	0.9
Total	6.9	6.1	11.3	6.5	3.5	10.8	3.5	0.0	1.3	7.4	2.2	12.1	6.5	2.2	6.9	5.2	7.8	100.0

Unstable (A~C-D)

Direction Speed	N	NNE	NE	ENE	E	ESE	SE	SSE	S	SSW	SW	WSW	W	WNW	NW	NNW	C	Total
0~ 0.4 M/S	0.0	0.0	0.0	0.0	0.0	0.0	0.0	0.0	0.0	0.0	0.0	0.0	0.0	0.0	0.0	0.0	0.0	0.0
0.5~ 0.9 M/S	0.0	0.0	0.0	0.0	0.0	0.0	0.0	0.0	0.0	0.0	0.0	0.0	0.0	0.0	0.0	0.0	0.0	0.0
1.0~ 1.9 M/S	0.0	0.0	0.0	0.0	0.0	0.0	0.0	0.0	0.0	0.0	0.0	0.0	0.0	0.0	0.0	0.0	0.0	0.0
2.0~ 2.9 M/S	0.0	0.0	0.0	0.0	0.0	0.0	0.0	0.0	0.0	0.0	0.0	0.0	0.0	0.0	0.0	0.0	0.0	0.0
3.0~ 3.9 M/S	0.0	0.0	0.0	0.0	0.0	0.0	0.0	0.0	0.0	0.0	0.0	0.0	0.0	0.0	0.0	0.0	0.0	0.0
4.0 M/S ~	0.0	0.0	0.0	0.0	0.0	0.0	0.0	0.0	0.0	0.0	0.0	0.0	0.0	0.0	0.0	0.0	0.0	0.0
Total	0.0	0.0	0.0	0.0	0.0	0.0	0.0	0.0	0.0	0.0	0.0	0.0	0.0	0.0	0.0	0.0	0.0	0.0

Neutral (D)

Direction Speed	N	NNE	NE	ENE	E	ESE	SE	SSE	S	SSW	SW	WSW	W	WNW	NW	NNW	C	Total
0~ 0.4 M/S	0.0	0.0	0.0	0.0	0.0	0.0	0.0	0.0	0.0	0.0	0.0	0.0	0.0	0.0	0.0	0.0	0.0	3.5
0.5~ 0.9 M/S	1.7	0.9	0.9	0.4	0.0	0.0	0.4	0.0	0.0	0.4	0.9	0.4	2.2	0.4	0.9	0.9	0.0	10.4
1.0~ 1.9 M/S	0.4	3.0	4.3	2.6	2.2	4.8	2.2	0.0	0.4	1.3	0.4	4.3	0.9	0.4	1.7	1.7	0.0	30.7
2.0~ 2.9 M/S	0.0	0.0	2.2	0.9	0.4	0.9	0.4	0.0	0.0	1.3	0.0	2.6	0.4	0.0	0.0	0.0	0.0	9.1
3.0~ 3.9 M/S	0.0	0.0	0.4	0.0	0.0	0.0	0.0	0.0	0.0	2.2	0.4	1.3	0.0	0.0	0.0	0.0	0.0	4.3
4.0 M/S ~	0.0	0.0	0.0	0.0	0.0	0.0	0.0	0.0	0.0	0.9	0.0	0.0	0.0	0.0	0.0	0.0	0.0	0.9
Total	2.2	3.9	7.8	3.9	2.6	5.6	3.0	0.0	0.4	6.1	1.7	8.7	3.5	0.9	2.6	2.6	3.5	58.9

Stable (E~G)

Direction Speed	N	NNE	NE	ENE	E	ESE	SE	SSE	S	SSW	SW	WSW	W	WNW	NW	NNW	C	Total
0~ 0.4 M/S	0.0	0.0	0.0	0.0	0.0	0.0	0.0	0.0	0.0	0.0	0.0	0.0	0.0	0.0	0.0	0.0	0.0	4.3
0.5~ 0.9 M/S	2.6	1.3	0.4	0.9	0.9	0.4	0.0	0.0	0.4	0.0	0.0	0.9	1.7	0.9	2.2	2.2	0.0	14.7
1.0~ 1.9 M/S	2.2	0.9	1.7	0.9	0.0	4.3	0.4	0.0	0.0	0.4	0.4	0.9	1.3	0.4	2.2	0.4	0.0	16.5
2.0~ 2.9 M/S	0.0	0.0	1.3	0.9	0.0	0.4	0.0	0.0	0.4	0.9	0.0	1.3	0.0	0.0	0.0	0.0	0.0	5.2
3.0~ 3.9 M/S	0.0	0.0	0.0	0.0	0.0	0.0	0.0	0.0	0.0	0.0	0.0	0.4	0.0	0.0	0.0	0.0	0.0	0.4
4.0 M/S ~	0.0	0.0	0.0	0.0	0.0	0.0	0.0	0.0	0.0	0.0	0.0	0.0	0.0	0.0	0.0	0.0	0.0	0.0
Total	4.8	2.2	3.5	2.6	0.9	5.2	0.4	0.0	0.9	1.3	0.4	3.5	3.0	1.3	4.3	2.6	4.3	41.1

[Morning]

All Classes

Direction	N	NNE	NE	ENE	E	ESE	SE	SSE	S	SSW	SW	WSW	W	WNW	NW	NNW	C	Total	
Speed																			
0~ 0.4 M/S	0.0	0.0	0.0	0.0	0.0	0.0	0.0	0.0	0.0	0.0	0.0	0.0	0.0	0.0	0.0	0.0	0.0	3.9	3.9
0.5~ 0.9 M/S	1.3	1.3	0.4	0.4	0.4	1.7	0.0	0.0	1.7	0.4	1.3	0.4	2.6	1.7	0.9	2.6	0.0	17.5	17.5
1.0~ 1.9 M/S	2.6	4.8	7.0	1.7	2.6	6.6	2.2	0.0	0.4	1.3	0.9	1.7	4.4	1.3	1.7	4.8	0.0	44.1	44.1
2.0~ 2.9 M/S	0.0	2.6	3.5	1.7	1.3	3.1	0.4	0.0	0.0	1.7	1.3	3.9	2.6	0.9	0.0	0.0	0.0	23.1	23.1
3.0~ 3.9 M/S	0.0	0.4	1.7	0.4	0.0	0.0	0.0	0.0	0.9	1.3	0.0	3.5	0.4	0.0	0.0	0.0	0.0	8.7	8.7
4.0 M/S ~	0.0	0.0	0.0	0.0	0.0	0.0	0.0	0.0	0.0	0.9	0.0	1.7	0.0	0.0	0.0	0.0	0.0	2.6	2.6
Total	3.9	9.2	12.7	4.4	4.4	11.4	2.6	0.0	3.1	5.7	3.5	11.4	10.0	3.9	2.6	7.4	3.9	100.0	100.0

Unstable (A~C-D)

Direction	N	NNE	NE	ENE	E	ESE	SE	SSE	S	SSW	SW	WSW	W	WNW	NW	NNW	C	Total	
Speed																			
0~ 0.4 M/S	0.0	0.0	0.0	0.0	0.0	0.0	0.0	0.0	0.0	0.0	0.0	0.0	0.0	0.0	0.0	0.0	0.0	1.7	1.7
0.5~ 0.9 M/S	0.4	0.4	0.0	0.4	0.0	0.9	0.0	0.0	0.0	0.0	0.4	0.4	0.9	0.4	0.0	0.0	0.0	4.4	4.4
1.0~ 1.9 M/S	0.4	1.7	1.7	0.0	0.4	2.6	0.4	0.0	0.4	0.0	0.0	0.9	0.9	0.0	0.0	0.9	0.0	10.5	10.5
2.0~ 2.9 M/S	0.0	0.4	0.0	0.4	0.4	0.0	0.4	0.0	0.0	0.4	0.0	1.3	0.9	0.9	0.0	0.0	0.0	5.2	5.2
3.0~ 3.9 M/S	0.0	0.0	1.3	0.4	0.0	0.0	0.0	0.0	0.0	0.0	0.0	0.9	0.0	0.0	0.0	0.0	0.0	2.6	2.6
4.0 M/S ~	0.0	0.0	0.0	0.0	0.0	0.0	0.0	0.0	0.0	0.0	0.0	0.0	0.0	0.0	0.0	0.0	0.0	0.0	0.0
Total	0.9	2.6	3.1	1.3	0.9	3.5	0.9	0.0	0.4	0.4	0.4	3.5	2.6	1.3	0.0	0.9	1.7	24.5	24.5

Neutral (D)

Direction	N	NNE	NE	ENE	E	ESE	SE	SSE	S	SSW	SW	WSW	W	WNW	NW	NNW	C	Total	
Speed																			
0~ 0.4 M/S	0.0	0.0	0.0	0.0	0.0	0.0	0.0	0.0	0.0	0.0	0.0	0.0	0.0	0.0	0.0	0.0	0.0	2.2	2.2
0.5~ 0.9 M/S	0.9	0.9	0.4	0.0	0.4	0.9	0.0	0.0	1.7	0.4	0.9	0.0	1.7	1.3	0.9	2.6	0.0	13.1	13.1
1.0~ 1.9 M/S	2.2	3.1	5.2	1.7	2.2	3.9	1.7	0.0	0.0	1.3	0.9	0.9	3.5	1.3	1.7	3.9	0.0	33.6	33.6
2.0~ 2.9 M/S	0.0	2.2	3.5	1.3	0.9	3.1	0.0	0.0	0.0	1.3	1.3	2.6	1.7	0.0	0.0	0.0	0.0	17.9	17.9
3.0~ 3.9 M/S	0.0	0.4	0.4	0.0	0.0	0.0	0.0	0.0	0.9	1.3	0.0	2.6	0.4	0.0	0.0	0.0	0.0	6.1	6.1
4.0 M/S ~	0.0	0.0	0.0	0.0	0.0	0.0	0.0	0.0	0.0	0.9	0.0	1.7	0.0	0.0	0.0	0.0	0.0	2.6	2.6
Total	3.1	6.6	9.6	3.1	3.5	7.9	1.7	0.0	2.6	5.2	3.1	7.9	7.4	2.6	2.6	6.6	2.2	75.5	75.5

Stable (E~G)

Direction	N	NNE	NE	ENE	E	ESE	SE	SSE	S	SSW	SW	WSW	W	WNW	NW	NNW	C	Total	
Speed																			
0~ 0.4 M/S	0.0	0.0	0.0	0.0	0.0	0.0	0.0	0.0	0.0	0.0	0.0	0.0	0.0	0.0	0.0	0.0	0.0	0.0	0.0
0.5~ 0.9 M/S	0.0	0.0	0.0	0.0	0.0	0.0	0.0	0.0	0.0	0.0	0.0	0.0	0.0	0.0	0.0	0.0	0.0	0.0	0.0
1.0~ 1.9 M/S	0.0	0.0	0.0	0.0	0.0	0.0	0.0	0.0	0.0	0.0	0.0	0.0	0.0	0.0	0.0	0.0	0.0	0.0	0.0
2.0~ 2.9 M/S	0.0	0.0	0.0	0.0	0.0	0.0	0.0	0.0	0.0	0.0	0.0	0.0	0.0	0.0	0.0	0.0	0.0	0.0	0.0
3.0~ 3.9 M/S	0.0	0.0	0.0	0.0	0.0	0.0	0.0	0.0	0.0	0.0	0.0	0.0	0.0	0.0	0.0	0.0	0.0	0.0	0.0
4.0 M/S ~	0.0	0.0	0.0	0.0	0.0	0.0	0.0	0.0	0.0	0.0	0.0	0.0	0.0	0.0	0.0	0.0	0.0	0.0	0.0
Total	0.0	0.0	0.0	0.0	0.0	0.0	0.0	0.0	0.0	0.0	0.0	0.0	0.0	0.0	0.0	0.0	0.0	0.0	0.0

[Afternoon]

All Classes

Direction	N	NNE	NE	ENE	E	ESE	SE	SSE	S	SSW	SW	WSW	W	WNW	NW	NNW	C	Total	
Speed																			
0~ 0.4 M/S	0.0	0.0	0.0	0.0	0.0	0.0	0.0	0.0	0.0	0.0	0.0	0.0	0.0	0.0	0.0	0.0	0.0	1.7	1.7
0.5~ 0.9 M/S	1.3	1.3	0.3	0.3	0.0	0.7	0.0	0.0	0.3	0.0	0.0	1.0	1.0	1.3	0.0	0.7	0.0	8.3	8.3
1.0~ 1.9 M/S	2.0	5.0	6.3	3.0	2.0	4.0	2.3	0.0	0.7	1.0	1.3	1.7	3.3	3.0	0.7	1.0	0.0	37.1	37.1
2.0~ 2.9 M/S	0.3	3.3	6.0	2.6	1.3	0.3	0.7	0.0	0.0	1.3	2.0	4.6	5.0	1.0	0.0	0.3	0.0	28.8	28.8
3.0~ 3.9 M/S	0.3	0.3	1.7	0.7	0.3	0.0	0.0	0.0	0.0	1.7	0.0	4.0	2.3	1.0	0.0	0.7	0.0	12.9	12.9
4.0 M/S ~	0.0	0.0	0.3	0.0	0.0	0.0	0.0	0.0	0.0	6.0	0.0	4.3	0.3	0.0	0.0	0.3	0.0	11.3	11.3
Total	4.0	9.9	14.6	6.6	3.6	5.0	3.0	0.0	1.0	9.9	3.3	15.6	11.9	6.3	0.7	3.0	1.7	100.0	100.0

Unstable(A~C-D)

Direction	N	NNE	NE	ENE	E	ESE	SE	SSE	S	SSW	SW	WSW	W	WNW	NW	NNW	C	Total	
Speed																			
0~ 0.4 M/S	0.0	0.0	0.0	0.0	0.0	0.0	0.0	0.0	0.0	0.0	0.0	0.0	0.0	0.0	0.0	0.0	0.0	0.3	0.3
0.5~ 0.9 M/S	1.0	1.0	0.0	0.0	0.0	0.3	0.0	0.0	0.0	0.0	0.0	0.7	1.0	0.7	0.0	0.3	0.0	5.0	5.0
1.0~ 1.9 M/S	1.7	4.0	4.3	2.0	0.7	3.6	1.0	0.0	0.0	0.0	0.0	0.3	2.0	2.3	0.7	0.3	0.0	22.8	22.8
2.0~ 2.9 M/S	0.3	3.0	3.6	2.0	1.0	0.3	0.3	0.0	0.0	0.7	1.0	3.3	3.0	1.0	0.0	0.3	0.0	19.9	19.9
3.0~ 3.9 M/S	0.3	0.3	1.7	0.7	0.3	0.0	0.0	0.0	0.0	0.3	0.0	2.6	1.3	1.0	0.0	0.7	0.0	9.3	9.3
4.0 M/S ~	0.0	0.0	0.0	0.0	0.0	0.0	0.0	0.0	0.0	0.0	0.0	0.0	0.3	0.0	0.0	0.0	0.0	0.3	0.3
Total	3.3	8.3	9.6	4.6	2.0	4.3	1.3	0.0	0.0	1.0	1.0	7.0	7.6	5.0	0.7	1.7	0.3	57.6	57.6

Neutral(D)

Direction	N	NNE	NE	ENE	E	ESE	SE	SSE	S	SSW	SW	WSW	W	WNW	NW	NNW	C	Total	
Speed																			
0~ 0.4 M/S	0.0	0.0	0.0	0.0	0.0	0.0	0.0	0.0	0.0	0.0	0.0	0.0	0.0	0.0	0.0	0.0	0.0	1.3	1.3
0.5~ 0.9 M/S	0.3	0.3	0.3	0.3	0.0	0.3	0.0	0.0	0.3	0.0	0.0	0.3	0.0	0.7	0.0	0.3	0.0	3.3	3.3
1.0~ 1.9 M/S	0.3	1.0	2.0	1.0	1.3	0.3	1.3	0.0	0.7	1.0	1.3	1.3	1.3	0.7	0.0	0.7	0.0	14.2	14.2
2.0~ 2.9 M/S	0.0	0.3	2.3	0.7	0.3	0.0	0.3	0.0	0.0	0.7	1.0	1.3	2.0	0.0	0.0	0.0	0.0	8.9	8.9
3.0~ 3.9 M/S	0.0	0.0	0.0	0.0	0.0	0.0	0.0	0.0	0.0	1.3	0.0	1.3	1.0	0.0	0.0	0.0	0.0	3.6	3.6
4.0 M/S ~	0.0	0.0	0.3	0.0	0.0	0.0	0.0	0.0	0.0	6.0	0.0	4.3	0.0	0.0	0.0	0.3	0.0	10.9	10.9
Total	0.7	1.7	5.0	2.0	1.7	0.7	1.7	0.0	1.0	8.9	2.3	8.6	4.3	1.3	0.0	1.3	1.3	42.4	42.4

Stable(E~G)

Direction	N	NNE	NE	ENE	E	ESE	SE	SSE	S	SSW	SW	WSW	W	WNW	NW	NNW	C	Total	
Speed																			
0~ 0.4 M/S	0.0	0.0	0.0	0.0	0.0	0.0	0.0	0.0	0.0	0.0	0.0	0.0	0.0	0.0	0.0	0.0	0.0	0.0	0.0
0.5~ 0.9 M/S	0.0	0.0	0.0	0.0	0.0	0.0	0.0	0.0	0.0	0.0	0.0	0.0	0.0	0.0	0.0	0.0	0.0	0.0	0.0
1.0~ 1.9 M/S	0.0	0.0	0.0	0.0	0.0	0.0	0.0	0.0	0.0	0.0	0.0	0.0	0.0	0.0	0.0	0.0	0.0	0.0	0.0
2.0~ 2.9 M/S	0.0	0.0	0.0	0.0	0.0	0.0	0.0	0.0	0.0	0.0	0.0	0.0	0.0	0.0	0.0	0.0	0.0	0.0	0.0
3.0~ 3.9 M/S	0.0	0.0	0.0	0.0	0.0	0.0	0.0	0.0	0.0	0.0	0.0	0.0	0.0	0.0	0.0	0.0	0.0	0.0	0.0
4.0 M/S ~	0.0	0.0	0.0	0.0	0.0	0.0	0.0	0.0	0.0	0.0	0.0	0.0	0.0	0.0	0.0	0.0	0.0	0.0	0.0
Total	0.0	0.0	0.0	0.0	0.0	0.0	0.0	0.0	0.0	0.0	0.0	0.0	0.0	0.0	0.0	0.0	0.0	0.0	0.0

[Evening]

All Classes

Direction	N	NNE	NE	ENE	E	ESE	SE	SSE	S	SSW	SW	WSW	W	WNW	NW	NNW	C	Total	
Speed																			
0~ 0.4 M/S	0.0	0.0	0.0	0.0	0.0	0.0	0.0	0.0	0.0	0.0	0.0	0.0	0.0	0.0	0.0	0.0	0.0	2.2	2.2
0.5~ 0.9 M/S	1.8	0.9	0.4	1.3	0.0	0.4	0.0	0.0	0.0	0.0	0.9	0.0	2.2	0.9	0.4	0.0	0.0	9.2	9.2
1.0~ 1.9 M/S	2.6	3.9	5.3	0.9	2.6	2.6	1.3	0.0	0.4	0.9	1.8	4.8	3.9	4.4	1.3	1.8	0.0	38.6	38.6
2.0~ 2.9 M/S	0.4	3.9	4.8	1.8	3.1	3.5	0.0	0.0	0.4	0.4	0.4	4.8	3.1	0.4	0.0	0.4	0.0	27.6	27.6
3.0~ 3.9 M/S	0.0	0.0	0.0	0.4	0.9	0.0	0.0	0.0	0.0	3.9	0.9	6.1	1.3	0.9	0.0	0.9	0.0	16.2	16.2
4.0 M/S ~	0.0	0.0	0.0	0.0	0.0	0.0	0.0	0.0	0.0	3.9	0.0	1.8	0.4	0.0	0.0	0.0	0.0	6.1	6.1
Total	4.8	8.8	11.4	4.4	6.6	6.6	1.3	0.0	0.9	9.2	3.9	17.5	11.0	6.6	1.8	3.1	2.2	100.0	100.0

Unstable (A~C-D)

Direction	N	NNE	NE	ENE	E	ESE	SE	SSE	S	SSW	SW	WSW	W	WNW	NW	NNW	C	Total	
Speed																			
0~ 0.4 M/S	0.0	0.0	0.0	0.0	0.0	0.0	0.0	0.0	0.0	0.0	0.0	0.0	0.0	0.0	0.0	0.0	0.0	0.0	0.0
0.5~ 0.9 M/S	0.0	0.0	0.0	0.9	0.0	0.0	0.0	0.0	0.0	0.0	0.0	0.0	0.0	0.0	0.0	0.0	0.0	0.9	0.9
1.0~ 1.9 M/S	0.4	1.8	0.9	0.0	0.0	1.3	0.0	0.0	0.0	0.9	0.0	0.4	0.9	0.4	0.9	0.9	0.0	7.9	7.9
2.0~ 2.9 M/S	0.4	0.9	0.4	0.4	0.4	0.4	0.0	0.0	0.4	0.0	0.0	2.2	1.3	0.0	0.0	0.4	0.0	7.5	7.5
3.0~ 3.9 M/S	0.0	0.0	0.0	0.4	0.0	0.0	0.0	0.0	0.0	0.0	0.0	1.8	0.9	0.4	0.0	0.4	0.0	3.9	3.9
4.0 M/S ~	0.0	0.0	0.0	0.0	0.0	0.0	0.0	0.0	0.0	0.0	0.0	0.0	0.0	0.0	0.0	0.0	0.0	0.0	0.0
Total	0.9	2.6	1.3	1.8	0.4	1.8	0.0	0.0	0.4	0.0	0.0	4.4	3.1	0.9	0.9	1.8	0.0	20.2	20.2

Neutral (D)

Direction	N	NNE	NE	ENE	E	ESE	SE	SSE	S	SSW	SW	WSW	W	WNW	NW	NNW	C	Total	
Speed																			
0~ 0.4 M/S	0.0	0.0	0.0	0.0	0.0	0.0	0.0	0.0	0.0	0.0	0.0	0.0	0.0	0.0	0.0	0.0	1.8	1.8	1.8
0.5~ 0.9 M/S	1.3	0.4	0.0	0.4	0.0	0.4	0.0	0.0	0.0	0.0	0.4	0.0	1.3	0.9	0.4	0.0	0.0	5.7	5.7
1.0~ 1.9 M/S	1.8	1.3	3.5	0.4	2.2	0.9	0.9	0.0	0.4	0.4	1.8	3.9	3.1	3.5	0.4	0.9	0.0	25.4	25.4
2.0~ 2.9 M/S	0.0	3.1	3.9	1.3	1.3	2.2	0.0	0.0	0.0	0.4	0.4	2.6	1.8	0.4	0.0	0.0	0.0	17.5	17.5
3.0~ 3.9 M/S	0.0	0.0	0.4	0.0	0.4	0.0	0.0	0.0	0.0	3.9	0.9	4.4	0.4	0.4	0.0	0.4	0.0	11.4	11.4
4.0 M/S ~	0.0	0.0	0.0	0.0	0.0	0.0	0.0	0.0	0.0	3.9	0.0	1.8	0.4	0.0	0.0	0.0	0.0	6.1	6.1
Total	3.1	4.8	7.9	2.2	3.9	3.5	0.9	0.0	0.4	8.8	3.5	12.7	7.0	5.3	0.9	1.3	1.8	68.0	68.0

Stable (E~G)

Direction	N	NNE	NE	ENE	E	ESE	SE	SSE	S	SSW	SW	WSW	W	WNW	NW	NNW	C	Total	
Speed																			
0~ 0.4 M/S	0.0	0.0	0.0	0.0	0.0	0.0	0.0	0.0	0.0	0.0	0.0	0.0	0.0	0.0	0.0	0.0	0.4	0.4	0.4
0.5~ 0.9 M/S	0.4	0.4	0.4	0.0	0.0	0.0	0.0	0.0	0.0	0.0	0.4	0.0	0.9	0.0	0.0	0.0	0.0	2.6	2.6
1.0~ 1.9 M/S	0.4	0.9	0.9	0.4	0.4	0.4	0.4	0.0	0.0	0.4	0.0	0.4	0.0	0.4	0.0	0.0	0.0	5.3	5.3
2.0~ 2.9 M/S	0.0	0.0	0.4	0.0	1.3	0.9	0.0	0.0	0.0	0.0	0.0	0.0	0.0	0.0	0.0	0.0	0.0	2.6	2.6
3.0~ 3.9 M/S	0.0	0.0	0.4	0.0	0.4	0.0	0.0	0.0	0.0	0.0	0.0	0.0	0.0	0.0	0.0	0.0	0.0	0.9	0.9
4.0 M/S ~	0.0	0.0	0.0	0.0	0.0	0.0	0.0	0.0	0.0	0.0	0.0	0.0	0.0	0.0	0.0	0.0	0.0	0.0	0.0
Total	0.9	1.3	2.2	0.4	2.2	1.3	0.4	0.0	0.0	0.4	0.4	0.4	0.9	0.4	0.0	0.0	0.4	11.8	11.8

[Night]

All Classes

Direction Speed	N	NNE	NE	ENE	E	ESE	SE	SSE	S	SSW	SW	WSW	W	WNW	NW	NNW	C	Total	
0~ 0.4 M/S	0.0	0.0	0.0	0.0	0.0	0.0	0.0	0.0	0.0	0.0	0.0	0.0	0.0	0.0	0.0	0.0	0.0	3.7	3.7
0.5~ 0.9 M/S	2.2	2.2	2.0	1.3	0.4	0.9	0.0	0.0	0.0	0.4	0.4	2.0	4.6	2.4	1.7	2.4	0.0	22.9	22.9
1.0~ 1.9 M/S	2.0	3.9	8.3	5.7	3.5	4.8	0.7	0.7	1.3	2.0	3.3	5.7	5.7	1.1	2.2	1.1	0.0	46.6	46.6
2.0~ 2.9 M/S	0.0	0.2	2.8	2.6	0.9	1.5	0.4	0.2	0.4	2.0	0.4	3.7	0.2	0.0	0.2	0.0	0.0	15.7	15.7
3.0~ 3.9 M/S	0.0	0.0	0.0	0.0	0.4	0.0	0.0	0.0	0.2	1.7	0.2	1.5	0.4	0.0	0.2	0.0	0.0	4.8	4.8
4.0 M/S ~	0.0	0.0	0.0	0.0	0.2	0.0	0.0	0.0	0.2	4.4	0.0	1.5	0.0	0.0	0.0	0.0	0.0	6.3	6.3
Total	4.1	6.3	13.1	9.6	5.4	7.2	1.1	0.9	1.5	9.8	3.1	12.0	10.9	3.5	4.4	3.5	3.7	100.0	100.0

Unstable (A~C-D)

Direction Speed	N	NNE	NE	ENE	E	ESE	SE	SSE	S	SSW	SW	WSW	W	WNW	NW	NNW	C	Total	
0~ 0.4 M/S	0.0	0.0	0.0	0.0	0.0	0.0	0.0	0.0	0.0	0.0	0.0	0.0	0.0	0.0	0.0	0.0	0.0	0.0	0.0
0.5~ 0.9 M/S	0.0	0.0	0.0	0.0	0.0	0.0	0.0	0.0	0.0	0.0	0.0	0.0	0.0	0.0	0.0	0.0	0.0	0.0	0.0
1.0~ 1.9 M/S	0.0	0.0	0.0	0.0	0.0	0.0	0.0	0.0	0.0	0.0	0.0	0.0	0.0	0.0	0.0	0.0	0.0	0.0	0.0
2.0~ 2.9 M/S	0.0	0.0	0.0	0.0	0.0	0.0	0.0	0.0	0.0	0.0	0.0	0.0	0.0	0.0	0.0	0.0	0.0	0.0	0.0
3.0~ 3.9 M/S	0.0	0.0	0.0	0.0	0.0	0.0	0.0	0.0	0.0	0.0	0.0	0.0	0.0	0.0	0.0	0.0	0.0	0.0	0.0
4.0 M/S ~	0.0	0.0	0.0	0.0	0.0	0.0	0.0	0.0	0.0	0.0	0.0	0.0	0.0	0.0	0.0	0.0	0.0	0.0	0.0
Total	0.0	0.0	0.0	0.0	0.0	0.0	0.0	0.0	0.0	0.0	0.0	0.0	0.0	0.0	0.0	0.0	0.0	0.0	0.0

Neutral (D)

Direction Speed	N	NNE	NE	ENE	E	ESE	SE	SSE	S	SSW	SW	WSW	W	WNW	NW	NNW	C	Total	
0~ 0.4 M/S	0.0	0.0	0.0	0.0	0.0	0.0	0.0	0.0	0.0	0.0	0.0	0.0	0.0	0.0	0.0	0.0	0.0	1.7	1.7
0.5~ 0.9 M/S	0.9	0.7	0.4	0.4	0.2	0.4	0.0	0.0	0.0	0.2	0.0	0.9	1.5	0.7	0.4	0.2	0.0	7.0	7.0
1.0~ 1.9 M/S	0.9	1.7	3.3	2.6	1.1	1.3	0.4	0.4	0.0	0.0	0.4	0.7	1.3	0.9	0.9	0.2	0.0	16.1	16.1
2.0~ 2.9 M/S	0.0	0.0	1.7	0.2	0.0	0.4	0.0	0.0	0.2	0.7	0.0	0.2	0.0	0.0	0.2	0.0	0.0	3.7	3.7
3.0~ 3.9 M/S	0.0	0.0	0.0	0.0	0.0	0.0	0.0	0.0	0.2	0.9	0.2	1.1	0.0	0.0	0.2	0.0	0.0	2.6	2.6
4.0 M/S ~	0.0	0.0	0.0	0.0	0.2	0.0	0.0	0.0	0.2	4.4	0.0	1.5	0.0	0.0	0.0	0.0	0.0	6.3	6.3
Total	1.7	2.4	5.4	3.3	1.5	2.2	0.4	0.4	0.7	6.1	0.7	4.4	2.8	1.5	1.7	0.4	1.7	37.5	37.5

Stable (E~G)

Direction Speed	N	NNE	NE	ENE	E	ESE	SE	SSE	S	SSW	SW	WSW	W	WNW	NW	NNW	C	Total	
0~ 0.4 M/S	0.0	0.0	0.0	0.0	0.0	0.0	0.0	0.0	0.0	0.0	0.0	0.0	0.0	0.0	0.0	0.0	0.0	2.0	2.0
0.5~ 0.9 M/S	1.3	1.5	1.5	0.9	0.2	0.4	0.0	0.0	0.0	0.2	0.4	1.1	3.1	1.7	1.3	2.2	0.0	15.9	15.9
1.0~ 1.9 M/S	1.1	2.2	5.0	3.1	2.4	3.5	0.2	0.2	0.7	1.3	1.5	2.6	4.4	4.1	1.3	0.9	0.0	30.5	30.5
2.0~ 2.9 M/S	0.0	0.2	1.1	2.4	0.9	1.1	0.4	0.2	0.2	1.3	0.4	3.5	0.2	0.0	0.0	0.0	0.0	12.0	12.0
3.0~ 3.9 M/S	0.0	0.0	0.0	0.0	0.4	0.0	0.0	0.0	0.0	0.9	0.0	0.4	0.4	0.0	0.0	0.0	0.0	2.2	2.2
4.0 M/S ~	0.0	0.0	0.0	0.0	0.0	0.0	0.0	0.0	0.0	0.0	0.0	0.0	0.0	0.0	0.0	0.0	0.0	0.0	0.0
Total	2.4	3.9	7.6	6.3	3.9	5.0	0.7	0.4	0.9	3.7	2.4	7.6	8.1	2.0	2.6	3.1	2.0	62.5	62.5

Percent Frequency of Wind Direction and Speed by Time Zone and Stability Class KAVAKLIDERE

[Whole Day]

All Classes

Direction Speed	N	NNE	NE	ENE	E	ESE	SE	SSE	S	SSW	SW	WSW	W	WNW	NW	NNW	C	Total
0~ 0.4 M/S	0.0	0.0	0.0	0.0	0.0	0.0	0.0	0.0	0.0	0.0	0.0	0.0	0.0	0.0	0.0	0.0	0.0	8.4
0.5~ 0.9 M/S	1.4	0.7	1.2	3.6	5.6	1.8	1.2	0.4	0.5	0.4	0.3	0.8	1.3	1.1	1.4	1.9	0.0	23.5
1.0~ 1.9 M/S	0.7	0.1	1.1	5.0	4.5	3.0	3.3	0.9	1.9	1.2	1.4	2.8	4.4	2.0	3.1	1.4	0.0	36.7
2.0~ 2.9 M/S	0.0	0.0	0.1	0.7	0.9	0.4	0.3	0.3	1.7	1.3	1.2	3.0	2.7	1.1	0.5	0.2	0.0	14.4
3.0~ 3.9 M/S	0.0	0.0	0.0	0.5	0.2	0.1	0.1	0.0	1.8	0.8	0.4	1.5	1.3	0.4	0.1	0.1	0.0	7.1
4.0 M/S ~	0.0	0.0	0.1	0.1	0.0	0.0	0.0	0.1	7.1	0.8	0.2	0.7	0.5	0.3	0.0	0.0	0.0	9.9
Total	2.1	0.8	2.4	9.8	11.2	5.2	4.9	1.8	12.9	4.4	3.4	8.9	10.4	4.8	5.1	3.6	8.4	100.0

Unstable (A~C-D)

Direction Speed	N	NNE	NE	ENE	E	ESE	SE	SSE	S	SSW	SW	WSW	W	WNW	NW	NNW	C	Total
0~ 0.4 M/S	0.0	0.0	0.0	0.0	0.0	0.0	0.0	0.0	0.0	0.0	0.0	0.0	0.0	0.0	0.0	0.0	0.0	0.5
0.5~ 0.9 M/S	0.2	0.1	0.1	0.3	0.8	0.3	0.2	0.0	0.1	0.0	0.0	0.1	0.1	0.1	0.2	0.3	0.0	2.6
1.0~ 1.9 M/S	0.4	0.1	0.3	1.2	1.2	0.5	0.4	0.2	0.2	0.2	0.2	0.2	0.5	0.4	0.3	0.5	0.0	6.7
2.0~ 2.9 M/S	0.0	0.0	0.0	0.2	0.2	0.1	0.1	0.0	0.1	0.1	0.1	0.8	0.9	0.5	0.2	0.1	0.0	3.3
3.0~ 3.9 M/S	0.0	0.0	0.0	0.1	0.0	0.1	0.0	0.0	0.1	0.1	0.2	0.1	0.3	0.1	0.0	0.0	0.0	0.9
4.0 M/S ~	0.0	0.0	0.0	0.0	0.0	0.0	0.0	0.0	0.0	0.0	0.0	0.0	0.0	0.0	0.0	0.0	0.0	0.0
Total	0.5	0.2	0.4	1.8	2.2	0.9	0.6	0.2	0.4	0.4	0.4	1.2	1.8	1.2	0.7	0.9	0.5	14.2

Neutral (D)

Direction Speed	N	NNE	NE	ENE	E	ESE	SE	SSE	S	SSW	SW	WSW	W	WNW	NW	NNW	C	Total
0~ 0.4 M/S	0.0	0.0	0.0	0.0	0.0	0.0	0.0	0.0	0.0	0.0	0.0	0.0	0.0	0.0	0.0	0.0	0.0	3.3
0.5~ 0.9 M/S	0.6	0.3	0.7	1.4	2.8	0.8	0.5	0.3	0.2	0.2	0.1	0.4	0.4	0.3	0.7	0.9	0.0	10.7
1.0~ 1.9 M/S	0.2	0.0	0.6	2.2	2.4	1.6	1.8	0.6	0.9	0.4	0.5	1.5	1.9	1.0	1.7	0.4	0.0	17.7
2.0~ 2.9 M/S	0.0	0.0	0.1	0.3	0.3	0.2	0.3	0.1	1.0	0.9	0.8	1.8	1.4	0.4	0.3	0.1	0.0	7.8
3.0~ 3.9 M/S	0.0	0.0	0.0	0.4	0.1	0.0	0.1	0.0	1.4	0.7	0.2	1.4	0.8	0.2	0.1	0.1	0.0	5.4
4.0 M/S ~	0.0	0.0	0.1	0.1	0.0	0.0	0.0	0.1	7.1	0.8	0.2	0.7	0.5	0.3	0.0	0.0	0.0	9.9
Total	0.8	0.3	1.5	4.4	5.6	2.6	2.6	1.0	10.5	3.1	1.8	5.8	5.0	2.2	2.8	1.5	3.3	54.8

Stable (E~G)

Direction Speed	N	NNE	NE	ENE	E	ESE	SE	SSE	S	SSW	SW	WSW	W	WNW	NW	NNW	C	Total
0~ 0.4 M/S	0.0	0.0	0.0	0.0	0.0	0.0	0.0	0.0	0.0	0.0	0.0	0.0	0.0	0.0	0.0	0.0	0.0	4.6
0.5~ 0.9 M/S	0.6	0.3	0.3	1.9	1.9	0.7	0.5	0.2	0.3	0.2	0.2	0.4	0.8	0.8	0.5	0.7	0.0	10.2
1.0~ 1.9 M/S	0.1	0.0	0.2	1.6	1.0	0.8	1.2	0.2	0.8	0.5	0.7	1.1	2.0	0.5	1.2	0.4	0.0	12.3
2.0~ 2.9 M/S	0.0	0.0	0.0	0.2	0.3	0.1	0.0	0.2	0.7	0.3	0.4	0.4	0.5	0.1	0.1	0.1	0.0	3.2
3.0~ 3.9 M/S	0.0	0.0	0.0	0.1	0.1	0.0	0.0	0.0	0.3	0.0	0.0	0.1	0.2	0.1	0.0	0.0	0.0	0.8
4.0 M/S ~	0.0	0.0	0.0	0.0	0.0	0.0	0.0	0.0	0.0	0.0	0.0	0.0	0.0	0.0	0.0	0.0	0.0	0.0
Total	0.7	0.3	0.5	3.7	3.3	1.6	1.6	0.5	2.0	0.9	1.3	2.0	3.6	1.5	1.7	1.2	4.6	31.1

[Mid-Night]

All Classes

Direction Speed	N	NNE	NE	ENE	E	ESE	SE	SSE	S	SSW	SW	WSW	W	WNW	NW	NNW	C	Total
0~ 0.4 M/S	0.0	0.0	0.0	0.0	0.0	0.0	0.0	0.0	0.0	0.0	0.0	0.0	0.0	0.0	0.0	0.0	0.0	13.4
0.5~ 0.9 M/S	1.8	0.8	2.1	5.0	3.4	1.0	0.3	0.3	1.3	0.5	0.3	0.3	1.3	1.0	0.3	2.6	0.0	27.0
1.0~ 1.9 M/S	0.5	0.0	0.5	3.9	3.1	2.1	4.2	0.5	2.1	0.8	1.3	3.9	5.0	1.3	4.5	0.8	0.0	34.6
2.0~ 2.9 M/S	0.0	0.0	0.0	0.8	0.0	0.5	0.5	0.3	1.3	0.5	0.8	2.4	2.4	0.8	0.8	0.0	0.0	11.0
3.0~ 3.9 M/S	0.0	0.0	0.0	0.0	0.3	0.0	0.0	0.0	2.1	0.0	0.0	1.3	1.0	0.0	0.0	0.0	0.0	4.7
4.0 M/S ~	0.0	0.0	0.0	0.0	0.0	0.0	0.0	0.0	8.1	0.5	0.0	0.8	0.0	0.0	0.0	0.0	0.0	9.4
Total	2.4	0.8	2.6	9.7	8.4	6.0	5.8	1.0	14.9	2.4	2.4	8.6	9.7	3.1	5.5	3.4	13.4	100.0

Unstable (A~C-D)

Direction Speed	N	NNE	NE	ENE	E	ESE	SE	SSE	S	SSW	SW	WSW	W	WNW	NW	NNW	C	Total
0~ 0.4 M/S	0.0	0.0	0.0	0.0	0.0	0.0	0.0	0.0	0.0	0.0	0.0	0.0	0.0	0.0	0.0	0.0	0.0	0.0
0.5~ 0.9 M/S	0.0	0.0	0.0	0.0	0.0	0.0	0.0	0.0	0.0	0.0	0.0	0.0	0.0	0.0	0.0	0.0	0.0	0.0
1.0~ 1.9 M/S	0.0	0.0	0.0	0.0	0.0	0.0	0.0	0.0	0.0	0.0	0.0	0.0	0.0	0.0	0.0	0.0	0.0	0.0
2.0~ 2.9 M/S	0.0	0.0	0.0	0.0	0.0	0.0	0.0	0.0	0.0	0.0	0.0	0.0	0.0	0.0	0.0	0.0	0.0	0.0
3.0~ 3.9 M/S	0.0	0.0	0.0	0.0	0.0	0.0	0.0	0.0	0.0	0.0	0.0	0.0	0.0	0.0	0.0	0.0	0.0	0.0
4.0 M/S ~	0.0	0.0	0.0	0.0	0.0	0.0	0.0	0.0	0.0	0.0	0.0	0.0	0.0	0.0	0.0	0.0	0.0	0.0
Total	0.0	0.0	0.0	0.0	0.0	0.0	0.0	0.0	0.0	0.0	0.0	0.0	0.0	0.0	0.0	0.0	0.0	0.0

Neutral (D)

Direction Speed	N	NNE	NE	ENE	E	ESE	SE	SSE	S	SSW	SW	WSW	W	WNW	NW	NNW	C	Total
0~ 0.4 M/S	0.0	0.0	0.0	0.0	0.0	0.0	0.0	0.0	0.0	0.0	0.0	0.0	0.0	0.0	0.0	0.0	0.0	3.9
0.5~ 0.9 M/S	0.8	0.3	0.8	1.3	2.1	1.6	0.5	0.0	0.3	0.5	0.0	0.0	0.0	0.3	0.0	1.0	0.0	9.4
1.0~ 1.9 M/S	0.3	0.0	0.5	1.6	2.6	1.0	2.4	0.5	1.0	0.3	0.0	1.8	0.5	0.8	2.4	0.5	0.0	16.2
2.0~ 2.9 M/S	0.0	0.0	0.0	0.0	0.0	0.5	0.5	0.0	0.0	0.3	0.5	1.8	1.3	0.5	0.8	0.0	0.0	6.3
3.0~ 3.9 M/S	0.0	0.0	0.0	0.0	0.0	0.0	0.0	0.0	1.3	0.0	0.0	1.3	0.8	0.0	0.0	0.0	0.0	3.4
4.0 M/S ~	0.0	0.0	0.0	0.0	0.0	0.0	0.0	0.0	8.1	0.5	0.0	0.8	0.0	0.0	0.0	0.0	0.0	9.4
Total	1.0	0.3	1.3	2.9	4.7	3.1	3.4	0.5	10.7	1.6	0.5	5.8	2.6	1.6	3.1	1.6	3.9	48.7

Stable (E~G)

Direction Speed	N	NNE	NE	ENE	E	ESE	SE	SSE	S	SSW	SW	WSW	W	WNW	NW	NNW	C	Total
0~ 0.4 M/S	0.0	0.0	0.0	0.0	0.0	0.0	0.0	0.0	0.0	0.0	0.0	0.0	0.0	0.0	0.0	0.0	0.0	9.4
0.5~ 0.9 M/S	1.0	0.5	1.3	3.7	2.9	1.8	0.5	0.3	1.0	0.0	0.0	0.3	1.3	0.8	0.3	1.6	0.0	17.5
1.0~ 1.9 M/S	0.3	0.0	0.0	2.4	0.5	1.0	1.8	0.0	1.0	0.5	1.3	2.1	4.5	0.5	2.1	0.3	0.0	18.3
2.0~ 2.9 M/S	0.0	0.0	0.0	0.8	0.0	0.0	0.0	0.3	1.3	0.3	0.3	0.5	1.0	0.3	0.0	0.0	0.0	4.7
3.0~ 3.9 M/S	0.0	0.0	0.0	0.0	0.3	0.0	0.0	0.0	0.8	0.0	0.0	0.0	0.3	0.0	0.0	0.0	0.0	1.3
4.0 M/S ~	0.0	0.0	0.0	0.0	0.0	0.0	0.0	0.0	0.0	0.0	0.0	0.0	0.0	0.0	0.0	0.0	0.0	0.0
Total	1.3	0.5	1.3	6.8	3.7	2.9	2.4	0.5	4.2	0.8	1.8	2.9	7.1	1.6	2.4	1.8	9.4	51.3

[Early Morning]

All Classes

Direction	N	NNE	NE	ENE	E	ESE	SE	SSE	S	SSW	SW	WSW	W	WNW	NW	NNW	C	Total	
Speed																			
0 ~ 0.4 M/S	0.0	0.0	0.0	0.0	0.0	0.0	0.0	0.0	0.0	0.0	0.0	0.0	0.0	0.0	0.0	0.0	0.0	14.7	
0.5 ~ 0.9 M/S	0.4	0.4	0.9	4.3	5.6	1.7	2.2	0.9	0.4	0.4	0.4	1.3	2.2	2.6	1.7	2.6	0.0	28.1	
1.0 ~ 1.9 M/S	0.0	0.0	0.9	3.9	4.3	3.5	1.7	0.9	1.7	1.7	1.7	4.8	3.0	1.7	3.0	1.3	0.0	34.2	
2.0 ~ 2.9 M/S	0.0	0.0	0.0	0.0	0.4	0.4	0.9	0.0	2.2	0.9	1.3	1.3	0.4	0.0	0.9	0.0	0.0	8.7	
3.0 ~ 3.9 M/S	0.0	0.0	0.0	0.4	0.0	0.0	0.0	0.0	2.2	0.0	0.4	1.7	1.7	0.4	0.4	0.0	0.0	7.4	
4.0 M/S ~	0.0	0.0	0.4	0.4	0.0	0.0	0.0	0.0	5.6	0.0	0.4	0.0	0.0	0.0	0.0	0.0	0.0	6.9	
Total	0.4	0.4	2.2	9.1	10.4	5.6	4.8	1.7	12.1	3.0	4.3	9.1	7.4	4.8	6.1	3.9	14.7	100.0	

Unstable (A ~ C-D)

Direction	N	NNE	NE	ENE	E	ESE	SE	SSE	S	SSW	SW	WSW	W	WNW	NW	NNW	C	Total	
Speed																			
0 ~ 0.4 M/S	0.0	0.0	0.0	0.0	0.0	0.0	0.0	0.0	0.0	0.0	0.0	0.0	0.0	0.0	0.0	0.0	0.0	0.0	
0.5 ~ 0.9 M/S	0.0	0.0	0.0	0.0	0.0	0.0	0.0	0.0	0.0	0.0	0.0	0.0	0.0	0.0	0.0	0.0	0.0	0.0	
1.0 ~ 1.9 M/S	0.0	0.0	0.0	0.0	0.0	0.0	0.0	0.0	0.0	0.0	0.0	0.0	0.0	0.0	0.0	0.0	0.0	0.0	
2.0 ~ 2.9 M/S	0.0	0.0	0.0	0.0	0.0	0.0	0.0	0.0	0.0	0.0	0.0	0.0	0.0	0.0	0.0	0.0	0.0	0.0	
3.0 ~ 3.9 M/S	0.0	0.0	0.0	0.0	0.0	0.0	0.0	0.0	0.0	0.0	0.0	0.0	0.0	0.0	0.0	0.0	0.0	0.0	
4.0 M/S ~	0.0	0.0	0.0	0.0	0.0	0.0	0.0	0.0	0.0	0.0	0.0	0.0	0.0	0.0	0.0	0.0	0.0	0.0	
Total	0.0	0.0	0.0	0.0	0.0	0.0	0.0	0.0	0.0	0.0	0.0	0.0	0.0	0.0	0.0	0.0	0.0	0.0	

Neutral (D)

Direction	N	NNE	NE	ENE	E	ESE	SE	SSE	S	SSW	SW	WSW	W	WNW	NW	NNW	C	Total	
Speed																			
0 ~ 0.4 M/S	0.0	0.0	0.0	0.0	0.0	0.0	0.0	0.0	0.0	0.0	0.0	0.0	0.0	0.0	0.0	0.0	0.0	6.1	
0.5 ~ 0.9 M/S	0.4	0.0	0.4	0.4	3.0	1.3	1.3	0.9	0.4	0.4	0.4	0.9	0.4	0.4	1.3	1.7	0.0	13.9	
1.0 ~ 1.9 M/S	0.0	0.0	0.9	2.6	2.2	2.2	1.3	0.4	1.7	1.7	0.4	2.6	2.2	0.4	2.2	0.4	0.0	21.2	
2.0 ~ 2.9 M/S	0.0	0.0	0.0	0.0	0.4	0.4	0.9	0.0	1.7	0.4	1.3	1.3	0.4	0.0	0.4	0.0	0.0	7.4	
3.0 ~ 3.9 M/S	0.0	0.0	0.0	0.4	0.0	0.0	0.0	0.0	1.7	0.0	0.4	1.3	1.7	0.4	0.4	0.0	0.0	6.5	
4.0 M/S ~	0.0	0.0	0.4	0.4	0.0	0.0	0.0	0.0	5.6	0.0	0.4	0.0	0.0	0.0	0.0	0.0	0.0	6.9	
Total	0.4	0.0	1.7	3.9	5.6	3.9	3.5	1.3	11.3	2.6	3.0	6.1	4.8	1.3	4.3	2.2	6.1	61.9	

Stable (E ~ G)

Direction	N	NNE	NE	ENE	E	ESE	SE	SSE	S	SSW	SW	WSW	W	WNW	NW	NNW	C	Total	
Speed																			
0 ~ 0.4 M/S	0.0	0.0	0.0	0.0	0.0	0.0	0.0	0.0	0.0	0.0	0.0	0.0	0.0	0.0	0.0	0.0	0.0	8.7	
0.5 ~ 0.9 M/S	0.0	0.4	0.4	3.9	2.6	0.4	0.9	0.0	0.0	0.0	0.0	0.4	1.7	2.2	0.4	0.9	0.0	14.3	
1.0 ~ 1.9 M/S	0.0	0.0	0.0	1.3	2.2	1.3	0.4	0.4	0.0	0.0	1.3	2.2	0.9	1.3	0.9	0.9	0.0	13.0	
2.0 ~ 2.9 M/S	0.0	0.0	0.0	0.0	0.0	0.0	0.0	0.0	0.4	0.4	0.0	0.0	0.0	0.0	0.4	0.0	0.0	1.3	
3.0 ~ 3.9 M/S	0.0	0.0	0.0	0.0	0.0	0.0	0.0	0.0	0.4	0.0	0.0	0.4	0.0	0.0	0.0	0.0	0.0	0.9	
4.0 M/S ~	0.0	0.0	0.0	0.0	0.0	0.0	0.0	0.0	0.0	0.0	0.0	0.0	0.0	0.0	0.0	0.0	0.0	0.0	
Total	0.0	0.4	0.4	5.2	4.8	1.7	1.3	0.4	0.9	0.4	1.3	3.0	2.6	3.5	1.7	1.7	8.7	38.1	

[Morning]

All Classes		Direction													Total			
Speed	Direction	N	NNE	NE	ENE	E	ESE	SE	SSE	S	SSW	SW	WSW	W	WNW	NW	NNW	C
0~	0.4 M/S	0.0	0.0	0.0	0.0	0.0	0.0	0.0	0.0	0.0	0.0	0.0	0.0	0.0	0.0	0.0	0.0	5.6
0.5~	0.9 M/S	0.4	0.4	1.3	4.8	10.0	0.4	1.7	0.4	0.0	0.0	0.0	1.3	0.0	0.4	0.9	1.7	0.0
1.0~	1.9 M/S	0.9	0.0	1.3	7.4	6.9	2.6	2.6	2.2	1.7	0.4	1.3	0.9	4.8	1.7	3.5	0.9	0.0
2.0~	2.9 M/S	0.0	0.0	0.4	1.3	0.0	0.0	0.4	0.0	1.3	1.7	0.9	3.5	3.5	0.4	0.4	0.4	0.0
3.0~	3.9 M/S	0.0	0.0	0.0	0.9	0.0	0.0	0.4	0.0	1.7	0.9	0.9	0.4	1.3	0.0	0.0	0.0	0.0
4.0 M/S ~		0.0	0.0	0.0	0.4	0.0	0.0	0.0	0.4	7.4	0.4	0.4	0.4	0.0	0.0	0.0	0.0	9.5
Total		1.3	0.4	3.0	14.7	16.9	3.0	5.2	3.0	12.1	3.5	3.5	6.5	9.5	3.9	4.8	3.0	5.6

Unstable (A~C-D)

Unstable (A~C-D)		Direction													Total			
Speed	Direction	N	NNE	NE	ENE	E	ESE	SE	SSE	S	SSW	SW	WSW	W	WNW	NW	NNW	C
0~	0.4 M/S	0.0	0.0	0.0	0.0	0.0	0.0	0.0	0.0	0.0	0.0	0.0	0.0	0.0	0.0	0.0	0.0	0.9
0.5~	0.9 M/S	0.0	0.0	0.0	0.9	3.5	0.4	0.4	0.0	0.0	0.0	0.0	0.4	0.0	0.0	0.4	0.4	0.0
1.0~	1.9 M/S	0.4	0.0	0.0	1.3	2.6	0.9	0.4	0.0	0.4	0.4	0.0	0.0	0.9	0.4	0.9	0.0	0.0
2.0~	2.9 M/S	0.0	0.0	0.0	0.9	0.0	0.0	0.0	0.0	0.0	0.9	0.0	0.9	0.9	0.4	0.4	0.4	0.0
3.0~	3.9 M/S	0.0	0.0	0.0	0.0	0.0	0.0	0.0	0.0	0.9	0.0	0.9	0.0	0.9	0.0	0.0	0.0	0.0
4.0 M/S ~		0.0	0.0	0.0	0.0	0.0	0.0	0.0	0.0	0.0	0.0	0.0	0.0	0.0	0.0	0.0	0.0	0.0
Total		0.4	0.0	0.0	3.0	6.1	1.3	0.9	0.0	1.3	1.3	0.9	1.3	2.6	0.9	1.7	0.9	0.9

Neutral (D)

Neutral (D)		Direction													Total			
Speed	Direction	N	NNE	NE	ENE	E	ESE	SE	SSE	S	SSW	SW	WSW	W	WNW	NW	NNW	C
0~	0.4 M/S	0.0	0.0	0.0	0.0	0.0	0.0	0.0	0.0	0.0	0.0	0.0	0.0	0.0	0.0	0.0	0.0	4.8
0.5~	0.9 M/S	0.4	0.4	1.3	3.9	6.5	0.0	1.3	0.4	0.0	0.0	0.0	0.9	0.0	0.4	0.4	1.3	0.0
1.0~	1.9 M/S	0.4	0.0	1.3	6.1	4.3	1.7	2.2	2.2	1.3	0.0	1.3	0.9	3.9	1.3	2.6	0.9	0.0
2.0~	2.9 M/S	0.0	0.0	0.4	0.4	0.0	0.0	0.4	0.0	1.3	0.9	0.9	2.6	2.6	0.0	0.0	0.0	0.0
3.0~	3.9 M/S	0.0	0.0	0.0	0.9	0.0	0.0	0.4	0.0	0.9	0.9	0.0	0.4	0.4	1.3	0.0	0.0	0.0
4.0 M/S ~		0.0	0.0	0.0	0.4	0.0	0.0	0.0	0.4	7.4	0.4	0.4	0.4	0.0	0.0	0.0	0.0	0.0
Total		0.9	0.4	3.0	11.7	10.8	1.7	4.3	3.0	10.8	2.2	2.6	5.2	6.9	3.0	3.0	2.2	4.8

Stable (E~G)

Stable (E~G)		Direction													Total			
Speed	Direction	N	NNE	NE	ENE	E	ESE	SE	SSE	S	SSW	SW	WSW	W	WNW	NW	NNW	C
0~	0.4 M/S	0.0	0.0	0.0	0.0	0.0	0.0	0.0	0.0	0.0	0.0	0.0	0.0	0.0	0.0	0.0	0.0	0.0
0.5~	0.9 M/S	0.0	0.0	0.0	0.0	0.0	0.0	0.0	0.0	0.0	0.0	0.0	0.0	0.0	0.0	0.0	0.0	0.0
1.0~	1.9 M/S	0.0	0.0	0.0	0.0	0.0	0.0	0.0	0.0	0.0	0.0	0.0	0.0	0.0	0.0	0.0	0.0	0.0
2.0~	2.9 M/S	0.0	0.0	0.0	0.0	0.0	0.0	0.0	0.0	0.0	0.0	0.0	0.0	0.0	0.0	0.0	0.0	0.0
3.0~	3.9 M/S	0.0	0.0	0.0	0.0	0.0	0.0	0.0	0.0	0.0	0.0	0.0	0.0	0.0	0.0	0.0	0.0	0.0
4.0 M/S ~		0.0	0.0	0.0	0.0	0.0	0.0	0.0	0.0	0.0	0.0	0.0	0.0	0.0	0.0	0.0	0.0	0.0
Total		0.0	0.0	0.0	0.0	0.0	0.0	0.0	0.0	0.0	0.0	0.0	0.0	0.0	0.0	0.0	0.0	0.0

[Afternoon]

All Classes

Direction	N	NNE	NE	ENE	E	ESE	SE	SSE	S	SSW	SW	WSW	W	WNW	NW	NNW	C	Total	
Speed																			
0 ~ 0.4 M/S	0.0	0.0	0.0	0.0	0.0	0.0	0.0	0.0	0.0	0.0	0.0	0.0	0.0	0.0	0.0	0.0	0.0	3.3	3.3
0.5 ~ 0.9 M/S	1.3	1.0	1.7	4.0	2.0	1.0	0.0	0.0	0.0	0.0	0.0	0.0	1.0	0.3	1.7	2.0	0.0	17.5	17.5
1.0 ~ 1.9 M/S	2.3	0.0	1.3	6.3	7.0	3.3	3.0	0.3	1.0	1.3	1.3	1.0	3.6	2.6	1.3	3.0	0.0	38.7	38.7
2.0 ~ 2.9 M/S	0.0	0.0	0.0	0.7	1.3	0.7	0.3	0.3	1.3	2.0	0.7	5.0	4.3	3.0	0.3	0.0	0.0	19.9	19.9
3.0 ~ 3.9 M/S	0.0	0.0	0.0	1.0	0.0	0.3	0.0	0.0	0.7	1.7	0.7	1.0	2.0	0.3	0.0	0.0	0.0	7.6	7.6
4.0 M/S ~	0.0	0.0	0.3	0.0	0.0	0.0	0.0	0.0	7.0	1.0	0.0	1.7	1.7	1.3	0.0	0.0	0.0	12.9	12.9
Total	3.6	1.3	2.6	9.6	12.3	6.3	4.3	0.7	10.3	6.0	2.6	8.6	12.6	7.6	3.3	5.0	3.3	100.0	100.0

Unstable (A~C-D)

Direction	N	NNE	NE	ENE	E	ESE	SE	SSE	S	SSW	SW	WSW	W	WNW	NW	NNW	C	Total	
Speed																			
0 ~ 0.4 M/S	0.0	0.0	0.0	0.0	0.0	0.0	0.0	0.0	0.0	0.0	0.0	0.0	0.0	0.0	0.0	0.0	0.0	2.0	2.0
0.5 ~ 0.9 M/S	1.0	0.7	0.3	0.7	1.7	1.3	0.7	0.0	0.3	0.0	0.0	0.0	0.3	0.0	0.0	1.0	0.0	9.3	9.3
1.0 ~ 1.9 M/S	2.0	0.0	1.3	5.3	4.6	1.7	1.0	0.3	1.0	1.0	0.7	2.3	1.3	1.3	1.0	3.0	0.0	27.5	27.5
2.0 ~ 2.9 M/S	0.0	0.0	0.0	0.7	1.0	0.7	0.3	0.0	0.3	0.0	0.3	3.0	3.3	2.3	0.3	0.0	0.0	12.3	12.3
3.0 ~ 3.9 M/S	0.0	0.0	0.0	0.0	0.0	0.3	0.0	0.0	0.0	0.3	0.0	0.3	1.0	0.3	0.0	0.0	0.0	2.3	2.3
4.0 M/S ~	0.0	0.0	0.0	0.0	0.0	0.0	0.0	0.0	0.0	0.0	0.0	0.0	0.0	0.0	0.0	0.0	0.0	0.0	0.0
Total	3.0	0.7	1.7	6.6	7.3	4.0	2.0	0.3	1.7	1.3	1.3	4.0	7.0	4.3	2.3	4.0	2.0	53.3	53.3

Neutral (D)

Direction	N	NNE	NE	ENE	E	ESE	SE	SSE	S	SSW	SW	WSW	W	WNW	NW	NNW	C	Total	
Speed																			
0 ~ 0.4 M/S	0.0	0.0	0.0	0.0	0.0	0.0	0.0	0.0	0.0	0.0	0.0	0.0	0.0	0.0	0.0	0.0	0.0	1.3	1.3
0.5 ~ 0.9 M/S	0.3	0.7	0.7	1.0	2.3	0.7	0.3	0.0	0.0	0.0	0.0	0.0	0.7	0.0	0.7	1.0	0.0	8.3	8.3
1.0 ~ 1.9 M/S	0.3	0.0	0.0	1.0	2.3	1.7	2.0	0.0	0.0	0.3	0.3	0.3	1.3	1.3	0.3	0.0	0.0	11.3	11.3
2.0 ~ 2.9 M/S	0.0	0.0	0.0	0.0	0.3	0.0	0.0	0.3	1.0	2.0	0.3	2.0	1.0	0.7	0.0	0.0	0.0	17.6	17.6
3.0 ~ 3.9 M/S	0.0	0.0	0.0	1.0	0.0	0.0	0.0	0.0	0.7	1.3	0.7	0.7	1.0	0.0	0.0	0.0	0.0	5.3	5.3
4.0 M/S ~	0.0	0.0	0.3	0.0	0.0	0.0	0.0	0.0	7.0	1.0	0.0	1.7	1.7	1.3	0.0	0.0	0.0	12.9	12.9
Total	0.7	0.7	1.0	3.0	5.0	2.3	2.3	0.3	8.6	4.6	1.3	4.6	5.6	3.3	1.0	1.0	1.3	46.7	46.7

Stable (E~G)

Direction	N	NNE	NE	ENE	E	ESE	SE	SSE	S	SSW	SW	WSW	W	WNW	NW	NNW	C	Total	
Speed																			
0 ~ 0.4 M/S	0.0	0.0	0.0	0.0	0.0	0.0	0.0	0.0	0.0	0.0	0.0	0.0	0.0	0.0	0.0	0.0	0.0	0.0	0.0
0.5 ~ 0.9 M/S	0.0	0.0	0.0	0.0	0.0	0.0	0.0	0.0	0.0	0.0	0.0	0.0	0.0	0.0	0.0	0.0	0.0	0.0	0.0
1.0 ~ 1.9 M/S	0.0	0.0	0.0	0.0	0.0	0.0	0.0	0.0	0.0	0.0	0.0	0.0	0.0	0.0	0.0	0.0	0.0	0.0	0.0
2.0 ~ 2.9 M/S	0.0	0.0	0.0	0.0	0.0	0.0	0.0	0.0	0.0	0.0	0.0	0.0	0.0	0.0	0.0	0.0	0.0	0.0	0.0
3.0 ~ 3.9 M/S	0.0	0.0	0.0	0.0	0.0	0.0	0.0	0.0	0.0	0.0	0.0	0.0	0.0	0.0	0.0	0.0	0.0	0.0	0.0
4.0 M/S ~	0.0	0.0	0.0	0.0	0.0	0.0	0.0	0.0	0.0	0.0	0.0	0.0	0.0	0.0	0.0	0.0	0.0	0.0	0.0
Total	0.0	0.0	0.0	0.0	0.0	0.0	0.0	0.0	0.0	0.0	0.0	0.0	0.0	0.0	0.0	0.0	0.0	0.0	0.0

[Evening]

All Classes

Direction	N	NNE	NE	ENE	E	ESE	SE	SSE	S	SSW	SW	WSW	W	WNW	NW	NNW	C	Total	
Speed																			
0~ 0.4 M/S	0.0	0.0	0.0	0.0	0.0	0.0	0.0	0.0	0.0	0.0	0.0	0.0	0.0	0.0	0.0	0.0	0.0	4.4	4.4
0.5~ 0.9 M/S	2.2	0.0	1.3	1.3	3.1	0.9	0.0	0.0	0.4	0.0	0.0	0.9	1.3	0.9	1.3	1.8	0.0	15.4	15.4
1.0~ 1.9 M/S	0.0	0.9	1.8	4.0	4.4	3.1	4.8	1.8	1.8	0.9	0.9	4.4	4.8	3.1	3.1	0.4	0.0	40.1	40.1
2.0~ 2.9 M/S	0.0	0.0	0.0	1.3	1.3	0.0	0.0	0.4	1.8	1.3	2.2	4.0	5.3	2.2	0.9	0.9	0.0	21.6	21.6
3.0~ 3.9 M/S	0.0	0.0	0.0	0.9	0.0	0.0	0.0	0.0	1.3	0.4	0.4	2.2	1.3	0.4	0.0	0.4	0.0	7.5	7.5
4.0 M/S ~	0.0	0.0	0.0	0.0	0.0	0.0	0.0	0.4	6.2	2.2	0.0	0.0	1.8	0.4	0.0	0.0	0.0	11.0	11.0
Total	2.2	0.9	3.1	7.5	8.8	4.0	4.8	2.6	11.5	4.8	3.5	11.5	14.5	7.0	5.3	3.5	4.4	100.0	100.0

Unstable (A~C-D)

Direction	N	NNE	NE	ENE	E	ESE	SE	SSE	S	SSW	SW	WSW	W	WNW	NW	NNW	C	Total	
Speed																			
0~ 0.4 M/S	0.0	0.0	0.0	0.0	0.0	0.0	0.0	0.0	0.0	0.0	0.0	0.0	0.0	0.0	0.0	0.0	0.0	0.9	0.9
0.5~ 0.9 M/S	0.0	0.0	0.4	0.4	0.9	0.0	0.0	0.0	0.0	0.0	0.0	0.0	0.0	0.0	0.0	0.4	0.0	2.2	2.2
1.0~ 1.9 M/S	0.0	0.9	0.4	1.3	0.4	0.9	1.3	0.9	0.0	0.0	0.0	0.9	0.4	1.3	0.0	0.0	0.0	8.8	8.8
2.0~ 2.9 M/S	0.0	0.0	0.0	0.0	0.4	0.0	0.0	0.0	0.0	0.0	0.0	1.8	1.8	0.9	0.4	0.4	0.0	5.7	5.7
3.0~ 3.9 M/S	0.0	0.0	0.0	0.4	0.0	0.0	0.0	0.0	0.4	0.4	0.4	0.0	0.0	0.4	0.0	0.0	0.0	1.8	1.8
4.0 M/S ~	0.0	0.0	0.0	0.0	0.0	0.0	0.0	0.0	0.0	0.0	0.0	0.0	0.0	0.0	0.0	0.0	0.0	0.0	0.0
Total	0.0	0.9	0.9	2.2	1.8	0.9	1.3	0.9	0.0	0.4	0.4	2.6	2.2	2.6	0.4	0.9	0.9	19.4	19.4

Neutral (D)

Direction	N	NNE	NE	ENE	E	ESE	SE	SSE	S	SSW	SW	WSW	W	WNW	NW	NNW	C	Total	
Speed																			
0~ 0.4 M/S	0.0	0.0	0.0	0.0	0.0	0.0	0.0	0.0	0.0	0.0	0.0	0.0	0.0	0.0	0.0	0.0	0.0	2.6	2.6
0.5~ 0.9 M/S	1.8	0.0	0.9	0.9	1.3	0.9	0.0	0.0	0.4	0.0	0.0	0.9	1.3	0.4	1.3	0.9	0.0	11.0	11.0
1.0~ 1.9 M/S	0.0	0.0	0.9	1.8	3.1	0.4	3.5	0.4	0.9	0.4	0.9	3.5	4.0	1.3	3.1	0.4	0.0	24.7	24.7
2.0~ 2.9 M/S	0.0	0.0	0.0	1.3	0.9	0.0	0.0	0.0	1.8	1.3	1.8	2.2	3.1	1.3	0.4	0.4	0.0	14.5	14.5
3.0~ 3.9 M/S	0.0	0.0	0.0	0.4	0.0	0.0	0.0	0.0	1.3	0.0	0.0	2.2	1.3	0.0	0.0	0.4	0.0	5.7	5.7
4.0 M/S ~	0.0	0.0	0.0	0.0	0.0	0.0	0.0	0.4	6.2	2.2	0.0	0.0	1.8	0.4	0.0	0.0	0.0	11.0	11.0
Total	1.8	0.0	1.8	4.4	5.3	1.3	3.5	0.9	10.6	4.0	2.6	8.8	11.5	3.5	4.8	2.2	2.6	69.6	69.6

Stable (E~G)

Direction	N	NNE	NE	ENE	E	ESE	SE	SSE	S	SSW	SW	WSW	W	WNW	NW	NNW	C	Total	
Speed																			
0~ 0.4 M/S	0.0	0.0	0.0	0.0	0.0	0.0	0.0	0.0	0.0	0.0	0.0	0.0	0.0	0.0	0.0	0.0	0.0	0.9	0.9
0.5~ 0.9 M/S	0.4	0.0	0.0	0.0	0.9	0.0	0.0	0.0	0.0	0.0	0.0	0.0	0.0	0.4	0.0	0.4	0.0	2.2	2.2
1.0~ 1.9 M/S	0.0	0.0	0.4	0.9	0.9	1.8	0.0	0.4	0.9	0.4	0.0	0.0	0.4	0.4	0.0	0.0	0.0	6.6	6.6
2.0~ 2.9 M/S	0.0	0.0	0.0	0.0	0.0	0.0	0.0	0.4	0.0	0.0	0.4	0.0	0.0	0.0	0.0	0.0	0.0	1.3	1.3
3.0~ 3.9 M/S	0.0	0.0	0.0	0.0	0.0	0.0	0.0	0.0	0.0	0.0	0.0	0.0	0.0	0.0	0.0	0.0	0.0	0.0	0.0
4.0 M/S ~	0.0	0.0	0.0	0.0	0.0	0.0	0.0	0.0	0.0	0.0	0.0	0.0	0.0	0.0	0.0	0.0	0.0	0.0	0.0
Total	0.4	0.0	0.4	0.9	1.8	1.8	0.0	0.9	0.9	0.4	0.4	0.0	0.9	0.9	0.0	0.4	0.9	11.0	11.0

[Night]

All Classes

Direction Speed	N	NNE	NE	ENE	E	ESE	SE	SSE	S	SSW	SW	WSW	W	WNW	NW	NNW	C	Total
0~ 0.4 M/S	0.0	0.0	0.0	0.0	0.0	0.0	0.0	0.0	0.0	0.0	0.0	0.0	0.0	0.0	0.0	0.0	0.0	7.9
0.5~ 0.9 M/S	1.5	0.7	0.4	3.8	6.2	1.5	1.1	0.9	0.4	0.9	0.7	1.3	1.8	1.3	2.4	1.1	0.0	26.0
1.0~ 1.9 M/S	0.4	0.0	1.1	4.9	3.1	3.3	3.3	0.7	2.4	1.5	1.5	2.2	4.9	1.8	3.1	1.5	0.0	35.8
2.0~ 2.9 M/S	0.0	0.0	0.0	0.2	1.8	0.4	0.0	0.4	2.2	1.5	1.5	2.4	1.5	0.4	0.2	0.2	0.0	13.0
3.0~ 3.9 M/S	0.0	0.0	0.0	0.0	0.4	0.0	0.0	0.0	2.2	1.5	0.2	2.2	0.9	0.2	0.0	0.0	0.0	7.9
4.0 M/S ~	0.0	0.0	0.0	0.0	0.0	0.0	0.0	0.0	7.3	0.7	0.2	0.9	0.2	0.0	0.0	0.0	0.0	9.3
Total	2.0	0.7	1.5	9.1	11.5	5.3	4.4	2.0	14.6	6.2	4.2	9.1	9.3	3.6	5.7	2.9	7.9	100.0

Unstable (A~C-D)

Direction Speed	N	NNE	NE	ENE	E	ESE	SE	SSE	S	SSW	SW	WSW	W	WNW	NW	NNW	C	Total
0~ 0.4 M/S	0.0	0.0	0.0	0.0	0.0	0.0	0.0	0.0	0.0	0.0	0.0	0.0	0.0	0.0	0.0	0.0	0.0	0.0
0.5~ 0.9 M/S	0.0	0.0	0.0	0.0	0.0	0.0	0.0	0.0	0.0	0.0	0.0	0.0	0.0	0.0	0.0	0.0	0.0	0.0
1.0~ 1.9 M/S	0.0	0.0	0.0	0.0	0.0	0.0	0.0	0.0	0.0	0.0	0.0	0.0	0.0	0.0	0.0	0.0	0.0	0.0
2.0~ 2.9 M/S	0.0	0.0	0.0	0.0	0.0	0.0	0.0	0.0	0.0	0.0	0.0	0.0	0.0	0.0	0.0	0.0	0.0	0.0
3.0~ 3.9 M/S	0.0	0.0	0.0	0.0	0.0	0.0	0.0	0.0	0.0	0.0	0.0	0.0	0.0	0.0	0.0	0.0	0.0	0.0
4.0 M/S ~	0.0	0.0	0.0	0.0	0.0	0.0	0.0	0.0	0.0	0.0	0.0	0.0	0.0	0.0	0.0	0.0	0.0	0.0
Total	0.0	0.0	0.0	0.0	0.0	0.0	0.0	0.0	0.0	0.0	0.0	0.0	0.0	0.0	0.0	0.0	0.0	0.0

Neutral (D)

Direction Speed	N	NNE	NE	ENE	E	ESE	SE	SSE	S	SSW	SW	WSW	W	WNW	NW	NNW	C	Total
0~ 0.4 M/S	0.0	0.0	0.0	0.0	0.0	0.0	0.0	0.0	0.0	0.0	0.0	0.0	0.0	0.0	0.0	0.0	0.0	2.2
0.5~ 0.9 M/S	0.2	0.2	0.4	1.3	2.6	0.4	0.0	0.4	0.2	0.2	0.0	0.2	0.4	0.2	0.9	0.2	0.0	8.2
1.0~ 1.9 M/S	0.2	0.0	0.4	1.5	0.9	2.4	0.4	0.4	0.7	0.2	0.7	0.7	1.1	0.9	0.7	0.4	0.0	11.7
2.0~ 2.9 M/S	0.0	0.0	0.0	0.2	0.4	0.0	0.0	0.0	0.9	0.9	0.4	1.3	0.7	0.2	0.2	0.0	0.0	5.3
3.0~ 3.9 M/S	0.0	0.0	0.0	0.0	0.4	0.0	0.0	0.0	2.0	1.5	0.2	2.0	0.2	0.0	0.0	0.0	0.0	6.4
4.0 M/S ~	0.0	0.0	0.0	0.0	0.0	0.0	0.0	0.0	7.3	0.7	0.2	0.9	0.2	0.0	0.0	0.0	0.0	9.3
Total	0.4	0.2	0.9	3.1	4.4	2.9	0.4	0.9	11.0	3.5	1.5	5.1	2.6	1.3	1.8	0.7	2.2	43.0

Stable (E~G)

Direction Speed	N	NNE	NE	ENE	E	ESE	SE	SSE	S	SSW	SW	WSW	W	WNW	NW	NNW	C	Total
0~ 0.4 M/S	0.0	0.0	0.0	0.0	0.0	0.0	0.0	0.0	0.0	0.0	0.0	0.0	0.0	0.0	0.0	0.0	0.0	5.7
0.5~ 0.9 M/S	1.3	0.4	0.0	2.4	3.5	1.1	1.1	0.4	0.2	0.7	0.7	1.1	1.3	1.1	1.5	0.9	0.0	17.9
1.0~ 1.9 M/S	0.2	0.0	0.7	3.3	2.2	0.9	2.9	0.2	1.8	1.3	0.9	1.5	3.8	0.9	2.4	1.1	0.0	24.1
2.0~ 2.9 M/S	0.0	0.0	0.0	0.0	1.3	0.4	0.0	0.4	1.3	0.7	1.1	1.1	0.9	0.2	0.0	0.2	0.0	7.7
3.0~ 3.9 M/S	0.0	0.0	0.0	0.2	0.0	0.0	0.0	0.0	0.2	0.0	0.0	0.2	0.7	0.2	0.0	0.0	0.0	1.5
4.0 M/S ~	0.0	0.0	0.0	0.0	0.0	0.0	0.0	0.0	0.0	0.0	0.0	0.0	0.0	0.0	0.0	0.0	0.0	0.0
Total	1.5	0.4	0.7	6.0	7.1	2.4	4.0	1.1	3.5	2.6	2.6	4.0	6.6	2.4	4.0	2.2	5.7	57.0

Percent Frequency of Wind Direction and Speed by Time Zone and Stability Class METEOROLOGICAL AGENCY
[Whole Day]

All Classes

Direction Speed	N	NNE	NE	ENE	E	ESE	SE	SSE	S	SSW	SW	WSW	W	WNW	NW	NNW	C	Total
0~ 0.4 M/S	0.0	0.0	0.0	0.0	0.0	0.0	0.0	0.0	0.0	0.0	0.0	0.0	0.0	0.0	0.0	0.0	0.0	14.0
0.5~ 0.9 M/S	0.6	1.7	2.2	5.4	3.6	2.0	0.4	0.6	0.2	0.6	0.6	2.9	2.8	2.0	0.6	0.4	0.0	26.8
1.0~ 1.9 M/S	0.5	1.3	2.9	12.5	3.1	2.8	0.9	1.4	0.1	0.6	1.4	3.5	3.7	2.5	0.6	0.3	0.0	38.1
2.0~ 2.9 M/S	0.2	0.0	0.4	5.1	2.3	0.5	0.1	0.3	0.3	0.7	0.7	1.3	2.1	0.9	0.1	0.1	0.0	15.3
3.0~ 3.9 M/S	0.0	0.0	0.0	0.8	0.4	0.2	0.0	0.5	0.5	0.2	0.4	0.2	0.7	0.0	0.1	0.1	0.0	4.1
4.0 M/S ~	0.0	0.0	0.0	0.0	0.0	0.2	0.0	0.1	1.0	0.0	0.0	0.0	0.0	0.0	0.0	0.0	0.0	1.6
Total	1.4	3.0	5.6	23.9	9.4	5.9	1.5	2.5	2.2	2.6	3.1	7.9	9.3	5.4	1.4	0.9	14.0	100.0

Unstable(A~C-D)

Direction Speed	N	NNE	NE	ENE	E	ESE	SE	SSE	S	SSW	SW	WSW	W	WNW	NW	NNW	C	Total
0~ 0.4 M/S	0.0	0.0	0.0	0.0	0.0	0.0	0.0	0.0	0.0	0.0	0.0	0.0	0.0	0.0	0.0	0.0	0.0	0.7
0.5~ 0.9 M/S	0.1	0.0	0.1	0.2	0.5	0.0	0.1	0.0	0.0	0.0	0.1	0.2	0.1	0.2	0.0	0.0	0.0	1.8
1.0~ 1.9 M/S	0.1	0.3	0.3	2.1	0.4	0.3	0.3	0.2	0.0	0.0	0.0	0.5	1.0	0.4	0.0	0.0	0.0	6.1
2.0~ 2.9 M/S	0.1	0.0	0.2	1.2	0.9	0.1	0.0	0.0	0.0	0.0	0.1	0.3	0.8	0.3	0.0	0.0	0.0	4.1
3.0~ 3.9 M/S	0.0	0.0	0.0	0.4	0.2	0.1	0.0	0.0	0.1	0.0	0.0	0.1	0.4	0.0	0.0	0.0	0.0	1.4
4.0 M/S ~	0.0	0.0	0.0	0.0	0.0	0.0	0.0	0.0	0.0	0.0	0.0	0.0	0.0	0.0	0.0	0.0	0.0	0.0
Total	0.3	0.3	0.6	4.0	2.1	0.5	0.4	0.2	0.1	0.1	0.2	1.1	2.3	1.0	0.0	0.0	0.7	14.3

Neutral(D)

Direction Speed	N	NNE	NE	ENE	E	ESE	SE	SSE	S	SSW	SW	WSW	W	WNW	NW	NNW	C	Total
0~ 0.4 M/S	0.0	0.0	0.0	0.0	0.0	0.0	0.0	0.0	0.0	0.0	0.0	0.0	0.0	0.0	0.0	0.0	0.0	5.4
0.5~ 0.9 M/S	0.3	0.9	0.9	2.4	0.8	1.0	0.3	0.3	0.2	0.3	0.2	1.2	0.7	0.7	0.0	0.0	0.0	10.5
1.0~ 1.9 M/S	0.2	0.5	1.5	5.8	0.9	1.9	0.3	0.9	0.0	0.1	0.5	1.4	1.5	1.3	0.2	0.1	0.0	17.3
2.0~ 2.9 M/S	0.0	0.0	0.1	2.0	0.5	0.1	0.1	0.2	0.2	0.5	0.3	0.8	0.7	0.4	0.0	0.0	0.0	6.5
3.0~ 3.9 M/S	0.0	0.0	0.0	0.3	0.1	0.1	0.0	0.1	0.4	0.4	0.3	0.0	0.2	0.0	0.1	0.1	0.0	2.2
4.0 M/S ~	0.0	0.0	0.0	0.0	0.0	0.2	0.0	0.1	1.0	0.0	0.0	0.0	0.0	0.0	0.0	0.0	0.0	1.6
Total	0.6	1.4	2.5	10.6	2.3	3.4	0.8	1.7	1.9	1.5	1.5	3.5	3.2	2.4	0.4	0.3	5.4	43.5

Stable(E~G)

Direction Speed	N	NNE	NE	ENE	E	ESE	SE	SSE	S	SSW	SW	WSW	W	WNW	NW	NNW	C	Total
0~ 0.4 M/S	0.0	0.0	0.0	0.0	0.0	0.0	0.0	0.0	0.0	0.0	0.0	0.0	0.0	0.0	0.0	0.0	0.0	7.9
0.5~ 0.9 M/S	0.2	0.8	1.2	2.7	2.2	1.0	0.0	0.3	0.0	0.3	0.3	1.5	2.0	1.0	0.6	0.3	0.0	14.4
1.0~ 1.9 M/S	0.1	0.4	1.1	4.6	1.8	0.6	0.3	0.2	0.0	0.4	0.8	1.6	1.2	0.8	0.3	0.2	0.0	14.7
2.0~ 2.9 M/S	0.1	0.0	0.1	1.9	0.9	0.2	0.0	0.0	0.0	0.2	0.2	0.2	0.5	0.1	0.0	0.0	0.0	4.7
3.0~ 3.9 M/S	0.0	0.0	0.0	0.1	0.0	0.0	0.0	0.0	0.0	0.0	0.0	0.0	0.1	0.0	0.0	0.0	0.0	0.5
4.0 M/S ~	0.0	0.0	0.0	0.0	0.0	0.0	0.0	0.0	0.0	0.0	0.0	0.0	0.0	0.0	0.0	0.0	0.0	0.0
Total	0.4	1.3	2.4	9.4	4.9	2.0	0.3	0.6	0.1	1.0	1.4	3.3	3.8	2.0	0.9	0.6	7.9	42.2

[Mid-Night]

All Classes

Direction	N	NNE	NE	ENE	E	ESE	SE	SSE	S	SSW	SW	WSW	W	WNW	NW	NNW	C	Total	
Speed																			
0~ 0.4 M/S	0.0	0.0	0.0	0.0	0.0	0.0	0.0	0.0	0.0	0.0	0.0	0.0	0.0	0.0	0.0	0.0	0.0	18.9	18.9
0.5~ 0.9 M/S	0.7	2.6	2.3	5.6	4.4	1.6	0.2	0.7	0.0	0.5	2.8	4.9	2.8	2.8	1.2	0.5	0.0	31.3	31.3
1.0~ 1.9 M/S	0.7	1.6	1.9	13.1	3.5	1.6	0.7	0.9	0.2	0.9	1.6	2.6	2.1	2.6	0.9	0.7	0.0	35.7	35.7
2.0~ 2.9 M/S	0.0	0.0	0.0	3.7	2.8	0.7	0.0	0.0	0.0	0.5	0.2	0.7	1.4	0.2	0.0	0.2	0.0	10.5	10.5
3.0~ 3.9 M/S	0.0	0.0	0.0	0.5	0.0	0.2	0.0	0.0	0.2	0.0	0.0	0.0	0.2	0.0	0.0	0.5	0.0	1.6	1.6
4.0 M/S ~	0.0	0.0	0.0	0.0	0.0	0.0	0.0	0.0	1.9	0.0	0.0	0.0	0.0	0.0	0.0	0.0	0.0	1.9	1.9
Total	1.4	4.2	4.2	22.9	10.7	4.2	0.9	1.6	2.3	1.9	2.3	6.1	8.6	5.6	2.1	1.9	18.9	100.0	100.0

Unstable (A~C-D)

Direction	N	NNE	NE	ENE	E	ESE	SE	SSE	S	SSW	SW	WSW	W	WNW	NW	NNW	C	Total	
Speed																			
0~ 0.4 M/S	0.0	0.0	0.0	0.0	0.0	0.0	0.0	0.0	0.0	0.0	0.0	0.0	0.0	0.0	0.0	0.0	0.0	0.0	0.0
0.5~ 0.9 M/S	0.0	0.0	0.0	0.0	0.0	0.0	0.0	0.0	0.0	0.0	0.0	0.0	0.0	0.0	0.0	0.0	0.0	0.0	0.0
1.0~ 1.9 M/S	0.0	0.0	0.0	0.0	0.0	0.0	0.0	0.0	0.0	0.0	0.0	0.0	0.0	0.0	0.0	0.0	0.0	0.0	0.0
2.0~ 2.9 M/S	0.0	0.0	0.0	0.0	0.0	0.0	0.0	0.0	0.0	0.0	0.0	0.0	0.0	0.0	0.0	0.0	0.0	0.0	0.0
3.0~ 3.9 M/S	0.0	0.0	0.0	0.0	0.0	0.0	0.0	0.0	0.0	0.0	0.0	0.0	0.0	0.0	0.0	0.0	0.0	0.0	0.0
4.0 M/S ~	0.0	0.0	0.0	0.0	0.0	0.0	0.0	0.0	0.0	0.0	0.0	0.0	0.0	0.0	0.0	0.0	0.0	0.0	0.0
Total	0.0	0.0	0.0	0.0	0.0	0.0	0.0	0.0	0.0	0.0	0.0	0.0	0.0	0.0	0.0	0.0	0.0	0.0	0.0

Neutral (D)

Direction	N	NNE	NE	ENE	E	ESE	SE	SSE	S	SSW	SW	WSW	W	WNW	NW	NNW	C	Total	
Speed																			
0~ 0.4 M/S	0.0	0.0	0.0	0.0	0.0	0.0	0.0	0.0	0.0	0.0	0.0	0.0	0.0	0.0	0.0	0.0	0.0	5.4	5.4
0.5~ 0.9 M/S	0.0	1.2	0.0	3.0	0.9	0.5	0.2	0.2	0.0	0.2	0.0	0.7	0.9	0.2	0.0	0.0	0.0	8.2	8.2
1.0~ 1.9 M/S	0.5	0.2	0.9	6.5	0.9	0.7	0.2	0.7	0.0	0.2	1.2	0.9	0.2	0.9	0.5	0.2	0.0	15.0	15.0
2.0~ 2.9 M/S	0.0	0.0	0.0	2.1	1.4	0.2	0.0	0.0	0.0	0.5	0.0	0.7	0.2	0.2	0.0	0.2	0.0	5.6	5.6
3.0~ 3.9 M/S	0.0	0.0	0.0	0.2	0.0	0.0	0.0	0.0	0.2	0.0	0.0	0.0	0.2	0.0	0.0	0.5	0.0	1.2	1.2
4.0 M/S ~	0.0	0.0	0.0	0.0	0.0	0.0	0.0	0.0	1.9	0.0	0.0	0.0	0.0	0.0	0.0	0.0	0.0	1.9	1.9
Total	0.5	1.4	0.9	11.9	3.3	1.4	0.5	0.9	2.1	0.9	1.2	2.3	1.6	1.4	0.5	0.9	5.4	37.1	37.1

Stable (E~G)

Direction	N	NNE	NE	ENE	E	ESE	SE	SSE	S	SSW	SW	WSW	W	WNW	NW	NNW	C	Total	
Speed																			
0~ 0.4 M/S	0.0	0.0	0.0	0.0	0.0	0.0	0.0	0.0	0.0	0.0	0.0	0.0	0.0	0.0	0.0	0.0	0.0	13.6	13.6
0.5~ 0.9 M/S	0.7	1.4	2.3	2.6	3.5	1.2	0.0	0.5	0.0	0.2	0.5	2.1	4.0	2.6	1.2	0.5	0.0	23.1	23.1
1.0~ 1.9 M/S	0.2	1.4	0.9	6.5	2.6	0.9	0.5	0.2	0.2	0.7	0.5	1.6	1.9	1.6	0.5	0.5	0.0	20.8	20.8
2.0~ 2.9 M/S	0.0	0.0	0.0	1.6	1.4	0.5	0.0	0.0	0.0	0.0	0.2	0.0	1.2	0.0	0.0	0.0	0.0	4.9	4.9
3.0~ 3.9 M/S	0.0	0.0	0.0	0.2	0.0	0.2	0.0	0.0	0.0	0.0	0.0	0.0	0.0	0.0	0.0	0.0	0.0	0.5	0.5
4.0 M/S ~	0.0	0.0	0.0	0.0	0.0	0.0	0.0	0.0	0.0	0.0	0.0	0.0	0.0	0.0	0.0	0.0	0.0	0.0	0.0
Total	0.9	2.8	3.3	11.0	7.5	2.8	0.5	0.7	0.2	0.9	1.2	3.7	7.0	4.2	1.6	0.9	13.6	62.9	62.9

[Early Morning]

All Classes

Direction Speed	N	NNE	NE	ENE	E	ESE	SE	SSE	S	SSW	SW	WSW	W	WNNW	NW	NNW	C	Total
0~ 0.4 M/S	0.0	0.0	0.0	0.0	0.0	0.0	0.0	0.0	0.0	0.0	0.0	0.0	0.0	0.0	0.0	0.0	0.0	19.9
0.5~ 0.9 M/S	0.0	2.7	2.7	6.1	5.0	1.5	0.4	1.5	0.0	1.1	0.8	3.8	2.3	1.5	0.0	0.8	0.0	30.3
1.0~ 1.9 M/S	0.4	1.1	3.1	12.6	3.8	3.4	0.8	1.1	0.0	0.0	0.4	3.4	1.1	3.4	1.1	0.4	0.0	36.4
2.0~ 2.9 M/S	0.4	0.0	0.4	3.8	1.1	0.8	0.0	0.4	0.0	1.1	0.4	0.4	0.8	0.4	0.8	0.0	0.0	10.7
3.0~ 3.9 M/S	0.0	0.0	0.0	0.0	0.0	0.4	0.0	0.0	0.4	0.8	0.0	0.0	0.0	0.0	0.4	0.0	0.0	1.9
4.0 M/S ~	0.0	0.0	0.0	0.0	0.0	0.0	0.0	0.4	0.0	0.4	0.0	0.0	0.0	0.0	0.0	0.0	0.0	0.8
Total	0.8	3.8	6.1	22.6	10.0	6.1	1.1	3.4	0.4	3.4	1.5	7.7	4.2	5.4	2.3	1.1	19.9	100.0

Unstable (A~C-D)

Direction Speed	N	NNE	NE	ENE	E	ESE	SE	SSE	S	SSW	SW	WSW	W	WNNW	NW	NNW	C	Total
0~ 0.4 M/S	0.0	0.0	0.0	0.0	0.0	0.0	0.0	0.0	0.0	0.0	0.0	0.0	0.0	0.0	0.0	0.0	0.0	0.0
0.5~ 0.9 M/S	0.0	0.0	0.0	0.0	0.0	0.0	0.0	0.0	0.0	0.0	0.0	0.0	0.0	0.0	0.0	0.0	0.0	0.0
1.0~ 1.9 M/S	0.0	0.0	0.0	0.0	0.0	0.0	0.0	0.0	0.0	0.0	0.0	0.0	0.0	0.0	0.0	0.0	0.0	0.0
2.0~ 2.9 M/S	0.0	0.0	0.0	0.0	0.0	0.0	0.0	0.0	0.0	0.0	0.0	0.0	0.0	0.0	0.0	0.0	0.0	0.0
3.0~ 3.9 M/S	0.0	0.0	0.0	0.0	0.0	0.0	0.0	0.0	0.0	0.0	0.0	0.0	0.0	0.0	0.0	0.0	0.0	0.0
4.0 M/S ~	0.0	0.0	0.0	0.0	0.0	0.0	0.0	0.0	0.0	0.0	0.0	0.0	0.0	0.0	0.0	0.0	0.0	0.0
Total	0.0	0.0	0.0	0.0	0.0	0.0	0.0	0.0	0.0	0.0	0.0	0.0	0.0	0.0	0.0	0.0	0.0	0.0

Neutral (D)

Direction Speed	N	NNE	NE	ENE	E	ESE	SE	SSE	S	SSW	SW	WSW	W	WNNW	NW	NNW	C	Total
0~ 0.4 M/S	0.0	0.0	0.0	0.0	0.0	0.0	0.0	0.0	0.0	0.0	0.0	0.0	0.0	0.0	0.0	0.0	0.0	8.4
0.5~ 0.9 M/S	0.0	1.5	1.1	3.8	0.4	1.1	0.4	0.4	0.0	0.8	0.0	2.3	1.1	0.8	0.0	0.4	0.0	14.2
1.0~ 1.9 M/S	0.0	0.8	1.9	6.5	1.5	2.3	0.8	0.8	0.0	0.0	0.0	2.3	0.4	2.3	0.4	0.0	0.0	19.9
2.0~ 2.9 M/S	0.4	0.0	0.0	2.3	0.0	0.0	0.0	0.4	0.0	1.1	0.0	0.0	0.0	0.4	0.4	0.0	0.0	5.0
3.0~ 3.9 M/S	0.0	0.0	0.0	0.0	0.0	0.4	0.0	0.0	0.4	0.8	0.0	0.0	0.0	0.0	0.4	0.0	0.0	1.9
4.0 M/S ~	0.0	0.0	0.0	0.0	0.0	0.0	0.0	0.4	0.0	0.4	0.0	0.0	0.0	0.0	0.0	0.0	0.0	0.8
Total	0.4	2.3	3.1	12.6	1.9	3.8	1.1	1.9	0.4	3.1	0.0	4.6	1.5	3.4	1.1	0.4	8.4	50.2

Stable (E~G)

Direction Speed	N	NNE	NE	ENE	E	ESE	SE	SSE	S	SSW	SW	WSW	W	WNNW	NW	NNW	C	Total
0~ 0.4 M/S	0.0	0.0	0.0	0.0	0.0	0.0	0.0	0.0	0.0	0.0	0.0	0.0	0.0	0.0	0.0	0.0	0.0	11.5
0.5~ 0.9 M/S	0.0	1.1	1.5	2.3	4.6	0.4	0.0	1.1	0.0	0.4	0.8	1.5	1.1	0.8	0.0	0.4	0.0	16.1
1.0~ 1.9 M/S	0.4	0.4	1.1	6.1	2.3	1.1	0.0	0.4	0.0	0.0	0.4	1.1	0.8	1.1	0.8	0.4	0.0	16.5
2.0~ 2.9 M/S	0.0	0.0	0.4	1.5	1.1	0.8	0.0	0.0	0.0	0.0	0.4	0.4	0.8	0.0	0.4	0.0	0.0	5.7
3.0~ 3.9 M/S	0.0	0.0	0.0	0.0	0.0	0.0	0.0	0.0	0.0	0.0	0.0	0.0	0.0	0.0	0.0	0.0	0.0	0.0
4.0 M/S ~	0.0	0.0	0.0	0.0	0.0	0.0	0.0	0.0	0.0	0.0	0.0	0.0	0.0	0.0	0.0	0.0	0.0	0.0
Total	0.4	1.5	3.1	10.0	8.0	2.3	0.0	1.5	0.0	0.4	1.5	3.1	2.7	1.9	1.1	0.8	11.5	49.8

[Morning]

All Classes

Direction	N	NNE	NE	ENE	E	ESE	SE	SSE	S	SSW	SW	WSW	W	WNW	NW	NNW	C	Total	
Speed																			
0~ 0.4 M/S	0.0	0.0	0.0	0.0	0.0	0.0	0.0	0.0	0.0	0.0	0.0	0.0	0.0	0.0	0.0	0.0	0.0	11.7	11.7
0.5~ 0.9 M/S	1.9	1.9	3.9	7.4	4.3	2.3	1.6	0.8	1.2	0.4	0.0	3.1	1.6	2.3	0.0	0.0	0.0	32.7	32.7
1.0~ 1.9 M/S	1.6	1.2	2.3	13.2	2.3	3.1	0.8	1.6	0.0	0.4	1.2	1.9	4.7	3.1	0.4	0.0	0.0	37.7	37.7
2.0~ 2.9 M/S	0.0	0.0	0.4	5.4	3.1	0.8	0.4	0.8	0.4	0.8	0.4	0.8	1.9	0.4	0.0	0.0	0.0	15.6	15.6
3.0~ 3.9 M/S	0.0	0.0	0.0	1.9	0.0	0.0	0.0	0.0	0.0	0.0	0.4	0.0	0.0	0.0	0.0	0.0	0.0	2.3	2.3
4.0 M/S ~	0.0	0.0	0.0	0.0	0.0	0.0	0.0	0.0	0.0	0.0	0.0	0.0	0.0	0.0	0.0	0.0	0.0	0.0	0.0
Total	3.5	3.1	6.6	28.0	9.7	6.2	2.7	3.1	1.6	1.6	1.9	5.8	8.2	5.8	0.4	0.0	11.7	100.0	100.0

Unstable (A~C-D)

Direction	N	NNE	NE	ENE	E	ESE	SE	SSE	S	SSW	SW	WSW	W	WNW	NW	NNW	C	Total	
Speed																			
0~ 0.4 M/S	0.0	0.0	0.0	0.0	0.0	0.0	0.0	0.0	0.0	0.0	0.0	0.0	0.0	0.0	0.0	0.0	0.0	3.1	3.1
0.5~ 0.9 M/S	0.4	0.0	0.0	0.0	2.3	0.0	0.0	0.0	0.0	0.0	0.0	0.4	0.0	1.6	0.0	0.0	0.0	4.7	4.7
1.0~ 1.9 M/S	0.8	0.0	0.8	3.9	0.4	0.4	0.4	0.0	0.0	0.4	0.0	0.4	1.6	0.4	0.0	0.0	0.0	9.3	9.3
2.0~ 2.9 M/S	0.0	0.0	0.0	0.8	1.9	0.0	0.0	0.0	0.0	0.0	0.0	0.0	1.2	0.0	0.0	0.0	0.0	3.9	3.9
3.0~ 3.9 M/S	0.0	0.0	0.0	1.2	0.0	0.0	0.0	0.0	0.0	0.0	0.0	0.0	0.0	0.0	0.0	0.0	0.0	1.2	1.2
4.0 M/S ~	0.0	0.0	0.0	0.0	0.0	0.0	0.0	0.0	0.0	0.0	0.0	0.0	0.0	0.0	0.0	0.0	0.0	0.0	0.0
Total	1.2	0.0	0.8	5.8	4.7	0.4	0.4	0.0	0.0	0.4	0.0	0.8	2.7	1.9	0.0	0.0	3.1	22.2	22.2

Neutral (D)

Direction	N	NNE	NE	ENE	E	ESE	SE	SSE	S	SSW	SW	WSW	W	WNW	NW	NNW	C	Total	
Speed																			
0~ 0.4 M/S	0.0	0.0	0.0	0.0	0.0	0.0	0.0	0.0	0.0	0.0	0.0	0.0	0.0	0.0	0.0	0.0	0.0	7.0	7.0
0.5~ 0.9 M/S	1.6	1.9	3.1	4.3	1.2	1.9	1.6	0.4	1.2	0.4	0.0	1.9	1.2	0.8	0.0	0.0	0.0	21.4	21.4
1.0~ 1.9 M/S	0.8	1.2	1.6	8.6	1.6	2.7	0.4	1.6	0.0	0.0	1.2	1.6	2.7	2.7	0.4	0.0	0.0	26.8	26.8
2.0~ 2.9 M/S	0.0	0.0	0.4	3.9	0.8	0.8	0.4	0.8	0.4	0.8	0.4	0.8	0.8	0.4	0.0	0.0	0.0	10.5	10.5
3.0~ 3.9 M/S	0.0	0.0	0.0	0.8	0.0	0.0	0.0	0.0	0.0	0.0	0.4	0.0	0.0	0.0	0.0	0.0	0.0	1.2	1.2
4.0 M/S ~	0.0	0.0	0.0	0.0	0.0	0.0	0.0	0.0	0.0	0.0	0.0	0.0	0.0	0.0	0.0	0.0	0.0	0.0	0.0
Total	2.3	3.1	5.1	17.5	3.5	5.4	2.3	2.7	1.6	1.2	1.9	4.3	4.7	3.9	0.4	0.0	7.0	66.9	66.9

Stable (E~G)

Direction	N	NNE	NE	ENE	E	ESE	SE	SSE	S	SSW	SW	WSW	W	WNW	NW	NNW	C	Total	
Speed																			
0~ 0.4 M/S	0.0	0.0	0.0	0.0	0.0	0.0	0.0	0.0	0.0	0.0	0.0	0.0	0.0	0.0	0.0	0.0	0.0	1.6	1.6
0.5~ 0.9 M/S	0.0	0.0	0.8	3.1	0.8	0.4	0.0	0.4	0.0	0.0	0.0	0.8	0.4	0.0	0.0	0.0	0.0	6.6	6.6
1.0~ 1.9 M/S	0.0	0.0	0.0	0.8	0.4	0.0	0.0	0.0	0.0	0.0	0.0	0.0	0.4	0.0	0.0	0.0	0.0	1.6	1.6
2.0~ 2.9 M/S	0.0	0.0	0.0	0.8	0.4	0.0	0.0	0.0	0.0	0.0	0.0	0.0	0.0	0.0	0.0	0.0	0.0	1.2	1.2
3.0~ 3.9 M/S	0.0	0.0	0.0	0.0	0.0	0.0	0.0	0.0	0.0	0.0	0.0	0.0	0.0	0.0	0.0	0.0	0.0	0.0	0.0
4.0 M/S ~	0.0	0.0	0.0	0.0	0.0	0.0	0.0	0.0	0.0	0.0	0.0	0.0	0.0	0.0	0.0	0.0	0.0	0.0	0.0
Total	0.0	0.0	0.8	4.7	1.6	0.4	0.0	0.4	0.0	0.0	0.0	0.8	0.8	0.0	0.0	0.0	1.6	10.9	10.9

[Afternoon]

All Classes

Direction Speed	N	NNE	NE	ENE	E	ESE	SE	SSE	S	SSW	SW	WSW	W	WNW	NW	NNW	C	Total	
0~ 0.4 M/S	0.0	0.0	0.0	0.0	0.0	0.0	0.0	0.0	0.0	0.0	0.0	0.0	0.0	0.0	0.0	0.0	0.0	5.9	5.9
0.5~ 0.9 M/S	0.9	0.6	1.2	3.2	2.6	0.9	0.6	0.3	0.0	0.3	0.9	1.5	0.6	1.2	0.0	0.3	0.0	15.0	15.0
1.0~ 1.9 M/S	0.0	1.2	2.6	14.1	2.9	3.5	1.5	2.4	0.0	0.3	0.6	4.7	6.8	2.4	0.3	0.0	0.0	43.2	43.2
2.0~ 2.9 M/S	0.3	0.0	1.5	8.8	5.0	0.9	0.0	0.6	0.6	0.6	1.2	1.8	3.8	1.5	0.0	0.0	0.0	26.5	26.5
3.0~ 3.9 M/S	0.0	0.0	0.0	1.2	1.2	0.3	0.0	0.0	0.9	0.6	0.3	0.9	2.1	0.0	0.0	0.0	0.0	7.4	7.4
4.0 M/S ~	0.0	0.0	0.0	0.0	0.0	0.3	0.0	0.6	0.9	0.0	0.3	0.0	0.0	0.0	0.0	0.0	0.0	2.1	2.1
Total	1.2	1.8	5.3	27.4	11.8	5.9	2.1	3.8	2.4	1.8	3.2	8.8	13.2	5.0	0.3	0.3	5.9	100.0	100.0

Unstable(A~C-D)

Direction Speed	N	NNE	NE	ENE	E	ESE	SE	SSE	S	SSW	SW	WSW	W	WNW	NW	NNW	C	Total	
0~ 0.4 M/S	0.0	0.0	0.0	0.0	0.0	0.0	0.0	0.0	0.0	0.0	0.0	0.0	0.0	0.0	0.0	0.0	0.0	2.1	2.1
0.5~ 0.9 M/S	0.6	0.0	0.6	1.2	1.2	0.0	0.6	0.0	0.0	0.0	0.3	0.9	0.6	0.0	0.0	0.3	0.0	6.2	6.2
1.0~ 1.9 M/S	0.0	0.9	0.3	8.5	2.1	0.9	1.5	1.2	0.0	0.0	0.3	1.8	4.4	1.8	0.3	0.0	0.0	23.8	23.8
2.0~ 2.9 M/S	0.3	0.0	0.9	5.3	3.8	0.9	0.0	0.0	0.3	0.3	0.6	1.2	2.6	1.5	0.0	0.0	0.0	17.6	17.6
3.0~ 3.9 M/S	0.0	0.0	0.0	1.2	1.2	0.3	0.0	0.0	0.6	0.3	0.0	0.6	2.1	0.0	0.0	0.0	0.0	6.2	6.2
4.0 M/S ~	0.0	0.0	0.0	0.0	0.0	0.0	0.0	0.0	0.0	0.0	0.0	0.0	0.0	0.0	0.0	0.0	0.0	0.0	0.0
Total	0.9	0.9	1.8	16.2	8.2	2.1	2.1	1.2	0.9	0.6	1.2	4.4	9.7	3.2	0.3	0.3	2.1	55.9	55.9

Neutral (D)

Direction Speed	N	NNE	NE	ENE	E	ESE	SE	SSE	S	SSW	SW	WSW	W	WNW	NW	NNW	C	Total	
0~ 0.4 M/S	0.0	0.0	0.0	0.0	0.0	0.0	0.0	0.0	0.0	0.0	0.0	0.0	0.0	0.0	0.0	0.0	0.0	3.5	3.5
0.5~ 0.9 M/S	0.3	0.3	0.6	0.9	0.9	0.9	0.0	0.3	0.0	0.3	0.6	0.6	0.0	1.2	0.0	0.0	0.0	6.8	6.8
1.0~ 1.9 M/S	0.0	0.3	1.8	3.2	0.3	2.6	0.0	0.9	0.0	0.3	0.0	2.1	1.8	0.6	0.0	0.0	0.0	13.8	13.8
2.0~ 2.9 M/S	0.0	0.0	0.3	1.5	0.0	0.0	0.0	0.3	0.3	0.3	0.6	0.3	1.2	0.0	0.0	0.0	0.0	4.7	4.7
3.0~ 3.9 M/S	0.0	0.0	0.0	0.0	0.0	0.0	0.0	0.3	0.3	0.3	0.3	0.0	0.0	0.0	0.0	0.0	0.0	0.9	0.9
4.0 M/S ~	0.0	0.0	0.0	0.0	0.0	0.3	0.0	0.6	0.9	0.0	0.3	0.0	0.0	0.0	0.0	0.0	0.0	2.1	2.1
Total	0.3	0.6	2.6	5.6	1.2	3.8	0.0	2.1	1.5	1.2	1.8	2.9	2.9	1.8	0.0	0.0	3.5	31.8	31.8

Stable (E~G)

Direction Speed	N	NNE	NE	ENE	E	ESE	SE	SSE	S	SSW	SW	WSW	W	WNW	NW	NNW	C	Total	
0~ 0.4 M/S	0.0	0.0	0.0	0.0	0.0	0.0	0.0	0.0	0.0	0.0	0.0	0.0	0.0	0.0	0.0	0.0	0.0	0.3	0.3
0.5~ 0.9 M/S	0.0	0.3	0.0	1.2	0.6	0.0	0.0	0.0	0.0	0.0	0.0	0.0	0.0	0.0	0.0	0.0	0.0	2.1	2.1
1.0~ 1.9 M/S	0.0	0.0	0.6	2.4	0.6	0.0	0.0	0.3	0.0	0.0	0.3	0.9	0.6	0.0	0.0	0.0	0.0	5.6	5.6
2.0~ 2.9 M/S	0.0	0.0	0.3	2.1	1.2	0.0	0.0	0.3	0.0	0.0	0.0	0.3	0.0	0.0	0.0	0.0	0.0	4.1	4.1
3.0~ 3.9 M/S	0.0	0.0	0.0	0.0	0.0	0.0	0.0	0.0	0.0	0.0	0.0	0.3	0.0	0.0	0.0	0.0	0.0	0.3	0.3
4.0 M/S ~	0.0	0.0	0.0	0.0	0.0	0.0	0.0	0.0	0.0	0.0	0.0	0.0	0.0	0.0	0.0	0.0	0.0	0.0	0.0
Total	0.0	0.3	0.9	5.6	2.4	0.0	0.0	0.6	0.0	0.0	0.3	1.5	0.6	0.0	0.0	0.0	0.0	12.4	12.4

[Evening]

All Classes

Direction Speed	N	NNE	NE	ENE	E	ESE	SE	SSE	S	SSW	SW	WSW	W	WNW	NW	NNW	C	Total
0~ 0.4 M/S	0.0	0.0	0.0	0.0	0.0	0.0	0.0	0.0	0.0	0.0	0.0	0.0	0.0	0.0	0.0	0.0	0.0	5.9
0.5~ 0.9 M/S	0.4	0.4	1.2	3.1	2.4	2.4	0.4	0.8	0.0	0.0	1.2	1.2	0.4	1.2	0.4	0.0	0.0	15.3
1.0~ 1.9 M/S	0.4	2.0	4.7	8.2	4.7	3.1	1.2	2.0	0.4	0.4	2.4	5.9	6.3	2.4	0.4	0.4	0.0	44.7
2.0~ 2.9 M/S	0.4	0.0	0.8	6.3	1.2	0.0	0.4	0.0	0.4	0.8	1.2	3.5	3.9	2.7	0.0	0.0	0.0	21.6
3.0~ 3.9 M/S	0.0	0.0	0.0	0.8	1.2	0.8	0.0	0.8	0.0	1.2	1.6	0.4	1.6	0.4	0.4	0.0	0.0	9.0
4.0 M/S ~	0.0	0.0	0.0	0.0	0.0	0.4	0.0	0.0	2.7	0.0	0.0	0.0	0.4	0.0	0.0	0.0	0.0	3.5
Total	1.2	2.4	6.7	18.4	9.4	6.7	2.0	3.5	3.5	2.4	6.3	11.0	12.5	6.7	1.2	0.4	5.9	100.0

Unstable (A~C-D)

Direction Speed	N	NNE	NE	ENE	E	ESE	SE	SSE	S	SSW	SW	WSW	W	WNW	NW	NNW	C	Total
0~ 0.4 M/S	0.0	0.0	0.0	0.0	0.0	0.0	0.0	0.0	0.0	0.0	0.0	0.0	0.0	0.0	0.0	0.0	0.0	0.0
0.5~ 0.9 M/S	0.0	0.0	0.0	0.4	0.4	0.0	0.0	0.0	0.0	0.0	0.4	0.0	0.0	0.4	0.0	0.0	0.0	1.6
1.0~ 1.9 M/S	0.0	1.2	1.2	2.0	0.4	0.8	0.0	0.4	0.0	0.0	0.0	1.2	0.8	0.4	0.0	0.0	0.0	8.2
2.0~ 2.9 M/S	0.4	0.0	0.4	1.6	0.4	0.0	0.0	0.0	0.0	0.0	0.0	0.8	2.0	0.4	0.0	0.0	0.0	5.9
3.0~ 3.9 M/S	0.0	0.0	0.0	0.4	0.4	0.4	0.0	0.0	0.0	0.0	0.0	0.0	0.4	0.4	0.0	0.0	0.0	2.0
4.0 M/S ~	0.0	0.0	0.0	0.0	0.0	0.0	0.0	0.0	0.0	0.0	0.0	0.0	0.0	0.0	0.0	0.0	0.0	0.0
Total	0.4	1.2	1.6	4.3	1.6	1.2	0.0	0.4	0.0	0.0	0.4	2.0	3.1	1.6	0.0	0.0	0.0	17.6

Neutral (D)

Direction Speed	N	NNE	NE	ENE	E	ESE	SE	SSE	S	SSW	SW	WSW	W	WNW	NW	NNW	C	Total
0~ 0.4 M/S	0.0	0.0	0.0	0.0	0.0	0.0	0.0	0.0	0.0	0.0	0.0	0.0	0.0	0.0	0.0	0.0	0.0	5.1
0.5~ 0.9 M/S	0.4	0.0	0.8	1.2	1.2	1.6	0.4	0.8	0.0	0.0	0.8	1.2	0.4	0.8	0.4	0.0	0.0	9.8
1.0~ 1.9 M/S	0.4	0.8	2.4	4.7	1.6	2.4	0.4	1.2	0.4	0.4	0.4	1.2	4.3	2.0	0.4	0.4	0.0	23.1
2.0~ 2.9 M/S	0.0	0.0	0.4	2.4	0.4	0.0	0.4	0.0	0.4	0.8	1.2	2.7	2.0	2.4	0.0	0.0	0.0	12.9
3.0~ 3.9 M/S	0.0	0.0	0.0	0.4	0.4	0.4	0.0	0.8	0.0	1.2	1.2	0.4	1.2	0.0	0.4	0.0	0.0	6.3
4.0 M/S ~	0.0	0.0	0.0	0.0	0.0	0.4	0.0	0.0	2.7	0.0	0.0	0.0	0.4	0.0	0.0	0.0	0.0	3.5
Total	0.8	0.8	3.5	8.6	3.5	4.7	1.2	2.7	3.5	2.4	3.5	5.5	8.2	5.1	1.2	0.4	5.1	60.8

Stable (E~G)

Direction Speed	N	NNE	NE	ENE	E	ESE	SE	SSE	S	SSW	SW	WSW	W	WNW	NW	NNW	C	Total
0~ 0.4 M/S	0.0	0.0	0.0	0.0	0.0	0.0	0.0	0.0	0.0	0.0	0.0	0.0	0.0	0.0	0.0	0.0	0.0	0.8
0.5~ 0.9 M/S	0.0	0.4	0.4	1.6	0.8	0.8	0.0	0.0	0.0	0.0	0.0	0.0	0.0	0.0	0.0	0.0	0.0	3.9
1.0~ 1.9 M/S	0.0	0.0	1.2	1.6	2.7	0.0	0.8	0.4	0.0	0.0	2.0	3.5	1.2	0.0	0.0	0.0	0.0	13.3
2.0~ 2.9 M/S	0.0	0.0	0.0	2.4	0.4	0.0	0.0	0.0	0.0	0.0	0.0	0.0	0.0	0.0	0.0	0.0	0.0	2.7
3.0~ 3.9 M/S	0.0	0.0	0.0	0.4	0.4	0.0	0.0	0.0	0.0	0.0	0.4	0.0	0.0	0.0	0.0	0.0	0.0	0.8
4.0 M/S ~	0.0	0.0	0.0	0.0	0.0	0.0	0.0	0.0	0.0	0.0	0.0	0.0	0.0	0.0	0.0	0.0	0.0	0.0
Total	0.0	0.4	1.6	5.5	4.3	0.8	0.8	0.4	0.0	0.0	2.4	3.5	1.2	0.0	0.0	0.0	0.0	21.6

[Night]

All Classes

Direction Speed	N	NNE	NE	ENE	E	ESE	SE	SSE	S	SSW	SW	WSW	W	WNW	NW	NNW	C	Total
0~ 0.4 M/S	0.0	0.0	0.0	0.0	0.0	0.0	0.0	0.0	0.0	0.0	0.0	0.0	0.0	0.0	0.0	0.0	0.0	17.5
0.5~ 0.9 M/S	0.2	1.8	2.2	6.5	3.0	3.1	0.0	0.2	0.4	1.2	0.6	4.1	4.5	2.2	1.4	0.6	0.0	31.9
1.0~ 1.9 M/S	0.2	0.8	3.3	12.6	2.2	2.8	0.8	0.8	0.0	1.2	1.8	3.0	2.6	1.8	0.4	0.4	0.0	34.4
2.0~ 2.9 M/S	0.4	0.0	0.0	3.7	1.0	0.2	0.2	0.2	0.4	0.8	0.8	1.2	1.4	0.6	0.0	0.2	0.0	11.0
3.0~ 3.9 M/S	0.0	0.0	0.0	0.8	0.2	0.0	0.0	0.0	1.2	0.8	0.4	0.0	0.4	0.0	0.0	0.0	0.0	3.7
4.0 M/S ~	0.0	0.0	0.0	0.2	0.0	0.6	0.0	0.0	0.6	0.0	0.0	0.0	0.0	0.0	0.0	0.0	0.0	1.4
Total	0.8	2.6	5.5	23.8	6.3	6.7	1.0	1.2	2.6	3.9	3.5	8.3	8.9	4.5	1.8	1.2	17.5	100.0

Unstable (A~C-D)

Direction Speed	N	NNE	NE	ENE	E	ESE	SE	SSE	S	SSW	SW	WSW	W	WNW	NW	NNW	C	Total
0~ 0.4 M/S	0.0	0.0	0.0	0.0	0.0	0.0	0.0	0.0	0.0	0.0	0.0	0.0	0.0	0.0	0.0	0.0	0.0	0.0
0.5~ 0.9 M/S	0.0	0.0	0.0	0.0	0.0	0.0	0.0	0.0	0.0	0.0	0.0	0.0	0.0	0.0	0.0	0.0	0.0	0.0
1.0~ 1.9 M/S	0.0	0.0	0.0	0.0	0.0	0.0	0.0	0.0	0.0	0.0	0.0	0.0	0.0	0.0	0.0	0.0	0.0	0.0
2.0~ 2.9 M/S	0.0	0.0	0.0	0.0	0.0	0.0	0.0	0.0	0.0	0.0	0.0	0.0	0.0	0.0	0.0	0.0	0.0	0.0
3.0~ 3.9 M/S	0.0	0.0	0.0	0.0	0.0	0.0	0.0	0.0	0.0	0.0	0.0	0.0	0.0	0.0	0.0	0.0	0.0	0.0
4.0 M/S ~	0.0	0.0	0.0	0.0	0.0	0.0	0.0	0.0	0.0	0.0	0.0	0.0	0.0	0.0	0.0	0.0	0.0	0.0
Total	0.0	0.0	0.0	0.0	0.0	0.0	0.0	0.0	0.0	0.0	0.0	0.0	0.0	0.0	0.0	0.0	0.0	0.0

Neutral (D)

Direction Speed	N	NNE	NE	ENE	E	ESE	SE	SSE	S	SSW	SW	WSW	W	WNW	NW	NNW	C	Total
0~ 0.4 M/S	0.0	0.0	0.0	0.0	0.0	0.0	0.0	0.0	0.0	0.0	0.0	0.0	0.0	0.0	0.0	0.0	0.0	4.5
0.5~ 0.9 M/S	0.0	0.6	0.6	2.0	0.4	0.8	0.0	0.2	0.2	0.4	0.2	1.2	0.8	0.8	0.0	0.0	0.0	8.1
1.0~ 1.9 M/S	0.0	0.4	1.2	5.5	0.4	1.6	0.2	0.6	0.0	0.0	0.4	1.0	0.8	0.4	0.0	0.0	0.0	12.4
2.0~ 2.9 M/S	0.0	0.0	0.0	1.2	0.4	0.0	0.2	0.2	0.4	0.0	0.2	0.8	0.6	0.0	0.0	0.0	0.0	3.9
3.0~ 3.9 M/S	0.0	0.0	0.0	0.4	0.2	0.0	0.0	0.0	1.0	0.6	0.4	0.0	0.0	0.0	0.0	0.0	0.0	2.6
4.0 M/S ~	0.0	0.0	0.0	0.2	0.0	0.6	0.0	0.0	0.6	0.0	0.0	0.0	0.0	0.0	0.0	0.0	0.0	1.4
Total	0.0	1.0	1.8	9.3	1.4	3.0	0.4	1.0	2.2	1.0	1.2	3.0	2.2	1.2	0.0	0.0	4.5	32.9

Stable (E~G)

Direction Speed	N	NNE	NE	ENE	E	ESE	SE	SSE	S	SSW	SW	WSW	W	WNW	NW	NNW	C	Total
0~ 0.4 M/S	0.0	0.0	0.0	0.0	0.0	0.0	0.0	0.0	0.0	0.0	0.0	0.0	0.0	0.0	0.0	0.0	0.0	13.0
0.5~ 0.9 M/S	0.2	1.2	1.6	4.5	2.6	2.4	0.0	0.0	0.2	0.8	0.4	3.0	3.7	1.4	1.4	0.6	0.0	23.8
1.0~ 1.9 M/S	0.2	0.4	2.2	7.1	1.8	1.2	0.6	0.2	0.0	1.2	1.4	2.0	1.8	1.4	0.4	0.4	0.0	22.0
2.0~ 2.9 M/S	0.4	0.0	0.0	2.6	0.6	0.2	0.0	0.0	0.0	0.8	0.6	0.4	0.8	0.6	0.0	0.2	0.0	7.1
3.0~ 3.9 M/S	0.0	0.0	0.0	0.4	0.0	0.0	0.0	0.0	0.2	0.2	0.0	0.0	0.4	0.0	0.0	0.0	0.0	1.2
4.0 M/S ~	0.0	0.0	0.0	0.0	0.0	0.0	0.0	0.0	0.0	0.0	0.0	0.0	0.0	0.0	0.0	0.0	0.0	0.0
Total	0.8	1.6	3.7	14.6	4.9	3.7	0.6	0.2	0.4	3.0	2.4	5.3	6.7	3.3	1.8	1.2	13.0	67.1

27 Concentration of SO₂ and PM by Wind Directions and the Times of Day

 ** Concentration of SO₂ by Wind Direction and Time of Day (ppb)
 ** 時間別風向別濃度
 **
 ** YENINAHALLE
 **

Wind Data: METEOROLOGICAL AGENCY

Time of Day	Wind Data																Average Con.		
	N	NNE	NE	ENE	E	ESE	SE	SSE	S	SSW	SW	WSW	W	WNW	NW	NNW	Wind	Calm	Ave.
1	1030	70	156	152	219	253	156	0	13	216	65	55	119	123	520	270	162	252	182
2	24	49	143	114	211	119	290	119	12	0	28	125	137	76	274	80	126	263	155
3	86	203	177	100	173	255	95	140	10	18	81	54	107	110	235	36	121	210	133
4	0	58	179	96	163	184	0	112	59	12	0	141	97	88	560	24	116	184	129
5	0	96	121	94	155	136	61	227	6	40	46	44	83	40	208	19	104	179	122
6	48	183	136	116	201	172	344	174	0	15	64	100	117	36	294	45	129	166	136
7	37	161	47	160	226	240	57	225	0	101	0	69	93	118	565	0	152	252	170
8	137	245	187	217	219	251	205	196	115	115	0	132	182	192	550	0	198	326	213
9	150	66	123	161	345	158	482	244	156	0	87	169	266	207	0	0	203	306	216
1 0	0	100	122	162	225	179	277	138	204	122	105	145	158	135	0	0	164	297	180
1 1	104	72	73	180	189	135	348	88	40	104	51	152	112	125	274	0	151	287	158
1 2	0	66	142	172	170	164	380	129	37	0	97	103	105	115	0	0	142	133	141
1 3	151	39	142	127	156	154	308	35	28	28	49	81	114	85	0	46	120	175	124
1 4	0	41	116	99	168	141	274	150	32	39	47	120	111	112	0	0	114	200	120
1 5	0	86	93	135	173	122	247	157	32	17	77	118	78	112	0	0	115	220	137
1 6	75	82	153	141	182	197	136	155	30	92	194	122	90	121	88	0	133	195	137
1 7	57	173	194	157	226	238	428	151	31	45	85	174	146	147	250	86	163	243	168
1 8	90	172	208	199	288	304	665	253	52	54	171	200	186	185	0	81	199	256	206
1 9	98	173	257	233	293	367	443	157	51	112	319	228	261	179	229	0	236	306	246
2 0	164	103	322	234	557	366	0	104	47	111	114	275	216	302	212	205	240	341	260
2 1	0	59	264	235	291	434	0	0	116	112	51	146	211	0	430	198	231	364	260
2 2	0	87	93	279	305	328	144	0	70	112	66	115	193	322	372	435	236	335	253
2 3	400	90	174	231	250	316	0	0	0	120	96	91	216	105	510	550	211	289	226
2 4	105	157	224	182	302	191	0	0	15	128	92	94	159	120	453	580	187	279	202
Whole	156	121	163	168	220	230	295	155	48	84	94	133	146	133	330	170	164	260	177
Midnight	243	109	175	126	217	191	174	126	21	93	70	91	123	103	360	165	142	239	160
Early morn.	43	155	108	125	193	176	154	207	6	62	59	76	99	67	296	36	129	196	143
Morning	144	157	149	182	262	188	304	206	148	117	97	149	202	178	550	0	189	309	203
Afternoon	135	57	120	151	169	146	320	106	35	46	62	115	110	106	274	46	132	197	136
Evening	69	115	135	146	188	183	297	154	31	56	108	140	103	127	196	86	137	221	142
Night	188	122	238	238	299	354	427	162	61	104	119	188	215	200	351	279	225	320	242
December	0	48	103	89	117	209	303	160	0	0	420	226	243	154	0	0	157	217	160
January	168	92	113	163	283	298	0	107	37	75	49	98	106	98	257	170	151	262	167
February	148	184	120	214	191	176	226	77	62	92	90	97	142	149	375	170	147	224	158
March	0	264	259	245	225	354	0	334	0	0	198	301	266	294	274	0	251	322	267

Concentration of SO₂ by Wind Direction and Time of Day (ppb)

TANDOGAN

 ** 時間別風向別濃度 **
 ** *****
 ** *****
 ** *****

Time of Day	Wind Data: TANDOGAN																Average Con.		
	N	NNE	NE	ENE	E	ESE	SE	SSE	S	SSW	SW	WSW	W	WNW	NW	NNW	Wind	Calb	Ave.
1	129	210	148	80	96	195	212	0	121	51	55	81	135	108	92	258	125	212	134
2	223	199	61	82	111	200	0	164	43	49	72	43	190	142	125	202	120	219	128
3	200	152	90	53	153	157	100	74	68	29	84	34	72	117	153	104	104	253	119
4	140	77	52	30	40	142	197	0	0	55	25	39	143	80	176	152	98	205	112
5	185	97	53	57	102	148	72	0	146	48	26	62	221	221	88	113	98	192	109
6	184	107	47	105	49	159	130	0	110	78	119	75	91	94	192	163	118	158	121
7	198	227	113	79	170	183	238	0	0	125	145	155	190	112	149	265	166	197	168
8	285	205	124	163	95	260	306	0	461	231	164	172	175	219	168	297	211	261	215
9	235	185	120	145	100	268	259	0	230	330	284	117	191	190	228	203	197	332	200
10	217	112	114	108	146	242	222	0	57	140	200	90	190	214	0	182	150	211	152
11	0	103	90	127	129	273	245	0	178	106	86	84	72	164	264	87	125	183	127
12	81	93	79	76	79	212	189	0	64	46	70	95	97	185	0	138	96	166	97
13	103	82	58	81	117	164	132	0	62	62	62	78	82	110	55	46	84	0	84
14	50	81	58	96	103	211	157	0	181	64	102	70	82	89	0	72	86	0	86
15	24	72	55	58	120	127	0	0	110	64	74	64	76	85	56	112	79	212	80
16	145	78	58	84	124	240	189	0	84	66	94	62	87	125	64	32	87	118	88
17	111	83	63	72	67	365	171	0	0	161	221	94	94	51	28	210	111	178	112
18	208	125	99	95	207	198	344	0	220	201	256	151	119	39	208	58	147	161	148
19	232	155	138	119	152	334	0	0	271	213	342	111	142	80	107	174	170	221	173
20	138	279	118	130	135	283	0	116	213	209	0	171	108	290	125	231	181	203	182
21	95	226	113	136	161	329	365	0	124	183	209	112	166	165	184	506	184	256	186
22	136	214	122	143	118	291	0	252	0	170	186	156	161	161	104	290	177	288	181
23	185	180	112	71	120	244	0	0	0	190	127	97	112	221	135	200	155	252	159
24	244	148	80	55	184	211	236	0	0	122	79	81	78	97	120	269	138	222	144
Whole	171	135	90	97	123	224	216	225	187	118	140	94	119	135	140	189	133	216	138
Midnight	189	155	82	67	115	180	195	119	86	58	60	59	124	112	134	181	117	221	127
Early morn.	189	139	76	79	108	163	183	0	134	80	111	99	117	140	140	188	128	183	133
Morning	245	160	119	139	123	258	257	0	304	174	235	116	185	208	178	234	185	264	189
Afternoon	77	91	71	95	110	179	179	0	150	69	82	81	86	136	194	96	97	180	98
Evening	109	77	59	71	104	213	177	0	97	104	120	73	85	90	55	92	92	161	94
Night	185	191	118	117	152	283	353	277	226	194	217	133	133	163	146	235	169	231	171
December	97	104	74	108	108	207	214	222	101	0	141	175	179	208	96	173	147	218	148
January	161	123	89	96	151	247	234	282	210	113	164	108	149	119	151	250	134	217	138
February	174	139	95	58	56	161	182	116	152	125	111	86	82	89	124	142	104	210	109
March	210	163	126	109	192	251	215	0	0	0	228	143	156	188	170	227	182	220	186

Concentration of SO₂ by Wind Direction and Time of Day (ppb)

CEBECI

 ** 時間別風向別濃度 **
 ** **
 ** **
 ** **

Time of Day	Wind Data: TANDOGAN																Average Con.		
	N	NNE	NE	ENE	E	ESE	SE	SSE	S	SSW	SW	WSW	W	WNW	NW	NNW	Wind	Calm	Ave.
1	86	152	130	124	63	179	206	0	120	73	32	99	119	139	118	270	121	317	144
2	138	194	67	78	89	166	0	77	57	41	89	74	224	123	181	207	117	191	123
3	186	88	78	51	134	146	93	45	63	21	70	65	111	33	154	97	96	188	106
4	129	86	69	32	23	101	81	0	0	64	35	46	81	78	135	187	86	131	91
5	85	64	72	54	79	94	42	0	40	36	49	57	41	117	89	82	72	156	87
6	80	43	68	49	72	89	106	0	98	45	104	80	53	190	161	127	84	130	87
7	81	141	84	43	70	87	143	0	0	102	175	136	94	94	146	151	106	240	113
8	127	106	90	139	77	115	202	0	351	131	136	136	170	258	164	169	145	147	145
9	205	92	111	186	55	144	132	0	229	215	104	176	219	194	99	180	158	313	161
10	182	108	104	69	144	209	121	0	58	122	282	101	186	128	0	272	141	195	142
11	0	153	109	122	108	166	99	0	249	42	94	76	105	181	222	81	120	245	126
12	105	88	120	176	54	193	40	0	70	27	78	140	114	151	0	231	116	84	116
13	161	113	97	113	128	131	71	0	0	53	59	93	129	164	83	47	106	0	106
14	61	131	101	107	43	144	117	0	176	55	227	104	100	94	0	51	103	0	103
15	54	145	101	89	79	94	95	0	122	32	69	94	112	82	37	117	94	260	96
16	115	119	116	136	77	215	120	0	132	42	77	68	97	153	42	57	100	133	100
17	157	113	136	87	64	244	138	0	0	91	152	103	153	68	87	112	124	232	126
18	197	172	212	170	91	151	256	0	100	145	191	251	201	59	580	103	187	75	185
19	365	161	281	156	201	266	0	0	144	186	217	169	194	190	252	479	222	353	229
20	437	320	167	220	287	289	0	79	123	178	0	159	248	341	148	248	231	544	245
21	51	404	105	257	151	361	0	205	136	129	211	134	291	327	369	514	241	252	242
22	560	319	202	154	149	270	309	126	0	166	103	129	208	384	378	368	222	361	229
23	245	194	196	147	108	225	0	0	0	184	101	108	241	296	364	334	210	415	222
24	215	271	146	89	104	212	220	0	0	195	85	99	96	115	272	189	165	408	185
Whole	161	144	126	129	105	175	143	110	153	96	115	111	156	161	205	199	141	243	146
Midnight	155	155	93	82	79	160	151	61	89	73	65	81	122	107	187	175	117	239	130
Early morn.	82	84	76	49	73	90	119	0	59	59	81	94	71	93	140	127	88	167	94
Morning	182	102	102	131	111	152	145	0	257	140	135	135	191	187	154	201	148	163	149
Afternoon	109	118	107	128	87	152	90	0	186	47	130	103	111	153	176	128	111	212	113
Evening	140	126	120	109	73	158	132	0	127	59	92	88	125	102	50	91	106	198	108
Night	292	249	201	187	163	269	277	134	131	165	161	155	230	276	333	336	219	364	225
December	136	127	89	101	85	179	169	109	88	0	130	222	301	218	152	173	140	125	140
January	216	193	145	166	147	209	146	125	166	79	128	137	160	158	209	316	160	267	167
February	189	175	134	135	114	128	138	79	141	122	103	99	123	119	199	142	127	313	136
March	62	49	67	80	112	141	69	0	0	0	124	162	182	203	225	173	126	145	128

Concentration of SO₂ by Wind Direction and Time of Day (ppb)

BAHCELIEVLER

 ** 時間別風向別濃度 **
 ** **
 ** **
 ** **

Time of Day	Wind Data: TANDOGAN																Average Con.		
	N	NNE	NE	ENE	E	ESE	SE	SSE	S	SSW	SW	WSW	W	WNW	NW	NNW	Wind	Calm	Ave.
1	290	341	288	139	218	348	318	0	192	92	90	214	281	261	187	451	246	411	265
2	367	309	146	130	189	323	0	264	86	70	138	138	355	293	337	337	221	323	229
3	411	278	148	88	199	240	215	69	105	66	166	146	201	176	282	219	197	358	214
4	354	189	100	47	63	223	149	0	0	66	72	115	231	174	404	323	187	302	202
5	383	167	122	168	200	276	135	0	92	72	93	174	229	367	292	202	208	352	225
6	368	186	208	194	350	372	323	0	162	167	186	361	281	254	606	348	316	329	317
7	577	761	437	231	374	585	549	0	0	300	327	563	533	416	405	617	499	701	510
8	853	639	404	391	377	833	767	0	930	119	530	568	585	649	758	758	608	817	628
9	629	486	339	501	340	674	498	0	306	309	495	518	526	443	516	516	501	723	506
10	320	272	347	279	311	440	485	0	246	226	380	371	437	381	0	563	358	727	367
11	0	254	195	268	256	378	285	0	355	180	183	299	340	263	725	152	273	318	275
12	198	208	198	148	182	375	318	0	96	108	170	274	270	253	0	318	225	260	225
13	244	240	154	185	223	349	180	0	0	130	224	279	304	226	174	108	221	260	221
14	175	226	137	199	175	351	250	0	276	124	240	253	255	246	0	173	218	0	218
15	152	167	147	173	212	329	250	0	174	107	98	289	289	300	251	238	238	510	241
16	308	304	185	288	240	461	515	0	232	140	312	345	445	330	330	330	301	311	301
17	425	321	258	219	287	591	458	0	0	246	271	469	490	371	258	345	377	556	381
18	566	397	388	343	401	607	877	0	340	338	451	622	640	477	790	464	499	349	495
19	641	463	411	367	679	898	0	0	367	342	424	635	635	499	406	620	526	696	536
20	523	708	376	358	511	843	0	200	240	337	0	633	513	541	547	523	523	642	528
21	175	663	324	411	418	820	0	565	197	314	312	453	545	571	1065	501	501	459	499
22	610	460	339	344	439	774	724	378	0	312	303	404	408	628	447	757	452	635	461
23	379	425	288	195	295	479	0	0	198	198	261	309	368	383	349	631	361	568	373
24	509	382	213	142	275	382	539	0	0	121	183	207	283	261	287	593	302	405	310
Whole	422	346	258	251	303	511	437	309	302	195	282	358	406	355	412	472	349	469	356
Midnight	390	296	167	120	195	303	335	167	142	77	130	171	267	242	292	359	231	358	244
Early morn.	440	356	276	193	322	409	428	0	115	173	224	379	325	379	427	413	344	428	351
Morning	634	438	363	380	337	664	560	0	565	214	494	465	521	491	576	630	487	766	501
Afternoon	206	231	174	200	218	360	246	0	270	135	210	276	280	246	541	220	233	303	234
Evening	375	267	203	224	247	425	477	0	203	176	275	367	400	327	242	298	306	449	308
Night	501	510	359	343	455	723	816	380	302	313	358	503	540	524	501	658	477	587	482
December	233	281	193	233	255	466	456	340	140	0	183	280	483	417	275	333	335	323	335
January	398	322	250	257	331	550	410	317	350	187	282	334	361	267	437	532	315	454	324
February	493	355	333	271	321	372	581	200	224	206	265	361	373	362	397	684	346	497	352
March	456	402	314	266	518	598	384	0	0	0	487	421	510	401	425	655	457	495	461

Concentration of SO₂ by Wind Direction and Time of Day (ppb)

SIHHIYE

 ** 時間別風向別濃度 *****
 **
 **
 **
 **

Time of Day	Wind Data: TANDOGAN																Average Con.		
	N	NNE	NE	ENE	E	ESE	SE	SSE	S	SSW	SW	WSW	W	WNW	NW	NNW	Wind	Calm	Ave.
1	180	220	148	184	88	113	130	0	123	95	99	134	151	195	106	291	148	235	159
2	169	187	105	95	109	120	0	84	56	74	150	92	178	159	274	157	129	223	137
3	186	143	105	62	114	131	92	64	54	58	58	82	142	174	252	67	119	267	133
4	147	101	87	44	49	85	87	0	0	77	50	67	158	80	173	228	105	186	115
5	189	129	64	76	108	81	82	0	57	52	76	66	98	266	135	135	103	132	106
6	199	89	78	98	62	91	82	0	103	78	102	132	118	190	197	121	116	183	121
7	245	316	142	86	172	135	138	0	0	169	249	258	222	158	188	277	192	159	190
8	367	297	162	234	95	189	228	0	451	271	237	331	323	420	235	320	266	167	256
9	300	180	177	232	89	168	177	0	335	325	356	243	281	253	112	286	237	321	239
0	247	180	139	225	168	149	166	0	224	193	244	206	277	345	0	314	205	275	207
1	0	174	145	164	128	161	123	0	195	151	144	131	197	294	345	97	174	299	179
1	136	156	151	208	77	134	146	0	98	119	104	172	168	361	0	202	164	148	164
1	155	160	120	149	156	150	108	0	101	112	101	142	195	185	92	65	141	0	141
1	133	139	97	116	106	152	127	0	154	91	150	133	171	188	0	93	133	0	133
1	42	129	88	93	112	117	0	0	130	92	121	121	160	171	141	119	124	0	124
1	174	138	101	122	117	143	87	0	150	112	113	131	175	173	171	91	133	150	133
1	133	140	107	104	110	151	157	0	0	147	176	201	221	163	82	198	160	216	161
1	359	206	147	155	141	119	209	0	356	264	316	255	298	198	284	176	222	250	223
1	268	247	219	205	154	267	0	0	266	277	434	243	343	325	226	287	262	389	268
2	146	370	213	215	315	273	0	336	251	319	0	273	231	325	295	351	272	473	282
2	380	285	185	279	196	244	0	400	328	276	299	219	245	264	311	295	254	361	258
2	266	294	223	168	138	251	263	131	0	249	260	225	190	296	241	335	235	173	232
2	371	260	224	217	163	152	0	0	0	268	153	154	252	191	275	265	215	320	221
2	0	0	159	129	181	160	183	0	0	187	117	122	126	85	217	303	184	163	182
Whole	219	197	144	158	132	157	145	191	215	166	185	172	211	223	216	218	180	231	182
Midnight	214	186	115	108	108	122	131	74	89	94	98	104	151	150	210	193	137	217	146
Early Morn.	209	163	103	87	115	101	108	0	72	95	155	159	136	139	170	177	138	155	139
Morning	308	212	158	230	138	170	186	0	369	235	304	246	298	339	215	307	235	210	234
Afternoon	142	158	128	160	116	157	122	0	160	115	127	145	177	259	261	135	152	261	154
Evening	132	135	100	107	113	131	133	0	140	120	123	155	188	170	147	119	139	194	140
Night	293	291	202	206	182	221	231	250	284	275	279	227	266	257	276	284	243	333	247
December	160	166	131	140	106	139	144	115	64	0	111	174	237	209	115	209	141	172	141
January	215	184	140	170	170	168	159	232	222	165	211	152	188	158	214	286	176	249	180
February	241	259	191	136	78	105	132	336	268	168	144	172	184	205	215	137	181	177	181
March	227	197	166	186	213	196	143	0	0	0	401	275	282	292	247	302	232	273	236

Concentration of SO₂ by Wind Direction and Time of Day (ppb)

KAVAKLIDERE

 **
 ** 時間別風向別濃度
 **
 **

Wind Data: KAVAKLIDERE

Time of Day	Wind Direction																Average Con.		
	N	NNE	NE	ENE	E	ESE	SE	SSE	S	SSW	SW	WSW	W	WNW	NW	NNW	Wind	Calm	Ave.
1	336	294	335	211	313	309	140	56	96	0	200	182	159	116	179	601	219	378	234
2	163	0	146	175	260	239	107	0	90	0	328	129	141	97	217	455	179	366	206
3	228	460	0	200	217	258	157	80	48	104	89	85	137	95	267	181	159	263	175
4	187	0	79	158	323	147	99	0	84	76	80	75	88	174	179	166	124	245	146
5	0	0	79	153	199	103	179	75	41	55	79	98	122	157	43	218	120	206	130
6	0	370	160	197	188	210	135	0	53	95	146	143	178	240	99	142	155	308	179
7	948	0	644	410	542	543	356	243	144	306	299	280	198	264	340	365	351	533	382
8	123	0	761	858	916	496	305	322	314	187	393	432	313	264	340	633	522	786	546
9	0	384	493	555	869	763	658	117	214	248	798	267	323	337	676	313	506	1147	531
10	925	0	0	520	594	479	257	174	163	233	240	328	185	135	188	425	379	546	385
11	297	0	294	387	321	312	217	50	216	304	0	139	123	129	201	443	266	555	273
12	310	389	329	328	321	249	188	204	102	97	138	120	158	218	391	133	235	238	235
13	203	354	0	319	360	348	190	0	113	105	115	119	104	164	369	226	206	293	208
14	400	0	130	328	291	348	195	0	79	97	146	153	148	186	276	122	201	198	197
15	388	303	184	272	330	363	201	85	174	119	0	123	148	264	193	223	195	234	201
16	313	0	308	311	326	264	209	467	99	110	223	166	141	102	264	384	214	367	218
17	376	0	294	518	501	481	300	179	212	172	259	249	212	213	233	379	294	397	301
18	575	0	0	612	513	399	769	291	280	329	292	375	304	383	231	180	411	756	429
19	471	1250	1055	589	647	552	421	198	234	389	407	288	331	196	584	535	460	555	466
20	0	358	534	655	573	587	424	265	271	243	400	316	496	241	428	545	434	1048	483
21	450	0	1650	590	811	431	536	0	186	297	336	377	264	488	569	328	451	641	471
22	701	1170	0	687	521	425	375	192	139	191	617	338	309	311	366	0	407	725	432
23	658	0	265	584	485	312	339	253	149	185	275	206	314	366	356	0	324	699	359
24	0	178	355	304	363	310	368	236	100	224	134	164	234	135	232	0	252	519	277
Whole	397	471	427	425	480	345	307	210	150	208	284	211	205	210	323	340	296	473	311
Midnight	217	311	298	207	289	251	209	152	84	135	156	137	156	133	218	351	188	331	207
Early morn.	948	370	337	217	325	246	243	117	79	168	180	182	161	212	194	250	207	367	230
Morning	658	384	646	641	767	527	415	221	217	220	507	342	277	245	434	452	468	814	488
Afternoon	293	380	282	359	341	305	195	127	136	167	125	132	135	172	289	241	225	311	228
Evening	353	303	282	344	380	382	222	260	168	125	241	172	165	180	259	306	236	331	241
Night	580	926	765	631	590	452	507	255	208	296	391	313	321	321	473	464	414	735	440
December	487	335	260	412	391	266	255	200	236	86	145	279	342	361	354	247	319	392	324
January	412	521	515	381	532	390	410	246	148	206	332	221	210	215	436	454	315	490	336
February	332	0	415	438	461	453	308	80	118	205	262	206	195	187	241	233	236	488	247
March	0	370	440	666	574	575	444	274	367	480	0	0	0	448	374	445	545	488	539

Concentration of SO₂ by Wind Direction and Time of Day (ppb)

CANKAYA

 ** 時間別風向別濃度 **
 ** **
 ** **
 ** **

Wind Data: KAVAKLIDERE

Time of Day	N	NNE	NE	ENE	E	ESE	SE	SSE	S	SSW	SW	WSW	W	WNW	NW	NNW	Wind	Average Con.	
																		Calm	Ave.
1	80	109	283	178	111	120	47	21	27	0	95	105	82	54	100	75	100	105	100
2	65	0	110	70	98	158	33	0	26	0	41	41	83	97	153	181	80	185	95
3	88	236	0	77	88	126	65	8	6	20	52	36	64	21	153	109	69	101	74
4	129	0	59	69	75	46	35	0	31	34	21	32	61	178	81	56	58	88	64
5	0	0	54	109	49	54	74	34	9	24	21	53	82	102	40	238	68	76	69
6	0	80	49	76	45	89	38	0	8	7	40	49	121	188	147	50	74	109	80
7	394	0	79	66	110	106	109	169	12	46	61	115	89	67	198	253	103	92	101
8	123	0	123	296	151	157	65	138	27	9	78	123	241	142	155	162	148	156	149
9	0	156	178	146	364	85	90	61	11	39	176	87	242	60	476	214	187	350	194
10	525	0	0	256	270	161	88	25	14	19	44	144	149	137	82	189	171	148	170
11	133	0	121	173	159	105	51	0	61	20	0	88	91	78	134	399	115	253	119
12	177	226	107	175	144	110	46	64	12	11	26	37	103	117	314	216	113	52	112
13	127	318	0	111	145	128	70	0	15	26	26	102	66	105	446	215	105	214	108
14	223	0	0	114	135	124	74	0	21	16	17	82	133	136	104	132	104	133	105
15	505	118	83	119	169	117	58	33	30	13	0	61	86	189	317	69	107	166	109
16	258	0	66	128	124	119	54	112	13	17	176	64	105	94	273	148	106	449	115
17	316	0	139	190	119	193	65	31	25	49	30	69	110	182	109	444	121	235	129
18	140	0	0	178	197	107	141	60	29	29	80	111	153	217	282	165	128	455	146
19	158	105	503	286	148	152	88	64	28	76	47	78	173	198	204	112	143	293	153
20	0	102	255	284	235	159	54	83	37	31	87	127	287	158	263	175	155	249	163
21	322	0	124	225	173	132	103	0	31	31	73	176	308	500	220	145	147	198	153
22	34	129	0	234	170	94	80	32	22	21	31	152	320	157	142	0	138	149	139
23	164	0	162	263	147	133	90	31	18	18	48	80	198	302	206	0	131	172	135
24	0	20	163	176	122	80	120	31	21	169	37	58	75	156	93	0	96	179	104
Whole	192	155	160	172	163	118	76	60	23	34	59	88	132	156	197	178	116	162	120
Midnight	92	122	195	115	102	104	71	23	24	74	42	59	73	119	122	106	81	127	87
Early morn.	394	80	62	90	71	80	77	68	10	31	41	75	96	146	161	201	82	94	83
Morning	391	156	146	233	276	148	78	88	17	20	106	118	212	113	266	189	169	198	171
Afternoon	160	249	116	147	177	117	63	64	31	18	25	78	99	118	241	205	109	157	111
Evening	331	118	110	139	138	151	57	58	24	21	92	64	101	169	240	283	111	257	118
Night	163	112	300	240	180	132	99	56	27	40	58	129	213	248	208	153	140	235	148
December	335	176	102	172	156	109	70	57	82	50	30	92	182	114	248	56	125	150	126
January	163	156	162	124	155	119	84	62	18	26	51	62	122	123	199	209	99	144	104
February	225	0	263	228	246	215	146	0	14	36	65	96	131	165	191	145	126	227	131
March	0	80	44	211	132	133	86	83	95	120	0	0	0	473	191	505	156	188	159

Concentration of PM by Wind Direction and Time of Day ($\mu\text{g}/\text{m}^3$)

BAHCELIEVLER

 ** 時間別風向別濃度 **
 ** *****
 ** *****
 ** *****
 ** *****

Time of Day	Wind Data: TANDOĞAN																Average Con.		
	N	NNE	NE	ENE	E	ESE	SE	SSE	S	SSW	SW	WSW	W	WNW	NW	NNW	Wind	Calm	Ave.
1	354	282	237	136	153	323	315	0	203	86	69	195	297	257	185	384	230	376	247
2	274	230	125	131	254	297	0	251	112	64	135	124	336	246	208	358	203	364	216
3	321	197	132	85	212	236	185	90	94	50	117	102	186	226	223	162	168	356	189
4	195	127	90	32	70	173	128	0	61	63	85	236	236	164	277	234	144	304	165
5	269	158	92	104	109	198	102	0	75	45	90	113	160	301	190	159	149	275	164
6	317	140	123	151	216	257	232	0	221	118	151	164	232	253	347	221	214	254	216
7	377	419	226	185	225	330	378	0	0	147	238	246	355	246	306	416	293	349	296
8	489	372	217	191	190	347	394	0	335	150	236	214	293	209	341	449	300	389	308
9	392	313	205	307	152	298	285	0	160	94	272	236	262	212	90	257	262	377	265
10	250	221	251	226	202	292	327	0	100	96	208	154	279	275	0	273	233	341	226
11	0	220	173	287	186	348	213	0	181	117	155	156	154	231	547	75	203	281	206
12	203	195	156	147	164	319	303	0	70	108	128	158	192	303	0	270	184	344	166
13	201	188	150	206	298	278	207	0	107	85	145	161	267	254	270	85	191	0	191
14	142	162	154	171	175	391	245	0	128	138	144	175	259	180	0	261	195	0	195
15	90	125	147	131	211	226	0	0	120	135	108	150	228	275	250	207	185	442	188
16	174	224	152	212	227	311	237	0	120	144	181	158	311	278	257	126	204	276	205
17	283	254	184	193	163	322	226	0	154	132	243	243	317	215	100	283	233	342	235
18	287	256	228	228	214	269	343	0	217	191	200	264	335	260	531	176	261	248	261
19	354	279	245	245	231	387	0	0	190	159	166	261	328	264	176	354	264	363	270
20	226	398	221	192	328	420	0	103	130	175	0	275	220	305	279	272	261	363	266
21	100	416	193	224	215	395	0	204	160	159	146	163	291	332	308	431	256	238	256
22	530	239	200	164	226	353	457	0	145	141	208	208	209	412	266	458	245	267	246
23	256	258	212	116	162	260	0	0	113	127	153	153	220	249	262	359	215	479	230
24	343	408	162	119	211	278	335	0	94	161	161	145	202	242	202	473	229	323	237
Whole	288	244	179	176	200	299	281	182	169	123	163	180	262	260	265	297	222	335	228
Midnight	293	244	141	114	182	256	241	171	154	70	114	136	254	231	219	300	195	345	211
Early morn.	321	236	156	141	193	262	298	0	123	101	173	179	239	263	276	277	220	287	225
Morning	393	291	225	235	193	313	328	0	226	108	253	197	279	232	291	341	261	379	267
Afternoon	181	194	158	201	197	332	230	0	140	119	143	163	228	240	454	205	193	297	194
Evening	242	202	163	170	198	269	230	0	120	145	159	184	280	262	224	183	207	335	210
Night	285	304	218	199	225	348	386	187	172	159	161	220	278	311	280	346	251	345	255
December	192	230	146	184	176	277	285	231	149	0	208	275	386	386	203	243	231	306	232
January	269	229	174	166	219	301	198	147	185	113	158	189	229	204	317	352	203	350	212
February	269	236	209	147	176	194	330	103	123	137	145	167	200	193	193	212	184	266	188
March	366	281	222	227	320	361	315	0	0	0	366	336	407	350	349	459	339	402	344

Concentration of PM by Wind Direction and Time of Day ($\mu\text{g}/\text{m}^3$)

SIHHIYE

 ** 時間別風向別濃度 **
 ** *****
 ** *****
 ** *****

Wind Data: TANDOGAN

Time of Day	Wind Data: TANDOGAN																Average Con.		
	N	NNE	NE	ENE	E	ESE	SE	SSE	S	SSW	SW	WSW	W	WNW	NW	NNW	Wind	Calm	Ave.
1	165	199	185	148	77	121	0	0	105	92	85	135	159	164	118	344	147	207	154
2	207	229	87	109	123	110	0	0	53	72	137	89	220	143	147	215	135	208	141
3	172	155	88	71	124	163	80	54	60	53	55	69	135	163	194	93	111	250	124
4	109	92	85	34	48	74	81	0	0	87	50	61	158	68	154	168	97	177	105
5	121	98	75	70	94	57	32	0	55	43	54	85	85	210	106	122	84	138	91
6	138	80	72	59	51	86	29	0	91	60	58	84	99	180	152	105	92	176	98
7	134	197	121	80	118	109	86	0	0	120	98	163	133	88	154	171	134	175	136
8	172	216	121	181	116	127	50	0	295	145	163	143	181	249	193	234	173	171	173
9	292	177	211	279	144	160	112	0	183	112	180	144	199	205	75	245	192	185	192
10	271	220	204	170	206	188	86	0	112	100	205	107	226	223	0	332	188	438	195
11	0	194	208	223	134	105	166	0	344	111	129	86	107	282	464	110	181	328	189
12	200	169	219	214	157	187	115	0	60	92	104	155	139	322	0	248	171	225	172
13	177	199	145	178	273	158	161	0	126	100	75	113	169	185	186	48	148	0	148
14	85	196	147	150	101	118	184	0	0	95	136	121	184	127	0	125	143	0	148
15	20	149	177	119	195	137	0	0	226	92	0	89	149	162	110	95	133	280	135
16	121	153	134	112	188	113	149	0	199	113	105	89	222	169	131	77	135	221	136
17	152	256	178	187	127	174	202	0	0	126	164	118	193	135	70	208	158	264	161
18	193	193	231	175	167	140	206	0	212	151	168	166	233	201	650	75	197	118	195
19	353	289	298	217	193	211	0	0	142	151	198	169	183	227	138	333	216	281	220
20	263	291	177	243	291	162	0	170	170	143	0	159	147	199	223	305	193	505	209
21	151	457	129	280	184	153	0	250	0	131	154	112	168	252	356	265	197	238	198
22	468	198	192	164	104	153	0	126	0	162	157	121	230	214	173	343	180	212	181
23	219	243	191	164	112	123	0	0	0	215	94	100	138	228	194	179	163	359	176
24	251	283	141	140	207	141	138	0	0	163	92	104	129	115	150	420	163	211	168
Whole	182	196	161	160	147	133	130	145	161	114	125	116	170	190	187	201	156	228	160
Midnight	178	185	109	108	119	118	103	54	75	90	89	96	160	135	158	200	131	209	139
Early morn.	131	127	93	69	87	86	64	0	67	72	70	109	101	144	134	132	104	157	108
Morning	257	205	179	210	164	155	89	0	221	113	177	128	201	227	173	272	185	222	186
Afternoon	151	187	179	184	156	140	165	0	219	100	112	119	158	238	372	175	160	308	162
Evening	133	171	163	127	168	139	184	0	213	112	120	102	182	157	115	103	142	257	144
Night	249	272	207	208	174	156	206	168	154	156	149	137	184	220	255	251	191	309	196
December	166	166	125	134	122	123	139	126	56	0	0	0	236	0	0	208	130	200	131
January	233	224	166	174	209	166	183	152	177	111	138	130	199	183	261	345	181	272	186
February	155	221	171	148	131	94	103	170	141	119	106	105	127	150	122	127	129	208	133
March	134	142	162	174	121	120	88	0	0	0	214	252	234	248	193	173	173	160	172

 ** 時間別風向別濃度 **
 ** Concentration of PH by Wind Direction and Time of Day ($\mu\text{g}/\text{m}^3$) **

 KAVAKLIDERE

Wind Data:KAVAKLIDERE

Time of Day	N	NNE	NE	ENE	E	ESE	SE	SSE	S	SSW	SW	WSW	W	WNW	NW	NNW	Wind	Average Con. Calm	Ave.
1	281	145	198	126	196	467	141	43	79	0	0	109	116	78	149	426	157	325	173
2	141	0	148	119	129	209	99	0	99	0	368	102	108	38	191	365	140	271	158
3	135	560	0	99	169	82	104	72	37	73	58	46	88	70	163	161	108	218	126
4	120	0	58	95	250	111	75	0	88	65	44	59	60	113	94	120	88	184	105
5	0	0	32	125	122	89	89	58	28	61	48	66	106	139	25	146	87	146	94
6	0	0	98	79	127	233	93	0	34	66	70	85	133	173	48	128	103	216	121
7	434	0	235	151	235	159	207	40	141	112	152	100	100	207	207	264	165	293	186
8	68	0	253	304	288	296	127	133	110	88	95	157	118	108	104	423	187	315	200
9	0	120	230	221	284	0	293	82	93	65	286	74	83	105	240	109	175	321	182
10	386	0	0	226	338	182	102	96	88	90	76	124	55	69	123	163	171	262	174
11	121	0	199	213	266	232	114	27	126	138	0	59	56	93	99	264	153	344	158
12	246	297	410	185	174	250	142	95	64	64	78	56	79	159	365	81	158	172	158
13	142	168	0	147	215	276	143	0	78	63	115	60	69	88	378	218	139	338	144
14	310	0	75	177	214	222	110	0	53	89	65	73	121	143	171	156	136	180	138
15	215	184	88	189	255	180	130	100	134	79	62	62	108	160	268	68	140	207	143
16	220	0	126	181	218	246	98	330	93	75	106	85	119	71	353	151	151	227	153
17	232	0	147	235	222	246	59	106	114	105	133	110	148	138	141	242	157	271	164
18	318	0	0	231	213	177	341	178	139	89	105	181	118	260	232	61	182	447	197
19	226	380	408	338	223	178	161	119	118	174	112	84	124	90	267	216	189	250	193
20	0	186	230	239	294	265	139	119	146	95	144	82	162	113	178	298	183	429	200
21	199	0	820	262	262	321	190	0	90	97	109	101	108	135	251	136	175	364	196
22	318	332	0	230	198	190	178	115	77	69	253	96	109	123	148	0	150	408	172
23	354	0	151	237	165	190	170	149	156	92	103	72	131	199	183	0	160	420	182
24	0	103	278	141	231	204	276	134	70	138	178	78	145	61	147	0	159	292	170
Whole	229	250	221	191	226	215	163	115	92	97	125	90	106	131	197	211	151	279	162
Midnight	164	269	211	116	185	202	162	96	78	92	145	85	106	76	152	280	131	245	147
Early morn.	434	0	139	116	163	167	150	52	44	96	78	105	113	164	118	186	118	228	134
Morning	280	120	243	248	304	239	138	104	95	83	162	118	82	94	161	188	178	304	185
Afternoon	195	265	236	185	218	248	130	61	85	97	99	62	83	131	256	181	146	243	150
Evening	224	184	133	194	231	218	106	150	115	82	120	83	125	135	279	179	150	240	153
Night	296	299	342	249	224	217	218	145	118	110	138	99	121	159	223	224	173	384	190
December	320	166	186	213	239	199	141	114	209	90	94	125	248	217	463	151	200	250	204
January	240	276	264	196	243	242	209	131	88	110	189	118	143	170	273	303	177	305	193
February	173	0	170	156	166	141	163	33	62	85	90	80	87	100	116	100	100	222	106
March	0	0	169	149	165	197	0	0	0	0	0	0	0	282	223	300	205	0	205

28 Concentration of SO₂ and PM by Stability Classes and the Times of Day

Concentration of SO₂ by Stability Class and Time of Day (Ppb)

YENIMAHALLE

 ** 時間別安定度別濃度 **
 ** **
 ** **
 ** **

Wind Data : METEOROLOGICAL AGENCY

Time of Day	A	A-B	B	B-C	C	C-D	D	E	F	G	Average
1	0	0	0	0	0	0	110	0	71	228	171
2	0	0	0	0	0	0	100	0	35	182	144
3	0	0	0	0	0	0	73	56	87	171	124
4	0	0	0	0	0	0	64	40	72	157	118
5	0	0	0	0	0	0	82	26	121	145	110
6	0	0	0	0	0	0	83	15	86	161	120
7	0	0	0	0	0	0	151	28	72	171	151
8	0	0	217	0	0	0	201	0	0	0	202
9	0	155	305	0	0	0	177	0	0	0	206
10	69	183	205	480	610	0	144	0	0	0	170
11	111	196	139	64	84	0	146	0	0	0	149
12	119	167	130	95	70	0	140	0	0	0	136
13	248	106	140	65	60	0	132	0	0	0	118
14	0	87	128	0	81	0	127	0	0	0	115
15	0	100	132	216	81	0	120	0	0	0	117
16	0	63	178	0	63	0	137	0	0	0	135
17	0	0	82	0	0	0	150	94	127	223	165
18	0	0	0	0	0	0	175	87	120	237	195
19	0	0	0	0	0	0	203	91	104	272	230
20	0	0	0	0	0	0	178	121	148	306	242
21	0	0	0	0	0	0	209	58	130	287	247
22	0	0	0	0	0	0	162	77	100	297	239
23	0	0	0	0	0	0	159	49	0	275	216
24	0	0	0	0	0	0	148	33	0	232	189
Whole	133	146	161	127	83	0	143	69	103	227	167
Midnight	0	0	0	0	0	0	100	46	69	193	149
Early morn.	0	0	0	0	0	0	112	24	99	157	127
Morning	69	177	243	480	282	0	180	0	0	0	193
Afternoon	149	145	134	78	64	0	136	0	0	0	129
Evening	0	94	144	216	75	0	136	94	127	223	139
Night	0	0	0	0	0	0	180	84	119	280	228
December	0	57	162	52	81	0	152	78	110	230	160
January	0	155	157	228	86	0	129	59	93	237	167
February	105	124	142	97	82	0	146	76	106	205	159
March	248	187	240	216	0	0	285	0	0	274	254

Concentration of SO₂ by Stability Class and Time of Day (PPb)

TANOGAN

 ** 時間別安定度別濃度 **
 ** *****
 **

Wind data : TANOGAN

Time of Day	A	A-B	B	B-C	C	C-D	D	E	F	G	Average
1	0	0	0	0	0	0	97	47	49	167	127
2	0	0	0	0	0	0	70	72	85	173	117
3	0	0	0	0	0	0	72	30	32	154	112
4	0	0	0	0	0	0	65	17	72	132	103
5	0	0	0	0	0	0	77	56	41	131	100
6	0	0	0	0	0	0	76	87	88	158	111
7	0	0	0	0	0	0	158	38	154	168	157
8	0	0	215	0	0	0	207	0	0	0	208
9	0	198	284	0	157	0	171	0	0	0	191
10	0	213	142	47	124	0	139	0	0	0	146
11	155	156	149	49	64	0	113	0	0	0	123
12	133	104	104	32	49	0	89	0	0	0	92
13	124	70	101	40	52	0	86	0	0	0	83
14	31	120	95	108	47	0	89	0	0	0	88
15	0	96	69	40	48	0	94	0	0	0	81
16	0	30	68	0	65	0	94	0	0	0	89
17	0	0	74	0	0	0	109	130	223	122	117
18	0	0	0	0	0	0	131	104	143	177	153
19	0	0	0	0	0	0	142	94	169	190	165
20	0	0	0	0	0	0	129	115	83	210	167
21	0	0	0	0	0	0	121	143	95	232	179
22	0	0	0	0	0	0	107	133	171	228	178
23	0	0	0	0	0	0	102	220	91	210	153
24	0	0	0	0	0	0	97	127	66	192	138
Whole	122	133	127	56	63	0	116	102	119	178	132
Midnight	0	0	0	0	0	0	81	59	65	162	119
Early morn.	0	0	0	0	0	0	111	60	84	149	123
Morning	0	210	201	47	138	0	179	0	0	0	181
Afternoon	122	116	110	62	53	0	95	0	0	0	96
Evening	0	82	69	40	54	0	99	130	223	122	96
Night	0	0	0	0	0	0	121	131	138	208	166
December	0	142	166	38	62	0	144	109	193	171	149
January	69	152	125	168	62	0	107	104	82	201	138
February	31	65	97	42	59	0	103	98	100	143	110
March	162	145	148	0	147	0	224	0	0	216	192

Concentration of SO₂ by Stability Class and Time of Day (PPb)

CEBECI

 ** 時間別安定度別濃度 **
 ** **
 ** **
 ** **

Wind data : TANDOGSAN

Time of Day	A	A-B	B	B-C	C	C-D	D	E	F	G	Average
1	0	0	0	0	0	0	129	46	40	177	145
2	0	0	0	0	0	0	101	58	103	156	123
3	0	0	0	0	0	0	80	55	39	129	104
4	0	0	0	0	0	0	61	39	83	108	88
5	0	0	0	0	0	0	61	81	75	102	80
6	0	0	0	0	0	0	69	97	74	107	86
7	0	0	0	0	0	0	113	78	104	121	113
8	0	0	40	0	0	0	152	0	0	0	148
9	0	37	242	0	105	0	151	0	0	0	162
10	0	159	165	46	129	0	128	0	0	0	140
11	40	140	154	62	80	0	123	0	0	0	125
12	66	117	136	34	59	0	120	0	0	0	115
13	60	81	129	53	75	0	120	0	0	0	106
14	56	71	118	120	56	0	116	0	0	0	104
15	0	41	114	35	55	0	115	0	0	0	99
16	0	65	43	0	53	0	113	0	0	0	103
17	0	0	75	0	0	0	115	0	194	162	130
18	0	0	0	0	0	0	164	82	146	231	189
19	0	0	0	0	0	0	187	110	168	295	231
20	0	0	0	0	0	0	195	170	68	298	238
21	0	0	0	0	0	0	122	123	123	282	232
22	0	0	0	0	0	0	194	150	184	294	219
23	0	0	0	0	0	0	157	235	102	290	214
24	0	0	0	0	0	0	137	99	106	250	183
Whole	56	110	141	63	70	0	125	108	125	205	145
Midnight	0	0	0	0	0	0	103	59	82	160	128
Early morn.	0	0	0	0	0	0	85	85	79	108	93
Morning	0	139	183	46	119	0	146	0	0	0	150
Afternoon	56	109	134	73	68	0	120	0	0	0	113
Evening	0	46	93	35	54	0	114	123	194	162	111
Night	0	0	0	0	0	0	171	138	146	282	220
December	0	122	142	17	55	0	129	79	179	205	140
January	99	148	160	169	74	0	123	115	88	254	167
February	56	106	136	54	73	0	128	112	119	176	137
March	39	37	38	0	39	0	37	0	0	47	42

Concentration of SO₂ by Stability Class and Time of Day (PPb)
BAHCELIEBVLER

** 時間別安定度別濃度 **

Wind data : TANDOGAN

Time of Day	A	A-B	B	B-C	C	C-D	D	E	F	G	Average
1	0	0	0	0	0	0	170	177	99	329	244
2	0	0	0	0	0	0	135	89	182	313	214
3	0	0	0	0	0	0	128	179	47	269	203
4	0	0	0	0	0	0	127	85	93	232	185
5	0	0	0	0	0	0	151	367	97	273	209
6	0	0	0	0	0	0	232	238	324	396	305
7	0	0	0	0	0	0	498	127	382	518	491
8	0	0	684	0	0	0	609	0	0	0	612
9	0	560	780	0	376	0	429	0	0	0	493
10	0	447	398	226	406	0	333	0	0	0	365
11	310	321	283	306	196	0	269	0	0	0	275
12	241	248	230	205	158	0	231	0	0	0	228
13	211	225	235	214	181	0	242	0	0	0	226
14	256	198	232	267	165	0	222	0	0	0	218
15	0	268	220	275	209	0	247	0	0	0	239
16	0	166	377	0	333	0	294	0	0	0	301
17	0	0	344	0	0	0	389	414	405	332	377
18	0	0	0	0	0	0	411	388	528	537	484
19	0	0	0	0	0	0	388	286	485	636	510
20	0	0	0	0	0	0	369	372	278	639	499
21	0	0	0	0	0	0	365	310	431	583	479
22	0	0	0	0	0	0	285	230	451	537	432
23	0	0	0	0	0	0	260	261	295	467	348
24	0	0	0	0	0	0	206	268	277	386	291
Whole	249	302	329	243	228	0	313	275	354	430	344
Midnight	0	0	0	0	0	0	154	159	171	301	227
Early morn.	0	0	0	0	0	0	322	244	267	368	335
Morning	0	465	569	226	393	0	485	0	0	0	491
Afternoon	249	258	243	238	175	0	241	0	0	0	237
Evening	0	247	259	275	258	0	312	414	405	332	306
Night	0	0	0	0	0	0	341	320	439	569	459
December	0	288	325	103	146	0	313	290	485	443	337
January	142	294	299	325	169	0	275	215	223	438	324
February	256	239	339	252	297	0	344	315	368	410	357
March	290	370	476	0	314	0	553	0	0	456	443

Concentration of SO₂ by Stability Class and Time of Day (PPb)

SIHHIYE

 ** 時間別安定度別濃度 **
 ** **
 ** **
 ** **

Wind data : TANDOGAN

Time of Day	A	A-B	B	B-C	C	C-D	D	E	F	G	Average
1	0	0	0	0	0	0	133	88	95	181	151
2	0	0	0	0	0	0	91	73	99	173	125
3	0	0	0	0	0	0	95	86	39	151	123
4	0	0	0	0	0	0	77	57	73	128	105
5	0	0	0	0	0	0	82	77	69	114	95
6	0	0	0	0	0	0	85	107	117	147	112
7	0	0	0	0	0	0	188	92	194	165	180
8	0	0	179	0	0	0	251	0	0	0	248
9	0	162	248	0	0	0	232	0	0	0	230
10	0	190	206	153	171	0	192	0	0	0	197
11	148	209	200	158	236	0	161	0	0	0	171
12	148	170	164	100	117	0	155	0	0	0	155
13	153	122	148	100	113	0	150	0	0	0	138
14	90	123	137	189	99	0	137	0	0	0	133
15	0	119	110	55	89	0	135	0	0	0	122
16	0	51	162	0	111	0	134	0	0	0	133
17	0	0	69	0	0	0	166	130	156	148	157
18	0	0	0	0	0	0	214	166	193	226	214
19	0	0	0	0	0	0	234	143	229	287	251
20	0	0	0	0	0	0	239	269	212	299	269
21	0	0	0	0	0	0	208	219	237	291	253
22	0	0	0	0	0	0	174	207	210	273	228
23	0	0	0	0	0	0	178	329	160	258	216
24	0	0	0	0	0	0	135	119	144	236	179
Whole	143	161	170	130	120	0	164	154	172	209	175
Midnight	0	0	0	0	0	0	107	85	105	171	137
Early morn.	0	0	0	0	0	0	126	92	122	137	129
Morning	0	185	219	153	208	0	231	0	0	0	225
Afternoon	143	162	160	132	110	0	151	0	0	0	149
Evening	0	106	119	55	97	0	144	130	156	148	138
Night	0	0	0	0	0	0	207	211	209	273	238
December	0	156	144	91	105	0	138	112	164	162	142
January	118	178	187	148	102	0	162	145	121	225	180
February	90	127	153	134	138	0	183	175	217	194	182
March	163	154	191	0	201	0	242	0	0	241	215

Concentration of SO₂ by Stability Class and Time of Day (PPb)

KAVAKLIDERE

 ** 時間別安定度別濃度 **
 ** **
 ** **
 ** **

Wind data : KAVAKLIDERE

Time of Day	A	A-B	B	B-C	C	C-D	D	E	F	G	Average
1	0	0	0	0	0	0	190	104	145	328	234
2	0	0	0	0	0	0	144	167	89	293	206
3	0	0	0	0	0	0	121	63	74	235	175
4	0	0	0	0	0	0	99	68	95	220	146
5	0	0	0	0	0	0	94	68	89	201	130
6	0	0	0	0	0	0	114	106	174	278	179
7	0	0	0	0	0	0	360	216	244	508	382
8	0	0	841	0	0	0	534	0	0	0	546
9	0	797	836	0	296	0	464	0	0	0	531
10	0	700	466	217	284	0	320	0	0	0	385
11	424	393	307	164	186	0	220	0	0	0	273
12	358	316	262	88	122	0	197	0	0	0	235
13	281	241	246	192	124	0	179	0	0	0	208
14	0	245	229	92	146	0	178	0	0	0	197
15	184	253	240	156	139	0	202	0	0	0	201
16	0	178	375	0	148	0	218	0	0	0	218
17	0	0	256	0	0	0	269	197	299	424	301
18	0	0	0	0	0	0	326	324	536	526	429
19	0	0	0	0	0	0	375	421	428	569	466
20	0	0	0	0	0	0	377	294	377	639	483
21	0	0	0	0	0	0	353	349	432	637	471
22	0	0	0	0	0	0	253	245	373	658	432
23	0	0	0	0	0	0	264	295	250	525	359
24	0	0	0	0	0	0	218	164	290	385	277
Whole	340	380	360	173	170	0	267	215	315	424	311
Midnight	0	0	0	0	0	0	157	111	151	286	207
Early morn.	0	0	0	0	0	0	211	117	135	294	230
Morning	0	715	686	217	287	0	458	0	0	0	488
Afternoon	355	307	255	150	144	0	194	0	0	0	228
Evening	184	238	272	156	143	0	230	197	299	424	241
Night	0	0	0	0	0	0	322	322	408	592	440
December	182	489	383	366	203	0	300	243	339	418	324
January	328	424	380	144	146	0	266	268	322	475	336
February	184	162	213	143	179	0	238	182	296	310	247
March	383	461	617	0	0	0	603	0	394	565	539

Concentration of SO₂ by Stability Class and Time of Day (PPb)

CANKAYA

 ** 時間別安定度別濃度 **
 ** 地点7:CANKAYA (SO2) **

Wind data : KAVAKLIDERE

Time of Day	A	A-B	B	B-C	C	C-D	D	E	F	G	Average
1	0	0	0	0	0	0	73	58	60	155	100
2	0	0	0	0	0	0	73	38	39	134	95
3	0	0	0	0	0	0	51	8	33	101	74
4	0	0	0	0	0	0	48	25	26	95	64
5	0	0	0	0	0	0	61	43	28	91	69
6	0	0	0	0	0	0	63	49	48	108	80
7	0	0	0	0	0	0	105	24	5	102	101
8	0	0	147	0	0	0	149	0	0	0	149
9	0	117	226	0	45	0	195	0	0	0	194
10	0	199	239	57	73	0	173	0	0	0	170
11	106	201	147	136	43	0	90	0	0	0	119
12	135	221	98	92	35	0	89	0	0	0	112
13	117	147	121	119	34	0	93	0	0	0	108
14	0	93	143	87	98	0	89	0	0	0	105
15	83	85	175	85	61	0	109	0	0	0	109
16	0	121	81	0	90	0	120	0	0	0	115
17	0	0	170	0	0	0	125	61	98	165	129
18	0	0	0	0	0	0	156	99	138	151	146
19	0	0	0	0	0	0	138	147	115	179	153
20	0	0	0	0	0	0	131	244	103	204	163
21	0	0	0	0	0	0	122	115	178	183	153
22	0	0	0	0	0	0	114	106	145	168	139
23	0	0	0	0	0	0	117	142	190	155	135
24	0	0	0	0	0	0	88	56	85	140	104
Whole	119	169	153	89	62	0	111	80	107	142	120
Midnight	0	0	0	0	0	0	68	36	54	122	87
Early morn.	0	0	0	0	0	0	80	42	30	101	83
Morning	0	186	223	57	67	0	170	0	0	0	171
Afternoon	122	172	126	110	50	0	90	0	0	0	111
Evening	83	92	151	85	72	0	118	61	98	165	118
Night	0	0	0	0	0	0	128	129	143	174	148
December	64	139	131	128	62	0	130	75	79	140	126
January	160	209	185	58	44	0	85	50	55	119	104
February	83	147	115	90	80	0	124	97	169	162	131
March	120	111	108	0	0	0	160	0	89	196	159

Concentration of PM by Stability Class and Time of Day ($\mu\text{g}/\text{m}^3$)

BAHCELIEBLER

 ** 時間別安定度別濃度 **
 ** **
 ** **
 ** **

Wind data : TANDOĞAN

Time of Day	A	A-B	B	B-C	C	C-D	D	E	F	G	Average
1	0	0	0	0	0	0	171	175	85	302	230
2	0	0	0	0	0	0	137	82	145	280	197
3	0	0	0	0	0	0	118	104	32	225	172
4	0	0	0	0	0	0	100	45	99	187	148
5	0	0	0	0	0	0	114	128	61	186	145
6	0	0	0	0	0	0	163	193	180	249	200
7	0	0	0	0	0	0	275	66	229	326	279
8	0	0	333	0	0	0	290	0	0	0	291
9	0	250	345	0	277	0	223	0	0	0	248
10	0	275	225	121	258	0	194	0	0	0	214
11	339	281	202	170	127	0	176	0	0	0	200
12	218	251	176	122	121	0	164	0	0	0	180
13	240	203	212	129	111	0	183	0	0	0	184
14	150	235	214	140	123	0	188	0	0	0	186
15	0	253	178	112	123	0	197	0	0	0	181
16	0	75	252	0	148	0	198	0	0	0	195
17	0	200	0	0	0	0	220	222	220	241	225
18	0	0	0	0	0	0	231	173	220	279	249
19	0	0	0	0	0	0	212	149	217	303	252
20	0	0	0	0	0	0	208	158	147	291	244
21	0	0	0	0	0	0	188	134	172	284	234
22	0	0	0	0	0	0	158	98	212	277	223
23	0	0	0	0	0	0	158	136	121	294	212
24	0	0	0	0	0	0	160	164	185	299	223
Whole	248	250	220	129	142	0	193	144	175	266	213
Midnight	0	0	0	0	0	0	138	117	130	254	194
Early morn.	0	0	0	0	0	0	197	129	153	238	208
Morning	0	271	281	121	266	0	245	0	0	0	251
Afternoon	248	248	201	135	120	0	178	0	0	0	187
Evening	0	217	195	112	133	0	205	222	220	241	201
Night	0	0	0	0	0	0	191	147	194	288	236
December	0	221	267	102	137	0	231	167	242	248	233
January	124	270	213	182	120	0	170	138	131	291	212
February	150	141	173	125	149	0	183	141	167	226	189
March	317	301	311	0	333	0	399	0	0	322	327

Concentration of PH by Stability Class and Time of Day ($\mu\text{g}/\text{m}^3$)

SIHHIYE

 ** 時間別安定度別濃度 **
 ** **
 ** **
 ** **

Wind data : TANDOGAN

Time of Day	A	A-B	B	B-C	C	C-D	D	E	F	G	Average
1	0	0	0	0	0	0	134	96	82	181	153
2	0	0	0	0	0	0	99	53	86	184	136
3	0	0	0	0	0	0	89	68	38	147	118
4	0	0	0	0	0	0	71	40	72	119	99
5	0	0	0	0	0	0	71	55	51	105	85
6	0	0	0	0	0	0	63	87	89	122	92
7	0	0	0	0	0	0	131	59	99	157	134
8	0	0	96	0	0	0	176	0	0	0	173
9	0	103	260	0	154	0	181	0	0	0	192
10	0	196	233	144	131	0	181	0	0	0	192
11	88	284	194	107	131	0	170	0	0	0	184
12	128	235	174	97	113	0	151	0	0	0	166
13	129	145	160	78	106	0	149	0	0	0	141
14	45	125	154	103	105	0	149	0	0	0	139
15	0	81	158	62	117	0	136	0	0	0	131
16	0	48	90	0	84	0	143	0	0	0	132
17	0	0	50	0	0	0	141	171	136	212	159
18	0	0	0	0	0	0	187	117	150	218	193
19	0	0	0	0	0	0	190	130	169	258	215
20	0	0	0	0	0	0	168	155	136	242	205
21	0	0	0	0	0	0	166	111	130	234	197
22	0	0	0	0	0	0	128	120	104	228	178
23	0	0	0	0	0	0	135	258	105	215	175
24	0	0	0	0	0	0	133	95	79	212	166
Whole	108	189	179	94	114	0	141	118	115	189	156
Midnight	0	0	0	0	0	0	106	73	78	166	134
Early morn.	0	0	0	0	0	0	95	67	78	122	104
Morning	0	179	230	144	141	0	179	0	0	0	185
Afternoon	108	209	168	93	113	0	155	0	0	0	157
Evening	0	74	136	62	102	0	141	171	136	212	141
Night	0	0	0	0	0	0	161	148	136	233	194
December	0	182	151	129	145	0	128	99	111	147	131
January	109	266	221	151	120	0	148	147	111	241	186
February	45	105	133	78	101	0	139	102	120	139	134
March	120	123	124	0	91	0	127	0	0	129	125

Concentration of PM by Stability Class and Time of Day ($\mu\text{g}/\text{m}^3$)

KAVAKLIDERE

 ** 時間別安定度別濃度 **
 ** *****

Wind data : KAVAKLIDERE

Time of Day	A	A-B	B	B-C	C	C-D	D	E	F	G	Average
1	0	0	0	0	0	0	131	82	118	263	173
2	0	0	0	0	0	0	112	173	54	227	158
3	0	0	0	0	0	0	97	38	69	166	126
4	0	0	0	0	0	0	77	49	71	159	105
5	0	0	0	0	0	0	68	50	47	154	94
6	0	0	0	0	0	0	84	53	98	190	121
7	0	0	0	0	0	0	164	102	175	287	186
8	0	0	52	0	0	0	202	0	0	200	200
9	0	0	290	0	104	0	164	0	0	0	182
10	0	302	235	88	121	0	155	0	0	0	174
11	0	251	165	50	92	0	135	0	0	0	158
12	211	236	188	70	68	0	131	0	0	0	158
13	190	187	181	113	67	0	120	0	0	0	144
14	88	146	188	48	99	0	119	0	0	0	138
15	0	139	168	85	122	0	147	0	0	0	143
16	0	110	210	0	77	0	162	0	0	0	153
17	0	0	121	0	0	0	132	131	175	268	164
18	0	0	0	0	0	0	162	162	208	237	197
19	0	0	0	0	0	0	165	145	158	239	193
20	0	0	0	0	0	0	162	118	132	268	200
21	0	0	0	0	0	0	175	127	114	267	196
22	0	0	0	0	0	0	107	119	113	274	172
23	0	0	0	0	0	0	147	98	98	272	182
24	0	0	0	0	0	0	138	93	169	242	170
Whole	184	221	196	83	95	0	139	105	126	230	162
Midnight	0	0	0	0	0	0	112	84	108	207	147
Early morn.	0	0	0	0	0	0	112	62	80	198	134
Morning	0	302	254	88	117	0	177	0	0	0	185
Afternoon	203	215	182	79	80	0	127	0	0	0	150
Evening	88	132	171	85	103	0	148	131	175	268	153
Night	0	0	0	0	0	0	153	133	134	259	190
December	161	231	241	187	142	0	204	133	155	228	204
January	234	275	226	71	100	0	143	151	144	287	193
February	88	93	92	64	77	0	89	77	100	146	106
March	193	169	183	0	0	0	197	0	0	247	205

29 Concentration of SO₂ and PM by Wind Directions and Wind Speeds

Concentration of SO₂ and PM by Wind Direction and Wind Speed
 SO₂ : YENIMAHALLE Wind Data : METEOROLOGICAL AGENCY

Direction	N	NNE	NE	ENE	E	ESE	SE	SSE	S	SSW	SW	WSW	W	WNNW	NW	NNW	C	Average	
Speed																			
0~ 0.4 M/S	0	0	0	0	0	0	0	0	0	0	0	0	0	0	0	0	0	260	
0.5~ 0.9 M/S	256	151	238	240	300	321	259	224	154	152	163	175	216	162	407	233	0	232	
1.0~ 1.9 M/S	82	81	123	162	199	203	336	154	71	114	102	126	129	115	344	172	0	155	
2.0~ 2.9 M/S	63	0	51	120	152	109	141	104	50	45	47	73	103	122	26	49	0	106	
3.0~ 3.9 M/S	0	0	0	138	90	75	0	25	40	30	50	45	90	106	57	35	0	73	
4.0 M/S 以上	0	0	0	106	0	156	0	62	25	7	39	0	66	0	0	0	0	51	
Average	156	121	163	168	220	230	295	155	48	84	94	133	146	133	330	170	260	177	

SO₂ : TANDOĞAN Wind Data : TANDOĞAN

Direction	N	NNE	NE	ENE	E	ESE	SE	SSE	S	SSW	SW	WSW	W	WNNW	NW	NNW	C	Average	
Speed																			
0~ 0.4 M/S	0	0	0	0	0	0	0	0	0	0	0	0	0	0	0	0	0	216	
0.5~ 0.9 M/S	199	204	140	157	164	199	201	0	343	225	211	158	164	179	172	241	0	189	
1.0~ 1.9 M/S	145	131	104	104	140	237	207	246	144	229	122	102	113	123	116	155	0	142	
2.0~ 2.9 M/S	31	80	58	55	84	190	265	116	141	159	109	81	81	51	24	43	0	93	
3.0~ 3.9 M/S	36	22	57	145	55	0	0	0	112	81	170	79	44	36	40	40	0	73	
4.0 M/S 以上	0	0	43	0	50	0	0	0	108	68	0	80	28	0	0	49	0	71	
Average	171	135	90	97	123	224	216	225	187	118	140	94	119	135	140	189	216	138	

SO₂ : CEBECI Wind Data : TANDOĞAN

Direction	N	NNE	NE	ENE	E	ESE	SE	SSE	S	SSW	SW	WSW	W	WNNW	NW	NNW	C	Average	
Speed																			
0~ 0.4 M/S	0	0	0	0	0	0	0	0	0	0	0	0	0	0	0	0	0	243	
0.5~ 0.9 M/S	169	181	169	212	189	172	99	0	248	249	172	147	211	218	262	230	0	201	
1.0~ 1.9 M/S	161	149	153	140	113	178	133	116	127	185	104	148	150	134	157	193	0	150	
2.0~ 2.9 M/S	43	99	79	72	77	165	208	79	114	141	99	97	102	92	73	66	0	101	
3.0~ 3.9 M/S	34	57	66	164	15	0	0	0	138	64	92	86	62	51	130	46	0	73	
4.0 M/S 以上	0	0	78	0	16	0	0	0	42	51	0	79	44	0	0	44	0	59	
Average	161	144	126	129	105	175	143	110	153	96	115	111	156	161	205	199	243	146	

SO₂ : BAHCILIEVLER Wind Data : TANDOĞAN

Direction	N	NNE	NE	ENE	E	ESE	SE	SSE	S	SSW	SW	WSW	W	WNNW	NW	NNW	C	Average	
Speed																			
0~ 0.4 M/S	0	0	0	0	0	0	0	0	0	0	0	0	0	0	0	0	0	469	
0.5~ 0.9 M/S	467	508	390	359	394	388	295	0	522	344	364	440	501	467	451	548	0	464	
1.0~ 1.9 M/S	383	325	293	270	329	541	420	331	233	298	268	366	381	282	393	435	0	361	
2.0~ 2.9 M/S	165	235	176	167	244	470	575	200	218	269	287	349	299	206	241	218	0	276	
3.0~ 3.9 M/S	181	185	171	329	173	0	0	0	258	151	152	338	375	316	86	232	0	252	
4.0 M/S 以上	0	0	104	0	113	0	0	0	202	135	0	327	224	0	0	132	0	199	
Average	422	346	258	251	303	511	437	309	302	195	282	358	406	355	412	472	469	356	

SO₂ : SIHRIYE Wind Data : TANDOĞAN

Direction Speed	N	NNE	NE	ENE	E	ESE	SE	SSE	S	SSW	SW	WSW	W	WNW	NW	NNW	C	Average
0~ 0.4 M/S	0	0	0	0	0	0	0	0	0	0	0	0	0	0	0	0	231	231
0.5~ 0.9 M/S	237	241	178	195	176	168	116	0	295	275	285	213	239	242	251	255	0	233
1.0~ 1.9 M/S	205	197	163	166	145	160	139	182	144	213	172	169	207	225	195	206	0	178
2.0~ 2.9 M/S	41	148	113	125	101	140	187	336	229	215	155	181	174	132	170	74	0	150
3.0~ 3.9 M/S	170	27	96	144	79	0	0	0	329	131	114	154	192	159	170	94	0	141
4.0 M/S 以上	0	0	0	0	57	0	0	0	262	138	0	150	101	0	0	70	0	140
Average	219	197	144	158	132	157	145	191	215	166	185	172	211	223	216	218	231	182

SO₂ : KAVAKLIDERE DATA : KAVAKLIDERE

Direction Speed	N	NNE	NE	ENE	E	ESE	SE	SSE	S	SSW	SW	WSW	W	WNW	NW	NNW	C	Average
0~ 0.4 M/S	0	0	0	0	0	0	0	0	0	0	0	0	0	0	0	0	473	473
0.5~ 0.9 M/S	402	499	437	502	562	347	431	247	309	235	590	352	261	303	430	410	0	439
1.0~ 1.9 M/S	387	303	440	405	409	353	286	204	227	250	287	237	245	221	322	272	0	314
2.0~ 2.9 M/S	0	0	372	250	366	258	121	207	232	234	251	185	155	157	84	154	0	204
3.0~ 3.9 M/S	0	0	0	345	314	416	146	0	129	200	151	172	145	121	34	0	0	172
4.0 M/S 以上	0	0	214	249	0	0	0	130	103	94	304	144	122	90	0	0	0	113
Average	397	471	427	425	480	345	307	210	150	208	284	211	205	210	323	340	473	311

SO₂ : CANKAYA DATA : KAVAKLIDERE

Direction Speed	N	NNE	NE	ENE	E	ESE	SE	SSE	S	SSW	SW	WSW	W	WNW	NW	NNW	C	Average
0~ 0.4 M/S	0	0	0	0	0	0	0	0	0	0	0	0	0	0	0	0	162	162
0.5~ 0.9 M/S	189	161	183	206	191	126	111	95	97	71	73	143	145	173	223	178	0	172
1.0~ 1.9 M/S	199	118	146	169	140	119	69	54	52	58	77	113	156	171	195	166	0	132
2.0~ 2.9 M/S	0	0	102	83	121	70	37	26	30	24	42	79	121	147	118	325	0	82
3.0~ 3.9 M/S	0	0	0	100	94	150	0	0	14	18	39	49	78	107	40	154	0	51
4.0 M/S 以上	0	0	60	57	0	0	0	15	10	12	46	38	86	76	0	0	0	20
Average	192	155	160	172	163	118	76	60	23	34	59	88	132	156	197	178	162	120

SO₂ : BAHCELIEVLER Data : TANDOĞAN

Direction Speed	N	NNE	NE	ENE	E	ESE	SE	SSE	S	SSW	SW	WSW	W	WNW	NW	NNW	C	Average
0~ 0.4 M/S	0	0	0	0	0	0	0	0	0	0	0	0	0	0	0	0	335	335
0.5~ 0.9 M/S	309	345	252	241	312	268	211	0	219	189	233	270	318	301	311	352	0	302
1.0~ 1.9 M/S	274	231	203	188	208	316	279	197	149	151	151	196	251	252	234	273	0	233
2.0~ 2.9 M/S	81	180	125	129	158	259	323	103	180	154	145	168	212	164	98	105	0	168
3.0~ 3.9 M/S	187	122	125	190	127	0	0	0	140	97	109	158	177	163	63	98	0	137
4.0 M/S 以上	0	0	85	0	81	0	0	0	134	108	0	140	185	0	0	71	0	119
Average	288	244	179	176	200	299	281	182	169	123	163	180	262	260	265	297	335	228

Concentration of PM by Wind Direction and Speed ($\mu\text{g}/\text{m}^3$)

PM : SIHIYE Wind Data : TANOOGAN

Direction	N	NNE	NE	ENE	E	ESE	SE	SSE	S	SSW	SW	WSW	W	WNW	NW	NNW	C	Average	
Speed																			
0~ 0.4 M/S	0	0	0	0	0	0	0	0	0	0	0	0	0	0	0	0	228	228	
0.5~ 0.9 M/S	188	219	182	232	188	173	86	0	197	233	202	180	202	206	214	224	0	202	
1.0~ 1.9 M/S	188	194	183	174	159	128	132	139	143	145	117	133	177	201	174	209	0	167	
2.0~ 2.9 M/S	35	186	127	114	123	124	135	170	175	142	110	110	128	121	44	57	0	126	
3.0~ 3.9 M/S	55	93	121	172	91	0	0	0	154	94	89	90	105	101	99	84	0	99	
4.0 M/S以上	0	0	0	0	45	0	0	0	102	92	0	88	86	0	0	71	0	90	
Average	182	196	161	160	147	133	130	145	161	114	125	116	170	190	187	201	228	160	

PM : KAVAKLIDERE DATA : KAVAKLIDERE

Direction	N	NNE	NE	ENE	E	ESE	SE	SSE	S	SSW	SW	WSW	W	WNW	NW	NNW	C	Average	
Speed																			
0~ 0.4 M/S	0	0	0	0	0	0	0	0	0	0	0	0	0	0	0	0	279	279	
0.5~ 0.9 M/S	232	262	239	225	241	209	217	113	276	125	337	146	171	198	281	267	0	228	
1.0~ 1.9 M/S	222	184	216	182	228	225	153	117	144	130	135	119	123	143	188	161	0	168	
2.0~ 2.9 M/S	0	0	150	134	164	166	91	129	135	93	89	74	75	100	38	67	0	97	
3.0~ 3.9 M/S	0	0	0	163	119	215	55	0	78	83	62	56	72	53	40	0	0	78	
4.0 M/S以上	0	0	116	128	0	0	0	75	58	61	95	53	52	44	0	0	0	60	
Average	229	250	221	191	226	215	163	115	92	97	125	90	106	131	197	211	279	162	

ANNEX

Table for Conversion of Unit of SO₂ Concentration

From ppb to $\mu\text{g}/\text{m}^3$				From $\mu\text{g}/\text{m}^3$ to ppb			
ppb	$\mu\text{g}/\text{m}^3$	ppb	$\mu\text{g}/\text{m}^3$	$\mu\text{g}/\text{m}^3$	ppb	$\mu\text{g}/\text{m}^3$	ppb
1	2.572	600	1543	1	0.3888	1100	428
10	26	700	1800	10	3.9	1200	467
20	51	800	2058	20	7.8	1300	505
30	77	900	2315	30	12	1400	544
40	103	1000	2572	40	16	1500	583
50	129	1100	2829	50	19	1600	622
60	154	1200	3086	60	23	1700	661
70	180	1300	3344	70	27	1800	700
80	206	1400	3601	80	31	1900	739
90	231	1500	3858	90	35	2000	778
100	257	1600	4115	100	39	2500	972
150	386	1700	4372	200	78	3000	1166
200	514	1800	4630	300	117	3500	1361
250	643	1900	4887	400	156	4000	1555
300	772	2000	5144	500	194	4500	1750
350	900	2100	5401	600	233	5000	1944
400	1029	2200	5658	700	272	5500	2138
450	1157	2300	5916	800	311	6000	2333
500	1286	2400	6173	900	350	6500	2527
550	1415	2500	6430	1000	389	7000	2722

Note: Considering the general meteorological condition of Ankara in winter, the condition of 0°C and 0.9 atmospheric pressure was used for the unit conversion.

JICA