

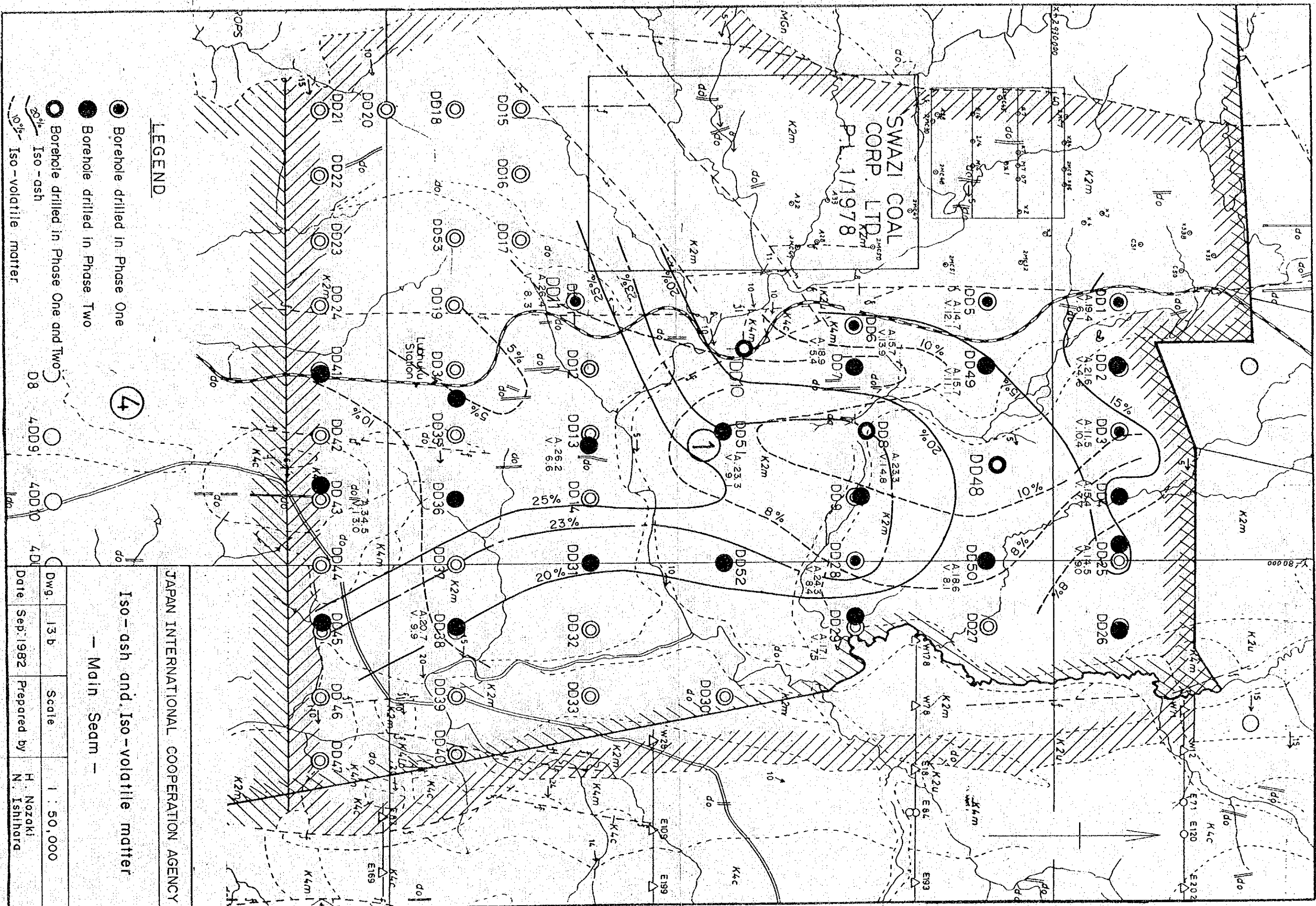
LEGEND

- Borehole drilled in Phase One
- Borehole drilled in Phase Two
- Borehole drilled in Phase One and Two
- 20% Iso-ash
- 10% Iso-volatile matter

JAPAN INTERNATIONAL COOPERATION AGENCY

Iso-ash and Iso-volatile matter
 - Intermediate Marker -

Dwg. 13 a	Scale 1 : 50,000
Date Sep. 1982	Prepared by H. Nozaki N. Ishihara



LEGEND

- Borehole drilled in Phase One
- Borehole drilled in Phase Two
- Borehole drilled in Phase One and Two
- Iso - ash
- Iso - volatile matter

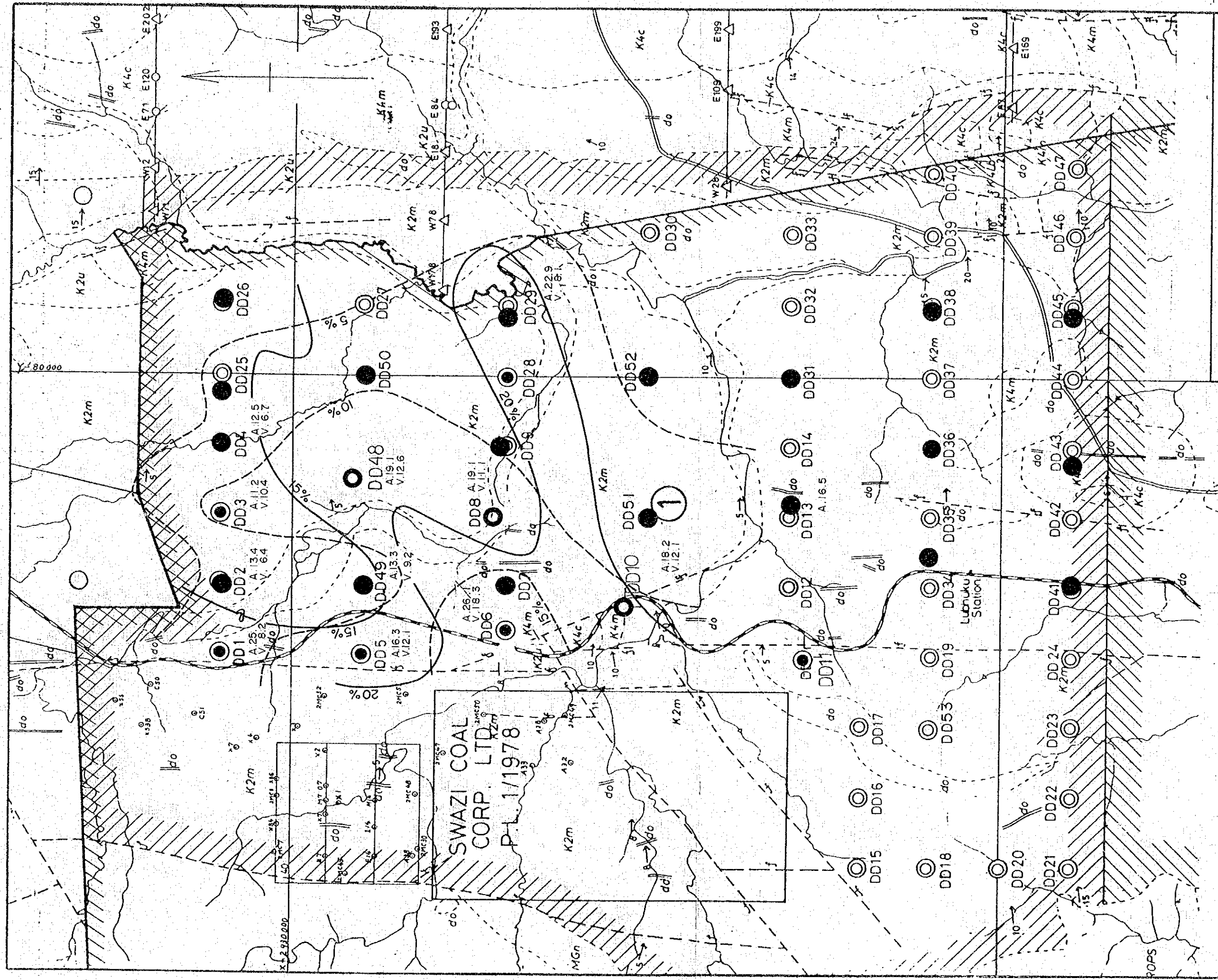
④

JAPAN INTERNATIONAL COOPERATION AGENCY

Iso-ash and Iso-volatile matter

- Main Seam -

Dwg.	13 b	Scale	1 : 50,000
Date	Sep. 1982	Prepared by	H. Nozaki
			N. Ishihara



LEGEND

- Borehole drilled in Phase One
- Borehole drilled in Phase Two
- Borehole drilled in Phase One and Two
- Iso-ash
- Iso-volatile matter

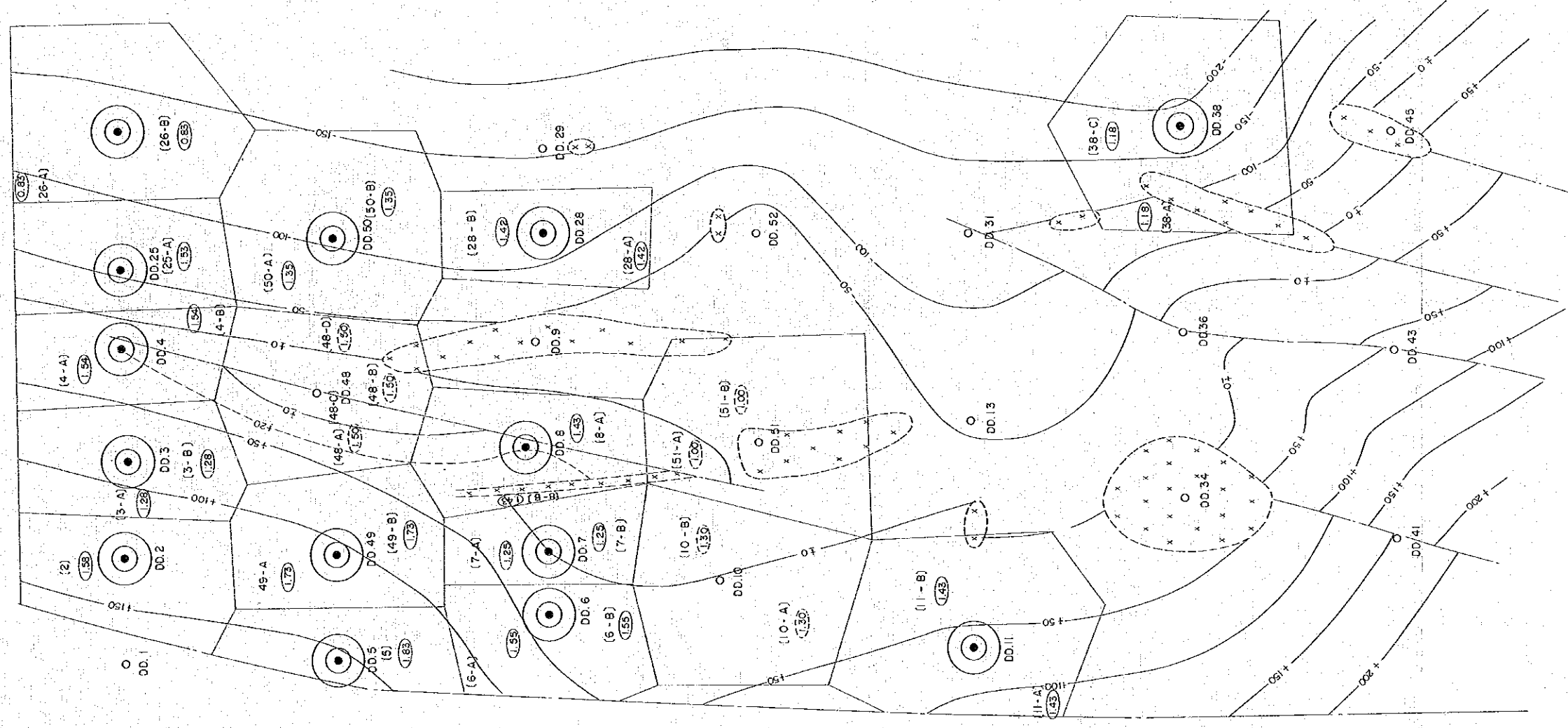
④

— Footwall 3 —

JAPAN INTERNATIONAL COOPERATION AGENCY

Iso-ash, and Iso-volatile matter

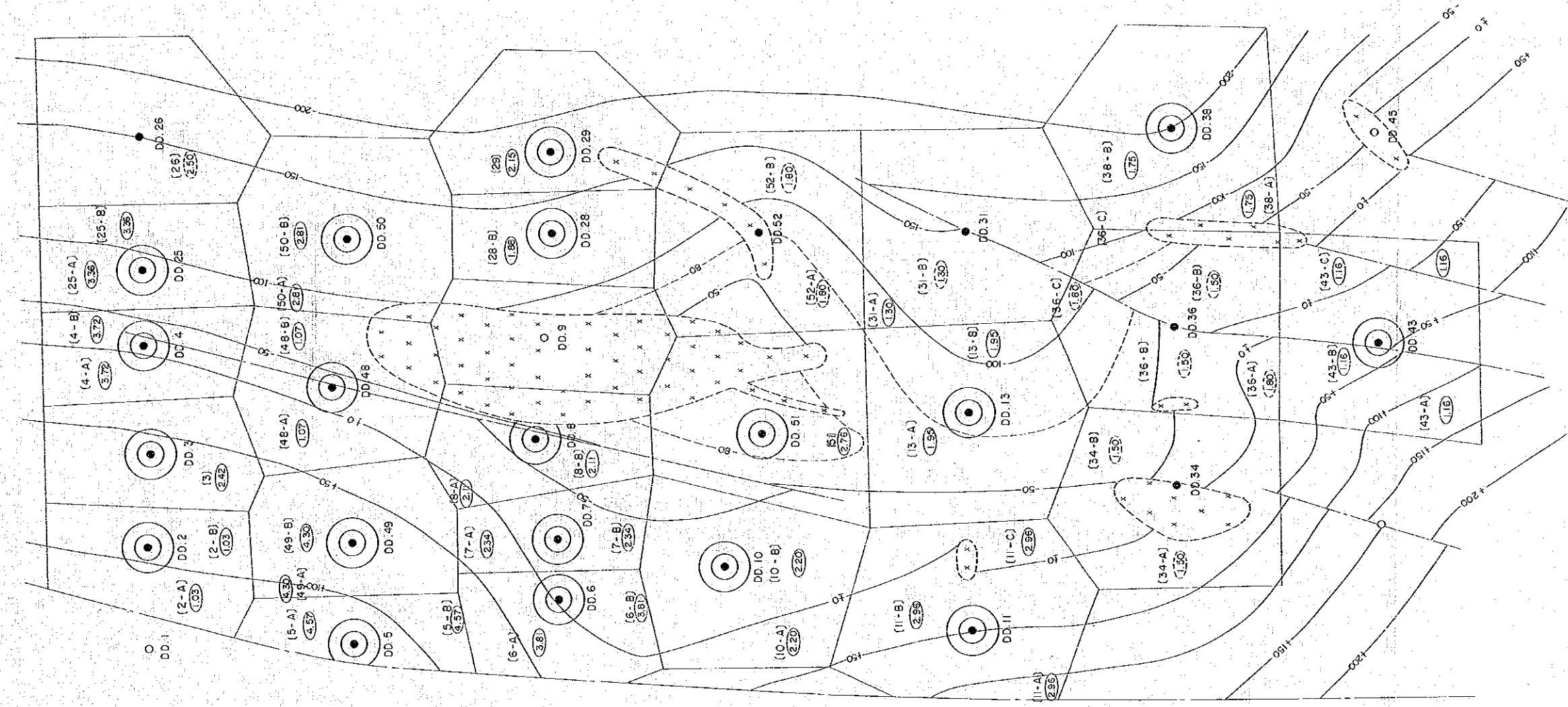
Dwg.	I3c	Scale	1 : 50,000
Date	Sep. 1982	Prepared by	H. Nozaki N. Ishihara



LEGEND

- [10-A] Block Number
- Coal Thickness in Meter, Observed
- Coal Thickness in Meter, Assumed
- Structure Contour Line in Meter
- - - Fault, Assumed
- x x x Dolerite

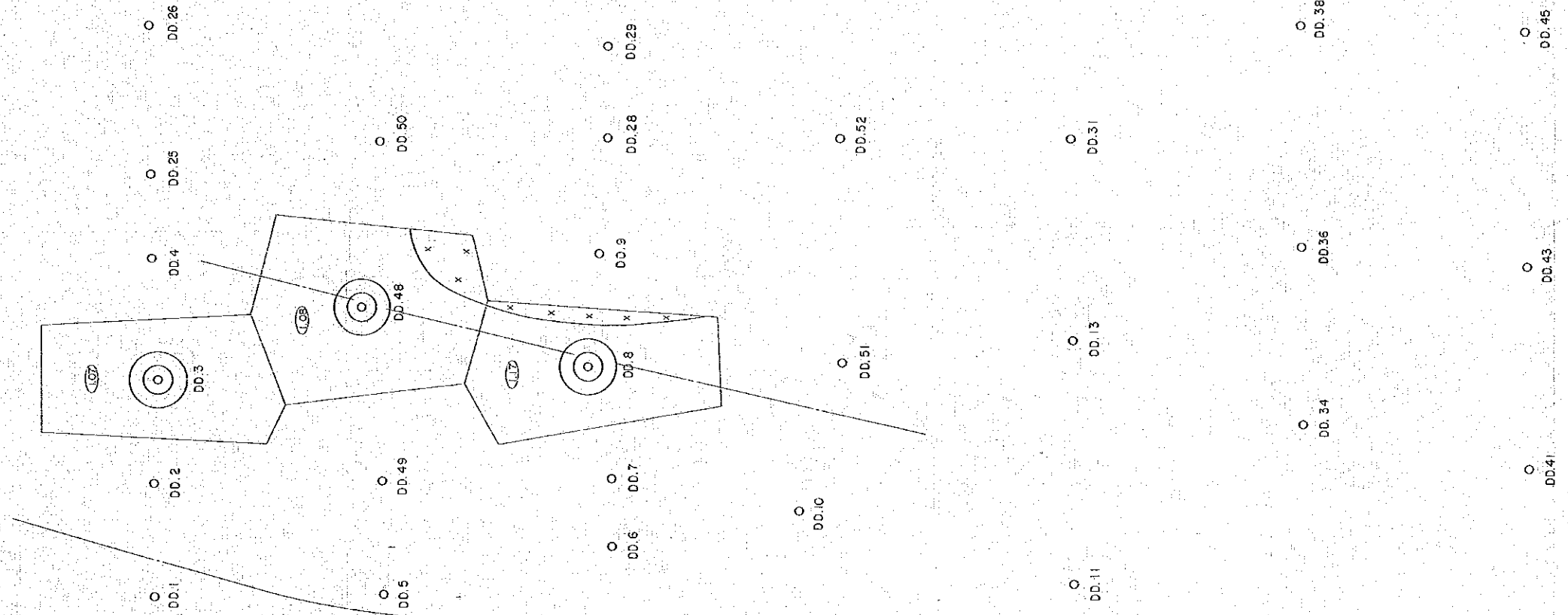
JAPAN INTERNATIONAL COOPERATION AGENCY			
Coal Reserves Calculation Map			
- Intermediate Marker -			
Dwg No.	14a	Scale	1 : 25,000
Date	Sep., 1982	Prepared by	H. Nozaki
		By	N. Ishihara



LEGEND

- (10-A) Block Number
- (2.50) Coal Thickness in Meter
Observed
- (2.00) Coal Thickness in Meter,
Assumed
- +50
-50 Structure Contour Line
in Meter
- - - Fault, Assumed
- x x x Dolerite

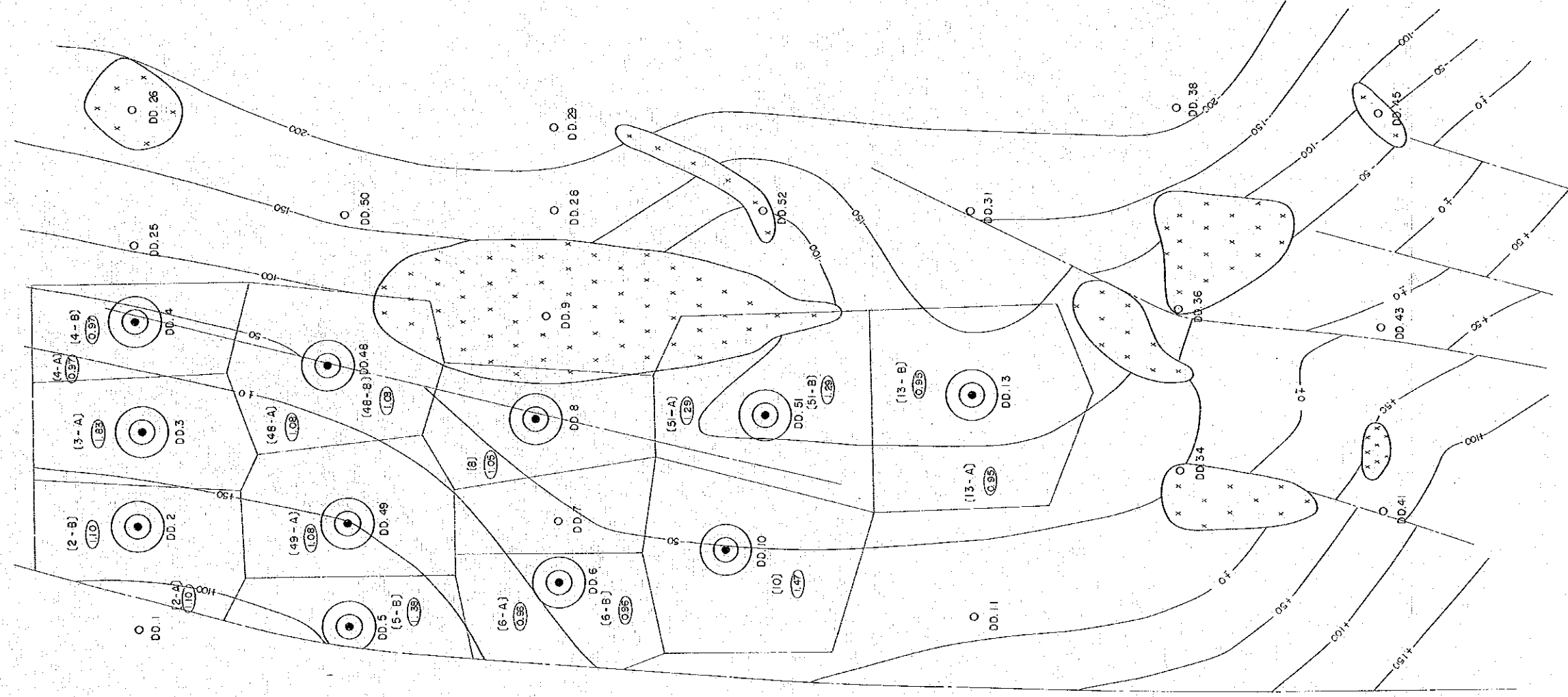
JAPAN INTERNATIONAL COOPERATION AGENCY			
Coal Reserves Calculation Map			
— Main Seam —			
Dwg No	1:4 b	Scale	1: 25,000
Date	Sept. 1962	Prepared By	H. Nasaki
		By	N. Ishihara



LEGEND

- Coal Thickness in Meter
Observed
- Fault, Assumed
- xxxxx Dolerite

JAPAN INTERNATIONAL COOPERATION AGENCY			
Coal Reserves Calculation Map			
- Footwall 2 -			
Dwg. NO.	14 c	Scale	1 : 25,000
Date	Sep., 1982	Prepared by	H. Nozaki
		by	N. Ishihara



LEGEND

- (10-A) Block Number
- 1.00 Coal Thickness in Meter
- +50
= 0 Structure Contour Line in Meter
- Fault, Assumed
- x x x Dolerite

JABUN INTERNATIONAL COOPERATION AGENCY			
Coal Reserves Calculation			
Mcp - Footwall 3 -			
Dwg No:	14 e	Scale:	1: 25,000
Date:	Sept. 1982	Prepared by:	M. Nozaki
		by:	T. Ishihara