

LEGEND

- MAIN PIPE LINE (VP)
- SECONDARY PIPE LINE (VP)
- BEND (B) OR ELBOW (E)
- TEE (T)
- REDUCER (R)
- SLUICE VALVE (SV) AND SOCKET FRANGE (SF)
- SOCKET (S)
- DRESSOR TEE (DT)
- SHORT PIPE (SP)
- AIR VALVE (AV)
- BUSH FOR STEEL PIPE (BUsp)
- SOCKET FOR STEEL PIPE (Ssp)
- HYDRANT FOR UPLAND FIELD
- HYDRANT FOR PADDY FIELD
- CAP (C)

CONVERSION OF PIPE DIAMETER

M/M	IN
150	6
100	4
75	3
50	2

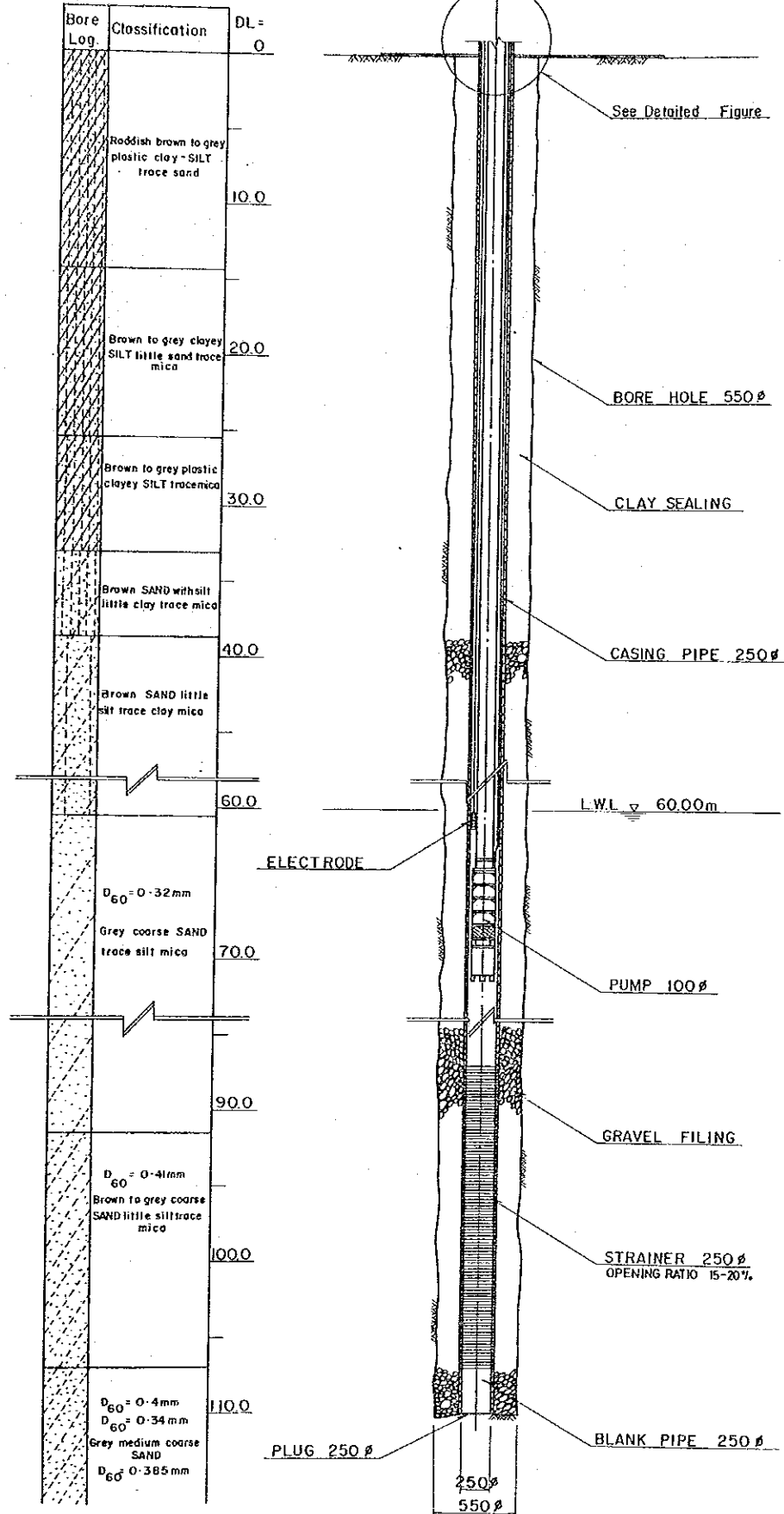
THE GOVERNMENT OF BANGLADESH
 EXPERIMENTAL FARM CONSTRUCTION PROJECT
 FOR
 THE INSTITUTE OF POSTGRADUATE STUDIES
 IN AGRICULTURE (IPSA), SALNA

TITLE OF DRAWING
SKELETON OF PIPELINE SYSTEM

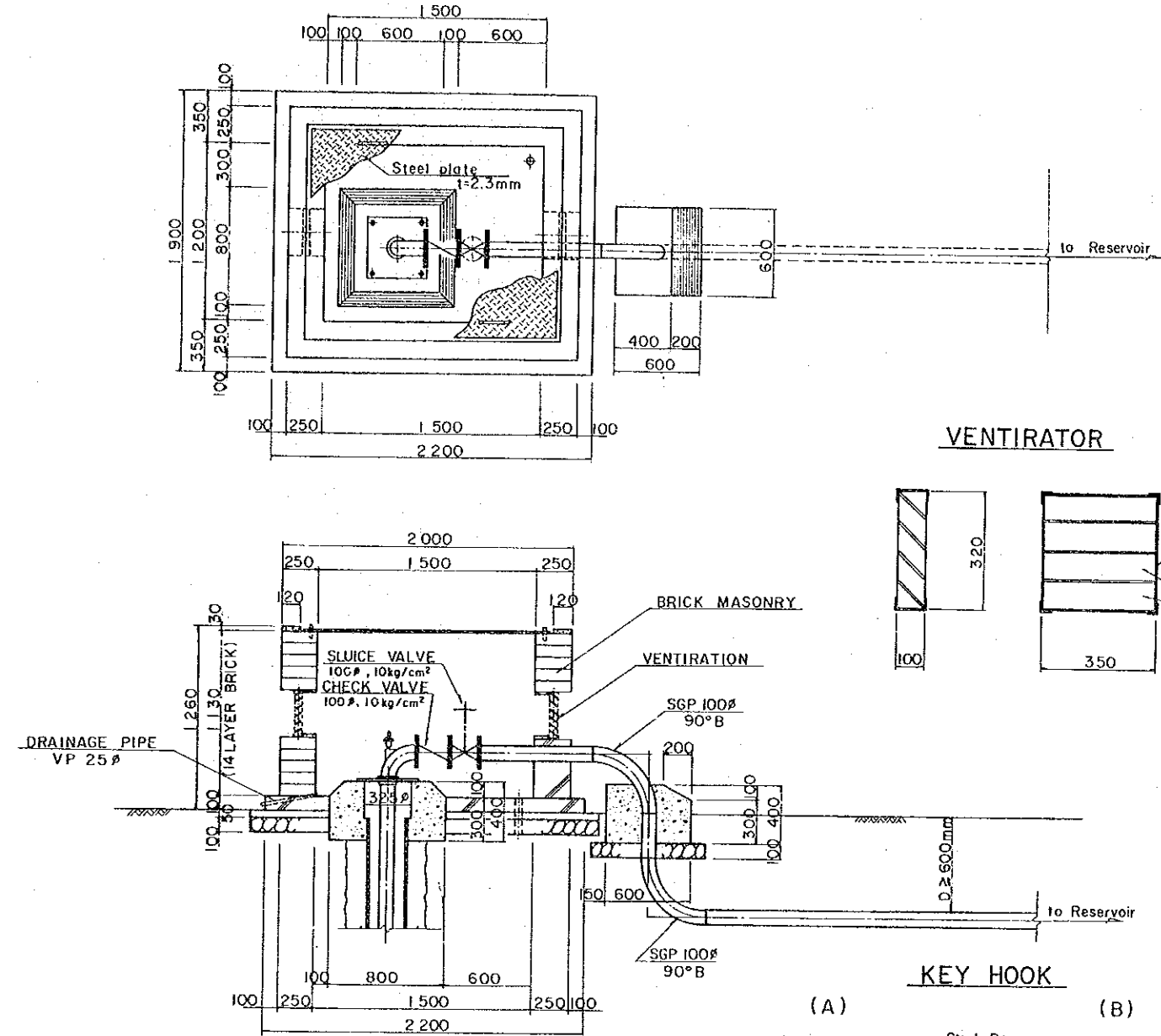
JAPAN INTERNATIONAL COOPERATION AGENCY DWGNO.
 TOKYO JAPAN 3

WELL STRUCTURE

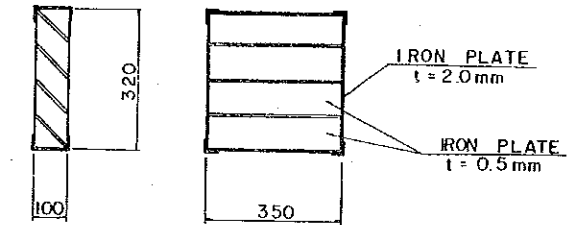
H = 1 : 20
V = 1 : 200



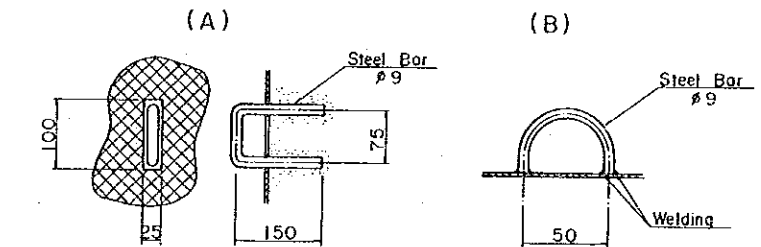
DETAILED FIGURE



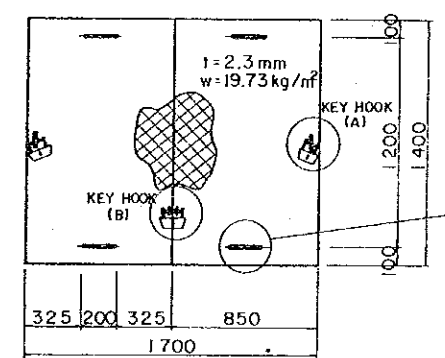
VENTIRATOR



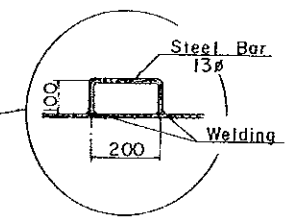
KEY HOOK



STEEL PLATE



HANDLE



SCALE
0 0.5 1.0m

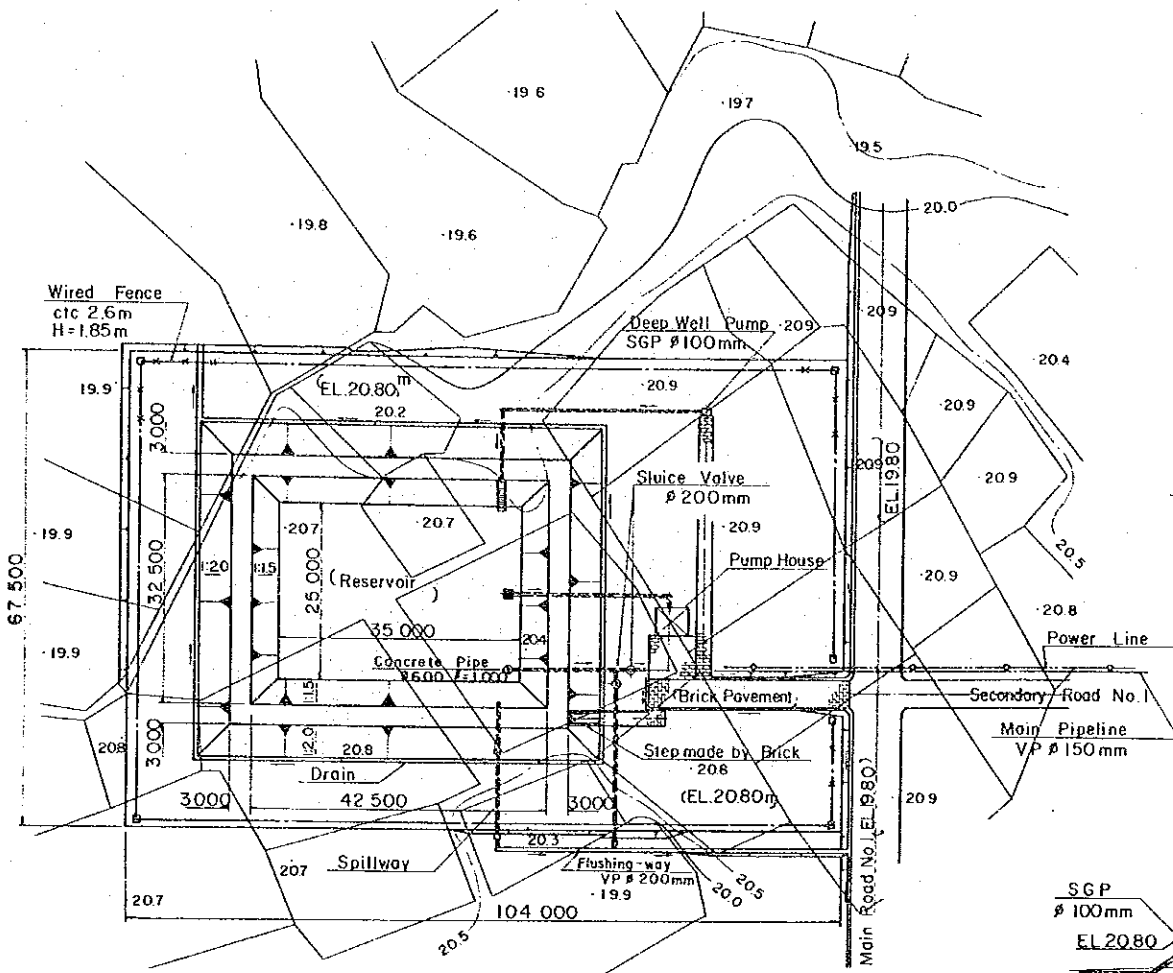
THE GOVERNMENT OF BANGLADESH
EXPERIMENTAL FARM CONSTRUCTION PROJECT
FOR
THE INSTITUTE OF POSTGRADUATE STUDIES
IN AGRICULTURE (IPSA), SALNA

TITLE OF DRAWING
DEEP WELL

JAPAN INTERNATIONAL COOPERATION AGENCY DWG.NO.
TOKYO JAPAN **4**

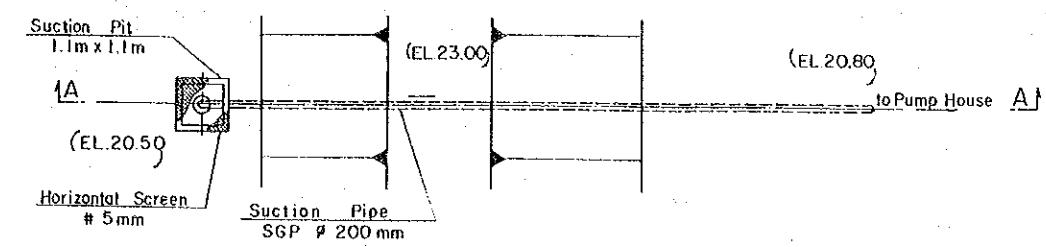
GENERAL PLAN

SCALE : A

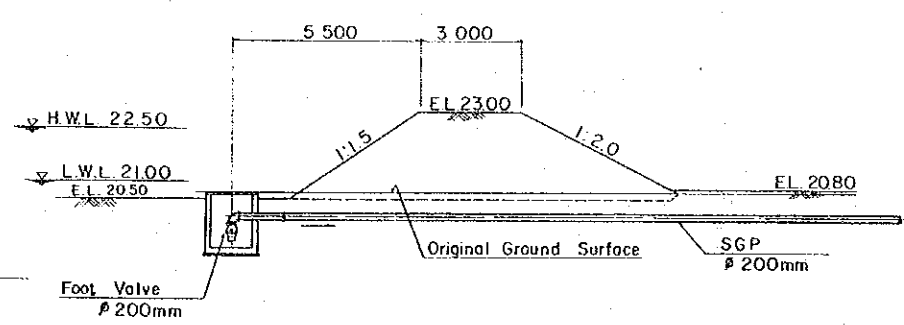


SUCTION PIPELINE PLAN

SCALE : B



SECTION A-A

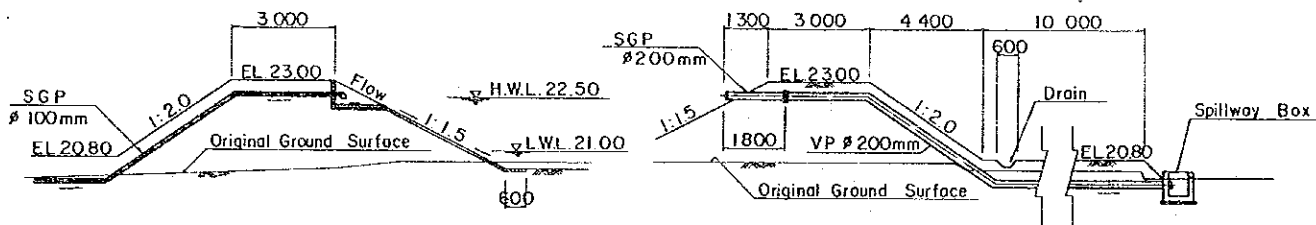


INFLOW FROM DEEP WELL PUMP

SCALE : B

SPILLWAY

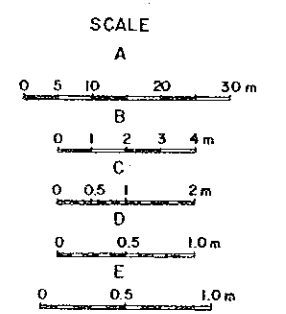
SCALE : B



DETAIL OF INFLOW BOX

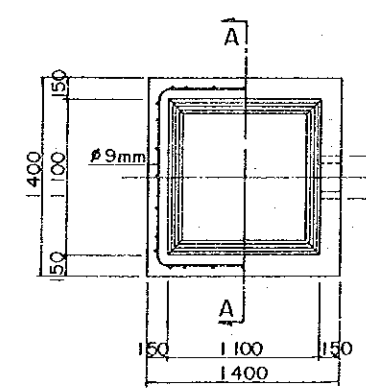
SCALE : D

PLAN

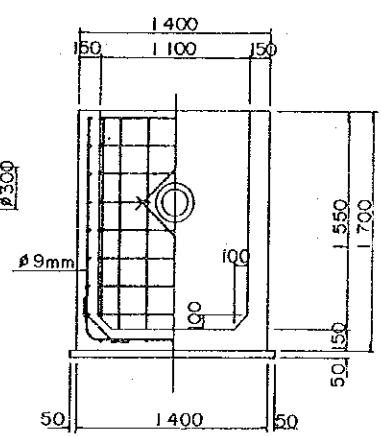


SUCTION PIT PLAN

SCALE : D

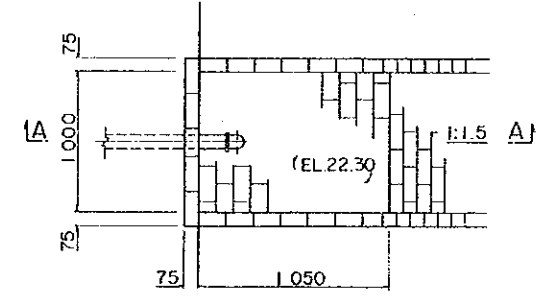
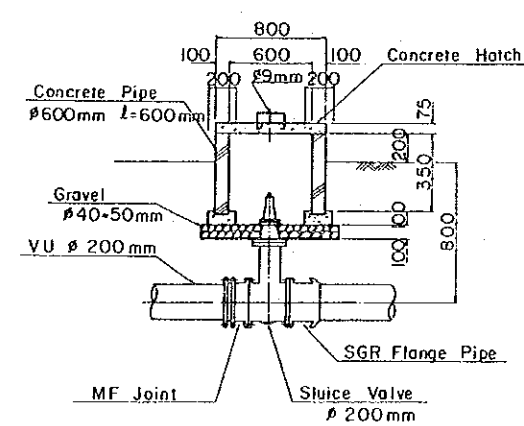


SECTION A-A

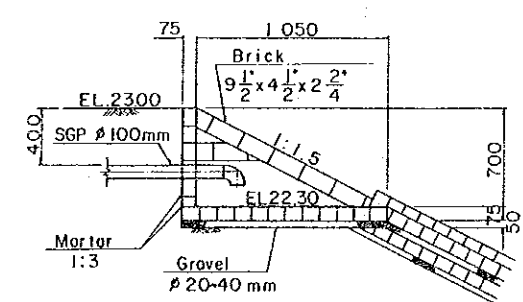


SLUICE VALVE BOX

SCALE : D



SECTION A-A

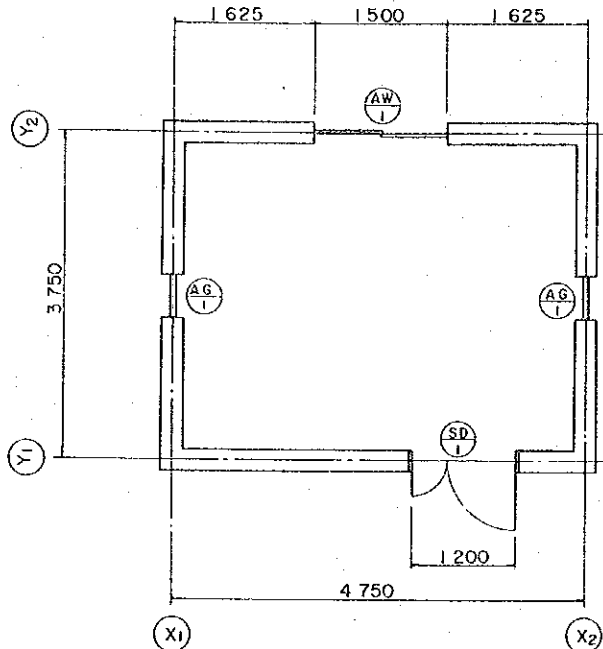


REMARKS

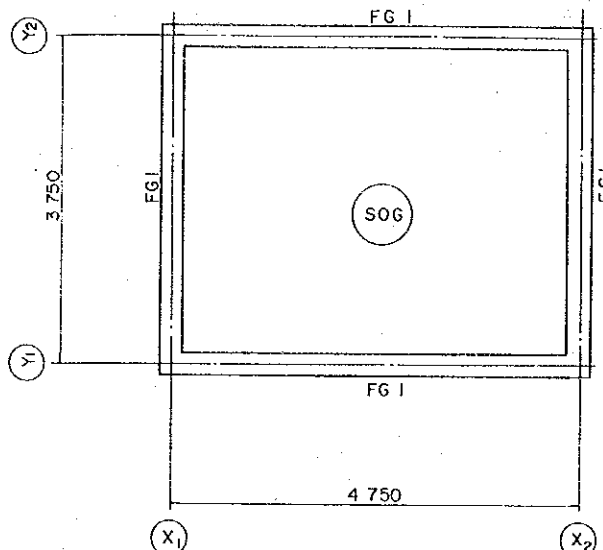
1. Dimension shows in milli-meter (mm)
2. Horizontal screen should be suitably framed to be moved with ease.
3. Surface of the original ground at the reservoir site should be removed in depth with more than 20cm.
4. Compaction of embankment should be made by machine under the suitable moisture control.
5. Crushed brick could be used instead of gravel.

THE GOVERNMENT OF BANGLADESH
 EXPERIMENTAL FARM CONSTRUCTION PROJECT
 FOR
 THE INSTITUTE OF POSTGRADUATE STUDIES
 IN AGRICULTURE (IPSA), SALNA
 TITLE OF DRAWING
RESERVOIR
 JAPAN INTERNATIONAL COOPERATION AGENCY DWG.NO.
 TOKYO JAPAN **5**

PLAN



G. FLOOR PLAN



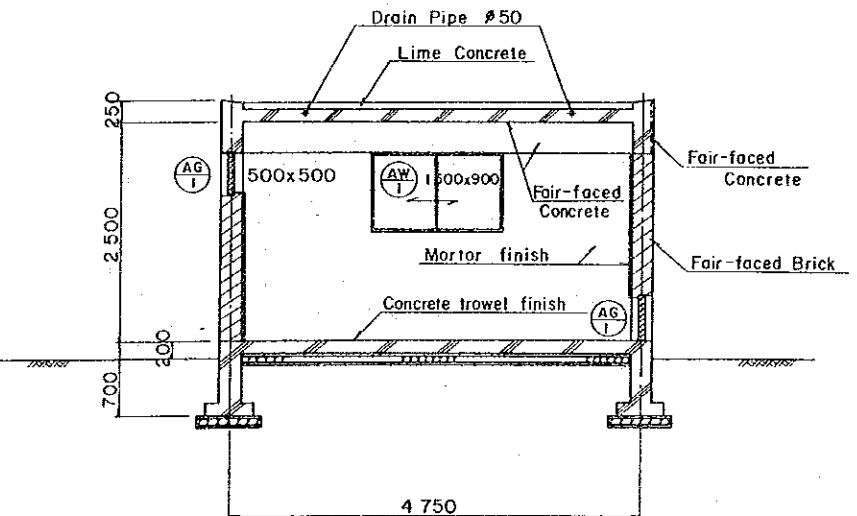
BEAM SCHEDULE

	FG I (ALL)	G I (ALL)
B x D	250 x 700	250 x 500
TOP	2 - D19	2 - D19
BTM	2 - D19	2 - D19
ST	□ D10 - ^o 250	□ D19 - ^o 250
WEB	2 - D10	—

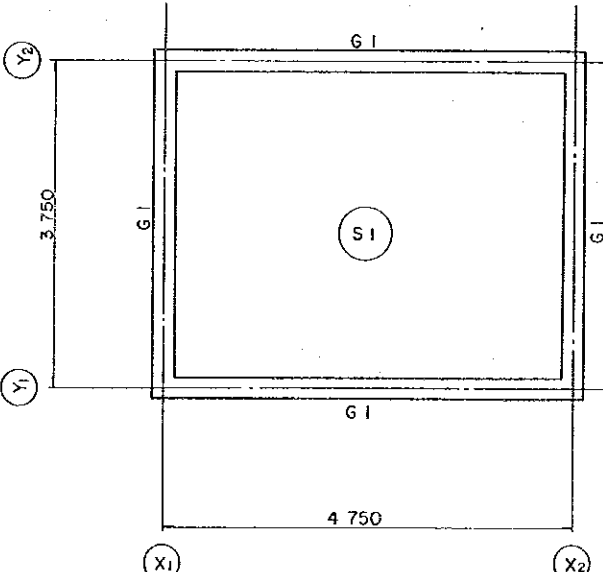
SLAB SCHEDULE

		SHORT/LONG SPAN
SOG	l 150	TOP D10 - ^o 150 BTM D10 - ^o 150
S I	l 150	TOP D10, D13 - ^o 150 BTM D10, D13 - ^o 200

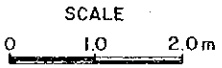
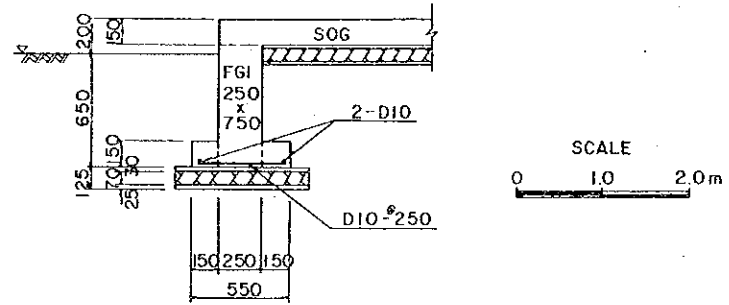
SECTION



ROOF PLAN



FOUNDATION

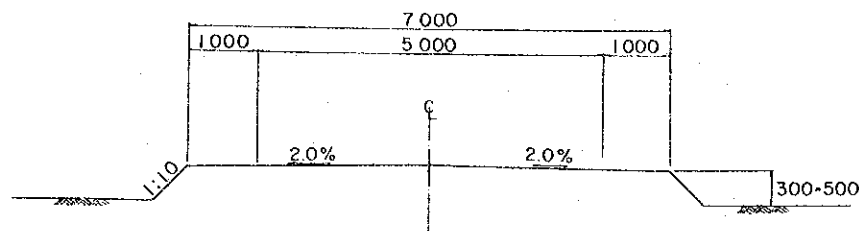
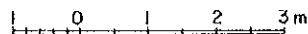


THE GOVERNMENT OF BANGLADESH
 EXPERIMENTAL FARM CONSTRUCTION PROJECT
 FOR
 THE INSTITUTE OF POSTGRADUATE STUDIES
 IN AGRICULTURE (IPSA), SALNA
 TITLE OF DRAWING
PUMP HOUSE
 JAPAN INTERNATIONAL COOPERATION AGENCY DWG.NO.
 TOKYO JAPAN **6**

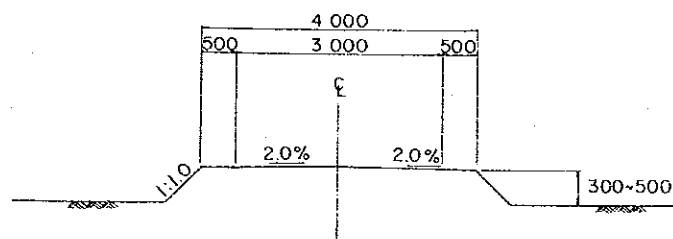
TYPICAL SECTION

MAIN ROAD

SCALE : A



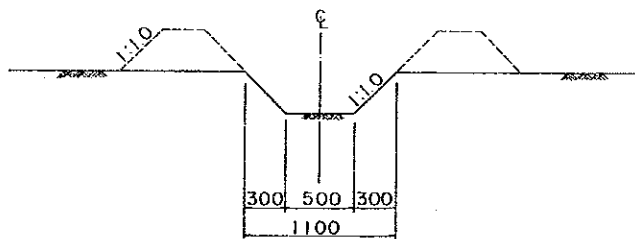
SECONDARY ROAD



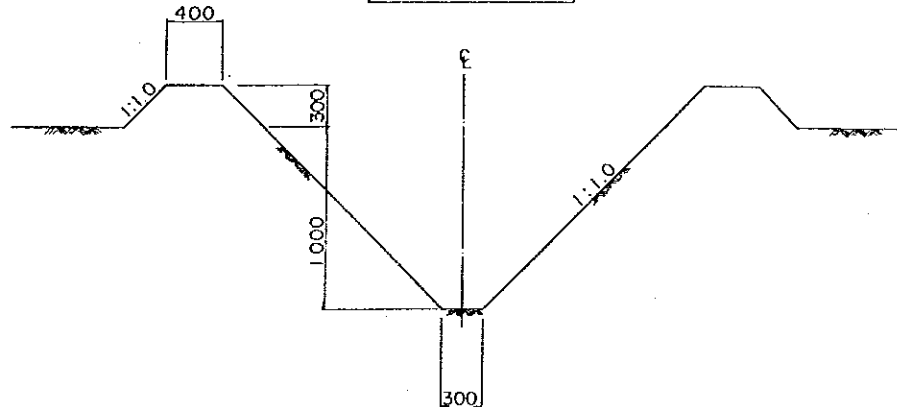
DRAINAGE CANAL

(FARM DRAIN)

UPLAND FIELD



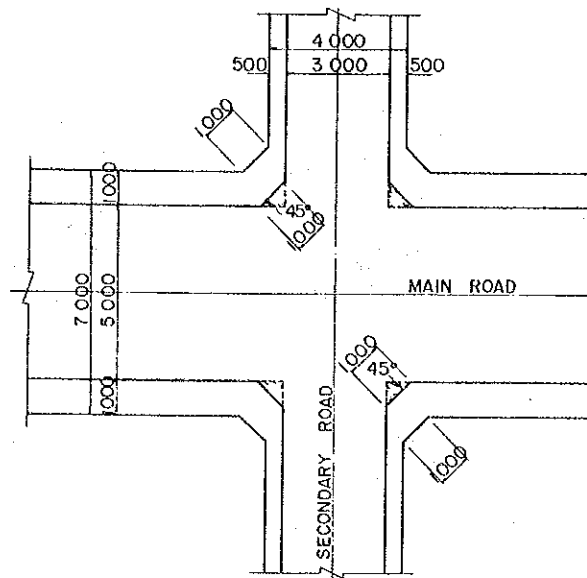
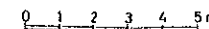
PADDY FIELD



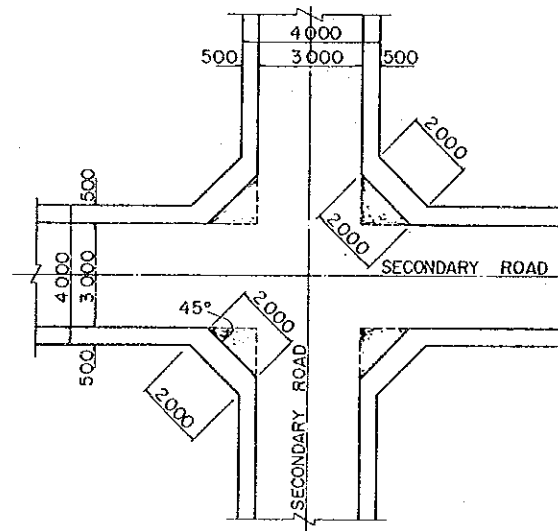
CORNER CUTTING

MAIN - SECONDARY

SCALE : B

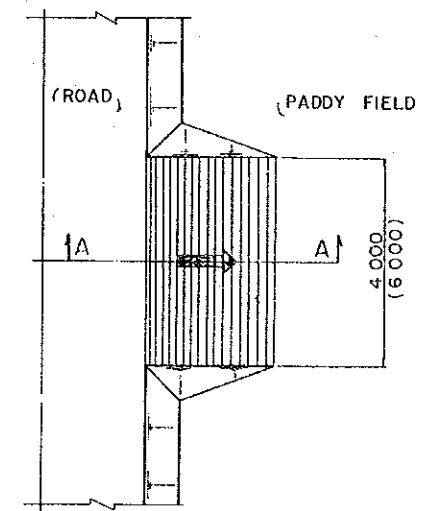


SECONDARY - SECONDARY

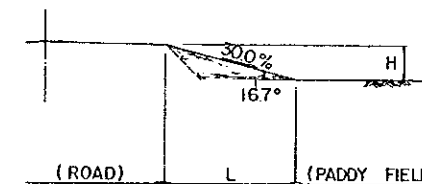


TRACTOR PASSAGE

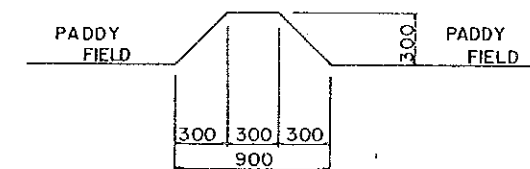
SCALE : B



A-A SECTION



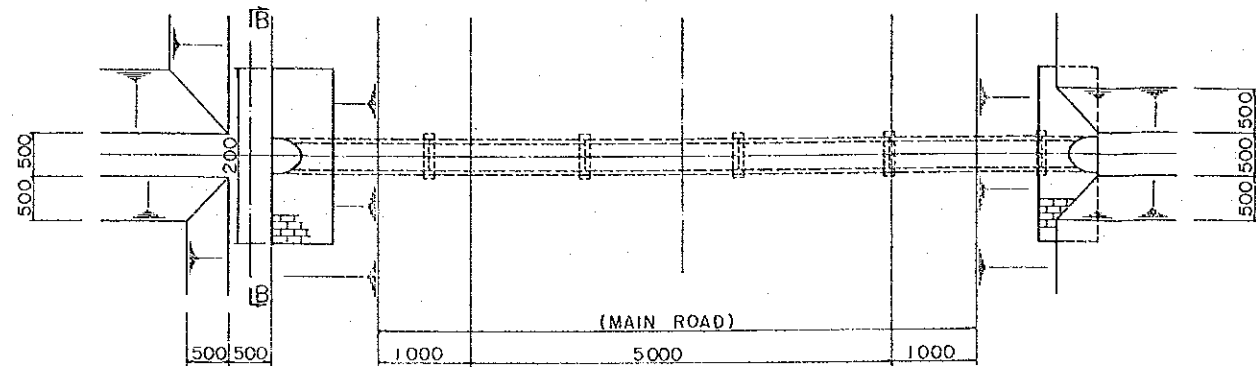
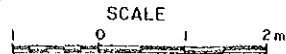
LEVEE



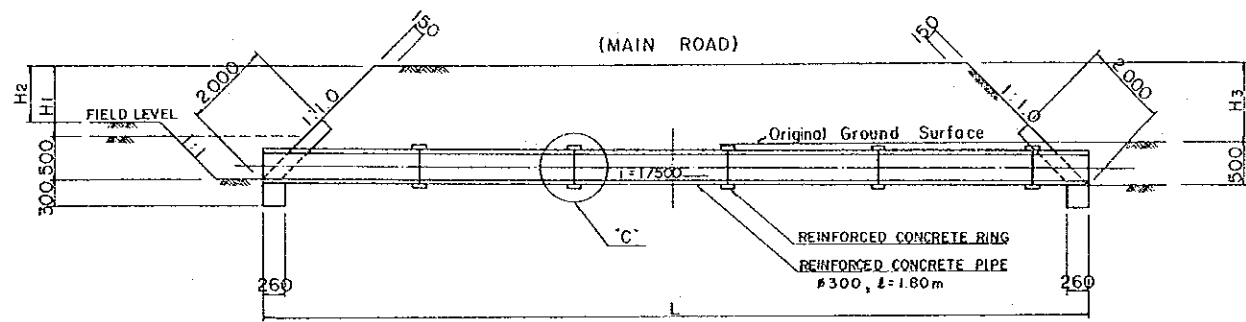
THE GOVERNMENT OF BANGLADESH EXPERIMENTAL FARM CONSTRUCTION PROJECT FOR THE INSTITUTE OF POSTGRADUATE STUDIES IN AGRICULTURE (IPSA), SALNA	
TITLE OF DRAWING TYPICAL SECTION OF ROADS AND DRAINAGE CANAL	
JAPAN INTERNATIONAL COOPERATION AGENCY TOKYO JAPAN	DWG.NO. 9

PIPE CULVERT FOR DRAINAGE CANAL

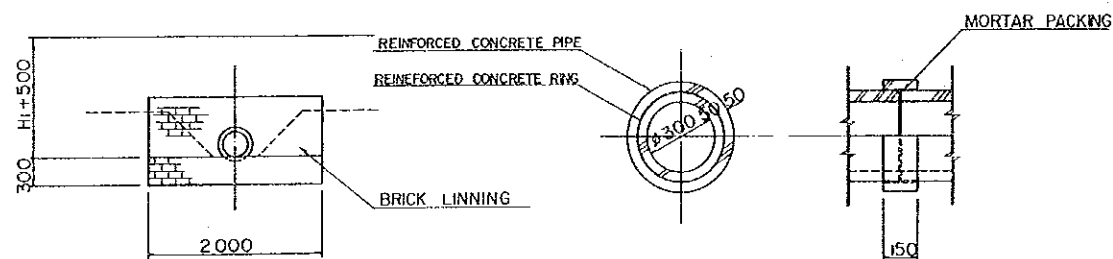
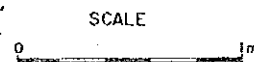
PLAN



PROFILE



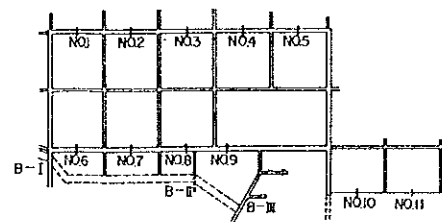
DETAIL OF JOINT IN 'C'



DIMENSION TABLE

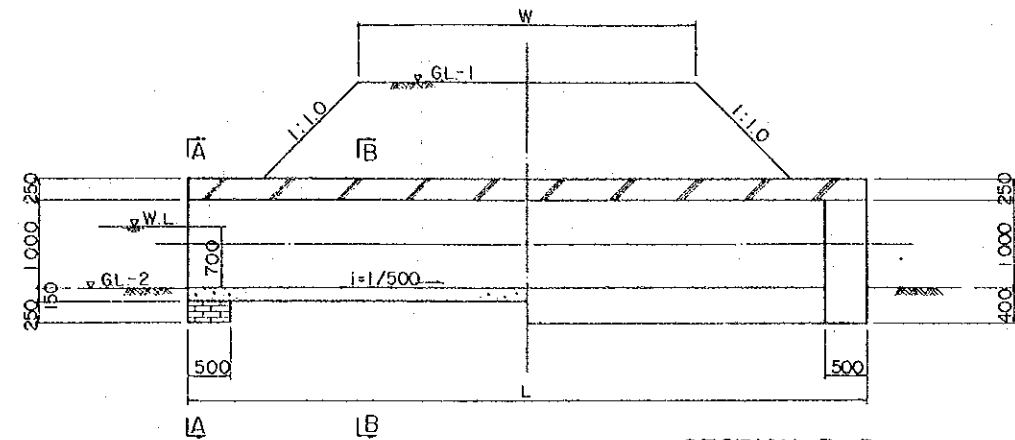
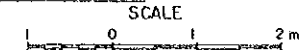
NO.	H ₁	H ₂	H ₃	L	BLOCK NO.	REMARKS
1	570	—	—	9 200	1	TYPE P - II
2	590	—	—	9 200	2	" P - II
3	220	—	—	8 500	3	" P - I
4	500	—	—	9 000	4	" P - I
5	1520	—	—	11 000	5	" P - II
6	0	—	1 160	8 000	6	" P - I
7	700	—	700	9 400	7	" P - II
8	0	1 000	1 500	10 000	8	" P - II
9	340	—	340	8 700	9	BLOCK NO. 9 - P - I
10	800	—	—	9 600	10	" P - II
11	530	—	—	9 100	11	" P - II

LOCATION OF THE CROSSING PIPE CULVERT

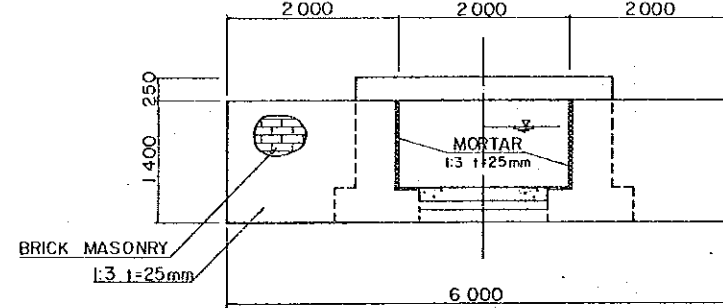


BOX CULVERT FOR DRAINAGE CANAL

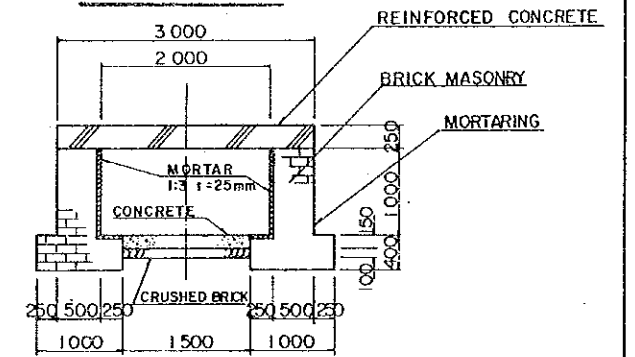
PROFILE



SECTION A-A

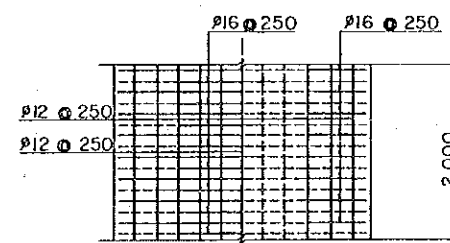


SECTION B-B

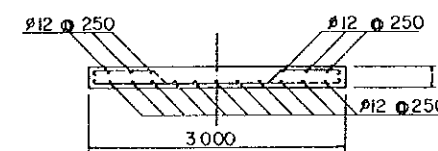


REINFORCEMENT

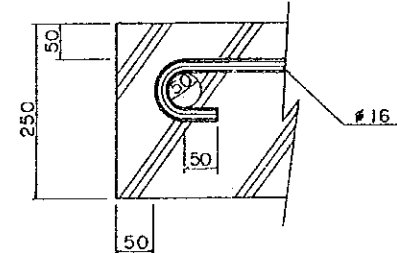
PLAN



SECTION



DETAIL OF HOOK



DIMENSION TABLE

TYPE	L	W	GL-1	GL-2	REMARKS
B - I	9,000 ^m	7,000 ^m	19,820 ^m	18,600 ^m	
B - II	7,000	4,000	18,870	16,800	
B - III	16,600	4,500	18,300	16,600	

THE GOVERNMENT OF BANGLADESH
 EXPERIMENTAL FARM CONSTRUCTION PROJECT
 FOR
 THE INSTITUTE OF POSTGRADUATE STUDIES
 IN AGRICULTURE (IPSA), SALNA

TITLE OF DRAWING
DRAINAGE CANAL CROSSING

JAPAN INTERNATIONAL COOPERATION AGENCY
 TOKYO JAPAN

DWG. NO.
10

JICA