

社会開発協力部報告書

No. 2

THE PEOPLE'S REPUBLIC OF BANGLADESH

TECHNICAL SPECIFICATION
OF
NATIONAL BROADCASTING HOUSE

VOLUME - V

DRAWINGS
FOR
BROADCAST EQUIPMENT

FEBRUARY, 1981

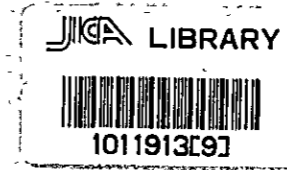
Japan International Cooperation Agency

S. D. S.

81-03

DRAWINGS FOR BROADCAST EQUIPMENT

VOL - V



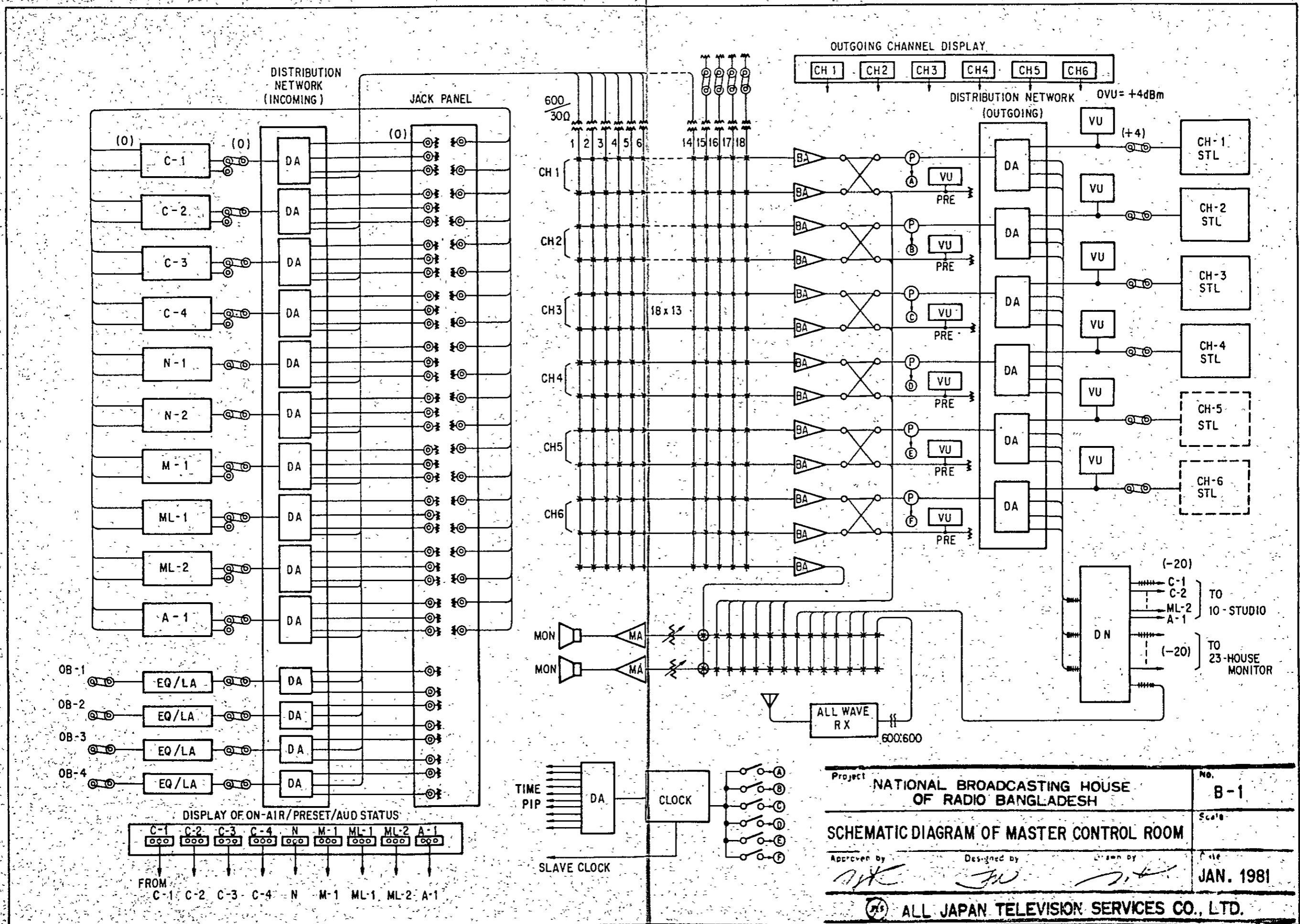
国際協力事業団	
受入 期 84.5.20 56.2.7	10/1
登録No. 06035 8447	647 SDS

LIST OF DRAWINGS

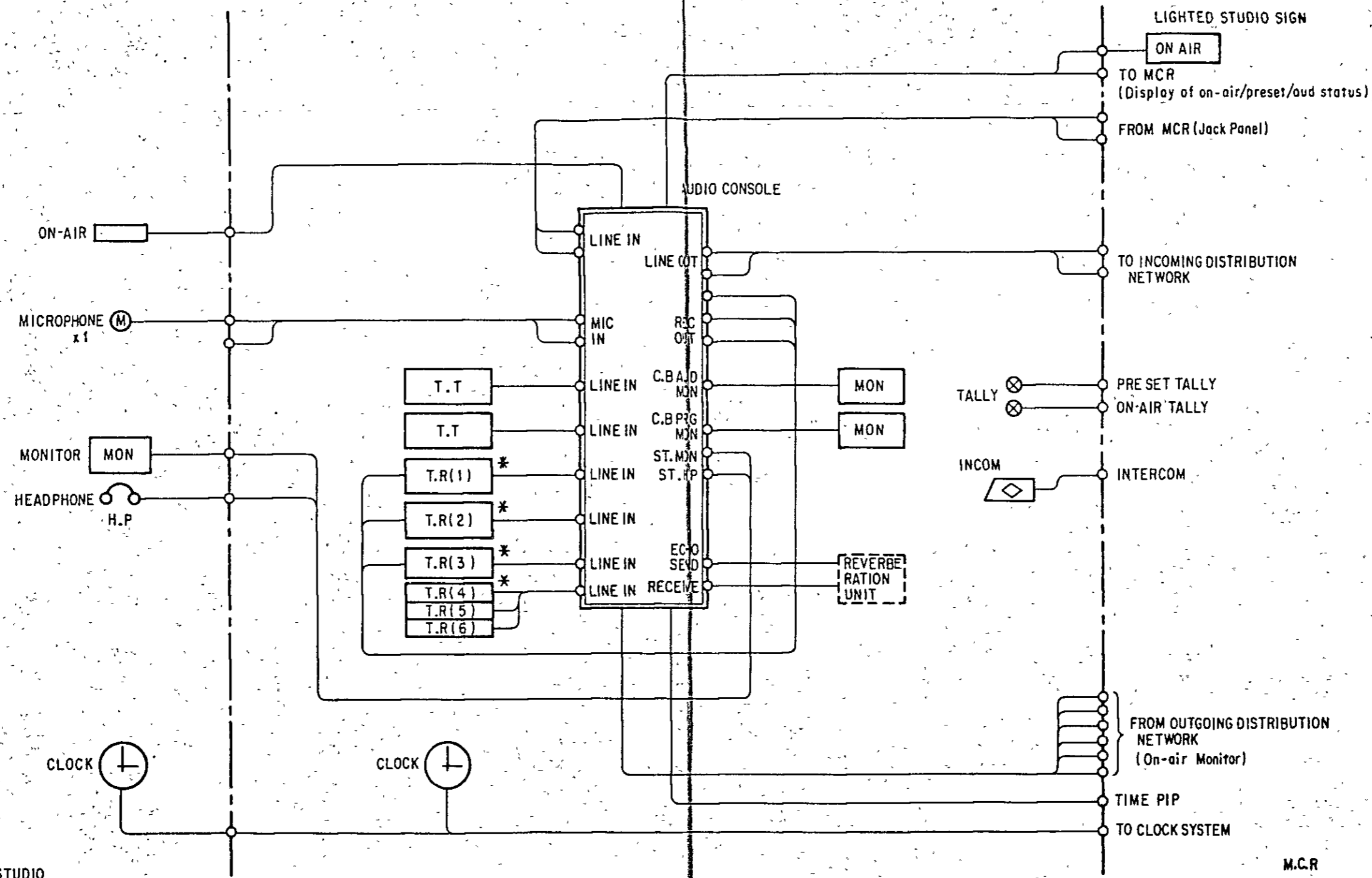
NO	DESCRIPTION	DRAWING NO
1	SCHEMATIC DIAGRAM OF MASTER CONTROL ROOM	B - 1
2	• OF CONTINUITY STUDIO	B - 2
3	• OF NEWS STUDIO	B - 3
4	• OF MEDIUM & MEDIUM-LARGE STUDIO	B - 4
5	• OF MEDIUM-LARGE (STEREO) STUDIO	B - 5
6	• OF AUDIENCE PARTICIPATING STUDIO	B - 6
7	• OF MIXING CONSOLE FOR C-1,2,3,4 STUDIO	B - 7
8	• OF • FOR N-1,2 STUDIO	B - 8
9	• OF • FOR M-1, ML-2, A-1 STUDIO	B - 9
10	• OF • FOR ML-1 STUDIO (STEREO)	B - 10
11	• OF 4CH PORTABLE MIXER	B - 11
12	FLOOR LAYOUT OF MASTER CONTROL ROOM	B - 12
13	• OF C-1 STUDIO	B - 13
14	• OF C-2,3,4, STUDIO	B - 14
15	• OF N-1 STUDIO	B - 15
16	• OF M-1 STUDIO	B - 16
17	• OF ML-1,2 STUDIO	B - 17
18	• OF A-1 STUDIO	B - 18
19	• OF A-1 BOOTH	B - 19
20	SCHEMATIC DIAGRAM OF PA SYSTEM FOR A- STUDIO	B - 20
21	• OF INTERCOM SYSTEM	B - 21
22	• OF NON-BREAK POWER SUPPLY	B - 22

LIST OF DRAWINGS

NO	DESCRIPTION	DRAWING NO
23	SCHEMATIC DIAGRAM OF S.TL , VHF LINK & WIRELESS INTERCOM SYSTEM	B - 23
24	• OF MULTI-CHANNEL TRANSMITTING SYSTEM	B - 24
25	• OF • RECEIVING SYSTEM	B - 25
26	• OF TRANSMITTING ANTENNA SYSTEM	B - 26
27	" OF RECEIVING "	B - 27
28	FLOOR LAYOUT OF RADIO RELAY ROOM	B - 28
29	LAYOUT OF HF , MF RECEIVING ANTENNA	B - 29
30	FIXING POSITION OF SLAVE CLOCK & HOUSE MONITOR (GROUND FLOOR)	B - 30
31	" " • (1ST FLOOR)	B - 31
32	" " • (2ND FLOOR)	B - 32

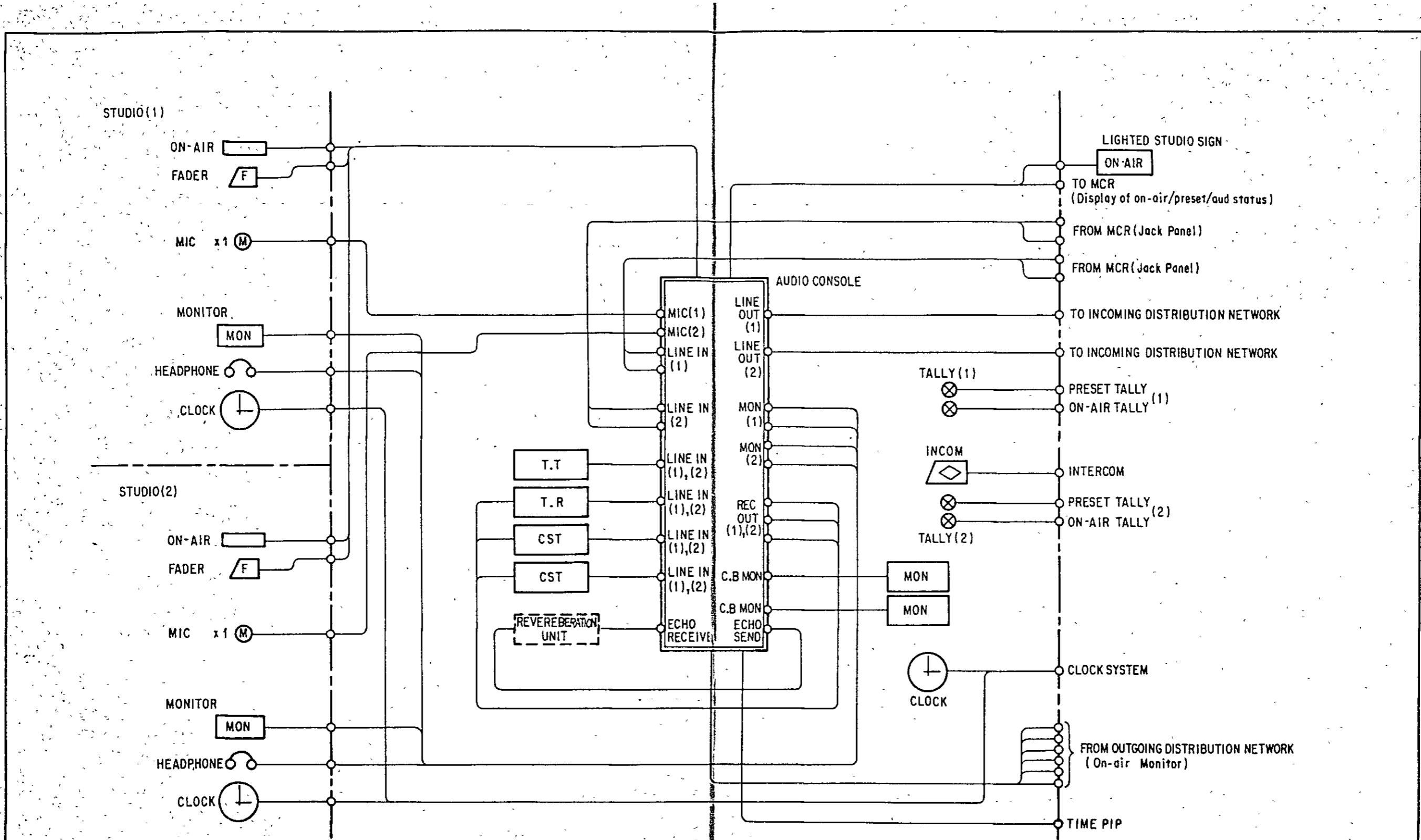


Project NATIONAL BROADCASTING HOUSE OF RADIO BANGLADESH		No. B-1
SCHEMATIC DIAGRAM OF MASTER CONTROL ROOM		
Approved by <i>[Signature]</i>	Designed by <i>[Signature]</i>	Scale
ALL JAPAN TELEVISION SERVICES CO., LTD.		Date JAN. 1981

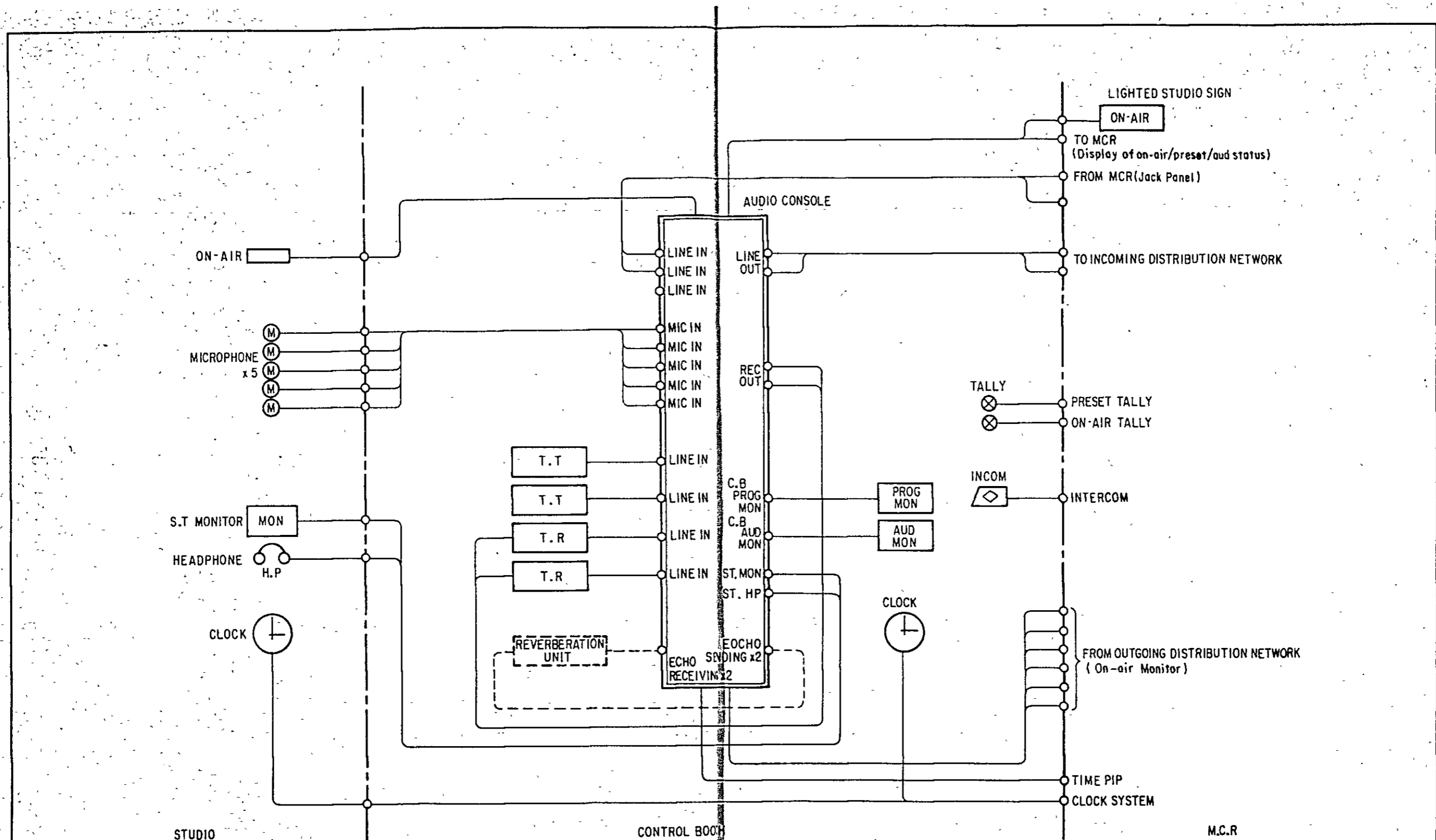


	T.R(1)	T.R(2)	T.R(3)	T.R(4)	T.R(5)	T.R(6)
C-1	Console type Tape Recorder	Cartridge Tape Recorder	Cartridge Tape Recorder	Cartridge Tape Reproducer	Cartridge Tape Reproducer	Cartridge Tape Reproducer
C-2	Console type Tape Recorder	Console type Tape Recorder	Cassette Tape Recorder	Cassette Tape Recorder	none	none
C-3	Console type Tape Recorder	Console type Tape Recorder	none	none	none	none

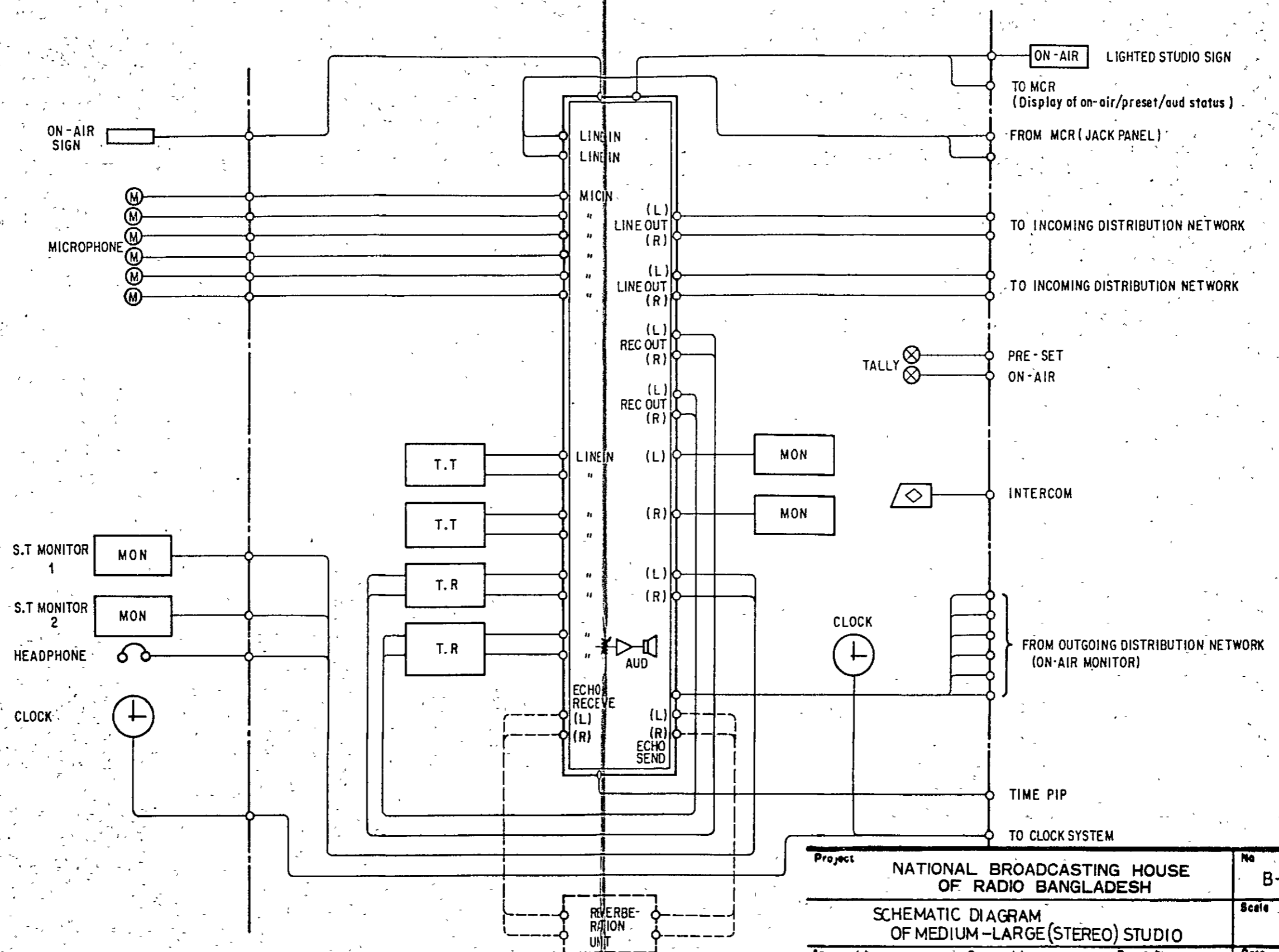
Project		NATIONAL BROADCASTING HOUSE OF RADIO BANGLADESH		No.	B-2
SCHEMATIC DIAGRAM OF CONTINUITY STUDIO					Scale
Approved by	Designed by	Drawn by	Date		
<i>[Signature]</i>	<i>[Signature]</i>	<i>[Signature]</i>	JAN. 1981		
ALL JAPAN TELEVISION SERVICES CO., LTD.					




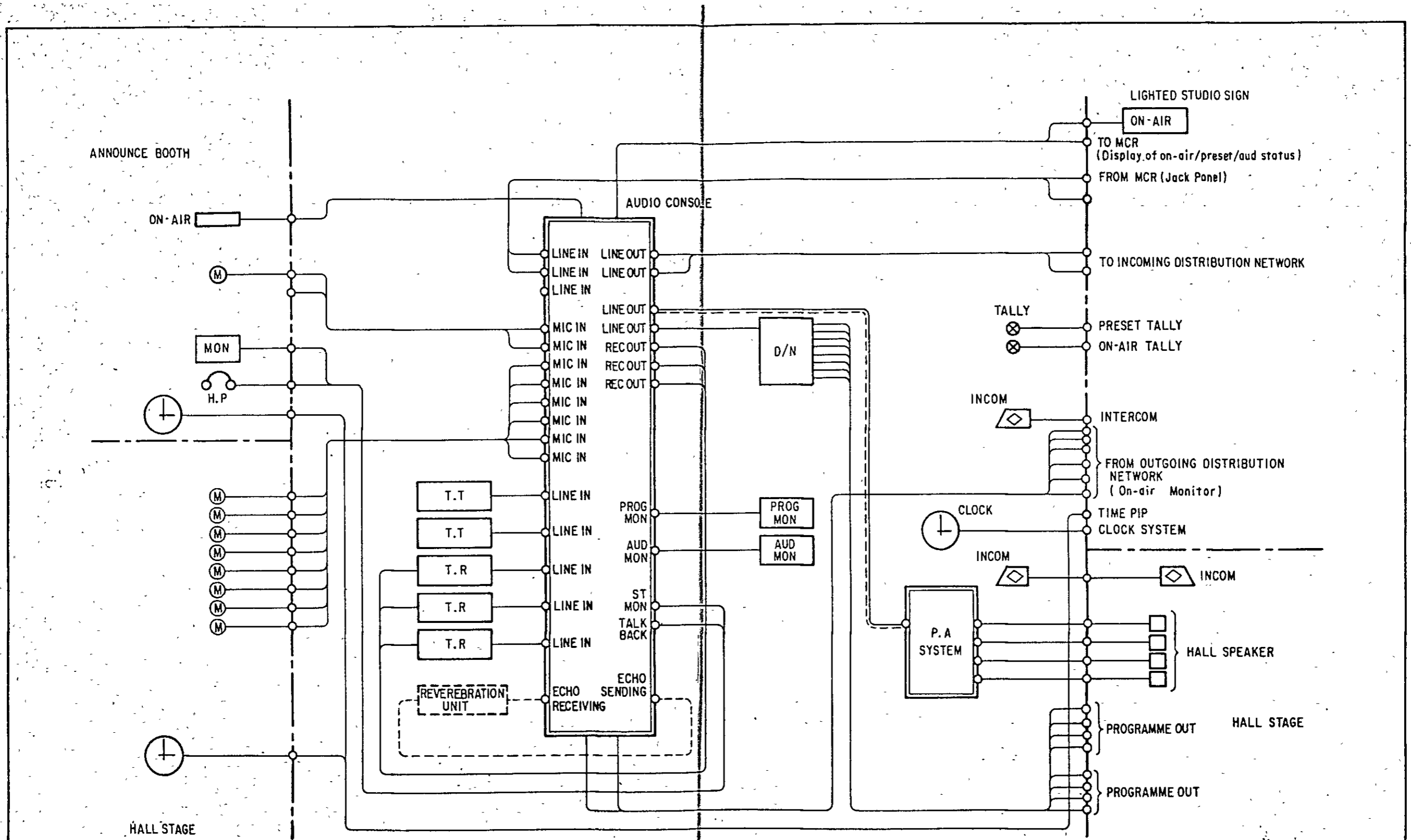
Project	NATIONAL BROADCASTING HOUSE OF RADIO BANGLADESH	No.	B-3
SCHEMATIC DIAGRAM OF NEWS STUDIO		Scale	
Approved by	Designed by	Drawn by	Date
<i>[Signature]</i>	<i>[Signature]</i>	<i>[Signature]</i>	JAN. 1981
ALL JAPAN TELEVISION SERVICES CO., LTD.			




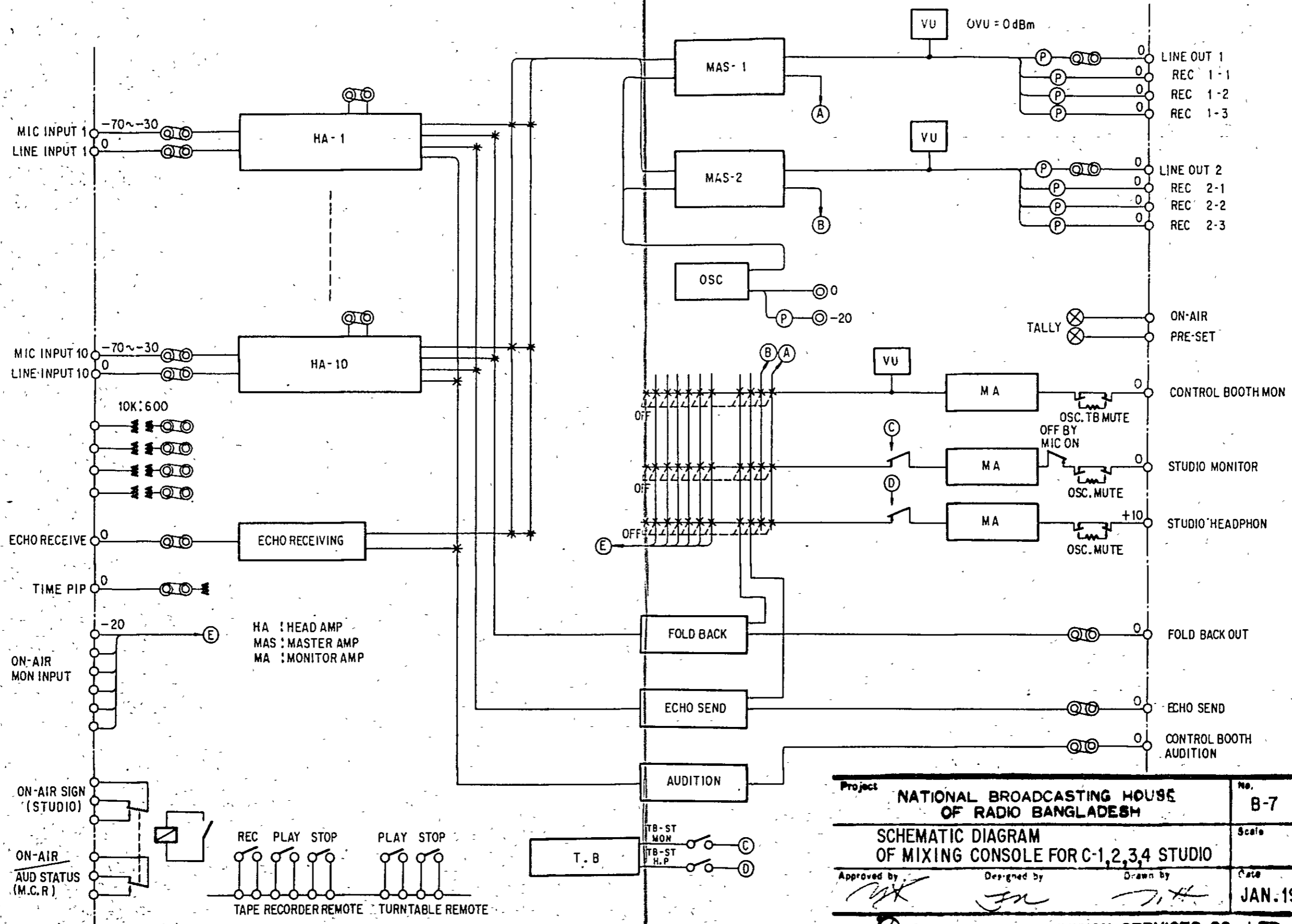
Project		NATIONAL BROADCASTING HOUSE OF RADIO BANGLADESH	No.	B-4
		SCHMATIC DIAGRAM OF MEDIUM & MADIUM-LARGE STUDIO	Scale	
Approved by	Designed by	Drawn by	Date	JAN. 1981
ALL JAPAN TELEVISION SERVICES CO., LTD				



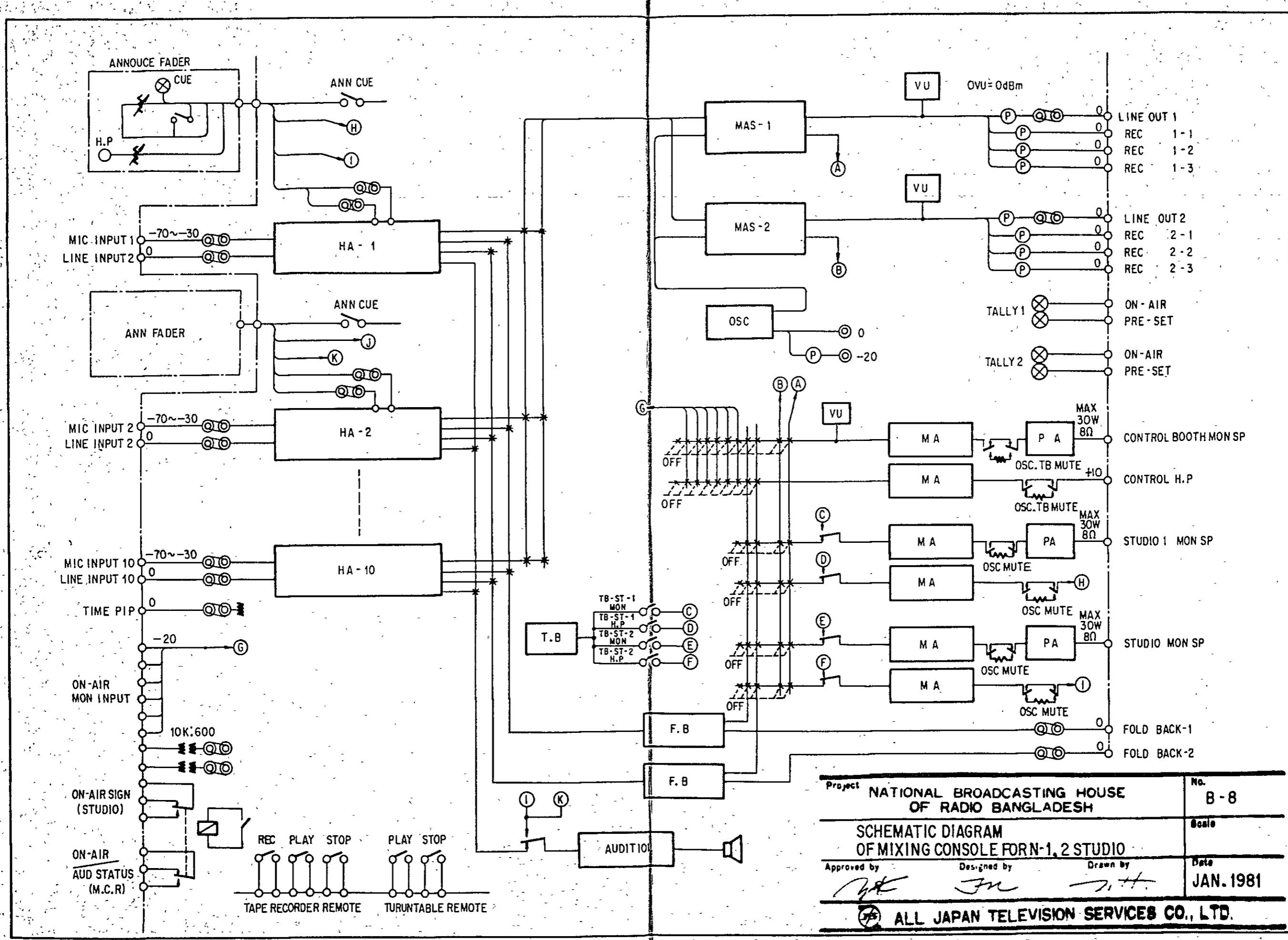
Project	NATIONAL BROADCASTING HOUSE OF RADIO BANGLADESH	No	B-5
SCHEMATIC DIAGRAM OF MEDIUM-LARGE (STEREO) STUDIO		Scale	
Approved by	Designed by	Drawn by	Date
<i>[Signature]</i>	<i>[Signature]</i>	<i>[Signature]</i>	JAN. 1981
 ALL JAPAN TELEVISION SERVICES CO., LTD.			



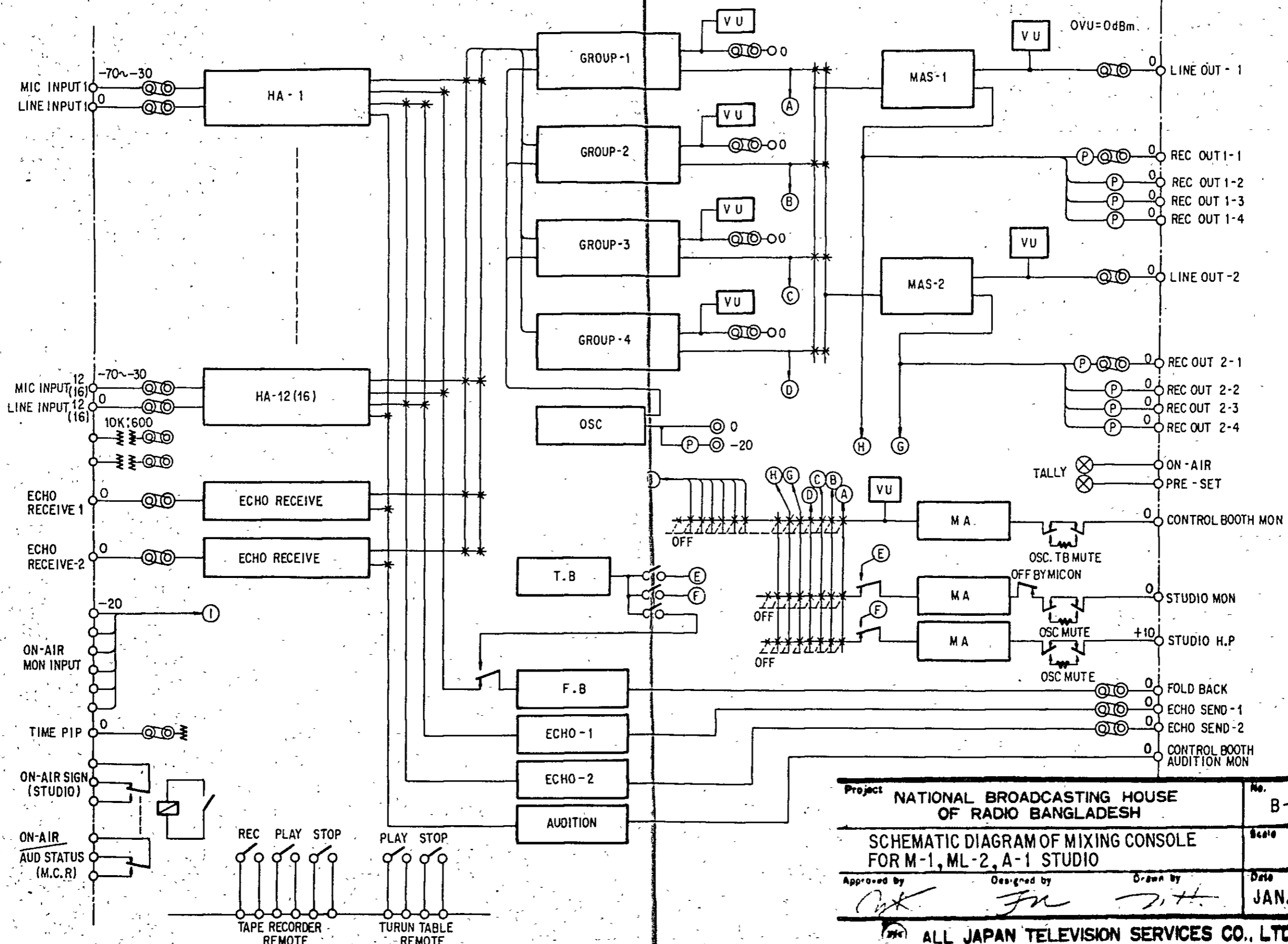
Project		NATIONAL BROADCASTING HOUSE OF RADIO BANGLADESH	No.	B-6
		SCHMATIC DIAGRAM OF AUDIENCE PARTICIPATING STUDIO	Scale	
Approved by	Designed by	Drawn by	Date	
<i>[Signature]</i>	<i>[Signature]</i>	<i>[Signature]</i>	JAN. 1981	
 ALL JAPAN TELEVISION SERVICES CO., LTD.				



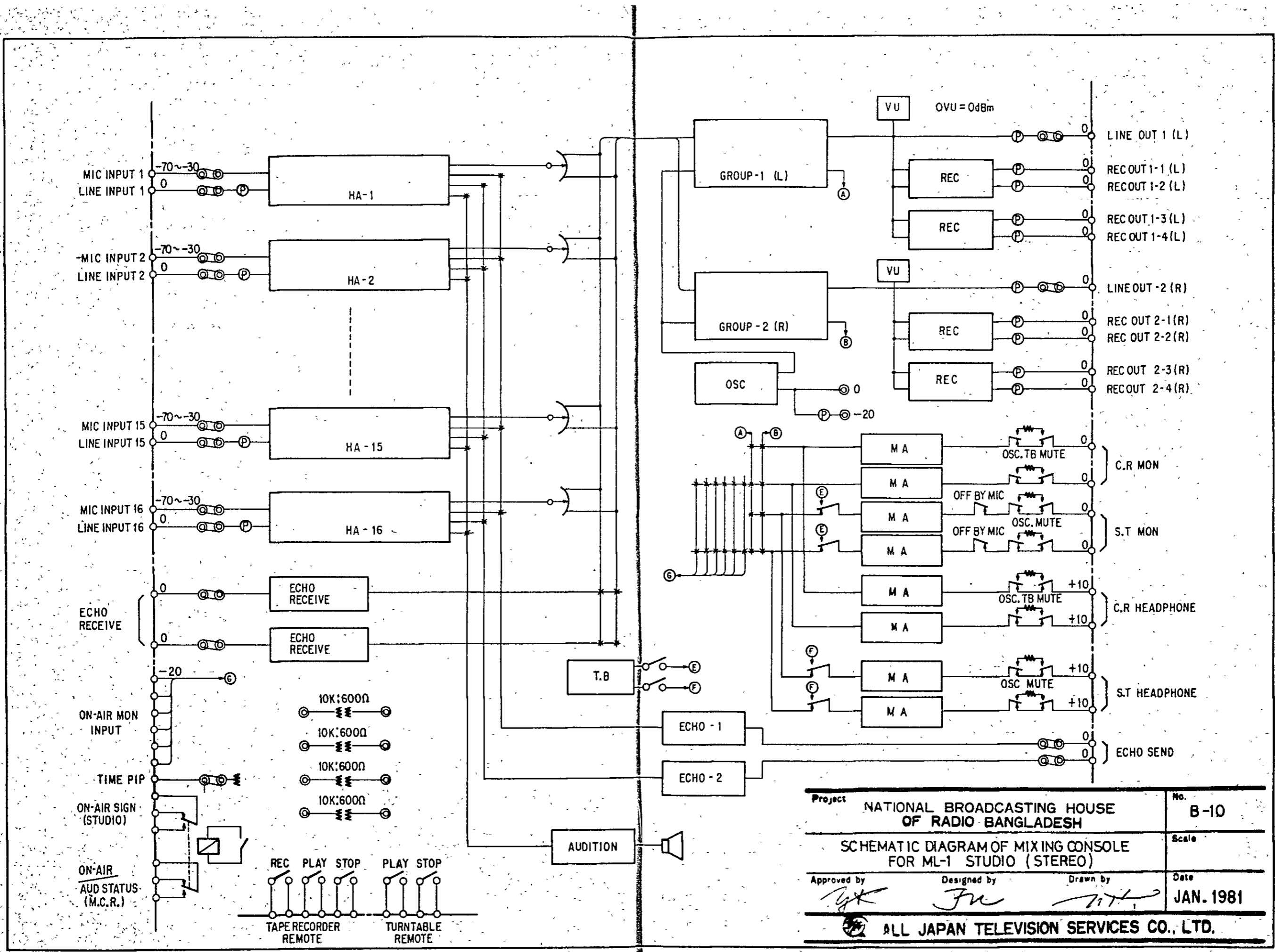
Project		NATIONAL BROADCASTING HOUSE OF RADIO BANGLADESH		No.	B-7
		SCHEMATIC DIAGRAM OF MIXING CONSOLE FOR C-1, 2, 3, 4 STUDIO		Scale	
Approved by	Designed by	Drawn by	Date		
<i>[Signature]</i>	<i>[Signature]</i>	<i>[Signature]</i>	JAN. 1981		
ALL JAPAN TELEVISION SERVICES CO., LTD.					



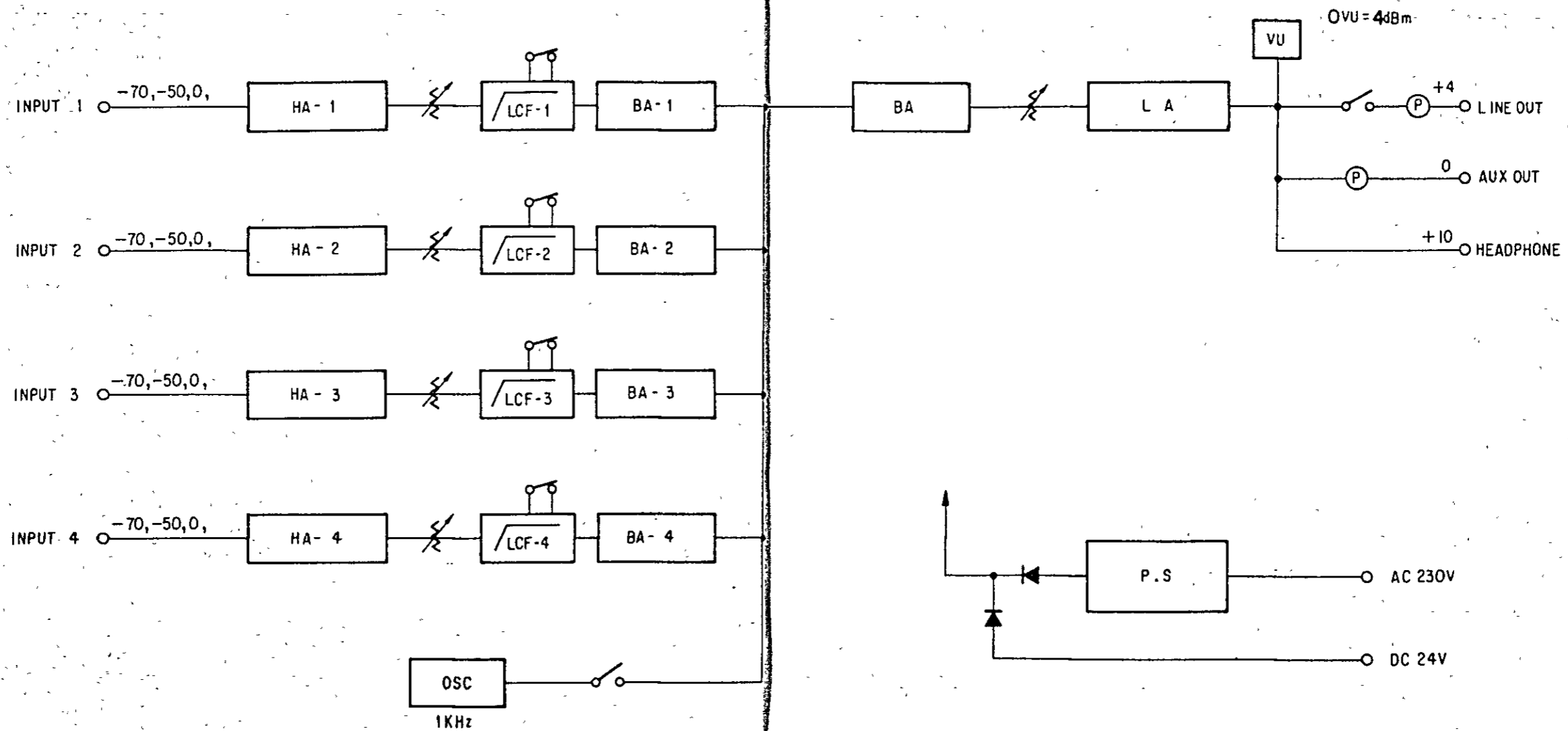
Project NATIONAL BROADCASTING HOUSE OF RADIO BANGLADESH		No. B-8
SCHEMATIC DIAGRAM OF MIXING CONSOLE FOR N-1, 2 STUDIO		Scale
Approved by <i>[Signature]</i>	Designed by <i>[Signature]</i>	Drawn by <i>[Signature]</i>
		Date JAN. 1981
ALL JAPAN TELEVISION SERVICES CO., LTD.		




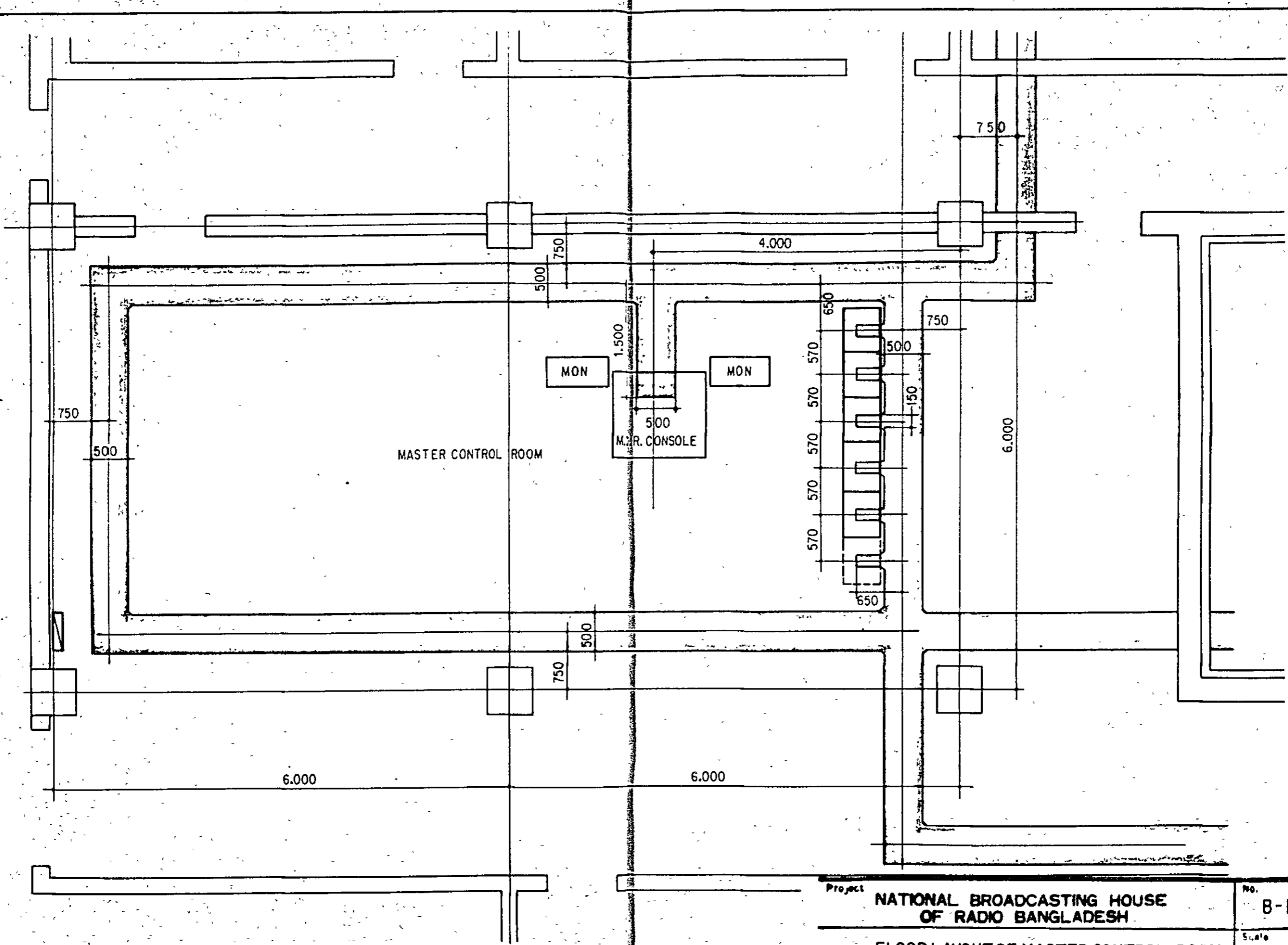
Project NATIONAL BROADCASTING HOUSE OF RADIO BANGLADESH		No. B-9
SCHEMATIC DIAGRAM OF MIXING CONSOLE FOR M-1, ML-2, A-1 STUDIO		Scale
Approved by <i>[Signature]</i>	Designed by <i>[Signature]</i>	Drawn by <i>[Signature]</i>
		Date JAN. 1981
ALL JAPAN TELEVISION SERVICES CO., LTD.		




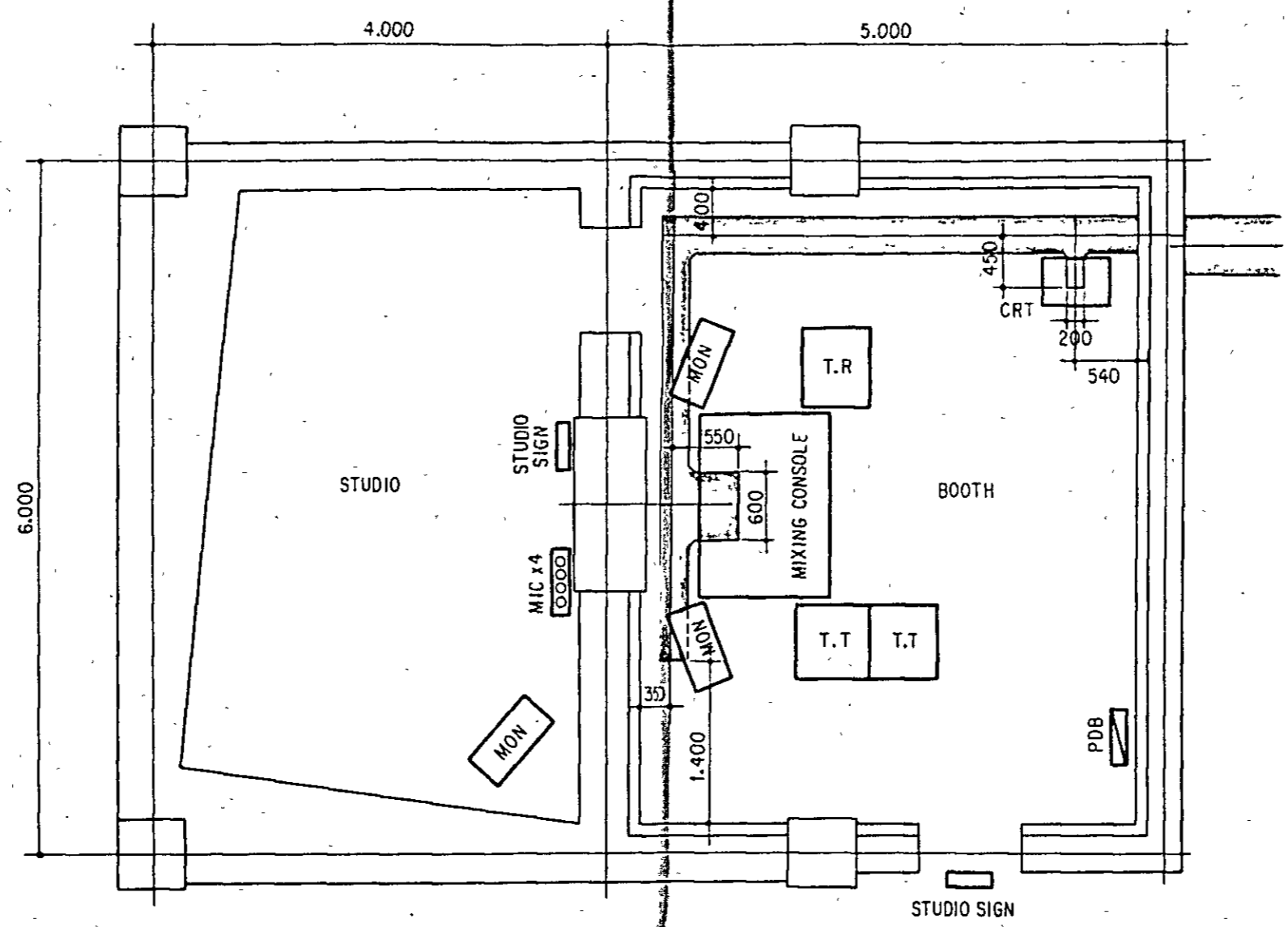
Project		NATIONAL BROADCASTING HOUSE OF RADIO BANGLADESH		No.		B-10	
		SCHEMATIC DIAGRAM OF MIXING CONSOLE FOR ML-1 STUDIO (STEREO)		Scale			
Approved by		Designed by		Drawn by		Date	
<i>[Signature]</i>		<i>[Signature]</i>		<i>[Signature]</i>		JAN. 1981	
ALL JAPAN TELEVISION SERVICES CO., LTD.							




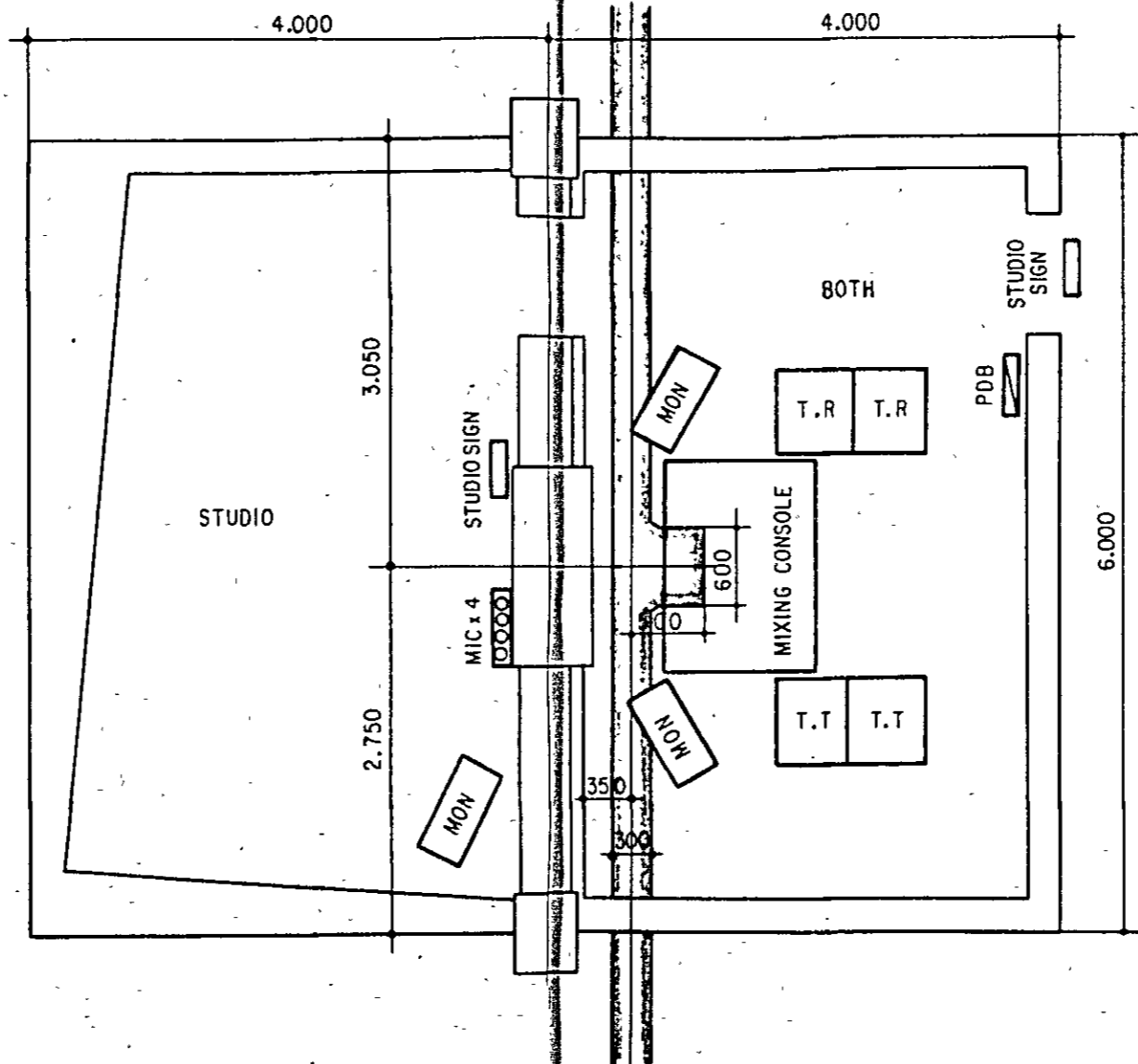
Project	NATIONAL BROADCASTING HOUSE OF RADIO BANGLADESH	No.	B-11
SCHEMATIC DIAGRAM OF 4CH PORTABLE MIXER		Scale	
Approved by	Designed by	Drawn by	Date
<i>[Signature]</i>	<i>[Signature]</i>	<i>[Signature]</i>	JAN. 1981
 ALL JAPAN TELEVISION SERVICES CO., LTD.			




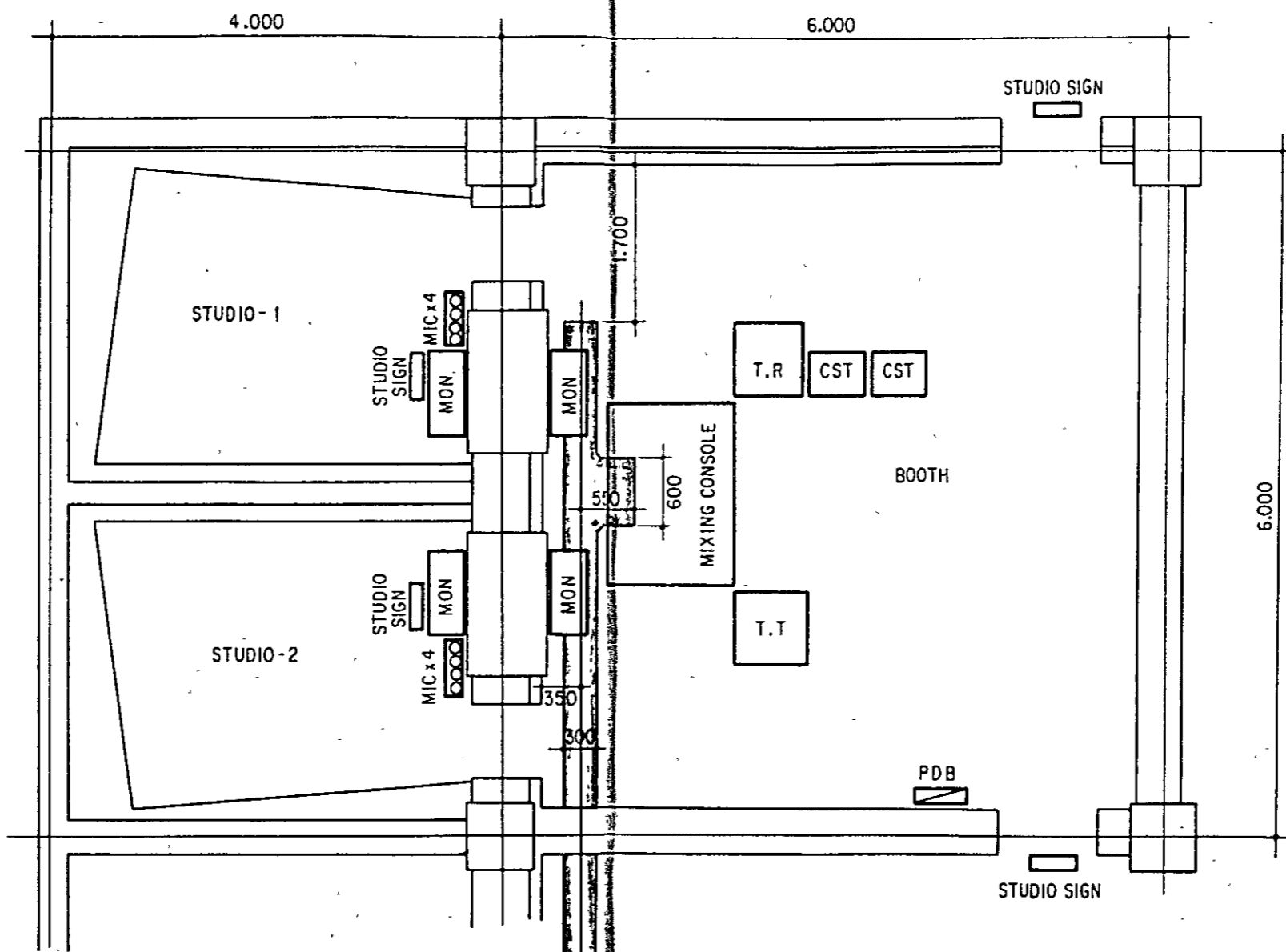
Project		NATIONAL BROADCASTING HOUSE OF RADIO BANGLADESH	No.	B-12
FLOOR LAYOUT OF MASTER CONTROL ROOM			Scale	1/50
Approved by	Designed by	Drawn by	Date	
<i>[Signature]</i>	<i>[Signature]</i>	<i>[Signature]</i>	JAN. 1981	
 ALL JAPAN TELEVISION SERVICES CO., LTD.				



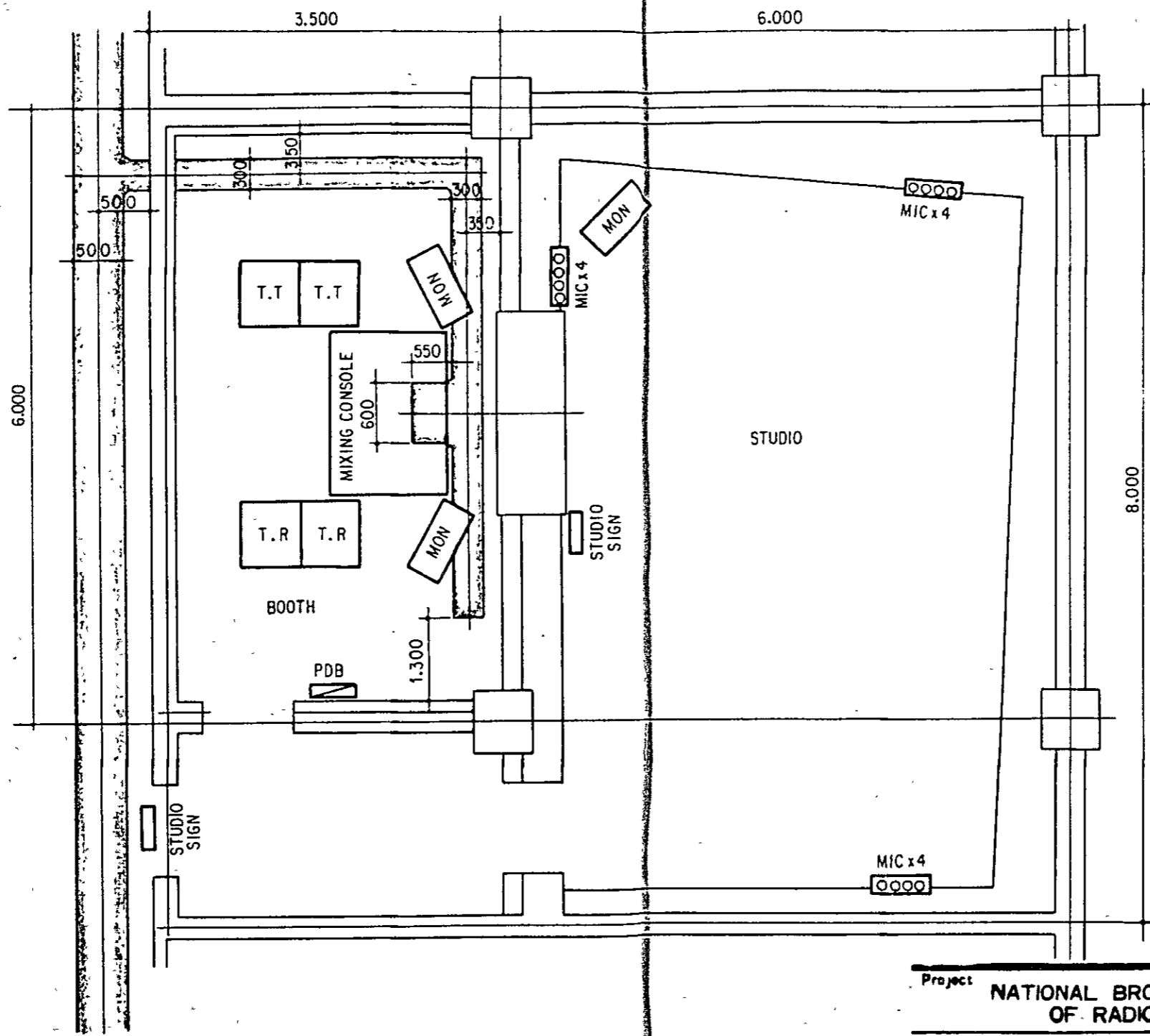
Project		No.	
NATIONAL BROADCASTING HOUSE OF RADIO BANGLADESH		B-13	
FLOOR LAYOUT OF C-1 STUDIO		Scale	
		1/50	
Approved by	Designed by	Drawn by	Date
<i>[Signature]</i>	<i>[Signature]</i>	<i>[Signature]</i>	JAN. 1981
 ALL JAPAN TELEVISION SERVICES CO., LTD.			




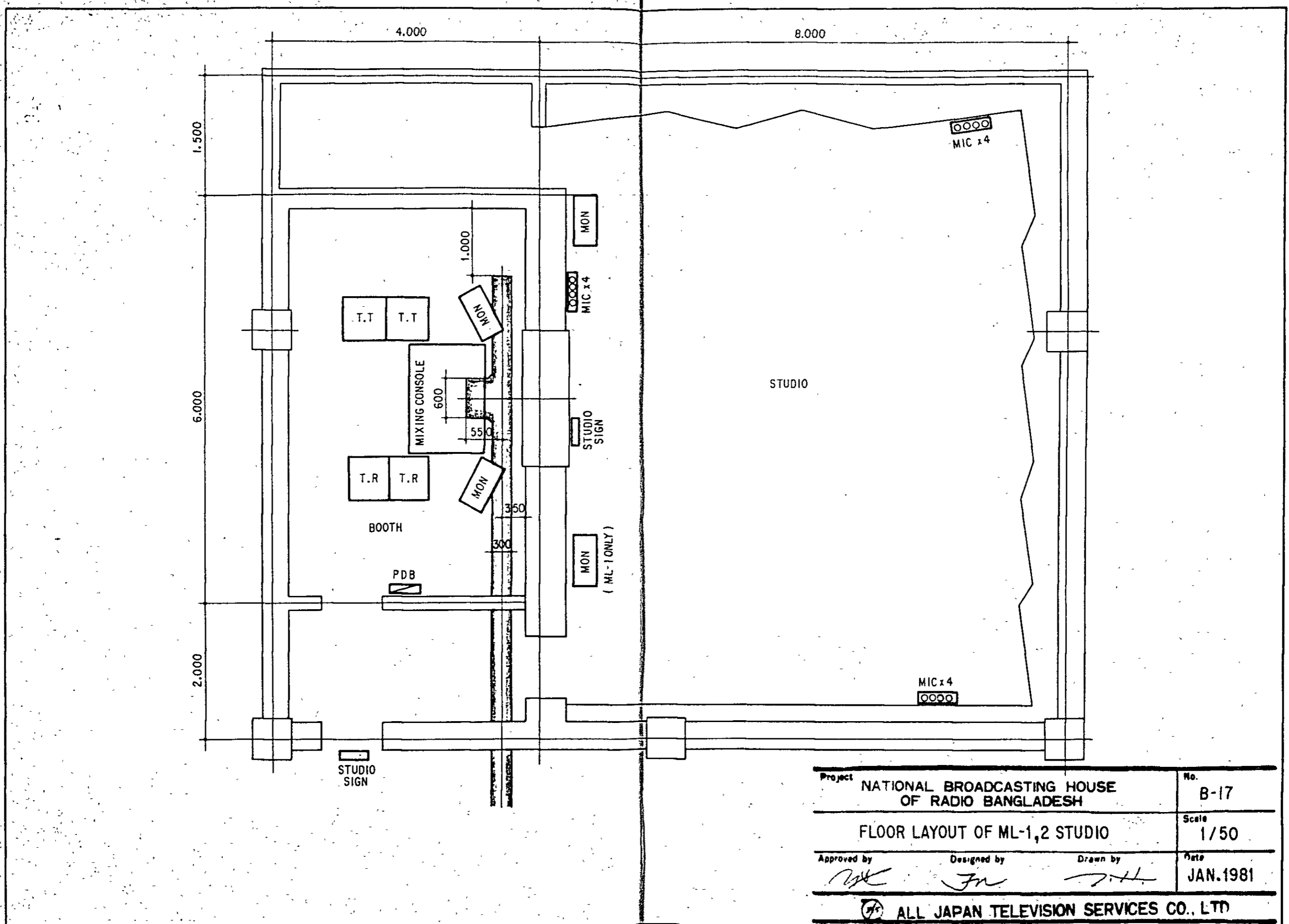
Project		NATIONAL BROADCASTING HOUSE OF RADIO BANGLADESH	No.	B-14
		FLOOR LAYOUT OF C-2,3,4 STUDIO	Scale	1/50
Approved by	Designed by	Drawn by	Date	
<i>[Signature]</i>	<i>[Signature]</i>	<i>[Signature]</i>	JAN. 1981	
 ALL JAPAN TELEVISION SERVICES CO., LTD				




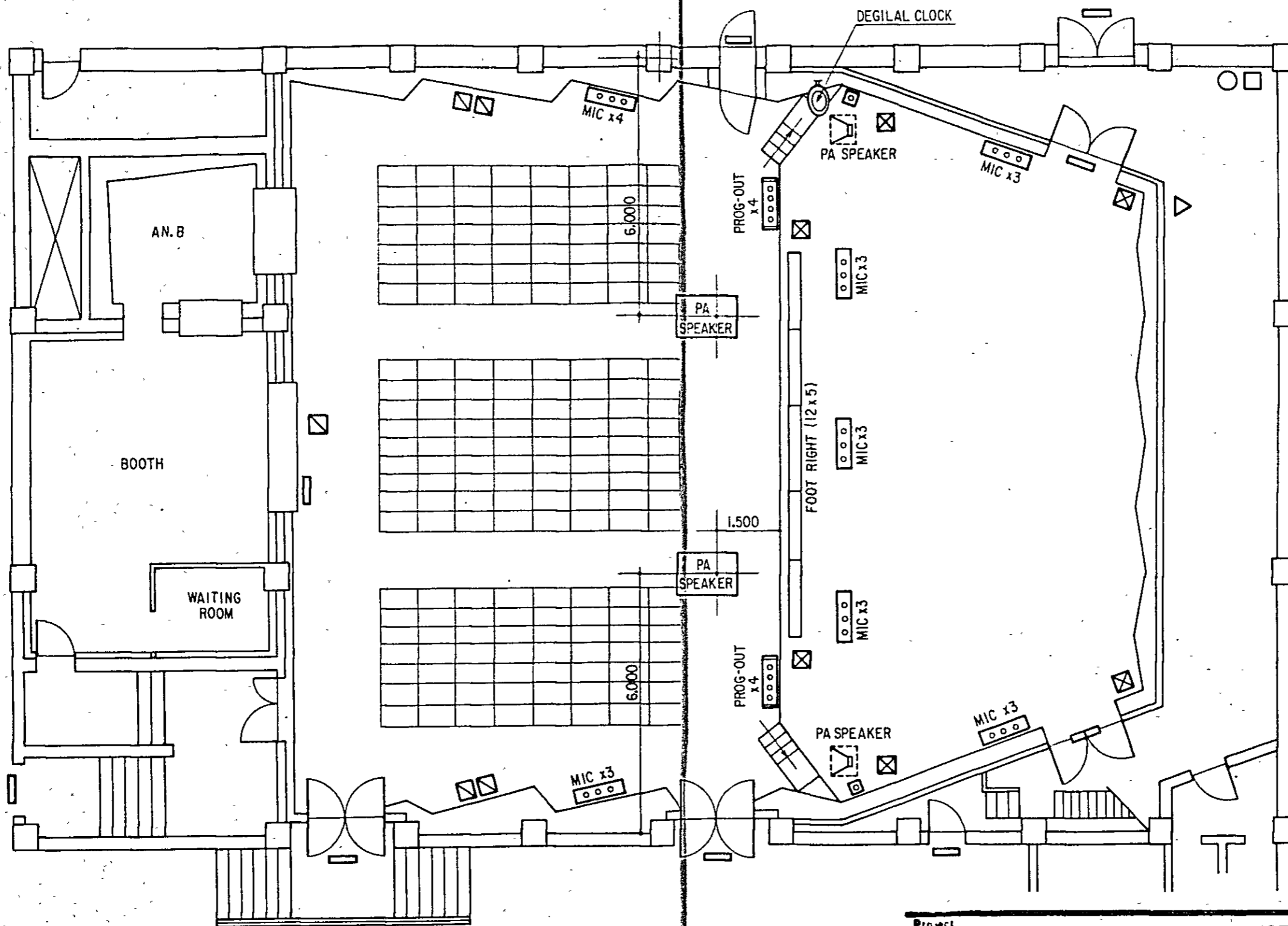
Project	NATIONAL BROADCASTING HOUSE OF RADIO BANGLADESH	No.	B-15
FLOOR LAYOUT OF N-1 STUDIO		Scale	1/50
Approved By	Designed by	Drawn by	Date
<i>[Signature]</i>	<i>[Signature]</i>	<i>[Signature]</i>	JAN. 1981
ALL JAPAN TELEVISION SERVICES CO., LTD.			



Project NATIONAL BROADCASTING HOUSE OF RADIO BANGLADESH			No. B-16
FLOOR LAYOUT OF M-1 STUDIO			Scale 1/50
Approved by <i>[Signature]</i>	Designed by <i>[Signature]</i>	Drawn by <i>[Signature]</i>	Date JAN. 1981
 ALL JAPAN TELEVISION SERVICES CO., LTD			

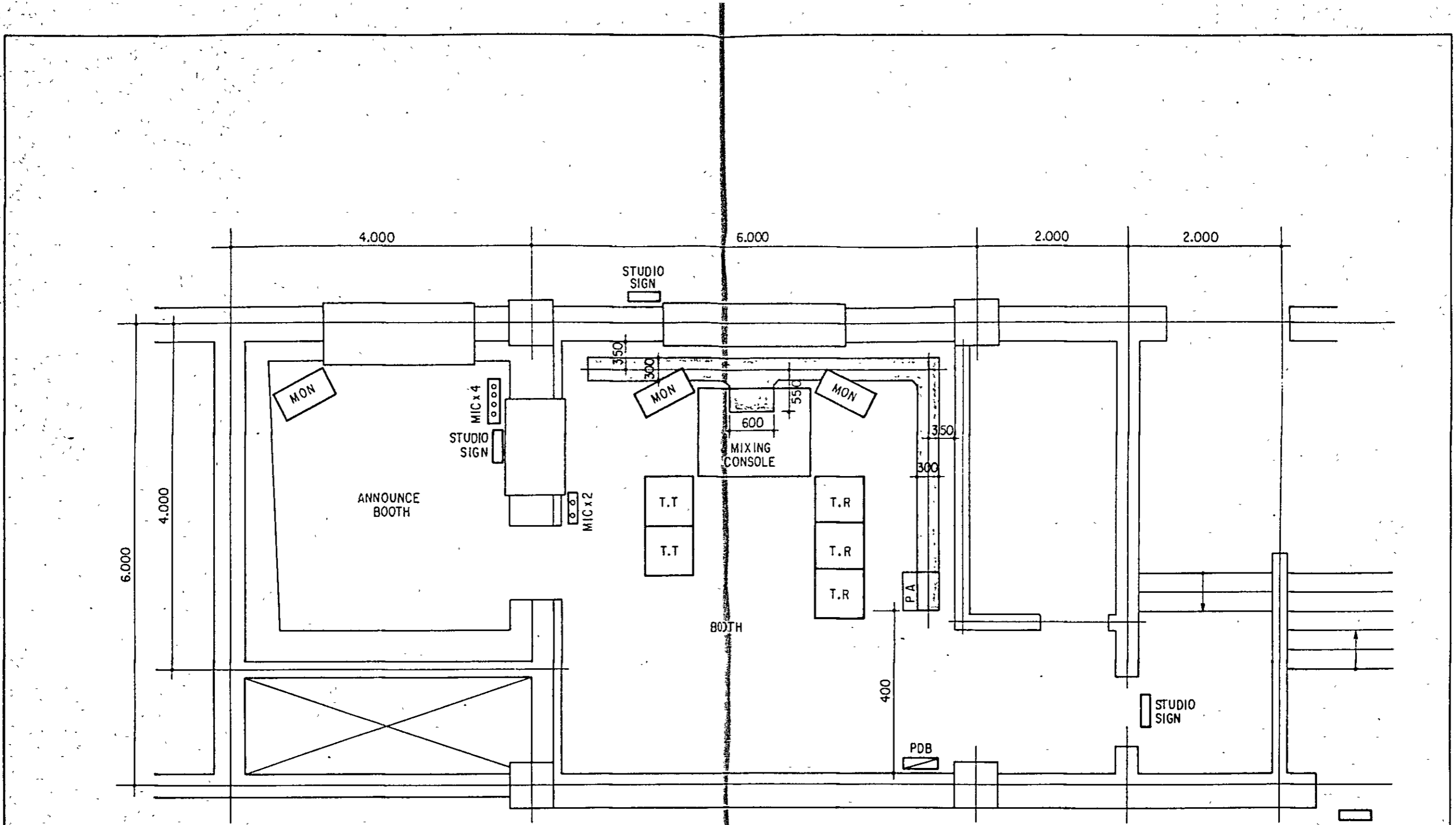


Project NATIONAL BROADCASTING HOUSE OF RADIO BANGLADESH			No. B-17
FLOOR LAYOUT OF ML-1,2 STUDIO			Scale 1/50
Approved by <i>[Signature]</i>	Designed by <i>[Signature]</i>	Drawn by <i>[Signature]</i>	Date JAN.1981
 ALL JAPAN TELEVISION SERVICES CO., LTD			




- NOTE:
- MICOUTLET
 - PROGRAMME OUTLET
 - STUDIO SIGN
 - PA SPEAKER OUTLET
 - HOUSE MONITOR
 - IN COM
 - CLOCK
 - DEGITAL CLOCK
 - WALL POCKET
 - FLOOR POCKET

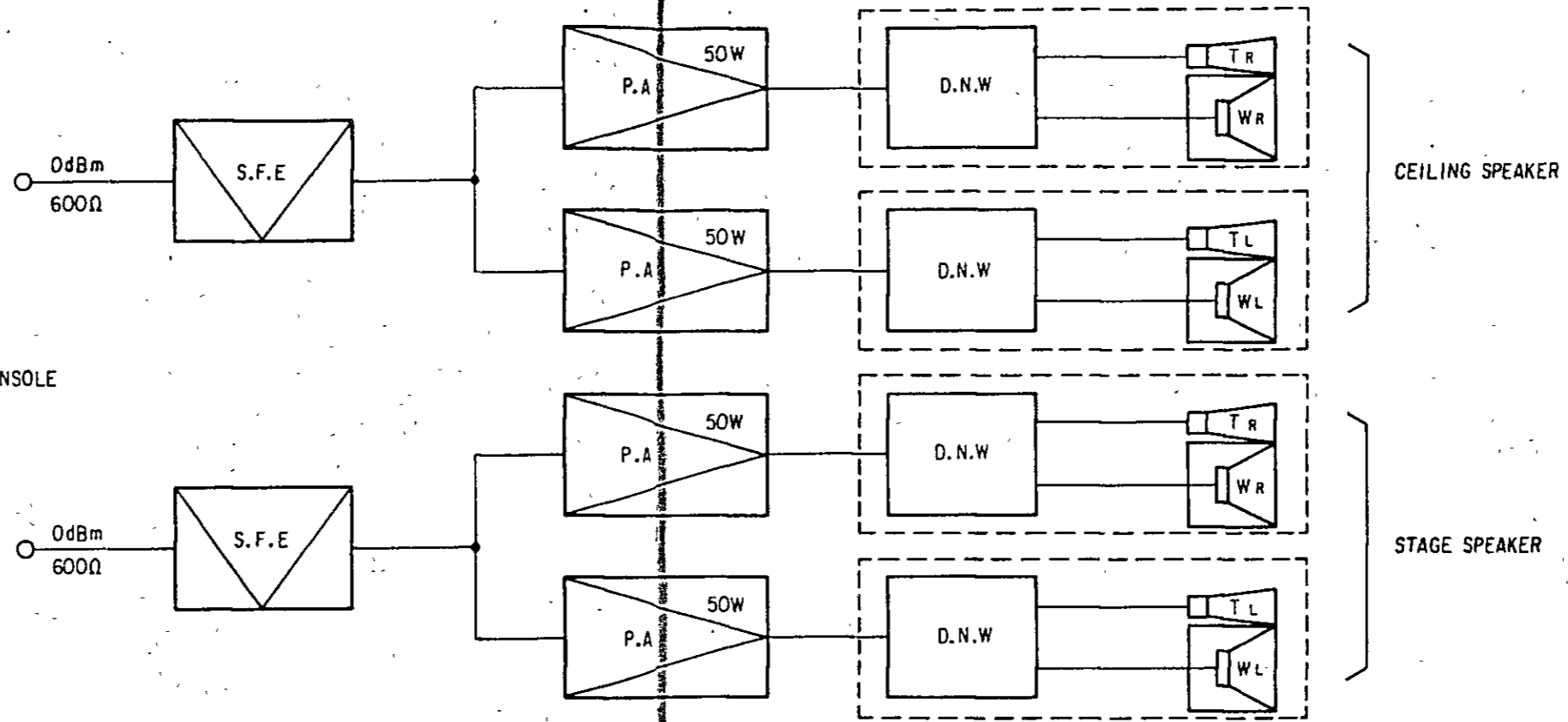
Project		NATIONAL BROADCASTING HOUSE OF RADIO BANGLADESH	No.	B-18
		FLOOR LAYOUT OF A-1 STUDIO	Scale	1/100
Approved by	Designed by	Drawn by	Date	
			JAN. 1981	
ALL JAPAN TELEVISION SERVICES CO., LTD.				




STUDIO SIGN

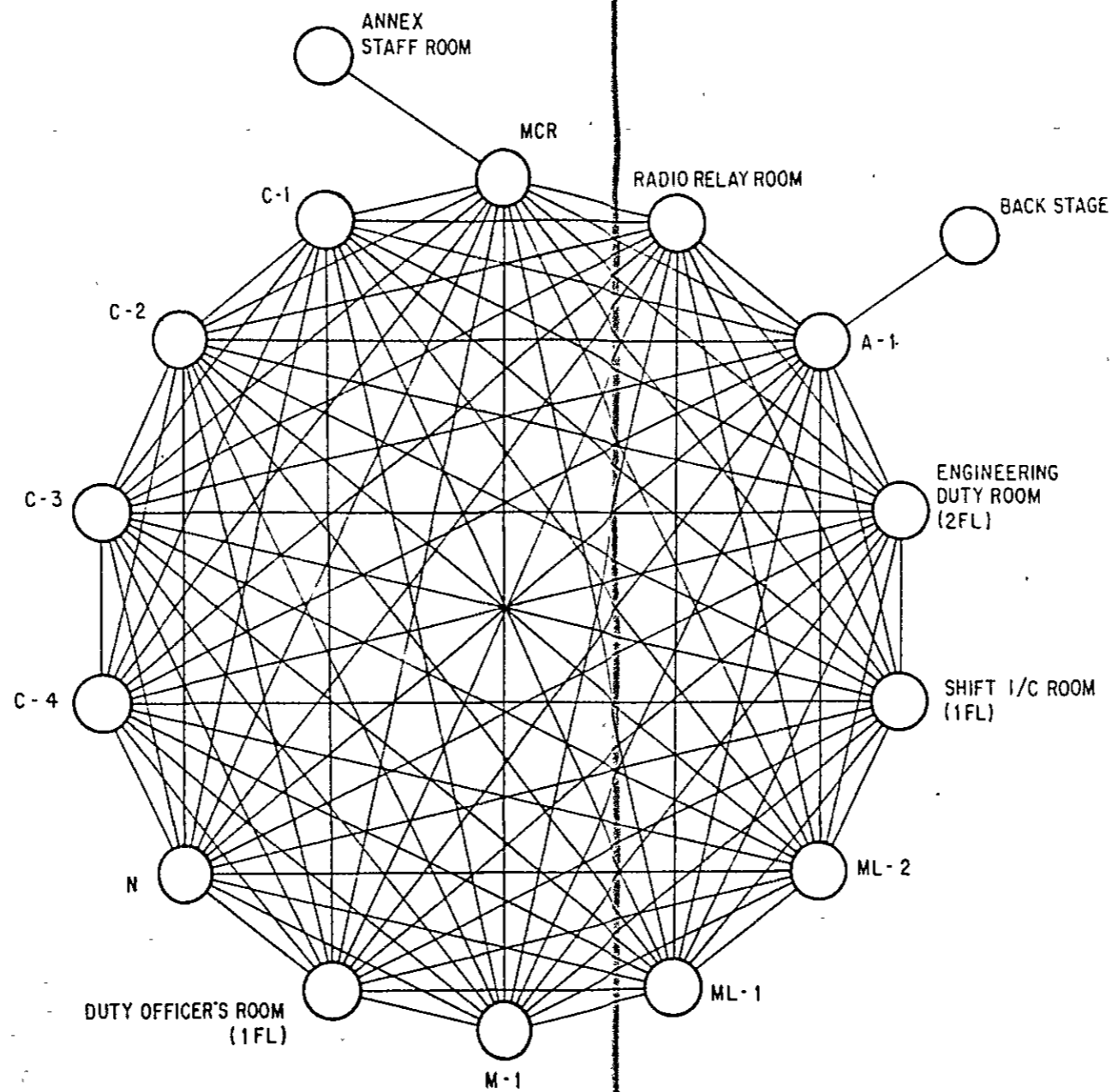
Project	NATIONAL BROADCASTING HOUSE OF RADIO BANGLADESH	No.	B-19
FLOOR LAYOUT OF A-1 BOOTH		Scale	1/50
Approved by	Designed by	Drawn by	Date
<i>[Signature]</i>	<i>[Signature]</i>	<i>[Signature]</i>	JAN. 1981
 ALL JAPAN TELEVISION SERVICES CO., LTD.			

FROM
MIXING CONSOLE

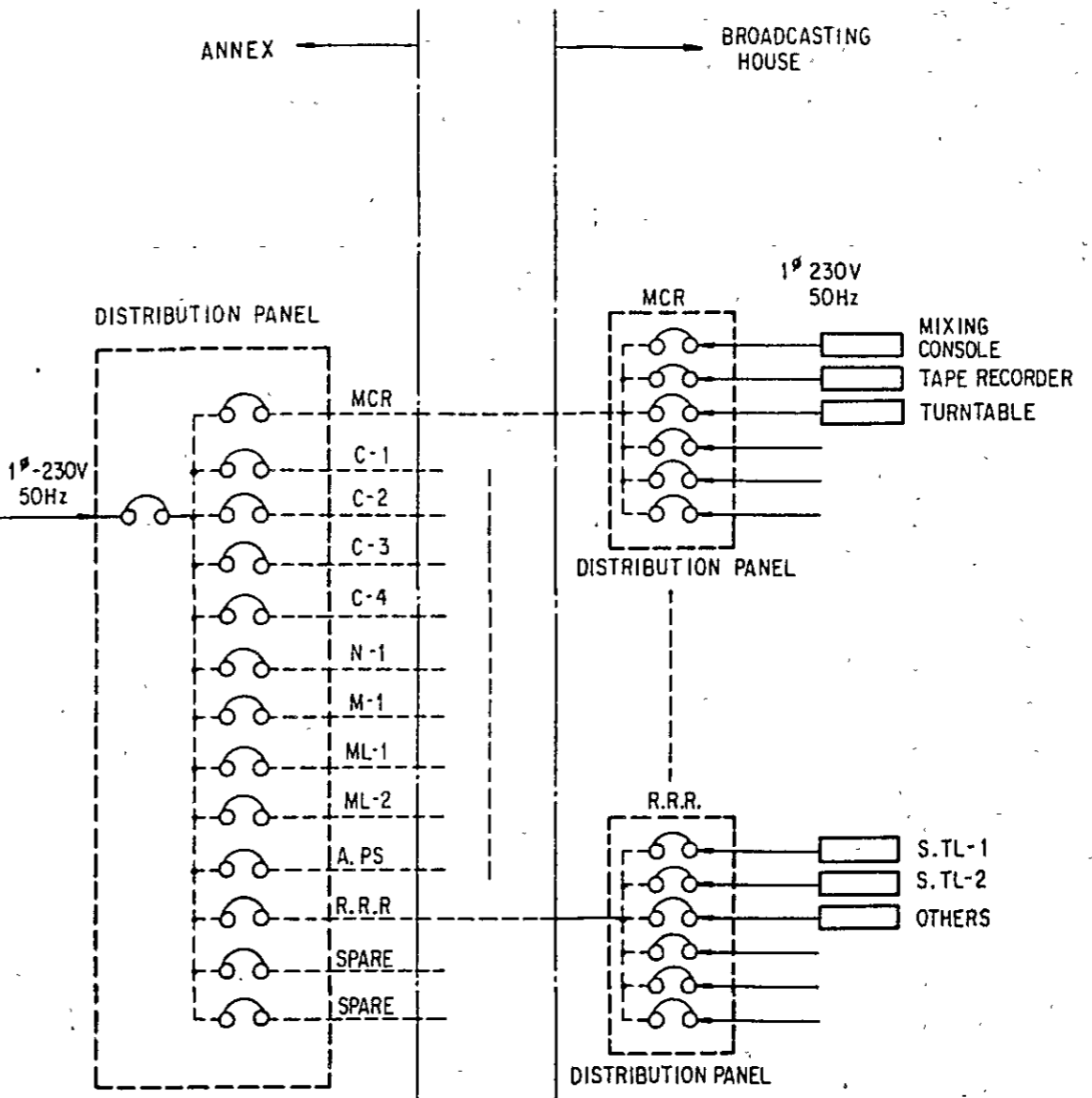
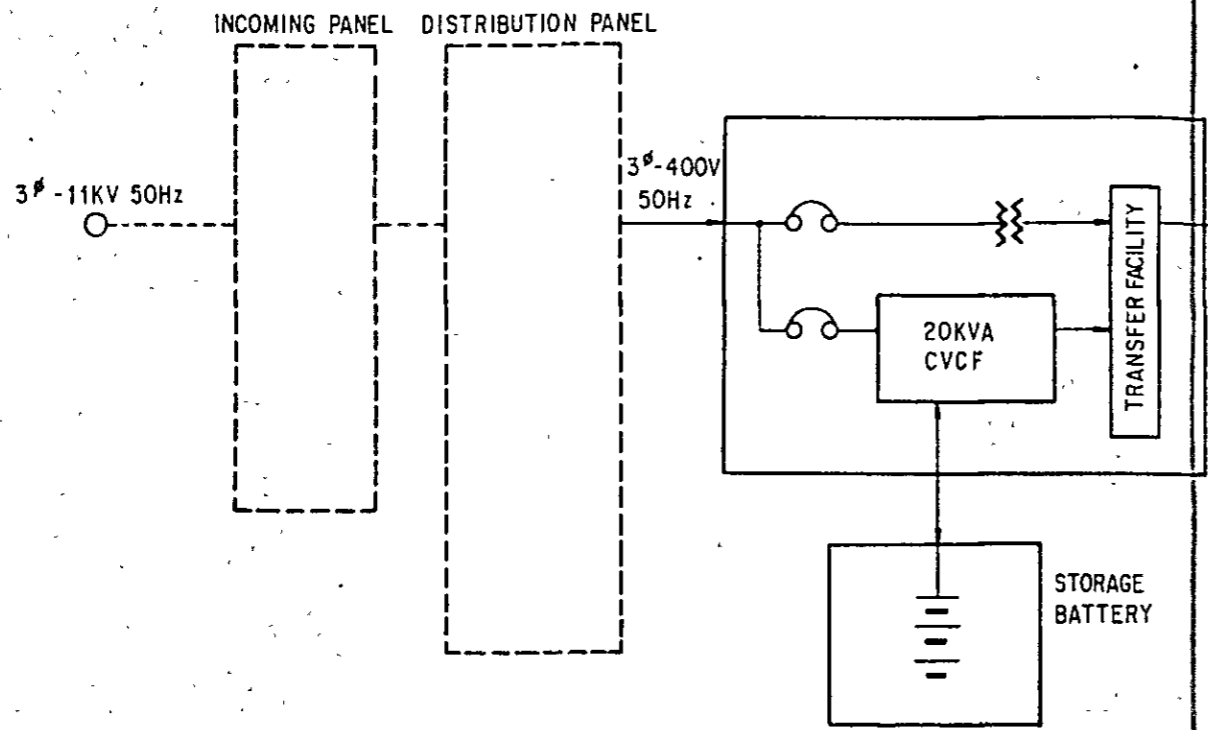


SFE : SOUND FIELD EQUALIZER
 PA : POWER AMPLIFIER
 DNW: DIVIDING NETWORK
 T : HIGH FREQUENCY SPEAKER
 W : LOW FREQUENCY SPEAKER

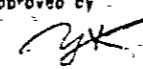
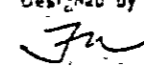
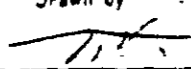

Project		No.	
NATIONAL BROADCASTING HOUSE OF RADIO BANGLADESH		B-20	
SCHEMATIC DIAGRAM OF PA SYSTEM FOR A-1 STUDIO		Scale	
Approved by	Designed by	Drawn by	Date
<i>[Signature]</i>	<i>[Signature]</i>	<i>[Signature]</i>	JAN. 1981
 ALL JAPAN TELEVISION SERVICES CO., LTD			

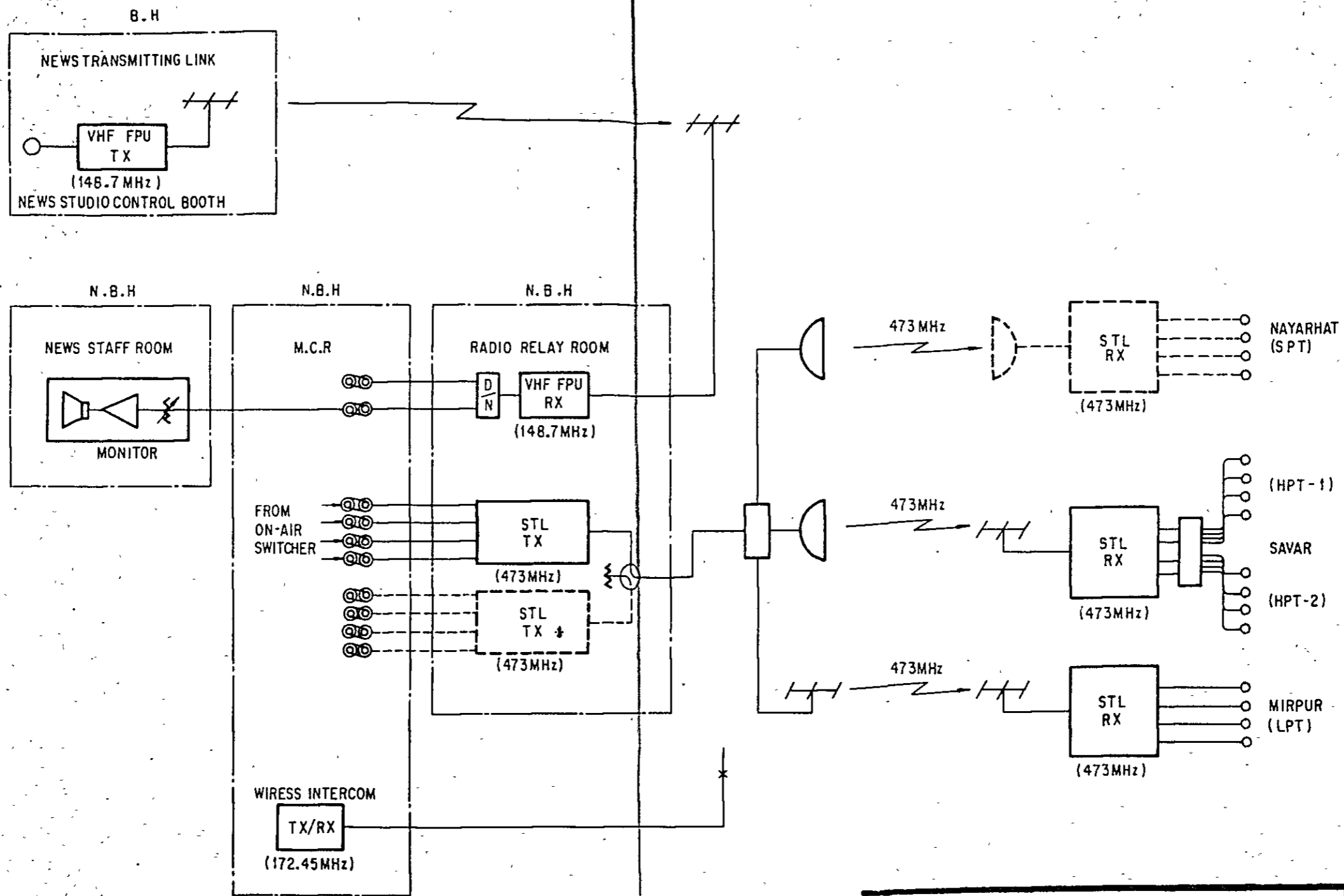


Project NATIONAL BROADCASTING HOUSE OF RADIO BANGLADESH			No. B-21
Schematic Diagram of Intercom System			Scale
Approved by <i>[Signature]</i>	Designed by <i>[Signature]</i>	Drawn by <i>[Signature]</i>	Date JAN. 1981
ALL JAPAN TELEVISION SERVICES CO., LTD			



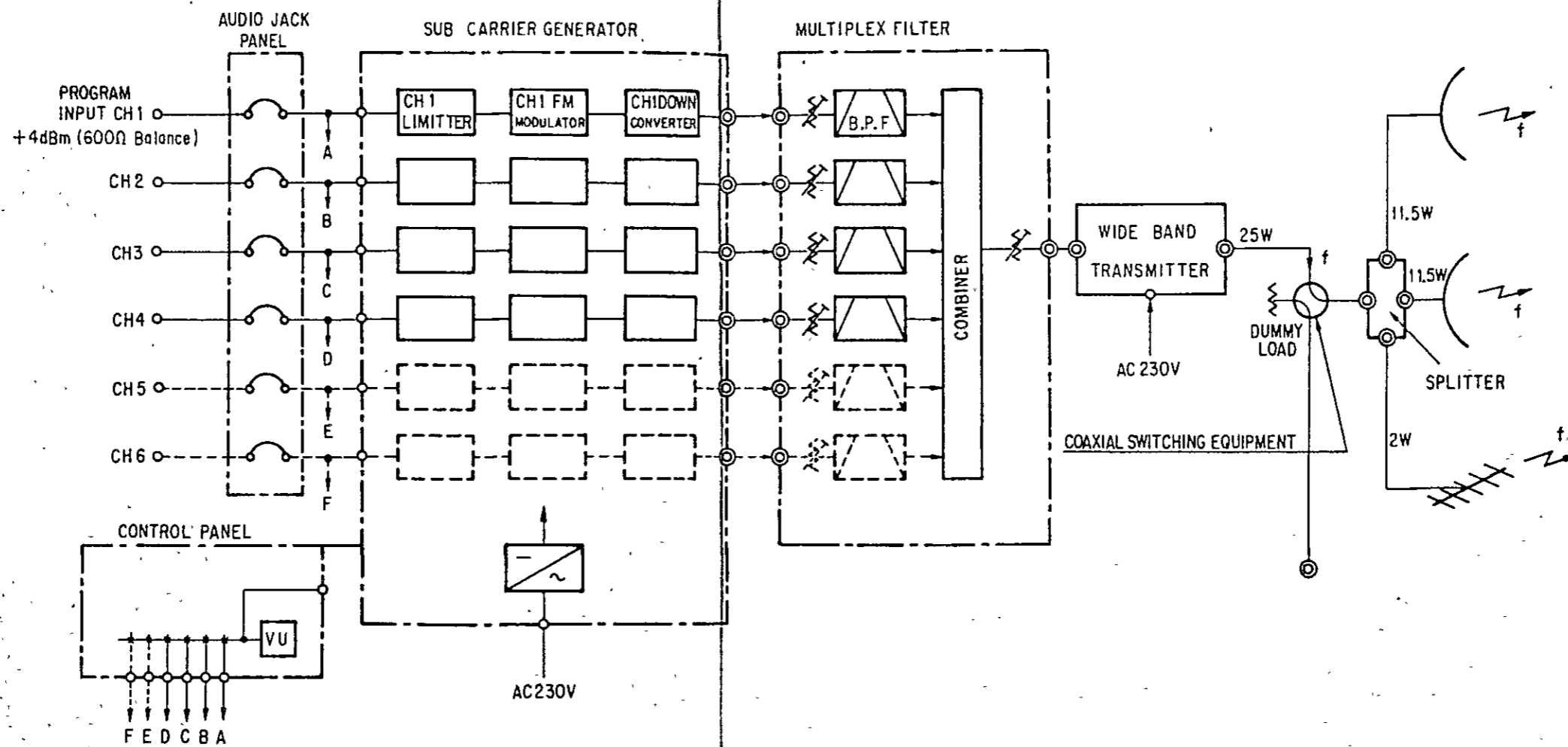

 INSTALLED
 BY BUILDING
 CONTRACTOR


Project		NATIONAL BROADCASTING HOUSE OF RADIO BANGLADESH	No.	B-22
		SCHMATIC DIAGRAM OF NON-BREAK POWER SUPPLY	Scale	
Approved by	Designed by	Drawn by	Date	
			JAN. 1981	
 ALL JAPAN TELEVISION SERVICES CO., LTD.				

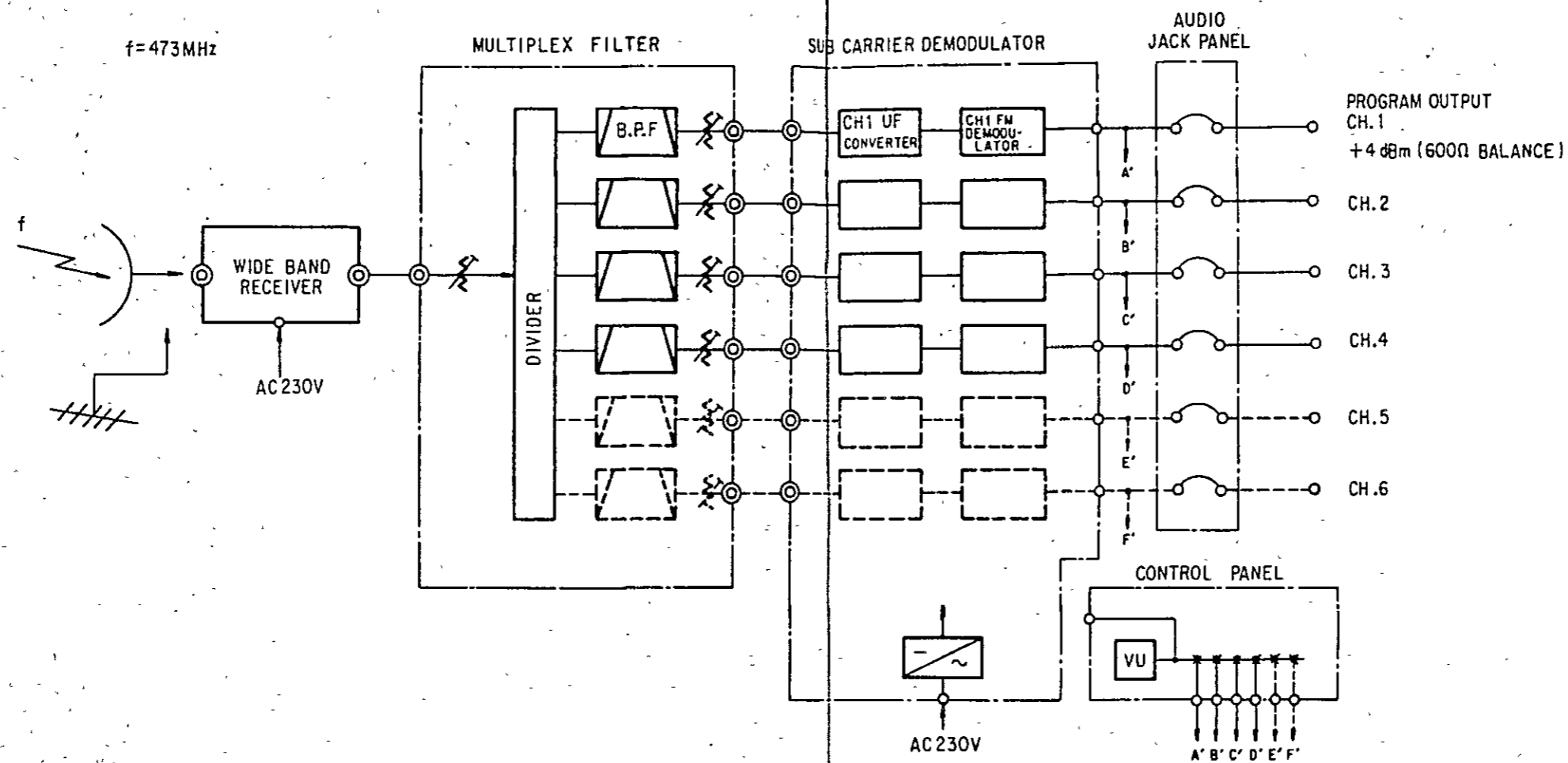


† TRANSFERRED FROM B.H. AND INSTALLED BY RADIO BANGLADESH.

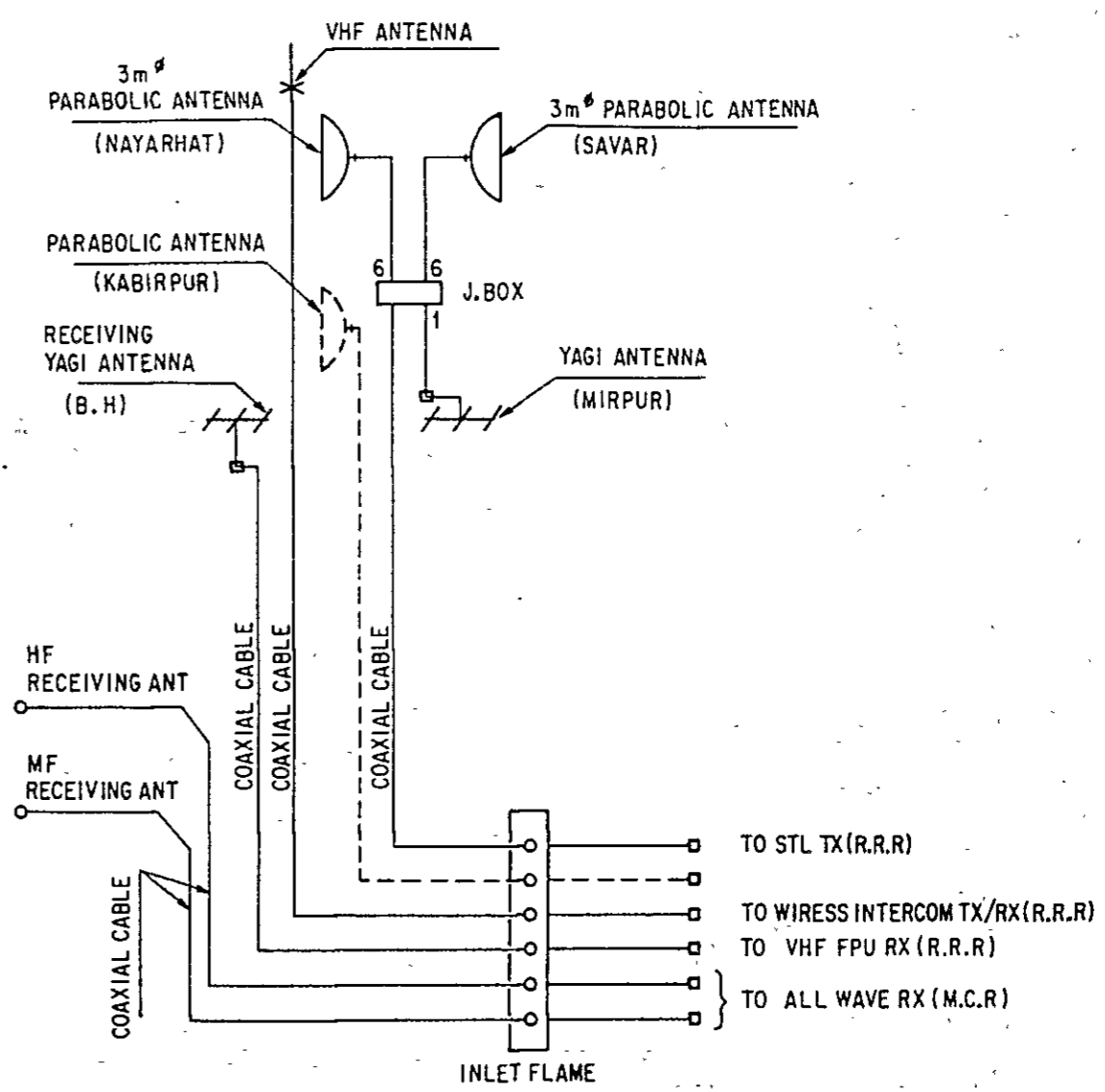
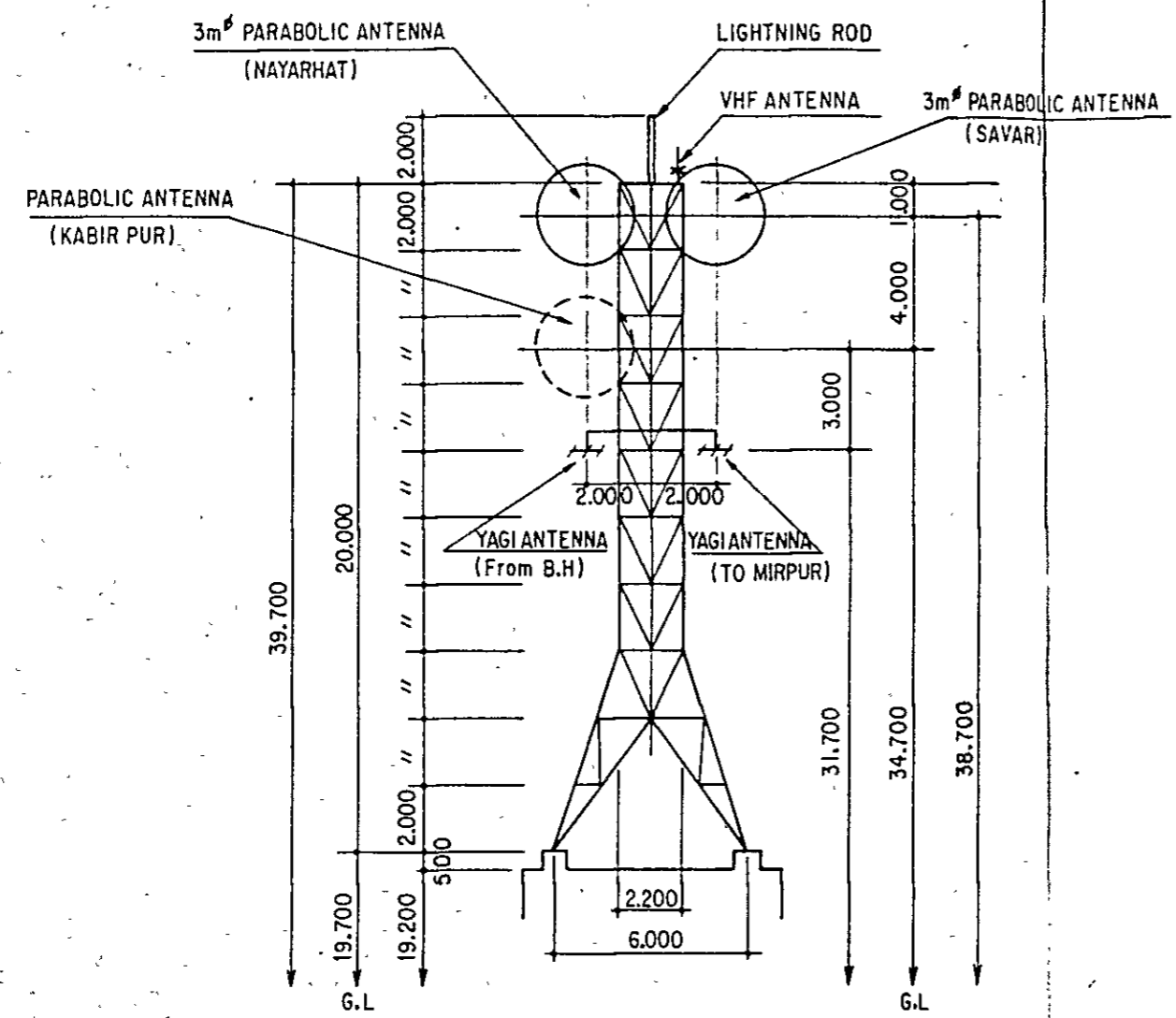
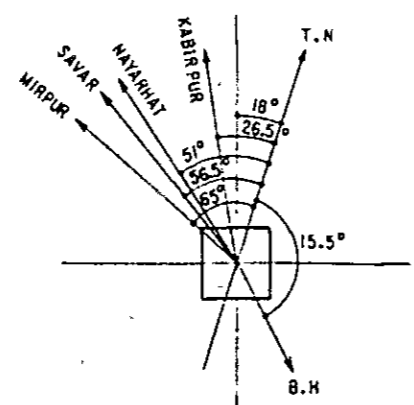
Project	NATIONAL BROADCASTING HOUSE OF RADIO BANGLADESH	No.	B-23
SCHEMATIC DIAGRAM OF STL,		Scale	
Approved by	Designed by	Drawn by	Date
<i>[Signature]</i>	<i>[Signature]</i>	<i>[Signature]</i>	JAN.1981
ALL JAPAN TELEVISION SERVICES CO. LTD			



Project	NATIONAL BROADCASTING HOUSE OF RADIO BANGLADESH		No.	B-24
SCHEMATIC DIAGRAM OF MULTI-CHANNEL TRANSMITTING SYSTEM			Scale	
Approved by	Designed by	Drawn by	Date	JAN. 1981
 ALL JAPAN TELEVISION SERVICES CO., LTD				

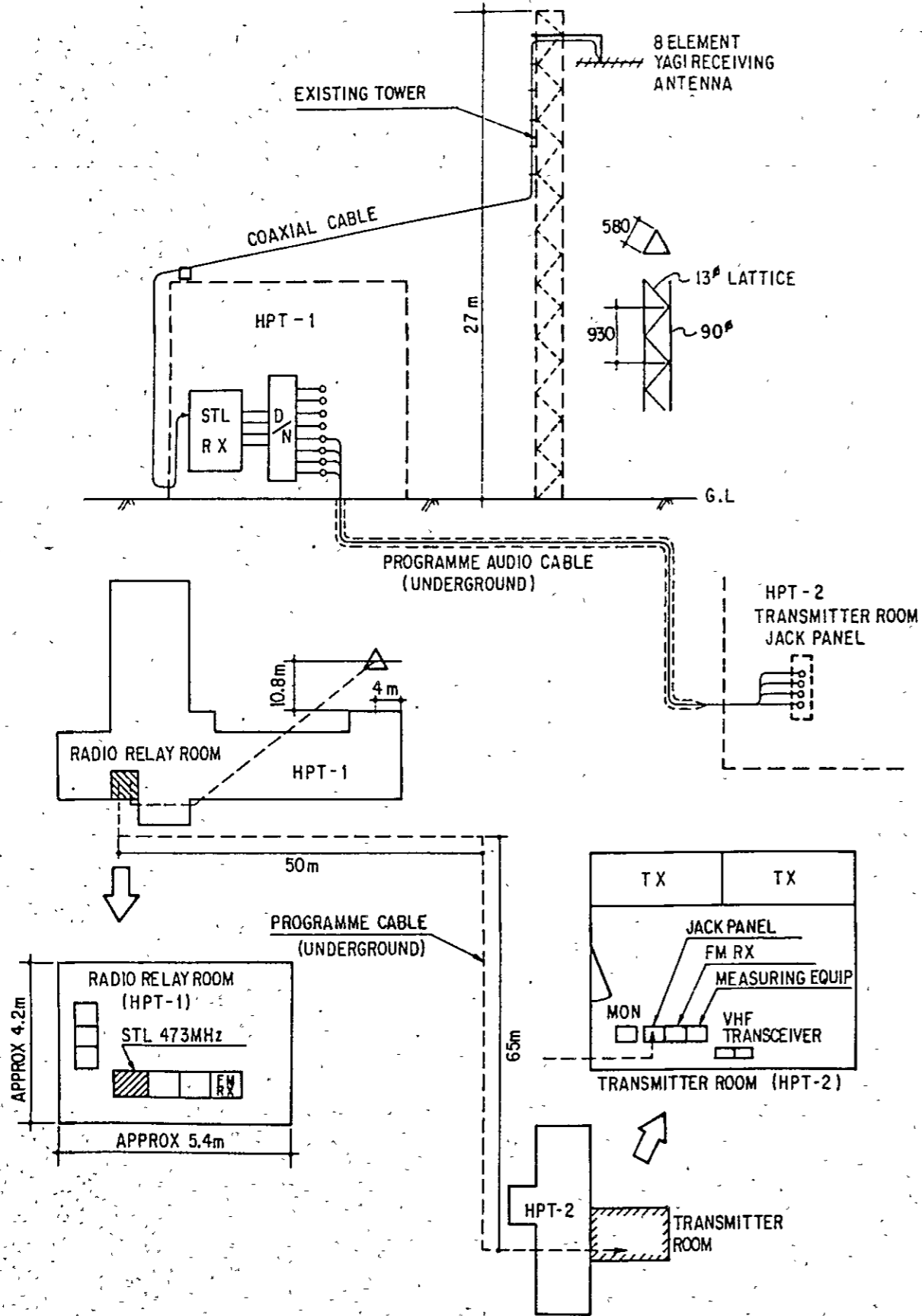


Project	NATIONAL BROADCASTING HOUSE OF RADIO BANGLADESH	No.	B-25
SCHEMATIC DIAGRAM OF MULTI-CHANNEL RECEIVING SYSTEM		Scale	
Approved by	Designed by	Drawn by	Date
<i>[Signature]</i>	<i>[Signature]</i>	<i>[Signature]</i>	JAN. 1981
ALL JAPAN TELEVISION SERVICES CO., LTD			

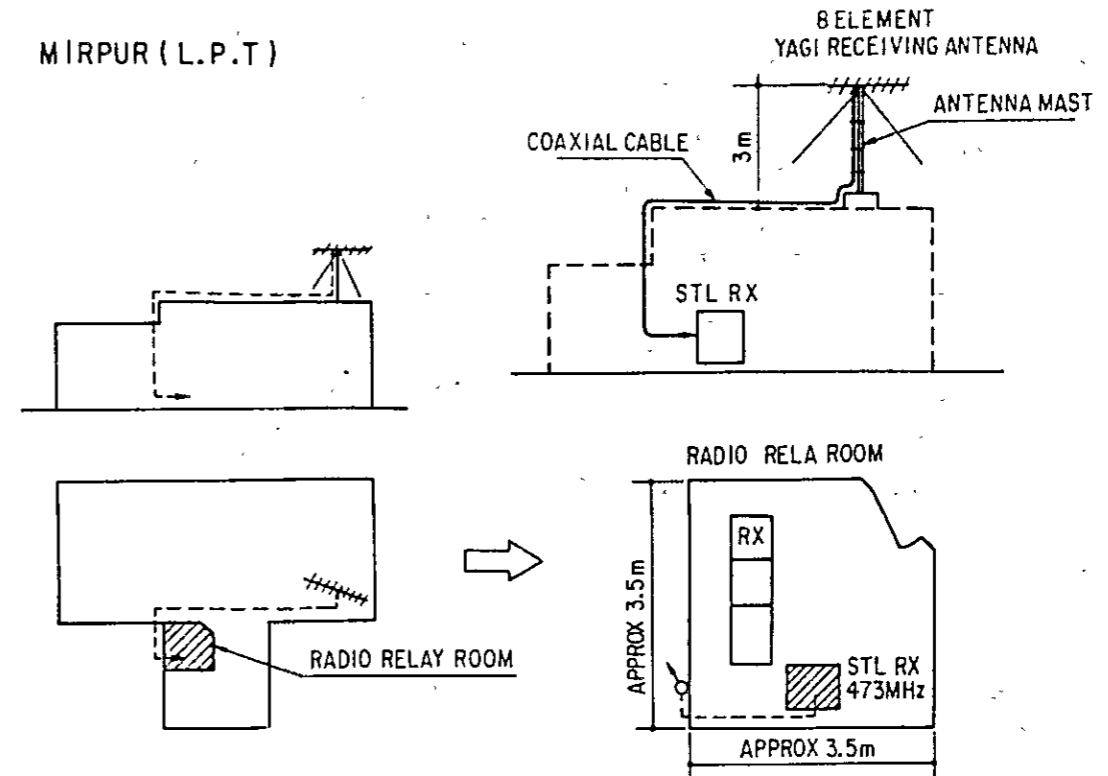


Project	NATIONAL BROADCASTING HOUSE OF RADIO BANGLADESH	No.	B-26
SCHEMATIC DIAGRAM OF TRANSMITTING ANTENNA SYSTEM		Scale	
Approved by	Designed by	Drawn by	Date
<i>[Signature]</i>	<i>[Signature]</i>	<i>[Signature]</i>	JAN. 1981
ALL JAPAN TELEVISION SERVICES CO., LTD.			

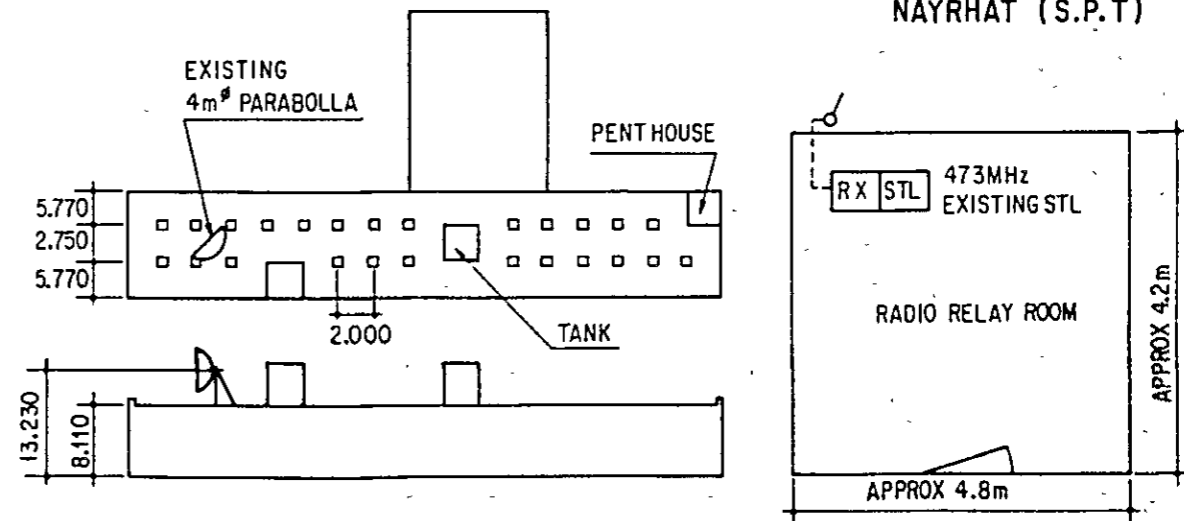
SAVAR (H.P.T-1 & H.P.T-2)



MIRPUR (L.P.T)

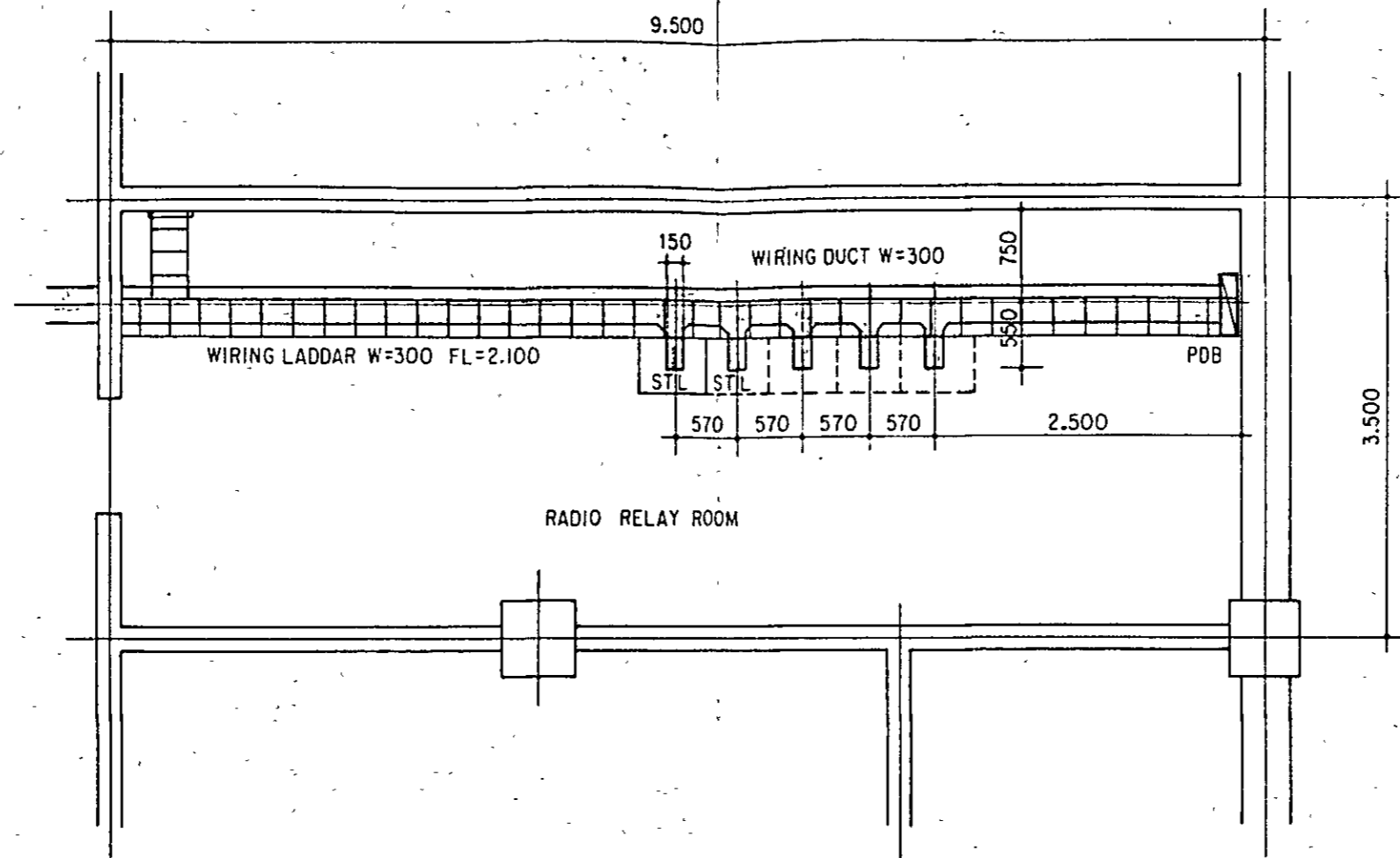



NAYRHAT (S.P.T)

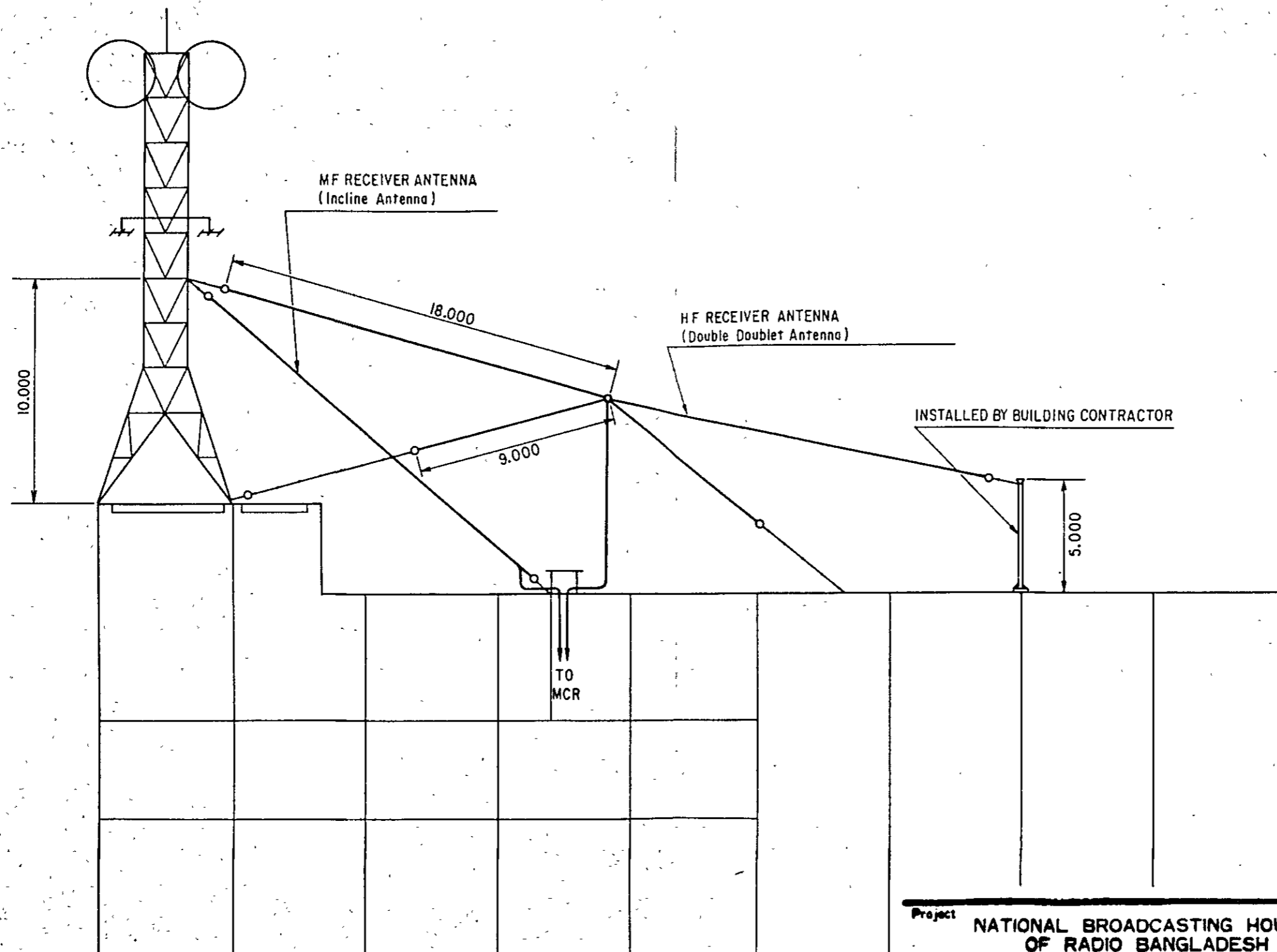


NOTE : EXISTING STL RECEIVER AND PARABOLIC ANTENNA SHALL BE USED. THE DIRECTION OF PARABOLIC ANTENNA SHALL BE ADJUSTED.

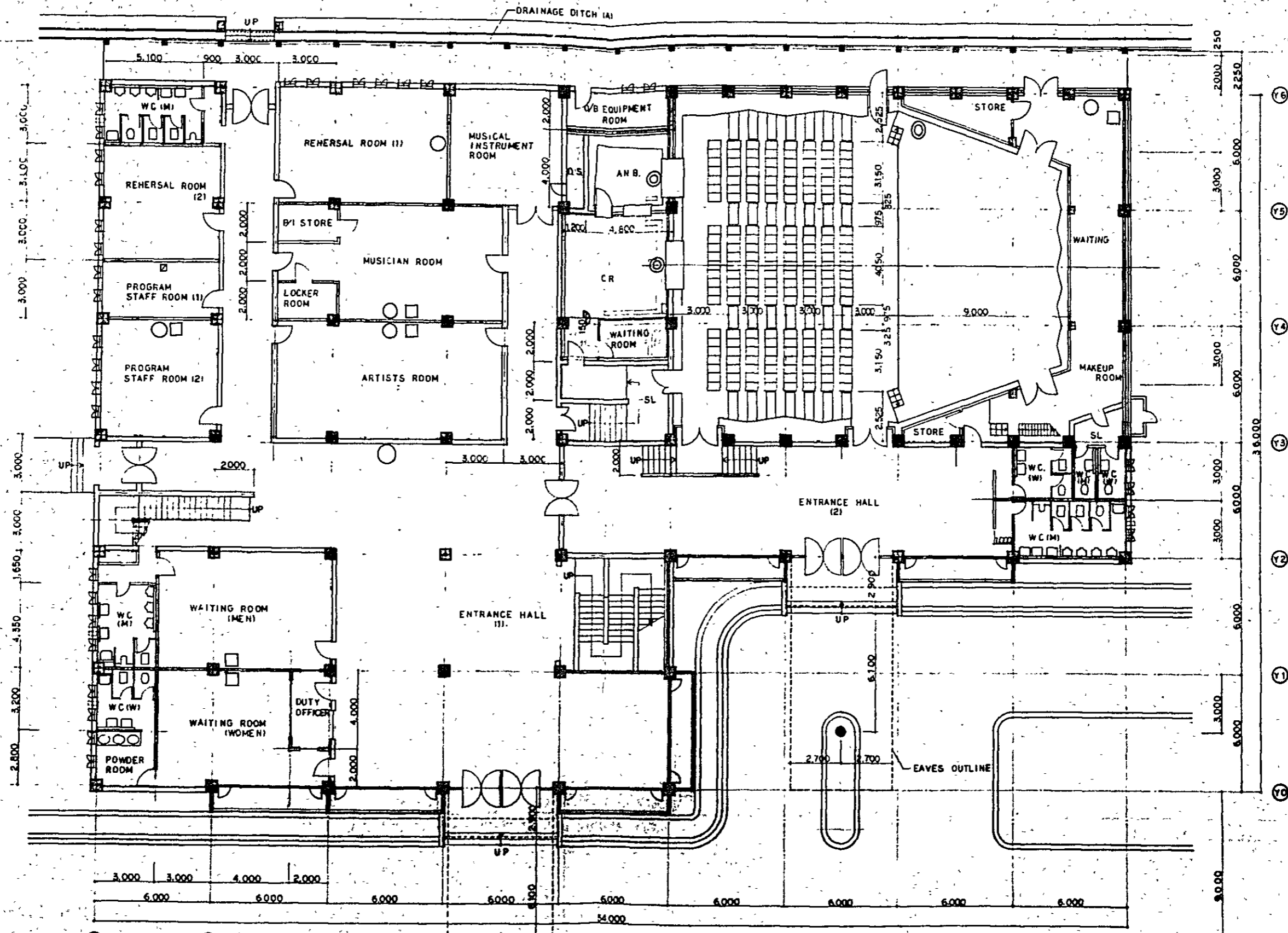
Project	NATIONAL BROADCASTING HOUSE OF RADIO BANGLADESH	No	B-27
SCHEMATIC DIAGRAM OF RECEIVING ANTENNA SYSTEM		Scale	
Approved by	Designed by	Drawn by	Date
<i>[Signature]</i>	<i>[Signature]</i>	<i>[Signature]</i>	JAN. 1981
ALL JAPAN TELEVISION SERVICES CO., LTD.			



Project NATIONAL BROADCASTING HOUSE OF RADIO BANGLADESH			No. B-28
FLOOR LAYOUT OF RADIO RELAY SYSTEM			Scale 1/50
Approved by <i>[Signature]</i>	Designed by <i>[Signature]</i>	Drawn by <i>[Signature]</i>	Date JAN. 1981
 ALL JAPAN TELEVISION SERVICES CO., LTD.			



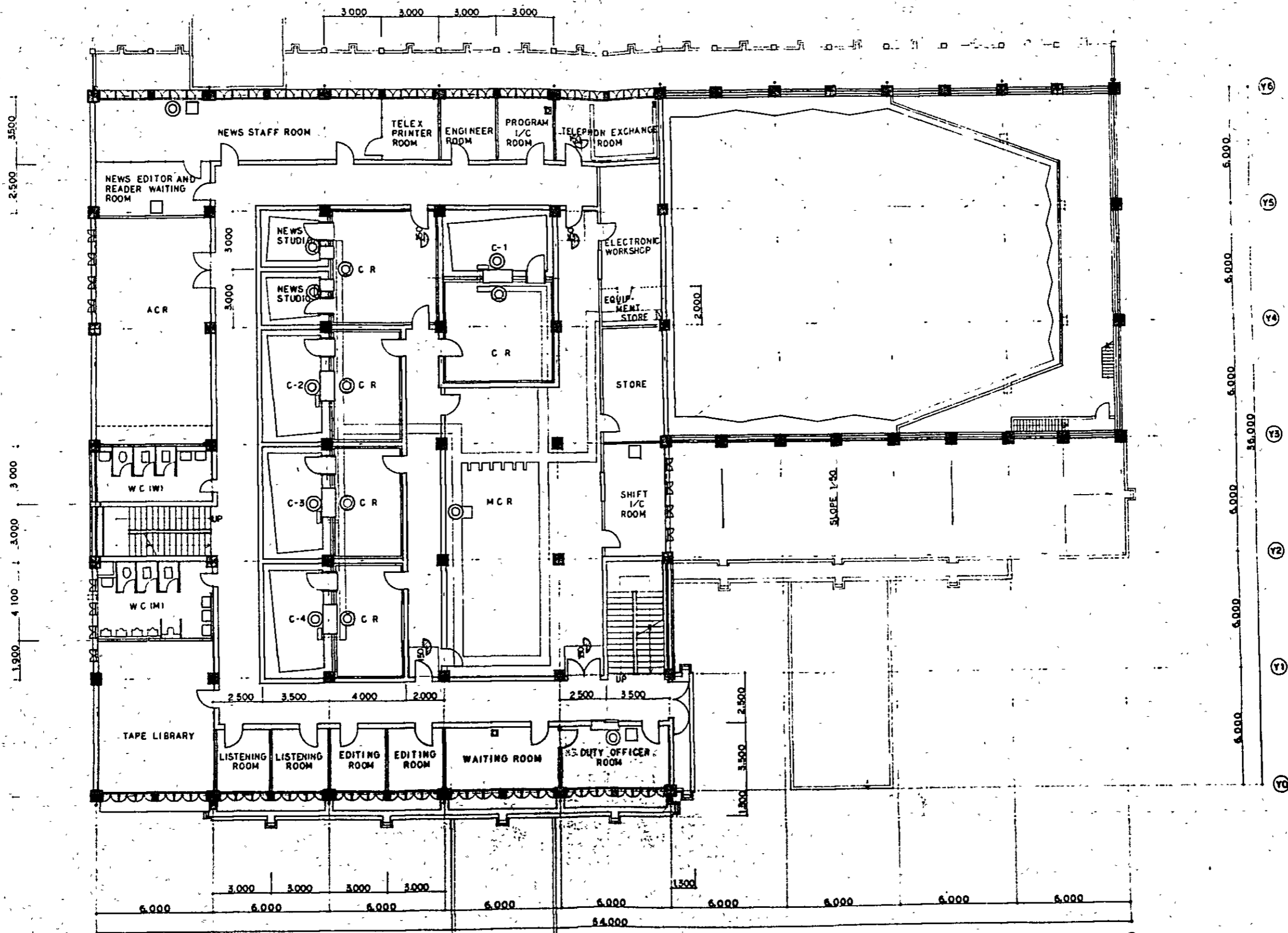
Project NATIONAL BROADCASTING HOUSE OF RADIO BANGLADESH			No. B-29
LAYOUT OF HF, MF RECEIVING ANTENNA			Scale 1/200
Approved by <i>[Signature]</i>	Designed by <i>[Signature]</i>	Drawn by <i>[Signature]</i>	Date JAN. 1981
ALL JAPAN TELEVISION SERVICES CO., LTD.			



- ⊙ 1 second step slave clock
- 30 second step slave clock
- House monitor
- ◻ Outlet for House monitor

GROUND FLOOR PLAN 1:100

No. B-30
 Date JAN. 1981
 FIXING POSITION OF SLAVE CLOCK & HOUSE MONITOR (GROUND FLOOR)
 ALL JAPAN TELEVISION SERVICES CO., LTD.

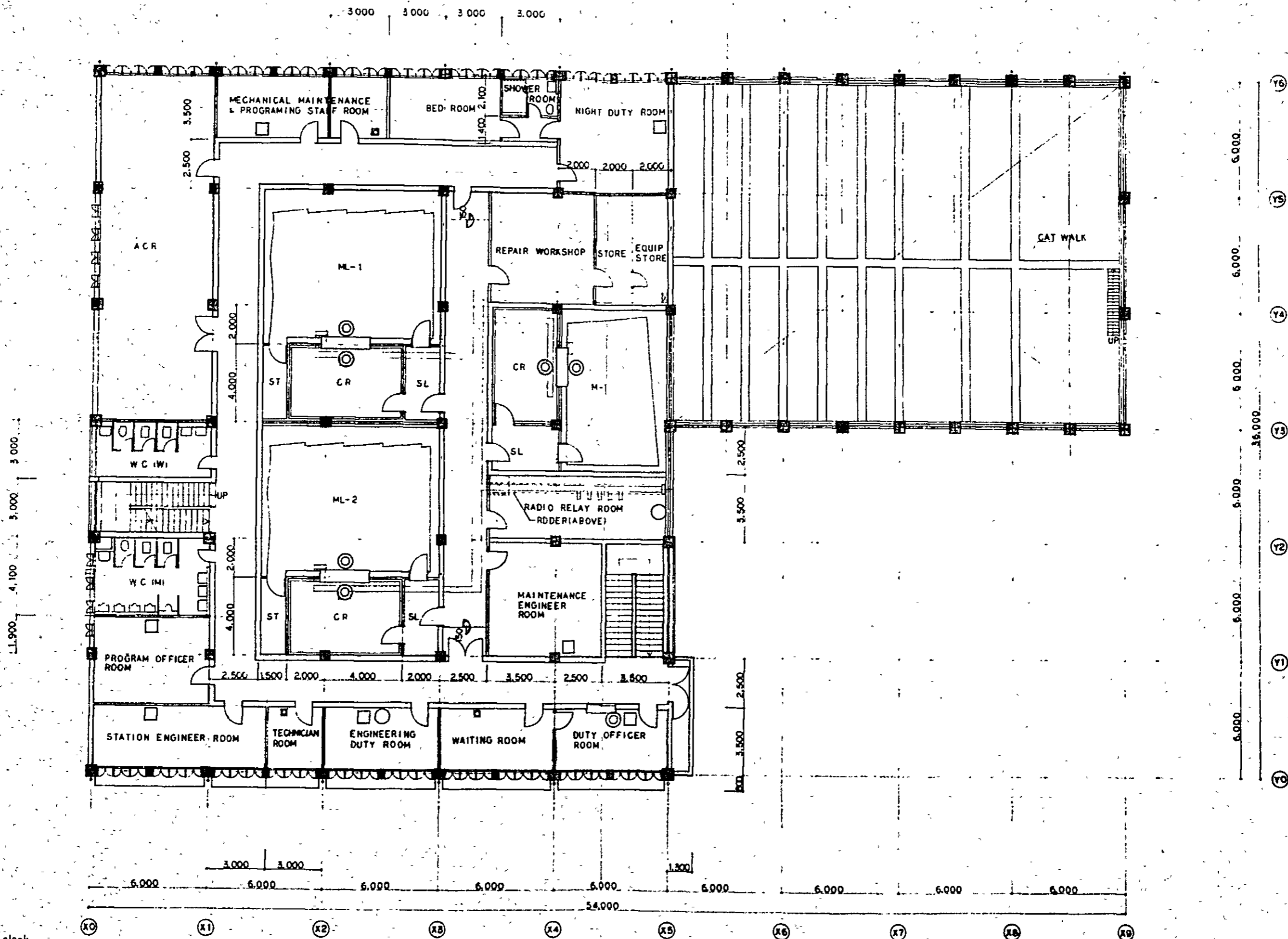


1ST FLOOR PLAN 1:100

FIXING POSITION OF SLAVE CLOCK & HOUSE MONITOR (1ST FLOOR)

No B-31
Date JAN. 1981

ALL JAPAN TELEVISION SERVICES CO., LTD.



- ⊙ 1 second step slave clock
- ⊖ 30 second step slave clock
- House monitor
- Outlet for House monitor

2ND FLOOR PLAN 1:100

FIXING POSITION OF SLAVE CLOCK & HOUSE MONITOR (2ND FLOOR)

No. B-32
Date JAN.1981

ALL JAPAN TELEVISION SERVICES CO., LTD.

JICA