

**REPUBLIC OF THE UNION OF MYANMAR  
MINISTRY OF CONSTRUCTION  
DEPARTMENT OF BRIDGE**

**DETAILED DESIGN STUDY ON  
THE BAGO RIVER BRIDGE  
CONSTRUCTION PROJECT**

**FINAL REPORT ATTACHMENTS**

**VOLUME II DESIGN REPORT  
Part III Steel Box Girder Bridge**

**DECEMBER 2017**

**JAPAN INTERNATIONAL COOPERATION AGENCY (JICA)**

**NIPPON KOEI CO., LTD.**

**ORIENTAL CONSULTANTS GLOBAL CO., LTD.**

**METROPOLITAN EXPRESSWAY COMPANY LIMITED.**

**CHODAI CO., LTD.**

**NIPPON ENGINEERING CONSULTANTS CO., LTD.**

<b>EI</b>
<b>CR(3)</b>
<b>17-136</b>

**REPUBLIC OF THE UNION OF MYANMAR  
MINISTRY OF CONSTRUCTION  
DEPARTMENT OF BRIDGE**

**DETAILED DESIGN STUDY ON  
THE BAGO RIVER BRIDGE  
CONSTRUCTION PROJECT**

**FINAL REPORT ATTACHMENTS**

**VOLUME II DESIGN REPORT  
Part III Steel Box Girder Bridge**

**DECEMBER 2017**

**JAPAN INTERNATIONAL COOPERATION AGENCY (JICA)**

**NIPPON KOEI CO., LTD.**

**ORIENTAL CONSULTANTS GLOBAL CO., LTD.**

**METROPOLITAN EXPRESSWAY COMPANY LIMITED.**

**CHODAI CO., LTD.**

**NIPPON ENGINEERING CONSULTANTS CO., LTD.**

**STEEL BOX GIRDER BRIDGE  
(3-SPAN)**

**SUPERSTRUCTURE**

— Table of Contents —

1.	Design Conditions	
1.1.	Design conditions.....	1
1.2.	General design of superstructure.....	2
2.	Design of Steel Deck Plate	
2.1.	Design principle.....	3
2.2.	Load intensity.....	5
2.3.	Equivalent grid analysis.....	6
2.4.	Calculations of longitudinal rib.....	41
2.5.	Calculations of transverse rib.....	57
2.6.	Calculations of brackets.....	76
2.7.	Calculations of lateral stringer.....	85
3.	Calculations of cross-sectional force	
3.1.	Analysis principle.....	93
3.2.	Frame design.....	94
3.3.	Load Intensity.....	95
3.4.	Computerized INPUT DATA.....	101
3.5.	Computerized OUTPUT DATA.....	228
4.	Design of Main Girder	
4.1.	Design Principle.....	3159
4.2.	Stress diagram.....	3161
4.3.	Calculations of effective width.....	3169
4.4.	Calculations of cross-section.....	3181
4.5.	Investigation on superposition of stress interaction of main girder and floor beam...	3448
4.6.	Investigation on stress under thermal differences.....	3453
4.7.	Calculations of erection joint.....	3469
4.8.	Calculations of weld.....	5129
4.9.	Calculations of rib.....	5146
4.10.	Calculations of stiffener.....	5158
4.11.	Calculations of intermediate DIAPHRAGM.....	5270
4.12.	Calculations of supporting joint DIAPHRAGM.....	5308
4.13.	Investigations on multi-point fixed temperature.....	5364
4.14.	Investigations on flexure and relative stiffness ratio.....	5365
4.15.	Investigations on ratio by weight of steel.....	5377
5.	Design of Cross Beam	
5.1.	Design Principle.....	5378
5.2.	Cross-sectional force acting on main truss.....	5380
5.3.	Cross-sectional force acting on floor beam.....	5385
5.4.	Calculations of cross-section.....	5386
5.5.	Calculations of erection Joint.....	5442
5.6.	Calculations of stiffener.....	5472
5.7.	Investigations on biaxial stress intensity.....	5476

6.	Investigations on fatigue	
6.1.	FLOW CHART regarding fatigue investigaton .....	5486
6.2.	Determination of the necessity of fatigue investigaton of principal members.....	5487
6.3.	Conditions set for fatigue investigaton .....	5488
6.4.	Fatigue investigaton of main girder .....	5492
6.5.	Fatigue investigaton of cross beam .....	5530
7.	Design of accessories	
7.1.	Calculations of catch basin intervals .....	5550
7.2.	Design of expansion apparatus .....	5551
7.3.	Design of bearing support .....	5567

# 1. Design Conditions

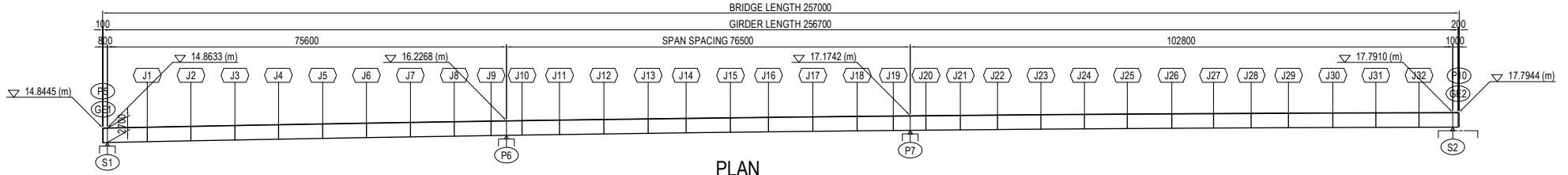
## 1. 1. Design Conditions

Road Standards	The 4th order 1st class
Category	Three span continuous steel deck plate box-girder bridge
Design Speed	$V = 60$ km/h
Bridge Length	257.000m (measured at CL)
Girder Length	256.700m (measured at CL)
Span Length	75.600m + 76.500m + 102.800m (measured at CL)
Cross Sections	full width 20.700~27.305m effective width 19.500~26.104m
Horizontal Alignment	$R = 2000 \sim R = \infty$
Longitudinal Slope	2.500% ↗ ~ 0.300% ↗
Transverse slope	2.000% ↙ ↘ (Rate of slope)
Bevel	90° 00' 00"
Live Load	AASHTO LOAD LRFD
Pavement	asphaltic pavement $t = 80$ mm
Floor Slab	steel plate deck $t = 16$ mm
Traffic volume of oversized vehicles	6,173 vehicles per day
Used steel material	common steel SS400, SM400, SM490Y, SM520, SM570, S10T (Steel with constant yield point)

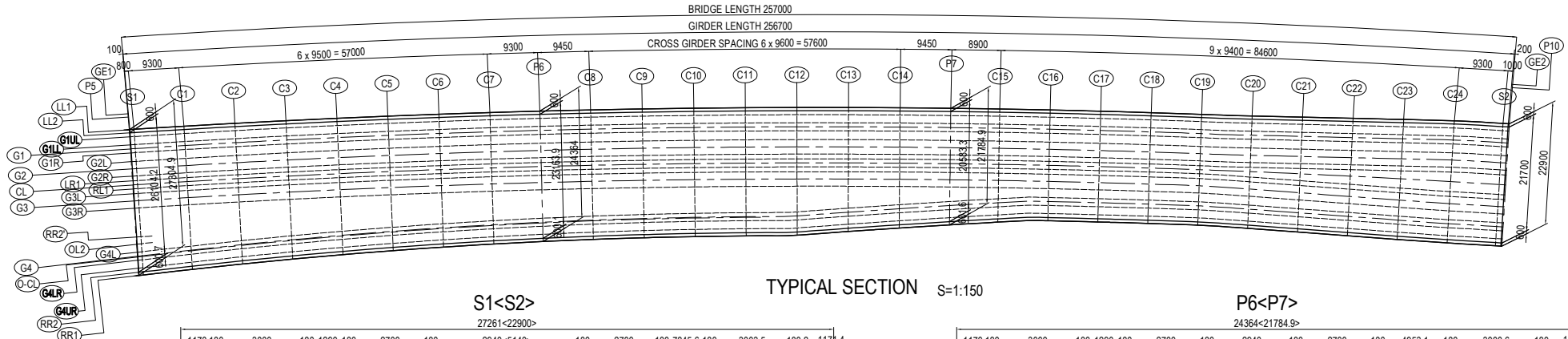
1. 2. General design of superstructure

# GENERAL VIEW OF SUPERSTRUCTURE S=1:800

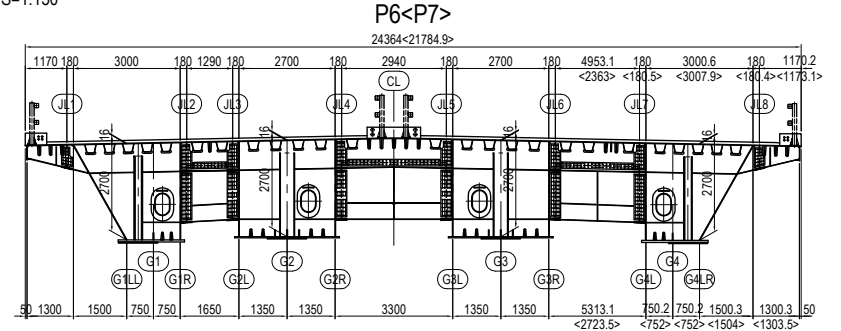
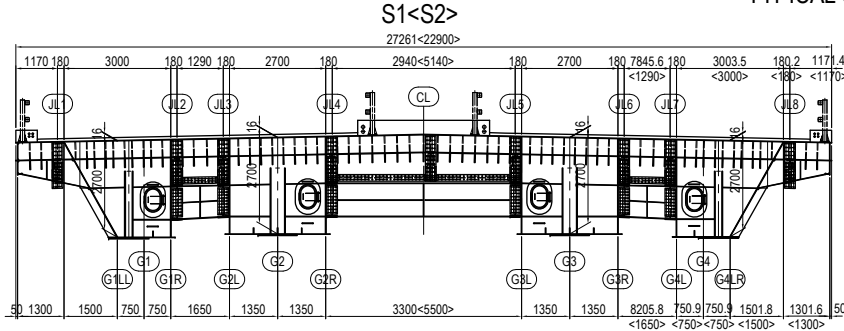
## ELEVATION



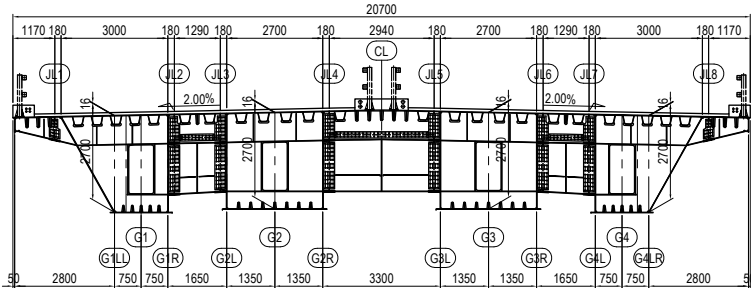
## PLAN



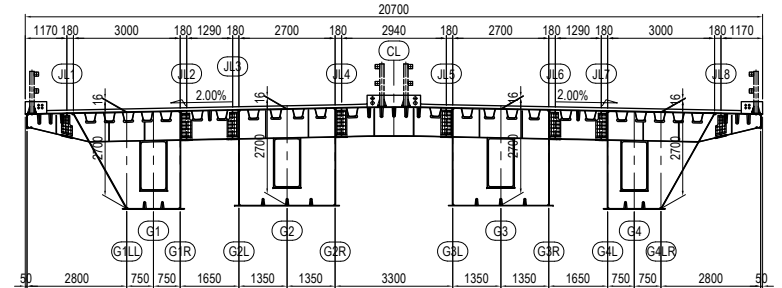
## TYPICAL SECTION S=1:150



## CROSS GIRDER



## DIAPHRAGM



PROJECT NAME  
DETAILED DESIGN ON  
BAGO RIVER BRIDGE  
CONSTRUCTION PROJECT

FINANCED BY  
JICA  
JAPAN INTERNATIONAL  
COOPERATION AGENCY

COUNTERPART  
REPUBLIC OF THE UNION OF MYANMAR  
MINISTRY OF CONSTRUCTION  
DEPARTMENT OF BRIDGE

JICA STUDY TEAM  
NIPPON KOEI CO., LTD.  
ORIENTAL CONSULTANTS GLOBAL CO., LTD.  
METROPOLITAN EXPRESSWAY COMPANY LIMITED  
CHODAI CO. LTD.  
NIPPON ENGINEERING CONSULTANTS CO., LTD.

	NAME	SIGNATURE	DATE
PREPARED BY	S. IMADA		
CHECKED BY	T. HAYAKAWA		
APPROVED BY	Y. SANO		

DRAWING TITLE  
GENERAL VIEW OF SUPERSTRUCTURE

PACKAGE  
2  
DWG No.  
P2-SB-0004

## 2. Design of Steel Deck Plate

### 2. 1. Design Principle

#### (1) Analysis model according to equivalent grid method

Analysis of the steel deck plate is calculated according to the “equivalent grid method”. The “equivalent grid method” is an analysis using a general deformation method, using steel deck plates stiffened by longitudinal ribs and transverse ribs as a plane grid model.

#### (2) Analysis of relative stiffness

##### (a) Bending stiffness of members

The bending stiffness of longitudinal ribs and transverse ribs are calculated by taking into consideration the effective width of the deck plate as a flange as shown in “figure 9.4.2 Specifications for Highway Bridges Part II: STEEL BRIDGES”. The equivalent span length of the transverse ribs is calculated using effective width  $L$  for the intermediate section and  $2L$  for the flared section.

As for the longitudinal ribs of the U-shaped steel, torsional stiffness is taken into consideration. Also, in order to consider the load distribution between the longitudinal ribs of the deck plate, a virtual distribution girder should be installed equivalent to the interval of the transverse ribs.

##### (b) Torsion stiffness of U-shaped steel

Longitudinal ribs are considered as one individual bar member without cross-sectional deformation. Therefore, torsional stiffness (calculated using simple torsional resistance) does not reduce, and is considered 100% effective, calculated by the following equations.

$$\text{Torsion stiffness} = 4 \cdot A^2 / \left\{ \left( \frac{u}{tR} \right) + \left( \frac{a}{tP} \right) \right\}$$

$A$  : Cross-sectional area surrounded by U-shaped steel

$u$  : Developed width of U-shaped steel

$a$  : Upper side width of U-shaped steel

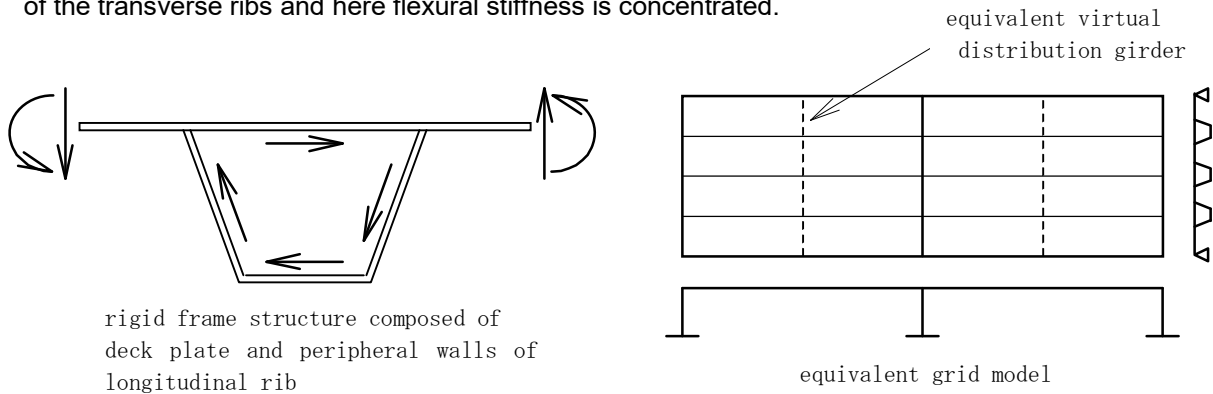
$tR$ : Thickness of U-shaped steel

$tP$ : Thickness of deckplate



(c) Calculations for equivalent virtual distribution girders

Flexural stiffness equivalent to a rigid frame structure composed of the deck plate and peripheral walls of the longitudinal rib is applied to virtual girders that function as load distribution between the longitudinal ribs when considering cross-sectional deformation. Because this rigid frame structure continues lengthwise to the bridge axial direction, first of all, the equivalent moment of inertia of area per unit length is calculated. Then for the lattice model, one distribution girder is installed at intervals of the transverse ribs and here flexural stiffness is concentrated.



(3) Cross-sectional force calculated by analyzing the influence line

As for calculating the cross-sectional force, analysis of the influence line is implemented at all times where maximum and minimum cross-sectional force is calculated by category of member such as longitudinal and transverse ribs.

(4) Other factors

Splice calculations for brackets are designed using maximum girder height within the group members.

## 2. 2. Load intensity

### (1) Death load

$$\text{Pavement (roadway)} \quad 0.080 \text{ m} * 22.50 \text{ kN/m}^3 = 1.80 \text{ kN/m}^2$$

$$\text{Steel weight} = 2.50 \text{ kN/m}^2$$

$$\begin{aligned} \text{Wheel guard(left side)} &= 4.85 \text{ kN/m} \quad \text{distance from inner line of wheel guard} = 0.300 \text{ m} \\ \text{(right side)} &= 4.85 \text{ kN/m} = 0.300 \text{ m} \end{aligned}$$

$$\text{Bridge railing(left side)} = 0.49 \text{ kN/m} = 0.300 \text{ m}$$

$$\text{(right side)} = 0.49 \text{ kN/m} = 0.300 \text{ m}$$

Median division load : refer to load intensity of each model

$$\text{Additive load (total width)} = 0.70 \text{ kN/m}^2$$

### (2) Live load

$$\text{T-load(Blive load)} \quad \text{rear wheel load } P = 100 \text{ kN}$$

※) Do not load T-load at median division.

### (3) Impact coefficient

$$\text{Longitudinal rib} \quad i = 0.4$$

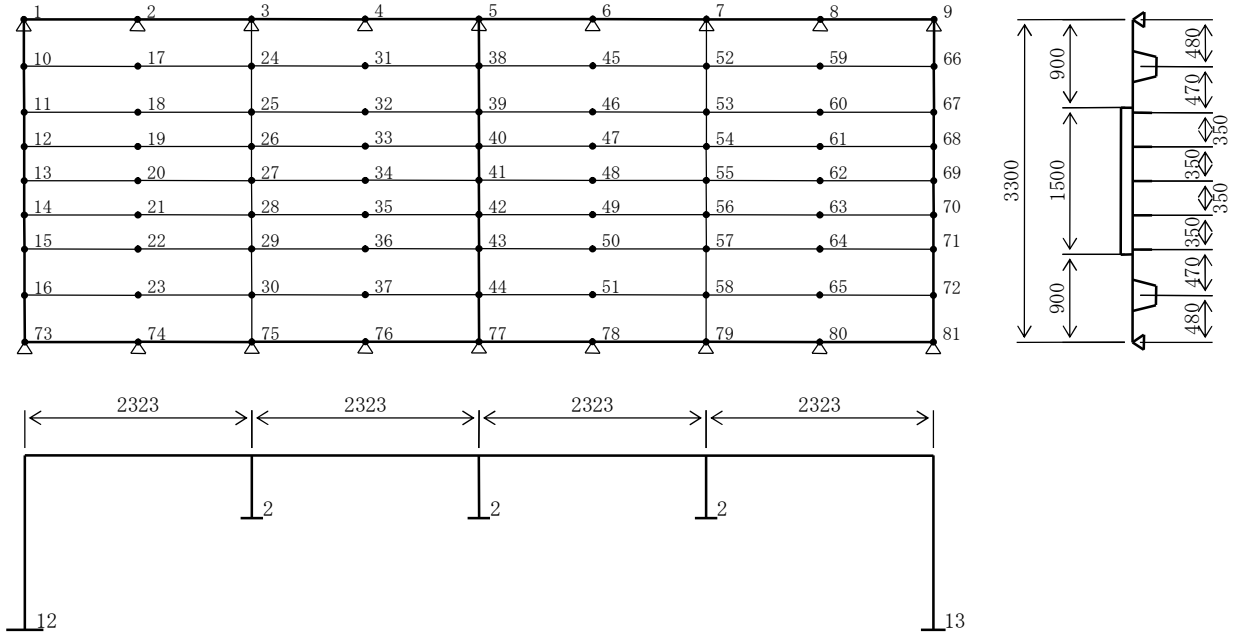
$$\text{Transverse rib} \cdot \text{bracket} \quad i = 20/(50+L) \quad L: \text{Transverse rib} \cdot \text{bracket span length (m)}$$

## 2. 3 Equivalent grid analysis

### 2. 3. 1 ANALYSIS MODEL

(1) MODEL-1 (S1~C1 / between G2R~G3L : edge · between girder and girder①[transverse rib span①])

(a) Frame shape and dead load strength



PAVEMENT	1.80 kN/m <sup>2</sup>
DECK WEIGHT	2.50 kN/m <sup>2</sup>
MEDIAN STRIP	8.09 kN/m <sup>2</sup>
ADDITIONAL WEIGHT	0.70 kN/m <sup>2</sup>

(b) Section shape

Deck Plate 16 mm

Longit Rib

Sec- 1 PL 250 \* 24

Sec- 2 U. RIB 320 \* 240 \* 8

Lateral Rib

Sec- 2 WEB PL 800 \* 9 FLG PL 230 \* 10

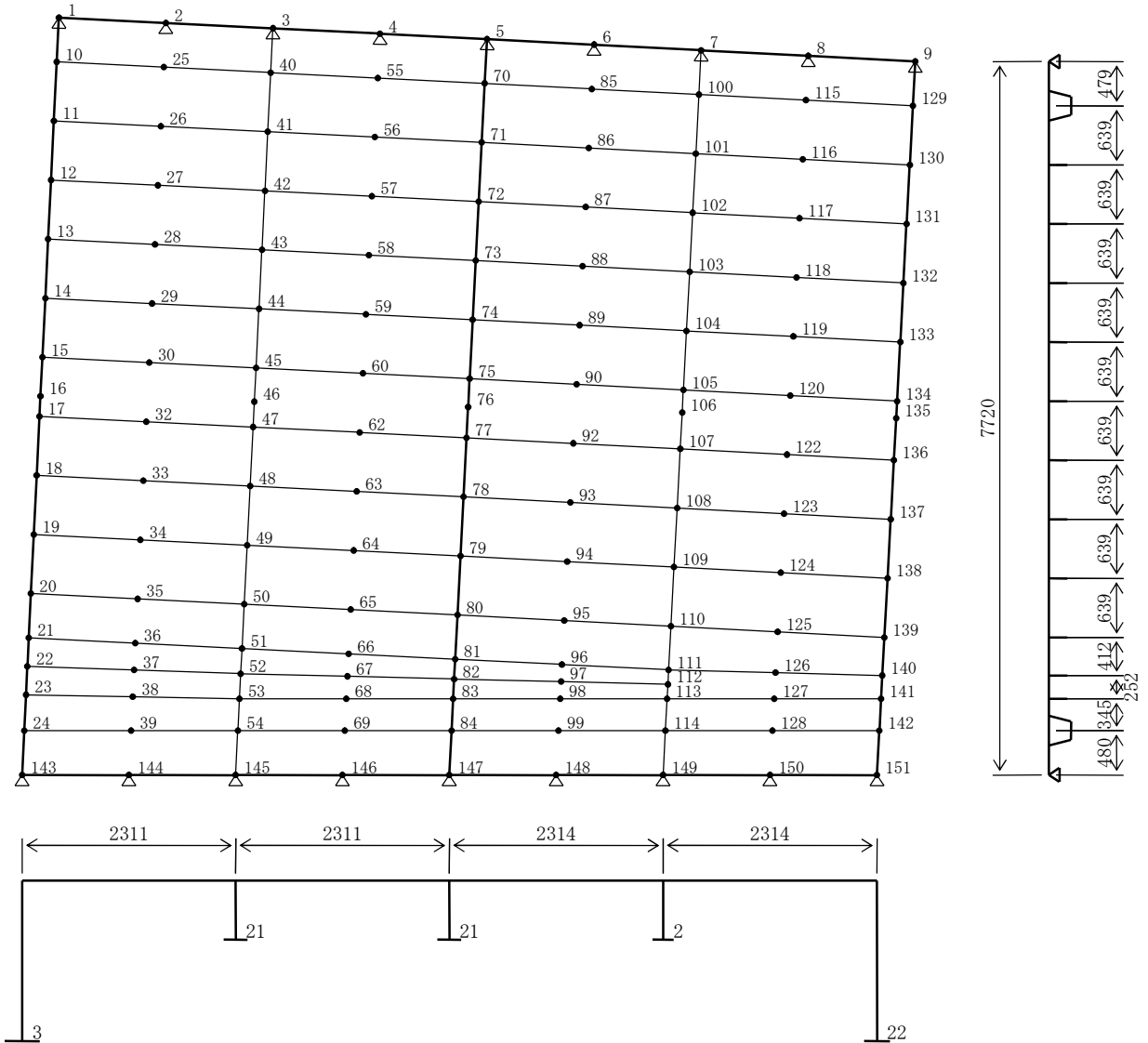
Cross Beam

Sec-12 WEB PL 2227 \* 9 FLG PL 380 \* 16

Sec-13 WEB PL 2227 \* 9 FLG PL 250 \* 16

(2) MODEL-2 (S1~C1 / between G3R~G4L : edge - between girder and girder②[transverse rib span ②])

(a) Frame shape and dead load strength



PAVEMENT	1.80 kN/m <sup>2</sup>
DECK WEIGHT	2.50 kN/m <sup>2</sup>
ADDITIONAL WEIGHT	0.70 kN/m <sup>2</sup>

(b) Section shape

Deck Plate      16 mm

Longit Rib

Sec- 1      PL 250 \* 24

Sec- 2      U.RIB 320 \* 240 \* 8

Lateral Rib

Sec- 2      WEB PL 800 \* 9      FLG PL 230 \* 10

Sec-21      WEB PL 800 \* 9      FLG PL 260 \* 10

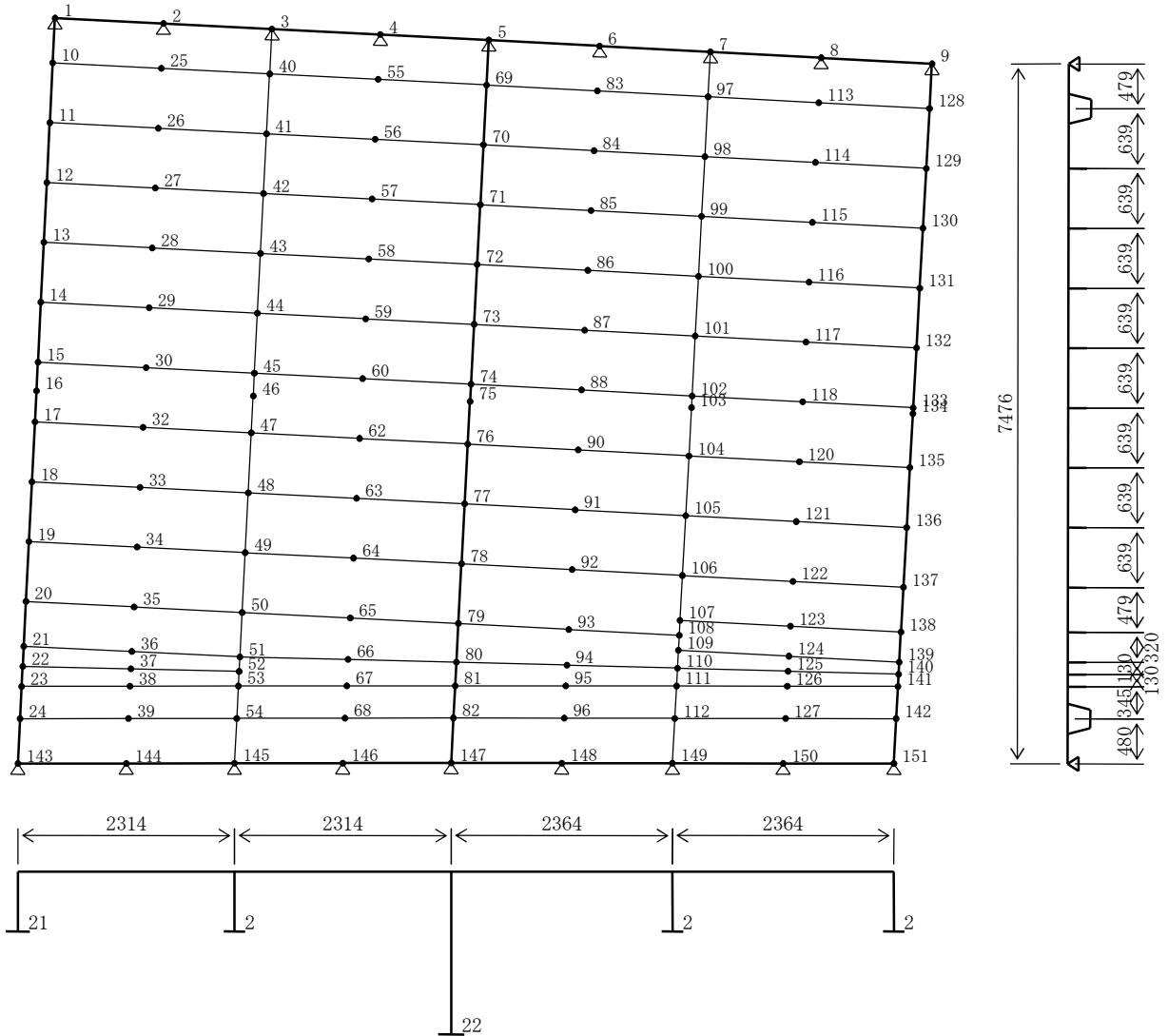
Cross Beam

Sec- 3      WEB PL 2173 \* 9      FLG PL 380 \* 16

Sec-22      WEB PL 2173 \* 9      FLG PL 280 \* 16

(3) MODEL - 3 (D1 ~ D2 / between G3R ~ G4L : intermediate · between girder and girder ①  
 [transverse rib span MAX])

(a) Frame shape and dead load strength



PAVEMENT	1.80 kN/m <sup>2</sup>
DECK WEIGHT	2.50 kN/m <sup>2</sup>
ADDITIONAL WEIGHT	0.70 kN/m <sup>2</sup>

(b) Section shape

Deck Plate      16 mm

Longit Rib

Sec- 1      PL 250 \* 24

Sec- 2      U.RIB 320 \* 240 \* 8

Lateral Rib

Sec- 2      WEB PL 800 \* 9      FLG PL 230 \* 10

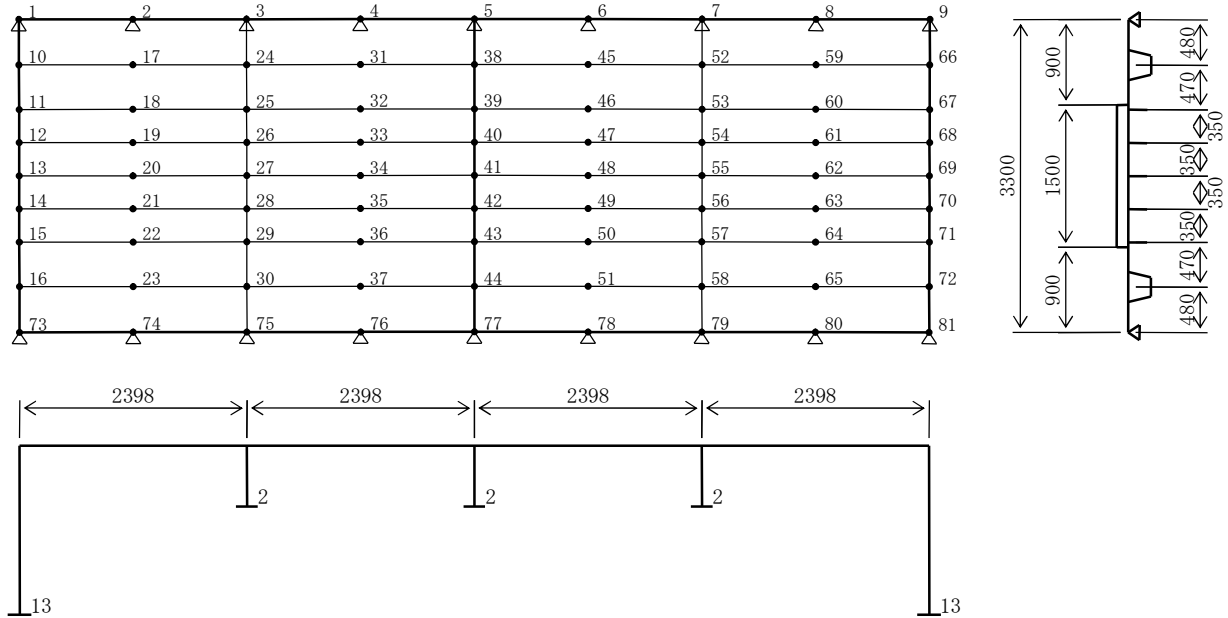
Sec-21      WEB PL 800 \* 9      FLG PL 260 \* 10

Cross Beam

Sec-22      WEB PL 2173 \* 9      FLG PL 280 \* 16

(4) MODEL - 4 (C9 ~ C10 / between G2R ~ G3L : intermediate • between girder and girder②  
 [longitudinal rib span MAX])

(a) Frame shape and dead load strength



PAVEMENT	1.80 kN/m <sup>2</sup>
DECK WEIGHT	2.50 kN/m <sup>2</sup>
MEDIAN STRIP	8.09 kN/m <sup>2</sup>
ADDITIONAL WEIGHT	0.70 kN/m <sup>2</sup>

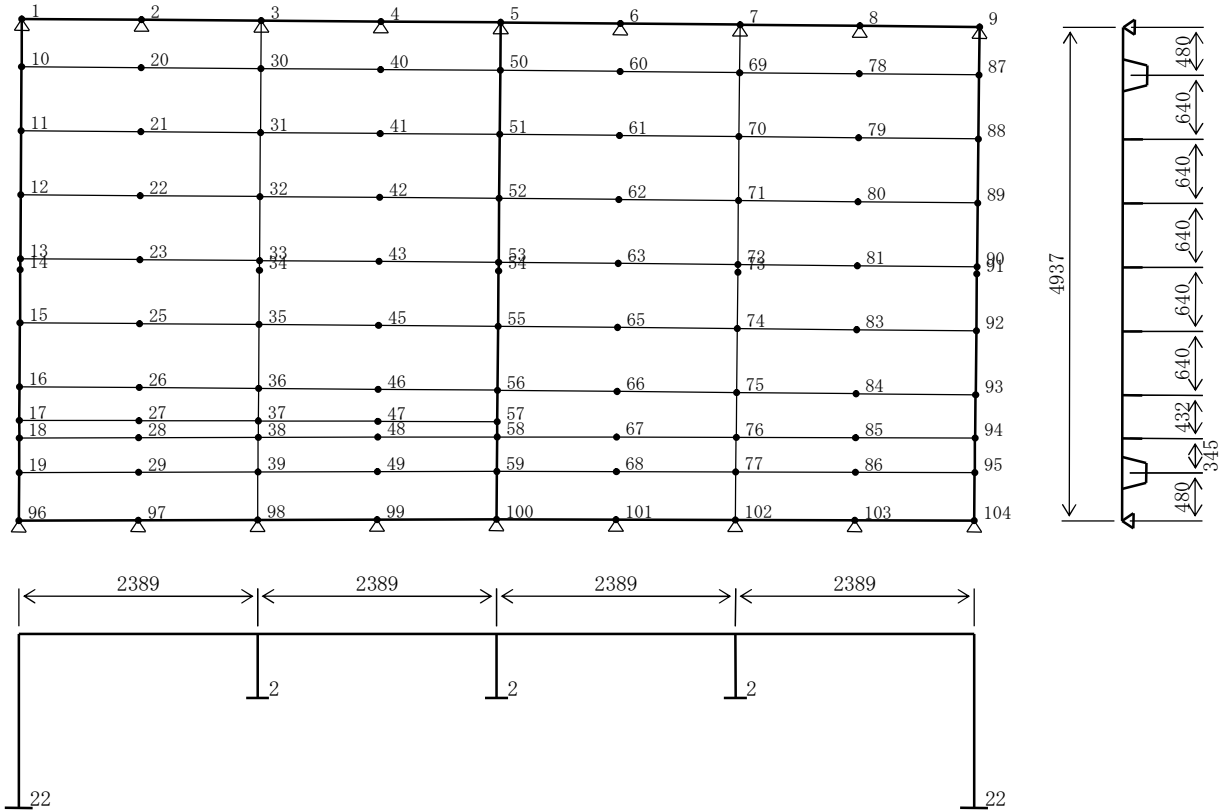
(b) Section shape

- Deck Plate      16 mm
  
- Longit Rib
  - Sec- 1      PL 250 \* 24
  - Sec- 2      U. RIB 320 \* 240 \* 8
- Lateral Rib
  - Sec- 2      WEB PL 800 \* 9      FLG PL 230 \* 10
- Cross Beam
  - Sec-13      WEB PL 2227 \* 9      FLG PL 250 \* 16



(5) MODEL - 5 (C9 ~ C10 / between G3R ~ G4L : intermediate • between girder and girder ③  
 [longitudinal rib span MAX])

(a) Frame shape and dead load strength



PAVEMENT	1.80 kN/m <sup>2</sup>
DECK WEIGHT	2.50 kN/m <sup>2</sup>
ADDITIONAL WEIGHT	0.70 kN/m <sup>2</sup>

(b) Section shape

Deck Plate      16 mm

Longit Rib

Sec- 1      PL 250 \* 24

Sec- 2      U. RIB 320 \* 240 \* 8

Lateral Rib

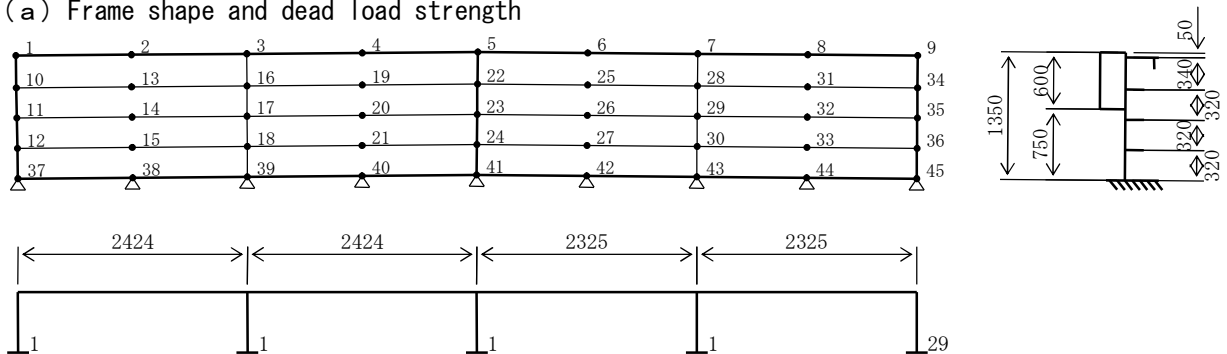
Sec- 2      WEB PL 800 \* 9      FLG PL 230 \* 10

Cross Beam

Sec-22      WEB PL 2173 \* 9      FLG PL 280 \* 16

(6) MODEL-6 (C24~S2 / between LL1~G1UL : edge · intermediate overhang [bracket span · longitudinal rib span MAX])

(a) Frame shape and dead load strength



PAVEMENT	1.80 kN/m <sup>2</sup>
RAILING (LEFT)	0.49 kN/m
CURB (LEFT)	4.85 kN/m
DECK WEIGHT	2.50 kN/m <sup>2</sup>
ADDITIONAL WEIGHT	0.70 kN/m <sup>2</sup>

(b) Section shape

Deck Plate 16 mm

Longit Rib

Sec-1 PL 250 \* 24

Lateral stringer

Sec-1 WEB PL 400 \* 9 FLG PL 100 \* 10

Bracket

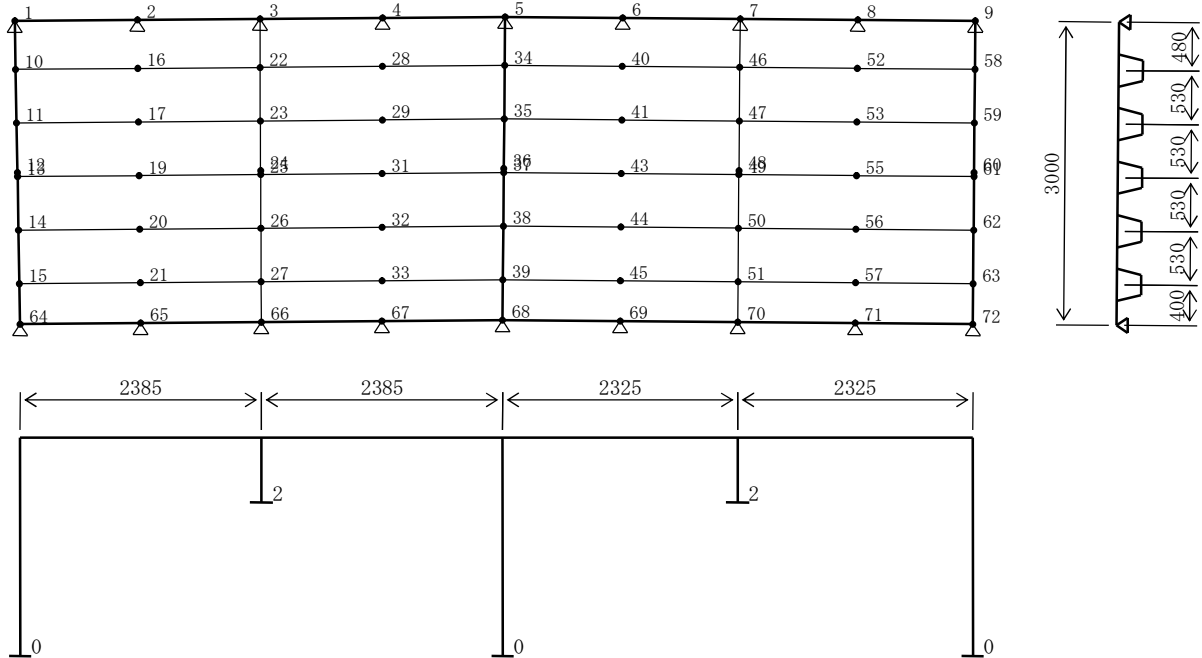
Sec-1 WEB PL 800 \* 9 FLG PL 230 \* 10

Sec-29 WEB PL 800 \* 9 FLG PL 230 \* 10

(Relative stiffness: average of tip and base)

(7) MODEL-7 (C24~S2 / between G1UL~G1R : edge • inside the box girder [transverse rib span  
MAX • longitudinal rib span MAX])

(a) Frame shape and dead load strength



PAVEMENT	1.80 kN/m <sup>2</sup>
DECK WEIGHT	2.50 kN/m <sup>2</sup>
ADDITIONAL WEIGHT	0.70 kN/m <sup>2</sup>

(b) Section shape

Deck Plate 16 mm

Longit Rib

Sec- 2 U.RIB 320 \* 240 \* 8

Lateral Rib

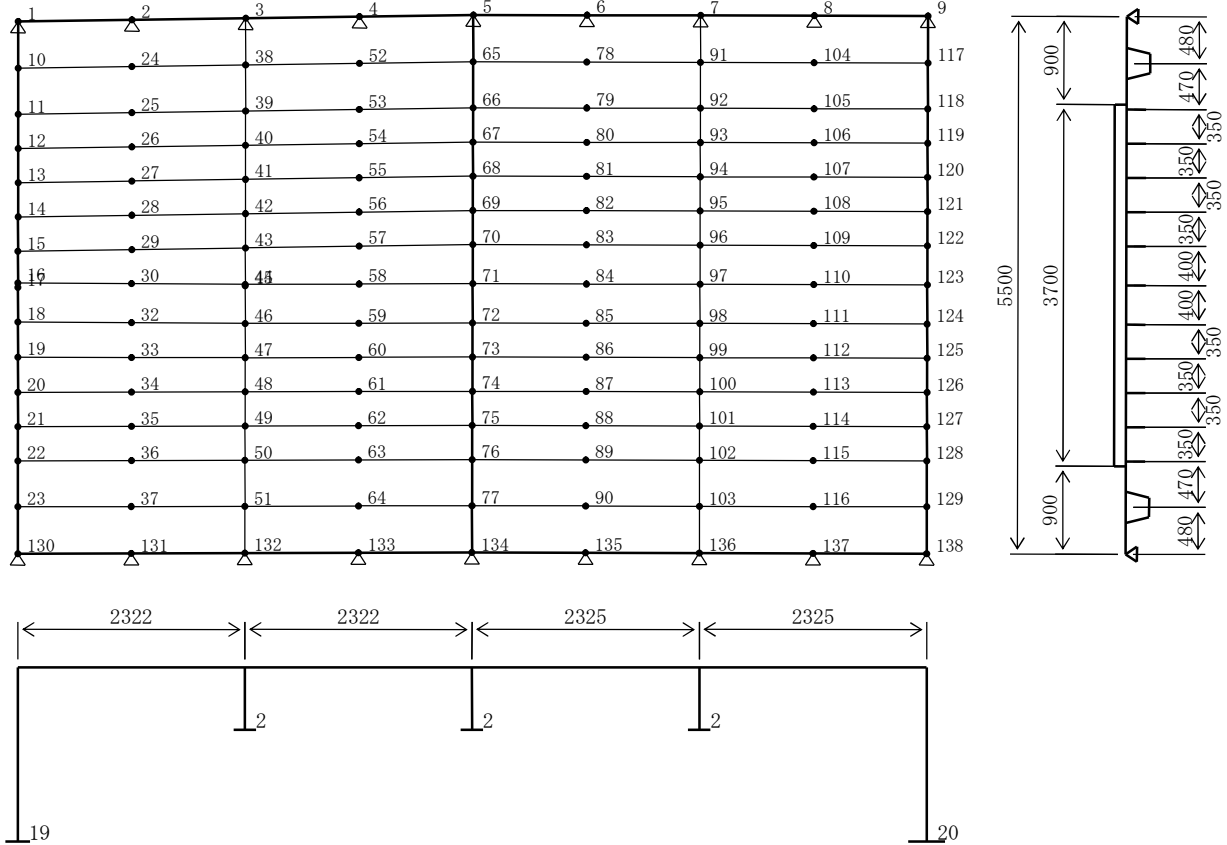
Sec- 2 WEB PL 800 \* 9 FLG PL 230 \* 10

Diaphragm

WEB PL 2700 \* 9 FLG PL 220 \* 10

(8) MODEL-8 (C24~S2 / between G1R~G2L : edge - between girder and girder③[transverse rib span ③])

(a) Frame shape and dead load strength



PAVEMENT	1.80 kN/m <sup>2</sup>
DECK WEIGHT	2.50 kN/m <sup>2</sup>
MEDIAN STRIP	8.09 kN/m <sup>2</sup>
ADDITIONAL WEIGHT	0.70 kN/m <sup>2</sup>

(b) Section shape

Deck Plate 16 mm

Longit Rib

Sec- 1 PL 250 \* 24

Sec- 2 U. RIB 320 \* 240 \* 8

Lateral Rib

Sec- 2 WEB PL 800 \* 9 FLG PL 230 \* 10

Cross Beam

Sec-19 WEB PL 2227 \* 9 FLG PL 250 \* 16

Sec-20 WEB PL 2227 \* 11 FLG PL 380 \* 16

## 2. 3. 2 List of analysis results

(1) MODEL-1 (S1~C1 / between G2R~G3L : edge · between girder and girder①[transverse rib span ①])

Modulus of premium of deck plate floor due to B-live load 「Specifications for Highway Bridges II 9. 4. 2」

member	section	transverse rib span L(m)	longitudinal rib span B(m)	k0	modulus of premium kd
transverse rib	Sec-2	3.300	2.327	1.065	1.065
cross beam	Sec-12	3.300	2.328	1.066	1.066

conversion factor as continuous beam 「Specifications for Highway Bridges II 9. 4. 2 expositions」

As for transverse rib and cross beam, convert simple beam model to continuous beam

Bending moment at span = 0.8 \* simple beam moment

Bending moment at support = -0.8 \* simple beam moment

Modulus of premium due to edge of box girder

member	section	longitudinal rib span L(m)	L+edge of girder L0(m)	Additional dead load	Additional live load
cross beam	Sec-12	2.328	3.128	1.805	1.344

note) Additional dead load : use  $(L_0/L)^2$  for calculation due to uniformed load

Additional live load : use  $(L_0/L)$  for calculation due to concentric load

(a) Cross-sectional force list

member	section	focusing case	panel point	load type	bending moment (kN·m)	shearing force (kN)	
longitudi nal rib	Sec-1	Max bending moment	18	dead load	1.73	-0.52	
				T-LOAD	25.13	-30.92	
				total	26.86	-31.44	
					premium total	26.86	-31.44
			min bending moment	25	dead load	-1.20	-4.52
	T-LOAD				-11.45	-31.19	
	total				-12.66	-35.71	
					premium total	-12.66	-35.71
			Max shearing force	25	dead load	-1.20	-4.52
	T-LOAD				1.00	-52.10	
	total				-0.21	-56.63	
					premium total	-0.21	-56.63
		Sec-2	Max bending moment	17	dead load	1.23	-0.34
	T-LOAD				48.51	-61.44	
	total				49.74	-61.77	
				premium total	49.74	-61.77	
		min bending moment	24	dead load	-0.78	-3.12	
T-LOAD				-23.48	-61.66		
total				-24.27	-64.78		
				premium total	-24.27	-64.78	
		Max shearing force	24	dead load	-0.78	-3.12	
T-LOAD				0.75	-102.82		
total				-0.03	-105.93		
				premium total	-0.03	-105.93	
transvers e rib	Sec-2	Max bending moment	55	dead load	31.31	-4.88	
				T-LOAD	79.58	1.22	
				total	110.89	-3.65	
					premium total	92.88	-3.57
			min bending moment	5	dead load	0.00	27.36
	T-LOAD				0.00	-13.39	
	total				0.00	13.97	
					premium total	-92.88	13.09
			Max shearing force	7	dead load	0.00	29.05
	T-LOAD				0.00	149.10	
	total				0.00	178.15	
					premium total	0.00	187.90
	cross beam	Sec-12	Max bending moment	13	dead load	13.34	-2.01
					T-LOAD	89.21	0.01
					total	102.55	-1.99
					premium total	121.46	-3.61
			min bending moment	1	dead load	0.00	11.95
T-LOAD					0.00	-7.16	
total					0.00	4.78	
					premium total	-121.46	11.31
			Max shearing force	1	dead load	0.00	11.95
T-LOAD					0.00	154.13	
total					0.00	166.07	
					premium total	0.00	242.24

(b) Live load deflection list

member	section	panel point	load type	deflection(mm)
longitudinal rib	Sec-1	18	T-LOAD	0.54
	Sec-2	17	T-LOAD	0.63
transverse rib	Sec-2	55	T-LOAD	0.17
cross beam	Sec-12	13	T-LOAD	0.01

(2) MODEL-2 (S1~C1 / between G3R~G4L : edge • between girder and girder②[transverse rib span ②])

Modulus of premium of deck plate floor due to B-live load 「Specifications for Highway Bridges II 9.4.2」

member	section	transverse rib span L(m)	longitudinal rib span B(m)	k0	modulus of premium kd
transverse rib	Sec-2	8.091	2.320	1.064	1.020
	Sec-21	7.854	2.320	1.064	1.023
cross beam	Sec-3	8.206	2.318	1.064	1.019

Conversion factor as continuous beam 「Specifications for Highway Bridges II 9.4.2 expositions」

As for transverse rib and cross beam, convert simple beam model to continuous beam

Bending moment at span =  $0.8 * \text{simple beam moment}$

Bending moment at support =  $-0.8 * \text{simple beam moment}$

Modulus of premium due to edge of box girder

member	section	longitudinal rib span L(m)	L+edge of girder L0(m)	Additional dead load	Additional live load
cross beam	Sec-3	2.318	3.118	1.809	1.345

note) Additional dead load : use  $(L0/L)^2$  for calculation due to uniformed load

Additional live load : use  $(L0/L)$  for calculation due to concentric load



(a) Cross-sectional force list

member	section	focusing case	panel point	load type	bending moment (kN·m)	shearing force (kN)		
longitudinal rib	Sec-1	Max bending moment	30	dead load	2.98	0.72		
				T-LOAD	66.63	-55.06		
				total	69.60	-54.34		
		min bending moment	41	dead load	-0.10	-3.75		
				T-LOAD	-23.70	-66.55		
				total	-23.80	-70.30		
	Max shearing force	17	dead load	0.00	4.44			
			T-LOAD	0.00	112.29			
			total	0.00	116.73			
			premium total	0.00	116.73			
			Sec-2	Max bending moment	25	dead load	1.68	-0.17
						T-LOAD	54.08	-61.42
total	55.76	-61.59						
min bending moment	40	dead load		-0.40	-3.41			
		T-LOAD		-24.28	-64.52			
		total		-24.68	-67.93			
Max shearing force	10	dead load	0.00	3.07				
		T-LOAD	0.00	108.07				
		total	0.00	111.14				
		premium total	0.00	111.14				
		transverse rib	Sec-2	Max bending moment	105	dead load	77.00	-0.64
						T-LOAD	398.79	-1.11
total	475.79					-1.74		
min bending moment	149			dead load	0.00	-38.89		
				T-LOAD	0.00	-216.24		
				total	0.00	-255.14		
Max shearing force	7		dead load	0.00	39.04			
			T-LOAD	0.00	302.17			
			total	0.00	341.21			
			premium total	0.00	347.36			
			Sec-2 1	Max bending moment	75	dead load	102.22	8.46
						T-LOAD	438.27	13.84
total	540.49	22.30						
min bending moment	145	dead load		0.00	-38.21			
		T-LOAD		0.00	-189.37			
		total		0.00	-227.58			
Max shearing force	5	dead load	0.00	47.83				
		T-LOAD	0.00	314.82				
		total	0.00	362.65				
		premium total	0.00	369.86				

member	section	focusing case	panel point	load type	bending moment (kN·m)	shearing force (kN)
cross beam	Sec-3	Max bending moment	17	dead load	57.58	0.83
				T-LOAD	838.40	7.14
				total	895.97	7.97
				premium total	1002.70	11.29
		min bending moment	1	dead load	0.00	24.45
				T-LOAD	0.00	-6.37
				total	0.00	18.07
				premium total	-1002.70	35.50
		Max shearing force	143	dead load	0.00	-24.90
				T-LOAD	0.00	-458.74
				total	0.00	-483.64
				premium total	0.00	-673.85

(b) Live load deflection list

member	section	panel point	load type	deflection (mm)
longitudinal rib	Sec-1	60	T-LOAD	4.60
	Sec-2	55	T-LOAD	1.22
transverse rib	Sec-2	106	T-LOAD	3.88
	Sec-21	76	T-LOAD	4.16
cross beam	Sec-3	16	T-LOAD	0.61

(3) MODEL— 3 (D1~D2 / between G3R~G4L : intermediate-between girder and girder①[transverse rib span MAX])

Modulus of premium of deck plate floor due to B-live load 「Specifications for Highway Bridges II 9. 4. 2 」

member	section	transverse rib span L(m)	longitudinal rib span B(m)	k0	modulus of premium kd
transverse rib	Sec-2	7.607	2.370	1.074	1.030
cross beam	Sec-22	7.731	2.370	1.074	1.028

Conversion factor as continuous beam 「Specifications for Highway Bridges II 9. 4. 2 expositions」

As for transverse rib and cross beam, convert simple beam model to continuous beam

Bending moment at span =  $0.8 * \text{simple beam moment}$

Bending moment at support =  $-0.8 * \text{simple beam moment}$

(a) Cross-sectional force list

member	section	focusing case	panel point	load type	bending moment (kN·m)	shearing force (kN)	
longitudinal rib	Sec-1	Max bending moment	88	dead load	-0.12	3.54	
				T-LOAD	53.20	-43.47	
				total	53.07	-39.94	
		min bending moment	74	dead load	-6.54	-7.33	
				T-LOAD	-28.76	-70.19	
				total	-35.31	-77.52	
	Sec-2	Max bending moment	83	dead load	0.59	0.88	
				T-LOAD	46.42	-49.89	
				total	47.01	-49.01	
		min bending moment	97	dead load	-0.33	-2.43	
				T-LOAD	-25.10	-13.26	
				total	-25.43	-15.70	
Max shearing force	74	dead load	-6.54	-7.33			
		T-LOAD	1.90	-111.62			
		total	-4.65	-118.95			
	69	dead load	-2.41	4.20			
		T-LOAD	0.11	108.02			
		total	-2.30	112.22			
transverse rib	Sec-2	Max bending moment	102	dead load	44.99	-1.33	
				T-LOAD	354.24	-4.27	
				total	399.23	-5.60	
		min bending moment	104	dead load	44.14	-4.66	
				T-LOAD	-68.80	8.22	
				total	-24.66	3.57	
	Max shearing force	7	dead load	0.00	26.44		
			T-LOAD	0.00	285.42		
			total	0.00	311.86		
	cross beam	Sec-22	Max bending moment	74	dead load	158.31	-2.84
					T-LOAD	712.74	-10.04
					total	871.06	-12.88
min bending moment			5	dead load	0.00	70.58	
				T-LOAD	0.00	-11.51	
				total	0.00	59.07	
Max shearing force		147	dead load	0.00	-72.55		
			T-LOAD	0.00	-424.76		
			total	0.00	-497.31		
					premium total	0.00	-509.20

(b) Live load deflection list

member	section	panel point	load type	deflection(mm)
longitudinal rib	Sec-1	45	T-LOAD	3.36
	Sec-2	83	T-LOAD	0.77
transverse rib	Sec-2	46	T-LOAD	3.38
cross beam	Sec-22	75	T-LOAD	0.49

(4) MODEL - 4 (C9 ~ C10 / between G2R ~ G3L : intermediate • between girder and girder②  
 [longitudinal rib span MAX])

Modulus of premium of deck plate floor due to B-live load 「Specifications for Highway Bridges

II 9. 4. 2 s」

member	section	transverse rib span L(m)	longitudinal rib span B(m)	k0	modulus of premium kd
transverse rib	Sec-2	3.300	2.402	1.080	1.080

Conversion factor as continuous beam 「Specifications for Highway Bridges II 9. 4. 2 expositions」

As for transverse rib and cross beam, convert simple beam model to continuous beam

Bending moment at span =  $0.8 * \text{simple beam moment}$

Bending moment at support =  $-0.8 * \text{simple beam moment}$

(a) Cross-sectional force list

member	section	focusing case	panel point	load type	bending moment (kN·m)	shearing force (kN)		
longitudinal rib	Sec-1	Max bending moment	32	dead load	1.21	0.03		
				T-LOAD	22.29	-26.47		
				total	23.50	-26.44		
		min bending moment	25	dead load	-1.31	4.17		
				T-LOAD	-11.89	6.10		
				total	-13.20	10.26		
	Max shearing force	25	dead load	-1.31	4.17			
			T-LOAD	0.95	51.90			
			total	-0.36	56.07			
		premium total				-0.36	56.07	
			Sec-2	Max bending moment	45	dead load	0.85	0.01
						T-LOAD	43.22	-51.01
total	44.08	-51.00						
min bending moment	52	dead load		-0.86	-2.86			
		T-LOAD		-24.29	-12.68			
		total		-25.15	-15.54			
Max shearing force	52	dead load	-0.86	-2.86				
		T-LOAD	0.72	-102.66				
		total	-0.14	-105.52				
premium total				-0.14	-105.52			
	Sec-2	Max bending moment	55	dead load	32.44	-5.05		
				T-LOAD	80.22	1.13		
total				112.67	-3.92			
min bending moment		5	dead load	0.00	28.15			
			T-LOAD	0.00	-13.58			
			total	0.00	14.57			
Max shearing force	7	dead load	0.00	30.09				
		T-LOAD	0.00	149.49				
		total	0.00	179.58				
premium total				0.00	191.60			

(b) Live load deflection list

member	section	panel point	load type	deflection(mm)
longitudinal rib	Sec-1	32	T-LOAD	0.50
	Sec-2	45	T-LOAD	0.55
transverse rib	Sec-2	55	T-LOAD	0.17



(5) MODEL - 5 (C9 ~ C10 / between G3R ~ G4L : intermediate • between girder and girder③  
 [longitudinal rib span MAX])

Modulus of premium of deck plate floor due to B-live load 「Specifications for Highway Bridges  
 II 9. 4. 2 」

member	section	transverse rib span L(m)	longitudinal rib span B(m)	k0	modulus of premium kd
transverse rib	Sec-2	5.018	2.395	1.079	1.066

Conversion factor as continuous beam 「Specifications for Highway Bridges II 9. 4. 2 expositions」

As for transverse rib and cross beam, convert simple beam model to continuous beam

Bending moment at span = 0.8 \* simple beam moment

Bending moment at support = -0.8 \* simple beam moment

(a) Cross-sectional force list

member	section	focusing case	panel point	load type	bending moment (kN·m)	shearing force (kN)	
longitudinal rib	Sec-1	Max bending moment	43	dead load	1.34	-0.31	
				T-LOAD	50.40	-56.65	
				total	51.74	-56.95	
					premium total	51.74	-56.95
			min bending moment	70	dead load	-0.92	-3.72
	T-LOAD				-24.88	-12.73	
	total				-25.81	-16.45	
					premium total	-25.81	-16.45
			Max shearing force	51	dead load	-1.19	-3.95
	T-LOAD				2.84	-110.83	
	total				1.65	-114.78	
					premium total	1.65	-114.78
		Sec-2	Max bending moment	40	dead load	1.05	-0.04
	T-LOAD				46.81	-54.79	
	total				47.86	-54.83	
				premium total	47.86	-54.83	
		min bending moment	69	dead load	-0.93	-3.32	
T-LOAD				-25.18	-13.15		
total				-26.10	-16.47		
				premium total	-26.10	-16.47	
		Max shearing force	50	dead load	-1.00	-3.39	
T-LOAD				1.08	-107.40		
total				0.08	-110.79		
				premium total	0.08	-110.79	
transverse rib	Sec-2	Max bending moment	33	dead load	36.91	-2.71	
				T-LOAD	254.39	-63.86	
				total	291.31	-66.57	
					premium total	246.39	-70.76
			min bending moment	5	dead load	0.00	28.08
	T-LOAD				0.00	-12.92	
	total				0.00	15.16	
					premium total	-246.39	14.31
			Max shearing force	3	dead load	0.00	27.52
	T-LOAD				0.00	277.17	
	total				0.00	304.69	
					premium total	0.00	322.87

(b) Live load deflection list

member	section	panel point	load type	deflection(mm)
longitudinal rib	Sec-1	43	T-LOAD	1.50
	Sec-2	40	T-LOAD	0.76
transverse rib	Sec-2	34	T-LOAD	1.02

(6) MODEL-6 (C24~S2 / between LL1~G1UL : edge · intermediate overhang [bracket span · longitudinal rib span MAX])

Modulus of premium of deck plate floor due to B-live load 「Specifications for Highway Bridges II 9.4.2」

member	section	transverse rib span L(m)	longitudinal rib span B(m)	k0	modulus of premium kd
Bracket	Sec-1	1.300	2.487	1.097	1.097
	Sec-29	1.300	2.325	1.065	1.065

Modulus of premium due to edge of box girder

member	section	longitudinal rib span L(m)	L+edge of girder L0(m)	Additional dead load	Additional live load
Bracket	Sec-29	2.325	3.325	2.045	1.430

note) Additional dead load : use  $(L0/L)^2$  for calculation due to uniformed load  
 Additional live load : use  $(L0/L)$  for calculation due to concentric load

(a) Cross-sectional force list

member	section	focusing case	panel point	load type	bending moment (kN·m)	shearing force (kN)			
longitudinal rib	Sec-1	Max bending moment	33	dead load	0.74	0.29			
				T-LOAD	39.65	-34.12			
				total	40.40	-33.83			
		min bending moment	18	dead load	-0.75	2.05			
				T-LOAD	-20.79	10.88			
				total	-21.54	12.92			
	Max shearing force	30	dead load	-0.68	2.15				
			T-LOAD	0.06	85.29				
			total	-0.61	87.44				
			premium total	-0.61	87.44				
			Lateral stringer	Sec-1	Max bending moment	8	dead load	1.15	0.25
							T-LOAD	0.91	-0.78
total	2.06	-0.53							
min bending moment	5	dead load			-0.90	-2.69			
		T-LOAD			-1.14	-0.54			
		total			-2.04	-3.23			
Max shearing force	5	dead load	-0.90	2.62					
		T-LOAD	-1.14	1.27					
		total	-2.04	3.89					
		premium total	-2.04	3.89					
		Bracket	Sec-1	Max bending moment	5	dead load	0.02	-5.31	
						T-LOAD	0.02	-1.80	
total	0.03					-7.11			
min bending moment	39			dead load	-23.78	-27.04			
				T-LOAD	-66.37	-136.22			
				total	-90.15	-163.26			
Max shearing force	39		dead load	-23.78	-27.04				
			T-LOAD	-33.57	-137.94				
			total	-57.35	-164.98				
			premium total	-60.62	-178.41				
			Sec-29	min bending moment	45	dead load	-9.07	-10.19	
						T-LOAD	-68.89	-138.45	
total	-77.95	-148.64							
Max shearing force	45	dead load		-9.07	-10.19				
		T-LOAD		-34.52	-138.78				
		total		-43.59	-148.97				
				premium total	-71.12	-232.22			

(b) Live load deflection list

member	section	panel point	load type	deflection(mm)
longitudinal rib	Sec-1	33	T-LOAD	0.77
Lateral stringer	Sec-1	9	T-LOAD	0.06
Bracket	Sec-1	3	T-LOAD	0.06
	Sec-29	9	T-LOAD	0.06

( 7 ) MODEL — 7 (C24 ~ S2 / between G1UL ~ G1R : edge • intermediate inside the box girder[transverse rib span • longitudinal rib span MAX])

Modulus of premium of deck plate floor due to B-live load 「Specifications for Highway Bridges

II 9. 4. 2 」

member	section	transverse rib span L(m)	longitudinal rib span B(m)	k0	modulus of premium kd
transverse rib	Sec-2	3.000	2.463	1.093	1.093

Conversion factor as continuous beam 「Specifications for Highway Bridges II 9. 4. 2 expositions」

As for transverse rib and cross beam, convert simple beam model to continuous beam

Bending moment at span = 0.8 \* simple beam moment

Bending moment at support = -0.8 \* simple beam moment

(a) Cross-sectional force list

member	section	focusing case	panel point	load type	bending moment (kN·m)	shearing force (kN)
longitudinal rib	Sec-2	Max bending moment	52	dead load	1.25	0.34
				T-LOAD	45.40	-47.63
				total	46.66	-47.29
				premium total	46.66	-47.29
		min bending moment	22	dead load	-0.95	3.00
				T-LOAD	-22.74	13.25
				total	-23.69	16.25
				premium total	-23.69	16.25
		Max shearing force	37	dead load	-1.34	-3.42
				T-LOAD	0.15	-106.88
				total	-1.19	-110.30
				premium total	-1.19	-110.30
transverse rib	Sec-2	Max bending moment	25	dead load	13.49	-3.75
				T-LOAD	127.16	21.66
				total	140.64	17.90
				premium total	121.93	19.91
		min bending moment	48	dead load	12.78	2.60
				T-LOAD	-16.81	-2.53
				total	-4.03	0.07
				premium total	-121.93	-0.16
		Max shearing force	66	dead load	0.00	-16.07
				T-LOAD	0.00	-203.48
				total	0.00	-219.55
				premium total	0.00	-238.40

(b) Live load deflection list

member	section	panel point	load type	deflection (mm)
longitudinal rib	Sec-2	55	T-LOAD	0.65
transverse rib	Sec-2	24	T-LOAD	0.19



(8) MODEL— 8 (C24~S2 / between G1R~G2L : edge • between girder and girder③[transverse rib span ③])

Modulus of premium of deck plate floor due to B-live load 「Specifications for Highway Bridges II 9. 4. 2 」

member	section	transverse rib span L(m)	longitudinal rib span B(m)	k0	modulus of premium kd
transverse rib	Sec-2	5.500	2.329	1.066	1.049
cross beam	Sec-20	5.500	2.325	1.065	1.049

Conversion factor as continuous beam 「Specifications for Highway Bridges II 9. 4. 2 expositions」

As for transverse rib and cross beam, convert simple beam model to continuous beam

Bending moment at span = 0.8 \* simple beam moment

Bending moment at support = -0.8 \* simple beam moment

Modulus of premium due to edge of box girder

member	section	longitudinal rib span L(m)	L+edge of girder L0(m)	Additional dead load	Additional live load
cross beam	Sec-20	2.325	3.325	2.045	1.430

note) Additional dead load : use  $(L0/L)^2$  for calculation due to uniformed load

Additional live load : use  $(L0/L)$  for calculation due to concentric load

(a) Cross-sectional force list

member	section	focusing case	panel point	load type	bending moment (kN·m)	shearing force (kN)		
longitudinal rib	Sec-1	Max bending moment	115	dead load	2.08	0.22		
				T-LOAD	25.23	-21.71		
				total	27.31	-21.49		
					premium total	27.31	-21.49	
		min bending moment	39	dead load	-0.56	3.82		
				T-LOAD	-11.16	5.88		
	total			-11.72	9.69			
				premium total	-11.72	9.69		
	Max shearing force	128	dead load	0.00	-3.79			
			T-LOAD	0.00	-52.53			
			total	0.00	-56.32			
						premium total	0.00	-56.32
Sec-2			Max bending moment	116	dead load	1.51	0.09	
					T-LOAD	48.52	-41.74	
	total	50.02			-41.64			
				premium total	50.02	-41.64		
	min bending moment	38	dead load	-0.30	2.64			
			T-LOAD	-23.34	12.55			
total			-23.64	15.19				
			premium total	-23.64	15.19			
Max shearing force	129	dead load	0.00	-2.69				
		T-LOAD	0.00	-103.14				
		total	0.00	-105.83				
					premium total	0.00	-105.83	
		transverse rib	Sec-2	Max bending moment	71	dead load	102.29	5.89
						T-LOAD	51.71	-1.88
total	154.01					4.01		
					premium total	125.25	3.92	
min bending moment	134			dead load	0.00	-61.63		
				T-LOAD	0.00	11.39		
			total	0.00	-50.25			
				premium total	-125.25	-49.68		
Max shearing force	134		dead load	0.00	-61.63			
			T-LOAD	0.00	-132.42			
			total	0.00	-194.06			
						premium total	0.00	-200.59
		cross beam	Sec-20	Max bending moment	123	dead load	47.75	-2.62
						T-LOAD	87.89	0.02
total	135.64					-2.60		
					premium total	183.58	-5.32	
min bending moment	9			dead load	0.00	27.58		
				T-LOAD	0.00	-6.88		
			total	0.00	20.70			
				premium total	-183.58	46.09		
Max shearing force	138		dead load	0.00	-27.60			
			T-LOAD	0.00	-145.76			
			total	0.00	-173.36			
						premium total	0.00	-275.06

(b) Live load deflection list

member	section	panel point	load type	deflection(mm)
longitudinal rib	Sec-1	105	T-LOAD	0.57
	Sec-2	104	T-LOAD	0.64
transverse rib	Sec-2	97	T-LOAD	0.34
cross beam	Sec-20	123	T-LOAD	0.03

(9) Cross-sectional force upon design • deflection

(a) Cross-sectional force list

member	section	focusing case	bending moment (kN·m)	shearing force (kN)	calculate d model
longitudinal rib	Sec-1	Max bending moment	69.60	-54.34	model2
		min bending moment	-35.31	-118.95	model3
		Max shearing force	-35.31	-118.95	model3
	Sec-2	Max bending moment	55.76	-61.59	model2
		min bending moment	-26.10	112.22	model5
		Max shearing force	-25.43	112.22	model3
Lateral stringer	Sec-1	Max bending moment	2.06	-0.53	model6
		min bending moment	-2.04	3.89	model6
		Max shearing force	-2.04	3.89	model6
transverse rib	Sec-2	Max bending moment	387.13	-1.77	model2
		min bending moment	-387.13	347.36	model2
		Max shearing force	-387.13	347.36	model2
	Sec-21	Max bending moment	440.42	22.62	model2
		min bending moment	-440.42	369.86	model2
		Max shearing force	-440.42	369.86	model2
Bracket	Sec-1	Max bending moment	0.04	-7.28	model6
		min bending moment	-96.61	-178.41	model6
		Max shearing force	-96.61	-178.41	model6
	Sec-29	min bending moment	-123.46	-232.22	model6
		Max shearing force	-123.46	-232.22	model6
cross beam	Sec-3	Max bending moment	1002.70	11.29	model2
		min bending moment	-1002.70	-673.85	model2
		Max shearing force	-1002.70	-673.85	model2
	Sec-12	Max bending moment	121.46	-3.61	model11
		min bending moment	-121.46	242.24	model11
		Max shearing force	-121.46	242.24	model11
	Sec-20	Max bending moment	183.58	-5.32	model18
		min bending moment	-183.58	-275.06	model18
		Max shearing force	-183.58	-275.06	model18
	Sec-22	Max bending moment	712.80	-13.16	model13
		min bending moment	-712.80	-509.20	model13
		Max shearing force	-712.80	-509.20	model13

(b) Live load deflection list

member	section	deflection(mm)	calculated model
longitudinal rib	Sec-1	4.60	model2
	Sec-2	1.22	model2
Lateral stringer	Sec-1	0.06	model6
transverse rib	Sec-2	3.88	model2
	Sec-21	4.16	model2
Bracket	Sec-1	0.06	model6
	Sec-29	0.06	model6
cross beam	Sec-3	0.61	model2
	Sec-12	0.01	model11
	Sec-13	0.00	model10
	Sec-19	0.00	model10
	Sec-20	0.03	model18
	Sec-22	0.49	model13

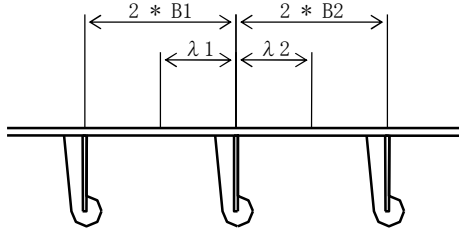
## 2. 4. Calculation of longitudinal rib

### (1) G 1 · G 2 max / Model-6 Sec-1(effective span)

#### Cross-sectional force and calculation condition

For cross-section calculation  $M = 40.40 \text{ kN}\cdot\text{m}$   $S = 33.83 \text{ kN}$   
 For splice  $M_j = 40.40 \text{ kN}\cdot\text{m}$   $S_j = 33.83 \text{ kN}$

#### Calculation of effective width



\*equivalent span length  $L = 0.6 * LC = 0.6 * 232.5 = 139.5 \text{ cm}$

LC : transverse rib interval (longitudinal rib span length)

$B1 = 16.0 \text{ cm}$

$B2 = 16.0 \text{ cm}$

$B1 / L = 16.0 / 139.5 = 0.11$

$$\begin{aligned} \lambda 1 &= \{1.06 - 3.2 * (B1 / L) + 4.5 * (B1 / L)^2\} * B1 \\ &= \{1.06 - 3.2 * (0.11) + 4.5 * (0.11)^2\} * B1 \\ &= 12.0 \text{ cm} \end{aligned}$$

$B2 / L = 16.0 / 139.5 = 0.11$

$$\begin{aligned} \lambda 2 &= \{1.06 - 3.2 * (B2 / L) + 4.5 * (B2 / L)^2\} * B2 \\ &= \{1.06 - 3.2 * (0.11) + 4.5 * (0.11)^2\} * B2 \\ &= 12.0 \text{ cm} \end{aligned}$$

\*Sum of effective width

$$\begin{aligned} \lambda &= \lambda 1 + \lambda 2 = 12.0 + 12.0 \\ &= 24.1 \text{ cm} \end{aligned}$$

#### Section area and moment of inertia

			A (cm <sup>2</sup> )	Y (cm)	AY (cm <sup>3</sup> )	I (cm <sup>4</sup> )
1-DECK	PL	241 * 16 (SM400)	38.51	-13.30	-512.2	6812.3
1-RIB	PL	250 * 24 (SM400)	60.00	0.00	0.0	3125.0
			98.51		-512.2	9937.3

$$e = -512.2 / 98.51 = -5.20 \text{ cm}$$

$$I = 9937.3 - 98.51 * (-5.20)^2 = 7274 \text{ cm}^4$$

$$Y_u = -8.90 \text{ cm}, \quad Y_L = 17.70 \text{ cm}$$

$$W_u = -817 \text{ cm}^3, \quad W_L = 411 \text{ cm}^3$$

#### Calculation stress

##### Bending stress intensity

$$\sigma_u = 40.40 * 10^6 / (-817 * 10^3) = -49 \text{ N/mm}^2 < \sigma_{ca} = 140 \text{ N/mm}^2$$

$$\sigma_L = 40.40 * 10^6 / (411 * 10^3) = 98 \text{ N/mm}^2 < \sigma_{ta} = 140 \text{ N/mm}^2$$

##### Shearing stress

$$\tau = 33.83 * 10^3 / (60.0 * 10^2) = 6 \text{ N/mm}^2 < \tau_a = 80 \text{ N/mm}^2$$

##### compound stress intensity

$$\kappa = (98 / 140)^2 + (6 / 80)^2 = 0.50 < 1.2$$

### Splicing part

#### Bending stress intensity

$$\begin{aligned}\sigma_u &= 40.40 * 10^6 / (-817 * 10^3) = -49 \text{ N/mm}^2 < \sigma_{ca} = 140 \text{ N/mm}^2 \\ \sigma_L &= 40.40 * 10^6 / (411 * 10^3) = 98 \text{ N/mm}^2 < \sigma_{ta} = 140 \text{ N/mm}^2\end{aligned}$$

#### Shearing stress

$$\tau = 33.83 * 10^3 / (60.0 * 10^2) = 6 \text{ N/mm}^2 < \tau_a = 80 \text{ N/mm}^2$$

#### compound stress intensity

$$\kappa = (98 / 140)^2 + (6 / 80)^2 = 0.50 < 1.2$$

#### Investigation on deflection due to live load

$$\delta = 0.8 \text{ mm} < \delta_a$$

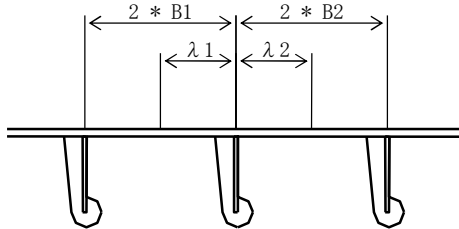
$$\delta_a = L / 500 = 2325 / 500 = 4.7 \text{ mm}$$

(2) G 1 · G 2 max / Model-6 Sec-1(point of support)

Cross-sectional force and calculation condition

For cross-section calculation  $M = -21.54 \text{ kN}\cdot\text{m}$   $S = 87.44 \text{ kN}$   
 For splice  $M_j = -21.54 \text{ kN}\cdot\text{m}$   $S_j = 87.44 \text{ kN}$

Calculation of effective width



\*Equivalent span length  $L = 0.6 * LC = 0.6 * 242.8 = 145.7 \text{ cm}$   
 $LC$  : transverse rib interval (longitudinal rib span length)

$B1 = 16.0 \text{ cm}$

$B2 = 16.0 \text{ cm}$

$B1 / L = 16.0 / 145.7 = 0.11$

$$\begin{aligned} \lambda 1 &= \{1.06 - 3.2 * (B1 / L) + 4.5 * (B1 / L)^2\} * B1 \\ &= \{1.06 - 3.2 * (0.11) + 4.5 * (0.11)^2\} * B1 \\ &= 12.2 \text{ cm} \end{aligned}$$

$B2 / L = 16.0 / 145.7 = 0.11$

$$\begin{aligned} \lambda 2 &= \{1.06 - 3.2 * (B2 / L) + 4.5 * (B2 / L)^2\} * B2 \\ &= \{1.06 - 3.2 * (0.11) + 4.5 * (0.11)^2\} * B2 \\ &= 12.2 \text{ cm} \end{aligned}$$

\*Sum of effective width

$$\begin{aligned} \lambda &= \lambda 1 + \lambda 2 = 12.2 + 12.2 \\ &= 24.4 \text{ cm} \end{aligned}$$

Section area and moment of inertia

			A (cm <sup>2</sup> )	Y (cm)	AY (cm <sup>3</sup> )	I (cm <sup>4</sup> )
1-DECK	PL	244 * 16 (SM400)	39.06	-13.30	-519.5	6908.7
1-RIB	PL	250 * 24 (SM400)	60.00	0.00	0.0	3125.0
			99.06		-519.5	10033.7

$$e = -519.5 / 99.06 = -5.24 \text{ cm}$$

$$I = 10033.7 - 99.06 * (-5.24)^2 = 7310 \text{ cm}^4$$

$$Y_u = -8.86 \text{ cm}, \quad Y_L = 17.74 \text{ cm}$$

$$W_u = -825 \text{ cm}^3, \quad W_L = 412 \text{ cm}^3$$

Calculation stress

Bending stress intensity

$$\sigma_u = -21.54 * 10^6 / (-825 * 10^3) = 26 \text{ N/mm}^2 < \sigma_{ta} = 140 \text{ N/mm}^2$$

$$\sigma_L = -21.54 * 10^6 / (412 * 10^3) = -52 \text{ N/mm}^2 < \sigma_{ca} = 140 \text{ N/mm}^2$$

Shearing stress

$$\tau = 87.44 * 10^3 / (60.0 * 10^2) = 15 \text{ N/mm}^2 < \tau_a = 80 \text{ N/mm}^2$$

compound stress intensity

$$\kappa = (52 / 140)^2 + (15 / 80)^2 = 0.17 < 1.2$$



## Splicing part

### Bending stress intensity

$$\begin{aligned}\sigma_u &= -21.54 * 10^6 / (-825 * 10^3) = 26 \text{ N/mm}^2 < \sigma_{ta} = 140 \text{ N/mm}^2 \\ \sigma_L &= -21.54 * 10^6 / (412 * 10^3) = -52 \text{ N/mm}^2 < \sigma_{ca} = 140 \text{ N/mm}^2\end{aligned}$$

### Shearing stress

$$\tau = 87.44 * 10^3 / (60.0 * 10^2) = 15 \text{ N/mm}^2 < \tau_a = 80 \text{ N/mm}^2$$

### compound stress intensity

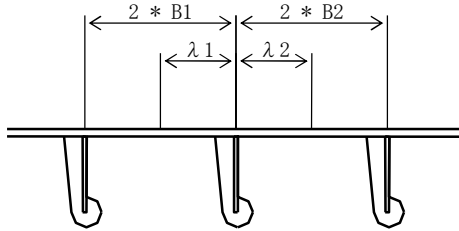
$$\kappa = (52 / 140)^2 + (15 / 80)^2 = 0.17 < 1.2$$

(3) Near boundaries of G 3 · G 4-S 1 / Model-2 Sec-1(effective span)

Cross-sectional force and calculation condition

For cross-section calculation  $M = 69.60 \text{ kN}\cdot\text{m}$   $S = 54.34 \text{ kN}$   
 For splice  $M_j = 69.60 \text{ kN}\cdot\text{m}$   $S_j = 54.34 \text{ kN}$

Calculation of effective width



\*Equivalent span length  $L = 0.6 \cdot LC = 0.6 \cdot 231.4 = 138.8 \text{ cm}$   
 $LC$  : transverse rib interval (longitudinal rib span length)

$B_1 = 32.0 \text{ cm}$

$B_2 = 32.0 \text{ cm}$

$B_1 / L = 32.0 / 138.8 = 0.23$

$\lambda_1 = \{1.06 - 3.2 \cdot (B_1 / L) + 4.5 \cdot (B_1 / L)^2\} \cdot B_1$   
 $= \{1.06 - 3.2 \cdot (0.23) + 4.5 \cdot (0.23)^2\} \cdot B_1$   
 $= 18.0 \text{ cm}$

$B_2 / L = 32.0 / 138.8 = 0.23$

$\lambda_2 = \{1.06 - 3.2 \cdot (B_2 / L) + 4.5 \cdot (B_2 / L)^2\} \cdot B_2$   
 $= \{1.06 - 3.2 \cdot (0.23) + 4.5 \cdot (0.23)^2\} \cdot B_2$   
 $= 18.0 \text{ cm}$

\*Sum of effective width

$\lambda = \lambda_1 + \lambda_2 = 18.0 + 18.0$   
 $= 35.9 \text{ cm}$

Section area and moment of inertia

			A (cm <sup>2</sup> )	Y (cm)	AY (cm <sup>3</sup> )	I (cm <sup>4</sup> )
1-DECK	PL	359 * 16 (SM490Y)	57.50	-13.30	-764.7	10170.9
1-RIB	PL	250 * 24 (SM490Y)	60.00	0.00	0.0	3125.0
			117.50		-764.7	13295.9

$e = -764.7 / 117.50 = -6.51 \text{ cm}$

$I = 13295.9 - 117.50 \cdot (-6.51)^2 = 8319 \text{ cm}^4$

$Y_u = -7.59 \text{ cm}$ ,  $Y_L = 19.01 \text{ cm}$

$W_u = -1096 \text{ cm}^3$ ,  $W_L = 438 \text{ cm}^3$

Calculation stress

Bending stress intensity

$\sigma_u = 69.60 \cdot 10^6 / (-1096 \cdot 10^3) = -64 \text{ N/mm}^2 < \sigma_{ca} = 210 \text{ N/mm}^2$

$\sigma_L = 69.60 \cdot 10^6 / (438 \cdot 10^3) = 159 \text{ N/mm}^2 < \sigma_{ta} = 210 \text{ N/mm}^2$

Shearing stress

$\tau = 54.34 \cdot 10^3 / (60.0 \cdot 10^2) = 9 \text{ N/mm}^2 < \tau_a = 120 \text{ N/mm}^2$

compound stress intensity

$\kappa = (159 / 210)^2 + (9 / 120)^2 = 0.58 < 1.2$

### Splicing part

#### Bending stress intensity

$$\begin{aligned}\sigma_u &= 69.60 * 10^6 / (-1096 * 10^3) = -64 \text{ N/mm}^2 < \sigma_{ca} = 210 \text{ N/mm}^2 \\ \sigma_L &= 69.60 * 10^6 / (438 * 10^3) = 159 \text{ N/mm}^2 < \sigma_{ta} = 210 \text{ N/mm}^2\end{aligned}$$

#### Shearing stress

$$\tau = 54.34 * 10^3 / (60.0 * 10^2) = 9 \text{ N/mm}^2 < \tau_a = 120 \text{ N/mm}^2$$

#### compound stress intensity

$$\kappa = (159 / 210)^2 + (9 / 120)^2 = 0.58 < 1.2$$

#### Investigation on deflection due to live load

$$\delta = 4.6 \text{ mm} < \delta_a$$

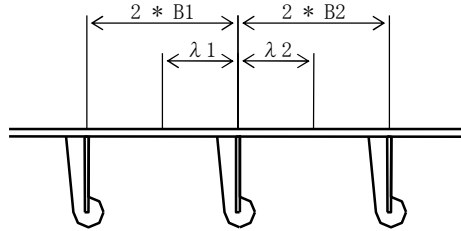
$$\delta_a = L / 500 = 2314 / 500 = 4.6 \text{ mm}$$

(4) G3・G4-S1附近 / Model-2 Sec-1(point of support)

Cross-sectional force and calculation condition

For cross-section calculation  $M = -23.80 \text{ kN}\cdot\text{m}$   $S = 116.73 \text{ kN}$   
 For splice  $M_j = -23.80 \text{ kN}\cdot\text{m}$   $S_j = 116.73 \text{ kN}$

Calculation of effective width



\*Equivalent span length  $L = 0.6 * LC = 0.6 * 231.7 = 139.0 \text{ cm}$

LC : transverse rib interval (longitudinal ribspan length)

$B1 = 23.9 \text{ cm}$

$B2 = 32.0 \text{ cm}$

$B1 / L = 23.9 / 139.0 = 0.17$

$$\begin{aligned} \lambda 1 &= \{1.06 - 3.2 * (B1 / L) + 4.5 * (B1 / L)^2\} * B1 \\ &= \{1.06 - 3.2 * (0.17) + 4.5 * (0.17)^2\} * B1 \\ &= 15.4 \text{ cm} \end{aligned}$$

$B2 / L = 32.0 / 139.0 = 0.23$

$$\begin{aligned} \lambda 2 &= \{1.06 - 3.2 * (B2 / L) + 4.5 * (B2 / L)^2\} * B2 \\ &= \{1.06 - 3.2 * (0.23) + 4.5 * (0.23)^2\} * B2 \\ &= 18.0 \text{ cm} \end{aligned}$$

\*Sum of effective width

$$\begin{aligned} \lambda &= \lambda 1 + \lambda 2 = 15.4 + 18.0 \\ &= 33.3 \text{ cm} \end{aligned}$$

Section area and moment of inertia

			A(cm <sup>2</sup> )	Y(cm)	AY(cm <sup>3</sup> )	I(cm <sup>4</sup> )
1-DECK	PL	333 * 16 (SM400)	53.35	-13.30	-709.5	9437.0
1-RIB	PL	250 * 24 (SM400)	60.00	0.00	0.0	3125.0
			113.35		-709.5	12562.0

$$e = -709.5 / 113.35 = -6.26 \text{ cm}$$

$$I = 12562.0 - 113.35 * (-6.26)^2 = 8120 \text{ cm}^4$$

$$Y_u = -7.84 \text{ cm}, \quad Y_L = 18.76 \text{ cm}$$

$$W_u = -1036 \text{ cm}^3, \quad W_L = 433 \text{ cm}^3$$

Calculation stress

Bending stress intensity

$$\sigma_u = -23.80 * 10^6 / (-1036 * 10^3) = 23 \text{ N/mm}^2 < \sigma_{ta} = 140 \text{ N/mm}^2$$

$$\sigma_L = -23.80 * 10^6 / (433 * 10^3) = -55 \text{ N/mm}^2 < \sigma_{ca} = 140 \text{ N/mm}^2$$

Shearing stress

$$\tau = 116.73 * 10^3 / (60.0 * 10^2) = 19 \text{ N/mm}^2 < \tau_a = 80 \text{ N/mm}^2$$

compound stress intensity

$$\kappa = (55 / 140)^2 + (19 / 80)^2 = 0.21 < 1.2$$

## Splicing part

### Bending stress intensity

$$\begin{aligned}\sigma_u &= -23.80 * 10^6 / (-1036 * 10^3) = 23 \text{ N/mm}^2 < \sigma_{ta} = 140 \text{ N/mm}^2 \\ \sigma_L &= -23.80 * 10^6 / (433 * 10^3) = -55 \text{ N/mm}^2 < \sigma_{ca} = 140 \text{ N/mm}^2\end{aligned}$$

### Shearing stress

$$\tau = 116.73 * 10^3 / (60.0 * 10^2) = 19 \text{ N/mm}^2 < \tau_a = 80 \text{ N/mm}^2$$

### compound stress intensity

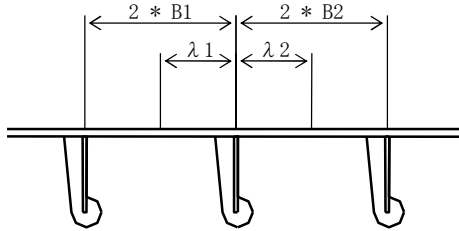
$$\kappa = (55 / 140)^2 + (19 / 80)^2 = 0.21 < 1.2$$

(5) G 3 · G 4-1 span / Model-3 Sec-1(effective span)

Cross-sectional force and calculation condition

For cross-section calculation  $M = 53.07 \text{ kN}\cdot\text{m}$   $S = 39.94 \text{ kN}$   
 For splice  $M_j = 53.07 \text{ kN}\cdot\text{m}$   $S_j = 39.94 \text{ kN}$

Calculation of effective width



\*Equivalent span length  $L = 0.6 * LC = 0.6 * 236.6 = 142.0 \text{ cm}$   
 $LC$  : transverse rib interval (longitudinal rib span length)

$B1 = 32.0 \text{ cm}$

$B2 = 32.0 \text{ cm}$

$B1 / L = 32.0 / 142.0 = 0.23$

$\lambda 1 = \{1.06 - 3.2 * (B1 / L) + 4.5 * (B1 / L)^2\} * B1$   
 $= \{1.06 - 3.2 * (0.23) + 4.5 * (0.23)^2\} * B1$   
 $= 18.2 \text{ cm}$

$B2 / L = 32.0 / 142.0 = 0.23$

$\lambda 2 = \{1.06 - 3.2 * (B2 / L) + 4.5 * (B2 / L)^2\} * B2$   
 $= \{1.06 - 3.2 * (0.23) + 4.5 * (0.23)^2\} * B2$   
 $= 18.2 \text{ cm}$

\*Sum of effective width

$\lambda = \lambda 1 + \lambda 2 = 18.2 + 18.2$   
 $= 36.3 \text{ cm}$

Section area and moment of inertia

			A (cm <sup>2</sup> )	Y (cm)	AY (cm <sup>3</sup> )	I (cm <sup>4</sup> )
1-DECK	PL	363 * 16 (SM400)	58.09	-13.30	-772.7	10276.3
1-RIB	PL	250 * 24 (SM400)	60.00	0.00	0.0	3125.0
			118.09		-772.7	13401.3

$e = -772.7 / 118.09 = -6.54 \text{ cm}$

$I = 13401.3 - 118.09 * (-6.54)^2 = 8346 \text{ cm}^4$

$Y_u = -7.56 \text{ cm}$ ,  $Y_L = 19.04 \text{ cm}$

$W_u = -1104 \text{ cm}^3$ ,  $W_L = 438 \text{ cm}^3$

Calculation stress

Bending stress intensity

$\sigma_u = 53.07 * 10^6 / (-1104 * 10^3) = -48 \text{ N/mm}^2 < \sigma_{ca} = 140 \text{ N/mm}^2$

$\sigma_L = 53.07 * 10^6 / (438 * 10^3) = 121 \text{ N/mm}^2 < \sigma_{ta} = 140 \text{ N/mm}^2$

Shearing stress

$\tau = 39.94 * 10^3 / (60.0 * 10^2) = 7 \text{ N/mm}^2 < \tau_a = 80 \text{ N/mm}^2$

compound stress intensity

$\kappa = (121 / 140)^2 + (7 / 80)^2 = 0.75 < 1.2$

## Splicing part

### Bending stress intensity

$$\begin{aligned}\sigma_u &= 53.07 * 10^6 / (-1104 * 10^3) = -48 \text{ N/mm}^2 < \sigma_{ca} = 140 \text{ N/mm}^2 \\ \sigma_L &= 53.07 * 10^6 / (438 * 10^3) = 121 \text{ N/mm}^2 < \sigma_{ta} = 140 \text{ N/mm}^2\end{aligned}$$

### Shearing stress

$$\tau = 39.94 * 10^3 / (60.0 * 10^2) = 7 \text{ N/mm}^2 < \tau_a = 80 \text{ N/mm}^2$$

### compound stress intensity

$$\kappa = (121 / 140)^2 + (7 / 80)^2 = 0.75 < 1.2$$

## Investigation on deflection due to live load

$$\delta = 3.4 \text{ mm} < \delta_a$$

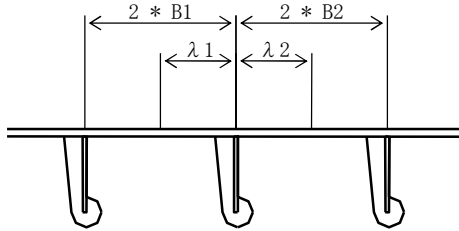
$$\delta_a = L / 500 = 2366 / 500 = 4.7 \text{ mm}$$

(6) G 3 · G 4-1 span / Model-3 Sec-1(point of support)

Cross-sectional force and calculation condition

For cross-section calculation  $M = -35.31 \text{ kN}\cdot\text{m}$   $S = 118.95 \text{ kN}$   
 For splice  $M_j = -35.31 \text{ kN}\cdot\text{m}$   $S_j = 118.95 \text{ kN}$

Calculation of effective width



\*Equivalent span length  $L = 0.6 * LC = 0.6 * 231.6 = 139.0 \text{ cm}$   
 $LC$  : transverse rib interval (longitudinal rib span length)

$B1 = 32.0 \text{ cm}$

$B2 = 32.0 \text{ cm}$

$B1 / L = 32.0 / 139.0 = 0.23$

$$\begin{aligned} \lambda 1 &= \{1.06 - 3.2 * (B1 / L) + 4.5 * (B1 / L)^2\} * B1 \\ &= \{1.06 - 3.2 * (0.23) + 4.5 * (0.23)^2\} * B1 \\ &= 18.0 \text{ cm} \end{aligned}$$

$B2 / L = 32.0 / 139.0 = 0.23$

$$\begin{aligned} \lambda 2 &= \{1.06 - 3.2 * (B2 / L) + 4.5 * (B2 / L)^2\} * B2 \\ &= \{1.06 - 3.2 * (0.23) + 4.5 * (0.23)^2\} * B2 \\ &= 18.0 \text{ cm} \end{aligned}$$

\*Sum of effective width

$$\begin{aligned} \lambda &= \lambda 1 + \lambda 2 = 18.0 + 18.0 \\ &= 36.0 \text{ cm} \end{aligned}$$

Section area and moment of inertia

			A(cm <sup>2</sup> )	Y(cm)	AY(cm <sup>3</sup> )	I(cm <sup>4</sup> )
1-DECK	PL	360 * 16 (SM400)	57.52	-13.30	-765.0	10174.9
1-RIB	PL	250 * 24 (SM400)	60.00	0.00	0.0	3125.0
			117.52		-765.0	13299.9

$$e = -765.0 / 117.52 = -6.51 \text{ cm}$$

$$I = 13299.9 - 117.52 * (-6.51)^2 = 8320 \text{ cm}^4$$

$$Y_u = -7.59 \text{ cm}, \quad Y_L = 19.01 \text{ cm}$$

$$W_u = -1096 \text{ cm}^3, \quad W_L = 438 \text{ cm}^3$$

Calculation stress

Bending stress intensity

$$\sigma_u = -35.31 * 10^6 / (-1096 * 10^3) = 32 \text{ N/mm}^2 < \sigma_{ta} = 140 \text{ N/mm}^2$$

$$\sigma_L = -35.31 * 10^6 / (438 * 10^3) = -81 \text{ N/mm}^2 < \sigma_{ca} = 140 \text{ N/mm}^2$$

Shearing stress

$$\tau = 118.95 * 10^3 / (60.0 * 10^2) = 20 \text{ N/mm}^2 < \tau_a = 80 \text{ N/mm}^2$$

compound stress intensity

$$\kappa = (81 / 140)^2 + (20 / 80)^2 = 0.39 < 1.2$$



## Splicing part

### Bending stress intensity

$$\begin{aligned}\sigma_u &= -35.31 * 10^6 / (-1096 * 10^3) = 32 \text{ N/mm}^2 < \sigma_{ta} = 140 \text{ N/mm}^2 \\ \sigma_L &= -35.31 * 10^6 / (438 * 10^3) = -81 \text{ N/mm}^2 < \sigma_{ca} = 140 \text{ N/mm}^2\end{aligned}$$

### Shearing stress

$$\tau = 118.95 * 10^3 / (60.0 * 10^2) = 20 \text{ N/mm}^2 < \tau_a = 80 \text{ N/mm}^2$$

### compound stress intensity

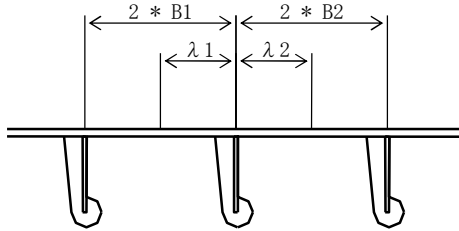
$$\kappa = (81 / 140)^2 + (20 / 80)^2 = 0.39 < 1.2$$

(7) G 3 · G 4-2 · 3 span / Model-5 Sec-1(effective span)

Cross-sectional force and calculation condition

For cross-section calculation  $M = 51.74 \text{ kN}\cdot\text{m}$   $S = 56.95 \text{ kN}$   
 For splice  $M_j = 51.74 \text{ kN}\cdot\text{m}$   $S_j = 56.95 \text{ kN}$

Calculation of effective width



\*Equivalent span length  $L = 0.6 * LC = 0.6 * 239.2 = 143.5 \text{ cm}$

LC : transverse rib interval (longitudinal rib span length)

$B1 = 32.0 \text{ cm}$

$B2 = 32.0 \text{ cm}$

$B1 / L = 32.0 / 143.5 = 0.22$

$\lambda 1 = \{1.06 - 3.2 * (B1 / L) + 4.5 * (B1 / L)^2\} * B1$   
 $= \{1.06 - 3.2 * (0.22) + 4.5 * (0.22)^2\} * B1$   
 $= 18.2 \text{ cm}$

$B2 / L = 32.0 / 143.5 = 0.22$

$\lambda 2 = \{1.06 - 3.2 * (B2 / L) + 4.5 * (B2 / L)^2\} * B2$   
 $= \{1.06 - 3.2 * (0.22) + 4.5 * (0.22)^2\} * B2$   
 $= 18.2 \text{ cm}$

\*Sum of effective width

$\lambda = \lambda 1 + \lambda 2 = 18.2 + 18.2$   
 $= 36.5 \text{ cm}$

Section area and moment of inertia

			A(cm <sup>2</sup> )	Y(cm)	AY(cm <sup>3</sup> )	I(cm <sup>4</sup> )
1-DECK	PL	365 * 16 (SM400)	58.39	-13.30	-776.6	10328.7
1-RIB	PL	250 * 24 (SM400)	60.00	0.00	0.0	3125.0
			118.39		-776.6	13453.7

$e = -776.6 / 118.39 = -6.56 \text{ cm}$

$I = 13453.7 - 118.39 * (-6.56)^2 = 8360 \text{ cm}^4$

$Y_u = -7.54 \text{ cm}$ ,  $Y_L = 19.06 \text{ cm}$

$W_u = -1109 \text{ cm}^3$ ,  $W_L = 439 \text{ cm}^3$

Calculation stress

Bending stress intensity

$\sigma_u = 51.74 * 10^6 / (-1109 * 10^3) = -47 \text{ N/mm}^2 < \sigma_{ca} = 140 \text{ N/mm}^2$

$\sigma_L = 51.74 * 10^6 / (439 * 10^3) = 118 \text{ N/mm}^2 < \sigma_{ta} = 140 \text{ N/mm}^2$

Shearing stress

$\tau = 56.95 * 10^3 / (60.0 * 10^2) = 9 \text{ N/mm}^2 < \tau_a = 80 \text{ N/mm}^2$

compound stress intensity

$\kappa = (118 / 140)^2 + (9 / 80)^2 = 0.72 < 1.2$

## Splicing part

### Bending stress intensity

$$\begin{aligned}\sigma_u &= 51.74 * 10^6 / (-1109 * 10^3) = -47 \text{ N/mm}^2 < \sigma_{ca} = 140 \text{ N/mm}^2 \\ \sigma_L &= 51.74 * 10^6 / (439 * 10^3) = 118 \text{ N/mm}^2 < \sigma_{ta} = 140 \text{ N/mm}^2\end{aligned}$$

### Shearing stress

$$\tau = 56.95 * 10^3 / (60.0 * 10^2) = 9 \text{ N/mm}^2 < \tau_a = 80 \text{ N/mm}^2$$

### compound stress intensity

$$\kappa = (118 / 140)^2 + (9 / 80)^2 = 0.72 < 1.2$$

## Investigation on deflection due to live load

$$\delta = 1.5 \text{ mm} < \delta_a$$

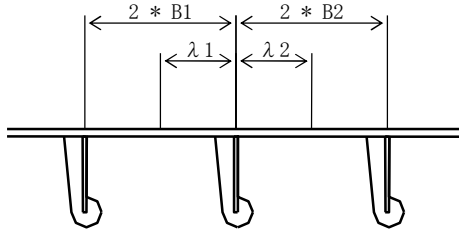
$$\delta_a = L / 500 = 2392 / 500 = 4.8 \text{ mm}$$

(8) G 3 · G 4-2 · 3 span / Model-5 Sec-1(point of support)

Cross-sectional force and calculation condition

For cross-section calculation  $M = -25.81 \text{ kN}\cdot\text{m}$   $S = 114.78 \text{ kN}$   
 For splice  $M_j = -25.81 \text{ kN}\cdot\text{m}$   $S_j = 114.78 \text{ kN}$

Calculation of effective width



\*Equivalent span length  $L = 0.6 * LC = 0.6 * 239.3 = 143.6 \text{ cm}$   
 $LC$  : transverse rib interval (longitudinal rib span length)

$B1 = 23.9 \text{ cm}$

$B2 = 32.0 \text{ cm}$

$B1 / L = 23.9 / 143.6 = 0.17$

$$\begin{aligned} \lambda 1 &= \{1.06 - 3.2 * (B1 / L) + 4.5 * (B1 / L)^2\} * B1 \\ &= \{1.06 - 3.2 * (0.17) + 4.5 * (0.17)^2\} * B1 \\ &= 15.6 \text{ cm} \end{aligned}$$

$B2 / L = 32.0 / 143.6 = 0.22$

$$\begin{aligned} \lambda 2 &= \{1.06 - 3.2 * (B2 / L) + 4.5 * (B2 / L)^2\} * B2 \\ &= \{1.06 - 3.2 * (0.22) + 4.5 * (0.22)^2\} * B2 \\ &= 18.3 \text{ cm} \end{aligned}$$

\*Sum of effective width

$$\begin{aligned} \lambda &= \lambda 1 + \lambda 2 = 15.6 + 18.3 \\ &= 33.8 \text{ cm} \end{aligned}$$

Section area and moment of inertia

			A(cm <sup>2</sup> )	Y(cm)	AY(cm <sup>3</sup> )	I(cm <sup>4</sup> )
1-DECK	PL	338 * 16 (SM400)	54.13	-13.30	-720.0	9575.8
1-RIB	PL	250 * 24 (SM400)	60.00	0.00	0.0	3125.0
			114.13		-720.0	12700.8

$$e = -720.0 / 114.13 = -6.31 \text{ cm}$$

$$I = 12700.8 - 114.13 * (-6.31)^2 = 8159 \text{ cm}^4$$

$$Y_u = -7.79 \text{ cm}, \quad Y_L = 18.81 \text{ cm}$$

$$W_u = -1047 \text{ cm}^3, \quad W_L = 434 \text{ cm}^3$$

Calculation stress

Bending stress intensity

$$\sigma_u = -25.81 * 10^6 / (-1047 * 10^3) = 25 \text{ N/mm}^2 < \sigma_{ta} = 140 \text{ N/mm}^2$$

$$\sigma_L = -25.81 * 10^6 / (434 * 10^3) = -59 \text{ N/mm}^2 < \sigma_{ca} = 140 \text{ N/mm}^2$$

Shearing stress

$$\tau = 114.78 * 10^3 / (60.0 * 10^2) = 19 \text{ N/mm}^2 < \tau_a = 80 \text{ N/mm}^2$$

compound stress intensity

$$\kappa = (59 / 140)^2 + (19 / 80)^2 = 0.24 < 1.2$$

## Splicing part

### Bending stress intensity

$$\begin{aligned}\sigma_u &= -25.81 * 10^6 / (-1047 * 10^3) = 25 \text{ N/mm}^2 < \sigma_{ta} = 140 \text{ N/mm}^2 \\ \sigma_L &= -25.81 * 10^6 / (434 * 10^3) = -59 \text{ N/mm}^2 < \sigma_{ca} = 140 \text{ N/mm}^2\end{aligned}$$

### Shearing stress

$$\tau = 114.78 * 10^3 / (60.0 * 10^2) = 19 \text{ N/mm}^2 < \tau_a = 80 \text{ N/mm}^2$$

### compound stress intensity

$$\kappa = (59 / 140)^2 + (19 / 80)^2 = 0.24 < 1.2$$

2. 5. Calculation of transverse rib

2. 5. 1. Determination of cross-section

( 1) Other than R 1 [between G 3-G 4] -maximum bending : Model-2 Sec-2 (Mid span)

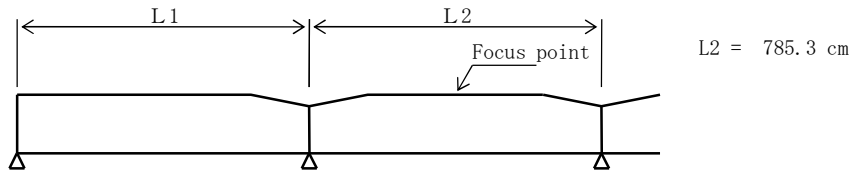
Section forces and condition of the calculation

Section force  $M = 387.1 \text{ kN}\cdot\text{m}$   $S = 1.8 \text{ kN}$

Shear stress at defect  $S_k = 1.8 \text{ kN}$

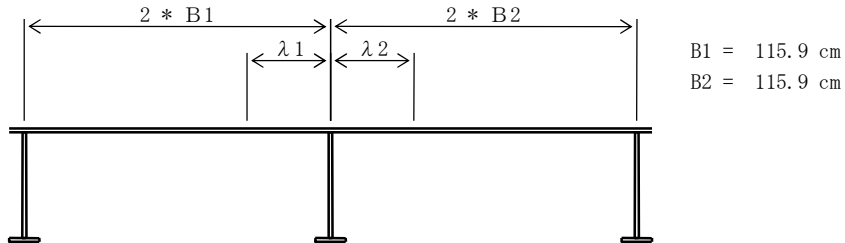
Distance between fixing points.  $L = 7.853 \text{ m}$

Equivalent span length



$L_i = 0.6 * L_2 = 0.6 * 785.3 = 471.2 \text{ cm}$

Effective width



$B_1/L_i = 115.9 / 471.2 = 0.25$

$\lambda_1 = \{ 1.06 - 3.2 * (B_1/L_i) + 4.5 * (B_1/L_i)^2 \} * B_1$   
 $= \{ 1.06 - 3.2 * 0.25 + 4.5 * 0.25^2 \} * 115.9$   
 $= 63.2 \text{ cm}$

$B_2/L_i = 115.9 / 471.2 = 0.25$

$\lambda_2 = \{ 1.06 - 3.2 * (B_2/L_i) + 4.5 * (B_2/L_i)^2 \} * B_2$   
 $= \{ 1.06 - 3.2 * 0.25 + 4.5 * 0.25^2 \} * 115.9$   
 $= 63.2 \text{ cm}$

Sum of effective width  $\lambda = \lambda_1 + \lambda_2 = 63.2 + 63.2 = 126.3 \text{ cm}$

### Section area and moment of inertia

			A (cm <sup>2</sup> )	Y (cm)	AY (cm <sup>3</sup> )	I (cm <sup>4</sup> )
1-DECK	PL	1263 * 16 (SM400)	202.13	-40.80	-8247	336481
1-WEB	PL	800 * 9 (SM400)	72.00	0.00	0	38400
1-LFLG	PL	230 * 10 (SM400)	23.00	40.50	932	37726

$$297.13 \qquad -7316 \qquad 412607$$

$$E = -7316 / 297.13 = -24.62 \text{ cm}$$

$$I = 412607 - 297.13 * (-24.62)^2 = 232494 \text{ cm}^4$$

$$Y_u = -16.98 \text{ cm}, \quad Y_L = 65.62 \text{ cm}$$

### Bending stress

$$\sigma_u = 387.1 * 10^6 * -169.8 / (232494 * 10^4) = -28 \text{ N/mm}^2 < \sigma_{ca} = 140 \text{ N/mm}^2$$

$$\sigma_L = 387.1 * 10^6 * 656.2 / (232494 * 10^4) = 109 \text{ N/mm}^2 < \sigma_{ta} = 140 \text{ N/mm}^2$$

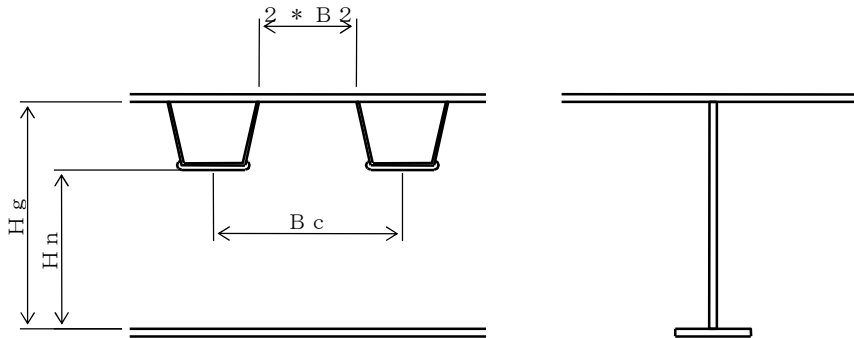
### Shear stress

$$\tau = 1.8 * 10^3 / 7200 = 0 \text{ N/mm}^2 < \tau_a = 80 \text{ N/mm}^2$$

### Combined stress

$$\kappa = (108 / 140)^2 + (0 / 80)^2 = 0.59 < 1.2$$

### Shear stress at defect of longitudinal rib



$$\tau_k = 1.8 * 10^3 / 7200 = 0 \text{ N/mm}^2 < \tau_a = 80 \text{ N/mm}^2$$

$$\tau_v = \tau_k * H_g / H_n = 0 * 80.0 / 52.3 = 0 \text{ N/mm}^2 < \tau_a$$

### Investigation of deflection

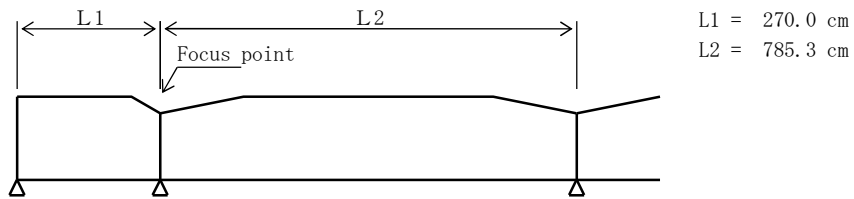
$$\text{Deflection due to live load } \delta = 3.9 \text{ mm} \leq \delta_a = L / 500 = 7853 / 500 = 15.7 \text{ mm}$$

( 2 ) Other than R 1 [between G 3-G 4]-minimum bending : Model-2 Sec-2 (Support)

Section forces and condition of the calculation

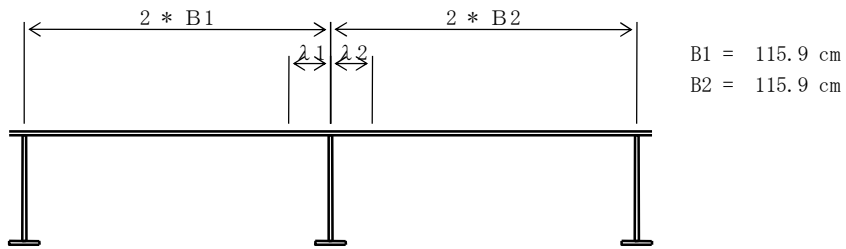
Section force  $M = -387.1 \text{ kN}\cdot\text{m}$   $S = 347.4 \text{ kN}$   
 Section force at joint  $M_j = -387.1 \text{ kN}\cdot\text{m}$   $S_j = 347.4 \text{ kN}$   
 Shear stress at defect  $S_k = 347.4 \text{ kN}$   
 Distance between fixing points.  $L = 1.963 \text{ m}$

Equivalent span length



$$L_i = 0.2 * ( L1 + L2 ) = 0.2 * ( 270.0 + 785.3 ) = 211.1 \text{ cm}$$

Effective width



$$B1/L_i = 115.9 / 211.1 = 0.55$$

$$\lambda_1 = 0.15 * L_i = 0.15 * 211.1 = 31.7 \text{ cm}$$

$$B2/L_i = 115.9 / 211.1 = 0.55$$

$$\lambda_2 = 0.15 * L_i = 0.15 * 211.1 = 31.7 \text{ cm}$$

$$\text{Sum of effective width } \lambda = \lambda_1 + \lambda_2 = 31.7 + 31.7 = 63.3 \text{ cm}$$



### Section area and moment of inertia

			A (cm <sup>2</sup> )	Y (cm)	AY (cm <sup>3</sup> )	I (cm <sup>4</sup> )
1-DECK	PL	633 * 16 (SM400)	101.31	-40.80	-4133	168643
1-WEB	PL	800 * 9 (SM400)	72.00	0.00	0	38400
1-LFLG	PL	230 * 10 (SM400)	23.00	40.50	932	37726

$$196.31 \quad -3202 \quad 244768$$

$$E = -3202 / 196.31 = -16.31 \text{ cm}$$

$$I = 244768 - 196.31 * (-16.31)^2 = 192544 \text{ cm}^4$$

$$Y_u = -25.29 \text{ cm}, \quad Y_L = 57.31 \text{ cm}$$

### Allowable stress

• LFLG

Allowable stress due to lateral buckling

$$A_w/A_c = 72.00 / 23.00 = 3.130 > 2$$

$$K*L/b = \sqrt{(3 + 72.00 / (2 * 23.00))} * 196.3 / 23.0 = 18.236 > 9$$

$$\sigma_{ba} = 140 - 1.2 * (18.236 - 9) = 129 \text{ N/mm}^2$$

Allowable stress due to local buckling

$$\sigma_{cal} = 140 \text{ N/mm}^2$$

$$\text{Allowable stress } \sigma_{ca} = 129 \text{ N/mm}^2$$

### Bending stress

$$\sigma_u = -387.1 * 10^6 * (-252.9) / (192544 * 10^4) = 51 \text{ N/mm}^2 < \sigma_{ta} = 140 \text{ N/mm}^2$$

$$\sigma_L = -387.1 * 10^6 * 573.1 / (192544 * 10^4) = -115 \text{ N/mm}^2 < \sigma_{ca} = 129 \text{ N/mm}^2$$

### Shear stress

$$\tau = 347.4 * 10^3 / 7200 = 48 \text{ N/mm}^2 < \tau_a = 80 \text{ N/mm}^2$$

### Combined stress

$$\kappa = (-113 / 140)^2 + (48 / 80)^2 = 1.02 < 1.2$$

\*For the joint

### Allowable stress

• LFLG

Allowable stress due to lateral buckling

$$A_w/A_c = 72.00 / 23.00 = 3.130 > 2$$

$$K*L/b = \sqrt{(3 + 72.00 / (2 * 23.00))} * 196.3 / 23.0 = 18.236 > 9$$

$$\sigma_{ba} = 140 - 1.2 * (18.236 - 9) = 129 \text{ N/mm}^2$$

Allowable stress due to local buckling

$$\sigma_{cal} = 140 \text{ N/mm}^2$$

$$\text{Allowable stress } \sigma_{ca} = 129 \text{ N/mm}^2$$

### Bending stress

$$\sigma_u = -387.1 * 10^6 * -252.9 / (192544 * 10^4) = 51 \text{ N/mm}^2 < \sigma_{ta} = 140 \text{ N/mm}^2$$

$$\sigma_L = -387.1 * 10^6 * 573.1 / (192544 * 10^4) = -115 \text{ N/mm}^2 < \sigma_{ca} = 129 \text{ N/mm}^2$$

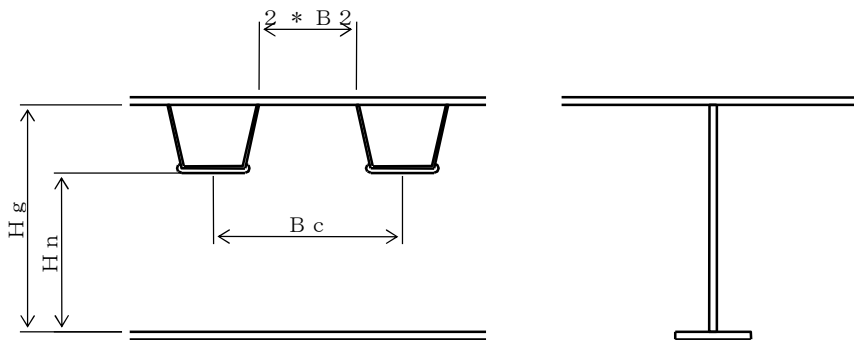
### Shear stress

$$\tau = 347.4 * 10^3 / 7200 = 48 \text{ N/mm}^2 < \tau_a = 80 \text{ N/mm}^2$$

### Combined stress

$$\kappa = ( -113 / 140 )^2 + ( 48 / 80 )^2 = 1.02 < 1.2$$

### Shear stress at defect of longitudinal rib



$$\tau_k = 347.4 * 10^3 / 7200 = 48 \text{ N/mm}^2 < \tau_a = 80 \text{ N/mm}^2$$

$$\tau_v = \tau_k * H_g / H_n = 48 * 80.0 / 52.3 = 74 \text{ N/mm}^2 < \tau_a$$

( 3) R 1 [between G 3-G 4]-maximum bending : Model-2 Sec-21 (Mid span)

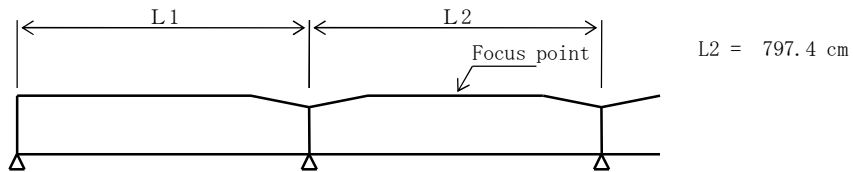
Section forces and condition of the calculation

Section force  $M = 440.4 \text{ kN}\cdot\text{m}$   $S = 22.6 \text{ kN}$

Shear stress at defect  $S_k = 22.6 \text{ kN}$

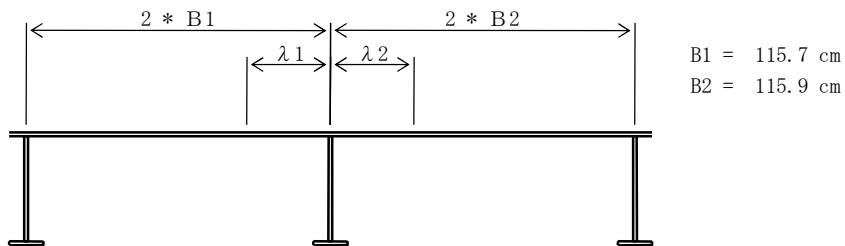
Distance between fixing points.  $L = 7.974 \text{ m}$

Equivalent span length



$$L_i = 0.6 * L_2 = 0.6 * 797.4 = 478.4 \text{ cm}$$

Effective width



$$B_1/L_i = 115.7 / 478.4 = 0.24$$

$$\begin{aligned} \lambda_1 &= \{ 1.06 - 3.2 * (B_1/L_i) + 4.5 * (B_1/L_i)^2 \} * B_1 \\ &= \{ 1.06 - 3.2 * 0.24 + 4.5 * 0.24^2 \} * 115.7 \\ &= 63.6 \text{ cm} \end{aligned}$$

$$B_2/L_i = 115.9 / 478.4 = 0.24$$

$$\begin{aligned} \lambda_2 &= \{ 1.06 - 3.2 * (B_2/L_i) + 4.5 * (B_2/L_i)^2 \} * B_2 \\ &= \{ 1.06 - 3.2 * 0.24 + 4.5 * 0.24^2 \} * 115.9 \\ &= 63.6 \text{ cm} \end{aligned}$$

$$\text{Sum of effective width } \lambda = \lambda_1 + \lambda_2 = 63.6 + 63.6 = 127.2 \text{ cm}$$

### Section area and moment of inertia

			A (cm <sup>2</sup> )	Y (cm)	AY (cm <sup>3</sup> )	I (cm <sup>4</sup> )
1-DECK	PL	1272 * 16 (SM400)	203.47	-40.80	-8302	338704
1-WEB	PL	800 * 9 (SM400)	72.00	0.00	0	38400
1-LFLG	PL	260 * 10 (SM400)	26.00	40.50	1053	42647

$$301.47 \qquad -7249 \qquad 419751$$

$$E = -7249 / 301.47 = -24.04 \text{ cm}$$

$$I = 419751 - 301.47 * (-24.04)^2 = 245465 \text{ cm}^4$$

$$Y_u = -17.56 \text{ cm}, \quad Y_L = 65.04 \text{ cm}$$

### Bending stress

$$\sigma_u = 440.4 * 10^6 * -175.6 / (245465 * 10^4) = -31 \text{ N/mm}^2 < \sigma_{ca} = 140 \text{ N/mm}^2$$

$$\sigma_L = 440.4 * 10^6 * 650.4 / (245465 * 10^4) = 117 \text{ N/mm}^2 < \sigma_{ta} = 140 \text{ N/mm}^2$$

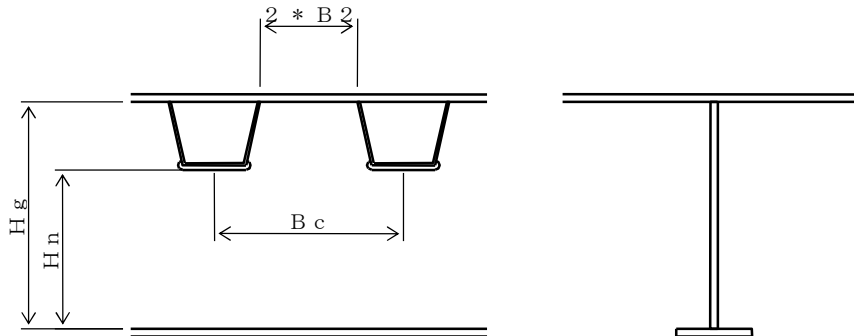
### Shear stress

$$\tau = 22.6 * 10^3 / 7200 = 3 \text{ N/mm}^2 < \tau_a = 80 \text{ N/mm}^2$$

### Combined stress

$$\kappa = (115 / 140)^2 + (3 / 80)^2 = 0.68 < 1.2$$

### Shear stress at defect of longitudinal rib



$$\tau_k = 22.6 * 10^3 / 7200 = 3 \text{ N/mm}^2 < \tau_a = 80 \text{ N/mm}^2$$

$$\tau_v = \tau_k * H_g / H_n = 3 * 80.0 / 52.3 = 5 \text{ N/mm}^2 < \tau_a$$

### Investigation of deflection

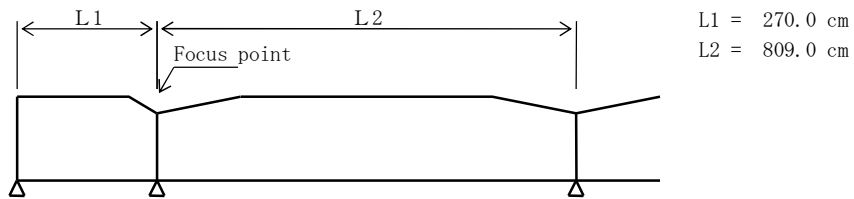
$$\text{Deflection due to live load } \delta = 4.2 \text{ mm} \leq \delta_a = L / 500 = 7974 / 500 = 15.9 \text{ mm}$$

( 4 ) R 1 [between G 3-G 4]-minimum bending : Model-2 Sec-21 (Support)

Section forces and condition of the calculation

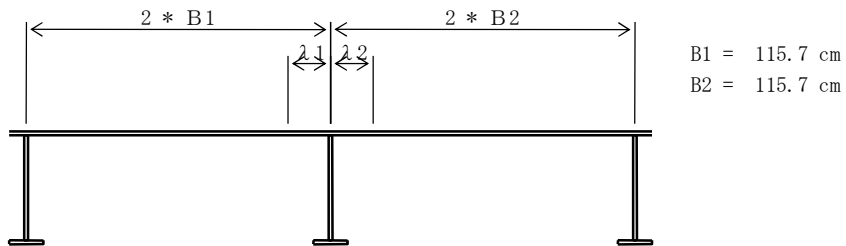
Section force  $M = -440.4 \text{ kN}\cdot\text{m}$   $S = 369.9 \text{ kN}$   
 Section force at joint  $M_j = -440.4 \text{ kN}\cdot\text{m}$   $S_j = 369.9 \text{ kN}$   
 Shear stress at defect  $S_k = 369.9 \text{ kN}$   
 Distance between fixing points.  $L = 2.022 \text{ m}$

Equivalent span length



$$L_i = 0.2 * ( L1 + L2 ) = 0.2 * ( 270.0 + 809.0 ) = 215.8 \text{ cm}$$

Effective width



$$B1/L_i = 115.7 / 215.8 = 0.54$$

$$\lambda_1 = 0.15 * L_i = 0.15 * 215.8 = 32.4 \text{ cm}$$

$$B2/L_i = 115.7 / 215.8 = 0.54$$

$$\lambda_2 = 0.15 * L_i = 0.15 * 215.8 = 32.4 \text{ cm}$$

$$\text{Sum of effective width } \lambda = \lambda_1 + \lambda_2 = 32.4 + 32.4 = 64.7 \text{ cm}$$

### Section area and moment of inertia

			A (cm <sup>2</sup> )	Y (cm)	AY (cm <sup>3</sup> )	I (cm <sup>4</sup> )
1-DECK	PL	647 * 16 (SM400)	103.58	-40.80	-4226	172430
1-WEB	PL	800 * 9 (SM400)	72.00	0.00	0	38400
1-LFLG	PL	260 * 10 (SM400)	26.00	40.50	1053	42647

$$201.58 \quad -3173 \quad 253477$$

$$E = -3173 / 201.58 = -15.74 \text{ cm}$$

$$I = 253477 - 201.58 * (-15.74)^2 = 203525 \text{ cm}^4$$

$$Y_u = -25.86 \text{ cm}, \quad Y_L = 56.74 \text{ cm}$$

### Allowable stress

• LFLG

Allowable stress due to lateral buckling

$$A_w/A_c = 72.00 / 26.00 = 2.769 > 2$$

$$K*L/b = \sqrt{(3 + 72.00 / (2 * 26.00))} * 202.2 / 26.0 = 16.284 > 9$$

$$\sigma_{ba} = 140 - 1.2 * (16.284 - 9) = 131 \text{ N/mm}^2$$

Allowable stress due to local buckling

$$\sigma_{cal} = 140 \text{ N/mm}^2$$

$$\text{Allowable stress } \sigma_{ca} = 131 \text{ N/mm}^2$$

### Bending stress

$$\sigma_u = -440.4 * 10^6 * (-258.6) / (203525 * 10^4) = 56 \text{ N/mm}^2 < \sigma_{ta} = 140 \text{ N/mm}^2$$

$$\sigma_L = -440.4 * 10^6 * 567.4 / (203525 * 10^4) = -123 \text{ N/mm}^2 < \sigma_{ca} = 131 \text{ N/mm}^2$$

### Shear stress

$$\tau = 369.9 * 10^3 / 7200 = 51 \text{ N/mm}^2 < \tau_a = 80 \text{ N/mm}^2$$

### Combined stress

$$\kappa = (-121 / 140)^2 + (51 / 80)^2 = 1.15 < 1.2$$

\*For the joint

### Allowable stress

• LFLG

Allowable stress due to lateral buckling

$$A_w/A_c = 72.00 / 26.00 = 2.769 > 2$$

$$K*L/b = \sqrt{(3 + 72.00 / (2 * 26.00))} * 202.2 / 26.0 = 16.284 > 9$$

$$\sigma_{ba} = 140 - 1.2 * (16.284 - 9) = 131 \text{ N/mm}^2$$

Allowable stress due to local buckling

$$\sigma_{cal} = 140 \text{ N/mm}^2$$

$$\text{Allowable stress } \sigma_{ca} = 131 \text{ N/mm}^2$$

### Bending stress

$$\sigma_u = -440.4 * 10^6 * -258.6 / (203525 * 10^4) = 56 \text{ N/mm}^2 < \sigma_{ta} = 140 \text{ N/mm}^2$$

$$\sigma_L = -440.4 * 10^6 * 567.4 / (203525 * 10^4) = -123 \text{ N/mm}^2 < \sigma_{ca} = 131 \text{ N/mm}^2$$

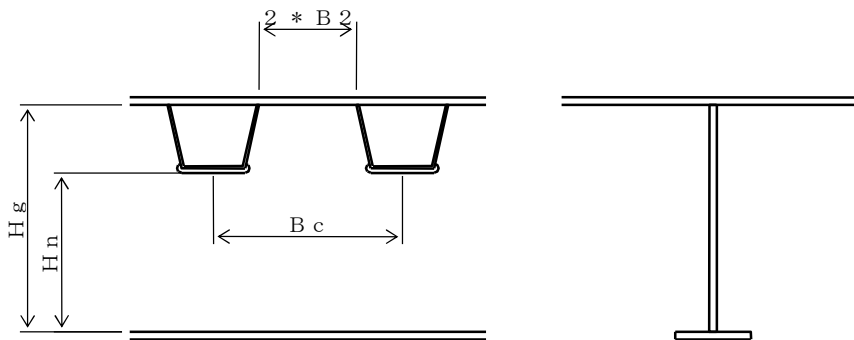
### Shear stress

$$\tau = 369.9 * 10^3 / 7200 = 51 \text{ N/mm}^2 < \tau_a = 80 \text{ N/mm}^2$$

### Combined stress

$$\kappa = ( -121 / 140 )^2 + ( 51 / 80 )^2 = 1.15 < 1.2$$

### Shear stress at defect of longitudinal rib



$$\tau_k = 369.9 * 10^3 / 7200 = 51 \text{ N/mm}^2 < \tau_a = 80 \text{ N/mm}^2$$

$$\tau_v = \tau_k * H_g / H_n = 51 * 80.0 / 52.3 = 79 \text{ N/mm}^2 < \tau_a$$

2. 5. 2. Calculation of erection joint

(1) Other than R 1 [between G 3-G 4] LFLG : Representative Model-2 Sec-2(Support)

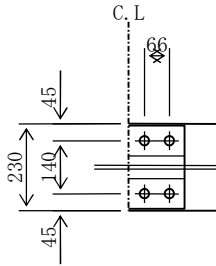
(a) Acting stress

$$\sigma_{tmax} = 115 \text{ N/mm}^2 \quad 0.75 \sigma_{ta} = 0.75 * 140 = 105 \text{ N/mm}^2$$

(b) Section area of main plate

$$1\text{-LFLG PL } 230 * 10 \quad A_g = 23.0 \text{ cm}^2 \quad (\text{SM400})$$

(c) Bolt arrangement



(d) Check of section of main plate

$$1\text{-LFLG PL } 230 * 10 \quad A = 23.0$$

$$(23.0 - (2 * 2.5) * 1.0) * 1.1 = 19.8 < 23.0 \quad \therefore A_n = 19.8 \text{ cm}^2$$

$$\sigma_{tn} = \sigma_{tmax} * A_g / A_n = 115 * 23.0 / 19.8 = 134 \text{ N/mm}^2$$

$$< \sigma_{ta} = 140 \text{ N/mm}^2$$

(e) Design axial force

$$P_t = \sigma_{tn} * A_n = 134 * 1980 = 265027 \text{ N}$$

$$> 0.75 \sigma_{ta} * A_n / 1.1 = 105 * 1980 / 1.1 = 189000 \text{ N}$$

(f) Required section area of the splice plates

$$A_{nR} = A_n / 2 = 19.8 / 2 = 9.9 \text{ cm}^2$$

(g) Required bolt number

$$n = P_t / (108000 * 1.00) = 265027 / 108000 = 2.5 \text{ pcs. (4 bolts will be used.)}$$

(High strength friction grip bolt, S10T, M22 will be used. Allowable friction forces with double surfaces:  
 $\rho_a = 108000 \text{ N}$  ( inorganic zinc primer is applied. )  $N_{max} = 2 \text{ unites}$ )

(h) Check of splice plates

	(SS400)	$A_g(\text{cm}^2)$	deduction of bolt holes	$A_n(\text{cm}^2)$
2-SPL PL	80 * 9	( 14.4 -	$2 * ( 1 * 2.5 ) * 0.9 ) * 1.1 = 10.9 <$	14.4 $\therefore 10.9 > A_{nR}$
1-SPL PL	220 * 9	( 19.8 -	$( 2 * 2.5 ) * 0.9 ) * 1.1 = 16.8 <$	19.8 $\therefore 16.8 > A_{nR}$



(2) Other than R 1 [between G 3-G 4] WEB : Representative Model-2 Sec-2(Support)

(a) Section area of main plate (Web plate)

1-WEB PL 800 \* 9 A = 72.0 cm<sup>2</sup> (SM400)

(b) Design stress

$$\sigma_U = 48 \text{ N/mm}^2 < \sigma_a * 0.75 = 140 * 0.75 = 105 \text{ N/mm}^2$$

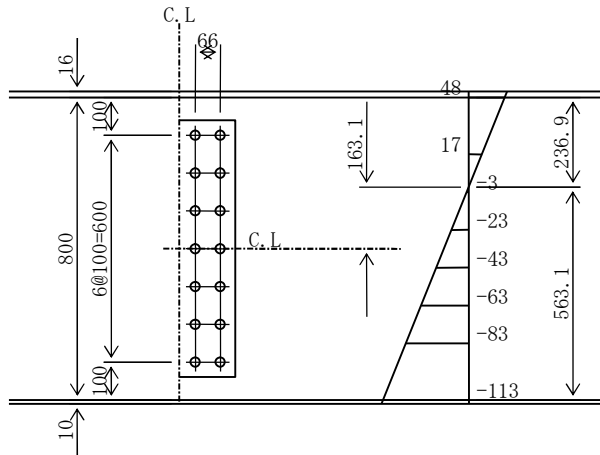
$$\sigma_L = -113 \text{ N/mm}^2 > \sigma_a * 0.75 = 140 * 0.75 = 105 \text{ N/mm}^2$$

$$\sigma_{Un} = 48 \text{ N/mm}^2$$

$$\sigma_{Ln} = 113 \text{ N/mm}^2$$

$$\tau = 48 \text{ N/mm}^2$$

(c) Bolt arrangement and acting stress



(d) Check of bolt stress

Check of bolt at 7th row

Sharing width:  $b_1 = 15.0 \text{ cm}$

Total force to be shared

$$P_1 = 150 * 9 * ( 83 + 113 ) / 2 = 132487 \text{ N}$$

Required bolt number (Bolt number to be used)

$$N_1 = 132487 / (108000 * 1.00) = 1.2 \text{ pcs. (2 bolts will be used.)}$$

Check of shear force

$$\rho_s = \tau * A / 14 = 48 * 7200 / 14 = 24811 \text{ N} < \rho_a = 108000 \text{ N}$$

Combined stress

$$\rho_{c7} = \sqrt{((132487 / 2)^2 + 24811^2)} = 70738 \text{ N} < \rho_a = 108000 \text{ N}$$

( High strength friction grip bolt, S10T, M22 will be used. : Allowable friction forces with double surfaces:

$$\rho_a = 108000 \text{ N ( inorganic zinc primer is applied. ) } N_{max} = 2 \text{ unites}$$

(e) Check of splice plates

2-SPL PL 680 \* 9  $A_s = 122.4 \text{ cm}^2$  (SS400)

Moment of inertia of splice plates  $I_s = 79728 \text{ cm}^4 > I_w$

Moment of inertia of web plate  $I_w = 57555 \text{ cm}^4$

Bending moment to be shared by the web

$$M_w = 113 * 57555 * 10^4 / 563 = 116 * 10^6 \text{ N}\cdot\text{mm}$$

Bending stress of splice plates

$$\sigma_{sp} = 116 * 10^6 / ( 79728 * 10^4 ) * 503 = 73 \text{ N/mm}^2 < \sigma_a = 140 \text{ N/mm}^2$$

(3) R 1 [between G 3-G 4] LFLG : Representative Model-2 Sec-21 (Support)

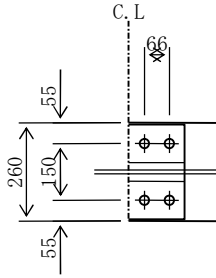
(a) Acting stress

$$\sigma_{tmax} = 123 \text{ N/mm}^2 \quad 0.75 \sigma_{ta} = 0.75 * 140 = 105 \text{ N/mm}^2$$

(b) Section area of main plate

$$1\text{-LFLG PL } 260 * 10 \quad A_g = 26.0 \text{ cm}^2 \quad (\text{SM400})$$

(c) Bolt arrangement



(d) Check of section of main plate

$$1\text{-LFLG PL } 260 * 10 \quad A = 26.0$$

$$(26.0 - (2 * 2.5) * 1.0) * 1.1 = 23.1 < 26.0 \quad \therefore A_n = 23.1 \text{ cm}^2$$

$$\sigma_{tn} = \sigma_{tmax} * A_g / A_n = 123 * 26.0 / 23.1 = 138 \text{ N/mm}^2$$

$$< \sigma_{ta} = 140 \text{ N/mm}^2$$

(e) Design axial force

$$P_t = \sigma_{tn} * A_n = 138 * 2310 = 319244 \text{ N}$$

$$> 0.75 \sigma_{ta} * A_n / 1.1 = 105 * 2310 / 1.1 = 220500 \text{ N}$$

(f) Required section area of the splice plates

$$A_{nR} = A_n / 2 = 23.1 / 2 = 11.6 \text{ cm}^2$$

(g) Required bolt number

$$n = P_t / (108000 * 1.00) = 319244 / 108000 = 3.0 \text{ pcs. (4 bolts will be used.)}$$

(High strength friction grip bolt, S10T, M22 will be used. Allowable friction forces with double surfaces:  
 $\rho_a = 108000 \text{ N}$  ( inorganic zinc primer is applied. )  $N_{max} = 2 \text{ unites}$ )

(h) Check of splice plates

	(SS400)	$A_g(\text{cm}^2)$	deduction of bolt holes	$A_n(\text{cm}^2)$	
2-SPL PL	100 * 9	( 18.0 -	$2 * ( 1 * 2.5 ) * 0.9 ) * 1.1 = 14.9 <$	18.0	$\therefore 14.9 > A_{nR}$
1-SPL PL	250 * 9	( 22.5 -	$( 2 * 2.5 ) * 0.9 ) * 1.1 = 19.8 <$	22.5	$\therefore 19.8 > A_{nR}$

(4) R 1 [between G 3-G 4] WEB : Representative Model-2 Sec-21(Support)

(a) Section area of main plate (Web plate)

1-WEB PL 800 \* 9 A = 72.0 cm<sup>2</sup> (SM400)

(b) Design stress

$$\sigma_U = 52 \text{ N/mm}^2 < \sigma_a * 0.75 = 140 * 0.75 = 105 \text{ N/mm}^2$$

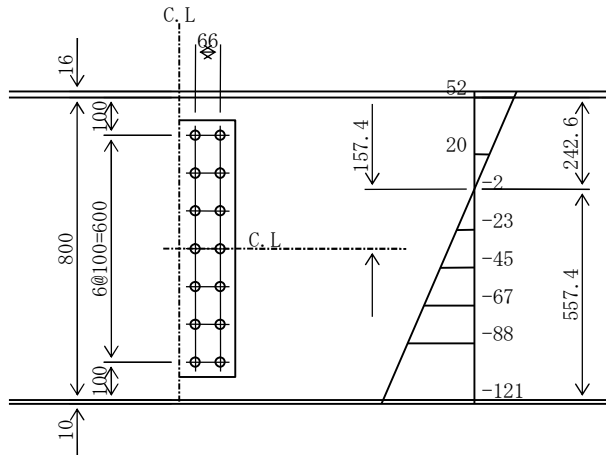
$$\sigma_L = -121 \text{ N/mm}^2 > \sigma_a * 0.75 = 140 * 0.75 = 105 \text{ N/mm}^2$$

$$\sigma_{Un} = 52 \text{ N/mm}^2$$

$$\sigma_{Ln} = 121 \text{ N/mm}^2$$

$$\tau = 51 \text{ N/mm}^2$$

(c) Bolt arrangement and acting stress



(d) Check of bolt stress

Check of bolt at 7th row

Sharing width:  $b_1 = 15.0 \text{ cm}$

Total force to be shared

$$P_1 = 150 * 9 * ( 88 + 121 ) / 2 = 140930 \text{ N}$$

Required bolt number (Bolt number to be used)

$$N_1 = 140930 / (108000 * 1.00) = 1.3 \text{ pcs. (2 bolts will be used.)}$$

Check of shear force

$$\rho_s = \tau * A / 14 = 51 * 7200 / 14 = 26418 \text{ N} < \rho_a = 108000 \text{ N}$$

Combined stress

$$\rho_{c7} = \sqrt{((140930 / 2)^2 + 26418^2)} = 75254 \text{ N} < \rho_a = 108000 \text{ N}$$

( High strength friction grip bolt, S10T, M22 will be used. : Allowable friction forces with double surfaces:

$$\rho_a = 108000 \text{ N ( inorganic zinc primer is applied. ) } N_{max} = 2 \text{ unites}$$

(e) Check of splice plates

2-SPL PL 680 \* 9 As = 122.4 cm<sup>2</sup> (SS400)

Moment of inertia of splice plates  $I_s = 77494 \text{ cm}^4 > I_w$

Moment of inertia of web plate  $I_w = 56241 \text{ cm}^4$

Bending moment to be shared by the web

$$M_w = 121 * 56241 * 10^4 / 557 = 122 * 10^6 \text{ N}\cdot\text{mm}$$

Bending stress of splice plates

$$\sigma_{sp} = 122 * 10^6 / ( 77494 * 10^4 ) * 497 = 78 \text{ N/mm}^2 < \sigma_a = 140 \text{ N/mm}^2$$

## 2. 5. 2. Calculation of stiffeners

### (1) Description of the formula

Check of spacing of vertical stiffeners

It will be confirmed that K1 and K2 shall satisfy the below formula.

$$K1 = a/b \leq 1.5$$

1) In case no horizontal stiffeners are used

$$K2 = [b/(100*t)]^4 * [(\sigma/345)^2 + \{\tau/(77+58*(b/a)^2)\}^2] \leq 1 : (a/b > 1)$$

$$K2 = [b/(100*t)]^4 * [(\sigma/345)^2 + \{\tau/(58+77*(b/a)^2)\}^2] \leq 1 : (a/b \leq 1)$$

2) In case one rung of stiffener is used

$$K2 = [b/(100*t)]^4 * [(\sigma/900)^2 + \{\tau/(120+58*(b/a)^2)\}^2] \leq 1 : (a/b > 0.80)$$

$$K2 = [b/(100*t)]^4 * [(\sigma/900)^2 + \{\tau/(90+77*(b/a)^2)\}^2] \leq 1 : (a/b \leq 0.80)$$

2) In case two rungs of stiffener are used

$$K2 = [b/(100*t)]^4 * [(\sigma/3000)^2 + \{\tau/(187+58*(b/a)^2)\}^2] \leq 1 : (a/b > 0.64)$$

$$K2 = [b/(100*t)]^4 * [(\sigma/3000)^2 + \{\tau/(140+77*(b/a)^2)\}^2] \leq 1 : (a/b \leq 0.64)$$

Required stiffness of vertical stiffener

$$I_v \cdot req = b * t^3 / 11 * \gamma_v \cdot req \quad \gamma_v \cdot req = 8.0 * (b/a)^2$$

Minimum width :  $b/30 + 50$  (mm)

Minimum thickness : 1/13 of width of the stiffener

Required stiffness of horizontal stiffener

$$I_h \cdot req = b * t^3 / 11 * \gamma_h \cdot req \quad \gamma_h \cdot req = 30 * (a/b)$$

Definition of the symbol

a : Spacing between vertical stiffeners

b : Width of web

t : Thickness of web

$\sigma$  : Edge compressive stress of web

$\tau$  : Shear stress of web

\* Vertical stiffener interval of calculating required stiffness of vertical stiffener uses max value that meet K1 and K2.

(2) Section of stiffeners

\* Section of vertical stiffeners

Section code : VStfNo = 1

1-PL            90 \* 9

$$I_v = 0.9 * 9.0^3 / 3 = 219 \text{ cm}^4 \geq 19 \text{ cm}^4$$

(3) Check of spacing and calculation of required stiffness

1) G1G2

(a) Check of section and web thickness

Panel No.	Panel Length (mm)	Stiff. Qtty	Stiff. Spacing (mm)	Stiff. rung	Stress		Web Grade	Web height (mm)	Web thk. (mm)	Rq' d thk. (mm)
					$\sigma_c$	$\tau$				
R1-R54	1650	1	825	0	113	48	SM400	800	9	5.3

(b) Check of spacing and required stiffness

Panel No.	a/b	Spacing Check	Maximum Spacing	$\gamma v \cdot req$	Iv·req (cm <sup>4</sup> )	Iv	VStf No	$\gamma h \cdot req$	Ih·req (cm <sup>4</sup> )	Ih	HStf
											No
R1-R54	1.03	0.15	1200	3.56	19	219	1	0.00	0	0	0

2) G2G3

(a) Check of section and web thickness

Panel No.	Panel Length (mm)	Stiff. Qtty	Stiff. Spacing (mm)	Stiff. rung	Stress		Web Grade	Web height (mm)	Web thk. (mm)	Rq' d thk. (mm)
					$\sigma_c$	$\tau$				
R1-R42	3300	2	1100	0	113	48	SM400	800	9	5.3
R43	3324	2	1108	0	113	48	SM400	800	9	5.3
R44	3480	2	1160	0	113	48	SM400	800	9	5.3
R45	3716	3	929	0	113	48	SM400	800	9	5.3
R46	3952	3	988	0	113	48	SM400	800	9	5.3
R47	4188	3	1047	0	113	48	SM400	800	9	5.3
R48	4425	3	1106	0	113	48	SM400	800	9	5.3
R49	4661	3	1165	0	113	48	SM400	800	9	5.3
R50	4897	4	979	0	113	48	SM400	800	9	5.3
R51	5133	4	1027	0	113	48	SM400	800	9	5.3
R52	5365	4	1073	0	113	48	SM400	800	9	5.3
R53	5491	4	1098	0	113	48	SM400	800	9	5.3
R54	5500	4	1100	0	113	48	SM400	800	9	5.3

(b) Check of spacing and required stiffness

Panel No.	a/b	Spacing Check	Maximum Spacing	$\gamma v \cdot req$	Iv·req (cm <sup>4</sup> )	Iv	VStf No	$\gamma h \cdot req$	Ih·req (cm <sup>4</sup> )	Ih	HStf
											No
R1-R42	1.38	0.19	1200	3.56	19	219	1	0.00	0	0	0
R43	1.39	0.19	1200	3.56	19	219	1	0.00	0	0	0
R44	1.45	0.20	1200	3.56	19	219	1	0.00	0	0	0
R45	1.16	0.17	1200	3.56	19	219	1	0.00	0	0	0
R46	1.23	0.18	1200	3.56	19	219	1	0.00	0	0	0
R47	1.31	0.18	1200	3.56	19	219	1	0.00	0	0	0
R48	1.38	0.19	1200	3.56	19	219	1	0.00	0	0	0
R49	1.46	0.20	1200	3.56	19	219	1	0.00	0	0	0
R50	1.22	0.17	1200	3.56	19	219	1	0.00	0	0	0
R51	1.28	0.18	1200	3.56	19	219	1	0.00	0	0	0
R52	1.34	0.19	1200	3.56	19	219	1	0.00	0	0	0
R53	1.37	0.19	1200	3.56	19	219	1	0.00	0	0	0
R54	1.38	0.19	1200	3.56	19	219	1	0.00	0	0	0

### 3) G3G4

(a) Check of section and web thickness

Panel No.	Panel Length (mm)	Stiff. Qty	Stiff. Spacing (mm)	Stiff. rung	Stress		Web Grade	Web height (mm)	Web thk. (mm)	Rq' d thk. (mm)
					$\sigma_c$	$\tau$				
R1	8091	6	1156	0	113	48	SM400	800	9	5.3
R2	7854	6	1122	0	113	48	SM400	800	9	5.3
R3	7607	6	1087	0	113	48	SM400	800	9	5.3
R4	7368	6	1053	0	113	48	SM400	800	9	5.3
R5	7139	5	1190	0	113	48	SM400	800	9	5.3
R6	6922	5	1154	0	113	48	SM400	800	9	5.3
R7	6716	5	1119	0	113	48	SM400	800	9	5.3
R8	6520	5	1087	0	113	48	SM400	800	9	5.3
R9	6336	5	1056	0	113	48	SM400	800	9	5.3
R10	6163	5	1027	0	113	48	SM400	800	9	5.3
R11	6001	5	1000	0	113	48	SM400	800	9	5.3
R12	5850	4	1170	0	113	48	SM400	800	9	5.3
R13	5711	4	1142	0	113	48	SM400	800	9	5.3
R14	5582	4	1116	0	113	48	SM400	800	9	5.3
R15	5466	4	1093	0	113	48	SM400	800	9	5.3
R16	5361	4	1072	0	113	48	SM400	800	9	5.3
R17	5267	4	1053	0	113	48	SM400	800	9	5.3
R18	5183	4	1037	0	113	48	SM400	800	9	5.3
R19	5109	4	1022	0	113	48	SM400	800	9	5.3
R20	5046	4	1009	0	113	48	SM400	800	9	5.3
R21	4994	4	999	0	113	48	SM400	800	9	5.3
R22	4953	4	991	0	113	48	SM400	800	9	5.3
R23	4924	4	985	0	113	48	SM400	800	9	5.3
R24	4906	4	981	0	113	48	SM400	800	9	5.3
R25	4900	4	980	0	113	48	SM400	800	9	5.3
R26	4900	4	980	0	113	48	SM400	800	9	5.3
R27	4619	3	1155	0	113	48	SM400	800	9	5.3
R28	4273	3	1068	0	113	48	SM400	800	9	5.3
R29	3926	3	982	0	113	48	SM400	800	9	5.3
R30	3579	2	1193	0	113	48	SM400	800	9	5.3
R31	3235	2	1078	0	113	48	SM400	800	9	5.3
R32	2894	2	965	0	113	48	SM400	800	9	5.3
R33	2563	2	854	0	113	48	SM400	800	9	5.3
R34	2241	1	1121	0	113	48	SM400	800	9	5.3
R35	1911	1	956	0	113	48	SM400	800	9	5.3
R36-R54	1650	1	825	0	113	48	SM400	800	9	5.3

## (b)Check of spacing and required stiffness

Panel No.	a/b	Spacing Check	Maximum Spacing	$\gamma v \cdot \text{req}$	$I_v \cdot \text{req}$ (cm <sup>4</sup> )	$I_v$	VStf No	$\gamma h \cdot \text{req}$	$I_h \cdot \text{req}$ (cm <sup>4</sup> )	$I_h$	HStf No
R1	1.44	0.20	1200	3.56	19	219	1	0.00	0	0	0
R2	1.40	0.19	1200	3.56	19	219	1	0.00	0	0	0
R3	1.36	0.19	1200	3.56	19	219	1	0.00	0	0	0
R4	1.32	0.18	1200	3.56	19	219	1	0.00	0	0	0
R5	1.49	0.20	1200	3.56	19	219	1	0.00	0	0	0
R6	1.44	0.20	1200	3.56	19	219	1	0.00	0	0	0
R7	1.40	0.19	1200	3.56	19	219	1	0.00	0	0	0
R8	1.36	0.19	1200	3.56	19	219	1	0.00	0	0	0
R9	1.32	0.19	1200	3.56	19	219	1	0.00	0	0	0
R10	1.28	0.18	1200	3.56	19	219	1	0.00	0	0	0
R11	1.25	0.18	1200	3.56	19	219	1	0.00	0	0	0
R12	1.46	0.20	1200	3.56	19	219	1	0.00	0	0	0
R13	1.43	0.20	1200	3.56	19	219	1	0.00	0	0	0
R14	1.40	0.19	1200	3.56	19	219	1	0.00	0	0	0
R15	1.37	0.19	1200	3.56	19	219	1	0.00	0	0	0
R16	1.34	0.19	1200	3.56	19	219	1	0.00	0	0	0
R17	1.32	0.18	1200	3.56	19	219	1	0.00	0	0	0
R18	1.30	0.18	1200	3.56	19	219	1	0.00	0	0	0
R19	1.28	0.18	1200	3.56	19	219	1	0.00	0	0	0
R20	1.26	0.18	1200	3.56	19	219	1	0.00	0	0	0
R21	1.25	0.18	1200	3.56	19	219	1	0.00	0	0	0
R22	1.24	0.18	1200	3.56	19	219	1	0.00	0	0	0
R23	1.23	0.18	1200	3.56	19	219	1	0.00	0	0	0
R24	1.23	0.17	1200	3.56	19	219	1	0.00	0	0	0
R25	1.22	0.17	1200	3.56	19	219	1	0.00	0	0	0
R26	1.22	0.17	1200	3.56	19	219	1	0.00	0	0	0
R27	1.44	0.20	1200	3.56	19	219	1	0.00	0	0	0
R28	1.34	0.19	1200	3.56	19	219	1	0.00	0	0	0
R29	1.23	0.17	1200	3.56	19	219	1	0.00	0	0	0
R30	1.49	0.20	1200	3.56	19	219	1	0.00	0	0	0
R31	1.35	0.19	1200	3.56	19	219	1	0.00	0	0	0
R32	1.21	0.17	1200	3.56	19	219	1	0.00	0	0	0
R33	1.07	0.15	1200	3.56	19	219	1	0.00	0	0	0
R34	1.40	0.19	1200	3.56	19	219	1	0.00	0	0	0
R35	1.19	0.17	1200	3.56	19	219	1	0.00	0	0	0
R36-R54	1.03	0.15	1200	3.56	19	219	1	0.00	0	0	0



## 2. 6. Calculations of bracket

### 2. 6. 1 Determination of cross-section

( 1) under minimum bending : Model-6 Sec-1 (Intermediate)

#### Section forces and condition of the calculation

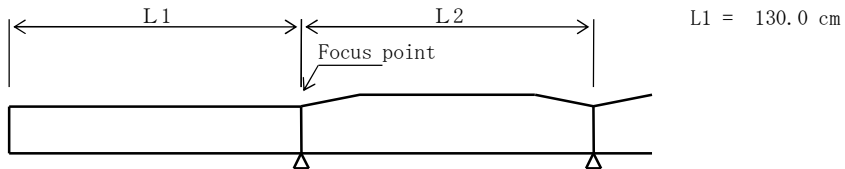
Section force  $M = -96.6 \text{ kN}\cdot\text{m}$   $S = 178.4 \text{ kN}$

Section force at joint  $M_j = -96.6 \text{ kN}\cdot\text{m}$   $S_j = 178.4 \text{ kN}$

Shearing stress at defect  $S_k = 178.4 \text{ kN}$

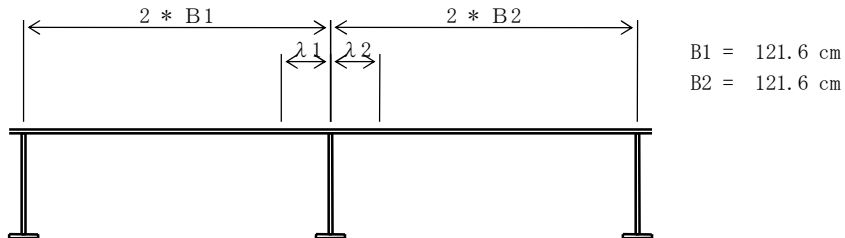
Distance between fixing points.  $L = 1.300 \text{ m}$

#### equivalent span length



$$L_i = 2 * L_1 = 2 * 130.0 = 260.0 \text{ cm}$$

#### Effective width



$$B_1/L_i = 121.6 / 260.0 = 0.47$$

$$\lambda_1 = 0.15 * L_i = 0.15 * 260.0 = 39.0 \text{ cm}$$

$$B_2/L_i = 121.6 / 260.0 = 0.47$$

$$\lambda_2 = 0.15 * L_i = 0.15 * 260.0 = 39.0 \text{ cm}$$

$$\text{sum of effective width } \lambda = \lambda_1 + \lambda_2 = 39.0 + 39.0 = 78.0 \text{ cm}$$

### Section area and moment of inertia

			A (cm <sup>2</sup> )	Y (cm)	AY (cm <sup>3</sup> )	I (cm <sup>4</sup> )
1-DECK	PL	780 * 16 (SM400)	124.80	-40.80	-5092	207747
1-WEB	PL	800 * 9 (SM400)	72.00	0.00	0	38400
1-LFLG	PL	230 * 10 (SM400)	23.00	40.50	932	37726

$$219.80 \qquad -4160 \qquad 283873$$

$$E = -4160 / 219.80 = -18.93 \text{ cm}$$

$$I = 283873 - 219.80 * (-18.93)^2 = 205127 \text{ cm}^4$$

$$Y_u = -22.67 \text{ cm} , \quad Y_L = 59.93 \text{ cm}$$

### Allowable stress

• LFLG

Allowable stress due to lateral buckling

$$A_w/A_c = 72.00 / 23.00 = 3.130 > 2$$

$$K*L/b = \sqrt{(3 + 72.00 / (2 * 23.00))} * 130.0 / 23.0 = 12.077 > 9$$

$$\sigma_{ba} = 140 - 1.2 * (12.077 - 9) = 136 \text{ N/mm}^2$$

Allowable stress due to local buckling

$$\sigma_{cal} = 140 \text{ N/mm}^2$$

Allowable stress  $\sigma_{ca} = 136 \text{ N/mm}^2$

### Bending stress

$$\sigma_u = -96.6 * 10^6 * -226.7 / (205127 * 10^4) = 11 \text{ N/mm}^2 < \sigma_{ta} = 140 \text{ N/mm}^2$$

$$\sigma_L = -96.6 * 10^6 * 599.3 / (205127 * 10^4) = -28 \text{ N/mm}^2 < \sigma_{ca} = 136 \text{ N/mm}^2$$

### Shear stress

$$\tau = 178.4 * 10^3 / 7200 = 25 \text{ N/mm}^2 < \tau_a = 80 \text{ N/mm}^2$$

### Combined stress

$$\kappa = ( -28 / 140 )^2 + ( 25 / 80 )^2 = 0.14 < 1.2$$

\*For the joint

### Allowable stress

• LFLG

Allowable stress due to lateral buckling

$$A_w/A_c = 72.00 / 23.00 = 3.130 > 2$$

$$K*L/b = \sqrt{(3 + 72.00 / (2 * 23.00))} * 130.0 / 23.0 = 12.077 > 9$$

$$\sigma_{ba} = 140 - 1.2 * (12.077 - 9) = 136 \text{ N/mm}^2$$

Allowable stress due to local buckling

$$\sigma_{cal} = 140 \text{ N/mm}^2$$

$$\text{Allowable stress } \sigma_{ca} = 136 \text{ N/mm}^2$$

### Bending stress

$$\sigma_u = -96.6 * 10^6 * -226.7 / (205127 * 10^4) = 11 \text{ N/mm}^2 < \sigma_{ta} = 140 \text{ N/mm}^2$$

$$\sigma_L = -96.6 * 10^6 * 599.3 / (205127 * 10^4) = -28 \text{ N/mm}^2 < \sigma_{ca} = 136 \text{ N/mm}^2$$

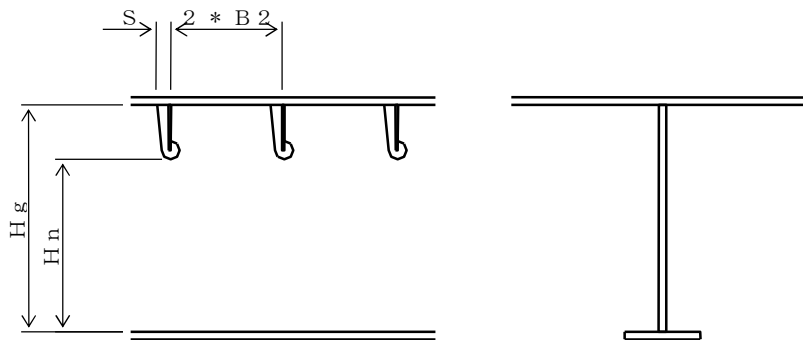
### Shear stress

$$\tau = 178.4 * 10^3 / 7200 = 25 \text{ N/mm}^2 < \tau_a = 80 \text{ N/mm}^2$$

### Combined stress

$$\kappa = ( -28 / 140 )^2 + ( 25 / 80 )^2 = 0.14 < 1.2$$

### Shearing stress at defect of longitudinal rib



$$\tau_k = 178.4 * 10^3 / 7200 = 25 \text{ N/mm}^2 < \tau_a = 80 \text{ N/mm}^2$$

$$\tau_v = \tau_k * H_g / H_n = 25 * 80.0 / 51.5 = 38 \text{ N/mm}^2 < \tau_a$$

### Investigations on deflection

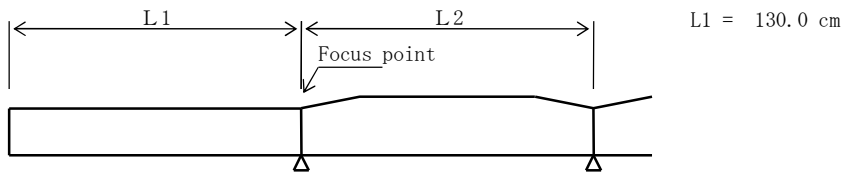
$$\text{Deflection caused by live load } \delta = 0.1 \text{ mm} \leq \delta_a = L / 300 = 1300 / 300 = 4.3 \text{ mm}$$

( 2) under minimum bending : Model-6 Sec-29 (End member)

Section forces and condition of the calculation

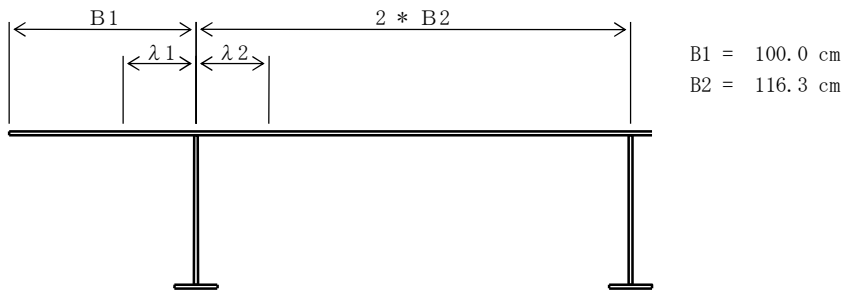
Section force  $M = -123.5 \text{ kN}\cdot\text{m}$   $S = 232.2 \text{ kN}$   
 Section force at joint  $M_j = -123.5 \text{ kN}\cdot\text{m}$   $S_j = 232.2 \text{ kN}$   
 $S_k = 232.2 \text{ kN}$   
 Distance between fixing points.  $L = 1.300 \text{ m}$

equivalent span length



$$L_i = 2 * L1 = 2 * 130.0 = 260.0 \text{ cm}$$

Effective width



$$B1/L_i = 100.0 / 260.0 = 0.38$$

$$\lambda 1 = 0.15 * L_i = 0.15 * 260.0 = 39.0 \text{ cm}$$

$$B2/L_i = 116.3 / 260.0 = 0.45$$

$$\lambda 2 = 0.15 * L_i = 0.15 * 260.0 = 39.0 \text{ cm}$$

$$\text{effective width total } \lambda = \lambda 1 + \lambda 2 = 39.0 + 39.0 = 78.0 \text{ cm}$$

### Section area and moment of inertia

			A (cm <sup>2</sup> )	Y (cm)	AY (cm <sup>3</sup> )	I (cm <sup>4</sup> )
1-DECK	PL	780 * 16 (SM400)	124.80	-40.80	-5092	207747
1-WEB	PL	800 * 9 (SM400)	72.00	0.00	0	38400
1-LFLG	PL	230 * 10 (SM400)	23.00	40.50	932	37726

$$219.80 \qquad -4160 \qquad 283873$$

$$E = -4160 / 219.80 = -18.93 \text{ cm}$$

$$I = 283873 - 219.80 * (-18.93)^2 = 205127 \text{ cm}^4$$

$$Y_u = -22.67 \text{ cm}, \quad Y_L = 59.93 \text{ cm}$$

### Allowable stress

• LFLG

Allowable stress due to lateral buckling

$$A_w/A_c = 72.00 / 23.00 = 3.130 > 2$$

$$K*L/b = \sqrt{(3 + 72.00 / (2 * 23.00))} * 130.0 / 23.0 = 12.077 > 9$$

$$\sigma_{ba} = 140 - 1.2 * (12.077 - 9) = 136 \text{ N/mm}^2$$

Allowable stress due to local buckling

$$\sigma_{cal} = 140 \text{ N/mm}^2$$

Allowable stress  $\sigma_{ca} = 136 \text{ N/mm}^2$

### Bending stress

$$\sigma_u = -123.5 * 10^6 * (-226.7) / (205127 * 10^4) = 14 \text{ N/mm}^2 < \sigma_{ta} = 140 \text{ N/mm}^2$$

$$\sigma_L = -123.5 * 10^6 * 599.3 / (205127 * 10^4) = -36 \text{ N/mm}^2 < \sigma_{ca} = 136 \text{ N/mm}^2$$

### Shear stress

$$\tau = 232.2 * 10^3 / 7200 = 32 \text{ N/mm}^2 < \tau_a = 80 \text{ N/mm}^2$$

### Combined stress

$$\kappa = \left( -35 / 140 \right)^2 + \left( 32 / 80 \right)^2 = 0.23 < 1.2$$

\*For the joint

### Allowable stress

• LFLG

Allowable stress due to lateral buckling

$$A_w/A_c = 72.00 / 23.00 = 3.130 > 2$$

$$K*L/b = \sqrt{(3 + 72.00 / (2 * 23.00))} * 130.0 / 23.0 = 12.077 > 9$$

$$\sigma_{ba} = 140 - 1.2 * (12.077 - 9) = 136 \text{ N/mm}^2$$

Allowable stress due to local buckling

$$\sigma_{cal} = 140 \text{ N/mm}^2$$

$$\text{Allowable stress } \sigma_{ca} = 136 \text{ N/mm}^2$$

### Bending stress

$$\sigma_u = -123.5 * 10^6 * -226.7 / (205127 * 10^4) = 14 \text{ N/mm}^2 < \sigma_{ta} = 140 \text{ N/mm}^2$$

$$\sigma_L = -123.5 * 10^6 * 599.3 / (205127 * 10^4) = -36 \text{ N/mm}^2 < \sigma_{ca} = 136 \text{ N/mm}^2$$

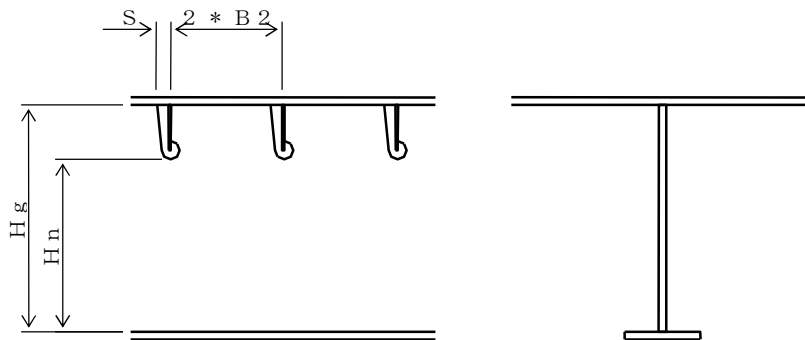
### Shear stress

$$\tau = 232.2 * 10^3 / 7200 = 32 \text{ N/mm}^2 < \tau_a = 80 \text{ N/mm}^2$$

### Combined stress

$$\kappa = ( -35 / 140 )^2 + ( 32 / 80 )^2 = 0.23 < 1.2$$

### Shearing stress at defect of longitudinal rib



$$\tau_k = 232.2 * 10^3 / 7200 = 32 \text{ N/mm}^2 < \tau_a = 80 \text{ N/mm}^2$$

$$\tau_v = \tau_k * H_g / H_n = 32 * 80.0 / 51.5 = 50 \text{ N/mm}^2 < \tau_a$$

### Investigations on deflection

$$\text{Deflection caused by live load } \delta = 0.1 \text{ mm} \leq \delta_a = L / 300 = 1300 / 300 = 4.3 \text{ mm}$$

## 2. 6. 2 Calculations of erection joint

### (1) LFLG : Representative Model-6 Sec-29 (End member)

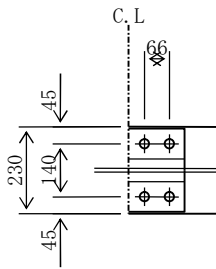
#### (a) Acting stress

$$\begin{aligned}\sigma_{cmax} &= -36 \text{ N/mm}^2 & 0.75 \sigma_{ca} &= 0.75 * 136 = 102 \text{ N/mm}^2 \\ \therefore \sigma_c &= 102 \text{ N/mm}^2\end{aligned}$$

#### (b) Section area of main plate

$$1\text{-LFLG PL } 230 * 10 \quad Ag = 23.0 \text{ cm}^2 \quad (\text{SM400})$$

#### (c) Bolt arrangement



#### (d) Design axial force

$$P_c = \sigma_c * Ag = 102 * 2300 = 234600 \text{ N}$$

#### (e) Required section area of the splice plates

$$AgR = Ag / 2 = 23.0 / 2 = 11.5 \text{ cm}^2$$

#### (f) Required bolt number

$$\begin{aligned}n &= P_c / (108000 * 1.00) = 234600 / 108000 = 2.2 \text{ pcs. (4 bolts will be used.)} \\ &\text{(High strength friction grip bolt, S10T, M22 will be used. Allowable friction forces} \\ &\text{with double surfaces:} \\ &\rho_a = 108000 \text{ N ( inorganic zinc primer is applied. ) } N_{max} = 2 \text{ unites)}\end{aligned}$$

#### (g) Check of splice plates

	(SS400)		$Ag_s (\text{cm}^2)$		$AgR = 11.5 \text{ cm}^2$
2-SPL PL	80 * 9	14.4	>		
1-SPL PL	220 * 9	19.8	>		

(2) WEB : Representative Model-6 Sec-29 (End member)

(a) Section area of main plate (Web plate)

1-WEB PL 745 \* 9 A = 67.0 cm<sup>2</sup> (SM400)

(b) Design stress

$$\sigma_U = 13 \text{ N/mm}^2 < \sigma_a * 0.75 = 140 * 0.75 = 105 \text{ N/mm}^2$$

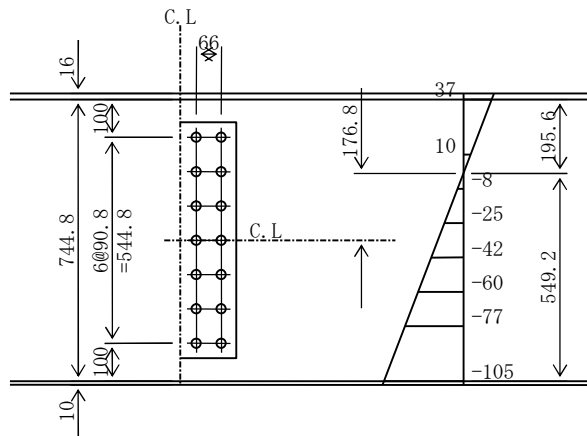
$$\sigma_L = -35 \text{ N/mm}^2 < \sigma_a * 0.75 = 140 * 0.75 = 105 \text{ N/mm}^2$$

$$\sigma_{Un} = 105 * 13 / 35 = 37 \text{ N/mm}^2$$

$$\sigma_{Ln} = 105 \text{ N/mm}^2$$

$$\tau = 32 \text{ N/mm}^2$$

(c) Bolt arrangement and acting stress



(d) Check of bolt stress

Check of bolt at 7th row

Sharing width:  $b_1 = 14.5 \text{ cm}$

Total force to be shared

$$P_1 = 145 * 9 * (77 + 105) / 2 = 119212 \text{ N}$$

Required bolt number (Bolt number to be used)

$$N_1 = 119212 / (108000 * 1.00) = 1.1 \text{ pcs. (2 bolts will be used.)}$$

Check of shear force

$$\rho_s = \tau * A / 14 = 32 * 6703 / 14 = 15442 \text{ N} < \rho_a = 108000 \text{ N}$$

Combined stress

$$\rho_{c7} = \sqrt{((119212 / 2)^2 + 15442^2)} = 61574 \text{ N} < \rho_a = 108000 \text{ N}$$

(High strength friction grip bolt, S10T, M22 will be used. : Allowable friction forces with double surfaces:

$$\rho_a = 108000 \text{ N (inorganic zinc primer is applied. ) } N_{max} = 2 \text{ unites)}$$

(e) Check of splice plates

2-SPL PL 625 \* 9  $A_s = 112.5 \text{ cm}^2$  (SS400)

Moment of inertia of splice plates  $I_s = 71738 \text{ cm}^4 > I_w$

Moment of inertia of web plate  $I_w = 51938 \text{ cm}^4$

Bending moment to be shared by the web

$$M_w = 105 * 51938 * 10^4 / 549 = 99 * 10^6 \text{ N}\cdot\text{mm}$$

Bending stress of splice plates

$$\sigma_{sp} = 99 * 10^6 / (71738 * 10^4) * 489 = 68 \text{ N/mm}^2 < \sigma_a = 140 \text{ N/mm}^2$$



## 2. 6. 3. Calculation of stiffeners

\*calculation conditions

Web Grade : SM400      Web height (b) : 800 mm      Web thk. (t) : 9 mm

V. stiffener : 1 nos.      Number of rungs of horizontal stiffeners : 0 rung

Spacing of vertical stiffeners(a) : 650 mm

Edge compressive stress of web :  $\sigma_c = 35 \text{ N/mm}^2$       Shear stress of web :  $\tau = 32 \text{ N/mm}^2$

\*Checking of thickness of web plat

Minmum thickness of web  $t_{\text{req}} = b/(152*Kh) = 800 / (152*1.00) = 5.3 < 9 \text{ mm}$

Use 1 Horizontal stiffener

\*Checking of spacing of vertical stiffeners

Aspect ratio of panel  $K1 = a/b = 65.0 / 80.0 = 0.81 < 1.5$

Check of spacing  $K2 = [b/(100*t)]^4 * [(\sigma/345)^2 + \{\tau/(58+77*(b/a)^2)\}^2]$

$= [80.0/(100*0.9)]^4 * [(35/345)^2 + \{32/(58+77*1.23^2)\}^2] = 0.03 < 1$

\*Decision of section of the vertical stiffener

Section to be used 1-PL      90 \* 9 (SM400)

$$I_v = 0.9 * 9.0^3 / 3 = 219 \text{ cm}^4$$

\* Calculate by max interval of stiffener. Max interval  $a_{\text{max}} = 1200 \text{ mm}$

Required stiffness  $I_v \cdot \text{req} = b*t^3*\gamma_v \cdot \text{req}/11 = 80.0*0.9^3*3.56/11 = 19 < 219 \text{ cm}^4$

$$\gamma_v \cdot \text{req} = 8.0*(b/a)^2 = 8.0 * (80.0/65.0)^2 = 3.56$$

Required width  $B = b/30 + 50 = 800/30 + 50 = 76.7 < 90 \text{ mm}$

Required thickness  $T = 90 / 13 = 6.9 < 9 \text{ mm}$

## 2. 7. Calculations of lateral stringer

### 2. 7. 1 Determination of cross-section

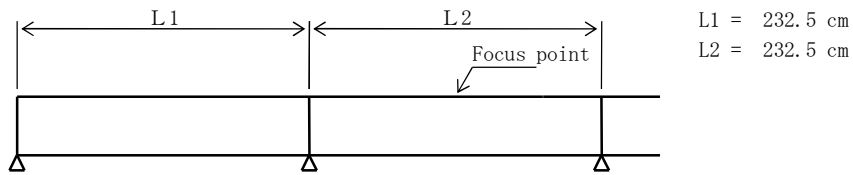
( 1) under maximum bending : Model-6 Sec-1 (Mid span)

#### Section forces and condition of the calculation

Section force  $M = 2.1 \text{ kN}\cdot\text{m}$   $S = 0.5 \text{ kN}$

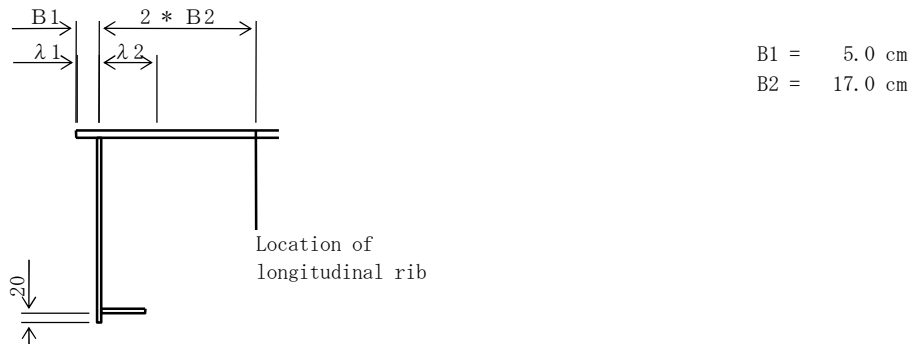
Distance between fixing points.  $L = 2.325 \text{ m}$

#### Equivalent span length



$$L_i = 0.6 * L2 = 0.6 * 232.5 = 139.5 \text{ cm}$$

#### Effective width



$$B1/L_i = 5.0 / 139.5 = 0.04$$

$$\begin{aligned} \lambda 1 &= \{ 1.06 - 3.2 * (B1/L_i) + 4.5 * (B1/L_i)^2 \} * B1 \\ &= \{ 1.06 - 3.2 * 0.04 + 4.5 * 0.04^2 \} * 5.0 \\ &= 4.8 \text{ cm} \end{aligned}$$

$$B2/L_i = 17.0 / 139.5 = 0.12$$

$$\begin{aligned} \lambda 2 &= \{ 1.06 - 3.2 * (B2/L_i) + 4.5 * (B2/L_i)^2 \} * B2 \\ &= \{ 1.06 - 3.2 * 0.12 + 4.5 * 0.12^2 \} * 17.0 \\ &= 12.5 \text{ cm} \end{aligned}$$

$$\text{sum of effective width } \lambda = \lambda 1 + \lambda 2 = 4.8 + 12.5 = 17.3 \text{ cm}$$

### Section area and moment of inertia

			A (cm <sup>2</sup> )	Y (cm)	AY (cm <sup>3</sup> )	I (cm <sup>4</sup> )
1-DECK	PL	173 * 16 (SM400)	27.65	-20.80	-575	11963
1-WEB	PL	400 * 9 (SM400)	36.00	0.00	0	4800
1-LFLG	PL	100 * 10 (SM400)	10.00	17.50	175	3063

$$73.65 \qquad -400 \qquad 19826$$

$$E = -400 / 73.65 = -5.43 \text{ cm}$$

$$I = 19826 - 73.65 * (-5.43)^2 = 17652 \text{ cm}^4$$

$$Y_u = -16.17 \text{ cm} , \quad Y_L = 25.43 \text{ cm}$$

### Bending stress

$$\sigma_u = 2.1 * 10^6 * -161.7 / (17652 * 10^4) = -2 \text{ N/mm}^2 < \sigma_{ca} = 140 \text{ N/mm}^2$$

$$\sigma_L = 2.1 * 10^6 * 254.3 / (17652 * 10^4) = 3 \text{ N/mm}^2 < \sigma_{ta} = 140 \text{ N/mm}^2$$

### Shear stress

$$\tau = 0.5 * 10^3 / 3600 = 0 \text{ N/mm}^2 < \tau_a = 80 \text{ N/mm}^2$$

### Combined stress

$$\kappa = (3 / 140)^2 + (0 / 80)^2 = 0.00 < 1.2$$

### Investigations on deflection

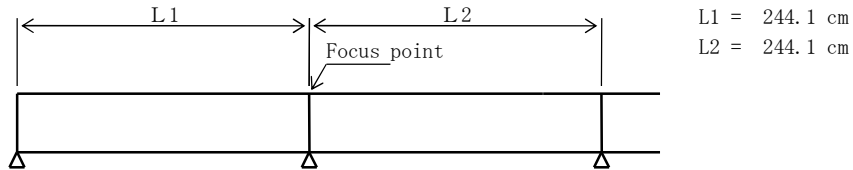
$$\text{Deflection caused by live load } \delta = 0.1 \text{ mm} \leq \delta_a = L / 500 = 2325 / 500 = 4.7 \text{ mm}$$

( 2) under minimum bending • under maximum shear force : Model-6 Sec-1 (Support)

Section forces and condition of the calculation

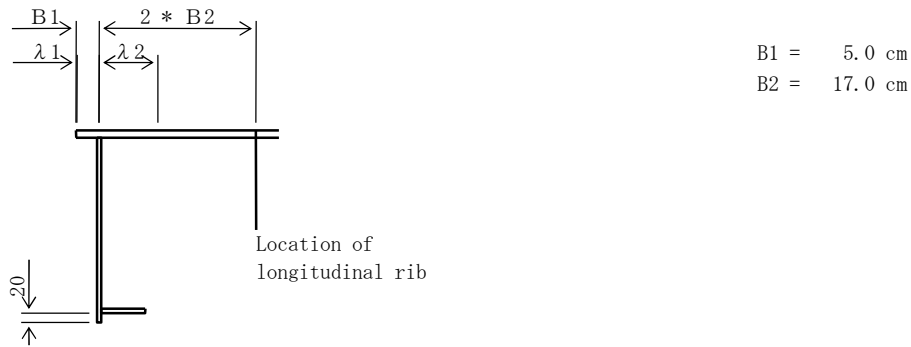
Section force  $M = -2.0 \text{ kN}\cdot\text{m}$   $S = 3.9 \text{ kN}$   
 Section force at joint  $M_j = -2.0 \text{ kN}\cdot\text{m}$   $S_j = 3.9 \text{ kN}$   
 Distance between fixing points.  $L = 0.610 \text{ m}$

Equivalent span length



$$L_i = 0.6 * L_2 = 0.6 * 244.1 = 146.5 \text{ cm}$$

Effective width



$$B_1/L_i = 5.0 / 146.5 = 0.03$$

$$\lambda_1 = \{ 1.06 - 3.2 * (B_1/L_i) + 4.5 * (B_1/L_i)^2 \} * B_1$$

$$= \{ 1.06 - 3.2 * 0.03 + 4.5 * 0.03^2 \} * 5.0$$

$$= 4.8 \text{ cm}$$

$$B_2/L_i = 17.0 / 146.5 = 0.12$$

$$\lambda_2 = \{ 1.06 - 3.2 * (B_2/L_i) + 4.5 * (B_2/L_i)^2 \} * B_2$$

$$= \{ 1.06 - 3.2 * 0.12 + 4.5 * 0.12^2 \} * 17.0$$

$$= 12.7 \text{ cm}$$

$$\text{sum of effective width } \lambda = \lambda_1 + \lambda_2 = 4.8 + 12.7 = 17.5 \text{ cm}$$

### Section area and moment of inertia

			A (cm <sup>2</sup> )	Y (cm)	AY (cm <sup>3</sup> )	I (cm <sup>4</sup> )
1-DECK	PL	175 * 16 (SM400)	28.03	-20.80	-583	12125
1-WEB	PL	400 * 9 (SM400)	36.00	0.00	0	4800
1-LFLG	PL	100 * 10 (SM400)	10.00	17.50	175	3063

$$74.03 \qquad -408 \qquad 19988$$

$$E = -408 / 74.03 = -5.51 \text{ cm}$$

$$I = 19988 - 74.03 * (-5.51)^2 = 17740 \text{ cm}^4$$

$$Y_u = -16.09 \text{ cm}, \quad Y_L = 25.51 \text{ cm}$$

### Allowable stress

• LFLG

Allowable stress due to lateral buckling

$$A_w/A_c = 36.00 / 10.00 = 3.600 > 2$$

$$K*L/b = \sqrt{(3 + 36.00 / (2 * 10.00))} * 61.0 / 10.0 = 13.364 > 9$$

$$\sigma_{ba} = 140 - 1.2 * (13.364 - 9) = 135 \text{ N/mm}^2$$

Allowable stress due to local buckling

$$\sigma_{cal} = 140 \text{ N/mm}^2$$

$$\text{Allowable stress } \sigma_{ca} = 135 \text{ N/mm}^2$$

### Bending stress

$$\sigma_u = -2.0 * 10^6 * (-160.9) / (17740 * 10^4) = 2 \text{ N/mm}^2 < \sigma_{ta} = 140 \text{ N/mm}^2$$

$$\sigma_L = -2.0 * 10^6 * 255.1 / (17740 * 10^4) = -3 \text{ N/mm}^2 < \sigma_{ca} = 135 \text{ N/mm}^2$$

### Shear stress

$$\tau = 3.9 * 10^3 / 3600 = 1 \text{ N/mm}^2 < \tau_a = 80 \text{ N/mm}^2$$

### Combined stress

$$\kappa = \left( -3 / 140 \right)^2 + \left( 1 / 80 \right)^2 = 0.00 < 1.2$$

\*For the joint

### Allowable stress

• LFLG

Allowable stress due to lateral buckling

$$A_w/A_c = 36.00 / 10.00 = 3.600 > 2$$

$$K*L/b = \sqrt{(3 + 36.00 / (2 * 10.00))} * 61.0 / 10.0 = 13.364 > 9$$

$$\sigma_{ba} = 140 - 1.2 * (13.364 - 9) = 135 \text{ N/mm}^2$$

Allowable stress due to local buckling

$$\sigma_{cal} = 140 \text{ N/mm}^2$$

$$\text{Allowable stress } \sigma_{ca} = 135 \text{ N/mm}^2$$

### Bending stress

$$\sigma_u = -2.0 * 10^6 * -160.9 / (17740 * 10^4) = 2 \text{ N/mm}^2 < \sigma_{ta} = 140 \text{ N/mm}^2$$

$$\sigma_L = -2.0 * 10^6 * 255.1 / (17740 * 10^4) = -3 \text{ N/mm}^2 < \sigma_{ca} = 135 \text{ N/mm}^2$$

### Shear stress

$$\tau = 3.9 * 10^3 / 3600 = 1 \text{ N/mm}^2 < \tau_a = 80 \text{ N/mm}^2$$

### Combined stress

$$\kappa = \left( -3 / 140 \right)^2 + \left( 1 / 80 \right)^2 = 0.00 < 1.2$$

## 2. 7. 2 Calculations of erection joint

### (1) LFLG : Representative Model-6 Sec-1(Support)

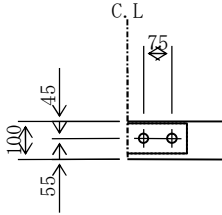
#### (a) Acting stress

$$\sigma_{tmax} = 3 \text{ N/mm}^2 \quad 0.75 \sigma_{ta} = 0.75 * 140 = 105 \text{ N/mm}^2$$

#### (b) Section area of main plate

$$1\text{-LFLG PL } 100 * 10 \quad A_g = 10.0 \text{ cm}^2 \quad (\text{SM400})$$

#### (c) Bolt arrangement



#### (d) Check of section of main plate

$$1\text{-LFLG PL } 100 * 10 \quad A = 10.0$$

$$(10.0 - (1 * 2.5) * 1.0) * 1.1 = 8.3 < 10.0 \quad \therefore A_n = 8.3 \text{ cm}^2$$

$$\sigma_{tn} = \sigma_{tmax} * A_g / A_n = 3 * 10.0 / 8.3 = 4 \text{ N/mm}^2$$

$$< \sigma_{ta} = 140 \text{ N/mm}^2$$

#### (e) Design axial force

$$P_t = 0.75 \sigma_{ta} * A_n / 1.1 = 105 * 825 / 1.1 = 78750 \text{ N}$$

$$> \sigma_{tn} * A_n = 4 * 825 = 2934 \text{ N}$$

#### (f) Required section area of the splice plates

$$A_{nR} = A_n / 2 = 8.3 / 2 = 4.1 \text{ cm}^2$$

#### (g) Required bolt number

$$n = P_t / (108000 * 1.00) = 78750 / 108000 = 0.7 \text{ pcs. (2 bolts will be used.)}$$

(High strength friction grip bolt, S10T, M22 will be used. Allowable friction forces with double surfaces:  
 $\rho_a = 108000 \text{ N}$  (inorganic zinc primer is applied. )  $N_{max} = 2 \text{ unites}$ )

#### (h) Check of splice plates

	(SS400)	$A_g(\text{cm}^2)$	deduction of bolt holes	$A_n(\text{cm}^2)$	
1-SPL PL	80 * 9	( 7.2 -	( 1*2.5)* 0.9)*1.1=	5.4 <	7.2 $\therefore$ 5.4 > $A_{nR}$
1-SPL PL	80 * 9	( 7.2 -	( 1*2.5)* 0.9)*1.1=	5.4 <	7.2 $\therefore$ 5.4 > $A_{nR}$

(2) WEB : Representative Model-6 Sec-1(Support)

(a) Section area of main plate (Web plate)

1-WEB PL 400 \* 9 A = 36.0 cm<sup>2</sup> (SM400)

(b) Design stress

$$\sigma_U = 2 \text{ N/mm}^2 < \sigma_a * 0.75 = 140 * 0.75 = 105 \text{ N/mm}^2$$

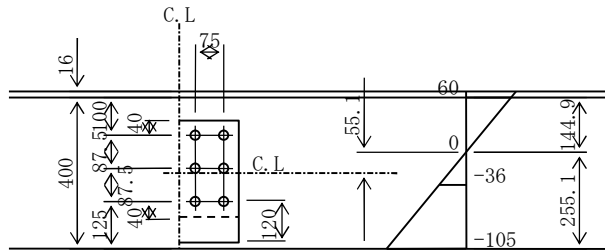
$$\sigma_L = -3 \text{ N/mm}^2 < \sigma_a * 0.75 = 140 * 0.75 = 105 \text{ N/mm}^2$$

$$\sigma_{Un} = 105 * 2 / 3 = 60 \text{ N/mm}^2$$

$$\sigma_{Ln} = 105 \text{ N/mm}^2$$

$$\tau = 1 \text{ N/mm}^2$$

(c) Bolt arrangement and acting stress



(d) Check of bolt stress

Check of bolt at third row

Sharing width:  $b_1 = 16.9 \text{ cm}$

Total force to be shared

$$P_1 = 169 * 9 * (36 + 105) / 2 = 106730 \text{ N}$$

Required bolt number (Bolt number to be used)

$$N_1 = 106730 / (108000 * 1.00) = 1.0 \text{ pcs. (2 bolts will be used.)}$$

Check of shear force

$$\rho_s = \tau * A / 6 = 1 * 3600 / 6 = 649 \text{ N} < \rho_a = 108000 \text{ N}$$

Combined stress

$$\rho_{c3} = \sqrt{((106730 / 2)^2 + 649^2)} = 53369 \text{ N} < \rho_a = 108000 \text{ N}$$

(High strength friction grip bolt, S10T, M22 will be used. : Allowable friction forces with double surfaces:

$$\rho_a = 108000 \text{ N (inorganic zinc primer is applied.) } N_{max} = 2 \text{ unites)}$$

(e) Check of splice plates

1-SPL PL 335 \* 16  $A_s = 53.6 \text{ cm}^2$  (SS400)

1-SPL PL 255 \* 9  $A_s = 23.0 \text{ cm}^2$  (SS400)

Moment of inertia of splice plates  $I_s = 10330 \text{ cm}^4 > I_w$

Moment of inertia of web plate  $I_w = 5894 \text{ cm}^4$

Bending moment to be shared by the web

$$M_w = 105 * 5894 * 10^4 / 255 = 24 * 10^6 \text{ N}\cdot\text{mm}$$

Bending stress of splice plates

$$\sigma_{sp} = 24 * 10^6 / (10330 * 10^4) * 250 = 59 \text{ N/mm}^2 < \sigma_a = 140 \text{ N/mm}^2$$



### 2. 7. 3 Calculation of stiffener

( 1) Maximum stress : Model-1 Sec-1

calculation of Stiffener

b = 40.0 : web height(cm)

t = 0.9 : web thickness(cm)

$\sigma$  = 3 : edge compressive stress of web(N/mm<sup>2</sup>)

$\tau$  = 1 : Shearing stress of web(N/mm<sup>2</sup>)

Investigations on web thickness

$$K_h = \sqrt{(\sigma a / \sigma)} = \sqrt{(140 / 3)} = 6.9 \quad \therefore K_h = 1.2$$

$$b / (152 * K_h) = 40.0 / (152 * 1.2) = 0.2 \text{ cm} < t = 0.9 \text{ cm}$$

Abbreviate horizontal stiffener.

Vertical stiffener

$$K_v = \sqrt{(\tau a / \tau)} = \sqrt{(80 / 1)} = 8.6 \quad \therefore K_v = 1.2$$

$$70 * t * K_v = 70 * 0.9 * 1.2 = 75.6 \text{ cm} > b = 40.0 \text{ cm}$$

Abbreviate vertical stiffener.

### 3. Calculations of cross-sectional force

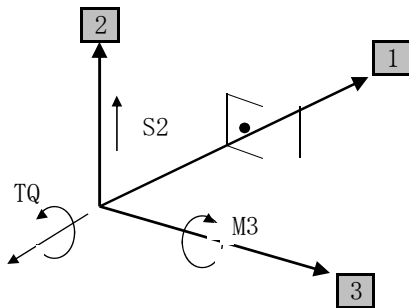
#### 3.1. Analysis Principle

Structural analysis is implemented by using a deformation method according to the unsolicited lattice theory, following the guidelines below.

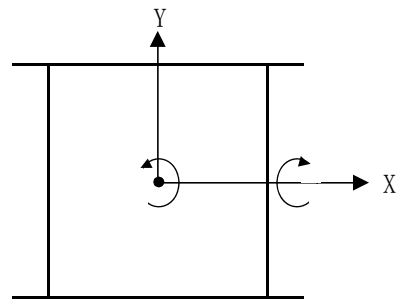
- 1) Structural analysis consists of the main girder member and transverse member of the cross beam that has flexural stiffness.  
The analysis programs are based on displacement way is used and calculate the cross-sectional force using a calculator.
- 2) "LOAD" indicates DEAD-LOAD, LIVE-LOAD (AASHTO LOAD LRFD).
- 3) The difference between calculation inertia and real inertia is considered lower than 5%.
- 4) The difference between calculation weight of steel girder and real weight of steel girder is considered lower than 5%.
- 5) Coordinate system used for the analysis

Displacement value that the analysis software outputs is defined by the global coordinate system and the cross-sectional force is defined by the local coordinate system. When importing the cross-sectional force file by using the cross-section calculation software, one must be aware of the direction of the moment.

The correspondence between the cross-section calculation software and i edgewise cross-sectional force calculated by analysis software is as follows.



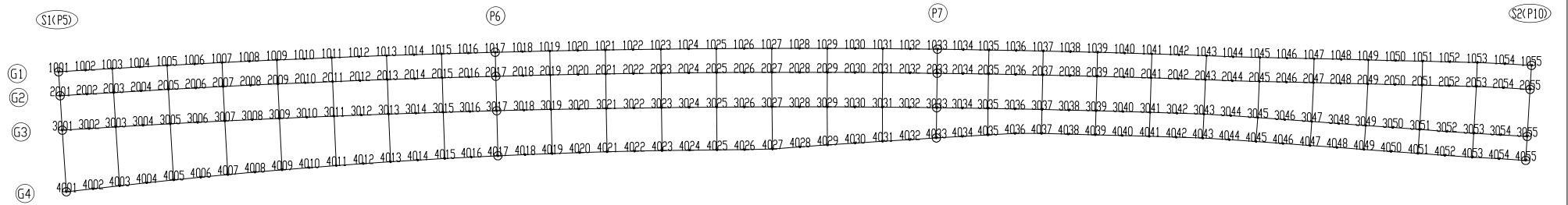
i edgewise cross-sectional force calculated by analysis software



Coordinate system of cross-section calculation software

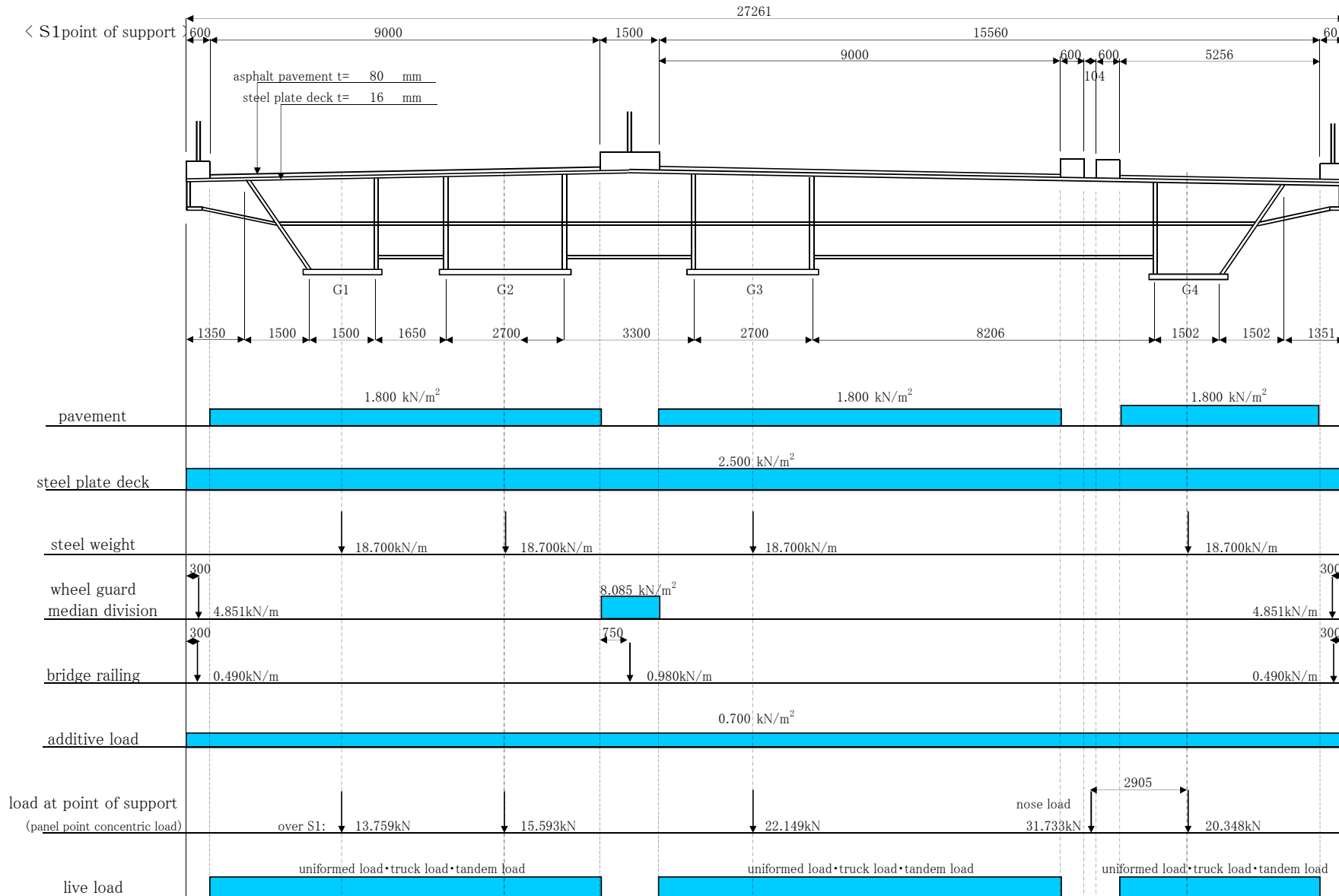
analysis software		cross-section calculation software
S2(2 axial force)	→	Sy(in-plane shear force)
TQ(1axis rotation force)	→	T(torsion moment)
M3(3axis rotation force)	→	Mx(in-plane bending moment)

### 3.2. Frame design

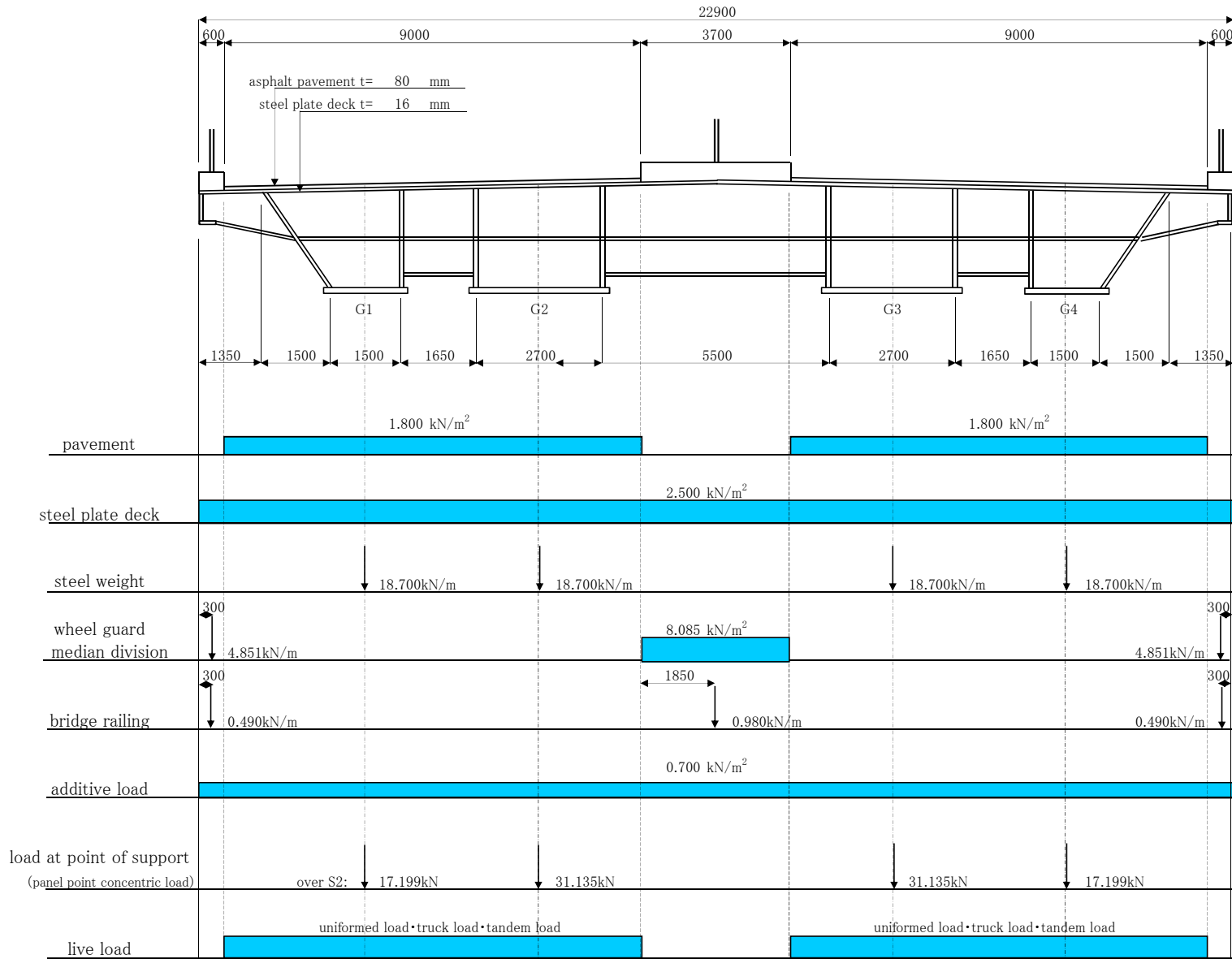


### 3. 3. Load intensity

(1) Figure demonstrating loading



< S2point of support >



(2) Load intensity

1) Summary of load intensity

Dead load

pavement	$22.500 \text{ kN/m}^3 \times 0.080 \text{ m}$	=	$1.800 \text{ kN/m}^2$
steel plate deck		=	$2.500 \text{ kN/m}^2$
steel weight		G1 =	$18.700 \text{ kN/m}$
		G2 =	$18.700 \text{ kN/m}$
		G3 =	$18.700 \text{ kN/m}$
		G4 =	$18.700 \text{ kN/m}$
wheel guard	$24.500 \text{ kN/m}^3 \times 0.330 \text{ m} \times 0.600 \text{ m}$	=	$4.851 \text{ kN/m}$
median division	$24.500 \text{ kN/m}^3 \times 0.330 \text{ m}$	=	$8.085 \text{ kN/m}^2$
bridge railing		left • right =	$0.490 \text{ kN/m}$
		center =	$0.980 \text{ kN/m}$
additive load		=	$0.700 \text{ kN/m}^2$
load at point of support	over S1	G1 =	$13.759 \text{ kN}$
		G2 =	$15.593 \text{ kN}$
		G3 =	$22.149 \text{ kN}$
		G4 =	$20.348 \text{ kN}$
	over S2	G1 =	$17.199 \text{ kN}$
		G2 =	$31.135 \text{ kN}$
		G3 =	$31.135 \text{ kN}$
		G4 =	$17.199 \text{ kN}$
nose load	over S1	$G4 \rightarrow G3 \downarrow \approx 2905 \text{ mm}$	= $31.733 \text{ kN}$

Live load

AASHTO LOAD LRFD	road way section	uniformed load
	(will not load at location of median division)	truck load
		tandem load

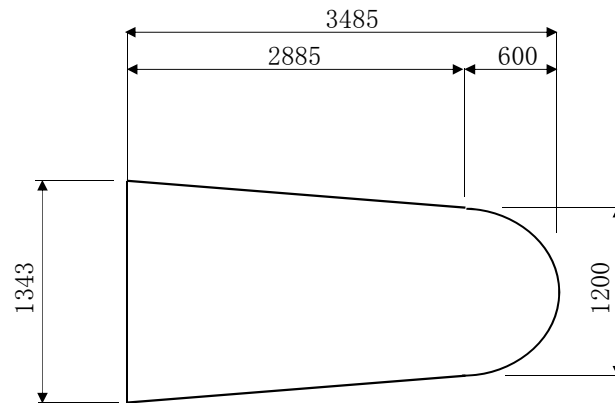
2) load at point of support

<S1-G1>	pavement	G1	$1.800 \text{ kN/m}^2 \times 4.575 \text{ m} \times 0.800 \text{ m} =$	6.588 kN
	steel plate deck		(load at steel plate deck)	
	steel weight		(load at steel weight)	
	wheel guard	G1	$4.851 \text{ kN/m} \times 0.800 \text{ m} =$	3.881 kN
	bridge railing	G1	$0.490 \text{ kN/m} \times 0.800 \text{ m} =$	0.392 kN
	additive load	G1	$0.700 \text{ kN/m}^2 \times 5.175 \text{ m} \times 0.800 \text{ m} =$	2.898 kN
			$\Sigma G1 =$	13.759 kN
<S1-G2>	pavement	G2	$1.800 \text{ kN/m}^2 \times 5.175 \text{ m} \times 0.800 \text{ m} =$	7.452 kN
	steel plate deck		(load at steel plate deck)	
	steel weight		(load at steel weight)	
	wheel guard	G2	$8.085 \text{ kN/m}^2 \times 0.750 \text{ m} \times 0.800 \text{ m} =$	4.851 kN
	bridge railing	G2	$0.980 \text{ kN/m} \times 0.800 \text{ m} / 2 =$	0.392 kN
	additive load	G2	$0.700 \text{ kN/m}^2 \times 5.175 \text{ m} \times 0.800 \text{ m} =$	2.898 kN
			$\Sigma G2 =$	15.593 kN
<S1-G3>	pavement	G3	$1.800 \text{ kN/m}^2 \times 8.453 \text{ m} \times 0.800 \text{ m} =$	12.172 kN
	steel plate deck		(load at steel plate deck)	
	steel weight		(load at steel weight)	
	wheel guard	G3	$8.085 \text{ kN/m}^2 \times 0.750 \text{ m} \times 0.800 \text{ m} =$	4.851 kN
	bridge railing	G3	$0.980 \text{ kN/m} \times 0.800 \text{ m} / 2 =$	0.392 kN
	additive load	G3	$0.700 \text{ kN/m}^2 \times 8.453 \text{ m} \times 0.800 \text{ m} =$	4.734 kN
			$\Sigma G3 =$	22.149 kN
<S1-G4>	pavement	G4	$1.800 \text{ kN/m}^2 \times 7.857 \text{ m} \times 0.801 \text{ m} =$	11.328 kN
	steel plate deck		(load at steel plate deck)	
	steel weight		(load at steel weight)	
	wheel guard	G4	$4.851 \text{ kN/m} \times 0.801 \text{ m} =$	3.886 kN
	bridge railing	G4	$0.490 \text{ kN/m} \times 0.801 \text{ m} =$	0.392 kN
	additive load	G4	$0.700 \text{ kN/m}^2 \times 8.458 \text{ m} \times 0.801 \text{ m} =$	4.742 kN
			$\Sigma G4 =$	20.348 kN

<S2-G1>	pavement	G1	$1.800 \text{ kN/m}^2 \times 4.575 \text{ m} \times 1.000 \text{ m} =$	8.235 kN
	steel plate deck		(load at steel plate deck)	
	steel weight		(load at steel weight)	
	wheel guard	G1	$4.851 \text{ kN/m} \times 1.000 \text{ m} =$	4.851 kN
	bridge railing	G1	$0.490 \text{ kN/m} \times 1.000 \text{ m} =$	0.490 kN
	additive load	G1	$0.700 \text{ kN/m}^2 \times 5.175 \text{ m} \times 1.000 \text{ m} =$	3.623 kN
			$\Sigma G1 =$	17.199 kN
<S2-G2>	pavement	G2	$1.800 \text{ kN/m}^2 \times 6.275 \text{ m} \times 1.000 \text{ m} =$	11.295 kN
	steel plate deck		(load at steel plate deck)	
	steel weight		(load at steel weight)	
	wheel guard	G2	$8.085 \text{ kN/m}^2 \times 1.850 \text{ m} \times 1.000 \text{ m} =$	14.957 kN
	bridge railing	G2	$0.980 \text{ kN/m} \times 1.000 \text{ m} / 2 =$	0.490 kN
	additive load	G2	$0.700 \text{ kN/m}^2 \times 6.275 \text{ m} \times 1.000 \text{ m} =$	4.393 kN
			$\Sigma G2 =$	31.135 kN
<S2-G3>	pavement	G3	$1.800 \text{ kN/m}^2 \times 6.275 \text{ m} \times 1.000 \text{ m} =$	11.295 kN
	steel plate deck		(load at steel plate deck)	
	steel weight		(load at steel weight)	
	wheel guard	G3	$8.085 \text{ kN/m}^2 \times 1.850 \text{ m} \times 1.000 \text{ m} =$	14.957 kN
	bridge railing	G3	$0.980 \text{ kN/m} \times 1.000 \text{ m} / 2 =$	0.490 kN
	additive load	G3	$0.700 \text{ kN/m}^2 \times 6.275 \text{ m} \times 1.000 \text{ m} =$	4.393 kN
			$\Sigma G3 =$	31.135 kN
<S2-G4>	pavement	G4	$1.800 \text{ kN/m}^2 \times 4.575 \text{ m} \times 1.000 \text{ m} =$	8.235 kN
	steel plate deck		(load at steel plate deck)	
	steel weight		(load at steel weight)	
	wheel guard	G4	$4.851 \text{ kN/m} \times 1.000 \text{ m} =$	4.851 kN
	bridge railing	G4	$0.490 \text{ kN/m} \times 1.000 \text{ m} =$	0.490 kN
	additive load	G4	$0.700 \text{ kN/m}^2 \times 5.175 \text{ m} \times 1.000 \text{ m} =$	3.623 kN
			$\Sigma G4 =$	17.199 kN



3) nose load



concrete at nose

$$A = 4.236 \text{ m}^2 \quad (\text{CAD measurements})$$

$$\text{concrete volume } \textcircled{1} = 4.236 \text{ m}^2 \times 0.330 \text{ m} = 1.3979 \text{ m}^3$$

$$\text{concrete load } W = 24.500 \text{ kN/m}^3 \times 1.3979 \text{ m}^3 = \boxed{34.249} \text{ kN}$$

$$\text{deduction of pavement weight } W = -22.500 \text{ kN/m}^3 \times 0.080 \text{ m} \times 1.398 \text{ m}^2 = \boxed{-2.516} \text{ kN}$$

$$\Sigma W = \boxed{31.733} \text{ kN}$$

### 3 — 4 Computerized INPUT DATA

BAGO RIVER BRIDGE

TITLE:

BAGO RIVER BRIDGE

STRUCTURE:

NODE COUNT:	220
STRUCTURE-NODE (NODE)	220
ELEMENT COUNT:	316
BEAM-ELEMENT (BEAM)	300
SUPPORT-ELEMENT (SUPPORT)	16
GROUP COUNT:	8
APREACT (APREACT)	8
GIRDER COUNT:	4
CROSS COUNT:	55
SPAN COUNT:	3

STATIC LINER ANALYSIS CASE:

LOAD CASE COUNT:	23
FIXEDLOAD-CASE (FIXED)	2
INFL-CASE (INFL)	8
ROAD (INFLROAD)	13

COMBI CASE COUNT:	19
-------------------	----

BAGO RIVER BRIDGE

TITLE:

BAGO RIVER BRIDGE

STRUCTURE:

NODE COUNT:	220
STRUCTURE-NODE (NODE)	220
ELEMENT COUNT:	316
BEAM-ELEMENT (BEAM)	300
SUPPORT-ELEMENT (SUPPORT)	16
GROUP COUNT:	8
APREACT (APREACT)	8
GIRDER COUNT:	4
CROSS COUNT:	55
SPAN COUNT:	3

STATIC LINER ANALYSIS CASE:

LOAD CASE COUNT:	23
FIXEDLOAD-CASE (FIXED)	2
INFL-CASE (INFL)	8
ROAD (INFLROAD)	13

COMBI CASE COUNT: 19

BAGO RIVER BRIDGE

NODAL BLOCK DATA

BLOCK	TITLE	COUNT	BLOCK TYPE
1	STRUCTURE NODE	220	STRUCTURE-NODE (NODE)

NODE DATA [ STRUCTURE-NODE (NODE) ]

NODE	BLOCK	X-COORDINATE	Y-COORDINATE	Z-COORDINATE	BOUNDARY CONDITION					
		(m)	(m)	(m)	DX	DY	DZ	RX	RY	RZ
1001	1	0.43765	7.21976	0.00000	1	1	0	0	0	1
1002	1	5.09841	7.51189	0.00000	1	1	0	0	0	1
1003	1	9.75663	7.79299	0.00000	1	1	0	0	0	1
1004	1	14.51568	8.06895	0.00000	1	1	0	0	0	1
1005	1	19.27537	8.33361	0.00000	1	1	0	0	0	1
1006	1	24.03567	8.58696	0.00000	1	1	0	0	0	1
1007	1	28.79657	8.82901	0.00000	1	1	0	0	0	1
1008	1	33.55803	9.05975	0.00000	1	1	0	0	0	1
1009	1	38.32002	9.27918	0.00000	1	1	0	0	0	1
1010	1	43.08252	9.48729	0.00000	1	1	0	0	0	1
1011	1	47.84550	9.68410	0.00000	1	1	0	0	0	1
1012	1	52.60893	9.86960	0.00000	1	1	0	0	0	1
1013	1	57.37279	10.04378	0.00000	1	1	0	0	0	1
1014	1	62.13705	10.20664	0.00000	1	1	0	0	0	1
1015	1	66.90169	10.35819	0.00000	1	1	0	0	0	1
1016	1	71.56635	10.49559	0.00000	1	1	0	0	0	1
1017	1	76.23132	10.62215	0.00000	1	1	0	0	0	1
1018	1	80.97182	10.73963	0.00000	1	1	0	0	0	1
1019	1	85.71258	10.84592	0.00000	1	1	0	0	0	1
1020	1	90.52884	10.94242	0.00000	1	1	0	0	0	1
1021	1	95.34531	11.02736	0.00000	1	1	0	0	0	1
1022	1	100.16198	11.10075	0.00000	1	1	0	0	0	1
1023	1	104.97880	11.16257	0.00000	1	1	0	0	0	1
1024	1	109.79577	11.21283	0.00000	1	1	0	0	0	1

BAGO RIVER BRIDGE

NODE DATA [ STRUCTURE-NODE(NODE) ]

NODE	BLOCK	X-COORDINATE (m)	Y-COORDINATE (m)	Z-COORDINATE (m)	BOUNDARY CONDITION					
					DX	DY	DZ	RX	RY	RZ
1025	1	114.61283	11.25153	0.00000	1	1	0	0	0	1
1026	1	119.42998	11.27868	0.00000	1	1	0	0	0	1
1027	1	124.24718	11.29426	0.00000	1	1	0	0	0	1
1028	1	129.06440	11.29827	0.00000	1	1	0	0	0	1
1029	1	133.88162	11.29073	0.00000	1	1	0	0	0	1
1030	1	138.69881	11.27163	0.00000	1	1	0	0	0	1
1031	1	143.51593	11.24096	0.00000	1	1	0	0	0	1
1032	1	148.25770	11.19948	0.00000	1	1	0	0	0	1
1033	1	152.99937	11.14681	0.00000	1	1	0	0	0	1
1034	1	157.46493	11.08695	0.00000	1	1	0	0	0	1
1035	1	161.93036	11.01716	0.00000	1	1	0	0	0	1
1036	1	166.64646	10.93265	0.00000	1	1	0	0	0	1
1037	1	171.36236	10.83707	0.00000	1	1	0	0	0	1
1038	1	176.07802	10.73040	0.00000	1	1	0	0	0	1
1039	1	180.79341	10.61266	0.00000	1	1	0	0	0	1
1040	1	185.50852	10.48383	0.00000	1	1	0	0	0	1
1041	1	190.22331	10.34392	0.00000	1	1	0	0	0	1
1042	1	194.93776	10.19293	0.00000	1	1	0	0	0	1
1043	1	199.71773	10.02530	0.00000	1	1	0	0	0	1
1044	1	204.33106	9.84239	0.00000	1	1	0	0	0	1
1045	1	208.98601	9.72381	0.00000	1	1	0	0	0	1
1046	1	213.68963	9.61513	0.00000	1	1	0	0	0	1
1047	1	218.39369	9.50645	0.00000	1	1	0	0	0	1
1048	1	223.09822	9.39775	0.00000	1	1	0	0	0	1
1049	1	227.80329	9.28904	0.00000	1	1	0	0	0	1
1050	1	232.50895	9.18031	0.00000	1	1	0	0	0	1
1051	1	237.21525	9.07158	0.00000	1	1	0	0	0	1
1052	1	241.92224	8.96282	0.00000	1	1	0	0	0	1
1053	1	246.69385	8.83128	0.00000	1	1	0	0	0	1
1054	1	251.48978	8.61851	0.00000	1	1	0	0	0	1

BAGO RIVER BRIDGE

NODE DATA [ STRUCTURE-NODE(NODE) ]

NODE	BLOCK	X-COORDINATE (m)	Y-COORDINATE (m)	Z-COORDINATE (m)	BOUNDARY CONDITION					
					DX	DY	DZ	RX	RY	RZ
1055	1	256.13112	8.33480	0.00000	1	1	0	0	0	1
2001	1	0.70566	3.05136	0.00000	1	1	0	0	0	1
2002	1	5.35486	3.34277	0.00000	1	1	0	0	0	1
2003	1	10.00338	3.62329	0.00000	1	1	0	0	0	1
2004	1	14.75253	3.89867	0.00000	1	1	0	0	0	1
2005	1	19.50231	4.16278	0.00000	1	1	0	0	0	1
2006	1	24.25271	4.41560	0.00000	1	1	0	0	0	1
2007	1	29.00370	4.65715	0.00000	1	1	0	0	0	1
2008	1	33.75525	4.88741	0.00000	1	1	0	0	0	1
2009	1	38.50733	5.10638	0.00000	1	1	0	0	0	1
2010	1	43.25992	5.31406	0.00000	1	1	0	0	0	1
2011	1	48.01299	5.51046	0.00000	1	1	0	0	0	1
2012	1	52.76651	5.69557	0.00000	1	1	0	0	0	1
2013	1	57.52046	5.86939	0.00000	1	1	0	0	0	1
2014	1	62.27480	6.03192	0.00000	1	1	0	0	0	1
2015	1	67.02952	6.18315	0.00000	1	1	0	0	0	1
2016	1	71.68448	6.32026	0.00000	1	1	0	0	0	1
2017	1	76.33974	6.44655	0.00000	1	1	0	0	0	1
2018	1	81.07037	6.56379	0.00000	1	1	0	0	0	1
2019	1	85.80127	6.66986	0.00000	1	1	0	0	0	1
2020	1	90.60750	6.76616	0.00000	1	1	0	0	0	1
2021	1	95.41396	6.85093	0.00000	1	1	0	0	0	1
2022	1	100.22060	6.92416	0.00000	1	1	0	0	0	1
2023	1	105.02740	6.98585	0.00000	1	1	0	0	0	1
2024	1	109.83434	7.03601	0.00000	1	1	0	0	0	1
2025	1	114.64138	7.07463	0.00000	1	1	0	0	0	1
2026	1	119.44850	7.10172	0.00000	1	1	0	0	0	1
2027	1	124.25568	7.11726	0.00000	1	1	0	0	0	1
2028	1	129.06287	7.12127	0.00000	1	1	0	0	0	1
2029	1	133.87007	7.11375	0.00000	1	1	0	0	0	1

BAGO RIVER BRIDGE

NODE DATA [ STRUCTURE-NODE(NODE) ]

NODE	BLOCK	X-COORDINATE (m)	Y-COORDINATE (m)	Z-COORDINATE (m)	BOUNDARY CONDITION					
					DX	DY	DZ	RX	RY	RZ
2030	1	138.67723	7.09468	0.00000	1	1	0	0	0	1
2031	1	143.48433	7.06408	0.00000	1	1	0	0	0	1
2032	1	148.21623	7.02269	0.00000	1	1	0	0	0	1
2033	1	152.94803	6.97012	0.00000	1	1	0	0	0	1
2034	1	157.40430	6.91039	0.00000	1	1	0	0	0	1
2035	1	161.86043	6.84074	0.00000	1	1	0	0	0	1
2036	1	166.56673	6.75642	0.00000	1	1	0	0	0	1
2037	1	171.27281	6.66103	0.00000	1	1	0	0	0	1
2038	1	175.97865	6.55459	0.00000	1	1	0	0	0	1
2039	1	180.68424	6.43708	0.00000	1	1	0	0	0	1
2040	1	185.38953	6.30852	0.00000	1	1	0	0	0	1
2041	1	190.09451	6.16890	0.00000	1	1	0	0	0	1
2042	1	194.79914	6.01823	0.00000	1	1	0	0	0	1
2043	1	199.51943	5.85301	0.00000	1	1	0	0	0	1
2044	1	204.19840	5.66749	0.00000	1	1	0	0	0	1
2045	1	208.88953	5.54793	0.00000	1	1	0	0	0	1
2046	1	213.59315	5.43925	0.00000	1	1	0	0	0	1
2047	1	218.29720	5.33056	0.00000	1	1	0	0	0	1
2048	1	223.00174	5.22186	0.00000	1	1	0	0	0	1
2049	1	227.70681	5.11315	0.00000	1	1	0	0	0	1
2050	1	232.41247	5.00443	0.00000	1	1	0	0	0	1
2051	1	237.11877	4.89569	0.00000	1	1	0	0	0	1
2052	1	241.82576	4.78693	0.00000	1	1	0	0	0	1
2053	1	246.54816	4.65682	0.00000	1	1	0	0	0	1
2054	1	251.23492	4.44929	0.00000	1	1	0	0	0	1
2055	1	255.87626	4.16558	0.00000	1	1	0	0	0	1
3001	1	1.09065	-2.93627	0.00000	1	1	0	0	0	1
3002	1	5.72324	-2.64591	0.00000	1	1	0	0	0	1
3003	1	10.35783	-2.36624	0.00000	1	1	0	0	0	1
3004	1	15.09275	-2.09167	0.00000	1	1	0	0	0	1

BAGO RIVER BRIDGE

NODE DATA [ STRUCTURE-NODE(NODE) ]

NODE	BLOCK	X-COORDINATE (m)	Y-COORDINATE (m)	Z-COORDINATE (m)	BOUNDARY CONDITION					
					DX	DY	DZ	RX	RY	RZ
3005	1	19.82831	-1.82836	0.00000	1	1	0	0	0	1
3006	1	24.56448	-1.57629	0.00000	1	1	0	0	0	1
3007	1	29.30124	-1.33547	0.00000	1	1	0	0	0	1
3008	1	34.03855	-1.10590	0.00000	1	1	0	0	0	1
3009	1	38.77640	-0.88759	0.00000	1	1	0	0	0	1
3010	1	43.51475	-0.68052	0.00000	1	1	0	0	0	1
3011	1	48.25358	-0.48471	0.00000	1	1	0	0	0	1
3012	1	52.99286	-0.30016	0.00000	1	1	0	0	0	1
3013	1	57.73257	-0.12686	0.00000	1	1	0	0	0	1
3014	1	62.47267	0.03518	0.00000	1	1	0	0	0	1
3015	1	67.21315	0.18596	0.00000	1	1	0	0	0	1
3016	1	71.85416	0.32266	0.00000	1	1	0	0	0	1
3017	1	76.49548	0.44858	0.00000	1	1	0	0	0	1
3018	1	81.21194	0.56546	0.00000	1	1	0	0	0	1
3019	1	85.92867	0.67121	0.00000	1	1	0	0	0	1
3020	1	90.72050	0.76722	0.00000	1	1	0	0	0	1
3021	1	95.51256	0.85174	0.00000	1	1	0	0	0	1
3022	1	100.30480	0.92475	0.00000	1	1	0	0	0	1
3023	1	105.09720	0.98626	0.00000	1	1	0	0	0	1
3024	1	109.88974	1.03627	0.00000	1	1	0	0	0	1
3025	1	114.68239	1.07477	0.00000	1	1	0	0	0	1
3026	1	119.47511	1.10178	0.00000	1	1	0	0	0	1
3027	1	124.26788	1.11728	0.00000	1	1	0	0	0	1
3028	1	129.06068	1.12127	0.00000	1	1	0	0	0	1
3029	1	133.85347	1.11377	0.00000	1	1	0	0	0	1
3030	1	138.64623	1.09476	0.00000	1	1	0	0	0	1
3031	1	143.43894	1.06425	0.00000	1	1	0	0	0	1
3032	1	148.15667	1.02299	0.00000	1	1	0	0	0	1
3033	1	152.87429	0.97057	0.00000	1	1	0	0	0	1
3034	1	157.31721	0.91102	0.00000	1	1	0	0	0	1



BAGO RIVER BRIDGE

NODE DATA [ STRUCTURE-NODE(NODE) ]

NODE	BLOCK	X-COORDINATE (m)	Y-COORDINATE (m)	Z-COORDINATE (m)	BOUNDARY CONDITION					
					DX	DY	DZ	RX	RY	RZ
3035	1	161.75999	0.84158	0.00000	1	1	0	0	0	1
3036	1	166.45219	0.75751	0.00000	1	1	0	0	0	1
3037	1	171.14417	0.66241	0.00000	1	1	0	0	0	1
3038	1	175.83592	0.55628	0.00000	1	1	0	0	0	1
3039	1	180.52741	0.43913	0.00000	1	1	0	0	0	1
3040	1	185.21861	0.31096	0.00000	1	1	0	0	0	1
3041	1	189.90949	0.17176	0.00000	1	1	0	0	0	1
3042	1	194.60004	0.02153	0.00000	1	1	0	0	0	1
3043	1	199.27156	-0.14298	0.00000	1	1	0	0	0	1
3044	1	203.93971	-0.40991	0.00000	1	1	0	0	0	1
3045	1	208.61466	-0.74297	0.00000	1	1	0	0	0	1
3046	1	213.29978	-1.08728	0.00000	1	1	0	0	0	1
3047	1	217.98422	-1.43153	0.00000	1	1	0	0	0	1
3048	1	222.66803	-1.77575	0.00000	1	1	0	0	0	1
3049	1	227.35127	-2.11992	0.00000	1	1	0	0	0	1
3050	1	232.03399	-2.46405	0.00000	1	1	0	0	0	1
3051	1	236.71624	-2.80815	0.00000	1	1	0	0	0	1
3052	1	241.39807	-3.15222	0.00000	1	1	0	0	0	1
3053	1	246.09658	-3.47660	0.00000	1	1	0	0	0	1
3054	1	250.73461	-3.73543	0.00000	1	1	0	0	0	1
3055	1	255.37595	-4.01915	0.00000	1	1	0	0	0	1
4001	1	1.77942	-13.64838	0.00000	1	1	0	0	0	1
4002	1	6.42815	-13.12187	0.00000	1	1	0	0	0	1
4003	1	11.02604	-12.60131	0.00000	1	1	0	0	0	1
4004	1	15.72000	-12.08387	0.00000	1	1	0	0	0	1
4005	1	20.41636	-11.58860	0.00000	1	1	0	0	0	1
4006	1	25.11501	-11.11552	0.00000	1	1	0	0	0	1
4007	1	29.81585	-10.66464	0.00000	1	1	0	0	0	1
4008	1	34.51878	-10.23598	0.00000	1	1	0	0	0	1
4009	1	39.22368	-9.82953	0.00000	1	1	0	0	0	1

BAGO RIVER BRIDGE

NODE DATA [ STRUCTURE-NODE(NODE) ]

NODE	BLOCK	X-COORDINATE (m)	Y-COORDINATE (m)	Z-COORDINATE (m)	BOUNDARY CONDITION					
					DX	DY	DZ	RX	RY	RZ
4010	1	43.93045	-9.44531	0.00000	1	1	0	0	0	1
4011	1	48.63899	-9.08334	0.00000	1	1	0	0	0	1
4012	1	53.34919	-8.74360	0.00000	1	1	0	0	0	1
4013	1	58.06095	-8.42612	0.00000	1	1	0	0	0	1
4014	1	62.77416	-8.13091	0.00000	1	1	0	0	0	1
4015	1	67.48871	-7.85795	0.00000	1	1	0	0	0	1
4016	1	72.10522	-7.61233	0.00000	1	1	0	0	0	1
4017	1	76.69898	-7.38915	0.00000	1	1	0	0	0	1
4018	1	81.41589	-7.18203	0.00000	1	1	0	0	0	1
4019	1	86.10989	-6.99806	0.00000	1	1	0	0	0	1
4020	1	90.87923	-6.83377	0.00000	1	1	0	0	0	1
4021	1	95.64931	-6.69224	0.00000	1	1	0	0	0	1
4022	1	100.42000	-6.57348	0.00000	1	1	0	0	0	1
4023	1	105.19121	-6.47750	0.00000	1	1	0	0	0	1
4024	1	109.96283	-6.40429	0.00000	1	1	0	0	0	1
4025	1	114.73474	-6.35387	0.00000	1	1	0	0	0	1
4026	1	119.50804	-6.32515	0.00000	1	1	0	0	0	1
4027	1	124.36794	-6.19907	0.00000	1	1	0	0	0	1
4028	1	129.14329	-5.84863	0.00000	1	1	0	0	0	1
4029	1	133.92030	-5.50965	0.00000	1	1	0	0	0	1
4030	1	138.69894	-5.18214	0.00000	1	1	0	0	0	1
4031	1	143.47918	-4.86611	0.00000	1	1	0	0	0	1
4032	1	148.18627	-4.56623	0.00000	1	1	0	0	0	1
4033	1	152.80972	-4.28260	0.00000	1	1	0	0	0	1
4034	1	157.33077	-4.01571	0.00000	1	1	0	0	0	1
4035	1	161.76796	-3.76383	0.00000	1	1	0	0	0	1
4036	1	166.45579	-3.50853	0.00000	1	1	0	0	0	1
4037	1	171.05462	-3.51363	0.00000	1	1	0	0	0	1
4038	1	175.73656	-3.61953	0.00000	1	1	0	0	0	1
4039	1	180.41823	-3.73644	0.00000	1	1	0	0	0	1

BAGO RIVER BRIDGE

NODE DATA [ STRUCTURE-NODE(NODE) ]

NODE	BLOCK	X-COORDINATE (m)	Y-COORDINATE (m)	Z-COORDINATE (m)	BOUNDARY CONDITION					
					DX	DY	DZ	RX	RY	RZ
4040	1	185.09962	-3.86435	0.00000	1	1	0	0	0	1
4041	1	189.78069	-4.00326	0.00000	1	1	0	0	0	1
4042	1	194.46142	-4.15317	0.00000	1	1	0	0	0	1
4043	1	199.06586	-4.31492	0.00000	1	1	0	0	0	1
4044	1	203.66852	-4.57810	0.00000	1	1	0	0	0	1
4045	1	208.30852	-4.90873	0.00000	1	1	0	0	0	1
4046	1	212.99364	-5.25304	0.00000	1	1	0	0	0	1
4047	1	217.67808	-5.59730	0.00000	1	1	0	0	0	1
4048	1	222.36189	-5.94151	0.00000	1	1	0	0	0	1
4049	1	227.04513	-6.28568	0.00000	1	1	0	0	0	1
4050	1	231.72785	-6.62982	0.00000	1	1	0	0	0	1
4051	1	236.41010	-6.97392	0.00000	1	1	0	0	0	1
4052	1	241.09193	-7.31798	0.00000	1	1	0	0	0	1
4053	1	245.83940	-7.64567	0.00000	1	1	0	0	0	1
4054	1	250.47976	-7.90465	0.00000	1	1	0	0	0	1
4055	1	255.12109	-8.18836	0.00000	1	1	0	0	0	1

BAGO RIVER BRIDGE

MATERIAL DATA [ MATE1 ]

MATERIAL	YOUNG MODULUS (kN/m <sup>2</sup> )	SHEARS (kN/m <sup>2</sup> )	POISSONS	THERMAL EXP
1001	2.000000e+008	7.700000e+007	0.000000e+000	1.200000e-005

BAGO RIVER BRIDGE

PROPERTY DATA [ BEAM-ELEMENT (BEAM) ]

PROPERTY	AREA (m2)	AREA2 (m2)	AREA3 (m2)	INERTIA1 (m4)	INERTIA2 (m4)	INERTIA3 (m4)
1001	0.0000000	0.0000000	0.0000000	0.2087220	0.0000000	0.2360100
1002	0.0000000	0.0000000	0.0000000	0.2168360	0.0000000	0.2546860
1003	0.0000000	0.0000000	0.0000000	0.2303600	0.0000000	0.2858130
1004	0.0000000	0.0000000	0.0000000	0.2370480	0.0000000	0.3220510
1005	0.0000000	0.0000000	0.0000000	0.2410610	0.0000000	0.3437940
1006	0.0000000	0.0000000	0.0000000	0.2424570	0.0000000	0.3527930
1007	0.0000000	0.0000000	0.0000000	0.2426560	0.0000000	0.3540790
1008	0.0000000	0.0000000	0.0000000	0.2426560	0.0000000	0.3540790
1009	0.0000000	0.0000000	0.0000000	0.2417300	0.0000000	0.3482600
1010	0.0000000	0.0000000	0.0000000	0.2401860	0.0000000	0.3385620
1011	0.0000000	0.0000000	0.0000000	0.2317280	0.0000000	0.2981080
1012	0.0000000	0.0000000	0.0000000	0.2266530	0.0000000	0.2738360
1013	0.0000000	0.0000000	0.0000000	0.2109610	0.0000000	0.2647720
1014	0.0000000	0.0000000	0.0000000	0.2116010	0.0000000	0.2554870
1015	0.0000000	0.0000000	0.0000000	0.2317750	0.0000000	0.2705352
1016	0.0000000	0.0000000	0.0000000	0.2406040	0.0000000	0.2969880
1017	0.0000000	0.0000000	0.0000000	0.2406040	0.0000000	0.2969920
1018	0.0000000	0.0000000	0.0000000	0.2317750	0.0000000	0.2718090
1019	0.0000000	0.0000000	0.0000000	0.2116010	0.0000000	0.2554980
1020	0.0000000	0.0000000	0.0000000	0.2087190	0.0000000	0.2603460
1021	0.0000000	0.0000000	0.0000000	0.2087190	0.0000000	0.2645550
1022	0.0000000	0.0000000	0.0000000	0.2087190	0.0000000	0.2645550
1023	0.0000000	0.0000000	0.0000000	0.2087190	0.0000000	0.2645550
1024	0.0000000	0.0000000	0.0000000	0.2087190	0.0000000	0.2645550
1025	0.0000000	0.0000000	0.0000000	0.2087190	0.0000000	0.2645550
1026	0.0000000	0.0000000	0.0000000	0.2087190	0.0000000	0.2645550
1027	0.0000000	0.0000000	0.0000000	0.2087190	0.0000000	0.2645550
1028	0.0000000	0.0000000	0.0000000	0.2087190	0.0000000	0.2655994
1029	0.0000000	0.0000000	0.0000000	0.2303410	0.0000000	0.3266790
1030	0.0000000	0.0000000	0.0000000	0.2378700	0.0000000	0.3411390

BAGO RIVER BRIDGE

PROPERTY DATA [ BEAM-ELEMENT (BEAM) ]

PROPERTY	AREA (m2)	AREA2 (m2)	AREA3 (m2)	INERTIA1 (m4)	INERTIA2 (m4)	INERTIA3 (m4)
1031	0.000000	0.000000	0.000000	0.2689470	0.000000	0.4218600
1032	0.000000	0.000000	0.000000	0.2719540	0.000000	0.4435230
1033	0.000000	0.000000	0.000000	0.2715370	0.000000	0.4400690
1034	0.000000	0.000000	0.000000	0.2678330	0.000000	0.4096760
1035	0.000000	0.000000	0.000000	0.2364450	0.000000	0.3320010
1036	0.000000	0.000000	0.000000	0.2291600	0.000000	0.3090320
1037	0.000000	0.000000	0.000000	0.2244920	0.000000	0.2897420
1038	0.000000	0.000000	0.000000	0.2363020	0.000000	0.3248600
1039	0.000000	0.000000	0.000000	0.2433870	0.000000	0.3591350
1040	0.000000	0.000000	0.000000	0.2631450	0.000000	0.3832760
1041	0.000000	0.000000	0.000000	0.2665870	0.000000	0.3918280
1042	0.000000	0.000000	0.000000	0.2696910	0.000000	0.4272850
1043	0.000000	0.000000	0.000000	0.2703300	0.000000	0.4336710
1044	0.000000	0.000000	0.000000	0.2714000	0.000000	0.4443100
1045	0.000000	0.000000	0.000000	0.2724790	0.000000	0.4445160
1046	0.000000	0.000000	0.000000	0.2724790	0.000000	0.4445160
1047	0.000000	0.000000	0.000000	0.2724800	0.000000	0.4445160
1048	0.000000	0.000000	0.000000	0.2708240	0.000000	0.4284100
1049	0.000000	0.000000	0.000000	0.2698300	0.000000	0.4187470
1050	0.000000	0.000000	0.000000	0.2644330	0.000000	0.3746070
1051	0.000000	0.000000	0.000000	0.2607110	0.000000	0.3645042
1052	0.000000	0.000000	0.000000	0.2409600	0.000000	0.3388010
1053	0.000000	0.000000	0.000000	0.2329610	0.000000	0.3069690
1054	0.000000	0.000000	0.000000	0.2192520	0.000000	0.2552470
2001	0.000000	0.000000	0.000000	0.2610530	0.000000	0.2784150
2002	0.000000	0.000000	0.000000	0.2610530	0.000000	0.2784150
2003	0.000000	0.000000	0.000000	0.2610530	0.000000	0.2784150
2004	0.000000	0.000000	0.000000	0.2813840	0.000000	0.3079170
2005	0.000000	0.000000	0.000000	0.2935830	0.000000	0.3256190
2006	0.000000	0.000000	0.000000	0.3014040	0.000000	0.3409010

BAGO RIVER BRIDGE

PROPERTY DATA [ BEAM-ELEMENT (BEAM) ]

PROPERTY	AREA (m2)	AREA2 (m2)	AREA3 (m2)	INERTIA1 (m4)	INERTIA2 (m4)	INERTIA3 (m4)
2007	0.0000000	0.0000000	0.0000000	0.3025220	0.0000000	0.3430840
2008	0.0000000	0.0000000	0.0000000	0.3025220	0.0000000	0.3430840
2009	0.0000000	0.0000000	0.0000000	0.2991690	0.0000000	0.3365350
2010	0.0000000	0.0000000	0.0000000	0.2935830	0.0000000	0.3256190
2011	0.0000000	0.0000000	0.0000000	0.2732520	0.0000000	0.2961160
2012	0.0000000	0.0000000	0.0000000	0.2610530	0.0000000	0.2784150
2013	0.0000000	0.0000000	0.0000000	0.2610550	0.0000000	0.3082290
2014	0.0000000	0.0000000	0.0000000	0.2629640	0.0000000	0.3035370
2015	0.0000000	0.0000000	0.0000000	0.2763300	0.0000000	0.3151530
2016	0.0000000	0.0000000	0.0000000	0.2838900	0.0000000	0.3212640
2017	0.0000000	0.0000000	0.0000000	0.2838910	0.0000000	0.3212740
2018	0.0000000	0.0000000	0.0000000	0.2763300	0.0000000	0.3151730
2019	0.0000000	0.0000000	0.0000000	0.2629640	0.0000000	0.3035640
2020	0.0000000	0.0000000	0.0000000	0.2610550	0.0000000	0.3082400
2021	0.0000000	0.0000000	0.0000000	0.2610550	0.0000000	0.3121600
2022	0.0000000	0.0000000	0.0000000	0.2610550	0.0000000	0.3121600
2023	0.0000000	0.0000000	0.0000000	0.2610550	0.0000000	0.3121600
2024	0.0000000	0.0000000	0.0000000	0.2610550	0.0000000	0.3121600
2025	0.0000000	0.0000000	0.0000000	0.2610550	0.0000000	0.3121600
2026	0.0000000	0.0000000	0.0000000	0.2610550	0.0000000	0.3121600
2027	0.0000000	0.0000000	0.0000000	0.2610550	0.0000000	0.3121600
2028	0.0000000	0.0000000	0.0000000	0.2610550	0.0000000	0.3121600
2029	0.0000000	0.0000000	0.0000000	0.2800020	0.0000000	0.3317630
2030	0.0000000	0.0000000	0.0000000	0.2865360	0.0000000	0.3377950
2031	0.0000000	0.0000000	0.0000000	0.3133240	0.0000000	0.3969820
2032	0.0000000	0.0000000	0.0000000	0.3230440	0.0000000	0.4171530
2033	0.0000000	0.0000000	0.0000000	0.3204580	0.0000000	0.4112370
2034	0.0000000	0.0000000	0.0000000	0.3064260	0.0000000	0.3809780
2035	0.0000000	0.0000000	0.0000000	0.2738220	0.0000000	0.3183420
2036	0.0000000	0.0000000	0.0000000	0.2691650	0.0000000	0.3111660

BAGO RIVER BRIDGE

PROPERTY DATA [ BEAM-ELEMENT (BEAM) ]

PROPERTY	AREA (m2)	AREA2 (m2)	AREA3 (m2)	INERTIA1 (m4)	INERTIA2 (m4)	INERTIA3 (m4)
2037	0.000000	0.000000	0.000000	0.2691650	0.000000	0.3167150
2038	0.000000	0.000000	0.000000	0.2844250	0.000000	0.3116200
2039	0.000000	0.000000	0.000000	0.2935830	0.000000	0.3293606
2040	0.000000	0.000000	0.000000	0.3183510	0.000000	0.3957235
2041	0.000000	0.000000	0.000000	0.3237070	0.000000	0.4113926
2042	0.000000	0.000000	0.000000	0.3367330	0.000000	0.4623814
2043	0.000000	0.000000	0.000000	0.3385280	0.000000	0.4738127
2044	0.000000	0.000000	0.000000	0.3414770	0.000000	0.4866938
2045	0.000000	0.000000	0.000000	0.3411750	0.000000	0.4929089
2046	0.000000	0.000000	0.000000	0.3411750	0.000000	0.5024265
2047	0.000000	0.000000	0.000000	0.3411750	0.000000	0.5058177
2048	0.000000	0.000000	0.000000	0.3382360	0.000000	0.4979606
2049	0.000000	0.000000	0.000000	0.3364730	0.000000	0.5042563
2050	0.000000	0.000000	0.000000	0.3259150	0.000000	0.4619574
2051	0.000000	0.000000	0.000000	0.3205580	0.000000	0.4488872
2052	0.000000	0.000000	0.000000	0.2929390	0.000000	0.3704597
2053	0.000000	0.000000	0.000000	0.2807210	0.000000	0.3404945
2054	0.000000	0.000000	0.000000	0.2610890	0.000000	0.3025150
3001	0.000000	0.000000	0.000000	0.2609930	0.000000	0.3124090
3002	0.000000	0.000000	0.000000	0.2667230	0.000000	0.3207550
3003	0.000000	0.000000	0.000000	0.2762720	0.000000	0.3341690
3004	0.000000	0.000000	0.000000	0.2926480	0.000000	0.3670550
3005	0.000000	0.000000	0.000000	0.3024820	0.000000	0.3868330
3006	0.000000	0.000000	0.000000	0.3090380	0.000000	0.4039870
3007	0.000000	0.000000	0.000000	0.3099770	0.000000	0.4056840
3008	0.000000	0.000000	0.000000	0.3099800	0.000000	0.4048370
3009	0.000000	0.000000	0.000000	0.3071740	0.000000	0.3964030
3010	0.000000	0.000000	0.000000	0.3025020	0.000000	0.3817320
3011	0.000000	0.000000	0.000000	0.2816610	0.000000	0.3396170
3012	0.000000	0.000000	0.000000	0.2691540	0.000000	0.3149380



BAGO RIVER BRIDGE

PROPERTY DATA [ BEAM-ELEMENT (BEAM) ]

PROPERTY	AREA (m2)	AREA2 (m2)	AREA3 (m2)	INERTIA1 (m4)	INERTIA2 (m4)	INERTIA3 (m4)
3013	0.0000000	0.0000000	0.0000000	0.2691580	0.0000000	0.3483700
3014	0.0000000	0.0000000	0.0000000	0.2691590	0.0000000	0.3392530
3015	0.0000000	0.0000000	0.0000000	0.2691610	0.0000000	0.3323570
3016	0.0000000	0.0000000	0.0000000	0.2812010	0.0000000	0.3456479
3017	0.0000000	0.0000000	0.0000000	0.2838900	0.0000000	0.3462420
3018	0.0000000	0.0000000	0.0000000	0.2763300	0.0000000	0.3397570
3019	0.0000000	0.0000000	0.0000000	0.2629650	0.0000000	0.3279610
3020	0.0000000	0.0000000	0.0000000	0.2610570	0.0000000	0.3347190
3021	0.0000000	0.0000000	0.0000000	0.2610570	0.0000000	0.3390780
3022	0.0000000	0.0000000	0.0000000	0.2610580	0.0000000	0.3389160
3023	0.0000000	0.0000000	0.0000000	0.2610580	0.0000000	0.3387990
3024	0.0000000	0.0000000	0.0000000	0.2610580	0.0000000	0.3387280
3025	0.0000000	0.0000000	0.0000000	0.2610590	0.0000000	0.3387000
3026	0.0000000	0.0000000	0.0000000	0.2610640	0.0000000	0.3372710
3027	0.0000000	0.0000000	0.0000000	0.2610710	0.0000000	0.3350810
3028	0.0000000	0.0000000	0.0000000	0.2610760	0.0000000	0.3334260
3029	0.0000000	0.0000000	0.0000000	0.2800280	0.0000000	0.3533830
3030	0.0000000	0.0000000	0.0000000	0.2865710	0.0000000	0.3559640
3031	0.0000000	0.0000000	0.0000000	0.3133670	0.0000000	0.4161500
3032	0.0000000	0.0000000	0.0000000	0.3230910	0.0000000	0.4348530
3033	0.0000000	0.0000000	0.0000000	0.3218550	0.0000000	0.4286370
3034	0.0000000	0.0000000	0.0000000	0.3100680	0.0000000	0.3986770
3035	0.0000000	0.0000000	0.0000000	0.2743270	0.0000000	0.3248040
3036	0.0000000	0.0000000	0.0000000	0.2692310	0.0000000	0.3114680
3037	0.0000000	0.0000000	0.0000000	0.2692310	0.0000000	0.3167260
3038	0.0000000	0.0000000	0.0000000	0.2844970	0.0000000	0.3116370
3039	0.0000000	0.0000000	0.0000000	0.2936560	0.0000000	0.3256340
3040	0.0000000	0.0000000	0.0000000	0.3184240	0.0000000	0.3901960
3041	0.0000000	0.0000000	0.0000000	0.3235630	0.0000000	0.4046390
3042	0.0000000	0.0000000	0.0000000	0.3349680	0.0000000	0.4429411

BAGO RIVER BRIDGE

PROPERTY DATA [ BEAM-ELEMENT (BEAM) ]

PROPERTY	AREA (m2)	AREA2 (m2)	AREA3 (m2)	INERTIA1 (m4)	INERTIA2 (m4)	INERTIA3 (m4)
3043	0.0000000	0.0000000	0.0000000	0.3368250	0.0000000	0.4521859
3044	0.0000000	0.0000000	0.0000000	0.3399840	0.0000000	0.4777882
3045	0.0000000	0.0000000	0.0000000	0.3396840	0.0000000	0.4811280
3046	0.0000000	0.0000000	0.0000000	0.3396850	0.0000000	0.4874054
3047	0.0000000	0.0000000	0.0000000	0.3396850	0.0000000	0.4962893
3048	0.0000000	0.0000000	0.0000000	0.3376770	0.0000000	0.4916323
3049	0.0000000	0.0000000	0.0000000	0.3364730	0.0000000	0.4937827
3050	0.0000000	0.0000000	0.0000000	0.3237450	0.0000000	0.4545762
3051	0.0000000	0.0000000	0.0000000	0.3183890	0.0000000	0.4390708
3052	0.0000000	0.0000000	0.0000000	0.2930040	0.0000000	0.3596678
3053	0.0000000	0.0000000	0.0000000	0.2808590	0.0000000	0.3355920
3054	0.0000000	0.0000000	0.0000000	0.2610890	0.0000000	0.3025150
4001	0.0000000	0.0000000	0.0000000	0.2191760	0.0000000	0.3016280
4002	0.0000000	0.0000000	0.0000000	0.2269220	0.0000000	0.3389600
4003	0.0000000	0.0000000	0.0000000	0.2398870	0.0000000	0.4042370
4004	0.0000000	0.0000000	0.0000000	0.2447860	0.0000000	0.4494090
4005	0.0000000	0.0000000	0.0000000	0.2477310	0.0000000	0.4767940
4006	0.0000000	0.0000000	0.0000000	0.2489120	0.0000000	0.4948598
4007	0.0000000	0.0000000	0.0000000	0.2490770	0.0000000	0.4941763
4008	0.0000000	0.0000000	0.0000000	0.2490710	0.0000000	0.4903872
4009	0.0000000	0.0000000	0.0000000	0.2481880	0.0000000	0.4794902
4010	0.0000000	0.0000000	0.0000000	0.2467090	0.0000000	0.4582973
4011	0.0000000	0.0000000	0.0000000	0.2412400	0.0000000	0.4088010
4012	0.0000000	0.0000000	0.0000000	0.2379460	0.0000000	0.3771430
4013	0.0000000	0.0000000	0.0000000	0.2187890	0.0000000	0.3219180
4014	0.0000000	0.0000000	0.0000000	0.2194710	0.0000000	0.3053920
4015	0.0000000	0.0000000	0.0000000	0.2433650	0.0000000	0.3329820
4016	0.0000000	0.0000000	0.0000000	0.2530680	0.0000000	0.3751580
4017	0.0000000	0.0000000	0.0000000	0.2531400	0.0000000	0.3821310
4018	0.0000000	0.0000000	0.0000000	0.2433590	0.0000000	0.3488510

BAGO RIVER BRIDGE

PROPERTY DATA [ BEAM-ELEMENT (BEAM) ]

PROPERTY	AREA (m2)	AREA2 (m2)	AREA3 (m2)	INERTIA1 (m4)	INERTIA2 (m4)	INERTIA3 (m4)
4019	0.000000	0.000000	0.000000	0.2128490	0.000000	0.2895080
4020	0.000000	0.000000	0.000000	0.2084910	0.000000	0.2888210
4021	0.000000	0.000000	0.000000	0.2084920	0.000000	0.2942030
4022	0.000000	0.000000	0.000000	0.2084850	0.000000	0.2916410
4023	0.000000	0.000000	0.000000	0.2084860	0.000000	0.2915080
4024	0.000000	0.000000	0.000000	0.2084880	0.000000	0.2914280
4025	0.000000	0.000000	0.000000	0.2084900	0.000000	0.2913980
4026	0.000000	0.000000	0.000000	0.2085270	0.000000	0.2935100
4027	0.000000	0.000000	0.000000	0.2132200	0.000000	0.3023480
4028	0.000000	0.000000	0.000000	0.2160520	0.000000	0.3058210
4029	0.000000	0.000000	0.000000	0.2332730	0.000000	0.3691340
4030	0.000000	0.000000	0.000000	0.2400910	0.000000	0.3814930
4031	0.000000	0.000000	0.000000	0.2705760	0.000000	0.4780240
4032	0.000000	0.000000	0.000000	0.2731570	0.000000	0.4960060
4033	0.000000	0.000000	0.000000	0.2725080	0.000000	0.4812700
4034	0.000000	0.000000	0.000000	0.2685920	0.000000	0.4387280
4035	0.000000	0.000000	0.000000	0.2375560	0.000000	0.3433690
4036	0.000000	0.000000	0.000000	0.2288010	0.000000	0.3103080
4037	0.000000	0.000000	0.000000	0.2218380	0.000000	0.2823520
4038	0.000000	0.000000	0.000000	0.2341890	0.000000	0.3160630
4039	0.000000	0.000000	0.000000	0.2416010	0.000000	0.3488400
4040	0.000000	0.000000	0.000000	0.2607600	0.000000	0.3692240
4041	0.000000	0.000000	0.000000	0.2642670	0.000000	0.3779540
4042	0.000000	0.000000	0.000000	0.2687480	0.000000	0.4184660
4043	0.000000	0.000000	0.000000	0.2694410	0.000000	0.4249710
4044	0.000000	0.000000	0.000000	0.2705870	0.000000	0.4358190
4045	0.000000	0.000000	0.000000	0.2716650	0.000000	0.4360410
4046	0.000000	0.000000	0.000000	0.2716620	0.000000	0.4360430
4047	0.000000	0.000000	0.000000	0.2716600	0.000000	0.4360450
4048	0.000000	0.000000	0.000000	0.2702020	0.000000	0.4224310

BAGO RIVER BRIDGE

PROPERTY DATA [ BEAM-ELEMENT (BEAM) ]

PROPERTY	AREA (m2)	AREA2 (m2)	AREA3 (m2)	INERTIA1 (m4)	INERTIA2 (m4)	INERTIA3 (m4)
4049	0.000000	0.000000	0.000000	0.2693260	0.000000	0.4134605
4050	0.000000	0.000000	0.000000	0.2629270	0.000000	0.3687670
4051	0.000000	0.000000	0.000000	0.2591500	0.000000	0.3586330
4052	0.000000	0.000000	0.000000	0.2400210	0.000000	0.3334810
4053	0.000000	0.000000	0.000000	0.2327390	0.000000	0.3050630
4054	0.000000	0.000000	0.000000	0.2192520	0.000000	0.2552190
1001001	0.000000	0.000000	0.000000	0.000000	0.000000	0.4938651
1001003	0.000000	0.000000	0.000000	0.000000	0.000000	0.3851142
1001005	0.000000	0.000000	0.000000	0.000000	0.000000	0.3851142
1001007	0.000000	0.000000	0.000000	0.000000	0.000000	0.3851142
1001009	0.000000	0.000000	0.000000	0.000000	0.000000	0.3851142
1001011	0.000000	0.000000	0.000000	0.000000	0.000000	0.3851142
1001013	0.000000	0.000000	0.000000	0.000000	0.000000	0.3851142
1001015	0.000000	0.000000	0.000000	0.000000	0.000000	0.3851142
1001017	0.000000	0.000000	0.000000	0.000000	0.000000	0.3851142
1001019	0.000000	0.000000	0.000000	0.000000	0.000000	0.3851142
1001021	0.000000	0.000000	0.000000	0.000000	0.000000	0.3851142
1001023	0.000000	0.000000	0.000000	0.000000	0.000000	0.3851142
1001025	0.000000	0.000000	0.000000	0.000000	0.000000	0.3851142
1001027	0.000000	0.000000	0.000000	0.000000	0.000000	0.3851142
1001029	0.000000	0.000000	0.000000	0.000000	0.000000	0.3851142
1001031	0.000000	0.000000	0.000000	0.000000	0.000000	0.3851142
1001033	0.000000	0.000000	0.000000	0.000000	0.000000	0.3851142
1001035	0.000000	0.000000	0.000000	0.000000	0.000000	0.3851142
1001037	0.000000	0.000000	0.000000	0.000000	0.000000	0.3851142
1001039	0.000000	0.000000	0.000000	0.000000	0.000000	0.3851142
1001041	0.000000	0.000000	0.000000	0.000000	0.000000	0.3851142
1001043	0.000000	0.000000	0.000000	0.000000	0.000000	0.3851142
1001045	0.000000	0.000000	0.000000	0.000000	0.000000	0.3851142
1001047	0.000000	0.000000	0.000000	0.000000	0.000000	0.3851142

BAGO RIVER BRIDGE

PROPERTY DATA [ BEAM-ELEMENT (BEAM) ]

PROPERTY	AREA (m2)	AREA2 (m2)	AREA3 (m2)	INERTIA1 (m4)	INERTIA2 (m4)	INERTIA3 (m4)
1001049	0.0000000	0.0000000	0.0000000	0.0000000	0.0000000	0.3851142
1001051	0.0000000	0.0000000	0.0000000	0.0000000	0.0000000	0.3851142
1001053	0.0000000	0.0000000	0.0000000	0.0000000	0.0000000	0.3851142
1001055	0.0000000	0.0000000	0.0000000	0.0000000	0.0000000	0.5288371
1002001	0.0000000	0.0000000	0.0000000	0.0000000	0.0000000	0.1942600
1002003	0.0000000	0.0000000	0.0000000	0.0000000	0.0000000	0.1732034
1002005	0.0000000	0.0000000	0.0000000	0.0000000	0.0000000	0.1732034
1002007	0.0000000	0.0000000	0.0000000	0.0000000	0.0000000	0.1732034
1002009	0.0000000	0.0000000	0.0000000	0.0000000	0.0000000	0.1732034
1002011	0.0000000	0.0000000	0.0000000	0.0000000	0.0000000	0.1732034
1002013	0.0000000	0.0000000	0.0000000	0.0000000	0.0000000	0.1732034
1002015	0.0000000	0.0000000	0.0000000	0.0000000	0.0000000	0.1732034
1002017	0.0000000	0.0000000	0.0000000	0.0000000	0.0000000	0.1732034
1002019	0.0000000	0.0000000	0.0000000	0.0000000	0.0000000	0.1732034
1002021	0.0000000	0.0000000	0.0000000	0.0000000	0.0000000	0.1732034
1002023	0.0000000	0.0000000	0.0000000	0.0000000	0.0000000	0.1732034
1002025	0.0000000	0.0000000	0.0000000	0.0000000	0.0000000	0.1732034
1002027	0.0000000	0.0000000	0.0000000	0.0000000	0.0000000	0.1732034
1002029	0.0000000	0.0000000	0.0000000	0.0000000	0.0000000	0.1732034
1002031	0.0000000	0.0000000	0.0000000	0.0000000	0.0000000	0.1732034
1002033	0.0000000	0.0000000	0.0000000	0.0000000	0.0000000	0.1732034
1002035	0.0000000	0.0000000	0.0000000	0.0000000	0.0000000	0.1732034
1002037	0.0000000	0.0000000	0.0000000	0.0000000	0.0000000	0.1732034
1002039	0.0000000	0.0000000	0.0000000	0.0000000	0.0000000	0.1732034
1002041	0.0000000	0.0000000	0.0000000	0.0000000	0.0000000	0.1732034
1002043	0.0000000	0.0000000	0.0000000	0.0000000	0.0000000	0.1731153
1002045	0.0000000	0.0000000	0.0000000	0.0000000	0.0000000	0.1591837
1002047	0.0000000	0.0000000	0.0000000	0.0000000	0.0000000	0.1423130
1002049	0.0000000	0.0000000	0.0000000	0.0000000	0.0000000	0.1298844
1002051	0.0000000	0.0000000	0.0000000	0.0000000	0.0000000	0.1203707

BAGO RIVER BRIDGE

PROPERTY DATA [ BEAM-ELEMENT (BEAM) ]

PROPERTY	AREA (m2)	AREA2 (m2)	AREA3 (m2)	INERTIA1 (m4)	INERTIA2 (m4)	INERTIA3 (m4)
1002053	0.000000	0.000000	0.000000	0.000000	0.000000	0.1134672
1002055	0.000000	0.000000	0.000000	0.000000	0.000000	0.1329410
1003001	0.000000	0.000000	0.000000	0.000000	0.000000	0.0942233
1003003	0.000000	0.000000	0.000000	0.000000	0.000000	0.0939789
1003005	0.000000	0.000000	0.000000	0.000000	0.000000	0.0974037
1003007	0.000000	0.000000	0.000000	0.000000	0.000000	0.1010203
1003009	0.000000	0.000000	0.000000	0.000000	0.000000	0.1047852
1003011	0.000000	0.000000	0.000000	0.000000	0.000000	0.1086232
1003013	0.000000	0.000000	0.000000	0.000000	0.000000	0.1124363
1003015	0.000000	0.000000	0.000000	0.000000	0.000000	0.1161061
1003017	0.000000	0.000000	0.000000	0.000000	0.000000	0.1194135
1003019	0.000000	0.000000	0.000000	0.000000	0.000000	0.1223382
1003021	0.000000	0.000000	0.000000	0.000000	0.000000	0.1246838
1003023	0.000000	0.000000	0.000000	0.000000	0.000000	0.1262701
1003025	0.000000	0.000000	0.000000	0.000000	0.000000	0.1269929
1003027	0.000000	0.000000	0.000000	0.000000	0.000000	0.1292876
1003029	0.000000	0.000000	0.000000	0.000000	0.000000	0.1255434
1003031	0.000000	0.000000	0.000000	0.000000	0.000000	0.1503985
1003033	0.000000	0.000000	0.000000	0.000000	0.000000	0.1929759
1003035	0.000000	0.000000	0.000000	0.000000	0.000000	0.2733328
1003037	0.000000	0.000000	0.000000	0.000000	0.000000	0.3850710
1003039	0.000000	0.000000	0.000000	0.000000	0.000000	0.3850710
1003041	0.000000	0.000000	0.000000	0.000000	0.000000	0.3850710
1003043	0.000000	0.000000	0.000000	0.000000	0.000000	0.3850710
1003045	0.000000	0.000000	0.000000	0.000000	0.000000	0.3850710
1003047	0.000000	0.000000	0.000000	0.000000	0.000000	0.3850710
1003049	0.000000	0.000000	0.000000	0.000000	0.000000	0.3850710
1003051	0.000000	0.000000	0.000000	0.000000	0.000000	0.3850710
1003053	0.000000	0.000000	0.000000	0.000000	0.000000	0.3850710
1003055	0.000000	0.000000	0.000000	0.000000	0.000000	0.5288371

BAGO RIVER BRIDGE

PROPERTY DATA [ SUPPORT-ELEMENT(SUPPORT) ]

PROPERTY	SPRING-D1 (kN/m)	SPRING-D2 (kN/m)	SPRING-D3 (kN/m)	SPRING-R1 (kN·m/rad)	SPRING-R2 (kN·m/rad)	SPRING-R3 (kN·m/rad)
7101001	0.000000e+000	0.000000e+000	1.000000e+012	0.000000e+000	0.000000e+000	0.000000e+000
7101017	0.000000e+000	0.000000e+000	1.000000e+012	0.000000e+000	0.000000e+000	0.000000e+000
7101033	0.000000e+000	0.000000e+000	1.000000e+012	0.000000e+000	0.000000e+000	0.000000e+000
7101055	0.000000e+000	0.000000e+000	1.000000e+012	0.000000e+000	0.000000e+000	0.000000e+000
7102001	0.000000e+000	0.000000e+000	1.000000e+012	0.000000e+000	0.000000e+000	0.000000e+000
7102017	0.000000e+000	0.000000e+000	1.000000e+012	0.000000e+000	0.000000e+000	0.000000e+000
7102033	0.000000e+000	0.000000e+000	1.000000e+012	0.000000e+000	0.000000e+000	0.000000e+000
7102055	0.000000e+000	0.000000e+000	1.000000e+012	0.000000e+000	0.000000e+000	0.000000e+000
7103001	0.000000e+000	0.000000e+000	1.000000e+012	0.000000e+000	0.000000e+000	0.000000e+000
7103017	0.000000e+000	0.000000e+000	1.000000e+012	0.000000e+000	0.000000e+000	0.000000e+000
7103033	0.000000e+000	0.000000e+000	1.000000e+012	0.000000e+000	0.000000e+000	0.000000e+000
7103055	0.000000e+000	0.000000e+000	1.000000e+012	0.000000e+000	0.000000e+000	0.000000e+000
7104001	0.000000e+000	0.000000e+000	1.000000e+012	0.000000e+000	0.000000e+000	0.000000e+000
7104017	0.000000e+000	0.000000e+000	1.000000e+012	0.000000e+000	0.000000e+000	0.000000e+000
7104033	0.000000e+000	0.000000e+000	1.000000e+012	0.000000e+000	0.000000e+000	0.000000e+000
7104055	0.000000e+000	0.000000e+000	1.000000e+012	0.000000e+000	0.000000e+000	0.000000e+000

BAGO RIVER BRIDGE

ELEMENT BLOCK DATA

BLOCK	TITLE	COUNT	BLOCK TYPE
1	MAIN GIRDER	216	BEAM-ELEMENT (BEAM)
2	CROSS BEAM	84	BEAM-ELEMENT (BEAM)
3	SUPPORT No. 1	4	SUPPORT-ELEMENT (SUPPORT)
4	SUPPORT No. 2	4	SUPPORT-ELEMENT (SUPPORT)
5	SUPPORT No. 3	4	SUPPORT-ELEMENT (SUPPORT)
6	SUPPORT No. 4	4	SUPPORT-ELEMENT (SUPPORT)

ELEMENT DATA [ BEAM-ELEMENT (BEAM) ]

ELEMENT	BLOCK	NODE		MATERIAL	PROPERTY	RELEASE		VECTOR AXIS2			E. LENGTH (m)
		(I)	(J)			(I)	(J)	X	Y	Z	
1001	1	1001	1002	1001	1001	000000	000000	-0.00000	0.00000	1.00000	4.66992
1002	1	1002	1003	1001	1002	000000	000000	-0.00000	0.00000	1.00000	4.66669
1003	1	1003	1004	1001	1003	000000	000000	-0.00000	0.00000	1.00000	4.76704
1004	1	1004	1005	1001	1004	000000	000000	-0.00000	0.00000	1.00000	4.76704
1005	1	1005	1006	1001	1005	000000	000000	-0.00000	0.00000	1.00000	4.76704
1006	1	1006	1007	1001	1006	000000	000000	-0.00000	0.00000	1.00000	4.76704
1007	1	1007	1008	1001	1007	000000	000000	-0.00000	0.00000	1.00000	4.76704
1008	1	1008	1009	1001	1008	000000	000000	-0.00000	0.00000	1.00000	4.76704
1009	1	1009	1010	1001	1009	000000	000000	-0.00000	0.00000	1.00000	4.76704
1010	1	1010	1011	1001	1010	000000	000000	-0.00000	0.00000	1.00000	4.76704
1011	1	1011	1012	1001	1011	000000	000000	-0.00000	0.00000	1.00000	4.76704
1012	1	1012	1013	1001	1012	000000	000000	-0.00000	0.00000	1.00000	4.76704
1013	1	1013	1014	1001	1013	000000	000000	-0.00000	0.00000	1.00000	4.76704
1014	1	1014	1015	1001	1014	000000	000000	-0.00000	0.00000	1.00000	4.76704
1015	1	1015	1016	1001	1015	000000	000000	-0.00000	0.00000	1.00000	4.66669
1016	1	1016	1017	1001	1016	000000	000000	-0.00000	0.00000	1.00000	4.66669
1017	1	1017	1018	1001	1017	000000	000000	-0.00000	0.00000	1.00000	4.74195
1018	1	1018	1019	1001	1018	000000	000000	-0.00000	0.00000	1.00000	4.74195
1019	1	1019	1020	1001	1019	000000	000000	-0.00000	0.00000	1.00000	4.81722



BAGO RIVER BRIDGE

ELEMENT DATA [ BEAM-ELEMENT (BEAM) ]

ELEMENT	BLOCK	NODE (I)	NODE (J)	MATERIAL	PROPERTY	RELEASE (I)	RELEASE (J)	VECTOR AXIS2			E. LENGTH (m)
								X	Y	Z	
1020	1	1020	1021	1001	1020	000000	000000	-0.00000	0.00000	1.00000	4.81722
1021	1	1021	1022	1001	1021	000000	000000	-0.00000	0.00000	1.00000	4.81722
1022	1	1022	1023	1001	1022	000000	000000	-0.00000	0.00000	1.00000	4.81722
1023	1	1023	1024	1001	1023	000000	000000	-0.00000	0.00000	1.00000	4.81722
1024	1	1024	1025	1001	1024	000000	000000	-0.00000	0.00000	1.00000	4.81722
1025	1	1025	1026	1001	1025	000000	000000	-0.00000	0.00000	1.00000	4.81722
1026	1	1026	1027	1001	1026	000000	000000	-0.00000	0.00000	1.00000	4.81722
1027	1	1027	1028	1001	1027	000000	000000	-0.00000	0.00000	1.00000	4.81722
1028	1	1028	1029	1001	1028	000000	000000	0.00000	0.00000	1.00000	4.81722
1029	1	1029	1030	1001	1029	000000	000000	0.00000	0.00000	1.00000	4.81722
1030	1	1030	1031	1001	1030	000000	000000	0.00000	0.00000	1.00000	4.81722
1031	1	1031	1032	1001	1031	000000	000000	0.00000	0.00000	1.00000	4.74195
1032	1	1032	1033	1001	1032	000000	000000	0.00000	0.00000	1.00000	4.74195
1033	1	1033	1034	1001	1033	000000	000000	0.00000	0.00000	1.00000	4.46597
1034	1	1034	1035	1001	1034	000000	000000	0.00000	0.00000	1.00000	4.46597
1035	1	1035	1036	1001	1035	000000	000000	0.00000	0.00000	1.00000	4.71686
1036	1	1036	1037	1001	1036	000000	000000	0.00000	0.00000	1.00000	4.71686
1037	1	1037	1038	1001	1037	000000	000000	0.00000	0.00000	1.00000	4.71686
1038	1	1038	1039	1001	1038	000000	000000	0.00000	0.00000	1.00000	4.71686
1039	1	1039	1040	1001	1039	000000	000000	0.00000	0.00000	1.00000	4.71686
1040	1	1040	1041	1001	1040	000000	000000	0.00000	0.00000	1.00000	4.71686
1041	1	1041	1042	1001	1041	000000	000000	0.00000	0.00000	1.00000	4.71686
1042	1	1042	1043	1001	1042	000000	000000	0.00000	0.00000	1.00000	4.78292
1043	1	1043	1044	1001	1043	000000	000000	0.00000	0.00000	1.00000	4.61695
1044	1	1044	1045	1001	1044	000000	000000	0.00000	0.00000	1.00000	4.65646
1045	1	1045	1046	1001	1045	000000	000000	0.00000	0.00000	1.00000	4.70488
1046	1	1046	1047	1001	1046	000000	000000	0.00000	0.00000	1.00000	4.70531
1047	1	1047	1048	1001	1047	000000	000000	0.00000	0.00000	1.00000	4.70579
1048	1	1048	1049	1001	1048	000000	000000	0.00000	0.00000	1.00000	4.70633
1049	1	1049	1050	1001	1049	000000	000000	0.00000	0.00000	1.00000	4.70691

BAGO RIVER BRIDGE

ELEMENT DATA [ BEAM-ELEMENT (BEAM) ]

ELEMENT	BLOCK	NODE (I)	NODE (J)	MATERIAL	PROPERTY	RELEASE (I)	RELEASE (J)	VECTOR AXIS2			E. LENGTH (m)
								X	Y	Z	
1050	1	1050	1051	1001	1050	000000	000000	0.00000	0.00000	1.00000	4.70755
1051	1	1051	1052	1001	1051	000000	000000	0.00000	0.00000	1.00000	4.70825
1052	1	1052	1053	1001	1052	000000	000000	0.00000	0.00000	1.00000	4.77343
1053	1	1053	1054	1001	1053	000000	000000	0.00000	0.00000	1.00000	4.80064
1054	1	1054	1055	1001	1054	000000	000000	0.00000	0.00000	1.00000	4.65000
2001	1	2001	2002	1001	2001	000000	000000	-0.00000	0.00000	1.00000	4.65832
2002	1	2002	2003	1001	2002	000000	000000	-0.00000	0.00000	1.00000	4.65697
2003	1	2003	2004	1001	2003	000000	000000	-0.00000	0.00000	1.00000	4.75712
2004	1	2004	2005	1001	2004	000000	000000	-0.00000	0.00000	1.00000	4.75712
2005	1	2005	2006	1001	2005	000000	000000	-0.00000	0.00000	1.00000	4.75712
2006	1	2006	2007	1001	2006	000000	000000	-0.00000	0.00000	1.00000	4.75712
2007	1	2007	2008	1001	2007	000000	000000	-0.00000	0.00000	1.00000	4.75712
2008	1	2008	2009	1001	2008	000000	000000	-0.00000	0.00000	1.00000	4.75712
2009	1	2009	2010	1001	2009	000000	000000	-0.00000	0.00000	1.00000	4.75712
2010	1	2010	2011	1001	2010	000000	000000	-0.00000	0.00000	1.00000	4.75712
2011	1	2011	2012	1001	2011	000000	000000	-0.00000	0.00000	1.00000	4.75712
2012	1	2012	2013	1001	2012	000000	000000	-0.00000	0.00000	1.00000	4.75712
2013	1	2013	2014	1001	2013	000000	000000	-0.00000	0.00000	1.00000	4.75712
2014	1	2014	2015	1001	2014	000000	000000	-0.00000	0.00000	1.00000	4.75712
2015	1	2015	2016	1001	2015	000000	000000	-0.00000	0.00000	1.00000	4.65697
2016	1	2016	2017	1001	2016	000000	000000	-0.00000	0.00000	1.00000	4.65697
2017	1	2017	2018	1001	2017	000000	000000	-0.00000	0.00000	1.00000	4.73209
2018	1	2018	2019	1001	2018	000000	000000	-0.00000	0.00000	1.00000	4.73209
2019	1	2019	2020	1001	2019	000000	000000	-0.00000	0.00000	1.00000	4.80720
2020	1	2020	2021	1001	2020	000000	000000	-0.00000	0.00000	1.00000	4.80720
2021	1	2021	2022	1001	2021	000000	000000	-0.00000	0.00000	1.00000	4.80720
2022	1	2022	2023	1001	2022	000000	000000	-0.00000	0.00000	1.00000	4.80720
2023	1	2023	2024	1001	2023	000000	000000	-0.00000	0.00000	1.00000	4.80720
2024	1	2024	2025	1001	2024	000000	000000	-0.00000	0.00000	1.00000	4.80720
2025	1	2025	2026	1001	2025	000000	000000	-0.00000	0.00000	1.00000	4.80720

BAGO RIVER BRIDGE

ELEMENT DATA [ BEAM-ELEMENT (BEAM) ]

ELEMENT	BLOCK	NODE (I)	NODE (J)	MATERIAL	PROPERTY	RELEASE (I)	RELEASE (J)	VECTOR AXIS2			E. LENGTH (m)
								X	Y	Z	
2026	1	2026	2027	1001	2026	000000	000000	-0.00000	0.00000	1.00000	4.80720
2027	1	2027	2028	1001	2027	000000	000000	-0.00000	0.00000	1.00000	4.80720
2028	1	2028	2029	1001	2028	000000	000000	0.00000	0.00000	1.00000	4.80720
2029	1	2029	2030	1001	2029	000000	000000	0.00000	0.00000	1.00000	4.80720
2030	1	2030	2031	1001	2030	000000	000000	0.00000	0.00000	1.00000	4.80720
2031	1	2031	2032	1001	2031	000000	000000	0.00000	0.00000	1.00000	4.73209
2032	1	2032	2033	1001	2032	000000	000000	0.00000	0.00000	1.00000	4.73209
2033	1	2033	2034	1001	2033	000000	000000	0.00000	0.00000	1.00000	4.45667
2034	1	2034	2035	1001	2034	000000	000000	0.00000	0.00000	1.00000	4.45667
2035	1	2035	2036	1001	2035	000000	000000	0.00000	0.00000	1.00000	4.70705
2036	1	2036	2037	1001	2036	000000	000000	0.00000	0.00000	1.00000	4.70705
2037	1	2037	2038	1001	2037	000000	000000	0.00000	0.00000	1.00000	4.70705
2038	1	2038	2039	1001	2038	000000	000000	0.00000	0.00000	1.00000	4.70705
2039	1	2039	2040	1001	2039	000000	000000	0.00000	0.00000	1.00000	4.70705
2040	1	2040	2041	1001	2040	000000	000000	0.00000	0.00000	1.00000	4.70705
2041	1	2041	2042	1001	2041	000000	000000	0.00000	0.00000	1.00000	4.70705
2042	1	2042	2043	1001	2042	000000	000000	0.00000	0.00000	1.00000	4.72318
2043	1	2043	2044	1001	2043	000000	000000	0.00000	0.00000	1.00000	4.68264
2044	1	2044	2045	1001	2044	000000	000000	0.00000	0.00000	1.00000	4.69265
2045	1	2045	2046	1001	2045	000000	000000	0.00000	0.00000	1.00000	4.70488
2046	1	2046	2047	1001	2046	000000	000000	0.00000	0.00000	1.00000	4.70531
2047	1	2047	2048	1001	2047	000000	000000	0.00000	0.00000	1.00000	4.70579
2048	1	2048	2049	1001	2048	000000	000000	0.00000	0.00000	1.00000	4.70633
2049	1	2049	2050	1001	2049	000000	000000	0.00000	0.00000	1.00000	4.70691
2050	1	2050	2051	1001	2050	000000	000000	0.00000	0.00000	1.00000	4.70755
2051	1	2051	2052	1001	2051	000000	000000	0.00000	0.00000	1.00000	4.70825
2052	1	2052	2053	1001	2052	000000	000000	0.00000	0.00000	1.00000	4.72420
2053	1	2053	2054	1001	2053	000000	000000	0.00000	0.00000	1.00000	4.69136
2054	1	2054	2055	1001	2054	000000	000000	0.00000	0.00000	1.00000	4.65000
3001	1	3001	3002	1001	3001	000000	000000	-0.00000	0.00000	1.00000	4.64167

BAGO RIVER BRIDGE

ELEMENT DATA [ BEAM-ELEMENT (BEAM) ]

ELEMENT	BLOCK	NODE (I)	NODE (J)	MATERIAL	PROPERTY	RELEASE (I)	RELEASE (J)	VECTOR AXIS2			E. LENGTH (m)
								X	Y	Z	
3002	1	3002	3003	1001	3002	000000	000000	-0.00000	0.00000	1.00000	4.64302
3003	1	3003	3004	1001	3003	000000	000000	-0.00000	0.00000	1.00000	4.74287
3004	1	3004	3005	1001	3004	000000	000000	-0.00000	0.00000	1.00000	4.74287
3005	1	3005	3006	1001	3005	000000	000000	-0.00000	0.00000	1.00000	4.74287
3006	1	3006	3007	1001	3006	000000	000000	-0.00000	0.00000	1.00000	4.74287
3007	1	3007	3008	1001	3007	000000	000000	-0.00000	0.00000	1.00000	4.74287
3008	1	3008	3009	1001	3008	000000	000000	-0.00000	0.00000	1.00000	4.74287
3009	1	3009	3010	1001	3009	000000	000000	-0.00000	0.00000	1.00000	4.74287
3010	1	3010	3011	1001	3010	000000	000000	-0.00000	0.00000	1.00000	4.74287
3011	1	3011	3012	1001	3011	000000	000000	-0.00000	0.00000	1.00000	4.74287
3012	1	3012	3013	1001	3012	000000	000000	-0.00000	0.00000	1.00000	4.74287
3013	1	3013	3014	1001	3013	000000	000000	-0.00000	0.00000	1.00000	4.74287
3014	1	3014	3015	1001	3014	000000	000000	-0.00000	0.00000	1.00000	4.74287
3015	1	3015	3016	1001	3015	000000	000000	-0.00000	0.00000	1.00000	4.64302
3016	1	3016	3017	1001	3016	000000	000000	-0.00000	0.00000	1.00000	4.64302
3017	1	3017	3018	1001	3017	000000	000000	-0.00000	0.00000	1.00000	4.71791
3018	1	3018	3019	1001	3018	000000	000000	-0.00000	0.00000	1.00000	4.71791
3019	1	3019	3020	1001	3019	000000	000000	-0.00000	0.00000	1.00000	4.79280
3020	1	3020	3021	1001	3020	000000	000000	-0.00000	0.00000	1.00000	4.79280
3021	1	3021	3022	1001	3021	000000	000000	-0.00000	0.00000	1.00000	4.79280
3022	1	3022	3023	1001	3022	000000	000000	-0.00000	0.00000	1.00000	4.79280
3023	1	3023	3024	1001	3023	000000	000000	-0.00000	0.00000	1.00000	4.79280
3024	1	3024	3025	1001	3024	000000	000000	-0.00000	0.00000	1.00000	4.79280
3025	1	3025	3026	1001	3025	000000	000000	-0.00000	0.00000	1.00000	4.79280
3026	1	3026	3027	1001	3026	000000	000000	-0.00000	0.00000	1.00000	4.79280
3027	1	3027	3028	1001	3027	000000	000000	-0.00000	0.00000	1.00000	4.79280
3028	1	3028	3029	1001	3028	000000	000000	0.00000	0.00000	1.00000	4.79280
3029	1	3029	3030	1001	3029	000000	000000	0.00000	0.00000	1.00000	4.79280
3030	1	3030	3031	1001	3030	000000	000000	0.00000	0.00000	1.00000	4.79280
3031	1	3031	3032	1001	3031	000000	000000	0.00000	0.00000	1.00000	4.71791

BAGO RIVER BRIDGE

ELEMENT DATA [ BEAM-ELEMENT (BEAM) ]

ELEMENT	BLOCK	NODE (I)	NODE (J)	MATERIAL	PROPERTY	RELEASE (I)	RELEASE (J)	VECTOR AXIS2			E. LENGTH (m)
								X	Y	Z	
3032	1	3032	3033	1001	3032	000000	000000	0.00000	0.00000	1.00000	4.71791
3033	1	3033	3034	1001	3033	000000	000000	0.00000	0.00000	1.00000	4.44332
3034	1	3034	3035	1001	3034	000000	000000	0.00000	0.00000	1.00000	4.44332
3035	1	3035	3036	1001	3035	000000	000000	0.00000	0.00000	1.00000	4.69295
3036	1	3036	3037	1001	3036	000000	000000	0.00000	0.00000	1.00000	4.69295
3037	1	3037	3038	1001	3037	000000	000000	0.00000	0.00000	1.00000	4.69295
3038	1	3038	3039	1001	3038	000000	000000	0.00000	0.00000	1.00000	4.69295
3039	1	3039	3040	1001	3039	000000	000000	0.00000	0.00000	1.00000	4.69295
3040	1	3040	3041	1001	3040	000000	000000	0.00000	0.00000	1.00000	4.69295
3041	1	3041	3042	1001	3041	000000	000000	0.00000	0.00000	1.00000	4.69295
3042	1	3042	3043	1001	3042	000000	000000	0.00000	0.00000	1.00000	4.67442
3043	1	3043	3044	1001	3043	000000	000000	0.00000	0.00000	1.00000	4.67578
3044	1	3044	3045	1001	3044	000000	000000	0.00000	0.00000	1.00000	4.68680
3045	1	3045	3046	1001	3045	000000	000000	0.00000	0.00000	1.00000	4.69775
3046	1	3046	3047	1001	3046	000000	000000	0.00000	0.00000	1.00000	4.69707
3047	1	3047	3048	1001	3047	000000	000000	0.00000	0.00000	1.00000	4.69645
3048	1	3048	3049	1001	3048	000000	000000	0.00000	0.00000	1.00000	4.69587
3049	1	3049	3050	1001	3049	000000	000000	0.00000	0.00000	1.00000	4.69535
3050	1	3050	3051	1001	3050	000000	000000	0.00000	0.00000	1.00000	4.69488
3051	1	3051	3052	1001	3051	000000	000000	0.00000	0.00000	1.00000	4.69446
3052	1	3052	3053	1001	3052	000000	000000	0.00000	0.00000	1.00000	4.70970
3053	1	3053	3054	1001	3053	000000	000000	0.00000	0.00000	1.00000	4.64525
3054	1	3054	3055	1001	3054	000000	000000	0.00000	0.00000	1.00000	4.65000
4001	1	4001	4002	1001	4001	000000	000000	-0.00000	0.00000	1.00000	4.67845
4002	1	4002	4003	1001	4002	000000	000000	-0.00000	0.00000	1.00000	4.62726
4003	1	4003	4004	1001	4003	000000	000000	-0.00000	0.00000	1.00000	4.72240
4004	1	4004	4005	1001	4004	000000	000000	-0.00000	0.00000	1.00000	4.72240
4005	1	4005	4006	1001	4005	000000	000000	-0.00000	0.00000	1.00000	4.72241
4006	1	4006	4007	1001	4006	000000	000000	-0.00000	0.00000	1.00000	4.72241
4007	1	4007	4008	1001	4007	000000	000000	-0.00000	0.00000	1.00000	4.72242

BAGO RIVER BRIDGE

ELEMENT DATA [ BEAM-ELEMENT (BEAM) ]

ELEMENT	BLOCK	NODE (I)	NODE (J)	MATERIAL	PROPERTY	RELEASE (I)	RELEASE (J)	VECTOR AXIS2			E. LENGTH (m)
								X	Y	Z	
4008	1	4008	4009	1001	4008	000000	000000	-0.00000	0.00000	1.00000	4.72242
4009	1	4009	4010	1001	4009	000000	000000	-0.00000	0.00000	1.00000	4.72243
4010	1	4010	4011	1001	4010	000000	000000	-0.00000	0.00000	1.00000	4.72243
4011	1	4011	4012	1001	4011	000000	000000	-0.00000	0.00000	1.00000	4.72244
4012	1	4012	4013	1001	4012	000000	000000	-0.00000	0.00000	1.00000	4.72244
4013	1	4013	4014	1001	4013	000000	000000	-0.00000	0.00000	1.00000	4.72245
4014	1	4014	4015	1001	4014	000000	000000	-0.00000	0.00000	1.00000	4.72245
4015	1	4015	4016	1001	4015	000000	000000	-0.00000	0.00000	1.00000	4.62303
4016	1	4016	4017	1001	4016	000000	000000	-0.00000	0.00000	1.00000	4.59918
4017	1	4017	4018	1001	4017	000000	000000	-0.00000	0.00000	1.00000	4.72145
4018	1	4018	4019	1001	4018	000000	000000	-0.00000	0.00000	1.00000	4.69760
4019	1	4019	4020	1001	4019	000000	000000	-0.00000	0.00000	1.00000	4.77217
4020	1	4020	4021	1001	4020	000000	000000	-0.00000	0.00000	1.00000	4.77217
4021	1	4021	4022	1001	4021	000000	000000	-0.00000	0.00000	1.00000	4.77217
4022	1	4022	4023	1001	4022	000000	000000	-0.00000	0.00000	1.00000	4.77218
4023	1	4023	4024	1001	4023	000000	000000	-0.00000	0.00000	1.00000	4.77218
4024	1	4024	4025	1001	4024	000000	000000	-0.00000	0.00000	1.00000	4.77218
4025	1	4025	4026	1001	4025	000000	000000	-0.00000	0.00000	1.00000	4.77339
4026	1	4026	4027	1001	4026	000000	000000	-0.00000	0.00000	1.00000	4.86153
4027	1	4027	4028	1001	4027	000000	000000	-0.00000	0.00000	1.00000	4.78819
4028	1	4028	4029	1001	4028	000000	000000	-0.00000	0.00000	1.00000	4.78902
4029	1	4029	4030	1001	4029	000000	000000	-0.00000	0.00000	1.00000	4.78985
4030	1	4030	4031	1001	4030	000000	000000	-0.00000	0.00000	1.00000	4.79068
4031	1	4031	4032	1001	4031	000000	000000	-0.00000	0.00000	1.00000	4.71663
4032	1	4032	4033	1001	4032	000000	000000	-0.00000	0.00000	1.00000	4.63213
4033	1	4033	4034	1001	4033	000000	000000	-0.00000	0.00000	1.00000	4.52892
4034	1	4034	4035	1001	4034	000000	000000	-0.00000	0.00000	1.00000	4.44433
4035	1	4035	4036	1001	4035	000000	000000	-0.00000	0.00000	1.00000	4.69478
4036	1	4036	4037	1001	4036	000000	000000	0.00000	0.00000	1.00000	4.59883
4037	1	4037	4038	1001	4037	000000	000000	0.00000	0.00000	1.00000	4.68313

BAGO RIVER BRIDGE

ELEMENT DATA [ BEAM-ELEMENT (BEAM) ]

ELEMENT	BLOCK	NODE	NODE	MATERIAL	PROPERTY	RELEASE	RELEASE	VECTOR AXIS2			E. LENGTH
		(I)	(J)			(I)	(J)	X	Y	Z	
4038	1	4038	4039	1001	4038	000000	000000	0.00000	0.00000	1.00000	4.68313
4039	1	4039	4040	1001	4039	000000	000000	0.00000	0.00000	1.00000	4.68313
4040	1	4040	4041	1001	4040	000000	000000	0.00000	0.00000	1.00000	4.68313
4041	1	4041	4042	1001	4041	000000	000000	0.00000	0.00000	1.00000	4.68313
4042	1	4042	4043	1001	4042	000000	000000	0.00000	0.00000	1.00000	4.60727
4043	1	4043	4044	1001	4043	000000	000000	0.00000	0.00000	1.00000	4.61018
4044	1	4044	4045	1001	4044	000000	000000	0.00000	0.00000	1.00000	4.65176
4045	1	4045	4046	1001	4045	000000	000000	0.00000	0.00000	1.00000	4.69775
4046	1	4046	4047	1001	4046	000000	000000	0.00000	0.00000	1.00000	4.69707
4047	1	4047	4048	1001	4047	000000	000000	0.00000	0.00000	1.00000	4.69645
4048	1	4048	4049	1001	4048	000000	000000	0.00000	0.00000	1.00000	4.69587
4049	1	4049	4050	1001	4049	000000	000000	0.00000	0.00000	1.00000	4.69535
4050	1	4050	4051	1001	4050	000000	000000	0.00000	0.00000	1.00000	4.69488
4051	1	4051	4052	1001	4051	000000	000000	0.00000	0.00000	1.00000	4.69446
4052	1	4052	4053	1001	4052	000000	000000	0.00000	0.00000	1.00000	4.75876
4053	1	4053	4054	1001	4053	000000	000000	0.00000	0.00000	1.00000	4.64758
4054	1	4054	4055	1001	4054	000000	000000	0.00000	0.00000	1.00000	4.65000
1001001	2	1001	2001	1001	1001001	000000	000000	0.00000	0.00000	1.00000	4.17700
1001003	2	1003	2003	1001	1001003	000000	000000	0.00000	0.00000	1.00000	4.17700
1001005	2	1005	2005	1001	1001005	000000	000000	0.00000	0.00000	1.00000	4.17700
1001007	2	1007	2007	1001	1001007	000000	000000	0.00000	0.00000	1.00000	4.17700
1001009	2	1009	2009	1001	1001009	000000	000000	0.00000	0.00000	1.00000	4.17700
1001011	2	1011	2011	1001	1001011	000000	000000	0.00000	0.00000	1.00000	4.17700
1001013	2	1013	2013	1001	1001013	000000	000000	0.00000	0.00000	1.00000	4.17700
1001015	2	1015	2015	1001	1001015	000000	000000	0.00000	0.00000	1.00000	4.17700
1001017	2	1017	2017	1001	1001017	000000	000000	0.00000	0.00000	1.00000	4.17700
1001019	2	1019	2019	1001	1001019	000000	000000	0.00000	0.00000	1.00000	4.17700
1001021	2	1021	2021	1001	1001021	000000	000000	0.00000	0.00000	1.00000	4.17700
1001023	2	1023	2023	1001	1001023	000000	000000	0.00000	0.00000	1.00000	4.17700
1001025	2	1025	2025	1001	1001025	000000	000000	0.00000	0.00000	1.00000	4.17700

BAGO RIVER BRIDGE

ELEMENT DATA [ BEAM-ELEMENT (BEAM) ]

ELEMENT	BLOCK	NODE (I)	NODE (J)	MATERIAL	PROPERTY	RELEASE (I)	RELEASE (J)	VECTOR AXIS2			E. LENGTH (m)
								X	Y	Z	
1001027	2	1027	2027	1001	1001027	000000	000000	0.00000	0.00000	1.00000	4.17700
1001029	2	1029	2029	1001	1001029	000000	000000	0.00000	0.00000	1.00000	4.17700
1001031	2	1031	2031	1001	1001031	000000	000000	0.00000	0.00000	1.00000	4.17700
1001033	2	1033	2033	1001	1001033	000000	000000	0.00000	0.00000	1.00000	4.17700
1001035	2	1035	2035	1001	1001035	000000	000000	0.00000	0.00000	1.00000	4.17700
1001037	2	1037	2037	1001	1001037	000000	000000	0.00000	0.00000	1.00000	4.17700
1001039	2	1039	2039	1001	1001039	000000	000000	0.00000	0.00000	1.00000	4.17700
1001041	2	1041	2041	1001	1001041	000000	000000	0.00000	0.00000	1.00000	4.17700
1001043	2	1043	2043	1001	1001043	000000	000000	0.00000	0.00000	1.00000	4.17700
1001045	2	1045	2045	1001	1001045	000000	000000	0.00000	0.00000	1.00000	4.17700
1001047	2	1047	2047	1001	1001047	000000	000000	0.00000	0.00000	1.00000	4.17700
1001049	2	1049	2049	1001	1001049	000000	000000	0.00000	0.00000	1.00000	4.17700
1001051	2	1051	2051	1001	1001051	000000	000000	0.00000	0.00000	1.00000	4.17700
1001053	2	1053	2053	1001	1001053	000000	000000	0.00000	0.00000	1.00000	4.17700
1001055	2	1055	2055	1001	1001055	000000	000000	0.00000	0.00000	1.00000	4.17700
1002001	2	2001	3001	1001	1002001	000000	000000	0.00000	0.00000	1.00000	6.00000
1002003	2	2003	3003	1001	1002003	000000	000000	0.00000	0.00000	1.00000	6.00000
1002005	2	2005	3005	1001	1002005	000000	000000	0.00000	0.00000	1.00000	6.00000
1002007	2	2007	3007	1001	1002007	000000	000000	0.00000	0.00000	1.00000	6.00000
1002009	2	2009	3009	1001	1002009	000000	000000	0.00000	0.00000	1.00000	6.00000
1002011	2	2011	3011	1001	1002011	000000	000000	0.00000	0.00000	1.00000	6.00000
1002013	2	2013	3013	1001	1002013	000000	000000	0.00000	0.00000	1.00000	6.00000
1002015	2	2015	3015	1001	1002015	000000	000000	0.00000	0.00000	1.00000	6.00000
1002017	2	2017	3017	1001	1002017	000000	000000	0.00000	0.00000	1.00000	6.00000
1002019	2	2019	3019	1001	1002019	000000	000000	0.00000	0.00000	1.00000	6.00000
1002021	2	2021	3021	1001	1002021	000000	000000	0.00000	0.00000	1.00000	6.00000
1002023	2	2023	3023	1001	1002023	000000	000000	0.00000	0.00000	1.00000	6.00000
1002025	2	2025	3025	1001	1002025	000000	000000	0.00000	0.00000	1.00000	6.00000
1002027	2	2027	3027	1001	1002027	000000	000000	0.00000	0.00000	1.00000	6.00000
1002029	2	2029	3029	1001	1002029	000000	000000	0.00000	0.00000	1.00000	6.00000



BAGO RIVER BRIDGE

ELEMENT DATA [ BEAM-ELEMENT (BEAM) ]

ELEMENT	BLOCK	NODE (I)	NODE (J)	MATERIAL	PROPERTY	RELEASE (I)	RELEASE (J)	VECTOR AXIS2			E. LENGTH (m)
								X	Y	Z	
1002031	2	2031	3031	1001	1002031	000000	000000	0.00000	0.00000	1.00000	6.00000
1002033	2	2033	3033	1001	1002033	000000	000000	0.00000	0.00000	1.00000	6.00000
1002035	2	2035	3035	1001	1002035	000000	000000	0.00000	0.00000	1.00000	6.00000
1002037	2	2037	3037	1001	1002037	000000	000000	0.00000	0.00000	1.00000	6.00000
1002039	2	2039	3039	1001	1002039	000000	000000	0.00000	0.00000	1.00000	6.00000
1002041	2	2041	3041	1001	1002041	000000	000000	0.00000	0.00000	1.00000	6.00000
1002043	2	2043	3043	1001	1002043	000000	000000	0.00000	0.00000	1.00000	6.00112
1002045	2	2045	3045	1001	1002045	000000	000000	0.00000	0.00000	1.00000	6.29689
1002047	2	2047	3047	1001	1002047	000000	000000	0.00000	0.00000	1.00000	6.76933
1002049	2	2049	3049	1001	1002049	000000	000000	0.00000	0.00000	1.00000	7.24180
1002051	2	2051	3051	1001	1002051	000000	000000	0.00000	0.00000	1.00000	7.71435
1002053	2	2053	3053	1001	1002053	000000	000000	0.00000	0.00000	1.00000	8.14595
1002055	2	2055	3055	1001	1002055	000000	000000	0.00000	0.00000	1.00000	8.20000
1003001	2	3001	4001	1001	1003001	000000	000000	0.00000	0.00000	1.00000	10.73423
1003003	2	3003	4003	1001	1003003	000000	000000	0.00000	0.00000	1.00000	10.25687
1003005	2	3005	4005	1001	1003005	000000	000000	0.00000	0.00000	1.00000	9.77794
1003007	2	3007	4007	1001	1003007	000000	000000	0.00000	0.00000	1.00000	9.34336
1003009	2	3009	4009	1001	1003009	000000	000000	0.00000	0.00000	1.00000	8.95312
1003011	2	3011	4011	1001	1003011	000000	000000	0.00000	0.00000	1.00000	8.60726
1003013	2	3013	4013	1001	1003013	000000	000000	0.00000	0.00000	1.00000	8.30576
1003015	2	3015	4015	1001	1003015	000000	000000	0.00000	0.00000	1.00000	8.04864
1003017	2	3017	4017	1001	1003017	000000	000000	0.00000	0.00000	1.00000	7.84037
1003019	2	3019	4019	1001	1003019	000000	000000	0.00000	0.00000	1.00000	7.67141
1003021	2	3021	4021	1001	1003021	000000	000000	0.00000	0.00000	1.00000	7.54521
1003023	2	3023	4023	1001	1003023	000000	000000	0.00000	0.00000	1.00000	7.46435
1003025	2	3025	4025	1001	1003025	000000	000000	0.00000	0.00000	1.00000	7.42882
1003027	2	3027	4027	1001	1003027	000000	000000	0.00000	0.00000	1.00000	7.31703
1003029	2	3029	4029	1001	1003029	000000	000000	0.00000	0.00000	1.00000	6.62376
1003031	2	3031	4031	1001	1003031	000000	000000	0.00000	0.00000	1.00000	5.93050
1003033	2	3033	4033	1001	1003033	000000	000000	0.00000	0.00000	1.00000	5.25357

BAGO RIVER BRIDGE

ELEMENT DATA [ BEAM-ELEMENT(BEAM) ]

ELEMENT	BLOCK	NODE (I)	NODE (J)	MATERIAL	PROPERTY	RELEASE (I)	RELEASE (J)	VECTOR AXIS2			E. LENGTH (m)
								X	Y	Z	
1003035	2	3035	4035	1001	1003035	000000	000000	0.00000	0.00000	1.00000	4.60541
1003037	2	3037	4037	1001	1003037	000000	000000	0.00000	0.00000	1.00000	4.17700
1003039	2	3039	4039	1001	1003039	000000	000000	0.00000	0.00000	1.00000	4.17700
1003041	2	3041	4041	1001	1003041	000000	000000	0.00000	0.00000	1.00000	4.17700
1003043	2	3043	4043	1001	1003043	000000	000000	0.00000	0.00000	1.00000	4.17700
1003045	2	3045	4045	1001	1003045	000000	000000	0.00000	0.00000	1.00000	4.17700
1003047	2	3047	4047	1001	1003047	000000	000000	0.00000	0.00000	1.00000	4.17700
1003049	2	3049	4049	1001	1003049	000000	000000	0.00000	0.00000	1.00000	4.17700
1003051	2	3051	4051	1001	1003051	000000	000000	0.00000	0.00000	1.00000	4.17700
1003053	2	3053	4053	1001	1003053	000000	000000	0.00000	0.00000	1.00000	4.17700
1003055	2	3055	4055	1001	1003055	000000	000000	0.00000	0.00000	1.00000	4.17700

ELEMENT DATA [ SUPPORT-ELEMENT(SUPPORT) ]

ELEMENT	BLOCK	NODE	PROPERTY	VECTOR AXIS1			VECTOR AXIS2			VECTOR AXIS3		
				X	Y	Z	X	Y	Z	X	Y	Z
7101001	3	1001	7101001	1.00000	0.00000	0.00000	0.00000	1.00000	0.00000	0.00000	0.00000	1.00000
7102001	3	2001	7102001	1.00000	0.00000	0.00000	0.00000	1.00000	0.00000	0.00000	0.00000	1.00000
7103001	3	3001	7103001	1.00000	0.00000	0.00000	0.00000	1.00000	0.00000	0.00000	0.00000	1.00000
7104001	3	4001	7104001	1.00000	0.00000	0.00000	0.00000	1.00000	0.00000	0.00000	0.00000	1.00000
7101017	4	1017	7101017	1.00000	0.00000	0.00000	0.00000	1.00000	0.00000	0.00000	0.00000	1.00000
7102017	4	2017	7102017	1.00000	0.00000	0.00000	0.00000	1.00000	0.00000	0.00000	0.00000	1.00000
7103017	4	3017	7103017	1.00000	0.00000	0.00000	0.00000	1.00000	0.00000	0.00000	0.00000	1.00000
7104017	4	4017	7104017	1.00000	0.00000	0.00000	0.00000	1.00000	0.00000	0.00000	0.00000	1.00000
7101033	5	1033	7101033	1.00000	0.00000	0.00000	0.00000	1.00000	0.00000	0.00000	0.00000	1.00000
7102033	5	2033	7102033	1.00000	0.00000	0.00000	0.00000	1.00000	0.00000	0.00000	0.00000	1.00000
7103033	5	3033	7103033	1.00000	0.00000	0.00000	0.00000	1.00000	0.00000	0.00000	0.00000	1.00000
7104033	5	4033	7104033	1.00000	0.00000	0.00000	0.00000	1.00000	0.00000	0.00000	0.00000	1.00000
7101055	6	1055	7101055	1.00000	0.00000	0.00000	0.00000	1.00000	0.00000	0.00000	0.00000	1.00000
7102055	6	2055	7102055	1.00000	0.00000	0.00000	0.00000	1.00000	0.00000	0.00000	0.00000	1.00000

BAGO RIVER BRIDGE

ELEMENT DATA [ SUPPORT-ELEMENT(SUPPORT) ]

ELEMENT	BLOCK	NODE	PROPERTY	VECTOR AXIS1			VECTOR AXIS2			VECTOR AXIS3		
				X	Y	Z	X	Y	Z	X	Y	Z
7103055	6	3055	7103055	1.00000	0.00000	0.00000	0.00000	1.00000	0.00000	0.00000	0.00000	1.00000
7104055	6	4055	7104055	1.00000	0.00000	0.00000	0.00000	1.00000	0.00000	0.00000	0.00000	1.00000

BAGO RIVER BRIDGE

ELEMENT GROUP DATA [ APREACT(APREACT) ]

GROUP	TITLE	IMPACT-COEF					
1	1ST SPAN WITHOUT IMPNO(NOIMPACT)		ELEMENT	7101001	7102001	7103001	7104001
			VIEW	D3	D3	D3	D3
2	2ND SPAN WITHOUT IMPNO(NOIMPACT)		ELEMENT	7101017	7102017	7103017	7104017
			VIEW	D3	D3	D3	D3
3	3RD SPAN WITHOUT IMPNO(NOIMPACT)		ELEMENT	7101033	7102033	7103033	7104033
			VIEW	D3	D3	D3	D3
4	4TH SPAN WITHOUT IMPNO(NOIMPACT)		ELEMENT	7101055	7102055	7103055	7104055
			VIEW	D3	D3	D3	D3
101	1ST SPAN WITH IMPACTYES(IMPACT)		ELEMENT	7101001	7102001	7103001	7104001
			VIEW	D3	D3	D3	D3
102	2ND SPAN WITH IMPACTYES(IMPACT)		ELEMENT	7101017	7102017	7103017	7104017
			VIEW	D3	D3	D3	D3
103	3RD SPAN WITH IMPACTYES(IMPACT)		ELEMENT	7101033	7102033	7103033	7104033
			VIEW	D3	D3	D3	D3
104	4TH SPAN WITH IMPACTYES(IMPACT)		ELEMENT	7101055	7102055	7103055	7104055
			VIEW	D3	D3	D3	D3

BAGO RIVER BRIDGE

GIRDER DATA

GIRDER	ELEMENT	ELEMENT	ELEMENT	ELEMENT	ELEMENT	ELEMENT	ELEMENT	ELEMENT	ELEMENT	ELEMENT	ELEMENT	ELEMENT	ELEMENT	ELEMENT	ELEMENT
G1	1001	1002	1003	1004	1005	1006	1007	1008	1009	1010	1011	1012	1013	1014	1015
	1016	1017	1018	1019	1020	1021	1022	1023	1024	1025	1026	1027	1028	1029	1030
	1031	1032	1033	1034	1035	1036	1037	1038	1039	1040	1041	1042	1043	1044	1045
	1046	1047	1048	1049	1050	1051	1052	1053	1054						
G2	2001	2002	2003	2004	2005	2006	2007	2008	2009	2010	2011	2012	2013	2014	2015
	2016	2017	2018	2019	2020	2021	2022	2023	2024	2025	2026	2027	2028	2029	2030
	2031	2032	2033	2034	2035	2036	2037	2038	2039	2040	2041	2042	2043	2044	2045
	2046	2047	2048	2049	2050	2051	2052	2053	2054						
G3	3001	3002	3003	3004	3005	3006	3007	3008	3009	3010	3011	3012	3013	3014	3015
	3016	3017	3018	3019	3020	3021	3022	3023	3024	3025	3026	3027	3028	3029	3030
	3031	3032	3033	3034	3035	3036	3037	3038	3039	3040	3041	3042	3043	3044	3045
	3046	3047	3048	3049	3050	3051	3052	3053	3054						
G4	4001	4002	4003	4004	4005	4006	4007	4008	4009	4010	4011	4012	4013	4014	4015
	4016	4017	4018	4019	4020	4021	4022	4023	4024	4025	4026	4027	4028	4029	4030
	4031	4032	4033	4034	4035	4036	4037	4038	4039	4040	4041	4042	4043	4044	4045
	4046	4047	4048	4049	4050	4051	4052	4053	4054						

BAGO RIVER BRIDGE

CROSS DATA

CROSS	GIRDER1	GIRDER2	ANGLE1 (deg)	ANGLE2 (deg)	NODE G1	NODE G2	NODE G3	NODE G4
C1	G1	G4	88.63558	93.67892	1001	2001	3001	4001
C2	G1	G4	88.73859	93.68731	1002	2002	3002	4002
C3	G1	G4	88.76688	93.56169	1003	2003	3003	4003
C4	G1	G4	88.82801	93.41990	1004	2004	3004	4004
C5	G1	G4	88.88890	93.27788	1005	2005	3005	4005
C6	G1	G4	88.94957	93.13563	1006	2006	3006	4006
C7	G1	G4	89.01001	92.99315	1007	2007	3007	4007
C8	G1	G4	89.07023	92.85045	1008	2008	3008	4008
C9	G1	G4	89.13023	92.70753	1009	2009	3009	4009
C10	G1	G4	89.19001	92.56439	1010	2010	3010	4010
C11	G1	G4	89.24959	92.42104	1011	2011	3011	4011
C12	G1	G4	89.30896	92.27750	1012	2012	3012	4012
C13	G1	G4	89.36815	92.13376	1013	2013	3013	4013
C14	G1	G4	89.42715	91.98984	1014	2014	3014	4014
C15	G1	G4	89.48385	91.84575	1015	2015	3015	4015
C16	G1	G4	89.54530	91.70454	1016	2016	3016	4016
C17	G1	G4	89.51886	91.48735	1017	2017	3017	4017
C18	G1	G4	89.65826	91.41941	1018	2018	3018	4018
C19	G1	G4	89.71783	91.27552	1019	2019	3019	4019
C20	G1	G4	89.77660	91.12924	1020	2020	3020	4020
C21	G1	G4	89.83528	90.98286	1021	2021	3021	4021
C22	G1	G4	89.89388	90.83640	1022	2022	3022	4022
C23	G1	G4	89.95242	90.68988	1023	2023	3023	4023
C24	G1	G4	90.01092	90.54332	1024	2024	3024	4024
C25	G1	G4	90.06306	90.39673	1025	2025	3025	4025
C26	G1	G4	89.38985	90.25406	1026	2026	3026	4026
C27	G1	G4	88.28199	90.39551	1027	2027	3027	4027
C28	G1	G4	88.28776	90.26359	1028	2028	3028	4028
C29	G1	G4	88.29376	90.13191	1029	2029	3029	4029
C30	G1	G4	88.30000	90.00047	1030	2030	3030	4030

BAGO RIVER BRIDGE

CROSS DATA

CROSS	GIRDER1	GIRDER2	ANGLE1 (deg)	ANGLE2 (deg)	NODE G1	NODE G2	NODE G3	NODE G4
C31	G1	G4	88.30544	89.86928	1031	2031	3031	4031
C32	G1	G4	88.37179	89.74041	1032	2032	3032	4032
C33	G1	G4	87.93544	89.29579	1033	2033	3033	4033
C34	G1	G4	88.32196	89.49103	1034	2034	3034	4034
C35	G1	G4	88.33267	89.37051	1035	2035	3035	4035
C36	G1	G4	89.89542	89.24356	1036	2036	3036	4036
C37	G1	G4	90.06732	88.77153	1037	2037	3037	4037
C38	G1	G4	90.06732	88.63689	1038	2038	3038	4038
C39	G1	G4	90.06732	88.50224	1039	2039	3039	4039
C40	G1	G4	90.06732	88.36760	1040	2040	3040	4040
C41	G1	G4	90.06732	88.23295	1041	2041	3041	4041
C42	G1	G4	90.10811	88.09831	1042	2042	3042	4042
C43	G1	G4	90.16846	87.39725	1043	2043	3043	4043
C44	G1	G4	90.13640	87.36944	1044	2044	3044	4044
C45	G1	G4	90.11133	87.34908	1045	2045	3045	4045
C46	G1	G4	90.08196	87.31987	1046	2046	3046	4046
C47	G1	G4	90.04929	87.28738	1047	2047	3047	4047
C48	G1	G4	90.01348	87.25174	1048	2048	3048	4048
C49	G1	G4	89.97467	87.21310	1049	2049	3049	4049
C50	G1	G4	89.93300	87.17159	1050	2050	3050	4050
C51	G1	G4	89.88858	87.12735	1051	2051	3051	4051
C52	G1	G4	89.84245	87.08048	1052	2052	3052	4052
C53	G1	G4	89.89275	87.03144	1053	2053	3053	4053
C54	G1	G4	90.00000	86.50200	1054	2054	3054	4054
C55	G1	G4	90.00000	86.50200	1055	2055	3055	4055

BAGO RIVER BRIDGE

SPAN DATA

CROSS	CROSS	SPAN LENGTH (m)
C1	C17	75.56790
C17	C33	76.53939
C33	C55	102.77379



BAGO RIVER BRIDGE

LOAD CASE DATA

CASE	CASE TITLE	CASE CLASS	CASE TYPE	NOTE
1	PAVEMENT	INFL-CASE (INFL)	DEAD-LOAD (DEAD)	GIRDER-DIRDCT (DIRECT)
3	RAILING	INFL-CASE (INFL)	DEAD-LOAD (DEAD)	GIRDER-DIRDCT (DIRECT)
5	CURB	INFL-CASE (INFL)	DEAD-LOAD (DEAD)	GIRDER-DIRDCT (DIRECT)
7	DECK WEIGHT	INFL-CASE (INFL)	DEAD-LOAD (DEAD)	GIRDER-DIRDCT (DIRECT)
8	GIRDER WEIGHT	INFL-CASE (INFL)	DEAD-LOAD (DEAD)	GIRDER-DIRDCT (DIRECT)
10	MEDIAN STRIP	INFL-CASE (INFL)	DEAD-LOAD (DEAD)	GIRDER-DIRDCT (DIRECT)
21	ADITIONAL WEIGHT	INFL-CASE (INFL)	DEAD-LOAD (DEAD)	GIRDER-DIRDCT (DIRECT)
31	MEDIAN RAILING	INFL-CASE (INFL)	DEAD-LOAD (DEAD)	GIRDER-DIRDCT (DIRECT)
51	SUPPORT WEIGHT	FIXEDLOAD-CASE (FIXED)	DEAD-LOAD (DEAD)	
52	NOSE WEIGHT	FIXEDLOAD-CASE (FIXED)	DEAD-LOAD (DEAD)	
61	1-LANE (case1)	ROAD (INFLROAD) TRUCK-LOAD TANDEM-LOAD DISPERSION-LOAD	AASHTOLOADLRFD (ROADAASHTOLRFD)	(SIMULS), GIRDER-DIRDCT (DIRECT)
62	1-LANE (case2)	ROAD (INFLROAD) TRUCK-LOAD TANDEM-LOAD DISPERSION-LOAD	AASHTOLOADLRFD (ROADAASHTOLRFD)	(SIMULS), GIRDER-DIRDCT (DIRECT)
63	1-LANE (case3)	ROAD (INFLROAD) TRUCK-LOAD TANDEM-LOAD DISPERSION-LOAD	AASHTOLOADLRFD (ROADAASHTOLRFD)	(SIMULS), GIRDER-DIRDCT (DIRECT)
64	1-LANE (case4)	ROAD (INFLROAD) TRUCK-LOAD TANDEM-LOAD DISPERSION-LOAD	AASHTOLOADLRFD (ROADAASHTOLRFD)	(SIMULS), GIRDER-DIRDCT (DIRECT)
65	2-LANES (case1)	ROAD (INFLROAD) TRUCK-LOAD TANDEM-LOAD DISPERSION-LOAD	AASHTOLOADLRFD (ROADAASHTOLRFD)	(SIMULS), GIRDER-DIRDCT (DIRECT)

BAGO RIVER BRIDGE

LOAD CASE DATA

CASE	CASE TITLE	CASE CLASS	CASE TYPE	NOTE
66	2-LANES (case2)	ROAD (INFLROAD) TRUCK-LOAD TANDEM-LOAD DISPERSION-LOAD	AASHTOLOADLRFD (ROADAASHTOLRFD)	(SIMULS), GIRDER-DIRDCT (DIRECT)
67	2-LANES (case3)	ROAD (INFLROAD) TRUCK-LOAD TANDEM-LOAD DISPERSION-LOAD	AASHTOLOADLRFD (ROADAASHTOLRFD)	(SIMULS), GIRDER-DIRDCT (DIRECT)
68	2-LANES (case4)	ROAD (INFLROAD) TRUCK-LOAD TANDEM-LOAD DISPERSION-LOAD	AASHTOLOADLRFD (ROADAASHTOLRFD)	(SIMULS), GIRDER-DIRDCT (DIRECT)
69	3-LANES (case1)	ROAD (INFLROAD) TRUCK-LOAD TANDEM-LOAD DISPERSION-LOAD	AASHTOLOADLRFD (ROADAASHTOLRFD)	(SIMULS), GIRDER-DIRDCT (DIRECT)
70	3-LANES (case2)	ROAD (INFLROAD) TRUCK-LOAD TANDEM-LOAD DISPERSION-LOAD	AASHTOLOADLRFD (ROADAASHTOLRFD)	(SIMULS), GIRDER-DIRDCT (DIRECT)
71	3-LANES (case3)	ROAD (INFLROAD) TRUCK-LOAD TANDEM-LOAD DISPERSION-LOAD	AASHTOLOADLRFD (ROADAASHTOLRFD)	(SIMULS), GIRDER-DIRDCT (DIRECT)
72	4-LANES	ROAD (INFLROAD) TRUCK-LOAD TANDEM-LOAD DISPERSION-LOAD	AASHTOLOADLRFD (ROADAASHTOLRFD)	(SIMULS), GIRDER-DIRDCT (DIRECT)

BAGO RIVER BRIDGE

LOAD CASE DATA

CASE	CASE TITLE	CASE CLASS	CASE TYPE	NOTE
73	6-LANES	ROAD (INFLROAD) TRUCK-LOAD TANDEM-LOAD DISPERSION-LOAD	AASHTOLOADLRFD (ROADAASHTOLRFD)	(SIMULS), GIRDER-DIRECT (DIRECT)

LOAD DATA [ No. 1 : PAVEMENT ] [ UNIFORM-LOAD (CRSSLINE) ]

CROSS	LEFT LOAD (kN/m2)	LEFT GIRDER	LEFT POSITION (m)	LEFT ANGLE (deg)	RIGHT LOAD (kN/m2)	RIGHT GIRDER	RIGHT POSITION (m)	RIGHT ANGLE (deg)
C1	1.80000	G1	-2.57227	88.63558	1.80000	G2	2.24936	88.63558
C1	1.80000	G3	-2.24936	88.63558	1.80000	G4	2.57531	88.63558
C2	1.80000	G1	-2.57220	88.57120	1.80000	G2	2.24930	88.73859
C2	1.80000	G3	-2.24930	88.73859	1.80000	G4	2.57210	91.51300
C3	1.80000	G1	-2.57222	88.59189	1.80000	G2	2.24932	88.76688
C3	1.80000	G3	-2.24932	88.76688	1.80000	G4	2.57196	91.63120
C4	1.80000	G1	-2.57230	88.65873	1.80000	G2	2.24938	88.82801
C4	1.80000	G3	-2.24938	88.82801	1.80000	G4	2.57204	91.56346
C5	1.80000	G1	-2.57236	88.72558	1.80000	G2	2.24944	88.88890
C5	1.80000	G3	-2.24944	88.88890	1.80000	G4	2.57212	91.49572
C6	1.80000	G1	-2.57243	88.79242	1.80000	G2	2.24950	88.94957
C6	1.80000	G3	-2.24950	88.94957	1.80000	G4	2.57220	91.42799
C7	1.80000	G1	-2.57249	88.85926	1.80000	G2	2.24955	89.01001
C7	1.80000	G3	-2.24955	89.01001	1.80000	G4	2.57227	91.36025
C8	1.80000	G1	-2.57255	88.92610	1.80000	G2	2.24960	89.07023
C8	1.80000	G3	-2.24960	89.07023	1.80000	G4	2.57235	91.29251
C9	1.80000	G1	-2.57260	88.99295	1.80000	G2	2.24965	89.13023
C9	1.80000	G3	-2.24965	89.13023	1.80000	G4	2.57241	91.22478
C10	1.80000	G1	-2.57265	89.05979	1.80000	G2	2.24970	89.19001
C10	1.80000	G3	-2.24970	89.19001	1.80000	G4	2.57248	91.15704
C11	1.80000	G1	-2.57270	89.12663	1.80000	G2	2.24974	89.24959

BAGO RIVER BRIDGE

LOAD DATA [ No. 1 : PAVEMENT ] [ UNIFORM-LOAD (CRSSLINE) ]

CROSS	LEFT LOAD (kN/m2)	LEFT GIRDER	LEFT POSITION (m)	LEFT ANGLE (deg)	RIGHT LOAD (kN/m2)	RIGHT GIRDER	RIGHT POSITION (m)	RIGHT ANGLE (deg)
C11	1.80000	G3	-2.24974	89.24959	1.80000	G4	2.57254	91.08930
C12	1.80000	G1	-2.57275	89.19348	1.80000	G2	2.24978	89.30896
C12	1.80000	G3	-2.24978	89.30896	1.80000	G4	2.57259	91.02157
C13	1.80000	G1	-2.57279	89.26032	1.80000	G2	2.24981	89.36815
C13	1.80000	G3	-2.24981	89.36815	1.80000	G4	2.57264	90.95383
C14	1.80000	G1	-2.57282	89.32716	1.80000	G2	2.24984	89.42715
C14	1.80000	G3	-2.24984	89.42715	1.80000	G4	2.57269	90.88609
C15	1.80000	G1	-2.57286	89.39187	1.80000	G2	2.24987	89.48385
C15	1.80000	G3	-2.24987	89.48385	1.80000	G4	2.57274	90.81622
C16	1.80000	G1	-2.57289	89.46133	1.80000	G2	2.24990	89.54530
C16	1.80000	G3	-2.24990	89.54530	1.80000	G4	2.57278	90.75393
C17	1.80000	G1	-2.57291	89.51886	1.80000	G2	2.24992	89.51886
C17	1.80000	G3	-2.24992	89.51886	1.80000	G4	2.57344	89.51885
C18	1.80000	G1	-2.57293	89.59084	1.80000	G2	2.24994	89.65826
C18	1.80000	G3	-2.24994	89.65826	1.80000	G4	2.57285	90.61782
C19	1.80000	G1	-2.57295	89.65894	1.80000	G2	2.24996	89.71783
C19	1.80000	G3	-2.24996	89.71783	1.80000	G4	2.57288	90.55204
C20	1.80000	G1	-2.57297	89.72648	1.80000	G2	2.24997	89.77660
C20	1.80000	G3	-2.24997	89.77660	1.80000	G4	2.57291	90.48359
C21	1.80000	G1	-2.57298	89.79403	1.80000	G2	2.24999	89.83528
C21	1.80000	G3	-2.24999	89.83528	1.80000	G4	2.57293	90.41514
C22	1.80000	G1	-2.57299	89.86158	1.80000	G2	2.24999	89.89388
C22	1.80000	G3	-2.24999	89.89388	1.80000	G4	2.57295	90.34669
C23	1.80000	G1	-2.57300	89.92913	1.80000	G2	2.25000	89.95242
C23	1.80000	G3	-2.25000	89.95242	1.80000	G4	2.57297	90.27824
C24	1.80000	G1	-2.57300	89.99668	1.80000	G2	2.25000	90.01092
C24	1.80000	G3	-2.25000	90.01092	1.80000	G4	2.57298	90.20979
C25	1.80000	G1	-2.57300	90.05791	1.80000	G2	2.25000	90.06306
C25	1.80000	G3	-2.25000	90.06306	1.80000	G4	2.57299	90.13502

BAGO RIVER BRIDGE

LOAD DATA [ No. 1 : PAVEMENT ] [ UNIFORM-LOAD (CRSSLINE) ]

CROSS	LEFT LOAD (kN/m2)	LEFT GIRDER	LEFT POSITION (m)	LEFT ANGLE (deg)	RIGHT LOAD (kN/m2)	RIGHT GIRDER	RIGHT POSITION (m)	RIGHT ANGLE (deg)
C26	1.80000	G1	-2.57285	89.38985	1.80000	G2	2.24987	89.38985
C26	1.80000	G3	-2.24987	89.38985	1.80000	G4	2.57285	89.38985
C27	1.80000	G1	-2.57144	88.00303	1.80000	G2	2.24863	88.28199
C27	1.80000	G3	-2.24863	88.28199	1.80000	G4	2.57118	92.15279
C28	1.80000	G1	-2.57144	88.00320	1.80000	G2	2.24863	88.28776
C28	1.80000	G3	-2.24863	88.28776	1.80000	G4	2.57118	92.15224
C29	1.80000	G1	-2.57144	88.00339	1.80000	G2	2.24863	88.29376
C29	1.80000	G3	-2.24863	88.29376	1.80000	G4	2.57119	92.15170
C30	1.80000	G1	-2.57144	88.00356	1.80000	G2	2.24863	88.30000
C30	1.80000	G3	-2.24863	88.30000	1.80000	G4	2.57119	92.15117
C31	1.80000	G1	-2.57144	88.00267	1.80000	G2	2.24863	88.30544
C31	1.80000	G3	-2.24863	88.30544	1.80000	G4	2.57119	92.14955
C32	1.80000	G1	-2.57153	88.06253	1.80000	G2	2.24871	88.37179
C32	1.80000	G3	-2.24871	88.37179	1.80000	G4	2.57109	92.20867
C33	1.80000	G1	-2.57133	87.93544	1.80000	G2	2.24854	87.93544
C33	1.80000	G3	-2.24854	87.93544	1.80000	G4	2.57809	87.93544
C34	1.80000	G1	-2.57143	87.99923	1.80000	G2	2.24863	88.32196
C34	1.80000	G3	-2.24863	88.32196	1.80000	G4	2.57120	92.14401
C35	1.80000	G1	-2.57144	88.00298	1.80000	G2	2.24863	88.33267
C35	1.80000	G3	-2.24863	88.33267	1.80000	G4	2.57119	92.14709
C36	1.80000	G1	-2.57292	89.55804	1.80000	G2	2.24993	89.89542
C36	1.80000	G3	-2.24993	89.89542	1.80000	G4	2.56763	93.70144
C37	1.80000	G1	-2.57300	90.06732	1.80000	G2	2.25000	90.06732
C37	1.80000	G3	-2.25000	90.06732	1.80000	G4	2.57300	90.06732
C38	1.80000	G1	-2.57300	90.06732	1.80000	G2	2.25000	90.06732
C38	1.80000	G3	-2.25000	90.06732	1.80000	G4	2.57300	90.06732
C39	1.80000	G1	-2.57300	90.06732	1.80000	G2	2.25000	90.06732
C39	1.80000	G3	-2.25000	90.06732	1.80000	G4	2.57300	90.06732
C40	1.80000	G1	-2.57300	90.06732	1.80000	G2	2.25000	90.06732

BAGO RIVER BRIDGE

LOAD DATA [ No. 1 : PAVEMENT ] [ UNIFORM-LOAD (CRSSLINE) ]

CROSS	LEFT LOAD (kN/m2)	LEFT GIRDER	LEFT POSITION (m)	LEFT ANGLE (deg)	RIGHT LOAD (kN/m2)	RIGHT GIRDER	RIGHT POSITION (m)	RIGHT ANGLE (deg)
C40	1.80000	G3	-2.25000	90.06732	1.80000	G4	2.57300	90.06732
C41	1.80000	G1	-2.57300	90.06732	1.80000	G2	2.25000	90.06732
C41	1.80000	G3	-2.25000	90.06732	1.80000	G4	2.57300	90.06732
C42	1.80000	G1	-2.57300	90.10811	1.80000	G2	2.25000	90.10811
C42	1.80000	G3	-2.25000	90.10811	1.80000	G4	2.57300	90.10811
C43	1.80000	G1	-2.57300	90.05011	1.80000	G2	2.24999	90.16846
C43	1.80000	G3	-2.25001	90.16846	1.80000	G4	2.57300	89.94849
C44	1.80000	G1	-2.57265	90.94695	1.80000	G2	2.24978	90.13640
C44	1.80000	G3	-2.25009	90.13640	1.80000	G4	2.57264	89.04447
C45	1.80000	G1	-2.57219	91.43867	1.80000	G2	2.24968	90.11133
C45	1.80000	G3	-2.25004	90.11133	1.80000	G4	2.57219	88.55915
C46	1.80000	G1	-2.57219	91.43850	1.80000	G2	2.24973	90.08196
C46	1.80000	G3	-2.24999	90.08196	1.80000	G4	2.57219	88.55898
C47	1.80000	G1	-2.57219	91.43833	1.80000	G2	2.24978	90.04929
C47	1.80000	G3	-2.24993	90.04929	1.80000	G4	2.57219	88.55881
C48	1.80000	G1	-2.57219	91.43816	1.80000	G2	2.24984	90.01348
C48	1.80000	G3	-2.24988	90.01348	1.80000	G4	2.57219	88.55864
C49	1.80000	G1	-2.57219	91.43799	1.80000	G2	2.24989	89.97467
C49	1.80000	G3	-2.24983	89.97467	1.80000	G4	2.57219	88.55847
C50	1.80000	G1	-2.57219	91.43782	1.80000	G2	2.24994	89.93300
C50	1.80000	G3	-2.24977	89.93300	1.80000	G4	2.57219	88.55830
C51	1.80000	G1	-2.57219	91.43765	1.80000	G2	2.25000	89.88858
C51	1.80000	G3	-2.24972	89.88858	1.80000	G4	2.57219	88.55812
C52	1.80000	G1	-2.57219	91.43839	1.80000	G2	2.25005	89.84245
C52	1.80000	G3	-2.24967	89.84245	1.80000	G4	2.57219	88.55887
C53	1.80000	G1	-2.57271	90.86242	1.80000	G2	2.25007	89.89275
C53	1.80000	G3	-2.24987	89.89275	1.80000	G4	2.57282	89.33129
C54	1.80000	G1	-2.57300	90.00000	1.80000	G2	2.25000	90.00000
C54	1.80000	G3	-2.25000	90.00000	1.80000	G4	2.57300	90.00000

BAGO RIVER BRIDGE

LOAD DATA [ No. 1 : PAVEMENT ] [ UNIFORM-LOAD(CRSSLINE) ]

CROSS	LEFT LOAD (kN/m <sup>2</sup> )	LEFT GIRDER	LEFT POSITION (m)	LEFT ANGLE (deg)	RIGHT LOAD (kN/m <sup>2</sup> )	RIGHT GIRDER	RIGHT POSITION (m)	RIGHT ANGLE (deg)
C55	1.80000	G1	-2.57300	90.00000	1.80000	G2	2.25000	90.00000
C55	1.80000	G3	-2.25000	90.00000	1.80000	G4	2.57300	90.00000

LOAD DATA [ No. 3 : RAILING ] [ LINE-LOAD(CRSSPOINT) ]

CROSS	LOAD (kN/m)	GIRDER	POSITION (m)	ANGLE (deg)
C1	0.49000	G1	-2.87219	88.63558
C1	0.49000	G4	2.87558	88.63558
C2	0.49000	G1	-2.87211	88.57120
C2	0.49000	G4	2.87200	91.51300
C3	0.49000	G1	-2.87213	88.59189
C3	0.49000	G4	2.87184	91.63120
C4	0.49000	G1	-2.87221	88.65873
C4	0.49000	G4	2.87193	91.56346
C5	0.49000	G1	-2.87229	88.72558
C5	0.49000	G4	2.87202	91.49572
C6	0.49000	G1	-2.87236	88.79242
C6	0.49000	G4	2.87211	91.42799
C7	0.49000	G1	-2.87243	88.85926
C7	0.49000	G4	2.87219	91.36025
C8	0.49000	G1	-2.87250	88.92610
C8	0.49000	G4	2.87227	91.29251
C9	0.49000	G1	-2.87256	88.99295
C9	0.49000	G4	2.87234	91.22478
C10	0.49000	G1	-2.87261	89.05979
C10	0.49000	G4	2.87241	91.15704
C11	0.49000	G1	-2.87267	89.12663
C11	0.49000	G4	2.87248	91.08930

BAGO RIVER BRIDGE

LOAD DATA [ No. 3 : RAILING ] [ LINE-LOAD(CRSSPOINT) ]

CROSS	LOAD (kN/m)	GIRDER	POSITION (m)	ANGLE (deg)
C12	0.49000	G1	-2.87272	89.19348
C12	0.49000	G4	2.87254	91.02157
C13	0.49000	G1	-2.87276	89.26032
C13	0.49000	G4	2.87260	90.95383
C14	0.49000	G1	-2.87280	89.32716
C14	0.49000	G4	2.87266	90.88609
C15	0.49000	G1	-2.87284	89.39187
C15	0.49000	G4	2.87271	90.81622
C16	0.49000	G1	-2.87287	89.46133
C16	0.49000	G4	2.87275	90.75393
C17	0.49000	G1	-2.87290	89.51886
C17	0.49000	G4	2.87349	89.51885
C18	0.49000	G1	-2.87293	89.59084
C18	0.49000	G4	2.87283	90.61782
C19	0.49000	G1	-2.87295	89.65894
C19	0.49000	G4	2.87287	90.55204
C20	0.49000	G1	-2.87297	89.72648
C20	0.49000	G4	2.87290	90.48359
C21	0.49000	G1	-2.87298	89.79403
C21	0.49000	G4	2.87292	90.41514
C22	0.49000	G1	-2.87299	89.86158
C22	0.49000	G4	2.87295	90.34669
C23	0.49000	G1	-2.87300	89.92913
C23	0.49000	G4	2.87297	90.27824
C24	0.49000	G1	-2.87300	89.99668
C24	0.49000	G4	2.87298	90.20979
C25	0.49000	G1	-2.87300	90.05791
C25	0.49000	G4	2.87299	90.13502
C26	0.49000	G1	-2.87284	89.38985
C26	0.49000	G4	2.87284	89.38985



BAGO RIVER BRIDGE

LOAD DATA [ No. 3 : RAILING ] [ LINE-LOAD(CRSSPOINT) ]

CROSS	LOAD (kN/m)	GIRDER	POSITION (m)	ANGLE (deg)
C27	0.49000	G1	-2.87126	88.00303
C27	0.49000	G4	2.87097	92.15279
C28	0.49000	G1	-2.87126	88.00320
C28	0.49000	G4	2.87097	92.15224
C29	0.49000	G1	-2.87126	88.00339
C29	0.49000	G4	2.87097	92.15170
C30	0.49000	G1	-2.87126	88.00356
C30	0.49000	G4	2.87097	92.15117
C31	0.49000	G1	-2.87125	88.00267
C31	0.49000	G4	2.87098	92.14955
C32	0.49000	G1	-2.87136	88.06253
C32	0.49000	G4	2.87086	92.20867
C33	0.49000	G1	-2.87114	87.93544
C33	0.49000	G4	2.87869	87.93544
C34	0.49000	G1	-2.87125	87.99923
C34	0.49000	G4	2.87099	92.14401
C35	0.49000	G1	-2.87126	88.00298
C35	0.49000	G4	2.87098	92.14709
C36	0.49000	G1	-2.87291	89.55804
C36	0.49000	G4	2.86701	93.70144
C37	0.49000	G1	-2.87300	90.06732
C37	0.49000	G4	2.87300	90.06732
C38	0.49000	G1	-2.87300	90.06732
C38	0.49000	G4	2.87300	90.06732
C39	0.49000	G1	-2.87300	90.06732
C39	0.49000	G4	2.87300	90.06732
C40	0.49000	G1	-2.87300	90.06732
C40	0.49000	G4	2.87300	90.06732
C41	0.49000	G1	-2.87300	90.06732
C41	0.49000	G4	2.87300	90.06732

BAGO RIVER BRIDGE

LOAD DATA [ No. 3 : RAILING ] [ LINE-LOAD(CRSSPOINT) ]

CROSS	LOAD (kN/m)	GIRDER	POSITION (m)	ANGLE (deg)
C42	0.49000	G1	-2.87299	90.10811
C42	0.49000	G4	2.87299	90.10811
C43	0.49000	G1	-2.87300	90.05011
C43	0.49000	G4	2.87300	89.94849
C44	0.49000	G1	-2.87261	90.94695
C44	0.49000	G4	2.87260	89.04447
C45	0.49000	G1	-2.87209	91.43867
C45	0.49000	G4	2.87209	88.55915
C46	0.49000	G1	-2.87209	91.43850
C46	0.49000	G4	2.87209	88.55898
C47	0.49000	G1	-2.87209	91.43833
C47	0.49000	G4	2.87209	88.55881
C48	0.49000	G1	-2.87209	91.43816
C48	0.49000	G4	2.87209	88.55864
C49	0.49000	G1	-2.87210	91.43799
C49	0.49000	G4	2.87209	88.55847
C50	0.49000	G1	-2.87210	91.43782
C50	0.49000	G4	2.87209	88.55830
C51	0.49000	G1	-2.87210	91.43765
C51	0.49000	G4	2.87209	88.55812
C52	0.49000	G1	-2.87209	91.43839
C52	0.49000	G4	2.87209	88.55887
C53	0.49000	G1	-2.87267	90.86242
C53	0.49000	G4	2.87280	89.33129
C54	0.49000	G1	-2.87300	90.00000
C54	0.49000	G4	2.87300	90.00000
C55	0.49000	G1	-2.87300	90.00000
C55	0.49000	G4	2.87300	90.00000

BAGO RIVER BRIDGE

LOAD DATA [ No. 5 : CURB ] [ LINE-LOAD(CRSSPOINT) ]

CROSS	LOAD (kN/m)	GIRDER	POSITION (m)	ANGLE (deg)
C1	4.85100	G1	-2.87219	88.63558
C1	4.85100	G4	2.87558	88.63558
C2	4.85100	G1	-2.87211	88.57120
C2	4.85100	G4	2.87200	91.51300
C3	4.85100	G1	-2.87213	88.59189
C3	4.85100	G4	2.87184	91.63120
C4	4.85100	G1	-2.87221	88.65873
C4	4.85100	G4	2.87193	91.56346
C5	4.85100	G1	-2.87229	88.72558
C5	4.85100	G4	2.87202	91.49572
C6	4.85100	G1	-2.87236	88.79242
C6	4.85100	G4	2.87211	91.42799
C7	4.85100	G1	-2.87243	88.85926
C7	4.85100	G4	2.87219	91.36025
C8	4.85100	G1	-2.87250	88.92610
C8	4.85100	G4	2.87227	91.29251
C9	4.85100	G1	-2.87256	88.99295
C9	4.85100	G4	2.87234	91.22478
C10	4.85100	G1	-2.87261	89.05979
C10	4.85100	G4	2.87241	91.15704
C11	4.85100	G1	-2.87267	89.12663
C11	4.85100	G4	2.87248	91.08930
C12	4.85100	G1	-2.87272	89.19348
C12	4.85100	G4	2.87254	91.02157
C13	4.85100	G1	-2.87276	89.26032
C13	4.85100	G4	2.87260	90.95383
C14	4.85100	G1	-2.87280	89.32716
C14	4.85100	G4	2.87266	90.88609
C15	4.85100	G1	-2.87284	89.39187
C15	4.85100	G4	2.87271	90.81622

BAGO RIVER BRIDGE

LOAD DATA [ No. 5 : CURB ] [ LINE-LOAD(CRSSPOINT) ]

CROSS	LOAD (kN/m)	GIRDER	POSITION (m)	ANGLE (deg)
C16	4.85100	G1	-2.87287	89.46133
C16	4.85100	G4	2.87275	90.75393
C17	4.85100	G1	-2.87290	89.51886
C17	4.85100	G4	2.87349	89.51885
C18	4.85100	G1	-2.87293	89.59084
C18	4.85100	G4	2.87283	90.61782
C19	4.85100	G1	-2.87295	89.65894
C19	4.85100	G4	2.87287	90.55204
C20	4.85100	G1	-2.87297	89.72648
C20	4.85100	G4	2.87290	90.48359
C21	4.85100	G1	-2.87298	89.79403
C21	4.85100	G4	2.87292	90.41514
C22	4.85100	G1	-2.87299	89.86158
C22	4.85100	G4	2.87295	90.34669
C23	4.85100	G1	-2.87300	89.92913
C23	4.85100	G4	2.87297	90.27824
C24	4.85100	G1	-2.87300	89.99668
C24	4.85100	G4	2.87298	90.20979
C25	4.85100	G1	-2.87300	90.05791
C25	4.85100	G4	2.87299	90.13502
C26	4.85100	G1	-2.87284	89.38985
C26	4.85100	G4	2.87284	89.38985
C27	4.85100	G1	-2.87126	88.00303
C27	4.85100	G4	2.87097	92.15279
C28	4.85100	G1	-2.87126	88.00320
C28	4.85100	G4	2.87097	92.15224
C29	4.85100	G1	-2.87126	88.00339
C29	4.85100	G4	2.87097	92.15170
C30	4.85100	G1	-2.87126	88.00356
C30	4.85100	G4	2.87097	92.15117

BAGO RIVER BRIDGE

LOAD DATA [ No. 5 : CURB ] [ LINE-LOAD(CRSSPOINT) ]

CROSS	LOAD (kN/m)	GIRDER	POSITION (m)	ANGLE (deg)
C31	4.85100	G1	-2.87125	88.00267
C31	4.85100	G4	2.87098	92.14955
C32	4.85100	G1	-2.87136	88.06253
C32	4.85100	G4	2.87086	92.20867
C33	4.85100	G1	-2.87114	87.93544
C33	4.85100	G4	2.87869	87.93544
C34	4.85100	G1	-2.87125	87.99923
C34	4.85100	G4	2.87099	92.14401
C35	4.85100	G1	-2.87126	88.00298
C35	4.85100	G4	2.87098	92.14709
C36	4.85100	G1	-2.87291	89.55804
C36	4.85100	G4	2.86701	93.70144
C37	4.85100	G1	-2.87300	90.06732
C37	4.85100	G4	2.87300	90.06732
C38	4.85100	G1	-2.87300	90.06732
C38	4.85100	G4	2.87300	90.06732
C39	4.85100	G1	-2.87300	90.06732
C39	4.85100	G4	2.87300	90.06732
C40	4.85100	G1	-2.87300	90.06732
C40	4.85100	G4	2.87300	90.06732
C41	4.85100	G1	-2.87300	90.06732
C41	4.85100	G4	2.87300	90.06732
C42	4.85100	G1	-2.87299	90.10811
C42	4.85100	G4	2.87299	90.10811
C43	4.85100	G1	-2.87300	90.05011
C43	4.85100	G4	2.87300	89.94849
C44	4.85100	G1	-2.87261	90.94695
C44	4.85100	G4	2.87260	89.04447
C45	4.85100	G1	-2.87209	91.43867
C45	4.85100	G4	2.87209	88.55915

BAGO RIVER BRIDGE

LOAD DATA [ No. 5 : CURB ] [ LINE-LOAD(CRSSPOINT) ]

CROSS	LOAD (kN/m)	GIRDER	POSITION (m)	ANGLE (deg)
C46	4.85100	G1	-2.87209	91.43850
C46	4.85100	G4	2.87209	88.55898
C47	4.85100	G1	-2.87209	91.43833
C47	4.85100	G4	2.87209	88.55881
C48	4.85100	G1	-2.87209	91.43816
C48	4.85100	G4	2.87209	88.55864
C49	4.85100	G1	-2.87210	91.43799
C49	4.85100	G4	2.87209	88.55847
C50	4.85100	G1	-2.87210	91.43782
C50	4.85100	G4	2.87209	88.55830
C51	4.85100	G1	-2.87210	91.43765
C51	4.85100	G4	2.87209	88.55812
C52	4.85100	G1	-2.87209	91.43839
C52	4.85100	G4	2.87209	88.55887
C53	4.85100	G1	-2.87267	90.86242
C53	4.85100	G4	2.87280	89.33129
C54	4.85100	G1	-2.87300	90.00000
C54	4.85100	G4	2.87300	90.00000
C55	4.85100	G1	-2.87300	90.00000
C55	4.85100	G4	2.87300	90.00000

LOAD DATA [ No. 7 : DECK WEIGHT ] [ UNIFORM-LOAD(CRSSLINE) ]

CROSS	LEFT LOAD (kN/m2)	LEFT GIRDER	LEFT POSITION (m)	LEFT ANGLE (deg)	RIGHT LOAD (kN/m2)	RIGHT GIRDER	RIGHT POSITION (m)	RIGHT ANGLE (deg)
C1	2.50000	G1	-3.17210	88.63558	2.50000	G4	3.17585	88.63558
C2	2.50000	G1	-3.17201	88.57120	2.50000	G4	3.17189	91.51300
C3	2.50000	G1	-3.17204	88.59189	2.50000	G4	3.17171	91.63120
C4	2.50000	G1	-3.17213	88.65873	2.50000	G4	3.17182	91.56346

BAGO RIVER BRIDGE

LOAD DATA [ No. 7 : DECK WEIGHT ] [ UNIFORM-LOAD(CRSSLINE) ]

CROSS	LEFT LOAD (kN/m2)	LEFT GIRDER	LEFT POSITION (m)	LEFT ANGLE (deg)	RIGHT LOAD (kN/m2)	RIGHT GIRDER	RIGHT POSITION (m)	RIGHT ANGLE (deg)
C5	2.50000	G1	-3.17222	88.72558	2.50000	G4	3.17192	91.49572
C6	2.50000	G1	-3.17230	88.79242	2.50000	G4	3.17201	91.42799
C7	2.50000	G1	-3.17237	88.85926	2.50000	G4	3.17211	91.36025
C8	2.50000	G1	-3.17244	88.92610	2.50000	G4	3.17219	91.29251
C9	2.50000	G1	-3.17251	88.99295	2.50000	G4	3.17228	91.22478
C10	2.50000	G1	-3.17257	89.05979	2.50000	G4	3.17235	91.15704
C11	2.50000	G1	-3.17263	89.12663	2.50000	G4	3.17243	91.08930
C12	2.50000	G1	-3.17269	89.19348	2.50000	G4	3.17250	91.02157
C13	2.50000	G1	-3.17274	89.26032	2.50000	G4	3.17256	90.95383
C14	2.50000	G1	-3.17278	89.32716	2.50000	G4	3.17262	90.88609
C15	2.50000	G1	-3.17282	89.39187	2.50000	G4	3.17268	90.81622
C16	2.50000	G1	-3.17286	89.46133	2.50000	G4	3.17273	90.75393
C17	2.50000	G1	-3.17289	89.51886	2.50000	G4	3.17354	89.51885
C18	2.50000	G1	-3.17292	89.59084	2.50000	G4	3.17282	90.61782
C19	2.50000	G1	-3.17294	89.65894	2.50000	G4	3.17285	90.55204
C20	2.50000	G1	-3.17296	89.72648	2.50000	G4	3.17289	90.48359
C21	2.50000	G1	-3.17298	89.79403	2.50000	G4	3.17292	90.41514
C22	2.50000	G1	-3.17299	89.86158	2.50000	G4	3.17294	90.34669
C23	2.50000	G1	-3.17300	89.92913	2.50000	G4	3.17296	90.27824
C24	2.50000	G1	-3.17300	89.99668	2.50000	G4	3.17298	90.20979
C25	2.50000	G1	-3.17300	90.05791	2.50000	G4	3.17299	90.13502
C26	2.50000	G1	-3.17282	89.38985	2.50000	G4	3.17282	89.38985
C27	2.50000	G1	-3.17107	88.00303	2.50000	G4	3.17075	92.15279
C28	2.50000	G1	-3.17107	88.00321	2.50000	G4	3.17076	92.15224
C29	2.50000	G1	-3.17107	88.00339	2.50000	G4	3.17076	92.15170
C30	2.50000	G1	-3.17107	88.00356	2.50000	G4	3.17076	92.15117
C31	2.50000	G1	-3.17107	88.00267	2.50000	G4	3.17076	92.14955
C32	2.50000	G1	-3.17119	88.06253	2.50000	G4	3.17064	92.20867
C33	2.50000	G1	-3.17094	87.93544	2.50000	G4	3.17928	87.93544

BAGO RIVER BRIDGE

LOAD DATA [ No. 7 : DECK WEIGHT ] [ UNIFORM-LOAD(CRSSLINE) ]

CROSS	LEFT LOAD (kN/m2)	LEFT GIRDER	LEFT POSITION (m)	LEFT ANGLE (deg)	RIGHT LOAD (kN/m2)	RIGHT GIRDER	RIGHT POSITION (m)	RIGHT ANGLE (deg)
C34	2.50000	G1	-3.17107	87.99923	2.50000	G4	3.17078	92.14401
C35	2.50000	G1	-3.17107	88.00298	2.50000	G4	3.17077	92.14709
C36	2.50000	G1	-3.17291	89.55804	2.50000	G4	3.16638	93.70145
C37	2.50000	G1	-3.17300	90.06732	2.50000	G4	3.17300	90.06732
C38	2.50000	G1	-3.17300	90.06732	2.50000	G4	3.17300	90.06732
C39	2.50000	G1	-3.17300	90.06732	2.50000	G4	3.17300	90.06732
C40	2.50000	G1	-3.17300	90.06732	2.50000	G4	3.17300	90.06732
C41	2.50000	G1	-3.17300	90.06732	2.50000	G4	3.17300	90.06732
C42	2.50000	G1	-3.17299	90.10811	2.50000	G4	3.17299	90.10811
C43	2.50000	G1	-3.17300	90.05011	2.50000	G4	3.17300	89.94849
C44	2.50000	G1	-3.17257	90.94695	2.50000	G4	3.17256	89.04447
C45	2.50000	G1	-3.17200	91.43867	2.50000	G4	3.17200	88.55915
C46	2.50000	G1	-3.17200	91.43850	2.50000	G4	3.17200	88.55897
C47	2.50000	G1	-3.17200	91.43833	2.50000	G4	3.17200	88.55880
C48	2.50000	G1	-3.17200	91.43816	2.50000	G4	3.17200	88.55864
C49	2.50000	G1	-3.17200	91.43799	2.50000	G4	3.17200	88.55847
C50	2.50000	G1	-3.17200	91.43782	2.50000	G4	3.17200	88.55830
C51	2.50000	G1	-3.17200	91.43765	2.50000	G4	3.17200	88.55812
C52	2.50000	G1	-3.17200	91.43839	2.50000	G4	3.17200	88.55886
C53	2.50000	G1	-3.17264	90.86242	2.50000	G4	3.17278	89.33129
C54	2.50000	G1	-3.17300	90.00000	2.50000	G4	3.17300	90.00000
C55	2.50000	G1	-3.17300	90.00000	2.50000	G4	3.17300	90.00000

LOAD DATA [ No. 8 : GIRDER WEIGHT ] [ LINE-LOAD(CRSSPOINT) ]

CROSS	LOAD (kN/m)	GIRDER	POSITION (m)	ANGLE (deg)
C1	18.70000	G1	0.00000	88.63558
C1	18.70000	G2	0.00000	88.63558



BAGO RIVER BRIDGE

LOAD DATA [ No.8 : GIRDER WEIGHT ] [ LINE-LOAD(CRSSPOINT) ]

CROSS	LOAD (kN/m)	GIRDER	POSITION (m)	ANGLE (deg)
C1	18.70000	G3	0.00000	88.63558
C1	18.70000	G4	0.00000	88.63558
C2	18.70000	G1	0.00000	88.73859
C2	18.70000	G2	0.00000	88.73859
C2	18.70000	G3	0.00000	88.73859
C2	18.70000	G4	0.00000	88.73859
C3	18.70000	G1	0.00000	88.76688
C3	18.70000	G2	0.00000	88.76688
C3	18.70000	G3	0.00000	88.76688
C3	18.70000	G4	0.00000	88.76688
C4	18.70000	G1	0.00000	88.82801
C4	18.70000	G2	0.00000	88.82801
C4	18.70000	G3	0.00000	88.82801
C4	18.70000	G4	0.00000	88.82801
C5	18.70000	G1	0.00000	88.88890
C5	18.70000	G2	0.00000	88.88890
C5	18.70000	G3	0.00000	88.88890
C5	18.70000	G4	0.00000	88.88890
C6	18.70000	G1	0.00000	88.94957
C6	18.70000	G2	0.00000	88.94957
C6	18.70000	G3	0.00000	88.94957
C6	18.70000	G4	0.00000	88.94957
C7	18.70000	G1	0.00000	89.01001
C7	18.70000	G2	0.00000	89.01001
C7	18.70000	G3	0.00000	89.01001
C7	18.70000	G4	0.00000	89.01001
C8	18.70000	G1	0.00000	89.07023
C8	18.70000	G2	0.00000	89.07023
C8	18.70000	G3	0.00000	89.07023
C8	18.70000	G4	0.00000	89.07023

BAGO RIVER BRIDGE

LOAD DATA [ No. 8 : GIRDER WEIGHT ] [ LINE-LOAD(CRSSPOINT) ]

CROSS	LOAD (kN/m)	GIRDER	POSITION (m)	ANGLE (deg)
C9	18.70000	G1	0.00000	89.13023
C9	18.70000	G2	0.00000	89.13023
C9	18.70000	G3	0.00000	89.13023
C9	18.70000	G4	0.00000	89.13023
C10	18.70000	G1	0.00000	89.19001
C10	18.70000	G2	0.00000	89.19001
C10	18.70000	G3	0.00000	89.19001
C10	18.70000	G4	0.00000	89.19001
C11	18.70000	G1	0.00000	89.24959
C11	18.70000	G2	0.00000	89.24959
C11	18.70000	G3	0.00000	89.24959
C11	18.70000	G4	0.00000	89.24959
C12	18.70000	G1	0.00000	89.30896
C12	18.70000	G2	0.00000	89.30896
C12	18.70000	G3	0.00000	89.30896
C12	18.70000	G4	0.00000	89.30896
C13	18.70000	G1	0.00000	89.36815
C13	18.70000	G2	0.00000	89.36815
C13	18.70000	G3	0.00000	89.36815
C13	18.70000	G4	0.00000	89.36815
C14	18.70000	G1	0.00000	89.42715
C14	18.70000	G2	0.00000	89.42715
C14	18.70000	G3	0.00000	89.42715
C14	18.70000	G4	0.00000	89.42715
C15	18.70000	G1	0.00000	89.48385
C15	18.70000	G2	0.00000	89.48385
C15	18.70000	G3	0.00000	89.48385
C15	18.70000	G4	0.00000	89.48385
C16	18.70000	G1	0.00000	89.54530
C16	18.70000	G2	0.00000	89.54530

BAGO RIVER BRIDGE

LOAD DATA [ No. 8 : GIRDER WEIGHT ] [ LINE-LOAD(CRSSPOINT) ]

CROSS	LOAD (kN/m)	GIRDER	POSITION (m)	ANGLE (deg)
C16	18.70000	G3	0.00000	89.54530
C16	18.70000	G4	0.00000	89.54530
C17	18.70000	G1	0.00000	89.51886
C17	18.70000	G2	0.00000	89.51886
C17	18.70000	G3	0.00000	89.51886
C17	18.70000	G4	0.00000	89.51886
C18	18.70000	G1	0.00000	89.65826
C18	18.70000	G2	0.00000	89.65826
C18	18.70000	G3	0.00000	89.65826
C18	18.70000	G4	0.00000	89.65826
C19	18.70000	G1	0.00000	89.71783
C19	18.70000	G2	0.00000	89.71783
C19	18.70000	G3	0.00000	89.71783
C19	18.70000	G4	0.00000	89.71783
C20	18.70000	G1	0.00000	89.77660
C20	18.70000	G2	0.00000	89.77660
C20	18.70000	G3	0.00000	89.77660
C20	18.70000	G4	0.00000	89.77660
C21	18.70000	G1	0.00000	89.83528
C21	18.70000	G2	0.00000	89.83528
C21	18.70000	G3	0.00000	89.83528
C21	18.70000	G4	0.00000	89.83528
C22	18.70000	G1	0.00000	89.89388
C22	18.70000	G2	0.00000	89.89388
C22	18.70000	G3	0.00000	89.89388
C22	18.70000	G4	0.00000	89.89388
C23	18.70000	G1	0.00000	89.95242
C23	18.70000	G2	0.00000	89.95242
C23	18.70000	G3	0.00000	89.95242
C23	18.70000	G4	0.00000	89.95242

BAGO RIVER BRIDGE

LOAD DATA [ No. 8 : GIRDER WEIGHT ] [ LINE-LOAD(CRSSPOINT) ]

CROSS	LOAD (kN/m)	GIRDER	POSITION (m)	ANGLE (deg)
C24	18.70000	G1	0.00000	90.01092
C24	18.70000	G2	0.00000	90.01092
C24	18.70000	G3	0.00000	90.01092
C24	18.70000	G4	0.00000	90.01092
C25	18.70000	G1	0.00000	90.06306
C25	18.70000	G2	0.00000	90.06306
C25	18.70000	G3	0.00000	90.06306
C25	18.70000	G4	0.00000	90.06306
C26	18.70000	G1	0.00000	89.38985
C26	18.70000	G2	0.00000	89.38985
C26	18.70000	G3	0.00000	89.38985
C26	18.70000	G4	0.00000	89.38985
C27	18.70000	G1	0.00000	88.28199
C27	18.70000	G2	0.00000	88.28199
C27	18.70000	G3	0.00000	88.28199
C27	18.70000	G4	0.00000	88.28199
C28	18.70000	G1	0.00000	88.28776
C28	18.70000	G2	0.00000	88.28776
C28	18.70000	G3	0.00000	88.28776
C28	18.70000	G4	0.00000	88.28776
C29	18.70000	G1	0.00000	88.29376
C29	18.70000	G2	0.00000	88.29376
C29	18.70000	G3	0.00000	88.29376
C29	18.70000	G4	0.00000	88.29376
C30	18.70000	G1	0.00000	88.30000
C30	18.70000	G2	0.00000	88.30000
C30	18.70000	G3	0.00000	88.30000
C30	18.70000	G4	0.00000	88.30000
C31	18.70000	G1	0.00000	88.30544
C31	18.70000	G2	0.00000	88.30544

BAGO RIVER BRIDGE

LOAD DATA [ No.8 : GIRDER WEIGHT ] [ LINE-LOAD(CRSSPOINT) ]

CROSS	LOAD (kN/m)	GIRDER	POSITION (m)	ANGLE (deg)
C31	18.70000	G3	0.00000	88.30544
C31	18.70000	G4	0.00000	88.30544
C32	18.70000	G1	0.00000	88.37179
C32	18.70000	G2	0.00000	88.37179
C32	18.70000	G3	0.00000	88.37179
C32	18.70000	G4	0.00000	88.37179
C33	18.70000	G1	0.00000	87.93544
C33	18.70000	G2	0.00000	87.93544
C33	18.70000	G3	0.00000	87.93544
C33	18.70000	G4	0.00000	87.93544
C34	18.70000	G1	0.00000	88.32196
C34	18.70000	G2	0.00000	88.32196
C34	18.70000	G3	0.00000	88.32196
C34	18.70000	G4	0.00000	88.32196
C35	18.70000	G1	0.00000	88.33267
C35	18.70000	G2	0.00000	88.33267
C35	18.70000	G3	0.00000	88.33267
C35	18.70000	G4	0.00000	88.33267
C36	18.70000	G1	0.00000	89.89542
C36	18.70000	G2	0.00000	89.89542
C36	18.70000	G3	0.00000	89.89542
C36	18.70000	G4	0.00000	89.89542
C37	18.70000	G1	0.00000	90.06732
C37	18.70000	G2	0.00000	90.06732
C37	18.70000	G3	0.00000	90.06732
C37	18.70000	G4	0.00000	90.06732
C38	18.70000	G1	0.00000	90.06732
C38	18.70000	G2	0.00000	90.06732
C38	18.70000	G3	0.00000	90.06732
C38	18.70000	G4	0.00000	90.06732

BAGO RIVER BRIDGE

LOAD DATA [ No.8 : GIRDER WEIGHT ] [ LINE-LOAD(CRSSPOINT) ]

CROSS	LOAD (kN/m)	GIRDER	POSITION (m)	ANGLE (deg)
C39	18.70000	G1	0.00000	90.06732
C39	18.70000	G2	0.00000	90.06732
C39	18.70000	G3	0.00000	90.06732
C39	18.70000	G4	0.00000	90.06732
C40	18.70000	G1	0.00000	90.06732
C40	18.70000	G2	0.00000	90.06732
C40	18.70000	G3	0.00000	90.06732
C40	18.70000	G4	0.00000	90.06732
C41	18.70000	G1	0.00000	90.06732
C41	18.70000	G2	0.00000	90.06732
C41	18.70000	G3	0.00000	90.06732
C41	18.70000	G4	0.00000	90.06732
C42	18.70000	G1	0.00000	90.10811
C42	18.70000	G2	0.00000	90.10811
C42	18.70000	G3	0.00000	90.10811
C42	18.70000	G4	0.00000	90.10811
C43	18.70000	G1	0.00000	90.16846
C43	18.70000	G2	0.00000	90.16846
C43	18.70000	G3	0.00000	90.16846
C43	18.70000	G4	0.00000	90.16846
C44	18.70000	G1	0.00000	90.13640
C44	18.70000	G2	0.00000	90.13640
C44	18.70000	G3	0.00000	90.13640
C44	18.70000	G4	0.00000	90.13640
C45	18.70000	G1	0.00000	90.11133
C45	18.70000	G2	0.00000	90.11133
C45	18.70000	G3	0.00000	90.11133
C45	18.70000	G4	0.00000	90.11133
C46	18.70000	G1	0.00000	90.08196
C46	18.70000	G2	0.00000	90.08196

BAGO RIVER BRIDGE

LOAD DATA [ No.8 : GIRDER WEIGHT ] [ LINE-LOAD(CRSSPOINT) ]

CROSS	LOAD (kN/m)	GIRDER	POSITION (m)	ANGLE (deg)
C46	18.70000	G3	0.00000	90.08196
C46	18.70000	G4	0.00000	90.08196
C47	18.70000	G1	0.00000	90.04929
C47	18.70000	G2	0.00000	90.04929
C47	18.70000	G3	0.00000	90.04929
C47	18.70000	G4	0.00000	90.04929
C48	18.70000	G1	0.00000	90.01348
C48	18.70000	G2	0.00000	90.01348
C48	18.70000	G3	0.00000	90.01348
C48	18.70000	G4	0.00000	90.01348
C49	18.70000	G1	0.00000	89.97467
C49	18.70000	G2	0.00000	89.97467
C49	18.70000	G3	0.00000	89.97467
C49	18.70000	G4	0.00000	89.97467
C50	18.70000	G1	0.00000	89.93300
C50	18.70000	G2	0.00000	89.93300
C50	18.70000	G3	0.00000	89.93300
C50	18.70000	G4	0.00000	89.93300
C51	18.70000	G1	0.00000	89.88858
C51	18.70000	G2	0.00000	89.88858
C51	18.70000	G3	0.00000	89.88858
C51	18.70000	G4	0.00000	89.88858
C52	18.70000	G1	0.00000	89.84245
C52	18.70000	G2	0.00000	89.84245
C52	18.70000	G3	0.00000	89.84245
C52	18.70000	G4	0.00000	89.84245
C53	18.70000	G1	0.00000	89.89275
C53	18.70000	G2	0.00000	89.89275
C53	18.70000	G3	0.00000	89.89275
C53	18.70000	G4	0.00000	89.89275

BAGO RIVER BRIDGE

LOAD DATA [ No. 8 : GIRDER WEIGHT ] [ LINE-LOAD(CRSSPOINT) ]

CROSS	LOAD (kN/m)	GIRDER	POSITION (m)	ANGLE (deg)
C54	18.70000	G1	0.00000	90.00000
C54	18.70000	G2	0.00000	90.00000
C54	18.70000	G3	0.00000	90.00000
C54	18.70000	G4	0.00000	90.00000
C55	18.70000	G1	0.00000	90.00000
C55	18.70000	G2	0.00000	90.00000
C55	18.70000	G3	0.00000	90.00000
C55	18.70000	G4	0.00000	90.00000

LOAD DATA [ No. 10 : MEDIAN STRIP ] [ UNIFORM-LOAD(CRSSLINE) ]

CROSS	LEFT LOAD (kN/m2)	LEFT GIRDER	LEFT POSITION (m)	LEFT ANGLE (deg)	RIGHT LOAD (kN/m2)	RIGHT GIRDER	RIGHT POSITION (m)	RIGHT ANGLE (deg)
C1	8.08500	G2	2.24936	88.63558	8.08500	G3	-2.24936	88.63558
C2	8.08500	G2	2.24930	88.73859	8.08500	G3	-2.24930	88.73859
C3	8.08500	G2	2.24932	88.76688	8.08500	G3	-2.24932	88.76688
C4	8.08500	G2	2.24938	88.82801	8.08500	G3	-2.24938	88.82801
C5	8.08500	G2	2.24944	88.88890	8.08500	G3	-2.24944	88.88890
C6	8.08500	G2	2.24950	88.94957	8.08500	G3	-2.24950	88.94957
C7	8.08500	G2	2.24955	89.01001	8.08500	G3	-2.24955	89.01001
C8	8.08500	G2	2.24960	89.07023	8.08500	G3	-2.24960	89.07023
C9	8.08500	G2	2.24965	89.13023	8.08500	G3	-2.24965	89.13023
C10	8.08500	G2	2.24970	89.19001	8.08500	G3	-2.24970	89.19001
C11	8.08500	G2	2.24974	89.24959	8.08500	G3	-2.24974	89.24959
C12	8.08500	G2	2.24978	89.30896	8.08500	G3	-2.24978	89.30896
C13	8.08500	G2	2.24981	89.36815	8.08500	G3	-2.24981	89.36815
C14	8.08500	G2	2.24984	89.42715	8.08500	G3	-2.24984	89.42715
C15	8.08500	G2	2.24987	89.48385	8.08500	G3	-2.24987	89.48385
C16	8.08500	G2	2.24990	89.54530	8.08500	G3	-2.24990	89.54530



BAGO RIVER BRIDGE

LOAD DATA [ No.10 : MEDIAN STRIP ] [ UNIFORM-LOAD(CRSSLINE) ]

CROSS	LEFT LOAD (kN/m2)	LEFT GIRDER	LEFT POSITION (m)	LEFT ANGLE (deg)	RIGHT LOAD (kN/m2)	RIGHT GIRDER	RIGHT POSITION (m)	RIGHT ANGLE (deg)
C17	8.08500	G2	2.24992	89.51886	8.08500	G3	-2.24992	89.51886
C18	8.08500	G2	2.24994	89.65826	8.08500	G3	-2.24994	89.65826
C19	8.08500	G2	2.24996	89.71783	8.08500	G3	-2.24996	89.71783
C20	8.08500	G2	2.24997	89.77660	8.08500	G3	-2.24997	89.77660
C21	8.08500	G2	2.24999	89.83528	8.08500	G3	-2.24999	89.83528
C22	8.08500	G2	2.24999	89.89388	8.08500	G3	-2.24999	89.89388
C23	8.08500	G2	2.25000	89.95242	8.08500	G3	-2.25000	89.95242
C24	8.08500	G2	2.25000	90.01092	8.08500	G3	-2.25000	90.01092
C25	8.08500	G2	2.25000	90.06306	8.08500	G3	-2.25000	90.06306
C26	8.08500	G2	2.24987	89.38985	8.08500	G3	-2.24987	89.38985
C27	8.08500	G2	2.24863	88.28199	8.08500	G3	-2.24863	88.28199
C28	8.08500	G2	2.24863	88.28776	8.08500	G3	-2.24863	88.28776
C29	8.08500	G2	2.24863	88.29376	8.08500	G3	-2.24863	88.29376
C30	8.08500	G2	2.24863	88.30000	8.08500	G3	-2.24863	88.30000
C31	8.08500	G2	2.24863	88.30544	8.08500	G3	-2.24863	88.30544
C32	8.08500	G2	2.24871	88.37179	8.08500	G3	-2.24871	88.37179
C33	8.08500	G2	2.24854	87.93544	8.08500	G3	-2.24854	87.93544
C34	8.08500	G2	2.24863	88.32196	8.08500	G3	-2.24863	88.32196
C35	8.08500	G2	2.24863	88.33267	8.08500	G3	-2.24863	88.33267
C36	8.08500	G2	2.24993	89.89542	8.08500	G3	-2.24993	89.89542
C37	8.08500	G2	2.25000	90.06732	8.08500	G3	-2.25000	90.06732
C38	8.08500	G2	2.25000	90.06732	8.08500	G3	-2.25000	90.06732
C39	8.08500	G2	2.25000	90.06732	8.08500	G3	-2.25000	90.06732
C40	8.08500	G2	2.25000	90.06732	8.08500	G3	-2.25000	90.06732
C41	8.08500	G2	2.25000	90.06732	8.08500	G3	-2.25000	90.06732
C42	8.08500	G2	2.25000	90.10811	8.08500	G3	-2.25000	90.10811
C43	8.08500	G2	2.24999	90.16846	8.08500	G3	-2.25001	90.16846
C44	8.08500	G2	2.24978	90.13640	8.08500	G3	-2.25009	90.13640
C45	8.08500	G2	2.24968	90.11133	8.08500	G3	-2.25004	90.11133

BAGO RIVER BRIDGE

LOAD DATA [ No. 10 : MEDIAN STRIP ] [ UNIFORM-LOAD(CRSSLINE) ]

CROSS	LEFT LOAD (kN/m2)	LEFT GIRDER	LEFT POSITION (m)	LEFT ANGLE (deg)	RIGHT LOAD (kN/m2)	RIGHT GIRDER	RIGHT POSITION (m)	RIGHT ANGLE (deg)
C46	8.08500	G2	2.24973	90.08196	8.08500	G3	-2.24999	90.08196
C47	8.08500	G2	2.24978	90.04929	8.08500	G3	-2.24993	90.04929
C48	8.08500	G2	2.24984	90.01348	8.08500	G3	-2.24988	90.01348
C49	8.08500	G2	2.24989	89.97467	8.08500	G3	-2.24983	89.97467
C50	8.08500	G2	2.24994	89.93300	8.08500	G3	-2.24977	89.93300
C51	8.08500	G2	2.25000	89.88858	8.08500	G3	-2.24972	89.88858
C52	8.08500	G2	2.25005	89.84245	8.08500	G3	-2.24967	89.84245
C53	8.08500	G2	2.25007	89.89275	8.08500	G3	-2.24987	89.89275
C54	8.08500	G2	2.25000	90.00000	8.08500	G3	-2.25000	90.00000
C55	8.08500	G2	2.25000	90.00000	8.08500	G3	-2.25000	90.00000

LOAD DATA [ No. 21 : ADITONAL WEIGHT ] [ UNIFORM-LOAD(CRSSLINE) ]

CROSS	LEFT LOAD (kN/m2)	LEFT GIRDER	LEFT POSITION (m)	LEFT ANGLE (deg)	RIGHT LOAD (kN/m2)	RIGHT GIRDER	RIGHT POSITION (m)	RIGHT ANGLE (deg)
C1	0.70000	G1	-3.17210	88.63558	0.70000	G4	3.17585	88.63558
C2	0.70000	G1	-3.17201	88.57120	0.70000	G4	3.17189	91.51300
C3	0.70000	G1	-3.17204	88.59189	0.70000	G4	3.17171	91.63120
C4	0.70000	G1	-3.17213	88.65873	0.70000	G4	3.17182	91.56346
C5	0.70000	G1	-3.17222	88.72558	0.70000	G4	3.17192	91.49572
C6	0.70000	G1	-3.17230	88.79242	0.70000	G4	3.17201	91.42799
C7	0.70000	G1	-3.17237	88.85926	0.70000	G4	3.17211	91.36025
C8	0.70000	G1	-3.17244	88.92610	0.70000	G4	3.17219	91.29251
C9	0.70000	G1	-3.17251	88.99295	0.70000	G4	3.17228	91.22478
C10	0.70000	G1	-3.17257	89.05979	0.70000	G4	3.17235	91.15704
C11	0.70000	G1	-3.17263	89.12663	0.70000	G4	3.17243	91.08930
C12	0.70000	G1	-3.17269	89.19348	0.70000	G4	3.17250	91.02157
C13	0.70000	G1	-3.17274	89.26032	0.70000	G4	3.17256	90.95383

BAGO RIVER BRIDGE

LOAD DATA [ No. 21 : ADITIONAL WEIGHT ] [ UNFORM-LOAD(CRSSLINE) ]

CROSS	LEFT LOAD (kN/m2)	LEFT GIRDER	LEFT POSITION (m)	LEFT ANGLE (deg)	RIGHT LOAD (kN/m2)	RIGHT GIRDER	RIGHT POSITION (m)	RIGHT ANGLE (deg)
C14	0.70000	G1	-3.17278	89.32716	0.70000	G4	3.17262	90.88609
C15	0.70000	G1	-3.17282	89.39187	0.70000	G4	3.17268	90.81622
C16	0.70000	G1	-3.17286	89.46133	0.70000	G4	3.17273	90.75393
C17	0.70000	G1	-3.17289	89.51886	0.70000	G4	3.17354	89.51885
C18	0.70000	G1	-3.17292	89.59084	0.70000	G4	3.17282	90.61782
C19	0.70000	G1	-3.17294	89.65894	0.70000	G4	3.17285	90.55204
C20	0.70000	G1	-3.17296	89.72648	0.70000	G4	3.17289	90.48359
C21	0.70000	G1	-3.17298	89.79403	0.70000	G4	3.17292	90.41514
C22	0.70000	G1	-3.17299	89.86158	0.70000	G4	3.17294	90.34669
C23	0.70000	G1	-3.17300	89.92913	0.70000	G4	3.17296	90.27824
C24	0.70000	G1	-3.17300	89.99668	0.70000	G4	3.17298	90.20979
C25	0.70000	G1	-3.17300	90.05791	0.70000	G4	3.17299	90.13502
C26	0.70000	G1	-3.17282	89.38985	0.70000	G4	3.17282	89.38985
C27	0.70000	G1	-3.17107	88.00303	0.70000	G4	3.17075	92.15279
C28	0.70000	G1	-3.17107	88.00321	0.70000	G4	3.17076	92.15224
C29	0.70000	G1	-3.17107	88.00339	0.70000	G4	3.17076	92.15170
C30	0.70000	G1	-3.17107	88.00356	0.70000	G4	3.17076	92.15117
C31	0.70000	G1	-3.17107	88.00267	0.70000	G4	3.17076	92.14955
C32	0.70000	G1	-3.17119	88.06253	0.70000	G4	3.17064	92.20867
C33	0.70000	G1	-3.17094	87.93544	0.70000	G4	3.17928	87.93544
C34	0.70000	G1	-3.17107	87.99923	0.70000	G4	3.17078	92.14401
C35	0.70000	G1	-3.17107	88.00298	0.70000	G4	3.17077	92.14709
C36	0.70000	G1	-3.17291	89.55804	0.70000	G4	3.16638	93.70145
C37	0.70000	G1	-3.17300	90.06732	0.70000	G4	3.17300	90.06732
C38	0.70000	G1	-3.17300	90.06732	0.70000	G4	3.17300	90.06732
C39	0.70000	G1	-3.17300	90.06732	0.70000	G4	3.17300	90.06732
C40	0.70000	G1	-3.17300	90.06732	0.70000	G4	3.17300	90.06732
C41	0.70000	G1	-3.17300	90.06732	0.70000	G4	3.17300	90.06732
C42	0.70000	G1	-3.17299	90.10811	0.70000	G4	3.17299	90.10811

BAGO RIVER BRIDGE

LOAD DATA [ No. 21 : ADITIONAL WEIGHT ] [ UNFORM-LOAD(CRSSLINE) ]

CROSS	LEFT LOAD (kN/m2)	LEFT GIRDER	LEFT POSITION (m)	LEFT ANGLE (deg)	RIGHT LOAD (kN/m2)	RIGHT GIRDER	RIGHT POSITION (m)	RIGHT ANGLE (deg)
C43	0.70000	G1	-3.17300	90.05011	0.70000	G4	3.17300	89.94849
C44	0.70000	G1	-3.17257	90.94695	0.70000	G4	3.17256	89.04447
C45	0.70000	G1	-3.17200	91.43867	0.70000	G4	3.17200	88.55915
C46	0.70000	G1	-3.17200	91.43850	0.70000	G4	3.17200	88.55897
C47	0.70000	G1	-3.17200	91.43833	0.70000	G4	3.17200	88.55880
C48	0.70000	G1	-3.17200	91.43816	0.70000	G4	3.17200	88.55864
C49	0.70000	G1	-3.17200	91.43799	0.70000	G4	3.17200	88.55847
C50	0.70000	G1	-3.17200	91.43782	0.70000	G4	3.17200	88.55830
C51	0.70000	G1	-3.17200	91.43765	0.70000	G4	3.17200	88.55812
C52	0.70000	G1	-3.17200	91.43839	0.70000	G4	3.17200	88.55886
C53	0.70000	G1	-3.17264	90.86242	0.70000	G4	3.17278	89.33129
C54	0.70000	G1	-3.17300	90.00000	0.70000	G4	3.17300	90.00000
C55	0.70000	G1	-3.17300	90.00000	0.70000	G4	3.17300	90.00000

LOAD DATA [ No. 31 : MEDIAN RAILING ] [ LINE-LOAD(CRSSPOINT) ]

CROSS	LOAD (kN/m)	GIRDER	POSITION (m)	ANGLE (deg)
C1	0.98000	G2	2.99915	88.63558
C2	0.98000	G2	2.99907	88.73859
C3	0.98000	G2	2.99909	88.76688
C4	0.98000	G2	2.99918	88.82801
C5	0.98000	G2	2.99926	88.88890
C6	0.98000	G2	2.99933	88.94957
C7	0.98000	G2	2.99941	89.01001
C8	0.98000	G2	2.99947	89.07023
C9	0.98000	G2	2.99954	89.13023
C10	0.98000	G2	2.99960	89.19001
C11	0.98000	G2	2.99965	89.24959

BAGO RIVER BRIDGE

LOAD DATA [ No. 31 : MEDIAN RAILING ] [ LINE-LOAD(CRSSPOINT) ]

CROSS	LOAD (kN/m)	GIRDER	POSITION (m)	ANGLE (deg)
C12	0.98000	G2	2.99970	89.30896
C13	0.98000	G2	2.99975	89.36815
C14	0.98000	G2	2.99979	89.42715
C15	0.98000	G2	2.99983	89.48385
C16	0.98000	G2	2.99987	89.54530
C17	0.98000	G2	2.99989	89.51886
C18	0.98000	G2	2.99992	89.65826
C19	0.98000	G2	2.99995	89.71783
C20	0.98000	G2	2.99997	89.77660
C21	0.98000	G2	2.99998	89.83528
C22	0.98000	G2	2.99999	89.89388
C23	0.98000	G2	3.00000	89.95242
C24	0.98000	G2	3.00000	90.01092
C25	0.98000	G2	3.00000	90.06306
C26	0.98000	G2	2.99983	89.38985
C27	0.98000	G2	2.99818	88.28199
C28	0.98000	G2	2.99818	88.28776
C29	0.98000	G2	2.99818	88.29376
C30	0.98000	G2	2.99818	88.30000
C31	0.98000	G2	2.99818	88.30544
C32	0.98000	G2	2.99828	88.37179
C33	0.98000	G2	2.99805	87.93544
C34	0.98000	G2	2.99817	88.32196
C35	0.98000	G2	2.99818	88.33267
C36	0.98000	G2	2.99991	89.89542
C37	0.98000	G2	3.00000	90.06732
C38	0.98000	G2	3.00000	90.06732
C39	0.98000	G2	3.00000	90.06732
C40	0.98000	G2	3.00000	90.06732
C41	0.98000	G2	3.00000	90.06732

BAGO RIVER BRIDGE

LOAD DATA [ No. 31 : MEDIAN RAILING ] [ LINE-LOAD(CRSSPOINT) ]

CROSS	LOAD (kN/m)	GIRDER	POSITION (m)	ANGLE (deg)
C42	0.98000	G2	2.99999	90.10811
C43	0.98000	G2	3.00048	90.16846
C44	0.98000	G2	3.04140	90.13640
C45	0.98000	G2	3.14841	90.11133
C46	0.98000	G2	3.26654	90.08196
C47	0.98000	G2	3.38466	90.04929
C48	0.98000	G2	3.50278	90.01348
C49	0.98000	G2	3.62090	89.97467
C50	0.98000	G2	3.73902	89.93300
C51	0.98000	G2	3.85714	89.88858
C52	0.98000	G2	3.97527	89.84245
C53	0.98000	G2	4.07291	89.89275
C54	0.98000	G2	4.10000	90.00000
C55	0.98000	G2	4.10000	90.00000

LOAD DATA [ No. 51 : SUPPORT WEIGHT ] [ NODAL-LOAD(NODE) ]

NODE	LOAD FORCEX (kN)	LOAD FORCEY (kN)	LOAD FORCEZ (kN)	LOAD MOMENTX (kN·m)	LOAD MOMENTY (kN·m)	LOAD MOMENTZ (kN·m)	OFFSET DIR-X (m)	OFFSET DIR-Y (m)	OFFSET DIR-Z (m)
1001	0.00000	0.00000	-13.75900	0.00000	0.00000	0.00000	0.00000	0.00000	0.00000
1055	0.00000	0.00000	-17.19900	0.00000	0.00000	0.00000	0.00000	0.00000	0.00000
2001	0.00000	0.00000	-15.59300	0.00000	0.00000	0.00000	0.00000	0.00000	0.00000
2055	0.00000	0.00000	-31.13500	0.00000	0.00000	0.00000	0.00000	0.00000	0.00000
3001	0.00000	0.00000	-22.14900	0.00000	0.00000	0.00000	0.00000	0.00000	0.00000
3055	0.00000	0.00000	-31.13500	0.00000	0.00000	0.00000	0.00000	0.00000	0.00000
4001	0.00000	0.00000	-20.34800	0.00000	0.00000	0.00000	0.00000	0.00000	0.00000
4055	0.00000	0.00000	-17.19900	0.00000	0.00000	0.00000	0.00000	0.00000	0.00000

BAGO RIVER BRIDGE

LOAD DATA [ No. 52 : NOSE WEIGHT ] [ NODAL-LOAD(NODE) ]

NODE	LOAD FORCEX (kN)	LOAD FORCEY (kN)	LOAD FORCEZ (kN)	LOAD MOMENTX (kN·m)	LOAD MOMENTY (kN·m)	LOAD MOMENTZ (kN·m)	OFFSET DIR-X (m)	OFFSET DIR-Y (m)	OFFSET DIR-Z (m)
4001	0.00000	0.00000	-31.73300	0.00000	0.00000	0.00000	-0.21385	3.32530	0.00000

LOAD DATA [ No. 61 : 1-LANE(case1) ]

LOAD TYPE

AASHTO HS-20 LOAD(AASHTOHS20)

LOADING LANE PARAMETER

LANE COUNT

1

LANE TYPE

EQUAL-DIVID-LOADING-DOMAIN(EDIVID)

TRUCK-LOAD

TRANSVERSAL DIRECTION

BRIDGE AXIS DIRECTION

FRONT WHEEL FRONT-MIDDLE WHEEL MIDDLE-REAR WHEEL

WHEEL	LOAD	LOAD	INTEWHEEL	LOAD	LOAD	INTELOAD	LOAD	INTELOAD
	(m)	(kN/1wheel)	(m)	(kN/1wheel)	(m)	(kN/1wheel)	(m)	(kN/1wheel)
2	1.8	3	17.5	4.3	72.5	4.3	72.5	

TANDEM-LOAD

TRANSVERSAL DIRECTION

BRIDGE AXIS DIRECTION

FRONT WHEEL FRONT-REAR WHEEL

WHEEL	LOAD	LOAD	INTEWHEEL	LOAD	LOAD	INTELOAD
	(m)	(kN/1wheel)	(m)	(kN/1wheel)	(m)	(kN/1wheel)
2	1.8	2	55.0	1.2	55.0	

DISPERSION-LOAD

LOAD WLOAD

(m) (kN/m2)

3.0 3.1

BAGO RIVER BRIDGE

LOAD DATA [ No.61 : 1-LANE(case1) ]

SPAN'S IMPACT ( EVERY ELEMENT BLOCK )

BLOCK	TITLE	IMPACT TYPE		C1-C17	C17	C17-C33	C33	C33-C55
1	MAIN GIRDER	STEEL-BRIDGE (STEEL)	SPAN LENGTH(m)	75.56790	76.05365	76.53939	89.65659	102.77379
			IMPACT. C	1.15928	1.15866	1.15805	1.14321	1.13091
2	CROSS BEAM	STEEL-BRIDGE (STEEL)	SPAN LENGTH(m)	75.56790	76.05365	76.53939	89.65659	102.77379
			IMPACT. C	1.15928	1.15866	1.15805	1.14321	1.13091
3	SUPPORT No. 1	STEEL-BRIDGE (STEEL)	SPAN LENGTH(m)	75.56790	76.05365	76.53939	89.65659	102.77379
			IMPACT. C	1.15928	1.15866	1.15805	1.14321	1.13091
4	SUPPORT No. 2	STEEL-BRIDGE (STEEL)	SPAN LENGTH(m)	75.56790	76.05365	76.53939	89.65659	102.77379
			IMPACT. C	1.15928	1.15866	1.15805	1.14321	1.13091
5	SUPPORT No. 3	STEEL-BRIDGE (STEEL)	SPAN LENGTH(m)	75.56790	76.05365	76.53939	89.65659	102.77379
			IMPACT. C	1.15928	1.15866	1.15805	1.14321	1.13091
6	SUPPORT No. 4	STEEL-BRIDGE (STEEL)	SPAN LENGTH(m)	75.56790	76.05365	76.53939	89.65659	102.77379
			IMPACT. C	1.15928	1.15866	1.15805	1.14321	1.13091

LOAD DATA [ No.61 : 1-LANE(case1) ] [ LOADING-DOMAIN(LOAD) ]

CROSS	LEFT GIRDER	LEFT POSITION (m)	LEFT ANGLE (deg)	RIGHT GIRDER	RIGHT POSITION (m)	RIGHT ANGLE (deg)
C1	G2	-6.75000	88.63558	G2	-3.75000	88.63558
C2	G2	-6.75000	88.73859	G2	-3.75000	88.73859
C3	G2	-6.75000	88.76688	G2	-3.75000	88.76688
C4	G2	-6.75000	88.82801	G2	-3.75000	88.82801
C5	G2	-6.75000	88.88890	G2	-3.75000	88.88890
C6	G2	-6.75000	88.94957	G2	-3.75000	88.94957
C7	G2	-6.75000	89.01001	G2	-3.75000	89.01001
C8	G2	-6.75000	89.07023	G2	-3.75000	89.07023
C9	G2	-6.75000	89.13023	G2	-3.75000	89.13023
C10	G2	-6.75000	89.19001	G2	-3.75000	89.19001
C11	G2	-6.75000	89.24959	G2	-3.75000	89.24959
:						



BAGO RIVER BRIDGE

LOAD DATA [ No.61 : 1-LANE(case1) ] [ LOADING-DOMAIN(LOAD) ]

CROSS	LEFT GIRDER	LEFT POSITION (m)	LEFT ANGLE (deg)	RIGHT GIRDER	RIGHT POSITION (m)	RIGHT ANGLE (deg)
:						
C12	G2	-6.75000	89.30896	G2	-3.75000	89.30896
C13	G2	-6.75000	89.36815	G2	-3.75000	89.36815
C14	G2	-6.75000	89.42715	G2	-3.75000	89.42715
C15	G2	-6.75000	89.48385	G2	-3.75000	89.48385
C16	G2	-6.75000	89.54530	G2	-3.75000	89.54530
C17	G2	-6.75000	89.51886	G2	-3.75000	89.51886
C18	G2	-6.75000	89.65826	G2	-3.75000	89.65826
C19	G2	-6.75000	89.71783	G2	-3.75000	89.71783
C20	G2	-6.75000	89.77660	G2	-3.75000	89.77660
C21	G2	-6.75000	89.83528	G2	-3.75000	89.83528
C22	G2	-6.75000	89.89388	G2	-3.75000	89.89388
C23	G2	-6.75000	89.95242	G2	-3.75000	89.95242
C24	G2	-6.75000	90.01092	G2	-3.75000	90.01092
C25	G2	-6.75000	90.06306	G2	-3.75000	90.06306
C26	G2	-6.75000	89.38985	G2	-3.75000	89.38985
C27	G2	-6.75000	88.28199	G2	-3.75000	88.28199
C28	G2	-6.75000	88.28776	G2	-3.75000	88.28776
C29	G2	-6.75000	88.29376	G2	-3.75000	88.29376
C30	G2	-6.75000	88.30000	G2	-3.75000	88.30000
C31	G2	-6.75000	88.30544	G2	-3.75000	88.30544
C32	G2	-6.75000	88.37179	G2	-3.75000	88.37179
C33	G2	-6.75000	87.93544	G2	-3.75000	87.93544
C34	G2	-6.75000	88.32196	G2	-3.75000	88.32196
C35	G2	-6.75000	88.33267	G2	-3.75000	88.33267
C36	G2	-6.75000	89.89542	G2	-3.75000	89.89542
C37	G2	-6.75000	90.06732	G2	-3.75000	90.06732
C38	G2	-6.75000	90.06732	G2	-3.75000	90.06732
:						

BAGO RIVER BRIDGE

LOAD DATA [ No. 61 : 1-LANE(case1) ] [ LOADING-DOMAIN(LOAD) ]

CROSS	LEFT GIRDER	LEFT POSITION (m)	LEFT ANGLE (deg)	RIGHT GIRDER	RIGHT POSITION (m)	RIGHT ANGLE (deg)
:						
C39	G2	-6.75000	90.06732	G2	-3.75000	90.06732
C40	G2	-6.75000	90.06732	G2	-3.75000	90.06732
C41	G2	-6.75000	90.06732	G2	-3.75000	90.06732
C42	G2	-6.75000	90.10811	G2	-3.75000	90.10811
C43	G2	-6.75000	90.16846	G2	-3.75000	90.16846
C44	G2	-6.75000	90.13640	G2	-3.75000	90.13640
C45	G2	-6.75000	90.11133	G2	-3.75000	90.11133
C46	G2	-6.75000	90.08196	G2	-3.75000	90.08196
C47	G2	-6.75000	90.04929	G2	-3.75000	90.04929
C48	G2	-6.75000	90.01348	G2	-3.75000	90.01348
C49	G2	-6.75000	89.97467	G2	-3.75000	89.97467
C50	G2	-6.75000	89.93300	G2	-3.75000	89.93300
C51	G2	-6.75000	89.88858	G2	-3.75000	89.88858
C52	G2	-6.75000	89.84245	G2	-3.75000	89.84245
C53	G2	-6.75000	89.89275	G2	-3.75000	89.89275
C54	G2	-6.75000	90.00000	G2	-3.75000	90.00000
C55	G2	-6.75000	90.00000	G2	-3.75000	90.00000

LOAD DATA [ No. 62 : 1-LANE(case2) ]

LOAD TYPE

AASHTO HS-20 LOAD(AASHTOHS20)

LOADING LANE PARAMETER

LANE COUNT

1

LANE TYPE

EQUAL-DIVID-LOADING-DOMAIN(EDIVID)

BAGO RIVER BRIDGE

LOAD DATA [ No. 62 : 1-LANE(case2) ]

TRUCK-LOAD

TRANSVERSAL DIRECTION			BRIDGE AXIS DIRECTION					
WHEEL	LOAD	INTEWHEEL	LOAD	LOAD	INTELOAD	LOAD	INTELOAD	
(m)			(kN/1wheel)	(m)	(kN/1wheel)	(m)	(kN/1wheel)	
2	1.8	3	17.5	4.3	72.5	4.3	72.5	

TANDEM-LOAD

TRANSVERSAL DIRECTION			BRIDGE AXIS DIRECTION		
WHEEL	LOAD	INTEWHEEL	LOAD	LOAD	INTELOAD
(m)			(kN/1wheel)	(m)	(kN/1wheel)
2	1.8	2	55.0	1.2	55.0

DISPERSION-LOAD

LOAD	WILOAD
(m)	(kN/m2)
3.0	3.1

SPAN'S IMPACT ( EVERY ELEMENT BLOCK )

BLOCK	TITLE	IMPACT TYPE		C1-C17	C17	C17-C33	C33	C33-C55
1	MAIN GIRDER	STEEL-BRIDGE (STEEL)	SPAN LENGTH(m)	75.56790	76.05365	76.53939	89.65659	102.77379
			IMPACT. C	1.15928	1.15866	1.15805	1.14321	1.13091
2	CROSS BEAM	STEEL-BRIDGE (STEEL)	SPAN LENGTH(m)	75.56790	76.05365	76.53939	89.65659	102.77379
			IMPACT. C	1.15928	1.15866	1.15805	1.14321	1.13091
3	SUPPORT No. 1	STEEL-BRIDGE (STEEL)	SPAN LENGTH(m)	75.56790	76.05365	76.53939	89.65659	102.77379
			IMPACT. C	1.15928	1.15866	1.15805	1.14321	1.13091
4	SUPPORT No. 2	STEEL-BRIDGE (STEEL)	SPAN LENGTH(m)	75.56790	76.05365	76.53939	89.65659	102.77379
			IMPACT. C	1.15928	1.15866	1.15805	1.14321	1.13091
5	SUPPORT No. 3	STEEL-BRIDGE (STEEL)	SPAN LENGTH(m)	75.56790	76.05365	76.53939	89.65659	102.77379
			IMPACT. C	1.15928	1.15866	1.15805	1.14321	1.13091

BAGO RIVER BRIDGE

LOAD DATA [ No. 62 : 1-LANE(case2) ]

SPAN'S IMPACT ( EVERY ELEMENT BLOCK )

BLOCK	TITLE	IMPACT TYPE		C1-C17	C17	C17-C33	C33	C33-C55
6	SUPPORT No. 4	STEEL-BRIDGE (STEEL)	SPAN LENGTH(m)	75. 56790	76. 05365	76. 53939	89. 65659	102. 77379
			IMPACT. C	1. 15928	1. 15866	1. 15805	1. 14321	1. 13091

LOAD DATA [ No. 62 : 1-LANE(case2) ] [ LOADING-DOMAIN(LOAD) ]

CROSS	LEFT GIRDER	LEFT POSITION (m)	LEFT ANGLE (deg)	RIGHT GIRDER	RIGHT POSITION (m)	RIGHT ANGLE (deg)
C1	G2	-0. 75000	88. 63558	G2	2. 25000	88. 63558
C2	G2	-0. 75000	88. 73859	G2	2. 25000	88. 73859
C3	G2	-0. 75000	88. 76688	G2	2. 25000	88. 76688
C4	G2	-0. 75000	88. 82801	G2	2. 25000	88. 82801
C5	G2	-0. 75000	88. 88890	G2	2. 25000	88. 88890
C6	G2	-0. 75000	88. 94957	G2	2. 25000	88. 94957
C7	G2	-0. 75000	89. 01001	G2	2. 25000	89. 01001
C8	G2	-0. 75000	89. 07023	G2	2. 25000	89. 07023
C9	G2	-0. 75000	89. 13023	G2	2. 25000	89. 13023
C10	G2	-0. 75000	89. 19001	G2	2. 25000	89. 19001
C11	G2	-0. 75000	89. 24959	G2	2. 25000	89. 24959
C12	G2	-0. 75000	89. 30896	G2	2. 25000	89. 30896
C13	G2	-0. 75000	89. 36815	G2	2. 25000	89. 36815
C14	G2	-0. 75000	89. 42715	G2	2. 25000	89. 42715
C15	G2	-0. 75000	89. 48385	G2	2. 25000	89. 48385
C16	G2	-0. 75000	89. 54530	G2	2. 25000	89. 54530
C17	G2	-0. 75000	89. 51886	G2	2. 25000	89. 51886
C18	G2	-0. 75000	89. 65826	G2	2. 25000	89. 65826
C19	G2	-0. 75000	89. 71783	G2	2. 25000	89. 71783
C20	G2	-0. 75000	89. 77660	G2	2. 25000	89. 77660
C21	G2	-0. 75000	89. 83528	G2	2. 25000	89. 83528
:						

BAGO RIVER BRIDGE

LOAD DATA [ No. 62 : 1-LANE(case2) ] [ LOADING-DOMAIN(LOAD) ]

CROSS	LEFT GIRDER	LEFT POSITION (m)	LEFT ANGLE (deg)	RIGHT GIRDER	RIGHT POSITION (m)	RIGHT ANGLE (deg)
:						
C22	G2	-0.75000	89.89388	G2	2.25000	89.89388
C23	G2	-0.75000	89.95242	G2	2.25000	89.95242
C24	G2	-0.75000	90.01092	G2	2.25000	90.01092
C25	G2	-0.75000	90.06306	G2	2.25000	90.06306
C26	G2	-0.75000	89.38985	G2	2.25000	89.38985
C27	G2	-0.75000	88.28199	G2	2.25000	88.28199
C28	G2	-0.75000	88.28776	G2	2.25000	88.28776
C29	G2	-0.75000	88.29376	G2	2.25000	88.29376
C30	G2	-0.75000	88.30000	G2	2.25000	88.30000
C31	G2	-0.75000	88.30544	G2	2.25000	88.30544
C32	G2	-0.75000	88.37179	G2	2.25000	88.37179
C33	G2	-0.75000	87.93544	G2	2.25000	87.93544
C34	G2	-0.75000	88.32196	G2	2.25000	88.32196
C35	G2	-0.75000	88.33267	G2	2.25000	88.33267
C36	G2	-0.75000	89.89542	G2	2.25000	89.89542
C37	G2	-0.75000	90.06732	G2	2.25000	90.06732
C38	G2	-0.75000	90.06732	G2	2.25000	90.06732
C39	G2	-0.75000	90.06732	G2	2.25000	90.06732
C40	G2	-0.75000	90.06732	G2	2.25000	90.06732
C41	G2	-0.75000	90.06732	G2	2.25000	90.06732
C42	G2	-0.75000	90.10811	G2	2.25000	90.10811
C43	G2	-0.75000	90.16846	G2	2.25000	90.16846
C44	G2	-0.75000	90.13640	G2	2.25000	90.13640
C45	G2	-0.75000	90.11133	G2	2.25000	90.11133
C46	G2	-0.75000	90.08196	G2	2.25000	90.08196
C47	G2	-0.75000	90.04929	G2	2.25000	90.04929
C48	G2	-0.75000	90.01348	G2	2.25000	90.01348
:						

BAGO RIVER BRIDGE

LOAD DATA [ No. 62 : 1-LANE(case2) ] [ LOADING-DOMAIN(LOAD) ]

CROSS	LEFT GIRDER	LEFT POSITION (m)	LEFT ANGLE (deg)	RIGHT GIRDER	RIGHT POSITION (m)	RIGHT ANGLE (deg)
:						
C49	G2	-0.75000	89.97467	G2	2.25000	89.97467
C50	G2	-0.75000	89.93300	G2	2.25000	89.93300
C51	G2	-0.75000	89.88858	G2	2.25000	89.88858
C52	G2	-0.75000	89.84245	G2	2.25000	89.84245
C53	G2	-0.75000	89.89275	G2	2.25000	89.89275
C54	G2	-0.75000	90.00000	G2	2.25000	90.00000
C55	G2	-0.75000	90.00000	G2	2.25000	90.00000

LOAD DATA [ No. 63 : 1-LANE(case3) ]

LOAD TYPE

AASHTO HS-20 LOAD(AASHTOHS20)

LOADING LANE PARAMETER

LANE COUNT  
1

LANE TYPE

EQUAL-DIVID-LOADING-DOMAIN(EDIVID)

TRUCK-LOAD

TRANSVERSAL DIRECTION

BRIDGE AXIS DIRECTION

WHEEL	LOAD	TRANSVERSAL DIRECTION		BRIDGE AXIS DIRECTION				
		LOAD	INTELOAD	FRONT WHEEL	FRONT-MIDDLE WHEEL	MIDDLE-REAR WHEEL	WHEEL	
		(m)		(kN/1wheel)	(m)	(kN/1wheel)	(m)	(kN/1wheel)
2	1.8	3	17.5	4.3	72.5	4.3	72.5	

BAGO RIVER BRIDGE

LOAD DATA [ No. 63 : 1-LANE(case3) ]

TANDEM-LOAD

TRANSVERSAL DIRECTION		BRIDGE AXIS DIRECTION			
WHEEL	LOAD	INTEWHEEL	LOAD	LOAD	INTELOAD
	(m)		(kN/1wheel)	(m)	(kN/1wheel)
2	1.8	2	55.0	1.2	55.0

DISPERSION-LOAD

LOAD	WILOAD
(m)	(kN/m2)
3.0	3.1

SPAN'S IMPACT ( EVERY ELEMENT BLOCK )

BLOCK	TITLE	IMPACT TYPE		C1-C17	C17	C17-C33	C33	C33-C55
1	MAIN GIRDER	STEEL-BRIDGE (STEEL)	SPAN LENGTH(m)	75.56790	76.05365	76.53939	89.65659	102.77379
			IMPACT. C	1.15928	1.15866	1.15805	1.14321	1.13091
2	CROSS BEAM	STEEL-BRIDGE (STEEL)	SPAN LENGTH(m)	75.56790	76.05365	76.53939	89.65659	102.77379
			IMPACT. C	1.15928	1.15866	1.15805	1.14321	1.13091
3	SUPPORT No. 1	STEEL-BRIDGE (STEEL)	SPAN LENGTH(m)	75.56790	76.05365	76.53939	89.65659	102.77379
			IMPACT. C	1.15928	1.15866	1.15805	1.14321	1.13091
4	SUPPORT No. 2	STEEL-BRIDGE (STEEL)	SPAN LENGTH(m)	75.56790	76.05365	76.53939	89.65659	102.77379
			IMPACT. C	1.15928	1.15866	1.15805	1.14321	1.13091
5	SUPPORT No. 3	STEEL-BRIDGE (STEEL)	SPAN LENGTH(m)	75.56790	76.05365	76.53939	89.65659	102.77379
			IMPACT. C	1.15928	1.15866	1.15805	1.14321	1.13091
6	SUPPORT No. 4	STEEL-BRIDGE (STEEL)	SPAN LENGTH(m)	75.56790	76.05365	76.53939	89.65659	102.77379
			IMPACT. C	1.15928	1.15866	1.15805	1.14321	1.13091

BAGO RIVER BRIDGE

LOAD DATA [ No. 63 : 1-LANE(case3) ] [ LOADING-DOMAIN(LOAD) ]

CROSS	LEFT GIRDER	LEFT POSITION (m)	LEFT ANGLE (deg)	RIGHT GIRDER	RIGHT POSITION (m)	RIGHT ANGLE (deg)
C1	G3	-2.25000	88.63558	G3	0.75000	88.63558
C2	G3	-2.25000	88.73859	G3	0.75000	88.73859
C3	G3	-2.25000	88.76688	G3	0.75000	88.76688
C4	G3	-2.25000	88.82801	G3	0.75000	88.82801
C5	G3	-2.25000	88.88890	G3	0.75000	88.88890
C6	G3	-2.25000	88.94957	G3	0.75000	88.94957
C7	G3	-2.25000	89.01001	G3	0.75000	89.01001
C8	G3	-2.25000	89.07023	G3	0.75000	89.07023
C9	G3	-2.25000	89.13023	G3	0.75000	89.13023
C10	G3	-2.25000	89.19001	G3	0.75000	89.19001
C11	G3	-2.25000	89.24959	G3	0.75000	89.24959
C12	G3	-2.25000	89.30896	G3	0.75000	89.30896
C13	G3	-2.25000	89.36815	G3	0.75000	89.36815
C14	G3	-2.25000	89.42715	G3	0.75000	89.42715
C15	G3	-2.25000	89.48385	G3	0.75000	89.48385
C16	G3	-2.25000	89.54530	G3	0.75000	89.54530
C17	G3	-2.25000	89.51886	G3	0.75000	89.51886
C18	G3	-2.25000	89.65826	G3	0.75000	89.65826
C19	G3	-2.25000	89.71783	G3	0.75000	89.71783
C20	G3	-2.25000	89.77660	G3	0.75000	89.77660
C21	G3	-2.25000	89.83528	G3	0.75000	89.83528
C22	G3	-2.25000	89.89388	G3	0.75000	89.89388
C23	G3	-2.25000	89.95242	G3	0.75000	89.95242
C24	G3	-2.25000	90.01092	G3	0.75000	90.01092
C25	G3	-2.25000	90.06306	G3	0.75000	90.06306
C26	G3	-2.25000	89.38985	G3	0.75000	89.38985
C27	G3	-2.25000	88.28199	G3	0.75000	88.28199
C28	G3	-2.25000	88.28776	G3	0.75000	88.28776
:						



BAGO RIVER BRIDGE

LOAD DATA [ No. 63 : 1-LANE(case3) ] [ LOADING-DOMAIN(LOAD) ]

CROSS	LEFT GIRDER	LEFT POSITION (m)	LEFT ANGLE (deg)	RIGHT GIRDER	RIGHT POSITION (m)	RIGHT ANGLE (deg)
:						
C29	G3	-2.25000	88.29376	G3	0.75000	88.29376
C30	G3	-2.25000	88.30000	G3	0.75000	88.30000
C31	G3	-2.25000	88.30544	G3	0.75000	88.30544
C32	G3	-2.25000	88.37179	G3	0.75000	88.37179
C33	G3	-2.25000	87.93544	G3	0.75000	87.93544
C34	G3	-2.25000	88.32196	G3	0.75000	88.32196
C35	G3	-2.25000	88.33267	G3	0.75000	88.33267
C36	G3	-2.25000	89.89542	G3	0.75000	89.89542
C37	G3	-2.25000	90.06732	G3	0.75000	90.06732
C38	G3	-2.25000	90.06732	G3	0.75000	90.06732
C39	G3	-2.25000	90.06732	G3	0.75000	90.06732
C40	G3	-2.25000	90.06732	G3	0.75000	90.06732
C41	G3	-2.25000	90.06732	G3	0.75000	90.06732
C42	G3	-2.25000	90.10811	G3	0.75000	90.10811
C43	G3	-2.25000	90.16846	G3	0.75000	90.16846
C44	G3	-2.25000	90.13640	G3	0.75000	90.13640
C45	G3	-2.25000	90.11133	G3	0.75000	90.11133
C46	G3	-2.25000	90.08196	G3	0.75000	90.08196
C47	G3	-2.25000	90.04929	G3	0.75000	90.04929
C48	G3	-2.25000	90.01348	G3	0.75000	90.01348
C49	G3	-2.25000	89.97467	G3	0.75000	89.97467
C50	G3	-2.25000	89.93300	G3	0.75000	89.93300
C51	G3	-2.25000	89.88858	G3	0.75000	89.88858
C52	G3	-2.25000	89.84245	G3	0.75000	89.84245
C53	G3	-2.25000	89.89275	G3	0.75000	89.89275
C54	G3	-2.25000	90.00000	G3	0.75000	90.00000
C55	G3	-2.25000	90.00000	G3	0.75000	90.00000

BAGO RIVER BRIDGE

LOAD DATA [ No.64 : 1-LANE(case4) ]

LOAD TYPE

AASHTO HS-20 LOAD(AASHTOHS20)

LOADING LANE PARAMETER

LANE COUNT

1

LANE TYPE

EQUAL-DIVID-LOADING-DOMAIN(EDIVID)

TRUCK-LOAD

TRANSVERSAL DIRECTION

BRIDGE AXIS DIRECTION

FRONT WHEEL FRONT-MIDDLE WHEEL MIDDLE-REAR WHEEL

WHEEL	LOAD	INTEWHEEL	LOAD	INTELOAD	LOAD	INTELOAD	
	(m)		(kN/1wheel)	(m)	(kN/1wheel)	(m)	(kN/1wheel)
2	1.8	3	17.5	4.3	72.5	4.3	72.5

TANDEM-LOAD

TRANSVERSAL DIRECTION

BRIDGE AXIS DIRECTION

FRONT WHEEL FRONT-REAR WHEEL

WHEEL	LOAD	INTEWHEEL	LOAD	INTELOAD	
	(m)		(kN/1wheel)	(m)	(kN/1wheel)
2	1.8	2	55.0	1.2	55.0

DISPERSION-LOAD

LOAD WILOAD

(m)	(kN/m2)
3.0	3.1

SPAN'S IMPACT ( EVERY ELEMENT BLOCK )

BLOCK	TITLE	IMPACT TYPE	SPAN LENGTH(m)	C1-C17	C17	C17-C33	C33	C33-C55
1	MAIN GIRDER	STEEL-BRIDGE(STEEL)	IMPACT. C	75.56790	76.05365	76.53939	89.65659	102.77379
				1.15928	1.15866	1.15805	1.14321	1.13091

BAGO RIVER BRIDGE

LOAD DATA [ No.64 : 1-LANE(case4) ]

SPAN'S IMPACT ( EVERY ELEMENT BLOCK )

BLOCK	TITLE	IMPACT TYPE		C1-C17	C17	C17-C33	C33	C33-C55
2	CROSS BEAM	STEEL-BRIDGE (STEEL)	SPAN LENGTH(m)	75.56790	76.05365	76.53939	89.65659	102.77379
			IMPACT. C	1.15928	1.15866	1.15805	1.14321	1.13091
3	SUPPORT No. 1	STEEL-BRIDGE (STEEL)	SPAN LENGTH(m)	75.56790	76.05365	76.53939	89.65659	102.77379
			IMPACT. C	1.15928	1.15866	1.15805	1.14321	1.13091
4	SUPPORT No. 2	STEEL-BRIDGE (STEEL)	SPAN LENGTH(m)	75.56790	76.05365	76.53939	89.65659	102.77379
			IMPACT. C	1.15928	1.15866	1.15805	1.14321	1.13091
5	SUPPORT No. 3	STEEL-BRIDGE (STEEL)	SPAN LENGTH(m)	75.56790	76.05365	76.53939	89.65659	102.77379
			IMPACT. C	1.15928	1.15866	1.15805	1.14321	1.13091
6	SUPPORT No. 4	STEEL-BRIDGE (STEEL)	SPAN LENGTH(m)	75.56790	76.05365	76.53939	89.65659	102.77379
			IMPACT. C	1.15928	1.15866	1.15805	1.14321	1.13091

LOAD DATA [ No.64 : 1-LANE(case4) ] [ LOADING-DOMAIN(LOAD) ]

CROSS	LEFT GIRDER	LEFT POSITION (m)	LEFT ANGLE (deg)	RIGHT GIRDER	RIGHT POSITION (m)	RIGHT ANGLE (deg)
C1	G4	-0.42700	88.63558	G4	2.57300	88.63558
C2	G4	-0.42700	88.73859	G4	2.57300	88.73859
C3	G4	-0.42700	88.76688	G4	2.57300	88.76688
C4	G4	-0.42700	88.82801	G4	2.57300	88.82801
C5	G4	-0.42700	88.88890	G4	2.57300	88.88890
C6	G4	-0.42700	88.94957	G4	2.57300	88.94957
C7	G4	-0.42700	89.01001	G4	2.57300	89.01001
C8	G4	-0.42700	89.07023	G4	2.57300	89.07023
C9	G4	-0.42700	89.13023	G4	2.57300	89.13023
C10	G4	-0.42700	89.19001	G4	2.57300	89.19001
C11	G4	-0.42700	89.24959	G4	2.57300	89.24959
C12	G4	-0.42700	89.30896	G4	2.57300	89.30896
C13	G4	-0.42700	89.36815	G4	2.57300	89.36815
:						

BAGO RIVER BRIDGE

LOAD DATA [ No.64 : 1-LANE(case4) ] [ LOADING-DOMAIN(LOAD) ]

CROSS	LEFT GIRDER	LEFT POSITION (m)	LEFT ANGLE (deg)	RIGHT GIRDER	RIGHT POSITION (m)	RIGHT ANGLE (deg)
:						
C14	G4	-0.42700	89.42715	G4	2.57300	89.42715
C15	G4	-0.42700	89.48385	G4	2.57300	89.48385
C16	G4	-0.42700	89.54530	G4	2.57300	89.54530
C17	G4	-0.42700	89.51886	G4	2.57300	89.51886
C18	G4	-0.42700	89.65826	G4	2.57300	89.65826
C19	G4	-0.42700	89.71783	G4	2.57300	89.71783
C20	G4	-0.42700	89.77660	G4	2.57300	89.77660
C21	G4	-0.42700	89.83528	G4	2.57300	89.83528
C22	G4	-0.42700	89.89388	G4	2.57300	89.89388
C23	G4	-0.42700	89.95242	G4	2.57300	89.95242
C24	G4	-0.42700	90.01092	G4	2.57300	90.01092
C25	G4	-0.42700	90.06306	G4	2.57300	90.06306
C26	G4	-0.42700	89.38985	G4	2.57300	89.38985
C27	G4	-0.42700	88.28199	G4	2.57300	88.28199
C28	G4	-0.42700	88.28776	G4	2.57300	88.28776
C29	G4	-0.42700	88.29376	G4	2.57300	88.29376
C30	G4	-0.42700	88.30000	G4	2.57300	88.30000
C31	G4	-0.42700	88.30544	G4	2.57300	88.30544
C32	G4	-0.42700	88.37179	G4	2.57300	88.37179
C33	G4	-0.42700	87.93544	G4	2.57300	87.93544
C34	G4	-0.42700	88.32196	G4	2.57300	88.32196
C35	G4	-0.42700	88.33267	G4	2.57300	88.33267
C36	G4	-0.42700	89.89542	G4	2.57300	89.89542
C37	G4	-0.42700	90.06732	G4	2.57300	90.06732
C38	G4	-0.42700	90.06732	G4	2.57300	90.06732
C39	G4	-0.42700	90.06732	G4	2.57300	90.06732
C40	G4	-0.42700	90.06732	G4	2.57300	90.06732
:						

BAGO RIVER BRIDGE

LOAD DATA [ No. 64 : 1-LANE(case4) ] [ LOADING-DOMAIN(LOAD) ]

CROSS	LEFT GIRDER	LEFT POSITION (m)	LEFT ANGLE (deg)	RIGHT GIRDER	RIGHT POSITION (m)	RIGHT ANGLE (deg)
:						
C41	G4	-0.42700	90.06732	G4	2.57300	90.06732
C42	G4	-0.42700	90.10811	G4	2.57300	90.10811
C43	G4	-0.42700	90.16846	G4	2.57300	90.16846
C44	G4	-0.42700	90.13640	G4	2.57300	90.13640
C45	G4	-0.42700	90.11133	G4	2.57300	90.11133
C46	G4	-0.42700	90.08196	G4	2.57300	90.08196
C47	G4	-0.42700	90.04929	G4	2.57300	90.04929
C48	G4	-0.42700	90.01348	G4	2.57300	90.01348
C49	G4	-0.42700	89.97467	G4	2.57300	89.97467
C50	G4	-0.42700	89.93300	G4	2.57300	89.93300
C51	G4	-0.42700	89.88858	G4	2.57300	89.88858
C52	G4	-0.42700	89.84245	G4	2.57300	89.84245
C53	G4	-0.42700	89.89275	G4	2.57300	89.89275
C54	G4	-0.42700	90.00000	G4	2.57300	90.00000
C55	G4	-0.42700	90.00000	G4	2.57300	90.00000

LOAD DATA [ No. 65 : 2-LANES(case1) ]

LOAD TYPE

AASHTO HS-20 LOAD(AASHTOHS20)

LOADING LANE PARAMETER

LANE COUNT  
2

LANE TYPE

EQUAL-DIVID-LOADING-DOMAIN(EDIVID)

BAGO RIVER BRIDGE

LOAD DATA [ No. 65 : 2-LANES(case1) ]

TRUCK-LOAD

TRANSVERSAL DIRECTION			BRIDGE AXIS DIRECTION				
WHEEL	LOAD	INTEWHEEL	LOAD	LOAD	INTELOAD	LOAD	INTELOAD
(m)			(kN/1wheel)	(m)	(kN/1wheel)	(m)	(kN/1wheel)
2	1.8	3	17.5	4.3	72.5	4.3	72.5

TANDEM-LOAD

TRANSVERSAL DIRECTION			BRIDGE AXIS DIRECTION		
WHEEL	LOAD	INTEWHEEL	LOAD	LOAD	INTELOAD
(m)			(kN/1wheel)	(m)	(kN/1wheel)
2	1.8	2	55.0	1.2	55.0

DISPERSION-LOAD

LOAD	WILOAD
(m)	(kN/m2)
3.0	3.1

SPAN'S IMPACT ( EVERY ELEMENT BLOCK )

BLOCK	TITLE	IMPACT TYPE		C1-C17	C17	C17-C33	C33	C33-C55
1	MAIN GIRDER	STEEL-BRIDGE (STEEL)	SPAN LENGTH(m)	75.56790	76.05365	76.53939	89.65659	102.77379
			IMPACT. C	1.15928	1.15866	1.15805	1.14321	1.13091
2	CROSS BEAM	STEEL-BRIDGE (STEEL)	SPAN LENGTH(m)	75.56790	76.05365	76.53939	89.65659	102.77379
			IMPACT. C	1.15928	1.15866	1.15805	1.14321	1.13091
3	SUPPORT No. 1	STEEL-BRIDGE (STEEL)	SPAN LENGTH(m)	75.56790	76.05365	76.53939	89.65659	102.77379
			IMPACT. C	1.15928	1.15866	1.15805	1.14321	1.13091
4	SUPPORT No. 2	STEEL-BRIDGE (STEEL)	SPAN LENGTH(m)	75.56790	76.05365	76.53939	89.65659	102.77379
			IMPACT. C	1.15928	1.15866	1.15805	1.14321	1.13091
5	SUPPORT No. 3	STEEL-BRIDGE (STEEL)	SPAN LENGTH(m)	75.56790	76.05365	76.53939	89.65659	102.77379
			IMPACT. C	1.15928	1.15866	1.15805	1.14321	1.13091

BAGO RIVER BRIDGE

LOAD DATA [ No. 65 : 2-LANES(case1) ]

SPAN'S IMPACT ( EVERY ELEMENT BLOCK )

BLOCK	TITLE	IMPACT TYPE		C1-C17	C17	C17-C33	C33	C33-C55
6	SUPPORT No. 4	STEEL-BRIDGE (STEEL)	SPAN LENGTH(m)	75.56790	76.05365	76.53939	89.65659	102.77379
			IMPACT. C	1.15928	1.15866	1.15805	1.14321	1.13091

LOAD DATA [ No. 65 : 2-LANES(case1) ] [ LOADING-DOMAIN(LOAD) ]

CROSS	LEFT GIRDER	LEFT POSITION (m)	LEFT ANGLE (deg)	RIGHT GIRDER	RIGHT POSITION (m)	RIGHT ANGLE (deg)
C1	G2	-6.75000	88.63558	G2	-0.75000	88.63558
C2	G2	-6.75000	88.73859	G2	-0.75000	88.73859
C3	G2	-6.75000	88.76688	G2	-0.75000	88.76688
C4	G2	-6.75000	88.82801	G2	-0.75000	88.82801
C5	G2	-6.75000	88.88890	G2	-0.75000	88.88890
C6	G2	-6.75000	88.94957	G2	-0.75000	88.94957
C7	G2	-6.75000	89.01001	G2	-0.75000	89.01001
C8	G2	-6.75000	89.07023	G2	-0.75000	89.07023
C9	G2	-6.75000	89.13023	G2	-0.75000	89.13023
C10	G2	-6.75000	89.19001	G2	-0.75000	89.19001
C11	G2	-6.75000	89.24959	G2	-0.75000	89.24959
C12	G2	-6.75000	89.30896	G2	-0.75000	89.30896
C13	G2	-6.75000	89.36815	G2	-0.75000	89.36815
C14	G2	-6.75000	89.42715	G2	-0.75000	89.42715
C15	G2	-6.75000	89.48385	G2	-0.75000	89.48385
C16	G2	-6.75000	89.54530	G2	-0.75000	89.54530
C17	G2	-6.75000	89.51886	G2	-0.75000	89.51886
C18	G2	-6.75000	89.65826	G2	-0.75000	89.65826
C19	G2	-6.75000	89.71783	G2	-0.75000	89.71783
C20	G2	-6.75000	89.77660	G2	-0.75000	89.77660
C21	G2	-6.75000	89.83528	G2	-0.75000	89.83528
:						

BAGO RIVER BRIDGE

LOAD DATA [ No. 65 : 2-LANES(case1) ] [ LOADING-DOMAIN(LOAD) ]

CROSS	LEFT GIRDER	LEFT POSITION (m)	LEFT ANGLE (deg)	RIGHT GIRDER	RIGHT POSITION (m)	RIGHT ANGLE (deg)
:						
C22	G2	-6.75000	89.89388	G2	-0.75000	89.89388
C23	G2	-6.75000	89.95242	G2	-0.75000	89.95242
C24	G2	-6.75000	90.01092	G2	-0.75000	90.01092
C25	G2	-6.75000	90.06306	G2	-0.75000	90.06306
C26	G2	-6.75000	89.38985	G2	-0.75000	89.38985
C27	G2	-6.75000	88.28199	G2	-0.75000	88.28199
C28	G2	-6.75000	88.28776	G2	-0.75000	88.28776
C29	G2	-6.75000	88.29376	G2	-0.75000	88.29376
C30	G2	-6.75000	88.30000	G2	-0.75000	88.30000
C31	G2	-6.75000	88.30544	G2	-0.75000	88.30544
C32	G2	-6.75000	88.37179	G2	-0.75000	88.37179
C33	G2	-6.75000	87.93544	G2	-0.75000	87.93544
C34	G2	-6.75000	88.32196	G2	-0.75000	88.32196
C35	G2	-6.75000	88.33267	G2	-0.75000	88.33267
C36	G2	-6.75000	89.89542	G2	-0.75000	89.89542
C37	G2	-6.75000	90.06732	G2	-0.75000	90.06732
C38	G2	-6.75000	90.06732	G2	-0.75000	90.06732
C39	G2	-6.75000	90.06732	G2	-0.75000	90.06732
C40	G2	-6.75000	90.06732	G2	-0.75000	90.06732
C41	G2	-6.75000	90.06732	G2	-0.75000	90.06732
C42	G2	-6.75000	90.10811	G2	-0.75000	90.10811
C43	G2	-6.75000	90.16846	G2	-0.75000	90.16846
C44	G2	-6.75000	90.13640	G2	-0.75000	90.13640
C45	G2	-6.75000	90.11133	G2	-0.75000	90.11133
C46	G2	-6.75000	90.08196	G2	-0.75000	90.08196
C47	G2	-6.75000	90.04929	G2	-0.75000	90.04929
C48	G2	-6.75000	90.01348	G2	-0.75000	90.01348
:						



BAGO RIVER BRIDGE

LOAD DATA [ No. 65 : 2-LANES(case1) ] [ LOADING-DOMAIN(LOAD) ]

CROSS	LEFT GIRDER	LEFT POSITION (m)	LEFT ANGLE (deg)	RIGHT GIRDER	RIGHT POSITION (m)	RIGHT ANGLE (deg)
:						
C49	G2	-6.75000	89.97467	G2	-0.75000	89.97467
C50	G2	-6.75000	89.93300	G2	-0.75000	89.93300
C51	G2	-6.75000	89.88858	G2	-0.75000	89.88858
C52	G2	-6.75000	89.84245	G2	-0.75000	89.84245
C53	G2	-6.75000	89.89275	G2	-0.75000	89.89275
C54	G2	-6.75000	90.00000	G2	-0.75000	90.00000
C55	G2	-6.75000	90.00000	G2	-0.75000	90.00000

LOAD DATA [ No. 66 : 2-LANES(case2) ]

LOAD TYPE

AASHTO HS-20 LOAD(AASHTOHS20)

LOADING LANE PARAMETER

LANE COUNT  
2

LANE TYPE

EQUAL-DIVID-LOADING-DOMAIN(EDIVID)

TRUCK-LOAD

TRANSVERSAL DIRECTION

BRIDGE AXIS DIRECTION

WHEEL LOAD		INTEWHEEL LOAD		FRONT WHEEL LOAD		FRONT-MIDDLE WHEEL LOAD		MIDDLE-REAR WHEEL LOAD	
(m)	(kN/1wheel)	(m)	(kN/1wheel)	(m)	(kN/1wheel)	(m)	(kN/1wheel)	(m)	(kN/1wheel)
2	17.5	1.8	17.5	3	4.3	17.5	4.3	17.5	4.3

BAGO RIVER BRIDGE

LOAD DATA [ No. 66 : 2-LANES (case2) ]

TANDEM-LOAD

TRANSVERSAL DIRECTION		BRIDGE AXIS DIRECTION			
WHEEL	LOAD	INTEWHEEL	LOAD	LOAD	INTELOAD
	(m)		(kN/1wheel)	(m)	(kN/1wheel)
2	1.8	2	55.0	1.2	55.0

DISPERSION-LOAD

LOAD	WILOAD
(m)	(kN/m2)
3.0	3.1

SPAN'S IMPACT ( EVERY ELEMENT BLOCK )

BLOCK	TITLE	IMPACT TYPE		C1-C17	C17	C17-C33	C33	C33-C55
1	MAIN GIRDER	STEEL-BRIDGE (STEEL)	SPAN LENGTH(m)	75.56790	76.05365	76.53939	89.65659	102.77379
			IMPACT. C	1.15928	1.15866	1.15805	1.14321	1.13091
2	CROSS BEAM	STEEL-BRIDGE (STEEL)	SPAN LENGTH(m)	75.56790	76.05365	76.53939	89.65659	102.77379
			IMPACT. C	1.15928	1.15866	1.15805	1.14321	1.13091
3	SUPPORT No. 1	STEEL-BRIDGE (STEEL)	SPAN LENGTH(m)	75.56790	76.05365	76.53939	89.65659	102.77379
			IMPACT. C	1.15928	1.15866	1.15805	1.14321	1.13091
4	SUPPORT No. 2	STEEL-BRIDGE (STEEL)	SPAN LENGTH(m)	75.56790	76.05365	76.53939	89.65659	102.77379
			IMPACT. C	1.15928	1.15866	1.15805	1.14321	1.13091
5	SUPPORT No. 3	STEEL-BRIDGE (STEEL)	SPAN LENGTH(m)	75.56790	76.05365	76.53939	89.65659	102.77379
			IMPACT. C	1.15928	1.15866	1.15805	1.14321	1.13091
6	SUPPORT No. 4	STEEL-BRIDGE (STEEL)	SPAN LENGTH(m)	75.56790	76.05365	76.53939	89.65659	102.77379
			IMPACT. C	1.15928	1.15866	1.15805	1.14321	1.13091

BAGO RIVER BRIDGE

LOAD DATA [ No. 66 : 2-LANES(case2) ] [ LOADING-DOMAIN(LOAD) ]

CROSS	LEFT GIRDER	LEFT POSITION (m)	LEFT ANGLE (deg)	RIGHT GIRDER	RIGHT POSITION (m)	RIGHT ANGLE (deg)
C1	G2	-3.75000	88.63558	G2	2.25000	88.63558
C2	G2	-3.75000	88.73859	G2	2.25000	88.73859
C3	G2	-3.75000	88.76688	G2	2.25000	88.76688
C4	G2	-3.75000	88.82801	G2	2.25000	88.82801
C5	G2	-3.75000	88.88890	G2	2.25000	88.88890
C6	G2	-3.75000	88.94957	G2	2.25000	88.94957
C7	G2	-3.75000	89.01001	G2	2.25000	89.01001
C8	G2	-3.75000	89.07023	G2	2.25000	89.07023
C9	G2	-3.75000	89.13023	G2	2.25000	89.13023
C10	G2	-3.75000	89.19001	G2	2.25000	89.19001
C11	G2	-3.75000	89.24959	G2	2.25000	89.24959
C12	G2	-3.75000	89.30896	G2	2.25000	89.30896
C13	G2	-3.75000	89.36815	G2	2.25000	89.36815
C14	G2	-3.75000	89.42715	G2	2.25000	89.42715
C15	G2	-3.75000	89.48385	G2	2.25000	89.48385
C16	G2	-3.75000	89.54530	G2	2.25000	89.54530
C17	G2	-3.75000	89.51886	G2	2.25000	89.51886
C18	G2	-3.75000	89.65826	G2	2.25000	89.65826
C19	G2	-3.75000	89.71783	G2	2.25000	89.71783
C20	G2	-3.75000	89.77660	G2	2.25000	89.77660
C21	G2	-3.75000	89.83528	G2	2.25000	89.83528
C22	G2	-3.75000	89.89388	G2	2.25000	89.89388
C23	G2	-3.75000	89.95242	G2	2.25000	89.95242
C24	G2	-3.75000	90.01092	G2	2.25000	90.01092
C25	G2	-3.75000	90.06306	G2	2.25000	90.06306
C26	G2	-3.75000	89.38985	G2	2.25000	89.38985
C27	G2	-3.75000	88.28199	G2	2.25000	88.28199
C28	G2	-3.75000	88.28776	G2	2.25000	88.28776
:						

BAGO RIVER BRIDGE

LOAD DATA [ No.66 : 2-LANES(case2) ] [ LOADING-DOMAIN(LOAD) ]

CROSS	LEFT GIRDER	LEFT POSITION (m)	LEFT ANGLE (deg)	RIGHT GIRDER	RIGHT POSITION (m)	RIGHT ANGLE (deg)
:						
C29	G2	-3.75000	88.29376	G2	2.25000	88.29376
C30	G2	-3.75000	88.30000	G2	2.25000	88.30000
C31	G2	-3.75000	88.30544	G2	2.25000	88.30544
C32	G2	-3.75000	88.37179	G2	2.25000	88.37179
C33	G2	-3.75000	87.93544	G2	2.25000	87.93544
C34	G2	-3.75000	88.32196	G2	2.25000	88.32196
C35	G2	-3.75000	88.33267	G2	2.25000	88.33267
C36	G2	-3.75000	89.89542	G2	2.25000	89.89542
C37	G2	-3.75000	90.06732	G2	2.25000	90.06732
C38	G2	-3.75000	90.06732	G2	2.25000	90.06732
C39	G2	-3.75000	90.06732	G2	2.25000	90.06732
C40	G2	-3.75000	90.06732	G2	2.25000	90.06732
C41	G2	-3.75000	90.06732	G2	2.25000	90.06732
C42	G2	-3.75000	90.10811	G2	2.25000	90.10811
C43	G2	-3.75000	90.16846	G2	2.25000	90.16846
C44	G2	-3.75000	90.13640	G2	2.25000	90.13640
C45	G2	-3.75000	90.11133	G2	2.25000	90.11133
C46	G2	-3.75000	90.08196	G2	2.25000	90.08196
C47	G2	-3.75000	90.04929	G2	2.25000	90.04929
C48	G2	-3.75000	90.01348	G2	2.25000	90.01348
C49	G2	-3.75000	89.97467	G2	2.25000	89.97467
C50	G2	-3.75000	89.93300	G2	2.25000	89.93300
C51	G2	-3.75000	89.88858	G2	2.25000	89.88858
C52	G2	-3.75000	89.84245	G2	2.25000	89.84245
C53	G2	-3.75000	89.89275	G2	2.25000	89.89275
C54	G2	-3.75000	90.00000	G2	2.25000	90.00000
C55	G2	-3.75000	90.00000	G2	2.25000	90.00000

BAGO RIVER BRIDGE

LOAD DATA [ No. 67 : 2-LANES(case3) ]

LOAD TYPE

AASHTO HS-20 LOAD(AASHTOHS20)

LOADING LANE PARAMETER

LANE COUNT  
2

LANE TYPE  
EQUAL-DIVID-LOADING-DOMAIN(EDIVID)

TRUCK-LOAD

TRANSVERSAL DIRECTION			BRIDGE AXIS DIRECTION				
WHEEL	LOAD	INTEWHEEL	LOAD	LOAD	INTELOAD	LOAD	INTELOAD
	(m)		(kN/1wheel)	(m)	(kN/1wheel)	(m)	(kN/1wheel)
2	1.8	3	17.5	4.3	72.5	4.3	72.5

TANDEM-LOAD

TRANSVERSAL DIRECTION			BRIDGE AXIS DIRECTION		
WHEEL	LOAD	INTEWHEEL	LOAD	LOAD	INTELOAD
	(m)		(kN/1wheel)	(m)	(kN/1wheel)
2	1.8	2	55.0	1.2	55.0

DISPERSION-LOAD

LOAD	WILOAD
(m)	(kN/m2)
3.0	3.1

SPAN'S IMPACT ( EVERY ELEMENT BLOCK )

BLOCK	TITLE	IMPACT TYPE	C1-C17	C17	C17-C33	C33	C33-C55
1	MAIN GIRDER	STEEL-BRIDGE(STEEL)	75.56790	76.05365	76.53939	89.65659	102.77379
		IMPACT.C	1.15928	1.15866	1.15805	1.14321	1.13091

BAGO RIVER BRIDGE

LOAD DATA [ No. 67 : 2-LANES(case3) ]

SPAN'S IMPACT ( EVERY ELEMENT BLOCK )

BLOCK	TITLE	IMPACT TYPE		C1-C17	C17	C17-C33	C33	C33-C55
2	CROSS BEAM	STEEL-BRIDGE (STEEL)	SPAN LENGTH(m)	75.56790	76.05365	76.53939	89.65659	102.77379
			IMPACT. C	1.15928	1.15866	1.15805	1.14321	1.13091
3	SUPPORT No. 1	STEEL-BRIDGE (STEEL)	SPAN LENGTH(m)	75.56790	76.05365	76.53939	89.65659	102.77379
			IMPACT. C	1.15928	1.15866	1.15805	1.14321	1.13091
4	SUPPORT No. 2	STEEL-BRIDGE (STEEL)	SPAN LENGTH(m)	75.56790	76.05365	76.53939	89.65659	102.77379
			IMPACT. C	1.15928	1.15866	1.15805	1.14321	1.13091
5	SUPPORT No. 3	STEEL-BRIDGE (STEEL)	SPAN LENGTH(m)	75.56790	76.05365	76.53939	89.65659	102.77379
			IMPACT. C	1.15928	1.15866	1.15805	1.14321	1.13091
6	SUPPORT No. 4	STEEL-BRIDGE (STEEL)	SPAN LENGTH(m)	75.56790	76.05365	76.53939	89.65659	102.77379
			IMPACT. C	1.15928	1.15866	1.15805	1.14321	1.13091

LOAD DATA [ No. 67 : 2-LANES(case3) ] [ LOADING-DOMAIN(LOAD) ]

CROSS	LEFT GIRDER	LEFT POSITION (m)	LEFT ANGLE (deg)	RIGHT GIRDER	RIGHT POSITION (m)	RIGHT ANGLE (deg)
C1	G3	-2.25000	88.63558	G3	3.75000	88.63558
C2	G3	-2.25000	88.73859	G3	3.75000	88.73859
C3	G3	-2.25000	88.76688	G3	3.75000	88.76688
C4	G3	-2.25000	88.82801	G3	3.75000	88.82801
C5	G3	-2.25000	88.88890	G3	3.75000	88.88890
C6	G3	-2.25000	88.94957	G3	3.75000	88.94957
C7	G3	-2.25000	89.01001	G3	3.75000	89.01001
C8	G3	-2.25000	89.07023	G3	3.75000	89.07023
C9	G3	-2.25000	89.13023	G3	3.75000	89.13023
C10	G3	-2.25000	89.19001	G3	3.75000	89.19001
C11	G3	-2.25000	89.24959	G3	3.75000	89.24959
C12	G3	-2.25000	89.30896	G3	3.75000	89.30896
C13	G3	-2.25000	89.36815	G3	3.75000	89.36815
:						

BAGO RIVER BRIDGE

LOAD DATA [ No. 67 : 2-LANES(case3) ] [ LOADING-DOMAIN(LOAD) ]

CROSS	LEFT GIRDER	LEFT POSITION (m)	LEFT ANGLE (deg)	RIGHT GIRDER	RIGHT POSITION (m)	RIGHT ANGLE (deg)
:						
C14	G3	-2.25000	89.42715	G3	3.75000	89.42715
C15	G3	-2.25000	89.48385	G3	3.75000	89.48385
C16	G3	-2.25000	89.54530	G3	3.75000	89.54530
C17	G3	-2.25000	89.51886	G3	3.75000	89.51886
C18	G3	-2.25000	89.65826	G3	3.75000	89.65826
C19	G3	-2.25000	89.71783	G3	3.75000	89.71783
C20	G3	-2.25000	89.77660	G3	3.75000	89.77660
C21	G3	-2.25000	89.83528	G3	3.75000	89.83528
C22	G3	-2.25000	89.89388	G3	3.75000	89.89388
C23	G3	-2.25000	89.95242	G3	3.75000	89.95242
C24	G3	-2.25000	90.01092	G3	3.75000	90.01092
C25	G3	-2.25000	90.06306	G3	3.75000	90.06306
C26	G3	-2.25000	89.38985	G3	3.75000	89.38985
C27	G3	-2.25000	88.28199	G3	3.75000	88.28199
C28	G3	-2.25000	88.28776	G3	3.75000	88.28776
C29	G3	-2.25000	88.29376	G3	3.75000	88.29376
C30	G3	-2.25000	88.30000	G3	3.75000	88.30000
C31	G3	-2.25000	88.30544	G3	3.75000	88.30544
C32	G3	-2.25000	88.37179	G3	3.75000	88.37179
C33	G3	-2.25000	87.93544	G3	3.75000	87.93544
C34	G3	-2.25000	88.32196	G3	3.75000	88.32196
C35	G3	-2.25000	88.33267	G3	3.75000	88.33267
C36	G3	-2.25000	89.89542	G3	3.75000	89.89542
C37	G3	-2.25000	90.06732	G3	3.75000	90.06732
C38	G3	-2.25000	90.06732	G3	3.75000	90.06732
C39	G3	-2.25000	90.06732	G3	3.75000	90.06732
C40	G3	-2.25000	90.06732	G3	3.75000	90.06732
:						

BAGO RIVER BRIDGE

LOAD DATA [ No. 67 : 2-LANES(case3) ] [ LOADING-DOMAIN(LOAD) ]

CROSS	LEFT GIRDER	LEFT POSITION (m)	LEFT ANGLE (deg)	RIGHT GIRDER	RIGHT POSITION (m)	RIGHT ANGLE (deg)
:						
C41	G3	-2.25000	90.06732	G3	3.75000	90.06732
C42	G3	-2.25000	90.10811	G3	3.75000	90.10811
C43	G3	-2.25000	90.16846	G3	3.75000	90.16846
C44	G3	-2.25000	90.13640	G3	3.75000	90.13640
C45	G3	-2.25000	90.11133	G3	3.75000	90.11133
C46	G3	-2.25000	90.08196	G3	3.75000	90.08196
C47	G3	-2.25000	90.04929	G3	3.75000	90.04929
C48	G3	-2.25000	90.01348	G3	3.75000	90.01348
C49	G3	-2.25000	89.97467	G3	3.75000	89.97467
C50	G3	-2.25000	89.93300	G3	3.75000	89.93300
C51	G3	-2.25000	89.88858	G3	3.75000	89.88858
C52	G3	-2.25000	89.84245	G3	3.75000	89.84245
C53	G3	-2.25000	89.89275	G3	3.75000	89.89275
C54	G3	-2.25000	90.00000	G3	3.75000	90.00000
C55	G3	-2.25000	90.00000	G3	3.75000	90.00000

LOAD DATA [ No. 68 : 2-LANES(case4) ]

LOAD TYPE

AASHTO HS-20 LOAD(AASHTOHS20)

LOADING LANE PARAMETER

LANE COUNT

2

LANE TYPE

EQUAL-DIVID-LOADING-DOMAIN(EDIVID)



BAGO RIVER BRIDGE

LOAD DATA [ No. 68 : 2-LANES (case4) ]

TRUCK-LOAD

TRANSVERSAL DIRECTION			BRIDGE AXIS DIRECTION				
WHEEL	LOAD	INTEWHEEL	LOAD	LOAD	INTELOAD	LOAD	INTELOAD
(m)			(kN/1wheel)	(m)	(kN/1wheel)	(m)	(kN/1wheel)
2	1.8	3	17.5	4.3	72.5	4.3	72.5

TANDEM-LOAD

TRANSVERSAL DIRECTION			BRIDGE AXIS DIRECTION		
WHEEL	LOAD	INTEWHEEL	LOAD	LOAD	INTELOAD
(m)			(kN/1wheel)	(m)	(kN/1wheel)
2	1.8	2	55.0	1.2	55.0

DISPERSION-LOAD

LOAD	WILOAD
(m)	(kN/m2)
3.0	3.1

SPAN'S IMPACT ( EVERY ELEMENT BLOCK )

BLOCK	TITLE	IMPACT TYPE		C1-C17	C17	C17-C33	C33	C33-C55
1	MAIN GIRDER	STEEL-BRIDGE (STEEL)	SPAN LENGTH(m)	75.56790	76.05365	76.53939	89.65659	102.77379
			IMPACT. C	1.15928	1.15866	1.15805	1.14321	1.13091
2	CROSS BEAM	STEEL-BRIDGE (STEEL)	SPAN LENGTH(m)	75.56790	76.05365	76.53939	89.65659	102.77379
			IMPACT. C	1.15928	1.15866	1.15805	1.14321	1.13091
3	SUPPORT No. 1	STEEL-BRIDGE (STEEL)	SPAN LENGTH(m)	75.56790	76.05365	76.53939	89.65659	102.77379
			IMPACT. C	1.15928	1.15866	1.15805	1.14321	1.13091
4	SUPPORT No. 2	STEEL-BRIDGE (STEEL)	SPAN LENGTH(m)	75.56790	76.05365	76.53939	89.65659	102.77379
			IMPACT. C	1.15928	1.15866	1.15805	1.14321	1.13091
5	SUPPORT No. 3	STEEL-BRIDGE (STEEL)	SPAN LENGTH(m)	75.56790	76.05365	76.53939	89.65659	102.77379
			IMPACT. C	1.15928	1.15866	1.15805	1.14321	1.13091

BAGO RIVER BRIDGE

LOAD DATA [ No. 68 : 2-LANES(case4) ]

SPAN'S IMPACT ( EVERY ELEMENT BLOCK )

BLOCK	TITLE	IMPACT TYPE		C1-C17	C17	C17-C33	C33	C33-C55
6	SUPPORT No. 4	STEEL-BRIDGE (STEEL)	SPAN LENGTH(m)	75.56790	76.05365	76.53939	89.65659	102.77379
			IMPACT. C	1.15928	1.15866	1.15805	1.14321	1.13091

LOAD DATA [ No. 68 : 2-LANES(case4) ] [ LOADING-DOMAIN(LOAD) ]

CROSS	LEFT GIRDER	LEFT POSITION (m)	LEFT ANGLE (deg)	RIGHT GIRDER	RIGHT POSITION (m)	RIGHT ANGLE (deg)
C1	G4	-3.42700	88.63558	G4	2.57300	88.63558
C2	G4	-3.42700	88.73859	G4	2.57300	88.73859
C3	G4	-3.42700	88.76688	G4	2.57300	88.76688
C4	G4	-3.42700	88.82801	G4	2.57300	88.82801
C5	G4	-3.42700	88.88890	G4	2.57300	88.88890
C6	G4	-3.42700	88.94957	G4	2.57300	88.94957
C7	G4	-3.42700	89.01001	G4	2.57300	89.01001
C8	G4	-3.42700	89.07023	G4	2.57300	89.07023
C9	G4	-3.42700	89.13023	G4	2.57300	89.13023
C10	G4	-3.42700	89.19001	G4	2.57300	89.19001
C11	G4	-3.42700	89.24959	G4	2.57300	89.24959
C12	G4	-3.42700	89.30896	G4	2.57300	89.30896
C13	G4	-3.42700	89.36815	G4	2.57300	89.36815
C14	G4	-3.42700	89.42715	G4	2.57300	89.42715
C15	G4	-3.42700	89.48385	G4	2.57300	89.48385
C16	G4	-3.42700	89.54530	G4	2.57300	89.54530
C17	G4	-3.42700	89.51886	G4	2.57300	89.51886
C18	G4	-3.42700	89.65826	G4	2.57300	89.65826
C19	G4	-3.42700	89.71783	G4	2.57300	89.71783
C20	G4	-3.42700	89.77660	G4	2.57300	89.77660
C21	G4	-3.42700	89.83528	G4	2.57300	89.83528
:						

BAGO RIVER BRIDGE

LOAD DATA [ No. 68 : 2-LANES(case4) ] [ LOADING-DOMAIN(LOAD) ]

CROSS	LEFT GIRDER	LEFT POSITION (m)	LEFT ANGLE (deg)	RIGHT GIRDER	RIGHT POSITION (m)	RIGHT ANGLE (deg)
:						
C22	G4	-3.42700	89.89388	G4	2.57300	89.89388
C23	G4	-3.42700	89.95242	G4	2.57300	89.95242
C24	G4	-3.42700	90.01092	G4	2.57300	90.01092
C25	G4	-3.42700	90.06306	G4	2.57300	90.06306
C26	G4	-3.42700	89.38985	G4	2.57300	89.38985
C27	G4	-3.42700	88.28199	G4	2.57300	88.28199
C28	G4	-3.42700	88.28776	G4	2.57300	88.28776
C29	G4	-3.42700	88.29376	G4	2.57300	88.29376
C30	G4	-3.42700	88.30000	G4	2.57300	88.30000
C31	G4	-3.42700	88.30544	G4	2.57300	88.30544
C32	G4	-3.42700	88.37179	G4	2.57300	88.37179
C33	G4	-3.42700	87.93544	G4	2.57300	87.93544
C34	G4	-3.42700	88.32196	G4	2.57300	88.32196
C35	G4	-3.42700	88.33267	G4	2.57300	88.33267
C36	G4	-3.42700	89.89542	G4	2.57300	89.89542
C37	G4	-3.42700	90.06732	G4	2.57300	90.06732
C38	G4	-3.42700	90.06732	G4	2.57300	90.06732
C39	G4	-3.42700	90.06732	G4	2.57300	90.06732
C40	G4	-3.42700	90.06732	G4	2.57300	90.06732
C41	G4	-3.42700	90.06732	G4	2.57300	90.06732
C42	G4	-3.42700	90.10811	G4	2.57300	90.10811
C43	G4	-3.42700	90.16846	G4	2.57300	90.16846
C44	G4	-3.42700	90.13640	G4	2.57300	90.13640
C45	G4	-3.42700	90.11133	G4	2.57300	90.11133
C46	G4	-3.42700	90.08196	G4	2.57300	90.08196
C47	G4	-3.42700	90.04929	G4	2.57300	90.04929
C48	G4	-3.42700	90.01348	G4	2.57300	90.01348
:						

BAGO RIVER BRIDGE

LOAD DATA [ No. 68 : 2-LANES(case4) ] [ LOADING-DOMAIN(LOAD) ]

CROSS	LEFT GIRDER	LEFT POSITION (m)	LEFT ANGLE (deg)	RIGHT GIRDER	RIGHT POSITION (m)	RIGHT ANGLE (deg)
:						
C49	G4	-3.42700	89.97467	G4	2.57300	89.97467
C50	G4	-3.42700	89.93300	G4	2.57300	89.93300
C51	G4	-3.42700	89.88858	G4	2.57300	89.88858
C52	G4	-3.42700	89.84245	G4	2.57300	89.84245
C53	G4	-3.42700	89.89275	G4	2.57300	89.89275
C54	G4	-3.42700	90.00000	G4	2.57300	90.00000
C55	G4	-3.42700	90.00000	G4	2.57300	90.00000

LOAD DATA [ No. 69 : 3-LANES(case1) ]

LOAD TYPE

AASHTO HS-20 LOAD(AASHTOHS20)

LOADING LANE PARAMETER

LANE COUNT  
3

LANE TYPE

EQUAL-DIVID-LOADING-DOMAIN(EDIVID)

TRUCK-LOAD

TRANSVERSAL DIRECTION

BRIDGE AXIS DIRECTION

WHEEL LOAD		INTEWHEEL LOAD		FRONT WHEEL LOAD		FRONT-MIDDLE WHEEL LOAD		MIDDLE-REAR WHEEL LOAD	
(m)	(kN/1wheel)	(m)	(kN/1wheel)	(m)	(kN/1wheel)	(m)	(kN/1wheel)	(m)	(kN/1wheel)
2	17.5	1.8	17.5	3	17.5	4.3	17.5	4.3	17.5

BAGO RIVER BRIDGE

LOAD DATA [ No. 69 : 3-LANES(case1) ]

TANDEM-LOAD

TRANSVERSAL DIRECTION			BRIDGE AXIS DIRECTION			
WHEEL	LOAD	INTEWHEEL	LOAD	LOAD	INTELOAD	
	(m)		(kN/1wheel)	(m)	(kN/1wheel)	
2	1.8	2	55.0	1.2	55.0	

DISPERSION-LOAD

LOAD	WILOAD
(m)	(kN/m2)
3.0	3.1

SPAN'S IMPACT ( EVERY ELEMENT BLOCK )

BLOCK	TITLE	IMPACT TYPE		C1-C17	C17	C17-C33	C33	C33-C55
1	MAIN GIRDER	STEEL-BRIDGE (STEEL)	SPAN LENGTH(m)	75.56790	76.05365	76.53939	89.65659	102.77379
			IMPACT. C	1.15928	1.15866	1.15805	1.14321	1.13091
2	CROSS BEAM	STEEL-BRIDGE (STEEL)	SPAN LENGTH(m)	75.56790	76.05365	76.53939	89.65659	102.77379
			IMPACT. C	1.15928	1.15866	1.15805	1.14321	1.13091
3	SUPPORT No. 1	STEEL-BRIDGE (STEEL)	SPAN LENGTH(m)	75.56790	76.05365	76.53939	89.65659	102.77379
			IMPACT. C	1.15928	1.15866	1.15805	1.14321	1.13091
4	SUPPORT No. 2	STEEL-BRIDGE (STEEL)	SPAN LENGTH(m)	75.56790	76.05365	76.53939	89.65659	102.77379
			IMPACT. C	1.15928	1.15866	1.15805	1.14321	1.13091
5	SUPPORT No. 3	STEEL-BRIDGE (STEEL)	SPAN LENGTH(m)	75.56790	76.05365	76.53939	89.65659	102.77379
			IMPACT. C	1.15928	1.15866	1.15805	1.14321	1.13091
6	SUPPORT No. 4	STEEL-BRIDGE (STEEL)	SPAN LENGTH(m)	75.56790	76.05365	76.53939	89.65659	102.77379
			IMPACT. C	1.15928	1.15866	1.15805	1.14321	1.13091

BAGO RIVER BRIDGE

LOAD DATA [ No. 69 : 3-LANES(case1) ] [ LOADING-DOMAIN(LOAD) ]

CROSS	LEFT GIRDER	LEFT POSITION (m)	LEFT ANGLE (deg)	RIGHT GIRDER	RIGHT POSITION (m)	RIGHT ANGLE (deg)
C1	G2	-6.75000	88.63558	G2	2.25000	88.63558
C2	G2	-6.75000	88.73859	G2	2.25000	88.73859
C3	G2	-6.75000	88.76688	G2	2.25000	88.76688
C4	G2	-6.75000	88.82801	G2	2.25000	88.82801
C5	G2	-6.75000	88.88890	G2	2.25000	88.88890
C6	G2	-6.75000	88.94957	G2	2.25000	88.94957
C7	G2	-6.75000	89.01001	G2	2.25000	89.01001
C8	G2	-6.75000	89.07023	G2	2.25000	89.07023
C9	G2	-6.75000	89.13023	G2	2.25000	89.13023
C10	G2	-6.75000	89.19001	G2	2.25000	89.19001
C11	G2	-6.75000	89.24959	G2	2.25000	89.24959
C12	G2	-6.75000	89.30896	G2	2.25000	89.30896
C13	G2	-6.75000	89.36815	G2	2.25000	89.36815
C14	G2	-6.75000	89.42715	G2	2.25000	89.42715
C15	G2	-6.75000	89.48385	G2	2.25000	89.48385
C16	G2	-6.75000	89.54530	G2	2.25000	89.54530
C17	G2	-6.75000	89.51886	G2	2.25000	89.51886
C18	G2	-6.75000	89.65826	G2	2.25000	89.65826
C19	G2	-6.75000	89.71783	G2	2.25000	89.71783
C20	G2	-6.75000	89.77660	G2	2.25000	89.77660
C21	G2	-6.75000	89.83528	G2	2.25000	89.83528
C22	G2	-6.75000	89.89388	G2	2.25000	89.89388
C23	G2	-6.75000	89.95242	G2	2.25000	89.95242
C24	G2	-6.75000	90.01092	G2	2.25000	90.01092
C25	G2	-6.75000	90.06306	G2	2.25000	90.06306
C26	G2	-6.75000	89.38985	G2	2.25000	89.38985
C27	G2	-6.75000	88.28199	G2	2.25000	88.28199
C28	G2	-6.75000	88.28776	G2	2.25000	88.28776
:						

BAGO RIVER BRIDGE

LOAD DATA [ No. 69 : 3-LANES(case1) ] [ LOADING-DOMAIN(LOAD) ]

CROSS	LEFT GIRDER	LEFT POSITION (m)	LEFT ANGLE (deg)	RIGHT GIRDER	RIGHT POSITION (m)	RIGHT ANGLE (deg)
:						
C29	G2	-6.75000	88.29376	G2	2.25000	88.29376
C30	G2	-6.75000	88.30000	G2	2.25000	88.30000
C31	G2	-6.75000	88.30544	G2	2.25000	88.30544
C32	G2	-6.75000	88.37179	G2	2.25000	88.37179
C33	G2	-6.75000	87.93544	G2	2.25000	87.93544
C34	G2	-6.75000	88.32196	G2	2.25000	88.32196
C35	G2	-6.75000	88.33267	G2	2.25000	88.33267
C36	G2	-6.75000	89.89542	G2	2.25000	89.89542
C37	G2	-6.75000	90.06732	G2	2.25000	90.06732
C38	G2	-6.75000	90.06732	G2	2.25000	90.06732
C39	G2	-6.75000	90.06732	G2	2.25000	90.06732
C40	G2	-6.75000	90.06732	G2	2.25000	90.06732
C41	G2	-6.75000	90.06732	G2	2.25000	90.06732
C42	G2	-6.75000	90.10811	G2	2.25000	90.10811
C43	G2	-6.75000	90.16846	G2	2.25000	90.16846
C44	G2	-6.75000	90.13640	G2	2.25000	90.13640
C45	G2	-6.75000	90.11133	G2	2.25000	90.11133
C46	G2	-6.75000	90.08196	G2	2.25000	90.08196
C47	G2	-6.75000	90.04929	G2	2.25000	90.04929
C48	G2	-6.75000	90.01348	G2	2.25000	90.01348
C49	G2	-6.75000	89.97467	G2	2.25000	89.97467
C50	G2	-6.75000	89.93300	G2	2.25000	89.93300
C51	G2	-6.75000	89.88858	G2	2.25000	89.88858
C52	G2	-6.75000	89.84245	G2	2.25000	89.84245
C53	G2	-6.75000	89.89275	G2	2.25000	89.89275
C54	G2	-6.75000	90.00000	G2	2.25000	90.00000
C55	G2	-6.75000	90.00000	G2	2.25000	90.00000

BAGO RIVER BRIDGE

LOAD DATA [ No. 70 : 3-LANES(case2) ]

LOAD TYPE

AASHTO HS-20 LOAD(AASHTOHS20)

LOADING LANE PARAMETER

LANE COUNT  
3

LANE TYPE  
EQUAL-DIVID-LOADING-DOMAIN(EDIVID)

TRUCK-LOAD

TRANSVERSAL DIRECTION			BRIDGE AXIS DIRECTION				
WHEEL	LOAD	INTEWHEEL	LOAD	INTELOAD	LOAD	INTELOAD	WHEEL
	(m)		(kN/1wheel)	(m)	(kN/1wheel)	(m)	(kN/1wheel)
2	1.8	3	17.5	4.3	72.5	4.3	72.5

TANDEM-LOAD

TRANSVERSAL DIRECTION			BRIDGE AXIS DIRECTION		
WHEEL	LOAD	INTEWHEEL	LOAD	INTELOAD	WHEEL
	(m)		(kN/1wheel)	(m)	(kN/1wheel)
2	1.8	2	55.0	1.2	55.0

DISPERSION-LOAD

LOAD	WILOAD
(m)	(kN/m2)
3.0	3.1

SPAN'S IMPACT ( EVERY ELEMENT BLOCK )

BLOCK	TITLE	IMPACT TYPE	C1-C17	C17	C17-C33	C33	C33-C55
1	MAIN GIRDER	STEEL-BRIDGE(STEEL)	75.56790	76.05365	76.53939	89.65659	102.77379
		IMPACT. C	1.15928	1.15866	1.15805	1.14321	1.13091



BAGO RIVER BRIDGE

LOAD DATA [ No. 70 : 3-LANES(case2) ]

SPAN'S IMPACT ( EVERY ELEMENT BLOCK )

BLOCK	TITLE	IMPACT TYPE		C1-C17	C17	C17-C33	C33	C33-C55
2	CROSS BEAM	STEEL-BRIDGE (STEEL)	SPAN LENGTH(m)	75.56790	76.05365	76.53939	89.65659	102.77379
			IMPACT. C	1.15928	1.15866	1.15805	1.14321	1.13091
3	SUPPORT No. 1	STEEL-BRIDGE (STEEL)	SPAN LENGTH(m)	75.56790	76.05365	76.53939	89.65659	102.77379
			IMPACT. C	1.15928	1.15866	1.15805	1.14321	1.13091
4	SUPPORT No. 2	STEEL-BRIDGE (STEEL)	SPAN LENGTH(m)	75.56790	76.05365	76.53939	89.65659	102.77379
			IMPACT. C	1.15928	1.15866	1.15805	1.14321	1.13091
5	SUPPORT No. 3	STEEL-BRIDGE (STEEL)	SPAN LENGTH(m)	75.56790	76.05365	76.53939	89.65659	102.77379
			IMPACT. C	1.15928	1.15866	1.15805	1.14321	1.13091
6	SUPPORT No. 4	STEEL-BRIDGE (STEEL)	SPAN LENGTH(m)	75.56790	76.05365	76.53939	89.65659	102.77379
			IMPACT. C	1.15928	1.15866	1.15805	1.14321	1.13091

LOAD DATA [ No. 70 : 3-LANES(case2) ] [ LOADING-DOMAIN(LOAD) ]

CROSS	LEFT GIRDER	LEFT POSITION (m)	LEFT ANGLE (deg)	RIGHT GIRDER	RIGHT POSITION (m)	RIGHT ANGLE (deg)
C1	G3	-2.25000	88.63558	G3	6.75000	88.63558
C2	G3	-2.25000	88.73859	G3	6.75000	88.73859
C3	G3	-2.25000	88.76688	G3	6.75000	88.76688
C4	G3	-2.25000	88.82801	G3	6.75000	88.82801
C5	G3	-2.25000	88.88890	G3	6.75000	88.88890
C6	G3	-2.25000	88.94957	G3	6.75000	88.94957
C7	G3	-2.25000	89.01001	G3	6.75000	89.01001
C8	G3	-2.25000	89.07023	G3	6.75000	89.07023
C9	G3	-2.25000	89.13023	G3	6.75000	89.13023
C10	G3	-2.25000	89.19001	G3	6.75000	89.19001
C11	G3	-2.25000	89.24959	G3	6.75000	89.24959
C12	G3	-2.25000	89.30896	G3	6.75000	89.30896
C13	G3	-2.25000	89.36815	G3	6.75000	89.36815
:						

BAGO RIVER BRIDGE

LOAD DATA [ No. 70 : 3-LANES(case2) ] [ LOADING-DOMAIN(LOAD) ]

CROSS	LEFT GIRDER	LEFT POSITION (m)	LEFT ANGLE (deg)	RIGHT GIRDER	RIGHT POSITION (m)	RIGHT ANGLE (deg)
:						
C14	G3	-2.25000	89.42715	G3	6.75000	89.42715
C15	G3	-2.25000	89.48385	G3	6.75000	89.48385
C16	G3	-2.25000	89.54530	G3	6.75000	89.54530
C17	G3	-2.25000	89.51886	G3	6.75000	89.51886
C18	G3	-2.25000	89.65826	G3	6.75000	89.65826
C19	G3	-2.25000	89.71783	G3	6.75000	89.71783
C20	G3	-2.25000	89.77660	G3	6.75000	89.77660
C21	G3	-2.25000	89.83528	G3	6.75000	89.83528
C22	G3	-2.25000	89.89388	G3	6.75000	89.89388
C23	G3	-2.25000	89.95242	G3	6.75000	89.95242
C24	G3	-2.25000	90.01092	G3	6.75000	90.01092
C25	G3	-2.25000	90.06306	G3	6.75000	90.06306
C26	G3	-2.25000	89.38985	G3	6.75000	89.38985
C27	G3	-2.25000	88.28199	G3	6.75000	88.28199
C28	G3	-2.25000	88.28776	G3	6.75000	88.28776
C29	G3	-2.25000	88.29376	G3	6.75000	88.29376
C30	G3	-2.25000	88.30000	G3	6.75000	88.30000
C31	G3	-2.25000	88.30544	G3	6.75000	88.30544
C32	G3	-2.25000	88.37179	G3	6.75000	88.37179
C33	G3	-2.25000	87.93544	G3	6.75000	87.93544
C34	G3	-2.25000	88.32196	G3	6.75000	88.32196
C35	G3	-2.25000	88.33267	G3	6.75000	88.33267
C36	G3	-2.25000	89.89542	G3	6.75000	89.89542
C37	G3	-2.25000	90.06732	G3	6.75000	90.06732
C38	G3	-2.25000	90.06732	G3	6.75000	90.06732
C39	G3	-2.25000	90.06732	G3	6.75000	90.06732
C40	G3	-2.25000	90.06732	G3	6.75000	90.06732
:						

BAGO RIVER BRIDGE

LOAD DATA [ No. 70 : 3-LANES(case2) ] [ LOADING-DOMAIN(LOAD) ]

CROSS	LEFT GIRDER	LEFT POSITION (m)	LEFT ANGLE (deg)	RIGHT GIRDER	RIGHT POSITION (m)	RIGHT ANGLE (deg)
:						
C41	G3	-2.25000	90.06732	G3	6.75000	90.06732
C42	G3	-2.25000	90.10811	G3	6.75000	90.10811
C43	G3	-2.25000	90.16846	G3	6.75000	90.16846
C44	G3	-2.25000	90.13640	G3	6.75000	90.13640
C45	G3	-2.25000	90.11133	G3	6.75000	90.11133
C46	G3	-2.25000	90.08196	G3	6.75000	90.08196
C47	G3	-2.25000	90.04929	G3	6.75000	90.04929
C48	G3	-2.25000	90.01348	G3	6.75000	90.01348
C49	G3	-2.25000	89.97467	G3	6.75000	89.97467
C50	G3	-2.25000	89.93300	G3	6.75000	89.93300
C51	G3	-2.25000	89.88858	G3	6.75000	89.88858
C52	G3	-2.25000	89.84245	G3	6.75000	89.84245
C53	G3	-2.25000	89.89275	G3	6.75000	89.89275
C54	G3	-2.25000	90.00000	G3	6.75000	90.00000
C55	G3	-2.25000	90.00000	G3	6.75000	90.00000

LOAD DATA [ No. 71 : 3-LANES(case3) ]

LOAD TYPE

AASHTO HS-20 LOAD(AASHTOHS20)

LOADING LANE PARAMETER

LANE COUNT  
3

LANE TYPE

EQUAL-DIVID-LOADING-DOMAIN(EDIVID)

BAGO RIVER BRIDGE

LOAD DATA [ No. 71 : 3-LANES (case3) ]

TRUCK-LOAD

TRANSVERSAL DIRECTION			BRIDGE AXIS DIRECTION				
WHEEL	LOAD	INTEWHEEL	LOAD	LOAD	INTELOAD	LOAD	INTELOAD
(m)			(kN/1wheel)	(m)	(kN/1wheel)	(m)	(kN/1wheel)
2	1.8	3	17.5	4.3	72.5	4.3	72.5

TANDEM-LOAD

TRANSVERSAL DIRECTION			BRIDGE AXIS DIRECTION		
WHEEL	LOAD	INTEWHEEL	LOAD	LOAD	INTELOAD
(m)			(kN/1wheel)	(m)	(kN/1wheel)
2	1.8	2	55.0	1.2	55.0

DISPERSION-LOAD

LOAD	WILOAD
(m)	(kN/m2)
3.0	3.1

SPAN'S IMPACT ( EVERY ELEMENT BLOCK )

BLOCK	TITLE	IMPACT TYPE		C1-C17	C17	C17-C33	C33	C33-C55
1	MAIN GIRDER	STEEL-BRIDGE (STEEL)	SPAN LENGTH(m)	75.56790	76.05365	76.53939	89.65659	102.77379
			IMPACT. C	1.15928	1.15866	1.15805	1.14321	1.13091
2	CROSS BEAM	STEEL-BRIDGE (STEEL)	SPAN LENGTH(m)	75.56790	76.05365	76.53939	89.65659	102.77379
			IMPACT. C	1.15928	1.15866	1.15805	1.14321	1.13091
3	SUPPORT No. 1	STEEL-BRIDGE (STEEL)	SPAN LENGTH(m)	75.56790	76.05365	76.53939	89.65659	102.77379
			IMPACT. C	1.15928	1.15866	1.15805	1.14321	1.13091
4	SUPPORT No. 2	STEEL-BRIDGE (STEEL)	SPAN LENGTH(m)	75.56790	76.05365	76.53939	89.65659	102.77379
			IMPACT. C	1.15928	1.15866	1.15805	1.14321	1.13091
5	SUPPORT No. 3	STEEL-BRIDGE (STEEL)	SPAN LENGTH(m)	75.56790	76.05365	76.53939	89.65659	102.77379
			IMPACT. C	1.15928	1.15866	1.15805	1.14321	1.13091

BAGO RIVER BRIDGE

LOAD DATA [ No. 71 : 3-LANES(case3) ]

SPAN'S IMPACT ( EVERY ELEMENT BLOCK )

BLOCK	TITLE	IMPACT TYPE		C1-C17	C17	C17-C33	C33	C33-C55
6	SUPPORT No. 4	STEEL-BRIDGE(STEEL)	SPAN LENGTH(m)	75.56790	76.05365	76.53939	89.65659	102.77379
			IMPACT. C	1.15928	1.15866	1.15805	1.14321	1.13091

LOAD DATA [ No. 71 : 3-LANES(case3) ] [ LOADING-DOMAIN(LOAD) ]

CROSS	LEFT GIRDER	LEFT POSITION (m)	LEFT ANGLE (deg)	RIGHT GIRDER	RIGHT POSITION (m)	RIGHT ANGLE (deg)
C1	G4	-6.42700	88.63558	G4	2.57300	88.63558
C2	G4	-6.42700	88.73859	G4	2.57300	88.73859
C3	G4	-6.42700	88.76688	G4	2.57300	88.76688
C4	G4	-6.42700	88.82801	G4	2.57300	88.82801
C5	G4	-6.42700	88.88890	G4	2.57300	88.88890
C6	G4	-6.42700	88.94957	G4	2.57300	88.94957
C7	G4	-6.42700	89.01001	G4	2.57300	89.01001
C8	G4	-6.42700	89.07023	G4	2.57300	89.07023
C9	G4	-6.42700	89.13023	G4	2.57300	89.13023
C10	G4	-6.42700	89.19001	G4	2.57300	89.19001
C11	G4	-6.42700	89.24959	G4	2.57300	89.24959
C12	G4	-6.42700	89.30896	G4	2.57300	89.30896
C13	G4	-6.42700	89.36815	G4	2.57300	89.36815
C14	G4	-6.42700	89.42715	G4	2.57300	89.42715
C15	G4	-6.42700	89.48385	G4	2.57300	89.48385
C16	G4	-6.42700	89.54530	G4	2.57300	89.54530
C17	G4	-6.42700	89.51886	G4	2.57300	89.51886
C18	G4	-6.42700	89.65826	G4	2.57300	89.65826
C19	G4	-6.42700	89.71783	G4	2.57300	89.71783
C20	G4	-6.42700	89.77660	G4	2.57300	89.77660
C21	G4	-6.42700	89.83528	G4	2.57300	89.83528
:						

BAGO RIVER BRIDGE

LOAD DATA [ No. 71 : 3-LANES(case3) ] [ LOADING-DOMAIN(LOAD) ]

CROSS	LEFT GIRDER	LEFT POSITION (m)	LEFT ANGLE (deg)	RIGHT GIRDER	RIGHT POSITION (m)	RIGHT ANGLE (deg)
:						
C22	G4	-6.42700	89.89388	G4	2.57300	89.89388
C23	G4	-6.42700	89.95242	G4	2.57300	89.95242
C24	G4	-6.42700	90.01092	G4	2.57300	90.01092
C25	G4	-6.42700	90.06306	G4	2.57300	90.06306
C26	G4	-6.42700	89.38985	G4	2.57300	89.38985
C27	G4	-6.42700	88.28199	G4	2.57300	88.28199
C28	G4	-6.42700	88.28776	G4	2.57300	88.28776
C29	G4	-6.42700	88.29376	G4	2.57300	88.29376
C30	G4	-6.42700	88.30000	G4	2.57300	88.30000
C31	G4	-6.42700	88.30544	G4	2.57300	88.30544
C32	G4	-6.42700	88.37179	G4	2.57300	88.37179
C33	G4	-6.42700	87.93544	G4	2.57300	87.93544
C34	G4	-6.42700	88.32196	G4	2.57300	88.32196
C35	G4	-6.42700	88.33267	G4	2.57300	88.33267
C36	G4	-6.42700	89.89542	G4	2.57300	89.89542
C37	G4	-6.42700	90.06732	G4	2.57300	90.06732
C38	G4	-6.42700	90.06732	G4	2.57300	90.06732
C39	G4	-6.42700	90.06732	G4	2.57300	90.06732
C40	G4	-6.42700	90.06732	G4	2.57300	90.06732
C41	G4	-6.42700	90.06732	G4	2.57300	90.06732
C42	G4	-6.42700	90.10811	G4	2.57300	90.10811
C43	G4	-6.42700	90.16846	G4	2.57300	90.16846
C44	G4	-6.42700	90.13640	G4	2.57300	90.13640
C45	G4	-6.42700	90.11133	G4	2.57300	90.11133
C46	G4	-6.42700	90.08196	G4	2.57300	90.08196
C47	G4	-6.42700	90.04929	G4	2.57300	90.04929
C48	G4	-6.42700	90.01348	G4	2.57300	90.01348
:						

BAGO RIVER BRIDGE

LOAD DATA [ No. 71 : 3-LANES(case3) ] [ LOADING-DOMAIN(LOAD) ]

CROSS	LEFT GIRDER	LEFT POSITION (m)	LEFT ANGLE (deg)	RIGHT GIRDER	RIGHT POSITION (m)	RIGHT ANGLE (deg)
:						
C49	G4	-6.42700	89.97467	G4	2.57300	89.97467
C50	G4	-6.42700	89.93300	G4	2.57300	89.93300
C51	G4	-6.42700	89.88858	G4	2.57300	89.88858
C52	G4	-6.42700	89.84245	G4	2.57300	89.84245
C53	G4	-6.42700	89.89275	G4	2.57300	89.89275
C54	G4	-6.42700	90.00000	G4	2.57300	90.00000
C55	G4	-6.42700	90.00000	G4	2.57300	90.00000

LOAD DATA [ No. 72 : 4-LANES ]

LOAD TYPE

AASHTO HS-20 LOAD(AASHTOHS20)

LOADING LANE PARAMETER

LANE COUNT  
4

LANE TYPE

EQUAL-DIVID-LOADING-DOMAIN(EDIVID)

TRUCK-LOAD

TRANSVERSAL DIRECTION

BRIDGE AXIS DIRECTION

WHEEL LOAD		INTEWHEEL LOAD		FRONT WHEEL LOAD		FRONT-MIDDLE WHEEL LOAD		MIDDLE-REAR WHEEL LOAD	
(m)	(kN/1wheel)	(m)	(kN/1wheel)	(m)	(kN/1wheel)	(m)	(kN/1wheel)	(m)	(kN/1wheel)
2	17.5	1.8	17.5	3	17.5	4.3	17.5	4.3	17.5

BAGO RIVER BRIDGE

LOAD DATA [ No. 72 : 4-LANES ]

TANDEM-LOAD

TRANSVERSAL DIRECTION		BRIDGE AXIS DIRECTION			
WHEEL	LOAD	INTEWHEEL	LOAD	LOAD	INTELOAD
	(m)		(kN/1wheel)	(m)	(kN/1wheel)
2	1.8	2	55.0	1.2	55.0

DISPERSION-LOAD

LOAD	WILOAD
(m)	(kN/m2)
3.0	3.1

SPAN'S IMPACT ( EVERY ELEMENT BLOCK )

BLOCK	TITLE	IMPACT TYPE		C1-C17	C17	C17-C33	C33	C33-C55
1	MAIN GIRDER	STEEL-BRIDGE (STEEL)	SPAN LENGTH(m)	75.56790	76.05365	76.53939	89.65659	102.77379
			IMPACT. C	1.15928	1.15866	1.15805	1.14321	1.13091
2	CROSS BEAM	STEEL-BRIDGE (STEEL)	SPAN LENGTH(m)	75.56790	76.05365	76.53939	89.65659	102.77379
			IMPACT. C	1.15928	1.15866	1.15805	1.14321	1.13091
3	SUPPORT No. 1	STEEL-BRIDGE (STEEL)	SPAN LENGTH(m)	75.56790	76.05365	76.53939	89.65659	102.77379
			IMPACT. C	1.15928	1.15866	1.15805	1.14321	1.13091
4	SUPPORT No. 2	STEEL-BRIDGE (STEEL)	SPAN LENGTH(m)	75.56790	76.05365	76.53939	89.65659	102.77379
			IMPACT. C	1.15928	1.15866	1.15805	1.14321	1.13091
5	SUPPORT No. 3	STEEL-BRIDGE (STEEL)	SPAN LENGTH(m)	75.56790	76.05365	76.53939	89.65659	102.77379
			IMPACT. C	1.15928	1.15866	1.15805	1.14321	1.13091
6	SUPPORT No. 4	STEEL-BRIDGE (STEEL)	SPAN LENGTH(m)	75.56790	76.05365	76.53939	89.65659	102.77379
			IMPACT. C	1.15928	1.15866	1.15805	1.14321	1.13091



BAGO RIVER BRIDGE

LOAD DATA [ No. 72 : 4-LANES ] [ LOADING-DOMAIN(LOAD) ]

CROSS	LEFT GIRDER	LEFT POSITION (m)	LEFT ANGLE (deg)	RIGHT GIRDER	RIGHT POSITION (m)	RIGHT ANGLE (deg)
C1	G3	-2.25000	88.63558	G4	2.57300	88.63558
C2	G3	-2.25000	88.73859	G4	2.57300	88.73859
C3	G3	-2.25000	88.76688	G4	2.57300	88.76688
C4	G3	-2.25000	88.82801	G4	2.57300	88.82801
C5	G3	-2.25000	88.88890	G4	2.57300	88.88890
C6	G3	-2.25000	88.94957	G4	2.57300	88.94957
C7	G3	-2.25000	89.01001	G4	2.57300	89.01001
C8	G3	-2.25000	89.07023	G4	2.57300	89.07023
C9	G3	-2.25000	89.13023	G4	2.57300	89.13023
C10	G3	-2.25000	89.19001	G4	2.57300	89.19001
C11	G3	-2.25000	89.24959	G4	2.57300	89.24959
C12	G3	-2.25000	89.30896	G4	2.57300	89.30896
C13	G3	-2.25000	89.36815	G4	2.57300	89.36815
C14	G3	-2.25000	89.42715	G4	2.57300	89.42715
C15	G3	-2.25000	89.48385	G4	2.57300	89.48385
C16	G3	-2.25000	89.54530	G4	2.57300	89.54530
C17	G3	-2.25000	89.51886	G4	2.57300	89.51886
C18	G3	-2.25000	89.65826	G4	2.57300	89.65826
C19	G3	-2.25000	89.71783	G4	2.57300	89.71783
C20	G3	-2.25000	89.77660	G4	2.57300	89.77660
C21	G3	-2.25000	89.83528	G4	2.57300	89.83528
C22	G3	-2.25000	89.89388	G4	2.57300	89.89388
C23	G3	-2.25000	89.95242	G4	2.57300	89.95242
C24	G3	-2.25000	90.01092	G4	2.57300	90.01092
C25	G3	-2.25000	90.06306	G4	2.57300	90.06306
C26	G3	-2.25000	89.38985	G4	2.57300	89.38985
C27	G3	-2.25000	88.28199	G4	2.57300	88.28199

BAGO RIVER BRIDGE

LOAD DATA [ No. 73 : 6-LANES ]

LOAD TYPE

AASHTO HS-20 LOAD(AASHTOHS20)

LOADING LANE PARAMETER

LANE COUNT  
6

LANE TYPE  
EQUAL-DIVID-LOADING-DOMAIN(EDIVID)

TRUCK-LOAD

TRANSVERSAL DIRECTION		BRIDGE AXIS DIRECTION					
		FRONT WHEEL		FRONT-MIDDLE WHEEL		MIDDLE-REAR WHEEL	
WHEEL	LOAD	LOAD	INTELOAD	LOAD	INTELOAD	LOAD	INTELOAD
	(m)	(kN/1wheel)	(m)	(kN/1wheel)	(m)	(kN/1wheel)	(m)
2	1.8	3	17.5	4.3	72.5	4.3	72.5

TANDEM-LOAD

TRANSVERSAL DIRECTION		BRIDGE AXIS DIRECTION		
		FRONT WHEEL	FRONT-REAR WHEEL	
WHEEL	LOAD	LOAD	LOAD	INTELOAD
	(m)	(kN/1wheel)	(m)	(kN/1wheel)
2	1.8	2	55.0	1.2
				55.0

DISPERSION-LOAD

LOAD	WILOAD
(m)	(kN/m2)
3.0	3.1

SPAN'S IMPACT ( EVERY ELEMENT BLOCK )

BLOCK	TITLE	IMPACT TYPE		C1-C17	C17	C17-C33	C33	C33-C55
1	MAIN GIRDER	STEEL-BRIDGE(STEEL)	SPAN LENGTH(m)	75.56790	76.05365	76.53939	89.65659	102.77379
			IMPACT. C	1.15928	1.15866	1.15805	1.14321	1.13091

BAGO RIVER BRIDGE

LOAD DATA [ No. 73 : 6-LANES ]

SPAN'S IMPACT ( EVERY ELEMENT BLOCK )

BLOCK	TITLE	IMPACT TYPE		C1-C17	C17	C17-C33	C33	C33-C55
2	CROSS BEAM	STEEL-BRIDGE (STEEL)	SPAN LENGTH(m)	75. 56790	76. 05365	76. 53939	89. 65659	102. 77379
			IMPACT. C	1. 15928	1. 15866	1. 15805	1. 14321	1. 13091
3	SUPPORT No. 1	STEEL-BRIDGE (STEEL)	SPAN LENGTH(m)	75. 56790	76. 05365	76. 53939	89. 65659	102. 77379
			IMPACT. C	1. 15928	1. 15866	1. 15805	1. 14321	1. 13091
4	SUPPORT No. 2	STEEL-BRIDGE (STEEL)	SPAN LENGTH(m)	75. 56790	76. 05365	76. 53939	89. 65659	102. 77379
			IMPACT. C	1. 15928	1. 15866	1. 15805	1. 14321	1. 13091
5	SUPPORT No. 3	STEEL-BRIDGE (STEEL)	SPAN LENGTH(m)	75. 56790	76. 05365	76. 53939	89. 65659	102. 77379
			IMPACT. C	1. 15928	1. 15866	1. 15805	1. 14321	1. 13091
6	SUPPORT No. 4	STEEL-BRIDGE (STEEL)	SPAN LENGTH(m)	75. 56790	76. 05365	76. 53939	89. 65659	102. 77379
			IMPACT. C	1. 15928	1. 15866	1. 15805	1. 14321	1. 13091

LOAD DATA [ No. 73 : 6-LANES ] [ LOADING-DOMAIN(LOAD) ]

CROSS	LEFT GIRDER	LEFT POSITION (m)	LEFT ANGLE (deg)	RIGHT GIRDER	RIGHT POSITION (m)	RIGHT ANGLE (deg)
C1	G1	-2. 57300	88. 63558	G4	2. 57300	88. 63558
C2	G1	-2. 57300	88. 73859	G4	2. 57300	88. 73859
C3	G1	-2. 57300	88. 76688	G4	2. 57300	88. 76688
C4	G1	-2. 57300	88. 82801	G4	2. 57300	88. 82801
C5	G1	-2. 57300	88. 88890	G4	2. 57300	88. 88890
C6	G1	-2. 57300	88. 94957	G4	2. 57300	88. 94957
C7	G1	-2. 57300	89. 01001	G4	2. 57300	89. 01001
C8	G1	-2. 57300	89. 07023	G4	2. 57300	89. 07023
C9	G1	-2. 57300	89. 13023	G4	2. 57300	89. 13023
C10	G1	-2. 57300	89. 19001	G4	2. 57300	89. 19001
C11	G1	-2. 57300	89. 24959	G4	2. 57300	89. 24959
C12	G1	-2. 57300	89. 30896	G4	2. 57300	89. 30896
C13	G1	-2. 57300	89. 36815	G4	2. 57300	89. 36815
:						

BAGO RIVER BRIDGE

LOAD DATA [ No. 73 : 6-LANES ] [ LOADING-DOMAIN(LOAD) ]

CROSS	LEFT GIRDER	LEFT POSITION (m)	LEFT ANGLE (deg)	RIGHT GIRDER	RIGHT POSITION (m)	RIGHT ANGLE (deg)
:						
C14	G1	-2.57300	89.42715	G4	2.57300	89.42715
C15	G1	-2.57300	89.48385	G4	2.57300	89.48385
C16	G1	-2.57300	89.54530	G4	2.57300	89.54530
C17	G1	-2.57300	89.51886	G4	2.57300	89.51886
C18	G1	-2.57300	89.65826	G4	2.57300	89.65826
C19	G1	-2.57300	89.71783	G4	2.57300	89.71783
C20	G1	-2.57300	89.77660	G4	2.57300	89.77660
C21	G1	-2.57300	89.83528	G4	2.57300	89.83528
C22	G1	-2.57300	89.89388	G4	2.57300	89.89388
C23	G1	-2.57300	89.95242	G4	2.57300	89.95242
C24	G1	-2.57300	90.01092	G4	2.57300	90.01092
C25	G1	-2.57300	90.06306	G4	2.57300	90.06306
C26	G1	-2.57300	89.38985	G4	2.57300	89.38985
C27	G1	-2.57300	88.28199	G4	2.57300	88.28199
C28	G1	-2.57300	88.28776	G4	2.57300	88.28776
C29	G1	-2.57300	88.29376	G4	2.57300	88.29376
C30	G1	-2.57300	88.30000	G4	2.57300	88.30000
C31	G1	-2.57300	88.30544	G4	2.57300	88.30544
C32	G1	-2.57300	88.37179	G4	2.57300	88.37179
C33	G1	-2.57300	87.93544	G4	2.57300	87.93544
C34	G1	-2.57300	88.32196	G4	2.57300	88.32196
C35	G1	-2.57300	88.33267	G4	2.57300	88.33267
C36	G1	-2.57300	89.89542	G4	2.57300	89.89542
C37	G1	-2.57300	90.06732	G4	2.57300	90.06732
C38	G1	-2.57300	90.06732	G4	2.57300	90.06732
C39	G1	-2.57300	90.06732	G4	2.57300	90.06732
C40	G1	-2.57300	90.06732	G4	2.57300	90.06732
:						

BAGO RIVER BRIDGE

LOAD DATA [ No. 73 : 6-LANES ] [ LOADING-DOMAIN(LOAD) ]

CROSS	LEFT GIRDER	LEFT POSITION (m)	LEFT ANGLE (deg)	RIGHT GIRDER	RIGHT POSITION (m)	RIGHT ANGLE (deg)
:						
C41	G1	-2.57300	90.06732	G4	2.57300	90.06732
C42	G1	-2.57300	90.10811	G4	2.57300	90.10811
C43	G1	-2.57300	90.16846	G4	2.57300	90.16846
C44	G1	-2.57300	90.13640	G4	2.57300	90.13640
C45	G1	-2.57300	90.11133	G4	2.57300	90.11133
C46	G1	-2.57300	90.08196	G4	2.57300	90.08196
C47	G1	-2.57300	90.04929	G4	2.57300	90.04929
C48	G1	-2.57300	90.01348	G4	2.57300	90.01348
C49	G1	-2.57300	89.97467	G4	2.57300	89.97467
C50	G1	-2.57300	89.93300	G4	2.57300	89.93300
C51	G1	-2.57300	89.88858	G4	2.57300	89.88858
C52	G1	-2.57300	89.84245	G4	2.57300	89.84245
C53	G1	-2.57300	89.89275	G4	2.57300	89.89275
C54	G1	-2.57300	90.00000	G4	2.57300	90.00000
C55	G1	-2.57300	90.00000	G4	2.57300	90.00000

LOAD DATA [ No. 73 : 6-LANES ] [ UNLOADING-DONAIN(UNLOAD) ]

CROSS	LEFT GIRDER	LEFT POSITION (m)	RIGHT GIRDER	RIGHT POSITION (m)
C1	G2	2.24936	G3	-2.24936
C2	G2	2.24930	G3	-2.24930
C3	G2	2.24932	G3	-2.24932
C4	G2	2.24938	G3	-2.24938
C5	G2	2.24944	G3	-2.24944
C6	G2	2.24950	G3	-2.24950
C7	G2	2.24955	G3	-2.24955

BAGO RIVER BRIDGE

LOAD DATA [ No. 73 : 6-LANES ] [ UNLOADING-DONAIN(UNLOAD) ]

CROSS	LEFT GIRDER	LEFT POSITION (m)	RIGHT GIRDER	RIGHT POSITION (m)
C8	G2	2.24960	G3	-2.24960
C9	G2	2.24965	G3	-2.24965
C10	G2	2.24970	G3	-2.24970
C11	G2	2.24974	G3	-2.24974
C12	G2	2.24978	G3	-2.24978
C13	G2	2.24981	G3	-2.24981
C14	G2	2.24984	G3	-2.24984
C15	G2	2.24987	G3	-2.24987
C16	G2	2.24990	G3	-2.24990
C17	G2	2.24992	G3	-2.24992
C18	G2	2.24994	G3	-2.24994
C19	G2	2.24996	G3	-2.24996
C20	G2	2.24997	G3	-2.24997
C21	G2	2.24999	G3	-2.24999
C22	G2	2.24999	G3	-2.24999
C23	G2	2.25000	G3	-2.25000
C24	G2	2.25000	G3	-2.25000
C25	G2	2.25000	G3	-2.25000
C26	G2	2.24987	G3	-2.24987
C27	G2	2.24863	G3	-2.24863
C28	G2	2.24863	G3	-2.24863
C29	G2	2.24863	G3	-2.24863
C30	G2	2.24863	G3	-2.24863
C31	G2	2.24863	G3	-2.24863
C32	G2	2.24871	G3	-2.24871
C33	G2	2.24854	G3	-2.24854
C34	G2	2.24863	G3	-2.24863
C35	G2	2.24863	G3	-2.24863
C36	G2	2.24993	G3	-2.24993

BAGO RIVER BRIDGE

LOAD DATA [ No. 73 : 6-LANES ] [ UNLOADING-DONAIN(UNLOAD) ]

CROSS	LEFT GIRDER	LEFT POSITION (m)	RIGHT GIRDER	RIGHT POSITION (m)
C37	G2	2. 25000	G3	-2. 25000
C38	G2	2. 25000	G3	-2. 25000
C39	G2	2. 25000	G3	-2. 25000
C40	G2	2. 25000	G3	-2. 25000
C41	G2	2. 25000	G3	-2. 25000
C42	G2	2. 25000	G3	-2. 25000
C43	G2	2. 24999	G3	-2. 25001
C44	G2	2. 24978	G3	-2. 25009
C45	G2	2. 24968	G3	-2. 25004
C46	G2	2. 24973	G3	-2. 24999
C47	G2	2. 24978	G3	-2. 24993
C48	G2	2. 24984	G3	-2. 24988
C49	G2	2. 24989	G3	-2. 24983
C50	G2	2. 24994	G3	-2. 24977
C51	G2	2. 25000	G3	-2. 24972
C52	G2	2. 25005	G3	-2. 24967
C53	G2	2. 25007	G3	-2. 24987
C54	G2	2. 25000	G3	-2. 25000
C55	G2	2. 25000	G3	-2. 25000

BAGO RIVER BRIDGE

CASECOMBI CASE DATA

CASE	CASE TITLE	CASE TYPE	DATA COUNT	PICKUP EXTRA. COEF	PICKUP OUTPUT	NOTE
300	DEAD LOAD	COMBI-CASE (COMBI)	1			
301	LIVE LOAD	PICKUP-CASE (PICKUP)	13	1.00000	YES	
302	LIVE LOAD	COMBI-CASE (COMBI)	1			
111	D+ (1-LANE (case1))	COMBI-CASE (COMBI)	1			
112	D+ (1-LANE (case2))	COMBI-CASE (COMBI)	1			
113	D+ (1-LANE (case3))	COMBI-CASE (COMBI)	1			
114	D+ (1-LANE (case4))	COMBI-CASE (COMBI)	1			
115	D+ (2-LANE (case1))	COMBI-CASE (COMBI)	1			
116	D+ (2-LANE (case2))	COMBI-CASE (COMBI)	1			
117	D+ (2-LANE (case3))	COMBI-CASE (COMBI)	1			
118	D+ (2-LANE (case4))	COMBI-CASE (COMBI)	1			
119	D+ (3-LANE (case1))	COMBI-CASE (COMBI)	1			
120	D+ (3-LANE (case2))	COMBI-CASE (COMBI)	1			
121	D+ (3-LANE (case3))	COMBI-CASE (COMBI)	1			
122	D+ (4-LANE)	COMBI-CASE (COMBI)	1			
123	D+ (6-LANE)	COMBI-CASE (COMBI)	1			
124	SUM TOTAL	PICKUP-CASE (PICKUP)	13	1.00000	YES	
303	SUM TOTAL	COMBI-CASE (COMBI)	1			

CASECOMBI DATA [ No. 300 : DEAD LOAD ]

[ No. 1 : TOTAL ] [ EXTRA COEF = 1.00000 ] [ COMBI TYPE = PLUS ]

CASE	CASE TITLE	COMBI COEF	COMBI FLAG
1	PAVEMENT	1.00000	
3	RAILING	1.00000	
5	CURB	1.00000	
7	DECK WEIGHT	1.00000	
8	GIRDER WEIGHT	1.00000	
:			



BAGO RIVER BRIDGE

CASECOMBI DATA [ No. 300 : DEAD LOAD ]

[ No. 1 : TOTAL ] [ EXTRA COEF = 1.00000 ] [ COMBI TYPE = PLUS ]

CASE	CASE TITLE	COMBI COEF	COMBI FLAG
:			
10	MEDIAN STRIP	1.00000	
21	ADDITIONAL WEIGHT	1.00000	
31	MEDIAN RAILING	1.00000	
51	SUPPORT WEIGHT	1.00000	
52	NOSE WEIGHT	1.00000	

CASECOMBI DATA [ No. 301 : LIVE LOAD ]

[ No. 1 : 1-LANE(case1) ] [ EXTRA COEF = 1.00000 ] [ COMBI TYPE = PLUS ]

CASE	CASE TITLE	COMBI COEF	COMBI FLAG
61	1-LANE(case1) TRUCK-LOAD	1.20000	
61	1-LANE(case1) DISPERSION-LOAD	1.20000	

[ No. 2 : 1-LANE(case2) ] [ EXTRA COEF = 1.00000 ] [ COMBI TYPE = PLUS ]

CASE	CASE TITLE	COMBI COEF	COMBI FLAG
62	1-LANE(case2) TRUCK-LOAD	1.20000	
62	1-LANE(case2) DISPERSION-LOAD	1.20000	

[ No. 3 : 1-LANE(case3) ] [ EXTRA COEF = 1.00000 ] [ COMBI TYPE = PLUS ]

CASE	CASE TITLE	COMBI COEF	COMBI FLAG
63	1-LANE(case3) TRUCK-LOAD	1.20000	
63	1-LANE(case3) DISPERSION-LOAD	1.20000	

[ No. 4 : 1-LANE(case4) ] [ EXTRA COEF = 1.00000 ] [ COMBI TYPE = PLUS ]

CASE	CASE TITLE	COMBI COEF	COMBI FLAG
64	1-LANE(case4) TRUCK-LOAD	1.20000	
64	1-LANE(case4) DISPERSION-LOAD	1.20000	

BAGO RIVER BRIDGE

CASECOMBI DATA [ No. 301 : LIVE LOAD ]

[ No. 5 : 2-LANES(case1) ] [ EXTRA COEF = 1.00000 ] [ COMBI TYPE = PLUS ]

CASE	CASE TITLE		COMBI COEF	COMBI FLAG
65	2-LANES(case1)	TRUCK-LOAD	1.00000	
65	2-LANES(case1)	DISPERSION-LOAD	1.00000	

[ No. 6 : 2-LANES(case2) ] [ EXTRA COEF = 1.00000 ] [ COMBI TYPE = PLUS ]

CASE	CASE TITLE		COMBI COEF	COMBI FLAG
66	2-LANES(case2)	TRUCK-LOAD	1.00000	
66	2-LANES(case2)	DISPERSION-LOAD	1.00000	

[ No. 7 : 2-LANES(case3) ] [ EXTRA COEF = 1.00000 ] [ COMBI TYPE = PLUS ]

CASE	CASE TITLE		COMBI COEF	COMBI FLAG
67	2-LANES(case3)	TRUCK-LOAD	1.00000	
67	2-LANES(case3)	DISPERSION-LOAD	1.00000	

[ No. 8 : 2-LANES(case4) ] [ EXTRA COEF = 1.00000 ] [ COMBI TYPE = PLUS ]

CASE	CASE TITLE		COMBI COEF	COMBI FLAG
68	2-LANES(case4)	TRUCK-LOAD	1.00000	
68	2-LANES(case4)	DISPERSION-LOAD	1.00000	

[ No. 9 : 3-LANES(case1) ] [ EXTRA COEF = 1.00000 ] [ COMBI TYPE = PLUS ]

CASE	CASE TITLE		COMBI COEF	COMBI FLAG
69	3-LANES(case1)	TRUCK-LOAD	0.85000	
69	3-LANES(case1)	DISPERSION-LOAD	0.85000	

[ No. 10 : 3-LANES(case2) ] [ EXTRA COEF = 1.00000 ] [ COMBI TYPE = PLUS ]

CASE	CASE TITLE		COMBI COEF	COMBI FLAG
70	3-LANES(case2)	TRUCK-LOAD	0.85000	
70	3-LANES(case2)	DISPERSION-LOAD	0.85000	

BAGO RIVER BRIDGE

CASECOMBI DATA [ No. 301 : LIVE LOAD ]

[ No. 11 : 3-LANES(case3) ] [ EXTRA COEF = 1.00000 ] [ COMBI TYPE = PLUS ]

CASE	CASE TITLE		COMBI COEF	COMBI FLAG
71	3-LANES(case3)	TRUCK-LOAD	0.85000	
71	3-LANES(case3)	DISPERSION-LOAD	0.85000	

[ No. 12 : 4-LANES ] [ EXTRA COEF = 1.00000 ] [ COMBI TYPE = PLUS ]

CASE	CASE TITLE		COMBI COEF	COMBI FLAG
72	4-LANES	TRUCK-LOAD	0.65000	
72	4-LANES	DISPERSION-LOAD	0.65000	

[ No. 13 : 6-LANES ] [ EXTRA COEF = 1.00000 ] [ COMBI TYPE = PLUS ]

CASE	CASE TITLE		COMBI COEF	COMBI FLAG
73	6-LANES	TRUCK-LOAD	0.65000	
73	6-LANES	DISPERSION-LOAD	0.65000	

CASECOMBI DATA [ No. 302 : LIVE LOAD ]

[ No. 1 : TOTAL ] [ EXTRA COEF = 1.00000 ] [ COMBI TYPE = PLUS ]

CASE	CASE TITLE		COMBI COEF	COMBI FLAG
301	LIVE LOAD	LIVE LOAD	1.00000	

CASECOMBI DATA [ No. 111 : D+(1-LANE(case1)) ]

[ No. 1 : TOTAL ] [ EXTRA COEF = 1.00000 ] [ COMBI TYPE = PLUS ]

CASE	CASE TITLE		COMBI COEF	COMBI FLAG
61	1-LANE(case1)	TRUCK-LOAD	1.20000	
61	1-LANE(case1)	DISPERSION-LOAD	1.20000	
300	DEAD LOAD	TOTAL	1.00000	

BAGO RIVER BRIDGE

CASECOMBI DATA [ No. 112 : D+(1-LANE(case2)) ]

[ No. 1 : TOTAL ] [ EXTRA COEF = 1.00000 ] [ COMBI TYPE = PLUS ]

CASE	CASE TITLE		COMBI COEF	COMBI FLAG
62	1-LANE(case2)	TRUCK-LOAD	1.20000	
62	1-LANE(case2)	DISPERSION-LOAD	1.20000	
300	DEAD LOAD	TOTAL	1.00000	

CASECOMBI DATA [ No. 113 : D+(1-LANE(case3)) ]

[ No. 1 : TOTAL ] [ EXTRA COEF = 1.00000 ] [ COMBI TYPE = PLUS ]

CASE	CASE TITLE		COMBI COEF	COMBI FLAG
63	1-LANE(case3)	TRUCK-LOAD	1.20000	
63	1-LANE(case3)	DISPERSION-LOAD	1.20000	
300	DEAD LOAD	TOTAL	1.00000	

CASECOMBI DATA [ No. 114 : D+(1-LANE(case4)) ]

[ No. 1 : TOTAL ] [ EXTRA COEF = 1.00000 ] [ COMBI TYPE = PLUS ]

CASE	CASE TITLE		COMBI COEF	COMBI FLAG
64	1-LANE(case4)	TRUCK-LOAD	1.20000	
64	1-LANE(case4)	DISPERSION-LOAD	1.20000	
300	DEAD LOAD	TOTAL	1.00000	

CASECOMBI DATA [ No. 115 : D+(2-LANE(case1)) ]

[ No. 1 : TOTAL ] [ EXTRA COEF = 1.00000 ] [ COMBI TYPE = PLUS ]

CASE	CASE TITLE		COMBI COEF	COMBI FLAG
65	2-LANES(case1)	TRUCK-LOAD	1.00000	
65	2-LANES(case1)	DISPERSION-LOAD	1.00000	
300	DEAD LOAD	TOTAL	1.00000	

BAGO RIVER BRIDGE

CASECOMBI DATA [ No.116 : D+(2-LANE(case2)) ]

[ No.1 : TOTAL ] [ EXTRA COEF = 1.00000 ] [ COMBI TYPE = PLUS ]

CASE	CASE TITLE		COMBI COEF	COMBI FLAG
66	2-LANES(case2)	TRUCK-LOAD	1.00000	
66	2-LANES(case2)	DISPERSION-LOAD	1.00000	
300	DEAD LOAD	TOTAL	1.00000	

CASECOMBI DATA [ No.117 : D+(2-LANE(case3)) ]

[ No.1 : TOTAL ] [ EXTRA COEF = 1.00000 ] [ COMBI TYPE = PLUS ]

CASE	CASE TITLE		COMBI COEF	COMBI FLAG
67	2-LANES(case3)	TRUCK-LOAD	1.00000	
67	2-LANES(case3)	DISPERSION-LOAD	1.00000	
300	DEAD LOAD	TOTAL	1.00000	

CASECOMBI DATA [ No.118 : D+(2-LANE(case4)) ]

[ No.1 : TOTAL ] [ EXTRA COEF = 1.00000 ] [ COMBI TYPE = PLUS ]

CASE	CASE TITLE		COMBI COEF	COMBI FLAG
68	2-LANES(case4)	TRUCK-LOAD	1.00000	
68	2-LANES(case4)	DISPERSION-LOAD	1.00000	
300	DEAD LOAD	TOTAL	1.00000	

CASECOMBI DATA [ No.119 : D+(3-LANE(case1)) ]

[ No.1 : TOTAL ] [ EXTRA COEF = 1.00000 ] [ COMBI TYPE = PLUS ]

CASE	CASE TITLE		COMBI COEF	COMBI FLAG
69	3-LANES(case1)	TRUCK-LOAD	0.85000	
69	3-LANES(case1)	DISPERSION-LOAD	0.85000	
300	DEAD LOAD	TOTAL	1.00000	

BAGO RIVER BRIDGE

CASECOMBI DATA [ No. 120 : D+(3-LANE(case2)) ]

[ No. 1 : TOTAL ] [ EXTRA COEF = 1.00000 ] [ COMBI TYPE = PLUS ]

CASE	CASE TITLE		COMBI COEF	COMBI FLAG
70	3-LANES(case2)	TRUCK-LOAD	0.85000	
70	3-LANES(case2)	DISPERSION-LOAD	0.85000	
300	DEAD LOAD	TOTAL	1.00000	

CASECOMBI DATA [ No. 121 : D+(3-LANE(case3)) ]

[ No. 1 : TOTAL ] [ EXTRA COEF = 1.00000 ] [ COMBI TYPE = PLUS ]

CASE	CASE TITLE		COMBI COEF	COMBI FLAG
71	3-LANES(case3)	TRUCK-LOAD	0.85000	
71	3-LANES(case3)	DISPERSION-LOAD	0.85000	
300	DEAD LOAD	TOTAL	1.00000	

CASECOMBI DATA [ No. 122 : D+(4-LANE) ]

[ No. 1 : TOTAL ] [ EXTRA COEF = 1.00000 ] [ COMBI TYPE = PLUS ]

CASE	CASE TITLE		COMBI COEF	COMBI FLAG
72	4-LANES	TRUCK-LOAD	0.65000	
72	4-LANES	DISPERSION-LOAD	0.65000	
300	DEAD LOAD	TOTAL	1.00000	

CASECOMBI DATA [ No. 123 : D+(6-LANE) ]

[ No. 1 : TOTAL ] [ EXTRA COEF = 1.00000 ] [ COMBI TYPE = PLUS ]

CASE	CASE TITLE		COMBI COEF	COMBI FLAG
73	6-LANES	TRUCK-LOAD	0.65000	
73	6-LANES	DISPERSION-LOAD	0.65000	
300	DEAD LOAD	TOTAL	1.00000	

BAGO RIVER BRIDGE

CASECOMBI DATA [ No.124 : SUM TOTAL ]

[ No.1 : D+1LANE(case1) ] [ EXTRA COEF = 1.00000 ] [ COMBI TYPE = PLUS ]				
CASE	CASE TITLE		COMBI COEF	COMBI FLAG
111	D+(1-LANE(case1))	TOTAL	1.00000	
[ No.2 : D+1LANE(case2) ] [ EXTRA COEF = 1.00000 ] [ COMBI TYPE = PLUS ]				
CASE	CASE TITLE		COMBI COEF	COMBI FLAG
112	D+(1-LANE(case2))	TOTAL	1.00000	
[ No.3 : D+1LANE(case3) ] [ EXTRA COEF = 1.00000 ] [ COMBI TYPE = PLUS ]				
CASE	CASE TITLE		COMBI COEF	COMBI FLAG
113	D+(1-LANE(case3))	TOTAL	1.00000	
[ No.4 : D+1LANE(case4) ] [ EXTRA COEF = 1.00000 ] [ COMBI TYPE = PLUS ]				
CASE	CASE TITLE		COMBI COEF	COMBI FLAG
114	D+(1-LANE(case4))	TOTAL	1.00000	
[ No.5 : D+2LANES(case1) ] [ EXTRA COEF = 1.00000 ] [ COMBI TYPE = PLUS ]				
CASE	CASE TITLE		COMBI COEF	COMBI FLAG
115	D+(2-LANE(case1))	TOTAL	1.00000	
[ No.6 : D+2LANES(case2) ] [ EXTRA COEF = 1.00000 ] [ COMBI TYPE = PLUS ]				
CASE	CASE TITLE		COMBI COEF	COMBI FLAG
116	D+(2-LANE(case2))	TOTAL	1.00000	
[ No.7 : D+2LANES(case3) ] [ EXTRA COEF = 1.00000 ] [ COMBI TYPE = PLUS ]				
CASE	CASE TITLE		COMBI COEF	COMBI FLAG
117	D+(2-LANE(case3))	TOTAL	1.00000	
[ No.8 : D+2LANES(case4) ] [ EXTRA COEF = 1.00000 ] [ COMBI TYPE = PLUS ]				
CASE	CASE TITLE		COMBI COEF	COMBI FLAG
118	D+(2-LANE(case4))	TOTAL	1.00000	

BAGO RIVER BRIDGE

CASECOMBI DATA [ No.124 : SUM TOTAL ]

[ No.9 : D+3LANES(case1) ] [ EXTRA COEF = 1.00000 ] [ COMBI TYPE = PLUS ]

CASE	CASE TITLE		COMBI COEF	COMBI FLAG
119	D+(3-LANE(case1))	TOTAL	1.00000	

[ No.10 : D+3LANES(case2) ] [ EXTRA COEF = 1.00000 ] [ COMBI TYPE = PLUS ]

CASE	CASE TITLE		COMBI COEF	COMBI FLAG
120	D+(3-LANE(case2))	TOTAL	1.00000	

[ No.11 : D+3LANES(case3) ] [ EXTRA COEF = 1.00000 ] [ COMBI TYPE = PLUS ]

CASE	CASE TITLE		COMBI COEF	COMBI FLAG
121	D+(3-LANE(case3))	TOTAL	1.00000	

[ No.12 : D+4LANES ] [ EXTRA COEF = 1.00000 ] [ COMBI TYPE = PLUS ]

CASE	CASE TITLE		COMBI COEF	COMBI FLAG
122	D+(4-LANE)	TOTAL	1.00000	

[ No.13 : D+6LANES ] [ EXTRA COEF = 1.00000 ] [ COMBI TYPE = PLUS ]

CASE	CASE TITLE		COMBI COEF	COMBI FLAG
123	D+(6-LANE)	TOTAL	1.00000	

CASECOMBI DATA [ No.303 : SUM TOTAL ]

[ No.1 : TOTAL ] [ EXTRA COEF = 1.00000 ] [ COMBI TYPE = PLUS ]

CASE	CASE TITLE		COMBI COEF	COMBI FLAG
124	SUM TOTAL	SUM TOTAL	1.00000	



### 3 — 5 Computerized OUTPUT DATA

BAGO RIVER BRIDGE

OUTPUT CASE

NAME TITLE

- 1 PAVEMENT
- 3 RAILING
- 5 CURB
- 7 DECK WEIGHT
- 8 GIRDER WEIGHT
- 10 MEDIAN STRIP
- 21 ADDITIONAL WEIGHT
- 31 MEDIAN RAILING
- 51 SUPPORT WEIGHT
- 52 NOSE WEIGHT

61	1-LANE (case1)	TRUCK-LOAD	MAX/MIN	SIMUL (EVERY FORCE)
		TANDEM-LOAD	MAX/MIN	SIMUL (EVERY FORCE)
		DISPERSION-LOAD	MAX/MIN	SIMUL (EVERY FORCE)
62	1-LANE (case2)	TRUCK-LOAD	MAX/MIN	SIMUL (EVERY FORCE)
		TANDEM-LOAD	MAX/MIN	SIMUL (EVERY FORCE)
		DISPERSION-LOAD	MAX/MIN	SIMUL (EVERY FORCE)
63	1-LANE (case3)	TRUCK-LOAD	MAX/MIN	SIMUL (EVERY FORCE)
		TANDEM-LOAD	MAX/MIN	SIMUL (EVERY FORCE)
		DISPERSION-LOAD	MAX/MIN	SIMUL (EVERY FORCE)
64	1-LANE (case4)	TRUCK-LOAD	MAX/MIN	SIMUL (EVERY FORCE)
		TANDEM-LOAD	MAX/MIN	SIMUL (EVERY FORCE)
		DISPERSION-LOAD	MAX/MIN	SIMUL (EVERY FORCE)
65	2-LANES (case1)	TRUCK-LOAD	MAX/MIN	SIMUL (EVERY FORCE)
		TANDEM-LOAD	MAX/MIN	SIMUL (EVERY FORCE)
		DISPERSION-LOAD	MAX/MIN	SIMUL (EVERY FORCE)
66	2-LANES (case2)	TRUCK-LOAD	MAX/MIN	SIMUL (EVERY FORCE)
		TANDEM-LOAD	MAX/MIN	SIMUL (EVERY FORCE)
		DISPERSION-LOAD	MAX/MIN	SIMUL (EVERY FORCE)
67	2-LANES (case3)	TRUCK-LOAD	MAX/MIN	SIMUL (EVERY FORCE)
		TANDEM-LOAD	MAX/MIN	SIMUL (EVERY FORCE)

BAGO RIVER BRIDGE

OUTPUT CASE

NAME TITLE

68	2-LANES (case4)	TANDEM-LOAD	MAX/MIN	SIMUL (EVERY FORCE)
		DISPERSION-LOAD	MAX/MIN	SIMUL (EVERY FORCE)
69	3-LANES (case1)	TRUCK-LOAD	MAX/MIN	SIMUL (EVERY FORCE)
		TANDEM-LOAD	MAX/MIN	SIMUL (EVERY FORCE)
		DISPERSION-LOAD	MAX/MIN	SIMUL (EVERY FORCE)
70	3-LANES (case2)	TRUCK-LOAD	MAX/MIN	SIMUL (EVERY FORCE)
		TANDEM-LOAD	MAX/MIN	SIMUL (EVERY FORCE)
		DISPERSION-LOAD	MAX/MIN	SIMUL (EVERY FORCE)
71	3-LANES (case3)	TRUCK-LOAD	MAX/MIN	SIMUL (EVERY FORCE)
		TANDEM-LOAD	MAX/MIN	SIMUL (EVERY FORCE)
		DISPERSION-LOAD	MAX/MIN	SIMUL (EVERY FORCE)
72	4-LANES	TRUCK-LOAD	MAX/MIN	SIMUL (EVERY FORCE)
		TANDEM-LOAD	MAX/MIN	SIMUL (EVERY FORCE)
		DISPERSION-LOAD	MAX/MIN	SIMUL (EVERY FORCE)
73	6-LANES	TRUCK-LOAD	MAX/MIN	SIMUL (EVERY FORCE)
		TANDEM-LOAD	MAX/MIN	SIMUL (EVERY FORCE)
		DISPERSION-LOAD	MAX/MIN	SIMUL (EVERY FORCE)
124	SUM TOTAL	D+1LANE (case1)	MAX/MIN	SIMUL (EVERY FORCE)
		D+1LANE (case2)	MAX/MIN	SIMUL (EVERY FORCE)
		D+1LANE (case3)	MAX/MIN	SIMUL (EVERY FORCE)
		D+1LANE (case4)	MAX/MIN	SIMUL (EVERY FORCE)
		D+2LANES (case1)	MAX/MIN	SIMUL (EVERY FORCE)
		D+2LANES (case2)	MAX/MIN	SIMUL (EVERY FORCE)
		D+2LANES (case3)	MAX/MIN	SIMUL (EVERY FORCE)
		D+2LANES (case4)	MAX/MIN	SIMUL (EVERY FORCE)
		D+3LANES (case1)	MAX/MIN	SIMUL (EVERY FORCE)
		D+3LANES (case2)	MAX/MIN	SIMUL (EVERY FORCE)
		D+3LANES (case3)	MAX/MIN	SIMUL (EVERY FORCE)
		D+4LANES	MAX/MIN	SIMUL (EVERY FORCE)
		D+6LANES	MAX/MIN	SIMUL (EVERY FORCE)
		SUM TOTAL	MAX/MIN	
		300	DEAD LOAD	TOTAL

BAGO RIVER BRIDGE

OUTPUT CASE

NAME TITLE

301 LIVE LOAD	1-LANE (case1)	MAX/MIN	SIMUL (EVERY FORCE)
	1-LANE (case2)	MAX/MIN	SIMUL (EVERY FORCE)
	1-LANE (case3)	MAX/MIN	SIMUL (EVERY FORCE)
	1-LANE (case4)	MAX/MIN	SIMUL (EVERY FORCE)
	2-LANES (case1)	MAX/MIN	SIMUL (EVERY FORCE)
	2-LANES (case2)	MAX/MIN	SIMUL (EVERY FORCE)
	2-LANES (case3)	MAX/MIN	SIMUL (EVERY FORCE)
	2-LANES (case4)	MAX/MIN	SIMUL (EVERY FORCE)
	3-LANES (case1)	MAX/MIN	SIMUL (EVERY FORCE)
	3-LANES (case2)	MAX/MIN	SIMUL (EVERY FORCE)
	3-LANES (case3)	MAX/MIN	SIMUL (EVERY FORCE)
	4-LANES	MAX/MIN	SIMUL (EVERY FORCE)
	6-LANES	MAX/MIN	SIMUL (EVERY FORCE)
	LIVE LOAD	MAX/MIN	
303 SUM TOTAL	TOTAL	MAX/MIN	

OUTPUT NODAL BLOCK

NAME TITLE	NODAL SIZE
1 STRUCTURE NODE	220

OUTPUT ELEMENT BLOCK

NAME TITLE	ELEMENT SIZE
1 MAIN GIRDER	216
2 CROSS BEAM	84

BAGO RIVER BRIDGE

BLOCK [ No.1 : STRUCTURE NODE ] [ NODAL DISPLACEMENT ]

NODE		1001	1002	1003	1004	1005	1006	1007	1008	1009	1010	1011	1012		
NAME TITLE		TRANSZ DZ (mm)	TRANSZ DZ (mm)	TRANSZ DZ (mm)	TRANSZ DZ (mm)	TRANSZ DZ (mm)	TRANSZ DZ (mm)	TRANSZ DZ (mm)	TRANSZ DZ (mm)	TRANSZ DZ (mm)	TRANSZ DZ (mm)	TRANSZ DZ (mm)	TRANSZ DZ (mm)		
1	PAVEMENT	0.00	-7.69	-14.86	-21.27	-26.55	-30.54	-33.16	-34.36	-34.13	-32.52	-29.64	-25.61		
3	RAILING	0.00	-0.19	-0.37	-0.53	-0.66	-0.76	-0.83	-0.86	-0.85	-0.82	-0.75	-0.65		
5	CURB	0.00	-1.91	-3.67	-5.25	-6.54	-7.53	-8.18	-8.49	-8.46	-8.09	-7.41	-6.45		
7	DECK WEIGHT	0.00	-12.13	-23.44	-33.57	-41.90	-48.21	-52.36	-54.28	-53.95	-51.45	-46.94	-40.59		
8	GIRDER WEIGH	0.00	-15.44	-29.85	-42.76	-53.38	-61.46	-66.81	-69.34	-69.02	-65.93	-60.27	-52.25		
10	MEDIAN STRIP	0.00	-2.79	-5.41	-7.77	-9.72	-11.22	-12.24	-12.74	-12.73	-12.22	-11.23	-9.80		
21	ADITIONAL WE	0.00	-3.40	-6.56	-9.40	-11.73	-13.50	-14.66	-15.20	-15.11	-14.41	-13.14	-11.36		
31	MEDIAN RAILI	0.00	-0.21	-0.42	-0.59	-0.74	-0.86	-0.93	-0.96	-0.96	-0.92	-0.84	-0.72		
51	SUPPORT WEIG	-0.00	-0.00	-0.00	-0.00	-0.00	-0.00	-0.00	-0.00	-0.00	-0.00	-0.00	-0.00		
52	NOSE WEIGHT	-0.00	-0.00	-0.01	-0.01	-0.01	-0.01	-0.01	-0.01	-0.01	-0.01	-0.01	-0.01		
61	1-LANE(case1TRUCK-LOAD	MAX	0.00	0.53	1.05	1.56	2.03	2.45	2.82	3.12	3.35	3.49	3.53	3.44	
		MIN	0.00	-2.42	-4.71	-6.81	-8.59	-10.00	-10.98	-11.50	-11.51	-11.07	-10.16	-8.87	
		TANDEM-LOAD	MAX	0.00	0.36	0.72	1.06	1.38	1.67	1.92	2.13	2.28	2.38	2.41	2.34
		MIN	0.00	-1.64	-3.20	-4.64	-5.86	-6.81	-7.49	-7.85	-7.86	-7.54	-6.93	-6.04	
		DISPERSION-LMAX	0.00	0.74	1.45	2.15	2.79	3.38	3.88	4.30	4.62	4.81	4.86	4.74	
		MIN	0.00	-3.74	-7.22	-10.37	-13.01	-15.09	-16.58	-17.44	-17.66	-17.24	-16.19	-14.52	
62	1-LANE(case2TRUCK-LOAD	MAX	0.00	0.48	0.95	1.40	1.82	2.20	2.52	2.79	2.98	3.09	3.10	3.00	
		MIN	0.00	-1.89	-3.67	-5.30	-6.68	-7.76	-8.49	-8.88	-8.91	-8.55	-7.89	-6.90	
		TANDEM-LOAD	MAX	0.00	0.33	0.65	0.96	1.24	1.50	1.72	1.90	2.03	2.11	2.12	2.05
		MIN	0.00	-1.29	-2.50	-3.61	-4.55	-5.28	-5.79	-6.05	-6.07	-5.84	-5.36	-4.70	
		DISPERSION-LMAX	0.00	0.66	1.31	1.93	2.51	3.03	3.48	3.84	4.10	4.26	4.27	4.13	
		MIN	0.00	-2.95	-5.74	-8.27	-10.42	-12.12	-13.34	-14.07	-14.27	-13.95	-13.12	-11.78	
63	1-LANE(case3TRUCK-LOAD	MAX	0.00	0.44	0.87	1.29	1.67	2.01	2.31	2.54	2.70	2.79	2.79	2.67	
		MIN	0.00	-1.49	-2.90	-4.18	-5.26	-6.10	-6.68	-6.98	-7.00	-6.73	-6.22	-5.45	
		TANDEM-LOAD	MAX	0.00	0.30	0.60	0.88	1.14	1.37	1.57	1.73	1.84	1.90	1.90	1.82
		MIN	0.00	-1.02	-1.97	-2.84	-3.58	-4.16	-4.55	-4.75	-4.77	-4.59	-4.24	-3.71	
		DISPERSION-LMAX	0.00	0.61	1.20	1.77	2.30	2.76	3.17	3.49	3.71	3.83	3.83	3.67	
		MIN	0.00	-2.39	-4.65	-6.73	-8.50	-9.92	-10.95	-11.57	-11.76	-11.52	-10.85	-9.76	

BAGO RIVER BRIDGE

BLOCK [ No.1 : STRUCTURE NODE ] [ NODAL DISPLACEMENT ]

NODE		1001	1002	1003	1004	1005	1006	1007	1008	1009	1010	1011	1012	
NAME TITLE		TRANSZ DZ (mm)	TRANSZ DZ (mm)	TRANSZ DZ (mm)	TRANSZ DZ (mm)	TRANSZ DZ (mm)	TRANSZ DZ (mm)	TRANSZ DZ (mm)	TRANSZ DZ (mm)	TRANSZ DZ (mm)	TRANSZ DZ (mm)	TRANSZ DZ (mm)	TRANSZ DZ (mm)	
64	1-LANE (case4TRUCK-LOAD	MAX	0.00	0.36	0.72	1.06	1.36	1.63	1.86	2.03	2.14	2.18	2.14	2.01
		MIN	0.00	-0.57	-1.11	-1.61	-2.02	-2.35	-2.58	-2.70	-2.72	-2.64	-2.46	-2.19
	TANDEM-LOAD	MAX	0.00	0.25	0.49	0.72	0.93	1.11	1.27	1.38	1.46	1.48	1.46	1.37
		MIN	0.00	-0.39	-0.76	-1.10	-1.38	-1.60	-1.76	-1.84	-1.85	-1.80	-1.68	-1.50
	DISPERSION-LMAX	0.00	0.50	0.98	1.44	1.86	2.23	2.53	2.77	2.92	2.92	2.97	2.91	2.73
65	2-LANES (caseTRUCK-LOAD	MAX	0.00	1.04	2.06	3.04	3.95	4.77	5.49	6.08	6.52	6.78	6.85	6.66
		MIN	0.00	-4.58	-8.90	-12.86	-16.22	-18.87	-20.70	-21.68	-21.71	-20.87	-19.18	-16.73
	TANDEM-LOAD	0.00	0.71	1.40	2.07	2.69	3.25	3.74	4.14	4.44	4.62	4.67	4.54	
	MIN	0.00	-3.11	-6.06	-8.76	-11.06	-12.84	-14.13	-14.80	-14.82	-14.22	-13.07	-11.41	
	DISPERSION-LMAX	0.00	1.44	2.84	4.19	5.45	6.58	7.56	8.37	8.98	9.35	9.43	9.17	
66	2-LANES (caseTRUCK-LOAD	MAX	0.00	0.99	1.95	2.88	3.75	4.52	5.19	5.74	6.14	6.38	6.42	6.22
		MIN	0.00	-4.04	-7.86	-11.34	-14.31	-16.63	-18.21	-19.07	-19.11	-18.36	-16.91	-14.77
	TANDEM-LOAD	0.00	0.68	1.33	1.97	2.55	3.08	3.54	3.91	4.19	4.35	4.38	4.24	
	MIN	0.00	-2.75	-5.35	-7.73	-9.75	-11.31	-12.43	-12.99	-13.03	-12.52	-11.50	-10.07	
	DISPERSION-LMAX	0.00	1.36	2.69	3.98	5.16	6.23	7.16	7.91	8.47	8.79	8.84	8.57	
67	2-LANES (caseTRUCK-LOAD	MAX	0.00	0.86	1.70	2.50	3.24	3.90	4.46	4.91	5.22	5.38	5.36	5.13
		MIN	0.00	-2.72	-5.29	-7.64	-9.61	-11.14	-12.20	-12.76	-12.80	-12.32	-11.38	-9.99
	TANDEM-LOAD	0.00	0.59	1.16	1.70	2.21	2.66	3.04	3.34	3.56	3.66	3.65	3.49	
	MIN	0.00	-1.85	-3.60	-5.19	-6.54	-7.59	-8.32	-8.69	-8.71	-8.40	-7.75	-6.79	
	DISPERSION-LMAX	0.00	1.18	2.33	3.43	4.45	5.35	6.12	6.74	7.16	7.38	7.35	7.03	
68	2-LANES (caseTRUCK-LOAD	MAX	0.00	0.75	1.48	2.19	2.83	3.39	3.86	4.22	4.46	4.56	4.49	4.23
		MIN	0.00	-1.38	-2.69	-3.89	-4.90	-5.70	-6.27	-6.57	-6.62	-6.41	-5.97	-5.30
	TANDEM-LOAD	0.00	0.51	1.01	1.49	1.92	2.30	2.63	2.87	3.03	3.10	3.05	2.88	
	MIN	0.00	-0.94	-1.83	-2.65	-3.34	-3.88	-4.27	-4.48	-4.51	-4.37	-4.07	-3.61	

BAGO RIVER BRIDGE

BLOCK [ No.1 : STRUCTURE NODE ] [ NODAL DISPLACEMENT ]

NODE		1001	1002	1003	1004	1005	1006	1007	1008	1009	1010	1011	1012
NAME TITLE		TRANSZ DZ (mm)	TRANSZ DZ (mm)	TRANSZ DZ (mm)	TRANSZ DZ (mm)	TRANSZ DZ (mm)	TRANSZ DZ (mm)	TRANSZ DZ (mm)	TRANSZ DZ (mm)	TRANSZ DZ (mm)	TRANSZ DZ (mm)	TRANSZ DZ (mm)	TRANSZ DZ (mm)
68	2-LANES (caseDISPERSION-LMAX	0.00	1.03	2.03	2.99	3.86	4.63	5.27	5.77	6.09	6.22	6.12	5.77
	MIN	0.00	-2.60	-5.08	-7.41	-9.45	-11.14	-12.43	-13.28	-13.65	-13.52	-12.90	-11.78
69	3-LANES (caseTRUCK-LOAD MAX	0.00	1.52	3.01	4.44	5.77	6.97	8.01	8.86	9.50	9.87	9.95	9.66
	MIN	0.00	-6.46	-12.57	-18.15	-22.89	-26.63	-29.19	-30.57	-30.62	-29.43	-27.07	-23.64
	TANDEM-LOAD MAX	0.00	1.04	2.05	3.03	3.93	4.75	5.46	6.04	6.47	6.73	6.78	6.59
	MIN	0.00	-4.39	-8.56	-12.37	-15.60	-18.12	-19.92	-20.85	-20.89	-20.06	-18.43	-16.11
	DISPERSION-LMAX	0.00	2.10	4.14	6.12	7.96	9.61	11.04	12.21	13.08	13.60	13.71	13.31
	MIN	0.00	-10.03	-19.43	-27.96	-35.13	-40.81	-44.87	-47.25	-47.89	-46.79	-43.96	-39.43
70	3-LANES (caseTRUCK-LOAD MAX	0.00	1.25	2.47	3.64	4.71	5.67	6.48	7.12	7.56	7.77	7.73	7.37
	MIN	0.00	-3.70	-7.19	-10.38	-13.06	-15.14	-16.60	-17.36	-17.42	-16.77	-15.49	-13.61
	TANDEM-LOAD MAX	0.00	0.85	1.68	2.48	3.21	3.86	4.41	4.84	5.14	5.29	5.26	5.02
	MIN	0.00	-2.52	-4.89	-7.06	-8.89	-10.32	-11.31	-11.82	-11.85	-11.43	-10.56	-9.26
	DISPERSION-LMAX	0.00	1.72	3.38	4.99	6.46	7.77	8.88	9.75	10.36	10.65	10.58	10.09
	MIN	0.00	-6.12	-11.93	-17.27	-21.85	-25.54	-28.25	-29.89	-30.44	-29.86	-28.18	-25.40
71	3-LANES (caseTRUCK-LOAD MAX	0.00	1.17	2.30	3.39	4.39	5.27	6.01	6.58	6.96	7.13	7.04	6.67
	MIN	0.00	-2.44	-4.74	-6.86	-8.66	-10.08	-11.08	-11.62	-11.69	-11.32	-10.53	-9.31
	TANDEM-LOAD MAX	0.00	0.80	1.57	2.31	2.98	3.58	4.09	4.48	4.74	4.85	4.79	4.54
	MIN	0.00	-1.66	-3.23	-4.68	-5.90	-6.86	-7.54	-7.91	-7.97	-7.72	-7.17	-6.33
	DISPERSION-LMAX	0.00	1.60	3.15	4.64	6.01	7.21	8.22	9.01	9.53	9.75	9.63	9.11
	MIN	0.00	-4.41	-8.62	-12.54	-15.97	-18.79	-20.92	-22.29	-22.86	-22.60	-21.51	-19.57
72	4-LANES TRUCK-LOAD MAX	0.00	1.62	3.18	4.69	6.07	7.29	8.33	9.14	9.69	9.94	9.85	9.36
	MIN	0.00	-4.09	-7.95	-11.49	-14.48	-16.81	-18.44	-19.31	-19.41	-18.72	-17.35	-15.28
	TANDEM-LOAD MAX	0.00	1.10	2.16	3.19	4.13	4.96	5.67	6.22	6.59	6.76	6.70	6.37
	MIN	0.00	-2.78	-5.42	-7.82	-9.86	-11.46	-12.56	-13.14	-13.22	-12.76	-11.82	-10.40
	DISPERSION-LMAX	0.00	1.69	3.33	4.91	6.36	7.64	8.72	9.56	10.13	10.38	10.28	9.76
	MIN	0.00	-5.63	-10.95	-15.81	-19.92	-23.15	-25.42	-26.65	-26.82	-25.94	-24.06	-21.24
73	6-LANES TRUCK-LOAD MAX	0.00	2.70	5.31	7.84	10.17	12.24	14.02	15.45	16.47	17.01	17.01	16.34
	MIN	0.00	-8.94	-17.39	-25.12	-31.67	-36.83	-40.41	-42.35	-42.55	-41.02	-37.87	-33.20

BAGO RIVER BRIDGE

BLOCK [ No.1 : STRUCTURE NODE ] [ NODAL DISPLACEMENT ]

NODE			1001	1002	1003	1004	1005	1006	1007	1008	1009	1010	1011	1012
NAME TITLE			TRANSZ DZ (mm)	TRANSZ DZ (mm)	TRANSZ DZ (mm)	TRANSZ DZ (mm)	TRANSZ DZ (mm)	TRANSZ DZ (mm)	TRANSZ DZ (mm)	TRANSZ DZ (mm)	TRANSZ DZ (mm)	TRANSZ DZ (mm)	TRANSZ DZ (mm)	TRANSZ DZ (mm)
73	6-LANES	TANDEM-LOAD MAX	0.00	1.84	3.62	5.34	6.92	8.34	9.55	10.53	11.22	11.59	11.58	11.13
		MIN	0.00	-6.09	-11.86	-17.14	-21.62	-25.15	-27.66	-28.99	-29.13	-28.05	-25.85	-22.66
		DISPERSION-LMAX	0.00	3.57	7.04	10.39	13.47	16.23	18.59	20.49	21.84	22.56	22.55	21.68
		MIN	0.00	-14.19	-27.57	-39.81	-50.23	-58.56	-64.62	-68.26	-69.39	-67.99	-64.08	-57.67
124	SUM TOTAL	D+1LANE (caseMAX	-0.00	-42.25	-81.58	-116.71	-145.46	-167.09	-181.13	-187.33	-185.65	-176.40	-160.16	-137.62
		MIN	-0.00	-51.16	-98.91	-141.78	-177.15	-204.19	-222.24	-230.96	-230.22	-220.34	-201.85	-175.50
		D+1LANE (caseMAX	-0.00	-42.40	-81.88	-117.15	-146.04	-167.81	-181.98	-188.28	-186.71	-177.55	-161.38	-138.88
		MIN	-0.00	-49.58	-95.88	-137.44	-171.75	-197.93	-215.37	-223.77	-223.03	-213.37	-195.44	-169.85
		D+1LANE (caseMAX	-0.00	-42.51	-82.10	-117.49	-146.48	-168.34	-182.61	-189.01	-187.51	-178.42	-162.30	-139.82
		MIN	-0.00	-48.43	-93.65	-134.25	-167.75	-193.30	-210.32	-218.50	-217.73	-208.26	-190.71	-165.69
		D+1LANE (caseMAX	-0.00	-42.74	-82.56	-118.17	-147.37	-169.44	-183.90	-190.48	-189.14	-180.19	-164.17	-141.75
		MIN	-0.00	-45.81	-88.58	-126.96	-158.62	-182.75	-198.82	-206.49	-205.71	-196.72	-180.07	-156.38
		D+2LANES (casMAX	-0.00	-41.29	-79.70	-113.93	-141.84	-162.73	-176.12	-181.79	-179.72	-170.24	-153.95	-131.60
		MIN	-0.00	-55.43	-107.19	-153.71	-192.17	-221.64	-241.41	-251.11	-250.55	-240.08	-220.25	-191.83
		D+2LANES (casMAX	-0.00	-41.42	-79.95	-114.30	-142.33	-163.33	-176.83	-182.59	-180.60	-171.20	-154.97	-132.65
		MIN	-0.00	-54.11	-104.66	-150.09	-187.67	-216.42	-235.69	-245.12	-244.56	-234.27	-214.91	-187.12
		D+2LANES (casMAX	-0.00	-41.73	-80.57	-115.22	-143.55	-164.82	-178.58	-184.59	-182.82	-173.61	-157.52	-135.27
		MIN	-0.00	-50.92	-98.50	-141.27	-176.62	-203.64	-221.73	-230.52	-229.91	-220.14	-201.84	-175.64
		D+2LANES (casMAX	-0.00	-41.99	-81.08	-115.99	-144.55	-166.06	-180.04	-186.24	-184.66	-175.59	-159.62	-137.43
		MIN	-0.00	-47.75	-92.36	-132.46	-165.59	-190.92	-207.87	-216.09	-215.48	-206.30	-189.10	-164.51
		D+3LANES (casMAX	-0.00	-40.69	-78.51	-112.18	-139.57	-159.99	-172.98	-178.32	-176.02	-166.41	-150.12	-127.91
		MIN	-0.00	-57.79	-111.79	-160.36	-200.56	-231.40	-252.13	-262.38	-261.95	-251.15	-230.61	-201.04
		D+3LANES (casMAX	-0.00	-41.25	-79.62	-113.83	-141.74	-162.66	-176.12	-181.89	-179.98	-170.71	-154.67	-132.59
		MIN	-0.00	-52.12	-100.84	-144.66	-180.91	-208.66	-227.29	-236.40	-235.89	-226.00	-207.35	-180.60
		D+3LANES (casMAX	-0.00	-41.42	-79.96	-114.33	-142.40	-163.47	-177.08	-182.99	-181.20	-172.02	-156.06	-134.02
		MIN	-0.00	-49.59	-95.95	-137.65	-172.17	-198.61	-216.37	-225.06	-224.59	-215.20	-197.46	-171.99
		D+4LANES MAX	-0.00	-41.62	-80.36	-114.92	-143.16	-164.37	-178.10	-184.08	-182.33	-173.16	-157.15	-135.01
		MIN	-0.00	-50.09	-96.88	-138.90	-173.60	-200.05	-217.68	-226.11	-225.26	-215.39	-197.15	-171.18

BAGO RIVER BRIDGE

BLOCK [ No.1 : STRUCTURE NODE ] [ NODAL DISPLACEMENT ]

NODE				1001	1002	1003	1004	1005	1006	1007	1008	1009	1010	1011	1012
NAME TITLE				TRANSZ DZ (mm)	TRANSZ DZ (mm)	TRANSZ DZ (mm)	TRANSZ DZ (mm)	TRANSZ DZ (mm)	TRANSZ DZ (mm)	TRANSZ DZ (mm)	TRANSZ DZ (mm)	TRANSZ DZ (mm)	TRANSZ DZ (mm)	TRANSZ DZ (mm)	TRANSZ DZ (mm)
124	SUM TOTAL	D+6LANES	MAX	-0.00	-39.70	-76.56	-109.31	-135.87	-155.57	-167.97	-172.87	-170.31	-160.65	-144.52	-122.72
			MIN	-0.00	-58.81	-113.82	-163.37	-204.47	-236.08	-257.44	-268.13	-267.98	-257.22	-236.50	-206.50
		SUM TOTAL	MAX	-0.00	-39.70	-76.56	-109.31	-135.87	-155.57	-167.97	-172.87	-170.31	-160.65	-144.52	-122.72
			MIN	-0.00	-58.81	-113.82	-163.37	-204.47	-236.08	-257.44	-268.13	-267.98	-257.22	-236.50	-206.50
300	DEAD LOAD	TOTAL		-0.00	-43.77	-84.59	-121.16	-151.24	-174.08	-189.17	-196.24	-195.21	-186.37	-170.23	-147.44
301	LIVE LOAD	1-LANE (case1	MAX	0.00	1.53	3.01	4.45	5.78	6.99	8.04	8.91	9.56	9.97	10.07	9.82
			MIN	0.00	-7.39	-14.32	-20.62	-25.91	-30.11	-33.06	-34.73	-35.00	-33.97	-31.62	-28.06
		1-LANE (case2	MAX	0.00	1.38	2.71	4.01	5.20	6.27	7.20	7.95	8.50	8.81	8.85	8.56
			MIN	0.00	-5.81	-11.29	-16.28	-20.51	-23.85	-26.20	-27.54	-27.81	-27.01	-25.21	-22.41
		1-LANE (case3	MAX	0.00	1.26	2.49	3.67	4.76	5.73	6.56	7.23	7.70	7.95	7.93	7.61
			MIN	0.00	-4.66	-9.06	-13.09	-16.51	-19.22	-21.15	-22.26	-22.51	-21.90	-20.48	-18.25
		1-LANE (case4	MAX	0.00	1.03	2.03	2.99	3.87	4.63	5.27	5.76	6.07	6.18	6.06	5.69
			MIN	0.00	-2.04	-3.98	-5.80	-7.38	-8.67	-9.65	-10.26	-10.50	-10.35	-9.84	-8.94
		2-LANES (case	MAX	0.00	2.48	4.89	7.23	9.40	11.35	13.05	14.45	15.50	16.13	16.28	15.84
			MIN	0.00	-11.66	-22.60	-32.55	-40.93	-47.56	-52.23	-54.87	-55.33	-53.71	-50.02	-44.39
		2-LANES (case	MAX	0.00	2.35	4.64	6.86	8.91	10.75	12.35	13.65	14.61	15.17	15.26	14.79
			MIN	0.00	-10.34	-20.07	-28.93	-36.43	-42.35	-46.51	-48.88	-49.34	-47.90	-44.68	-39.69
		2-LANES (case	MAX	0.00	2.04	4.02	5.94	7.69	9.26	10.59	11.65	12.39	12.76	12.71	12.16
			MIN	0.00	-7.15	-13.91	-20.11	-25.39	-29.56	-32.56	-34.29	-34.70	-33.78	-31.61	-28.20
		2-LANES (case	MAX	0.00	1.78	3.51	5.17	6.69	8.02	9.14	9.99	10.55	10.77	10.61	10.00
			MIN	0.00	-3.98	-7.77	-11.29	-14.35	-16.84	-18.70	-19.85	-20.27	-19.94	-18.87	-17.07
		3-LANES (case	MAX	0.00	3.08	6.08	8.98	11.67	14.09	16.19	17.91	19.19	19.95	20.11	19.53
			MIN	0.00	-14.02	-27.20	-39.20	-49.32	-57.32	-62.95	-66.15	-66.73	-64.78	-60.37	-53.61
		3-LANES (case	MAX	0.00	2.52	4.97	7.33	9.50	11.42	13.05	14.34	15.23	15.66	15.56	14.84
			MIN	0.00	-8.35	-16.25	-23.50	-29.68	-34.58	-38.12	-40.17	-40.68	-39.64	-37.12	-33.16
		3-LANES (case	MAX	0.00	2.35	4.64	6.83	8.83	10.60	12.09	13.25	14.02	14.34	14.17	13.41
			MIN	0.00	-5.82	-11.36	-16.49	-20.94	-24.54	-27.20	-28.83	-29.37	-28.83	-27.23	-24.55



BAGO RIVER BRIDGE

BLOCK [ No. 1 : STRUCTURE NODE ] [ NODAL DISPLACEMENT ]

NODE				1001	1002	1003	1004	1005	1006	1007	1008	1009	1010	1011	1012
NAME TITLE				TRANSZ DZ (mm)	TRANSZ DZ (mm)	TRANSZ DZ (mm)	TRANSZ DZ (mm)	TRANSZ DZ (mm)	TRANSZ DZ (mm)	TRANSZ DZ (mm)	TRANSZ DZ (mm)	TRANSZ DZ (mm)	TRANSZ DZ (mm)	TRANSZ DZ (mm)	TRANSZ DZ (mm)
301	LIVE LOAD	4-LANES	MAX	0.00	2.15	4.23	6.24	8.08	9.71	11.08	12.15	12.88	13.21	13.08	12.43
			MIN	0.00	-6.32	-12.29	-17.74	-22.36	-25.97	-28.51	-29.87	-30.05	-29.03	-26.92	-23.74
	6-LANES	MAX	0.00	4.07	8.03	11.85	15.37	18.51	21.20	23.36	24.90	25.72	25.71	24.72	
		MIN	0.00	-15.03	-29.22	-42.21	-53.24	-62.00	-68.27	-71.90	-72.77	-70.85	-66.26	-59.06	
	LIVE LOAD	MAX	0.00	4.07	8.03	11.85	15.37	18.51	21.20	23.36	24.90	25.72	25.71	24.72	
		MIN	0.00	-15.03	-29.22	-42.21	-53.24	-62.00	-68.27	-71.90	-72.77	-70.85	-66.26	-59.06	
303	SUM TOTAL	TOTAL	MAX	-0.00	-39.70	-76.56	-109.31	-135.87	-155.57	-167.97	-172.87	-170.31	-160.65	-144.52	-122.72
			MIN	-0.00	-58.81	-113.82	-163.37	-204.47	-236.08	-257.44	-268.13	-267.98	-257.22	-236.50	-206.50

BAGO RIVER BRIDGE

BLOCK [ No.1 : STRUCTURE NODE ] [ NODAL DISPLACEMENT ]

NODE		1013	1014	1015	1016	1017	1018	1019	1020	1021	1022	1023	1024	
NAME TITLE		TRANSZ DZ (mm)	TRANSZ DZ (mm)	TRANSZ DZ (mm)	TRANSZ DZ (mm)	TRANSZ DZ (mm)	TRANSZ DZ (mm)	TRANSZ DZ (mm)	TRANSZ DZ (mm)	TRANSZ DZ (mm)	TRANSZ DZ (mm)	TRANSZ DZ (mm)	TRANSZ DZ (mm)	
1	PAVEMENT	-20.61	-15.03	-9.33	-4.19	0.00	2.89	4.62	5.56	6.02	6.30	6.59	7.02	
3	RAILING	-0.53	-0.39	-0.24	-0.11	0.00	0.08	0.12	0.16	0.18	0.20	0.22	0.24	
5	CURB	-5.23	-3.86	-2.42	-1.10	0.00	0.76	1.24	1.54	1.77	1.96	2.16	2.39	
7	DECK WEIGHT	-32.72	-23.90	-14.87	-6.69	0.00	4.65	7.51	9.13	10.02	10.61	11.24	12.07	
8	GIRDER WEIGH	-42.23	-30.92	-19.29	-8.69	0.00	6.05	9.81	12.07	13.48	14.62	15.86	17.41	
10	MEDIAN STRIP	-7.99	-5.92	-3.75	-1.73	0.00	1.33	2.29	3.01	3.58	4.09	4.59	5.11	
21	ADITIONAL WE	-9.16	-6.69	-4.16	-1.87	0.00	1.30	2.10	2.56	2.80	2.97	3.15	3.38	
31	MEDIAN RAILI	-0.58	-0.43	-0.26	-0.12	0.00	0.08	0.13	0.16	0.17	0.18	0.19	0.21	
51	SUPPORT WEIG	-0.00	-0.00	-0.00	-0.00	0.00	0.00	0.00	0.00	0.00	0.00	0.00	0.00	
52	NOSE WEIGHT	-0.00	-0.00	-0.00	-0.00	-0.00	0.00	0.00	0.00	0.00	0.00	0.00	0.00	
61	1-LANE(case1TRUCK-LOAD	MAX	3.20	2.76	2.10	1.20	0.00	1.27	2.20	2.86	3.28	3.49	3.60	4.10
		MIN	-7.24	-5.38	-3.43	-1.60	0.00	-1.54	-3.28	-5.09	-6.80	-8.30	-9.42	-10.17
	TANDEM-LOAD	MAX	2.18	1.88	1.43	0.81	0.00	0.86	1.50	1.95	2.23	2.38	2.44	2.78
		MIN	-4.92	-3.66	-2.34	-1.09	0.00	-1.04	-2.23	-3.47	-4.64	-5.64	-6.45	-6.94
	DISPERSION-LMAX	MAX	4.40	3.79	2.88	1.65	0.00	2.81	5.27	7.43	9.28	10.80	11.99	12.83
		MIN	-12.23	-9.45	-6.31	-3.10	0.00	-2.11	-4.45	-6.81	-8.97	-10.78	-12.13	-12.96
62	1-LANE(case2TRUCK-LOAD	MAX	2.76	2.35	1.76	0.99	0.00	1.05	1.85	2.44	2.82	3.04	3.33	3.78
		MIN	-5.65	-4.22	-2.71	-1.27	0.00	-1.21	-2.56	-3.96	-5.27	-6.40	-7.26	-7.81
	TANDEM-LOAD	MAX	1.88	1.60	1.20	0.67	0.00	0.71	1.26	1.66	1.92	2.06	2.26	2.57
		MIN	-3.85	-2.87	-1.84	-0.87	0.00	-0.83	-1.75	-2.70	-3.58	-4.36	-4.96	-5.32
	DISPERSION-LMAX	MAX	3.80	3.24	2.42	1.35	0.00	2.41	4.60	6.56	8.26	9.68	10.79	11.58
		MIN	-9.94	-7.70	-5.17	-2.56	0.00	-1.66	-3.47	-5.30	-6.99	-8.41	-9.48	-10.15
63	1-LANE(case3TRUCK-LOAD	MAX	2.43	2.05	1.51	0.83	0.00	0.88	1.58	2.11	2.48	2.69	3.13	3.55
		MIN	-4.48	-3.36	-2.17	-1.03	0.00	-0.98	-2.05	-3.14	-4.15	-5.02	-5.70	-6.12
	TANDEM-LOAD	MAX	1.66	1.40	1.03	0.57	0.00	0.60	1.07	1.44	1.68	1.83	2.12	2.41
		MIN	-3.05	-2.29	-1.48	-0.70	0.00	-0.67	-1.39	-2.14	-2.83	-3.43	-3.88	-4.17
	DISPERSION-LMAX	MAX	3.34	2.81	2.07	1.14	0.00	2.11	4.08	5.89	7.47	8.81	9.86	10.60
		MIN	-8.26	-6.42	-4.34	-2.17	0.00	-1.33	-2.76	-4.21	-5.54	-6.67	-7.53	-8.07

BAGO RIVER BRIDGE

BLOCK [ No.1 : STRUCTURE NODE ] [ NODAL DISPLACEMENT ]

NODE		1013	1014	1015	1016	1017	1018	1019	1020	1021	1022	1023	1024	
NAME TITLE		TRANSZ DZ (mm)	TRANSZ DZ (mm)	TRANSZ DZ (mm)	TRANSZ DZ (mm)	TRANSZ DZ (mm)	TRANSZ DZ (mm)	TRANSZ DZ (mm)	TRANSZ DZ (mm)	TRANSZ DZ (mm)	TRANSZ DZ (mm)	TRANSZ DZ (mm)	TRANSZ DZ (mm)	
64	1-LANE (case4TRUCK-LOAD	MAX	1.78	1.45	1.02	0.53	0.00	0.50	0.96	1.41	1.93	2.42	2.86	3.23
		MIN	-1.84	-1.42	-0.96	-0.49	0.00	-0.54	-1.06	-1.57	-2.03	-2.42	-2.72	-2.92
	TANDEM-LOAD	MAX	1.21	0.99	0.70	0.36	0.00	0.34	0.65	0.96	1.31	1.64	1.94	2.20
		MIN	-1.26	-0.97	-0.66	-0.33	0.00	-0.37	-0.72	-1.07	-1.39	-1.65	-1.86	-1.99
	DISPERSION-LMAX	MAX	2.42	1.96	1.38	0.71	0.00	1.49	3.03	4.54	5.93	7.15	8.14	8.87
		MIN	-4.55	-3.65	-2.56	-1.35	0.00	-0.72	-1.44	-2.13	-2.78	-3.34	-3.78	-4.08
65	2-LANES (caseTRUCK-LOAD	MAX	6.17	5.31	4.02	2.29	0.00	2.42	4.23	5.51	6.33	6.76	7.07	8.05
		MIN	-13.68	-10.17	-6.50	-3.03	0.00	-2.91	-6.19	-9.60	-12.84	-15.64	-17.75	-19.15
	TANDEM-LOAD	MAX	4.20	3.62	2.74	1.56	0.00	1.65	2.88	3.75	4.31	4.60	4.79	5.46
		MIN	-9.30	-6.92	-4.42	-2.07	0.00	-1.98	-4.22	-6.55	-8.75	-10.64	-12.14	-13.05
	DISPERSION-LMAX	MAX	8.49	7.31	5.54	3.15	0.00	5.42	10.20	14.43	18.05	21.04	23.38	25.04
		MIN	-23.32	-18.02	-12.04	-5.93	0.00	-3.99	-8.40	-12.87	-16.94	-20.36	-22.93	-24.51
66	2-LANES (caseTRUCK-LOAD	MAX	5.73	4.90	3.69	2.08	0.00	2.20	3.87	5.09	5.87	6.30	6.80	7.73
		MIN	-12.09	-9.01	-5.78	-2.71	0.00	-2.59	-5.48	-8.48	-11.30	-13.74	-15.60	-16.79
	TANDEM-LOAD	MAX	3.91	3.34	2.51	1.41	0.00	1.50	2.64	3.46	3.99	4.29	4.61	5.24
		MIN	-8.23	-6.13	-3.93	-1.85	0.00	-1.76	-3.74	-5.78	-7.69	-9.36	-10.66	-11.43
	DISPERSION-LMAX	MAX	7.89	6.75	5.07	2.85	0.00	5.02	9.53	13.56	17.03	19.91	22.18	23.79
		MIN	-21.03	-16.27	-10.90	-5.39	0.00	-3.54	-7.42	-11.36	-14.96	-17.99	-20.28	-21.70
67	2-LANES (caseTRUCK-LOAD	MAX	4.65	3.90	2.86	1.56	0.00	1.65	2.99	4.01	4.72	5.21	6.12	6.93
		MIN	-8.21	-6.16	-4.00	-1.91	0.00	-1.82	-3.77	-5.75	-7.59	-9.18	-10.41	-11.18
	TANDEM-LOAD	MAX	3.17	2.66	1.95	1.06	0.00	1.12	2.03	2.73	3.21	3.54	4.16	4.71
		MIN	-5.59	-4.20	-2.72	-1.30	0.00	-1.24	-2.56	-3.92	-5.18	-6.26	-7.08	-7.62
	DISPERSION-LMAX	MAX	6.38	5.35	3.92	2.13	0.00	4.03	7.83	11.35	14.44	17.04	19.11	20.58
		MIN	-15.44	-12.03	-8.15	-4.10	0.00	-2.46	-5.08	-7.72	-10.16	-12.23	-13.82	-14.82
68	2-LANES (caseTRUCK-LOAD	MAX	3.77	3.09	2.20	1.15	0.00	1.10	2.09	2.98	3.94	4.94	5.85	6.62
		MIN	-4.42	-3.38	-2.26	-1.13	0.00	-1.21	-2.43	-3.63	-4.73	-5.67	-6.39	-6.86
	TANDEM-LOAD	MAX	2.57	2.10	1.50	0.78	0.00	0.75	1.42	2.03	2.67	3.36	3.98	4.50
		MIN	-3.01	-2.30	-1.54	-0.77	0.00	-0.83	-1.66	-2.48	-3.22	-3.86	-4.36	-4.68

BAGO RIVER BRIDGE

BLOCK [ No.1 : STRUCTURE NODE ] [ NODAL DISPLACEMENT ]

NODE		1013	1014	1015	1016	1017	1018	1019	1020	1021	1022	1023	1024
NAME TITLE		TRANSZ DZ (mm)	TRANSZ DZ (mm)	TRANSZ DZ (mm)	TRANSZ DZ (mm)	TRANSZ DZ (mm)	TRANSZ DZ (mm)	TRANSZ DZ (mm)	TRANSZ DZ (mm)	TRANSZ DZ (mm)	TRANSZ DZ (mm)	TRANSZ DZ (mm)	TRANSZ DZ (mm)
68	2-LANES (caseDISPERSION-LMAX	5.13	4.20	2.99	1.56	0.00	3.17	6.38	9.51	12.37	14.86	16.89	18.37
	MIN	-10.16	-8.09	-5.64	-2.94	0.00	-1.65	-3.30	-4.94	-6.46	-7.77	-8.80	-9.48
69	3-LANES (caseTRUCK-LOAD MAX	8.93	7.66	5.78	3.27	0.00	3.47	6.07	7.95	9.15	9.79	10.40	11.83
	MIN	-19.33	-14.39	-9.20	-4.31	0.00	-4.13	-8.76	-13.57	-18.11	-22.03	-25.02	-26.96
	TANDEM-LOAD MAX	6.08	5.22	3.94	2.23	0.00	2.36	4.13	5.41	6.23	6.66	7.05	8.02
	MIN	-13.14	-9.79	-6.26	-2.93	0.00	-2.81	-5.97	-9.25	-12.33	-15.00	-17.10	-18.37
	DISPERSION-LMAX	12.29	10.54	7.96	4.50	0.00	7.83	14.79	21.00	26.31	30.71	34.17	36.62
	MIN	-33.26	-25.72	-17.21	-8.49	0.00	-5.65	-11.87	-18.17	-23.93	-28.77	-32.41	-34.66
70	3-LANES (caseTRUCK-LOAD MAX	6.66	5.56	4.05	2.19	0.00	2.31	4.21	5.69	6.73	7.63	8.98	10.16
	MIN	-11.20	-8.43	-5.48	-2.63	0.00	-2.51	-5.16	-7.85	-10.35	-12.50	-14.16	-15.21
	TANDEM-LOAD MAX	4.53	3.78	2.76	1.49	0.00	1.57	2.86	3.87	4.57	5.18	6.10	6.90
	MIN	-7.63	-5.74	-3.73	-1.79	0.00	-1.71	-3.52	-5.35	-7.06	-8.52	-9.64	-10.37
	DISPERSION-LMAX	9.11	7.60	5.54	2.99	0.00	5.77	11.25	16.37	20.89	24.72	27.76	29.92
	MIN	-21.57	-16.85	-11.45	-5.78	0.00	-3.39	-6.97	-10.57	-13.88	-16.71	-18.87	-20.24
71	3-LANES (caseTRUCK-LOAD MAX	5.97	4.92	3.53	1.87	0.00	1.81	3.40	4.76	6.06	7.58	8.98	10.16
	MIN	-7.74	-5.89	-3.90	-1.92	0.00	-2.03	-4.12	-6.20	-8.11	-9.75	-11.02	-11.84
	TANDEM-LOAD MAX	4.06	3.35	2.40	1.27	0.00	1.23	2.31	3.24	4.12	5.15	6.10	6.90
	MIN	-5.27	-4.01	-2.66	-1.31	0.00	-1.39	-2.81	-4.23	-5.53	-6.64	-7.51	-8.07
	DISPERSION-LMAX	8.15	6.72	4.82	2.55	0.00	5.04	10.06	14.91	19.32	23.13	26.23	28.50
	MIN	-16.81	-13.32	-9.22	-4.77	0.00	-2.76	-5.60	-8.42	-11.04	-13.29	-15.04	-16.18
72	4-LANES TRUCK-LOAD MAX	8.42	6.99	5.06	2.71	0.00	2.75	5.08	6.93	8.26	9.10	9.49	9.47
	MIN	-12.63	-9.55	-6.26	-3.04	0.00	-3.03	-6.20	-9.38	-12.32	-14.85	-16.80	-18.04
	TANDEM-LOAD MAX	5.73	4.76	3.45	1.85	0.00	1.87	3.45	4.71	5.62	6.19	6.45	6.44
	MIN	-8.60	-6.50	-4.26	-2.07	0.00	-2.06	-4.22	-6.39	-8.40	-10.12	-11.44	-12.30
	DISPERSION-LMAX	8.76	7.25	5.23	2.79	0.00	3.87	7.15	9.76	11.65	12.84	13.39	13.36
	MIN	-17.60	-13.34	-8.76	-4.26	0.00	-3.07	-6.23	-9.34	-12.14	-14.46	-16.15	-17.11
73	6-LANES TRUCK-LOAD MAX	14.91	12.59	9.32	5.14	0.00	5.32	9.53	12.75	15.14	17.10	19.38	22.00
	MIN	-27.25	-20.42	-13.19	-6.27	0.00	-6.16	-12.87	-19.75	-26.19	-31.74	-36.00	-38.74

BAGO RIVER BRIDGE

BLOCK [ No.1 : STRUCTURE NODE ] [ NODAL DISPLACEMENT ]

NODE			1013	1014	1015	1016	1017	1018	1019	1020	1021	1022	1023	1024
NAME TITLE			TRANSZ DZ (mm)	TRANSZ DZ (mm)	TRANSZ DZ (mm)	TRANSZ DZ (mm)	TRANSZ DZ (mm)	TRANSZ DZ (mm)	TRANSZ DZ (mm)	TRANSZ DZ (mm)	TRANSZ DZ (mm)	TRANSZ DZ (mm)	TRANSZ DZ (mm)	TRANSZ DZ (mm)
73	6-LANES	TANDEM-LOAD MAX	10.15	8.58	6.35	3.50	0.00	3.62	6.49	8.67	10.30	11.63	13.15	14.93
		MIN	-18.58	-13.92	-8.99	-4.27	0.00	-4.19	-8.76	-13.46	-17.85	-21.62	-24.57	-26.40
		DISPERSION-LMAX	19.78	16.71	12.37	6.83	0.00	12.40	23.89	34.42	43.61	51.35	57.48	61.84
		MIN	-48.86	-38.02	-25.68	-12.85	0.00	-8.16	-16.96	-25.83	-33.97	-40.87	-46.11	-49.40
124	SUM TOTAL	D+1LANE (caseMAX	-109.95	-79.27	-48.38	-21.10	-0.00	22.03	36.78	46.53	53.08	58.08	62.72	68.15
		MIN	-142.42	-104.93	-66.04	-30.15	-0.00	12.76	18.55	19.90	19.09	18.04	18.15	20.07
		D+1LANE (caseMAX	-111.19	-80.43	-49.34	-21.70	-0.00	21.29	35.55	44.98	51.32	56.18	60.95	66.27
		MIN	-137.77	-101.44	-63.80	-29.11	-0.00	13.69	20.58	23.06	23.31	23.16	23.91	26.29
		D+1LANE (caseMAX	-112.13	-81.30	-50.05	-22.15	-0.00	20.73	34.61	43.78	49.96	54.72	59.59	64.81
		MIN	-134.34	-98.87	-62.16	-28.36	-0.00	14.36	22.04	25.36	26.39	26.90	28.13	30.80
		D+1LANE (caseMAX	-114.02	-83.05	-51.47	-23.02	-0.00	19.52	32.60	41.32	47.44	52.41	57.21	62.36
		MIN	-126.73	-93.22	-58.58	-26.71	-0.00	15.62	24.82	29.73	32.24	34.01	36.20	39.43
		D+2LANES (casMAX	-104.39	-74.51	-44.79	-19.08	-0.00	24.98	42.24	54.12	62.39	68.72	74.45	80.91
		MIN	-156.05	-115.33	-72.89	-33.47	-0.00	10.23	13.22	11.70	8.24	4.93	3.33	4.17
		D+2LANES (casMAX	-105.43	-75.48	-45.59	-19.58	-0.00	24.36	41.22	52.82	60.92	67.14	72.98	79.34
		MIN	-152.17	-112.42	-71.03	-32.61	-0.00	11.01	14.91	14.34	11.75	9.20	8.13	9.35
		D+2LANES (casMAX	-108.02	-77.89	-47.57	-20.82	-0.00	22.82	38.64	49.53	57.17	63.19	69.24	75.34
		MIN	-142.71	-105.33	-66.50	-30.52	-0.00	12.86	18.97	20.70	20.26	19.51	19.78	21.83
		D+2LANES (casMAX	-110.15	-79.85	-49.17	-21.80	-0.00	21.40	36.29	46.66	54.32	60.73	66.75	72.82
		MIN	-133.63	-98.61	-62.25	-28.57	-0.00	14.28	22.08	25.60	26.83	27.49	28.82	31.49
		D+3LANES (casMAX	-101.02	-71.66	-42.67	-17.90	-0.00	26.74	45.55	58.78	68.15	75.36	81.89	89.01
		MIN	-163.75	-121.23	-76.80	-35.39	-0.00	8.83	10.28	7.20	2.29	-2.26	-4.80	-4.54
		D+3LANES (casMAX	-105.65	-75.95	-46.20	-20.10	-0.00	24.00	40.96	52.93	61.49	68.43	75.24	81.91
		MIN	-146.92	-108.62	-68.74	-31.66	-0.00	12.12	17.50	18.52	17.42	16.11	15.93	17.69
		D+3LANES (casMAX	-107.06	-77.24	-47.25	-20.75	-0.00	22.96	39.26	50.90	59.59	67.03	73.94	80.70
		MIN	-139.92	-103.46	-65.50	-30.19	-0.00	13.06	19.56	21.75	21.74	21.34	21.86	24.02
		D+4LANES MAX	-107.89	-77.88	-47.66	-20.93	-0.00	21.44	35.76	45.03	50.96	55.19	58.88	62.67
		MIN	-138.70	-102.01	-64.11	-29.25	-0.00	13.17	19.74	22.01	22.11	21.88	22.59	24.98

BAGO RIVER BRIDGE

BLOCK [ No.1 : STRUCTURE NODE ] [ NODAL DISPLACEMENT ]

NODE				1013	1014	1015	1016	1017	1018	1019	1020	1021	1022	1023	1024
NAME TITLE				TRANSZ	TRANSZ	TRANSZ	TRANSZ	TRANSZ	TRANSZ	TRANSZ	TRANSZ	TRANSZ	TRANSZ	TRANSZ	TRANSZ
				DZ (mm)	DZ (mm)	DZ (mm)	DZ (mm)	DZ (mm)	DZ (mm)	DZ (mm)	DZ (mm)	DZ (mm)	DZ (mm)	DZ (mm)	DZ (mm)
124	SUM TOTAL	D+6LANES	MAX	-96.51	-68.09	-40.25	-16.72	-0.00	28.65	49.54	64.83	76.21	85.42	93.97	102.33
			MIN	-168.53	-125.12	-79.62	-36.93	-0.00	7.83	8.43	4.55	-1.09	-6.27	-9.36	-9.46
		SUM TOTAL	MAX	-96.51	-68.09	-40.25	-16.72	-0.00	28.65	49.54	64.83	76.21	85.42	93.97	102.33
			MIN	-168.53	-125.12	-79.62	-36.93	-0.00	7.83	8.43	4.55	-1.09	-6.27	-9.36	-9.46
300	DEAD LOAD	TOTAL		-119.06	-87.14	-54.35	-24.51	-0.00	17.14	27.82	34.18	38.02	40.93	44.01	47.83
301	LIVE LOAD	1-LANE (case1	MAX	9.11	7.86	5.98	3.41	0.00	4.89	8.96	12.35	15.06	17.15	18.71	20.32
			MIN	-23.37	-17.79	-11.68	-5.64	0.00	-4.38	-9.27	-14.28	-18.93	-22.89	-25.86	-27.76
		1-LANE (case2	MAX	7.86	6.70	5.02	2.80	0.00	4.15	7.73	10.80	13.30	15.26	16.95	18.44
			MIN	-18.71	-14.30	-9.45	-4.60	0.00	-3.44	-7.24	-11.12	-14.71	-17.76	-20.09	-21.54
		1-LANE (case3	MAX	6.93	5.84	4.30	2.36	0.00	3.59	6.80	9.61	11.94	13.79	15.58	16.98
			MIN	-15.29	-11.73	-7.81	-3.85	0.00	-2.78	-5.77	-8.81	-11.63	-14.03	-15.87	-17.03
		1-LANE (case4	MAX	5.03	4.09	2.88	1.49	0.00	2.38	4.78	7.14	9.43	11.48	13.20	14.53
			MIN	-7.67	-6.09	-4.23	-2.20	0.00	-1.51	-3.00	-4.45	-5.77	-6.92	-7.81	-8.40
		2-LANES (case	MAX	14.66	12.62	9.56	5.43	0.00	7.84	14.42	19.94	24.37	27.79	30.44	33.08
			MIN	-37.00	-28.19	-18.54	-8.96	0.00	-6.90	-14.60	-22.47	-29.78	-36.00	-40.68	-43.66
		2-LANES (case	MAX	13.62	11.66	8.76	4.93	0.00	7.23	13.40	18.65	22.90	26.21	28.98	31.51
			MIN	-33.12	-25.28	-16.68	-8.10	0.00	-6.13	-12.90	-19.83	-26.26	-31.73	-35.88	-38.48
		2-LANES (case	MAX	11.03	9.25	6.78	3.69	0.00	5.69	10.82	15.36	19.16	22.26	25.23	27.51
			MIN	-23.65	-18.19	-12.15	-6.01	0.00	-4.28	-8.85	-13.47	-17.75	-21.41	-24.22	-26.00
		2-LANES (case	MAX	8.90	7.29	5.18	2.71	0.00	4.27	8.47	12.49	16.30	19.80	22.74	24.99
			MIN	-14.57	-11.47	-7.90	-4.06	0.00	-2.86	-5.73	-8.57	-11.19	-13.44	-15.19	-16.34
		3-LANES (case	MAX	18.03	15.48	11.68	6.60	0.00	9.61	17.74	24.60	30.14	34.43	37.88	41.18
			MIN	-44.70	-34.09	-22.45	-10.88	0.00	-8.31	-17.53	-26.97	-35.73	-43.18	-48.81	-52.38
		3-LANES (case	MAX	13.41	11.19	8.15	4.41	0.00	6.87	13.15	18.75	23.47	27.50	31.23	34.07
			MIN	-27.86	-21.48	-14.39	-7.15	0.00	-5.02	-10.31	-15.66	-20.60	-24.82	-28.08	-30.14
		3-LANES (case	MAX	12.00	9.89	7.10	3.76	0.00	5.82	11.45	16.72	21.57	26.10	29.93	32.87
			MIN	-20.86	-16.33	-11.15	-5.68	0.00	-4.08	-8.26	-12.43	-16.28	-19.58	-22.15	-23.82

BAGO RIVER BRIDGE

BLOCK [ No. 1 : STRUCTURE NODE ] [ NODAL DISPLACEMENT ]

NODE				1013	1014	1015	1016	1017	1018	1019	1020	1021	1022	1023	1024
NAME TITLE				TRANSZ	TRANSZ	TRANSZ	TRANSZ	TRANSZ	TRANSZ	TRANSZ	TRANSZ	TRANSZ	TRANSZ	TRANSZ	TRANSZ
				DZ (mm)	DZ (mm)	DZ (mm)	DZ (mm)	DZ (mm)	DZ (mm)	DZ (mm)	DZ (mm)	DZ (mm)	DZ (mm)	DZ (mm)	DZ (mm)
301	LIVE LOAD	4-LANES	MAX	11.17	9.26	6.69	3.58	0.00	4.30	7.95	10.85	12.94	14.26	14.87	14.84
			MIN	-19.65	-14.88	-9.76	-4.74	0.00	-3.97	-8.08	-12.17	-15.90	-19.05	-21.41	-22.85
	6-LANES	MAX	22.54	19.05	14.10	7.79	0.00	11.52	21.72	30.66	38.19	44.50	49.96	54.50	
		MIN	-49.47	-37.99	-25.27	-12.43	0.00	-9.31	-19.39	-29.63	-39.10	-47.19	-53.37	-57.29	
	LIVE LOAD	MAX	22.54	19.05	14.10	7.79	0.00	11.52	21.72	30.66	38.19	44.50	49.96	54.50	
		MIN	-49.47	-37.99	-25.27	-12.43	0.00	-9.31	-19.39	-29.63	-39.10	-47.19	-53.37	-57.29	
303	SUM TOTAL	TOTAL	MAX	-96.51	-68.09	-40.25	-16.72	-0.00	28.65	49.54	64.83	76.21	85.42	93.97	102.33
			MIN	-168.53	-125.12	-79.62	-36.93	-0.00	7.83	8.43	4.55	-1.09	-6.27	-9.36	-9.46

BAGO RIVER BRIDGE

BLOCK [ No.1 : STRUCTURE NODE ] [ NODAL DISPLACEMENT ]

NODE		1025	1026	1027	1028	1029	1030	1031	1032	1033	1034	1035	1036	
NAME TITLE		TRANSZ DZ (mm)	TRANSZ DZ (mm)	TRANSZ DZ (mm)	TRANSZ DZ (mm)	TRANSZ DZ (mm)	TRANSZ DZ (mm)	TRANSZ DZ (mm)	TRANSZ DZ (mm)	TRANSZ DZ (mm)	TRANSZ DZ (mm)	TRANSZ DZ (mm)	TRANSZ DZ (mm)	
1	PAVEMENT	7.64	8.40	9.19	9.81	9.96	9.34	7.64	4.61	0.00	-6.02	-13.38	-22.24	
3	RAILING	0.27	0.30	0.32	0.34	0.34	0.31	0.25	0.15	0.00	-0.19	-0.43	-0.70	
5	CURB	2.65	2.92	3.17	3.33	3.32	3.06	2.47	1.47	0.00	-1.91	-4.21	-6.96	
7	DECK WEIGHT	13.17	14.45	15.74	16.70	16.85	15.71	12.78	7.68	0.00	-9.96	-22.11	-36.68	
8	GIRDER WEIGH	19.30	21.38	23.37	24.79	24.94	23.16	18.75	11.23	0.00	-14.45	-31.99	-52.95	
10	MEDIAN STRIP	5.62	6.10	6.47	6.63	6.45	5.80	4.56	2.66	0.00	-3.27	-7.17	-11.80	
21	ADITIONAL WE	3.69	4.05	4.41	4.68	4.72	4.40	3.58	2.15	0.00	-2.79	-6.19	-10.27	
31	MEDIAN RAILI	0.23	0.26	0.29	0.31	0.31	0.29	0.24	0.14	0.00	-0.19	-0.41	-0.69	
51	SUPPORT WEIG	0.00	0.00	0.00	0.00	0.00	0.00	0.00	0.00	0.00	-0.00	-0.00	-0.00	
52	NOSE WEIGHT	0.00	0.00	0.00	0.00	0.00	0.00	0.00	0.00	0.00	-0.00	-0.00	-0.00	
61	1-LANE(case1TRUCK-LOAD	MAX	4.50	4.75	4.84	4.71	4.34	3.70	2.77	1.55	0.00	1.21	2.22	3.08
		MIN	-10.36	-10.14	-9.35	-8.20	-6.69	-4.98	-3.21	-1.53	0.00	-1.78	-3.82	-6.15
	TANDEM-LOAD	MAX	3.05	3.22	3.28	3.20	2.95	2.51	1.88	1.05	0.00	0.83	1.52	2.10
		MIN	-7.10	-6.91	-6.40	-5.57	-4.56	-3.40	-2.19	-1.04	0.00	-1.21	-2.59	-4.18
	DISPERSION-LMAX	MAX	13.30	13.37	13.01	12.18	10.82	8.93	6.49	3.54	0.00	1.66	3.04	4.22
		MIN	-13.23	-12.92	-12.04	-10.65	-8.81	-6.66	-4.36	-2.09	0.00	-3.91	-8.20	-12.93
62	1-LANE(case2TRUCK-LOAD	MAX	4.13	4.35	4.40	4.27	3.90	3.29	2.44	1.34	0.00	1.03	1.91	2.70
		MIN	-7.98	-7.81	-7.26	-6.38	-5.25	-3.94	-2.57	-1.24	0.00	-1.50	-3.19	-5.11
	TANDEM-LOAD	MAX	2.80	2.95	2.99	2.89	2.65	2.23	1.65	0.91	0.00	0.70	1.30	1.84
		MIN	-5.46	-5.32	-4.95	-4.36	-3.57	-2.69	-1.75	-0.84	0.00	-1.02	-2.17	-3.47
	DISPERSION-LMAX	MAX	12.02	12.08	11.74	10.95	9.69	7.94	5.72	3.08	0.00	1.40	2.61	3.68
		MIN	-10.37	-10.14	-9.46	-8.38	-6.95	-5.27	-3.47	-1.68	0.00	-3.31	-6.89	-10.82
63	1-LANE(case3TRUCK-LOAD	MAX	3.86	4.05	4.08	3.93	3.57	2.99	2.19	1.19	0.00	0.89	1.69	2.41
		MIN	-6.26	-6.14	-5.73	-5.07	-4.20	-3.19	-2.10	-1.03	0.00	-1.30	-2.73	-4.35
	TANDEM-LOAD	MAX	2.62	2.75	2.77	2.67	2.43	2.03	1.49	0.81	0.00	0.60	1.15	1.64
		MIN	-4.28	-4.18	-3.90	-3.46	-2.87	-2.17	-1.43	-0.70	0.00	-0.88	-1.86	-2.95
	DISPERSION-LMAX	MAX	11.02	11.07	10.74	9.99	8.79	7.16	5.11	2.72	0.00	1.20	2.29	3.27
		MIN	-8.27	-8.09	-7.57	-6.72	-5.59	-4.26	-2.82	-1.39	0.00	-2.84	-5.87	-9.17



BAGO RIVER BRIDGE

BLOCK [ No.1 : STRUCTURE NODE ] [ NODAL DISPLACEMENT ]

NODE		1025	1026	1027	1028	1029	1030	1031	1032	1033	1034	1035	1036	
NAME TITLE		TRANSZ DZ (mm)	TRANSZ DZ (mm)	TRANSZ DZ (mm)	TRANSZ DZ (mm)	TRANSZ DZ (mm)	TRANSZ DZ (mm)	TRANSZ DZ (mm)	TRANSZ DZ (mm)	TRANSZ DZ (mm)	TRANSZ DZ (mm)	TRANSZ DZ (mm)	TRANSZ DZ (mm)	
64	1-LANE (case4TRUCK-LOAD	MAX	3.51	3.66	3.66	3.50	3.15	2.61	1.88	1.00	0.00	0.62	1.24	1.85
		MIN	-3.01	-2.98	-2.84	-2.58	-2.21	-1.74	-1.21	-0.62	0.00	-1.04	-2.15	-3.38
	TANDEM-LOAD	MAX	2.38	2.48	2.49	2.38	2.14	1.77	1.28	0.68	0.00	0.42	0.84	1.26
		MIN	-2.05	-2.03	-1.93	-1.76	-1.51	-1.19	-0.82	-0.43	0.00	-0.71	-1.46	-2.30
	DISPERSION-LMAX	MAX	9.31	9.41	9.15	8.51	7.47	6.04	4.27	2.24	0.00	0.84	1.68	2.50
		MIN	-4.22	-4.18	-3.96	-3.58	-3.05	-2.39	-1.65	-0.85	0.00	-2.24	-4.58	-7.11
65	2-LANES (caseTRUCK-LOAD	MAX	8.81	9.30	9.46	9.20	8.46	7.20	5.37	2.99	0.00	2.33	4.29	5.97
		MIN	-19.53	-19.10	-17.65	-15.48	-12.65	-9.44	-6.10	-2.91	0.00	-3.43	-7.32	-11.78
	TANDEM-LOAD	MAX	5.98	6.31	6.41	6.24	5.74	4.88	3.64	2.03	0.00	1.59	2.93	4.07
		MIN	-13.38	-13.00	-12.07	-10.54	-8.62	-6.44	-4.16	-1.98	0.00	-2.33	-4.97	-7.99
	DISPERSION-LMAX	MAX	25.96	26.09	25.38	23.74	21.07	17.37	12.60	6.85	0.00	3.20	5.87	8.17
		MIN	-25.02	-24.44	-22.79	-20.16	-16.68	-12.62	-8.26	-3.97	0.00	-7.52	-15.74	-24.80
66	2-LANES (caseTRUCK-LOAD	MAX	8.45	8.90	9.02	8.76	8.02	6.79	5.04	2.79	0.00	2.15	3.98	5.59
		MIN	-17.15	-16.77	-15.56	-13.67	-11.21	-8.40	-5.46	-2.62	0.00	-3.15	-6.70	-10.73
	TANDEM-LOAD	MAX	5.73	6.04	6.12	5.94	5.44	4.61	3.42	1.89	0.00	1.46	2.71	3.81
		MIN	-11.74	-11.41	-10.62	-9.32	-7.63	-5.72	-3.72	-1.79	0.00	-2.14	-4.54	-7.28
	DISPERSION-LMAX	MAX	24.68	24.80	24.11	22.52	19.94	16.38	11.83	6.39	0.00	2.93	5.44	7.63
		MIN	-22.16	-21.66	-20.21	-17.89	-14.82	-11.23	-7.37	-3.56	0.00	-6.91	-14.43	-22.69
67	2-LANES (caseTRUCK-LOAD	MAX	7.54	7.90	7.95	7.65	6.93	5.79	4.23	2.29	0.00	1.69	3.22	4.63
		MIN	-11.45	-11.24	-10.51	-9.32	-7.74	-5.90	-3.91	-1.92	0.00	-2.47	-5.17	-8.21
	TANDEM-LOAD	MAX	5.12	5.37	5.40	5.20	4.71	3.93	2.87	1.56	0.00	1.15	2.19	3.15
		MIN	-7.82	-7.66	-7.15	-6.35	-5.28	-4.02	-2.66	-1.31	0.00	-1.68	-3.51	-5.57
	DISPERSION-LMAX	MAX	21.39	21.49	20.83	19.36	17.02	13.83	9.85	5.22	0.00	2.28	4.36	6.28
		MIN	-15.18	-14.87	-13.92	-12.38	-10.31	-7.88	-5.24	-2.59	0.00	-5.39	-11.11	-17.34
68	2-LANES (caseTRUCK-LOAD	MAX	7.19	7.51	7.53	7.22	6.51	5.40	3.92	2.10	0.00	1.32	2.62	3.88
		MIN	-7.06	-6.98	-6.60	-5.96	-5.06	-3.95	-2.70	-1.38	0.00	-2.21	-4.59	-7.24
	TANDEM-LOAD	MAX	4.88	5.10	5.12	4.90	4.42	3.67	2.66	1.43	0.00	0.90	1.78	2.64
		MIN	-4.81	-4.75	-4.50	-4.05	-3.44	-2.69	-1.84	-0.94	0.00	-1.50	-3.11	-4.92

BAGO RIVER BRIDGE

BLOCK [ No.1 : STRUCTURE NODE ] [ NODAL DISPLACEMENT ]

NODE		1025	1026	1027	1028	1029	1030	1031	1032	1033	1034	1035	1036
NAME TITLE		TRANSZ DZ (mm)	TRANSZ DZ (mm)	TRANSZ DZ (mm)	TRANSZ DZ (mm)	TRANSZ DZ (mm)	TRANSZ DZ (mm)	TRANSZ DZ (mm)	TRANSZ DZ (mm)	TRANSZ DZ (mm)	TRANSZ DZ (mm)	TRANSZ DZ (mm)	TRANSZ DZ (mm)
68	2-LANES (caseDISPERSION-LMAX	19.25	19.46	18.94	17.63	15.50	12.57	8.92	4.70	0.00	1.80	3.56	5.26
	MIN	-9.77	-9.65	-9.12	-8.21	-6.94	-5.41	-3.69	-1.88	0.00	-4.77	-9.78	-15.21
69	3-LANES (caseTRUCK-LOAD MAX	12.95	13.65	13.86	13.47	12.36	10.49	7.81	4.34	0.00	3.36	6.20	8.67
	MIN	-27.51	-26.90	-24.90	-21.87	-17.90	-13.38	-8.68	-4.15	0.00	-4.93	-10.52	-16.89
	TANDEM-LOAD MAX	8.78	9.26	9.40	9.14	8.39	7.12	5.30	2.94	0.00	2.29	4.23	5.91
	MIN	-18.84	-18.32	-17.02	-14.89	-12.19	-9.12	-5.92	-2.83	0.00	-3.35	-7.14	-11.46
	DISPERSION-LMAX	37.98	38.17	37.11	34.69	30.76	25.31	18.33	9.94	0.00	4.60	8.48	11.85
	MIN	-35.39	-34.58	-32.25	-28.54	-23.63	-17.89	-11.73	-5.65	0.00	-10.82	-22.63	-35.62
70	3-LANES (caseTRUCK-LOAD MAX	11.05	11.56	11.62	11.15	10.09	8.40	6.11	3.30	0.00	2.40	4.62	6.68
	MIN	-15.59	-15.32	-14.35	-12.76	-10.64	-8.14	-5.42	-2.69	0.00	-3.51	-7.32	-11.59
	TANDEM-LOAD MAX	7.50	7.85	7.89	7.57	6.85	5.70	4.15	2.24	0.00	1.63	3.14	4.54
	MIN	-10.65	-10.44	-9.77	-8.70	-7.25	-5.55	-3.69	-1.83	0.00	-2.38	-4.97	-7.87
	DISPERSION-LMAX	31.12	31.27	30.30	28.13	24.68	20.01	14.20	7.50	0.00	3.24	6.23	9.03
	MIN	-20.75	-20.36	-19.08	-16.99	-14.19	-10.88	-7.27	-3.61	0.00	-7.67	-15.75	-24.52
71	3-LANES (caseTRUCK-LOAD MAX	11.05	11.56	11.62	11.15	10.09	8.40	6.11	3.30	0.00	2.12	4.15	6.09
	MIN	-12.16	-11.99	-11.30	-10.14	-8.55	-6.62	-4.48	-2.26	0.00	-3.51	-7.32	-11.59
	TANDEM-LOAD MAX	7.50	7.85	7.89	7.57	6.85	5.70	4.15	2.24	0.00	1.44	2.82	4.14
	MIN	-8.30	-8.17	-7.69	-6.90	-5.82	-4.51	-3.05	-1.54	0.00	-2.38	-4.97	-7.87
	DISPERSION-LMAX	29.84	30.15	29.36	27.37	24.10	19.59	13.94	7.38	0.00	2.89	5.65	8.29
	MIN	-16.66	-16.42	-15.48	-13.88	-11.69	-9.05	-6.12	-3.09	0.00	-7.58	-15.60	-24.32
72	4-LANES TRUCK-LOAD MAX	9.09	8.40	7.46	6.34	5.09	3.77	2.45	1.19	0.00	3.01	5.84	8.51
	MIN	-18.50	-18.21	-17.11	-15.28	-12.80	-9.84	-6.61	-3.30	0.00	-1.03	-1.95	-2.80
	TANDEM-LOAD MAX	6.18	5.71	5.07	4.31	3.46	2.56	1.66	0.81	0.00	2.05	3.98	5.79
	MIN	-12.63	-12.41	-11.65	-10.41	-8.72	-6.71	-4.50	-2.25	0.00	-0.70	-1.33	-1.90
	DISPERSION-LMAX	12.82	11.85	10.53	8.94	7.18	5.32	3.46	1.68	0.00	2.54	4.91	7.13
	MIN	-17.32	-16.77	-15.51	-13.64	-11.27	-8.57	-5.69	-2.82	0.00	-1.45	-2.76	-3.95
73	6-LANES TRUCK-LOAD MAX	23.99	25.21	25.48	24.63	22.45	18.89	13.92	7.63	0.00	5.48	10.36	14.77
	MIN	-39.61	-38.84	-36.17	-31.97	-26.43	-20.00	-13.16	-6.41	0.00	-8.44	-17.84	-28.47

BAGO RIVER BRIDGE

BLOCK [ No.1 : STRUCTURE NODE ] [ NODAL DISPLACEMENT ]

NODE			1025	1026	1027	1028	1029	1030	1031	1032	1033	1034	1035	1036
NAME TITLE			TRANSZ DZ (mm)	TRANSZ DZ (mm)	TRANSZ DZ (mm)	TRANSZ DZ (mm)	TRANSZ DZ (mm)	TRANSZ DZ (mm)	TRANSZ DZ (mm)	TRANSZ DZ (mm)	TRANSZ DZ (mm)	TRANSZ DZ (mm)	TRANSZ DZ (mm)	TRANSZ DZ (mm)
73	6-LANES	TANDEM-LOAD MAX	16.28	17.11	17.29	16.71	15.24	12.82	9.45	5.18	0.00	3.73	7.06	10.06
		MIN	-27.10	-26.46	-24.68	-21.78	-18.00	-13.62	-8.96	-4.37	0.00	-5.73	-12.11	-19.33
		DISPERSION-LMAX	64.29	64.66	62.81	58.56	51.70	42.27	30.35	16.27	0.00	7.23	13.64	19.42
		MIN	-50.56	-49.52	-46.33	-41.16	-34.25	-26.10	-17.29	-8.46	0.00	-17.27	-35.86	-56.19
124	SUM TOTAL	D+1LANE (caseMAX	73.92	79.60	84.37	86.84	85.07	77.23	61.37	36.20	0.00	-35.33	-79.57	-133.53
		MIN	24.26	30.19	37.29	43.96	48.28	48.11	41.17	25.75	0.00	-45.62	-100.31	-165.19
		D+1LANE (caseMAX	71.94	77.57	82.33	84.84	83.19	75.56	60.05	35.41	0.00	-35.87	-80.46	-134.64
		MIN	30.54	36.32	42.89	48.86	52.24	51.02	43.01	26.59	0.00	-44.56	-97.98	-161.41
		D+1LANE (caseMAX	70.41	76.00	80.74	83.28	81.72	74.26	59.02	34.79	0.00	-36.27	-81.12	-135.47
		MIN	35.13	40.77	46.99	52.43	55.13	53.14	44.34	27.20	0.00	-43.75	-96.21	-158.52
		D+1LANE (caseMAX	67.94	73.53	78.34	80.99	79.62	72.45	57.63	33.98	0.00	-37.04	-82.39	-137.07
		MIN	43.89	49.27	54.80	59.18	60.57	57.11	46.83	28.33	0.00	-42.73	-93.97	-154.87
		D+2LANES (casMAX	87.33	93.25	97.79	99.52	96.42	86.64	68.23	39.94	0.00	-33.25	-75.72	-128.15
		MIN	8.02	14.32	22.53	30.93	37.55	40.02	35.89	23.21	0.00	-49.73	-108.95	-178.87
		D+2LANES (casMAX	85.69	91.56	96.09	97.85	94.84	85.24	67.13	39.28	0.00	-33.71	-76.47	-129.07
		MIN	13.25	19.43	27.19	35.01	40.84	42.44	37.42	23.91	0.00	-48.85	-107.01	-175.71
		D+2LANES (casMAX	81.49	87.25	91.74	93.59	90.83	81.69	64.33	37.61	0.00	-34.81	-78.30	-131.37
		MIN	25.94	31.74	38.52	44.88	48.83	48.30	41.10	25.58	0.00	-46.64	-102.17	-167.84
		D+2LANES (casMAX	79.00	84.82	89.43	91.43	88.89	80.05	63.09	36.89	0.00	-35.66	-79.71	-133.15
		MIN	35.73	41.23	47.23	52.41	54.88	52.72	43.87	26.84	0.00	-45.76	-100.25	-164.74
		D+3LANES (casMAX	95.84	101.91	106.28	107.51	103.54	92.51	72.47	42.23	0.00	-32.02	-73.40	-124.85
		MIN	-0.90	5.60	14.38	23.73	31.58	35.50	32.91	21.76	0.00	-52.18	-114.06	-186.92
		D+3LANES (casMAX	88.41	94.26	98.59	99.97	96.43	86.22	67.52	39.27	0.00	-33.99	-76.67	-128.94
		MIN	21.67	27.53	34.54	41.29	45.78	45.92	39.47	24.74	0.00	-48.28	-105.50	-172.98
		D+3LANES (casMAX	87.32	93.31	97.79	99.32	95.93	85.87	67.30	39.17	0.00	-34.53	-77.56	-130.06
		MIN	28.07	33.71	40.19	46.16	49.68	48.76	41.24	25.54	0.00	-48.21	-105.37	-172.81
		D+4LANES MAX	66.81	71.02	74.66	76.51	74.85	67.98	54.09	31.96	0.00	-35.17	-78.90	-132.13
		MIN	29.27	35.12	41.75	47.78	51.23	50.11	42.26	26.11	0.00	-40.40	-88.95	-146.68

BAGO RIVER BRIDGE

BLOCK [ No.1 : STRUCTURE NODE ] [ NODAL DISPLACEMENT ]

NODE				1025	1026	1027	1028	1029	1030	1031	1032	1033	1034	1035	1036
NAME TITLE				TRANSZ	TRANSZ	TRANSZ	TRANSZ	TRANSZ	TRANSZ	TRANSZ	TRANSZ	TRANSZ	TRANSZ	TRANSZ	TRANSZ
				DZ (mm)	DZ (mm)	DZ (mm)	DZ (mm)	DZ (mm)	DZ (mm)	DZ (mm)	DZ (mm)	DZ (mm)	DZ (mm)	DZ (mm)	DZ (mm)
124	SUM TOTAL	D+6LANES	MAX	109.95	116.27	120.34	120.64	115.08	101.83	79.03	45.63	0.00	-30.52	-70.29	-120.07
			MIN	-6.05	0.42	9.33	19.04	27.44	32.11	30.46	20.43	0.00	-55.50	-120.79	-197.32
		SUM TOTAL	MAX	109.95	116.27	120.34	120.64	115.08	101.83	79.03	45.63	0.00	-30.52	-70.29	-120.07
			MIN	-6.05	0.42	9.33	19.04	27.44	32.11	30.46	20.43	0.00	-55.50	-120.79	-197.32
300	DEAD LOAD	TOTAL		52.56	57.86	62.96	66.57	66.88	62.07	50.25	30.09	0.00	-38.78	-85.89	-142.29
301	LIVE LOAD	1-LANE (case1	MAX	21.36	21.74	21.41	20.27	18.19	15.16	11.11	6.11	0.00	3.46	6.32	8.76
			MIN	-28.30	-27.66	-25.66	-22.62	-18.60	-13.96	-9.08	-4.34	0.00	-6.83	-14.43	-22.90
		1-LANE (case2	MAX	19.38	19.72	19.37	18.26	16.31	13.49	9.79	5.31	0.00	2.91	5.43	7.65
			MIN	-22.02	-21.53	-20.07	-17.72	-14.64	-11.05	-7.25	-3.50	0.00	-5.77	-12.10	-19.12
		1-LANE (case3	MAX	17.85	18.14	17.78	16.71	14.84	12.18	8.77	4.70	0.00	2.51	4.77	6.82
			MIN	-17.43	-17.08	-15.96	-14.15	-11.75	-8.94	-5.91	-2.90	0.00	-4.97	-10.32	-16.23
		1-LANE (case4	MAX	15.38	15.68	15.38	14.42	12.74	10.38	7.38	3.89	0.00	1.75	3.50	5.22
			MIN	-8.67	-8.59	-8.16	-7.39	-6.31	-4.96	-3.42	-1.77	0.00	-3.94	-8.08	-12.59
		2-LANES (case	MAX	34.77	35.39	34.83	32.94	29.54	24.56	17.97	9.85	0.00	5.53	10.16	14.14
			MIN	-44.54	-43.54	-40.43	-35.64	-29.33	-22.06	-14.37	-6.88	0.00	-10.94	-23.07	-36.58
		2-LANES (case	MAX	33.13	33.70	33.13	31.27	27.96	23.17	16.87	9.18	0.00	5.08	9.42	13.22
			MIN	-39.31	-38.43	-35.77	-31.56	-26.04	-19.63	-12.84	-6.18	0.00	-10.06	-21.13	-33.43
		2-LANES (case	MAX	28.93	29.39	28.79	27.01	23.95	19.62	14.08	7.51	0.00	3.97	7.59	10.91
			MIN	-26.62	-26.11	-24.43	-21.70	-18.05	-13.77	-9.15	-4.51	0.00	-7.86	-16.29	-25.55
		2-LANES (case	MAX	26.44	26.97	26.47	24.85	22.01	17.98	12.83	6.80	0.00	3.13	6.18	9.14
			MIN	-16.83	-16.62	-15.73	-14.16	-12.00	-9.36	-6.38	-3.26	0.00	-6.98	-14.37	-22.45
		3-LANES (case	MAX	43.28	44.05	43.33	40.94	36.66	30.43	22.21	12.13	0.00	6.76	12.48	17.44
			MIN	-53.46	-52.26	-48.58	-42.85	-35.30	-26.58	-17.34	-8.33	0.00	-13.39	-28.18	-44.63
		3-LANES (case	MAX	35.84	36.41	35.63	33.39	29.55	24.14	17.27	9.17	0.00	4.79	9.22	13.35
			MIN	-30.89	-30.32	-28.42	-25.29	-21.10	-16.16	-10.79	-5.35	0.00	-9.50	-19.61	-30.69
		3-LANES (case	MAX	34.76	35.46	34.83	32.74	29.05	23.79	17.05	9.07	0.00	4.25	8.33	12.22
			MIN	-24.49	-24.14	-22.77	-20.42	-17.20	-13.32	-9.01	-4.55	0.00	-9.42	-19.48	-30.52

BAGO RIVER BRIDGE

BLOCK [ No. 1 : STRUCTURE NODE ] [ NODAL DISPLACEMENT ]

NODE				1025	1026	1027	1028	1029	1030	1031	1032	1033	1034	1035	1036
NAME TITLE				TRANSZ	TRANSZ	TRANSZ	TRANSZ	TRANSZ	TRANSZ	TRANSZ	TRANSZ	TRANSZ	TRANSZ	TRANSZ	TRANSZ
				DZ (mm)	DZ (mm)	DZ (mm)	DZ (mm)	DZ (mm)	DZ (mm)	DZ (mm)	DZ (mm)	DZ (mm)	DZ (mm)	DZ (mm)	DZ (mm)
301	LIVE LOAD	4-LANES	MAX	14.25	13.17	11.70	9.93	7.97	5.91	3.84	1.86	0.00	3.61	6.99	10.16
			MIN	-23.29	-22.74	-21.21	-18.80	-15.65	-11.97	-8.00	-3.98	0.00	-1.61	-3.06	-4.39
		6-LANES	MAX	57.39	58.42	57.39	54.07	48.20	39.76	28.78	15.54	0.00	8.26	15.60	22.22
			MIN	-58.61	-57.43	-53.63	-47.53	-39.44	-29.97	-19.79	-9.67	0.00	-16.71	-34.90	-55.03
		LIVE LOAD	MAX	57.39	58.42	57.39	54.07	48.20	39.76	28.78	15.54	0.00	8.26	15.60	22.22
			MIN	-58.61	-57.43	-53.63	-47.53	-39.44	-29.97	-19.79	-9.67	0.00	-16.71	-34.90	-55.03
303	SUM TOTAL	TOTAL	MAX	109.95	116.27	120.34	120.64	115.08	101.83	79.03	45.63	0.00	-30.52	-70.29	-120.07
			MIN	-6.05	0.42	9.33	19.04	27.44	32.11	30.46	20.43	0.00	-55.50	-120.79	-197.32

BAGO RIVER BRIDGE

BLOCK [ No.1 : STRUCTURE NODE ] [ NODAL DISPLACEMENT ]

NODE		1037	1038	1039	1040	1041	1042	1043	1044	1045	1046	1047	1048	
NAME TITLE		TRANSZ DZ (mm)	TRANSZ DZ (mm)	TRANSZ DZ (mm)	TRANSZ DZ (mm)	TRANSZ DZ (mm)	TRANSZ DZ (mm)	TRANSZ DZ (mm)	TRANSZ DZ (mm)	TRANSZ DZ (mm)	TRANSZ DZ (mm)	TRANSZ DZ (mm)	TRANSZ DZ (mm)	
1	PAVEMENT	-31.72	-41.23	-50.22	-58.30	-65.19	-70.67	-74.67	-76.97	-77.69	-76.74	-74.10	-69.79	
3	RAILING	-1.00	-1.29	-1.57	-1.81	-2.02	-2.19	-2.31	-2.38	-2.40	-2.37	-2.28	-2.15	
5	CURB	-9.87	-12.77	-15.50	-17.95	-20.02	-21.67	-22.86	-23.54	-23.74	-23.44	-22.62	-21.30	
7	DECK WEIGHT	-52.28	-67.92	-82.72	-96.02	-107.38	-116.46	-123.10	-126.96	-128.22	-126.73	-122.44	-115.40	
8	GIRDER WEIGH	-75.31	-97.64	-118.68	-137.52	-153.54	-166.25	-175.47	-180.71	-182.25	-179.89	-173.57	-163.38	
10	MEDIAN STRIP	-16.74	-21.70	-26.43	-30.73	-34.47	-37.53	-39.85	-41.31	-41.95	-41.71	-40.54	-38.44	
21	ADITIONAL WE	-14.64	-19.02	-23.16	-26.89	-30.07	-32.61	-34.47	-35.55	-35.90	-35.48	-34.28	-32.31	
31	MEDIAN RAILI	-0.98	-1.27	-1.55	-1.79	-2.00	-2.17	-2.29	-2.36	-2.38	-2.35	-2.27	-2.13	
51	SUPPORT WEIG	-0.00	-0.00	-0.00	-0.00	-0.00	-0.00	-0.00	-0.00	-0.00	-0.00	-0.00	-0.00	
52	NOSE WEIGHT	-0.00	-0.00	-0.00	-0.00	-0.00	-0.00	-0.00	-0.00	-0.00	-0.00	-0.00	-0.00	
61	1-LANE(case1TRUCK-LOAD	MAX	3.74	4.22	4.53	4.72	4.80	4.79	4.69	4.53	4.32	4.05	3.73	3.37
		MIN	-8.56	-10.90	-13.06	-14.99	-16.60	-17.85	-18.72	-19.17	-19.24	-18.93	-18.16	-17.01
		TANDEM-LOAD MAX	2.55	2.88	3.09	3.22	3.27	3.26	3.20	3.09	2.94	2.76	2.54	2.30
		MIN	-5.81	-7.40	-8.88	-10.18	-11.27	-12.13	-12.72	-13.03	-13.09	-12.85	-12.35	-11.55
		DISPERSION-LMAX	5.12	5.77	6.20	6.46	6.57	6.55	6.42	6.20	5.91	5.54	5.10	4.61
62	1-LANE(case2TRUCK-LOAD	MAX	3.32	3.78	4.10	4.30	4.40	4.40	4.33	4.20	4.01	3.76	3.47	3.14
		MIN	-7.08	-9.01	-10.79	-12.37	-13.70	-14.74	-15.44	-15.84	-15.90	-15.62	-14.99	-14.02
		TANDEM-LOAD MAX	2.26	2.58	2.79	2.93	3.00	3.00	2.95	2.86	2.73	2.56	2.37	2.14
		MIN	-4.81	-6.12	-7.32	-8.40	-9.31	-10.00	-10.50	-10.75	-10.81	-10.61	-10.18	-9.53
		DISPERSION-LMAX	4.53	5.16	5.59	5.87	6.00	6.01	5.91	5.73	5.47	5.14	4.74	4.28
63	1-LANE(case3TRUCK-LOAD	MAX	3.00	3.45	3.78	3.99	4.10	4.12	4.07	3.95	3.78	3.56	3.28	2.97
		MIN	-6.01	-7.62	-9.12	-10.44	-11.55	-12.41	-12.99	-13.30	-13.31	-13.03	-12.46	-11.63
		TANDEM-LOAD MAX	2.04	2.35	2.57	2.71	2.79	2.81	2.77	2.69	2.57	2.42	2.24	2.02
		MIN	-4.08	-5.17	-6.20	-7.10	-7.84	-8.43	-8.84	-9.04	-9.03	-8.86	-8.47	-7.90
		DISPERSION-LMAX	4.08	4.69	5.13	5.42	5.57	5.60	5.53	5.38	5.14	4.83	4.46	4.04
	MIN	-12.46	-15.56	-18.36	-20.76	-22.72	-24.19	-25.17	-25.61	-25.53	-24.93	-23.81	-22.21	

BAGO RIVER BRIDGE

BLOCK [ No.1 : STRUCTURE NODE ] [ NODAL DISPLACEMENT ]

NODE		1037	1038	1039	1040	1041	1042	1043	1044	1045	1046	1047	1048	
NAME TITLE		TRANSZ DZ (mm)	TRANSZ DZ (mm)	TRANSZ DZ (mm)	TRANSZ DZ (mm)	TRANSZ DZ (mm)	TRANSZ DZ (mm)	TRANSZ DZ (mm)	TRANSZ DZ (mm)	TRANSZ DZ (mm)	TRANSZ DZ (mm)	TRANSZ DZ (mm)	TRANSZ DZ (mm)	
64	1-LANE (case4TRUCK-LOAD	MAX	2.38	2.82	3.15	3.38	3.52	3.57	3.56	3.48	3.34	3.15	2.92	2.64
		MIN	-4.63	-5.85	-6.97	-7.97	-8.79	-9.44	-9.89	-10.13	-10.13	-9.91	-9.48	-8.84
	TANDEM-LOAD	MAX	1.62	1.92	2.14	2.30	2.39	2.43	2.42	2.36	2.27	2.14	1.98	1.80
		MIN	-3.15	-3.97	-4.73	-5.41	-5.98	-6.41	-6.72	-6.88	-6.87	-6.73	-6.44	-6.00
	DISPERSION-LMAX	MAX	3.22	3.81	4.26	4.57	4.76	4.83	4.81	4.71	4.52	4.26	3.95	3.58
65	2-LANES (caseTRUCK-LOAD	MAX	7.27	8.21	8.85	9.23	9.40	9.38	9.20	8.90	8.48	7.95	7.33	6.62
		MIN	-16.37	-20.85	-24.99	-28.66	-31.73	-34.13	-35.80	-36.67	-36.80	-36.19	-34.73	-32.51
	TANDEM-LOAD	MAX	4.96	5.60	6.03	6.29	6.41	6.39	6.27	6.06	5.78	5.42	4.99	4.51
		MIN	-11.11	-14.15	-16.98	-19.45	-21.56	-23.19	-24.33	-24.91	-25.03	-24.58	-23.61	-22.09
	DISPERSION-LMAX	MAX	9.94	11.24	12.10	12.62	12.85	12.83	12.58	12.17	11.59	10.87	10.02	9.05
66	2-LANES (caseTRUCK-LOAD	MAX	6.85	7.78	8.42	8.81	8.99	9.00	8.85	8.57	8.17	7.67	7.07	6.39
		MIN	-14.89	-18.95	-22.72	-26.05	-28.82	-31.02	-32.52	-33.33	-33.46	-32.89	-31.56	-29.53
	TANDEM-LOAD	MAX	4.67	5.30	5.74	6.00	6.13	6.13	6.03	5.84	5.57	5.23	4.82	4.36
		MIN	-10.11	-12.87	-15.42	-17.68	-19.59	-21.05	-22.11	-22.63	-22.75	-22.34	-21.44	-20.07
	DISPERSION-LMAX	MAX	9.35	10.62	11.49	12.03	12.28	12.29	12.08	11.69	11.16	10.47	9.66	8.73
67	2-LANES (caseTRUCK-LOAD	MAX	5.80	6.70	7.35	7.77	8.00	8.06	7.97	7.75	7.42	6.98	6.44	5.83
		MIN	-11.32	-14.34	-17.15	-19.63	-21.72	-23.32	-24.42	-25.01	-25.03	-24.50	-23.42	-21.86
	TANDEM-LOAD	MAX	3.94	4.56	5.00	5.29	5.45	5.49	5.42	5.27	5.05	4.75	4.39	3.97
		MIN	-7.68	-9.74	-11.66	-13.34	-14.74	-15.84	-16.61	-16.99	-16.98	-16.64	-15.92	-14.85
	DISPERSION-LMAX	MAX	7.86	9.09	9.97	10.55	10.86	10.94	10.82	10.52	10.07	9.47	8.75	7.92
68	2-LANES (caseTRUCK-LOAD	MAX	4.97	5.84	6.50	6.95	7.22	7.32	7.28	7.11	6.83	6.44	5.95	5.39
		MIN	-9.94	-12.57	-15.01	-17.16	-18.96	-20.35	-21.33	-21.85	-21.85	-21.38	-20.44	-19.06
	TANDEM-LOAD	MAX	3.38	3.97	4.42	4.73	4.91	4.98	4.95	4.83	4.64	4.38	4.05	3.67
		MIN	-6.75	-8.54	-10.19	-11.65	-12.88	-13.83	-14.49	-14.83	-14.82	-14.52	-13.89	-12.95

BAGO RIVER BRIDGE

BLOCK [ No.1 : STRUCTURE NODE ] [ NODAL DISPLACEMENT ]

NODE		1037	1038	1039	1040	1041	1042	1043	1044	1045	1046	1047	1048
NAME TITLE		TRANSZ DZ (mm)	TRANSZ DZ (mm)	TRANSZ DZ (mm)	TRANSZ DZ (mm)	TRANSZ DZ (mm)	TRANSZ DZ (mm)	TRANSZ DZ (mm)	TRANSZ DZ (mm)	TRANSZ DZ (mm)	TRANSZ DZ (mm)	TRANSZ DZ (mm)	TRANSZ DZ (mm)
68	2-LANES (caseDISPERSION-LMAX	6.74	7.93	8.82	9.43	9.79	9.93	9.87	9.64	9.25	8.72	8.07	7.31
	MIN	-20.61	-25.75	-30.41	-34.45	-37.77	-40.28	-41.96	-42.74	-42.57	-41.48	-39.53	-36.75
69	3-LANES (caseTRUCK-LOAD MAX	10.58	11.99	12.95	13.53	13.79	13.79	13.54	13.10	12.49	11.72	10.80	9.76
	MIN	-23.45	-29.85	-35.78	-41.03	-45.42	-48.87	-51.25	-52.50	-52.70	-51.81	-49.72	-46.53
	TANDEM-LOAD MAX	7.22	8.18	8.83	9.22	9.40	9.40	9.22	8.92	8.51	7.98	7.36	6.65
	MIN	-15.91	-20.27	-24.30	-27.85	-30.87	-33.19	-34.83	-35.66	-35.84	-35.19	-33.79	-31.62
	DISPERSION-LMAX	14.47	16.39	17.70	18.49	18.85	18.84	18.50	17.90	17.06	16.01	14.76	13.34
	MIN	-48.53	-60.68	-71.55	-80.85	-88.39	-94.05	-97.79	-99.49	-99.44	-97.47	-93.54	-87.71
70	3-LANES (caseTRUCK-LOAD MAX	8.39	9.74	10.71	11.36	11.72	11.82	11.70	11.39	10.91	10.27	9.49	8.59
	MIN	-15.95	-20.19	-24.12	-27.60	-30.51	-32.76	-34.32	-35.15	-35.16	-34.41	-32.90	-30.69
	TANDEM-LOAD MAX	5.71	6.62	7.29	7.72	7.97	8.04	7.96	7.75	7.42	6.99	6.46	5.84
	MIN	-10.83	-13.71	-16.39	-18.75	-20.72	-22.26	-23.33	-23.87	-23.85	-23.37	-22.36	-20.85
	DISPERSION-LMAX	11.36	13.18	14.50	15.38	15.88	16.02	15.85	15.44	14.79	13.92	12.86	11.64
	MIN	-33.22	-41.48	-48.95	-55.39	-60.67	-64.64	-67.28	-68.50	-68.24	-66.54	-63.46	-59.06
71	3-LANES (caseTRUCK-LOAD MAX	7.75	9.08	10.06	10.73	11.11	11.25	11.17	10.90	10.45	9.85	9.11	8.25
	MIN	-15.95	-20.19	-24.12	-27.60	-30.51	-32.76	-34.32	-35.15	-35.16	-34.41	-32.90	-30.70
	TANDEM-LOAD MAX	5.27	6.17	6.84	7.29	7.56	7.65	7.59	7.41	7.11	6.70	6.20	5.61
	MIN	-10.83	-13.71	-16.39	-18.75	-20.72	-22.26	-23.33	-23.87	-23.85	-23.37	-22.36	-20.85
	DISPERSION-LMAX	10.54	12.34	13.67	14.58	15.10	15.29	15.17	14.80	14.20	13.38	12.37	11.20
	MIN	-32.99	-41.23	-48.69	-55.13	-60.41	-64.39	-67.05	-68.28	-68.03	-66.35	-63.29	-58.90
72	4-LANES TRUCK-LOAD MAX	10.76	12.53	13.83	14.71	15.21	15.36	15.23	14.84	14.22	13.39	12.38	11.21
	MIN	-3.49	-4.03	-4.41	-4.65	-4.79	-4.82	-4.76	-4.63	-4.42	-4.16	-3.84	-3.48
	TANDEM-LOAD MAX	7.32	8.53	9.42	10.01	10.35	10.46	10.37	10.11	9.69	9.12	8.44	7.64
	MIN	-2.37	-2.73	-2.99	-3.16	-3.25	-3.27	-3.23	-3.14	-3.01	-2.83	-2.61	-2.36
	DISPERSION-LMAX	8.98	10.44	11.50	12.21	12.61	12.73	12.61	12.28	11.77	11.08	10.24	9.27
	MIN	-4.93	-5.68	-6.22	-6.56	-6.75	-6.80	-6.71	-6.52	-6.24	-5.87	-5.42	-4.90
73	6-LANES TRUCK-LOAD MAX	18.34	21.07	23.01	24.26	24.91	25.04	24.71	24.00	22.94	21.57	19.91	18.01
	MIN	-39.39	-50.04	-59.91	-68.63	-75.94	-81.64	-85.58	-87.65	-87.85	-86.16	-82.57	-77.15



BAGO RIVER BRIDGE

BLOCK [ No.1 : STRUCTURE NODE ] [ NODAL DISPLACEMENT ]

NODE			1037	1038	1039	1040	1041	1042	1043	1044	1045	1046	1047	1048
NAME TITLE			TRANSZ DZ (mm)	TRANSZ DZ (mm)	TRANSZ DZ (mm)	TRANSZ DZ (mm)	TRANSZ DZ (mm)	TRANSZ DZ (mm)	TRANSZ DZ (mm)	TRANSZ DZ (mm)	TRANSZ DZ (mm)	TRANSZ DZ (mm)	TRANSZ DZ (mm)	TRANSZ DZ (mm)
73	6-LANES	TANDEM-LOAD MAX	12.49	14.35	15.67	16.52	16.96	17.05	16.82	16.34	15.62	14.68	13.56	12.26
		MIN	-26.74	-33.98	-40.68	-46.61	-51.59	-55.45	-58.16	-59.53	-59.69	-58.54	-56.09	-52.42
		DISPERSION-LMAX	24.10	27.67	30.19	31.81	32.65	32.81	32.36	31.43	30.04	28.23	26.07	23.57
		MIN	-76.36	-95.39	-112.46	-127.08	-138.96	-147.84	-153.70	-156.31	-155.92	-152.42	-145.82	-136.24
124	SUM TOTAL	D+1LANE (caseMAX	-191.89	-250.87	-306.95	-357.60	-401.06	-435.94	-461.69	-476.90	-482.26	-477.21	-461.52	-435.33
		MIN	-233.93	-302.38	-366.68	-424.19	-473.08	-511.86	-540.00	-556.01	-560.84	-553.82	-534.63	-503.54
		D+1LANE (caseMAX	-193.11	-252.13	-308.20	-358.81	-402.23	-437.05	-462.73	-477.86	-483.15	-478.03	-462.26	-436.00
		MIN	-228.69	-295.77	-358.87	-415.35	-463.40	-501.57	-529.29	-545.15	-549.94	-543.04	-524.22	-493.68
		D+1LANE (caseMAX	-194.03	-253.07	-309.14	-359.73	-403.10	-437.87	-463.50	-478.58	-483.82	-478.65	-462.82	-436.50
		MIN	-224.68	-290.67	-352.81	-408.45	-455.83	-493.47	-520.81	-536.47	-541.14	-534.26	-515.64	-485.51
		D+1LANE (caseMAX	-195.79	-254.89	-310.94	-361.48	-404.77	-439.46	-464.98	-479.95	-485.09	-479.81	-463.87	-437.44
		MIN	-219.62	-284.29	-345.23	-399.87	-446.42	-483.46	-510.43	-525.93	-530.57	-523.86	-505.62	-476.06
		D+2LANES (casMAX	-185.31	-243.40	-298.88	-349.16	-392.45	-427.33	-453.23	-468.71	-474.45	-469.89	-454.76	-429.23
		MIN	-252.68	-325.96	-394.64	-455.95	-507.93	-549.10	-578.84	-595.63	-600.49	-592.72	-571.95	-538.50
		D+2LANES (casMAX	-186.33	-244.45	-299.93	-350.17	-393.43	-428.25	-454.10	-469.52	-475.20	-470.57	-455.38	-429.78
		MIN	-248.32	-320.45	-388.13	-448.58	-499.87	-540.53	-569.91	-586.57	-591.41	-583.74	-563.28	-530.28
		D+2LANES (casMAX	-188.86	-247.07	-302.52	-352.70	-395.84	-430.54	-456.24	-471.51	-477.04	-472.26	-456.92	-431.16
		MIN	-237.36	-306.57	-371.65	-429.86	-479.35	-518.60	-547.03	-563.22	-567.82	-560.31	-540.49	-508.65
		D+2LANES (casMAX	-190.82	-249.08	-304.52	-354.63	-397.69	-432.29	-457.88	-473.02	-478.45	-473.55	-458.09	-432.20
		MIN	-233.07	-301.17	-365.25	-422.62	-471.43	-510.17	-538.30	-554.36	-558.94	-551.58	-532.08	-500.72
		D+3LANES (casMAX	-181.22	-238.72	-293.79	-343.80	-386.96	-421.81	-447.79	-463.43	-469.41	-465.15	-450.39	-425.27
		MIN	-263.70	-339.81	-411.07	-474.61	-528.44	-571.02	-601.70	-618.97	-623.84	-615.60	-593.89	-559.01
		D+3LANES (casMAX	-185.73	-243.37	-298.40	-348.28	-391.25	-425.88	-451.60	-466.97	-472.69	-468.16	-453.12	-427.71
		MIN	-244.32	-315.27	-381.94	-441.55	-492.20	-532.33	-561.38	-577.88	-582.42	-574.52	-554.02	-521.20
		D+3LANES (casMAX	-186.97	-244.65	-299.66	-349.51	-392.42	-426.99	-452.64	-467.93	-473.57	-468.97	-453.85	-428.37
		MIN	-244.12	-315.06	-381.72	-441.33	-491.98	-532.12	-561.18	-577.69	-582.24	-574.36	-553.87	-521.06
		D+4LANES MAX	-189.69	-247.92	-303.36	-353.51	-396.62	-431.28	-456.93	-472.15	-477.63	-472.81	-457.41	-431.59
		MIN	-207.99	-269.16	-326.74	-378.30	-422.20	-457.09	-482.48	-497.02	-501.46	-495.23	-478.13	-450.35

BAGO RIVER BRIDGE

BLOCK [ No.1 : STRUCTURE NODE ] [ NODAL DISPLACEMENT ]

NODE				1037	1038	1039	1040	1041	1042	1043	1044	1045	1046	1047	1048
NAME TITLE				TRANSZ	TRANSZ	TRANSZ	TRANSZ	TRANSZ	TRANSZ	TRANSZ	TRANSZ	TRANSZ	TRANSZ	TRANSZ	TRANSZ
				DZ (mm)	DZ (mm)	DZ (mm)	DZ (mm)	DZ (mm)	DZ (mm)	DZ (mm)	DZ (mm)	DZ (mm)	DZ (mm)	DZ (mm)	DZ (mm)
124	SUM TOTAL	D+6LANES	MAX	-174.94	-231.17	-285.25	-334.57	-377.29	-411.94	-437.93	-453.75	-460.09	-456.34	-442.23	-417.87
			MIN	-277.76	-357.39	-431.87	-498.23	-554.39	-598.71	-630.55	-648.35	-652.98	-643.79	-620.57	-583.61
		SUM TOTAL	MAX	-174.94	-231.17	-285.25	-334.57	-377.29	-411.94	-437.93	-453.75	-460.09	-456.34	-442.23	-417.87
			MIN	-277.76	-357.39	-431.87	-498.23	-554.39	-598.71	-630.55	-648.35	-652.98	-643.79	-620.57	-583.61
300	DEAD LOAD	TOTAL		-202.52	-262.85	-319.83	-371.01	-414.70	-449.54	-475.02	-489.78	-494.53	-488.71	-472.11	-444.90
301	LIVE LOAD	1-LANE (case1	MAX	10.63	11.98	12.88	13.41	13.64	13.60	13.33	12.88	12.27	11.50	10.60	9.57
			MIN	-31.41	-39.53	-46.84	-53.18	-58.38	-62.32	-64.98	-66.24	-66.31	-65.11	-62.51	-58.63
		1-LANE (case2	MAX	9.41	10.72	11.63	12.20	12.47	12.50	12.30	11.92	11.37	10.68	9.85	8.91
			MIN	-26.17	-32.92	-39.04	-44.34	-48.70	-52.03	-54.27	-55.37	-55.41	-54.33	-52.11	-48.77
		1-LANE (case3	MAX	8.49	9.78	10.69	11.29	11.60	11.67	11.52	11.19	10.71	10.07	9.30	8.41
			MIN	-22.16	-27.82	-32.97	-37.44	-41.13	-43.93	-45.79	-46.69	-46.61	-45.55	-43.53	-40.61
		1-LANE (case4	MAX	6.73	7.96	8.89	9.54	9.93	10.09	10.04	9.82	9.44	8.90	8.24	7.46
			MIN	-17.10	-21.43	-25.40	-28.86	-31.72	-33.91	-35.41	-36.15	-36.04	-35.15	-33.51	-31.15
		2-LANES (case	MAX	17.21	19.45	20.95	21.85	22.25	22.21	21.79	21.06	20.07	18.82	17.35	15.67
			MIN	-50.16	-63.11	-74.80	-84.94	-93.23	-99.56	-103.82	-105.85	-105.96	-104.01	-99.84	-93.60
		2-LANES (case	MAX	16.19	18.40	19.91	20.84	21.28	21.29	20.92	20.26	19.33	18.14	16.73	15.12
			MIN	-45.80	-57.60	-68.30	-77.56	-85.17	-90.98	-94.89	-96.80	-96.88	-95.02	-91.17	-85.38
		2-LANES (case	MAX	13.66	15.78	17.31	18.32	18.86	19.00	18.78	18.27	17.49	16.45	15.19	13.75
			MIN	-34.84	-43.72	-51.81	-58.85	-64.65	-69.05	-72.01	-73.44	-73.29	-71.59	-68.38	-63.74
		2-LANES (case	MAX	11.70	13.77	15.32	16.38	17.01	17.25	17.14	16.75	16.08	15.16	14.03	12.70
			MIN	-30.55	-38.31	-45.42	-51.61	-56.73	-60.63	-63.28	-64.59	-64.42	-62.86	-59.97	-55.81
		3-LANES (case	MAX	21.30	24.13	26.05	27.21	27.75	27.73	27.23	26.34	25.12	23.57	21.73	19.63
			MIN	-61.18	-76.96	-91.23	-103.60	-113.74	-121.48	-126.68	-129.20	-129.32	-126.89	-121.77	-114.11
		3-LANES (case	MAX	16.79	19.48	21.43	22.73	23.45	23.66	23.42	22.81	21.84	20.56	19.00	17.19
			MIN	-41.80	-52.42	-62.11	-70.54	-77.50	-82.79	-86.36	-88.10	-87.89	-85.81	-81.91	-76.29
		3-LANES (case	MAX	15.55	18.20	20.17	21.51	22.28	22.56	22.39	21.85	20.95	19.74	18.26	16.53
			MIN	-41.60	-52.20	-61.89	-70.32	-77.28	-82.58	-86.16	-87.91	-87.71	-85.65	-81.76	-76.16

BAGO RIVER BRIDGE

BLOCK [ No.1 : STRUCTURE NODE ][ NODAL DISPLACEMENT ]

NODE				1037	1038	1039	1040	1041	1042	1043	1044	1045	1046	1047	1048
NAME TITLE				TRANSZ	TRANSZ	TRANSZ	TRANSZ	TRANSZ	TRANSZ	TRANSZ	TRANSZ	TRANSZ	TRANSZ	TRANSZ	TRANSZ
				DZ (mm)	DZ (mm)	DZ (mm)	DZ (mm)	DZ (mm)	DZ (mm)	DZ (mm)	DZ (mm)	DZ (mm)	DZ (mm)	DZ (mm)	DZ (mm)
301	LIVE LOAD	4-LANES	MAX	12.83	14.93	16.47	17.50	18.08	18.26	18.09	17.63	16.89	15.91	14.70	13.31
			MIN	-5.47	-6.31	-6.90	-7.29	-7.50	-7.55	-7.45	-7.25	-6.93	-6.52	-6.02	-5.45
		6-LANES	MAX	27.58	31.68	34.58	36.44	37.41	37.60	37.09	36.02	34.44	32.37	29.88	27.03
			MIN	-75.24	-94.53	-112.04	-127.21	-139.68	-149.16	-155.53	-158.57	-158.45	-155.07	-148.45	-138.70
		LIVE LOAD	MAX	27.58	31.68	34.58	36.44	37.41	37.60	37.09	36.02	34.44	32.37	29.88	27.03
			MIN	-75.24	-94.53	-112.04	-127.21	-139.68	-149.16	-155.53	-158.57	-158.45	-155.07	-148.45	-138.70
303	SUM TOTAL	TOTAL	MAX	-174.94	-231.17	-285.25	-334.57	-377.29	-411.94	-437.93	-453.75	-460.09	-456.34	-442.23	-417.87
			MIN	-277.76	-357.39	-431.87	-498.23	-554.39	-598.71	-630.55	-648.35	-652.98	-643.79	-620.57	-583.61

BAGO RIVER BRIDGE

BLOCK [ No.1 : STRUCTURE NODE ] [ NODAL DISPLACEMENT ]

NODE		1049	1050	1051	1052	1053	1054	1055	2001	2002	2003	2004	2005		
NAME TITLE		TRANSZ DZ (mm)	TRANSZ DZ (mm)	TRANSZ DZ (mm)	TRANSZ DZ (mm)	TRANSZ DZ (mm)	TRANSZ DZ (mm)	TRANSZ DZ (mm)	TRANSZ DZ (mm)	TRANSZ DZ (mm)	TRANSZ DZ (mm)	TRANSZ DZ (mm)	TRANSZ DZ (mm)		
1	PAVEMENT	-63.86	-56.39	-47.45	-37.14	-25.50	-12.83	0.00	0.00	-7.67	-14.86	-21.31	-26.60		
3	RAILING	-1.97	-1.74	-1.46	-1.15	-0.79	-0.40	0.00	0.00	-0.18	-0.36	-0.51	-0.64		
5	CURB	-19.49	-17.22	-14.49	-11.36	-7.81	-3.93	0.00	0.00	-1.81	-3.52	-5.06	-6.33		
7	DECK WEIGHT	-105.67	-93.38	-78.61	-61.58	-42.29	-21.28	0.00	0.00	-12.03	-23.34	-33.47	-41.78		
8	GIRDER WEIGH	-149.42	-131.88	-110.91	-86.78	-59.56	-29.95	0.00	0.00	-14.90	-28.88	-41.44	-51.75		
10	MEDIAN STRIP	-35.41	-31.47	-26.64	-20.96	-14.44	-7.28	0.00	0.00	-2.69	-5.20	-7.47	-9.33		
21	ADITIONAL WE	-29.59	-26.15	-22.01	-17.24	-11.84	-5.96	0.00	0.00	-3.37	-6.53	-9.37	-11.70		
31	MEDIAN RAILI	-1.95	-1.72	-1.45	-1.13	-0.78	-0.39	0.00	0.00	-0.21	-0.40	-0.57	-0.71		
51	SUPPORT WEIG	-0.00	-0.00	-0.00	-0.00	-0.00	-0.00	-0.00	-0.00	-0.00	-0.00	-0.00	-0.00		
52	NOSE WEIGHT	-0.00	-0.00	-0.00	-0.00	-0.00	-0.00	0.00	0.00	-0.00	-0.00	-0.01	-0.01		
61	1-LANE(case1TRUCK-LOAD	MAX	2.97	2.54	2.07	1.59	1.07	0.53	0.00	0.00	0.49	0.97	1.43	1.86	
		MIN	-15.46	-13.57	-11.37	-8.87	-6.07	-3.05	0.00	0.00	-2.00	-3.90	-5.64	-7.10	
		TANDEM-LOAD	MAX	2.02	1.73	1.41	1.08	0.73	0.36	0.00	0.00	0.33	0.66	0.98	1.27
		MIN	-10.50	-9.22	-7.72	-6.01	-4.12	-2.07	0.00	0.00	-1.36	-2.66	-3.85	-4.84	
		DISPERSION-LMAX	4.06	3.47	2.84	2.17	1.46	0.73	0.00	0.00	0.68	1.34	1.98	2.57	
		MIN	-29.10	-25.69	-21.64	-16.99	-11.71	-5.91	0.00	0.00	-3.12	-6.07	-8.76	-11.02	
62	1-LANE(case2TRUCK-LOAD	MAX	2.77	2.37	1.93	1.48	1.00	0.49	0.00	0.00	0.46	0.91	1.34	1.75	
		MIN	-12.76	-11.19	-9.35	-7.27	-4.97	-2.49	0.00	0.00	-1.71	-3.34	-4.83	-6.10	
		TANDEM-LOAD	MAX	1.89	1.61	1.32	1.01	0.68	0.34	0.00	0.00	0.31	0.62	0.92	1.19
		MIN	-8.66	-7.59	-6.35	-4.94	-3.38	-1.69	0.00	0.00	-1.17	-2.28	-3.29	-4.15	
		DISPERSION-LMAX	3.78	3.23	2.64	2.02	1.36	0.67	0.00	0.00	0.64	1.25	1.85	2.40	
		MIN	-24.25	-21.34	-17.91	-13.99	-9.60	-4.82	0.00	0.00	-2.74	-5.31	-7.66	-9.64	
63	1-LANE(case3TRUCK-LOAD	MAX	2.62	2.24	1.83	1.40	0.94	0.47	0.00	0.00	0.44	0.87	1.28	1.66	
		MIN	-10.54	-9.22	-7.68	-5.95	-4.05	-2.03	0.00	0.00	-1.49	-2.90	-4.20	-5.30	
		TANDEM-LOAD	MAX	1.78	1.52	1.25	0.95	0.64	0.32	0.00	0.00	0.30	0.59	0.87	1.13
		MIN	-7.15	-6.26	-5.22	-4.05	-2.75	-1.38	0.00	0.00	-1.01	-1.98	-2.86	-3.61	
		DISPERSION-LMAX	3.56	3.05	2.49	1.90	1.28	0.64	0.00	0.00	0.60	1.19	1.76	2.28	
		MIN	-20.13	-17.62	-14.70	-11.42	-7.78	-3.89	0.00	0.00	-2.41	-4.69	-6.78	-8.55	

BAGO RIVER BRIDGE

BLOCK [ No.1 : STRUCTURE NODE ] [ NODAL DISPLACEMENT ]

NODE		1049	1050	1051	1052	1053	1054	1055	2001	2002	2003	2004	2005	
NAME TITLE		TRANSZ DZ (mm)	TRANSZ DZ (mm)	TRANSZ DZ (mm)	TRANSZ DZ (mm)	TRANSZ DZ (mm)	TRANSZ DZ (mm)	TRANSZ DZ (mm)	TRANSZ DZ (mm)	TRANSZ DZ (mm)	TRANSZ DZ (mm)	TRANSZ DZ (mm)	TRANSZ DZ (mm)	
64	1-LANE (case4TRUCK-LOAD	MAX	2.34	2.00	1.63	1.25	0.84	0.42	0.00	0.00	0.39	0.78	1.15	1.48
		MIN	-8.00	-6.99	-5.82	-4.50	-3.05	-1.52	0.00	0.00	-0.90	-1.77	-2.56	-3.24
	TANDEM-LOAD	MAX	1.59	1.36	1.11	0.85	0.57	0.28	0.00	0.00	0.27	0.53	0.78	1.01
		MIN	-5.44	-4.75	-3.95	-3.05	-2.07	-1.03	0.00	0.00	-0.62	-1.20	-1.75	-2.20
	DISPERSION-LMAX	MAX	3.16	2.70	2.21	1.69	1.13	0.56	0.00	0.00	0.54	1.06	1.57	2.03
		MIN	-15.45	-13.44	-11.14	-8.59	-5.81	-2.89	0.00	0.00	-1.59	-3.11	-4.53	-5.77
65	2-LANES (caseTRUCK-LOAD	MAX	5.84	4.99	4.08	3.12	2.10	1.04	0.00	0.00	0.97	1.91	2.82	3.66
		MIN	-29.57	-25.95	-21.71	-16.93	-11.59	-5.81	0.00	0.00	-3.86	-7.52	-10.88	-13.71
	TANDEM-LOAD	MAX	3.98	3.40	2.78	2.12	1.43	0.71	0.00	0.00	0.66	1.30	1.92	2.50
		MIN	-20.07	-17.63	-14.75	-11.49	-7.86	-3.94	0.00	0.00	-2.63	-5.13	-7.42	-9.34
	DISPERSION-LMAX	MAX	7.98	6.82	5.58	4.26	2.87	1.43	0.00	0.00	1.33	2.63	3.89	5.05
		MIN	-55.76	-49.19	-41.40	-32.47	-22.35	-11.27	0.00	0.00	-6.05	-11.77	-16.97	-21.35
66	2-LANES (caseTRUCK-LOAD	MAX	5.64	4.82	3.94	3.01	2.03	1.01	0.00	0.00	0.94	1.85	2.73	3.55
		MIN	-26.86	-23.56	-19.70	-15.34	-10.49	-5.26	0.00	0.00	-3.57	-6.96	-10.07	-12.71
	TANDEM-LOAD	MAX	3.84	3.28	2.68	2.05	1.38	0.69	0.00	0.00	0.64	1.26	1.86	2.42
		MIN	-18.23	-16.00	-13.38	-10.42	-7.12	-3.57	0.00	0.00	-2.43	-4.74	-6.86	-8.65
	DISPERSION-LMAX	MAX	7.70	6.58	5.38	4.11	2.77	1.37	0.00	0.00	1.29	2.55	3.77	4.89
		MIN	-50.92	-44.84	-37.67	-29.47	-20.24	-10.18	0.00	0.00	-5.67	-11.01	-15.88	-19.98
67	2-LANES (caseTRUCK-LOAD	MAX	5.15	4.40	3.60	2.75	1.85	0.92	0.00	0.00	0.86	1.70	2.52	3.26
		MIN	-19.81	-17.32	-14.42	-11.17	-7.60	-3.80	0.00	0.00	-2.81	-5.49	-7.96	-10.04
	TANDEM-LOAD	MAX	3.50	2.99	2.45	1.87	1.26	0.62	0.00	0.00	0.59	1.16	1.71	2.22
		MIN	-13.44	-11.75	-9.79	-7.59	-5.16	-2.58	0.00	0.00	-1.92	-3.74	-5.42	-6.83
	DISPERSION-LMAX	MAX	6.99	5.97	4.88	3.73	2.51	1.25	0.00	0.00	1.18	2.34	3.45	4.48
		MIN	-37.93	-33.15	-27.62	-21.42	-14.58	-7.29	0.00	0.00	-4.60	-8.96	-12.95	-16.35
68	2-LANES (caseTRUCK-LOAD	MAX	4.76	4.07	3.33	2.54	1.71	0.85	0.00	0.00	0.80	1.58	2.34	3.03
		MIN	-17.27	-15.09	-12.56	-9.72	-6.60	-3.29	0.00	0.00	-1.96	-3.83	-5.56	-7.03
	TANDEM-LOAD	MAX	3.24	2.77	2.26	1.73	1.16	0.58	0.00	0.00	0.55	1.08	1.59	2.06
		MIN	-11.73	-10.24	-8.53	-6.60	-4.48	-2.23	0.00	0.00	-1.34	-2.61	-3.79	-4.79

BAGO RIVER BRIDGE

BLOCK [ No.1 : STRUCTURE NODE ] [ NODAL DISPLACEMENT ]

NODE		1049	1050	1051	1052	1053	1054	1055	2001	2002	2003	2004	2005
NAME TITLE		TRANSZ DZ (mm)	TRANSZ DZ (mm)	TRANSZ DZ (mm)	TRANSZ DZ (mm)	TRANSZ DZ (mm)	TRANSZ DZ (mm)	TRANSZ DZ (mm)	TRANSZ DZ (mm)	TRANSZ DZ (mm)	TRANSZ DZ (mm)	TRANSZ DZ (mm)	TRANSZ DZ (mm)
68	2-LANES (caseDISPERSION-LMAX	6.46	5.52	4.51	3.45	2.32	1.15	0.00	0.00	1.10	2.17	3.20	4.14
	MIN	-33.20	-28.94	-24.03	-18.57	-12.59	-6.28	0.00	0.00	-3.40	-6.65	-9.68	-12.31
69	3-LANES (caseTRUCK-LOAD MAX	8.61	7.35	6.01	4.60	3.10	1.54	0.00	0.00	1.43	2.82	4.16	5.40
	MIN	-42.32	-37.13	-31.06	-24.21	-16.56	-8.31	0.00	0.00	-5.58	-10.86	-15.71	-19.81
	TANDEM-LOAD MAX	5.86	5.01	4.10	3.13	2.11	1.05	0.00	0.00	0.97	1.92	2.84	3.68
	MIN	-28.73	-25.22	-21.10	-16.43	-11.24	-5.64	0.00	0.00	-3.80	-7.40	-10.71	-13.49
	DISPERSION-LMAX	11.76	10.05	8.22	6.28	4.23	2.10	0.00	0.00	1.97	3.89	5.75	7.46
	MIN	-80.01	-70.53	-59.31	-46.46	-31.95	-16.09	0.00	0.00	-8.78	-17.08	-24.64	-31.00
70	3-LANES (caseTRUCK-LOAD MAX	7.58	6.48	5.30	4.05	2.72	1.35	0.00	0.00	1.27	2.51	3.71	4.81
	MIN	-27.81	-24.31	-20.23	-15.67	-10.65	-5.32	0.00	0.00	-3.98	-7.77	-11.26	-14.21
	TANDEM-LOAD MAX	5.16	4.41	3.61	2.75	1.85	0.92	0.00	0.00	0.87	1.71	2.53	3.28
	MIN	-18.88	-16.50	-13.74	-10.64	-7.23	-3.61	0.00	0.00	-2.71	-5.29	-7.66	-9.67
	DISPERSION-LMAX	10.27	8.78	7.18	5.49	3.69	1.83	0.00	0.00	1.75	3.45	5.09	6.59
	MIN	-53.42	-46.64	-38.80	-30.03	-20.40	-10.19	0.00	0.00	-6.56	-12.79	-18.51	-23.37
71	3-LANES (caseTRUCK-LOAD MAX	7.28	6.23	5.09	3.89	2.62	1.30	0.00	0.00	1.23	2.42	3.57	4.62
	MIN	-27.81	-24.31	-20.23	-15.67	-10.65	-5.32	0.00	0.00	-3.18	-6.21	-9.00	-11.38
	TANDEM-LOAD MAX	4.95	4.24	3.46	2.65	1.78	0.88	0.00	0.00	0.83	1.65	2.43	3.15
	MIN	-18.88	-16.50	-13.74	-10.64	-7.23	-3.61	0.00	0.00	-2.16	-4.22	-6.13	-7.75
	DISPERSION-LMAX	9.89	8.46	6.91	5.28	3.55	1.76	0.00	0.00	1.68	3.31	4.89	6.33
	MIN	-53.28	-46.52	-38.70	-29.96	-20.35	-10.16	0.00	0.00	-5.43	-10.63	-15.45	-19.62
72	4-LANES TRUCK-LOAD MAX	9.90	8.46	6.92	5.28	3.56	1.76	0.00	0.00	1.67	3.29	4.85	6.29
	MIN	-3.07	-2.62	-2.14	-1.64	-1.10	-0.55	0.00	0.00	-4.77	-9.32	-13.50	-17.06
	TANDEM-LOAD MAX	6.74	5.76	4.71	3.60	2.42	1.20	0.00	0.00	1.13	2.24	3.30	4.28
	MIN	-2.08	-1.78	-1.46	-1.11	-0.75	-0.37	0.00	0.00	-3.25	-6.34	-9.19	-11.61
	DISPERSION-LMAX	8.18	6.99	5.72	4.37	2.94	1.46	0.00	0.00	1.76	3.46	5.11	6.63
	MIN	-4.33	-3.70	-3.02	-2.31	-1.56	-0.77	0.00	0.00	-6.58	-12.81	-18.48	-23.26
73	6-LANES TRUCK-LOAD MAX	15.89	13.58	11.10	8.49	5.71	2.84	0.00	0.00	2.65	5.24	7.74	10.03
	MIN	-70.05	-61.36	-51.24	-39.82	-27.16	-13.60	0.00	0.00	-8.82	-17.20	-24.90	-31.42

BAGO RIVER BRIDGE

BLOCK [ No.1 : STRUCTURE NODE ] [ NODAL DISPLACEMENT ]

NODE			1049	1050	1051	1052	1053	1054	1055	2001	2002	2003	2004	2005
NAME TITLE			TRANSZ DZ (mm)	TRANSZ DZ (mm)	TRANSZ DZ (mm)	TRANSZ DZ (mm)	TRANSZ DZ (mm)	TRANSZ DZ (mm)	TRANSZ DZ (mm)	TRANSZ DZ (mm)	TRANSZ DZ (mm)	TRANSZ DZ (mm)	TRANSZ DZ (mm)	TRANSZ DZ (mm)
73	6-LANES	TANDEM-LOAD MAX	10.82	9.25	7.56	5.78	3.89	1.93	0.00	0.00	1.81	3.57	5.27	6.83
		MIN	-47.57	-41.68	-34.79	-27.04	-18.44	-9.23	0.00	0.00	-6.01	-11.73	-16.98	-21.42
		DISPERSION-LMAX	20.80	17.78	14.54	11.11	7.48	3.71	0.00	0.00	3.51	6.93	10.24	13.28
		MIN	-123.79	-108.64	-90.92	-70.86	-48.47	-24.33	0.00	0.00	-13.97	-27.21	-39.34	-49.64
124	SUM TOTAL	D+1LANE (caseMAX	-398.93	-352.74	-297.13	-232.83	-159.97	-80.51	-0.00	-0.00	-41.45	-80.33	-115.12	-143.54
		MIN	-460.83	-407.06	-342.63	-268.36	-184.34	-92.76	-0.00	-0.00	-49.00	-95.07	-136.48	-170.60
		D+1LANE (caseMAX	-399.51	-353.23	-297.54	-233.14	-160.18	-80.61	-0.00	-0.00	-41.54	-80.50	-115.37	-143.87
		MIN	-451.77	-398.98	-335.74	-262.85	-180.49	-90.79	-0.00	-0.00	-48.19	-93.48	-134.20	-167.75
		D+1LANE (caseMAX	-399.94	-353.60	-297.84	-233.37	-160.34	-80.69	-0.00	-0.00	-41.60	-80.63	-115.56	-144.12
		MIN	-444.17	-392.15	-329.88	-258.18	-177.21	-89.12	-0.00	-0.00	-47.53	-92.21	-132.39	-165.48
		D+1LANE (caseMAX	-400.77	-354.31	-298.42	-233.81	-160.64	-80.84	-0.00	-0.00	-41.73	-80.89	-115.95	-144.63
		MIN	-435.50	-384.46	-323.37	-253.04	-173.64	-87.31	-0.00	-0.00	-45.84	-88.95	-127.72	-159.67
		D+2LANES (casMAX	-393.54	-348.14	-293.37	-229.95	-158.03	-79.55	-0.00	-0.00	-40.55	-78.56	-112.50	-140.14
		MIN	-492.69	-435.09	-366.14	-286.73	-196.94	-99.10	-0.00	-0.00	-52.76	-102.39	-147.06	-183.92
		D+2LANES (casMAX	-394.03	-348.55	-293.71	-230.21	-158.21	-79.63	-0.00	-0.00	-40.62	-78.70	-112.71	-140.41
		MIN	-485.14	-428.35	-360.40	-282.15	-193.74	-97.46	-0.00	-0.00	-52.09	-101.07	-145.16	-181.54
		D+2LANES (casMAX	-395.23	-349.58	-294.55	-230.85	-158.64	-79.85	-0.00	-0.00	-40.80	-79.06	-113.24	-141.11
		MIN	-465.10	-410.42	-345.07	-269.92	-185.18	-93.10	-0.00	-0.00	-50.26	-97.55	-140.12	-175.24
		D+2LANES (casMAX	-396.14	-350.35	-295.18	-231.34	-158.98	-80.02	-0.00	-0.00	-40.95	-79.35	-113.68	-141.68
		MIN	-457.83	-403.97	-339.61	-265.62	-182.19	-91.58	-0.00	-0.00	-48.21	-93.58	-134.45	-168.19
		D+3LANES (casMAX	-390.05	-345.16	-290.93	-228.09	-156.78	-78.92	-0.00	-0.00	-39.96	-77.40	-110.79	-137.92
		MIN	-511.35	-451.46	-379.84	-297.40	-204.24	-102.75	-0.00	-0.00	-55.06	-106.85	-153.50	-192.04
		D+3LANES (casMAX	-392.19	-346.97	-292.42	-229.23	-157.55	-79.31	-0.00	-0.00	-40.29	-78.04	-111.73	-139.16
		MIN	-476.41	-420.25	-353.20	-276.18	-189.40	-95.19	-0.00	-0.00	-51.81	-100.57	-144.51	-180.80
		D+3LANES (casMAX	-392.76	-347.47	-292.82	-229.54	-157.76	-79.41	-0.00	-0.00	-40.38	-78.23	-112.02	-139.54
		MIN	-476.29	-420.15	-353.12	-276.12	-189.36	-95.17	-0.00	-0.00	-50.17	-97.41	-139.99	-175.20
		D+4LANES MAX	-395.61	-349.90	-294.81	-231.06	-158.78	-79.92	-0.00	-0.00	-40.63	-78.71	-112.73	-140.46
		MIN	-412.17	-364.05	-306.39	-239.90	-164.73	-82.87	-0.00	-0.00	-50.23	-97.48	-140.00	-175.06

BAGO RIVER BRIDGE

BLOCK [ No.1 : STRUCTURE NODE ] [ NODAL DISPLACEMENT ]

NODE				1049	1050	1051	1052	1053	1054	1055	2001	2002	2003	2004	2005
NAME TITLE				TRANSZ DZ (mm)	TRANSZ DZ (mm)	TRANSZ DZ (mm)	TRANSZ DZ (mm)	TRANSZ DZ (mm)	TRANSZ DZ (mm)	TRANSZ DZ (mm)	TRANSZ DZ (mm)	TRANSZ DZ (mm)	TRANSZ DZ (mm)	TRANSZ DZ (mm)	TRANSZ DZ (mm)
124	SUM TOTAL	D+6LANES	MAX	-383.51	-339.56	-286.36	-224.60	-154.43	-77.76	-0.00	-0.00	-38.84	-75.19	-107.53	-133.70
			MIN	-533.35	-470.44	-395.43	-309.27	-212.17	-106.67	-0.00	-0.00	-57.66	-111.97	-160.97	-201.54
		SUM TOTAL	MAX	-383.51	-339.56	-286.36	-224.60	-154.43	-77.76	-0.00	-0.00	-38.84	-75.19	-107.53	-133.70
			MIN	-533.35	-470.44	-395.43	-309.27	-212.17	-106.67	-0.00	-0.00	-57.66	-111.97	-160.97	-201.54
300	DEAD LOAD	TOTAL		-407.36	-359.95	-303.03	-237.33	-163.01	-82.02	-0.00	-0.00	-42.85	-83.10	-119.21	-148.85
301	LIVE LOAD	1-LANE (case1	MAX	8.44	7.21	5.89	4.51	3.04	1.51	0.00	0.00	1.40	2.77	4.09	5.31
			MIN	-53.47	-47.11	-39.61	-31.02	-21.33	-10.75	0.00	0.00	-6.15	-11.97	-17.27	-21.74
		1-LANE (case2	MAX	7.85	6.71	5.49	4.20	2.83	1.40	0.00	0.00	1.32	2.60	3.84	4.98
			MIN	-44.41	-39.03	-32.71	-25.52	-17.48	-8.77	0.00	0.00	-5.34	-10.38	-15.00	-18.89
		1-LANE (case3	MAX	7.42	6.34	5.19	3.96	2.67	1.32	0.00	0.00	1.25	2.47	3.65	4.73
			MIN	-36.81	-32.21	-26.85	-20.84	-14.20	-7.10	0.00	0.00	-4.67	-9.11	-13.18	-16.63
		1-LANE (case4	MAX	6.59	5.64	4.61	3.52	2.37	1.17	0.00	0.00	1.12	2.21	3.26	4.22
			MIN	-28.13	-24.52	-20.35	-15.70	-10.63	-5.30	0.00	0.00	-2.99	-5.85	-8.51	-10.81
		2-LANES (case	MAX	13.82	11.81	9.65	7.38	4.97	2.47	0.00	0.00	2.30	4.54	6.71	8.71
			MIN	-85.33	-75.14	-63.11	-49.40	-33.94	-17.08	0.00	0.00	-9.91	-19.29	-27.85	-35.06
		2-LANES (case	MAX	13.33	11.39	9.32	7.12	4.80	2.38	0.00	0.00	2.23	4.40	6.50	8.44
			MIN	-77.78	-68.41	-57.37	-44.81	-30.73	-15.44	0.00	0.00	-9.24	-17.97	-25.95	-32.69
		2-LANES (case	MAX	12.13	10.37	8.48	6.48	4.36	2.16	0.00	0.00	2.05	4.04	5.97	7.74
			MIN	-57.74	-50.47	-42.04	-32.59	-22.18	-11.08	0.00	0.00	-7.41	-14.45	-20.91	-26.39
		2-LANES (case	MAX	11.22	9.59	7.84	5.99	4.03	2.00	0.00	0.00	1.90	3.75	5.53	7.17
			MIN	-50.46	-44.02	-36.59	-28.28	-19.18	-9.57	0.00	0.00	-5.36	-10.48	-15.24	-19.34
		3-LANES (case	MAX	17.31	14.79	12.09	9.25	6.23	3.09	0.00	0.00	2.89	5.70	8.42	10.93
			MIN	-103.99	-91.52	-76.82	-60.07	-41.23	-20.74	0.00	0.00	-12.20	-23.75	-34.29	-43.19
		3-LANES (case	MAX	15.18	12.97	10.61	8.10	5.45	2.71	0.00	0.00	2.57	5.06	7.48	9.69
			MIN	-69.05	-60.30	-50.18	-38.85	-26.39	-13.18	0.00	0.00	-8.96	-17.47	-25.30	-31.95
		3-LANES (case	MAX	14.60	12.48	10.20	7.79	5.24	2.60	0.00	0.00	2.47	4.87	7.19	9.32
			MIN	-68.93	-60.20	-50.09	-38.78	-26.35	-13.16	0.00	0.00	-7.32	-14.31	-20.78	-26.35



BAGO RIVER BRIDGE

BLOCK [ No. 1 : STRUCTURE NODE ] [ NODAL DISPLACEMENT ]

NODE				1049	1050	1051	1052	1053	1054	1055	2001	2002	2003	2004	2005
NAME TITLE				TRANSZ DZ (mm)	TRANSZ DZ (mm)	TRANSZ DZ (mm)	TRANSZ DZ (mm)	TRANSZ DZ (mm)	TRANSZ DZ (mm)	TRANSZ DZ (mm)	TRANSZ DZ (mm)	TRANSZ DZ (mm)	TRANSZ DZ (mm)	TRANSZ DZ (mm)	TRANSZ DZ (mm)
301	LIVE LOAD	4-LANES	MAX	11.75	10.04	8.21	6.27	4.22	2.09	0.00	0.00	2.22	4.39	6.48	8.40
			MIN	-4.81	-4.11	-3.36	-2.57	-1.73	-0.86	0.00	0.00	-7.37	-14.38	-20.79	-26.21
	6-LANES	MAX	23.85	20.38	16.67	12.74	8.57	4.26	0.00	0.00	4.01	7.91	11.68	15.15	
		MIN	-125.99	-110.50	-92.40	-71.94	-49.16	-24.65	0.00	0.00	-14.81	-28.87	-41.76	-52.69	
	LIVE LOAD	MAX	23.85	20.38	16.67	12.74	8.57	4.26	0.00	0.00	4.01	7.91	11.68	15.15	
		MIN	-125.99	-110.50	-92.40	-71.94	-49.16	-24.65	0.00	0.00	-14.81	-28.87	-41.76	-52.69	
303	SUM TOTAL	TOTAL	MAX	-383.51	-339.56	-286.36	-224.60	-154.43	-77.76	-0.00	-0.00	-38.84	-75.19	-107.53	-133.70
			MIN	-533.35	-470.44	-395.43	-309.27	-212.17	-106.67	-0.00	-0.00	-57.66	-111.97	-160.97	-201.54

BAGO RIVER BRIDGE

BLOCK [ No.1 : STRUCTURE NODE ][ NODAL DISPLACEMENT ]

NODE		2006	2007	2008	2009	2010	2011	2012	2013	2014	2015	2016	2017	
NAME TITLE		TRANSZ DZ (mm)	TRANSZ DZ (mm)	TRANSZ DZ (mm)	TRANSZ DZ (mm)	TRANSZ DZ (mm)	TRANSZ DZ (mm)	TRANSZ DZ (mm)	TRANSZ DZ (mm)	TRANSZ DZ (mm)	TRANSZ DZ (mm)	TRANSZ DZ (mm)	TRANSZ DZ (mm)	
1	PAVEMENT	-30.59	-33.21	-34.41	-34.19	-32.59	-29.70	-25.65	-20.64	-15.03	-9.34	-4.19	0.00	
3	RAILING	-0.74	-0.80	-0.83	-0.83	-0.80	-0.73	-0.63	-0.51	-0.37	-0.23	-0.11	0.00	
5	CURB	-7.30	-7.95	-8.26	-8.24	-7.87	-7.21	-6.25	-5.05	-3.70	-2.32	-1.06	0.00	
7	DECK WEIGHT	-48.07	-52.21	-54.12	-53.80	-51.32	-46.82	-40.47	-32.60	-23.79	-14.82	-6.67	0.00	
8	GIRDER WEIGH	-59.58	-64.77	-67.23	-66.94	-63.98	-58.50	-50.72	-40.99	-30.03	-18.78	-8.50	0.00	
10	MEDIAN STRIP	-10.76	-11.72	-12.20	-12.20	-11.72	-10.78	-9.43	-7.70	-5.72	-3.65	-1.69	0.00	
21	ADITIONAL WE	-13.46	-14.62	-15.15	-15.06	-14.37	-13.11	-11.33	-9.13	-6.66	-4.15	-1.87	0.00	
31	MEDIAN RAILI	-0.82	-0.89	-0.92	-0.92	-0.88	-0.80	-0.69	-0.56	-0.41	-0.26	-0.12	0.00	
51	SUPPORT WEIG	-0.00	-0.00	-0.00	-0.00	-0.00	-0.00	-0.00	-0.00	-0.00	-0.00	-0.00	0.00	
52	NOSE WEIGHT	-0.01	-0.01	-0.01	-0.01	-0.00	-0.00	-0.00	-0.00	-0.00	-0.00	-0.00	0.00	
61	1-LANE(case1TRUCK-LOAD	MAX	2.24	2.57	2.85	3.05	3.16	3.19	3.09	2.85	2.44	1.83	1.03	0.00
		MIN	-8.25	-9.01	-9.42	-9.44	-9.06	-8.35	-7.30	-5.97	-4.45	-2.85	-1.34	0.00
		TANDEM-LOAD MAX	1.53	1.76	1.94	2.08	2.16	2.17	2.11	1.94	1.66	1.25	0.70	0.00
		MIN	-5.61	-6.15	-6.41	-6.44	-6.19	-5.68	-4.98	-4.06	-3.02	-1.94	-0.91	0.00
		DISPERSION-LMAX	3.10	3.56	3.93	4.21	4.37	4.40	4.27	3.93	3.36	2.53	1.42	0.00
		MIN	-12.80	-14.08	-14.83	-15.03	-14.68	-13.79	-12.36	-10.42	-8.05	-5.40	-2.67	0.00
62	1-LANE(case2TRUCK-LOAD	MAX	2.10	2.41	2.66	2.84	2.95	2.96	2.85	2.61	2.22	1.65	0.92	0.00
		MIN	-7.10	-7.79	-8.17	-8.18	-7.87	-7.23	-6.31	-5.16	-3.85	-2.48	-1.17	0.00
		TANDEM-LOAD MAX	1.43	1.64	1.81	1.94	2.01	2.01	1.94	1.78	1.51	1.13	0.63	0.00
		MIN	-4.83	-5.32	-5.58	-5.58	-5.36	-4.92	-4.30	-3.51	-2.62	-1.68	-0.80	0.00
		DISPERSION-LMAX	2.90	3.32	3.67	3.92	4.06	4.07	3.93	3.60	3.05	2.28	1.27	0.00
		MIN	-11.22	-12.35	-13.03	-13.22	-12.94	-12.18	-10.95	-9.25	-7.18	-4.84	-2.42	0.00
63	1-LANE(case3TRUCK-LOAD	MAX	2.00	2.29	2.52	2.69	2.78	2.78	2.67	2.44	2.05	1.52	0.84	0.00
		MIN	-6.17	-6.76	-7.10	-7.12	-6.84	-6.31	-5.52	-4.52	-3.38	-2.19	-1.04	0.00
		TANDEM-LOAD MAX	1.36	1.56	1.72	1.83	1.89	1.89	1.82	1.66	1.40	1.04	0.57	0.00
		MIN	-4.20	-4.62	-4.83	-4.85	-4.67	-4.29	-3.76	-3.08	-2.30	-1.49	-0.71	0.00
		DISPERSION-LMAX	2.75	3.15	3.47	3.70	3.82	3.82	3.67	3.35	2.82	2.09	1.15	0.00
		MIN	-9.96	-10.99	-11.61	-11.80	-11.56	-10.91	-9.82	-8.32	-6.47	-4.38	-2.20	0.00

BAGO RIVER BRIDGE

BLOCK [ No.1 : STRUCTURE NODE ] [ NODAL DISPLACEMENT ]

NODE		2006	2007	2008	2009	2010	2011	2012	2013	2014	2015	2016	2017	
NAME TITLE		TRANSZ DZ (mm)	TRANSZ DZ (mm)	TRANSZ DZ (mm)	TRANSZ DZ (mm)	TRANSZ DZ (mm)	TRANSZ DZ (mm)	TRANSZ DZ (mm)	TRANSZ DZ (mm)	TRANSZ DZ (mm)	TRANSZ DZ (mm)	TRANSZ DZ (mm)	TRANSZ DZ (mm)	
64	1-LANE (case4TRUCK-LOAD	MAX	1.78	2.04	2.24	2.38	2.44	2.42	2.31	2.07	1.72	1.24	0.67	0.00
		MIN	-3.77	-4.16	-4.37	-4.41	-4.28	-3.99	-3.54	-2.94	-2.24	-1.48	-0.72	0.00
	TANDEM-LOAD	MAX	1.21	1.39	1.52	1.62	1.66	1.65	1.57	1.41	1.17	0.85	0.46	0.00
		MIN	-2.57	-2.83	-2.97	-3.00	-2.92	-2.72	-2.41	-2.00	-1.52	-1.01	-0.49	0.00
	DISPERSION-LMAX	MAX	2.44	2.79	3.06	3.25	3.34	3.31	3.15	2.83	2.34	1.69	0.91	0.00
		MIN	-6.80	-7.57	-8.07	-8.28	-8.19	-7.79	-7.08	-6.07	-4.79	-3.30	-1.69	0.00
65	2-LANES (caseTRUCK-LOAD	MAX	4.41	5.07	5.60	5.99	6.22	6.26	6.06	5.58	4.76	3.58	2.01	0.00
		MIN	-15.93	-17.42	-18.23	-18.27	-17.54	-16.15	-14.11	-11.54	-8.60	-5.52	-2.60	0.00
	TANDEM-LOAD	MAX	3.01	3.46	3.82	4.09	4.24	4.27	4.13	3.80	3.25	2.44	1.37	0.00
		MIN	-10.84	-11.89	-12.42	-12.46	-11.97	-10.98	-9.62	-7.86	-5.84	-3.75	-1.77	0.00
	DISPERSION-LMAX	MAX	6.10	7.00	7.73	8.27	8.59	8.64	8.37	7.70	6.57	4.93	2.76	0.00
		MIN	-24.82	-27.30	-28.76	-29.16	-28.50	-26.78	-24.03	-20.26	-15.67	-10.52	-5.22	0.00
66	2-LANES (caseTRUCK-LOAD	MAX	4.28	4.91	5.42	5.79	6.00	6.03	5.82	5.34	4.54	3.40	1.90	0.00
		MIN	-14.78	-16.20	-16.98	-17.01	-16.35	-15.03	-13.12	-10.73	-8.00	-5.14	-2.43	0.00
	TANDEM-LOAD	MAX	2.92	3.34	3.69	3.95	4.09	4.11	3.97	3.64	3.10	2.32	1.29	0.00
		MIN	-10.05	-11.06	-11.58	-11.60	-11.15	-10.22	-8.94	-7.30	-5.44	-3.50	-1.65	0.00
	DISPERSION-LMAX	MAX	5.90	6.76	7.47	7.98	8.28	8.31	8.03	7.36	6.26	4.68	2.62	0.00
		MIN	-23.24	-25.57	-26.96	-27.35	-26.76	-25.17	-22.61	-19.10	-14.80	-9.96	-4.96	0.00
67	2-LANES (caseTRUCK-LOAD	MAX	3.93	4.50	4.96	5.28	5.45	5.45	5.23	4.75	4.00	2.95	1.62	0.00
		MIN	-11.69	-12.82	-13.44	-13.50	-12.98	-11.98	-10.49	-8.60	-6.44	-4.17	-1.99	0.00
	TANDEM-LOAD	MAX	2.68	3.06	3.38	3.60	3.71	3.71	3.56	3.24	2.72	2.01	1.11	0.00
		MIN	-7.96	-8.75	-9.15	-9.20	-8.86	-8.15	-7.14	-5.86	-4.39	-2.84	-1.35	0.00
	DISPERSION-LMAX	MAX	5.39	6.17	6.80	7.25	7.48	7.47	7.17	6.52	5.49	4.05	2.23	0.00
		MIN	-19.06	-21.04	-22.23	-22.62	-22.18	-20.93	-18.86	-16.00	-12.46	-8.45	-4.24	0.00
68	2-LANES (caseTRUCK-LOAD	MAX	3.64	4.16	4.57	4.85	4.99	4.96	4.73	4.26	3.54	2.57	1.39	0.00
		MIN	-8.20	-9.03	-9.49	-9.58	-9.27	-8.63	-7.63	-6.33	-4.79	-3.15	-1.53	0.00
	TANDEM-LOAD	MAX	2.48	2.83	3.11	3.30	3.39	3.37	3.22	2.90	2.41	1.75	0.95	0.00
		MIN	-5.58	-6.14	-6.46	-6.53	-6.32	-5.88	-5.19	-4.30	-3.26	-2.15	-1.04	0.00

BAGO RIVER BRIDGE

BLOCK [ No.1 : STRUCTURE NODE ] [ NODAL DISPLACEMENT ]

NODE		2006	2007	2008	2009	2010	2011	2012	2013	2014	2015	2016	2017
NAME	TITLE	TRANSZ DZ (mm)	TRANSZ DZ (mm)	TRANSZ DZ (mm)	TRANSZ DZ (mm)	TRANSZ DZ (mm)	TRANSZ DZ (mm)	TRANSZ DZ (mm)	TRANSZ DZ (mm)	TRANSZ DZ (mm)	TRANSZ DZ (mm)	TRANSZ DZ (mm)	TRANSZ DZ (mm)
68	2-LANES (case	4.98	5.69	6.25	6.64	6.83	6.79	6.47	5.82	4.84	3.51	1.90	0.00
	DISPERSION-LMAX												
	MIN	-14.47	-16.09	-17.12	-17.55	-17.33	-16.47	-14.95	-12.78	-10.06	-6.91	-3.53	0.00
69	3-LANES (case	6.52	7.48	8.26	8.84	9.17	9.21	8.92	8.19	6.98	5.23	2.93	0.00
	TRUCK-LOAD MAX												
	MIN	-23.03	-25.21	-26.40	-26.46	-25.41	-23.38	-20.42	-16.70	-12.45	-8.00	-3.78	0.00
	TANDEM-LOAD MAX	4.44	5.10	5.63	6.02	6.25	6.28	6.08	5.58	4.76	3.57	2.00	0.00
	MIN	-15.66	-17.21	-17.99	-18.04	-17.33	-15.90	-13.92	-11.37	-8.46	-5.44	-2.57	0.00
	DISPERSION-LMAX	9.00	10.32	11.40	12.19	12.65	12.71	12.30	11.29	9.62	7.21	4.04	0.00
	MIN	-36.04	-39.66	-41.79	-42.38	-41.44	-38.96	-34.98	-29.52	-22.85	-15.36	-7.64	0.00
70	3-LANES (case	5.79	6.63	7.30	7.77	8.01	7.99	7.66	6.95	5.83	4.29	2.35	0.00
	TRUCK-LOAD MAX												
	MIN	-16.54	-18.15	-19.04	-19.13	-18.40	-17.00	-14.90	-12.23	-9.17	-5.95	-2.85	0.00
	TANDEM-LOAD MAX	3.94	4.51	4.97	5.29	5.46	5.44	5.22	4.73	3.97	2.92	1.60	0.00
	MIN	-11.27	-12.38	-12.96	-13.03	-12.55	-11.56	-10.14	-8.33	-6.25	-4.05	-1.94	0.00
	DISPERSION-LMAX	7.94	9.09	10.00	10.65	10.98	10.96	10.51	9.53	7.99	5.88	3.22	0.00
	MIN	-27.28	-30.13	-31.87	-32.45	-31.85	-30.08	-27.13	-23.03	-17.96	-12.20	-6.14	0.00
71	3-LANES (case	5.56	6.36	6.99	7.43	7.65	7.61	7.27	6.57	5.47	4.00	2.17	0.00
	TRUCK-LOAD MAX												
	MIN	-13.27	-14.62	-15.37	-15.49	-14.99	-13.93	-12.29	-10.16	-7.68	-5.03	-2.43	0.00
	TANDEM-LOAD MAX	3.79	4.33	4.76	5.06	5.21	5.18	4.95	4.47	3.72	2.72	1.48	0.00
	MIN	-9.04	-9.95	-10.46	-10.56	-10.22	-9.48	-8.36	-6.91	-5.23	-3.42	-1.66	0.00
	DISPERSION-LMAX	7.62	8.71	9.58	10.18	10.48	10.43	9.96	8.99	7.49	5.47	2.97	0.00
	MIN	-23.01	-25.56	-27.17	-27.80	-27.42	-26.02	-23.59	-20.15	-15.82	-10.84	-5.52	0.00
72	4-LANES	7.57	8.66	9.53	10.13	10.44	10.41	9.96	9.01	7.54	5.52	3.02	0.00
	TRUCK-LOAD MAX												
	MIN	-19.87	-21.84	-22.93	-23.08	-22.25	-20.62	-18.13	-14.92	-11.24	-7.32	-3.52	0.00
	TANDEM-LOAD MAX	5.15	5.89	6.48	6.90	7.11	7.08	6.78	6.13	5.13	3.76	2.05	0.00
	MIN	-13.54	-14.89	-15.60	-15.72	-15.18	-14.03	-12.34	-10.16	-7.65	-4.98	-2.40	0.00
	DISPERSION-LMAX	7.97	9.12	10.03	10.67	10.99	10.95	10.47	9.47	7.91	5.79	3.16	0.00
	MIN	-27.00	-29.62	-31.06	-31.29	-30.32	-28.18	-24.92	-20.66	-15.66	-10.26	-4.96	0.00
73	6-LANES	12.09	13.85	15.26	16.28	16.83	16.84	16.20	14.76	12.46	9.23	5.11	0.00
	TRUCK-LOAD MAX												
	MIN	-36.55	-40.08	-42.02	-42.22	-40.72	-37.61	-32.96	-27.04	-20.26	-13.11	-6.24	0.00

BAGO RIVER BRIDGE

BLOCK [ No.1 : STRUCTURE NODE ] [ NODAL DISPLACEMENT ]

NODE			2006	2007	2008	2009	2010	2011	2012	2013	2014	2015	2016	2017
NAME TITLE			TRANSZ DZ (mm)	TRANSZ DZ (mm)	TRANSZ DZ (mm)	TRANSZ DZ (mm)	TRANSZ DZ (mm)	TRANSZ DZ (mm)	TRANSZ DZ (mm)	TRANSZ DZ (mm)	TRANSZ DZ (mm)	TRANSZ DZ (mm)	TRANSZ DZ (mm)	TRANSZ DZ (mm)
73	6-LANES	TANDEM-LOAD MAX	8.23	9.43	10.40	11.09	11.46	11.47	11.03	10.06	8.49	6.29	3.48	0.00
		MIN	-24.93	-27.40	-28.72	-28.88	-27.81	-25.59	-22.45	-18.41	-13.78	-8.91	-4.25	0.00
		DISPERSION-LMAX	16.00	18.33	20.20	21.55	22.28	22.30	21.45	19.56	16.51	12.24	6.77	0.00
		MIN	-57.86	-63.85	-67.45	-68.58	-67.22	-63.38	-57.05	-48.31	-37.56	-25.40	-12.73	0.00
124	SUM TOTAL	D+1LANE (caseMAX	-164.92	-178.82	-185.00	-183.47	-174.48	-158.55	-136.35	-109.04	-78.76	-48.32	-21.26	0.00
		MIN	-196.58	-213.88	-222.23	-221.55	-212.02	-194.23	-168.78	-136.84	-100.71	-63.46	-29.02	0.00
		D+1LANE (caseMAX	-165.32	-179.29	-185.54	-184.07	-175.12	-159.22	-137.04	-109.72	-79.39	-48.83	-21.57	0.00
		MIN	-193.31	-210.34	-218.58	-217.87	-208.50	-190.95	-165.89	-134.47	-98.96	-62.34	-28.51	0.00
		D+1LANE (caseMAX	-165.63	-179.65	-185.95	-184.52	-175.61	-159.73	-137.56	-110.24	-79.87	-49.22	-21.81	0.00
		MIN	-190.69	-207.48	-215.58	-214.89	-205.62	-188.32	-163.59	-132.58	-97.55	-61.44	-28.08	0.00
		D+1LANE (caseMAX	-166.25	-180.38	-186.78	-185.43	-176.60	-160.78	-138.63	-111.30	-80.85	-50.03	-22.30	0.00
		MIN	-184.01	-200.24	-208.06	-207.41	-198.49	-181.79	-157.92	-127.99	-94.15	-59.28	-27.09	0.00
		D+2LANES (casMAX	-160.81	-174.11	-179.80	-177.92	-168.72	-152.76	-130.75	-103.90	-74.39	-45.05	-19.43	0.00
		MIN	-212.07	-230.90	-240.13	-239.61	-229.57	-210.59	-183.32	-148.97	-109.98	-69.60	-32.02	0.00
		D+2LANES (casMAX	-161.15	-174.51	-180.25	-178.41	-169.25	-153.32	-131.32	-104.47	-74.91	-45.47	-19.68	0.00
		MIN	-209.34	-227.95	-237.08	-236.55	-226.64	-207.86	-180.91	-147.00	-108.52	-68.66	-31.59	0.00
		D+2LANES (casMAX	-162.00	-175.50	-181.38	-179.66	-170.60	-154.74	-132.78	-105.90	-76.24	-46.56	-20.35	0.00
		MIN	-202.08	-220.03	-228.81	-228.30	-218.69	-200.57	-174.54	-141.77	-104.62	-66.17	-30.43	0.00
		D+2LANES (casMAX	-162.71	-176.32	-182.31	-180.69	-171.71	-155.91	-133.98	-107.09	-77.34	-47.47	-20.91	0.00
		MIN	-193.99	-211.29	-219.75	-219.30	-210.13	-192.75	-167.76	-136.28	-100.57	-63.62	-29.26	0.00
		D+3LANES (casMAX	-158.14	-171.04	-176.42	-174.31	-164.99	-149.02	-127.14	-100.61	-71.61	-42.98	-18.28	0.00
		MIN	-221.53	-241.31	-251.10	-250.69	-240.35	-220.65	-192.26	-156.46	-115.72	-73.41	-33.90	0.00
		D+3LANES (casMAX	-159.66	-172.82	-178.43	-176.53	-167.38	-151.54	-129.74	-103.17	-73.97	-44.91	-19.46	0.00
		MIN	-208.57	-227.21	-236.41	-236.02	-226.24	-207.67	-180.90	-147.14	-108.78	-68.98	-31.84	0.00
		D+3LANES (casMAX	-160.12	-173.36	-179.05	-177.21	-168.12	-152.32	-130.53	-103.95	-74.70	-45.51	-19.83	0.00
		MIN	-202.17	-220.33	-229.29	-228.98	-219.58	-201.61	-175.68	-142.93	-105.70	-67.04	-30.96	0.00
		D+4LANES MAX	-161.22	-174.62	-180.42	-178.66	-169.60	-153.77	-131.90	-105.16	-75.68	-46.20	-20.19	0.00
		MIN	-201.79	-219.63	-228.23	-227.52	-217.70	-199.37	-173.16	-140.30	-103.20	-64.99	-29.71	0.00

BAGO RIVER BRIDGE

BLOCK [ No.1 : STRUCTURE NODE ] [ NODAL DISPLACEMENT ]

NODE				2006	2007	2008	2009	2010	2011	2012	2013	2014	2015	2016	2017
NAME TITLE				TRANSZ DZ (mm)	TRANSZ DZ (mm)	TRANSZ DZ (mm)	TRANSZ DZ (mm)	TRANSZ DZ (mm)	TRANSZ DZ (mm)	TRANSZ DZ (mm)	TRANSZ DZ (mm)	TRANSZ DZ (mm)	TRANSZ DZ (mm)	TRANSZ DZ (mm)	TRANSZ DZ (mm)
124	SUM TOTAL	D+6LANES	MAX	-153.07	-165.26	-170.08	-167.60	-158.11	-142.22	-120.71	-94.87	-66.89	-39.60	-16.48	0.00
			MIN	-232.70	-253.73	-264.29	-264.20	-253.69	-233.30	-203.69	-166.16	-123.30	-78.59	-36.53	0.00
		SUM TOTAL	MAX	-153.07	-165.26	-170.08	-167.60	-158.11	-142.22	-120.71	-94.87	-66.89	-39.60	-16.48	0.00
			MIN	-232.70	-253.73	-264.29	-264.20	-253.69	-233.30	-203.69	-166.16	-123.30	-78.59	-36.53	0.00
300	DEAD LOAD	TOTAL		-171.33	-186.17	-193.14	-192.18	-183.53	-167.66	-145.18	-117.18	-85.72	-53.55	-24.20	0.00
301	LIVE LOAD	1-LANE (case1	MAX	6.41	7.36	8.13	8.71	9.05	9.11	8.83	8.13	6.96	5.23	2.94	0.00
			MIN	-25.26	-27.71	-29.09	-29.37	-28.49	-26.58	-23.60	-19.67	-15.00	-9.90	-4.82	0.00
		1-LANE (case2	MAX	6.00	6.88	7.60	8.11	8.41	8.43	8.14	7.45	6.33	4.72	2.63	0.00
			MIN	-21.98	-24.17	-25.44	-25.69	-24.97	-23.29	-20.71	-17.29	-13.24	-8.78	-4.31	0.00
		1-LANE (case3	MAX	5.69	6.52	7.19	7.66	7.92	7.92	7.62	6.94	5.85	4.33	2.39	0.00
			MIN	-19.37	-21.30	-22.44	-22.70	-22.09	-20.66	-18.41	-15.41	-11.83	-7.88	-3.88	0.00
		1-LANE (case4	MAX	5.07	5.79	6.36	6.75	6.93	6.88	6.55	5.88	4.87	3.52	1.90	0.00
			MIN	-12.68	-14.07	-14.93	-15.23	-14.96	-14.14	-12.75	-10.81	-8.43	-5.73	-2.89	0.00
		2-LANES (case	MAX	10.51	12.07	13.33	14.27	14.81	14.90	14.43	13.27	11.33	8.51	4.77	0.00
			MIN	-40.75	-44.72	-46.99	-47.43	-46.04	-42.94	-38.14	-31.80	-24.27	-16.04	-7.82	0.00
		2-LANES (case	MAX	10.17	11.67	12.88	13.77	14.28	14.34	13.86	12.70	10.81	8.08	4.52	0.00
			MIN	-38.02	-41.77	-43.94	-44.36	-43.11	-40.20	-35.73	-29.82	-22.80	-15.11	-7.40	0.00
		2-LANES (case	MAX	9.32	10.67	11.76	12.53	12.93	12.92	12.40	11.28	9.48	7.00	3.85	0.00
			MIN	-30.75	-33.85	-35.68	-36.12	-35.16	-32.91	-29.36	-24.59	-18.90	-12.62	-6.23	0.00
		2-LANES (case	MAX	8.62	9.85	10.82	11.50	11.82	11.75	11.20	10.09	8.38	6.09	3.29	0.00
			MIN	-22.66	-25.11	-26.62	-27.12	-26.60	-25.10	-22.58	-19.11	-14.86	-10.06	-5.06	0.00
		3-LANES (case	MAX	13.19	15.13	16.71	17.87	18.54	18.64	18.03	16.56	14.11	10.58	5.92	0.00
			MIN	-50.21	-55.13	-57.96	-58.51	-56.83	-53.00	-47.09	-39.28	-30.00	-19.86	-9.70	0.00
		3-LANES (case	MAX	11.67	13.36	14.70	15.65	16.15	16.11	15.44	14.01	11.75	8.64	4.74	0.00
			MIN	-37.25	-41.04	-43.27	-43.84	-42.71	-40.01	-35.73	-29.97	-23.06	-15.43	-7.64	0.00
		3-LANES (case	MAX	11.21	12.81	14.09	14.97	15.41	15.34	14.65	13.22	11.02	8.04	4.37	0.00
			MIN	-30.84	-34.15	-36.15	-36.80	-36.05	-33.96	-30.50	-25.76	-19.98	-13.49	-6.76	0.00

BAGO RIVER BRIDGE

BLOCK [ No.1 : STRUCTURE NODE ][ NODAL DISPLACEMENT ]

NODE				2006	2007	2008	2009	2010	2011	2012	2013	2014	2015	2016	2017
NAME TITLE				TRANSZ DZ (mm)	TRANSZ DZ (mm)	TRANSZ DZ (mm)	TRANSZ DZ (mm)	TRANSZ DZ (mm)	TRANSZ DZ (mm)	TRANSZ DZ (mm)	TRANSZ DZ (mm)	TRANSZ DZ (mm)	TRANSZ DZ (mm)	TRANSZ DZ (mm)	TRANSZ DZ (mm)
301	LIVE LOAD	4-LANES	MAX	10.10	11.56	12.71	13.52	13.93	13.88	13.28	12.01	10.04	7.35	4.01	0.00
			MIN	-30.47	-33.45	-35.10	-35.34	-34.17	-31.71	-27.98	-23.13	-17.48	-11.43	-5.51	0.00
		6-LANES	MAX	18.25	20.91	23.05	24.59	25.42	25.44	24.47	22.31	18.83	13.95	7.72	0.00
			MIN	-61.37	-67.55	-71.15	-72.02	-70.16	-65.64	-58.51	-48.98	-37.58	-25.03	-12.33	0.00
		LIVE LOAD	MAX	18.25	20.91	23.05	24.59	25.42	25.44	24.47	22.31	18.83	13.95	7.72	0.00
			MIN	-61.37	-67.55	-71.15	-72.02	-70.16	-65.64	-58.51	-48.98	-37.58	-25.03	-12.33	0.00
303	SUM TOTAL	TOTAL	MAX	-153.07	-165.26	-170.08	-167.60	-158.11	-142.22	-120.71	-94.87	-66.89	-39.60	-16.48	0.00
			MIN	-232.70	-253.73	-264.29	-264.20	-253.69	-233.30	-203.69	-166.16	-123.30	-78.59	-36.53	0.00

BAGO RIVER BRIDGE

BLOCK [ No.1 : STRUCTURE NODE ] [ NODAL DISPLACEMENT ]

NODE		2018	2019	2020	2021	2022	2023	2024	2025	2026	2027	2028	2029
NAME	TITLE	TRANSZ DZ (mm)	TRANSZ DZ (mm)	TRANSZ DZ (mm)	TRANSZ DZ (mm)	TRANSZ DZ (mm)	TRANSZ DZ (mm)	TRANSZ DZ (mm)	TRANSZ DZ (mm)	TRANSZ DZ (mm)	TRANSZ DZ (mm)	TRANSZ DZ (mm)	TRANSZ DZ (mm)
1	PAVEMENT	2.85	4.53	5.42	5.82	6.03	6.26	6.64	7.21	7.94	8.72	9.35	9.55
3	RAILING	0.08	0.13	0.16	0.19	0.21	0.23	0.25	0.27	0.30	0.32	0.34	0.34
5	CURB	0.78	1.29	1.63	1.86	2.05	2.24	2.45	2.70	2.97	3.20	3.36	3.34
7	DECK WEIGHT	4.60	7.39	8.95	9.76	10.28	10.82	11.57	12.61	13.86	15.12	16.07	16.29
8	GIRDER WEIGH	5.96	9.73	12.05	13.55	14.76	16.04	17.60	19.46	21.49	23.39	24.69	24.78
10	MEDIAN STRIP	1.29	2.24	2.97	3.57	4.11	4.64	5.17	5.69	6.16	6.50	6.63	6.43
21	ADITIONAL WE	1.29	2.07	2.51	2.73	2.88	3.03	3.24	3.53	3.88	4.23	4.50	4.56
31	MEDIAN RAILI	0.08	0.13	0.15	0.17	0.18	0.20	0.22	0.24	0.27	0.29	0.31	0.31
51	SUPPORT WEIG	0.00	0.00	0.00	0.00	0.00	0.00	0.00	0.00	0.00	0.00	0.00	0.00
52	NOSE WEIGHT	0.00	0.00	0.00	0.00	0.00	0.00	0.00	0.00	0.00	0.00	0.00	0.00
61	1-LANE(case1TRUCK-LOAD	1.10	1.94	2.54	2.94	3.15	3.41	3.88	4.24	4.46	4.52	4.38	4.02
	MIN	-1.28	-2.71	-4.19	-5.59	-6.78	-7.70	-8.26	-8.45	-8.25	-7.67	-6.74	-5.54
	TANDEM-LOAD	0.75	1.32	1.73	2.00	2.14	2.31	2.63	2.87	3.03	3.07	2.97	2.72
	MIN	-0.88	-1.85	-2.86	-3.80	-4.63	-5.25	-5.63	-5.78	-5.62	-5.23	-4.60	-3.76
	DISPERSION-LMAX	2.51	4.77	6.80	8.54	10.00	11.14	11.94	12.39	12.45	12.09	11.29	10.00
62	1-LANE(case2TRUCK-LOAD	0.98	1.74	2.30	2.68	2.89	3.26	3.70	4.04	4.24	4.29	4.14	3.78
	MIN	-1.13	-2.37	-3.65	-4.87	-5.92	-6.74	-7.27	-7.42	-7.28	-6.75	-5.93	-4.88
	TANDEM-LOAD	0.66	1.18	1.56	1.82	1.97	2.21	2.51	2.74	2.88	2.91	2.81	2.57
	MIN	-0.77	-1.62	-2.49	-3.31	-4.03	-4.60	-4.94	-5.08	-4.95	-4.61	-4.04	-3.32
	DISPERSION-LMAX	2.30	4.40	6.30	7.96	9.35	10.45	11.22	11.66	11.72	11.38	10.60	9.38
63	1-LANE(case3TRUCK-LOAD	0.88	1.58	2.12	2.48	2.69	3.14	3.57	3.89	4.08	4.11	3.96	3.61
	MIN	-1.01	-2.11	-3.24	-4.30	-5.22	-5.94	-6.40	-6.55	-6.42	-5.98	-5.27	-4.36
	TANDEM-LOAD	0.60	1.08	1.44	1.68	1.83	2.13	2.42	2.64	2.77	2.79	2.69	2.45
	MIN	-0.69	-1.44	-2.20	-2.93	-3.56	-4.05	-4.36	-4.48	-4.37	-4.08	-3.60	-2.97
	DISPERSION-LMAX	2.13	4.10	5.92	7.51	8.84	9.91	10.66	11.08	11.14	10.81	10.06	8.88
	MIN	-1.38	-2.87	-4.37	-5.75	-6.92	-7.81	-8.36	-8.56	-8.38	-7.84	-6.97	-5.81



BAGO RIVER BRIDGE

BLOCK [ No.1 : STRUCTURE NODE ] [ NODAL DISPLACEMENT ]

NODE		2018	2019	2020	2021	2022	2023	2024	2025	2026	2027	2028	2029	
NAME TITLE		TRANSZ DZ (mm)	TRANSZ DZ (mm)	TRANSZ DZ (mm)	TRANSZ DZ (mm)	TRANSZ DZ (mm)	TRANSZ DZ (mm)	TRANSZ DZ (mm)	TRANSZ DZ (mm)	TRANSZ DZ (mm)	TRANSZ DZ (mm)	TRANSZ DZ (mm)	TRANSZ DZ (mm)	
64	1-LANE (case4TRUCK-LOAD	MAX	0.65	1.21	1.67	2.01	2.52	2.99	3.39	3.68	3.86	3.88	3.72	3.38
		MIN	-0.76	-1.56	-2.37	-3.12	-3.76	-4.26	-4.58	-4.71	-4.65	-4.38	-3.92	-3.29
	TANDEM-LOAD	MAX	0.45	0.82	1.13	1.36	1.71	2.03	2.30	2.50	2.62	2.63	2.53	2.29
		MIN	-0.52	-1.07	-1.62	-2.12	-2.56	-2.90	-3.12	-3.21	-3.17	-2.98	-2.67	-2.25
	DISPERSION-LMAX	1.75	3.47	5.11	6.60	7.88	8.91	9.66	10.10	10.19	9.91	9.23	8.14	
65	2-LANES (caseTRUCK-LOAD	MAX	2.14	3.77	4.97	5.74	6.17	6.74	7.66	8.37	8.81	8.92	8.64	7.92
		MIN	-2.49	-5.25	-8.12	-10.81	-13.14	-14.92	-16.05	-16.39	-16.02	-14.88	-13.08	-10.75
	TANDEM-LOAD	MAX	1.46	2.57	3.38	3.91	4.20	4.57	5.20	5.68	5.98	6.05	5.86	5.37
		MIN	-1.70	-3.58	-5.53	-7.35	-8.96	-10.19	-10.93	-11.22	-10.91	-10.16	-8.92	-7.31
	DISPERSION-LMAX	4.92	9.36	13.35	16.80	19.67	21.93	23.53	24.41	24.53	23.83	22.23	19.69	
66	2-LANES (caseTRUCK-LOAD	MAX	2.02	3.57	4.72	5.49	5.91	6.59	7.49	8.17	8.59	8.69	8.41	7.69
		MIN	-2.33	-4.91	-7.58	-10.10	-12.27	-13.96	-15.05	-15.37	-15.05	-13.96	-12.27	-10.09
	TANDEM-LOAD	MAX	1.37	2.43	3.21	3.73	4.02	4.47	5.08	5.55	5.83	5.90	5.70	5.21
		MIN	-1.59	-3.35	-5.16	-6.86	-8.37	-9.53	-10.24	-10.52	-10.24	-9.53	-8.36	-6.86
	DISPERSION-LMAX	4.70	8.98	12.85	16.21	19.02	21.23	22.81	23.68	23.80	23.11	21.55	19.06	
67	2-LANES (caseTRUCK-LOAD	MAX	1.70	3.06	4.10	4.82	5.28	6.21	7.04	7.67	8.04	8.11	7.81	7.10
		MIN	-1.94	-4.04	-6.19	-8.22	-9.96	-11.34	-12.21	-12.51	-12.27	-11.45	-10.10	-8.38
	TANDEM-LOAD	MAX	1.16	2.08	2.79	3.28	3.58	4.22	4.78	5.21	5.46	5.50	5.30	4.82
		MIN	-1.32	-2.75	-4.21	-5.60	-6.80	-7.73	-8.32	-8.55	-8.36	-7.80	-6.90	-5.71
	DISPERSION-LMAX	4.14	8.00	11.57	14.71	17.36	19.46	20.96	21.80	21.92	21.26	19.79	17.45	
68	2-LANES (caseTRUCK-LOAD	MAX	1.37	2.53	3.46	4.14	5.11	6.06	6.86	7.47	7.82	7.87	7.57	6.87
		MIN	-1.60	-3.30	-5.01	-6.61	-7.99	-9.06	-9.75	-10.02	-9.87	-9.27	-8.27	-6.93
	TANDEM-LOAD	MAX	0.93	1.72	2.35	2.81	3.47	4.11	4.66	5.07	5.31	5.35	5.14	4.67
		MIN	-1.09	-2.25	-3.42	-4.51	-5.44	-6.17	-6.65	-6.84	-6.72	-6.31	-5.64	-4.73

BAGO RIVER BRIDGE

BLOCK [ No.1 : STRUCTURE NODE ] [ NODAL DISPLACEMENT ]

NODE		2018	2019	2020	2021	2022	2023	2024	2025	2026	2027	2028	2029
NAME	TITLE	TRANSZ DZ (mm)	TRANSZ DZ (mm)	TRANSZ DZ (mm)	TRANSZ DZ (mm)	TRANSZ DZ (mm)	TRANSZ DZ (mm)	TRANSZ DZ (mm)	TRANSZ DZ (mm)	TRANSZ DZ (mm)	TRANSZ DZ (mm)	TRANSZ DZ (mm)	TRANSZ DZ (mm)
68	2-LANES (case	3.62	7.14	10.49	13.50	16.09	18.17	19.68	20.56	20.74	20.18	18.81	16.59
	DISPERSION-LMAX												
	MIN	-2.17	-4.46	-6.77	-8.89	-10.72	-12.13	-13.05	-13.41	-13.19	-12.41	-11.09	-9.31
69	3-LANES (case	3.12	5.51	7.27	8.42	9.07	10.00	11.36	12.41	13.06	13.21	12.79	11.70
	TRUCK-LOAD MAX												
	MIN	-3.62	-7.62	-11.78	-15.68	-19.06	-21.66	-23.32	-23.81	-23.30	-21.63	-19.01	-15.63
	TANDEM-LOAD MAX	2.12	3.75	4.94	5.73	6.17	6.78	7.71	8.42	8.86	8.96	8.67	7.94
	MIN	-2.47	-5.20	-8.02	-10.66	-12.99	-14.79	-15.87	-16.30	-15.86	-14.76	-12.96	-10.62
	DISPERSION-LMAX	7.22	13.76	19.66	24.76	29.01	32.37	34.75	36.07	36.25	35.20	32.83	29.06
	MIN	-4.96	-10.37	-15.84	-20.86	-25.10	-28.30	-30.28	-30.94	-30.24	-28.22	-24.99	-20.73
70	3-LANES (case	2.45	4.43	5.96	7.03	7.80	9.20	10.43	11.36	11.90	11.99	11.53	10.48
	TRUCK-LOAD MAX												
	MIN	-2.78	-5.79	-8.86	-11.74	-14.23	-16.18	-17.43	-17.87	-17.54	-16.39	-14.50	-12.04
	TANDEM-LOAD MAX	1.67	3.01	4.05	4.77	5.30	6.25	7.08	7.71	8.08	8.14	7.83	7.12
	MIN	-1.89	-3.94	-6.03	-8.00	-9.71	-11.02	-11.88	-12.21	-11.95	-11.17	-9.89	-8.21
	DISPERSION-LMAX	6.04	11.71	16.98	21.62	25.55	28.67	30.90	32.15	32.33	31.36	29.17	25.71
	MIN	-3.80	-7.87	-11.96	-15.73	-18.92	-21.37	-22.91	-23.48	-23.02	-21.57	-19.19	-16.03
71	3-LANES (case	2.16	3.95	5.38	6.41	7.75	9.20	10.43	11.36	11.90	11.99	11.53	10.48
	TRUCK-LOAD MAX												
	MIN	-2.52	-5.21	-7.94	-10.49	-12.69	-14.41	-15.51	-15.92	-15.67	-14.69	-13.07	-10.92
	TANDEM-LOAD MAX	1.47	2.69	3.66	4.36	5.26	6.25	7.08	7.71	8.08	8.14	7.83	7.12
	MIN	-1.72	-3.55	-5.41	-7.15	-8.65	-9.81	-10.58	-10.88	-10.67	-10.00	-8.91	-7.44
	DISPERSION-LMAX	5.60	11.00	16.11	20.70	24.62	27.78	30.07	31.39	31.67	30.80	28.72	25.36
	MIN	-3.43	-7.07	-10.73	-14.11	-17.00	-19.23	-20.67	-21.22	-20.86	-19.60	-17.50	-14.67
72	4-LANES	3.07	5.59	7.56	8.96	9.81	10.17	10.10	9.65	8.88	7.87	6.66	5.33
	TRUCK-LOAD MAX												
	MIN	-3.54	-7.34	-11.21	-14.82	-17.95	-20.39	-21.96	-22.53	-22.14	-20.72	-18.38	-15.31
	TANDEM-LOAD MAX	2.09	3.80	5.14	6.09	6.66	6.91	6.86	6.55	6.03	5.34	4.52	3.62
	MIN	-2.41	-5.00	-7.63	-10.10	-12.23	-13.89	-14.97	-15.39	-15.08	-14.11	-12.54	-10.43
	DISPERSION-LMAX	4.34	7.89	10.67	12.63	13.84	14.35	14.25	13.61	12.53	11.10	9.40	7.52
	MIN	-3.67	-7.54	-11.35	-14.77	-17.56	-19.57	-20.66	-20.82	-20.03	-18.40	-16.05	-13.16
73	6-LANES	5.30	9.50	12.69	14.88	16.67	19.20	21.79	23.77	24.96	25.20	24.32	22.18
	TRUCK-LOAD MAX												
	MIN	-6.15	-12.85	-19.75	-26.21	-31.80	-36.15	-38.93	-39.84	-39.06	-36.40	-32.13	-26.59

BAGO RIVER BRIDGE

BLOCK [ No.1 : STRUCTURE NODE ] [ NODAL DISPLACEMENT ]

NODE			2018	2019	2020	2021	2022	2023	2024	2025	2026	2027	2028	2029
NAME TITLE			TRANSZ DZ (mm)	TRANSZ DZ (mm)	TRANSZ DZ (mm)	TRANSZ DZ (mm)	TRANSZ DZ (mm)	TRANSZ DZ (mm)	TRANSZ DZ (mm)	TRANSZ DZ (mm)	TRANSZ DZ (mm)	TRANSZ DZ (mm)	TRANSZ DZ (mm)	TRANSZ DZ (mm)
73	6-LANES	TANDEM-LOAD MAX	3.60	6.46	8.63	10.11	11.33	13.03	14.79	16.13	16.94	17.10	16.51	15.06
		MIN	-4.19	-8.76	-13.45	-17.84	-21.68	-24.65	-26.51	-27.25	-26.60	-24.82	-21.92	-18.10
		DISPERSION-LMAX	12.32	23.73	34.20	43.35	51.04	57.13	61.45	63.85	64.18	62.29	58.01	51.22
		MIN	-8.12	-16.89	-25.72	-33.85	-40.74	-45.98	-49.27	-50.43	-49.39	-46.20	-41.03	-34.18
124	SUM TOTAL	D+1LANE (caseMAX	21.26	35.56	45.06	51.42	56.27	60.90	66.13	71.67	77.16	81.72	84.05	82.42
		MIN	13.29	19.85	22.07	22.05	21.64	22.14	24.31	28.39	34.09	40.57	46.54	50.16
		D+1LANE (caseMAX	20.86	34.86	44.17	50.41	55.18	59.89	65.05	70.55	76.02	80.58	82.94	81.40
		MIN	13.71	20.77	23.53	24.01	24.02	24.80	27.10	31.25	36.82	43.12	48.76	51.96
		D+1LANE (caseMAX	20.54	34.33	43.48	49.62	54.33	59.10	64.21	69.68	75.13	79.69	82.08	80.59
		MIN	14.06	21.53	24.71	25.58	25.93	26.95	29.43	33.58	39.10	45.19	50.56	53.39
		D+1LANE (caseMAX	19.81	33.12	41.98	47.97	52.97	57.73	62.80	68.25	73.72	78.33	80.80	79.42
		MIN	14.78	23.10	27.17	28.87	29.92	31.47	34.26	38.46	43.80	49.48	54.24	56.35
		D+2LANES (casMAX	23.99	40.64	52.17	60.18	66.33	72.11	78.33	84.50	90.21	94.53	96.12	93.21
		MIN	11.04	15.12	14.82	12.46	10.06	9.03	10.24	14.02	20.02	27.48	34.99	40.61
		D+2LANES (casMAX	23.65	40.06	51.42	59.34	65.42	71.27	77.43	83.57	89.26	93.58	95.20	92.35
		MIN	11.39	15.90	16.04	14.09	12.03	11.24	12.56	16.39	22.30	29.61	36.84	42.11
		D+2LANES (casMAX	22.77	38.57	49.52	57.18	63.13	69.12	75.14	81.18	86.82	91.15	92.84	90.15
		MIN	12.34	17.97	19.29	18.43	17.30	17.18	18.93	22.82	28.53	35.30	41.77	46.07
		D+2LANES (casMAX	21.92	37.17	47.79	55.28	61.68	67.68	73.69	79.74	85.43	89.83	91.62	89.07
		MIN	13.15	19.74	22.07	22.14	21.78	22.25	24.35	28.28	33.80	40.10	45.88	49.36
		D+3LANES (casMAX	25.71	43.88	56.73	65.84	72.86	79.46	86.34	92.92	98.78	102.94	104.03	100.26
		MIN	9.64	12.21	10.37	6.58	2.95	0.98	1.58	5.17	11.35	19.41	27.85	34.70
		D+3LANES (casMAX	24.15	41.23	53.34	61.99	68.84	75.64	82.27	88.69	94.46	98.62	99.85	96.36
		MIN	11.33	15.89	16.14	14.30	12.31	11.53	12.85	16.57	22.39	29.52	36.61	41.75
D+3LANES (casMAX	23.52	40.21	52.11	60.69	68.01	74.88	81.57	88.05	93.90	98.15	99.46	96.07		
MIN	11.87	17.06	17.97	16.74	15.25	14.85	16.39	20.14	25.81	32.63	39.26	43.85		
D+4LANES	MAX	21.75	36.27	45.70	51.68	55.86	59.38	62.97	66.83	70.78	74.11	75.69	73.96	
	MIN	12.24	17.84	19.18	18.41	17.41	17.47	19.44	23.54	29.45	36.35	42.87	47.10	

BAGO RIVER BRIDGE

BLOCK [ No.1 : STRUCTURE NODE ] [ NODAL DISPLACEMENT ]

NODE				2018	2019	2020	2021	2022	2023	2024	2025	2026	2027	2028	2029
NAME TITLE				TRANSZ DZ (mm)	TRANSZ DZ (mm)	TRANSZ DZ (mm)	TRANSZ DZ (mm)	TRANSZ DZ (mm)	TRANSZ DZ (mm)	TRANSZ DZ (mm)	TRANSZ DZ (mm)	TRANSZ DZ (mm)	TRANSZ DZ (mm)	TRANSZ DZ (mm)	TRANSZ DZ (mm)
124	SUM TOTAL	D+6LANES	MAX	28.38	49.11	64.32	75.49	84.50	93.06	101.25	108.67	114.81	118.65	118.76	113.32
			MIN	7.65	8.18	4.29	-1.40	-6.66	-9.94	-10.19	-6.96	-0.63	8.09	17.69	26.10
		SUM TOTAL	MAX	28.38	49.11	64.32	75.49	84.50	93.06	101.25	108.67	114.81	118.65	118.76	113.32
			MIN	7.65	8.18	4.29	-1.40	-6.66	-9.94	-10.19	-6.96	-0.63	8.09	17.69	26.10
300	DEAD LOAD	TOTAL		16.93	27.50	33.84	37.64	40.49	43.44	47.14	51.71	56.86	61.78	65.25	65.60
301	LIVE LOAD	1-LANE (case1	MAX	4.33	8.05	11.22	13.78	15.78	17.45	18.98	19.95	20.30	19.94	18.80	16.82
			MIN	-3.64	-7.66	-11.77	-15.60	-18.84	-21.31	-22.83	-23.32	-22.77	-21.21	-18.70	-15.44
		1-LANE (case2	MAX	3.93	7.36	10.32	12.76	14.69	16.44	17.91	18.83	19.15	18.80	17.70	15.79
			MIN	-3.22	-6.73	-10.31	-13.63	-16.47	-18.65	-20.04	-20.47	-20.04	-18.66	-16.48	-13.64
		1-LANE (case3	MAX	3.61	6.82	9.64	11.98	13.85	15.66	17.07	17.96	18.26	17.91	16.83	14.99
			MIN	-2.87	-5.98	-9.14	-12.07	-14.56	-16.50	-17.72	-18.13	-17.77	-16.59	-14.69	-12.21
		1-LANE (case4	MAX	2.89	5.62	8.14	10.33	12.48	14.28	15.66	16.54	16.86	16.55	15.55	13.82
			MIN	-2.15	-4.40	-6.67	-8.77	-10.57	-11.98	-12.89	-13.26	-13.06	-12.30	-11.01	-9.26
		2-LANES (case	MAX	7.06	13.13	18.32	22.54	25.84	28.67	31.19	32.79	33.35	32.75	30.87	27.61
			MIN	-5.89	-12.38	-19.02	-25.18	-30.43	-34.42	-36.90	-37.70	-36.84	-34.30	-30.26	-24.99
		2-LANES (case	MAX	6.72	12.56	17.58	21.70	24.93	27.82	30.29	31.85	32.40	31.80	29.95	26.75
			MIN	-5.54	-11.61	-17.80	-23.55	-28.46	-32.20	-34.58	-35.32	-34.56	-32.17	-28.41	-23.50
		2-LANES (case	MAX	5.84	11.07	15.68	19.53	22.64	25.67	28.00	29.47	29.96	29.37	27.60	24.55
			MIN	-4.59	-9.54	-14.56	-19.21	-23.19	-26.27	-28.21	-28.90	-28.33	-26.48	-23.47	-19.53
		2-LANES (case	MAX	4.99	9.66	13.94	17.64	21.19	24.23	26.55	28.03	28.57	28.05	26.37	23.46
			MIN	-3.78	-7.76	-11.78	-15.50	-18.71	-21.19	-22.80	-23.43	-23.06	-21.68	-19.36	-16.24
		3-LANES (case	MAX	8.78	16.38	22.89	28.20	32.37	36.01	39.20	41.21	41.91	41.15	38.78	34.65
			MIN	-7.29	-15.29	-23.47	-31.06	-37.53	-42.46	-45.56	-46.54	-45.51	-42.37	-37.39	-30.91
		3-LANES (case	MAX	7.22	13.72	19.50	24.35	28.35	32.20	35.13	36.98	37.59	36.84	34.60	30.76
			MIN	-5.60	-11.62	-17.70	-23.35	-28.18	-31.92	-34.29	-35.14	-34.48	-32.26	-28.63	-23.85
		3-LANES (case	MAX	6.59	12.71	18.27	23.05	27.52	31.44	34.42	36.34	37.03	36.37	34.22	30.46
			MIN	-5.06	-10.44	-15.87	-20.91	-25.24	-28.59	-30.75	-31.58	-31.05	-29.15	-25.99	-21.75

BAGO RIVER BRIDGE

BLOCK [ No. 1 : STRUCTURE NODE ] [ NODAL DISPLACEMENT ]

NODE				2018	2019	2020	2021	2022	2023	2024	2025	2026	2027	2028	2029
NAME TITLE				TRANSZ DZ (mm)	TRANSZ DZ (mm)	TRANSZ DZ (mm)	TRANSZ DZ (mm)	TRANSZ DZ (mm)	TRANSZ DZ (mm)	TRANSZ DZ (mm)	TRANSZ DZ (mm)	TRANSZ DZ (mm)	TRANSZ DZ (mm)	TRANSZ DZ (mm)	TRANSZ DZ (mm)
301	LIVE LOAD	4-LANES	MAX	4.82	8.76	11.85	14.03	15.37	15.94	15.82	15.12	13.92	12.33	10.44	8.36
			MIN	-4.69	-9.67	-14.66	-19.23	-23.08	-25.98	-27.71	-28.17	-27.41	-25.43	-22.38	-18.50
	6-LANES	MAX	11.45	21.60	30.48	37.85	44.01	49.62	54.11	56.95	57.94	56.86	53.51	47.72	
		MIN	-9.27	-19.33	-29.56	-39.04	-47.15	-53.39	-57.33	-58.68	-57.50	-53.69	-47.56	-39.50	
	LIVE LOAD	MAX	11.45	21.60	30.48	37.85	44.01	49.62	54.11	56.95	57.94	56.86	53.51	47.72	
		MIN	-9.27	-19.33	-29.56	-39.04	-47.15	-53.39	-57.33	-58.68	-57.50	-53.69	-47.56	-39.50	
303	SUM TOTAL	TOTAL	MAX	28.38	49.11	64.32	75.49	84.50	93.06	101.25	108.67	114.81	118.65	118.76	113.32
			MIN	7.65	8.18	4.29	-1.40	-6.66	-9.94	-10.19	-6.96	-0.63	8.09	17.69	26.10

BAGO RIVER BRIDGE

BLOCK [ No.1 : STRUCTURE NODE ] [ NODAL DISPLACEMENT ]

NODE		2030	2031	2032	2033	2034	2035	2036	2037	2038	2039	2040	2041		
NAME TITLE		TRANSZ DZ (mm)	TRANSZ DZ (mm)	TRANSZ DZ (mm)	TRANSZ DZ (mm)	TRANSZ DZ (mm)	TRANSZ DZ (mm)	TRANSZ DZ (mm)	TRANSZ DZ (mm)	TRANSZ DZ (mm)	TRANSZ DZ (mm)	TRANSZ DZ (mm)	TRANSZ DZ (mm)		
1	PAVEMENT	9.02	7.41	4.49	0.00	-5.89	-13.12	-21.85	-31.20	-40.61	-49.56	-57.58	-64.42		
3	RAILING	0.31	0.25	0.15	0.00	-0.19	-0.41	-0.68	-0.97	-1.26	-1.54	-1.78	-1.99		
5	CURB	3.08	2.48	1.47	0.00	-1.85	-4.09	-6.77	-9.63	-12.49	-15.20	-17.63	-19.69		
7	DECK WEIGHT	15.26	12.46	7.51	0.00	-9.76	-21.70	-36.07	-51.46	-66.94	-81.65	-94.87	-106.15		
8	GIRDER WEIGH	22.99	18.60	11.13	0.00	-14.29	-31.62	-52.36	-74.44	-96.56	-117.48	-136.20	-152.08		
10	MEDIAN STRIP	5.77	4.53	2.64	0.00	-3.26	-7.15	-11.75	-16.64	-21.57	-26.27	-30.55	-34.26		
21	ADITIONAL WE	4.27	3.49	2.10	0.00	-2.73	-6.08	-10.10	-14.41	-18.74	-22.86	-26.56	-29.72		
31	MEDIAN RAILI	0.29	0.24	0.14	0.00	-0.19	-0.41	-0.69	-0.98	-1.26	-1.54	-1.78	-1.99		
51	SUPPORT WEIG	0.00	0.00	0.00	0.00	-0.00	-0.00	-0.00	-0.00	-0.00	-0.00	-0.00	-0.00		
52	NOSE WEIGHT	0.00	0.00	0.00	0.00	-0.00	-0.00	-0.00	-0.00	-0.00	-0.00	-0.00	-0.00		
61	1-LANE(case1TRUCK-LOAD	MAX	3.41	2.53	1.40	0.00	1.06	1.97	2.77	3.39	3.85	4.17	4.37	4.46	
		MIN	-4.16	-2.70	-1.30	0.00	-1.57	-3.32	-5.32	-7.38	-9.38	-11.25	-12.90	-14.27	
		TANDEM-LOAD	MAX	2.31	1.71	0.95	0.00	0.73	1.35	1.89	2.31	2.62	2.84	2.98	3.04
		MIN	-2.83	-1.84	-0.88	0.00	-1.06	-2.25	-3.61	-5.01	-6.37	-7.64	-8.76	-9.70	
		DISPERSION-LMAX	8.22	5.94	3.20	0.00	1.45	2.70	3.78	4.63	5.26	5.71	5.98	6.10	
		MIN	-5.55	-3.64	-1.76	0.00	-3.44	-7.16	-11.26	-15.32	-19.15	-22.61	-25.55	-27.94	
62	1-LANE(case2TRUCK-LOAD	MAX	3.19	2.36	1.30	0.00	0.97	1.82	2.58	3.18	3.63	3.96	4.16	4.26	
		MIN	-3.67	-2.40	-1.16	0.00	-1.43	-3.04	-4.85	-6.71	-8.54	-10.24	-11.74	-13.02	
		TANDEM-LOAD	MAX	2.17	1.60	0.88	0.00	0.66	1.24	1.76	2.16	2.48	2.69	2.83	2.90
		MIN	-2.50	-1.64	-0.79	0.00	-0.97	-2.06	-3.29	-4.56	-5.80	-6.94	-7.98	-8.84	
		DISPERSION-LMAX	7.69	5.53	2.97	0.00	1.33	2.49	3.52	4.34	4.96	5.40	5.67	5.81	
		MIN	-4.94	-3.26	-1.59	0.00	-3.17	-6.58	-10.32	-14.02	-17.53	-20.69	-23.40	-25.59	
63	1-LANE(case3TRUCK-LOAD	MAX	3.03	2.23	1.22	0.00	0.91	1.71	2.44	3.02	3.48	3.80	4.00	4.11	
		MIN	-3.30	-2.17	-1.06	0.00	-1.34	-2.82	-4.49	-6.22	-7.90	-9.47	-10.85	-12.03	
		TANDEM-LOAD	MAX	2.06	1.51	0.83	0.00	0.62	1.16	1.66	2.06	2.37	2.59	2.73	2.80
		MIN	-2.24	-1.48	-0.72	0.00	-0.91	-1.91	-3.05	-4.22	-5.36	-6.43	-7.38	-8.17	
		DISPERSION-LMAX	7.26	5.20	2.78	0.00	1.23	2.33	3.31	4.11	4.73	5.17	5.44	5.59	
		MIN	-4.44	-2.94	-1.44	0.00	-2.93	-6.08	-9.52	-12.93	-16.17	-19.09	-21.59	-23.62	

BAGO RIVER BRIDGE

BLOCK [ No.1 : STRUCTURE NODE ] [ NODAL DISPLACEMENT ]

NODE		2030	2031	2032	2033	2034	2035	2036	2037	2038	2039	2040	2041	
NAME TITLE		TRANSZ DZ (mm)	TRANSZ DZ (mm)	TRANSZ DZ (mm)	TRANSZ DZ (mm)	TRANSZ DZ (mm)	TRANSZ DZ (mm)	TRANSZ DZ (mm)	TRANSZ DZ (mm)	TRANSZ DZ (mm)	TRANSZ DZ (mm)	TRANSZ DZ (mm)	TRANSZ DZ (mm)	
64	1-LANE (case4TRUCK-LOAD	MAX	2.82	2.06	1.12	0.00	0.77	1.49	2.16	2.73	3.17	3.50	3.71	3.83
		MIN	-2.54	-1.71	-0.85	0.00	-1.21	-2.54	-4.03	-5.56	-7.06	-8.45	-9.69	-10.72
	TANDEM-LOAD	MAX	1.92	1.40	0.76	0.00	0.52	1.01	1.47	1.86	2.16	2.38	2.53	2.61
		MIN	-1.73	-1.17	-0.58	0.00	-0.82	-1.72	-2.74	-3.77	-4.79	-5.74	-6.58	-7.27
	DISPERSION-LMAX	MAX	6.64	4.74	2.52	0.00	1.04	2.01	2.93	3.69	4.29	4.73	5.02	5.18
		MIN	-3.41	-2.30	-1.15	0.00	-2.62	-5.41	-8.47	-11.51	-14.41	-17.04	-19.30	-21.15
65	2-LANES (caseTRUCK-LOAD	MAX	6.71	4.97	2.74	0.00	2.08	3.87	5.44	6.67	7.59	8.23	8.63	8.82
		MIN	-8.07	-5.25	-2.52	0.00	-3.07	-6.50	-10.41	-14.42	-18.34	-22.00	-25.23	-27.91
	TANDEM-LOAD	MAX	4.55	3.37	1.86	0.00	1.42	2.64	3.71	4.54	5.17	5.61	5.88	6.01
		MIN	-5.50	-3.58	-1.72	0.00	-2.08	-4.41	-7.06	-9.79	-12.46	-14.93	-17.13	-18.97
	DISPERSION-LMAX	MAX	16.18	11.67	6.29	0.00	2.84	5.29	7.43	9.11	10.38	11.26	11.80	12.06
		MIN	-10.80	-7.09	-3.43	0.00	-6.74	-14.04	-22.05	-29.99	-37.49	-44.26	-50.03	-54.71
66	2-LANES (caseTRUCK-LOAD	MAX	6.49	4.80	2.64	0.00	1.99	3.72	5.25	6.46	7.38	8.02	8.42	8.62
		MIN	-7.59	-4.95	-2.39	0.00	-2.93	-6.22	-9.94	-13.75	-17.50	-20.98	-24.07	-26.66
	TANDEM-LOAD	MAX	4.40	3.26	1.79	0.00	1.36	2.54	3.58	4.40	5.02	5.46	5.74	5.87
		MIN	-5.17	-3.37	-1.63	0.00	-1.99	-4.22	-6.74	-9.34	-11.88	-14.24	-16.35	-18.11
	DISPERSION-LMAX	MAX	15.64	11.26	6.06	0.00	2.72	5.08	7.17	8.82	10.07	10.95	11.50	11.76
		MIN	-10.19	-6.72	-3.26	0.00	-6.47	-13.46	-21.11	-28.69	-35.87	-42.34	-47.87	-52.36
67	2-LANES (caseTRUCK-LOAD	MAX	5.96	4.37	2.39	0.00	1.77	3.35	4.78	5.95	6.85	7.50	7.91	8.12
		MIN	-6.36	-4.19	-2.05	0.00	-2.61	-5.50	-8.76	-12.10	-15.38	-18.43	-21.12	-23.40
	TANDEM-LOAD	MAX	4.05	2.97	1.62	0.00	1.20	2.28	3.26	4.05	4.66	5.10	5.39	5.53
		MIN	-4.32	-2.85	-1.39	0.00	-1.77	-3.73	-5.95	-8.21	-10.43	-12.52	-14.36	-15.89
	DISPERSION-LMAX	MAX	14.24	10.19	5.44	0.00	2.40	4.55	6.49	8.08	9.30	10.18	10.74	11.04
		MIN	-8.53	-5.67	-2.78	0.00	-5.72	-11.85	-18.54	-25.18	-31.48	-37.18	-42.06	-46.04
68	2-LANES (caseTRUCK-LOAD	MAX	5.75	4.21	2.29	0.00	1.59	3.05	4.42	5.56	6.45	7.10	7.52	7.75
		MIN	-5.33	-3.57	-1.78	0.00	-2.48	-5.22	-8.30	-11.45	-14.54	-17.41	-19.96	-22.09
	TANDEM-LOAD	MAX	3.91	2.86	1.55	0.00	1.08	2.07	3.00	3.78	4.39	4.83	5.12	5.27
		MIN	-3.64	-2.43	-1.21	0.00	-1.69	-3.54	-5.63	-7.77	-9.87	-11.83	-13.56	-14.99

BAGO RIVER BRIDGE

BLOCK [ No.1 : STRUCTURE NODE ] [ NODAL DISPLACEMENT ]

NODE		2030	2031	2032	2033	2034	2035	2036	2037	2038	2039	2040	2041
NAME TITLE		TRANSZ DZ (mm)	TRANSZ DZ (mm)	TRANSZ DZ (mm)	TRANSZ DZ (mm)	TRANSZ DZ (mm)	TRANSZ DZ (mm)	TRANSZ DZ (mm)	TRANSZ DZ (mm)	TRANSZ DZ (mm)	TRANSZ DZ (mm)	TRANSZ DZ (mm)	TRANSZ DZ (mm)
68	2-LANES (caseDISPERSION-LMAX	13.54	9.68	5.16	0.00	2.15	4.13	5.99	7.53	8.73	9.61	10.19	10.50
	MIN	-7.18	-4.82	-2.40	0.00	-5.39	-11.15	-17.44	-23.71	-29.66	-35.07	-39.72	-43.50
69	3-LANES (caseTRUCK-LOAD MAX	9.90	7.33	4.04	0.00	3.06	5.69	8.01	9.84	11.22	12.19	12.79	13.08
	MIN	-11.75	-7.65	-3.68	0.00	-4.50	-9.54	-15.26	-21.13	-26.88	-32.24	-36.97	-40.93
	TANDEM-LOAD MAX	6.71	4.97	2.74	0.00	2.08	3.88	5.46	6.71	7.65	8.31	8.71	8.91
	MIN	-8.00	-5.22	-2.51	0.00	-3.05	-6.47	-10.36	-14.35	-18.25	-21.87	-25.10	-27.81
	DISPERSION-LMAX	23.86	17.20	9.26	0.00	4.18	7.78	10.95	13.45	15.33	16.66	17.47	17.87
	MIN	-15.74	-10.35	-5.02	0.00	-9.91	-20.62	-32.37	-44.01	-55.02	-64.94	-73.42	-80.30
70	3-LANES (caseTRUCK-LOAD MAX	8.78	6.44	3.51	0.00	2.58	4.91	7.04	8.78	10.13	11.10	11.72	12.05
	MIN	-9.17	-6.07	-2.97	0.00	-3.82	-8.04	-12.79	-17.67	-22.44	-26.88	-30.81	-34.12
	TANDEM-LOAD MAX	5.97	4.37	2.38	0.00	1.76	3.34	4.79	5.98	6.89	7.56	7.98	8.20
	MIN	-6.24	-4.13	-2.02	0.00	-2.59	-5.46	-8.68	-11.99	-15.23	-18.26	-20.94	-23.16
	DISPERSION-LMAX	20.96	14.98	7.99	0.00	3.50	6.66	9.54	11.91	13.74	15.05	15.90	16.34
	MIN	-12.27	-8.17	-4.02	0.00	-8.36	-17.30	-27.05	-36.74	-45.94	-54.28	-61.43	-67.25
71	3-LANES (caseTRUCK-LOAD MAX	8.78	6.44	3.51	0.00	2.44	4.68	6.76	8.48	9.82	10.79	11.42	11.76
	MIN	-8.37	-5.59	-2.76	0.00	-3.82	-8.04	-12.79	-17.67	-22.44	-26.88	-30.81	-34.12
	TANDEM-LOAD MAX	5.97	4.37	2.38	0.00	1.66	3.18	4.60	5.77	6.68	7.34	7.77	8.00
	MIN	-5.70	-3.80	-1.88	0.00	-2.59	-5.46	-8.68	-11.99	-15.23	-18.26	-20.94	-23.16
	DISPERSION-LMAX	20.72	14.83	7.91	0.00	3.32	6.36	9.18	11.51	13.32	14.64	15.50	15.95
	MIN	-11.29	-7.56	-3.74	0.00	-8.30	-17.20	-26.92	-36.59	-45.78	-54.10	-61.25	-67.07
72	4-LANES TRUCK-LOAD MAX	3.94	2.55	1.24	0.00	3.35	6.39	9.19	11.49	13.28	14.57	15.40	15.84
	MIN	-11.69	-7.76	-3.82	0.00	-1.06	-2.00	-2.85	-3.54	-4.07	-4.45	-4.70	-4.82
	TANDEM-LOAD MAX	2.68	1.73	0.84	0.00	2.28	4.35	6.26	7.83	9.05	9.93	10.50	10.81
	MIN	-7.96	-5.29	-2.60	0.00	-0.72	-1.36	-1.94	-2.41	-2.77	-3.03	-3.19	-3.28
	DISPERSION-LMAX	5.56	3.60	1.74	0.00	2.78	5.29	7.60	9.49	10.95	12.01	12.69	13.04
	MIN	-9.92	-6.53	-3.19	0.00	-1.49	-2.82	-4.02	-5.00	-5.75	-6.28	-6.62	-6.80
73	6-LANES TRUCK-LOAD MAX	18.69	13.76	7.55	0.00	5.50	10.38	14.77	18.32	21.04	22.98	24.21	24.84
	MIN	-20.14	-13.25	-6.45	0.00	-8.32	-17.58	-28.05	-38.80	-49.32	-59.13	-67.79	-75.07



BAGO RIVER BRIDGE

BLOCK [ No.1 : STRUCTURE NODE ] [ NODAL DISPLACEMENT ]

NODE			2030	2031	2032	2033	2034	2035	2036	2037	2038	2039	2040	2041
NAME TITLE			TRANSZ DZ (mm)	TRANSZ DZ (mm)	TRANSZ DZ (mm)	TRANSZ DZ (mm)	TRANSZ DZ (mm)	TRANSZ DZ (mm)	TRANSZ DZ (mm)	TRANSZ DZ (mm)	TRANSZ DZ (mm)	TRANSZ DZ (mm)	TRANSZ DZ (mm)	TRANSZ DZ (mm)
73	6-LANES	TANDEM-LOAD MAX	12.68	9.34	5.12	0.00	3.75	7.07	10.06	12.47	14.33	15.65	16.48	16.91
		MIN	-13.71	-9.02	-4.39	0.00	-5.65	-11.93	-19.04	-26.34	-33.49	-40.14	-46.05	-50.99
		DISPERSION-LMAX	41.91	30.08	16.12	0.00	7.21	13.60	19.34	23.97	27.52	30.04	31.64	32.45
		MIN	-26.08	-17.27	-8.45	0.00	-17.07	-35.42	-55.48	-75.36	-94.16	-111.12	-125.61	-137.33
124	SUM TOTAL	D+1LANE (caseMAX	74.96	59.61	35.16	0.00	-35.14	-78.98	-132.40	-190.11	-248.49	-304.25	-354.55	-397.62
		MIN	49.36	41.84	25.98	0.00	-44.16	-97.17	-160.16	-226.96	-293.67	-356.74	-413.10	-460.94
		D+1LANE (caseMAX	74.06	58.91	34.77	0.00	-35.39	-79.41	-132.95	-190.71	-249.12	-304.88	-355.16	-398.21
		MIN	50.67	42.65	26.34	0.00	-43.68	-96.13	-158.47	-224.60	-290.71	-353.22	-409.13	-456.62
		D+1LANE (caseMAX	73.36	58.37	34.45	0.00	-35.59	-79.74	-133.36	-191.16	-249.58	-305.35	-355.62	-398.66
		MIN	51.72	43.31	26.65	0.00	-43.29	-95.27	-157.08	-222.71	-288.31	-350.38	-405.89	-453.08
		D+1LANE (caseMAX	72.36	57.60	34.01	0.00	-35.98	-80.38	-134.15	-192.02	-250.47	-306.23	-356.48	-399.48
		MIN	53.86	44.64	27.24	0.00	-42.75	-94.13	-155.27	-220.21	-285.19	-346.69	-401.75	-448.53
		D+2LANES (casMAX	83.89	66.09	38.68	0.00	-33.23	-75.42	-127.39	-183.95	-241.46	-296.61	-346.53	-389.41
		MIN	42.14	37.11	23.69	0.00	-47.96	-105.13	-172.72	-244.14	-315.26	-382.36	-442.21	-492.91
		D+2LANES (casMAX	83.14	65.51	38.35	0.00	-33.44	-75.78	-127.85	-184.45	-241.98	-297.14	-347.04	-389.91
		MIN	43.22	37.78	23.99	0.00	-47.57	-104.26	-171.31	-242.17	-312.79	-379.43	-438.90	-489.31
		D+2LANES (casMAX	81.21	64.02	37.48	0.00	-33.99	-76.70	-128.99	-185.69	-243.27	-298.42	-348.30	-391.13
		MIN	46.12	39.59	24.81	0.00	-46.49	-101.93	-167.56	-237.01	-306.28	-371.72	-430.15	-479.73
		D+2LANES (casMAX	80.30	63.33	37.09	0.00	-34.43	-77.40	-129.86	-186.64	-244.25	-299.39	-349.25	-392.05
		MIN	48.50	41.06	25.47	0.00	-46.03	-100.95	-166.00	-234.88	-303.63	-368.59	-426.64	-475.88
		D+3LANES (casMAX	89.70	70.30	40.95	0.00	-32.01	-73.13	-124.15	-179.93	-236.85	-291.59	-341.24	-383.99
		MIN	37.64	34.14	22.25	0.00	-50.41	-110.22	-180.75	-255.10	-329.04	-398.71	-460.79	-513.34
		D+3LANES (casMAX	86.29	67.65	39.41	0.00	-32.99	-74.75	-126.17	-182.14	-239.14	-293.87	-343.48	-386.16
		MIN	42.78	37.35	23.70	0.00	-48.51	-106.12	-174.13	-245.97	-317.55	-385.09	-445.36	-496.46
		D+3LANES (casMAX	86.08	67.52	39.35	0.00	-33.26	-75.20	-126.72	-182.74	-239.76	-294.49	-344.08	-386.74
		MIN	44.30	38.28	24.11	0.00	-48.46	-106.04	-174.02	-245.84	-317.41	-384.94	-445.21	-496.31
		D+4LANES MAX	67.19	53.45	31.58	0.00	-34.18	-76.99	-129.35	-186.09	-243.68	-298.83	-348.70	-391.51
		MIN	46.96	40.16	25.09	0.00	-39.81	-87.72	-144.73	-205.28	-265.81	-323.08	-374.32	-417.85

BAGO RIVER BRIDGE

BLOCK [ No.1 : STRUCTURE NODE ] [ NODAL DISPLACEMENT ]

NODE				2030	2031	2032	2033	2034	2035	2036	2037	2038	2039	2040	2041
NAME TITLE				TRANSZ DZ (mm)	TRANSZ DZ (mm)	TRANSZ DZ (mm)	TRANSZ DZ (mm)	TRANSZ DZ (mm)	TRANSZ DZ (mm)	TRANSZ DZ (mm)	TRANSZ DZ (mm)	TRANSZ DZ (mm)	TRANSZ DZ (mm)	TRANSZ DZ (mm)	TRANSZ DZ (mm)
124	SUM TOTAL	D+6LANES	MAX	100.39	77.95	45.03	0.00	-29.90	-69.00	-118.09	-172.24	-227.87	-281.64	-330.66	-373.05
			MIN	30.96	29.61	19.96	0.00	-54.66	-119.03	-194.56	-273.93	-352.69	-426.77	-492.67	-548.35
		SUM TOTAL	MAX	100.39	77.95	45.03	0.00	-29.90	-69.00	-118.09	-172.24	-227.87	-281.64	-330.66	-373.05
			MIN	30.96	29.61	19.96	0.00	-54.66	-119.03	-194.56	-273.93	-352.69	-426.77	-492.67	-548.35
300	DEAD LOAD	TOTAL		61.01	49.45	29.64	0.00	-38.16	-84.59	-140.26	-199.73	-259.43	-316.10	-366.96	-410.29
301	LIVE LOAD	1-LANE (case1	MAX	13.95	10.16	5.52	0.00	3.02	5.61	7.86	9.62	10.94	11.85	12.41	12.68
			MIN	-11.64	-7.60	-3.66	0.00	-6.00	-12.58	-19.90	-27.24	-34.24	-40.63	-46.15	-50.65
		1-LANE (case2	MAX	13.05	9.46	5.12	0.00	2.77	5.17	7.31	9.02	10.31	11.22	11.80	12.08
			MIN	-10.34	-6.80	-3.30	0.00	-5.52	-11.54	-18.20	-24.88	-31.28	-37.11	-42.17	-46.33
		1-LANE (case3	MAX	12.35	8.92	4.80	0.00	2.56	4.84	6.90	8.56	9.84	10.76	11.34	11.64
			MIN	-9.29	-6.14	-3.00	0.00	-5.13	-10.68	-16.82	-22.98	-28.88	-34.27	-38.93	-42.79
		1-LANE (case4	MAX	11.35	8.16	4.36	0.00	2.17	4.20	6.11	7.71	8.96	9.88	10.48	10.81
			MIN	-7.15	-4.81	-2.40	0.00	-4.59	-9.54	-15.00	-20.49	-25.76	-30.59	-34.79	-38.24
		2-LANES (case	MAX	22.88	16.64	9.03	0.00	4.93	9.16	12.87	15.78	17.97	19.49	20.43	20.88
			MIN	-18.87	-12.34	-5.95	0.00	-9.80	-20.54	-32.46	-44.41	-55.83	-66.25	-75.25	-82.62
		2-LANES (case	MAX	22.13	16.06	8.70	0.00	4.72	8.80	12.41	15.28	17.44	18.97	19.92	20.38
			MIN	-17.78	-11.67	-5.65	0.00	-9.41	-19.67	-31.05	-42.45	-53.37	-63.32	-71.94	-79.02
		2-LANES (case	MAX	20.21	14.57	7.83	0.00	4.16	7.89	11.28	14.03	16.16	17.68	18.65	19.16
			MIN	-14.89	-9.86	-4.83	0.00	-8.33	-17.35	-27.30	-37.28	-46.86	-55.61	-63.19	-69.44
		2-LANES (case	MAX	19.29	13.88	7.44	0.00	3.73	7.18	10.40	13.08	15.18	16.71	17.71	18.25
			MIN	-12.51	-8.39	-4.17	0.00	-7.87	-16.36	-25.74	-35.16	-44.20	-52.48	-59.68	-65.59
		3-LANES (case	MAX	28.70	20.85	11.31	0.00	6.15	11.45	16.12	19.80	22.57	24.52	25.72	26.30
			MIN	-23.36	-15.31	-7.40	0.00	-12.25	-25.64	-40.48	-55.37	-69.61	-82.60	-93.84	-103.04
		3-LANES (case	MAX	25.28	18.20	9.77	0.00	5.17	9.83	14.10	17.59	20.28	22.23	23.48	24.13
			MIN	-18.22	-12.10	-5.95	0.00	-10.35	-21.53	-33.87	-46.25	-58.12	-68.99	-78.40	-86.16
		3-LANES (case	MAX	25.07	18.07	9.71	0.00	4.90	9.39	13.55	16.99	19.67	21.62	22.88	23.56
			MIN	-16.71	-11.17	-5.53	0.00	-10.30	-21.45	-33.76	-46.12	-57.98	-68.84	-78.25	-86.01

BAGO RIVER BRIDGE

BLOCK [ No. 1 : STRUCTURE NODE ] [ NODAL DISPLACEMENT ]

NODE				2030	2031	2032	2033	2034	2035	2036	2037	2038	2039	2040	2041
NAME TITLE				TRANSZ DZ (mm)	TRANSZ DZ (mm)	TRANSZ DZ (mm)	TRANSZ DZ (mm)	TRANSZ DZ (mm)	TRANSZ DZ (mm)	TRANSZ DZ (mm)	TRANSZ DZ (mm)	TRANSZ DZ (mm)	TRANSZ DZ (mm)	TRANSZ DZ (mm)	TRANSZ DZ (mm)
301	LIVE LOAD	4-LANES	MAX	6.18	4.00	1.94	0.00	3.98	7.59	10.91	13.63	15.75	17.27	18.26	18.78
			MIN	-14.05	-9.29	-4.56	0.00	-1.66	-3.13	-4.47	-5.55	-6.38	-6.98	-7.36	-7.55
		6-LANES	MAX	39.39	28.50	15.38	0.00	8.26	15.58	22.17	27.49	31.56	34.47	36.30	37.24
			MIN	-30.04	-19.84	-9.68	0.00	-16.50	-34.45	-54.29	-74.20	-93.27	-110.66	-125.71	-138.06
		LIVE LOAD	MAX	39.39	28.50	15.38	0.00	8.26	15.58	22.17	27.49	31.56	34.47	36.30	37.24
			MIN	-30.04	-19.84	-9.68	0.00	-16.50	-34.45	-54.29	-74.20	-93.27	-110.66	-125.71	-138.06
303	SUM TOTAL	TOTAL	MAX	100.39	77.95	45.03	0.00	-29.90	-69.00	-118.09	-172.24	-227.87	-281.64	-330.66	-373.05
			MIN	30.96	29.61	19.96	0.00	-54.66	-119.03	-194.56	-273.93	-352.69	-426.77	-492.67	-548.35

BAGO RIVER BRIDGE

BLOCK [ No.1 : STRUCTURE NODE ] [ NODAL DISPLACEMENT ]

NODE		2042	2043	2044	2045	2046	2047	2048	2049	2050	2051	2052	2053
NAME	TITLE	TRANSZ DZ (mm)	TRANSZ DZ (mm)	TRANSZ DZ (mm)	TRANSZ DZ (mm)	TRANSZ DZ (mm)	TRANSZ DZ (mm)	TRANSZ DZ (mm)	TRANSZ DZ (mm)	TRANSZ DZ (mm)	TRANSZ DZ (mm)	TRANSZ DZ (mm)	TRANSZ DZ (mm)
1	PAVEMENT	-69.88	-73.85	-76.21	-76.94	-75.99	-73.34	-69.03	-63.10	-55.63	-46.72	-36.48	-25.02
3	RAILING	-2.15	-2.27	-2.34	-2.36	-2.33	-2.25	-2.11	-1.93	-1.70	-1.43	-1.11	-0.76
5	CURB	-21.32	-22.51	-23.20	-23.40	-23.09	-22.26	-20.94	-19.12	-16.84	-14.13	-11.02	-7.55
7	DECK WEIGHT	-115.19	-121.78	-125.73	-127.01	-125.51	-121.22	-114.18	-104.45	-92.15	-77.44	-60.50	-41.53
8	GIRDER WEIGH	-164.73	-173.86	-179.22	-180.77	-178.39	-172.05	-161.85	-147.87	-130.32	-109.40	-85.39	-58.57
10	MEDIAN STRIP	-37.30	-39.61	-41.10	-41.75	-41.51	-40.35	-38.26	-35.23	-31.29	-26.47	-20.81	-14.36
21	ADITIONAL WE	-32.25	-34.10	-35.20	-35.56	-35.14	-33.94	-31.97	-29.25	-25.80	-21.68	-16.94	-11.63
31	MEDIAN RAILI	-2.16	-2.28	-2.35	-2.37	-2.34	-2.26	-2.12	-1.94	-1.71	-1.44	-1.12	-0.77
51	SUPPORT WEIG	-0.00	-0.00	-0.00	-0.00	-0.00	-0.00	-0.00	-0.00	-0.00	-0.00	-0.00	-0.00
52	NOSE WEIGHT	-0.00	-0.00	-0.00	-0.00	-0.00	-0.00	-0.00	-0.00	-0.00	-0.00	-0.00	-0.00
61	1-LANE(case1TRUCK-LOAD	MAX	4.47	4.39	4.25	4.06	3.81	3.52	3.18	2.80	2.39	1.95	1.49
		MIN	-15.35	-16.08	-16.47	-16.56	-16.28	-15.65	-14.65	-13.35	-11.71	-9.80	-7.62
	TANDEM-LOAD	MAX	3.04	2.99	2.90	2.77	2.60	2.40	2.17	1.91	1.63	1.33	1.02
		MIN	-10.41	-10.93	-11.18	-11.25	-11.06	-10.62	-9.96	-9.06	-7.95	-6.65	-5.18
	DISPERSION-LMAX		6.11	6.01	5.82	5.55	5.21	4.81	4.35	3.83	3.27	2.67	2.04
		MIN	-29.74	-30.93	-31.47	-31.48	-30.87	-29.64	-27.79	-25.34	-22.32	-18.74	-14.64
62	1-LANE(case2TRUCK-LOAD	MAX	4.27	4.21	4.08	3.90	3.66	3.38	3.05	2.69	2.30	1.88	1.43
		MIN	-14.02	-14.71	-15.11	-15.16	-14.89	-14.27	-13.32	-12.09	-10.58	-8.83	-6.85
	TANDEM-LOAD	MAX	2.91	2.87	2.78	2.66	2.49	2.30	2.08	1.83	1.56	1.28	0.97
		MIN	-9.51	-10.00	-10.27	-10.31	-10.12	-9.69	-9.05	-8.21	-7.18	-5.99	-4.65
	DISPERSION-LMAX		5.83	5.74	5.57	5.32	4.99	4.61	4.16	3.67	3.13	2.56	1.95
		MIN	-27.25	-28.35	-28.87	-28.84	-28.24	-27.06	-25.33	-23.04	-20.25	-16.96	-13.22
63	1-LANE(case3TRUCK-LOAD	MAX	4.13	4.08	3.96	3.78	3.55	3.28	2.96	2.61	2.23	1.82	1.39
		MIN	-12.95	-13.57	-13.93	-13.95	-13.64	-13.05	-12.16	-11.00	-9.60	-7.99	-6.18
	TANDEM-LOAD	MAX	2.81	2.77	2.69	2.57	2.42	2.23	2.02	1.78	1.52	1.24	0.94
		MIN	-8.79	-9.23	-9.46	-9.47	-9.27	-8.86	-8.26	-7.48	-6.52	-5.43	-4.20
	DISPERSION-LMAX		5.62	5.54	5.38	5.14	4.83	4.46	4.03	3.55	3.03	2.47	1.88
		MIN	-25.16	-26.18	-26.66	-26.58	-25.96	-24.81	-23.14	-20.98	-18.36	-15.31	-11.88

BAGO RIVER BRIDGE

BLOCK [ No.1 : STRUCTURE NODE ] [ NODAL DISPLACEMENT ]

NODE		2042	2043	2044	2045	2046	2047	2048	2049	2050	2051	2052	2053	
NAME TITLE		TRANSZ DZ (mm)	TRANSZ DZ (mm)	TRANSZ DZ (mm)	TRANSZ DZ (mm)	TRANSZ DZ (mm)	TRANSZ DZ (mm)	TRANSZ DZ (mm)	TRANSZ DZ (mm)	TRANSZ DZ (mm)	TRANSZ DZ (mm)	TRANSZ DZ (mm)	TRANSZ DZ (mm)	
64	1-LANE (case4TRUCK-LOAD	MAX	3.86	3.83	3.72	3.56	3.35	3.09	2.79	2.46	2.10	1.71	1.30	0.88
		MIN	-11.51	-12.07	-12.37	-12.37	-12.08	-11.54	-10.75	-9.71	-8.46	-7.02	-5.41	-3.67
	TANDEM-LOAD	MAX	2.63	2.60	2.54	2.43	2.28	2.10	1.90	1.68	1.43	1.17	0.89	0.60
		MIN	-7.82	-8.20	-8.40	-8.40	-8.21	-7.84	-7.29	-6.59	-5.75	-4.77	-3.68	-2.50
	DISPERSION-LMAX	MAX	5.22	5.17	5.04	4.82	4.53	4.18	3.78	3.33	2.84	2.32	1.76	1.18
		MIN	-22.54	-23.47	-23.93	-23.82	-23.20	-22.10	-20.54	-18.54	-16.15	-13.40	-10.33	-7.01
65	2-LANES (caseTRUCK-LOAD	MAX	8.83	8.69	8.42	8.04	7.55	6.96	6.29	5.55	4.74	3.87	2.95	1.99
		MIN	-30.04	-31.49	-32.28	-32.43	-31.88	-30.61	-28.65	-26.07	-22.86	-19.11	-14.85	-10.16
	TANDEM-LOAD	MAX	6.02	5.92	5.74	5.48	5.14	4.74	4.29	3.78	3.23	2.64	2.01	1.35
		MIN	-20.38	-21.41	-21.92	-22.05	-21.66	-20.79	-19.48	-17.70	-15.51	-12.98	-10.09	-6.90
	DISPERSION-LMAX	MAX	12.08	11.89	11.51	10.99	10.32	9.52	8.60	7.58	6.48	5.29	4.03	2.72
		MIN	-58.23	-60.56	-61.65	-61.64	-60.42	-57.99	-54.35	-49.54	-43.60	-36.60	-28.59	-19.63
66	2-LANES (caseTRUCK-LOAD	MAX	8.64	8.51	8.25	7.88	7.40	6.82	6.17	5.44	4.64	3.79	2.89	1.95
		MIN	-28.71	-30.12	-30.92	-31.04	-30.49	-29.23	-27.31	-24.81	-21.73	-18.14	-14.08	-9.62
	TANDEM-LOAD	MAX	5.89	5.80	5.62	5.37	5.04	4.65	4.20	3.70	3.16	2.58	1.97	1.33
		MIN	-19.47	-20.48	-21.00	-21.10	-20.71	-19.85	-18.57	-16.85	-14.74	-12.32	-9.57	-6.53
	DISPERSION-LMAX	MAX	11.79	11.62	11.26	10.75	10.10	9.32	8.42	7.42	6.34	5.17	3.95	2.66
		MIN	-55.75	-57.99	-59.05	-59.00	-57.80	-55.41	-51.89	-47.24	-41.53	-34.81	-27.16	-18.64
67	2-LANES (caseTRUCK-LOAD	MAX	8.17	8.07	7.84	7.49	7.04	6.49	5.87	5.17	4.41	3.60	2.74	1.85
		MIN	-25.18	-26.40	-27.08	-27.11	-26.50	-25.35	-23.61	-21.36	-18.63	-15.49	-11.98	-8.15
	TANDEM-LOAD	MAX	5.56	5.49	5.34	5.10	4.79	4.42	3.99	3.52	3.00	2.45	1.87	1.26
		MIN	-17.10	-17.95	-18.39	-18.41	-18.02	-17.21	-16.03	-14.51	-12.66	-10.52	-8.13	-5.53
	DISPERSION-LMAX	MAX	11.10	10.96	10.64	10.17	9.56	8.82	7.97	7.02	6.00	4.89	3.73	2.51
		MIN	-49.04	-51.02	-51.97	-51.81	-50.57	-48.28	-45.00	-40.75	-35.62	-29.68	-23.00	-15.67
68	2-LANES (caseTRUCK-LOAD	MAX	7.81	7.73	7.53	7.20	6.77	6.24	5.64	4.97	4.24	3.46	2.63	1.77
		MIN	-23.75	-24.89	-25.52	-25.53	-24.94	-23.84	-22.20	-20.07	-17.49	-14.52	-11.21	-7.61
	TANDEM-LOAD	MAX	5.32	5.26	5.12	4.90	4.61	4.25	3.84	3.38	2.89	2.36	1.79	1.21
		MIN	-16.13	-16.92	-17.33	-17.34	-16.96	-16.20	-15.06	-13.63	-11.88	-9.87	-7.62	-5.17

BAGO RIVER BRIDGE

BLOCK [ No.1 : STRUCTURE NODE ] [ NODAL DISPLACEMENT ]

NODE		2042	2043	2044	2045	2046	2047	2048	2049	2050	2051	2052	2053
NAME TITLE		TRANSZ DZ (mm)	TRANSZ DZ (mm)	TRANSZ DZ (mm)	TRANSZ DZ (mm)	TRANSZ DZ (mm)	TRANSZ DZ (mm)	TRANSZ DZ (mm)	TRANSZ DZ (mm)	TRANSZ DZ (mm)	TRANSZ DZ (mm)	TRANSZ DZ (mm)	TRANSZ DZ (mm)
68	2-LANES (caseDISPERSION-LMAX MIN	10.58 -46.37	10.47 -48.27	10.19 -49.19	9.74 -48.99	9.16 -47.76	8.45 -45.53	7.64 -42.36	6.73 -38.28	5.74 -33.38	4.68 -27.74	3.57 -21.43	2.40 -14.56
69	3-LANES (caseTRUCK-LOAD MAX MIN TANDEM-LOAD MAX MIN DISPERSION-LMAX MIN	13.11 -44.06 8.93 -29.89 17.90 -85.49	12.90 -46.20 8.79 -31.41 17.63 -88.92	12.50 -47.39 8.52 -32.18 17.08 -90.52	11.94 -47.59 8.13 -32.36 16.30 -90.48	11.21 -46.77 7.64 -31.78 15.31 -88.67	10.34 -44.88 7.04 -30.48 14.12 -85.05	9.35 -41.97 6.37 -28.53 12.77 -79.68	8.24 -38.16 5.61 -25.91 11.25 -72.58	7.03 -33.45 4.79 -22.69 9.61 -63.85	5.74 -27.94 3.91 -18.97 7.85 -53.56	4.38 -21.70 2.98 -14.74 5.98 -41.81	2.95 -14.84 2.01 -10.08 4.03 -28.70
70	3-LANES (caseTRUCK-LOAD MAX MIN TANDEM-LOAD MAX MIN DISPERSION-LMAX MIN	12.12 -36.70 8.25 -24.92 16.45 -71.64	11.98 -38.47 8.15 -26.15 16.25 -74.56	11.64 -39.45 7.92 -26.79 15.79 -75.95	11.13 -39.48 7.57 -26.81 15.09 -75.68	10.45 -38.58 7.12 -26.23 14.18 -73.82	9.65 -36.89 6.57 -25.06 13.09 -70.43	8.72 -34.36 5.94 -23.32 11.83 -65.58	7.68 -31.07 5.23 -21.10 10.42 -59.33	6.56 -27.09 4.46 -18.41 8.89 -51.80	5.35 -22.51 3.64 -15.29 7.26 -43.10	4.08 -17.39 2.77 -11.81 5.53 -33.35	2.74 -11.82 1.87 -8.02 3.72 -22.70
71	3-LANES (caseTRUCK-LOAD MAX MIN TANDEM-LOAD MAX MIN DISPERSION-LMAX MIN	11.85 -36.70 8.07 -24.92 16.07 -71.47	11.72 -38.47 7.98 -26.15 15.89 -74.39	11.40 -39.45 7.76 -26.79 15.46 -75.79	10.90 -39.48 7.42 -26.82 14.78 -75.53	10.25 -38.58 6.97 -26.23 13.89 -73.68	9.46 -36.89 6.44 -25.06 12.82 -70.30	8.55 -34.36 5.82 -23.32 11.59 -65.46	7.53 -31.07 5.13 -21.10 10.21 -59.23	6.43 -27.09 4.37 -18.41 8.71 -51.71	5.24 -22.51 3.57 -15.29 7.11 -43.02	3.99 -17.39 2.72 -11.81 5.41 -33.29	2.68 -11.82 1.83 -8.02 3.64 -22.66
72	4-LANES TRUCK-LOAD MAX MIN TANDEM-LOAD MAX MIN DISPERSION-LMAX MIN	15.95 -4.85 10.88 -3.29 13.13 -6.84	15.77 -4.78 10.75 -3.25 12.97 -6.75	15.33 -4.65 10.46 -3.16 12.61 -6.55	14.66 -4.44 10.00 -3.02 12.05 -6.26	13.77 -4.17 9.40 -2.83 11.33 -5.88	12.71 -3.85 8.67 -2.61 10.45 -5.43	11.49 -3.48 7.84 -2.36 9.45 -4.91	10.12 -3.07 6.91 -2.08 8.33 -4.32	8.64 -2.62 5.89 -1.78 7.10 -3.69	7.05 -2.14 4.81 -1.45 5.80 -3.01	5.37 -1.63 3.66 -1.11 4.42 -2.29	3.61 -1.09 2.46 -0.74 2.97 -1.54
73	6-LANES TRUCK-LOAD MAX MIN	24.95 -80.78	24.62 -84.70	23.90 -86.87	22.83 -87.11	21.45 -85.37	19.79 -81.78	17.89 -76.34	15.77 -69.21	13.46 -60.53	10.98 -50.43	8.37 -39.08	5.63 -26.65

BAGO RIVER BRIDGE

BLOCK [ No.1 : STRUCTURE NODE ] [ NODAL DISPLACEMENT ]

NODE			2042	2043	2044	2045	2046	2047	2048	2049	2050	2051	2052	2053
NAME TITLE			TRANSZ DZ (mm)	TRANSZ DZ (mm)	TRANSZ DZ (mm)	TRANSZ DZ (mm)	TRANSZ DZ (mm)	TRANSZ DZ (mm)	TRANSZ DZ (mm)	TRANSZ DZ (mm)	TRANSZ DZ (mm)	TRANSZ DZ (mm)	TRANSZ DZ (mm)	TRANSZ DZ (mm)
73	6-LANES	TANDEM-LOAD MAX	16.99	16.77	16.28	15.55	14.61	13.48	12.18	10.74	9.16	7.48	5.70	3.84
		MIN	-54.83	-57.58	-58.99	-59.19	-58.03	-55.53	-51.86	-47.01	-41.10	-34.24	-26.54	-18.09
		DISPERSION-LMAX	32.60	32.16	31.22	29.82	28.02	25.85	23.36	20.59	17.58	14.35	10.93	7.36
		MIN	-146.15	-151.95	-154.63	-154.23	-150.72	-144.13	-134.56	-122.13	-107.01	-89.38	-69.47	-47.49
124	SUM TOTAL	D+1LANE (caseMAX	-432.30	-457.77	-473.27	-478.63	-473.47	-457.69	-431.44	-394.92	-348.65	-293.15	-229.13	-157.33
		MIN	-499.09	-526.66	-542.89	-547.81	-540.88	-522.02	-491.40	-449.31	-396.29	-332.94	-260.08	-178.52
		D+1LANE (caseMAX	-432.87	-458.31	-473.77	-479.11	-473.91	-458.10	-431.80	-395.25	-348.93	-293.38	-229.31	-157.45
		MIN	-494.51	-521.93	-538.14	-542.97	-536.06	-517.27	-486.84	-445.04	-392.45	-329.64	-257.46	-176.67
		D+1LANE (caseMAX	-433.29	-458.71	-474.15	-479.46	-474.24	-458.40	-432.08	-395.49	-349.14	-293.55	-229.44	-157.54
		MIN	-490.72	-517.95	-534.06	-538.80	-531.82	-513.11	-482.83	-441.26	-389.00	-326.66	-255.04	-174.96
		D+1LANE (caseMAX	-434.08	-459.46	-474.84	-480.11	-474.85	-458.95	-432.58	-395.93	-349.52	-293.87	-229.69	-157.71
		MIN	-485.85	-512.91	-528.92	-533.59	-526.64	-508.05	-478.00	-436.78	-384.98	-323.19	-252.26	-173.01
		D+2LANES (casMAX	-424.07	-449.67	-465.42	-471.14	-466.44	-451.20	-425.57	-389.75	-344.24	-289.54	-226.38	-155.48
		MIN	-533.26	-562.31	-579.28	-584.24	-576.60	-556.28	-523.46	-478.49	-421.92	-354.40	-276.80	-189.98
		D+2LANES (casMAX	-424.55	-450.12	-465.84	-471.54	-466.80	-451.54	-425.88	-390.02	-344.47	-289.74	-226.53	-155.58
		MIN	-529.45	-558.36	-575.32	-580.21	-572.59	-552.33	-519.66	-474.94	-418.72	-351.65	-274.61	-188.44
		D+2LANES (casMAX	-425.72	-451.23	-466.88	-472.51	-467.71	-452.37	-426.63	-390.69	-345.04	-290.21	-226.90	-155.83
		MIN	-519.21	-547.67	-564.40	-569.08	-561.36	-541.31	-509.08	-465.00	-409.70	-343.86	-268.34	-184.00
		D+2LANES (casMAX	-426.59	-452.05	-467.64	-473.22	-468.38	-452.98	-427.18	-391.18	-345.47	-290.55	-227.17	-156.02
		MIN	-515.10	-543.42	-560.07	-564.69	-557.00	-537.06	-505.02	-461.23	-406.32	-340.95	-266.01	-182.36
		D+3LANES (casMAX	-418.63	-444.30	-460.21	-466.16	-461.76	-446.89	-421.67	-386.31	-341.30	-287.15	-224.56	-154.25
		MIN	-555.10	-585.10	-602.58	-607.53	-599.42	-578.12	-543.86	-497.01	-438.15	-367.97	-287.35	-197.19
		D+3LANES (casMAX	-420.70	-446.26	-462.04	-467.88	-463.36	-448.36	-423.00	-387.49	-342.32	-287.98	-225.20	-154.69
		MIN	-537.07	-566.33	-583.45	-588.05	-579.84	-558.91	-525.41	-479.72	-422.51	-354.46	-276.50	-189.52
		D+3LANES (casMAX	-421.25	-446.78	-462.52	-468.33	-463.78	-448.74	-423.35	-387.80	-342.58	-288.20	-225.37	-154.81
		MIN	-536.93	-566.18	-583.31	-587.92	-579.72	-558.80	-525.31	-479.64	-422.43	-354.40	-276.45	-189.49
		D+4LANES MAX	-426.08	-451.57	-467.19	-472.81	-467.99	-452.62	-426.86	-390.89	-345.22	-290.35	-227.01	-155.91
		MIN	-452.58	-477.75	-492.64	-497.12	-490.84	-473.71	-445.91	-407.69	-359.55	-302.05	-235.92	-161.90

BAGO RIVER BRIDGE

BLOCK [ No.1 : STRUCTURE NODE ] [ NODAL DISPLACEMENT ]

NODE				2042	2043	2044	2045	2046	2047	2048	2049	2050	2051	2052	2053
NAME TITLE				TRANSZ DZ (mm)	TRANSZ DZ (mm)	TRANSZ DZ (mm)	TRANSZ DZ (mm)	TRANSZ DZ (mm)	TRANSZ DZ (mm)	TRANSZ DZ (mm)	TRANSZ DZ (mm)	TRANSZ DZ (mm)	TRANSZ DZ (mm)	TRANSZ DZ (mm)	TRANSZ DZ (mm)
124	SUM TOTAL	D+6LANES	MAX	-407.58	-433.34	-449.53	-455.94	-452.14	-438.01	-413.65	-379.25	-335.28	-282.23	-220.82	-151.74
			MIN	-592.49	-624.08	-642.33	-647.04	-637.76	-614.52	-577.55	-527.25	-464.35	-389.58	-303.93	-208.37
		SUM TOTAL	MAX	-407.58	-433.34	-449.53	-455.94	-452.14	-438.01	-413.65	-379.25	-335.28	-282.23	-220.82	-151.74
			MIN	-592.49	-624.08	-642.33	-647.04	-637.76	-614.52	-577.55	-527.25	-464.35	-389.58	-303.93	-208.37
300	DEAD LOAD	TOTAL		-444.99	-470.25	-485.36	-490.17	-484.30	-467.68	-440.47	-402.88	-355.45	-298.70	-233.37	-160.18
301	LIVE LOAD	1-LANE (case1	MAX	12.69	12.48	12.09	11.53	10.83	9.99	9.03	7.96	6.80	5.55	4.24	2.85
			MIN	-54.11	-56.41	-57.54	-57.64	-56.58	-54.34	-50.93	-46.43	-40.84	-34.24	-26.72	-18.34
		1-LANE (case2	MAX	12.12	11.94	11.58	11.06	10.39	9.58	8.66	7.63	6.52	5.32	4.06	2.73
			MIN	-49.53	-51.68	-52.78	-52.81	-51.76	-49.59	-46.37	-42.16	-37.00	-30.94	-24.09	-16.49
		1-LANE (case3	MAX	11.69	11.54	11.21	10.71	10.06	9.28	8.39	7.39	6.31	5.15	3.92	2.64
			MIN	-45.73	-47.70	-48.70	-48.64	-47.52	-45.43	-42.36	-38.38	-33.55	-27.96	-21.67	-14.78
		1-LANE (case4	MAX	10.91	10.80	10.51	10.06	9.45	8.73	7.89	6.95	5.93	4.83	3.68	2.47
			MIN	-40.87	-42.66	-43.56	-43.43	-42.34	-40.37	-37.54	-33.90	-29.53	-24.49	-18.90	-12.82
		2-LANES (case	MAX	20.91	20.58	19.93	19.03	17.87	16.48	14.89	13.13	11.21	9.16	6.98	4.70
			MIN	-88.27	-92.05	-93.93	-94.07	-92.30	-88.60	-83.00	-75.61	-66.47	-55.71	-43.44	-29.80
		2-LANES (case	MAX	20.44	20.13	19.51	18.63	17.50	16.14	14.59	12.86	10.98	8.96	6.84	4.60
			MIN	-84.46	-88.11	-89.96	-90.04	-88.29	-84.65	-79.20	-72.05	-63.27	-52.95	-41.25	-28.26
		2-LANES (case	MAX	19.27	19.02	18.48	17.66	16.59	15.31	13.84	12.20	10.41	8.49	6.47	4.35
			MIN	-74.22	-77.42	-79.05	-78.92	-77.06	-73.63	-68.61	-62.11	-54.25	-45.16	-34.97	-23.82
		2-LANES (case	MAX	18.40	18.20	17.71	16.94	15.93	14.70	13.28	11.70	9.99	8.14	6.20	4.17
			MIN	-70.11	-73.16	-74.71	-74.53	-72.70	-69.38	-64.56	-58.35	-50.87	-42.25	-32.64	-22.18
		3-LANES (case	MAX	26.36	25.95	25.15	24.01	22.54	20.79	18.79	16.57	14.15	11.55	8.81	5.93
			MIN	-110.12	-114.85	-117.23	-117.37	-115.12	-110.44	-103.40	-94.13	-82.70	-69.27	-53.98	-37.01
		3-LANES (case	MAX	24.28	23.99	23.32	22.28	20.94	19.32	17.46	15.39	13.13	10.72	8.16	5.49
			MIN	-92.09	-96.07	-98.09	-97.89	-95.54	-91.23	-84.95	-76.84	-67.05	-55.76	-43.13	-29.34
		3-LANES (case	MAX	23.73	23.47	22.83	21.83	20.52	18.94	17.11	15.08	12.87	10.50	7.99	5.37
			MIN	-91.94	-95.93	-97.96	-97.76	-95.42	-91.12	-84.85	-76.75	-66.98	-55.70	-43.08	-29.31



BAGO RIVER BRIDGE

BLOCK [ No. 1 : STRUCTURE NODE ] [ NODAL DISPLACEMENT ]

NODE				2042	2043	2044	2045	2046	2047	2048	2049	2050	2051	2052	2053
NAME TITLE				TRANSZ DZ (mm)	TRANSZ DZ (mm)	TRANSZ DZ (mm)	TRANSZ DZ (mm)	TRANSZ DZ (mm)	TRANSZ DZ (mm)	TRANSZ DZ (mm)	TRANSZ DZ (mm)	TRANSZ DZ (mm)	TRANSZ DZ (mm)	TRANSZ DZ (mm)	TRANSZ DZ (mm)
301	LIVE LOAD	4-LANES	MAX	18.90	18.68	18.16	17.36	16.32	15.06	13.61	11.99	10.23	8.35	6.36	4.28
			MIN	-7.59	-7.50	-7.28	-6.96	-6.53	-6.03	-5.45	-4.80	-4.10	-3.35	-2.55	-1.72
	6-LANES	MAX	37.41	36.91	35.83	34.23	32.16	29.67	26.81	23.63	20.17	16.47	12.55	8.44	
		MIN	-147.51	-153.82	-156.98	-156.87	-153.46	-146.84	-137.08	-124.37	-108.90	-90.88	-70.56	-48.19	
	LIVE LOAD	MAX	37.41	36.91	35.83	34.23	32.16	29.67	26.81	23.63	20.17	16.47	12.55	8.44	
		MIN	-147.51	-153.82	-156.98	-156.87	-153.46	-146.84	-137.08	-124.37	-108.90	-90.88	-70.56	-48.19	
303	SUM TOTAL	TOTAL	MAX	-407.58	-433.34	-449.53	-455.94	-452.14	-438.01	-413.65	-379.25	-335.28	-282.23	-220.82	-151.74
			MIN	-592.49	-624.08	-642.33	-647.04	-637.76	-614.52	-577.55	-527.25	-464.35	-389.58	-303.93	-208.37

BAGO RIVER BRIDGE

BLOCK [ No.1 : STRUCTURE NODE ][ NODAL DISPLACEMENT ]

NODE		2054	2055	3001	3002	3003	3004	3005	3006	3007	3008	3009	3010	
NAME TITLE		TRANSZ DZ (mm)	TRANSZ DZ (mm)	TRANSZ DZ (mm)	TRANSZ DZ (mm)	TRANSZ DZ (mm)	TRANSZ DZ (mm)	TRANSZ DZ (mm)	TRANSZ DZ (mm)	TRANSZ DZ (mm)	TRANSZ DZ (mm)	TRANSZ DZ (mm)	TRANSZ DZ (mm)	
1	PAVEMENT	-12.72	0.00	0.00	-7.70	-14.92	-21.39	-26.69	-30.69	-33.32	-34.52	-34.31	-32.71	
3	RAILING	-0.39	0.00	0.00	-0.18	-0.34	-0.50	-0.62	-0.72	-0.79	-0.82	-0.82	-0.78	
5	CURB	-3.83	0.00	0.00	-1.74	-3.40	-4.91	-6.16	-7.13	-7.78	-8.09	-8.07	-7.72	
7	DECK WEIGHT	-21.11	0.00	0.00	-12.01	-23.27	-33.37	-41.65	-47.92	-52.03	-53.94	-53.64	-51.19	
8	GIRDER WEIGH	-29.76	0.00	0.00	-14.18	-27.50	-39.46	-49.30	-56.78	-61.74	-64.11	-63.86	-61.08	
10	MEDIAN STRIP	-7.33	0.00	0.00	-2.50	-4.84	-6.93	-8.65	-9.97	-10.86	-11.30	-11.30	-10.87	
21	ADITIONAL WE	-5.91	0.00	0.00	-3.36	-6.52	-9.34	-11.66	-13.42	-14.57	-15.10	-15.02	-14.33	
31	MEDIAN RAILI	-0.39	0.00	0.00	-0.19	-0.37	-0.53	-0.66	-0.76	-0.82	-0.85	-0.85	-0.81	
51	SUPPORT WEIG	-0.00	-0.00	-0.00	-0.00	-0.00	-0.00	-0.00	-0.00	-0.00	-0.00	-0.00	-0.00	
52	NOSE WEIGHT	-0.00	0.00	-0.00	-0.00	-0.00	-0.00	-0.00	-0.00	-0.00	-0.00	-0.00	0.00	
61	1-LANE(case1TRUCK-LOAD	MAX	0.50	0.00	0.00	0.43	0.85	1.25	1.62	1.95	2.23	2.46	2.61	2.70
		MIN	-2.65	0.00	0.00	-1.43	-2.79	-4.01	-5.03	-5.80	-6.34	-6.61	-6.61	-6.35
	TANDEM-LOAD	MAX	0.34	0.00	0.00	0.29	0.58	0.85	1.10	1.33	1.52	1.67	1.78	1.84
		MIN	-1.80	0.00	0.00	-0.98	-1.90	-2.73	-3.43	-3.96	-4.32	-4.49	-4.50	-4.33
	DISPERSION-LMAX	MAX	0.69	0.00	0.00	0.59	1.17	1.73	2.24	2.70	3.09	3.40	3.62	3.73
		MIN	-5.12	0.00	0.00	-2.31	-4.50	-6.51	-8.21	-9.57	-10.55	-11.13	-11.30	-11.05
62	1-LANE(case2TRUCK-LOAD	MAX	0.48	0.00	0.00	0.43	0.85	1.26	1.63	1.97	2.25	2.48	2.65	2.73
		MIN	-2.37	0.00	0.00	-1.46	-2.85	-4.13	-5.21	-6.06	-6.64	-6.96	-6.98	-6.71
	TANDEM-LOAD	MAX	0.33	0.00	0.00	0.29	0.58	0.86	1.11	1.34	1.53	1.69	1.80	1.86
		MIN	-1.61	0.00	0.00	-1.00	-1.94	-2.81	-3.54	-4.13	-4.53	-4.74	-4.76	-4.57
	DISPERSION-LMAX	MAX	0.66	0.00	0.00	0.60	1.17	1.73	2.25	2.71	3.10	3.42	3.64	3.77
		MIN	-4.61	0.00	0.00	-2.38	-4.64	-6.70	-8.44	-9.82	-10.82	-11.42	-11.60	-11.37
63	1-LANE(case3TRUCK-LOAD	MAX	0.47	0.00	0.00	0.43	0.86	1.27	1.64	1.98	2.27	2.50	2.67	2.76
		MIN	-2.13	0.00	0.00	-1.48	-2.89	-4.19	-5.32	-6.21	-6.84	-7.18	-7.21	-6.94
	TANDEM-LOAD	MAX	0.32	0.00	0.00	0.30	0.58	0.86	1.12	1.35	1.54	1.70	1.82	1.88
		MIN	-1.44	0.00	0.00	-1.01	-1.97	-2.86	-3.62	-4.22	-4.67	-4.90	-4.92	-4.73
	DISPERSION-LMAX	MAX	0.64	0.00	0.00	0.60	1.18	1.74	2.26	2.72	3.12	3.44	3.67	3.80
		MIN	-4.11	0.00	0.00	-2.43	-4.72	-6.80	-8.55	-9.95	-10.97	-11.58	-11.77	-11.55

BAGO RIVER BRIDGE

BLOCK [ No.1 : STRUCTURE NODE ][ NODAL DISPLACEMENT ]

NODE		2054	2055	3001	3002	3003	3004	3005	3006	3007	3008	3009	3010	
NAME TITLE		TRANSZ DZ (mm)	TRANSZ DZ (mm)	TRANSZ DZ (mm)	TRANSZ DZ (mm)	TRANSZ DZ (mm)	TRANSZ DZ (mm)	TRANSZ DZ (mm)	TRANSZ DZ (mm)	TRANSZ DZ (mm)	TRANSZ DZ (mm)	TRANSZ DZ (mm)	TRANSZ DZ (mm)	
64	1-LANE (case4TRUCK-LOAD	MAX	0.44	0.00	0.00	0.44	0.87	1.28	1.66	2.01	2.30	2.55	2.73	2.83
		MIN	-1.85	0.00	0.00	-1.43	-2.79	-4.05	-5.13	-5.97	-6.59	-6.93	-7.00	-6.78
	TANDEM-LOAD	MAX	0.30	0.00	0.00	0.30	0.59	0.87	1.13	1.37	1.57	1.74	1.86	1.93
		MIN	-1.26	0.00	0.00	-0.97	-1.90	-2.75	-3.49	-4.07	-4.49	-4.71	-4.77	-4.62
	DISPERSION-LMAX	MAX	0.59	0.00	0.00	0.60	1.18	1.75	2.27	2.75	3.15	3.48	3.73	3.87
		MIN	-3.54	0.00	0.00	-2.29	-4.47	-6.50	-8.26	-9.68	-10.74	-11.41	-11.66	-11.49
65	2-LANES (caseTRUCK-LOAD	MAX	1.00	0.00	0.00	0.86	1.70	2.51	3.25	3.91	4.47	4.92	5.24	5.41
		MIN	-5.15	0.00	0.00	-2.88	-5.61	-8.08	-10.15	-11.74	-12.83	-13.39	-13.41	-12.87
	TANDEM-LOAD	MAX	0.68	0.00	0.00	0.59	1.16	1.71	2.21	2.66	3.05	3.35	3.57	3.69
		MIN	-3.50	0.00	0.00	-1.96	-3.82	-5.50	-6.91	-8.00	-8.75	-9.11	-9.13	-8.78
	DISPERSION-LMAX	MAX	1.36	0.00	0.00	1.19	2.35	3.46	4.49	5.40	6.18	6.80	7.24	7.48
		MIN	-9.98	0.00	0.00	-4.65	-9.07	-13.11	-16.54	-19.27	-21.24	-22.41	-22.75	-22.27
66	2-LANES (caseTRUCK-LOAD	MAX	0.98	0.00	0.00	0.86	1.70	2.51	3.26	3.92	4.49	4.95	5.28	5.45
		MIN	-4.87	0.00	0.00	-2.91	-5.67	-8.20	-10.33	-12.00	-13.13	-13.74	-13.78	-13.23
	TANDEM-LOAD	MAX	0.67	0.00	0.00	0.59	1.16	1.71	2.22	2.67	3.06	3.37	3.59	3.71
		MIN	-3.31	0.00	0.00	-1.98	-3.86	-5.58	-7.03	-8.17	-8.96	-9.35	-9.39	-9.03
	DISPERSION-LMAX	MAX	1.33	0.00	0.00	1.19	2.35	3.47	4.49	5.41	6.20	6.82	7.27	7.52
		MIN	-9.48	0.00	0.00	-4.73	-9.21	-13.30	-16.76	-19.52	-21.51	-22.69	-23.06	-22.58
67	2-LANES (caseTRUCK-LOAD	MAX	0.93	0.00	0.00	0.87	1.72	2.53	3.29	3.97	4.55	5.02	5.36	5.55
		MIN	-4.12	0.00	0.00	-2.95	-5.75	-8.36	-10.60	-12.39	-13.64	-14.35	-14.41	-13.89
	TANDEM-LOAD	MAX	0.63	0.00	0.00	0.59	1.17	1.73	2.24	2.70	3.10	3.42	3.65	3.78
		MIN	-2.79	0.00	0.00	-2.00	-3.92	-5.69	-7.22	-8.42	-9.31	-9.79	-9.83	-9.46
	DISPERSION-LMAX	MAX	1.26	0.00	0.00	1.19	2.35	3.48	4.52	5.44	6.24	6.89	7.36	7.62
		MIN	-7.93	0.00	0.00	-4.84	-9.40	-13.55	-17.06	-19.87	-21.90	-23.14	-23.55	-23.11
68	2-LANES (caseTRUCK-LOAD	MAX	0.89	0.00	0.00	0.87	1.73	2.55	3.32	4.00	4.60	5.08	5.43	5.64
		MIN	-3.84	0.00	0.00	-2.87	-5.61	-8.14	-10.31	-12.02	-13.25	-13.94	-14.07	-13.62
	TANDEM-LOAD	MAX	0.60	0.00	0.00	0.60	1.18	1.74	2.26	2.73	3.13	3.46	3.70	3.84
		MIN	-2.61	0.00	0.00	-1.96	-3.82	-5.54	-7.02	-8.20	-9.03	-9.48	-9.59	-9.29

BAGO RIVER BRIDGE

BLOCK [ No.1 : STRUCTURE NODE ] [ NODAL DISPLACEMENT ]

NODE		2054	2055	3001	3002	3003	3004	3005	3006	3007	3008	3009	3010
NAME	TITLE	TRANSZ DZ (mm)	TRANSZ DZ (mm)	TRANSZ DZ (mm)	TRANSZ DZ (mm)	TRANSZ DZ (mm)	TRANSZ DZ (mm)	TRANSZ DZ (mm)	TRANSZ DZ (mm)	TRANSZ DZ (mm)	TRANSZ DZ (mm)	TRANSZ DZ (mm)	TRANSZ DZ (mm)
68	2-LANES (case	1.20	0.00	0.00	1.20	2.36	3.50	4.54	5.48	6.29	6.95	7.44	7.72
	DISPERSION-LMAX												
	MIN	-7.36	0.00	0.00	-4.62	-9.02	-13.10	-16.61	-19.45	-21.56	-22.88	-23.37	-23.01
69	3-LANES (case	1.48	0.00	0.00	1.29	2.55	3.77	4.88	5.88	6.72	7.41	7.89	8.15
	TRUCK-LOAD MAX												
	MIN	-7.52	0.00	0.00	-4.34	-8.46	-12.21	-15.36	-17.80	-19.47	-20.35	-20.39	-19.58
	TANDEM-LOAD MAX	1.01	0.00	0.00	0.88	1.74	2.57	3.33	4.00	4.58	5.04	5.37	5.55
	MIN	-5.11	0.00	0.00	-2.96	-5.76	-8.31	-10.45	-12.13	-13.28	-13.85	-13.89	-13.36
	DISPERSION-LMAX	2.02	0.00	0.00	1.79	3.52	5.20	6.74	8.11	9.28	10.22	10.89	11.25
	MIN	-14.59	0.00	0.00	-7.04	-13.70	-19.80	-24.98	-29.09	-32.06	-33.82	-34.35	-33.64
70	3-LANES (case	1.38	0.00	0.00	1.31	2.58	3.81	4.95	5.96	6.84	7.55	8.06	8.35
	TRUCK-LOAD MAX												
	MIN	-5.97	0.00	0.00	-4.40	-8.59	-12.48	-15.82	-18.49	-20.35	-21.42	-21.53	-20.77
	TANDEM-LOAD MAX	0.94	0.00	0.00	0.89	1.76	2.60	3.37	4.06	4.66	5.14	5.49	5.69
	MIN	-4.05	0.00	0.00	-2.99	-5.85	-8.50	-10.77	-12.57	-13.89	-14.60	-14.69	-14.15
	DISPERSION-LMAX	1.87	0.00	0.00	1.79	3.54	5.23	6.78	8.18	9.38	10.35	11.06	11.46
	MIN	-11.47	0.00	0.00	-7.21	-14.00	-20.22	-25.48	-29.70	-32.77	-34.64	-35.27	-34.64
71	3-LANES (case	1.35	0.00	0.00	1.31	2.59	3.82	4.97	5.99	6.88	7.60	8.12	8.42
	TRUCK-LOAD MAX												
	MIN	-5.97	0.00	0.00	-4.33	-8.46	-12.28	-15.55	-18.14	-19.99	-21.04	-21.22	-20.53
	TANDEM-LOAD MAX	0.92	0.00	0.00	0.89	1.76	2.61	3.39	4.08	4.69	5.18	5.53	5.74
	MIN	-4.05	0.00	0.00	-2.95	-5.76	-8.35	-10.58	-12.36	-13.64	-14.32	-14.47	-14.00
	DISPERSION-LMAX	1.83	0.00	0.00	1.79	3.54	5.24	6.81	8.21	9.42	10.41	11.13	11.54
	MIN	-11.45	0.00	0.00	-6.99	-13.64	-19.78	-25.05	-29.31	-32.46	-34.42	-35.13	-34.57
72	4-LANES	1.81	0.00	0.00	1.74	3.44	5.09	6.61	7.97	9.14	10.10	10.79	11.19
	TRUCK-LOAD MAX												
	MIN	-0.55	0.00	0.00	-5.82	-11.36	-16.50	-20.91	-24.42	-26.89	-28.30	-28.49	-27.52
	TANDEM-LOAD MAX	1.24	0.00	0.00	1.19	2.35	3.47	4.50	5.43	6.23	6.88	7.35	7.62
	MIN	-0.37	0.00	0.00	-3.96	-7.74	-11.23	-14.23	-16.62	-18.35	-19.27	-19.43	-18.76
	DISPERSION-LMAX	1.49	0.00	0.00	1.85	3.65	5.40	7.01	8.45	9.70	10.71	11.45	11.87
	MIN	-0.77	0.00	0.00	-8.00	-15.53	-22.38	-28.12	-32.62	-35.77	-37.53	-37.85	-36.73
73	6-LANES	2.83	0.00	0.00	2.60	5.14	7.59	9.85	11.87	13.60	15.00	16.01	16.58
	TRUCK-LOAD MAX												
	MIN	-13.48	0.00	0.00	-8.72	-17.02	-24.66	-31.15	-36.26	-39.83	-41.80	-42.00	-40.47

BAGO RIVER BRIDGE

BLOCK [ No.1 : STRUCTURE NODE ] [ NODAL DISPLACEMENT ]

NODE			2054	2055	3001	3002	3003	3004	3005	3006	3007	3008	3009	3010
NAME TITLE			TRANSZ DZ (mm)	TRANSZ DZ (mm)	TRANSZ DZ (mm)	TRANSZ DZ (mm)	TRANSZ DZ (mm)	TRANSZ DZ (mm)	TRANSZ DZ (mm)	TRANSZ DZ (mm)	TRANSZ DZ (mm)	TRANSZ DZ (mm)	TRANSZ DZ (mm)	TRANSZ DZ (mm)
73	6-LANES	TANDEM-LOAD MAX	1.93	0.00	0.00	1.77	3.50	5.17	6.71	8.09	9.27	10.22	10.91	11.29
		MIN	-9.15	0.00	0.00	-5.94	-11.59	-16.78	-21.21	-24.72	-27.19	-28.46	-28.64	-27.60
		DISPERSION-LMAX	3.69	0.00	0.00	3.43	6.78	10.02	13.00	15.66	17.95	19.80	21.13	21.88
		MIN	-24.08	0.00	0.00	-13.78	-26.82	-38.75	-48.88	-56.96	-62.84	-66.39	-67.53	-66.23
124	SUM TOTAL	D+1LANE (caseMAX	-80.01	-0.00	-0.00	-40.64	-78.72	-112.84	-140.78	-161.81	-175.52	-181.72	-180.39	-171.78
		MIN	-90.76	-0.00	-0.00	-46.36	-89.89	-129.04	-161.31	-185.83	-202.17	-210.02	-209.36	-200.37
		D+1LANE (caseMAX	-80.07	-0.00	-0.00	-40.64	-78.72	-112.83	-140.76	-161.78	-175.48	-181.66	-180.32	-171.69
		MIN	-89.81	-0.00	-0.00	-46.49	-90.14	-129.41	-161.79	-186.45	-202.85	-210.79	-210.16	-201.18
		D+1LANE (caseMAX	-80.12	-0.00	-0.00	-40.64	-78.71	-112.82	-140.74	-161.75	-175.44	-181.62	-180.26	-171.62
		MIN	-88.92	-0.00	-0.00	-46.56	-90.28	-129.61	-162.06	-186.79	-203.26	-211.26	-210.65	-201.69
		D+1LANE (caseMAX	-80.20	-0.00	-0.00	-40.63	-78.69	-112.78	-140.69	-161.69	-175.35	-181.50	-180.12	-171.45
		MIN	-87.91	-0.00	-0.00	-46.33	-89.87	-129.09	-161.48	-186.17	-202.70	-210.74	-210.26	-201.41
		D+2LANES (casMAX	-79.08	-0.00	-0.00	-39.82	-77.10	-110.45	-137.68	-158.08	-171.25	-177.01	-175.38	-166.60
		MIN	-96.58	-0.00	-0.00	-49.41	-95.82	-137.61	-172.11	-198.39	-215.97	-224.54	-224.03	-214.63
		D+2LANES (casMAX	-79.13	-0.00	-0.00	-39.82	-77.10	-110.44	-137.66	-158.05	-171.21	-176.97	-175.32	-166.52
		MIN	-95.79	-0.00	-0.00	-49.51	-96.03	-137.92	-172.51	-198.90	-216.54	-225.18	-224.70	-215.31
		D+2LANES (casMAX	-79.26	-0.00	-0.00	-39.81	-77.08	-110.41	-137.61	-157.98	-171.11	-176.84	-175.15	-166.32
		MIN	-93.49	-0.00	-0.00	-49.66	-96.30	-138.33	-173.08	-199.65	-217.44	-226.23	-225.82	-216.49
		D+2LANES (casMAX	-79.35	-0.00	-0.00	-39.80	-77.06	-110.37	-137.55	-157.90	-171.01	-176.71	-175.00	-166.14
		MIN	-92.64	-0.00	-0.00	-49.36	-95.78	-137.66	-172.34	-198.86	-216.71	-225.56	-225.31	-216.13
		D+3LANES (casMAX	-78.46	-0.00	-0.00	-39.26	-75.99	-108.80	-135.54	-155.50	-168.30	-173.76	-171.90	-163.00
		MIN	-100.24	-0.00	-0.00	-51.54	-99.99	-143.64	-179.71	-207.24	-225.70	-234.79	-234.40	-224.73
		D+3LANES (casMAX	-78.69	-0.00	-0.00	-39.24	-75.95	-108.74	-135.45	-155.37	-168.11	-173.52	-171.61	-162.65
		MIN	-96.27	-0.00	-0.00	-51.74	-100.36	-144.21	-180.53	-208.35	-227.05	-236.39	-236.15	-226.59
		D+3LANES (casMAX	-78.75	-0.00	-0.00	-39.24	-75.94	-108.72	-135.41	-155.32	-168.05	-173.44	-171.50	-162.52
		MIN	-96.25	-0.00	-0.00	-51.49	-99.93	-143.67	-179.93	-207.73	-226.48	-235.88	-235.77	-226.33
		D+4LANES MAX	-79.30	-0.00	-0.00	-39.54	-76.54	-109.60	-136.57	-156.71	-169.65	-175.22	-173.41	-164.51
		MIN	-82.30	-0.00	-0.00	-50.85	-98.63	-141.70	-177.29	-204.46	-222.63	-231.53	-230.98	-221.25

BAGO RIVER BRIDGE

BLOCK [ No.1 : STRUCTURE NODE ] [ NODAL DISPLACEMENT ]

NODE				2054	2055	3001	3002	3003	3004	3005	3006	3007	3008	3009	3010
NAME TITLE				TRANSZ DZ (mm)	TRANSZ DZ (mm)	TRANSZ DZ (mm)	TRANSZ DZ (mm)	TRANSZ DZ (mm)	TRANSZ DZ (mm)	TRANSZ DZ (mm)	TRANSZ DZ (mm)	TRANSZ DZ (mm)	TRANSZ DZ (mm)	TRANSZ DZ (mm)	TRANSZ DZ (mm)
124	SUM TOTAL	D+6LANES	MAX	-77.20	-0.00	-0.00	-37.95	-73.40	-104.98	-130.57	-149.49	-161.39	-166.12	-163.72	-154.50
			MIN	-105.86	-0.00	-0.00	-56.50	-109.64	-157.64	-197.44	-227.99	-248.64	-259.07	-259.06	-248.85
		SUM TOTAL	MAX	-77.20	-0.00	-0.00	-37.95	-73.40	-104.98	-130.57	-149.49	-161.39	-166.12	-163.72	-154.50
			MIN	-105.86	-0.00	-0.00	-56.50	-109.64	-157.64	-197.44	-227.99	-248.64	-259.07	-259.06	-248.85
300	DEAD LOAD	TOTAL		-81.44	-0.00	-0.00	-41.87	-81.15	-116.42	-145.42	-167.39	-181.90	-188.74	-187.87	-179.49
301	LIVE LOAD	1-LANE (case1	MAX	1.43	0.00	0.00	1.23	2.43	3.58	4.64	5.58	6.38	7.02	7.48	7.71
			MIN	-9.31	0.00	0.00	-4.49	-8.74	-12.62	-15.89	-18.45	-20.27	-21.28	-21.49	-20.88
		1-LANE (case2	MAX	1.37	0.00	0.00	1.23	2.43	3.59	4.66	5.61	6.42	7.08	7.55	7.80
			MIN	-8.37	0.00	0.00	-4.61	-8.99	-12.99	-16.37	-19.06	-20.95	-22.05	-22.30	-21.69
		1-LANE (case3	MAX	1.33	0.00	0.00	1.24	2.44	3.60	4.68	5.64	6.46	7.13	7.61	7.87
			MIN	-7.48	0.00	0.00	-4.69	-9.13	-13.19	-16.64	-19.40	-21.36	-22.52	-22.78	-22.20
		1-LANE (case4	MAX	1.24	0.00	0.00	1.24	2.46	3.64	4.72	5.70	6.55	7.24	7.74	8.04
			MIN	-6.47	0.00	0.00	-4.46	-8.72	-12.67	-16.06	-18.78	-20.79	-22.00	-22.39	-21.92
		2-LANES (case	MAX	2.36	0.00	0.00	2.05	4.05	5.97	7.74	9.31	10.65	11.73	12.49	12.89
			MIN	-15.14	0.00	0.00	-7.53	-14.67	-21.19	-26.69	-31.01	-34.07	-35.80	-36.16	-35.14
		2-LANES (case	MAX	2.31	0.00	0.00	2.05	4.05	5.98	7.76	9.34	10.69	11.77	12.55	12.97
			MIN	-14.35	0.00	0.00	-7.64	-14.88	-21.50	-27.10	-31.52	-34.64	-36.44	-36.83	-35.81
		2-LANES (case	MAX	2.18	0.00	0.00	2.06	4.07	6.01	7.81	9.41	10.79	11.90	12.71	13.17
			MIN	-12.05	0.00	0.00	-7.79	-15.15	-21.91	-27.67	-32.26	-35.54	-37.49	-37.95	-37.00
		2-LANES (case	MAX	2.09	0.00	0.00	2.07	4.09	6.05	7.86	9.49	10.89	12.03	12.87	13.35
			MIN	-11.20	0.00	0.00	-7.49	-14.63	-21.24	-26.92	-31.47	-34.81	-36.82	-37.45	-36.63
		3-LANES (case	MAX	2.98	0.00	0.00	2.62	5.16	7.62	9.88	11.89	13.60	14.98	15.96	16.49
			MIN	-18.80	0.00	0.00	-9.67	-18.84	-27.22	-34.29	-39.85	-43.80	-46.05	-46.53	-45.23
		3-LANES (case	MAX	2.76	0.00	0.00	2.63	5.20	7.68	9.97	12.02	13.79	15.22	16.26	16.84
			MIN	-14.83	0.00	0.00	-9.86	-19.21	-27.79	-35.11	-40.96	-45.15	-47.65	-48.28	-47.10
		3-LANES (case	MAX	2.70	0.00	0.00	2.64	5.21	7.70	10.01	12.07	13.85	15.30	16.36	16.97
			MIN	-14.81	0.00	0.00	-9.62	-18.78	-27.25	-34.51	-40.34	-44.58	-47.14	-47.90	-46.84

BAGO RIVER BRIDGE

BLOCK [ No. 1 : STRUCTURE NODE ] [ NODAL DISPLACEMENT ]

NODE				2054	2055	3001	3002	3003	3004	3005	3006	3007	3008	3009	3010
NAME TITLE				TRANSZ DZ (mm)	TRANSZ DZ (mm)	TRANSZ DZ (mm)	TRANSZ DZ (mm)	TRANSZ DZ (mm)	TRANSZ DZ (mm)	TRANSZ DZ (mm)	TRANSZ DZ (mm)	TRANSZ DZ (mm)	TRANSZ DZ (mm)	TRANSZ DZ (mm)	TRANSZ DZ (mm)
301	LIVE LOAD	4-LANES	MAX	2.15	0.00	0.00	2.33	4.61	6.82	8.85	10.68	12.25	13.52	14.46	14.99
			MIN	-0.86	0.00	0.00	-8.98	-17.48	-25.28	-31.87	-37.07	-40.73	-42.79	-43.12	-41.76
		6-LANES	MAX	4.24	0.00	0.00	3.92	7.75	11.44	14.85	17.90	20.51	22.62	24.15	24.99
			MIN	-24.42	0.00	0.00	-14.62	-28.49	-41.22	-52.02	-60.60	-66.74	-70.33	-71.20	-69.36
		LIVE LOAD	MAX	4.24	0.00	0.00	3.92	7.75	11.44	14.85	17.90	20.51	22.62	24.15	24.99
			MIN	-24.42	0.00	0.00	-14.62	-28.49	-41.22	-52.02	-60.60	-66.74	-70.33	-71.20	-69.36
303	SUM TOTAL	TOTAL	MAX	-77.20	-0.00	-0.00	-37.95	-73.40	-104.98	-130.57	-149.49	-161.39	-166.12	-163.72	-154.50
			MIN	-105.86	-0.00	-0.00	-56.50	-109.64	-157.64	-197.44	-227.99	-248.64	-259.07	-259.06	-248.85

BAGO RIVER BRIDGE

BLOCK [ No.1 : STRUCTURE NODE ] [ NODAL DISPLACEMENT ]

NODE		3011	3012	3013	3014	3015	3016	3017	3018	3019	3020	3021	3022	
NAME TITLE		TRANSZ DZ (mm)	TRANSZ DZ (mm)	TRANSZ DZ (mm)	TRANSZ DZ (mm)	TRANSZ DZ (mm)	TRANSZ DZ (mm)	TRANSZ DZ (mm)	TRANSZ DZ (mm)	TRANSZ DZ (mm)	TRANSZ DZ (mm)	TRANSZ DZ (mm)	TRANSZ DZ (mm)	
1	PAVEMENT	-29.83	-25.78	-20.74	-15.11	-9.38	-4.19	0.00	2.81	4.42	5.20	5.49	5.59	
3	RAILING	-0.71	-0.62	-0.50	-0.37	-0.23	-0.10	0.00	0.08	0.13	0.17	0.19	0.20	
5	CURB	-7.06	-6.12	-4.94	-3.61	-2.26	-1.03	0.00	0.77	1.30	1.64	1.85	2.02	
7	DECK WEIGHT	-46.72	-40.41	-32.55	-23.76	-14.79	-6.64	0.00	4.53	7.22	8.65	9.32	9.69	
8	GIRDER WEIGH	-55.90	-48.51	-39.25	-28.81	-18.07	-8.20	0.00	5.84	9.63	12.05	13.66	14.95	
10	MEDIAN STRIP	-10.02	-8.79	-7.20	-5.38	-3.45	-1.61	0.00	1.26	2.21	2.98	3.64	4.23	
21	ADITIONAL WE	-13.08	-11.31	-9.12	-6.65	-4.14	-1.86	0.00	1.27	2.02	2.42	2.61	2.71	
31	MEDIAN RAILI	-0.74	-0.64	-0.52	-0.38	-0.24	-0.11	0.00	0.08	0.12	0.16	0.18	0.19	
51	SUPPORT WEIG	-0.00	-0.00	-0.00	-0.00	-0.00	-0.00	0.00	0.00	0.00	0.00	0.00	0.00	
52	NOSE WEIGHT	0.00	0.00	0.00	0.00	0.00	0.00	0.00	-0.00	-0.00	-0.00	-0.00	0.00	
61	1-LANE(case1TRUCK-LOAD	MAX	2.69	2.58	2.35	1.97	1.45	0.80	0.00	0.85	1.54	2.07	2.44	2.66
		MIN	-5.86	-5.14	-4.22	-3.17	-2.05	-0.98	0.00	-0.94	-1.94	-2.97	-3.91	-4.73
	TANDEM-LOAD	MAX	1.83	1.76	1.60	1.34	0.99	0.54	0.00	0.58	1.05	1.41	1.66	1.81
		MIN	-3.99	-3.49	-2.87	-2.16	-1.40	-0.67	0.00	-0.64	-1.32	-2.02	-2.67	-3.22
	DISPERSION-LMAX	MAX	3.72	3.57	3.24	2.72	2.00	1.09	0.00	2.08	4.04	5.86	7.47	8.83
		MIN	-10.40	-9.35	-7.90	-6.14	-4.16	-2.10	0.00	-1.27	-2.63	-4.00	-5.26	-6.34
62	1-LANE(case2TRUCK-LOAD	MAX	2.74	2.63	2.40	2.02	1.50	0.83	0.00	0.87	1.57	2.10	2.47	2.68
		MIN	-6.18	-5.41	-4.42	-3.31	-2.14	-1.02	0.00	-0.99	-2.08	-3.20	-4.25	-5.15
	TANDEM-LOAD	MAX	1.86	1.79	1.63	1.38	1.02	0.56	0.00	0.59	1.06	1.43	1.68	1.82
		MIN	-4.20	-3.68	-3.01	-2.25	-1.46	-0.69	0.00	-0.68	-1.42	-2.17	-2.89	-3.52
	DISPERSION-LMAX	MAX	3.77	3.63	3.31	2.79	2.07	1.15	0.00	2.12	4.09	5.91	7.52	8.87
		MIN	-10.72	-9.66	-8.19	-6.38	-4.32	-2.17	0.00	-1.37	-2.85	-4.34	-5.71	-6.87
63	1-LANE(case3TRUCK-LOAD	MAX	2.77	2.67	2.44	2.06	1.54	0.85	0.00	0.89	1.59	2.12	2.49	2.70
		MIN	-6.38	-5.57	-4.56	-3.40	-2.20	-1.05	0.00	-1.04	-2.18	-3.36	-4.48	-5.47
	TANDEM-LOAD	MAX	1.89	1.82	1.66	1.41	1.05	0.58	0.00	0.60	1.08	1.44	1.69	1.84
		MIN	-4.35	-3.80	-3.10	-2.31	-1.49	-0.71	0.00	-0.71	-1.48	-2.29	-3.04	-3.72
	DISPERSION-LMAX	MAX	3.81	3.67	3.35	2.84	2.12	1.18	0.00	2.14	4.12	5.95	7.55	8.90
		MIN	-10.91	-9.85	-8.36	-6.52	-4.42	-2.22	0.00	-1.44	-3.00	-4.57	-6.01	-7.22



BAGO RIVER BRIDGE

BLOCK [ No.1 : STRUCTURE NODE ] [ NODAL DISPLACEMENT ]

NODE		3011	3012	3013	3014	3015	3016	3017	3018	3019	3020	3021	3022	
NAME TITLE		TRANSZ DZ (mm)	TRANSZ DZ (mm)	TRANSZ DZ (mm)	TRANSZ DZ (mm)	TRANSZ DZ (mm)	TRANSZ DZ (mm)	TRANSZ DZ (mm)	TRANSZ DZ (mm)	TRANSZ DZ (mm)	TRANSZ DZ (mm)	TRANSZ DZ (mm)	TRANSZ DZ (mm)	
64	1-LANE (case4TRUCK-LOAD	MAX	2.84	2.75	2.53	2.15	1.61	0.90	0.00	0.91	1.62	2.16	2.53	2.73
		MIN	-6.32	-5.58	-4.61	-3.48	-2.26	-1.08	0.00	-1.11	-2.34	-3.60	-4.80	-5.82
	TANDEM-LOAD	MAX	1.94	1.88	1.72	1.46	1.10	0.61	0.00	0.62	1.11	1.47	1.72	1.86
		MIN	-4.30	-3.80	-3.14	-2.37	-1.54	-0.73	0.00	-0.76	-1.59	-2.45	-3.27	-3.98
	DISPERSION-LMAX	MAX	3.89	3.76	3.45	2.93	2.19	1.22	0.00	2.16	4.16	6.00	7.61	8.96
		MIN	-10.88	-9.84	-8.36	-6.52	-4.42	-2.22	0.00	-1.49	-3.12	-4.78	-6.32	-7.64
65	2-LANES (caseTRUCK-LOAD	MAX	5.41	5.19	4.72	3.97	2.93	1.61	0.00	1.71	3.09	4.15	4.89	5.33
		MIN	-11.88	-10.41	-8.54	-6.40	-4.15	-1.99	0.00	-1.90	-3.96	-6.05	-7.99	-9.67
	TANDEM-LOAD	MAX	3.68	3.54	3.21	2.70	1.99	1.10	0.00	1.16	2.10	2.82	3.32	3.62
		MIN	-8.09	-7.08	-5.82	-4.36	-2.83	-1.35	0.00	-1.29	-2.69	-4.12	-5.45	-6.59
	DISPERSION-LMAX	MAX	7.47	7.17	6.52	5.47	4.03	2.21	0.00	4.17	8.11	11.75	14.96	17.67
		MIN	-20.97	-18.85	-15.95	-12.41	-8.41	-4.23	0.00	-2.59	-5.37	-8.17	-10.75	-12.95
66	2-LANES (caseTRUCK-LOAD	MAX	5.45	5.24	4.77	4.02	2.97	1.64	0.00	1.73	3.12	4.19	4.92	5.36
		MIN	-12.20	-10.68	-8.74	-6.55	-4.24	-2.02	0.00	-1.96	-4.09	-6.28	-8.33	-10.10
	TANDEM-LOAD	MAX	3.71	3.57	3.25	2.74	2.03	1.12	0.00	1.18	2.12	2.84	3.34	3.64
		MIN	-8.30	-7.27	-5.96	-4.46	-2.88	-1.37	0.00	-1.33	-2.78	-4.27	-5.67	-6.89
	DISPERSION-LMAX	MAX	7.52	7.23	6.58	5.54	4.10	2.26	0.00	4.21	8.16	11.80	15.01	17.72
		MIN	-21.29	-19.16	-16.24	-12.64	-8.57	-4.31	0.00	-2.69	-5.59	-8.51	-11.20	-13.47
67	2-LANES (caseTRUCK-LOAD	MAX	5.56	5.37	4.91	4.15	3.09	1.72	0.00	1.78	3.19	4.26	4.99	5.42
		MIN	-12.78	-11.16	-9.15	-6.84	-4.42	-2.10	0.00	-2.10	-4.41	-6.80	-9.07	-11.06
	TANDEM-LOAD	MAX	3.79	3.66	3.34	2.83	2.11	1.17	0.00	1.21	2.17	2.89	3.39	3.68
		MIN	-8.70	-7.61	-6.22	-4.64	-3.00	-1.43	0.00	-1.43	-3.00	-4.63	-6.17	-7.54
	DISPERSION-LMAX	MAX	7.64	7.37	6.74	5.71	4.26	2.38	0.00	4.29	8.26	11.91	15.12	17.83
		MIN	-21.84	-19.71	-16.74	-13.06	-8.86	-4.45	0.00	-2.91	-6.06	-9.23	-12.14	-14.60
68	2-LANES (caseTRUCK-LOAD	MAX	5.66	5.48	5.02	4.27	3.19	1.79	0.00	1.81	3.24	4.31	5.04	5.46
		MIN	-12.66	-11.17	-9.20	-6.93	-4.50	-2.15	0.00	-2.20	-4.62	-7.13	-9.50	-11.53
	TANDEM-LOAD	MAX	3.86	3.73	3.42	2.91	2.18	1.22	0.00	1.23	2.20	2.93	3.43	3.71
		MIN	-8.61	-7.60	-6.27	-4.72	-3.06	-1.46	0.00	-1.50	-3.15	-4.85	-6.47	-7.87

BAGO RIVER BRIDGE

BLOCK [ No.1 : STRUCTURE NODE ] [ NODAL DISPLACEMENT ]

NODE		3011	3012	3013	3014	3015	3016	3017	3018	3019	3020	3021	3022
NAME TITLE		TRANSZ DZ (mm)	TRANSZ DZ (mm)	TRANSZ DZ (mm)	TRANSZ DZ (mm)	TRANSZ DZ (mm)	TRANSZ DZ (mm)	TRANSZ DZ (mm)	TRANSZ DZ (mm)	TRANSZ DZ (mm)	TRANSZ DZ (mm)	TRANSZ DZ (mm)	TRANSZ DZ (mm)
68	2-LANES (caseDISPERSION-LMAX	7.75	7.50	6.87	5.84	4.36	2.43	0.00	4.31	8.31	11.98	15.19	17.90
	MIN	-21.80	-19.70	-16.74	-13.05	-8.85	-4.44	0.00	-2.96	-6.20	-9.49	-12.55	-15.15
69	3-LANES (caseTRUCK-LOAD MAX	8.15	7.83	7.12	5.99	4.42	2.44	0.00	2.58	4.66	6.25	7.36	8.01
	MIN	-18.06	-15.82	-12.96	-9.71	-6.30	-3.01	0.00	-2.90	-6.04	-9.24	-12.24	-14.82
	TANDEM-LOAD MAX	5.55	5.33	4.85	4.08	3.01	1.66	0.00	1.75	3.16	4.25	5.00	5.44
	MIN	-12.29	-10.76	-8.83	-6.61	-4.28	-2.04	0.00	-1.97	-4.11	-6.29	-8.34	-10.11
	DISPERSION-LMAX	11.24	10.80	9.82	8.26	6.10	3.36	0.00	6.29	12.20	17.66	22.48	26.54
	MIN	-31.69	-28.51	-24.14	-18.78	-12.73	-6.41	0.00	-3.96	-8.22	-12.50	-16.46	-19.81
70	3-LANES (caseTRUCK-LOAD MAX	8.38	8.09	7.40	6.27	4.68	2.61	0.00	2.68	4.80	6.40	7.50	8.14
	MIN	-19.14	-16.75	-13.74	-10.29	-6.65	-3.17	0.00	-3.18	-6.69	-10.32	-13.76	-16.76
	TANDEM-LOAD MAX	5.71	5.51	5.04	4.27	3.19	1.78	0.00	1.82	3.26	4.35	5.10	5.53
	MIN	-13.03	-11.42	-9.35	-6.99	-4.52	-2.15	0.00	-2.17	-4.56	-7.02	-9.36	-11.43
	DISPERSION-LMAX	11.50	11.10	10.16	8.61	6.43	3.59	0.00	6.44	12.40	17.89	22.70	26.77
	MIN	-32.74	-29.56	-25.10	-19.58	-13.29	-6.67	0.00	-4.39	-9.14	-13.95	-18.36	-22.11
71	3-LANES (caseTRUCK-LOAD MAX	8.46	8.18	7.49	6.36	4.76	2.66	0.00	2.71	4.84	6.45	7.55	8.18
	MIN	-19.04	-16.76	-13.79	-10.38	-6.73	-3.21	0.00	-3.26	-6.86	-10.58	-14.10	-17.14
	TANDEM-LOAD MAX	5.77	5.57	5.11	4.34	3.24	1.81	0.00	1.84	3.29	4.39	5.13	5.56
	MIN	-12.95	-11.41	-9.40	-7.06	-4.57	-2.18	0.00	-2.22	-4.67	-7.20	-9.60	-11.70
	DISPERSION-LMAX	11.59	11.20	10.26	8.71	6.51	3.63	0.00	6.46	12.45	17.95	22.76	26.82
	MIN	-32.73	-29.58	-25.14	-19.60	-13.30	-6.68	0.00	-4.43	-9.26	-14.15	-18.68	-22.53
72	4-LANES TRUCK-LOAD MAX	11.23	10.85	9.93	8.42	6.29	3.51	0.00	3.59	6.43	8.57	10.03	10.88
	MIN	-25.44	-22.33	-18.35	-13.77	-8.92	-4.25	0.00	-4.29	-9.03	-13.93	-18.57	-22.59
	TANDEM-LOAD MAX	7.65	7.39	6.77	5.74	4.29	2.39	0.00	2.44	4.37	5.83	6.82	7.39
	MIN	-17.31	-15.21	-12.50	-9.36	-6.06	-2.89	0.00	-2.93	-6.15	-9.48	-12.63	-15.42
	DISPERSION-LMAX	11.92	11.51	10.54	8.95	6.69	3.74	0.00	5.07	9.07	12.09	14.14	15.34
	MIN	-34.21	-30.34	-25.19	-19.10	-12.50	-6.00	0.00	-4.56	-9.45	-14.31	-18.65	-22.17
73	6-LANES TRUCK-LOAD MAX	16.61	16.01	14.62	12.36	9.19	5.10	0.00	5.30	9.51	12.72	14.91	16.20
	MIN	-37.38	-32.77	-26.90	-20.17	-13.07	-6.23	0.00	-6.17	-12.93	-19.89	-26.44	-32.12

BAGO RIVER BRIDGE

BLOCK [ No.1 : STRUCTURE NODE ] [ NODAL DISPLACEMENT ]

NODE			3011	3012	3013	3014	3015	3016	3017	3018	3019	3020	3021	3022
NAME TITLE			TRANSZ DZ (mm)	TRANSZ DZ (mm)	TRANSZ DZ (mm)	TRANSZ DZ (mm)	TRANSZ DZ (mm)	TRANSZ DZ (mm)	TRANSZ DZ (mm)	TRANSZ DZ (mm)	TRANSZ DZ (mm)	TRANSZ DZ (mm)	TRANSZ DZ (mm)	TRANSZ DZ (mm)
73	6-LANES	TANDEM-LOAD MAX	11.32	10.91	9.96	8.42	6.26	3.48	0.00	3.60	6.46	8.64	10.13	11.01
		MIN	-25.44	-22.32	-18.32	-13.72	-8.88	-4.23	0.00	-4.20	-8.80	-13.53	-18.00	-21.91
		DISPERSION-LMAX	21.92	21.13	19.29	16.32	12.13	6.74	0.00	12.22	23.55	33.94	43.02	50.66
		MIN	-62.50	-56.32	-47.74	-37.16	-25.17	-12.63	0.00	-8.12	-16.90	-25.77	-33.94	-40.88
124	SUM TOTAL	D+1LANE (caseMAX	-156.37	-134.79	-108.11	-78.45	-48.43	-21.49	0.00	20.16	33.75	42.78	48.82	53.37
		MIN	-183.59	-159.56	-129.37	-95.24	-60.02	-27.45	0.00	13.99	21.57	24.91	25.93	26.31
		D+1LANE (caseMAX	-156.26	-134.66	-107.97	-78.30	-48.28	-21.39	0.00	20.23	33.84	42.88	48.91	53.46
		MIN	-184.35	-160.25	-129.95	-95.70	-60.32	-27.59	0.00	13.80	21.14	24.22	24.99	25.17
		D+1LANE (caseMAX	-156.18	-134.57	-107.86	-78.19	-48.18	-21.31	0.00	20.28	33.91	42.95	48.98	53.52
		MIN	-184.82	-160.67	-130.32	-95.98	-60.51	-27.68	0.00	13.67	20.84	23.75	24.35	24.37
		D+1LANE (caseMAX	-155.99	-134.36	-107.64	-77.98	-48.00	-21.21	0.00	20.32	33.99	43.06	49.09	53.63
		MIN	-184.71	-160.68	-130.38	-96.07	-60.58	-27.71	0.00	13.53	20.51	23.21	23.59	23.44
		D+2LANES (casMAX	-151.19	-129.81	-103.58	-74.64	-45.61	-19.94	0.00	22.53	38.25	49.17	56.78	62.60
		MIN	-196.92	-171.44	-139.31	-102.88	-65.13	-29.98	0.00	12.15	17.73	19.05	18.19	16.98
		D+2LANES (casMAX	-151.10	-129.71	-103.47	-74.51	-45.49	-19.85	0.00	22.59	38.33	49.25	56.86	62.67
		MIN	-197.56	-172.02	-139.79	-103.26	-65.37	-30.09	0.00	11.99	17.37	18.48	17.41	16.03
		D+2LANES (casMAX	-150.87	-129.44	-103.17	-74.21	-45.21	-19.65	0.00	22.71	38.50	49.43	57.04	62.84
		MIN	-198.69	-173.05	-140.70	-103.97	-65.84	-30.31	0.00	11.64	16.59	17.23	15.72	13.93
		D+2LANES (casMAX	-150.65	-129.20	-102.92	-73.97	-45.01	-19.53	0.00	22.76	38.60	49.56	57.17	62.96
		MIN	-198.53	-173.04	-140.76	-104.06	-65.92	-30.35	0.00	11.48	16.23	16.64	14.89	12.91
		D+3LANES (casMAX	-147.59	-126.34	-100.42	-71.96	-43.62	-18.83	0.00	24.19	41.38	53.60	62.29	68.97
		MIN	-206.36	-179.85	-146.35	-108.29	-68.74	-31.76	0.00	10.81	14.94	14.78	12.54	10.15
		D+3LANES (casMAX	-147.17	-125.86	-99.89	-71.42	-43.12	-18.49	0.00	24.39	41.67	53.91	62.60	69.27
		MIN	-208.17	-181.54	-147.83	-109.46	-69.51	-32.12	0.00	10.21	13.60	12.64	9.63	6.55
		D+3LANES (casMAX	-147.03	-125.70	-99.73	-71.26	-42.99	-18.41	0.00	24.44	41.75	54.01	62.69	69.34
		MIN	-208.07	-181.56	-147.91	-109.56	-69.59	-32.16	0.00	10.11	13.36	12.24	9.07	5.87
		D+4LANES MAX	-149.03	-127.64	-101.51	-72.78	-44.13	-19.05	0.00	22.27	37.13	46.70	52.65	56.63
		MIN	-202.85	-176.41	-143.12	-105.44	-66.49	-30.42	0.00	10.89	15.04	14.91	12.74	10.50

BAGO RIVER BRIDGE

BLOCK [ No.1 : STRUCTURE NODE ] [ NODAL DISPLACEMENT ]

NODE				3011	3012	3013	3014	3015	3016	3017	3018	3019	3020	3021	3022
NAME TITLE				TRANSZ DZ (mm)	TRANSZ DZ (mm)	TRANSZ DZ (mm)	TRANSZ DZ (mm)	TRANSZ DZ (mm)	TRANSZ DZ (mm)	TRANSZ DZ (mm)	TRANSZ DZ (mm)	TRANSZ DZ (mm)	TRANSZ DZ (mm)	TRANSZ DZ (mm)	TRANSZ DZ (mm)
124	SUM TOTAL	D+6LANES	MAX	-139.02	-118.04	-92.77	-65.44	-38.71	-16.06	0.00	28.03	48.54	63.59	74.59	83.05
			MIN	-229.00	-200.09	-163.33	-121.34	-77.42	-36.01	0.00	7.35	7.67	3.59	-2.31	-7.86
		SUM TOTAL	MAX	-139.02	-118.04	-92.77	-65.44	-38.71	-16.06	0.00	28.03	48.54	63.59	74.59	83.05
			MIN	-229.00	-200.09	-163.33	-121.34	-77.42	-36.01	0.00	7.35	7.67	3.59	-2.31	-7.86
300	DEAD LOAD	TOTAL		-164.07	-142.18	-114.82	-84.07	-52.56	-23.76	0.00	16.64	27.05	33.27	36.93	39.59
301	LIVE LOAD	1-LANE (case1	MAX	7.70	7.39	6.71	5.62	4.14	2.27	0.00	3.51	6.70	9.52	11.89	13.78
			MIN	-19.52	-17.38	-14.55	-11.17	-7.46	-3.70	0.00	-2.65	-5.48	-8.35	-11.01	-13.28
		1-LANE (case2	MAX	7.81	7.51	6.85	5.77	4.28	2.37	0.00	3.58	6.79	9.62	11.98	13.86
			MIN	-20.28	-18.07	-15.13	-11.62	-7.76	-3.83	0.00	-2.84	-5.92	-9.04	-11.95	-14.42
		1-LANE (case3	MAX	7.89	7.61	6.95	5.89	4.38	2.44	0.00	3.63	6.85	9.68	12.04	13.93
			MIN	-20.75	-18.50	-15.50	-11.91	-7.95	-3.92	0.00	-2.98	-6.22	-9.52	-12.58	-15.23
		1-LANE (case4	MAX	8.08	7.82	7.17	6.10	4.56	2.55	0.00	3.68	6.94	9.79	12.16	14.03
			MIN	-20.64	-18.51	-15.57	-11.99	-8.02	-3.96	0.00	-3.12	-6.54	-10.06	-13.34	-16.15
		2-LANES (case	MAX	12.88	12.37	11.23	9.44	6.95	3.82	0.00	5.89	11.20	15.90	19.85	23.00
			MIN	-32.85	-29.27	-24.50	-18.81	-12.56	-6.22	0.00	-4.50	-9.32	-14.21	-18.74	-22.62
		2-LANES (case	MAX	12.97	12.47	11.35	9.56	7.07	3.91	0.00	5.95	11.28	15.99	19.93	23.07
			MIN	-33.49	-29.84	-24.98	-19.19	-12.81	-6.33	0.00	-4.65	-9.68	-14.79	-19.52	-23.57
		2-LANES (case	MAX	13.20	12.74	11.65	9.87	7.36	4.11	0.00	6.07	11.45	16.17	20.10	23.24
			MIN	-34.61	-30.87	-25.89	-19.90	-13.28	-6.55	0.00	-5.01	-10.46	-16.03	-21.21	-25.67
		2-LANES (case	MAX	13.42	12.98	11.90	10.11	7.56	4.22	0.00	6.12	11.55	16.29	20.23	23.36
			MIN	-34.46	-30.87	-25.95	-19.99	-13.36	-6.59	0.00	-5.16	-10.82	-16.62	-22.04	-26.68
		3-LANES (case	MAX	16.48	15.83	14.40	12.11	8.94	4.92	0.00	7.54	14.33	20.33	25.36	29.37
			MIN	-42.29	-37.68	-31.54	-24.22	-16.17	-8.00	0.00	-5.83	-12.11	-18.49	-24.39	-29.44
		3-LANES (case	MAX	16.90	16.31	14.93	12.65	9.44	5.27	0.00	7.75	14.62	20.65	25.67	29.67
			MIN	-44.10	-39.36	-33.02	-25.39	-16.95	-8.36	0.00	-6.43	-13.46	-20.63	-27.31	-33.05
		3-LANES (case	MAX	17.04	16.47	15.09	12.81	9.57	5.35	0.00	7.79	14.70	20.74	25.76	29.75
			MIN	-44.00	-39.39	-33.09	-25.48	-17.02	-8.40	0.00	-6.54	-13.70	-21.02	-27.86	-33.72

BAGO RIVER BRIDGE

BLOCK [ No. 1 : STRUCTURE NODE ] [ NODAL DISPLACEMENT ]

NODE				3011	3012	3013	3014	3015	3016	3017	3018	3019	3020	3021	3022	
NAME TITLE				TRANSZ	TRANSZ	TRANSZ	TRANSZ	TRANSZ	TRANSZ	TRANSZ	TRANSZ	TRANSZ	TRANSZ	TRANSZ	TRANSZ	
				DZ (mm)	DZ (mm)	DZ (mm)	DZ (mm)	DZ (mm)	DZ (mm)	DZ (mm)	DZ (mm)	DZ (mm)	DZ (mm)	DZ (mm)	DZ (mm)	
301	LIVE LOAD	4-LANES	MAX	15.05	14.53	13.31	11.29	8.43	4.71	0.00	5.63	10.07	13.43	15.71	17.04	
			MIN	-38.78	-34.23	-28.30	-21.37	-13.92	-6.66	0.00	-5.75	-12.01	-18.36	-24.19	-29.10	
		6-LANES	MAX	25.05	24.14	22.04	18.64	13.85	7.70	0.00	11.39	21.49	30.32	37.66	43.45	
			MIN	-64.92	-57.91	-48.51	-37.27	-24.85	-12.26	0.00	-9.29	-19.39	-29.68	-39.25	-47.45	
		LIVE LOAD	MAX	25.05	24.14	22.04	18.64	13.85	7.70	0.00	11.39	21.49	30.32	37.66	43.45	
			MIN	-64.92	-57.91	-48.51	-37.27	-24.85	-12.26	0.00	-9.29	-19.39	-29.68	-39.25	-47.45	
	303	SUM TOTAL	TOTAL	MAX	-139.02	-118.04	-92.77	-65.44	-38.71	-16.06	0.00	28.03	48.54	63.59	74.59	83.05
				MIN	-229.00	-200.09	-163.33	-121.34	-77.42	-36.01	0.00	7.35	7.67	3.59	-2.31	-7.86

BAGO RIVER BRIDGE

BLOCK [ No.1 : STRUCTURE NODE ] [ NODAL DISPLACEMENT ]

NODE		3023	3024	3025	3026	3027	3028	3029	3030	3031	3032	3033	3034	
NAME TITLE		TRANSZ DZ (mm)	TRANSZ DZ (mm)	TRANSZ DZ (mm)	TRANSZ DZ (mm)	TRANSZ DZ (mm)	TRANSZ DZ (mm)	TRANSZ DZ (mm)	TRANSZ DZ (mm)	TRANSZ DZ (mm)	TRANSZ DZ (mm)	TRANSZ DZ (mm)	TRANSZ DZ (mm)	
1	PAVEMENT	5.71	6.01	6.52	7.23	8.01	8.67	8.95	8.53	7.06	4.31	0.00	-5.70	
3	RAILING	0.22	0.24	0.26	0.29	0.31	0.33	0.33	0.30	0.24	0.14	0.00	-0.18	
5	CURB	2.18	2.38	2.61	2.86	3.09	3.25	3.24	3.00	2.41	1.43	0.00	-1.80	
7	DECK WEIGHT	10.09	10.74	11.69	12.89	14.14	15.14	15.45	14.57	11.96	7.25	0.00	-9.48	
8	GIRDER WEIGH	16.28	17.85	19.69	21.65	23.46	24.65	24.64	22.79	18.39	10.98	0.00	-14.04	
10	MEDIAN STRIP	4.81	5.36	5.89	6.35	6.66	6.75	6.51	5.81	4.54	2.64	0.00	-3.23	
21	ADDITIONAL WE	2.83	3.01	3.27	3.61	3.96	4.24	4.32	4.08	3.35	2.03	0.00	-2.65	
31	MEDIAN RAILI	0.21	0.23	0.26	0.28	0.31	0.32	0.32	0.30	0.24	0.14	0.00	-0.19	
51	SUPPORT WEIG	0.00	0.00	0.00	0.00	0.00	0.00	0.00	0.00	0.00	0.00	0.00	-0.00	
52	NOSE WEIGHT	0.00	0.00	0.00	0.00	0.00	0.00	0.00	0.00	0.00	0.00	0.00	-0.00	
61	1-LANE(case1TRUCK-LOAD	MAX	3.13	3.55	3.87	4.05	4.08	3.92	3.55	2.97	2.17	1.18	0.00	0.84
		MIN	-5.35	-5.74	-5.86	-5.74	-5.36	-4.75	-3.93	-3.00	-1.98	-0.97	0.00	-1.26
	TANDEM-LOAD	MAX	2.13	2.41	2.63	2.75	2.77	2.66	2.41	2.02	1.47	0.80	0.00	0.57
		MIN	-3.64	-3.91	-4.00	-3.91	-3.65	-3.24	-2.68	-2.04	-1.35	-0.66	0.00	-0.86
	DISPERSION-LMAX	MAX	9.90	10.66	11.08	11.13	10.79	10.02	8.81	7.17	5.10	2.70	0.00	1.14
		MIN	-7.16	-7.68	-7.85	-7.68	-7.16	-6.34	-5.27	-4.01	-2.66	-1.31	0.00	-2.79
62	1-LANE(case2TRUCK-LOAD	MAX	3.15	3.58	3.90	4.09	4.13	3.98	3.62	3.04	2.23	1.22	0.00	0.89
		MIN	-5.87	-6.33	-6.48	-6.35	-5.91	-5.21	-4.30	-3.25	-2.14	-1.04	0.00	-1.33
	TANDEM-LOAD	MAX	2.14	2.43	2.65	2.78	2.80	2.70	2.46	2.06	1.52	0.83	0.00	0.60
		MIN	-4.00	-4.31	-4.43	-4.32	-4.03	-3.55	-2.93	-2.21	-1.45	-0.71	0.00	-0.91
	DISPERSION-LMAX	MAX	9.95	10.71	11.14	11.20	10.87	10.12	8.93	7.30	5.23	2.80	0.00	1.21
		MIN	-7.75	-8.30	-8.49	-8.31	-7.77	-6.90	-5.75	-4.39	-2.91	-1.42	0.00	-2.94
63	1-LANE(case3TRUCK-LOAD	MAX	3.17	3.60	3.93	4.12	4.16	4.02	3.67	3.09	2.28	1.25	0.00	0.93
		MIN	-6.24	-6.75	-6.91	-6.78	-6.29	-5.54	-4.56	-3.44	-2.26	-1.10	0.00	-1.39
	TANDEM-LOAD	MAX	2.15	2.44	2.66	2.80	2.82	2.73	2.49	2.10	1.55	0.85	0.00	0.63
		MIN	-4.26	-4.59	-4.73	-4.62	-4.30	-3.78	-3.10	-2.34	-1.54	-0.75	0.00	-0.94
	DISPERSION-LMAX	MAX	9.98	10.75	11.19	11.26	10.94	10.20	9.03	7.40	5.33	2.87	0.00	1.27
		MIN	-8.15	-8.73	-8.93	-8.76	-8.19	-7.29	-6.08	-4.65	-3.08	-1.50	0.00	-3.06

BAGO RIVER BRIDGE

BLOCK [ No.1 : STRUCTURE NODE ] [ NODAL DISPLACEMENT ]

NODE		3023	3024	3025	3026	3027	3028	3029	3030	3031	3032	3033	3034	
NAME TITLE		TRANSZ DZ (mm)	TRANSZ DZ (mm)	TRANSZ DZ (mm)	TRANSZ DZ (mm)	TRANSZ DZ (mm)	TRANSZ DZ (mm)	TRANSZ DZ (mm)	TRANSZ DZ (mm)	TRANSZ DZ (mm)	TRANSZ DZ (mm)	TRANSZ DZ (mm)	TRANSZ DZ (mm)	
64	1-LANE (case4TRUCK-LOAD	MAX	3.19	3.62	3.96	4.16	4.21	4.08	3.74	3.16	2.35	1.30	0.00	1.01
		MIN	-6.63	-7.15	-7.34	-7.21	-6.75	-5.98	-4.97	-3.78	-2.48	-1.20	0.00	-1.46
	TANDEM-LOAD	MAX	2.16	2.46	2.68	2.82	2.86	2.77	2.53	2.15	1.59	0.88	0.00	0.69
		MIN	-4.52	-4.87	-5.01	-4.91	-4.60	-4.08	-3.39	-2.57	-1.69	-0.82	0.00	-0.99
	DISPERSION-LMAX	MAX	10.04	10.81	11.25	11.33	11.02	10.30	9.14	7.52	5.44	2.94	0.00	1.36
		MIN	-8.65	-9.29	-9.53	-9.35	-8.77	-7.80	-6.51	-4.97	-3.29	-1.60	0.00	-3.17
65	2-LANES (caseTRUCK-LOAD	MAX	6.28	7.12	7.75	8.12	8.18	7.86	7.14	5.98	4.37	2.37	0.00	1.70
		MIN	-10.96	-11.77	-12.04	-11.79	-11.00	-9.72	-8.05	-6.12	-4.04	-1.97	0.00	-2.56
	TANDEM-LOAD	MAX	4.26	4.83	5.26	5.51	5.55	5.34	4.85	4.06	2.97	1.61	0.00	1.16
		MIN	-7.46	-8.02	-8.22	-8.03	-7.49	-6.63	-5.49	-4.17	-2.74	-1.34	0.00	-1.74
	DISPERSION-LMAX	MAX	19.82	21.35	22.20	22.30	21.61	20.09	17.68	14.40	10.27	5.45	0.00	2.32
		MIN	-14.62	-15.67	-16.03	-15.68	-14.64	-12.97	-10.78	-8.22	-5.44	-2.67	0.00	-5.65
66	2-LANES (caseTRUCK-LOAD	MAX	6.30	7.14	7.78	8.16	8.23	7.92	7.21	6.05	4.44	2.42	0.00	1.75
		MIN	-11.48	-12.36	-12.66	-12.40	-11.55	-10.18	-8.42	-6.38	-4.20	-2.05	0.00	-2.63
	TANDEM-LOAD	MAX	4.27	4.85	5.28	5.54	5.58	5.38	4.89	4.11	3.01	1.64	0.00	1.19
		MIN	-7.82	-8.43	-8.65	-8.44	-7.87	-6.95	-5.74	-4.34	-2.85	-1.39	0.00	-1.79
	DISPERSION-LMAX	MAX	19.87	21.40	22.25	22.37	21.70	20.19	17.80	14.53	10.39	5.54	0.00	2.39
		MIN	-15.21	-16.29	-16.67	-16.31	-15.25	-13.53	-11.26	-8.59	-5.69	-2.79	0.00	-5.80
67	2-LANES (caseTRUCK-LOAD	MAX	6.34	7.21	7.87	8.26	8.35	8.07	7.37	6.22	4.60	2.53	0.00	1.88
		MIN	-12.63	-13.66	-13.99	-13.73	-12.75	-11.24	-9.27	-7.00	-4.59	-2.23	0.00	-2.81
	TANDEM-LOAD	MAX	4.31	4.89	5.34	5.61	5.67	5.47	5.00	4.22	3.12	1.72	0.00	1.28
		MIN	-8.62	-9.30	-9.58	-9.35	-8.71	-7.66	-6.30	-4.76	-3.13	-1.52	0.00	-1.91
	DISPERSION-LMAX	MAX	19.98	21.53	22.40	22.55	21.92	20.45	18.11	14.86	10.71	5.77	0.00	2.57
		MIN	-16.48	-17.67	-18.09	-17.73	-16.60	-14.76	-12.31	-9.41	-6.23	-3.05	0.00	-6.17
68	2-LANES (caseTRUCK-LOAD	MAX	6.36	7.23	7.90	8.30	8.40	8.13	7.44	6.29	4.66	2.58	0.00	1.99
		MIN	-13.15	-14.18	-14.55	-14.29	-13.36	-11.82	-9.82	-7.44	-4.89	-2.37	0.00	-2.88
	TANDEM-LOAD	MAX	4.32	4.91	5.36	5.63	5.70	5.51	5.05	4.27	3.16	1.75	0.00	1.36
		MIN	-8.96	-9.66	-9.95	-9.73	-9.12	-8.07	-6.69	-5.06	-3.33	-1.62	0.00	-1.96

BAGO RIVER BRIDGE

BLOCK [ No.1 : STRUCTURE NODE ] [ NODAL DISPLACEMENT ]

NODE		3023	3024	3025	3026	3027	3028	3029	3030	3031	3032	3033	3034
NAME TITLE		TRANSZ DZ (mm)	TRANSZ DZ (mm)	TRANSZ DZ (mm)	TRANSZ DZ (mm)	TRANSZ DZ (mm)	TRANSZ DZ (mm)	TRANSZ DZ (mm)	TRANSZ DZ (mm)	TRANSZ DZ (mm)	TRANSZ DZ (mm)	TRANSZ DZ (mm)	TRANSZ DZ (mm)
68	2-LANES (caseDISPERSION-LMAX	20.06	21.60	22.47	22.63	22.01	20.56	18.23	14.99	10.82	5.84	0.00	2.68
	MIN	-17.15	-18.41	-18.88	-18.52	-17.35	-15.44	-12.88	-9.84	-6.51	-3.18	0.00	-6.28
69	3-LANES (caseTRUCK-LOAD MAX	9.43	10.70	11.65	12.21	12.30	11.84	10.76	9.02	6.60	3.59	0.00	2.59
	MIN	-16.83	-18.10	-18.52	-18.14	-16.91	-14.92	-12.36	-9.37	-6.17	-3.01	0.00	-3.89
	TANDEM-LOAD MAX	6.40	7.26	7.91	8.29	8.35	8.04	7.30	6.12	4.48	2.44	0.00	1.76
	MIN	-11.46	-12.34	-12.66	-12.35	-11.52	-10.18	-8.42	-6.38	-4.20	-2.05	0.00	-2.64
	DISPERSION-LMAX	29.77	32.06	33.34	33.50	32.48	30.20	26.61	21.69	15.50	8.25	0.00	3.53
	MIN	-22.37	-23.97	-24.52	-23.99	-22.41	-19.87	-16.53	-12.60	-8.35	-4.09	0.00	-8.59
70	3-LANES (caseTRUCK-LOAD MAX	9.53	10.83	11.82	12.43	12.56	12.15	11.11	9.39	6.95	3.83	0.00	2.86
	MIN	-19.13	-20.69	-21.20	-20.81	-19.35	-17.08	-14.10	-10.66	-7.00	-3.39	0.00	-4.27
	TANDEM-LOAD MAX	6.47	7.35	8.02	8.43	8.52	8.24	7.54	6.37	4.71	2.60	0.00	1.95
	MIN	-13.06	-14.08	-14.51	-14.16	-13.22	-11.64	-9.59	-7.25	-4.76	-2.31	0.00	-2.90
	DISPERSION-LMAX	30.01	32.33	33.65	33.88	32.95	30.76	27.25	22.39	16.15	8.71	0.00	3.89
	MIN	-24.97	-26.78	-27.43	-26.89	-25.18	-22.40	-18.68	-14.28	-9.45	-4.62	0.00	-9.35
71	3-LANES (caseTRUCK-LOAD MAX	9.53	10.83	11.82	12.43	12.56	12.15	11.11	9.39	6.95	3.83	0.00	2.95
	MIN	-19.55	-21.10	-21.64	-21.25	-19.84	-17.53	-14.53	-11.00	-7.23	-3.51	0.00	-4.27
	TANDEM-LOAD MAX	6.47	7.35	8.02	8.43	8.52	8.24	7.54	6.37	4.71	2.60	0.00	2.01
	MIN	-13.33	-14.38	-14.80	-14.47	-13.54	-11.97	-9.89	-7.49	-4.92	-2.39	0.00	-2.90
	DISPERSION-LMAX	30.05	32.36	33.67	33.89	32.95	30.76	27.25	22.39	16.15	8.71	0.00	3.98
	MIN	-25.48	-27.35	-28.03	-27.49	-25.76	-22.92	-19.12	-14.61	-9.67	-4.72	0.00	-9.34
72	4-LANES TRUCK-LOAD MAX	11.18	11.02	10.47	9.59	8.45	7.13	5.69	4.19	2.70	1.30	0.00	3.86
	MIN	-25.78	-27.85	-28.54	-28.03	-26.12	-23.06	-19.08	-14.43	-9.45	-4.58	0.00	-1.10
	TANDEM-LOAD MAX	7.60	7.49	7.12	6.52	5.75	4.85	3.87	2.85	1.84	0.88	0.00	2.64
	MIN	-17.58	-18.96	-19.53	-19.08	-17.83	-15.73	-12.98	-9.83	-6.46	-3.13	0.00	-0.75
	DISPERSION-LMAX	15.77	15.54	14.76	13.52	11.92	10.05	8.02	5.91	3.81	1.83	0.00	3.13
	MIN	-24.65	-25.94	-26.00	-24.87	-22.66	-19.60	-15.91	-11.87	-7.71	-3.72	0.00	-1.55
73	6-LANES TRUCK-LOAD MAX	18.96	21.53	23.48	24.64	24.86	23.99	21.87	18.41	13.55	7.42	0.00	5.54
	MIN	-36.58	-39.45	-40.41	-39.64	-36.91	-32.58	-26.96	-20.42	-13.42	-6.53	0.00	-8.17



BAGO RIVER BRIDGE

BLOCK [ No.1 : STRUCTURE NODE ] [ NODAL DISPLACEMENT ]

NODE			3023	3024	3025	3026	3027	3028	3029	3030	3031	3032	3033	3034
NAME TITLE			TRANSZ DZ (mm)	TRANSZ DZ (mm)	TRANSZ DZ (mm)	TRANSZ DZ (mm)	TRANSZ DZ (mm)	TRANSZ DZ (mm)	TRANSZ DZ (mm)	TRANSZ DZ (mm)	TRANSZ DZ (mm)	TRANSZ DZ (mm)	TRANSZ DZ (mm)	TRANSZ DZ (mm)
73	6-LANES	TANDEM-LOAD MAX	12.87	14.61	15.93	16.72	16.87	16.28	14.84	12.49	9.20	5.04	0.00	3.77
		MIN	-24.94	-26.87	-27.64	-26.99	-25.20	-22.24	-18.36	-13.89	-9.14	-4.44	0.00	-5.54
		DISPERSION-LMAX	56.68	60.95	63.30	63.58	61.65	57.37	50.63	41.40	29.69	15.90	0.00	7.22
		MIN	-46.18	-49.51	-50.69	-49.64	-46.44	-41.25	-34.36	-26.22	-17.36	-8.49	0.00	-16.79
124	SUM TOTAL	D+1LANE (caseMAX	57.98	62.88	68.13	73.38	77.78	80.07	78.60	71.54	56.92	33.57	0.00	-34.90
		MIN	27.33	29.73	33.73	39.05	44.92	50.05	52.73	50.97	42.63	26.19	0.00	-42.13
		D+1LANE (caseMAX	58.06	62.97	68.24	73.51	77.94	80.27	78.83	71.78	57.15	33.74	0.00	-34.75
		MIN	25.99	28.27	32.22	37.56	43.53	48.82	51.71	50.20	42.14	25.96	0.00	-42.40
		D+1LANE (caseMAX	58.12	63.04	68.33	73.62	78.07	80.42	79.00	71.97	57.33	33.86	0.00	-34.64
		MIN	25.08	27.24	31.18	36.51	42.56	47.96	51.00	49.67	41.79	25.80	0.00	-42.60
		D+1LANE (caseMAX	58.21	63.14	68.44	73.75	78.23	80.61	79.22	72.20	57.54	34.00	0.00	-34.43
		MIN	24.00	26.09	29.95	35.29	41.33	46.82	49.99	48.88	41.27	25.55	0.00	-42.82
		D+2LANES (casMAX	68.44	74.29	80.14	85.58	89.73	91.30	88.59	79.75	62.83	36.75	0.00	-33.25
		MIN	16.76	18.38	22.12	27.69	34.31	40.66	44.93	45.04	38.72	24.28	0.00	-45.48
		D+2LANES (casMAX	68.50	74.36	80.23	85.69	89.87	91.46	88.77	79.95	63.02	36.88	0.00	-33.13
		MIN	15.65	17.16	20.86	26.45	33.15	39.64	44.08	44.41	38.31	24.09	0.00	-45.71
		D+2LANES (casMAX	68.67	74.56	80.46	85.98	90.22	91.88	89.25	80.46	63.51	37.22	0.00	-32.82
		MIN	13.23	14.49	18.11	23.70	30.59	37.35	42.18	42.96	37.37	23.65	0.00	-46.26
		D+2LANES (casMAX	68.76	74.65	80.57	86.09	90.35	92.04	89.43	80.66	63.68	37.34	0.00	-32.60
		MIN	12.05	13.23	16.76	22.35	29.23	36.09	41.07	42.09	36.79	23.37	0.00	-46.44
		D+3LANES (casMAX	75.66	82.17	88.43	94.02	98.01	99.09	95.53	85.48	66.98	38.98	0.00	-32.07
		MIN	9.02	10.06	13.60	19.35	26.52	33.77	39.21	40.69	35.85	22.88	0.00	-47.88
		D+3LANES (casMAX	75.95	82.51	88.85	94.52	98.63	99.82	96.37	86.39	67.83	39.58	0.00	-31.53
		MIN	4.85	5.47	8.86	14.61	22.09	29.80	35.90	38.18	34.21	22.11	0.00	-48.85
		D+3LANES (casMAX	75.98	82.53	88.86	94.53	98.63	99.82	96.37	86.39	67.83	39.57	0.00	-31.38
		MIN	4.06	4.64	7.97	13.72	21.19	28.97	35.16	37.60	33.83	21.93	0.00	-48.84
		D+4LANES MAX	59.86	63.09	66.59	70.18	73.19	74.52	72.68	65.94	52.43	30.96	0.00	-32.73
		MIN	9.57	10.86	14.74	20.78	28.24	35.63	41.02	42.28	37.03	23.52	0.00	-38.99

BAGO RIVER BRIDGE

BLOCK [ No.1 : STRUCTURE NODE ] [ NODAL DISPLACEMENT ]

NODE				3023	3024	3025	3026	3027	3028	3029	3030	3031	3032	3033	3034
NAME TITLE				TRANSZ	TRANSZ	TRANSZ	TRANSZ	TRANSZ	TRANSZ	TRANSZ	TRANSZ	TRANSZ	TRANSZ	TRANSZ	TRANSZ
				DZ (mm)	DZ (mm)	DZ (mm)	DZ (mm)	DZ (mm)	DZ (mm)	DZ (mm)	DZ (mm)	DZ (mm)	DZ (mm)	DZ (mm)	DZ (mm)
124	SUM TOTAL	D+6LANES	MAX	91.51	99.43	106.60	112.50	116.18	116.23	110.89	98.25	76.30	44.08	0.00	-28.98
			MIN	-11.45	-12.00	-9.02	-2.88	5.77	15.36	23.91	29.06	28.19	19.16	0.00	-53.49
		SUM TOTAL	MAX	91.51	99.43	106.60	112.50	116.18	116.23	110.89	98.25	76.30	44.08	0.00	-28.98
			MIN	-11.45	-12.00	-9.02	-2.88	5.77	15.36	23.91	29.06	28.19	19.16	0.00	-53.49
300	DEAD LOAD	TOTAL		42.34	45.82	50.19	55.16	59.95	63.35	63.77	59.37	48.19	28.92	0.00	-37.27
301	LIVE LOAD	1-LANE (case1	MAX	15.64	17.06	17.94	18.22	17.83	16.72	14.84	12.16	8.72	4.66	0.00	2.37
			MIN	-15.01	-16.10	-16.46	-16.11	-15.03	-13.31	-11.04	-8.41	-5.56	-2.73	0.00	-4.86
		1-LANE (case2	MAX	15.72	17.15	18.05	18.35	17.99	16.91	15.06	12.41	8.96	4.82	0.00	2.52
			MIN	-16.35	-17.56	-17.97	-17.59	-16.42	-14.53	-12.06	-9.17	-6.05	-2.96	0.00	-5.13
		1-LANE (case3	MAX	15.78	17.22	18.14	18.46	18.12	17.07	15.23	12.60	9.13	4.94	0.00	2.63
			MIN	-17.26	-18.58	-19.02	-18.64	-17.38	-15.40	-12.77	-9.71	-6.40	-3.12	0.00	-5.33
		1-LANE (case4	MAX	15.87	17.32	18.25	18.59	18.28	17.26	15.45	12.83	9.35	5.09	0.00	2.84
			MIN	-18.34	-19.73	-20.24	-19.87	-18.62	-16.53	-13.78	-10.49	-6.92	-3.37	0.00	-5.55
		2-LANES (case	MAX	26.10	28.47	29.95	30.42	29.79	27.95	24.82	20.37	14.64	7.83	0.00	4.02
			MIN	-25.58	-27.44	-28.07	-27.47	-25.64	-22.69	-18.83	-14.34	-9.48	-4.64	0.00	-8.21
		2-LANES (case	MAX	26.16	28.54	30.04	30.53	29.92	28.11	25.00	20.58	14.83	7.96	0.00	4.14
			MIN	-26.69	-28.66	-29.33	-28.71	-26.80	-23.71	-19.69	-14.97	-9.89	-4.83	0.00	-8.44
		2-LANES (case	MAX	26.33	28.74	30.27	30.82	30.27	28.52	25.48	21.09	15.31	8.30	0.00	4.45
			MIN	-29.11	-31.33	-32.08	-31.46	-29.35	-26.01	-21.58	-16.41	-10.82	-5.27	0.00	-8.99
		2-LANES (case	MAX	26.42	28.83	30.37	30.93	30.41	28.68	25.66	21.28	15.49	8.42	0.00	4.67
			MIN	-30.29	-32.59	-33.43	-32.81	-30.71	-27.26	-22.70	-17.28	-11.40	-5.55	0.00	-9.17
		3-LANES (case	MAX	33.32	36.35	38.24	38.86	38.07	35.74	31.76	26.11	18.79	10.07	0.00	5.20
			MIN	-33.32	-35.76	-36.59	-35.81	-33.42	-29.58	-24.55	-18.68	-12.34	-6.04	0.00	-10.61
		3-LANES (case	MAX	33.61	36.69	38.65	39.36	38.68	36.47	32.61	27.01	19.64	10.66	0.00	5.74
			MIN	-37.49	-40.35	-41.33	-40.55	-37.86	-33.55	-27.87	-21.19	-13.98	-6.81	0.00	-11.58
		3-LANES (case	MAX	33.64	36.71	38.67	39.37	38.68	36.47	32.60	27.01	19.63	10.66	0.00	5.89
			MIN	-38.28	-41.19	-42.23	-41.44	-38.75	-34.38	-28.61	-21.77	-14.37	-6.99	0.00	-11.57

BAGO RIVER BRIDGE

BLOCK [ No. 1 : STRUCTURE NODE ] [ NODAL DISPLACEMENT ]

NODE				3023	3024	3025	3026	3027	3028	3029	3030	3031	3032	3033	3034
NAME TITLE				TRANSZ DZ (mm)	TRANSZ DZ (mm)	TRANSZ DZ (mm)	TRANSZ DZ (mm)	TRANSZ DZ (mm)	TRANSZ DZ (mm)	TRANSZ DZ (mm)	TRANSZ DZ (mm)	TRANSZ DZ (mm)	TRANSZ DZ (mm)	TRANSZ DZ (mm)	TRANSZ DZ (mm)
301	LIVE LOAD	4-LANES	MAX	17.52	17.27	16.40	15.02	13.24	11.17	8.91	6.56	4.23	2.04	0.00	4.54
			MIN	-32.77	-34.96	-35.45	-34.38	-31.71	-27.73	-22.75	-17.09	-11.16	-5.40	0.00	-1.72
	6-LANES	MAX	49.17	53.61	56.40	57.34	56.23	52.88	47.12	38.87	28.11	15.16	0.00	8.29	
		MIN	-53.79	-57.83	-59.22	-58.04	-54.18	-47.99	-39.86	-30.32	-20.01	-9.76	0.00	-16.22	
	LIVE LOAD	MAX	49.17	53.61	56.40	57.34	56.23	52.88	47.12	38.87	28.11	15.16	0.00	8.29	
		MIN	-53.79	-57.83	-59.22	-58.04	-54.18	-47.99	-39.86	-30.32	-20.01	-9.76	0.00	-16.22	
303	SUM TOTAL	TOTAL	MAX	91.51	99.43	106.60	112.50	116.18	116.23	110.89	98.25	76.30	44.08	0.00	-28.98
			MIN	-11.45	-12.00	-9.02	-2.88	5.77	15.36	23.91	29.06	28.19	19.16	0.00	-53.49

BAGO RIVER BRIDGE

BLOCK [ No.1 : STRUCTURE NODE ] [ NODAL DISPLACEMENT ]

NODE		3035	3036	3037	3038	3039	3040	3041	3042	3043	3044	3045	3046	
NAME	TITLE	TRANSZ DZ (mm)	TRANSZ DZ (mm)	TRANSZ DZ (mm)	TRANSZ DZ (mm)	TRANSZ DZ (mm)	TRANSZ DZ (mm)	TRANSZ DZ (mm)	TRANSZ DZ (mm)	TRANSZ DZ (mm)	TRANSZ DZ (mm)	TRANSZ DZ (mm)	TRANSZ DZ (mm)	
1	PAVEMENT	-12.74	-21.27	-30.46	-39.75	-48.59	-56.54	-63.33	-68.77	-72.71	-75.08	-75.82	-74.90	
3	RAILING	-0.40	-0.67	-0.95	-1.23	-1.50	-1.75	-1.95	-2.12	-2.24	-2.31	-2.33	-2.30	
5	CURB	-3.97	-6.59	-9.40	-12.22	-14.90	-17.30	-19.34	-20.97	-22.14	-22.84	-23.04	-22.73	
7	DECK WEIGHT	-21.11	-35.17	-50.30	-65.57	-80.12	-93.21	-104.40	-113.40	-119.94	-123.91	-125.20	-123.75	
8	GIRDER WEIGH	-31.04	-51.40	-73.14	-94.96	-115.65	-134.18	-149.91	-162.48	-171.53	-176.89	-178.44	-176.11	
10	MEDIAN STRIP	-7.07	-11.60	-16.43	-21.29	-25.95	-30.18	-33.86	-36.88	-39.16	-40.65	-41.30	-41.07	
21	ADITIONAL WE	-5.91	-9.85	-14.08	-18.36	-22.43	-26.10	-29.23	-31.75	-33.58	-34.69	-35.06	-34.65	
31	MEDIAN RAILI	-0.41	-0.68	-0.96	-1.25	-1.52	-1.76	-1.97	-2.13	-2.25	-2.32	-2.34	-2.31	
51	SUPPORT WEIG	-0.00	-0.00	-0.00	-0.00	-0.00	-0.00	-0.00	-0.00	-0.00	-0.00	-0.00	-0.00	
52	NOSE WEIGHT	-0.00	-0.00	-0.00	-0.00	-0.00	-0.00	-0.00	-0.00	-0.00	-0.00	-0.00	-0.00	
61	1-LANE(case1TRUCK-LOAD	MAX	1.60	2.29	2.87	3.32	3.65	3.86	3.97	4.01	3.96	3.85	3.68	3.45
		MIN	-2.64	-4.18	-5.74	-7.28	-8.70	-9.97	-11.04	-11.86	-12.44	-12.70	-12.66	-12.33
	TANDEM-LOAD	MAX	1.09	1.56	1.95	2.26	2.48	2.63	2.71	2.73	2.70	2.62	2.50	2.35
		MIN	-1.79	-2.84	-3.90	-4.94	-5.91	-6.77	-7.49	-8.06	-8.45	-8.62	-8.59	-8.38
	DISPERSION-LMAX		2.17	3.13	3.91	4.53	4.98	5.27	5.43	5.47	5.42	5.26	5.02	4.72
		MIN	-5.74	-8.93	-12.09	-15.09	-17.83	-20.18	-22.10	-23.56	-24.53	-24.90	-24.70	-24.00
62	1-LANE(case2TRUCK-LOAD	MAX	1.68	2.40	2.98	3.42	3.75	3.95	4.06	4.08	4.03	3.91	3.73	3.51
		MIN	-2.81	-4.47	-6.18	-7.86	-9.42	-10.81	-11.99	-12.91	-13.54	-13.88	-13.90	-13.59
	TANDEM-LOAD	MAX	1.14	1.63	2.03	2.33	2.55	2.69	2.76	2.78	2.74	2.66	2.54	2.39
		MIN	-1.91	-3.04	-4.20	-5.33	-6.40	-7.34	-8.14	-8.77	-9.21	-9.43	-9.44	-9.24
	DISPERSION-LMAX		2.29	3.27	4.06	4.67	5.11	5.39	5.53	5.56	5.50	5.33	5.09	4.78
		MIN	-6.09	-9.52	-12.93	-16.16	-19.09	-21.60	-23.64	-25.19	-26.21	-26.67	-26.57	-25.94
63	1-LANE(case3TRUCK-LOAD	MAX	1.74	2.48	3.06	3.51	3.83	4.03	4.12	4.14	4.08	3.96	3.78	3.55
		MIN	-2.94	-4.70	-6.51	-8.30	-9.97	-11.44	-12.69	-13.68	-14.36	-14.78	-14.85	-14.61
	TANDEM-LOAD	MAX	1.19	1.69	2.09	2.39	2.61	2.74	2.81	2.82	2.78	2.70	2.58	2.42
		MIN	-1.99	-3.19	-4.42	-5.63	-6.76	-7.77	-8.62	-9.28	-9.77	-10.04	-10.10	-9.92
	DISPERSION-LMAX		2.38	3.37	4.17	4.78	5.21	5.48	5.61	5.64	5.56	5.39	5.15	4.83
		MIN	-6.36	-9.98	-13.58	-17.00	-20.08	-22.73	-24.88	-26.51	-27.58	-28.13	-28.13	-27.56

BAGO RIVER BRIDGE

BLOCK [ No.1 : STRUCTURE NODE ] [ NODAL DISPLACEMENT ]

NODE		3035	3036	3037	3038	3039	3040	3041	3042	3043	3044	3045	3046	
NAME TITLE		TRANSZ DZ (mm)	TRANSZ DZ (mm)	TRANSZ DZ (mm)	TRANSZ DZ (mm)	TRANSZ DZ (mm)	TRANSZ DZ (mm)	TRANSZ DZ (mm)	TRANSZ DZ (mm)	TRANSZ DZ (mm)	TRANSZ DZ (mm)	TRANSZ DZ (mm)	TRANSZ DZ (mm)	
64	1-LANE (case4TRUCK-LOAD	MAX	1.89	2.66	3.26	3.70	4.01	4.20	4.29	4.29	4.22	4.09	3.90	3.67
		MIN	-3.11	-5.00	-6.96	-8.88	-10.67	-12.26	-13.57	-14.61	-15.32	-15.77	-15.91	-15.70
	TANDEM-LOAD	MAX	1.29	1.81	2.22	2.53	2.74	2.86	2.92	2.92	2.87	2.79	2.66	2.50
		MIN	-2.11	-3.39	-4.73	-6.03	-7.25	-8.32	-9.22	-9.92	-10.42	-10.70	-10.82	-10.67
	DISPERSION-LMAX	MAX	2.54	3.58	4.39	5.00	5.41	5.67	5.78	5.79	5.69	5.52	5.27	4.95
65	2-LANES (caseTRUCK-LOAD	MAX	3.23	4.64	5.79	6.69	7.34	7.76	7.99	8.05	7.96	7.73	7.38	6.93
		MIN	-5.37	-8.50	-11.71	-14.84	-17.76	-20.37	-22.55	-24.25	-25.44	-26.00	-25.94	-25.29
	TANDEM-LOAD	MAX	2.20	3.15	3.94	4.55	5.00	5.28	5.44	5.48	5.42	5.26	5.03	4.72
		MIN	-3.64	-5.77	-7.94	-10.07	-12.07	-13.83	-15.30	-16.48	-17.29	-17.65	-17.62	-17.19
	DISPERSION-LMAX	MAX	4.41	6.33	7.90	9.13	10.02	10.60	10.91	10.99	10.87	10.56	10.08	9.47
66	2-LANES (caseTRUCK-LOAD	MAX	3.32	4.74	5.90	6.79	7.44	7.86	8.07	8.12	8.03	7.79	7.44	6.99
		MIN	-5.53	-8.80	-12.14	-15.42	-18.49	-21.20	-23.49	-25.30	-26.53	-27.18	-27.18	-26.55
	TANDEM-LOAD	MAX	2.26	3.23	4.01	4.63	5.07	5.35	5.50	5.53	5.46	5.31	5.07	4.76
		MIN	-3.76	-5.97	-8.24	-10.46	-12.55	-14.40	-15.94	-17.18	-18.04	-18.46	-18.47	-18.05
	DISPERSION-LMAX	MAX	4.53	6.47	8.05	9.27	10.15	10.72	11.02	11.08	10.95	10.63	10.15	9.53
67	2-LANES (caseTRUCK-LOAD	MAX	3.53	5.01	6.19	7.08	7.71	8.11	8.30	8.33	8.21	7.96	7.60	7.14
		MIN	-5.96	-9.55	-13.25	-16.89	-20.29	-23.29	-25.83	-27.84	-29.21	-30.08	-30.25	-29.77
	TANDEM-LOAD	MAX	2.41	3.41	4.22	4.82	5.25	5.52	5.65	5.67	5.59	5.42	5.18	4.86
		MIN	-4.05	-6.48	-9.00	-11.47	-13.76	-15.82	-17.54	-18.89	-19.87	-20.43	-20.57	-20.22
	DISPERSION-LMAX	MAX	4.81	6.82	8.42	9.63	10.49	11.02	11.29	11.32	11.16	10.83	10.34	9.71
68	2-LANES (caseTRUCK-LOAD	MAX	3.73	5.25	6.45	7.34	7.97	8.34	8.52	8.53	8.39	8.13	7.77	7.30
		MIN	-6.14	-9.86	-13.70	-17.47	-20.99	-24.11	-26.71	-28.77	-30.17	-31.07	-31.30	-30.86
	TANDEM-LOAD	MAX	2.54	3.58	4.40	5.01	5.43	5.69	5.81	5.81	5.72	5.54	5.29	4.97
		MIN	-4.16	-6.69	-9.30	-11.87	-14.25	-16.37	-18.14	-19.52	-20.52	-21.09	-21.29	-20.97

BAGO RIVER BRIDGE

BLOCK [ No.1 : STRUCTURE NODE ] [ NODAL DISPLACEMENT ]

NODE		3035	3036	3037	3038	3039	3040	3041	3042	3043	3044	3045	3046
NAME TITLE		TRANSZ DZ (mm)	TRANSZ DZ (mm)	TRANSZ DZ (mm)	TRANSZ DZ (mm)	TRANSZ DZ (mm)	TRANSZ DZ (mm)	TRANSZ DZ (mm)	TRANSZ DZ (mm)	TRANSZ DZ (mm)	TRANSZ DZ (mm)	TRANSZ DZ (mm)	TRANSZ DZ (mm)
68	2-LANES (caseDISPERSION-LMAX	5.02	7.09	8.71	9.92	10.76	11.27	11.51	11.52	11.33	10.99	10.49	9.86
	MIN	-13.12	-20.69	-28.24	-35.40	-41.86	-47.38	-51.85	-55.23	-57.47	-58.70	-58.84	-57.80
69	3-LANES (caseTRUCK-LOAD MAX	4.91	7.03	8.76	10.11	11.09	11.71	12.05	12.13	11.99	11.64	11.12	10.44
	MIN	-8.17	-12.97	-17.89	-22.70	-27.19	-31.17	-34.53	-37.16	-38.98	-39.88	-39.84	-38.88
	TANDEM-LOAD MAX	3.34	4.78	5.97	6.88	7.55	7.98	8.20	8.26	8.16	7.93	7.57	7.11
	MIN	-5.55	-8.81	-12.14	-15.40	-18.47	-21.17	-23.44	-25.24	-26.50	-27.07	-27.06	-26.44
	DISPERSION-LMAX	6.70	9.59	11.96	13.80	15.13	15.99	16.45	16.56	16.37	15.90	15.18	14.25
	MIN	-17.74	-27.68	-37.53	-46.88	-55.37	-62.67	-68.62	-73.13	-76.11	-77.35	-76.91	-74.90
70	3-LANES (caseTRUCK-LOAD MAX	5.37	7.60	9.38	10.72	11.66	12.25	12.53	12.56	12.38	12.01	11.46	10.77
	MIN	-9.07	-14.55	-20.21	-25.77	-30.96	-35.55	-39.40	-42.45	-44.54	-45.85	-46.16	-45.47
	TANDEM-LOAD MAX	3.66	5.18	6.39	7.30	7.94	8.34	8.54	8.56	8.43	8.18	7.81	7.34
	MIN	-6.15	-9.88	-13.73	-17.50	-21.01	-24.14	-26.76	-28.81	-30.29	-31.13	-31.39	-30.89
	DISPERSION-LMAX	7.30	10.33	12.74	14.56	15.84	16.63	17.02	17.06	16.81	16.30	15.57	14.62
	MIN	-19.49	-30.68	-41.84	-52.42	-61.97	-70.15	-76.77	-81.78	-85.10	-86.88	-87.02	-85.41
71	3-LANES (caseTRUCK-LOAD MAX	5.52	7.79	9.58	10.92	11.86	12.43	12.70	12.72	12.52	12.14	11.59	10.89
	MIN	-9.07	-14.55	-20.21	-25.77	-30.96	-35.55	-39.40	-42.45	-44.53	-45.85	-46.16	-45.47
	TANDEM-LOAD MAX	3.76	5.31	6.53	7.44	8.08	8.47	8.65	8.66	8.53	8.27	7.90	7.42
	MIN	-6.15	-9.88	-13.73	-17.50	-21.01	-24.14	-26.76	-28.81	-30.29	-31.13	-31.39	-30.89
	DISPERSION-LMAX	7.46	10.53	12.95	14.77	16.03	16.81	17.18	17.20	16.93	16.42	15.68	14.73
	MIN	-19.48	-30.66	-41.81	-52.38	-61.93	-70.09	-76.71	-81.72	-85.03	-86.81	-86.95	-85.35
72	4-LANES TRUCK-LOAD MAX	7.23	10.22	12.59	14.37	15.62	16.39	16.76	16.80	16.54	16.04	15.32	14.39
	MIN	-2.07	-2.93	-3.62	-4.15	-4.52	-4.76	-4.87	-4.89	-4.82	-4.68	-4.47	-4.19
	TANDEM-LOAD MAX	4.95	6.99	8.61	9.83	10.68	11.21	11.46	11.48	11.31	10.96	10.47	9.84
	MIN	-1.40	-1.99	-2.46	-2.82	-3.07	-3.23	-3.31	-3.32	-3.28	-3.18	-3.04	-2.85
	DISPERSION-LMAX	5.88	8.31	10.25	11.71	12.73	13.36	13.67	13.70	13.50	13.09	12.50	11.74
	MIN	-2.91	-4.13	-5.11	-5.85	-6.38	-6.71	-6.87	-6.90	-6.80	-6.60	-6.30	-5.92
73	6-LANES TRUCK-LOAD MAX	10.43	14.82	18.34	21.03	22.94	24.14	24.74	24.84	24.50	23.77	22.70	21.32
	MIN	-17.25	-27.53	-38.10	-48.47	-58.16	-66.73	-73.95	-79.63	-83.54	-85.76	-86.03	-84.38

BAGO RIVER BRIDGE

BLOCK [ No.1 : STRUCTURE NODE ] [ NODAL DISPLACEMENT ]

NODE			3035	3036	3037	3038	3039	3040	3041	3042	3043	3044	3045	3046
NAME TITLE			TRANSZ DZ (mm)	TRANSZ DZ (mm)	TRANSZ DZ (mm)	TRANSZ DZ (mm)	TRANSZ DZ (mm)	TRANSZ DZ (mm)	TRANSZ DZ (mm)	TRANSZ DZ (mm)	TRANSZ DZ (mm)	TRANSZ DZ (mm)	TRANSZ DZ (mm)	TRANSZ DZ (mm)
73	6-LANES	TANDEM-LOAD MAX	7.11	10.09	12.49	14.32	15.62	16.44	16.85	16.92	16.69	16.19	15.46	14.52
		MIN	-11.71	-18.69	-25.87	-32.91	-39.48	-45.32	-50.21	-54.06	-56.80	-58.23	-58.48	-57.34
		DISPERSION-LMAX	13.60	19.32	23.91	27.40	29.89	31.45	32.23	32.36	31.92	30.97	29.57	27.77
		MIN	-34.82	-54.55	-74.12	-92.67	-109.41	-123.73	-135.34	-144.09	-149.83	-152.53	-152.15	-148.69
124	SUM TOTAL	D+1LANE (caseMAX	-78.13	-130.72	-187.59	-245.21	-300.32	-350.07	-392.71	-427.11	-452.30	-467.76	-473.08	-468.01
		MIN	-92.70	-152.95	-217.13	-281.48	-342.50	-397.21	-443.77	-481.00	-507.92	-523.81	-528.35	-521.40
		D+1LANE (caseMAX	-77.89	-130.42	-187.28	-244.92	-300.04	-349.82	-392.49	-426.91	-452.13	-467.60	-472.93	-467.87
		MIN	-93.33	-154.01	-218.66	-283.45	-344.88	-399.91	-446.75	-484.21	-511.26	-527.36	-532.09	-525.25
		D+1LANE (caseMAX	-77.70	-130.20	-187.05	-244.69	-299.83	-349.62	-392.31	-426.76	-451.99	-467.47	-472.81	-467.75
		MIN	-93.81	-154.83	-219.83	-284.98	-346.73	-402.03	-449.08	-486.71	-513.89	-530.19	-535.10	-528.42
		D+1LANE (caseMAX	-77.34	-129.74	-186.55	-244.19	-299.35	-349.18	-391.91	-426.40	-451.67	-467.17	-472.52	-467.47
		MIN	-94.34	-155.78	-221.24	-286.80	-348.93	-404.55	-451.82	-489.61	-516.89	-533.33	-538.44	-531.87
		D+2LANES (casMAX	-75.01	-126.26	-182.04	-238.81	-293.31	-342.66	-385.09	-419.44	-444.72	-460.40	-466.06	-461.42
		MIN	-99.67	-163.88	-232.03	-300.20	-364.72	-422.46	-471.52	-510.68	-538.89	-555.37	-559.80	-552.06
		D+2LANES (casMAX	-74.81	-126.02	-181.78	-238.57	-293.08	-342.45	-384.91	-419.28	-444.58	-460.27	-465.93	-461.30
		MIN	-100.19	-164.77	-233.31	-301.84	-366.70	-424.71	-474.01	-513.35	-541.67	-558.33	-562.91	-555.26
		D+2LANES (casMAX	-74.30	-125.39	-181.12	-237.92	-292.47	-341.90	-384.41	-418.84	-444.19	-459.91	-465.58	-460.96
		MIN	-101.47	-166.98	-236.50	-305.99	-371.70	-430.43	-480.29	-520.09	-548.72	-565.87	-570.91	-563.62
		D+2LANES (casMAX	-73.90	-124.88	-180.57	-237.37	-291.94	-341.41	-383.97	-418.44	-443.83	-459.57	-465.26	-460.66
		MIN	-101.91	-167.76	-237.67	-307.50	-373.52	-432.51	-482.56	-522.49	-551.20	-568.46	-573.67	-566.48
		D+3LANES (casMAX	-72.78	-123.09	-178.11	-234.31	-288.38	-337.48	-379.78	-414.10	-439.45	-455.29	-461.17	-456.83
		MIN	-104.68	-171.77	-242.83	-313.78	-380.84	-440.79	-491.67	-532.23	-561.38	-578.34	-582.76	-574.52
		D+3LANES (casMAX	-71.88	-121.98	-176.93	-233.15	-287.30	-336.48	-378.88	-413.31	-438.75	-454.63	-460.55	-456.23
		MIN	-106.93	-175.67	-248.47	-321.09	-389.66	-450.87	-502.74	-544.09	-573.75	-591.52	-596.72	-589.06
		D+3LANES (casMAX	-71.62	-121.65	-176.58	-232.80	-286.96	-336.18	-378.60	-413.06	-438.52	-454.42	-460.34	-456.04
		MIN	-106.92	-175.65	-248.44	-321.06	-389.62	-450.82	-502.69	-544.03	-573.69	-591.46	-596.67	-589.01
		D+4LANES MAX	-74.13	-125.17	-180.88	-237.68	-292.24	-341.69	-384.22	-418.66	-444.03	-459.76	-465.44	-460.83
		MIN	-85.89	-141.81	-201.40	-261.13	-317.75	-368.48	-411.63	-446.15	-471.11	-486.02	-490.52	-484.38

BAGO RIVER BRIDGE

BLOCK [ No.1 : STRUCTURE NODE ] [ NODAL DISPLACEMENT ]

NODE				3035	3036	3037	3038	3039	3040	3041	3042	3043	3044	3045	3046
NAME TITLE				TRANSZ DZ (mm)	TRANSZ DZ (mm)	TRANSZ DZ (mm)	TRANSZ DZ (mm)	TRANSZ DZ (mm)	TRANSZ DZ (mm)	TRANSZ DZ (mm)	TRANSZ DZ (mm)	TRANSZ DZ (mm)	TRANSZ DZ (mm)	TRANSZ DZ (mm)	TRANSZ DZ (mm)
124	SUM TOTAL	D+6LANES	MAX	-67.03	-115.03	-168.27	-223.15	-276.33	-324.89	-366.96	-401.31	-426.88	-443.11	-449.54	-445.90
			MIN	-116.50	-190.57	-268.67	-346.37	-419.59	-484.83	-540.03	-583.91	-615.25	-633.59	-638.34	-629.30
		SUM TOTAL	MAX	-67.03	-115.03	-168.27	-223.15	-276.33	-324.89	-366.96	-401.31	-426.88	-443.11	-449.54	-445.90
			MIN	-116.50	-190.57	-268.67	-346.37	-419.59	-484.83	-540.03	-583.91	-615.25	-633.59	-638.34	-629.30
300	DEAD LOAD	TOTAL		-82.65	-137.22	-195.73	-254.63	-310.67	-361.03	-404.00	-438.49	-463.55	-478.69	-483.52	-477.81
301	LIVE LOAD	1-LANE (case1	MAX	4.52	6.50	8.14	9.42	10.35	10.96	11.29	11.38	11.26	10.94	10.44	9.80
			MIN	-10.05	-15.73	-21.40	-26.85	-31.83	-36.19	-39.77	-42.51	-44.37	-45.12	-44.83	-43.59
		1-LANE (case2	MAX	4.77	6.80	8.44	9.71	10.63	11.21	11.51	11.57	11.43	11.10	10.59	9.95
			MIN	-10.68	-16.79	-22.93	-28.82	-34.22	-38.89	-42.75	-45.72	-47.70	-48.67	-48.57	-47.43
		1-LANE (case3	MAX	4.95	7.02	8.68	9.94	10.84	11.41	11.69	11.73	11.57	11.22	10.72	10.07
			MIN	-11.15	-17.61	-24.11	-30.35	-36.06	-41.00	-45.08	-48.22	-50.34	-51.50	-51.58	-50.61
		1-LANE (case4	MAX	5.31	7.48	9.18	10.44	11.31	11.84	12.08	12.09	11.89	11.52	11.00	10.34
			MIN	-11.69	-18.56	-25.51	-32.17	-38.26	-43.52	-47.82	-51.12	-53.33	-54.64	-54.92	-54.05
		2-LANES (case	MAX	7.64	10.96	13.69	15.82	17.36	18.37	18.90	19.04	18.83	18.29	17.47	16.40
			MIN	-17.01	-26.66	-36.30	-45.57	-54.05	-61.43	-67.52	-72.19	-75.33	-76.68	-76.28	-74.25
		2-LANES (case	MAX	7.84	11.20	13.94	16.06	17.59	18.57	19.09	19.21	18.98	18.43	17.59	16.52
			MIN	-17.53	-27.54	-37.58	-47.21	-56.03	-63.68	-70.01	-74.86	-78.11	-79.63	-79.39	-77.45
		2-LANES (case	MAX	8.35	11.83	14.61	16.71	18.20	19.13	19.59	19.65	19.37	18.79	17.94	16.85
			MIN	-18.82	-29.76	-40.77	-51.36	-61.03	-69.40	-76.30	-81.60	-85.17	-87.17	-87.39	-85.81
		2-LANES (case	MAX	8.75	12.34	15.16	17.26	18.72	19.61	20.03	20.05	19.72	19.12	18.26	17.16
			MIN	-19.26	-30.54	-41.94	-52.87	-62.85	-71.49	-78.56	-84.00	-87.64	-89.77	-90.15	-88.66
		3-LANES (case	MAX	9.87	14.13	17.62	20.32	22.29	23.55	24.22	24.39	24.11	23.41	22.35	20.98
			MIN	-22.02	-34.55	-47.10	-59.15	-70.18	-79.76	-87.68	-93.75	-97.82	-99.65	-99.24	-96.71
		3-LANES (case	MAX	10.77	15.24	18.80	21.48	23.37	24.55	25.12	25.18	24.81	24.06	22.98	21.58
			MIN	-24.28	-38.45	-52.74	-66.46	-78.99	-89.84	-98.75	-105.60	-110.19	-112.82	-113.20	-111.25
		3-LANES (case	MAX	11.03	15.57	19.15	21.83	23.70	24.85	25.39	25.43	25.03	24.27	23.18	21.77
			MIN	-24.27	-38.43	-52.72	-66.43	-78.95	-89.79	-98.69	-105.54	-110.13	-112.76	-113.14	-111.19



BAGO RIVER BRIDGE

BLOCK [ No.1 : STRUCTURE NODE ][ NODAL DISPLACEMENT ]

NODE				3035	3036	3037	3038	3039	3040	3041	3042	3043	3044	3045	3046
NAME TITLE				TRANSZ	TRANSZ	TRANSZ	TRANSZ	TRANSZ	TRANSZ	TRANSZ	TRANSZ	TRANSZ	TRANSZ	TRANSZ	TRANSZ
				DZ (mm)	DZ (mm)	DZ (mm)	DZ (mm)	DZ (mm)	DZ (mm)	DZ (mm)	DZ (mm)	DZ (mm)	DZ (mm)	DZ (mm)	DZ (mm)
301	LIVE LOAD	4-LANES	MAX	8.52	12.05	14.85	16.95	18.43	19.34	19.78	19.82	19.52	18.94	18.08	16.98
			MIN	-3.24	-4.59	-5.68	-6.50	-7.08	-7.45	-7.63	-7.66	-7.55	-7.33	-7.00	-6.57
	6-LANES	MAX	15.62	22.19	27.46	31.48	34.34	36.13	37.03	37.18	37.18	36.67	35.58	33.98	31.91
		MIN	-33.85	-53.35	-72.95	-91.74	-108.92	-123.80	-136.04	-145.42	-151.69	-151.69	-154.89	-154.81	-151.49
	LIVE LOAD	MAX	15.62	22.19	27.46	31.48	34.34	36.13	37.03	37.18	37.18	36.67	35.58	33.98	31.91
		MIN	-33.85	-53.35	-72.95	-91.74	-108.92	-123.80	-136.04	-145.42	-151.69	-151.69	-154.89	-154.81	-151.49
303	SUM TOTAL	TOTAL	MAX	-67.03	-115.03	-168.27	-223.15	-276.33	-324.89	-366.96	-401.31	-426.88	-443.11	-449.54	-445.90
			MIN	-116.50	-190.57	-268.67	-346.37	-419.59	-484.83	-540.03	-583.91	-615.25	-633.59	-638.34	-629.30

BAGO RIVER BRIDGE

BLOCK [ No.1 : STRUCTURE NODE ] [ NODAL DISPLACEMENT ]

NODE		3047	3048	3049	3050	3051	3052	3053	3054	3055	4001	4002	4003	
NAME TITLE		TRANSZ DZ (mm)	TRANSZ DZ (mm)	TRANSZ DZ (mm)	TRANSZ DZ (mm)	TRANSZ DZ (mm)	TRANSZ DZ (mm)	TRANSZ DZ (mm)	TRANSZ DZ (mm)	TRANSZ DZ (mm)	TRANSZ DZ (mm)	TRANSZ DZ (mm)	TRANSZ DZ (mm)	
1	PAVEMENT	-72.29	-68.03	-62.18	-54.81	-46.01	-35.90	-24.61	-12.56	0.00	0.00	-7.90	-15.13	
3	RAILING	-2.21	-2.08	-1.90	-1.67	-1.40	-1.09	-0.75	-0.38	0.00	0.00	-0.19	-0.37	
5	CURB	-21.92	-20.61	-18.82	-16.58	-13.90	-10.83	-7.42	-3.78	0.00	0.00	-1.93	-3.69	
7	DECK WEIGHT	-119.52	-112.57	-102.95	-90.82	-76.29	-59.57	-40.85	-20.86	0.00	0.00	-12.19	-23.37	
8	GIRDER WEIGH	-169.85	-159.75	-145.92	-128.57	-107.89	-84.17	-57.67	-29.44	0.00	0.00	-13.14	-25.25	
10	MEDIAN STRIP	-39.92	-37.84	-34.84	-30.94	-26.16	-20.56	-14.17	-7.27	0.00	0.00	-2.02	-3.90	
21	ADITIONAL WE	-33.47	-31.52	-28.83	-25.43	-21.36	-16.68	-11.44	-5.84	0.00	0.00	-3.41	-6.54	
31	MEDIAN RAILI	-2.23	-2.10	-1.92	-1.69	-1.42	-1.11	-0.76	-0.39	0.00	0.00	-0.15	-0.29	
51	SUPPORT WEIG	-0.00	-0.00	-0.00	-0.00	-0.00	-0.00	-0.00	-0.00	-0.00	-0.00	-0.00	-0.00	
52	NOSE WEIGHT	-0.00	-0.00	-0.00	-0.00	-0.00	-0.00	-0.00	-0.00	0.00	-0.00	0.01	0.01	
61	1-LANE(case1TRUCK-LOAD	MAX	3.18	2.87	2.53	2.15	1.76	1.34	0.90	0.45	0.00	0.00	0.33	0.65
		MIN	-11.76	-10.93	-9.86	-8.59	-7.12	-5.49	-3.73	-1.89	0.00	0.00	-0.53	-1.04
		TANDEM-LOAD MAX	2.17	1.96	1.72	1.47	1.20	0.91	0.61	0.31	0.00	0.00	0.23	0.44
		MIN	-7.99	-7.42	-6.69	-5.83	-4.84	-3.73	-2.53	-1.29	0.00	0.00	-0.36	-0.71
		DISPERSION-LMAX	4.35	3.92	3.45	2.94	2.40	1.83	1.23	0.62	0.00	0.00	0.46	0.90
62	1-LANE(case2TRUCK-LOAD	MAX	3.23	2.92	2.57	2.19	1.79	1.36	0.92	0.46	0.00	0.00	0.39	0.76
		MIN	-13.00	-12.11	-10.95	-9.56	-7.95	-6.15	-4.18	-2.12	0.00	0.00	-1.02	-1.98
		TANDEM-LOAD MAX	2.20	1.99	1.75	1.49	1.22	0.93	0.62	0.31	0.00	0.00	0.26	0.52
		MIN	-8.82	-8.22	-7.44	-6.49	-5.40	-4.17	-2.84	-1.44	0.00	0.00	-0.70	-1.35
		DISPERSION-LMAX	4.41	3.98	3.51	2.99	2.44	1.86	1.25	0.63	0.00	0.00	0.53	1.05
63	1-LANE(case3TRUCK-LOAD	MAX	3.28	2.96	2.61	2.23	1.82	1.38	0.93	0.47	0.00	0.00	0.43	0.84
		MIN	-14.00	-13.08	-11.88	-10.40	-8.67	-6.72	-4.58	-2.33	0.00	0.00	-1.41	-2.73
		TANDEM-LOAD MAX	2.23	2.02	1.78	1.52	1.24	0.94	0.63	0.32	0.00	0.00	0.29	0.58
		MIN	-9.51	-8.89	-8.07	-7.05	-5.89	-4.57	-3.11	-1.58	0.00	0.00	-0.96	-1.86
		DISPERSION-LMAX	4.46	4.03	3.55	3.03	2.47	1.88	1.27	0.64	0.00	0.00	0.59	1.16
	MIN	-26.43	-24.74	-22.51	-19.78	-16.56	-12.91	-8.84	-4.51	0.00	0.00	-2.28	-4.41	

BAGO RIVER BRIDGE

BLOCK [ No.1 : STRUCTURE NODE ] [ NODAL DISPLACEMENT ]

NODE		3047	3048	3049	3050	3051	3052	3053	3054	3055	4001	4002	4003	
NAME TITLE		TRANSZ DZ (mm)	TRANSZ DZ (mm)	TRANSZ DZ (mm)	TRANSZ DZ (mm)	TRANSZ DZ (mm)	TRANSZ DZ (mm)	TRANSZ DZ (mm)	TRANSZ DZ (mm)	TRANSZ DZ (mm)	TRANSZ DZ (mm)	TRANSZ DZ (mm)	TRANSZ DZ (mm)	
64	1-LANE (case4TRUCK-LOAD	MAX	3.38	3.06	2.70	2.30	1.88	1.43	0.96	0.49	0.00	0.00	0.52	1.03
		MIN	-15.12	-14.18	-12.93	-11.36	-9.50	-7.39	-5.05	-2.57	0.00	0.00	-2.52	-4.85
	TANDEM-LOAD	MAX	2.31	2.08	1.84	1.57	1.28	0.98	0.66	0.33	0.00	0.00	0.36	0.70
		MIN	-10.27	-9.65	-8.78	-7.72	-6.46	-5.02	-3.43	-1.74	0.00	0.00	-1.72	-3.30
	DISPERSION-LMAX	MAX	4.57	4.13	3.64	3.11	2.54	1.94	1.30	0.66	0.00	0.00	0.71	1.40
		MIN	-28.23	-26.51	-24.20	-21.32	-17.91	-13.99	-9.60	-4.89	0.00	0.00	-3.77	-7.21
65	2-LANES (caseTRUCK-LOAD	MAX	6.39	5.77	5.08	4.33	3.53	2.68	1.80	0.91	0.00	0.00	0.69	1.36
		MIN	-24.14	-22.44	-20.27	-17.65	-14.65	-11.31	-7.68	-3.90	0.00	0.00	-1.30	-2.54
	TANDEM-LOAD	MAX	4.35	3.93	3.46	2.95	2.40	1.83	1.23	0.62	0.00	0.00	0.47	0.92
		MIN	-16.40	-15.23	-13.76	-11.99	-9.95	-7.68	-5.21	-2.65	0.00	0.00	-0.89	-1.73
	DISPERSION-LMAX	MAX	8.73	7.88	6.94	5.91	4.82	3.67	2.46	1.24	0.00	0.00	0.96	1.87
		MIN	-46.59	-43.27	-39.06	-34.03	-28.25	-21.82	-14.83	-7.54	0.00	0.00	-2.47	-4.83
66	2-LANES (caseTRUCK-LOAD	MAX	6.44	5.82	5.12	4.37	3.56	2.71	1.82	0.92	0.00	0.00	0.75	1.47
		MIN	-25.38	-23.63	-21.36	-18.62	-15.48	-11.97	-8.13	-4.13	0.00	0.00	-1.79	-3.48
	TANDEM-LOAD	MAX	4.38	3.96	3.49	2.97	2.42	1.85	1.24	0.63	0.00	0.00	0.51	1.00
		MIN	-17.23	-16.04	-14.51	-12.65	-10.51	-8.12	-5.52	-2.80	0.00	0.00	-1.22	-2.37
	DISPERSION-LMAX	MAX	8.79	7.94	6.99	5.96	4.86	3.70	2.49	1.25	0.00	0.00	1.03	2.02
		MIN	-48.55	-45.21	-40.91	-35.74	-29.75	-23.05	-15.70	-7.99	0.00	0.00	-3.15	-6.13
67	2-LANES (caseTRUCK-LOAD	MAX	6.59	5.95	5.24	4.48	3.65	2.78	1.87	0.94	0.00	0.00	0.89	1.75
		MIN	-28.58	-26.71	-24.29	-21.28	-17.76	-13.78	-9.40	-4.78	0.00	0.00	-3.11	-6.01
	TANDEM-LOAD	MAX	4.49	4.05	3.57	3.05	2.49	1.89	1.27	0.64	0.00	0.00	0.61	1.19
		MIN	-19.42	-18.16	-16.49	-14.44	-12.06	-9.36	-6.38	-3.25	0.00	0.00	-2.12	-4.09
	DISPERSION-LMAX	MAX	8.95	8.09	7.13	6.08	4.96	3.78	2.54	1.28	0.00	0.00	1.22	2.40
		MIN	-53.77	-50.38	-45.88	-40.34	-33.81	-26.37	-18.07	-9.22	0.00	0.00	-4.95	-9.56
68	2-LANES (caseTRUCK-LOAD	MAX	6.73	6.09	5.37	4.58	3.74	2.85	1.92	0.97	0.00	0.00	1.02	1.99
		MIN	-29.70	-27.82	-25.34	-22.24	-18.59	-14.44	-9.87	-5.02	0.00	0.00	-4.74	-9.11
	TANDEM-LOAD	MAX	4.59	4.15	3.66	3.12	2.55	1.94	1.31	0.66	0.00	0.00	0.69	1.36
		MIN	-20.18	-18.92	-17.21	-15.10	-12.63	-9.81	-6.70	-3.41	0.00	0.00	-3.23	-6.20

BAGO RIVER BRIDGE

BLOCK [ No.1 : STRUCTURE NODE ] [ NODAL DISPLACEMENT ]

NODE		3047	3048	3049	3050	3051	3052	3053	3054	3055	4001	4002	4003
NAME TITLE		TRANSZ DZ (mm)	TRANSZ DZ (mm)	TRANSZ DZ (mm)	TRANSZ DZ (mm)	TRANSZ DZ (mm)	TRANSZ DZ (mm)	TRANSZ DZ (mm)	TRANSZ DZ (mm)	TRANSZ DZ (mm)	TRANSZ DZ (mm)	TRANSZ DZ (mm)	TRANSZ DZ (mm)
68	2-LANES (caseDISPERSION-LMAX	9.10	8.22	7.25	6.19	5.05	3.85	2.59	1.31	0.00	0.00	1.39	2.72
	MIN	-55.56	-52.13	-47.56	-41.88	-35.15	-27.45	-18.82	-9.60	0.00	0.00	-7.13	-13.66
69	3-LANES (caseTRUCK-LOAD MAX	9.62	8.69	7.65	6.52	5.32	4.05	2.72	1.37	0.00	0.00	1.08	2.12
	MIN	-37.14	-34.55	-31.22	-27.21	-22.59	-17.45	-11.86	-6.03	0.00	0.00	-2.33	-4.52
	TANDEM-LOAD MAX	6.55	5.91	5.21	4.44	3.62	2.75	1.85	0.93	0.00	0.00	0.74	1.44
	MIN	-25.22	-23.45	-21.20	-18.49	-15.35	-11.85	-8.05	-4.09	0.00	0.00	-1.58	-3.08
	DISPERSION-LMAX	13.14	11.86	10.44	8.90	7.26	5.52	3.71	1.87	0.00	0.00	1.49	2.92
	MIN	-71.36	-66.36	-59.98	-52.33	-43.51	-33.65	-22.89	-11.64	0.00	0.00	-4.22	-8.23
70	3-LANES (caseTRUCK-LOAD MAX	9.93	8.98	7.91	6.75	5.51	4.20	2.82	1.42	0.00	0.00	1.38	2.71
	MIN	-43.70	-40.90	-37.22	-32.64	-27.26	-21.17	-14.45	-7.35	0.00	0.00	-5.10	-9.85
	TANDEM-LOAD MAX	6.77	6.11	5.39	4.60	3.75	2.86	1.92	0.97	0.00	0.00	0.94	1.84
	MIN	-29.69	-27.81	-25.27	-22.15	-18.51	-14.38	-9.82	-4.99	0.00	0.00	-3.47	-6.70
	DISPERSION-LMAX	13.49	12.19	10.74	9.17	7.48	5.70	3.83	1.93	0.00	0.00	1.89	3.71
	MIN	-82.02	-76.90	-70.10	-61.68	-51.74	-40.37	-27.67	-14.12	0.00	0.00	-8.03	-15.48
71	3-LANES (caseTRUCK-LOAD MAX	10.04	9.08	8.00	6.83	5.58	4.25	2.86	1.44	0.00	0.00	1.48	2.90
	MIN	-43.70	-40.89	-37.22	-32.64	-27.26	-21.17	-14.45	-7.35	0.00	0.00	-6.65	-12.80
	TANDEM-LOAD MAX	6.84	6.19	5.45	4.66	3.80	2.90	1.95	0.98	0.00	0.00	1.01	1.98
	MIN	-29.69	-27.81	-25.27	-22.15	-18.51	-14.38	-9.81	-4.99	0.00	0.00	-4.53	-8.71
	DISPERSION-LMAX	13.59	12.28	10.83	9.24	7.55	5.75	3.87	1.95	0.00	0.00	2.02	3.96
	MIN	-81.97	-76.85	-70.05	-61.65	-51.71	-40.35	-27.66	-14.11	0.00	0.00	-10.09	-19.34
72	4-LANES TRUCK-LOAD MAX	13.28	12.00	10.57	9.03	7.37	5.61	3.78	1.90	0.00	0.00	1.91	3.74
	MIN	-3.87	-3.50	-3.08	-2.63	-2.14	-1.63	-1.10	-0.55	0.00	0.00	-7.85	-15.12
	TANDEM-LOAD MAX	9.07	8.20	7.23	6.17	5.04	3.84	2.58	1.30	0.00	0.00	1.30	2.55
	MIN	-2.63	-2.38	-2.09	-1.79	-1.46	-1.11	-0.75	-0.38	0.00	0.00	-5.34	-10.29
	DISPERSION-LMAX	10.83	9.79	8.63	7.36	6.01	4.58	3.08	1.55	0.00	0.00	2.04	4.00
	MIN	-5.46	-4.93	-4.34	-3.71	-3.02	-2.30	-1.55	-0.78	0.00	0.00	-10.75	-20.60
73	6-LANES TRUCK-LOAD MAX	19.66	17.76	15.65	13.35	10.89	8.30	5.58	2.81	0.00	0.00	2.57	5.03
	MIN	-80.84	-75.45	-68.43	-59.84	-49.84	-38.62	-26.30	-13.37	0.00	0.00	-8.95	-17.27

BAGO RIVER BRIDGE

BLOCK [ No.1 : STRUCTURE NODE ] [ NODAL DISPLACEMENT ]

NODE			3047	3048	3049	3050	3051	3052	3053	3054	3055	4001	4002	4003
NAME TITLE			TRANSZ DZ (mm)	TRANSZ DZ (mm)	TRANSZ DZ (mm)	TRANSZ DZ (mm)	TRANSZ DZ (mm)	TRANSZ DZ (mm)	TRANSZ DZ (mm)	TRANSZ DZ (mm)	TRANSZ DZ (mm)	TRANSZ DZ (mm)	TRANSZ DZ (mm)	TRANSZ DZ (mm)
73	6-LANES	TANDEM-LOAD MAX	13.39	12.10	10.66	9.09	7.42	5.65	3.80	1.92	0.00	0.00	1.75	3.42
		MIN	-54.90	-51.27	-46.48	-40.63	-33.85	-26.22	-17.86	-9.08	0.00	0.00	-6.10	-11.77
		DISPERSION-LMAX	25.61	23.14	20.39	17.39	14.19	10.81	7.27	3.66	0.00	0.00	3.40	6.66
		MIN	-142.17	-132.71	-120.42	-105.48	-88.07	-68.42	-46.72	-23.79	0.00	0.00	-14.18	-27.33
124	SUM TOTAL	D+1LANE (caseMAX	-452.38	-426.35	-390.19	-344.39	-289.45	-226.13	-155.11	-79.23	-0.00	-0.00	-39.99	-76.68
		MIN	-502.89	-473.00	-432.09	-380.72	-319.48	-249.24	-170.77	-87.18	-0.00	-0.00	-42.86	-82.30
		D+1LANE (caseMAX	-452.25	-426.22	-390.07	-344.28	-289.37	-226.06	-155.07	-79.21	-0.00	-0.00	-39.83	-76.37
		MIN	-506.74	-476.74	-435.61	-383.93	-322.28	-251.50	-172.36	-88.00	-0.00	-0.00	-44.26	-84.99
		D+1LANE (caseMAX	-452.13	-426.12	-389.98	-344.20	-289.30	-226.01	-155.03	-79.19	-0.00	-0.00	-39.71	-76.14
		MIN	-509.93	-479.88	-438.64	-386.72	-324.72	-253.49	-173.77	-88.73	-0.00	-0.00	-45.37	-87.11
		D+1LANE (caseMAX	-451.88	-425.88	-389.77	-344.01	-289.14	-225.88	-154.94	-79.15	-0.00	-0.00	-39.45	-75.63
		MIN	-513.44	-483.33	-441.93	-389.73	-327.33	-255.58	-175.24	-89.47	-0.00	-0.00	-48.48	-93.01
		D+2LANES (casMAX	-446.30	-420.86	-385.36	-340.26	-286.09	-223.57	-153.40	-78.37	-0.00	-0.00	-39.29	-75.31
		MIN	-532.15	-500.22	-456.70	-402.19	-337.34	-263.06	-180.17	-91.96	-0.00	-0.00	-44.71	-85.92
		D+2LANES (casMAX	-446.19	-420.75	-385.26	-340.18	-286.02	-223.52	-153.36	-78.35	-0.00	-0.00	-39.16	-75.06
		MIN	-535.35	-503.34	-459.64	-404.86	-339.67	-264.94	-181.49	-92.64	-0.00	-0.00	-45.88	-88.16
		D+2LANES (casMAX	-445.88	-420.46	-385.00	-339.95	-285.82	-223.36	-153.25	-78.29	-0.00	-0.00	-38.82	-74.40
		MIN	-543.77	-511.59	-467.54	-412.13	-346.01	-270.07	-185.13	-94.52	-0.00	-0.00	-49.00	-94.11
		D+2LANES (casMAX	-445.59	-420.20	-384.76	-339.74	-285.65	-223.22	-153.15	-78.24	-0.00	-0.00	-38.53	-73.83
		MIN	-546.67	-514.45	-470.27	-414.62	-348.18	-271.82	-186.36	-95.14	-0.00	-0.00	-52.81	-101.31
		D+3LANES (casMAX	-442.07	-417.04	-381.99	-337.39	-283.75	-221.79	-152.20	-77.76	-0.00	-0.00	-38.75	-74.26
		MIN	-553.64	-520.28	-474.89	-418.11	-350.63	-273.37	-187.20	-95.54	-0.00	-0.00	-46.50	-89.38
		D+3LANES (casMAX	-441.51	-416.51	-381.52	-336.98	-283.40	-221.51	-152.00	-77.67	-0.00	-0.00	-38.15	-73.08
		MIN	-568.28	-534.63	-488.59	-430.68	-361.58	-282.23	-193.47	-98.77	-0.00	-0.00	-52.10	-100.06
		D+3LANES (casMAX	-441.33	-416.35	-381.36	-336.84	-283.29	-221.42	-151.94	-77.63	-0.00	-0.00	-37.96	-72.71
		MIN	-568.24	-534.59	-488.55	-430.65	-361.56	-282.21	-193.46	-98.76	-0.00	-0.00	-55.17	-105.87
		D+4LANES MAX	-445.75	-420.34	-384.89	-339.85	-285.75	-223.30	-153.21	-78.27	-0.00	-0.00	-38.37	-73.51
		MIN	-467.48	-439.98	-402.19	-354.62	-297.80	-232.48	-159.38	-81.39	-0.00	-0.00	-53.03	-101.76

BAGO RIVER BRIDGE

BLOCK [ No.1 : STRUCTURE NODE ] [ NODAL DISPLACEMENT ]

NODE				3047	3048	3049	3050	3051	3052	3053	3054	3055	4001	4002	4003
NAME TITLE				TRANSZ	TRANSZ	TRANSZ	TRANSZ	TRANSZ	TRANSZ	TRANSZ	TRANSZ	TRANSZ	TRANSZ	TRANSZ	TRANSZ
				DZ (mm)	DZ (mm)	DZ (mm)	DZ (mm)	DZ (mm)	DZ (mm)	DZ (mm)	DZ (mm)	DZ (mm)	DZ (mm)	DZ (mm)	DZ (mm)
124	SUM TOTAL	D+6LANES	MAX	-431.99	-407.92	-373.95	-330.52	-278.14	-217.51	-149.31	-76.31	-0.00	-0.00	-37.06	-70.95
			MIN	-606.38	-569.81	-520.12	-457.96	-384.08	-299.50	-205.13	-104.68	-0.00	-0.00	-55.97	-107.53
		SUM TOTAL	MAX	-431.99	-407.92	-373.95	-330.52	-278.14	-217.51	-149.31	-76.31	-0.00	-0.00	-37.06	-70.95
			MIN	-606.38	-569.81	-520.12	-457.96	-384.08	-299.50	-205.13	-104.68	-0.00	-0.00	-55.97	-107.53
300	DEAD LOAD	TOTAL		-461.42	-434.50	-397.37	-350.51	-294.44	-229.93	-157.66	-80.52	-0.00	-0.00	-40.94	-78.54
301	LIVE LOAD	1-LANE (case1	MAX	9.03	8.16	7.18	6.12	4.99	3.79	2.55	1.28	0.00	0.00	0.95	1.86
			MIN	-41.48	-38.50	-34.72	-30.21	-25.04	-19.31	-13.11	-6.66	0.00	0.00	-1.92	-3.76
		1-LANE (case2	MAX	9.17	8.28	7.30	6.22	5.07	3.86	2.60	1.31	0.00	0.00	1.11	2.17
			MIN	-45.32	-42.24	-38.24	-33.42	-27.84	-21.57	-14.70	-7.48	0.00	0.00	-3.32	-6.45
		1-LANE (case3	MAX	9.28	8.39	7.39	6.30	5.14	3.92	2.63	1.33	0.00	0.00	1.23	2.41
			MIN	-48.52	-45.38	-41.27	-36.21	-30.28	-23.56	-16.11	-8.21	0.00	0.00	-4.43	-8.57
		1-LANE (case4	MAX	9.54	8.62	7.60	6.49	5.30	4.04	2.72	1.37	0.00	0.00	1.48	2.91
			MIN	-52.02	-48.83	-44.56	-39.22	-32.89	-25.66	-17.58	-8.96	0.00	0.00	-7.55	-14.47
		2-LANES (case	MAX	15.11	13.65	12.01	10.24	8.35	6.35	4.27	2.15	0.00	0.00	1.65	3.23
			MIN	-70.73	-65.72	-59.33	-51.68	-42.90	-33.13	-22.51	-11.44	0.00	0.00	-3.78	-7.38
		2-LANES (case	MAX	15.23	13.75	12.11	10.33	8.42	6.41	4.31	2.17	0.00	0.00	1.78	3.49
			MIN	-73.93	-68.83	-62.27	-54.36	-45.23	-35.01	-23.83	-12.12	0.00	0.00	-4.94	-9.61
		2-LANES (case	MAX	15.54	14.04	12.37	10.56	8.62	6.56	4.41	2.23	0.00	0.00	2.11	4.14
			MIN	-82.35	-77.09	-70.17	-61.62	-51.57	-40.15	-27.47	-14.00	0.00	0.00	-8.06	-15.57
		2-LANES (case	MAX	15.83	14.31	12.61	10.77	8.79	6.70	4.51	2.27	0.00	0.00	2.40	4.71
			MIN	-85.25	-79.95	-72.90	-64.12	-53.74	-41.89	-28.69	-14.62	0.00	0.00	-11.87	-22.77
		3-LANES (case	MAX	19.34	17.47	15.38	13.11	10.69	8.14	5.47	2.76	0.00	0.00	2.19	4.28
			MIN	-92.22	-85.78	-77.52	-67.60	-56.19	-43.44	-29.54	-15.02	0.00	0.00	-5.56	-10.84
		3-LANES (case	MAX	19.91	17.99	15.85	13.53	11.04	8.41	5.66	2.85	0.00	0.00	2.78	5.46
			MIN	-106.87	-100.13	-91.22	-80.17	-67.14	-52.31	-35.81	-18.25	0.00	0.00	-11.16	-21.52
		3-LANES (case	MAX	20.09	18.16	16.01	13.66	11.15	8.50	5.72	2.88	0.00	0.00	2.98	5.83
			MIN	-106.82	-100.09	-91.18	-80.14	-67.12	-52.29	-35.79	-18.24	0.00	0.00	-14.23	-27.32

BAGO RIVER BRIDGE

BLOCK [ No. 1 : STRUCTURE NODE ] [ NODAL DISPLACEMENT ]

NODE				3047	3048	3049	3050	3051	3052	3053	3054	3055	4001	4002	4003
NAME TITLE				TRANSZ	TRANSZ	TRANSZ	TRANSZ	TRANSZ	TRANSZ	TRANSZ	TRANSZ	TRANSZ	TRANSZ	TRANSZ	TRANSZ
				DZ (mm)	DZ (mm)	DZ (mm)	DZ (mm)	DZ (mm)	DZ (mm)	DZ (mm)	DZ (mm)	DZ (mm)	DZ (mm)	DZ (mm)	DZ (mm)
301	LIVE LOAD	4-LANES	MAX	15.67	14.16	12.48	10.65	8.69	6.63	4.46	2.25	0.00	0.00	2.57	5.03
			MIN	-6.06	-5.48	-4.82	-4.12	-3.36	-2.56	-1.72	-0.87	0.00	0.00	-12.09	-23.22
	6-LANES	MAX	29.43	26.59	23.42	19.98	16.30	12.42	8.35	4.21	0.00	0.00	3.88	7.60	
		MIN	-144.96	-135.31	-122.75	-107.46	-89.64	-69.57	-47.47	-24.16	0.00	0.00	-15.04	-28.99	
	LIVE LOAD	MAX	29.43	26.59	23.42	19.98	16.30	12.42	8.35	4.21	0.00	0.00	3.88	7.60	
		MIN	-144.96	-135.31	-122.75	-107.46	-89.64	-69.57	-47.47	-24.16	0.00	0.00	-15.04	-28.99	
303	SUM TOTAL	TOTAL	MAX	-431.99	-407.92	-373.95	-330.52	-278.14	-217.51	-149.31	-76.31	-0.00	-0.00	-37.06	-70.95
			MIN	-606.38	-569.81	-520.12	-457.96	-384.08	-299.50	-205.13	-104.68	-0.00	-0.00	-55.97	-107.53

BAGO RIVER BRIDGE

BLOCK [ No.1 : STRUCTURE NODE ][ NODAL DISPLACEMENT ]

NODE		4004	4005	4006	4007	4008	4009	4010	4011	4012	4013	4014	4015		
NAME TITLE		TRANSZ DZ (mm)	TRANSZ DZ (mm)	TRANSZ DZ (mm)	TRANSZ DZ (mm)	TRANSZ DZ (mm)	TRANSZ DZ (mm)	TRANSZ DZ (mm)	TRANSZ DZ (mm)	TRANSZ DZ (mm)	TRANSZ DZ (mm)	TRANSZ DZ (mm)	TRANSZ DZ (mm)		
1	PAVEMENT	-21.56	-26.84	-30.83	-33.45	-34.67	-34.47	-32.89	-30.03	-25.99	-20.96	-15.28	-9.44		
3	RAILING	-0.53	-0.66	-0.76	-0.82	-0.85	-0.85	-0.81	-0.74	-0.65	-0.53	-0.39	-0.24		
5	CURB	-5.24	-6.51	-7.48	-8.12	-8.42	-8.39	-8.03	-7.36	-6.41	-5.20	-3.83	-2.39		
7	DECK WEIGHT	-33.31	-41.48	-47.67	-51.76	-53.68	-53.41	-51.01	-46.62	-40.40	-32.65	-23.87	-14.79		
8	GIRDER WEIGH	-36.12	-45.14	-52.07	-56.75	-59.08	-59.02	-56.61	-51.98	-45.30	-36.87	-27.21	-17.10		
10	MEDIAN STRIP	-5.62	-7.07	-8.22	-9.02	-9.46	-9.52	-9.22	-8.55	-7.54	-6.24	-4.70	-3.05		
21	ADITIONAL WE	-9.33	-11.61	-13.35	-14.49	-15.03	-14.95	-14.28	-13.05	-11.31	-9.14	-6.68	-4.14		
31	MEDIAN RAILI	-0.42	-0.53	-0.62	-0.67	-0.70	-0.71	-0.68	-0.62	-0.55	-0.44	-0.33	-0.21		
51	SUPPORT WEIG	-0.00	-0.00	-0.00	-0.00	-0.00	-0.00	-0.00	-0.00	-0.00	-0.00	-0.00	-0.00		
52	NOSE WEIGHT	0.01	0.01	0.01	0.01	0.01	0.01	0.01	0.01	0.01	0.00	0.00	0.00		
61	1-LANE(case1TRUCK-LOAD	MAX	0.96	1.24	1.49	1.70	1.86	1.96	2.00	1.97	1.86	1.66	1.36	0.96	
		MIN	-1.52	-1.94	-2.28	-2.54	-2.70	-2.76	-2.71	-2.57	-2.32	-1.97	-1.54	-1.05	
		TANDEM-LOAD	MAX	0.65	0.84	1.01	1.16	1.27	1.34	1.36	1.34	1.27	1.13	0.93	0.66
		MIN	-1.04	-1.32	-1.55	-1.73	-1.83	-1.87	-1.84	-1.75	-1.58	-1.34	-1.05	-0.71	
		DISPERSION-LMAX	1.32	1.71	2.05	2.34	2.56	2.70	2.76	2.71	2.56	2.28	1.86	1.32	
		MIN	-3.08	-3.97	-4.73	-5.34	-5.76	-5.98	-5.98	-5.77	-5.32	-4.65	-3.76	-2.65	
62	1-LANE(case2TRUCK-LOAD	MAX	1.12	1.45	1.74	2.00	2.20	2.34	2.41	2.40	2.30	2.10	1.77	1.30	
		MIN	-2.86	-3.62	-4.23	-4.67	-4.92	-4.98	-4.83	-4.51	-4.00	-3.33	-2.54	-1.67	
		TANDEM-LOAD	MAX	0.76	0.99	1.19	1.36	1.49	1.59	1.64	1.63	1.57	1.43	1.20	0.88
		MIN	-1.95	-2.47	-2.88	-3.18	-3.35	-3.39	-3.29	-3.07	-2.72	-2.27	-1.73	-1.14	
		DISPERSION-LMAX	1.54	2.00	2.40	2.75	3.03	3.22	3.32	3.31	3.17	2.89	2.43	1.78	
		MIN	-4.93	-6.27	-7.37	-8.20	-8.74	-8.96	-8.86	-8.43	-7.67	-6.59	-5.21	-3.58	
63	1-LANE(case3TRUCK-LOAD	MAX	1.24	1.61	1.94	2.23	2.46	2.63	2.73	2.74	2.65	2.44	2.09	1.56	
		MIN	-3.94	-4.97	-5.77	-6.36	-6.68	-6.73	-6.51	-6.05	-5.34	-4.41	-3.34	-2.17	
		TANDEM-LOAD	MAX	0.85	1.10	1.32	1.52	1.68	1.79	1.86	1.87	1.81	1.67	1.42	1.07
		MIN	-2.68	-3.38	-3.94	-4.33	-4.54	-4.59	-4.44	-4.11	-3.64	-3.01	-2.27	-1.47	
		DISPERSION-LMAX	1.71	2.22	2.67	3.06	3.38	3.61	3.75	3.76	3.64	3.36	2.87	2.14	
		MIN	-6.37	-8.05	-9.41	-10.42	-11.04	-11.27	-11.08	-10.49	-9.49	-8.10	-6.35	-4.31	



BAGO RIVER BRIDGE

BLOCK [ No.1 : STRUCTURE NODE ] [ NODAL DISPLACEMENT ]

NODE		4004	4005	4006	4007	4008	4009	4010	4011	4012	4013	4014	4015	
NAME TITLE		TRANSZ DZ (mm)	TRANSZ DZ (mm)	TRANSZ DZ (mm)	TRANSZ DZ (mm)	TRANSZ DZ (mm)	TRANSZ DZ (mm)	TRANSZ DZ (mm)	TRANSZ DZ (mm)	TRANSZ DZ (mm)	TRANSZ DZ (mm)	TRANSZ DZ (mm)	TRANSZ DZ (mm)	
64	1-LANE (case4TRUCK-LOAD	MAX	1.51	1.96	2.37	2.73	3.03	3.27	3.42	3.47	3.41	3.20	2.80	2.15
		MIN	-6.94	-8.67	-10.05	-10.97	-11.44	-11.43	-10.98	-10.09	-8.82	-7.22	-5.37	-3.43
	TANDEM-LOAD	MAX	1.03	1.34	1.62	1.86	2.06	2.22	2.32	2.36	2.32	2.18	1.90	1.46
		MIN	-4.72	-5.92	-6.84	-7.48	-7.81	-7.80	-7.48	-6.88	-6.01	-4.91	-3.66	-2.33
	DISPERSION-LMAX	MAX	2.06	2.67	3.23	3.72	4.13	4.44	4.65	4.72	4.63	4.35	3.80	2.92
		MIN	-10.28	-12.82	-14.81	-16.21	-17.00	-17.18	-16.76	-15.72	-14.10	-11.90	-9.21	-6.14
65	2-LANES (caseTRUCK-LOAD	MAX	2.00	2.59	3.11	3.54	3.88	4.11	4.21	4.16	3.94	3.53	2.92	2.09
		MIN	-3.70	-4.71	-5.53	-6.13	-6.50	-6.61	-6.48	-6.09	-5.46	-4.61	-3.57	-2.40
	TANDEM-LOAD	MAX	1.36	1.76	2.11	2.41	2.64	2.80	2.86	2.83	2.68	2.41	1.99	1.42
		MIN	-2.52	-3.21	-3.76	-4.17	-4.42	-4.50	-4.41	-4.15	-3.72	-3.14	-2.43	-1.63
	DISPERSION-LMAX	MAX	2.76	3.57	4.28	4.88	5.35	5.66	5.80	5.73	5.42	4.86	4.01	2.87
		MIN	-7.08	-9.08	-10.77	-12.10	-13.00	-13.44	-13.40	-12.86	-11.81	-10.27	-8.24	-5.77
66	2-LANES (caseTRUCK-LOAD	MAX	2.16	2.79	3.36	3.84	4.22	4.49	4.61	4.59	4.38	3.97	3.33	2.42
		MIN	-5.04	-6.39	-7.48	-8.26	-8.72	-8.84	-8.59	-8.03	-7.14	-5.97	-4.57	-3.02
	TANDEM-LOAD	MAX	1.47	1.90	2.28	2.61	2.87	3.05	3.14	3.12	2.98	2.70	2.26	1.65
		MIN	-3.44	-4.35	-5.09	-5.62	-5.93	-6.02	-5.86	-5.47	-4.86	-4.06	-3.11	-2.06
	DISPERSION-LMAX	MAX	2.97	3.85	4.63	5.29	5.82	6.18	6.36	6.32	6.03	5.47	4.58	3.33
		MIN	-8.93	-11.38	-13.41	-14.96	-15.98	-16.42	-16.27	-15.52	-14.16	-12.21	-9.69	-6.70
67	2-LANES (caseTRUCK-LOAD	MAX	2.57	3.33	4.02	4.62	5.10	5.46	5.67	5.71	5.54	5.12	4.40	3.31
		MIN	-8.66	-10.91	-12.67	-13.94	-14.63	-14.74	-14.25	-13.21	-11.63	-9.61	-7.24	-4.69
	TANDEM-LOAD	MAX	1.75	2.27	2.74	3.15	3.48	3.72	3.86	3.89	3.78	3.49	3.00	2.26
		MIN	-5.89	-7.42	-8.64	-9.50	-9.95	-10.05	-9.71	-8.99	-7.93	-6.55	-4.93	-3.19
	DISPERSION-LMAX	MAX	3.53	4.58	5.52	6.34	7.01	7.50	7.79	7.84	7.61	7.03	6.04	4.54
		MIN	-13.78	-17.38	-20.28	-22.41	-23.71	-24.16	-23.73	-22.44	-20.27	-17.26	-13.50	-9.14
68	2-LANES (caseTRUCK-LOAD	MAX	2.94	3.81	4.61	5.30	5.88	6.32	6.61	6.70	6.57	6.15	5.37	4.11
		MIN	-13.06	-16.33	-18.91	-20.66	-21.56	-21.56	-20.70	-19.03	-16.63	-13.63	-10.15	-6.48
	TANDEM-LOAD	MAX	2.00	2.60	3.14	3.61	4.00	4.30	4.50	4.56	4.47	4.19	3.65	2.79
		MIN	-8.89	-11.14	-12.88	-14.09	-14.71	-14.71	-14.11	-12.97	-11.33	-9.26	-6.91	-4.41

BAGO RIVER BRIDGE

BLOCK [ No.1 : STRUCTURE NODE ] [ NODAL DISPLACEMENT ]

NODE		4004	4005	4006	4007	4008	4009	4010	4011	4012	4013	4014	4015
NAME TITLE		TRANSZ DZ (mm)	TRANSZ DZ (mm)	TRANSZ DZ (mm)	TRANSZ DZ (mm)	TRANSZ DZ (mm)	TRANSZ DZ (mm)	TRANSZ DZ (mm)	TRANSZ DZ (mm)	TRANSZ DZ (mm)	TRANSZ DZ (mm)	TRANSZ DZ (mm)	TRANSZ DZ (mm)
68	2-LANES (caseDISPERSION-LMAX	4.00	5.20	6.28	7.23	8.01	8.61	9.00	9.13	8.94	8.37	7.30	5.58
	MIN	-19.49	-24.34	-28.14	-30.82	-32.36	-32.72	-31.93	-29.97	-26.89	-22.72	-17.59	-11.75
69	3-LANES (caseTRUCK-LOAD MAX	3.12	4.04	4.85	5.54	6.08	6.45	6.62	6.56	6.24	5.63	4.68	3.39
	MIN	-6.56	-8.33	-9.76	-10.80	-11.42	-11.59	-11.31	-10.60	-9.46	-7.94	-6.11	-4.07
	TANDEM-LOAD MAX	2.12	2.74	3.30	3.77	4.14	4.39	4.50	4.46	4.25	3.83	3.19	2.30
	MIN	-4.47	-5.67	-6.64	-7.35	-7.77	-7.89	-7.70	-7.22	-6.44	-5.41	-4.16	-2.77
	DISPERSION-LMAX	4.30	5.56	6.68	7.63	8.38	8.88	9.11	9.03	8.59	7.74	6.44	4.65
	MIN	-12.01	-15.35	-18.14	-20.30	-21.73	-22.40	-22.25	-21.29	-19.48	-16.86	-13.46	-9.35
70	3-LANES (caseTRUCK-LOAD MAX	3.99	5.17	6.24	7.17	7.93	8.49	8.84	8.91	8.67	8.05	6.95	5.25
	MIN	-14.18	-17.85	-20.74	-22.78	-23.91	-24.06	-23.25	-21.52	-18.93	-15.61	-11.74	-7.56
	TANDEM-LOAD MAX	2.72	3.52	4.25	4.88	5.40	5.79	6.02	6.08	5.91	5.49	4.73	3.58
	MIN	-9.65	-12.15	-14.13	-15.54	-16.27	-16.41	-15.84	-14.65	-12.90	-10.62	-7.98	-5.15
	DISPERSION-LMAX	5.47	7.09	8.56	9.83	10.87	11.65	12.12	12.23	11.89	11.03	9.52	7.18
	MIN	-22.25	-28.02	-32.63	-36.00	-38.04	-38.70	-37.98	-35.86	-32.35	-27.52	-21.48	-14.50
71	3-LANES (caseTRUCK-LOAD MAX	4.27	5.55	6.70	7.70	8.54	9.17	9.57	9.69	9.48	8.86	7.70	5.87
	MIN	-18.35	-22.97	-26.61	-29.08	-30.35	-30.36	-29.16	-26.83	-23.46	-19.23	-14.35	-9.18
	TANDEM-LOAD MAX	2.91	3.78	4.56	5.25	5.81	6.25	6.52	6.60	6.46	6.03	5.24	4.00
	MIN	-12.49	-15.67	-18.11	-19.83	-20.71	-20.71	-19.88	-18.27	-15.99	-13.08	-9.77	-6.25
	DISPERSION-LMAX	5.84	7.57	9.15	10.52	11.66	12.52	13.06	13.23	12.93	12.07	10.49	8.00
	MIN	-27.63	-34.55	-39.98	-43.83	-46.06	-46.61	-45.50	-42.75	-38.37	-32.45	-25.15	-16.82
72	4-LANES TRUCK-LOAD MAX	5.51	7.15	8.63	9.91	10.98	11.78	12.27	12.41	12.11	11.28	9.77	7.42
	MIN	-21.71	-27.25	-31.60	-34.60	-36.21	-36.31	-34.96	-32.25	-28.28	-23.24	-17.40	-11.17
	TANDEM-LOAD MAX	3.75	4.87	5.88	6.75	7.48	8.02	8.36	8.45	8.25	7.68	6.65	5.05
	MIN	-14.78	-18.57	-21.52	-23.61	-24.67	-24.77	-23.83	-21.96	-19.27	-15.81	-11.84	-7.60
	DISPERSION-LMAX	5.89	7.64	9.23	10.61	11.75	12.61	13.14	13.29	12.98	12.09	10.48	7.96
	MIN	-29.38	-36.65	-42.27	-46.13	-48.19	-48.41	-46.82	-43.49	-38.47	-31.94	-24.17	-15.68
73	6-LANES TRUCK-LOAD MAX	7.40	9.60	11.57	13.27	14.65	15.65	16.22	16.29	15.76	14.52	12.42	9.28
	MIN	-24.85	-31.24	-36.30	-39.81	-41.73	-41.93	-40.45	-37.42	-32.91	-27.15	-20.44	-13.24

BAGO RIVER BRIDGE

BLOCK [ No.1 : STRUCTURE NODE ] [ NODAL DISPLACEMENT ]

NODE			4004	4005	4006	4007	4008	4009	4010	4011	4012	4013	4014	4015
NAME TITLE			TRANSZ DZ (mm)	TRANSZ DZ (mm)	TRANSZ DZ (mm)	TRANSZ DZ (mm)	TRANSZ DZ (mm)	TRANSZ DZ (mm)	TRANSZ DZ (mm)	TRANSZ DZ (mm)	TRANSZ DZ (mm)	TRANSZ DZ (mm)	TRANSZ DZ (mm)	TRANSZ DZ (mm)
73	6-LANES	TANDEM-LOAD MAX	5.04	6.54	7.88	9.03	9.97	10.66	11.04	11.09	10.73	9.89	8.45	6.32
		MIN	-16.94	-21.32	-24.75	-27.19	-28.47	-28.62	-27.62	-25.52	-22.45	-18.52	-13.94	-9.02
		DISPERSION-LMAX	9.80	12.71	15.32	17.57	19.40	20.73	21.48	21.58	20.88	19.24	16.45	12.30
		MIN	-39.29	-49.44	-57.55	-63.46	-67.03	-68.17	-66.85	-63.10	-56.92	-48.42	-37.82	-25.57
124	SUM TOTAL	D+1LANE (caseMAX	-109.38	-136.28	-156.71	-170.23	-176.58	-175.71	-167.81	-153.33	-132.84	-107.32	-78.43	-48.62
		MIN	-117.64	-146.92	-169.38	-184.52	-192.03	-191.79	-183.96	-168.96	-147.31	-119.99	-88.65	-55.80
		D+1LANE (caseMAX	-108.93	-135.69	-155.99	-169.38	-175.62	-174.64	-166.65	-152.10	-131.57	-106.06	-77.25	-47.66
		MIN	-121.47	-151.69	-174.88	-190.52	-198.28	-198.03	-189.95	-174.48	-152.14	-123.95	-91.59	-57.66
		D+1LANE (caseMAX	-108.58	-135.23	-155.43	-168.73	-174.87	-173.81	-165.76	-151.15	-130.58	-105.08	-76.34	-46.91
		MIN	-124.49	-155.45	-179.18	-195.21	-203.15	-202.91	-194.64	-178.81	-155.94	-127.06	-93.91	-59.13
		D+1LANE (caseMAX	-107.83	-134.26	-154.24	-167.33	-173.29	-172.06	-163.85	-149.13	-128.49	-102.99	-74.37	-45.28
		MIN	-132.78	-165.62	-190.79	-207.69	-216.02	-215.65	-206.81	-189.93	-165.64	-134.98	-99.78	-62.84
		D+2LANES (casMAX	-107.36	-133.68	-153.58	-166.65	-172.65	-171.53	-163.52	-149.07	-128.78	-103.65	-75.36	-46.40
		MIN	-122.90	-153.62	-177.26	-193.30	-201.38	-201.36	-193.40	-177.90	-155.41	-126.93	-94.10	-59.53
		D+2LANES (casMAX	-106.99	-133.18	-152.97	-165.94	-171.84	-170.64	-162.56	-148.05	-127.72	-102.60	-74.39	-45.60
		MIN	-126.09	-157.60	-181.85	-198.30	-206.58	-206.57	-198.39	-182.51	-159.44	-130.22	-96.55	-61.08
		D+2LANES (casMAX	-106.01	-131.91	-151.42	-164.12	-169.78	-168.35	-160.07	-145.41	-124.99	-99.88	-71.84	-43.51
		MIN	-134.55	-168.11	-193.91	-211.42	-220.23	-220.20	-211.51	-194.60	-170.04	-138.92	-103.03	-65.19
		D+2LANES (casMAX	-105.18	-130.82	-150.08	-162.55	-167.99	-166.37	-157.92	-143.13	-122.62	-97.52	-69.62	-41.67
		MIN	-144.66	-180.50	-208.01	-226.56	-235.80	-235.59	-226.15	-207.96	-181.66	-148.39	-110.04	-69.59
		D+3LANES (casMAX	-105.82	-131.67	-151.16	-163.88	-169.59	-168.27	-160.15	-145.70	-125.53	-100.67	-72.83	-44.53
		MIN	-127.90	-159.96	-184.68	-201.51	-210.06	-210.20	-202.05	-186.06	-162.74	-133.13	-98.92	-62.77
		D+3LANES (casMAX	-104.08	-129.40	-148.39	-160.63	-165.90	-164.18	-155.71	-140.99	-120.65	-95.82	-68.29	-40.79
		MIN	-143.08	-178.82	-206.33	-225.04	-234.54	-234.65	-225.57	-207.73	-181.73	-148.70	-110.52	-70.12
		D+3LANES (casMAX	-103.53	-128.68	-147.50	-159.59	-164.72	-162.87	-154.29	-139.48	-119.08	-94.25	-66.82	-39.57
		MIN	-151.20	-188.72	-217.56	-237.05	-246.83	-246.74	-236.99	-218.10	-190.70	-155.97	-115.87	-73.46
		D+4LANES MAX	-104.71	-130.21	-149.36	-161.74	-167.11	-165.46	-157.01	-142.25	-121.83	-96.85	-69.12	-41.36
		MIN	-145.33	-181.36	-208.98	-227.55	-236.74	-236.38	-226.69	-208.19	-181.53	-147.91	-109.31	-68.81

BAGO RIVER BRIDGE

BLOCK [ No.1 : STRUCTURE NODE ] [ NODAL DISPLACEMENT ]

NODE				4004	4005	4006	4007	4008	4009	4010	4011	4012	4013	4014	4015
NAME TITLE				TRANSZ	TRANSZ	TRANSZ	TRANSZ	TRANSZ	TRANSZ	TRANSZ	TRANSZ	TRANSZ	TRANSZ	TRANSZ	TRANSZ
				DZ (mm)	DZ (mm)	DZ (mm)	DZ (mm)	DZ (mm)	DZ (mm)	DZ (mm)	DZ (mm)	DZ (mm)	DZ (mm)	DZ (mm)	DZ (mm)
124	SUM TOTAL	D+6LANES	MAX	-100.93	-125.33	-143.49	-155.03	-159.76	-157.66	-149.02	-134.34	-114.32	-90.10	-63.52	-37.33
			MIN	-153.81	-192.27	-221.97	-242.20	-252.58	-252.87	-243.27	-224.29	-196.53	-161.16	-120.16	-76.59
		SUM TOTAL	MAX	-100.93	-125.33	-143.49	-155.03	-159.76	-157.66	-149.02	-134.34	-114.32	-90.10	-63.52	-37.33
			MIN	-153.81	-192.27	-221.97	-242.20	-252.58	-252.87	-243.27	-224.29	-196.53	-161.16	-120.16	-76.59
300	DEAD LOAD	TOTAL		-112.12	-139.83	-160.96	-175.08	-181.88	-181.31	-173.53	-158.96	-138.14	-112.04	-82.29	-51.36
301	LIVE LOAD	1-LANE (case1	MAX	2.74	3.54	4.25	4.85	5.30	5.60	5.72	5.63	5.30	4.72	3.86	2.74
			MIN	-5.52	-7.09	-8.41	-9.45	-10.14	-10.48	-10.43	-10.00	-9.17	-7.95	-6.36	-4.44
		1-LANE (case2	MAX	3.19	4.14	4.98	5.69	6.27	6.67	6.87	6.85	6.57	5.98	5.04	3.70
			MIN	-9.35	-11.87	-13.92	-15.44	-16.39	-16.73	-16.43	-15.53	-14.00	-11.91	-9.30	-6.30
		1-LANE (case3	MAX	3.54	4.59	5.54	6.35	7.01	7.49	7.77	7.80	7.55	6.96	5.95	4.45
			MIN	-12.37	-15.62	-18.22	-20.13	-21.26	-21.60	-21.12	-19.85	-17.80	-15.01	-11.62	-7.77
		1-LANE (case4	MAX	4.29	5.57	6.73	7.74	8.59	9.25	9.67	9.83	9.65	9.06	7.92	6.08
			MIN	-20.66	-25.79	-29.82	-32.61	-34.13	-34.34	-33.28	-30.97	-27.50	-22.94	-17.50	-11.48
		2-LANES (case	MAX	4.75	6.15	7.39	8.43	9.24	9.78	10.01	9.88	9.36	8.39	6.92	4.96
			MIN	-10.78	-13.79	-16.30	-18.23	-19.49	-20.05	-19.87	-18.95	-17.28	-14.88	-11.82	-8.17
		2-LANES (case	MAX	5.13	6.65	7.99	9.14	10.04	10.67	10.97	10.91	10.42	9.44	7.90	5.75
			MIN	-13.97	-17.77	-20.89	-23.22	-24.70	-25.26	-24.87	-23.55	-21.30	-18.18	-14.26	-9.72
		2-LANES (case	MAX	6.10	7.92	9.54	10.95	12.11	12.96	13.46	13.55	13.15	12.16	10.44	7.85
			MIN	-22.43	-28.28	-32.95	-36.35	-38.34	-38.90	-37.98	-35.65	-31.90	-26.87	-20.74	-13.83
		2-LANES (case	MAX	6.94	9.01	10.88	12.53	13.89	14.94	15.61	15.83	15.51	14.52	12.67	9.69
			MIN	-32.55	-40.67	-47.05	-51.48	-53.92	-54.28	-52.62	-49.00	-43.52	-36.35	-27.75	-18.23
		3-LANES (case	MAX	6.30	8.16	9.80	11.20	12.29	13.03	13.37	13.26	12.61	11.37	9.45	6.83
			MIN	-15.78	-20.13	-23.71	-26.43	-28.18	-28.89	-28.53	-27.10	-24.60	-21.08	-16.63	-11.41
		3-LANES (case	MAX	8.04	10.43	12.58	14.45	15.98	17.12	17.81	17.97	17.48	16.22	13.99	10.57
			MIN	-30.97	-38.99	-45.37	-49.96	-52.66	-53.35	-52.04	-48.77	-43.59	-36.66	-28.24	-18.76
		3-LANES (case	MAX	8.59	11.15	13.46	15.49	17.16	18.43	19.23	19.48	19.05	17.79	15.47	11.79
			MIN	-39.08	-48.89	-56.60	-61.97	-64.95	-65.43	-63.46	-59.14	-52.56	-43.93	-33.58	-22.10

BAGO RIVER BRIDGE

BLOCK [ No. 1 : STRUCTURE NODE ] [ NODAL DISPLACEMENT ]

NODE				4004	4005	4006	4007	4008	4009	4010	4011	4012	4013	4014	4015
NAME TITLE				TRANSZ DZ (mm)	TRANSZ DZ (mm)	TRANSZ DZ (mm)	TRANSZ DZ (mm)	TRANSZ DZ (mm)	TRANSZ DZ (mm)	TRANSZ DZ (mm)	TRANSZ DZ (mm)	TRANSZ DZ (mm)	TRANSZ DZ (mm)	TRANSZ DZ (mm)	TRANSZ DZ (mm)
301	LIVE LOAD	4-LANES	MAX	7.41	9.61	11.60	13.34	14.77	15.85	16.52	16.71	16.31	15.19	13.16	10.00
			MIN	-33.21	-41.53	-48.02	-52.48	-54.86	-55.07	-53.16	-49.23	-43.39	-35.87	-27.02	-17.45
	6-LANES	MAX	11.19	14.50	17.48	20.04	22.13	23.65	24.51	24.62	23.82	21.94	18.77	14.03	
		MIN	-41.69	-52.44	-61.00	-67.13	-70.69	-71.57	-69.74	-65.33	-58.39	-49.12	-37.87	-25.23	
	LIVE LOAD	MAX	11.19	14.50	17.48	20.04	22.13	23.65	24.51	24.62	23.82	21.94	18.77	14.03	
		MIN	-41.69	-52.44	-61.00	-67.13	-70.69	-71.57	-69.74	-65.33	-58.39	-49.12	-37.87	-25.23	
303	SUM TOTAL	TOTAL	MAX	-100.93	-125.33	-143.49	-155.03	-159.76	-157.66	-149.02	-134.34	-114.32	-90.10	-63.52	-37.33
			MIN	-153.81	-192.27	-221.97	-242.20	-252.58	-252.87	-243.27	-224.29	-196.53	-161.16	-120.16	-76.59

BAGO RIVER BRIDGE

BLOCK [ No.1 : STRUCTURE NODE ] [ NODAL DISPLACEMENT ]

NODE		4016	4017	4018	4019	4020	4021	4022	4023	4024	4025	4026	4027	
NAME TITLE		TRANSZ DZ (mm)	TRANSZ DZ (mm)	TRANSZ DZ (mm)	TRANSZ DZ (mm)	TRANSZ DZ (mm)	TRANSZ DZ (mm)	TRANSZ DZ (mm)	TRANSZ DZ (mm)	TRANSZ DZ (mm)	TRANSZ DZ (mm)	TRANSZ DZ (mm)	TRANSZ DZ (mm)	
1	PAVEMENT	-4.18	0.00	2.78	4.31	4.95	5.05	4.96	4.92	5.10	5.56	6.25	7.10	
3	RAILING	-0.11	0.00	0.07	0.12	0.14	0.15	0.16	0.18	0.19	0.21	0.24	0.27	
5	CURB	-1.07	0.00	0.72	1.15	1.39	1.52	1.62	1.74	1.90	2.12	2.37	2.63	
7	DECK WEIGHT	-6.59	0.00	4.48	7.06	8.29	8.70	8.81	9.00	9.48	10.34	11.52	12.87	
8	GIRDER WEIGH	-7.77	0.00	5.75	9.62	12.15	13.81	15.15	16.51	18.09	19.92	21.87	23.66	
10	MEDIAN STRIP	-1.45	0.00	1.26	2.30	3.19	3.93	4.61	5.23	5.83	6.37	6.83	7.12	
21	ADITIONAL WE	-1.84	0.00	1.25	1.98	2.32	2.44	2.47	2.52	2.65	2.90	3.23	3.60	
31	MEDIAN RAILI	-0.10	0.00	0.08	0.13	0.17	0.20	0.23	0.25	0.27	0.30	0.32	0.35	
51	SUPPORT WEIG	-0.00	0.00	0.00	0.00	0.00	0.00	0.00	0.00	0.00	0.00	0.00	0.00	
52	NOSE WEIGHT	0.00	0.00	-0.00	-0.00	-0.00	-0.00	-0.00	-0.00	-0.00	-0.00	-0.00	-0.00	
61	1-LANE(case1TRUCK-LOAD	MAX	0.50	0.00	0.54	1.05	1.48	1.88	2.36	2.80	3.16	3.43	3.57	
		MIN	-0.53	0.00	-0.53	-1.05	-1.55	-2.02	-2.41	-2.72	-2.91	-2.99	-2.94	-2.80
	TANDEM-LOAD	MAX	0.34	0.00	0.37	0.71	1.01	1.28	1.61	1.90	2.15	2.33	2.42	2.42
		MIN	-0.36	0.00	-0.36	-0.71	-1.06	-1.38	-1.64	-1.85	-1.98	-2.04	-2.00	-1.91
	DISPERSION-LMAX	MAX	0.68	0.00	1.55	3.13	4.69	6.12	7.36	8.36	9.08	9.49	9.54	9.23
		MIN	-1.40	0.00	-0.71	-1.42	-2.12	-2.77	-3.34	-3.78	-4.08	-4.20	-4.13	-3.91
62	1-LANE(case2TRUCK-LOAD	MAX	0.70	0.00	0.74	1.36	1.86	2.21	2.54	3.03	3.43	3.74	3.92	
		MIN	-0.81	0.00	-0.82	-1.69	-2.58	-3.42	-4.15	-4.72	-5.09	-5.23	-5.13	-4.81
	TANDEM-LOAD	MAX	0.48	0.00	0.50	0.92	1.26	1.50	1.73	2.05	2.33	2.54	2.66	2.68
		MIN	-0.55	0.00	-0.56	-1.15	-1.76	-2.33	-2.83	-3.21	-3.47	-3.57	-3.50	-3.27
	DISPERSION-LMAX	MAX	0.97	0.00	1.88	3.69	5.41	6.95	8.27	9.33	10.09	10.53	10.60	10.29
		MIN	-1.82	0.00	-1.12	-2.31	-3.51	-4.64	-5.60	-6.35	-6.83	-7.01	-6.88	-6.45
63	1-LANE(case3TRUCK-LOAD	MAX	0.87	0.00	0.89	1.60	2.15	2.51	2.72	3.20	3.64	3.99	4.20	
		MIN	-1.03	0.00	-1.06	-2.22	-3.43	-4.57	-5.55	-6.33	-6.82	-7.00	-6.87	-6.41
	TANDEM-LOAD	MAX	0.59	0.00	0.61	1.09	1.46	1.71	1.85	2.17	2.47	2.70	2.85	2.88
		MIN	-0.70	0.00	-0.72	-1.51	-2.33	-3.11	-3.79	-4.31	-4.65	-4.79	-4.68	-4.37
	DISPERSION-LMAX	MAX	1.19	0.00	2.14	4.13	5.98	7.61	8.98	10.08	10.88	11.35	11.45	11.13
		MIN	-2.16	0.00	-1.44	-3.00	-4.60	-6.09	-7.36	-8.33	-8.95	-9.18	-9.01	-8.41

BAGO RIVER BRIDGE

BLOCK [ No.1 : STRUCTURE NODE ] [ NODAL DISPLACEMENT ]

NODE		4016	4017	4018	4019	4020	4021	4022	4023	4024	4025	4026	4027	
NAME TITLE		TRANSZ DZ (mm)	TRANSZ DZ (mm)	TRANSZ DZ (mm)	TRANSZ DZ (mm)	TRANSZ DZ (mm)	TRANSZ DZ (mm)	TRANSZ DZ (mm)	TRANSZ DZ (mm)	TRANSZ DZ (mm)	TRANSZ DZ (mm)	TRANSZ DZ (mm)	TRANSZ DZ (mm)	
64	1-LANE (case4TRUCK-LOAD	MAX	1.23	0.00	1.27	2.20	2.85	3.23	3.42	3.45	3.92	4.31	4.57	4.65
		MIN	-1.59	0.00	-1.60	-3.42	-5.33	-7.15	-8.75	-9.96	-10.79	-11.06	-10.86	-10.03
	TANDEM-LOAD	MAX	0.84	0.00	0.86	1.50	1.94	2.20	2.33	2.35	2.66	2.93	3.10	3.16
		MIN	-1.08	0.00	-1.09	-2.32	-3.63	-4.88	-5.95	-6.82	-7.35	-7.58	-7.42	-6.87
	DISPERSION-LMAX	MAX	1.67	0.00	2.73	5.10	7.17	8.91	10.34	11.47	12.26	12.71	12.79	12.43
		MIN	-3.00	0.00	-2.16	-4.56	-7.01	-9.26	-11.17	-12.60	-13.50	-13.82	-13.54	-12.59
65	2-LANES (caseTRUCK-LOAD	MAX	1.10	0.00	1.18	2.25	3.15	3.89	4.82	5.71	6.46	7.01	7.32	7.33
		MIN	-1.20	0.00	-1.19	-2.41	-3.61	-4.73	-5.68	-6.42	-6.89	-7.09	-6.97	-6.60
	TANDEM-LOAD	MAX	0.75	0.00	0.80	1.53	2.14	2.65	3.27	3.88	4.39	4.76	4.97	4.97
		MIN	-0.82	0.00	-0.81	-1.64	-2.46	-3.22	-3.87	-4.37	-4.70	-4.83	-4.75	-4.49
	DISPERSION-LMAX	MAX	1.51	0.00	3.26	6.54	9.73	12.65	15.17	17.20	18.67	19.49	19.61	18.99
		MIN	-3.00	0.00	-1.63	-3.29	-4.94	-6.47	-7.80	-8.84	-9.53	-9.80	-9.63	-9.09
66	2-LANES (caseTRUCK-LOAD	MAX	1.30	0.00	1.37	2.56	3.52	4.22	5.00	5.94	6.73	7.33	7.67	7.71
		MIN	-1.47	0.00	-1.49	-3.05	-4.64	-6.13	-7.42	-8.42	-9.07	-9.33	-9.16	-8.60
	TANDEM-LOAD	MAX	0.89	0.00	0.94	1.74	2.40	2.87	3.39	4.03	4.57	4.98	5.21	5.24
		MIN	-1.00	0.00	-1.01	-2.08	-3.16	-4.17	-5.05	-5.74	-6.18	-6.36	-6.24	-5.85
	DISPERSION-LMAX	MAX	1.79	0.00	3.59	7.10	10.46	13.49	16.08	18.17	19.67	20.53	20.67	20.05
		MIN	-3.43	0.00	-2.04	-4.17	-6.33	-8.33	-10.06	-11.41	-12.28	-12.61	-12.38	-11.62
67	2-LANES (caseTRUCK-LOAD	MAX	1.85	0.00	1.89	3.38	4.49	5.23	5.64	6.52	7.43	8.13	8.58	8.70
		MIN	-2.22	0.00	-2.29	-4.81	-7.45	-9.94	-12.11	-13.81	-14.90	-15.30	-15.01	-13.96
	TANDEM-LOAD	MAX	1.26	0.00	1.29	2.30	3.06	3.56	3.84	4.42	5.04	5.52	5.82	5.90
		MIN	-1.51	0.00	-1.56	-3.28	-5.07	-6.77	-8.26	-9.42	-10.16	-10.46	-10.21	-9.53
	DISPERSION-LMAX	MAX	2.53	0.00	4.45	8.56	12.34	15.64	18.43	20.65	22.27	23.21	23.43	22.80
		MIN	-4.56	0.00	-3.11	-6.50	-9.97	-13.20	-15.95	-18.06	-19.39	-19.89	-19.50	-18.20
68	2-LANES (caseTRUCK-LOAD	MAX	2.34	0.00	2.43	4.22	5.49	6.26	6.64	6.76	7.71	8.46	8.95	9.10
		MIN	-3.02	0.00	-3.02	-6.44	-10.03	-13.45	-16.45	-18.73	-20.28	-20.79	-20.42	-18.86
	TANDEM-LOAD	MAX	1.59	0.00	1.65	2.87	3.74	4.26	4.52	4.60	5.23	5.74	6.07	6.17
		MIN	-2.05	0.00	-2.06	-4.38	-6.83	-9.18	-11.19	-12.82	-13.81	-14.24	-13.93	-12.91

BAGO RIVER BRIDGE

BLOCK [ No.1 : STRUCTURE NODE ] [ NODAL DISPLACEMENT ]

NODE		4016	4017	4018	4019	4020	4021	4022	4023	4024	4025	4026	4027
NAME TITLE		TRANSZ DZ (mm)	TRANSZ DZ (mm)	TRANSZ DZ (mm)	TRANSZ DZ (mm)	TRANSZ DZ (mm)	TRANSZ DZ (mm)	TRANSZ DZ (mm)	TRANSZ DZ (mm)	TRANSZ DZ (mm)	TRANSZ DZ (mm)	TRANSZ DZ (mm)	TRANSZ DZ (mm)
68	2-LANES (caseDISPERSION-LMAX	3.18	0.00	5.28	9.90	13.97	17.40	20.23	22.44	24.02	24.91	25.05	24.33
	MIN	-5.75	0.00	-4.09	-8.61	-13.23	-17.48	-21.08	-23.80	-25.50	-26.10	-25.57	-23.79
69	3-LANES (caseTRUCK-LOAD MAX	1.80	0.00	1.92	3.60	5.00	6.10	7.36	8.74	9.90	10.76	11.24	11.28
	MIN	-2.01	0.00	-2.02	-4.10	-6.19	-8.15	-9.83	-11.14	-11.98	-12.32	-12.11	-11.41
	TANDEM-LOAD MAX	1.23	0.00	1.30	2.45	3.41	4.15	5.00	5.93	6.72	7.30	7.63	7.66
	MIN	-1.37	0.00	-1.37	-2.79	-4.22	-5.55	-6.70	-7.59	-8.17	-8.40	-8.24	-7.76
	DISPERSION-LMAX	2.47	0.00	5.13	10.23	15.15	19.60	23.44	26.53	28.75	30.01	30.21	29.28
	MIN	-4.83	0.00	-2.75	-5.59	-8.45	-11.11	-13.40	-15.19	-16.35	-16.81	-16.51	-15.53
70	3-LANES (caseTRUCK-LOAD MAX	2.95	0.00	2.99	5.32	7.03	8.15	8.77	9.95	11.35	12.45	13.15	13.35
	MIN	-3.57	0.00	-3.69	-7.79	-12.08	-16.16	-19.71	-22.48	-24.28	-24.91	-24.46	-22.70
	TANDEM-LOAD MAX	2.01	0.00	2.04	3.62	4.79	5.55	5.96	6.75	7.70	8.45	8.92	9.06
	MIN	-2.43	0.00	-2.51	-5.31	-8.23	-11.01	-13.44	-15.34	-16.54	-17.05	-16.65	-15.51
	DISPERSION-LMAX	4.03	0.00	6.94	13.29	19.08	24.11	28.34	31.72	34.17	35.61	35.94	35.00
	MIN	-7.21	0.00	-5.02	-10.51	-16.14	-21.36	-25.80	-29.19	-31.34	-32.13	-31.51	-29.40
71	3-LANES (caseTRUCK-LOAD MAX	3.33	0.00	3.48	6.08	7.93	9.08	9.66	9.96	11.35	12.45	13.15	13.35
	MIN	-4.28	0.00	-4.27	-9.07	-14.11	-18.90	-23.10	-26.32	-28.48	-29.19	-28.67	-26.51
	TANDEM-LOAD MAX	2.27	0.00	2.37	4.14	5.40	6.18	6.58	6.77	7.70	8.45	8.92	9.06
	MIN	-2.91	0.00	-2.90	-6.17	-9.62	-12.89	-15.73	-18.00	-19.39	-19.99	-19.54	-18.14
	DISPERSION-LMAX	4.54	0.00	7.65	14.40	20.38	25.46	29.65	32.93	35.27	36.58	36.78	35.69
	MIN	-8.26	0.00	-5.78	-12.14	-18.66	-24.66	-29.74	-33.58	-35.99	-36.83	-36.08	-33.58
72	4-LANES TRUCK-LOAD MAX	4.19	0.00	4.32	7.60	9.98	11.49	12.28	12.49	12.21	11.52	10.49	9.17
	MIN	-5.24	0.00	-5.31	-11.25	-17.47	-23.39	-28.55	-32.54	-35.19	-36.08	-35.43	-32.82
	TANDEM-LOAD MAX	2.85	0.00	2.94	5.17	6.79	7.82	8.36	8.50	8.31	7.84	7.14	6.24
	MIN	-3.56	0.00	-3.62	-7.66	-11.90	-15.94	-19.45	-22.23	-23.96	-24.70	-24.14	-22.45
	DISPERSION-LMAX	4.50	0.00	6.13	10.79	14.16	16.29	17.42	17.71	17.30	16.31	14.85	12.98
	MIN	-7.41	0.00	-5.68	-11.86	-18.05	-23.57	-28.01	-31.08	-32.62	-32.58	-31.02	-27.96
73	6-LANES TRUCK-LOAD MAX	5.15	0.00	5.40	9.69	12.94	15.16	16.81	18.70	21.25	23.20	24.39	24.62
	MIN	-6.28	0.00	-6.30	-13.20	-20.36	-27.12	-33.01	-37.57	-40.56	-41.62	-40.88	-38.00



BAGO RIVER BRIDGE

BLOCK [ No.1 : STRUCTURE NODE ] [ NODAL DISPLACEMENT ]

NODE			4016	4017	4018	4019	4020	4021	4022	4023	4024	4025	4026	4027
NAME TITLE			TRANSZ DZ (mm)	TRANSZ DZ (mm)	TRANSZ DZ (mm)	TRANSZ DZ (mm)	TRANSZ DZ (mm)	TRANSZ DZ (mm)	TRANSZ DZ (mm)	TRANSZ DZ (mm)	TRANSZ DZ (mm)	TRANSZ DZ (mm)	TRANSZ DZ (mm)	TRANSZ DZ (mm)
73	6-LANES	TANDEM-LOAD MAX	3.51	0.00	3.67	6.59	8.81	10.31	11.43	12.70	14.42	15.75	16.55	16.71
		MIN	-4.28	0.00	-4.29	-8.98	-13.87	-18.48	-22.48	-25.64	-27.63	-28.46	-27.85	-25.97
		DISPERSION-LMAX	6.82	0.00	12.37	23.74	34.13	43.14	50.69	56.64	60.84	63.16	63.42	61.41
		MIN	-12.74	0.00	-8.32	-17.32	-26.48	-34.96	-42.17	-47.68	-51.16	-52.41	-51.36	-47.94
124	SUM TOTAL	D+1LANE (caseMAX	-21.69	0.00	18.91	31.67	40.00	45.39	49.65	53.74	58.22	63.22	68.36	72.96
		MIN	-25.42	0.00	14.92	23.70	28.19	30.05	31.08	32.55	35.14	39.09	44.14	49.54
		D+1LANE (caseMAX	-21.10	0.00	19.54	32.73	41.32	46.79	50.96	55.17	59.76	64.84	70.06	74.69
		MIN	-26.26	0.00	14.08	21.87	25.29	26.12	26.28	27.06	29.23	33.04	38.21	44.09
		D+1LANE (caseMAX	-20.64	0.00	20.04	33.55	42.35	47.94	52.03	56.29	60.96	66.12	71.40	76.05
		MIN	-26.94	0.00	13.41	20.40	22.97	23.01	22.50	22.75	24.59	28.30	33.57	39.81
		D+1LANE (caseMAX	-19.63	0.00	21.21	35.42	44.62	50.37	54.50	58.24	62.95	68.15	73.46	78.09
		MIN	-28.62	0.00	11.89	17.09	17.79	16.10	14.08	13.27	14.37	17.87	23.34	30.45
		D+2LANES (casMAX	-20.50	0.00	20.84	35.45	45.48	52.34	57.97	63.26	68.66	74.22	79.55	83.91
		MIN	-27.31	0.00	13.58	20.97	24.05	24.60	24.50	25.08	27.11	30.83	36.02	41.91
		D+2LANES (casMAX	-20.01	0.00	21.37	36.32	46.58	53.50	59.06	64.45	69.93	75.58	80.97	85.36
		MIN	-28.01	0.00	12.88	19.44	21.63	21.33	20.50	20.52	22.19	25.79	31.08	37.37
		D+2LANES (casMAX	-18.73	0.00	22.74	38.60	49.43	56.66	62.06	67.52	73.22	79.07	84.63	89.09
		MIN	-29.89	0.00	11.01	15.35	15.18	12.65	9.93	8.48	9.23	12.54	18.11	25.43
		D+2LANES (casMAX	-17.58	0.00	24.12	40.79	52.06	59.45	64.85	69.56	75.25	81.09	86.63	91.02
		MIN	-31.88	0.00	9.29	11.62	9.34	4.86	0.45	-2.19	-2.26	0.84	6.64	14.95
		D+3LANES (casMAX	-19.47	0.00	22.40	38.42	49.73	57.64	64.17	70.32	76.38	82.38	87.86	92.07
		MIN	-28.91	0.00	12.35	18.43	20.15	19.43	18.24	17.96	19.45	22.97	28.30	34.69
		D+3LANES (casMAX	-17.18	0.00	24.85	42.48	54.80	63.21	69.52	75.76	82.22	88.57	94.35	98.69
		MIN	-32.27	0.00	9.00	11.10	8.61	3.90	-0.70	-3.57	-3.75	-0.76	5.05	13.31
		D+3LANES (casMAX	-16.42	0.00	25.87	44.08	56.67	65.15	71.40	76.81	83.15	89.39	95.06	99.28
		MIN	-33.77	0.00	7.87	8.64	4.75	-1.23	-6.93	-10.57	-11.27	-8.40	-2.41	6.53
		D+4LANES MAX	-17.46	0.00	23.19	38.62	48.29	53.85	57.29	59.98	62.71	65.81	69.10	71.99
		MIN	-31.33	0.00	9.26	11.65	9.51	5.27	1.22	-1.01	-0.55	3.09	9.44	18.09

BAGO RIVER BRIDGE

BLOCK [ No.1 : STRUCTURE NODE ] [ NODAL DISPLACEMENT ]

NODE				4016	4017	4018	4019	4020	4021	4022	4023	4024	4025	4026	4027
NAME TITLE				TRANSZ DZ (mm)	TRANSZ DZ (mm)	TRANSZ DZ (mm)	TRANSZ DZ (mm)	TRANSZ DZ (mm)	TRANSZ DZ (mm)	TRANSZ DZ (mm)	TRANSZ DZ (mm)	TRANSZ DZ (mm)	TRANSZ DZ (mm)	TRANSZ DZ (mm)	TRANSZ DZ (mm)
124	SUM TOTAL	D+6LANES	MAX	-15.32	0.00	27.95	48.39	63.20	73.69	81.86	89.31	96.89	103.86	109.70	113.52
			MIN	-35.48	0.00	6.90	6.83	2.16	-4.55	-10.88	-15.06	-16.09	-13.40	-7.33	1.73
		SUM TOTAL	MAX	-15.32	0.00	27.95	48.39	63.20	73.69	81.86	89.31	96.89	103.86	109.70	113.52
			MIN	-35.48	0.00	6.90	6.83	2.16	-4.55	-10.88	-15.06	-16.09	-13.40	-7.33	1.73
300	DEAD LOAD	TOTAL		-23.11	0.00	16.40	26.67	32.60	35.80	37.99	40.35	43.53	47.72	52.62	57.60
301	LIVE LOAD	1-LANE (case1	MAX	1.42	0.00	2.51	5.01	7.40	9.60	11.67	13.39	14.70	15.50	15.73	15.36
			MIN	-2.31	0.00	-1.49	-2.96	-4.41	-5.75	-6.90	-7.80	-8.39	-8.63	-8.49	-8.06
		1-LANE (case2	MAX	2.00	0.00	3.14	6.06	8.72	10.99	12.98	14.82	16.23	17.12	17.43	17.09
			MIN	-3.16	0.00	-2.33	-4.80	-7.31	-9.67	-11.70	-13.28	-14.30	-14.69	-14.42	-13.51
		1-LANE (case3	MAX	2.46	0.00	3.63	6.88	9.75	12.14	14.04	15.94	17.43	18.40	18.77	18.46
			MIN	-3.83	0.00	-3.00	-6.27	-9.63	-12.78	-15.49	-17.59	-18.93	-19.43	-19.06	-17.78
		1-LANE (case4	MAX	3.48	0.00	4.80	8.76	12.02	14.58	16.52	17.90	19.43	20.43	20.83	20.49
			MIN	-5.51	0.00	-4.52	-9.57	-14.81	-19.70	-23.90	-27.08	-29.16	-29.85	-29.28	-27.15
		2-LANES (case	MAX	2.61	0.00	4.44	8.78	12.88	16.54	19.99	22.91	25.13	26.50	26.92	26.32
			MIN	-4.20	0.00	-2.83	-5.69	-8.55	-11.20	-13.48	-15.26	-16.42	-16.89	-16.60	-15.69
		2-LANES (case	MAX	3.09	0.00	4.96	9.66	13.98	17.70	21.08	24.10	26.40	27.86	28.34	27.76
			MIN	-4.91	0.00	-3.53	-7.22	-10.97	-14.47	-17.48	-19.83	-21.34	-21.93	-21.54	-20.23
		2-LANES (case	MAX	4.38	0.00	6.34	11.94	16.83	20.87	24.07	27.17	29.70	31.35	32.01	31.50
			MIN	-6.78	0.00	-5.40	-11.31	-17.42	-23.15	-28.06	-31.87	-34.30	-35.18	-34.51	-32.17
		2-LANES (case	MAX	5.52	0.00	7.71	14.12	19.46	23.66	26.87	29.21	31.73	33.37	34.00	33.42
			MIN	-8.77	0.00	-7.11	-15.05	-23.26	-30.93	-37.53	-42.53	-45.79	-46.88	-45.99	-42.64
		3-LANES (case	MAX	3.63	0.00	5.99	11.76	17.13	21.85	26.18	29.98	32.85	34.66	35.23	34.48
			MIN	-5.81	0.00	-4.05	-8.24	-12.45	-16.37	-19.75	-22.38	-24.08	-24.76	-24.32	-22.90
		3-LANES (case	MAX	5.93	0.00	8.45	15.82	22.20	27.42	31.54	35.42	38.69	40.85	41.73	41.10
			MIN	-9.16	0.00	-7.40	-15.56	-23.99	-31.90	-38.69	-43.92	-47.28	-48.49	-47.57	-44.28
		3-LANES (case	MAX	6.69	0.00	9.46	17.41	24.07	29.35	33.41	36.46	39.63	41.67	42.44	41.68
			MIN	-10.66	0.00	-8.54	-18.03	-27.85	-37.03	-44.91	-50.92	-54.80	-56.12	-55.04	-51.07

BAGO RIVER BRIDGE

BLOCK [ No. 1 : STRUCTURE NODE ] [ NODAL DISPLACEMENT ]

NODE				4016	4017	4018	4019	4020	4021	4022	4023	4024	4025	4026	4027
NAME TITLE				TRANSZ DZ (mm)	TRANSZ DZ (mm)	TRANSZ DZ (mm)	TRANSZ DZ (mm)	TRANSZ DZ (mm)	TRANSZ DZ (mm)	TRANSZ DZ (mm)	TRANSZ DZ (mm)	TRANSZ DZ (mm)	TRANSZ DZ (mm)	TRANSZ DZ (mm)	TRANSZ DZ (mm)
301	LIVE LOAD	4-LANES	MAX	5.65	0.00	6.79	11.95	15.69	18.06	19.31	19.63	19.18	18.09	16.47	14.39
			MIN	-8.22	0.00	-7.14	-15.02	-23.09	-30.53	-36.77	-41.36	-44.08	-44.63	-43.19	-39.51
	6-LANES	MAX	7.78	0.00	11.55	21.73	30.60	37.90	43.87	48.97	53.36	56.14	57.08	55.92	
		MIN	-12.37	0.00	-9.50	-19.84	-30.44	-40.35	-48.87	-55.41	-59.62	-61.12	-59.96	-55.86	
	LIVE LOAD	MAX	7.78	0.00	11.55	21.73	30.60	37.90	43.87	48.97	53.36	56.14	57.08	55.92	
		MIN	-12.37	0.00	-9.50	-19.84	-30.44	-40.35	-48.87	-55.41	-59.62	-61.12	-59.96	-55.86	
303	SUM TOTAL	TOTAL	MAX	-15.32	0.00	27.95	48.39	63.20	73.69	81.86	89.31	96.89	103.86	109.70	113.52
			MIN	-35.48	0.00	6.90	6.83	2.16	-4.55	-10.88	-15.06	-16.09	-13.40	-7.33	1.73

BAGO RIVER BRIDGE

BLOCK [ No.1 : STRUCTURE NODE ] [ NODAL DISPLACEMENT ]

NODE		4028	4029	4030	4031	4032	4033	4034	4035	4036	4037	4038	4039	
NAME TITLE		TRANSZ DZ (mm)	TRANSZ DZ (mm)	TRANSZ DZ (mm)	TRANSZ DZ (mm)	TRANSZ DZ (mm)	TRANSZ DZ (mm)	TRANSZ DZ (mm)	TRANSZ DZ (mm)	TRANSZ DZ (mm)	TRANSZ DZ (mm)	TRANSZ DZ (mm)	TRANSZ DZ (mm)	
1	PAVEMENT	7.88	8.29	7.99	6.66	4.06	0.00	-5.67	-12.59	-21.03	-29.97	-39.17	-47.92	
3	RAILING	0.29	0.29	0.27	0.22	0.13	0.00	-0.18	-0.40	-0.67	-0.94	-1.23	-1.49	
5	CURB	2.83	2.88	2.70	2.20	1.32	0.00	-1.81	-3.98	-6.59	-9.33	-12.13	-14.78	
7	DECK WEIGHT	14.03	14.50	13.79	11.36	6.86	0.00	-9.44	-20.90	-34.81	-49.53	-64.67	-79.06	
8	GIRDER WEIGH	24.78	24.63	22.62	18.10	10.65	0.00	-14.10	-30.90	-51.05	-72.22	-93.85	-114.31	
10	MEDIAN STRIP	7.14	6.79	5.98	4.60	2.61	0.00	-3.26	-7.04	-11.53	-16.23	-21.05	-25.66	
21	ADITIONAL WE	3.93	4.06	3.86	3.18	1.92	0.00	-2.64	-5.85	-9.75	-13.87	-18.11	-22.14	
31	MEDIAN RAILI	0.36	0.35	0.31	0.25	0.14	0.00	-0.19	-0.41	-0.67	-0.95	-1.23	-1.50	
51	SUPPORT WEIG	0.00	0.00	0.00	0.00	0.00	0.00	-0.00	-0.00	-0.00	-0.00	-0.00	-0.00	
52	NOSE WEIGHT	-0.00	-0.00	-0.00	-0.00	-0.00	0.00	0.00	0.00	0.00	0.00	-0.00	-0.00	
61	1-LANE(case1TRUCK-LOAD	MAX	3.41	3.07	2.53	1.82	0.97	0.00	0.67	1.33	1.98	2.52	2.96	3.28
		MIN	-2.61	-2.28	-1.82	-1.27	-0.65	0.00	-1.05	-2.16	-3.42	-4.66	-5.87	-7.01
	TANDEM-LOAD	MAX	2.32	2.08	1.72	1.24	0.66	0.00	0.46	0.91	1.35	1.71	2.01	2.23
		MIN	-1.78	-1.55	-1.24	-0.86	-0.45	0.00	-0.71	-1.47	-2.32	-3.16	-3.98	-4.76
	DISPERSION-LMAX	MAX	8.58	7.51	6.06	4.27	2.22	0.00	0.91	1.81	2.69	3.43	4.03	4.47
		MIN	-3.61	-3.12	-2.49	-1.73	-0.89	0.00	-2.33	-4.73	-7.37	-9.90	-12.33	-14.56
62	1-LANE(case2TRUCK-LOAD	MAX	3.80	3.44	2.88	2.10	1.13	0.00	0.83	1.58	2.28	2.84	3.28	3.60
		MIN	-4.30	-3.60	-2.76	-1.84	-0.90	0.00	-1.28	-2.66	-4.24	-5.81	-7.39	-8.85
	TANDEM-LOAD	MAX	2.58	2.34	1.95	1.43	0.77	0.00	0.57	1.08	1.55	1.93	2.23	2.45
		MIN	-2.93	-2.45	-1.88	-1.25	-0.61	0.00	-0.87	-1.81	-2.88	-3.94	-5.01	-6.01
	DISPERSION-LMAX	MAX	9.58	8.44	6.87	4.89	2.58	0.00	1.13	2.16	3.10	3.87	4.47	4.90
		MIN	-5.77	-4.84	-3.72	-2.48	-1.22	0.00	-2.80	-5.75	-8.99	-12.14	-15.18	-17.94
63	1-LANE(case3TRUCK-LOAD	MAX	4.10	3.74	3.15	2.31	1.26	0.00	0.96	1.78	2.51	3.09	3.53	3.84
		MIN	-5.64	-4.66	-3.51	-2.29	-1.10	0.00	-1.46	-3.06	-4.88	-6.72	-8.57	-10.30
	TANDEM-LOAD	MAX	2.78	2.54	2.13	1.57	0.85	0.00	0.65	1.21	1.71	2.10	2.41	2.62
		MIN	-3.85	-3.17	-2.39	-1.56	-0.75	0.00	-0.99	-2.07	-3.31	-4.57	-5.82	-6.98
	DISPERSION-LMAX	MAX	10.39	9.18	7.51	5.39	2.87	0.00	1.30	2.42	3.42	4.21	4.81	5.23
		MIN	-7.45	-6.18	-4.69	-3.08	-1.49	0.00	-3.19	-6.58	-10.31	-13.98	-17.52	-20.71

BAGO RIVER BRIDGE

BLOCK [ No.1 : STRUCTURE NODE ] [ NODAL DISPLACEMENT ]

NODE		4028	4029	4030	4031	4032	4033	4034	4035	4036	4037	4038	4039	
NAME TITLE		TRANSZ DZ (mm)	TRANSZ DZ (mm)	TRANSZ DZ (mm)	TRANSZ DZ (mm)	TRANSZ DZ (mm)	TRANSZ DZ (mm)	TRANSZ DZ (mm)	TRANSZ DZ (mm)	TRANSZ DZ (mm)	TRANSZ DZ (mm)	TRANSZ DZ (mm)	TRANSZ DZ (mm)	
64	1-LANE (case4TRUCK-LOAD	MAX	4.51	4.14	3.51	2.61	1.44	0.00	1.23	2.20	3.01	3.62	4.07	4.37
		MIN	-8.70	-7.01	-5.15	-3.27	-1.52	0.00	-1.70	-3.60	-5.76	-7.98	-10.21	-12.26
	TANDEM-LOAD	MAX	3.06	2.81	2.38	1.77	0.98	0.00	0.84	1.50	2.05	2.47	2.78	2.98
		MIN	-5.92	-4.79	-3.52	-2.24	-1.04	0.00	-1.16	-2.44	-3.91	-5.42	-6.93	-8.33
	DISPERSION-LMAX	MAX	11.58	10.24	8.41	6.07	3.26	0.00	1.65	2.96	4.05	4.87	5.48	5.88
		MIN	-11.02	-9.01	-6.73	-4.34	-2.04	0.00	-3.70	-7.66	-12.00	-16.29	-20.45	-24.16
65	2-LANES (caseTRUCK-LOAD	MAX	7.02	6.32	5.24	3.78	2.01	0.00	1.42	2.78	4.10	5.19	6.07	6.72
		MIN	-6.05	-5.20	-4.10	-2.82	-1.43	0.00	-2.21	-4.57	-7.24	-9.88	-12.48	-14.92
	TANDEM-LOAD	MAX	4.76	4.29	3.56	2.57	1.37	0.00	0.97	1.89	2.79	3.53	4.13	4.57
		MIN	-4.12	-3.54	-2.79	-1.92	-0.97	0.00	-1.50	-3.10	-4.92	-6.71	-8.48	-10.13
	DISPERSION-LMAX	MAX	17.65	15.49	12.53	8.85	4.62	0.00	1.93	3.78	5.58	7.07	8.27	9.16
		MIN	-8.29	-7.10	-5.58	-3.83	-1.94	0.00	-4.89	-9.97	-15.55	-20.91	-26.08	-30.80
66	2-LANES (caseTRUCK-LOAD	MAX	7.40	6.70	5.58	4.06	2.18	0.00	1.58	3.04	4.40	5.51	6.40	7.04
		MIN	-7.74	-6.52	-5.04	-3.39	-1.68	0.00	-2.44	-5.07	-8.06	-11.04	-14.00	-16.76
	TANDEM-LOAD	MAX	5.03	4.55	3.79	2.76	1.48	0.00	1.08	2.07	2.99	3.75	4.35	4.79
		MIN	-5.27	-4.45	-3.44	-2.31	-1.14	0.00	-1.65	-3.44	-5.47	-7.49	-9.50	-11.38
	DISPERSION-LMAX	MAX	18.66	16.41	13.33	9.47	4.98	0.00	2.15	4.13	6.00	7.52	8.72	9.59
		MIN	-10.45	-8.82	-6.82	-4.59	-2.28	0.00	-5.36	-10.98	-17.16	-23.16	-28.94	-34.18
67	2-LANES (caseTRUCK-LOAD	MAX	8.41	7.68	6.47	4.77	2.61	0.00	2.00	3.70	5.19	6.35	7.24	7.86
		MIN	-12.27	-10.07	-7.55	-4.90	-2.34	0.00	-3.03	-6.38	-10.19	-14.07	-17.96	-21.57
	TANDEM-LOAD	MAX	5.70	5.21	4.39	3.24	1.77	0.00	1.37	2.52	3.53	4.33	4.93	5.35
		MIN	-8.37	-6.85	-5.14	-3.34	-1.59	0.00	-2.06	-4.33	-6.91	-9.55	-12.20	-14.64
	DISPERSION-LMAX	MAX	21.28	18.82	15.42	11.09	5.92	0.00	2.72	5.03	7.06	8.64	9.86	10.69
		MIN	-16.08	-13.30	-10.06	-6.59	-3.16	0.00	-6.62	-13.69	-21.45	-29.10	-36.50	-43.14
68	2-LANES (caseTRUCK-LOAD	MAX	8.82	8.08	6.84	5.06	2.78	0.00	2.36	4.26	5.85	7.06	7.97	8.56
		MIN	-16.39	-13.24	-9.76	-6.22	-2.91	0.00	-3.28	-6.92	-11.07	-15.33	-19.59	-23.54
	TANDEM-LOAD	MAX	5.99	5.48	4.64	3.44	1.89	0.00	1.61	2.91	3.99	4.82	5.43	5.84
		MIN	-11.16	-9.03	-6.66	-4.25	-1.98	0.00	-2.23	-4.70	-7.51	-10.40	-13.30	-15.99

BAGO RIVER BRIDGE

BLOCK [ No.1 : STRUCTURE NODE ] [ NODAL DISPLACEMENT ]

NODE		4028	4029	4030	4031	4032	4033	4034	4035	4036	4037	4038	4039
NAME TITLE		TRANSZ DZ (mm)	TRANSZ DZ (mm)	TRANSZ DZ (mm)	TRANSZ DZ (mm)	TRANSZ DZ (mm)	TRANSZ DZ (mm)	TRANSZ DZ (mm)	TRANSZ DZ (mm)	TRANSZ DZ (mm)	TRANSZ DZ (mm)	TRANSZ DZ (mm)	TRANSZ DZ (mm)
68	2-LANES (caseDISPERSION-LMAX	22.65	20.01	16.41	11.82	6.34	0.00	3.18	5.73	7.88	9.52	10.74	11.54
	MIN	-20.83	-17.06	-12.77	-8.25	-3.90	0.00	-7.15	-14.79	-23.17	-31.44	-39.45	-46.60
69	3-LANES (caseTRUCK-LOAD MAX	10.82	9.77	8.12	5.88	3.14	0.00	2.25	4.37	6.38	8.03	9.35	10.32
	MIN	-10.35	-8.80	-6.86	-4.66	-2.33	0.00	-3.48	-7.24	-11.48	-15.70	-19.87	-23.77
	TANDEM-LOAD MAX	7.34	6.63	5.51	3.99	2.13	0.00	1.53	2.97	4.34	5.46	6.36	7.02
	MIN	-7.05	-6.00	-4.67	-3.17	-1.59	0.00	-2.37	-4.91	-7.79	-10.66	-13.49	-16.14
	DISPERSION-LMAX	27.24	23.92	19.39	13.74	7.20	0.00	3.07	5.94	8.69	10.94	12.75	14.07
	MIN	-14.06	-11.94	-9.30	-6.31	-3.16	0.00	-7.69	-15.71	-24.54	-33.06	-41.27	-48.74
70	3-LANES (caseTRUCK-LOAD MAX	12.92	11.82	9.98	7.38	4.04	0.00	3.14	5.75	8.02	9.79	11.13	12.04
	MIN	-19.89	-16.26	-12.13	-7.84	-3.72	0.00	-4.74	-9.98	-15.94	-22.05	-28.17	-33.83
	TANDEM-LOAD MAX	8.77	8.02	6.77	5.01	2.74	0.00	2.14	3.92	5.47	6.67	7.58	8.21
	MIN	-13.55	-11.07	-8.27	-5.35	-2.53	0.00	-3.22	-6.77	-10.82	-14.97	-19.12	-22.97
	DISPERSION-LMAX	32.68	28.93	23.75	17.11	9.17	0.00	4.27	7.82	10.91	13.31	15.13	16.37
	MIN	-25.92	-21.38	-16.13	-10.53	-5.03	0.00	-10.31	-21.33	-33.43	-45.37	-56.93	-67.28
71	3-LANES (caseTRUCK-LOAD MAX	12.92	11.82	9.98	7.38	4.04	0.00	3.41	6.18	8.53	10.34	11.68	12.58
	MIN	-23.08	-18.70	-13.82	-8.85	-4.15	0.00	-4.74	-9.98	-15.94	-22.05	-28.17	-33.83
	TANDEM-LOAD MAX	8.77	8.02	6.77	5.01	2.74	0.00	2.33	4.22	5.82	7.05	7.97	8.58
	MIN	-15.72	-12.75	-9.44	-6.04	-2.83	0.00	-3.22	-6.77	-10.82	-14.97	-19.12	-22.97
	DISPERSION-LMAX	33.21	29.32	24.00	17.26	9.23	0.00	4.59	8.33	11.51	13.94	15.76	16.98
	MIN	-29.44	-24.15	-18.10	-11.73	-5.55	0.00	-10.35	-21.39	-33.50	-45.44	-56.98	-67.32
72	4-LANES TRUCK-LOAD MAX	7.66	6.06	4.42	2.82	1.34	0.00	4.34	7.91	10.98	13.35	15.13	16.34
	MIN	-28.66	-23.28	-17.24	-11.05	-5.20	0.00	-1.15	-2.13	-3.00	-3.68	-4.20	-4.57
	TANDEM-LOAD MAX	5.21	4.12	3.01	1.92	0.91	0.00	2.98	5.43	7.53	9.15	10.37	11.19
	MIN	-19.52	-15.89	-11.80	-7.59	-3.58	0.00	-0.78	-1.45	-2.04	-2.50	-2.86	-3.10
	DISPERSION-LMAX	10.84	8.57	6.25	3.99	1.89	0.00	3.48	6.35	8.85	10.77	12.23	13.22
	MIN	-23.77	-18.95	-13.87	-8.83	-4.15	0.00	-1.62	-3.00	-4.23	-5.19	-5.93	-6.44
73	6-LANES TRUCK-LOAD MAX	23.74	21.58	18.10	13.26	7.19	0.00	5.67	10.56	14.93	18.38	21.05	22.91
	MIN	-33.46	-27.50	-20.70	-13.52	-6.49	0.00	-8.22	-17.21	-27.42	-37.75	-48.04	-57.60

BAGO RIVER BRIDGE

BLOCK [ No.1 : STRUCTURE NODE ] [ NODAL DISPLACEMENT ]

NODE			4028	4029	4030	4031	4032	4033	4034	4035	4036	4037	4038	4039
NAME TITLE			TRANSZ DZ (mm)	TRANSZ DZ (mm)	TRANSZ DZ (mm)	TRANSZ DZ (mm)	TRANSZ DZ (mm)	TRANSZ DZ (mm)	TRANSZ DZ (mm)	TRANSZ DZ (mm)	TRANSZ DZ (mm)	TRANSZ DZ (mm)	TRANSZ DZ (mm)	TRANSZ DZ (mm)
73	6-LANES	TANDEM-LOAD MAX	16.11	14.65	12.28	9.00	4.88	0.00	3.87	7.19	10.17	12.52	14.34	15.60
		MIN	-22.84	-18.79	-14.13	-9.22	-4.43	0.00	-5.58	-11.69	-18.61	-25.62	-32.61	-39.11
		DISPERSION-LMAX	57.05	50.18	40.86	29.16	15.44	0.00	7.41	13.78	19.48	23.98	27.46	29.88
		MIN	-42.43	-35.16	-26.67	-17.53	-8.46	0.00	-16.92	-34.79	-54.37	-73.48	-91.91	-108.48
124	SUM TOTAL	D+1LANE (caseMAX	75.61	74.48	67.85	53.89	31.52	0.00	-35.38	-78.31	-130.49	-185.90	-243.05	-297.56
		MIN	53.77	55.31	52.36	42.98	25.85	0.00	-41.33	-90.34	-149.04	-210.50	-273.28	-332.74
		D+1LANE (caseMAX	77.29	76.04	69.22	54.96	32.15	0.00	-34.92	-77.59	-129.63	-184.98	-242.13	-296.66
		MIN	49.14	51.66	49.75	41.39	25.14	0.00	-42.17	-92.16	-151.95	-214.58	-278.52	-339.01
		D+1LANE (caseMAX	78.61	77.29	70.32	55.82	32.65	0.00	-34.57	-77.02	-128.96	-184.27	-241.42	-295.97
		MIN	45.51	48.78	47.69	40.13	24.59	0.00	-42.85	-93.63	-154.31	-217.87	-282.75	-344.07
		D+1LANE (caseMAX	80.53	79.04	71.83	56.98	33.33	0.00	-33.83	-75.88	-127.62	-182.84	-239.97	-294.57
		MIN	37.57	42.56	43.27	37.44	23.41	0.00	-43.77	-95.58	-157.40	-222.16	-288.23	-350.57
		D+2LANES (casMAX	85.90	83.59	75.30	59.21	34.33	0.00	-33.93	-75.50	-126.40	-180.76	-237.09	-290.98
		MIN	46.88	49.48	47.84	39.93	24.32	0.00	-44.38	-96.61	-158.88	-223.83	-290.00	-352.59
		D+2LANES (casMAX	87.29	84.90	76.44	60.10	34.85	0.00	-33.54	-74.90	-125.68	-180.00	-236.31	-290.24
		MIN	43.03	46.44	45.67	38.60	23.74	0.00	-45.08	-98.12	-161.31	-227.23	-294.37	-357.81
		D+2LANES (casMAX	90.92	88.28	79.43	62.44	36.23	0.00	-32.55	-73.34	-123.84	-178.03	-234.33	-288.32
		MIN	32.88	38.41	39.92	35.08	22.20	0.00	-46.94	-102.14	-167.72	-236.20	-305.89	-371.57
		D+2LANES (casMAX	92.69	89.87	80.77	63.46	36.82	0.00	-31.74	-72.08	-122.35	-176.45	-232.73	-286.76
		MIN	24.00	31.49	35.01	32.10	20.89	0.00	-47.71	-103.79	-170.32	-239.80	-310.47	-377.00
		D+3LANES (casMAX	93.57	90.42	80.91	63.26	36.49	0.00	-32.76	-73.31	-123.28	-176.90	-232.65	-286.14
		MIN	40.47	44.16	43.79	37.25	23.02	0.00	-46.78	-101.58	-166.70	-234.47	-303.40	-368.50
		D+3LANES (casMAX	99.99	96.42	86.20	67.39	38.92	0.00	-30.99	-70.54	-119.99	-173.40	-229.12	-282.72
		MIN	22.29	29.79	33.51	30.96	20.26	0.00	-50.07	-108.68	-178.05	-250.34	-323.77	-392.81
		D+3LANES (casMAX	100.44	96.75	86.42	67.52	38.98	0.00	-30.48	-69.74	-119.05	-172.40	-228.10	-281.74
		MIN	16.58	25.36	30.39	29.09	19.45	0.00	-50.11	-108.74	-178.11	-250.40	-323.81	-392.85
		D+4LANES MAX	73.25	71.29	64.46	51.00	29.79	0.00	-32.20	-72.80	-123.20	-177.35	-233.64	-287.65
		MIN	27.15	34.33	37.31	33.65	21.62	0.00	-39.08	-85.41	-140.78	-198.80	-258.02	-314.02

BAGO RIVER BRIDGE

BLOCK [ No.1 : STRUCTURE NODE ] [ NODAL DISPLACEMENT ]

NODE				4028	4029	4030	4031	4032	4033	4034	4035	4036	4037	4038	4039
NAME TITLE				TRANSZ DZ (mm)	TRANSZ DZ (mm)	TRANSZ DZ (mm)	TRANSZ DZ (mm)	TRANSZ DZ (mm)	TRANSZ DZ (mm)	TRANSZ DZ (mm)	TRANSZ DZ (mm)	TRANSZ DZ (mm)	TRANSZ DZ (mm)	TRANSZ DZ (mm)	TRANSZ DZ (mm)
124	SUM TOTAL	D+6LANES	MAX	113.74	108.43	95.85	74.15	42.40	0.00	-28.78	-66.25	-113.72	-165.50	-219.91	-272.55
			MIN	11.90	21.06	26.74	26.39	17.98	0.00	-53.63	-115.87	-189.25	-265.33	-342.40	-414.82
		SUM TOTAL	MAX	113.74	108.43	95.85	74.15	42.40	0.00	-28.78	-66.25	-113.72	-165.50	-219.91	-272.55
			MIN	11.90	21.06	26.74	26.39	17.98	0.00	-53.63	-115.87	-189.25	-265.33	-342.40	-414.82
300	DEAD LOAD	TOTAL		61.23	61.78	57.53	46.58	27.70	0.00	-37.28	-82.07	-136.09	-193.03	-251.43	-306.87
301	LIVE LOAD	1-LANE (case1	MAX	14.39	12.70	10.32	7.32	3.82	0.00	1.90	3.76	5.60	7.13	8.38	9.31
			MIN	-7.46	-6.48	-5.17	-3.59	-1.85	0.00	-4.05	-8.27	-12.95	-17.47	-21.84	-25.88
		1-LANE (case2	MAX	16.06	14.26	11.69	8.39	4.45	0.00	2.36	4.48	6.46	8.05	9.30	10.20
			MIN	-12.08	-10.12	-7.78	-5.19	-2.55	0.00	-4.89	-10.09	-15.87	-21.55	-27.08	-32.14
		1-LANE (case3	MAX	17.39	15.50	12.79	9.24	4.96	0.00	2.71	5.05	7.12	8.76	10.02	10.89
			MIN	-15.71	-13.01	-9.84	-6.45	-3.11	0.00	-5.57	-11.56	-18.22	-24.84	-31.31	-37.21
		1-LANE (case4	MAX	19.31	17.25	14.30	10.41	5.64	0.00	3.45	6.19	8.47	10.19	11.46	12.30
			MIN	-23.66	-19.22	-14.26	-9.14	-4.28	0.00	-6.48	-13.51	-21.31	-29.13	-36.79	-43.70
		2-LANES (case	MAX	24.67	21.81	17.77	12.64	6.63	0.00	3.36	6.57	9.69	12.27	14.35	15.88
			MIN	-14.34	-12.30	-9.68	-6.64	-3.37	0.00	-7.10	-14.54	-22.79	-30.80	-38.57	-45.72
		2-LANES (case	MAX	26.07	23.11	18.91	13.53	7.15	0.00	3.74	7.17	10.40	13.03	15.12	16.63
			MIN	-18.20	-15.34	-11.86	-7.97	-3.96	0.00	-7.80	-16.05	-25.22	-34.20	-42.94	-50.94
		2-LANES (case	MAX	29.69	26.50	21.90	15.86	8.53	0.00	4.73	8.73	12.25	15.00	17.10	18.55
			MIN	-28.35	-23.37	-17.61	-11.49	-5.50	0.00	-9.66	-20.07	-31.64	-43.17	-54.45	-64.71
		2-LANES (case	MAX	31.47	28.09	23.24	16.89	9.12	0.00	5.54	9.99	13.74	16.59	18.70	20.10
			MIN	-37.22	-30.30	-22.52	-14.47	-6.80	0.00	-10.43	-21.72	-34.24	-46.77	-59.04	-70.13
		3-LANES (case	MAX	32.35	28.64	23.38	16.68	8.79	0.00	4.52	8.76	12.81	16.13	18.78	20.73
			MIN	-20.75	-17.63	-13.74	-9.32	-4.67	0.00	-9.50	-19.51	-30.61	-41.44	-51.97	-61.63
		3-LANES (case	MAX	38.77	34.64	28.67	20.81	11.23	0.00	6.29	11.53	16.09	19.63	22.32	24.15
			MIN	-38.94	-32.00	-24.02	-15.62	-7.44	0.00	-12.79	-26.61	-41.97	-57.31	-72.34	-85.95
		3-LANES (case	MAX	39.21	34.96	28.89	20.94	11.28	0.00	6.80	12.33	17.03	20.63	23.33	25.13
			MIN	-44.64	-36.42	-27.13	-17.49	-8.25	0.00	-12.83	-26.67	-42.02	-57.37	-72.38	-85.98



BAGO RIVER BRIDGE

BLOCK [ No. 1 : STRUCTURE NODE ] [ NODAL DISPLACEMENT ]

NODE				4028	4029	4030	4031	4032	4033	4034	4035	4036	4037	4038	4039
NAME TITLE				TRANSZ	TRANSZ	TRANSZ	TRANSZ	TRANSZ	TRANSZ	TRANSZ	TRANSZ	TRANSZ	TRANSZ	TRANSZ	TRANSZ
				DZ (mm)	DZ (mm)	DZ (mm)	DZ (mm)	DZ (mm)	DZ (mm)	DZ (mm)	DZ (mm)	DZ (mm)	DZ (mm)	DZ (mm)	DZ (mm)
301	LIVE LOAD	4-LANES	MAX	12.03	9.50	6.93	4.43	2.09	0.00	5.08	9.27	12.89	15.68	17.79	19.22
			MIN	-34.08	-27.45	-20.22	-12.93	-6.08	0.00	-1.80	-3.34	-4.70	-5.76	-6.58	-7.15
		6-LANES	MAX	52.52	46.65	38.32	27.57	14.71	0.00	8.50	15.82	22.36	27.53	31.53	34.31
			MIN	-49.32	-40.73	-30.79	-20.18	-9.72	0.00	-16.34	-33.80	-53.16	-72.30	-90.97	-107.96
		LIVE LOAD	MAX	52.52	46.65	38.32	27.57	14.71	0.00	8.50	15.82	22.36	27.53	31.53	34.31
			MIN	-49.32	-40.73	-30.79	-20.18	-9.72	0.00	-16.34	-33.80	-53.16	-72.30	-90.97	-107.96
303	SUM TOTAL	TOTAL	MAX	113.74	108.43	95.85	74.15	42.40	0.00	-28.78	-66.25	-113.72	-165.50	-219.91	-272.55
			MIN	11.90	21.06	26.74	26.39	17.98	0.00	-53.63	-115.87	-189.25	-265.33	-342.40	-414.82

BAGO RIVER BRIDGE

BLOCK [ No.1 : STRUCTURE NODE ] [ NODAL DISPLACEMENT ]

NODE		4040	4041	4042	4043	4044	4045	4046	4047	4048	4049	4050	4051	
NAME TITLE		TRANSZ DZ (mm)	TRANSZ DZ (mm)	TRANSZ DZ (mm)	TRANSZ DZ (mm)	TRANSZ DZ (mm)	TRANSZ DZ (mm)	TRANSZ DZ (mm)	TRANSZ DZ (mm)	TRANSZ DZ (mm)	TRANSZ DZ (mm)	TRANSZ DZ (mm)	TRANSZ DZ (mm)	
1	PAVEMENT	-55.82	-62.58	-67.99	-71.88	-74.27	-75.08	-74.26	-71.76	-67.61	-61.87	-54.61	-45.90	
3	RAILING	-1.73	-1.94	-2.10	-2.22	-2.29	-2.31	-2.29	-2.21	-2.08	-1.90	-1.68	-1.41	
5	CURB	-17.16	-19.19	-20.81	-21.97	-22.68	-22.91	-22.64	-21.87	-20.60	-18.85	-16.64	-13.99	
7	DECK WEIGHT	-92.07	-103.22	-112.16	-118.61	-122.60	-124.01	-122.72	-118.66	-111.88	-102.44	-90.49	-76.10	
8	GIRDER WEIGH	-132.69	-148.37	-160.85	-169.75	-175.13	-176.84	-174.71	-168.68	-158.80	-145.21	-128.10	-107.60	
10	MEDIAN STRIP	-29.86	-33.52	-36.52	-38.75	-40.23	-40.90	-40.70	-39.58	-37.54	-34.58	-30.71	-25.97	
21	ADITIONAL WE	-25.78	-28.90	-31.41	-33.21	-34.33	-34.72	-34.36	-33.23	-31.33	-28.68	-25.34	-21.31	
31	MEDIAN RAILI	-1.74	-1.95	-2.11	-2.23	-2.30	-2.32	-2.29	-2.21	-2.08	-1.90	-1.68	-1.41	
51	SUPPORT WEIG	-0.00	-0.00	-0.00	-0.00	-0.00	-0.00	-0.00	-0.00	-0.00	-0.00	-0.00	-0.00	
52	NOSE WEIGHT	-0.00	-0.00	-0.00	-0.00	-0.00	-0.00	-0.00	-0.00	-0.00	-0.00	-0.00	-0.00	
61	1-LANE(case1TRUCK-LOAD	MAX	3.51	3.64	3.69	3.67	3.58	3.43	3.23	2.98	2.70	2.38	2.03	1.66
		MIN	-8.02	-8.86	-9.54	-10.00	-10.21	-10.18	-9.94	-9.49	-8.83	-7.99	-6.97	-5.79
		TANDEM-LOAD MAX	2.38	2.47	2.51	2.49	2.43	2.33	2.20	2.03	1.84	1.62	1.38	1.13
		MIN	-5.45	-6.03	-6.48	-6.79	-6.93	-6.91	-6.75	-6.45	-6.00	-5.43	-4.73	-3.93
		DISPERSION-LMAX	4.78	4.96	5.03	5.00	4.88	4.68	4.41	4.07	3.68	3.25	2.77	2.26
62	1-LANE(case2TRUCK-LOAD	MAX	3.80	3.92	3.95	3.90	3.80	3.63	3.41	3.15	2.85	2.51	2.14	1.75
		MIN	-10.15	-11.25	-12.11	-12.69	-13.01	-13.03	-12.76	-12.22	-11.40	-10.33	-9.03	-7.51
		TANDEM-LOAD MAX	2.59	2.67	2.69	2.66	2.58	2.47	2.32	2.14	1.94	1.71	1.46	1.19
		MIN	-6.89	-7.63	-8.23	-8.63	-8.83	-8.85	-8.67	-8.30	-7.74	-7.01	-6.13	-5.10
		DISPERSION-LMAX	5.19	5.34	5.38	5.32	5.18	4.95	4.65	4.30	3.88	3.42	2.92	2.39
63	1-LANE(case3TRUCK-LOAD	MAX	4.04	4.14	4.15	4.09	3.97	3.79	3.56	3.28	2.97	2.62	2.23	1.82
		MIN	-11.82	-13.11	-14.13	-14.83	-15.25	-15.35	-15.12	-14.54	-13.61	-12.39	-10.87	-9.08
		TANDEM-LOAD MAX	2.75	2.82	2.82	2.78	2.70	2.58	2.42	2.24	2.02	1.78	1.52	1.24
		MIN	-8.03	-8.90	-9.59	-10.08	-10.35	-10.44	-10.27	-9.88	-9.26	-8.41	-7.38	-6.17
		DISPERSION-LMAX	5.50	5.63	5.65	5.57	5.40	5.16	4.85	4.47	4.04	3.56	3.04	2.48
	MIN	-23.45	-25.69	-27.38	-28.49	-29.06	-29.09	-28.53	-27.38	-25.66	-23.37	-20.56	-17.24	

BAGO RIVER BRIDGE

BLOCK [ No.1 : STRUCTURE NODE ] [ NODAL DISPLACEMENT ]

NODE		4040	4041	4042	4043	4044	4045	4046	4047	4048	4049	4050	4051	
NAME TITLE		TRANSZ DZ (mm)	TRANSZ DZ (mm)	TRANSZ DZ (mm)	TRANSZ DZ (mm)	TRANSZ DZ (mm)	TRANSZ DZ (mm)	TRANSZ DZ (mm)	TRANSZ DZ (mm)	TRANSZ DZ (mm)	TRANSZ DZ (mm)	TRANSZ DZ (mm)	TRANSZ DZ (mm)	
64	1-LANE (case4TRUCK-LOAD	MAX	4.54	4.60	4.58	4.49	4.34	4.13	3.88	3.57	3.23	2.84	2.43	1.98
		MIN	-14.09	-15.63	-16.83	-17.66	-18.20	-18.35	-18.14	-17.44	-16.38	-14.91	-13.09	-10.96
	TANDEM-LOAD	MAX	3.09	3.14	3.13	3.06	2.96	2.82	2.64	2.44	2.20	1.94	1.65	1.35
		MIN	-9.57	-10.61	-11.43	-12.01	-12.37	-12.50	-12.31	-11.87	-11.12	-10.13	-8.90	-7.44
	DISPERSION-LMAX		6.11	6.20	6.18	6.05	5.85	5.57	5.22	4.81	4.35	3.83	3.27	2.67
		MIN	-27.32	-29.89	-31.82	-33.07	-33.78	-33.90	-33.35	-32.10	-30.18	-27.59	-24.37	-20.51
65	2-LANES (caseTRUCK-LOAD	MAX	7.16	7.42	7.51	7.45	7.26	6.96	6.55	6.05	5.47	4.82	4.12	3.36
		MIN	-17.09	-18.91	-20.34	-21.34	-21.81	-21.78	-21.28	-20.32	-18.94	-17.14	-14.96	-12.43
	TANDEM-LOAD	MAX	4.87	5.04	5.10	5.07	4.94	4.73	4.45	4.11	3.72	3.28	2.80	2.29
		MIN	-11.60	-12.85	-13.83	-14.50	-14.80	-14.78	-14.46	-13.81	-12.87	-11.64	-10.16	-8.44
	DISPERSION-LMAX		9.77	10.12	10.24	10.17	9.91	9.50	8.94	8.26	7.47	6.58	5.62	4.59
		MIN	-34.90	-38.29	-40.86	-42.54	-43.23	-42.96	-41.79	-39.76	-36.91	-33.29	-28.97	-24.02
66	2-LANES (caseTRUCK-LOAD	MAX	7.46	7.69	7.76	7.69	7.48	7.16	6.73	6.22	5.62	4.96	4.23	3.45
		MIN	-19.22	-21.30	-22.91	-24.03	-24.60	-24.63	-24.10	-23.05	-21.51	-19.48	-17.01	-14.15
	TANDEM-LOAD	MAX	5.08	5.24	5.28	5.23	5.09	4.87	4.58	4.23	3.83	3.37	2.88	2.35
		MIN	-13.05	-14.46	-15.57	-16.33	-16.71	-16.72	-16.38	-15.67	-14.60	-13.22	-11.55	-9.61
	DISPERSION-LMAX		10.17	10.50	10.59	10.49	10.21	9.77	9.19	8.48	7.67	6.76	5.77	4.71
		MIN	-38.71	-42.44	-45.25	-47.09	-47.90	-47.71	-46.53	-44.39	-41.33	-37.39	-32.65	-27.16
67	2-LANES (caseTRUCK-LOAD	MAX	8.24	8.42	8.44	8.30	8.05	7.69	7.22	6.66	6.02	5.30	4.53	3.70
		MIN	-24.77	-27.46	-29.60	-31.06	-31.98	-32.20	-31.75	-30.53	-28.61	-26.04	-22.84	-19.09
	TANDEM-LOAD	MAX	5.61	5.74	5.75	5.66	5.49	5.24	4.92	4.54	4.10	3.61	3.08	2.52
		MIN	-16.81	-18.65	-20.09	-21.12	-21.71	-21.91	-21.56	-20.75	-19.45	-17.67	-15.52	-12.97
	DISPERSION-LMAX		11.21	11.46	11.48	11.30	10.95	10.46	9.82	9.06	8.18	7.21	6.16	5.03
		MIN	-48.83	-53.48	-56.97	-59.26	-60.49	-60.59	-59.47	-57.12	-53.57	-48.85	-43.02	-36.11
68	2-LANES (caseTRUCK-LOAD	MAX	8.91	9.05	9.02	8.84	8.55	8.15	7.65	7.05	6.36	5.61	4.79	3.91
		MIN	-27.04	-29.98	-32.30	-33.89	-34.92	-35.20	-34.76	-33.43	-31.37	-28.56	-25.07	-20.98
	TANDEM-LOAD	MAX	6.08	6.17	6.15	6.03	5.83	5.56	5.21	4.81	4.34	3.82	3.26	2.67
		MIN	-18.35	-20.36	-21.92	-23.05	-23.72	-23.96	-23.60	-22.74	-21.31	-19.39	-17.04	-14.24

BAGO RIVER BRIDGE

BLOCK [ No.1 : STRUCTURE NODE ] [ NODAL DISPLACEMENT ]

NODE		4040	4041	4042	4043	4044	4045	4046	4047	4048	4049	4050	4051
NAME TITLE		TRANSZ DZ (mm)	TRANSZ DZ (mm)	TRANSZ DZ (mm)	TRANSZ DZ (mm)	TRANSZ DZ (mm)	TRANSZ DZ (mm)	TRANSZ DZ (mm)	TRANSZ DZ (mm)	TRANSZ DZ (mm)	TRANSZ DZ (mm)	TRANSZ DZ (mm)	TRANSZ DZ (mm)
68	2-LANES (caseDISPERSION-LMAX	12.02	12.21	12.17	11.93	11.54	11.00	10.32	9.51	8.59	7.57	6.46	5.28
	MIN	-52.72	-57.68	-61.42	-63.85	-65.21	-65.39	-64.28	-61.84	-58.09	-53.07	-46.83	-39.38
69	3-LANES (caseTRUCK-LOAD MAX	10.97	11.33	11.45	11.35	11.06	10.59	9.96	9.20	8.32	7.33	6.26	5.11
	MIN	-27.24	-30.16	-32.45	-34.03	-34.81	-34.81	-34.04	-32.54	-30.34	-27.47	-23.98	-19.94
	TANDEM-LOAD MAX	7.46	7.71	7.79	7.72	7.52	7.20	6.78	6.26	5.66	4.99	4.26	3.48
	MIN	-18.50	-20.48	-22.05	-23.12	-23.63	-23.63	-23.13	-22.11	-20.61	-18.65	-16.29	-13.54
	DISPERSION-LMAX	14.96	15.46	15.62	15.49	15.09	14.45	13.59	12.55	11.35	10.01	8.54	6.97
	MIN	-55.22	-60.55	-64.58	-67.23	-68.36	-68.01	-66.25	-63.12	-58.68	-53.02	-46.22	-38.39
70	3-LANES (caseTRUCK-LOAD MAX	12.60	12.86	12.87	12.65	12.26	11.70	10.99	10.13	9.15	8.07	6.89	5.62
	MIN	-38.86	-43.09	-46.43	-48.72	-50.18	-50.55	-49.89	-47.98	-44.99	-40.95	-35.93	-30.05
	TANDEM-LOAD MAX	8.59	8.77	8.77	8.62	8.36	7.97	7.49	6.90	6.24	5.50	4.69	3.83
	MIN	-26.38	-29.26	-31.52	-33.13	-34.07	-34.40	-33.87	-32.63	-30.57	-27.81	-24.42	-20.41
	DISPERSION-LMAX	17.13	17.48	17.48	17.19	16.66	15.90	14.92	13.76	12.43	10.96	9.35	7.64
	MIN	-76.15	-83.36	-88.79	-92.34	-94.28	-94.49	-92.82	-89.23	-83.76	-76.45	-67.39	-56.63
71	3-LANES (caseTRUCK-LOAD MAX	13.12	13.35	13.32	13.07	12.65	12.06	11.31	10.43	9.42	8.30	7.09	5.79
	MIN	-38.86	-43.09	-46.43	-48.72	-50.18	-50.55	-49.89	-47.97	-44.99	-40.95	-35.93	-30.05
	TANDEM-LOAD MAX	8.94	9.10	9.08	8.91	8.62	8.22	7.71	7.11	6.42	5.66	4.83	3.94
	MIN	-26.38	-29.26	-31.52	-33.13	-34.07	-34.40	-33.87	-32.62	-30.57	-27.80	-24.41	-20.41
	DISPERSION-LMAX	17.71	18.02	17.99	17.65	17.08	16.29	15.29	14.09	12.73	11.22	9.58	7.82
	MIN	-76.18	-83.38	-88.80	-92.34	-94.27	-94.49	-92.82	-89.22	-83.75	-76.44	-67.38	-56.62
72	4-LANES TRUCK-LOAD MAX	17.07	17.40	17.38	17.08	16.54	15.78	14.81	13.65	12.33	10.87	9.28	7.58
	MIN	-4.79	-4.91	-4.92	-4.85	-4.70	-4.49	-4.22	-3.89	-3.51	-3.10	-2.64	-2.16
	TANDEM-LOAD MAX	11.69	11.91	11.90	11.69	11.32	10.80	10.13	9.34	8.44	7.44	6.35	5.18
	MIN	-3.26	-3.34	-3.34	-3.29	-3.20	-3.05	-2.87	-2.64	-2.39	-2.11	-1.80	-1.47
	DISPERSION-LMAX	13.83	14.10	14.10	13.86	13.43	12.81	12.03	11.09	10.02	8.83	7.54	6.15
	MIN	-6.76	-6.92	-6.94	-6.83	-6.63	-6.33	-5.95	-5.48	-4.96	-4.37	-3.73	-3.04
73	6-LANES TRUCK-LOAD MAX	24.09	24.69	24.77	24.42	23.71	22.65	21.28	19.63	17.74	15.64	13.35	10.90
	MIN	-66.11	-73.26	-78.89	-82.76	-84.99	-85.35	-83.87	-80.47	-75.25	-68.34	-59.85	-49.92

BAGO RIVER BRIDGE

BLOCK [ No.1 : STRUCTURE NODE ] [ NODAL DISPLACEMENT ]

NODE			4040	4041	4042	4043	4044	4045	4046	4047	4048	4049	4050	4051
NAME TITLE			TRANSZ DZ (mm)	TRANSZ DZ (mm)	TRANSZ DZ (mm)	TRANSZ DZ (mm)	TRANSZ DZ (mm)	TRANSZ DZ (mm)	TRANSZ DZ (mm)	TRANSZ DZ (mm)	TRANSZ DZ (mm)	TRANSZ DZ (mm)	TRANSZ DZ (mm)	TRANSZ DZ (mm)
73	6-LANES	TANDEM-LOAD MAX	16.41	16.81	16.87	16.64	16.15	15.43	14.49	13.37	12.08	10.65	9.09	7.42
		MIN	-44.88	-49.76	-53.58	-56.26	-57.70	-58.03	-56.98	-54.68	-51.13	-46.41	-40.65	-33.91
		DISPERSION-LMAX	31.42	32.20	32.30	31.85	30.91	29.53	27.74	25.59	23.13	20.39	17.40	14.21
		MIN	-122.72	-134.32	-143.03	-148.68	-151.43	-151.20	-147.91	-141.57	-132.28	-120.16	-105.39	-88.09
124	SUM TOTAL	D+1LANE (caseMAX	-346.90	-389.34	-423.49	-448.21	-463.66	-469.37	-464.81	-449.73	-424.26	-388.68	-343.48	-288.99
		MIN	-386.27	-432.04	-468.60	-494.79	-510.61	-515.68	-509.56	-492.05	-463.34	-423.77	-373.89	-314.11
		D+1LANE (caseMAX	-346.06	-388.56	-422.76	-447.55	-463.05	-468.80	-464.29	-449.26	-423.84	-388.31	-343.16	-288.73
		MIN	-393.41	-439.88	-476.95	-503.46	-519.57	-524.79	-518.63	-500.89	-471.73	-431.51	-380.77	-319.95
		D+1LANE (caseMAX	-345.40	-387.95	-422.20	-447.03	-462.58	-468.36	-463.89	-448.89	-423.51	-388.03	-342.91	-288.53
		MIN	-399.17	-446.23	-483.76	-510.60	-527.00	-532.43	-526.36	-508.51	-479.04	-438.35	-386.95	-325.27
		D+1LANE (caseMAX	-344.07	-386.70	-421.05	-445.97	-461.60	-467.45	-463.05	-448.13	-422.83	-387.43	-342.40	-288.11
		MIN	-406.55	-454.29	-492.33	-519.49	-536.20	-541.80	-535.75	-517.65	-487.79	-446.44	-394.19	-331.46
		D+2LANES (casMAX	-339.92	-382.14	-416.21	-441.00	-456.64	-462.65	-458.49	-443.89	-418.98	-384.03	-339.50	-285.75
		MIN	-408.84	-456.87	-495.15	-522.50	-538.86	-543.84	-537.05	-518.28	-487.76	-445.86	-393.17	-330.14
		D+2LANES (casMAX	-339.22	-381.48	-415.60	-440.45	-456.13	-462.18	-458.06	-443.50	-418.63	-383.72	-339.24	-285.53
		MIN	-414.79	-463.40	-502.11	-529.73	-546.32	-551.44	-544.60	-525.64	-494.76	-452.31	-398.91	-335.01
		D+2LANES (casMAX	-337.40	-379.79	-414.04	-439.02	-454.81	-460.95	-456.93	-442.48	-417.72	-382.92	-338.56	-284.97
		MIN	-430.45	-480.61	-520.53	-548.94	-566.28	-571.89	-565.19	-545.85	-514.10	-470.32	-415.11	-348.89
		D+2LANES (casMAX	-335.92	-378.41	-412.76	-437.84	-453.72	-459.94	-456.01	-441.64	-416.96	-382.26	-337.99	-284.51
		MIN	-436.61	-487.33	-527.67	-556.36	-573.95	-579.69	-573.02	-553.47	-521.39	-477.06	-421.13	-354.05
		D+3LANES (casMAX	-334.81	-376.89	-410.94	-435.80	-451.59	-457.82	-453.95	-439.71	-415.20	-380.69	-336.66	-283.42
		MIN	-426.94	-476.77	-516.43	-544.69	-561.51	-566.50	-559.22	-539.51	-507.58	-463.85	-408.92	-343.27
		D+3LANES (casMAX	-331.58	-373.88	-408.16	-433.25	-449.23	-455.64	-451.95	-437.89	-413.57	-379.26	-335.44	-282.42
		MIN	-454.61	-507.16	-548.89	-578.52	-596.61	-602.39	-595.28	-574.82	-541.35	-495.22	-437.07	-367.37
		D+3LANES (casMAX	-330.65	-373.00	-407.35	-432.51	-448.55	-455.00	-451.36	-437.35	-413.09	-378.85	-335.08	-282.13
		MIN	-454.64	-507.17	-548.90	-578.52	-596.60	-602.38	-595.27	-574.81	-541.34	-495.22	-437.06	-367.36
		D+4LANES MAX	-336.77	-379.19	-413.49	-438.51	-454.34	-460.52	-456.53	-442.11	-417.39	-382.63	-338.31	-284.77
		MIN	-364.36	-407.36	-441.66	-466.21	-481.18	-486.13	-480.58	-464.29	-437.42	-400.29	-353.38	-297.07

BAGO RIVER BRIDGE

BLOCK [ No.1 : STRUCTURE NODE ] [ NODAL DISPLACEMENT ]

NODE				4040	4041	4042	4043	4044	4045	4046	4047	4048	4049	4050	4051
NAME TITLE				TRANSZ DZ (mm)	TRANSZ DZ (mm)	TRANSZ DZ (mm)	TRANSZ DZ (mm)	TRANSZ DZ (mm)	TRANSZ DZ (mm)	TRANSZ DZ (mm)	TRANSZ DZ (mm)	TRANSZ DZ (mm)	TRANSZ DZ (mm)	TRANSZ DZ (mm)	TRANSZ DZ (mm)
124	SUM TOTAL	D+6LANES	MAX	-320.77	-362.70	-396.86	-422.04	-438.32	-445.18	-442.11	-428.80	-405.35	-372.02	-329.25	-277.37
			MIN	-479.58	-534.60	-578.20	-609.06	-627.49	-632.86	-624.64	-602.52	-566.81	-517.96	-456.64	-383.40
		SUM TOTAL	MAX	-320.77	-362.70	-396.86	-422.04	-438.32	-445.18	-442.11	-428.80	-405.35	-372.02	-329.25	-277.37
			MIN	-479.58	-534.60	-578.20	-609.06	-627.49	-632.86	-624.64	-602.52	-566.81	-517.96	-456.64	-383.40
300	DEAD LOAD	TOTAL		-356.85	-399.67	-433.96	-458.62	-473.82	-479.10	-473.97	-458.20	-431.92	-395.44	-349.24	-293.69
301	LIVE LOAD	1-LANE (case1	MAX	9.95	10.33	10.47	10.41	10.15	9.73	9.16	8.46	7.66	6.75	5.76	4.70
			MIN	-29.42	-32.37	-34.65	-36.17	-36.79	-36.58	-35.59	-33.86	-31.42	-28.33	-24.65	-20.42
		1-LANE (case2	MAX	10.79	11.11	11.19	11.07	10.77	10.30	9.68	8.94	8.08	7.12	6.08	4.96
			MIN	-36.56	-40.21	-43.00	-44.85	-45.75	-45.69	-44.65	-42.69	-39.81	-36.07	-31.53	-26.26
		1-LANE (case3	MAX	11.44	11.72	11.75	11.58	11.24	10.74	10.08	9.30	8.41	7.41	6.33	5.16
			MIN	-42.33	-46.56	-49.81	-51.98	-53.18	-53.33	-52.39	-50.31	-47.13	-42.92	-37.71	-31.57
		1-LANE (case4	MAX	12.78	12.97	12.91	12.64	12.22	11.65	10.92	10.06	9.09	8.01	6.84	5.58
			MIN	-49.70	-54.62	-58.37	-60.88	-62.38	-62.70	-61.78	-59.45	-55.87	-51.00	-44.95	-37.77
		2-LANES (case	MAX	16.93	17.53	17.75	17.62	17.18	16.45	15.48	14.30	12.94	11.41	9.74	7.95
			MIN	-51.99	-57.20	-61.20	-63.88	-65.04	-64.74	-63.07	-60.09	-55.84	-50.43	-43.93	-36.45
		2-LANES (case	MAX	17.63	18.19	18.35	18.17	17.69	16.93	15.92	14.70	13.29	11.72	10.00	8.16
			MIN	-57.94	-63.74	-68.16	-71.11	-72.51	-72.34	-70.63	-67.44	-62.84	-56.87	-49.67	-41.31
		2-LANES (case	MAX	19.45	19.88	19.91	19.60	19.01	18.15	17.04	15.72	14.20	12.52	10.69	8.72
			MIN	-73.61	-80.94	-86.57	-90.33	-92.46	-92.78	-91.22	-87.65	-82.18	-74.89	-65.86	-55.20
		2-LANES (case	MAX	20.92	21.26	21.19	20.78	20.10	19.16	17.97	16.56	14.96	13.18	11.25	9.19
			MIN	-79.76	-87.66	-93.72	-97.74	-100.13	-100.59	-99.05	-95.27	-89.47	-81.62	-71.89	-60.36
		3-LANES (case	MAX	22.03	22.78	23.01	22.82	22.23	21.28	20.02	18.49	16.72	14.74	12.59	10.27
			MIN	-70.09	-77.10	-82.47	-86.07	-87.69	-87.39	-85.24	-81.31	-75.67	-68.41	-59.67	-49.58
		3-LANES (case	MAX	25.27	25.79	25.80	25.37	24.58	23.46	22.02	20.31	18.35	16.17	13.81	11.27
			MIN	-97.76	-107.49	-114.94	-119.90	-122.79	-123.29	-121.30	-116.62	-109.43	-99.79	-87.83	-73.68
		3-LANES (case	MAX	26.20	26.67	26.61	26.11	25.27	24.10	22.61	20.84	18.82	16.59	14.16	11.56
			MIN	-97.79	-107.50	-114.94	-119.90	-122.78	-123.28	-121.30	-116.61	-109.43	-99.78	-87.82	-73.67

BAGO RIVER BRIDGE

BLOCK [ No. 1 : STRUCTURE NODE ] [ NODAL DISPLACEMENT ]

NODE				4040	4041	4042	4043	4044	4045	4046	4047	4048	4049	4050	4051
NAME TITLE				TRANSZ	TRANSZ	TRANSZ	TRANSZ	TRANSZ	TRANSZ	TRANSZ	TRANSZ	TRANSZ	TRANSZ	TRANSZ	TRANSZ
				DZ (mm)	DZ (mm)	DZ (mm)	DZ (mm)	DZ (mm)	DZ (mm)	DZ (mm)	DZ (mm)	DZ (mm)	DZ (mm)	DZ (mm)	DZ (mm)
301	LIVE LOAD	4-LANES	MAX	20.08	20.48	20.46	20.11	19.48	18.58	17.44	16.08	14.53	12.80	10.93	8.92
			MIN	-7.51	-7.69	-7.71	-7.59	-7.36	-7.03	-6.61	-6.09	-5.51	-4.85	-4.14	-3.38
	6-LANES	MAX	36.08	36.97	37.10	36.58	35.50	33.92	31.86	29.39	26.56	23.42	19.99	16.32	
		MIN	-122.74	-134.93	-144.24	-150.44	-153.67	-153.76	-150.66	-144.33	-134.90	-122.52	-107.40	-89.71	
	LIVE LOAD	MAX	36.08	36.97	37.10	36.58	35.50	33.92	31.86	29.39	26.56	23.42	19.99	16.32	
		MIN	-122.74	-134.93	-144.24	-150.44	-153.67	-153.76	-150.66	-144.33	-134.90	-122.52	-107.40	-89.71	
303	SUM TOTAL	TOTAL	MAX	-320.77	-362.70	-396.86	-422.04	-438.32	-445.18	-442.11	-428.80	-405.35	-372.02	-329.25	-277.37
			MIN	-479.58	-534.60	-578.20	-609.06	-627.49	-632.86	-624.64	-602.52	-566.81	-517.96	-456.64	-383.40

BAGO RIVER BRIDGE

BLOCK [ No. 1 : STRUCTURE NODE ] [ NODAL DISPLACEMENT ]

NODE		4052	4053	4054	4055	
		TRANSZ	TRANSZ	TRANSZ	TRANSZ	
NAME	TITLE	DZ (mm)	DZ (mm)	DZ (mm)	DZ (mm)	
1	PAVEMENT	-35.85	-24.49	-12.51	0.00	
3	RAILING	-1.11	-0.76	-0.39	0.00	
5	CURB	-10.94	-7.48	-3.83	0.00	
7	DECK WEIGHT	-59.47	-40.65	-20.78	0.00	
8	GIRDER WEIGH	-84.00	-57.37	-29.30	0.00	
10	MEDIAN STRIP	-20.38	-13.98	-7.16	0.00	
21	ADITIONAL WE	-16.65	-11.38	-5.82	0.00	
31	MEDIAN RAILI	-1.10	-0.75	-0.38	0.00	
51	SUPPORT WEIG	-0.00	-0.00	-0.00	-0.00	
52	NOSE WEIGHT	-0.00	-0.00	-0.00	0.00	
61	1-LANE(case1TRUCK-LOAD	MAX	1.26	0.84	0.43	0.00
		MIN	-4.47	-3.02	-1.53	0.00
	TANDEM-LOAD	MAX	0.86	0.57	0.29	0.00
		MIN	-3.03	-2.05	-1.04	0.00
	DISPERSION-LMAX		1.72	1.15	0.58	0.00
		MIN	-8.63	-5.82	-2.95	0.00
62	1-LANE(case2TRUCK-LOAD	MAX	1.33	0.89	0.45	0.00
		MIN	-5.81	-3.94	-2.00	0.00
	TANDEM-LOAD	MAX	0.91	0.61	0.31	0.00
		MIN	-3.95	-2.68	-1.36	0.00
	DISPERSION-LMAX		1.82	1.22	0.61	0.00
		MIN	-11.14	-7.55	-3.84	0.00
63	1-LANE(case3TRUCK-LOAD	MAX	1.39	0.93	0.47	0.00
		MIN	-7.05	-4.79	-2.44	0.00
	TANDEM-LOAD	MAX	0.95	0.63	0.32	0.00
		MIN	-4.79	-3.25	-1.66	0.00
	DISPERSION-LMAX		1.89	1.27	0.64	0.00
		MIN	-13.44	-9.17	-4.68	0.00



BAGO RIVER BRIDGE

BLOCK [ No.1 : STRUCTURE NODE ] [ NODAL DISPLACEMENT ]

NODE		4052	4053	4054	4055	
NAME TITLE		TRANSZ DZ (mm)	TRANSZ DZ (mm)	TRANSZ DZ (mm)	TRANSZ DZ (mm)	
64	1-LANE (case4TRUCK-LOAD	MAX	1.51	1.01	0.51	0.00
		MIN	-8.53	-5.81	-2.96	0.00
	TANDEM-LOAD	MAX	1.03	0.69	0.35	0.00
		MIN	-5.79	-3.95	-2.01	0.00
	DISPERSION-LMAX		2.04	1.37	0.69	0.00
		MIN	-16.07	-11.02	-5.64	0.00
65	2-LANES (caseTRUCK-LOAD	MAX	2.56	1.71	0.86	0.00
		MIN	-9.60	-6.49	-3.29	0.00
	TANDEM-LOAD	MAX	1.74	1.17	0.59	0.00
		MIN	-6.52	-4.41	-2.24	0.00
	DISPERSION-LMAX		3.49	2.34	1.18	0.00
		MIN	-18.51	-12.50	-6.34	0.00
66	2-LANES (caseTRUCK-LOAD	MAX	2.63	1.76	0.89	0.00
		MIN	-10.95	-7.41	-3.77	0.00
	TANDEM-LOAD	MAX	1.79	1.20	0.60	0.00
		MIN	-7.44	-5.04	-2.56	0.00
	DISPERSION-LMAX		3.59	2.40	1.21	0.00
		MIN	-21.01	-14.23	-7.23	0.00
67	2-LANES (caseTRUCK-LOAD	MAX	2.82	1.89	0.95	0.00
		MIN	-14.83	-10.09	-5.14	0.00
	TANDEM-LOAD	MAX	1.92	1.29	0.65	0.00
		MIN	-10.07	-6.85	-3.49	0.00
	DISPERSION-LMAX		3.83	2.57	1.29	0.00
		MIN	-28.19	-19.26	-9.84	0.00
68	2-LANES (caseTRUCK-LOAD	MAX	2.98	2.00	1.01	0.00
		MIN	-16.32	-11.11	-5.66	0.00
	TANDEM-LOAD	MAX	2.03	1.36	0.69	0.00
		MIN	-11.08	-7.54	-3.84	0.00

BAGO RIVER BRIDGE

BLOCK [ No.1 : STRUCTURE NODE ] [ NODAL DISPLACEMENT ]

NODE		4052	4053	4054	4055
NAME TITLE		TRANSZ DZ (mm)	TRANSZ DZ (mm)	TRANSZ DZ (mm)	TRANSZ DZ (mm)
68	2-LANES (caseDISPERSION-LMAX	4.02	2.70	1.36	0.00
	MIN	-30.82	-21.11	-10.80	0.00
69	3-LANES (caseTRUCK-LOAD MAX	3.89	2.61	1.31	0.00
	MIN	-15.41	-10.43	-5.30	0.00
	TANDEM-LOAD MAX	2.65	1.77	0.89	0.00
	MIN	-10.47	-7.08	-3.60	0.00
	DISPERSION-LMAX	5.31	3.56	1.79	0.00
70	3-LANES (caseTRUCK-LOAD MAX	4.29	2.87	1.45	0.00
	MIN	-23.37	-15.91	-8.10	0.00
	TANDEM-LOAD MAX	2.92	1.96	0.99	0.00
	MIN	-15.86	-10.80	-5.50	0.00
	DISPERSION-LMAX	5.82	3.90	1.97	0.00
71	3-LANES (caseTRUCK-LOAD MAX	4.41	2.96	1.49	0.00
	MIN	-23.37	-15.91	-8.10	0.00
	TANDEM-LOAD MAX	3.01	2.02	1.02	0.00
	MIN	-15.86	-10.80	-5.50	0.00
	DISPERSION-LMAX	5.96	4.00	2.02	0.00
72	4-LANES TRUCK-LOAD MAX	5.78	3.87	1.95	0.00
	MIN	-1.65	-1.10	-0.56	0.00
	TANDEM-LOAD MAX	3.95	2.65	1.34	0.00
	MIN	-1.12	-0.75	-0.38	0.00
	DISPERSION-LMAX	4.69	3.14	1.59	0.00
73	6-LANES TRUCK-LOAD MAX	8.31	5.56	2.81	0.00
	MIN	-38.72	-26.29	-13.37	0.00

BAGO RIVER BRIDGE

BLOCK [ No. 1 : STRUCTURE NODE ] [ NODAL DISPLACEMENT ]

NODE			4052	4053	4054	4055
NAME TITLE			TRANSZ DZ (mm)	TRANSZ DZ (mm)	TRANSZ DZ (mm)	TRANSZ DZ (mm)
73	6-LANES	TANDEM-LOAD MAX	5.66	3.79	1.91	0.00
		MIN	-26.29	-17.85	-9.08	0.00
		DISPERSION-LMAX	10.83	7.25	3.66	0.00
		MIN	-68.49	-46.63	-23.77	0.00
124	SUM TOTAL	D+1LANE (caseMAX	-225.93	-154.47	-78.95	-0.00
		MIN	-245.23	-167.47	-85.54	-0.00
		D+1LANE (caseMAX	-225.73	-154.34	-78.89	-0.00
		MIN	-249.85	-170.67	-87.18	-0.00
		D+1LANE (caseMAX	-225.57	-154.23	-78.83	-0.00
		MIN	-254.09	-173.63	-88.70	-0.00
		D+1LANE (caseMAX	-225.25	-154.02	-78.72	-0.00
		MIN	-259.03	-177.07	-90.48	-0.00
		D+2LANES (casMAX	-223.45	-152.82	-78.12	-0.00
		MIN	-257.61	-175.86	-89.80	-0.00
		D+2LANES (casMAX	-223.29	-152.71	-78.06	-0.00
		MIN	-261.46	-178.52	-91.16	-0.00
		D+2LANES (casMAX	-222.86	-152.42	-77.92	-0.00
		MIN	-272.53	-186.23	-95.13	-0.00
		D+2LANES (casMAX	-222.50	-152.17	-77.79	-0.00
		MIN	-276.65	-189.10	-96.62	-0.00
		D+3LANES (casMAX	-221.68	-151.63	-77.52	-0.00
		MIN	-267.81	-182.78	-93.32	-0.00
		D+3LANES (casMAX	-220.91	-151.11	-77.26	-0.00
		MIN	-287.00	-196.13	-100.20	-0.00
		D+3LANES (casMAX	-220.69	-150.96	-77.18	-0.00
		MIN	-286.99	-196.13	-100.20	-0.00
		D+4LANES MAX	-222.70	-152.31	-77.86	-0.00
		MIN	-232.08	-158.60	-81.03	-0.00

BAGO RIVER BRIDGE

BLOCK [ No.1 : STRUCTURE NODE ] [ NODAL DISPLACEMENT ]

NODE				4052	4053	4054	4055
NAME TITLE				TRANSZ DZ (mm)	TRANSZ DZ (mm)	TRANSZ DZ (mm)	TRANSZ DZ (mm)
124	SUM TOTAL	D+6LANES	MAX	-217.07	-148.54	-75.96	-0.00
			MIN	-299.20	-204.27	-104.30	-0.00
		SUM TOTAL	MAX	-217.07	-148.54	-75.96	-0.00
			MIN	-299.20	-204.27	-104.30	-0.00
300	DEAD LOAD	TOTAL		-229.51	-156.87	-80.16	-0.00
301	LIVE LOAD	1-LANE (case1	MAX	3.58	2.40	1.21	0.00
			MIN	-15.72	-10.60	-5.38	0.00
		1-LANE (case2	MAX	3.78	2.53	1.28	0.00
			MIN	-20.34	-13.79	-7.01	0.00
		1-LANE (case3	MAX	3.94	2.64	1.33	0.00
			MIN	-24.58	-16.76	-8.54	0.00
		1-LANE (case4	MAX	4.26	2.85	1.44	0.00
			MIN	-29.53	-20.20	-10.32	0.00
		2-LANES (case	MAX	6.05	4.05	2.04	0.00
			MIN	-28.11	-18.99	-9.64	0.00
		2-LANES (case	MAX	6.22	4.16	2.10	0.00
			MIN	-31.96	-21.65	-11.00	0.00
		2-LANES (case	MAX	6.65	4.46	2.25	0.00
			MIN	-43.03	-29.36	-14.97	0.00
		2-LANES (case	MAX	7.01	4.70	2.37	0.00
			MIN	-47.14	-32.23	-16.46	0.00
		3-LANES (case	MAX	7.82	5.24	2.64	0.00
			MIN	-38.30	-25.91	-13.16	0.00
		3-LANES (case	MAX	8.59	5.76	2.90	0.00
			MIN	-57.49	-39.26	-20.04	0.00
		3-LANES (case	MAX	8.82	5.91	2.98	0.00
			MIN	-57.48	-39.26	-20.04	0.00

BAGO RIVER BRIDGE

BLOCK [ No. 1 : STRUCTURE NODE ] [ NODAL DISPLACEMENT ]

NODE				4052	4053	4054	4055
NAME TITLE				TRANSZ DZ (mm)	TRANSZ DZ (mm)	TRANSZ DZ (mm)	TRANSZ DZ (mm)
301	LIVE LOAD	4-LANES	MAX	6.80	4.56	2.30	0.00
			MIN	-2.58	-1.73	-0.87	0.00
	6-LANES	MAX	12.44	8.33	4.20	0.00	
		MIN	-69.69	-47.40	-24.14	0.00	
	LIVE LOAD	MAX	12.44	8.33	4.20	0.00	
		MIN	-69.69	-47.40	-24.14	0.00	
303	SUM TOTAL	TOTAL	MAX	-217.07	-148.54	-75.96	-0.00
			MIN	-299.20	-204.27	-104.30	-0.00

BAGO RIVER BRIDGE

BLOCK [ No.1 : MAIN GIRDER ][ BEAM MEMBER FORCE ]

MEMBER NODE	1001			1002			1002			1003				
	SHEAR S2 (kN)	TORQUE TQ (kN·m)	MOMENT M3 (kN·m)	SHEAR S2 (kN)	TORQUE TQ (kN·m)	MOMENT M3 (kN·m)	SHEAR S2 (kN)	TORQUE TQ (kN·m)	MOMENT M3 (kN·m)	SHEAR S2 (kN)	TORQUE TQ (kN·m)	MOMENT M3 (kN·m)		
1 PAVEMENT	280.95	14.33	-0.02	235.12	14.33	1204.98	235.12	17.13	1204.94	189.33	17.13	2195.33		
3 RAILING	9.56	-6.48	0.01	5.69	-6.48	35.63	5.69	-6.39	35.64	1.83	-6.39	53.19		
5 CURB	94.65	-64.11	0.10	56.36	-64.11	352.71	56.36	-63.29	352.85	18.11	-63.29	526.62		
7 DECK WEIGHT	445.45	-24.85	0.04	369.97	-24.85	1904.01	369.97	-20.42	1904.07	294.54	-20.42	3454.60		
8 GIRDER WEIGH	557.94	-373.77	0.60	470.64	-373.77	2402.28	470.64	-368.18	2403.14	383.40	-368.18	4395.89		
10 MEDIAN STRIP	84.04	-80.59	0.13	84.04	-80.59	392.61	84.04	-79.67	392.80	84.04	-79.67	785.00		
21 ADITIONAL WE	124.73	-6.96	0.01	103.59	-6.96	533.12	103.59	-5.72	533.14	82.47	-5.72	967.29		
31 MEDIAN RAILI	6.64	-6.37	0.01	6.64	-6.37	31.00	6.64	-6.30	31.02	6.64	-6.30	61.98		
51 SUPPORT WEIG	0.00	0.00	-0.00	0.00	0.00	0.00	0.00	0.00	0.00	0.00	0.00	0.00		
52 NOSE WEIGHT	0.09	-0.42	0.00	0.09	-0.42	0.40	0.09	-0.41	0.40	0.09	-0.41	0.80		
61 1-LANE(case1TRUCK-LOAD	MAX	S2	372.22	-123.84	0.20	228.89	-294.70	1069.39	228.89	-292.21	1070.08	140.64	-387.79	1314.66
		TQ	-7.57	41.53	-0.07	-7.57	41.53	-35.43	-7.57	41.44	-35.53	-7.57	41.44	-70.87
		M3	102.21	-414.14	0.67	228.90	-294.69	1069.40	228.90	-292.21	1070.08	140.64	-387.79	1314.66
	MIN	S2	-7.87	39.15	-0.06	-83.27	-102.25	675.39	-83.27	-100.68	675.63	-219.08	-262.70	1031.11
		TQ	102.21	-414.14	0.67	102.21	-414.14	477.97	102.21	-413.02	478.93	102.21	-413.02	955.90
		M3	-7.57	41.53	-0.07	-7.87	39.15	-36.84	-7.87	39.06	-36.93	-7.87	39.06	-73.68
	TANDEM-LOAD MAX	S2	305.58	-18.51	0.03	192.33	-156.86	898.40	192.33	-154.77	898.76	111.71	-248.20	1043.98
		TQ	-5.22	28.26	-0.05	-5.22	28.26	-24.41	-5.22	28.21	-24.47	-5.22	28.21	-48.82
		M3	75.08	-281.64	0.45	192.33	-156.85	898.40	192.33	-154.76	898.77	111.71	-248.20	1043.98
	MIN	S2	-5.37	26.93	-0.04	-102.11	-125.38	828.18	-102.11	-123.46	828.47	-192.77	-230.40	1002.64
		TQ	75.08	-281.64	0.45	75.08	-281.64	351.09	75.08	-280.83	351.74	75.08	-280.83	702.13
		M3	-5.22	28.26	-0.05	-5.37	26.93	-25.12	-5.37	26.87	-25.18	-5.37	26.87	-50.24
	DISPERSION-LMAX	S2	157.08	-469.94	0.76	112.52	-457.72	526.18	112.52	-456.49	527.24	85.25	-423.73	797.61
		TQ	-9.40	46.67	-0.08	-9.40	46.67	-43.98	-9.40	46.57	-44.09	-9.40	46.57	-87.96
		M3	157.08	-469.94	0.76	102.57	-469.94	606.89	102.57	-468.52	607.98	47.99	-468.52	959.02
	MIN	S2	-9.40	46.67	-0.08	-19.35	34.45	36.74	-19.35	34.54	36.66	-46.66	1.78	73.44
		TQ	157.08	-469.94	0.76	102.57	-469.94	606.89	102.57	-468.52	607.98	47.99	-468.52	959.02
		M3	-9.40	46.67	-0.08	-9.40	46.67	-43.98	-9.40	46.57	-44.09	-9.40	46.57	-87.96

BAGO RIVER BRIDGE

BLOCK [ No.1 : MAIN GIRDER ][ BEAM MEMBER FORCE ]

MEMBER				1001			1002			1003					
NODE				1001			1002			1003					
				SHEAR	TORQUE	MOMENT	SHEAR	TORQUE	MOMENT	SHEAR	TORQUE	MOMENT			
NAME	TITLE			S2 (kN)	TQ (kN·m)	M3 (kN·m)	S2 (kN)	TQ (kN·m)	M3 (kN·m)	S2 (kN)	TQ (kN·m)	M3 (kN·m)			
62	1-LANE (case2TRUCK-LOAD	MAX	S2	93.20	-84.69	0.14	93.20	-84.69	435.38	93.20	-83.67	435.57	93.20	-83.67	870.51
			TQ	-7.13	19.36	-0.03	-7.13	19.36	-33.32	-7.13	19.28	-33.37	-7.13	19.28	-66.63
			M3	59.56	-153.41	0.25	93.20	-84.69	435.38	93.20	-83.67	435.57	93.20	-83.67	870.51
		MIN	S2	-7.46	18.42	-0.03	-7.46	18.42	-34.88	-7.46	18.34	-34.92	-7.46	18.34	-69.75
			TQ	59.56	-153.41	0.25	59.56	-153.41	278.37	59.56	-152.76	278.73	59.56	-152.76	556.67
			M3	-7.13	19.36	-0.03	-7.46	18.42	-34.88	-7.46	18.34	-34.92	-7.46	18.34	-69.75
		TANDEM-LOAD MAX	S2	64.18	-65.35	0.11	64.18	-65.35	299.83	64.18	-64.65	299.98	64.18	-64.65	599.50
			TQ	-4.92	13.19	-0.02	-4.92	13.19	-22.98	-4.92	13.13	-23.01	-4.92	13.13	-45.95
			M3	39.10	-104.62	0.17	64.18	-65.35	299.83	64.18	-64.65	299.98	64.18	-64.65	599.50
		MIN	S2	-5.09	12.66	-0.02	-5.09	12.66	-23.77	-5.09	12.60	-23.80	-5.09	12.60	-47.54
			TQ	39.10	-104.62	0.17	39.10	-104.62	182.78	39.10	-104.20	183.02	39.10	-104.20	365.50
			M3	-4.92	13.19	-0.02	-5.09	12.66	-23.77	-5.09	12.60	-23.80	-5.09	12.60	-47.54
		DISPERSION-LMAX	S2	82.56	-169.00	0.27	81.58	-169.00	383.53	81.58	-168.11	383.92	80.61	-168.11	762.38
			TQ	-8.88	21.93	-0.04	-8.88	21.93	-41.49	-8.88	21.83	-41.54	-8.88	21.83	-82.97
			M3	82.56	-169.00	0.27	81.58	-169.00	383.53	81.58	-168.11	383.92	80.61	-168.11	762.38
MIN	S2	-8.88	21.93	-0.04	-8.88	21.93	-41.49	-8.88	21.83	-41.54	-8.88	21.83	-82.97		
	TQ	82.56	-169.00	0.27	81.58	-169.00	383.53	81.58	-168.11	383.92	80.61	-168.11	762.38		
	M3	-8.88	21.93	-0.04	-8.88	21.93	-41.49	-8.88	21.83	-41.54	-8.88	21.83	-82.97		
63	1-LANE (case3TRUCK-LOAD	MAX	S2	60.32	48.20	-0.08	60.32	48.20	281.59	60.32	48.85	281.48	60.32	48.85	562.95
			TQ	55.67	60.75	-0.10	55.67	60.75	259.87	55.67	61.36	259.73	55.67	61.36	519.52
			M3	30.55	-4.63	0.01	60.32	48.20	281.59	60.32	48.85	281.48	60.32	48.85	562.95
		MIN	S2	-7.15	2.63	-0.00	-7.15	2.63	-33.41	-7.15	2.55	-33.41	-7.15	2.55	-66.79
			TQ	30.55	-4.63	0.01	30.55	-4.63	142.67	30.55	-4.30	142.68	30.55	-4.30	285.24
			M3	55.67	60.75	-0.10	-7.15	2.63	-33.41	-7.15	2.55	-33.41	-7.15	2.55	-66.79

BAGO RIVER BRIDGE

BLOCK [ No.1 : MAIN GIRDER ][ BEAM MEMBER FORCE ]

MEMBER		1001			1002			1002			1003					
NODE		1001			1002			1002			1003					
		SHEAR	TORQUE	MOMENT	SHEAR	TORQUE	MOMENT	SHEAR	TORQUE	MOMENT	SHEAR	TORQUE	MOMENT			
NAME	TITLE	S2 (kN)	TQ (kN·m)	M3 (kN·m)	S2 (kN)	TQ (kN·m)	M3 (kN·m)	S2 (kN)	TQ (kN·m)	M3 (kN·m)	S2 (kN)	TQ (kN·m)	M3 (kN·m)			
63	1-LANE (case3TANDEM-LOAD	MAX	S2	41.23	28.87	-0.05	41.23	28.87	192.50	41.23	29.32	192.43	41.23	29.32	384.84	
			TQ	35.03	43.57	-0.07	35.03	43.57	163.54	35.03	43.95	163.44	35.03	43.95	326.93	
			M3	19.91	-3.27	0.01	41.23	28.87	192.50	41.23	29.32	192.43	41.23	29.32	384.84	
		MIN	S2	-4.87	1.78	-0.00	-4.87	1.78	-22.76	-4.87	1.72	-22.76	-4.87	1.72	-45.50	
			TQ	19.91	-3.27	0.01	19.91	-3.27	92.96	19.91	-3.06	92.97	19.91	-3.06	185.87	
			M3	35.03	43.57	-0.07	-4.87	1.78	-22.76	-4.87	1.72	-22.76	-4.87	1.72	-45.50	
		DISPERSION-LMAX	S2	61.75	21.06	-0.03	61.75	21.06	288.32	61.75	21.73	288.27	61.75	21.73	576.43	
			TQ	32.71	38.42	-0.06	32.71	38.42	152.67	32.96	38.77	153.79	32.96	38.77	307.63	
			M3	20.56	-14.33	0.02	61.75	21.06	288.32	61.75	21.73	288.27	61.75	21.73	576.43	
	MIN	S2	-8.48	3.03	-0.00	-8.48	3.03	-39.61	-8.48	2.94	-39.62	-8.48	2.94	-79.20		
		TQ	20.56	-14.33	0.02	20.56	-14.33	96.04	20.30	-14.11	94.86	20.30	-14.11	189.60		
		M3	32.71	38.42	-0.06	-8.48	3.03	-39.61	-8.48	2.94	-39.62	-8.48	2.94	-79.20		
	64	1-LANE (case4TRUCK-LOAD	MAX	S2	18.38	313.30	-0.50	18.38	313.30	85.32	18.38	313.49	84.59	18.38	313.49	170.36
				TQ	15.57	339.55	-0.55	15.57	339.55	72.15	15.57	339.72	71.36	15.57	339.72	144.00
				M3	-5.88	-34.28	0.06	18.38	313.30	85.32	18.38	313.49	84.59	18.38	313.49	170.36
MIN			S2	-6.52	-30.33	0.05	-6.52	-30.33	-30.38	-6.52	-30.40	-30.31	-6.52	-30.40	-60.72	
			TQ	-5.88	-34.28	0.06	-5.88	-34.28	-27.42	-5.88	-34.35	-27.34	-5.88	-34.35	-54.80	
			M3	15.57	339.55	-0.55	-6.52	-30.33	-30.38	-6.52	-30.40	-30.31	-6.52	-30.40	-60.72	
TANDEM-LOAD			MAX	S2	12.52	207.91	-0.34	12.52	207.91	58.15	12.52	208.05	57.67	12.52	208.05	116.11
			TQ	11.07	231.44	-0.37	11.07	231.44	51.34	11.07	231.56	50.81	11.07	231.56	102.49	
			M3	-3.94	-23.48	0.04	12.52	207.91	58.15	12.52	208.05	57.67	12.52	208.05	116.11	
MIN		S2	-4.43	-20.96	0.03	-4.43	-20.96	-20.67	-4.43	-21.01	-20.62	-4.43	-21.01	-41.31		
		TQ	-3.94	-23.48	0.04	-3.94	-23.48	-18.35	-3.94	-23.53	-18.30	-3.94	-23.53	-36.67		
		M3	11.07	231.44	-0.37	-4.43	-20.96	-20.67	-4.43	-21.01	-20.62	-4.43	-21.01	-41.31		



BAGO RIVER BRIDGE

BLOCK [ No.1 : MAIN GIRDER ][ BEAM MEMBER FORCE ]

MEMBER		1001			1002			1002			1003						
NODE		1001			1002			1002			1003						
		SHEAR	TORQUE	MOMENT	SHEAR	TORQUE	MOMENT	SHEAR	TORQUE	MOMENT	SHEAR	TORQUE	MOMENT				
NAME	TITLE	S2 (kN)	TQ (kN·m)	M3 (kN·m)	S2 (kN)	TQ (kN·m)	M3 (kN·m)	S2 (kN)	TQ (kN·m)	M3 (kN·m)	S2 (kN)	TQ (kN·m)	M3 (kN·m)				
64	1-LANE (case4DISPERSION-LMAX	S2	22.91	351.01	-0.57	22.91	351.01	106.42	22.91	351.25	105.61	22.91	351.25	212.52			
		TQ	19.08	373.61	-0.60	19.08	373.61	88.49	19.13	373.81	87.86	19.13	373.81	177.13			
		M3	-4.10	-36.65	0.06	22.91	350.56	106.42	22.91	350.16	105.61	22.91	350.71	212.52			
		MIN	S2	-7.93	-14.05	0.02	-7.93	-14.05	-37.02	-7.93	-14.13	-36.99	-7.93	-14.13	-74.01		
		TQ	-4.10	-36.65	0.06	-4.10	-36.65	-19.09	-4.15	-36.70	-19.24	-4.15	-36.70	-38.61			
		M3	19.08	373.61	-0.60	-7.93	-13.60	-37.02	-7.93	-13.05	-36.99	-7.93	-13.59	-74.01			
		65	2-LANES (caseTRUCK-LOAD	MAX	S2	552.28	-190.29	0.31	374.16	-457.46	1748.05	374.16	-453.39	1749.11	257.80	-614.67	2409.40
				TQ	-14.92	72.02	-0.12	-14.92	72.02	-69.81	-14.92	71.86	-69.98	-14.92	71.86	-139.62	
				M3	179.81	-687.10	1.11	374.16	-457.46	1748.05	374.16	-453.39	1749.11	257.80	-614.67	2409.41	
MIN	S2			-15.54	67.96	-0.11	-99.21	-148.89	993.55	-99.21	-146.58	993.89	-269.80	-405.89	1875.44		
TQ	179.81			-687.10	1.11	179.81	-687.10	840.79	179.81	-685.14	842.39	179.81	-685.14	1681.49			
M3	-14.92			72.02	-0.12	-15.54	67.96	-72.70	-15.54	67.79	-72.86	-15.54	67.79	-145.39			
TANDEM-LOAD	MAX			S2	439.65	-28.32	0.05	300.85	-240.77	1405.31	300.85	-237.50	1405.87	198.76	-387.27	1857.25	
TQ	-10.28			49.02	-0.08	-10.28	49.02	-48.10	-10.28	48.91	-48.22	-10.28	48.91	-96.21			
M3	125.67			-467.54	0.75	300.85	-240.77	1405.32	300.85	-237.50	1405.87	198.76	-387.27	1857.25			
MIN	S2	-10.60	46.74	-0.08	-124.81	-191.84	1281.48	-124.81	-188.86	1281.93	-238.12	-357.45	1780.18				
TQ	125.67	-467.54	0.75	125.67	-467.54	587.64	125.67	-466.18	588.73	125.67	-466.18	1175.21					
M3	-10.28	49.02	-0.08	-10.60	46.74	-49.56	-10.60	46.63	-49.67	-10.60	46.63	-99.13					
DISPERSION-LMAX	S2	272.96	-785.41	1.27	207.42	-767.61	975.43	207.42	-765.34	977.22	163.52	-717.11	1550.31				
TQ	-18.54	81.01	-0.13	-18.54	81.01	-86.72	-18.54	80.81	-86.90	-18.54	80.81	-173.43					
M3	272.96	-785.41	1.27	195.08	-785.41	1094.00	195.08	-782.86	1095.82	117.14	-782.86	1824.07					
MIN	S2	-18.54	81.01	-0.13	-30.89	63.21	31.84	-30.89	63.28	31.70	-64.93	15.05	100.33				
TQ	272.96	-785.41	1.27	195.08	-785.41	1094.00	195.08	-782.86	1095.82	117.14	-782.86	1824.07					
M3	-18.54	81.01	-0.13	-18.54	81.01	-86.72	-18.54	80.81	-86.90	-18.54	80.81	-173.43					

BAGO RIVER BRIDGE

BLOCK [ No.1 : MAIN GIRDER ][ BEAM MEMBER FORCE ]

MEMBER NODE	1001	1002			1003			1002			1003					
		SHEAR	TORQUE	MOMENT	SHEAR	TORQUE	MOMENT	SHEAR	TORQUE	MOMENT	SHEAR	TORQUE	MOMENT			
		S2 (kN)	TQ (kN·m)	M3 (kN·m)	S2 (kN)	TQ (kN·m)	M3 (kN·m)	S2 (kN)	TQ (kN·m)	M3 (kN·m)	S2 (kN)	TQ (kN·m)	M3 (kN·m)			
66	2-LANES (caseTRUCK-LOAD	MAX	S2	273.26	-151.14	0.24	238.47	-247.45	1114.03	238.47	-244.85	1114.60	210.36	-310.56	1965.26	
			TQ	-14.48	49.86	-0.08	-14.48	49.86	-67.70	-14.48	49.70	-67.82	-14.48	49.70	-135.39	
			M3	137.16	-426.37	0.69	238.47	-247.45	1114.03	238.47	-244.85	1114.60	210.36	-310.56	1965.26	
			MIN	S2	-15.13	47.23	-0.08	-23.40	-28.22	283.28	-23.40	-27.56	283.34	-58.19	-124.84	774.58
				TQ	137.16	-426.37	0.69	137.16	-426.37	641.20	137.16	-424.88	642.19	137.16	-424.88	1282.26
				M3	-14.48	49.86	-0.08	-15.13	47.23	-70.74	-15.13	47.07	-70.85	-15.13	47.07	-141.47
		TANDEM-LOAD	MAX	S2	198.25	-75.15	0.12	172.70	-149.26	806.74	172.70	-147.38	807.09	151.23	-203.73	1412.76
				TQ	-9.98	33.94	-0.05	-9.98	33.94	-46.67	-9.98	33.83	-46.75	-9.98	33.83	-93.34
				M3	89.69	-290.53	0.47	172.70	-149.26	806.74	172.70	-147.38	807.09	151.23	-203.73	1412.76
			MIN	S2	-10.31	32.47	-0.05	-27.79	-53.79	429.53	-27.79	-52.79	429.65	-50.44	-114.45	730.00
				TQ	89.69	-290.53	0.47	89.69	-290.53	419.33	89.69	-289.55	420.01	89.69	-289.55	838.58
				M3	-9.98	33.94	-0.05	-10.31	32.47	-48.22	-10.31	32.36	-48.29	-10.31	32.36	-96.42
		DISPERSION-LMAX	MAX	S2	198.44	-484.47	0.78	176.49	-478.89	832.79	176.49	-476.95	833.90	158.89	-461.48	1515.07
				TQ	-18.02	56.26	-0.09	-18.02	56.26	-84.23	-18.02	56.07	-84.36	-18.02	56.07	-168.44
				M3	198.44	-484.47	0.78	174.09	-484.47	870.63	174.09	-482.45	871.76	149.76	-482.45	1627.43
			MIN	S2	-18.02	56.26	-0.09	-20.41	50.68	-46.38	-20.41	50.57	-46.50	-27.14	35.10	-56.08
				TQ	198.44	-484.47	0.78	174.09	-484.47	870.63	174.09	-482.45	871.76	149.76	-482.45	1627.43
				M3	-18.02	56.26	-0.09	-18.02	56.26	-84.23	-18.02	56.07	-84.36	-18.02	56.07	-168.44
67	2-LANES (caseTRUCK-LOAD	MAX	S2	106.91	165.85	-0.27	106.91	165.85	499.01	106.91	167.01	498.62	106.91	167.01	997.55	
			TQ	101.55	182.70	-0.29	101.55	182.70	473.94	101.55	183.80	473.52	101.55	183.80	947.43	
			M3	24.66	-14.26	0.02	106.91	165.85	499.01	106.91	167.01	498.62	106.91	167.01	997.55	
			MIN	S2	-14.10	-5.37	0.01	-14.10	-5.37	-65.83	-14.10	-5.52	-65.82	-14.10	-5.52	-131.62
				TQ	24.66	-14.26	0.02	24.66	-14.26	115.17	24.66	-13.99	115.20	24.66	-13.99	230.27
				M3	101.55	182.70	-0.29	-14.10	-5.37	-65.83	-14.10	-5.52	-65.82	-14.10	-5.52	-131.62

BAGO RIVER BRIDGE

BLOCK [ No.1 : MAIN GIRDER ][ BEAM MEMBER FORCE ]

MEMBER		1001			1002			1002			1003						
NODE		1001			1002			1002			1003						
		SHEAR	TORQUE	MOMENT	SHEAR	TORQUE	MOMENT	SHEAR	TORQUE	MOMENT	SHEAR	TORQUE	MOMENT				
NAME	TITLE	S2 (kN)	TQ (kN·m)	M3 (kN·m)	S2 (kN)	TQ (kN·m)	M3 (kN·m)	S2 (kN)	TQ (kN·m)	M3 (kN·m)	S2 (kN)	TQ (kN·m)	M3 (kN·m)				
67	2-LANES (caseTANDEM-LOAD	MAX	S2	73.40	110.13	-0.18	73.40	110.13	342.58	73.40	110.93	342.32	73.40	110.93	684.85		
			TQ	65.30	127.52	-0.21	65.30	127.52	304.72	65.30	128.22	304.43	65.30	128.22	609.14		
			M3	15.78	-9.85	0.02	73.40	110.13	342.58	73.40	110.93	342.32	73.40	110.93	684.85		
		MIN	S2	-9.60	-3.77	0.01	-9.60	-3.77	-44.84	-9.60	-3.88	-44.83	-9.60	-3.88	-89.65		
			TQ	15.78	-9.85	0.02	15.78	-9.85	73.70	15.78	-9.67	73.73	15.78	-9.67	147.37		
			M3	65.30	127.52	-0.21	-9.60	-3.77	-44.84	-9.60	-3.88	-44.83	-9.60	-3.88	-89.65		
			DISPERSION-LMAX	S2	112.51	146.13	-0.24	112.51	146.13	525.16	112.51	147.35	524.82	112.51	147.35	1049.85	
			TQ	78.53	165.41	-0.27	78.53	165.41	366.46	78.81	166.27	367.37	78.81	166.27	735.14		
			M3	17.27	-25.92	0.04	112.51	146.13	525.16	112.51	147.35	524.82	112.51	147.35	1049.85		
			MIN	S2	-16.71	-6.64	0.01	-16.71	-6.64	-78.00	-16.71	-6.82	-77.99	-16.71	-6.82	-155.94	
			TQ	17.27	-25.92	0.04	17.27	-25.92	80.70	16.99	-25.74	79.46	16.99	-25.74	158.76		
			M3	78.53	165.41	-0.27	-16.71	-6.64	-78.00	-16.71	-6.82	-77.99	-16.71	-6.82	-155.94		
		68	2-LANES (caseTRUCK-LOAD	MAX	S2	43.65	566.97	-0.91	43.65	566.97	202.91	43.65	567.44	201.59	43.65	567.44	405.26
					TQ	40.54	594.26	-0.96	40.54	594.26	188.34	40.54	594.69	186.96	40.54	594.69	376.13
					M3	-11.53	-56.95	0.09	43.65	566.97	202.91	43.65	567.44	201.59	43.65	567.44	405.26
MIN	S2			-13.24	-50.00	0.08	-13.24	-50.00	-61.74	-13.24	-50.14	-61.62	-13.24	-50.14	-123.40		
	TQ			-11.53	-56.95	0.09	-11.53	-56.95	-53.77	-11.53	-57.07	-53.64	-11.53	-57.07	-107.46		
	M3			40.54	594.26	-0.96	-13.24	-50.00	-61.74	-13.24	-50.14	-61.62	-13.24	-50.14	-123.40		
	TANDEM-LOAD			MAX	S2	29.80	379.86	-0.61	29.80	379.86	138.55	29.80	380.18	137.67	29.80	380.18	276.73
	TQ			28.02	405.27	-0.65	28.02	405.27	130.20	28.02	405.57	129.26	28.02	405.57	260.02		
	M3			-7.90	-39.00	0.06	29.80	379.86	138.55	29.80	380.18	137.67	29.80	380.18	276.73		
	MIN			S2	-9.01	-34.57	0.06	-9.01	-34.57	-42.02	-9.01	-34.66	-41.94	-9.01	-34.66	-83.98	
	TQ			-7.90	-39.00	0.06	-7.90	-39.00	-36.82	-7.90	-39.09	-36.73	-7.90	-39.09	-73.59		
	M3			28.02	405.27	-0.65	-9.01	-34.57	-42.02	-9.01	-34.66	-41.94	-9.01	-34.66	-83.98		

BAGO RIVER BRIDGE

BLOCK [ No.1 : MAIN GIRDER ][ BEAM MEMBER FORCE ]

MEMBER		1001			1002			1002			1003						
NODE		1001			1002			1002			1003						
		SHEAR	TORQUE	MOMENT	SHEAR	TORQUE	MOMENT	SHEAR	TORQUE	MOMENT	SHEAR	TORQUE	MOMENT				
NAME	TITLE	S2 (kN)	TQ (kN·m)	M3 (kN·m)	S2 (kN)	TQ (kN·m)	M3 (kN·m)	S2 (kN)	TQ (kN·m)	M3 (kN·m)	S2 (kN)	TQ (kN·m)	M3 (kN·m)				
68	2-LANES (caseDISPERSION-LMAX	S2	55.59	629.35	-1.01	55.59	629.35	258.57	55.59	629.95	257.10	55.59	629.95	516.50			
		TQ	46.87	653.87	-1.05	46.87	653.87	217.82	46.94	654.38	216.61	46.94	654.38	435.65			
		M3	-7.17	-61.82	0.10	55.59	628.90	258.57	55.59	628.86	257.10	55.59	629.40	516.51			
		MIN	S2	-15.88	-37.30	0.06	-15.88	-37.30	-74.12	-15.88	-37.47	-74.03	-15.88	-37.47	-148.16		
		TQ	-7.17	-61.82	0.10	-7.17	-61.82	-33.37	-7.23	-61.90	-33.54	-7.23	-61.90	-67.30			
		M3	46.87	653.87	-1.05	-15.88	-36.86	-74.12	-15.88	-36.39	-74.04	-15.88	-36.93	-148.16			
		69	3-LANES (caseTRUCK-LOAD	MAX	S2	645.48	-274.98	0.44	467.36	-542.14	2183.43	467.36	-537.06	2184.68	351.00	-698.34	3279.92
				TQ	-22.05	91.38	-0.15	-22.05	91.38	-103.13	-22.05	91.14	-103.34	-22.05	91.14	-206.26	
				M3	239.36	-840.51	1.35	467.37	-542.14	2183.43	467.37	-537.06	2184.68	351.00	-698.34	3279.92	
MIN	S2			-23.01	86.38	-0.14	-106.67	-130.47	958.67	-106.67	-128.24	958.97	-277.27	-387.55	1805.69		
TQ	239.36			-840.51	1.35	239.36	-840.51	1119.17	239.36	-837.90	1121.12	239.36	-837.90	2238.16			
M3	-22.05			91.38	-0.15	-23.01	86.38	-107.58	-23.01	86.13	-107.78	-23.01	86.13	-215.15			
TANDEM-LOAD	MAX			S2	503.83	-93.66	0.15	365.03	-306.11	1705.14	365.03	-302.14	1705.85	262.94	-451.92	2456.75	
TQ	-15.20			62.21	-0.10	-15.20	62.21	-71.08	-15.20	62.04	-71.23	-15.20	62.04	-142.16			
M3	164.78			-572.17	0.92	365.03	-306.11	1705.15	365.03	-302.14	1705.85	262.94	-451.92	2456.75			
MIN	S2	-15.68	59.40	-0.10	-129.90	-179.18	1257.71	-129.90	-176.25	1258.12	-243.21	-344.85	1732.65				
TQ	164.78	-572.17	0.92	164.78	-572.17	770.42	164.78	-570.38	771.75	164.78	-570.38	1540.71					
M3	-15.20	62.21	-0.10	-15.68	59.40	-73.34	-15.68	59.23	-73.47	-15.68	59.23	-146.66					
DISPERSION-LMAX	S2	355.52	-954.41	1.54	289.00	-936.61	1358.96	289.00	-933.45	1361.14	244.14	-885.22	2312.68				
TQ	-27.42	102.94	-0.17	-27.42	102.94	-128.21	-27.42	102.64	-128.45	-27.42	102.64	-256.40					
M3	355.52	-954.41	1.54	276.66	-954.41	1477.53	276.66	-950.97	1479.74	197.75	-950.97	2586.45					
MIN	S2	-27.42	102.94	-0.17	-39.76	85.14	-9.65	-39.76	85.11	-9.84	-73.80	36.88	17.36				
TQ	355.52	-954.41	1.54	276.66	-954.41	1477.53	276.66	-950.97	1479.74	197.75	-950.97	2586.45					
M3	-27.42	102.94	-0.17	-27.42	102.94	-128.21	-27.42	102.64	-128.45	-27.42	102.64	-256.40					

BAGO RIVER BRIDGE

BLOCK [ No.1 : MAIN GIRDER ][ BEAM MEMBER FORCE ]

MEMBER				1001			1002			1003					
NODE				1001			1002			1003					
				SHEAR	TORQUE	MOMENT	SHEAR	TORQUE	MOMENT	SHEAR	TORQUE	MOMENT			
NAME	TITLE			S2 (kN)	TQ (kN·m)	M3 (kN·m)	S2 (kN)	TQ (kN·m)	M3 (kN·m)	S2 (kN)	TQ (kN·m)	M3 (kN·m)			
70	3-LANES (caseTRUCK-LOAD	MAX	S2	140.89	356.24	-0.57	140.89	356.24	657.35	140.89	357.77	656.52	140.89	357.77	1313.99
			TQ	134.81	373.72	-0.60	134.81	373.72	628.94	134.81	375.18	628.07	134.81	375.18	1257.18
			M3	18.53	-35.46	0.06	140.89	356.24	657.35	140.89	357.77	656.52	140.89	357.77	1313.99
		MIN	S2	-20.84	-24.03	0.04	-20.84	-24.03	-97.28	-20.84	-24.26	-97.23	-20.84	-24.26	-194.48
			TQ	18.53	-35.46	0.06	18.53	-35.46	86.58	18.53	-35.26	86.67	18.53	-35.26	173.13
			M3	134.81	373.72	-0.60	-20.84	-24.03	-97.28	-20.84	-24.26	-97.23	-20.84	-24.26	-194.48
		TANDEM-LOAD MAX	S2	96.54	238.06	-0.38	96.54	238.06	450.47	96.54	239.10	449.91	96.54	239.10	900.45
			TQ	88.21	257.77	-0.42	88.21	257.77	411.53	88.21	258.72	410.93	88.21	258.72	822.59
			M3	11.67	-24.38	0.04	96.54	238.06	450.47	96.54	239.10	449.91	96.54	239.10	900.45
		MIN	S2	-14.19	-16.68	0.03	-14.19	-16.68	-66.25	-14.19	-16.84	-66.21	-14.19	-16.84	-132.44
			TQ	11.67	-24.38	0.04	11.67	-24.38	54.56	11.67	-24.25	54.62	11.67	-24.25	109.10
			M3	88.21	257.77	-0.42	-14.19	-16.68	-66.25	-14.19	-16.84	-66.21	-14.19	-16.84	-132.44
		DISPERSION-LMAX	S2	153.23	366.25	-0.59	153.23	366.25	714.99	153.23	367.91	714.13	153.23	367.91	1429.21
			TQ	115.66	386.24	-0.62	115.66	386.24	539.50	115.99	387.49	540.13	115.99	387.49	1081.41
			M3	12.90	-49.01	0.08	153.23	366.25	714.99	153.23	367.91	714.13	153.23	367.91	1429.21
		MIN	S2	-24.67	-29.02	0.05	-24.67	-29.02	-115.17	-24.67	-29.29	-115.10	-24.67	-29.29	-230.24
			TQ	12.90	-49.01	0.08	12.90	-49.01	60.32	12.57	-48.88	58.90	12.57	-48.88	117.57
			M3	115.66	386.24	-0.62	-24.67	-29.02	-115.17	-24.67	-29.29	-115.10	-24.67	-29.29	-230.24
71	3-LANES (caseTRUCK-LOAD	MAX	S2	79.76	743.26	-1.20	79.76	743.26	371.28	79.76	744.12	369.55	79.76	744.12	741.77
			TQ	76.31	771.32	-1.24	76.31	771.32	355.12	76.31	772.14	353.33	76.31	772.14	709.45
			M3	-17.31	-68.06	0.11	79.76	743.26	371.28	79.76	744.12	369.55	79.76	744.12	741.77
		MIN	S2	-20.16	-59.00	0.10	-20.16	-59.00	-94.07	-20.16	-59.22	-93.93	-20.16	-59.22	-188.04
			TQ	-17.31	-68.06	0.11	-17.31	-68.06	-80.71	-17.31	-68.25	-80.55	-17.31	-68.25	-161.31
			M3	76.31	771.32	-1.24	-20.16	-59.00	-94.07	-20.16	-59.22	-93.93	-20.16	-59.22	-188.04

BAGO RIVER BRIDGE

BLOCK [ No.1 : MAIN GIRDER ][ BEAM MEMBER FORCE ]

MEMBER				1001			1002			1003							
NODE				1001			1002			1003							
				SHEAR	TORQUE	MOMENT	SHEAR	TORQUE	MOMENT	SHEAR	TORQUE	MOMENT					
NAME	TITLE			S2 (kN)	TQ (kN·m)	M3 (kN·m)	S2 (kN)	TQ (kN·m)	M3 (kN·m)	S2 (kN)	TQ (kN·m)	M3 (kN·m)					
71	3-LANES (case)	TANDEM-LOAD	MAX	S2	54.48	499.28	-0.80	54.48	499.28	253.64	54.48	499.87	252.47	54.48	499.87	506.74	
				TQ	52.44	526.45	-0.85	52.44	526.45	244.06	52.44	527.01	242.84	52.44	527.01	487.58	
				M3	-12.01	-46.57	0.08	54.48	499.28	253.64	54.48	499.87	252.47	54.48	499.87	506.74	
			MIN	S2	-13.73	-40.81	0.07	-13.73	-40.81	-64.03	-13.73	-40.96	-63.94	-13.73	-40.96	-128.00	
				TQ	-12.01	-46.57	0.08	-12.01	-46.57	-55.99	-12.01	-46.70	-55.88	-12.01	-46.70	-111.91	
				M3	52.44	526.45	-0.85	-13.73	-40.81	-64.03	-13.73	-40.96	-63.94	-13.73	-40.96	-128.00	
		DISPERSION-LMAX	S2	98.28	812.79	-1.31	98.28	812.79	457.65	98.28	813.85	455.76	98.28	813.85	914.41		
			TQ	84.01	840.87	-1.36	84.01	840.87	390.99	84.10	841.78	389.41	84.10	841.78	781.85		
				M3	-9.83	-75.92	0.12	98.28	812.34	457.65	98.28	812.76	455.76	98.28	813.31	914.41	
				MIN	S2	-24.09	-47.84	0.08	-24.09	-47.84	-112.43	-24.09	-48.10	-112.32	-24.09	-48.10	-224.76
					TQ	-9.83	-75.92	0.12	-9.83	-75.92	-45.77	-9.91	-76.03	-45.97	-9.91	-76.03	-92.20
					M3	84.01	840.87	-1.36	-24.09	-47.40	-112.43	-24.09	-47.01	-112.32	-24.09	-47.56	-224.76
72	4-LANES	TRUCK-LOAD	MAX	S2	148.05	733.31	-1.18	148.05	733.31	690.19	148.05	734.91	688.49	148.05	734.91	1379.38	
				TQ	139.23	776.08	-1.25	139.23	776.08	648.95	139.23	777.59	647.14	139.23	777.59	1296.89	
				M3	-17.43	-66.40	0.11	148.05	733.31	690.19	148.05	734.91	688.49	148.05	734.91	1379.38	
			MIN	S2	-27.34	-55.37	0.09	-27.34	-55.37	-127.57	-27.34	-55.66	-127.44	-27.34	-55.66	-255.01	
				TQ	-17.43	-66.40	0.11	-17.43	-66.40	-81.28	-17.43	-66.59	-81.13	-17.43	-66.59	-162.46	
				M3	139.23	776.08	-1.25	-27.34	-55.37	-127.57	-27.34	-55.66	-127.44	-27.34	-55.66	-255.01	
		TANDEM-LOAD	MAX	S2	101.50	505.21	-0.81	101.50	505.21	473.20	101.50	506.31	472.02	101.50	506.31	945.71	
			TQ	88.65	532.97	-0.86	88.65	532.97	413.12	88.65	533.92	411.87	88.65	533.92	825.56		
				M3	-12.03	-45.45	0.07	101.50	505.21	473.20	101.50	506.31	472.02	101.50	506.31	945.71	
				MIN	S2	-18.61	-38.34	0.06	-18.61	-38.34	-86.86	-18.61	-38.54	-86.77	-18.61	-38.54	-173.62
					TQ	-12.03	-45.45	0.07	-12.03	-45.45	-56.09	-12.03	-45.59	-55.98	-12.03	-45.59	-112.11
					M3	88.65	532.97	-0.86	-18.61	-38.34	-86.86	-18.61	-38.54	-86.77	-18.61	-38.54	-173.62

BAGO RIVER BRIDGE

BLOCK [ No.1 : MAIN GIRDER ][ BEAM MEMBER FORCE ]

MEMBER				1001			1002			1003							
NODE				1001			1002			1003							
				SHEAR	TORQUE	MOMENT	SHEAR	TORQUE	MOMENT	SHEAR	TORQUE	MOMENT					
NAME	TITLE			S2 (kN)	TQ (kN·m)	M3 (kN·m)	S2 (kN)	TQ (kN·m)	M3 (kN·m)	S2 (kN)	TQ (kN·m)	M3 (kN·m)					
72	4-LANES	DISPERSION-LMAX	S2	150.90	768.40	-1.24	150.90	768.40	703.46	150.90	770.04	701.67	150.90	770.04	1405.89		
			TQ	126.53	847.56	-1.37	126.53	847.56	589.52	126.72	848.93	588.45	126.72	848.93	1179.83		
			M3	-3.05	-70.78	0.11	150.90	768.09	703.46	150.90	769.27	701.68	150.90	769.65	1405.89		
		MIN	S2	-25.13	-34.87	0.06	-25.13	-34.87	-117.31	-25.13	-35.14	-117.23	-25.13	-35.14	-234.51		
			TQ	-3.05	-70.78	0.11	-3.05	-70.78	-14.14	-3.29	-70.82	-15.09	-3.29	-70.82	-30.45		
			M3	126.53	847.56	-1.37	-25.13	-34.42	-117.31	-25.13	-34.05	-117.23	-25.13	-34.60	-234.51		
		73	6-LANES	TRUCK-LOAD MAX	S2	637.88	357.53	-0.58	500.77	190.90	2338.24	500.77	196.33	2337.79	414.27	88.50	3867.50
					TQ	131.15	751.33	-1.21	131.15	751.33	611.26	131.15	752.75	609.51	131.15	752.75	1221.56
					M3	191.46	-737.82	1.19	500.77	190.90	2338.24	500.77	196.33	2337.79	414.27	88.50	3867.50
MIN	S2			-43.19	28.42	-0.05	-104.69	-96.90	408.79	-104.69	-95.95	409.02	-238.57	-259.00	645.19		
	TQ			191.46	-737.82	1.19	191.46	-737.82	895.31	191.46	-735.73	897.02	191.46	-735.73	1790.53		
	M3			131.15	751.33	-1.21	-43.19	28.42	-201.72	-43.19	27.95	-201.79	-43.19	27.95	-403.33		
TANDEM-LOAD MAX	S2			488.18	315.17	-0.51	380.00	180.53	1774.29	380.00	184.66	1773.87	302.82	93.38	2826.99		
	TQ			93.89	516.22	-0.83	93.89	516.22	437.64	93.89	517.24	436.44	93.89	517.24	874.61		
	M3			138.71	-502.47	0.81	380.00	180.53	1774.29	380.00	184.66	1773.87	302.82	93.38	2826.99		
MIN	S2	-29.42	19.32	-0.03	-121.57	-129.19	694.19	-121.57	-127.57	694.49	-208.26	-231.86	764.97				
	TQ	138.71	-502.47	0.81	138.71	-502.47	648.59	138.71	-500.96	649.75	138.71	-500.96	1297.08				
	M3	93.89	516.22	-0.83	-29.42	19.32	-137.42	-29.42	19.00	-137.46	-29.42	19.00	-274.76				
DISPERSION-LMAX	S2	433.72	-127.67	0.21	380.74	-113.47	1783.31	380.74	-109.32	1783.57	347.95	-71.45	3271.21				
	TQ	86.87	846.33	-1.36	86.87	846.33	404.31	87.14	847.27	403.61	87.14	847.27	810.28				
	M3	285.18	-842.66	1.36	368.97	-127.80	1874.59	368.97	-123.64	1874.89	303.88	-123.47	3444.97				
MIN	S2	-49.57	60.86	-0.10	-60.01	46.59	-136.78	-60.01	46.27	-136.89	-88.79	7.48	-251.53				
	TQ	285.18	-842.66	1.36	220.42	-842.66	1182.05	220.10	-839.91	1182.50	155.01	-839.91	2057.87				
	M3	86.87	846.33	-1.36	-49.57	61.31	-231.59	-49.57	61.41	-231.73	-49.57	60.87	-463.06				

BAGO RIVER BRIDGE

BLOCK [ No.1 : MAIN GIRDER ][ BEAM MEMBER FORCE ]

MEMBER			1001			1002			1002			1003			
NODE			1001			1002			1002			1003			
NAME TITLE			SHEAR	TORQUE	MOMENT	SHEAR	TORQUE	MOMENT	SHEAR	TORQUE	MOMENT	SHEAR	TORQUE	MOMENT	
			S2 (kN)	TQ (kN·m)	M3 (kN·m)	S2 (kN)	TQ (kN·m)	M3 (kN·m)	S2 (kN)	TQ (kN·m)	M3 (kN·m)	S2 (kN)	TQ (kN·m)	M3 (kN·m)	
124	SUM TOTAL	D+1LANE (caseMAX	S2	2239.20	-1261.74	2.03	1741.83	-1452.10	8771.42	1741.83	-1431.70	8774.77	1331.51	-1507.08	14975.43
			TQ	1583.67	-443.37	0.71	1311.77	-443.37	6761.44	1311.77	-427.64	6762.45	1040.07	-427.64	12250.11
			M3	1915.18	-1610.09	2.60	1729.89	-1466.77	8868.28	1729.89	-1446.14	8871.67	1286.80	-1560.83	15169.12
		MIN	S2	1583.31	-446.22	0.72	1208.99	-630.57	7711.29	1208.99	-612.63	7712.73	741.55	-846.37	13766.16
			TQ	1915.18	-1610.09	2.60	1577.86	-1610.09	8158.56	1577.86	-1591.12	8162.29	1240.68	-1591.12	14738.60
			M3	1583.67	-443.37	0.71	1311.40	-446.22	6759.75	1311.40	-430.50	6760.77	1039.71	-430.50	12246.74
		D+1LANE (caseMAX	S2	1814.95	-853.63	1.38	1541.88	-853.63	7839.42	1541.88	-835.40	7841.39	1269.02	-835.40	14400.17
			TQ	1584.83	-499.66	0.81	1312.93	-499.66	6766.96	1312.93	-483.92	6768.10	1041.23	-483.92	12261.18
			M3	1774.57	-936.10	1.51	1541.88	-853.63	7839.42	1541.88	-835.40	7841.39	1269.02	-835.40	14400.17
		MIN	S2	1584.43	-500.79	0.81	1312.53	-500.79	6765.08	1312.53	-485.05	6766.23	1040.83	-485.05	12257.44
			TQ	1774.57	-936.10	1.51	1501.50	-936.10	7651.02	1501.50	-918.30	7653.17	1228.64	-918.30	14023.55
			M3	1584.83	-499.66	0.81	1312.53	-500.79	6765.08	1312.53	-485.05	6766.23	1040.83	-485.05	12257.44
		D+1LANE (caseMAX	S2	1750.51	-466.10	0.75	1478.61	-466.10	7540.63	1478.61	-448.56	7541.69	1206.92	-448.56	13807.96
			TQ	1710.09	-430.20	0.69	1438.19	-430.20	7351.79	1438.50	-413.10	7354.22	1166.80	-413.10	13433.28
			M3	1665.37	-571.96	0.92	1478.61	-466.10	7540.63	1478.61	-448.56	7541.69	1206.92	-448.56	13807.96
		MIN	S2	1585.28	-542.42	0.87	1313.37	-542.42	6769.11	1313.37	-526.67	6770.35	1041.68	-526.67	12265.51
			TQ	1665.37	-571.96	0.92	1393.47	-571.96	7143.18	1393.15	-555.35	7143.04	1121.46	-555.35	13010.51
			M3	1710.09	-430.20	0.69	1313.37	-542.42	6769.11	1313.37	-526.67	6770.35	1041.68	-526.67	12265.51
		D+1LANE (caseMAX	S2	1653.59	247.95	-0.40	1381.68	247.95	7086.83	1381.68	264.44	7086.23	1109.99	264.44	12900.16
			TQ	1645.61	306.59	-0.49	1373.71	306.59	7049.50	1373.77	322.98	7049.05	1102.08	322.98	12826.05
			M3	1592.06	-634.33	1.02	1381.68	247.42	7086.83	1381.68	263.13	7086.23	1109.99	263.78	12900.16
		MIN	S2	1586.70	-602.46	0.97	1314.80	-602.46	6775.85	1314.80	-586.70	6777.23	1043.10	-586.70	12279.03
			TQ	1592.06	-634.33	1.02	1320.15	-634.33	6800.92	1320.09	-618.51	6802.09	1048.40	-618.51	12328.60
			M3	1645.61	306.59	-0.49	1314.80	-601.93	6775.85	1314.80	-585.39	6777.23	1043.10	-586.05	12279.03



BAGO RIVER BRIDGE

BLOCK [ No.1 : MAIN GIRDER ][ BEAM MEMBER FORCE ]

MEMBER			1001			1002			1002			1003			
NODE			1001			1002			1002			1003			
NAME TITLE			SHEAR	TORQUE	MOMENT	SHEAR	TORQUE	MOMENT	SHEAR	TORQUE	MOMENT	SHEAR	TORQUE	MOMENT	
			S2 (kN)	TQ (kN·m)	M3 (kN·m)	S2 (kN)	TQ (kN·m)	M3 (kN·m)	S2 (kN)	TQ (kN·m)	M3 (kN·m)	S2 (kN)	TQ (kN·m)	M3 (kN·m)	
124	SUM TOTAL	D+2LANES (casMAX	S2	2429.28	-1524.91	2.46	1913.72	-1774.27	9580.21	1913.72	-1751.99	9584.31	1481.77	-1865.04	16400.41
			TQ	1570.57	-396.18	0.64	1298.67	-396.18	6700.21	1298.67	-380.59	6701.11	1026.98	-380.59	12127.65
			M3	2056.81	-2021.72	3.26	1901.38	-1792.07	9698.78	1901.38	-1769.51	9702.92	1435.38	-1930.79	16674.18
		MIN	S2	1569.95	-400.24	0.65	1202.04	-634.89	7882.13	1202.04	-616.56	7883.58	725.71	-924.10	14416.48
			TQ	2056.81	-2021.72	3.26	1707.02	-2021.72	8791.52	1707.02	-2001.26	8796.20	1357.39	-2001.26	15946.27
			M3	1570.57	-396.18	0.64	1298.05	-400.24	6697.32	1298.05	-384.67	6698.23	1026.36	-384.67	12121.88
		D+2LANES (casMAX	S2	2075.74	-1184.82	1.91	1747.09	-1275.55	8803.55	1747.09	-1255.07	8806.49	1429.69	-1305.30	15921.03
			TQ	1571.54	-443.09	0.71	1299.64	-443.09	6704.80	1299.64	-427.49	6705.82	1027.95	-427.49	12136.88
			M3	1939.64	-1460.05	2.35	1744.70	-1281.13	8841.40	1744.70	-1260.56	8844.35	1420.56	-1326.26	16033.39
		MIN	S2	1570.89	-445.71	0.72	1288.33	-526.74	7093.63	1288.33	-510.24	7094.83	975.11	-623.00	13159.21
			TQ	1939.64	-1460.05	2.35	1643.39	-1460.05	8368.57	1643.39	-1440.59	8371.94	1347.36	-1440.59	15350.40
			M3	1571.54	-443.09	0.71	1298.99	-445.71	6701.76	1298.99	-430.12	6702.78	1027.29	-430.12	12130.80
		D+2LANES (casMAX	S2	1823.46	-237.23	0.38	1551.55	-237.23	7880.90	1551.55	-218.90	7881.43	1279.86	-218.90	14488.10
			TQ	1784.12	-201.09	0.32	1512.22	-201.09	7697.14	1512.49	-183.19	7698.88	1240.80	-183.19	14123.28
			M3	1645.97	-589.38	0.95	1551.55	-237.23	7880.90	1551.55	-218.90	7881.43	1279.86	-218.90	14488.10
		MIN	S2	1573.23	-561.22	0.90	1301.33	-561.22	6712.90	1301.33	-545.60	6714.18	1029.64	-545.60	12153.14
			TQ	1645.97	-589.38	0.95	1374.06	-589.38	7052.60	1373.79	-572.98	7052.65	1102.09	-572.98	12829.73
			M3	1784.12	-201.09	0.32	1301.33	-561.22	6712.90	1301.33	-545.60	6714.18	1029.64	-545.60	12153.14
		D+2LANES (casMAX	S2	1703.27	647.11	-1.04	1431.37	647.11	7318.20	1431.37	664.13	7316.68	1159.67	664.13	13362.47
			TQ	1691.44	698.92	-1.13	1419.54	698.92	7262.89	1419.61	715.81	7261.56	1147.91	715.81	13252.48
			M3	1585.34	-667.98	1.08	1431.37	646.67	7318.20	1431.37	663.04	7316.68	1159.67	663.59	13362.47
		MIN	S2	1574.92	-636.51	1.03	1303.01	-636.51	6720.87	1303.01	-620.87	6722.34	1031.32	-620.87	12169.15
			TQ	1585.34	-667.98	1.08	1313.43	-667.98	6769.59	1313.37	-652.23	6770.81	1041.67	-652.23	12265.94
			M3	1691.44	698.92	-1.13	1303.01	-636.06	6720.87	1303.01	-619.78	6722.33	1031.32	-620.33	12169.14

BAGO RIVER BRIDGE

BLOCK [ No.1 : MAIN GIRDER ][ BEAM MEMBER FORCE ]

MEMBER			1001			1002			1002			1003				
NODE			1001			1002			1002			1003				
NAME TITLE			SHEAR	TORQUE	MOMENT	SHEAR	TORQUE	MOMENT	SHEAR	TORQUE	MOMENT	SHEAR	TORQUE	MOMENT		
			S2 (kN)	TQ (kN·m)	M3 (kN·m)	S2 (kN)	TQ (kN·m)	M3 (kN·m)	S2 (kN)	TQ (kN·m)	M3 (kN·m)	S2 (kN)	TQ (kN·m)	M3 (kN·m)		
124	SUM TOTAL	D+3LANES (casMAX	S2	2454.89	-1594.19	2.57	1975.05	-1806.15	9867.76	1975.05	-1783.19	9871.94	1566.31	-1879.28	17194.41	
			TQ	1561.99	-384.03	0.62	1290.08	-384.03	6660.09	1290.08	-368.54	6660.97	1018.39	-368.54	12047.45	
			M3	2109.69	-2074.89	3.34	1964.56	-1821.28	9968.54	1964.56	-1798.09	9972.75	1526.88	-1935.18	17427.11	
		MIN	S2	1561.18	-388.29	0.63	1207.67	-587.74	7663.40	1207.67	-569.92	7664.75	762.03	-831.32	13990.30	
			TQ	2109.69	-2074.89	3.34	1770.76	-2074.89	9063.92	1770.76	-2053.80	9068.72	1431.99	-2053.80	16541.62	
			M3	1561.99	-384.03	0.62	1289.27	-388.29	6656.31	1289.27	-372.81	6657.20	1017.58	-372.81	12039.89	
		D+3LANES (casMAX	S2	1854.04	64.91	-0.10	1582.13	64.91	8023.22	1582.13	83.57	8023.05	1310.44	83.57	14772.43	
			TQ	1816.94	96.76	-0.16	1545.03	96.76	7849.91	1545.31	115.02	7850.96	1273.62	115.02	14428.50	
			M3	1630.75	-621.01	1.00	1582.13	64.91	8023.22	1582.13	83.57	8023.05	1310.44	83.57	14772.43	
		MIN	S2	1565.35	-594.30	0.96	1293.45	-594.30	6676.15	1293.45	-578.77	6677.51	1021.76	-578.77	12079.69	
			TQ	1630.75	-621.01	1.00	1358.85	-621.01	6981.60	1358.57	-604.77	6981.72	1086.88	-604.77	12687.80	
			M3	1816.94	96.76	-0.16	1293.45	-594.30	6676.15	1293.45	-578.77	6677.51	1021.76	-578.77	12079.69	
		D+3LANES (casMAX	S2	1755.37	773.43	-1.25	1483.47	773.43	7561.32	1483.47	791.01	7559.50	1211.78	791.01	13848.45	
			TQ	1740.32	821.15	-1.32	1468.41	821.15	7490.93	1468.48	838.57	7489.32	1196.79	838.57	13708.31	
			M3	1580.98	-671.60	1.08	1483.47	773.05	7561.32	1483.47	790.09	7559.50	1211.78	790.55	13848.45	
		MIN	S2	1566.42	-640.02	1.03	1294.52	-640.02	6681.20	1294.52	-624.48	6682.67	1022.82	-624.48	12089.83	
			TQ	1580.98	-671.60	1.08	1309.07	-671.60	6749.23	1309.00	-655.90	6750.45	1037.31	-655.90	12225.21	
			M3	1740.32	821.15	-1.32	1294.52	-639.64	6681.20	1294.52	-623.56	6682.67	1022.82	-624.02	12089.83	
		D+4LANES	MAX	S2	1798.36	426.91	-0.69	1526.45	426.91	7762.61	1526.45	444.96	7761.59	1254.76	444.96	14251.13
			TQ	1776.78	506.16	-0.82	1504.88	506.16	7661.74	1505.01	523.98	7661.13	1233.31	523.98	14050.57	
			M3	1590.73	-638.37	1.03	1526.45	426.70	7762.61	1526.45	444.46	7761.60	1254.76	444.71	14251.13	
		MIN	S2	1569.93	-607.86	0.98	1298.03	-607.86	6697.56	1298.03	-592.28	6698.96	1026.34	-592.28	12122.51	
			TQ	1590.73	-638.37	1.03	1318.82	-638.37	6794.71	1318.67	-622.57	6795.45	1046.97	-622.57	12315.31	
			M3	1776.78	506.16	-0.82	1298.03	-607.57	6697.56	1298.03	-591.57	6698.95	1026.34	-591.93	12122.51	

BAGO RIVER BRIDGE

BLOCK [ No.1 : MAIN GIRDER ][ BEAM MEMBER FORCE ]

MEMBER					1001			1002			1003					
NODE					1001			1002			1003					
					SHEAR	TORQUE	MOMENT	SHEAR	TORQUE	MOMENT	SHEAR	TORQUE	MOMENT			
NAME TITLE					S2 (kN)	TQ (kN·m)	M3 (kN·m)	S2 (kN)	TQ (kN·m)	M3 (kN·m)	S2 (kN)	TQ (kN·m)	M3 (kN·m)			
124	SUM TOTAL	D+6LANES	MAX	S2	2300.58	-399.80	0.64	1905.12	-498.88	9535.74	1905.12	-476.70	9536.87	1555.88	-522.17	17080.87
				TQ	1745.75	489.27	-0.79	1473.85	489.27	7516.85	1474.03	506.75	7516.52	1202.33	506.75	13761.39
				M3	1913.86	-1576.52	2.54	1897.46	-508.20	9595.08	1897.46	-486.00	9596.23	1527.24	-555.99	17193.81
			MIN	S2	1543.75	-491.18	0.79	1225.08	-581.91	7033.54	1225.08	-565.55	7034.87	847.66	-696.75	12696.59
				TQ	1913.86	-1576.52	2.54	1599.86	-1576.52	8207.01	1599.65	-1557.42	8209.68	1285.65	-1557.42	14942.16
				M3	1745.75	489.27	-0.79	1271.84	-490.88	6575.08	1271.84	-475.17	6576.20	1000.15	-475.53	11877.55
	SUM TOTAL		MAX		2454.89	821.15	3.34	1975.05	821.15	9968.54	1975.05	838.57	9972.75	1566.31	838.57	17427.11
			MIN		1543.75	-2074.89	-1.32	1202.04	-2074.89	6575.08	1202.04	-2053.80	6576.20	725.71	-2053.80	11877.55
300	DEAD LOAD	TOTAL			1604.04	-549.21	0.89	1332.14	-549.21	6856.73	1332.14	-533.26	6857.99	1060.44	-533.26	12440.70
301	LIVE LOAD	1-LANE(case1MAX	S2		635.16	-712.54	1.15	409.69	-902.90	1914.69	409.69	-898.44	1916.78	271.07	-973.82	2534.73
			TQ		-20.37	105.84	-0.17	-20.37	105.84	-95.29	-20.37	105.62	-95.54	-20.37	105.62	-190.60
			M3		311.15	-1060.89	1.71	397.75	-917.56	2011.55	397.75	-912.88	2013.68	226.36	-1027.58	2728.42
			MIN	S2	-20.73	102.98	-0.17	-123.15	-81.36	854.55	-123.15	-79.37	854.74	-318.89	-313.11	1325.46
				TQ	311.15	-1060.89	1.71	245.73	-1060.89	1301.83	245.73	-1057.86	1304.30	180.24	-1057.86	2297.90
				M3	-20.37	105.84	-0.17	-20.73	102.98	-96.98	-20.73	102.76	-97.22	-20.73	102.76	-193.97
		1-LANE(case2MAX	S2		210.91	-304.42	0.49	209.74	-304.42	982.69	209.74	-302.14	983.40	208.57	-302.14	1959.47
			TQ		-19.21	49.55	-0.08	-19.21	49.55	-89.77	-19.21	49.34	-89.89	-19.21	49.34	-179.52
			M3		170.54	-386.89	0.62	209.74	-304.42	982.69	209.74	-302.14	983.40	208.57	-302.14	1959.47
			MIN	S2	-19.61	48.42	-0.08	-19.61	48.42	-91.65	-19.61	48.21	-91.76	-19.61	48.21	-183.26
				TQ	170.54	-386.89	0.62	169.37	-386.89	794.29	169.37	-385.04	795.18	168.20	-385.04	1582.85
				M3	-19.21	49.55	-0.08	-19.61	48.42	-91.65	-19.61	48.21	-91.76	-19.61	48.21	-183.26
		1-LANE(case3MAX	S2		146.48	83.11	-0.13	146.48	83.11	683.90	146.48	84.70	683.70	146.48	84.70	1367.26
			TQ		106.05	119.00	-0.19	106.05	119.00	495.05	106.36	120.16	496.23	106.36	120.16	992.58
			M3		61.33	-22.75	0.04	146.48	83.11	683.90	146.48	84.70	683.70	146.48	84.70	1367.26
			MIN	S2	-18.76	6.79	-0.01	-18.76	6.79	-87.62	-18.76	6.59	-87.64	-18.76	6.59	-175.19
				TQ	61.33	-22.75	0.04	61.33	-22.75	286.44	61.02	-22.09	285.05	61.02	-22.09	569.81
				M3	106.05	119.00	-0.19	-18.76	6.79	-87.62	-18.76	6.59	-87.64	-18.76	6.59	-175.19

BAGO RIVER BRIDGE

BLOCK [ No.1 : MAIN GIRDER ][ BEAM MEMBER FORCE ]

MEMBER			1001			1002			1002			1003				
NODE			1001			1002			1002			1003				
NAME TITLE			SHEAR	TORQUE	MOMENT	SHEAR	TORQUE	MOMENT	SHEAR	TORQUE	MOMENT	SHEAR	TORQUE	MOMENT		
			S2 (kN)	TQ (kN·m)	M3 (kN·m)	S2 (kN)	TQ (kN·m)	M3 (kN·m)	S2 (kN)	TQ (kN·m)	M3 (kN·m)	S2 (kN)	TQ (kN·m)	M3 (kN·m)		
301	LIVE LOAD	1-LANE (case4MAX	S2	49.55	797.16	-1.28	49.55	797.16	230.09	49.55	797.69	228.24	49.55	797.69	459.46	
			TQ	41.57	855.79	-1.38	41.57	855.79	192.77	41.63	856.24	191.06	41.63	856.24	385.35	
			M3	-11.98	-85.12	0.14	49.55	796.62	230.10	49.55	796.39	228.24	49.55	797.04	459.46	
			MIN	S2	-17.34	-53.25	0.09	-17.34	-53.25	-80.88	-17.34	-53.44	-80.76	-17.34	-53.44	-161.67
			TQ	-11.98	-85.12	0.14	-11.98	-85.12	-55.82	-12.04	-85.25	-55.90	-12.04	-85.25	-112.10	
			M3	41.57	855.79	-1.38	-17.34	-52.72	-80.88	-17.34	-52.13	-80.76	-17.34	-52.79	-161.67	
		2-LANES (caseMAX	S2	825.24	-975.70	1.57	581.58	-1225.06	2723.48	581.58	-1218.73	2726.32	421.32	-1331.78	3959.71	
			TQ	-33.47	153.03	-0.25	-33.47	153.03	-156.53	-33.47	152.66	-156.88	-33.47	152.66	-313.05	
			M3	452.77	-1472.51	2.37	569.24	-1242.86	2842.05	569.24	-1236.25	2844.93	374.94	-1397.53	4233.48	
			MIN	S2	-34.09	148.96	-0.24	-130.09	-85.69	1025.39	-130.09	-83.30	1025.59	-334.73	-390.84	1975.77
			TQ	452.77	-1472.51	2.37	374.88	-1472.51	1934.79	374.88	-1468.00	1938.21	296.95	-1468.00	3505.56	
			M3	-33.47	153.03	-0.25	-34.09	148.96	-159.41	-34.09	148.59	-159.76	-34.09	148.59	-318.83	
		2-LANES (caseMAX	S2	471.70	-635.61	1.02	414.96	-726.34	1946.82	414.96	-721.81	1948.50	369.24	-772.04	3480.33	
			TQ	-32.50	106.12	-0.17	-32.50	106.12	-151.93	-32.50	105.77	-152.17	-32.50	105.77	-303.83	
			M3	335.60	-910.85	1.47	412.56	-731.92	1984.66	412.56	-727.30	1986.36	360.12	-793.00	3592.69	
			MIN	S2	-33.15	103.50	-0.17	-43.81	22.46	236.89	-43.81	23.02	236.84	-85.33	-89.74	718.50
			TQ	335.60	-910.85	1.47	311.25	-910.85	1511.83	311.25	-907.33	1513.95	286.92	-907.33	2909.69	
			M3	-32.50	106.12	-0.17	-33.15	103.50	-154.97	-33.15	103.13	-155.21	-33.15	103.13	-309.91	
		2-LANES (caseMAX	S2	219.42	311.98	-0.50	219.42	311.98	1024.17	219.42	314.36	1023.44	219.42	314.36	2047.40	
			TQ	180.08	348.12	-0.56	180.08	348.12	840.41	180.36	350.07	840.89	180.36	350.07	1682.57	
			M3	41.93	-40.18	0.06	219.42	311.98	1024.17	219.42	314.36	1023.44	219.42	314.36	2047.40	
			MIN	S2	-30.80	-12.01	0.02	-30.80	-12.01	-143.84	-30.80	-12.34	-143.81	-30.80	-12.34	-287.56
			TQ	41.93	-40.18	0.06	41.93	-40.18	195.87	41.65	-39.72	194.66	41.65	-39.72	389.03	
			M3	180.08	348.12	-0.56	-30.80	-12.01	-143.84	-30.80	-12.34	-143.81	-30.80	-12.34	-287.56	

BAGO RIVER BRIDGE

BLOCK [ No.1 : MAIN GIRDER ][ BEAM MEMBER FORCE ]

MEMBER				1001			1002			1003						
NODE				1001			1002			1003						
				SHEAR	TORQUE	MOMENT	SHEAR	TORQUE	MOMENT	SHEAR	TORQUE	MOMENT				
NAME	TITLE			S2 (kN)	TQ (kN·m)	M3 (kN·m)	S2 (kN)	TQ (kN·m)	M3 (kN·m)	S2 (kN)	TQ (kN·m)	M3 (kN·m)				
301	LIVE LOAD	2-LANES (caseMAX	S2	99.23	1196.32	-1.93	99.23	1196.32	461.47	99.23	1197.39	458.69	99.23	1197.39	921.77	
			TQ	87.40	1248.13	-2.01	87.40	1248.13	406.16	87.47	1249.07	403.57	87.47	1249.07	811.78	
			M3	-18.70	-118.77	0.19	99.23	1195.87	461.47	99.23	1196.30	458.69	99.23	1196.85	921.77	
			MIN	S2	-29.12	-87.30	0.14	-29.12	-87.30	-135.86	-29.12	-87.61	-135.65	-29.12	-87.61	-271.56
			TQ	-18.70	-118.77	0.19	-18.70	-118.77	-87.14	-18.77	-118.98	-87.18	-18.77	-118.98	-174.76	
			M3	87.40	1248.13	-2.01	-29.12	-86.85	-135.86	-29.12	-86.52	-135.66	-29.12	-87.07	-271.56	
		3-LANES (caseMAX	S2	850.85	-1044.98	1.68	642.91	-1256.94	3011.03	642.91	-1249.93	3013.95	505.87	-1346.03	4753.71	
			TQ	-42.05	165.17	-0.27	-42.05	165.17	-196.64	-42.05	164.72	-197.02	-42.05	164.72	-393.26	
			M3	505.65	-1525.68	2.46	632.42	-1272.07	3111.81	632.42	-1264.83	3114.76	466.44	-1401.92	4986.41	
			MIN	S2	-42.86	160.92	-0.26	-124.47	-38.54	806.67	-124.47	-36.66	806.76	-298.41	-298.07	1549.60
			TQ	505.65	-1525.68	2.46	438.62	-1525.68	2207.19	438.62	-1520.54	2210.73	371.55	-1520.54	4100.91	
			M3	-42.05	165.17	-0.27	-42.86	160.92	-200.42	-42.86	160.45	-200.79	-42.86	160.45	-400.81	
		3-LANES (caseMAX	S2	250.00	614.11	-0.99	250.00	614.11	1166.49	250.00	616.82	1165.06	250.00	616.82	2331.73	
			TQ	212.90	645.97	-1.04	212.90	645.97	993.17	213.18	648.28	992.97	213.18	648.28	1987.80	
			M3	26.71	-71.80	0.12	250.00	614.11	1166.49	250.00	616.82	1165.06	250.00	616.82	2331.73	
			MIN	S2	-38.69	-45.10	0.07	-38.69	-45.10	-180.58	-38.69	-45.52	-180.48	-38.69	-45.52	-361.01
			TQ	26.71	-71.80	0.12	26.71	-71.80	124.87	26.43	-71.51	123.73	26.43	-71.51	247.09	
			M3	212.90	645.97	-1.04	-38.69	-45.10	-180.58	-38.69	-45.52	-180.48	-38.69	-45.52	-361.01	
		3-LANES (caseMAX	S2	151.34	1322.64	-2.13	151.34	1322.64	704.59	151.34	1324.27	701.51	151.34	1324.27	1407.75	
			TQ	136.28	1370.36	-2.21	136.28	1370.36	634.19	136.35	1371.83	631.33	136.35	1371.83	1267.61	
			M3	-23.06	-122.39	0.20	151.34	1322.26	704.59	151.33	1323.35	701.51	151.34	1323.81	1407.75	
MIN	S2		-37.62	-90.82	0.15	-37.62	-90.82	-175.53	-37.62	-91.22	-175.32	-37.62	-91.22	-350.87		
TQ	-23.06		-122.39	0.20	-23.06	-122.39	-107.51	-23.13	-122.64	-107.54	-23.13	-122.64	-215.49			
M3	136.28		1370.36	-2.21	-37.62	-90.44	-175.53	-37.62	-90.30	-175.32	-37.62	-90.76	-350.88			

BAGO RIVER BRIDGE

BLOCK [ No.1 : MAIN GIRDER ][ BEAM MEMBER FORCE ]

MEMBER					1001			1002			1003					
NODE					1001			1002			1003					
NAME TITLE					SHEAR	TORQUE	MOMENT	SHEAR	TORQUE	MOMENT	SHEAR	TORQUE	MOMENT			
					S2 (kN)	TQ (kN·m)	M3 (kN·m)	S2 (kN)	TQ (kN·m)	M3 (kN·m)	S2 (kN)	TQ (kN·m)	M3 (kN·m)			
301	LIVE LOAD	4-LANES	MAX	S2	194.32	976.11	-1.57	194.32	976.11	905.88	194.32	978.22	903.60	194.32	978.22	1810.43
				TQ	172.75	1055.37	-1.70	172.75	1055.37	805.01	172.87	1057.24	803.13	172.87	1057.24	1609.87
				M3	-13.31	-89.17	0.14	194.32	975.91	905.88	194.32	977.72	903.61	194.32	977.97	1810.43
		MIN	S2	-34.10	-58.65	0.09	-34.10	-58.65	-159.17	-34.10	-59.02	-159.03	-34.10	-59.02	-318.19	
			TQ	-13.31	-89.17	0.14	-13.31	-89.17	-62.02	-13.47	-89.31	-62.54	-13.47	-89.31	-125.39	
			M3	172.75	1055.37	-1.70	-34.10	-58.36	-159.17	-34.10	-58.31	-159.04	-34.10	-58.67	-318.19	
	6-LANES	MAX	S2	696.54	149.41	-0.24	572.98	50.33	2679.01	572.98	56.56	2678.88	495.44	11.09	4640.16	
			TQ	141.71	1038.48	-1.67	141.71	1038.48	660.12	141.89	1040.01	658.53	141.89	1040.01	1320.69	
			M3	309.82	-1027.31	1.66	565.33	41.01	2738.34	565.33	47.25	2738.24	466.80	-22.73	4753.11	
		MIN	S2	-60.29	58.03	-0.09	-107.05	-32.70	176.81	-107.05	-32.29	176.88	-212.78	-163.49	255.88	
			TQ	309.82	-1027.31	1.66	267.72	-1027.31	1350.28	267.52	-1024.17	1351.69	225.21	-1024.17	2501.46	
			M3	141.71	1038.48	-1.67	-60.29	58.32	-281.65	-60.29	58.09	-281.79	-60.29	57.73	-563.15	
	LIVE LOAD	TOTAL	MAX	850.85	1370.36	2.46	642.91	1370.36	3111.81	642.91	1371.83	3114.76	505.87	1371.83	4986.41	
			MIN	-60.29	-1525.68	-2.21	-130.09	-1525.68	-281.65	-130.09	-1520.54	-281.79	-334.73	-1520.54	-563.15	
	303	SUM TOTAL	TOTAL	MAX	2454.89	821.15	3.34	1975.05	821.15	9968.54	1975.05	838.57	9972.75	1566.31	838.57	17427.11
MIN				1543.75	-2074.89	-1.32	1202.04	-2074.89	6575.08	1202.04	-2053.80	6576.20	725.71	-2053.80	11877.55	

BAGO RIVER BRIDGE

BLOCK [ No.1 : MAIN GIRDER ] [ BEAM MEMBER FORCE ]

MEMBER NODE	1003	1004			1004			1005								
		SHEAR	TORQUE	MOMENT	SHEAR	TORQUE	MOMENT	SHEAR	TORQUE	MOMENT						
		S2 (kN)	TQ (kN·m)	M3 (kN·m)	S2 (kN)	TQ (kN·m)	M3 (kN·m)	S2 (kN)	TQ (kN·m)	M3 (kN·m)						
1	PAVEMENT	215.00	27.71	2195.28	168.22	27.71	3108.71	168.22	35.10	3108.63	121.44	35.10	3799.06			
3	RAILING	7.71	-2.49	53.20	3.77	-2.49	80.57	3.77	-2.30	80.58	-0.18	-2.30	89.13			
5	CURB	76.37	-24.67	526.72	37.30	-24.67	797.64	37.30	-22.78	797.70	-1.78	-22.78	882.35			
7	DECK WEIGHT	340.96	6.63	3454.62	263.91	6.63	4896.34	263.91	18.26	4896.31	186.85	18.26	5970.72			
8	GIRDER WEIGH	418.80	-283.60	4396.65	329.68	-283.60	6180.69	329.68	-268.92	6181.35	240.56	-268.92	7540.55			
10	MEDIAN STRIP	60.59	-78.36	785.19	60.59	-78.36	1074.02	60.59	-75.81	1074.21	60.59	-75.81	1363.04			
21	ADITIONAL WE	95.47	1.86	967.29	73.89	1.86	1370.98	73.89	5.11	1370.97	52.32	5.11	1671.80			
31	MEDIAN RAILI	4.73	-6.21	62.00	4.73	-6.21	84.54	4.73	-6.01	84.56	4.73	-6.01	107.10			
51	SUPPORT WEIG	0.00	-0.00	0.00	0.00	-0.00	0.00	0.00	-0.00	0.00	0.00	-0.00	0.00			
52	NOSE WEIGHT	0.13	-0.59	0.80	0.13	-0.59	1.41	0.13	-0.59	1.41	0.13	-0.59	2.03			
61	1-LANE(case1TRUCK-LOAD	MAX	S2	321.78	-142.46	1315.28	204.57	-274.13	1931.88	204.57	-269.54	1932.53	119.93	-355.13	1946.23	
			TQ	-7.80	43.08	-70.45	-7.80	43.08	-107.64	-7.80	42.82	-107.74	-7.80	42.82	-144.93	
			M3	321.78	-142.46	1315.28	183.60	-241.65	1940.22	183.60	-237.04	1940.79	88.30	-337.75	1953.88	
		MIN	S2	-44.53	-26.79	1031.45	-133.65	-122.84	1721.82	-133.65	-118.75	1722.11	-250.96	-250.47	1796.53	
			TQ	83.18	-374.58	678.45	83.18	-374.58	1074.97	83.18	-372.02	1075.86	83.18	-372.02	1472.37	
			M3	-8.20	40.49	-73.77	-8.20	40.49	-112.88	-8.20	40.22	-112.97	-8.20	40.22	-152.08	
		TANDEM-LOAD	MAX	S2	257.42	-50.93	1044.33	173.06	-148.05	1527.63	173.06	-144.43	1527.97	97.09	-228.71	1509.86
			TQ	-5.42	29.31	-48.89	-5.42	29.31	-74.71	-5.42	29.13	-74.78	-5.42	29.13	-100.61	
			M3	257.42	-50.93	1044.33	173.06	-148.05	1527.63	173.06	-144.42	1527.98	97.09	-228.71	1509.87	
		MIN	S2	-47.26	-33.50	1002.95	-126.69	-124.32	1497.44	-126.69	-120.77	1497.73	-208.45	-213.15	1488.03	
			TQ	61.75	-257.67	496.73	61.75	-257.67	791.08	61.75	-255.79	791.69	61.75	-255.79	1086.04	
			M3	-5.59	27.86	-50.30	-5.59	27.86	-76.96	-5.59	27.68	-77.02	-5.59	27.68	-103.68	
		DISPERSION-LMAX	S2	128.39	-372.39	798.55	89.13	-357.17	1066.03	89.13	-354.64	1066.88	64.31	-323.56	1140.91	
			TQ	-10.42	48.56	-66.09	-10.42	48.56	-115.76	-10.57	48.29	-112.33	-10.57	48.29	-162.72	
			M3	122.00	-375.49	960.01	66.24	-375.49	1408.41	66.24	-372.14	1409.29	10.48	-372.14	1591.89	
		MIN	S2	-16.18	45.17	73.38	-32.68	29.95	207.61	-32.68	30.44	207.54	-63.62	-0.63	269.42	
			TQ	122.62	-375.78	938.02	66.86	-375.78	1389.40	67.02	-372.48	1386.75	11.26	-372.48	1573.05	
			M3	-9.79	48.27	-88.07	-9.79	48.27	-134.76	-9.79	47.95	-134.88	-9.79	47.95	-181.57	

BAGO RIVER BRIDGE

BLOCK [ No.1 : MAIN GIRDER ][ BEAM MEMBER FORCE ]

MEMBER				1003			1004			1005					
NODE				1003			1004			1004			1005		
NAME TITLE				SHEAR	TORQUE	MOMENT	SHEAR	TORQUE	MOMENT	SHEAR	TORQUE	MOMENT	SHEAR	TORQUE	MOMENT
				S2 (kN)	TQ (kN·m)	M3 (kN·m)	S2 (kN)	TQ (kN·m)	M3 (kN·m)	S2 (kN)	TQ (kN·m)	M3 (kN·m)	S2 (kN)	TQ (kN·m)	M3 (kN·m)
62	1-LANE (case2TRUCK-LOAD	MAX	S2	76.69	-94.91	657.81	76.69	-94.91	1023.40	76.69	-92.48	1023.63	76.69	-92.48	1389.21
			TQ	-7.54	19.52	-66.68	-7.54	19.52	-102.63	-7.54	19.28	-102.68	-7.54	19.28	-138.63
			M3	18.80	-82.17	870.71	59.82	-84.00	1071.86	59.82	-81.45	1072.05	72.66	-86.71	1401.01
		MIN	S2	-14.02	-58.14	623.46	-14.02	-58.14	556.62	-14.02	-56.81	556.76	-14.02	-56.81	489.91
			TQ	50.27	-129.15	427.49	50.27	-129.15	667.14	50.27	-127.57	667.45	50.27	-127.57	907.09
			M3	-7.91	18.47	-69.79	-7.91	18.47	-107.50	-7.91	18.21	-107.54	-7.91	18.21	-145.24
		TANDEM-LOAD MAX	S2	53.72	-66.24	428.27	53.72	-66.24	684.37	53.72	-64.61	684.53	53.72	-64.61	940.63
			TQ	-5.20	13.29	-45.98	-5.20	13.29	-70.78	-5.20	13.12	-70.81	-5.20	13.12	-95.61
			M3	20.56	-56.14	599.64	47.68	-55.32	740.15	47.68	-53.56	740.28	51.47	-55.03	980.69
		MIN	S2	-11.74	-36.77	391.49	-11.74	-36.77	335.50	-11.74	-35.98	335.59	-11.74	-35.98	279.60
			TQ	34.86	-88.74	298.04	34.86	-88.74	464.24	34.86	-87.64	464.45	34.86	-87.64	630.64
			M3	-5.39	12.70	-47.57	-5.39	12.70	-73.26	-5.39	12.52	-73.29	-5.39	12.52	-98.98
		DISPERSION-LMAX	S2	61.56	-138.94	632.02	60.75	-137.29	905.70	60.75	-135.14	906.02	59.76	-135.14	1193.25
			TQ	-9.41	21.99	-83.02	-9.41	21.99	-127.87	-9.41	21.68	-127.92	-9.41	21.68	-172.76
			M3	58.72	-151.16	762.75	57.73	-151.16	1040.33	57.73	-148.69	1040.68	56.74	-148.69	1313.52
MIN	S2	-12.24	9.77	47.71	-12.43	8.13	6.76	-12.43	8.14	6.74	-12.43	8.14	-52.49		
	TQ	58.72	-151.16	762.75	57.73	-151.16	1040.33	57.73	-148.69	1040.68	56.74	-148.69	1313.52		
	M3	-9.41	21.99	-83.02	-9.41	21.99	-127.87	-9.41	21.68	-127.92	-9.41	21.68	-172.76		
63	1-LANE (case3TRUCK-LOAD	MAX	S2	48.93	34.70	474.73	48.93	34.70	707.97	48.93	36.38	707.88	48.93	36.38	941.12
			TQ	48.48	36.38	498.99	48.48	36.38	730.11	48.48	38.11	730.03	48.48	38.11	961.15
			M3	35.60	17.37	562.87	43.23	32.10	755.68	43.23	33.89	755.60	46.03	37.81	973.09
		MIN	S2	-7.69	1.69	-66.80	-7.69	1.69	-103.45	-7.69	1.44	-103.45	-7.69	1.44	-140.11
			TQ	8.74	-22.76	340.61	8.74	-22.76	382.29	8.74	-21.85	382.34	8.74	-21.85	424.02
			M3	-7.69	1.69	-66.80	-7.69	1.69	-103.45	-7.69	1.44	-103.45	-7.69	1.44	-140.11



BAGO RIVER BRIDGE

BLOCK [ No.1 : MAIN GIRDER ][ BEAM MEMBER FORCE ]

MEMBER		1003			1004			1004			1005						
NODE		1003			1004			1004			1005						
		SHEAR	TORQUE	MOMENT	SHEAR	TORQUE	MOMENT	SHEAR	TORQUE	MOMENT	SHEAR	TORQUE	MOMENT				
NAME	TITLE	S2 (kN)	TQ (kN·m)	M3 (kN·m)	S2 (kN)	TQ (kN·m)	M3 (kN·m)	S2 (kN)	TQ (kN·m)	M3 (kN·m)	S2 (kN)	TQ (kN·m)	M3 (kN·m)				
63	1-LANE (case3TANDEM-LOAD	MAX	S2	33.54	22.87	312.97	33.54	22.87	472.88	33.54	23.99	472.82	33.54	23.99	632.72		
			TQ	33.15	26.56	347.54	33.15	26.56	505.57	33.15	27.76	505.51	33.15	27.76	663.54		
			M3	27.02	18.80	384.79	28.81	22.17	518.45	28.81	23.40	518.40	32.47	27.67	666.87		
		MIN	S2	-5.24	1.13	-45.50	-5.24	1.13	-70.47	-5.24	0.97	-70.47	-5.24	0.97	-95.44		
			TQ	8.52	-17.72	301.08	8.52	-17.72	341.71	8.52	-16.91	341.75	8.52	-16.91	382.38		
			M3	-5.24	1.13	-45.50	-5.24	1.13	-70.47	-5.24	0.97	-70.47	-5.24	0.97	-95.44		
			DISPERSION-LMAX	S2	50.48	8.88	572.54	50.48	8.88	813.19	50.48	10.81	813.17	50.48	10.81	1053.82	
				TQ	23.12	25.93	250.56	23.12	25.93	360.76	24.15	26.80	376.69	24.15	26.80	491.81	
				M3	50.47	8.53	576.39	50.47	8.53	816.99	50.47	10.47	816.96	50.47	10.47	1057.56	
			MIN	S2	-9.13	1.56	-75.36	-9.13	1.56	-118.88	-9.13	1.28	-118.88	-9.13	1.28	-162.40	
				TQ	18.24	-15.49	246.63	18.24	-15.49	333.55	17.21	-14.71	317.59	17.21	-14.71	399.61	
				M3	-9.12	1.91	-79.21	-9.12	1.91	-122.67	-9.12	1.62	-122.68	-9.12	1.62	-166.14	
		64	1-LANE (case4TRUCK-LOAD	MAX	S2	17.01	276.87	163.79	17.01	276.87	244.86	17.01	277.45	244.20	17.01	277.45	325.28
					TQ	15.04	299.05	164.00	15.04	299.05	235.71	15.04	299.61	235.00	15.04	299.61	306.71
					M3	16.38	294.69	169.64	16.49	293.65	248.22	16.49	294.24	247.52	16.96	283.91	327.50
MIN	S2			-7.24	-33.35	-60.64	-7.24	-33.35	-95.16	-7.24	-33.57	-95.08	-7.24	-33.57	-129.60		
	TQ			-6.59	-37.46	-54.72	-6.59	-37.46	-86.13	-6.59	-37.67	-86.04	-6.59	-37.67	-117.45		
	M3			-7.24	-33.35	-60.64	-7.24	-33.35	-95.16	-7.24	-33.57	-95.08	-7.24	-33.57	-129.60		
	TANDEM-LOAD			MAX	S2	11.61	183.76	109.39	11.61	183.76	164.72	11.61	184.15	164.29	11.61	184.15	219.62
				TQ	10.44	204.02	113.91	10.44	204.02	163.68	10.44	204.41	163.20	10.44	204.41	212.97	
				M3	11.42	198.39	115.63	11.42	198.39	170.07	11.42	198.79	169.60	11.55	195.91	224.41	
	MIN			S2	-4.93	-23.03	-41.26	-4.93	-23.03	-64.76	-4.93	-23.19	-64.71	-4.93	-23.19	-88.20	
				TQ	-4.41	-25.65	-36.61	-4.41	-25.65	-57.65	-4.41	-25.79	-57.59	-4.41	-25.79	-78.63	
				M3	-4.93	-23.03	-41.26	-4.93	-23.03	-64.76	-4.93	-23.19	-64.71	-4.93	-23.19	-88.20	

BAGO RIVER BRIDGE

BLOCK [ No.1 : MAIN GIRDER ][ BEAM MEMBER FORCE ]

MEMBER		1003			1004			1004			1005						
NODE		1003			1004			1004			1005						
		SHEAR	TORQUE	MOMENT	SHEAR	TORQUE	MOMENT	SHEAR	TORQUE	MOMENT	SHEAR	TORQUE	MOMENT				
NAME	TITLE	S2 (kN)	TQ (kN·m)	M3 (kN·m)	S2 (kN)	TQ (kN·m)	M3 (kN·m)	S2 (kN)	TQ (kN·m)	M3 (kN·m)	S2 (kN)	TQ (kN·m)	M3 (kN·m)				
64	1-LANE (case4DISPERSION-LMAX	S2	25.36	334.77	209.38	25.36	334.77	330.28	25.36	335.55	329.48	25.36	335.55	450.38			
		TQ	22.61	335.03	185.52	22.61	335.03	293.32	23.11	335.74	299.20	23.11	335.74	409.36			
		M3	24.44	317.55	211.74	25.23	332.35	330.38	25.23	333.04	329.59	25.36	335.55	450.38			
		MIN	S2	-8.55	-39.51	-71.61	-8.55	-39.51	-112.38	-8.55	-39.78	-112.28	-8.55	-39.78	-153.05		
		TQ	-5.80	-39.78	-47.75	-5.80	-39.78	-75.42	-6.30	-39.96	-82.00	-6.30	-39.96	-112.03			
		M3	-7.63	-22.29	-73.97	-8.42	-37.10	-112.48	-8.42	-37.27	-112.39	-8.55	-39.78	-153.05			
		65	2-LANES (caseTRUCK-LOAD	MAX	S2	466.98	-257.77	2410.42	325.21	-448.76	3398.79	325.21	-440.69	3399.85	217.97	-570.43	3620.34
				TQ	-15.44	74.43	-138.77	-15.44	74.43	-212.39	-15.44	73.93	-212.57	-15.44	73.93	-286.19	
				M3	466.98	-257.77	2410.43	304.23	-416.29	3407.13	304.23	-408.19	3408.11	170.72	-542.71	3634.12	
MIN	S2			-73.68	-77.38	1876.01	-186.81	-227.69	3000.83	-186.81	-220.56	3001.36	-328.73	-411.95	3340.50		
TQ	150.61			-615.61	1230.87	150.61	-615.61	1948.83	150.61	-610.98	1950.29	150.61	-610.98	2668.25			
M3	-16.26			70.00	-145.56	-16.26	70.00	-223.06	-16.26	69.47	-223.23	-16.26	69.47	-300.74			
TANDEM-LOAD	MAX			S2	363.73	-108.69	1857.83	262.31	-249.14	2611.16	262.31	-242.94	2611.75	170.15	-365.02	2747.56	
TQ	-10.73			50.64	-96.32	-10.73	50.64	-147.46	-10.73	50.29	-147.58	-10.73	50.29	-198.72			
M3	363.73			-108.69	1857.83	262.31	-249.14	2611.17	262.31	-242.94	2611.75	170.15	-365.02	2747.57			
MIN	S2	-74.23	-81.75	1780.70	-170.63	-214.91	2554.07	-170.63	-208.84	2554.57	-268.90	-341.54	2707.11				
TQ	108.75	-422.50	880.69	108.75	-422.50	1399.09	108.75	-419.18	1400.09	108.75	-419.18	1918.49					
M3	-11.08	48.16	-99.24	-11.08	48.16	-152.06	-11.08	47.80	-152.18	-11.08	47.80	-205.00					
DISPERSION-LMAX	S2	219.06	-626.66	1525.61	162.46	-598.56	2011.84	162.46	-593.78	2013.26	123.26	-543.86	2203.11				
TQ	-20.02	83.72	-151.64	-20.02	83.72	-247.08	-20.17	83.14	-243.73	-20.17	83.14	-339.89					
M3	207.91	-637.82	1825.74	128.29	-637.82	2626.79	128.29	-631.58	2628.30	48.67	-631.58	3049.81					
MIN	S2	-30.55	72.27	126.50	-53.56	44.17	348.87	-53.56	45.00	348.76	-93.99	-4.92	487.97				
TQ	208.53	-638.11	1803.75	128.91	-638.11	2607.79	129.06	-631.92	2605.76	49.44	-631.92	3030.96					
M3	-19.40	83.43	-173.62	-19.40	83.43	-266.08	-19.40	82.80	-266.28	-19.40	82.80	-358.74					

BAGO RIVER BRIDGE

BLOCK [ No.1 : MAIN GIRDER ][ BEAM MEMBER FORCE ]

MEMBER NODE	1003	1004			1004			1005								
		SHEAR	TORQUE	MOMENT	SHEAR	TORQUE	MOMENT	SHEAR	TORQUE	MOMENT						
		S2 (kN)	TQ (kN·m)	M3 (kN·m)	S2 (kN)	TQ (kN·m)	M3 (kN·m)	S2 (kN)	TQ (kN·m)	M3 (kN·m)						
66	2-LANES (case)	TRUCK-LOAD	MAX	S2	221.89	-210.22	1752.96	197.33	-269.55	2490.31	197.33	-263.63	2490.95	174.74	-307.78	3063.32
				TQ	-15.18	50.88	-135.00	-15.18	50.88	-207.38	-15.18	50.39	-207.50	-15.18	50.39	-279.88
				M3	164.00	-197.49	1965.85	180.46	-258.63	2538.77	180.46	-252.60	2539.38	155.08	-291.68	3081.26
			MIN	S2	-43.17	-108.72	1468.02	-67.18	-162.98	1835.62	-67.18	-158.62	1836.00	-91.80	-218.29	2033.88
				TQ	117.70	-370.18	979.91	117.70	-370.18	1541.00	117.70	-366.52	1541.88	117.70	-366.52	2102.97
				M3	-15.96	47.98	-141.58	-15.96	47.98	-217.69	-15.96	47.46	-217.80	-15.96	47.46	-293.90
	TANDEM-LOAD	MAX	S2	160.03	-123.99	1241.77	142.97	-167.33	1767.91	142.97	-163.13	1768.30	126.78	-200.91	2178.33	
			TQ	-10.51	34.62	-93.42	-10.51	34.62	-143.53	-10.51	34.28	-143.61	-10.51	34.28	-193.72	
			M3	126.87	-113.90	1413.14	136.93	-156.41	1823.68	136.93	-152.08	1824.05	124.52	-191.33	2218.39	
		MIN	S2	-38.72	-85.02	1169.24	-55.69	-127.36	1392.13	-55.69	-124.05	1392.43	-72.19	-164.37	1498.68	
			TQ	81.86	-253.58	682.00	81.86	-253.58	1072.25	81.86	-251.03	1072.85	81.86	-251.03	1463.09	
			M3	-10.88	33.00	-96.50	-10.88	33.00	-148.36	-10.88	32.65	-148.44	-10.88	32.65	-200.31	
	DISPERSION-LMAX	S2	152.24	-393.21	1359.08	134.08	-378.69	1851.51	134.08	-374.29	1852.40	118.70	-355.44	2255.45		
		TQ	-19.01	57.15	-168.57	-19.01	57.15	-259.19	-19.01	56.54	-259.32	-19.01	56.54	-349.93		
		M3	144.63	-413.49	1628.48	119.78	-413.49	2258.71	119.78	-408.12	2259.69	94.92	-408.12	2771.44		
		MIN	S2	-26.61	36.87	100.83	-33.31	22.35	148.02	-33.31	22.70	147.97	-42.79	3.85	166.05	
			TQ	144.63	-413.49	1628.48	119.78	-413.49	2258.71	119.78	-408.12	2259.69	94.92	-408.12	2771.44	
			M3	-19.01	57.15	-168.57	-19.01	57.15	-259.19	-19.01	56.54	-259.32	-19.01	56.54	-349.93	
67	2-LANES (case)	TRUCK-LOAD	MAX	S2	87.73	142.68	839.23	87.73	142.68	1257.45	87.73	145.66	1257.10	87.73	145.66	1675.32
			TQ	86.88	146.01	892.82	86.88	146.01	1306.98	86.88	149.11	1306.63	86.88	149.11	1720.78	
			M3	68.01	111.74	997.22	77.76	133.97	1349.68	77.76	137.17	1349.36	83.41	147.37	1738.49	
		MIN	S2	-15.23	-7.92	-131.60	-15.23	-7.92	-204.22	-15.23	-8.41	-204.20	-15.23	-8.41	-276.81	
			TQ	2.33	-33.93	285.66	2.33	-33.93	296.75	2.33	-33.23	296.83	2.33	-33.23	307.92	
			M3	-15.23	-7.92	-131.60	-15.23	-7.92	-204.22	-15.23	-8.41	-204.20	-15.23	-8.41	-276.81	

BAGO RIVER BRIDGE

BLOCK [ No.1 : MAIN GIRDER ][ BEAM MEMBER FORCE ]

MEMBER		1003			1004			1004			1005						
NODE		1003			1004			1004			1005						
		SHEAR	TORQUE	MOMENT	SHEAR	TORQUE	MOMENT	SHEAR	TORQUE	MOMENT	SHEAR	TORQUE	MOMENT				
NAME	TITLE	S2 (kN)	TQ (kN·m)	M3 (kN·m)	S2 (kN)	TQ (kN·m)	M3 (kN·m)	S2 (kN)	TQ (kN·m)	M3 (kN·m)	S2 (kN)	TQ (kN·m)	M3 (kN·m)				
67	2-LANES (caseTANDEM-LOAD	MAX	S2	60.36	97.46	565.97	60.36	97.46	853.70	60.36	99.48	853.47	60.36	99.48	1141.19		
			TQ	59.85	101.61	608.72	59.85	101.61	894.04	59.85	103.73	893.79	59.85	103.73	1179.11		
			M3	48.24	81.74	684.62	53.13	94.51	924.47	53.13	96.70	924.24	57.58	102.73	1190.63		
		MIN	S2	-10.38	-5.52	-89.63	-10.38	-5.52	-139.10	-10.38	-5.85	-139.08	-10.38	-5.85	-188.54		
			TQ	4.03	-25.37	262.60	4.03	-25.37	281.81	4.03	-24.70	281.87	4.03	-24.70	301.07		
			M3	-10.38	-5.52	-89.63	-10.38	-5.52	-139.10	-10.38	-5.85	-139.08	-10.38	-5.85	-188.54		
			DISPERSION-LMAX	S2	94.58	111.48	1045.70	94.58	111.48	1496.59	94.58	115.03	1496.32	94.58	115.03	1947.21	
			TQ	61.57	130.21	665.81	61.57	130.21	959.34	62.77	132.51	977.81	62.77	132.51	1277.05		
			M3	94.57	111.13	1049.55	94.57	111.13	1500.38	94.57	114.69	1500.11	94.57	114.69	1950.94		
			MIN	S2	-18.06	-10.03	-152.07	-18.06	-10.03	-238.17	-18.06	-10.59	-238.15	-18.06	-10.59	-324.24	
			TQ	14.95	-28.76	227.81	14.95	-28.76	299.08	13.75	-28.07	280.36	13.75	-28.07	345.91		
			M3	-18.05	-9.68	-155.92	-18.05	-9.68	-241.96	-18.05	-10.25	-241.94	-18.05	-10.25	-327.98		
		68	2-LANES (caseTRUCK-LOAD	MAX	S2	40.73	503.61	395.59	40.73	503.61	589.75	40.73	505.01	588.55	40.73	505.01	782.71
					TQ	38.56	526.09	397.62	38.56	526.09	581.42	38.56	527.46	580.17	38.56	527.46	763.97
					M3	38.88	518.40	403.99	39.93	520.68	594.04	39.93	522.09	592.81	40.63	511.70	785.16
MIN	S2			-14.63	-55.36	-123.27	-14.63	-55.36	-193.00	-14.63	-55.81	-192.86	-14.63	-55.81	-262.59		
	TQ			-12.84	-62.50	-107.32	-12.84	-62.50	-168.53	-13.33	-62.91	-174.94	-13.33	-62.91	-238.48		
	M3			-14.63	-55.36	-123.27	-14.63	-55.36	-193.00	-14.63	-55.81	-192.86	-14.63	-55.81	-262.59		
	TANDEM-LOAD			MAX	S2	27.85	337.79	266.11	27.85	337.79	398.88	27.85	338.74	398.08	27.85	338.74	530.85
	TQ			26.32	358.80	274.08	26.32	358.80	399.57	26.32	359.75	398.71	26.32	359.75	524.20		
	M3			27.04	352.24	275.87	27.30	353.16	405.95	27.30	354.13	405.11	27.79	350.50	535.64		
	MIN			S2	-9.96	-38.25	-83.89	-9.96	-38.25	-131.36	-9.96	-38.56	-131.27	-9.96	-38.56	-178.74	
	TQ			-8.79	-42.81	-73.49	-8.79	-42.81	-115.41	-8.93	-43.08	-117.14	-8.93	-43.08	-159.70		
	M3			-9.96	-38.25	-83.89	-9.96	-38.25	-131.36	-9.96	-38.56	-131.27	-9.96	-38.56	-178.74		

BAGO RIVER BRIDGE

BLOCK [ No.1 : MAIN GIRDER ][ BEAM MEMBER FORCE ]

MEMBER			1003			1004			1004			1005				
NODE			1003			1004			1004			1005				
NAME TITLE			SHEAR	TORQUE	MOMENT	SHEAR	TORQUE	MOMENT	SHEAR	TORQUE	MOMENT	SHEAR	TORQUE	MOMENT		
			S2 (kN)	TQ (kN·m)	M3 (kN·m)	S2 (kN)	TQ (kN·m)	M3 (kN·m)	S2 (kN)	TQ (kN·m)	M3 (kN·m)	S2 (kN)	TQ (kN·m)	M3 (kN·m)		
68	2-LANES (caseDISPERSION-LMAX	S2	57.65	580.90	512.75	57.65	580.90	787.58	57.65	582.77	786.20	57.65	582.77	1061.03		
		TQ	50.01	582.47	446.36	50.01	582.47	684.77	50.62	584.11	691.56	50.62	584.11	932.87		
		M3	56.73	563.68	515.10	57.52	578.49	787.68	57.52	580.26	786.31	57.65	582.77	1061.03		
		MIN	S2	-17.29	-65.54	-145.70	-17.29	-65.54	-228.12	-17.29	-66.08	-227.97	-17.29	-66.08	-310.38	
		TQ	-9.65	-67.11	-79.32	-9.65	-67.11	-125.31	-10.26	-67.42	-133.33	-10.26	-67.42	-182.22		
		M3	-16.37	-48.32	-148.06	-17.16	-63.12	-228.22	-17.15	-63.57	-228.07	-17.29	-66.08	-310.38		
		MAX	S2	543.67	-352.68	3068.24	401.90	-543.67	4422.20	401.90	-533.17	4423.48	294.66	-662.91	5009.55	
		TQ	-22.99	93.96	-205.45	-22.99	93.96	-315.02	-22.99	93.21	-315.24	-22.99	93.21	-424.82		
		M3	485.78	-339.94	3281.14	364.06	-500.28	4478.99	364.06	-489.65	4480.16	243.38	-629.43	5035.14		
69	3-LANES (caseTRUCK-LOAD	MIN	S2	-87.70	-135.51	2499.47	-200.83	-285.82	3557.45	-200.83	-277.37	3558.11	-342.76	-468.77	3830.41	
		TQ	200.88	-744.76	1658.36	200.88	-744.76	2615.97	200.88	-738.54	2617.73	200.88	-738.54	3575.34		
		M3	-24.17	88.47	-215.35	-24.17	88.47	-330.56	-24.17	87.68	-330.77	-24.17	87.68	-445.98		
		TANDEM-LOAD	MAX	S2	417.46	-174.93	2286.10	316.03	-315.38	3295.54	316.03	-307.55	3296.28	223.87	-429.63	3688.19
		TQ	-15.93	63.92	-142.30	-15.93	63.92	-218.24	-15.93	63.40	-218.39	-15.93	63.40	-294.33		
		M3	384.29	-164.83	2457.47	309.99	-304.46	3351.31	309.99	-296.50	3352.03	221.62	-420.05	3728.26		
		MIN	S2	-85.98	-118.53	2172.19	-182.37	-251.68	2889.57	-182.37	-244.82	2890.16	-280.64	-377.51	2986.71	
		TQ	143.61	-511.25	1178.73	143.61	-511.25	1863.33	143.61	-506.82	1864.54	143.61	-506.82	2549.13		
		M3	-16.47	60.86	-146.80	-16.47	60.86	-225.32	-16.47	60.33	-225.46	-16.47	60.33	-303.98		
		DISPERSION-LMAX	S2	280.62	-765.60	2157.63	223.21	-735.85	2917.54	223.21	-728.92	2919.28	183.01	-679.00	3396.36	
		TQ	-29.43	105.71	-234.66	-29.43	105.71	-374.94	-29.58	104.82	-371.65	-29.58	104.82	-512.66		
		M3	266.63	-788.98	2588.49	186.02	-788.98	3667.12	186.02	-780.27	3668.98	105.40	-780.27	4363.33		
		MIN	S2	-42.79	82.04	174.21	-65.99	52.30	355.63	-65.99	53.14	355.51	-106.41	3.22	435.48	
		TQ	267.26	-789.26	2566.50	186.64	-789.26	3648.12	186.79	-780.60	3646.44	106.18	-780.60	4344.49		
		M3	-28.80	105.42	-256.64	-28.80	105.42	-393.95	-28.80	104.49	-394.20	-28.80	104.49	-531.50		

BAGO RIVER BRIDGE

BLOCK [ No.1 : MAIN GIRDER ][ BEAM MEMBER FORCE ]

MEMBER				1003			1004			1005					
NODE				1003			1004			1004			1005		
NAME TITLE				SHEAR	TORQUE	MOMENT	SHEAR	TORQUE	MOMENT	SHEAR	TORQUE	MOMENT	SHEAR	TORQUE	MOMENT
				S2 (kN)	TQ (kN·m)	M3 (kN·m)	S2 (kN)	TQ (kN·m)	M3 (kN·m)	S2 (kN)	TQ (kN·m)	M3 (kN·m)	S2 (kN)	TQ (kN·m)	M3 (kN·m)
70	3-LANES (caseTRUCK-LOAD	MAX	S2	117.51	320.73	1127.48	117.51	320.73	1687.65	117.51	324.74	1686.88	117.51	324.74	2247.05
			TQ	116.58	324.17	1173.49	116.58	324.17	1729.26	116.58	328.28	1728.48	116.58	328.28	2284.24
			M3	94.17	269.31	1313.26	106.26	304.78	1794.86	106.26	309.04	1794.13	112.50	322.76	2320.12
		MIN	S2	-22.63	-28.87	-194.42	-22.63	-28.87	-302.30	-22.63	-29.59	-302.23	-22.63	-29.59	-410.12
			TQ	-4.43	-57.49	228.58	-4.43	-57.49	207.45	-4.43	-57.00	207.59	-4.43	-57.00	186.47
			M3	-22.63	-28.87	-194.42	-22.63	-28.87	-302.30	-22.63	-29.59	-302.23	-22.63	-29.59	-410.12
	TANDEM-LOAD	MAX	S2	80.79	218.86	764.86	80.79	218.86	1150.01	80.79	221.59	1149.48	80.79	221.59	1534.63
			TQ	80.29	223.02	807.60	80.29	223.02	1190.34	80.29	225.84	1189.81	80.29	225.84	1572.55
			M3	64.75	181.09	899.96	72.26	209.87	1228.81	72.26	212.79	1228.30	77.88	224.04	1586.78
		MIN	S2	-15.41	-20.00	-132.40	-15.41	-20.00	-205.87	-15.41	-20.49	-205.83	-15.41	-20.49	-279.30
			TQ	-0.50	-41.50	224.37	-0.50	-41.50	221.99	-0.50	-40.97	222.09	-0.50	-40.97	219.71
			M3	-15.41	-20.00	-132.40	-15.41	-20.00	-205.87	-15.41	-20.49	-205.83	-15.41	-20.49	-279.30
	DISPERSION-LMAX	MAX	S2	131.74	303.15	1424.58	131.74	303.15	2052.57	131.74	308.03	2051.85	131.74	308.03	2679.84
			TQ	95.98	322.14	1020.84	95.98	322.14	1478.38	97.67	325.68	1503.07	97.67	325.68	1968.68
			M3	131.72	302.80	1428.43	131.72	302.80	2056.36	131.72	307.69	2055.64	131.72	307.69	2683.58
		MIN	S2	-26.81	-35.13	-226.31	-26.81	-35.13	-354.10	-26.81	-35.97	-354.02	-26.81	-35.97	-481.81
			TQ	8.95	-54.12	177.42	8.95	-54.12	220.09	7.26	-53.63	194.76	7.26	-53.63	229.34
			M3	-26.80	-34.78	-230.16	-26.80	-34.78	-357.90	-26.80	-35.63	-357.81	-26.80	-35.63	-485.55
71	3-LANES (caseTRUCK-LOAD	MAX	S2	73.19	658.81	697.91	73.19	658.81	1046.82	73.19	661.29	1045.25	73.19	661.29	1394.16
			TQ	70.17	684.25	723.03	70.17	684.25	1057.54	70.17	686.76	1055.92	70.17	686.76	1390.43
			M3	66.93	667.25	740.11	70.49	676.92	1071.29	70.49	679.46	1069.68	72.24	671.00	1411.62
		MIN	S2	-22.16	-66.03	-187.89	-22.16	-66.03	-293.51	-22.16	-66.73	-293.35	-22.16	-66.73	-398.97
			TQ	-19.24	-75.26	-162.00	-19.24	-75.26	-253.71	-19.73	-75.86	-260.09	-19.73	-75.86	-354.13
			M3	-22.16	-66.03	-187.89	-22.16	-66.03	-293.51	-22.16	-66.73	-293.35	-22.16	-66.73	-398.97

BAGO RIVER BRIDGE

BLOCK [ No.1 : MAIN GIRDER ] [ BEAM MEMBER FORCE ]

MEMBER				1003			1004			1005								
NODE				1003			1004			1004			1005					
NAME TITLE				SHEAR	TORQUE	MOMENT	SHEAR	TORQUE	MOMENT	SHEAR	TORQUE	MOMENT	SHEAR	TORQUE	MOMENT			
				S2 (kN)	TQ (kN·m)	M3 (kN·m)	S2 (kN)	TQ (kN·m)	M3 (kN·m)	S2 (kN)	TQ (kN·m)	M3 (kN·m)	S2 (kN)	TQ (kN·m)	M3 (kN·m)			
71	3-LANES (case)	TANDEM-LOAD	MAX	S2	50.11	445.75	480.40	50.11	445.75	719.28	50.11	447.45	718.22	50.11	447.45	957.10		
				TQ	48.35	467.09	492.57	48.35	467.09	723.05	48.35	468.81	721.93	48.35	468.81	952.41		
				M3	46.77	456.56	505.61	47.73	459.54	731.81	47.73	461.28	730.71	49.82	459.56	963.85		
			MIN	S2	-15.09	-45.65	-127.89	-15.09	-45.65	-199.81	-15.09	-46.12	-199.70	-15.09	-46.12	-271.62		
				TQ	-13.27	-51.51	-111.79	-13.27	-51.51	-175.07	-13.41	-51.93	-176.78	-13.41	-51.93	-240.71		
				M3	-15.09	-45.65	-127.89	-15.09	-45.65	-199.81	-15.09	-46.12	-199.70	-15.09	-46.12	-271.62		
		DISPERSION-LMAX	S2	96.89	738.09	910.25	96.89	738.09	1372.11	96.89	741.35	1370.35	96.89	741.35	1832.21			
			TQ	83.45	742.59	793.42	83.45	742.59	1191.24	84.09	745.43	1198.13	84.09	745.43	1599.01			
			M3	95.97	720.86	912.61	96.76	735.67	1372.21	96.75	738.84	1370.46	96.89	741.35	1832.21			
			MIN	S2	-26.21	-78.06	-222.27	-26.21	-78.06	-347.22	-26.21	-78.88	-347.03	-26.21	-78.88	-471.97		
				TQ	-12.77	-82.56	-105.45	-12.77	-82.56	-166.35	-13.42	-82.97	-174.81	-13.42	-82.97	-238.78		
				M3	-25.29	-60.83	-224.63	-26.08	-75.64	-347.32	-26.07	-76.37	-347.14	-26.21	-78.88	-471.97		
		72	4-LANES	TRUCK-LOAD	MAX	S2	127.56	653.18	1229.77	127.56	653.18	1837.86	127.56	657.54	1836.30	127.56	657.54	2444.39
						TQ	124.47	675.37	1280.37	124.47	675.37	1873.74	124.47	679.82	1872.13	124.47	679.82	2465.49
						M3	107.01	628.28	1377.78	118.10	655.52	1919.26	118.10	660.08	1917.70	122.23	670.62	2495.94
MIN	S2				-29.86	-63.28	-254.87	-29.86	-63.28	-397.21	-29.86	-64.22	-397.06	-29.86	-64.22	-539.40		
	TQ				-10.10	-92.57	155.32	-10.10	-92.57	107.18	-10.10	-92.32	107.40	-10.10	-92.32	59.27		
	M3				-29.86	-63.28	-254.87	-29.86	-63.28	-397.21	-29.86	-64.22	-397.06	-29.86	-64.22	-539.40		
TANDEM-LOAD	MAX			S2	87.53	448.55	831.44	87.53	448.55	1248.68	87.53	451.52	1247.61	87.53	451.52	1664.85		
				TQ	85.51	462.63	878.25	85.51	462.63	1285.88	85.51	465.68	1284.78	85.51	465.68	1692.41		
				M3	73.12	433.05	944.61	79.47	447.12	1313.16	79.47	450.24	1312.09	84.16	457.61	1708.63		
	MIN			S2	-20.33	-43.77	-173.53	-20.33	-43.77	-270.46	-20.33	-44.41	-270.35	-20.33	-44.41	-367.29		
				TQ	-4.24	-64.80	172.17	-4.24	-64.80	151.95	-4.24	-64.44	152.10	-4.24	-64.44	131.89		
				M3	-20.33	-43.77	-173.53	-20.33	-43.77	-270.46	-20.33	-44.41	-270.35	-20.33	-44.41	-367.29		

BAGO RIVER BRIDGE

BLOCK [ No.1 : MAIN GIRDER ][ BEAM MEMBER FORCE ]

MEMBER				1003			1004			1004			1005				
NODE				1003			1004			1004			1005				
				SHEAR	TORQUE	MOMENT	SHEAR	TORQUE	MOMENT	SHEAR	TORQUE	MOMENT	SHEAR	TORQUE	MOMENT		
NAME	TITLE			S2 (kN)	TQ (kN·m)	M3 (kN·m)	S2 (kN)	TQ (kN·m)	M3 (kN·m)	S2 (kN)	TQ (kN·m)	M3 (kN·m)	S2 (kN)	TQ (kN·m)	M3 (kN·m)		
72	4-LANES	DISPERSION-LMAX	S2	132.61	670.95	1392.10	132.61	670.95	2024.24	132.61	675.75	2022.64	132.61	675.75	2654.78		
			TQ	113.28	735.68	1142.43	113.28	735.68	1682.46	113.92	739.68	1690.89	113.92	739.68	2233.96		
			M3	131.72	663.38	1404.21	132.06	668.75	2033.33	132.06	673.57	2031.74	132.06	673.57	2661.27		
		MIN	S2	-27.25	-64.73	-228.21	-27.25	-64.73	-358.09	-27.25	-65.58	-357.94	-27.25	-65.58	-487.83		
			TQ	-7.13	-79.38	33.20	-7.13	-79.38	-0.77	-8.12	-79.40	-16.31	-8.12	-79.40	-55.00		
			M3	-26.32	-47.16	-234.41	-27.11	-61.97	-361.99	-27.10	-62.73	-361.84	-27.24	-65.24	-491.57		
		73	6-LANES	TRUCK-LOAD MAX	S2	544.79	246.00	3411.89	432.97	118.53	5126.32	432.97	130.70	5126.02	351.61	40.35	6219.84
					TQ	60.69	661.13	653.63	60.69	661.13	942.93	60.69	663.36	941.35	60.69	663.36	1230.65
					M3	491.81	279.13	3867.07	396.38	175.62	5332.63	396.38	188.29	5332.20	308.23	76.91	6316.57
MIN	S2			-93.67	-134.65	1493.88	-176.72	-229.71	2029.21	-176.72	-224.89	2029.75	-293.93	-358.46	1911.21		
	TQ			159.53	-663.96	1314.37	159.53	-663.96	2074.85	159.53	-659.04	2076.42	159.53	-659.04	2836.90		
	M3			-46.33	23.54	-403.39	-46.33	23.54	-624.26	-46.33	22.06	-624.31	-46.33	22.06	-845.18		
TANDEM-LOAD MAX	S2			411.26	223.83	2507.05	330.81	129.83	3753.15	330.81	138.75	3752.83	258.31	57.15	4519.90		
	TQ			40.43	451.92	461.60	40.43	451.92	654.35	40.43	453.47	653.27	40.43	453.47	846.03		
	M3			361.04	240.60	2826.59	313.05	150.87	3873.15	313.05	160.07	3872.78	252.15	62.71	4543.89		
MIN	S2	-84.45	-117.97	1490.11	-160.25	-205.97	1789.17	-160.25	-201.72	1789.65	-238.23	-291.08	1607.03				
	TQ	110.23	-455.33	905.69	110.23	-455.33	1431.18	110.23	-451.93	1432.25	110.23	-451.93	1957.74				
	M3	-31.56	15.99	-274.80	-31.56	15.99	-425.26	-31.56	14.98	-425.30	-31.56	14.98	-575.76				
DISPERSION-LMAX	S2	361.14	-72.42	3135.44	314.09	-50.62	4410.85	314.09	-40.15	4410.96	283.41	-2.88	5493.20				
	TQ	72.64	746.34	788.46	72.64	746.34	1134.72	74.06	749.07	1159.99	74.06	749.07	1513.05				
	M3	350.31	-88.86	3445.22	283.55	-87.56	4956.31	283.55	-75.79	4956.50	216.34	-75.79	6148.12				
MIN	S2	-63.68	16.44	-134.52	-82.97	-6.90	-132.56	-82.97	-7.22	-132.54	-117.03	-47.89	-212.10				
	TQ	217.81	-719.58	2099.82	150.96	-719.58	2978.91	151.01	-712.55	2948.13	83.81	-712.55	3507.94				
	M3	-51.96	51.05	-463.20	-52.75	36.24	-713.02	-52.74	34.64	-713.10	-52.88	32.13	-965.07				



BAGO RIVER BRIDGE

BLOCK [ No.1 : MAIN GIRDER ][ BEAM MEMBER FORCE ]

MEMBER			1003			1004			1004			1005			
NODE			1003			1004			1004			1005			
NAME TITLE			SHEAR	TORQUE	MOMENT	SHEAR	TORQUE	MOMENT	SHEAR	TORQUE	MOMENT	SHEAR	TORQUE	MOMENT	
			S2 (kN)	TQ (kN·m)	M3 (kN·m)	S2 (kN)	TQ (kN·m)	M3 (kN·m)	S2 (kN)	TQ (kN·m)	M3 (kN·m)	S2 (kN)	TQ (kN·m)	M3 (kN·m)	
124	SUM TOTAL	D+1LANE (caseMAX	S2	1759.96	-977.55	14978.35	1294.65	-1117.29	21192.41	1294.65	-1066.95	21195.00	885.75	-1132.38	25130.34
			TQ	1197.90	-249.78	12277.90	920.36	-249.78	17326.83	920.17	-208.62	17331.62	642.62	-208.62	21056.59
			M3	1752.30	-981.27	15172.10	1242.02	-1100.30	21613.26	1242.02	-1048.97	21615.81	783.20	-1169.82	25680.71
		MIN	S2	1146.91	-337.68	13767.55	742.62	-471.21	19910.23	742.62	-423.92	19911.29	287.17	-619.27	23904.92
			TQ	1466.73	-1260.16	14381.52	1122.27	-1260.16	20552.15	1122.46	-1211.35	20550.84	777.99	-1211.35	25080.29
			M3	1198.17	-253.22	12247.54	920.62	-253.22	17297.74	920.62	-212.14	17298.30	643.07	-212.14	21025.41
		D+1LANE (caseMAX	S2	1385.67	-640.35	13989.55	1107.15	-638.38	19909.83	1107.15	-591.09	19911.29	828.40	-591.09	24524.74
			TQ	1199.43	-309.92	12262.11	921.88	-309.92	17318.31	921.88	-268.79	17319.00	644.33	-268.79	21052.11
			M3	1312.79	-639.73	14401.90	1083.28	-641.92	20129.53	1083.28	-594.11	20131.00	819.94	-600.42	24683.22
		MIN	S2	1188.25	-417.77	13247.16	910.48	-419.75	18270.96	910.48	-376.35	18271.91	632.93	-376.35	21950.68
			TQ	1350.56	-696.10	13870.05	1071.82	-696.10	19643.87	1071.82	-649.45	19645.47	793.08	-649.45	24090.52
			M3	1198.99	-311.19	12258.37	921.44	-311.19	17312.47	921.44	-270.07	17313.16	643.89	-270.07	21044.17
		D+1LANE (caseMAX	S2	1339.06	-307.44	13698.48	1061.51	-307.44	19420.30	1061.51	-261.31	19420.98	783.96	-261.31	23819.70
			TQ	1305.69	-284.97	13341.21	1028.14	-284.97	18903.96	1029.38	-240.05	18923.78	751.82	-240.05	23169.32
			M3	1323.04	-328.65	13808.87	1054.66	-310.98	19482.11	1054.66	-264.71	19482.79	780.46	-260.01	23862.55
		MIN	S2	1199.58	-355.84	12271.16	922.04	-355.84	17328.12	922.04	-314.68	17328.91	644.48	-314.68	21062.77
			TQ	1252.14	-405.63	13146.43	974.60	-405.63	18453.92	973.36	-361.82	18435.64	695.80	-361.82	22414.14
			M3	1199.60	-355.42	12266.54	922.05	-355.42	17323.56	922.05	-314.28	17324.36	644.50	-314.28	21058.29
		D+1LANE (caseMAX	S2	1270.61	374.24	12889.55	993.06	374.24	18285.08	993.06	417.67	18284.14	715.51	417.67	22356.58
			TQ	1264.95	401.17	12861.18	987.41	401.17	18229.74	988.00	444.47	18236.75	710.45	444.47	22285.06
			M3	1268.75	374.95	12899.41	992.29	391.47	18289.23	992.29	434.80	18288.25	715.45	425.41	22359.24
		MIN	S2	1200.81	-447.16	12283.05	923.27	-447.16	17345.86	923.27	-405.97	17346.88	645.71	-405.97	21086.60
			TQ	1204.89	-452.42	12318.79	927.35	-452.42	17401.06	926.75	-411.10	17394.07	649.20	-411.10	21150.41
			M3	1201.92	-426.49	12280.22	923.43	-444.26	17345.74	923.43	-402.95	17346.75	645.71	-405.97	21086.60

BAGO RIVER BRIDGE

BLOCK [ No.1 : MAIN GIRDER ][ BEAM MEMBER FORCE ]

MEMBER				1003			1004			1005					
NODE				1003			1004			1004			1005		
NAME TITLE				SHEAR	TORQUE	MOMENT	SHEAR	TORQUE	MOMENT	SHEAR	TORQUE	MOMENT	SHEAR	TORQUE	MOMENT
				S2 (kN)	TQ (kN·m)	M3 (kN·m)	S2 (kN)	TQ (kN·m)	M3 (kN·m)	S2 (kN)	TQ (kN·m)	M3 (kN·m)	S2 (kN)	TQ (kN·m)	M3 (kN·m)
124	SUM TOTAL	D+2LANES (casMAX	S2	1905.80	-1244.16	16377.79	1429.88	-1407.06	23005.55	1429.88	-1352.42	23008.82	1005.90	-1432.24	27249.22
			TQ	1184.30	-201.58	12151.34	906.76	-201.58	17135.44	906.61	-160.88	17139.41	629.05	-160.88	20799.70
			M3	1894.65	-1255.32	16677.91	1374.74	-1413.84	23628.83	1374.74	-1357.72	23632.12	884.05	-1492.24	28109.71
		MIN	S2	1115.54	-364.84	14444.26	701.84	-543.25	20944.61	701.84	-493.50	20945.84	241.95	-734.82	25254.24
			TQ	1578.91	-1613.45	15476.37	1221.74	-1613.45	22151.53	1221.89	-1560.84	22151.76	864.72	-1560.84	27124.99
			M3	1184.11	-206.30	12122.57	906.57	-206.30	17105.76	906.57	-165.68	17106.20	629.01	-165.68	20766.31
		D+2LANES (casMAX	S2	1593.89	-963.16	15553.79	1273.63	-1007.96	21936.73	1273.63	-955.86	21939.07	958.11	-981.16	26744.55
			TQ	1185.57	-251.70	12138.18	908.03	-251.70	17128.35	908.03	-211.02	17128.89	630.47	-211.02	20795.96
			M3	1528.40	-970.71	16036.09	1242.46	-1031.86	22392.39	1242.46	-978.67	22394.78	914.67	-1017.75	27278.47
		MIN	S2	1149.99	-431.59	14010.60	841.73	-500.36	19578.55	841.73	-453.86	19579.68	530.08	-532.39	23625.71
			TQ	1482.10	-1143.40	15050.14	1179.70	-1143.40	21394.62	1179.70	-1092.59	21397.28	877.29	-1092.59	26300.18
			M3	1184.79	-254.61	12131.60	907.25	-254.61	17118.04	907.25	-213.95	17118.59	629.69	-213.95	20781.94
		D+2LANES (casMAX	S2	1402.08	-105.58	14326.68	1124.54	-105.58	20348.94	1124.54	-57.25	20349.14	846.98	-57.25	25048.31
			TQ	1368.22	-83.52	14000.38	1090.68	-83.52	19861.23	1091.87	-36.32	19880.15	814.32	-36.32	24423.62
			M3	1382.34	-136.86	14488.52	1114.56	-114.64	20444.97	1114.56	-66.08	20445.18	842.64	-55.88	25115.21
		MIN	S2	1186.47	-377.68	12158.07	908.93	-377.68	17152.52	908.93	-336.95	17153.37	631.37	-336.95	20824.73
			TQ	1237.04	-422.42	12955.23	959.50	-422.42	18190.74	958.30	-379.24	18172.90	680.74	-379.24	22079.61
			M3	1186.48	-377.33	12154.22	908.94	-377.33	17148.73	908.94	-336.61	17149.58	631.38	-336.61	20820.99
		D+2LANES (casMAX	S2	1318.15	724.78	13350.09	1040.60	724.78	18972.24	1040.60	769.84	18970.46	763.05	769.84	23269.52
			TQ	1308.33	748.82	13285.74	1030.79	748.82	18861.10	1031.40	793.63	18867.45	753.84	793.63	23122.62
			M3	1315.37	722.34	13360.84	1039.67	739.44	18976.64	1039.67	784.41	18974.83	762.95	776.53	23271.97
		MIN	S2	1187.85	-480.63	12172.77	910.31	-480.63	17173.79	910.31	-439.84	17174.88	632.75	-439.84	20852.81
			TQ	1197.28	-489.35	12255.11	919.73	-489.35	17301.07	918.64	-448.27	17287.44	641.08	-448.27	21005.08
			M3	1188.77	-463.41	12170.42	910.44	-478.21	17173.69	910.44	-437.33	17174.78	632.75	-439.84	20852.81

BAGO RIVER BRIDGE

BLOCK [ No.1 : MAIN GIRDER ][ BEAM MEMBER FORCE ]

MEMBER			1003			1004			1004			1005				
NODE			1003			1004			1004			1005				
NAME TITLE			SHEAR	TORQUE	MOMENT	SHEAR	TORQUE	MOMENT	SHEAR	TORQUE	MOMENT	SHEAR	TORQUE	MOMENT		
			S2 (kN)	TQ (kN·m)	M3 (kN·m)	S2 (kN)	TQ (kN·m)	M3 (kN·m)	S2 (kN)	TQ (kN·m)	M3 (kN·m)	S2 (kN)	TQ (kN·m)	M3 (kN·m)		
124	SUM TOTAL	D+3LANES (casMAX	S2	1920.41	-1310.27	16883.74	1473.56	-1447.33	23833.69	1473.56	-1390.72	23837.06	1070.69	-1458.57	28570.80	
			TQ	1175.21	-190.02	12067.66	897.67	-190.02	17008.44	897.54	-149.62	17011.85	619.99	-149.62	20628.93	
			M3	1859.31	-1319.32	17430.93	1409.78	-1455.61	24519.10	1409.78	-1397.37	24522.49	961.13	-1516.18	29414.48	
		MIN	S2	1108.85	-405.18	14714.38	715.42	-558.23	20921.02	715.42	-508.54	20922.29	282.87	-713.66	25051.78	
			TQ	1617.68	-1663.65	16032.89	1271.62	-1663.65	22919.38	1271.75	-1609.22	22920.26	925.67	-1609.22	28157.64	
			M3	1174.74	-194.93	12040.55	897.20	-194.93	16979.08	897.20	-154.60	16979.49	619.64	-154.60	20594.92	
		D+3LANES (casMAX	S2	1431.62	170.57	14611.00	1154.08	170.57	20774.10	1154.08	219.91	20773.63	876.52	219.91	25613.64	
			TQ	1400.44	189.64	14306.93	1122.90	189.64	20321.40	1124.34	237.92	20342.53	846.79	237.92	25040.77	
			M3	1411.78	126.57	14772.18	1144.51	156.71	20868.45	1144.51	206.27	20868.02	872.25	217.94	25678.92	
		MIN	S2	1177.74	-414.13	12084.13	900.20	-414.13	17036.96	900.20	-373.67	17037.90	622.64	-373.67	20667.64	
			TQ	1223.61	-454.60	12786.85	946.06	-454.60	17958.32	944.62	-411.97	17937.71	667.07	-411.97	21779.22	
			M3	1177.75	-413.83	12080.86	900.21	-413.83	17033.74	900.21	-373.38	17034.67	622.65	-373.38	20664.46	
		D+3LANES (casMAX	S2	1364.33	827.63	13808.69	1086.79	827.63	19651.00	1086.79	874.30	19648.98	809.23	874.30	24168.19	
			TQ	1350.34	853.09	13730.73	1072.80	853.09	19506.37	1073.35	899.42	19511.65	795.79	899.42	23966.80	
			M3	1358.23	820.16	13846.56	1084.38	840.97	19671.89	1084.38	887.60	19669.83	808.43	882.55	24183.03	
		MIN	S2	1178.65	-482.21	12093.11	901.11	-482.21	17050.29	901.11	-441.71	17051.39	623.55	-441.71	20685.48	
			TQ	1192.55	-493.88	12214.42	915.01	-493.88	17237.86	914.05	-452.95	17226.05	636.49	-452.95	20921.81	
			M3	1179.44	-467.57	12091.11	901.22	-480.15	17050.20	901.22	-439.58	17051.30	623.55	-441.71	20685.48	
		D+4LANES	MAX	S2	1388.87	500.95	14145.96	1111.33	500.95	20105.27	1111.33	548.70	20104.02	833.77	548.70	24740.24
			TQ	1374.31	557.44	14016.57	1096.76	557.44	19906.44	1097.18	604.73	19911.67	819.62	604.73	24480.42	
			M3	1374.94	479.85	14250.04	1104.83	501.04	20164.10	1104.83	548.93	20162.85	829.95	555.78	24777.97	
		MIN	S2	1182.65	-442.94	12127.75	905.10	-442.94	17103.96	905.10	-402.32	17104.96	627.55	-402.32	20758.08	
			TQ	1208.57	-471.50	12564.29	931.03	-471.50	17664.08	930.38	-429.56	17654.92	652.83	-429.56	21428.55	
			M3	1183.25	-431.52	12123.71	905.20	-441.14	17101.43	905.20	-400.47	17102.43	627.55	-402.10	20755.65	

BAGO RIVER BRIDGE

BLOCK [ No.1 : MAIN GIRDER ][ BEAM MEMBER FORCE ]

MEMBER					1003			1004			1005						
NODE					1003			1004			1004						
					SHEAR	TORQUE	MOMENT	SHEAR	TORQUE	MOMENT	SHEAR	TORQUE	MOMENT				
NAME	TITLE				S2 (kN)	TQ (kN·m)	M3 (kN·m)	S2 (kN)	TQ (kN·m)	M3 (kN·m)	S2 (kN)	TQ (kN·m)	M3 (kN·m)				
124	SUM TOTAL	D+6LANES	MAX	S2	1808.62	-246.91	16697.51	1427.81	-315.59	23794.07	1427.81	-259.08	23794.75	1077.43	-293.59	29039.25	
				TQ	1306.43	555.12	13379.11	1028.88	555.12	18945.38	1029.81	600.14	18961.59	752.25	600.14	23209.18	
				M3	1767.14	-236.06	17194.74	1384.18	-302.49	24282.72	1384.18	-244.82	24283.37	1005.64	-317.22	29527.83	
			MIN	S2	1117.48	-436.57	13325.33	773.42	-513.53	18827.73	773.42	-468.82	18828.90	397.54	-582.07	22530.20	
				TQ	1465.03	-1259.04	14660.98	1144.04	-1259.04	20879.85	1144.07	-1209.47	20861.67	822.83	-1209.47	25549.92	
				M3	1155.88	-311.25	11878.47	877.82	-320.87	16725.68	877.82	-281.09	16726.40	600.18	-282.72	20249.12	
	SUM TOTAL	MAX		1920.41	853.09	17430.93	1473.56	853.09	24519.10	1473.56	899.42	24522.49	1077.43	899.42	29527.83		
		MIN		1108.85	-1663.65	11878.47	701.84	-1663.65	16725.68	701.84	-1609.22	16726.40	241.95	-1609.22	20249.12		
	300	DEAD LOAD	TOTAL			1219.77	-359.73	12441.75	942.22	-359.73	17594.91	942.22	-317.94	17595.71	664.67	-317.94	21425.78
	301	LIVE LOAD	1-LANE(case1MAX	S2	S2	540.20	-617.82	2536.60	352.43	-757.56	3597.50	352.43	-749.01	3599.29	221.08	-814.43	3704.56
					TQ	-21.86	109.96	-163.85	-21.86	109.96	-268.08	-22.05	109.33	-264.09	-22.05	109.33	-369.19
					M3	532.53	-621.54	2730.35	299.80	-740.57	4018.35	299.80	-731.02	4020.10	118.53	-851.87	4254.93
MIN				S2	-72.86	22.06	1325.80	-199.60	-111.47	2315.32	-199.60	-105.97	2315.58	-377.50	-301.33	2479.14	
				TQ	246.96	-900.43	1939.77	180.05	-900.43	2957.24	180.23	-893.41	2955.13	113.32	-893.41	3654.51	
				M3	-21.60	106.51	-194.21	-21.60	106.51	-297.17	-21.60	105.81	-297.42	-21.60	105.81	-400.37	
1-LANE(case2MAX			S2	S2	165.90	-280.62	1547.80	164.93	-278.64	2314.92	164.93	-273.15	2315.58	163.74	-273.15	3098.96	
				TQ	-20.34	49.82	-179.64	-20.34	49.82	-276.60	-20.34	49.16	-276.71	-20.34	49.16	-373.67	
				M3	93.03	-280.00	1960.15	141.06	-282.19	2534.62	141.06	-276.17	2535.28	155.28	-282.48	3257.45	
			MIN	S2	-31.52	-58.04	805.41	-31.74	-60.01	676.06	-31.74	-58.41	676.20	-31.74	-58.41	524.90	
				TQ	130.80	-336.37	1428.30	129.60	-336.37	2048.96	129.60	-331.50	2049.75	128.41	-331.50	2664.74	
				M3	-20.78	48.55	-183.38	-20.78	48.55	-282.44	-20.78	47.88	-282.55	-20.78	47.88	-381.61	
1-LANE(case3MAX			S2	S2	119.29	52.30	1256.73	119.29	52.30	1825.39	119.29	56.63	1825.26	119.29	56.63	2393.92	
				TQ	85.92	74.76	899.46	85.92	74.76	1309.05	87.16	77.89	1328.06	87.16	77.89	1743.55	
				M3	103.28	31.08	1367.12	112.44	48.75	1887.20	112.44	53.23	1887.08	115.80	57.93	2436.77	
			MIN	S2	-20.18	3.89	-170.59	-20.18	3.89	-266.79	-20.18	3.26	-266.80	-20.18	3.26	-363.01	
				TQ	32.37	-45.89	704.68	32.37	-45.89	859.01	31.14	-43.88	839.92	31.14	-43.88	988.36	
				M3	-20.17	4.31	-175.21	-20.17	4.31	-271.35	-20.17	3.67	-271.35	-20.17	3.67	-367.49	

BAGO RIVER BRIDGE

BLOCK [ No.1 : MAIN GIRDER ][ BEAM MEMBER FORCE ]

MEMBER			1003			1004			1004			1005				
NODE			1003			1004			1004			1005				
NAME TITLE			SHEAR	TORQUE	MOMENT	SHEAR	TORQUE	MOMENT	SHEAR	TORQUE	MOMENT	SHEAR	TORQUE	MOMENT		
			S2 (kN)	TQ (kN·m)	M3 (kN·m)	S2 (kN)	TQ (kN·m)	M3 (kN·m)	S2 (kN)	TQ (kN·m)	M3 (kN·m)	S2 (kN)	TQ (kN·m)	M3 (kN·m)		
301	LIVE LOAD	1-LANE (case4MAX	S2	50.84	733.97	447.80	50.84	733.97	690.17	50.84	735.61	688.43	50.84	735.61	930.80	
			TQ	45.19	760.90	419.43	45.19	760.90	634.83	45.78	762.42	641.03	45.78	762.42	859.28	
			M3	48.99	734.68	457.66	50.07	751.21	694.33	50.06	752.74	692.54	50.78	743.35	933.46	
			MIN	S2	-18.95	-87.43	-158.70	-18.95	-87.43	-249.05	-18.95	-88.02	-248.84	-18.95	-88.02	-339.18
			TQ	-14.87	-92.69	-122.96	-14.87	-92.69	-193.85	-15.47	-93.16	-201.64	-15.47	-93.16	-275.37	
			M3	-17.85	-66.76	-161.53	-18.79	-84.53	-249.17	-18.79	-85.01	-248.97	-18.95	-88.02	-339.18	
		2-LANES (caseMAX	S2	686.04	-884.43	3936.04	487.66	-1047.32	5410.64	487.66	-1034.47	5413.11	341.23	-1114.29	5823.44	
			TQ	-35.46	158.15	-290.41	-35.46	158.15	-459.47	-35.62	157.06	-456.30	-35.62	157.06	-626.08	
			M3	674.88	-895.59	4236.16	432.52	-1054.11	6033.92	432.52	-1039.77	6036.41	219.39	-1174.29	6683.93	
			MIN	S2	-104.23	-5.11	2002.51	-240.38	-183.51	3349.70	-240.38	-175.56	3350.12	-422.72	-416.88	3828.46
			TQ	359.14	-1253.71	3034.62	279.52	-1253.71	4556.62	279.67	-1242.89	4556.04	200.05	-1242.89	5699.21	
			M3	-35.65	153.43	-319.18	-35.65	153.43	-489.15	-35.65	152.27	-489.51	-35.65	152.27	-659.47	
		2-LANES (caseMAX	S2	374.12	-603.43	3112.04	331.41	-648.23	4341.82	331.41	-637.92	4343.35	293.44	-663.22	5318.77	
			TQ	-34.19	108.03	-303.57	-34.19	108.03	-466.56	-34.19	106.92	-466.82	-34.19	106.92	-629.82	
			M3	308.63	-610.97	3594.33	300.24	-672.12	4797.48	300.24	-660.73	4799.07	250.01	-699.80	5852.70	
			MIN	S2	-69.78	-71.85	1568.85	-100.49	-140.63	1983.64	-100.49	-135.92	1983.97	-134.59	-214.44	2199.93
			TQ	262.34	-783.67	2608.39	237.48	-783.67	3799.71	237.48	-774.64	3801.57	212.63	-774.64	4874.40	
			M3	-34.97	105.13	-310.15	-34.97	105.13	-476.87	-34.97	103.99	-477.12	-34.97	103.99	-643.84	
		2-LANES (caseMAX	S2	182.32	254.16	1884.93	182.32	254.16	2754.03	182.32	260.70	2753.42	182.32	260.70	3622.53	
			TQ	148.45	276.22	1558.63	148.45	276.22	2266.32	149.65	281.62	2284.44	149.65	281.62	2997.84	
			M3	162.58	222.87	2046.77	172.34	245.10	2850.06	172.34	251.86	2849.47	177.98	262.06	3689.43	
MIN	S2		-33.29	-17.95	-283.68	-33.29	-17.95	-442.39	-33.29	-19.00	-442.34	-33.29	-19.00	-601.05		
TQ	17.28		-62.69	513.47	17.28	-62.69	595.83	16.08	-61.29	577.19	16.08	-61.29	653.83			
M3	-33.28		-17.60	-287.53	-33.28	-17.60	-446.18	-33.28	-18.66	-446.14	-33.28	-18.66	-604.79			

BAGO RIVER BRIDGE

BLOCK [ No.1 : MAIN GIRDER ][ BEAM MEMBER FORCE ]

MEMBER				1003			1004			1005						
NODE				1003			1004			1004			1005			
NAME TITLE				SHEAR	TORQUE	MOMENT	SHEAR	TORQUE	MOMENT	SHEAR	TORQUE	MOMENT	SHEAR	TORQUE	MOMENT	
				S2 (kN)	TQ (kN·m)	M3 (kN·m)	S2 (kN)	TQ (kN·m)	M3 (kN·m)	S2 (kN)	TQ (kN·m)	M3 (kN·m)	S2 (kN)	TQ (kN·m)	M3 (kN·m)	
301	LIVE LOAD	2-LANES (caseMAX	S2	98.38	1084.52	908.34	98.38	1084.52	1377.33	98.38	1087.78	1374.75	98.38	1087.78	1843.74	
			TQ	88.57	1108.56	843.99	88.57	1108.56	1266.19	89.18	1111.57	1271.73	89.18	1111.57	1696.84	
			M3	95.61	1082.07	919.09	97.45	1099.17	1381.73	97.44	1102.36	1379.11	98.28	1094.48	1846.19	
			MIN	S2	-31.92	-120.90	-268.98	-31.92	-120.90	-421.12	-31.92	-121.90	-420.83	-31.92	-121.90	-572.97
			TQ	-22.49	-129.61	-186.64	-22.49	-129.61	-293.84	-23.58	-130.33	-308.27	-23.58	-130.33	-420.70	
			M3	-31.00	-103.67	-271.33	-31.79	-118.48	-421.22	-31.78	-119.39	-420.94	-31.92	-121.90	-572.97	
		3-LANES (caseMAX	S2	700.65	-950.54	4441.99	531.34	-1087.60	6238.78	531.34	-1072.78	6241.34	406.02	-1140.63	7145.02	
			TQ	-44.55	169.71	-374.09	-44.55	169.71	-586.47	-44.68	168.32	-583.86	-44.68	168.32	-796.85	
			M3	639.55	-959.58	4989.18	467.56	-1095.87	6924.19	467.56	-1079.42	6926.77	296.46	-1198.24	7988.70	
			MIN	S2	-110.92	-45.45	2272.63	-226.80	-198.50	3326.11	-226.80	-190.60	3326.58	-381.79	-395.72	3626.00
			TQ	397.92	-1303.92	3591.14	329.40	-1303.92	5324.47	329.52	-1291.27	5324.55	261.00	-1291.27	6731.86	
			M3	-45.02	164.80	-401.20	-45.02	164.80	-615.83	-45.02	163.34	-616.22	-45.02	163.34	-830.86	
		3-LANES (caseMAX	S2	211.86	530.30	2169.25	211.86	530.30	3179.19	211.86	537.85	3177.92	211.86	537.85	4187.86	
			TQ	180.68	549.37	1865.18	180.68	549.37	2726.49	182.12	555.87	2746.82	182.12	555.87	3614.99	
			M3	192.01	486.30	2330.43	202.29	516.44	3273.54	202.29	524.22	3272.31	207.59	535.88	4253.15	
			MIN	S2	-42.02	-54.40	-357.62	-42.02	-54.40	-557.95	-42.02	-55.72	-557.82	-42.02	-55.72	-758.14
			TQ	3.84	-94.87	345.10	3.84	-94.87	363.41	2.40	-94.03	341.99	2.40	-94.03	353.44	
			M3	-42.01	-54.10	-360.89	-42.01	-54.10	-561.17	-42.01	-55.43	-561.04	-42.01	-55.43	-761.32	
		3-LANES (caseMAX	S2	144.57	1187.36	1366.94	144.57	1187.36	2056.09	144.57	1192.24	2053.26	144.57	1192.24	2742.42	
			TQ	130.58	1212.82	1288.98	130.58	1212.82	1911.46	131.13	1217.37	1915.94	131.13	1217.37	2541.02	
			M3	138.46	1179.90	1404.81	142.16	1200.70	2076.98	142.16	1205.55	2074.12	143.76	1200.50	2757.26	
MIN	S2		-41.11	-122.48	-348.64	-41.11	-122.48	-544.62	-41.11	-123.77	-544.32	-41.11	-123.77	-740.30		
TQ	-27.21		-134.15	-227.33	-27.21	-134.15	-357.05	-28.17	-135.01	-369.66	-28.17	-135.01	-503.97			
M3	-40.33		-107.83	-350.64	-41.00	-120.42	-544.70	-41.00	-121.63	-544.42	-41.11	-123.77	-740.30			

BAGO RIVER BRIDGE

BLOCK [ No.1 : MAIN GIRDER ][ BEAM MEMBER FORCE ]

MEMBER					1003			1004			1005					
NODE					1003			1004			1005					
NAME TITLE					SHEAR	TORQUE	MOMENT	SHEAR	TORQUE	MOMENT	SHEAR	TORQUE	MOMENT			
					S2 (kN)	TQ (kN·m)	M3 (kN·m)	S2 (kN)	TQ (kN·m)	M3 (kN·m)	S2 (kN)	TQ (kN·m)	M3 (kN·m)			
301	LIVE LOAD	4-LANES	MAX	S2	169.11	860.68	1704.21	169.11	860.68	2510.36	169.11	866.64	2508.31	169.11	866.64	3314.46
				TQ	154.54	917.18	1574.82	154.54	917.18	2311.53	154.96	922.67	2315.96	154.96	922.67	3054.64
				M3	155.17	839.58	1808.29	162.61	860.77	2569.19	162.61	866.87	2567.14	165.29	873.73	3352.19
			MIN	S2	-37.12	-83.21	-314.00	-37.12	-83.21	-490.95	-37.12	-84.37	-490.75	-37.12	-84.37	-667.70
				TQ	-11.20	-111.77	122.54	-11.20	-111.77	69.17	-11.84	-111.62	59.21	-11.84	-111.62	2.78
				M3	-36.51	-71.79	-318.04	-37.03	-81.41	-493.48	-37.02	-82.52	-493.29	-37.11	-84.15	-670.13
		6-LANES	MAX	S2	588.85	112.83	4255.76	485.59	44.14	6199.16	485.59	58.86	6199.04	412.76	24.36	7613.47
				TQ	86.66	914.86	937.36	86.66	914.86	1350.47	87.59	918.08	1365.87	87.59	918.08	1783.40
				M3	547.38	123.67	4752.99	441.96	57.24	6687.81	441.96	73.12	6687.66	340.97	0.72	8102.05
			MIN	S2	-102.28	-76.84	883.58	-168.80	-153.80	1232.82	-168.80	-150.87	1233.18	-267.12	-264.13	1104.42
				TQ	245.27	-899.31	2219.23	201.82	-899.31	3284.95	201.85	-891.53	3265.96	158.17	-891.53	4124.15
				M3	-63.89	48.48	-563.28	-64.40	38.86	-869.23	-64.40	36.85	-869.32	-64.49	35.22	-1176.66
		LIVE LOAD	MAX		700.65	1212.82	4989.18	531.34	1212.82	6924.19	531.34	1217.37	6926.77	412.76	1217.37	8102.05
			MIN		-110.92	-1303.92	-563.28	-240.38	-1303.92	-869.23	-240.38	-1291.27	-869.32	-422.72	-1291.27	-1176.66
		303	SUM TOTAL	TOTAL	MAX	1920.41	853.09	17430.93	1473.56	853.09	24519.10	1473.56	899.42	24522.49	1077.43	899.42
MIN	1108.85				-1663.65	11878.47	701.84	-1663.65	16725.68	701.84	-1609.22	16726.40	241.95	-1609.22	20249.12	

BAGO RIVER BRIDGE

BLOCK [ No.1 : MAIN GIRDER ] [ BEAM MEMBER FORCE ]

MEMBER NODE	1005	1006			1007			1006			1007			
		SHEAR	TORQUE	MOMENT	SHEAR	TORQUE	MOMENT	SHEAR	TORQUE	MOMENT	SHEAR	TORQUE	MOMENT	
NAME TITLE	S2 (kN)	TQ (kN·m)	M3 (kN·m)	S2 (kN)	TQ (kN·m)	M3 (kN·m)	S2 (kN)	TQ (kN·m)	M3 (kN·m)	S2 (kN)	TQ (kN·m)	M3 (kN·m)		
1 PAVEMENT	115.41	1.70	3799.01	68.62	1.70	4237.66	68.62	11.76	4237.64	21.84	11.76	4453.26		
3 RAILING	5.55	-0.78	89.13	1.60	-0.78	106.16	1.60	-0.52	106.16	-2.35	-0.52	104.38		
5 CURB	54.91	-7.68	882.39	15.83	-7.68	1050.99	15.83	-5.18	1051.01	-23.25	-5.18	1033.32		
7 DECK WEIGHT	185.12	-17.32	5970.72	108.06	-17.32	6669.54	108.06	-1.48	6669.56	31.00	-1.48	7001.04		
8 GIRDER WEIGH	224.92	-186.85	7541.09	135.80	-186.85	8400.89	135.80	-166.89	8401.31	46.68	-166.89	8836.26		
10 MEDIAN STRIP	25.42	-55.94	1363.20	25.42	-55.94	1484.37	25.42	-52.42	1484.50	25.42	-52.42	1605.68		
21 ADITIONAL WE	51.83	-4.85	1671.80	30.26	-4.85	1867.47	30.26	-0.41	1867.48	8.68	-0.41	1960.29		
31 MEDIAN RAILI	1.89	-4.41	107.12	1.89	-4.41	116.14	1.89	-4.14	116.15	1.89	-4.14	125.18		
51 SUPPORT WEIG	-0.00	-0.00	0.00	-0.00	-0.00	0.00	-0.00	-0.00	0.00	-0.00	-0.00	-0.00		
52 NOSE WEIGHT	-0.03	-0.60	2.03	-0.03	-0.60	1.88	-0.03	-0.59	1.88	-0.03	-0.59	1.73		
61 1-LANE(case1TRUCK-LOAD	MAX	S2	294.98	-82.67	1946.75	180.98	-202.59	2335.80	180.98	-197.05	2336.27	97.62	-275.11	2148.86
		TQ	-7.46	41.03	-145.03	-7.46	41.03	-180.58	-7.46	40.60	-180.68	-7.46	40.60	-216.23
		M3	273.00	-53.13	1954.34	159.30	-173.09	2372.63	159.30	-167.45	2373.04	65.63	-259.71	2180.96
	MIN	S2	-74.85	18.84	1796.80	-160.88	-65.11	2244.68	-160.88	-59.78	2244.83	-269.54	-174.06	2067.37
		TQ	70.07	-289.93	1066.06	70.07	-289.93	1400.07	61.80	-286.66	1302.81	61.80	-286.66	1597.42
		M3	-7.84	38.50	-152.17	-7.84	38.50	-189.55	-7.84	38.05	-189.64	-7.84	38.05	-227.02
	TANDEM-LOAD MAX	S2	237.93	-14.80	1510.15	156.56	-102.52	1832.78	156.56	-98.16	1833.02	81.79	-176.33	1674.09
		TQ	-30.27	28.83	893.92	-30.27	28.83	749.62	-30.27	30.61	749.55	-30.27	30.61	605.25
		M3	237.93	-14.80	1510.16	156.56	-102.52	1832.78	156.56	-98.16	1833.02	81.79	-176.33	1674.09
	MIN	S2	-67.33	0.48	1488.29	-143.75	-80.85	1819.76	-143.75	-76.53	1819.94	-223.94	-162.06	1667.67
		TQ	46.84	-201.89	744.96	46.84	-201.89	968.24	46.84	-199.59	968.71	46.84	-199.59	1191.98
		M3	-5.35	26.50	-103.74	-5.35	26.50	-129.22	-5.35	26.19	-129.28	-5.35	26.19	-154.76
	DISPERSION-LMAX	S2	102.60	-243.91	1141.58	66.52	-235.61	1225.66	66.52	-232.70	1226.21	44.48	-210.09	1157.14
		TQ	-24.61	56.95	228.78	-24.61	56.95	111.47	-25.03	57.23	119.16	-25.03	57.23	-0.17
		M3	85.65	-233.02	1592.61	29.89	-233.02	1867.75	29.89	-228.58	1868.30	-25.87	-228.58	1877.64
	MIN	S2	-26.31	56.79	269.36	-45.99	48.49	415.79	-45.99	49.47	415.68	-79.71	26.86	449.46
		TQ	100.90	-244.08	1182.16	45.14	-244.08	1529.98	45.56	-240.45	1522.73	-10.20	-240.45	1606.77
		M3	-9.36	45.89	-181.68	-9.36	45.89	-226.30	-9.36	45.35	-226.41	-9.36	45.35	-271.04



BAGO RIVER BRIDGE

BLOCK [ No.1 : MAIN GIRDER ][ BEAM MEMBER FORCE ]

MEMBER				1005			1006			1007					
NODE				1005			1006			1006			1007		
NAME TITLE				SHEAR	TORQUE	MOMENT	SHEAR	TORQUE	MOMENT	SHEAR	TORQUE	MOMENT	SHEAR	TORQUE	MOMENT
				S2 (kN)	TQ (kN·m)	M3 (kN·m)	S2 (kN)	TQ (kN·m)	M3 (kN·m)	S2 (kN)	TQ (kN·m)	M3 (kN·m)	S2 (kN)	TQ (kN·m)	M3 (kN·m)
62	1-LANE (case2TRUCK-LOAD	MAX	S2	57.55	-61.59	1016.69	57.55	-61.59	1291.05	57.55	-58.52	1291.20	57.55	-58.52	1565.56
			TQ	-7.16	18.26	-137.61	-7.16	18.26	-171.72	-7.16	17.86	-171.76	-7.16	17.86	-205.88
			M3	-12.45	-66.57	1401.20	25.64	-59.32	1417.67	25.64	-55.95	1417.81	52.88	-55.06	1600.95
		MIN	S2	-36.78	-59.06	1258.69	-36.78	-59.06	1083.37	-36.78	-56.49	1083.51	-36.78	-56.49	908.20
			TQ	34.56	-87.94	612.00	34.56	-87.94	776.74	34.56	-86.09	776.94	34.56	-86.09	941.68
			M3	-7.56	17.21	-145.29	-7.56	17.21	-181.34	-7.56	16.78	-181.38	-7.56	16.78	-217.43
		TANDEM-LOAD MAX	S2	41.05	-42.75	661.32	41.05	-42.75	857.03	41.05	-40.72	857.13	41.05	-40.72	1052.83
			TQ	-4.97	12.42	-95.64	-4.97	12.42	-119.35	-4.97	12.14	-119.38	-4.97	12.14	-143.10
			M3	-15.39	-47.97	980.81	12.87	-41.49	975.81	12.87	-39.17	975.91	37.80	-34.16	1122.47
		MIN	S2	-27.08	-38.64	830.94	-27.08	-38.64	701.84	-27.08	-36.97	701.92	-27.08	-36.97	572.82
			TQ	24.08	-60.96	429.43	24.08	-60.96	544.23	24.08	-59.67	544.37	24.08	-59.67	659.17
			M3	-5.15	11.84	-99.01	-5.15	11.84	-123.57	-5.15	11.54	-123.60	-5.15	11.54	-148.17
		DISPERSION-LMAX	S2	40.64	-81.31	850.66	40.29	-79.74	1010.58	40.29	-77.34	1010.77	39.35	-76.75	1187.78
			TQ	-9.00	20.49	-172.81	-9.00	20.49	-215.70	-9.00	19.98	-215.75	-9.00	19.98	-258.64
			M3	28.70	-101.21	1313.82	27.71	-101.21	1448.28	27.71	-97.77	1448.51	26.72	-97.77	1578.24
MIN	S2	-20.93	0.59	290.34	-21.57	-0.98	221.99	-21.57	-0.45	222.00	-21.63	-1.04	131.82		
	TQ	28.70	-101.21	1313.82	27.71	-101.21	1448.28	27.71	-97.77	1448.51	26.72	-97.77	1578.24		
	M3	-9.00	20.49	-172.81	-9.00	20.49	-215.70	-9.00	19.98	-215.75	-9.00	19.98	-258.64		
63	1-LANE (case3TRUCK-LOAD	MAX	S2	33.92	35.68	732.21	33.92	35.68	893.91	33.92	37.80	893.82	33.92	37.80	1055.53
			TQ	33.03	36.47	778.69	33.03	36.47	936.14	33.03	38.69	936.06	33.03	38.69	1093.51
			M3	5.54	-19.12	973.06	19.53	14.26	1034.18	19.53	16.72	1034.14	26.59	31.36	1142.77
		MIN	S2	-12.92	-45.85	666.22	-12.92	-45.85	604.65	-12.92	-44.42	604.76	-12.92	-44.42	543.19
			TQ	-9.62	-48.97	863.43	-9.62	-48.97	817.56	-12.45	-47.22	692.52	-12.45	-47.22	633.17
			M3	-7.35	0.99	-140.11	-7.35	0.99	-175.17	-7.35	0.57	-175.17	-7.35	0.57	-210.23

BAGO RIVER BRIDGE

BLOCK [ No.1 : MAIN GIRDER ][ BEAM MEMBER FORCE ]

MEMBER		1005			1006			1006			1007						
NODE		SHEAR	TORQUE	MOMENT	SHEAR	TORQUE	MOMENT	SHEAR	TORQUE	MOMENT	SHEAR	TORQUE	MOMENT				
NAME	TITLE	S2 (kN)	TQ (kN·m)	M3 (kN·m)	S2 (kN)	TQ (kN·m)	M3 (kN·m)	S2 (kN)	TQ (kN·m)	M3 (kN·m)	S2 (kN)	TQ (kN·m)	M3 (kN·m)				
63	1-LANE (case3TANDEM-LOAD	MAX	S2	23.55	23.89	479.96	23.55	23.89	592.21	23.55	25.30	592.16	23.55	25.30	704.41		
			TQ	22.54	26.44	543.70	22.54	26.44	651.17	22.54	27.99	651.10	22.54	27.99	758.57		
			M3	5.54	-8.59	666.85	15.40	15.56	706.11	15.40	17.24	706.07	17.37	21.32	783.83		
		MIN	S2	-9.27	-30.36	427.07	-9.27	-30.36	382.87	-9.27	-29.45	382.94	-9.27	-29.45	338.73		
			TQ	-8.01	-35.81	574.35	-8.01	-35.81	536.18	-8.80	-34.59	501.33	-8.80	-34.59	459.40		
			M3	-5.01	0.66	-95.44	-5.01	0.66	-119.33	-5.01	0.37	-119.33	-5.01	0.37	-143.21		
		DISPERSION-LMAX	S2	30.42	13.50	764.67	30.42	13.50	909.69	30.42	15.66	909.66	30.42	15.66	1054.68		
			TQ	14.39	22.02	365.84	14.39	22.02	434.42	15.32	23.09	463.01	15.32	23.09	536.05		
			M3	25.91	-4.39	1057.55	25.91	-4.39	1181.08	25.91	-1.58	1181.09	25.91	-1.58	1304.63		
		MIN	S2	-13.23	-16.80	126.73	-13.23	-16.80	63.67	-13.23	-16.65	63.71	-13.23	-16.65	0.64		
			TQ	2.81	-25.33	525.56	2.81	-25.33	538.94	1.87	-24.08	510.36	1.87	-24.08	519.27		
			M3	-8.72	1.08	-166.14	-8.72	1.08	-207.72	-8.72	0.59	-207.73	-8.72	0.59	-249.31		
		64	1-LANE (case4TRUCK-LOAD	MAX	S2	10.21	91.49	168.58	10.21	91.49	217.23	10.21	92.00	217.02	10.21	92.00	265.67
					TQ	8.14	205.15	323.68	8.14	205.15	362.50	8.14	206.01	362.01	8.14	206.01	400.84
					M3	7.68	204.40	326.92	7.68	204.40	363.55	7.68	205.26	363.06	8.14	206.01	400.84
MIN	S2			-6.93	-32.89	-129.52	-6.93	-32.89	-162.56	-6.93	-33.27	-162.48	-6.93	-33.27	-195.52		
	TQ			-6.31	-36.82	-117.36	-6.31	-36.82	-147.42	-6.31	-37.17	-147.33	-6.31	-37.17	-177.39		
	M3			-6.93	-32.89	-129.52	-6.93	-32.89	-162.56	-6.93	-33.27	-162.48	-6.93	-33.27	-195.52		
TANDEM-LOAD	MAX			S2	7.00	51.51	98.28	7.00	51.51	131.64	7.00	51.83	131.52	7.00	51.83	164.89	
	TQ			5.70	140.00	219.23	5.70	140.00	246.40	5.70	140.58	246.06	5.70	140.58	273.23		
	M3			4.96	139.01	224.01	4.96	139.01	247.68	4.96	139.60	247.35	5.70	140.58	273.23		
MIN	S2			-4.72	-22.71	-88.15	-4.72	-22.71	-110.64	-4.72	-22.97	-110.59	-4.72	-22.97	-133.08		
	TQ			-4.22	-25.20	-78.57	-4.22	-25.20	-98.71	-4.22	-25.43	-98.65	-4.22	-25.43	-118.78		
	M3			-4.72	-22.71	-88.15	-4.72	-22.71	-110.64	-4.72	-22.97	-110.59	-4.72	-22.97	-133.08		

BAGO RIVER BRIDGE

BLOCK [ No.1 : MAIN GIRDER ][ BEAM MEMBER FORCE ]

MEMBER		1005			1006			1006			1007						
NODE		1005			1006			1006			1007						
		SHEAR	TORQUE	MOMENT	SHEAR	TORQUE	MOMENT	SHEAR	TORQUE	MOMENT	SHEAR	TORQUE	MOMENT				
NAME	TITLE	S2 (kN)	TQ (kN·m)	M3 (kN·m)	S2 (kN)	TQ (kN·m)	M3 (kN·m)	S2 (kN)	TQ (kN·m)	M3 (kN·m)	S2 (kN)	TQ (kN·m)	M3 (kN·m)				
64	1-LANE (case4DISPERSION-LMAX	S2	18.84	215.03	449.73	18.84	215.03	539.56	18.84	216.31	539.05	18.84	216.31	628.89			
		TQ	17.47	215.11	423.47	17.47	215.11	506.73	18.18	216.33	523.12	18.18	216.33	609.77			
		M3	18.84	215.03	449.73	18.84	215.03	539.56	18.84	216.31	539.05	18.84	216.31	628.89			
		MIN	S2	-8.18	-38.97	-152.96	-8.18	-38.97	-191.97	-8.18	-39.42	-191.88	-8.18	-39.42	-230.89		
		TQ	-6.80	-39.04	-126.70	-6.80	-39.04	-159.14	-7.51	-39.44	-175.95	-7.51	-39.44	-211.77			
		M3	-8.18	-38.97	-152.96	-8.18	-38.97	-191.97	-8.18	-39.42	-191.88	-8.18	-39.42	-230.89			
		65	2-LANES (caseTRUCK-LOAD	MAX	S2	415.86	-160.62	3621.20	279.20	-328.95	4177.12	279.20	-319.02	4177.89	174.77	-433.68	4015.26
				TQ	-14.76	70.73	-286.36	-14.76	70.73	-356.74	-14.76	69.89	-356.90	-14.76	69.89	-427.28	
				M3	378.60	-117.99	3634.91	242.09	-286.81	4232.08	242.09	-276.75	4232.75	126.73	-409.88	4074.54	
MIN	S2			-130.37	-9.92	3341.00	-238.66	-134.83	4004.60	-238.66	-125.31	4004.90	-370.08	-288.19	3893.77		
TQ	127.70			-467.68	1981.94	127.70	-467.68	2590.67	119.43	-461.58	2493.83	119.43	-461.58	3063.16			
M3	-15.54			66.38	-300.90	-15.54	66.38	-375.00	-15.54	65.49	-375.15	-15.54	65.49	-449.25			
TANDEM-LOAD	MAX			S2	327.11	-51.17	2748.06	230.11	-173.79	3197.21	230.11	-166.20	3197.61	140.25	-276.07	3064.45	
TQ	-35.35			49.02	795.76	-35.35	49.02	627.26	-35.35	50.51	627.14	-35.35	50.51	458.64			
M3	327.11			-51.17	2748.06	230.11	-173.79	3197.21	230.11	-166.20	3197.61	140.25	-276.06	3064.45			
MIN	S2	-111.73	-28.59	2707.55	-203.70	-143.54	3172.59	-203.70	-136.01	3172.92	-299.24	-255.21	3052.36				
TQ	83.55	-323.94	1341.55	83.55	-323.94	1739.85	83.55	-319.81	1740.61	83.55	-319.81	2138.91					
M3	-10.59	45.68	-205.12	-10.59	45.68	-255.62	-10.59	45.08	-255.73	-10.59	45.08	-306.23					
DISPERSION-LMAX	S2	169.39	-406.93	2193.97	118.84	-390.03	2327.46	118.84	-384.50	2328.38	85.03	-347.89	2232.45				
TQ	-37.67	91.28	166.78	-37.67	91.28	-12.81	-38.64	91.28	7.90	-38.64	91.28	-176.28					
M3	138.30	-399.85	3051.03	58.68	-399.85	3520.28	58.68	-391.48	3521.22	-20.94	-391.48	3610.91					
MIN	S2	-49.63	86.20	498.14	-78.70	69.29	745.50	-78.70	71.07	745.34	-124.51	34.46	842.58				
TQ	157.43	-412.01	2525.32	77.81	-412.01	3085.77	78.77	-404.71	3065.82	-0.85	-404.71	3251.31					
M3	-18.54	79.11	-358.93	-18.54	79.11	-447.31	-18.54	78.05	-447.50	-18.54	78.05	-535.88					

BAGO RIVER BRIDGE

BLOCK [ No.1 : MAIN GIRDER ][ BEAM MEMBER FORCE ]

MEMBER NODE	1005	1006			1007			1006			1007				
		SHEAR	TORQUE	MOMENT	SHEAR	TORQUE	MOMENT	SHEAR	TORQUE	MOMENT	SHEAR	TORQUE	MOMENT		
		S2 (kN)	TQ (kN·m)	M3 (kN·m)	S2 (kN)	TQ (kN·m)	M3 (kN·m)	S2 (kN)	TQ (kN·m)	M3 (kN·m)	S2 (kN)	TQ (kN·m)	M3 (kN·m)		
66	2-LANES (caseTRUCK-LOAD	MAX	S2	178.43	-139.53	2691.15	155.77	-187.94	3132.38	155.77	-180.50	3132.82	134.71	-217.10	3431.95
			TQ	-14.46	47.97	-278.93	-14.46	47.97	-347.88	-14.46	47.14	-347.99	-14.46	47.14	-416.94
			M3	93.15	-131.43	3081.76	108.43	-173.04	3277.12	108.43	-165.25	3277.52	113.98	-205.23	3494.52
		MIN	S2	-92.30	-87.82	2802.88	-114.55	-128.77	2843.29	-114.55	-122.02	2843.59	-137.32	-170.62	2734.60
			TQ	92.19	-265.69	1527.87	92.19	-265.69	1967.33	92.19	-261.01	1967.96	92.19	-261.01	2407.42
			M3	-15.27	45.09	-294.01	-15.27	45.09	-366.78	-15.27	44.22	-366.89	-15.27	44.22	-439.66
	TANDEM-LOAD	MAX	S2	130.23	-79.12	1899.23	114.61	-114.03	2221.45	114.61	-108.75	2221.72	99.51	-140.45	2443.19
			TQ	-10.05	32.62	-193.80	-10.05	32.62	-241.71	-10.05	32.05	-241.79	-10.05	32.05	-289.71
			M3	73.79	-84.34	2218.72	86.43	-112.76	2340.24	86.43	-107.21	2340.50	96.26	-133.89	2512.83
		MIN	S2	-71.48	-67.71	2050.20	-87.04	-101.33	2054.67	-87.04	-96.45	2054.90	-102.38	-130.12	1957.51
			TQ	60.80	-183.02	1026.01	60.80	-183.02	1315.84	60.80	-179.89	1316.27	60.80	-179.89	1606.10
			M3	-10.40	31.02	-200.38	-10.40	31.02	-249.97	-10.40	30.43	-250.04	-10.40	30.43	-299.63
	DISPERSION-LMAX	S2	107.43	-244.33	1903.05	92.61	-234.16	2112.39	92.61	-229.14	2112.94	79.90	-214.55	2263.09	
		TQ	-22.06	54.82	-234.81	-22.06	54.82	-339.97	-22.60	54.03	-327.01	-22.60	54.03	-434.75	
		M3	81.35	-268.04	2772.24	56.50	-268.04	3100.81	56.50	-260.67	3101.43	31.64	-260.67	3311.51	
		MIN	S2	-44.26	30.00	519.12	-54.29	19.83	551.71	-54.29	21.14	551.66	-66.43	6.55	524.94
			TQ	85.24	-269.15	2656.99	60.38	-269.15	3004.07	60.92	-262.03	2991.60	36.07	-262.03	3222.78
			M3	-18.18	53.71	-350.07	-18.18	53.71	-436.71	-18.18	52.68	-436.84	-18.18	52.68	-523.49
67	2-LANES (caseTRUCK-LOAD	MAX	S2	60.17	121.41	1302.77	60.17	121.41	1589.61	60.17	125.19	1589.32	60.17	125.19	1876.17
			TQ	58.41	123.86	1406.94	58.41	123.86	1685.39	58.41	127.86	1685.09	58.41	127.86	1963.54
			M3	17.35	22.10	1738.29	33.96	68.45	1862.40	33.96	72.87	1862.23	45.77	107.06	2053.72
		MIN	S2	-20.13	-55.79	529.54	-20.13	-55.79	433.57	-20.13	-54.76	433.70	-20.13	-54.76	337.73
			TQ	-15.46	-77.20	1401.64	-15.46	-77.20	1327.96	-18.28	-74.24	1202.99	-18.28	-74.24	1115.83
			M3	-14.57	-8.95	-276.79	-14.57	-8.95	-346.25	-14.57	-9.77	-346.23	-14.57	-9.77	-415.69

BAGO RIVER BRIDGE

BLOCK [ No.1 : MAIN GIRDER ][ BEAM MEMBER FORCE ]

MEMBER		1005			1006			1006			1007						
NODE		1005			1006			1006			1007						
		SHEAR	TORQUE	MOMENT	SHEAR	TORQUE	MOMENT	SHEAR	TORQUE	MOMENT	SHEAR	TORQUE	MOMENT				
NAME	TITLE	S2 (kN)	TQ (kN·m)	M3 (kN·m)	S2 (kN)	TQ (kN·m)	M3 (kN·m)	S2 (kN)	TQ (kN·m)	M3 (kN·m)	S2 (kN)	TQ (kN·m)	M3 (kN·m)				
67	2-LANES (caseTANDEM-LOAD	MAX	S2	41.77	83.49	877.94	41.77	83.49	1077.07	41.77	86.05	1076.87	41.77	86.05	1276.00		
			TQ	40.53	86.51	957.77	40.53	86.51	1150.96	40.53	89.24	1150.75	40.53	89.24	1343.94		
			M3	12.71	14.66	1190.49	26.01	58.22	1272.11	26.01	61.24	1271.97	29.14	70.24	1404.18		
		MIN	S2	-14.43	-49.29	732.50	-14.43	-49.29	663.73	-14.43	-47.71	663.85	-14.43	-47.71	595.08		
			TQ	-13.02	-55.72	912.92	-13.02	-55.72	850.86	-13.81	-53.76	816.07	-13.81	-53.76	750.25		
			M3	-9.93	-6.22	-188.53	-9.93	-6.22	-235.84	-9.93	-6.78	-235.83	-9.93	-6.78	-283.14		
			DISPERSION-LMAX	S2	56.27	80.17	1489.38	56.27	80.17	1757.62	56.27	84.34	1757.42	56.27	84.34	2025.66	
			TQ	35.72	90.43	954.60	35.72	90.43	1124.86	36.98	93.15	1164.41	36.98	93.15	1340.70		
			M3	49.81	53.44	1950.74	49.81	53.44	2188.19	49.81	58.64	2188.06	49.81	58.64	2425.51		
		MIN	S2	-23.73	-37.61	133.41	-23.73	-37.61	20.31	-23.73	-37.56	20.40	-23.73	-37.56	-92.71		
			TQ	-3.17	-47.87	668.19	-3.17	-47.87	653.06	-4.44	-46.37	613.41	-4.44	-46.37	592.24		
			M3	-17.27	-10.88	-327.95	-17.27	-10.88	-410.27	-17.27	-11.85	-410.24	-17.27	-11.85	-492.56		
		68	2-LANES (caseTRUCK-LOAD	MAX	S2	25.35	248.85	574.66	25.35	248.85	695.52	25.35	250.50	694.93	25.35	250.50	815.79
					TQ	23.04	363.39	744.92	23.04	363.39	854.75	23.04	365.42	853.89	23.04	365.42	963.72
					M3	19.61	345.81	784.15	19.81	347.63	878.35	19.81	349.71	877.52	21.57	359.92	978.09
MIN	S2			-14.00	-54.81	-262.46	-14.00	-54.81	-329.18	-14.00	-55.59	-329.05	-14.00	-55.59	-395.78		
	TQ			-12.76	-61.61	-238.33	-12.76	-61.61	-299.13	-12.76	-62.32	-298.99	-12.76	-62.32	-359.79		
	M3			-14.00	-54.81	-262.46	-14.00	-54.81	-329.18	-14.00	-55.59	-329.05	-14.00	-55.59	-395.78		
	TANDEM-LOAD MAX			S2	17.42	158.35	368.94	17.42	158.35	451.97	17.42	159.42	451.60	17.42	159.42	534.63	
	TQ			15.79	248.27	510.50	15.79	248.27	585.78	15.79	249.66	585.19	15.79	249.66	660.48		
	M3			12.34	228.56	534.95	13.46	239.40	599.09	13.46	240.82	598.52	14.55	244.45	666.28		
MIN	S2			-9.53	-37.86	-178.65	-9.53	-37.86	-224.09	-9.53	-38.39	-224.00	-9.53	-38.39	-269.43		
	TQ			-8.55	-42.18	-159.60	-8.55	-42.18	-200.34	-8.55	-42.66	-200.23	-8.55	-42.66	-240.97		
	M3			-9.53	-37.86	-178.65	-9.53	-37.86	-224.09	-9.53	-38.39	-224.00	-9.53	-38.39	-269.43		

BAGO RIVER BRIDGE

BLOCK [ No.1 : MAIN GIRDER ][ BEAM MEMBER FORCE ]

MEMBER		1005			1006			1006			1007						
NODE		1005			1006			1006			1007						
		SHEAR	TORQUE	MOMENT	SHEAR	TORQUE	MOMENT	SHEAR	TORQUE	MOMENT	SHEAR	TORQUE	MOMENT				
NAME	TITLE	S2 (kN)	TQ (kN·m)	M3 (kN·m)	S2 (kN)	TQ (kN·m)	M3 (kN·m)	S2 (kN)	TQ (kN·m)	M3 (kN·m)	S2 (kN)	TQ (kN·m)	M3 (kN·m)				
68	2-LANES (caseDISPERSION-LMAX	S2	40.02	369.09	1058.75	40.02	369.09	1249.53	40.02	372.06	1248.65	40.02	372.06	1439.43			
		TQ	34.30	370.05	950.89	34.30	370.05	1114.39	35.32	372.73	1137.77	35.32	372.73	1306.13			
		M3	40.02	369.11	1059.90	40.02	369.11	1250.68	40.02	372.08	1249.80	40.02	372.08	1440.58			
		MIN	S2	-16.54	-64.88	-309.08	-16.54	-64.88	-387.94	-16.54	-65.80	-387.79	-16.54	-65.80	-466.65		
		TQ	-10.82	-65.84	-201.22	-10.82	-65.84	-252.81	-11.84	-66.47	-276.91	-11.84	-66.47	-333.36			
		M3	-16.54	-64.89	-310.23	-16.54	-64.89	-389.09	-16.54	-65.82	-388.94	-16.54	-65.82	-467.80			
		69	3-LANES (caseTRUCK-LOAD	MAX	S2	473.41	-222.20	4637.90	336.75	-390.53	5468.17	336.75	-377.55	5469.08	232.32	-492.21	5580.81
				TQ	-21.92	89.00	-423.97	-21.92	89.00	-528.46	-21.92	87.74	-528.67	-21.92	87.74	-633.16	
				M3	366.15	-184.56	5036.10	267.73	-346.12	5649.76	267.73	-332.70	5650.56	179.61	-464.94	5675.48	
MIN	S2			-167.14	-68.98	4599.69	-275.43	-193.89	5087.97	-275.43	-181.80	5088.42	-406.86	-344.68	4801.97		
TQ	162.25			-555.62	2593.93	162.25	-555.62	3367.40	153.99	-547.67	3270.77	153.99	-547.67	4004.84			
M3	-23.11			83.59	-446.18	-23.11	83.59	-556.34	-23.11	82.27	-556.53	-23.11	82.27	-666.69			
TANDEM-LOAD	MAX			S2	368.16	-93.93	3409.38	271.16	-216.55	4054.23	271.16	-206.92	4054.73	181.30	-316.78	4117.28	
TQ	-40.32			61.45	700.12	-40.32	61.45	507.91	-40.32	62.65	507.76	-40.32	62.65	315.54			
M3	311.72			-99.14	3728.87	242.99	-215.28	4173.02	242.99	-205.37	4173.52	178.05	-310.22	4186.93			
MIN	S2	-138.81	-67.23	3538.49	-230.79	-182.18	3874.42	-230.79	-172.98	3874.85	-326.32	-292.17	3625.18				
TQ	107.63	-384.90	1770.98	107.63	-384.90	2284.08	107.63	-379.48	2284.98	107.63	-379.48	2798.08					
M3	-15.75	57.52	-304.12	-15.75	57.52	-379.19	-15.75	56.62	-379.33	-15.75	56.62	-454.40					
DISPERSION-LMAX	S2	210.03	-488.24	3044.63	159.13	-469.77	3338.04	159.13	-461.84	3339.15	124.38	-424.64	3420.23				
TQ	-46.67	111.77	-6.03	-46.67	111.77	-228.51	-47.63	111.25	-207.85	-47.63	111.25	-434.92					
M3	167.00	-501.06	4364.85	86.39	-501.06	4968.56	86.39	-489.25	4969.73	5.77	-489.25	5189.15					
MIN	S2	-70.57	86.79	788.48	-100.28	68.32	967.50	-100.28	70.61	967.33	-146.14	33.41	974.40				
TQ	186.13	-513.22	3839.14	105.52	-513.22	4534.05	106.48	-502.48	4514.33	25.87	-502.48	4829.55					
M3	-27.54	99.60	-531.74	-27.54	99.60	-663.01	-27.54	98.03	-663.25	-27.54	98.03	-794.52					

BAGO RIVER BRIDGE

BLOCK [ No.1 : MAIN GIRDER ][ BEAM MEMBER FORCE ]

MEMBER				1005			1006			1007						
NODE				1005			1006			1007						
NAME TITLE				SHEAR	TORQUE	MOMENT	SHEAR	TORQUE	MOMENT	SHEAR	TORQUE	MOMENT				
				S2 (kN)	TQ (kN·m)	M3 (kN·m)	S2 (kN)	TQ (kN·m)	M3 (kN·m)	S2 (kN)	TQ (kN·m)	M3 (kN·m)				
70	3-LANES (case	TRUCK-LOAD	MAX	S2	79.25	252.86	1760.76	79.25	252.86	2138.52	79.25	257.94	2137.92	79.25	257.94	2515.68
				TQ	77.45	255.75	1883.14	77.45	255.75	2252.34	77.45	261.10	2251.73	77.45	261.10	2620.92
				M3	28.99	110.23	2319.61	48.25	177.53	2501.91	48.25	183.47	2501.48	61.04	224.26	2762.22
			MIN	S2	-27.21	-76.68	396.28	-27.21	-76.68	266.56	-27.21	-76.05	266.74	-27.21	-76.05	137.01
				TQ	-21.92	-100.57	1280.25	-21.92	-100.57	1175.74	-24.75	-97.97	1050.82	-24.75	-97.97	932.84
				M3	-21.65	-29.85	-410.05	-21.65	-29.85	-513.26	-21.65	-31.06	-513.19	-21.65	-31.06	-616.40
		TANDEM-LOAD	MAX	S2	54.87	173.83	1208.64	54.87	173.83	1470.20	54.87	177.32	1469.78	54.87	177.32	1731.34
			TQ	53.62	176.84	1288.48	53.62	176.84	1544.09	53.62	180.51	1543.67	53.62	180.51	1799.28	
			M3	21.26	81.77	1586.42	35.21	130.31	1709.16	35.21	134.36	1708.84	40.26	154.42	1886.39	
			MIN	S2	-19.25	-63.72	641.77	-19.25	-63.72	550.02	-19.25	-62.42	550.17	-19.25	-62.42	458.42
				TQ	-17.35	-71.72	831.59	-17.35	-71.72	748.88	-18.14	-69.99	714.12	-18.14	-69.99	627.65
				M3	-14.75	-20.65	-279.26	-14.75	-20.65	-349.55	-14.75	-21.48	-349.50	-14.75	-21.48	-419.80
		DISPERSION-LMAX	S2	78.39	200.70	2145.58	78.39	200.70	2519.24	78.39	206.68	2518.76	78.39	206.68	2892.43	
			TQ	56.44	211.12	1590.22	56.44	211.12	1859.26	58.41	215.61	1919.29	58.41	215.61	2197.71	
			M3	71.37	172.51	2683.01	71.37	172.51	3023.23	71.37	179.69	3022.81	71.37	179.69	3363.03	
			MIN	S2	-32.65	-64.10	51.96	-32.65	-64.10	-103.69	-32.65	-64.34	-103.54	-32.65	-64.34	-259.20
				TQ	-10.70	-74.52	607.32	-10.70	-74.52	556.29	-12.67	-73.27	495.93	-12.67	-73.27	435.51
				M3	-25.64	-35.91	-485.47	-25.64	-35.91	-607.68	-25.64	-37.35	-607.59	-25.64	-37.35	-729.81
71	3-LANES (case	TRUCK-LOAD	MAX	S2	47.54	359.19	1069.79	47.54	359.19	1296.43	47.54	362.27	1295.57	47.54	362.27	1522.21
				TQ	44.14	476.84	1301.61	44.14	476.84	1512.05	44.14	480.43	1510.91	44.14	480.43	1721.34
				M3	32.31	427.60	1410.32	35.45	445.55	1572.05	35.45	449.28	1570.99	38.95	466.63	1751.35
			MIN	S2	-21.20	-65.78	-398.81	-21.20	-65.78	-499.88	-21.20	-66.97	-499.73	-21.20	-66.97	-600.80
				TQ	-18.88	-74.49	-353.95	-18.88	-74.49	-443.94	-18.88	-75.54	-443.77	-18.88	-75.54	-533.76
				M3	-21.20	-65.78	-398.81	-21.20	-65.78	-499.88	-21.20	-66.97	-499.73	-21.20	-66.97	-600.80

BAGO RIVER BRIDGE

BLOCK [ No.1 : MAIN GIRDER ][ BEAM MEMBER FORCE ]

MEMBER		1005			1006			1006			1007							
NODE		1005			1006			1006			1007							
		SHEAR	TORQUE	MOMENT	SHEAR	TORQUE	MOMENT	SHEAR	TORQUE	MOMENT	SHEAR	TORQUE	MOMENT					
NAME	TITLE	S2 (kN)	TQ (kN·m)	M3 (kN·m)	S2 (kN)	TQ (kN·m)	M3 (kN·m)	S2 (kN)	TQ (kN·m)	M3 (kN·m)	S2 (kN)	TQ (kN·m)	M3 (kN·m)					
71	3-LANES (caseTANDEM-LOAD	MAX	S2	32.64	235.88	727.47	32.64	235.88	883.08	32.64	237.98	882.52	32.64	237.98	1038.13			
			TQ	30.74	326.19	880.50	30.74	326.19	1027.02	30.74	328.63	1026.25	30.74	328.63	1172.77			
			M3	21.46	289.10	962.96	23.40	304.44	1072.55	23.40	306.99	1071.82	27.04	319.96	1194.38			
		MIN	S2	-14.44	-45.45	-271.51	-14.44	-45.45	-340.34	-14.44	-46.26	-340.23	-14.44	-46.26	-409.05			
			TQ	-12.83	-50.98	-240.59	-12.83	-50.98	-301.76	-12.83	-51.70	-301.64	-12.83	-51.70	-362.81			
			M3	-14.44	-45.45	-271.51	-14.44	-45.45	-340.34	-14.44	-46.26	-340.23	-14.44	-46.26	-409.05			
			DISPERSION-LMAX	S2	64.04	463.31	1752.22	64.04	463.31	2057.49	64.04	468.20	2056.38	64.04	468.20	2361.65		
			TQ	52.83	466.73	1547.72	52.83	466.73	1799.57	53.90	471.04	1828.26	53.90	471.04	2085.18			
			M3	63.53	462.03	1830.78	63.53	462.03	2133.63	63.53	467.09	2132.53	63.53	467.09	2435.39			
			MIN	S2	-25.58	-79.04	-393.23	-25.58	-79.04	-515.19	-25.58	-80.26	-515.00	-25.58	-80.26	-636.97		
			TQ	-14.38	-82.46	-188.73	-14.38	-82.46	-257.28	-15.44	-83.11	-286.88	-15.44	-83.11	-360.50			
			M3	-25.08	-77.75	-471.79	-25.08	-77.75	-591.34	-25.08	-79.16	-591.15	-25.08	-79.16	-710.71			
		72	4-LANES	TRUCK-LOAD	MAX	S2	84.65	461.08	1967.83	84.65	461.08	2371.37	84.65	466.71	2370.27	84.65	466.71	2773.81
						TQ	80.93	488.83	2141.76	80.93	488.83	2527.55	80.93	494.83	2526.38	80.93	494.83	2912.17
						M3	37.45	357.69	2494.72	54.05	415.57	2721.55	54.05	422.03	2720.55	66.41	461.93	3013.86
	MIN			S2	-33.12	-109.23	248.99	-33.12	-109.23	91.10	-33.12	-109.01	91.36	-33.12	-109.01	-66.53		
	TQ			-28.31	-126.31	963.26	-28.31	-126.31	828.30	-28.31	-124.34	828.60	-28.31	-124.34	693.64			
	M3			-28.57	-63.76	-539.24	-28.57	-63.76	-675.43	-28.57	-65.36	-675.28	-28.57	-65.36	-811.47			
TANDEM-LOAD	MAX			S2	58.56	310.02	1314.81	58.56	310.02	1593.96	58.56	313.80	1593.22	58.56	313.80	1872.37		
				TQ	55.90	335.84	1463.43	55.90	335.84	1729.92	55.90	339.95	1729.12	55.90	339.95	1995.61		
				M3	25.89	242.96	1707.80	39.64	298.29	1858.10	39.64	302.70	1857.39	46.28	322.07	2057.56		
	MIN			S2	-23.12	-74.36	144.32	-23.12	-74.36	34.13	-23.12	-74.28	34.30	-23.12	-74.28	-75.89		
	TQ			-20.07	-89.65	671.90	-20.07	-89.65	576.22	-20.07	-88.28	576.43	-20.07	-88.28	480.75			
	M3			-19.46	-44.08	-367.18	-19.46	-44.08	-459.93	-19.46	-45.17	-459.82	-19.46	-45.17	-552.57			



BAGO RIVER BRIDGE

BLOCK [ No.1 : MAIN GIRDER ][ BEAM MEMBER FORCE ]

MEMBER				1005			1006			1006			1007				
NODE				1005			1006			1006			1007				
NAME TITLE				SHEAR	TORQUE	MOMENT	SHEAR	TORQUE	MOMENT	SHEAR	TORQUE	MOMENT	SHEAR	TORQUE	MOMENT		
				S2 (kN)	TQ (kN·m)	M3 (kN·m)	S2 (kN)	TQ (kN·m)	M3 (kN·m)	S2 (kN)	TQ (kN·m)	M3 (kN·m)	S2 (kN)	TQ (kN·m)	M3 (kN·m)		
72	4-LANES	DISPERSION-LMAX	S2	75.61	439.81	2185.84	75.61	439.81	2546.28	75.61	445.86	2545.23	75.61	445.86	2905.67		
			TQ	65.75	468.98	1900.47	65.75	468.98	2213.89	66.34	474.27	2237.67	66.34	474.27	2553.91		
			M3	68.41	406.90	2659.99	68.41	406.90	2986.09	68.41	413.99	2985.12	68.41	413.99	3311.22		
	MIN	S2	-32.25	-89.10	-26.16	-32.25	-89.10	-179.92	-32.25	-89.52	-179.71	-32.25	-89.52	-333.47			
		TQ	-22.93	-96.61	271.50	-22.93	-96.61	162.17	-23.75	-96.26	130.17	-23.75	-96.26	16.97			
		M3	-26.06	-64.60	-491.41	-26.06	-64.60	-615.64	-26.06	-66.07	-615.48	-26.06	-66.07	-739.71			
	73	6-LANES	TRUCK-LOAD	MAX	S2	453.55	174.74	5171.64	344.85	58.96	6351.90	344.85	74.05	6351.74	265.11	-1.61	6980.74
				TQ	32.29	488.67	1045.79	32.29	488.67	1199.72	32.29	491.52	1198.55	32.29	491.52	1352.48	
				M3	326.30	131.53	6316.33	264.93	53.78	7015.99	264.93	70.44	7015.84	206.30	1.52	7321.54	
MIN		S2	-161.06	-135.57	3655.31	-243.57	-223.72	3775.48	-243.57	-214.76	3776.00	-352.40	-330.72	3230.09			
		TQ	76.89	-556.32	3119.20	76.89	-556.32	3485.73	68.83	-548.26	3390.29	68.83	-548.26	3718.38			
		M3	-44.32	18.88	-845.23	-44.32	18.88	-1056.49	-44.32	16.37	-1056.53	-44.32	16.37	-1267.79			
TANDEM-LOAD		MAX	S2	347.63	174.78	3804.48	270.07	90.12	4679.83	270.07	101.24	4679.60	198.77	25.76	5095.47		
		TQ	20.72	334.34	740.63	20.72	334.34	839.42	-4.35	337.64	1710.86	-4.35	337.64	1690.13			
		M3	265.25	110.74	4543.68	235.75	69.31	5044.77	235.75	81.29	5044.59	186.03	20.75	5253.07			
MIN		S2	-129.20	-132.88	3314.45	-202.09	-211.45	3333.19	-202.09	-203.53	3333.68	-278.52	-286.05	2890.82			
		TQ	47.80	-385.55	2137.93	47.80	-385.55	2365.80	47.80	-379.93	2366.71	47.80	-379.93	2594.58			
		M3	-30.19	12.82	-575.80	-30.19	12.82	-719.71	-30.19	11.11	-719.74	-30.19	11.11	-863.66			
DISPERSION-LMAX		S2	254.84	-37.87	4708.51	212.14	-22.68	5336.38	212.14	-10.01	5336.42	184.44	18.70	5856.04			
		TQ	20.40	512.40	1680.59	20.40	512.40	1777.86	21.60	516.70	1844.12	21.60	516.70	1947.11			
		M3	214.87	-80.90	6148.30	147.32	-80.91	7011.71	147.32	-64.25	7011.88	79.44	-64.25	7552.47			
MIN	S2	-89.67	-4.64	523.57	-114.00	-17.21	469.91	-114.00	-16.10	469.94	-152.79	-47.03	325.17				
	TQ	130.10	-522.43	3463.83	72.54	-522.43	3958.84	71.48	-513.12	3889.52	3.59	-513.12	4068.55				
	M3	-50.58	28.29	-965.15	-50.58	28.29	-1206.25	-50.58	25.42	-1206.31	-50.58	25.42	-1447.42				

BAGO RIVER BRIDGE

BLOCK [ No.1 : MAIN GIRDER ][ BEAM MEMBER FORCE ]

MEMBER			1005			1006			1006			1007			
NODE			1005			1006			1006			1007			
NAME TITLE			SHEAR	TORQUE	MOMENT	SHEAR	TORQUE	MOMENT	SHEAR	TORQUE	MOMENT	SHEAR	TORQUE	MOMENT	
			S2 (kN)	TQ (kN·m)	M3 (kN·m)	S2 (kN)	TQ (kN·m)	M3 (kN·m)	S2 (kN)	TQ (kN·m)	M3 (kN·m)	S2 (kN)	TQ (kN·m)	M3 (kN·m)	
124	SUM TOTAL	D+1LANE (caseMAX	S2	1142.12	-668.62	25132.48	684.45	-802.57	28208.85	684.45	-735.57	28210.68	280.40	-802.11	29088.33
			TQ	626.54	-159.14	21526.98	348.98	-159.14	23852.17	348.47	-102.48	23861.87	70.89	-102.48	24861.45
			M3	1095.40	-620.10	25682.83	614.48	-764.04	29023.57	614.48	-695.11	29025.30	157.59	-805.83	29991.45
		MIN	S2	543.64	-185.97	23905.88	139.21	-296.68	27127.67	139.21	-232.25	27128.30	-309.23	-396.52	28141.33
			TQ	870.18	-917.53	24124.35	525.70	-917.53	27451.17	516.29	-852.41	27326.35	171.80	-852.41	28966.16
			M3	644.38	-175.46	21025.87	366.81	-175.46	23436.09	366.81	-119.80	23436.44	89.24	-119.80	24523.46
		D+1LANE (caseMAX	S2	782.85	-448.20	23667.32	504.86	-446.32	26697.07	504.86	-382.91	26698.06	226.16	-382.20	28425.13
			TQ	645.64	-230.22	21053.98	368.07	-230.22	23470.20	368.07	-174.47	23470.68	90.50	-174.47	24563.71
			M3	684.53	-478.06	24684.51	451.48	-469.36	27374.25	451.48	-404.34	27375.29	205.39	-403.27	28936.15
		MIN	S2	595.77	-346.89	23285.33	317.44	-348.77	25501.55	317.44	-288.20	25502.31	39.79	-288.91	26369.15
			TQ	740.94	-503.70	23737.47	462.18	-503.70	26605.13	462.18	-440.51	26606.25	183.41	-440.51	28145.03
			M3	645.15	-231.48	21044.77	367.59	-231.48	23458.66	367.59	-175.77	23459.15	90.01	-175.77	24549.84
		D+1LANE (caseMAX	S2	742.24	-217.70	23222.74	464.67	-217.70	26099.43	464.67	-155.72	26099.88	187.09	-155.72	27653.38
			TQ	721.92	-206.53	22799.92	444.35	-206.53	25579.78	445.48	-145.74	25614.57	167.90	-145.74	27076.59
			M3	702.77	-304.93	23863.22	442.00	-264.87	26593.43	442.00	-201.71	26593.98	172.89	-184.14	28058.01
		MIN	S2	633.65	-351.91	22378.03	356.08	-351.91	24737.09	356.08	-293.16	24737.86	78.51	-293.16	25773.73
			TQ	656.85	-365.87	23093.28	379.28	-365.87	25562.91	374.76	-305.44	25379.16	97.18	-305.44	26504.07
			M3	645.73	-274.24	21058.98	368.16	-274.24	23475.64	368.16	-218.49	23476.23	90.59	-218.49	24569.69
		D+1LANE (caseMAX	S2	699.89	91.10	22168.45	422.32	91.10	24843.27	422.32	150.10	24842.98	144.74	150.10	26194.60
			TQ	695.76	227.59	22323.06	418.19	227.59	24978.19	419.04	286.93	24997.87	141.46	286.93	26333.86
			M3	696.86	226.59	22358.47	419.29	226.59	25018.85	419.29	286.01	25018.24	142.27	286.91	26356.80
		MIN	S2	646.89	-362.94	21087.51	369.32	-362.94	23509.68	369.32	-307.11	23510.48	91.74	-307.11	24609.45
			TQ	649.29	-367.76	21133.62	371.72	-367.76	23567.25	370.87	-311.81	23547.77	93.30	-311.81	24654.13
			M3	646.89	-362.94	21087.51	369.32	-362.94	23509.68	369.32	-307.11	23510.48	91.74	-307.11	24609.45

BAGO RIVER BRIDGE

BLOCK [ No.1 : MAIN GIRDER ][ BEAM MEMBER FORCE ]

MEMBER				1005			1006			1007					
NODE				1005			1006			1007					
NAME TITLE				SHEAR	TORQUE	MOMENT	SHEAR	TORQUE	MOMENT	SHEAR	TORQUE	MOMENT			
				S2 (kN)	TQ (kN·m)	M3 (kN·m)	S2 (kN)	TQ (kN·m)	M3 (kN·m)	S2 (kN)	TQ (kN·m)	M3 (kN·m)			
124	SUM TOTAL	D+2LANES (casMAX	S2	1250.27	-844.27	27241.66	785.49	-995.70	30439.69	785.49	-923.40	30441.97	369.68	-1001.45	31368.84
			TQ	612.59	-114.71	21306.91	335.02	-114.71	23565.57	334.06	-58.72	23586.70	56.48	-58.72	24517.56
			M3	1181.92	-794.56	28112.43	688.22	-963.37	31687.47	688.22	-888.11	31689.67	215.67	-1021.24	32806.58
		MIN	S2	485.02	-200.44	25265.62	70.10	-342.25	28685.21	70.10	-274.13	28685.94	-384.72	-473.61	29857.48
			TQ	950.15	-1156.41	25933.75	592.96	-1156.41	29611.55	585.66	-1086.16	29495.35	228.46	-1086.16	31435.60
			M3	630.94	-131.23	20766.66	353.37	-131.23	23112.80	353.37	-76.34	23113.05	75.80	-76.34	24135.99
		D+2LANES (casMAX	S2	950.88	-660.58	26020.69	635.84	-698.82	29179.88	635.84	-629.52	29181.45	324.48	-651.53	30816.17
			TQ	628.50	-173.93	20912.74	350.93	-173.93	23247.26	350.39	-118.71	23260.70	72.82	-118.71	24269.44
			M3	839.53	-676.19	27280.49	552.39	-717.80	30313.04	552.39	-645.80	30314.66	255.50	-685.78	31927.16
		MIN	S2	528.47	-334.54	24748.49	218.62	-385.66	27330.11	218.62	-320.75	27330.95	-93.87	-383.94	28380.66
			TQ	842.45	-811.55	25611.34	540.03	-811.55	28906.51	540.57	-742.91	28895.26	238.13	-742.91	30751.33
			M3	631.58	-177.92	20782.41	354.02	-177.92	23131.61	354.02	-122.98	23131.97	76.44	-122.98	24157.98
		D+2LANES (casMAX	S2	781.46	-75.14	24218.63	503.90	-75.14	27282.34	503.90	-10.34	27282.44	226.32	-10.34	29022.95
			TQ	759.15	-62.43	23788.03	481.58	-62.43	26745.36	482.85	1.14	26785.20	205.27	1.14	28425.37
			M3	732.18	-201.18	25115.52	471.23	-154.83	27985.70	471.23	-88.36	27985.99	205.46	-54.17	29600.36
		MIN	S2	621.16	-370.12	22089.44	343.60	-370.12	24388.99	343.60	-312.19	24389.80	66.02	-312.19	25366.15
			TQ	646.39	-401.80	23496.32	368.83	-401.80	25916.13	364.73	-340.48	25752.10	87.16	-340.48	26829.20
			M3	633.18	-296.55	20821.74	355.62	-296.55	23178.59	355.62	-241.50	23179.23	78.04	-241.50	24212.88
		D+2LANES (casMAX	S2	730.40	341.22	23059.90	452.83	341.22	25880.17	452.83	402.68	25879.28	175.25	402.68	27376.35
			TQ	722.36	456.72	23122.30	444.80	456.72	25904.26	445.81	518.27	25927.36	168.24	518.27	27390.98
			M3	724.66	438.19	23270.53	447.29	440.01	26064.14	447.29	501.91	26063.02	171.47	512.12	27539.80
		MIN	S2	634.48	-396.41	20854.95	356.92	-396.41	23217.98	356.92	-341.27	23218.86	79.34	-341.27	24258.69
			TQ	641.45	-404.17	20986.94	363.88	-404.17	23383.17	362.86	-348.66	23359.80	85.28	-348.66	24427.98
			M3	634.48	-396.43	20853.80	356.92	-396.43	23216.84	356.92	-341.29	23217.71	79.34	-341.29	24257.55

BAGO RIVER BRIDGE

BLOCK [ No.1 : MAIN GIRDER ][ BEAM MEMBER FORCE ]

MEMBER				1005			1006			1007						
NODE				1005			1006			1007						
NAME TITLE				SHEAR	TORQUE	MOMENT	SHEAR	TORQUE	MOMENT	SHEAR	TORQUE	MOMENT				
				S2 (kN)	TQ (kN·m)	M3 (kN·m)	S2 (kN)	TQ (kN·m)	M3 (kN·m)	S2 (kN)	TQ (kN·m)	M3 (kN·m)				
124	SUM TOTAL	D+3LANES (casMAX	S2	1245.95	-880.60	27956.64	808.95	-1007.98	31420.40	808.95	-933.35	31422.70	413.08	-999.19	32772.01	
			TQ	606.72	-106.07	21060.99	329.16	-106.07	23291.69	328.34	-50.73	23309.66	50.76	-50.73	24213.26	
			M3	1118.20	-859.50	29417.30	688.46	-996.82	32960.68	688.46	-918.54	32962.95	267.46	-1030.94	34356.07	
		MIN	S2	462.97	-261.58	26006.43	68.10	-383.46	29082.26	68.10	-314.39	29083.09	-360.17	-484.45	30031.04	
			TQ	961.15	-1185.24	26894.60	615.06	-1185.24	30651.35	608.86	-1112.50	30553.04	262.76	-1112.50	32630.36	
			M3	621.98	-121.01	20595.25	344.41	-121.01	22898.66	344.41	-66.62	22898.89	66.83	-66.62	23879.10	
		D+3LANES (casMAX	S2	799.01	108.80	24746.87	521.44	108.80	27894.21	521.44	175.05	27893.88	243.87	175.05	29718.02	
			TQ	778.82	120.12	24378.85	501.26	120.12	27429.97	502.93	185.32	27481.06	225.35	185.32	29216.97	
			M3	750.33	-36.39	25678.71	489.13	20.81	28631.48	489.13	88.81	28631.34	222.43	123.48	30327.59	
		MIN	S2	614.14	-396.39	21807.49	336.57	-396.39	24073.54	336.57	-339.21	24074.42	58.99	-339.21	25017.27	
			TQ	637.29	-425.55	23030.92	359.72	-425.55	25407.34	355.65	-365.44	25250.44	78.07	-365.44	26284.23	
			M3	624.83	-332.61	20665.30	347.26	-332.61	22982.31	347.26	-278.03	22983.04	69.68	-278.03	23976.85	
		D+3LANES (casMAX	S2	759.87	422.41	23825.19	482.30	422.41	26785.94	482.30	486.02	26784.86	204.72	486.02	28422.41	
			TQ	747.45	525.31	23848.42	469.89	525.31	26749.99	470.79	588.87	26773.99	193.21	588.87	28356.67	
			M3	746.49	479.46	24181.42	471.59	494.71	27084.94	471.59	559.04	27083.69	196.99	573.79	28679.85	
		MIN	S2	625.26	-399.82	20753.25	347.69	-399.82	23072.30	347.69	-345.02	23073.18	70.11	-345.02	24069.03	
			TQ	636.75	-410.13	20965.21	359.19	-410.13	23339.07	358.28	-354.73	23314.65	80.71	-354.73	24361.01	
			M3	625.68	-398.72	20686.47	348.12	-398.72	23007.57	348.12	-344.08	23008.45	70.54	-344.08	24006.35	
		D+4LANES	MAX	S2	769.19	308.86	24126.38	491.63	308.86	27131.58	491.63	373.30	27130.77	214.05	373.30	28812.79
			TQ	760.36	345.86	24053.94	482.80	345.86	27017.05	483.18	410.04	27032.34	205.60	410.04	28674.08	
			M3	733.83	220.26	24777.05	467.06	257.88	27645.07	467.06	323.54	27644.38	197.51	349.47	29232.43	
		MIN	S2	622.53	-405.64	21571.32	344.96	-405.64	23877.38	344.96	-348.93	23878.27	67.39	-348.93	24861.13	
			TQ	631.71	-421.62	22229.08	354.15	-421.62	24578.91	353.62	-363.27	24558.90	76.04	-363.27	25583.03	
			M3	629.51	-360.16	20756.56	351.95	-360.16	23095.91	351.95	-305.31	23096.70	74.37	-305.31	24112.86	

BAGO RIVER BRIDGE

BLOCK [ No.1 : MAIN GIRDER ][ BEAM MEMBER FORCE ]

MEMBER					1005			1006			1007						
NODE					1005			1006			1006						
					SHEAR	TORQUE	MOMENT	SHEAR	TORQUE	MOMENT	SHEAR	TORQUE	MOMENT				
NAME	TITLE				S2 (kN)	TQ (kN·m)	M3 (kN·m)	S2 (kN)	TQ (kN·m)	M3 (kN·m)	S2 (kN)	TQ (kN·m)	M3 (kN·m)				
124	SUM TOTAL	D+6LANES	MAX	S2	1125.48	-187.76	27848.59	749.50	-253.14	31532.49	749.50	-178.25	31533.00	402.09	-208.77	33465.04	
				TQ	699.27	373.97	23198.63	421.71	373.97	25870.54	422.49	435.47	25913.44	144.91	435.47	27265.86	
				M3	1016.79	-243.82	29528.49	655.42	-294.35	33053.11	655.42	-215.85	33053.72	295.61	-260.65	34789.24	
			MIN	S2	502.05	-367.86	24142.75	155.03	-433.33	26694.61	155.03	-369.93	26695.56	-218.50	-465.42	27432.05	
				TQ	799.56	-977.92	25705.45	484.59	-977.92	28774.09	478.65	-909.77	28667.57	156.95	-909.77	30182.64	
				M3	603.34	-246.06	20249.74	325.78	-246.06	22464.33	325.78	-192.71	22464.85	48.20	-192.71	23356.24	
	SUM TOTAL	MAX		1250.27	525.31	29528.49	808.95	525.31	33053.11	808.95	588.87	33053.72	413.08	588.87	34789.24		
		MIN		462.97	-1185.24	20249.74	68.10	-1185.24	22464.33	68.10	-1112.50	22464.85	-384.72	-1112.50	23356.24		
	300	DEAD LOAD	TOTAL		665.02	-276.72	21426.49	387.46	-276.72	23935.11	387.46	-219.88	23935.70	109.88	-219.88	25121.13	
	301	LIVE LOAD	1-LANE(case1MAX	S2	S2	477.10	-391.90	3705.99	296.99	-525.85	4273.74	296.99	-515.69	4274.98	170.52	-582.23	3967.20
					TQ	-38.48	117.58	100.50	-38.48	117.58	-82.94	-38.99	117.39	-73.83	-38.99	117.39	-259.67
					M3	430.38	-343.38	4256.35	227.02	-487.32	5088.46	227.02	-475.24	5089.60	47.71	-585.95	4870.32
MIN				S2	-121.39	90.76	2479.39	-248.24	-19.95	3192.56	-248.24	-12.37	3192.60	-419.11	-176.64	3020.20	
				TQ	205.16	-640.81	2697.86	138.24	-640.81	3516.06	128.83	-632.54	3390.65	61.92	-632.54	3845.03	
				M3	-20.64	101.27	-400.62	-20.64	101.27	-499.02	-20.64	100.08	-499.26	-20.64	100.08	-597.67	
1-LANE(case2MAX			S2	S2	117.83	-171.48	2240.83	117.41	-169.59	2761.96	117.41	-163.03	2762.36	116.28	-162.32	3304.00	
				TQ	-19.38	46.51	-372.50	-19.38	46.51	-464.91	-19.38	45.40	-465.02	-19.38	45.40	-557.42	
				M3	19.51	-201.34	3258.02	64.02	-192.63	3439.14	64.02	-184.46	3439.59	95.51	-183.40	3815.02	
			MIN	S2	-69.25	-70.16	1858.84	-70.02	-72.05	1566.44	-70.02	-68.33	1566.61	-70.09	-69.04	1248.02	
				TQ	75.91	-226.98	2310.98	74.72	-226.98	2670.02	74.72	-220.64	2670.55	73.53	-220.64	3023.90	
				M3	-19.87	45.24	-381.72	-19.87	45.24	-476.45	-19.87	44.11	-476.55	-19.87	44.11	-571.28	
1-LANE(case3MAX			S2	S2	77.21	59.02	1796.25	77.21	59.02	2164.32	77.21	64.16	2164.18	77.21	64.16	2532.25	
				TQ	56.90	70.19	1373.44	56.90	70.19	1644.67	58.02	74.14	1678.87	58.02	74.14	1955.46	
				M3	37.74	-28.20	2436.73	54.54	11.85	2658.32	54.54	18.16	2658.28	63.01	35.74	2936.88	
			MIN	S2	-31.37	-75.19	951.54	-31.37	-75.19	801.98	-31.37	-73.28	802.16	-31.37	-73.28	652.60	
				TQ	-8.18	-89.15	1666.79	-8.18	-89.15	1627.80	-12.70	-85.56	1443.46	-12.70	-85.56	1382.94	
				M3	-19.29	2.48	-367.50	-19.29	2.48	-459.47	-19.29	1.39	-459.47	-19.29	1.39	-551.44	

BAGO RIVER BRIDGE

BLOCK [ No.1 : MAIN GIRDER ][ BEAM MEMBER FORCE ]

MEMBER			1005			1006			1006			1007				
NODE			1005			1006			1006			1007				
NAME TITLE			SHEAR	TORQUE	MOMENT	SHEAR	TORQUE	MOMENT	SHEAR	TORQUE	MOMENT	SHEAR	TORQUE	MOMENT		
			S2 (kN)	TQ (kN·m)	M3 (kN·m)	S2 (kN)	TQ (kN·m)	M3 (kN·m)	S2 (kN)	TQ (kN·m)	M3 (kN·m)	S2 (kN)	TQ (kN·m)	M3 (kN·m)		
301	LIVE LOAD	1-LANE (case4MAX	S2	34.86	367.82	741.97	34.86	367.82	908.16	34.86	369.98	907.28	34.86	369.98	1073.47	
			TQ	30.73	504.31	896.58	30.73	504.31	1043.08	31.58	506.81	1062.17	31.58	506.81	1212.73	
			M3	31.83	503.32	931.98	31.83	503.32	1083.74	31.83	505.89	1082.54	32.39	506.78	1235.67	
			MIN	S2	-18.14	-86.22	-338.97	-18.14	-86.22	-425.43	-18.14	-87.23	-425.22	-18.14	-87.23	-511.68
			TQ	-15.73	-91.03	-292.87	-15.73	-91.03	-367.87	-16.58	-91.93	-387.93	-16.58	-91.93	-466.99	
			M3	-18.14	-86.22	-338.97	-18.14	-86.22	-425.43	-18.14	-87.23	-425.22	-18.14	-87.23	-511.68	
		2-LANES (caseMAX	S2	585.25	-567.54	5815.17	398.04	-718.97	6504.58	398.04	-703.52	6506.27	259.80	-781.58	6247.71	
			TQ	-52.44	162.01	-119.58	-52.44	162.01	-369.55	-53.40	161.16	-349.01	-53.40	161.16	-603.57	
			M3	516.89	-517.83	6685.94	300.77	-686.65	7752.36	300.77	-668.24	7753.97	105.79	-801.37	7685.45	
			MIN	S2	-180.00	76.28	3839.13	-317.36	-65.53	4750.10	-317.36	-54.25	4750.24	-494.60	-253.74	4736.35
			TQ	285.13	-879.69	4507.26	205.51	-879.69	5676.44	198.20	-866.29	5559.65	118.58	-866.29	6314.47	
			M3	-34.08	145.49	-659.83	-34.08	145.49	-822.31	-34.08	143.54	-822.65	-34.08	143.54	-985.14	
		2-LANES (caseMAX	S2	285.86	-383.86	4594.20	248.38	-422.10	5244.77	248.38	-409.64	5245.75	214.60	-431.65	5695.04	
			TQ	-36.52	102.79	-513.74	-36.52	102.79	-687.85	-37.06	101.17	-675.00	-37.06	101.17	-851.69	
			M3	174.50	-399.47	5854.00	164.93	-441.08	6377.93	164.93	-425.93	6378.96	145.62	-465.91	6806.03	
			MIN	S2	-136.56	-57.82	3322.01	-168.84	-108.94	3395.00	-168.84	-100.88	3395.25	-203.75	-164.06	3259.53
			TQ	177.42	-534.83	4184.86	152.57	-534.83	4971.40	153.11	-523.04	4959.56	128.25	-523.04	5630.20	
			M3	-33.44	98.81	-644.08	-33.44	98.81	-803.50	-33.44	96.90	-803.73	-33.44	96.90	-963.15	
		2-LANES (caseMAX	S2	116.44	201.58	2792.15	116.44	201.58	3347.23	116.44	209.53	3346.74	116.44	209.53	3901.82	
			TQ	94.13	214.30	2361.55	94.13	214.30	2810.25	95.39	221.02	2849.50	95.39	221.02	3304.24	
			M3	67.16	75.55	3689.03	83.77	121.89	4050.59	83.77	131.51	4050.29	95.58	165.70	4479.23	
MIN	S2		-43.86	-93.39	662.95	-43.86	-93.39	453.87	-43.86	-92.32	454.10	-43.86	-92.32	245.02		
TQ	-18.63		-125.07	2069.83	-18.63	-125.07	1981.02	-22.72	-120.61	1816.40	-22.72	-120.61	1708.07			
M3	-31.84		-19.83	-604.74	-31.84	-19.83	-756.52	-31.84	-21.63	-756.47	-31.84	-21.63	-908.25			

BAGO RIVER BRIDGE

BLOCK [ No.1 : MAIN GIRDER ][ BEAM MEMBER FORCE ]

MEMBER				1005			1006			1006			1007			
NODE				1005			1006			1006			1007			
NAME TITLE				SHEAR	TORQUE	MOMENT	SHEAR	TORQUE	MOMENT	SHEAR	TORQUE	MOMENT	SHEAR	TORQUE	MOMENT	
				S2 (kN)	TQ (kN·m)	M3 (kN·m)	S2 (kN)	TQ (kN·m)	M3 (kN·m)	S2 (kN)	TQ (kN·m)	M3 (kN·m)	S2 (kN)	TQ (kN·m)	M3 (kN·m)	
301	LIVE LOAD	2-LANES (caseMAX	S2	65.37	617.94	1633.41	65.37	617.94	1945.05	65.37	622.56	1943.58	65.37	622.56	2255.23	
			TQ	57.34	733.44	1695.81	57.34	733.44	1969.14	58.36	738.15	1991.66	58.36	738.15	2269.85	
			M3	59.63	714.91	1844.05	59.83	716.74	2129.03	59.83	721.79	2127.32	61.59	732.00	2418.67	
			MIN	S2	-30.54	-119.69	-571.53	-30.54	-119.69	-717.13	-30.54	-121.39	-716.84	-30.54	-121.39	-862.44
			TQ	-23.58	-127.45	-439.55	-23.58	-127.45	-551.94	-24.60	-128.79	-575.90	-24.60	-128.79	-693.15	
			M3	-30.54	-119.70	-572.68	-30.54	-119.70	-718.28	-30.54	-121.41	-717.99	-30.54	-121.41	-863.58	
		3-LANES (caseMAX	S2	580.93	-603.88	6530.15	421.49	-731.26	7485.28	421.49	-713.48	7487.00	303.20	-779.32	7650.89	
			TQ	-58.30	170.65	-365.50	-58.30	170.65	-643.42	-59.12	169.15	-626.04	-59.12	169.15	-907.87	
			M3	453.18	-582.77	7990.81	301.00	-720.10	9025.56	301.00	-698.66	9027.25	157.58	-811.07	9234.94	
			MIN	S2	-202.05	15.14	4579.94	-319.35	-106.73	5147.15	-319.35	-94.51	5147.39	-470.05	-264.58	4909.91
			TQ	296.13	-908.51	5468.12	227.61	-908.51	6716.24	221.40	-892.63	6617.34	152.88	-892.63	7509.23	
			M3	-43.05	155.71	-831.24	-43.05	155.71	-1036.45	-43.05	153.25	-1036.81	-43.05	153.25	-1242.03	
		3-LANES (caseMAX	S2	133.99	385.53	3320.39	133.99	385.53	3959.10	133.99	394.93	3958.18	133.99	394.93	4596.89	
			TQ	113.80	396.84	2952.36	113.80	396.84	3494.86	115.47	405.20	3545.36	115.47	405.20	4095.84	
			M3	85.31	240.33	4252.22	101.68	297.53	4696.36	101.68	308.69	4695.64	112.55	343.35	5206.46	
			MIN	S2	-50.89	-119.66	381.01	-50.89	-119.66	138.43	-50.89	-119.33	138.72	-50.89	-119.33	-103.86
			TQ	-27.73	-148.83	1604.43	-27.73	-148.83	1472.23	-31.81	-145.56	1314.74	-31.81	-145.56	1163.10	
			M3	-40.20	-55.89	-761.19	-40.20	-55.89	-952.80	-40.20	-58.15	-952.67	-40.20	-58.15	-1144.28	
		3-LANES (caseMAX	S2	94.84	699.13	2398.71	94.84	699.13	2850.83	94.84	705.90	2849.16	94.84	705.90	3301.28	
			TQ	82.43	802.04	2421.93	82.43	802.04	2814.88	83.33	808.75	2838.29	83.33	808.75	3235.54	
			M3	81.46	756.18	2754.93	84.14	771.44	3149.83	84.14	778.92	3147.99	87.11	793.67	3558.72	
MIN	S2		-39.77	-123.10	-673.24	-39.77	-123.10	-862.82	-39.77	-125.14	-862.52	-39.77	-125.14	-1052.10		
TQ	-28.27		-133.41	-461.28	-28.27	-133.41	-596.04	-29.17	-134.85	-621.05	-29.17	-134.85	-760.12			
M3	-39.34		-122.00	-740.01	-39.34	-122.00	-927.54	-39.34	-124.20	-927.25	-39.34	-124.20	-1114.78			

BAGO RIVER BRIDGE

BLOCK [ No.1 : MAIN GIRDER ][ BEAM MEMBER FORCE ]

MEMBER					1005			1006			1007					
NODE					1005			1006			1006			1007		
NAME TITLE					SHEAR	TORQUE	MOMENT	SHEAR	TORQUE	MOMENT	SHEAR	TORQUE	MOMENT	SHEAR	TORQUE	MOMENT
					S2 (kN)	TQ (kN·m)	M3 (kN·m)	S2 (kN)	TQ (kN·m)	M3 (kN·m)	S2 (kN)	TQ (kN·m)	M3 (kN·m)	S2 (kN)	TQ (kN·m)	M3 (kN·m)
301	LIVE LOAD	4-LANES	MAX	S2	104.17	585.58	2699.89	104.17	585.58	3196.47	104.17	593.17	3195.07	104.17	593.17	3691.66
				TQ	95.34	622.58	2627.45	95.34	622.58	3081.93	95.72	629.92	3096.63	95.72	629.92	3552.95
				M3	68.81	496.98	3350.56	79.60	534.61	3709.96	79.60	543.42	3708.68	87.63	569.35	4111.30
			MIN	S2	-42.49	-128.91	144.84	-42.49	-128.91	-57.73	-42.49	-129.05	-57.43	-42.49	-129.05	-260.00
				TQ	-33.31	-144.90	802.59	-33.31	-144.90	643.80	-33.84	-143.39	623.20	-33.84	-143.39	461.90
				M3	-35.51	-83.44	-669.93	-35.51	-83.44	-839.20	-35.51	-85.43	-839.00	-35.51	-85.43	-1008.27
		6-LANES	MAX	S2	460.46	88.97	6422.10	362.05	23.58	7597.38	362.05	41.63	7597.30	292.21	11.11	8343.91
				TQ	34.25	650.70	1772.15	34.25	650.70	1935.42	35.03	655.34	1977.74	35.03	655.34	2144.73
				M3	351.76	32.91	8102.01	267.97	-17.63	9118.00	267.97	4.02	9118.02	185.73	-40.78	9668.11
			MIN	S2	-162.97	-91.14	2716.27	-232.42	-156.61	2759.50	-232.42	-150.05	2759.86	-328.38	-245.54	2310.92
				TQ	134.54	-701.19	4278.97	97.13	-701.19	4838.98	91.20	-689.89	4731.87	47.07	-689.89	5061.51
				M3	-61.68	30.66	-1176.74	-61.68	30.66	-1470.78	-61.68	27.17	-1470.85	-61.68	27.17	-1764.88
		LIVE LOAD	MAX		585.25	802.04	8102.01	421.49	802.04	9118.00	421.49	808.75	9118.02	303.20	808.75	9668.11
			MIN		-202.05	-908.51	-1176.74	-319.35	-908.51	-1470.78	-319.35	-892.63	-1470.85	-494.60	-892.63	-1764.88
		303	SUM TOTAL	TOTAL	MAX	1250.27	525.31	29528.49	808.95	525.31	33053.11	808.95	588.87	33053.72	413.08	588.87
MIN	462.97				-1185.24	20249.74	68.10	-1185.24	22464.33	68.10	-1112.50	22464.85	-384.72	-1112.50	23356.24	



BAGO RIVER BRIDGE

BLOCK [ No.1 : MAIN GIRDER ][ BEAM MEMBER FORCE ]

MEMBER NODE	1007	1008			1008			1009							
		SHEAR	TORQUE	MOMENT	SHEAR	TORQUE	MOMENT	SHEAR	TORQUE	MOMENT					
		S2 (kN)	TQ (kN·m)	M3 (kN·m)	S2 (kN)	TQ (kN·m)	M3 (kN·m)	S2 (kN)	TQ (kN·m)	M3 (kN·m)					
1	PAVEMENT	29.67	-1.05	4453.25	-17.12	-1.05	4483.16	-17.12	9.59	4483.15	-63.91	9.59	4290.01		
3	RAILING	3.65	0.16	104.38	-0.30	0.16	112.35	-0.30	0.42	112.34	-4.25	0.42	101.50		
5	CURB	36.09	1.55	1033.33	-2.99	1.55	1112.22	-2.99	4.20	1112.21	-42.07	4.20	1004.81		
7	DECK WEIGHT	51.45	-4.04	7001.04	-25.62	-4.04	7062.62	-25.62	12.73	7062.61	-102.69	12.73	6756.80		
8	GIRDER WEIGH	62.51	-24.59	8836.48	-26.62	-24.59	8922.02	-26.62	-3.40	8922.06	-115.75	-3.40	8582.72		
10	MEDIAN STRIP	-2.96	-9.89	1605.75	-2.96	-9.89	1591.64	-2.96	-6.11	1591.66	-2.96	-6.11	1577.55		
21	ADITIONAL WE	14.41	-1.13	1960.29	-7.17	-1.13	1977.53	-7.17	3.56	1977.53	-28.75	3.56	1891.90		
31	MEDIAN RAILI	-0.41	-0.75	125.19	-0.41	-0.75	123.25	-0.41	-0.46	123.26	-0.41	-0.46	121.32		
51	SUPPORT WEIG	-0.00	-0.00	-0.00	-0.00	-0.00	-0.00	-0.00	-0.00	-0.00	-0.00	-0.00	-0.00		
52	NOSE WEIGHT	-0.09	-0.13	1.73	-0.09	-0.13	1.30	-0.09	-0.13	1.30	-0.09	-0.13	0.86		
61	1-LANE(case1TRUCK-LOAD	MAX	S2	280.45	14.21	2149.17	167.76	-101.48	2397.62	167.76	-95.79	2397.86	84.54	-172.68	2085.82
			TQ	-55.05	121.08	1477.81	-55.05	121.08	1215.39	-55.05	123.97	1215.09	-55.05	123.97	952.67
			M3	257.94	42.15	2181.22	145.83	-72.89	2454.30	145.83	-67.06	2454.46	-54.52	-107.11	2150.14
		MIN	S2	-89.46	109.88	2067.45	-175.68	30.82	2392.20	-175.68	36.50	2392.12	-288.41	-79.24	2114.80
			TQ	57.13	-187.41	1088.66	57.13	-187.41	1361.00	48.97	-184.30	1249.04	48.97	-184.30	1482.50
			M3	-8.76	31.80	-227.11	-8.76	31.80	-268.88	-8.76	31.16	-268.96	-8.76	31.16	-310.74
		TANDEM-LOAD MAX	S2	227.43	48.95	1674.24	147.55	-34.73	1895.62	147.55	-30.22	1895.70	72.93	-107.02	1649.60
			TQ	-42.65	86.86	1134.68	-42.65	86.86	931.35	-42.65	89.07	931.14	-42.65	89.07	727.80
			M3	227.43	48.95	1674.24	147.55	-34.72	1895.63	147.55	-30.22	1895.70	-72.50	-92.96	1653.89
		MIN	S2	-78.24	63.08	1667.79	-152.98	-13.82	1894.89	-152.98	-9.32	1894.92	-232.80	-92.96	1653.89
			TQ	37.96	-132.46	766.10	37.96	-132.46	947.06	37.96	-130.21	947.37	37.96	-130.21	1128.32
			M3	-5.98	21.90	-154.82	-5.98	21.90	-183.32	-5.98	21.47	-183.37	-5.98	21.47	-211.87
		DISPERSION-LMAX	S2	88.58	-121.37	1157.53	54.21	-124.44	1158.31	54.21	-121.69	1158.61	33.73	-110.99	1030.35
			TQ	-19.67	97.91	589.77	-47.65	97.91	395.96	-56.22	98.97	499.20	-56.22	98.97	231.19
			M3	60.37	-64.77	1877.98	4.61	-64.77	2032.64	4.61	-59.94	2032.79	-51.15	-59.94	1921.64
		MIN	S2	-38.65	94.55	449.32	-60.05	97.62	553.40	-60.05	98.93	553.16	-95.33	88.23	520.47
			TQ	69.60	-124.73	1017.08	41.82	-124.73	1315.75	50.39	-121.73	1212.56	-5.37	-121.73	1319.63
			M3	-10.45	37.94	-271.13	-10.45	37.94	-320.93	-10.45	37.18	-321.02	-10.45	37.18	-370.82

BAGO RIVER BRIDGE

BLOCK [ No.1 : MAIN GIRDER ][ BEAM MEMBER FORCE ]

MEMBER				1007			1008			1008			1009		
NODE				1007			1008			1008			1009		
NAME TITLE				SHEAR	TORQUE	MOMENT	SHEAR	TORQUE	MOMENT	SHEAR	TORQUE	MOMENT	SHEAR	TORQUE	MOMENT
				S2 (kN)	TQ (kN·m)	M3 (kN·m)	S2 (kN)	TQ (kN·m)	M3 (kN·m)	S2 (kN)	TQ (kN·m)	M3 (kN·m)	S2 (kN)	TQ (kN·m)	M3 (kN·m)
62	1-LANE (case2TRUCK-LOAD	MAX	S2	45.63	-13.57	1081.34	45.63	-13.57	1298.86	45.63	-10.48	1298.89	45.63	-10.48	1516.41
			TQ	-22.11	15.78	639.08	-22.11	15.78	533.70	-25.17	17.16	604.00	-25.17	17.16	484.00
			M3	-25.93	-21.16	1601.04	12.61	-12.18	1496.23	12.61	-8.62	1496.26	23.24	-6.56	1579.91
		MIN	S2	-50.77	-16.92	1524.36	-50.77	-16.92	1282.35	-50.77	-13.87	1282.39	-50.77	-13.87	1040.38
			TQ	23.81	-42.48	566.20	23.81	-42.48	679.72	23.81	-40.86	679.82	23.81	-40.86	793.35
			M3	-8.06	13.00	-217.47	-8.06	13.00	-255.91	-8.06	12.39	-255.94	-8.06	12.39	-294.38
		TANDEM-LOAD MAX	S2	33.14	-10.14	698.20	33.14	-10.14	856.16	33.14	-8.10	856.18	33.14	-8.10	1014.14
			TQ	-17.97	11.69	521.44	-17.97	11.69	435.79	-17.97	12.72	435.77	-17.97	12.72	350.12
			M3	-24.47	-17.31	1122.53	3.87	-9.68	1035.13	3.87	-7.23	1035.15	22.91	-1.45	1109.13
		MIN	S2	-36.56	-10.41	1018.26	-36.56	-10.41	844.00	-36.56	-8.40	844.02	-36.56	-8.40	669.76
			TQ	16.69	-30.07	401.69	16.69	-30.07	481.26	16.69	-28.93	481.32	16.69	-28.93	560.89
			M3	-5.50	8.96	-148.19	-5.50	8.96	-174.40	-5.50	8.54	-174.42	-5.50	8.54	-200.62
		DISPERSION-LMAX	S2	29.05	-28.21	820.73	28.92	-27.99	937.89	28.92	-25.76	937.95	28.15	-25.47	1046.16
			TQ	-18.97	21.40	94.11	-18.97	21.40	3.70	-18.73	21.46	50.88	-18.73	21.46	-38.43
			M3	6.20	-27.79	1578.39	5.21	-27.79	1605.59	5.21	-23.98	1605.66	4.22	-23.98	1628.13
MIN	S2	-32.45	15.87	498.97	-33.31	15.65	363.26	-33.31	16.52	363.23	-33.53	16.23	231.74		
	TQ	15.57	-33.73	1225.59	14.58	-33.73	1297.46	14.35	-30.71	1250.30	13.35	-30.71	1316.32		
	M3	-9.60	15.46	-258.68	-9.60	15.46	-304.44	-9.60	14.74	-304.48	-9.60	14.74	-350.24		
63	1-LANE (case3TRUCK-LOAD	MAX	S2	23.29	41.08	759.88	23.29	41.08	870.90	23.29	43.15	870.80	23.29	43.15	981.83
			TQ	22.17	42.20	822.13	22.17	42.20	927.83	22.17	44.40	927.73	22.17	44.40	1033.43
			M3	-11.64	-22.88	1142.76	2.63	9.84	1106.00	2.63	12.47	1105.98	7.82	23.68	1129.97
		MIN	S2	-26.17	-42.76	966.71	-26.17	-42.76	841.98	-26.17	-40.76	842.08	-26.17	-40.76	717.34
			TQ	-25.34	-43.97	1025.99	-25.34	-43.97	905.17	-25.34	-41.82	905.28	-25.34	-41.82	784.46
			M3	-7.53	-1.33	-210.23	-7.53	-1.33	-246.14	-7.53	-1.91	-246.13	-7.53	-1.91	-282.04

BAGO RIVER BRIDGE

BLOCK [ No.1 : MAIN GIRDER ][ BEAM MEMBER FORCE ]

MEMBER		1007			1008			1008			1009				
NODE		1007			1008			1008			1009				
		SHEAR	TORQUE	MOMENT	SHEAR	TORQUE	MOMENT	SHEAR	TORQUE	MOMENT	SHEAR	TORQUE	MOMENT		
NAME	TITLE	S2 (kN)	TQ (kN·m)	M3 (kN·m)	S2 (kN)	TQ (kN·m)	M3 (kN·m)	S2 (kN)	TQ (kN·m)	M3 (kN·m)	S2 (kN)	TQ (kN·m)	M3 (kN·m)		
63	1-LANE (case3TANDEM-LOAD	MAX	S2	16.43	27.45	493.30	16.43	27.45	571.65	16.43	28.81	571.58	16.43	28.81	649.92
			TQ	15.11	30.45	577.97	15.11	30.45	650.02	15.11	31.99	649.94	15.11	31.99	721.99
			M3	-10.10	-21.30	783.83	-0.05	2.38	758.29	-0.05	4.19	758.28	7.51	21.85	775.94
		MIN	S2	-18.32	-28.61	638.13	-18.32	-28.61	550.80	-18.32	-27.30	550.86	-18.32	-27.30	463.53
			TQ	-17.38	-31.68	719.74	-17.38	-31.68	636.91	-17.38	-30.16	636.98	-17.38	-30.16	554.15
			M3	-5.13	-0.92	-143.21	-5.13	-0.92	-167.67	-5.13	-1.31	-167.67	-5.13	-1.31	-192.13
	DISPERSION-LMAX	S2	19.45	20.57	702.93	19.45	20.57	795.66	19.45	22.46	795.60	19.45	22.46	888.33	
		TQ	10.89	21.94	466.75	10.89	21.94	518.64	13.17	23.25	592.71	13.17	23.25	655.50	
		M3	5.63	-0.22	1304.63	5.63	-0.22	1331.48	5.63	2.94	1331.47	5.63	2.94	1358.32	
		MIN	S2	-22.77	-22.48	352.40	-22.77	-22.48	243.87	-22.77	-21.90	243.92	-22.77	-21.90	135.39
			TQ	-14.20	-23.85	588.57	-14.20	-23.85	520.88	-16.49	-22.70	446.82	-16.49	-22.70	368.23
			M3	-8.95	-1.69	-249.31	-8.95	-1.69	-291.95	-8.95	-2.39	-291.95	-8.95	-2.39	-334.60
64	1-LANE (case4TRUCK-LOAD	MAX	S2	3.40	-22.07	307.54	3.40	-22.07	323.73	3.40	-21.30	323.79	3.40	-21.30	339.98
			TQ	0.27	110.83	357.87	0.27	110.83	359.15	0.27	111.68	358.89	0.27	111.68	360.18
			M3	-1.83	83.57	400.49	-1.70	76.66	391.80	-1.70	77.59	391.61	-1.64	75.31	383.55
		MIN	S2	-6.44	-30.43	-195.21	-6.44	-30.43	-225.90	-6.44	-30.96	-225.83	-6.44	-30.96	-256.53
			TQ	1.92	-38.19	215.96	1.92	-38.19	225.13	1.92	-37.65	225.22	1.92	-37.65	234.39
			M3	-6.43	-31.23	-195.44	-6.43	-31.23	-226.10	-6.43	-31.77	-226.02	-6.43	-31.77	-256.69
	TANDEM-LOAD	MAX	S2	2.42	53.07	138.77	2.42	53.07	150.30	2.42	53.43	150.17	2.42	53.43	161.70
			TQ	0.44	76.42	238.59	0.44	76.42	240.69	0.44	76.99	240.51	0.44	76.99	242.60
			M3	-1.40	60.20	272.99	-1.40	60.20	266.33	-1.40	60.83	266.18	-1.14	48.08	259.79
		MIN	S2	-4.37	-20.08	-132.29	-4.37	-20.08	-153.15	-4.37	-20.44	-153.10	-4.37	-20.44	-173.96
			TQ	1.48	-27.21	155.14	1.48	-27.21	162.19	1.48	-26.83	162.25	1.48	-26.83	169.30
			M3	-4.37	-21.55	-133.03	-4.37	-21.55	-153.87	-4.37	-21.91	-153.82	-4.37	-21.91	-174.66

BAGO RIVER BRIDGE

BLOCK [ No.1 : MAIN GIRDER ][ BEAM MEMBER FORCE ]

MEMBER			1007			1008			1008			1009					
NODE			1007			1008			1008			1009					
NAME TITLE			SHEAR	TORQUE	MOMENT	SHEAR	TORQUE	MOMENT	SHEAR	TORQUE	MOMENT	SHEAR	TORQUE	MOMENT			
			S2 (kN)	TQ (kN·m)	M3 (kN·m)	S2 (kN)	TQ (kN·m)	M3 (kN·m)	S2 (kN)	TQ (kN·m)	M3 (kN·m)	S2 (kN)	TQ (kN·m)	M3 (kN·m)			
64	1-LANE (case4DISPERSION-LMAX	S2	8.53	36.38	462.00	8.53	36.38	502.68	8.53	37.57	502.59	8.53	37.57	543.28			
		TQ	6.62	82.93	494.02	6.62	82.93	525.58	6.63	84.18	527.28	6.63	84.18	558.87			
		M3	7.86	66.22	628.55	7.86	66.22	666.00	7.86	67.80	665.84	7.86	67.80	703.29			
		MIN	S2	-8.25	-7.10	-64.24	-8.25	-7.10	-103.59	-8.25	-7.35	-103.57	-8.25	-7.35	-142.92		
		TQ	-6.34	-53.66	-96.27	-6.34	-53.66	-126.50	-6.35	-53.96	-128.26	-6.35	-53.96	-158.52			
		M3	-7.58	-36.95	-230.79	-7.58	-36.95	-266.91	-7.58	-37.58	-266.82	-7.58	-37.58	-302.94			
		65	2-LANES (caseTRUCK-LOAD	MAX	S2	387.35	7.79	4015.76	252.85	-153.51	4301.42	252.85	-143.30	4301.77	149.16	-255.92	3898.48
				TQ	-96.06	177.32	2596.79	-96.06	177.32	2138.86	-96.06	182.40	2138.43	-96.06	182.40	1680.51	
				M3	349.25	47.69	4074.97	215.27	-112.91	4393.90	215.27	-102.48	4394.15	-62.09	-159.05	4017.68	
MIN	S2			-160.38	147.13	3893.94	-267.62	31.90	4290.65	-267.62	42.09	4290.56	-402.22	-119.29	3952.00		
TQ	102.69			-290.14	2014.15	102.69	-290.14	2503.66	85.98	-284.68	2220.23	85.98	-284.68	2630.12			
M3	-17.18			54.22	-449.39	-17.18	54.22	-531.28	-17.18	52.96	-531.41	-17.18	52.96	-613.30			
TANDEM-LOAD	MAX			S2	306.85	59.84	3064.71	212.00	-56.21	3321.15	212.00	-48.32	3321.27	122.76	-155.76	3019.60	
TQ	-71.85			126.46	1930.71	-71.85	126.46	1588.21	-71.85	130.23	1587.91	-71.85	130.23	1245.41			
M3	306.85			59.84	3064.71	212.00	-56.21	3321.15	212.00	-48.32	3321.28	-87.83	-135.27	3027.44			
MIN	S2	-132.60	80.47	3052.57	-222.18	-27.22	3319.69	-222.18	-19.34	3319.75	-316.83	-135.27	3027.44				
TQ	66.54	-203.80	1362.76	66.54	-203.80	1679.95	64.15	-199.91	1632.50	64.15	-199.91	1938.32					
M3	-11.72	37.35	-306.33	-11.72	37.35	-362.18	-11.72	36.49	-362.27	-11.72	36.49	-418.13					
DISPERSION-LMAX	S2	141.89	-195.14	2233.10	94.70	-197.99	2203.56	94.70	-192.76	2204.02	64.00	-176.81	1991.94				
TQ	-47.90	152.91	1061.04	-86.04	152.91	696.32	-95.17	154.69	812.78	-95.17	154.69	359.08					
M3	89.12	-110.99	3611.51	9.50	-110.99	3846.36	9.50	-101.86	3846.61	-70.12	-101.86	3701.91					
MIN	S2	-73.24	148.82	842.36	-105.67	151.67	1009.16	-105.67	154.07	1008.80	-154.59	138.12	978.60				
TQ	116.55	-199.22	2014.42	75.08	-199.22	2516.40	84.21	-193.38	2400.04	4.58	-193.38	2611.46					
M3	-20.47	64.67	-536.05	-20.47	64.67	-633.64	-20.47	63.17	-633.79	-20.47	63.17	-731.38					

BAGO RIVER BRIDGE

BLOCK [ No.1 : MAIN GIRDER ][ BEAM MEMBER FORCE ]

MEMBER				1007			1008			1008			1009		
NODE				1007			1008			1008			1009		
NAME TITLE				SHEAR	TORQUE	MOMENT	SHEAR	TORQUE	MOMENT	SHEAR	TORQUE	MOMENT	SHEAR	TORQUE	MOMENT
				S2 (kN)	TQ (kN·m)	M3 (kN·m)	S2 (kN)	TQ (kN·m)	M3 (kN·m)	S2 (kN)	TQ (kN·m)	M3 (kN·m)	S2 (kN)	TQ (kN·m)	M3 (kN·m)
66	2-LANES (caseTRUCK-LOAD	MAX	S2	152.53	-19.99	2947.94	130.72	-65.60	3202.66	130.72	-58.00	3202.81	110.25	-93.72	3329.08
			TQ	-63.12	72.02	1758.05	-63.12	72.02	1457.18	-66.18	75.60	1527.34	-66.18	75.60	1211.85
			M3	65.39	-15.62	3494.78	82.05	-52.20	3435.83	82.05	-44.04	3435.95	15.67	-58.51	3447.45
		MIN	S2	-121.68	20.34	3350.85	-142.71	-15.83	3180.80	-142.71	-8.27	3180.83	-164.57	-53.92	2877.59
			TQ	69.37	-145.21	1491.69	69.37	-145.21	1822.39	60.82	-141.24	1651.01	60.82	-141.24	1940.97
			M3	-16.48	35.42	-439.76	-16.48	35.42	-518.31	-16.48	34.19	-518.39	-16.48	34.19	-596.95
	TANDEM-LOAD	MAX	S2	112.55	0.76	2088.66	97.59	-31.62	2281.68	97.59	-26.20	2281.75	82.96	-56.84	2384.14
			TQ	-47.16	51.29	1317.47	-47.16	51.29	1092.66	-47.16	53.88	1092.54	-47.16	53.88	867.72
			M3	54.94	-6.41	2513.00	68.33	-31.17	2460.66	68.33	-25.33	2460.72	7.58	-43.77	2482.68
		MIN	S2	-90.92	6.98	2403.04	-105.76	-23.81	2268.80	-105.76	-18.42	2268.85	-120.59	-50.72	2043.31
			TQ	45.27	-101.42	998.35	45.27	-101.42	1214.15	42.88	-98.63	1166.46	42.88	-98.63	1370.89
			M3	-11.24	24.40	-299.70	-11.24	24.40	-353.26	-11.24	23.56	-353.32	-11.24	23.56	-406.88
	DISPERSION-LMAX	MAX	S2	82.36	-101.98	1896.30	69.42	-101.54	1983.13	69.42	-96.83	1983.37	58.41	-91.30	2007.74
			TQ	-47.19	76.39	565.38	-57.36	76.39	304.05	-57.69	77.19	364.45	-57.69	77.19	89.46
			M3	34.96	-74.02	3311.91	10.10	-74.02	3419.31	10.10	-65.90	3419.48	-14.75	-65.90	3408.40
		MIN	S2	-67.03	70.14	892.01	-78.94	69.71	819.03	-78.94	71.65	818.86	-92.79	66.12	689.86
			TQ	62.53	-108.22	2222.93	47.84	-108.22	2498.11	48.17	-102.36	2437.78	23.31	-102.36	2608.14
			M3	-19.62	42.19	-523.60	-19.62	42.19	-617.15	-19.62	40.72	-617.25	-19.62	40.72	-710.79
67	2-LANES (caseTRUCK-LOAD	MAX	S2	39.79	102.31	1306.26	39.79	102.31	1495.96	39.79	105.86	1495.71	39.79	105.86	1685.41
			TQ	37.35	107.25	1484.93	37.35	107.25	1662.98	37.35	111.20	1662.72	37.35	111.20	1840.77
			M3	-17.11	-33.77	2053.64	3.42	30.88	2000.86	3.42	35.63	2000.78	11.28	59.24	2032.71
		MIN	S2	-44.32	-86.38	1675.03	-44.32	-86.38	1463.76	-44.32	-82.91	1463.96	-44.32	-82.91	1252.70
			TQ	-42.69	-89.80	1816.21	-42.69	-89.80	1612.72	-42.69	-85.97	1612.93	-42.69	-85.97	1409.43
			M3	-14.71	-12.30	-415.66	-14.71	-12.30	-485.79	-14.71	-13.45	-485.76	-14.71	-13.45	-555.88

BAGO RIVER BRIDGE

BLOCK [ No.1 : MAIN GIRDER ][ BEAM MEMBER FORCE ]

MEMBER		1007			1008			1008			1009						
NODE		1007			1008			1008			1009						
		SHEAR	TORQUE	MOMENT	SHEAR	TORQUE	MOMENT	SHEAR	TORQUE	MOMENT	SHEAR	TORQUE	MOMENT				
NAME	TITLE	S2 (kN)	TQ (kN·m)	M3 (kN·m)	S2 (kN)	TQ (kN·m)	M3 (kN·m)	S2 (kN)	TQ (kN·m)	M3 (kN·m)	S2 (kN)	TQ (kN·m)	M3 (kN·m)				
67	2-LANES (caseTANDEM-LOAD	MAX	S2	27.93	71.80	903.89	27.93	71.80	1037.04	27.93	74.26	1036.87	27.93	74.26	1170.03		
			TQ	26.26	75.35	1010.70	26.26	75.35	1135.90	26.26	78.04	1135.72	26.26	78.04	1260.92		
			M3	-15.07	-36.61	1404.14	-0.36	12.13	1370.30	-0.36	15.38	1370.26	10.69	51.66	1391.43		
			MIN	S2	-31.14	-59.88	1141.19	-31.14	-59.88	992.72	-31.14	-57.52	992.86	-31.14	-57.52	844.40	
			TQ	-29.97	-63.56	1245.65	-29.97	-63.56	1102.76	-29.97	-60.94	1102.91	-29.97	-60.94	960.02		
			M3	-10.02	-8.48	-283.12	-10.02	-8.48	-330.88	-10.02	-9.27	-330.86	-10.02	-9.27	-378.61		
			DISPERSION-LMAX	S2	34.54	62.24	1331.85	34.54	62.24	1496.49	34.54	65.79	1496.34	34.54	65.79	1660.97	
			TQ	25.71	63.70	1118.20	25.71	63.70	1240.76	28.13	66.76	1330.86	28.13	66.76	1464.98		
			M3	11.43	19.09	2425.42	11.43	19.09	2479.91	11.43	24.98	2479.86	11.43	24.98	2534.35		
			MIN	S2	-40.55	-58.02	601.04	-40.55	-58.02	407.71	-40.55	-57.05	407.85	-40.55	-57.05	214.52	
			TQ	-31.73	-59.49	814.69	-31.73	-59.49	663.44	-34.15	-58.02	573.32	-34.15	-58.02	410.52		
			M3	-17.45	-14.88	-492.53	-17.45	-14.88	-575.71	-17.45	-16.24	-575.67	-17.45	-16.24	-658.85		
		68	2-LANES (caseTRUCK-LOAD	MAX	S2	10.59	64.11	688.57	10.59	64.11	739.06	10.59	65.87	738.90	10.59	65.87	789.39
					TQ	6.70	201.31	816.01	6.70	201.31	847.94	6.70	203.32	847.45	6.70	203.32	879.38
					M3	-1.66	120.98	977.52	-1.04	122.46	970.44	-1.04	124.77	970.15	-0.84	125.23	965.87
	MIN			S2	-13.23	-51.79	-395.33	-13.23	-51.79	-458.39	-13.23	-52.87	-458.26	-13.23	-52.87	-521.32	
	TQ			-2.42	-76.88	603.29	-2.42	-76.88	591.74	-2.42	-75.48	591.92	-2.42	-75.48	580.37		
	M3			-13.22	-52.79	-395.65	-13.22	-52.79	-458.67	-13.22	-53.88	-458.54	-13.22	-53.88	-521.56		
	TANDEM-LOAD			MAX	S2	7.40	113.48	407.67	7.40	113.48	442.94	7.40	114.53	442.67	7.40	114.53	477.94
	TQ			4.73	138.65	558.94	4.73	138.65	581.51	4.73	140.03	581.17	4.73	140.03	603.74		
	M3			-1.48	81.69	665.89	-0.74	97.49	659.91	-0.74	99.05	659.68	-0.49	86.30	656.40		
	MIN			S2	-8.99	-34.95	-268.61	-8.99	-34.95	-311.48	-8.99	-35.69	-311.39	-8.99	-35.69	-354.26	
	TQ			-1.54	-54.19	407.44	-1.54	-54.19	400.12	-1.54	-53.24	400.25	-1.54	-53.24	392.92		
	M3			-8.99	-36.42	-269.34	-8.99	-36.42	-312.19	-8.99	-37.16	-312.11	-8.99	-37.16	-354.96		

BAGO RIVER BRIDGE

BLOCK [ No.1 : MAIN GIRDER ][ BEAM MEMBER FORCE ]

MEMBER		1007			1008			1008			1009						
NODE		1007			1008			1008			1009						
		SHEAR	TORQUE	MOMENT	SHEAR	TORQUE	MOMENT	SHEAR	TORQUE	MOMENT	SHEAR	TORQUE	MOMENT				
NAME	TITLE	S2 (kN)	TQ (kN·m)	M3 (kN·m)	S2 (kN)	TQ (kN·m)	M3 (kN·m)	S2 (kN)	TQ (kN·m)	M3 (kN·m)	S2 (kN)	TQ (kN·m)	M3 (kN·m)				
68	2-LANES (caseDISPERSION-LMAX	S2	18.48	98.78	973.81	18.48	98.78	1061.89	18.48	101.30	1061.66	18.48	101.30	1149.74			
		TQ	16.30	147.55	1062.59	16.30	147.55	1140.31	16.47	150.27	1151.91	16.47	150.27	1230.42			
		M3	15.59	112.54	1440.00	15.59	112.54	1514.33	15.59	116.13	1514.06	15.59	116.13	1588.39			
		MIN	S2	-18.49	-48.66	-1.45	-18.49	-48.66	-89.58	-18.49	-48.87	-89.46	-18.49	-48.87	-177.58		
		TQ	-16.31	-97.43	-90.23	-16.31	-97.43	-168.00	-16.48	-97.85	-179.71	-16.48	-97.85	-258.26			
		M3	-15.60	-62.42	-467.65	-15.60	-62.42	-542.02	-15.60	-63.70	-541.87	-15.60	-63.70	-616.24			
		69	3-LANES (caseTRUCK-LOAD	MAX	S2	432.98	-5.78	5097.10	298.48	-167.08	5600.28	298.48	-153.78	5600.66	194.79	-266.40	5414.89
				TQ	-118.17	193.11	3235.87	-118.17	193.11	2672.56	-121.23	199.57	2742.44	-121.23	199.57	2164.51	
				M3	323.33	26.53	5676.00	227.88	-125.09	5890.13	227.88	-111.10	5890.41	-38.85	-165.62	5597.59	
MIN	S2			-211.15	130.21	5418.30	-318.39	14.99	5573.00	-318.39	28.22	5572.95	-452.99	-133.16	4992.39		
TQ	126.50			-332.62	2580.35	126.50	-332.62	3183.39	109.80	-325.54	2900.05	109.80	-325.54	3423.46			
M3	-25.24			67.22	-666.86	-25.24	67.22	-787.19	-25.24	65.35	-787.35	-25.24	65.35	-907.68			
TANDEM-LOAD	MAX			S2	339.98	49.71	3762.90	245.13	-66.35	4177.30	245.13	-56.43	4177.45	155.89	-163.86	4033.74	
TQ	-89.81			138.15	2452.15	-89.81	138.15	2024.01	-89.81	142.95	2023.67	-89.81	142.95	1595.53			
M3	282.38			42.54	4187.25	215.87	-65.89	4356.28	215.87	-55.55	4356.43	-64.91	-136.72	4136.57			
MIN	S2	-169.15	70.06	4070.83	-258.73	-37.63	4163.69	-258.73	-27.74	4163.77	-353.39	-143.68	3697.20				
TQ	83.23	-233.87	1764.45	83.23	-233.87	2161.20	80.84	-228.84	2113.83	80.84	-228.84	2499.21					
M3	-17.21	46.30	-454.52	-17.21	46.30	-536.58	-17.21	45.03	-536.69	-17.21	45.03	-618.75					
DISPERSION-LMAX	S2	170.94	-223.35	3053.83	123.63	-225.98	3141.45	123.63	-218.52	3141.98	92.14	-202.29	3038.09				
TQ	-66.87	174.30	1155.15	-105.01	174.30	700.02	-113.91	176.16	863.66	-113.91	176.16	320.65					
M3	95.33	-138.79	5189.89	14.71	-138.79	5451.95	14.71	-125.84	5452.27	-65.90	-125.84	5330.04					
MIN	S2	-105.68	164.69	1341.33	-138.99	167.33	1372.43	-138.99	170.59	1372.02	-188.11	154.35	1210.33				
TQ	132.12	-232.96	3240.01	89.65	-232.96	3813.86	98.55	-224.09	3650.34	17.94	-224.09	3927.78					
M3	-30.07	80.13	-794.73	-30.07	80.13	-938.08	-30.07	77.90	-938.27	-30.07	77.90	-1081.61					

BAGO RIVER BRIDGE

BLOCK [ No.1 : MAIN GIRDER ][ BEAM MEMBER FORCE ]

MEMBER				1007			1008			1008			1009		
NODE				1007			1008			1008			1009		
NAME TITLE				SHEAR	TORQUE	MOMENT	SHEAR	TORQUE	MOMENT	SHEAR	TORQUE	MOMENT	SHEAR	TORQUE	MOMENT
				S2 (kN)	TQ (kN·m)	M3 (kN·m)	S2 (kN)	TQ (kN·m)	M3 (kN·m)	S2 (kN)	TQ (kN·m)	M3 (kN·m)	S2 (kN)	TQ (kN·m)	M3 (kN·m)
70	3-LANES (caseTRUCK-LOAD	MAX	S2	49.62	183.42	1768.75	49.62	183.42	2005.28	49.62	188.18	2004.84	49.62	188.18	2241.36
			TQ	46.93	189.17	1983.15	46.93	189.17	2206.87	46.93	194.41	2206.42	46.93	194.41	2430.14
			M3	-19.26	-26.75	2761.98	3.78	61.88	2701.95	3.78	68.30	2701.79	12.71	100.74	2736.73
		MIN	S2	-55.14	-126.91	2231.20	-55.14	-126.91	1968.33	-55.14	-122.23	1968.62	-55.14	-122.23	1705.75
			TQ	-53.51	-130.32	2372.38	-53.51	-130.32	2117.28	-53.51	-125.29	2117.58	-53.51	-125.29	1862.48
			M3	-21.53	-32.94	-616.33	-21.53	-32.94	-718.97	-21.53	-34.65	-718.89	-21.53	-34.65	-821.53
	TANDEM-LOAD	MAX	S2	34.75	126.91	1205.55	34.75	126.91	1371.21	34.75	130.17	1370.91	34.75	130.17	1536.57
			TQ	32.86	131.87	1359.98	32.86	131.87	1516.65	32.86	135.47	1516.33	32.86	135.47	1672.99
			M3	-15.86	-25.57	1886.24	-0.55	29.00	1849.04	-0.55	33.39	1848.97	12.28	86.72	1870.09
		MIN	S2	-38.73	-88.44	1535.10	-38.73	-88.44	1350.48	-38.73	-85.23	1350.69	-38.73	-85.23	1166.07
			TQ	-37.56	-92.12	1639.57	-37.56	-92.12	1460.52	-37.56	-88.65	1460.74	-37.56	-88.65	1281.69
			M3	-14.66	-22.72	-419.75	-14.66	-22.72	-489.63	-14.66	-23.88	-489.57	-14.66	-23.88	-559.45
	DISPERSION-LMAX	MAX	S2	45.98	120.62	1883.35	45.98	120.62	2102.56	45.98	125.62	2102.26	45.98	125.62	2321.47
			TQ	37.05	122.81	1715.16	37.05	122.81	1891.79	39.46	127.41	1986.13	39.46	127.41	2174.23
			M3	17.35	58.39	3362.75	17.35	58.39	3445.46	17.35	66.57	3445.31	17.35	66.57	3528.02
	MIN	S2	-54.14	-101.80	749.68	-54.14	-101.80	491.62	-54.14	-100.63	491.86	-54.14	-100.63	233.79	
		TQ	-45.20	-103.98	917.87	-45.20	-103.98	702.38	-47.61	-102.42	607.99	-47.61	-102.42	381.02	
		M3	-25.50	-39.56	-729.72	-25.50	-39.56	-851.29	-25.50	-41.58	-851.19	-25.50	-41.58	-972.76	
71	3-LANES (caseTRUCK-LOAD	MAX	S2	24.08	133.57	1190.73	24.08	133.57	1305.53	24.08	136.67	1305.21	24.08	136.67	1420.01
			TQ	18.61	273.73	1424.13	18.61	273.73	1512.87	18.61	277.33	1512.21	18.61	277.33	1600.95
			M3	-3.92	127.36	1750.64	-0.43	149.91	1742.02	-0.43	154.05	1741.66	1.66	166.26	1747.06
		MIN	S2	-24.87	-92.83	178.69	-24.87	-92.83	60.16	-24.87	-92.68	60.38	-24.87	-92.68	-58.15
			TQ	-14.06	-117.92	1177.31	-14.06	-117.92	1110.28	-14.06	-115.29	1110.56	-14.06	-115.29	1043.54
			M3	-20.36	-64.67	-600.64	-20.36	-64.67	-697.71	-20.36	-66.32	-697.56	-20.36	-66.32	-794.63



BAGO RIVER BRIDGE

BLOCK [ No.1 : MAIN GIRDER ][ BEAM MEMBER FORCE ]

MEMBER		1007			1008			1008			1009							
NODE		1007			1008			1008			1009							
NAME TITLE		SHEAR	TORQUE	MOMENT	SHEAR	TORQUE	MOMENT	SHEAR	TORQUE	MOMENT	SHEAR	TORQUE	MOMENT					
		S2 (kN)	TQ (kN·m)	M3 (kN·m)	S2 (kN)	TQ (kN·m)	M3 (kN·m)	S2 (kN)	TQ (kN·m)	M3 (kN·m)	S2 (kN)	TQ (kN·m)	M3 (kN·m)					
71	3-LANES (caseTANDEM-LOAD	MAX	S2	16.75	160.09	734.21	16.75	160.09	814.05	16.75	162.02	813.66	16.75	162.02	893.50			
			TQ	13.55	188.92	958.66	13.55	188.92	1023.25	13.55	191.35	1022.79	13.55	191.35	1087.38			
			M3	-2.49	90.18	1193.89	-0.96	111.86	1185.67	-0.96	114.67	1185.40	1.75	119.28	1189.85			
		MIN	S2	-17.23	-63.88	139.05	-17.23	-63.88	56.92	-17.23	-63.74	57.07	-17.23	-63.74	-25.07			
			TQ	-9.77	-83.12	815.11	-9.77	-83.12	768.51	-9.77	-81.29	768.71	-9.77	-81.29	722.11			
			M3	-13.85	-44.62	-408.94	-13.85	-44.62	-474.98	-13.85	-45.75	-474.87	-13.85	-45.75	-540.91			
			DISPERSION-LMAX	S2	32.05	145.25	1564.51	32.05	145.25	1717.32	32.05	149.32	1716.97	32.05	149.32	1869.77		
			TQ	24.98	195.03	1566.14	24.98	195.03	1685.21	26.73	199.11	1748.25	26.73	199.11	1875.65			
			M3	23.21	138.88	2434.67	23.21	138.88	2545.33	23.21	144.92	2544.99	23.21	144.92	2655.65			
		MIN	S2	-32.91	-82.76	159.63	-32.91	-82.76	2.73	-32.91	-82.75	2.93	-32.91	-82.75	-153.97			
			TQ	-25.84	-132.55	158.01	-25.84	-132.55	34.84	-27.59	-132.54	-28.35	-27.59	-132.54	-159.86			
			M3	-24.07	-76.39	-710.52	-24.07	-76.39	-825.28	-24.07	-78.35	-825.10	-24.07	-78.35	-939.86			
		72	4-LANES	TRUCK-LOAD	MAX	S2	49.79	271.73	1817.27	49.79	271.73	2054.62	49.79	276.61	2053.97	49.79	276.61	2291.33
						TQ	43.70	308.79	2292.85	43.70	308.79	2501.15	43.70	314.73	2500.41	43.70	314.73	2708.71
						M3	-17.00	66.76	3013.23	2.01	142.96	2965.31	2.01	150.00	2964.96	10.97	165.86	2994.63
MIN	S2			-54.07	-137.95	1210.55	-54.07	-137.95	952.78	-54.07	-135.68	953.11	-54.07	-135.68	695.34			
	TQ			-44.44	-165.89	2406.59	-44.44	-165.89	2194.76	-44.44	-160.67	2195.15	-44.44	-160.67	1983.33			
	M3			-27.93	-65.08	-811.32	-27.93	-65.08	-944.46	-27.93	-67.32	-944.30	-27.93	-67.32	-1077.45			
TANDEM-LOAD	MAX			S2	34.92	188.37	1289.78	34.92	188.37	1456.26	34.92	191.82	1455.81	34.92	191.82	1622.29		
				TQ	30.70	214.26	1565.78	30.70	214.26	1712.12	30.70	218.33	1711.60	30.70	218.33	1857.94		
				M3	-12.39	58.25	2057.11	-1.48	81.27	2024.68	-1.48	86.08	2024.48	10.89	119.33	2044.67		
MIN	S2			-37.87	-107.08	1295.67	-37.87	-107.08	1115.16	-37.87	-104.43	1115.41	-37.87	-104.43	934.90			
	TQ			-30.92	-117.11	1687.71	-30.92	-117.11	1540.30	-30.92	-113.45	1540.58	-30.92	-113.45	1393.17			
	M3			-19.01	-44.90	-552.46	-19.01	-44.90	-643.07	-19.01	-46.43	-642.96	-19.01	-46.43	-733.57			

BAGO RIVER BRIDGE

BLOCK [ No.1 : MAIN GIRDER ][ BEAM MEMBER FORCE ]

MEMBER				1007			1008			1008			1009				
NODE				1007			1008			1008			1009				
NAME TITLE				SHEAR	TORQUE	MOMENT	SHEAR	TORQUE	MOMENT	SHEAR	TORQUE	MOMENT	SHEAR	TORQUE	MOMENT		
				S2 (kN)	TQ (kN·m)	M3 (kN·m)	S2 (kN)	TQ (kN·m)	M3 (kN·m)	S2 (kN)	TQ (kN·m)	M3 (kN·m)	S2 (kN)	TQ (kN·m)	M3 (kN·m)		
72	4-LANES	DISPERSION-LMAX	S2	31.45	160.14	1723.32	31.45	160.14	1873.26	31.45	164.59	1872.88	31.45	164.59	2022.82		
			TQ	24.89	210.72	1725.44	24.89	210.72	1844.10	25.34	215.14	1872.29	25.34	215.14	1993.10		
			M3	4.00	123.25	3310.58	4.00	123.25	3329.66	4.00	131.15	3329.36	4.00	131.16	3348.43		
	MIN	S2	-52.35	-99.50	888.59	-52.35	-99.50	639.02	-52.35	-97.98	639.25	-52.35	-97.98	389.68			
		TQ	-46.05	-148.08	785.63	-46.05	-148.08	566.12	-46.51	-146.77	533.14	-46.51	-146.77	311.41			
		M3	-25.35	-65.08	-739.56	-25.35	-65.08	-860.41	-25.35	-67.12	-860.25	-25.35	-67.12	-981.10			
	73	6-LANES	TRUCK-LOAD	MAX	S2	391.05	197.53	5453.02	283.63	85.91	6264.45	283.63	100.78	6264.23	204.05	26.27	6540.19
				TQ	-32.39	420.83	5006.02	-32.39	420.83	4851.64	-32.39	432.35	4850.63	-32.39	432.35	4696.24	
				M3	240.61	27.62	7321.51	184.53	-27.09	7457.89	184.53	-9.37	7457.93	-9.68	-1.93	7289.27	
MIN		S2	-219.61	-33.94	5959.01	-300.02	-110.13	5636.59	-300.02	-96.74	5636.83	-407.49	-208.42	4756.17			
		TQ	22.47	-413.32	4523.96	22.47	-413.32	4631.10	22.47	-402.32	4632.07	22.47	-402.32	4739.21			
		M3	-45.64	3.50	-1267.81	-45.64	3.50	-1485.37	-45.64	-0.03	-1485.37	-45.64	-0.03	-1702.92			
TANDEM-LOAD		MAX	S2	304.48	182.21	4035.97	228.35	101.51	4654.72	228.35	112.56	4654.47	157.21	38.43	4827.57		
		TQ	-23.82	295.03	3494.01	-23.82	295.03	3380.47	-23.82	303.06	3379.76	-23.82	303.06	3266.22			
		M3	212.48	54.82	5252.98	175.84	17.37	5366.47	175.84	30.12	5366.42	-37.31	-7.56	5246.21			
MIN	S2	-168.46	-45.05	4466.04	-239.73	-119.28	4245.62	-239.73	-109.20	4245.89	-315.80	-189.87	3579.17				
	TQ	15.36	-290.28	3115.15	15.36	-290.28	3188.36	15.36	-282.70	3189.04	15.36	-282.70	3262.25				
	M3	-31.09	2.35	-863.68	-31.09	2.35	-1011.88	-31.09	-0.06	-1011.88	-31.09	-0.06	-1160.08				
DISPERSION-LMAX	S2	186.42	-49.15	4499.77	146.30	-51.46	4781.07	146.30	-40.11	4781.18	120.42	-26.56	4961.52				
	TQ	-20.42	332.08	2635.77	-52.22	332.08	2424.75	-58.96	338.13	2666.42	-58.96	338.13	2385.38				
	M3	102.26	-20.91	7552.57	34.05	-20.91	7877.58	34.05	-2.20	7877.61	-34.46	-2.20	7876.73				
MIN	S2	-136.82	46.86	1775.38	-163.84	50.12	1504.99	-163.84	53.69	1504.87	-205.67	39.93	1143.08				
	TQ	58.18	-338.70	3527.21	31.74	-338.70	3768.14	33.82	-329.92	3602.80	-34.70	-329.92	3600.81				
	M3	-52.21	9.99	-1447.46	-52.21	9.99	-1696.35	-52.21	5.96	-1696.37	-52.21	5.96	-1945.26				

BAGO RIVER BRIDGE

BLOCK [ No.1 : MAIN GIRDER ][ BEAM MEMBER FORCE ]

MEMBER			1007			1008			1008			1009			
NODE			1007			1008			1008			1009			
NAME TITLE			SHEAR	TORQUE	MOMENT	SHEAR	TORQUE	MOMENT	SHEAR	TORQUE	MOMENT	SHEAR	TORQUE	MOMENT	
			S2 (kN)	TQ (kN·m)	M3 (kN·m)	S2 (kN)	TQ (kN·m)	M3 (kN·m)	S2 (kN)	TQ (kN·m)	M3 (kN·m)	S2 (kN)	TQ (kN·m)	M3 (kN·m)	
124	SUM TOTAL	D+1LANE (caseMAX	S2	637.14	-168.48	29089.48	183.09	-310.99	29653.22	183.09	-240.56	29653.87	-218.95	-319.99	28066.88
			TQ	104.64	222.92	27602.54	-206.52	222.92	27319.71	-216.81	287.94	27443.27	-494.40	287.94	25748.11
			M3	576.28	-67.01	29992.48	97.25	-205.07	30770.42	97.25	-131.99	30770.82	-487.67	-180.05	29213.62
		MIN	S2	40.57	205.43	28141.56	-366.15	114.24	28920.81	-366.15	182.93	28920.45	-821.37	31.20	27489.81
			TQ	346.38	-414.46	27648.33	35.45	-414.46	28598.19	35.95	-346.83	28340.04	-308.55	-346.83	27690.03
			M3	171.26	43.81	24523.55	-106.33	43.81	24678.31	-106.33	102.42	24678.14	-383.93	102.42	23509.61
		D+1LANE (caseMAX	S2	283.92	-90.01	27403.93	6.19	-89.75	28070.19	6.19	-23.09	28070.33	-272.34	-22.74	27402.56
			TQ	145.02	4.74	26001.26	-132.57	4.74	26030.97	-135.97	66.77	26171.97	-413.56	66.77	24862.17
			M3	170.64	-98.63	28936.74	-61.90	-87.85	29108.29	-61.90	-18.72	29108.41	-327.92	-16.24	28177.13
		MIN	S2	94.45	-41.14	27549.43	-184.17	-41.39	27360.83	-184.17	23.59	27360.85	-462.03	23.24	25854.02
			TQ	241.57	-131.33	27271.59	-37.21	-131.33	27758.71	-37.49	-65.47	27702.26	-316.27	-65.47	26859.08
			M3	173.11	-5.73	24550.06	-104.47	-5.73	24713.67	-104.47	52.96	24713.62	-382.07	52.96	23553.94
		D+1LANE (caseMAX	S2	245.60	34.11	26876.80	-31.99	34.11	27385.96	-31.99	99.15	27385.80	-309.58	99.15	26571.67
			TQ	233.98	37.08	26668.10	-43.61	37.08	27121.86	-40.86	101.60	27210.64	-318.46	101.60	26354.19
			M3	187.10	-67.61	28058.31	-73.36	-28.34	28311.07	-73.36	38.90	28311.06	-344.73	52.36	27313.43
		MIN	S2	135.59	-118.18	26704.36	-142.00	-118.18	26689.10	-142.00	-54.79	26689.31	-419.59	-54.79	25350.76
			TQ	146.86	-121.27	27058.91	-130.73	-121.27	27097.36	-133.47	-57.01	27008.62	-411.07	-57.01	25710.70
			M3	174.53	-43.50	24570.00	-103.05	-43.50	24740.38	-103.05	15.26	24740.42	-380.65	15.26	23587.51
		D+1LANE (caseMAX	S2	208.63	-22.70	26044.88	-68.96	-22.70	26377.79	-68.96	39.94	26377.77	-346.56	39.94	25387.39
			TQ	202.58	192.63	26143.70	-75.01	192.63	26447.78	-75.00	255.45	26449.52	-352.60	255.45	25430.33
			M3	201.54	139.87	26356.29	-75.89	131.57	26655.45	-75.89	194.88	26655.06	-353.41	192.15	25631.69
		MIN	S2	176.68	-84.92	24810.10	-100.91	-84.92	24990.70	-100.91	-25.56	24990.83	-378.51	-25.56	23848.14
			TQ	189.01	-150.09	25265.07	-88.58	-150.09	25504.46	-88.59	-89.52	25502.47	-366.18	-89.52	24418.53
			M3	177.50	-121.69	24609.96	-100.09	-121.69	24794.48	-100.09	-62.81	24794.70	-377.68	-62.81	23655.93

BAGO RIVER BRIDGE

BLOCK [ No.1 : MAIN GIRDER ][ BEAM MEMBER FORCE ]

MEMBER				1007			1008			1008			1009		
NODE				1007			1008			1008			1009		
NAME TITLE				SHEAR	TORQUE	MOMENT	SHEAR	TORQUE	MOMENT	SHEAR	TORQUE	MOMENT	SHEAR	TORQUE	MOMENT
				S2 (kN)	TQ (kN·m)	M3 (kN·m)	S2 (kN)	TQ (kN·m)	M3 (kN·m)	S2 (kN)	TQ (kN·m)	M3 (kN·m)	S2 (kN)	TQ (kN·m)	M3 (kN·m)
124	SUM TOTAL	D+2LANES (casMAX	S2	723.55	-227.24	31370.30	264.28	-391.39	31891.07	264.28	-315.64	31891.91	-147.72	-412.32	30217.90
			TQ	50.35	290.35	28779.26	-265.38	290.35	28221.27	-274.51	357.51	28337.33	-552.11	357.51	26367.06
			M3	632.69	-103.18	32807.91	141.50	-263.79	33626.35	141.50	-183.92	33626.88	-493.09	-240.50	32047.07
		MIN	S2	-39.31	256.07	29857.74	-456.57	143.70	30685.90	-456.57	216.58	30685.47	-917.68	39.25	29258.08
			TQ	413.55	-529.25	29150.01	94.48	-529.25	30406.16	86.91	-457.65	30006.39	-270.31	-457.65	29569.05
			M3	156.66	79.02	24135.99	-120.93	79.02	24221.17	-120.93	136.54	24220.91	-398.52	136.54	22982.80
		D+2LANES (casMAX	S2	429.20	-161.84	29965.67	116.86	-207.03	30571.89	116.86	-134.42	30572.29	-192.22	-164.61	29664.29
			TQ	84.00	108.53	27444.87	-203.75	108.53	27147.32	-207.15	173.19	27277.91	-484.74	173.19	25628.78
			M3	294.66	-129.52	31928.13	8.88	-166.10	32241.24	8.88	-89.53	32241.54	-359.96	-103.99	31183.33
		MIN	S2	5.60	50.60	29364.30	-304.93	14.00	29385.92	-304.93	83.79	29385.80	-618.23	32.61	27894.93
			TQ	326.21	-293.31	28836.06	33.93	-293.31	29706.59	25.71	-223.19	29474.91	-276.74	-223.19	28876.59
			M3	158.21	37.73	24158.08	-119.38	37.73	24250.63	-119.38	95.32	24250.48	-396.98	95.32	23019.74
		D+2LANES (casMAX	S2	268.64	124.66	27759.55	-8.95	124.66	28378.54	-8.95	192.06	28378.17	-286.54	192.06	27673.87
			TQ	257.37	131.07	27724.57	-20.22	131.07	28289.83	-17.79	198.37	28379.70	-295.39	198.37	27633.23
			M3	188.63	-54.56	29600.49	-68.43	10.09	29866.86	-68.43	81.02	29866.75	-338.17	104.63	28894.54
		MIN	S2	109.44	-184.29	27397.50	-168.15	-184.29	27257.57	-168.15	-119.55	27257.93	-445.75	-119.55	25794.70
			TQ	119.89	-189.17	27752.34	-157.69	-189.17	27662.25	-160.12	-123.57	27572.36	-437.71	-123.57	26147.43
			M3	162.15	-67.05	24213.24	-115.44	-67.05	24324.59	-115.44	-9.28	24324.68	-393.03	-9.28	23112.75
		D+2LANES (casMAX	S2	223.38	123.01	26783.82	-54.21	123.01	27187.04	-54.21	187.58	27186.67	-331.81	187.58	26266.61
			TQ	217.31	308.98	27000.04	-60.28	308.98	27374.34	-60.11	374.01	27385.48	-337.71	374.01	26437.28
			M3	208.24	193.63	27538.96	-68.72	195.12	27870.87	-68.72	261.31	27870.33	-346.12	261.78	26881.74
		MIN	S2	162.59	-140.32	24724.65	-114.99	-140.32	24838.13	-114.99	-81.33	24838.39	-392.59	-81.33	23628.57
			TQ	175.57	-214.19	25634.49	-102.01	-214.19	25809.83	-102.18	-152.91	25798.32	-379.77	-152.91	24649.59
			M3	165.49	-155.09	24258.14	-112.10	-155.09	24385.40	-112.10	-97.17	24385.70	-389.69	-97.17	23189.68

BAGO RIVER BRIDGE

BLOCK [ No.1 : MAIN GIRDER ] [ BEAM MEMBER FORCE ]

MEMBER				1007			1008			1008			1009			
NODE				1007			1008			1008			1009			
NAME TITLE				SHEAR	TORQUE	MOMENT	SHEAR	TORQUE	MOMENT	SHEAR	TORQUE	MOMENT	SHEAR	TORQUE	MOMENT	
				S2 (kN)	TQ (kN·m)	M3 (kN·m)	S2 (kN)	TQ (kN·m)	M3 (kN·m)	S2 (kN)	TQ (kN·m)	M3 (kN·m)	S2 (kN)	TQ (kN·m)	M3 (kN·m)	
124	SUM TOTAL	D+3LANES (casMAX	S2	707.64	-234.64	32049.73	275.52	-373.99	32816.56	275.52	-296.05	32817.36	-116.98	-377.97	31512.52	
			TQ	37.03	272.42	28853.80	-272.98	272.42	28252.78	-283.15	339.78	28451.30	-560.74	339.78	26439.87	
			M3	550.17	-135.30	34357.45	122.92	-264.18	35026.86	122.92	-180.99	35027.39	-449.91	-227.32	33615.97	
		MIN	S2	-75.00	210.79	30867.12	-472.05	115.09	31289.70	-472.05	189.40	31289.34	-905.81	38.43	29599.79	
			TQ	414.14	-520.62	30068.75	100.45	-520.62	31333.75	93.82	-446.78	30953.95	-252.30	-446.78	30576.03	
			M3	147.29	85.37	23879.08	-130.29	85.37	23919.61	-130.29	142.18	23919.34	-407.89	142.18	22636.58	
		D+3LANES (casMAX	S2	275.57	218.56	28225.73	-2.02	218.56	28877.75	-2.02	287.14	28877.15	-279.61	287.14	28205.88	
			TQ	265.69	225.30	28265.00	-11.89	225.30	28869.95	-9.85	293.96	28949.78	-287.44	293.96	28241.20	
			M3	192.69	-12.99	30327.46	-65.32	62.35	30611.39	-65.32	135.05	30611.15	-335.32	162.63	29652.52	
		MIN	S2	101.42	-234.28	27655.19	-176.17	-234.28	27477.04	-176.17	-169.02	27477.52	-453.76	-169.02	25976.08	
			TQ	110.40	-239.04	27918.15	-167.19	-239.04	27782.81	-169.23	-173.15	27702.85	-446.83	-173.15	26234.46	
			M3	154.33	-101.51	23977.30	-123.26	-101.51	24051.37	-123.26	-44.39	24051.55	-400.85	-44.39	22802.33	
		D+3LANES (casMAX	S2	242.02	197.11	27463.40	-35.56	197.11	27955.51	-35.56	263.50	27954.96	-313.16	263.50	27123.79	
			TQ	231.36	358.57	27663.17	-46.22	358.57	28104.46	-44.74	425.38	28157.51	-322.33	425.38	27282.59	
			M3	210.71	186.42	28678.95	-63.92	205.59	29030.34	-63.92	274.54	29029.77	-339.73	284.92	28069.78	
		MIN	S2	145.20	-189.13	25409.01	-132.39	-189.13	25439.55	-132.39	-128.71	25439.93	-409.99	-128.71	24147.17	
			TQ	160.39	-252.78	26256.46	-117.19	-252.78	26359.45	-118.68	-190.24	26305.99	-396.27	-190.24	25078.61	
			M3	156.54	-159.78	24006.95	-121.05	-159.78	24091.55	-121.05	-102.56	24091.86	-398.65	-102.56	22853.16	
		D+4LANES	MAX	S2	247.12	240.84	27422.82	-30.47	240.84	27939.22	-30.47	307.19	27938.57	-308.07	307.19	27131.67
			TQ	238.89	297.80	27733.33	-38.70	297.80	28210.50	-38.40	364.83	28228.37	-316.00	364.83	27383.65	
			M3	185.86	83.62	29231.92	-79.37	133.15	29477.82	-79.37	203.16	29477.42	-351.14	213.47	28450.47	
		MIN	S2	125.13	-194.22	26485.88	-152.46	-194.22	26420.76	-152.46	-131.47	26421.15	-430.05	-131.47	25032.74	
			TQ	135.49	-243.96	27196.38	-142.09	-243.96	27180.66	-142.39	-179.43	27159.50	-419.99	-179.43	25819.06	
			M3	159.68	-124.48	24113.37	-117.91	-124.48	24212.93	-117.91	-66.98	24213.16	-395.51	-66.98	22989.42	

BAGO RIVER BRIDGE

BLOCK [ No.1 : MAIN GIRDER ][ BEAM MEMBER FORCE ]

MEMBER					1007			1008			1008			1009		
NODE					1007			1008			1008			1009		
NAME TITLE					SHEAR	TORQUE	MOMENT	SHEAR	TORQUE	MOMENT	SHEAR	TORQUE	MOMENT	SHEAR	TORQUE	MOMENT
					S2 (kN)	TQ (kN·m)	M3 (kN·m)	S2 (kN)	TQ (kN·m)	M3 (kN·m)	S2 (kN)	TQ (kN·m)	M3 (kN·m)	S2 (kN)	TQ (kN·m)	M3 (kN·m)
124	SUM TOTAL	D+6LANES	MAX	S2	569.67	56.57	31590.75	196.18	-17.49	32565.68	196.18	59.85	32565.63	-149.97	20.23	31803.59
				TQ	159.99	449.51	30088.60	-138.27	449.51	30115.74	-142.65	521.22	30272.20	-420.25	521.22	28930.53
				M3	417.17	-35.52	34789.59	58.80	-71.08	35354.14	58.80	12.89	35354.21	-389.57	17.72	34185.38
			MIN	S2	-37.37	-31.49	30148.79	-384.79	-78.89	30028.12	-384.79	-7.57	30028.22	-759.43	-89.11	28161.99
				TQ	246.73	-528.69	30354.70	-48.04	-528.69	30845.60	-46.69	-455.54	30738.78	-368.82	-455.54	29748.49
				M3	130.71	-31.11	23356.51	-146.88	-31.11	23317.98	-146.88	24.27	23317.98	-424.48	24.27	21956.16
	SUM TOTAL		MAX		723.55	449.51	34789.59	275.52	449.51	35354.14	275.52	521.22	35354.21	-116.98	521.22	34185.38
			MIN		-75.00	-529.25	23356.51	-472.05	-529.25	23317.98	-472.05	-457.65	23317.98	-917.68	-457.65	21956.16
300	DEAD LOAD	TOTAL			194.31	-39.88	25121.44	-83.28	-39.88	25386.09	-83.28	20.41	25386.11	-360.87	20.41	24327.48
301	LIVE LOAD	1-LANE(case1MAX	S2		442.83	-128.60	3968.04	266.37	-271.10	4267.12	266.37	-260.97	4267.76	141.93	-340.40	3739.41
			TQ		-89.67	262.80	2481.10	-123.24	262.80	1933.62	-133.53	267.53	2057.16	-133.53	267.53	1420.63
			M3		381.97	-27.13	4871.05	180.52	-165.19	5384.33	180.52	-152.40	5384.70	-126.80	-200.46	4886.14
			MIN	S2	-153.74	245.31	3020.12	-282.87	154.12	3534.72	-282.87	162.52	3534.34	-460.49	10.79	3162.33
				TQ	152.07	-374.57	2526.89	118.73	-374.57	3212.09	119.23	-367.24	2953.92	52.32	-367.24	3362.55
				M3	-23.05	83.69	-597.89	-23.05	83.69	-707.78	-23.05	82.01	-707.98	-23.05	82.01	-817.86
		1-LANE(case2MAX	S2		89.62	-50.13	2282.49	89.47	-49.87	2684.10	89.47	-43.50	2684.21	88.53	-43.15	3075.08
			TQ		-49.29	44.62	879.83	-49.29	44.62	644.87	-52.69	46.35	785.86	-52.69	46.35	534.69
			M3		-23.67	-58.75	3815.31	21.38	-47.97	3722.19	21.38	-39.13	3722.30	32.95	-36.65	3849.65
			MIN	S2	-99.85	-1.26	2428.00	-100.90	-1.51	1974.74	-100.90	3.18	1974.74	-101.15	2.83	1526.54
				TQ	47.26	-91.45	2150.15	46.07	-91.45	2372.62	45.79	-85.89	2316.15	44.60	-85.89	2531.60
				M3	-21.20	34.15	-571.38	-21.20	34.15	-672.42	-21.20	32.55	-672.50	-21.20	32.55	-773.54
		1-LANE(case3MAX	S2		51.29	73.99	1755.37	51.29	73.99	1999.87	51.29	78.74	1999.69	51.29	78.74	2244.20
			TQ		39.67	76.97	1546.66	39.67	76.97	1735.77	42.41	81.19	1824.53	42.41	81.19	2026.71
			M3		-7.21	-27.73	2936.87	9.92	11.54	2924.98	9.92	18.49	2924.94	16.14	31.95	2985.95
			MIN	S2	-58.72	-78.30	1582.92	-58.72	-78.30	1303.01	-58.72	-75.20	1303.19	-58.72	-75.20	1023.28
				TQ	-47.45	-81.39	1937.47	-47.45	-81.39	1711.26	-50.20	-77.42	1622.51	-50.20	-77.42	1383.22
				M3	-19.78	-3.62	-551.44	-19.78	-3.62	-645.71	-19.78	-5.16	-645.70	-19.78	-5.16	-739.97

BAGO RIVER BRIDGE

BLOCK [ No.1 : MAIN GIRDER ][ BEAM MEMBER FORCE ]

MEMBER			1007			1008			1008			1009			
NODE			1007			1008			1008			1009			
NAME TITLE			SHEAR	TORQUE	MOMENT	SHEAR	TORQUE	MOMENT	SHEAR	TORQUE	MOMENT	SHEAR	TORQUE	MOMENT	
			S2 (kN)	TQ (kN·m)	M3 (kN·m)	S2 (kN)	TQ (kN·m)	M3 (kN·m)	S2 (kN)	TQ (kN·m)	M3 (kN·m)	S2 (kN)	TQ (kN·m)	M3 (kN·m)	
301	LIVE LOAD	1-LANE (case4MAX	S2	14.32	17.18	923.44	14.32	17.18	991.70	14.32	19.53	991.65	14.32	19.53	1059.91
			TQ	8.27	232.51	1022.27	8.27	232.51	1061.69	8.28	235.03	1063.40	8.28	235.03	1102.85
			M3	7.23	179.75	1234.85	7.39	171.45	1269.36	7.39	174.47	1268.94	7.46	171.74	1304.21
			MIN S2	-17.63	-45.04	-311.34	-17.63	-45.04	-395.39	-17.63	-45.98	-395.28	-17.63	-45.98	-479.34
			TQ	-5.30	-110.21	143.64	-5.30	-110.21	118.36	-5.31	-109.93	116.35	-5.31	-109.93	91.05
			M3	-16.81	-81.81	-511.48	-16.81	-81.81	-591.61	-16.81	-83.22	-591.42	-16.81	-83.22	-671.55
		2-LANES (caseMAX	S2	529.24	-187.35	6248.86	347.56	-351.51	6504.98	347.56	-336.06	6505.80	213.15	-432.73	5890.42
			TQ	-143.96	330.23	3657.83	-182.10	330.23	2835.18	-191.24	337.10	2951.21	-191.24	337.10	2039.58
			M3	438.38	-63.30	7686.48	224.77	-223.90	8240.26	224.77	-204.33	8240.77	-132.21	-260.91	7719.59
			MIN S2	-233.62	295.95	4736.30	-373.29	183.58	5299.81	-373.29	196.16	5299.36	-556.81	18.84	4930.60
			TQ	219.24	-489.37	4028.57	177.76	-489.37	5020.06	170.19	-478.07	4620.27	90.57	-478.07	5241.57
			M3	-37.65	118.90	-985.45	-37.65	118.90	-1164.92	-37.65	116.13	-1165.20	-37.65	116.13	-1344.68
		2-LANES (caseMAX	S2	234.90	-121.96	4844.24	200.14	-167.15	5185.79	200.14	-154.83	5186.18	168.66	-185.02	5336.82
			TQ	-110.31	148.41	2323.43	-120.48	148.41	1761.23	-123.87	152.78	1891.80	-123.87	152.78	1301.30
			M3	100.35	-89.64	6806.69	92.15	-126.22	6855.15	92.15	-109.94	6855.43	0.91	-124.41	6855.85
			MIN S2	-188.71	90.48	4242.86	-221.65	53.88	3999.83	-221.65	63.38	3999.69	-257.36	12.20	3567.45
			TQ	131.90	-253.43	3714.62	117.21	-253.43	4320.50	108.99	-243.60	4088.79	84.14	-243.60	4549.11
			M3	-36.10	77.61	-963.35	-36.10	77.61	-1135.46	-36.10	74.91	-1135.64	-36.10	74.91	-1307.74
		2-LANES (caseMAX	S2	74.33	164.54	2638.11	74.33	164.54	2992.45	74.33	171.65	2992.05	74.33	171.65	3346.39
			TQ	63.06	170.95	2603.13	63.06	170.95	2903.74	65.48	177.96	2993.58	65.48	177.96	3305.75
			M3	-5.67	-14.67	4479.06	14.85	49.97	4480.77	14.85	60.61	4480.63	22.71	84.22	4567.06
			MIN S2	-84.87	-144.41	2276.07	-84.87	-144.41	1871.47	-84.87	-139.96	1871.81	-84.87	-139.96	1467.22
			TQ	-74.41	-149.28	2630.90	-74.41	-149.28	2276.16	-76.84	-143.99	2186.25	-76.84	-143.99	1819.95
			M3	-32.16	-27.17	-908.19	-32.16	-27.17	-1061.50	-32.16	-29.69	-1061.43	-32.16	-29.69	-1214.73

BAGO RIVER BRIDGE

BLOCK [ No.1 : MAIN GIRDER ][ BEAM MEMBER FORCE ]

MEMBER				1007			1008			1008			1009		
NODE				1007			1008			1008			1009		
NAME TITLE				SHEAR	TORQUE	MOMENT	SHEAR	TORQUE	MOMENT	SHEAR	TORQUE	MOMENT	SHEAR	TORQUE	MOMENT
				S2 (kN)	TQ (kN·m)	M3 (kN·m)	S2 (kN)	TQ (kN·m)	M3 (kN·m)	S2 (kN)	TQ (kN·m)	M3 (kN·m)	S2 (kN)	TQ (kN·m)	M3 (kN·m)
301	LIVE LOAD	2-LANES (caseMAX	S2	29.07	162.89	1662.38	29.07	162.89	1800.95	29.07	167.16	1800.56	29.07	167.16	1939.13
			TQ	23.00	348.86	1878.60	23.00	348.86	1988.25	23.17	353.60	1999.36	23.17	353.60	2109.80
			M3	13.93	233.52	2417.52	14.56	235.00	2484.78	14.56	240.90	2484.21	14.76	241.37	2554.27
			MIN S2	-31.71	-100.44	-396.78	-31.71	-100.44	-547.96	-31.71	-101.75	-547.72	-31.71	-101.75	-698.90
			TQ	-18.74	-174.31	513.05	-18.74	-174.31	423.74	-18.90	-173.32	412.20	-18.90	-173.32	322.11
			M3	-28.82	-115.20	-863.30	-28.82	-115.20	-1000.69	-28.82	-117.58	-1000.41	-28.82	-117.58	-1137.80
		3-LANES (caseMAX	S2	513.34	-194.76	6928.30	358.80	-334.11	7430.47	358.80	-316.46	7431.24	243.89	-398.38	7185.04
			TQ	-157.28	312.30	3732.36	-189.70	312.30	2866.69	-199.87	319.37	3065.18	-199.87	319.37	2112.39
			M3	355.86	-95.42	9236.01	206.20	-224.30	9640.77	206.20	-201.40	9641.28	-89.04	-247.74	9288.49
			MIN S2	-269.30	250.67	5745.68	-388.77	154.97	5903.61	-388.77	168.99	5903.23	-544.94	18.01	5272.31
			TQ	219.83	-480.74	4947.31	183.73	-480.74	5947.66	177.10	-467.19	5567.83	108.57	-467.19	6248.55
			M3	-47.02	125.25	-1242.36	-47.02	125.25	-1466.48	-47.02	121.77	-1466.78	-47.02	121.77	-1690.90
		3-LANES (caseMAX	S2	81.26	258.44	3104.29	81.26	258.44	3491.66	81.26	266.73	3491.04	81.26	266.73	3878.41
			TQ	71.39	265.18	3143.56	71.39	265.18	3483.86	73.43	273.55	3563.67	73.43	273.55	3913.72
			M3	-1.62	26.90	5206.02	17.96	102.23	5225.30	17.96	114.64	5225.04	25.55	142.22	5325.04
			MIN S2	-92.89	-194.40	2533.75	-92.89	-194.40	2090.95	-92.89	-189.43	2091.41	-92.89	-189.43	1648.60
			TQ	-83.91	-199.16	2796.71	-83.91	-199.16	2396.71	-85.96	-193.56	2316.73	-85.96	-193.56	1906.98
			M3	-39.98	-61.63	-1144.14	-39.98	-61.63	-1334.72	-39.98	-64.80	-1334.57	-39.98	-64.80	-1525.15
		3-LANES (caseMAX	S2	47.71	236.99	2341.96	47.71	236.99	2569.42	47.71	243.09	2568.85	47.71	243.09	2796.31
			TQ	37.05	398.45	2541.73	37.05	398.45	2718.37	38.54	404.97	2771.39	38.54	404.97	2955.11
			M3	16.40	226.30	3557.51	19.36	245.47	3644.25	19.36	254.13	3643.66	21.15	264.51	3742.30
MIN S2	-49.11		-149.25	287.58	-49.11	-149.25	53.46	-49.11	-149.12	53.81	-49.11	-149.12	-180.30		
TQ	-33.91		-212.90	1135.02	-33.91	-212.90	973.35	-35.40	-210.65	919.88	-35.40	-210.65	751.13		
M3	-37.77		-119.90	-1114.49	-37.77	-119.90	-1294.55	-37.77	-122.97	-1294.26	-37.77	-122.97	-1474.32		



BAGO RIVER BRIDGE

BLOCK [ No.1 : MAIN GIRDER ][ BEAM MEMBER FORCE ]

MEMBER					1007			1008			1009					
NODE					1007			1008			1009					
NAME TITLE					SHEAR	TORQUE	MOMENT	SHEAR	TORQUE	MOMENT	SHEAR	TORQUE	MOMENT			
					S2 (kN)	TQ (kN·m)	M3 (kN·m)	S2 (kN)	TQ (kN·m)	M3 (kN·m)	S2 (kN)	TQ (kN·m)	M3 (kN·m)			
301	LIVE LOAD	4-LANES	MAX	S2	52.81	280.72	2301.38	52.81	280.72	2553.13	52.81	286.78	2552.45	52.81	286.78	2804.19
				TQ	44.58	337.68	2611.89	44.58	337.68	2824.41	44.87	344.42	2842.26	44.87	344.42	3056.17
				M3	-8.45	123.50	4110.48	3.90	173.04	4091.73	3.90	182.75	4091.31	9.73	193.06	4122.99
		MIN	S2	-69.18	-154.34	1364.44	-69.18	-154.34	1034.67	-69.18	-151.88	1035.03	-69.18	-151.88	705.26	
			TQ	-58.81	-204.08	2074.94	-58.81	-204.08	1794.57	-59.12	-199.84	1773.39	-59.12	-199.84	1491.58	
			M3	-34.63	-84.60	-1008.07	-34.63	-84.60	-1173.16	-34.63	-87.39	-1172.96	-34.63	-87.39	-1338.06	
	6-LANES	MAX	S2	375.36	96.45	6469.31	279.46	22.39	7179.59	279.46	39.44	7179.51	210.90	-0.18	7476.11	
			TQ	-34.32	489.39	4967.17	-54.99	489.39	4729.65	-59.37	500.81	4886.08	-59.37	500.81	4603.05	
			M3	222.86	4.36	9668.15	142.08	-31.20	9968.05	142.08	-7.52	9968.10	-28.70	-2.69	9857.90	
		MIN	S2	-231.68	8.39	5027.35	-301.51	-39.00	4642.03	-301.51	-27.98	4642.11	-398.56	-109.52	3834.51	
			TQ	52.43	-488.81	5233.27	35.24	-488.81	5459.51	36.59	-475.96	5352.67	-7.94	-475.96	5421.01	
			M3	-63.60	8.77	-1764.93	-63.60	8.77	-2068.12	-63.60	3.86	-2068.13	-63.60	3.86	-2371.32	
LIVE LOAD	MAX		529.24	489.39	9668.15	358.80	489.39	9968.05	358.80	500.81	9968.10	243.89	500.81	9857.90		
	MIN		-269.30	-489.37	-1764.93	-388.77	-489.37	-2068.12	-388.77	-478.07	-2068.13	-556.81	-478.07	-2371.32		
303	SUM TOTAL	TOTAL	MAX		723.55	449.51	34789.59	275.52	449.51	35354.14	275.52	521.22	35354.21	-116.98	521.22	34185.38
			MIN		-75.00	-529.25	23356.51	-472.05	-529.25	23317.98	-472.05	-457.65	23317.98	-917.68	-457.65	21956.16

BAGO RIVER BRIDGE

BLOCK [ No.1 : MAIN GIRDER ] [ BEAM MEMBER FORCE ]

MEMBER NODE	1009	1010						1011								
		1009			1010			1010			1011					
		SHEAR	TORQUE	MOMENT	SHEAR	TORQUE	MOMENT	SHEAR	TORQUE	MOMENT	SHEAR	TORQUE	MOMENT			
NAME TITLE	S2 (kN)	TQ (kN·m)	M3 (kN·m)	S2 (kN)	TQ (kN·m)	M3 (kN·m)	S2 (kN)	TQ (kN·m)	M3 (kN·m)	S2 (kN)	TQ (kN·m)	M3 (kN·m)				
1	PAVEMENT	-59.55	-9.18	4290.01	-106.34	-9.18	3894.61	-106.34	0.07	3894.62	-153.14	0.07	3276.14			
3	RAILING	1.57	0.55	101.49	-2.37	0.55	99.59	-2.37	0.78	99.59	-6.32	0.78	78.87			
5	CURB	15.59	5.42	1004.80	-23.49	5.42	985.96	-23.49	7.76	985.94	-62.57	7.76	780.81			
7	DECK WEIGHT	-87.93	-0.00	6756.79	-165.01	-0.00	6153.90	-165.01	14.61	6153.89	-242.08	14.61	5183.59			
8	GIRDER WEIGH	-108.85	122.00	8582.58	-197.98	122.00	7851.25	-197.98	140.64	7850.94	-287.11	140.64	6694.72			
10	MEDIAN STRIP	-32.49	35.82	1577.51	-32.49	35.82	1422.65	-32.49	39.19	1422.56	-32.49	39.19	1267.70			
21	ADITIONAL WE	-24.62	-0.00	1891.90	-46.20	-0.00	1723.09	-46.20	4.09	1723.09	-67.78	4.09	1451.41			
31	MEDIAN RAILI	-2.79	2.87	121.32	-2.79	2.87	108.03	-2.79	3.12	108.02	-2.79	3.12	94.73			
51	SUPPORT WEIG	-0.00	-0.00	-0.00	-0.00	-0.00	-0.00	-0.00	-0.00	-0.00	-0.00	-0.00	-0.00			
52	NOSE WEIGHT	-0.06	0.27	0.86	-0.06	0.27	0.59	-0.06	0.27	0.59	-0.06	0.27	0.31			
61	1-LANE(case1TRUCK-LOAD	MAX	S2	266.11	113.19	2085.89	152.67	-6.37	2210.50	152.67	-1.12	2210.51	68.29	-82.77	1775.03	
			TQ	-70.80	221.00	1554.34	-70.80	221.00	1216.85	-70.80	223.89	1216.32	-70.80	223.89	878.82	
			M3	136.46	193.07	2150.03	43.19	100.76	2314.43	43.19	106.26	2314.19	-69.80	-13.03	1884.59	
		MIN	S2	-106.86	208.60	2114.65	-189.92	130.34	2271.90	-189.92	135.74	2271.58	-303.42	16.09	1865.50	
			TQ	33.54	-98.96	828.63	33.54	-98.96	988.54	33.54	-96.61	988.77	33.54	-96.61	1148.67	
			M3	-10.04	20.02	-310.80	-10.04	20.02	-358.68	-10.04	19.17	-358.73	-10.11	20.12	-406.92	
		TANDEM-LOAD	MAX	S2	217.75	116.83	1649.59	137.92	31.44	1785.91	137.92	35.69	1785.83	62.00	-45.08	1450.97
			TQ	-53.14	154.74	1165.50	-53.14	154.74	912.20	-53.14	156.90	911.83	-53.14	156.90	658.53	
			M3	72.27	131.13	1653.85	-2.15	53.03	1794.87	-2.15	57.30	1794.73	-83.18	-30.14	1464.67	
		MIN	S2	-88.03	131.13	1653.85	-162.45	53.03	1794.87	-162.45	57.30	1794.73	-243.48	-30.14	1464.67	
			TQ	26.77	-72.56	647.71	26.77	-72.56	775.33	26.77	-70.71	775.50	26.77	-70.71	903.13	
			M3	-6.86	13.81	-211.91	-6.86	13.81	-244.63	-6.86	13.23	-244.66	-6.88	13.49	-277.47	
		DISPERSION-LMAX	MAX	S2	75.33	-30.57	1030.52	42.63	-45.35	982.97	42.63	-43.02	983.08	23.92	-43.51	829.59
			TQ	-10.13	175.71	866.33	-65.89	175.71	684.93	-65.89	177.34	684.51	-93.85	177.34	270.44	
			M3	33.26	104.38	1921.59	-22.50	104.38	1947.02	-22.50	109.00	1946.76	-78.26	109.00	1706.39	
		MIN	S2	-53.98	159.12	520.18	-77.04	173.91	536.38	-77.04	175.18	535.97	-114.09	175.67	392.31	
			TQ	31.48	-47.16	684.37	31.48	-47.16	834.43	31.48	-45.17	834.54	3.68	-45.17	951.46	
			M3	-11.91	24.18	-370.89	-11.91	24.18	-427.66	-11.91	23.16	-427.72	-11.91	23.16	-484.49	

BAGO RIVER BRIDGE

BLOCK [ No.1 : MAIN GIRDER ][ BEAM MEMBER FORCE ]

MEMBER				1009			1010			1010			1011		
NODE				1009			1010			1010			1011		
NAME TITLE				SHEAR	TORQUE	MOMENT	SHEAR	TORQUE	MOMENT	SHEAR	TORQUE	MOMENT	SHEAR	TORQUE	MOMENT
				S2 (kN)	TQ (kN·m)	M3 (kN·m)	S2 (kN)	TQ (kN·m)	M3 (kN·m)	S2 (kN)	TQ (kN·m)	M3 (kN·m)	S2 (kN)	TQ (kN·m)	M3 (kN·m)
62	1-LANE (case2TRUCK-LOAD	MAX	S2	33.26	27.51	951.16	33.26	27.51	1109.72	33.26	30.15	1109.65	33.26	30.15	1268.21
			TQ	-40.00	60.51	894.85	-40.00	60.51	704.15	-40.00	62.18	704.00	-40.00	62.18	513.31
			M3	-56.76	25.51	1579.89	-29.15	25.45	1378.80	-29.15	28.72	1378.73	10.03	36.03	1361.40
		MIN	S2	-64.47	29.44	1540.56	-64.47	29.44	1233.23	-64.47	32.37	1233.16	-64.47	32.37	925.83
			TQ	11.11	-8.23	331.45	11.11	-8.23	384.39	11.11	-7.31	384.41	11.11	-7.31	437.35
			M3	-8.43	6.42	-294.40	-8.43	6.42	-334.61	-8.43	5.63	-334.63	-8.43	5.63	-374.84
		TANDEM-LOAD MAX	S2	24.90	17.43	604.94	24.90	17.43	723.63	24.90	19.15	723.59	24.90	19.15	842.27
			TQ	-27.96	42.21	629.12	-27.96	42.21	495.82	-27.96	43.38	495.72	-27.96	43.38	362.42
			M3	-40.21	13.96	1109.11	-15.01	18.33	950.73	-15.01	20.59	950.68	14.12	27.23	956.83
		MIN	S2	-45.75	21.19	1034.52	-45.75	21.19	816.41	-45.75	23.13	816.36	-45.75	23.13	598.25
			TQ	9.34	-5.99	277.70	9.34	-5.99	322.20	9.34	-5.23	322.21	9.34	-5.23	366.72
			M3	-5.75	4.45	-200.64	-5.75	4.45	-228.07	-5.75	3.91	-228.08	-5.75	3.91	-255.52
		DISPERSION-LMAX	S2	19.23	5.28	646.17	19.21	5.14	731.77	19.21	6.88	731.75	18.71	6.11	790.02
			TQ	-33.98	57.53	1083.98	-34.97	57.53	919.63	-33.06	59.83	995.91	-34.06	59.83	835.92
			M3	-17.65	47.11	1628.10	-18.64	47.11	1541.61	-18.64	50.77	1541.50	-19.63	50.77	1450.27
MIN	S2	-46.95	49.34	631.67	-47.92	49.48	411.60	-47.92	50.46	411.48	-48.41	51.22	214.01		
	TQ	6.27	-2.91	193.86	6.27	-2.91	223.74	4.36	-2.49	147.32	4.36	-2.49	168.10		
	M3	-10.07	7.52	-350.26	-10.07	7.52	-398.25	-10.07	6.57	-398.26	-10.07	6.57	-446.25		
63	1-LANE (case3TRUCK-LOAD	MAX	S2	13.37	35.88	513.97	13.37	35.88	577.73	13.37	37.26	577.64	13.37	37.26	641.39
			TQ	11.87	44.39	698.75	11.87	44.39	755.33	11.87	46.19	755.22	11.87	46.19	811.81
			M3	-31.54	-32.58	1129.98	-20.27	-11.00	1007.73	-20.27	-8.61	1007.75	-7.75	19.21	946.83
		MIN	S2	-38.93	-37.05	1031.88	-38.93	-37.05	846.30	-38.93	-35.04	846.39	-38.93	-35.04	660.81
			TQ	-38.10	-38.48	1072.76	-38.10	-38.48	891.12	-38.10	-36.36	891.21	-38.10	-36.36	709.57
			M3	-7.20	-3.91	-282.04	-7.20	-3.91	-316.37	-7.20	-4.66	-316.36	-7.20	-4.66	-350.69

BAGO RIVER BRIDGE

BLOCK [ No.1 : MAIN GIRDER ][ BEAM MEMBER FORCE ]

MEMBER		1009			1010			1010			1011						
NODE		1009			1010			1010			1011						
		SHEAR	TORQUE	MOMENT	SHEAR	TORQUE	MOMENT	SHEAR	TORQUE	MOMENT	SHEAR	TORQUE	MOMENT				
NAME	TITLE	S2 (kN)	TQ (kN·m)	M3 (kN·m)	S2 (kN)	TQ (kN·m)	M3 (kN·m)	S2 (kN)	TQ (kN·m)	M3 (kN·m)	S2 (kN)	TQ (kN·m)	M3 (kN·m)				
63	1-LANE (case3TANDEM-LOAD	MAX	S2	9.69	26.30	368.18	9.69	26.30	414.37	9.69	27.28	414.31	9.69	27.28	460.50		
			TQ	8.13	32.31	497.14	8.13	32.31	535.89	8.13	33.59	535.81	8.13	33.59	574.55		
			M3	-20.73	-22.34	775.94	-10.91	-1.13	687.80	-10.91	0.51	687.80	-0.18	24.19	648.07		
		MIN	S2	-26.94	-24.61	687.64	-26.94	-24.61	559.23	-26.94	-23.29	559.28	-26.94	-23.29	430.87		
			TQ	-26.03	-28.00	745.28	-26.03	-28.00	621.19	-26.03	-26.53	621.26	-26.03	-26.53	497.17		
			M3	-4.91	-2.67	-192.13	-4.91	-2.67	-215.51	-4.91	-3.18	-215.50	-4.91	-3.18	-238.89		
		DISPERSION-LMAX	S2	11.40	19.70	510.21	11.40	19.70	564.54	11.40	21.04	564.50	11.40	21.04	618.83		
			TQ	7.02	23.14	713.84	7.02	23.14	747.30	6.53	24.94	760.98	6.53	24.94	792.11		
			M3	-15.59	4.94	1358.31	-15.59	4.94	1283.98	-15.59	7.99	1283.97	-15.59	7.99	1209.64		
		MIN	S2	-35.60	-19.74	513.51	-35.60	-19.74	343.83	-35.60	-18.93	343.87	-35.60	-18.93	174.18		
			TQ	-31.22	-23.19	309.89	-31.22	-23.19	161.07	-30.73	-22.83	147.39	-30.73	-22.83	0.90		
			M3	-8.61	-4.98	-334.59	-8.61	-4.98	-375.61	-8.61	-5.88	-375.60	-8.61	-5.88	-416.62		
		64	1-LANE (case4TRUCK-LOAD	MAX	S2	3.06	2.22	121.78	3.06	2.22	136.35	3.06	2.54	136.34	3.06	2.54	150.91
					TQ	-3.68	32.15	222.22	-3.68	32.15	204.65	-3.68	32.63	204.57	-3.68	32.63	187.01
					M3	-7.49	-78.84	383.56	-6.38	-107.13	352.32	-6.38	-106.30	352.57	-6.38	-106.30	322.14
MIN	S2			-9.81	-15.73	368.65	-9.81	-15.73	321.87	-9.81	-14.97	321.90	-9.81	-14.97	275.12		
	TQ			-6.74	-137.39	360.95	-6.74	-137.39	328.82	-6.74	-136.61	329.15	-6.74	-136.61	297.02		
	M3			-4.61	-25.38	-256.62	-4.66	-24.81	-278.68	-4.66	-25.47	-278.62	-4.66	-25.47	-300.84		
TANDEM-LOAD	MAX			S2	2.08	1.49	82.66	2.08	1.49	92.55	2.08	1.71	92.55	2.08	1.71	102.44	
	TQ			-2.83	23.38	161.61	-2.83	23.38	148.11	-2.83	23.73	148.05	-2.83	23.73	134.55		
	M3			-4.79	-57.52	259.80	-4.16	-76.49	239.60	-4.16	-75.92	239.78	-4.16	-75.92	219.97		
MIN	S2			-6.79	-14.21	253.05	-6.79	-14.21	220.66	-6.79	-13.68	220.70	-6.79	-13.68	188.32		
	TQ			-4.68	-94.55	243.12	-4.68	-94.55	220.82	-4.68	-94.02	221.05	-4.68	-94.02	198.74		
	M3			-3.12	-17.48	-174.61	-3.12	-17.48	-189.47	-3.12	-17.93	-189.43	-3.20	-16.88	-204.37		

BAGO RIVER BRIDGE

BLOCK [ No.1 : MAIN GIRDER ] [ BEAM MEMBER FORCE ]

MEMBER		1009			1010			1010			1011						
NODE		1009			1010			1010			1011						
		SHEAR	TORQUE	MOMENT	SHEAR	TORQUE	MOMENT	SHEAR	TORQUE	MOMENT	SHEAR	TORQUE	MOMENT				
NAME	TITLE	S2 (kN)	TQ (kN·m)	M3 (kN·m)	S2 (kN)	TQ (kN·m)	M3 (kN·m)	S2 (kN)	TQ (kN·m)	M3 (kN·m)	S2 (kN)	TQ (kN·m)	M3 (kN·m)				
64	1-LANE (case4DISPERSION-LMAX	S2	5.13	4.37	207.38	5.13	4.37	231.82	5.13	4.93	231.81	5.13	4.93	256.26			
		TQ	2.73	16.82	328.53	2.73	16.82	341.53	2.70	17.63	342.41	2.70	17.63	355.28			
		M3	-5.53	-91.08	703.32	-5.53	-91.08	676.96	-5.53	-89.47	677.18	-5.53	-89.47	650.82			
		MIN	S2	-16.01	-125.18	193.08	-16.01	-125.18	116.74	-16.01	-124.90	117.03	-16.01	-124.90	40.69		
		TQ	-13.61	-137.62	71.93	-13.61	-137.62	7.03	-13.59	-137.60	6.44	-13.59	-137.60	-58.33			
		M3	-5.36	-29.72	-302.86	-5.36	-29.72	-328.40	-5.36	-30.50	-328.33	-5.36	-30.50	-353.87			
		65	2-LANES (caseTRUCK-LOAD	MAX	S2	358.86	178.67	3898.57	223.51	10.75	3944.89	223.51	20.12	3944.86	118.70	-100.49	3310.49
				TQ	-127.05	349.86	2789.36	-127.05	349.86	2183.70	-127.05	355.05	2182.86	-127.05	355.05	1577.21	
				M3	157.84	295.09	4017.52	43.23	161.39	4125.13	43.23	171.18	4124.74	-91.63	3.43	3510.15	
MIN	S2			-192.11	319.28	3951.77	-296.01	203.72	4058.92	-296.01	213.36	4058.42	-431.47	45.33	3473.80		
TQ	57.87			-139.07	1437.08	57.87	-139.07	1712.93	57.87	-135.00	1713.25	57.87	-135.00	1989.11			
M3	-19.29			33.26	-613.40	-19.29	33.26	-705.35	-19.29	31.59	-705.42	-19.35	32.53	-797.68			
TANDEM-LOAD	MAX			S2	287.59	177.13	3019.58	192.78	57.87	3111.04	192.78	65.26	3110.89	102.10	-48.57	2643.44	
TQ	-92.56			243.70	2031.80	-92.56	243.70	1590.55	-92.56	247.47	1589.96	-92.56	247.47	1148.71			
M3	77.02			198.12	3027.37	-12.21	88.01	3127.63	-12.21	95.44	3127.41	-108.22	-26.63	2667.80			
MIN	S2	-151.98	198.12	3027.37	-241.21	88.01	3127.63	-241.21	95.44	3127.41	-337.21	-26.63	2667.80				
TQ	44.19	-101.24	1083.11	44.19	-101.24	1293.74	44.19	-98.17	1293.98	44.19	-98.17	1504.61					
M3	-13.17	22.95	-418.20	-13.17	22.95	-481.00	-13.17	21.81	-481.05	-13.19	22.07	-543.94					
DISPERSION-LMAX	S2	116.21	-39.16	1990.73	72.35	-62.18	1868.79	72.35	-57.74	1868.93	45.08	-61.11	1607.75				
TQ	-39.51	286.75	1711.72	-119.14	286.75	1333.36	-116.57	290.00	1426.29	-164.56	290.00	718.31					
M3	36.51	180.04	3701.82	-43.11	180.04	3685.89	-43.11	188.79	3685.45	-122.73	188.79	3289.96					
MIN	S2	-102.60	259.22	979.58	-138.36	282.24	976.41	-138.36	284.56	975.74	-190.72	287.92	732.25				
TQ	53.12	-66.68	1258.60	53.12	-66.68	1511.84	50.56	-63.18	1418.37	18.93	-63.18	1621.68					
M3	-22.91	40.03	-731.50	-22.91	40.03	-840.69	-22.91	38.03	-840.78	-22.91	38.03	-949.97					

BAGO RIVER BRIDGE

BLOCK [ No.1 : MAIN GIRDER ][ BEAM MEMBER FORCE ]

MEMBER				1009			1010			1010			1011		
NODE				1009			1010			1010			1011		
				SHEAR	TORQUE	MOMENT	SHEAR	TORQUE	MOMENT	SHEAR	TORQUE	MOMENT	SHEAR	TORQUE	MOMENT
NAME	TITLE			S2 (kN)	TQ (kN·m)	M3 (kN·m)	S2 (kN)	TQ (kN·m)	M3 (kN·m)	S2 (kN)	TQ (kN·m)	M3 (kN·m)	S2 (kN)	TQ (kN·m)	M3 (kN·m)
66	2-LANES (caseTRUCK-LOAD	MAX	S2	126.01	93.00	2763.84	104.10	44.64	2844.11	104.10	51.39	2844.00	83.67	12.42	2803.68
			TQ	-96.26	189.37	2129.86	-96.26	189.37	1671.00	-96.26	193.33	1670.55	-96.26	193.33	1211.69
			M3	-35.38	127.53	3447.37	-29.11	86.07	3189.50	-29.11	93.65	3189.28	-11.81	52.49	2986.97
		MIN	S2	-149.71	140.12	3377.68	-170.56	102.82	3020.25	-170.56	110.00	3020.00	-192.52	61.61	2534.13
			TQ	35.43	-48.34	939.90	35.43	-48.34	1108.79	35.43	-45.70	1108.90	35.43	-45.70	1277.79
			M3	-17.68	19.66	-597.01	-17.68	19.66	-681.28	-17.68	18.05	-681.32	-17.68	18.05	-765.59
		TANDEM-LOAD MAX	S2	94.74	77.72	1974.93	79.76	43.85	2048.76	79.76	48.72	2048.65	65.00	15.66	2034.74
			TQ	-67.39	131.16	1495.42	-67.39	131.16	1174.16	-67.39	133.95	1173.85	-67.39	133.95	852.59
			M3	-35.45	80.96	2482.63	-25.07	53.31	2283.49	-25.07	58.73	2283.36	-10.92	30.74	2159.96
		MIN	S2	-109.70	88.19	2408.04	-124.52	56.17	2149.17	-124.52	61.28	2149.03	-139.49	26.65	1801.38
			TQ	26.75	-34.68	713.10	26.75	-34.68	840.61	26.75	-32.68	840.69	26.75	-32.68	968.20
			M3	-12.07	13.59	-406.92	-12.07	13.59	-464.44	-12.07	12.48	-464.47	-12.07	12.48	-521.99
		DISPERSION-LMAX	S2	60.11	-3.31	1606.38	48.94	-11.69	1617.58	48.94	-7.85	1617.60	39.88	-11.48	1568.17
			TQ	-63.37	168.56	1929.37	-88.22	168.56	1568.06	-83.75	172.49	1737.69	-104.77	172.49	1283.79
			M3	-14.39	122.77	3408.33	-39.25	122.77	3280.48	-39.25	130.56	3280.18	-64.10	130.56	3033.85
		MIN	S2	-95.57	149.44	1091.07	-109.25	157.82	851.63	-109.25	159.84	851.25	-125.04	163.48	553.94
			TQ	27.91	-22.44	768.08	27.91	-22.44	901.15	23.44	-20.50	731.16	19.61	-20.50	838.33
			M3	-21.06	23.36	-710.87	-21.06	23.36	-811.27	-21.06	21.44	-811.33	-21.06	21.44	-911.73
67	2-LANES (caseTRUCK-LOAD	MAX	S2	21.10	73.22	925.28	21.10	73.22	1025.84	21.10	75.66	1025.66	21.10	75.66	1126.23
			TQ	17.35	86.28	1259.26	17.35	86.28	1341.99	17.35	89.46	1341.78	17.35	89.46	1424.50
			M3	-53.56	-87.40	2032.75	-37.21	-45.83	1817.82	-37.21	-41.51	1817.93	-17.92	18.46	1690.42
		MIN	S2	-68.74	-102.78	1830.54	-68.74	-102.78	1502.85	-68.74	-99.21	1503.09	-68.74	-99.21	1175.40
			TQ	-66.84	-106.90	1931.67	-66.84	-106.90	1613.02	-66.84	-103.07	1613.27	-66.84	-103.07	1294.63
			M3	-13.57	-14.74	-555.85	-13.57	-14.74	-620.53	-13.57	-16.22	-620.50	-13.57	-16.22	-685.18

BAGO RIVER BRIDGE

BLOCK [ No.1 : MAIN GIRDER ][ BEAM MEMBER FORCE ]

MEMBER NODE	1009	1010			1010			1010			1011				
		SHEAR	TORQUE	MOMENT	SHEAR	TORQUE	MOMENT	SHEAR	TORQUE	MOMENT	SHEAR	TORQUE	MOMENT		
		S2 (kN)	TQ (kN·m)	M3 (kN·m)	S2 (kN)	TQ (kN·m)	M3 (kN·m)	S2 (kN)	TQ (kN·m)	M3 (kN·m)	S2 (kN)	TQ (kN·m)	M3 (kN·m)		
NAME TITLE															
67 2-LANES (caseTANDEM-LOAD	MAX	S2	15.09	50.13	618.67	15.09	50.13	690.59	15.09	51.77	690.47	15.09	51.77	762.40	
		TQ	13.07	61.43	847.77	13.07	61.43	910.07	13.07	63.59	909.92	13.07	63.59	972.22	
		M3	-34.81	-58.57	1391.44	-23.77	-32.68	1239.56	-23.77	-29.73	1239.63	-8.02	19.03	1156.15	
	MIN	S2	-47.64	-70.89	1245.61	-47.64	-70.89	1018.50	-47.64	-68.48	1018.67	-47.64	-68.48	791.56	
		TQ	-46.52	-75.03	1318.32	-46.52	-75.03	1096.56	-46.52	-72.42	1096.73	-46.52	-72.42	874.97	
		M3	-9.24	-10.12	-378.59	-9.24	-10.12	-422.62	-9.24	-11.12	-422.59	-9.24	-11.12	-466.62	
	DISPERSION-LMAX	S2	19.67	39.20	921.21	19.67	39.20	1014.96	19.67	41.61	1014.86	19.67	41.61	1108.61	
		TQ	14.57	45.67	1238.68	14.57	45.67	1308.11	14.01	48.80	1327.23	14.01	48.80	1394.00	
		M3	-28.93	-15.96	2534.33	-28.93	-15.96	2396.44	-28.93	-10.27	2396.47	-28.93	-10.27	2258.57	
	MIN	S2	-64.76	-73.27	954.32	-64.76	-73.27	645.58	-64.76	-71.73	645.76	-64.76	-71.73	337.02	
		TQ	-59.66	-79.74	636.85	-59.66	-79.74	352.43	-59.11	-78.92	333.39	-59.11	-78.92	51.63	
		M3	-16.17	-18.10	-658.81	-16.17	-18.10	-735.90	-16.17	-19.85	-735.85	-16.17	-19.85	-812.94	
	68 2-LANES (caseTRUCK-LOAD	MAX	S2	6.20	3.84	244.87	6.20	3.84	274.42	6.20	4.49	274.41	6.20	4.49	303.97
			TQ	-3.77	65.79	554.19	-3.77	65.79	536.23	-3.77	67.07	536.07	-3.77	67.07	518.11
			M3	-20.02	-159.74	965.91	-17.78	-170.12	879.81	-17.78	-168.03	880.21	-17.04	-155.82	797.88
MIN		S2	-24.83	-125.77	894.55	-24.83	-125.77	776.21	-24.83	-123.93	776.51	-24.83	-123.93	658.16	
		TQ	-21.72	-247.90	870.65	-21.72	-247.90	767.10	-21.72	-246.08	767.69	-21.72	-246.08	664.14	
		M3	-10.06	-43.82	-521.45	-10.11	-43.24	-569.48	-10.11	-44.59	-569.38	-10.12	-44.45	-617.60	
TANDEM-LOAD		MAX	S2	4.21	2.58	166.20	4.21	2.58	186.27	4.21	3.02	186.26	4.21	3.02	206.34
		TQ	-2.44	46.84	368.47	-2.44	46.84	356.82	-2.44	47.69	356.70	-2.44	47.69	345.05	
		M3	-13.02	-109.98	656.43	-12.06	-123.96	598.39	-12.06	-122.54	598.68	-11.19	-105.34	543.99	
MIN		S2	-17.08	-89.38	617.80	-17.08	-89.38	536.36	-17.08	-88.11	536.57	-17.08	-88.11	455.13	
		TQ	-14.86	-170.08	578.78	-14.86	-170.08	507.94	-14.86	-168.87	508.34	-14.86	-168.87	437.50	
		M3	-6.81	-30.18	-354.88	-6.81	-30.18	-387.36	-6.81	-31.10	-387.29	-6.89	-30.04	-419.85	

BAGO RIVER BRIDGE

BLOCK [ No.1 : MAIN GIRDER ][ BEAM MEMBER FORCE ]

MEMBER		1009			1010			1010			1011						
NODE		1009			1010			1010			1011						
		SHEAR	TORQUE	MOMENT	SHEAR	TORQUE	MOMENT	SHEAR	TORQUE	MOMENT	SHEAR	TORQUE	MOMENT				
NAME	TITLE	S2 (kN)	TQ (kN·m)	M3 (kN·m)	S2 (kN)	TQ (kN·m)	M3 (kN·m)	S2 (kN)	TQ (kN·m)	M3 (kN·m)	S2 (kN)	TQ (kN·m)	M3 (kN·m)				
68	2-LANES (caseDISPERSION-LMAX	S2	10.83	15.19	482.17	10.83	15.19	533.79	10.83	16.46	533.75	10.83	16.46	585.37			
		TQ	7.44	34.36	723.07	7.44	34.36	758.56	7.39	36.17	761.08	7.39	36.17	796.32			
		M3	-13.39	-157.42	1588.44	-13.39	-157.42	1524.63	-13.39	-153.80	1525.00	-13.39	-153.80	1461.19			
		MIN	S2	-35.99	-224.04	490.17	-35.99	-224.04	318.59	-35.99	-223.28	319.12	-35.99	-223.28	147.53		
		TQ	-32.61	-243.20	249.27	-32.61	-243.20	93.81	-32.56	-242.98	91.79	-32.56	-242.98	-63.42			
		M3	-11.78	-51.42	-616.10	-11.78	-51.42	-672.26	-11.78	-53.01	-672.14	-11.78	-53.01	-728.30			
		69	3-LANES (caseTRUCK-LOAD	MAX	S2	392.12	206.18	4849.73	256.77	38.26	5054.61	256.77	50.27	5054.51	151.96	-70.34	4578.71
				TQ	-167.05	410.37	3684.21	-167.05	410.37	2887.85	-167.05	417.23	2886.87	-167.05	417.23	2090.51	
				M3	101.08	320.60	5597.41	14.08	186.84	5503.93	14.08	199.91	5503.47	-81.61	39.46	4871.55	
MIN	S2			-256.57	348.72	5492.32	-360.48	233.16	5292.15	-360.48	245.73	5291.58	-495.93	77.70	4399.63		
TQ	68.97			-147.30	1768.53	68.97	-147.30	2097.32	68.97	-142.32	2097.67	68.97	-142.32	2426.46			
M3	-27.72			39.69	-907.81	-27.72	39.69	-1039.96	-27.72	37.22	-1040.05	-27.79	38.16	-1172.51			
TANDEM-LOAD	MAX			S2	312.49	194.55	3624.52	217.68	75.30	3834.67	217.68	84.41	3834.48	127.00	-29.42	3485.71	
TQ	-120.53			285.90	2660.92	-120.53	285.90	2086.37	-120.53	290.86	2085.68	-120.53	290.86	1511.12			
M3	36.81			212.08	4136.48	-27.22	106.34	4078.36	-27.22	116.03	4078.09	-94.10	0.60	3624.63			
MIN	S2	-197.74	219.31	4061.89	-286.96	109.21	3944.04	-286.96	118.57	3943.77	-382.97	-3.50	3266.05				
TQ	53.52	-107.23	1360.81	53.52	-107.23	1615.94	53.52	-103.39	1616.19	53.52	-103.39	1871.32					
M3	-18.93	27.40	-618.84	-18.93	27.40	-709.07	-18.93	25.71	-709.13	-18.95	25.98	-799.45					
DISPERSION-LMAX	S2	135.44	-33.88	2636.90	91.56	-57.04	2600.55	91.56	-50.86	2600.68	63.80	-54.99	2397.76				
TQ	-73.50	344.28	2795.70	-154.11	344.28	2252.99	-149.64	349.83	2422.20	-198.62	349.83	1554.23					
M3	18.87	227.14	5329.92	-61.75	227.14	5227.50	-61.75	239.56	5226.94	-142.36	239.56	4740.24					
MIN	S2	-149.55	308.56	1611.25	-186.28	331.72	1388.01	-186.28	335.02	1387.22	-239.13	339.15	946.25				
TQ	59.39	-69.59	1452.46	59.39	-69.59	1735.57	54.92	-65.67	1565.70	23.29	-65.67	1789.79					
M3	-32.97	47.54	-1081.76	-32.97	47.54	-1238.94	-32.97	44.60	-1239.05	-32.97	44.60	-1396.22					



BAGO RIVER BRIDGE

BLOCK [ No.1 : MAIN GIRDER ][ BEAM MEMBER FORCE ]

MEMBER NODE	1009	1010			1010			1011							
		SHEAR	TORQUE	MOMENT	SHEAR	TORQUE	MOMENT	SHEAR	TORQUE	MOMENT	SHEAR	TORQUE	MOMENT		
		S2 (kN)	TQ (kN·m)	M3 (kN·m)	S2 (kN)	TQ (kN·m)	M3 (kN·m)	S2 (kN)	TQ (kN·m)	M3 (kN·m)	S2 (kN)	TQ (kN·m)	M3 (kN·m)		
70	3-LANES (caseTRUCK-LOAD	MAX	S2	24.15	75.44	1047.06	24.15	75.44	1162.19	24.15	78.20	1162.01	24.15	78.20	1277.14
		TQ	18.85	121.11	1644.94	18.85	121.11	1734.79	18.85	125.23	1734.49	18.85	125.23	1824.34	
		M3	-70.11	-160.41	2736.80	-50.92	-99.72	2448.13	-50.92	-93.91	2448.36	-30.10	-21.93	2259.11	
		MIN	S2	-90.06	-193.83	2472.21	-90.06	-193.83	2042.90	-90.06	-188.97	2043.35	-90.06	-188.97	1614.04
		TQ	-88.16	-197.95	2573.34	-88.16	-197.95	2153.07	-88.16	-192.83	2153.53	-88.16	-192.83	1733.26	
		M3	-19.10	-32.52	-821.45	-19.10	-32.52	-912.49	-19.10	-34.69	-912.41	-19.10	-34.69	-1003.44	
	TANDEM-LOAD	MAX	S2	17.16	51.62	701.32	17.16	51.62	783.15	17.16	53.48	783.02	17.16	53.48	864.85
		TQ	14.09	86.02	1123.06	14.09	86.02	1190.20	14.09	88.84	1190.00	14.09	88.84	1257.14	
		M3	-45.24	-104.94	1870.11	-33.51	-74.28	1669.49	-33.51	-70.31	1669.66	-15.79	-4.14	1544.11	
		MIN	S2	-62.33	-133.86	1691.82	-62.33	-133.86	1394.71	-62.33	-130.54	1395.03	-62.33	-130.54	1097.92
		TQ	-61.20	-137.99	1764.53	-61.20	-137.99	1472.77	-61.20	-134.49	1473.09	-61.20	-134.49	1181.33	
		M3	-12.99	-22.36	-559.40	-12.99	-22.36	-621.30	-12.99	-23.84	-621.25	-12.99	-23.84	-683.15	
	DISPERSION-LMAX	S2	25.66	54.54	1236.17	25.66	54.54	1358.48	25.66	57.76	1358.34	25.66	57.76	1480.65	
		TQ	19.77	65.55	1669.68	19.77	65.55	1763.93	19.18	69.77	1785.89	19.18	69.77	1877.30	
		M3	-39.93	-61.73	3528.02	-39.93	-61.73	3337.69	-39.93	-53.80	3337.83	-39.93	-53.80	3147.50	
		MIN	S2	-88.25	-155.54	1319.18	-88.25	-155.54	898.47	-88.25	-153.40	898.84	-88.25	-153.40	478.14
		TQ	-82.37	-166.55	885.67	-82.37	-166.55	493.03	-81.77	-165.41	471.30	-81.77	-165.41	81.48	
		M3	-22.67	-39.27	-972.67	-22.67	-39.27	-1080.74	-22.67	-41.84	-1080.64	-22.67	-41.84	-1188.71	
71	3-LANES (caseTRUCK-LOAD	MAX	S2	11.92	39.49	623.10	11.92	39.49	679.93	11.92	41.10	679.84	11.92	41.10	736.67
		TQ	-0.18	103.84	1063.66	-0.18	103.84	1062.82	-0.18	106.37	1062.57	-0.18	106.37	1061.73	
		M3	-38.39	-224.47	1747.13	-31.53	-207.99	1588.20	-31.53	-204.21	1588.69	-26.91	-165.89	1449.66	
		MIN	S2	-48.33	-210.48	1577.43	-48.33	-210.48	1347.04	-48.33	-207.28	1347.53	-48.33	-207.28	1117.14
		TQ	-45.23	-332.61	1553.52	-45.23	-332.61	1337.93	-45.23	-329.43	1338.72	-45.23	-329.43	1123.12	
		M3	-16.35	-55.31	-794.49	-16.40	-54.73	-872.50	-16.40	-56.80	-872.37	-16.41	-56.66	-950.56	

BAGO RIVER BRIDGE

BLOCK [ No.1 : MAIN GIRDER ][ BEAM MEMBER FORCE ]

MEMBER		1009			1010			1010			1011							
NODE		1009			1010			1010			1011							
		SHEAR	TORQUE	MOMENT	SHEAR	TORQUE	MOMENT	SHEAR	TORQUE	MOMENT	SHEAR	TORQUE	MOMENT					
NAME	TITLE	S2 (kN)	TQ (kN·m)	M3 (kN·m)	S2 (kN)	TQ (kN·m)	M3 (kN·m)	S2 (kN)	TQ (kN·m)	M3 (kN·m)	S2 (kN)	TQ (kN·m)	M3 (kN·m)					
71	3-LANES (caseTANDEM-LOAD	MAX	S2	8.34	26.30	405.60	8.34	26.30	445.37	8.34	27.36	445.31	8.34	27.36	485.08			
			TQ	0.84	73.95	697.43	0.84	73.95	701.43	0.84	75.62	701.25	0.84	75.62	705.25			
			M3	-24.89	-152.30	1189.89	-20.44	-142.92	1080.93	-20.44	-140.35	1081.26	-18.62	-116.81	988.46			
		MIN	S2	-33.39	-147.88	1094.31	-33.39	-147.88	935.12	-33.39	-145.66	935.47	-33.39	-145.66	776.27			
			TQ	-31.17	-228.57	1055.29	-31.17	-228.57	906.69	-31.17	-226.42	907.23	-31.17	-226.42	758.64			
			M3	-11.09	-38.08	-540.81	-11.09	-38.08	-593.67	-11.09	-39.49	-593.57	-11.17	-38.43	-646.51			
		DISPERSION-LMAX	S2	18.44	31.84	863.38	18.44	31.84	951.30	18.44	34.10	951.22	18.44	34.10	1039.13			
			TQ	14.42	53.95	1207.34	14.42	53.95	1276.07	14.33	56.99	1281.43	14.33	56.99	1349.75			
			M3	-23.57	-198.95	2655.72	-23.57	-198.95	2543.36	-23.57	-192.91	2543.83	-23.57	-192.91	2431.47			
		MIN	S2	-61.28	-295.86	852.65	-61.28	-295.86	560.52	-61.28	-294.53	561.22	-61.28	-294.53	269.10			
			TQ	-57.26	-317.97	508.70	-57.26	-317.97	235.75	-57.17	-317.41	231.01	-57.17	-317.41	-41.53			
			M3	-19.27	-65.06	-939.69	-19.27	-65.06	-1031.54	-19.27	-67.51	-1031.39	-19.27	-67.51	-1123.24			
		72	4-LANES	TRUCK-LOAD	MAX	S2	21.61	100.33	1126.79	21.61	100.33	1229.80	21.61	103.25	1229.55	21.61	103.25	1332.56
						TQ	13.59	151.12	1790.43	13.59	151.12	1855.23	13.59	155.53	1854.86	13.59	155.53	1919.66
						M3	-72.21	-268.68	2994.75	-55.14	-215.97	2695.99	-55.14	-209.56	2696.50	-36.13	-136.99	2484.83
MIN	S2			-92.45	-230.97	2718.15	-92.45	-230.97	2277.45	-92.45	-225.56	2277.99	-92.45	-225.56	1837.29			
	TQ			-88.49	-354.56	2800.78	-88.49	-354.56	2378.94	-88.49	-348.91	2374.28	-88.49	-348.91	1952.46			
	M3			-23.63	-58.56	-1077.30	-23.68	-57.99	-1190.01	-23.68	-60.81	-1189.87	-23.69	-60.68	-1302.76			
TANDEM-LOAD	MAX			S2	15.55	68.38	751.47	15.55	68.38	825.59	15.55	70.34	825.42	15.55	70.34	899.54		
	TQ			9.37	107.77	1262.97	9.37	107.77	1307.63	9.37	110.87	1307.37	9.37	110.87	1352.04			
	M3			-46.92	-187.84	2044.75	-36.09	-156.49	1836.71	-36.09	-152.13	1837.08	-20.10	-85.83	1697.08			
MIN	S2			-64.02	-162.03	1859.65	-64.02	-162.03	1554.44	-64.02	-158.33	1554.83	-64.02	-158.33	1249.62			
	TQ			-61.08	-245.27	1918.40	-61.08	-245.27	1627.21	-61.08	-241.40	1627.79	-61.08	-241.40	1336.60			
	M3			-16.05	-40.30	-733.47	-16.05	-40.30	-809.98	-16.05	-42.22	-809.88	-16.13	-41.17	-886.45			

BAGO RIVER BRIDGE

BLOCK [ No.1 : MAIN GIRDER ] [ BEAM MEMBER FORCE ]

MEMBER				1009			1010			1010			1011				
NODE				1009			1010			1010			1011				
				SHEAR	TORQUE	MOMENT	SHEAR	TORQUE	MOMENT	SHEAR	TORQUE	MOMENT	SHEAR	TORQUE	MOMENT		
NAME	TITLE			S2 (kN)	TQ (kN·m)	M3 (kN·m)	S2 (kN)	TQ (kN·m)	M3 (kN·m)	S2 (kN)	TQ (kN·m)	M3 (kN·m)	S2 (kN)	TQ (kN·m)	M3 (kN·m)		
72	4-LANES	DISPERSION-LMAX	S2	9.34	44.35	587.26	9.34	44.35	631.80	9.34	45.85	631.69	9.34	45.85	676.22		
			TQ	0.75	69.44	1135.40	0.75	69.44	1138.97	0.10	72.17	1163.34	0.10	72.17	1163.84		
			M3	-64.95	-175.23	3348.49	-64.95	-175.23	3038.88	-64.95	-168.01	3039.29	-64.95	-168.01	2729.69		
		MIN	S2	-95.94	-276.81	1792.93	-95.94	-276.81	1335.58	-95.94	-273.64	1336.24	-95.94	-273.64	878.89		
			TQ	-85.83	-321.63	1210.54	-85.83	-321.63	801.39	-85.41	-319.75	785.16	-85.41	-319.75	378.00		
			M3	-21.15	-57.59	-980.95	-21.15	-57.59	-1081.80	-21.15	-60.16	-1081.66	-21.15	-60.16	-1182.51		
		73	6-LANES	TRUCK-LOAD MAX	S2	336.12	193.20	4520.14	227.98	77.76	5014.60	227.98	89.67	5014.40	147.31	10.50	4974.22
					TQ	-94.46	461.32	4757.47	-94.46	461.32	4307.20	-94.46	471.55	4306.09	-94.46	471.55	3855.82
					M3	14.68	26.25	7289.24	-41.35	-45.27	6942.88	-41.35	-28.78	6942.97	-93.48	-79.70	6250.71
MIN	S2			-289.79	-21.84	6845.69	-369.24	-97.72	6112.93	-369.24	-83.20	6113.15	-477.45	-198.72	4842.24		
	TQ			-51.31	-424.11	4508.64	-51.31	-424.11	4264.04	-51.31	-413.98	4265.04	-51.31	-413.98	4020.44		
	M3			-44.16	-14.99	-1702.91	-44.18	-14.80	-1913.47	-44.18	-19.34	-1913.43	-44.27	-18.05	-2124.44		
TANDEM-LOAD MAX	S2			266.82	205.22	3580.46	190.75	122.81	3981.04	190.75	132.27	3980.74	118.36	54.26	3932.33		
	TQ			-71.34	323.51	3448.95	-71.34	323.51	3108.85	-71.34	330.89	3108.07	-71.34	330.89	2767.97		
	M3			-17.25	7.59	5246.21	-58.81	-59.15	4996.16	-58.81	-47.28	4996.29	-93.06	-75.89	4515.10		
MIN	S2	-215.66	35.36	4997.85	-286.62	-40.06	4513.33	-286.62	-29.34	4513.41	-363.84	-113.73	3579.92				
	TQ	-35.48	-297.48	3107.20	-35.48	-297.48	2938.06	-35.48	-290.50	2938.76	-35.48	-290.50	2769.62				
	M3	-30.08	-10.24	-1160.07	-30.08	-10.24	-1303.47	-30.08	-13.34	-1303.44	-30.10	-13.08	-1446.91				
DISPERSION-LMAX	S2	138.21	18.10	3329.72	100.62	-1.46	3415.18	100.62	6.65	3415.18	77.19	4.01	3377.94				
	TQ	-36.25	348.77	3771.94	-105.06	348.77	3435.20	-100.95	357.16	3627.90	-134.67	357.16	3037.16				
	M3	-19.48	36.48	7876.68	-88.29	36.47	7619.90	-88.29	54.57	7619.80	-157.38	54.56	7034.32				
MIN	S2	-211.38	9.16	2705.18	-241.01	27.82	2051.56	-241.01	32.69	2051.49	-286.23	35.41	1254.76				
	TQ	-29.42	-354.12	2128.00	-29.42	-354.12	1987.76	-32.43	-349.60	1817.07	-60.27	-349.60	1629.31				
	M3	-50.80	-12.64	-1945.25	-50.80	-12.64	-2187.41	-50.80	-17.83	-2187.37	-50.80	-17.83	-2429.52				

BAGO RIVER BRIDGE

BLOCK [ No.1 : MAIN GIRDER ][ BEAM MEMBER FORCE ]

MEMBER			1009			1010			1010			1011			
NODE			1009			1010			1010			1011			
NAME TITLE			SHEAR	TORQUE	MOMENT	SHEAR	TORQUE	MOMENT	SHEAR	TORQUE	MOMENT	SHEAR	TORQUE	MOMENT	
			S2 (kN)	TQ (kN·m)	M3 (kN·m)	S2 (kN)	TQ (kN·m)	M3 (kN·m)	S2 (kN)	TQ (kN·m)	M3 (kN·m)	S2 (kN)	TQ (kN·m)	M3 (kN·m)	
124	SUM TOTAL	D+1LANE (caseMAX	S2	110.61	256.87	28066.96	-342.37	95.65	26071.85	-342.37	157.57	26071.55	-743.69	59.01	21953.82
			TQ	-396.23	633.78	27232.07	-740.75	633.78	24521.81	-740.75	692.02	24520.23	-1051.92	692.02	20207.39
			M3	-95.46	514.65	29213.22	-551.90	403.89	27353.42	-551.90	468.85	27352.38	-1032.01	325.70	23137.45
		MIN	S2	-492.13	598.98	27489.06	-897.07	522.82	25609.61	-897.07	583.64	25608.30	-1355.35	440.65	21537.65
			TQ	-221.10	-17.62	26142.87	-498.70	-17.62	24427.23	-498.70	40.39	24427.20	-809.67	40.39	21348.43
			M3	-325.47	210.77	23509.24	-603.07	210.77	21296.06	-603.07	261.34	21295.50	-880.76	262.48	17758.58
		D+1LANE (caseMAX	S2	-236.13	197.08	26244.06	-513.75	196.90	24449.46	-513.75	254.97	24448.92	-791.97	254.05	21298.15
			TQ	-387.90	299.36	26701.86	-666.70	299.36	24188.21	-664.41	356.95	24279.13	-943.21	356.95	20447.35
			M3	-388.41	244.86	28176.86	-634.08	244.78	25744.17	-634.08	305.92	25743.51	-865.87	314.69	22202.28
		MIN	S2	-432.82	252.26	26933.94	-711.59	252.43	24213.47	-711.59	309.94	24212.81	-989.80	310.86	20196.09
			TQ	-278.27	144.36	24957.64	-555.88	144.36	22969.43	-558.17	198.77	22877.32	-835.78	198.77	19554.82
			M3	-321.32	174.45	23553.67	-598.93	174.45	21360.24	-598.93	225.18	21359.77	-876.54	225.18	17842.97
		D+1LANE (caseMAX	S2	-269.40	224.42	25556.29	-547.00	224.42	23610.40	-547.00	280.49	23609.80	-824.61	280.49	20340.54
			TQ	-276.45	238.77	26022.37	-554.06	238.77	24042.84	-554.64	295.89	24058.69	-832.26	295.89	20752.98
			M3	-355.69	124.54	27313.22	-619.76	150.44	24989.73	-619.76	209.79	24989.30	-882.35	243.17	21416.03
		MIN	S2	-388.55	89.56	26181.74	-666.16	89.56	23667.83	-666.16	145.77	23667.55	-943.77	145.77	19830.27
			TQ	-382.31	83.72	25986.44	-659.91	83.72	23502.30	-659.32	139.52	23485.55	-936.94	139.52	19680.84
			M3	-318.09	147.05	23587.32	-595.69	147.05	21409.30	-595.69	197.90	21408.89	-873.31	197.90	17907.50
		D+1LANE (caseMAX	S2	-289.30	165.63	24722.26	-566.91	165.63	22681.48	-566.91	219.50	22681.03	-844.52	219.50	19316.88
			TQ	-300.27	216.48	24988.17	-577.88	216.48	22895.09	-577.91	270.86	22895.62	-855.52	270.86	19479.02
			M3	-314.75	-46.19	25631.52	-591.02	-80.13	23474.82	-591.02	-24.38	23474.94	-868.63	-24.38	19995.83
		MIN	S2	-330.12	-11.37	25001.35	-607.72	-11.37	22766.00	-607.72	42.70	22765.97	-885.33	42.70	19207.25
			TQ	-323.54	-172.29	24846.72	-601.15	-172.29	22642.70	-601.12	-118.52	22641.95	-878.73	-118.52	19114.70
			M3	-311.08	91.60	23655.90	-588.75	92.29	21511.18	-588.75	143.37	21510.90	-866.36	143.37	18042.62

BAGO RIVER BRIDGE

BLOCK [ No.1 : MAIN GIRDER ][ BEAM MEMBER FORCE ]

MEMBER				1009			1010			1010			1011		
NODE				1009			1010			1010			1011		
NAME TITLE				SHEAR	TORQUE	MOMENT	SHEAR	TORQUE	MOMENT	SHEAR	TORQUE	MOMENT	SHEAR	TORQUE	MOMENT
				S2 (kN)	TQ (kN·m)	M3 (kN·m)	S2 (kN)	TQ (kN·m)	M3 (kN·m)	S2 (kN)	TQ (kN·m)	M3 (kN·m)	S2 (kN)	TQ (kN·m)	M3 (kN·m)
124	SUM TOTAL	D+2LANES (casMAX	S2	175.95	297.23	30216.58	-280.87	106.29	28053.36	-280.87	172.92	28053.03	-690.56	48.94	23746.51
			TQ	-465.69	794.33	28828.34	-822.91	794.33	25756.74	-820.35	855.58	25848.39	-1145.95	855.58	21123.79
			M3	-104.77	632.85	32046.60	-576.61	499.14	30050.70	-576.61	570.51	30049.43	-1068.70	402.76	25628.39
		MIN	S2	-593.83	736.22	29258.62	-1011.10	643.68	27275.01	-1011.10	708.46	27273.40	-1476.52	543.79	23034.32
			TQ	-188.13	-48.04	27022.94	-465.74	-48.04	25464.44	-468.30	12.36	25370.87	-777.55	12.36	22439.07
			M3	-341.31	231.01	22982.36	-618.92	231.01	20693.64	-618.92	280.16	20693.03	-896.60	281.10	17080.62
		D+2LANES (casMAX	S2	-113.00	247.40	28697.49	-423.68	190.67	26701.37	-423.68	254.08	26700.84	-730.79	211.48	23200.13
			TQ	-458.74	515.65	28386.50	-761.20	515.65	25478.74	-756.73	576.36	25647.48	-1055.36	576.36	21323.76
			M3	-348.89	408.02	31182.97	-645.09	366.56	28709.66	-645.09	434.74	28708.70	-930.25	393.58	24849.09
		MIN	S2	-544.40	447.28	28796.02	-856.53	418.36	26111.56	-856.53	480.37	26110.49	-1171.90	435.63	21916.35
			TQ	-235.78	86.95	26035.25	-513.38	86.95	24249.61	-517.86	144.34	24079.30	-799.31	144.34	20944.39
			M3	-337.86	200.75	23019.38	-615.46	200.75	20747.12	-615.46	250.02	20746.59	-893.08	250.02	17150.95
		D+2LANES (casMAX	S2	-258.36	270.14	26173.75	-535.96	270.14	24280.47	-535.96	327.81	24279.76	-813.58	327.81	21063.11
			TQ	-267.20	289.67	26825.21	-544.81	289.67	24889.78	-545.37	348.81	24908.25	-822.98	348.81	21646.78
			M3	-381.61	54.36	28894.35	-642.86	95.93	26453.94	-642.86	158.76	26453.64	-901.18	218.73	22777.27
		MIN	S2	-432.63	-18.32	27112.13	-710.23	-18.32	24388.11	-710.23	39.60	24388.09	-987.84	39.60	20340.69
			TQ	-425.63	-28.92	26895.78	-703.23	-28.92	24205.13	-702.67	28.55	24185.90	-980.29	28.55	20174.53
			M3	-328.86	124.88	23112.61	-606.47	124.88	20883.25	-606.47	174.47	20882.89	-884.08	174.47	17330.15
		D+2LANES (casMAX	S2	-282.09	176.75	25054.30	-559.70	176.75	23047.89	-559.70	231.49	23047.40	-837.31	231.49	19717.61
			TQ	-295.44	257.88	25604.53	-573.05	257.88	23534.47	-573.10	313.77	23536.39	-850.71	313.77	20142.71
			M3	-332.53	-159.44	26881.62	-607.89	-169.82	24644.12	-607.89	-111.29	24644.45	-884.77	-99.08	21087.35
		MIN	S2	-359.94	-192.09	25712.00	-637.55	-192.09	23334.47	-637.55	-136.67	23334.86	-915.16	-136.67	19633.97
			TQ	-353.45	-333.38	25447.19	-631.06	-333.38	23100.60	-631.01	-278.52	23098.72	-908.62	-278.52	19429.00
			M3	-320.96	62.49	23189.72	-598.62	63.06	20997.93	-598.62	112.93	20997.72	-876.24	113.07	17482.38

BAGO RIVER BRIDGE

BLOCK [ No.1 : MAIN GIRDER ][ BEAM MEMBER FORCE ]

MEMBER				1009			1010			1010			1011			
NODE				1009			1010			1010			1011			
NAME TITLE				SHEAR	TORQUE	MOMENT	SHEAR	TORQUE	MOMENT	SHEAR	TORQUE	MOMENT	SHEAR	TORQUE	MOMENT	
				S2 (kN)	TQ (kN·m)	M3 (kN·m)	S2 (kN)	TQ (kN·m)	M3 (kN·m)	S2 (kN)	TQ (kN·m)	M3 (kN·m)	S2 (kN)	TQ (kN·m)	M3 (kN·m)	
124	SUM TOTAL	D+3LANES (casMAX	S2	149.31	304.18	30690.91	-280.64	141.76	28746.57	-280.64	210.03	28746.15	-670.94	104.00	24758.27	
			TQ	-503.59	799.17	29835.19	-849.72	799.17	26609.39	-845.91	862.54	26751.95	-1165.16	862.54	21926.30	
			M3	-197.17	623.30	33615.49	-617.25	509.60	31361.39	-617.25	584.08	31360.09	-1044.72	447.70	26998.30	
		MIN	S2	-644.32	716.41	30365.31	-1041.47	637.87	27917.81	-1041.47	704.18	27916.22	-1479.15	564.86	23372.28	
			TQ	-190.01	-26.64	27065.11	-467.62	-26.64	25497.64	-471.42	33.75	25353.10	-775.92	33.75	22412.08	
			M3	-350.71	231.87	22636.13	-628.32	231.87	20302.61	-628.32	280.08	20302.01	-905.98	280.89	16644.85	
		D+3LANES (casMAX	S2	-256.78	268.20	26268.01	-534.39	268.20	24382.24	-534.39	326.11	24381.54	-812.00	326.11	21172.39	
			TQ	-266.30	316.38	27144.69	-543.90	316.38	25213.58	-544.41	376.28	25231.57	-822.02	376.28	21974.67	
			M3	-392.65	-31.10	29652.36	-653.95	20.48	27157.62	-653.95	84.98	27157.50	-913.86	146.17	23423.89	
		MIN	S2	-450.69	-139.24	27549.95	-728.29	-139.24	24739.84	-728.29	-80.48	24740.10	-1005.90	-80.48	20606.62	
			TQ	-444.07	-152.10	27267.43	-721.68	-152.10	24488.86	-721.17	-93.97	24470.35	-998.78	-93.97	20370.81	
			M3	-334.62	96.70	22802.27	-612.23	96.70	20545.43	-612.23	145.49	20545.15	-889.84	145.49	16964.94	
		D+3LANES (casMAX	S2	-273.31	218.35	25590.78	-550.92	218.35	23626.22	-550.92	274.46	23625.64	-828.53	274.46	20337.70	
			TQ	-287.02	291.84	26257.61	-564.62	291.84	24227.73	-564.69	349.39	24231.64	-842.31	349.39	20878.03	
			M3	-351.79	-202.19	28069.68	-623.56	-188.18	25751.50	-623.56	-127.02	25751.88	-897.24	-94.44	22127.24	
		MIN	S2	-392.29	-272.67	26392.83	-669.89	-272.67	23861.10	-669.89	-216.00	23861.68	-947.51	-216.00	20006.58	
			TQ	-386.23	-395.27	26080.15	-663.84	-395.27	23577.30	-663.76	-339.28	23573.50	-941.38	-339.28	19747.63	
			M3	-329.40	55.40	22853.22	-607.04	55.89	20621.24	-607.04	104.87	20621.05	-884.67	104.99	17065.54	
		D+4LANES	MAX	S2	-279.00	251.77	25441.40	-556.61	251.77	23449.71	-556.61	307.46	23449.05	-834.22	307.46	20133.98
			TQ	-289.80	301.08	26229.06	-567.41	301.08	24185.90	-567.82	358.54	24201.07	-845.44	358.54	20832.55	
			M3	-388.28	-130.82	28450.37	-654.78	-96.56	25967.35	-654.78	-34.88	25967.50	-920.04	12.29	22217.71	
		MIN	S2	-421.57	-172.34	27259.47	-699.18	-172.34	24588.15	-699.18	-113.94	24588.49	-976.79	-113.94	20593.80	
			TQ	-412.43	-281.81	26934.63	-690.03	-281.81	24306.89	-689.76	-224.09	24292.87	-967.37	-224.09	20343.07	
			M3	-328.23	82.22	22989.40	-605.87	82.59	20763.00	-605.87	131.90	20762.74	-883.49	131.99	17212.85	

BAGO RIVER BRIDGE

BLOCK [ No.1 : MAIN GIRDER ][ BEAM MEMBER FORCE ]

MEMBER				1009			1010			1010			1011			
NODE				1009			1010			1010			1011			
NAME TITLE				SHEAR	TORQUE	MOMENT	SHEAR	TORQUE	MOMENT	SHEAR	TORQUE	MOMENT	SHEAR	TORQUE	MOMENT	
				S2 (kN)	TQ (kN·m)	M3 (kN·m)	S2 (kN)	TQ (kN·m)	M3 (kN·m)	S2 (kN)	TQ (kN·m)	M3 (kN·m)	S2 (kN)	TQ (kN·m)	M3 (kN·m)	
124	SUM TOTAL	D+6LANES	MAX	S2	9.20	295.07	29429.67	-363.14	207.32	27719.04	-363.14	273.15	27718.47	-708.41	219.97	24257.18
				TQ	-384.08	684.28	29871.38	-706.41	684.28	27272.23	-703.74	749.20	27396.33	-1003.27	749.20	23308.71
				M3	-302.25	198.49	34185.12	-660.99	152.00	31705.48	-660.99	227.30	31705.03	-1017.40	194.19	27463.55
			MIN	S2	-624.88	149.48	30535.34	-973.39	112.29	27546.60	-973.39	177.71	27546.25	-1350.73	104.38	22791.33
				TQ	-351.59	-348.13	28641.08	-629.20	-348.13	26303.35	-631.16	-285.78	26192.61	-926.87	-285.78	22500.61
				M3	-360.84	139.77	21955.96	-638.46	139.89	19574.11	-638.46	186.38	19573.72	-916.13	187.22	15868.20
	SUM TOTAL		MAX		175.95	799.17	34185.12	-280.64	799.17	31705.48	-280.64	862.54	31705.03	-670.94	862.54	27463.55
			MIN		-644.32	-395.27	21955.96	-1041.47	-395.27	19574.11	-1041.47	-339.28	19573.72	-1479.15	-339.28	15868.20
300	DEAD LOAD	TOTAL			-299.12	157.72	24327.27	-576.73	157.72	22239.68	-576.73	210.54	22239.24	-854.34	210.54	18828.28
301	LIVE LOAD	1-LANE(case1MAX	S2		409.73	99.15	3739.69	234.36	-62.07	3832.17	234.36	-52.97	3832.31	110.65	-151.53	3125.54
			TQ		-97.11	476.06	2904.80	-164.02	476.06	2282.13	-164.02	481.48	2280.99	-197.58	481.48	1379.11
			M3		203.66	356.93	4885.95	24.83	246.17	5113.74	24.83	258.31	5113.14	-177.67	115.17	4309.17
			MIN	S2	-193.01	441.26	3161.79	-320.34	365.10	3369.94	-320.34	373.10	3369.06	-501.01	230.11	2709.37
				TQ	78.02	-175.34	1815.61	78.02	-175.34	2187.55	78.02	-170.15	2187.96	44.67	-170.15	2520.16
				M3	-26.34	53.05	-818.03	-26.34	53.05	-943.61	-26.34	50.80	-943.74	-26.42	51.94	-1069.70
		1-LANE(case2MAX	S2		62.99	39.36	1916.79	62.97	39.18	2209.78	62.97	44.43	2209.68	62.37	43.52	2469.88
			TQ		-88.78	141.64	2374.59	-89.97	141.64	1948.53	-87.68	146.41	2039.89	-88.87	146.41	1619.07
			M3		-89.29	87.14	3849.59	-57.35	87.06	3504.49	-57.35	95.39	3504.27	-11.53	104.15	3374.01
			MIN	S2	-133.70	94.54	2606.67	-134.87	94.71	1973.80	-134.87	99.40	1973.57	-135.46	100.32	1367.81
				TQ	20.85	-13.36	630.37	20.85	-13.36	729.76	18.56	-11.77	638.08	18.56	-11.77	726.54
				M3	-22.20	16.73	-773.60	-22.20	16.73	-879.43	-22.20	14.64	-879.47	-22.20	14.64	-985.30
		1-LANE(case3MAX	S2		29.73	66.70	1229.02	29.73	66.70	1370.72	29.73	69.95	1370.56	29.73	69.95	1512.26
			TQ		22.67	81.05	1695.10	22.67	81.05	1803.16	22.08	85.35	1819.45	22.08	85.35	1924.71
			M3		-56.56	-33.18	2985.96	-43.04	-7.28	2750.05	-43.04	-0.74	2750.06	-28.01	32.63	2587.76
			MIN	S2	-89.43	-68.16	1854.47	-89.43	-68.16	1428.15	-89.43	-64.77	1428.31	-89.43	-64.77	1002.00
				TQ	-83.18	-74.00	1659.17	-83.18	-74.00	1262.63	-82.60	-71.02	1246.31	-82.60	-71.02	852.57
				M3	-18.97	-10.67	-739.95	-18.97	-10.67	-830.38	-18.97	-12.64	-830.35	-18.97	-12.64	-920.77

BAGO RIVER BRIDGE

BLOCK [ No.1 : MAIN GIRDER ][ BEAM MEMBER FORCE ]

MEMBER			1009			1010			1010			1011				
NODE			1009			1010			1010			1011				
NAME TITLE			SHEAR	TORQUE	MOMENT	SHEAR	TORQUE	MOMENT	SHEAR	TORQUE	MOMENT	SHEAR	TORQUE	MOMENT		
			S2 (kN)	TQ (kN·m)	M3 (kN·m)	S2 (kN)	TQ (kN·m)	M3 (kN·m)	S2 (kN)	TQ (kN·m)	M3 (kN·m)	S2 (kN)	TQ (kN·m)	M3 (kN·m)		
301	LIVE LOAD	1-LANE (case4MAX	S2	9.82	7.91	394.99	9.82	7.91	441.81	9.82	8.96	441.79	9.82	8.96	488.60	
			TQ	-1.15	58.76	660.90	-1.15	58.76	655.42	-1.18	60.32	656.38	-1.18	60.32	650.74	
			M3	-15.62	-203.91	1304.25	-14.30	-237.85	1235.14	-14.30	-234.92	1235.70	-14.30	-234.92	1167.55	
			MIN	S2	-30.99	-169.09	674.08	-30.99	-169.09	526.33	-30.99	-167.84	526.73	-30.99	-167.84	378.97
			TQ	-24.42	-330.01	519.46	-24.42	-330.01	403.03	-24.39	-329.06	402.71	-24.39	-329.06	286.43	
			M3	-11.96	-66.12	-671.37	-12.02	-65.43	-728.50	-12.02	-67.16	-728.34	-12.02	-67.16	-785.65	
		2-LANES (caseMAX	S2	475.07	139.51	5889.31	295.86	-51.43	5813.68	295.86	-37.62	5813.79	163.78	-161.60	4918.24	
			TQ	-166.57	636.61	4501.08	-246.19	636.61	3517.06	-243.62	645.05	3609.15	-291.61	645.05	2295.51	
			M3	194.35	475.13	7719.34	0.12	341.42	7811.02	0.12	359.97	7810.19	-214.37	192.22	6800.12	
			MIN	S2	-294.71	578.50	4931.35	-434.37	485.96	5035.33	-434.37	497.92	5034.16	-622.19	333.25	4206.04
			TQ	110.99	-205.76	2695.68	110.99	-205.76	3224.77	108.42	-198.18	3131.63	76.79	-198.18	3610.79	
			M3	-42.19	73.29	-1344.90	-42.19	73.29	-1546.04	-42.19	69.62	-1546.21	-42.26	70.56	-1747.65	
		2-LANES (caseMAX	S2	186.13	89.68	4370.22	153.04	32.95	4461.69	153.04	43.54	4461.60	123.55	0.94	4371.85	
			TQ	-159.62	357.93	4059.24	-184.48	357.93	3239.06	-180.00	365.82	3408.24	-201.03	365.82	2495.48	
			M3	-49.77	250.30	6855.70	-68.36	208.84	6469.98	-68.36	224.20	6469.46	-75.91	183.04	6020.82	
			MIN	S2	-245.28	289.56	4468.75	-279.81	260.64	3871.88	-279.81	269.84	3871.25	-317.56	225.09	3088.07
			TQ	63.34	-70.77	1707.98	63.34	-70.77	2009.93	58.87	-66.20	1840.06	55.03	-66.20	2116.11	
			M3	-38.74	43.03	-1307.88	-38.74	43.03	-1492.55	-38.74	39.48	-1492.65	-38.74	39.48	-1677.32	
		2-LANES (caseMAX	S2	40.76	112.42	1846.48	40.76	112.42	2040.80	40.76	117.27	2040.52	40.76	117.27	2234.84	
			TQ	31.92	131.95	2497.94	31.92	131.95	2650.10	31.36	138.27	2669.01	31.36	138.27	2818.50	
			M3	-82.49	-103.36	4567.08	-66.14	-61.79	4214.26	-66.14	-51.78	4214.40	-46.84	8.19	3948.99	
MIN	S2		-133.51	-176.04	2784.86	-133.51	-176.04	2148.43	-133.51	-170.94	2148.85	-133.51	-170.94	1512.42		
TQ	-126.51		-186.64	2568.52	-126.51	-186.64	1965.45	-125.95	-181.99	1946.66	-125.95	-181.99	1346.25			
M3	-29.74		-32.84	-1214.66	-29.74	-32.84	-1356.43	-29.74	-36.07	-1356.35	-29.74	-36.07	-1498.12			



BAGO RIVER BRIDGE

BLOCK [ No.1 : MAIN GIRDER ][ BEAM MEMBER FORCE ]

MEMBER			1009			1010			1010			1011				
NODE			1009			1010			1010			1011				
NAME TITLE			SHEAR	TORQUE	MOMENT	SHEAR	TORQUE	MOMENT	SHEAR	TORQUE	MOMENT	SHEAR	TORQUE	MOMENT		
			S2 (kN)	TQ (kN·m)	M3 (kN·m)	S2 (kN)	TQ (kN·m)	M3 (kN·m)	S2 (kN)	TQ (kN·m)	M3 (kN·m)	S2 (kN)	TQ (kN·m)	M3 (kN·m)		
301	LIVE LOAD	2-LANES (caseMAX	S2	17.03	19.03	727.03	17.03	19.03	808.21	17.03	20.95	808.16	17.03	20.95	889.33	
			TQ	3.68	100.16	1277.26	3.68	100.16	1294.79	3.63	103.23	1297.15	3.63	103.23	1314.43	
			M3	-33.41	-317.16	2554.36	-31.16	-327.54	2404.44	-31.16	-321.83	2405.21	-30.43	-309.62	2259.07	
			MIN	S2	-60.82	-349.81	1384.73	-60.82	-349.81	1094.80	-60.82	-347.21	1095.62	-60.82	-347.21	805.69
			TQ	-54.33	-491.10	1119.93	-54.33	-491.10	860.92	-54.28	-489.06	859.48	-54.28	-489.06	600.72	
			M3	-21.84	-95.23	-1137.55	-21.89	-94.66	-1241.75	-21.89	-97.61	-1241.52	-21.90	-97.46	-1345.89	
		3-LANES (caseMAX	S2	448.43	146.46	6363.64	296.09	-15.96	6506.89	296.09	-0.51	6506.91	183.39	-106.54	5930.00	
			TQ	-204.47	641.45	5507.92	-272.99	641.45	4369.71	-269.19	652.00	4512.71	-310.82	652.00	3098.03	
			M3	101.95	465.58	9288.23	-40.52	351.88	9121.72	-40.52	373.54	9120.85	-190.38	237.16	8170.02	
			MIN	S2	-345.20	558.69	6038.04	-464.75	480.15	5678.14	-464.75	493.64	5676.98	-624.81	354.32	4544.00
			TQ	109.11	-184.36	2737.84	109.11	-184.36	3257.96	105.30	-176.79	3113.86	78.42	-176.79	3583.81	
			M3	-51.59	74.15	-1691.13	-51.59	74.15	-1937.06	-51.59	69.55	-1937.23	-51.65	70.35	-2183.43	
		3-LANES (caseMAX	S2	42.34	110.48	1940.74	42.34	110.48	2142.56	42.34	115.57	2142.30	42.34	115.57	2344.12	
			TQ	32.83	158.66	2817.43	32.83	158.66	2973.91	32.32	165.75	2992.33	32.32	165.75	3146.40	
			M3	-93.53	-188.82	5325.10	-77.22	-137.24	4917.94	-77.22	-125.56	4918.26	-59.52	-64.37	4595.62	
			MIN	S2	-151.57	-296.96	3222.69	-151.57	-296.96	2500.17	-151.57	-291.02	2500.87	-151.57	-291.02	1778.35
			TQ	-144.95	-309.82	2940.16	-144.95	-309.82	2249.18	-144.44	-304.50	2231.11	-144.44	-304.50	1542.53	
			M3	-35.50	-61.02	-1525.00	-35.50	-61.02	-1694.24	-35.50	-65.05	-1694.09	-35.50	-65.05	-1863.33	
		3-LANES (caseMAX	S2	25.81	60.63	1263.51	25.81	60.63	1386.54	25.81	63.92	1386.40	25.81	63.92	1509.43	
			TQ	12.11	134.12	1930.35	12.11	134.12	1988.05	12.03	138.85	1992.40	12.03	138.85	2049.76	
			M3	-52.67	-359.91	3742.42	-46.83	-345.90	3511.83	-46.83	-337.55	3512.64	-42.91	-304.98	3298.96	
MIN	S2		-93.17	-430.39	2065.56	-93.17	-430.39	1621.42	-93.17	-426.53	1622.44	-93.17	-426.53	1178.30		
TQ	-87.11		-552.99	1752.89	-87.11	-552.99	1337.63	-87.04	-549.82	1334.26	-87.04	-549.82	919.36			
M3	-30.27		-102.32	-1474.05	-30.32	-101.83	-1618.44	-30.32	-105.67	-1618.19	-30.33	-105.55	-1762.74			

BAGO RIVER BRIDGE

BLOCK [ No.1 : MAIN GIRDER ][ BEAM MEMBER FORCE ]

MEMBER					1009			1010			1011					
NODE					1009			1010			1011					
NAME TITLE					SHEAR	TORQUE	MOMENT	SHEAR	TORQUE	MOMENT	SHEAR	TORQUE	MOMENT			
					S2 (kN)	TQ (kN·m)	M3 (kN·m)	S2 (kN)	TQ (kN·m)	M3 (kN·m)	S2 (kN)	TQ (kN·m)	M3 (kN·m)			
301	LIVE LOAD	4-LANES	MAX	S2	20.12	94.05	1114.14	20.12	94.05	1210.04	20.12	96.92	1209.81	20.12	96.92	1305.71
				TQ	9.32	143.36	1901.79	9.32	143.36	1946.23	8.90	148.00	1961.83	8.90	148.00	2004.27
				M3	-89.15	-288.54	4123.10	-78.05	-254.28	3727.67	-78.05	-245.42	3728.26	-65.70	-198.25	3389.43
			MIN	S2	-122.45	-330.06	2932.20	-122.45	-330.06	2348.47	-122.45	-324.48	2349.25	-122.45	-324.48	1765.52
				TQ	-113.31	-439.52	2607.36	-113.31	-439.52	2067.22	-113.03	-434.63	2053.63	-113.03	-434.63	1514.80
				M3	-29.11	-75.50	-1337.86	-29.14	-75.13	-1476.68	-29.14	-78.64	-1476.49	-29.15	-78.55	-1615.42
		6-LANES	MAX	S2	308.32	137.35	5102.40	213.59	49.60	5479.36	213.59	62.61	5479.23	145.92	9.43	5428.91
				TQ	-84.96	526.56	5544.11	-129.69	526.56	5032.56	-127.02	538.66	5157.09	-148.93	538.66	4480.43
				M3	-3.12	40.77	9857.85	-84.26	-5.72	9465.81	-84.26	16.76	9465.80	-163.06	-16.34	8635.27
			MIN	S2	-325.76	-8.24	6208.07	-396.66	-45.43	5306.92	-396.66	-32.83	5307.01	-496.39	-106.16	3963.05
				TQ	-52.47	-505.85	4313.81	-52.47	-505.85	4063.67	-54.43	-496.32	3953.37	-72.53	-496.32	3672.33
				M3	-61.72	-17.95	-2371.30	-61.73	-17.83	-2665.57	-61.73	-24.16	-2665.52	-61.80	-23.32	-2960.08
		LIVE LOAD	MAX		475.07	641.45	9857.85	296.09	641.45	9465.81	296.09	652.00	9465.80	183.39	652.00	8635.27
			MIN		-345.20	-552.99	-2371.30	-464.75	-552.99	-2665.57	-464.75	-549.82	-2665.52	-624.81	-549.82	-2960.08
		303	SUM TOTAL	TOTAL	MAX		175.95	799.17	34185.12	-280.64	799.17	31705.48	-280.64	862.54	31705.03	-670.94
MIN					-644.32	-395.27	21955.96	-1041.47	-395.27	19574.11	-1041.47	-339.28	19573.72	-1479.15	-339.28	15868.20

BAGO RIVER BRIDGE

BLOCK [ No.1 : MAIN GIRDER ][ BEAM MEMBER FORCE ]

MEMBER NODE	1011	1012			1013			1012			1013					
		SHEAR	TORQUE	MOMENT	SHEAR	TORQUE	MOMENT	SHEAR	TORQUE	MOMENT	SHEAR	TORQUE	MOMENT			
		S2 (kN)	TQ (kN·m)	M3 (kN·m)	S2 (kN)	TQ (kN·m)	M3 (kN·m)	S2 (kN)	TQ (kN·m)	M3 (kN·m)	S2 (kN)	TQ (kN·m)	M3 (kN·m)			
1	PAVEMENT	-148.76	-28.72	3276.18	-195.56	-28.72	2455.49	-195.56	-22.88	2455.55	-242.35	-22.88	1411.78			
3	RAILING	-0.53	0.98	78.87	-4.48	0.98	66.91	-4.48	1.14	66.91	-8.43	1.14	36.13			
5	CURB	-5.29	9.74	780.78	-44.37	9.74	662.42	-44.37	11.32	662.40	-83.45	11.32	357.73			
7	DECK WEIGHT	-228.44	-17.17	5183.59	-305.52	-17.17	3910.87	-305.52	-7.88	3910.90	-382.60	-7.88	2270.74			
8	GIRDER WEIGH	-290.42	210.03	6694.30	-379.56	210.03	5097.39	-379.56	222.13	5096.87	-468.69	222.13	3075.05			
10	MEDIAN STRIP	-65.32	63.72	1267.58	-65.32	63.72	956.19	-65.32	65.99	956.03	-65.32	65.99	644.64			
21	ADITIONAL WE	-63.96	-4.81	1451.41	-85.55	-4.81	1095.04	-85.55	-2.21	1095.05	-107.13	-2.21	635.81			
31	MEDIAN RAILI	-5.39	5.11	94.72	-5.39	5.11	69.04	-5.39	5.28	69.03	-5.39	5.28	43.34			
51	SUPPORT WEIG	-0.00	-0.00	-0.00	-0.00	-0.00	-0.00	-0.00	-0.00	-0.00	-0.00	-0.00	-0.00			
52	NOSE WEIGHT	-0.04	0.44	0.31	-0.04	0.44	0.14	-0.04	0.44	0.14	-0.04	0.44	-0.03			
61	1-LANE(case1TRUCK-LOAD	MAX	S2	246.02	188.10	1774.90	131.58	63.26	1775.96	131.58	67.48	1775.80	48.02	-17.90	1247.89	
			TQ	-91.00	303.01	1365.73	-91.00	303.01	931.94	-91.00	305.22	931.22	-91.00	305.22	497.44	
			M3	116.66	271.48	1884.28	22.97	175.15	1903.12	22.97	179.66	1902.70	-90.97	55.02	1348.21	
		MIN	S2	-126.62	288.00	1865.14	-209.93	206.05	1872.40	-209.93	210.50	1871.91	-324.60	85.38	1332.88	
			TQ	16.26	-35.24	501.00	16.26	-35.24	578.53	16.26	-33.86	578.61	16.26	-33.86	656.14	
			M3	-10.93	1.37	-406.95	-10.93	1.37	-459.04	-10.93	0.28	-459.04	-10.93	0.28	-511.14	
		TANDEM-LOAD	MAX	S2	204.57	169.26	1450.82	123.84	80.25	1493.44	123.84	83.80	1493.25	47.34	-0.72	1083.83
			TQ	-66.82	209.24	1020.03	-66.82	209.24	701.48	-66.82	210.90	700.98	-66.82	210.90	382.43	
			M3	59.14	184.17	1464.49	-15.99	102.81	1507.62	-15.99	106.39	1507.37	-97.97	14.84	1096.33	
		MIN	S2	-101.16	184.17	1464.49	-176.29	102.81	1507.62	-176.29	106.39	1507.37	-258.26	14.84	1096.33	
			TQ	14.10	-28.43	423.20	14.10	-28.43	490.40	14.10	-27.27	490.46	14.10	-27.27	557.66	
			M3	-7.41	0.86	-277.48	-7.41	0.86	-312.80	-7.41	0.12	-312.80	-7.41	0.12	-348.11	
		DISPERSION-LMAX	S2	60.33	22.61	829.61	29.98	-1.06	758.31	29.98	0.74	758.31	13.78	-7.85	607.86	
			TQ	-23.00	264.47	1047.17	-78.76	264.47	804.42	-72.50	266.69	1086.02	-128.26	266.69	607.35	
			M3	-2.24	251.94	1705.96	-58.00	251.94	1562.20	-58.00	255.65	1561.60	-113.76	255.65	1152.04	
		MIN	S2	-75.25	231.83	391.82	-100.65	255.50	258.95	-100.65	256.11	258.34	-140.22	264.70	-61.19	
			TQ	8.09	-10.04	174.27	8.09	-10.04	212.84	1.82	-9.84	-69.37	1.82	-9.84	-60.68	
			M3	-12.67	2.50	-484.52	-12.67	2.50	-544.94	-12.67	1.21	-544.95	-12.67	1.21	-605.37	

BAGO RIVER BRIDGE

BLOCK [ No.1 : MAIN GIRDER ][ BEAM MEMBER FORCE ]

MEMBER				1011			1012			1013					
NODE				1011			1012			1012			1013		
				SHEAR	TORQUE	MOMENT	SHEAR	TORQUE	MOMENT	SHEAR	TORQUE	MOMENT	SHEAR	TORQUE	MOMENT
NAME	TITLE			S2 (kN)	TQ (kN·m)	M3 (kN·m)	S2 (kN)	TQ (kN·m)	M3 (kN·m)	S2 (kN)	TQ (kN·m)	M3 (kN·m)	S2 (kN)	TQ (kN·m)	M3 (kN·m)
62	1-LANE (case2TRUCK-LOAD	MAX	S2	17.17	47.92	667.22	17.17	47.92	749.06	17.17	49.70	748.95	17.17	49.70	830.79
			TQ	-55.75	99.24	812.03	-55.75	99.24	546.25	-55.75	100.54	546.01	-55.75	100.54	280.24
			M3	-72.95	58.33	1361.29	-45.59	54.41	1052.17	-45.59	56.91	1052.04	-6.42	59.68	933.17
		MIN	S2	-80.54	63.45	1335.61	-80.54	63.45	951.69	-80.54	65.71	951.54	-80.54	65.71	567.62
			TQ	-4.15	-1.36	-190.61	-4.15	-1.36	-210.40	-5.63	-2.02	-290.16	-5.63	-2.02	-317.01
			M3	-7.11	-0.80	-374.84	-7.11	-0.80	-408.74	-7.11	-1.77	-408.74	-7.20	-1.79	-442.70
		TANDEM-LOAD MAX	S2	13.88	30.68	411.35	13.88	30.68	477.53	13.88	31.82	477.46	13.88	31.82	543.64
			TQ	-38.64	68.23	566.42	-38.64	68.23	382.24	-38.64	69.14	382.08	-38.64	69.14	197.90
			M3	-51.30	35.86	956.75	-26.11	37.47	725.90	-26.11	39.19	725.81	2.94	42.58	662.83
		MIN	S2	-56.51	44.70	899.01	-56.51	44.70	629.63	-56.51	46.19	629.52	-56.51	46.19	360.14
			TQ	-3.12	-0.96	-142.63	-3.12	-0.96	-157.52	-3.42	-1.38	-173.30	-3.42	-1.38	-189.60
			M3	-4.86	-0.54	-255.52	-4.86	-0.54	-278.71	-4.86	-1.20	-278.71	-4.89	-1.21	-301.91
		DISPERSION-LMAX	S2	9.22	14.65	482.34	9.22	14.65	526.27	9.22	15.90	526.23	9.04	14.77	551.43
			TQ	-47.08	105.03	1449.91	-48.08	105.03	1223.09	-48.07	107.93	1223.03	-49.07	107.93	991.50
			M3	-47.08	105.03	1450.09	-48.07	105.03	1223.29	-48.07	107.93	1223.03	-49.07	107.93	991.50
MIN	S2	-64.77	89.02	521.49	-65.77	89.02	210.35	-65.77	89.52	210.14	-66.59	90.66	-87.01		
	TQ	-8.47	-1.35	-446.08	-8.47	-1.35	-486.47	-8.48	-2.51	-486.66	-8.48	-2.51	-527.07		
	M3	-8.48	-1.35	-446.26	-8.48	-1.35	-486.66	-8.48	-2.51	-486.66	-8.48	-2.51	-527.07		
63	1-LANE (case3TRUCK-LOAD	MAX	S2	2.89	18.06	208.90	2.89	18.06	222.66	2.89	18.59	222.62	2.89	18.59	236.38
			TQ	-4.49	33.38	568.18	-4.49	33.38	546.79	-4.49	34.68	546.71	-4.49	34.68	525.32
			M3	-47.40	-39.12	946.85	-37.51	-23.31	742.81	-37.51	-21.55	742.87	-22.38	8.79	598.40
		MIN	S2	-51.88	-37.36	890.21	-51.88	-37.36	642.91	-51.88	-35.84	642.99	-51.88	-35.84	395.69
			TQ	-48.12	-39.70	945.28	-48.12	-39.70	715.91	-48.12	-38.00	716.01	-48.12	-38.00	486.64
			M3	-4.34	-2.12	-350.68	-4.34	-2.12	-371.37	-4.34	-3.00	-371.37	-4.34	-3.00	-392.06

BAGO RIVER BRIDGE

BLOCK [ No.1 : MAIN GIRDER ][ BEAM MEMBER FORCE ]

MEMBER		1011			1012			1012			1013				
NODE		1011			1012			1012			1013				
		SHEAR	TORQUE	MOMENT	SHEAR	TORQUE	MOMENT	SHEAR	TORQUE	MOMENT	SHEAR	TORQUE	MOMENT		
NAME	TITLE	S2 (kN)	TQ (kN·m)	M3 (kN·m)	S2 (kN)	TQ (kN·m)	M3 (kN·m)	S2 (kN)	TQ (kN·m)	M3 (kN·m)	S2 (kN)	TQ (kN·m)	M3 (kN·m)		
63	1-LANE (case3TANDEM-LOAD	MAX	S2	2.34	16.93	195.02	2.34	16.93	206.19	2.34	17.42	206.15	2.34	17.42	217.33
			TQ	-1.34	24.69	360.49	-1.34	24.69	354.09	-1.34	25.53	354.03	-1.34	25.53	347.62
			M3	-29.80	-24.90	648.07	-27.75	-21.41	508.93	-27.75	-20.20	508.98	-17.19	1.94	410.61
		MIN	S2	-35.65	-24.53	595.37	-35.65	-24.53	425.42	-35.65	-23.52	425.48	-35.65	-23.52	255.53
			TQ	-34.06	-28.96	643.45	-34.06	-28.96	481.10	-34.06	-27.81	481.17	-34.06	-27.81	318.83
			M3	-2.96	-1.45	-238.88	-2.96	-1.45	-252.97	-2.96	-2.05	-252.97	-2.96	-2.05	-267.05
	DISPERSION-LMAX	S2	4.27	7.42	337.60	4.27	7.42	357.97	4.27	8.27	357.95	4.27	8.27	378.32	
		TQ	-9.25	17.91	652.79	-9.25	17.91	608.69	-9.85	19.36	617.18	-9.85	19.36	570.23	
		M3	-40.38	-2.46	1209.63	-40.38	-2.46	1017.15	-40.38	-0.05	1017.15	-40.38	-0.05	824.67	
		MIN	S2	-49.94	-13.55	455.42	-49.94	-13.55	217.35	-49.94	-13.03	217.38	-49.94	-13.03	-20.68
			TQ	-36.42	-24.04	140.23	-36.42	-24.04	-33.37	-35.82	-24.13	-41.84	-35.82	-24.13	-212.60
			M3	-5.29	-3.67	-416.61	-5.29	-3.67	-441.83	-5.29	-4.72	-441.82	-5.29	-4.72	-467.04
64	1-LANE (case4TRUCK-LOAD	MAX	S2	3.18	-1.04	-188.95	3.18	-1.04	-173.80	3.18	-1.45	-173.80	3.18	-1.45	-158.65
			TQ	2.50	0.99	-102.83	2.50	0.99	-90.90	1.71	1.29	158.69	1.71	1.29	166.84
			M3	-13.80	-230.09	322.53	-13.69	-229.60	256.78	-13.69	-228.99	257.32	-13.41	-226.76	192.95
		MIN	S2	-14.82	-219.60	307.56	-14.82	-219.60	236.91	-14.82	-219.03	237.43	-14.82	-219.03	166.79
			TQ	-14.44	-230.14	322.13	-14.44	-230.14	253.31	-14.44	-229.54	253.86	-14.44	-229.54	185.04
			M3	1.36	-4.42	-300.80	1.31	-4.41	-294.45	1.31	-5.11	-294.44	1.31	-5.11	-288.20
	TANDEM-LOAD	MAX	S2	2.18	-1.13	-140.30	2.18	-1.13	-129.92	2.18	-1.44	-129.92	2.18	-1.44	-119.54
			TQ	1.70	1.12	-61.05	1.70	1.12	-52.94	1.42	1.01	-40.97	1.42	1.01	-34.18
			M3	-9.52	-157.54	220.25	-9.52	-157.54	174.87	-9.52	-157.12	175.25	-8.89	-153.58	132.20
		MIN	S2	-10.16	-151.84	212.78	-10.16	-151.84	164.36	-10.16	-151.45	164.72	-10.16	-151.45	116.30
			TQ	-9.70	-157.55	220.14	-9.70	-157.55	173.91	-9.70	-157.14	174.28	-9.70	-157.14	128.06
			M3	0.82	-2.98	-204.35	0.82	-2.98	-200.45	0.82	-3.46	-200.44	0.82	-3.46	-196.54

BAGO RIVER BRIDGE

BLOCK [ No.1 : MAIN GIRDER ][ BEAM MEMBER FORCE ]

MEMBER		1011			1012			1012			1013						
NODE		1011			1012			1012			1013						
		SHEAR	TORQUE	MOMENT	SHEAR	TORQUE	MOMENT	SHEAR	TORQUE	MOMENT	SHEAR	TORQUE	MOMENT				
NAME	TITLE	S2 (kN)	TQ (kN·m)	M3 (kN·m)	S2 (kN)	TQ (kN·m)	M3 (kN·m)	S2 (kN)	TQ (kN·m)	M3 (kN·m)	S2 (kN)	TQ (kN·m)	M3 (kN·m)				
64	1-LANE (case4DISPERSION-LMAX	S2	4.96	-1.54	-17.99	4.96	-1.54	5.68	4.96	-1.53	5.68	4.96	-1.53	29.35			
		TQ	3.35	1.79	234.47	3.35	1.79	250.45	3.28	2.39	253.33	3.28	2.39	268.96			
		M3	-17.19	-238.99	651.21	-17.19	-238.99	569.26	-17.19	-237.63	569.82	-17.19	-237.63	487.87			
		MIN	S2	-20.21	-241.48	315.37	-20.21	-241.48	219.03	-20.21	-240.96	219.60	-20.21	-240.96	123.26		
		TQ	-18.60	-244.82	62.91	-18.60	-244.82	-25.74	-18.53	-244.88	-28.04	-18.53	-244.88	-116.35			
		M3	1.95	-4.04	-353.83	1.95	-4.04	-344.55	1.95	-4.86	-344.54	1.95	-4.86	-335.26			
		65	2-LANES (caseTRUCK-LOAD	MAX	S2	320.46	305.76	3310.25	183.67	127.52	3119.92	183.67	134.93	3119.61	80.16	6.42	2300.44
				TQ	-165.14	492.75	2458.71	-165.14	492.75	1671.46	-165.14	496.72	1670.29	-165.14	496.72	883.04	
				M3	120.03	429.31	3509.64	4.65	287.46	3345.74	4.65	295.41	3345.05	-131.61	117.16	2492.12	
MIN	S2			-229.82	455.46	3473.20	-334.25	332.45	3301.34	-334.25	340.29	3300.54	-471.45	161.62	2464.27		
TQ	24.17			-38.42	746.14	24.17	-38.42	861.37	23.62	-36.37	843.57	23.62	-36.37	956.16			
M3	-19.85			1.52	-797.72	-20.00	1.61	-892.84	-20.00	-0.51	-892.84	-20.00	-0.51	-988.19			
TANDEM-LOAD	MAX			S2	262.20	266.48	2643.18	166.11	140.22	2558.68	166.11	146.30	2558.34	74.54	25.11	1944.63	
TQ	-118.38			339.15	1783.46	-118.38	339.15	1219.14	-118.38	342.04	1218.33	-118.38	342.04	654.01			
M3	51.72			288.75	2667.49	-38.53	172.23	2585.26	-38.53	178.37	2584.84	-135.96	48.40	1968.68			
MIN	S2	-177.27	288.75	2667.49	-267.52	172.23	2585.26	-267.52	178.37	2584.84	-364.94	48.40	1968.68				
TQ	21.70	-30.85	652.17	21.70	-30.85	755.63	17.98	-29.24	637.25	17.98	-29.24	722.96					
M3	-13.52	0.98	-543.97	-13.56	1.00	-608.55	-13.56	-0.44	-608.55	-13.56	-0.44	-673.21					
DISPERSION-LMAX	S2	87.36	47.58	1594.94	47.93	10.21	1436.85	47.93	13.62	1436.82	25.39	-3.30	1179.03				
TQ	-60.61	444.52	2312.91	-140.23	444.52	1834.01	-129.52	449.50	2321.98	-209.15	449.50	1514.58					
M3	-31.45	430.10	3289.23	-111.08	430.10	2949.32	-111.08	437.10	2948.29	-190.70	437.10	2228.84					
MIN	S2	-142.07	385.53	744.27	-182.25	422.90	451.60	-182.25	423.97	450.60	-239.34	440.90	-121.91				
TQ	5.90	-11.40	26.30	5.90	-11.40	54.44	-4.80	-11.91	-434.56	-4.80	-11.91	-457.46					
M3	-23.25	3.02	-950.02	-23.25	3.02	-1060.87	-23.25	0.50	-1060.87	-23.25	0.50	-1171.72					

BAGO RIVER BRIDGE

BLOCK [ No.1 : MAIN GIRDER ][ BEAM MEMBER FORCE ]

MEMBER				1011			1012			1013						
NODE				1011			1012			1012			1013			
				SHEAR	TORQUE	MOMENT	SHEAR	TORQUE	MOMENT	SHEAR	TORQUE	MOMENT	SHEAR	TORQUE	MOMENT	
NAME	TITLE			S2 (kN)	TQ (kN·m)	M3 (kN·m)	S2 (kN)	TQ (kN·m)	M3 (kN·m)	S2 (kN)	TQ (kN·m)	M3 (kN·m)	S2 (kN)	TQ (kN·m)	M3 (kN·m)	
66	2-LANES (caseTRUCK-LOAD	MAX	S2	91.61	165.58	2202.56	69.26	112.18	2093.03	69.26	117.15	2092.76	49.30	74.02	1883.35	
			TQ	-129.90	288.99	1905.01	-129.90	288.99	1285.77	-129.90	292.04	1285.08	-129.90	292.04	665.83	
			M3	-69.59	216.16	2986.65	-63.91	166.73	2494.79	-63.91	172.65	2494.39	-47.06	121.83	2077.08	
			MIN	S2	-183.74	230.91	2943.67	-204.85	189.84	2380.63	-204.85	195.49	2380.17	-227.39	141.95	1699.01
				TQ	3.76	-4.54	54.52	3.76	-4.54	72.44	1.72	-4.53	-25.21	1.72	-4.53	-16.99
				M3	-16.03	-0.64	-765.61	-16.19	-0.55	-842.54	-16.19	-2.55	-842.53	-16.28	-2.57	-919.75
		TANDEM-LOAD	MAX	S2	71.51	127.91	1603.70	56.16	90.65	1542.77	56.16	94.32	1542.55	41.09	57.65	1404.44
				TQ	-90.19	198.14	1329.84	-90.19	198.14	899.90	-90.19	200.27	899.43	-90.19	200.27	469.48
				M3	-58.71	140.44	2159.75	-48.65	106.89	1803.54	-48.65	111.17	1803.28	-35.05	76.13	1535.18
			MIN	S2	-132.62	149.28	2102.01	-147.75	114.12	1707.27	-147.75	118.18	1706.99	-163.20	79.75	1232.48
				TQ	4.48	-3.38	86.34	4.48	-3.38	107.71	0.46	-3.34	-26.51	0.46	-3.34	-24.31
				M3	-10.98	-0.42	-522.00	-11.02	-0.39	-574.46	-11.02	-1.76	-574.46	-11.04	-1.77	-627.00
		DISPERSION-LMAX	MAX	S2	36.24	39.63	1247.66	27.16	25.93	1204.81	27.16	28.79	1204.75	20.65	19.31	1122.60
				TQ	-84.69	285.07	2715.65	-109.55	285.07	2252.68	-105.10	290.74	2458.99	-129.96	290.74	1898.72
				M3	-76.30	283.19	3033.36	-101.15	283.19	2610.41	-101.15	289.39	2609.73	-126.01	289.39	2068.30
			MIN	S2	-131.59	242.72	873.94	-147.37	256.42	403.00	-147.37	257.38	402.39	-165.71	266.86	-147.73
				TQ	-10.66	-2.72	-594.05	-10.66	-2.72	-644.86	-15.10	-4.58	-851.85	-15.10	-4.58	-923.85
				M3	-19.05	-0.84	-911.75	-19.05	-0.84	-1002.59	-19.05	-3.22	-1002.59	-19.05	-3.22	-1093.42
67	2-LANES (caseTRUCK-LOAD	MAX	S2	4.79	18.89	361.59	4.79	18.89	384.43	4.79	19.80	384.38	4.79	19.80	407.22	
			TQ	-7.48	47.40	886.02	-7.48	47.40	850.36	-7.48	49.42	850.24	-7.48	49.42	814.58	
			M3	-82.87	-128.05	1690.55	-70.59	-105.54	1323.52	-70.59	-102.40	1323.76	-48.14	-43.29	1046.04	
		MIN	S2	-92.55	-128.56	1583.37	-92.55	-128.56	1142.17	-92.55	-125.85	1142.47	-92.55	-125.85	701.28	
			TQ	-87.78	-134.24	1674.87	-87.78	-134.24	1256.40	-87.78	-131.25	1256.71	-87.78	-131.25	838.24	
			M3	-6.80	-5.02	-685.16	-6.80	-5.02	-717.57	-6.80	-6.73	-717.55	-6.80	-6.73	-749.96	

BAGO RIVER BRIDGE

BLOCK [ No.1 : MAIN GIRDER ][ BEAM MEMBER FORCE ]

MEMBER		1011			1012			1012			1013						
NODE		1011			1012			1012			1013						
		SHEAR	TORQUE	MOMENT	SHEAR	TORQUE	MOMENT	SHEAR	TORQUE	MOMENT	SHEAR	TORQUE	MOMENT				
NAME	TITLE	S2 (kN)	TQ (kN·m)	M3 (kN·m)	S2 (kN)	TQ (kN·m)	M3 (kN·m)	S2 (kN)	TQ (kN·m)	M3 (kN·m)	S2 (kN)	TQ (kN·m)	M3 (kN·m)				
67	2-LANES (caseTANDEM-LOAD	MAX	S2	3.64	17.49	298.81	3.64	17.49	316.14	3.64	18.24	316.10	3.64	18.24	333.44		
			TQ	-2.30	34.93	555.22	-2.30	34.93	544.25	-2.30	36.23	544.17	-2.30	36.23	533.21		
			M3	-54.86	-88.23	1156.24	-49.35	-76.42	907.03	-49.35	-74.26	907.21	-33.75	-28.84	717.98		
			MIN	S2	-63.69	-88.10	1076.81	-63.69	-88.10	773.18	-63.69	-86.27	773.39	-63.69	-86.27	469.76	
			TQ	-60.02	-93.66	1150.11	-60.02	-93.66	863.99	-60.02	-91.61	864.21	-60.02	-91.61	578.09		
			M3	-4.61	-3.44	-466.60	-4.61	-3.44	-488.59	-4.61	-4.60	-488.58	-4.61	-4.60	-510.57		
			DISPERSION-LMAX	S2	7.54	10.16	614.16	7.54	10.16	650.11	7.54	11.71	650.09	7.54	11.71	686.03	
			TQ	-7.41	23.74	1025.23	-7.41	23.74	989.90	-8.08	26.10	1000.97	-8.08	26.10	962.44		
			M3	-74.83	-71.49	2258.67	-74.83	-71.49	1901.93	-74.83	-66.97	1902.10	-74.83	-66.97	1545.36		
			MIN	S2	-90.65	-89.43	831.60	-90.65	-89.43	399.48	-90.65	-88.49	399.70	-90.65	-88.49	-32.42	
			TQ	-75.69	-103.01	420.53	-75.69	-103.01	59.69	-75.02	-102.88	48.81	-75.02	-102.88	-308.83		
			M3	-8.27	-7.78	-812.91	-8.27	-7.78	-852.34	-8.27	-9.81	-852.32	-8.27	-9.81	-891.75		
		68	2-LANES (caseTRUCK-LOAD	MAX	S2	5.08	-0.21	-36.27	5.08	-0.21	-12.04	5.08	-0.24	-12.04	5.08	-0.24	12.19
					TQ	4.39	1.83	49.88	4.39	1.83	70.80	3.60	2.50	320.39	3.60	2.50	337.54
					M3	-36.61	-395.18	798.54	-35.27	-382.31	627.26	-35.27	-380.82	628.17	-34.18	-368.55	463.53
	MIN			S2	-38.71	-395.72	763.43	-38.71	-395.72	578.90	-38.71	-394.35	579.83	-38.71	-394.35	395.30	
	TQ			-38.31	-406.34	775.32	-38.31	-406.34	592.69	-38.31	-404.93	593.65	-38.31	-404.93	411.02		
	M3			0.94	-8.11	-617.53	0.83	-8.07	-613.39	0.83	-9.53	-613.37	0.79	-9.52	-609.48		
	TANDEM-LOAD			MAX	S2	3.47	-0.57	-36.51	3.47	-0.57	-19.97	3.47	-0.62	-19.97	3.47	-0.62	-3.43
	TQ			2.98	1.69	42.44	2.98	1.69	56.64	2.70	1.84	68.61	2.70	1.84	81.49		
	M3			-24.81	-268.43	544.44	-24.47	-264.98	427.07	-24.47	-263.96	427.70	-22.65	-247.09	317.66		
	MIN			S2	-26.42	-271.06	531.32	-26.42	-271.06	405.39	-26.42	-270.10	406.03	-26.42	-270.10	280.09	
	TQ			-25.95	-277.70	524.63	-25.95	-277.70	400.92	-25.95	-276.75	401.58	-25.95	-276.75	277.87		
	M3			0.59	-5.52	-419.81	0.42	-5.45	-417.15	0.42	-6.44	-417.13	0.42	-6.44	-415.13		



BAGO RIVER BRIDGE

BLOCK [ No.1 : MAIN GIRDER ][ BEAM MEMBER FORCE ]

MEMBER		1011			1012			1012			1013						
NODE		1011			1012			1012			1013						
		SHEAR	TORQUE	MOMENT	SHEAR	TORQUE	MOMENT	SHEAR	TORQUE	MOMENT	SHEAR	TORQUE	MOMENT				
NAME	TITLE	S2 (kN)	TQ (kN·m)	M3 (kN·m)	S2 (kN)	TQ (kN·m)	M3 (kN·m)	S2 (kN)	TQ (kN·m)	M3 (kN·m)	S2 (kN)	TQ (kN·m)	M3 (kN·m)				
68	2-LANES (caseDISPERSION-LMAX	S2	8.63	-1.51	118.47	8.63	-1.51	159.62	8.63	-1.13	159.63	8.63	-1.13	200.78			
		TQ	6.48	3.26	494.70	6.48	3.26	525.60	6.39	4.51	530.04	6.39	4.51	560.48			
		M3	-40.57	-413.86	1461.87	-40.57	-413.86	1268.45	-40.57	-410.85	1269.43	-40.57	-410.85	1076.02			
		MIN	S2	-47.69	-420.43	615.17	-47.69	-420.43	387.84	-47.69	-419.51	388.84	-47.69	-419.51	161.51		
		TQ	-45.54	-425.19	238.95	-45.54	-425.19	21.87	-45.44	-425.14	18.43	-45.44	-425.14	-198.18			
		M3	1.52	-8.07	-728.23	1.52	-8.07	-720.98	1.52	-9.79	-720.96	1.52	-9.79	-713.72			
		69	3-LANES (caseTRUCK-LOAD	MAX	S2	337.63	353.67	3977.46	200.84	175.44	3868.99	200.84	184.63	3868.56	97.33	56.12	3131.24
				TQ	-220.90	591.99	3270.74	-220.90	591.99	2217.71	-220.90	597.26	2216.30	-220.90	597.26	1163.27	
				M3	47.07	487.63	4870.93	-40.93	341.87	4397.91	-40.93	352.32	4397.09	-138.03	176.85	3425.28	
MIN	S2			-310.35	518.91	4808.81	-414.78	395.90	4253.03	-414.78	406.00	4252.08	-551.99	227.33	3031.89		
TQ	20.02			-39.78	555.52	20.02	-39.78	650.97	17.99	-38.39	553.40	17.99	-38.39	639.15			
M3	-26.96			0.73	-1172.56	-27.11	0.82	-1301.58	-27.11	-2.27	-1301.58	-27.20	-2.30	-1430.89			
TANDEM-LOAD	MAX			S2	276.09	297.17	3054.53	180.00	170.90	3036.21	180.00	178.11	3035.79	88.42	56.93	2488.27	
TQ	-157.01			407.38	2349.88	-157.01	407.38	1601.38	-157.01	411.18	1600.41	-157.01	411.18	851.91			
M3	0.42			324.61	3624.24	-64.64	209.70	3311.16	-64.64	217.56	3310.65	-133.02	90.97	2631.51			
MIN	S2	-233.78	333.45	3566.50	-324.03	216.93	3214.89	-324.03	224.57	3214.36	-421.45	94.59	2328.81				
TQ	18.58	-31.81	509.54	18.58	-31.81	598.11	14.56	-30.61	463.95	14.56	-30.61	533.35					
M3	-18.38	0.44	-799.49	-18.43	0.46	-887.26	-18.43	-1.64	-887.26	-18.45	-1.65	-975.12					
DISPERSION-LMAX	S2	96.58	62.24	2077.28	57.14	24.86	1963.12	57.14	29.53	1963.06	34.43	11.46	1730.46				
TQ	-107.69	549.55	3762.82	-188.31	549.55	3057.10	-177.60	557.44	3545.01	-258.21	557.44	2506.07					
M3	-78.53	535.12	4739.32	-159.15	535.12	4172.61	-159.15	545.03	4171.33	-239.76	545.03	3220.33					
MIN	S2	-206.84	474.55	1265.76	-248.02	511.92	661.96	-248.02	513.49	660.74	-305.93	531.56	-208.91				
TQ	-2.57	-12.76	-419.78	-2.57	-12.76	-432.03	-13.28	-14.42	-921.22	-13.28	-14.42	-984.53					
M3	-31.73	1.66	-1396.28	-31.73	1.66	-1547.53	-31.73	-2.01	-1547.53	-31.73	-2.01	-1698.79					

BAGO RIVER BRIDGE

BLOCK [ No.1 : MAIN GIRDER ][ BEAM MEMBER FORCE ]

MEMBER				1011			1012			1013					
NODE				1011			1012			1013					
				SHEAR	TORQUE	MOMENT	SHEAR	TORQUE	MOMENT	SHEAR	TORQUE	MOMENT			
NAME	TITLE			S2 (kN)	TQ (kN·m)	M3 (kN·m)	S2 (kN)	TQ (kN·m)	M3 (kN·m)	S2 (kN)	TQ (kN·m)	M3 (kN·m)			
70	3-LANES (caseTRUCK-LOAD	MAX	S2	6.53	19.77	511.67	6.53	19.77	542.79	6.53	21.06	542.75	6.53	21.06	573.87
			TQ	-5.81	48.31	1035.02	-5.81	48.31	1007.34	-5.77	50.71	1008.93	-5.77	50.71	981.42
			M3	-111.36	-267.73	2259.45	-96.56	-234.65	1763.24	-96.56	-230.46	1763.80	-70.49	-147.09	1370.19
		MIN	S2	-122.83	-270.89	2122.64	-122.83	-270.89	1537.11	-122.83	-267.24	1537.75	-122.83	-267.24	952.23
			TQ	-118.01	-277.51	2224.92	-118.01	-277.51	1662.35	-118.01	-273.57	1663.00	-118.01	-273.57	1100.43
			M3	-7.36	-8.66	-1003.39	-7.45	-8.62	-1038.77	-7.45	-11.09	-1038.74	-7.45	-11.09	-1074.26
		TANDEM-LOAD MAX	S2	4.82	18.09	400.23	4.82	18.09	423.19	4.82	19.09	423.14	4.82	19.09	446.10
			TQ	-1.15	35.55	656.80	-1.15	35.55	651.30	-1.14	37.10	651.69	-1.14	37.10	646.23
			M3	-73.89	-182.91	1544.33	-67.79	-168.66	1206.19	-67.79	-165.79	1206.58	-49.36	-104.51	940.13
		MIN	S2	-84.37	-186.45	1456.32	-84.37	-186.45	1054.13	-84.37	-183.94	1054.57	-84.37	-183.94	652.39
			TQ	-80.69	-192.00	1529.62	-80.69	-192.00	1144.94	-80.69	-189.28	1145.40	-80.69	-189.28	760.72
			M3	-4.96	-5.92	-683.12	-4.96	-5.92	-706.78	-4.96	-7.60	-706.76	-5.12	-7.53	-731.11
		DISPERSION-LMAX	S2	10.76	10.48	765.38	10.76	10.48	816.67	10.76	12.42	816.64	10.76	12.42	867.93
			TQ	-4.73	25.51	1293.69	-4.73	25.51	1271.13	-5.44	28.54	1283.95	-5.44	28.54	1258.04
			M3	-103.08	-204.95	3147.81	-103.08	-204.95	2656.43	-103.08	-198.64	2656.91	-103.08	-198.64	2165.54
MIN	S2	-122.71	-227.34	1193.78	-122.71	-227.34	608.82	-122.71	-225.89	609.35	-122.71	-225.89	24.39		
	TQ	-107.22	-242.37	665.47	-107.22	-242.37	154.35	-106.51	-242.01	142.04	-106.51	-242.01	-365.72		
	M3	-8.87	-11.91	-1188.65	-8.87	-11.91	-1230.95	-8.87	-14.83	-1230.92	-8.87	-14.83	-1273.22		
71	3-LANES (caseTRUCK-LOAD	MAX	S2	7.15	0.54	118.93	7.15	0.54	153.04	7.15	0.91	153.04	7.15	0.91	187.15
			TQ	2.91	9.62	261.14	2.91	9.62	275.01	2.12	10.78	524.58	2.12	10.78	534.68
			M3	-67.33	-505.90	1450.46	-64.24	-484.57	1138.25	-64.24	-481.87	1139.40	-57.66	-437.84	855.86
		MIN	S2	-73.01	-518.92	1369.87	-73.01	-518.92	1021.82	-73.01	-516.49	1023.05	-73.01	-516.49	675.01
			TQ	-72.61	-529.54	1381.76	-72.61	-529.54	1035.62	-72.61	-527.07	1036.87	-72.61	-527.07	690.72
			M3	-1.34	-11.08	-950.48	-1.45	-11.04	-957.21	-1.45	-13.32	-957.18	-1.50	-13.28	-964.20

BAGO RIVER BRIDGE

BLOCK [ No.1 : MAIN GIRDER ][ BEAM MEMBER FORCE ]

MEMBER		1011			1012			1012			1013				
NODE		1011			1012			1012			1013				
		SHEAR	TORQUE	MOMENT	SHEAR	TORQUE	MOMENT	SHEAR	TORQUE	MOMENT	SHEAR	TORQUE	MOMENT		
NAME	TITLE	S2 (kN)	TQ (kN·m)	M3 (kN·m)	S2 (kN)	TQ (kN·m)	M3 (kN·m)	S2 (kN)	TQ (kN·m)	M3 (kN·m)	S2 (kN)	TQ (kN·m)	M3 (kN·m)		
71	3-LANES (caseTANDEM-LOAD	MAX	S2	4.88	-0.06	68.82	4.88	-0.06	92.07	4.88	0.16	92.07	4.88	0.16	115.33
			TQ	1.99	8.10	201.75	1.99	8.10	211.21	1.71	8.61	223.17	1.71	8.61	231.32
			M3	-46.38	-346.97	989.01	-43.50	-332.75	777.20	-43.50	-330.90	777.99	-37.91	-289.33	586.69
		MIN	S2	-50.05	-355.52	951.79	-50.05	-355.52	713.21	-50.05	-353.82	714.05	-50.05	-353.82	475.48
			TQ	-49.58	-362.16	945.09	-49.58	-362.16	708.74	-49.58	-360.47	709.60	-49.58	-360.47	473.26
			M3	-0.94	-7.55	-646.46	-1.11	-7.48	-651.11	-1.11	-9.03	-651.09	-1.11	-9.03	-656.39
	DISPERSION-LMAX	S2	12.15	0.35	385.86	12.15	0.35	443.78	12.15	1.41	443.78	12.15	1.41	501.69	
		TQ	9.16	6.94	831.06	9.16	6.94	874.71	9.00	9.02	881.45	9.00	9.02	924.35	
		M3	-70.15	-524.40	2432.32	-70.15	-524.40	2097.91	-70.15	-519.42	2099.15	-70.15	-519.42	1764.73	
		MIN	S2	-83.59	-536.85	923.31	-83.59	-536.85	524.84	-83.59	-535.60	526.11	-83.59	-535.60	127.64
			TQ	-80.59	-543.43	478.11	-80.59	-543.43	93.91	-80.44	-543.22	88.44	-80.44	-543.22	-295.02
			M3	-1.29	-12.09	-1123.15	-1.29	-12.09	-1129.29	-1.29	-14.78	-1129.26	-1.29	-14.78	-1135.39
72	4-LANES TRUCK-LOAD	MAX	S2	7.21	18.02	-120.56	7.21	18.02	-86.20	7.21	17.81	-86.25	7.21	17.81	-51.89
			TQ	-5.73	44.77	771.35	-5.73	44.77	744.03	-6.71	46.61	786.99	-6.71	46.61	755.00
			M3	-119.64	-521.06	2485.61	-106.08	-484.28	1947.22	-106.08	-479.66	1948.36	-81.94	-389.56	1502.96
		MIN	S2	-130.98	-523.08	2340.72	-130.98	-523.08	1716.34	-130.98	-519.00	1717.58	-130.98	-519.00	1093.20
			TQ	-128.53	-539.03	2414.22	-128.53	-539.03	1801.50	-128.53	-534.75	1802.78	-128.53	-534.75	1190.05
			M3	-5.86	-13.13	-1302.67	-5.97	-13.10	-1330.90	-5.97	-16.26	-1330.86	-6.01	-16.22	-1359.35
	TANDEM-LOAD	MAX	S2	5.52	18.71	4.61	5.52	18.71	30.95	5.52	18.78	30.90	5.52	18.78	57.24
			TQ	-1.15	33.95	487.55	-1.15	33.95	482.07	-1.42	35.11	494.00	-1.42	35.11	487.23
			M3	-79.67	-355.27	1697.60	-73.53	-336.18	1331.07	-73.53	-333.02	1331.87	-56.82	-268.83	1031.23
		MIN	S2	-89.97	-358.96	1605.59	-89.97	-358.96	1176.71	-89.97	-356.17	1177.56	-89.97	-356.17	748.68
			TQ	-88.24	-370.28	1660.35	-88.24	-370.28	1239.72	-88.24	-367.33	1240.60	-88.24	-367.33	819.98
			M3	-4.02	-8.96	-886.39	-4.18	-8.88	-905.63	-4.18	-11.04	-905.61	-4.18	-11.04	-925.55

BAGO RIVER BRIDGE

BLOCK [ No.1 : MAIN GIRDER ][ BEAM MEMBER FORCE ]

MEMBER				1011			1012			1013								
NODE				1011			1012			1013								
				SHEAR	TORQUE	MOMENT	SHEAR	TORQUE	MOMENT	SHEAR	TORQUE	MOMENT						
NAME	TITLE			S2 (kN)	TQ (kN·m)	M3 (kN·m)	S2 (kN)	TQ (kN·m)	M3 (kN·m)	S2 (kN)	TQ (kN·m)	M3 (kN·m)						
72	4-LANES	DISPERSION-LMAX	S2	3.46	3.01	-281.52	3.46	3.01	-265.01	3.46	2.38	-265.02	3.46	2.38	-248.51			
			TQ	-13.46	20.78	481.06	-13.46	20.78	416.87	-14.25	21.79	433.11	-14.25	21.79	365.20			
			M3	-130.33	-470.50	2730.45	-130.33	-470.50	2109.16	-130.33	-465.49	2110.27	-129.45	-478.37	1489.88			
		MIN	S2	-138.28	-488.36	1823.06	-138.28	-488.36	1163.86	-138.28	-485.59	1165.01	-138.28	-485.59	505.81			
			TQ	-121.94	-542.61	1086.28	-121.94	-542.61	505.02	-121.34	-541.42	493.44	-121.34	-541.42	-85.00			
			M3	-4.22	-12.87	-1182.42	-4.22	-12.87	-1202.54	-4.22	-15.72	-1202.51	-4.22	-15.72	-1222.63			
		73	6-LANES	TRUCK-LOAD	MAX	S2	276.66	256.24	3020.80	167.55	135.53	3204.15	167.55	143.14	3203.82	87.68	60.21	2883.02
					TQ	-158.63	510.55	3677.51	-158.63	510.55	2921.32	-159.80	517.57	2986.77	-159.80	517.57	2225.01	
					M3	-79.59	-33.11	6250.84	-133.27	-120.12	5351.36	-133.27	-107.41	5351.63	-182.02	-184.11	4176.03	
MIN	S2			-371.47	-25.73	6098.82	-443.94	-97.32	4870.21	-443.94	-85.76	4870.43	-560.53	-214.59	3223.07			
	TQ			-79.42	-491.83	1666.66	-79.42	-491.83	1288.07	-81.25	-488.91	1204.11	-81.25	-488.91	816.78			
	M3			-28.47	-10.52	-2124.41	-28.72	-10.43	-2260.50	-28.72	-15.80	-2260.47	-28.72	-15.80	-2397.40			
TANDEM-LOAD	MAX			S2	225.80	228.50	2469.65	148.84	142.48	2644.16	148.84	148.76	2643.82	75.90	67.01	2387.96		
	TQ			-110.76	355.68	2456.21	-110.76	355.68	1928.22	-111.36	360.30	1957.60	-111.36	360.30	1426.73			
	M3			-80.65	-37.07	4515.24	-115.61	-93.84	3902.76	-115.61	-84.58	3902.97	-151.67	-150.76	3091.41			
MIN	S2	-271.85	-38.44	4419.87	-343.51	-117.13	3632.65	-343.51	-108.50	3632.92	-421.64	-196.97	2413.17					
	TQ	-50.41	-340.63	1226.54	-50.41	-340.63	986.25	-51.81	-338.39	923.59	-51.81	-338.39	676.62					
	M3	-19.21	-7.28	-1446.89	-19.50	-7.21	-1539.69	-19.50	-10.87	-1539.67	-19.63	-10.79	-1632.92					
DISPERSION-LMAX	S2	95.43	58.81	2243.07	61.28	27.16	2212.17	61.28	32.42	2212.10	41.69	18.15	2088.26					
	TQ	-81.10	466.83	4202.65	-150.46	466.83	3650.81	-142.19	476.03	4074.19	-202.94	476.03	3241.09					
	M3	-161.57	43.99	7034.21	-230.92	43.99	6098.77	-230.92	58.48	6098.64	-298.83	31.97	4833.58					
MIN	S2	-292.88	-28.39	2352.61	-325.95	1.22	1236.59	-325.95	4.16	1236.58	-375.52	18.35	-67.98					
	TQ	-108.47	-496.98	247.49	-108.47	-496.98	-269.60	-115.86	-498.12	-647.65	-115.86	-498.12	-1199.98					
	M3	-33.20	-11.34	-2429.49	-33.20	-11.34	-2587.74	-33.20	-17.48	-2587.70	-33.20	-17.48	-2745.95					

BAGO RIVER BRIDGE

BLOCK [ No.1 : MAIN GIRDER ][ BEAM MEMBER FORCE ]

MEMBER			1011			1012			1012			1013			
NODE			1011			1012			1012			1013			
NAME TITLE			SHEAR	TORQUE	MOMENT	SHEAR	TORQUE	MOMENT	SHEAR	TORQUE	MOMENT	SHEAR	TORQUE	MOMENT	
			S2 (kN)	TQ (kN·m)	M3 (kN·m)	S2 (kN)	TQ (kN·m)	M3 (kN·m)	S2 (kN)	TQ (kN·m)	M3 (kN·m)	S2 (kN)	TQ (kN·m)	M3 (kN·m)	
124	SUM TOTAL	D+1LANE (caseMAX	S2	-440.54	492.18	21953.16	-891.91	313.98	17354.61	-891.91	355.19	17353.81	-1289.24	242.43	10702.09
			TQ	-944.96	920.31	21723.22	-1289.49	920.31	16397.13	-1281.97	959.63	16733.58	-1626.51	959.63	9800.94
			M3	-670.85	867.43	23136.03	-1127.81	751.83	18471.88	-1127.81	795.70	18470.04	-1609.08	646.13	11475.48
		MIN	S2	-1050.40	863.13	21536.10	-1458.48	793.20	16871.12	-1458.48	833.27	16869.18	-1921.19	693.43	10001.22
			TQ	-778.94	185.01	19638.07	-1056.56	185.01	15263.13	-1064.08	220.89	14923.97	-1341.71	220.89	9189.74
			M3	-836.49	243.98	17757.98	-1114.11	243.98	13108.71	-1114.11	275.11	13108.09	-1391.73	275.11	7135.38
		D+1LANE (caseMAX	S2	-776.50	314.42	20207.21	-1054.12	314.42	15843.89	-1054.12	352.05	15843.10	-1331.95	350.69	10133.86
			TQ	-931.57	484.46	21542.07	-1210.38	484.46	16436.70	-1210.37	523.50	16435.74	-1489.19	523.50	10001.27
			M3	-952.20	435.36	22201.39	-1198.18	430.66	17044.04	-1198.18	471.14	17042.97	-1429.99	474.47	10784.78
		MIN	S2	-982.53	422.30	21056.26	-1261.34	422.30	15707.94	-1261.34	459.60	15706.90	-1539.96	460.97	9051.93
			TQ	-823.31	236.08	18063.71	-1100.93	236.08	13477.26	-1102.71	267.89	13380.70	-1380.34	267.89	7462.30
			M3	-826.87	236.76	17842.43	-1104.49	236.76	13239.01	-1104.49	268.20	13238.41	-1382.22	268.17	7311.47
		D+1LANE (caseMAX	S2	-799.57	269.91	19483.54	-1077.19	269.91	15010.25	-1077.19	305.56	15009.56	-1354.82	305.56	9212.82
			TQ	-824.65	300.88	20292.91	-1102.27	300.88	15700.07	-1102.98	338.18	15709.55	-1380.61	338.18	9789.85
			M3	-913.49	189.44	21415.52	-1179.25	208.41	16425.45	-1179.25	247.42	16424.91	-1438.71	283.82	10182.87
		MIN	S2	-930.34	178.24	20442.49	-1207.96	178.24	15345.80	-1207.96	214.69	15345.34	-1485.59	214.69	8925.20
			TQ	-909.60	162.85	20130.35	-1187.22	162.85	15132.55	-1186.50	198.78	15121.88	-1464.13	198.78	8804.04
			M3	-819.72	232.39	17906.99	-1097.34	232.39	13337.65	-1097.34	264.06	13337.06	-1374.97	264.06	7444.28
		D+1LANE (caseMAX	S2	-798.39	236.24	18579.41	-1076.01	236.24	14111.74	-1076.01	269.76	14111.14	-1353.64	269.76	8320.03
			TQ	-801.14	242.68	18985.71	-1078.76	242.68	14504.94	-1079.79	277.74	14807.30	-1357.42	277.74	8998.15
			M3	-845.35	-323.56	19996.24	-1122.84	-322.97	15304.73	-1122.84	-286.62	15305.46	-1400.14	-283.94	9292.17
		MIN	S2	-850.20	-313.96	19575.25	-1127.82	-313.96	14860.62	-1127.82	-278.67	14861.32	-1405.44	-278.67	8823.25
			TQ	-847.80	-330.62	19289.79	-1125.42	-330.62	14586.58	-1125.34	-295.98	14583.86	-1402.96	-295.98	8557.61
			M3	-804.19	229.18	18042.18	-1081.87	229.20	13546.69	-1081.87	261.37	13546.11	-1359.50	261.37	7727.04

BAGO RIVER BRIDGE

BLOCK [ No.1 : MAIN GIRDER ][ BEAM MEMBER FORCE ]

MEMBER			1011			1012			1012			1013			
NODE			1011			1012			1012			1013			
NAME TITLE			SHEAR	TORQUE	MOMENT	SHEAR	TORQUE	MOMENT	SHEAR	TORQUE	MOMENT	SHEAR	TORQUE	MOMENT	
			S2 (kN)	TQ (kN·m)	M3 (kN·m)	S2 (kN)	TQ (kN·m)	M3 (kN·m)	S2 (kN)	TQ (kN·m)	M3 (kN·m)	S2 (kN)	TQ (kN·m)	M3 (kN·m)	
124	SUM TOTAL	D+2LANES (casMAX	S2	-400.34	592.67	23732.93	-854.19	377.06	18870.27	-854.19	421.88	18869.32	-1257.86	276.44	11954.66
			TQ	-1033.92	1176.60	23599.36	-1391.16	1176.60	17818.97	-1380.45	1219.55	18305.15	-1737.70	1219.55	10872.80
			M3	-719.59	1098.74	25626.61	-1192.20	956.89	20608.56	-1192.20	1005.84	20606.22	-1685.71	827.59	13196.14
		MIN	S2	-1180.05	1080.33	23045.21	-1602.28	994.68	18066.44	-1602.28	1037.59	18064.02	-2074.20	875.85	10817.55
			TQ	-778.09	189.51	19600.18	-1055.71	189.51	15229.31	-1066.97	225.05	14721.89	-1344.59	225.05	8973.89
			M3	-851.27	243.88	17080.00	-1129.04	243.97	12359.78	-1129.04	273.32	12359.17	-1406.66	273.32	6315.28
		D+2LANES (casMAX	S2	-680.31	444.54	22277.96	-989.36	377.44	17611.34	-989.36	419.26	17610.39	-1293.46	366.65	11481.14
			TQ	-1022.75	813.39	23448.40	-1325.23	813.39	17851.94	-1320.79	856.11	18056.95	-1623.27	856.11	11039.74
			M3	-954.05	738.68	24847.75	-1250.84	689.25	19418.69	-1250.84	735.37	19417.00	-1536.47	684.54	12620.56
		MIN	S2	-1123.49	712.97	22645.35	-1438.00	685.60	17097.13	-1438.00	726.20	17095.45	-1756.51	682.14	10026.47
			TQ	-815.06	232.07	18288.21	-1092.68	232.07	13741.07	-1099.16	264.22	13435.82	-1376.79	264.22	7534.35
			M3	-843.25	237.86	17150.37	-1121.02	237.95	12468.36	-1121.02	267.56	12467.76	-1398.74	267.53	6462.02
		D+2LANES (casMAX	S2	-795.83	268.39	19803.50	-1073.45	268.39	15348.03	-1073.45	304.84	15347.35	-1351.08	304.84	9568.44
			TQ	-823.05	310.47	20738.99	-1100.67	310.47	16153.75	-1101.34	348.85	16164.10	-1378.97	348.85	10252.22
			M3	-965.87	39.80	22776.96	-1231.21	62.31	17538.94	-1231.21	103.97	17538.75	-1486.39	163.07	11066.60
		MIN	S2	-991.36	21.34	21242.71	-1268.98	21.34	15855.15	-1268.98	58.99	15855.05	-1546.61	58.99	9144.05
			TQ	-971.64	2.09	20923.14	-1249.26	2.09	15629.58	-1248.59	39.20	15618.41	-1526.22	39.20	9004.60
			M3	-823.23	226.53	17329.68	-1100.85	226.53	12743.59	-1100.85	256.79	12743.01	-1378.48	256.79	6833.48
		D+2LANES (casMAX	S2	-794.45	237.62	18909.94	-1072.07	237.62	14461.08	-1072.07	271.96	14460.47	-1349.69	271.96	8688.16
			TQ	-797.29	244.42	19372.32	-1074.91	244.42	14909.90	-1075.80	280.34	15163.32	-1353.43	280.34	9373.21
			M3	-885.35	-569.71	21088.14	-1161.63	-556.83	16209.21	-1161.63	-518.33	16210.48	-1438.16	-506.07	10014.74
		MIN	S2	-894.56	-576.81	20206.34	-1172.18	-576.81	15280.23	-1172.18	-540.52	15281.56	-1449.81	-540.52	9032.01
			TQ	-892.01	-592.19	19842.01	-1169.63	-592.19	14928.05	-1169.53	-556.74	14924.96	-1447.16	-556.74	8688.02
			M3	-805.70	223.15	17481.98	-1083.44	223.19	12979.11	-1083.44	254.01	12978.55	-1361.10	254.03	7151.98

BAGO RIVER BRIDGE

BLOCK [ No.1 : MAIN GIRDER ][ BEAM MEMBER FORCE ]

MEMBER			1011			1012			1012			1013				
NODE			1011			1012			1012			1013				
NAME TITLE			SHEAR	TORQUE	MOMENT	SHEAR	TORQUE	MOMENT	SHEAR	TORQUE	MOMENT	SHEAR	TORQUE	MOMENT		
			S2 (kN)	TQ (kN·m)	M3 (kN·m)	S2 (kN)	TQ (kN·m)	M3 (kN·m)	S2 (kN)	TQ (kN·m)	M3 (kN·m)	S2 (kN)	TQ (kN·m)	M3 (kN·m)		
124	SUM TOTAL	D+3LANES (casMAX	S2	-439.09	592.86	23974.27	-866.50	409.59	19270.78	-866.50	455.36	19269.76	-1251.42	330.77	12607.63	
			TQ	-1087.46	1209.64	24806.27	-1433.61	1209.64	18797.08	-1424.50	1254.82	19210.00	-1770.65	1254.82	11594.13	
			M3	-834.90	1108.68	26996.45	-1255.85	984.78	21598.44	-1255.85	1036.08	21596.04	-1684.53	886.93	14123.96	
		MIN	S2	-1247.78	1083.78	23991.13	-1649.16	1010.98	18491.23	-1649.16	1054.89	18488.78	-2092.64	918.38	10874.72	
			TQ	-793.33	194.68	18943.12	-1070.95	194.68	14499.60	-1081.78	228.44	14000.24	-1359.41	228.44	8181.62	
			M3	-858.05	241.37	16644.23	-1135.80	241.44	11891.75	-1135.80	269.69	11891.14	-1413.50	269.66	5814.96	
		D+3LANES (casMAX	S2	-793.47	265.05	19913.24	-1071.09	265.05	15469.03	-1071.09	301.79	15468.36	-1348.72	301.79	9700.71	
			TQ	-817.12	302.09	20807.14	-1094.74	302.09	16250.19	-1095.31	340.69	16261.83	-1372.94	340.69	10378.73	
			M3	-990.44	-162.44	23423.91	-1255.48	-134.32	18070.22	-1255.48	-91.40	18070.48	-1510.94	-20.54	11480.56	
		MIN	S2	-1016.87	-184.16	21646.69	-1294.49	-184.16	16137.53	-1294.49	-145.83	16137.92	-1572.12	-145.83	9305.32	
			TQ	-999.61	-202.56	21284.58	-1277.23	-202.56	15857.69	-1276.63	-164.91	15847.17	-1554.26	-164.91	9099.69	
			M3	-821.96	221.85	16964.51	-1099.66	221.88	12384.23	-1099.66	251.30	12383.67	-1377.29	251.30	6479.83	
		D+3LANES (casMAX	S2	-791.75	240.10	19256.82	-1069.37	240.10	14820.79	-1069.37	275.29	14820.18	-1347.00	275.29	9060.70	
			TQ	-797.91	253.41	19756.11	-1075.53	253.41	15290.75	-1076.33	290.16	15508.01	-1353.96	290.16	9715.37	
			M3	-925.02	-636.42	22128.11	-1200.01	-618.29	17064.22	-1200.01	-577.76	17065.64	-1472.05	-540.34	10702.69	
		MIN	S2	-941.27	-658.07	20776.94	-1218.89	-658.07	15628.16	-1218.89	-620.95	15629.67	-1496.52	-620.95	9157.44	
			TQ	-938.39	-672.69	20408.64	-1216.01	-672.69	15273.59	-1215.88	-636.42	15269.40	-1493.50	-636.42	8811.54	
			M3	-810.40	219.64	17065.16	-1088.11	219.67	12539.97	-1088.11	249.45	12539.41	-1365.78	249.48	6690.53	
		D+4LANES	MAX	S2	-801.23	253.00	18566.39	-1078.85	253.00	14085.20	-1078.85	286.45	14084.56	-1356.47	286.45	8279.93
			TQ	-820.64	281.94	19641.81	-1098.26	281.94	15068.08	-1099.40	317.79	15105.95	-1377.03	317.79	9203.32	
			M3	-970.64	-405.18	22218.18	-1239.45	-381.27	16950.14	-1239.45	-341.02	16951.00	-1500.82	-290.83	10420.53	
		MIN	S2	-983.18	-418.09	21534.20	-1260.80	-418.09	16185.62	-1260.80	-379.65	16186.57	-1538.43	-379.65	9514.54	
			TQ	-970.97	-463.73	21103.07	-1248.59	-463.73	15812.73	-1248.20	-426.18	15805.42	-1525.83	-426.18	9193.47	
			M3	-814.71	222.44	17212.43	-1092.41	222.46	12666.76	-1092.41	252.54	12666.19	-1370.06	252.56	6796.90	

BAGO RIVER BRIDGE

BLOCK [ No.1 : MAIN GIRDER ][ BEAM MEMBER FORCE ]

MEMBER				1011			1012			1013						
NODE				1011			1012			1012			1013			
NAME TITLE				SHEAR	TORQUE	MOMENT	SHEAR	TORQUE	MOMENT	SHEAR	TORQUE	MOMENT	SHEAR	TORQUE	MOMENT	
				S2 (kN)	TQ (kN·m)	M3 (kN·m)	S2 (kN)	TQ (kN·m)	M3 (kN·m)	S2 (kN)	TQ (kN·m)	M3 (kN·m)	S2 (kN)	TQ (kN·m)	M3 (kN·m)	
124	SUM TOTAL	D+6LANES	MAX	S2	-566.30	444.12	22249.26	-937.04	345.09	17834.10	-937.04	387.45	17833.23	-1279.32	324.26	11706.52
				TQ	-963.99	874.64	23949.85	-1286.69	874.64	18585.38	-1282.08	919.17	18902.51	-1599.19	919.17	12028.15
				M3	-964.92	246.41	27463.02	-1322.51	189.85	21756.07	-1322.51	241.52	21755.56	-1675.97	174.44	14331.43
			MIN	S2	-1239.99	204.16	24321.17	-1586.21	176.87	18282.91	-1586.21	220.29	18282.44	-1971.84	145.77	10525.99
				TQ	-930.29	-403.39	20071.94	-1207.91	-403.39	14975.49	-1213.91	-368.24	14674.58	-1491.53	-368.24	8226.10
				M3	-848.25	225.13	15867.71	-1126.03	225.19	11162.14	-1126.03	251.70	11161.57	-1403.66	251.70	5132.02
	SUM TOTAL		MAX		-400.34	1209.64	27463.02	-854.19	1209.64	21756.07	-854.19	1254.82	21755.56	-1251.42	1254.82	14331.43
			MIN		-1247.78	-672.69	15867.71	-1649.16	-672.69	11162.14	-1649.16	-636.42	11161.57	-2092.64	-636.42	5132.02
300	DEAD LOAD	TOTAL			-808.16	239.34	18827.74	-1085.78	239.34	14313.49	-1085.78	273.33	14312.88	-1363.41	273.33	8475.19
301	LIVE LOAD	1-LANE(case1MAX	S2		367.62	252.85	3125.42	193.87	74.64	3041.12	193.87	81.86	3040.93	74.17	-30.90	2226.90
			TQ		-136.80	680.98	2895.47	-203.71	680.98	2083.64	-196.19	686.30	2420.69	-263.10	686.30	1325.75
			M3		137.31	628.09	4308.29	-42.03	512.50	4158.39	-42.03	522.37	4157.16	-245.67	372.80	3000.29
			MIN	S2	-242.23	623.80	2708.36	-372.70	553.86	2557.62	-372.70	559.94	2556.30	-557.78	420.10	1526.03
				TQ	29.22	-54.33	810.33	29.22	-54.33	949.64	21.70	-52.44	611.09	21.70	-52.44	714.55
				M3	-28.32	4.64	-1069.76	-28.32	4.64	-1204.78	-28.32	1.78	-1204.79	-28.32	1.78	-1339.81
		1-LANE(case2MAX	S2		31.66	75.09	1379.46	31.66	75.09	1530.40	31.66	78.72	1530.22	31.46	77.36	1658.67
			TQ		-123.41	245.13	2714.32	-124.60	245.13	2123.20	-124.59	250.17	2122.86	-125.78	250.17	1526.08
			M3		-144.04	196.02	3373.65	-112.39	191.33	2730.55	-112.39	197.81	2730.09	-66.58	201.14	2309.60
			MIN	S2	-174.37	182.96	2228.52	-175.56	182.96	1394.45	-175.56	186.27	1394.01	-176.55	187.64	576.74
				TQ	-15.15	-3.26	-764.03	-15.15	-3.26	-836.24	-16.93	-5.44	-932.19	-16.93	-5.44	-1012.89
				M3	-18.71	-2.58	-985.32	-18.71	-2.58	-1074.49	-18.71	-5.13	-1074.48	-18.81	-5.16	-1163.72
		1-LANE(case3MAX	S2		8.59	30.58	655.80	8.59	30.58	696.75	8.59	32.23	696.68	8.59	32.23	737.63
			TQ		-16.49	61.54	1465.17	-16.49	61.54	1386.58	-17.20	64.85	1396.67	-17.20	64.85	1314.66
			M3		-105.33	-49.89	2587.78	-93.47	-30.93	2111.95	-93.47	-25.91	2112.02	-75.30	10.49	1707.68
			MIN	S2	-122.18	-61.10	1614.75	-122.18	-61.10	1032.31	-122.18	-58.64	1032.45	-122.18	-58.64	450.01
				TQ	-101.44	-76.49	1302.61	-101.44	-76.49	819.05	-100.72	-74.55	808.99	-100.72	-74.55	328.85
				M3	-11.56	-6.95	-920.75	-11.56	-6.95	-975.84	-11.56	-9.27	-975.82	-11.56	-9.27	-1030.91



BAGO RIVER BRIDGE

BLOCK [ No.1 : MAIN GIRDER ][ BEAM MEMBER FORCE ]

MEMBER			1011			1012			1012			1013				
NODE			1011			1012			1012			1013				
NAME TITLE			SHEAR	TORQUE	MOMENT	SHEAR	TORQUE	MOMENT	SHEAR	TORQUE	MOMENT	SHEAR	TORQUE	MOMENT		
			S2 (kN)	TQ (kN·m)	M3 (kN·m)	S2 (kN)	TQ (kN·m)	M3 (kN·m)	S2 (kN)	TQ (kN·m)	M3 (kN·m)	S2 (kN)	TQ (kN·m)	M3 (kN·m)		
301	LIVE LOAD	1-LANE (case4MAX	S2	9.77	-3.09	-248.33	9.77	-3.09	-201.75	9.77	-3.57	-201.74	9.77	-3.57	-155.16	
			TQ	7.02	3.34	157.97	7.02	3.34	191.45	5.99	4.41	494.42	5.99	4.41	522.96	
			M3	-37.19	-562.89	1168.50	-37.06	-562.30	991.24	-37.06	-559.94	992.57	-36.73	-557.27	816.98	
			MIN	S2	-42.04	-553.30	747.51	-42.04	-553.30	547.13	-42.04	-552.00	548.44	-42.04	-552.00	348.06
			TQ	-39.64	-569.95	462.04	-39.64	-569.95	273.08	-39.55	-569.31	270.98	-39.55	-569.31	82.42	
			M3	3.97	-10.15	-785.56	3.91	-10.14	-766.80	3.91	-11.96	-766.78	3.91	-11.96	-748.15	
		2-LANES (caseMAX	S2	407.82	353.34	4905.19	231.60	137.73	4556.77	231.60	148.55	4556.43	105.55	3.11	3479.47	
			TQ	-225.75	937.27	4771.62	-305.38	937.27	3505.48	-294.67	946.22	3992.27	-374.29	946.22	2397.61	
			M3	88.58	859.41	6798.87	-106.42	717.56	6295.06	-106.42	732.51	6293.34	-322.31	554.26	4720.95	
			MIN	S2	-371.88	840.99	4217.47	-516.50	755.35	3752.94	-516.50	764.26	3751.14	-710.79	602.52	2342.36
			TQ	30.08	-49.82	772.43	30.08	-49.82	915.81	18.82	-48.28	409.01	18.82	-48.28	498.70	
			M3	-43.10	4.54	-1747.74	-43.25	4.63	-1953.71	-43.25	-0.01	-1953.71	-43.25	-0.01	-2159.91	
		2-LANES (caseMAX	S2	127.85	205.21	3450.22	96.42	138.10	3297.84	96.42	145.93	3297.51	69.95	93.32	3005.95	
			TQ	-214.59	574.06	4620.66	-239.45	574.06	3538.45	-235.00	582.78	3744.07	-259.86	582.78	2564.56	
			M3	-145.88	499.35	6020.01	-165.06	449.92	5105.20	-165.06	462.04	5104.12	-173.06	411.22	4145.37	
			MIN	S2	-315.33	473.63	3817.60	-352.22	446.26	2783.63	-352.22	452.87	2782.57	-393.10	408.81	1551.28
			TQ	-6.90	-7.26	-539.53	-6.90	-7.26	-572.42	-13.38	-9.11	-877.06	-13.38	-9.11	-940.83	
			M3	-35.09	-1.48	-1677.37	-35.24	-1.39	-1845.13	-35.24	-5.77	-1845.12	-35.33	-5.80	-2013.17	
		2-LANES (caseMAX	S2	12.33	29.05	975.76	12.33	29.05	1034.54	12.33	31.51	1034.47	12.33	31.51	1093.25	
			TQ	-14.89	71.14	1911.24	-14.89	71.14	1840.26	-15.56	75.52	1851.21	-15.56	75.52	1777.03	
			M3	-157.71	-199.54	3949.22	-145.42	-177.03	3225.45	-145.42	-169.36	3225.86	-122.98	-110.26	2591.41	
MIN	S2		-183.20	-218.00	2414.97	-183.20	-218.00	1541.66	-183.20	-214.34	1542.17	-183.20	-214.34	668.86		
TQ	-163.48		-237.24	2095.40	-163.48	-237.24	1316.09	-162.81	-234.13	1305.52	-162.81	-234.13	529.42			
M3	-15.07		-12.81	-1498.06	-15.07	-12.81	-1569.90	-15.07	-16.53	-1569.87	-15.07	-16.53	-1641.71			

BAGO RIVER BRIDGE

BLOCK [ No.1 : MAIN GIRDER ][ BEAM MEMBER FORCE ]

MEMBER			1011			1012			1012			1013				
NODE			1011			1012			1012			1013				
NAME TITLE			SHEAR	TORQUE	MOMENT	SHEAR	TORQUE	MOMENT	SHEAR	TORQUE	MOMENT	SHEAR	TORQUE	MOMENT		
			S2 (kN)	TQ (kN·m)	M3 (kN·m)	S2 (kN)	TQ (kN·m)	M3 (kN·m)	S2 (kN)	TQ (kN·m)	M3 (kN·m)	S2 (kN)	TQ (kN·m)	M3 (kN·m)		
301	LIVE LOAD	2-LANES (caseMAX	S2	13.72	-1.72	82.20	13.72	-1.72	147.59	13.72	-1.37	147.59	13.72	-1.37	212.98	
			TQ	10.87	5.08	544.57	10.87	5.08	596.41	9.98	7.01	850.44	9.98	7.01	898.02	
			M3	-77.19	-809.04	2260.40	-75.85	-796.17	1895.71	-75.85	-791.66	1897.60	-74.75	-779.40	1539.55	
			MIN	S2	-86.40	-816.15	1378.60	-86.40	-816.15	966.74	-86.40	-813.85	968.68	-86.40	-813.85	556.82
				TQ	-83.85	-831.53	1014.27	-83.85	-831.53	614.56	-83.75	-830.07	612.08	-83.75	-830.07	212.83
				M3	2.46	-16.18	-1345.76	2.35	-16.15	-1334.38	2.35	-19.32	-1334.34	2.31	-19.30	-1323.20
		3-LANES (caseMAX	S2	369.08	353.53	5146.53	219.28	170.26	4957.29	219.28	182.03	4956.87	111.99	57.44	4132.44	
			TQ	-279.30	970.31	5978.52	-347.83	970.31	4483.59	-338.72	981.49	4897.12	-407.24	981.49	3118.94	
			M3	-26.74	869.35	8168.71	-170.07	745.45	7284.94	-170.07	762.75	7283.15	-321.12	613.60	5648.77	
			MIN	S2	-439.61	844.44	5163.39	-563.38	771.65	4177.74	-563.38	781.57	4175.89	-729.23	645.05	2399.53
				TQ	14.84	-44.65	115.38	14.84	-44.65	186.11	4.00	-44.89	-312.64	4.00	-44.89	-293.57
				M3	-49.89	2.03	-2183.51	-50.02	2.11	-2421.74	-50.02	-3.64	-2421.74	-50.09	-3.66	-2660.22
		3-LANES (caseMAX	S2	14.69	25.72	1085.49	14.69	25.72	1155.54	14.69	28.46	1155.48	14.69	28.46	1225.52	
			TQ	-8.96	62.75	1979.40	-8.96	62.75	1936.70	-9.53	67.36	1948.95	-9.53	67.36	1903.54	
			M3	-182.28	-401.77	4596.17	-169.70	-373.66	3756.72	-169.70	-364.73	3757.60	-147.53	-293.87	3005.37	
			MIN	S2	-208.71	-423.49	2818.95	-208.71	-423.49	1824.04	-208.71	-419.16	1825.04	-208.71	-419.16	830.13
				TQ	-191.45	-441.90	2456.83	-191.45	-441.90	1544.19	-190.85	-438.24	1534.29	-190.85	-438.24	624.51
				M3	-13.80	-17.48	-1863.24	-13.88	-17.45	-1929.26	-13.88	-22.03	-1929.21	-13.88	-22.03	-1995.36
		3-LANES (caseMAX	S2	16.41	0.76	429.08	16.41	0.76	507.30	16.41	1.97	507.29	16.41	1.97	585.51	
			TQ	10.26	14.08	928.37	10.26	14.08	977.26	9.45	16.84	1195.13	9.45	16.84	1240.18	
			M3	-116.86	-875.76	3300.36	-114.23	-857.63	2750.73	-114.23	-851.09	2752.76	-108.64	-813.67	2227.50	
			MIN	S2	-133.11	-897.40	1949.20	-133.11	-897.40	1314.66	-133.11	-894.28	1316.79	-133.11	-894.28	682.25
				TQ	-130.23	-912.02	1580.89	-130.23	-912.02	960.10	-130.10	-909.75	956.52	-130.10	-909.75	336.35
				M3	-2.23	-19.70	-1762.59	-2.33	-19.67	-1773.52	-2.33	-23.88	-1773.47	-2.37	-23.85	-1784.66

BAGO RIVER BRIDGE

BLOCK [ No.1 : MAIN GIRDER ][ BEAM MEMBER FORCE ]

MEMBER					1011			1012			1013			
NODE					1011			1012			1013			
					SHEAR	TORQUE	MOMENT	SHEAR	TORQUE	MOMENT	SHEAR	TORQUE	MOMENT	
NAME	TITLE				S2 (kN)	TQ (kN·m)	M3 (kN·m)	S2 (kN)	TQ (kN·m)	M3 (kN·m)	S2 (kN)	TQ (kN·m)	M3 (kN·m)	
301	LIVE LOAD	4-LANES	MAX	S2	6.93	13.67	-261.35	6.93	13.67	-228.29	6.93	13.12	-228.32	
			TQ	-12.48	42.61	814.06	-12.48	42.61	754.59	-13.62	44.46	793.07	-13.62	44.46
			M3	-162.48	-644.51	3390.44	-153.66	-620.61	2636.65	-153.66	-614.35	2638.11	-137.41	-564.16
		MIN	S2	-175.02	-657.43	2706.46	-175.02	-657.43	1872.13	-175.02	-652.98	1873.68	-175.02	-652.98
		TQ	-162.80	-703.06	2275.33	-162.80	-703.06	1499.24	-162.42	-699.51	1492.54	-162.42	-699.51	
		M3	-6.55	-16.90	-1615.31	-6.62	-16.88	-1646.74	-6.62	-20.79	-1646.69	-6.65	-20.77	
	6-LANES	MAX	S2	241.86	204.78	3421.51	148.74	105.75	3520.61	148.74	114.12	3520.35	84.09	50.93
		TQ	-155.82	635.30	5122.11	-200.91	635.30	4271.89	-196.29	645.84	4589.63	-235.78	645.84	
		M3	-156.75	7.08	8635.28	-236.73	-49.48	7442.58	-236.73	-31.81	7442.68	-312.56	-98.89	
		MIN	S2	-431.83	-35.18	5493.43	-500.43	-62.47	3969.42	-500.43	-53.04	3969.56	-608.43	-127.56
		TQ	-122.13	-642.73	1244.20	-122.13	-642.73	662.00	-128.13	-641.57	361.69	-128.13	-641.57	
		M3	-40.09	-14.20	-2960.03	-40.25	-14.15	-3151.35	-40.25	-21.63	-3151.31	-40.25	-21.63	
LIVE LOAD	MAX		407.82	970.31	8635.28	231.60	970.31	7442.58	231.60	981.49	7442.68	111.99	981.49	
	MIN		-439.61	-912.02	-2960.03	-563.38	-912.02	-3151.35	-563.38	-909.75	-3151.31	-729.23	-909.75	
303	SUM TOTAL	TOTAL	MAX		-400.34	1209.64	27463.02	-854.19	1209.64	21756.07	-854.19	1254.82	21755.56	
			MIN		-1247.78	-672.69	15867.71	-1649.16	-672.69	11162.14	-1649.16	-636.42	11161.57	-2092.64

BAGO RIVER BRIDGE

BLOCK [ No.1 : MAIN GIRDER ][ BEAM MEMBER FORCE ]

MEMBER NODE	1013 1013	1014			1014			1015							
		SHEAR S2 (kN)	TORQUE TQ (kN·m)	MOMENT M3 (kN·m)	SHEAR S2 (kN)	TORQUE TQ (kN·m)	MOMENT M3 (kN·m)	SHEAR S2 (kN)	TORQUE TQ (kN·m)	MOMENT M3 (kN·m)					
1	PAVEMENT	-209.02	-14.80	1411.83	-255.82	-14.80	303.89	-255.82	-14.07	303.93	-302.62	-14.07	-1027.10		
3	RAILING	-1.98	3.26	36.13	-5.93	3.26	17.26	-5.93	3.31	17.25	-9.88	3.31	-20.44		
5	CURB	-19.64	32.32	357.67	-58.73	32.32	170.88	-58.73	32.73	170.80	-97.81	32.73	-202.31		
7	DECK WEIGHT	-324.44	11.14	2270.74	-401.52	11.14	540.41	-401.52	12.42	540.38	-478.60	12.42	-1557.41		
8	GIRDER WEIGH	-426.52	277.03	3074.46	-515.66	277.03	828.76	-515.66	279.00	828.10	-604.79	279.00	-1842.52		
10	MEDIAN STRIP	-90.76	70.14	644.48	-90.76	70.14	211.83	-90.76	70.65	211.66	-90.76	70.65	-220.99		
21	ADITIONAL WE	-90.84	3.12	635.81	-112.43	3.12	151.31	-112.43	3.48	151.31	-134.01	3.48	-436.07		
31	MEDIAN RAILI	-7.45	5.58	43.33	-7.45	5.58	7.81	-7.45	5.60	7.79	-7.45	5.60	-27.73		
51	SUPPORT WEIG	0.00	-0.00	-0.00	0.00	-0.00	-0.00	0.00	-0.00	-0.00	0.00	-0.00	-0.00		
52	NOSE WEIGHT	-0.03	0.44	-0.03	-0.03	0.44	-0.18	-0.03	0.44	-0.18	-0.03	0.44	-0.34		
61	1-LANE(case1TRUCK-LOAD	MAX	S2	229.29	225.52	1247.65	113.84	101.05	1198.73	113.84	103.89	1198.49	32.57	20.52	647.08
			TQ	-106.54	345.86	870.51	-106.54	345.86	362.63	-106.54	346.72	361.80	-106.54	346.72	-146.08
			M3	101.63	311.03	1347.77	5.94	212.35	1297.80	5.94	215.43	1297.29	-108.57	91.80	691.32
		MIN	S2	-141.41	328.32	1332.39	-226.58	243.50	1263.08	-226.58	246.50	1262.49	-342.36	121.75	663.75
			TQ	-17.63	-40.29	-496.54	-17.63	-40.29	-580.59	-17.63	-41.66	-580.49	-17.63	-41.66	-664.53
			M3	-17.30	-39.77	-511.09	-17.30	-39.77	-593.55	-17.30	-41.18	-593.46	-17.36	-41.34	-676.05
		TANDEM-LOAD MAX	S2	194.13	195.14	1083.60	111.33	104.70	1088.26	111.33	107.29	1088.01	35.78	25.29	653.55
			TQ	-76.68	237.59	666.60	-76.68	237.59	301.07	-76.68	238.31	300.51	-76.68	238.31	-65.01
			M3	49.07	210.57	1096.06	-28.28	127.19	1097.66	-28.28	129.80	1097.36	-109.92	40.31	655.47
		MIN	S2	-111.22	210.57	1096.06	-188.57	127.19	1097.66	-188.57	129.80	1097.36	-270.21	40.31	655.47
			TQ	-11.98	-27.54	-341.56	-11.98	-27.54	-398.69	-11.98	-28.48	-398.63	-11.98	-28.48	-455.76
			M3	-11.68	-26.87	-348.08	-11.68	-26.87	-403.77	-11.68	-27.83	-403.70	-11.68	-27.83	-459.39
		DISPERSION-LMAX	S2	52.67	50.89	607.81	24.29	22.85	571.87	24.29	24.21	571.82	10.22	11.37	473.02
			TQ	-33.10	361.77	1143.81	-88.86	361.77	852.97	-88.83	363.80	852.78	-144.59	363.80	296.28
			M3	-32.80	361.59	1151.30	-62.92	244.75	893.39	-62.82	246.45	892.81	-68.09	71.33	579.81
		MIN	S2	-105.44	267.50	-61.82	-132.83	295.54	-410.53	-132.83	294.56	-411.23	-174.52	307.41	-962.88
			TQ	-19.68	-43.38	-597.82	-19.68	-43.38	-691.63	-19.71	-45.03	-692.20	-19.71	-45.03	-786.14
			M3	-19.97	-43.20	-605.32	-45.61	73.64	-732.05	-45.71	72.32	-732.22	-96.20	247.44	-1069.67

BAGO RIVER BRIDGE

BLOCK [ No.1 : MAIN GIRDER ][ BEAM MEMBER FORCE ]

MEMBER				1013			1014			1015					
NODE				1013			1014			1014			1015		
				SHEAR	TORQUE	MOMENT	SHEAR	TORQUE	MOMENT	SHEAR	TORQUE	MOMENT	SHEAR	TORQUE	MOMENT
NAME	TITLE			S2 (kN)	TQ (kN·m)	M3 (kN·m)	S2 (kN)	TQ (kN·m)	M3 (kN·m)	S2 (kN)	TQ (kN·m)	M3 (kN·m)	S2 (kN)	TQ (kN·m)	M3 (kN·m)
62	1-LANE (case2TRUCK-LOAD	MAX	S2	5.57	39.04	278.43	5.57	39.04	304.96	5.57	39.77	304.87	5.57	39.77	331.40
			TQ	-64.86	122.13	443.11	-64.86	122.13	133.93	-64.86	122.45	133.64	-64.86	122.45	-175.53
			M3	-83.08	73.22	933.01	-55.24	63.20	568.70	-55.24	64.55	568.55	-16.86	58.44	410.24
		MIN	S2	-90.93	79.99	914.95	-90.93	79.99	481.50	-90.93	81.14	481.30	-90.93	81.14	47.85
			TQ	-9.52	-19.02	-415.07	-9.52	-19.02	-460.44	-9.52	-20.12	-460.39	-9.52	-20.12	-505.76
			M3	-9.74	-17.96	-442.67	-9.74	-17.96	-489.09	-9.74	-19.12	-489.04	-9.74	-19.12	-535.46
		TANDEM-LOAD MAX	S2	5.86	23.34	151.80	5.86	23.34	179.75	5.86	23.76	179.70	5.86	23.76	207.65
			TQ	-46.52	83.12	335.63	-46.52	83.12	113.87	-46.52	83.39	113.67	-46.52	83.39	-108.09
			M3	-57.96	45.71	662.73	-32.46	42.73	396.97	-32.46	43.67	396.86	-4.41	40.44	308.99
		MIN	S2	-63.76	56.45	616.86	-63.76	56.45	312.94	-63.76	57.19	312.80	-63.76	57.19	8.88
			TQ	-6.43	-12.99	-278.98	-6.43	-12.99	-309.64	-6.43	-13.73	-309.61	-6.43	-13.73	-340.28
			M3	-6.60	-12.04	-301.89	-6.60	-12.04	-333.35	-6.60	-12.83	-333.32	-6.60	-12.83	-364.78
		DISPERSION-LMAX	S2	5.77	11.46	354.09	5.77	11.46	381.58	5.77	12.37	381.55	5.75	11.90	405.14
			TQ	-69.41	142.32	991.20	-70.40	142.32	657.96	-70.40	143.88	657.62	-71.39	143.88	319.65
			M3	-69.41	142.32	991.20	-56.11	105.15	670.39	-56.06	106.62	670.14	-16.06	36.28	496.77
MIN	S2	-86.75	109.16	110.07	-87.75	109.16	-305.85	-87.75	108.44	-306.11	-88.72	108.91	-722.87		
	TQ	-11.58	-21.69	-527.04	-11.58	-21.69	-582.23	-11.58	-23.08	-582.18	-11.58	-23.08	-637.38		
	M3	-11.58	-21.69	-527.04	-25.86	15.48	-594.66	-25.92	14.19	-594.70	-66.91	84.53	-814.50		
63	1-LANE (case3TRUCK-LOAD	MAX	S2	2.13	1.16	174.53	2.13	1.16	184.69	2.13	1.59	184.69	2.13	1.59	194.85
			TQ	-9.87	9.31	236.34	-9.87	9.31	189.27	-9.87	9.76	189.25	-9.87	9.76	142.18
			M3	-54.08	-42.40	598.44	-42.82	-30.52	356.09	-42.82	-29.67	356.16	2.13	1.57	195.24
		MIN	S2	-58.49	-37.38	564.12	-58.49	-37.38	285.29	-58.49	-36.70	285.37	-58.49	-36.70	6.54
			TQ	-54.08	-42.40	598.44	-54.08	-42.40	340.65	-54.08	-41.60	340.75	-54.08	-41.60	82.95
			M3	-4.01	-0.51	-392.05	-4.01	-0.51	-411.19	-4.01	-1.49	-411.18	-4.01	-1.49	-430.32

BAGO RIVER BRIDGE

BLOCK [ No.1 : MAIN GIRDER ][ BEAM MEMBER FORCE ]

MEMBER		1013			1014			1014			1015						
NODE		1013			1014			1014			1015						
		SHEAR	TORQUE	MOMENT	SHEAR	TORQUE	MOMENT	SHEAR	TORQUE	MOMENT	SHEAR	TORQUE	MOMENT				
NAME	TITLE	S2 (kN)	TQ (kN·m)	M3 (kN·m)	S2 (kN)	TQ (kN·m)	M3 (kN·m)	S2 (kN)	TQ (kN·m)	M3 (kN·m)	S2 (kN)	TQ (kN·m)	M3 (kN·m)				
63	1-LANE (case3TANDEM-LOAD	MAX	S2	1.45	0.78	118.63	1.45	0.78	125.53	1.45	1.08	125.53	1.45	1.08	132.44		
			TQ	-4.44	7.08	128.34	-4.44	7.08	107.20	-4.44	7.33	107.19	-4.44	7.33	86.04		
			M3	-38.21	-30.29	410.65	-31.38	-25.33	247.42	-31.38	-24.74	247.48	1.45	1.07	132.54		
		MIN	S2	-40.19	-24.14	376.74	-40.19	-24.14	185.13	-40.19	-23.70	185.19	-40.19	-23.70	-6.42		
			TQ	-38.21	-30.29	410.65	-38.21	-30.29	228.49	-38.21	-29.75	228.56	-38.21	-29.75	46.40		
			M3	-2.73	-0.35	-267.05	-2.73	-0.35	-280.06	-2.73	-1.01	-280.06	-2.73	-1.01	-293.07		
			DISPERSION-LMAX	S2	3.63	1.43	280.55	3.63	1.43	297.84	3.63	2.14	297.84	3.63	2.14	315.13	
				TQ	-18.68	13.19	291.27	-18.68	13.19	202.24	-18.54	13.73	250.16	-18.54	13.73	161.78	
				M3	-55.01	-11.25	824.68	-49.19	-13.94	565.23	-49.18	-12.60	565.26	-16.81	-8.06	409.32	
			MIN	S2	-63.02	-15.07	77.11	-63.02	-15.07	-223.30	-63.02	-15.60	-223.27	-63.02	-15.60	-523.67	
				TQ	-40.71	-26.83	66.38	-40.71	-26.83	-127.70	-40.85	-27.19	-175.58	-40.85	-27.19	-370.32	
				M3	-4.38	-2.39	-467.03	-10.20	0.30	-490.68	-10.21	-0.86	-490.68	-42.58	-5.41	-617.87	
64	1-LANE (case4TRUCK-LOAD	MAX	S2	9.23	42.16	-216.60	9.23	42.16	-172.62	9.23	41.75	-172.72	9.23	41.75	-128.73		
			TQ	9.21	42.23	-211.97	9.21	42.23	-168.04	9.21	41.83	-168.14	9.21	41.83	-124.22		
			M3	-14.85	-272.83	193.54	1.46	-0.85	174.29	1.46	-0.43	174.30	1.49	-0.32	181.33		
		MIN	S2	-15.23	-255.75	185.61	-15.23	-255.75	113.01	-15.23	-255.49	113.62	-15.23	-255.49	41.03		
			TQ	-13.27	-279.00	187.75	-13.27	-279.00	124.52	-13.27	-278.71	125.18	-13.27	-278.71	61.94		
			M3	7.14	33.87	-288.23	6.48	31.50	-256.58	6.48	30.89	-256.65	6.07	29.34	-226.90		
			TANDEM-LOAD	MAX	S2	6.32	28.60	-153.48	6.32	28.60	-123.36	6.32	28.31	-123.43	6.32	28.31	-93.31
				TQ	6.22	28.86	-128.88	6.22	28.86	-99.23	6.22	28.63	-99.30	6.22	28.63	-69.65	
				M3	-10.05	-187.24	132.60	1.00	-0.55	118.39	1.00	-0.27	118.39	1.01	-0.24	123.17	
			MIN	S2	-10.45	-176.63	128.45	-10.45	-176.63	78.64	-10.45	-176.44	79.06	-10.45	-176.44	29.25	
				TQ	-8.76	-190.13	126.62	-8.76	-190.13	84.85	-8.76	-189.93	85.30	-8.76	-189.93	43.52	
				M3	4.71	22.49	-196.57	4.52	21.82	-174.80	4.52	21.41	-174.85	3.97	19.38	-154.70	

BAGO RIVER BRIDGE

BLOCK [ No.1 : MAIN GIRDER ][ BEAM MEMBER FORCE ]

MEMBER		1013			1014			1014			1015						
NODE		1013			1014			1014			1015						
		SHEAR	TORQUE	MOMENT	SHEAR	TORQUE	MOMENT	SHEAR	TORQUE	MOMENT	SHEAR	TORQUE	MOMENT				
NAME	TITLE	S2 (kN)	TQ (kN·m)	M3 (kN·m)	S2 (kN)	TQ (kN·m)	M3 (kN·m)	S2 (kN)	TQ (kN·m)	M3 (kN·m)	S2 (kN)	TQ (kN·m)	M3 (kN·m)				
64	1-LANE (case4DISPERSION-LMAX	S2	11.03	42.20	-54.89	11.03	42.20	-2.31	11.03	42.20	-2.41	11.03	42.20	50.17			
		TQ	8.70	43.97	-334.49	8.70	43.97	-293.00	9.44	43.36	-215.01	9.44	43.36	-170.03			
		M3	-14.21	-319.50	488.53	-14.21	-319.50	420.78	-14.21	-318.50	421.54	-13.14	-301.27	354.74			
		MIN	S2	-16.55	-317.73	208.12	-16.55	-317.73	129.24	-16.55	-317.43	129.99	-16.55	-317.43	51.12		
		TQ	-14.22	-319.50	487.71	-14.22	-319.50	419.93	-14.95	-318.59	342.59	-14.95	-318.59	271.32			
		M3	8.70	43.97	-335.31	8.70	43.97	-293.85	8.70	43.27	-293.96	7.62	26.04	-253.45			
		65	2-LANES (caseTRUCK-LOAD	MAX	S2	290.62	366.41	2300.00	151.93	183.53	2015.37	151.93	188.31	2014.93	50.83	56.96	1141.66
				TQ	-190.93	568.51	1493.77	-190.93	568.51	583.62	-190.93	569.89	582.27	-190.93	569.89	-327.88	
				M3	92.33	496.16	2491.39	-25.61	347.37	2195.64	-25.61	352.58	2194.81	-163.26	170.49	1243.84	
MIN	S2			-257.27	524.17	2463.45	-363.76	394.39	2142.76	-363.76	399.48	2141.82	-500.86	221.89	1161.33		
TQ	-31.29			-70.01	-958.64	-31.29	-70.01	-1107.82	-31.29	-72.64	-1107.65	-31.29	-72.64	-1256.83			
M3	-30.83			-68.73	-988.11	-30.83	-68.73	-1135.07	-30.83	-71.43	-1134.90	-30.89	-71.58	-1282.00			
TANDEM-LOAD	MAX			S2	243.28	309.79	1944.23	144.27	178.45	1786.55	144.27	182.69	1786.12	53.29	61.02	1121.84	
TQ	-137.61			389.36	1143.37	-137.61	389.36	487.40	-137.61	390.51	486.47	-137.61	390.51	-169.50			
M3	33.25			333.34	1968.22	-59.97	211.24	1805.50	-59.97	215.53	1804.99	-157.63	84.53	1129.18			
MIN	S2	-195.74	333.34	1968.22	-288.96	211.24	1805.50	-288.96	215.53	1804.99	-386.61	84.53	1129.18				
TQ	-21.31	-47.78	-659.54	-21.31	-47.78	-761.11	-21.31	-49.59	-760.99	-21.31	-49.59	-862.55					
M3	-20.83	-46.39	-673.15	-20.83	-46.39	-772.45	-20.83	-48.22	-772.34	-20.83	-48.22	-871.63					
DISPERSION-LMAX	S2	73.07	88.08	1159.80	37.00	44.56	1072.95	37.00	47.10	1072.84	18.24	24.17	914.55				
TQ	-88.92	612.48	2220.10	-168.55	612.48	1606.25	-168.52	616.30	1605.46	-248.14	616.30	612.19					
M3	-88.63	612.30	2227.59	-122.91	422.86	1667.94	-122.75	426.21	1666.93	-105.28	126.74	1120.44					
MIN	S2	-197.55	448.22	-103.84	-241.10	491.75	-800.33	-241.10	489.85	-801.49	-301.96	512.78	-1806.10				
TQ	-35.56	-76.17	-1164.14	-35.56	-76.17	-1333.63	-35.58	-79.34	-1334.12	-35.58	-79.34	-1503.75					
M3	-35.85	-75.99	-1171.63	-81.19	113.45	-1395.32	-81.35	110.74	-1395.59	-178.44	410.21	-2011.99					

BAGO RIVER BRIDGE

BLOCK [ No.1 : MAIN GIRDER ][ BEAM MEMBER FORCE ]

MEMBER				1013			1014			1015					
NODE				1013			1014			1014			1015		
NAME TITLE				SHEAR	TORQUE	MOMENT	SHEAR	TORQUE	MOMENT	SHEAR	TORQUE	MOMENT	SHEAR	TORQUE	MOMENT
				S2 (kN)	TQ (kN·m)	M3 (kN·m)	S2 (kN)	TQ (kN·m)	M3 (kN·m)	S2 (kN)	TQ (kN·m)	M3 (kN·m)	S2 (kN)	TQ (kN·m)	M3 (kN·m)
66	2-LANES (caseTRUCK-LOAD	MAX	S2	66.90	179.93	1330.79	43.66	121.52	1121.61	43.66	124.19	1121.31	23.83	76.20	825.98
			TQ	-149.24	344.77	1066.37	-149.24	344.77	354.93	-149.24	345.61	354.11	-149.24	345.61	-357.34
			M3	-92.38	258.35	2076.62	-86.79	198.22	1466.54	-86.79	201.70	1466.07	-71.55	137.13	962.77
		MIN	S2	-206.78	275.85	2046.02	-228.10	230.88	1361.18	-228.10	234.12	1360.63	-249.43	181.27	545.43
			TQ	-23.18	-48.75	-877.16	-23.18	-48.75	-987.67	-23.18	-51.10	-987.55	-23.18	-51.10	-1098.06
			M3	-23.27	-46.92	-919.69	-23.27	-46.92	-1030.60	-23.27	-49.37	-1030.49	-23.27	-49.37	-1141.40
		TANDEM-LOAD MAX	S2	55.01	137.99	1012.43	38.81	97.08	878.04	38.81	99.17	877.81	23.37	59.50	675.94
			TQ	-107.45	234.88	812.41	-107.45	234.88	300.19	-107.45	235.59	299.64	-107.45	235.59	-212.58
			M3	-73.78	168.48	1534.89	-64.16	126.78	1104.80	-64.16	129.41	1104.49	-52.12	84.67	782.71
		MIN	S2	-148.27	179.22	1489.03	-164.15	140.50	1020.77	-164.15	142.92	1020.44	-180.16	101.41	482.60
			TQ	-15.75	-33.24	-596.96	-15.75	-33.24	-672.06	-15.75	-34.84	-671.98	-15.75	-34.84	-747.07
			M3	-15.75	-31.56	-626.96	-15.75	-31.56	-702.03	-15.75	-33.22	-701.95	-15.75	-33.22	-777.02
		DISPERSION-LMAX	S2	26.17	48.65	906.08	18.47	33.17	882.65	18.47	35.27	882.57	13.76	24.71	846.67
			TQ	-125.24	393.03	2067.49	-150.09	393.03	1411.24	-150.09	396.38	1410.30	-174.95	396.38	635.56
			M3	-125.24	393.03	2067.49	-116.11	283.26	1444.94	-115.99	286.38	1444.26	-53.25	91.69	1037.40
MIN	S2	-178.86	289.89	68.05	-196.02	305.37	-695.65	-196.02	303.72	-696.37	-216.16	314.28	-1566.09		
	TQ	-27.46	-54.48	-1093.35	-27.46	-54.48	-1224.24	-27.46	-57.39	-1224.10	-27.46	-57.39	-1354.98		
	M3	-27.46	-54.48	-1093.35	-61.44	55.29	-1257.93	-61.55	52.61	-1258.06	-149.15	247.30	-1756.82		
67	2-LANES (caseTRUCK-LOAD	MAX	S2	4.15	6.94	12.66	4.15	6.94	32.43	4.15	7.02	32.41	4.15	7.02	52.17
			TQ	-9.50	21.02	-99.00	-9.50	21.02	-144.28	-9.50	20.67	-144.32	-9.50	20.67	-189.60
			M3	-95.92	-149.77	1046.27	-78.19	-126.86	620.03	-78.19	-125.39	620.33	3.92	2.14	383.48
		MIN	S2	-103.15	-139.76	974.87	-103.15	-139.76	483.17	-103.15	-138.62	483.50	-103.15	-138.62	-8.20
			TQ	-97.11	-150.39	1043.17	-97.11	-150.39	580.23	-97.11	-149.02	580.58	-97.11	-149.02	117.64
			M3	-4.30	10.46	-749.97	-4.40	10.19	-770.74	-4.40	8.35	-770.76	-4.40	8.35	-791.72



BAGO RIVER BRIDGE

BLOCK [ No.1 : MAIN GIRDER ][ BEAM MEMBER FORCE ]

MEMBER		1013			1014			1014			1015						
NODE		1013			1014			1014			1015						
		SHEAR	TORQUE	MOMENT	SHEAR	TORQUE	MOMENT	SHEAR	TORQUE	MOMENT	SHEAR	TORQUE	MOMENT				
NAME	TITLE	S2 (kN)	TQ (kN·m)	M3 (kN·m)	S2 (kN)	TQ (kN·m)	M3 (kN·m)	S2 (kN)	TQ (kN·m)	M3 (kN·m)	S2 (kN)	TQ (kN·m)	M3 (kN·m)				
67	2-LANES (caseTANDEM-LOAD	MAX	S2	2.97	3.64	35.95	2.97	3.64	50.12	2.97	3.76	50.11	2.97	3.76	64.27		
			TQ	-4.24	15.10	-103.48	-4.24	15.10	-123.69	-4.24	14.80	-123.73	-4.24	14.80	-143.94		
			M3	-66.19	-104.20	718.14	-54.40	-89.88	429.40	-54.40	-88.86	429.61	2.67	1.47	260.39		
		MIN	S2	-70.81	-96.69	672.14	-70.81	-96.69	334.60	-70.81	-95.89	334.83	-70.81	-95.89	-2.72		
			TQ	-66.19	-104.20	718.14	-66.19	-104.20	402.59	-66.19	-103.24	402.84	-66.19	-103.24	87.29		
			M3	-2.89	7.23	-510.57	-2.89	7.23	-524.34	-2.89	5.99	-524.36	-3.06	5.47	-538.82		
		DISPERSION-LMAX	S2	7.47	8.00	405.58	7.47	8.00	441.19	7.47	9.05	441.17	7.47	9.05	476.78		
			TQ	-16.76	25.83	56.40	-16.76	25.83	-23.52	-16.18	25.90	74.60	-16.18	25.90	-2.55		
			M3	-98.92	-112.50	1545.58	-92.21	-114.29	1076.96	-92.22	-111.74	1077.22	-31.93	-50.63	781.84		
		MIN	S2	-110.76	-110.66	248.25	-110.76	-110.66	-279.75	-110.76	-111.33	-279.48	-110.76	-111.33	-807.48		
			TQ	-86.53	-128.49	597.44	-86.53	-128.49	184.96	-87.11	-128.17	87.09	-87.11	-128.17	-328.15		
			M3	-4.37	9.84	-891.75	-11.08	11.62	-915.51	-11.07	9.47	-915.54	-71.36	-51.65	-1112.54		
		68	2-LANES (caseTRUCK-LOAD	MAX	S2	14.55	69.39	-452.75	14.55	69.39	-383.40	14.55	68.48	-383.56	14.55	68.48	-314.21
					TQ	14.51	69.73	-467.24	14.51	69.73	-398.09	14.51	68.79	-398.25	14.51	68.79	-329.11
					M3	-39.27	-477.73	464.54	3.25	-0.70	353.99	3.25	0.14	353.99	3.28	0.25	369.57
MIN	S2			-40.26	-462.52	444.91	-40.26	-462.52	253.00	-40.26	-461.92	254.10	-40.26	-461.92	62.18		
	TQ			-38.12	-485.92	456.14	-38.12	-485.92	274.44	-38.12	-485.27	275.59	-38.12	-485.27	93.89		
	M3			10.67	56.60	-609.54	10.01	54.23	-561.08	10.01	52.90	-561.20	9.16	49.77	-515.90		
TANDEM-LOAD	MAX			S2	9.99	47.18	-308.40	9.99	47.18	-260.79	9.99	46.56	-260.90	9.99	46.56	-213.29	
	TQ			9.81	47.62	-308.72	9.81	47.62	-261.97	9.81	47.00	-262.09	9.81	47.00	-215.34		
	M3			-26.58	-326.23	318.34	2.22	-0.44	240.42	2.22	0.14	240.42	2.23	0.17	251.02		
MIN	S2			-27.55	-317.83	307.41	-27.55	-317.83	176.09	-27.55	-317.41	176.84	-27.55	-317.41	45.53		
	TQ			-25.81	-331.38	308.12	-25.81	-331.38	185.07	-25.81	-330.94	185.85	-25.81	-330.94	62.81		
	M3			7.00	37.59	-415.16	6.82	36.92	-382.46	6.82	36.02	-382.55	6.15	33.54	-351.80		

BAGO RIVER BRIDGE

BLOCK [ No.1 : MAIN GIRDER ][ BEAM MEMBER FORCE ]

MEMBER		1013			1014			1014			1015						
NODE		1013			1014			1014			1015						
		SHEAR	TORQUE	MOMENT	SHEAR	TORQUE	MOMENT	SHEAR	TORQUE	MOMENT	SHEAR	TORQUE	MOMENT				
NAME	TITLE	S2 (kN)	TQ (kN·m)	M3 (kN·m)	S2 (kN)	TQ (kN·m)	M3 (kN·m)	S2 (kN)	TQ (kN·m)	M3 (kN·m)	S2 (kN)	TQ (kN·m)	M3 (kN·m)				
68	2-LANES (caseDISPERSION-LMAX	S2	18.49	70.20	-121.12	18.49	70.20	-32.97	18.49	70.12	-33.14	18.49	70.12	55.01			
		TQ	15.21	73.08	-526.85	15.21	73.08	-454.35	16.40	72.15	-327.59	16.40	72.15	-249.40			
		M3	-39.76	-554.40	1077.16	-39.76	-554.40	887.64	-39.76	-552.29	888.96	-27.61	-446.68	712.33			
		MIN	S2	-45.06	-551.91	484.48	-45.06	-551.91	269.66	-45.06	-551.27	270.97	-45.06	-551.27	56.14		
		TQ	-41.78	-554.79	890.21	-41.78	-554.79	691.03	-42.98	-553.29	565.42	-42.98	-553.29	360.55			
		M3	13.18	72.69	-713.80	13.18	72.69	-650.96	13.18	71.15	-651.13	1.04	-34.47	-601.18			
		69	3-LANES (caseTRUCK-LOAD	MAX	S2	296.18	405.45	2578.43	157.50	222.57	2320.33	157.50	228.08	2319.80	56.40	96.72	1473.06
				TQ	-255.78	690.64	1936.88	-255.78	690.64	717.55	-255.78	692.34	715.91	-255.78	692.34	-503.42	
				M3	9.25	569.38	3424.40	-80.86	410.57	2764.34	-80.86	417.13	2763.36	-180.12	228.93	1654.09	
MIN	S2			-348.20	604.17	3378.41	-454.69	474.39	2624.26	-454.69	480.62	2623.12	-591.79	303.02	1209.17		
TQ	-40.81			-89.04	-1373.71	-40.81	-89.04	-1568.26	-40.81	-92.76	-1568.04	-40.81	-92.76	-1762.59			
M3	-40.56			-86.69	-1430.78	-40.56	-86.69	-1624.16	-40.56	-90.55	-1623.95	-40.63	-90.70	-1817.46			
TANDEM-LOAD	MAX			S2	249.14	333.13	2096.03	150.13	201.78	1966.31	150.13	206.45	1965.82	59.15	84.79	1329.49	
TQ	-184.13			472.48	1479.01	-184.13	472.48	601.27	-184.13	473.90	600.14	-184.13	473.90	-277.59			
M3	-24.71			379.05	2630.95	-92.44	253.97	2202.46	-92.44	259.20	2201.85	-162.04	124.97	1438.17			
MIN	S2	-259.49	389.79	2585.09	-352.71	267.69	2118.44	-352.71	272.72	2117.80	-450.37	141.72	1138.06				
TQ	-27.74	-60.78	-938.52	-27.74	-60.78	-1070.75	-27.74	-63.32	-1070.60	-27.74	-63.32	-1202.83					
M3	-27.43	-58.43	-975.05	-27.43	-58.43	-1105.80	-27.43	-61.05	-1105.66	-27.43	-61.05	-1236.41					
DISPERSION-LMAX	S2	78.83	99.55	1513.89	42.77	56.02	1454.52	42.77	59.47	1454.39	23.98	36.07	1319.69				
TQ	-158.33	754.80	3211.30	-238.95	754.80	2264.21	-238.92	760.18	2263.08	-319.54	760.18	931.84					
M3	-158.04	754.62	3218.79	-179.03	528.01	2338.33	-178.81	532.83	2337.07	-121.35	163.02	1617.21					
MIN	S2	-284.30	557.39	6.23	-328.85	600.91	-1106.18	-328.85	598.28	-1107.60	-390.68	621.69	-2528.97				
TQ	-47.13	-97.87	-1691.18	-47.13	-97.87	-1915.87	-47.16	-102.42	-1916.30	-47.16	-102.42	-2141.12					
M3	-47.43	-97.69	-1698.67	-107.05	128.93	-1989.98	-107.27	124.93	-1990.28	-245.35	494.74	-2826.49					

BAGO RIVER BRIDGE

BLOCK [ No.1 : MAIN GIRDER ][ BEAM MEMBER FORCE ]

MEMBER				1013			1014			1015					
NODE				1013			1014			1014			1015		
				SHEAR	TORQUE	MOMENT	SHEAR	TORQUE	MOMENT	SHEAR	TORQUE	MOMENT	SHEAR	TORQUE	MOMENT
NAME	TITLE			S2 (kN)	TQ (kN·m)	M3 (kN·m)	S2 (kN)	TQ (kN·m)	M3 (kN·m)	S2 (kN)	TQ (kN·m)	M3 (kN·m)	S2 (kN)	TQ (kN·m)	M3 (kN·m)
70	3-LANES (caseTRUCK-LOAD	MAX	S2	8.96	32.14	-228.69	8.96	32.14	-185.98	8.96	31.69	-186.05	8.96	31.69	-143.34
			TQ	-4.71	46.62	-359.25	-4.71	46.62	-381.71	-4.71	45.71	-381.82	-4.71	45.71	-404.29
			M3	-125.50	-319.40	1370.75	-103.60	-282.01	808.45	-103.60	-280.09	809.12	5.41	1.81	564.81
		MIN	S2	-134.68	-310.74	1289.55	-134.68	-310.74	647.55	-134.68	-309.20	648.28	-134.68	-309.20	6.28
			TQ	-128.19	-322.02	1364.14	-128.19	-322.02	753.03	-128.19	-320.23	753.80	-128.19	-320.23	142.69
			M3	-1.04	32.41	-1074.29	-1.20	31.91	-1079.81	-1.20	29.34	-1079.88	-1.60	27.87	-1086.24
		TANDEM-LOAD MAX	S2	6.28	20.79	-122.59	6.28	20.79	-92.63	6.28	20.57	-92.68	6.28	20.57	-62.72
			TQ	-1.00	32.62	-286.61	-1.00	32.62	-291.36	-1.00	31.93	-291.44	-1.00	31.93	-296.19
			M3	-86.89	-220.95	940.51	-72.34	-199.02	558.95	-72.34	-197.70	559.42	3.67	1.24	383.56
		MIN	S2	-92.41	-212.60	883.88	-92.41	-212.60	443.33	-92.41	-211.55	443.84	-92.41	-211.55	3.29
			TQ	-87.31	-221.51	939.53	-87.31	-221.51	523.34	-87.31	-220.26	523.86	-87.31	-220.26	107.67
			M3	-0.81	21.68	-731.13	-0.81	21.68	-734.98	-0.81	19.93	-735.03	-1.09	19.00	-739.75
		DISPERSION-LMAX	S2	14.05	33.54	312.08	14.05	33.54	379.03	14.05	34.44	378.95	14.05	34.44	445.91
			TQ	-12.53	53.34	-324.31	-12.53	53.34	-384.04	-11.22	52.64	-207.93	-11.22	52.64	-261.40
			M3	-131.45	-298.77	2166.13	-124.75	-300.55	1542.43	-124.75	-296.90	1543.14	-45.69	-144.51	1127.42
MIN	S2	-145.64	-294.96	580.81	-145.64	-294.96	-113.47	-145.64	-295.22	-112.77	-145.64	-295.22	-807.05		
	TQ	-119.07	-314.75	1217.19	-119.07	-314.75	649.60	-120.38	-313.42	474.11	-120.38	-313.42	-99.74		
	M3	-0.15	37.35	-1273.25	-6.85	39.14	-1276.87	-6.84	36.12	-1276.96	-85.91	-116.27	-1488.56		
71	3-LANES (caseTRUCK-LOAD	MAX	S2	16.87	77.34	-609.47	16.87	77.34	-529.05	16.87	76.08	-529.23	16.87	76.08	-448.81
			TQ	15.39	82.98	-795.29	15.39	82.98	-721.92	15.39	81.27	-722.12	15.39	81.27	-648.75
			M3	-75.09	-611.02	857.11	-27.45	-116.45	587.50	-27.45	-115.05	587.78	5.41	1.81	564.81
		MIN	S2	-78.22	-600.21	808.35	-78.22	-600.21	435.46	-78.22	-599.17	436.88	-78.22	-599.17	63.99
			TQ	-76.06	-623.82	829.59	-76.06	-623.82	467.00	-76.06	-622.71	468.48	-76.06	-622.71	105.90
			M3	10.69	68.55	-964.27	9.96	65.96	-915.97	9.96	63.79	-916.12	9.08	60.53	-871.14

BAGO RIVER BRIDGE

BLOCK [ No.1 : MAIN GIRDER ][ BEAM MEMBER FORCE ]

MEMBER		1013			1014			1014			1015							
NODE		1013			1014			1014			1015							
		SHEAR	TORQUE	MOMENT	SHEAR	TORQUE	MOMENT	SHEAR	TORQUE	MOMENT	SHEAR	TORQUE	MOMENT					
NAME	TITLE	S2 (kN)	TQ (kN·m)	M3 (kN·m)	S2 (kN)	TQ (kN·m)	M3 (kN·m)	S2 (kN)	TQ (kN·m)	M3 (kN·m)	S2 (kN)	TQ (kN·m)	M3 (kN·m)					
71	3-LANES (caseTANDEM-LOAD	MAX	S2	11.64	51.42	-387.85	11.64	51.42	-332.35	11.64	50.63	-332.47	11.64	50.63	-276.98			
			TQ	10.57	56.65	-521.80	10.57	56.65	-471.41	10.57	55.53	-471.55	10.57	55.53	-421.16			
			M3	-50.56	-416.63	587.53	-17.84	-77.22	401.09	-17.84	-76.27	401.27	3.67	1.24	383.56			
		MIN	S2	-53.57	-412.06	567.15	-53.57	-412.06	311.77	-53.57	-411.31	312.75	-53.57	-411.31	57.36			
			TQ	-51.84	-425.60	567.86	-51.84	-425.60	320.75	-51.84	-424.84	321.76	-51.84	-424.84	74.64			
			M3	7.09	45.93	-656.44	6.70	44.64	-623.63	6.70	43.16	-623.74	6.03	40.69	-593.54			
			DISPERSION-LMAX	S2	23.18	80.48	-13.77	23.18	80.48	96.71	23.18	80.71	96.52	23.18	80.71	207.00		
				TQ	18.94	88.25	-660.98	18.94	88.25	-570.68	20.21	87.06	-436.54	20.21	87.06	-340.22		
				M3	-76.66	-704.41	1766.18	-76.66	-704.41	1400.76	-76.66	-701.08	1402.43	-41.87	-505.44	1092.97		
			MIN	S2	-86.38	-698.75	644.47	-86.38	-698.75	232.70	-86.38	-698.20	234.36	-86.38	-698.20	-177.41		
				TQ	-82.14	-706.52	1291.68	-82.14	-706.52	900.09	-83.41	-704.54	767.42	-83.41	-704.54	369.81		
				M3	13.45	86.14	-1135.48	13.45	86.14	-1071.34	13.45	83.59	-1071.54	-21.33	-112.05	-1063.37		
		72	4-LANES	TRUCK-LOAD	MAX	S2	16.59	71.88	-703.10	16.59	71.88	-624.01	16.59	70.40	-624.18	16.59	70.40	-545.09
						TQ	4.80	89.59	-568.89	4.80	89.59	-546.02	4.80	88.30	-546.23	4.80	88.30	-523.36
						M3	-133.87	-617.76	1504.16	-114.84	-591.88	899.89	-114.84	-589.74	901.30	-81.65	-482.37	431.17
	MIN			S2	-143.01	-599.20	1411.47	-143.01	-599.20	729.75	-143.01	-597.47	731.18	-143.01	-597.47	49.46		
				TQ	-135.43	-632.72	1490.13	-135.43	-632.72	844.51	-135.43	-630.71	846.01	-135.43	-630.71	200.39		
				M3	6.34	66.99	-1359.41	5.62	64.44	-1331.69	5.62	61.28	-1331.84	4.75	58.09	-1307.20		
	TANDEM-LOAD			MAX	S2	11.71	46.78	-469.53	11.71	46.78	-413.69	11.71	45.80	-413.80	11.71	45.80	-357.96	
				TQ	5.41	62.06	-413.62	5.41	62.06	-387.83	5.41	61.14	-387.97	5.41	61.14	-362.18		
				M3	-92.43	-425.85	1032.06	-78.30	-405.48	620.79	-78.30	-404.00	621.75	-57.50	-332.43	301.27		
	MIN			S2	-98.15	-411.95	973.79	-98.15	-411.95	505.91	-98.15	-410.75	506.89	-98.15	-410.75	39.00		
				TQ	-94.11	-432.91	1014.19	-94.11	-432.91	565.55	-94.11	-431.56	566.58	-94.11	-431.56	117.93		
				M3	4.13	44.87	-925.59	3.76	43.65	-906.62	3.76	41.50	-906.72	3.10	39.05	-890.41		

BAGO RIVER BRIDGE

BLOCK [ No.1 : MAIN GIRDER ][ BEAM MEMBER FORCE ]

MEMBER				1013			1014			1015							
NODE				1013			1014			1014			1015				
				SHEAR	TORQUE	MOMENT	SHEAR	TORQUE	MOMENT	SHEAR	TORQUE	MOMENT	SHEAR	TORQUE	MOMENT		
NAME	TITLE			S2 (kN)	TQ (kN·m)	M3 (kN·m)	S2 (kN)	TQ (kN·m)	M3 (kN·m)	S2 (kN)	TQ (kN·m)	M3 (kN·m)	S2 (kN)	TQ (kN·m)	M3 (kN·m)		
72	4-LANES	DISPERSION-LMAX	S2	13.08	69.62	-725.14	13.08	69.62	-662.81	13.08	68.04	-662.97	13.08	68.04	-600.64		
			TQ	-9.29	84.72	-816.88	-9.29	84.72	-861.15	-9.33	82.71	-831.07	-9.33	82.71	-875.56		
			M3	-152.69	-654.99	1491.23	-146.05	-675.57	769.42	-146.06	-673.75	771.03	-71.58	-488.47	231.99		
		MIN	S2	-157.54	-640.57	985.81	-157.54	-640.57	234.82	-157.54	-640.01	236.34	-157.54	-640.01	-514.65		
			TQ	-136.27	-701.94	1093.40	-136.27	-701.94	443.78	-136.28	-700.91	415.26	-136.28	-700.91	-234.41		
			M3	8.99	69.93	-1222.69	2.93	72.28	-1182.62	2.94	69.48	-1182.79	-74.17	-127.68	-1333.89		
		73	6-LANES	TRUCK-LOAD MAX	S2	249.05	328.27	1469.34	138.93	207.61	1550.14	138.93	211.29	1549.65	61.22	129.97	1152.01
					TQ	-218.53	627.58	813.94	-218.53	627.58	-227.80	-225.02	627.11	-141.45	-225.02	627.11	-1214.13
					M3	-124.93	-68.84	4176.33	-163.38	97.79	3114.86	-163.38	105.18	3114.62	-148.67	195.56	2037.35
MIN	S2			-416.01	6.35	4026.44	-497.52	-76.21	2630.88	-497.52	-69.96	2631.06	-596.62	-178.24	665.04		
	TQ			-127.97	-610.32	-239.59	-127.97	-610.32	-849.63	-127.97	-612.34	-848.18	-127.97	-612.34	-1458.22		
	M3			-29.81	-18.31	-2397.36	-30.50	-20.78	-2541.62	-30.50	-26.81	-2541.56	-30.95	-28.44	-2687.83		
TANDEM-LOAD MAX	S2			207.12	274.71	1297.34	128.16	187.13	1394.18	128.16	190.45	1393.74	56.09	110.89	1072.92		
	TQ			-151.88	430.08	642.98	-151.88	430.08	-81.04	-153.69	429.91	-57.55	-153.69	429.91	-790.20		
	M3			-109.84	-57.35	3091.65	-148.52	38.91	2379.49	-148.52	44.56	2379.39	-129.90	111.10	1640.45		
MIN	S2	-301.16	-28.61	3020.89	-374.96	-109.40	2100.10	-374.96	-104.41	2100.35	-452.81	-191.13	757.66				
	TQ	-85.18	-416.58	-129.14	-85.18	-416.58	-535.18	-86.00	-417.87	-593.94	-86.00	-417.87	-1003.93				
	M3	-20.43	-13.06	-1632.89	-20.61	-13.69	-1730.84	-20.61	-17.81	-1730.80	-21.13	-19.75	-1829.93				
DISPERSION-LMAX	S2	90.26	154.32	1412.05	58.74	117.29	1471.04	58.74	120.78	1470.76	42.37	100.79	1459.05				
	TQ	-120.00	696.75	2175.78	-189.83	696.75	1437.37	-188.59	700.36	1603.50	-258.64	700.36	537.59				
	M3	-245.99	59.20	4833.47	-262.67	-165.96	3554.52	-262.52	-158.11	3554.91	-150.11	-303.76	2538.62				
MIN	S2	-373.58	-75.38	672.57	-409.51	-40.72	-924.38	-409.51	-42.92	-924.28	-462.47	-25.23	-2766.90				
	TQ	-149.53	-708.29	-220.56	-149.53	-708.29	-933.38	-150.80	-710.71	-1098.67	-150.80	-710.71	-1817.54				
	M3	-34.58	-21.90	-2745.90	-87.22	160.22	-2964.40	-87.39	153.84	-2964.78	-268.04	276.39	-3792.88				

BAGO RIVER BRIDGE

BLOCK [ No.1 : MAIN GIRDER ][ BEAM MEMBER FORCE ]

MEMBER			1013			1014			1014			1015			
NODE			1013			1014			1014			1015			
NAME TITLE			SHEAR	TORQUE	MOMENT	SHEAR	TORQUE	MOMENT	SHEAR	TORQUE	MOMENT	SHEAR	TORQUE	MOMENT	
			S2 (kN)	TQ (kN·m)	M3 (kN·m)	S2 (kN)	TQ (kN·m)	M3 (kN·m)	S2 (kN)	TQ (kN·m)	M3 (kN·m)	S2 (kN)	TQ (kN·m)	M3 (kN·m)	
124	SUM TOTAL	D+1LANE (caseMAX	S2	-832.34	719.95	10700.94	-1282.56	536.92	4356.69	-1282.56	547.27	4355.40	-1674.61	431.81	-3990.79
			TQ	-1338.25	1237.41	10891.59	-1682.79	1237.41	3690.68	-1682.76	1246.17	3688.54	-2027.31	1246.17	-5154.67
			M3	-1088.09	1195.40	11473.29	-1516.70	936.77	4861.39	-1516.58	947.81	4859.15	-1937.95	589.31	-3809.55
		MIN	S2	-1466.91	1103.23	9999.08	-1879.61	1035.10	3255.02	-1879.61	1042.83	3252.55	-2346.21	908.54	-5693.87
			TQ	-1215.45	287.84	7161.16	-1493.09	287.84	705.30	-1493.12	289.52	703.81	-1770.76	289.52	-7075.71
			M3	-1215.41	288.68	7134.71	-1523.81	428.89	641.25	-1523.93	430.92	640.22	-1862.23	640.87	-7429.78
		D+1LANE (caseMAX	S2	-1157.08	448.86	9233.42	-1434.72	448.86	3055.81	-1434.72	456.11	3054.74	-1712.38	455.55	-4451.05
			TQ	-1331.80	705.59	10195.57	-1610.63	705.59	3182.24	-1610.63	713.14	3180.55	-1889.46	713.14	-5161.97
			M3	-1353.67	646.89	10783.45	-1581.95	590.26	3718.87	-1581.88	598.95	3717.46	-1765.47	507.22	-4246.49
		MIN	S2	-1383.90	615.24	9704.44	-1662.73	615.24	2442.74	-1662.73	621.04	2441.27	-1941.53	621.60	-6144.94
			TQ	-1196.00	339.39	7343.88	-1473.63	339.39	980.76	-1473.63	341.71	979.95	-1751.27	341.71	-6706.68
			M3	-1196.26	340.66	7310.75	-1491.04	385.28	931.47	-1491.10	387.63	930.55	-1817.93	472.04	-6954.86
		D+1LANE (caseMAX	S2	-1163.77	391.35	9020.50	-1441.41	391.35	2811.01	-1441.41	398.02	2810.07	-1719.04	398.02	-4722.92
			TQ	-1204.94	415.26	9107.54	-1482.58	415.26	2701.78	-1482.41	421.74	2758.33	-1760.05	421.74	-4970.15
			M3	-1301.59	323.86	10182.15	-1558.73	334.90	3337.54	-1558.72	342.82	3336.74	-1743.58	385.76	-4609.43
		MIN	S2	-1316.49	325.31	9243.87	-1594.13	325.31	2306.35	-1594.13	330.79	2305.57	-1871.77	330.79	-5955.46
			TQ	-1284.43	305.16	9272.18	-1562.07	305.16	2487.50	-1562.23	311.00	2429.23	-1839.87	311.00	-5679.75
			M3	-1180.76	384.76	7443.51	-1465.38	387.99	1149.72	-1465.38	390.73	1148.80	-1781.87	385.27	-6592.73
		D+1LANE (caseMAX	S2	-1146.38	489.49	8148.62	-1424.01	489.49	2022.06	-1424.01	494.29	2020.89	-1701.65	494.29	-5429.18
			TQ	-1149.18	491.69	7818.65	-1426.82	491.69	1678.72	-1425.94	495.78	1771.25	-1703.58	495.78	-5688.00
			M3	-1205.56	-322.55	9292.89	-1463.62	3.83	2946.06	-1463.62	10.83	2946.04	-1739.94	31.63	-4691.63
		MIN	S2	-1208.81	-299.94	8946.88	-1486.45	-299.94	2522.67	-1486.45	-293.95	2523.37	-1764.09	-293.95	-5224.34
			TQ	-1203.67	-329.96	9284.97	-1481.30	-329.96	2885.30	-1482.18	-323.21	2792.37	-1759.82	-323.21	-4934.99
			M3	-1151.68	481.66	7726.16	-1430.10	478.81	1571.45	-1430.10	482.54	1570.30	-1709.53	460.01	-5911.34

BAGO RIVER BRIDGE

BLOCK [ No.1 : MAIN GIRDER ][ BEAM MEMBER FORCE ]

MEMBER			1013			1014			1014			1015			
NODE			1013			1014			1014			1015			
NAME TITLE			SHEAR	TORQUE	MOMENT	SHEAR	TORQUE	MOMENT	SHEAR	TORQUE	MOMENT	SHEAR	TORQUE	MOMENT	
			S2 (kN)	TQ (kN·m)	M3 (kN·m)	S2 (kN)	TQ (kN·m)	M3 (kN·m)	S2 (kN)	TQ (kN·m)	M3 (kN·m)	S2 (kN)	TQ (kN·m)	M3 (kN·m)	
124	SUM TOTAL	D+2LANES (casMAX	S2	-807.00	842.74	11934.21	-1259.39	616.33	5320.28	-1259.39	628.96	5318.80	-1656.89	474.68	-3278.70
			TQ	-1450.53	1569.23	12188.27	-1807.79	1569.23	4421.84	-1807.76	1579.73	4418.77	-2165.02	1579.73	-5050.60
			M3	-1166.98	1496.71	13193.38	-1596.84	1158.48	6095.55	-1596.68	1172.34	6092.78	-1994.50	690.78	-2970.62
		MIN	S2	-1625.50	1360.65	10834.02	-2053.18	1274.39	3574.40	-2053.18	1282.88	3571.36	-2528.78	1128.21	-5979.68
			TQ	-1237.53	242.06	6351.63	-1515.17	242.06	-209.48	-1515.19	241.56	-210.73	-1792.83	241.56	-8095.48
			M3	-1237.36	243.52	6314.66	-1560.33	432.96	-298.42	-1560.50	432.86	-299.45	-1935.29	732.17	-8628.90
		D+2LANES (casMAX	S2	-1077.62	616.83	10711.27	-1386.18	542.94	4236.22	-1386.18	553.00	4234.92	-1688.36	494.46	-3662.25
			TQ	-1445.16	1126.05	11608.27	-1747.65	1126.05	3998.13	-1747.65	1135.54	3995.44	-2050.15	1135.54	-5056.68
			M3	-1388.30	1039.63	12618.51	-1651.21	869.72	5143.45	-1651.10	881.63	5141.37	-1850.76	622.37	-3334.74
		MIN	S2	-1556.33	953.99	10588.48	-1872.44	924.51	2897.50	-1872.44	931.39	2895.29	-2191.55	889.10	-6355.57
			TQ	-1221.32	285.01	6503.89	-1498.95	285.01	20.06	-1498.95	285.06	19.38	-1776.59	285.06	-7787.95
			M3	-1221.41	286.84	6461.36	-1533.03	396.61	-56.57	-1533.14	396.79	-57.52	-1898.37	591.48	-8233.13
		D+2LANES (casMAX	S2	-1159.07	403.19	8892.65	-1436.70	403.19	2705.58	-1436.70	409.62	2704.62	-1714.34	409.62	-4805.95
			TQ	-1196.95	435.09	8431.80	-1474.58	435.09	2064.17	-1474.00	440.12	2161.31	-1751.64	440.12	-5527.06
			M3	-1365.52	125.98	11066.25	-1618.72	147.10	3928.95	-1618.73	156.42	3928.59	-1753.97	345.05	-4169.58
		MIN	S2	-1384.59	137.82	9697.53	-1662.22	137.82	2435.39	-1662.22	143.60	2435.06	-1939.86	143.60	-6150.59
			TQ	-1354.32	109.36	10115.01	-1631.96	109.36	2997.15	-1632.54	116.36	2898.71	-1910.18	116.36	-5545.42
			M3	-1179.36	408.54	6832.69	-1463.79	410.06	545.72	-1463.78	411.37	544.74	-1801.71	350.26	-7239.17
		D+2LANES (casMAX	S2	-1137.64	527.83	7900.54	-1415.28	527.83	1815.60	-1415.28	532.14	1814.34	-1692.92	532.14	-5594.11
			TQ	-1140.97	531.06	7480.32	-1418.60	531.06	1379.53	-1417.41	534.48	1505.19	-1695.05	534.48	-5913.41
			M3	-1249.71	-643.89	10016.10	-1484.82	-166.86	3473.60	-1484.82	-158.61	3473.99	-1750.29	-52.88	-4253.01
		MIN	S2	-1256.01	-626.18	9403.80	-1533.64	-626.18	2754.62	-1533.64	-619.64	2756.10	-1811.28	-619.64	-5216.58
			TQ	-1250.58	-652.46	9820.76	-1528.22	-652.46	3197.44	-1529.41	-645.02	3072.05	-1807.05	-645.02	-4880.47
			M3	-1146.84	517.55	7151.07	-1425.13	515.17	1019.93	-1425.13	517.59	1018.71	-1715.75	408.85	-6451.99

BAGO RIVER BRIDGE

BLOCK [ No.1 : MAIN GIRDER ][ BEAM MEMBER FORCE ]

MEMBER			1013			1014			1014			1015				
NODE			1013			1014			1014			1015				
NAME TITLE			SHEAR	TORQUE	MOMENT	SHEAR	TORQUE	MOMENT	SHEAR	TORQUE	MOMENT	SHEAR	TORQUE	MOMENT		
			S2 (kN)	TQ (kN·m)	M3 (kN·m)	S2 (kN)	TQ (kN·m)	M3 (kN·m)	S2 (kN)	TQ (kN·m)	M3 (kN·m)	S2 (kN)	TQ (kN·m)	M3 (kN·m)		
124	SUM TOTAL	D+3LANES (casMAX	S2	-851.92	817.50	11952.87	-1278.09	625.05	5440.60	-1278.09	637.97	5439.10	-1657.63	506.42	-2961.07	
			TQ	-1522.68	1616.87	12850.36	-1868.84	1616.87	4766.47	-1868.81	1628.19	4763.18	-2214.98	1628.19	-4970.75	
			M3	-1297.15	1513.65	14121.11	-1669.22	1186.04	6569.23	-1669.04	1201.02	6566.40	-1982.20	726.71	-2554.30	
		MIN	S2	-1708.31	1375.57	11351.35	-2114.32	1302.25	3522.33	-2114.32	1310.62	3519.23	-2561.05	1179.55	-6456.74	
			TQ	-1245.44	229.38	5869.25	-1523.07	229.38	-729.54	-1523.09	227.64	-730.65	-1800.73	227.64	-8653.06	
			M3	-1245.48	231.52	5814.37	-1573.79	424.15	-840.05	-1573.97	422.77	-841.06	-1969.04	736.97	-9282.26	
		D+3LANES (casMAX	S2	-1151.13	444.07	8545.28	-1428.76	444.07	2396.06	-1428.76	449.76	2395.00	-1706.40	449.76	-5077.72	
			TQ	-1185.34	473.21	7893.38	-1462.97	473.21	1581.07	-1461.86	477.15	1729.75	-1739.50	477.15	-5900.75	
			M3	-1389.09	-137.20	11480.75	-1642.41	-106.93	4230.22	-1642.42	-96.90	4230.46	-1760.19	272.26	-3896.51	
		MIN	S2	-1408.95	-126.59	10064.21	-1686.59	-126.59	2685.93	-1686.59	-120.21	2686.22	-1964.23	-120.21	-6015.56	
			TQ	-1380.85	-153.01	10668.54	-1658.49	-153.01	3424.21	-1659.60	-145.05	3274.76	-1937.24	-145.05	-5298.40	
			M3	-1171.69	447.55	6479.00	-1455.16	448.64	228.79	-1455.15	449.19	227.72	-1800.34	318.41	-7523.49	
		D+3LANES (casMAX	S2	-1136.64	522.39	7944.65	-1414.28	522.39	1864.48	-1414.28	526.82	1863.23	-1691.92	526.82	-5540.45	
			TQ	-1141.50	533.80	7236.58	-1419.14	533.80	1133.25	-1418.06	536.62	1246.18	-1695.70	536.62	-6175.53	
			M3	-1299.67	-729.87	10704.20	-1536.81	-309.48	3921.99	-1536.81	-300.17	3922.71	-1756.95	-34.54	-3925.80	
		MIN	S2	-1310.60	-715.87	9709.30	-1588.23	-715.87	2799.90	-1588.23	-709.22	2801.59	-1865.87	-709.22	-5431.31	
			TQ	-1305.16	-742.55	10277.48	-1582.79	-742.55	3394.00	-1583.87	-734.62	3281.56	-1861.50	-734.62	-4930.55	
			M3	-1150.16	519.73	6689.62	-1428.41	517.53	542.75	-1428.41	518.82	541.52	-1736.37	349.76	-6979.25	
		D+4LANES	MAX	S2	-1151.40	480.22	7546.05	-1429.03	480.22	1395.53	-1429.03	483.53	1394.39	-1706.67	483.53	-6079.63
			TQ	-1173.60	501.55	7573.65	-1451.23	501.55	1317.31	-1451.26	504.70	1335.79	-1728.90	504.70	-6244.20	
			M3	-1356.95	-439.04	10421.40	-1617.90	-435.60	3317.02	-1617.90	-427.72	3318.05	-1825.56	-237.50	-4903.85	
		MIN	S2	-1366.04	-417.61	10032.64	-1643.67	-417.61	2858.94	-1643.67	-410.82	2859.92	-1921.31	-410.82	-5637.28	
			TQ	-1347.29	-479.28	10153.70	-1624.93	-479.28	3069.35	-1624.93	-472.01	3050.86	-1902.57	-472.01	-5357.02	
			M3	-1160.72	477.24	6796.04	-1442.76	477.12	597.67	-1442.75	478.54	596.53	-1771.08	348.32	-7051.61	



BAGO RIVER BRIDGE

BLOCK [ No.1 : MAIN GIRDER ][ BEAM MEMBER FORCE ]

MEMBER				1013			1014			1015						
NODE				1013			1014			1014			1015			
NAME TITLE				SHEAR	TORQUE	MOMENT	SHEAR	TORQUE	MOMENT	SHEAR	TORQUE	MOMENT	SHEAR	TORQUE	MOMENT	
				S2 (kN)	TQ (kN·m)	M3 (kN·m)	S2 (kN)	TQ (kN·m)	M3 (kN·m)	S2 (kN)	TQ (kN·m)	M3 (kN·m)	S2 (kN)	TQ (kN·m)	M3 (kN·m)	
124	SUM TOTAL	D+6LANES	MAX	S2	-950.13	701.93	10347.31	-1319.83	599.43	4195.73	-1319.83	609.39	4194.30	-1658.63	543.54	-3637.72
				TQ	-1390.73	1249.07	10417.72	-1713.75	1249.07	3018.19	-1717.16	1256.40	3181.37	-2040.33	1256.40	-5774.66
				M3	-1411.78	381.98	14330.77	-1725.25	343.94	6567.07	-1725.15	359.14	6566.23	-1920.16	323.22	-2360.53
			MIN	S2	-1683.92	343.38	11528.76	-2037.89	312.24	3341.19	-2037.89	320.18	3340.44	-2414.37	261.29	-6701.11
				TQ	-1351.06	-468.85	8175.31	-1628.69	-468.85	1073.01	-1629.52	-466.43	965.59	-1907.16	-466.43	-7464.15
				M3	-1212.54	362.11	5131.29	-1524.83	478.89	-1346.95	-1524.95	476.11	-1348.08	-1920.30	554.71	-9547.37
	SUM TOTAL		MAX		-807.00	1616.87	14330.77	-1259.39	1616.87	6569.23	-1259.39	1628.19	6566.40	-1656.89	1628.19	-2360.53
			MIN		-1708.31	-742.55	5131.29	-2114.32	-742.55	-1346.95	-2114.32	-734.62	-1348.08	-2561.05	-734.62	-9547.37
300	DEAD LOAD	TOTAL			-1170.68	388.25	8474.40	-1448.32	388.25	2231.97	-1448.32	393.55	2231.04	-1725.96	393.55	-5334.91
301	LIVE LOAD	1-LANE(case1MAX	S2		338.34	331.70	2226.54	165.76	148.68	2124.72	165.76	153.72	2124.36	51.35	38.27	1344.12
			TQ		-167.56	849.16	2417.18	-234.48	849.16	1458.72	-234.44	852.63	1457.51	-301.36	852.63	180.24
			M3		82.59	807.15	2998.89	-68.38	548.52	2629.43	-68.26	554.26	2628.12	-212.00	195.76	1525.36
			MIN	S2	-296.23	714.98	1524.68	-431.29	646.85	1023.06	-431.29	649.28	1021.52	-620.25	514.99	-358.97
				TQ	-44.77	-100.40	-1313.24	-44.77	-100.40	-1526.66	-44.80	-104.03	-1527.23	-44.80	-104.03	-1740.80
				M3	-44.73	-99.57	-1339.69	-75.49	40.64	-1590.72	-75.62	37.37	-1590.81	-136.28	247.32	-2094.87
		1-LANE(case2MAX	S2		13.60	60.61	759.02	13.60	60.61	823.85	13.60	62.56	823.70	13.58	62.00	883.85
			TQ		-161.12	317.34	1721.17	-162.31	317.34	950.27	-162.31	319.60	949.52	-163.50	319.60	172.94
			M3		-182.99	258.64	2309.05	-133.63	202.01	1486.90	-133.57	205.40	1486.42	-39.51	113.67	1088.42
			MIN	S2	-213.22	226.99	1230.03	-214.41	226.99	210.77	-214.41	227.49	210.23	-215.58	228.05	-810.03
				TQ	-25.32	-48.86	-1130.53	-25.32	-48.86	-1251.21	-25.32	-51.83	-1251.09	-25.32	-51.83	-1371.77
				M3	-25.58	-47.58	-1163.66	-42.72	-2.97	-1300.50	-42.78	-5.92	-1300.49	-91.98	78.49	-1619.95
		1-LANE(case3MAX	S2		6.91	3.10	546.10	6.91	3.10	579.04	6.91	4.47	579.03	6.91	4.47	611.98
			TQ		-34.26	27.01	633.14	-34.26	27.01	469.82	-34.09	28.19	527.29	-34.09	28.19	364.76
			M3		-130.90	-64.39	1707.74	-110.41	-53.35	1105.58	-110.41	-50.73	1105.70	-17.62	-7.78	725.48
			MIN	S2	-145.81	-62.94	769.47	-145.81	-62.94	74.38	-145.81	-62.76	74.53	-145.81	-62.76	-620.56
				TQ	-113.75	-83.09	797.78	-113.75	-83.09	255.53	-113.91	-82.55	198.20	-113.91	-82.55	-344.84
				M3	-10.07	-3.48	-1030.90	-17.06	-0.25	-1082.25	-17.06	-2.82	-1082.24	-55.91	-8.28	-1257.82

BAGO RIVER BRIDGE

BLOCK [ No.1 : MAIN GIRDER ] [ BEAM MEMBER FORCE ]

MEMBER			1013			1014			1014			1015				
NODE			1013			1014			1014			1015				
NAME TITLE			SHEAR	TORQUE	MOMENT	SHEAR	TORQUE	MOMENT	SHEAR	TORQUE	MOMENT	SHEAR	TORQUE	MOMENT		
			S2 (kN)	TQ (kN·m)	M3 (kN·m)	S2 (kN)	TQ (kN·m)	M3 (kN·m)	S2 (kN)	TQ (kN·m)	M3 (kN·m)	S2 (kN)	TQ (kN·m)	M3 (kN·m)		
301	LIVE LOAD	1-LANE (case4MAX	S2	24.31	101.24	-325.78	24.31	101.24	-209.91	24.31	100.74	-210.15	24.31	100.74	-94.28	
			TQ	21.50	103.45	-655.75	21.50	103.45	-553.25	22.38	102.23	-459.79	22.38	102.23	-353.10	
			M3	-34.88	-710.79	818.48	-15.31	-384.42	714.09	-15.31	-382.72	715.01	-13.98	-361.91	643.28	
			MIN	S2	-38.13	-688.19	472.47	-38.13	-688.19	290.70	-38.13	-687.49	292.34	-38.13	-687.49	110.57
			TQ	-32.98	-718.21	810.56	-32.98	-718.21	653.33	-33.86	-716.75	561.33	-33.86	-716.75	399.91	
			M3	19.00	93.41	-748.25	18.21	90.56	-660.52	18.21	88.99	-660.73	16.43	66.46	-576.43	
		2-LANES (caseMAX	S2	363.68	454.49	3459.80	188.93	228.08	3088.32	188.93	235.42	3087.77	69.07	81.13	2056.21	
			TQ	-279.85	1180.99	3713.87	-359.47	1180.99	2189.87	-359.44	1186.18	2187.73	-439.07	1186.18	284.31	
			M3	3.70	1108.47	4718.98	-148.53	770.23	3863.58	-148.36	778.79	3861.74	-268.54	297.23	2364.29	
			MIN	S2	-454.82	972.40	2359.61	-604.86	886.14	1342.43	-604.86	889.33	1340.33	-802.82	734.67	-644.78
			TQ	-66.85	-146.19	-2122.78	-66.85	-146.19	-2441.45	-66.88	-151.99	-2441.77	-66.88	-151.99	-2760.57	
			M3	-66.68	-144.73	-2159.74	-112.02	44.71	-2530.39	-112.18	39.31	-2530.49	-209.33	338.62	-3293.99	
		2-LANES (caseMAX	S2	93.06	228.58	2236.87	62.13	154.69	2004.26	62.13	159.45	2003.88	37.59	100.91	1672.65	
			TQ	-274.48	737.80	3133.86	-299.33	737.80	1766.16	-299.33	741.99	1764.41	-324.19	741.99	278.23	
			M3	-217.61	651.38	4144.11	-202.90	481.47	2911.48	-202.79	488.08	2910.33	-124.80	228.82	2000.17	
			MIN	S2	-385.64	565.74	2114.07	-424.13	536.26	665.53	-424.13	537.84	664.26	-465.59	495.55	-1020.66
			TQ	-50.64	-103.24	-1970.51	-50.64	-103.24	-2211.90	-50.64	-108.49	-2211.65	-50.64	-108.49	-2453.04	
			M3	-50.72	-101.40	-2013.04	-84.71	8.37	-2288.54	-84.82	3.24	-2288.55	-172.42	197.93	-2898.22	
		2-LANES (caseMAX	S2	11.62	14.94	418.24	11.62	14.94	473.62	11.62	16.07	473.58	11.62	16.07	528.95	
			TQ	-26.26	46.84	-42.60	-26.26	46.84	-167.79	-25.68	46.57	-69.73	-25.68	46.57	-192.15	
			M3	-194.84	-262.27	2591.85	-170.40	-241.15	1696.99	-170.41	-237.13	1697.55	-28.01	-48.49	1165.32	
MIN	S2		-213.91	-250.43	1223.12	-213.91	-250.43	203.42	-213.91	-249.94	204.02	-213.91	-249.94	-815.68		
TQ	-183.64		-278.88	1640.60	-183.64	-278.88	765.19	-184.22	-277.19	667.67	-184.22	-277.19	-210.52			
M3	-8.67		20.30	-1641.72	-15.47	21.81	-1686.25	-15.46	17.82	-1686.30	-75.76	-43.29	-1904.26			

BAGO RIVER BRIDGE

BLOCK [ No.1 : MAIN GIRDER ][ BEAM MEMBER FORCE ]

MEMBER				1013			1014			1015						
NODE				1013			1014			1014			1015			
				SHEAR	TORQUE	MOMENT	SHEAR	TORQUE	MOMENT	SHEAR	TORQUE	MOMENT	SHEAR	TORQUE	MOMENT	
NAME TITLE				S2 (kN)	TQ (kN·m)	M3 (kN·m)	S2 (kN)	TQ (kN·m)	M3 (kN·m)	S2 (kN)	TQ (kN·m)	M3 (kN·m)	S2 (kN)	TQ (kN·m)	M3 (kN·m)	
301	LIVE LOAD	2-LANES (caseMAX	S2	33.04	139.59	-573.86	33.04	139.59	-416.37	33.04	138.60	-416.70	33.04	138.60	-259.20	
			TQ	29.71	142.81	-994.08	29.71	142.81	-852.44	30.91	140.94	-725.85	30.91	140.94	-578.51	
			M3	-79.03	-1032.14	1541.70	-36.51	-555.11	1241.63	-36.51	-552.16	1242.95	-24.33	-446.43	1081.89	
			MIN	S2	-85.32	-1014.43	929.39	-85.32	-1014.43	522.66	-85.32	-1013.19	525.06	-85.32	-1013.19	118.32
			TQ	-79.90	-1040.71	1346.36	-79.90	-1040.71	965.47	-81.09	-1038.56	841.01	-81.09	-1038.56	454.44	
			M3	23.85	129.30	-1323.34	23.19	126.93	-1212.03	23.19	124.05	-1212.33	10.20	15.30	-1117.08	
		3-LANES (caseMAX	S2	318.76	429.25	3478.47	170.22	236.80	3208.63	170.22	244.42	3208.06	68.33	112.88	2373.84	
			TQ	-352.00	1228.62	4375.95	-420.52	1228.62	2534.50	-420.50	1234.64	2532.15	-489.02	1234.64	364.16	
			M3	-126.47	1125.40	5646.71	-220.90	797.79	4337.27	-220.72	807.47	4335.36	-256.24	333.16	2780.61	
			MIN	S2	-537.62	987.32	2876.94	-666.01	914.01	1290.37	-666.01	917.07	1288.19	-835.10	786.00	-1121.83
			TQ	-74.75	-158.87	-2605.15	-74.75	-158.87	-2961.50	-74.78	-165.90	-2961.69	-74.78	-165.90	-3318.16	
			M3	-74.80	-156.72	-2660.03	-125.48	35.90	-3072.02	-125.66	29.22	-3072.10	-243.08	343.43	-3947.36	
		3-LANES (caseMAX	S2	19.56	55.83	70.88	19.56	55.83	164.10	19.56	56.22	163.96	19.56	56.22	257.19	
			TQ	-14.66	84.97	-581.02	-14.66	84.97	-650.89	-13.54	83.60	-501.29	-13.54	83.60	-565.84	
			M3	-218.41	-525.44	3006.34	-194.10	-495.18	1998.25	-194.10	-490.44	1999.42	-34.24	-121.29	1438.40	
			MIN	S2	-238.27	-514.84	1589.80	-238.27	-514.84	453.96	-238.27	-513.76	455.18	-238.27	-513.76	-680.66
			TQ	-210.17	-541.26	2194.13	-210.17	-541.26	1192.24	-211.29	-538.60	1043.72	-211.29	-538.60	36.51	
			M3	-1.01	59.30	-1995.41	-6.84	60.39	-2003.18	-6.84	55.64	-2003.32	-74.38	-75.14	-2188.59	
		3-LANES (caseMAX	S2	34.04	134.15	-529.75	34.04	134.15	-367.49	34.04	133.27	-367.81	34.04	133.27	-205.54	
			TQ	29.18	145.55	-1237.82	29.18	145.55	-1098.71	30.26	143.08	-984.86	30.26	143.08	-840.63	
			M3	-128.98	-1118.12	2229.80	-88.49	-697.73	1690.02	-88.49	-693.72	1691.67	-30.99	-428.08	1409.11	
MIN	S2		-139.91	-1104.12	1234.90	-139.91	-1104.12	567.94	-139.91	-1102.77	570.56	-139.91	-1102.77	-96.41		
TQ	-134.47		-1130.79	1803.08	-134.47	-1130.79	1162.03	-135.55	-1128.17	1050.52	-135.55	-1128.17	404.35			
M3	20.52		131.48	-1784.79	19.90	129.28	-1689.21	19.90	125.27	-1689.51	-10.42	-43.79	-1644.34			

BAGO RIVER BRIDGE

BLOCK [ No.1 : MAIN GIRDER ][ BEAM MEMBER FORCE ]

MEMBER					1013			1014			1015					
NODE					1013			1014			1015					
NAME TITLE					SHEAR	TORQUE	MOMENT	SHEAR	TORQUE	MOMENT	SHEAR	TORQUE	MOMENT			
					S2 (kN)	TQ (kN·m)	M3 (kN·m)	S2 (kN)	TQ (kN·m)	M3 (kN·m)	S2 (kN)	TQ (kN·m)	M3 (kN·m)			
301	LIVE LOAD	4-LANES	MAX	S2	19.28	91.97	-928.36	19.28	91.97	-836.43	19.28	89.99	-836.65	19.28	89.99	-744.72
				TQ	-2.92	113.31	-900.75	-2.92	113.31	-914.66	-2.95	111.16	-895.25	-2.95	111.16	-909.30
			M3	-186.27	-827.28	1947.00	-169.58	-823.85	1085.06	-169.58	-821.27	1087.01	-99.60	-631.05	431.06	
		MIN	S2	-195.35	-805.85	1558.23	-195.35	-805.85	626.97	-195.35	-804.36	628.89	-195.35	-804.36	-302.37	
			TQ	-176.61	-867.52	1679.30	-176.61	-867.52	837.39	-176.62	-865.56	819.83	-176.62	-865.56	-22.11	
			M3	9.97	89.00	-1678.37	5.56	88.87	-1634.30	5.56	85.00	-1634.51	-45.12	-45.23	-1716.71	
	6-LANES	MAX	S2	220.55	313.68	1872.91	128.49	211.18	1963.77	128.49	215.85	1963.26	67.33	149.99	1697.19	
			TQ	-220.04	860.82	1943.32	-265.44	860.82	786.22	-268.84	862.86	950.33	-314.38	862.86	-439.75	
		M3	-241.09	-6.27	5856.37	-276.93	-44.31	4335.10	-276.83	-34.40	4335.20	-194.21	-70.33	2974.38		
		MIN	S2	-513.23	-44.87	3054.36	-589.57	-76.01	1109.23	-589.57	-73.37	1109.40	-688.41	-132.26	-1366.20	
			TQ	-180.38	-857.10	-299.10	-180.38	-857.10	-1158.96	-181.20	-859.98	-1265.45	-181.20	-859.98	-2129.25	
			M3	-41.85	-26.13	-3343.12	-76.52	90.64	-3578.92	-76.63	82.57	-3579.12	-194.35	161.16	-4212.46	
	LIVE LOAD	MAX		363.68	1228.62	5856.37	188.93	1228.62	4337.27	188.93	1234.64	4335.36	69.07	1234.64	2974.38	
		MIN		-537.62	-1130.79	-3343.12	-666.01	-1130.79	-3578.92	-666.01	-1128.17	-3579.12	-835.10	-1128.17	-4212.46	
303	SUM TOTAL	TOTAL	MAX		-807.00	1616.87	14330.77	-1259.39	1616.87	6569.23	-1259.39	1628.19	6566.40	-1656.89	1628.19	-2360.53
			MIN		-1708.31	-742.55	5131.29	-2114.32	-742.55	-1346.95	-2114.32	-734.62	-1348.08	-2561.05	-734.62	-9547.37

BAGO RIVER BRIDGE

BLOCK [ No.1 : MAIN GIRDER ][ BEAM MEMBER FORCE ]

MEMBER NODE	1015	1016			1016			1017								
		SHEAR	TORQUE	MOMENT	SHEAR	TORQUE	MOMENT	SHEAR	TORQUE	MOMENT						
		S2 (kN)	TQ (kN·m)	M3 (kN·m)	S2 (kN)	TQ (kN·m)	M3 (kN·m)	S2 (kN)	TQ (kN·m)	M3 (kN·m)						
1	PAVEMENT	-286.88	-7.28	-1027.08	-332.70	-7.28	-2472.78	-332.70	-13.03	-2472.75	-378.52	-13.03	-4132.27			
3	RAILING	-6.04	4.51	-20.44	-9.90	4.51	-57.65	-9.90	4.38	-57.66	-13.77	4.38	-112.90			
5	CURB	-59.79	44.67	-202.40	-98.06	44.67	-570.71	-98.06	43.35	-570.82	-136.32	43.35	-1117.69			
7	DECK WEIGHT	-452.78	18.15	-1557.45	-528.25	18.15	-3846.52	-528.25	9.21	-3846.55	-603.71	9.21	-6487.79			
8	GIRDER WEIGH	-619.92	222.90	-1843.11	-707.19	222.90	-4939.71	-707.19	211.41	-4940.21	-794.45	211.41	-8444.04			
10	MEDIAN STRIP	-115.93	46.74	-221.13	-115.93	46.74	-762.12	-115.93	44.97	-762.22	-115.93	44.97	-1303.21			
21	ADITIONAL WE	-126.78	5.08	-436.08	-147.91	5.08	-1077.02	-147.91	2.58	-1077.03	-169.04	2.58	-1816.58			
31	MEDIAN RAILI	-9.57	3.56	-27.74	-9.57	3.56	-72.41	-9.57	3.39	-72.42	-9.57	3.39	-117.10			
51	SUPPORT WEIG	0.00	-0.00	-0.00	0.00	-0.00	-0.00	0.00	-0.00	-0.00	0.00	-0.00	-0.00			
52	NOSE WEIGHT	-0.05	0.39	-0.34	-0.05	0.39	-0.58	-0.05	0.39	-0.58	-0.05	0.39	-0.82			
61	1-LANE(case1TRUCK-LOAD	MAX	S2	177.03	201.33	646.82	55.71	63.24	391.83	55.71	64.15	391.68	7.14	15.54	283.25	
			TQ	-143.29	339.44	181.73	-143.29	339.44	-486.95	-143.29	338.30	-487.73	-143.29	338.30	-1156.41	
			M3	58.06	295.42	690.87	-44.63	190.20	461.48	-44.63	191.28	461.03	7.05	15.06	285.47	
		MIN	S2	-182.82	314.93	663.23	-274.66	224.74	420.12	-274.66	225.72	419.60	-392.13	95.44	-422.87	
			TQ	-48.96	-144.81	-650.61	-48.96	-144.81	-879.09	-48.96	-146.86	-878.75	-48.96	-146.86	-1107.23	
			M3	-46.56	-139.16	-675.84	-47.28	-141.14	-895.21	-47.28	-143.22	-894.88	-116.60	315.68	-1235.83	
		TANDEM-LOAD	MAX	S2	162.27	182.22	653.30	73.71	86.96	531.80	73.71	88.20	531.60	4.85	10.59	191.69
			TQ	-102.06	231.35	198.03	-102.06	231.35	-278.24	-102.06	230.71	-278.77	-102.06	230.71	-755.03	
			M3	18.89	199.06	655.19	-64.26	111.93	535.92	-64.26	113.17	535.66	4.80	10.28	193.79	
		MIN	S2	-141.39	199.06	655.19	-224.55	111.93	535.92	-224.55	113.17	535.66	-309.56	12.99	-63.10	
			TQ	-33.39	-98.80	-439.08	-33.39	-98.80	-594.88	-33.39	-100.18	-594.65	-33.39	-100.18	-750.45	
			M3	-31.03	-92.94	-459.25	-32.43	-96.79	-609.84	-32.43	-98.21	-609.61	-82.95	218.69	-840.30	
		DISPERSION-LMAX	MAX	S2	41.40	58.82	472.94	19.40	33.77	483.97	19.40	34.90	483.89	12.19	26.27	488.77
			TQ	-92.40	416.06	304.87	-146.99	416.06	-253.83	-146.99	415.47	-254.80	-201.62	415.47	-1068.29	
			M3	-5.19	155.69	579.55	-13.19	58.82	538.63	-13.19	60.08	538.50	12.19	26.27	488.77	
MIN	S2	-192.94	194.26	-963.47	-225.53	219.31	-1809.19	-225.53	215.10	-1809.69	-272.95	223.73	-2904.05			
	TQ	-59.14	-162.98	-795.40	-59.14	-162.98	-1071.39	-59.14	-165.47	-1071.01	-59.14	-165.47	-1347.00			
	M3	-146.35	97.39	-1070.08	-192.94	194.26	-1863.86	-192.94	189.92	-1864.30	-272.95	223.73	-2904.05			

BAGO RIVER BRIDGE

BLOCK [ No.1 : MAIN GIRDER ][ BEAM MEMBER FORCE ]

MEMBER				1015			1016			1017					
NODE				1015			1016			1016			1017		
				SHEAR	TORQUE	MOMENT	SHEAR	TORQUE	MOMENT	SHEAR	TORQUE	MOMENT	SHEAR	TORQUE	MOMENT
NAME	TITLE			S2 (kN)	TQ (kN·m)	M3 (kN·m)	S2 (kN)	TQ (kN·m)	M3 (kN·m)	S2 (kN)	TQ (kN·m)	M3 (kN·m)	S2 (kN)	TQ (kN·m)	M3 (kN·m)
62	1-LANE (case2TRUCK-LOAD	MAX	S2	4.97	7.26	205.46	4.97	7.26	228.66	4.97	7.79	228.64	4.97	7.79	251.84
			TQ	-78.95	120.24	-111.34	-78.95	120.24	-479.80	-78.95	119.12	-480.08	-78.95	119.12	-848.54
			M3	-94.07	42.29	410.13	4.96	7.20	228.88	4.96	7.73	228.86	4.96	7.75	252.03
		MIN	S2	-103.53	75.05	290.32	-103.53	75.05	-192.81	-103.53	74.60	-192.98	-103.53	74.60	-676.11
			TQ	-20.79	-56.77	-519.37	-20.79	-56.77	-616.37	-20.79	-58.21	-616.24	-20.79	-58.21	-713.24
			M3	-21.37	-55.69	-535.37	-21.37	-55.69	-635.08	-21.37	-57.17	-634.95	-78.95	119.12	-848.54
		TANDEM-LOAD MAX	S2	4.04	-11.36	-122.99	4.04	-11.36	-104.16	4.04	-11.60	-104.13	4.04	-11.60	-85.30
			TQ	-54.35	82.03	-70.18	-54.35	82.03	-323.81	-54.35	81.27	-324.00	-54.35	81.27	-577.62
			M3	-64.97	23.46	308.92	3.36	4.86	155.26	3.36	5.22	155.25	3.36	5.22	170.92
		MIN	S2	-72.90	46.51	231.09	-72.90	46.51	-109.10	-72.90	46.25	-109.21	-72.90	46.25	-449.41
			TQ	-14.30	-38.72	-357.33	-14.30	-38.72	-424.07	-14.30	-39.71	-423.98	-14.30	-39.71	-490.72
			M3	-14.56	-37.58	-364.72	-14.56	-37.58	-432.69	-14.56	-38.59	-432.60	-54.35	81.27	-577.62
		DISPERSION-LMAX	S2	9.15	10.43	323.97	9.15	10.43	366.65	9.15	11.28	366.62	9.15	11.28	409.30
			TQ	-95.08	144.85	315.79	-96.05	144.85	-130.17	-96.07	144.55	-130.49	-97.04	144.55	-581.09
			M3	-36.86	43.91	496.68	-2.61	15.97	398.88	-2.61	16.90	398.84	8.55	13.63	429.17
MIN	S2	-126.76	72.63	-641.93	-127.74	72.63	-1235.77	-127.74	69.75	-1235.93	-128.71	69.75	-1834.30		
	TQ	-22.54	-61.80	-633.76	-22.54	-61.80	-738.95	-22.52	-63.52	-738.82	-22.52	-63.52	-843.92		
	M3	-80.76	39.14	-814.64	-115.98	67.08	-1268.00	-115.98	64.13	-1268.15	-128.12	67.41	-1854.18		
63	1-LANE (case3TRUCK-LOAD	MAX	S2	8.82	15.76	-193.74	8.82	15.76	-152.57	8.82	15.40	-152.61	8.82	15.40	-111.44
			TQ	8.82	15.85	-203.61	8.82	15.85	-162.46	8.82	15.47	-162.49	8.82	15.47	-121.34
			M3	3.43	1.91	195.24	3.43	1.91	211.26	3.43	2.40	211.25	3.43	2.40	227.27
		MIN	S2	-62.74	-37.74	90.46	-62.74	-37.74	-202.34	-62.74	-38.21	-202.25	-62.74	-38.21	-495.04
			TQ	-50.35	-60.47	186.65	-50.35	-60.47	-48.32	-50.35	-60.58	-48.18	-50.35	-60.58	-283.16
			M3	-4.32	5.52	-430.32	-4.56	5.15	-450.62	-4.56	4.11	-450.64	-55.66	-10.94	-576.61

BAGO RIVER BRIDGE

BLOCK [ No.1 : MAIN GIRDER ][ BEAM MEMBER FORCE ]

MEMBER		1015			1016			1016			1017				
NODE		1015			1016			1016			1017				
		SHEAR	TORQUE	MOMENT	SHEAR	TORQUE	MOMENT	SHEAR	TORQUE	MOMENT	SHEAR	TORQUE	MOMENT		
NAME	TITLE	S2 (kN)	TQ (kN·m)	M3 (kN·m)	S2 (kN)	TQ (kN·m)	M3 (kN·m)	S2 (kN)	TQ (kN·m)	M3 (kN·m)	S2 (kN)	TQ (kN·m)	M3 (kN·m)		
63	1-LANE (case3TANDEM-LOAD	MAX	S2	6.30	11.20	-153.74	6.30	11.20	-124.32	6.30	10.91	-124.35	6.30	10.91	-94.93
			TQ	6.30	11.20	-153.74	6.30	11.20	-124.32	6.30	10.91	-124.35	6.30	10.91	-94.93
			M3	2.34	1.32	132.54	2.34	1.32	143.45	2.34	1.65	143.44	2.34	1.65	154.35
		MIN	S2	-42.74	-22.16	46.46	-42.74	-22.16	-153.00	-42.74	-22.52	-152.95	-42.74	-22.52	-352.41
			TQ	-36.47	-42.33	130.10	-36.47	-42.33	-40.10	-36.47	-42.42	-40.00	-36.47	-42.42	-210.21
			M3	-2.90	3.84	-293.08	-2.90	3.84	-306.62	-2.90	3.12	-306.63	-37.08	-6.03	-393.16
	DISPERSION-LMAX	S2	8.69	10.66	202.68	8.69	10.66	243.22	8.69	11.22	243.20	8.69	11.22	283.74	
		TQ	-15.85	24.06	-110.69	-15.85	24.06	-184.64	-15.02	23.67	-154.82	-15.02	23.67	-224.93	
		M3	-24.28	-25.58	409.36	1.10	-4.53	358.49	1.10	-3.70	358.49	5.63	3.47	381.38	
		MIN	S2	-72.43	-24.65	-411.19	-72.43	-24.65	-749.20	-72.43	-26.39	-749.14	-72.43	-26.39	-1087.14
			TQ	-47.90	-38.05	-97.82	-47.90	-38.05	-321.33	-48.72	-38.83	-351.12	-48.72	-38.83	-578.47
			M3	-39.46	11.59	-617.87	-64.84	-9.46	-864.46	-64.84	-11.47	-864.43	-69.38	-18.64	-1184.78
64	1-LANE (case4TRUCK-LOAD	MAX	S2	29.61	134.91	-190.50	29.61	134.91	-52.29	29.61	134.79	-52.61	29.61	134.79	85.60
			TQ	29.06	136.94	-166.29	29.06	136.94	-30.68	29.06	136.87	-30.99	29.06	136.87	104.62
			M3	1.50	-4.73	181.33	1.50	-4.73	188.35	1.50	-4.29	188.36	1.51	-4.25	195.38
		MIN	S2	-5.69	-237.47	41.60	-5.69	-237.47	15.07	-5.69	-237.43	15.62	-5.69	-237.43	-10.91
			TQ	-1.93	-286.44	66.00	-1.93	-286.44	56.99	-1.93	-286.31	57.65	-1.93	-286.31	48.64
			M3	24.76	110.33	-227.07	18.11	82.37	-124.64	18.11	82.08	-124.83	10.05	47.73	-64.10
	TANDEM-LOAD	MAX	S2	20.33	92.63	-126.28	20.33	92.63	-31.42	20.33	92.56	-31.64	20.33	92.56	63.22
			TQ	20.22	93.19	-120.57	20.22	93.19	-26.21	20.22	93.13	-26.42	20.22	93.13	67.93
			M3	1.01	-3.27	123.18	1.01	-3.27	127.87	1.01	-2.98	127.87	1.01	-2.98	132.56
		MIN	S2	-3.91	-164.40	29.65	-3.91	-164.40	11.42	-3.91	-164.37	11.80	-3.91	-164.37	-6.43
			TQ	-1.07	-195.52	45.64	-1.07	-195.52	40.66	-1.07	-195.42	41.11	-1.07	-195.42	36.13
			M3	16.39	73.12	-154.81	13.46	60.83	-84.67	13.46	60.63	-84.81	6.33	30.29	-44.48

BAGO RIVER BRIDGE

BLOCK [ No.1 : MAIN GIRDER ][ BEAM MEMBER FORCE ]

MEMBER NODE	1015	1016			1016			1017							
		SHEAR	TORQUE	MOMENT	SHEAR	TORQUE	MOMENT	SHEAR	TORQUE	MOMENT	SHEAR	TORQUE	MOMENT		
		S2 (kN)	TQ (kN·m)	M3 (kN·m)	S2 (kN)	TQ (kN·m)	M3 (kN·m)	S2 (kN)	TQ (kN·m)	M3 (kN·m)	S2 (kN)	TQ (kN·m)	M3 (kN·m)		
64	1-LANE (case4DISPERSION-LMAX	S2	34.50	22.75	31.71	34.50	22.75	192.71	34.50	23.19	192.66	34.50	23.19	353.66	
		TQ	29.27	145.93	-252.73	29.27	145.93	-116.14	29.27	145.66	-116.48	29.27	145.66	20.10	
		M3	-0.21	-321.03	355.47	7.62	-246.92	367.27	7.55	-247.31	367.84	23.14	-129.00	442.40	
	MIN	S2	-5.00	-216.99	70.13	-5.00	-216.99	46.82	-5.00	-216.88	47.32	-5.00	-216.88	24.01	
		TQ	0.24	-340.17	354.57	0.24	-340.17	355.67	0.24	-339.34	356.46	0.24	-339.34	357.56	
		M3	29.71	126.79	-253.63	21.88	52.67	-127.74	21.95	53.62	-127.86	6.37	-64.69	-64.73	
65	2-LANES (caseTRUCK-LOAD	MAX	S2	210.64	304.09	1141.24	65.51	94.19	568.71	65.51	95.52	568.49	13.18	27.18	550.37
		TQ	-246.44	557.88	111.14	-246.44	557.88	-1038.90	-246.44	555.46	-1040.20	-246.44	555.46	-2190.24	
		M3	22.27	454.76	1243.11	-38.64	200.96	702.14	-38.64	202.59	701.67	13.07	26.48	554.13	
	MIN	S2	-322.95	492.72	1160.49	-439.04	341.23	614.53	-439.04	342.66	613.74	-579.46	144.20	-678.92	
		TQ	-83.46	-245.35	-1239.55	-83.46	-245.35	-1629.01	-83.46	-249.14	-1628.44	-83.46	-249.14	-2017.90	
		M3	-80.28	-236.18	-1281.64	-81.13	-238.69	-1658.78	-81.13	-242.55	-1658.22	-215.80	531.35	-2274.53	
	TANDEM-LOAD	MAX	S2	193.17	275.87	1121.45	87.63	130.59	782.98	87.63	132.41	782.67	8.94	18.44	373.64
		TQ	-172.93	380.47	158.44	-172.93	380.47	-648.57	-172.93	378.97	-649.45	-172.93	378.97	-1456.46	
		M3	-14.93	303.13	1128.73	-114.78	168.43	789.55	-114.78	170.27	789.16	8.89	18.07	376.08	
	MIN	S2	-243.91	303.13	1128.73	-343.76	168.43	789.55	-343.76	170.27	789.16	-444.83	19.52	-98.93	
		TQ	-56.79	-167.31	-828.93	-56.79	-167.31	-1093.94	-56.79	-169.85	-1093.55	-56.79	-169.85	-1358.56	
		M3	-53.78	-158.22	-871.39	-55.77	-164.49	-1128.62	-55.77	-167.12	-1128.23	-148.89	364.45	-1546.87	
	DISPERSION-LMAX	S2	58.13	91.92	895.12	31.34	56.30	915.14	31.34	58.43	915.01	22.56	46.22	947.65	
		TQ	-190.54	692.63	620.16	-268.48	692.63	-451.02	-268.48	691.58	-452.63	-346.48	691.58	-1887.61	
		M3	-29.96	252.78	1120.00	-20.65	94.84	999.80	-20.65	97.16	999.58	22.56	46.22	947.65	
	MIN	S2	-347.50	325.74	-1787.80	-398.65	361.36	-3340.23	-398.65	353.59	-3341.06	-467.87	365.80	-5269.91	
		TQ	-98.83	-274.97	-1512.84	-98.83	-274.97	-1974.07	-98.83	-279.56	-1973.42	-98.83	-279.56	-2434.65	
		M3	-259.41	164.88	-2012.67	-346.67	322.82	-3424.89	-346.67	314.86	-3425.63	-467.87	365.80	-5269.91	



BAGO RIVER BRIDGE

BLOCK [ No.1 : MAIN GIRDER ][ BEAM MEMBER FORCE ]

MEMBER NODE	1015	1016			1016			1017							
		SHEAR	TORQUE	MOMENT	SHEAR	TORQUE	MOMENT	SHEAR	TORQUE	MOMENT					
		S2 (kN)	TQ (kN·m)	M3 (kN·m)	S2 (kN)	TQ (kN·m)	M3 (kN·m)	S2 (kN)	TQ (kN·m)	M3 (kN·m)					
66	2-LANES (caseTRUCK-LOAD	MAX	S2	38.59	110.02	699.88	14.77	38.22	405.53	14.77	39.16	405.44	11.01	19.43	518.96
			TQ	-182.10	338.68	-181.93	-182.10	338.68	-1031.76	-182.10	336.28	-1032.54	-182.10	336.28	-1882.36
			M3	-129.85	201.63	962.37	10.95	17.95	469.55	10.95	19.04	469.50	10.98	19.17	520.69
		MIN	S2	-243.65	252.84	787.58	-267.90	191.54	1.60	-267.90	191.54	1.16	-290.86	123.36	-932.16
			TQ	-55.28	-157.32	-1108.31	-55.28	-157.32	-1366.29	-55.28	-160.49	-1365.92	-55.28	-160.49	-1623.91
			M3	-55.08	-152.71	-1141.17	-55.22	-153.25	-1398.65	-55.22	-156.50	-1398.29	-178.16	334.79	-1887.23
	TANDEM-LOAD	MAX	S2	34.93	82.29	345.15	17.95	32.27	147.02	17.95	32.61	146.94	8.13	-3.76	96.65
			TQ	-125.22	231.15	-109.77	-125.22	231.15	-694.14	-125.22	229.53	-694.68	-125.22	229.53	-1279.05
			M3	-98.79	127.53	782.46	-47.16	61.37	408.89	-47.16	62.32	408.74	7.45	13.01	353.21
		MIN	S2	-175.41	150.58	704.63	-192.11	103.02	144.52	-192.11	103.35	144.28	-208.17	52.78	-485.24
			TQ	-37.71	-107.23	-747.17	-37.71	-107.23	-923.13	-37.71	-109.38	-922.88	-37.71	-109.38	-1098.84
			M3	-37.31	-102.86	-776.86	-37.90	-105.29	-951.47	-37.90	-107.50	-951.22	-120.29	227.03	-1284.19
	DISPERSION-LMAX	S2	25.88	43.52	746.15	21.08	32.95	797.82	21.08	34.81	797.74	19.51	31.22	868.18	
		TQ	-193.21	421.41	631.08	-217.55	421.41	-327.36	-217.57	420.65	-328.32	-241.90	420.65	-1400.41	
		M3	-61.62	141.01	1037.13	-10.06	51.98	860.05	-10.06	53.98	859.92	18.92	33.57	888.05	
		MIN	S2	-281.33	204.11	-1466.26	-300.86	214.68	-2766.81	-300.86	208.25	-2767.30	-323.63	211.83	-4200.16
			TQ	-62.23	-173.78	-1351.19	-62.23	-173.78	-1641.62	-62.21	-177.60	-1641.23	-62.21	-177.60	-1931.57
			M3	-193.83	106.63	-1757.24	-269.72	195.65	-2829.03	-269.72	189.07	-2829.48	-323.03	209.48	-4220.03
67	2-LANES (caseTRUCK-LOAD	MAX	S2	21.41	64.11	-416.92	21.41	64.11	-317.02	21.41	63.37	-317.17	21.41	63.37	-217.26
			TQ	20.02	67.18	-494.54	20.02	67.18	-401.09	20.02	66.25	-401.25	20.02	66.25	-307.80
			M3	5.85	0.30	383.48	5.91	0.55	410.91	5.91	1.50	410.91	5.91	1.50	438.49
		MIN	S2	-106.40	-143.03	139.83	-106.40	-143.03	-356.68	-106.40	-143.86	-356.34	-106.40	-143.86	-852.86
			TQ	-89.07	-175.57	300.12	-89.07	-175.57	-115.54	-89.07	-175.84	-115.13	-89.07	-175.84	-530.80
			M3	1.70	49.16	-791.79	1.33	48.35	-784.57	1.33	46.53	-784.68	-93.74	-91.92	-983.57

BAGO RIVER BRIDGE

BLOCK [ No.1 : MAIN GIRDER ][ BEAM MEMBER FORCE ]

MEMBER		1015			1016			1016			1017						
NODE		1015			1016			1016			1017						
		SHEAR	TORQUE	MOMENT	SHEAR	TORQUE	MOMENT	SHEAR	TORQUE	MOMENT	SHEAR	TORQUE	MOMENT				
NAME	TITLE	S2 (kN)	TQ (kN·m)	M3 (kN·m)	S2 (kN)	TQ (kN·m)	M3 (kN·m)	S2 (kN)	TQ (kN·m)	M3 (kN·m)	S2 (kN)	TQ (kN·m)	M3 (kN·m)				
67	2-LANES (caseTANDEM-LOAD	MAX	S2	14.97	45.37	-320.20	14.97	45.37	-250.34	14.97	44.79	-250.44	14.97	44.79	-180.58		
			TQ	13.59	46.17	-358.41	13.59	46.17	-294.99	13.59	45.48	-295.09	13.59	45.48	-231.67		
			M3	3.99	0.29	260.39	4.01	0.36	279.06	4.01	1.01	279.06	4.01	1.01	297.77		
		MIN	S2	-72.77	-95.07	87.53	-72.77	-95.07	-252.06	-72.77	-95.66	-251.84	-72.77	-95.66	-591.42		
			TQ	-64.15	-121.20	207.57	-64.15	-121.20	-91.82	-64.15	-121.41	-91.53	-64.15	-121.41	-390.92		
			M3	0.91	32.59	-538.86	0.91	32.59	-534.60	0.91	31.35	-534.67	-62.27	-58.93	-669.67		
			DISPERSION-LMAX	S2	21.97	61.58	119.13	21.97	61.58	221.66	21.97	62.09	221.52	21.97	62.09	324.06	
			TQ	-5.89	79.89	-500.07	-5.89	79.89	-527.56	-4.56	78.74	-460.86	-4.56	78.74	-482.12		
			M3	-41.75	-94.13	782.01	2.10	-21.10	694.99	2.08	-19.57	695.04	9.46	0.65	733.10		
		MIN	S2	-120.20	-139.97	-449.61	-120.20	-139.97	-1010.57	-120.20	-142.32	-1010.24	-120.20	-142.32	-1571.20		
			TQ	-92.34	-158.29	169.59	-92.34	-158.29	-261.35	-93.68	-158.97	-327.86	-93.68	-158.97	-765.02		
			M3	-56.48	15.73	-1112.50	-100.33	-57.29	-1483.90	-100.31	-60.66	-1483.76	-107.69	-80.88	-1980.24		
		68	2-LANES (caseTRUCK-LOAD	MAX	S2	49.31	230.92	-433.51	49.31	230.92	-203.41	49.31	230.44	-203.94	49.31	230.44	26.16
					TQ	48.67	232.96	-398.29	48.67	232.96	-171.16	48.67	232.56	-171.70	48.67	232.56	55.44
					M3	3.92	-6.34	369.57	3.98	-6.09	388.00	3.98	-5.19	388.01	3.99	-5.15	406.60
MIN	S2			-23.74	-445.42	75.67	-23.74	-445.42	-35.10	-23.74	-445.50	-34.06	-23.74	-445.50	-144.83		
	TQ			-19.57	-497.18	115.96	-19.57	-497.18	24.62	-19.57	-497.12	25.77	-19.57	-497.12	-65.58		
	M3			40.74	189.82	-516.18	33.25	158.27	-341.35	33.25	157.47	-341.72	21.50	106.85	-218.87		
	TANDEM-LOAD MAX			S2	33.73	157.68	-298.75	33.73	157.68	-141.33	33.73	157.35	-141.70	33.73	157.35	15.72	
	TQ			33.62	158.77	-273.88	33.62	158.77	-117.00	33.62	158.49	-117.37	33.62	158.49	39.51		
	M3			2.66	-4.31	251.02	2.68	-4.24	263.48	2.68	-3.63	263.49	2.68	-3.63	275.99		
MIN	S2			-16.18	-304.40	49.27	-16.18	-304.40	-26.26	-16.18	-304.46	-25.55	-16.18	-304.46	-101.07		
	TQ			-13.22	-338.93	77.50	-13.22	-338.93	15.83	-13.22	-338.89	16.61	-13.22	-338.89	-45.06		
	M3			27.50	128.16	-351.99	23.45	111.10	-232.82	23.45	110.56	-233.08	14.39	71.73	-150.00		

BAGO RIVER BRIDGE

BLOCK [ No.1 : MAIN GIRDER ][ BEAM MEMBER FORCE ]

MEMBER			1015			1016			1016			1017				
NODE			1015			1016			1016			1017				
			SHEAR	TORQUE	MOMENT	SHEAR	TORQUE	MOMENT	SHEAR	TORQUE	MOMENT	SHEAR	TORQUE	MOMENT		
NAME	TITLE		S2 (kN)	TQ (kN·m)	M3 (kN·m)	S2 (kN)	TQ (kN·m)	M3 (kN·m)	S2 (kN)	TQ (kN·m)	M3 (kN·m)	S2 (kN)	TQ (kN·m)	M3 (kN·m)		
68	2-LANES (caseDISPERSION-LMAX	S2	57.82	121.55	7.27	57.82	121.55	277.10	57.82	122.20	276.82	57.82	122.20	546.66		
		TQ	49.34	248.21	-553.25	49.34	248.21	-323.02	49.85	247.50	-286.58	49.85	247.50	-53.97		
		M3	-8.95	-493.75	713.43	8.16	-313.38	707.92	8.05	-313.55	708.65	30.24	-125.76	799.41		
		MIN	S2	-25.01	-465.40	104.86	-25.01	-465.40	-11.86	-25.01	-465.43	-10.77	-25.01	-465.43	-127.49	
		TQ	-16.52	-592.05	665.37	-16.52	-592.05	588.27	-17.03	-590.73	552.63	-17.03	-590.73	473.14		
		M3	41.76	149.90	-601.31	24.66	-30.46	-442.68	24.76	-29.68	-442.61	2.57	-217.47	-380.24		
		MAX	S2	215.61	311.35	1346.69	70.49	101.45	797.36	70.49	103.31	797.12	18.15	34.97	802.21	
		TQ	-325.39	678.11	-0.20	-325.39	678.11	-1518.70	-325.39	674.58	-1520.27	-325.39	674.58	-3038.77		
		M3	-71.79	497.05	1653.24	-33.68	208.15	931.02	-33.68	210.32	930.54	18.03	34.22	806.15		
69	3-LANES (caseTRUCK-LOAD	MIN	S2	-426.47	567.77	1450.81	-542.56	416.28	421.73	-542.56	417.26	420.76	-682.99	218.80	-1355.02	
		TQ	-104.24	-302.13	-1758.92	-104.24	-302.13	-2245.38	-104.24	-307.35	-2244.68	-104.24	-307.35	-2731.14		
		M3	-101.65	-291.87	-1817.01	-102.50	-294.39	-2293.86	-102.50	-299.72	-2293.17	-294.75	650.47	-3123.07		
		TANDEM-LOAD	MAX	S2	197.20	264.51	998.45	91.66	119.23	678.82	91.66	120.81	678.54	12.98	6.84	288.34
		TQ	-227.28	462.50	88.26	-227.28	462.50	-972.38	-227.28	460.24	-973.45	-227.28	460.24	-2034.08		
		M3	-79.90	326.59	1437.64	-111.42	173.29	944.81	-111.42	175.49	944.40	12.25	23.29	547.00		
		MIN	S2	-316.81	349.64	1359.82	-416.66	214.94	680.45	-416.66	216.52	679.94	-517.73	65.78	-548.34	
		TQ	-71.09	-206.03	-1186.25	-71.09	-206.03	-1518.01	-71.09	-209.56	-1517.53	-71.09	-209.56	-1849.29		
		M3	-68.34	-195.80	-1236.11	-70.34	-202.08	-1561.30	-70.34	-205.71	-1560.83	-203.24	445.73	-2124.49		
		DISPERSION-LMAX	S2	67.28	102.35	1219.09	40.48	66.72	1281.79	40.48	69.70	1281.63	31.70	57.49	1356.95	
		TQ	-285.61	837.48	935.95	-364.53	837.48	-581.19	-364.55	836.12	-583.12	-443.52	836.12	-2468.70		
		M3	-66.82	296.69	1616.67	-23.25	110.81	1398.68	-23.25	114.06	1398.42	31.11	59.84	1376.82		
		MIN	S2	-474.27	398.37	-2429.73	-526.39	433.99	-4576.00	-526.39	423.35	-4577.00	-596.58	435.56	-7104.21	
		TQ	-121.37	-336.76	-2146.60	-121.37	-336.76	-2713.02	-121.35	-343.07	-2712.25	-121.35	-343.07	-3278.57		
		M3	-340.17	204.02	-2827.32	-462.65	389.90	-4692.89	-462.65	378.99	-4693.78	-595.99	433.21	-7124.09		

BAGO RIVER BRIDGE

BLOCK [ No.1 : MAIN GIRDER ] [ BEAM MEMBER FORCE ]

MEMBER				1015			1016			1016			1017		
NODE				1015			1016			1016			1017		
NAME TITLE				SHEAR	TORQUE	MOMENT	SHEAR	TORQUE	MOMENT	SHEAR	TORQUE	MOMENT	SHEAR	TORQUE	MOMENT
				S2 (kN)	TQ (kN·m)	M3 (kN·m)	S2 (kN)	TQ (kN·m)	M3 (kN·m)	S2 (kN)	TQ (kN·m)	M3 (kN·m)	S2 (kN)	TQ (kN·m)	M3 (kN·m)
70	3-LANES (caseTRUCK-LOAD	MAX	S2	40.04	155.45	-668.68	40.04	155.45	-481.82	40.04	154.33	-482.18	40.04	154.33	-295.31
			TQ	38.66	158.52	-746.30	38.66	158.52	-565.89	38.66	157.20	-566.26	38.66	157.20	-385.85
			M3	7.35	-4.43	564.81	7.41	-4.18	599.26	7.41	-2.79	599.27	7.42	-2.75	633.87
		MIN	S2	-132.28	-314.39	165.29	-132.28	-314.39	-452.02	-132.28	-315.44	-451.29	-132.28	-315.44	-1068.60
			TQ	-114.32	-353.14	353.50	-114.32	-353.14	-179.97	-114.32	-353.56	-179.15	-114.32	-353.56	-712.62
			M3	16.82	125.52	-1086.42	15.65	121.30	-1010.29	15.65	118.95	-1010.57	-117.22	-232.69	-1230.51
	TANDEM-LOAD	MAX	S2	27.67	107.64	-479.87	27.67	107.64	-350.74	27.67	106.82	-350.98	27.67	106.82	-221.85
			TQ	26.29	108.44	-518.08	26.29	108.44	-395.38	26.29	107.52	-395.64	26.29	107.52	-272.94
			M3	5.00	-2.99	383.56	5.02	-2.92	406.93	5.02	-1.97	406.93	5.02	-1.97	430.34
		MIN	S2	-90.41	-212.75	108.18	-90.41	-212.75	-313.75	-90.41	-213.48	-313.25	-90.41	-213.48	-735.18
			TQ	-81.29	-242.68	248.05	-81.29	-242.68	-131.30	-81.29	-242.99	-130.73	-81.29	-242.99	-510.08
			M3	11.42	85.45	-739.88	10.36	80.93	-688.65	10.36	79.33	-688.84	-77.86	-151.29	-837.64
	DISPERSION-LMAX	MAX	S2	43.34	153.99	46.70	43.34	153.99	248.97	43.34	154.57	248.61	43.34	154.57	450.88
			TQ	13.29	179.46	-841.50	13.29	179.46	-779.49	14.62	177.73	-713.02	14.62	177.73	-644.79
			M3	-53.99	-219.87	1127.85	1.20	-66.03	1012.26	1.15	-64.09	1012.42	13.82	3.82	1057.99
	MIN	S2	-149.78	-341.76	-407.31	-149.78	-341.76	-1106.28	-149.78	-344.33	-1105.49	-149.78	-344.33	-1804.46	
		TQ	-119.72	-367.23	480.89	-119.72	-367.23	-77.82	-121.06	-367.48	-143.85	-121.06	-367.48	-708.78	
		M3	-52.44	32.11	-1488.46	-107.63	-121.74	-1869.58	-107.58	-125.67	-1869.29	-120.26	-193.58	-2411.56	
71	3-LANES (caseTRUCK-LOAD	MAX	S2	62.32	284.44	-653.94	62.32	284.44	-363.12	62.32	283.60	-363.78	62.32	283.60	-72.96
			TQ	60.75	289.20	-679.42	60.75	289.20	-395.93	60.75	288.28	-396.60	60.75	288.28	-113.11
			M3	7.35	-4.43	564.81	7.41	-4.18	599.26	7.41	-2.79	599.27	7.42	-2.75	633.87
		MIN	S2	-59.31	-582.76	127.38	-59.31	-582.76	-149.43	-59.31	-583.10	-148.07	-59.31	-583.10	-424.88
			TQ	-55.00	-635.72	191.92	-55.00	-635.72	-64.77	-55.00	-635.87	-63.29	-55.00	-635.87	-319.98
			M3	47.58	236.49	-871.49	39.28	201.81	-665.57	39.28	200.26	-666.04	-10.05	-19.08	-532.35

BAGO RIVER BRIDGE

BLOCK [ No.1 : MAIN GIRDER ][ BEAM MEMBER FORCE ]

MEMBER				1015			1016			1017						
NODE				1015			1016			1016			1017			
NAME TITLE				SHEAR	TORQUE	MOMENT	SHEAR	TORQUE	MOMENT	SHEAR	TORQUE	MOMENT	SHEAR	TORQUE	MOMENT	
				S2 (kN)	TQ (kN·m)	M3 (kN·m)	S2 (kN)	TQ (kN·m)	M3 (kN·m)	S2 (kN)	TQ (kN·m)	M3 (kN·m)	S2 (kN)	TQ (kN·m)	M3 (kN·m)	
71	3-LANES (case)	TANDEM-LOAD	MAX	S2	42.78	195.14	-458.18	42.78	195.14	-258.55	42.78	194.54	-259.00	42.78	194.54	-59.37
				TQ	41.56	197.09	-472.01	41.56	197.09	-278.06	41.56	196.44	-278.52	41.56	196.44	-84.56
				M3	5.00	-2.99	383.56	5.02	-2.92	406.93	5.02	-1.97	406.93	5.02	-1.97	430.34
		MIN	S2	-40.66	-398.27	90.19	-40.66	-398.27	-99.57	-40.66	-398.50	-98.64	-40.66	-398.50	-288.39	
			TQ	-37.65	-433.15	125.18	-37.65	-433.15	-50.53	-37.65	-433.26	-49.52	-37.65	-433.26	-225.23	
			M3	31.94	159.18	-593.78	27.66	141.25	-454.11	27.66	140.19	-454.43	-7.35	-14.59	-363.48	
	DISPERSION-LMAX	S2	73.37	180.82	-41.28	73.37	180.82	301.12	73.37	181.52	300.69	73.37	181.52	643.09		
		TQ	64.21	309.47	-680.62	64.21	309.47	-380.96	64.88	308.64	-333.71	64.88	308.64	-30.96		
		M3	-22.65	-574.98	1094.24	10.90	-327.20	1065.48	10.76	-326.70	1066.24	35.84	-122.40	1180.26		
		MIN	S2	-63.50	-629.39	72.13	-63.50	-629.39	-224.19	-63.50	-629.91	-222.73	-63.50	-629.91	-519.05	
			TQ	-54.34	-758.04	711.47	-54.34	-758.04	457.88	-55.00	-757.03	411.67	-55.00	-757.03	154.99	
			M3	32.52	126.41	-1063.39	-1.03	-121.37	-988.56	-0.89	-121.69	-988.28	-25.97	-325.99	-1056.23	
72	4-LANES	TRUCK-LOAD	MAX	S2	70.40	295.10	-859.61	70.40	295.10	-531.06	70.40	293.87	-531.74	70.40	293.87	-203.20
				TQ	68.65	300.19	-903.35	68.65	300.19	-582.99	68.58	298.84	-573.12	68.58	298.84	-253.07
				M3	-99.66	-642.28	432.49	-42.70	-468.65	105.65	-42.70	-468.41	106.74	35.09	186.44	118.53
		MIN	S2	-129.86	-584.33	206.28	-129.86	-584.33	-399.72	-129.86	-585.25	-398.36	-129.86	-585.25	-1004.35	
			TQ	-112.09	-665.18	389.79	-112.09	-665.18	-133.29	-112.09	-665.48	-131.75	-112.09	-665.48	-654.83	
			M3	42.37	238.76	-1307.55	34.57	206.83	-1124.64	34.57	204.22	-1125.12	-90.52	-196.79	-1162.68	
	TANDEM-LOAD	MAX	S2	48.55	203.62	-599.37	48.55	203.62	-372.79	48.55	202.76	-373.27	48.55	202.76	-146.69	
			TQ	47.17	204.98	-632.08	47.17	204.98	-411.95	47.17	204.02	-412.43	47.17	204.02	-192.30	
			M3	-70.42	-442.88	302.18	-25.51	-321.00	83.68	-25.51	-320.81	84.43	26.86	138.49	83.53	
		MIN	S2	-88.78	-400.11	140.72	-88.78	-400.11	-273.58	-88.78	-400.74	-272.65	-88.78	-400.74	-686.95	
			TQ	-77.83	-455.26	282.63	-77.83	-455.26	-80.56	-77.83	-455.45	-79.51	-77.83	-455.45	-442.70	
			M3	28.44	160.87	-890.65	24.22	143.14	-766.69	24.22	141.35	-767.02	-62.63	-137.05	-797.18	

BAGO RIVER BRIDGE

BLOCK [ No.1 : MAIN GIRDER ][ BEAM MEMBER FORCE ]

MEMBER				1015			1016			1016			1017				
NODE				1015			1016			1016			1017				
				SHEAR	TORQUE	MOMENT	SHEAR	TORQUE	MOMENT	SHEAR	TORQUE	MOMENT	SHEAR	TORQUE	MOMENT		
NAME	TITLE			S2 (kN)	TQ (kN·m)	M3 (kN·m)	S2 (kN)	TQ (kN·m)	M3 (kN·m)	S2 (kN)	TQ (kN·m)	M3 (kN·m)	S2 (kN)	TQ (kN·m)	M3 (kN·m)		
72	4-LANES	DISPERSION-LMAX	S2	56.69	150.66	-852.53	56.69	150.66	-587.96	56.69	149.30	-588.30	56.69	149.30	-323.73		
			TQ	30.24	279.06	-1081.65	30.24	279.06	-940.51	30.86	276.89	-927.25	30.86	276.89	-783.25		
			M3	-67.07	-563.10	233.23	-5.02	-311.57	67.05	-5.14	-313.23	67.78	24.21	-110.23	125.21		
	MIN	S2	-147.46	-602.85	-254.11	-147.46	-602.85	-942.27	-147.46	-605.04	-940.86	-147.46	-605.04	-1629.02			
		TQ	-120.37	-753.68	-30.54	-120.37	-753.68	-592.26	-120.95	-755.07	-604.53	-120.95	-755.07	-1168.97			
		M3	-24.39	88.45	-1333.84	-86.19	-167.68	-1594.23	-86.05	-169.48	-1593.84	-115.17	-370.42	-2076.28			
	73	6-LANES	TRUCK-LOAD	MAX	S2	236.10	457.92	391.34	120.40	323.63	446.93	120.40	324.67	446.18	74.46	277.84	664.04
				TQ	-239.93	800.55	-713.63	-239.93	800.55	-1833.31	-239.93	796.29	-1835.16	-239.93	796.29	-2954.85	
				M3	-87.80	372.63	2036.68	-27.04	198.76	1516.84	-27.04	202.29	1516.37	25.45	31.44	1440.10	
MIN		S2	-468.24	-47.66	1471.86	-551.63	-113.90	-179.60	-551.63	-114.31	-179.33	-676.25	-255.00	-2281.08			
		TQ	-164.95	-804.15	-1444.68	-164.95	-804.15	-2214.46	-164.95	-809.30	-2212.59	-164.95	-809.30	-2982.37			
		M3	-51.29	-46.96	-2687.74	-59.31	-78.98	-2945.29	-59.31	-85.83	-2945.10	-326.21	371.09	-3659.04			
TANDEM-LOAD		MAX	S2	202.99	349.90	216.14	118.56	257.24	314.53	118.56	257.97	313.93	53.12	182.81	215.21		
		TQ	-170.32	545.34	-392.71	-170.32	545.34	-1187.55	-170.32	542.57	-1188.81	-170.32	542.57	-1983.65			
		M3	-83.97	243.12	1640.04	-50.97	118.19	1245.42	-50.97	121.09	1245.14	17.27	21.33	977.40			
MIN	S2	-339.60	-63.68	1310.38	-418.92	-148.52	249.85	-418.92	-147.94	250.19	-499.95	-245.25	-1266.19				
	TQ	-109.21	-549.68	-968.67	-109.21	-549.68	-1478.33	-109.21	-553.11	-1477.05	-109.21	-553.11	-1986.72				
	M3	-34.81	-32.50	-1829.86	-40.72	-54.61	-2005.74	-40.72	-59.27	-2005.60	-229.37	250.98	-2490.66				
DISPERSION-LMAX	S2	128.07	234.29	1065.00	104.36	203.73	1445.87	104.36	207.09	1445.39	96.59	196.59	1833.53				
	TQ	-180.73	969.52	85.18	-249.50	969.52	-918.65	-248.32	967.44	-864.42	-317.28	967.44	-2184.09				
	M3	-95.30	-262.48	2539.28	-8.52	-195.35	2287.13	-8.64	-191.78	2287.58	62.51	-63.05	2387.21				
MIN	S2	-524.57	-203.31	-2352.77	-567.12	-173.51	-4745.69	-567.12	-184.54	-4745.28	-627.49	-174.27	-7451.04				
	TQ	-195.05	-965.07	-1283.16	-195.05	-965.07	-2193.41	-196.34	-970.25	-2256.04	-196.34	-970.25	-3172.28				
	M3	-303.60	226.75	-3793.47	-457.28	169.56	-5568.77	-457.19	158.03	-5569.15	-594.34	46.99	-7996.12				

BAGO RIVER BRIDGE

BLOCK [ No.1 : MAIN GIRDER ][ BEAM MEMBER FORCE ]

MEMBER			1015			1016			1016			1017			
NODE			1015			1016			1016			1017			
NAME TITLE			SHEAR	TORQUE	MOMENT	SHEAR	TORQUE	MOMENT	SHEAR	TORQUE	MOMENT	SHEAR	TORQUE	MOMENT	
			S2 (kN)	TQ (kN·m)	M3 (kN·m)	S2 (kN)	TQ (kN·m)	M3 (kN·m)	S2 (kN)	TQ (kN·m)	M3 (kN·m)	S2 (kN)	TQ (kN·m)	M3 (kN·m)	
124	SUM TOTAL	D+1LANE (caseMAX	S2	-1415.64	650.91	-3992.06	-1859.41	455.14	-12748.54	-1859.41	425.50	-12749.56	-2198.16	356.82	-22605.97
			TQ	-1960.57	1245.33	-4751.85	-2297.88	1245.33	-14688.43	-2297.88	1211.17	-14691.29	-2635.25	1211.17	-26202.02
			M3	-1614.32	880.06	-3811.27	-2018.93	637.56	-12599.36	-2018.93	608.27	-12600.81	-2198.26	356.23	-22603.31
		MIN	S2	-2128.66	949.75	-5696.06	-2549.78	871.59	-15466.38	-2549.78	835.63	-15468.36	-3019.45	689.65	-27524.69
			TQ	-1807.47	-30.62	-7070.99	-2079.27	-30.62	-16140.08	-2079.27	-68.15	-16139.97	-2351.07	-68.15	-26477.47
			M3	-1909.24	288.60	-7430.87	-2237.81	402.48	-17110.38	-2237.81	362.69	-17111.27	-2688.81	953.94	-28500.25
		D+1LANE (caseMAX	S2	-1660.81	359.95	-4700.46	-1932.61	359.95	-13085.14	-1932.61	329.52	-13085.94	-2204.41	329.52	-22739.02
			TQ	-1886.59	656.84	-5090.43	-2159.56	656.84	-14531.47	-2159.58	623.05	-14532.93	-2432.55	623.05	-25247.94
			M3	-1834.86	442.18	-4247.60	-1946.73	366.53	-13046.18	-1946.73	336.20	-13047.00	-2205.13	332.29	-22714.95
		MIN	S2	-1954.10	515.94	-5757.70	-2227.07	515.94	-15513.78	-2227.07	479.87	-15514.94	-2500.04	479.87	-26544.88
			TQ	-1729.74	196.44	-6719.52	-2001.54	196.44	-15425.88	-2001.52	160.58	-15426.32	-2273.32	160.58	-25400.98
			M3	-1800.31	318.87	-6955.79	-2114.37	352.40	-16083.20	-2114.37	315.00	-16083.97	-2469.84	530.48	-26775.65
		D+1LANE (caseMAX	S2	-1656.74	370.43	-5325.04	-1928.54	370.43	-13690.72	-1928.54	338.60	-13691.54	-2200.34	338.60	-23325.63
			TQ	-1686.18	386.62	-5712.93	-1957.98	386.62	-14216.02	-1957.00	353.61	-14181.03	-2228.80	353.61	-23947.92
			M3	-1702.77	310.33	-4610.24	-1944.12	335.59	-13115.81	-1944.12	305.09	-13116.55	-2210.47	313.70	-22802.01
		MIN	S2	-1839.96	263.86	-5720.65	-2111.75	263.86	-14941.34	-2111.75	229.12	-14941.91	-2383.56	229.12	-25431.01
			TQ	-1795.65	220.51	-5229.17	-2067.45	220.51	-14243.08	-2068.44	187.35	-14279.41	-2340.24	187.35	-24566.35
			M3	-1730.29	359.25	-6593.60	-2032.83	333.56	-15377.60	-2032.83	297.81	-15378.33	-2371.39	271.15	-25646.07
		D+1LANE (caseMAX	S2	-1600.81	527.92	-5526.32	-1872.61	527.92	-13631.00	-1872.61	496.23	-13632.19	-2144.42	496.23	-23005.29
			TQ	-1607.76	678.17	-5838.59	-1879.56	678.17	-13975.68	-1879.56	645.67	-13977.22	-2151.36	645.67	-23382.72
			M3	-1676.19	-52.18	-4691.60	-1938.60	36.76	-13132.76	-1938.68	4.73	-13132.81	-2191.77	146.75	-22767.06
		MIN	S2	-1690.57	-206.62	-5201.68	-1962.37	-206.62	-13725.23	-1962.37	-238.53	-13724.71	-2234.17	-238.53	-23516.67
			TQ	-1679.79	-413.21	-4831.08	-1951.59	-413.21	-13304.31	-1951.59	-444.14	-13303.31	-2223.39	-444.14	-23044.95
			M3	-1612.39	623.27	-5912.61	-1901.56	500.78	-14102.35	-1901.48	469.48	-14103.48	-2201.66	286.29	-23686.99

BAGO RIVER BRIDGE

BLOCK [ No.1 : MAIN GIRDER ][ BEAM MEMBER FORCE ]

MEMBER			1015			1016			1016			1017			
NODE			1015			1016			1016			1017			
NAME TITLE			SHEAR	TORQUE	MOMENT	SHEAR	TORQUE	MOMENT	SHEAR	TORQUE	MOMENT	SHEAR	TORQUE	MOMENT	
			S2 (kN)	TQ (kN·m)	M3 (kN·m)	S2 (kN)	TQ (kN·m)	M3 (kN·m)	S2 (kN)	TQ (kN·m)	M3 (kN·m)	S2 (kN)	TQ (kN·m)	M3 (kN·m)	
124	SUM TOTAL	D+2LANES(casMAX	S2	-1408.97	734.74	-3299.41	-1852.70	489.22	-12315.65	-1852.70	460.59	-12316.75	-2185.62	380.04	-22034.37
			TQ	-2114.72	1589.23	-4604.46	-2464.47	1589.23	-15289.42	-2464.47	1553.68	-15293.07	-2814.27	1553.68	-27610.24
			M3	-1685.44	1046.27	-2972.66	-2008.84	634.52	-12097.55	-2008.84	606.39	-12099.00	-2185.73	379.34	-22030.62
		MIN	S2	-2348.20	1157.19	-5963.08	-2787.24	1041.32	-16525.20	-2787.24	1002.90	-16527.57	-3268.69	816.65	-29481.22
			TQ	-1860.04	-181.59	-8088.16	-2131.84	-181.59	-17402.58	-2131.84	-222.05	-17402.11	-2403.64	-222.05	-27984.94
			M3	-2017.44	267.43	-8630.08	-2377.35	422.86	-18883.17	-2377.35	378.96	-18884.10	-2905.02	1203.80	-31076.83
		D+2LANES(casMAX	S2	-1613.28	492.28	-3889.75	-1913.70	409.90	-12596.14	-1913.70	380.61	-12597.06	-2190.82	357.30	-22145.25
			TQ	-2053.07	1098.82	-4886.62	-2349.20	1098.82	-15158.62	-2349.22	1063.58	-15161.11	-2645.36	1063.58	-26815.17
			M3	-1869.22	681.36	-3336.27	-1948.67	408.67	-12469.91	-1948.67	379.67	-12470.82	-2191.46	359.39	-22123.65
		MIN	S2	-2202.73	795.68	-6014.45	-2518.31	744.95	-16564.70	-2518.31	706.43	-16566.39	-2835.85	641.83	-28664.71
			TQ	-1795.27	7.63	-7795.27	-2067.07	7.63	-16807.41	-2067.05	-31.45	-16807.40	-2338.85	-31.45	-27087.87
			M3	-1926.66	292.65	-8234.17	-2274.49	381.13	-18027.18	-2274.49	339.21	-18028.02	-2722.55	850.91	-29639.66
		D+2LANES(casMAX	S2	-1634.37	464.41	-5633.57	-1906.17	464.41	-13894.85	-1906.17	432.10	-13895.89	-2177.97	432.10	-23425.59
			TQ	-1663.62	485.80	-6330.38	-1935.42	485.80	-14728.15	-1934.08	451.63	-14662.35	-2205.89	451.63	-24322.31
			M3	-1713.65	244.91	-4170.28	-1941.54	318.18	-12693.60	-1941.56	288.58	-12694.30	-2205.99	308.80	-22360.81
		MIN	S2	-1904.35	55.73	-5645.55	-2176.15	55.73	-15166.75	-2176.15	20.47	-15166.83	-2447.95	20.47	-25956.45
			TQ	-1859.16	4.88	-4866.06	-2130.96	4.88	-14176.39	-2132.30	-28.16	-14243.24	-2404.10	-28.16	-24828.21
			M3	-1732.53	403.62	-7240.05	-2048.55	329.79	-16067.97	-2048.53	292.52	-16068.69	-2422.79	133.84	-26496.19
		D+2LANES(casMAX	S2	-1570.62	691.20	-5762.01	-1842.42	691.20	-13725.80	-1842.42	659.28	-13727.37	-2114.23	659.28	-22959.58
			TQ	-1579.74	819.90	-6287.31	-1851.54	819.90	-14293.67	-1851.03	786.70	-14258.53	-2122.84	786.70	-23530.92
			M3	-1682.78	-161.36	-4252.76	-1937.41	19.25	-12703.57	-1937.52	-12.09	-12703.58	-2187.13	175.74	-22326.38
		MIN	S2	-1726.50	-572.10	-5155.24	-1998.30	-572.10	-13846.45	-1998.30	-604.29	-13845.08	-2270.10	-604.29	-23804.71
			TQ	-1713.85	-750.50	-4554.43	-1985.65	-750.50	-13186.62	-1986.16	-781.20	-13221.85	-2257.96	-781.20	-23124.83
			M3	-1595.25	678.46	-6453.26	-1891.64	466.53	-14583.52	-1891.53	434.43	-14584.57	-2197.28	196.02	-24131.50



BAGO RIVER BRIDGE

BLOCK [ No.1 : MAIN GIRDER ] [ BEAM MEMBER FORCE ]

MEMBER			1015			1016			1016			1017				
NODE			1015			1016			1016			1017				
NAME TITLE			SHEAR	TORQUE	MOMENT	SHEAR	TORQUE	MOMENT	SHEAR	TORQUE	MOMENT	SHEAR	TORQUE	MOMENT		
			S2 (kN)	TQ (kN·m)	M3 (kN·m)	S2 (kN)	TQ (kN·m)	M3 (kN·m)	S2 (kN)	TQ (kN·m)	M3 (kN·m)	S2 (kN)	TQ (kN·m)	M3 (kN·m)		
124	SUM TOTAL	D+3LANES (casMAX	S2	-1437.29	690.37	-3154.85	-1855.23	481.68	-12032.22	-1855.23	453.70	-12033.30	-2178.98	385.24	-21697.11	
			TQ	-2197.10	1626.98	-4540.38	-2535.98	1626.98	-15584.41	-2536.00	1590.74	-15588.13	-2874.93	1590.74	-28213.74	
			M3	-1795.57	1013.41	-2556.34	-1997.94	609.85	-11819.25	-1997.94	582.37	-11820.63	-2179.58	386.60	-21676.86	
		MIN	S2	-2443.38	1159.94	-6167.85	-2858.16	1061.46	-17330.63	-2858.16	1021.16	-17333.05	-3308.99	862.85	-30722.74	
			TQ	-1869.53	-204.33	-8655.46	-2141.32	-204.33	-18014.14	-2141.31	-246.21	-18013.63	-2413.11	-246.21	-28640.64	
			M3	-2053.30	264.05	-9283.44	-2429.93	419.92	-19738.24	-2429.93	374.03	-19739.16	-2978.48	1227.77	-32242.47	
		D+3LANES (casMAX	S2	-1606.87	601.75	-5864.45	-1878.67	601.75	-13997.42	-1878.67	569.21	-13998.78	-2150.48	569.21	-23400.15	
			TQ	-1633.60	626.02	-6685.39	-1905.40	626.02	-14943.07	-1904.26	591.34	-14887.64	-2176.07	591.34	-24408.44	
			M3	-1717.40	148.08	-3897.01	-1942.23	279.05	-12429.70	-1942.27	249.80	-12430.32	-2203.29	307.56	-22094.31	
		MIN	S2	-1917.50	-218.99	-5541.49	-2189.30	-218.99	-15124.06	-2189.30	-254.16	-15123.51	-2461.10	-254.16	-25974.49	
			TQ	-1876.68	-273.58	-4626.54	-2148.48	-273.58	-14018.62	-2149.62	-306.24	-14074.79	-2421.42	-306.24	-24740.58	
			M3	-1708.03	472.71	-7524.42	-2027.73	338.36	-16247.38	-2027.69	300.94	-16248.13	-2423.21	-55.68	-26628.15	
		D+3LANES (casMAX	S2	-1562.42	734.21	-5926.71	-1834.21	734.21	-13852.20	-1834.21	702.00	-13853.87	-2106.02	702.00	-23047.78	
			TQ	-1571.53	847.60	-6491.81	-1843.33	847.60	-14459.85	-1842.77	814.02	-14421.01	-2114.57	814.02	-23654.84	
			M3	-1690.75	-153.76	-3925.58	-1933.98	57.06	-12384.47	-1934.10	26.58	-12384.57	-2184.58	200.27	-21990.38	
		MIN	S2	-1782.14	-691.60	-5166.19	-2053.94	-691.60	-14117.08	-2053.94	-724.42	-14115.43	-2325.74	-724.42	-24334.73	
			TQ	-1770.69	-845.97	-4567.89	-2042.49	-845.97	-13465.36	-2043.06	-877.32	-13504.13	-2314.86	-877.32	-23672.63	
			M3	-1609.67	647.19	-6980.41	-1917.04	407.10	-15205.51	-1916.92	373.43	-15206.41	-2251.97	13.34	-24882.68	
		D+4LANES	MAX	S2	-1595.14	628.48	-6448.65	-1866.94	628.48	-14526.86	-1866.94	594.70	-14528.28	-2138.74	594.70	-23874.89
			TQ	-1613.47	715.24	-6626.02	-1885.27	715.24	-14789.78	-1884.92	680.87	-14775.49	-2156.72	680.87	-24206.00	
			M3	-1786.13	-444.77	-4903.05	-1980.56	-168.42	-13687.24	-1980.64	-201.42	-13686.81	-2182.81	356.18	-23373.96	
		MIN	S2	-1858.01	-432.94	-5366.86	-2129.81	-432.94	-14671.79	-2129.81	-467.05	-14670.74	-2401.61	-467.05	-25244.08	
			TQ	-1828.85	-583.53	-5102.26	-2100.65	-583.53	-14271.10	-2101.03	-616.72	-14278.83	-2372.83	-616.72	-24717.86	
			M3	-1666.07	551.41	-7052.67	-1983.10	364.18	-15566.77	-1983.02	329.22	-15567.57	-2355.05	-62.04	-25637.71	

BAGO RIVER BRIDGE

BLOCK [ No.1 : MAIN GIRDER ][ BEAM MEMBER FORCE ]

MEMBER				1015			1016			1016			1017			
NODE				1015			1016			1016			1017			
NAME TITLE				SHEAR	TORQUE	MOMENT	SHEAR	TORQUE	MOMENT	SHEAR	TORQUE	MOMENT	SHEAR	TORQUE	MOMENT	
				S2 (kN)	TQ (kN·m)	M3 (kN·m)	S2 (kN)	TQ (kN·m)	M3 (kN·m)	S2 (kN)	TQ (kN·m)	M3 (kN·m)	S2 (kN)	TQ (kN·m)	M3 (kN·m)	
124	SUM TOTAL	D+6LANES	MAX	S2	-1441.04	788.67	-4389.15	-1803.45	681.52	-12569.18	-1803.45	652.29	-12570.73	-2110.17	615.03	-21908.97
				TQ	-1951.18	1489.27	-5744.26	-2267.68	1489.27	-15588.27	-2266.91	1453.07	-15554.98	-2583.54	1453.07	-26872.70
				M3	-1796.77	410.33	-2361.39	-1972.66	340.95	-11326.91	-1972.74	313.48	-11327.67	-2164.18	286.10	-21044.64
			MIN	S2	-2323.08	175.60	-5908.36	-2676.73	151.92	-17000.94	-2676.73	112.39	-17001.24	-3068.78	27.62	-29858.27
				TQ	-1911.75	-811.27	-7108.86	-2183.55	-811.27	-16664.61	-2184.39	-850.06	-16704.85	-2456.19	-850.06	-27532.91
				M3	-1908.43	455.60	-9548.56	-2285.33	397.61	-19333.64	-2285.28	353.58	-19334.51	-2819.71	578.40	-31108.25
	SUM TOTAL		MAX		-1408.97	1626.98	-2361.39	-1803.45	1626.98	-11326.91	-1803.45	1590.74	-11327.67	-2106.02	1590.74	-21044.64
			MIN		-2443.38	-845.97	-9548.56	-2858.16	-845.97	-19738.24	-2858.16	-877.32	-19739.16	-3308.99	-877.32	-32242.47
300	DEAD LOAD	TOTAL			-1677.75	338.73	-5335.77	-1949.55	338.73	-13799.50	-1949.55	306.65	-13800.25	-2221.35	306.65	-23532.39
301	LIVE LOAD	1-LANE(case1MAX	S2		262.11	312.18	1343.71	90.14	116.41	1050.96	90.14	118.85	1050.68	23.19	50.18	926.42
			TQ		-282.82	906.60	583.92	-348.33	906.60	-888.93	-348.33	904.53	-891.04	-413.89	904.53	-2669.63
			M3		63.44	541.33	1524.50	-69.38	298.83	1200.13	-69.38	301.62	1199.44	23.09	49.59	929.08
			MIN	S2	-450.91	611.02	-360.29	-600.23	532.86	-1666.88	-600.23	528.98	-1668.11	-798.09	383.01	-3992.30
				TQ	-129.72	-369.35	-1735.22	-129.72	-369.35	-2340.58	-129.72	-374.79	-2339.72	-129.72	-374.79	-2945.08
				M3	-231.49	-50.13	-2095.11	-288.26	63.75	-3310.88	-288.26	56.05	-3311.02	-467.46	647.29	-4967.86
		1-LANE(case2MAX	S2		16.94	21.22	635.31	16.94	21.22	714.36	16.94	22.88	714.31	16.94	22.88	793.37
			TQ		-208.84	318.11	245.34	-210.00	318.11	-731.97	-210.03	316.40	-732.68	-211.20	316.40	-1715.55
			M3		-157.10	103.45	1088.16	2.82	27.80	753.31	2.82	29.55	753.25	16.22	25.64	817.44
			MIN	S2	-276.35	177.21	-421.93	-277.52	177.21	-1714.29	-277.52	173.23	-1714.69	-278.68	173.23	-3012.49
				TQ	-51.99	-142.29	-1383.75	-51.99	-142.29	-1626.38	-51.97	-146.07	-1626.07	-51.97	-146.07	-1868.59
				M3	-122.55	-19.86	-1620.02	-164.82	13.67	-2283.70	-164.82	8.36	-2283.73	-248.48	223.83	-3243.26
		1-LANE(case3MAX	S2		21.01	31.70	10.73	21.01	31.70	108.78	21.01	31.95	108.71	21.01	31.95	206.76
			TQ		-8.43	47.89	-377.16	-8.43	47.89	-416.52	-7.44	46.97	-380.78	-7.44	46.97	-415.52
			M3		-25.02	-28.40	725.52	5.43	-3.14	683.69	5.43	-1.55	683.70	10.88	7.05	730.38
			MIN	S2	-162.20	-74.87	-384.88	-162.20	-74.87	-1141.84	-162.20	-77.52	-1141.66	-162.20	-77.52	-1898.62
				TQ	-117.90	-118.22	106.60	-117.90	-118.22	-443.59	-118.89	-119.30	-479.16	-118.89	-119.30	-1033.96
				M3	-52.54	20.52	-1257.84	-83.28	-5.17	-1578.10	-83.28	-8.84	-1578.08	-150.04	-35.49	-2113.67

BAGO RIVER BRIDGE

BLOCK [ No.1 : MAIN GIRDER ][ BEAM MEMBER FORCE ]

MEMBER			1015			1016			1016			1017			
NODE			1015			1016			1016			1017			
NAME TITLE			SHEAR	TORQUE	MOMENT	SHEAR	TORQUE	MOMENT	SHEAR	TORQUE	MOMENT	SHEAR	TORQUE	MOMENT	
			S2 (kN)	TQ (kN·m)	M3 (kN·m)	S2 (kN)	TQ (kN·m)	M3 (kN·m)	S2 (kN)	TQ (kN·m)	M3 (kN·m)	S2 (kN)	TQ (kN·m)	M3 (kN·m)	
301	LIVE LOAD	1-LANE (case4MAX	S2	76.94	189.19	-190.55	76.94	189.19	168.50	76.94	189.58	168.06	76.94	189.58	527.10
			TQ	69.99	339.44	-502.83	69.99	339.44	-176.18	69.99	339.03	-176.97	69.99	339.03	149.67
			M3	1.56	-390.91	644.16	10.95	-301.97	666.74	10.87	-301.92	667.44	29.58	-159.90	765.33
			MIN S2	-12.82	-545.35	134.08	-12.82	-545.35	74.27	-12.82	-545.18	75.54	-12.82	-545.18	15.72
			TQ	-2.03	-751.94	504.68	-2.03	-751.94	495.19	-2.03	-750.79	496.94	-2.03	-750.79	487.44
			M3	65.36	284.54	-576.84	47.99	162.05	-302.86	48.07	162.84	-303.23	19.70	-20.36	-154.60
		2-LANES (caseMAX	S2	268.78	396.01	2036.36	96.85	150.49	1483.85	96.85	153.94	1483.50	35.74	73.40	1498.02
			TQ	-436.97	1250.50	731.30	-514.92	1250.50	-1489.92	-514.92	1247.03	-1492.82	-592.92	1247.03	-4077.85
			M3	-7.69	707.54	2363.11	-59.29	295.79	1701.94	-59.29	299.75	1701.25	35.62	72.70	1501.77
			MIN S2	-670.45	818.46	-627.31	-837.69	702.59	-2725.70	-837.69	696.25	-2727.32	-1047.34	510.00	-5948.82
			TQ	-182.29	-520.32	-2752.39	-182.29	-520.32	-3603.08	-182.29	-528.70	-3601.86	-182.29	-528.70	-4452.55
			M3	-339.69	-71.30	-3294.31	-427.80	84.13	-5083.67	-427.80	72.31	-5083.85	-683.67	897.15	-7544.44
		2-LANES (caseMAX	S2	64.47	153.55	1446.02	35.85	71.17	1203.36	35.85	73.97	1203.19	30.53	50.65	1387.14
			TQ	-375.32	760.09	449.15	-399.65	760.09	-1359.12	-399.67	756.93	-1360.86	-424.00	756.93	-3282.78
			M3	-191.47	342.63	1999.50	0.88	69.94	1329.59	0.88	73.03	1329.43	29.90	52.74	1408.74
			MIN S2	-524.98	456.95	-678.68	-568.76	406.22	-2765.20	-568.76	399.79	-2766.14	-614.49	335.19	-5132.32
			TQ	-117.52	-331.10	-2459.50	-117.52	-331.10	-3007.91	-117.50	-338.09	-3007.16	-117.50	-338.09	-3555.47
			M3	-248.91	-46.08	-2898.41	-324.94	42.40	-4227.68	-324.94	32.57	-4227.77	-501.19	544.27	-6107.27
		2-LANES (caseMAX	S2	43.38	125.68	-297.80	43.38	125.68	-95.35	43.38	125.46	-95.64	43.38	125.46	106.80
			TQ	14.13	147.07	-994.61	14.13	147.07	-928.65	15.47	144.99	-862.10	15.47	144.99	-789.92
			M3	-35.90	-93.82	1165.49	8.01	-20.55	1105.90	7.99	-18.07	1105.95	15.37	2.15	1171.59
MIN S2	-226.60		-283.00	-309.78	-226.60	-283.00	-1367.25	-226.60	-286.18	-1366.59	-226.60	-286.18	-2424.05		
TQ	-181.41		-333.85	469.71	-181.41	-333.85	-376.89	-182.75	-334.81	-443.00	-182.75	-334.81	-1295.82		
M3	-54.78		64.89	-1904.29	-99.00	-8.94	-2268.47	-98.98	-14.13	-2268.44	-201.43	-172.80	-2963.80		

BAGO RIVER BRIDGE

BLOCK [ No.1 : MAIN GIRDER ][ BEAM MEMBER FORCE ]

MEMBER				1015			1016			1017						
NODE				1015			1016			1017						
				SHEAR	TORQUE	MOMENT	SHEAR	TORQUE	MOMENT	SHEAR	TORQUE	MOMENT				
NAME	TITLE			S2 (kN)	TQ (kN·m)	M3 (kN·m)	S2 (kN)	TQ (kN·m)	M3 (kN·m)	S2 (kN)	TQ (kN·m)	M3 (kN·m)				
301	LIVE LOAD	2-LANES (caseMAX	S2	107.13	352.47	-426.24	107.13	352.47	73.70	107.13	352.64	72.88	107.13	352.64	572.81	
			TQ	98.01	481.17	-951.54	98.01	481.17	-494.17	98.52	480.06	-458.28	98.52	480.06	1.47	
			M3	-5.03	-500.09	1083.01	12.14	-319.48	1095.92	12.03	-318.74	1096.67	34.23	-130.91	1206.01	
			MIN	S2	-48.75	-910.83	180.53	-48.75	-910.83	-46.95	-48.75	-910.93	-44.84	-48.75	-910.93	-272.32
			TQ	-36.10	-1089.23	781.33	-36.10	-1089.23	612.88	-36.61	-1087.85	578.40	-36.61	-1087.85	407.57	
			M3	82.50	339.73	-1117.49	57.91	127.80	-784.02	58.02	127.79	-784.32	24.07	-110.62	-599.10	
		3-LANES (caseMAX	S2	240.46	351.64	2180.91	94.32	142.95	1767.28	94.32	147.06	1766.94	42.38	78.60	1835.29	
			TQ	-519.35	1288.25	795.39	-586.43	1288.25	-1784.91	-586.45	1284.10	-1787.88	-653.58	1284.10	-4681.35	
			M3	-117.82	674.68	2779.43	-48.39	271.12	1980.25	-48.39	275.72	1979.61	41.77	79.96	1855.53	
			MIN	S2	-765.63	821.21	-832.08	-908.61	722.73	-3531.13	-908.61	714.52	-3532.80	-1087.64	556.21	-7190.35
			TQ	-191.77	-543.06	-3319.69	-191.77	-543.06	-4214.64	-191.76	-552.86	-4213.38	-191.76	-552.86	-5108.25	
			M3	-375.55	-74.68	-3947.68	-480.38	81.19	-5938.74	-480.38	67.38	-5938.91	-757.13	921.13	-8710.08	
		3-LANES (caseMAX	S2	70.88	263.02	-528.69	70.88	263.02	-197.92	70.88	262.56	-198.53	70.88	262.56	132.24	
			TQ	44.15	287.29	-1349.63	44.15	287.29	-1143.58	45.29	284.69	-1087.39	45.29	284.69	-876.05	
			M3	-39.64	-190.65	1438.76	7.32	-59.68	1369.79	7.28	-56.85	1369.93	18.06	0.91	1438.08	
			MIN	S2	-239.75	-557.72	-205.72	-239.75	-557.72	-1324.56	-239.75	-560.80	-1323.26	-239.75	-560.80	-2442.10
			TQ	-198.93	-612.31	709.23	-198.93	-612.31	-219.12	-200.07	-612.89	-274.55	-200.07	-612.89	-1208.19	
			M3	-30.28	133.98	-2188.65	-78.18	-0.37	-2447.89	-78.14	-5.71	-2447.88	-201.86	-362.33	-3095.76	
		3-LANES (caseMAX	S2	115.34	395.48	-590.94	115.34	395.48	-52.70	115.34	395.35	-53.62	115.34	395.35	484.61	
			TQ	106.22	508.87	-1156.04	106.22	508.87	-660.35	106.78	507.38	-620.76	106.78	507.38	-122.45	
			M3	-13.00	-492.49	1410.19	15.57	-281.67	1415.03	15.45	-280.06	1415.68	36.77	-106.38	1542.01	
			MIN	S2	-104.39	-1030.33	169.58	-104.39	-1030.33	-317.58	-104.39	-1031.06	-315.18	-104.39	-1031.06	-802.34
			TQ	-92.94	-1184.70	767.88	-92.94	-1184.70	334.14	-93.51	-1183.96	296.12	-93.51	-1183.96	-140.24	
			M3	68.08	308.46	-1644.65	32.51	68.37	-1406.01	32.63	66.78	-1406.17	-30.61	-293.31	-1350.29	

BAGO RIVER BRIDGE

BLOCK [ No.1 : MAIN GIRDER ][ BEAM MEMBER FORCE ]

MEMBER					1015			1016			1017					
NODE					1015			1016			1017					
NAME TITLE					SHEAR	TORQUE	MOMENT	SHEAR	TORQUE	MOMENT	SHEAR	TORQUE	MOMENT			
					S2 (kN)	TQ (kN·m)	M3 (kN·m)	S2 (kN)	TQ (kN·m)	M3 (kN·m)	S2 (kN)	TQ (kN·m)	M3 (kN·m)			
301	LIVE LOAD	4-LANES	MAX	S2	82.61	289.75	-1112.89	82.61	289.75	-727.36	82.61	288.05	-728.03	82.61	288.05	-342.50
				TQ	64.28	376.51	-1290.25	64.28	376.51	-990.28	64.63	374.22	-975.24	64.63	374.22	-673.61
				M3	-108.38	-783.50	432.72	-31.01	-507.15	112.26	-31.09	-508.06	113.44	38.55	49.54	158.43
		MIN	S2	-180.26	-771.67	-31.09	-180.26	-771.67	-872.29	-180.26	-773.69	-870.49	-180.26	-773.69	-1711.69	
			TQ	-151.10	-922.26	233.51	-151.10	-922.26	-471.61	-151.48	-923.36	-478.58	-151.48	-923.36	-1185.47	
			M3	11.68	212.68	-1716.90	-33.55	25.45	-1767.27	-33.47	22.58	-1767.33	-133.70	-368.69	-2105.32	
	6-LANES	MAX	S2	236.71	449.94	946.62	146.10	342.79	1230.32	146.10	345.65	1229.52	111.18	308.38	1623.42	
			TQ	-273.43	1150.54	-408.49	-318.13	1150.54	-1788.77	-317.36	1146.43	-1754.73	-362.19	1146.43	-3340.31	
			M3	-119.02	71.60	2974.38	-23.11	2.22	2472.58	-23.19	6.83	2472.57	57.17	-20.55	2487.75	
		MIN	S2	-645.32	-163.13	-572.59	-727.18	-186.81	-3201.44	-727.18	-194.26	-3200.99	-847.43	-279.02	-6325.87	
			TQ	-234.00	-1150.00	-1773.09	-234.00	-1150.00	-2865.12	-234.84	-1156.70	-2904.60	-234.84	-1156.70	-4000.52	
			M3	-230.68	116.87	-4212.79	-335.78	58.88	-5534.14	-335.73	46.93	-5534.27	-598.36	271.75	-7575.86	
LIVE LOAD	MAX		268.78	1288.25	2974.38	146.10	1288.25	2472.58	146.10	1284.10	2472.57	115.34	1284.10	2487.75		
	MIN		-765.63	-1184.70	-4212.79	-908.61	-1184.70	-5938.74	-908.61	-1183.96	-5938.91	-1087.64	-1183.96	-8710.08		
303	SUM TOTAL	TOTAL	MAX		-1408.97	1626.98	-2361.39	-1803.45	1626.98	-11326.91	-1803.45	1590.74	-11327.67	-2106.02	1590.74	-21044.64
			MIN		-2443.38	-845.97	-9548.56	-2858.16	-845.97	-19738.24	-2858.16	-877.32	-19739.16	-3308.99	-877.32	-32242.47

BAGO RIVER BRIDGE

BLOCK [ No.1 : MAIN GIRDER ][ BEAM MEMBER FORCE ]

MEMBER NODE	1017 1017	1018			1018			1019			1019			
		SHEAR	TORQUE	MOMENT	SHEAR	TORQUE	MOMENT	SHEAR	TORQUE	MOMENT	SHEAR	TORQUE	MOMENT	
NAME TITLE	S2 (kN)	TQ (kN·m)	M3 (kN·m)	S2 (kN)	TQ (kN·m)	M3 (kN·m)	S2 (kN)	TQ (kN·m)	M3 (kN·m)	S2 (kN)	TQ (kN·m)	M3 (kN·m)		
1 PAVEMENT	285.45	38.42	-4132.30	238.89	38.42	-2889.09	238.89	31.59	-2889.17	192.34	31.59	-1866.74		
3 RAILING	11.46	-2.73	-112.90	7.54	-2.73	-67.84	7.54	-2.89	-67.84	3.61	-2.89	-41.41		
5 CURB	113.50	-27.07	-1117.71	74.62	-27.07	-671.66	74.62	-28.66	-671.60	35.74	-28.66	-409.91		
7 DECK WEIGHT	455.71	51.88	-6487.86	379.02	51.88	-4508.73	379.02	41.23	-4508.84	302.34	41.23	-2893.34		
8 GIRDER WEIGH	611.04	36.71	-8444.33	522.37	36.71	-5757.05	522.37	23.11	-5757.12	433.70	23.11	-3490.31		
10 MEDIAN STRIP	78.12	22.30	-1303.29	78.12	22.30	-932.86	78.12	20.09	-932.91	78.12	20.09	-562.47		
21 ADITIONAL WE	127.60	14.53	-1816.60	106.13	14.53	-1262.44	106.13	11.54	-1262.47	84.65	11.54	-810.13		
31 MEDIAN RAILI	7.09	1.66	-117.10	7.09	1.66	-83.50	7.09	1.46	-83.50	7.09	1.46	-49.90		
51 SUPPORT WEIG	-0.00	-0.00	-0.00	-0.00	-0.00	-0.00	-0.00	-0.00	-0.00	-0.00	-0.00	-0.00		
52 NOSE WEIGHT	0.05	0.18	-0.82	0.05	0.18	-0.58	0.05	0.17	-0.58	0.05	0.17	-0.34		
61 1-LANE(case1TRUCK-LOAD	MAX	S2	396.41	-87.91	-381.82	271.80	-222.23	462.32	271.80	-221.13	462.84	177.32	-309.23	700.33
		TQ	53.61	146.88	-1221.80	53.61	146.88	-967.60	53.61	144.59	-967.94	53.61	144.59	-713.73
		M3	-18.55	25.72	285.42	253.35	-188.78	498.77	253.35	-187.60	499.22	148.06	-290.91	725.77
	MIN	S2	-18.55	25.72	285.42	-55.06	-61.93	393.56	-55.06	-61.00	393.70	-180.74	-200.05	670.05
		TQ	136.14	-328.85	-1070.27	136.14	-328.85	-424.68	136.14	-329.85	-423.90	136.14	-329.85	221.69
		M3	52.41	143.75	-1236.37	52.22	143.20	-987.84	52.22	140.87	-988.18	52.22	140.87	-740.56
	TANDEM-LOAD MAX	S2	309.50	-12.71	-60.76	222.82	-112.06	558.46	222.82	-110.74	558.72	137.98	-196.54	677.18
		TQ	36.48	99.83	-816.62	36.48	99.83	-643.61	36.48	98.31	-643.84	36.48	98.31	-470.83
		M3	-12.59	17.60	193.76	222.82	-112.06	558.46	222.82	-110.74	558.72	137.98	-196.54	677.18
	MIN	S2	-12.59	17.60	193.76	-75.05	-87.72	551.07	-75.05	-86.42	551.27	-165.24	-180.43	673.74
		TQ	97.62	-225.69	-703.99	97.62	-225.69	-241.10	97.62	-226.26	-240.57	97.62	-226.26	222.32
		M3	36.13	99.16	-840.67	35.17	96.50	-671.06	35.17	94.92	-671.29	35.17	94.92	-504.49
	DISPERSION-LMAX	S2	267.17	-172.41	-2904.11	219.19	-163.72	-1823.21	219.19	-168.03	-1822.82	186.46	-142.82	-998.39
		TQ	37.00	221.76	-1069.03	37.00	221.76	-893.58	37.00	219.65	-894.10	37.00	219.65	-718.64
		M3	-31.75	45.23	488.68	-6.45	11.19	452.40	-6.45	12.26	452.37	-13.39	-91.84	409.39
	MIN	S2	-31.75	45.23	488.68	-39.18	36.54	392.70	-39.18	37.47	392.62	-61.92	12.26	290.15
		TQ	198.42	-348.94	-1346.39	143.00	-348.94	-536.93	143.00	-350.21	-536.11	87.54	-350.21	10.41
		M3	267.17	-172.41	-2904.11	186.46	-138.37	-1882.91	186.46	-142.82	-1882.57	137.93	-38.71	-1117.62

BAGO RIVER BRIDGE

BLOCK [ No.1 : MAIN GIRDER ] [ BEAM MEMBER FORCE ]

MEMBER				1017			1018			1018			1019		
NODE				1017			1018			1018			1019		
				SHEAR	TORQUE	MOMENT	SHEAR	TORQUE	MOMENT	SHEAR	TORQUE	MOMENT	SHEAR	TORQUE	MOMENT
NAME	TITLE			S2 (kN)	TQ (kN·m)	M3 (kN·m)	S2 (kN)	TQ (kN·m)	M3 (kN·m)	S2 (kN)	TQ (kN·m)	M3 (kN·m)	S2 (kN)	TQ (kN·m)	M3 (kN·m)
62	1-LANE (case2TRUCK-LOAD	MAX	S2	99.49	-47.39	-526.43	99.49	-47.39	-54.66	99.49	-47.52	-54.54	99.49	-47.52	417.23
			TQ	26.46	59.54	-833.64	26.46	59.54	-708.18	26.46	57.87	-708.32	26.46	57.87	-582.87
			M3	-16.50	9.28	252.01	-16.50	9.28	173.77	-16.50	9.69	173.75	93.69	-36.97	437.69
		MIN	S2	-16.50	9.28	252.01	-16.50	9.28	173.77	-16.50	9.69	173.75	-16.50	9.69	95.51
			TQ	75.23	-99.82	-733.78	75.23	-99.82	-377.03	74.35	-100.71	-381.70	74.35	-100.71	-29.15
			M3	27.02	58.51	-848.74	27.02	58.51	-720.61	27.02	56.81	-720.75	27.02	56.81	-592.62
		TANDEM-LOAD MAX	S2	69.91	-35.71	-384.23	69.91	-35.71	-52.72	69.91	-35.83	-52.64	69.91	-35.83	278.87
			TQ	17.88	40.56	-563.98	17.88	40.56	-479.19	17.88	39.43	-479.28	17.88	39.43	-394.49
			M3	-11.19	6.22	170.91	-11.19	6.22	117.84	-11.19	6.50	117.83	65.18	-20.40	327.00
		MIN	S2	-11.19	6.22	170.91	-11.19	6.22	117.84	-11.19	6.50	117.83	-11.19	6.50	64.76
			TQ	49.31	-68.02	-500.44	49.31	-68.02	-266.62	49.31	-68.65	-266.46	49.31	-68.65	-32.63
			M3	18.41	40.03	-577.77	18.41	40.03	-490.48	18.41	38.87	-490.58	18.41	38.87	-403.30
		DISPERSION-LMAX	S2	123.88	-30.57	-1835.56	122.89	-30.57	-1250.47	122.89	-33.52	-1250.39	121.91	-33.52	-669.98
			TQ	3.34	87.18	-588.24	3.34	87.18	-572.41	3.37	85.83	-572.57	3.37	85.83	-556.57
			M3	-28.09	16.87	429.14	-11.28	11.90	310.17	-11.28	12.64	310.15	18.72	-13.54	327.47
MIN	S2	-28.50	18.73	410.48	-28.50	18.73	275.32	-28.50	19.38	275.27	-28.50	19.38	140.11		
	TQ	92.04	-99.01	-836.85	91.05	-99.01	-402.74	91.02	-99.97	-402.55	90.03	-99.97	26.71		
	M3	123.46	-28.70	-1854.22	105.67	-23.74	-1285.32	105.67	-26.77	-1285.26	74.68	-0.60	-857.34		
63	1-LANE (case3TRUCK-LOAD	MAX	S2	56.59	56.74	-395.77	56.59	56.74	-127.44	56.59	56.43	-127.57	56.59	56.43	140.76
			TQ	47.40	68.48	-238.02	47.40	68.48	-13.25	47.40	68.45	-13.41	47.40	68.45	211.36
			M3	-14.98	-2.72	227.27	-14.98	-2.72	156.23	-14.98	-2.35	156.24	47.40	68.45	211.36
		MIN	S2	-14.98	-2.72	227.27	-14.98	-2.72	156.23	-14.98	-2.35	156.24	-14.98	-2.35	85.20
			TQ	-7.07	-16.35	-148.66	-7.07	-16.35	-182.18	-7.07	-16.78	-182.14	-7.07	-16.78	-215.65
			M3	10.19	-1.39	-576.60	10.19	-1.39	-528.26	10.19	-2.63	-528.26	10.10	-2.80	-480.01

BAGO RIVER BRIDGE

BLOCK [ No.1 : MAIN GIRDER ] [ BEAM MEMBER FORCE ]

MEMBER		1017			1018			1018			1019				
NODE		1017			1018			1018			1019				
		SHEAR	TORQUE	MOMENT	SHEAR	TORQUE	MOMENT	SHEAR	TORQUE	MOMENT	SHEAR	TORQUE	MOMENT		
NAME	TITLE	S2 (kN)	TQ (kN·m)	M3 (kN·m)	S2 (kN)	TQ (kN·m)	M3 (kN·m)	S2 (kN)	TQ (kN·m)	M3 (kN·m)	S2 (kN)	TQ (kN·m)	M3 (kN·m)		
63	1-LANE (case3TANDEM-LOAD	MAX	S2	38.93	40.16	-262.71	38.93	40.16	-78.12	38.93	39.98	-78.22	38.93	39.98	106.37
			TQ	34.28	48.20	-177.28	34.28	48.20	-14.73	34.28	48.17	-14.85	34.28	48.17	147.70
			M3	-10.17	-1.79	154.35	-10.17	-1.79	106.11	-10.17	-1.54	106.11	34.28	48.17	147.70
		MIN	S2	-10.17	-1.79	154.35	-10.17	-1.79	106.11	-10.17	-1.54	106.11	-10.17	-1.54	57.87
			TQ	-5.01	-11.60	-115.55	-5.01	-11.60	-139.30	-5.01	-11.93	-139.28	-5.01	-11.93	-163.03
			M3	7.08	-0.68	-393.15	7.08	-0.68	-359.57	7.08	-1.53	-359.57	7.08	-1.53	-325.99
	DISPERSION-LMAX	S2	67.97	54.08	-1118.77	67.97	54.08	-796.45	67.97	52.20	-796.58	67.97	52.20	-474.25	
		TQ	57.14	59.43	-757.72	57.14	59.43	-486.78	55.26	58.32	-452.18	55.26	58.32	-190.15	
		M3	-25.15	-5.91	381.38	-18.24	5.92	269.65	-18.24	6.56	269.64	5.56	31.43	240.27	
		MIN	S2	-27.24	-12.04	315.34	-27.24	-12.04	186.18	-27.24	-11.60	186.21	-27.24	-11.60	57.05
			TQ	-16.40	-17.39	-45.72	-16.40	-17.39	-123.49	-14.52	-17.72	-158.19	-14.52	-17.72	-227.05
			M3	65.89	47.95	-1184.82	58.98	36.12	-879.92	58.98	34.04	-880.01	35.18	9.17	-657.46
64	1-LANE (case4TRUCK-LOAD	MAX	S2	7.25	227.96	-22.99	7.25	227.96	11.41	7.25	227.99	10.87	7.25	227.99	45.26
			TQ	1.20	287.26	72.65	1.20	287.26	78.32	1.20	287.44	77.64	1.20	287.44	83.32
			M3	-13.02	-17.63	195.41	-13.02	-17.63	133.67	-13.02	-17.31	133.71	1.20	287.44	83.32
		MIN	S2	-27.35	-144.80	64.28	-27.35	-144.80	-65.44	-27.35	-144.95	-65.09	-27.35	-144.95	-194.81
			TQ	-27.20	-145.83	72.46	-27.20	-145.83	-56.52	-27.20	-145.96	-56.18	-27.20	-145.96	-185.16
			M3	6.23	117.43	-64.30	-21.11	-109.85	-110.60	-21.11	-110.12	-110.34	-24.96	-129.60	-219.64
	TANDEM-LOAD	MAX	S2	4.97	150.89	-18.79	4.97	150.89	4.79	4.97	150.90	4.43	4.97	150.90	28.01
			TQ	1.48	195.77	45.02	1.48	195.77	52.02	1.48	195.89	51.56	1.48	195.89	58.56
			M3	-8.84	-12.18	132.58	-8.84	-12.18	90.69	-8.84	-11.97	90.71	1.48	195.89	58.56
		MIN	S2	-18.63	-97.89	40.70	-18.63	-97.89	-47.63	-18.63	-98.00	-47.40	-18.63	-98.00	-135.73
			TQ	-18.54	-99.57	52.70	-18.54	-99.57	-35.22	-18.54	-99.65	-34.98	-18.54	-99.65	-122.91
			M3	4.15	74.72	-44.60	-14.64	-76.13	-75.58	-14.64	-76.31	-75.40	-16.68	-86.60	-149.79



BAGO RIVER BRIDGE

BLOCK [ No.1 : MAIN GIRDER ] [ BEAM MEMBER FORCE ]

MEMBER		1017			1018			1018			1019						
NODE		1017			1018			1018			1019						
		SHEAR	TORQUE	MOMENT	SHEAR	TORQUE	MOMENT	SHEAR	TORQUE	MOMENT	SHEAR	TORQUE	MOMENT				
NAME	TITLE	S2 (kN)	TQ (kN·m)	M3 (kN·m)	S2 (kN)	TQ (kN·m)	M3 (kN·m)	S2 (kN)	TQ (kN·m)	M3 (kN·m)	S2 (kN)	TQ (kN·m)	M3 (kN·m)				
64	1-LANE (case4DISPERSION-LMAX	S2	6.58	192.99	-32.31	6.58	192.99	-1.09	6.58	192.99	-1.54	6.58	192.99	29.68			
		TQ	3.25	304.46	19.58	3.25	304.46	34.98	3.25	304.54	34.26	3.25	304.54	49.67			
		M3	-44.08	37.17	442.50	-25.68	170.54	278.90	-25.74	170.37	278.50	-20.02	228.18	173.75			
		MIN	S2	-54.75	-93.62	410.08	-54.75	-93.62	150.48	-54.75	-93.27	150.70	-54.75	-93.27	-108.90		
		TQ	-51.41	-205.09	358.20	-51.41	-205.09	114.41	-51.41	-204.82	114.90	-51.41	-204.82	-128.89			
		M3	-4.09	62.20	-64.73	-22.48	-71.17	-129.51	-22.42	-70.64	-129.34	-28.14	-128.46	-252.98			
		65	2-LANES (caseTRUCK-LOAD	MAX	S2	583.83	-131.89	-605.33	433.34	-335.86	690.57	433.34	-334.23	691.36	314.73	-476.75	1266.35
				TQ	92.99	249.74	-2236.62	92.99	249.74	-1795.68	92.99	245.49	-1796.26	92.99	245.49	-1355.32	
				M3	-36.07	43.28	554.04	400.40	-283.92	747.73	400.40	-282.16	748.40	270.15	-445.39	1309.20	
MIN	S2			-36.07	43.21	554.04	-72.58	-44.45	579.11	-72.58	-43.08	579.21	-217.08	-301.24	1188.06		
TQ	239.07			-531.36	-1980.58	239.07	-531.36	-846.91	239.07	-533.36	-845.65	239.07	-533.36	288.02			
M3	91.84			245.08	-2275.44	91.64	244.53	-1839.97	91.64	240.18	-1840.55	91.08	237.66	-1407.25			
TANDEM-LOAD	MAX			S2	444.63	-19.03	-94.36	340.58	-168.00	829.54	340.58	-166.04	829.93	237.79	-297.87	1170.80	
TQ	63.35			169.84	-1512.89	63.35	169.84	-1212.50	63.35	166.98	-1212.90	63.35	166.98	-912.52			
M3	-24.48			29.61	376.02	340.58	-168.00	829.55	340.58	-166.04	829.94	237.79	-297.87	1170.81			
MIN	S2	-24.48	29.61	376.02	-90.03	-131.28	816.76	-90.03	-129.35	817.07	-198.44	-271.98	1160.58				
TQ	164.59	-363.45	-1328.97	164.59	-363.45	-548.48	164.59	-364.75	-547.62	164.59	-364.75	232.87					
M3	62.84	167.57	-1547.49	61.88	164.91	-1251.23	61.88	161.96	-1251.62	61.72	161.25	-958.54					
DISPERSION-LMAX	S2	456.86	-269.50	-5270.02	386.81	-257.17	-3368.27	386.81	-265.13	-3367.66	335.46	-229.21	-1854.97				
TQ	55.73	375.81	-1888.86	55.73	375.81	-1624.61	55.73	371.97	-1625.49	55.73	371.97	-1361.24					
M3	-61.66	76.28	947.50	-16.62	23.48	825.71	-16.48	25.30	825.66	-6.27	-144.27	780.79					
MIN	S2	-61.66	76.28	947.50	-70.76	63.95	732.05	-70.76	65.68	731.90	-98.62	29.77	530.00				
TQ	339.47	-569.02	-2433.65	260.32	-569.02	-1011.61	260.32	-571.41	-1010.27	181.11	-571.41	36.26					
M3	456.86	-269.50	-5270.02	332.67	-216.70	-3461.93	332.52	-224.74	-3461.41	243.12	-55.17	-2105.76					

BAGO RIVER BRIDGE

BLOCK [ No.1 : MAIN GIRDER ][ BEAM MEMBER FORCE ]

MEMBER NODE	1017	1018			1018			1019							
		SHEAR	TORQUE	MOMENT	SHEAR	TORQUE	MOMENT	SHEAR	TORQUE	MOMENT					
		S2 (kN)	TQ (kN·m)	M3 (kN·m)	S2 (kN)	TQ (kN·m)	M3 (kN·m)	S2 (kN)	TQ (kN·m)	M3 (kN·m)					
66	2-LANES (caseTRUCK-LOAD	MAX	S2	286.91	-91.37	-749.94	261.03	-161.03	173.60	261.03	-160.61	173.98	236.89	-215.04	983.24
			TQ	65.83	162.40	-1848.45	65.83	162.40	-1536.26	65.83	158.77	-1536.64	65.83	158.77	-1224.46
			M3	-34.02	26.85	520.63	130.55	-85.86	422.73	130.55	-84.86	422.93	215.78	-191.45	1021.13
		MIN	S2	-34.02	26.77	520.63	-34.02	26.77	359.32	-34.02	27.62	359.25	-52.84	-91.49	613.52
			TQ	178.16	-302.33	-1644.08	178.16	-302.33	-799.26	177.27	-304.22	-803.44	177.27	-304.22	37.19
			M3	66.44	159.84	-1887.81	66.44	159.84	-1572.74	66.44	156.12	-1573.11	65.88	153.60	-1259.31
	TANDEM-LOAD	MAX	S2	205.04	-42.02	-417.83	187.67	-91.65	218.36	187.67	-91.13	218.58	169.72	-137.16	772.49
			TQ	44.74	110.58	-1260.25	44.74	110.58	-1048.08	44.74	108.10	-1048.34	44.74	108.10	-836.17
			M3	-23.08	18.23	353.17	106.57	-49.72	388.93	106.57	-48.80	389.05	164.99	-121.73	820.62
		MIN	S2	-23.08	18.23	353.17	-26.17	-37.33	383.54	-26.17	-36.43	383.62	-44.39	-85.05	551.60
			TQ	116.29	-205.78	-1125.42	116.29	-205.78	-574.00	116.29	-207.14	-573.51	116.29	-207.14	-22.08
			M3	45.11	108.44	-1284.59	45.11	108.44	-1070.66	45.11	105.91	-1070.91	44.96	105.21	-857.34
	DISPERSION-LMAX	S2	313.57	-127.66	-4201.47	290.52	-124.01	-2795.53	290.52	-130.62	-2795.23	270.91	-119.92	-1526.56	
		TQ	22.06	241.22	-1408.07	22.06	241.22	-1303.44	22.10	238.14	-1303.96	22.10	238.14	-1199.16	
		M3	-58.00	47.92	887.96	-21.45	24.19	683.49	-21.30	25.67	683.43	25.84	-65.97	698.87	
		MIN	S2	-58.41	49.78	869.30	-60.08	46.14	614.67	-60.08	47.59	614.56	-65.21	36.89	379.96
			TQ	233.09	-319.10	-1924.10	208.37	-319.10	-877.42	208.33	-321.17	-876.71	183.61	-321.17	52.56
			M3	313.15	-125.79	-4220.13	251.88	-102.07	-2864.35	251.73	-108.70	-2864.10	179.87	-17.06	-1845.47
67	2-LANES (caseTRUCK-LOAD	MAX	S2	93.92	186.56	-643.38	93.92	186.56	-198.00	93.92	186.09	-198.44	93.92	186.09	246.94
			TQ	84.00	199.16	-464.32	84.00	199.16	-65.99	84.00	199.00	-66.46	84.00	199.00	331.88
			M3	-28.97	-12.82	438.50	-28.97	-12.82	301.11	-28.97	-12.11	301.14	78.94	194.27	350.97
		MIN	S2	-28.97	-12.82	438.50	-28.97	-12.82	301.11	-28.97	-12.11	301.14	-28.97	-12.11	163.76
			TQ	-14.75	-66.37	-387.71	-14.75	-66.37	-457.64	-14.75	-67.45	-457.48	-14.75	-67.45	-527.41
			M3	10.77	-37.96	-983.42	10.48	-39.25	-933.16	10.48	-41.46	-933.07	9.67	-44.27	-884.32

BAGO RIVER BRIDGE

BLOCK [ No.1 : MAIN GIRDER ][ BEAM MEMBER FORCE ]

MEMBER		1017			1018			1018			1019						
NODE		1017			1018			1018			1019						
		SHEAR	TORQUE	MOMENT	SHEAR	TORQUE	MOMENT	SHEAR	TORQUE	MOMENT	SHEAR	TORQUE	MOMENT				
NAME	TITLE	S2 (kN)	TQ (kN·m)	M3 (kN·m)	S2 (kN)	TQ (kN·m)	M3 (kN·m)	S2 (kN)	TQ (kN·m)	M3 (kN·m)	S2 (kN)	TQ (kN·m)	M3 (kN·m)				
67	2-LANES (caseTANDEM-LOAD	MAX	S2	64.60	127.98	-438.40	64.60	127.98	-132.06	64.60	127.67	-132.36	64.60	127.67	173.98		
			TQ	59.26	137.78	-325.23	59.26	137.78	-44.22	59.26	137.67	-44.54	59.26	137.67	236.47		
			M3	-19.68	-8.74	297.78	-19.68	-8.74	204.48	-19.68	-8.26	204.50	54.99	133.76	245.39		
		MIN	S2	-19.68	-8.74	297.78	-19.68	-8.74	204.48	-19.68	-8.26	204.50	-19.68	-8.26	111.20		
			TQ	-11.27	-45.78	-248.80	-11.27	-45.78	-302.22	-11.27	-46.49	-302.11	-11.27	-46.49	-355.53		
			M3	7.67	-24.63	-669.57	7.19	-26.87	-635.22	7.19	-28.37	-635.15	6.98	-29.11	-601.31		
			DISPERSION-LMAX	S2	108.45	179.32	-1712.01	108.45	179.32	-1197.73	108.45	176.49	-1198.15	108.45	176.49	-683.86	
				TQ	95.78	199.90	-1094.97	95.78	199.90	-640.78	93.90	198.43	-606.51	93.90	198.43	-161.23	
				M3	-48.48	-25.94	733.13	-36.00	13.43	518.36	-36.04	14.53	518.33	3.90	96.46	443.22	
			MIN	S2	-55.47	-70.38	464.84	-55.47	-70.38	201.82	-55.47	-69.90	201.98	-55.47	-69.90	-61.04	
				TQ	-42.79	-90.96	-152.21	-42.79	-90.96	-355.14	-40.92	-91.83	-389.66	-40.92	-91.83	-583.68	
				M3	101.47	134.89	-1980.30	88.99	95.51	-1514.27	89.02	92.06	-1514.50	49.09	10.13	-1188.13	
		68	2-LANES (caseTRUCK-LOAD	MAX	S2	25.77	428.53	-148.00	25.77	428.53	-25.79	25.77	428.47	-26.80	25.77	428.47	95.41
					TQ	18.58	497.20	-12.98	18.58	497.20	75.15	18.58	497.38	73.97	18.58	497.38	162.10
					M3	-27.01	-27.73	406.64	-27.01	-27.73	278.55	-27.01	-27.07	278.62	15.98	490.85	173.52
MIN	S2			-44.62	-250.01	-20.94	-44.62	-250.01	-232.54	-44.62	-250.56	-231.94	-44.62	-250.56	-443.54		
	TQ			-44.47	-251.04	-12.77	-44.47	-251.04	-223.62	-44.47	-251.57	-223.03	-44.47	-251.57	-433.89		
	M3			21.57	264.23	-219.30	-36.11	-202.97	-329.62	-36.11	-203.75	-329.14	-40.46	-225.93	-510.47		
	TANDEM-LOAD			MAX	S2	17.59	284.56	-109.04	17.59	284.56	-25.65	17.59	284.50	-26.33	17.59	284.50	57.06
				TQ	13.18	339.25	-8.90	13.18	339.25	53.60	13.18	339.38	52.80	13.18	339.38	115.30	
				M3	-18.34	-19.14	276.02	-18.34	-19.14	189.06	-18.34	-18.69	189.11	11.20	333.54	121.83	
	MIN			S2	-30.42	-169.59	-21.39	-30.42	-169.59	-165.63	-30.42	-169.99	-165.23	-30.42	-169.99	-309.48	
				TQ	-30.33	-171.27	-9.38	-30.33	-171.27	-153.22	-30.33	-171.63	-152.82	-30.33	-171.63	-296.66	
				M3	14.78	177.46	-150.29	-24.64	-138.37	-224.93	-24.64	-138.90	-224.61	-27.36	-152.80	-347.77	

BAGO RIVER BRIDGE

BLOCK [ No.1 : MAIN GIRDER ][ BEAM MEMBER FORCE ]

MEMBER		1017			1018			1018			1019						
NODE		1017			1018			1018			1019						
		SHEAR	TORQUE	MOMENT	SHEAR	TORQUE	MOMENT	SHEAR	TORQUE	MOMENT	SHEAR	TORQUE	MOMENT				
NAME	TITLE	S2 (kN)	TQ (kN·m)	M3 (kN·m)	S2 (kN)	TQ (kN·m)	M3 (kN·m)	S2 (kN)	TQ (kN·m)	M3 (kN·m)	S2 (kN)	TQ (kN·m)	M3 (kN·m)				
68	2-LANES (caseDISPERSION-LMAX	S2	26.84	416.49	-186.89	26.84	416.49	-59.60	26.84	416.35	-60.59	26.84	416.35	66.70			
		TQ	23.51	528.71	-134.78	23.51	528.71	-23.31	23.51	528.65	-24.56	23.51	528.65	86.90			
		M3	-67.64	42.24	799.51	-44.10	238.83	536.51	-44.19	238.82	535.95	-30.85	373.96	361.21			
		MIN	S2	-97.70	-238.11	606.25	-97.70	-238.11	142.94	-97.70	-237.77	143.50	-97.70	-237.77	-319.81		
		TQ	-94.37	-350.32	554.14	-94.37	-350.32	106.65	-94.37	-350.07	107.48	-94.37	-350.07	-340.01			
		M3	-3.22	136.14	-380.15	-26.77	-60.44	-453.18	-26.67	-60.23	-453.03	-40.01	-195.38	-614.32			
		69	3-LANES (caseTRUCK-LOAD	MAX	S2	683.32	-179.28	-1131.76	532.83	-383.25	635.92	532.83	-381.75	636.82	414.22	-524.27	1683.58
				TQ	119.44	309.28	-3070.25	119.44	309.28	-2503.86	119.44	303.36	-2504.58	119.44	303.36	-1938.19	
				M3	-52.57	52.57	806.05	383.90	-274.64	921.50	383.90	-272.46	922.15	363.84	-482.37	1746.90	
MIN	S2			-52.57	52.49	806.04	-89.08	-35.16	752.87	-89.08	-33.39	752.96	-233.58	-291.54	1283.56		
TQ	314.30			-631.18	-2714.36	314.30	-631.18	-1223.94	313.42	-634.07	-1227.34	313.42	-634.07	258.87			
M3	118.86			303.59	-3124.18	118.66	303.04	-2560.59	118.66	296.99	-2561.29	118.10	294.47	-1999.87			
TANDEM-LOAD	MAX			S2	514.54	-54.73	-478.59	410.49	-203.70	776.82	410.49	-201.87	777.29	307.70	-333.70	1449.67	
TQ	81.23			210.41	-2076.86	81.23	210.41	-1691.69	81.23	206.41	-1692.18	81.23	206.41	-1307.01			
M3	-35.67			35.83	546.93	329.39	-161.78	947.39	329.39	-159.54	947.77	302.97	-318.27	1497.81			
MIN	S2	-35.67	35.83	546.93	-101.22	-125.06	934.60	-101.22	-122.85	934.90	-209.63	-265.48	1225.34				
TQ	213.90	-431.47	-1829.42	213.90	-431.47	-815.10	213.90	-433.40	-814.08	213.90	-433.40	200.24					
M3	81.24	207.60	-2125.25	80.29	204.94	-1741.72	80.29	200.83	-1742.20	80.13	200.13	-1361.83					
DISPERSION-LMAX	S2	580.74	-300.06	-7105.58	509.70	-287.74	-4618.74	509.70	-298.65	-4618.05	457.37	-262.73	-2524.95				
TQ	59.06	462.99	-2477.10	59.06	462.99	-2197.01	59.10	457.79	-2198.06	59.10	457.79	-1917.81					
M3	-89.75	93.15	1376.64	-27.90	35.38	1135.89	-27.75	37.93	1135.80	12.45	-157.81	1108.26					
MIN	S2	-90.16	95.01	1357.98	-99.27	82.68	1007.37	-99.27	85.06	1007.17	-127.13	49.15	670.11				
TQ	431.51	-668.04	-3270.50	351.37	-668.04	-1414.35	351.34	-671.38	-1412.81	271.14	-671.38	62.97					
M3	580.32	-298.20	-7124.24	438.34	-240.43	-4747.25	438.19	-251.51	-4746.67	317.80	-55.77	-2963.10					

BAGO RIVER BRIDGE

BLOCK [ No.1 : MAIN GIRDER ][ BEAM MEMBER FORCE ]

MEMBER				1017			1018			1019					
NODE				1017			1018			1019					
				SHEAR	TORQUE	MOMENT	SHEAR	TORQUE	MOMENT	SHEAR	TORQUE	MOMENT			
NAME	TITLE			S2 (kN)	TQ (kN·m)	M3 (kN·m)	S2 (kN)	TQ (kN·m)	M3 (kN·m)	S2 (kN)	TQ (kN·m)	M3 (kN·m)			
70	3-LANES (caseTRUCK-LOAD	MAX	S2	113.79	383.05	-776.57	113.79	383.05	-236.99	113.79	382.49	-237.90	113.79	382.49	301.69
			TQ	103.26	401.23	-567.71	103.26	401.23	-78.06	103.26	401.04	-79.00	103.26	401.04	410.65
			M3	-41.99	-30.45	633.91	-41.99	-30.45	434.79	-41.99	-29.42	434.86	93.82	378.73	445.75
		MIN	S2	-42.92	-100.39	333.21	-42.92	-100.39	129.70	-42.92	-100.08	129.93	-42.92	-100.08	-73.57
			TQ	-28.50	-155.09	-524.36	-28.50	-155.09	-659.53	-28.50	-156.64	-659.16	-28.50	-156.64	-794.33
			M3	2.87	-103.09	-1230.12	1.18	-111.66	-1219.32	1.18	-114.54	-1219.05	-0.23	-120.21	-1215.07
		TANDEM-LOAD MAX	S2	78.17	263.04	-526.19	78.17	263.04	-155.53	78.17	262.67	-156.15	78.17	262.67	214.51
			TQ	72.30	275.84	-391.52	72.30	275.84	-48.68	72.30	275.72	-49.33	72.30	275.72	293.50
			M3	-28.51	-20.93	430.36	-28.51	-20.93	295.17	-28.51	-20.23	295.22	65.74	263.08	311.78
		MIN	S2	-29.22	-68.98	219.75	-29.22	-68.98	81.18	-29.22	-68.79	81.34	-29.22	-68.79	-57.23
			TQ	-20.76	-106.34	-335.58	-20.76	-106.34	-434.02	-20.76	-107.37	-433.77	-20.76	-107.37	-532.22
			M3	2.61	-67.21	-837.39	1.09	-75.00	-830.39	1.09	-76.96	-830.21	0.09	-81.53	-826.31
		DISPERSION-LMAX	S2	130.05	400.15	-1875.07	130.05	400.15	-1258.36	130.05	397.17	-1259.30	130.05	397.17	-642.59
			TQ	117.38	420.72	-1258.02	117.38	420.72	-701.40	115.50	419.11	-667.66	115.50	419.11	-119.95
			M3	-69.27	-38.43	1058.03	-52.21	57.35	753.51	-52.28	58.57	753.37	-3.94	219.16	620.78
MIN	S2	-90.37	-204.03	521.48	-90.37	-204.03	92.96	-90.37	-203.81	93.44	-90.37	-203.81	-335.09		
	TQ	-77.70	-224.61	-95.56	-77.70	-224.61	-463.99	-75.82	-225.75	-498.20	-75.82	-225.75	-857.72		
	M3	108.95	234.54	-2411.61	91.89	138.76	-1918.91	91.97	134.79	-1919.23	43.63	-25.80	-1598.46		
71	3-LANES (caseTRUCK-LOAD	MAX	S2	60.98	562.47	-404.36	60.98	562.47	-115.20	60.98	562.20	-116.53	60.98	562.20	172.63
			TQ	52.88	635.48	-220.71	52.88	635.48	30.02	52.88	635.55	28.52	52.88	635.55	279.26
			M3	-41.99	-30.45	633.91	-41.99	-30.45	434.79	-41.99	-29.42	434.86	45.06	623.03	306.60
		MIN	S2	-59.60	-252.73	206.33	-59.60	-252.73	-76.30	-59.60	-252.91	-75.70	-59.60	-252.91	-358.33
			TQ	-52.75	-315.69	-262.29	-52.75	-315.69	-512.41	-52.75	-316.90	-511.66	-52.75	-316.90	-761.78
			M3	16.25	205.82	-532.57	-41.42	-261.38	-668.09	-41.42	-262.96	-667.48	-46.26	-287.33	-875.59

BAGO RIVER BRIDGE

BLOCK [ No.1 : MAIN GIRDER ][ BEAM MEMBER FORCE ]

MEMBER		1017			1018			1018			1019							
NODE		1017			1018			1018			1019							
NAME TITLE		SHEAR	TORQUE	MOMENT	SHEAR	TORQUE	MOMENT	SHEAR	TORQUE	MOMENT	SHEAR	TORQUE	MOMENT					
		S2 (kN)	TQ (kN·m)	M3 (kN·m)	S2 (kN)	TQ (kN·m)	M3 (kN·m)	S2 (kN)	TQ (kN·m)	M3 (kN·m)	S2 (kN)	TQ (kN·m)	M3 (kN·m)					
71	3-LANES (caseTANDEM-LOAD	MAX	S2	41.85	376.75	-279.76	41.85	376.75	-81.29	41.85	376.56	-82.18	41.85	376.56	116.29			
			TQ	36.52	433.99	-144.00	36.52	433.99	29.16	36.52	434.06	28.13	36.52	434.06	201.29			
			M3	-28.51	-20.93	430.36	-28.51	-20.93	295.17	-28.51	-20.23	295.22	30.20	423.27	214.57			
		MIN	S2	-40.59	-171.38	132.96	-40.59	-171.38	-59.53	-40.59	-171.52	-59.12	-40.59	-171.52	-251.61			
			TQ	-36.44	-215.18	-162.64	-36.44	-215.18	-335.46	-36.44	-215.97	-334.95	-36.44	-215.97	-507.77			
			M3	11.10	137.37	-363.62	-28.31	-178.46	-455.68	-28.31	-179.54	-455.26	-31.17	-194.05	-596.28			
			DISPERSION-LMAX	S2	64.14	560.10	-518.45	64.14	560.10	-214.30	64.14	559.59	-215.62	64.14	559.59	88.53		
				TQ	58.39	672.69	-426.57	58.39	672.69	-149.70	57.28	672.35	-139.73	57.28	672.35	131.89		
				M3	-92.76	36.07	1180.36	-63.76	263.69	806.22	-63.88	264.18	805.59	-35.40	458.58	573.48		
			MIN	S2	-132.19	-322.94	642.72	-132.19	-322.94	15.87	-132.19	-322.90	16.64	-132.19	-322.90	-610.21		
				TQ	-126.44	-435.53	550.85	-126.44	-435.53	-48.72	-125.33	-435.66	-59.25	-125.33	-435.66	-653.58		
				M3	24.70	201.09	-1056.08	-4.29	-26.53	-1004.64	-4.17	-27.49	-1004.57	-32.65	-221.90	-1095.16		
		72	4-LANES	TRUCK-LOAD	MAX	S2	119.16	615.83	-788.81	119.16	615.83	-223.76	119.16	615.30	-225.21	119.16	615.30	339.83
						TQ	102.16	696.31	-476.46	102.16	696.31	7.97	102.16	696.33	6.32	102.16	696.33	490.75
						M3	-2.12	331.05	117.92	44.46	547.91	183.52	44.46	548.34	182.22	94.60	684.70	521.34
MIN	S2			-60.12	-310.59	-324.34	-60.12	-310.59	-609.43	-60.12	-312.03	-608.69	-60.12	-312.03	-893.78			
	TQ			-57.27	-315.07	-409.48	-57.27	-315.07	-681.07	-57.27	-316.67	-680.32	-57.27	-316.67	-951.91			
	M3			3.71	76.80	-1162.54	-25.57	-242.13	-1263.26	-25.57	-245.12	-1262.68	-30.68	-269.95	-1395.28			
TANDEM-LOAD	MAX			S2	81.83	419.55	-532.47	81.83	419.55	-144.42	81.83	419.21	-145.41	81.83	419.21	242.65		
				TQ	72.14	477.01	-333.46	72.14	477.01	8.61	72.14	477.03	7.48	72.14	477.03	349.54		
				M3	-0.41	251.63	83.07	30.88	393.41	133.06	30.88	393.72	132.13	65.98	466.99	365.11		
MIN	S2			-41.54	-207.76	-143.46	-41.54	-207.76	-340.44	-41.54	-208.56	-339.95	-41.54	-208.56	-536.93			
	TQ			-39.12	-215.30	-310.12	-39.12	-215.30	-495.62	-39.12	-216.47	-495.11	-39.12	-216.47	-680.60			
	M3			2.62	41.39	-797.07	-17.40	-165.14	-860.62	-17.40	-167.17	-860.23	-20.34	-181.83	-949.27			

BAGO RIVER BRIDGE

BLOCK [ No.1 : MAIN GIRDER ][ BEAM MEMBER FORCE ]

MEMBER				1017			1018			1018			1019				
NODE				1017			1018			1018			1019				
				SHEAR	TORQUE	MOMENT	SHEAR	TORQUE	MOMENT	SHEAR	TORQUE	MOMENT	SHEAR	TORQUE	MOMENT		
NAME	TITLE			S2 (kN)	TQ (kN·m)	M3 (kN·m)	S2 (kN)	TQ (kN·m)	M3 (kN·m)	S2 (kN)	TQ (kN·m)	M3 (kN·m)	S2 (kN)	TQ (kN·m)	M3 (kN·m)		
72	4-LANES	DISPERSION-LMAX	S2	110.20	476.72	-1500.09	110.20	476.72	-977.53	110.20	474.41	-978.65	110.20	474.41	-456.09		
			TQ	97.72	607.53	-954.34	97.72	607.53	-490.96	97.11	606.40	-470.75	97.11	606.40	-10.28		
			M3	-22.40	96.90	125.22	13.21	328.41	90.52	13.09	327.35	89.75	66.03	527.30	282.58		
		MIN	S2	-60.29	-242.04	-457.01	-60.29	-242.04	-742.89	-60.29	-243.80	-742.31	-60.29	-243.80	-1028.19		
			TQ	-48.55	-370.90	-1002.38	-48.55	-370.90	-1232.62	-47.94	-373.84	-1253.04	-47.94	-373.84	-1480.36		
			M3	72.13	139.17	-2076.01	39.86	-75.45	-1796.37	39.99	-78.39	-1796.19	-11.77	-273.34	-1732.90		
		73	6-LANES	TRUCK-LOAD MAX	S2	664.43	296.24	-2003.93	545.50	165.61	145.43	545.50	165.95	145.04	455.00	68.79	1661.17
					TQ	170.13	820.03	-3121.32	170.13	820.03	-2314.58	170.13	814.56	-2316.51	170.13	814.56	-1509.77
					M3	-94.56	22.04	1440.04	171.15	-186.66	1279.02	171.15	-183.64	1279.46	385.84	176.70	1927.78
MIN	S2			-108.25	-103.55	1299.87	-144.49	-191.79	988.15	-144.49	-189.45	988.60	-262.65	-322.41	828.28		
	TQ			232.17	-783.59	-2813.77	232.17	-783.59	-1712.82	234.51	-787.70	-1771.25	234.51	-787.70	-659.22		
	M3			105.27	272.29	-3659.79	79.93	54.99	-3268.20	79.93	47.27	-3268.32	73.13	16.04	-2898.24		
TANDEM-LOAD MAX	S2			493.08	265.33	-1127.91	410.40	168.84	391.36	410.40	169.77	390.96	329.42	86.26	1433.65		
	TQ			115.10	559.66	-2102.36	115.10	559.66	-1556.58	115.10	555.98	-1557.90	115.10	555.98	-1012.12		
	M3			-64.18	14.93	977.36	250.32	-154.86	1105.93	250.32	-152.25	1106.29	309.81	135.85	1575.00		
MIN	S2	-73.52	-69.49	877.84	-132.55	-172.04	930.10	-132.55	-169.84	930.50	-218.58	-261.22	769.54				
	TQ	162.91	-536.28	-1906.09	162.91	-536.28	-1133.60	163.54	-538.97	-1148.15	163.54	-538.97	-372.65				
	M3	71.71	178.84	-2491.17	53.60	34.39	-2225.61	53.60	29.14	-2225.68	52.85	25.53	-1974.66				
DISPERSION-LMAX	S2	603.67	201.73	-7507.94	542.34	212.20	-4877.03	542.34	200.67	-4877.52	499.12	231.11	-2572.93				
	TQ	128.96	1006.97	-2750.36	128.96	1006.97	-2138.84	127.16	1001.96	-2106.91	127.16	1001.96	-1503.90				
	M3	-170.78	118.06	2387.14	-85.43	273.38	1801.61	-85.40	276.25	1800.96	-8.97	292.81	1588.16				
MIN	S2	-203.23	-163.31	1894.23	-211.31	-173.98	997.20	-211.31	-171.63	997.61	-236.07	-202.74	109.31				
	TQ	257.26	-955.81	-2583.87	187.06	-955.81	-1530.32	188.90	-959.47	-1562.79	118.54	-959.47	-833.79				
	M3	570.84	-69.75	-7996.09	422.79	-194.68	-5665.92	422.75	-206.82	-5665.44	278.69	-205.29	-4011.33				

BAGO RIVER BRIDGE

BLOCK [ No.1 : MAIN GIRDER ][ BEAM MEMBER FORCE ]

MEMBER			1017			1018			1018			1019			
NODE			1017			1018			1018			1019			
NAME TITLE			SHEAR	TORQUE	MOMENT	SHEAR	TORQUE	MOMENT	SHEAR	TORQUE	MOMENT	SHEAR	TORQUE	MOMENT	
			S2 (kN)	TQ (kN·m)	M3 (kN·m)	S2 (kN)	TQ (kN·m)	M3 (kN·m)	S2 (kN)	TQ (kN·m)	M3 (kN·m)	S2 (kN)	TQ (kN·m)	M3 (kN·m)	
124	SUM TOTAL	D+1LANE (caseMAX	S2	2486.31	-176.52	-27476.02	2003.02	-327.28	-17806.81	2003.02	-369.35	-17805.99	1574.17	-444.80	-10482.22
			TQ	1798.75	578.23	-26281.91	1522.56	578.23	-18407.15	1522.56	534.74	-18408.47	1246.36	534.74	-11843.40
			M3	1629.66	221.00	-22603.99	1710.10	-77.25	-15032.34	1710.10	-112.77	-15032.12	1299.23	-361.66	-8762.36
		MIN	S2	1629.66	221.00	-22603.99	1300.74	105.39	-15230.23	1300.74	69.41	-15230.44	846.44	-127.71	-8972.32
			TQ	2091.50	-677.49	-26432.91	1748.81	-677.49	-17327.68	1748.81	-718.42	-17326.03	1406.05	-718.42	-9846.05
			M3	2073.52	101.47	-28501.48	1700.24	141.66	-19618.65	1700.24	95.31	-19618.93	1365.81	220.23	-12354.38
		D+1LANE (caseMAX	S2	1958.07	42.31	-26367.31	1680.69	42.31	-17739.89	1680.69	0.40	-17739.94	1403.31	0.40	-10427.85
			TQ	1725.77	311.92	-25239.16	1449.58	311.92	-17710.46	1449.62	270.08	-17711.09	1173.43	270.08	-11491.88
			M3	1636.52	167.24	-22715.53	1380.50	161.28	-15593.01	1380.50	124.44	-15593.35	1272.53	37.03	-9206.35
		MIN	S2	1636.02	169.48	-22737.92	1359.83	169.48	-15634.84	1359.83	132.54	-15635.20	1083.63	132.54	-9841.81
			TQ	1890.75	-102.75	-25417.66	1613.37	-102.75	-17109.47	1612.27	-143.17	-17115.11	1334.88	-143.17	-10127.48
			M3	1870.60	171.63	-26776.47	1573.05	177.58	-18580.87	1573.05	133.69	-18581.23	1259.68	165.10	-11864.50
		D+1LANE (caseMAX	S2	1839.49	268.84	-25350.36	1563.30	268.84	-17282.41	1563.30	228.01	-17283.00	1287.11	228.01	-10524.75
			TQ	1815.46	289.35	-24727.80	1539.27	289.35	-16773.78	1537.02	249.77	-16732.73	1260.82	249.77	-10099.11
			M3	1641.86	125.51	-22802.52	1373.96	139.70	-15662.68	1373.96	102.69	-15662.96	1201.18	217.51	-9582.61
		MIN	S2	1639.36	118.14	-22881.78	1363.17	118.14	-15762.84	1363.17	80.90	-15763.08	1086.97	80.90	-9953.85
			TQ	1661.86	95.37	-23766.16	1385.67	95.37	-16540.54	1387.92	56.24	-16582.41	1111.73	56.24	-10655.79
			M3	1781.32	191.73	-25646.61	1496.83	177.54	-17863.57	1496.83	135.34	-17863.94	1191.97	105.29	-11489.52
		D+1LANE (caseMAX	S2	1706.63	641.00	-23599.27	1430.43	641.00	-16161.36	1430.43	602.82	-16162.83	1154.24	602.82	-10034.63
			TQ	1695.36	845.92	-23422.24	1419.16	845.92	-16037.78	1419.16	808.03	-16039.74	1142.97	808.03	-9964.97
			M3	1621.51	159.31	-22767.42	1367.39	319.36	-15678.66	1367.32	281.31	-15679.37	1115.04	716.40	-9816.07
		MIN	S2	1591.50	-150.25	-22963.68	1315.31	-150.25	-16071.69	1315.31	-188.22	-16071.29	1039.11	-188.22	-10489.01
			TQ	1595.69	-285.24	-23016.12	1319.50	-285.24	-16104.28	1319.50	-323.29	-16103.56	1043.30	-323.29	-10501.42
			M3	1692.59	351.41	-23687.74	1361.52	-81.37	-16461.88	1361.59	-119.26	-16461.64	1073.91	-212.03	-10691.70



BAGO RIVER BRIDGE

BLOCK [ No.1 : MAIN GIRDER ][ BEAM MEMBER FORCE ]

MEMBER			1017			1018			1018			1019			
NODE			1017			1018			1018			1019			
NAME TITLE			SHEAR	TORQUE	MOMENT	SHEAR	TORQUE	MOMENT	SHEAR	TORQUE	MOMENT	SHEAR	TORQUE	MOMENT	
			S2 (kN)	TQ (kN·m)	M3 (kN·m)	S2 (kN)	TQ (kN·m)	M3 (kN·m)	S2 (kN)	TQ (kN·m)	M3 (kN·m)	S2 (kN)	TQ (kN·m)	M3 (kN·m)	
124	SUM TOTAL	D+2LANES (casMAX	S2	2730.71	-265.53	-29408.25	2233.98	-457.18	-18851.45	2233.98	-501.71	-18850.31	1787.82	-608.32	-10713.18
			TQ	1838.73	761.40	-27658.39	1562.54	761.40	-19594.03	1562.54	715.11	-19595.77	1286.35	715.11	-12841.11
			M3	1592.29	255.43	-22031.36	1797.61	-124.59	-14600.30	1797.75	-159.21	-14599.97	1401.51	-492.02	-8034.57
		MIN	S2	1592.29	255.35	-22031.37	1270.49	155.36	-14862.59	1270.49	120.25	-14862.91	821.93	-173.82	-8406.50
			TQ	2268.57	-964.52	-27947.14	1913.22	-964.52	-18032.27	1913.22	-1007.12	-18029.94	1557.82	-1007.12	-9800.27
			M3	2238.72	111.44	-31078.36	1838.14	163.69	-21475.65	1837.99	113.09	-21475.98	1471.83	280.14	-13637.57
		D+2LANES (casMAX	S2	2290.50	-83.17	-28484.32	1965.37	-149.18	-18795.68	1965.37	-193.59	-18795.27	1645.44	-237.31	-10667.87
			TQ	1777.92	539.48	-26789.42	1501.73	539.48	-19013.45	1501.76	494.56	-19014.62	1225.57	494.56	-12548.18
			M3	1598.01	210.62	-22124.32	1522.94	74.19	-15067.53	1523.08	38.46	-15067.66	1379.26	-159.78	-8404.56
		MIN	S2	1597.59	212.41	-22142.98	1319.73	208.77	-15199.76	1319.73	172.86	-15200.21	1019.59	43.05	-9131.08
			TQ	2101.27	-485.57	-27101.10	1800.35	-485.57	-17850.43	1799.43	-527.74	-17854.17	1498.51	-527.74	-10034.81
			M3	2069.62	169.90	-29640.85	1732.15	193.63	-20610.83	1732.00	145.07	-20611.23	1383.38	234.19	-13229.34
		D+2LANES (casMAX	S2	1892.40	501.74	-25888.31	1616.21	501.74	-17569.47	1616.21	460.23	-17570.61	1340.01	460.23	-10561.47
			TQ	1869.80	534.91	-25092.20	1593.61	534.91	-16880.51	1591.73	495.07	-16846.99	1315.54	495.07	-9953.91
			M3	1612.57	97.09	-22361.28	1348.85	136.47	-15354.27	1348.82	100.07	-15354.55	1220.47	388.38	-9330.37
		MIN	S2	1605.58	52.65	-22629.57	1329.39	52.65	-15670.82	1329.39	15.63	-15670.90	1053.19	15.63	-10021.84
			TQ	1632.48	-21.47	-24072.83	1356.29	-21.47	-16986.52	1358.17	-61.64	-17021.17	1081.97	-61.64	-11235.65
			M3	1802.26	232.78	-26496.63	1513.30	192.11	-18621.18	1513.33	148.25	-18621.59	1196.39	63.51	-12197.00
		D+2LANES (casMAX	S2	1742.64	980.88	-23867.80	1466.44	980.88	-16259.14	1466.44	942.47	-16261.41	1190.25	942.47	-9962.44
			TQ	1732.11	1161.77	-23680.66	1455.92	1161.77	-16121.91	1455.92	1123.68	-16124.61	1179.72	1123.68	-9875.55
			M3	1595.37	150.37	-22326.77	1342.72	346.95	-15358.68	1342.63	309.39	-15359.46	1122.76	962.46	-9589.83
		MIN	S2	1547.69	-352.26	-22947.60	1271.50	-352.26	-16263.34	1271.50	-390.68	-16262.47	995.31	-390.68	-10887.90
			TQ	1551.19	-465.51	-22991.54	1274.99	-465.51	-16290.72	1274.99	-503.99	-16289.58	998.80	-503.99	-10898.46
			M3	1708.37	536.23	-24132.36	1350.96	-127.55	-16956.54	1351.05	-166.34	-16956.20	1057.16	-323.66	-11249.35

BAGO RIVER BRIDGE

BLOCK [ No.1 : MAIN GIRDER ][ BEAM MEMBER FORCE ]

MEMBER			1017			1018			1018			1019				
NODE			1017			1018			1018			1019				
NAME TITLE			SHEAR	TORQUE	MOMENT	SHEAR	TORQUE	MOMENT	SHEAR	TORQUE	MOMENT	SHEAR	TORQUE	MOMENT		
			S2 (kN)	TQ (kN·m)	M3 (kN·m)	S2 (kN)	TQ (kN·m)	M3 (kN·m)	S2 (kN)	TQ (kN·m)	M3 (kN·m)	S2 (kN)	TQ (kN·m)	M3 (kN·m)		
124	SUM TOTAL	D+3LANES (casMAX	S2	2764.47	-271.59	-30534.65	2299.98	-434.48	-19559.15	2299.98	-480.69	-19558.06	1878.48	-571.30	-10839.72	
			TQ	1841.75	792.28	-28248.16	1565.56	792.28	-20169.49	1565.59	744.63	-20171.27	1289.40	744.63	-13402.15	
			M3	1569.06	259.72	-21677.62	1716.43	-67.51	-14424.97	1716.55	-101.70	-14424.77	1457.48	-446.50	-7697.67	
		MIN	S2	1568.70	261.24	-21693.48	1253.74	176.25	-14677.54	1253.74	141.57	-14677.91	831.03	-108.39	-8463.93	
			TQ	2323.96	-968.48	-28620.03	1979.65	-968.48	-18416.29	1978.87	-1011.98	-18418.16	1634.51	-1011.98	-9850.99	
			M3	2284.32	140.43	-32244.06	1887.28	189.07	-22385.41	1887.15	136.30	-22385.79	1508.15	300.54	-14343.08	
		D+3LANES (casMAX	S2	1897.29	801.57	-25786.80	1621.10	801.57	-17444.79	1621.10	760.36	-17446.64	1344.90	760.36	-10414.32	
			TQ	1877.57	834.52	-25084.78	1601.37	834.52	-16836.29	1599.78	794.77	-16808.68	1323.58	794.77	-9877.46	
			M3	1595.45	77.31	-22094.76	1333.76	158.73	-15163.69	1333.70	122.43	-15164.03	1214.03	605.86	-9218.00	
		MIN	S2	1576.73	-122.90	-22806.42	1300.54	-122.90	-15984.49	1300.54	-160.66	-15984.15	1024.34	-160.66	-10471.92	
			TQ	1599.75	-186.88	-24059.85	1323.56	-186.88	-17128.74	1325.16	-227.38	-17157.78	1048.96	-227.38	-11528.80	
			M3	1785.07	247.59	-26628.38	1492.94	158.89	-18841.24	1493.00	114.86	-18841.56	1174.52	-26.47	-12516.05	
		D+3LANES (casMAX	S2	1796.37	1090.04	-24317.29	1520.18	1090.04	-16453.81	1520.18	1051.16	-16456.34	1243.99	1051.16	-9902.57	
			TQ	1784.60	1247.81	-24083.10	1508.40	1247.81	-16275.48	1507.46	1209.36	-16268.55	1231.27	1209.36	-9775.08	
			M3	1575.48	140.63	-21990.78	1323.94	334.11	-15118.89	1323.84	297.19	-15119.64	1145.84	1017.02	-9376.49	
		MIN	S2	1527.00	-353.47	-22811.21	1250.80	-353.47	-16225.11	1250.80	-391.80	-16224.23	974.61	-391.80	-10947.82	
			TQ	1537.71	-502.69	-23287.63	1261.52	-502.69	-16650.70	1262.46	-542.03	-16659.29	986.27	-542.03	-11327.61	
			M3	1724.83	481.73	-24883.26	1374.97	-108.87	-17595.57	1375.07	-149.24	-17595.26	1070.56	-335.19	-11799.70	
		D+4LANES	MAX	S2	1839.10	846.01	-25020.69	1562.91	846.01	-16954.58	1562.91	805.96	-16956.53	1286.72	805.96	-10200.12
			TQ	1819.94	983.36	-24462.93	1543.75	983.36	-16487.69	1543.35	944.42	-16475.90	1267.16	944.42	-9812.25	
			M3	1674.08	414.02	-23374.86	1451.32	705.46	-15995.62	1451.24	666.84	-15997.24	1242.04	885.44	-9602.01	
		MIN	S2	1611.76	-223.36	-24040.78	1335.56	-223.36	-17052.75	1335.56	-263.64	-17052.17	1059.37	-263.64	-11373.84	
			TQ	1621.23	-310.02	-24450.62	1345.04	-310.02	-17417.64	1345.44	-351.19	-17430.71	1069.25	-351.19	-11705.53	
			M3	1739.31	276.24	-25637.97	1423.12	-70.57	-18162.50	1423.20	-112.63	-18162.29	1110.04	-255.49	-12157.88	

BAGO RIVER BRIDGE

BLOCK [ No.1 : MAIN GIRDER ] [ BEAM MEMBER FORCE ]

MEMBER					1017			1018			1019							
NODE					1017			1018			1019							
					SHEAR	TORQUE	MOMENT	SHEAR	TORQUE	MOMENT	SHEAR	TORQUE	MOMENT					
NAME	TITLE				S2 (kN)	TQ (kN·m)	M3 (kN·m)	S2 (kN)	TQ (kN·m)	M3 (kN·m)	S2 (kN)	TQ (kN·m)	M3 (kN·m)					
124	SUM TOTAL	D+6LANES	MAX	S2	2514.28	459.54	-29715.63	2120.92	381.43	-19249.29	2120.92	335.96	-19250.13	1757.81	292.58	-10717.20		
				TQ	1884.43	1323.41	-27349.51	1608.24	1323.41	-19068.47	1607.07	1278.39	-19049.25	1330.87	1278.39	-12083.44		
				M3	1517.55	226.93	-21045.24	1469.54	192.23	-14171.34	1469.56	157.84	-14171.75	1382.60	402.83	-7839.19		
			MIN	S2	1487.56	-37.60	-21456.74	1182.56	-101.89	-14883.27	1182.56	-137.05	-14882.99	813.46	-243.70	-9515.12		
				TQ	2008.15	-994.76	-27041.38	1686.33	-994.76	-18281.78	1689.05	-1038.01	-18341.15	1367.12	-1038.01	-11095.02		
				M3	2129.49	267.50	-31109.24	1740.60	45.06	-21980.92	1740.58	-6.06	-21980.97	1366.32	-25.37	-14615.78		
		SUM TOTAL	MAX	2764.47	1323.41	-21045.24	2299.98	1323.41	-14171.34	2299.98	1278.39	-14171.75	1878.48	1278.39	-7697.67			
			MIN	1487.56	-994.76	-32244.06	1182.56	-994.76	-22385.41	1182.56	-1038.01	-22385.79	813.46	-1038.01	-14615.78			
		300	DEAD LOAD	TOTAL			1690.02	135.86	-23532.91	1413.83	135.86	-16173.75	1413.83	97.65	-16174.02	1137.63	97.65	-10124.56
		301	LIVE LOAD	1-LANE (case1MAX	S2	S2	796.29	-312.38	-3943.11	589.19	-463.14	-1633.07	589.19	-466.99	-1631.97	436.54	-542.45	-357.67
TQ	108.73					442.37	-2749.00	108.73	442.37	-2233.41	108.73	437.09	-2234.44	108.73	437.09	-1718.85		
M3	-60.36					85.14	928.92	296.27	-213.11	1141.40	296.27	-210.41	1141.90	161.60	-459.30	1362.19		
MIN	S2				-60.36	85.14	928.92	-113.09	-30.47	943.51	-113.09	-28.24	943.58	-291.19	-225.35	1152.24		
	TQ				401.48	-813.35	-2900.00	334.98	-813.35	-1153.93	334.98	-816.07	-1152.01	268.42	-816.07	278.51		
	M3				383.50	-34.39	-4968.57	286.41	5.80	-3444.90	286.41	-2.34	-3444.91	228.18	122.58	-2229.82		
1-LANE (case2MAX	S2			268.05	-93.55	-2834.40	266.86	-93.55	-1566.15	266.86	-97.25	-1565.92	265.67	-97.25	-303.29			
	TQ			35.75	176.07	-1706.25	35.75	176.07	-1536.71	35.80	172.44	-1537.07	35.80	172.44	-1367.33			
	M3			-53.50	31.38	817.37	-33.33	25.42	580.73	-33.33	26.80	580.67	134.89	-60.61	918.20			
MIN	S2			-54.00	33.62	794.99	-54.00	33.62	538.90	-54.00	34.89	538.82	-54.00	34.89	282.74			
	TQ			200.73	-238.60	-1884.75	199.54	-238.60	-935.73	198.44	-240.82	-941.09	197.25	-240.82	-2.93			
	M3			180.58	35.77	-3243.56	159.23	41.73	-2407.12	159.23	36.04	-2407.21	122.04	67.45	-1739.95			
1-LANE (case3MAX	S2			149.47	132.99	-1817.45	149.47	132.99	-1108.67	149.47	130.37	-1108.98	149.47	130.37	-400.19			
	TQ			125.44	153.49	-1194.89	125.44	153.49	-600.04	123.19	152.13	-558.71	123.19	152.13	25.45			
	M3			-48.16	-10.35	730.39	-39.87	3.84	511.07	-39.87	5.05	511.06	63.55	119.86	541.95			
MIN	S2	-50.66	-17.72	651.13	-50.66	-17.72	410.90	-50.66	-16.75	410.94	-50.66	-16.75	170.71					
	TQ	-28.16	-40.49	-233.25	-28.16	-40.49	-366.80	-25.91	-41.41	-408.39	-25.91	-41.41	-531.24					
	M3	91.30	55.87	-2113.70	83.01	41.68	-1689.82	83.01	37.69	-1689.92	54.34	7.64	-1364.97					

BAGO RIVER BRIDGE

BLOCK [ No.1 : MAIN GIRDER ][ BEAM MEMBER FORCE ]

MEMBER			1017			1018			1018			1019			
NODE			1017			1018			1018			1019			
NAME TITLE			SHEAR	TORQUE	MOMENT	SHEAR	TORQUE	MOMENT	SHEAR	TORQUE	MOMENT	SHEAR	TORQUE	MOMENT	
			S2 (kN)	TQ (kN·m)	M3 (kN·m)	S2 (kN)	TQ (kN·m)	M3 (kN·m)	S2 (kN)	TQ (kN·m)	M3 (kN·m)	S2 (kN)	TQ (kN·m)	M3 (kN·m)	
301	LIVE LOAD	1-LANE (case4MAX	S2	16.60	505.14	-66.36	16.60	505.14	12.38	16.60	505.17	11.19	16.60	505.17	89.93
			TQ	5.33	710.06	110.67	5.33	710.06	135.96	5.33	710.38	134.28	5.33	710.38	159.58
			M3	-68.51	23.45	765.49	-46.44	183.50	495.09	-46.51	183.67	494.65	-22.59	618.75	308.49
		MIN	S2	-98.52	-286.11	569.23	-98.52	-286.11	102.05	-98.52	-285.86	102.73	-98.52	-285.86	-364.45
			TQ	-94.33	-421.10	516.79	-94.33	-421.10	69.46	-94.33	-420.94	70.46	-94.33	-420.94	-376.86
			M3	2.57	215.56	-154.83	-52.31	-217.23	-288.13	-52.24	-216.91	-287.62	-63.72	-309.67	-567.14
		2-LANES (caseMAX	S2	1040.69	-401.39	-5875.34	820.15	-593.03	-2677.70	820.15	-599.36	-2676.29	650.19	-705.96	-588.62
			TQ	148.71	625.54	-4125.48	148.71	625.54	-3420.28	148.71	617.46	-3421.75	148.71	617.46	-2716.56
			M3	-97.73	119.57	1501.55	383.78	-260.44	1573.44	383.92	-256.86	1574.06	263.88	-589.67	2089.99
		MIN	S2	-97.73	119.49	1501.54	-143.34	19.51	1311.16	-143.34	22.60	1311.11	-315.71	-271.47	1718.05
			TQ	578.54	-1100.38	-4414.23	499.39	-1100.38	-1858.52	499.39	-1104.77	-1855.92	420.19	-1104.77	324.28
			M3	548.70	-24.42	-7545.45	424.31	27.83	-5301.91	424.16	15.44	-5301.96	334.19	182.49	-3513.01
		2-LANES (caseMAX	S2	600.48	-219.03	-4951.41	551.54	-285.04	-2621.93	551.54	-291.23	-2621.25	507.80	-334.96	-543.31
			TQ	87.90	403.62	-3256.52	87.90	403.62	-2839.70	87.93	396.91	-2840.60	87.93	396.91	-2423.62
			M3	-92.02	74.77	1408.59	109.11	-61.67	1106.22	109.25	-59.19	1106.36	241.62	-257.42	1720.00
		MIN	S2	-92.43	76.55	1389.93	-94.10	72.91	973.99	-94.10	75.21	973.81	-118.05	-54.60	993.47
			TQ	411.25	-621.43	-3568.19	386.53	-621.43	-1676.68	385.61	-625.39	-1680.15	360.88	-625.39	89.75
			M3	379.60	34.04	-6107.94	318.32	57.77	-4437.09	318.17	47.42	-4437.21	245.75	136.55	-3104.78
		2-LANES (caseMAX	S2	202.38	365.88	-2355.40	202.38	365.88	-1395.73	202.38	362.59	-1396.59	202.38	362.59	-436.92
			TQ	179.78	399.06	-1559.29	179.78	399.06	-706.76	177.90	397.43	-672.96	177.90	397.43	170.65
			M3	-77.45	-38.77	1171.63	-64.98	0.61	819.48	-65.01	2.42	819.47	82.83	290.73	794.19
MIN	S2	-84.44	-83.20	903.34	-84.44	-83.20	502.93	-84.44	-82.01	503.12	-84.44	-82.01	102.71		
	TQ	-57.54	-157.33	-539.92	-57.54	-157.33	-812.78	-55.66	-159.29	-847.14	-55.66	-159.29	-1111.09		
	M3	112.24	96.93	-2963.72	99.47	56.26	-2447.44	99.50	50.60	-2447.56	58.76	-34.14	-2072.45		

BAGO RIVER BRIDGE

BLOCK [ No.1 : MAIN GIRDER ][ BEAM MEMBER FORCE ]

MEMBER			1017			1018			1018			1019				
NODE			1017			1018			1018			1019				
NAME TITLE			SHEAR	TORQUE	MOMENT	SHEAR	TORQUE	MOMENT	SHEAR	TORQUE	MOMENT	SHEAR	TORQUE	MOMENT		
			S2 (kN)	TQ (kN·m)	M3 (kN·m)	S2 (kN)	TQ (kN·m)	M3 (kN·m)	S2 (kN)	TQ (kN·m)	M3 (kN·m)	S2 (kN)	TQ (kN·m)	M3 (kN·m)		
301	LIVE LOAD	2-LANES (caseMAX	S2	52.62	845.02	-334.89	52.62	845.02	-85.39	52.62	844.82	-87.39	52.62	844.82	162.11	
			TQ	42.09	1025.92	-147.76	42.09	1025.92	51.83	42.09	1026.04	49.41	42.09	1026.04	249.00	
			M3	-94.65	14.51	1206.14	-71.11	211.10	815.06	-71.20	211.75	814.56	-14.87	864.81	534.73	
			MIN	S2	-142.33	-488.12	585.30	-142.33	-488.12	-89.60	-142.33	-488.33	-88.45	-142.33	-488.33	-763.35
			TQ	-138.83	-601.36	541.37	-138.83	-601.36	-116.98	-138.83	-601.64	-115.55	-138.83	-601.64	-773.90	
			M3	18.34	400.37	-599.45	-62.87	-263.41	-782.80	-62.78	-263.99	-782.18	-80.47	-421.31	-1124.79	
		3-LANES (caseMAX	S2	1074.45	-407.44	-7001.74	886.15	-570.34	-3385.40	886.15	-578.34	-3384.04	740.85	-668.95	-715.16	
			TQ	151.73	656.43	-4715.25	151.73	656.43	-3995.74	151.76	646.98	-3997.24	151.76	646.98	-3277.60	
			M3	-120.97	123.86	1855.29	302.60	-203.37	1748.78	302.72	-199.35	1749.25	319.85	-544.15	2426.88	
			MIN	S2	-121.32	125.38	1839.42	-160.09	40.39	1496.21	-160.09	43.93	1496.11	-306.60	-206.04	1660.62
			TQ	633.94	-1104.34	-5087.13	565.82	-1104.34	-2242.55	565.04	-1109.63	-2244.14	496.88	-1109.63	273.57	
			M3	594.30	4.58	-8711.16	473.45	53.21	-6211.66	473.32	38.65	-6211.77	370.51	202.89	-4218.52	
		3-LANES (caseMAX	S2	207.27	665.72	-2253.90	207.27	665.72	-1271.04	207.27	662.71	-1272.61	207.27	662.71	-289.76	
			TQ	187.54	698.66	-1551.87	187.54	698.66	-662.54	185.95	697.13	-634.66	185.95	697.13	247.09	
			M3	-94.57	-58.55	1438.15	-80.07	22.87	1010.05	-80.13	24.78	1009.99	76.39	508.21	906.56	
			MIN	S2	-113.29	-258.76	726.49	-113.29	-258.76	189.26	-113.29	-258.31	189.87	-113.29	-258.31	-347.36
			TQ	-90.27	-322.74	-526.94	-90.27	-322.74	-955.00	-88.67	-325.03	-983.76	-88.67	-325.03	-1404.24	
			M3	95.05	111.73	-3095.47	79.11	23.04	-2667.49	79.17	17.21	-2667.54	36.89	-124.12	-2391.50	
		3-LANES (caseMAX	S2	106.35	954.18	-784.38	106.35	954.18	-280.07	106.35	953.52	-282.32	106.35	953.52	221.99	
			TQ	94.57	1111.95	-550.20	94.57	1111.95	-101.73	93.63	1111.72	-94.53	93.63	1111.72	349.48	
			M3	-114.54	4.77	1542.13	-89.89	198.26	1054.85	-89.99	199.55	1054.38	8.20	919.37	748.07	
MIN	S2		-163.03	-489.32	721.70	-163.03	-489.32	-51.36	-163.03	-489.44	-50.21	-163.03	-489.44	-823.27		
TQ	-152.31		-638.54	245.28	-152.31	-638.54	-476.96	-151.37	-639.68	-485.27	-151.37	-639.68	-1203.05			
M3	34.81		345.87	-1350.35	-38.86	-244.73	-1421.82	-38.76	-246.89	-1421.24	-67.07	-432.84	-1675.14			

BAGO RIVER BRIDGE

BLOCK [ No.1 : MAIN GIRDER ][ BEAM MEMBER FORCE ]

MEMBER					1017			1018			1019					
NODE					1017			1018			1019					
					SHEAR	TORQUE	MOMENT	SHEAR	TORQUE	MOMENT	SHEAR	TORQUE	MOMENT			
NAME	TITLE				S2 (kN)	TQ (kN·m)	M3 (kN·m)	S2 (kN)	TQ (kN·m)	M3 (kN·m)	S2 (kN)	TQ (kN·m)	M3 (kN·m)			
301	LIVE LOAD	4-LANES	MAX	S2	149.08	710.16	-1487.78	149.08	710.16	-780.84	149.08	708.31	-782.51	149.08	708.31	-75.56
				TQ	129.92	847.50	-930.02	129.92	847.50	-313.94	129.52	846.77	-301.88	129.52	846.77	312.31
				M3	-15.94	278.16	158.05	37.49	569.61	178.13	37.41	569.20	176.78	104.41	787.80	522.54
			MIN	S2	-78.27	-359.21	-507.87	-78.27	-359.21	-879.00	-78.27	-361.29	-878.15	-78.27	-361.29	-1249.28
				TQ	-68.79	-445.88	-917.71	-68.79	-445.88	-1243.90	-68.39	-448.83	-1256.69	-68.39	-448.83	-1580.98
				M3	49.29	140.38	-2105.06	9.29	-206.43	-1988.76	9.37	-210.28	-1988.27	-27.59	-353.14	-2033.32
		6-LANES	MAX	S2	824.26	323.68	-6182.72	707.09	245.58	-3075.54	707.09	238.31	-3076.11	620.18	194.93	-592.64
				TQ	194.41	1187.56	-3816.60	194.41	1187.56	-2894.72	193.24	1180.74	-2875.22	193.24	1180.74	-1958.89
				M3	-172.48	91.07	2487.67	55.72	56.37	2002.41	55.74	60.20	2002.27	244.97	305.19	2285.37
			MIN	S2	-202.46	-173.46	2076.17	-231.27	-237.75	1290.48	-231.27	-234.70	1291.03	-324.17	-341.35	609.43
				TQ	318.13	-1130.62	-3508.47	272.50	-1130.62	-2108.04	275.22	-1135.66	-2167.13	229.48	-1135.66	-970.46
				M3	439.47	131.65	-7576.33	326.77	-90.80	-5807.18	326.75	-103.71	-5806.94	228.68	-123.01	-4491.22
		LIVE LOAD	MAX		1074.45	1187.56	2487.67	886.15	1187.56	2002.41	886.15	1180.74	2002.27	740.85	1180.74	2426.88
			MIN		-202.46	-1130.62	-8711.16	-231.27	-1130.62	-6211.66	-231.27	-1135.66	-6211.77	-324.17	-1135.66	-4491.22
		303	SUM TOTAL	TOTAL	MAX	2764.47	1323.41	-21045.24	2299.98	1323.41	-14171.34	2299.98	1278.39	-14171.75	1878.48	1278.39
MIN	1487.56				-994.76	-32244.06	1182.56	-994.76	-22385.41	1182.56	-1038.01	-22385.79	813.46	-1038.01	-14615.78	

BAGO RIVER BRIDGE

BLOCK [ No.1 : MAIN GIRDER ] [ BEAM MEMBER FORCE ]

MEMBER NODE	1019	1020			1020			1021						
		SHEAR	TORQUE	MOMENT	SHEAR	TORQUE	MOMENT	SHEAR	TORQUE	MOMENT				
NAME TITLE	S2 (kN)	TQ (kN·m)	M3 (kN·m)	S2 (kN)	TQ (kN·m)	M3 (kN·m)	S2 (kN)	TQ (kN·m)	M3 (kN·m)	S2 (kN)	TQ (kN·m)	M3 (kN·m)		
1 PAVEMENT	199.88	46.10	-1866.83	152.58	46.10	-1017.89	152.58	43.65	-1017.99	105.28	43.65	-396.90		
3 RAILING	7.27	-1.54	-41.40	3.28	-1.54	-15.99	3.28	-1.58	-15.99	-0.71	-1.58	-9.80		
5 CURB	71.96	-15.26	-409.86	32.47	-15.26	-158.33	32.47	-15.64	-158.30	-7.03	-15.64	-97.03		
7 DECK WEIGHT	314.57	54.53	-2893.45	236.67	54.53	-1565.72	236.67	50.77	-1565.85	158.76	50.77	-613.41		
8 GIRDER WEIGH	395.16	-61.08	-3490.27	305.08	-61.08	-1803.67	305.08	-65.41	-1803.52	215.00	-65.41	-550.87		
10 MEDIAN STRIP	47.58	-15.44	-562.48	47.58	-15.44	-333.29	47.58	-16.24	-333.25	47.58	-16.24	-104.05		
21 ADITIONAL WE	88.08	15.27	-810.17	66.27	15.27	-438.40	66.27	14.22	-438.44	44.45	14.22	-171.75		
31 MEDIAN RAILI	4.58	-1.41	-49.90	4.58	-1.41	-27.83	4.58	-1.47	-27.83	4.58	-1.47	-5.76		
51 SUPPORT WEIG	-0.00	-0.00	-0.00	-0.00	-0.00	-0.00	-0.00	-0.00	-0.00	-0.00	-0.00	-0.00		
52 NOSE WEIGHT	0.02	0.05	-0.34	0.02	0.05	-0.26	0.02	0.05	-0.26	0.02	0.05	-0.17		
61 1-LANE(case1TRUCK-LOAD	MAX	S2	336.13	-114.79	700.84	216.87	-237.14	1267.05	216.87	-234.09	1267.62	128.57	-315.96	1267.03
		TQ	23.43	37.47	-735.35	23.43	37.47	-622.50	23.43	35.97	-622.59	23.43	35.97	-509.75
		M3	314.28	-85.86	726.22	196.34	-207.16	1304.20	196.34	-204.03	1304.70	97.35	-300.01	1287.62
	MIN	S2	-35.65	-17.33	670.30	-119.91	-98.38	1207.72	-119.91	-95.48	1207.95	-238.86	-217.68	1203.84
		TQ	92.22	-329.19	-100.90	92.22	-329.19	343.35	92.22	-328.36	344.14	92.22	-328.36	788.39
		M3	23.41	37.29	-740.77	23.16	36.51	-628.85	23.16	35.00	-628.93	23.16	35.00	-517.37
	TANDEM-LOAD MAX	S2	266.68	-36.78	677.45	182.70	-124.67	1102.84	182.70	-122.02	1103.14	103.00	-203.70	1056.82
		TQ	15.92	25.57	-498.40	15.92	25.57	-421.70	15.92	24.56	-421.76	15.92	24.56	-345.07
		M3	266.68	-36.78	677.46	182.70	-124.67	1102.85	182.70	-122.02	1103.14	103.01	-203.70	1056.82
	MIN	S2	-38.62	-22.34	673.98	-116.46	-102.80	1094.75	-116.46	-100.17	1094.99	-201.66	-188.98	1048.07
		TQ	67.05	-228.52	-34.63	67.05	-228.52	288.35	67.05	-227.82	288.90	67.05	-227.82	611.88
		M3	15.89	25.25	-504.64	15.82	25.03	-428.34	15.82	24.01	-428.40	15.82	24.01	-352.20
	DISPERSION-LMAX	S2	166.10	-264.88	-997.90	124.71	-252.61	-483.65	124.71	-253.77	-483.04	98.20	-226.41	-165.94
		TQ	-0.21	96.26	-703.17	-0.21	96.26	-704.20	-0.32	94.57	-702.62	-0.32	94.57	-704.14
		M3	46.93	-15.88	409.51	28.54	-161.92	595.29	28.64	-160.93	595.68	19.98	-308.02	747.13
MIN	S2	-33.06	51.64	290.08	-48.01	39.36	280.90	-48.01	40.04	280.80	-77.85	12.68	197.35	
	TQ	133.25	-309.51	-4.66	76.90	-309.51	501.44	77.01	-308.31	500.38	20.66	-308.31	735.54	
	M3	86.11	-197.37	-1117.34	48.15	-51.33	-798.04	48.05	-52.80	-797.92	0.37	94.29	-715.73	

BAGO RIVER BRIDGE

BLOCK [ No.1 : MAIN GIRDER ] [ BEAM MEMBER FORCE ]

MEMBER				1019			1020			1020			1021		
NODE				1019			1020			1020			1021		
				SHEAR	TORQUE	MOMENT	SHEAR	TORQUE	MOMENT	SHEAR	TORQUE	MOMENT	SHEAR	TORQUE	MOMENT
NAME	TITLE			S2 (kN)	TQ (kN·m)	M3 (kN·m)	S2 (kN)	TQ (kN·m)	M3 (kN·m)	S2 (kN)	TQ (kN·m)	M3 (kN·m)	S2 (kN)	TQ (kN·m)	M3 (kN·m)
62	1-LANE (case2TRUCK-LOAD	MAX	S2	80.53	-67.38	83.69	80.53	-67.38	471.60	80.53	-66.25	471.76	80.53	-66.25	859.67
			TQ	14.39	16.51	-547.44	14.39	16.51	-478.10	13.52	15.41	-445.91	13.52	15.41	-380.76
			M3	14.69	-52.77	437.80	50.59	-55.91	567.58	50.59	-54.55	567.71	76.29	-60.95	883.22
		MIN	S2	-15.35	10.85	95.47	-15.35	10.85	21.53	-15.35	10.90	21.50	-15.35	10.90	-52.45
			TQ	55.88	-95.98	-125.73	55.88	-95.98	143.44	55.88	-95.64	143.67	55.88	-95.64	412.85
			M3	15.26	15.16	-592.70	15.26	15.16	-519.20	15.26	13.92	-519.24	15.26	13.92	-445.74
		TANDEM-LOAD MAX	S2	56.41	-47.37	33.83	56.41	-47.37	305.59	56.41	-46.64	305.70	56.41	-46.64	577.46
			TQ	9.68	11.26	-367.32	9.68	11.26	-320.70	9.43	10.51	-311.74	9.43	10.51	-266.29
			M3	3.54	-36.96	327.07	29.99	-38.20	397.25	29.99	-37.25	397.34	53.70	-38.05	629.77
		MIN	S2	-10.41	7.29	64.75	-10.41	7.29	14.58	-10.41	7.33	14.56	-10.41	7.33	-35.61
			TQ	38.61	-66.32	-82.45	38.61	-66.32	103.55	38.61	-66.07	103.71	38.61	-66.07	289.72
			M3	10.40	10.41	-403.35	10.40	10.41	-353.25	10.40	9.56	-353.28	10.40	9.56	-303.18
		DISPERSION-LMAX	S2	82.27	-75.82	-756.07	81.34	-75.02	-369.05	81.34	-75.91	-368.87	80.33	-75.91	20.53
			TQ	-7.14	39.81	-564.48	-7.14	39.81	-598.89	-7.14	38.37	-598.98	-7.14	38.37	-633.39
			M3	-5.39	-10.17	327.50	24.19	-60.96	375.99	24.22	-60.13	376.14	59.59	-101.60	618.77
		MIN	S2	-27.82	13.24	226.30	-27.88	12.45	99.19	-27.88	12.68	99.16	-27.88	12.68	-35.15
			TQ	61.60	-102.39	34.71	60.60	-102.39	329.03	60.60	-101.60	329.28	59.59	-101.60	618.77
			M3	59.85	-52.41	-857.27	29.27	-1.62	-645.85	29.24	-3.10	-645.84	-7.14	38.37	-633.39
63	1-LANE (case3TRUCK-LOAD	MAX	S2	49.55	55.73	37.13	49.55	55.73	275.83	49.55	56.40	275.70	49.55	56.40	514.40
			TQ	48.81	57.19	65.53	48.81	57.19	300.63	48.81	57.92	300.49	48.81	57.92	535.60
			M3	22.20	13.50	211.26	35.95	40.66	353.27	35.95	41.50	353.17	45.11	56.61	555.04
		MIN	S2	-14.56	-3.40	85.21	-14.56	-3.40	15.09	-14.56	-3.36	15.10	-14.56	-3.36	-55.02
			TQ	6.54	-6.87	150.19	6.54	-6.87	181.72	6.54	-6.44	181.73	6.54	-6.44	213.26
			M3	9.26	-1.55	-480.00	9.26	-1.55	-435.41	9.26	-2.59	-435.40	9.26	-2.59	-390.81



BAGO RIVER BRIDGE

BLOCK [ No.1 : MAIN GIRDER ][ BEAM MEMBER FORCE ]

MEMBER		1019			1020			1020			1021					
NODE		1019			1020			1020			1021					
		SHEAR	TORQUE	MOMENT	SHEAR	TORQUE	MOMENT	SHEAR	TORQUE	MOMENT	SHEAR	TORQUE	MOMENT			
NAME	TITLE	S2 (kN)	TQ (kN·m)	M3 (kN·m)	S2 (kN)	TQ (kN·m)	M3 (kN·m)	S2 (kN)	TQ (kN·m)	M3 (kN·m)	S2 (kN)	TQ (kN·m)	M3 (kN·m)			
63	1-LANE (case3TANDEM-LOAD	MAX	S2	34.08	37.18	14.47	34.08	37.18	178.62	34.08	37.61	178.53	34.08	37.61	342.68	
			TQ	33.27	40.51	53.63	33.27	40.51	213.91	33.27	41.03	213.81	33.27	41.03	374.08	
			M3	16.80	12.33	147.63	26.45	32.57	244.73	26.45	33.16	244.65	32.45	40.86	379.32	
		MIN	S2	-9.88	-2.24	57.87	-9.88	-2.24	10.27	-9.88	-2.21	10.28	-9.88	-2.21	-37.32	
			TQ	2.97	-5.78	94.45	2.97	-5.78	108.75	2.97	-5.52	108.77	2.97	-5.52	123.08	
			M3	6.30	-1.07	-325.99	6.30	-1.07	-295.63	6.30	-1.78	-295.62	6.26	-1.75	-265.32	
		DISPERSION-LMAX	S2	57.95	42.33	-559.89	57.95	42.33	-280.75	57.95	41.66	-280.85	57.95	41.66	-1.70	
			TQ	46.36	46.35	-271.21	46.36	46.35	-47.87	45.24	46.30	6.01	45.24	46.30	223.96	
			M3	-4.65	12.10	240.21	18.95	32.54	275.30	18.95	33.19	275.22	47.02	42.74	475.33	
		MIN	S2	-24.52	-7.41	142.60	-24.52	-7.41	24.47	-24.52	-7.35	24.49	-24.52	-7.35	-93.64	
			TQ	-12.94	-11.42	-146.08	-12.94	-11.42	-208.40	-11.82	-11.99	-262.37	-11.82	-11.99	-319.31	
			M3	38.07	22.83	-657.50	14.47	2.39	-531.58	14.48	1.13	-531.58	-13.59	-8.43	-570.68	
64	1-LANE (case4TRUCK-LOAD	MAX	S2	15.98	253.40	44.69	15.98	253.40	121.69	15.98	253.69	121.08	15.98	253.69	198.08	
			TQ	11.59	280.21	79.83	11.59	280.21	135.68	11.59	280.53	135.00	11.59	280.53	190.84	
			M3	8.14	267.97	82.66	13.60	278.33	136.86	13.60	278.66	136.19	14.58	274.46	204.57	
		MIN	S2	-13.50	-21.25	72.01	-13.50	-21.25	6.96	-13.50	-21.23	7.02	-13.50	-21.23	-58.03	
			TQ	-6.76	-46.85	-128.16	-6.76	-46.85	-160.71	-6.76	-47.24	-160.60	-6.76	-47.24	-193.14	
			M3	-4.03	-38.41	-219.44	-4.10	-38.72	-238.93	-4.10	-39.29	-238.84	-4.32	-40.30	-259.45	
		TANDEM-LOAD	MAX	S2	11.01	169.19	27.63	11.01	169.19	80.66	11.01	169.38	80.26	11.01	169.38	133.29
			TQ	8.36	191.54	53.66	8.36	191.54	93.96	8.36	191.77	93.50	8.36	191.77	133.79	
			M3	5.87	185.90	58.11	8.92	191.02	94.29	8.92	191.24	93.83	10.35	185.20	140.92	
		MIN	S2	-9.17	-14.61	48.85	-9.17	-14.61	4.66	-9.17	-14.59	4.70	-9.17	-14.59	-39.49	
			TQ	-4.60	-31.96	-92.66	-4.60	-31.96	-114.80	-4.60	-32.24	-114.73	-4.60	-32.24	-136.87	
			M3	-2.63	-25.60	-149.66	-2.63	-25.60	-162.31	-2.63	-25.99	-162.25	-3.02	-27.73	-176.74	

BAGO RIVER BRIDGE

BLOCK [ No.1 : MAIN GIRDER ][ BEAM MEMBER FORCE ]

MEMBER NODE	1019	1020			1020			1021							
		SHEAR	TORQUE	MOMENT	SHEAR	TORQUE	MOMENT	SHEAR	TORQUE	MOMENT					
		S2 (kN)	TQ (kN·m)	M3 (kN·m)	S2 (kN)	TQ (kN·m)	M3 (kN·m)	S2 (kN)	TQ (kN·m)	M3 (kN·m)					
64	1-LANE (case4DISPERSION-LMAX	S2	15.94	293.15	48.44	15.94	293.15	125.21	15.94	293.45	124.50	15.94	293.45	201.27	
		TQ	15.93	295.70	48.95	15.93	295.70	125.70	15.93	296.00	124.99	15.93	296.00	201.75	
		M3	-10.99	207.61	173.24	-4.39	262.94	135.89	-4.44	263.11	135.26	15.93	296.00	201.75	
	MIN	S2	-28.85	-93.19	-128.02	-28.85	-93.19	-266.98	-28.85	-93.83	-266.76	-28.85	-93.83	-405.72	
		TQ	-28.84	-95.74	-128.53	-28.84	-95.74	-267.48	-28.84	-96.38	-267.25	-28.84	-96.38	-406.19	
		M3	-1.93	-7.64	-252.82	-8.52	-62.98	-277.66	-8.48	-63.49	-277.51	-28.84	-96.38	-406.19	
65	2-LANES (caseTRUCK-LOAD	MAX	S2	490.73	-202.24	1267.15	345.11	-380.20	2149.64	345.11	-375.04	2150.55	232.83	-498.89	2338.79
		TQ	42.43	64.44	-1377.09	42.43	64.44	-1172.69	42.43	61.63	-1172.84	42.43	61.63	-968.44	
		M3	454.10	-158.76	1309.92	310.06	-335.89	2204.09	310.06	-330.59	2204.89	186.12	-473.51	2376.12	
	MIN	S2	-57.06	-50.75	1188.47	-163.74	-177.28	2032.20	-163.74	-172.41	2032.62	-308.94	-350.40	2218.20	
		TQ	176.14	-530.87	-172.20	176.14	-530.87	676.32	176.14	-529.25	677.59	176.14	-529.25	1526.11	
		M3	42.64	63.20	-1407.61	42.38	62.42	-1203.09	42.38	59.53	-1203.23	42.38	59.53	-999.08	
	TANDEM-LOAD	MAX	S2	379.73	-77.48	1171.25	277.79	-205.11	1813.04	277.79	-200.76	1813.53	180.12	-319.23	1892.71
		TQ	28.95	43.97	-940.19	28.95	43.97	-800.72	28.95	42.05	-800.82	28.95	42.05	-661.35	
		M3	379.73	-77.48	1171.25	277.79	-205.11	1813.04	277.79	-200.76	1813.53	180.12	-319.23	1892.72	
	MIN	S2	-58.93	-55.09	1160.97	-154.08	-173.47	1796.58	-154.08	-169.16	1796.99	-257.65	-297.06	1875.68	
		TQ	121.65	-366.75	-97.71	121.65	-366.75	488.31	121.65	-365.57	489.19	121.65	-365.57	1075.21	
		M3	29.01	43.03	-958.78	28.93	42.81	-819.29	28.93	40.84	-819.40	28.93	40.84	-680.01	
	DISPERSION-LMAX	S2	286.06	-432.74	-1873.38	225.98	-410.69	-941.37	225.98	-412.94	-940.38	184.08	-370.22	-307.53	
		TQ	-3.49	164.51	-1346.03	-3.49	164.51	-1362.86	-3.60	161.24	-1361.44	-3.60	161.24	-1378.77	
		M3	63.21	-32.69	781.00	54.85	-275.53	1073.46	55.01	-273.62	1074.12	64.51	-511.66	1435.37	
	MIN	S2	-63.54	83.11	549.06	-83.92	61.05	495.08	-83.92	62.24	494.94	-122.48	19.52	352.54	
		TQ	226.01	-514.14	21.71	145.55	-514.14	916.58	145.66	-511.94	916.00	65.19	-511.94	1423.78	
		M3	159.31	-316.94	-2105.32	87.20	-74.10	-1519.74	87.05	-77.09	-1519.56	-2.92	160.95	-1390.36	

BAGO RIVER BRIDGE

BLOCK [ No.1 : MAIN GIRDER ][ BEAM MEMBER FORCE ]

MEMBER NODE	1019	1020			1020			1021							
		SHEAR	TORQUE	MOMENT	SHEAR	TORQUE	MOMENT	SHEAR	TORQUE	MOMENT					
		S2 (kN)	TQ (kN·m)	M3 (kN·m)	S2 (kN)	TQ (kN·m)	M3 (kN·m)	S2 (kN)	TQ (kN·m)	M3 (kN·m)					
66	2-LANES (caseTRUCK-LOAD	MAX	S2	235.14	-154.84	650.00	208.77	-210.44	1354.19	208.77	-207.19	1354.69	184.79	-249.18	1931.43
			TQ	33.40	43.48	-1189.18	33.40	43.48	-1028.28	32.53	41.07	-996.15	32.53	41.07	-839.45
			M3	154.51	-125.67	1021.50	164.31	-184.64	1467.47	164.31	-181.12	1467.90	165.06	-234.45	1971.72
		MIN	S2	-36.76	-22.57	613.64	-59.18	-68.06	846.01	-59.18	-66.03	846.17	-85.43	-121.82	961.92
			TQ	139.80	-297.67	-197.03	139.80	-297.67	476.42	139.80	-296.52	477.13	139.80	-296.52	1150.58
			M3	34.48	41.07	-1259.54	34.48	41.07	-1093.45	34.48	38.45	-1093.54	34.48	38.45	-927.45
	TANDEM-LOAD	MAX	S2	169.46	-88.08	527.62	151.51	-127.81	1015.78	151.51	-125.38	1016.09	133.53	-162.17	1413.36
			TQ	22.71	29.66	-809.11	22.71	29.66	-699.72	22.47	28.00	-690.79	22.47	28.00	-582.56
			M3	116.59	-77.66	820.86	125.09	-118.64	1107.45	125.09	-115.98	1107.73	130.82	-153.58	1465.67
		MIN	S2	-30.72	-25.46	551.73	-48.03	-63.37	716.42	-48.03	-61.66	716.57	-66.40	-100.75	792.00
			TQ	93.22	-204.55	-145.53	93.22	-204.55	303.51	93.22	-203.82	304.00	93.22	-203.82	753.05
			M3	23.52	28.18	-857.50	23.52	28.18	-744.21	23.52	26.39	-744.27	23.52	26.39	-630.98
	DISPERSION-LMAX	S2	202.23	-243.68	-1631.55	182.61	-233.10	-826.77	182.61	-235.08	-826.21	166.21	-219.72	-121.05	
		TQ	-10.42	108.05	-1207.33	-10.42	108.05	-1257.55	-10.42	105.03	-1257.81	-10.42	105.03	-1308.02	
		M3	10.89	-26.98	698.98	50.50	-174.57	854.16	50.59	-172.81	854.58	104.13	-305.23	1307.00	
		MIN	S2	-58.29	44.71	485.28	-63.79	34.14	313.38	-63.79	34.89	313.30	-72.51	19.53	120.03
			TQ	154.36	-307.02	61.07	129.24	-307.02	744.16	129.24	-305.23	744.90	104.13	-305.23	1307.00
			M3	133.05	-171.98	-1845.25	68.32	-24.39	-1367.55	68.23	-27.38	-1367.49	-10.42	105.03	-1308.02
67	2-LANES (caseTRUCK-LOAD	MAX	S2	86.14	182.97	52.88	86.14	182.97	467.86	86.14	184.09	467.42	86.14	184.09	882.40
			TQ	84.28	186.56	123.52	84.28	186.56	529.53	84.28	187.83	529.08	84.28	187.83	935.10
			M3	43.98	92.49	350.63	64.37	151.86	610.40	64.37	153.32	610.03	79.17	184.37	959.85
		MIN	S2	-28.58	-16.27	163.58	-28.58	-16.27	25.90	-28.58	-16.21	25.94	-28.58	-16.21	-111.74
			TQ	-4.57	-22.96	210.02	-4.57	-22.96	188.00	-4.57	-22.51	188.05	-4.57	-22.51	166.03
			M3	14.53	-14.41	-884.25	14.53	-14.41	-814.25	14.53	-16.36	-814.21	14.53	-16.36	-744.21

BAGO RIVER BRIDGE

BLOCK [ No.1 : MAIN GIRDER ][ BEAM MEMBER FORCE ]

MEMBER NODE	1019	1020						1021							
		1019			1020			1020			1021				
		SHEAR	TORQUE	MOMENT	SHEAR	TORQUE	MOMENT	SHEAR	TORQUE	MOMENT	SHEAR	TORQUE	MOMENT		
NAME TITLE	S2 (kN)	TQ (kN·m)	M3 (kN·m)	S2 (kN)	TQ (kN·m)	M3 (kN·m)	S2 (kN)	TQ (kN·m)	M3 (kN·m)	S2 (kN)	TQ (kN·m)	M3 (kN·m)			
67	2-LANES (caseTANDEM-LOAD MAX	S2	59.21	125.70	38.34	59.21	125.70	323.58	59.21	126.48	323.28	59.21	126.48	608.52	
		TQ	58.10	129.25	85.78	58.10	129.25	365.69	58.10	130.13	365.38	58.10	130.13	645.28	
		M3	30.77	60.95	245.16	44.88	106.55	422.07	44.88	107.56	421.81	55.17	127.99	657.29	
	MIN	S2	-19.41	-10.81	111.17	-19.41	-10.81	17.68	-19.41	-10.77	17.70	-19.41	-10.77	-75.78	
		TQ	-4.78	-16.73	136.26	-4.78	-16.73	113.24	-4.78	-16.46	113.28	-4.78	-16.46	90.25	
		M3	9.93	-9.68	-601.27	9.93	-9.68	-553.42	9.93	-11.01	-553.39	9.89	-10.98	-505.60	
	DISPERSION-LMAX	S2	101.11	156.73	-1001.74	101.11	156.73	-514.70	101.11	155.50	-515.07	101.11	155.50	-28.02	
		TQ	83.45	174.80	-243.21	83.45	174.80	158.79	82.34	175.25	212.66	82.34	175.25	609.31	
		M3	-10.36	51.07	443.05	32.36	136.58	499.90	32.34	137.73	499.57	84.13	171.69	861.19	
	MIN	S2	-48.17	-32.50	256.56	-48.17	-32.50	24.54	-48.17	-32.44	24.61	-48.17	-32.44	-207.41	
		TQ	-30.51	-50.58	-501.97	-30.51	-50.58	-648.96	-29.40	-52.20	-703.11	-29.40	-52.20	-844.74	
		M3	63.30	73.15	-1188.23	20.58	-12.36	-990.06	20.60	-14.68	-990.02	-31.19	-48.64	-1096.62	
	68	2-LANES (caseTRUCK-LOAD MAX	S2	39.94	456.28	76.37	39.94	456.28	268.75	39.94	456.92	267.65	39.94	456.92	460.03
			TQ	34.94	487.07	129.50	34.94	487.07	297.83	34.94	487.78	296.67	34.94	487.78	465.00
			M3	24.17	437.44	172.41	33.46	474.25	310.81	33.46	474.99	309.68	37.41	481.33	480.60
MIN		S2	-27.53	-34.12	150.39	-27.53	-34.12	17.77	-27.53	-34.07	17.86	-27.53	-34.07	-114.76	
		TQ	-8.83	-79.67	-373.57	-8.83	-79.67	-416.12	-8.83	-80.67	-415.93	-8.83	-80.67	-458.47	
		M3	-4.53	-67.34	-510.12	-4.60	-67.65	-532.02	-4.60	-68.92	-531.86	-5.12	-71.22	-555.77	
TANDEM-LOAD MAX		S2	27.38	308.76	52.05	27.38	308.76	183.95	27.38	309.20	183.21	27.38	309.20	315.11	
		TQ	23.74	332.38	95.41	23.74	332.38	209.77	23.74	332.88	208.97	23.74	332.88	323.34	
		M3	16.15	297.72	121.07	21.93	322.87	213.36	21.93	323.38	212.58	25.73	326.32	330.46	
MIN		S2	-18.70	-23.18	102.14	-18.70	-23.18	12.07	-18.70	-23.15	12.13	-18.70	-23.15	-77.95	
		TQ	-6.21	-54.30	-247.93	-6.21	-54.30	-277.85	-6.21	-54.97	-277.72	-6.21	-54.97	-307.64	
		M3	-3.01	-45.50	-347.53	-3.01	-45.50	-362.03	-3.01	-46.37	-361.92	-3.48	-48.47	-378.50	

BAGO RIVER BRIDGE

BLOCK [ No.1 : MAIN GIRDER ][ BEAM MEMBER FORCE ]

MEMBER		1019			1020			1020			1021					
NODE		1019			1020			1020			1021					
		SHEAR	TORQUE	MOMENT	SHEAR	TORQUE	MOMENT	SHEAR	TORQUE	MOMENT	SHEAR	TORQUE	MOMENT			
NAME	TITLE	S2 (kN)	TQ (kN·m)	M3 (kN·m)	S2 (kN)	TQ (kN·m)	M3 (kN·m)	S2 (kN)	TQ (kN·m)	M3 (kN·m)	S2 (kN)	TQ (kN·m)	M3 (kN·m)			
68	2-LANES (caseDISPERSION-LMAX	S2	42.45	496.35	-48.02	42.45	496.35	156.49	42.45	496.72	155.30	42.45	496.72	359.81		
		TQ	42.07	509.28	85.67	42.07	509.28	288.31	42.07	509.97	287.09	42.07	509.97	489.74		
		M3	-18.87	327.98	360.37	-1.54	452.89	315.56	-1.59	453.46	314.48	42.07	509.97	489.74		
		MIN	S2	-54.24	-146.10	-205.72	-54.24	-146.10	-467.02	-54.24	-147.23	-466.67	-54.24	-147.23	-727.97	
		TQ	-53.86	-159.04	-339.41	-53.86	-159.04	-598.84	-53.86	-160.47	-598.46	-53.86	-160.47	-857.90		
		M3	7.08	22.27	-614.12	-10.25	-102.65	-626.09	-10.20	-103.97	-625.85	-53.86	-160.47	-857.90		
		MAX	S2	571.26	-269.62	1350.84	425.63	-447.58	2621.24	425.63	-441.29	2622.31	313.36	-565.14	3198.46	
		TQ	56.83	80.95	-1924.53	56.83	80.95	-1650.78	55.96	77.04	-1618.75	55.96	77.04	-1349.20		
		M3	468.79	-211.53	1747.72	360.65	-391.80	2771.67	360.65	-385.14	2772.60	262.40	-534.46	3259.34		
69	3-LANES (caseTRUCK-LOAD	MIN	S2	-72.41	-39.90	1283.95	-179.09	-166.43	2053.73	-179.09	-161.50	2054.12	-324.29	-339.50	2165.75	
		TQ	232.02	-626.85	-297.93	232.02	-626.85	819.77	232.02	-624.88	821.27	232.02	-624.88	1938.96		
		M3	57.89	78.36	-2000.31	57.64	77.58	-1722.29	57.64	73.44	-1722.47	57.64	73.44	-1444.82		
		TANDEM-LOAD	MAX	S2	436.14	-124.86	1205.07	334.21	-252.48	2118.63	334.21	-247.40	2119.23	236.54	-365.87	2470.17
		TQ	38.63	55.23	-1307.51	38.63	55.23	-1121.42	38.39	52.56	-1112.56	38.39	52.56	-927.63		
		M3	383.27	-114.44	1498.32	307.79	-243.31	2210.29	307.79	-238.00	2210.87	233.83	-357.28	2522.48		
		MIN	S2	-69.35	-47.80	1225.71	-164.50	-166.17	1811.16	-164.50	-161.83	1811.56	-268.06	-289.73	1840.07	
		TQ	160.26	-433.07	-180.17	160.26	-433.07	591.86	160.26	-431.65	592.90	160.26	-431.65	1364.93		
		M3	39.41	53.43	-1362.13	39.33	53.22	-1172.55	39.33	50.40	-1172.67	39.33	50.40	-983.19		
		DISPERSION-LMAX	S2	368.33	-508.56	-2629.45	307.32	-485.71	-1310.42	307.32	-488.85	-1309.25	264.41	-446.13	-287.00	
		TQ	-10.64	204.31	-1910.50	-10.64	204.31	-1961.75	-10.74	199.61	-1960.42	-10.74	199.61	-2012.16		
		M3	57.82	-42.86	1108.50	79.04	-336.49	1449.45	79.23	-333.75	1450.26	124.11	-613.25	2054.13		
		MIN	S2	-91.36	96.35	775.36	-111.81	73.50	594.28	-111.81	74.92	594.10	-150.36	32.20	317.38	
		TQ	287.61	-616.53	56.41	206.15	-616.53	1245.61	206.25	-613.54	1245.28	124.79	-613.54	2042.55		
		M3	219.16	-369.35	-2962.59	116.47	-75.72	-2165.59	116.28	-80.18	-2165.41	-10.06	199.32	-2023.75		

BAGO RIVER BRIDGE

BLOCK [ No.1 : MAIN GIRDER ][ BEAM MEMBER FORCE ]

MEMBER				1019			1020			1021					
NODE				1019			1020			1020			1021		
				SHEAR	TORQUE	MOMENT	SHEAR	TORQUE	MOMENT	SHEAR	TORQUE	MOMENT	SHEAR	TORQUE	MOMENT
NAME	TITLE			S2 (kN)	TQ (kN·m)	M3 (kN·m)	S2 (kN)	TQ (kN·m)	M3 (kN·m)	S2 (kN)	TQ (kN·m)	M3 (kN·m)	S2 (kN)	TQ (kN·m)	M3 (kN·m)
70	3-LANES (caseTRUCK-LOAD	MAX	S2	111.00	379.28	81.13	111.00	379.28	615.86	111.00	380.75	614.95	111.00	380.75	1149.68
			TQ	108.75	386.76	170.38	108.75	386.76	694.26	108.75	388.42	693.33	108.75	388.42	1217.21
			M3	59.08	232.32	445.03	85.56	341.34	790.80	85.56	343.23	789.98	101.63	380.20	1245.54
		MIN	S2	-42.08	-37.51	235.60	-42.08	-37.51	32.87	-42.08	-37.44	32.96	-42.08	-37.44	-169.78
			TQ	-5.14	-50.32	-56.77	-5.14	-50.32	-81.52	-5.14	-50.51	-81.40	-5.14	-50.51	-106.16
			M3	16.13	-37.41	-1214.88	16.13	-37.41	-1137.18	16.13	-40.14	-1137.09	15.79	-41.47	-1059.91
		TANDEM-LOAD MAX	S2	76.24	260.78	60.41	76.24	260.78	427.66	76.24	261.80	427.04	76.24	261.80	794.29
			TQ	74.33	265.56	125.99	74.33	265.56	484.04	74.33	266.72	483.40	74.33	266.72	841.45
			M3	41.31	162.13	311.27	58.82	234.08	545.92	58.82	235.39	545.36	70.96	263.36	853.64
		MIN	S2	-28.58	-25.42	160.02	-28.58	-25.42	22.34	-28.58	-25.37	22.40	-28.58	-25.37	-115.27
			TQ	-5.28	-35.41	-40.33	-5.28	-35.41	-65.75	-5.28	-35.57	-65.67	-5.28	-35.57	-91.09
			M3	10.97	-25.56	-826.18	10.97	-25.56	-773.33	10.97	-27.41	-773.26	10.83	-27.76	-720.61
		DISPERSION-LMAX	S2	130.01	349.48	-1258.36	130.01	349.48	-632.06	130.01	347.96	-632.90	130.01	347.96	-6.60
			TQ	110.34	385.51	-202.45	110.34	385.51	329.10	109.23	386.37	382.45	109.23	386.37	908.65
			M3	-16.96	145.45	620.35	38.87	314.40	680.39	38.80	315.83	679.64	111.02	382.80	1160.53
MIN	S2	-71.64	-86.22	280.14	-71.64	-86.22	-64.95	-71.64	-86.37	-64.75	-71.64	-86.37	-409.84		
	TQ	-51.97	-122.25	-775.77	-51.97	-122.25	-1026.11	-50.86	-124.78	-1080.10	-50.86	-124.78	-1325.09		
	M3	75.33	117.81	-1598.57	19.50	-51.14	-1377.40	19.58	-54.25	-1377.28	-52.65	-121.22	-1576.97		
71	3-LANES (caseTRUCK-LOAD	MAX	S2	75.41	590.17	94.92	75.41	590.17	458.20	75.41	591.27	456.79	75.41	591.27	820.07
			TQ	69.12	622.98	188.56	69.12	622.98	521.55	69.12	624.23	520.05	69.12	624.23	853.04
			M3	44.88	522.39	305.24	60.58	591.57	558.32	60.58	592.91	556.90	70.14	615.51	872.52
		MIN	S2	-42.08	-37.51	235.60	-42.08	-37.51	32.87	-42.08	-37.43	32.96	-42.08	-37.43	-169.77
			TQ	-6.15	-99.07	-721.95	-6.15	-99.07	-751.59	-6.01	-100.87	-756.71	-6.01	-100.87	-785.64
			M3	-1.32	-86.09	-875.15	-1.38	-86.40	-881.57	-1.38	-88.51	-881.36	-1.91	-90.81	-889.80

BAGO RIVER BRIDGE

BLOCK [ No.1 : MAIN GIRDER ][ BEAM MEMBER FORCE ]

MEMBER				1019			1020			1021						
NODE				1019			1020			1020			1021			
NAME TITLE				SHEAR	TORQUE	MOMENT	SHEAR	TORQUE	MOMENT	SHEAR	TORQUE	MOMENT	SHEAR	TORQUE	MOMENT	
				S2 (kN)	TQ (kN·m)	M3 (kN·m)	S2 (kN)	TQ (kN·m)	M3 (kN·m)	S2 (kN)	TQ (kN·m)	M3 (kN·m)	S2 (kN)	TQ (kN·m)	M3 (kN·m)	
71	3-LANES (case)	TANDEM-LOAD	MAX	S2	51.67	401.81	77.47	51.67	401.81	326.38	51.67	402.59	325.41	51.67	402.59	574.33
				TQ	47.69	425.61	128.74	47.69	425.61	358.50	47.69	426.47	357.48	47.69	426.47	587.23
				M3	29.43	350.41	213.65	39.48	400.91	383.69	39.48	401.83	382.73	47.51	417.75	599.17
		MIN	S2	-28.58	-25.42	160.02	-28.58	-25.42	22.34	-28.58	-25.36	22.40	-28.58	-25.36	-115.27	
			TQ	-4.44	-67.53	-482.56	-4.44	-67.53	-503.96	-4.44	-68.74	-503.80	-4.44	-68.74	-525.20	
			M3	-0.79	-58.12	-595.98	-0.79	-58.12	-599.78	-0.79	-59.55	-599.64	-1.26	-61.66	-605.52	
	DISPERSION-LMAX	S2	82.32	607.34	-428.59	82.32	607.34	-32.06	82.32	607.27	-33.52	82.32	607.27	363.01		
		TQ	76.44	640.67	121.99	76.44	640.67	490.23	76.36	641.85	488.79	76.36	641.85	856.63		
		M3	-25.90	389.17	572.47	9.23	574.78	540.21	9.16	575.86	538.83	78.42	641.77	864.20		
		MIN	S2	-78.93	-156.48	-93.91	-78.93	-156.48	-474.13	-78.93	-157.62	-473.75	-78.93	-157.62	-853.97	
			TQ	-73.06	-189.81	-644.49	-73.06	-189.81	-996.42	-72.97	-192.20	-996.06	-72.97	-192.20	-1347.59	
			M3	29.28	61.69	-1094.98	-5.84	-123.91	-1046.40	-5.77	-126.21	-1046.10	-75.03	-192.12	-1355.15	
72	4-LANES	TRUCK-LOAD	MAX	S2	125.88	639.55	128.91	125.88	639.55	735.32	125.88	641.31	733.78	125.88	641.31	1340.18
				TQ	119.08	673.74	252.24	119.08	673.74	825.88	119.08	675.72	824.26	119.08	675.72	1397.90
				M3	68.35	529.84	519.89	97.74	626.06	918.33	97.74	628.26	916.82	116.37	665.76	1437.03
		MIN	S2	-9.60	-75.86	-332.33	-9.60	-75.86	-378.59	-9.60	-76.76	-378.41	-9.60	-76.76	-424.67	
			TQ	2.31	-99.20	-601.06	2.31	-99.20	-589.92	2.51	-100.63	-599.95	2.51	-100.63	-587.85	
			M3	10.03	-81.71	-1394.86	9.96	-82.02	-1346.64	9.96	-85.25	-1346.44	9.42	-87.56	-1300.09	
	TANDEM-LOAD	MAX	S2	86.45	434.65	90.04	86.45	434.65	506.49	86.45	435.86	505.45	86.45	435.86	921.90	
			TQ	81.76	461.72	180.95	81.76	461.72	574.81	81.76	463.10	573.70	81.76	463.10	967.56	
			M3	47.04	358.66	364.13	66.74	429.38	633.51	66.74	430.90	632.47	80.76	454.34	985.52	
		MIN	S2	-6.94	-51.74	-215.18	-6.94	-51.74	-248.61	-6.94	-52.33	-248.49	-6.94	-52.33	-281.92	
			TQ	-0.05	-68.81	-414.99	-0.05	-68.81	-415.25	-0.05	-69.81	-415.08	-0.05	-69.81	-415.34	
			M3	6.93	-55.16	-948.99	6.93	-55.16	-915.59	6.93	-57.36	-915.46	6.41	-59.43	-884.20	

BAGO RIVER BRIDGE

BLOCK [ No.1 : MAIN GIRDER ][ BEAM MEMBER FORCE ]

MEMBER				1019			1020			1021								
NODE				1019			1020			1021								
				SHEAR	TORQUE	MOMENT	SHEAR	TORQUE	MOMENT	SHEAR	TORQUE	MOMENT						
NAME	TITLE			S2 (kN)	TQ (kN·m)	M3 (kN·m)	S2 (kN)	TQ (kN·m)	M3 (kN·m)	S2 (kN)	TQ (kN·m)	M3 (kN·m)						
72	4-LANES	DISPERSION-LMAX	S2	113.69	497.35	-1038.96	113.69	497.35	-491.27	113.69	496.17	-492.46	113.69	496.17	55.22			
			TQ	98.18	540.62	-80.19	98.18	540.62	392.77	97.14	541.62	445.32	97.14	541.62	913.26			
			M3	63.44	451.00	281.41	96.08	531.68	695.04	96.08	533.35	693.76	96.21	531.87	1156.93			
		MIN	S2	-7.94	-76.86	-437.30	-7.94	-76.86	-475.54	-7.94	-78.00	-475.35	-7.94	-78.00	-513.58			
			TQ	7.21	-115.61	-1410.85	7.21	-115.61	-1376.09	8.24	-118.98	-1429.98	8.24	-118.98	-1390.30			
			M3	43.17	-20.44	-1732.56	10.42	-104.40	-1633.05	10.42	-108.29	-1632.79	10.42	-108.35	-1582.58			
		73	6-LANES	TRUCK-LOAD	MAX	S2	574.67	253.63	945.60	460.77	135.13	2696.99	460.77	141.61	2696.66	375.36	55.15	3848.87
					TQ	128.90	622.64	-1484.66	128.90	622.64	-863.71	76.55	621.44	-3.51	76.55	621.44	365.27	
					M3	432.61	244.72	1927.28	389.51	197.36	3124.05	389.51	204.85	3123.57	323.76	104.34	4028.12	
MIN	S2			-108.35	-24.11	1098.01	-188.93	-170.92	1700.96	-188.93	-166.83	1701.37	-302.53	-285.19	1354.52			
	TQ			208.35	-596.26	-1176.30	208.35	-596.26	-172.61	208.35	-596.67	-171.18	208.35	-596.67	832.51			
	M3			57.69	-3.96	-2898.26	56.99	-6.76	-2621.73	56.99	-13.05	-2621.71	56.91	-13.38	-2347.43			
TANDEM-LOAD	MAX			S2	431.32	216.38	858.72	351.15	131.27	2107.88	351.15	136.33	2107.56	275.02	57.24	2906.97		
	TQ			86.87	425.77	-982.04	86.87	425.77	-563.58	51.37	424.81	18.90	51.37	424.81	266.34			
	M3			345.23	201.35	1574.59	323.89	161.63	2393.77	323.89	167.37	2393.38	266.85	79.67	2999.31			
MIN	S2			-89.32	-77.02	1297.96	-163.67	-155.03	1457.55	-163.67	-151.53	1457.92	-245.01	-237.47	1171.66			
	TQ			148.76	-410.50	-763.35	148.76	-410.50	-46.71	142.13	-410.65	-108.38	142.13	-410.65	576.30			
	M3			40.27	1.91	-1974.69	38.85	-4.41	-1784.25	38.85	-8.70	-1784.23	38.85	-8.70	-1597.10			
DISPERSION-LMAX	MAX			S2	432.80	51.43	-3156.11	379.68	69.37	-1452.28	379.68	65.89	-1452.44	343.97	101.14	6.11		
				TQ	80.09	761.87	-1568.27	80.09	761.87	-1182.44	78.86	759.09	-1128.50	78.86	759.09	-748.59		
				M3	28.93	319.25	1587.43	96.38	228.60	1916.82	96.46	232.46	1916.27	206.21	20.69	2855.64		
	MIN	S2	-157.15	-42.01	682.89	-175.15	-61.92	152.02	-175.15	-61.56	152.17	-209.27	-98.73	-465.86				
		TQ	186.42	-697.71	-788.92	114.81	-697.71	-63.33	115.86	-697.92	-111.95	44.14	-697.92	273.47				
		M3	245.79	-241.55	-4010.80	107.96	-161.68	-3176.99	107.88	-168.54	-3176.59	-72.94	16.01	-3305.59				



BAGO RIVER BRIDGE

BLOCK [ No.1 : MAIN GIRDER ][ BEAM MEMBER FORCE ]

MEMBER			1019			1020			1020			1021			
NODE			1019			1020			1020			1021			
NAME TITLE			SHEAR	TORQUE	MOMENT	SHEAR	TORQUE	MOMENT	SHEAR	TORQUE	MOMENT	SHEAR	TORQUE	MOMENT	
			S2 (kN)	TQ (kN·m)	M3 (kN·m)	S2 (kN)	TQ (kN·m)	M3 (kN·m)	S2 (kN)	TQ (kN·m)	M3 (kN·m)	S2 (kN)	TQ (kN·m)	M3 (kN·m)	
124	SUM TOTAL	D+1LANE (caseMAX	S2	1731.77	-434.39	-10481.18	1258.40	-566.48	-4421.30	1258.40	-577.09	-4419.93	840.05	-642.50	-628.44
			TQ	1156.95	181.69	-11850.92	876.37	181.69	-6953.42	876.25	165.00	-6951.67	595.66	165.00	-3406.41
			M3	1562.56	-100.88	-8761.82	1118.37	-421.68	-3081.99	1118.48	-429.61	-3080.97	708.72	-721.30	491.97
		MIN	S2	1046.65	62.38	-8972.24	647.01	-49.61	-3575.05	647.01	-58.19	-3574.92	187.87	-237.65	-268.32
			TQ	1399.67	-745.23	-10251.37	1051.47	-745.23	-4347.64	1051.59	-755.66	-4348.00	703.39	-755.66	-121.02
			M3	1260.52	-170.88	-12354.43	934.09	3.42	-7073.65	933.97	-13.02	-7073.64	596.16	163.49	-3429.46
		D+1LANE (caseMAX	S2	1324.46	-150.63	-10931.56	1042.75	-149.68	-5238.33	1042.75	-162.25	-5237.95	760.96	-162.25	-893.50
			TQ	1137.80	88.79	-11459.00	857.22	88.79	-6653.77	856.17	72.88	-6615.29	575.59	72.88	-3166.72
			M3	1140.26	-54.32	-9206.33	938.25	-119.03	-4229.10	938.29	-129.27	-4228.80	730.99	-186.72	-147.36
		MIN	S2	1077.30	50.12	-9738.57	796.64	49.17	-5216.52	796.64	36.65	-5216.62	516.05	36.65	-2054.86
			TQ	1270.07	-216.83	-10233.93	988.29	-216.83	-4794.42	988.29	-228.33	-4793.88	706.50	-228.33	-711.80
			M3	1219.22	-23.48	-11864.67	901.94	37.46	-6759.45	901.91	21.33	-6759.52	577.67	71.09	-3244.69
		D+1LANE (caseMAX	S2	1258.10	138.89	-10752.01	977.52	138.89	-5367.28	977.52	126.01	-5367.60	696.93	126.01	-1334.51
			TQ	1243.30	145.47	-10371.52	962.72	145.47	-5058.07	961.38	133.40	-4993.62	680.79	133.40	-1038.27
			M3	1150.16	51.93	-9582.93	914.40	109.04	-4607.10	914.39	97.97	-4607.35	678.48	127.56	-713.29
		MIN	S2	1082.20	8.25	-9851.32	801.62	8.25	-5313.91	801.62	-4.51	-5313.92	521.04	-4.51	-2128.14
			TQ	1121.43	-0.74	-10119.77	840.84	-0.74	-5393.41	842.19	-13.76	-5458.18	561.60	-13.76	-2077.01
			M3	1185.90	46.75	-11489.70	876.99	22.22	-6521.77	877.00	6.59	-6521.80	562.73	-4.88	-3103.53
		D+1LANE (caseMAX	S2	1167.40	677.08	-10012.94	886.82	677.08	-5065.11	886.82	664.92	-5066.72	606.24	664.92	-1470.52
			TQ	1162.13	712.31	-9970.15	881.55	712.31	-5047.73	881.55	700.19	-5049.42	600.96	700.19	-1478.63
			M3	1125.68	591.90	-9817.63	859.57	670.74	-5034.09	859.51	658.47	-5035.69	604.55	692.90	-1462.16
		MIN	S2	1078.28	-116.11	-10191.90	797.70	-116.11	-5673.41	797.70	-129.73	-5673.11	517.11	-129.73	-2506.25
			TQ	1086.38	-149.90	-10432.73	805.80	-149.90	-5875.21	805.80	-164.00	-5874.83	525.21	-164.00	-2668.95
			M3	1121.95	-34.05	-10691.41	833.38	-100.83	-5981.30	833.43	-115.00	-5981.04	528.13	-155.67	-2748.52

BAGO RIVER BRIDGE

BLOCK [ No.1 : MAIN GIRDER ] [ BEAM MEMBER FORCE ]

MEMBER			1019			1020			1020			1021			
NODE			1019			1020			1020			1021			
NAME TITLE			SHEAR	TORQUE	MOMENT	SHEAR	TORQUE	MOMENT	SHEAR	TORQUE	MOMENT	SHEAR	TORQUE	MOMENT	
			S2 (kN)	TQ (kN·m)	M3 (kN·m)	S2 (kN)	TQ (kN·m)	M3 (kN·m)	S2 (kN)	TQ (kN·m)	M3 (kN·m)	S2 (kN)	TQ (kN·m)	M3 (kN·m)	
124	SUM TOTAL	D+2LANES (casMAX	S2	1905.89	-613.77	-10730.92	1419.60	-769.67	-4153.11	1419.60	-779.64	-4151.25	984.84	-860.77	81.51
			TQ	1168.04	250.16	-12847.81	887.45	250.16	-7896.93	887.35	231.21	-7895.70	606.77	231.21	-4296.95
			M3	1646.40	-170.24	-8033.78	1213.43	-590.21	-2083.83	1213.58	-595.87	-2082.41	818.56	-976.82	1861.74
		MIN	S2	1008.50	53.57	-8387.16	600.86	-95.02	-2834.10	600.86	-101.82	-2833.86	136.51	-322.53	620.99
			TQ	1531.26	-1023.80	-10275.19	1170.21	-1023.80	-3768.49	1170.31	-1032.85	-3767.83	809.27	-1032.85	1000.15
			M3	1331.05	-232.54	-13637.62	978.10	9.52	-8084.22	977.95	-9.21	-8084.22	607.40	228.82	-4339.18
		D+2LANES (casMAX	S2	1566.47	-377.30	-11106.24	1239.89	-422.33	-4833.96	1239.89	-433.94	-4832.93	918.93	-460.56	-139.37
			TQ	1152.08	172.74	-12521.21	871.49	172.74	-7647.22	870.62	154.44	-7615.38	590.04	154.44	-4097.21
			M3	1294.49	-131.44	-8404.21	1063.33	-338.00	-3039.75	1063.42	-345.58	-3038.93	837.12	-531.34	1328.97
		MIN	S2	1034.04	43.35	-9025.77	725.55	-12.71	-4202.00	725.55	-22.80	-4201.95	410.00	-93.95	-867.79
			TQ	1423.26	-583.47	-10260.65	1117.56	-583.47	-4140.80	1117.56	-593.41	-4139.39	811.86	-593.41	507.83
			M3	1296.63	-109.70	-13229.48	951.32	37.89	-7822.38	951.22	19.40	-7822.45	591.99	151.82	-4185.21
		D+2LANES (casMAX	S2	1316.35	360.91	-11073.56	1035.77	360.91	-5408.22	1035.77	347.93	-5409.07	755.18	347.93	-1095.37
			TQ	1296.83	382.58	-10244.39	1016.25	382.58	-4673.06	1015.14	371.43	-4619.68	734.56	371.43	-405.34
			M3	1162.72	164.78	-9331.02	945.25	309.65	-4251.09	945.22	299.40	-4251.82	731.23	364.40	-128.70
		MIN	S2	1052.35	-27.56	-9704.55	771.77	-27.56	-5310.95	771.77	-40.31	-5310.87	491.18	-40.31	-2268.90
			TQ	1094.02	-52.33	-10416.65	813.43	-52.33	-5822.35	814.54	-66.37	-5876.48	533.96	-66.37	-2628.46
			M3	1206.93	79.96	-12197.18	883.62	-5.55	-7165.69	883.65	-22.70	-7165.66	551.27	-56.65	-3790.58
		D+2LANES (casMAX	S2	1211.49	973.83	-10096.35	930.91	973.83	-4936.15	930.91	961.99	-4938.47	650.32	961.99	-1129.91
			TQ	1206.11	1017.56	-9909.53	925.53	1017.56	-4775.24	925.53	1006.09	-4777.66	644.94	1006.09	-995.00
			M3	1134.40	786.63	-9591.91	880.44	948.35	-4735.01	880.38	936.80	-4737.27	647.41	999.64	-979.40
		MIN	S2	1047.33	-159.01	-10180.03	766.75	-159.01	-5810.63	766.75	-172.96	-5810.23	486.16	-172.96	-2792.47
			TQ	1066.41	-217.50	-10837.68	785.83	-217.50	-6376.35	785.83	-232.80	-6375.81	505.24	-232.80	-3266.11
			M3	1131.65	-23.86	-11248.94	833.67	-149.09	-6519.50	833.72	-164.55	-6519.12	508.95	-223.36	-3363.41

BAGO RIVER BRIDGE

BLOCK [ No.1 : MAIN GIRDER ] [ BEAM MEMBER FORCE ]

MEMBER			1019			1020			1020			1021				
NODE			1019			1020			1020			1021				
NAME TITLE			SHEAR	TORQUE	MOMENT	SHEAR	TORQUE	MOMENT	SHEAR	TORQUE	MOMENT	SHEAR	TORQUE	MOMENT		
			S2 (kN)	TQ (kN·m)	M3 (kN·m)	S2 (kN)	TQ (kN·m)	M3 (kN·m)	S2 (kN)	TQ (kN·m)	M3 (kN·m)	S2 (kN)	TQ (kN·m)	M3 (kN·m)		
124	SUM TOTAL	D+3LANES (casMAX	S2	1927.75	-640.25	-11211.52	1471.52	-772.09	-4247.18	1471.52	-782.28	-4245.32	1059.04	-851.24	525.00	
			TQ	1168.36	263.68	-13384.48	887.78	263.68	-8432.04	886.95	243.49	-8403.71	606.36	243.49	-4806.90	
			M3	1576.72	-195.02	-7696.91	1222.25	-597.83	-1773.43	1222.41	-602.71	-1771.99	896.46	-967.22	2566.71	
		MIN	S2	989.90	69.20	-8374.29	601.26	-57.79	-3110.58	601.26	-65.25	-3110.43	164.48	-252.85	160.92	
			TQ	1570.79	-1035.66	-10329.99	1220.96	-1035.66	-3605.82	1221.05	-1044.31	-3604.86	871.22	-1044.31	1434.54	
			M3	1364.59	-226.13	-14343.16	996.51	22.79	-8666.09	996.35	2.62	-8666.12	608.37	240.20	-4898.02	
		D+3LANES (casMAX	S2	1333.96	640.65	-11125.34	1053.38	640.65	-5375.15	1053.38	627.75	-5376.68	772.80	627.75	-978.12	
			TQ	1315.33	677.64	-10151.95	1034.75	677.64	-4491.53	1033.80	666.92	-4447.01	753.22	666.92	-142.76	
			M3	1164.90	342.32	-9219.13	954.28	578.58	-4110.87	954.22	568.55	-4112.25	748.68	656.89	95.42	
		MIN	S2	1032.44	-83.96	-9686.32	751.85	-83.96	-5388.66	751.85	-96.89	-5388.44	471.27	-96.89	-2442.42	
			TQ	1080.56	-125.47	-10832.35	799.98	-125.47	-6302.88	800.92	-140.66	-6348.69	520.33	-140.66	-3166.30	
			M3	1206.84	89.56	-12516.13	878.80	-54.05	-7498.78	878.87	-71.88	-7498.63	536.61	-129.94	-4191.09	
		D+3LANES (casMAX	S2	1263.17	1039.10	-10408.31	982.59	1039.10	-4999.16	982.59	1027.10	-5001.64	702.00	1027.10	-944.12	
			TQ	1252.83	1095.31	-9860.73	972.25	1095.31	-4501.37	972.18	1084.51	-4503.91	691.59	1084.51	-496.52	
			M3	1145.24	796.04	-9378.64	907.85	1012.60	-4427.63	907.79	1001.79	-4430.05	694.20	1077.03	-473.53	
		MIN	S2	1026.24	-143.68	-10004.26	745.66	-143.68	-5736.46	745.66	-157.45	-5736.10	465.07	-157.45	-2819.92	
			TQ	1061.77	-224.34	-11286.17	781.19	-224.34	-6847.19	781.38	-240.77	-6851.27	500.80	-240.77	-3762.99	
			M3	1152.87	0.48	-11799.30	842.37	-157.55	-7000.16	842.43	-174.17	-6999.76	502.53	-232.15	-3857.95	
		D+4LANES	MAX	S2	1284.82	760.19	-10716.22	1004.24	760.19	-5202.75	1004.24	747.70	-5204.56	723.66	747.70	-1042.73
			TQ	1270.32	810.54	-10012.87	989.74	810.54	-4569.26	989.06	799.62	-4536.20	708.48	799.62	-447.49	
			M3	1214.77	658.76	-9603.85	974.50	773.74	-4312.70	974.50	763.39	-4314.54	706.11	786.80	-263.67	
		MIN	S2	1117.70	-78.06	-10624.96	837.12	-78.06	-5916.57	837.12	-92.26	-5916.36	556.53	-92.26	-2559.61	
			TQ	1135.29	-118.42	-11432.44	854.71	-118.42	-6639.30	855.50	-134.40	-6680.88	574.92	-134.40	-3235.54	
			M3	1163.68	-45.19	-12157.52	861.76	-99.96	-7298.18	861.77	-117.46	-7297.92	580.83	-119.00	-3823.48	

BAGO RIVER BRIDGE

BLOCK [ No.1 : MAIN GIRDER ][ BEAM MEMBER FORCE ]

MEMBER				1019			1020			1020			1021			
NODE				1019			1020			1020			1021			
NAME TITLE				SHEAR	TORQUE	MOMENT	SHEAR	TORQUE	MOMENT	SHEAR	TORQUE	MOMENT	SHEAR	TORQUE	MOMENT	
				S2 (kN)	TQ (kN·m)	M3 (kN·m)	S2 (kN)	TQ (kN·m)	M3 (kN·m)	S2 (kN)	TQ (kN·m)	M3 (kN·m)	S2 (kN)	TQ (kN·m)	M3 (kN·m)	
124	SUM TOTAL	D+6LANES	MAX	S2	1783.95	219.50	-11561.53	1394.81	154.14	-4552.32	1394.81	143.21	-4552.68	1035.50	109.93	556.00
				TQ	1264.95	921.14	-12109.10	984.36	921.14	-6691.38	949.54	905.69	-6097.22	668.95	905.69	-2198.90
				M3	1429.10	387.79	-7840.13	1164.35	298.08	-2084.82	1164.39	292.59	-2085.53	912.41	89.61	2524.70
			MIN	S2	956.53	-21.77	-8967.11	611.86	-130.13	-4156.94	611.86	-140.11	-4156.62	235.26	-241.21	-1372.11
				TQ	1385.70	-819.87	-11402.09	1058.58	-819.87	-5514.75	1059.25	-833.14	-5545.46	732.06	-833.14	-1230.86
				M3	1326.36	-138.37	-14615.58	955.74	-88.28	-9130.55	955.69	-109.69	-9130.31	557.51	10.05	-5624.21
	SUM TOTAL		MAX		1927.75	1095.31	-7696.91	1471.52	1095.31	-1773.43	1471.52	1084.51	-1771.99	1059.04	1084.51	2566.71
			MIN		956.53	-1035.66	-14615.58	600.86	-1035.66	-9130.55	600.86	-1044.31	-9130.31	136.51	-1044.31	-5624.21
300	DEAD LOAD	TOTAL			1129.10	21.21	-10124.70	848.52	21.21	-5361.38	848.52	8.34	-5361.42	567.93	8.34	-1949.74
301	LIVE LOAD	1-LANE(case1MAX	S2		602.67	-455.60	-356.48	409.89	-587.69	940.08	409.89	-585.43	941.49	272.12	-650.84	1321.30
			TQ		27.85	160.48	-1726.22	27.85	160.48	-1592.04	27.73	156.66	-1590.25	27.73	156.66	-1456.67
			M3		433.46	-122.09	1362.88	269.86	-442.89	2279.39	269.97	-437.95	2280.45	140.79	-729.64	2441.71
			MIN	S2	-82.45	41.17	1152.46	-201.51	-70.82	1786.34	-201.51	-66.53	1786.50	-380.06	-246.00	1681.42
				TQ	270.57	-766.44	-126.67	202.95	-766.44	1013.75	203.07	-764.00	1013.42	135.46	-764.00	1828.72
				M3	131.43	-192.09	-2229.74	85.57	-17.79	-1712.27	85.46	-21.36	-1712.22	28.23	155.15	-1479.71
		1-LANE(case2MAX	S2		195.36	-171.84	-806.86	194.24	-170.89	123.06	194.24	-170.59	123.47	193.03	-170.59	1056.24
			TQ		8.70	67.58	-1334.30	8.70	67.58	-1292.38	7.66	64.54	-1253.86	7.66	64.54	-1216.98
			M3		11.17	-75.53	918.36	89.73	-140.24	1132.29	89.77	-137.61	1132.62	163.06	-195.06	1802.38
			MIN	S2	-51.80	28.91	386.13	-51.88	27.95	144.86	-51.88	28.30	144.80	-51.88	28.30	-105.12
				TQ	140.97	-238.04	-109.23	139.77	-238.04	566.97	139.77	-236.68	567.54	138.57	-236.68	1237.94
				M3	90.12	-44.69	-1739.97	53.43	16.25	-1398.06	53.39	12.98	-1398.10	9.74	62.75	-1294.95
		1-LANE(case3MAX	S2		129.00	117.68	-627.31	129.00	117.68	-5.90	129.00	117.67	-6.18	129.00	117.67	615.24
			TQ		114.20	124.26	-246.82	114.20	124.26	303.31	112.86	125.06	367.80	112.86	125.06	911.47
			M3		21.06	30.71	541.77	65.88	87.83	754.29	65.87	89.63	754.08	110.55	119.21	1236.45
			MIN	S2	-46.89	-12.96	273.38	-46.89	-12.96	47.47	-46.89	-12.85	47.51	-46.89	-12.85	-178.40
				TQ	-7.67	-21.95	4.93	-7.67	-21.95	-32.02	-6.33	-22.11	-96.76	-6.33	-22.11	-127.26
				M3	56.80	25.54	-1365.01	28.47	1.01	-1160.38	28.48	-1.76	-1160.38	-5.20	-13.22	-1153.79

BAGO RIVER BRIDGE

BLOCK [ No.1 : MAIN GIRDER ][ BEAM MEMBER FORCE ]

MEMBER			1019			1020			1020			1021			
NODE			1019			1020			1020			1021			
NAME TITLE			SHEAR	TORQUE	MOMENT	SHEAR	TORQUE	MOMENT	SHEAR	TORQUE	MOMENT	SHEAR	TORQUE	MOMENT	
			S2 (kN)	TQ (kN·m)	M3 (kN·m)	S2 (kN)	TQ (kN·m)	M3 (kN·m)	S2 (kN)	TQ (kN·m)	M3 (kN·m)	S2 (kN)	TQ (kN·m)	M3 (kN·m)	
301	LIVE LOAD	1-LANE (case4MAX	S2	38.30	655.87	111.75	38.30	655.87	296.27	38.30	656.58	294.70	38.30	656.58	479.22
			TQ	33.03	691.09	154.54	33.03	691.09	313.66	33.03	691.85	312.00	33.03	691.85	471.11
			M3	-3.42	570.69	307.07	11.05	649.53	327.29	10.99	650.13	325.73	36.62	684.56	487.58
			MIN S2	-50.82	-137.32	-67.21	-50.82	-137.32	-312.02	-50.82	-138.07	-311.69	-50.82	-138.07	-556.50
			TQ	-42.72	-171.11	-308.03	-42.72	-171.11	-513.82	-42.72	-172.34	-513.41	-42.72	-172.34	-719.20
			M3	-7.14	-55.26	-566.71	-15.14	-122.04	-619.92	-15.09	-123.34	-619.62	-39.80	-164.01	-798.78
		2-LANES (caseMAX	S2	776.79	-634.98	-606.23	571.09	-790.88	1208.28	571.09	-787.98	1210.17	416.91	-869.12	2031.26
			TQ	38.94	228.95	-2723.12	38.94	228.95	-2535.55	38.83	222.86	-2534.28	38.83	222.86	-2347.21
			M3	517.30	-191.45	2090.92	364.91	-611.42	3277.55	365.07	-604.21	3279.01	250.63	-985.17	3811.49
			MIN S2	-120.60	32.36	1737.53	-247.66	-116.23	2527.29	-247.66	-110.17	2527.56	-431.42	-330.88	2570.74
			TQ	402.16	-1045.01	-150.49	321.69	-1045.01	1592.90	321.80	-1041.19	1593.59	241.34	-1041.19	2949.89
			M3	201.95	-253.75	-3512.92	129.58	-11.69	-2722.83	129.43	-17.56	-2722.80	39.46	220.48	-2389.44
		2-LANES (caseMAX	S2	437.37	-398.52	-981.54	391.38	-443.55	527.42	391.38	-442.28	528.49	351.00	-468.91	1810.37
			TQ	22.98	151.53	-2396.51	22.98	151.53	-2285.83	22.11	146.10	-2253.96	22.11	146.10	-2147.47
			M3	165.39	-152.65	1720.49	214.81	-359.21	2321.63	214.90	-353.93	2322.49	269.18	-539.68	3278.72
			MIN S2	-95.06	22.14	1098.93	-122.97	-33.92	1159.39	-122.97	-31.14	1159.47	-157.93	-102.29	1081.95
			TQ	294.16	-604.68	-135.96	269.04	-604.68	1220.58	269.04	-601.75	1222.03	243.93	-601.75	2457.58
			M3	167.53	-130.91	-3104.78	102.80	16.68	-2461.00	102.71	11.06	-2461.03	24.05	143.48	-2235.47
		2-LANES (caseMAX	S2	187.25	339.70	-948.86	187.25	339.70	-46.83	187.25	339.59	-47.65	187.25	339.59	854.38
			TQ	167.73	361.37	-119.69	167.73	361.37	688.33	166.62	363.08	741.74	166.62	363.08	1544.41
			M3	33.62	143.57	793.67	96.73	288.44	1110.29	96.71	291.06	1109.60	163.30	356.05	1821.04
			MIN S2	-76.75	-48.77	420.15	-76.75	-48.77	50.44	-76.75	-48.65	50.55	-76.75	-48.65	-319.16
			TQ	-35.08	-73.54	-291.96	-35.08	-73.54	-460.96	-33.97	-74.71	-515.06	-33.97	-74.71	-678.72
			M3	77.83	58.75	-2072.48	35.11	-26.76	-1804.31	35.13	-31.04	-1804.24	-16.66	-65.00	-1840.84

BAGO RIVER BRIDGE

BLOCK [ No.1 : MAIN GIRDER ][ BEAM MEMBER FORCE ]

MEMBER				1019			1020			1021						
NODE				1019			1020			1021						
				SHEAR	TORQUE	MOMENT	SHEAR	TORQUE	MOMENT	SHEAR	TORQUE	MOMENT				
NAME	TITLE			S2 (kN)	TQ (kN·m)	M3 (kN·m)	S2 (kN)	TQ (kN·m)	M3 (kN·m)	S2 (kN)	TQ (kN·m)	M3 (kN·m)				
301	LIVE LOAD	2-LANES (caseMAX	S2	82.39	952.62	28.35	82.39	952.62	425.24	82.39	953.64	422.95	82.39	953.64	819.84	
			TQ	77.01	996.34	215.17	77.01	996.34	586.15	77.01	997.75	583.76	77.01	997.75	954.74	
			M3	5.30	765.42	532.79	31.92	927.14	626.38	31.86	928.46	624.15	79.47	991.30	970.34	
			MIN	S2	-81.77	-180.22	-55.34	-81.77	-180.22	-449.25	-81.77	-181.30	-448.81	-81.77	-181.30	-842.72
			TQ	-62.69	-238.71	-712.98	-62.69	-238.71	-1014.96	-62.69	-241.14	-1014.39	-62.69	-241.14	-1316.37	
			M3	2.55	-45.07	-1124.24	-14.85	-170.30	-1158.12	-14.79	-172.89	-1157.70	-58.98	-231.70	-1413.67	
		3-LANES (caseMAX	S2	798.65	-661.46	-1086.82	623.01	-793.30	1114.20	623.01	-790.62	1116.10	491.10	-859.59	2474.74	
			TQ	39.26	242.47	-3259.78	39.26	242.47	-3070.65	38.43	235.15	-3042.29	38.43	235.15	-2857.15	
			M3	447.62	-216.24	2427.79	373.74	-619.04	3587.96	373.89	-611.05	3589.43	328.53	-975.56	4516.45	
			MIN	S2	-139.20	47.98	1750.41	-247.26	-79.00	2250.81	-247.26	-73.59	2250.99	-403.45	-261.20	2110.67
			TQ	441.69	-1056.87	-205.29	372.44	-1056.87	1755.57	372.53	-1052.66	1756.56	303.29	-1052.66	3384.28	
			M3	235.49	-247.34	-4218.46	147.99	1.58	-3304.70	147.83	-5.73	-3304.70	40.44	231.85	-2948.28	
		3-LANES (caseMAX	S2	204.86	619.44	-1000.65	204.86	619.44	-13.77	204.86	619.41	-15.26	204.86	619.41	971.62	
			TQ	186.23	656.43	-27.26	186.23	656.43	869.85	185.29	658.57	914.41	185.29	658.57	1806.98	
			M3	35.81	321.10	905.57	105.77	557.37	1250.51	105.70	560.21	1249.17	180.75	648.55	2045.16	
			MIN	S2	-96.66	-105.17	438.38	-96.66	-105.17	-27.27	-96.66	-105.24	-27.02	-96.66	-105.24	-492.67
			TQ	-48.54	-146.69	-707.66	-48.54	-146.69	-941.49	-47.60	-149.00	-987.27	-47.60	-149.00	-1216.56	
			M3	77.74	68.34	-2391.43	30.29	-75.26	-2137.40	30.35	-80.23	-2137.21	-31.32	-138.29	-2241.35	
		3-LANES (caseMAX	S2	134.07	1017.89	-283.62	134.07	1017.89	362.22	134.07	1018.76	359.78	134.07	1018.76	1005.62	
			TQ	123.73	1074.10	263.97	123.73	1074.10	860.02	123.66	1076.16	857.51	123.66	1076.16	1453.22	
			M3	16.14	774.83	746.05	59.34	991.39	933.75	59.28	993.45	931.37	126.27	1068.69	1476.22	
			MIN	S2	-102.86	-164.89	120.43	-102.86	-164.89	-375.07	-102.86	-165.79	-374.68	-102.86	-165.79	-870.18
			TQ	-67.33	-245.55	-1161.48	-67.33	-245.55	-1485.81	-67.13	-249.11	-1489.85	-67.13	-249.11	-1813.24	
			M3	23.77	-20.73	-1674.60	-6.14	-178.76	-1638.77	-6.08	-182.51	-1638.34	-65.40	-240.49	-1908.21	

BAGO RIVER BRIDGE

BLOCK [ No.1 : MAIN GIRDER ] [ BEAM MEMBER FORCE ]

MEMBER					1019			1020			1021					
NODE					1019			1020			1021					
NAME TITLE					SHEAR	TORQUE	MOMENT	SHEAR	TORQUE	MOMENT	SHEAR	TORQUE	MOMENT			
					S2 (kN)	TQ (kN·m)	M3 (kN·m)	S2 (kN)	TQ (kN·m)	M3 (kN·m)	S2 (kN)	TQ (kN·m)	M3 (kN·m)			
301	LIVE LOAD	4-LANES	MAX	S2	155.72	738.98	-591.53	155.72	738.98	158.63	155.72	739.36	156.86	155.72	739.36	907.01
				TQ	141.22	789.33	111.83	141.22	789.33	792.12	140.54	791.27	825.23	140.54	791.27	1502.26
				M3	85.67	637.55	520.85	125.98	752.53	1048.69	125.98	755.05	1046.88	138.17	778.46	1686.08
		MIN	S2	-11.40	-99.27	-500.26	-11.40	-99.27	-555.18	-11.40	-100.60	-554.94	-11.40	-100.60	-609.86	
			TQ	6.19	-139.63	-1307.74	6.19	-139.63	-1277.91	6.99	-142.75	-1319.46	6.99	-142.75	-1285.80	
			M3	34.58	-66.40	-2032.82	13.25	-121.17	-1936.80	13.25	-125.80	-1936.50	12.90	-127.34	-1873.74	
	6-LANES	MAX	S2	654.85	198.29	-1436.83	546.29	132.93	809.06	546.29	134.87	808.74	467.56	101.59	2505.74	
			TQ	135.85	899.93	-1984.41	135.85	899.93	-1330.00	101.02	897.34	-735.80	101.02	897.34	-249.16	
			M3	300.00	366.58	2284.57	315.83	276.87	3276.57	315.88	284.25	3275.89	344.48	81.27	4474.44	
		MIN	S2	-172.57	-42.98	1157.59	-236.65	-151.34	1204.44	-236.65	-148.45	1204.80	-332.67	-249.55	577.63	
			TQ	256.60	-841.08	-1277.39	210.06	-841.08	-153.36	210.74	-841.48	-184.04	164.12	-841.48	718.88	
			M3	197.26	-159.58	-4490.89	107.22	-109.49	-3769.16	107.17	-118.03	-3768.89	-10.42	1.71	-3674.46	
	LIVE LOAD	MAX	798.65	1074.10	2427.79	623.01	1074.10	3587.96	623.01	1076.16	3589.43	491.10	1076.16	4516.45		
		MIN	-172.57	-1056.87	-4490.89	-247.66	-1056.87	-3769.16	-247.66	-1052.66	-3768.89	-431.42	-1052.66	-3674.46		
303	SUM TOTAL	TOTAL	MAX	1927.75	1095.31	-7696.91	1471.52	1095.31	-1773.43	1471.52	1084.51	-1771.99	1059.04	1084.51	2566.71	
			MIN	956.53	-1035.66	-14615.58	600.86	-1035.66	-9130.55	600.86	-1044.31	-9130.31	136.51	-1044.31	-5624.21	

BAGO RIVER BRIDGE

BLOCK [ No.1 : MAIN GIRDER ][ BEAM MEMBER FORCE ]

MEMBER NODE	1021	1022			1023			1022			1023				
		SHEAR	TORQUE	MOMENT	SHEAR	TORQUE	MOMENT	SHEAR	TORQUE	MOMENT	SHEAR	TORQUE	MOMENT		
		S2 (kN)	TQ (kN·m)	M3 (kN·m)	S2 (kN)	TQ (kN·m)	M3 (kN·m)	S2 (kN)	TQ (kN·m)	M3 (kN·m)	S2 (kN)	TQ (kN·m)	M3 (kN·m)		
1	PAVEMENT	123.50	49.79	-397.01	76.20	49.79	84.01	76.20	49.99	83.89	28.91	49.99	337.06		
3	RAILING	5.40	0.50	-9.80	1.42	0.50	6.63	1.42	0.51	6.63	-2.57	0.51	3.83		
5	CURB	53.51	4.93	-97.02	14.01	4.93	65.60	14.01	5.09	65.59	-25.49	5.09	37.95		
7	DECK WEIGHT	193.10	63.56	-613.54	115.20	63.56	129.04	115.20	63.87	128.88	37.29	63.87	496.17		
8	GIRDER WEIGH	224.30	-44.87	-550.73	134.22	-44.87	312.81	134.22	-44.11	312.92	44.14	-44.11	742.52		
10	MEDIAN STRIP	16.26	-23.00	-104.01	16.26	-23.00	-25.68	16.26	-23.06	-25.62	16.26	-23.06	52.71		
21	ADITIONAL WE	54.07	17.80	-171.79	32.26	17.80	36.13	32.26	17.88	36.09	10.44	17.88	138.93		
31	MEDIAN RAILI	2.04	-1.99	-5.76	2.04	-1.99	4.05	2.04	-1.98	4.05	2.04	-1.98	13.86		
51	SUPPORT WEIG	-0.00	0.00	-0.00	-0.00	0.00	-0.00	-0.00	0.00	-0.00	-0.00	0.00	-0.00		
52	NOSE WEIGHT	0.01	-0.01	-0.17	0.01	-0.01	-0.13	0.01	-0.01	-0.13	0.01	-0.01	-0.08		
61	1-LANE(case1TRUCK-LOAD	MAX	S2	313.50	-69.92	1267.50	193.18	-189.23	1719.61	193.18	-185.10	1720.06	105.01	-262.24	1583.67
			TQ	-20.95	38.29	631.76	-20.95	38.29	530.83	-20.95	39.56	530.74	-20.95	39.56	429.81
			M3	292.28	-41.51	1288.03	172.85	-160.29	1760.01	172.85	-156.07	1760.39	73.72	-247.66	1611.16
		MIN	S2	-54.98	25.66	1204.07	-142.63	-54.37	1668.22	-142.63	-50.37	1668.35	-262.87	-169.77	1547.78
			TQ	77.10	-272.96	453.84	77.10	-272.96	825.26	77.10	-270.97	825.92	77.10	-270.97	1197.34
			M3	16.01	-5.90	-517.40	16.01	-5.90	-440.27	16.01	-6.95	-440.26	16.01	-6.95	-363.13
		TANDEM-LOAD MAX	S2	251.94	-7.01	1057.07	166.65	-93.72	1415.07	166.65	-90.33	1415.29	86.99	-168.85	1279.54
			TQ	-17.86	30.85	534.04	-17.86	30.85	448.02	-17.86	31.92	447.94	-17.86	31.92	361.92
			M3	251.94	-7.01	1057.07	166.65	-93.72	1415.07	166.65	-90.33	1415.29	86.99	-168.85	1279.55
		MIN	S2	-52.85	7.34	1048.29	-132.33	-72.36	1407.67	-132.33	-68.98	1407.84	-217.69	-154.93	1274.40
			TQ	51.16	-191.09	323.37	51.16	-191.09	569.83	51.16	-189.72	570.28	51.16	-189.72	816.73
			M3	10.92	-4.04	-352.23	10.92	-4.04	-299.62	10.92	-4.76	-299.61	10.92	-4.76	-247.01
		DISPERSION-LMAX	S2	127.96	-222.97	-165.41	89.26	-215.99	110.44	89.26	-215.73	110.96	65.57	-194.15	216.73
			TQ	-37.77	67.32	190.58	-37.77	67.32	8.63	-38.00	67.35	12.38	-38.00	67.35	-170.65
			M3	97.25	-203.32	747.75	40.90	-203.32	1080.43	40.90	-200.73	1080.91	-15.45	-200.73	1142.17
		MIN	S2	-38.07	67.32	197.25	-55.72	60.34	218.63	-55.72	60.86	218.49	-88.38	39.29	138.51
			TQ	127.66	-222.98	-158.73	71.31	-222.98	320.44	71.53	-222.21	317.06	15.19	-222.21	525.89
			M3	-7.36	47.67	-715.90	-7.36	47.67	-751.36	-7.36	45.87	-751.47	-7.36	45.87	-786.93



BAGO RIVER BRIDGE

BLOCK [ No.1 : MAIN GIRDER ][ BEAM MEMBER FORCE ]

MEMBER				1021			1022			1023					
NODE				1021			1022			1023					
				SHEAR	TORQUE	MOMENT	SHEAR	TORQUE	MOMENT	SHEAR	TORQUE	MOMENT			
NAME	TITLE			S2 (kN)	TQ (kN·m)	M3 (kN·m)	S2 (kN)	TQ (kN·m)	M3 (kN·m)	S2 (kN)	TQ (kN·m)	M3 (kN·m)			
62	1-LANE (case2TRUCK-LOAD	MAX	S2	64.39	-48.71	500.55	64.39	-48.71	810.71	64.39	-46.77	810.83	64.39	-46.77	1120.98
			TQ	-13.41	11.83	-46.35	-13.41	11.83	-110.96	-13.41	11.57	-110.99	-13.41	11.57	-175.61
			M3	-0.61	-46.85	883.35	35.02	-43.44	929.65	35.02	-41.21	929.75	60.27	-42.98	1152.86
		MIN	S2	-23.95	-38.86	795.47	-23.95	-38.86	680.08	-23.95	-37.23	680.17	-23.95	-37.23	564.78
			TQ	45.97	-71.17	266.24	45.97	-71.17	487.68	45.97	-70.00	487.85	45.97	-70.00	709.30
			M3	11.96	-2.70	-445.75	11.96	-2.70	-388.15	11.96	-3.63	-388.14	11.96	-3.63	-330.54
		TANDEM-LOAD MAX	S2	45.44	-34.22	314.26	45.44	-34.22	533.15	45.44	-32.94	533.23	45.44	-32.94	752.11
			TQ	-8.74	8.03	-30.10	-8.74	8.03	-72.20	-8.74	7.86	-72.21	-8.74	7.86	-114.31
			M3	-6.77	-33.67	629.85	19.57	-30.19	644.14	19.57	-28.64	644.21	42.87	-26.28	815.19
		MIN	S2	-18.14	-24.84	522.61	-18.14	-24.84	435.22	-18.14	-23.80	435.28	-18.14	-23.80	347.89
			TQ	29.47	-49.36	168.18	29.47	-49.36	310.13	29.47	-48.61	310.25	29.47	-48.61	452.20
			M3	8.14	-1.84	-303.19	8.14	-1.84	-263.97	8.14	-2.47	-263.96	8.14	-2.47	-224.74
		DISPERSION-LMAX	S2	56.99	-63.48	-186.39	56.36	-62.33	65.13	56.36	-62.17	65.28	55.36	-62.01	331.48
			TQ	-25.10	19.93	-99.66	-25.10	19.93	-220.57	-25.29	19.41	-214.58	-25.29	19.41	-336.42
			M3	34.98	-71.59	618.97	33.98	-71.59	785.09	33.98	-69.71	785.26	32.98	-69.71	946.53
MIN	S2	-32.76	8.79	171.90	-33.13	7.64	34.72	-33.13	7.72	34.70	-33.13	7.56	-122.00		
	TQ	49.34	-74.62	85.18	48.33	-74.62	320.42	48.53	-73.86	314.56	47.52	-73.86	545.90		
	M3	-10.75	16.90	-633.46	-10.75	16.90	-685.24	-10.75	15.26	-685.27	-10.75	15.26	-737.05		
63	1-LANE (case3TRUCK-LOAD	MAX	S2	38.60	51.52	341.99	38.60	51.52	527.93	38.60	52.78	527.80	38.60	52.78	713.74
			TQ	38.01	52.69	377.52	38.01	52.69	560.63	38.01	54.04	560.50	38.01	54.04	743.61
			M3	11.33	-1.65	554.98	24.61	29.88	639.54	24.61	31.41	639.47	32.41	48.02	779.82
		MIN	S2	-14.35	-4.37	-55.01	-14.35	-4.37	-124.13	-14.35	-4.67	-124.12	-14.35	-4.67	-193.24
			TQ	-5.11	-26.55	425.14	-5.11	-26.55	400.54	-5.11	-25.59	400.60	-5.11	-25.59	376.00
			M3	8.85	-0.48	-390.81	8.85	-0.48	-348.19	8.85	-1.31	-348.19	8.85	-1.31	-305.58

BAGO RIVER BRIDGE

BLOCK [ No.1 : MAIN GIRDER ][ BEAM MEMBER FORCE ]

MEMBER		1021			1022			1022			1023						
NODE		1021			1022			1022			1023						
		SHEAR	TORQUE	MOMENT	SHEAR	TORQUE	MOMENT	SHEAR	TORQUE	MOMENT	SHEAR	TORQUE	MOMENT				
NAME	TITLE	S2 (kN)	TQ (kN·m)	M3 (kN·m)	S2 (kN)	TQ (kN·m)	M3 (kN·m)	S2 (kN)	TQ (kN·m)	M3 (kN·m)	S2 (kN)	TQ (kN·m)	M3 (kN·m)				
63	1-LANE (case3TANDEM-LOAD	MAX	S2	26.60	34.43	218.95	26.60	34.43	347.08	26.60	35.26	347.00	26.60	35.26	475.13		
			TQ	26.01	37.47	267.30	26.01	37.47	392.60	26.01	38.41	392.51	26.01	38.41	517.81		
			M3	10.33	5.21	379.27	19.62	27.98	437.10	19.62	29.03	437.03	21.42	32.77	535.89		
		MIN	S2	-9.74	-2.89	-37.32	-9.74	-2.89	-84.24	-9.74	-3.10	-84.23	-9.74	-3.10	-131.15		
			TQ	-3.62	-20.12	309.45	-3.62	-20.12	291.99	-3.62	-19.41	292.04	-3.62	-19.41	274.58		
			M3	6.00	-0.27	-265.32	6.00	-0.27	-236.42	6.00	-0.84	-236.42	6.00	-0.84	-207.52		
			DISPERSION-LMAX	S2	41.49	33.15	-123.70	41.49	33.15	76.17	41.49	33.34	76.09	41.49	33.34	275.97	
			TQ	31.82	35.87	125.23	31.82	35.87	278.50	31.16	36.62	335.65	31.16	36.62	485.74		
			M3	28.63	25.15	475.25	28.63	25.15	613.17	28.63	26.62	613.10	28.63	26.62	751.02		
			MIN	S2	-26.12	-16.56	28.29	-26.12	-16.56	-97.53	-26.12	-16.79	-97.49	-26.12	-16.79	-223.31	
			TQ	-16.45	-19.27	-220.64	-16.45	-19.27	-299.86	-15.78	-20.07	-357.05	-15.78	-20.07	-433.08		
			M3	-13.26	-8.55	-570.66	-13.26	-8.55	-634.52	-13.26	-10.07	-634.50	-13.26	-10.07	-698.36		
		64	1-LANE (case4TRUCK-LOAD	MAX	S2	12.94	178.36	143.13	12.94	178.36	205.48	12.94	178.85	205.05	12.94	178.85	267.39
					TQ	10.12	219.08	199.04	10.12	219.08	247.78	10.12	219.67	247.25	10.12	219.67	295.99
					M3	8.21	212.90	203.99	9.52	218.77	248.04	9.52	219.36	247.51	10.35	219.49	296.71
MIN	S2			-13.53	-24.60	-58.37	-13.53	-24.60	-123.52	-13.53	-24.90	-123.46	-13.53	-24.90	-188.62		
	TQ			-10.67	-29.50	-49.28	-10.67	-29.50	-100.69	-10.67	-29.74	-100.62	-10.67	-29.74	-152.03		
	M3			1.66	4.14	-259.41	1.44	4.25	-251.63	1.44	3.65	-251.64	1.44	3.65	-244.71		
	TANDEM-LOAD			MAX	S2	8.90	117.03	92.93	8.90	117.03	135.79	8.90	117.35	135.51	8.90	117.35	178.37
	TQ			7.35	149.40	132.91	7.35	149.40	168.30	7.35	149.80	167.94	7.35	149.80	203.33		
	M3			5.74	147.67	140.52	6.11	149.30	169.44	6.11	149.71	169.08	7.35	149.80	203.33		
	MIN			S2	-9.19	-16.43	-39.56	-9.19	-16.43	-83.82	-9.19	-16.63	-83.78	-9.19	-16.63	-128.03	
	TQ			-7.44	-20.10	-34.22	-7.44	-20.10	-70.08	-7.44	-20.27	-70.03	-7.44	-20.27	-105.89		
	M3			1.10	2.85	-176.71	1.04	2.88	-171.47	1.04	2.47	-171.47	1.04	2.47	-166.47		

BAGO RIVER BRIDGE

BLOCK [ No.1 : MAIN GIRDER ][ BEAM MEMBER FORCE ]

MEMBER		1021			1022			1022			1023						
NODE		1021			1022			1022			1023						
		SHEAR	TORQUE	MOMENT	SHEAR	TORQUE	MOMENT	SHEAR	TORQUE	MOMENT	SHEAR	TORQUE	MOMENT				
NAME	TITLE	S2 (kN)	TQ (kN·m)	M3 (kN·m)	S2 (kN)	TQ (kN·m)	M3 (kN·m)	S2 (kN)	TQ (kN·m)	M3 (kN·m)	S2 (kN)	TQ (kN·m)	M3 (kN·m)				
64	1-LANE (case4DISPERSION-LMAX	S2	17.23	213.41	-48.97	17.23	213.41	34.04	17.23	213.49	33.53	17.23	213.49	116.54			
		TQ	16.94	214.12	-97.91	16.94	214.12	-16.31	16.96	214.08	-15.14	16.96	214.08	66.58			
		M3	15.46	209.65	201.14	15.46	209.65	275.62	15.46	210.31	275.12	15.46	210.31	349.60			
		MIN	S2	-23.16	-44.58	-155.91	-23.16	-44.58	-267.49	-23.16	-45.22	-267.38	-23.16	-45.22	-378.95		
		TQ	-22.87	-45.29	-106.97	-22.87	-45.29	-217.14	-22.89	-45.81	-218.72	-22.89	-45.81	-328.99			
		M3	-21.39	-40.82	-406.03	-21.39	-40.82	-509.07	-21.39	-42.04	-508.97	-21.39	-42.04	-612.01			
		65	2-LANES (caseTRUCK-LOAD	MAX	S2	449.09	-131.67	2339.54	301.78	-301.69	3007.55	301.78	-294.47	3008.26	189.42	-408.99	2945.69
				TQ	-34.47	61.83	588.75	-34.47	61.83	422.71	-34.47	62.84	422.56	-34.47	62.84	256.52	
				M3	413.32	-90.22	2376.79	267.06	-259.80	3068.90	267.06	-252.44	3069.52	142.67	-386.26	2996.40	
MIN	S2			-94.20	11.17	2218.61	-205.32	-108.56	2907.31	-205.32	-101.58	2907.57	-352.50	-271.77	2875.48		
TQ	141.32			-434.73	833.72	141.32	-434.73	1514.50	141.32	-431.09	1515.54	141.32	-431.09	2196.32			
M3	30.00			-10.18	-999.14	30.00	-10.18	-854.61	30.00	-12.23	-854.58	30.00	-12.23	-710.05			
TANDEM-LOAD	MAX			S2	352.37	-31.88	1893.13	248.55	-154.98	2404.72	248.55	-149.21	2405.09	150.67	-261.26	2319.60	
TQ	-26.90			46.87	505.34	-26.90	46.87	375.76	-26.90	47.77	375.65	-26.90	47.77	246.06			
M3	352.37			-31.88	1893.14	248.55	-154.98	2404.73	248.55	-149.20	2405.09	150.67	-261.26	2319.61			
MIN	S2	-85.59	-10.50	1876.05	-183.03	-124.68	2390.31	-183.03	-118.94	2390.60	-287.07	-240.66	2309.53				
TQ	92.44	-301.78	562.44	92.44	-301.78	1007.74	92.44	-299.36	1008.47	92.44	-299.36	1453.77					
M3	20.46	-6.97	-680.05	20.46	-6.97	-581.51	20.46	-8.36	-581.49	20.46	-8.36	-482.94					
DISPERSION-LMAX	S2	215.89	-365.37	-317.11	160.77	-351.61	172.84	160.77	-351.19	173.68	123.93	-317.01	405.81				
TQ	-67.79	107.20	214.85	-67.79	107.20	-111.69	-68.25	106.95	-102.80	-68.25	106.95	-431.55					
M3	158.81	-340.54	1436.39	78.35	-340.54	2007.57	78.35	-335.72	2008.38	-2.11	-335.72	2191.97					
MIN	S2	-73.49	104.84	362.86	-98.82	91.08	365.04	-98.82	91.95	364.82	-142.45	57.77	237.24				
TQ	210.19	-367.74	-169.11	129.73	-367.74	649.57	130.19	-366.19	641.30	49.73	-366.19	1074.60					
M3	-16.41	80.01	-1390.65	-16.41	80.01	-1469.69	-16.41	76.48	-1469.88	-16.41	76.48	-1548.92					

BAGO RIVER BRIDGE

BLOCK [ No.1 : MAIN GIRDER ][ BEAM MEMBER FORCE ]

MEMBER				1021			1022			1023						
NODE				1021			1022			1023						
				SHEAR	TORQUE	MOMENT	SHEAR	TORQUE	MOMENT	SHEAR	TORQUE	MOMENT				
NAME	TITLE			S2 (kN)	TQ (kN·m)	M3 (kN·m)	S2 (kN)	TQ (kN·m)	M3 (kN·m)	S2 (kN)	TQ (kN·m)	M3 (kN·m)				
66	2-LANES (caseTRUCK-LOAD	MAX	S2	199.97	-110.46	1572.60	172.98	-161.17	2098.65	172.98	-156.14	2099.03	148.80	-193.51	2483.01	
			TQ	-26.93	35.38	-89.36	-26.93	35.38	-219.09	-26.93	34.85	-219.17	-26.93	34.85	-348.89	
			M3	120.44	-95.56	1972.11	129.23	-142.96	2238.54	129.23	-137.58	2238.87	129.21	-181.58	2538.09	
			MIN	S2	-63.18	-53.35	1810.01	-86.65	-93.05	1919.18	-86.65	-88.44	1919.39	-113.58	-139.23	1892.47
				TQ	110.19	-232.94	646.12	110.19	-232.94	1176.92	110.19	-230.11	1177.48	110.19	-230.11	1708.28
				M3	25.95	-6.98	-927.49	25.95	-6.98	-802.48	25.95	-8.91	-802.46	25.95	-8.91	-677.46
		TANDEM-LOAD	MAX	S2	145.87	-59.09	1150.33	127.34	-95.47	1522.80	127.34	-91.82	1523.03	109.12	-125.35	1792.17
				TQ	-17.78	24.05	-58.79	-17.78	24.05	-144.45	-17.78	23.71	-144.51	-17.78	23.71	-230.17
				M3	93.67	-58.53	1465.92	101.47	-91.44	1633.80	101.47	-87.52	1634.02	106.55	-118.69	1855.25
			MIN	S2	-50.88	-42.68	1350.37	-68.84	-77.16	1417.86	-68.84	-73.75	1418.04	-87.52	-109.54	1383.03
				TQ	70.75	-160.04	407.24	70.75	-160.04	748.05	70.75	-158.24	748.43	70.75	-158.24	1089.23
				M3	17.68	-4.77	-631.01	17.68	-4.77	-545.85	17.68	-6.08	-545.83	17.68	-6.08	-460.67
		DISPERSION-LMAX	MAX	S2	144.93	-205.87	-338.10	127.87	-197.94	127.53	127.87	-197.64	128.00	113.72	-184.87	520.56
				TQ	-55.12	59.81	-75.39	-55.12	59.81	-340.90	-55.54	59.01	-329.76	-55.54	59.01	-597.32
				M3	96.55	-208.81	1307.62	71.43	-208.81	1712.22	71.43	-204.70	1712.72	46.32	-204.70	1996.33
			MIN	S2	-68.18	46.31	337.51	-76.23	38.38	181.13	-76.23	38.81	181.03	-87.20	26.04	-23.27
				TQ	131.87	-219.38	74.80	106.75	-219.38	649.55	107.18	-217.83	638.79	82.06	-217.83	1094.61
				M3	-19.80	49.24	-1308.21	-19.80	49.24	-1403.57	-19.80	45.87	-1403.68	-19.80	45.87	-1499.04
67	2-LANES (caseTRUCK-LOAD	MAX	S2	67.34	158.31	606.87	67.34	158.31	931.25	67.34	160.55	930.86	67.34	160.55	1255.24	
			TQ	66.05	161.39	681.02	66.05	161.39	999.20	66.05	163.79	998.81	66.05	163.79	1317.00	
			M3	27.53	59.87	959.56	43.09	104.82	1127.82	43.09	107.52	1127.56	56.47	149.76	1373.90	
			MIN	S2	-28.29	-18.86	-111.70	-28.29	-18.86	-247.96	-28.29	-19.46	-247.91	-28.29	-19.46	-384.17
				TQ	-16.22	-44.35	377.95	-16.22	-44.35	299.82	-16.22	-43.63	299.92	-16.22	-43.63	221.78
				M3	15.60	0.41	-744.19	15.60	0.41	-669.06	15.60	-1.20	-669.06	15.59	-1.18	-593.95

BAGO RIVER BRIDGE

BLOCK [ No.1 : MAIN GIRDER ][ BEAM MEMBER FORCE ]

MEMBER		1021			1022			1022			1023						
NODE		1021			1022			1022			1023						
		SHEAR	TORQUE	MOMENT	SHEAR	TORQUE	MOMENT	SHEAR	TORQUE	MOMENT	SHEAR	TORQUE	MOMENT				
NAME	TITLE	S2 (kN)	TQ (kN·m)	M3 (kN·m)	S2 (kN)	TQ (kN·m)	M3 (kN·m)	S2 (kN)	TQ (kN·m)	M3 (kN·m)	S2 (kN)	TQ (kN·m)	M3 (kN·m)				
67	2-LANES (caseTANDEM-LOAD	MAX	S2	46.50	108.43	405.32	46.50	108.43	629.31	46.50	109.94	629.05	46.50	109.94	853.03		
			TQ	45.71	112.01	464.45	45.71	112.01	684.67	45.71	113.65	684.40	45.71	113.65	904.62		
			M3	20.62	42.16	657.09	32.81	84.70	771.69	32.81	86.55	771.49	38.57	105.15	941.41		
		MIN	S2	-19.20	-12.56	-75.76	-19.20	-12.56	-168.27	-19.20	-12.96	-168.24	-19.20	-12.96	-260.74		
			TQ	-11.37	-32.23	276.66	-11.37	-32.23	221.89	-11.37	-31.70	221.97	-11.37	-31.70	167.20		
			M3	10.61	0.30	-505.58	10.61	0.30	-454.49	10.61	-0.79	-454.49	10.61	-0.79	-403.40		
			DISPERSION-LMAX	S2	74.64	124.71	-215.80	74.64	124.71	143.74	74.64	125.06	143.44	74.64	125.06	502.98	
			TQ	64.20	128.29	17.82	64.20	128.29	327.07	60.19	129.32	535.59	60.19	129.32	825.54		
			M3	53.05	112.36	860.85	53.05	112.36	1116.38	53.05	115.04	1116.10	53.05	115.04	1371.63		
			MIN	S2	-50.04	-46.09	-19.88	-50.04	-46.09	-260.92	-50.04	-46.71	-260.81	-50.04	-46.71	-501.85	
			TQ	-39.60	-49.66	-253.50	-39.60	-49.66	-444.24	-35.59	-50.98	-652.95	-35.59	-50.98	-824.41		
			M3	-28.45	-33.74	-1096.53	-28.45	-33.74	-1233.55	-28.45	-36.70	-1233.47	-28.45	-36.70	-1370.50		
		68	2-LANES (caseTRUCK-LOAD	MAX	S2	31.99	342.02	361.70	31.99	342.02	515.83	31.99	343.26	515.01	31.99	343.26	669.13
					TQ	28.86	384.11	431.28	28.86	384.11	570.30	28.86	385.48	569.37	28.86	385.48	708.38
					M3	22.42	350.22	479.61	24.70	366.10	593.80	24.70	367.53	592.92	27.47	380.20	720.24
MIN	S2			-27.46	-39.09	-115.06	-27.46	-39.09	-247.35	-27.46	-39.68	-247.26	-27.46	-39.68	-379.55		
	TQ			-21.79	-47.29	-96.46	-21.79	-47.29	-201.41	-21.79	-47.78	-201.30	-21.79	-47.78	-306.25		
	M3			5.21	7.06	-555.70	4.99	7.17	-530.81	4.99	5.89	-530.82	4.99	5.89	-506.77		
	TANDEM-LOAD			MAX	S2	21.98	228.19	236.63	21.98	228.19	342.54	21.98	229.01	341.99	21.98	229.01	447.90
	TQ			20.07	262.57	295.16	20.07	262.57	391.86	20.07	263.51	391.23	20.07	263.51	487.93		
	M3			14.94	238.28	329.78	16.74	253.23	405.30	16.74	254.21	404.69	18.45	257.45	491.56		
	MIN			S2	-18.65	-26.09	-78.00	-18.65	-26.09	-167.84	-18.65	-26.49	-167.78	-18.65	-26.49	-257.63	
	TQ			-15.19	-32.21	-67.01	-15.19	-32.21	-140.18	-15.19	-32.55	-140.11	-15.19	-32.55	-213.27		
	M3			3.55	4.81	-378.45	3.49	4.84	-361.39	3.49	3.98	-361.40	3.49	3.98	-344.59		

BAGO RIVER BRIDGE

BLOCK [ No.1 : MAIN GIRDER ][ BEAM MEMBER FORCE ]

MEMBER		1021			1022			1022			1023						
NODE		1021			1022			1022			1023						
		SHEAR	TORQUE	MOMENT	SHEAR	TORQUE	MOMENT	SHEAR	TORQUE	MOMENT	SHEAR	TORQUE	MOMENT				
NAME	TITLE	S2 (kN)	TQ (kN·m)	M3 (kN·m)	S2 (kN)	TQ (kN·m)	M3 (kN·m)	S2 (kN)	TQ (kN·m)	M3 (kN·m)	S2 (kN)	TQ (kN·m)	M3 (kN·m)				
68	2-LANES (caseDISPERSION-LMAX	S2	41.23	365.51	-111.74	41.23	365.51	86.86	41.23	365.72	85.99	41.23	365.72	284.59			
		TQ	40.90	366.30	-171.14	40.90	366.30	25.90	40.93	366.36	27.77	40.93	366.36	224.95			
		M3	35.40	358.31	488.70	35.40	358.31	659.25	35.40	359.89	658.39	35.40	359.89	828.94			
		MIN	S2	-46.60	-71.92	-257.19	-46.60	-71.92	-481.67	-46.60	-73.07	-481.49	-46.60	-73.07	-705.98		
		TQ	-46.27	-72.71	-197.79	-46.27	-72.71	-420.70	-46.30	-73.72	-423.28	-46.30	-73.72	-646.34			
		M3	-40.78	-64.72	-857.63	-40.78	-64.72	-1054.06	-40.78	-67.25	-1053.90	-40.78	-67.25	-1250.33			
		69	3-LANES (caseTRUCK-LOAD	MAX	S2	513.48	-180.38	2840.09	366.16	-350.40	3818.26	366.16	-341.24	3819.09	253.81	-455.75	4066.68
				TQ	-47.88	73.66	542.40	-47.88	73.66	311.75	-47.88	74.41	311.57	-47.88	74.41	80.92	
				M3	412.71	-137.07	3260.15	302.08	-303.25	3998.55	302.08	-293.65	3999.26	202.93	-429.24	4149.26	
MIN	S2			-118.16	-27.69	3014.08	-229.28	-147.42	3587.39	-229.28	-138.81	3587.74	-376.45	-309.00	3440.26		
TQ	187.29			-505.90	1099.96	187.29	-505.90	2002.18	187.29	-501.09	2003.39	187.29	-501.09	2905.62			
M3	41.96			-12.88	-1444.89	41.96	-12.88	-1242.76	41.96	-15.86	-1242.72	41.96	-15.86	-1040.59			
TANDEM-LOAD	MAX			S2	397.81	-66.10	2207.40	293.99	-189.20	2937.87	293.99	-182.15	2938.32	196.11	-294.20	3071.71	
TQ	-35.64			54.90	475.25	-35.64	54.90	303.56	-35.64	55.63	303.43	-35.64	55.63	131.75			
M3	345.60			-65.54	2522.99	268.12	-185.16	3048.87	268.12	-177.84	3049.31	193.54	-287.53	3134.79			
MIN	S2	-103.73	-35.34	2398.66	-201.17	-149.52	2825.54	-201.17	-142.74	2825.89	-305.21	-264.46	2657.43				
TQ	121.91	-351.13	730.62	121.91	-351.13	1317.87	121.91	-347.97	1318.71	121.91	-347.97	1905.97					
M3	28.60	-8.81	-983.24	28.60	-8.81	-845.47	28.60	-10.84	-845.45	28.60	-10.84	-707.68					
DISPERSION-LMAX	S2	272.89	-428.85	-503.50	217.13	-413.94	237.97	217.13	-413.36	238.96	179.29	-379.02	737.29				
TQ	-92.89	127.13	115.19	-92.89	127.13	-332.26	-93.54	126.36	-317.38	-93.54	126.36	-767.97					
M3	193.80	-412.14	2055.36	112.33	-412.14	2792.65	112.33	-405.43	2793.63	30.87	-405.43	3138.50					
MIN	S2	-106.25	113.62	534.76	-131.95	98.71	399.76	-131.95	99.67	399.52	-175.58	65.33	115.24				
TQ	259.53	-442.36	-83.93	178.06	-442.36	969.99	178.71	-440.05	955.86	97.25	-440.05	1620.50					
M3	-27.16	96.91	-2024.11	-27.16	96.91	-2154.93	-27.16	91.74	-2155.15	-27.16	91.74	-2285.97					

BAGO RIVER BRIDGE

BLOCK [ No.1 : MAIN GIRDER ][ BEAM MEMBER FORCE ]

MEMBER				1021			1022			1023					
NODE				1021			1022			1023					
				SHEAR	TORQUE	MOMENT	SHEAR	TORQUE	MOMENT	SHEAR	TORQUE	MOMENT			
NAME	TITLE			S2 (kN)	TQ (kN·m)	M3 (kN·m)	S2 (kN)	TQ (kN·m)	M3 (kN·m)	S2 (kN)	TQ (kN·m)	M3 (kN·m)			
70	3-LANES (caseTRUCK-LOAD	MAX	S2	87.10	317.56	827.20	87.10	317.56	1246.76	87.10	320.56	1245.99	87.10	320.56	1665.55
			TQ	85.57	321.92	915.81	85.57	321.92	1328.01	85.57	325.10	1327.23	85.57	325.10	1739.42
			M3	40.89	173.43	1244.88	58.70	245.85	1484.73	58.70	249.41	1484.14	74.12	305.14	1810.48
		MIN	S2	-41.81	-43.46	-170.07	-41.81	-43.46	-371.48	-41.81	-44.35	-371.38	-41.81	-44.35	-572.79
			TQ	-26.89	-73.85	328.68	-26.89	-73.85	199.12	-26.89	-73.37	199.30	-26.89	-73.37	69.75
			M3	20.24	2.63	-1059.86	20.24	2.63	-962.38	20.24	0.32	-962.38	20.22	0.34	-864.93
		TANDEM-LOAD MAX	S2	60.06	216.41	549.93	60.06	216.41	839.26	60.06	218.42	838.74	60.06	218.42	1128.07
			TQ	59.00	222.15	628.57	59.00	222.15	912.77	59.00	224.33	912.23	59.00	224.33	1196.43
			M3	29.82	124.70	853.17	43.98	185.99	1014.69	43.98	188.43	1014.24	50.23	210.11	1238.90
		MIN	S2	-28.39	-28.99	-115.32	-28.39	-28.99	-252.08	-28.39	-29.59	-252.01	-28.39	-29.59	-388.78
			TQ	-18.81	-52.33	242.44	-18.81	-52.33	151.81	-18.81	-51.97	151.94	-18.81	-51.97	61.30
			M3	13.80	1.78	-720.58	13.80	1.78	-654.11	13.80	0.21	-654.11	13.80	0.21	-587.63
		DISPERSION-LMAX	S2	100.07	275.84	-301.24	100.07	275.84	180.80	100.07	276.27	180.14	100.07	276.27	662.18
			TQ	89.60	279.48	-75.92	89.60	279.48	355.69	85.60	280.59	564.82	85.60	280.59	977.18
			M3	72.98	260.63	1159.76	72.98	260.63	1511.33	72.98	264.25	1510.70	72.98	264.25	1862.26
MIN	S2	-72.74	-91.06	-115.73	-72.74	-91.06	-466.14	-72.74	-92.18	-465.92	-72.74	-92.18	-816.33		
	TQ	-62.27	-94.71	-341.05	-62.27	-94.71	-641.03	-58.27	-96.50	-850.61	-58.27	-96.50	-1131.33		
	M3	-45.66	-75.85	-1576.73	-45.66	-75.85	-1796.67	-45.66	-80.16	-1796.48	-45.66	-80.16	-2016.41		
71	3-LANES (caseTRUCK-LOAD	MAX	S2	59.96	453.33	624.03	59.96	453.33	912.86	59.96	455.52	911.77	59.96	455.52	1200.60
			TQ	56.08	497.08	730.67	56.08	497.08	1000.84	56.08	499.48	999.65	56.08	499.48	1269.82
			M3	38.25	415.68	871.29	42.69	444.88	1068.21	42.69	447.45	1067.14	50.80	485.79	1299.69
		MIN	S2	-41.81	-43.46	-170.07	-41.81	-43.46	-371.48	-41.81	-44.35	-371.38	-41.81	-44.35	-572.79
			TQ	-23.07	-55.19	97.78	-23.07	-55.19	-13.34	-23.07	-55.22	-13.21	-23.07	-55.22	-124.33
			M3	10.88	8.63	-889.70	10.65	8.75	-837.55	10.65	6.74	-837.56	10.65	6.74	-786.26

BAGO RIVER BRIDGE

BLOCK [ No.1 : MAIN GIRDER ][ BEAM MEMBER FORCE ]

MEMBER				1021			1022			1023						
NODE				1021			1022			1023						
				SHEAR	TORQUE	MOMENT	SHEAR	TORQUE	MOMENT	SHEAR	TORQUE	MOMENT				
NAME	TITLE			S2 (kN)	TQ (kN·m)	M3 (kN·m)	S2 (kN)	TQ (kN·m)	M3 (kN·m)	S2 (kN)	TQ (kN·m)	M3 (kN·m)				
71	3-LANES (case)	TANDEM-LOAD	MAX	S2	41.33	305.22	421.14	41.33	305.22	620.23	41.33	306.71	619.49	41.33	306.71	818.58
				TQ	39.21	340.06	490.01	39.21	340.06	678.90	39.21	341.69	678.08	39.21	341.69	866.97
				M3	25.01	277.93	598.33	29.56	312.46	730.73	29.56	314.21	729.97	35.07	332.45	887.38
		MIN	S2	-28.39	-28.99	-115.32	-28.39	-28.99	-252.08	-28.39	-29.59	-252.01	-28.39	-29.59	-388.78	
			TQ	-16.30	-38.66	80.41	-16.30	-38.66	1.91	-16.30	-38.65	2.00	-16.30	-38.65	-76.51	
			M3	7.42	5.86	-605.45	7.36	5.89	-569.78	7.36	4.53	-569.79	7.36	4.53	-534.36	
		DISPERSION-LMAX		S2	72.79	457.48	-180.74	72.79	457.48	169.91	72.79	457.89	168.81	72.79	457.89	519.46
				TQ	71.52	458.95	-275.90	71.52	458.95	68.64	71.93	459.12	75.53	71.93	459.12	422.01
				M3	59.83	445.92	862.90	59.83	445.92	1151.09	59.83	448.68	1150.02	59.83	448.68	1438.21
		MIN	S2	-71.12	-83.15	-311.20	-71.12	-83.15	-653.82	-71.12	-84.72	-653.62	-71.12	-84.72	-996.24	
			TQ	-69.86	-84.62	-216.04	-69.86	-84.62	-552.56	-70.26	-85.95	-560.34	-70.26	-85.95	-898.79	
			M3	-58.16	-71.59	-1354.84	-58.16	-71.59	-1635.00	-58.16	-75.51	-1634.83	-58.16	-75.51	-1914.99	
72	4-LANES	TRUCK-LOAD	MAX	S2	98.16	533.79	1006.51	98.16	533.79	1479.37	98.16	537.34	1478.08	98.16	537.34	1950.94
				TQ	94.85	545.51	1111.50	94.85	545.51	1568.39	94.85	549.28	1567.08	94.85	549.28	2023.97
				M3	50.20	410.09	1435.74	67.87	470.89	1719.30	67.87	475.01	1718.16	83.64	528.67	2092.17
		MIN	S2	-9.16	-32.85	450.66	-9.16	-32.85	406.53	-9.16	-31.88	406.61	-9.16	-31.88	362.48	
			TQ	-5.94	-36.52	664.34	-5.94	-36.52	635.73	-6.15	-35.02	622.02	-6.15	-35.02	592.39	
			M3	20.81	7.47	-1300.00	20.59	7.58	-1199.91	20.59	4.70	-1199.92	20.58	4.72	-1100.77	
		TANDEM-LOAD	MAX	S2	68.14	358.26	663.33	68.14	358.26	991.57	68.14	360.64	990.71	68.14	360.64	1318.95
				TQ	65.74	374.59	759.24	65.74	374.59	1075.92	65.74	377.17	1075.02	65.74	377.17	1391.70
				M3	35.70	280.49	984.63	49.58	337.88	1175.47	49.58	340.70	1174.65	56.98	362.56	1431.71
		MIN	S2	-6.93	-20.43	257.44	-6.93	-20.43	224.05	-6.93	-19.89	224.10	-6.93	-19.89	190.71	
			TQ	-5.02	-28.17	495.10	-5.02	-28.17	470.92	-5.38	-27.13	421.99	-5.38	-27.13	396.06	
			M3	14.16	5.11	-884.14	14.10	5.14	-815.96	14.10	3.18	-815.97	14.10	3.18	-748.04	



BAGO RIVER BRIDGE

BLOCK [ No.1 : MAIN GIRDER ][ BEAM MEMBER FORCE ]

MEMBER				1021			1022			1023							
NODE				1021			1022			1023							
				SHEAR	TORQUE	MOMENT	SHEAR	TORQUE	MOMENT	SHEAR	TORQUE	MOMENT					
NAME	TITLE			S2 (kN)	TQ (kN·m)	M3 (kN·m)	S2 (kN)	TQ (kN·m)	M3 (kN·m)	S2 (kN)	TQ (kN·m)	M3 (kN·m)					
72	4-LANES	DISPERSION-LMAX	S2	86.14	336.39	-544.34	86.14	336.39	-129.41	86.14	336.08	-130.21	86.14	336.08	284.72		
			TQ	76.58	343.84	-396.95	76.58	343.84	-28.04	73.25	343.94	128.52	73.25	343.94	481.36		
			M3	57.95	316.24	1155.91	57.95	316.24	1435.05	57.95	319.69	1434.29	57.95	319.69	1713.43		
		MIN	S2	-2.91	-9.28	108.49	-2.91	-9.28	94.45	-2.91	-9.06	94.47	-2.91	-9.06	80.44		
			TQ	6.10	-13.55	-50.58	6.10	-13.55	-21.19	9.85	-13.80	-199.95	9.85	-13.80	-152.50		
			M3	25.19	9.79	-1582.46	25.19	9.79	-1461.13	25.19	6.29	-1461.15	25.19	6.29	-1339.82		
		73	6-LANES	TRUCK-LOAD MAX	S2	501.96	227.14	2987.44	387.02	111.78	4383.20	387.02	122.30	4382.92	301.53	41.83	5150.80
					TQ	17.12	513.86	1318.05	17.12	513.86	1400.52	17.21	517.23	1400.08	17.21	517.23	1483.00
					M3	372.66	201.31	4027.75	308.56	139.13	4880.26	308.56	150.84	4879.91	248.12	86.06	5365.05
MIN	S2			-143.56	-37.94	1902.64	-227.86	-121.80	2004.47	-227.86	-116.99	2004.76	-343.23	-232.94	1465.01		
	TQ			96.15	-489.22	1704.44	96.15	-489.22	2167.62	93.07	-484.07	2123.11	93.07	-484.07	2571.44		
	M3			53.52	-4.34	-2347.41	53.32	-4.22	-2089.92	53.32	-9.24	-2089.91	53.29	-9.24	-1833.09		
TANDEM-LOAD MAX	S2			382.46	203.79	2221.44	301.03	119.98	3238.52	301.03	127.75	3238.22	224.91	51.83	3784.08		
	TQ			6.43	356.07	1035.15	6.43	356.07	1066.11	6.43	358.63	1065.25	6.43	358.63	1096.21		
	M3			304.93	169.38	2999.01	258.97	114.16	3592.36	258.97	122.78	3592.07	212.23	61.17	3913.75		
MIN	S2			-116.05	-70.11	2061.88	-191.98	-147.20	2099.42	-191.98	-142.16	2099.77	-273.50	-225.21	1666.99		
	TQ			65.49	-342.32	1245.11	65.49	-342.32	1560.59	65.49	-338.57	1561.41	65.49	-338.57	1876.90		
	M3			36.46	-3.02	-1597.08	36.40	-2.99	-1421.53	36.40	-6.40	-1421.52	36.40	-6.40	-1246.15		
DISPERSION-LMAX	S2			330.13	9.21	-718.92	281.14	21.47	382.58	281.14	22.39	382.53	249.20	51.08	1294.76		
	TQ			0.91	538.12	-202.35	0.91	538.12	-197.99	-3.35	537.89	7.91	-3.35	537.89	-8.23		
	M3			238.44	28.47	2855.58	168.02	2.14	3835.73	168.02	11.34	3835.71	96.15	11.21	4472.04		
MIN	S2	-164.29	23.21	254.66	-186.76	10.99	-220.11	-186.76	10.46	-220.13	-225.35	-19.63	-814.22				
	TQ	153.24	-469.70	-307.13	89.47	-469.70	287.18	93.63	-469.28	81.88	21.76	-469.28	359.82				
	M3	-74.18	20.79	-3305.63	-74.41	26.01	-3663.31	-74.41	17.25	-3663.36	-74.44	17.97	-4021.90				

BAGO RIVER BRIDGE

BLOCK [ No.1 : MAIN GIRDER ][ BEAM MEMBER FORCE ]

MEMBER			1021			1022			1022			1023			
NODE			1021			1022			1022			1023			
NAME TITLE			SHEAR	TORQUE	MOMENT	SHEAR	TORQUE	MOMENT	SHEAR	TORQUE	MOMENT	SHEAR	TORQUE	MOMENT	
			S2 (kN)	TQ (kN·m)	M3 (kN·m)	S2 (kN)	TQ (kN·m)	M3 (kN·m)	S2 (kN)	TQ (kN·m)	M3 (kN·m)	S2 (kN)	TQ (kN·m)	M3 (kN·m)	
124	SUM TOTAL	D+1LANE (caseMAX	S2	1201.95	-284.77	-627.33	730.54	-419.57	2808.52	730.54	-412.82	2809.52	315.71	-479.50	3983.43
			TQ	601.73	193.43	-963.03	321.14	193.43	1259.82	320.87	196.46	1264.04	40.28	196.46	2133.93
			M3	1139.63	-227.10	493.10	648.11	-369.64	4021.00	648.11	-359.99	4021.87	180.95	-469.91	5126.95
		MIN	S2	560.54	178.26	-268.25	153.60	73.85	2876.69	153.60	80.76	2876.50	-310.48	-88.42	3846.50
			TQ	917.91	-528.43	-1595.70	569.70	-528.43	1987.31	569.97	-523.66	1983.88	221.77	-523.66	3890.83
			M3	682.58	116.82	-3429.79	401.99	116.82	-817.49	401.99	114.86	-817.77	121.40	114.86	442.88
		D+1LANE (caseMAX	S2	817.85	-67.93	-1572.83	536.50	-66.55	1663.47	536.50	-62.56	1663.63	254.72	-62.37	3565.91
			TQ	625.98	104.81	-2125.05	345.39	104.81	214.62	345.16	105.34	221.62	64.58	105.34	1208.52
			M3	713.45	-75.44	-147.04	474.41	-71.35	2670.14	474.41	-64.94	2670.31	222.91	-67.06	4342.22
		MIN	S2	604.14	30.61	-788.98	323.11	29.22	1470.22	323.11	32.75	1470.15	42.52	32.56	2354.28
			TQ	786.56	-108.25	-1528.14	504.77	-108.25	1582.19	505.00	-104.46	1575.20	223.21	-104.46	3329.18
			M3	673.65	83.74	-3244.88	393.06	83.74	-675.60	393.06	82.12	-675.80	112.47	82.12	541.83
		D+1LANE (caseMAX	S2	768.30	168.30	-1687.89	487.72	168.30	1337.39	487.72	171.51	1336.98	207.13	171.51	3010.60
			TQ	755.99	172.97	-1346.54	475.41	172.97	1619.42	474.61	176.95	1687.68	194.02	176.95	3298.16
			M3	720.15	94.90	-713.56	455.49	132.72	2115.71	455.49	137.80	2115.39	184.27	157.73	3659.96
		MIN	S2	623.64	41.58	-1981.89	343.05	41.58	346.47	343.05	42.41	346.37	62.46	42.41	1323.09
			TQ	646.33	11.70	-1704.43	365.75	11.70	733.28	366.54	13.37	664.57	85.95	13.37	1754.45
			M3	666.90	55.86	-3103.59	386.32	55.86	-566.79	386.32	54.50	-566.93	105.73	54.50	618.22
		D+1LANE (caseMAX	S2	708.41	536.81	-1836.85	427.82	536.81	899.88	427.82	538.97	898.59	147.23	538.97	2283.67
			TQ	704.67	586.53	-1828.48	424.08	586.53	890.23	424.11	588.66	890.84	143.52	588.66	2258.03
			M3	700.60	573.75	-1463.68	421.59	580.79	1240.86	421.59	583.77	1239.46	142.00	583.93	2598.52
		MIN	S2	628.17	-16.32	-2206.97	347.59	-16.32	143.25	347.59	-15.98	143.29	67.00	-15.98	1141.87
			TQ	631.95	-23.05	-2137.33	351.36	-23.05	231.07	351.33	-22.50	229.10	70.74	-22.50	1245.72
			M3	648.52	22.69	-2748.36	367.67	22.82	-300.38	367.67	22.10	-300.43	87.08	22.10	794.88

BAGO RIVER BRIDGE

BLOCK [ No.1 : MAIN GIRDER ][ BEAM MEMBER FORCE ]

MEMBER			1021			1022			1022			1023			
NODE			1021			1022			1022			1023			
NAME TITLE			SHEAR	TORQUE	MOMENT	SHEAR	TORQUE	MOMENT	SHEAR	TORQUE	MOMENT	SHEAR	TORQUE	MOMENT	
			S2 (kN)	TQ (kN·m)	M3 (kN·m)	S2 (kN)	TQ (kN·m)	M3 (kN·m)	S2 (kN)	TQ (kN·m)	M3 (kN·m)	S2 (kN)	TQ (kN·m)	M3 (kN·m)	
124	SUM TOTAL	D+2LANES (casMAX	S2	1337.18	-430.34	72.59	854.15	-586.60	3792.85	854.15	-577.50	3794.24	424.37	-657.83	5174.45
			TQ	569.94	235.73	-1146.23	289.35	235.73	923.48	288.90	237.96	932.07	8.31	237.96	1647.92
			M3	1244.33	-364.07	1863.35	737.02	-533.65	5688.93	737.02	-519.99	5690.20	251.58	-653.82	7011.32
		MIN	S2	504.51	182.70	631.63	87.46	49.22	3884.82	87.46	58.54	3884.69	-383.93	-145.84	4935.67
			TQ	1023.71	-735.77	-1285.22	662.66	-735.77	2776.54	663.12	-729.11	2769.14	302.07	-729.11	5093.88
			M3	685.79	136.52	-4339.62	405.21	136.52	-1711.83	405.21	132.42	-1712.15	124.62	132.42	-436.01
		D+2LANES (casMAX	S2	1017.10	-249.64	-715.33	692.46	-292.42	2838.64	692.46	-285.61	2839.34	373.54	-310.22	4826.52
			TQ	590.15	161.88	-2114.58	309.56	161.88	52.48	309.14	162.02	63.38	28.55	162.02	876.74
			M3	889.18	-237.68	1329.90	592.28	-285.07	4563.22	592.28	-274.12	4563.89	286.55	-318.12	6357.37
		MIN	S2	540.84	59.65	197.69	228.73	12.03	2712.77	228.73	18.54	2712.73	-89.76	-45.02	3692.15
			TQ	914.26	-385.62	-1228.92	608.55	-385.62	2438.94	608.98	-379.78	2428.57	303.27	-379.78	4625.84
			M3	678.35	108.95	-4185.53	397.76	108.95	-1593.59	397.76	105.13	-1593.84	117.18	105.13	-353.55
		D+2LANES (casMAX	S2	814.17	349.72	-1558.75	533.58	349.72	1687.45	533.58	353.77	1686.61	252.99	353.77	3581.17
			TQ	802.44	356.37	-1250.99	521.86	356.37	1938.73	517.85	361.28	2146.70	237.26	361.28	3965.49
			M3	752.77	238.93	-129.43	487.74	283.87	2856.66	487.74	290.73	2855.97	220.54	332.97	4568.48
		MIN	S2	593.87	1.75	-2081.42	313.29	1.75	103.58	313.29	2.00	103.58	32.70	2.00	936.93
			TQ	616.38	-27.31	-1825.38	335.79	-27.31	468.04	339.80	-26.44	259.27	59.21	-26.44	1220.32
			M3	659.35	33.37	-3790.55	378.76	33.37	-1290.15	378.76	30.27	-1290.22	98.16	30.29	-141.50
		D+2LANES (casMAX	S2	745.42	774.22	-1699.87	464.83	774.22	1215.16	464.83	777.14	1213.30	184.25	777.14	2776.67
			TQ	741.96	817.10	-1689.69	461.37	817.10	1208.66	461.40	820.01	1209.45	180.81	820.01	2756.29
			M3	730.02	775.23	-981.53	451.72	791.11	1865.51	451.72	795.59	1863.61	173.90	808.26	3372.14
		MIN	S2	598.13	-44.31	-2322.08	317.55	-44.31	-116.56	317.55	-44.59	-116.45	36.96	-44.59	737.42
			TQ	604.14	-53.30	-2244.09	323.55	-53.30	-9.65	323.52	-53.33	-12.28	42.93	-53.33	870.36
			M3	636.63	9.04	-3363.16	355.83	9.15	-972.40	355.83	6.81	-972.42	75.24	6.81	65.85

BAGO RIVER BRIDGE

BLOCK [ No.1 : MAIN GIRDER ][ BEAM MEMBER FORCE ]

MEMBER			1021			1022			1022			1023				
NODE			1021			1022			1022			1023				
NAME TITLE			SHEAR	TORQUE	MOMENT	SHEAR	TORQUE	MOMENT	SHEAR	TORQUE	MOMENT	SHEAR	TORQUE	MOMENT		
			S2 (kN)	TQ (kN·m)	M3 (kN·m)	S2 (kN)	TQ (kN·m)	M3 (kN·m)	S2 (kN)	TQ (kN·m)	M3 (kN·m)	S2 (kN)	TQ (kN·m)	M3 (kN·m)		
124	SUM TOTAL	D+3LANES (casMAX	S2	1340.61	-451.14	36.27	887.40	-582.99	4060.26	887.40	-573.24	4061.64	479.16	-641.39	5906.32	
			TQ	552.54	237.37	-1390.88	271.96	237.37	595.02	271.40	238.82	607.37	-9.18	238.82	1238.95	
			M3	1187.73	-400.13	2568.35	743.86	-541.38	6384.99	743.86	-526.05	6386.27	309.75	-641.31	8017.54	
		MIN	S2	481.45	139.74	1066.68	84.57	25.30	4001.55	84.57	34.90	4001.47	-358.21	-138.96	4845.12	
			TQ	1051.99	-739.32	-1086.22	702.16	-739.32	3138.81	702.72	-731.80	3127.67	352.88	-731.80	5670.15	
			M3	684.78	138.12	-4898.48	404.19	138.12	-2275.57	404.19	132.66	-2275.89	123.61	132.66	-1004.63	
		D+3LANES (casMAX	S2	831.28	571.09	-1502.76	550.70	571.09	1825.89	550.70	575.47	1824.52	270.11	575.47	3801.52	
			TQ	821.09	577.88	-1235.92	540.50	577.88	2043.61	537.10	583.00	2220.55	256.51	583.00	4132.06	
			M3	768.98	435.64	94.11	503.54	497.20	3159.12	503.54	504.78	3157.91	236.06	552.15	4944.78	
		MIN	S2	574.83	-47.65	-2192.77	294.24	-47.65	-99.52	294.24	-47.89	-99.40	13.65	-47.89	642.20	
			TQ	596.41	-76.58	-1960.35	315.82	-76.58	236.84	319.22	-76.22	58.69	38.63	-76.22	920.61	
			M3	650.59	4.46	-4190.94	370.00	4.46	-1732.72	370.00	0.30	-1732.73	89.40	0.32	-626.20	
		D+3LANES (casMAX	S2	785.03	840.88	-1573.03	504.45	840.88	1532.82	504.45	844.56	1530.80	223.86	844.56	3285.00	
			TQ	780.66	879.32	-1563.28	500.08	879.32	1521.53	500.42	882.98	1526.20	219.83	882.98	3261.00	
			M3	755.56	799.05	-475.78	478.75	823.88	2498.87	478.75	829.87	2496.89	205.05	862.47	4150.16	
		MIN	S2	576.20	-40.92	-2358.91	295.61	-40.92	-259.04	295.61	-41.55	-258.94	15.03	-41.55	489.27	
			TQ	593.21	-52.14	-2050.36	312.62	-52.14	131.45	312.28	-51.83	124.79	31.69	-51.83	953.30	
			M3	632.01	13.19	-3857.69	351.23	13.29	-1489.20	351.23	9.72	-1489.23	70.64	9.72	-473.12	
		D+4LANES	MAX	S2	791.99	632.31	-1649.42	511.40	632.31	1489.94	511.40	635.89	1488.42	230.81	635.89	3276.13
			TQ	783.62	644.77	-1485.38	503.04	644.77	1613.69	500.87	648.76	1714.44	220.28	648.76	3451.42	
			M3	742.49	538.81	-265.26	473.39	578.33	2662.79	473.39	584.72	2661.40	203.05	619.59	4296.59	
		MIN	S2	664.35	39.31	-1586.39	383.76	39.31	938.10	383.76	41.56	938.00	103.17	41.56	2110.84	
			TQ	672.30	34.15	-1550.89	391.71	34.15	1011.91	394.02	36.43	886.65	113.43	36.43	2108.88	
			M3	702.10	77.91	-3823.43	421.37	77.99	-1117.21	421.37	75.31	-1117.39	140.77	75.32	236.57	

BAGO RIVER BRIDGE

BLOCK [ No.1 : MAIN GIRDER ][ BEAM MEMBER FORCE ]

MEMBER					1021			1022			1023					
NODE					1021			1022			1023					
					SHEAR	TORQUE	MOMENT	SHEAR	TORQUE	MOMENT	SHEAR	TORQUE	MOMENT			
NAME	TITLE				S2 (kN)	TQ (kN·m)	M3 (kN·m)	S2 (kN)	TQ (kN·m)	M3 (kN·m)	S2 (kN)	TQ (kN·m)	M3 (kN·m)			
124	SUM TOTAL	D+6LANES	MAX	S2	1213.05	220.32	-475.30	825.91	153.31	3710.22	825.91	162.21	3709.84	468.99	128.56	6012.56
				TQ	683.91	750.49	-1224.63	403.33	750.49	1394.11	400.62	753.99	1527.50	120.03	753.99	2781.55
				M3	1069.41	216.05	2524.34	701.39	158.52	6277.85	701.39	173.58	6277.45	334.80	131.40	8217.05
			MIN	S2	472.09	57.12	-547.59	122.11	-5.33	1772.30	122.11	-1.08	1772.31	-258.56	-96.01	2245.96
				TQ	834.30	-556.61	-1041.58	512.27	-556.61	2208.08	512.96	-551.51	2045.55	185.66	-551.51	3728.27
				M3	658.77	77.39	-5624.31	377.90	80.85	-3127.14	377.90	73.37	-3127.32	97.28	73.84	-1982.80
	SUM TOTAL		MAX		1340.61	879.32	2568.35	887.40	879.32	6384.99	887.40	882.98	6386.27	479.16	882.98	8217.05
			MIN		472.09	-739.32	-5624.31	84.57	-739.32	-3127.14	84.57	-731.80	-3127.32	-383.93	-731.80	-1982.80
300	DEAD LOAD	TOTAL			672.20	66.70	-1949.83	391.61	66.70	612.46	391.61	68.17	612.30	111.02	68.17	1822.95
301	LIVE LOAD	1-LANE(case1MAX	S2		529.76	-351.46	1322.51	338.93	-486.26	2196.06	338.93	-480.99	2197.22	204.69	-547.67	2160.48
			TQ		-70.47	126.73	986.80	-70.47	126.73	647.35	-70.74	128.29	651.74	-70.74	128.29	310.99
			M3		467.43	-293.80	2442.94	256.50	-436.34	3408.53	256.50	-428.16	3409.57	69.93	-538.07	3304.00
			MIN	S2	-111.66	111.57	1681.58	-238.01	7.16	2264.22	-238.01	12.59	2264.20	-421.50	-156.58	2023.55
				TQ	245.71	-595.12	354.13	178.09	-595.12	1374.84	178.36	-591.83	1371.58	110.75	-591.83	2067.88
				M3	10.38	50.13	-1479.96	10.38	50.13	-1429.96	10.38	46.70	-1430.07	10.38	46.70	-1380.07
		1-LANE(case2MAX	S2		145.66	-134.63	377.00	144.89	-133.24	1051.01	144.89	-130.72	1051.33	143.70	-130.53	1742.96
			TQ		-46.22	38.12	-175.21	-46.22	38.12	-397.84	-46.45	37.17	-390.69	-46.45	37.17	-614.43
			M3		41.25	-142.13	1802.79	82.80	-138.04	2057.68	82.80	-133.11	2058.01	111.89	-135.23	2519.27
			MIN	S2	-68.05	-36.09	1160.85	-68.50	-37.47	857.76	-68.50	-35.41	857.85	-68.51	-35.60	531.33
				TQ	114.37	-174.94	421.69	113.16	-174.94	969.72	113.39	-172.63	962.89	112.19	-172.63	1506.24
				M3	1.45	17.04	-1295.05	1.45	17.04	-1288.06	1.45	13.95	-1288.10	1.45	13.95	-1281.12
		1-LANE(case3MAX	S2		96.11	101.60	261.95	96.11	101.60	724.92	96.11	103.34	724.68	96.11	103.34	1187.65
			TQ		83.80	106.27	603.29	83.80	106.27	1006.96	83.00	108.78	1075.38	83.00	108.78	1475.22
			M3		47.95	28.20	1236.27	63.88	66.03	1503.25	63.88	69.64	1503.09	73.25	89.57	1837.01
			MIN	S2	-48.56	-25.11	-32.06	-48.56	-25.11	-265.99	-48.56	-25.75	-265.93	-48.56	-25.75	-499.86
				TQ	-25.86	-54.99	245.41	-25.86	-54.99	120.81	-25.07	-54.80	52.26	-25.07	-54.80	-68.50
				M3	-5.29	-10.83	-1153.76	-5.29	-10.83	-1179.26	-5.29	-13.66	-1179.23	-5.29	-13.66	-1204.73

BAGO RIVER BRIDGE

BLOCK [ No.1 : MAIN GIRDER ][ BEAM MEMBER FORCE ]

MEMBER			1021			1022			1022			1023			
NODE			1021			1022			1022			1023			
NAME TITLE			SHEAR	TORQUE	MOMENT	SHEAR	TORQUE	MOMENT	SHEAR	TORQUE	MOMENT	SHEAR	TORQUE	MOMENT	
			S2 (kN)	TQ (kN·m)	M3 (kN·m)	S2 (kN)	TQ (kN·m)	M3 (kN·m)	S2 (kN)	TQ (kN·m)	M3 (kN·m)	S2 (kN)	TQ (kN·m)	M3 (kN·m)	
301	LIVE LOAD	1-LANE (case4MAX	S2	36.21	470.12	112.98	36.21	470.12	287.42	36.21	470.81	286.29	36.21	470.81	460.72
			TQ	32.47	519.83	121.35	32.47	519.83	277.76	32.50	520.50	278.54	32.50	520.50	435.08
			M3	28.41	507.06	486.15	29.98	514.10	628.39	29.98	515.60	627.16	30.98	515.76	775.58
			MIN S2	-44.02	-83.02	-257.14	-44.02	-83.02	-469.21	-44.02	-84.14	-469.01	-44.02	-84.14	-681.08
			TQ	-40.25	-89.75	-187.50	-40.25	-89.75	-381.40	-40.28	-90.67	-383.20	-40.28	-90.67	-577.23
			M3	-23.68	-44.01	-798.53	-23.94	-43.88	-912.84	-23.94	-46.07	-912.74	-23.94	-46.07	-1028.06
		2-LANES (caseMAX	S2	664.99	-497.03	2022.43	462.54	-653.30	3180.38	462.54	-645.66	3181.94	313.35	-726.00	3351.50
			TQ	-102.25	169.03	803.60	-102.25	169.03	311.02	-102.71	169.79	319.76	-102.71	169.79	-175.03
			M3	572.13	-430.76	3813.19	345.41	-600.35	5076.47	345.41	-588.16	5077.89	140.56	-721.98	5188.37
			MIN S2	-167.69	116.01	2581.46	-304.15	-17.48	3272.36	-304.15	-9.63	3272.39	-494.95	-214.01	3112.72
			TQ	351.51	-802.46	664.61	271.05	-802.46	2164.07	271.51	-797.28	2156.84	191.05	-797.28	3270.93
			M3	13.60	69.83	-2389.79	13.60	69.83	-2324.30	13.60	64.25	-2324.46	13.60	64.25	-2258.96
		2-LANES (caseMAX	S2	344.90	-316.34	1234.50	300.85	-359.12	2226.18	300.85	-353.77	2227.03	262.52	-378.38	3003.57
			TQ	-82.05	95.19	-164.75	-82.05	95.19	-559.98	-82.47	93.86	-548.93	-82.47	93.86	-946.21
			M3	216.99	-304.38	3279.73	200.67	-351.77	3950.76	200.67	-342.29	3951.59	175.53	-386.28	4534.43
			MIN S2	-131.36	-7.04	2147.52	-162.88	-54.67	2100.30	-162.88	-49.63	2100.43	-200.79	-113.19	1869.20
			TQ	242.06	-452.32	720.91	216.94	-452.32	1826.47	217.37	-447.95	1816.27	192.25	-447.95	2802.89
			M3	6.15	42.26	-2235.69	6.15	42.26	-2206.05	6.15	36.96	-2206.15	6.15	36.96	-2176.50
		2-LANES (caseMAX	S2	141.97	283.03	391.08	141.97	283.03	1074.99	141.97	285.60	1074.31	141.97	285.60	1758.22
			TQ	130.25	289.68	698.84	130.25	289.68	1326.27	126.24	293.11	1534.40	126.24	293.11	2142.54
			M3	80.57	172.23	1820.41	96.13	217.18	2244.19	96.13	222.56	2243.67	109.52	264.80	2745.53
MIN S2	-78.32		-64.95	-131.58	-78.32	-64.95	-508.88	-78.32	-66.17	-508.72	-78.32	-66.17	-886.02		
TQ	-55.82		-94.01	124.45	-55.82	-94.01	-144.43	-51.81	-94.61	-353.03	-51.81	-94.61	-602.63		
M3	-12.85		-33.33	-1840.72	-12.85	-33.33	-1902.61	-12.85	-37.89	-1902.53	-12.86	-37.88	-1964.45		

BAGO RIVER BRIDGE

BLOCK [ No.1 : MAIN GIRDER ][ BEAM MEMBER FORCE ]

MEMBER			1021			1022			1022			1023				
NODE			1021			1022			1022			1023				
NAME TITLE			SHEAR	TORQUE	MOMENT	SHEAR	TORQUE	MOMENT	SHEAR	TORQUE	MOMENT	SHEAR	TORQUE	MOMENT		
			S2 (kN)	TQ (kN·m)	M3 (kN·m)	S2 (kN)	TQ (kN·m)	M3 (kN·m)	S2 (kN)	TQ (kN·m)	M3 (kN·m)	S2 (kN)	TQ (kN·m)	M3 (kN·m)		
301	LIVE LOAD	2-LANES (caseMAX	S2	73.22	707.53	249.96	73.22	707.53	602.69	73.22	708.97	600.99	73.22	708.97	953.73	
			TQ	69.76	750.41	260.15	69.76	750.41	596.19	69.79	751.84	597.14	69.79	751.84	933.34	
			M3	57.83	708.53	968.30	60.11	724.42	1253.05	60.11	727.42	1251.30	62.88	740.10	1549.19	
			MIN	S2	-74.06	-111.01	-372.25	-74.06	-111.01	-729.02	-74.06	-112.76	-728.75	-74.06	-112.76	-1085.53
			TQ	-68.06	-120.00	-294.26	-68.06	-120.00	-622.12	-68.09	-121.50	-624.58	-68.09	-121.50	-952.59	
			M3	-35.56	-57.66	-1413.32	-35.78	-57.55	-1584.86	-35.78	-61.35	-1584.72	-35.78	-61.35	-1757.10	
		3-LANES (caseMAX	S2	668.41	-517.84	1986.10	495.79	-649.69	3447.79	495.79	-641.41	3449.34	368.13	-709.56	4083.38	
			TQ	-119.65	170.68	558.95	-119.65	170.68	-17.44	-120.21	170.65	-4.94	-120.21	170.65	-584.00	
			M3	515.54	-466.83	4518.18	352.25	-608.07	5772.52	352.25	-594.22	5773.96	198.73	-709.47	6194.59	
			MIN	S2	-190.74	73.04	3016.51	-307.04	-41.40	3389.08	-307.04	-33.27	3389.17	-469.23	-207.12	3022.17
			TQ	379.80	-806.01	863.62	310.55	-806.01	2526.35	311.11	-799.97	2515.36	241.86	-799.97	3847.20	
			M3	12.58	71.43	-2948.65	12.58	71.43	-2888.03	12.58	64.50	-2888.19	12.58	64.50	-2827.58	
		3-LANES (caseMAX	S2	159.09	504.39	447.07	159.09	504.39	1213.43	159.09	507.30	1212.21	159.09	507.30	1978.57	
			TQ	148.89	511.19	713.91	148.89	511.19	1431.14	145.49	514.84	1608.24	145.49	514.84	2309.11	
			M3	96.79	368.95	2043.94	111.93	430.50	2546.65	111.93	436.61	2545.61	125.04	483.99	3121.83	
			MIN	S2	-97.37	-114.34	-242.93	-97.37	-114.34	-711.98	-97.37	-116.05	-711.70	-97.37	-116.05	-1180.75
			TQ	-75.79	-143.27	-10.52	-75.79	-143.27	-375.62	-72.39	-144.39	-553.61	-72.39	-144.39	-902.34	
			M3	-21.61	-62.24	-2241.10	-21.61	-62.24	-2345.19	-21.61	-67.86	-2345.03	-21.62	-67.85	-2449.15	
		3-LANES (caseMAX	S2	112.84	774.19	376.80	112.84	774.19	920.35	112.84	776.40	918.49	112.84	776.40	1462.05	
			TQ	108.47	812.62	386.56	108.47	812.62	909.06	108.81	814.81	913.90	108.81	814.81	1438.06	
			M3	83.37	732.36	1474.05	87.14	757.18	1886.41	87.14	761.71	1884.58	94.03	794.30	2327.21	
MIN	S2		-95.99	-107.62	-409.08	-95.99	-107.62	-871.51	-95.99	-109.71	-871.25	-95.99	-109.71	-1333.68		
TQ	-78.98		-118.84	-100.52	-78.98	-118.84	-481.01	-79.33	-120.00	-487.52	-79.33	-120.00	-869.65			
M3	-40.19		-53.51	-1907.86	-40.38	-53.41	-2101.67	-40.38	-58.45	-2101.53	-40.38	-58.45	-2296.06			

BAGO RIVER BRIDGE

BLOCK [ No.1 : MAIN GIRDER ][ BEAM MEMBER FORCE ]

MEMBER					1021			1022			1023					
NODE					1021			1022			1023					
NAME TITLE					SHEAR	TORQUE	MOMENT	SHEAR	TORQUE	MOMENT	SHEAR	TORQUE	MOMENT			
					S2 (kN)	TQ (kN·m)	M3 (kN·m)	S2 (kN)	TQ (kN·m)	M3 (kN·m)	S2 (kN)	TQ (kN·m)	M3 (kN·m)			
301	LIVE LOAD	4-LANES	MAX	S2	119.79	565.62	300.41	119.79	565.62	877.47	119.79	567.72	876.11	119.79	567.72	1453.18
				TQ	111.43	578.08	464.45	111.43	578.08	1001.23	109.26	580.59	1102.14	109.26	580.59	1628.47
				M3	70.29	472.11	1684.58	81.78	511.64	2050.33	81.78	516.56	2049.09	92.03	551.43	2473.64
		MIN	S2	-7.85	-27.39	363.45	-7.85	-27.39	325.64	-7.85	-26.61	325.70	-7.85	-26.61	287.89	
			TQ	0.10	-32.55	398.94	0.10	-32.55	399.45	2.41	-31.74	274.35	2.41	-31.74	285.93	
			M3	29.90	11.22	-1873.60	29.76	11.29	-1729.68	29.76	7.14	-1729.70	29.75	7.15	-1586.38	
	6-LANES	MAX	S2	540.85	153.62	1474.54	434.30	86.61	3097.75	434.30	94.05	3097.54	357.97	60.39	4189.61	
			TQ	11.72	683.79	725.21	11.72	683.79	781.65	9.01	685.83	915.20	9.01	685.83	958.60	
			M3	397.22	149.36	4474.17	309.78	91.82	5665.39	309.78	105.42	5665.15	223.78	63.23	6394.10	
		MIN	S2	-200.11	-9.57	1402.25	-269.50	-72.03	1159.84	-269.50	-69.24	1160.01	-369.58	-164.17	423.01	
			TQ	162.10	-623.30	908.25	120.66	-623.30	1595.62	121.35	-619.68	1433.25	74.63	-619.68	1905.32	
			M3	-13.43	10.69	-3674.48	-13.71	14.16	-3739.60	-13.71	5.20	-3739.62	-13.75	5.68	-3805.75	
	LIVE LOAD	MAX	668.41	812.62	4518.18	495.79	812.62	5772.52	495.79	814.81	5773.96	368.13	814.81	6394.10		
		MIN	-200.11	-806.01	-3674.48	-307.04	-806.01	-3739.60	-307.04	-799.97	-3739.62	-494.95	-799.97	-3805.75		
	303	SUM TOTAL	TOTAL	MAX	1340.61	879.32	2568.35	887.40	879.32	6384.99	887.40	882.98	6386.27	479.16	882.98	8217.05
MIN				472.09	-739.32	-5624.31	84.57	-739.32	-3127.14	84.57	-731.80	-3127.32	-383.93	-731.80	-1982.80	



BAGO RIVER BRIDGE

BLOCK [ No.1 : MAIN GIRDER ][ BEAM MEMBER FORCE ]

MEMBER NODE	1023 1023	1024			1024			1025			SHEAR	TORQUE	MOMENT	
		SHEAR	TORQUE	MOMENT	SHEAR	TORQUE	MOMENT	SHEAR	TORQUE	MOMENT				
NAME TITLE	S2 (kN)	TQ (kN·m)	M3 (kN·m)	S2 (kN)	TQ (kN·m)	M3 (kN·m)	S2 (kN)	TQ (kN·m)	M3 (kN·m)	S2 (kN)	TQ (kN·m)	M3 (kN·m)		
1 PAVEMENT	49.09	36.06	336.95	1.79	36.06	459.51	1.79	37.16	459.43	-45.51	37.16	354.14		
3 RAILING	3.58	0.93	3.83	-0.41	0.93	11.48	-0.41	0.95	11.47	-4.40	0.95	-0.10		
5 CURB	35.46	9.17	37.93	-4.04	9.17	113.61	-4.04	9.45	113.59	-43.54	9.45	-1.00		
7 DECK WEIGHT	75.46	50.20	496.04	-2.45	50.20	671.89	-2.45	51.81	671.77	-80.35	51.81	472.33		
8 GIRDER WEIGH	65.93	2.44	742.57	-24.15	2.44	843.21	-24.15	4.47	843.20	-114.23	4.47	509.89		
10 MEDIAN STRIP	-11.93	-8.81	52.74	-11.93	-8.81	-4.71	-11.93	-8.82	-4.69	-11.93	-8.82	-62.14		
21 ADITIONAL WE	21.13	14.06	138.89	-0.69	14.06	188.13	-0.69	14.51	188.09	-22.50	14.51	132.25		
31 MEDIAN RAILI	-0.24	-0.84	13.87	-0.24	-0.84	12.70	-0.24	-0.81	12.70	-0.24	-0.81	11.54		
51 SUPPORT WEIG	-0.00	0.00	-0.00	-0.00	0.00	-0.00	-0.00	0.00	-0.00	-0.00	0.00	-0.00		
52 NOSE WEIGHT	0.00	-0.03	-0.08	0.00	-0.03	-0.06	0.00	-0.03	-0.06	0.00	-0.03	-0.04		
61 1-LANE(case1TRUCK-LOAD	MAX	S2	295.47	8.21	1583.98	175.15	-107.94	1921.13	175.15	-103.32	1921.39	87.16	-178.20	1668.21
		TQ	-45.29	107.97	1118.53	-45.29	107.97	900.35	-45.29	110.13	900.08	-45.29	110.13	681.90
		M3	274.31	35.59	1611.42	154.79	-79.82	1969.92	154.79	-75.10	1970.11	55.79	-164.20	1704.45
	MIN	S2	-72.74	99.05	1547.87	-160.61	23.13	1902.29	-160.61	27.69	1902.22	-280.01	-87.60	1662.18
		TQ	59.54	-188.14	685.88	59.54	-188.14	972.68	59.54	-185.80	973.12	59.54	-185.80	1259.93
		M3	12.70	-24.99	-363.09	12.70	-24.99	-301.91	12.70	-25.71	-301.85	-16.06	29.06	-356.08
	TANDEM-LOAD MAX	S2	239.75	44.76	1279.69	154.42	-39.53	1560.88	154.42	-35.78	1560.97	74.80	-112.53	1346.42
		TQ	-29.49	79.11	770.38	-29.49	79.11	628.30	-29.49	80.62	628.11	-29.49	80.62	486.02
		M3	239.75	44.76	1279.70	154.42	-39.53	1560.88	154.42	-35.78	1560.97	74.80	-112.53	1346.42
	MIN	S2	-64.97	58.45	1274.51	-144.55	-18.71	1558.18	-144.55	-14.97	1558.22	-229.91	-99.00	1346.30
		TQ	39.19	-133.77	485.05	39.19	-133.77	673.84	39.19	-132.15	674.16	39.19	-132.15	862.95
		M3	8.65	-17.14	-246.98	8.65	-17.14	-205.32	8.65	-17.63	-205.28	-10.88	19.37	-241.53
	DISPERSION-LMAX	S2	104.26	-145.92	217.14	67.71	-148.22	351.19	67.71	-147.37	351.55	46.18	-135.51	339.59
		TQ	-27.23	103.86	245.45	-55.42	103.86	12.42	-55.42	103.89	12.17	-55.42	103.89	-254.79
		M3	68.75	-67.15	1142.49	12.40	-67.15	1337.92	12.40	-63.94	1338.08	-43.95	-63.94	1262.08
	MIN	S2	-47.39	100.85	138.34	-67.19	103.15	142.49	-67.19	103.49	142.24	-102.01	91.63	20.97
		TQ	84.10	-148.93	110.03	55.94	-148.93	481.26	55.94	-147.77	481.61	-0.41	-147.77	615.35
		M3	-11.88	22.08	-787.01	-11.88	22.08	-844.24	-11.88	20.06	-844.29	-11.88	20.06	-901.52

BAGO RIVER BRIDGE

BLOCK [ No.1 : MAIN GIRDER ][ BEAM MEMBER FORCE ]

MEMBER				1023			1024			1025					
NODE				1023			1024			1024			1025		
				SHEAR	TORQUE	MOMENT	SHEAR	TORQUE	MOMENT	SHEAR	TORQUE	MOMENT	SHEAR	TORQUE	MOMENT
NAME	TITLE			S2 (kN)	TQ (kN·m)	M3 (kN·m)	S2 (kN)	TQ (kN·m)	M3 (kN·m)	S2 (kN)	TQ (kN·m)	M3 (kN·m)	S2 (kN)	TQ (kN·m)	M3 (kN·m)
62	1-LANE (case2TRUCK-LOAD	MAX	S2	50.27	-17.46	709.40	50.27	-17.46	951.57	50.27	-15.18	951.61	50.27	-15.18	1193.78
			TQ	-15.15	13.15	430.07	-15.15	13.15	357.08	-15.15	14.01	357.04	-15.15	14.01	284.05
			M3	-14.49	-18.64	1152.93	20.90	-13.59	1108.54	20.90	-10.93	1108.57	46.11	-11.67	1236.60
		MIN	S2	-37.38	-13.01	1082.46	-37.38	-13.01	902.41	-37.38	-10.84	902.44	-37.38	-10.84	722.39
			TQ	32.49	-39.50	413.24	32.49	-39.50	569.75	32.49	-38.14	569.84	32.49	-38.14	726.35
			M3	10.70	-10.17	-330.53	10.69	-10.12	-279.01	10.69	-10.79	-278.99	-15.04	9.75	-341.62
		TANDEM-LOAD MAX	S2	35.88	-12.95	452.27	35.88	-12.95	625.13	35.88	-11.45	625.16	35.88	-11.45	798.02
			TQ	-10.79	9.93	310.31	-10.79	9.93	258.32	-10.79	10.55	258.30	-10.79	10.55	206.31
			M3	-16.13	-14.73	815.24	10.00	-10.09	768.65	10.00	-8.24	768.67	33.26	-5.13	875.35
		MIN	S2	-27.18	-7.59	719.25	-27.18	-7.59	588.33	-27.18	-6.18	588.35	-27.18	-6.18	457.43
			TQ	20.39	-27.90	263.88	20.39	-27.90	362.08	20.39	-27.03	362.15	20.39	-27.03	460.35
			M3	7.28	-6.96	-224.73	7.28	-6.96	-189.67	7.28	-7.42	-189.66	-10.20	6.54	-231.81
		DISPERSION-LMAX	S2	40.25	-37.06	40.22	39.93	-36.71	207.81	39.93	-36.21	207.89	39.03	-35.95	383.13
			TQ	-31.79	24.02	-114.35	-31.79	24.02	-267.49	-31.61	23.40	-244.19	-31.61	23.40	-396.46
			M3	11.94	-23.95	946.65	10.93	-23.95	1001.73	10.93	-21.54	1001.78	9.93	-21.54	1052.03
MIN	S2	-40.75	19.65	169.34	-41.44	19.30	-3.09	-41.44	19.29	-3.14	-41.55	19.03	-188.07		
	TQ	31.28	-41.43	323.91	30.28	-41.43	472.20	30.10	-40.32	448.94	29.10	-40.32	591.52		
	M3	-12.44	6.54	-737.08	-12.44	6.54	-797.02	-12.44	4.62	-797.03	-12.44	4.62	-856.96		
63	1-LANE (case3TRUCK-LOAD	MAX	S2	27.30	42.91	490.66	27.30	42.91	622.15	27.30	44.40	622.05	27.30	44.40	753.54
			TQ	26.70	44.24	536.76	26.70	44.24	665.39	26.70	45.84	665.28	26.70	45.84	793.91
			M3	-2.79	-16.82	779.78	10.14	14.37	792.36	10.14	16.27	792.32	21.18	40.30	856.64
		MIN	S2	-15.95	-34.24	627.96	-15.95	-34.24	551.14	-15.95	-32.92	551.22	-15.95	-32.92	474.40
			TQ	-15.16	-35.66	677.28	-15.16	-35.66	604.27	-15.16	-34.21	604.35	-15.16	-34.21	531.34
			M3	9.16	1.04	-305.58	-14.27	-4.02	-261.99	-14.27	-4.65	-261.98	-14.27	-4.65	-330.74

BAGO RIVER BRIDGE

BLOCK [ No.1 : MAIN GIRDER ][ BEAM MEMBER FORCE ]

MEMBER		1023			1024			1024			1025						
NODE		1023			1024			1024			1025						
		SHEAR	TORQUE	MOMENT	SHEAR	TORQUE	MOMENT	SHEAR	TORQUE	MOMENT	SHEAR	TORQUE	MOMENT				
NAME	TITLE	S2 (kN)	TQ (kN·m)	M3 (kN·m)	S2 (kN)	TQ (kN·m)	M3 (kN·m)	S2 (kN)	TQ (kN·m)	M3 (kN·m)	S2 (kN)	TQ (kN·m)	M3 (kN·m)				
63	1-LANE (case3TANDEM-LOAD	MAX	S2	18.94	28.54	316.36	18.94	28.54	407.60	18.94	29.52	407.53	18.94	29.52	498.77		
			TQ	18.34	31.81	378.51	18.34	31.81	466.87	18.34	32.93	466.79	18.34	32.93	555.15		
			M3	-3.90	-16.95	535.87	5.25	5.69	543.04	5.25	6.99	543.03	13.83	27.61	591.20		
		MIN	S2	-11.31	-22.66	410.86	-11.31	-22.66	356.38	-11.31	-21.81	356.43	-11.31	-21.81	301.94		
			TQ	-10.45	-26.03	478.83	-10.45	-26.03	428.47	-10.45	-25.00	428.53	-10.45	-25.00	378.17		
			M3	6.22	0.78	-207.52	-9.69	-2.66	-177.82	-9.69	-3.09	-177.82	-9.69	-3.09	-224.49		
			DISPERSION-LMAX	S2	28.56	25.39	39.32	28.56	25.39	176.89	28.56	25.81	176.83	28.56	25.81	314.40	
				TQ	23.38	26.37	116.44	23.38	26.37	229.06	23.18	26.98	275.78	23.18	26.98	387.45	
				M3	9.75	8.23	750.98	9.75	8.23	797.93	9.75	10.15	797.90	9.75	10.15	844.85	
			MIN	S2	-31.65	-24.01	13.32	-31.65	-24.01	-139.16	-31.65	-24.34	-139.11	-31.65	-24.34	-291.59	
				TQ	-26.47	-24.99	-63.81	-26.47	-24.99	-191.33	-26.28	-25.51	-238.06	-26.28	-25.51	-364.63	
				M3	-12.84	-6.86	-698.34	-12.84	-6.86	-760.20	-12.84	-8.68	-760.18	-12.84	-8.68	-822.03	
64	1-LANE (case4TRUCK-LOAD	MAX	S2	7.85	-11.31	226.17	7.85	-11.31	263.96	7.85	-10.67	263.99	7.85	-10.67	301.78		
			TQ	3.79	125.88	278.88	3.79	125.88	297.14	3.79	126.59	296.84	3.79	126.59	315.10		
			M3	1.81	102.08	296.32	2.07	116.16	305.91	2.07	116.89	305.63	2.57	122.89	316.00		
		MIN	S2	-13.26	-22.08	-188.12	-13.26	-22.08	-252.00	-13.26	-22.68	-251.95	-13.26	-22.68	-315.83		
			TQ	4.20	-42.55	181.90	4.20	-42.55	202.13	4.20	-42.07	202.23	4.20	-42.07	222.46		
			M3	5.48	27.05	-244.74	-13.25	-23.19	-252.41	-13.25	-23.79	-252.35	-13.25	-23.79	-316.21		
			TANDEM-LOAD	MAX	S2	5.49	-12.25	150.90	5.49	-12.25	177.33	5.49	-11.82	177.35	5.49	-11.82	203.78
				TQ	2.18	86.99	193.86	2.18	86.99	204.35	2.18	87.48	204.14	2.18	87.48	214.64	
				M3	1.02	73.67	203.07	1.09	77.60	208.21	1.09	78.10	208.02	1.84	86.44	214.89	
			MIN	S2	-9.01	-15.17	-127.87	-9.01	-15.17	-171.26	-9.01	-15.59	-171.23	-9.01	-15.59	-214.62	
				TQ	2.46	-30.05	120.73	2.46	-30.05	132.56	2.46	-29.74	132.63	2.46	-29.74	144.46	
				M3	3.75	18.15	-166.49	-9.01	-15.48	-171.38	-9.01	-15.90	-171.34	-9.01	-15.90	-214.73	

BAGO RIVER BRIDGE

BLOCK [ No.1 : MAIN GIRDER ][ BEAM MEMBER FORCE ]

MEMBER		1023			1024			1024			1025						
NODE		1023			1024			1024			1025						
		SHEAR	TORQUE	MOMENT	SHEAR	TORQUE	MOMENT	SHEAR	TORQUE	MOMENT	SHEAR	TORQUE	MOMENT				
NAME	TITLE	S2 (kN)	TQ (kN·m)	M3 (kN·m)	S2 (kN)	TQ (kN·m)	M3 (kN·m)	S2 (kN)	TQ (kN·m)	M3 (kN·m)	S2 (kN)	TQ (kN·m)	M3 (kN·m)				
64	1-LANE (case4DISPERSION-LMAX	S2	14.17	100.59	32.08	14.17	100.59	100.32	14.17	100.83	100.08	14.17	100.83	168.32			
		TQ	11.81	123.43	-45.68	11.81	123.43	11.20	11.83	123.46	11.89	11.83	123.46	68.89			
		M3	7.64	71.11	349.27	7.64	71.11	386.07	7.64	72.04	385.90	7.64	72.04	422.70			
		MIN	S2	-22.25	-38.22	-294.76	-22.25	-38.22	-401.93	-22.25	-39.18	-401.83	-22.25	-39.18	-509.00		
		TQ	-19.89	-61.06	-217.01	-19.89	-61.06	-312.81	-19.91	-61.81	-313.65	-19.91	-61.81	-409.56			
		M3	-15.72	-8.74	-611.95	-15.72	-8.74	-687.68	-15.72	-10.39	-687.65	-15.72	-10.39	-763.38			
		65	2-LANES (caseTRUCK-LOAD	MAX	S2	415.04	-0.15	2946.19	267.63	-164.67	3395.61	267.63	-156.52	3395.99	155.58	-267.18	3110.41
				TQ	-80.55	157.21	2019.99	-80.55	157.21	1631.96	-80.55	161.13	1631.57	-80.55	161.13	1243.54	
				M3	379.42	39.46	2996.82	232.90	-124.21	3473.28	232.90	-115.88	3473.57	108.69	-245.41	3178.18	
MIN	S2			-127.49	134.29	2875.64	-238.99	22.33	3354.16	-238.99	30.38	3354.09	-385.47	-133.27	3099.41		
TQ	108.14			-291.44	1264.16	108.14	-291.44	1785.12	108.14	-287.15	1785.81	108.14	-287.15	2306.77			
M3	24.40			-42.58	-709.98	24.40	-42.58	-592.42	24.40	-44.00	-592.31	-31.60	48.39	-704.92			
TANDEM-LOAD	MAX			S2	329.40	55.20	2319.85	225.40	-63.67	2685.76	225.40	-57.22	2685.90	127.58	-166.22	2449.97	
TQ	-51.24			113.72	1334.33	-51.24	113.72	1087.51	-51.24	116.33	1087.23	-51.24	116.33	840.40			
M3	329.40			55.20	2319.85	225.40	-63.67	2685.76	225.40	-57.22	2685.91	127.58	-166.22	2449.98			
MIN	S2	-108.43	75.40	2309.73	-206.15	-34.32	2680.47	-206.15	-27.88	2680.55	-310.21	-146.30	2449.76				
TQ	69.94	-204.74	854.48	69.94	-204.74	1191.40	69.94	-201.88	1191.89	69.94	-201.88	1528.80					
M3	16.62	-29.20	-482.90	16.62	-29.20	-402.85	16.62	-30.17	-402.78	-21.43	32.33	-478.20					
DISPERSION-LMAX	S2	171.57	-236.49	404.83	120.49	-238.33	627.96	120.49	-236.82	628.53	87.72	-218.92	637.81				
TQ	-63.98	163.85	407.12	-102.45	163.85	-40.08	-102.83	163.76	-32.11	-102.83	163.76	-527.44					
M3	104.54	-112.68	2192.51	24.08	-112.68	2502.27	24.08	-106.67	2502.53	-56.38	-106.67	2424.71					
MIN	S2	-91.05	160.20	238.62	-120.44	162.04	209.51	-120.44	162.55	209.12	-168.13	144.65	6.27				
TQ	144.50	-240.13	236.34	102.50	-240.13	877.55	102.88	-238.03	869.76	22.41	-238.03	1171.51					
M3	-24.03	36.39	-1549.05	-24.03	36.39	-1664.80	-24.03	32.40	-1664.89	-24.03	32.40	-1780.64					

BAGO RIVER BRIDGE

BLOCK [ No.1 : MAIN GIRDER ][ BEAM MEMBER FORCE ]

MEMBER NODE	1023	1024			1024			1025							
		SHEAR	TORQUE	MOMENT	SHEAR	TORQUE	MOMENT	SHEAR	TORQUE	MOMENT	SHEAR	TORQUE	MOMENT		
		S2 (kN)	TQ (kN·m)	M3 (kN·m)	S2 (kN)	TQ (kN·m)	M3 (kN·m)	S2 (kN)	TQ (kN·m)	M3 (kN·m)	S2 (kN)	TQ (kN·m)	M3 (kN·m)		
66	2-LANES (caseTRUCK-LOAD	MAX	S2	169.84	-25.83	2071.61	142.75	-74.20	2426.04	142.75	-68.37	2426.21	118.69	-104.16	2635.98
			TQ	-50.41	62.39	1331.54	-50.41	62.39	1088.69	-50.41	65.00	1088.53	-50.41	65.00	845.68
			M3	90.62	-14.77	2538.33	99.00	-57.98	2611.90	99.00	-51.71	2612.03	99.01	-92.88	2710.34
		MIN	S2	-92.13	22.23	2410.24	-115.76	-13.80	2354.29	-115.76	-8.15	2354.31	-142.83	-56.51	2159.62
			TQ	81.10	-142.80	991.53	81.10	-142.80	1382.19	81.10	-139.49	1382.53	81.10	-139.49	1773.19
			M3	22.40	-27.76	-677.42	22.40	-27.71	-569.52	22.40	-29.08	-569.45	-30.58	29.08	-690.46
	TANDEM-LOAD	MAX	S2	125.53	-2.51	1492.43	106.86	-37.08	1750.01	106.86	-32.88	1750.09	88.67	-65.13	1901.57
			TQ	-32.54	44.54	874.26	-32.54	44.54	717.53	-32.54	46.26	717.42	-32.54	46.26	560.69
			M3	73.52	-4.29	1855.39	80.98	-34.22	1893.53	80.98	-29.68	1893.61	86.04	-58.82	1978.90
		MIN	S2	-70.63	9.36	1754.47	-88.77	-23.19	1710.62	-88.77	-19.09	1710.68	-107.48	-53.47	1560.89
			TQ	51.13	-98.87	633.31	51.13	-98.87	879.64	51.13	-96.76	879.87	51.13	-96.76	1126.20
			M3	15.24	-19.03	-460.64	15.24	-19.03	-387.21	15.24	-19.96	-387.16	-20.75	19.50	-468.48
	DISPERSION-LMAX	MAX	S2	107.55	-127.62	227.92	92.71	-126.82	484.57	92.71	-125.65	484.88	80.58	-119.36	681.34
			TQ	-68.54	84.01	47.32	-78.82	84.01	-319.99	-79.01	83.28	-288.47	-79.01	83.28	-669.10
			M3	47.73	-69.47	1996.66	22.61	-69.47	2166.08	22.61	-64.27	2166.24	-2.51	-64.27	2214.66
		MIN	S2	-84.41	79.00	269.62	-94.69	78.19	63.93	-94.69	78.35	63.74	-107.67	72.05	-202.77
			TQ	91.68	-132.63	450.22	76.84	-132.63	868.49	77.03	-130.58	837.09	51.92	-130.58	1147.68
			M3	-24.59	20.85	-1499.12	-24.59	20.85	-1617.58	-24.59	16.97	-1617.62	-24.59	16.97	-1736.08
67	2-LANES (caseTRUCK-LOAD	MAX	S2	46.39	114.29	868.63	46.39	114.29	1092.12	46.39	116.91	1091.84	46.39	116.91	1315.33
			TQ	45.18	117.90	968.49	45.18	117.90	1186.15	44.89	120.75	1194.09	44.89	120.75	1410.31
			M3	1.27	-10.58	1373.73	17.48	43.56	1413.75	17.48	46.95	1413.64	30.64	83.88	1520.90
		MIN	S2	-29.71	-47.85	437.06	-29.71	-47.85	293.94	-29.71	-47.14	294.05	-29.71	-47.14	150.92
			TQ	-23.12	-74.80	1169.73	-23.12	-74.80	1058.36	-23.12	-72.26	1058.54	-23.12	-72.26	947.17
			M3	17.28	9.52	-593.96	-28.04	-17.63	-519.19	-28.04	-18.88	-519.15	-28.04	-18.88	-654.21

BAGO RIVER BRIDGE

BLOCK [ No.1 : MAIN GIRDER ][ BEAM MEMBER FORCE ]

MEMBER		1023			1024			1024			1025						
NODE		1023			1024			1024			1025						
		SHEAR	TORQUE	MOMENT	SHEAR	TORQUE	MOMENT	SHEAR	TORQUE	MOMENT	SHEAR	TORQUE	MOMENT				
NAME	TITLE	S2 (kN)	TQ (kN·m)	M3 (kN·m)	S2 (kN)	TQ (kN·m)	M3 (kN·m)	S2 (kN)	TQ (kN·m)	M3 (kN·m)	S2 (kN)	TQ (kN·m)	M3 (kN·m)				
67	2-LANES (caseTANDEM-LOAD	MAX	S2	32.31	78.56	582.39	32.31	78.56	738.04	32.31	80.33	737.85	32.31	80.33	893.50		
			TQ	31.54	82.47	659.54	31.54	82.47	811.48	31.54	84.42	811.28	31.54	84.42	963.23		
			M3	-0.48	-8.14	941.29	9.58	20.90	967.13	9.58	23.22	967.08	20.86	62.94	1045.54		
		MIN	S2	-20.66	-31.74	281.29	-20.66	-31.74	181.77	-20.66	-31.30	181.85	-20.66	-31.30	82.33		
			TQ	-16.60	-53.40	804.99	-16.60	-53.40	725.01	-16.60	-51.66	725.14	-16.60	-51.66	645.16		
			M3	11.74	6.38	-403.40	-19.04	-11.73	-352.42	-19.04	-12.58	-352.40	-19.04	-12.58	-444.10		
			DISPERSION-LMAX	S2	51.23	83.65	79.80	51.23	83.65	326.56	51.23	84.43	326.36	51.23	84.43	573.13	
			TQ	45.94	85.53	114.77	45.94	85.53	336.08	45.75	86.39	382.66	45.75	86.39	603.02		
			M3	18.63	38.19	1371.45	18.63	38.19	1461.19	18.63	41.70	1461.10	18.63	41.70	1550.84		
			MIN	S2	-58.68	-66.97	-78.77	-58.68	-66.97	-361.44	-58.68	-67.84	-361.27	-58.68	-67.84	-643.94	
			TQ	-53.39	-68.85	-113.75	-53.39	-68.85	-370.95	-53.20	-69.80	-417.57	-53.20	-69.80	-673.83		
			M3	-26.08	-21.52	-1370.43	-26.08	-21.52	-1496.06	-26.08	-25.11	-1496.01	-26.08	-25.11	-1621.65		
		68	2-LANES (caseTRUCK-LOAD	MAX	S2	19.69	76.96	495.95	19.69	76.96	590.82	19.69	78.38	590.63	19.69	78.38	685.50
					TQ	15.21	224.47	606.70	15.21	224.47	679.95	15.21	226.10	679.41	15.21	226.10	752.66
					M3	7.58	149.58	719.61	8.26	173.21	757.49	8.26	175.03	757.07	9.78	199.71	797.46
MIN	S2			-27.03	-35.69	-379.02	-27.03	-35.69	-509.20	-27.03	-36.91	-509.12	-27.03	-36.91	-639.30		
	TQ			2.72	-81.82	487.98	2.72	-81.82	501.09	2.72	-80.62	501.28	2.72	-80.62	514.39		
	M3			12.02	46.69	-506.83	-27.02	-36.80	-509.61	-27.02	-38.02	-509.52	-27.02	-38.02	-639.68		
	TANDEM-LOAD			MAX	S2	13.75	50.30	341.49	13.75	50.30	407.71	13.75	51.28	407.59	13.75	51.28	473.81
	TQ			9.86	155.76	423.14	9.86	155.76	470.64	9.86	156.89	470.26	9.86	156.89	517.76		
	M3			4.73	98.86	491.13	5.31	121.52	515.65	5.31	122.76	515.36	6.35	136.31	542.62		
	MIN			S2	-18.36	-24.25	-257.44	-18.36	-24.25	-345.87	-18.36	-25.08	-345.81	-18.36	-25.08	-434.23	
	TQ			1.51	-57.77	338.05	1.51	-57.77	345.33	1.51	-56.94	345.47	1.51	-56.94	352.75		
	M3			8.20	31.33	-344.63	-18.35	-24.56	-345.98	-18.35	-25.39	-345.92	-18.35	-25.39	-434.34		

BAGO RIVER BRIDGE

BLOCK [ No.1 : MAIN GIRDER ][ BEAM MEMBER FORCE ]

MEMBER			1023			1024			1024			1025				
NODE			1023			1024			1024			1025				
			SHEAR	TORQUE	MOMENT	SHEAR	TORQUE	MOMENT	SHEAR	TORQUE	MOMENT	SHEAR	TORQUE	MOMENT		
NAME	TITLE		S2 (kN)	TQ (kN·m)	M3 (kN·m)	S2 (kN)	TQ (kN·m)	M3 (kN·m)	S2 (kN)	TQ (kN·m)	M3 (kN·m)	S2 (kN)	TQ (kN·m)	M3 (kN·m)		
68	2-LANES (caseDISPERSION-LMAX	S2	31.47	187.73	96.43	31.47	187.73	248.01	31.47	188.32	247.56	31.47	188.32	399.15		
		TQ	28.59	215.65	-56.25	28.59	215.65	81.47	28.63	215.85	84.44	28.63	215.85	222.36		
		M3	16.21	120.39	828.37	16.21	120.39	906.44	16.21	122.57	906.15	16.21	122.57	984.23		
		MIN	S2	-46.27	-77.01	-518.29	-46.27	-77.01	-741.20	-46.27	-78.79	-741.02	-46.27	-78.79	-963.93	
		TQ	-43.39	-104.93	-365.62	-43.39	-104.93	-574.67	-43.44	-106.31	-577.90	-43.44	-106.31	-787.14		
		M3	-31.01	-9.67	-1250.23	-31.01	-9.67	-1399.63	-31.01	-13.03	-1399.61	-31.01	-13.03	-1549.01		
		MAX	S2	465.32	-17.62	3655.59	317.90	-182.13	4347.18	317.90	-171.70	4347.60	205.85	-282.36	4304.19	
		TQ	-95.71	170.36	2450.07	-95.71	170.36	1989.03	-95.71	175.13	1988.62	-95.71	175.13	1527.59		
		M3	364.93	20.82	4149.75	253.80	-137.80	4581.82	253.80	-126.81	4582.14	154.80	-257.08	4414.78		
69	3-LANES (caseTRUCK-LOAD	MIN	S2	-164.87	121.28	3958.11	-276.37	9.32	4256.57	-276.37	19.54	4256.54	-422.84	-144.11	3821.80	
		TQ	140.63	-330.94	1677.40	140.63	-330.94	2354.87	140.63	-325.29	2355.65	140.63	-325.29	3033.12		
		M3	35.10	-52.75	-1040.51	35.10	-52.70	-871.43	35.10	-54.79	-871.30	-46.64	58.14	-1046.54		
		TANDEM-LOAD	MAX	S2	365.28	42.25	2772.12	261.28	-76.61	3310.89	261.28	-68.67	3311.06	163.46	-177.67	3247.99
		TQ	-62.03	123.65	1644.64	-62.03	123.65	1345.83	-62.03	126.88	1345.53	-62.03	126.88	1046.71		
		M3	313.27	40.47	3135.09	235.40	-73.75	3454.41	235.40	-65.46	3454.58	160.84	-171.35	3325.32		
		MIN	S2	-135.61	67.80	3028.98	-233.33	-41.91	3268.81	-233.33	-34.06	3268.90	-337.39	-152.48	2907.18	
		TQ	90.33	-232.64	1118.36	90.33	-232.64	1553.48	90.33	-228.91	1554.03	90.33	-228.91	1989.15		
		M3	23.89	-36.16	-707.63	23.89	-36.16	-592.53	23.89	-37.59	-592.44	-31.63	38.87	-710.01		
		DISPERSION-LMAX	S2	211.81	-273.54	445.05	160.43	-275.03	835.77	160.43	-273.03	836.42	126.76	-254.88	1020.94	
		TQ	-95.77	187.87	292.77	-134.24	187.87	-307.57	-134.43	187.17	-276.30	-134.43	187.17	-923.90		
		M3	116.48	-136.62	3139.15	35.01	-136.62	3504.00	35.01	-128.21	3504.32	-46.45	-128.21	3476.74		
		MIN	S2	-131.81	179.85	407.96	-161.89	181.34	206.41	-161.89	181.83	205.98	-209.68	163.68	-181.80	
		TQ	175.78	-281.56	560.25	132.78	-281.56	1349.75	132.97	-278.36	1318.70	51.51	-278.36	1763.04		
		M3	-36.47	42.93	-2286.13	-36.47	42.93	-2461.82	-36.47	37.02	-2461.91	-36.47	37.02	-2637.60		

BAGO RIVER BRIDGE

BLOCK [ No.1 : MAIN GIRDER ][ BEAM MEMBER FORCE ]

MEMBER				1023			1024			1025					
NODE				1023			1024			1024			1025		
NAME TITLE				SHEAR	TORQUE	MOMENT	SHEAR	TORQUE	MOMENT	SHEAR	TORQUE	MOMENT	SHEAR	TORQUE	MOMENT
				S2 (kN)	TQ (kN·m)	M3 (kN·m)	S2 (kN)	TQ (kN·m)	M3 (kN·m)	S2 (kN)	TQ (kN·m)	M3 (kN·m)	S2 (kN)	TQ (kN·m)	M3 (kN·m)
70	3-LANES (caseTRUCK-LOAD	MAX	S2	58.02	211.50	1174.27	58.02	211.50	1453.75	58.02	214.98	1453.24	58.02	214.98	1732.72
			TQ	56.66	216.56	1297.46	56.66	216.56	1570.40	56.36	220.34	1578.10	56.36	220.34	1849.60
			M3	7.06	32.05	1810.07	23.78	95.87	1878.60	23.78	100.37	1878.37	37.09	140.87	2016.58
		MIN	S2	-42.97	-69.93	248.94	-42.97	-69.93	41.93	-42.97	-69.83	42.10	-42.97	-69.83	-164.91
			TQ	-25.45	-113.80	1490.03	-25.45	-113.80	1367.42	-25.45	-110.52	1367.69	-25.45	-110.52	1245.08
			M3	24.35	25.34	-864.96	-41.29	-40.82	-771.60	-41.29	-42.67	-771.50	-41.29	-42.67	-970.42
		TANDEM-LOAD MAX	S2	40.31	144.45	782.05	40.31	144.45	976.21	40.31	146.79	975.86	40.31	146.79	1170.03
			TQ	39.41	150.71	890.15	39.41	150.71	1079.99	39.41	153.30	1079.63	39.41	153.30	1269.48
			M3	3.28	16.25	1238.62	14.02	64.07	1283.38	14.02	67.15	1283.22	25.30	106.87	1383.09
		MIN	S2	-29.67	-46.91	153.42	-29.67	-46.91	10.51	-29.67	-46.89	10.62	-29.67	-46.89	-132.29
			TQ	-18.16	-81.01	1032.51	-18.16	-81.01	945.05	-18.16	-78.74	945.24	-18.16	-78.74	857.79
			M3	16.56	16.96	-587.65	-28.04	-27.22	-523.80	-28.04	-28.48	-523.74	-28.04	-28.48	-658.83
		DISPERSION-LMAX	S2	68.93	169.44	127.16	68.93	169.44	459.23	68.93	170.54	458.82	68.93	170.54	790.89
			TQ	63.23	175.21	93.37	63.23	175.21	397.95	63.05	176.23	446.81	63.05	176.23	750.52
			M3	26.61	89.97	1861.84	26.61	89.97	1990.01	26.61	94.75	1989.78	26.61	94.75	2117.95
MIN	S2	-82.08	-123.41	-281.59	-82.08	-123.41	-677.01	-82.08	-125.03	-676.71	-82.08	-125.03	-1072.13		
	TQ	-76.38	-129.18	-247.80	-76.38	-129.18	-615.73	-76.20	-130.72	-664.69	-76.20	-130.72	-1031.76		
	M3	-39.76	-43.95	-2016.27	-39.76	-43.95	-2207.78	-39.76	-49.24	-2207.67	-39.76	-49.24	-2399.19		
71	3-LANES (caseTRUCK-LOAD	MAX	S2	38.73	147.15	864.27	38.73	147.15	1050.86	38.73	149.67	1050.51	38.73	149.67	1237.10
			TQ	32.97	299.20	1043.41	32.97	299.20	1202.23	32.97	302.09	1201.51	32.97	302.09	1360.33
			M3	11.73	157.07	1298.92	15.47	203.57	1365.19	15.47	206.84	1364.70	22.13	261.54	1447.53
		MIN	S2	-41.30	-39.71	-572.25	-41.30	-39.71	-771.19	-41.30	-41.56	-771.10	-41.30	-41.56	-970.04
			TQ	-4.42	-120.73	964.73	-4.42	-120.73	943.43	-4.42	-118.47	943.72	-4.42	-118.47	922.41
			M3	19.60	58.96	-786.34	-41.29	-40.82	-771.60	-41.29	-42.67	-771.50	-41.29	-42.67	-970.42



BAGO RIVER BRIDGE

BLOCK [ No.1 : MAIN GIRDER ][ BEAM MEMBER FORCE ]

MEMBER				1023			1024			1025							
NODE				1023			1024			1024			1025				
NAME TITLE				SHEAR	TORQUE	MOMENT	SHEAR	TORQUE	MOMENT	SHEAR	TORQUE	MOMENT	SHEAR	TORQUE	MOMENT		
				S2 (kN)	TQ (kN·m)	M3 (kN·m)	S2 (kN)	TQ (kN·m)	M3 (kN·m)	S2 (kN)	TQ (kN·m)	M3 (kN·m)	S2 (kN)	TQ (kN·m)	M3 (kN·m)		
71	3-LANES (case)	TANDEM-LOAD	MAX	S2	26.93	100.87	606.20	26.93	100.87	735.93	26.93	102.63	735.69	26.93	102.63	865.42	
				TQ	22.78	207.27	702.00	22.78	207.27	811.75	22.78	209.22	811.25	22.78	209.22	920.99	
				M3	8.16	108.50	886.85	9.60	137.54	930.23	9.60	139.77	929.90	14.04	177.14	987.16	
		MIN	S2	-28.05	-26.91	-388.59	-28.05	-26.91	-523.69	-28.05	-28.17	-523.62	-28.05	-28.17	-658.73		
			TQ	-4.04	-85.10	653.60	-4.04	-85.10	634.15	-4.04	-83.58	634.35	-4.04	-83.58	614.91		
			M3	13.36	39.55	-534.41	-28.04	-27.22	-523.80	-28.04	-28.48	-523.74	-28.04	-28.48	-658.83		
	DISPERSION-LMAX	S2	53.62	248.43	147.64	53.62	248.43	405.93	53.62	249.40	405.34	53.62	249.40	663.63			
		TQ	49.75	277.29	-60.62	49.75	277.29	179.02	50.52	277.74	195.18	50.52	277.74	438.55			
		M3	25.68	147.83	1437.49	25.68	147.83	1561.21	25.68	151.58	1560.85	25.68	151.58	1684.57			
		MIN	S2	-73.82	-103.32	-625.05	-73.82	-103.32	-980.67	-73.82	-105.67	-980.42	-73.82	-105.67	-1336.05		
			TQ	-69.95	-132.17	-416.78	-69.95	-132.17	-753.76	-70.73	-134.01	-770.27	-70.73	-134.01	-1110.97		
			M3	-45.89	-2.72	-1914.90	-45.89	-2.72	-2135.95	-45.89	-7.85	-2135.94	-45.89	-7.85	-2356.99		
	72	4-LANES	TRUCK-LOAD	MAX	S2	61.26	203.55	1609.53	61.26	203.55	1904.63	61.26	208.12	1904.14	61.26	208.12	2199.23
					TQ	55.75	330.08	1675.20	55.75	330.08	1943.77	55.75	334.74	1942.97	55.75	334.74	2211.54
					M3	8.97	135.25	2091.37	25.81	216.76	2170.12	25.68	218.41	2169.59	43.33	296.75	2317.31
MIN			S2	-27.24	-116.57	1304.36	-27.24	-116.57	1173.14	-27.24	-113.76	1173.42	-27.24	-113.76	1042.19		
			TQ	-20.38	-156.49	1656.57	-20.38	-156.49	1558.41	-20.38	-152.75	1558.78	-20.38	-152.75	1460.63		
			M3	29.30	56.19	-1100.84	29.29	56.30	-959.72	29.29	53.99	-959.85	29.27	54.14	-818.78		
TANDEM-LOAD		MAX	S2	44.91	135.76	987.61	44.91	135.76	1203.96	44.91	138.65	1203.63	44.91	138.65	1419.98		
			TQ	40.71	237.25	1094.88	40.71	237.25	1290.99	40.71	240.35	1290.42	40.71	240.35	1486.52		
			M3	4.40	90.66	1431.17	15.00	142.42	1481.96	15.00	145.98	1481.62	28.08	204.05	1587.15		
		MIN	S2	-19.47	-85.26	926.81	-19.47	-85.26	833.01	-19.47	-83.26	833.21	-19.47	-83.26	739.42		
			TQ	-15.06	-111.12	1142.32	-15.06	-111.12	1069.77	-15.06	-108.55	1070.03	-15.06	-108.55	997.49		
			M3	19.95	37.70	-748.09	19.95	37.70	-651.99	19.95	36.14	-652.08	19.92	36.48	-556.04		

BAGO RIVER BRIDGE

BLOCK [ No.1 : MAIN GIRDER ][ BEAM MEMBER FORCE ]

MEMBER				1023			1024			1024			1025				
NODE				1023			1024			1024			1025				
				SHEAR	TORQUE	MOMENT	SHEAR	TORQUE	MOMENT	SHEAR	TORQUE	MOMENT	SHEAR	TORQUE	MOMENT		
NAME	TITLE			S2 (kN)	TQ (kN·m)	M3 (kN·m)	S2 (kN)	TQ (kN·m)	M3 (kN·m)	S2 (kN)	TQ (kN·m)	M3 (kN·m)	S2 (kN)	TQ (kN·m)	M3 (kN·m)		
72	4-LANES	DISPERSION-LMAX	S2	56.75	140.49	-320.02	56.75	140.49	-46.65	56.75	140.38	-46.98	56.75	140.38	226.39		
			TQ	50.29	174.11	-473.27	50.29	174.11	-231.01	49.39	173.60	-194.82	49.39	173.60	43.08		
			M3	8.35	28.87	1713.01	8.35	28.87	1753.23	8.35	33.08	1753.16	8.35	33.08	1793.38		
		MIN	S2	-12.59	-43.21	696.05	-12.59	-43.21	635.42	-12.59	-41.68	635.52	-12.59	-41.68	574.90		
			TQ	-5.13	-72.12	796.20	-5.13	-72.12	771.48	-4.23	-70.31	735.04	-4.23	-70.31	714.68		
			M3	35.68	68.45	-1339.91	35.68	68.45	-1168.03	35.68	65.64	-1168.19	35.68	65.64	-996.31		
		73	6-LANES	TRUCK-LOAD MAX	S2	431.71	95.31	4029.99	316.77	-16.93	5059.37	316.77	-4.78	5059.40	231.44	-82.74	5450.27
					TQ	9.54	417.51	3596.14	9.54	417.51	3642.08	9.54	426.25	3641.07	9.54	426.25	3687.00
					M3	300.43	134.73	5364.78	230.90	54.08	5777.07	230.90	67.94	5776.92	171.36	40.09	5793.09
MIN	S2			-186.86	50.56	3019.18	-272.10	-28.83	2886.91	-272.10	-21.90	2886.97	-387.04	-134.17	2104.95		
	TQ			62.22	-403.38	3207.93	62.22	-403.38	3507.68	62.22	-394.96	3508.64	62.22	-394.96	3808.38		
	M3			55.05	4.18	-1833.08	-7.75	-79.80	-1629.32	-7.75	-83.71	-1629.12	-87.94	15.62	-2017.08		
TANDEM-LOAD MAX	S2			334.90	100.27	2929.82	253.41	18.85	3699.73	253.41	27.72	3699.68	177.33	-46.46	3996.33		
	TQ			0.72	297.35	2603.71	0.72	297.35	2607.18	0.72	303.61	2606.46	0.72	303.61	2609.93		
	M3			252.54	101.71	3913.55	204.55	43.77	4209.80	204.55	53.87	4209.69	160.00	27.16	4216.32		
MIN	S2	-146.20	17.00	2401.53	-222.24	-57.59	2276.58	-222.24	-52.13	2276.71	-303.75	-133.29	1678.64				
	TQ	44.31	-285.43	2293.53	44.31	-285.43	2506.97	44.31	-279.41	2507.64	44.31	-279.41	2721.08				
	M3	37.48	2.03	-1246.15	-5.21	-54.03	-1106.97	-5.21	-56.69	-1106.84	-59.68	10.50	-1368.92				
DISPERSION-LMAX	S2	251.27	-22.54	537.44	205.88	-23.88	1193.58	205.88	-21.02	1193.64	177.07	-5.37	1708.58				
	TQ	-26.09	426.36	129.73	-59.77	426.36	-117.63	-60.03	426.18	-38.83	-60.03	426.18	-328.02				
	M3	129.93	-1.75	4472.03	58.00	-1.75	4924.69	58.00	10.07	4924.68	-13.96	10.07	5030.78				
MIN	S2	-193.55	58.42	-24.29	-219.61	60.40	-610.63	-219.61	58.93	-610.78	-261.87	42.94	-1325.54				
	TQ	73.88	-374.39	359.74	43.53	-374.39	673.59	43.90	-372.87	592.42	-28.06	-372.87	630.56				
	M3	-72.72	34.30	-4021.97	-72.73	34.50	-4372.31	-72.73	24.01	-4372.38	-72.73	24.02	-4722.73				

BAGO RIVER BRIDGE

BLOCK [ No.1 : MAIN GIRDER ] [ BEAM MEMBER FORCE ]

MEMBER			1023			1024			1024			1025			
NODE			1023			1024			1024			1025			
NAME TITLE			SHEAR	TORQUE	MOMENT	SHEAR	TORQUE	MOMENT	SHEAR	TORQUE	MOMENT	SHEAR	TORQUE	MOMENT	
			S2 (kN)	TQ (kN·m)	M3 (kN·m)	S2 (kN)	TQ (kN·m)	M3 (kN·m)	S2 (kN)	TQ (kN·m)	M3 (kN·m)	S2 (kN)	TQ (kN·m)	M3 (kN·m)	
124	SUM TOTAL	D+1LANE (caseMAX	S2	718.17	-62.08	3984.08	249.33	-204.21	5022.55	249.33	-192.16	5023.03	-162.69	-267.78	3826.24
			TQ	151.46	357.36	3459.51	-162.96	357.36	3391.09	-162.96	365.50	3390.22	-443.54	365.50	1929.40
			M3	650.16	65.29	5127.43	158.53	-73.20	6265.17	158.53	-58.16	6265.33	-308.48	-165.08	4976.70
		MIN	S2	94.33	343.06	3846.19	-315.46	254.70	4749.49	-315.46	266.10	4748.86	-781.11	113.52	3436.64
			TQ	410.85	-301.31	2777.83	96.47	-301.31	4040.48	96.47	-291.61	4041.19	-251.74	-291.61	3667.20
			M3	239.47	99.68	442.62	-41.12	99.68	920.38	-41.12	101.89	920.14	-356.21	167.62	-92.25
		D+1LANE (caseMAX	S2	347.11	37.75	2722.30	66.15	38.17	3687.01	66.15	47.02	3686.91	-215.52	47.32	3309.16
			TQ	182.16	147.77	2201.61	-98.43	147.77	2403.27	-98.22	153.57	2430.93	-378.80	153.57	1281.98
			M3	235.43	52.07	4342.23	-3.91	58.13	4828.09	-3.91	69.71	4827.93	-255.44	68.83	4163.23
		MIN	S2	144.73	111.14	3324.91	-136.69	110.72	3374.94	-136.69	118.82	3374.67	-417.40	118.51	2058.06
			TQ	315.01	6.05	2707.33	33.22	6.05	3546.10	33.00	14.53	3518.05	-248.79	14.53	2998.31
			M3	236.39	98.82	541.61	-44.20	98.87	1004.53	-44.20	101.28	1004.29	-355.66	125.93	-21.43
		D+1LANE (caseMAX	S2	305.51	185.13	2458.72	24.92	185.13	3254.62	24.92	192.94	3254.16	-255.66	192.94	2698.40
			TQ	298.58	187.90	2606.59	17.99	187.90	3369.10	17.76	196.06	3424.78	-262.83	196.06	2834.50
			M3	246.83	92.87	3659.66	-18.24	130.29	4204.10	-18.24	140.38	4203.78	-285.58	169.22	3458.66
		MIN	S2	181.37	33.27	2592.28	-99.22	33.27	2790.13	-99.22	39.97	2790.04	-379.81	39.97	1636.24
			TQ	188.53	30.39	2558.91	-92.06	30.39	2791.28	-91.82	37.02	2735.06	-372.41	37.02	1616.91
			M3	234.07	96.19	618.04	-74.64	90.12	1069.14	-74.64	92.68	1068.92	-355.23	92.68	33.54
		D+1LANE (caseMAX	S2	264.90	210.31	2132.64	-15.69	210.31	2732.90	-15.69	216.87	2732.39	-296.28	216.87	1980.99
			TQ	257.21	402.35	2102.58	-23.38	402.35	2665.77	-23.35	408.75	2665.99	-303.94	408.75	1877.66
			M3	249.83	311.00	2597.45	-30.45	327.89	3126.13	-30.45	335.39	3125.34	-310.44	342.59	2303.31
		MIN	S2	195.88	30.81	1243.28	-84.71	30.81	1511.05	-84.71	34.44	1510.97	-365.30	34.44	427.07
			TQ	219.66	-21.17	1780.61	-60.93	-21.17	2162.95	-60.96	-15.98	2161.80	-341.54	-15.98	1192.34
			M3	226.20	125.15	794.71	-76.87	64.86	1167.66	-76.87	67.66	1167.50	-357.46	67.66	121.37

BAGO RIVER BRIDGE

BLOCK [ No.1 : MAIN GIRDER ][ BEAM MEMBER FORCE ]

MEMBER				1023			1024			1025					
NODE				1023			1024			1024			1025		
NAME TITLE				SHEAR	TORQUE	MOMENT	SHEAR	TORQUE	MOMENT	SHEAR	TORQUE	MOMENT	SHEAR	TORQUE	MOMENT
				S2 (kN)	TQ (kN·m)	M3 (kN·m)	S2 (kN)	TQ (kN·m)	M3 (kN·m)	S2 (kN)	TQ (kN·m)	M3 (kN·m)	S2 (kN)	TQ (kN·m)	M3 (kN·m)
124	SUM TOTAL	D+2LANES (casMAX	S2	825.10	-133.47	5173.76	346.02	-299.82	6319.33	346.02	-284.66	6320.03	-79.39	-377.42	5165.09
			TQ	93.95	424.23	4249.85	-225.10	424.23	3887.64	-225.48	433.57	3894.97	-506.07	433.57	2132.97
			M3	722.44	29.95	7012.06	214.88	-133.72	8271.31	214.88	-113.87	8271.61	-270.39	-243.40	7019.76
		MIN	S2	19.94	397.66	4937.01	-401.54	287.54	5859.43	-401.54	301.60	5858.72	-876.29	120.06	4522.54
			TQ	491.13	-428.40	3323.24	168.54	-428.40	4958.42	168.92	-416.51	4951.07	-192.13	-416.51	4895.15
			M3	238.86	96.98	-436.29	-41.72	96.98	38.54	-41.72	97.07	38.31	-378.32	189.47	-1068.69
		D+2LANES (casMAX	S2	515.88	-50.28	4122.27	193.37	-97.84	5206.38	193.37	-85.35	5206.60	-123.42	-114.84	4734.19
			TQ	119.53	249.57	3201.60	-171.33	249.57	3064.46	-171.53	256.96	3095.57	-452.12	256.96	1593.45
			M3	376.83	18.93	6357.73	79.51	-24.28	7073.74	79.51	-7.30	7073.77	-226.19	-48.48	6341.87
		MIN	S2	61.94	204.40	4502.60	-252.56	167.56	4713.97	-252.56	178.87	4713.56	-573.20	124.22	3373.72
			TQ	411.26	-172.27	3264.49	115.84	-172.27	4546.44	116.03	-161.39	4515.12	-189.68	-161.39	4337.74
			M3	236.30	96.26	-353.80	-44.29	96.31	108.66	-44.29	96.57	108.43	-377.86	154.72	-1009.68
		D+2LANES (casMAX	S2	336.11	301.10	2771.17	55.52	301.10	3714.45	55.52	310.02	3713.71	-225.07	310.02	3305.33
			TQ	329.61	306.59	2906.00	49.02	306.59	3817.99	48.53	315.82	3872.25	-232.06	315.82	3430.20
			M3	258.39	130.79	4567.92	-5.99	184.92	5170.71	-5.99	197.33	5170.25	-273.42	234.26	4488.61
		MIN	S2	150.10	-11.65	2181.03	-130.49	-11.65	2228.26	-130.49	-6.30	2228.28	-411.08	-6.30	923.86
			TQ	161.98	-40.48	2878.73	-118.61	-40.48	2983.17	-118.42	-33.38	2936.48	-399.00	-33.38	1690.21
			M3	229.69	91.17	-141.65	-96.22	64.02	280.50	-96.22	64.70	280.35	-376.81	64.70	-858.99
		D+2LANES (casMAX	S2	289.65	367.86	2415.12	9.06	367.86	3134.59	9.06	375.38	3133.70	-271.53	375.38	2501.51
			TQ	282.28	543.28	2373.20	1.69	543.28	3057.19	1.74	550.62	3059.36	-278.85	550.62	2391.89
			M3	262.27	373.14	3370.72	-17.64	396.77	3959.69	-17.64	406.27	3958.73	-296.70	430.96	3198.55
		MIN	S2	165.19	-9.53	925.43	-115.40	-9.53	1045.35	-115.40	-7.02	1045.37	-395.99	-7.02	-186.36
			TQ	197.81	-83.58	1945.10	-82.78	-83.58	2222.18	-82.82	-78.25	2218.89	-363.41	-78.25	1144.11
			M3	219.49	140.18	65.68	-100.13	56.70	386.51	-100.13	57.63	386.38	-380.72	57.63	-771.82

BAGO RIVER BRIDGE

BLOCK [ No.1 : MAIN GIRDER ][ BEAM MEMBER FORCE ]

MEMBER			1023			1024			1024			1025				
NODE			1023			1024			1024			1025				
NAME TITLE			SHEAR	TORQUE	MOMENT	SHEAR	TORQUE	MOMENT	SHEAR	TORQUE	MOMENT	SHEAR	TORQUE	MOMENT		
			S2 (kN)	TQ (kN·m)	M3 (kN·m)	S2 (kN)	TQ (kN·m)	M3 (kN·m)	S2 (kN)	TQ (kN·m)	M3 (kN·m)	S2 (kN)	TQ (kN·m)	M3 (kN·m)		
124	SUM TOTAL	D+3LANES (casMAX	S2	814.05	-144.32	5308.29	364.48	-285.42	6701.26	364.48	-269.34	6701.93	-39.97	-347.97	5943.23	
			TQ	75.73	407.66	4154.15	-237.55	407.66	3725.01	-237.72	416.63	3750.98	-518.31	416.63	1930.00	
			M3	647.68	4.73	8018.31	203.38	-130.09	9168.71	203.38	-108.09	9168.99	-230.60	-218.82	8124.66	
		MIN	S2	-13.69	359.13	5533.90	-414.62	265.23	6089.30	-414.62	279.85	6088.64	-860.34	125.32	4510.87	
			TQ	507.44	-417.46	3724.75	190.30	-417.46	5444.68	190.47	-404.42	5418.71	-159.37	-404.42	5493.60	
			M3	237.32	94.83	-1004.90	-43.27	94.87	-537.50	-43.27	93.58	-537.73	-393.33	189.57	-1714.65	
		D+3LANES (casMAX	S2	346.40	426.96	2928.96	65.81	426.96	3921.79	65.81	436.37	3920.76	-214.78	436.37	3561.94	
			TQ	340.39	436.18	3004.95	59.80	436.18	3968.86	59.40	445.76	4016.68	-221.19	445.76	3626.98	
			M3	267.10	206.89	4943.87	0.72	261.13	5584.08	0.72	274.54	5583.44	-268.55	308.96	4931.22	
		MIN	S2	132.19	-61.17	1795.00	-148.40	-61.17	1755.95	-148.40	-56.95	1756.09	-428.99	-56.95	365.39	
			TQ	151.93	-103.37	2878.64	-128.66	-103.37	2934.70	-128.50	-96.37	2893.06	-409.09	-96.37	1598.19	
			M3	225.39	87.35	-626.30	-110.99	31.12	-236.72	-110.99	30.55	-236.79	-391.58	30.55	-1447.30	
		D+3LANES (casMAX	S2	316.99	439.41	2682.87	36.40	439.41	3534.04	36.40	447.89	3532.97	-244.19	447.89	3032.49	
			TQ	308.80	593.19	2658.11	28.21	593.19	3469.82	28.87	601.53	3482.69	-251.72	601.53	2945.91	
			M3	270.29	362.34	4148.69	-7.12	401.86	4783.20	-7.12	413.34	4782.22	-282.05	459.83	4079.15	
		MIN	S2	140.63	-18.40	805.04	-139.96	-18.40	806.67	-139.96	-16.47	806.72	-420.54	-16.47	-543.31	
			TQ	175.27	-111.80	2288.50	-105.32	-111.80	2456.98	-105.98	-105.92	2442.94	-386.57	-105.92	1256.59	
			M3	216.14	150.97	-473.31	-116.20	66.16	-175.66	-116.20	65.74	-175.82	-396.79	65.74	-1411.43	
		D+4LANES	MAX	S2	315.19	326.80	2660.93	34.60	326.80	3503.45	34.60	335.21	3502.66	-245.98	335.21	2993.52
			TQ	307.41	430.89	2604.00	26.83	430.89	3409.05	26.24	439.10	3431.80	-254.35	439.10	2882.37	
			M3	249.74	209.85	4295.59	-19.90	262.83	4845.94	-19.98	272.15	4845.29	-289.10	323.07	4088.82	
		MIN	S2	212.60	-0.69	3123.01	-67.99	-0.69	3471.33	-67.99	7.64	3471.32	-348.58	7.64	2467.98	
			TQ	221.91	-45.42	3417.04	-58.68	-45.42	3810.19	-58.09	-36.31	3786.49	-338.68	-36.31	2830.82	
			M3	280.72	184.18	236.26	0.13	184.25	912.73	0.13	186.44	912.28	-280.47	186.54	237.06	

BAGO RIVER BRIDGE

BLOCK [ No.1 : MAIN GIRDER ] [ BEAM MEMBER FORCE ]

MEMBER					1023			1024			1025		
NODE					1023			1024			1024		
					SHEAR	TORQUE	MOMENT	SHEAR	TORQUE	MOMENT	SHEAR	TORQUE	MOMENT
NAME	TITLE				S2 (kN)	TQ (kN·m)	M3 (kN·m)	S2 (kN)	TQ (kN·m)	M3 (kN·m)	S2 (kN)	TQ (kN·m)	M3 (kN·m)
124	SUM TOTAL	D+6LANES	MAX	S2	682.42	150.47	4791.57	297.62	76.65	6360.18	297.62	91.91	6359.98
				TQ	227.73	651.69	4244.56	-74.75	651.69	4586.66	-74.92	662.76	4636.96
				M3	518.22	189.60	8216.67	145.69	137.18	9251.91	145.69	159.38	9251.55
			MIN	S2	-8.78	174.00	3769.42	-361.71	123.69	3775.34	-361.71	132.75	3775.03
				TQ	326.96	-402.38	4141.73	26.64	-402.38	5013.59	26.88	-390.41	4961.19
				M3	227.00	128.19	-1983.04	-94.41	73.73	-1605.30	-94.41	69.88	-1605.47
	SUM TOTAL		MAX		825.10	651.69	8216.67	364.48	651.69	9251.91	364.48	662.76	9251.55
			MIN		-13.69	-428.40	-1983.04	-414.62	-428.40	-1605.30	-414.62	-416.51	-1605.47
300	DEAD LOAD	TOTAL			238.49	103.17	1822.74	-42.10	103.17	2295.76	-42.10	108.68	2295.51
301	LIVE LOAD	1-LANE (case1MAX	S2		479.68	-165.25	2161.34	291.43	-307.38	2726.79	291.43	-300.84	2727.52
			TQ		-87.03	254.19	1636.77	-120.85	254.19	1095.32	-120.85	256.82	1094.71
			M3		411.67	-37.88	3304.69	200.63	-176.37	3969.41	200.63	-166.84	3969.82
			MIN	S2	-144.16	239.89	2023.45	-273.36	151.53	2453.73	-273.36	157.42	2453.36
				TQ	172.37	-404.48	955.09	138.57	-404.48	1744.72	138.57	-400.29	1745.69
				M3	0.98	-3.49	-1380.12	0.98	-3.49	-1375.38	0.98	-6.79	-1375.37
		1-LANE (case2MAX	S2		108.62	-65.42	899.55	108.25	-65.00	1391.25	108.25	-61.66	1391.40
			TQ		-56.33	44.60	378.87	-56.33	44.60	107.51	-56.11	44.89	135.42
			M3		-3.06	-51.10	2519.49	38.19	-45.04	2532.33	38.19	-38.97	2532.43
			MIN	S2	-93.75	7.97	1502.17	-94.58	7.55	1079.18	-94.58	10.14	1079.16
				TQ	76.53	-97.12	884.59	75.32	-97.12	1250.34	75.11	-94.15	1222.54
				M3	-2.09	-4.35	-1281.13	-2.10	-4.30	-1291.23	-2.10	-7.40	-1291.22
		1-LANE (case3MAX	S2		67.03	81.96	635.98	67.03	81.96	958.86	67.03	84.26	958.66
			TQ		60.10	84.73	783.85	60.10	84.73	1073.34	59.86	87.38	1129.27
			M3		8.34	-10.30	1836.91	23.86	27.12	1908.34	23.86	31.70	1908.27
			MIN	S2	-57.12	-69.90	769.53	-57.12	-69.90	494.37	-57.12	-68.71	494.54
				TQ	-49.96	-72.78	736.17	-49.96	-72.78	495.52	-49.72	-71.66	439.56
				M3	-4.41	-6.98	-1204.70	-32.54	-13.05	-1226.62	-32.54	-16.00	-1226.59

GTC

BAGO RIVER BRIDGE

BLOCK [ No.1 : MAIN GIRDER ][ BEAM MEMBER FORCE ]

MEMBER			1023			1024			1024			1025				
NODE			1023			1024			1024			1025				
NAME TITLE			SHEAR	TORQUE	MOMENT	SHEAR	TORQUE	MOMENT	SHEAR	TORQUE	MOMENT	SHEAR	TORQUE	MOMENT		
			S2 (kN)	TQ (kN·m)	M3 (kN·m)	S2 (kN)	TQ (kN·m)	M3 (kN·m)	S2 (kN)	TQ (kN·m)	M3 (kN·m)	S2 (kN)	TQ (kN·m)	M3 (kN·m)		
301	LIVE LOAD	1-LANE (case4MAX	S2	26.41	107.14	309.89	26.41	107.14	437.14	26.41	108.19	436.88	26.41	108.19	564.12	
			TQ	18.72	299.18	279.84	18.72	299.18	370.01	18.75	300.07	370.48	18.75	300.07	460.79	
			M3	11.35	207.83	774.71	11.65	224.72	830.37	11.65	226.71	829.83	12.25	233.91	886.44	
			MIN	S2	-42.61	-72.36	-579.46	-42.61	-72.36	-784.72	-42.61	-74.24	-784.54	-42.61	-74.24	-989.79
			TQ	-18.82	-124.34	-42.13	-18.82	-124.34	-132.81	-18.85	-124.66	-133.70	-18.85	-124.66	-224.53	
			M3	-12.28	21.98	-1028.04	-34.77	-38.31	-1128.11	-34.77	-41.02	-1128.01	-34.77	-41.02	-1295.50	
		2-LANES (caseMAX	S2	586.61	-236.64	3351.02	388.12	-402.99	4023.56	388.12	-393.34	4024.52	243.30	-486.10	3748.22	
			TQ	-144.54	321.06	2427.11	-183.00	321.06	1591.88	-183.38	324.89	1599.47	-183.38	324.89	716.10	
			M3	483.96	-73.22	5189.32	256.98	-236.89	5975.55	256.98	-222.55	5976.10	52.30	-352.08	5602.89	
			MIN	S2	-218.55	294.49	3114.27	-359.43	184.37	3563.67	-359.43	192.92	3563.21	-553.60	11.38	3105.68
			TQ	252.64	-531.57	1500.49	210.64	-531.57	2662.66	211.02	-525.19	2655.57	130.56	-525.19	3478.28	
			M3	0.38	-6.19	-2259.03	0.38	-6.19	-2257.22	0.38	-11.61	-2257.20	-55.63	80.79	-2485.56	
		2-LANES (caseMAX	S2	277.39	-153.45	2299.53	235.47	-201.01	2910.61	235.47	-194.03	2911.09	199.27	-223.52	3317.32	
			TQ	-118.95	146.40	1378.86	-129.23	146.40	768.70	-129.43	148.28	800.06	-129.43	148.28	176.58	
			M3	138.35	-84.24	4534.99	121.61	-127.45	4777.98	121.61	-115.98	4778.27	96.50	-157.16	4925.00	
			MIN	S2	-176.54	101.23	2679.86	-210.46	64.39	2418.21	-210.46	70.19	2418.05	-250.51	15.54	1956.85
			TQ	172.78	-275.44	1441.74	157.94	-275.44	2250.68	158.13	-270.07	2219.62	133.01	-270.07	2920.87	
			M3	-2.19	-6.91	-2176.54	-2.19	-6.86	-2187.10	-2.19	-12.11	-2187.08	-55.17	46.04	-2426.54	
		2-LANES (caseMAX	S2	97.62	197.93	948.43	97.62	197.93	1418.68	97.62	201.34	1418.21	97.62	201.34	1888.46	
			TQ	91.13	203.42	1083.25	91.13	203.42	1522.22	90.63	207.14	1576.74	90.63	207.14	2013.33	
			M3	19.90	27.62	2745.18	36.11	81.75	2874.94	36.11	88.65	2874.74	49.27	125.58	3071.74	
			MIN	S2	-88.39	-114.82	358.29	-88.39	-114.82	-67.50	-88.39	-114.98	-67.22	-88.39	-114.98	-493.01
			TQ	-76.51	-143.65	1055.99	-76.51	-143.65	687.41	-76.32	-142.06	640.97	-76.32	-142.06	273.34	
			M3	-8.80	-12.00	-1964.39	-54.12	-39.15	-2015.26	-54.12	-43.98	-2015.16	-54.12	-43.98	-2275.86	

BAGO RIVER BRIDGE

BLOCK [ No.1 : MAIN GIRDER ][ BEAM MEMBER FORCE ]

MEMBER				1023			1024			1025						
NODE				1023			1024			1024			1025			
				SHEAR	TORQUE	MOMENT	SHEAR	TORQUE	MOMENT	SHEAR	TORQUE	MOMENT	SHEAR	TORQUE	MOMENT	
NAME	TITLE			S2 (kN)	TQ (kN·m)	M3 (kN·m)	S2 (kN)	TQ (kN·m)	M3 (kN·m)	S2 (kN)	TQ (kN·m)	M3 (kN·m)	S2 (kN)	TQ (kN·m)	M3 (kN·m)	
301	LIVE LOAD	2-LANES (caseMAX	S2	51.16	264.69	592.37	51.16	264.69	838.83	51.16	266.70	838.19	51.16	266.70	1084.65	
			TQ	43.79	440.11	550.46	43.79	440.11	761.42	43.84	441.94	763.85	43.84	441.94	975.03	
			M3	23.78	269.97	1547.97	24.47	293.60	1663.93	24.47	297.59	1663.22	25.99	322.28	1781.69	
			MIN	S2	-73.30	-112.70	-897.31	-73.30	-112.70	-1250.41	-73.30	-115.70	-1250.14	-73.30	-115.70	-1603.23
			TQ	-40.67	-186.75	122.36	-40.67	-186.75	-73.58	-40.72	-186.93	-76.61	-40.72	-186.93	-272.76	
			M3	-19.00	37.01	-1757.07	-58.03	-46.47	-1909.25	-58.03	-51.05	-1909.13	-58.03	-51.05	-2188.69	
		3-LANES (caseMAX	S2	575.56	-247.49	3485.55	406.58	-388.59	4405.50	406.58	-378.02	4406.42	282.71	-456.65	4526.36	
			TQ	-162.76	304.49	2331.41	-195.45	304.49	1429.25	-195.62	307.95	1455.47	-195.62	307.95	513.14	
			M3	409.20	-98.44	6195.56	245.49	-233.26	6872.95	245.49	-216.77	6873.49	92.09	-327.50	6707.80	
			MIN	S2	-252.17	255.96	3711.16	-372.52	162.06	3793.54	-372.52	171.17	3793.14	-537.65	16.64	3094.00
			TQ	268.95	-520.63	1902.00	232.40	-520.63	3148.92	232.57	-513.10	3123.20	163.32	-513.10	4076.73	
			M3	-1.16	-8.34	-2827.64	-1.17	-8.30	-2833.26	-1.17	-15.10	-2833.23	-70.64	80.89	-3131.52	
		3-LANES (caseMAX	S2	107.91	323.79	1106.22	107.91	323.79	1626.03	107.91	327.69	1625.25	107.91	327.69	2145.07	
			TQ	101.90	333.01	1182.21	101.90	333.01	1673.10	101.50	337.08	1721.17	101.50	337.08	2210.11	
			M3	28.61	103.72	3121.13	42.82	157.96	3288.32	42.82	165.86	3287.93	54.14	200.28	3514.35	
			MIN	S2	-106.30	-164.34	-27.75	-106.30	-164.34	-539.81	-106.30	-165.63	-539.42	-106.30	-165.63	-1051.48
			TQ	-86.56	-206.54	1055.90	-86.56	-206.54	638.94	-86.40	-205.05	597.55	-86.40	-205.05	181.32	
			M3	-13.10	-15.82	-2449.05	-68.89	-72.05	-2532.48	-68.89	-78.13	-2532.30	-68.89	-78.13	-2864.17	
		3-LANES (caseMAX	S2	78.50	336.24	860.13	78.50	336.24	1238.28	78.50	339.22	1237.47	78.50	339.22	1615.62	
			TQ	70.31	490.02	835.37	70.31	490.02	1174.06	70.97	492.85	1187.18	70.97	492.85	1529.05	
			M3	31.80	259.16	2325.95	34.98	298.69	2487.44	34.98	304.66	2486.72	40.64	351.15	2662.28	
			MIN	S2	-97.85	-121.57	-1017.70	-97.85	-121.57	-1489.09	-97.85	-125.15	-1488.79	-97.85	-125.15	-1960.18
			TQ	-63.22	-214.97	465.76	-63.22	-214.97	161.22	-63.88	-214.60	147.43	-63.88	-214.60	-160.27	
			M3	-22.35	47.80	-2296.05	-74.10	-37.01	-2471.42	-74.10	-42.94	-2471.33	-74.10	-42.94	-2828.30	



BAGO RIVER BRIDGE

BLOCK [ No.1 : MAIN GIRDER ][ BEAM MEMBER FORCE ]

MEMBER					1023			1024			1025					
NODE					1023			1024			1025					
NAME TITLE					SHEAR	TORQUE	MOMENT	SHEAR	TORQUE	MOMENT	SHEAR	TORQUE	MOMENT			
					S2 (kN)	TQ (kN·m)	M3 (kN·m)	S2 (kN)	TQ (kN·m)	M3 (kN·m)	S2 (kN)	TQ (kN·m)	M3 (kN·m)			
301	LIVE LOAD	4-LANES	MAX	S2	76.70	223.63	838.18	76.70	223.63	1207.69	76.70	226.53	1207.15	76.70	226.53	1576.65
				TQ	68.93	327.72	781.26	68.93	327.72	1113.29	68.34	330.42	1136.30	68.34	330.42	1465.50
				M3	11.26	106.68	2472.85	22.20	159.66	2550.18	22.12	163.47	2549.78	33.59	214.39	2671.95
		MIN	S2	-25.89	-103.86	1300.27	-25.89	-103.86	1175.57	-25.89	-101.04	1175.81	-25.89	-101.04	1051.11	
			TQ	-16.58	-148.59	1594.30	-16.58	-148.59	1514.43	-15.99	-144.99	1490.99	-15.99	-144.99	1413.95	
			M3	42.24	81.01	-1586.49	42.23	81.08	-1383.03	42.23	77.76	-1383.22	42.22	77.86	-1179.81	
	6-LANES	MAX	S2	443.93	47.30	2968.83	339.72	-26.52	4064.42	339.72	-16.77	4064.47	265.53	-57.27	4653.26	
			TQ	-10.76	548.52	2421.82	-32.65	548.52	2290.89	-32.82	554.08	2341.46	-32.82	554.08	2183.34	
			M3	279.73	86.43	6393.93	187.79	34.01	6956.15	187.79	50.70	6956.04	102.32	32.60	7035.52	
		MIN	S2	-247.26	70.83	1946.68	-319.61	20.52	1479.58	-319.61	24.07	1479.53	-421.79	-59.30	506.61	
			TQ	88.47	-505.55	2318.98	68.74	-505.55	2717.82	68.98	-499.09	2665.68	22.20	-499.09	2885.31	
			M3	-11.49	25.02	-3805.78	-52.31	-29.44	-3901.06	-52.31	-38.80	-3900.98	-104.44	25.77	-4380.88	
LIVE LOAD	MAX	586.61	548.52	6393.93	406.58	548.52	6956.15	406.58	554.08	6956.04	282.71	554.08	7035.52			
	MIN	-252.17	-531.57	-3805.78	-372.52	-531.57	-3901.06	-372.52	-525.19	-3900.98	-553.60	-525.19	-4380.88			
303	SUM TOTAL	TOTAL	MAX	825.10	651.69	8216.67	364.48	651.69	9251.91	364.48	662.76	9251.55	-39.97	662.76	8452.39	
			MIN	-13.69	-428.40	-1983.04	-414.62	-428.40	-1605.30	-414.62	-416.51	-1605.47	-876.29	-416.51	-2964.01	

BAGO RIVER BRIDGE

BLOCK [ No.1 : MAIN GIRDER ][ BEAM MEMBER FORCE ]

MEMBER NODE	1025	1026			1027			1026	1026			1027				
		SHEAR	TORQUE	MOMENT	SHEAR	TORQUE	MOMENT		SHEAR	TORQUE	MOMENT	SHEAR	TORQUE	MOMENT		
NAME TITLE	S2 (kN)	TQ (kN·m)	M3 (kN·m)	S2 (kN)	TQ (kN·m)	M3 (kN·m)	S2 (kN)	TQ (kN·m)	M3 (kN·m)	S2 (kN)	TQ (kN·m)	M3 (kN·m)	S2 (kN)	TQ (kN·m)	M3 (kN·m)	
1 PAVEMENT	-26.52	13.27	354.08	-73.82	13.27	112.39	-73.82	13.54	112.36	-121.09	13.54	-357.12				
3 RAILING	1.68	0.80	-0.10	-2.31	0.80	-1.62	-2.31	0.80	-1.62	-6.30	0.80	-22.36				
5 CURB	16.63	7.92	-1.02	-22.87	7.92	-16.05	-22.87	7.88	-16.07	-62.35	7.88	-221.35				
7 DECK WEIGHT	-43.76	24.78	472.24	-121.67	24.78	73.78	-121.67	24.95	73.72	-199.52	24.95	-699.94				
8 GIRDER WEIGH	-91.11	57.35	509.82	-181.19	57.35	-146.05	-181.19	57.00	-146.18	-271.24	57.00	-1235.94				
10 MEDIAN STRIP	-39.02	12.61	-62.15	-39.02	12.61	-250.12	-39.02	12.01	-250.15	-39.02	12.01	-438.12				
21 ADITIONAL WE	-12.25	6.94	132.23	-34.07	6.94	20.66	-34.07	6.99	20.64	-55.87	6.99	-195.98				
31 MEDIAN RAILI	-2.43	0.85	11.54	-2.43	0.85	-0.15	-2.43	0.85	-0.15	-2.43	0.85	-11.83				
51 SUPPORT WEIG	-0.00	0.00	-0.00	-0.00	0.00	-0.00	-0.00	0.00	-0.00	-0.00	0.00	-0.00				
52 NOSE WEIGHT	0.00	-0.04	-0.04	0.00	-0.04	-0.02	0.00	-0.04	-0.02	0.00	-0.04	-0.01				
61 1-LANE(case1TRUCK-LOAD	MAX	S2	279.18	97.85	1668.31	158.82	-18.75	1896.05	158.82	-14.20	1896.09	71.36	-90.05	1540.04		
		TQ	-61.04	196.14	1257.98	-61.04	196.14	963.92	-61.04	198.45	963.44	-61.04	198.45	669.38		
		M3	258.07	125.22	1704.49	54.52	84.40	1962.78	54.52	89.11	1962.57	-64.74	-26.38	1598.14		
	MIN	S2	-88.40	188.37	1662.06	-176.00	113.63	1907.51	-176.00	118.20	1907.23	-296.51	1.66	1566.37		
		TQ	44.17	-101.17	690.10	44.17	-101.17	902.87	44.17	-99.00	903.11	44.17	-99.00	1115.88		
		M3	-17.30	24.37	-356.14	-17.30	24.37	-439.48	-17.30	23.31	-439.53	-17.30	23.31	-522.87		
	TANDEM-LOAD MAX	S2	228.75	105.48	1346.43	143.36	21.15	1553.70	143.36	24.88	1553.64	63.94	-52.37	1267.23		
		TQ	-40.24	139.09	861.73	-40.24	139.09	667.89	-40.24	140.69	667.55	-40.24	140.69	473.72		
		M3	228.75	105.48	1346.43	4.51	42.04	1556.30	4.51	45.78	1556.20	-80.76	-38.64	1271.43		
	MIN	S2	-75.94	119.09	1346.27	-155.61	42.04	1556.30	-155.61	45.78	1556.20	-240.96	-38.64	1271.43		
		TQ	28.68	-74.50	490.82	28.68	-74.50	628.97	28.68	-72.99	629.15	28.68	-72.99	767.31		
		M3	-11.71	16.26	-241.57	-11.71	16.26	-298.00	-11.71	15.55	-298.04	-11.75	16.21	-354.53		
	DISPERSION-LMAX	S2	87.73	-73.44	339.84	53.12	-86.42	393.26	53.12	-85.47	393.46	33.58	-84.28	324.09		
		TQ	-14.59	168.69	296.67	-70.94	168.69	90.66	-70.94	168.91	90.26	-99.11	168.91	-353.25		
		M3	42.56	78.30	1262.06	-13.79	78.30	1331.34	-13.79	81.50	1331.15	-69.95	81.50	1129.24		
	MIN	S2	-60.87	154.77	20.67	-82.61	167.75	-39.08	-82.61	167.65	-39.48	-119.22	166.46	-247.64		
		TQ	41.45	-87.36	63.85	41.45	-87.36	263.52	41.45	-86.73	263.73	13.46	-86.73	429.70		
		M3	-15.70	3.02	-901.55	-15.70	3.02	-977.16	-15.70	0.68	-977.17	-15.70	0.68	-1052.78		

BAGO RIVER BRIDGE

BLOCK [ No.1 : MAIN GIRDER ][ BEAM MEMBER FORCE ]

MEMBER NODE	1025			1026			1026			1027					
	SHEAR	TORQUE	MOMENT	SHEAR	TORQUE	MOMENT	SHEAR	TORQUE	MOMENT	SHEAR	TORQUE	MOMENT			
	S2 (kN)	TQ (kN·m)	M3 (kN·m)	S2 (kN)	TQ (kN·m)	M3 (kN·m)	S2 (kN)	TQ (kN·m)	M3 (kN·m)	S2 (kN)	TQ (kN·m)	M3 (kN·m)			
62	1-LANE (case2TRUCK-LOAD	MAX	S2	37.20	13.64	726.38	37.20	13.64	905.59	37.20	15.81	905.55	37.20	15.81	1084.76
			TQ	-32.59	43.57	722.35	-32.59	43.57	565.37	-32.59	44.93	565.26	-32.59	44.93	408.28
			M3	-27.74	14.11	1236.60	-18.04	14.78	1108.39	-18.04	17.44	1108.35	17.33	21.94	1153.15
		MIN	S2	-50.44	19.81	1193.17	-50.44	19.81	950.19	-50.44	22.09	950.14	-50.44	22.09	707.15
			TQ	9.61	-13.91	-213.44	9.61	-13.91	-167.16	9.61	-14.31	-167.12	9.61	-14.31	-120.84
			M3	-15.48	9.43	-341.64	-15.48	9.43	-416.23	-15.48	8.43	-416.25	-15.48	8.43	-490.85
	TANDEM-LOAD	MAX	S2	27.05	7.99	460.38	27.05	7.99	590.66	27.05	9.41	590.64	27.05	9.41	720.93
			TQ	-20.45	30.77	457.40	-20.45	30.77	358.90	-20.45	31.63	358.82	-20.45	31.63	260.32
			M3	-25.11	7.50	875.34	-7.82	10.78	768.62	-7.82	12.63	768.59	18.30	16.89	815.47
		MIN	S2	-36.00	14.65	797.56	-36.00	14.65	624.13	-36.00	16.15	624.09	-36.00	16.15	450.66
			TQ	6.63	-9.47	-147.49	6.63	-9.47	-115.53	6.63	-9.75	-115.50	6.63	-9.75	-83.55
			M3	-10.50	6.35	-231.82	-10.50	6.35	-282.42	-10.50	5.67	-282.43	-10.50	5.67	-333.02
	DISPERSION-LMAX	MAX	S2	28.43	-15.84	118.75	28.33	-16.15	240.93	28.33	-15.57	240.97	27.65	-16.01	349.95
			TQ	-42.67	49.21	318.69	-43.68	49.21	110.70	-43.73	49.50	130.35	-44.74	49.50	-82.74
			M3	-9.94	27.77	1052.02	-10.94	27.77	1001.73	-10.94	30.17	1001.66	-11.95	30.17	946.53
		MIN	S2	-52.30	44.04	76.30	-53.20	44.34	-163.28	-53.20	43.95	-163.39	-53.53	44.40	-394.60
			TQ	18.80	-21.01	-123.64	18.80	-21.01	-33.05	18.86	-21.11	-52.77	18.86	-21.11	38.09
			M3	-13.93	0.43	-856.97	-13.93	0.43	-924.08	-13.93	-1.79	-924.08	-13.93	-1.79	-991.18
63	1-LANE (case3TRUCK-LOAD	MAX	S2	16.52	31.10	478.49	16.52	31.10	558.08	16.52	32.44	558.01	16.52	32.44	637.60
			TQ	15.86	32.52	534.45	15.86	32.52	610.86	15.86	33.99	610.78	15.86	33.99	687.20
			M3	-20.19	-39.62	856.62	-9.06	-16.14	797.60	-9.06	-14.23	797.64	3.86	16.26	790.58
		MIN	S2	-26.51	-43.19	752.98	-26.51	-43.19	625.30	-26.51	-41.68	625.40	-26.51	-41.68	497.71
			TQ	-25.85	-44.76	793.62	-25.85	-44.76	669.10	-25.85	-43.16	669.21	-25.85	-43.16	544.69
			M3	-14.13	-1.70	-330.73	-14.13	-1.70	-398.78	-14.13	-2.65	-398.78	-14.13	-2.65	-466.83

BAGO RIVER BRIDGE

BLOCK [ No.1 : MAIN GIRDER ][ BEAM MEMBER FORCE ]

MEMBER NODE	1025	1026			1026			1027							
		SHEAR	TORQUE	MOMENT	SHEAR	TORQUE	MOMENT	SHEAR	TORQUE	MOMENT	SHEAR	TORQUE	MOMENT		
		S2 (kN)	TQ (kN·m)	M3 (kN·m)	S2 (kN)	TQ (kN·m)	M3 (kN·m)	S2 (kN)	TQ (kN·m)	M3 (kN·m)	S2 (kN)	TQ (kN·m)	M3 (kN·m)		
63	1-LANE (case3TANDEM-LOAD	MAX	S2	11.65	20.47	305.01	11.65	20.47	361.12	11.65	21.33	361.07	11.65	21.33	417.18
			TQ	10.99	23.90	379.88	10.99	23.90	432.82	10.99	24.94	432.76	10.99	24.94	485.70
			M3	-13.14	-27.19	591.19	-4.50	-6.97	546.65	-4.50	-5.66	546.66	4.63	16.48	543.26
		MIN	S2	-18.42	-28.66	498.38	-18.42	-28.66	409.63	-18.42	-27.68	409.70	-18.42	-27.68	320.94
			TQ	-17.74	-32.24	555.07	-17.74	-32.24	469.59	-17.74	-31.11	469.66	-17.74	-31.11	384.19
			M3	-9.59	-1.10	-224.49	-9.59	-1.10	-270.70	-9.59	-1.75	-270.70	-9.59	-1.75	-316.91
	DISPERSION-LMAX		S2	19.25	15.91	12.01	19.25	15.91	104.75	19.25	16.16	104.71	19.25	16.16	197.45
			TQ	9.58	17.20	39.79	9.58	17.20	85.93	12.00	17.54	186.73	12.00	17.54	244.53
			M3	-8.74	-9.49	844.85	-8.74	-9.49	802.76	-8.74	-7.57	802.78	-8.74	-7.57	760.68
		MIN	S2	-40.41	-27.89	10.82	-40.41	-27.89	-183.83	-40.41	-28.33	-183.76	-40.41	-28.33	-378.42
			TQ	-30.73	-29.19	-16.96	-30.73	-29.19	-165.02	-33.15	-29.71	-265.79	-33.15	-29.71	-425.50
			M3	-12.42	-2.49	-822.02	-12.42	-2.49	-881.84	-12.42	-4.60	-881.83	-12.42	-4.60	-941.66
64	1-LANE (case4TRUCK-LOAD	MAX	S2	7.19	35.61	-192.05	7.19	35.61	-157.40	7.19	35.23	-157.49	7.19	35.23	-122.83
			TQ	6.55	38.19	-179.04	6.55	38.19	-147.48	6.55	37.84	-147.57	6.55	37.84	-116.02
			M3	-3.11	-26.00	315.88	1.52	-107.48	320.38	1.52	-106.71	320.64	1.52	-106.71	327.98
		MIN	S2	-12.37	-15.64	-315.78	-12.37	-15.64	-375.37	-12.37	-16.54	-375.33	-12.37	-16.54	-434.92
			TQ	-1.31	-133.28	303.67	-1.31	-133.28	297.34	-1.31	-132.56	297.66	-1.31	-132.56	291.33
			M3	-12.32	-16.49	-316.16	-12.32	-16.49	-375.50	-12.32	-17.40	-375.46	-12.37	-16.54	-434.92
	TANDEM-LOAD	MAX	S2	4.90	23.88	-130.46	4.90	23.88	-106.87	4.90	23.62	-106.93	4.90	23.62	-83.35
			TQ	4.54	25.97	-123.72	4.54	25.97	-101.85	-0.29	25.88	153.80	-0.29	25.88	152.38
			M3	-2.61	-12.83	214.80	1.21	-77.28	218.31	1.21	-76.75	218.49	1.21	-76.75	224.34
		MIN	S2	-8.40	-10.76	-214.59	-8.40	-10.76	-255.03	-8.40	-11.37	-255.00	-8.40	-11.37	-295.45
			TQ	-0.11	-91.45	211.60	-0.11	-91.45	211.09	-0.11	-90.94	211.31	-0.11	-90.94	210.79
			M3	-8.38	-11.00	-214.69	-8.38	-11.00	-255.07	-8.38	-11.61	-255.04	-8.40	-11.37	-295.45

BAGO RIVER BRIDGE

BLOCK [ No.1 : MAIN GIRDER ][ BEAM MEMBER FORCE ]

MEMBER NODE	1025	1026			1026			1027							
		SHEAR	TORQUE	MOMENT	SHEAR	TORQUE	MOMENT	SHEAR	TORQUE	MOMENT	SHEAR	TORQUE	MOMENT		
		S2 (kN)	TQ (kN·m)	M3 (kN·m)	S2 (kN)	TQ (kN·m)	M3 (kN·m)	S2 (kN)	TQ (kN·m)	M3 (kN·m)	S2 (kN)	TQ (kN·m)	M3 (kN·m)		
64	1-LANE (case4DISPERSION-LMAX	S2	9.59	22.73	-117.22	9.59	22.73	-71.04	9.59	22.55	-71.10	9.59	22.55	-24.91	
		TQ	8.16	60.14	-110.10	8.16	60.14	-70.81	8.15	59.97	-69.60	8.15	59.97	-30.36	
		M3	-2.78	-82.36	422.71	-2.78	-82.36	409.33	-2.78	-81.38	409.52	-2.78	-81.38	396.14	
	MIN	S2	-24.13	-90.63	-223.45	-24.13	-90.63	-339.67	-24.13	-91.45	-339.46	-24.13	-91.45	-455.68	
		TQ	-22.70	-128.05	-230.57	-22.70	-128.05	-339.90	-22.69	-128.87	-340.95	-22.69	-128.87	-450.23	
		M3	-11.76	14.45	-763.38	-11.76	14.45	-820.04	-11.76	12.49	-820.08	-11.76	12.49	-876.74	
65	2-LANES (caseTRUCK-LOAD	MAX	S2	383.98	150.65	3110.55	236.57	-14.78	3350.41	236.57	-6.73	3350.43	125.32	-119.41	2864.85
		TQ	-110.43	305.27	2302.27	-110.43	305.27	1770.30	-110.43	309.52	1769.56	-110.43	309.52	1237.59	
		M3	348.42	190.29	3178.25	65.92	131.74	3462.59	65.92	140.05	3462.26	-80.30	-24.12	2977.34	
	MIN	S2	-157.50	284.81	3099.23	-269.15	174.02	3373.84	-269.15	182.12	3373.41	-416.79	16.79	2917.69	
		TQ	78.90	-146.56	1260.21	78.90	-146.56	1640.27	78.90	-142.63	1640.62	78.90	-142.63	2020.68	
		M3	-33.69	41.21	-705.03	-33.69	41.28	-867.31	-33.69	39.20	-867.41	-33.69	39.20	-1029.71	
	TANDEM-LOAD	MAX	S2	308.41	157.40	2449.98	204.32	38.35	2673.92	204.32	44.77	2673.82	106.81	-65.27	2298.99
		TQ	-71.50	214.15	1525.70	-71.50	214.15	1181.25	-71.50	216.99	1180.73	-71.50	216.99	836.29	
		M3	308.41	157.40	2449.99	1.50	67.85	2678.86	1.50	74.28	2678.68	-102.43	-44.99	2307.58	
	MIN	S2	-129.36	177.49	2449.72	-227.24	67.85	2678.86	-227.24	74.28	2678.68	-331.30	-44.99	2307.58	
		TQ	50.09	-106.40	851.49	50.09	-106.40	1092.80	50.09	-103.78	1093.05	50.09	-103.78	1334.36	
		M3	-22.82	27.57	-478.27	-22.82	27.57	-588.21	-22.82	26.16	-588.28	-22.86	26.82	-698.28	
	DISPERSION-LMAX	S2	140.18	-115.61	638.21	92.81	-135.42	707.77	92.81	-133.72	708.10	63.78	-133.71	607.49	
		TQ	-50.87	273.61	551.71	-131.33	273.61	112.88	-130.87	273.89	121.66	-174.25	273.89	-657.92	
		M3	54.31	131.25	2424.68	-26.15	131.25	2492.51	-26.15	137.23	2492.19	-106.42	137.23	2172.67	
	MIN	S2	-116.38	251.58	5.79	-149.46	271.38	-142.91	-149.46	271.04	-143.56	-200.71	271.04	-509.44	
		TQ	74.67	-137.64	92.29	74.67	-137.64	451.99	74.22	-136.57	442.88	37.33	-136.57	755.97	
		M3	-30.51	4.72	-1780.68	-30.51	4.72	-1927.64	-30.51	0.09	-1927.65	-30.51	0.09	-2074.61	

BAGO RIVER BRIDGE

BLOCK [ No.1 : MAIN GIRDER ][ BEAM MEMBER FORCE ]

MEMBER NODE	1025	1026			1026			1027							
		SHEAR	TORQUE	MOMENT	SHEAR	TORQUE	MOMENT	SHEAR	TORQUE	MOMENT					
		S2 (kN)	TQ (kN·m)	M3 (kN·m)	S2 (kN)	TQ (kN·m)	M3 (kN·m)	S2 (kN)	TQ (kN·m)	M3 (kN·m)					
66	2-LANES (caseTRUCK-LOAD	MAX	S2	142.00	66.44	2168.62	114.96	17.61	2359.95	114.96	23.28	2359.90	91.16	-13.55	2409.57
			TQ	-81.98	152.71	1766.64	-81.98	152.71	1371.75	-81.98	156.00	1371.38	-81.98	156.00	976.49
			M3	62.61	79.18	2710.36	-6.64	62.12	2608.20	-6.64	68.38	2608.05	1.77	24.20	2532.36
		MIN	S2	-119.55	116.25	2630.34	-143.59	80.20	2416.52	-143.59	86.00	2416.32	-170.71	37.22	2058.48
			TQ	44.33	-59.30	356.68	44.33	-59.30	570.25	44.33	-57.93	570.39	44.33	-57.93	783.96
			M3	-31.87	26.28	-690.53	-31.88	26.35	-844.07	-31.88	24.32	-844.13	-31.88	24.32	-997.69
		TANDEM-LOAD MAX	S2	106.71	59.91	1563.93	88.00	25.19	1710.88	88.00	29.30	1710.82	69.91	-3.50	1752.69
			TQ	-51.71	105.84	1121.37	-51.71	105.84	872.26	-51.71	107.93	872.00	-51.71	107.93	622.89
			M3	54.56	59.43	1978.90	-10.83	36.59	1891.17	-10.83	41.13	1891.08	-3.37	10.55	1851.62
		MIN	S2	-89.42	73.06	1901.00	-107.63	40.46	1746.68	-107.63	44.65	1746.58	-126.33	9.80	1486.82
			TQ	28.05	-41.38	213.18	28.05	-41.38	348.30	28.05	-40.54	348.39	28.05	-40.54	483.51
			M3	-21.61	17.65	-468.52	-21.61	17.65	-572.63	-21.61	16.28	-572.67	-21.61	16.28	-676.77
		DISPERSION-LMAX	S2	80.87	-58.01	417.12	68.01	-65.14	555.45	68.01	-63.81	555.60	57.85	-65.45	633.35
			TQ	-78.95	154.13	573.73	-104.07	154.13	132.92	-103.67	154.48	161.76	-119.88	154.48	-387.41
			M3	1.82	80.72	2214.64	-23.30	80.72	2162.89	-23.30	85.91	2162.69	-48.42	85.91	1989.96
		MIN	S2	-107.80	140.85	61.42	-120.06	147.98	-267.11	-120.06	147.34	-267.46	-135.01	148.98	-656.41
			TQ	52.02	-71.29	-95.20	52.02	-71.29	155.41	51.63	-70.95	126.38	42.72	-70.95	364.36
			M3	-28.74	2.12	-1736.10	-28.74	2.12	-1874.56	-28.74	-2.38	-1874.56	-28.74	-2.38	-2013.01
67	2-LANES (caseTRUCK-LOAD	MAX	S2	26.17	64.16	828.48	26.17	64.16	954.57	26.17	66.45	954.41	26.17	66.45	1080.50
			TQ	24.82	67.20	952.38	24.82	67.20	1071.96	24.82	69.78	1071.80	24.82	69.78	1191.37
			M3	-31.19	-101.36	1520.91	-14.51	-48.46	1427.90	-14.51	-45.03	1428.02	1.68	7.98	1402.53
		MIN	S2	-44.37	-116.10	1315.07	-44.37	-116.10	1101.34	-44.37	-113.46	1101.62	-44.37	-113.46	887.89
			TQ	-42.57	-120.41	1410.16	-42.57	-120.41	1205.08	-42.57	-117.52	1205.37	-42.57	-117.52	1000.29
			M3	-27.35	-10.80	-654.18	-27.35	-10.80	-785.93	-27.35	-12.68	-785.90	-27.35	-12.68	-917.65

BAGO RIVER BRIDGE

BLOCK [ No.1 : MAIN GIRDER ] [ BEAM MEMBER FORCE ]

MEMBER NODE	1025	1026			1027			1026			1027				
		SHEAR	TORQUE	MOMENT	SHEAR	TORQUE	MOMENT	SHEAR	TORQUE	MOMENT	SHEAR	TORQUE	MOMENT		
		S2 (kN)	TQ (kN·m)	M3 (kN·m)	S2 (kN)	TQ (kN·m)	M3 (kN·m)	S2 (kN)	TQ (kN·m)	M3 (kN·m)	S2 (kN)	TQ (kN·m)	M3 (kN·m)		
NAME TITLE															
67 2-LANES (caseTANDEM-LOAD	MAX	S2	18.57	44.29	554.78	18.57	44.29	644.23	18.57	45.83	644.12	18.57	45.83	733.57	
		TQ	17.72	48.17	648.61	17.72	48.17	733.96	17.72	49.93	733.84	17.72	49.93	819.19	
		M3	-19.87	-68.06	1045.54	-7.53	-24.36	976.88	-7.53	-22.01	976.93	2.51	6.42	961.11	
	MIN	S2	-30.91	-79.86	893.47	-30.91	-79.86	744.56	-30.91	-78.07	744.75	-30.91	-78.07	595.85	
		TQ	-30.00	-84.19	963.56	-30.00	-84.19	819.03	-30.00	-82.22	819.23	-30.00	-82.22	674.71	
		M3	-18.58	-7.15	-444.08	-18.58	-7.15	-533.59	-18.58	-8.43	-533.57	-18.58	-8.43	-623.07	
	DISPERSION-LMAX	S2	34.20	46.03	-17.87	34.20	46.03	146.89	34.20	46.39	146.78	34.20	46.39	311.53	
		TQ	24.52	47.37	20.77	24.52	47.37	138.89	26.94	47.83	241.05	26.94	47.83	370.82	
		M3	-15.88	-42.56	1550.84	-15.88	-42.56	1474.36	-15.88	-39.02	1474.46	-15.88	-39.02	1397.98	
	MIN	S2	-74.02	-94.39	-52.90	-74.02	-94.39	-409.46	-74.02	-95.38	-409.23	-74.02	-95.38	-765.78	
		TQ	-64.34	-95.73	-91.54	-64.34	-95.73	-401.46	-66.75	-96.83	-503.50	-66.75	-96.83	-825.07	
		M3	-23.94	-5.80	-1621.61	-23.94	-5.80	-1736.93	-23.94	-9.97	-1736.91	-23.94	-9.97	-1852.24	
	68 2-LANES (caseTRUCK-LOAD	MAX	S2	14.99	61.44	-391.30	14.99	61.44	-319.09	14.99	60.68	-319.23	14.99	60.68	-247.02
			TQ	11.18	71.83	130.64	11.18	71.83	184.50	11.18	72.28	184.33	11.18	72.28	238.19
			M3	-6.57	-87.19	797.32	-1.47	-159.18	785.28	-1.47	-157.29	785.66	-1.36	-153.63	778.75
MIN		S2	-25.61	-24.21	-638.65	-25.61	-24.21	-762.01	-25.61	-26.04	-761.95	-25.61	-26.04	-885.32	
		TQ	-10.19	-237.75	732.93	-10.19	-237.75	683.85	-10.19	-236.10	684.41	-10.19	-236.10	635.33	
		M3	-25.54	-25.59	-639.60	-25.54	-25.59	-762.64	-25.54	-27.42	-762.58	-25.59	-26.57	-885.73	
TANDEM-LOAD		MAX	S2	10.20	41.22	-265.76	10.20	41.22	-216.64	10.20	40.70	-216.74	10.20	40.70	-167.62
		TQ	7.69	49.98	96.90	7.69	49.98	133.97	2.86	50.46	389.56	2.86	50.46	403.34	
		M3	-4.99	-59.49	542.53	-1.17	-123.94	534.55	-1.17	-122.66	534.84	-0.60	-104.09	531.01	
MIN		S2	-17.39	-16.66	-434.02	-17.39	-16.66	-517.78	-17.39	-17.91	-517.73	-17.39	-17.91	-601.49	
		TQ	-6.12	-163.71	510.71	-6.12	-163.71	481.24	-6.12	-162.55	481.63	-6.12	-162.55	452.16	
		M3	-17.37	-17.05	-434.29	-17.37	-17.05	-517.95	-17.37	-18.29	-517.91	-17.38	-18.06	-601.61	

BAGO RIVER BRIDGE

BLOCK [ No.1 : MAIN GIRDER ][ BEAM MEMBER FORCE ]

MEMBER NODE	1025	1026			1027			1026			1027				
		SHEAR	TORQUE	MOMENT	SHEAR	TORQUE	MOMENT	SHEAR	TORQUE	MOMENT	SHEAR	TORQUE	MOMENT		
		S2 (kN)	TQ (kN·m)	M3 (kN·m)	S2 (kN)	TQ (kN·m)	M3 (kN·m)	S2 (kN)	TQ (kN·m)	M3 (kN·m)	S2 (kN)	TQ (kN·m)	M3 (kN·m)		
68	2-LANES (caseDISPERSION-LMAX	S2	21.18	69.73	-212.62	21.18	69.73	-110.57	21.18	69.46	-110.74	21.18	69.46	-8.69	
		TQ	19.68	107.85	-178.33	19.68	107.85	-83.51	19.67	107.65	-82.42	19.67	107.65	12.36	
		M3	-7.17	-141.73	984.25	-7.17	-141.73	949.69	-7.17	-139.45	950.03	-7.17	-139.45	915.47	
	MIN	S2	-52.77	-181.79	-352.16	-52.77	-181.79	-606.38	-52.77	-183.25	-605.95	-52.77	-183.25	-860.17	
		TQ	-51.27	-219.91	-386.45	-51.27	-219.91	-633.44	-51.26	-221.44	-634.27	-51.26	-221.44	-881.22	
		M3	-24.42	29.67	-1549.03	-24.42	29.67	-1666.64	-24.42	25.67	-1666.71	-24.42	25.67	-1784.33	
69	3-LANES (caseTRUCK-LOAD	MAX	S2	421.18	164.29	3836.93	273.77	-1.14	4256.00	273.77	9.07	4255.99	162.52	-103.60	3949.61
		TQ	-143.02	348.84	3024.62	-143.02	348.84	2335.67	-143.02	354.45	2334.82	-143.02	354.45	1645.87	
		M3	320.68	204.40	4414.85	47.88	146.53	4570.98	47.88	157.50	4570.62	-62.97	-2.18	4130.50	
		MIN	S2	-207.94	304.62	4292.40	-319.59	193.83	4324.03	-319.59	204.21	4323.55	-467.23	38.88	3624.85
		TQ	88.50	-160.47	1046.78	88.50	-160.47	1473.12	88.50	-156.94	1473.50	88.50	-156.94	1899.84	
		M3	-49.17	50.64	-1046.67	-49.18	50.72	-1283.55	-49.18	47.64	-1283.66	-49.18	47.64	-1520.56	
	TANDEM-LOAD	MAX	S2	335.45	165.39	2910.36	231.37	46.34	3264.58	231.37	54.17	3264.46	133.85	-55.87	3019.92
		TQ	-91.95	244.92	1983.10	-91.95	244.92	1540.15	-91.95	248.62	1539.56	-91.95	248.62	1096.61	
		M3	283.30	164.90	3325.33	-6.32	78.63	3447.47	-6.32	86.91	3447.27	-84.13	-28.09	3123.05	
		MIN	S2	-165.36	192.15	3247.28	-263.24	82.50	3302.98	-263.24	90.43	3302.78	-367.30	-28.83	2758.24
		TQ	56.73	-115.88	704.00	56.73	-115.88	977.27	56.73	-113.53	977.54	56.73	-113.53	1250.81	
		M3	-33.32	33.92	-710.09	-33.32	33.92	-870.63	-33.32	31.83	-870.71	-33.36	32.49	-1031.30	
	DISPERSION-LMAX	S2	168.61	-131.45	756.96	121.14	-151.56	948.70	121.14	-149.28	949.06	91.43	-149.73	957.44	
		TQ	-93.54	322.82	870.40	-175.00	322.82	223.58	-174.61	323.39	252.01	-218.99	323.39	-740.66	
		M3	44.37	159.02	3476.70	-37.09	159.02	3494.24	-37.09	167.40	3493.85	-118.37	167.40	3119.19	
		MIN	S2	-168.67	295.62	82.09	-202.67	315.73	-202.67	314.99	-306.94	-254.24	315.44	-904.05	
		TQ	93.47	-158.66	-31.35	93.47	-158.66	418.93	93.08	-157.69	390.11	56.19	-157.69	794.06	
		M3	-44.44	5.15	-2637.65	-44.44	5.15	-2851.72	-44.44	-1.70	-2851.72	-44.44	-1.70	-3065.79	



BAGO RIVER BRIDGE

BLOCK [ No.1 : MAIN GIRDER ][ BEAM MEMBER FORCE ]

MEMBER NODE	1025	1026			1027			1026			1027					
		SHEAR	TORQUE	MOMENT	SHEAR	TORQUE	MOMENT	SHEAR	TORQUE	MOMENT	SHEAR	TORQUE	MOMENT			
		S2 (kN)	TQ (kN·m)	M3 (kN·m)	S2 (kN)	TQ (kN·m)	M3 (kN·m)	S2 (kN)	TQ (kN·m)	M3 (kN·m)	S2 (kN)	TQ (kN·m)	M3 (kN·m)			
70	3-LANES (case	TRUCK-LOAD	MAX	S2	34.28	84.97	625.53	34.28	84.97	790.68	34.28	86.87	790.47	34.28	86.87	955.62
				TQ	28.29	101.45	1229.00	28.29	101.45	1365.28	28.08	104.72	1387.47	28.08	104.72	1522.72
				M3	-36.28	-179.70	2016.61	-18.14	-104.86	1905.41	-18.14	-100.29	1905.65	-1.41	-37.75	1864.58
			MIN	S2	-56.74	-131.75	999.29	-56.74	-131.75	725.97	-56.74	-130.01	726.29	-56.74	-130.01	452.97
				TQ	-52.26	-222.00	1851.31	-52.26	-222.00	1599.58	-52.26	-218.16	1600.11	-52.26	-218.16	1348.37
				M3	-39.67	-27.29	-970.34	-39.67	-27.29	-1161.42	-39.67	-30.08	-1161.35	-39.72	-29.23	-1352.57
	TANDEM-LOAD	MAX	S2	24.08	58.19	416.93	24.08	58.19	532.94	24.08	59.47	532.80	24.08	59.47	648.82	
				TQ	19.95	72.29	862.24	19.95	72.29	958.35	19.95	74.58	958.17	19.95	74.58	1054.28
				M3	-22.88	-119.05	1383.10	-10.18	-70.21	1301.64	-10.18	-67.08	1301.81	0.60	-20.08	1276.16
			MIN	S2	-39.31	-90.62	678.88	-39.31	-90.62	489.53	-39.31	-89.45	489.75	-39.31	-89.45	300.40
				TQ	-36.58	-154.57	1271.14	-36.58	-154.57	1094.90	-36.58	-151.95	1095.27	-36.58	-151.95	919.03
				M3	-26.96	-18.15	-658.77	-26.96	-18.15	-788.65	-26.96	-20.04	-788.61	-26.98	-19.80	-918.52
	DISPERSION-LMAX	S2	45.59	86.80	-126.58	45.59	86.80	93.03	45.59	87.02	92.83	45.59	87.02	312.44		
				TQ	35.83	89.24	-56.57	35.83	89.24	116.04	38.25	89.65	219.37	38.25	89.65	403.62
				M3	-21.37	-98.68	2117.96	-21.37	-98.68	2015.00	-21.37	-93.84	2015.23	-21.37	-93.84	1912.27
			MIN	S2	-101.54	-195.30	-154.58	-101.54	-195.30	-643.72	-101.54	-196.84	-643.25	-101.54	-196.84	-1132.38
				TQ	-91.78	-197.74	-224.59	-91.78	-197.74	-666.73	-94.20	-199.47	-769.80	-94.20	-199.47	-1223.56
				M3	-34.58	-9.83	-2399.12	-34.58	-9.83	-2565.68	-34.58	-15.98	-2565.65	-34.58	-15.98	-2732.22
71	3-LANES (case	TRUCK-LOAD	MAX	S2	26.05	92.14	-63.06	26.05	92.14	62.42	26.05	92.28	62.20	26.05	92.28	187.68
				TQ	21.13	106.64	557.34	21.13	106.64	659.15	20.76	108.23	668.55	20.76	108.23	768.56
				M3	-13.85	-133.45	1447.37	-6.71	-192.66	1403.30	-6.71	-189.29	1403.76	-1.93	-153.66	1380.78
			MIN	S2	-42.66	-100.00	-88.46	-42.66	-100.00	-293.96	-42.66	-100.71	-293.72	-42.66	-100.71	-499.21
				TQ	-26.44	-315.73	1329.84	-26.44	-315.73	1202.49	-26.44	-312.84	1203.25	-26.44	-312.84	1075.89
				M3	-39.67	-27.29	-970.33	-39.67	-27.29	-1161.42	-39.67	-30.08	-1161.35	-39.72	-29.23	-1352.56

BAGO RIVER BRIDGE

BLOCK [ No.1 : MAIN GIRDER ][ BEAM MEMBER FORCE ]

MEMBER		1025			1026			1026			1027				
NODE		1025			1026			1026			1027				
		SHEAR	TORQUE	MOMENT	SHEAR	TORQUE	MOMENT	SHEAR	TORQUE	MOMENT	SHEAR	TORQUE	MOMENT		
NAME	TITLE	S2 (kN)	TQ (kN·m)	M3 (kN·m)	S2 (kN)	TQ (kN·m)	M3 (kN·m)	S2 (kN)	TQ (kN·m)	M3 (kN·m)	S2 (kN)	TQ (kN·m)	M3 (kN·m)		
71	3-LANES (caseTANDEM-LOAD	MAX	S2	18.04	64.93	-9.00	18.04	64.93	77.90	18.04	65.12	77.75	18.04	65.12	164.65
			TQ	15.24	74.33	372.38	15.24	74.33	445.79	10.40	75.56	701.32	10.40	75.56	751.43
			M3	-10.51	-96.50	987.07	-4.11	-142.15	955.94	-4.11	-139.85	956.28	-2.67	-114.96	940.73
		MIN	S2	-29.30	-69.73	-47.40	-29.30	-69.73	-188.56	-29.30	-70.18	-188.39	-29.30	-70.18	-329.54
			TQ	-17.81	-217.38	910.36	-17.81	-217.38	824.58	-17.81	-215.41	825.10	-17.81	-215.41	739.31
			M3	-26.96	-18.15	-658.77	-26.96	-18.15	-788.65	-26.96	-20.04	-788.61	-26.98	-19.80	-918.52
	DISPERSION-LMAX	S2	36.34	105.63	-235.27	36.34	105.63	-60.22	36.34	105.49	-60.47	36.34	105.49	114.58	
		TQ	29.97	144.08	-302.31	29.97	144.08	-157.93	32.92	143.81	-71.57	32.92	143.81	86.99	
		M3	-13.22	-178.10	1684.60	-13.22	-178.10	1620.93	-13.22	-174.21	1621.36	-13.22	-174.21	1557.69	
		MIN	S2	-87.52	-238.02	-437.16	-87.52	-238.02	-858.79	-87.52	-240.08	-858.21	-87.52	-240.08	-1279.84
			TQ	-81.16	-276.47	-370.13	-81.16	-276.47	-761.08	-84.10	-278.40	-847.11	-84.10	-278.40	-1252.25
			M3	-37.97	45.71	-2357.04	-37.97	45.71	-2539.94	-37.97	39.62	-2540.04	-37.97	39.62	-2722.95
72	4-LANES TRUCK-LOAD	MAX	S2	33.02	73.89	-818.86	33.02	73.89	-659.80	33.02	72.31	-659.97	33.02	72.31	-500.91
			TQ	25.04	89.14	-146.90	25.04	89.14	-26.26	25.04	89.08	-26.48	25.04	89.08	94.16
			M3	-27.32	-169.17	2317.16	-16.38	-213.54	2212.89	-16.38	-208.23	2213.40	-4.55	-156.10	2175.97
		MIN	S2	-58.05	-310.59	1904.09	-58.05	-310.59	1624.44	-58.05	-306.69	1625.18	-58.05	-306.69	1345.54
			TQ	-52.74	-357.96	2142.06	-52.74	-357.96	1887.98	-53.05	-353.44	1880.98	-53.05	-353.44	1625.41
			M3	33.01	74.23	-818.94	33.01	74.23	-659.91	33.01	72.65	-660.09	32.98	73.36	-501.10
	TANDEM-LOAD	MAX	S2	22.44	49.56	-556.09	22.44	49.56	-447.98	22.44	48.48	-448.10	22.44	48.48	-339.99
			TQ	19.33	67.95	118.77	19.33	67.95	211.89	19.33	68.46	211.73	19.33	68.46	304.85
			M3	-22.04	-119.39	1587.05	-8.81	-148.27	1510.95	-8.81	-144.64	1511.30	1.80	-97.55	1491.98
		MIN	S2	-40.49	-211.06	1296.43	-40.49	-211.06	1101.37	-40.49	-208.42	1101.87	-40.49	-208.42	906.80
			TQ	-36.10	-247.87	1473.82	-36.10	-247.87	1299.94	-36.10	-244.75	1300.53	-36.10	-244.75	1126.64
			M3	22.43	50.00	-556.14	22.36	51.87	-448.17	22.36	50.79	-448.29	22.36	50.79	-340.56

BAGO RIVER BRIDGE

BLOCK [ No.1 : MAIN GIRDER ][ BEAM MEMBER FORCE ]

MEMBER				1025			1026			1026			1027					
NODE				1025			1026			1026			1027					
				SHEAR	TORQUE	MOMENT	SHEAR	TORQUE	MOMENT	SHEAR	TORQUE	MOMENT	SHEAR	TORQUE	MOMENT			
NAME	TITLE			S2 (kN)	TQ (kN·m)	M3 (kN·m)	S2 (kN)	TQ (kN·m)	M3 (kN·m)	S2 (kN)	TQ (kN·m)	M3 (kN·m)	S2 (kN)	TQ (kN·m)	M3 (kN·m)			
72	4-LANES	DISPERSION-LMAX	S2	41.05	61.96	-853.94	41.05	61.96	-656.19	41.05	60.39	-656.33	41.05	60.39	-458.58			
			TQ	37.03	98.43	-808.84	37.03	98.43	-630.46	36.43	96.94	-611.81	36.43	96.94	-436.32			
			M3	-36.62	-241.88	1793.63	-36.62	-241.88	1617.24	-36.62	-238.00	1617.81	-36.62	-238.00	1441.43			
		MIN	S2	-37.45	-215.49	1655.08	-37.45	-215.49	1474.67	-37.45	-211.95	1475.18	-37.45	-211.95	1294.78			
			TQ	-31.83	-247.15	1567.16	-31.83	-247.15	1413.84	-31.23	-243.78	1395.66	-31.23	-243.78	1245.20			
			M3	40.18	89.91	-996.50	40.18	89.91	-802.92	40.18	87.98	-803.13	40.18	87.98	-609.56			
		73	6-LANES	TRUCK-LOAD	MAX	S2	374.54	195.74	3160.80	259.64	83.15	3884.52	259.64	92.47	3884.31	174.80	12.87	3967.23
					TQ	-47.98	397.20	3470.50	-47.98	397.20	3239.39	-51.02	404.98	3277.77	-51.02	404.98	3032.01	
					M3	230.81	29.12	5793.01	21.07	-50.94	5806.23	21.07	-37.01	5806.34	-45.61	-99.44	5435.07	
MIN	S2			-235.83	155.10	4033.39	-321.28	76.57	3622.97	-321.28	85.26	3622.78	-435.58	-26.65	2570.38			
	TQ			-3.56	-427.99	3653.80	-3.56	-427.99	3636.66	-4.88	-419.28	3593.67	-4.88	-419.28	3570.18			
	M3			-88.85	23.47	-2017.13	-88.85	23.47	-2445.16	-88.85	17.60	-2445.21	-88.91	18.50	-2873.35			
TANDEM-LOAD	MAX			S2	296.10	175.20	2375.05	214.58	93.76	2937.31	214.58	100.81	2937.08	138.66	26.14	3027.68		
	TQ			-34.16	281.39	2471.36	-34.16	281.39	2306.81	-38.79	287.33	2564.40	-38.79	287.33	2377.53			
	M3			206.57	23.04	4216.26	-13.89	-47.92	4229.43	-13.89	-37.77	4229.54	-61.78	-91.17	3963.06			
MIN	S2			-180.11	88.31	3045.50	-256.22	13.83	2736.45	-256.22	20.39	2736.41	-337.64	-61.15	1955.00			
	TQ			2.05	-302.16	2609.42	2.05	-302.16	2619.30	1.78	-295.87	2609.27	1.78	-295.87	2617.86			
	M3			-60.30	15.85	-1368.95	-60.30	15.85	-1659.41	-60.30	11.87	-1659.44	-60.35	12.75	-1949.97			
DISPERSION-LMAX	S2			192.03	-25.36	470.43	150.05	-43.07	850.32	150.05	-41.03	850.42	124.23	-40.64	1102.35			
	TQ			-46.59	418.79	372.70	-118.56	418.79	-25.10	-115.27	418.89	110.75	-148.89	418.89	-557.20			
	M3			21.68	-9.76	5030.78	-50.29	-9.76	4961.88	-50.29	2.15	4961.89	-122.26	2.15	4546.30			
MIN	S2	-244.74	45.64	-75.40	-273.83	62.87	-917.83	-273.83	60.67	-917.98	-319.53	61.02	-1902.89					
	TQ	-3.74	-393.60	-73.23	-3.74	-393.60	-91.24	-6.54	-393.98	-224.28	-38.87	-393.98	-294.70					
	M3	-73.33	41.47	-4722.81	-73.33	41.54	-5076.05	-73.33	29.36	-5076.13	-73.34	29.53	-5429.41					

BAGO RIVER BRIDGE

BLOCK [ No.1 : MAIN GIRDER ] [ BEAM MEMBER FORCE ]

MEMBER			1025			1026			1026			1027			
NODE			1025			1026			1026			1027			
NAME TITLE			SHEAR	TORQUE	MOMENT	SHEAR	TORQUE	MOMENT	SHEAR	TORQUE	MOMENT	SHEAR	TORQUE	MOMENT	
			S2 (kN)	TQ (kN·m)	M3 (kN·m)	S2 (kN)	TQ (kN·m)	M3 (kN·m)	S2 (kN)	TQ (kN·m)	M3 (kN·m)	S2 (kN)	TQ (kN·m)	M3 (kN·m)	
124	SUM TOTAL	D+1LANE (caseMAX	S2	243.51	153.75	3826.37	-223.04	-1.75	2539.98	-223.04	4.35	2539.98	-631.89	-85.24	-945.71
			TQ	-287.55	562.25	3282.17	-635.74	562.25	1058.31	-635.74	564.79	1056.96	-950.00	564.79	-2803.30
			M3	163.96	368.68	4976.45	-428.49	319.70	3745.76	-428.49	328.69	3744.98	-919.44	190.10	90.18
		MIN	S2	-375.91	536.22	3435.86	-787.69	462.10	2034.94	-787.69	466.99	2033.82	-1256.70	325.70	-1600.18
			TQ	-94.04	-101.78	2321.32	-374.62	-101.78	1192.48	-374.62	-98.92	1192.72	-688.66	-98.92	-1327.96
			M3	-236.38	157.33	-92.64	-516.96	157.33	-1907.15	-516.96	152.75	-1907.52	-797.41	152.75	-5073.45
		D+1LANE (caseMAX	S2	-118.03	121.81	2430.74	-398.72	121.45	1168.64	-398.72	124.25	1168.34	-679.99	123.71	-1461.01
			TQ	-287.10	235.80	2665.84	-568.88	235.80	604.10	-568.95	237.28	627.26	-850.61	237.28	-2792.02
			M3	-242.00	174.71	4162.94	-512.14	175.52	2324.96	-512.14	181.10	2324.53	-751.35	186.49	-663.05
		MIN	S2	-320.07	201.08	2939.95	-601.74	201.44	737.11	-601.74	203.21	736.62	-882.57	203.75	-2807.60
			TQ	-162.69	82.55	1012.10	-443.27	82.55	-447.43	-443.20	81.45	-471.35	-723.65	81.45	-3281.97
			M3	-232.08	136.29	-21.74	-512.66	136.29	-1815.55	-512.66	131.94	-1815.88	-793.11	131.94	-4961.10
		D+1LANE (caseMAX	S2	-153.86	180.87	2005.18	-434.43	180.87	588.21	-434.43	182.28	587.78	-714.89	182.28	-2180.61
			TQ	-166.26	184.13	2105.68	-446.83	184.13	628.98	-443.93	185.79	749.54	-724.38	185.79	-2064.60
			M3	-231.50	65.52	3458.36	-498.72	93.70	1713.25	-498.72	97.81	1713.02	-763.67	134.39	-1321.14
		MIN	S2	-277.08	39.17	2333.16	-557.66	39.17	322.57	-557.66	39.94	322.48	-838.11	39.94	-3039.51
			TQ	-264.69	35.72	2348.58	-545.26	35.72	397.71	-548.17	36.52	276.62	-828.62	36.52	-3039.64
			M3	-228.64	119.44	33.29	-509.22	119.44	-1743.93	-509.22	115.25	-1744.22	-789.67	115.25	-4872.85
		D+1LANE (caseMAX	S2	-176.65	194.46	1045.46	-457.23	194.46	-481.31	-457.23	193.30	-481.78	-737.68	193.30	-3359.96
			TQ	-179.14	242.46	1069.62	-459.72	242.46	-469.13	-459.73	241.34	-468.09	-740.18	241.34	-3358.32
			M3	-203.85	-5.57	2302.90	-478.87	-103.35	668.47	-478.87	-101.75	668.71	-759.32	-101.75	-2313.72
		MIN	S2	-240.58	-3.07	769.51	-521.16	-3.07	-1065.24	-521.16	-5.63	-1065.23	-801.61	-5.63	-4251.38
			TQ	-225.60	-189.13	1504.31	-506.17	-189.13	-258.26	-506.16	-189.75	-259.43	-786.61	-189.75	-3373.35
			M3	-225.68	122.01	121.14	-506.26	122.01	-1641.83	-506.26	118.07	-1642.12	-786.77	119.09	-4756.65

BAGO RIVER BRIDGE

BLOCK [ No.1 : MAIN GIRDER ][ BEAM MEMBER FORCE ]

MEMBER			1025			1026			1026			1027			
NODE			1025			1026			1026			1027			
NAME TITLE			SHEAR	TORQUE	MOMENT	SHEAR	TORQUE	MOMENT	SHEAR	TORQUE	MOMENT	SHEAR	TORQUE	MOMENT	
			S2 (kN)	TQ (kN·m)	M3 (kN·m)	S2 (kN)	TQ (kN·m)	M3 (kN·m)	S2 (kN)	TQ (kN·m)	M3 (kN·m)	S2 (kN)	TQ (kN·m)	M3 (kN·m)	
124	SUM TOTAL	D+2LANES (casMAX	S2	327.37	159.50	5165.35	-147.99	-25.73	3851.00	-147.99	-16.49	3851.05	-568.71	-129.17	289.68
			TQ	-358.08	703.34	4270.58	-719.12	703.34	1676.00	-718.67	707.37	1683.74	-1042.50	707.37	-2602.99
			M3	205.95	446.00	7019.51	-437.59	387.45	5747.92	-437.59	401.25	5746.97	-944.54	237.08	1967.35
		MIN	S2	-470.66	660.85	4521.61	-895.97	569.86	3023.75	-895.97	577.11	3022.38	-1375.31	411.79	-774.41
			TQ	-43.22	-159.75	2769.09	-323.80	-159.75	1885.08	-324.25	-155.24	1876.02	-641.59	-155.24	-406.01
			M3	-260.98	170.38	-1069.12	-541.56	170.46	-3002.14	-541.56	163.25	-3002.54	-822.01	163.25	-6286.99
		D+2LANES (casMAX	S2	26.09	132.89	4002.32	-294.39	76.93	2708.21	-294.39	83.43	2708.02	-608.80	44.96	-139.73
			TQ	-357.71	431.30	3756.96	-663.40	431.30	1297.49	-663.01	434.44	1325.66	-959.67	434.44	-2593.59
			M3	-132.35	284.35	6341.58	-507.30	267.30	4563.91	-507.30	278.25	4563.26	-804.47	234.07	1339.66
		MIN	S2	-424.13	381.56	4108.35	-741.01	352.64	1942.23	-741.01	357.30	1941.38	-1063.54	310.16	-1780.59
			TQ	-100.43	-6.14	1678.07	-381.00	-6.14	518.48	-381.40	-4.93	489.29	-670.76	-4.93	-2034.35
			M3	-257.40	152.86	-1010.05	-537.98	152.93	-2925.81	-537.98	145.91	-2926.17	-818.43	145.91	-6193.36
		D+2LANES (casMAX	S2	-136.41	234.65	2227.21	-416.99	234.65	894.28	-416.99	236.80	893.71	-697.44	236.80	-1790.63
			TQ	-147.44	239.03	2389.74	-428.02	239.03	1003.67	-425.60	241.57	1105.36	-706.05	241.57	-1620.47
			M3	-243.85	-19.46	4488.34	-507.75	33.44	2695.08	-507.75	39.91	2695.00	-772.01	92.91	-382.15
		MIN	S2	-315.17	-86.04	2678.76	-595.75	-86.04	484.71	-595.75	-84.88	484.91	-876.20	-84.88	-3060.55
			TQ	-303.69	-91.68	2735.22	-584.27	-91.68	596.44	-586.69	-90.38	494.39	-867.14	-90.38	-3007.45
			M3	-248.07	107.86	-859.20	-528.65	107.86	-2730.04	-528.65	101.31	-2730.29	-809.10	101.31	-5952.54
		D+2LANES (casMAX	S2	-160.61	255.63	812.67	-441.19	255.63	-636.84	-441.19	254.10	-637.45	-721.64	254.10	-3438.37
			TQ	-165.92	304.14	1368.90	-446.50	304.14	-106.19	-446.51	303.89	-105.56	-726.96	303.89	-2932.11
			M3	-210.53	-104.47	3198.16	-486.01	-176.46	1527.79	-486.01	-172.79	1528.20	-766.35	-169.12	-1488.44
		MIN	S2	-275.17	-81.54	425.78	-555.75	-81.54	-1575.58	-555.75	-85.32	-1575.38	-836.20	-85.32	-4928.15
			TQ	-258.25	-333.20	1763.07	-538.83	-333.20	-156.78	-538.82	-333.58	-157.34	-819.27	-333.58	-3428.55
			M3	-246.74	128.54	-772.04	-527.32	128.54	-2636.47	-527.32	122.21	-2636.77	-807.82	123.06	-5852.72

BAGO RIVER BRIDGE

BLOCK [ No.1 : MAIN GIRDER ][ BEAM MEMBER FORCE ]

MEMBER			1025			1026			1026			1027				
NODE			1025			1026			1026			1027				
NAME TITLE			SHEAR	TORQUE	MOMENT	SHEAR	TORQUE	MOMENT	SHEAR	TORQUE	MOMENT	SHEAR	TORQUE	MOMENT		
			S2 (kN)	TQ (kN·m)	M3 (kN·m)	S2 (kN)	TQ (kN·m)	M3 (kN·m)	S2 (kN)	TQ (kN·m)	M3 (kN·m)	S2 (kN)	TQ (kN·m)	M3 (kN·m)		
124	SUM TOTAL	D+3LANES (casMAX	S2	304.53	152.37	5321.40	-141.69	-5.34	4216.81	-141.69	4.78	4216.81	-541.95	-91.37	988.33	
			TQ	-397.86	695.37	4727.36	-747.68	695.37	1968.18	-747.35	700.13	1991.33	-1065.52	700.13	-2413.23	
			M3	113.51	433.36	8124.41	-468.20	384.17	6648.25	-468.20	400.13	6647.31	-911.95	264.40	2979.58	
		MIN	S2	-516.91	634.66	5134.90	-921.28	557.58	3207.99	-921.28	565.28	3206.64	-1371.06	425.13	-869.98	
			TQ	-42.10	-146.80	2279.70	-322.68	-146.80	1401.06	-323.02	-143.47	1376.58	-634.83	-143.47	-892.85	
			M3	-276.35	171.88	-1715.08	-556.94	171.94	-3722.16	-556.94	163.01	-3722.56	-837.39	163.01	-7081.06	
		D+3LANES (casMAX	S2	-128.89	270.46	1840.70	-409.47	270.46	543.97	-409.47	271.77	543.32	-689.92	271.77	-2104.81	
			TQ	-142.28	286.54	2413.15	-422.86	286.54	1051.94	-420.99	289.18	1158.34	-701.44	289.18	-1545.27	
			M3	-245.79	-112.16	4930.97	-510.95	-48.55	3125.16	-510.95	-41.05	3125.27	-777.18	12.11	27.66	
		MIN	S2	-331.32	-153.53	2134.59	-611.90	-153.53	-137.27	-611.90	-153.86	-136.90	-892.35	-153.86	-3760.16	
			TQ	-319.22	-232.32	2799.30	-599.80	-232.32	585.74	-601.85	-231.02	498.28	-882.30	-231.02	-3076.58	
			M3	-259.89	92.91	-1447.45	-540.47	92.91	-3375.22	-540.47	84.81	-3375.44	-820.97	85.53	-6654.73	
		D+3LANES (casMAX	S2	-143.76	292.56	1163.00	-424.33	292.56	-205.31	-424.33	292.07	-206.01	-704.79	292.07	-2925.74	
			TQ	-153.34	337.57	1633.36	-433.92	337.57	218.85	-431.74	338.19	299.95	-712.19	338.19	-2455.44	
			M3	-219.79	-140.36	4078.77	-494.30	-190.69	2363.42	-494.30	-185.01	2363.87	-770.69	-154.73	-684.96	
		MIN	S2	-307.44	-162.86	969.81	-588.02	-162.86	-1187.01	-588.02	-165.71	-1186.62	-868.47	-165.71	-4694.86	
			TQ	-288.24	-378.91	2232.35	-568.82	-378.91	168.02	-571.32	-378.60	95.23	-851.77	-378.60	-3332.57	
			M3	-262.78	140.12	-1411.68	-543.35	140.12	-3353.34	-543.35	132.07	-3353.67	-823.85	132.79	-6646.85	
		D+4LANES	MAX	S2	-148.64	212.76	329.27	-429.22	212.76	-1062.57	-429.22	210.21	-1063.08	-709.67	210.21	-3806.33
			TQ	-156.44	246.38	795.35	-437.02	246.38	-634.05	-437.41	244.87	-622.37	-717.86	244.87	-3405.06	
			M3	-238.34	-142.72	4088.60	-511.81	-171.57	2282.40	-511.81	-166.09	2282.81	-784.57	-132.21	-831.35	
		MIN	S2	-258.86	-217.49	3730.04	-539.44	-217.49	1807.24	-539.44	-213.15	1807.76	-819.89	-213.15	-1466.46	
			TQ	-251.76	-268.86	3827.58	-532.33	-268.86	1939.00	-532.15	-264.23	1922.34	-812.60	-264.23	-1316.77	
			M3	-149.21	231.15	236.56	-429.79	231.15	-1158.02	-429.79	228.37	-1158.57	-710.26	228.83	-3904.59	

BAGO RIVER BRIDGE

BLOCK [ No.1 : MAIN GIRDER ][ BEAM MEMBER FORCE ]

MEMBER					1025			1026			1027					
NODE					1025			1026			1027					
					SHEAR	TORQUE	MOMENT	SHEAR	TORQUE	MOMENT	SHEAR	TORQUE	MOMENT			
NAME	TITLE				S2 (kN)	TQ (kN·m)	M3 (kN·m)	S2 (kN)	TQ (kN·m)	M3 (kN·m)	S2 (kN)	TQ (kN·m)	M3 (kN·m)			
124	SUM TOTAL	D+6LANES	MAX	S2	171.49	235.20	3776.88	-211.07	150.51	2870.47	-211.07	157.39	2870.10	-563.45	105.91	112.56
				TQ	-258.25	654.85	3914.67	-585.61	654.85	1882.11	-585.45	659.48	1995.05	-887.75	659.48	-1574.04
				M3	-32.66	137.04	8452.05	-496.35	85.00	6792.09	-496.35	101.30	6791.87	-866.93	60.72	3305.22
			MIN	S2	-509.16	254.94	3989.28	-864.19	215.10	1551.16	-864.19	218.82	1550.64	-1248.63	146.30	-2748.80
				TQ	-201.53	-409.57	3743.95	-482.10	-409.57	2097.34	-484.78	-404.66	1982.62	-786.25	-404.66	-1053.60
				M3	-302.20	166.67	-2964.37	-582.78	166.72	-5095.97	-582.78	154.49	-5096.35	-863.28	155.18	-8579.46
	SUM TOTAL		MAX		327.37	703.34	8452.05	-141.69	703.34	6792.09	-141.69	707.37	6791.87	-541.95	707.37	3305.22
			MIN		-516.91	-409.57	-2964.37	-921.28	-409.57	-5095.97	-921.28	-404.66	-5096.35	-1375.31	-404.66	-8579.46
300	DEAD LOAD	TOTAL			-196.78	124.46	1416.59	-477.36	124.46	-207.18	-477.36	123.96	-207.48	-757.81	123.96	-3182.66
301	LIVE LOAD	1-LANE(case1MAX	S2		440.29	29.29	2409.79	254.33	-126.21	2747.17	254.33	-119.61	2747.46	125.92	-209.20	2236.95
			TQ		-90.76	437.80	1865.58	-158.38	437.80	1265.49	-158.38	440.83	1264.44	-192.18	440.83	379.36
			M3		360.75	244.23	3559.87	48.87	195.25	3952.95	48.87	204.73	3952.47	-161.63	66.14	3272.85
			MIN	S2	-179.12	411.76	2019.27	-310.33	337.65	2242.12	-310.33	343.03	2241.30	-498.88	201.74	1582.48
				TQ	102.74	-226.24	904.73	102.74	-226.24	1399.67	102.74	-222.88	1400.21	69.16	-222.88	1854.70
				M3	-39.60	32.87	-1509.22	-39.60	32.87	-1699.97	-39.60	28.79	-1700.04	-39.60	28.79	-1890.78
		1-LANE(case2MAX	S2		78.76	-2.65	1014.16	78.64	-3.01	1375.82	78.64	0.29	1375.82	77.82	-0.25	1721.66
			TQ		-90.31	111.34	1249.25	-91.52	111.34	811.28	-91.59	113.32	834.74	-92.79	113.32	390.64
			M3		-45.22	50.25	2746.35	-34.78	51.06	2532.14	-34.78	57.14	2532.01	6.46	62.53	2519.62
			MIN	S2	-123.29	76.62	1523.37	-124.37	76.98	944.29	-124.37	79.25	944.10	-124.76	79.79	375.06
				TQ	34.09	-41.91	-404.49	34.09	-41.91	-240.25	34.16	-42.51	-263.87	34.16	-42.51	-99.30
				M3	-35.30	11.84	-1438.33	-35.30	11.84	-1608.37	-35.30	7.98	-1608.40	-35.30	7.98	-1778.44
		1-LANE(case3MAX	S2		42.93	56.41	588.60	42.93	56.41	795.39	42.93	58.32	795.26	42.93	58.32	1002.06
			TQ		30.53	59.67	689.09	30.53	59.67	836.16	33.43	61.83	957.02	33.43	61.83	1118.07
			M3		-34.71	-58.94	2041.77	-21.36	-30.76	1920.43	-21.36	-26.15	1920.50	-5.86	10.43	1861.52
			MIN	S2	-80.30	-85.29	916.57	-80.30	-85.29	529.76	-80.30	-84.02	529.96	-80.30	-84.02	143.15
				TQ	-67.90	-88.74	931.99	-67.90	-88.74	604.90	-70.80	-87.44	484.10	-70.80	-87.44	143.03
				M3	-31.85	-5.02	-1383.30	-31.85	-5.02	-1536.75	-31.85	-8.71	-1536.73	-31.85	-8.71	-1690.19

BAGO RIVER BRIDGE

BLOCK [ No.1 : MAIN GIRDER ][ BEAM MEMBER FORCE ]

MEMBER			1025			1026			1026			1027			
NODE			1025			1026			1026			1027			
NAME TITLE			SHEAR	TORQUE	MOMENT	SHEAR	TORQUE	MOMENT	SHEAR	TORQUE	MOMENT	SHEAR	TORQUE	MOMENT	
			S2 (kN)	TQ (kN·m)	M3 (kN·m)	S2 (kN)	TQ (kN·m)	M3 (kN·m)	S2 (kN)	TQ (kN·m)	M3 (kN·m)	S2 (kN)	TQ (kN·m)	M3 (kN·m)	
301	LIVE LOAD	1-LANE (case4MAX	S2	20.14	70.00	-371.13	20.14	70.00	-274.13	20.14	69.34	-274.30	20.14	69.34	-177.30
			TQ	17.65	118.00	-346.96	17.65	118.00	-261.95	17.64	117.38	-260.61	17.64	117.38	-175.65
			M3	-7.06	-130.03	886.31	-1.50	-227.81	875.65	-1.50	-225.71	876.19	-1.50	-225.71	868.95
			MIN S2	-43.80	-127.53	-647.08	-43.80	-127.53	-858.05	-43.80	-129.59	-857.74	-43.80	-129.59	-1068.72
			TQ	-28.81	-313.59	87.72	-28.81	-313.59	-51.08	-28.80	-313.72	-51.95	-28.80	-313.72	-190.69
			M3	-28.90	-2.45	-1295.45	-28.90	-2.45	-1434.65	-28.90	-5.89	-1434.64	-28.96	-4.87	-1573.99
		2-LANES (caseMAX	S2	524.16	35.04	3748.76	329.38	-150.19	4058.18	329.38	-140.45	4058.53	189.10	-253.13	3472.34
			TQ	-161.30	578.88	2853.99	-241.76	578.88	1883.18	-241.30	583.41	1891.22	-284.69	583.41	579.68
			M3	402.73	321.54	5602.93	39.77	262.99	5955.10	39.77	277.29	5954.45	-186.72	113.12	5150.01
			MIN S2	-273.87	536.39	3105.02	-418.61	445.40	3230.94	-418.61	453.15	3229.86	-617.49	287.83	2408.25
			TQ	153.57	-284.21	1352.50	153.57	-284.21	2092.26	153.11	-279.20	2083.50	116.22	-279.20	2776.65
			M3	-64.20	45.93	-2485.71	-64.20	46.00	-2794.96	-64.20	39.29	-2795.06	-64.20	39.29	-3104.33
		2-LANES (caseMAX	S2	222.88	8.43	2585.74	182.97	-47.53	2915.39	182.97	-40.53	2915.50	149.02	-79.00	3042.93
			TQ	-160.92	306.84	2340.38	-186.04	306.84	1504.67	-185.64	310.48	1533.14	-201.86	310.48	589.07
			M3	64.43	159.90	4924.99	-29.94	142.84	4771.10	-29.94	154.29	4770.74	-46.65	110.10	4522.32
			MIN S2	-227.35	257.10	2691.76	-263.65	228.18	2149.41	-263.65	233.34	2148.86	-305.73	186.20	1402.07
			TQ	96.36	-130.60	261.48	96.36	-130.60	725.66	95.96	-128.89	696.77	87.06	-128.89	1148.32
			M3	-60.61	28.40	-2426.63	-60.62	28.47	-2718.63	-60.62	21.95	-2718.69	-60.62	21.95	-3010.70
		2-LANES (caseMAX	S2	60.38	110.19	810.62	60.38	110.19	1101.46	60.38	112.84	1101.19	60.38	112.84	1392.03
			TQ	49.34	114.58	973.15	49.34	114.58	1210.85	51.76	117.61	1312.84	51.76	117.61	1562.19
			M3	-47.07	-143.92	3071.75	-30.39	-91.02	2902.27	-30.39	-84.05	2902.48	-14.20	-31.05	2800.51
			MIN S2	-118.38	-210.50	1262.17	-118.38	-210.50	691.89	-118.38	-208.84	692.39	-118.38	-208.84	122.11
			TQ	-106.91	-216.14	1318.63	-106.91	-216.14	803.62	-109.33	-214.34	701.87	-109.33	-214.34	175.21
			M3	-51.29	-16.60	-2275.79	-51.29	-16.60	-2522.86	-51.29	-22.65	-2522.81	-51.29	-22.65	-2769.88



BAGO RIVER BRIDGE

BLOCK [ No.1 : MAIN GIRDER ][ BEAM MEMBER FORCE ]

MEMBER				1025			1026			1026			1027			
NODE				1025			1026			1026			1027			
NAME TITLE				SHEAR	TORQUE	MOMENT	SHEAR	TORQUE	MOMENT	SHEAR	TORQUE	MOMENT	SHEAR	TORQUE	MOMENT	
				S2 (kN)	TQ (kN·m)	M3 (kN·m)	S2 (kN)	TQ (kN·m)	M3 (kN·m)	S2 (kN)	TQ (kN·m)	M3 (kN·m)	S2 (kN)	TQ (kN·m)	M3 (kN·m)	
301	LIVE LOAD	2-LANES (caseMAX	S2	36.17	131.17	-603.92	36.17	131.17	-429.66	36.17	130.14	-429.97	36.17	130.14	-255.71	
			TQ	30.86	179.68	-47.69	30.86	179.68	100.99	30.85	179.93	101.92	30.85	179.93	250.55	
			M3	-13.74	-228.92	1781.57	-8.64	-300.91	1734.97	-8.64	-296.75	1735.68	-8.53	-293.08	1694.22	
			MIN	S2	-78.38	-206.00	-990.81	-78.38	-206.00	-1368.40	-78.38	-209.28	-1367.90	-78.38	-209.28	-1745.49
			TQ	-61.46	-457.66	346.48	-61.46	-457.66	50.40	-61.45	-457.54	50.15	-61.45	-457.54	-245.88	
			M3	-49.96	4.08	-2188.63	-49.96	4.08	-2429.28	-49.96	-1.75	-2429.29	-50.01	-0.90	-2670.06	
		3-LANES (caseMAX	S2	501.32	27.91	3904.81	335.67	-129.80	4423.99	335.67	-119.18	4424.29	215.86	-215.33	4171.00	
			TQ	-201.08	570.92	3310.77	-270.32	570.92	2175.36	-269.98	576.17	2198.81	-307.71	576.17	769.43	
			M3	310.30	308.90	6707.82	9.17	259.71	6855.43	9.17	276.17	6854.79	-154.14	140.44	6162.24	
			MIN	S2	-320.12	510.20	3718.32	-443.92	433.12	3415.17	-443.92	441.32	3414.12	-613.24	301.17	2312.68
			TQ	154.68	-271.26	863.11	154.68	-271.26	1608.24	154.34	-267.43	1584.07	122.99	-267.43	2289.81	
			M3	-79.57	47.42	-3131.67	-79.57	47.48	-3514.98	-79.57	39.05	-3515.08	-79.57	39.05	-3898.40	
		3-LANES (caseMAX	S2	67.89	146.00	424.11	67.89	146.00	751.16	67.89	147.81	750.80	67.89	147.81	1077.85	
			TQ	54.50	162.08	996.56	54.50	162.08	1259.13	56.38	165.22	1365.82	56.38	165.22	1637.39	
			M3	-49.01	-236.62	3514.39	-33.58	-173.01	3332.35	-33.58	-165.01	3332.75	-19.37	-111.85	3210.32	
			MIN	S2	-134.53	-277.99	718.00	-134.53	-277.99	69.92	-134.53	-277.82	70.58	-134.53	-277.82	-577.50
			TQ	-122.43	-356.78	1382.71	-122.43	-356.78	792.92	-124.49	-354.98	705.76	-124.49	-354.98	106.08	
			M3	-63.11	-31.55	-2864.04	-63.11	-31.55	-3168.04	-63.11	-39.15	-3167.96	-63.15	-38.43	-3472.07	
		3-LANES (caseMAX	S2	53.03	168.10	-253.58	53.03	168.10	1.87	53.03	168.11	1.47	53.03	168.11	256.92	
			TQ	43.44	213.11	216.77	43.44	213.11	426.04	45.62	214.23	507.43	45.62	214.23	727.22	
			M3	-23.01	-264.81	2662.18	-16.94	-315.14	2570.60	-16.94	-308.97	2571.35	-12.88	-278.69	2497.70	
MIN	S2		-110.66	-287.32	-446.78	-110.66	-287.32	-979.83	-110.66	-289.67	-979.14	-110.66	-289.67	-1512.19		
TQ	-91.46		-503.37	815.76	-91.46	-503.37	375.20	-93.96	-502.56	302.71	-93.96	-502.56	-149.91			
M3	-65.99		15.66	-2828.27	-65.99	15.66	-3146.16	-65.99	8.11	-3146.19	-66.03	8.83	-3464.19			

BAGO RIVER BRIDGE

BLOCK [ No.1 : MAIN GIRDER ][ BEAM MEMBER FORCE ]

MEMBER					1025			1026			1027					
NODE					1025			1026			1026					
					SHEAR	TORQUE	MOMENT	SHEAR	TORQUE	MOMENT	SHEAR	TORQUE	MOMENT			
NAME	TITLE				S2 (kN)	TQ (kN·m)	M3 (kN·m)	S2 (kN)	TQ (kN·m)	M3 (kN·m)	S2 (kN)	TQ (kN·m)	M3 (kN·m)			
301	LIVE LOAD	4-LANES	MAX	S2	48.15	88.30	-1087.32	48.15	88.30	-855.39	48.15	86.25	-855.60	48.15	86.25	-623.67
				TQ	40.35	121.92	-621.23	40.35	121.92	-426.87	39.96	120.91	-414.88	39.96	120.91	-222.40
				M3	-41.56	-267.18	2672.01	-34.45	-296.02	2489.58	-34.45	-290.05	2490.29	-26.76	-256.17	2351.31
		MIN	S2	-62.08	-341.95	2313.45	-62.08	-341.95	2014.42	-62.08	-337.11	2015.24	-62.08	-337.11	1716.21	
			TQ	-54.97	-393.32	2411.00	-54.97	-393.32	2146.18	-54.79	-388.19	2129.82	-54.79	-388.19	1865.90	
			M3	47.58	106.69	-1180.03	47.58	106.69	-950.84	47.58	104.41	-951.09	47.55	104.87	-721.92	
	6-LANES	MAX	S2	368.27	110.74	2360.30	266.30	26.05	3077.65	266.30	33.43	3077.58	194.37	-18.05	3295.22	
			TQ	-61.47	530.39	2498.08	-108.25	530.39	2089.29	-108.09	535.51	2202.53	-129.94	535.51	1608.62	
			M3	164.12	12.59	7035.47	-18.99	-39.46	6999.27	-18.99	-22.66	6999.35	-109.12	-63.24	6487.89	
		MIN	S2	-312.37	130.48	2572.69	-386.82	90.64	1758.34	-386.82	94.86	1758.12	-490.82	22.34	433.86	
			TQ	-4.74	-534.03	2327.37	-4.74	-534.03	2304.53	-7.42	-528.62	2190.10	-28.44	-528.62	2129.06	
			M3	-105.42	42.21	-4380.96	-105.42	42.26	-4888.79	-105.42	30.53	-4888.87	-105.46	31.22	-5396.80	
	LIVE LOAD	MAX		524.16	578.88	7035.47	335.67	578.88	6999.27	335.67	583.41	6999.35	215.86	583.41	6487.89	
		MIN		-320.12	-534.03	-4380.96	-443.92	-534.03	-4888.79	-443.92	-528.62	-4888.87	-617.49	-528.62	-5396.80	
303	SUM TOTAL	TOTAL	MAX		327.37	703.34	8452.05	-141.69	703.34	6792.09	-141.69	707.37	6791.87	-541.95	707.37	3305.22
			MIN		-516.91	-409.57	-2964.37	-921.28	-409.57	-5095.97	-921.28	-404.66	-5096.35	-1375.31	-404.66	-8579.46

BAGO RIVER BRIDGE

BLOCK [ No.1 : MAIN GIRDER ][ BEAM MEMBER FORCE ]

MEMBER NODE	1027	1028			1028			1028			1029				
		SHEAR	TORQUE	MOMENT	SHEAR	TORQUE	MOMENT	SHEAR	TORQUE	MOMENT	SHEAR	TORQUE	MOMENT		
		S2 (kN)	TQ (kN·m)	M3 (kN·m)	S2 (kN)	TQ (kN·m)	M3 (kN·m)	S2 (kN)	TQ (kN·m)	M3 (kN·m)	S2 (kN)	TQ (kN·m)	M3 (kN·m)		
1	PAVEMENT	-115.49	-21.97	-357.11	-162.73	-21.97	-1027.22	-162.73	-24.44	-1027.16	-209.97	-24.44	-1924.84		
3	RAILING	-0.67	0.49	-22.36	-4.65	0.49	-35.17	-4.65	0.40	-35.17	-8.64	0.40	-67.18		
5	CURB	-6.58	4.82	-221.36	-46.06	4.82	-348.16	-46.06	3.99	-348.17	-85.53	3.99	-665.12		
7	DECK WEIGHT	-185.30	-22.36	-699.94	-263.11	-22.36	-1780.00	-263.11	-26.63	-1779.94	-340.93	-26.63	-3234.84		
8	GIRDER WEIGH	-282.89	69.88	-1236.10	-372.91	69.88	-2815.66	-372.91	63.12	-2815.82	-462.94	63.12	-4829.06		
10	MEDIAN STRIP	-73.94	21.57	-438.16	-73.94	21.57	-794.35	-73.94	19.66	-794.40	-73.94	19.66	-1150.59		
21	ADITIONAL WE	-51.88	-6.26	-195.98	-73.67	-6.26	-498.40	-73.67	-7.46	-498.38	-95.46	-7.46	-905.75		
31	MEDIAN RAILI	-5.07	1.76	-11.84	-5.07	1.76	-36.24	-5.07	1.68	-36.25	-5.07	1.68	-60.65		
51	SUPPORT WEIG	-0.00	0.00	-0.00	-0.00	0.00	-0.00	-0.00	0.00	-0.00	-0.00	0.00	-0.00		
52	NOSE WEIGHT	0.00	-0.04	-0.01	0.00	-0.04	0.00	0.00	-0.04	0.01	0.00	-0.04	0.02		
61	1-LANE(case1TRUCK-LOAD	MAX	S2	262.52	178.72	1539.93	144.78	62.29	1678.29	144.78	66.32	1678.14	60.33	-10.62	1264.79
			TQ	-79.11	279.17	1182.15	-79.11	279.17	801.07	-79.11	281.10	800.39	-79.11	281.10	419.31
			M3	136.01	255.75	1597.86	37.88	165.20	1751.67	37.88	169.41	1751.26	-78.74	54.01	1313.07
		MIN	S2	-106.41	270.42	1566.04	-194.20	193.62	1706.61	-194.20	197.71	1706.14	-311.97	81.55	1282.31
			TQ	10.67	-36.30	-122.53	10.67	-36.30	-71.14	10.67	-36.47	-71.06	10.67	-36.47	-19.67
			M3	-24.86	4.01	-522.90	-24.93	4.09	-642.84	-24.93	2.55	-642.85	-24.93	2.55	-762.96
		TANDEM-LOAD MAX	S2	216.97	160.39	1267.10	132.52	75.58	1405.70	132.52	78.95	1405.52	55.82	2.61	1079.90
			TQ	-52.47	195.16	806.32	-52.47	195.16	553.54	-52.47	196.49	553.07	-52.47	196.49	300.29
			M3	72.20	174.22	1271.26	-6.88	96.38	1409.65	-6.88	99.76	1409.41	-89.53	16.34	1081.45
		MIN	S2	-88.00	174.22	1271.26	-167.09	96.38	1409.65	-167.09	99.76	1409.41	-249.73	16.34	1081.45
			TQ	7.35	-24.72	-84.68	7.35	-24.72	-49.25	7.35	-24.84	-49.19	7.35	-24.84	-13.76
			M3	-16.95	2.81	-354.55	-16.95	2.81	-436.18	-16.95	1.76	-436.19	-16.95	1.76	-517.82
		DISPERSION-LMAX	S2	77.07	-19.97	324.21	44.49	-42.57	351.11	44.49	-41.73	351.21	26.60	-50.13	273.57
			TQ	-38.31	232.29	76.27	-94.65	232.29	-244.42	-94.29	231.71	-239.53	-150.63	231.71	-829.90
			M3	15.74	216.83	1128.88	-40.60	216.83	1068.55	-40.60	219.39	1068.03	-96.94	219.39	736.30
		MIN	S2	-90.33	201.64	-248.08	-114.08	224.24	-474.97	-114.08	223.10	-475.50	-152.53	231.50	-869.27
			TQ	25.06	-50.62	-0.14	25.06	-50.62	120.56	24.70	-50.34	115.23	24.70	-50.34	234.20
			M3	-28.99	-35.16	-1052.74	-28.99	-35.16	-1192.41	-28.99	-38.02	-1192.33	-28.99	-38.02	-1332.00

BAGO RIVER BRIDGE

BLOCK [ No.1 : MAIN GIRDER ][ BEAM MEMBER FORCE ]

MEMBER				1027			1028			1028			1029		
NODE				1027			1028			1028			1029		
NAME TITLE				SHEAR	TORQUE	MOMENT	SHEAR	TORQUE	MOMENT	SHEAR	TORQUE	MOMENT	SHEAR	TORQUE	MOMENT
				S2 (kN)	TQ (kN·m)	M3 (kN·m)	S2 (kN)	TQ (kN·m)	M3 (kN·m)	S2 (kN)	TQ (kN·m)	M3 (kN·m)	S2 (kN)	TQ (kN·m)	M3 (kN·m)
62	1-LANE (case2TRUCK-LOAD	MAX	S2	27.13	40.45	575.00	27.13	40.45	705.67	27.13	42.14	705.57	27.13	42.14	836.25
			TQ	-45.72	75.71	707.04	-45.72	75.71	486.79	-45.72	76.88	486.61	-45.72	76.88	266.37
			M3	-55.54	47.05	1153.07	-29.23	45.13	945.39	-29.23	47.40	945.28	7.01	50.65	921.90
		MIN	S2	-63.05	50.99	1120.64	-63.05	50.99	816.92	-63.05	52.95	816.80	-63.05	52.95	513.07
			TQ	9.54	-15.06	-120.81	9.54	-15.06	-74.86	9.54	-15.24	-74.82	9.54	-15.24	-28.87
			M3	-20.28	0.81	-490.86	-20.28	0.81	-588.55	-20.28	-0.61	-588.55	-20.29	-0.60	-686.25
		TANDEM-LOAD MAX	S2	20.20	25.87	355.60	20.20	25.87	452.92	20.20	26.95	452.86	20.20	26.95	550.18
			TQ	-29.35	52.59	450.58	-29.35	52.59	309.20	-29.35	53.34	309.07	-29.35	53.34	167.69
			M3	-39.33	28.94	815.41	-15.19	31.33	656.00	-15.19	32.90	655.92	11.44	36.23	657.39
		MIN	S2	-44.68	35.83	751.71	-44.68	35.83	536.50	-44.68	37.11	536.41	-44.68	37.11	321.20
			TQ	6.59	-10.27	-83.52	6.59	-10.27	-51.79	6.59	-10.39	-51.76	6.59	-10.39	-20.03
			M3	-13.75	0.54	-333.03	-13.75	0.54	-399.25	-13.75	-0.42	-399.25	-13.75	-0.42	-465.48
		DISPERSION-LMAX	S2	21.39	-4.70	61.48	21.38	-4.94	160.51	21.38	-4.55	160.52	20.94	-5.86	239.59
			TQ	-64.12	78.87	146.00	-65.13	78.87	-165.31	-36.05	79.49	679.44	-37.05	79.49	503.38
			M3	-30.84	77.52	946.40	-31.85	77.52	795.41	-31.85	79.43	795.22	-32.85	79.43	639.39
MIN	S2	-74.58	65.47	-106.24	-75.57	65.70	-463.94	-75.57	64.59	-464.10	-76.14	65.90	-806.67		
	TQ	10.93	-18.11	-190.76	10.93	-18.11	-138.11	-18.15	-19.45	-983.01	-18.15	-19.45	-1070.45		
	M3	-22.35	-16.75	-991.16	-22.35	-16.75	-1098.84	-22.35	-19.39	-1098.79	-22.35	-19.39	-1206.47		
63	1-LANE (case3TRUCK-LOAD	MAX	S2	9.28	0.80	-127.59	9.28	0.80	-82.86	9.28	0.60	-82.86	9.28	0.60	-38.14
			TQ	7.75	22.00	385.50	7.75	22.00	422.83	5.30	23.01	510.67	5.30	23.01	536.22
			M3	-28.84	-46.82	790.62	-20.69	-31.10	668.93	-20.69	-29.49	669.00	-7.30	0.37	603.61
		MIN	S2	-35.90	-50.38	723.91	-35.90	-50.38	550.96	-35.90	-49.06	551.08	-35.90	-49.06	378.13
			TQ	-35.07	-51.93	754.07	-35.07	-51.93	585.15	-35.07	-50.52	585.27	-35.07	-50.52	416.35
			M3	-16.86	-1.57	-466.83	-16.86	-1.57	-548.05	-16.86	-2.89	-548.05	-16.86	-2.89	-629.28

BAGO RIVER BRIDGE

BLOCK [ No.1 : MAIN GIRDER ][ BEAM MEMBER FORCE ]

MEMBER		1027						1028									
NODE		1027			1028			1028			1029						
		SHEAR	TORQUE	MOMENT	SHEAR	TORQUE	MOMENT	SHEAR	TORQUE	MOMENT	SHEAR	TORQUE	MOMENT				
NAME	TITLE	S2 (kN)	TQ (kN·m)	M3 (kN·m)	S2 (kN)	TQ (kN·m)	M3 (kN·m)	S2 (kN)	TQ (kN·m)	M3 (kN·m)	S2 (kN)	TQ (kN·m)	M3 (kN·m)				
63	1-LANE (case3TANDEM-LOAD	MAX	S2	6.30	0.63	-86.68	6.30	0.63	-56.31	6.30	0.49	-56.32	6.30	0.49	-25.95		
			TQ	5.58	16.82	280.88	5.58	16.82	307.75	4.90	17.56	332.24	4.90	17.56	355.82		
			M3	-18.92	-32.04	543.28	-17.03	-28.51	456.85	-17.03	-27.42	456.92	-7.53	-5.68	413.15		
		MIN	S2	-24.86	-33.55	481.96	-24.86	-33.55	362.20	-24.86	-32.68	362.28	-24.86	-32.68	242.53		
			TQ	-23.93	-37.05	525.02	-23.93	-37.05	409.73	-23.93	-36.07	409.81	-23.93	-36.07	294.52		
			M3	-11.46	-1.05	-316.91	-11.46	-1.05	-372.10	-11.46	-1.95	-372.10	-11.46	-1.95	-427.30		
		DISPERSION-LMAX	S2	14.02	8.17	-22.62	14.02	8.17	44.90	14.02	8.28	44.88	14.02	8.28	112.40		
			TQ	6.90	10.35	119.53	6.90	10.35	152.78	6.45	10.73	161.09	6.45	10.73	192.15		
			M3	-25.01	-24.51	760.72	-25.01	-24.51	640.24	-25.01	-22.98	640.30	-25.01	-22.98	519.82		
		MIN	S2	-55.96	-35.09	-158.31	-55.96	-35.09	-427.87	-55.96	-36.11	-427.78	-55.96	-36.11	-697.34		
			TQ	-48.84	-37.27	-300.46	-48.84	-37.27	-535.75	-48.39	-38.56	-543.99	-48.39	-38.56	-777.08		
			M3	-16.93	-2.40	-941.65	-16.93	-2.40	-1023.21	-16.93	-4.86	-1023.20	-16.93	-4.86	-1104.76		
		64	1-LANE (case4TRUCK-LOAD	MAX	S2	7.25	36.53	-122.92	7.25	36.53	-87.97	7.25	36.32	-88.06	7.25	36.32	-53.11
					TQ	6.57	39.28	-115.32	6.57	39.28	-83.68	6.57	39.08	-83.77	6.57	39.08	-52.13
					M3	-4.61	-222.39	328.38	-3.55	-222.26	309.14	-3.55	-221.51	309.68	-1.93	-215.88	298.68
MIN	S2			-12.57	-4.23	-428.80	-12.57	-4.23	-489.36	-12.57	-5.41	-489.35	-12.57	-5.41	-549.91		
	TQ			-4.31	-222.58	327.94	-4.31	-222.58	307.18	-4.31	-221.85	307.71	-4.31	-221.85	286.95		
	M3			-12.51	-4.53	-434.89	-12.51	-4.53	-495.15	-12.51	-5.72	-495.14	-12.51	-5.72	-555.40		
TANDEM-LOAD	MAX			S2	4.94	24.50	-83.40	4.94	24.50	-59.63	4.94	24.35	-59.68	4.94	24.35	-35.91	
	TQ			4.59	26.70	-80.11	4.59	26.70	-57.99	4.59	26.56	-58.06	4.59	26.56	-35.94		
	M3			-3.53	-151.62	224.62	-1.97	-151.71	211.66	-1.97	-151.20	212.02	-1.52	-149.63	204.25		
MIN	S2			-8.55	-2.90	-292.17	-8.55	-2.90	-333.36	-8.55	-3.70	-333.35	-8.55	-3.70	-374.54		
	TQ			-1.97	-151.71	221.13	-1.97	-151.71	211.66	-1.97	-151.20	212.02	-1.97	-151.20	202.55		
	M3			-8.47	-3.11	-295.43	-8.47	-3.11	-336.22	-8.47	-3.92	-336.21	-8.47	-3.92	-377.00		

BAGO RIVER BRIDGE

BLOCK [ No.1 : MAIN GIRDER ][ BEAM MEMBER FORCE ]

MEMBER			1027			1028			1028			1029					
NODE			1027			1028			1028			1029					
NAME TITLE			SHEAR	TORQUE	MOMENT	SHEAR	TORQUE	MOMENT	SHEAR	TORQUE	MOMENT	SHEAR	TORQUE	MOMENT			
			S2 (kN)	TQ (kN·m)	M3 (kN·m)	S2 (kN)	TQ (kN·m)	M3 (kN·m)	S2 (kN)	TQ (kN·m)	M3 (kN·m)	S2 (kN)	TQ (kN·m)	M3 (kN·m)			
64	1-LANE (case4DISPERSION-LMAX	S2	8.97	19.07	-117.95	8.97	19.07	-74.72	8.97	18.89	-74.77	8.97	18.89	-31.54			
		TQ	8.74	46.09	-151.66	8.74	46.09	-109.53	8.75	45.83	-108.96	8.75	45.83	-66.82			
		M3	-8.13	-215.55	396.50	-8.13	-215.55	357.34	-8.13	-214.69	357.86	-8.13	-214.69	318.70			
		MIN	S2	-28.21	-196.51	-362.35	-28.21	-196.51	-498.24	-28.21	-197.70	-497.77	-28.21	-197.70	-633.65		
		TQ	-27.98	-223.52	-328.64	-27.98	-223.52	-463.43	-27.98	-224.64	-463.58	-27.98	-224.64	-598.37			
		M3	-11.11	38.11	-876.80	-11.11	38.11	-930.30	-11.11	35.88	-930.39	-11.11	35.88	-983.89			
		65	2-LANES (caseTRUCK-LOAD	MAX	S2	353.40	287.18	2864.65	210.27	121.29	2933.55	210.27	128.33	2933.25	103.57	12.76	2327.21
				TQ	-144.05	445.95	2172.38	-144.05	445.95	1478.45	-144.05	449.49	1477.37	-144.05	449.49	783.44	
				M3	157.72	400.40	2976.89	35.46	268.13	3064.76	35.46	275.48	3064.11	-106.39	110.77	2433.77	
MIN	S2			-190.71	423.48	2917.16	-301.92	309.26	2995.50	-301.92	316.45	2994.75	-445.08	151.00	2380.56		
TQ	20.77			-62.03	-244.20	20.77	-62.03	-144.13	20.77	-62.37	-143.98	20.77	-62.37	-43.92			
M3	-47.43			6.42	-1029.77	-47.51	6.50	-1258.43	-47.51	3.48	-1258.44	-47.54	3.52	-1487.33			
TANDEM-LOAD	MAX			S2	286.76	250.18	2298.77	184.54	130.20	2394.36	184.54	135.95	2394.04	91.15	26.52	1936.90	
TQ	-94.31			309.38	1437.27	-94.31	309.38	982.95	-94.31	311.74	982.20	-94.31	311.74	527.88			
M3	77.33			270.64	2307.31	-19.16	159.68	2403.03	-19.16	165.45	2402.64	-119.03	47.05	1943.25			
MIN	S2	-151.54	270.64	2307.31	-248.02	159.68	2403.03	-248.02	165.45	2402.64	-347.89	47.05	1943.25				
TQ	14.33	-42.24	-168.79	14.33	-42.24	-99.77	14.33	-42.48	-99.67	14.33	-42.48	-30.64					
M3	-32.22	4.41	-698.31	-32.30	4.50	-853.58	-32.30	2.45	-853.58	-32.30	2.45	-1009.18					
DISPERSION-LMAX	S2	119.81	-27.18	606.65	76.15	-63.16	625.91	76.15	-61.66	626.06	50.25	-77.76	509.24				
TQ	-92.25	384.52	205.72	-172.70	384.52	-432.89	-170.06	383.51	-366.43	-250.51	383.51	-1379.90					
M3	3.56	363.72	2172.07	-76.89	363.72	1994.98	-76.89	368.51	1994.10	-157.35	368.51	1429.45					
MIN	S2	-170.91	329.70	-509.12	-207.70	365.68	-968.79	-207.70	363.35	-969.67	-262.26	379.45	-1680.82				
TQ	41.15	-82.00	-108.20	41.15	-82.00	90.02	38.51	-81.81	22.83	38.51	-81.81	208.33					
M3	-54.66	-61.20	-2074.54	-54.66	-61.20	-2337.86	-54.66	-66.81	-2337.71	-54.66	-66.81	-2601.03					

BAGO RIVER BRIDGE

BLOCK [ No.1 : MAIN GIRDER ][ BEAM MEMBER FORCE ]

MEMBER NODE	1027	1028			1028			1028			1029					
		SHEAR	TORQUE	MOMENT	SHEAR	TORQUE	MOMENT	SHEAR	TORQUE	MOMENT	SHEAR	TORQUE	MOMENT			
		S2 (kN)	TQ (kN·m)	M3 (kN·m)	S2 (kN)	TQ (kN·m)	M3 (kN·m)	S2 (kN)	TQ (kN·m)	M3 (kN·m)	S2 (kN)	TQ (kN·m)	M3 (kN·m)			
66	2-LANES (case	TRUCK-LOAD	MAX	S2	118.01	148.91	1899.71	92.62	99.45	1960.93	92.62	104.16	1960.69	70.37	65.53	1898.67
				TQ	-110.66	242.48	1697.26	-110.66	242.48	1164.17	-110.66	245.28	1163.59	-110.66	245.28	630.50
				M3	-33.83	191.69	2532.10	-31.65	148.05	2258.49	-31.65	153.47	2258.12	-20.64	107.41	2042.60
			MIN	S2	-147.36	204.05	2471.77	-170.77	166.63	2105.81	-170.77	171.69	2105.40	-196.16	122.40	1611.32
				TQ	19.64	-40.79	-242.48	19.64	-40.79	-147.85	19.64	-41.15	-147.75	19.64	-41.15	-53.12
				M3	-42.85	3.22	-997.72	-42.85	3.22	-1204.14	-42.85	0.33	-1204.15	-42.89	0.37	-1410.62
	TANDEM-LOAD	MAX	S2	89.99	115.66	1387.27	72.22	80.49	1441.58	72.22	83.95	1441.39	55.54	50.86	1407.19	
			TQ	-71.19	166.82	1081.53	-71.19	166.82	738.60	-71.19	168.59	738.20	-71.19	168.59	395.28	
			M3	-34.20	125.36	1851.46	-27.46	94.63	1649.38	-27.46	98.59	1649.15	-18.06	66.94	1519.19	
		MIN	S2	-108.21	132.25	1787.75	-125.61	99.13	1529.87	-125.61	102.80	1529.63	-142.84	67.82	1182.99	
			TQ	13.56	-27.79	-167.63	13.56	-27.79	-102.30	13.56	-28.03	-102.24	13.56	-28.03	-36.91	
			M3	-29.02	2.14	-676.79	-29.10	2.23	-816.65	-29.10	0.27	-816.65	-29.10	0.27	-956.84	
	DISPERSION-LMAX	S2	64.13	-11.92	343.92	53.03	-25.53	435.32	53.03	-24.48	435.38	44.59	-33.49	475.27		
		TQ	-118.06	231.11	275.45	-143.18	231.11	-353.79	-111.82	231.29	552.53	-136.94	231.29	-46.62		
		M3	-43.02	224.41	1989.58	-68.14	224.41	1721.84	-68.14	228.54	1721.29	-93.26	228.54	1332.55		
		MIN	S2	-155.17	193.53	-367.29	-169.19	207.14	-957.76	-169.19	204.85	-958.26	-185.87	213.86	-1618.22	
			TQ	27.02	-49.49	-298.82	27.02	-49.49	-168.66	-4.34	-50.92	-1075.41	-4.34	-50.92	-1096.33	
			M3	-48.02	-42.79	-2012.96	-48.02	-42.79	-2244.28	-48.02	-48.18	-2244.17	-48.02	-48.18	-2475.50	
67	2-LANES (case	TRUCK-LOAD	MAX	S2	17.99	11.81	-253.91	17.99	11.81	-167.23	17.99	11.40	-167.26	17.99	11.40	-80.57
			TQ	15.52	34.48	271.09	15.52	34.48	345.85	13.07	35.32	433.67	13.07	35.32	496.64	
			M3	-48.47	-148.70	1402.70	-34.43	-108.45	1196.12	-34.43	-105.58	1196.37	-18.77	-62.95	1068.85	
		MIN	S2	-61.16	-155.04	1263.32	-61.16	-155.04	968.70	-61.16	-152.72	969.07	-61.16	-152.72	674.44	
			TQ	-59.20	-161.06	1345.32	-59.20	-161.06	1060.14	-59.20	-158.52	1060.52	-59.20	-158.52	775.33	
			M3	-31.45	-4.72	-917.62	-31.55	-4.60	-1069.21	-31.55	-7.16	-1069.20	-31.55	-7.16	-1221.20	

BAGO RIVER BRIDGE

BLOCK [ No.1 : MAIN GIRDER ][ BEAM MEMBER FORCE ]

MEMBER		1027			1028			1028			1029						
NODE		1027			1028			1028			1029						
		SHEAR	TORQUE	MOMENT	SHEAR	TORQUE	MOMENT	SHEAR	TORQUE	MOMENT	SHEAR	TORQUE	MOMENT				
NAME	TITLE	S2 (kN)	TQ (kN·m)	M3 (kN·m)	S2 (kN)	TQ (kN·m)	M3 (kN·m)	S2 (kN)	TQ (kN·m)	M3 (kN·m)	S2 (kN)	TQ (kN·m)	M3 (kN·m)				
67	2-LANES (caseTANDEM-LOAD	MAX	S2	12.22	7.90	-172.38	12.22	7.90	-113.51	12.22	7.63	-113.52	12.22	7.63	-54.65		
			TQ	10.77	25.36	204.27	10.77	25.36	256.17	10.09	25.98	280.63	10.09	25.98	329.23		
			M3	-33.10	-104.38	961.23	-26.99	-86.61	818.42	-26.99	-84.65	818.63	-14.57	-43.99	732.11		
		MIN	S2	-42.29	-107.63	871.71	-42.29	-107.63	667.97	-42.29	-106.02	668.22	-42.29	-106.02	464.48		
			TQ	-41.07	-111.79	923.88	-41.07	-111.79	726.05	-41.07	-110.04	726.31	-41.07	-110.04	528.48		
			M3	-21.39	-3.16	-623.06	-21.42	-3.13	-726.14	-21.42	-4.87	-726.13	-21.42	-4.87	-829.33		
			DISPERSION-LMAX	S2	25.38	23.56	-107.36	25.38	23.56	14.92	25.38	23.60	14.86	25.38	23.60	137.14	
				TQ	18.22	25.86	32.67	18.22	25.86	120.43	17.77	26.16	131.91	17.77	26.16	217.49	
				M3	-44.92	-113.36	1398.16	-44.92	-113.36	1181.79	-44.92	-110.52	1182.06	-44.92	-110.52	965.68	
			MIN	S2	-100.75	-131.37	-346.70	-100.75	-131.37	-832.04	-100.75	-133.37	-831.72	-100.75	-133.37	-1317.05	
				TQ	-93.58	-133.67	-486.74	-93.58	-133.67	-937.55	-93.13	-135.93	-948.77	-93.13	-135.93	-1397.40	
				M3	-30.45	5.56	-1852.23	-30.45	5.56	-1998.91	-30.45	0.76	-1998.92	-30.45	0.76	-2145.59	
		68	2-LANES (caseTRUCK-LOAD	MAX	S2	15.09	62.88	-247.17	15.09	62.88	-174.49	15.09	62.46	-174.64	15.09	62.46	-101.96
					TQ	13.80	67.40	-232.42	13.80	67.40	-165.97	13.80	67.00	-166.13	13.80	67.00	-99.67
					M3	-16.18	-383.18	779.40	-12.64	-364.03	710.84	-12.64	-362.32	711.71	-9.55	-332.21	660.15
MIN	S2			-27.34	-163.65	-28.93	-27.34	-163.65	-160.61	-27.34	-164.04	-160.22	-27.34	-164.04	-291.90		
	TQ			-18.25	-389.47	765.60	-18.25	-389.47	677.70	-18.25	-387.84	678.64	-18.25	-387.84	590.74		
	M3			-27.10	-7.68	-885.69	-27.20	-7.56	-1016.31	-27.20	-10.00	-1016.29	-27.20	-10.00	-1147.33		
	TANDEM-LOAD			MAX	S2	10.26	42.17	-167.72	10.26	42.17	-118.29	10.26	41.89	-118.39	10.26	41.89	-68.96
				TQ	9.59	45.83	-160.95	9.59	45.83	-114.74	9.59	45.56	-114.85	9.59	45.56	-68.63	
				M3	-10.97	-260.31	531.45	-7.47	-243.15	484.31	-7.47	-241.99	484.90	-6.69	-234.50	451.14	
	MIN			S2	-18.70	-113.44	-13.65	-18.70	-113.44	-103.73	-18.70	-113.69	-103.46	-18.70	-113.69	-193.53	
				TQ	-11.35	-266.18	523.15	-11.35	-266.18	468.46	-11.35	-265.05	469.10	-11.35	-265.05	414.41	
				M3	-18.40	-5.22	-601.58	-18.43	-5.18	-690.26	-18.43	-6.84	-690.24	-18.43	-6.84	-779.03	



BAGO RIVER BRIDGE

BLOCK [ No.1 : MAIN GIRDER ][ BEAM MEMBER FORCE ]

MEMBER			1027			1028			1028			1029				
NODE			1027			1028			1028			1029				
NAME TITLE			SHEAR	TORQUE	MOMENT	SHEAR	TORQUE	MOMENT	SHEAR	TORQUE	MOMENT	SHEAR	TORQUE	MOMENT		
			S2 (kN)	TQ (kN·m)	M3 (kN·m)	S2 (kN)	TQ (kN·m)	M3 (kN·m)	S2 (kN)	TQ (kN·m)	M3 (kN·m)	S2 (kN)	TQ (kN·m)	M3 (kN·m)		
68	2-LANES (caseDISPERSION-LMAX	S2	18.68	52.50	-239.46	18.68	52.50	-149.46	18.68	52.14	-149.58	18.68	52.14	-59.58		
		TQ	18.41	79.69	-287.53	18.41	79.69	-198.85	18.42	79.21	-197.06	18.42	79.21	-108.33		
		M3	-21.57	-368.38	916.07	-21.57	-368.38	812.15	-21.57	-366.43	813.03	-21.57	-366.43	709.11		
		MIN	S2	-65.90	-355.19	-628.90	-65.90	-355.19	-946.35	-65.90	-357.46	-945.49	-65.90	-357.46	-1262.93	
		TQ	-65.62	-382.38	-580.83	-65.62	-382.38	-896.95	-65.63	-384.53	-898.02	-65.63	-384.53	-1214.19		
		M3	-25.64	65.69	-1784.44	-25.64	65.69	-1907.95	-25.64	61.11	-1908.11	-25.64	61.11	-2031.62		
		MAX	S2	380.53	327.63	3439.64	237.40	161.74	3639.22	237.40	170.47	3638.82	130.70	54.91	3163.46	
		TQ	-189.77	521.66	2879.41	-189.77	521.66	1965.24	-189.77	526.37	1963.98	-189.77	526.37	1049.80		
		M3	102.17	447.44	4129.96	6.23	313.25	4010.15	6.23	322.88	4009.39	-99.38	161.42	3355.67		
69	3-LANES (caseTRUCK-LOAD	MIN	S2	-253.76	474.47	4037.81	-364.97	360.25	3812.42	-364.97	369.40	3811.54	-508.13	203.95	2893.64	
		TQ	30.31	-77.09	-365.01	30.31	-77.09	-218.99	30.31	-77.62	-218.80	30.31	-77.62	-72.79		
		M3	-67.71	7.23	-1520.63	-67.79	7.31	-1846.98	-67.79	2.88	-1846.99	-67.82	2.92	-2173.58		
		TANDEM-LOAD	MAX	S2	306.96	276.05	2654.37	204.75	156.07	2847.29	204.75	162.90	2846.90	111.36	53.47	2487.09
		TQ	-123.66	361.98	1887.85	-123.66	361.98	1292.15	-123.66	365.08	1291.27	-123.66	365.08	695.57		
		M3	38.00	299.58	3122.72	-34.34	191.01	3059.03	-34.34	198.35	3058.56	-107.59	83.28	2600.64		
		MIN	S2	-196.21	306.47	3059.02	-292.70	195.51	2939.52	-292.70	202.56	2939.04	-392.57	84.17	2264.44	
		TQ	20.92	-52.51	-252.31	20.92	-52.51	-151.55	20.92	-52.87	-151.43	20.92	-52.87	-50.67		
		M3	-45.96	4.94	-1031.35	-46.05	5.03	-1252.83	-46.05	2.03	-1252.84	-46.05	2.03	-1474.65		
		DISPERSION-LMAX	S2	141.20	-31.89	668.13	97.52	-68.10	786.42	97.52	-66.21	786.58	71.19	-83.62	748.84	
		TQ	-156.37	463.40	351.72	-237.83	463.40	-598.21	-206.11	463.00	313.01	-287.57	463.00	-876.52		
		M3	-27.28	441.23	3118.46	-108.74	441.23	2790.39	-108.74	447.93	2789.32	-190.20	447.93	2068.85		
		MIN	S2	-245.50	395.17	-615.37	-283.28	431.38	-1432.73	-283.28	427.94	-1433.76	-338.40	445.35	-2487.48	
		TQ	52.08	-100.11	-298.96	52.08	-100.11	-48.10	20.36	-101.27	-960.18	20.36	-101.27	-862.12		
		M3	-77.01	-77.95	-3065.70	-77.01	-77.95	-3436.70	-77.01	-86.20	-3436.50	-77.01	-86.20	-3807.49		

BAGO RIVER BRIDGE

BLOCK [ No.1 : MAIN GIRDER ][ BEAM MEMBER FORCE ]

MEMBER				1027			1028			1028			1029		
NODE				1027			1028			1028			1029		
NAME TITLE				SHEAR	TORQUE	MOMENT	SHEAR	TORQUE	MOMENT	SHEAR	TORQUE	MOMENT	SHEAR	TORQUE	MOMENT
				S2 (kN)	TQ (kN·m)	M3 (kN·m)	S2 (kN)	TQ (kN·m)	M3 (kN·m)	S2 (kN)	TQ (kN·m)	M3 (kN·m)	S2 (kN)	TQ (kN·m)	M3 (kN·m)
70	3-LANES (caseTRUCK-LOAD	MAX	S2	26.12	32.91	-378.84	26.12	32.91	-252.99	26.12	32.31	-253.07	26.12	32.31	-127.22
			TQ	22.70	58.11	157.53	22.70	58.11	266.88	20.25	58.75	354.64	20.25	58.75	452.20
			M3	-60.88	-305.55	1864.99	-44.50	-252.00	1604.27	-44.50	-248.15	1604.87	-28.05	-198.28	1431.44
		MIN	S2	-76.68	-309.22	1669.84	-76.68	-309.22	1300.43	-76.68	-306.10	1301.17	-76.68	-306.10	931.76
			TQ	-74.02	-323.20	1792.47	-74.02	-323.20	1435.88	-74.02	-319.76	1436.65	-74.02	-319.76	1080.06
			M3	-43.96	-9.25	-1352.52	-44.06	-9.13	-1564.37	-44.06	-12.88	-1564.34	-44.06	-12.88	-1776.61
	TANDEM-LOAD	MAX	S2	17.75	22.00	-257.17	17.75	22.00	-171.66	17.75	21.59	-171.71	17.75	21.59	-86.21
			TQ	15.57	41.50	128.19	15.57	41.50	203.19	14.89	41.99	227.62	14.89	41.99	299.33
			M3	-41.13	-210.41	1276.44	-34.46	-189.67	1096.55	-34.46	-187.04	1097.00	-20.35	-133.37	981.34
		MIN	S2	-52.99	-214.65	1155.07	-52.99	-214.65	899.82	-52.99	-212.49	900.33	-52.99	-212.49	645.08
			TQ	-51.08	-223.10	1232.72	-51.08	-223.10	986.66	-51.08	-220.74	987.19	-51.08	-220.74	741.12
			M3	-29.86	-6.27	-918.49	-29.89	-6.24	-1062.36	-29.89	-8.79	-1062.34	-29.89	-8.79	-1206.33
	DISPERSION-LMAX	MAX	S2	35.27	50.02	-251.28	35.27	50.02	-81.39	35.27	49.82	-81.51	35.27	49.82	88.37
			TQ	28.07	52.42	-119.54	28.07	52.42	15.70	27.63	52.48	28.01	27.63	52.48	161.09
			M3	-59.50	-265.02	1912.70	-59.50	-265.02	1626.08	-59.50	-261.12	1626.71	-59.50	-261.12	1340.09
	MIN	S2	-135.31	-290.94	-568.25	-135.31	-290.94	-1220.07	-135.31	-293.87	-1219.37	-135.31	-293.87	-1871.20	
		TQ	-128.12	-293.34	-699.98	-128.12	-293.34	-1317.16	-127.67	-296.52	-1328.90	-127.67	-296.52	-1943.92	
		M3	-40.55	24.10	-2732.23	-40.55	24.10	-2927.55	-40.55	17.07	-2927.60	-40.55	17.07	-3122.92	
71	3-LANES (caseTRUCK-LOAD	MAX	S2	23.50	79.10	-372.81	23.50	79.10	-259.60	23.50	78.48	-259.79	23.50	78.48	-146.58
			TQ	21.62	84.38	-350.52	21.62	84.38	-246.36	21.62	83.79	-246.56	21.62	83.79	-142.40
			M3	-33.70	-482.18	1381.55	-25.67	-437.51	1238.20	-25.67	-434.53	1239.25	-17.66	-369.05	1132.64
		MIN	S2	-51.73	-273.21	501.78	-51.73	-273.21	252.59	-51.73	-272.61	253.24	-51.73	-272.61	4.05
			TQ	-41.49	-502.94	1345.81	-41.49	-502.94	1145.96	-41.49	-500.19	1147.16	-41.49	-500.19	947.31
			M3	-43.96	-9.25	-1352.52	-44.06	-9.13	-1564.37	-44.06	-12.88	-1564.34	-44.06	-12.88	-1776.61

BAGO RIVER BRIDGE

BLOCK [ No.1 : MAIN GIRDER ][ BEAM MEMBER FORCE ]

MEMBER				1027			1028			1029						
NODE				1027			1028			1029						
				SHEAR	TORQUE	MOMENT	SHEAR	TORQUE	MOMENT	SHEAR	TORQUE	MOMENT				
NAME	TITLE			S2 (kN)	TQ (kN·m)	M3 (kN·m)	S2 (kN)	TQ (kN·m)	M3 (kN·m)	S2 (kN)	TQ (kN·m)	M3 (kN·m)				
71	3-LANES (caseTANDEM-LOAD	MAX	S2	15.97	53.03	-252.94	15.97	53.03	-175.98	15.97	52.61	-176.11	15.97	52.61	-99.16	
			TQ	15.01	57.39	-242.53	15.01	57.39	-170.23	15.01	56.99	-170.37	15.01	56.99	-98.08	
			M3	-24.62	-335.08	941.27	-17.25	-302.10	843.22	-17.25	-300.07	843.94	-12.91	-264.34	775.40	
		MIN	S2	-35.51	-190.67	369.28	-35.51	-190.67	198.23	-35.51	-190.19	198.69	-35.51	-190.19	27.64	
			TQ	-27.86	-343.95	914.75	-27.86	-343.95	780.56	-27.86	-342.07	781.38	-27.86	-342.07	647.18	
			M3	-29.86	-6.27	-918.49	-29.89	-6.24	-1062.36	-29.89	-8.79	-1062.34	-29.89	-8.79	-1206.33	
	DISPERSION-LMAX	S2	30.20	76.71	-308.12	30.20	76.71	-162.62	30.20	76.32	-162.81	30.20	76.32	-17.31		
		TQ	29.88	104.05	-344.60	29.88	104.05	-200.68	29.87	103.57	-195.59	29.87	103.57	-51.69		
		M3	-40.34	-458.50	1558.45	-40.34	-458.50	1364.11	-40.34	-455.23	1365.20	-40.34	-455.23	1170.86		
		MIN	S2	-114.15	-452.36	-856.53	-114.15	-452.36	-1406.42	-114.15	-455.74	-1405.33	-114.15	-455.74	-1955.23	
			TQ	-113.82	-479.70	-820.05	-113.82	-479.70	-1368.36	-113.82	-482.99	-1372.55	-113.82	-482.99	-1920.84	
			M3	-43.61	82.85	-2723.09	-43.61	82.85	-2933.15	-43.61	75.81	-2933.34	-43.61	75.81	-3143.40	
72	4-LANES	TRUCK-LOAD	MAX	S2	33.08	74.67	-501.09	33.08	74.67	-341.72	33.08	73.85	-341.90	33.08	73.85	-182.53
			TQ	28.96	81.31	-449.00	28.96	81.31	-309.47	28.96	80.56	-309.66	28.96	80.56	-170.13	
			M3	-67.87	-535.77	2176.80	-64.96	-524.52	1858.59	-64.96	-520.06	1859.84	-63.12	-512.85	1553.22	
		MIN	S2	-84.28	-500.18	1949.06	-84.28	-500.18	1543.06	-84.28	-496.47	1544.25	-84.28	-496.47	1138.25	
			TQ	-77.41	-550.39	2109.90	-77.41	-550.39	1736.97	-77.41	-546.22	1738.29	-77.41	-546.22	1365.37	
			M3	33.05	75.76	-501.28	33.01	76.39	-342.20	33.01	75.57	-342.38	32.75	77.51	-183.54	
	TANDEM-LOAD	MAX	S2	22.48	50.06	-340.11	22.48	50.06	-231.80	22.48	49.51	-231.91	22.48	49.51	-123.60	
		TQ	19.20	55.28	-298.49	19.20	55.28	-206.01	19.20	54.79	-206.14	19.20	54.79	-113.66		
		M3	-44.10	-364.39	1492.53	-38.91	-351.52	1297.89	-38.91	-348.41	1298.73	-36.93	-333.19	1119.95		
		MIN	S2	-58.28	-340.77	1339.75	-58.28	-340.77	1058.99	-58.28	-338.23	1059.80	-58.28	-338.23	779.04	
			TQ	-52.39	-377.95	1446.51	-52.39	-377.95	1194.14	-52.39	-375.09	1195.04	-52.39	-375.09	942.67	
			M3	22.41	52.46	-340.68	22.41	52.48	-232.72	22.41	51.93	-232.85	22.34	52.45	-124.93	

BAGO RIVER BRIDGE

BLOCK [ No.1 : MAIN GIRDER ][ BEAM MEMBER FORCE ]

MEMBER				1027			1028			1028			1029				
NODE				1027			1028			1028			1029				
NAME TITLE				SHEAR	TORQUE	MOMENT	SHEAR	TORQUE	MOMENT	SHEAR	TORQUE	MOMENT	SHEAR	TORQUE	MOMENT		
				S2 (kN)	TQ (kN·m)	M3 (kN·m)	S2 (kN)	TQ (kN·m)	M3 (kN·m)	S2 (kN)	TQ (kN·m)	M3 (kN·m)	S2 (kN)	TQ (kN·m)	M3 (kN·m)		
72	4-LANES	DISPERSION-LMAX	S2	40.47	66.97	-581.20	40.47	66.97	-386.25	40.47	66.04	-386.41	40.47	66.04	-191.46		
			TQ	34.76	98.52	-537.34	34.76	98.52	-369.89	34.39	97.64	-366.59	34.39	97.64	-200.92		
			M3	-60.11	-401.19	1442.19	-60.01	-402.85	1152.84	-60.01	-400.09	1153.81	-59.82	-401.82	865.17		
	MIN	S2	-60.30	-378.71	1415.14	-60.30	-378.71	1124.67	-60.30	-376.01	1125.57	-60.30	-376.01	835.10			
		TQ	-53.14	-407.31	1348.77	-53.14	-407.31	1092.78	-52.77	-404.69	1090.21	-52.77	-404.69	836.01			
		M3	40.26	90.88	-609.77	39.87	97.65	-416.76	39.87	96.65	-417.00	39.87	96.65	-224.94			
	73	6-LANES	TRUCK-LOAD	MAX	S2	335.31	310.50	2407.79	222.97	197.99	2933.02	222.97	205.03	2932.54	140.89	123.40	2841.52
				TQ	-97.09	515.78	2769.83	-97.09	515.78	2302.13	-97.09	521.30	2300.89	-97.09	521.30	1833.19	
				M3	19.38	-58.92	5435.26	-37.75	-122.90	5086.46	-37.75	-110.69	5086.74	-98.72	-153.91	4422.13	
MIN		S2	-292.77	160.31	4370.71	-378.19	80.07	3662.81	-378.19	88.86	3662.61	-490.55	-23.38	2341.71			
		TQ	-21.99	-513.56	1108.42	-21.99	-513.56	1002.51	-21.91	-511.15	1003.11	-21.91	-511.15	897.54			
		M3	-111.69	-2.01	-2873.37	-111.77	-1.93	-3411.61	-111.77	-10.11	-3411.59	-111.87	-10.00	-3950.45			
TANDEM-LOAD		MAX	S2	268.66	250.72	1847.10	188.12	168.81	2265.58	188.12	174.25	2265.17	114.93	100.44	2241.41		
		TQ	-64.95	360.60	1944.60	-64.95	360.60	1631.71	-64.95	364.52	1630.84	-64.95	364.52	1317.94			
		M3	-12.92	-47.65	3963.23	-51.70	-80.22	3744.78	-51.70	-71.23	3744.96	-101.48	-122.34	3289.28			
MIN		S2	-218.89	89.49	3288.77	-294.35	14.26	2779.09	-294.35	20.93	2779.05	-373.17	-59.66	1825.23			
		TQ	-12.54	-351.84	769.37	-12.54	-351.84	708.94	-12.54	-350.14	709.78	-12.54	-350.14	649.35			
		M3	-75.84	-1.32	-1949.99	-75.84	-1.32	-2315.34	-75.84	-6.87	-2315.33	-75.95	-6.76	-2681.15			
DISPERSION-LMAX		S2	160.18	31.88	314.13	121.31	-0.09	589.77	121.31	1.32	589.77	97.94	-13.47	732.84			
		TQ	-104.63	493.58	-138.52	-177.06	493.58	-816.81	-148.56	492.62	27.07	-214.88	492.62	-856.23			
		M3	-74.19	8.56	4546.28	-145.52	-10.75	4016.70	-145.51	-1.19	4016.72	-213.90	-33.75	3146.35			
MIN	S2	-345.40	-46.72	-1117.86	-377.76	-16.20	-2488.43	-377.76	-22.17	-2488.38	-427.13	-7.41	-4042.79				
	TQ	-74.02	-520.24	-765.69	-74.02	-520.24	-1122.28	-105.20	-523.98	-2040.90	-105.20	-523.98	-2547.67				
	M3	-109.39	-3.58	-5429.45	-110.65	17.83	-5959.64	-110.65	3.53	-5959.67	-110.65	3.53	-6492.68				

BAGO RIVER BRIDGE

BLOCK [ No.1 : MAIN GIRDER ][ BEAM MEMBER FORCE ]

MEMBER			1027			1028			1028			1029			
NODE			1027			1028			1028			1029			
NAME TITLE			SHEAR	TORQUE	MOMENT	SHEAR	TORQUE	MOMENT	SHEAR	TORQUE	MOMENT	SHEAR	TORQUE	MOMENT	
			S2 (kN)	TQ (kN·m)	M3 (kN·m)	S2 (kN)	TQ (kN·m)	M3 (kN·m)	S2 (kN)	TQ (kN·m)	M3 (kN·m)	S2 (kN)	TQ (kN·m)	M3 (kN·m)	
124	SUM TOTAL	D+1LANE (caseMAX	S2	-314.31	238.38	-945.89	-775.02	71.54	-4899.91	-775.02	59.78	-4900.07	-1178.16	-42.62	-10991.99
			TQ	-862.71	661.64	-1672.76	-1210.65	661.64	-6667.22	-1210.22	645.64	-6662.25	-1558.16	645.64	-13330.73
			M3	-539.72	614.97	89.22	-1005.40	506.32	-3950.93	-1005.40	496.83	-3952.13	-1493.29	358.35	-10378.77
		MIN	S2	-957.89	614.35	-1601.31	-1372.08	549.30	-5857.21	-1372.08	535.24	-5858.52	-1839.87	405.94	-12342.36
			TQ	-678.95	-56.43	-3330.06	-959.28	-56.43	-7275.89	-959.70	-73.89	-7282.27	-1240.03	-73.89	-12580.58
			M3	-786.43	10.50	-5073.64	-1066.86	10.60	-9537.49	-1066.86	-12.29	-9537.49	-1347.19	-12.29	-15351.96
		D+1LANE (caseMAX	S2	-663.59	90.77	-2419.09	-943.94	90.50	-6295.77	-943.94	75.39	-6295.97	-1224.79	73.81	-11547.00
			TQ	-853.62	233.39	-2159.23	-1135.16	233.39	-6949.42	-1100.26	217.92	-5936.03	-1381.80	217.92	-11914.33
			M3	-825.48	197.36	-663.51	-1075.44	195.06	-5246.23	-1075.44	182.46	-5246.68	-1313.48	186.37	-10964.46
		MIN	S2	-886.97	187.63	-1965.59	-1168.49	187.91	-6911.61	-1168.49	171.32	-6912.04	-1449.50	172.90	-13190.33
			TQ	-697.25	8.07	-3556.74	-977.58	8.07	-7590.75	-1012.48	-11.36	-8604.68	-1292.81	-11.36	-14157.20
			M3	-772.97	28.75	-4961.29	-1053.30	28.75	-9360.05	-1053.30	6.28	-9360.09	-1333.64	6.29	-15109.28
		D+1LANE (caseMAX	S2	-693.85	58.64	-3363.12	-974.18	58.64	-7380.74	-974.18	40.93	-7380.86	-1254.51	40.93	-12748.89
			TQ	-704.23	86.70	-2576.83	-984.56	86.70	-6644.45	-988.04	70.77	-6529.17	-1268.37	70.77	-11963.97
			M3	-786.44	-37.71	-1321.26	-1056.98	-18.85	-5764.18	-1056.98	-32.69	-5764.12	-1321.24	3.14	-11489.89
		MIN	S2	-832.04	-54.68	-2504.15	-1112.37	-54.68	-7187.48	-1112.37	-71.93	-7187.32	-1392.70	-71.93	-13221.06
			TQ	-822.50	-59.15	-2638.53	-1102.83	-59.15	-7275.90	-1102.29	-76.62	-7285.74	-1382.62	-76.62	-13270.89
			M3	-762.36	43.11	-4873.04	-1042.69	43.11	-9220.70	-1042.69	20.98	-9220.78	-1323.02	20.98	-14918.86
		D+1LANE (caseMAX	S2	-702.34	114.61	-3471.91	-982.67	114.61	-7530.42	-982.67	96.53	-7530.68	-1263.00	96.53	-12939.60
			TQ	-703.44	150.32	-3503.24	-983.77	150.32	-7567.04	-983.76	132.16	-7566.56	-1264.09	132.16	-12980.75
			M3	-737.10	-477.64	-2313.02	-1016.15	-477.48	-6535.41	-1016.15	-493.17	-6534.25	-1294.54	-486.41	-12097.16
		MIN	S2	-770.75	-193.00	-4132.26	-1051.08	-193.00	-8520.31	-1051.08	-213.45	-8519.82	-1331.41	-213.45	-14258.29
			TQ	-760.56	-487.45	-3183.71	-1040.89	-487.45	-7522.70	-1040.89	-505.50	-7522.32	-1321.22	-505.50	-13211.73
			M3	-750.15	88.18	-4756.90	-1030.48	88.18	-9045.74	-1030.48	66.47	-9045.92	-1310.81	66.47	-14685.17

BAGO RIVER BRIDGE

BLOCK [ No.1 : MAIN GIRDER ][ BEAM MEMBER FORCE ]

MEMBER			1027			1028			1028			1029			
NODE			1027			1028			1028			1029			
NAME TITLE			SHEAR	TORQUE	MOMENT	SHEAR	TORQUE	MOMENT	SHEAR	TORQUE	MOMENT	SHEAR	TORQUE	MOMENT	
			S2 (kN)	TQ (kN·m)	M3 (kN·m)	S2 (kN)	TQ (kN·m)	M3 (kN·m)	S2 (kN)	TQ (kN·m)	M3 (kN·m)	S2 (kN)	TQ (kN·m)	M3 (kN·m)	
124	SUM TOTAL	D+2LANES (casMAX	S2	-248.61	307.88	288.43	-715.73	106.01	-3775.73	-715.73	96.95	-3775.97	-1128.65	-34.72	-10001.56
			TQ	-958.12	878.35	-804.77	-1318.90	878.35	-6289.64	-1316.26	863.28	-6224.35	-1677.04	863.28	-13434.47
			M3	-560.54	812.00	1966.09	-1043.58	679.72	-2275.45	-1043.58	674.26	-2277.08	-1546.21	509.55	-8974.79
		MIN	S2	-1083.44	801.06	-774.83	-1511.76	722.82	-5308.48	-1511.76	710.08	-5310.20	-1989.81	560.73	-12138.26
			TQ	-659.89	-96.15	-3535.27	-940.22	-96.15	-7389.31	-942.86	-113.91	-7456.44	-1223.19	-113.91	-12673.61
			M3	-823.90	-6.90	-6287.18	-1104.31	-6.81	-10931.48	-1104.31	-33.05	-10931.43	-1384.67	-33.01	-16926.37
		D+2LANES (casMAX	S2	-539.68	184.87	-939.24	-856.49	121.80	-4938.94	-856.49	109.95	-4939.22	-1167.51	62.31	-10464.08
			TQ	-950.54	521.47	-1210.16	-1255.99	521.47	-6524.81	-1224.62	506.84	-5619.16	-1530.07	506.84	-12254.14
			M3	-798.67	463.98	1338.82	-1101.94	420.34	-3354.87	-1101.94	412.29	-3355.87	-1396.37	366.23	-9462.87
		MIN	S2	-1024.34	445.47	-1078.39	-1342.10	421.66	-6187.15	-1342.10	406.81	-6188.14	-1664.50	366.53	-12844.91
			TQ	-675.15	-42.40	-3724.17	-955.48	-42.40	-7651.70	-986.84	-61.80	-8558.45	-1267.17	-61.80	-13987.46
			M3	-812.68	8.31	-6193.55	-1093.01	8.31	-10783.62	-1093.01	-17.57	-10783.61	-1373.38	-17.53	-16724.13
		D+2LANES (casMAX	S2	-678.43	83.25	-3544.14	-958.76	83.25	-7487.50	-958.76	65.28	-7487.68	-1239.09	65.28	-12781.45
			TQ	-688.07	108.22	-2879.10	-968.40	108.22	-6868.90	-971.30	91.76	-6769.71	-1251.63	91.76	-12123.88
			M3	-815.20	-214.18	-382.01	-1081.48	-173.93	-4957.28	-1081.48	-185.82	-4956.85	-1346.16	-143.20	-10803.48
		MIN	S2	-883.72	-238.53	-2266.25	-1164.05	-238.53	-7198.53	-1164.05	-255.81	-7197.93	-1444.38	-255.81	-13480.62
			TQ	-874.60	-246.85	-2324.29	-1154.93	-246.85	-7212.61	-1154.48	-264.17	-7223.53	-1434.80	-264.17	-13460.08
			M3	-783.71	48.72	-5952.72	-1064.14	48.84	-10403.31	-1064.14	23.87	-10403.40	-1344.47	23.87	-16204.81
		D+2LANES (casMAX	S2	-688.04	163.26	-3669.49	-968.37	163.26	-7659.14	-968.37	144.87	-7659.51	-1248.70	144.87	-12999.55
			TQ	-689.61	194.97	-3702.82	-969.94	194.97	-7700.01	-969.93	176.49	-7698.47	-1250.26	176.49	-13046.01
			M3	-759.57	-703.68	-1487.39	-1036.35	-684.53	-5812.20	-1036.35	-698.48	-5810.54	-1313.60	-668.37	-11468.75
		MIN	S2	-815.05	-470.96	-3840.70	-1095.37	-470.96	-8442.14	-1095.37	-491.22	-8440.99	-1375.70	-491.22	-14392.85
			TQ	-805.68	-723.96	-2998.10	-1086.01	-723.96	-7554.44	-1086.02	-742.09	-7554.66	-1366.35	-742.09	-13461.46
			M3	-774.55	105.89	-5853.00	-1054.98	106.02	-10259.46	-1054.98	81.39	-10259.68	-1335.31	81.39	-16016.96

BAGO RIVER BRIDGE

BLOCK [ No.1 : MAIN GIRDER ][ BEAM MEMBER FORCE ]

MEMBER			1027			1028			1028			1029				
NODE			1027			1028			1028			1029				
NAME TITLE			SHEAR	TORQUE	MOMENT	SHEAR	TORQUE	MOMENT	SHEAR	TORQUE	MOMENT	SHEAR	TORQUE	MOMENT		
			S2 (kN)	TQ (kN·m)	M3 (kN·m)	S2 (kN)	TQ (kN·m)	M3 (kN·m)	S2 (kN)	TQ (kN·m)	M3 (kN·m)	S2 (kN)	TQ (kN·m)	M3 (kN·m)		
124	SUM TOTAL	D+3LANES (casMAX	S2	-278.35	299.26	308.74	-717.46	127.48	-3573.39	-717.46	118.90	-3573.69	-1110.86	5.87	-9512.56	
			TQ	-1016.04	885.18	-436.41	-1365.60	885.18	-6173.22	-1338.64	871.24	-5399.85	-1688.21	871.24	-12690.73	
			M3	-658.16	803.26	2978.29	-1089.28	689.20	-1554.73	-1089.28	685.46	-1556.38	-1528.61	548.23	-8227.18	
		MIN	S2	-1146.18	787.07	-273.79	-1553.15	720.77	-5312.45	-1553.15	708.01	-5314.17	-2002.03	582.19	-12492.78	
			TQ	-651.78	-102.74	-3747.24	-932.11	-102.74	-7562.21	-959.07	-121.77	-8337.42	-1239.40	-121.77	-13632.69	
			M3	-844.82	-12.24	-7081.25	-1125.22	-12.16	-11826.32	-1125.22	-40.55	-11826.25	-1405.58	-40.51	-17921.93	
		D+3LANES (casMAX	S2	-669.63	118.37	-3718.47	-949.96	118.37	-7619.42	-949.96	100.09	-7619.68	-1230.29	100.09	-12871.04	
			TQ	-678.65	141.84	-3150.58	-958.98	141.84	-7095.00	-961.44	124.82	-7010.03	-1241.77	124.82	-12316.71	
			M3	-824.14	-437.10	28.17	-1090.54	-391.58	-4589.39	-1090.54	-402.60	-4588.44	-1356.89	-360.21	-10482.21	
		MIN	S2	-902.01	-462.25	-2246.52	-1182.34	-462.25	-7266.89	-1182.34	-479.69	-7265.76	-1462.67	-479.69	-13636.54	
			TQ	-893.63	-476.18	-2254.26	-1173.96	-476.18	-7234.28	-1173.58	-493.56	-7243.70	-1453.91	-493.56	-13572.30	
			M3	-793.64	60.50	-6654.90	-1074.06	60.61	-11153.32	-1074.06	33.84	-11153.44	-1354.39	33.84	-17002.62	
		D+3LANES (casMAX	S2	-676.16	180.33	-3761.66	-956.49	180.33	-7694.08	-956.49	161.86	-7694.49	-1236.82	161.86	-12977.32	
			TQ	-678.04	208.04	-3773.72	-958.37	208.04	-7715.18	-958.37	189.53	-7711.11	-1238.70	189.53	-13003.00	
			M3	-784.75	-751.70	-683.87	-1058.25	-713.72	-5123.23	-1058.25	-726.02	-5121.50	-1331.77	-670.36	-10880.04	
		MIN	S2	-862.81	-568.86	-3484.40	-1143.14	-568.86	-8315.95	-1143.14	-588.81	-8314.56	-1423.47	-588.81	-14496.52	
			TQ	-853.83	-787.36	-2735.97	-1134.16	-787.36	-7524.23	-1134.15	-805.42	-7526.86	-1414.48	-805.42	-13665.52	
			M3	-796.24	110.44	-6647.14	-1076.66	110.54	-11158.08	-1076.66	83.76	-11158.32	-1356.99	83.76	-17020.02	
		D+4LANES	MAX	S2	-674.00	139.95	-3886.35	-954.33	139.95	-7808.37	-954.33	121.21	-7808.68	-1234.66	121.21	-13081.11
			TQ	-680.39	164.77	-3823.99	-960.72	164.77	-7776.77	-960.96	146.11	-7774.85	-1241.29	146.11	-13079.20	
			M3	-805.00	-561.15	-830.52	-1083.37	-554.91	-5377.76	-1083.37	-567.82	-5376.41	-1362.38	-564.26	-11266.06	
		MIN	S2	-815.79	-523.40	-996.14	-1096.12	-523.40	-5601.17	-1096.12	-536.84	-5599.90	-1376.45	-536.84	-11555.34	
			TQ	-806.67	-574.62	-934.74	-1087.00	-574.62	-5495.85	-1086.76	-587.82	-5496.76	-1367.09	-587.82	-11407.12	
			M3	-674.16	156.20	-3905.05	-954.77	161.01	-7828.52	-954.77	142.22	-7828.88	-1235.27	143.48	-13103.53	

BAGO RIVER BRIDGE

BLOCK [ No.1 : MAIN GIRDER ][ BEAM MEMBER FORCE ]

MEMBER				1027			1028			1028			1029			
NODE				1027			1028			1028			1029			
NAME TITLE				SHEAR	TORQUE	MOMENT	SHEAR	TORQUE	MOMENT	SHEAR	TORQUE	MOMENT	SHEAR	TORQUE	MOMENT	
				S2 (kN)	TQ (kN·m)	M3 (kN·m)	S2 (kN)	TQ (kN·m)	M3 (kN·m)	S2 (kN)	TQ (kN·m)	M3 (kN·m)	S2 (kN)	TQ (kN·m)	M3 (kN·m)	
124	SUM TOTAL	D+6LANES	MAX	S2	-399.74	270.43	-1413.62	-778.36	176.51	-5045.37	-778.36	164.40	-5045.78	-1127.23	101.73	-10514.68
				TQ	-852.93	703.96	-1472.52	-1180.34	703.96	-6369.73	-1161.81	689.33	-5822.11	-1485.25	689.33	-12202.99
				M3	-757.44	15.15	3305.13	-1121.27	-38.99	-1418.14	-1121.26	-42.44	-1418.04	-1485.68	-91.70	-7918.50
			MIN	S2	-1136.62	121.72	-1068.52	-1493.51	89.40	-6571.84	-1493.51	73.63	-6572.03	-1878.96	10.26	-13943.72
				TQ	-784.22	-624.09	-2960.09	-1064.55	-624.09	-7413.04	-1084.77	-642.56	-8009.85	-1365.09	-642.56	-13910.60
				M3	-865.52	44.25	-8579.70	-1146.71	58.22	-13426.50	-1146.71	25.99	-13426.60	-1427.10	26.07	-19626.05
	SUM TOTAL		MAX		-248.61	885.18	3305.13	-715.73	885.18	-1418.14	-715.73	871.24	-1418.04	-1110.86	871.24	-7918.50
			MIN		-1146.18	-787.36	-8579.70	-1553.15	-787.36	-13426.50	-1553.15	-805.42	-13426.60	-2002.03	-805.42	-19626.05
300	DEAD LOAD	TOTAL			-721.81	47.88	-3182.87	-1002.14	47.88	-7335.19	-1002.14	30.28	-7335.28	-1282.47	30.28	-12838.01
301	LIVE LOAD	1-LANE(case1MAX	S2		407.50	190.50	2236.97	227.12	23.66	2435.28	227.12	29.51	2435.21	104.31	-72.90	1846.03
			TQ		-140.90	613.76	1510.11	-208.51	613.76	667.97	-208.08	615.37	673.04	-275.69	615.37	-492.71
			M3		182.10	567.09	3272.09	-3.26	458.44	3384.26	-3.26	466.56	3383.15	-210.82	328.08	2459.24
			MIN	S2	-236.08	566.46	1581.56	-369.94	501.42	1477.98	-369.94	504.97	1476.77	-557.40	375.66	495.66
				TQ	42.87	-104.31	-147.20	42.87	-104.31	59.30	42.44	-104.17	53.01	42.44	-104.17	257.44
				M3	-64.62	-37.38	-1890.77	-64.71	-37.28	-2202.30	-64.71	-42.57	-2202.20	-64.71	-42.57	-2513.95
		1-LANE(case2MAX	S2		58.22	42.89	763.77	58.20	42.61	1039.42	58.20	45.11	1039.32	57.68	43.53	1291.01
			TQ		-131.81	185.51	1023.64	-133.02	185.51	385.77	-98.12	187.65	1399.26	-99.32	187.65	923.69
			M3		-103.66	149.48	2519.36	-73.30	147.17	2088.96	-73.30	152.19	2088.60	-31.01	156.09	1873.55
			MIN	S2	-165.16	139.75	1217.28	-166.35	140.03	423.58	-166.35	141.05	423.24	-167.03	142.62	-352.31
				TQ	24.56	-39.81	-373.88	24.56	-39.81	-255.56	-10.33	-41.64	-1269.40	-10.33	-41.64	-1319.18
				M3	-51.16	-19.13	-1778.42	-51.16	-19.13	-2024.86	-51.16	-23.99	-2024.81	-51.16	-23.99	-2271.26
		1-LANE(case3MAX	S2		27.96	10.76	-180.25	27.96	10.76	-45.55	27.96	10.65	-45.58	27.96	10.65	89.12
			TQ		17.58	38.82	606.04	17.58	38.82	690.74	14.10	40.49	806.11	14.10	40.49	874.04
			M3		-64.63	-85.60	1861.61	-54.84	-66.73	1571.01	-54.84	-62.96	1571.16	-38.77	-27.13	1348.12
			MIN	S2	-110.23	-102.56	678.72	-110.23	-102.56	147.71	-110.23	-102.21	147.96	-110.23	-102.21	-383.05
				TQ	-100.69	-107.03	544.34	-100.69	-107.03	59.29	-100.14	-106.90	49.55	-100.14	-106.90	-432.87
				M3	-40.55	-4.77	-1690.17	-40.55	-4.77	-1885.51	-40.55	-9.29	-1885.50	-40.55	-9.29	-2080.84



BAGO RIVER BRIDGE

BLOCK [ No.1 : MAIN GIRDER ][ BEAM MEMBER FORCE ]

MEMBER			1027			1028			1028			1029			
NODE			1027			1028			1028			1029			
NAME TITLE			SHEAR	TORQUE	MOMENT	SHEAR	TORQUE	MOMENT	SHEAR	TORQUE	MOMENT	SHEAR	TORQUE	MOMENT	
			S2 (kN)	TQ (kN·m)	M3 (kN·m)	S2 (kN)	TQ (kN·m)	M3 (kN·m)	S2 (kN)	TQ (kN·m)	M3 (kN·m)	S2 (kN)	TQ (kN·m)	M3 (kN·m)	
301	LIVE LOAD	1-LANE (case4MAX	S2	19.47	66.73	-289.04	19.47	66.73	-195.23	19.47	66.26	-195.39	19.47	66.26	-101.58
			TQ	18.38	102.44	-320.37	18.38	102.44	-231.85	18.38	101.88	-231.28	18.38	101.88	-142.74
			M3	-15.28	-525.52	869.85	-14.01	-525.36	799.78	-14.01	-523.44	801.04	-12.07	-516.68	740.86
			MIN S2	-48.94	-240.89	-949.39	-48.94	-240.89	-1185.12	-48.94	-243.73	-1184.54	-48.94	-243.73	-1420.27
			TQ	-38.75	-535.33	-0.85	-38.75	-535.33	-187.51	-38.75	-535.78	-187.04	-38.75	-535.78	-373.71
			M3	-28.34	40.29	-1574.03	-28.34	40.29	-1710.55	-28.34	36.19	-1710.64	-28.34	36.19	-1847.16
		2-LANES (caseMAX	S2	473.21	259.99	3471.30	286.42	58.13	3559.46	286.42	66.67	3559.31	153.82	-64.99	2836.45
			TQ	-236.30	830.47	2378.10	-316.76	830.47	1045.55	-314.12	833.00	1110.94	-394.57	833.00	-596.46
			M3	161.28	764.11	5148.96	-41.43	631.84	5059.74	-41.43	643.99	5058.21	-263.74	479.28	3863.22
			MIN S2	-361.63	753.18	2408.04	-509.62	674.94	2026.71	-509.62	679.80	2025.08	-707.34	530.45	699.75
			TQ	61.92	-144.03	-352.40	61.92	-144.03	-54.12	59.28	-144.18	-121.15	59.28	-144.18	164.41
			M3	-102.09	-54.78	-3104.31	-102.17	-54.70	-3596.29	-102.17	-63.33	-3596.15	-102.20	-63.29	-4088.35
		2-LANES (caseMAX	S2	182.14	136.99	2243.63	145.65	73.92	2396.25	145.65	79.67	2396.06	114.96	32.03	2373.94
			TQ	-228.73	473.59	1972.71	-253.84	473.59	810.38	-222.48	476.57	1716.12	-247.60	476.57	583.88
			M3	-76.86	416.10	4521.69	-99.79	372.46	3980.32	-99.79	382.01	3979.42	-113.90	335.95	3375.15
			MIN S2	-302.53	397.58	2104.48	-339.96	373.78	1148.04	-339.96	376.53	1147.14	-382.03	336.25	-6.90
			TQ	46.66	-90.28	-541.30	46.66	-90.28	-316.51	15.30	-92.07	-1223.16	15.30	-92.07	-1149.44
			M3	-90.87	-39.57	-3010.68	-90.87	-39.57	-3448.43	-90.87	-47.85	-3448.32	-90.91	-47.81	-3886.12
		2-LANES (caseMAX	S2	43.38	35.37	-361.28	43.38	35.37	-152.31	43.38	35.01	-152.40	43.38	35.01	56.57
			TQ	33.74	60.34	303.76	33.74	60.34	466.29	30.84	61.48	565.57	30.84	61.48	714.14
			M3	-93.38	-262.06	2800.86	-79.34	-221.81	2377.91	-79.34	-216.10	2378.43	-63.69	-173.48	2034.54
MIN S2	-161.91		-286.41	916.62	-161.91	-286.41	136.66	-161.91	-286.08	137.35	-161.91	-286.08	-642.61		
TQ	-152.78		-294.73	858.58	-152.78	-294.73	122.58	-152.33	-294.45	111.75	-152.33	-294.45	-622.07		
M3	-61.90		0.84	-2769.86	-62.00	0.96	-3068.12	-62.00	-6.40	-3068.12	-62.00	-6.40	-3366.80		

BAGO RIVER BRIDGE

BLOCK [ No.1 : MAIN GIRDER ][ BEAM MEMBER FORCE ]

MEMBER				1027			1028			1028			1029		
NODE				1027			1028			1028			1029		
				SHEAR	TORQUE	MOMENT	SHEAR	TORQUE	MOMENT	SHEAR	TORQUE	MOMENT	SHEAR	TORQUE	MOMENT
NAME	TITLE			S2 (kN)	TQ (kN·m)	M3 (kN·m)	S2 (kN)	TQ (kN·m)	M3 (kN·m)	S2 (kN)	TQ (kN·m)	M3 (kN·m)	S2 (kN)	TQ (kN·m)	M3 (kN·m)
301	LIVE LOAD	2-LANES (caseMAX	S2	33.77	115.38	-486.63	33.77	115.38	-323.95	33.77	114.60	-324.22	33.77	114.60	-161.54
			TQ	32.20	147.09	-519.96	32.20	147.09	-364.82	32.21	146.22	-363.19	32.21	146.22	-208.00
			M3	-37.76	-751.57	1695.47	-34.21	-732.41	1522.99	-34.21	-728.75	1524.74	-31.13	-698.65	1369.26
		MIN	S2	-93.23	-518.84	-657.83	-93.23	-518.84	-1106.95	-93.23	-521.49	-1105.71	-93.23	-521.49	-1554.83
			TQ	-83.87	-771.85	184.77	-83.87	-771.85	-219.25	-83.88	-772.37	-219.38	-83.88	-772.37	-623.45
			M3	-52.74	58.01	-2670.13	-52.84	58.14	-2924.27	-52.84	51.12	-2924.40	-52.84	51.12	-3178.95
		3-LANES (caseMAX	S2	443.47	251.38	3491.61	284.68	79.60	3761.80	284.68	88.62	3761.60	171.61	-24.41	3325.45
			TQ	-294.22	837.30	2746.46	-363.46	837.30	1161.97	-336.50	840.97	1935.44	-405.74	840.97	147.29
			M3	63.66	755.38	6161.16	-87.14	641.32	5780.46	-87.14	655.19	5778.90	-246.14	517.95	4610.84
		MIN	S2	-424.37	739.19	2909.07	-551.01	672.88	2022.74	-551.01	677.74	2021.12	-719.56	551.91	345.23
			TQ	70.03	-150.62	-564.37	70.03	-150.62	-227.02	43.07	-152.05	-1002.14	43.07	-152.05	-794.68
			M3	-123.01	-60.12	-3898.38	-123.08	-60.04	-4491.13	-123.08	-70.82	-4490.97	-123.11	-70.79	-5083.91
		3-LANES (caseMAX	S2	52.18	70.49	-535.60	52.18	70.49	-284.23	52.18	69.81	-284.40	52.18	69.81	-33.03
			TQ	43.16	93.96	32.29	43.16	93.96	240.19	40.70	94.55	325.25	40.70	94.55	521.30
			M3	-102.32	-484.98	3211.04	-88.40	-439.47	2745.80	-88.40	-432.87	2746.85	-74.42	-390.48	2355.80
		MIN	S2	-180.20	-510.14	936.35	-180.20	-510.14	68.30	-180.20	-509.97	69.52	-180.20	-509.97	-798.53
			TQ	-171.82	-524.07	928.61	-171.82	-524.07	100.91	-171.44	-523.83	91.59	-171.44	-523.83	-734.29
			M3	-71.83	12.62	-3472.03	-71.92	12.73	-3818.13	-71.92	3.56	-3818.15	-71.92	3.56	-4164.60
		3-LANES (caseMAX	S2	45.65	132.44	-578.79	45.65	132.44	-358.89	45.65	131.58	-359.21	45.65	131.58	-139.30
			TQ	43.77	160.16	-590.85	43.77	160.16	-379.99	43.77	159.26	-375.83	43.77	159.26	-164.98
			M3	-62.94	-799.58	2499.00	-56.11	-761.61	2211.96	-56.11	-756.30	2213.78	-49.30	-700.64	1957.97
		MIN	S2	-141.00	-616.74	-301.54	-141.00	-616.74	-980.76	-141.00	-619.09	-979.28	-141.00	-619.09	-1658.50
			TQ	-132.01	-835.24	446.90	-132.01	-835.24	-189.04	-132.01	-835.70	-191.58	-132.01	-835.70	-827.50
			M3	-74.43	62.56	-3464.27	-74.52	62.66	-3822.89	-74.52	53.49	-3823.03	-74.52	53.49	-4182.00

BAGO RIVER BRIDGE

BLOCK [ No.1 : MAIN GIRDER ][ BEAM MEMBER FORCE ]

MEMBER					1027			1028			1028			1029		
NODE					1027			1028			1028			1029		
NAME TITLE					SHEAR	TORQUE	MOMENT	SHEAR	TORQUE	MOMENT	SHEAR	TORQUE	MOMENT	SHEAR	TORQUE	MOMENT
					S2 (kN)	TQ (kN·m)	M3 (kN·m)	S2 (kN)	TQ (kN·m)	M3 (kN·m)	S2 (kN)	TQ (kN·m)	M3 (kN·m)	S2 (kN)	TQ (kN·m)	M3 (kN·m)
301	LIVE LOAD	4-LANES	MAX	S2	47.81	92.07	-703.49	47.81	92.07	-473.18	47.81	90.93	-473.40	47.81	90.93	-243.09
				TQ	41.42	116.89	-641.12	41.42	116.89	-441.58	41.18	115.83	-439.56	41.18	115.83	-241.18
				M3	-83.19	-609.03	2352.35	-81.23	-602.79	1957.43	-81.23	-598.09	1958.87	-79.91	-594.53	1571.95
			MIN	S2	-93.98	-571.28	2186.73	-93.98	-571.28	1734.02	-93.98	-567.11	1735.39	-93.98	-567.11	1282.68
				TQ	-84.86	-622.51	2248.13	-84.86	-622.51	1839.34	-84.62	-618.09	1838.53	-84.62	-618.09	1430.90
				M3	47.65	108.32	-722.18	47.37	113.13	-493.33	47.37	111.94	-493.60	47.20	113.21	-265.51
		6-LANES	MAX	S2	322.07	222.55	1769.25	223.78	128.63	2289.82	223.78	134.13	2289.50	155.24	71.46	2323.33
				TQ	-131.12	656.08	1710.35	-178.20	656.08	965.46	-159.67	659.05	1513.17	-202.78	659.05	635.03
				M3	-35.63	-32.74	6488.00	-119.12	-86.87	5917.05	-119.12	-72.72	5917.25	-203.21	-121.98	4919.51
			MIN	S2	-414.81	73.84	2114.35	-491.37	41.52	763.35	-491.37	43.35	763.25	-596.49	-20.02	-1105.70
				TQ	-62.41	-671.97	222.78	-62.41	-671.97	-77.85	-82.62	-672.84	-674.56	-82.62	-672.84	-1072.58
				M3	-143.71	-3.63	-5396.83	-144.57	10.34	-6091.31	-144.57	-4.28	-6091.32	-144.63	-4.21	-6788.03
		LIVE LOAD	MAX		473.21	837.30	6488.00	286.42	837.30	5917.05	286.42	840.97	5917.25	171.61	840.97	4919.51
			MIN		-424.37	-835.24	-5396.83	-551.01	-835.24	-6091.31	-551.01	-835.70	-6091.32	-719.56	-835.70	-6788.03
		303	SUM TOTAL	TOTAL	MAX	-248.61	885.18	3305.13	-715.73	885.18	-1418.14	-715.73	871.24	-1418.04	-1110.86	871.24
MIN	-1146.18				-787.36	-8579.70	-1553.15	-787.36	-13426.50	-1553.15	-805.42	-13426.60	-2002.03	-805.42	-19626.05	

BAGO RIVER BRIDGE

BLOCK [ No.1 : MAIN GIRDER ] [ BEAM MEMBER FORCE ]

MEMBER NODE	1029 1029	1030			1030			1031			1031					
		SHEAR	TORQUE	MOMENT	SHEAR	TORQUE	MOMENT	SHEAR	TORQUE	MOMENT	SHEAR	TORQUE	MOMENT			
		S2 (kN)	TQ (kN·m)	M3 (kN·m)	S2 (kN)	TQ (kN·m)	M3 (kN·m)	S2 (kN)	TQ (kN·m)	M3 (kN·m)	S2 (kN)	TQ (kN·m)	M3 (kN·m)			
1	PAVEMENT	-220.45	-74.56	-1924.72	-267.69	-74.56	-3100.45	-267.69	-82.00	-3100.26	-314.93	-82.00	-4503.56			
3	RAILING	-3.42	0.77	-67.18	-7.41	0.77	-93.27	-7.41	0.54	-93.28	-11.40	0.54	-138.57			
5	CURB	-33.88	7.60	-665.13	-73.35	7.60	-923.42	-73.35	5.39	-923.43	-112.83	5.39	-1371.87			
7	DECK WEIGHT	-352.48	-98.73	-3234.69	-430.29	-98.73	-5120.07	-430.29	-111.01	-5119.82	-508.10	-111.01	-7380.05			
8	GIRDER WEIGH	-513.75	12.51	-4829.15	-603.77	12.51	-7520.82	-603.77	-5.54	-7520.83	-693.80	-5.54	-10646.18			
10	MEDIAN STRIP	-115.86	8.01	-1150.62	-115.86	8.01	-1708.72	-115.86	3.91	-1708.74	-115.86	3.91	-2266.84			
21	ADITIONAL WE	-98.69	-27.64	-905.71	-120.48	-27.64	-1433.62	-120.48	-31.08	-1433.55	-142.27	-31.08	-2066.41			
31	MEDIAN RAILI	-8.27	0.95	-60.66	-8.27	0.95	-100.51	-8.27	0.71	-100.51	-8.27	0.71	-140.37			
51	SUPPORT WEIG	-0.00	0.00	-0.00	-0.00	0.00	-0.00	-0.00	0.00	-0.00	-0.00	0.00	-0.00			
52	NOSE WEIGHT	0.00	-0.04	0.02	0.00	-0.04	0.03	0.00	-0.04	0.03	0.00	-0.04	0.05			
61	1-LANE(case1TRUCK-LOAD	MAX	S2	236.38	230.93	1264.52	121.91	107.60	1281.69	121.91	110.68	1281.43	40.93	28.21	760.19	
			TQ	-96.08	348.50	769.98	-96.08	348.50	307.13	-96.08	349.23	306.29	-96.08	349.23	-156.56	
			M3	109.55	316.32	1312.62	11.95	216.43	1352.05	11.95	219.67	1351.53	-101.03	97.95	808.18	
		MIN	S2	-132.99	333.27	1281.82	-220.68	247.10	1304.65	-220.68	250.23	1304.05	-335.16	127.29	774.27	
			TQ	-37.24	-45.75	-703.73	-37.24	-45.75	-883.15	-37.24	-47.87	-883.03	-37.24	-47.87	-1062.45	
			M3	-37.70	-42.10	-762.91	-37.70	-42.10	-944.53	-37.70	-44.37	-944.43	-38.06	-45.62	-1126.83	
		TANDEM-LOAD	MAX	S2	198.59	198.49	1079.66	115.46	107.53	1139.96	115.46	110.26	1139.70	42.32	31.26	743.82
			TQ	-69.57	241.36	604.11	-69.57	241.36	268.99	-69.57	242.00	268.41	-69.57	242.00	-66.72	
			M3	53.86	214.00	1081.18	-24.55	129.47	1142.86	-24.55	132.21	1142.55	-103.66	45.80	744.67	
		MIN	S2	-106.35	214.00	1081.18	-184.75	129.47	1142.86	-184.75	132.21	1142.55	-263.87	45.80	744.67	
			TQ	-24.82	-31.05	-461.77	-24.82	-31.05	-581.35	-25.52	-32.50	-609.47	-25.52	-32.50	-732.42	
			M3	-25.66	-28.80	-517.78	-25.66	-28.80	-641.41	-25.66	-30.34	-641.34	-25.76	-30.69	-765.19	
		DISPERSION-LMAX	MAX	S2	65.66	3.48	273.62	36.24	-25.38	293.23	36.24	-24.67	293.29	21.10	-38.42	236.12
			TQ	-23.05	335.29	733.49	-79.39	335.29	486.30	-79.34	336.46	486.48	-135.68	336.46	-31.88	
			M3	-22.91	335.28	735.63	-36.06	156.87	592.69	-35.99	157.94	592.31	-55.87	23.73	365.95	
		MIN	S2	-138.50	217.54	-869.80	-165.43	246.40	-1376.50	-165.43	243.09	-1377.09	-206.62	256.84	-2078.40	
			TQ	-49.80	-114.27	-1329.67	-49.80	-114.27	-1569.56	-49.85	-118.03	-1570.27	-49.85	-118.03	-1810.40	
			M3	-49.94	-114.26	-1331.81	-93.12	64.15	-1675.95	-93.20	60.48	-1676.10	-129.66	194.69	-2208.23	

BAGO RIVER BRIDGE

BLOCK [ No.1 : MAIN GIRDER ][ BEAM MEMBER FORCE ]

MEMBER				1029			1030			1031					
NODE				1029			1030			1031					
				SHEAR	TORQUE	MOMENT	SHEAR	TORQUE	MOMENT	SHEAR	TORQUE	MOMENT			
NAME	TITLE			S2 (kN)	TQ (kN·m)	M3 (kN·m)	S2 (kN)	TQ (kN·m)	M3 (kN·m)	S2 (kN)	TQ (kN·m)	M3 (kN·m)			
62	1-LANE (case2TRUCK-LOAD	MAX	S2	10.99	-14.13	-31.54	10.99	-14.13	21.39	10.99	-14.08	21.43	10.99	-14.08	74.36
			TQ	-57.49	101.19	420.38	-57.49	101.19	143.41	-57.49	101.53	143.17	-57.49	101.53	-133.80
			M3	-73.36	60.43	921.77	-45.83	55.14	616.91	-45.83	56.62	616.77	-9.25	55.05	499.08
		MIN	S2	-81.20	65.94	895.39	-81.20	65.94	504.22	-81.20	67.15	504.06	-81.20	67.15	112.89
			TQ	-24.80	-17.52	-619.26	-24.80	-17.52	-738.73	-24.93	-19.30	-743.46	-24.93	-19.30	-863.55
			M3	-26.52	-16.39	-686.23	-26.52	-16.39	-814.00	-26.52	-18.34	-813.96	-26.52	-18.34	-941.73
		TANDEM-LOAD MAX	S2	8.33	22.65	163.91	8.33	22.65	204.02	8.33	23.14	203.97	8.33	23.14	244.08
			TQ	-39.70	69.71	295.25	-39.70	69.71	104.03	-39.70	69.96	103.86	-39.70	69.96	-87.37
			M3	-51.33	37.38	657.31	-26.06	38.05	432.83	-26.06	39.09	432.73	0.44	38.83	369.44
		MIN	S2	-57.17	46.38	601.23	-57.17	46.38	325.83	-57.17	47.17	325.72	-57.17	47.17	50.33
			TQ	-16.32	-11.89	-404.15	-16.32	-11.89	-482.77	-17.12	-13.10	-511.88	-17.12	-13.10	-594.34
			M3	-17.95	-10.99	-465.46	-17.95	-10.99	-551.93	-17.95	-12.31	-551.90	-18.04	-12.63	-638.59
		DISPERSION-LMAX	S2	15.53	-9.65	23.12	15.53	-9.65	97.93	15.53	-9.41	97.96	15.43	-10.55	162.27
			TQ	-60.20	109.17	639.17	-61.21	109.17	346.73	-61.21	110.00	346.47	-62.21	110.00	49.20
			M3	-60.20	109.17	639.17	-35.24	61.75	388.89	-35.21	62.61	388.74	-8.02	14.46	282.63
MIN	S2	-108.26	70.35	-590.34	-109.26	70.35	-1114.27	-109.26	67.68	-1114.43	-110.17	68.81	-1632.69		
	TQ	-32.52	-48.47	-1206.39	-32.52	-48.47	-1363.07	-32.52	-51.74	-1362.94	-32.52	-51.74	-1519.62		
	M3	-32.52	-48.47	-1206.39	-58.49	-1.05	-1405.23	-58.53	-4.34	-1405.22	-86.71	43.81	-1753.05		
63	1-LANE (case3TRUCK-LOAD	MAX	S2	10.02	1.15	-38.14	10.02	1.15	10.12	10.02	1.17	10.12	10.02	1.17	58.37
			TQ	-13.57	4.41	-502.31	-13.57	4.41	-567.67	-4.58	3.07	210.19	-4.58	3.07	188.12
			M3	-43.04	-64.84	603.69	-33.11	-48.97	410.94	-33.11	-47.98	411.05	-19.08	-19.58	276.29
		MIN	S2	-48.46	-64.27	562.37	-48.46	-64.27	328.92	-48.46	-63.48	329.07	-48.46	-63.48	95.62
			TQ	-47.40	-66.08	584.49	-47.40	-66.08	356.14	-47.40	-65.22	356.30	-47.40	-65.22	127.95
			M3	-18.33	2.42	-629.28	-18.33	2.42	-717.59	-18.33	0.70	-717.59	-18.44	0.35	-806.08

BAGO RIVER BRIDGE

BLOCK [ No.1 : MAIN GIRDER ][ BEAM MEMBER FORCE ]

MEMBER		1029			1030			1030			1031					
NODE		1029			1030			1030			1031					
		SHEAR	TORQUE	MOMENT	SHEAR	TORQUE	MOMENT	SHEAR	TORQUE	MOMENT	SHEAR	TORQUE	MOMENT			
NAME	TITLE	S2 (kN)	TQ (kN·m)	M3 (kN·m)	S2 (kN)	TQ (kN·m)	M3 (kN·m)	S2 (kN)	TQ (kN·m)	M3 (kN·m)	S2 (kN)	TQ (kN·m)	M3 (kN·m)			
63	1-LANE (case3TANDEM-LOAD	MAX	S2	6.80	0.87	-25.95	6.80	0.87	6.81	6.80	0.88	6.81	6.80	0.88	39.57	
			TQ	-1.01	3.07	104.03	-1.01	3.07	99.19	-1.80	3.37	126.07	-1.80	3.37	117.42	
			M3	-31.26	-46.63	413.21	-24.60	-38.47	284.89	-24.60	-37.78	284.98	-14.56	-16.53	194.30	
		MIN	S2	-33.46	-42.87	374.97	-33.46	-42.87	213.79	-33.46	-42.35	213.89	-33.46	-42.35	52.71	
			TQ	-32.24	-46.76	407.97	-32.24	-46.76	252.69	-32.24	-46.16	252.80	-32.24	-46.16	97.52	
			M3	-12.48	1.56	-427.30	-12.48	1.56	-487.42	-12.48	0.39	-487.42	-12.51	0.29	-547.59	
		DISPERSION-LMAX	S2	12.21	1.75	-41.32	12.21	1.75	17.50	12.21	1.79	17.50	12.21	1.79	76.31	
			TQ	-17.58	9.97	-739.28	-17.58	9.97	-823.98	-13.09	8.20	-646.97	-13.09	8.20	-710.05	
			M3	-45.46	-48.03	519.90	-31.20	-46.21	314.15	-31.21	-45.46	314.26	-10.74	-28.15	210.62	
		MIN	S2	-75.45	-43.40	-543.54	-75.45	-43.40	-907.02	-75.45	-45.58	-906.91	-75.45	-45.58	-1270.39	
			TQ	-45.66	-51.62	154.43	-45.66	-51.62	-65.53	-50.15	-51.99	-242.44	-50.15	-51.99	-484.03	
			M3	-17.78	6.37	-1104.76	-32.04	4.56	-1203.67	-32.04	1.67	-1203.67	-52.50	-15.64	-1404.70	
64	1-LANE (case4TRUCK-LOAD	MAX	S2	7.68	36.72	-53.20	7.68	36.72	-16.23	7.68	36.68	-16.32	7.68	36.68	20.66	
			TQ	6.99	39.42	-52.45	6.99	39.42	-18.80	6.99	39.38	-18.90	6.99	39.38	14.76	
			M3	-10.66	-300.10	299.30	-7.16	-305.93	255.33	-7.16	-305.32	256.06	-5.73	-301.31	225.97	
		MIN	S2	-13.03	-257.50	265.86	-13.03	-257.50	203.08	-13.03	-257.02	203.69	-13.03	-257.02	140.91	
			TQ	-7.16	-305.93	289.82	-7.16	-305.93	255.33	-7.16	-305.32	256.06	-7.16	-305.32	221.57	
			M3	-8.01	25.97	-555.43	-8.22	25.33	-594.48	-8.22	23.90	-594.54	-8.26	23.76	-634.34	
		TANDEM-LOAD	MAX	S2	5.22	24.62	-35.96	5.22	24.62	-10.80	5.22	24.60	-10.86	5.22	24.60	14.31
			TQ	4.84	26.81	-36.01	4.84	26.81	-12.68	4.84	26.78	-12.75	4.84	26.78	10.58	
			M3	-7.79	-202.50	204.67	-5.36	-209.57	174.90	-5.36	-209.15	175.40	-3.28	-204.67	156.39	
		MIN	S2	-8.99	-179.46	185.96	-8.99	-179.46	142.66	-8.99	-179.12	143.09	-8.99	-179.12	99.80	
			TQ	-5.36	-209.57	200.74	-5.36	-209.57	174.90	-5.36	-209.15	175.40	-5.36	-209.15	149.57	
			M3	-5.36	17.87	-377.02	-5.71	16.74	-403.40	-5.71	15.77	-403.44	-5.71	15.77	-430.97	

BAGO RIVER BRIDGE

BLOCK [ No.1 : MAIN GIRDER ][ BEAM MEMBER FORCE ]

MEMBER		1029			1030			1030			1031						
NODE		1029			1030			1030			1031						
		SHEAR	TORQUE	MOMENT	SHEAR	TORQUE	MOMENT	SHEAR	TORQUE	MOMENT	SHEAR	TORQUE	MOMENT				
NAME	TITLE	S2 (kN)	TQ (kN·m)	M3 (kN·m)	S2 (kN)	TQ (kN·m)	M3 (kN·m)	S2 (kN)	TQ (kN·m)	M3 (kN·m)	S2 (kN)	TQ (kN·m)	M3 (kN·m)				
64	1-LANE (case4DISPERSION-LMAX	S2	10.54	29.41	-145.41	10.54	29.41	-94.62	10.54	29.19	-94.69	10.54	29.19	-43.90			
		TQ	-1.35	98.69	-984.05	-1.35	98.69	-990.57	-1.35	96.31	-990.80	-1.35	96.31	-997.32			
		M3	-11.61	-321.59	319.34	-11.61	-321.59	263.44	-11.61	-320.95	264.21	-2.58	-276.77	231.90			
		MIN	S2	-23.50	-252.31	-519.31	-23.50	-252.31	-632.51	-23.50	-253.82	-631.90	-23.50	-253.82	-745.11		
		TQ	-11.61	-321.59	319.34	-11.61	-321.59	263.44	-11.61	-320.95	264.21	-11.61	-320.95	208.30			
		M3	-1.35	98.69	-984.05	-1.35	98.69	-990.57	-1.35	96.31	-990.80	-10.38	52.14	-1020.91			
		65	2-LANES (caseTRUCK-LOAD	MAX	S2	305.95	370.01	2326.75	167.77	191.47	2165.34	167.77	196.66	2164.87	65.39	67.99	1341.48
				TQ	-174.09	560.90	1368.98	-174.09	560.90	530.34	-174.09	562.17	528.99	-174.09	562.17	-309.66	
				M3	109.18	497.18	2433.04	-11.60	349.37	2300.01	-11.60	354.89	2299.17	-148.12	178.09	1462.06	
MIN	S2			-239.68	524.07	2379.75	-349.89	394.48	2229.40	-349.89	399.82	2228.45	-488.06	222.05	1407.62		
TQ	-68.28			-77.46	-1365.32	-68.28	-77.46	-1694.25	-68.28	-81.53	-1694.06	-68.28	-81.53	-2022.98			
M3	-69.80			-71.33	-1487.25	-69.84	-71.45	-1823.61	-69.84	-75.82	-1823.44	-70.19	-77.08	-2160.64			
TANDEM-LOAD	MAX			S2	253.39	310.76	1936.50	153.67	180.85	1881.79	153.67	185.36	1881.35	65.04	69.41	1283.54	
TQ	-123.65			386.84	1027.53	-123.65	386.84	431.89	-123.65	387.87	430.96	-123.65	387.87	-164.68			
M3	43.88			333.98	1942.79	-50.95	212.37	1890.31	-50.95	216.91	1889.79	-145.93	91.98	1291.61			
MIN	S2	-184.99	333.98	1942.79	-279.81	212.37	1890.31	-279.81	216.91	1889.79	-374.79	91.98	1291.61				
TQ	-45.41	-52.58	-894.79	-45.41	-52.58	-1113.52	-46.85	-55.33	-1170.25	-46.85	-55.33	-1395.94					
M3	-47.52	-48.86	-1009.12	-47.52	-48.86	-1238.02	-47.52	-51.83	-1237.90	-47.62	-52.18	-1467.01					
DISPERSION-LMAX	S2	98.17	6.12	498.69	60.15	-38.82	513.88	60.15	-37.58	513.97	39.33	-61.98	435.42				
TQ	-69.45	556.14	1426.20	-149.90	556.14	897.41	-149.85	558.29	897.06	-230.30	558.29	-19.06					
M3	-69.31	556.13	1428.34	-72.24	272.23	1074.24	-72.09	274.20	1073.59	-84.43	50.73	691.35					
MIN	S2	-258.72	354.04	-1671.05	-301.15	398.98	-2653.90	-301.15	392.61	-2654.85	-360.78	417.01	-3931.51				
TQ	-91.10	-195.97	-2598.57	-91.10	-195.97	-3037.42	-91.15	-203.26	-3037.93	-91.15	-203.26	-3477.03					
M3	-91.24	-195.96	-2600.71	-168.76	87.93	-3214.26	-168.91	80.83	-3214.46	-237.02	304.30	-4187.44					

BAGO RIVER BRIDGE

BLOCK [ No.1 : MAIN GIRDER ][ BEAM MEMBER FORCE ]

MEMBER NODE	1029	1030			1030			1031			1031				
		SHEAR	TORQUE	MOMENT	SHEAR	TORQUE	MOMENT	SHEAR	TORQUE	MOMENT	SHEAR	TORQUE	MOMENT		
		S2 (kN)	TQ (kN·m)	M3 (kN·m)	S2 (kN)	TQ (kN·m)	M3 (kN·m)	S2 (kN)	TQ (kN·m)	M3 (kN·m)	S2 (kN)	TQ (kN·m)	M3 (kN·m)		
66	2-LANES (caseTRUCK-LOAD	MAX	S2	80.55	124.94	1030.68	56.85	69.73	905.04	56.85	71.90	904.87	35.44	25.70	655.65
			TQ	-135.51	313.59	1019.38	-135.51	313.59	366.62	-135.51	314.47	365.87	-135.51	314.47	-286.90
			M3	-73.74	241.29	2042.18	-69.38	188.08	1564.87	-69.38	191.84	1564.41	-56.34	135.18	1152.96
		MIN	S2	-187.90	256.74	1993.32	-210.41	213.32	1428.96	-210.41	216.74	1428.45	-234.10	161.91	746.24
			TQ	-55.84	-49.23	-1280.85	-55.84	-49.23	-1549.83	-55.97	-52.95	-1554.48	-55.97	-52.95	-1824.08
			M3	-58.62	-45.61	-1410.56	-58.66	-45.73	-1693.09	-58.66	-49.80	-1692.97	-58.66	-49.80	-1975.54
	TANDEM-LOAD	MAX	S2	63.13	134.92	1020.75	46.54	95.97	945.86	46.54	98.24	945.63	31.05	61.29	783.81
			TQ	-93.78	215.19	718.67	-93.78	215.19	266.93	-93.78	215.83	266.41	-93.78	215.83	-185.33
			M3	-61.31	157.35	1518.92	-52.47	120.96	1180.28	-52.47	123.79	1179.98	-41.83	85.01	916.38
		MIN	S2	-135.81	166.36	1462.84	-152.23	129.29	1073.28	-152.23	131.87	1072.97	-168.09	93.34	597.27
			TQ	-36.91	-33.42	-837.17	-36.91	-33.42	-1014.95	-38.44	-35.93	-1072.66	-38.44	-35.93	-1257.86
			M3	-39.80	-31.05	-956.80	-39.80	-31.05	-1148.53	-39.80	-33.80	-1148.45	-39.89	-34.12	-1340.41
	DISPERSION-LMAX	S2	48.05	-7.01	248.18	39.43	-23.09	318.58	39.43	-22.32	318.63	33.66	-34.10	361.57	
		TQ	-106.61	330.02	1331.88	-131.72	330.02	757.84	-131.72	331.84	757.05	-156.84	331.84	62.01	
		M3	-106.61	330.02	1331.88	-71.42	177.12	870.45	-71.31	178.87	870.02	-36.59	41.46	608.03	
		MIN	S2	-228.48	206.86	-1391.58	-244.98	222.94	-2391.67	-244.98	217.20	-2392.19	-264.33	228.98	-3485.80
			TQ	-73.83	-130.17	-2475.29	-73.83	-130.17	-2830.93	-73.83	-136.97	-2830.61	-73.83	-136.97	-3186.25
			M3	-73.83	-130.17	-2475.29	-134.13	22.74	-2943.53	-134.24	16.01	-2943.58	-194.08	153.42	-3732.26
67	2-LANES (caseTRUCK-LOAD	MAX	S2	19.37	12.46	-80.60	19.37	12.46	12.71	19.37	12.49	12.68	19.37	12.49	106.00
			TQ	-20.64	23.76	-956.42	-20.64	23.76	-1055.85	-11.03	21.26	-254.46	-11.03	21.26	-307.59
			M3	-74.15	-206.58	1069.18	-59.74	-180.55	738.65	-59.74	-178.78	739.08	-39.65	-124.25	494.67
		MIN	S2	-83.12	-205.39	991.82	-83.12	-205.39	591.42	-83.12	-203.97	591.91	-83.12	-203.97	191.50
			TQ	-80.25	-210.04	1045.97	-80.25	-210.04	659.39	-80.25	-208.45	659.90	-80.25	-208.45	273.32
			M3	-31.56	16.45	-1221.21	-31.56	16.45	-1373.22	-31.56	13.15	-1373.26	-31.69	12.70	-1525.46



BAGO RIVER BRIDGE

BLOCK [ No.1 : MAIN GIRDER ] [ BEAM MEMBER FORCE ]

MEMBER		1029			1030			1030			1031						
NODE		1029			1030			1030			1031						
		SHEAR	TORQUE	MOMENT	SHEAR	TORQUE	MOMENT	SHEAR	TORQUE	MOMENT	SHEAR	TORQUE	MOMENT				
NAME	TITLE	S2 (kN)	TQ (kN·m)	M3 (kN·m)	S2 (kN)	TQ (kN·m)	M3 (kN·m)	S2 (kN)	TQ (kN·m)	M3 (kN·m)	S2 (kN)	TQ (kN·m)	M3 (kN·m)				
67	2-LANES (caseTANDEM-LOAD	MAX	S2	13.16	8.35	-54.67	13.16	8.35	8.71	13.16	8.37	8.69	13.16	8.37	72.07		
			TQ	-5.11	16.23	-182.09	-5.11	16.23	-206.70	-5.90	15.80	-179.85	-5.90	15.80	-208.27		
			M3	-51.85	-143.32	732.33	-40.43	-121.46	509.50	-40.43	-120.24	509.79	-29.22	-93.58	345.60		
		MIN	S2	-57.13	-137.25	656.62	-57.13	-137.25	381.43	-57.13	-136.33	381.76	-57.13	-136.33	106.57		
			TQ	-55.41	-145.46	721.90	-55.41	-145.46	454.95	-55.41	-144.37	455.30	-55.41	-144.37	188.36		
			M3	-21.41	11.23	-829.34	-21.41	11.23	-932.48	-21.41	8.99	-932.51	-21.44	8.89	-1035.70		
			DISPERSION-LMAX	S2	23.59	16.87	-103.10	23.59	16.87	10.54	23.59	16.89	10.50	23.59	16.89	124.14	
			TQ	-26.50	52.35	-1780.17	-26.50	52.35	-1907.83	-22.01	47.98	-1730.92	-22.01	47.98	-1836.96		
			M3	-79.71	-190.33	966.04	-56.43	-179.23	598.89	-56.46	-177.84	599.32	-22.81	-117.85	403.07		
			MIN	S2	-130.00	-158.45	-1076.51	-130.00	-158.45	-1702.77	-130.00	-162.53	-1702.38	-130.00	-162.53	-2328.64	
			TQ	-79.91	-193.93	600.57	-79.91	-193.93	215.61	-84.40	-193.62	39.04	-84.40	-193.62	-367.54		
			M3	-26.70	48.75	-2145.65	-49.99	37.65	-2291.12	-49.96	32.20	-2291.20	-83.60	-27.79	-2607.58		
		68	2-LANES (caseTRUCK-LOAD	MAX	S2	16.02	63.29	-102.11	16.02	63.29	-24.94	16.02	63.23	-25.09	16.02	63.23	52.07
					TQ	14.67	67.75	-100.07	14.67	67.75	-29.41	14.67	67.68	-29.58	14.67	67.68	41.08
					M3	-28.96	-516.66	661.17	-24.38	-513.76	531.36	-24.38	-512.48	532.59	-19.88	-474.22	427.39
MIN	S2			-34.26	-475.23	593.96	-34.26	-475.23	428.90	-34.26	-474.19	430.04	-34.26	-474.19	264.98		
	TQ			-27.61	-531.76	644.40	-27.61	-531.76	511.41	-27.61	-530.53	512.69	-27.61	-530.53	379.70		
	M3			-21.24	40.00	-1147.36	-21.44	39.35	-1250.11	-21.44	36.35	-1250.20	-21.52	36.11	-1353.71		
	TANDEM-LOAD			MAX	S2	10.90	42.46	-69.06	10.90	42.46	-16.57	10.90	42.42	-16.67	10.90	42.42	35.82
	TQ			10.16	46.08	-68.74	10.16	46.08	-19.80	10.16	46.03	-19.91	10.16	46.03	29.03		
	M3			-20.59	-353.37	451.85	-16.70	-348.41	363.83	-16.70	-347.54	364.66	-12.40	-317.78	294.81		
	MIN			S2	-23.49	-325.74	404.78	-23.49	-325.74	291.61	-23.49	-325.04	292.39	-23.49	-325.04	179.21	
	TQ			-19.54	-363.73	440.44	-19.54	-363.73	346.34	-19.54	-362.90	347.21	-19.54	-362.90	253.10		
	M3			-14.29	27.54	-779.06	-14.65	26.41	-848.47	-14.65	24.37	-848.53	-14.65	24.37	-919.08		

BAGO RIVER BRIDGE

BLOCK [ No.1 : MAIN GIRDER ][ BEAM MEMBER FORCE ]

MEMBER		1029			1030			1030			1031						
NODE		1029			1030			1030			1031						
		SHEAR	TORQUE	MOMENT	SHEAR	TORQUE	MOMENT	SHEAR	TORQUE	MOMENT	SHEAR	TORQUE	MOMENT				
NAME	TITLE	S2 (kN)	TQ (kN·m)	M3 (kN·m)	S2 (kN)	TQ (kN·m)	M3 (kN·m)	S2 (kN)	TQ (kN·m)	M3 (kN·m)	S2 (kN)	TQ (kN·m)	M3 (kN·m)				
68	2-LANES (caseDISPERSION-LMAX	S2	20.70	64.91	-222.62	20.70	64.91	-122.92	20.70	64.61	-123.08	20.70	64.61	-23.38			
		TQ	-11.40	161.19	-2031.89	-11.40	161.19	-2086.81	-11.40	156.18	-2087.19	-11.40	156.18	-2142.11			
		M3	-34.71	-553.26	710.21	-34.71	-553.26	543.00	-34.71	-551.96	544.33	-14.33	-465.38	438.49			
		MIN	S2	-66.81	-456.98	-1099.06	-66.81	-456.98	-1420.89	-66.81	-460.39	-1419.79	-66.81	-460.39	-1741.62		
		TQ	-34.71	-553.26	710.21	-34.71	-553.26	543.00	-34.71	-551.96	544.33	-34.71	-551.96	377.12			
		M3	-11.40	161.19	-2031.89	-11.40	161.19	-2086.81	-11.40	156.18	-2087.19	-31.78	69.60	-2203.49			
		69	3-LANES (caseTRUCK-LOAD	MAX	S2	316.94	355.88	2295.21	178.76	177.34	2186.73	178.76	182.58	2186.30	76.38	53.91	1415.84
				TQ	-231.59	662.09	1789.36	-231.59	662.09	673.75	-231.59	663.71	672.16	-231.59	663.71	-443.46	
				M3	35.81	557.62	3354.80	-57.43	404.51	2916.92	-57.43	411.51	2915.94	-157.37	233.13	1961.14	
MIN	S2			-320.89	590.01	3275.14	-431.09	460.42	2733.61	-431.09	466.98	2732.50	-569.27	289.20	1520.50		
TQ	-93.08			-94.98	-1984.58	-93.08	-94.98	-2432.98	-93.21	-100.83	-2437.51	-93.21	-100.83	-2886.53			
M3	-96.32			-87.71	-2173.48	-96.36	-87.84	-2637.62	-96.36	-94.17	-2637.40	-96.72	-95.42	-3102.37			
TANDEM-LOAD	MAX			S2	261.71	333.41	2100.41	162.00	203.50	2085.82	162.00	208.50	2085.32	73.37	92.55	1527.63	
TQ	-163.34			456.55	1322.78	-163.34	456.55	535.92	-163.34	457.83	534.82	-163.34	457.83	-252.04			
M3	-7.45			371.36	2600.09	-77.01	250.43	2323.13	-77.01	256.00	2322.53	-145.49	130.81	1661.05			
MIN	S2	-242.16	380.37	2544.01	-336.98	258.76	2216.14	-336.98	264.07	2215.52	-431.96	139.15	1341.94				
TQ	-61.73	-64.47	-1298.94	-61.73	-64.47	-1596.29	-63.97	-68.43	-1682.13	-63.97	-68.43	-1990.28					
M3	-65.46	-59.85	-1474.58	-65.46	-59.85	-1789.94	-65.46	-64.14	-1789.79	-65.65	-64.81	-2105.60					
DISPERSION-LMAX	S2	113.70	-3.52	521.80	75.68	-48.46	611.81	75.68	-46.99	611.93	54.76	-72.52	597.69				
TQ	-129.65	665.31	2065.37	-211.11	665.31	1244.14	-211.06	668.30	1243.52	-292.52	668.30	30.13					
M3	-129.51	665.30	2067.51	-107.48	333.98	1463.13	-107.30	336.81	1462.33	-92.46	65.19	973.98					
MIN	S2	-366.98	424.40	-2261.39	-410.41	469.34	-3768.16	-410.41	460.29	-3769.28	-470.95	485.82	-5564.20				
TQ	-123.63	-244.44	-3804.96	-123.63	-244.44	-4400.49	-123.68	-255.00	-4400.88	-123.68	-255.00	-4996.65					
M3	-123.77	-244.43	-3807.10	-227.26	86.89	-4619.48	-227.44	76.49	-4619.68	-323.74	348.10	-5940.49					

BAGO RIVER BRIDGE

BLOCK [ No.1 : MAIN GIRDER ][ BEAM MEMBER FORCE ]

MEMBER NODE	1029 1029	1030			1030			1031			1031				
		SHEAR	TORQUE	MOMENT	SHEAR	TORQUE	MOMENT	SHEAR	TORQUE	MOMENT	SHEAR	TORQUE	MOMENT		
		S2 (kN)	TQ (kN·m)	M3 (kN·m)	S2 (kN)	TQ (kN·m)	M3 (kN·m)	S2 (kN)	TQ (kN·m)	M3 (kN·m)	S2 (kN)	TQ (kN·m)	M3 (kN·m)		
70	3-LANES (caseTRUCK-LOAD	MAX	S2	28.06	33.83	-127.30	28.06	33.83	7.86	28.06	33.84	7.78	28.06	33.84	142.94
			TQ	-20.81	58.32	-1347.90	-20.81	58.32	-1448.16	-9.96	54.90	-593.88	-9.96	54.90	-641.86
			M3	-94.57	-426.92	1432.19	-76.99	-391.96	1011.83	-76.99	-389.53	1012.77	-53.23	-314.85	694.19
		MIN	S2	-105.25	-417.65	1326.09	-105.25	-417.65	819.08	-105.25	-415.68	820.08	-105.25	-415.68	313.07
			TQ	-101.36	-430.60	1406.38	-101.36	-430.60	918.13	-101.36	-428.40	919.16	-101.36	-428.40	430.91
			M3	-39.57	42.42	-1776.64	-39.78	41.78	-1967.71	-39.78	37.06	-1967.80	-39.95	36.46	-2159.80
	TANDEM-LOAD	MAX	S2	19.07	22.62	-86.26	19.07	22.62	5.58	19.07	22.64	5.53	19.07	22.64	97.37
			TQ	-4.94	39.80	-439.67	-4.94	39.80	-463.47	-5.39	38.75	-421.89	-5.39	38.75	-447.83
			M3	-65.55	-293.72	981.85	-51.24	-262.65	696.32	-51.24	-260.98	696.95	-39.26	-230.10	482.58
		MIN	S2	-72.20	-278.81	876.64	-72.20	-278.81	528.85	-72.20	-277.54	529.52	-72.20	-277.54	181.73
			TQ	-69.12	-295.87	971.42	-69.12	-295.87	638.47	-69.12	-294.33	639.18	-69.12	-294.33	306.23
			M3	-26.77	29.10	-1206.36	-27.13	27.97	-1335.88	-27.13	24.76	-1335.95	-27.15	24.66	-1466.66
	DISPERSION-LMAX	S2	35.04	56.74	-261.39	35.04	56.74	-92.59	35.04	56.52	-92.73	35.04	56.52	76.07	
		TQ	-26.73	130.99	-2757.62	-26.73	130.99	-2886.36	-22.24	124.28	-2709.64	-22.24	124.28	-2816.76	
		M3	-102.48	-422.66	1340.91	-78.06	-409.90	864.22	-78.12	-407.92	865.20	-33.12	-310.16	604.93	
		MIN	S2	-164.44	-352.01	-1520.79	-164.44	-352.01	-2312.95	-164.44	-357.56	-2312.10	-164.44	-357.56	-3104.25
			TQ	-102.68	-426.26	975.43	-102.68	-426.26	480.82	-107.16	-425.31	304.81	-107.16	-425.31	-211.43
			M3	-26.92	127.40	-3123.10	-51.34	114.64	-3269.76	-51.28	106.89	-3270.03	-96.28	9.12	-3633.11
71	3-LANES (caseTRUCK-LOAD	MAX	S2	25.03	79.80	-146.77	25.03	79.80	-26.19	25.03	79.74	-26.38	25.03	79.74	94.19
			TQ	23.04	84.99	-142.84	23.04	84.99	-31.84	23.04	84.91	-32.04	23.04	84.91	78.96
			M3	-57.60	-644.55	1133.85	-50.84	-630.52	870.25	-50.84	-628.43	871.76	-40.00	-552.07	655.85
		MIN	S2	-68.07	-621.56	1019.37	-68.07	-621.56	691.47	-68.07	-619.90	692.96	-68.07	-619.90	365.05
			TQ	-61.36	-678.62	1083.69	-61.36	-678.62	788.10	-61.36	-676.73	789.72	-61.36	-676.73	494.13
			M3	-39.57	42.42	-1776.64	-39.78	41.78	-1967.70	-39.78	37.05	-1967.79	-39.95	36.46	-2159.80

BAGO RIVER BRIDGE

BLOCK [ No.1 : MAIN GIRDER ][ BEAM MEMBER FORCE ]

MEMBER				1029			1030			1031					
NODE				1029			1030			1031					
				SHEAR	TORQUE	MOMENT	SHEAR	TORQUE	MOMENT	SHEAR	TORQUE	MOMENT			
NAME	TITLE			S2 (kN)	TQ (kN·m)	M3 (kN·m)	S2 (kN)	TQ (kN·m)	M3 (kN·m)	S2 (kN)	TQ (kN·m)	M3 (kN·m)			
71	3-LANES (caseTANDEM-LOAD	MAX	S2	17.02	53.50	-99.28	17.02	53.50	-17.31	17.02	53.46	-17.44	17.02	53.46	64.54
			TQ	15.95	57.82	-98.21	15.95	57.82	-21.36	15.95	57.77	-21.49	15.95	57.77	55.36
			M3	-40.90	-444.34	776.25	-33.89	-425.25	597.45	-33.89	-423.81	598.47	-25.28	-364.77	452.91
		MIN	S2	-46.62	-426.77	710.49	-46.62	-426.77	485.92	-46.62	-425.60	486.94	-46.62	-425.60	262.37
			TQ	-42.66	-464.75	746.15	-42.66	-464.75	540.65	-42.66	-463.46	541.76	-42.66	-463.46	336.26
			M3	-26.77	29.10	-1206.36	-27.13	27.97	-1335.88	-27.13	24.76	-1335.95	-27.15	24.66	-1466.66
	DISPERSION-LMAX	S2	31.59	85.85	-277.27	31.59	85.85	-125.08	31.59	85.55	-125.29	31.59	85.55	26.90	
		TQ	-21.74	188.50	-2857.09	-21.74	188.50	-2961.82	-17.19	181.60	-2786.65	-17.19	181.60	-2869.46	
		M3	-69.23	-694.90	1172.24	-65.72	-689.94	839.26	-65.77	-688.01	840.91	-28.16	-547.79	633.84	
		MIN	S2	-131.08	-593.16	-1694.20	-131.08	-593.16	-2325.63	-131.08	-598.74	-2324.20	-131.08	-598.74	-2955.63
			TQ	-77.74	-695.81	885.61	-77.74	-695.81	511.11	-82.29	-694.79	337.16	-82.29	-694.79	-59.27
			M3	-30.26	187.59	-3143.71	-33.76	182.63	-3289.97	-33.71	174.82	-3290.40	-71.32	34.60	-3562.56
72	4-LANES TRUCK-LOAD	MAX	S2	35.39	75.74	-182.71	35.39	75.74	-12.22	35.39	75.71	-12.40	35.39	75.71	158.09
			TQ	31.33	82.22	-171.87	31.33	82.22	-20.95	31.33	82.17	-21.15	31.33	82.17	129.78
			M3	-112.71	-721.49	1554.70	-109.52	-726.03	1017.81	-109.52	-723.58	1019.55	-48.48	-653.75	529.89
		MIN	S2	-116.14	-668.84	1493.76	-116.14	-668.84	934.28	-116.14	-666.60	935.88	-116.14	-666.60	376.40
			TQ	-109.52	-726.03	1545.41	-109.52	-726.03	1017.81	-109.52	-723.58	1019.55	-109.52	-723.58	491.95
			M3	35.01	79.38	-183.73	13.04	71.99	-32.94	13.04	71.91	-33.11	-41.44	-92.08	-115.41
	TANDEM-LOAD	MAX	S2	24.06	50.79	-123.72	24.06	50.79	-7.84	24.06	50.77	-7.96	24.06	50.77	107.92
			TQ	20.88	55.89	-115.28	20.88	55.89	-14.68	20.88	55.86	-14.82	20.88	55.86	85.78
			M3	-78.02	-494.92	1120.94	-75.61	-502.03	752.99	-75.61	-500.23	754.19	-73.51	-495.96	396.99
		MIN	S2	-80.53	-464.35	1073.58	-80.53	-464.35	685.66	-80.53	-462.70	686.77	-80.53	-462.70	298.85
			TQ	-76.65	-502.49	1110.32	-76.65	-502.49	741.08	-76.65	-500.71	742.28	-76.65	-500.71	373.04
			M3	23.89	53.72	-125.06	7.14	47.64	-22.89	7.14	47.58	-23.00	-29.36	-57.44	-79.81

BAGO RIVER BRIDGE

BLOCK [ No.1 : MAIN GIRDER ][ BEAM MEMBER FORCE ]

MEMBER				1029			1030			1031								
NODE				1029			1030			1031								
				SHEAR	TORQUE	MOMENT	SHEAR	TORQUE	MOMENT	SHEAR	TORQUE	MOMENT						
NAME	TITLE			S2 (kN)	TQ (kN·m)	M3 (kN·m)	S2 (kN)	TQ (kN·m)	M3 (kN·m)	S2 (kN)	TQ (kN·m)	M3 (kN·m)						
72	4-LANES	DISPERSION-LMAX	S2	43.08	89.60	-220.47	43.08	89.60	-12.96	43.08	89.56	-13.18	43.08	89.56	194.33			
			TQ	36.29	99.89	-195.43	36.29	99.89	-20.62	36.28	99.84	-20.68	36.28	99.84	154.07			
			M3	-76.64	-478.12	866.22	-54.20	-468.86	513.29	-54.24	-467.69	514.41	0.56	-322.29	397.58			
		MIN	S2	-76.91	-472.05	863.39	-76.91	-472.05	492.92	-76.91	-470.86	494.05	-76.91	-470.86	123.58			
			TQ	-68.86	-481.58	833.09	-68.86	-481.58	501.38	-68.84	-480.37	502.36	-68.84	-480.37	170.72			
			M3	42.62	98.93	-225.17	21.69	86.97	-33.58	21.75	86.98	-33.79	-34.51	-64.05	-76.68			
		73	6-LANES	TRUCK-LOAD	MAX	S2	287.04	355.95	1694.62	177.88	236.61	1991.37	177.88	241.39	1990.80	96.54	129.22	1460.10
					TQ	-187.02	614.65	1484.96	-187.02	614.65	584.04	-187.02	616.05	582.56	-187.02	616.05	-318.36	
					M3	-66.79	-101.28	4422.43	-121.98	-187.31	3628.78	-121.98	-178.60	3629.22	-176.71	-234.83	2527.46	
MIN	S2			-378.49	-52.57	4202.17	-465.88	-159.51	3239.53	-465.88	-151.74	3239.90	-575.69	-279.25	1589.79			
	TQ			-166.67	-682.61	-770.39	-166.67	-682.61	-1573.26	-167.45	-686.41	-1600.61	-167.45	-686.41	-2407.25			
	M3			-135.81	-45.03	-3950.38	-136.15	-46.09	-4605.52	-136.15	-57.14	-4605.40	-136.54	-58.52	-5262.09			
TANDEM-LOAD	MAX			S2	232.94	276.91	1318.68	153.71	188.99	1574.72	153.71	192.77	1574.27	83.44	110.08	1337.27		
	TQ			-128.90	422.49	1054.31	-128.90	422.49	433.36	-98.71	423.92	676.04	-98.71	423.92	200.54			
	M3			-74.10	-79.86	3289.52	-116.23	-161.09	2766.07	-116.23	-154.45	2766.45	-154.27	-196.36	2017.20			
MIN	S2			-278.01	-63.66	3162.21	-353.21	-150.03	2420.55	-353.21	-144.22	2420.90	-428.63	-227.83	1197.80			
	TQ			-111.01	-467.43	-555.28	-111.01	-467.43	-1090.05	-112.68	-470.13	-1153.95	-112.68	-470.13	-1696.76			
	M3			-92.25	-30.79	-2681.11	-92.60	-31.90	-3125.95	-92.60	-39.40	-3125.87	-92.69	-39.74	-3572.11			
DISPERSION-LMAX	MAX			S2	137.34	63.58	197.92	102.88	23.25	448.64	102.88	24.33	448.58	83.82	1.38	601.57		
				TQ	-121.56	741.70	-838.62	-195.23	741.70	-1601.44	-190.73	738.07	-1426.06	-265.02	738.07	-2523.61		
				M3	-197.09	-48.34	3146.45	-166.81	-321.10	2210.77	-166.74	-316.23	2211.53	-108.27	-435.53	1546.58		
	MIN	S2	-481.01	-141.70	-3510.45	-518.77	-103.03	-5610.02	-518.77	-116.49	-5609.76	-573.72	-94.81	-7955.01				
		TQ	-211.82	-849.59	-2537.73	-211.82	-849.59	-3558.12	-216.37	-858.34	-3734.17	-216.37	-858.34	-4776.45				
		M3	-142.63	-44.78	-6492.63	-245.45	216.88	-7364.34	-245.55	199.73	-7364.83	-376.77	300.29	-8865.49				

BAGO RIVER BRIDGE

BLOCK [ No.1 : MAIN GIRDER ][ BEAM MEMBER FORCE ]

MEMBER			1029			1030			1031			1030			
NODE			1029			1030			1030			1031			
NAME TITLE			SHEAR	TORQUE	MOMENT	SHEAR	TORQUE	MOMENT	SHEAR	TORQUE	MOMENT	SHEAR	TORQUE	MOMENT	
			S2 (kN)	TQ (kN·m)	M3 (kN·m)	S2 (kN)	TQ (kN·m)	M3 (kN·m)	S2 (kN)	TQ (kN·m)	M3 (kN·m)	S2 (kN)	TQ (kN·m)	M3 (kN·m)	
124	SUM TOTAL	D+1LANE (caseMAX	S2	-984.35	110.17	-10992.07	-1437.34	-72.46	-18110.95	-1437.34	-115.92	-18110.72	-1833.02	-231.38	-27318.23
			TQ	-1489.75	649.41	-11033.68	-1837.69	649.41	-19048.75	-1837.63	603.70	-19049.06	-2185.57	603.70	-28739.94
			M3	-1242.82	610.79	-10379.94	-1656.06	276.83	-17667.17	-1655.97	234.01	-17667.78	-2095.73	-73.11	-27104.85
		MIN	S2	-1672.58	489.84	-12343.43	-2090.45	421.07	-20087.07	-2090.45	372.86	-20088.03	-2557.60	241.82	-30078.77
			TQ	-1451.25	-363.16	-15277.93	-1731.58	-363.16	-22944.10	-1731.64	-418.22	-22944.35	-2011.97	-418.22	-31961.22
			M3	-1451.97	-358.76	-15351.52	-1784.12	-144.67	-23145.43	-1784.21	-199.80	-23145.02	-2108.71	-40.25	-32515.87
		D+1LANE (caseMAX	S2	-1314.97	-199.66	-12847.96	-1595.30	-199.66	-19857.67	-1595.30	-247.32	-19857.13	-1875.75	-248.68	-28229.85
			TQ	-1488.04	81.30	-11566.39	-1769.57	81.30	-19412.69	-1769.57	34.71	-19412.82	-2051.10	34.71	-28615.33
			M3	-1507.08	32.40	-10964.72	-1724.40	-30.86	-18793.90	-1724.36	-76.05	-18793.77	-1928.18	-135.73	-27575.75
		MIN	S2	-1574.15	-7.58	-12471.78	-1855.69	-7.58	-20732.92	-1855.69	-57.33	-20732.84	-2137.10	-55.97	-30337.58
			TQ	-1415.59	-250.32	-15028.63	-1695.92	-250.32	-22523.01	-1696.07	-304.38	-22528.07	-1976.40	-304.38	-31373.61
			M3	-1417.65	-248.96	-15108.99	-1729.15	-192.05	-22663.93	-1729.19	-246.35	-22663.40	-2043.34	-188.57	-31747.55
		D+1LANE (caseMAX	S2	-1320.12	-167.66	-12933.20	-1600.45	-167.66	-19967.71	-1600.45	-215.58	-19967.25	-1880.78	-215.58	-28352.18
			TQ	-1384.18	-153.88	-14327.75	-1664.51	-153.88	-21670.84	-1648.34	-205.60	-20524.53	-1928.67	-205.60	-29140.12
			M3	-1453.00	-306.58	-11489.53	-1704.30	-285.35	-19130.75	-1704.31	-331.27	-19130.01	-1943.25	-276.42	-27929.52
		MIN	S2	-1495.50	-300.34	-12815.24	-1775.83	-300.34	-20694.57	-1775.83	-350.00	-20693.79	-2056.15	-350.00	-29923.53
			TQ	-1458.47	-312.37	-11951.14	-1738.80	-312.37	-19652.12	-1744.19	-359.79	-19863.76	-2024.52	-359.79	-28941.09
			M3	-1390.13	-160.58	-14918.69	-1687.58	-162.76	-22306.36	-1687.57	-216.29	-22305.91	-1992.58	-237.48	-31166.75
		D+1LANE (caseMAX	S2	-1324.93	-91.77	-13076.17	-1605.26	-91.77	-20133.87	-1605.26	-140.10	-20133.59	-1885.59	-140.10	-28541.70
			TQ	-1340.04	-5.39	-14081.65	-1620.37	-5.39	-21212.10	-1620.37	-56.30	-21212.02	-1900.69	-56.30	-29692.88
			M3	-1373.52	-917.16	-12095.47	-1649.64	-924.15	-19378.33	-1649.64	-970.65	-19376.06	-1917.42	-912.84	-27964.36
		MIN	S2	-1390.64	-782.90	-13141.98	-1670.97	-782.90	-20516.18	-1670.97	-832.14	-20514.24	-1951.29	-832.14	-29238.84
			TQ	-1369.31	-924.15	-12106.85	-1649.64	-924.15	-19378.33	-1649.64	-970.65	-19376.06	-1929.97	-970.65	-27997.95
			M3	-1358.04	-21.53	-14685.22	-1638.61	-22.31	-21902.91	-1638.61	-74.88	-21902.79	-1929.83	-128.06	-30500.11

BAGO RIVER BRIDGE

BLOCK [ No.1 : MAIN GIRDER ][ BEAM MEMBER FORCE ]

MEMBER			1029			1030			1030			1031			
NODE			1029			1030			1030			1031			
NAME TITLE			SHEAR	TORQUE	MOMENT	SHEAR	TORQUE	MOMENT	SHEAR	TORQUE	MOMENT	SHEAR	TORQUE	MOMENT	
			S2 (kN)	TQ (kN·m)	M3 (kN·m)	S2 (kN)	TQ (kN·m)	M3 (kN·m)	S2 (kN)	TQ (kN·m)	M3 (kN·m)	S2 (kN)	TQ (kN·m)	M3 (kN·m)	
124	SUM TOTAL	D+2LANES (casMAX	S2	-942.68	205.00	-10012.41	-1399.21	-18.48	-17321.63	-1399.21	-60.05	-17321.54	-1802.74	-213.12	-26736.91
			TQ	-1590.34	945.91	-10042.66	-1951.12	945.91	-18573.11	-1951.07	901.33	-18574.34	-2311.85	901.33	-28842.53
			M3	-1306.93	882.18	-8976.46	-1710.97	450.47	-16626.60	-1710.82	409.96	-16627.63	-2140.01	9.69	-26360.40
		MIN	S2	-1845.20	706.98	-12129.15	-2278.16	622.33	-20425.36	-2278.16	573.30	-20426.79	-2756.30	419.92	-31037.70
			TQ	-1506.18	-444.56	-16801.73	-1786.51	-444.56	-24732.52	-1786.56	-503.92	-24732.37	-2066.89	-503.92	-34013.81
			M3	-1507.84	-438.42	-16925.80	-1865.73	-154.65	-25038.73	-1865.87	-214.13	-25038.29	-2214.67	8.09	-34861.88
		D+2LANES (casMAX	S2	-1218.20	-53.19	-11558.98	-1530.84	-124.49	-18777.23	-1530.84	-169.55	-18776.88	-1838.35	-227.54	-27496.59
			TQ	-1588.91	472.48	-10486.59	-1894.35	472.48	-18876.40	-1894.35	427.18	-18877.48	-2199.80	427.18	-28738.69
			M3	-1527.14	400.18	-9463.79	-1767.92	194.07	-17565.54	-1767.82	151.57	-17565.96	-2000.38	-42.49	-26752.82
		MIN	S2	-1763.18	292.47	-12236.11	-2082.52	265.12	-20963.56	-2082.52	214.81	-20964.13	-2405.88	171.76	-31253.37
			TQ	-1476.46	-350.53	-16593.98	-1756.79	-350.53	-24381.62	-1756.92	-409.05	-24385.47	-2037.25	-409.05	-33524.14
			M3	-1479.24	-346.91	-16723.69	-1819.92	-194.13	-24637.47	-1820.02	-252.92	-24636.94	-2160.19	-115.51	-34221.61
		D+2LANES (casMAX	S2	-1303.83	-141.80	-13021.55	-1584.16	-141.80	-19977.60	-1584.16	-189.75	-19977.21	-1864.49	-189.75	-28283.67
			TQ	-1393.94	-95.03	-15574.44	-1674.27	-95.03	-22964.54	-1660.17	-149.89	-21985.77	-1940.50	-149.89	-30658.35
			M3	-1500.66	-568.05	-10802.62	-1743.29	-530.91	-18663.32	-1743.32	-575.75	-18661.99	-1969.91	-461.24	-27616.06
		MIN	S2	-1559.92	-534.97	-12922.53	-1840.25	-534.97	-21112.20	-1840.25	-585.64	-21110.86	-2120.58	-585.64	-30650.94
			TQ	-1506.96	-575.09	-11191.31	-1787.29	-575.09	-19125.85	-1791.78	-621.21	-19301.45	-2072.11	-621.21	-28608.03
			M3	-1405.05	-105.93	-16204.71	-1708.67	-117.03	-23665.19	-1708.64	-173.78	-23664.85	-2022.74	-234.22	-32646.84
		D+2LANES (casMAX	S2	-1310.08	-42.93	-13162.57	-1590.41	-42.93	-20148.72	-1590.41	-91.29	-20148.56	-1870.74	-91.29	-28485.12
			TQ	-1343.53	57.81	-14969.80	-1623.86	57.81	-22117.08	-1623.86	4.73	-22117.15	-1904.19	4.73	-30614.84
			M3	-1410.47	-1241.05	-11466.46	-1686.22	-1238.15	-18926.50	-1686.22	-1283.57	-18923.47	-1941.66	-1158.73	-27647.92
		MIN	S2	-1447.87	-1103.33	-13342.94	-1728.20	-1103.33	-20992.84	-1728.20	-1153.71	-20990.13	-2008.53	-1153.71	-29990.44
			TQ	-1409.11	-1256.15	-11483.23	-1689.44	-1256.15	-18946.44	-1689.44	-1301.61	-18943.37	-1969.77	-1301.61	-27756.99
			M3	-1379.43	30.06	-16017.10	-1659.97	29.41	-23337.77	-1659.97	-26.60	-23337.78	-1960.75	-113.42	-32071.01

BAGO RIVER BRIDGE

BLOCK [ No.1 : MAIN GIRDER ][ BEAM MEMBER FORCE ]

MEMBER			1029			1030			1031			1030				
NODE			1029			1030			1030			1031				
NAME TITLE			SHEAR	TORQUE	MOMENT	SHEAR	TORQUE	MOMENT	SHEAR	TORQUE	MOMENT	SHEAR	TORQUE	MOMENT		
			S2 (kN)	TQ (kN·m)	M3 (kN·m)	S2 (kN)	TQ (kN·m)	M3 (kN·m)	S2 (kN)	TQ (kN·m)	M3 (kN·m)	S2 (kN)	TQ (kN·m)	M3 (kN·m)		
124	SUM TOTAL	D+3LANES (casMAX	S2	-980.75	128.37	-10443.39	-1410.86	-61.59	-17622.09	-1410.86	-103.88	-17621.89	-1795.99	-234.95	-26802.31	
			TQ	-1653.85	957.16	-9561.32	-2003.42	957.16	-18370.65	-2003.38	913.07	-18372.06	-2352.94	913.07	-28865.13	
			M3	-1426.44	868.35	-8228.88	-1767.30	456.59	-16277.81	-1767.15	416.94	-16278.86	-2119.81	34.44	-26018.95	
		MIN	S2	-1931.49	691.12	-11976.16	-2342.40	619.16	-20880.22	-2342.40	569.05	-20881.65	-2791.63	439.63	-31950.95	
			TQ	-1531.00	-459.64	-17758.95	-1811.33	-459.64	-25809.30	-1811.48	-521.59	-25813.02	-2091.81	-521.59	-35214.51	
			M3	-1533.87	-453.45	-17921.33	-1902.20	-171.94	-26169.39	-1902.35	-234.16	-26168.90	-2264.84	-4.35	-36200.24	
		D+3LANES (casMAX	S2	-1293.16	-94.15	-13168.24	-1573.49	-94.15	-20072.88	-1573.49	-142.32	-20072.60	-1853.82	-142.32	-28327.65	
			TQ	-1387.20	-10.21	-16327.54	-1667.53	-10.21	-23685.20	-1654.49	-66.83	-22808.38	-1934.82	-66.83	-31453.63	
			M3	-1514.29	-893.28	-10480.71	-1758.92	-852.72	-18406.21	-1758.97	-896.97	-18404.11	-1980.85	-750.39	-27409.55	
		MIN	S2	-1576.03	-825.34	-13003.34	-1856.36	-825.34	-21270.65	-1856.36	-876.39	-21268.61	-2136.69	-876.39	-30886.32	
			TQ	-1520.22	-899.46	-10813.30	-1800.55	-899.46	-18811.75	-1804.37	-944.79	-18960.01	-2084.70	-944.79	-28327.25	
			M3	-1403.32	-26.78	-17002.62	-1704.57	-38.17	-24452.70	-1704.52	-96.78	-24452.54	-2023.25	-180.39	-33437.78	
		D+3LANES (casMAX	S2	-1298.67	-30.33	-13198.28	-1579.00	-30.33	-20129.44	-1579.00	-78.64	-20129.31	-1859.32	-78.64	-28410.87	
			TQ	-1345.69	61.33	-15387.78	-1626.02	61.33	-22545.47	-1622.15	7.40	-22396.27	-1902.48	7.40	-30885.73	
			M3	-1454.60	-1309.66	-10877.67	-1726.20	-1293.53	-18547.77	-1726.25	-1338.11	-18544.61	-1965.39	-1154.01	-27417.57	
		MIN	S2	-1516.07	-1203.65	-13411.45	-1796.40	-1203.65	-21389.89	-1796.40	-1254.98	-21386.94	-2076.73	-1254.98	-30715.79	
			TQ	-1465.03	-1339.39	-11163.94	-1745.36	-1339.39	-18896.53	-1749.23	-1384.92	-19042.54	-2029.56	-1384.92	-28144.17	
			M3	-1406.15	24.38	-17020.15	-1689.64	19.62	-24469.88	-1689.59	-39.04	-24469.85	-2002.04	-158.74	-33377.81	
		D+4LANES	MAX	S2	-1295.79	-63.66	-13099.91	-1576.12	-63.66	-20017.22	-1576.12	-111.70	-20017.01	-1856.45	-111.70	-28284.73
			TQ	-1302.84	-52.76	-13076.59	-1583.17	-52.76	-20027.87	-1583.18	-100.83	-20027.58	-1863.51	-100.83	-28329.31	
			M3	-1469.87	-950.88	-11264.25	-1733.55	-947.81	-19005.64	-1733.57	-993.46	-19003.31	-1938.60	-853.55	-27910.95	
		MIN	S2	-1472.28	-912.71	-11305.70	-1752.61	-912.71	-19073.18	-1752.61	-958.48	-19070.93	-2032.94	-958.48	-28188.82	
			TQ	-1462.74	-956.08	-11291.82	-1743.07	-956.08	-19013.38	-1743.06	-1001.70	-19011.15	-2023.39	-1001.70	-28083.07	
			M3	-1296.34	-55.23	-13103.63	-1604.55	-67.80	-20044.09	-1604.51	-115.85	-20043.87	-1956.82	-320.62	-28638.67	



BAGO RIVER BRIDGE

BLOCK [ No.1 : MAIN GIRDER ][ BEAM MEMBER FORCE ]

MEMBER					1029			1030			1031					
NODE					1029			1030			1031					
					SHEAR	TORQUE	MOMENT	SHEAR	TORQUE	MOMENT	SHEAR	TORQUE	MOMENT			
NAME TITLE					S2 (kN)	TQ (kN·m)	M3 (kN·m)	S2 (kN)	TQ (kN·m)	M3 (kN·m)	S2 (kN)	TQ (kN·m)	M3 (kN·m)			
124	SUM TOTAL	D+6LANES	MAX	S2	-1070.95	101.56	-11607.70	-1444.63	-2.22	-18414.85	-1444.63	-46.42	-18414.79	-1790.22	-134.24	-27173.72
				TQ	-1547.37	710.50	-12417.73	-1875.59	710.50	-20662.16	-1872.67	661.05	-20548.66	-2201.28	661.05	-30361.09
				M3	-1518.32	-268.38	-7918.07	-1814.84	-501.59	-16205.15	-1814.80	-540.77	-16203.90	-2092.69	-654.87	-25865.68
			MIN	S2	-1905.47	-297.41	-12388.23	-2267.15	-341.78	-21541.67	-2267.15	-393.48	-21540.79	-2654.57	-462.27	-32651.20
				TQ	-1592.81	-1167.06	-14988.12	-1873.14	-1167.06	-23336.25	-1876.61	-1223.22	-23468.00	-2156.93	-1223.22	-33183.21
				M3	-1527.78	-229.50	-19625.80	-1875.16	-60.12	-27781.26	-1875.23	-126.45	-27781.04	-2241.10	-61.98	-37696.73
	SUM TOTAL		MAX		-942.68	957.16	-7918.07	-1399.21	957.16	-16205.15	-1399.21	913.07	-16203.90	-1790.22	913.07	-25865.68
			MIN		-1931.49	-1339.39	-19625.80	-2342.40	-1339.39	-27781.26	-2342.40	-1384.92	-27781.04	-2791.63	-1384.92	-37696.73
300	DEAD LOAD	TOTAL			-1346.80	-171.13	-12837.85	-1627.13	-171.13	-20000.86	-1627.13	-219.13	-20000.39	-1907.45	-219.13	-28513.81
301	LIVE LOAD	1-LANE(case1MAX	S2		362.45	281.30	1845.78	189.78	98.67	1889.91	189.78	103.21	1889.67	74.44	-12.25	1195.58
			TQ		-142.96	820.54	1804.17	-210.56	820.54	952.11	-210.50	822.83	951.32	-278.11	822.83	-226.13
			M3		103.98	781.92	2457.91	-28.93	447.96	2333.69	-28.84	453.14	2332.61	-188.28	146.02	1408.95
			MIN	S2	-325.79	660.97	494.41	-463.33	592.20	-86.22	-463.33	591.99	-87.64	-650.14	460.96	-1564.96
				TQ	-104.45	-192.03	-2440.08	-104.45	-192.03	-2943.25	-104.51	-199.09	-2943.96	-104.51	-199.09	-3447.42
				M3	-105.17	-187.63	-2513.67	-156.99	26.46	-3144.58	-157.08	19.33	-3144.63	-201.26	178.88	-4002.06
		1-LANE(case2MAX	S2		31.82	-28.53	-10.11	31.82	-28.53	143.19	31.82	-28.19	143.26	31.70	-29.55	283.96
			TQ		-141.24	252.43	1271.45	-142.44	252.43	588.17	-142.44	253.85	587.56	-143.65	253.85	-101.52
			M3		-160.28	203.53	1873.12	-97.28	140.28	1206.96	-97.24	143.08	1206.62	-20.72	83.41	938.05
			MIN	S2	-227.36	163.55	366.06	-228.56	163.55	-732.06	-228.56	161.80	-732.45	-229.64	163.16	-1823.77
				TQ	-68.79	-79.19	-2190.78	-68.79	-79.19	-2522.16	-68.95	-85.25	-2527.68	-68.95	-85.25	-2859.81
				M3	-70.86	-77.82	-2271.14	-102.02	-20.92	-2663.07	-102.06	-27.22	-2663.01	-135.89	30.56	-3233.74
		1-LANE(case3MAX	S2		26.67	3.47	-95.35	26.67	3.47	33.14	26.67	3.55	33.13	26.67	3.55	161.62
			TQ		-37.38	17.25	-1489.91	-37.38	17.25	-1669.98	-21.21	13.53	-524.14	-21.21	13.53	-626.32
			M3		-106.20	-135.45	1348.32	-77.18	-114.22	870.10	-77.18	-112.14	870.37	-35.79	-57.28	584.29
			MIN	S2	-148.70	-129.21	22.60	-148.70	-129.21	-693.71	-148.70	-130.87	-693.40	-148.70	-130.87	-1409.72
				TQ	-111.68	-141.24	886.71	-111.68	-141.24	348.73	-117.06	-140.66	136.63	-117.06	-140.66	-427.29
				M3	-43.34	10.56	-2080.84	-60.45	8.38	-2305.51	-60.45	2.85	-2305.52	-85.12	-18.35	-2652.94

BAGO RIVER BRIDGE

BLOCK [ No.1 : MAIN GIRDER ][ BEAM MEMBER FORCE ]

MEMBER			1029			1030			1030			1031				
NODE			1029			1030			1030			1031				
NAME TITLE			SHEAR	TORQUE	MOMENT	SHEAR	TORQUE	MOMENT	SHEAR	TORQUE	MOMENT	SHEAR	TORQUE	MOMENT		
			S2 (kN)	TQ (kN·m)	M3 (kN·m)	S2 (kN)	TQ (kN·m)	M3 (kN·m)	S2 (kN)	TQ (kN·m)	M3 (kN·m)	S2 (kN)	TQ (kN·m)	M3 (kN·m)		
301	LIVE LOAD	1-LANE (case4MAX	S2	21.86	79.36	-238.33	21.86	79.36	-133.02	21.86	79.04	-133.21	21.86	79.04	-27.89	
			TQ	6.76	165.74	-1243.81	6.76	165.74	-1211.24	6.76	162.83	-1211.64	6.76	162.83	-1179.07	
			M3	-26.72	-746.03	742.37	-22.52	-753.02	622.52	-22.52	-751.52	624.33	-9.97	-693.70	549.45	
			MIN	S2	-43.84	-611.77	-304.14	-43.84	-611.77	-515.32	-43.84	-613.01	-513.85	-43.84	-613.01	-725.04
			TQ	-22.52	-753.02	731.00	-22.52	-753.02	622.52	-22.52	-751.52	624.33	-22.52	-751.52	515.85	
			M3	-11.24	149.60	-1847.38	-11.49	148.82	-1902.05	-11.49	144.26	-1902.41	-22.38	91.07	-1986.30	
		2-LANES (caseMAX	S2	404.12	376.13	2825.44	227.92	152.65	2679.22	227.92	159.08	2678.85	104.72	6.01	1776.90	
			TQ	-243.54	1117.04	2795.19	-324.00	1117.04	1427.74	-323.95	1120.46	1426.04	-404.40	1120.46	-328.73	
			M3	39.87	1053.31	3861.38	-83.84	621.60	3374.25	-83.70	629.09	3372.75	-232.56	228.82	2153.41	
			MIN	S2	-498.41	878.11	708.70	-651.04	793.46	-424.50	-651.04	792.44	-426.40	-848.84	639.05	-2523.89
			TQ	-159.38	-273.43	-3963.89	-159.38	-273.43	-4731.67	-159.43	-284.79	-4731.99	-159.43	-284.79	-5500.01	
			M3	-161.04	-267.29	-4087.96	-238.60	16.49	-5037.87	-238.75	5.00	-5037.90	-307.21	227.22	-6348.08	
		2-LANES (caseMAX	S2	128.60	117.94	1278.86	96.28	46.64	1223.62	96.28	49.58	1223.51	69.10	-8.41	1017.21	
			TQ	-242.11	643.61	2351.26	-267.23	643.61	1124.46	-267.23	646.31	1122.91	-292.35	646.31	-224.88	
			M3	-180.35	571.32	3374.06	-140.80	365.20	2435.31	-140.70	370.71	2434.43	-92.93	176.64	1760.99	
			MIN	S2	-416.38	463.60	601.74	-455.40	436.25	-962.70	-455.40	433.94	-963.75	-498.43	390.89	-2739.57
			TQ	-129.66	-179.40	-3756.14	-129.66	-179.40	-4380.76	-129.79	-189.92	-4385.09	-129.79	-189.92	-5010.33	
			M3	-132.45	-175.78	-3885.85	-192.79	-23.00	-4636.62	-192.90	-33.79	-4636.55	-252.74	103.62	-5707.81	
		2-LANES (caseMAX	S2	42.96	29.33	-183.70	42.96	29.33	23.25	42.96	29.39	23.18	42.96	29.39	230.14	
			TQ	-47.14	76.11	-2736.59	-47.14	76.11	-2963.69	-33.04	69.24	-1985.38	-33.04	69.24	-2144.55	
			M3	-153.87	-396.92	2035.22	-116.16	-359.78	1337.53	-116.19	-356.62	1338.39	-62.46	-242.10	897.74	
			MIN	S2	-213.12	-363.84	-84.68	-213.12	-363.84	-1111.35	-213.12	-366.50	-1110.47	-213.12	-366.50	-2137.14
			TQ	-160.16	-403.96	1646.53	-160.16	-403.96	875.00	-164.65	-402.07	698.93	-164.65	-402.07	-94.22	
			M3	-58.26	65.20	-3366.87	-81.54	54.10	-3664.34	-81.51	45.35	-3664.46	-115.29	-15.09	-4133.04	

BAGO RIVER BRIDGE

BLOCK [ No.1 : MAIN GIRDER ][ BEAM MEMBER FORCE ]

MEMBER			1029			1030			1030			1031			
NODE			1029			1030			1030			1031			
NAME TITLE			SHEAR	TORQUE	MOMENT	SHEAR	TORQUE	MOMENT	SHEAR	TORQUE	MOMENT	SHEAR	TORQUE	MOMENT	
			S2 (kN)	TQ (kN·m)	M3 (kN·m)	S2 (kN)	TQ (kN·m)	M3 (kN·m)	S2 (kN)	TQ (kN·m)	M3 (kN·m)	S2 (kN)	TQ (kN·m)	M3 (kN·m)	
301	LIVE LOAD	2-LANES (caseMAX	S2	36.71	128.20	-324.72	36.71	128.20	-147.86	36.71	127.84	-148.17	36.71	127.84	28.69
			TQ	3.27	228.94	-2131.95	3.27	228.94	-2116.22	3.27	223.86	-2116.77	3.27	223.86	-2101.04
			M3	-63.67	-1069.92	1371.38	-59.09	-1067.02	1074.36	-59.09	-1064.44	1076.92	-34.21	-939.60	865.88
			MIN S2	-101.07	-932.20	-505.10	-101.07	-932.20	-991.99	-101.07	-934.58	-989.75	-101.07	-934.58	-1476.63
			TQ	-62.32	-1085.02	1354.61	-62.32	-1085.02	1054.41	-62.32	-1082.48	1057.01	-62.32	-1082.48	756.81
			M3	-32.64	201.19	-3179.25	-32.85	200.54	-3336.92	-32.85	192.53	-3337.39	-53.30	105.71	-3557.20
		3-LANES (caseMAX	S2	366.04	299.50	2394.46	216.27	109.54	2378.76	216.27	115.25	2378.49	111.46	-15.82	1711.50
			TQ	-307.06	1128.29	3276.52	-376.29	1128.29	1630.20	-376.25	1132.20	1628.33	-445.49	1132.20	-351.33
			M3	-79.64	1039.48	4608.97	-140.17	627.72	3723.04	-140.02	636.08	3721.53	-212.35	253.58	2494.85
			MIN S2	-584.69	862.25	861.69	-715.28	790.29	-879.37	-715.28	788.18	-881.26	-884.18	658.77	-3437.14
			TQ	-184.20	-288.51	-4921.11	-184.20	-288.51	-5808.45	-184.35	-302.45	-5812.63	-184.35	-302.45	-6700.70
			M3	-187.08	-282.32	-5083.49	-275.08	-0.81	-6168.53	-275.23	-15.03	-6168.52	-357.38	214.78	-7686.43
		3-LANES (caseMAX	S2	53.63	76.98	-330.39	53.63	76.98	-72.02	53.63	76.81	-72.21	53.63	76.81	186.16
			TQ	-40.41	160.92	-3489.69	-40.41	160.92	-3684.34	-27.37	152.30	-2807.99	-27.37	152.30	-2939.82
			M3	-167.49	-722.15	2357.14	-131.79	-681.59	1594.65	-131.84	-677.84	1596.28	-73.40	-531.26	1104.25
			MIN S2	-229.24	-654.21	-165.50	-229.24	-654.21	-1269.79	-229.24	-657.25	-1268.22	-229.24	-657.25	-2372.51
			TQ	-173.43	-728.33	2024.54	-173.43	-728.33	1189.11	-177.24	-725.65	1040.37	-177.24	-725.65	186.56
			M3	-56.52	144.35	-4164.78	-77.45	132.96	-4451.85	-77.40	122.35	-4452.15	-115.80	38.74	-4923.98
		3-LANES (caseMAX	S2	48.13	140.80	-360.44	48.13	140.80	-128.58	48.13	140.49	-128.92	48.13	140.49	102.93
			TQ	1.11	232.46	-2549.94	1.11	232.46	-2544.61	4.97	226.53	-2395.88	4.97	226.53	-2371.92
			M3	-107.81	-1138.53	1960.18	-99.08	-1122.40	1453.08	-99.12	-1118.98	1455.77	-57.93	-934.88	1096.24
MIN S2	-169.27		-1032.52	-573.60	-169.27	-1032.52	-1389.04	-169.27	-1035.85	-1386.55	-169.27	-1035.85	-2201.99		
TQ	-118.24		-1168.26	1673.91	-118.24	-1168.26	1104.33	-122.11	-1165.79	957.85	-122.11	-1165.79	369.64		
M3	-59.35		195.51	-4182.30	-62.51	190.75	-4469.02	-62.47	180.09	-4469.46	-94.58	60.40	-4864.01		

BAGO RIVER BRIDGE

BLOCK [ No.1 : MAIN GIRDER ][ BEAM MEMBER FORCE ]

MEMBER					1029			1030			1031						
NODE					1029			1030			1031						
NAME TITLE					SHEAR	TORQUE	MOMENT	SHEAR	TORQUE	MOMENT	SHEAR	TORQUE	MOMENT				
					S2 (kN)	TQ (kN·m)	M3 (kN·m)	S2 (kN)	TQ (kN·m)	M3 (kN·m)	S2 (kN)	TQ (kN·m)	M3 (kN·m)				
301	LIVE LOAD	4-LANES	MAX	S2	51.00	107.47	-262.06	51.00	107.47	-16.37	51.00	107.43	-16.62	51.00	107.43	229.07	
				TQ	43.95	118.37	-238.75	43.95	118.37	-27.02	43.94	118.30	-27.19	43.94	118.30	184.50	
			M3	-123.08	-779.75	1573.60	-106.42	-776.68	995.21	-106.45	-774.33	997.07	-31.15	-634.42	602.86		
		MIN	S2	-125.48	-741.58	1532.15	-125.48	-741.58	927.68	-125.48	-739.35	929.45	-125.48	-739.35	324.99		
			TQ	-115.95	-784.94	1546.02	-115.95	-784.94	987.47	-115.94	-782.57	989.24	-115.94	-782.57	430.74		
			M3	50.46	115.90	-265.79	22.58	103.33	-43.24	22.61	103.28	-43.49	-49.37	-101.49	-124.86		
	6-LANES	MAX	S2	275.85	272.69	1230.15	182.49	168.91	1586.01	182.49	172.72	1585.60	117.23	84.89	1340.09		
			TQ	-200.58	881.63	420.12	-248.46	881.63	-661.31	-245.54	880.18	-548.28	-293.83	880.18	-1847.28		
		MIN	S2	-558.68	-126.28	449.62	-640.02	-170.65	-1540.82	-640.02	-174.35	-1540.41	-747.11	-243.14	-4137.39		
			TQ	-246.02	-995.93	-2150.28	-246.02	-995.93	-3335.40	-249.48	-1004.09	-3467.61	-249.48	-1004.09	-4669.41		
		LIVE LOAD	MAX	S2	-180.98	-58.37	-6787.96	-248.04	111.01	-7780.41	-248.11	92.68	-7780.65	-333.65	157.15	-9182.93	
			MIN	S2	404.12	1128.29	4919.78	227.92	1128.29	3795.70	227.92	1132.20	3796.49	117.23	1132.20	2648.12	
	303	SUM TOTAL	TOTAL	MAX	S2	-584.69	-1168.26	-6787.96	-715.28	-1168.26	-7780.41	-715.28	-1165.79	-7780.65	-884.18	-1165.79	-9182.93
				MIN	S2	-942.68	957.16	-7918.07	-1399.21	957.16	-16205.15	-1399.21	913.07	-16203.90	-1790.22	913.07	-25865.68
			MIN	S2	-1931.49	-1339.39	-19625.80	-2342.40	-1339.39	-27781.26	-2342.40	-1384.92	-27781.04	-2791.63	-1384.92	-37696.73	

BAGO RIVER BRIDGE

BLOCK [ No.1 : MAIN GIRDER ] [ BEAM MEMBER FORCE ]

MEMBER NODE	1031 1031	1032			1033			1032			1033				
		SHEAR	TORQUE	MOMENT	SHEAR	TORQUE	MOMENT	SHEAR	TORQUE	MOMENT	SHEAR	TORQUE	MOMENT		
		S2 (kN)	TQ (kN·m)	M3 (kN·m)	S2 (kN)	TQ (kN·m)	M3 (kN·m)	S2 (kN)	TQ (kN·m)	M3 (kN·m)	S2 (kN)	TQ (kN·m)	M3 (kN·m)		
1	PAVEMENT	-308.55	-101.60	-4503.34	-355.05	-101.60	-6076.73	-355.05	-115.95	-6076.47	-401.56	-115.95	-7870.38		
3	RAILING	-7.70	1.19	-138.57	-11.62	1.19	-184.39	-11.62	0.75	-184.40	-15.55	0.75	-248.83		
5	CURB	-76.23	11.77	-1371.89	-115.09	11.77	-1825.49	-115.09	7.45	-1825.51	-153.94	7.45	-2463.37		
7	DECK WEIGHT	-494.58	-139.80	-7379.75	-571.18	-139.80	-9906.65	-571.18	-163.21	-9906.29	-647.78	-163.21	-12796.42		
8	GIRDER WEIGH	-704.72	-44.37	-10646.12	-793.35	-44.37	-14198.00	-793.35	-77.91	-14197.85	-881.97	-77.91	-18169.98		
10	MEDIAN STRIP	-137.37	-7.51	-2266.84	-137.37	-7.51	-2918.23	-137.37	-14.41	-2918.20	-137.37	-14.41	-3569.59		
21	ADITIONAL WE	-138.48	-39.14	-2066.33	-159.93	-39.14	-2773.86	-159.93	-45.70	-2773.76	-181.38	-45.70	-3583.00		
31	MEDIAN RAILI	-10.11	-0.25	-140.37	-10.11	-0.25	-188.33	-10.11	-0.70	-188.33	-10.11	-0.70	-236.29		
51	SUPPORT WEIG	-0.00	0.00	-0.00	-0.00	0.00	-0.00	-0.00	0.00	-0.00	-0.00	0.00	-0.00		
52	NOSE WEIGHT	0.01	-0.04	0.05	0.01	-0.04	0.07	0.01	-0.04	0.07	0.01	-0.04	0.10		
61	1-LANE(case1TRUCK-LOAD	MAX	S2	169.29	194.21	759.93	53.18	61.15	426.27	53.18	62.16	426.13	14.37	-29.14	231.84
			TQ	-149.55	334.74	240.31	-149.55	334.74	-468.87	-149.55	333.63	-469.66	-149.55	333.63	-1178.83
			M3	47.60	286.30	807.72	-53.65	181.44	529.57	-53.65	182.70	529.14	14.37	-29.14	231.84
		MIN	S2	-193.15	306.02	773.75	-284.92	214.81	491.14	-284.92	215.97	490.63	-399.18	84.41	-387.63
			TQ	-65.64	-154.92	-992.01	-65.64	-154.92	-1303.28	-66.26	-158.06	-1356.46	-66.26	-158.06	-1670.67
			M3	-64.10	-142.93	-1126.60	-64.28	-143.58	-1430.82	-64.28	-146.96	-1430.47	-64.81	-149.00	-1737.14
		TANDEM-LOAD MAX	S2	154.61	175.22	743.57	69.67	82.89	574.83	69.67	84.24	574.63	9.79	-19.98	157.94
			TQ	-96.74	227.46	97.10	-96.74	227.46	-361.66	-96.74	226.61	-362.19	-96.74	226.61	-820.95
			M3	10.91	191.84	744.39	-69.64	106.48	584.16	-69.64	107.86	583.91	9.79	-19.98	157.94
		MIN	S2	-149.30	191.84	744.39	-229.84	106.48	584.16	-229.84	107.86	583.91	-306.78	12.15	-60.99
			TQ	-44.79	-105.51	-686.56	-44.79	-105.51	-898.95	-44.96	-107.65	-913.64	-44.96	-107.65	-1126.86
			M3	-43.21	-95.94	-765.04	-44.16	-99.57	-969.98	-44.16	-101.87	-969.74	-44.16	-101.87	-1179.13
		DISPERSION-LMAX	S2	45.83	-3.84	236.17	24.58	-28.25	258.20	24.58	-27.64	258.26	17.64	-36.03	284.69
			TQ	-99.45	370.60	-30.43	-154.91	370.60	-633.99	-154.91	369.10	-634.87	-210.58	369.10	-1501.67
			M3	-3.44	92.21	365.81	-13.35	0.83	321.60	-13.10	1.25	321.60	17.64	-36.03	284.69
		MIN	S2	-242.22	91.01	-2078.82	-276.43	115.42	-3164.10	-276.43	107.95	-3164.36	-325.16	116.34	-4517.28
			TQ	-96.94	-283.43	-1812.22	-96.94	-283.43	-2271.91	-96.94	-288.79	-2271.23	-96.94	-288.79	-2730.92
			M3	-192.95	-5.03	-2208.46	-238.50	86.35	-3227.50	-238.75	79.06	-3227.70	-325.16	116.34	-4517.28

BAGO RIVER BRIDGE

BLOCK [ No.1 : MAIN GIRDER ][ BEAM MEMBER FORCE ]

MEMBER				1031			1032			1033					
NODE				1031			1032			1033					
				SHEAR	TORQUE	MOMENT	SHEAR	TORQUE	MOMENT	SHEAR	TORQUE	MOMENT			
NAME	TITLE			S2 (kN)	TQ (kN·m)	M3 (kN·m)	S2 (kN)	TQ (kN·m)	M3 (kN·m)	S2 (kN)	TQ (kN·m)	M3 (kN·m)			
62	1-LANE (case2TRUCK-LOAD	MAX	S2	12.16	-12.05	74.39	12.16	-12.05	132.07	12.16	-11.74	132.10	12.16	-11.74	189.77
			TQ	-73.85	100.29	-72.13	-73.85	100.29	-422.31	-73.85	99.30	-422.54	-73.85	99.30	-772.72
			M3	-95.72	25.64	498.99	12.16	-12.05	132.07	12.16	-11.74	132.10	12.16	-11.74	189.77
		MIN	S2	-105.32	36.04	480.03	-105.32	36.04	-19.38	-105.32	36.00	-19.46	-105.32	36.00	-518.87
			TQ	-30.74	-48.04	-858.08	-30.74	-48.04	-1003.87	-30.89	-50.41	-1009.83	-30.89	-50.41	-1156.31
			M3	-31.85	-43.83	-941.66	-32.01	-44.47	-1093.21	-32.01	-47.05	-1093.10	-32.01	-47.05	-1244.89
		TANDEM-LOAD MAX	S2	8.27	-8.26	50.63	8.27	-8.26	89.86	8.27	-8.05	89.88	8.27	-8.05	129.12
			TQ	-51.07	68.67	-42.89	-51.07	68.67	-285.07	-51.07	67.99	-285.23	-51.07	67.99	-527.41
			M3	-66.06	12.39	369.38	8.27	-8.26	89.86	8.27	-8.05	89.88	8.27	-8.05	129.12
		MIN	S2	-74.33	27.74	323.71	-74.33	27.74	-28.74	-74.33	27.68	-28.80	-74.33	27.68	-381.25
			TQ	-20.29	-32.60	-561.31	-20.29	-32.60	-657.54	-21.20	-34.22	-694.75	-21.20	-34.22	-795.31
			M3	-21.77	-30.40	-638.54	-21.77	-30.40	-741.78	-21.77	-32.15	-741.71	-21.77	-32.15	-844.95
		DISPERSION-LMAX	S2	15.30	-16.23	64.62	15.30	-16.23	137.15	15.30	-15.91	137.19	15.30	-15.91	209.73
			TQ	-92.40	101.10	21.31	-93.38	101.10	-419.16	-93.46	100.11	-419.28	-94.44	100.11	-864.79
			M3	-36.18	13.11	282.59	-2.71	-12.14	183.85	-2.71	-11.70	183.88	14.86	-14.56	231.94
		MIN	S2	-149.57	23.80	-1535.12	-150.56	23.80	-2246.71	-150.56	18.50	-2246.76	-151.54	18.50	-2963.03
			TQ	-41.88	-93.53	-1491.82	-41.88	-93.53	-1690.39	-41.80	-97.52	-1690.29	-41.80	-97.52	-1888.51
			M3	-98.09	-5.53	-1753.10	-132.55	19.71	-2293.40	-132.55	14.29	-2293.44	-151.11	17.15	-2985.25
63	1-LANE (case3TRUCK-LOAD	MAX	S2	10.48	1.20	58.37	10.48	1.20	108.08	10.48	1.45	108.08	10.48	1.45	157.79
			TQ	1.33	33.09	-534.31	1.33	33.09	-528.00	1.33	31.84	-528.07	1.33	31.84	-521.76
			M3	-48.60	-80.05	276.40	10.48	1.20	108.08	10.48	1.45	108.08	10.48	1.45	157.79
		MIN	S2	-58.70	-71.57	210.84	-58.70	-71.57	-67.53	-58.70	-71.73	-67.36	-58.70	-71.73	-345.73
			TQ	-54.80	-80.56	267.77	-54.80	-80.56	7.90	-54.80	-80.54	8.09	-54.80	-80.54	-251.79
			M3	-9.80	23.55	-806.11	-9.80	23.55	-852.60	-9.80	21.53	-852.65	-9.80	21.53	-899.14

BAGO RIVER BRIDGE

BLOCK [ No.1 : MAIN GIRDER ][ BEAM MEMBER FORCE ]

MEMBER		1031			1032			1032			1033				
NODE		1031			1032			1032			1033				
		SHEAR	TORQUE	MOMENT	SHEAR	TORQUE	MOMENT	SHEAR	TORQUE	MOMENT	SHEAR	TORQUE	MOMENT		
NAME	TITLE	S2 (kN)	TQ (kN·m)	M3 (kN·m)	S2 (kN)	TQ (kN·m)	M3 (kN·m)	S2 (kN)	TQ (kN·m)	M3 (kN·m)	S2 (kN)	TQ (kN·m)	M3 (kN·m)		
63	1-LANE (case3TANDEM-LOAD	MAX	S2	7.12	0.77	39.66	7.12	0.77	73.41	7.12	0.94	73.41	7.12	0.94	107.16
			TQ	0.26	22.57	-377.46	0.26	22.57	-376.25	0.26	21.68	-376.30	0.26	21.68	-375.09
			M3	-35.20	-56.73	194.39	7.12	0.77	73.41	7.12	0.94	73.41	7.12	0.94	107.16
		MIN	S2	-40.36	-50.45	155.20	-40.36	-50.45	-36.17	-40.36	-50.53	-36.05	-40.36	-50.53	-227.43
			TQ	-36.93	-56.87	191.98	-36.93	-56.87	16.83	-36.93	-56.83	16.97	-36.93	-56.83	-158.18
			M3	-6.59	16.22	-547.61	-6.59	16.22	-578.86	-6.59	14.85	-578.89	-6.59	14.85	-610.15
	DISPERSION-LMAX	S2	15.36	16.65	-99.20	15.36	16.65	-26.34	15.36	16.59	-26.38	15.36	16.59	46.48	
		TQ	-6.85	54.80	-1316.83	-6.85	54.80	-1349.32	-6.09	51.63	-1339.26	-6.09	51.63	-1368.15	
		M3	-23.61	-47.80	210.71	-0.15	-22.65	152.83	-0.17	-22.30	152.89	12.52	0.98	191.89	
		MIN	S2	-72.75	-27.75	-1094.81	-72.75	-27.75	-1439.77	-72.75	-31.15	-1439.70	-72.75	-31.15	-1784.66
			TQ	-50.53	-65.90	122.82	-50.53	-65.90	-116.79	-51.29	-66.19	-126.83	-51.29	-66.19	-370.04
			M3	-33.77	36.70	-1404.72	-57.23	11.55	-1618.95	-57.21	7.75	-1618.97	-69.90	-15.54	-1930.08
64	1-LANE (case4TRUCK-LOAD	MAX	S2	29.17	136.07	-426.36	29.17	136.07	-288.03	29.17	135.39	-288.35	29.17	135.39	-150.02
			TQ	28.89	136.48	-475.84	28.89	136.48	-338.84	28.89	135.68	-339.17	28.89	135.68	-202.17
			M3	-0.96	-318.09	226.71	1.96	-315.17	232.03	1.96	-314.62	232.77	4.42	-298.88	247.98
		MIN	S2	-5.37	-236.28	141.50	-5.37	-236.28	116.03	-5.37	-236.01	116.58	-5.37	-236.01	91.11
			TQ	1.00	-318.25	226.20	1.00	-318.25	230.94	1.00	-317.71	231.70	1.00	-317.71	236.44
			M3	17.85	107.90	-634.49	15.78	100.45	-555.25	15.78	99.14	-555.49	14.52	94.02	-481.62
	TANDEM-LOAD	MAX	S2	20.06	93.05	-300.81	20.06	93.05	-205.68	20.06	92.56	-205.90	20.06	92.56	-110.78
			TQ	19.98	93.16	-314.62	19.98	93.16	-219.86	19.98	92.64	-220.08	19.98	92.64	-125.33
			M3	-0.32	-218.45	156.89	1.98	-212.40	158.61	1.98	-212.02	159.12	2.57	-208.04	169.71
		MIN	S2	-3.71	-164.92	100.21	-3.71	-164.92	82.61	-3.71	-164.73	83.00	-3.71	-164.73	65.41
			TQ	0.23	-218.50	156.75	0.23	-218.50	157.84	0.23	-218.13	158.35	0.23	-218.13	159.44
			M3	11.72	71.89	-431.07	11.31	70.46	-376.94	11.31	69.57	-377.11	10.00	64.49	-328.03

BAGO RIVER BRIDGE

BLOCK [ No.1 : MAIN GIRDER ][ BEAM MEMBER FORCE ]

MEMBER		1031			1032			1032			1033					
NODE		1031			1032			1032			1033					
		SHEAR	TORQUE	MOMENT	SHEAR	TORQUE	MOMENT	SHEAR	TORQUE	MOMENT	SHEAR	TORQUE	MOMENT			
NAME	TITLE	S2 (kN)	TQ (kN·m)	M3 (kN·m)	S2 (kN)	TQ (kN·m)	M3 (kN·m)	S2 (kN)	TQ (kN·m)	M3 (kN·m)	S2 (kN)	TQ (kN·m)	M3 (kN·m)			
64	1-LANE (case4DISPERSION-LMAX	S2	47.28	116.65	-912.38	47.28	116.65	-688.17	47.28	115.02	-688.45	47.28	115.02	-464.24		
		TQ	43.60	249.51	-997.73	43.60	249.51	-790.96	43.60	247.64	-791.54	43.60	247.64	-584.77		
		M3	6.71	-300.19	232.59	7.03	-295.29	265.20	7.03	-294.75	265.90	9.46	-271.01	302.01		
		MIN	S2	-4.55	-205.87	123.74	-4.55	-205.87	102.18	-4.55	-205.63	102.66	-4.55	-205.63	81.10	
		TQ	-0.87	-338.73	209.09	-0.87	-338.73	204.96	-0.87	-338.25	205.76	-0.87	-338.25	201.63		
		M3	36.02	210.97	-1021.22	35.70	206.07	-851.20	35.70	204.14	-851.68	33.27	180.41	-685.16		
		MAX	S2	198.82	287.53	1341.06	66.45	40.34	574.17	66.45	41.70	574.07	27.64	-49.60	442.72	
		TQ	-250.93	542.46	195.09	-250.93	542.46	-994.80	-250.93	540.11	-996.08	-250.93	540.11	-2185.98		
		M3	6.13	432.12	1461.33	-116.64	268.54	808.92	-116.64	270.45	808.29	27.64	-49.60	442.72		
65	2-LANES (caseTRUCK-LOAD	MIN	S2	-340.92	465.47	1406.80	-454.02	319.69	750.89	-454.02	321.46	750.13	-588.26	124.78	-607.85	
		TQ	-113.74	-256.30	-1932.65	-113.74	-256.30	-2472.02	-114.37	-262.20	-2524.95	-114.37	-262.20	-3067.26		
		M3	-111.48	-234.27	-2160.27	-112.42	-237.91	-2690.54	-112.42	-244.27	-2689.97	-112.95	-246.31	-3224.94		
		TANDEM-LOAD	MAX	S2	181.56	259.99	1283.15	81.88	122.01	860.32	81.88	124.05	860.03	18.82	-34.02	301.52
		TQ	-166.72	369.49	76.29	-166.72	369.49	-714.31	-166.72	367.80	-715.18	-166.72	367.80	-1505.78		
		M3	-27.11	286.35	1291.16	-122.43	157.08	877.95	-122.43	159.15	877.58	18.82	-34.02	301.52		
		MIN	S2	-255.98	286.35	1291.16	-351.29	157.08	877.95	-351.29	159.15	877.58	-440.80	17.92	-93.67	
		TQ	-77.34	-174.54	-1317.73	-77.34	-174.54	-1684.45	-77.51	-178.54	-1698.97	-77.51	-178.54	-2066.52		
		M3	-75.51	-158.45	-1466.76	-76.67	-162.92	-1825.25	-76.67	-167.23	-1824.86	-76.67	-167.23	-2188.42		
		DISPERSION-LMAX	S2	67.95	-16.76	410.48	42.27	-50.79	462.51	42.27	-49.70	462.63	33.89	-61.34	543.06	
		TQ	-201.69	602.07	-18.15	-280.88	602.07	-1162.79	-280.88	599.32	-1164.21	-360.29	599.32	-2684.64		
		M3	-28.62	147.82	691.11	-25.13	-0.70	566.43	-24.88	0.30	566.43	33.89	-61.34	543.06		
		MIN	S2	-432.84	147.66	-3907.16	-486.36	181.69	-5877.73	-486.36	167.80	-5878.15	-557.38	179.45	-8252.93	
		TQ	-163.21	-471.17	-3478.52	-163.21	-471.17	-4252.44	-163.21	-481.21	-4251.31	-163.21	-481.21	-5025.23		
		M3	-336.27	-16.92	-4187.78	-418.96	131.60	-5981.65	-419.21	117.80	-5981.95	-557.38	179.45	-8252.93		



BAGO RIVER BRIDGE

BLOCK [ No.1 : MAIN GIRDER ][ BEAM MEMBER FORCE ]

MEMBER				1031			1032			1033					
NODE				1031			1032			1033					
				SHEAR	TORQUE	MOMENT	SHEAR	TORQUE	MOMENT	SHEAR	TORQUE	MOMENT			
NAME	TITLE			S2 (kN)	TQ (kN·m)	M3 (kN·m)	S2 (kN)	TQ (kN·m)	M3 (kN·m)	S2 (kN)	TQ (kN·m)	M3 (kN·m)			
66	2-LANES (caseTRUCK-LOAD	MAX	S2	41.69	81.27	655.52	25.43	-32.86	279.96	25.43	-32.20	280.04	25.43	-32.20	400.64
			TQ	-175.22	308.02	-117.34	-175.22	308.02	-948.24	-175.22	305.78	-948.97	-175.22	305.78	-1779.87
			M3	-137.19	171.46	1152.60	-50.83	75.04	411.42	-50.83	76.01	411.24	25.43	-32.20	400.64
		MIN	S2	-253.09	195.49	1113.08	-274.41	140.93	240.37	-274.41	141.49	240.04	-294.39	76.37	-739.08
			TQ	-78.85	-149.42	-1798.72	-78.85	-149.42	-2172.60	-78.99	-154.55	-2178.32	-78.99	-154.55	-2552.90
			M3	-79.22	-135.17	-1975.32	-80.15	-138.80	-2352.94	-80.15	-144.36	-2352.60	-80.15	-144.36	-2732.69
		TANDEM-LOAD MAX	S2	35.21	76.51	590.21	20.49	30.87	375.35	20.49	31.75	375.28	17.31	-22.08	272.69
			TQ	-121.05	210.70	-63.70	-121.05	210.70	-637.72	-121.05	209.19	-638.22	-121.05	209.19	-1212.24
			M3	-104.08	106.90	916.15	-44.52	42.34	383.65	-44.52	43.24	383.55	17.31	-22.08	272.69
		MIN	S2	-181.00	122.26	870.48	-195.78	78.34	265.05	-195.78	78.97	264.86	-208.34	33.45	-413.93
			TQ	-52.84	-101.63	-1192.48	-52.84	-101.63	-1443.04	-53.75	-105.11	-1480.08	-53.75	-105.11	-1734.96
			M3	-54.07	-92.91	-1340.26	-54.29	-93.74	-1597.05	-54.29	-97.52	-1596.82	-54.29	-97.52	-1854.24
		DISPERSION-LMAX	S2	37.42	-29.15	238.93	32.99	-38.77	341.46	32.99	-37.97	341.55	31.55	-41.22	468.09
			TQ	-194.63	332.57	33.59	-219.36	332.57	-947.96	-219.43	330.33	-948.62	-244.15	330.33	-2047.76
			M3	-61.36	68.72	607.90	-14.49	-13.66	428.68	-14.49	-12.65	428.71	31.11	-39.87	490.31
		MIN	S2	-340.19	80.45	-3363.46	-360.49	90.07	-4960.34	-360.49	78.35	-4960.54	-383.77	81.61	-6698.67
			TQ	-108.14	-281.27	-3158.12	-108.14	-281.27	-3670.92	-108.07	-289.95	-3670.37	-108.07	-289.95	-4182.82
			M3	-241.41	-17.42	-3732.43	-313.01	64.96	-5047.56	-313.01	53.04	-5047.70	-383.33	80.26	-6720.89
67	2-LANES (caseTRUCK-LOAD	MAX	S2	25.24	82.12	-368.22	25.24	82.12	-248.53	25.24	81.54	-248.72	25.24	81.54	-129.03
			TQ	14.99	117.80	-1063.98	14.99	117.80	-992.90	14.99	115.46	-993.18	14.99	115.46	-922.11
			M3	-81.33	-229.00	495.09	19.84	11.13	200.09	19.84	11.60	200.07	19.84	11.60	294.12
		MIN	S2	-95.77	-219.62	377.23	-95.77	-219.62	-76.92	-95.77	-219.80	-76.40	-95.77	-219.80	-530.55
			TQ	-91.52	-232.71	467.88	-91.52	-232.71	33.91	-91.52	-232.63	34.45	-91.52	-232.63	-399.52
			M3	-5.43	90.40	-1525.58	-5.87	88.89	-1552.83	-5.87	85.22	-1553.04	-6.65	82.16	-1582.70

BAGO RIVER BRIDGE

BLOCK [ No.1 : MAIN GIRDER ][ BEAM MEMBER FORCE ]

MEMBER		1031			1032			1032			1033						
NODE		1031			1032			1032			1033						
		SHEAR	TORQUE	MOMENT	SHEAR	TORQUE	MOMENT	SHEAR	TORQUE	MOMENT	SHEAR	TORQUE	MOMENT				
NAME	TITLE	S2 (kN)	TQ (kN·m)	M3 (kN·m)	S2 (kN)	TQ (kN·m)	M3 (kN·m)	S2 (kN)	TQ (kN·m)	M3 (kN·m)	S2 (kN)	TQ (kN·m)	M3 (kN·m)				
67	2-LANES (caseTANDEM-LOAD	MAX	S2	17.27	53.62	-215.18	17.27	53.62	-133.27	17.27	53.30	-133.40	17.27	53.30	-51.49		
			TQ	9.35	80.32	-748.48	9.35	80.32	-704.13	9.35	78.65	-704.32	9.35	78.65	-659.97		
			M3	-58.69	-159.99	345.90	13.48	7.39	136.06	13.48	7.71	136.04	13.48	7.71	199.96		
		MIN	S2	-65.93	-152.48	276.42	-65.93	-152.48	-36.24	-65.93	-152.56	-35.88	-65.93	-152.56	-348.54		
			TQ	-61.29	-161.01	340.73	-61.29	-161.01	50.09	-61.29	-160.89	50.47	-61.29	-160.89	-240.16		
			M3	-3.38	62.44	-1035.78	-4.17	59.70	-1054.86	-4.17	57.20	-1055.00	-4.39	56.35	-1075.27		
		DISPERSION-LMAX	S2	40.28	144.85	-990.49	40.28	144.85	-799.49	40.28	142.96	-799.83	40.28	142.96	-608.83		
			TQ	17.49	198.04	-2443.95	17.49	198.04	-2361.02	18.25	192.47	-2351.29	18.25	192.47	-2264.75		
			M3	-40.50	-161.63	403.41	-2.01	-78.74	300.75	-2.05	-78.18	300.93	21.38	-4.47	361.34		
		MIN	S2	-111.45	-172.68	-1213.80	-111.45	-172.68	-1742.31	-111.45	-176.80	-1741.90	-111.45	-176.80	-2270.41		
			TQ	-88.66	-225.87	239.66	-88.66	-225.87	-180.78	-89.42	-226.31	-190.44	-89.42	-226.31	-614.48		
			M3	-30.68	133.79	-2607.70	-69.17	50.90	-2842.55	-69.12	44.34	-2842.66	-92.55	-29.38	-3240.57		
		68	2-LANES (caseTRUCK-LOAD	MAX	S2	44.05	217.60	-851.61	44.05	217.60	-642.74	44.05	216.08	-643.25	44.05	216.08	-434.38
					TQ	42.55	221.19	-1005.51	42.55	221.19	-803.75	42.55	219.29	-804.27	42.55	219.29	-602.51
					M3	-18.27	-538.08	428.60	-13.29	-512.14	355.92	-13.29	-511.30	357.13	12.04	-276.40	351.88
MIN	S2			-23.26	-467.50	330.35	-23.26	-467.50	220.04	-23.26	-466.98	221.15	-23.26	-466.98	110.84		
	TQ			-16.86	-549.87	412.82	-16.86	-549.87	332.88	-16.86	-549.08	334.18	-16.86	-549.08	254.24		
	M3			22.22	174.75	-1353.96	19.72	165.80	-1255.48	19.72	162.83	-1255.87	17.67	154.65	-1165.19		
TANDEM-LOAD MAX	S2			30.36	146.64	-553.99	30.36	146.64	-410.02	30.36	145.68	-410.37	30.36	145.68	-266.39		
	TQ			29.08	150.91	-685.63	29.08	150.91	-547.75	29.08	149.62	-548.10	29.08	149.62	-410.21		
	M3			-11.67	-361.90	295.62	-8.94	-351.12	244.01	-8.94	-350.54	244.84	7.76	-192.58	240.50		
MIN	S2			-15.92	-320.60	235.20	-15.92	-320.60	159.72	-15.92	-320.23	160.48	-15.92	-320.23	85.01		
	TQ			-11.82	-377.10	281.32	-11.82	-377.10	225.29	-11.82	-376.56	226.18	-11.82	-376.56	170.15		
	M3			14.93	118.10	-919.25	13.74	113.94	-852.94	13.74	111.92	-853.21	12.21	105.99	-793.16		

BAGO RIVER BRIDGE

BLOCK [ No.1 : MAIN GIRDER ][ BEAM MEMBER FORCE ]

MEMBER		1031			1032			1032			1033						
NODE		1031			1032			1032			1033						
		SHEAR	TORQUE	MOMENT	SHEAR	TORQUE	MOMENT	SHEAR	TORQUE	MOMENT	SHEAR	TORQUE	MOMENT				
NAME	TITLE	S2 (kN)	TQ (kN·m)	M3 (kN·m)	S2 (kN)	TQ (kN·m)	M3 (kN·m)	S2 (kN)	TQ (kN·m)	M3 (kN·m)	S2 (kN)	TQ (kN·m)	M3 (kN·m)				
68	2-LANES (caseDISPERSION-LMAX	S2	70.07	262.84	-1821.38	70.07	262.84	-1489.12	70.07	259.32	-1489.74	70.07	259.32	-1157.48			
		TQ	65.82	410.75	-2142.79	65.82	410.75	-1830.69	65.82	406.42	-1831.65	65.82	406.42	-1519.55			
		M3	-3.62	-512.49	439.65	1.73	-458.15	434.18	1.70	-457.55	435.26	11.27	-358.52	462.34			
		MIN	S2	-25.56	-440.11	57.07	-25.56	-440.11	-64.13	-25.56	-440.26	-63.09	-25.56	-440.26	-184.29		
		TQ	-21.31	-588.02	378.47	-21.31	-588.02	277.43	-21.31	-587.37	278.82	-21.31	-587.37	177.78			
		M3	48.13	335.21	-2203.97	42.77	280.88	-1987.43	42.81	276.61	-1988.09	33.24	177.58	-1804.11			
		69	3-LANES (caseTRUCK-LOAD	MAX	S2	210.98	275.48	1415.45	78.61	28.29	706.24	78.61	29.96	706.17	39.80	-61.34	632.49
				TQ	-324.78	642.75	122.96	-324.78	642.75	-1417.11	-324.78	639.40	-1418.63	-324.78	639.40	-2958.70	
				M3	-89.59	457.76	1960.32	-104.48	256.48	940.99	-104.48	258.71	940.38	39.80	-61.34	632.49	
MIN	S2			-446.23	501.51	1886.83	-559.33	355.73	731.51	-559.33	357.46	730.67	-693.57	160.77	-1126.71		
TQ	-144.49			-304.34	-2790.73	-144.49	-304.34	-3475.88	-145.25	-312.62	-3534.78	-145.25	-312.62	-4223.57			
M3	-143.33			-278.10	-3101.93	-144.43	-282.38	-3783.75	-144.43	-291.32	-3783.07	-144.96	-293.36	-4469.83			
TANDEM-LOAD	MAX			S2	189.83	251.73	1333.78	90.16	113.75	950.18	90.16	116.00	949.91	27.09	-42.06	430.63	
TQ	-217.80			438.16	33.40	-217.80	438.16	-999.38	-217.80	435.79	-1000.41	-217.80	435.79	-2033.19			
M3	-93.17			298.74	1660.54	-114.16	148.82	967.82	-114.16	151.10	967.46	27.09	-42.06	430.63			
MIN	S2	-330.30	314.09	1614.87	-425.62	184.82	849.21	-425.62	186.83	848.77	-515.13	45.60	-474.92				
TQ	-97.63	-207.14	-1879.04	-97.63	-207.14	-2341.99	-98.71	-212.76	-2393.73	-98.71	-212.76	-2861.82					
M3	-97.28	-188.84	-2105.30	-98.44	-193.32	-2567.03	-98.44	-199.38	-2566.56	-98.44	-199.38	-3033.37					
DISPERSION-LMAX	S2	83.25	-32.99	475.10	57.57	-67.02	599.66	57.57	-65.60	599.82	49.19	-77.25	752.78				
TQ	-294.08	703.17	3.16	-374.26	703.17	-1581.95	-374.34	699.43	-1583.49	-454.73	699.43	-3549.43					
M3	-64.80	160.93	973.71	-27.84	-12.84	750.28	-27.59	-11.40	750.31	48.75	-75.90	775.00					
MIN	S2	-582.41	171.46	-5442.28	-636.92	205.49	-8124.44	-636.92	186.30	-8124.90	-708.93	197.94	-11215.96				
TQ	-205.08	-564.70	-4970.34	-205.08	-564.70	-5942.83	-205.01	-578.74	-5941.60	-205.01	-578.74	-6913.74					
M3	-434.36	-22.46	-5940.88	-551.51	151.31	-8275.06	-551.76	132.09	-8275.39	-708.49	196.59	-11238.17					

BAGO RIVER BRIDGE

BLOCK [ No.1 : MAIN GIRDER ][ BEAM MEMBER FORCE ]

MEMBER				1031			1032			1033					
NODE				1031			1032			1033					
				SHEAR	TORQUE	MOMENT	SHEAR	TORQUE	MOMENT	SHEAR	TORQUE	MOMENT			
NAME	TITLE			S2 (kN)	TQ (kN·m)	M3 (kN·m)	S2 (kN)	TQ (kN·m)	M3 (kN·m)	S2 (kN)	TQ (kN·m)	M3 (kN·m)			
70	3-LANES (caseTRUCK-LOAD	MAX	S2	54.41	218.19	-794.58	54.41	218.19	-536.56	54.41	216.92	-537.07	54.41	216.92	-279.05
			TQ	43.88	254.28	-1539.82	43.88	254.28	-1331.75	43.88	251.13	-1332.34	43.88	251.13	-1124.28
			M3	-95.95	-457.26	695.11	9.46	-198.14	338.87	9.46	-197.34	339.34	28.05	29.51	409.35
		MIN	S2	-114.33	-439.67	531.36	-114.33	-439.67	-10.81	-114.33	-439.69	-9.77	-114.33	-439.69	-551.94
			TQ	-108.48	-464.82	661.15	-108.48	-464.82	146.76	-108.48	-464.47	147.86	-108.48	-464.47	-366.52
			M3	12.42	198.30	-2160.08	9.92	189.37	-2108.08	9.92	184.39	-2108.52	7.87	176.20	-2064.28
		TANDEM-LOAD MAX	S2	37.33	146.67	-515.99	37.33	146.67	-338.96	37.33	145.87	-339.30	37.33	145.87	-162.27
			TQ	29.33	173.48	-1063.10	29.33	173.48	-924.00	29.33	171.29	-924.40	29.33	171.29	-785.30
			M3	-69.54	-317.98	483.23	5.67	-139.91	232.31	5.67	-139.36	232.64	19.08	20.07	278.41
		MIN	S2	-78.60	-300.12	376.65	-78.60	-300.12	3.95	-78.60	-300.11	4.66	-78.60	-300.11	-368.04
			TQ	-72.68	-319.75	476.19	-72.68	-319.75	131.53	-72.68	-319.44	132.29	-72.68	-319.44	-212.37
			M3	8.34	134.32	-1466.85	7.15	130.16	-1431.80	7.15	126.78	-1432.10	5.62	120.85	-1403.27
		DISPERSION-LMAX	S2	86.20	363.87	-1961.67	86.20	363.87	-1552.89	86.20	360.20	-1553.75	86.20	360.20	-1144.97
			TQ	63.23	429.67	-3424.12	63.23	429.67	-3124.26	63.99	422.29	-3115.08	63.99	422.29	-2811.62
			M3	-47.68	-376.69	605.74	-3.44	-241.14	481.70	-3.52	-240.51	482.27	27.26	-95.10	551.51
MIN	S2	-130.22	-409.56	-1066.10	-130.22	-409.56	-1683.58	-130.22	-413.53	-1682.61	-130.22	-413.53	-2300.10		
	TQ	-107.25	-475.36	396.35	-107.25	-475.36	-112.21	-108.01	-475.63	-121.28	-108.01	-475.63	-633.44		
	M3	3.66	331.00	-3633.51	-40.57	195.45	-3718.18	-40.49	187.17	-3718.63	-71.28	41.76	-3996.57		
71	3-LANES (caseTRUCK-LOAD	MAX	S2	52.81	232.05	-809.49	52.81	232.05	-559.05	52.81	230.73	-559.59	52.81	230.73	-309.15
			TQ	48.81	255.26	-1397.98	48.81	255.26	-1166.53	48.81	252.50	-1167.13	48.81	252.50	-935.68
			M3	-53.74	-668.66	657.31	-4.53	-497.69	439.62	-4.53	-496.65	440.79	20.80	-261.75	477.11
		MIN	S2	-62.67	-611.39	532.36	-62.67	-611.39	235.19	-62.67	-610.83	236.63	-62.67	-610.83	-60.54
			TQ	-54.39	-695.46	574.38	-54.39	-695.46	316.48	-54.39	-694.72	318.12	-54.39	-694.72	60.21
			M3	12.42	198.30	-2160.08	9.92	189.34	-2108.09	9.92	184.36	-2108.53	7.87	176.18	-2064.33

BAGO RIVER BRIDGE

BLOCK [ No.1 : MAIN GIRDER ][ BEAM MEMBER FORCE ]

MEMBER				1031			1032			1033								
NODE				1031			1032			1033								
NAME TITLE				SHEAR	TORQUE	MOMENT	SHEAR	TORQUE	MOMENT	SHEAR	TORQUE	MOMENT						
				S2 (kN)	TQ (kN·m)	M3 (kN·m)	S2 (kN)	TQ (kN·m)	M3 (kN·m)	S2 (kN)	TQ (kN·m)	M3 (kN·m)						
71	3-LANES (case)	TANDEM-LOAD	MAX	S2	36.32	156.36	-525.30	36.32	156.36	-353.07	36.32	155.53	-353.43	36.32	155.53	-181.20		
				TQ	32.63	174.04	-980.34	32.63	174.04	-825.61	34.68	172.25	-740.85	34.68	172.25	-576.38		
				M3	-35.26	-449.75	453.88	-2.98	-341.40	300.96	-25.85	-419.36	301.85	13.72	-182.73	325.69		
			MIN	S2	-42.96	-416.82	386.43	-42.96	-416.82	182.70	-42.96	-416.38	183.68	-42.96	-416.38	-20.05		
				TQ	-38.21	-476.06	402.07	-38.21	-476.06	220.90	-38.21	-475.54	222.02	-38.21	-475.54	40.86		
				M3	8.34	134.32	-1466.85	7.15	130.16	-1431.80	7.15	126.78	-1432.10	5.62	120.84	-1403.30		
		DISPERSION-LMAX	S2	83.45	297.80	-1939.83	83.45	297.80	-1544.13	83.45	294.15	-1544.83	83.45	294.15	-1149.13			
			TQ	65.87	482.56	-3436.46	65.87	482.56	-3124.11	65.94	475.18	-3121.31	65.94	475.18	-2808.62			
			M3	-24.35	-620.27	635.23	-2.91	-501.65	566.69	-2.98	-500.90	567.87	20.73	-345.45	613.55			
			MIN	S2	-78.99	-562.85	-987.97	-78.99	-562.85	-1362.52	-78.99	-566.07	-1361.19	-78.99	-566.07	-1735.74		
				TQ	-61.41	-747.62	508.67	-61.41	-747.62	217.46	-61.48	-747.10	215.29	-61.48	-747.10	-76.26		
				M3	28.81	355.21	-3563.02	7.36	236.60	-3473.34	7.44	228.98	-3473.89	-16.27	73.53	-3498.43		
		72	4-LANES	TRUCK-LOAD	MAX	S2	33.99	65.05	158.87	33.99	65.05	320.05	33.99	65.80	319.90	33.99	65.80	481.08
						TQ	29.40	72.03	129.59	29.40	72.03	269.01	29.53	72.67	270.19	29.53	72.67	410.22
						M3	-40.16	-659.79	531.45	-0.27	-525.21	482.52	-0.27	-524.07	483.76	25.49	-279.68	603.10
MIN	S2				-105.98	-637.11	412.63	-105.98	-637.11	-89.94	-105.98	-637.33	-88.43	-105.98	-637.33	-591.00		
	TQ				-102.40	-716.41	495.49	-102.40	-716.41	9.90	-102.40	-716.39	11.59	-102.40	-716.39	-474.00		
	M3				-39.99	-81.98	-115.20	-67.91	-200.10	-382.49	-67.91	-201.00	-382.02	-90.29	-319.05	-761.45		
TANDEM-LOAD	MAX			S2	23.12	44.10	108.12	23.12	44.10	217.75	23.12	44.61	217.64	23.12	44.61	327.27		
				TQ	20.28	48.97	89.77	20.28	48.97	185.94	20.28	49.40	185.83	20.28	49.40	282.00		
				M3	-72.14	-503.79	398.18	0.67	-366.12	349.52	0.67	-365.29	350.39	18.23	-194.17	423.30		
	MIN			S2	-75.53	-450.11	341.19	-75.53	-450.11	-16.98	-75.53	-450.15	-15.92	-75.53	-450.15	-374.09		
				TQ	-72.14	-503.79	398.18	-72.14	-503.79	56.08	-72.14	-503.65	57.27	-72.14	-503.65	-284.82		
				M3	-25.76	-48.85	-79.68	-47.66	-138.53	-261.57	-47.66	-139.15	-261.24	-61.50	-221.61	-520.77		

BAGO RIVER BRIDGE

BLOCK [ No.1 : MAIN GIRDER ][ BEAM MEMBER FORCE ]

MEMBER				1031			1032			1032			1033				
NODE				1031			1032			1032			1033				
				SHEAR	TORQUE	MOMENT	SHEAR	TORQUE	MOMENT	SHEAR	TORQUE	MOMENT	SHEAR	TORQUE	MOMENT		
NAME	TITLE			S2 (kN)	TQ (kN·m)	M3 (kN·m)	S2 (kN)	TQ (kN·m)	M3 (kN·m)	S2 (kN)	TQ (kN·m)	M3 (kN·m)	S2 (kN)	TQ (kN·m)	M3 (kN·m)		
72	4-LANES	DISPERSION-LMAX	S2	41.50	56.09	209.80	41.50	56.09	406.60	41.50	57.05	406.47	41.50	57.05	603.27		
			TQ	33.60	87.57	155.39	33.60	87.57	314.70	34.28	88.32	320.77	34.28	88.32	483.34		
			M3	8.58	-307.31	398.33	31.27	-198.20	507.08	31.23	-197.46	507.55	36.57	-129.10	670.52		
		MIN	S2	-66.74	-416.74	110.17	-66.74	-416.74	-206.31	-66.74	-417.23	-205.33	-66.74	-417.23	-521.82		
			TQ	-57.72	-446.16	170.26	-57.72	-446.16	-103.45	-58.41	-446.41	-108.67	-58.41	-446.41	-385.63		
			M3	-33.80	-56.34	-76.54	-56.52	-165.67	-305.08	-56.48	-165.93	-304.69	-61.83	-234.32	-587.50		
		73	6-LANES	TRUCK-LOAD MAX	S2	237.02	380.35	112.00	126.39	251.17	134.96	126.39	251.49	134.36	90.23	162.78	312.84
					TQ	-253.66	767.54	-1322.34	-253.66	767.54	-2525.17	-253.66	761.58	-2526.97	-253.66	761.58	-3729.80
					M3	-169.93	-205.48	2527.98	-117.08	-235.66	1278.74	-117.08	-232.64	1279.29	59.54	-318.81	1100.35
MIN	S2			-498.22	-118.19	2249.98	-590.85	-244.48	727.09	-590.85	-242.76	727.67	-701.00	-421.39	-1304.45		
	TQ			-213.98	-895.13	-2113.70	-213.98	-895.13	-3128.41	-214.63	-902.60	-3179.91	-214.63	-902.60	-4197.67		
	M3			-130.32	-77.93	-5261.93	-134.04	-91.46	-5888.22	-134.04	-105.37	-5887.98	-135.51	-111.21	-6527.05		
TANDEM-LOAD MAX	S2			199.27	300.41	301.12	118.42	210.78	374.42	118.42	211.67	373.92	61.87	110.41	220.67		
	TQ			-168.96	523.73	-885.63	-168.96	523.73	-1686.84	-168.96	519.74	-1688.07	-168.96	519.74	-2489.28		
	M3			-146.60	-158.89	2017.62	-115.15	-179.04	1164.49	-115.15	-176.29	1164.91	40.08	-222.02	749.75		
MIN	S2	-361.79	-109.37	1873.44	-439.19	-199.62	731.83	-439.19	-197.89	732.29	-513.07	-347.04	-574.38				
	TQ	-143.20	-612.74	-1439.86	-143.20	-612.74	-2118.90	-143.38	-617.76	-2132.41	-143.38	-617.76	-2812.31				
	M3	-88.52	-53.03	-3572.00	-90.11	-58.82	-3996.45	-90.11	-68.26	-3996.30	-92.21	-76.34	-4432.09				
DISPERSION-LMAX	S2	160.74	232.73	-1348.85	136.99	201.66	-833.39	136.99	199.69	-833.87	129.21	188.99	-294.89				
	TQ	-182.00	1052.95	-3151.39	-255.73	1052.95	-4189.06	-255.03	1043.06	-4180.62	-329.44	1043.06	-5566.13				
	M3	-89.50	-419.40	1547.60	-25.00	-460.74	1266.43	-24.81	-458.56	1267.52	70.71	-380.26	1360.18				
MIN	S2	-637.41	-369.75	-6047.54	-685.84	-339.08	-9000.31	-685.84	-360.34	-8999.48	-752.02	-349.75	-12316.29				
	TQ	-280.77	-1200.59	-4153.47	-280.77	-1200.59	-5484.85	-281.46	-1213.55	-5492.91	-281.46	-1213.55	-6827.59				
	M3	-387.55	248.16	-8866.14	-527.74	283.17	-11026.39	-527.93	257.94	-11027.03	-697.06	180.05	-13913.73				

BAGO RIVER BRIDGE

BLOCK [ No.1 : MAIN GIRDER ][ BEAM MEMBER FORCE ]

MEMBER			1031			1032			1033						
NODE			1031			1032			1033						
NAME TITLE			SHEAR	TORQUE	MOMENT	SHEAR	TORQUE	MOMENT	SHEAR	TORQUE	MOMENT				
			S2 (kN)	TQ (kN·m)	M3 (kN·m)	S2 (kN)	TQ (kN·m)	M3 (kN·m)	S2 (kN)	TQ (kN·m)	M3 (kN·m)				
124	SUM TOTAL	D+1LANE (caseMAX	S2	-1619.60	-91.33	-27317.84	-2060.39	-280.28	-37250.24	-2060.39	-368.29	-37249.47	-2391.23	-487.91	-48317.91
			TQ	-2176.55	526.63	-28261.31	-2519.05	526.63	-39395.03	-2519.05	433.56	-39396.17	-2861.80	433.56	-52154.35
			M3	-1824.75	134.44	-27104.92	-2234.11	-101.04	-37050.19	-2233.80	-188.98	-37049.85	-2391.23	-487.91	-48317.91
		MIN	S2	-2400.18	156.67	-30079.24	-2827.32	76.51	-41279.15	-2827.32	-21.02	-41279.21	-3298.85	-168.82	-54823.65
			TQ	-2072.84	-845.78	-31878.24	-2348.80	-845.78	-42361.83	-2349.54	-945.94	-42423.96	-2625.49	-945.94	-54219.67
			M3	-2186.21	-497.33	-32515.23	-2517.03	-388.45	-43661.58	-2517.34	-491.20	-43660.54	-2897.61	-448.92	-56443.06
		D+1LANE (caseMAX	S2	-1844.79	-353.71	-28346.35	-2120.75	-353.71	-37748.54	-2120.75	-442.89	-37747.59	-2396.70	-442.89	-48458.35
			TQ	-2077.23	-78.09	-28574.14	-2354.38	-78.09	-39081.36	-2354.46	-170.42	-39080.92	-2631.60	-170.42	-50902.77
			M3	-2036.03	-273.27	-27575.27	-2142.35	-348.80	-37692.50	-2142.36	-437.84	-37691.57	-2397.22	-441.27	-48431.70
		MIN	S2	-2183.60	-247.95	-29779.27	-2460.75	-247.95	-40790.90	-2460.75	-344.32	-40790.20	-2737.88	-344.32	-53116.03
			TQ	-1964.89	-489.65	-31333.04	-2240.84	-489.65	-41304.71	-2240.93	-587.24	-41310.88	-2516.88	-587.24	-52591.54
			M3	-2033.68	-379.01	-31746.87	-2351.17	-349.48	-42135.54	-2351.17	-449.02	-42134.60	-2649.38	-445.60	-54013.91
		D+1LANE (caseMAX	S2	-1846.73	-298.35	-28562.16	-2122.68	-298.35	-37973.51	-2122.68	-388.06	-37972.70	-2398.63	-388.06	-48692.63
			TQ	-1884.37	-214.29	-30734.53	-2160.32	-214.29	-40324.38	-2159.41	-309.55	-40311.53	-2435.36	-309.55	-51205.64
			M3	-1964.40	-473.19	-27928.62	-2141.30	-345.51	-37758.50	-2141.32	-434.73	-37757.58	-2402.04	-406.80	-48518.13
		MIN	S2	-2035.48	-438.94	-29573.93	-2311.44	-438.94	-39880.36	-2311.44	-533.16	-39879.21	-2587.39	-533.16	-51494.22
			TQ	-2004.14	-495.52	-28044.46	-2280.10	-495.52	-38202.27	-2281.01	-585.78	-38213.22	-2556.96	-585.78	-49683.94
			M3	-1930.03	-247.47	-31166.17	-2234.14	-277.66	-41037.46	-2234.12	-374.58	-41036.69	-2525.29	-402.52	-52332.82
		D+1LANE (caseMAX	S2	-1786.00	-16.51	-30119.65	-2061.96	-16.51	-39243.05	-2061.96	-109.22	-39242.90	-2337.90	-109.22	-49674.87
			TQ	-1790.75	143.42	-30281.44	-2066.71	143.42	-39427.36	-2066.71	50.27	-39427.59	-2342.65	50.27	-49882.08
			M3	-1870.84	-1061.70	-27962.01	-2142.90	-1052.33	-37474.93	-2142.91	-1140.96	-37472.34	-2412.99	-1093.58	-48277.77
		MIN	S2	-1889.65	-850.35	-28194.87	-2165.60	-850.35	-37809.75	-2165.60	-939.67	-37807.64	-2441.55	-939.67	-48731.10
			TQ	-1877.59	-1108.15	-27990.81	-2153.54	-1108.15	-37548.52	-2153.54	-1196.86	-37545.79	-2429.49	-1196.86	-48412.07
			M3	-1813.10	62.87	-30500.03	-2091.92	48.06	-39759.34	-2091.92	-45.77	-39759.34	-2372.29	-80.40	-50337.89

BAGO RIVER BRIDGE

BLOCK [ No.1 : MAIN GIRDER ][ BEAM MEMBER FORCE ]

MEMBER			1031			1032			1033						
NODE			1031			1032			1033						
			SHEAR	TORQUE	MOMENT	SHEAR	TORQUE	MOMENT	SHEAR	TORQUE	MOMENT				
NAME	TITLE		S2 (kN)	TQ (kN·m)	M3 (kN·m)	S2 (kN)	TQ (kN·m)	M3 (kN·m)	S2 (kN)	TQ (kN·m)	M3 (kN·m)				
124	SUM TOTAL	D+2LANES (casMAX	S2	-1610.97	-49.00	-26761.62	-2044.97	-330.22	-37034.92	-2044.97	-417.71	-37034.04	-2368.11	-520.65	-47951.98
			TQ	-2330.36	824.76	-28336.23	-2685.51	824.76	-40229.20	-2685.51	729.71	-40231.03	-3040.86	729.71	-53808.37
			M3	-1900.24	260.17	-26360.72	-2295.48	-51.93	-36696.25	-2295.22	-138.96	-36696.02	-2368.11	-520.65	-47951.98
		MIN	S2	-2651.50	293.36	-31013.52	-3094.08	181.61	-43198.44	-3094.08	79.55	-43198.75	-3575.29	-105.49	-57798.52
			TQ	-2154.69	-1047.24	-33924.33	-2430.65	-1047.24	-44796.05	-2431.27	-1153.13	-44847.00	-2707.22	-1153.13	-57030.24
			M3	-2325.49	-570.96	-34861.22	-2685.08	-426.09	-46743.79	-2685.33	-536.18	-46742.66	-3099.99	-476.57	-60415.62
		D+2LANES (casMAX	S2	-1798.63	-267.65	-27618.71	-2095.27	-391.41	-37450.17	-2095.27	-479.88	-37449.14	-2372.67	-483.14	-48069.02
			TQ	-2247.60	320.82	-28596.92	-2548.28	320.82	-39967.80	-2548.35	226.40	-39968.33	-2849.02	226.40	-52765.38
			M3	-2076.30	-79.59	-26752.67	-2219.01	-258.39	-37231.51	-2219.02	-346.35	-37230.79	-2373.10	-481.79	-48046.80
		MIN	S2	-2471.02	-43.83	-30763.55	-2788.60	-88.77	-42791.57	-2788.60	-189.87	-42791.24	-3107.81	-251.74	-56375.50
			TQ	-2064.73	-750.46	-33470.00	-2340.69	-750.46	-43915.12	-2340.76	-854.21	-43919.43	-2616.71	-854.21	-55673.47
			M3	-2198.38	-472.36	-34220.92	-2546.86	-393.61	-45472.09	-2546.86	-501.03	-45471.04	-2893.13	-473.81	-58391.33
		D+2LANES (casMAX	S2	-1812.22	-92.80	-29871.88	-2088.18	-92.80	-39119.62	-2088.18	-185.22	-39119.29	-2364.13	-185.22	-49675.60
			TQ	-1845.27	-3.93	-32021.09	-2121.22	-3.93	-41425.52	-2120.46	-101.79	-41415.21	-2396.41	-101.79	-52124.61
			M3	-1999.57	-710.40	-27614.67	-2135.87	-387.38	-37570.76	-2135.92	-476.29	-37569.74	-2388.43	-402.57	-48282.29
		MIN	S2	-2084.97	-712.08	-29349.74	-2360.93	-712.08	-39890.83	-2360.93	-806.32	-39889.04	-2636.87	-806.32	-51738.71
			TQ	-2057.92	-778.35	-27805.63	-2333.88	-778.35	-38218.48	-2334.64	-868.65	-38226.72	-2610.59	-868.65	-49951.75
			M3	-1913.86	-95.58	-32646.45	-2228.73	-179.97	-42466.98	-2228.69	-280.15	-42466.44	-2528.86	-356.93	-53761.02
		D+2LANES (casMAX	S2	-1763.63	160.67	-31186.16	-2039.58	160.67	-40203.46	-2039.58	65.69	-40203.73	-2315.53	65.69	-50529.61
			TQ	-1769.38	312.17	-31661.46	-2045.33	312.17	-40706.04	-2045.33	216.00	-40706.66	-2321.28	216.00	-51059.82
			M3	-1899.63	-1370.34	-27644.91	-2165.26	-1290.06	-37281.50	-2165.29	-1378.56	-37278.35	-2406.34	-1044.63	-48123.54
		MIN	S2	-1926.56	-1227.38	-28125.75	-2202.52	-1227.38	-37915.69	-2202.52	-1316.95	-37912.68	-2478.47	-1316.95	-49011.20
			TQ	-1915.91	-1457.66	-27721.87	-2191.87	-1457.66	-37461.29	-2191.87	-1546.16	-37457.74	-2467.81	-1546.16	-48505.73
			M3	-1807.40	190.19	-32071.09	-2091.20	126.91	-41314.52	-2091.17	29.73	-41314.70	-2378.74	-77.49	-51907.05



BAGO RIVER BRIDGE

BLOCK [ No.1 : MAIN GIRDER ][ BEAM MEMBER FORCE ]

MEMBER			1031			1032			1032			1033				
NODE			1031			1032			1032			1033				
NAME TITLE			SHEAR	TORQUE	MOMENT	SHEAR	TORQUE	MOMENT	SHEAR	TORQUE	MOMENT	SHEAR	TORQUE	MOMENT		
			S2 (kN)	TQ (kN·m)	M3 (kN·m)	S2 (kN)	TQ (kN·m)	M3 (kN·m)	S2 (kN)	TQ (kN·m)	M3 (kN·m)	S2 (kN)	TQ (kN·m)	M3 (kN·m)		
124	SUM TOTAL	D+3LANES (casMAX	S2	-1627.65	-113.66	-26906.19	-2037.94	-352.69	-36961.59	-2037.94	-440.01	-36960.65	-2354.00	-527.51	-47760.27	
			TQ	-2403.77	824.27	-28405.96	-2747.88	824.27	-40620.80	-2747.95	728.30	-40622.54	-3092.23	728.30	-54469.66	
			M3	-2008.98	206.12	-26019.24	-2266.17	-112.67	-36634.02	-2265.96	-199.50	-36633.65	-2354.38	-526.37	-47741.39	
		MIN	S2	-2752.09	252.26	-31535.29	-3170.51	157.27	-44355.59	-3170.51	52.48	-44355.84	-3621.77	-104.80	-59429.02	
			TQ	-2174.88	-1058.45	-35110.07	-2450.83	-1058.45	-46077.50	-2451.42	-1167.36	-46125.66	-2727.37	-1167.36	-58404.47	
			M3	-2368.78	-575.24	-36199.55	-2745.25	-431.18	-48321.59	-2745.46	-545.06	-48320.43	-3155.08	-491.96	-62289.55	
		D+3LANES (casMAX	S2	-1758.22	174.98	-30855.97	-2034.18	174.98	-39847.63	-2034.18	80.84	-39847.93	-2310.12	80.84	-50148.17	
			TQ	-1786.70	261.59	-32732.51	-2062.65	261.59	-41859.21	-2062.01	162.70	-41851.05	-2337.96	162.70	-52283.27	
			M3	-1999.83	-1028.63	-27407.44	-2148.58	-693.16	-37374.11	-2148.65	-781.89	-37372.37	-2382.63	-465.46	-48121.02	
		MIN	S2	-2085.61	-1041.61	-28967.70	-2361.57	-1041.61	-39511.84	-2361.57	-1134.96	-39509.27	-2637.52	-1134.96	-51361.99	
			TQ	-2061.11	-1118.92	-27614.29	-2337.06	-1118.92	-38042.23	-2337.71	-1208.80	-38048.14	-2613.66	-1208.80	-49787.72	
			M3	-1864.08	130.13	-33437.72	-2179.75	7.33	-43023.92	-2179.68	-93.88	-43023.82	-2483.54	-224.45	-54089.48	
		D+3LANES (casMAX	S2	-1761.92	130.60	-30850.08	-2037.88	130.60	-39859.30	-2037.88	36.43	-39859.50	-2313.83	36.43	-50177.29	
			TQ	-1780.27	307.38	-32622.44	-2056.22	307.38	-41718.65	-2056.16	208.82	-41715.91	-2332.11	208.82	-52120.40	
			M3	-1944.12	-1415.36	-27414.51	-2160.02	-1169.21	-37216.24	-2160.08	-1257.63	-37213.37	-2394.35	-925.83	-48010.69	
		MIN	S2	-1998.15	-1317.87	-28900.43	-2274.11	-1317.87	-39029.83	-2274.11	-1410.08	-39026.61	-2550.06	-1410.08	-50464.59	
			TQ	-1976.17	-1546.39	-27592.57	-2252.13	-1546.39	-37617.75	-2252.19	-1635.26	-37617.34	-2528.14	-1635.26	-48951.40	
			M3	-1842.70	150.71	-33377.80	-2139.01	42.28	-42815.81	-2138.95	-58.37	-42815.80	-2436.79	-197.46	-53666.10	
		D+4LANES	MAX	S2	-1828.67	-241.03	-28273.53	-2104.63	-241.03	-37599.28	-2104.63	-329.86	-37598.60	-2380.58	-329.86	-48232.93
			TQ	-1836.80	-216.03	-28327.92	-2112.75	-216.03	-37692.19	-2112.22	-305.07	-37686.62	-2388.17	-305.07	-48356.94	
			M3	-1898.27	-948.39	-27908.80	-2133.55	-789.99	-37428.36	-2133.58	-878.71	-37426.39	-2389.31	-675.43	-48109.90	
		MIN	S2	-1990.01	-1004.77	-28173.34	-2265.97	-1004.77	-38264.16	-2265.97	-1095.17	-38261.68	-2541.92	-1095.17	-49661.08	
			TQ	-1981.82	-1075.44	-28080.43	-2257.78	-1075.44	-38132.41	-2258.23	-1165.53	-38133.84	-2534.17	-1165.53	-49496.51	
			M3	-1925.70	-409.68	-28637.80	-2234.58	-557.52	-38518.52	-2234.55	-648.21	-38517.10	-2528.53	-769.40	-49814.57	

BAGO RIVER BRIDGE

BLOCK [ No.1 : MAIN GIRDER ][ BEAM MEMBER FORCE ]

MEMBER					1031			1032			1033					
NODE					1031			1032			1033					
					SHEAR	TORQUE	MOMENT	SHEAR	TORQUE	MOMENT	SHEAR	TORQUE	MOMENT			
NAME TITLE					S2 (kN)	TQ (kN·m)	M3 (kN·m)	S2 (kN)	TQ (kN·m)	M3 (kN·m)	S2 (kN)	TQ (kN·m)	M3 (kN·m)			
124	SUM TOTAL	D+6LANES	MAX	S2	-1619.20	78.73	-29317.11	-1982.50	-25.43	-38525.58	-1982.50	-116.45	-38525.41	-2287.01	-181.07	-48926.08
				TQ	-2160.92	863.55	-31421.09	-2484.80	863.55	-42435.85	-2484.35	763.30	-42430.67	-2808.66	763.30	-54980.11
				M3	-2046.37	-725.94	-25864.04	-2246.05	-772.43	-36417.24	-2245.93	-858.99	-36415.31	-2344.99	-864.11	-47338.41
			MIN	S2	-2615.91	-636.93	-30981.58	-2983.55	-699.08	-43449.19	-2983.55	-801.73	-43447.42	-3374.10	-910.96	-57791.23
				TQ	-2199.33	-1681.98	-32586.83	-2475.29	-1681.98	-43670.22	-2476.16	-1785.21	-43708.08	-2752.11	-1785.21	-56104.18
				M3	-2214.36	-209.12	-37696.41	-2583.86	-195.16	-49066.09	-2583.98	-310.54	-49065.50	-2970.82	-364.97	-62224.26
	SUM TOTAL		MAX		-1610.97	863.55	-25864.04	-1982.50	863.55	-36417.24	-1982.50	763.30	-36415.31	-2287.01	763.30	-47338.41
			MIN		-2752.09	-1681.98	-37696.41	-3170.51	-1681.98	-49066.09	-3170.51	-1785.21	-49065.50	-3621.77	-1785.21	-62289.55
300	DEAD LOAD	TOTAL			-1877.74	-319.77	-28513.16	-2153.70	-319.77	-38071.60	-2153.70	-409.71	-38070.74	-2429.65	-409.71	-48937.75
301	LIVE LOAD	1-LANE(case1MAX	S2		258.14	228.44	1195.32	93.31	39.49	821.36	93.31	41.43	821.27	38.41	-78.20	619.84
			TQ		-298.81	846.40	251.85	-365.36	846.40	-1323.43	-365.36	843.27	-1325.43	-432.16	843.27	-3216.60
			M3		52.99	454.21	1408.24	-80.41	218.72	1021.41	-80.10	220.74	1020.89	38.41	-78.20	619.84
			MIN	S2	-522.44	476.44	-1566.08	-673.62	396.28	-3207.55	-673.62	388.70	-3208.48	-869.21	240.89	-5885.90
				TQ	-195.10	-526.01	-3365.07	-195.10	-526.01	-4290.23	-195.85	-536.23	-4353.22	-195.85	-536.23	-5281.91
				M3	-308.47	-177.56	-4002.07	-363.33	-68.68	-5589.98	-363.64	-81.49	-5589.80	-467.96	-39.20	-7505.31
		1-LANE(case2MAX	S2		32.95	-33.94	166.81	32.95	-33.94	323.06	32.95	-33.18	323.14	32.95	-33.18	479.40
			TQ		-199.49	241.68	-60.97	-200.68	241.68	-1009.76	-200.76	239.29	-1010.18	-201.95	239.29	-1965.01
			M3		-158.28	46.49	937.90	11.34	-29.03	379.10	11.34	-28.13	379.17	32.43	-31.56	506.06
			MIN	S2	-305.86	71.82	-1266.11	-307.05	71.82	-2719.30	-307.05	65.39	-2719.46	-308.23	65.39	-4178.28
				TQ	-87.14	-169.88	-2819.88	-87.14	-169.88	-3233.11	-87.23	-177.52	-3240.14	-87.23	-177.52	-3653.78
				M3	-155.93	-59.24	-3233.71	-197.47	-29.71	-4063.94	-197.47	-39.31	-4063.86	-219.74	-35.88	-5076.16
		1-LANE(case3MAX	S2		31.02	21.42	-48.99	31.02	21.42	98.09	31.02	21.65	98.04	31.02	21.65	245.13
			TQ		-6.63	105.48	-2221.36	-6.63	105.48	-2252.78	-5.71	100.16	-2240.79	-5.71	100.16	-2267.89
			M3		-86.65	-153.42	584.54	12.39	-25.74	313.10	12.38	-25.02	313.16	27.60	2.92	419.62
			MIN	S2	-157.74	-119.17	-1060.77	-157.74	-119.17	-1808.76	-157.74	-123.45	-1808.47	-157.74	-123.45	-2556.47
				TQ	-126.40	-175.75	468.71	-126.40	-175.75	-130.67	-127.31	-176.07	-142.49	-127.31	-176.07	-746.19
				M3	-52.29	72.30	-2653.00	-80.44	42.11	-2965.86	-80.42	35.13	-2965.95	-95.65	7.19	-3395.06

BAGO RIVER BRIDGE

BLOCK [ No.1 : MAIN GIRDER ][ BEAM MEMBER FORCE ]

MEMBER			1031			1032			1032			1033			
NODE			1031			1032			1032			1033			
			SHEAR	TORQUE	MOMENT	SHEAR	TORQUE	MOMENT	SHEAR	TORQUE	MOMENT	SHEAR	TORQUE	MOMENT	
NAME	TITLE		S2 (kN)	TQ (kN·m)	M3 (kN·m)	S2 (kN)	TQ (kN·m)	M3 (kN·m)	S2 (kN)	TQ (kN·m)	M3 (kN·m)	S2 (kN)	TQ (kN·m)	M3 (kN·m)	
301	LIVE LOAD	1-LANE (case4MAX	S2	91.74	303.26	-1606.49	91.74	303.26	-1171.45	91.74	300.50	-1172.16	91.74	300.50	-737.12
			TQ	86.99	463.19	-1768.28	86.99	463.19	-1355.76	86.99	459.99	-1356.85	86.99	459.99	-944.33
			M3	6.91	-741.93	551.15	10.79	-732.56	596.67	10.79	-731.24	598.40	16.66	-683.86	659.99
			MIN S2	-11.90	-530.58	318.29	-11.90	-530.58	261.85	-11.90	-529.96	263.10	-11.90	-529.96	206.65
			TQ	0.15	-788.38	522.35	0.15	-788.38	523.09	0.15	-787.14	524.95	0.15	-787.14	525.68
			M3	64.64	382.64	-1986.86	61.78	367.83	-1687.74	61.78	363.94	-1688.60	57.35	329.31	-1400.14
		2-LANES (caseMAX	S2	266.77	270.77	1751.54	108.73	-10.45	1036.68	108.73	-8.00	1036.70	61.53	-110.94	985.77
			TQ	-452.62	1144.53	176.94	-531.81	1144.53	-2157.60	-531.81	1139.43	-2160.29	-611.21	1139.43	-4870.62
			M3	-22.49	579.94	2152.45	-141.78	267.84	1375.35	-141.52	270.75	1374.72	61.53	-110.94	985.77
			MIN S2	-773.76	613.13	-2500.36	-940.38	501.38	-5126.84	-940.38	489.27	-5128.01	-1145.64	304.22	-8860.77
			TQ	-276.95	-727.47	-5411.17	-276.95	-727.47	-6724.45	-277.57	-743.42	-6776.26	-277.57	-743.42	-8092.49
			M3	-447.75	-251.19	-6348.06	-531.38	-106.32	-8672.19	-531.64	-126.47	-8671.92	-670.34	-66.86	-11477.87
		2-LANES (caseMAX	S2	79.11	52.12	894.45	58.42	-71.64	621.43	58.42	-70.17	621.59	56.98	-73.43	868.74
			TQ	-369.85	640.59	-83.75	-394.58	640.59	-1896.20	-394.65	636.11	-1897.59	-419.38	636.11	-3827.63
			M3	-198.55	240.18	1760.49	-65.32	61.38	840.09	-65.32	63.36	839.95	56.54	-72.08	890.95
			MIN S2	-593.28	275.94	-2250.38	-634.90	231.00	-4719.97	-634.90	219.85	-4720.50	-678.16	157.98	-7437.75
			TQ	-186.99	-430.69	-4956.83	-186.99	-430.69	-5843.52	-187.06	-444.50	-5848.69	-187.06	-444.50	-6735.72
			M3	-320.63	-152.59	-5707.75	-393.16	-73.84	-7400.49	-393.16	-91.32	-7400.30	-463.48	-64.10	-9453.58
		2-LANES (caseMAX	S2	65.52	226.97	-1358.71	65.52	226.97	-1048.01	65.52	224.49	-1048.55	65.52	224.49	-737.85
			TQ	32.48	315.84	-3507.93	32.48	315.84	-3353.92	33.24	307.92	-3344.47	33.24	307.92	-3186.86
			M3	-121.83	-390.63	898.49	17.83	-67.61	500.84	17.78	-66.58	501.00	41.21	7.14	655.46
			MIN S2	-207.23	-392.31	-836.58	-207.23	-392.31	-1819.23	-207.23	-396.60	-1818.30	-207.23	-396.60	-2800.96
			TQ	-180.18	-458.58	707.54	-180.18	-458.58	-146.88	-180.94	-458.94	-155.99	-180.94	-458.94	-1014.00
			M3	-36.11	224.19	-4133.28	-75.03	139.80	-4395.38	-74.99	129.56	-4395.70	-99.21	52.78	-4823.27

BAGO RIVER BRIDGE

BLOCK [ No.1 : MAIN GIRDER ][ BEAM MEMBER FORCE ]

MEMBER				1031			1032			1033						
NODE				1031			1032			1033						
				SHEAR	TORQUE	MOMENT	SHEAR	TORQUE	MOMENT	SHEAR	TORQUE	MOMENT				
NAME	TITLE			S2 (kN)	TQ (kN·m)	M3 (kN·m)	S2 (kN)	TQ (kN·m)	M3 (kN·m)	S2 (kN)	TQ (kN·m)	M3 (kN·m)				
301	LIVE LOAD	2-LANES (caseMAX	S2	114.12	480.44	-2672.99	114.12	480.44	-2131.86	114.12	475.40	-2132.99	114.12	475.40	-1591.86	
			TQ	108.36	631.94	-3148.30	108.36	631.94	-2634.44	108.36	625.71	-2635.92	108.36	625.71	-2122.07	
			M3	-21.89	-1050.57	868.25	-11.56	-970.29	790.10	-11.59	-968.85	792.39	23.31	-634.92	814.22	
			MIN	S2	-48.82	-907.61	387.41	-48.82	-907.61	155.91	-48.82	-907.24	158.05	-48.82	-907.24	-73.45
			TQ	-38.17	-1137.89	791.29	-38.17	-1137.89	610.31	-38.17	-1136.45	613.00	-38.17	-1136.45	432.02	
			M3	70.35	509.96	-3557.93	62.49	446.68	-3242.91	62.53	439.44	-3243.96	50.91	332.22	-2969.30	
		3-LANES (caseMAX	S2	250.09	206.11	1606.97	115.76	-32.92	1110.01	115.76	-30.30	1110.09	75.64	-117.80	1177.48	
			TQ	-526.03	1144.04	107.21	-594.18	1144.04	-2549.20	-594.25	1138.01	-2551.80	-662.58	1138.01	-5531.91	
			M3	-131.24	525.89	2493.93	-112.47	207.10	1437.58	-112.26	210.21	1437.09	75.27	-116.65	1196.36	
			MIN	S2	-874.35	572.03	-3022.13	-1016.81	477.04	-6283.99	-1016.81	462.20	-6285.10	-1192.13	304.91	-10491.27
			TQ	-297.13	-738.68	-6596.90	-297.13	-738.68	-8005.90	-297.72	-757.65	-8054.92	-297.72	-757.65	-9466.71	
			M3	-491.04	-255.47	-7686.39	-591.55	-111.41	-10249.99	-591.76	-135.34	-10249.70	-725.43	-82.25	-13351.80	
		3-LANES (caseMAX	S2	119.52	494.75	-2342.81	119.52	494.75	-1776.03	119.52	490.55	-1777.19	119.52	490.55	-1210.41	
			TQ	91.05	581.36	-4219.34	91.05	581.36	-3787.61	91.69	572.41	-3780.31	91.69	572.41	-3345.51	
			M3	-122.09	-708.86	1105.73	5.12	-373.39	697.49	5.05	-372.18	698.37	47.01	-55.75	816.73	
			MIN	S2	-207.87	-721.84	-454.53	-207.87	-721.84	-1440.24	-207.87	-725.24	-1438.53	-207.87	-725.24	-2424.23
			TQ	-183.36	-799.15	898.88	-183.36	-799.15	29.37	-184.01	-799.09	22.60	-184.01	-799.09	-849.97	
			M3	13.67	449.90	-4924.55	-26.05	327.10	-4952.32	-25.98	315.83	-4953.08	-53.89	185.27	-5151.73	
		3-LANES (caseMAX	S2	115.82	450.37	-2336.92	115.82	450.37	-1787.70	115.82	446.15	-1788.76	115.82	446.15	-1239.54	
			TQ	97.48	627.15	-4109.28	97.48	627.15	-3647.05	97.54	618.53	-3645.17	97.54	618.53	-3182.65	
			M3	-66.38	-1095.59	1098.66	-6.32	-849.44	855.36	-6.38	-847.92	857.37	35.30	-516.12	927.06	
			MIN	S2	-120.41	-998.10	-387.27	-120.41	-998.10	-958.23	-120.41	-1000.37	-955.87	-120.41	-1000.37	-1526.84
			TQ	-98.43	-1226.62	920.60	-98.43	-1226.62	453.85	-98.49	-1225.54	453.40	-98.49	-1225.54	-13.64	
			M3	35.04	470.48	-4864.64	14.69	362.05	-4744.21	14.75	351.34	-4745.06	-7.14	212.25	-4728.35	

BAGO RIVER BRIDGE

BLOCK [ No.1 : MAIN GIRDER ][ BEAM MEMBER FORCE ]

MEMBER					1031			1032			1033					
NODE					1031			1032			1033					
NAME TITLE					SHEAR	TORQUE	MOMENT	SHEAR	TORQUE	MOMENT	SHEAR	TORQUE	MOMENT			
					S2 (kN)	TQ (kN·m)	M3 (kN·m)	S2 (kN)	TQ (kN·m)	M3 (kN·m)	S2 (kN)	TQ (kN·m)	M3 (kN·m)			
301	LIVE LOAD	4-LANES	MAX	S2	49.07	78.74	239.64	49.07	78.74	472.32	49.07	79.86	472.14	49.07	79.86	704.83
				TQ	40.95	103.74	185.24	40.95	103.74	379.41	41.48	104.65	384.12	41.48	104.65	580.81
				M3	-20.53	-628.62	604.36	20.15	-470.22	643.24	20.12	-469.00	644.35	40.34	-265.71	827.85
		MIN	S2	-112.27	-685.01	339.82	-112.27	-685.01	-192.56	-112.27	-685.46	-190.95	-112.27	-685.46	-723.33	
			TQ	-104.08	-755.67	432.73	-104.08	-755.67	-60.81	-104.53	-755.82	-63.10	-104.53	-755.82	-558.76	
			M3	-47.96	-89.91	-124.63	-80.88	-237.75	-446.92	-80.85	-238.50	-446.36	-98.88	-359.69	-876.82	
	6-LANES	MAX	S2	258.54	398.50	-803.95	171.20	294.34	-453.98	171.20	293.26	-454.68	142.63	228.65	11.67	
			TQ	-283.17	1183.32	-2907.93	-331.10	1183.32	-4364.25	-330.65	1173.01	-4359.93	-379.01	1173.01	-6042.36	
			M3	-168.63	-406.17	2649.13	-92.35	-452.66	1654.36	-92.23	-449.28	1655.43	84.66	-454.39	1599.35	
		MIN	S2	-738.16	-317.16	-2468.41	-829.85	-379.31	-5377.59	-829.85	-392.02	-5376.68	-944.46	-501.24	-8853.48	
			TQ	-321.59	-1362.21	-4073.66	-321.59	-1362.21	-5598.62	-322.46	-1375.50	-5637.34	-322.46	-1375.50	-7166.42	
			M3	-336.61	110.65	-9183.25	-430.16	124.61	-10994.49	-430.28	99.17	-10994.76	-541.18	44.74	-13286.51	
	LIVE LOAD	MAX	266.77	1183.32	2649.13	171.20	1183.32	1654.36	171.20	1173.01	1655.43	142.63	1173.01	1599.35		
		MIN	-874.35	-1362.21	-9183.25	-1016.81	-1362.21	-10994.49	-1016.81	-1375.50	-10994.76	-1192.13	-1375.50	-13351.80		
	303	SUM TOTAL	TOTAL	MAX	-1610.97	863.55	-25864.04	-1982.50	863.55	-36417.24	-1982.50	763.30	-36415.31	-2287.01	763.30	-47338.41
MIN				-2752.09	-1681.98	-37696.41	-3170.51	-1681.98	-49066.09	-3170.51	-1785.21	-49065.50	-3621.77	-1785.21	-62289.55	

BAGO RIVER BRIDGE

BLOCK [ No.1 : MAIN GIRDER ] [ BEAM MEMBER FORCE ]

MEMBER NODE	1033	1034			1034			1035						
		SHEAR	TORQUE	MOMENT	SHEAR	TORQUE	MOMENT	SHEAR	TORQUE	MOMENT				
NAME TITLE	S2 (kN)	TQ (kN·m)	M3 (kN·m)	S2 (kN)	TQ (kN·m)	M3 (kN·m)	S2 (kN)	TQ (kN·m)	M3 (kN·m)	S2 (kN)	TQ (kN·m)	M3 (kN·m)		
1 PAVEMENT	507.96	-120.46	-7870.11	464.16	-120.46	-5699.37	464.16	-133.14	-5699.09	420.37	-133.14	-3723.95		
3 RAILING	19.41	-6.35	-248.82	15.71	-6.35	-170.41	15.71	-6.73	-170.39	12.01	-6.73	-108.49		
5 CURB	192.12	-62.87	-2463.31	155.53	-62.87	-1687.02	155.53	-66.62	-1686.87	118.93	-66.62	-1074.01		
7 DECK WEIGHT	827.65	-187.01	-12796.01	755.51	-187.01	-9260.84	755.51	-207.61	-9260.40	683.37	-207.61	-6047.38		
8 GIRDER WEIGH	1173.80	-147.47	-18169.72	1090.34	-147.47	-13113.93	1090.34	-176.65	-13113.57	1006.88	-176.65	-8430.52		
10 MEDIAN STRIP	202.96	-0.82	-3569.58	202.96	-0.82	-2663.15	202.96	-6.74	-2663.14	202.96	-6.74	-1756.72		
21 ADITIONAL WE	231.74	-52.36	-3582.88	211.54	-52.36	-2593.03	211.54	-58.13	-2592.91	191.34	-58.13	-1693.27		
31 MEDIAN RAILI	13.86	0.56	-236.29	13.86	0.56	-174.40	13.86	0.18	-174.40	13.86	0.18	-112.52		
51 SUPPORT WEIG	0.00	0.00	-0.00	0.00	0.00	-0.00	0.00	0.00	-0.00	0.00	0.00	-0.00		
52 NOSE WEIGHT	-0.01	-0.02	0.10	-0.01	-0.02	0.07	-0.01	-0.02	0.07	-0.01	-0.02	0.05		
61 1-LANE(case1TRUCK-LOAD	MAX	S2	394.33	-88.30	-441.19	284.74	-216.83	307.03	284.74	-216.15	307.52	202.51	-307.04	563.58
		TQ	53.11	166.75	-1243.41	53.11	166.75	-1006.24	53.11	164.51	-1006.61	53.11	164.51	-769.44
		M3	-5.52	-15.54	231.89	182.02	-93.04	378.90	182.02	-92.20	379.11	74.34	-220.93	642.95
	MIN	S2	-5.66	-16.09	229.85	-45.53	-55.65	333.86	-45.53	-54.90	333.98	-152.01	-186.20	616.37
		TQ	153.19	-342.86	-1566.78	153.19	-342.86	-882.66	149.28	-344.85	-936.08	149.28	-344.85	-269.41
		M3	121.09	-319.33	-1736.61	110.07	-298.46	-1218.55	110.07	-301.18	-1217.88	50.88	159.59	-792.72
	TANDEM-LOAD MAX	S2	305.94	-12.70	-68.85	228.68	-106.36	478.83	228.68	-105.29	479.06	154.68	-190.10	614.69
		TQ	36.35	113.31	-832.99	36.35	113.31	-670.67	36.35	111.82	-670.92	36.35	111.82	-508.60
		M3	-3.78	-10.65	157.98	92.78	-81.56	482.71	92.78	-80.48	482.89	14.30	-172.16	623.48
	MIN	S2	-3.86	-10.99	155.75	-63.67	-81.56	482.71	-63.67	-80.48	482.89	-142.15	-172.16	623.48
		TQ	104.67	-233.14	-1050.29	104.67	-233.14	-582.85	104.67	-234.44	-582.33	104.67	-234.44	-114.89
		M3	82.95	-218.29	-1178.77	73.00	-198.94	-826.47	73.00	-200.77	-826.03	34.18	107.46	-539.35
	DISPERSION-LMAX	S2	350.04	-353.46	-4517.03	304.13	-345.64	-3116.42	304.13	-352.57	-3115.64	270.76	-329.45	-1950.66
		TQ	64.20	190.17	-1502.32	64.20	190.17	-1215.60	64.20	187.46	-1216.02	64.20	187.46	-929.31
		M3	-6.81	-19.21	284.76	20.45	-50.25	344.79	20.45	-49.48	344.90	2.86	-106.41	398.37
	MIN	S2	-6.81	-19.21	284.76	-12.92	-27.03	300.60	-12.92	-26.36	300.66	-31.78	-49.48	319.11
		TQ	279.03	-562.83	-2729.95	227.01	-562.83	-1600.21	227.01	-566.39	-1598.96	174.78	-566.39	-702.25
		M3	350.04	-353.46	-4517.03	270.76	-322.42	-3160.60	270.76	-329.45	-3159.88	236.12	-272.53	-2029.93

BAGO RIVER BRIDGE

BLOCK [ No.1 : MAIN GIRDER ][ BEAM MEMBER FORCE ]

MEMBER				1033			1034			1035					
NODE				1033			1034			1034			1035		
				SHEAR	TORQUE	MOMENT	SHEAR	TORQUE	MOMENT	SHEAR	TORQUE	MOMENT	SHEAR	TORQUE	MOMENT
NAME	TITLE			S2 (kN)	TQ (kN·m)	M3 (kN·m)	S2 (kN)	TQ (kN·m)	M3 (kN·m)	S2 (kN)	TQ (kN·m)	M3 (kN·m)	S2 (kN)	TQ (kN·m)	M3 (kN·m)
62	1-LANE (case2TRUCK-LOAD	MAX	S2	113.66	-53.06	-840.39	113.66	-53.06	-332.81	113.66	-53.80	-332.69	113.66	-53.80	174.89
			TQ	18.83	58.60	-764.37	18.83	58.60	-680.29	18.83	57.09	-680.42	18.83	57.09	-596.34
			M3	-2.92	-6.80	189.79	-2.92	-6.80	176.74	-2.92	-6.41	176.75	104.01	-24.13	335.94
		MIN	S2	-4.79	11.26	-97.90	-4.79	11.26	-119.29	-4.79	11.00	-119.32	-4.79	11.00	-140.70
			TQ	91.20	-98.14	-1210.59	91.20	-98.14	-803.30	91.20	-99.93	-803.08	91.20	-99.93	-395.78
			M3	81.95	-94.13	-1244.73	76.03	-89.35	-891.30	76.03	-91.33	-891.10	19.02	55.52	-603.13
		TANDEM-LOAD MAX	S2	79.84	-31.41	-552.30	79.84	-31.41	-195.72	79.84	-31.85	-195.65	79.84	-31.85	160.93
			TQ	12.77	40.00	-517.91	12.77	40.00	-460.90	12.77	38.98	-460.98	12.77	38.98	-403.97
			M3	-2.00	-4.66	129.13	-2.00	-4.66	120.21	-2.00	-4.39	120.22	71.48	-11.30	263.96
		MIN	S2	-6.06	9.24	-71.45	-6.06	9.24	-98.50	-6.06	9.02	-98.52	-6.06	9.02	-125.56
			TQ	63.48	-66.68	-806.30	63.48	-66.68	-522.80	63.48	-67.85	-522.66	63.48	-67.85	-239.16
			M3	56.14	-64.31	-844.84	52.47	-61.47	-604.84	52.47	-62.82	-604.70	13.02	38.12	-411.36
		DISPERSION-LMAX	S2	176.91	-87.32	-2955.87	175.98	-87.32	-2167.87	175.98	-92.14	-2167.67	175.05	-92.14	-1383.83
			TQ	23.80	65.43	-904.95	23.80	65.43	-798.66	23.75	63.65	-798.72	23.75	63.65	-692.65
			M3	-3.60	-8.41	231.97	2.73	-9.06	219.59	2.73	-8.57	219.61	33.81	-19.74	307.63
		MIN	S2	-4.68	-5.49	202.67	-4.68	-5.49	181.79	-4.68	-5.08	181.80	-4.68	-5.08	160.92
			TQ	148.44	-158.24	-1848.25	147.50	-158.24	-1187.42	147.55	-160.88	-1187.15	146.62	-160.88	-530.26
			M3	175.84	-84.40	-2985.17	168.57	-83.75	-2205.67	168.57	-88.65	-2205.48	136.56	-77.49	-1530.54
63	1-LANE (case3TRUCK-LOAD	MAX	S2	67.22	84.14	-656.00	67.22	84.14	-355.79	67.22	83.35	-355.98	67.22	83.35	-55.77
			TQ	63.43	88.84	-508.90	63.43	88.84	-225.63	63.43	88.34	-225.83	63.43	88.34	57.44
			M3	-0.95	-0.17	157.79	-0.95	-0.17	153.54	-0.95	0.17	153.54	-0.95	0.17	149.29
		MIN	S2	-13.52	-27.70	-141.95	-13.52	-27.70	-202.33	-13.52	-28.15	-202.27	-13.52	-28.15	-262.65
			TQ	-13.21	-28.04	-172.38	-13.21	-28.04	-231.35	-13.21	-28.55	-231.29	-13.21	-28.55	-290.26
			M3	55.69	56.82	-899.23	51.95	52.51	-657.89	51.95	51.05	-658.01	-2.48	-17.65	-464.62

BAGO RIVER BRIDGE

BLOCK [ No.1 : MAIN GIRDER ][ BEAM MEMBER FORCE ]

MEMBER		1033			1034			1034			1035					
NODE		1033			1034			1034			1035					
		SHEAR	TORQUE	MOMENT	SHEAR	TORQUE	MOMENT	SHEAR	TORQUE	MOMENT	SHEAR	TORQUE	MOMENT			
NAME	TITLE	S2 (kN)	TQ (kN·m)	M3 (kN·m)	S2 (kN)	TQ (kN·m)	M3 (kN·m)	S2 (kN)	TQ (kN·m)	M3 (kN·m)	S2 (kN)	TQ (kN·m)	M3 (kN·m)			
63	1-LANE (case3TANDEM-LOAD	MAX	S2	45.83	56.21	-461.50	45.83	56.21	-256.83	45.83	55.64	-256.95	45.83	55.64	-52.29	
			TQ	40.94	61.01	-295.38	40.94	61.01	-112.53	40.94	60.76	-112.67	40.94	60.76	70.18	
			M3	-0.65	-0.14	107.16	-0.65	-0.14	104.25	-0.65	0.09	104.25	-0.64	0.15	101.36	
		MIN	S2	-9.76	-19.24	-80.55	-9.76	-19.24	-124.14	-9.76	-19.51	-124.10	-9.76	-19.51	-167.69	
			TQ	-9.76	-19.24	-80.55	-9.76	-19.24	-124.14	-9.76	-19.51	-124.10	-9.76	-19.51	-167.69	
			M3	38.15	39.12	-610.21	35.72	35.69	-447.39	35.72	34.70	-447.47	-2.05	-12.81	-315.79	
		DISPERSION-LMAX	S2	101.39	126.71	-1626.18	101.39	126.71	-1173.37	101.39	124.10	-1173.65	101.39	124.10	-720.85	
			TQ	100.84	128.08	-1459.33	100.84	128.08	-1008.98	100.68	125.87	-981.64	100.68	125.87	-531.98	
			M3	-1.36	-0.71	191.89	-0.31	0.97	186.86	-0.31	1.38	186.86	18.41	31.30	224.19	
		MIN	S2	-8.98	-24.64	-112.10	-8.98	-24.64	-152.19	-8.98	-24.98	-152.13	-8.98	-24.98	-192.22	
			TQ	-8.43	-26.01	-278.95	-8.43	-26.01	-316.58	-8.27	-26.74	-344.15	-8.27	-26.74	-381.09	
			M3	93.77	102.79	-1930.17	92.72	101.10	-1512.43	92.73	97.75	-1512.65	74.01	67.82	-1137.26	
64	1-LANE (case4TRUCK-LOAD	MAX	S2	28.21	268.98	-415.13	28.21	268.98	-289.14	28.21	268.34	-289.74	28.21	268.34	-163.76	
			TQ	22.48	294.35	-234.12	22.48	294.35	-133.73	22.48	294.06	-134.39	22.48	294.06	-34.00	
			M3	-43.81	-170.07	248.52	3.46	14.60	98.67	3.46	14.82	98.64	3.65	15.49	114.53	
		MIN	S2	-45.66	-171.18	237.00	-45.66	-171.18	33.08	-45.66	-171.11	33.46	-45.66	-171.11	-170.47	
			TQ	-45.35	-171.88	244.21	-45.35	-171.88	41.65	-45.35	-171.79	42.04	-45.35	-171.79	-160.52	
			M3	24.91	216.67	-481.97	24.13	210.52	-371.91	24.13	209.69	-372.37	21.83	193.11	-269.81	
		TANDEM-LOAD	MAX	S2	19.20	184.46	-276.52	19.20	184.46	-190.80	19.20	184.03	-191.21	19.20	184.03	-105.48
			TQ	16.17	200.68	-170.12	16.17	200.68	-97.90	16.17	200.46	-98.35	16.17	200.46	-26.12	
			M3	-30.43	-116.65	170.08	2.39	10.05	67.20	2.39	10.20	67.18	2.44	10.39	77.95	
		MIN	S2	-31.21	-116.32	159.82	-31.21	-116.32	20.44	-31.21	-116.28	20.69	-31.21	-116.28	-118.69	
			TQ	-30.86	-117.16	168.88	-30.86	-117.16	31.07	-30.86	-117.09	31.33	-30.86	-117.09	-106.48	
			M3	17.17	148.60	-328.27	16.08	140.54	-252.76	16.08	139.98	-253.08	14.49	128.71	-183.49	



BAGO RIVER BRIDGE

BLOCK [ No.1 : MAIN GIRDER ][ BEAM MEMBER FORCE ]

MEMBER			1033			1034			1034			1035					
NODE			1033			1034			1034			1035					
			SHEAR	TORQUE	MOMENT	SHEAR	TORQUE	MOMENT	SHEAR	TORQUE	MOMENT	SHEAR	TORQUE	MOMENT			
NAME	TITLE		S2 (kN)	TQ (kN·m)	M3 (kN·m)	S2 (kN)	TQ (kN·m)	M3 (kN·m)	S2 (kN)	TQ (kN·m)	M3 (kN·m)	S2 (kN)	TQ (kN·m)	M3 (kN·m)			
64	1-LANE (case4DISPERSION-LMAX	S2	43.06	438.82	-586.61	43.06	438.82	-394.29	43.06	437.94	-395.26	43.06	437.94	-202.94			
		TQ	42.56	463.25	-585.58	42.56	463.25	-395.49	42.56	462.37	-396.52	42.56	462.37	-206.44			
		M3	-40.95	-144.17	302.49	-19.91	-79.89	154.94	-19.97	-80.25	155.12	6.25	50.24	139.10			
		MIN	S2	-47.80	-163.35	203.26	-47.80	-163.35	-10.20	-47.80	-163.37	-9.84	-47.80	-163.37	-223.31		
		TQ	-47.30	-187.78	202.24	-47.30	-187.78	-9.00	-47.30	-187.80	-8.58	-47.30	-187.80	-219.81			
		M3	36.21	419.64	-685.84	15.17	355.37	-559.43	15.24	354.82	-560.22	-10.98	224.34	-565.35			
		65	2-LANES (caseTRUCK-LOAD	MAX	S2	583.39	-130.03	-713.38	456.66	-322.15	418.74	456.66	-321.22	419.46	358.06	-466.19	1002.62
				TQ	88.48	279.10	-2235.65	88.48	279.10	-1840.48	88.48	275.00	-1841.10	88.48	275.00	-1445.93	
				M3	-9.75	-26.73	442.80	177.79	-104.23	570.94	177.79	-102.96	571.17	157.27	-328.34	1124.45	
MIN	S2			-9.97	-27.65	438.05	-51.34	-81.04	477.29	-51.34	-79.98	477.47	-173.73	-275.10	1068.32		
TQ	270.57			-559.16	-2986.23	270.57	-559.16	-1777.87	266.66	-563.15	-1830.81	266.66	-563.15	-639.89			
M3	222.62			-524.16	-3224.07	204.69	-493.18	-2270.81	204.69	-498.23	-2269.71	85.74	267.78	-1490.45			
	TANDEM-LOAD	MAX	S2	439.89	-18.66	-108.98	350.72	-156.62	693.39	350.72	-155.08	693.73	265.45	-283.14	1043.95		
		TQ	60.45	189.85	-1513.82	60.45	189.85	-1243.85	60.45	187.09	-1244.27	60.45	187.09	-974.30			
		M3	-6.67	-18.32	301.58	150.70	-119.89	702.02	150.70	-118.33	702.29	61.05	-254.86	1054.85			
		MIN	S2	-6.80	-18.89	296.73	-72.80	-119.89	702.02	-72.80	-118.33	702.29	-162.46	-254.86	1054.85		
		TQ	186.82	-379.93	-1989.69	186.82	-379.93	-1155.37	182.52	-382.58	-1210.98	182.52	-382.58	-395.87			
		M3	150.79	-355.98	-2187.83	136.21	-329.52	-1541.43	136.21	-332.95	-1540.69	57.73	180.44	-1014.70			
		DISPERSION-LMAX	S2	607.28	-568.75	-8251.60	540.18	-558.01	-5769.01	540.18	-570.84	-5767.75	488.06	-539.01	-3638.12		
			TQ	104.66	317.20	-2685.70	104.66	317.20	-2218.30	104.66	312.26	-2219.00	104.66	312.26	-1751.59		
			M3	-12.03	-33.03	543.16	33.76	-78.74	619.23	33.77	-77.36	619.40	27.41	-172.34	751.92		
MIN	S2		-12.03	-32.90	542.26	-19.30	-43.65	551.73	-19.30	-42.42	551.83	-41.76	-74.25	581.38			
TQ	490.59		-918.85	-5023.64	416.22	-918.85	-2998.98	416.22	-925.52	-2996.93	341.63	-925.52	-1305.14				
M3	607.28		-568.62	-8252.51	487.12	-522.92	-5836.50	487.11	-535.90	-5835.33	418.88	-440.92	-3808.65				

BAGO RIVER BRIDGE

BLOCK [ No.1 : MAIN GIRDER ][ BEAM MEMBER FORCE ]

MEMBER				1033			1034			1035					
NODE				1033			1034			1035					
				SHEAR	TORQUE	MOMENT	SHEAR	TORQUE	MOMENT	SHEAR	TORQUE	MOMENT			
NAME	TITLE			S2 (kN)	TQ (kN·m)	M3 (kN·m)	S2 (kN)	TQ (kN·m)	M3 (kN·m)	S2 (kN)	TQ (kN·m)	M3 (kN·m)			
66	2-LANES (caseTRUCK-LOAD	MAX	S2	302.72	-94.79	-1112.58	285.57	-158.38	-221.10	285.57	-158.87	-220.75	269.20	-212.94	613.94
			TQ	54.21	170.95	-1756.61	54.21	170.95	-1514.53	54.21	167.58	-1514.90	54.21	167.58	-1272.83
			M3	-7.15	-17.98	400.70	-7.15	-17.98	368.77	-7.15	-17.16	368.81	186.94	-131.54	817.44
		MIN	S2	-9.10	-0.30	110.30	-10.59	-14.13	24.14	-10.59	-14.08	24.17	-26.51	-77.90	311.25
			TQ	208.59	-314.44	-2630.04	208.59	-314.44	-1698.51	208.59	-318.22	-1697.81	208.59	-318.22	-766.27
			M3	183.48	-298.96	-2732.19	170.65	-284.07	-1943.56	170.65	-288.39	-1942.92	53.88	163.71	-1300.86
		TANDEM-LOAD MAX	S2	213.79	-37.37	-592.43	201.88	-81.67	18.84	201.88	-81.63	19.02	190.62	-124.89	590.19
			TQ	36.87	116.54	-1198.73	36.87	116.54	-1034.07	36.87	114.24	-1034.33	36.87	114.24	-869.67
			M3	-4.89	-12.32	272.73	55.92	-42.99	339.52	55.92	-42.23	339.62	118.22	-94.00	695.32
		MIN	S2	-8.99	1.35	69.53	-15.18	-29.09	120.81	-15.18	-28.82	120.88	-26.36	-73.68	305.80
			TQ	145.63	-213.47	-1745.71	145.63	-213.47	-1095.33	141.33	-215.98	-1151.31	141.33	-215.98	-520.14
			M3	123.98	-202.00	-1853.90	115.68	-192.05	-1319.79	115.68	-194.99	-1319.36	36.56	111.10	-886.72
		DISPERSION-LMAX	S2	434.15	-302.61	-6690.45	412.03	-299.69	-4820.46	412.03	-310.41	-4819.78	392.34	-301.71	-3071.28
			TQ	64.26	192.46	-2088.34	64.26	192.46	-1801.36	64.21	188.46	-1801.70	64.21	188.46	-1514.93
			M3	-8.81	-22.24	490.38	16.05	-37.55	494.03	16.05	-36.45	494.11	58.37	-85.68	661.18
		MIN	S2	-9.89	-19.18	460.18	-11.06	-22.10	432.92	-11.06	-21.14	432.96	-14.66	-29.85	423.19
			TQ	360.00	-514.26	-4141.93	336.71	-514.26	-2586.19	336.76	-520.01	-2585.12	313.48	-520.01	-1133.16
			M3	433.07	-299.56	-6720.65	384.93	-284.25	-4881.58	384.92	-295.10	-4880.93	319.32	-245.88	-3309.27
67	2-LANES (caseTRUCK-LOAD	MAX	S2	112.38	266.57	-1220.48	112.38	266.57	-718.58	112.38	264.97	-719.17	112.38	264.97	-217.27
			TQ	107.94	276.37	-995.92	107.94	276.37	-513.86	107.30	275.26	-491.15	107.30	275.26	-11.96
			M3	-0.60	4.03	294.10	-0.60	4.03	291.42	-0.60	4.68	291.41	-0.59	4.72	288.73
		MIN	S2	-34.74	-102.21	-226.02	-34.74	-102.21	-381.15	-34.74	-103.05	-380.92	-34.74	-103.05	-536.06
			TQ	-33.63	-102.78	-302.97	-33.63	-102.78	-453.16	-33.63	-103.78	-452.93	-33.63	-103.78	-603.12
			M3	95.01	199.78	-1583.02	90.22	191.71	-1168.34	90.22	189.11	-1168.76	-18.56	-82.54	-839.51

BAGO RIVER BRIDGE

BLOCK [ No.1 : MAIN GIRDER ][ BEAM MEMBER FORCE ]

MEMBER		1033			1034			1034			1035				
NODE		1033			1034			1034			1035				
		SHEAR	TORQUE	MOMENT	SHEAR	TORQUE	MOMENT	SHEAR	TORQUE	MOMENT	SHEAR	TORQUE	MOMENT		
NAME	TITLE	S2 (kN)	TQ (kN·m)	M3 (kN·m)	S2 (kN)	TQ (kN·m)	M3 (kN·m)	S2 (kN)	TQ (kN·m)	M3 (kN·m)	S2 (kN)	TQ (kN·m)	M3 (kN·m)		
67	2-LANES (caseTANDEM-LOAD	MAX	S2	76.47	182.28	-822.22	76.47	182.28	-480.69	76.47	181.21	-481.10	76.47	181.21	-139.58
			TQ	70.66	188.96	-597.26	70.66	188.96	-281.69	70.66	188.33	-282.11	70.66	188.33	33.46
			M3	-0.43	2.66	199.94	-0.43	2.66	198.02	-0.43	3.10	198.01	-0.41	3.16	196.11
		MIN	S2	-24.40	-69.20	-115.84	-24.40	-69.20	-224.80	-24.40	-69.70	-224.65	-24.40	-69.70	-333.61
			TQ	-23.85	-70.39	-162.36	-23.85	-70.39	-268.86	-23.85	-70.99	-268.70	-23.85	-70.99	-375.21
			M3	65.18	136.96	-1075.49	61.29	128.62	-794.57	61.29	126.85	-794.85	-12.70	-56.04	-571.49
	DISPERSION-LMAX	S2	170.66	418.57	-2572.08	170.66	418.57	-1809.91	170.66	414.55	-1810.83	170.66	414.55	-1048.66	
		TQ	170.03	420.69	-2356.43	170.03	420.69	-1597.07	169.88	417.16	-1570.37	169.88	417.16	-811.70	
		M3	-4.04	-7.09	361.35	0.18	6.30	353.87	0.18	7.08	353.85	30.52	95.51	410.60	
		MIN	S2	-30.10	-104.64	-307.46	-30.10	-104.64	-441.87	-30.10	-105.63	-441.64	-30.10	-105.63	-576.04
			TQ	-29.47	-106.76	-523.12	-29.47	-106.76	-654.71	-29.31	-108.24	-682.10	-29.31	-108.24	-813.01
			M3	144.61	321.02	-3240.90	140.38	307.63	-2605.64	140.39	301.84	-2606.32	110.05	213.41	-2035.31
68	2-LANES (caseTRUCK-LOAD	MAX	S2	73.37	451.41	-979.61	73.37	451.41	-651.93	73.37	449.96	-652.94	73.37	449.96	-325.26
			TQ	66.99	481.88	-721.14	66.99	481.88	-421.97	66.35	480.98	-399.71	66.35	480.98	-103.40
			M3	-41.60	-159.66	352.38	5.80	25.47	212.70	5.80	25.95	212.64	5.98	26.61	238.96
		MIN	S2	-77.56	-292.23	261.43	-77.56	-292.23	-84.94	-77.56	-292.42	-84.29	-77.56	-292.42	-430.67
			TQ	-77.25	-292.93	268.64	-77.25	-292.93	-76.37	-77.25	-293.10	-75.71	-77.25	-293.10	-420.72
			M3	64.23	359.62	-1165.77	62.40	349.70	-882.37	62.40	347.73	-883.15	56.93	321.94	-619.10
	TANDEM-LOAD	MAX	S2	49.84	310.52	-637.24	49.84	310.52	-414.66	49.84	309.60	-415.35	49.84	309.60	-192.77
			TQ	45.89	328.62	-472.00	45.89	328.62	-267.06	45.89	328.03	-267.79	45.89	328.03	-62.85
			M3	-28.90	-109.49	240.85	3.95	17.34	144.85	3.95	17.66	144.81	4.00	17.85	162.55
		MIN	S2	-52.96	-198.50	170.82	-52.96	-198.50	-65.72	-52.96	-198.65	-65.28	-52.96	-198.65	-301.82
			TQ	-52.51	-199.49	188.76	-52.51	-199.49	-45.76	-52.51	-199.59	-45.32	-52.51	-199.59	-279.84
			M3	44.19	246.43	-793.56	41.65	233.46	-599.96	41.65	232.12	-600.48	37.85	214.87	-421.28

BAGO RIVER BRIDGE

BLOCK [ No.1 : MAIN GIRDER ][ BEAM MEMBER FORCE ]

MEMBER		1033			1034			1034			1035					
NODE		1033			1034			1034			1035					
		SHEAR	TORQUE	MOMENT	SHEAR	TORQUE	MOMENT	SHEAR	TORQUE	MOMENT	SHEAR	TORQUE	MOMENT			
NAME	TITLE	S2 (kN)	TQ (kN·m)	M3 (kN·m)	S2 (kN)	TQ (kN·m)	M3 (kN·m)	S2 (kN)	TQ (kN·m)	M3 (kN·m)	S2 (kN)	TQ (kN·m)	M3 (kN·m)			
68	2-LANES (caseDISPERSION-LMAX	S2	114.16	741.00	-1521.91	114.16	741.00	-1012.09	114.16	738.74	-1013.74	114.16	738.74	-503.93		
		TQ	113.66	765.43	-1520.88	113.66	765.43	-1013.30	113.66	763.17	-1015.00	113.66	763.17	-507.42		
		M3	-55.01	-197.69	462.98	-17.66	-69.86	291.98	-17.74	-69.99	292.14	20.25	123.97	304.27		
		MIN	S2	-82.12	-296.26	179.86	-82.12	-296.26	-186.87	-82.12	-296.68	-186.21	-82.12	-296.68	-552.93	
		TQ	-81.62	-320.70	178.83	-81.62	-320.70	-185.66	-81.62	-321.11	-184.95	-81.62	-321.11	-549.44		
		M3	87.05	642.42	-1805.04	49.70	514.59	-1490.94	49.78	512.06	-1492.09	11.79	318.09	-1361.13		
		MAX	S2	697.05	-183.09	-1553.77	570.31	-375.21	85.94	570.31	-375.02	86.77	471.71	-519.98	1177.51	
		TQ	107.31	337.70	-3000.02	107.31	337.70	-2520.77	107.31	332.09	-2521.52	107.31	332.09	-2042.27		
		M3	-12.67	-33.53	632.60	174.87	-111.03	747.67	174.87	-109.36	747.92	261.28	-352.47	1460.39		
69	3-LANES (caseTRUCK-LOAD	MIN	S2	-14.76	-16.39	340.15	-56.13	-69.78	358.00	-56.13	-68.98	358.15	-178.52	-264.10	927.62	
		TQ	361.77	-657.31	-4196.82	361.77	-657.31	-2581.17	357.86	-663.08	-2633.88	357.86	-663.08	-1035.68		
		M3	304.58	-618.29	-4468.79	280.72	-582.53	-3162.11	280.72	-589.57	-3160.81	104.76	323.30	-2093.58		
		MAX	S2	519.74	-50.07	-661.28	430.57	-188.03	497.67	430.57	-186.92	498.09	345.29	-314.99	1204.88	
		TQ	73.22	229.86	-2031.73	73.22	229.86	-1704.74	73.22	226.06	-1705.25	73.22	226.06	-1378.27		
		M3	-8.67	-22.97	430.71	148.71	-124.55	822.24	148.71	-122.72	822.51	132.52	-266.16	1318.80		
		MIN	S2	-12.85	-9.64	225.28	-78.85	-110.65	603.53	-78.85	-109.31	603.77	-168.51	-245.84	929.29	
		TQ	250.30	-446.61	-2795.99	250.30	-446.61	-1678.18	246.00	-450.42	-1733.63	246.00	-450.42	-635.03		
		M3	206.94	-420.29	-3032.67	188.68	-390.99	-2146.27	188.68	-395.76	-2145.39	70.74	218.56	-1426.06		
	TANDEM-LOAD	MAX	S2	784.19	-656.08	-11207.47	716.16	-645.33	-7936.88	716.16	-662.99	-7935.42	663.11	-631.16	-5021.94	
		TQ	128.46	382.63	-3590.65	128.46	382.63	-3016.96	128.41	375.92	-3017.72	128.41	375.92	-2444.24		
		M3	-15.63	-41.44	775.14	36.49	-87.80	838.82	36.50	-85.93	839.01	61.23	-192.08	1059.55		
		MIN	S2	-16.71	-38.39	744.93	-23.98	-49.13	733.52	-23.98	-47.50	733.63	-46.44	-79.33	742.30	
		TQ	639.03	-1077.09	-6871.89	563.72	-1077.09	-4186.40	563.77	-1086.40	-4184.08	488.26	-1086.40	-1835.40		
		M3	783.11	-653.02	-11237.68	655.69	-606.66	-8042.18	655.68	-624.55	-8040.81	555.44	-518.41	-5339.19		
		DISPERSION-LMAX	MAX	S2	784.19	-656.08	-11207.47	716.16	-645.33	-7936.88	716.16	-662.99	-7935.42	663.11	-631.16	-5021.94
			TQ	128.46	382.63	-3590.65	128.46	382.63	-3016.96	128.41	375.92	-3017.72	128.41	375.92	-2444.24	
			M3	-15.63	-41.44	775.14	36.49	-87.80	838.82	36.50	-85.93	839.01	61.23	-192.08	1059.55	
MIN	S2		-16.71	-38.39	744.93	-23.98	-49.13	733.52	-23.98	-47.50	733.63	-46.44	-79.33	742.30		
TQ	639.03		-1077.09	-6871.89	563.72	-1077.09	-4186.40	563.77	-1086.40	-4184.08	488.26	-1086.40	-1835.40			
M3	783.11		-653.02	-11237.68	655.69	-606.66	-8042.18	655.68	-624.55	-8040.81	555.44	-518.41	-5339.19			

BAGO RIVER BRIDGE

BLOCK [ No.1 : MAIN GIRDER ][ BEAM MEMBER FORCE ]

MEMBER				1033			1034			1035					
NODE				1033			1034			1035					
				SHEAR	TORQUE	MOMENT	SHEAR	TORQUE	MOMENT	SHEAR	TORQUE	MOMENT			
NAME	TITLE			S2 (kN)	TQ (kN·m)	M3 (kN·m)	S2 (kN)	TQ (kN·m)	M3 (kN·m)	S2 (kN)	TQ (kN·m)	M3 (kN·m)			
70	3-LANES (caseTRUCK-LOAD	MAX	S2	140.59	535.55	-1635.61	140.59	535.55	-1007.73	140.59	533.31	-1008.91	140.59	533.31	-381.03
			TQ	130.42	570.72	-1230.05	130.42	570.72	-647.60	129.78	569.32	-625.54	129.78	569.32	-45.96
			M3	0.93	12.15	409.30	1.06	12.64	413.55	1.06	13.56	413.52	1.07	13.60	418.26
		MIN	S2	-67.18	-226.89	-167.72	-67.18	-226.89	-467.75	-67.18	-227.93	-467.24	-67.18	-227.93	-767.28
			TQ	-66.02	-227.54	-240.69	-66.02	-227.54	-535.52	-66.02	-228.73	-535.02	-66.02	-228.73	-829.85
			M3	119.92	416.48	-2064.95	114.35	402.23	-1540.20	114.35	398.80	-1541.09	-46.15	-187.09	-1128.88
		TANDEM-LOAD MAX	S2	95.67	366.74	-1098.74	95.67	366.74	-671.49	95.67	365.24	-672.31	95.67	365.24	-245.06
			TQ	86.83	389.63	-767.38	86.83	389.63	-379.59	86.83	388.79	-380.46	86.83	388.79	7.33
			M3	0.63	8.26	278.37	0.67	8.40	281.22	0.67	9.03	281.20	0.68	9.09	284.20
		MIN	S2	-46.60	-153.99	-80.83	-46.60	-153.99	-288.95	-46.60	-154.63	-288.61	-46.60	-154.63	-496.74
			TQ	-45.64	-155.23	-107.60	-45.64	-155.23	-311.44	-46.05	-155.93	-332.66	-46.05	-155.93	-538.34
			M3	82.34	285.58	-1403.73	77.37	269.18	-1047.30	77.37	266.85	-1047.89	-32.02	-129.19	-768.56
		DISPERSION-LMAX	S2	211.63	853.93	-3120.19	211.63	853.93	-2175.06	211.63	849.09	-2176.95	211.63	849.09	-1231.81
			TQ	210.72	874.54	-2904.07	210.72	874.54	-1963.01	210.56	870.21	-1937.32	210.56	870.21	-996.95
			M3	-19.60	-56.82	551.68	-1.64	1.32	505.13	-1.67	1.87	505.13	34.93	144.34	569.41
MIN	S2	-64.41	-221.78	-325.51	-64.41	-221.78	-613.15	-64.41	-223.14	-612.66	-64.41	-223.14	-900.29		
	TQ	-63.49	-242.39	-541.63	-63.49	-242.39	-825.20	-63.34	-244.26	-852.28	-63.34	-244.26	-1135.16		
	M3	166.83	688.98	-3997.39	148.87	630.84	-3293.33	148.89	624.08	-3294.73	112.30	481.60	-2701.52		
71	3-LANES (caseTRUCK-LOAD	MAX	S2	140.59	535.55	-1635.61	140.59	535.55	-1007.73	140.59	533.31	-1008.92	140.59	533.31	-381.03
			TQ	129.95	571.75	-1226.99	129.95	571.75	-646.64	129.31	570.35	-624.58	129.31	570.35	-47.11
			M3	-40.58	-153.19	477.59	6.82	31.94	342.48	6.82	32.70	342.41	7.02	33.40	373.33
		MIN	S2	-96.91	-356.24	138.36	-96.91	-356.24	-294.42	-96.91	-356.89	-293.62	-96.91	-356.89	-726.40
			TQ	-95.58	-363.21	74.86	-95.58	-363.21	-351.99	-95.58	-363.99	-351.18	-95.58	-363.99	-778.03
			M3	119.92	416.44	-2065.01	114.36	402.21	-1540.28	114.36	398.78	-1541.17	104.68	370.61	-1053.46

BAGO RIVER BRIDGE

BLOCK [ No.1 : MAIN GIRDER ][ BEAM MEMBER FORCE ]

MEMBER		1033			1034			1034			1035							
NODE		1033			1034			1034			1035							
		SHEAR	TORQUE	MOMENT	SHEAR	TORQUE	MOMENT	SHEAR	TORQUE	MOMENT	SHEAR	TORQUE	MOMENT					
NAME	TITLE	S2 (kN)	TQ (kN·m)	M3 (kN·m)	S2 (kN)	TQ (kN·m)	M3 (kN·m)	S2 (kN)	TQ (kN·m)	M3 (kN·m)	S2 (kN)	TQ (kN·m)	M3 (kN·m)					
71	3-LANES (case)	TANDEM-LOAD	MAX	S2	95.67	366.73	-1098.74	95.67	366.73	-671.49	95.67	365.24	-672.31	95.67	365.24	-245.06		
				TQ	86.26	390.89	-763.66	86.26	390.89	-378.43	86.26	390.04	-379.30	86.26	390.04	5.92		
				M3	-28.22	-105.14	326.02	4.63	21.68	233.07	4.63	22.20	233.02	4.68	22.39	253.81		
			MIN	S2	-66.31	-240.08	105.69	-66.31	-240.08	-190.47	-66.31	-240.50	-189.94	-66.31	-240.50	-486.10		
			TQ	-64.81	-247.52	50.92	-64.81	-247.52	-238.51	-64.81	-248.05	-237.96	-64.81	-248.05	-527.39			
			M3	82.34	285.56	-1403.76	77.37	269.15	-1047.35	77.37	266.82	-1047.95	70.75	247.89	-716.46			
			DISPERSION-LMAX	S2	214.88	877.82	-2815.49	214.88	877.82	-1855.82	214.88	873.69	-1857.77	214.88	873.69	-898.10		
			TQ	214.38	902.25	-2814.46	214.38	902.25	-1857.03	214.38	898.12	-1859.03	214.38	898.12	-901.60			
			M3	-54.79	-192.97	614.18	-15.87	-60.86	448.45	-15.95	-60.66	448.58	40.05	165.48	504.54			
			MIN	S2	-103.41	-374.21	-69.63	-103.41	-374.21	-531.45	-103.41	-375.39	-530.62	-103.41	-375.39	-992.44		
			TQ	-102.91	-398.64	-70.65	-102.91	-398.64	-530.24	-102.91	-399.82	-529.36	-102.91	-399.82	-988.94			
			M3	166.26	696.58	-3499.29	127.34	564.47	-2835.72	127.43	558.95	-2836.97	71.43	332.81	-2395.08			
		72	4-LANES	TRUCK-LOAD	MAX	S2	7.47	29.99	107.78	7.47	29.99	141.13	7.47	30.31	141.06	7.47	30.31	174.41
						TQ	6.81	33.34	378.94	6.81	33.34	409.37	6.77	34.25	415.80	6.77	34.25	446.04
						M3	-42.68	-149.23	603.60	5.19	29.50	504.16	5.19	30.62	504.10	5.39	31.33	527.72
	MIN			S2	-93.50	-360.11	-472.75	-93.50	-360.11	-890.31	-93.50	-362.09	-889.50	-93.50	-362.09	-1307.06		
	TQ			-93.50	-360.11	-472.75	-93.50	-360.11	-890.31	-93.50	-362.09	-889.50	-93.50	-362.09	-1307.06			
	M3			-36.74	-150.72	-760.91	-65.63	-256.77	-985.89	-65.63	-258.96	-985.31	-84.39	-327.22	-1324.51			
	TANDEM-LOAD			MAX	S2	5.12	20.68	80.26	5.12	20.68	103.10	5.12	20.91	103.06	5.12	20.91	125.91	
	TQ			4.75	22.69	238.96	4.75	22.69	260.15	4.62	23.30	280.71	4.62	23.30	301.35			
	M3			-29.84	-104.99	423.64	3.51	19.99	342.89	3.51	20.76	342.84	3.58	21.00	358.69			
	MIN			S2	-66.35	-254.81	-283.94	-66.35	-254.81	-580.28	-66.35	-256.10	-579.71	-66.35	-256.10	-876.05		
	TQ			-66.35	-254.81	-283.94	-66.35	-254.81	-580.28	-66.35	-256.10	-579.71	-66.35	-256.10	-876.05			
	M3			-25.62	-105.20	-520.40	-43.55	-170.91	-671.76	-43.55	-172.40	-671.38	-58.71	-226.85	-902.18			

BAGO RIVER BRIDGE

BLOCK [ No.1 : MAIN GIRDER ][ BEAM MEMBER FORCE ]

MEMBER				1033			1034			1035								
NODE				1033			1034			1034			1035					
				SHEAR	TORQUE	MOMENT	SHEAR	TORQUE	MOMENT	SHEAR	TORQUE	MOMENT	SHEAR	TORQUE	MOMENT			
NAME	TITLE			S2 (kN)	TQ (kN·m)	M3 (kN·m)	S2 (kN)	TQ (kN·m)	M3 (kN·m)	S2 (kN)	TQ (kN·m)	M3 (kN·m)	S2 (kN)	TQ (kN·m)	M3 (kN·m)			
72	4-LANES	DISPERSION-LMAX	S2	9.22	39.03	218.69	9.22	39.03	259.87	9.22	39.61	259.79	9.22	39.61	300.96			
			TQ	8.63	40.79	408.50	8.63	40.79	447.03	8.48	41.81	471.78	8.48	41.81	509.64			
			M3	-22.43	-69.97	670.75	0.27	13.68	617.58	0.22	14.90	617.54	6.56	38.12	642.21			
		MIN	S2	-57.90	-218.36	-123.69	-57.90	-218.36	-382.29	-57.90	-219.21	-381.80	-57.90	-219.21	-640.40			
			TQ	-57.34	-220.15	-310.17	-57.34	-220.15	-566.25	-57.19	-221.44	-590.60	-57.19	-221.44	-846.01			
			M3	-26.88	-111.91	-587.10	-49.24	-194.33	-753.72	-49.19	-195.85	-753.29	-55.16	-217.72	-995.34			
		73	6-LANES	TRUCK-LOAD	MAX	S2	789.63	282.20	-3594.70	685.32	157.30	-1050.16	685.32	154.96	-1050.51	603.82	15.82	706.14
					TQ	219.76	819.24	-3860.72	219.76	819.24	-2879.27	219.61	812.84	-2876.55	219.61	812.84	-1895.76	
					M3	-52.57	-183.90	1100.93	176.28	-77.88	1084.59	176.28	-75.47	1084.76	313.14	-218.62	1779.84	
MIN	S2			-102.69	-322.57	292.04	-140.43	-360.75	-46.75	-140.43	-360.86	-45.95	-241.71	-488.23	-195.89			
	TQ			267.14	-923.26	-4268.30	267.14	-923.26	-3075.24	267.14	-930.10	-3073.18	267.14	-930.10	-1880.12			
	M3			424.99	-188.49	-6526.71	389.47	-171.02	-4700.27	389.47	-181.48	-4699.88	252.05	509.95	-3089.76			
TANDEM-LOAD	MAX			S2	575.84	243.99	-2156.86	502.39	153.19	-376.23	502.39	152.35	-376.57	431.83	59.74	953.19		
	TQ			153.84	559.57	-2653.54	153.84	559.57	-1966.51	153.84	555.19	-1967.75	153.84	555.19	-1280.73			
	M3			-36.44	-126.31	750.16	144.04	-94.58	999.17	144.04	-92.35	999.38	169.62	-172.22	1521.17			
MIN	S2			-72.71	-219.96	263.16	-129.40	-288.20	268.02	-129.40	-287.60	268.66	-204.37	-376.84	106.35			
	TQ			183.55	-628.97	-2889.01	183.55	-628.97	-2069.29	183.55	-633.57	-2067.89	183.55	-633.57	-1248.17			
	M3			289.15	-129.82	-4431.86	261.96	-116.63	-3191.85	261.96	-123.74	-3191.58	170.58	344.51	-2101.72			
DISPERSION-LMAX	S2			930.43	149.32	-13012.90	867.19	159.27	-9073.51	867.19	139.08	-9073.84	818.36	168.71	-5463.13			
	TQ			312.18	1171.53	-5696.24	312.18	1171.53	-4302.05	312.00	1161.98	-4280.74	312.00	1161.98	-2887.37			
	M3			-64.37	-210.87	1360.87	17.19	-145.98	1263.91	17.13	-143.91	1264.23	96.56	-25.26	1523.02			
MIN	S2	-108.10	-363.13	553.37	-114.98	-373.19	129.75	-114.98	-372.90	130.58	-136.32	-402.86	-274.54					
	TQ	504.71	-1361.42	-6693.17	434.24	-1361.42	-4596.31	434.44	-1371.68	-4620.98	363.35	-1371.68	-2839.41					
	M3	885.10	-11.58	-13913.93	736.29	-69.81	-10305.19	736.35	-92.28	-10305.01	593.44	-171.26	-7339.38					

BAGO RIVER BRIDGE

BLOCK [ No.1 : MAIN GIRDER ][ BEAM MEMBER FORCE ]

MEMBER			1033			1034			1034			1035			
NODE			1033			1034			1034			1035			
NAME TITLE			SHEAR	TORQUE	MOMENT	SHEAR	TORQUE	MOMENT	SHEAR	TORQUE	MOMENT	SHEAR	TORQUE	MOMENT	
			S2 (kN)	TQ (kN·m)	M3 (kN·m)	S2 (kN)	TQ (kN·m)	M3 (kN·m)	S2 (kN)	TQ (kN·m)	M3 (kN·m)	S2 (kN)	TQ (kN·m)	M3 (kN·m)	
124	SUM TOTAL	D+1LANE (caseMAX	S2	4062.74	-1106.91	-54886.48	3616.25	-1251.76	-38733.34	3616.25	-1337.94	-38730.46	3217.65	-1419.26	-24611.31
			TQ	3310.25	-148.50	-52231.49	3050.37	-148.50	-38028.29	3050.37	-233.12	-38027.87	2790.49	-233.12	-24985.31
			M3	3154.68	-618.50	-48316.65	3152.57	-748.75	-34493.65	3152.57	-825.50	-34491.90	2742.36	-1048.28	-21697.23
		MIN	S2	3154.52	-619.16	-48319.10	2839.47	-676.01	-34600.73	2839.47	-752.99	-34599.14	2429.17	-938.29	-21824.24
			TQ	3688.15	-1663.63	-54092.70	3365.84	-1663.63	-38341.52	3361.15	-1748.97	-38402.75	3038.59	-1748.97	-24112.79
			M3	3734.85	-1384.15	-56440.98	3366.61	-1321.86	-40617.06	3366.61	-1412.23	-40614.02	2994.11	-791.01	-26333.98
		D+1LANE (caseMAX	S2	3518.17	-745.25	-53492.14	3257.17	-745.25	-38362.89	3257.17	-830.61	-38361.14	2996.17	-830.61	-24397.53
			TQ	3220.64	-427.96	-50939.80	2960.76	-427.96	-37136.82	2960.70	-510.59	-37135.68	2700.81	-510.59	-24493.60
			M3	3161.66	-595.05	-48430.51	2909.38	-595.83	-34886.49	2909.38	-673.45	-34885.08	2815.11	-708.12	-22174.53
		MIN	S2	3158.13	-569.87	-48810.90	2898.25	-569.87	-35287.09	2898.25	-648.38	-35285.73	2638.36	-648.38	-22922.55
			TQ	3457.05	-884.45	-52607.23	3196.05	-884.45	-37750.94	3196.11	-968.45	-37748.98	2935.11	-968.45	-24058.06
			M3	3478.84	-791.03	-54012.50	3203.14	-784.51	-39078.45	3203.14	-871.46	-39076.61	2836.42	-681.84	-25507.21
		D+1LANE (caseMAX	S2	3371.82	-323.77	-51675.24	3111.94	-323.77	-37197.08	3111.94	-406.53	-37196.27	2852.05	-406.53	-23878.75
			TQ	3366.61	-316.49	-51298.50	3106.73	-316.49	-36843.62	3106.54	-398.42	-36809.67	2846.66	-398.42	-23516.25
			M3	3166.71	-577.85	-48517.00	2908.10	-575.83	-34953.59	2908.09	-653.62	-34952.23	2670.67	-617.70	-22498.63
		MIN	S2	3142.49	-639.60	-49241.48	2882.61	-639.60	-35787.50	2882.61	-719.23	-35785.99	2622.73	-719.23	-23492.65
			TQ	3143.53	-641.65	-49478.22	2883.65	-641.65	-36019.60	2883.84	-721.83	-36051.24	2623.95	-721.83	-23752.43
			M3	3348.84	-385.27	-52331.91	3083.22	-392.45	-37966.46	3083.22	-476.91	-37965.50	2735.55	-595.27	-24869.06
		D+1LANE (caseMAX	S2	3255.02	272.56	-50138.71	2995.14	272.56	-36182.20	2995.14	192.06	-36182.71	2735.25	192.06	-23386.85
			TQ	3247.54	332.33	-49920.27	2987.66	332.33	-35997.16	2987.66	252.24	-35997.81	2727.77	252.24	-23235.33
			M3	3067.77	-953.89	-48275.41	2889.87	-655.14	-35057.75	2889.80	-733.99	-35056.20	2661.60	-576.60	-22642.46
		MIN	S2	3057.33	-978.23	-48408.30	2797.46	-978.23	-35334.63	2797.46	-1056.85	-35332.37	2537.57	-1056.85	-23419.33
			TQ	3058.30	-1008.39	-48400.89	2798.42	-1008.39	-35322.89	2798.42	-1086.98	-35320.56	2538.54	-1086.98	-23403.20
			M3	3242.84	186.77	-50338.00	2956.78	102.26	-36479.68	2956.85	21.94	-36479.82	2662.73	-154.54	-23948.99



BAGO RIVER BRIDGE

BLOCK [ No.1 : MAIN GIRDER ][ BEAM MEMBER FORCE ]

MEMBER			1033			1034			1034			1035			
NODE			1033			1034			1034			1035			
NAME TITLE			SHEAR	TORQUE	MOMENT	SHEAR	TORQUE	MOMENT	SHEAR	TORQUE	MOMENT	SHEAR	TORQUE	MOMENT	
			S2 (kN)	TQ (kN·m)	M3 (kN·m)	S2 (kN)	TQ (kN·m)	M3 (kN·m)	S2 (kN)	TQ (kN·m)	M3 (kN·m)	S2 (kN)	TQ (kN·m)	M3 (kN·m)	
124	SUM TOTAL	D+2LANES (casMAX	S2	4360.16	-1275.58	-57901.61	3906.44	-1456.96	-40712.35	3906.44	-1547.54	-40709.00	3495.83	-1660.67	-25582.30
			TQ	3362.63	19.50	-53857.98	3102.75	19.50	-39420.86	3102.75	-68.21	-39420.80	2842.86	-68.21	-26144.32
			M3	3147.71	-636.55	-47950.65	3121.16	-759.76	-34171.92	3121.17	-835.79	-34170.14	2834.40	-1156.15	-21070.44
		MIN	S2	3147.49	-637.35	-47956.31	2838.97	-701.48	-34333.06	2838.97	-777.87	-34331.42	2434.23	-1004.82	-21297.10
			TQ	3930.65	-2054.82	-56946.49	3596.40	-2054.82	-40138.93	3592.49	-2144.15	-40188.45	3258.02	-2144.15	-24891.84
			M3	3999.39	-1669.58	-60413.20	3601.41	-1592.89	-43469.39	3601.41	-1689.61	-43465.74	3154.34	-828.61	-28245.91
		D+2LANES (casMAX	S2	3906.35	-974.20	-56739.65	3607.21	-1034.86	-40403.64	3607.21	-1124.76	-40401.24	3311.27	-1170.12	-25404.15
			TQ	3287.95	-213.38	-52781.57	3028.07	-213.38	-38677.96	3028.02	-299.44	-38677.31	2768.14	-299.44	-25734.56
			M3	3153.53	-617.02	-48045.54	2918.50	-632.33	-34499.28	2918.51	-709.09	-34497.79	2895.03	-872.69	-21468.19
		MIN	S2	3150.49	-596.27	-48366.15	2887.95	-613.04	-34905.03	2887.95	-690.70	-34903.58	2608.55	-763.23	-22212.36
			TQ	3738.07	-1405.50	-55708.60	3454.91	-1405.50	-39646.78	3454.95	-1493.71	-39643.64	3171.78	-1493.71	-24846.23
			M3	3786.04	-1175.31	-58389.46	3465.18	-1145.11	-42187.22	3465.18	-1238.97	-42184.56	3022.92	-737.64	-27556.93
		D+2LANES (casMAX	S2	3452.53	108.35	-52729.19	3192.65	108.35	-37890.57	3192.65	24.04	-37890.72	2932.77	24.04	-24212.74
			TQ	3447.46	120.26	-52288.97	3187.58	120.26	-37473.01	3186.78	36.95	-37422.22	2926.90	36.95	-23770.47
			M3	3164.85	-579.85	-48281.17	2909.19	-566.46	-34716.79	2909.19	-643.71	-34715.45	2679.65	-555.25	-22247.47
		MIN	S2	3104.66	-783.65	-49470.10	2844.78	-783.65	-36185.10	2844.78	-864.15	-36183.27	2584.89	-864.15	-24058.90
			TQ	3106.39	-786.33	-49762.71	2846.51	-786.33	-36469.95	2846.67	-867.50	-36495.74	2586.78	-867.50	-24362.93
			M3	3409.10	-56.00	-53760.54	3140.21	-77.46	-39136.06	3140.22	-164.53	-39135.79	2741.21	-524.61	-25821.63
		D+2LANES (casMAX	S2	3357.02	615.61	-51438.14	3097.14	615.61	-37026.11	3097.14	533.23	-37027.39	2837.25	533.23	-23775.99
			TQ	3350.13	670.51	-51178.65	3090.25	670.51	-36797.35	3089.61	588.68	-36775.42	2829.72	588.68	-23557.63
			M3	3072.88	-934.14	-48121.26	2897.75	-621.19	-34857.40	2897.67	-699.52	-34855.93	2675.96	-504.89	-22403.58
		MIN	S2	3009.81	-1165.29	-48495.33	2749.93	-1165.29	-35633.89	2749.93	-1244.57	-35631.21	2490.05	-1244.57	-23930.41
			TQ	3010.62	-1190.43	-48489.15	2750.74	-1190.43	-35624.11	2750.74	-1269.69	-35621.37	2490.85	-1269.69	-23916.96
			M3	3320.76	425.25	-51907.43	3021.71	287.50	-37735.39	3021.79	204.32	-37735.94	2718.44	-15.44	-24927.04

BAGO RIVER BRIDGE

BLOCK [ No.1 : MAIN GIRDER ][ BEAM MEMBER FORCE ]

MEMBER			1033			1034			1034			1035				
NODE			1033			1034			1034			1035				
NAME TITLE			SHEAR	TORQUE	MOMENT	SHEAR	TORQUE	MOMENT	SHEAR	TORQUE	MOMENT	SHEAR	TORQUE	MOMENT		
			S2 (kN)	TQ (kN·m)	M3 (kN·m)	S2 (kN)	TQ (kN·m)	M3 (kN·m)	S2 (kN)	TQ (kN·m)	M3 (kN·m)	S2 (kN)	TQ (kN·m)	M3 (kN·m)		
124	SUM TOTAL	D+3LANES (casMAX	S2	4428.54	-1290.09	-59783.68	4003.11	-1444.25	-42035.38	4003.11	-1537.78	-42032.06	3614.32	-1633.94	-26214.57	
			TQ	3369.89	35.48	-54538.69	3110.01	35.48	-40069.15	3109.97	-53.67	-40069.06	2850.08	-53.67	-26760.34	
			M3	3145.43	-640.52	-47740.05	3089.27	-745.80	-34013.56	3089.27	-821.48	-34011.82	2923.85	-1118.34	-20804.86	
		MIN	S2	3142.74	-623.36	-48014.31	2841.52	-677.87	-34434.29	2841.52	-754.49	-34432.70	2458.50	-947.39	-21527.38	
			TQ	4020.17	-2051.03	-58345.02	3696.28	-2051.03	-41114.51	3693.00	-2142.53	-41155.98	3368.92	-2142.53	-25387.23	
			M3	4094.02	-1657.41	-62287.12	3705.56	-1587.61	-44885.73	3705.55	-1687.48	-44882.08	3210.89	-821.32	-29264.66	
		D+3LANES (casMAX	S2	3468.88	604.27	-52979.06	3209.00	604.27	-38067.44	3209.00	519.57	-38068.69	2949.11	519.57	-24317.72	
			TQ	3459.45	651.68	-52450.62	3199.58	651.68	-37581.10	3198.90	568.12	-37539.14	2939.01	568.12	-23833.28	
			M3	3153.61	-614.77	-48119.79	2909.11	-564.93	-34581.21	2909.09	-642.36	-34579.86	2680.32	-521.22	-22107.29	
		MIN	S2	3057.64	-958.17	-49355.87	2797.76	-958.17	-36280.85	2797.76	-1038.89	-36278.62	2537.87	-1038.89	-24364.24	
			TQ	3059.40	-976.24	-49601.60	2799.52	-976.24	-36518.69	2799.65	-1057.51	-36539.91	2539.77	-1057.51	-24617.06	
			M3	3413.22	362.84	-54089.61	3133.34	301.31	-39470.59	3133.36	213.98	-39471.16	2705.95	-405.14	-26202.64	
		D+3LANES (casMAX	S2	3471.64	624.57	-52720.06	3211.76	624.57	-37796.10	3211.76	540.47	-37797.39	2951.88	540.47	-24034.07	
			TQ	3462.17	676.10	-52371.85	3202.29	676.10	-37490.20	3201.74	592.72	-37471.78	2941.86	592.72	-23753.21	
			M3	3088.43	-871.04	-48008.63	2901.92	-601.38	-34689.79	2901.85	-679.24	-34688.37	2689.73	-486.42	-22200.62	
		MIN	S2	2999.22	-1197.68	-48878.20	2739.34	-1197.68	-36064.07	2739.34	-1277.92	-36061.31	2479.45	-1277.92	-24407.82	
			TQ	3000.77	-1224.37	-48933.05	2740.89	-1224.37	-36111.98	2740.89	-1304.72	-36109.16	2481.01	-1304.72	-24448.73	
			M3	3412.74	369.27	-53666.28	3115.05	244.88	-39081.68	3115.12	158.60	-39082.13	2799.41	-57.56	-25878.07	
		D+4LANES	MAX	S2	3180.33	-531.93	-48724.41	2920.46	-531.93	-35101.43	2920.46	-610.03	-35100.16	2660.57	-610.03	-22637.81
			TQ	3179.53	-528.62	-48424.79	2919.65	-528.62	-34805.42	2919.52	-606.04	-34783.79	2659.63	-606.04	-22325.62	
			M3	3127.17	-719.28	-48108.30	2913.16	-548.73	-34632.95	2913.13	-625.89	-34631.64	2657.49	-610.33	-22186.36	
		MIN	S2	3071.08	-952.80	-49324.31	2811.20	-952.80	-36189.27	2811.20	-1033.32	-36187.06	2551.31	-1033.32	-24212.66	
			TQ	3071.44	-953.97	-49445.52	2811.56	-953.97	-36308.84	2811.66	-1034.77	-36322.78	2551.77	-1034.77	-24346.30	
			M3	3128.13	-747.51	-49812.83	2834.95	-870.01	-36492.82	2834.97	-951.10	-36490.80	2559.02	-1009.69	-24454.70	

BAGO RIVER BRIDGE

BLOCK [ No.1 : MAIN GIRDER ][ BEAM MEMBER FORCE ]

MEMBER					1033			1034			1035		
NODE					1033			1034			1035		
					SHEAR	TORQUE	MOMENT	SHEAR	TORQUE	MOMENT	SHEAR	TORQUE	MOMENT
NAME	TITLE				S2 (kN)	TQ (kN·m)	M3 (kN·m)	S2 (kN)	TQ (kN·m)	M3 (kN·m)	S2 (kN)	TQ (kN·m)	M3 (kN·m)
124	SUM TOTAL	D+6LANES	MAX	S2	4287.52	-296.31	-59731.56	3918.74	-371.03	-41942.47	3918.74	-464.35	-41941.54
				TQ	3515.25	717.20	-55148.65	3255.37	717.20	-40029.94	3255.16	628.15	-40012.95
				M3	3093.48	-833.40	-47336.45	3035.36	-722.31	-33835.56	3035.32	-798.07	-33833.87
			MIN	S2	3032.47	-1022.51	-48387.11	2743.59	-1053.86	-35308.13	2743.59	-1132.42	-35305.70
				TQ	3671.19	-2061.84	-56061.58	3365.51	-2061.84	-40348.59	3365.64	-2151.63	-40361.92
				M3	4021.05	-706.84	-62223.04	3641.35	-733.34	-45115.63	3641.39	-833.42	-45113.89
	SUM TOTAL		MAX		4428.54	717.20	-47336.45	4003.11	717.20	-33835.56	4003.11	628.15	-33833.87
			MIN		2999.22	-2061.84	-62287.12	2739.34	-2061.84	-45115.63	2739.34	-2151.63	-45113.89
300	DEAD LOAD	TOTAL			3169.49	-576.80	-48936.62	2909.61	-576.80	-35362.08	2909.61	-655.48	-35360.71
301	LIVE LOAD	1-LANE(case1MAX	S2		893.25	-530.11	-5949.86	706.64	-674.97	-3371.26	706.64	-682.47	-3369.75
			TQ		140.77	428.29	-3294.87	140.77	428.29	-2666.21	140.77	422.36	-2667.16
			M3		-14.80	-41.70	619.98	242.96	-171.95	868.43	242.96	-170.02	868.81
			MIN	S2	-14.97	-42.36	617.52	-70.14	-99.21	761.35	-70.14	-97.51	761.57
				TQ	518.66	-1086.84	-5156.08	456.23	-1086.84	-2979.44	451.55	-1093.50	-3042.04
				M3	565.36	-807.35	-7504.36	457.00	-745.06	-5254.98	457.00	-756.75	-5253.31
		1-LANE(case2MAX	S2		348.68	-168.45	-4555.51	347.56	-168.45	-3000.81	347.56	-175.13	-3000.43
			TQ		51.15	148.84	-2003.18	51.15	148.84	-1774.74	51.09	144.89	-1774.97
			M3		-7.83	-18.26	506.11	-0.23	-19.03	475.59	-0.23	-17.98	475.63
			MIN	S2	-11.36	6.93	125.72	-11.36	6.93	74.99	-11.36	7.10	74.98
				TQ	287.56	-307.66	-3670.60	286.44	-307.66	-2388.86	286.50	-312.97	-2388.27
				M3	309.35	-214.23	-5075.88	293.53	-207.72	-3716.37	293.53	-215.99	-3715.90
		1-LANE(case3MAX	S2		202.33	253.03	-2738.61	202.33	253.03	-1835.00	202.33	248.94	-1835.56
			TQ		197.12	260.31	-2361.88	197.12	260.31	-1481.54	196.94	257.05	-1448.96
			M3		-2.77	-1.06	419.62	-1.51	0.96	408.49	-1.52	1.86	408.48
			MIN	S2	-27.00	-62.80	-304.86	-27.00	-62.80	-425.42	-27.00	-63.75	-425.28
				TQ	-25.96	-64.85	-541.59	-25.96	-64.85	-657.52	-25.77	-66.35	-690.53
				M3	179.35	191.53	-3395.28	173.61	184.34	-2604.38	173.61	178.56	-2604.79

BAGO RIVER BRIDGE

BLOCK [ No.1 : MAIN GIRDER ][ BEAM MEMBER FORCE ]

MEMBER			1033			1034			1034			1035				
NODE			1033			1034			1034			1035				
NAME TITLE			SHEAR	TORQUE	MOMENT	SHEAR	TORQUE	MOMENT	SHEAR	TORQUE	MOMENT	SHEAR	TORQUE	MOMENT		
			S2 (kN)	TQ (kN·m)	M3 (kN·m)	S2 (kN)	TQ (kN·m)	M3 (kN·m)	S2 (kN)	TQ (kN·m)	M3 (kN·m)	S2 (kN)	TQ (kN·m)	M3 (kN·m)		
301	LIVE LOAD	1-LANE (case4MAX	S2	85.53	849.36	-1202.08	85.53	849.36	-820.12	85.53	847.53	-822.00	85.53	847.53	-440.04	
			TQ	78.05	909.13	-983.65	78.05	909.13	-635.07	78.05	907.71	-637.10	78.05	907.71	-288.52	
			M3	-101.71	-377.09	661.21	-19.74	-78.35	304.33	-19.81	-78.52	304.51	11.88	78.87	304.35	
			MIN	S2	-112.15	-401.43	528.32	-112.15	-401.43	27.45	-112.15	-401.37	28.34	-112.15	-401.37	-472.53
			TQ	-111.18	-431.60	535.73	-111.18	-431.60	39.19	-111.18	-431.51	40.15	-111.18	-431.51	-456.39	
			M3	73.35	763.57	-1401.37	47.17	679.06	-1117.60	47.24	677.42	-1119.11	13.01	500.93	-1002.18	
		2-LANES (caseMAX	S2	1190.68	-698.78	-8964.98	996.84	-880.16	-5350.27	996.84	-892.06	-5348.29	846.11	-1005.20	-2635.50	
			TQ	193.14	596.30	-4921.35	193.14	596.30	-4058.78	193.14	587.26	-4060.09	193.14	587.26	-3197.52	
			M3	-21.77	-59.76	985.97	211.55	-182.96	1190.16	211.56	-180.32	1190.57	184.68	-500.68	1876.37	
			MIN	S2	-22.00	-60.55	980.31	-70.64	-124.69	1029.02	-70.64	-122.40	1029.29	-215.50	-349.35	1649.71
			TQ	761.16	-1478.02	-8009.87	686.79	-1478.02	-4776.85	682.88	-1488.67	-4827.74	608.30	-1488.67	-1945.04	
			M3	829.90	-1092.78	-11476.57	691.81	-1016.10	-8107.31	691.80	-1034.13	-8105.03	504.62	-173.13	-5299.10	
		2-LANES (caseMAX	S2	736.87	-397.40	-7803.03	697.60	-458.06	-5041.56	697.60	-469.28	-5040.53	661.54	-514.65	-2457.34	
			TQ	118.47	363.42	-3844.95	118.47	363.42	-3315.88	118.42	356.04	-3316.60	118.42	356.04	-2787.76	
			M3	-15.96	-40.22	891.08	8.90	-55.53	862.80	8.90	-53.61	862.92	245.31	-217.21	1478.62	
			MIN	S2	-18.99	-19.47	570.47	-21.66	-36.24	457.05	-21.66	-35.22	457.13	-41.17	-107.75	734.44
			TQ	568.58	-828.70	-6771.98	545.30	-828.70	-4284.70	545.35	-838.23	-4282.93	522.06	-838.23	-1899.43	
			M3	616.55	-598.52	-9452.84	555.58	-568.31	-6825.14	555.57	-583.49	-6823.85	373.20	-82.16	-4610.12	
		2-LANES (caseMAX	S2	283.05	685.15	-3792.56	283.05	685.15	-2528.49	283.05	679.52	-2530.01	283.05	679.52	-1265.93	
			TQ	277.97	697.06	-3352.35	277.97	697.06	-2110.93	277.17	692.43	-2061.52	277.17	692.43	-823.66	
			M3	-4.64	-3.05	655.46	-0.42	10.34	645.29	-0.42	11.76	645.26	29.93	100.23	699.33	
			MIN	S2	-64.83	-206.85	-533.48	-64.83	-206.85	-823.02	-64.83	-208.68	-822.56	-64.83	-208.68	-1112.10
			TQ	-63.10	-209.53	-826.09	-63.10	-209.53	-1107.87	-62.94	-212.03	-1135.03	-62.94	-212.03	-1416.13	
			M3	239.61	520.80	-4823.91	230.60	499.34	-3773.98	230.61	490.95	-3775.09	91.49	130.87	-2874.82	

BAGO RIVER BRIDGE

BLOCK [ No.1 : MAIN GIRDER ][ BEAM MEMBER FORCE ]

MEMBER				1033			1034			1035						
NODE				1033			1034			1034			1035			
				SHEAR	TORQUE	MOMENT	SHEAR	TORQUE	MOMENT	SHEAR	TORQUE	MOMENT	SHEAR	TORQUE	MOMENT	
NAME	TITLE			S2 (kN)	TQ (kN·m)	M3 (kN·m)	S2 (kN)	TQ (kN·m)	M3 (kN·m)	S2 (kN)	TQ (kN·m)	M3 (kN·m)	S2 (kN)	TQ (kN·m)	M3 (kN·m)	
301	LIVE LOAD	2-LANES (caseMAX	S2	187.53	1192.41	-2501.52	187.53	1192.41	-1664.03	187.53	1188.70	-1666.68	187.53	1188.70	-829.19	
			TQ	180.65	1247.31	-2242.03	180.65	1247.31	-1435.27	180.00	1244.15	-1414.71	180.00	1244.15	-610.83	
			M3	-96.61	-357.35	815.36	-11.86	-44.39	504.68	-11.94	-44.05	504.78	26.24	150.58	543.23	
			MIN	S2	-159.67	-588.49	441.29	-159.67	-588.49	-271.81	-159.67	-589.10	-270.50	-159.67	-589.10	-983.60
			TQ	-158.87	-613.63	447.47	-158.87	-613.63	-262.02	-158.87	-614.21	-260.66	-158.87	-614.21	-970.15	
			M3	151.28	1002.04	-2970.81	112.10	864.29	-2373.31	112.18	859.79	-2375.23	68.72	640.03	-1980.23	
		3-LANES (caseMAX	S2	1259.06	-713.29	-10847.06	1093.50	-867.46	-6673.30	1093.50	-882.30	-6671.36	964.60	-978.47	-3267.77	
			TQ	200.40	612.28	-5602.07	200.40	612.28	-4707.07	200.36	601.80	-4708.35	200.36	601.80	-3813.53	
			M3	-24.05	-63.73	1196.57	179.66	-169.00	1348.52	179.66	-166.00	1348.89	274.13	-462.87	2141.95	
			MIN	S2	-26.75	-46.56	922.32	-68.09	-101.08	927.79	-68.09	-99.01	928.01	-191.22	-291.92	1419.43
			TQ	850.68	-1474.24	-9408.40	786.67	-1474.24	-5752.43	783.39	-1487.06	-5795.27	719.20	-1487.06	-2440.42	
			M3	924.53	-1080.61	-13350.50	795.95	-1010.82	-9523.65	795.94	-1032.00	-9521.37	561.17	-165.84	-6317.86	
		3-LANES (caseMAX	S2	299.39	1181.06	-4042.43	299.39	1181.06	-2705.36	299.39	1175.04	-2707.98	299.39	1175.04	-1370.92	
			TQ	289.97	1228.48	-3514.00	289.97	1228.48	-2219.02	289.29	1223.60	-2178.43	289.29	1223.60	-886.47	
			M3	-15.87	-37.97	816.84	-0.49	11.86	780.87	-0.51	13.11	780.85	30.60	134.25	839.52	
			MIN	S2	-111.85	-381.37	-419.24	-111.85	-381.37	-918.77	-111.85	-383.42	-917.91	-111.85	-383.42	-1417.44
			TQ	-110.09	-399.44	-664.98	-110.09	-399.44	-1156.61	-109.95	-402.04	-1179.20	-109.95	-402.04	-1670.25	
			M3	243.73	939.64	-5152.99	223.73	878.11	-4108.51	223.75	869.45	-4110.45	56.23	250.34	-3255.84	
		3-LANES (caseMAX	S2	302.16	1201.36	-3783.43	302.16	1201.36	-2434.02	302.16	1195.94	-2436.68	302.16	1195.94	-1087.26	
			TQ	292.68	1252.90	-3435.23	292.68	1252.90	-2128.12	292.14	1248.19	-2111.07	292.14	1248.19	-806.40	
			M3	-81.06	-294.24	928.00	-7.69	-24.58	672.29	-7.76	-23.76	672.34	40.01	169.05	746.19	
			MIN	S2	-170.27	-620.88	58.42	-170.27	-620.88	-701.99	-170.27	-622.44	-700.61	-170.27	-622.44	-1461.01
			TQ	-168.71	-647.57	3.58	-168.71	-647.57	-749.90	-168.71	-649.24	-748.45	-168.71	-649.24	-1501.92	
			M3	243.25	946.07	-4729.65	205.44	821.68	-3719.60	205.51	814.07	-3721.42	149.69	597.91	-2931.26	

BAGO RIVER BRIDGE

BLOCK [ No.1 : MAIN GIRDER ][ BEAM MEMBER FORCE ]

MEMBER					1033			1034			1035					
NODE					1033			1034			1035					
					SHEAR	TORQUE	MOMENT	SHEAR	TORQUE	MOMENT	SHEAR	TORQUE	MOMENT			
NAME	TITLE				S2 (kN)	TQ (kN·m)	M3 (kN·m)	S2 (kN)	TQ (kN·m)	M3 (kN·m)	S2 (kN)	TQ (kN·m)	M3 (kN·m)			
301	LIVE LOAD	4-LANES	MAX	S2	10.85	44.87	212.21	10.85	44.87	260.65	10.85	45.45	260.55	10.85	45.45	308.99
				TQ	10.04	48.18	511.83	10.04	48.18	556.66	9.91	49.44	576.92	9.91	49.44	621.19
				M3	-42.32	-142.48	828.33	3.55	28.07	729.13	3.52	29.59	729.07	7.77	45.14	760.45
			MIN	S2	-98.41	-376.01	-387.68	-98.41	-376.01	-827.19	-98.41	-377.85	-826.35	-98.41	-377.85	-1265.85
				TQ	-98.05	-377.17	-508.89	-98.05	-377.17	-946.76	-97.95	-379.29	-962.07	-97.95	-379.29	-1399.50
				M3	-41.36	-170.71	-876.21	-74.66	-293.21	-1130.74	-74.63	-295.63	-1130.09	-90.70	-354.21	-1507.90
		6-LANES	MAX	S2	1118.03	280.49	-10794.94	1009.13	205.77	-6580.39	1009.13	191.12	-6580.83	924.42	119.94	-3092.05
				TQ	345.76	1294.00	-6212.02	345.76	1294.00	-4667.86	345.55	1283.63	-4652.24	345.55	1283.63	-3109.04
				M3	-76.01	-256.60	1600.17	125.76	-145.51	1526.52	125.71	-142.59	1526.84	266.30	-158.53	2146.86
			MIN	S2	-137.02	-445.71	549.51	-166.02	-477.06	53.95	-166.02	-476.94	55.01	-245.72	-579.21	-305.78
				TQ	501.70	-1485.05	-7124.95	455.90	-1485.05	-4986.51	456.03	-1496.16	-5001.21	409.82	-1496.16	-3067.70
				M3	851.56	-130.04	-13286.42	731.74	-156.54	-9753.55	731.78	-177.95	-9753.18	549.57	220.15	-6778.94
		LIVE LOAD	MAX	1259.06	1294.00	1600.17	1093.50	1294.00	1526.52	1093.50	1283.63	1526.84	964.60	1283.63	2146.86	
			MIN	-170.27	-1485.05	-13350.50	-170.27	-1485.05	-9753.55	-170.27	-1496.16	-9753.18	-245.72	-1496.16	-6778.94	
		303	SUM TOTAL	TOTAL	MAX	4428.54	717.20	-47336.45	4003.11	717.20	-33835.56	4003.11	628.15	-33833.87	3614.32	628.15
MIN	2999.22				-2061.84	-62287.12	2739.34	-2061.84	-45115.63	2739.34	-2151.63	-45113.89	2404.00	-2151.63	-29725.75	

BAGO RIVER BRIDGE

BLOCK [ No.1 : MAIN GIRDER ] [ BEAM MEMBER FORCE ]

MEMBER NODE	1035	1036			1037			1036			1037					
		SHEAR	TORQUE	MOMENT	SHEAR	TORQUE	MOMENT	SHEAR	TORQUE	MOMENT	SHEAR	TORQUE	MOMENT			
		S2 (kN)	TQ (kN·m)	M3 (kN·m)	S2 (kN)	TQ (kN·m)	M3 (kN·m)	S2 (kN)	TQ (kN·m)	M3 (kN·m)	S2 (kN)	TQ (kN·m)	M3 (kN·m)			
1	PAVEMENT	431.90	-98.29	-3723.68	385.62	-98.29	-1795.60	385.62	-102.51	-1795.37	339.30	-102.51	-85.69			
3	RAILING	15.31	-4.97	-108.47	11.41	-4.97	-45.44	11.41	-5.08	-45.43	7.50	-5.08	-0.83			
5	CURB	151.62	-49.24	-1073.88	112.96	-49.24	-449.90	112.96	-50.30	-449.78	74.28	-50.30	-8.19			
7	DECK WEIGHT	702.52	-158.10	-6046.97	626.28	-158.10	-2913.04	626.28	-164.94	-2912.66	550.00	-164.94	-138.46			
8	GIRDER WEIGH	988.52	-179.69	-8430.12	900.35	-179.69	-3975.30	900.35	-189.03	-3974.87	812.14	-189.03	63.93			
10	MEDIAN STRIP	180.40	-20.55	-1756.68	180.40	-20.55	-905.77	180.40	-22.67	-905.72	180.40	-22.67	-54.80			
21	ADITIONAL WE	196.70	-44.27	-1693.15	175.36	-44.27	-815.65	175.36	-46.18	-815.54	154.00	-46.18	-38.77			
31	MEDIAN RAILI	12.04	-1.02	-112.51	12.04	-1.02	-55.72	12.04	-1.15	-55.71	12.04	-1.15	1.09			
51	SUPPORT WEIG	0.00	0.00	-0.00	0.00	0.00	-0.00	0.00	0.00	-0.00	0.00	0.00	-0.00			
52	NOSE WEIGHT	-0.00	-0.01	0.05	-0.00	-0.01	0.03	-0.00	-0.01	0.03	-0.00	-0.01	0.02			
61	1-LANE(case1TRUCK-LOAD	MAX	S2	337.68	-143.17	564.09	232.57	-269.43	1102.60	232.57	-266.84	1103.23	154.03	-357.52	1185.30	
			TQ	25.37	59.77	-789.88	25.37	59.77	-670.22	25.35	58.22	-654.75	25.35	58.22	-535.16	
			M3	205.82	-55.15	643.26	121.84	-154.85	1157.53	121.84	-152.13	1157.89	122.06	-338.19	1211.55	
		MIN	S2	-33.36	-35.53	616.61	-107.10	-122.74	1107.69	-107.10	-120.13	1107.97	-212.43	-247.08	1150.43	
			TQ	122.79	-383.03	-455.49	122.79	-383.03	123.70	122.79	-382.74	124.60	122.79	-382.74	703.78	
			M3	25.17	59.22	-792.97	25.17	59.22	-674.23	25.17	57.64	-674.36	25.17	57.64	-555.62	
		TANDEM-LOAD	MAX	S2	263.61	-54.44	614.97	190.18	-143.55	1003.03	190.18	-141.19	1003.36	118.64	-227.71	1005.42
			TQ	17.31	40.87	-536.65	17.31	40.87	-454.98	17.31	39.81	-450.72	17.31	39.81	-369.06	
			M3	120.57	-38.62	623.72	52.81	-120.58	1004.14	52.81	-118.22	1004.42	118.64	-227.71	1005.42	
		MIN	S2	-35.89	-38.62	623.72	-103.55	-120.58	1004.14	-103.55	-118.22	1004.42	-179.86	-211.12	1000.68	
			TQ	86.82	-260.39	-258.37	86.82	-260.39	151.15	86.82	-260.04	151.76	86.82	-260.04	561.28	
			M3	17.03	40.03	-539.51	17.03	40.03	-459.19	17.03	38.95	-459.28	17.03	38.95	-378.96	
		DISPERSION-LMAX	S2	242.92	-485.48	-1949.73	201.20	-470.08	-1073.16	201.20	-472.60	-1072.05	172.58	-441.42	-396.61	
			TQ	29.09	66.31	-929.59	29.09	66.31	-792.37	29.09	64.45	-792.53	29.09	64.45	-655.31	
			M3	48.35	-42.54	398.54	40.90	-154.14	626.48	41.04	-153.12	626.85	38.74	-343.73	810.83	
		MIN	S2	-9.43	-13.37	319.18	-22.88	-28.77	413.30	-22.88	-27.80	413.36	-49.66	-58.98	448.13	
			TQ	204.39	-565.15	-700.95	149.23	-565.15	132.51	149.23	-564.84	133.84	93.84	-564.84	706.83	
			M3	185.14	-456.30	-2029.09	137.42	-344.71	-1286.35	137.28	-347.28	-1285.53	84.19	-156.66	-759.30	

BAGO RIVER BRIDGE

BLOCK [ No.1 : MAIN GIRDER ][ BEAM MEMBER FORCE ]

MEMBER				1035						1036					
NODE				1035			1036			1036			1037		
				SHEAR	TORQUE	MOMENT	SHEAR	TORQUE	MOMENT	SHEAR	TORQUE	MOMENT	SHEAR	TORQUE	MOMENT
NAME	TITLE			S2 (kN)	TQ (kN·m)	M3 (kN·m)	S2 (kN)	TQ (kN·m)	M3 (kN·m)	S2 (kN)	TQ (kN·m)	M3 (kN·m)	S2 (kN)	TQ (kN·m)	M3 (kN·m)
62	1-LANE(case2TRUCK-LOAD	MAX	S2	97.41	-80.83	-241.05	97.41	-80.83	218.42	97.41	-80.32	218.61	97.41	-80.32	678.08
			TQ	12.81	25.65	-578.61	12.81	25.65	-518.17	12.81	24.43	-518.23	12.81	24.43	-457.79
			M3	21.57	-54.80	336.03	61.24	-56.88	464.18	61.24	-55.78	464.32	91.45	-61.70	809.48
		MIN	S2	-4.11	-38.79	292.13	-4.11	-38.79	272.74	-4.11	-38.15	272.83	-4.11	-38.15	253.45
			TQ	80.10	-107.71	-478.67	80.10	-107.71	-100.84	80.10	-107.95	-100.59	80.10	-107.95	277.24
			M3	12.89	24.56	-603.22	12.89	24.56	-542.41	12.89	23.29	-542.47	12.89	23.29	-481.65
		TANDEM-LOAD MAX	S2	68.52	-51.35	-151.53	68.52	-51.35	171.67	68.52	-50.95	171.79	68.52	-50.95	494.99
			TQ	8.80	17.47	-399.06	8.80	17.47	-357.54	8.80	16.63	-357.58	8.80	16.63	-316.05
			M3	7.63	-38.65	264.01	36.31	-39.25	332.27	36.31	-38.47	332.36	63.44	-38.10	581.22
		MIN	S2	-4.86	-23.17	184.09	-4.86	-23.17	161.17	-4.86	-22.79	161.23	-4.86	-22.79	138.30
			TQ	53.51	-73.24	-333.71	53.51	-73.24	-81.30	53.51	-73.43	-81.13	53.51	-73.43	171.28
			M3	8.82	16.86	-411.42	8.82	16.86	-369.81	8.82	15.99	-369.85	8.82	15.99	-328.24
		DISPERSION-LMAX	S2	138.49	-134.80	-1468.76	137.51	-134.47	-820.16	137.51	-136.40	-819.84	136.53	-136.40	-173.53
			TQ	15.42	30.42	-713.44	15.42	30.42	-640.72	15.42	28.91	-640.79	15.42	28.91	-568.07
			M3	7.57	-24.78	307.68	36.69	-49.65	409.35	36.72	-48.72	409.47	77.82	-108.85	674.51
MIN	S2	-4.22	-10.55	246.13	-4.23	-10.88	228.54	-4.23	-10.34	228.56	-4.23	-10.34	208.63		
	TQ	118.85	-175.77	-509.19	117.87	-175.77	49.10	117.87	-175.65	49.51	116.89	-175.65	603.17		
	M3	126.70	-120.57	-1530.31	96.59	-95.70	-1000.97	96.56	-98.02	-1000.74	54.49	-37.89	-639.41		
63	1-LANE(case3TRUCK-LOAD	MAX	S2	64.90	85.82	-251.26	64.90	85.82	54.88	64.90	85.95	54.68	64.90	85.95	360.81
			TQ	63.41	89.66	-156.33	63.41	89.66	142.77	63.41	90.00	142.56	63.41	90.00	441.65
			M3	-1.82	-1.42	149.29	38.17	51.22	260.48	38.17	51.83	260.35	53.07	79.17	485.46
		MIN	S2	-1.82	-1.43	149.24	-1.82	-1.43	140.63	-1.82	-1.10	140.64	-1.82	-1.10	132.03
			TQ	-1.81	-1.43	147.74	-1.81	-1.43	139.19	3.29	-2.23	-414.24	3.29	-2.23	-398.72
			M3	4.09	-0.61	-464.60	4.05	-0.69	-445.37	4.05	-1.74	-445.37	4.03	-1.79	-426.32



BAGO RIVER BRIDGE

BLOCK [ No.1 : MAIN GIRDER ][ BEAM MEMBER FORCE ]

MEMBER		1035			1036			1036			1037						
NODE		1035			1036			1036			1037						
		SHEAR	TORQUE	MOMENT	SHEAR	TORQUE	MOMENT	SHEAR	TORQUE	MOMENT	SHEAR	TORQUE	MOMENT				
NAME	TITLE	S2 (kN)	TQ (kN·m)	M3 (kN·m)	S2 (kN)	TQ (kN·m)	M3 (kN·m)	S2 (kN)	TQ (kN·m)	M3 (kN·m)	S2 (kN)	TQ (kN·m)	M3 (kN·m)				
63	1-LANE (case3TANDEM-LOAD	MAX	S2	44.28	60.06	-143.90	44.28	60.06	64.98	44.28	60.22	64.84	44.28	60.22	273.72		
			TQ	41.86	61.44	-71.84	41.86	61.44	125.59	41.86	61.73	125.45	41.86	61.73	322.88		
			M3	-1.24	-0.95	101.36	23.64	29.91	181.57	23.64	30.34	181.50	35.02	53.27	335.77		
		MIN	S2	-1.24	-0.97	101.33	-1.24	-0.97	95.48	-1.24	-0.75	95.48	-1.24	-0.75	89.63		
			TQ	2.88	-1.42	55.53	2.88	-1.42	69.14	2.33	-1.56	-286.87	2.33	-1.56	-275.89		
			M3	2.72	-0.57	-315.78	2.72	-0.57	-302.97	2.72	-1.28	-302.97	2.72	-1.28	-290.15		
			DISPERSION-LMAX	S2	97.63	126.95	-1065.73	97.63	126.95	-605.25	97.63	125.52	-605.54	97.63	125.52	-145.05	
			TQ	95.50	129.61	-859.63	95.50	129.61	-409.15	95.19	128.69	-371.97	95.19	128.69	77.05		
			M3	7.83	10.07	224.15	30.72	42.21	309.95	30.70	42.92	309.85	64.28	83.34	530.20		
		MIN	S2	-2.40	-2.20	152.41	-2.40	-2.20	141.07	-2.40	-1.86	141.08	-2.40	-1.86	129.74		
			TQ	-0.28	-4.86	-53.69	-0.28	-4.86	-55.02	0.03	-5.03	-92.49	0.03	-5.03	-92.36		
			M3	87.40	114.68	-1137.47	64.50	82.54	-774.12	64.52	80.74	-774.31	30.94	40.32	-545.51		
		64	1-LANE (case4TRUCK-LOAD	MAX	S2	38.57	295.02	-208.50	38.57	295.02	-26.57	38.57	294.95	-27.26	38.57	294.95	154.67
					TQ	34.77	315.60	-112.67	34.77	315.60	51.34	34.77	315.72	50.60	34.77	315.72	214.61
					M3	0.08	3.86	114.50	0.08	3.86	114.89	0.08	4.13	114.88	31.61	313.04	218.02
MIN	S2			-15.13	-56.43	-138.71	-15.13	-56.43	-210.08	-15.13	-56.92	-209.94	-15.13	-56.92	-281.31		
	TQ			-15.13	-56.43	-138.71	-15.13	-56.43	-210.08	-15.13	-56.92	-209.94	-15.13	-56.92	-281.31		
	M3			31.96	233.66	-270.30	-12.37	-47.73	-257.26	-12.37	-48.33	-257.15	-13.52	-52.05	-317.52		
	TANDEM-LOAD MAX			S2	26.32	202.40	-137.23	26.32	202.40	-13.08	26.32	202.37	-13.56	26.32	202.37	110.59	
	TQ			23.18	215.14	-69.16	23.18	215.14	40.19	23.18	215.23	39.69	23.18	215.23	149.04		
	M3			0.04	2.57	77.93	0.04	2.57	78.12	0.04	2.76	78.12	22.30	214.48	149.99		
MIN	S2			-10.29	-38.33	-101.27	-10.29	-38.33	-149.78	-10.29	-38.68	-149.69	-10.29	-38.68	-198.21		
	TQ			-10.29	-38.33	-101.27	-10.29	-38.33	-149.78	-10.29	-38.68	-149.69	-10.29	-38.68	-198.21		
	M3			21.29	155.88	-183.81	-8.73	-33.49	-174.92	-8.73	-33.90	-174.84	-9.01	-34.78	-216.38		

BAGO RIVER BRIDGE

BLOCK [ No.1 : MAIN GIRDER ][ BEAM MEMBER FORCE ]

MEMBER			1035			1036			1036			1037					
NODE			1035			1036			1036			1037					
			SHEAR	TORQUE	MOMENT	SHEAR	TORQUE	MOMENT	SHEAR	TORQUE	MOMENT	SHEAR	TORQUE	MOMENT			
NAME	TITLE		S2 (kN)	TQ (kN·m)	M3 (kN·m)	S2 (kN)	TQ (kN·m)	M3 (kN·m)	S2 (kN)	TQ (kN·m)	M3 (kN·m)	S2 (kN)	TQ (kN·m)	M3 (kN·m)			
64	1-LANE (case4DISPERSION-LMAX	S2	56.04	481.09	-272.92	56.04	481.09	-8.57	56.04	481.07	-9.70	56.04	481.07	254.65			
		TQ	55.94	482.80	-207.52	55.94	482.80	56.35	55.94	482.93	55.22	55.94	482.93	319.09			
		M3	2.07	25.07	139.01	20.66	217.90	193.04	20.56	217.52	192.53	42.32	377.67	339.90			
		MIN	S2	-15.96	-60.86	-154.13	-15.96	-60.86	-229.39	-15.96	-61.40	-229.25	-15.96	-61.40	-304.51		
		TQ	-15.85	-62.57	-219.53	-15.85	-62.57	-294.31	-15.85	-63.27	-294.17	-15.85	-63.27	-368.95			
		M3	38.01	395.16	-566.06	19.42	202.33	-431.00	19.53	202.15	-431.47	-2.23	42.00	-389.76			
		65	2-LANES (caseTRUCK-LOAD	MAX	S2	497.94	-245.66	1003.43	374.70	-429.04	1847.61	374.70	-424.70	1848.61	279.13	-561.58	2177.01
				TQ	44.47	102.61	-1466.53	44.47	102.61	-1256.80	44.45	99.69	-1241.43	44.45	99.69	-1031.75	
				M3	293.28	-110.44	1124.95	247.85	-299.06	1931.80	247.85	-294.52	1932.50	230.52	-530.96	2224.40	
MIN	S2			-51.04	-78.01	1068.72	-141.30	-214.49	1844.00	-141.30	-210.16	1844.50	-264.72	-394.68	2103.59		
TQ	222.44			-620.75	-956.30	222.44	-620.75	92.91	222.44	-620.53	94.37	222.44	-620.53	1143.58			
M3	44.30			101.54	-1490.87	44.30	101.54	-1281.92	44.30	98.53	-1282.15	43.92	97.34	-1074.04			
TANDEM-LOAD	MAX			S2	377.94	-104.67	1044.39	292.27	-234.01	1632.42	292.27	-230.17	1632.97	208.29	-355.13	1790.98	
TQ	30.38			70.13	-1002.47	30.38	70.13	-859.15	30.38	68.12	-854.96	30.38	68.12	-711.67			
M3	170.75			-80.07	1055.23	154.89	-211.04	1633.53	154.89	-207.20	1634.02	208.29	-355.13	1790.98			
MIN	S2	-52.75	-80.07	1055.23	-132.34	-200.85	1632.56	-132.34	-197.01	1633.02	-221.24	-330.20	1780.79				
TQ	153.00	-422.13	-612.24	153.00	-422.13	109.42	153.00	-421.87	110.41	153.00	-421.87	832.08					
M3	29.98	68.62	-1014.99	29.98	68.62	-873.55	29.98	66.57	-873.71	29.88	66.24	-732.51					
DISPERSION-LMAX	S2	429.31	-792.50	-3659.47	368.29	-766.11	-2047.77	368.29	-770.92	-2045.96	322.85	-723.76	-736.71				
TQ	51.43	115.04	-1752.07	51.43	115.04	-1509.47	51.43	111.49	-1509.74	51.43	111.49	-1267.13					
M3	75.64	-82.53	752.21	81.64	-263.02	1137.16	81.78	-260.80	1137.78	101.39	-571.56	1558.04					
MIN	S2	-16.20	-26.52	604.38	-33.95	-52.91	754.97	-33.95	-51.14	755.09	-67.51	-98.30	836.29				
TQ	361.68	-934.06	-1303.02	282.91	-934.06	216.67	282.91	-933.55	218.87	203.90	-933.55	1366.71					
M3	337.47	-736.49	-3807.30	252.70	-556.00	-2429.96	252.56	-561.26	-2428.65	153.94	-250.50	-1458.46					

BAGO RIVER BRIDGE

BLOCK [ No.1 : MAIN GIRDER ][ BEAM MEMBER FORCE ]

MEMBER NODE	1035	1036			1037			1036			1037					
		SHEAR	TORQUE	MOMENT	SHEAR	TORQUE	MOMENT	SHEAR	TORQUE	MOMENT	SHEAR	TORQUE	MOMENT			
		S2 (kN)	TQ (kN·m)	M3 (kN·m)	S2 (kN)	TQ (kN·m)	M3 (kN·m)	S2 (kN)	TQ (kN·m)	M3 (kN·m)	S2 (kN)	TQ (kN·m)	M3 (kN·m)			
66	2-LANES (case	TRUCK-LOAD	MAX	S2	257.67	-183.31	198.29	239.54	-240.44	963.43	239.54	-238.18	963.99	222.51	-284.37	1669.79
				TQ	31.91	68.50	-1255.27	31.91	68.50	-1104.74	31.91	65.90	-1104.90	31.91	65.90	-954.37
				M3	109.03	-110.09	817.72	187.25	-201.08	1238.45	187.25	-198.17	1238.92	199.91	-254.46	1822.33
			MIN	S2	-21.79	-81.26	744.24	-38.30	-130.55	1009.06	-38.30	-128.17	1009.36	-56.40	-185.74	1206.61
				TQ	179.75	-345.43	-979.48	179.75	-345.43	-131.63	179.75	-345.74	-130.81	179.75	-345.74	717.04
				M3	32.02	66.88	-1301.12	32.02	66.88	-1150.10	32.02	64.18	-1150.26	31.64	62.99	-1000.08
	TANDEM-LOAD	MAX	S2	182.84	-101.58	277.89	170.61	-141.81	801.06	170.61	-139.92	801.39	158.17	-178.37	1280.55	
				TQ	21.87	46.73	-864.88	21.87	46.73	-761.71	21.87	44.94	-761.82	21.87	44.94	-658.65
				M3	57.82	-80.11	695.52	138.39	-129.71	961.66	138.39	-127.45	961.96	153.09	-165.52	1366.79
		MIN	S2	-21.72	-64.62	615.60	-33.64	-103.43	789.59	-33.64	-101.58	789.83	-46.23	-141.87	918.42	
				TQ	119.69	-234.98	-687.57	119.69	-234.98	-123.02	119.69	-235.26	-122.47	119.69	-235.26	442.08
				M3	21.78	45.45	-886.89	21.78	45.45	-784.17	21.78	43.60	-784.28	21.67	43.27	-681.79
	DISPERSION-LMAX	S2	324.88	-441.82	-3178.50	304.60	-430.50	-1794.77	304.60	-434.72	-1793.75	286.79	-418.74	-513.64		
				TQ	37.76	79.15	-1535.92	37.76	79.15	-1357.82	37.76	75.96	-1358.00	37.76	75.96	-1179.90
				M3	34.86	-64.78	661.35	77.43	-158.53	920.03	77.46	-156.39	920.40	140.47	-336.68	1421.72
		MIN	S2	-10.98	-23.70	531.33	-15.29	-35.02	570.21	-15.29	-33.68	570.29	-22.08	-49.66	596.79	
				TQ	276.14	-544.67	-1111.25	251.55	-544.67	133.26	251.55	-544.36	134.54	226.95	-544.36	1263.05
				M3	279.04	-400.75	-3308.52	211.87	-307.00	-2144.59	211.84	-312.01	-2143.86	124.24	-131.72	-1338.56
67	2-LANES (case	TRUCK-LOAD	MAX	S2	114.71	283.78	-481.22	114.71	283.78	59.83	114.71	283.92	59.17	114.71	283.92	600.22
				TQ	111.94	290.67	-323.96	111.94	290.67	204.04	111.94	291.15	203.35	111.94	291.15	731.35
				M3	-3.11	-1.34	288.73	67.20	184.82	420.30	67.20	185.80	419.87	94.85	267.13	809.33
		MIN	S2	-5.97	-19.62	-54.22	-5.97	-19.62	-82.38	-5.97	-19.82	-82.33	-5.97	-19.82	-110.50	
				TQ	-5.15	-21.69	-165.01	-5.15	-21.69	-189.29	-0.05	-23.26	-742.68	-0.05	-23.26	-742.89
				M3	2.45	-17.71	-839.40	2.41	-17.80	-827.90	2.41	-19.74	-827.85	2.32	-20.01	-816.69

BAGO RIVER BRIDGE

BLOCK [ No.1 : MAIN GIRDER ][ BEAM MEMBER FORCE ]

MEMBER		1035			1036			1036			1037						
NODE		1035			1036			1036			1037						
		SHEAR	TORQUE	MOMENT	SHEAR	TORQUE	MOMENT	SHEAR	TORQUE	MOMENT	SHEAR	TORQUE	MOMENT				
NAME	TITLE	S2 (kN)	TQ (kN·m)	M3 (kN·m)	S2 (kN)	TQ (kN·m)	M3 (kN·m)	S2 (kN)	TQ (kN·m)	M3 (kN·m)	S2 (kN)	TQ (kN·m)	M3 (kN·m)				
67	2-LANES (caseTANDEM-LOAD	MAX	S2	78.12	193.61	-307.72	78.12	193.61	60.79	78.12	193.75	60.33	78.12	193.75	428.84		
			TQ	75.27	198.34	-194.70	75.27	198.34	160.35	75.27	198.71	159.89	75.27	198.71	514.93		
			M3	-2.11	-0.92	196.11	44.19	127.71	292.20	44.19	128.40	291.90	62.55	179.78	558.19		
		MIN	S2	-4.13	-12.46	-12.12	-4.13	-12.46	-31.59	-4.13	-12.53	-31.56	-4.13	-12.53	-51.03		
			TQ	0.53	-15.29	-151.91	0.53	-15.29	-149.41	-0.03	-15.95	-505.39	-0.03	-15.95	-505.52		
			M3	1.70	-11.92	-571.42	1.70	-11.92	-563.41	1.70	-13.24	-563.38	1.70	-13.24	-555.38		
			DISPERSION-LMAX	S2	172.55	426.95	-1649.08	172.55	426.95	-835.17	172.55	424.99	-836.18	172.55	424.99	-22.27	
			TQ	169.39	433.00	-1223.40	169.39	433.00	-424.41	168.75	432.08	-355.46	168.75	432.08	440.51		
			M3	15.53	48.39	410.44	55.92	156.65	566.35	55.86	157.81	565.98	117.79	305.29	969.56		
		MIN	S2	-6.90	-20.22	23.56	-6.90	-20.22	-8.99	-6.90	-20.24	-8.94	-6.90	-20.24	-41.49		
			TQ	-3.74	-26.26	-402.13	-3.74	-26.26	-419.76	-3.10	-27.33	-489.65	-3.10	-27.33	-504.26		
			M3	150.13	358.35	-2035.97	109.74	250.09	-1410.51	109.79	246.94	-1411.09	47.86	99.46	-1033.31		
		68	2-LANES (caseTRUCK-LOAD	MAX	S2	88.37	492.98	-438.47	88.37	492.98	-21.61	88.37	492.93	-22.77	88.37	492.93	394.08
					TQ	83.30	516.61	-280.30	83.30	516.61	112.61	83.30	516.87	111.40	83.30	516.87	504.31
					M3	-0.38	6.21	238.92	29.00	138.18	273.53	29.00	138.82	273.20	73.39	501.00	541.89
MIN	S2			-23.89	-93.58	-376.89	-23.89	-93.58	-489.59	-23.89	-94.73	-489.37	-23.89	-94.73	-602.07		
	TQ			-23.80	-93.77	-396.59	-23.80	-93.77	-508.87	-23.80	-94.96	-508.65	-23.80	-94.96	-620.93		
	M3			73.60	390.44	-619.92	-20.14	-82.57	-573.34	-20.14	-83.92	-573.14	-21.30	-87.63	-670.19		
	TANDEM-LOAD MAX			S2	60.16	335.95	-301.05	60.16	335.95	-17.28	60.16	335.90	-18.06	60.16	335.90	265.71	
	TQ			56.60	352.04	-192.01	56.60	352.04	74.95	56.60	352.21	74.13	56.60	352.21	341.09		
	M3			-0.28	4.14	162.53	20.57	100.53	188.50	20.57	100.97	188.26	49.83	340.99	372.41		
MIN	S2			-16.25	-63.75	-269.94	-16.25	-63.75	-346.57	-16.25	-64.57	-346.42	-16.25	-64.57	-423.05		
	TQ			-16.22	-63.78	-274.50	-16.22	-63.78	-351.01	-16.22	-64.61	-350.86	-16.22	-64.61	-427.37		
	M3			49.07	260.86	-421.82	-13.89	-56.79	-390.51	-13.89	-57.71	-390.37	-14.17	-58.59	-456.27		

BAGO RIVER BRIDGE

BLOCK [ No.1 : MAIN GIRDER ][ BEAM MEMBER FORCE ]

MEMBER			1035			1036			1036			1037				
NODE			1035			1036			1036			1037				
NAME TITLE			SHEAR	TORQUE	MOMENT	SHEAR	TORQUE	MOMENT	SHEAR	TORQUE	MOMENT	SHEAR	TORQUE	MOMENT		
			S2 (kN)	TQ (kN·m)	M3 (kN·m)	S2 (kN)	TQ (kN·m)	M3 (kN·m)	S2 (kN)	TQ (kN·m)	M3 (kN·m)	S2 (kN)	TQ (kN·m)	M3 (kN·m)		
68	2-LANES (caseDISPERSION-LMAX	S2	130.52	786.31	-709.27	130.52	786.31	-93.61	130.52	786.09	-95.45	130.52	786.09	520.21		
		TQ	129.90	790.49	-509.20	129.90	790.49	103.51	129.90	790.73	101.65	129.90	790.73	714.37		
		M3	10.70	67.96	304.05	46.78	336.90	432.52	46.64	336.94	431.73	96.75	604.13	766.69		
		MIN	S2	-25.51	-99.25	-348.89	-25.51	-99.25	-469.21	-25.51	-100.35	-468.98	-25.51	-100.35	-589.30	
		TQ	-24.88	-103.43	-548.96	-24.88	-103.43	-666.33	-24.88	-104.99	-666.09	-24.88	-104.99	-783.46		
		M3	94.32	619.10	-1362.21	58.23	350.16	-995.34	58.37	348.80	-996.16	8.26	81.60	-835.78		
		MAX	S2	595.35	-326.49	762.37	472.11	-509.87	2066.02	472.11	-505.02	2067.22	376.54	-641.90	2855.09	
		TQ	57.28	128.27	-2045.14	57.28	128.27	-1774.96	57.27	124.12	-1759.65	57.27	124.12	-1489.53		
		M3	314.85	-165.24	1460.98	309.09	-355.93	2395.98	309.09	-350.30	2396.81	321.97	-592.65	3033.89		
69	3-LANES (caseTRUCK-LOAD	MIN	S2	-55.15	-116.80	1360.85	-145.41	-253.28	2116.74	-145.41	-248.31	2117.33	-268.83	-432.83	2357.04	
		TQ	302.54	-728.46	-1434.97	302.54	-728.46	-7.93	302.54	-728.48	-6.22	302.54	-728.48	1420.82		
		M3	57.19	126.11	-2094.09	57.19	126.11	-1824.33	57.19	121.82	-1824.62	56.81	120.63	-1555.70		
		TANDEM-LOAD	MAX	S2	446.46	-156.02	892.86	360.79	-285.36	1804.09	360.79	-281.12	1804.76	276.81	-406.08	2285.97
		TQ	39.19	87.60	-1401.53	39.19	87.60	-1216.69	39.18	84.75	-1212.54	39.18	84.75	-1027.72		
		M3	178.38	-118.73	1319.24	191.20	-250.30	1965.79	191.20	-245.68	1966.38	271.73	-393.23	2372.21		
		MIN	S2	-57.61	-103.24	1239.32	-137.20	-224.02	1793.73	-137.20	-219.80	1794.25	-226.10	-352.99	1919.09	
		TQ	206.51	-495.37	-945.95	206.51	-495.37	28.12	206.51	-495.30	29.29	206.51	-495.30	1003.36		
		M3	38.81	85.48	-1426.41	38.81	85.48	-1243.36	38.81	82.56	-1243.56	38.70	82.22	-1060.75		
		DISPERSION-LMAX	S2	567.79	-927.30	-5128.23	505.80	-900.58	-2867.93	505.80	-907.31	-2865.80	459.38	-860.15	-910.25	
		TQ	66.85	145.46	-2465.52	66.85	145.46	-2150.19	66.85	140.40	-2150.53	66.85	140.40	-1835.20		
		M3	83.21	-107.32	1059.89	118.33	-312.67	1546.51	118.51	-309.51	1547.25	179.21	-680.41	2232.54		
		MIN	S2	-20.41	-37.07	850.51	-38.17	-63.79	983.51	-38.17	-61.48	983.66	-71.74	-108.64	1044.93	
		TQ	480.53	-1109.83	-1812.20	400.78	-1109.83	265.77	400.78	-1109.20	268.38	320.79	-1109.20	1969.88		
		M3	464.17	-857.05	-5337.61	349.30	-651.70	-3430.93	349.12	-659.29	-3429.39	208.43	-288.39	-2097.87		

BAGO RIVER BRIDGE

BLOCK [ No.1 : MAIN GIRDER ] [ BEAM MEMBER FORCE ]

MEMBER NODE	1035	1036			1037			1036			1037					
		SHEAR	TORQUE	MOMENT	SHEAR	TORQUE	MOMENT	SHEAR	TORQUE	MOMENT	SHEAR	TORQUE	MOMENT			
		S2 (kN)	TQ (kN·m)	M3 (kN·m)	S2 (kN)	TQ (kN·m)	M3 (kN·m)	S2 (kN)	TQ (kN·m)	M3 (kN·m)	S2 (kN)	TQ (kN·m)	M3 (kN·m)			
70	3-LANES (case	TRUCK-LOAD	MAX	S2	153.28	578.81	-689.70	153.28	578.81	33.29	153.28	578.89	31.93	153.28	578.89	754.92
				TQ	146.71	606.27	-436.63	146.71	606.27	255.38	146.71	606.87	253.95	146.71	606.87	945.96
				M3	-3.85	0.24	418.24	66.46	186.39	546.32	66.46	187.68	545.88	126.47	580.17	1027.35
			MIN	S2	-15.88	-59.51	-230.16	-15.88	-59.51	-305.07	-15.88	-60.23	-304.93	-15.88	-60.23	-379.84
				TQ	-15.05	-61.63	-346.68	-15.05	-61.63	-417.67	-9.95	-63.74	-970.95	-9.95	-63.74	-1017.87
				M3	-4.12	-48.77	-1128.61	-4.27	-49.24	-1148.62	-4.27	-51.94	-1148.50	-5.07	-54.48	-1171.74
	TANDEM-LOAD	MAX	S2	104.45	396.01	-444.94	104.45	396.01	47.71	104.45	396.12	46.78	104.45	396.12	539.44	
			TQ	98.46	413.47	-263.86	98.46	413.47	200.55	98.46	413.94	199.57	98.46	413.94	663.97	
			M3	-2.63	0.11	284.19	43.68	128.75	377.86	43.68	129.64	377.56	84.86	394.26	708.18	
		MIN	S2	-10.89	-39.34	-113.50	-10.89	-39.34	-164.85	-10.89	-39.73	-164.75	-10.89	-39.73	-216.10	
			TQ	-6.21	-42.56	-282.67	-6.21	-42.56	-311.98	-6.77	-43.60	-667.89	-6.77	-43.60	-699.82	
			M3	-2.97	-33.72	-768.38	-2.97	-33.72	-782.38	-2.97	-35.56	-782.29	-3.16	-36.19	-797.10	
	DISPERSION-LMAX	S2	228.46	903.58	-1985.80	228.46	903.58	-908.19	228.46	901.44	-910.31	228.46	901.44	167.30		
		TQ	224.43	911.43	-1409.72	224.43	911.43	-351.11	223.79	910.69	-283.30	223.79	910.69	772.29		
		M3	17.30	74.51	569.16	75.66	370.03	776.31	75.50	370.85	775.44	159.22	678.70	1322.13		
		MIN	S2	-17.20	-61.30	-147.99	-17.20	-61.30	-229.10	-17.20	-61.83	-228.96	-17.20	-61.83	-310.07	
			TQ	-13.17	-69.15	-724.08	-13.17	-69.15	-786.18	-12.53	-71.08	-855.98	-12.53	-71.08	-915.06	
			M3	193.96	767.78	-2702.96	135.60	472.26	-1913.60	135.76	468.76	-1914.71	52.04	160.91	-1464.91	
71	3-LANES (case	TRUCK-LOAD	MAX	S2	153.28	578.80	-689.72	153.28	578.80	33.27	153.28	578.87	31.91	153.28	578.87	754.90
			TQ	146.71	606.27	-436.63	146.71	606.27	255.38	146.71	606.87	253.95	146.71	606.87	945.96	
			M3	-1.38	7.07	373.28	68.59	193.82	530.99	68.59	195.07	530.53	129.77	585.21	1027.15	
		MIN	S2	-26.35	-100.59	-527.03	-26.35	-100.59	-651.31	-26.35	-102.13	-651.07	-26.35	-102.13	-775.34	
			TQ	-26.15	-112.71	-758.59	-26.15	-112.71	-881.96	-26.15	-114.79	-881.69	-26.15	-114.79	-1005.06	
			M3	123.74	452.08	-1054.41	-22.23	-100.97	-951.66	-22.23	-103.20	-951.42	-23.44	-107.08	-1058.42	

BAGO RIVER BRIDGE

BLOCK [ No.1 : MAIN GIRDER ][ BEAM MEMBER FORCE ]

MEMBER				1035			1036			1037								
NODE				1035			1036			1036			1037					
NAME TITLE				SHEAR	TORQUE	MOMENT	SHEAR	TORQUE	MOMENT	SHEAR	TORQUE	MOMENT	SHEAR	TORQUE	MOMENT			
				S2 (kN)	TQ (kN·m)	M3 (kN·m)	S2 (kN)	TQ (kN·m)	M3 (kN·m)	S2 (kN)	TQ (kN·m)	M3 (kN·m)	S2 (kN)	TQ (kN·m)	M3 (kN·m)			
71	3-LANES (case)	TANDEM-LOAD	MAX	S2	104.45	396.01	-444.95	104.45	396.01	47.71	104.45	396.12	46.77	104.45	396.12	539.43		
				TQ	98.46	413.47	-263.86	98.46	413.47	200.55	98.46	413.94	199.57	98.46	413.94	663.97		
				M3	-0.97	4.70	253.78	44.06	131.53	367.95	44.06	132.40	367.64	84.86	394.26	708.18		
		MIN	S2	-17.92	-66.95	-342.44	-17.92	-66.95	-426.95	-17.92	-67.96	-426.80	-17.92	-67.96	-511.31			
			TQ	-17.84	-76.82	-521.98	-17.84	-76.82	-606.13	-17.84	-78.24	-605.94	-17.84	-78.24	-690.09			
			M3	83.57	302.66	-717.09	-15.21	-69.01	-647.69	-15.21	-70.53	-647.53	-15.74	-72.16	-720.11			
		DISPERSION-LMAX	S2	224.01	911.49	-1382.02	224.01	911.49	-325.38	224.01	910.72	-327.52	224.01	910.72	729.12			
			TQ	221.56	919.77	-912.91	221.56	919.77	132.16	221.60	920.08	131.03	221.60	920.08	1176.28			
			M3	19.76	82.54	504.26	78.74	383.63	724.39	78.59	384.33	723.49	162.27	691.94	1284.65			
		MIN	S2	-29.10	-114.48	-510.02	-29.10	-114.48	-647.28	-29.10	-116.00	-647.01	-29.10	-116.00	-784.26			
			TQ	-26.65	-122.76	-979.12	-26.65	-122.76	-1104.81	-26.68	-125.36	-1105.56	-26.68	-125.36	-1231.42			
			M3	175.15	714.47	-2396.29	116.17	413.38	-1697.05	116.33	410.39	-1698.01	32.64	102.79	-1339.79			
		72	4-LANES	TRUCK-LOAD	MAX	S2	4.89	1.56	-476.49	4.89	1.56	-453.45	4.89	0.49	-453.45	4.89	0.49	-430.40
						TQ	2.16	8.23	31.46	2.16	8.23	41.67	0.84	8.46	171.67	0.84	8.46	175.62
						M3	-3.49	4.87	527.67	-3.49	4.87	511.23	-3.49	6.07	511.21	-3.47	6.12	494.80
MIN	S2			-24.86	-105.14	-694.35	-24.86	-105.14	-811.59	-24.86	-107.05	-811.34	-24.86	-107.05	-928.58			
	TQ			-24.84	-105.15	-695.87	-24.84	-105.15	-813.05	-19.00	-107.79	-1395.93	-19.00	-107.79	-1485.57			
	M3			-15.28	-92.31	-1324.03	-16.99	-98.02	-1401.01	-16.99	-101.31	-1400.78	-18.83	-107.24	-1485.96			
TANDEM-LOAD	MAX			S2	3.36	0.55	-344.36	3.36	0.55	-328.53	3.36	-0.23	-328.53	3.36	-0.23	-312.71		
				TQ	1.36	5.63	34.10	1.36	5.63	40.54	0.46	5.79	128.05	0.46	5.79	130.24		
				M3	-2.40	3.22	358.66	-2.40	3.22	347.35	-2.40	4.03	347.34	-2.38	4.10	336.04		
MIN	S2			-17.97	-74.74	-459.39	-17.97	-74.74	-544.14	-17.97	-76.02	-543.97	-17.97	-76.02	-628.72			
	TQ			-17.96	-74.75	-459.81	-17.96	-74.75	-544.55	-14.06	-76.69	-941.82	-14.06	-76.69	-1008.14			
	M3			-10.78	-64.07	-901.86	-11.99	-68.06	-954.10	-11.99	-70.30	-953.94	-12.77	-72.71	-1011.81			

BAGO RIVER BRIDGE

BLOCK [ No.1 : MAIN GIRDER ][ BEAM MEMBER FORCE ]

MEMBER				1035			1036			1036			1037					
NODE				1035			1036			1036			1037					
				SHEAR	TORQUE	MOMENT	SHEAR	TORQUE	MOMENT	SHEAR	TORQUE	MOMENT	SHEAR	TORQUE	MOMENT			
NAME	TITLE			S2 (kN)	TQ (kN·m)	M3 (kN·m)	S2 (kN)	TQ (kN·m)	M3 (kN·m)	S2 (kN)	TQ (kN·m)	M3 (kN·m)	S2 (kN)	TQ (kN·m)	M3 (kN·m)			
72	4-LANES	DISPERSION-LMAX	S2	3.84	1.35	-369.75	3.84	1.35	-351.62	3.84	0.52	-351.62	3.84	0.52	-333.48			
			TQ	0.78	9.92	232.48	0.78	9.92	236.16	0.22	10.54	291.65	0.22	10.54	292.68			
			M3	-4.24	5.93	642.16	-4.24	5.93	622.14	-4.24	7.39	622.13	-4.24	7.39	602.11			
		MIN	S2	-17.04	-56.18	26.25	-17.04	-56.18	-54.11	-17.04	-56.31	-53.98	-17.04	-56.31	-134.34			
			TQ	-13.99	-64.63	-569.73	-13.99	-64.63	-635.73	-13.41	-66.19	-692.80	-13.41	-66.19	-756.07			
			M3	-8.78	-60.49	-995.02	-8.78	-60.49	-1036.43	-8.78	-62.92	-1036.29	-8.78	-62.92	-1077.70			
		73	6-LANES	TRUCK-LOAD	MAX	S2	713.95	239.24	54.19	610.51	67.39	2050.30	610.51	72.21	2050.14	525.97	-57.48	3596.57
					TQ	202.84	675.20	-2302.42	202.84	675.20	-1345.63	202.08	672.08	-1282.65	202.08	672.08	-329.45	
					M3	307.27	-137.92	1780.25	363.06	-159.18	2863.54	363.06	-152.45	2863.91	449.68	-4.36	4046.62	
MIN	S2			-72.84	-182.60	908.58	-153.09	-312.06	1532.38	-153.09	-308.46	1533.11	-262.47	-481.18	1708.14			
	TQ			278.28	-773.11	-2244.25	278.28	-773.11	-931.64	275.17	-775.40	-981.52	275.17	-775.40	316.44			
	M3			228.64	424.68	-3090.83	35.23	26.30	-2778.43	35.23	19.77	-2778.48	33.63	14.63	-2615.61			
TANDEM-LOAD	MAX			S2	520.05	203.39	237.08	450.23	107.81	1804.33	450.23	112.05	1804.08	376.95	-5.27	2809.80		
	TQ			137.97	461.34	-1553.74	137.97	461.34	-902.94	137.76	459.23	-886.00	137.76	459.23	-236.20			
	M3			171.78	-105.72	1521.49	222.19	-115.73	2267.96	222.19	-110.40	2268.23	353.56	6.94	3055.17			
MIN	S2			-67.49	-154.17	960.85	-137.87	-267.18	1423.89	-137.87	-263.84	1424.52	-216.87	-388.55	1513.44			
	TQ			189.91	-526.46	-1505.12	189.91	-526.46	-609.34	189.04	-527.92	-621.57	189.04	-527.92	270.11			
	M3			155.03	287.61	-2102.44	23.56	16.60	-1892.02	23.56	12.15	-1892.06	23.19	10.97	-1781.61			
DISPERSION-LMAX	S2			742.26	-62.75	-6326.05	683.65	-38.15	-3215.77	683.65	-45.71	-3215.67	640.08	-1.56	-392.05			
	TQ			266.04	984.81	-3258.46	266.04	984.81	-2003.58	265.40	980.18	-1935.93	265.40	980.18	-684.08			
	M3			96.97	-24.56	1523.08	186.94	61.54	2194.18	186.96	65.21	2194.03	322.76	0.03	3374.27			
MIN	S2	-45.45	-132.45	510.39	-62.42	-157.91	514.51	-62.42	-156.71	514.88	-94.57	-201.74	450.50					
	TQ	427.43	-1144.40	-2541.24	351.70	-1144.40	-703.50	352.01	-1146.09	-738.30	275.76	-1146.09	742.27					
	M3	602.91	-148.83	-7339.01	438.14	-233.83	-4883.40	438.09	-244.15	-4882.84	225.97	-170.47	-3296.28					



BAGO RIVER BRIDGE

BLOCK [ No.1 : MAIN GIRDER ][ BEAM MEMBER FORCE ]

MEMBER		1035			1036			1036			1037				
NODE		1035			1036			1036			1037				
		SHEAR	TORQUE	MOMENT	SHEAR	TORQUE	MOMENT	SHEAR	TORQUE	MOMENT	SHEAR	TORQUE	MOMENT		
NAME TITLE		S2 (kN)	TQ (kN·m)	M3 (kN·m)	S2 (kN)	TQ (kN·m)	M3 (kN·m)	S2 (kN)	TQ (kN·m)	M3 (kN·m)	S2 (kN)	TQ (kN·m)	M3 (kN·m)		
124	SUM TOTAL	D+1LANE (caseMAX	S2	3375.73	-1310.52	-24608.19	2924.93	-1443.55	-10921.05	2924.93	-1469.21	-10917.63	2521.61	-1540.61	684.72
			TQ	2744.36	-404.85	-25008.79	2469.76	-404.85	-12711.50	2469.74	-434.69	-12691.78	2195.01	-434.69	-1690.27
			M3	2984.01	-673.37	-21695.27	2599.69	-926.93	-8815.56	2599.87	-948.18	-8813.36	2322.63	-1400.20	2165.15
		MIN	S2	2627.66	-614.82	-21822.47	2248.42	-737.95	-9131.20	2248.42	-759.40	-9129.44	1815.17	-949.16	1656.57
			TQ	3071.63	-1693.97	-24333.16	2730.83	-1693.97	-10648.93	2730.83	-1718.99	-10644.92	2389.63	-1718.99	1431.03
			M3	2931.39	-1032.64	-26331.89	2599.52	-898.72	-13309.07	2599.35	-929.45	-13306.92	2260.91	-700.71	-1839.62
		D+1LANE (caseMAX	S2	2962.09	-814.89	-24997.20	2686.32	-814.50	-11678.47	2686.32	-841.94	-11676.53	2410.40	-841.94	343.74
			TQ	2712.89	-488.85	-24495.89	2438.29	-488.85	-12347.05	2438.29	-517.87	-12345.87	2163.55	-517.87	-1492.73
			M3	2713.97	-651.64	-22172.98	2521.93	-683.97	-9908.14	2521.97	-707.28	-9906.50	2332.79	-786.55	1519.08
		MIN	S2	2669.02	-615.35	-22299.52	2394.41	-615.74	-10354.84	2394.41	-640.07	-10353.36	2119.67	-640.07	292.79
			TQ	2917.76	-896.32	-24130.86	2641.97	-896.32	-11018.47	2641.97	-922.21	-11016.33	2366.06	-922.21	794.78
			M3	2846.53	-671.34	-25505.67	2535.79	-641.50	-12808.44	2535.76	-671.57	-12806.90	2210.53	-599.40	-1606.99
		D+1LANE (caseMAX	S2	2874.05	-300.82	-24525.81	2599.44	-300.82	-11616.82	2599.44	-328.12	-11616.08	2324.71	-328.12	-2.79
			TQ	2869.71	-293.02	-24164.58	2595.11	-293.02	-11276.04	2594.73	-319.46	-11230.34	2320.00	-319.46	360.73
			M3	2686.21	-545.77	-22497.30	2487.08	-444.02	-10271.87	2487.06	-468.18	-10270.80	2270.50	-386.88	957.09
		MIN	S2	2673.94	-560.49	-22583.44	2399.33	-560.49	-10618.33	2399.33	-585.44	-10616.99	2124.60	-585.44	52.42
			TQ	2676.50	-563.69	-22832.56	2401.89	-563.69	-10855.38	2408.39	-590.60	-11563.12	2133.66	-590.60	-851.01
			M3	2788.80	-419.25	-24867.91	2486.67	-457.92	-12419.77	2486.69	-487.08	-12418.66	2171.64	-535.64	-1427.91
		D+1LANE (caseMAX	S2	2792.55	375.19	-23523.13	2517.95	375.19	-10998.54	2517.95	349.34	-10999.40	2243.21	349.34	229.48
			TQ	2787.87	401.95	-23329.65	2513.27	401.95	-10827.14	2513.27	376.50	-10828.06	2238.53	376.50	378.74
			M3	2681.60	-521.43	-22641.20	2429.30	-290.03	-10586.87	2429.18	-315.90	-10586.16	2218.40	246.97	407.80
		MIN	S2	2641.71	-696.89	-23296.84	2367.11	-696.89	-11483.74	2367.11	-723.87	-11482.07	2092.37	-723.87	-964.68
			TQ	2641.83	-698.94	-23375.32	2367.23	-698.94	-11561.65	2367.23	-726.11	-11559.97	2092.49	-726.11	-1042.01
			M3	2762.98	198.45	-23949.05	2412.88	-370.62	-11782.29	2413.00	-397.31	-11781.39	2110.76	-593.95	-1110.45

BAGO RIVER BRIDGE

BLOCK [ No.1 : MAIN GIRDER ][ BEAM MEMBER FORCE ]

MEMBER			1035			1036			1036			1037			
NODE			1035			1036			1036			1037			
NAME TITLE			SHEAR	TORQUE	MOMENT	SHEAR	TORQUE	MOMENT	SHEAR	TORQUE	MOMENT	SHEAR	TORQUE	MOMENT	
			S2 (kN)	TQ (kN·m)	M3 (kN·m)	S2 (kN)	TQ (kN·m)	M3 (kN·m)	S2 (kN)	TQ (kN·m)	M3 (kN·m)	S2 (kN)	TQ (kN·m)	M3 (kN·m)	
124	SUM TOTAL	D+2LANES (casMAX	S2	3606.26	-1594.30	-25601.47	3147.40	-1751.29	-11156.54	3147.40	-1777.50	-11152.39	2731.65	-1867.22	1178.59
			TQ	2774.91	-338.49	-26164.03	2500.31	-338.49	-13722.64	2500.29	-370.71	-13706.20	2225.56	-370.71	-2560.59
			M3	3047.93	-749.11	-21068.27	2733.89	-1118.22	-7887.42	2734.04	-1137.20	-7884.77	2461.59	-1684.40	3520.73
		MIN	S2	2611.78	-660.66	-21272.32	2229.16	-823.55	-8357.41	2229.16	-843.18	-8355.45	1797.45	-1074.87	2678.18
			TQ	3263.13	-2110.95	-25204.74	2909.75	-2110.95	-10646.79	2909.75	-2135.96	-10641.80	2556.02	-2135.96	2248.59
			M3	3060.79	-1191.08	-28243.59	2701.41	-1010.60	-14668.26	2701.26	-1044.62	-14665.84	2327.54	-735.05	-2794.21
		D+2LANES (casMAX	S2	3261.56	-1181.28	-25925.64	2948.55	-1227.08	-11787.72	2948.55	-1254.78	-11784.81	2638.98	-1285.00	894.44
			TQ	2748.68	-408.49	-25736.61	2474.08	-408.49	-13418.94	2474.08	-440.02	-13417.94	2199.34	-440.02	-2395.98
			M3	2822.91	-731.00	-21466.36	2669.09	-915.75	-8797.90	2669.12	-936.45	-8795.72	2470.06	-1173.02	2982.34
		MIN	S2	2646.24	-661.10	-21669.86	2350.82	-721.71	-9377.11	2350.82	-743.74	-9375.39	2051.20	-817.29	1541.70
			TQ	3134.90	-1446.24	-25036.16	2835.70	-1446.24	-10954.74	2835.70	-1471.98	-10951.32	2536.38	-1471.98	1718.38
			M3	2990.07	-890.00	-27555.07	2648.30	-796.25	-14251.07	2648.27	-829.71	-14249.16	2285.55	-650.62	-2600.35
		D+2LANES (casMAX	S2	2966.27	154.60	-25075.73	2691.67	154.60	-11731.72	2691.67	127.03	-11732.05	2416.93	127.03	316.25
			TQ	2960.34	167.52	-24492.79	2685.74	167.52	-11176.75	2685.10	141.34	-11107.15	2410.36	141.34	910.15
			M3	2691.44	-509.09	-22246.26	2527.53	-214.67	-9969.73	2527.47	-238.27	-9969.20	2342.32	-9.47	1517.18
		MIN	S2	2666.14	-595.98	-22976.09	2391.54	-595.98	-11047.75	2391.54	-621.94	-11046.32	2116.80	-621.94	-413.69
			TQ	2670.13	-604.09	-23512.56	2395.52	-604.09	-11565.43	2401.27	-632.47	-12187.37	2126.53	-632.47	-1508.86
			M3	2831.59	-215.50	-25820.79	2516.56	-323.85	-13194.79	2516.61	-354.68	-13193.99	2179.85	-502.43	-2111.71
		D+2LANES (casMAX	S2	2897.91	723.15	-24093.16	2623.31	723.15	-11071.60	2623.31	697.13	-11073.27	2348.57	697.13	652.58
			TQ	2892.21	750.96	-23734.93	2617.61	750.96	-10740.25	2617.61	725.72	-10741.99	2342.87	725.72	956.97
			M3	2689.33	-481.97	-22402.45	2480.19	-81.06	-10250.33	2480.05	-106.13	-10250.11	2299.82	523.25	1046.87
		MIN	S2	2629.61	-748.97	-23671.20	2355.01	-748.97	-11915.18	2355.01	-776.97	-11913.39	2080.27	-776.97	-1453.08
			TQ	2630.33	-753.33	-23890.97	2355.72	-753.33	-12131.58	2355.72	-781.84	-12129.78	2080.99	-781.84	-1666.10
			M3	2846.93	453.41	-24927.55	2442.50	-288.55	-12525.06	2442.64	-317.00	-12524.35	2116.64	-587.91	-1767.68

BAGO RIVER BRIDGE

BLOCK [ No.1 : MAIN GIRDER ][ BEAM MEMBER FORCE ]

MEMBER		1035			1036			1036			1037				
NODE		1035			1036			1036			1037				
		SHEAR	TORQUE	MOMENT	SHEAR	TORQUE	MOMENT	SHEAR	TORQUE	MOMENT	SHEAR	TORQUE	MOMENT		
NAME TITLE		S2 (kN)	TQ (kN·m)	M3 (kN·m)	S2 (kN)	TQ (kN·m)	M3 (kN·m)	S2 (kN)	TQ (kN·m)	M3 (kN·m)	S2 (kN)	TQ (kN·m)	M3 (kN·m)		
124	SUM TOTAL	D+3LANES (casMAX	S2	3667.69	-1621.86	-26656.41	3235.63	-1755.02	-11638.00	3235.63	-1782.37	-11633.84	2840.20	-1858.63	1391.40
			TQ	2784.52	-323.47	-26779.48	2509.92	-323.47	-14292.76	2509.91	-357.04	-14278.70	2235.17	-357.04	-3087.73
			M3	3017.36	-787.81	-20802.69	2767.72	-1124.45	-7605.26	2767.87	-1142.72	-7602.59	2555.68	-1663.99	4214.76
	MIN	S2	2614.79	-686.92	-21065.77	2248.37	-825.65	-8321.17	2248.37	-845.21	-8319.20	1840.20	-1042.14	2629.96	
		TQ	3344.62	-2118.68	-25705.52	3002.23	-2118.68	-10737.21	3002.23	-2143.91	-10732.20	2659.50	-2143.91	2620.39	
		M3	3122.17	-1177.44	-29262.37	2749.92	-1002.90	-15423.35	2749.77	-1038.73	-15420.95	2355.13	-724.48	-3367.24	
	D+3LANES (casMAX	S2	3003.49	703.89	-25219.60	2728.88	703.89	-11700.05	2728.88	676.40	-11701.67	2454.15	676.40	522.18	
		TQ	2994.48	733.91	-24514.82	2719.88	733.91	-11037.75	2719.33	708.04	-10979.98	2444.60	708.04	1198.81	
		M3	2690.45	-492.60	-22106.13	2525.21	-83.18	-9832.14	2525.08	-107.14	-9831.92	2372.51	488.16	1735.35	
	MIN	S2	2650.90	-658.82	-23266.85	2376.29	-658.82	-11410.43	2376.29	-685.64	-11408.85	2101.56	-685.64	-848.13	
		TQ	2655.03	-667.30	-23855.57	2380.43	-667.30	-11979.65	2385.31	-696.47	-12507.93	2110.57	-696.47	-1904.70	
		M3	2840.38	55.02	-26202.26	2516.04	-196.57	-13559.27	2516.17	-227.59	-13558.77	2169.60	-491.42	-2502.86	
	D+3LANES (casMAX	S2	2999.71	710.60	-24706.40	2725.11	710.60	-11204.67	2725.11	684.27	-11206.31	2450.37	684.27	999.71	
		TQ	2992.04	741.00	-24092.54	2717.44	741.00	-10626.97	2717.47	716.02	-10627.80	2442.73	716.02	1542.20	
		M3	2694.64	-479.97	-22199.51	2529.65	-65.31	-9889.31	2529.51	-89.40	-9889.12	2377.91	503.69	1703.33	
	MIN	S2	2631.88	-738.95	-23826.92	2357.28	-738.95	-12060.18	2357.28	-767.29	-12058.41	2082.54	-767.29	-1587.37	
		TQ	2634.13	-756.29	-24422.48	2359.53	-756.29	-12645.14	2359.50	-786.01	-12644.20	2084.76	-786.01	-2162.71	
		M3	2933.07	435.43	-25878.52	2484.26	-290.59	-13207.78	2484.40	-320.77	-13207.06	2137.49	-585.53	-2300.19	
	D+4LANES	MAX	S2	2684.69	-554.25	-23495.48	2410.08	-554.25	-11479.67	2410.08	-581.22	-11478.34	2135.35	-581.22	-758.23
			TQ	2680.93	-544.34	-22773.86	2406.32	-544.34	-10775.79	2405.10	-569.53	-10653.89	2130.36	-569.53	42.68
			M3	2673.99	-549.12	-22185.03	2399.38	-549.12	-10219.69	2399.38	-573.14	-10218.37	2124.66	-573.10	451.29
	MIN	S2	2651.78	-661.00	-23379.69	2377.18	-661.00	-11519.09	2377.18	-688.07	-11517.50	2102.44	-688.07	-952.61	
		TQ	2653.77	-666.50	-23768.07	2379.17	-666.50	-11898.09	2383.34	-694.97	-12312.72	2108.60	-694.97	-1718.77	
		M3	2663.37	-655.46	-24452.81	2387.66	-659.17	-12540.72	2387.66	-688.64	-12539.13	2111.73	-692.49	-1928.08	

BAGO RIVER BRIDGE

BLOCK [ No.1 : MAIN GIRDER ] [ BEAM MEMBER FORCE ]

MEMBER					1035			1036			1037						
NODE					1035			1036			1037						
					SHEAR	TORQUE	MOMENT	SHEAR	TORQUE	MOMENT	SHEAR	TORQUE	MOMENT				
NAME	TITLE				S2 (kN)	TQ (kN·m)	M3 (kN·m)	S2 (kN)	TQ (kN·m)	M3 (kN·m)	S2 (kN)	TQ (kN·m)	M3 (kN·m)				
124	SUM TOTAL	D+6LANES	MAX	S2	3625.55	-441.42	-27022.14	3245.62	-537.13	-11713.94	3245.62	-564.66	-11712.64	2887.61	-620.26	1821.23	
				TQ	2983.79	522.87	-26560.00	2709.18	522.87	-13133.37	2708.27	492.08	-13047.12	2433.54	492.08	-920.50	
				M3	2941.76	-661.75	-20798.26	2761.91	-619.61	-7668.86	2761.92	-638.59	-7667.38	2631.76	-584.70	4561.87	
			MIN	S2	2602.13	-760.92	-22023.10	2264.33	-861.62	-9625.90	2264.33	-884.24	-9623.85	1897.59	-1025.78	1141.41	
				TQ	3137.72	-1802.52	-26055.99	2813.90	-1802.52	-12019.22	2812.08	-1830.86	-12072.93	2487.78	-1830.86	426.45	
				M3	3219.52	-376.84	-29724.82	2712.10	-691.04	-15936.57	2712.06	-727.73	-15934.90	2298.41	-683.18	-4104.43	
	SUM TOTAL	MAX		3667.69	750.96	-20798.26	3245.62	750.96	-7605.26	3245.62	725.72	-7602.59	2887.61	725.72	4561.87		
		MIN		2602.13	-2118.68	-29724.82	2229.16	-2118.68	-15936.57	2229.16	-2143.91	-15934.90	1797.45	-2143.91	-4104.43		
	300	DEAD LOAD	TOTAL		2679.01	-556.14	-22945.43	2404.41	-556.14	-10956.38	2404.41	-581.88	-10955.04	2129.67	-581.88	-261.71	
	301	LIVE LOAD	1-LANE (case1MAX	S2	S2	696.72	-754.38	-1662.77	520.52	-887.41	35.33	520.52	-887.32	37.41	391.93	-958.73	946.42
					TQ	65.35	151.29	-2063.36	65.35	151.29	-1755.12	65.34	147.20	-1736.74	65.34	147.20	-1428.56
					M3	304.99	-117.23	1250.15	195.29	-370.79	2140.82	195.46	-366.30	2141.68	192.96	-818.31	2426.85
MIN				S2	-51.35	-58.68	1122.95	-155.99	-181.81	1825.18	-155.99	-177.52	1825.60	-314.50	-367.28	1918.27	
				TQ	392.62	-1137.83	-1387.73	326.42	-1137.83	307.45	326.42	-1137.10	310.12	259.95	-1137.10	1692.74	
				M3	252.37	-476.50	-3386.47	195.11	-342.58	-2352.69	194.94	-347.57	-2351.88	131.24	-118.83	-1577.91	
1-LANE (case2MAX			S2	S2	283.08	-258.75	-2051.78	281.91	-258.36	-722.09	281.91	-260.06	-721.48	280.73	-260.06	605.45	
				TQ	33.88	67.29	-1550.47	33.88	67.29	-1390.67	33.88	64.02	-1390.82	33.88	64.02	-1231.03	
				M3	34.96	-95.50	772.45	117.52	-127.83	1048.24	117.56	-125.40	1048.54	203.12	-204.66	1780.79	
			MIN	S2	-9.99	-59.21	645.91	-10.00	-59.60	601.54	-10.00	-58.19	601.68	-10.00	-58.19	554.50	
				TQ	238.74	-340.18	-1185.43	237.56	-340.18	-62.09	237.56	-340.32	-61.29	236.39	-340.32	1056.49	
				M3	167.51	-115.20	-2560.24	131.38	-85.37	-1852.06	131.35	-89.68	-1851.85	80.86	-17.52	-1345.28	
1-LANE (case3MAX			S2	S2	195.03	255.32	-1580.39	195.03	255.32	-660.44	195.03	253.77	-661.04	195.03	253.77	258.91	
				TQ	190.70	263.12	-1219.16	190.70	263.12	-319.66	190.33	262.42	-275.30	190.33	262.42	622.44	
				M3	7.20	10.37	448.13	82.67	112.12	684.51	82.65	113.71	684.25	140.82	195.01	1218.79	
			MIN	S2	-5.07	-4.35	361.98	-5.07	-4.35	338.05	-5.07	-3.55	338.06	-5.07	-3.55	314.12	
				TQ	-2.51	-7.55	112.86	-2.51	-7.55	101.00	3.98	-8.71	-608.08	3.98	-8.71	-589.30	
				M3	109.78	136.89	-1922.48	82.26	98.22	-1463.39	82.28	94.80	-1463.62	41.96	46.24	-1166.20	

BAGO RIVER BRIDGE

BLOCK [ No.1 : MAIN GIRDER ][ BEAM MEMBER FORCE ]

MEMBER			1035			1036			1036			1037			
NODE			1035			1036			1036			1037			
NAME TITLE			SHEAR	TORQUE	MOMENT	SHEAR	TORQUE	MOMENT	SHEAR	TORQUE	MOMENT	SHEAR	TORQUE	MOMENT	
			S2 (kN)	TQ (kN·m)	M3 (kN·m)	S2 (kN)	TQ (kN·m)	M3 (kN·m)	S2 (kN)	TQ (kN·m)	M3 (kN·m)	S2 (kN)	TQ (kN·m)	M3 (kN·m)	
301	LIVE LOAD	1-LANE (case4MAX	S2	113.54	931.33	-577.70	113.54	931.33	-42.16	113.54	931.23	-44.35	113.54	931.23	491.19
			TQ	108.86	958.09	-384.23	108.86	958.09	129.24	108.86	958.39	126.98	108.86	958.39	640.45
			M3	2.59	34.71	304.22	24.89	266.11	369.51	24.77	265.98	368.89	88.72	828.86	669.51
			MIN S2	-37.30	-140.75	-351.42	-37.30	-140.75	-527.36	-37.30	-141.99	-527.03	-37.30	-141.99	-702.97
			TQ	-37.18	-142.80	-429.89	-37.18	-142.80	-605.27	-37.18	-144.23	-604.93	-37.18	-144.23	-780.31
			M3	83.97	754.59	-1003.63	8.47	185.52	-825.91	8.59	184.57	-826.35	-18.91	-12.06	-848.74
		2-LANES (caseMAX	S2	927.25	-1038.16	-2656.05	742.99	-1195.15	-200.16	742.99	-1195.62	-197.35	601.98	-1285.34	1440.29
			TQ	95.90	217.65	-3218.60	95.90	217.65	-2766.26	95.89	211.18	-2751.16	95.89	211.18	-2298.88
			M3	368.92	-192.97	1877.15	329.49	-562.08	3068.96	329.63	-555.31	3070.28	331.91	-1102.51	3782.44
			MIN S2	-67.23	-104.52	1673.11	-175.24	-267.41	2598.97	-175.24	-261.30	2599.59	-332.23	-492.98	2939.88
			TQ	584.12	-1554.81	-2259.32	505.34	-1554.81	309.58	505.34	-1554.08	313.24	426.34	-1554.08	2510.29
			M3	381.77	-634.94	-5298.16	297.00	-454.46	-3711.88	296.85	-462.73	-3710.80	197.86	-153.16	-2532.50
		2-LANES (caseMAX	S2	582.55	-625.14	-2980.22	544.14	-670.94	-831.34	544.14	-672.90	-829.76	509.31	-703.11	1156.15
			TQ	69.67	147.65	-2791.19	69.67	147.65	-2462.56	69.67	141.86	-2462.90	69.67	141.86	-2134.27
			M3	143.89	-174.87	1479.07	264.68	-359.61	2158.48	264.71	-354.56	2159.32	340.38	-591.14	3244.05
			MIN S2	-32.77	-104.96	1275.57	-53.59	-165.57	1579.27	-53.59	-161.86	1579.65	-78.48	-235.41	1803.40
			TQ	455.89	-890.10	-2090.73	431.30	-890.10	1.63	431.30	-890.09	3.73	406.70	-890.09	1980.09
			M3	311.05	-333.86	-4609.64	243.89	-240.11	-3294.69	243.86	-247.83	-3294.12	155.88	-68.74	-2338.64
		2-LANES (caseMAX	S2	287.26	710.74	-2130.30	287.26	710.74	-775.34	287.26	708.91	-777.01	287.26	708.91	577.95
			TQ	281.33	723.66	-1547.36	281.33	723.66	-220.37	280.69	723.23	-152.11	280.69	723.23	1171.86
			M3	12.42	47.05	699.17	123.12	341.46	986.65	123.06	343.61	985.84	212.64	572.42	1778.89
			MIN S2	-12.87	-39.84	-30.66	-12.87	-39.84	-91.37	-12.87	-40.06	-91.28	-12.87	-40.06	-151.99
			TQ	-8.89	-47.95	-567.14	-8.89	-47.95	-609.05	-3.14	-50.59	-1232.33	-3.14	-50.59	-1247.16
			M3	152.58	340.64	-2875.37	112.15	232.29	-2238.41	112.20	227.20	-2238.95	50.18	79.46	-1850.00

BAGO RIVER BRIDGE

BLOCK [ No.1 : MAIN GIRDER ][ BEAM MEMBER FORCE ]

MEMBER			1035			1036			1036			1037				
NODE			1035			1036			1036			1037				
NAME TITLE			SHEAR	TORQUE	MOMENT	SHEAR	TORQUE	MOMENT	SHEAR	TORQUE	MOMENT	SHEAR	TORQUE	MOMENT		
			S2 (kN)	TQ (kN·m)	M3 (kN·m)	S2 (kN)	TQ (kN·m)	M3 (kN·m)	S2 (kN)	TQ (kN·m)	M3 (kN·m)	S2 (kN)	TQ (kN·m)	M3 (kN·m)		
301	LIVE LOAD	2-LANES (caseMAX	S2	218.90	1279.29	-1147.74	218.90	1279.29	-115.22	218.90	1279.01	-118.22	218.90	1279.01	914.29	
			TQ	213.20	1307.10	-789.50	213.20	1307.10	216.13	213.20	1307.60	213.05	213.20	1307.60	1218.68	
			M3	10.32	74.17	542.97	75.78	475.08	706.05	75.64	475.76	704.94	170.15	1105.14	1308.58	
			MIN	S2	-49.40	-192.83	-725.78	-49.40	-192.83	-958.80	-49.40	-195.08	-958.35	-49.40	-195.08	-1191.37
			TQ	-48.69	-197.19	-945.55	-48.69	-197.19	-1175.20	-48.69	-199.95	-1174.74	-48.69	-199.95	-1404.39	
			M3	167.92	1009.55	-1982.13	38.09	267.59	-1568.68	38.23	264.88	-1569.31	-13.04	-6.03	-1505.97	
		3-LANES (caseMAX	S2	988.67	-1065.72	-3710.98	831.22	-1198.88	-681.62	831.22	-1200.48	-678.80	710.53	-1276.74	1653.11	
			TQ	105.51	232.66	-3834.06	105.51	232.66	-3336.38	105.50	224.85	-3323.65	105.50	224.85	-2826.03	
			M3	338.35	-231.68	2142.73	363.31	-568.31	3351.12	363.46	-560.84	3352.45	426.00	-1082.10	4476.46	
			MIN	S2	-64.23	-130.78	1879.66	-156.04	-269.51	2635.21	-156.04	-263.32	2635.84	-289.48	-460.25	2891.67
			TQ	665.61	-1562.55	-2760.10	597.82	-1562.55	219.17	597.82	-1562.03	222.84	529.83	-1562.03	2882.10	
			M3	443.16	-621.30	-6316.94	345.51	-446.76	-4466.97	345.36	-456.85	-4465.91	225.46	-142.60	-3105.53	
		3-LANES (caseMAX	S2	324.48	1260.03	-2274.17	324.48	1260.03	-743.67	324.48	1258.28	-746.62	324.48	1258.28	783.88	
			TQ	315.47	1290.05	-1569.40	315.47	1290.05	-81.37	314.92	1289.92	-24.94	314.92	1289.92	1460.51	
			M3	11.44	63.54	839.30	120.80	472.96	1124.24	120.67	474.75	1123.12	242.83	1070.04	1997.06	
			MIN	S2	-28.12	-102.68	-321.43	-28.12	-102.68	-454.05	-28.12	-103.75	-453.80	-28.12	-103.75	-586.42
			TQ	-23.98	-111.16	-910.15	-23.98	-111.16	-1023.27	-19.10	-114.59	-1552.89	-19.10	-114.59	-1642.99	
			M3	161.37	611.16	-3256.83	111.63	359.56	-2602.89	111.76	354.30	-2603.73	39.93	90.46	-2241.15	
		3-LANES (caseMAX	S2	320.70	1266.74	-1760.98	320.70	1266.74	-248.29	320.70	1266.15	-251.27	320.70	1266.15	1261.41	
			TQ	313.03	1297.14	-1147.11	313.03	1297.14	329.41	313.06	1297.91	327.24	313.06	1297.91	1803.91	
			M3	15.62	76.16	745.91	125.24	490.83	1067.07	125.10	492.49	1065.92	248.23	1085.58	1965.03	
			MIN	S2	-47.13	-182.81	-881.50	-47.13	-182.81	-1103.80	-47.13	-185.40	-1103.37	-47.13	-185.40	-1325.67
			TQ	-44.88	-200.15	-1477.06	-44.88	-200.15	-1688.76	-44.91	-204.12	-1689.16	-44.91	-204.12	-1901.01	
			M3	254.06	991.56	-2933.09	79.85	265.55	-2251.40	79.99	261.11	-2252.02	7.82	-3.65	-2038.48	

BAGO RIVER BRIDGE

BLOCK [ No.1 : MAIN GIRDER ][ BEAM MEMBER FORCE ]

MEMBER				1035			1036			1036			1037			
NODE				1035			1036			1036			1037			
NAME TITLE				SHEAR	TORQUE	MOMENT	SHEAR	TORQUE	MOMENT	SHEAR	TORQUE	MOMENT	SHEAR	TORQUE	MOMENT	
				S2 (kN)	TQ (kN·m)	M3 (kN·m)	S2 (kN)	TQ (kN·m)	M3 (kN·m)	S2 (kN)	TQ (kN·m)	M3 (kN·m)	S2 (kN)	TQ (kN·m)	M3 (kN·m)	
301	LIVE LOAD	4-LANES	MAX	S2	5.67	1.89	-550.06	5.67	1.89	-523.29	5.67	0.66	-523.29	5.67	0.66	-496.53
				TQ	1.91	11.80	171.56	1.91	11.80	180.59	0.69	12.35	301.15	0.69	12.35	304.39
				M3	-5.02	7.02	760.39	-5.02	7.02	736.69	-5.02	8.75	736.67	-5.01	8.78	712.99
			MIN	S2	-27.23	-104.86	-434.27	-27.23	-104.86	-562.71	-27.23	-106.19	-562.46	-27.23	-106.19	-690.90
				TQ	-25.24	-110.36	-822.64	-25.24	-110.36	-941.71	-21.07	-113.09	-1357.68	-21.07	-113.09	-1457.07
				M3	-15.64	-99.32	-1507.39	-16.75	-103.03	-1584.34	-16.75	-106.75	-1584.09	-17.95	-110.60	-1666.38
		6-LANES	MAX	S2	946.54	114.72	-4076.71	841.21	19.00	-757.56	841.21	17.22	-757.60	757.93	-38.38	2082.94
				TQ	304.77	1079.01	-3614.57	304.77	1079.01	-2176.99	303.86	1073.97	-2092.08	303.86	1073.97	-658.79
				M3	262.75	-105.61	2147.16	357.50	-63.47	3287.52	357.51	-56.70	3287.66	502.08	-2.81	4823.58
			MIN	S2	-76.88	-204.78	922.33	-140.08	-305.48	1330.48	-140.08	-302.36	1331.19	-232.08	-443.89	1403.12
				TQ	458.71	-1246.38	-3110.57	409.49	-1246.38	-1062.84	407.67	-1248.97	-1117.89	358.11	-1248.97	688.16
				M3	540.51	179.30	-6779.40	307.69	-134.90	-4980.19	307.66	-145.85	-4979.86	168.74	-101.30	-3842.73
		LIVE LOAD	MAX	988.67	1307.10	2147.16	841.21	1307.10	3351.12	841.21	1307.60	3352.45	757.93	1307.60	4823.58	
			MIN	-76.88	-1562.55	-6779.40	-175.24	-1562.55	-4980.19	-175.24	-1562.03	-4979.86	-332.23	-1562.03	-3842.73	
		303	SUM TOTAL	TOTAL	MAX	3667.69	750.96	-20798.26	3245.62	750.96	-7605.26	3245.62	725.72	-7602.59	2887.61	725.72
MIN	2602.13				-2118.68	-29724.82	2229.16	-2118.68	-15936.57	2229.16	-2143.91	-15934.90	1797.45	-2143.91	-4104.43	

BAGO RIVER BRIDGE

BLOCK [ No.1 : MAIN GIRDER ] [ BEAM MEMBER FORCE ]

MEMBER NODE	1037	1038			1038			1039						
		SHEAR	TORQUE	MOMENT	SHEAR	TORQUE	MOMENT	SHEAR	TORQUE	MOMENT				
NAME TITLE	S2 (kN)	TQ (kN·m)	M3 (kN·m)	S2 (kN)	TQ (kN·m)	M3 (kN·m)	S2 (kN)	TQ (kN·m)	M3 (kN·m)	S2 (kN)	TQ (kN·m)	M3 (kN·m)		
1 PAVEMENT	358.87	-52.90	-85.51	312.56	-52.90	1498.01	312.56	-49.38	1498.13	266.25	-49.38	2863.20		
3 RAILING	13.28	-2.16	-0.82	9.38	-2.16	52.62	9.38	-2.04	52.62	5.47	-2.04	87.63		
5 CURB	131.50	-21.41	-8.11	92.82	-21.41	520.93	92.82	-20.19	520.97	54.15	-20.19	867.58		
7 DECK WEIGHT	585.44	-86.59	-138.17	509.16	-86.59	2443.36	509.16	-80.85	2443.56	432.87	-80.85	4665.27		
8 GIRDER WEIGH	813.59	-116.89	64.29	725.38	-116.89	3693.85	725.38	-108.21	3694.12	637.18	-108.21	6907.63		
10 MEDIAN STRIP	149.90	-21.03	-54.75	149.90	-21.03	652.29	149.90	-19.49	652.33	149.90	-19.49	1359.37		
21 ADITIONAL WE	163.92	-24.25	-38.69	142.56	-24.25	684.14	142.56	-22.64	684.20	121.20	-22.64	1306.27		
31 MEDIAN RAILI	9.59	-1.25	1.09	9.59	-1.25	46.32	9.59	-1.14	46.32	9.59	-1.14	91.55		
51 SUPPORT WEIG	0.00	-0.00	-0.00	0.00	-0.00	-0.00	0.00	-0.00	-0.00	0.00	-0.00	-0.00		
52 NOSE WEIGHT	-0.00	-0.00	0.02	-0.00	-0.00	0.02	-0.00	-0.00	0.02	-0.00	-0.00	0.01		
61 1-LANE(case1TRUCK-LOAD	MAX	S2	323.87	-123.01	1185.86	217.48	-247.64	1730.33	217.48	-243.58	1730.90	140.32	-328.90	1798.66
		TQ	-15.11	8.41	602.91	-15.11	8.41	531.62	-15.11	9.66	531.60	-15.11	9.66	460.32
		M3	300.90	-92.07	1212.06	195.25	-216.16	1763.04	195.25	-212.01	1763.54	108.32	-310.57	1813.80
	MIN	S2	-44.18	-16.16	1150.74	-120.68	-103.19	1652.36	-120.68	-99.31	1652.60	-226.85	-223.69	1697.27
		TQ	108.17	-354.51	306.58	108.17	-354.51	816.81	108.17	-352.59	817.64	108.17	-352.59	1327.88
		M3	10.88	4.29	-555.70	10.65	4.22	-504.97	10.65	3.03	-504.98	10.65	3.03	-454.76
	TANDEM-LOAD MAX	S2	255.31	-40.38	1005.73	179.42	-130.74	1408.03	179.42	-127.44	1408.33	109.31	-209.40	1411.46
		TQ	-13.28	6.07	516.09	-13.28	6.07	453.45	-13.28	7.14	453.44	-13.28	7.14	390.79
		M3	255.31	-40.38	1005.74	179.42	-130.74	1408.03	179.42	-127.43	1408.33	109.31	-209.40	1411.46
	MIN	S2	-43.49	-24.42	1000.95	-114.07	-108.06	1396.49	-114.07	-104.78	1396.74	-189.42	-193.74	1396.19
		TQ	77.74	-240.73	254.74	77.74	-240.73	621.42	70.21	-239.28	508.69	70.21	-239.28	839.84
		M3	7.37	2.92	-379.01	7.30	2.90	-344.41	7.30	2.09	-344.42	7.30	2.09	-309.97
	DISPERSION-LMAX	S2	187.48	-464.92	-395.55	147.43	-451.83	154.09	147.43	-451.47	155.16	120.73	-423.13	512.01
		TQ	8.70	6.49	-508.18	8.70	6.49	-467.15	8.25	5.41	-452.19	8.25	5.41	-413.30
		M3	114.92	-234.26	811.51	109.18	-470.12	1353.12	109.18	-466.94	1354.23	54.01	-466.94	1739.08
	MIN	S2	-10.59	-0.79	448.21	-25.71	-13.88	602.82	-25.71	-12.47	602.85	-54.18	-40.80	690.02
		TQ	168.19	-472.20	560.84	113.02	-472.20	1224.06	113.48	-469.34	1210.20	58.31	-469.34	1615.33
		M3	61.97	-231.45	-758.85	12.55	4.41	-596.21	12.55	3.01	-596.22	12.55	3.01	-537.05



BAGO RIVER BRIDGE

BLOCK [ No.1 : MAIN GIRDER ][ BEAM MEMBER FORCE ]

MEMBER				1037			1038			1038			1039		
NODE				1037			1038			1038			1039		
NAME TITLE				SHEAR	TORQUE	MOMENT	SHEAR	TORQUE	MOMENT	SHEAR	TORQUE	MOMENT	SHEAR	TORQUE	MOMENT
				S2 (kN)	TQ (kN·m)	M3 (kN·m)	S2 (kN)	TQ (kN·m)	M3 (kN·m)	S2 (kN)	TQ (kN·m)	M3 (kN·m)	S2 (kN)	TQ (kN·m)	M3 (kN·m)
62	1-LANE (case2TRUCK-LOAD	MAX	S2	91.40	-56.60	416.17	91.40	-56.60	847.27	91.40	-54.61	847.40	91.40	-54.61	1278.49
			TQ	4.62	2.44	-337.73	4.62	2.44	-315.91	4.19	1.73	-280.85	4.19	1.73	-261.08
			M3	16.09	-54.13	809.62	56.92	-49.57	946.98	56.92	-47.35	947.09	86.01	-50.00	1297.77
		MIN	S2	-13.29	-33.68	592.16	-13.29	-33.68	529.49	-13.29	-32.44	529.57	-13.29	-32.44	466.91
			TQ	70.71	-94.45	99.22	70.71	-94.45	432.77	70.71	-93.43	432.99	70.71	-93.43	766.54
			M3	5.75	2.14	-481.68	5.75	2.14	-454.54	5.75	1.07	-454.55	5.75	1.07	-427.41
	TANDEM-LOAD	MAX	S2	64.12	-39.88	256.42	64.12	-39.88	558.85	64.12	-38.57	558.94	64.12	-38.57	861.37
			TQ	3.29	1.66	-241.83	3.29	1.66	-226.31	2.75	1.21	-181.22	2.75	1.21	-168.26
			M3	3.61	-39.06	581.31	33.76	-34.39	654.34	33.76	-32.85	654.42	60.07	-30.28	911.35
		MIN	S2	-11.33	-26.31	444.54	-11.33	-26.31	391.12	-11.33	-25.39	391.18	-11.33	-25.39	337.76
			TQ	46.99	-64.37	57.28	46.99	-64.37	278.94	46.99	-63.72	279.09	46.99	-63.72	500.74
			M3	3.94	1.47	-328.26	3.94	1.47	-309.69	3.94	0.74	-309.70	3.94	0.74	-291.13
	DISPERSION-LMAX	MAX	S2	106.15	-131.74	-334.46	105.24	-130.90	152.40	105.24	-130.54	152.70	104.26	-130.54	646.79
			TQ	6.84	2.84	-568.11	6.84	2.84	-535.85	6.84	1.58	-535.86	6.84	1.58	-503.60
			M3	56.41	-77.14	674.73	92.90	-146.05	1044.05	92.90	-143.60	1044.40	91.92	-143.60	1480.27
		MIN	S2	-5.43	-11.47	369.90	-5.50	-12.31	355.81	-5.50	-11.47	355.83	-5.50	-11.47	329.87
			TQ	93.88	-146.05	603.55	92.90	-146.05	1044.05	92.90	-143.60	1044.40	91.92	-143.60	1480.27
			M3	44.31	-66.07	-639.29	6.84	2.84	-535.85	6.84	1.58	-535.86	6.84	1.58	-503.60
63	1-LANE (case3TRUCK-LOAD	MAX	S2	63.26	89.32	212.65	63.26	89.32	511.03	63.26	90.52	510.82	63.26	90.52	809.21
			TQ	62.80	92.02	271.30	62.80	92.02	567.54	62.80	93.36	567.32	62.80	93.36	863.56
			M3	22.33	16.57	485.35	45.70	64.95	650.97	45.70	66.47	650.82	57.15	87.86	899.58
		MIN	S2	-0.86	-0.23	132.03	-0.86	-0.23	127.95	-0.86	0.07	127.95	-0.86	0.07	123.88
			TQ	1.65	-11.66	339.96	1.65	-11.66	347.73	1.65	-10.84	347.76	1.65	-10.84	355.53
			M3	2.03	0.49	-426.32	2.03	0.49	-416.73	2.03	-0.49	-416.73	2.03	-0.49	-407.14

BAGO RIVER BRIDGE

BLOCK [ No.1 : MAIN GIRDER ][ BEAM MEMBER FORCE ]

MEMBER		1037			1038			1038			1039					
NODE		1037			1038			1038			1039					
NAME TITLE		SHEAR	TORQUE	MOMENT	SHEAR	TORQUE	MOMENT	SHEAR	TORQUE	MOMENT	SHEAR	TORQUE	MOMENT			
		S2 (kN)	TQ (kN·m)	M3 (kN·m)	S2 (kN)	TQ (kN·m)	M3 (kN·m)	S2 (kN)	TQ (kN·m)	M3 (kN·m)	S2 (kN)	TQ (kN·m)	M3 (kN·m)			
63	1-LANE (case3TANDEM-LOAD	MAX	S2	43.34	61.56	152.25	43.34	61.56	356.69	43.34	62.40	356.55	43.34	62.40	560.99	
			TQ	41.92	63.13	211.88	41.92	63.13	409.60	41.92	64.10	409.45	41.92	64.10	607.18	
			M3	12.41	4.88	335.70	33.63	50.25	446.17	33.63	51.30	446.05	35.99	55.84	612.94	
		MIN	S2	-0.69	-4.13	109.15	-0.69	-4.13	105.90	-0.69	-3.88	105.91	-0.69	-3.88	102.67	
			TQ	2.43	-8.74	274.94	2.43	-8.74	286.39	2.43	-8.06	286.41	2.43	-8.06	297.87	
			M3	1.37	0.33	-290.15	1.37	0.33	-283.67	1.37	-0.33	-283.67	1.37	-0.33	-277.19	
		DISPERSION-LMAX	S2	83.55	120.84	-217.92	83.55	120.84	176.20	83.55	121.25	175.91	83.55	121.25	570.03	
			TQ	82.37	122.80	-291.06	82.37	122.80	97.45	79.51	123.53	632.04	79.51	123.53	1007.08	
			M3	51.90	68.63	530.02	79.80	117.73	862.26	79.80	119.75	861.98	79.80	119.75	1238.38	
	MIN	S2	-1.29	-1.98	202.32	-1.29	-1.98	196.22	-1.29	-1.52	196.22	-1.29	-1.52	190.12		
		TQ	-0.11	-3.94	275.46	-0.11	-3.94	274.96	2.75	-3.79	-259.90	2.75	-3.79	-246.93		
		M3	30.36	50.23	-545.62	2.46	1.13	-489.85	2.46	-0.02	-489.85	2.46	-0.02	-478.24		
	64	1-LANE (case4TRUCK-LOAD	MAX	S2	42.32	291.74	101.11	42.32	291.74	300.71	42.32	292.44	300.03	42.32	292.44	499.63
				TQ	40.54	300.94	153.97	40.54	300.94	345.19	40.54	301.75	344.48	40.54	301.75	535.70
				M3	28.66	248.56	217.36	33.38	282.69	365.31	33.38	283.55	364.64	38.22	300.22	538.59
MIN			S2	-6.10	-3.71	-270.77	-6.10	-3.71	-299.56	-6.10	-4.41	-299.55	-6.10	-4.41	-328.34	
			TQ	-5.52	-4.22	-181.25	-5.52	-4.22	-207.26	-5.52	-4.70	-207.25	-5.52	-4.70	-233.27	
			M3	-5.35	-2.96	-317.46	-5.35	-2.96	-342.71	-5.35	-3.76	-342.70	-5.52	-3.86	-368.31	
TANDEM-LOAD			MAX	S2	28.80	201.44	81.42	28.80	201.44	217.28	28.80	201.95	216.80	28.80	201.95	352.66
			TQ	27.24	205.35	110.11	27.24	205.35	238.60	27.24	205.91	238.12	27.24	205.91	366.60	
			M3	19.76	174.86	149.53	23.33	196.38	249.81	23.33	196.96	249.35	26.59	205.49	367.41	
MIN		S2	-4.16	-2.55	-180.05	-4.16	-2.55	-199.69	-4.16	-3.01	-199.68	-4.16	-3.01	-219.31		
		TQ	-3.51	-2.93	-102.52	-3.51	-2.93	-119.06	-3.51	-3.21	-119.05	-3.51	-3.21	-135.59		
		M3	-3.56	-1.96	-216.34	-3.56	-1.96	-233.13	-3.56	-2.51	-233.13	-3.87	-2.69	-250.47		

BAGO RIVER BRIDGE

BLOCK [ No.1 : MAIN GIRDER ][ BEAM MEMBER FORCE ]

MEMBER NODE	1037	1038			1039			1038			1039			
		SHEAR	TORQUE	MOMENT	SHEAR	TORQUE	MOMENT	SHEAR	TORQUE	MOMENT	SHEAR	TORQUE	MOMENT	
NAME TITLE	S2 (kN)	TQ (kN·m)	M3 (kN·m)	S2 (kN)	TQ (kN·m)	M3 (kN·m)	S2 (kN)	TQ (kN·m)	M3 (kN·m)	S2 (kN)	TQ (kN·m)	M3 (kN·m)		
64 1-LANE (case4DISPERSION-LMAX	S2	63.37	433.33	225.09	63.37	433.33	523.98	63.37	434.56	522.96	63.37	434.56	821.85	
	TQ	63.26	433.39	318.01	63.26	433.39	616.40	63.26	434.84	615.38	63.26	434.84	913.77	
	M3	46.44	314.26	339.09	63.26	433.39	616.40	63.26	434.84	615.38	63.26	434.84	913.77	
	MIN S2	-6.58	-4.11	-275.95	-6.58	-4.11	-307.00	-6.58	-4.84	-306.99	-6.58	-4.84	-338.03	
	TQ	-6.48	-4.18	-368.87	-6.48	-4.18	-399.42	-6.48	-5.12	-399.41	-6.48	-5.12	-429.95	
	M3	10.34	114.95	-389.95	-6.48	-4.18	-399.42	-6.48	-5.12	-399.41	-6.48	-5.12	-429.95	
	65 2-LANES (caseTRUCK-LOAD	MAX S2	474.78	-214.86	2177.92	350.19	-392.31	3035.85	350.19	-385.17	3036.77	255.57	-512.83	3342.72
		TQ	-6.72	11.71	90.64	-6.72	11.71	58.93	-6.79	11.86	74.22	-6.79	11.86	42.20
		M3	435.52	-169.74	2225.23	311.93	-346.60	3084.23	311.93	-339.36	3085.03	207.15	-484.10	3371.20
MIN S2		-71.83	-55.25	2104.12	-164.28	-185.54	2887.90	-164.28	-178.75	2888.33	-288.45	-355.80	3158.04	
TQ		195.25	-571.52	478.36	195.25	-571.52	1399.33	195.25	-568.23	1400.67	195.25	-568.23	2321.64	
M3		19.09	7.48	-1074.17	18.85	7.41	-984.73	18.85	5.10	-984.75	18.85	5.10	-895.82	
TANDEM-LOAD MAX S2		363.33	-84.74	1791.50	275.13	-212.58	2401.25	275.13	-206.94	2401.74	192.63	-324.04	2564.68	
TQ		-7.56	8.32	169.09	-7.56	8.32	133.43	-7.58	8.64	137.69	-7.58	8.64	101.94	
M3		363.34	-84.74	1791.50	275.14	-212.58	2401.25	275.14	-206.94	2401.74	192.63	-324.04	2564.68	
MIN S2	-66.67	-60.99	1781.25	-149.21	-180.48	2379.46	-149.21	-174.89	2379.88	-237.06	-300.75	2537.25		
TQ	135.24	-388.47	356.77	135.24	-388.47	994.66	127.70	-386.14	882.27	127.70	-386.14	1484.63		
M3	12.99	5.11	-732.59	12.93	5.09	-671.47	12.93	3.51	-671.48	12.93	3.51	-610.50		
DISPERSION-LMAX S2	330.02	-761.04	-758.11	271.75	-737.79	257.92	271.75	-737.18	259.66	229.21	-693.96	990.62		
TQ	18.28	10.18	-1115.01	18.28	10.18	-1028.79	17.75	7.78	-1010.86	17.75	7.78	-927.15		
M3	195.69	-392.76	1559.17	210.20	-777.82	2545.99	210.20	-771.83	2547.81	131.42	-771.83	3353.49		
MIN S2	-18.80	-8.68	859.56	-39.31	-31.94	1125.73	-39.31	-29.29	1125.80	-75.55	-72.52	1305.44		
TQ	292.94	-779.91	1216.46	214.16	-779.91	2412.44	214.70	-774.26	2396.32	135.92	-774.26	3223.21		
M3	115.53	-376.97	-1457.72	22.25	8.09	-1162.34	22.25	5.36	-1162.36	22.25	5.36	-1057.42		

BAGO RIVER BRIDGE

BLOCK [ No.1 : MAIN GIRDER ][ BEAM MEMBER FORCE ]

MEMBER				1037			1038			1038			1039		
NODE				1037			1038			1038			1039		
				SHEAR	TORQUE	MOMENT	SHEAR	TORQUE	MOMENT	SHEAR	TORQUE	MOMENT	SHEAR	TORQUE	MOMENT
NAME	TITLE			S2 (kN)	TQ (kN·m)	M3 (kN·m)	S2 (kN)	TQ (kN·m)	M3 (kN·m)	S2 (kN)	TQ (kN·m)	M3 (kN·m)	S2 (kN)	TQ (kN·m)	M3 (kN·m)
66	2-LANES (caseTRUCK-LOAD	MAX	S2	242.30	-148.45	1408.22	224.11	-201.26	2152.79	224.11	-196.20	2153.26	206.64	-238.54	2822.56
			TQ	13.02	5.73	-849.99	13.02	5.73	-788.60	12.52	3.93	-738.23	12.52	3.93	-679.20
			M3	150.70	-131.81	1822.79	173.60	-180.02	2268.17	173.60	-174.69	2268.58	184.83	-223.53	2855.17
		MIN	S2	-40.93	-72.78	1545.54	-56.88	-116.03	1765.04	-56.88	-111.88	1765.30	-74.88	-164.55	1927.67
			TQ	157.79	-311.46	270.99	157.79	-311.46	1015.28	157.79	-309.07	1016.01	157.79	-309.07	1760.30
			M3	13.96	5.33	-1000.16	13.96	5.33	-934.31	13.96	3.14	-934.32	13.96	3.14	-868.47
		TANDEM-LOAD MAX	S2	172.14	-84.24	1042.18	159.83	-121.72	1552.07	159.83	-118.07	1552.35	147.43	-153.20	2014.59
			TQ	9.01	3.91	-588.83	9.01	3.91	-546.33	8.45	2.72	-496.97	8.45	2.72	-457.11
			M3	111.64	-83.42	1367.08	129.48	-116.23	1647.56	129.48	-112.36	1647.83	143.38	-144.92	2064.57
		MIN	S2	-34.50	-62.88	1224.83	-46.47	-98.72	1374.09	-46.47	-95.49	1374.32	-58.97	-132.39	1478.82
			TQ	104.49	-212.11	159.31	104.49	-212.11	652.17	104.49	-210.58	652.67	104.49	-210.58	1145.53
			M3	9.56	3.66	-681.84	9.56	3.66	-636.75	9.56	2.17	-636.76	9.56	2.17	-591.67
		DISPERSION-LMAX	S2	248.69	-427.86	-697.02	229.56	-416.87	256.22	229.56	-416.26	257.20	212.74	-401.37	1125.40
			TQ	16.42	6.53	-1174.93	16.42	6.53	-1097.49	16.34	3.96	-1094.53	16.34	3.96	-1017.45
			M3	137.18	-235.63	1422.39	193.92	-453.75	2236.92	193.92	-448.49	2237.98	169.33	-448.49	3094.67
MIN	S2	-13.64	-19.36	781.25	-19.10	-30.36	878.72	-19.10	-28.29	878.79	-26.87	-43.19	945.29		
	TQ	218.63	-453.76	1259.16	194.04	-453.76	2232.43	194.12	-448.51	2230.51	169.53	-448.51	3088.15		
	M3	97.87	-211.60	-1338.16	16.54	6.52	-1101.98	16.54	3.93	-1101.99	16.54	3.93	-1023.98		
67	2-LANES (caseTRUCK-LOAD	MAX	S2	114.34	282.65	361.07	114.34	282.65	900.40	114.34	284.77	899.73	114.34	284.77	1439.06
			TQ	113.60	287.25	453.81	113.60	287.25	989.65	113.60	289.57	988.97	113.60	289.57	1524.81
			M3	54.44	134.35	808.86	85.16	223.68	1140.42	85.16	226.36	1139.89	103.10	273.13	1591.54
		MIN	S2	-2.16	-0.69	-118.19	-2.16	-0.69	-128.39	-2.16	-0.99	-128.39	-2.16	-0.99	-138.60
			TQ	0.70	-12.42	-19.34	0.70	-12.42	-16.01	0.89	-12.48	-32.50	0.89	-12.48	-28.31
			M3	1.65	-0.15	-816.67	1.65	-0.15	-808.88	1.65	-2.05	-808.88	1.57	-2.08	-801.36

BAGO RIVER BRIDGE

BLOCK [ No.1 : MAIN GIRDER ][ BEAM MEMBER FORCE ]

MEMBER		1037			1038			1038			1039						
NODE		1037			1038			1038			1039						
		SHEAR	TORQUE	MOMENT	SHEAR	TORQUE	MOMENT	SHEAR	TORQUE	MOMENT	SHEAR	TORQUE	MOMENT				
NAME	TITLE	S2 (kN)	TQ (kN·m)	M3 (kN·m)	S2 (kN)	TQ (kN·m)	M3 (kN·m)	S2 (kN)	TQ (kN·m)	M3 (kN·m)	S2 (kN)	TQ (kN·m)	M3 (kN·m)				
67	2-LANES (caseTANDEM-LOAD	MAX	S2	78.20	193.86	258.93	78.20	193.86	627.81	78.20	195.33	627.35	78.20	195.33	996.23		
			TQ	76.70	195.96	328.06	76.70	195.96	689.86	76.70	197.58	689.39	76.70	197.58	1051.19		
			M3	33.28	78.77	557.89	59.44	155.09	780.39	59.44	156.92	780.02	66.56	180.68	1084.35		
		MIN	S2	-1.59	-4.50	-70.82	-1.59	-4.50	-78.34	-1.59	-4.68	-78.33	-1.59	-4.68	-85.85		
			TQ	1.82	-9.26	25.74	1.82	-9.26	34.35	1.88	-9.18	29.76	1.88	-9.18	38.61		
			M3	1.17	-0.08	-555.36	1.03	-0.13	-550.37	1.03	-1.43	-550.37	1.03	-1.43	-545.51		
			DISPERSION-LMAX	S2	155.84	396.67	-153.15	155.84	396.67	581.95	155.84	398.03	581.01	155.84	398.03	1316.11	
			TQ	154.23	398.96	-101.26	154.23	398.96	626.24	150.61	401.20	1351.39	150.61	401.20	2061.80		
			M3	101.13	251.62	968.90	151.05	393.49	1605.51	151.05	397.26	1604.58	151.05	397.26	2317.05		
			MIN	S2	-2.91	-2.65	88.45	-2.91	-2.65	74.72	-2.91	-2.48	74.73	-2.91	-2.48	61.00	
			TQ	-1.30	-4.94	36.57	-1.30	-4.94	30.43	2.32	-5.64	-695.65	2.32	-5.64	-684.69		
			M3	51.81	142.39	-1033.60	1.89	0.53	-948.84	1.89	-1.70	-948.83	1.89	-1.70	-939.94		
		68	2-LANES (caseTRUCK-LOAD	MAX	S2	93.40	485.07	249.53	93.40	485.07	690.08	93.40	486.69	688.94	93.40	486.69	1129.48
					TQ	91.34	496.17	336.48	91.34	496.17	767.30	91.34	497.97	766.13	91.34	497.97	1196.95
					M3	60.77	366.34	540.87	72.84	441.43	854.75	72.84	443.43	853.71	84.17	485.49	1230.55
MIN	S2			-9.48	-5.80	-591.49	-9.48	-5.80	-636.20	-9.48	-7.29	-636.18	-9.48	-7.29	-680.89		
	TQ			-8.89	-6.31	-491.67	-8.89	-6.31	-533.60	-8.89	-7.59	-547.24	-8.89	-7.59	-589.15		
	M3			-8.29	-4.79	-670.08	-8.34	-4.81	-709.37	-8.34	-6.48	-709.35	-8.60	-6.63	-749.22		
	TANDEM-LOAD			MAX	S2	63.66	333.74	188.10	63.66	333.74	488.39	63.66	334.88	487.61	63.66	334.88	787.90
	TQ			62.02	338.18	226.30	62.02	338.18	518.85	62.02	339.39	518.06	62.02	339.39	810.61		
	M3			40.63	248.74	371.72	49.14	301.21	584.03	49.14	302.59	583.32	57.17	330.33	838.82		
	MIN			S2	-6.46	-3.98	-387.20	-6.46	-3.98	-417.67	-6.46	-4.96	-417.66	-6.46	-4.96	-448.14	
	TQ			-5.81	-4.36	-309.66	-5.81	-4.36	-337.04	-5.79	-5.17	-354.64	-5.79	-5.17	-381.97		
	M3			-5.50	-3.18	-456.19	-5.71	-3.29	-482.16	-5.71	-4.42	-482.15	-6.03	-4.60	-509.65		

BAGO RIVER BRIDGE

BLOCK [ No.1 : MAIN GIRDER ][ BEAM MEMBER FORCE ]

MEMBER		1037			1038			1038			1039						
NODE		1037			1038			1038			1039						
		SHEAR	TORQUE	MOMENT	SHEAR	TORQUE	MOMENT	SHEAR	TORQUE	MOMENT	SHEAR	TORQUE	MOMENT				
NAME	TITLE	S2 (kN)	TQ (kN·m)	M3 (kN·m)	S2 (kN)	TQ (kN·m)	M3 (kN·m)	S2 (kN)	TQ (kN·m)	M3 (kN·m)	S2 (kN)	TQ (kN·m)	M3 (kN·m)				
68	2-LANES (caseDISPERSION-LMAX	S2	135.61	709.98	480.88	135.61	709.98	1120.52	135.61	712.61	1118.85	135.61	712.61	1758.49			
		TQ	135.27	710.11	655.01	135.27	710.11	1293.07	135.13	713.26	1344.76	135.13	713.26	1982.15			
		M3	96.33	498.18	765.39	135.17	710.07	1350.21	135.17	713.24	1348.53	135.17	713.24	1986.14			
		MIN	S2	-10.30	-6.31	-551.61	-10.30	-6.31	-600.21	-10.30	-7.72	-600.19	-10.30	-7.72	-648.79		
		TQ	-9.97	-6.44	-725.74	-9.97	-6.44	-772.75	-9.83	-8.37	-826.10	-9.83	-8.37	-872.45			
		M3	28.97	205.49	-836.12	-9.87	-6.40	-829.89	-9.87	-8.35	-829.87	-9.87	-8.35	-876.43			
		69	3-LANES (caseTRUCK-LOAD	MAX	S2	566.18	-271.46	2594.09	441.59	-448.90	3883.12	441.59	-439.78	3884.16	346.96	-567.44	4621.22
				TQ	-2.10	14.15	-247.09	-2.10	14.15	-256.98	-2.60	13.59	-206.63	-2.60	13.59	-218.88	
				M3	451.61	-223.87	3034.84	368.85	-396.18	4031.20	368.85	-386.70	4032.12	293.15	-534.10	4668.97	
MIN	S2			-85.11	-88.94	2696.28	-177.57	-219.22	3417.40	-177.57	-211.19	3417.90	-301.74	-388.24	3624.94		
TQ	265.97			-665.97	577.58	265.97	-665.97	1832.10	265.97	-661.67	1833.66	265.97	-661.67	3088.18			
M3	24.84			9.62	-1555.85	24.61	9.55	-1439.28	24.61	6.17	-1439.29	24.61	6.17	-1323.23			
TANDEM-LOAD	MAX			S2	427.45	-124.62	2047.92	339.25	-252.46	2960.09	339.25	-245.50	2960.68	256.75	-362.60	3426.05	
TQ	-4.27			9.99	-72.74	-4.27	9.99	-92.88	-4.83	9.85	-43.53	-4.83	9.85	-66.32			
M3	366.95			-123.80	2372.81	308.90	-246.97	3055.59	308.90	-239.79	3056.16	252.70	-354.31	3476.03			
MIN	S2	-77.99	-87.30	2225.79	-160.54	-206.79	2770.58	-160.54	-200.28	2771.06	-248.39	-326.14	2875.01				
TQ	182.23	-452.84	414.05	182.23	-452.84	1273.59	174.70	-449.86	1161.36	174.70	-449.86	1985.38					
M3	16.93	6.58	-1060.85	16.86	6.56	-981.16	16.86	4.25	-981.18	16.86	4.25	-901.63					
DISPERSION-LMAX	S2	436.17	-892.79	-1092.57	376.99	-868.69	410.32	376.99	-867.73	412.36	333.47	-824.50	1637.42				
TQ	25.12	13.02	-1683.12	25.12	13.02	-1564.64	24.59	9.37	-1546.72	24.59	9.37	-1430.75					
M3	252.10	-469.89	2233.90	303.10	-923.87	3590.04	303.10	-915.43	3592.21	223.33	-915.43	4833.75					
MIN	S2	-24.23	-20.15	1229.46	-44.81	-44.24	1481.53	-44.81	-40.76	1481.63	-81.05	-83.99	1635.31				
TQ	386.83	-925.96	1820.00	307.06	-925.96	3456.49	307.60	-917.85	3440.71	227.83	-917.85	4703.48					
M3	159.84	-443.04	-2097.01	29.08	10.93	-1698.19	29.08	6.94	-1698.22	29.08	6.94	-1561.03					

BAGO RIVER BRIDGE

BLOCK [ No.1 : MAIN GIRDER ][ BEAM MEMBER FORCE ]

MEMBER				1037			1038			1038			1039			
NODE				1037			1038			1038			1039			
NAME TITLE				SHEAR	TORQUE	MOMENT	SHEAR	TORQUE	MOMENT	SHEAR	TORQUE	MOMENT	SHEAR	TORQUE	MOMENT	
				S2 (kN)	TQ (kN·m)	M3 (kN·m)	S2 (kN)	TQ (kN·m)	M3 (kN·m)	S2 (kN)	TQ (kN·m)	M3 (kN·m)	S2 (kN)	TQ (kN·m)	M3 (kN·m)	
70	3-LANES (case	TRUCK-LOAD	MAX	S2	156.66	574.44	462.31	156.66	574.44	1201.25	156.66	577.26	1199.90	156.66	577.26	1938.83
				TQ	154.14	588.19	607.81	154.14	588.19	1334.86	154.14	591.33	1333.47	154.14	591.33	2060.52
				M3	83.10	382.91	1026.22	118.54	506.37	1505.72	118.54	509.91	1504.53	141.33	573.35	2130.13
			MIN	S2	-6.11	-3.29	-370.79	-6.11	-3.29	-399.60	-6.11	-4.23	-399.59	-6.11	-4.23	-428.40
				TQ	-3.00	-15.16	-203.95	-3.00	-15.16	-218.12	-2.98	-15.74	-263.57	-2.98	-15.74	-277.64
				M3	-1.12	-1.90	-1171.67	-1.18	-1.93	-1177.07	-1.18	-4.70	-1177.06	-1.34	-4.77	-1182.93
		TANDEM-LOAD	MAX	S2	107.01	395.31	340.37	107.01	395.31	845.10	107.01	397.29	844.17	107.01	397.29	1348.91
			TQ	103.94	401.31	438.18	103.94	401.31	928.46	103.94	403.49	927.51	103.94	403.49	1417.79	
			M3	53.03	253.63	707.42	82.77	351.47	1030.20	82.77	353.89	1029.37	93.15	386.16	1451.76	
			MIN	S2	-4.31	-6.29	-235.85	-4.31	-6.29	-256.17	-4.31	-6.90	-256.15	-4.31	-6.90	-276.47
				TQ	-0.69	-11.16	-91.08	-0.69	-11.16	-94.36	-0.82	-11.40	-136.86	-0.82	-11.40	-140.71
				M3	-0.65	-1.24	-797.05	-0.79	-1.29	-800.64	-0.79	-3.17	-800.64	-1.03	-3.30	-805.12
		DISPERSION-LMAX	MAX	S2	218.94	829.34	30.42	218.94	829.34	1063.11	218.94	831.83	1061.15	218.94	831.83	2093.84
			TQ	217.25	831.65	122.70	217.25	831.65	1147.46	213.23	835.31	1976.43	213.23	835.31	2982.19	
			M3	146.94	565.21	1320.67	213.66	826.12	2231.56	213.66	831.37	2229.62	213.66	831.37	3237.43	
			MIN	S2	-7.05	-5.25	-175.15	-7.05	-5.25	-208.38	-7.05	-5.74	-208.36	-7.05	-5.74	-241.60
				TQ	-5.36	-7.56	-267.43	-5.36	-7.56	-292.73	-1.34	-9.22	-1123.64	-1.34	-9.22	-1129.94
				M3	64.95	258.87	-1465.40	-1.77	-2.04	-1376.83	-1.77	-5.28	-1376.83	-1.77	-5.28	-1385.19
71	3-LANES (case	TRUCK-LOAD	MAX	S2	156.66	574.39	462.18	156.66	574.39	1201.11	156.66	577.21	1199.76	156.66	577.21	1938.69
				TQ	154.14	588.19	607.78	154.14	588.19	1334.84	154.14	591.32	1333.45	154.14	591.32	2060.51
				M3	87.81	392.01	1026.01	118.54	506.37	1505.72	118.54	509.91	1504.53	141.33	573.35	2130.13
			MIN	S2	-10.14	-6.49	-969.57	-10.14	-6.49	-1017.40	-10.14	-8.88	-1017.38	-10.14	-8.88	-1065.22
				TQ	-6.66	-16.73	-159.64	-6.66	-16.73	-191.06	-6.66	-17.20	-204.68	-6.66	-17.20	-236.10
				M3	-8.85	-5.51	-1058.29	-8.92	-5.54	-1100.24	-8.92	-8.12	-1100.22	-9.18	-8.27	-1142.83

BAGO RIVER BRIDGE

BLOCK [ No.1 : MAIN GIRDER ][ BEAM MEMBER FORCE ]

MEMBER				1037			1038			1039								
NODE				1037			1038			1038			1039					
NAME TITLE				SHEAR	TORQUE	MOMENT	SHEAR	TORQUE	MOMENT	SHEAR	TORQUE	MOMENT	SHEAR	TORQUE	MOMENT			
				S2 (kN)	TQ (kN·m)	M3 (kN·m)	S2 (kN)	TQ (kN·m)	M3 (kN·m)	S2 (kN)	TQ (kN·m)	M3 (kN·m)	S2 (kN)	TQ (kN·m)	M3 (kN·m)			
71	3-LANES (case)	TANDEM-LOAD	MAX	S2	107.01	395.30	340.35	107.01	395.30	845.08	107.01	397.29	844.15	107.01	397.29	1348.89		
				TQ	103.94	401.31	438.18	103.94	401.31	928.46	103.94	403.49	927.51	103.94	403.49	1417.79		
				M3	53.03	253.63	707.42	82.77	351.47	1030.20	82.77	353.89	1029.37	93.15	386.16	1451.76		
			MIN	S2	-6.91	-4.44	-642.71	-6.91	-4.44	-675.31	-6.91	-6.03	-675.30	-6.91	-6.03	-707.90		
				TQ	-3.11	-12.43	-38.57	-3.11	-12.43	-53.25	-3.10	-12.57	-70.83	-3.10	-12.57	-85.45		
				M3	-5.93	-3.69	-720.02	-6.14	-3.80	-748.02	-6.14	-5.55	-748.01	-6.46	-5.74	-777.53		
		DISPERSION-LMAX	S2	217.09	829.71	573.09	217.09	829.71	1597.10	217.09	833.46	1595.14	217.09	833.46	2619.15			
			TQ	215.25	832.07	793.54	215.25	832.07	1808.84	214.61	836.73	2039.79	214.61	836.73	3052.05			
			M3	148.89	567.36	1283.17	215.64	828.33	2203.34	215.64	833.51	2201.39	215.64	833.51	3218.52			
		MIN	S2	-11.64	-8.04	-630.13	-11.64	-8.04	-685.06	-11.64	-9.65	-685.04	-11.64	-9.65	-739.96			
			TQ	-9.80	-10.41	-850.58	-9.80	-10.41	-896.80	-9.16	-12.93	-1129.68	-9.16	-12.93	-1172.87			
			M3	56.56	254.30	-1340.21	-10.19	-6.67	-1291.30	-10.19	-9.70	-1291.29	-10.19	-9.70	-1339.33			
		72	4-LANES	TRUCK-LOAD	MAX	S2	2.43	0.44	-571.17	2.43	0.44	-559.69	2.43	-0.87	-559.69	2.43	-0.87	-548.22
						TQ	2.09	0.70	-262.99	2.09	0.70	-253.13	-1.58	0.96	465.49	-1.58	0.96	458.03
						M3	-1.84	-0.22	494.80	-1.84	-0.22	486.12	-1.84	0.92	486.12	-1.84	0.92	477.45
MIN	S2				-9.73	-5.13	-414.03	-9.73	-5.13	-459.91	-9.73	-6.21	-459.90	-9.73	-6.21	-505.78		
	TQ				-9.55	-5.68	-928.45	-9.55	-5.68	-973.48	-6.66	-8.54	-1516.82	-6.66	-8.54	-1548.21		
	M3				-6.58	-4.94	-1485.83	-6.58	-4.94	-1516.88	-6.58	-8.50	-1516.86	-6.66	-8.54	-1548.21		
TANDEM-LOAD	MAX			S2	1.67	0.34	-364.84	1.67	0.34	-356.96	1.67	-0.50	-356.96	1.67	-0.50	-349.07		
				TQ	1.42	0.49	-184.05	1.42	0.49	-177.36	-1.09	0.66	319.17	-1.09	0.66	314.00		
				M3	-1.26	-0.15	336.03	-1.24	-0.15	330.11	-1.24	0.63	330.11	-1.22	0.64	324.32		
MIN	S2			-6.96	-3.68	-278.55	-6.96	-3.68	-311.40	-6.96	-4.42	-311.39	-6.96	-4.42	-344.24			
	TQ			-6.94	-4.09	-628.63	-6.94	-4.09	-661.34	-4.96	-6.04	-1030.06	-4.96	-6.04	-1053.47			
	M3			-4.45	-3.30	-1011.72	-4.45	-3.30	-1032.73	-4.45	-5.73	-1032.72	-4.99	-6.03	-1055.16			



BAGO RIVER BRIDGE

BLOCK [ No.1 : MAIN GIRDER ][ BEAM MEMBER FORCE ]

MEMBER				1037			1038			1039							
NODE				1037			1038			1038			1039				
NAME TITLE				SHEAR	TORQUE	MOMENT	SHEAR	TORQUE	MOMENT	SHEAR	TORQUE	MOMENT	SHEAR	TORQUE	MOMENT		
				S2 (kN)	TQ (kN·m)	M3 (kN·m)	S2 (kN)	TQ (kN·m)	M3 (kN·m)	S2 (kN)	TQ (kN·m)	M3 (kN·m)	S2 (kN)	TQ (kN·m)	M3 (kN·m)		
72	4-LANES	DISPERSION-LMAX	S2	1.90	0.38	-413.95	1.90	0.38	-404.97	1.90	-0.58	-404.97	1.90	-0.58	-395.99		
			TQ	1.46	0.56	-99.07	1.46	0.56	-92.18	-2.09	1.18	588.01	-2.09	1.18	578.18		
			M3	-2.25	-0.27	602.10	-2.25	-0.27	591.51	-2.25	1.12	591.51	-2.25	1.12	580.91		
	MIN	S2	-6.99	-3.31	-59.81	-6.99	-3.31	-92.77	-6.99	-3.53	-92.76	-6.99	-3.53	-125.71			
		TQ	-6.54	-3.49	-366.48	-6.54	-3.49	-397.35	-2.91	-5.25	-1088.65	-2.91	-5.25	-1102.36			
		M3	-2.76	-2.63	-1077.62	-2.76	-2.63	-1090.65	-2.76	-5.19	-1090.64	-2.76	-5.19	-1103.67			
	73	6-LANES	TRUCK-LOAD	MAX	S2	694.28	289.46	3067.84	584.39	123.98	5058.56	584.39	135.87	5058.25	499.71	15.37	6563.87
				TQ	154.40	560.87	478.98	154.40	560.87	1207.27	153.36	563.86	1316.60	153.36	563.86	2039.99	
				M3	504.49	147.92	4046.45	479.53	110.07	5479.24	479.53	122.95	5478.97	435.70	45.66	6783.02	
MIN		S2	-89.52	-103.67	2262.47	-171.92	-226.51	2913.81	-171.92	-219.66	2914.33	-281.40	-384.75	3117.59			
		TQ	256.81	-638.99	460.94	256.81	-638.99	1672.30	256.89	-635.08	1658.30	256.89	-635.08	2870.03			
		M3	16.11	4.27	-2615.63	15.88	4.20	-2540.30	15.88	-1.77	-2540.31	15.64	-1.91	-2466.01			
TANDEM-LOAD		MAX	S2	510.11	256.40	2362.07	432.50	137.38	3747.44	432.50	146.18	3747.10	359.62	36.89	4744.24		
		TQ	106.70	383.89	290.24	106.70	383.89	793.52	100.50	385.93	1045.08	100.50	385.93	1519.14			
		M3	392.74	119.64	3055.02	379.15	101.18	4023.85	379.15	110.64	4023.60	342.79	37.54	4902.41			
MIN	S2	-79.43	-98.74	1963.43	-152.21	-210.25	2453.48	-152.21	-204.48	2453.96	-229.59	-321.66	2561.57				
	TQ	168.56	-436.59	296.72	168.56	-436.59	1091.81	168.59	-434.03	1088.51	168.59	-434.03	1883.70				
	M3	11.10	3.01	-1781.63	10.86	2.90	-1729.71	10.86	-1.17	-1729.71	10.55	-1.34	-1679.09				
DISPERSION-LMAX	S2	611.56	-90.07	-727.50	555.12	-67.66	1635.55	555.12	-63.81	1635.71	514.12	-23.16	3738.67				
	TQ	222.91	787.37	-1142.22	222.91	787.37	-90.79	218.84	788.06	668.82	218.84	788.06	1701.07				
	M3	379.44	87.15	3374.17	481.95	-90.04	5508.36	482.02	-78.55	5508.56	406.81	-107.87	7605.48				
MIN	S2	-33.55	-26.94	755.26	-53.29	-49.72	943.94	-53.29	-47.50	944.06	-88.10	-88.90	1041.69				
	TQ	353.03	-873.26	1161.46	276.77	-873.26	2646.79	280.50	-867.86	1951.51	204.24	-867.86	3094.73				
	M3	200.37	-185.13	-3295.86	19.69	5.27	-2878.55	19.69	-1.50	-2878.55	19.69	-1.50	-2785.69				

BAGO RIVER BRIDGE

BLOCK [ No.1 : MAIN GIRDER ][ BEAM MEMBER FORCE ]

MEMBER			1037			1038			1038			1039			
NODE			1037			1038			1038			1039			
NAME TITLE			SHEAR	TORQUE	MOMENT	SHEAR	TORQUE	MOMENT	SHEAR	TORQUE	MOMENT	SHEAR	TORQUE	MOMENT	
			S2 (kN)	TQ (kN·m)	M3 (kN·m)	S2 (kN)	TQ (kN·m)	M3 (kN·m)	S2 (kN)	TQ (kN·m)	M3 (kN·m)	S2 (kN)	TQ (kN·m)	M3 (kN·m)	
124	SUM TOTAL	D+1LANE (caseMAX	S2	2839.70	-1032.00	687.74	2389.23	-1165.84	11852.84	2389.23	-1137.98	11855.55	1989.86	-1206.38	20921.33
			TQ	2218.39	-308.59	-146.97	1943.64	-308.59	9668.90	1943.10	-285.84	9687.56	1668.36	-285.84	18204.95
			M3	2725.08	-718.07	2167.64	2316.66	-1150.01	13330.93	2316.66	-1118.68	13333.60	1871.39	-1236.94	22411.98
		MIN	S2	2160.36	-346.81	1658.09	1775.67	-466.96	12297.75	1775.67	-438.06	12298.81	1339.36	-621.32	21013.28
			TQ	2557.72	-1318.53	780.26	2216.77	-1318.53	12040.59	2217.32	-1290.25	12025.68	1876.37	-1290.25	21680.38
			M3	2313.51	-599.06	-1838.09	1979.17	-316.12	8270.12	1979.17	-296.69	8270.84	1704.43	-296.69	16958.36
		D+1LANE (caseMAX	S2	2463.14	-552.48	-162.59	2187.30	-551.48	10791.13	2187.30	-526.12	10792.39	1911.38	-526.12	20458.87
			TQ	2239.84	-320.14	-1347.64	1965.10	-320.14	8569.42	1964.58	-299.96	8612.22	1689.83	-299.96	17230.90
			M3	2313.08	-484.00	1520.58	2131.12	-561.22	11980.78	2131.12	-533.07	11982.06	1890.10	-536.25	21482.17
		MIN	S2	2203.62	-380.65	893.83	1928.79	-381.66	10653.89	1928.79	-356.62	10654.76	1654.05	-356.62	19104.66
			TQ	2423.60	-615.07	582.68	2147.68	-615.07	11363.72	2147.68	-588.37	11365.14	1871.75	-588.37	20844.70
			M3	2286.16	-403.19	-1605.81	1966.45	-320.49	8403.06	1966.45	-300.74	8403.79	1691.71	-300.74	17031.31
		D+1LANE (caseMAX	S2	2402.26	-74.28	-266.96	2127.52	-74.28	10416.21	2127.52	-49.80	10416.36	1852.77	-49.80	19803.61
			TQ	2400.29	-68.69	-284.35	2125.55	-68.69	10389.53	2122.12	-43.67	11031.51	1847.38	-43.67	20393.30
			M3	2315.16	-224.23	957.80	2101.94	-107.27	11407.42	2101.94	-80.46	11407.64	1840.94	-54.80	20714.08
		MIN	S2	2223.50	-329.13	140.58	1948.75	-329.13	9980.55	1948.75	-305.68	9981.29	1674.01	-305.68	18525.33
			TQ	2227.93	-345.19	477.87	1953.19	-345.19	10338.77	1956.62	-321.49	9697.71	1681.87	-321.49	18278.84
			M3	2264.96	-265.61	-1426.97	1956.73	-324.52	8503.64	1956.73	-304.54	8504.38	1681.99	-304.54	17086.07
		D+1LANE (caseMAX	S2	2352.90	543.60	130.81	2078.16	543.60	10581.17	2078.16	568.47	10579.87	1803.42	568.47	19734.31
			TQ	2350.64	554.73	305.75	2075.90	554.73	10745.45	2075.90	579.98	10744.12	1801.16	579.98	19887.89
			M3	2316.20	348.91	407.10	2067.31	532.83	10769.59	2067.31	558.14	10768.31	1798.38	578.14	19891.36
		MIN	S2	2210.86	-335.86	-916.71	1936.12	-335.86	8863.67	1936.12	-315.03	8864.43	1661.38	-315.03	17348.88
			TQ	2211.69	-336.55	-920.78	1936.95	-336.55	8863.52	1936.95	-315.72	8864.29	1662.21	-315.72	17352.66
			M3	2232.07	-192.08	-1109.52	1937.15	-335.04	8700.98	1937.15	-314.59	8701.74	1662.21	-314.71	17190.62

BAGO RIVER BRIDGE

BLOCK [ No.1 : MAIN GIRDER ][ BEAM MEMBER FORCE ]

MEMBER			1037			1038			1038			1039			
NODE			1037			1038			1038			1039			
NAME TITLE			SHEAR	TORQUE	MOMENT	SHEAR	TORQUE	MOMENT	SHEAR	TORQUE	MOMENT	SHEAR	TORQUE	MOMENT	
			S2 (kN)	TQ (kN·m)	M3 (kN·m)	S2 (kN)	TQ (kN·m)	M3 (kN·m)	S2 (kN)	TQ (kN·m)	M3 (kN·m)	S2 (kN)	TQ (kN·m)	M3 (kN·m)	
124	SUM TOTAL	D+2LANES (casMAX	S2	3030.88	-1302.38	1159.17	2573.29	-1456.57	12885.31	2573.29	-1426.29	12888.70	2161.38	-1510.73	22481.88
			TQ	2237.64	-304.59	-1285.01	1962.90	-304.59	8621.68	1962.30	-284.29	8655.64	1687.56	-284.29	17263.58
			M3	2857.30	-888.97	3523.75	2473.47	-1450.89	15221.75	2473.47	-1415.12	15225.12	2015.16	-1559.86	24873.21
		MIN	S2	2135.46	-390.41	2703.04	1747.75	-543.95	13605.17	1747.75	-511.97	13606.41	1312.60	-732.25	22612.00
			TQ	2714.28	-1677.91	1434.17	2360.76	-1677.91	13403.30	2361.29	-1646.42	13389.26	2007.77	-1646.42	23693.38
			M3	2360.70	-695.97	-2792.53	1992.44	-310.98	7444.46	1992.44	-293.48	7445.17	1717.70	-293.48	16195.28
		D+2LANES (casMAX	S2	2717.08	-902.78	450.56	2405.01	-944.60	12000.55	2405.01	-916.40	12002.74	2095.98	-943.84	22096.49
			TQ	2255.52	-314.21	-2285.57	1980.78	-314.21	7705.44	1980.20	-296.05	7759.52	1705.45	-296.05	16451.88
			M3	2513.97	-693.91	2984.54	2318.86	-960.24	14096.62	2318.86	-927.11	14098.84	2030.76	-975.95	24098.37
		MIN	S2	2171.51	-418.61	2066.16	1875.36	-472.86	12235.29	1875.36	-444.11	12236.37	1574.84	-511.67	21021.49
			TQ	2602.51	-1091.69	1269.52	2303.17	-1091.69	12839.25	2303.25	-1061.52	12838.80	2003.92	-1061.52	22996.98
			M3	2337.92	-532.74	-2598.96	1981.84	-314.62	7555.25	1981.84	-296.86	7555.96	1707.10	-296.86	16256.07
		D+2LANES (casMAX	S2	2496.27	352.85	-52.72	2221.53	352.85	11073.88	2221.53	378.87	11073.02	1946.78	378.87	20903.69
			TQ	2493.92	359.73	91.91	2219.18	359.73	11207.43	2215.55	386.84	11932.64	1940.81	386.84	21735.13
			M3	2381.65	59.50	1517.12	2187.55	290.69	12337.46	2187.55	319.68	12336.74	1930.75	366.45	22057.12
		MIN	S2	2221.01	-329.82	-290.37	1946.27	-329.82	9537.87	1946.27	-307.40	9538.61	1671.52	-307.40	18070.93
			TQ	2225.49	-343.83	-243.41	1950.74	-343.83	9605.95	1954.55	-322.05	8864.13	1679.81	-322.05	17435.53
			M3	2279.54	-184.23	-2110.90	1954.88	-326.09	7833.82	1954.88	-307.68	7834.56	1680.06	-307.71	16407.23
		D+2LANES (casMAX	S2	2455.09	868.57	469.77	2180.35	868.57	11402.13	2180.35	895.37	11400.06	1905.60	895.37	21036.50
			TQ	2452.69	879.80	730.86	2177.95	879.80	11651.90	2177.81	907.30	11703.16	1903.06	907.30	21327.62
			M3	2383.18	538.04	1045.62	2159.35	825.03	11796.49	2159.35	852.74	11794.52	1895.95	894.80	21365.21
		MIN	S2	2206.30	-338.58	-1403.73	1931.56	-338.58	8355.13	1931.56	-318.95	8355.91	1656.82	-318.95	16818.85
			TQ	2207.23	-339.23	-1478.05	1932.49	-339.23	8285.19	1932.63	-319.89	8218.94	1657.89	-319.89	16686.93
			M3	2246.76	-125.77	-1766.84	1933.13	-337.69	8052.28	1933.13	-318.76	8053.05	1658.13	-318.91	16522.87

BAGO RIVER BRIDGE

BLOCK [ No.1 : MAIN GIRDER ][ BEAM MEMBER FORCE ]

MEMBER			1037			1038			1038			1039				
NODE			1037			1038			1038			1039				
NAME TITLE			SHEAR	TORQUE	MOMENT	SHEAR	TORQUE	MOMENT	SHEAR	TORQUE	MOMENT	SHEAR	TORQUE	MOMENT		
			S2 (kN)	TQ (kN·m)	M3 (kN·m)	S2 (kN)	TQ (kN·m)	M3 (kN·m)	S2 (kN)	TQ (kN·m)	M3 (kN·m)	S2 (kN)	TQ (kN·m)	M3 (kN·m)		
124	SUM TOTAL	D+3LANES (casMAX	S2	3078.08	-1316.08	1015.65	2647.13	-1446.43	13240.96	2647.13	-1415.31	13244.32	2254.97	-1487.09	23468.37	
			TQ	2245.65	-303.38	-1901.31	1970.91	-303.38	8043.16	1970.03	-284.42	8101.93	1695.29	-284.42	16746.34	
			M3	2824.24	-916.18	4217.79	2522.49	-1448.51	16069.60	2522.49	-1410.75	16072.96	2115.61	-1536.03	26225.84	
		MIN	S2	2133.14	-419.20	3076.24	1762.32	-550.42	13755.63	1762.32	-518.09	13756.88	1351.23	-705.33	22619.74	
			TQ	2780.96	-1679.62	1777.30	2438.42	-1679.62	14086.84	2438.87	-1646.53	14075.49	2096.33	-1646.53	24771.44	
			M3	2383.07	-694.88	-3365.57	1996.98	-309.06	6924.69	1996.98	-292.79	6925.39	1722.24	-292.79	15696.91	
		D+3LANES (casMAX	S2	2545.34	866.74	158.18	2270.60	866.74	11516.24	2270.60	893.80	11514.17	1995.85	893.80	21576.30	
			TQ	2541.77	880.39	360.29	2267.02	880.39	11701.50	2263.60	908.71	12405.69	1988.86	908.71	22434.83	
			M3	2421.61	479.43	1734.22	2233.71	806.15	12768.23	2233.71	836.15	12766.30	1978.34	890.07	22710.96	
		MIN	S2	2214.90	-333.73	-724.69	1940.16	-333.73	9074.76	1940.16	-312.41	9075.51	1665.42	-312.41	17579.03	
			TQ	2218.97	-345.79	-661.31	1944.23	-345.79	9157.32	1947.67	-325.15	8413.15	1672.93	-325.15	16952.08	
			M3	2280.34	-108.05	-2502.15	1948.83	-329.85	7420.72	1948.83	-312.41	7421.47	1673.95	-312.47	15965.63	
		D+3LANES (casMAX	S2	2543.77	867.01	619.34	2269.03	867.01	11970.01	2269.03	895.13	11967.94	1994.29	895.13	22022.69	
			TQ	2540.06	880.75	930.49	2265.32	880.75	12263.66	2264.78	909.91	12459.53	1990.03	909.91	22494.21	
			M3	2427.28	489.00	1702.16	2235.39	808.02	12744.24	2235.39	837.97	12742.31	1980.02	891.89	22694.88	
		MIN	S2	2207.57	-338.82	-1620.39	1932.82	-338.82	8144.45	1932.82	-319.68	8145.22	1658.08	-319.68	16614.12	
			TQ	2212.09	-349.54	-1119.33	1937.35	-349.54	8666.85	1937.90	-329.54	8458.07	1663.15	-329.54	16950.91	
			M3	2266.63	-115.00	-2299.36	1935.10	-336.85	7558.73	1935.10	-319.08	7559.50	1660.14	-319.21	16038.69	
		D+4LANES	MAX	S2	2228.90	-325.94	-900.97	1954.16	-325.94	8964.50	1954.16	-304.87	8965.24	1679.42	-304.87	17534.79
			TQ	2228.39	-325.65	-495.98	1953.65	-325.65	9367.09	1948.96	-302.54	10277.05	1674.21	-302.54	18822.06	
			M3	2223.43	-326.80	452.34	1948.69	-326.80	10292.00	1948.69	-302.61	10292.74	1673.94	-302.61	18836.46	
		MIN	S2	2215.22	-331.96	-568.64	1940.48	-331.96	9232.30	1940.48	-310.27	9233.05	1665.74	-310.27	17738.06	
			TQ	2215.62	-332.43	-1102.35	1940.88	-332.43	8700.49	1945.13	-312.90	7898.72	1670.38	-312.90	16425.65	
			M3	2220.01	-331.39	-1926.88	1945.27	-331.39	7896.64	1945.27	-312.83	7897.40	1670.48	-312.86	16424.80	

BAGO RIVER BRIDGE

BLOCK [ No.1 : MAIN GIRDER ][ BEAM MEMBER FORCE ]

MEMBER					1037			1038			1039					
NODE					1037			1038			1038					
					SHEAR	TORQUE	MOMENT	SHEAR	TORQUE	MOMENT	SHEAR	TORQUE	MOMENT			
NAME TITLE					S2 (kN)	TQ (kN·m)	M3 (kN·m)	S2 (kN)	TQ (kN·m)	M3 (kN·m)	S2 (kN)	TQ (kN·m)	M3 (kN·m)			
124	SUM TOTAL	D+6LANES	MAX	S2	3074.88	-196.87	1260.59	2692.02	-289.86	13942.71	2692.02	-257.09	13943.35	2335.59	-309.00	24845.18
				TQ	2471.34	549.88	-691.75	2196.59	549.88	10317.25	2193.27	574.81	10882.80	1918.53	574.81	20580.22
				M3	2800.64	-173.68	4562.76	2576.30	-313.46	16733.48	2576.35	-275.08	16734.17	2224.23	-344.37	27501.05
			MIN	S2	2146.09	-411.37	1700.88	1804.96	-506.02	12099.07	1804.96	-477.59	12100.23	1436.42	-611.80	20852.06
				TQ	2622.48	-1309.43	793.92	2298.17	-1309.43	12398.94	2300.65	-1280.84	11938.65	1976.33	-1280.84	22025.62
				M3	2366.80	-444.03	-4103.11	1974.46	-320.32	6069.28	1974.46	-306.06	6070.02	1699.56	-306.14	14734.93
	SUM TOTAL		MAX		3078.08	880.75	4562.76	2692.02	880.75	16733.48	2692.02	909.91	16734.17	2335.59	909.91	27501.05
			MIN		2133.14	-1679.62	-4103.11	1747.75	-1679.62	6069.28	1747.75	-1646.53	6070.02	1312.60	-1646.53	14734.93
300	DEAD LOAD	TOTAL			2226.08	-326.47	-260.64	1951.34	-326.47	9591.54	1951.34	-303.93	9592.28	1676.60	-303.93	18148.53
301	LIVE LOAD	1-LANE(case1MAX	S2		613.62	-705.52	948.38	437.89	-839.37	2261.30	437.89	-834.05	2263.27	313.26	-902.45	2772.81
			TQ		-7.70	17.89	113.67	-7.70	17.89	77.36	-8.24	18.09	95.29	-8.24	18.09	56.42
			M3		498.99	-391.60	2428.28	365.32	-823.53	3739.40	365.32	-814.74	3741.32	194.80	-933.01	4263.45
			MIN	S2	-65.73	-20.34	1918.73	-175.68	-140.49	2706.21	-175.68	-134.13	2706.54	-337.24	-317.39	2864.75
				TQ	331.64	-992.06	1040.90	265.43	-992.06	2449.05	265.98	-986.32	2433.41	199.77	-986.32	3531.85
				M3	87.42	-272.59	-1577.45	27.83	10.35	-1321.42	27.83	7.25	-1321.44	27.83	7.25	-1190.17
		1-LANE(case2MAX	S2		237.06	-226.01	98.04	235.96	-225.00	1199.59	235.96	-222.18	1200.12	234.78	-222.18	2310.34
			TQ		13.75	6.34	-1087.00	13.75	6.34	-1022.12	13.23	3.98	-980.05	13.23	3.98	-917.63
			M3		86.99	-157.52	1781.22	179.78	-234.75	2389.24	179.78	-229.13	2389.79	213.51	-232.31	3333.64
			MIN	S2	-22.46	-54.18	1154.47	-22.55	-55.19	1062.36	-22.55	-52.69	1062.49	-22.55	-52.69	956.13
				TQ	197.51	-288.60	843.32	196.34	-288.60	1772.19	196.34	-284.43	1772.86	195.16	-284.43	2696.17
				M3	60.08	-76.72	-1345.17	15.11	5.98	-1188.48	15.11	3.19	-1188.49	15.11	3.19	-1117.22
		1-LANE(case3MAX	S2		176.18	252.19	-6.32	176.18	252.19	824.68	176.18	254.13	824.08	176.18	254.13	1655.08
			TQ		174.21	257.79	-23.71	174.21	257.79	797.99	170.78	260.26	1439.23	170.78	260.26	2244.77
			M3		89.07	102.24	1218.44	150.60	219.21	1815.88	150.60	223.47	1815.36	164.34	249.13	2565.56
			MIN	S2	-2.59	-2.66	401.22	-2.59	-2.66	389.01	-2.59	-1.74	389.02	-2.59	-1.74	376.80
				TQ	1.85	-18.72	738.51	1.85	-18.72	747.24	5.28	-17.56	105.43	5.28	-17.56	130.32
				M3	38.88	60.86	-1166.33	5.39	1.95	-1087.89	5.39	-0.61	-1087.89	5.39	-0.61	-1062.45

BAGO RIVER BRIDGE

BLOCK [ No.1 : MAIN GIRDER ][ BEAM MEMBER FORCE ]

MEMBER				1037			1038			1038			1039		
NODE				1037			1038			1038			1039		
NAME TITLE				SHEAR	TORQUE	MOMENT	SHEAR	TORQUE	MOMENT	SHEAR	TORQUE	MOMENT	SHEAR	TORQUE	MOMENT
				S2 (kN)	TQ (kN·m)	M3 (kN·m)	S2 (kN)	TQ (kN·m)	M3 (kN·m)	S2 (kN)	TQ (kN·m)	M3 (kN·m)	S2 (kN)	TQ (kN·m)	M3 (kN·m)
301	LIVE LOAD	1-LANE (case4MAX	S2	126.82	870.08	391.45	126.82	870.08	989.64	126.82	872.40	987.59	126.82	872.40	1585.78
			TQ	124.56	881.20	566.39	124.56	881.20	1153.91	124.56	883.91	1151.84	124.56	883.91	1739.37
			M3	90.12	675.38	667.74	115.97	859.31	1178.05	115.97	862.07	1176.03	121.78	882.07	1742.83
			MIN S2	-15.22	-9.39	-656.07	-15.22	-9.39	-727.87	-15.22	-11.10	-727.85	-15.22	-11.10	-799.65
			TQ	-14.39	-10.08	-660.14	-14.39	-10.08	-728.02	-14.39	-11.79	-727.99	-14.39	-11.79	-795.86
			M3	5.99	134.40	-848.88	-14.20	-8.57	-890.55	-14.20	-10.66	-890.53	-14.39	-10.78	-957.91
		2-LANES (caseMAX	S2	804.80	-975.91	1419.81	621.94	-1130.10	3293.78	621.94	-1122.35	3296.42	484.78	-1206.79	4333.35
			TQ	11.56	21.89	-1024.37	11.56	21.89	-969.86	10.96	19.65	-936.64	10.96	19.65	-884.95
			M3	631.22	-562.50	3784.39	522.13	-1124.42	5630.22	522.13	-1111.19	5632.84	338.57	-1255.93	6724.69
			MIN S2	-90.62	-63.94	2963.68	-203.59	-217.47	4013.63	-203.59	-208.04	4014.13	-364.00	-428.32	4463.47
			TQ	488.19	-1351.43	1694.81	409.42	-1351.43	3811.76	409.95	-1342.49	3796.98	331.17	-1342.49	5544.85
			M3	134.62	-369.49	-2531.89	41.10	15.50	-2147.07	41.10	10.45	-2147.10	41.10	10.45	-1953.24
		2-LANES (caseMAX	S2	491.00	-576.31	711.20	453.67	-618.13	2409.02	453.67	-612.47	2410.46	419.38	-639.91	3947.96
			TQ	29.43	12.26	-2024.93	29.43	12.26	-1886.09	28.86	7.89	-1832.76	28.86	7.89	-1696.65
			M3	287.88	-367.43	3245.18	367.52	-633.77	4505.09	367.52	-623.18	4506.56	354.16	-672.01	5949.84
			MIN S2	-54.57	-92.14	2326.79	-75.98	-146.39	2643.75	-75.98	-140.17	2644.09	-101.76	-207.74	2872.96
			TQ	376.43	-765.22	1530.16	351.83	-765.22	3247.71	351.91	-757.59	3246.53	327.32	-757.59	4848.45
			M3	111.83	-206.26	-2338.32	30.50	11.86	-2036.29	30.50	7.07	-2036.31	30.50	7.07	-1892.45
		2-LANES (caseMAX	S2	270.18	679.32	207.92	270.18	679.32	1482.34	270.18	682.80	1480.74	270.18	682.80	2755.17
			TQ	267.84	686.21	352.55	267.84	686.21	1615.89	264.21	690.77	2340.36	264.21	690.77	3586.61
			M3	155.57	385.97	1777.76	236.20	617.17	2745.92	236.20	623.62	2744.47	254.15	670.39	3908.59
			MIN S2	-5.07	-3.34	-29.73	-5.07	-3.34	-53.67	-5.07	-3.47	-53.66	-5.07	-3.47	-77.60
			TQ	-0.60	-17.36	17.23	-0.60	-17.36	14.41	3.21	-18.12	-728.14	3.21	-18.12	-713.00
			M3	53.46	142.25	-1850.26	3.54	0.38	-1757.72	3.54	-3.75	-1757.71	3.46	-3.78	-1741.30

BAGO RIVER BRIDGE

BLOCK [ No.1 : MAIN GIRDER ][ BEAM MEMBER FORCE ]

MEMBER				1037			1038			1038			1039			
NODE				1037			1038			1038			1039			
NAME TITLE				SHEAR	TORQUE	MOMENT	SHEAR	TORQUE	MOMENT	SHEAR	TORQUE	MOMENT	SHEAR	TORQUE	MOMENT	
				S2 (kN)	TQ (kN·m)	M3 (kN·m)	S2 (kN)	TQ (kN·m)	M3 (kN·m)	S2 (kN)	TQ (kN·m)	M3 (kN·m)	S2 (kN)	TQ (kN·m)	M3 (kN·m)	
301	LIVE LOAD	2-LANES (caseMAX	S2	229.01	1195.05	730.41	229.01	1195.05	1810.60	229.01	1199.30	1807.79	229.01	1199.30	2887.97	
			TQ	226.61	1206.28	991.50	226.61	1206.28	2060.37	226.47	1211.23	2110.89	226.47	1211.23	3179.10	
			M3	157.10	864.52	1306.26	208.01	1151.50	2204.96	208.01	1156.68	2202.25	219.35	1198.73	3216.69	
			MIN	S2	-19.78	-12.11	-1143.09	-19.78	-12.11	-1236.40	-19.78	-15.01	-1236.37	-19.78	-15.01	-1329.68
			TQ	-18.85	-12.75	-1217.41	-18.85	-12.75	-1306.35	-18.71	-15.96	-1373.33	-18.71	-15.96	-1461.60	
			M3	20.68	200.71	-1506.20	-18.21	-11.21	-1539.26	-18.21	-14.83	-1539.23	-18.47	-14.98	-1625.66	
		3-LANES (caseMAX	S2	852.00	-989.61	1276.29	695.79	-1119.96	3649.42	695.79	-1111.38	3652.04	578.37	-1183.15	5319.84	
			TQ	19.57	23.09	-1640.67	19.57	23.09	-1548.38	18.69	19.52	-1490.35	18.69	19.52	-1402.19	
			M3	598.15	-589.70	4478.43	571.15	-1122.04	6478.06	571.15	-1106.81	6480.68	439.02	-1232.10	8077.32	
			MIN	S2	-92.94	-92.72	3336.88	-189.02	-223.94	4164.09	-189.02	-214.16	4164.61	-325.37	-401.39	4471.22
			TQ	554.87	-1353.14	2037.94	487.07	-1353.14	4495.30	487.53	-1342.59	4483.21	419.73	-1342.59	6622.91	
			M3	156.98	-368.41	-3104.93	45.64	17.41	-2666.85	45.64	11.14	-2666.88	45.64	11.14	-2451.62	
		3-LANES (caseMAX	S2	319.25	1193.21	418.82	319.25	1193.21	1924.70	319.25	1197.73	1921.89	319.25	1197.73	3427.77	
			TQ	315.68	1206.86	620.93	315.68	1206.86	2109.97	312.26	1212.64	2813.41	312.26	1212.64	4286.30	
			M3	195.53	805.90	1994.86	282.37	1132.62	3176.69	282.37	1140.08	3174.02	301.74	1194.01	4562.43	
			MIN	S2	-11.18	-7.26	-464.05	-11.18	-7.26	-516.78	-11.18	-8.47	-516.76	-11.18	-8.47	-569.49
			TQ	-7.11	-19.31	-400.67	-7.11	-19.31	-434.22	-3.67	-21.21	-1179.12	-3.67	-21.21	-1196.45	
			M3	54.25	218.42	-2241.51	-2.51	-3.38	-2170.82	-2.51	-8.48	-2170.80	-2.64	-8.54	-2182.90	
		3-LANES (caseMAX	S2	317.69	1193.48	879.98	317.69	1193.48	2378.48	317.69	1199.07	2375.67	317.69	1199.07	3874.16	
			TQ	313.98	1207.22	1191.13	313.98	1207.22	2672.13	313.43	1213.85	2867.25	313.43	1213.85	4345.68	
			M3	201.20	815.47	1962.80	284.05	1134.50	3152.71	284.05	1141.90	3150.03	303.42	1195.82	4546.35	
			MIN	S2	-18.52	-12.35	-1359.75	-18.52	-12.35	-1447.09	-18.52	-15.75	-1447.06	-18.52	-15.75	-1534.40
			TQ	-13.99	-23.06	-858.69	-13.99	-23.06	-924.68	-13.44	-25.61	-1134.21	-13.44	-25.61	-1197.62	
			M3	40.55	211.48	-2038.72	-16.24	-10.37	-2032.81	-16.24	-15.15	-2032.78	-16.46	-15.28	-2109.84	

BAGO RIVER BRIDGE

BLOCK [ No.1 : MAIN GIRDER ][ BEAM MEMBER FORCE ]

MEMBER					1037			1038			1039					
NODE					1037			1038			1039					
NAME TITLE					SHEAR	TORQUE	MOMENT	SHEAR	TORQUE	MOMENT	SHEAR	TORQUE	MOMENT			
					S2 (kN)	TQ (kN·m)	M3 (kN·m)	S2 (kN)	TQ (kN·m)	M3 (kN·m)	S2 (kN)	TQ (kN·m)	M3 (kN·m)			
301	LIVE LOAD	4-LANES	MAX	S2	2.82	0.53	-640.33	2.82	0.53	-627.03	2.82	-0.94	-627.03	2.82	-0.94	-613.74
				TQ	2.31	0.82	-235.34	2.31	0.82	-224.45	-2.38	1.39	684.78	-2.38	1.39	673.53
				M3	-2.65	-0.32	712.98	-2.65	-0.32	700.46	-2.65	1.32	700.46	-2.65	1.32	687.94
			MIN	S2	-10.86	-5.49	-308.00	-10.86	-5.49	-359.24	-10.86	-6.33	-359.23	-10.86	-6.33	-410.47
				TQ	-10.46	-5.96	-841.71	-10.46	-5.96	-891.04	-6.22	-8.97	-1693.55	-6.22	-8.97	-1722.87
				M3	-6.07	-4.92	-1666.24	-6.07	-4.92	-1694.89	-6.07	-8.90	-1694.88	-6.12	-8.93	-1723.73
		6-LANES	MAX	S2	848.79	129.60	1521.23	740.68	36.61	4351.17	740.68	46.84	4351.07	658.99	-5.07	6696.65
				TQ	245.25	876.35	-431.11	245.25	876.35	725.71	241.93	878.75	1290.52	241.93	878.75	2431.69
				M3	574.56	152.79	4823.40	624.96	13.02	7141.94	625.00	28.86	7141.89	547.63	-40.44	9352.52
			MIN	S2	-80.00	-84.89	1961.52	-146.39	-179.55	2507.54	-146.39	-173.65	2507.95	-240.18	-307.87	2703.53
				TQ	396.40	-982.96	1054.56	346.83	-982.96	2807.41	349.31	-976.91	2346.38	299.73	-976.91	3877.09
				M3	140.71	-117.56	-3842.47	23.12	6.15	-3522.25	23.12	-2.12	-3522.26	22.96	-2.21	-3413.60
		LIVE LOAD	MAX	852.00	1207.22	4823.40	740.68	1207.22	7141.94	740.68	1213.85	7141.89	658.99	1213.85	9352.52	
			MIN	-92.94	-1353.14	-3842.47	-203.59	-1353.14	-3522.25	-203.59	-1342.59	-3522.26	-364.00	-1342.59	-3413.60	
		303	SUM TOTAL	TOTAL	MAX	3078.08	880.75	4562.76	2692.02	880.75	16733.48	2692.02	909.91	16734.17	2335.59	909.91
MIN	2133.14				-1679.62	-4103.11	1747.75	-1679.62	6069.28	1747.75	-1646.53	6070.02	1312.60	-1646.53	14734.93	



BAGO RIVER BRIDGE

BLOCK [ No.1 : MAIN GIRDER ] [ BEAM MEMBER FORCE ]

MEMBER NODE	1039 1039	1040			1040			1041			1041					
		SHEAR	TORQUE	MOMENT	SHEAR	TORQUE	MOMENT	SHEAR	TORQUE	MOMENT	SHEAR	TORQUE	MOMENT			
		S2 (kN)	TQ (kN·m)	M3 (kN·m)	S2 (kN)	TQ (kN·m)	M3 (kN·m)	S2 (kN)	TQ (kN·m)	M3 (kN·m)	S2 (kN)	TQ (kN·m)	M3 (kN·m)			
1	PAVEMENT	263.51	-39.94	2863.31	217.20	-39.94	3997.04	217.20	-30.55	3997.13	170.89	-30.55	4912.40			
3	RAILING	10.41	-1.50	87.64	6.50	-1.50	127.52	6.50	-1.20	127.53	2.60	-1.20	148.99			
5	CURB	103.05	-14.89	867.63	64.38	-14.89	1262.49	64.38	-11.92	1262.52	25.70	-11.92	1474.96			
7	DECK WEIGHT	432.10	-66.64	4665.44	355.82	-66.64	6523.68	355.82	-51.31	6523.82	279.53	-51.31	8022.24			
8	GIRDER WEIGH	587.10	-105.36	6907.88	498.89	-105.36	9469.13	498.89	-83.11	9469.35	410.69	-83.11	11614.54			
10	MEDIAN STRIP	110.75	-21.21	1359.42	110.75	-21.21	1881.81	110.75	-16.79	1881.86	110.75	-16.79	2404.25			
21	ADITIONAL WE	120.99	-18.66	1306.32	99.63	-18.66	1826.63	99.63	-14.37	1826.67	78.27	-14.37	2246.23			
31	MEDIAN RAILI	6.56	-1.39	91.55	6.56	-1.39	122.50	6.56	-1.10	122.50	6.56	-1.10	153.45			
51	SUPPORT WEIG	0.00	0.00	-0.00	0.00	0.00	-0.00	0.00	-0.00	-0.00	0.00	-0.00	-0.00			
52	NOSE WEIGHT	-0.00	0.00	0.01	-0.00	0.00	0.01	-0.00	0.00	0.01	-0.00	0.00	0.01			
61	1-LANE(case1TRUCK-LOAD	MAX	S2	299.77	-90.14	1799.15	192.52	-216.60	2236.61	192.52	-211.34	2237.12	115.56	-296.99	2171.58	
			TQ	-30.26	46.78	1083.41	-30.26	46.78	940.68	-30.26	48.99	940.57	-30.26	48.99	797.84	
			M3	277.59	-58.28	1814.23	170.47	-184.71	2269.74	170.47	-179.37	2270.16	83.49	-278.71	2191.59	
		MIN	S2	-63.78	20.92	1697.51	-144.23	-69.70	2147.30	-144.23	-64.66	2147.46	-251.61	-191.14	2086.45	
			TQ	83.59	-322.86	891.33	83.59	-322.86	1285.63	83.59	-319.83	1286.39	83.59	-319.83	1680.69	
			M3	9.17	-12.92	-454.75	9.17	-12.92	-411.51	9.17	-13.88	-411.48	9.17	-13.88	-368.25	
		TANDEM-LOAD	MAX	S2	239.54	-17.27	1411.73	162.40	-109.53	1755.07	162.40	-105.41	1755.33	92.59	-187.82	1670.85
			TQ	-24.55	32.76	858.78	-24.55	32.76	742.99	-24.55	34.50	742.91	-24.55	34.50	627.12	
			M3	239.54	-17.27	1411.73	162.40	-109.53	1755.08	162.40	-105.41	1755.33	92.59	-187.82	1670.85	
		MIN	S2	-58.55	-0.59	1396.42	-130.95	-86.52	1742.14	-130.95	-82.43	1742.34	-206.17	-172.08	1658.30	
			TQ	60.91	-219.94	658.11	60.91	-219.94	945.42	60.91	-217.72	945.93	60.91	-217.72	1233.25	
			M3	6.26	-8.91	-309.96	6.26	-8.91	-280.43	6.26	-9.57	-280.40	6.26	-9.57	-250.87	
		DISPERSION-LMAX	S2	145.60	-396.65	512.98	108.44	-387.49	805.35	108.44	-385.60	806.25	84.71	-361.12	932.52	
			TQ	-17.79	19.89	651.05	-17.79	19.89	567.15	-18.25	21.24	577.91	-18.25	21.24	491.84	
			M3	115.55	-361.32	1740.05	60.38	-361.32	2154.96	60.38	-356.25	2155.80	5.21	-356.25	2310.48	
		MIN	S2	-19.22	19.77	690.04	-37.23	10.61	863.67	-37.23	12.64	863.64	-68.67	-11.84	943.15	
			TQ	144.16	-396.77	551.97	89.00	-396.77	1101.86	89.45	-394.20	1091.99	34.29	-394.20	1383.82	
			M3	10.83	-15.56	-537.03	10.83	-15.56	-485.94	10.83	-16.70	-485.90	10.83	-16.70	-434.82	

BAGO RIVER BRIDGE

BLOCK [ No.1 : MAIN GIRDER ][ BEAM MEMBER FORCE ]

MEMBER				1039			1040			1041					
NODE				1039			1040			1041					
				SHEAR	TORQUE	MOMENT	SHEAR	TORQUE	MOMENT	SHEAR	TORQUE	MOMENT			
NAME	TITLE			S2 (kN)	TQ (kN·m)	M3 (kN·m)	S2 (kN)	TQ (kN·m)	M3 (kN·m)	S2 (kN)	TQ (kN·m)	M3 (kN·m)			
62	1-LANE (case2TRUCK-LOAD	MAX	S2	73.00	-49.17	918.65	73.00	-49.17	1262.97	73.00	-46.21	1263.08	73.00	-46.21	1607.40
			TQ	-5.20	1.79	261.35	-5.20	1.79	236.81	-5.20	2.34	236.80	-5.20	2.34	212.26
			M3	0.50	-50.41	1297.89	39.49	-44.49	1366.17	39.49	-41.28	1366.27	67.58	-42.25	1628.38
		MIN	S2	-26.27	-42.92	1200.58	-26.27	-42.92	1076.65	-26.27	-40.39	1076.75	-26.27	-40.39	952.83
			TQ	51.05	-85.60	489.71	51.05	-85.60	730.50	51.05	-83.89	730.70	51.05	-83.89	971.49
			M3	7.37	-2.35	-427.41	7.37	-2.35	-392.63	7.37	-3.27	-392.63	7.37	-3.27	-357.85
		TANDEM-LOAD MAX	S2	51.68	-34.57	596.60	51.68	-34.57	840.38	51.68	-32.60	840.46	51.68	-32.60	1084.23
			TQ	-3.88	1.53	196.46	-3.88	1.53	178.15	-3.88	1.95	178.14	-3.88	1.95	159.83
			M3	-6.77	-36.88	911.42	22.28	-31.11	938.89	22.28	-28.90	938.96	47.34	-25.32	1134.39
		MIN	S2	-20.23	-27.55	795.35	-20.23	-27.55	699.92	-20.23	-25.91	699.99	-20.23	-25.91	604.56
			TQ	35.20	-58.33	340.91	35.20	-58.33	506.94	35.20	-57.14	507.08	35.20	-57.14	673.11
			M3	5.03	-1.64	-291.13	5.03	-1.64	-267.42	5.03	-2.27	-267.42	5.03	-2.27	-243.71
		DISPERSION-LMAX	S2	78.43	-109.27	329.18	77.80	-108.06	669.01	77.80	-106.49	669.26	76.82	-106.43	1032.60
			TQ	-0.70	0.66	24.44	-0.70	0.66	21.12	-2.13	0.81	97.22	-2.13	0.81	87.19
			M3	57.15	-118.38	1480.58	56.17	-118.38	1747.82	56.17	-114.27	1748.10	55.18	-114.27	2010.71
MIN	S2	-12.58	-11.84	647.79	-12.93	-13.06	616.26	-12.93	-11.61	616.29	-12.93	-11.66	556.60		
	TQ	66.55	-121.78	952.53	65.57	-121.78	1264.14	67.00	-118.90	1188.33	66.01	-118.90	1502.02		
	M3	8.70	-2.74	-503.60	8.70	-2.74	-462.55	8.70	-3.83	-462.55	8.70	-3.83	-421.50		
63	1-LANE (case3TRUCK-LOAD	MAX	S2	51.26	80.11	622.62	51.26	80.11	864.41	51.26	82.14	864.22	51.26	82.14	1106.02
			TQ	50.64	80.46	681.30	50.64	80.46	920.14	50.64	82.62	919.95	50.64	82.62	1158.80
			M3	16.04	10.07	899.47	33.32	49.87	1014.88	33.32	52.26	1014.76	44.36	74.74	1202.25
		MIN	S2	-7.12	-21.81	536.46	-7.12	-21.81	502.87	-7.12	-20.63	502.92	-7.12	-20.63	469.33
			TQ	-6.02	-27.01	709.78	-6.02	-27.01	681.36	-6.02	-25.41	681.42	-6.02	-25.41	653.01
			M3	6.02	5.65	-407.15	6.02	5.65	-378.76	6.02	4.76	-378.77	6.02	4.76	-350.39

BAGO RIVER BRIDGE

BLOCK [ No.1 : MAIN GIRDER ][ BEAM MEMBER FORCE ]

MEMBER		1039			1040			1040			1041				
NODE		1039			1040			1040			1041				
		SHEAR	TORQUE	MOMENT	SHEAR	TORQUE	MOMENT	SHEAR	TORQUE	MOMENT	SHEAR	TORQUE	MOMENT		
NAME	TITLE	S2 (kN)	TQ (kN·m)	M3 (kN·m)	S2 (kN)	TQ (kN·m)	M3 (kN·m)	S2 (kN)	TQ (kN·m)	M3 (kN·m)	S2 (kN)	TQ (kN·m)	M3 (kN·m)		
63	1-LANE (case3TANDEM-LOAD	MAX	S2	35.19	54.63	432.21	35.19	54.63	598.22	35.19	56.03	598.09	35.19	56.03	764.10
			TQ	35.02	54.72	448.59	35.02	54.72	613.77	35.02	56.17	613.64	35.02	56.17	778.83
			M3	5.45	-5.82	612.89	25.01	39.96	692.42	25.01	41.59	692.33	27.27	46.31	817.97
		MIN	S2	-5.22	-17.28	422.76	-5.22	-17.28	398.14	-5.22	-16.34	398.18	-5.22	-16.34	373.56
			TQ	-3.20	-19.40	534.20	-3.20	-19.40	519.12	-3.20	-18.18	519.16	-3.20	-18.18	504.08
			M3	4.09	3.87	-277.19	4.09	3.87	-257.88	4.09	3.26	-257.89	4.09	3.26	-238.58
	DISPERSION-LMAX	S2	64.92	105.78	339.16	64.92	105.78	645.36	64.92	107.30	645.11	64.92	107.30	951.31	
		TQ	64.16	107.46	236.07	64.16	107.46	538.71	64.27	108.74	545.89	64.27	108.74	849.03	
		M3	52.59	87.48	1238.14	52.59	87.48	1486.21	52.59	90.97	1486.00	52.59	90.97	1734.07	
		MIN	S2	-5.26	-11.44	420.73	-5.26	-11.44	395.93	-5.26	-10.51	395.96	-5.26	-10.51	371.15
			TQ	-4.50	-13.11	523.83	-4.50	-13.11	502.58	-4.61	-11.94	495.18	-4.61	-11.94	473.43
			M3	7.07	6.87	-478.25	7.07	6.87	-444.92	7.07	5.82	-444.93	7.07	5.82	-411.60
64	1-LANE (case4TRUCK-LOAD	MAX	S2	36.60	263.12	394.80	36.60	263.12	567.45	36.60	264.46	566.83	36.60	264.46	739.48
			TQ	35.69	267.99	446.49	35.69	267.99	614.81	35.69	269.43	614.18	35.69	269.43	782.50
			M3	23.81	206.33	537.99	28.02	241.40	661.06	28.02	242.95	660.49	32.25	262.43	802.58
		MIN	S2	-1.55	-2.75	114.70	-1.55	-2.75	107.41	-1.55	-2.49	107.41	-1.55	-2.49	100.12
			TQ	3.97	-20.94	278.91	3.97	-20.94	297.62	3.97	-20.24	297.67	3.97	-20.24	316.38
			M3	3.31	21.79	-368.33	3.29	21.93	-352.73	3.29	21.10	-352.78	3.29	21.10	-337.27
	TANDEM-LOAD	MAX	S2	24.90	176.87	256.74	24.90	176.87	374.19	24.90	177.75	373.77	24.90	177.75	491.22
			TQ	24.66	182.34	295.58	24.66	182.34	411.92	24.66	183.31	411.49	24.66	183.31	527.83
			M3	16.41	146.24	366.99	19.64	168.38	450.04	19.64	169.44	449.65	22.71	181.11	545.31
		MIN	S2	-1.05	-1.85	77.87	-1.05	-1.85	72.91	-1.05	-1.68	72.91	-1.05	-1.68	67.95
			TQ	2.96	-15.62	203.12	2.96	-15.62	217.09	2.96	-15.11	217.13	2.96	-15.11	231.11
			M3	2.22	15.09	-250.49	2.22	15.09	-240.04	2.22	14.52	-240.07	2.22	14.52	-229.62

BAGO RIVER BRIDGE

BLOCK [ No.1 : MAIN GIRDER ][ BEAM MEMBER FORCE ]

MEMBER NODE		1039			1040			1040			1041						
		SHEAR	TORQUE	MOMENT	SHEAR	TORQUE	MOMENT	SHEAR	TORQUE	MOMENT	SHEAR	TORQUE	MOMENT				
NAME	TITLE	S2 (kN)	TQ (kN·m)	M3 (kN·m)	S2 (kN)	TQ (kN·m)	M3 (kN·m)	S2 (kN)	TQ (kN·m)	M3 (kN·m)	S2 (kN)	TQ (kN·m)	M3 (kN·m)				
64	1-LANE (case4DISPERSION-LMAX	S2	54.24	353.88	338.65	54.24	353.88	594.51	54.24	355.28	593.67	54.24	355.28	849.53			
		TQ	52.41	360.67	229.66	52.41	360.67	476.89	52.47	361.79	477.81	52.47	361.79	725.32			
		M3	48.49	324.96	912.88	48.49	324.96	1141.62	48.49	327.64	1140.85	48.49	327.64	1369.60			
		MIN	S2	-1.87	-3.85	144.26	-1.87	-3.85	135.41	-1.87	-3.53	135.42	-1.87	-3.53	126.58		
		TQ	-0.04	-10.63	253.24	-0.04	-10.63	253.03	-0.10	-10.04	251.28	-0.10	-10.04	250.80			
		M3	3.87	25.08	-429.98	3.87	25.08	-411.70	3.87	24.11	-411.76	3.87	24.11	-393.48			
		65	2-LANES (caseTRUCK-LOAD	MAX	S2	430.65	-163.78	3343.52	303.86	-342.77	4003.86	303.86	-333.36	4004.66	209.10	-460.45	4065.89
				TQ	-47.07	62.22	1750.48	-47.07	62.22	1528.47	-47.07	65.81	1528.32	-47.07	65.81	1306.31	
				M3	392.83	-117.55	3371.91	266.06	-296.82	4052.77	266.06	-287.29	4053.46	160.60	-432.09	4102.31	
MIN	S2			-108.25	1.37	3158.45	-207.38	-133.68	3837.53	-207.38	-124.66	3837.83	-334.41	-303.78	3908.69		
TQ	150.61			-517.66	1576.19	150.61	-517.66	2286.58	150.61	-512.29	2287.79	150.61	-512.29	2998.18			
M3	17.44			-20.56	-895.80	17.44	-20.56	-813.56	17.44	-22.47	-813.51	17.44	-22.47	-731.27			
TANDEM-LOAD	MAX			S2	334.54	-49.29	2565.12	243.93	-179.09	3063.14	243.93	-171.90	3063.55	161.07	-288.97	3064.29	
TQ	-34.58			44.11	1269.07	-34.58	44.11	1105.99	-34.58	46.71	1105.88	-34.58	46.71	942.79			
M3	334.54			-49.29	2565.12	243.93	-179.09	3063.14	243.93	-171.89	3063.56	161.07	-288.97	3064.29			
MIN	S2	-94.27	-24.60	2537.64	-180.02	-146.71	3039.16	-180.02	-139.57	3039.50	-268.58	-265.74	3041.42				
TQ	104.92	-352.25	1104.55	104.92	-352.25	1599.45	104.92	-348.49	1600.27	104.92	-348.49	2095.17					
M3	11.91	-14.19	-610.49	11.91	-14.19	-554.33	11.91	-15.49	-554.29	11.91	-15.49	-498.13					
DISPERSION-LMAX	S2	253.16	-648.60	967.82	200.14	-631.32	1505.16	200.14	-627.78	1506.64	162.95	-589.46	1793.28				
TQ	-26.14	26.19	999.38	-26.14	26.19	876.09	-28.15	28.36	965.16	-28.15	28.36	832.37					
M3	197.42	-600.97	3355.10	118.64	-600.97	4100.49	118.64	-591.33	4101.89	39.86	-591.33	4475.69					
MIN	S2	-35.14	22.92	1329.88	-60.90	5.65	1635.11	-60.90	9.49	1635.09	-102.49	-28.83	1819.43				
TQ	244.16	-651.86	1298.32	165.38	-651.86	2264.18	167.39	-646.65	2176.57	88.61	-646.65	2780.34					
M3	20.60	-24.71	-1057.40	20.60	-24.71	-960.22	20.60	-26.97	-960.16	20.60	-26.97	-862.98					

BAGO RIVER BRIDGE

BLOCK [ No.1 : MAIN GIRDER ][ BEAM MEMBER FORCE ]

MEMBER				1039			1040			1040			1041		
NODE				1039			1040			1040			1041		
				SHEAR	TORQUE	MOMENT	SHEAR	TORQUE	MOMENT	SHEAR	TORQUE	MOMENT	SHEAR	TORQUE	MOMENT
NAME	TITLE			S2 (kN)	TQ (kN·m)	M3 (kN·m)	S2 (kN)	TQ (kN·m)	M3 (kN·m)	S2 (kN)	TQ (kN·m)	M3 (kN·m)	S2 (kN)	TQ (kN·m)	M3 (kN·m)
66	2-LANES (caseTRUCK-LOAD	MAX	S2	203.88	-122.82	2463.02	184.35	-175.35	3030.22	184.35	-168.23	3030.62	166.54	-209.66	3501.70
			TQ	-22.01	17.23	928.42	-22.01	17.23	824.60	-22.01	19.17	824.55	-22.01	19.17	720.73
			M3	115.75	-109.67	2855.56	135.08	-156.60	3149.20	135.08	-149.20	3149.56	144.69	-195.63	3539.10
		MIN	S2	-70.74	-62.47	2661.52	-89.42	-106.90	2766.88	-89.42	-100.39	2767.12	-109.07	-153.03	2775.07
			TQ	118.06	-280.41	1174.57	118.06	-280.41	1731.45	118.06	-276.34	1732.11	118.06	-276.34	2288.99
			M3	15.64	-9.99	-868.46	15.64	-9.99	-794.68	15.64	-11.86	-794.65	15.64	-11.86	-720.87
		TANDEM-LOAD MAX	S2	146.69	-66.60	1750.00	133.22	-104.14	2148.44	133.22	-99.09	2148.68	120.16	-133.75	2477.68
			TQ	-13.91	12.88	606.75	-13.91	12.88	541.14	-13.91	14.15	541.11	-13.91	14.15	475.50
			M3	88.24	-68.90	2064.82	103.81	-100.67	2246.96	103.81	-95.39	2247.19	115.82	-126.47	2527.83
		MIN	S2	-55.95	-51.56	1936.56	-69.30	-87.74	1996.94	-69.30	-83.04	1997.14	-82.63	-119.57	1987.67
			TQ	79.21	-190.64	787.36	79.21	-190.64	1160.97	79.21	-187.91	1161.42	79.21	-187.91	1535.03
			M3	10.67	-6.92	-591.66	10.67	-6.92	-541.33	10.67	-8.19	-541.31	10.67	-8.19	-490.97
		DISPERSION-LMAX	S2	185.99	-361.23	784.03	169.51	-351.89	1368.82	169.51	-348.67	1369.64	155.06	-334.77	1893.37
			TQ	-9.05	6.96	372.77	-9.05	6.96	330.06	-12.03	7.93	484.48	-12.03	7.93	427.72
			M3	139.02	-358.02	3095.62	114.43	-358.02	3693.36	114.43	-349.34	3694.19	89.83	-349.34	4175.92
MIN	S2	-28.50	-8.68	1287.62	-36.61	-18.02	1387.70	-36.61	-14.76	1387.74	-46.75	-28.66	1432.88		
	TQ	166.55	-376.87	1698.88	141.95	-376.87	2426.46	144.93	-371.36	2272.91	120.34	-371.36	2898.54		
	M3	18.47	-11.89	-1023.97	18.47	-11.89	-936.83	18.47	-14.09	-936.80	18.47	-14.09	-849.66		
67	2-LANES (caseTRUCK-LOAD	MAX	S2	93.67	254.51	1123.75	93.67	254.51	1565.60	93.67	258.18	1564.99	93.67	258.18	2006.84
			TQ	93.05	254.86	1182.42	93.05	254.86	1621.33	93.05	258.66	1620.72	93.05	258.66	2059.63
			M3	39.95	99.16	1591.11	64.03	180.18	1834.50	64.03	184.49	1834.07	81.47	233.81	2181.35
		MIN	S2	-8.92	-23.41	657.83	-8.92	-23.41	615.73	-8.92	-21.96	615.79	-8.92	-21.96	573.69
			TQ	-6.55	-48.75	1141.73	-6.55	-48.75	1110.84	-6.55	-46.14	1110.95	-6.55	-46.14	1080.07
			M3	11.14	16.64	-801.38	11.14	16.64	-748.84	11.14	14.88	-748.87	11.14	14.88	-696.33

BAGO RIVER BRIDGE

BLOCK [ No.1 : MAIN GIRDER ][ BEAM MEMBER FORCE ]

MEMBER		1039			1040			1040			1041						
NODE		1039			1040			1040			1041						
		SHEAR	TORQUE	MOMENT	SHEAR	TORQUE	MOMENT	SHEAR	TORQUE	MOMENT	SHEAR	TORQUE	MOMENT				
NAME	TITLE	S2 (kN)	TQ (kN·m)	M3 (kN·m)	S2 (kN)	TQ (kN·m)	M3 (kN·m)	S2 (kN)	TQ (kN·m)	M3 (kN·m)	S2 (kN)	TQ (kN·m)	M3 (kN·m)				
67	2-LANES (caseTANDEM-LOAD	MAX	S2	64.18	173.30	779.99	64.18	173.30	1082.73	64.18	175.85	1082.32	64.18	175.85	1385.06		
			TQ	64.01	173.40	796.36	64.01	173.40	1098.28	64.01	175.98	1097.87	64.01	175.98	1399.79		
			M3	20.83	48.68	1084.09	44.89	125.29	1250.23	44.89	128.23	1249.94	51.80	153.09	1484.09		
		MIN	S2	-6.45	-28.57	605.69	-6.45	-28.57	575.26	-6.45	-27.22	575.33	-6.45	-27.22	544.91		
			TQ	-4.08	-34.77	812.09	-4.08	-34.77	792.85	-4.08	-32.91	792.93	-4.08	-32.91	773.69		
			M3	7.57	11.42	-545.52	7.57	11.42	-509.81	7.57	10.22	-509.84	7.57	10.22	-474.12		
			DISPERSION-LMAX	S2	124.06	333.50	707.79	124.06	333.50	1292.96	124.06	336.53	1292.17	124.06	336.53	1877.35	
				TQ	122.48	338.16	498.73	122.48	338.16	1076.44	122.67	340.70	1089.26	122.67	340.70	1667.87	
				M3	102.98	294.56	2316.23	102.98	294.56	2801.99	102.98	301.14	2801.29	102.98	301.14	3287.04	
			MIN	S2	-8.04	-18.96	668.48	-8.04	-18.96	630.57	-8.04	-17.47	630.62	-8.04	-17.47	592.71	
				TQ	-6.45	-23.62	877.54	-6.45	-23.62	847.09	-6.65	-21.65	833.53	-6.65	-21.65	802.18	
				M3	13.04	19.98	-939.96	13.04	19.98	-878.45	13.04	17.92	-878.50	13.04	17.92	-816.99	
		68	2-LANES (caseTRUCK-LOAD	MAX	S2	79.02	437.50	895.94	79.02	437.50	1268.65	79.02	440.48	1267.62	79.02	440.48	1640.34
					TQ	78.10	442.36	947.62	78.10	442.36	1316.01	78.10	445.45	1314.97	78.10	445.45	1683.36
					M3	47.72	295.42	1229.63	58.73	371.70	1480.67	58.73	375.18	1479.79	69.35	421.51	1781.67
MIN	S2			-3.20	-5.03	232.04	-3.20	-5.03	216.96	-3.20	-4.52	216.97	-3.20	-4.52	201.90		
	TQ			3.57	-42.75	709.26	3.57	-42.75	726.12	3.57	-41.04	726.21	3.57	-41.04	743.07		
	M3			7.49	38.37	-749.26	7.47	38.52	-713.93	7.47	36.84	-714.02	7.47	36.84	-678.77		
	TANDEM-LOAD			MAX	S2	53.89	295.53	604.52	53.89	295.53	858.71	53.89	297.55	858.01	53.89	297.55	1112.19
				TQ	53.65	301.00	643.36	53.65	301.00	896.44	53.65	303.11	895.73	53.65	303.11	1148.80	
				M3	31.79	200.74	838.19	39.52	253.71	1007.86	39.52	256.07	1007.26	47.24	287.90	1211.43	
	MIN			S2	-2.17	-3.39	157.52	-2.17	-3.39	147.27	-2.17	-3.05	147.28	-2.17	-3.05	137.03	
				TQ	2.19	-31.01	479.63	2.19	-31.01	489.97	2.19	-29.86	490.04	2.19	-29.86	500.37	
				M3	5.05	26.50	-509.67	5.05	26.50	-485.87	5.05	25.35	-485.93	5.05	25.35	-462.13	

BAGO RIVER BRIDGE

BLOCK [ No.1 : MAIN GIRDER ][ BEAM MEMBER FORCE ]

MEMBER		1039			1040			1040			1041						
NODE		1039			1040			1040			1041						
		SHEAR	TORQUE	MOMENT	SHEAR	TORQUE	MOMENT	SHEAR	TORQUE	MOMENT	SHEAR	TORQUE	MOMENT				
NAME	TITLE	S2 (kN)	TQ (kN·m)	M3 (kN·m)	S2 (kN)	TQ (kN·m)	M3 (kN·m)	S2 (kN)	TQ (kN·m)	M3 (kN·m)	S2 (kN)	TQ (kN·m)	M3 (kN·m)				
68	2-LANES (caseDISPERSION-LMAX	S2	112.39	587.15	725.41	112.39	587.15	1255.52	112.39	590.10	1254.14	112.39	590.10	1784.26			
		TQ	109.72	597.12	507.56	109.72	597.12	1025.10	109.87	599.54	1031.64	109.87	599.54	1549.87			
		M3	99.19	530.99	1984.67	99.19	530.99	2452.52	99.19	536.75	2451.26	99.19	536.75	2919.11			
		MIN	S2	-4.36	-12.18	382.79	-4.36	-12.18	362.22	-4.36	-11.33	362.25	-4.36	-11.33	341.68		
		TQ	-1.70	-22.15	600.64	-1.70	-22.15	592.65	-1.84	-20.77	584.75	-1.84	-20.77	576.07			
		M3	8.84	43.98	-876.47	8.84	43.98	-834.77	8.84	42.02	-834.87	8.84	42.02	-793.17			
		69	3-LANES (caseTRUCK-LOAD	MAX	S2	503.64	-212.96	4262.17	376.86	-391.95	5266.83	376.86	-379.57	5267.74	282.10	-506.65	5673.28
				TQ	-52.27	64.01	2011.83	-52.27	64.01	1765.28	-52.27	68.16	1765.13	-52.27	68.16	1518.58	
				M3	393.34	-167.96	4669.80	305.55	-341.31	5418.94	305.55	-328.57	5419.72	228.18	-474.34	5730.69	
MIN	S2			-134.52	-41.55	4359.03	-233.65	-176.60	4914.18	-233.65	-165.05	4914.58	-360.68	-344.16	4861.52		
TQ	201.66			-603.27	2065.90	201.66	-603.27	3017.08	201.66	-596.17	3018.49	201.66	-596.17	3969.68			
M3	24.81			-22.91	-1323.21	24.81	-22.91	-1206.19	24.81	-25.74	-1206.14	24.81	-25.74	-1089.12			
TANDEM-LOAD	MAX			S2	386.23	-83.87	3161.72	295.61	-213.67	3903.52	295.61	-204.49	3904.01	212.75	-321.57	4148.52	
TQ	-38.46			45.64	1465.54	-38.46	45.64	1284.14	-38.46	48.66	1284.03	-38.46	48.66	1102.62			
M3	327.77			-86.18	3476.55	266.21	-210.20	4002.04	266.21	-200.80	4002.52	208.41	-314.29	4198.68			
MIN	S2	-114.50	-52.15	3332.98	-200.25	-174.26	3739.08	-200.25	-165.47	3739.48	-288.81	-291.65	3645.98				
TQ	140.12	-410.59	1445.47	140.12	-410.59	2106.39	140.12	-405.63	2107.35	140.12	-405.63	2768.28					
M3	16.93	-15.83	-901.62	16.93	-15.83	-821.75	16.93	-17.76	-821.71	16.93	-17.76	-741.84					
DISPERSION-LMAX	S2	331.59	-757.87	1297.01	277.95	-739.38	2174.17	277.95	-734.27	2175.90	239.77	-695.89	2825.89				
TQ	-26.84	26.85	1023.82	-26.84	26.85	897.21	-30.28	29.17	1062.39	-30.28	29.17	919.56					
M3	254.57	-719.34	4835.67	174.80	-719.34	5848.31	174.80	-705.60	5849.99	95.04	-705.60	6486.40					
MIN	S2	-47.72	11.08	1977.66	-73.84	-7.41	2251.37	-73.84	-2.12	2251.38	-115.42	-40.50	2376.03				
TQ	310.71	-773.64	2250.86	230.95	-773.64	3528.33	234.39	-765.55	3364.89	154.63	-765.55	4282.36					
M3	29.30	-27.45	-1561.00	29.30	-27.45	-1422.78	29.30	-30.79	-1422.71	29.30	-30.79	-1284.48					

BAGO RIVER BRIDGE

BLOCK [ No.1 : MAIN GIRDER ][ BEAM MEMBER FORCE ]

MEMBER				1039			1040			1041					
NODE				1039			1040			1040			1041		
NAME TITLE				SHEAR	TORQUE	MOMENT	SHEAR	TORQUE	MOMENT	SHEAR	TORQUE	MOMENT	SHEAR	TORQUE	MOMENT
				S2 (kN)	TQ (kN·m)	M3 (kN·m)	S2 (kN)	TQ (kN·m)	M3 (kN·m)	S2 (kN)	TQ (kN·m)	M3 (kN·m)	S2 (kN)	TQ (kN·m)	M3 (kN·m)
70	3-LANES (caseTRUCK-LOAD	MAX	S2	130.28	517.67	1518.53	130.28	517.67	2133.03	130.28	522.68	2131.80	130.28	522.68	2746.30
			TQ	128.74	522.88	1628.83	128.74	522.88	2236.07	128.74	528.13	2234.83	128.74	528.13	2842.07
			M3	63.76	305.49	2129.10	92.05	421.59	2495.57	92.05	427.45	2494.57	113.70	496.22	2983.94
		MIN	S2	-10.63	-25.46	776.52	-10.63	-25.46	726.40	-10.63	-23.75	726.45	-10.63	-23.75	676.33
			TQ	-2.84	-69.47	1423.62	-2.84	-69.47	1410.21	-2.84	-66.16	1410.37	-2.84	-66.16	1396.96
			M3	15.38	32.85	-1182.97	15.37	32.97	-1110.44	15.37	30.36	-1110.52	15.37	30.36	-1038.04
	TANDEM-LOAD	MAX	S2	89.08	350.20	1036.73	89.08	350.20	1456.91	89.08	353.62	1456.08	89.08	353.62	1876.26
		TQ	88.67	355.77	1091.92	88.67	355.77	1510.18	88.67	359.31	1509.34	88.67	359.31	1927.59	
		M3	37.24	194.92	1451.08	64.53	293.67	1700.28	64.53	297.67	1699.58	74.50	334.22	2029.39	
	MIN	S2	-7.61	-29.96	686.27	-7.61	-29.96	650.39	-7.61	-28.43	650.46	-7.61	-28.43	614.58	
		TQ	-1.26	-50.34	1016.98	-1.26	-50.34	1011.04	-1.26	-47.96	1011.15	-1.26	-47.96	1005.20	
		M3	10.43	22.64	-805.15	10.43	22.64	-755.94	10.43	20.86	-755.99	10.43	20.86	-706.78	
	DISPERSION-LMAX	S2	179.24	682.34	1026.68	179.24	682.34	1872.11	179.24	686.73	1870.50	179.24	686.73	2715.94	
		TQ	175.91	693.19	713.35	175.91	693.19	1543.09	176.16	696.83	1556.84	176.16	696.83	2387.76	
		M3	151.19	620.67	3235.73	151.19	620.67	3948.87	151.19	629.94	3947.40	151.19	629.94	4660.54	
MIN	S2	-10.12	-22.39	823.83	-10.12	-22.39	776.07	-10.12	-20.57	776.12	-10.12	-20.57	728.37		
	TQ	-6.80	-33.24	1137.15	-6.80	-33.24	1105.10	-7.05	-30.66	1089.79	-7.05	-30.66	1056.55		
	M3	17.92	39.28	-1385.23	17.92	39.28	-1300.68	17.92	36.22	-1300.77	17.92	36.22	-1216.22		
71	3-LANES (caseTRUCK-LOAD	MAX	S2	130.28	517.60	1518.56	130.28	517.60	2133.07	130.28	522.61	2131.85	130.28	522.61	2746.36
			TQ	128.74	522.82	1628.92	128.74	522.82	2236.16	128.74	528.07	2234.92	128.74	528.07	2842.16
			M3	63.77	305.49	2129.10	92.05	421.58	2495.55	92.05	427.44	2494.56	113.72	496.24	2983.93
		MIN	S2	-10.25	-28.73	819.83	-10.25	-28.73	771.47	-10.25	-26.91	771.54	-10.25	-26.91	723.18
			TQ	-2.44	-69.78	1418.88	-2.44	-69.78	1407.38	-2.44	-66.47	1407.54	-2.44	-66.47	1396.03
			M3	12.57	49.62	-1142.88	12.55	49.76	-1083.60	12.55	47.22	-1083.71	12.55	47.22	-1024.52



BAGO RIVER BRIDGE

BLOCK [ No.1 : MAIN GIRDER ][ BEAM MEMBER FORCE ]

MEMBER				1039			1040			1041								
NODE				1039			1040			1041								
				SHEAR	TORQUE	MOMENT	SHEAR	TORQUE	MOMENT	SHEAR	TORQUE	MOMENT						
NAME	TITLE			S2 (kN)	TQ (kN·m)	M3 (kN·m)	S2 (kN)	TQ (kN·m)	M3 (kN·m)	S2 (kN)	TQ (kN·m)	M3 (kN·m)						
71	3-LANES (case)	TANDEM-LOAD	MAX	S2	89.08	350.15	1036.74	89.08	350.15	1456.93	89.08	353.58	1456.10	89.08	353.58	1876.29		
				TQ	88.67	355.72	1091.95	88.67	355.72	1510.21	88.67	359.27	1509.37	88.67	359.27	1927.63		
				M3	37.24	194.92	1451.08	64.53	293.67	1700.28	64.53	297.66	1699.58	74.50	334.21	2029.40		
			MIN	S2	-7.38	-20.69	580.12	-7.38	-20.69	545.31	-7.38	-19.41	545.36	-7.38	-19.41	510.54		
				TQ	-1.01	-50.41	1013.83	-1.01	-50.41	1009.09	-1.01	-48.03	1009.20	-1.01	-48.03	1004.46		
				M3	8.49	34.23	-777.56	8.49	34.23	-737.51	8.49	32.49	-737.59	8.49	32.49	-697.53		
			DISPERSION-L	MAX	S2	176.30	698.75	1079.90	176.30	698.75	1911.47	176.30	703.24	1909.82	176.30	703.24	2741.39	
					TQ	172.88	710.40	758.96	172.88	710.40	1574.39	173.13	714.12	1588.10	173.13	714.12	2404.71	
					M3	152.04	617.30	3216.81	152.04	617.30	3933.99	152.04	626.54	3932.52	152.04	626.54	4649.70	
				MIN	S2	-9.35	-24.76	797.52	-9.35	-24.76	753.40	-9.35	-22.99	753.46	-9.35	-22.99	709.34	
					TQ	-5.93	-36.41	1118.47	-5.93	-36.41	1090.48	-6.19	-33.86	1075.18	-6.19	-33.86	1046.01	
					M3	14.90	56.70	-1339.39	14.90	56.70	-1269.12	14.90	53.72	-1269.25	14.90	53.72	-1198.97	
		72	4-LANES	TRUCK-LOAD	MAX	S2	18.78	51.92	-1535.76	18.78	51.92	-1447.16	18.78	48.52	-1447.28	18.78	48.52	-1358.68
						TQ	18.71	54.09	-1548.27	18.71	54.09	-1460.02	18.71	50.66	-1460.14	18.71	50.66	-1371.90
						M3	-6.90	-7.79	477.46	-6.90	-7.79	444.90	-6.90	-6.74	444.91	-6.90	-6.74	412.35
	MIN			S2	-6.90	-7.77	477.36	-6.90	-7.77	444.80	-6.90	-6.73	444.81	-6.90	-6.73	412.25		
				TQ	-6.78	-7.94	471.37	-6.78	-7.94	439.37	-6.75	-6.91	437.77	-6.75	-6.91	405.91		
				M3	18.71	54.09	-1548.27	18.71	54.09	-1460.02	18.71	50.66	-1460.14	18.71	50.66	-1371.90		
	TANDEM-LOAD			MAX	S2	12.79	34.81	-1041.45	12.79	34.81	-981.12	12.79	32.50	-981.20	12.79	32.50	-920.87	
					TQ	12.62	37.91	-1055.19	12.62	37.91	-995.68	12.62	35.57	-995.77	12.62	35.57	-936.26	
					M3	-4.68	-5.36	324.33	-4.68	-5.36	302.25	-4.68	-4.65	302.26	-4.68	-4.65	280.19	
				MIN	S2	-4.69	-5.25	324.08	-4.69	-5.25	301.96	-4.69	-4.54	301.97	-4.69	-4.54	279.84	
					TQ	-4.59	-5.40	318.98	-4.59	-5.40	297.34	-4.59	-4.70	297.35	-4.59	-4.70	275.72	
					M3	12.62	37.91	-1055.19	12.62	37.91	-995.68	12.62	35.57	-995.77	12.62	35.57	-936.26	

BAGO RIVER BRIDGE

BLOCK [ No.1 : MAIN GIRDER ][ BEAM MEMBER FORCE ]

MEMBER			1039			1040			1040			1041					
NODE			1039			1040			1040			1041					
NAME TITLE			SHEAR	TORQUE	MOMENT	SHEAR	TORQUE	MOMENT	SHEAR	TORQUE	MOMENT	SHEAR	TORQUE	MOMENT			
			S2 (kN)	TQ (kN·m)	M3 (kN·m)	S2 (kN)	TQ (kN·m)	M3 (kN·m)	S2 (kN)	TQ (kN·m)	M3 (kN·m)	S2 (kN)	TQ (kN·m)	M3 (kN·m)			
72	4-LANES	DISPERSION-LMAX	S2	13.91	34.05	-1103.71	13.91	34.05	-1038.07	13.91	31.61	-1038.15	13.91	31.61	-972.52		
			TQ	13.86	34.34	-1102.89	13.86	34.34	-1037.50	13.86	31.91	-1037.58	13.86	31.91	-972.19		
			M3	-8.40	-9.46	580.92	-8.40	-9.46	541.29	-8.40	-8.18	541.32	-8.40	-8.18	501.69		
	MIN	S2	-8.40	-9.46	580.92	-8.40	-9.46	541.30	-8.40	-8.18	541.32	-8.40	-8.18	501.69			
		TQ	-8.33	-9.76	579.10	-8.33	-9.76	539.80	-8.33	-8.49	539.82	-8.33	-8.49	500.52			
		M3	13.91	34.05	-1103.71	13.91	34.05	-1038.07	13.91	31.61	-1038.15	13.91	31.61	-972.51			
	73	6-LANES	TRUCK-LOAD	MAX	S2	605.82	279.09	5703.41	493.65	112.42	7286.99	493.65	129.54	7286.70	408.75	9.82	8338.97
				TQ	97.12	544.77	2836.40	97.12	544.77	3294.48	82.02	552.70	3992.73	82.02	552.70	4379.60	
				M3	427.52	125.05	6782.82	389.44	80.75	7854.79	389.44	99.21	7854.58	342.08	25.55	8697.47	
MIN			S2	-140.07	-83.22	5267.56	-228.90	-210.57	5744.66	-228.90	-197.07	5745.14	-341.31	-363.88	5682.88		
TQ			198.61	-627.20	3635.58	198.61	-627.20	4572.40	198.61	-616.45	4573.86	198.61	-616.45	5510.67			
M3			37.44	26.31	-2466.04	37.42	26.45	-2289.48	37.42	21.07	-2289.53	37.42	21.07	-2113.05			
TANDEM-LOAD		MAX	S2	451.19	253.19	4175.56	371.20	132.51	5305.97	371.20	144.98	5305.65	297.79	35.86	5998.51		
		TQ	61.76	373.26	2102.82	61.76	373.26	2394.13	52.40	379.06	2858.78	52.40	379.06	3105.95			
		M3	337.77	98.37	4902.25	318.15	80.51	5638.64	318.15	93.76	5638.43	277.55	18.79	6202.10			
		MIN	S2	-117.26	-86.63	4023.38	-193.16	-200.44	4366.88	-193.16	-190.18	4367.33	-271.41	-307.50	4271.21		
		TQ	137.11	-430.60	2572.63	137.11	-430.60	3219.34	137.11	-423.03	3220.34	137.11	-423.03	3867.06			
		M3	25.46	18.12	-1679.11	25.46	18.12	-1559.00	25.46	14.46	-1559.04	25.46	14.46	-1438.94			
		DISPERSION-LMAX	S2	475.41	-81.39	2143.46	424.12	-64.24	3740.93	424.12	-55.44	3741.07	388.05	-19.27	5125.39		
			TQ	138.07	683.99	1424.96	138.07	683.99	2076.22	135.31	689.05	2229.27	135.31	689.05	2867.49		
			M3	377.28	-120.57	7605.75	301.02	-120.93	9205.46	301.02	-99.40	9205.72	224.75	-99.57	10445.71		
MIN	S2		-54.71	-13.41	2676.70	-79.67	-30.66	2886.06	-79.67	-23.88	2886.12	-119.60	-60.68	2963.47			
TQ	277.44		-751.73	3454.95	203.81	-751.73	4593.05	206.50	-741.12	4443.58	130.24	-741.12	5237.75				
M3	42.88		24.94	-2785.71	42.88	24.94	-2583.44	42.88	18.87	-2583.50	42.88	18.87	-2381.23				

BAGO RIVER BRIDGE

BLOCK [ No.1 : MAIN GIRDER ][ BEAM MEMBER FORCE ]

MEMBER			1039			1040			1040			1041			
NODE			1039			1040			1040			1041			
NAME TITLE			SHEAR	TORQUE	MOMENT	SHEAR	TORQUE	MOMENT	SHEAR	TORQUE	MOMENT	SHEAR	TORQUE	MOMENT	
			S2 (kN)	TQ (kN·m)	M3 (kN·m)	S2 (kN)	TQ (kN·m)	M3 (kN·m)	S2 (kN)	TQ (kN·m)	M3 (kN·m)	S2 (kN)	TQ (kN·m)	M3 (kN·m)	
124	SUM TOTAL	D+1LANE (caseMAX	S2	2168.91	-853.73	20923.75	1720.87	-994.49	28861.17	1720.87	-926.66	28863.43	1325.32	-1000.08	34702.00
			TQ	1576.82	-189.58	20230.55	1302.07	-189.58	27020.22	1301.52	-126.07	27033.56	1026.78	-126.07	32524.70
			M3	2106.23	-773.11	22414.34	1636.75	-924.82	30520.45	1636.75	-853.09	30522.54	1191.43	-972.30	36379.56
		MIN	S2	1534.87	-220.76	21014.27	1141.98	-340.50	28823.98	1141.98	-272.76	28824.70	700.65	-453.91	34612.59
			TQ	1907.78	-1133.14	19881.16	1566.84	-1133.14	28075.81	1567.39	-1067.18	28065.43	1226.44	-1067.18	34654.50
			M3	1658.47	-303.76	16959.07	1383.73	-303.76	24133.87	1383.73	-247.05	24134.52	1108.98	-247.05	30013.40
		D+1LANE (caseMAX	S2	1816.18	-459.73	19646.61	1540.69	-458.27	27529.19	1540.69	-393.57	27530.19	1264.77	-393.50	34145.08
			TQ	1627.39	-266.65	18492.14	1352.64	-266.65	25520.34	1350.93	-206.56	25612.21	1076.19	-206.56	31336.42
			M3	1703.65	-472.13	21483.36	1474.52	-465.03	28947.61	1474.52	-397.00	28948.62	1232.31	-398.17	35343.98
		MIN	S2	1587.85	-335.30	20367.24	1312.68	-336.76	27242.31	1312.68	-272.74	27243.03	1037.94	-272.80	32788.40
			TQ	1775.60	-518.44	19879.89	1499.67	-518.44	27604.39	1501.38	-453.69	27514.21	1225.46	-453.69	33945.29
			M3	1653.76	-275.70	17031.99	1379.02	-275.70	24184.59	1379.02	-218.86	24185.18	1104.28	-218.86	30041.86
		D+1LANE (caseMAX	S2	1773.88	-46.52	19303.34	1499.14	-46.52	27022.55	1499.14	16.99	27022.59	1224.40	16.99	33445.87
			TQ	1772.23	-44.08	19250.04	1497.49	-44.08	26961.45	1497.61	19.29	26970.40	1222.87	19.29	33386.47
			M3	1716.83	-152.53	20714.33	1462.83	-104.76	28212.13	1462.83	-38.46	28212.30	1201.33	-11.49	34500.66
		MIN	S2	1619.62	-309.48	19297.83	1344.87	-309.48	26289.38	1344.87	-247.70	26290.03	1070.13	-247.70	31985.65
			TQ	1621.84	-317.74	19629.53	1347.09	-317.74	26631.55	1346.97	-255.16	26623.31	1072.23	-255.16	32328.81
			M3	1650.17	-254.57	17086.73	1375.43	-254.57	24222.41	1375.43	-197.64	24222.94	1100.69	-197.64	30062.69
		D+1LANE (caseMAX	S2	1743.49	470.82	19029.34	1468.74	470.82	26605.17	1468.74	533.34	26603.99	1194.00	533.34	32883.90
			TQ	1740.19	484.80	18960.58	1465.45	484.80	26520.87	1465.52	547.13	26521.78	1190.78	547.13	32786.46
			M3	1721.24	367.96	19890.25	1451.55	410.04	27374.03	1451.55	474.37	27372.99	1181.88	497.75	33583.69
		MIN	S2	1630.37	-277.50	18459.95	1355.62	-277.50	25502.20	1355.62	-217.57	25502.79	1080.88	-217.57	31249.11
			TQ	1639.18	-307.48	18787.78	1364.44	-307.48	25871.60	1364.37	-246.68	25870.13	1089.62	-246.68	31657.69
			M3	1643.09	-213.35	17191.24	1368.32	-213.18	24293.51	1368.32	-156.09	24293.94	1093.58	-156.09	30100.18

BAGO RIVER BRIDGE

BLOCK [ No.1 : MAIN GIRDER ][ BEAM MEMBER FORCE ]

MEMBER			1039			1040			1040			1041			
NODE			1039			1040			1040			1041			
NAME TITLE			SHEAR	TORQUE	MOMENT	SHEAR	TORQUE	MOMENT	SHEAR	TORQUE	MOMENT	SHEAR	TORQUE	MOMENT	
			S2 (kN)	TQ (kN·m)	M3 (kN·m)	S2 (kN)	TQ (kN·m)	M3 (kN·m)	S2 (kN)	TQ (kN·m)	M3 (kN·m)	S2 (kN)	TQ (kN·m)	M3 (kN·m)	
124	SUM TOTAL	D+2LANES (casMAX	S2	2318.28	-1081.97	22460.54	1863.74	-1243.68	30719.84	1863.74	-1171.49	30722.68	1457.04	-1260.25	36836.25
			TQ	1561.27	-181.18	20899.06	1286.52	-181.18	27615.38	1284.51	-116.17	27704.87	1009.77	-116.17	33115.76
			M3	2224.72	-988.10	24876.21	1744.43	-1167.37	33364.08	1744.43	-1088.96	33366.73	1285.44	-1233.76	39555.08
		MIN	S2	1491.08	-245.29	22637.53	1091.45	-397.62	30683.46	1091.45	-325.51	30684.31	648.09	-542.95	36705.19
			TQ	2029.24	-1439.11	21023.71	1675.71	-1439.11	29761.58	1677.73	-1369.28	29675.75	1324.21	-1369.28	36755.60
			M3	1672.51	-314.86	16196.00	1397.77	-314.86	23437.04	1397.77	-259.78	23437.71	1123.02	-259.78	29382.83
		D+2LANES (casMAX	S2	2024.34	-753.63	21396.26	1713.59	-796.83	29609.86	1713.59	-727.24	29611.65	1406.58	-754.77	36372.15
			TQ	1603.41	-245.40	19450.39	1328.66	-245.40	26365.48	1325.68	-183.25	26520.42	1050.94	-183.25	32125.53
			M3	1889.24	-737.28	24100.38	1609.23	-784.21	32053.38	1609.23	-708.88	32055.13	1319.51	-755.31	38692.10
		MIN	S2	1535.23	-340.74	22098.34	1233.70	-394.50	29365.40	1233.70	-325.49	29366.25	929.17	-392.03	35185.03
			TQ	1919.08	-926.87	21022.65	1619.74	-926.87	29368.73	1622.72	-858.04	29216.40	1323.39	-858.04	36164.60
			M3	1668.59	-291.47	16256.77	1393.85	-291.47	23479.31	1393.85	-236.29	23479.93	1119.10	-236.29	29406.54
		D+2LANES (casMAX	S2	1852.21	318.41	19980.73	1577.46	318.41	28069.38	1577.46	384.38	28068.55	1302.72	384.38	34861.27
			TQ	1850.00	323.43	19830.36	1575.26	323.43	27908.59	1575.45	389.03	27921.36	1300.71	389.03	34704.58
			M3	1777.40	124.13	22056.54	1526.74	205.15	29847.30	1526.74	275.29	29846.74	1269.44	324.61	36445.47
		MIN	S2	1617.51	-311.95	19475.51	1342.77	-311.95	26457.13	1342.77	-249.77	26457.79	1068.02	-249.77	32143.47
			TQ	1621.47	-341.96	20168.46	1346.73	-341.96	27168.75	1346.53	-278.13	27155.87	1071.79	-278.13	32859.32
			M3	1658.65	-232.97	16407.86	1383.91	-232.97	23583.53	1383.91	-177.55	23584.01	1109.17	-177.55	29463.76
		D+2LANES (casMAX	S2	1825.88	755.06	19770.54	1551.13	755.06	27735.00	1551.13	820.24	27733.14	1276.39	820.24	34401.67
			TQ	1822.29	769.90	19604.38	1547.55	769.90	27551.93	1547.70	834.65	27557.99	1272.95	834.65	34210.30
			M3	1781.38	556.82	21363.51	1517.64	633.10	29144.01	1517.64	701.59	29142.44	1253.52	747.92	35677.86
		MIN	S2	1626.91	-286.80	18764.03	1352.17	-286.80	25790.01	1352.17	-226.20	25790.61	1077.43	-226.20	31520.66
			TQ	1636.35	-334.49	19459.10	1361.61	-334.49	26529.58	1361.46	-272.15	26522.35	1086.72	-272.15	32296.22
			M3	1650.81	-187.23	16523.47	1376.04	-187.09	23662.12	1376.04	-131.48	23662.49	1101.30	-131.48	29505.13

BAGO RIVER BRIDGE

BLOCK [ No.1 : MAIN GIRDER ][ BEAM MEMBER FORCE ]

MEMBER		1039			1040			1040			1041					
NODE		1039			1040			1040			1041					
NAME TITLE		SHEAR	TORQUE	MOMENT	SHEAR	TORQUE	MOMENT	SHEAR	TORQUE	MOMENT	SHEAR	TORQUE	MOMENT			
		S2 (kN)	TQ (kN·m)	M3 (kN·m)	S2 (kN)	TQ (kN·m)	M3 (kN·m)	S2 (kN)	TQ (kN·m)	M3 (kN·m)	S2 (kN)	TQ (kN·m)	M3 (kN·m)			
124	SUM TOTAL	D+3LANES (casMAX	S2	2344.42	-1094.79	22874.51	1916.32	-1231.22	31535.67	1916.32	-1157.11	31538.48	1528.57	-1232.51	38201.37	
			TQ	1567.23	-192.36	20729.50	1292.48	-192.36	27473.94	1289.56	-127.62	27614.77	1014.82	-127.62	33049.50	
			M3	2185.19	-1023.79	26228.85	1768.03	-1171.14	34787.98	1768.03	-1089.38	34790.64	1359.73	-1213.29	41361.61	
		MIN	S2	1479.57	-295.48	23535.39	1098.36	-425.99	31301.54	1098.36	-352.43	31302.46	680.30	-537.30	37128.99	
			TQ	2069.98	-1439.96	21818.44	1727.44	-1439.96	30774.42	1730.37	-1367.81	30637.26	1387.83	-1367.81	37991.31	
			M3	1680.47	-312.39	15697.62	1405.73	-312.39	22976.20	1405.73	-258.40	22976.87	1130.98	-258.40	28959.52	
		D+3LANES (casMAX	S2	1897.56	750.42	20312.63	1622.81	750.42	28615.19	1622.81	817.66	28613.34	1348.07	817.66	35619.98	
			TQ	1893.42	764.07	20140.05	1618.68	764.07	28423.10	1618.89	830.88	28434.30	1344.15	830.88	35422.43	
			M3	1817.18	517.64	22709.30	1566.48	616.33	30688.59	1566.48	688.45	30687.06	1310.14	746.90	37474.88	
		MIN	S2	1616.83	-310.26	19509.49	1342.09	-310.26	26487.92	1342.09	-248.01	26488.58	1067.35	-248.01	32171.08	
			TQ	1626.28	-356.89	20325.86	1351.54	-356.89	27348.83	1351.32	-292.64	27336.52	1076.58	-292.64	33062.56	
			M3	1662.78	-208.28	15966.24	1388.02	-208.18	23161.37	1388.02	-153.75	23161.79	1113.28	-153.75	29060.95	
		D+3LANES (casMAX	S2	1895.06	764.31	20357.90	1620.32	764.31	28648.68	1620.32	831.63	28646.81	1345.58	831.63	35641.66	
			TQ	1890.84	778.65	20178.90	1616.10	778.65	28449.78	1616.31	845.52	28460.95	1341.57	845.52	35436.92	
			M3	1817.91	514.78	22693.23	1567.21	613.45	30675.93	1567.21	685.54	30674.40	1310.88	744.03	37465.66	
		MIN	S2	1617.81	-315.05	19523.95	1343.06	-315.05	26506.96	1343.06	-252.76	26507.63	1068.32	-252.76	32194.72	
			TQ	1627.36	-359.85	20305.95	1352.61	-359.85	27334.00	1352.40	-295.62	27321.69	1077.66	-295.62	33052.81	
			M3	1657.82	-179.22	16039.27	1383.06	-179.09	23211.01	1383.06	-124.55	23211.37	1108.32	-124.55	29087.11	
		D+4LANES	MAX	S2	1655.73	-213.71	16433.55	1380.98	-213.71	23595.42	1380.98	-158.26	23595.85	1106.24	-158.26	29461.80
			TQ	1655.64	-212.10	16425.95	1380.90	-212.10	23587.43	1380.90	-156.67	23587.86	1106.16	-156.67	29453.42	
			M3	1624.52	-280.80	18837.15	1349.78	-280.80	25851.84	1349.78	-220.04	25852.43	1075.04	-220.04	31571.21	
		MIN	S2	1624.52	-280.79	18837.09	1349.78	-280.79	25851.78	1349.78	-220.03	25852.37	1075.04	-220.03	31571.14	
			TQ	1624.65	-281.09	18832.01	1349.90	-281.09	25847.28	1349.92	-220.35	25846.82	1075.18	-220.35	31566.26	
			M3	1655.68	-212.30	16425.42	1380.93	-212.30	23587.06	1380.93	-156.87	23587.49	1106.19	-156.87	29453.21	

BAGO RIVER BRIDGE

BLOCK [ No.1 : MAIN GIRDER ][ BEAM MEMBER FORCE ]

MEMBER				1039			1040			1040			1041			
NODE				1039			1040			1040			1041			
NAME TITLE				SHEAR	TORQUE	MOMENT	SHEAR	TORQUE	MOMENT	SHEAR	TORQUE	MOMENT	SHEAR	TORQUE	MOMENT	
				S2 (kN)	TQ (kN·m)	M3 (kN·m)	S2 (kN)	TQ (kN·m)	M3 (kN·m)	S2 (kN)	TQ (kN·m)	M3 (kN·m)	S2 (kN)	TQ (kN·m)	M3 (kN·m)	
124	SUM TOTAL	D+6LANES	MAX	S2	2337.27	-141.08	23249.66	1956.28	-238.27	32378.97	1956.28	-162.18	32379.44	1602.90	-216.48	39728.91
				TQ	1787.34	529.11	20919.08	1512.60	529.11	28701.78	1500.99	596.80	29255.68	1226.25	596.80	35687.69
				M3	2157.59	-266.67	27501.77	1808.53	-295.71	36299.98	1808.53	-210.47	36300.58	1453.43	-258.45	43420.14
			MIN	S2	1507.87	-332.39	23312.97	1159.16	-426.39	30820.79	1159.16	-353.96	30821.70	785.39	-486.31	36597.21
				TQ	1943.91	-1165.89	22758.05	1621.30	-1165.89	31168.36	1623.05	-1092.76	31072.72	1298.74	-1092.76	37963.55
				M3	1686.68	-236.28	14735.56	1411.92	-236.18	22043.42	1411.92	-184.38	22043.91	1137.18	-184.38	28055.80
	SUM TOTAL		MAX		2344.42	778.65	27501.77	1956.28	778.65	36299.98	1956.28	845.52	36300.58	1602.90	845.52	43420.14
			MIN		1479.57	-1439.96	14735.56	1091.45	-1439.96	22043.42	1091.45	-1369.28	22043.91	648.09	-1369.28	28055.80
300	DEAD LOAD	TOTAL			1634.47	-269.59	18149.20	1359.73	-269.59	25210.82	1359.73	-210.34	25211.38	1084.99	-210.34	30977.08
301	LIVE LOAD	1-LANE(case1MAX	S2		534.44	-584.15	2774.55	361.14	-724.90	3650.35	361.14	-716.32	3652.05	240.33	-789.74	3724.92
			TQ		-57.65	80.00	2081.35	-57.65	80.00	1809.40	-58.21	84.27	1822.17	-58.21	84.27	1547.62
			M3		471.76	-503.52	4265.14	277.02	-655.23	5309.63	277.02	-642.75	5311.16	106.44	-761.96	5402.48
			MIN	S2	-99.60	48.83	2865.07	-217.75	-70.91	3613.16	-217.75	-62.42	3613.32	-384.34	-243.57	3635.52
				TQ	273.31	-863.55	1731.96	207.11	-863.55	2864.99	207.66	-856.84	2854.05	141.46	-856.84	3677.42
				M3	24.00	-34.17	-1190.13	24.00	-34.17	-1076.95	24.00	-36.70	-1076.86	24.00	-36.70	-963.68
		1-LANE(case2MAX	S2		181.71	-190.14	1497.41	180.96	-188.68	2318.37	180.96	-183.23	2318.81	179.78	-183.16	3168.00
			TQ		-7.09	2.94	342.94	-7.09	2.94	309.52	-8.80	3.78	400.83	-8.80	3.78	359.34
			M3		69.18	-202.54	3334.16	114.79	-195.44	3736.79	114.79	-186.66	3737.23	147.32	-187.83	4366.91
			MIN	S2	-46.62	-65.71	2218.04	-47.05	-67.17	2031.49	-47.05	-62.40	2031.65	-47.05	-62.46	1811.32
				TQ	141.12	-248.86	1730.69	139.95	-248.86	2393.57	141.65	-243.35	2302.83	140.48	-243.35	2968.21
				M3	19.29	-6.11	-1117.21	19.29	-6.11	-1026.23	19.29	-8.52	-1026.21	19.29	-8.52	-935.22
		1-LANE(case3MAX	S2		139.41	223.07	1154.14	139.41	223.07	1811.73	139.41	227.33	1811.20	139.41	227.33	2468.80
			TQ		137.76	225.50	1100.84	137.76	225.50	1750.63	137.88	229.63	1759.01	137.88	229.63	2409.40
			M3		82.36	117.06	2565.13	103.10	164.82	3001.31	103.10	171.88	3000.92	116.35	198.85	3523.59
			MIN	S2	-14.86	-39.89	1148.63	-14.86	-39.89	1078.56	-14.86	-37.36	1078.65	-14.86	-37.36	1008.58
				TQ	-12.63	-48.15	1480.33	-12.63	-48.15	1420.73	-12.76	-44.82	1411.92	-12.76	-44.82	1351.73
				M3	15.70	15.02	-1062.47	15.70	15.02	-988.41	15.70	12.70	-988.45	15.70	12.70	-914.39

BAGO RIVER BRIDGE

BLOCK [ No.1 : MAIN GIRDER ][ BEAM MEMBER FORCE ]

MEMBER			1039			1040			1040			1041			
NODE			1039			1040			1040			1041			
NAME TITLE			SHEAR	TORQUE	MOMENT	SHEAR	TORQUE	MOMENT	SHEAR	TORQUE	MOMENT	SHEAR	TORQUE	MOMENT	
			S2 (kN)	TQ (kN·m)	M3 (kN·m)	S2 (kN)	TQ (kN·m)	M3 (kN·m)	S2 (kN)	TQ (kN·m)	M3 (kN·m)	S2 (kN)	TQ (kN·m)	M3 (kN·m)	
301	LIVE LOAD	1-LANE (case4MAX	S2	109.02	740.41	880.14	109.02	740.41	1394.35	109.02	743.68	1392.61	109.02	743.68	1906.82
			TQ	105.72	754.39	811.38	105.72	754.39	1310.05	105.79	757.47	1310.39	105.79	757.47	1809.39
			M3	86.77	637.55	1741.04	91.82	679.63	2163.21	91.82	684.71	2161.61	96.89	708.09	2606.61
			MIN S2	-4.11	-7.91	310.75	-4.11	-7.91	291.38	-4.11	-7.23	291.40	-4.11	-7.23	272.04
			TQ	4.71	-37.89	638.58	4.71	-37.89	660.78	4.64	-36.34	658.74	4.64	-36.34	680.61
			M3	8.62	56.24	-957.96	8.60	56.41	-917.31	8.60	54.26	-917.44	8.60	54.26	-876.90
		2-LANES (caseMAX	S2	683.81	-812.38	4311.34	504.01	-974.10	5509.02	504.01	-961.15	5511.30	372.05	-1049.91	5859.17
			TQ	-73.21	88.41	2749.86	-73.21	88.41	2404.56	-75.22	94.17	2493.49	-75.22	94.17	2138.68
			M3	590.25	-718.52	6727.01	384.70	-897.78	8153.26	384.70	-878.62	8155.35	200.46	-1023.42	8578.00
			MIN S2	-143.39	24.30	4488.33	-268.28	-128.03	5472.64	-268.28	-115.17	5472.93	-436.90	-332.61	5728.11
			TQ	394.76	-1169.53	2874.51	315.98	-1169.53	4550.76	318.00	-1158.94	4464.36	239.22	-1158.94	5778.52
			M3	38.04	-45.27	-1953.20	38.04	-45.27	-1773.78	38.04	-49.44	-1773.67	38.04	-49.44	-1594.25
		2-LANES (caseMAX	S2	389.87	-484.04	3247.06	353.86	-527.24	4399.04	353.86	-516.90	4400.27	321.59	-544.43	5395.07
			TQ	-31.06	24.19	1301.19	-31.06	24.19	1154.66	-34.04	27.09	1309.03	-34.04	27.09	1148.45
			M3	254.77	-467.70	5951.18	249.50	-514.62	6842.56	249.50	-498.54	6843.75	234.52	-544.97	7715.02
			MIN S2	-99.24	-71.15	3949.14	-126.03	-124.92	4154.58	-126.03	-115.15	4154.87	-155.82	-181.69	4207.95
			TQ	284.61	-657.28	2873.45	260.02	-657.28	4157.91	262.99	-647.70	4005.01	238.40	-647.70	5187.52
			M3	34.12	-21.88	-1892.43	34.12	-21.88	-1731.51	34.12	-25.95	-1731.46	34.12	-25.95	-1570.54
		2-LANES (caseMAX	S2	217.73	588.00	1831.53	217.73	588.00	2858.56	217.73	594.72	2857.17	217.73	594.72	3884.19
			TQ	215.53	593.02	1681.16	215.53	593.02	2697.77	215.72	599.37	2709.98	215.72	599.37	3727.50
			M3	142.93	393.72	3907.34	167.01	474.73	4636.48	167.01	485.63	4635.35	184.45	534.95	5468.39
			MIN S2	-16.96	-42.36	1326.31	-16.96	-42.36	1246.31	-16.96	-39.43	1246.40	-16.96	-39.43	1166.40
			TQ	-13.00	-72.37	2019.26	-13.00	-72.37	1957.93	-13.20	-67.79	1944.48	-13.20	-67.79	1882.24
			M3	24.18	36.62	-1741.34	24.18	36.62	-1627.29	24.18	32.80	-1627.37	24.18	32.80	-1513.32

BAGO RIVER BRIDGE

BLOCK [ No.1 : MAIN GIRDER ][ BEAM MEMBER FORCE ]

MEMBER			1039			1040			1040			1041			
NODE			1039			1040			1040			1041			
NAME TITLE			SHEAR	TORQUE	MOMENT	SHEAR	TORQUE	MOMENT	SHEAR	TORQUE	MOMENT	SHEAR	TORQUE	MOMENT	
			S2 (kN)	TQ (kN·m)	M3 (kN·m)	S2 (kN)	TQ (kN·m)	M3 (kN·m)	S2 (kN)	TQ (kN·m)	M3 (kN·m)	S2 (kN)	TQ (kN·m)	M3 (kN·m)	
301	LIVE LOAD	2-LANES (caseMAX	S2	191.41	1024.65	1621.34	191.41	1024.65	2524.18	191.41	1030.58	2521.76	191.41	1030.58	3424.60
			TQ	187.82	1039.49	1455.18	187.82	1039.49	2341.11	187.97	1044.99	2346.60	187.97	1044.99	3233.23
			M3	146.91	826.41	3214.31	157.91	902.69	3933.19	157.91	911.93	3931.05	168.54	958.26	4700.78
		MIN	S2	-7.56	-17.22	614.83	-7.56	-17.22	579.19	-7.56	-15.85	579.22	-7.56	-15.85	543.58
			TQ	1.88	-64.90	1309.90	1.88	-64.90	1318.76	1.73	-61.81	1310.97	1.73	-61.81	1319.14
			M3	16.33	82.36	-1625.73	16.31	82.50	-1548.70	16.31	78.86	-1548.89	16.31	78.86	-1471.94
	3-LANES (caseMAX	S2	709.95	-825.21	4725.30	556.59	-961.63	6324.85	556.59	-946.76	6327.09	443.59	-1022.16	7224.29	
		TQ	-67.24	77.23	2580.30	-67.24	77.23	2263.12	-70.17	82.72	2403.39	-70.17	82.72	2072.42	
		M3	550.72	-754.20	8079.65	408.30	-901.55	9577.16	408.30	-879.04	9579.26	274.74	-1002.95	10384.53	
		MIN	S2	-154.90	-25.89	5386.19	-261.36	-156.41	6090.72	-261.36	-142.09	6091.07	-404.69	-326.96	6151.92
			TQ	435.51	-1170.37	3669.24	367.71	-1170.37	5563.60	370.64	-1157.47	5425.88	302.84	-1157.47	7014.23
			M3	46.00	-42.80	-2451.58	46.00	-42.80	-2234.62	46.00	-48.06	-2234.52	46.00	-48.06	-2017.56
	3-LANES (caseMAX	S2	263.09	1020.00	2163.43	263.09	1020.00	3404.37	263.09	1028.00	3401.96	263.09	1028.00	4642.90	
		TQ	258.95	1033.66	1990.85	258.95	1033.66	3212.28	259.16	1041.22	3222.92	259.16	1041.22	4445.36	
		M3	182.71	787.23	4560.10	206.75	885.92	5477.77	206.75	898.79	5475.67	225.16	957.24	6497.80	
		MIN	S2	-17.64	-40.67	1360.29	-17.64	-40.67	1277.10	-17.64	-37.67	1277.19	-17.64	-37.67	1194.00
			TQ	-8.19	-87.31	2176.66	-8.19	-87.31	2138.01	-8.41	-82.30	2125.14	-8.41	-82.30	2085.48
			M3	28.31	61.31	-2182.96	28.30	61.41	-2049.45	28.30	56.59	-2049.59	28.30	56.59	-1916.13
	3-LANES (caseMAX	S2	260.59	1033.90	2208.70	260.59	1033.90	3437.86	260.59	1041.97	3435.42	260.59	1041.97	4664.59	
		TQ	256.37	1048.24	2029.70	256.37	1048.24	3238.96	256.58	1055.86	3249.57	256.58	1055.86	4459.84	
		M3	183.44	784.37	4544.02	207.48	883.04	5465.11	207.48	895.88	5463.02	225.90	954.37	6488.58	
MIN		S2	-16.67	-45.46	1374.75	-16.67	-45.46	1296.14	-16.67	-42.41	1296.25	-16.67	-42.41	1217.64	
		TQ	-7.12	-90.26	2156.74	-7.12	-90.26	2123.18	-7.33	-85.28	2110.31	-7.33	-85.28	2075.73	
		M3	23.35	90.37	-2109.93	23.33	90.49	-1999.81	23.33	85.79	-2000.02	23.33	85.79	-1889.97	



BAGO RIVER BRIDGE

BLOCK [ No.1 : MAIN GIRDER ][ BEAM MEMBER FORCE ]

MEMBER					1039			1040			1041					
NODE					1039			1040			1040					
					SHEAR	TORQUE	MOMENT	SHEAR	TORQUE	MOMENT	SHEAR	TORQUE	MOMENT			
NAME	TITLE				S2 (kN)	TQ (kN·m)	M3 (kN·m)	S2 (kN)	TQ (kN·m)	M3 (kN·m)	S2 (kN)	TQ (kN·m)	M3 (kN·m)			
301	LIVE LOAD	4-LANES	MAX	S2	21.25	55.88	-1715.65	21.25	55.88	-1615.40	21.25	52.08	-1615.53	21.25	52.08	-1515.28
				TQ	21.17	57.49	-1723.26	21.17	57.49	-1623.39	21.17	53.67	-1623.52	21.17	53.67	-1523.66
				M3	-9.95	-11.21	687.95	-9.95	-11.21	641.02	-9.95	-9.70	641.05	-9.95	-9.70	594.13
			MIN	S2	-9.95	-11.20	687.88	-9.95	-11.20	640.96	-9.95	-9.69	640.98	-9.95	-9.69	594.06
				TQ	-9.83	-11.51	682.81	-9.83	-11.51	636.46	-9.81	-10.01	635.44	-9.81	-10.01	589.18
				M3	21.21	57.29	-1723.78	21.21	57.29	-1623.76	21.21	53.47	-1623.89	21.21	53.47	-1523.87
		6-LANES	MAX	S2	702.80	128.51	5100.46	596.55	31.32	7168.15	596.55	48.16	7168.05	517.92	-6.14	8751.84
				TQ	152.87	798.69	2769.88	152.87	798.69	3490.96	141.26	807.14	4044.30	141.26	807.14	4710.61
				M3	523.12	2.91	9352.57	448.80	-26.12	11089.16	448.80	-0.13	11089.19	368.44	-48.11	12443.07
			MIN	S2	-126.60	-62.81	5163.77	-200.57	-156.80	5609.97	-200.57	-143.62	5610.32	-299.59	-275.97	5620.13
				TQ	309.43	-896.30	4608.85	261.57	-896.30	5957.54	263.32	-882.42	5861.33	213.75	-882.42	6986.48
				M3	52.21	33.31	-3413.64	52.19	33.40	-3167.40	52.19	25.96	-3167.47	52.19	25.96	-2921.28
		LIVE LOAD	MAX		709.95	1048.24	9352.57	596.55	1048.24	11089.16	596.55	1055.86	11089.19	517.92	1055.86	12443.07
			MIN		-154.90	-1170.37	-3413.64	-268.28	-1170.37	-3167.40	-268.28	-1158.94	-3167.47	-436.90	-1158.94	-2921.28
303	SUM TOTAL	TOTAL	MAX	2344.42	778.65	27501.77	1956.28	778.65	36299.98	1956.28	845.52	36300.58	1602.90	845.52	43420.14	
			MIN	1479.57	-1439.96	14735.56	1091.45	-1439.96	22043.42	1091.45	-1369.28	22043.91	648.09	-1369.28	28055.80	

BAGO RIVER BRIDGE

BLOCK [ No.1 : MAIN GIRDER ][ BEAM MEMBER FORCE ]

MEMBER NODE	1041	1042			1043			1041	1042			1043				
		SHEAR	TORQUE	MOMENT	SHEAR	TORQUE	MOMENT		SHEAR	TORQUE	MOMENT	SHEAR	TORQUE	MOMENT		
NAME TITLE	S2 (kN)	TQ (kN·m)	M3 (kN·m)	S2 (kN)	TQ (kN·m)	M3 (kN·m)	S2 (kN)	TQ (kN·m)	M3 (kN·m)	S2 (kN)	TQ (kN·m)	M3 (kN·m)	S2 (kN)	TQ (kN·m)	M3 (kN·m)	
1 PAVEMENT	181.48	-6.29	4912.45	135.17	-6.29	5659.24	135.17	10.91	5659.24	88.17	10.91	6193.34				
3 RAILING	7.93	-0.45	148.99	4.03	-0.45	177.20	4.03	0.09	177.20	0.04	0.09	186.92				
5 CURB	78.54	-4.42	1474.98	39.87	-4.42	1754.25	39.87	0.91	1754.25	0.37	0.91	1850.49				
7 DECK WEIGHT	300.63	-11.64	8022.32	224.35	-11.64	9260.44	224.35	16.50	9260.44	146.86	16.50	10148.16				
8 GIRDER WEIGH	396.35	-30.99	11614.68	308.14	-30.99	13276.16	308.14	9.36	13276.20	218.71	9.36	14536.13				
10 MEDIAN STRIP	78.55	-4.98	2404.28	78.55	-4.98	2774.81	78.55	3.45	2774.81	78.55	3.45	3150.53				
21 ADITIONAL WE	84.18	-3.26	2246.25	62.82	-3.26	2592.92	62.82	4.62	2592.92	41.12	4.62	2841.49				
31 MEDIAN RAILI	4.05	-0.47	153.45	4.05	-0.47	172.53	4.05	0.05	172.53	4.05	0.05	191.88				
51 SUPPORT WEIG	0.00	0.00	-0.00	0.00	0.00	-0.00	0.00	0.00	-0.00	0.00	0.00	-0.00				
52 NOSE WEIGHT	-0.00	0.00	0.01	-0.00	0.00	0.01	-0.00	0.00	0.01	-0.00	0.00	0.01				
61 1-LANE(case1TRUCK-LOAD	MAX	S2	290.97	-24.54	2171.96	184.32	-148.39	2550.65	184.32	-140.64	2551.09	104.95	-227.69	2408.37		
		TQ	-39.48	108.46	1467.09	-39.48	108.46	1280.85	-39.48	112.35	1280.51	-39.48	112.35	1091.66		
		M3	268.56	6.54	2191.91	162.36	-117.00	2590.01	162.36	-109.13	2590.35	73.16	-209.20	2438.03		
	MIN	S2	-73.50	83.59	2086.58	-153.13	-4.60	2481.14	-153.13	2.94	2481.15	-261.40	-122.71	2360.35		
		TQ	70.81	-257.35	1188.78	70.81	-257.35	1522.79	70.81	-252.72	1523.57	70.81	-252.72	1862.26		
		M3	6.93	-22.82	-368.20	6.93	-22.82	-335.52	6.93	-23.83	-335.45	6.93	-23.83	-302.30		
	TANDEM-LOAD MAX	S2	233.16	26.11	1671.04	156.97	-63.96	1973.97	156.97	-57.96	1974.15	85.97	-140.60	1843.46		
		TQ	-31.24	74.53	1124.69	-31.24	74.53	977.35	-31.24	77.50	977.12	-31.24	77.50	827.72		
		M3	233.16	26.11	1671.04	156.97	-63.96	1973.97	156.97	-57.96	1974.16	85.97	-140.60	1843.46		
	MIN	S2	-65.10	42.34	1658.46	-136.53	-41.46	1963.75	-136.53	-35.49	1963.86	-212.64	-125.01	1836.54		
		TQ	45.54	-175.24	778.42	45.54	-175.24	993.21	45.54	-172.22	993.74	45.54	-172.22	1211.54		
		M3	4.72	-15.70	-250.84	4.72	-15.70	-228.56	4.72	-16.40	-228.51	4.72	-16.40	-205.91		
	DISPERSION-LMAX	S2	122.10	-291.34	933.28	86.00	-289.99	1075.06	86.00	-286.72	1075.94	62.96	-270.33	1061.83		
		TQ	-5.37	67.12	1085.38	-32.96	67.12	962.45	-32.96	70.05	962.24	-32.96	70.05	804.60		
		M3	88.80	-198.29	2311.13	33.64	-198.29	2599.90	33.64	-190.39	2600.49	-22.39	-190.39	2627.28		
	MIN	S2	-25.11	65.80	943.08	-44.17	64.45	1128.68	-44.17	67.88	1128.48	-77.17	51.49	1208.53		
		TQ	102.36	-292.66	790.99	74.78	-292.66	1241.30	74.78	-288.89	1242.18	18.75	-288.89	1465.76		
		M3	8.19	-27.25	-434.76	8.19	-27.25	-396.15	8.19	-28.45	-396.07	8.19	-28.45	-356.92		

BAGO RIVER BRIDGE

BLOCK [ No.1 : MAIN GIRDER ][ BEAM MEMBER FORCE ]

MEMBER NODE	1041	1042			1043			1042			1043					
		SHEAR	TORQUE	MOMENT	SHEAR	TORQUE	MOMENT	SHEAR	TORQUE	MOMENT	SHEAR	TORQUE	MOMENT			
		S2 (kN)	TQ (kN·m)	M3 (kN·m)	S2 (kN)	TQ (kN·m)	M3 (kN·m)	S2 (kN)	TQ (kN·m)	M3 (kN·m)	S2 (kN)	TQ (kN·m)	M3 (kN·m)			
62	1-LANE (case2TRUCK-LOAD	MAX	S2	62.01	-24.87	1232.33	62.01	-24.87	1524.82	62.01	-20.23	1524.89	62.01	-20.23	1821.48	
			TQ	-14.16	17.92	697.62	-14.16	17.92	630.82	-14.62	19.88	648.41	-14.62	19.88	578.49	
			M3	-7.31	-27.78	1628.46	29.71	-21.05	1647.46	29.71	-16.04	1647.52	56.77	-16.32	1848.15	
			MIN	S2	-33.24	-21.89	1537.52	-33.24	-21.89	1380.72	-33.24	-17.69	1380.78	-33.24	-17.69	1221.79
				TQ	39.85	-67.66	718.05	39.85	-67.66	905.99	38.05	-64.96	863.99	38.05	-64.96	1046.00
				M3	6.44	-7.53	-357.84	6.44	-7.53	-327.44	6.44	-8.53	-327.42	6.44	-8.53	-296.60
		TANDEM-LOAD	MAX	S2	44.21	-17.79	807.29	44.21	-17.79	1015.83	44.21	-14.70	1015.88	44.21	-14.70	1227.34
				TQ	-8.83	12.47	441.13	-8.83	12.47	399.46	-11.57	13.73	504.32	-11.57	13.73	448.98
				M3	-11.56	-21.54	1134.44	15.84	-15.30	1130.95	15.84	-11.86	1130.99	39.89	-7.89	1284.81
			MIN	S2	-24.98	-13.65	1025.70	-24.98	-13.65	907.89	-24.98	-10.90	907.92	-24.98	-10.90	788.46
				TQ	27.64	-46.24	499.35	27.64	-46.24	629.72	27.64	-44.33	629.86	27.64	-44.33	762.05
				M3	4.39	-5.18	-243.70	4.39	-5.18	-222.99	4.39	-5.86	-222.98	4.39	-5.86	-201.98
		DISPERSION-LMAX	MAX	S2	58.40	-76.80	690.33	57.94	-76.11	925.43	57.94	-73.30	925.66	56.98	-73.14	1191.78
				TQ	-8.92	9.27	529.94	-8.92	9.27	487.85	-8.41	10.83	538.68	-8.41	10.83	498.47
				M3	32.86	-64.26	2010.92	31.88	-64.26	2163.59	31.88	-57.68	2163.77	30.89	-57.68	2313.87
			MIN	S2	-17.95	3.63	899.10	-18.47	2.94	852.48	-18.47	5.53	852.47	-18.50	5.38	772.76
				TQ	49.37	-82.43	1059.49	48.39	-82.43	1290.07	47.88	-78.59	1239.44	46.89	-78.59	1466.07
				M3	7.59	-8.91	-421.48	7.59	-8.91	-385.67	7.59	-10.08	-385.64	7.59	-10.08	-349.33
63	1-LANE (case3TRUCK-LOAD	MAX	S2	40.51	77.17	886.73	40.51	77.17	1077.84	40.51	80.45	1077.60	40.51	80.45	1271.38	
			TQ	40.39	77.31	853.64	40.39	77.31	1044.15	40.39	80.49	1043.91	40.39	80.49	1237.09	
			M3	8.38	1.03	1202.16	22.84	37.29	1272.08	22.84	41.16	1271.96	31.38	61.62	1403.78	
		MIN	S2	-13.26	-35.75	898.52	-13.26	-35.75	835.97	-13.26	-33.21	836.08	-13.26	-33.21	772.66	
			TQ	-12.23	-38.03	1020.49	-12.23	-38.03	962.83	-12.23	-35.10	962.94	-12.23	-35.10	904.46	
			M3	6.08	4.05	-350.40	6.08	4.05	-321.71	6.08	3.07	-321.72	6.08	3.07	-292.62	

BAGO RIVER BRIDGE

BLOCK [ No.1 : MAIN GIRDER ][ BEAM MEMBER FORCE ]

MEMBER		1041			1042			1042			1043					
NODE		1041			1042			1042			1043					
		SHEAR	TORQUE	MOMENT	SHEAR	TORQUE	MOMENT	SHEAR	TORQUE	MOMENT	SHEAR	TORQUE	MOMENT			
NAME	TITLE	S2 (kN)	TQ (kN·m)	M3 (kN·m)	S2 (kN)	TQ (kN·m)	M3 (kN·m)	S2 (kN)	TQ (kN·m)	M3 (kN·m)	S2 (kN)	TQ (kN·m)	M3 (kN·m)			
63	1-LANE (case3TANDEM-LOAD	MAX	S2	27.86	52.70	613.74	27.86	52.70	745.16	27.86	54.96	744.99	27.86	54.96	878.25	
			TQ	27.86	52.70	613.74	27.86	52.70	745.16	27.86	54.96	744.99	27.86	54.96	878.25	
			M3	0.79	-11.62	817.93	18.47	33.13	865.83	18.47	35.76	865.72	20.53	40.66	958.88	
		MIN	S2	-9.44	-25.44	634.07	-9.44	-25.44	589.56	-9.44	-23.65	589.63	-9.44	-23.65	544.50	
			TQ	-7.39	-26.25	743.99	-7.39	-26.25	709.14	-9.22	-24.16	620.90	-9.22	-24.16	576.79	
			M3	4.14	2.79	-238.59	4.14	2.79	-219.05	4.14	2.13	-219.06	4.14	2.13	-199.26	
			DISPERSION-LMAX	S2	46.80	84.56	628.53	46.80	84.56	849.26	46.80	87.14	849.00	46.80	87.14	1072.83
				TQ	46.44	85.55	538.91	46.44	85.55	757.96	45.02	87.97	852.89	45.02	87.97	1068.19
				M3	30.19	58.97	1733.89	30.19	58.97	1876.28	30.19	64.67	1876.09	30.19	64.67	2020.48
			MIN	S2	-9.47	-20.61	693.75	-9.47	-20.61	649.10	-9.47	-18.64	649.16	-9.47	-18.64	603.89
				TQ	-9.11	-21.60	783.36	-9.11	-21.60	740.40	-7.68	-19.48	645.28	-7.68	-19.48	608.53
				M3	7.14	4.97	-411.62	7.14	4.97	-377.92	7.14	3.83	-377.93	7.14	3.83	-343.76
64	1-LANE (case4TRUCK-LOAD	MAX	S2	27.21	213.08	586.51	27.21	213.08	714.86	27.21	215.25	714.21	27.21	215.25	844.36	
			TQ	26.08	219.41	665.46	26.08	219.41	788.47	26.08	221.81	787.80	26.08	221.81	912.53	
			M3	15.19	147.77	802.10	17.38	176.45	874.76	17.38	179.11	874.22	18.76	191.67	959.56	
		MIN	S2	-3.68	-58.60	396.56	-3.68	-58.60	379.19	-3.68	-57.45	379.36	-3.68	-57.45	361.75	
			TQ	-0.80	-71.88	548.29	-0.80	-71.88	544.53	-0.80	-70.22	544.74	-0.80	-70.22	540.92	
			M3	5.38	27.65	-337.32	5.38	27.65	-311.94	5.38	26.70	-312.02	5.38	26.70	-286.28	
			TANDEM-LOAD MAX	S2	18.59	143.52	387.13	18.59	143.52	474.83	18.59	144.96	474.39	18.59	144.96	563.31
				TQ	18.18	149.53	441.68	18.18	149.53	527.45	18.18	151.13	526.99	18.18	151.13	613.96
				M3	10.57	108.67	544.97	11.13	115.83	594.94	11.13	117.63	594.58	13.19	135.33	652.39
			MIN	S2	-2.70	-37.89	253.52	-2.70	-37.89	240.77	-2.70	-37.16	240.89	-2.70	-37.16	227.97
				TQ	-0.22	-50.59	385.77	-0.22	-50.59	384.71	-0.22	-49.42	384.86	-0.22	-49.42	383.78
				M3	3.66	19.05	-229.66	3.66	19.05	-212.40	3.66	18.40	-212.46	3.66	18.40	-194.95

BAGO RIVER BRIDGE

BLOCK [ No.1 : MAIN GIRDER ][ BEAM MEMBER FORCE ]

MEMBER		1041			1042			1042			1043						
NODE		1041			1042			1042			1043						
		SHEAR	TORQUE	MOMENT	SHEAR	TORQUE	MOMENT	SHEAR	TORQUE	MOMENT	SHEAR	TORQUE	MOMENT				
NAME	TITLE	S2 (kN)	TQ (kN·m)	M3 (kN·m)	S2 (kN)	TQ (kN·m)	M3 (kN·m)	S2 (kN)	TQ (kN·m)	M3 (kN·m)	S2 (kN)	TQ (kN·m)	M3 (kN·m)				
64	1-LANE (case4DISPERSION-LMAX	S2	38.17	246.10	680.11	38.17	246.10	860.18	38.17	248.72	859.42	38.17	248.72	1042.01			
		TQ	36.06	261.15	478.42	36.06	261.15	648.49	36.15	263.14	655.20	36.15	263.14	828.09			
		M3	28.39	186.55	1368.99	28.39	186.55	1502.88	28.39	191.12	1502.31	28.39	191.12	1638.08			
		MIN	S2	-3.50	-27.88	295.33	-3.50	-27.88	278.81	-3.50	-27.04	278.90	-3.50	-27.04	262.15		
		TQ	-1.38	-42.94	497.02	-1.38	-42.94	490.50	-1.47	-41.46	483.12	-1.47	-41.46	476.07			
		M3	6.29	31.67	-393.55	6.29	31.67	-363.89	6.29	30.56	-363.99	6.29	30.56	-333.92			
		65	2-LANES (caseTRUCK-LOAD	MAX	S2	413.30	-53.91	4066.49	285.99	-228.78	4611.73	285.99	-214.77	4612.40	187.60	-343.44	4527.63
				TQ	-63.82	162.99	2481.13	-63.82	162.99	2180.11	-63.82	169.62	2179.61	-63.82	169.62	1874.38	
				M3	375.43	-9.00	4102.83	248.58	-183.67	4672.06	248.58	-169.48	4672.60	139.62	-314.68	4580.83	
MIN	S2			-126.13	105.93	3908.92	-224.72	-24.67	4483.94	-224.72	-11.05	4483.99	-353.88	-188.17	4435.53		
TQ	120.64			-411.68	2064.53	120.64	-411.68	2633.58	120.64	-403.68	2634.82	120.64	-403.68	3211.84			
M3	13.62			-38.00	-731.19	13.62	-38.00	-666.97	13.62	-40.03	-666.85	13.62	-40.03	-601.72			
TANDEM-LOAD	MAX			S2	322.70	23.46	3064.60	232.38	-102.87	3486.73	232.38	-92.27	3487.03	147.28	-209.33	3397.56	
TQ	-46.25			112.32	1767.71	-46.25	112.32	1549.55	-46.25	117.03	1549.20	-46.25	117.03	1327.99			
M3	322.70			23.46	3064.60	232.38	-102.86	3486.74	232.38	-92.27	3487.03	147.28	-209.33	3397.57			
MIN	S2	-106.25	47.33	3041.67	-191.53	-71.26	3468.12	-191.53	-60.72	3468.32	-282.03	-186.36	3384.34				
TQ	80.11	-280.72	1386.57	80.11	-280.72	1764.45	80.11	-275.35	1765.29	80.11	-275.35	2148.46					
M3	9.28	-26.16	-498.09	9.28	-26.16	-454.31	9.28	-27.54	-454.23	9.28	-27.54	-409.84					
DISPERSION-LMAX	S2	207.63	-473.92	1788.72	156.68	-469.71	2034.41	156.68	-463.53	2035.83	121.19	-438.64	2048.61				
TQ	-23.44	100.63	1950.67	-54.28	100.63	1731.00	-55.63	105.95	1767.01	-55.63	105.95	1500.96					
M3	145.09	-329.46	4476.77	66.32	-329.46	4975.37	66.32	-314.34	4976.35	-13.56	-314.34	5102.41					
MIN	S2	-46.46	99.12	1825.16	-74.29	94.91	2153.89	-74.29	101.45	2153.59	-118.68	76.56	2343.76				
TQ	184.61	-475.44	1663.21	136.67	-475.44	2457.30	138.02	-468.02	2422.41	58.14	-468.02	2891.41					
M3	16.08	-45.34	-862.90	16.08	-45.34	-787.07	16.08	-47.73	-786.93	16.08	-47.73	-710.04					

BAGO RIVER BRIDGE

BLOCK [ No.1 : MAIN GIRDER ][ BEAM MEMBER FORCE ]

MEMBER NODE	1041	1042			1043			1042			1043				
		SHEAR	TORQUE	MOMENT	SHEAR	TORQUE	MOMENT	SHEAR	TORQUE	MOMENT	SHEAR	TORQUE	MOMENT		
		S2 (kN)	TQ (kN·m)	M3 (kN·m)	S2 (kN)	TQ (kN·m)	M3 (kN·m)	S2 (kN)	TQ (kN·m)	M3 (kN·m)	S2 (kN)	TQ (kN·m)	M3 (kN·m)		
66	2-LANES (caseTRUCK-LOAD	MAX	S2	184.33	-54.24	3126.86	163.68	-105.25	3585.90	163.68	-94.36	3586.20	144.65	-135.99	3940.74
		TQ	-38.49	72.45	1711.65	-38.49	72.45	1530.08	-38.95	77.14	1547.50	-38.95	77.14	1361.21	
		M3	99.56	-43.32	3539.38	115.93	-87.72	3729.51	115.93	-76.39	3729.76	123.22	-121.80	3990.95	
		MIN	S2	-85.88	0.45	3359.86	-104.83	-41.96	3383.52	-104.83	-31.68	3383.63	-125.72	-83.15	3296.97
		TQ	89.67	-221.99	1593.79	89.67	-221.99	2016.77	87.88	-215.92	1975.24	87.88	-215.92	2395.58	
		M3	13.13	-22.72	-720.83	13.13	-22.72	-658.89	13.13	-24.72	-658.82	13.13	-24.72	-596.02	
	TANDEM-LOAD	MAX	S2	133.75	-20.44	2200.85	119.62	-56.69	2528.59	119.62	-49.01	2528.75	105.52	-83.43	2781.44
		TQ	-23.85	50.26	1084.14	-23.85	50.26	971.66	-26.58	53.26	1076.40	-26.58	53.26	949.25	
		M3	77.98	-24.19	2528.01	91.24	-54.20	2643.71	91.24	-46.17	2643.87	101.20	-76.62	2838.91	
		MIN	S2	-66.13	-8.66	2408.92	-79.97	-43.46	2412.26	-79.97	-36.13	2412.38	-94.37	-72.25	2336.26
		TQ	62.21	-151.72	1107.50	62.21	-151.72	1400.95	62.21	-147.46	1401.41	62.21	-147.46	1698.97	
		M3	8.95	-15.64	-490.95	8.95	-15.64	-448.75	8.95	-17.00	-448.70	8.95	-17.00	-405.91	
	DISPERSION-LMAX	S2	143.93	-259.38	1545.77	128.62	-255.83	1884.78	128.62	-250.11	1885.55	115.21	-241.45	2178.56	
		TQ	-26.99	42.78	1395.23	-30.25	42.78	1256.40	-31.08	46.73	1343.45	-31.08	46.73	1194.82	
		M3	89.15	-195.43	4176.56	64.55	-195.43	4539.06	64.55	-181.64	4539.63	39.72	-181.64	4789.01	
		MIN	S2	-39.30	36.95	1781.17	-48.58	33.40	1877.69	-48.58	39.11	1877.58	-60.00	30.45	1907.99
		TQ	131.62	-265.21	1931.72	110.28	-265.21	2506.07	111.11	-257.73	2419.67	86.28	-257.73	2891.73	
		M3	15.48	-27.00	-849.62	15.48	-27.00	-776.59	15.48	-29.36	-776.51	15.48	-29.36	-702.46	
67	2-LANES (caseTRUCK-LOAD	MAX	S2	72.84	226.22	1622.38	72.84	226.22	1965.94	72.84	232.19	1965.25	72.84	232.19	2313.62
		TQ	72.71	226.36	1589.29	72.71	226.36	1932.26	72.71	232.23	1931.56	72.71	232.23	2279.34	
		M3	24.17	58.25	2181.00	40.77	110.47	2331.64	40.77	117.56	2331.30	55.10	175.47	2568.53	
		MIN	S2	-19.98	-85.88	1488.39	-19.98	-85.88	1394.14	-19.98	-81.65	1394.40	-19.98	-81.65	1298.83
		TQ	-18.15	-91.84	1740.91	-18.15	-91.84	1655.31	-18.15	-86.81	1655.59	-18.15	-86.81	1568.79	
		M3	11.93	15.84	-696.37	11.93	15.84	-640.08	11.93	13.89	-640.13	11.93	13.89	-583.05	

BAGO RIVER BRIDGE

BLOCK [ No.1 : MAIN GIRDER ][ BEAM MEMBER FORCE ]

MEMBER		1041			1042			1042			1043						
NODE		1041			1042			1042			1043						
		SHEAR	TORQUE	MOMENT	SHEAR	TORQUE	MOMENT	SHEAR	TORQUE	MOMENT	SHEAR	TORQUE	MOMENT				
NAME	TITLE	S2 (kN)	TQ (kN·m)	M3 (kN·m)	S2 (kN)	TQ (kN·m)	M3 (kN·m)	S2 (kN)	TQ (kN·m)	M3 (kN·m)	S2 (kN)	TQ (kN·m)	M3 (kN·m)				
67	2-LANES (caseTANDEM-LOAD	MAX	S2	49.97	154.47	1123.18	49.97	154.47	1358.87	49.97	158.59	1358.39	49.97	158.59	1597.38		
			TQ	49.97	154.47	1123.18	49.97	154.47	1358.87	49.97	158.59	1358.39	49.97	158.59	1597.38		
			M3	10.79	21.39	1483.89	31.25	89.26	1587.89	31.25	94.08	1587.61	37.44	122.85	1750.94		
		MIN	S2	-14.12	-62.27	1082.69	-14.12	-62.27	1016.08	-14.12	-59.18	1016.27	-14.12	-59.18	948.72		
			TQ	-11.88	-63.60	1217.06	-11.88	-63.60	1161.03	-13.71	-60.14	1072.89	-13.71	-60.14	1007.31		
			M3	8.12	10.91	-474.15	8.12	10.91	-435.83	8.12	9.59	-435.87	8.12	9.59	-397.02		
			DISPERSION-LMAX	S2	88.52	250.65	1297.03	88.52	250.65	1714.54	88.52	255.86	1713.77	88.52	255.86	2137.14	
			TQ	87.42	255.62	1060.49	87.42	255.62	1472.81	86.06	260.23	1576.73	86.06	260.23	1988.36		
			M3	59.45	182.88	3286.47	59.45	182.88	3566.87	59.45	193.71	3566.29	59.45	193.71	3850.62		
		MIN	S2	-15.07	-48.68	1172.42	-15.07	-48.68	1101.31	-15.07	-45.34	1101.45	-15.07	-45.34	1029.35		
			TQ	-13.97	-53.65	1408.96	-13.97	-53.65	1343.04	-12.62	-49.71	1238.49	-12.62	-49.71	1178.13		
			M3	14.00	19.09	-817.03	14.00	19.09	-751.01	14.00	16.81	-751.07	14.00	16.81	-684.13		
		68	2-LANES (caseTRUCK-LOAD	MAX	S2	59.54	362.09	1322.17	59.54	362.09	1603.00	59.54	366.96	1601.90	59.54	366.96	1886.66
					TQ	58.40	368.43	1401.12	58.40	368.43	1676.61	58.40	373.52	1675.48	58.40	373.52	1954.83
					M3	30.98	204.99	1780.94	35.30	249.63	1934.33	35.30	255.51	1933.56	42.47	305.51	2124.33
MIN	S2			-10.40	-108.78	986.38	-10.40	-108.78	937.32	-10.40	-105.93	937.65	-10.40	-105.93	887.90		
	TQ			-6.72	-125.69	1268.71	-6.72	-125.69	1237.01	-6.72	-121.93	1237.39	-6.72	-121.93	1205.25		
	M3			10.99	47.56	-678.87	10.99	47.56	-627.02	10.99	45.65	-627.16	10.99	45.65	-574.58		
	TANDEM-LOAD MAX			S2	40.70	245.26	896.59	40.70	245.26	1088.57	40.70	248.57	1087.82	40.70	248.57	1282.49	
	TQ			40.29	251.27	951.13	40.29	251.27	1141.19	40.29	254.74	1140.42	40.29	254.74	1333.13		
	M3			20.57	141.67	1210.93	23.92	171.96	1317.01	23.92	175.96	1316.48	30.10	217.51	1444.48		
MIN	S2			-7.39	-74.72	702.14	-7.39	-74.72	667.30	-7.39	-72.69	667.52	-7.39	-72.69	632.19		
	TQ			-4.71	-87.94	858.83	-4.71	-87.94	836.59	-4.71	-85.40	836.85	-4.71	-85.40	814.31		
	M3			7.48	32.77	-462.20	7.48	32.77	-426.93	7.48	31.47	-427.03	7.48	31.47	-391.27		

BAGO RIVER BRIDGE

BLOCK [ No.1 : MAIN GIRDER ][ BEAM MEMBER FORCE ]

MEMBER NODE	1041	1042			1043			1041	1042			1043			
		SHEAR	TORQUE	MOMENT	SHEAR	TORQUE	MOMENT		SHEAR	TORQUE	MOMENT	SHEAR	TORQUE	MOMENT	
NAME TITLE	S2 (kN)	TQ (kN·m)	M3 (kN·m)	S2 (kN)	TQ (kN·m)	M3 (kN·m)	S2 (kN)	TQ (kN·m)	M3 (kN·m)	S2 (kN)	TQ (kN·m)	M3 (kN·m)	S2 (kN)	TQ (kN·m)	M3 (kN·m)
68 2-LANES (caseDISPERSION-LMAX	S2	79.62	420.64	1354.30	79.62	420.64	1729.88	79.62	425.90	1728.59	79.62	425.90	2109.43		
	TQ	76.76	439.67	1005.69	76.76	439.67	1367.77	76.92	443.85	1383.44	76.92	443.85	1751.36		
	M3	57.75	308.69	2918.11	57.75	308.69	3190.51	57.75	318.38	3189.56	57.75	318.38	3465.77		
	MIN S2	-9.01	-57.70	770.53	-9.01	-57.70	728.04	-9.01	-55.49	728.21	-9.01	-55.49	685.13		
	TQ	-6.15	-76.72	1119.14	-6.15	-76.72	1090.15	-6.31	-73.44	1073.36	-6.31	-73.44	1043.19		
	M3	12.87	54.26	-793.28	12.87	54.26	-732.59	12.87	52.03	-732.75	12.87	52.03	-671.21		
69 3-LANES (caseTRUCK-LOAD	MAX S2	475.31	-78.77	5298.83	348.00	-253.65	6136.55	348.00	-235.00	6137.29	249.61	-363.68	6349.11		
	TQ	-77.98	180.91	3178.75	-77.98	180.91	2810.93	-78.43	189.50	2828.02	-78.43	189.50	2452.87		
	M3	368.13	-36.78	5731.29	278.30	-204.72	6319.52	278.30	-185.52	6320.11	196.38	-331.00	6428.98		
	MIN S2	-159.37	84.04	5446.44	-257.96	-46.56	5864.66	-257.96	-28.74	5864.77	-387.12	-205.87	5657.32		
	TQ	160.49	-479.34	2782.57	160.49	-479.34	3539.57	158.70	-468.64	3498.81	158.70	-468.64	4257.84		
	M3	20.06	-45.54	-1089.03	20.06	-45.54	-994.41	20.06	-48.56	-994.27	20.06	-48.56	-898.32		
	TANDEM-LOAD MAX S2	366.91	5.67	3871.89	276.59	-120.65	4502.56	276.59	-106.97	4502.91	191.49	-224.03	4624.90		
	TQ	-55.08	124.79	2208.83	-55.08	124.79	1949.01	-57.82	130.76	2053.52	-57.82	130.76	1776.97		
	M3	311.14	1.92	4199.04	248.21	-118.17	4617.69	248.21	-104.13	4618.02	187.17	-217.22	4682.38		
	MIN S2	-131.23	33.67	4067.37	-216.50	-84.92	4376.01	-216.50	-71.62	4376.25	-307.01	-197.25	4172.79		
	TQ	107.75	-326.96	1885.92	107.75	-326.96	2394.17	107.75	-319.68	2395.15	107.75	-319.68	2910.52		
	M3	13.67	-31.34	-741.79	13.67	-31.34	-677.30	13.67	-33.40	-677.20	13.67	-33.40	-611.82		
	DISPERSION-LMAX S2	266.03	-550.72	2479.05	214.61	-545.82	2959.84	214.61	-536.82	2961.49	178.17	-511.78	3240.38		
	TQ	-32.37	109.90	2480.61	-63.20	109.90	2218.84	-64.03	116.78	2305.69	-64.03	116.78	1999.42		
	M3	177.95	-393.72	6487.69	98.19	-393.72	7138.96	98.19	-372.02	7140.12	17.33	-372.02	7416.28		
	MIN S2	-64.41	102.75	2724.26	-92.76	97.85	3006.37	-92.76	106.99	3006.06	-137.17	81.95	3116.52		
	TQ	233.99	-557.87	2722.70	185.06	-557.87	3747.37	185.89	-546.61	3661.85	105.03	-546.61	4357.48		
	M3	23.67	-54.25	-1284.38	23.67	-54.25	-1172.74	23.67	-57.81	-1172.57	23.67	-57.81	-1059.37		



BAGO RIVER BRIDGE

BLOCK [ No.1 : MAIN GIRDER ][ BEAM MEMBER FORCE ]

MEMBER				1041			1042			1043					
NODE				1041			1042			1043					
				SHEAR	TORQUE	MOMENT	SHEAR	TORQUE	MOMENT	SHEAR	TORQUE	MOMENT			
NAME	TITLE			S2 (kN)	TQ (kN·m)	M3 (kN·m)	S2 (kN)	TQ (kN·m)	M3 (kN·m)	S2 (kN)	TQ (kN·m)	M3 (kN·m)			
70	3-LANES (caseTRUCK-LOAD	MAX	S2	100.05	439.33	2208.89	100.05	439.33	2680.80	100.05	447.47	2679.45	100.05	447.47	3157.97
			TQ	98.79	445.80	2254.73	98.79	445.80	2720.70	98.79	454.07	2719.33	98.79	454.07	3191.83
			M3	39.35	205.88	2983.11	58.14	286.92	3206.38	58.14	296.67	3205.50	73.86	367.20	3528.03
		MIN	S2	-23.69	-144.01	1885.04	-23.69	-144.01	1773.29	-23.69	-138.62	1773.72	-23.69	-138.62	1660.41
			TQ	-18.95	-163.71	2289.21	-18.95	-163.71	2199.84	-18.95	-157.03	2200.33	-18.95	-157.03	2109.71
			M3	17.56	35.37	-1038.12	17.56	35.37	-955.31	17.56	32.47	-955.42	17.56	32.47	-871.45
		TANDEM-LOAD MAX	S2	68.56	298.00	1510.31	68.56	298.00	1833.69	68.56	303.57	1832.78	68.56	303.57	2160.69
			TQ	68.15	304.01	1564.85	68.15	304.01	1886.30	68.15	309.74	1885.37	68.15	309.74	2211.32
			M3	21.36	130.08	2028.84	42.38	205.08	2182.81	42.38	211.72	2182.18	50.63	258.20	2403.29
		MIN	S2	-16.85	-99.83	1336.50	-16.85	-99.83	1257.04	-16.85	-96.01	1257.33	-16.85	-96.01	1176.76
			TQ	-12.10	-114.19	1602.82	-12.10	-114.19	1545.73	-13.94	-109.56	1457.75	-13.94	-109.56	1391.09
			M3	11.95	24.36	-706.83	11.95	24.36	-650.48	11.95	22.38	-650.55	11.95	22.38	-593.41
		DISPERSION-LMAX	S2	126.96	488.35	1971.72	126.96	488.35	2570.59	126.96	496.16	2569.09	126.96	496.16	3176.34
			TQ	123.74	508.37	1533.50	123.74	508.37	2117.18	122.48	514.95	2227.83	122.48	514.95	2813.64
			M3	87.73	371.21	4659.36	87.73	371.21	5073.15	87.73	386.63	5072.00	87.73	386.63	5491.58
MIN	S2	-18.68	-74.84	1471.32	-18.68	-74.84	1383.20	-18.68	-70.64	1383.42	-18.68	-70.64	1294.07		
	TQ	-15.46	-94.86	1909.54	-15.46	-94.86	1836.61	-14.20	-89.42	1724.69	-14.20	-89.42	1656.77		
	M3	20.55	42.30	-1216.32	20.55	42.30	-1119.36	20.55	38.90	-1119.49	20.55	38.90	-1021.17		
71	3-LANES (caseTRUCK-LOAD	MAX	S2	100.06	439.24	2208.93	100.06	439.24	2680.88	100.06	447.38	2679.54	100.06	447.38	3158.09
			TQ	98.80	445.71	2254.79	98.80	445.71	2720.80	98.80	453.98	2719.43	98.80	453.98	3191.97
			M3	39.36	206.02	2983.10	58.14	286.92	3206.41	58.14	296.67	3205.52	73.86	367.13	3528.13
		MIN	S2	-23.66	-144.53	1884.90	-23.66	-144.53	1773.29	-23.66	-139.15	1773.72	-23.66	-139.15	1660.56
			TQ	-18.95	-163.71	2289.21	-18.95	-163.71	2199.84	-18.95	-157.03	2200.33	-18.95	-157.03	2109.71
			M3	16.83	59.72	-1024.64	16.83	59.72	-945.24	16.83	56.84	-945.42	16.83	56.84	-864.91

BAGO RIVER BRIDGE

BLOCK [ No.1 : MAIN GIRDER ][ BEAM MEMBER FORCE ]

MEMBER		1041			1042			1042			1043				
NODE		1041			1042			1042			1043				
		SHEAR	TORQUE	MOMENT	SHEAR	TORQUE	MOMENT	SHEAR	TORQUE	MOMENT	SHEAR	TORQUE	MOMENT		
NAME	TITLE	S2 (kN)	TQ (kN·m)	M3 (kN·m)	S2 (kN)	TQ (kN·m)	M3 (kN·m)	S2 (kN)	TQ (kN·m)	M3 (kN·m)	S2 (kN)	TQ (kN·m)	M3 (kN·m)		
71	3-LANES (caseTANDEM-LOAD	MAX	S2	68.56	297.94	1510.34	68.56	297.94	1833.76	68.56	303.51	1832.84	68.56	303.51	2160.78
			TQ	68.16	303.95	1564.89	68.16	303.95	1886.37	68.16	309.68	1885.44	68.16	309.68	2211.43
			M3	21.36	130.05	2028.86	42.39	205.09	2182.83	42.39	211.72	2182.20	50.63	258.17	2403.36
		MIN	S2	-16.82	-100.16	1336.21	-16.82	-100.16	1256.86	-16.82	-96.34	1257.15	-16.82	-96.34	1176.69
			TQ	-12.10	-114.19	1602.82	-12.10	-114.19	1545.73	-13.94	-109.56	1457.75	-13.94	-109.56	1391.09
			M3	11.45	41.16	-697.62	11.45	41.16	-643.61	11.45	39.20	-643.73	11.45	39.20	-588.96
	DISPERSION-LMAX	S2	126.15	513.69	1988.62	126.15	513.69	2583.66	126.15	521.53	2582.09	126.15	521.53	3185.46	
		TQ	122.93	533.70	1550.40	122.93	533.70	2130.25	123.20	540.22	2161.05	123.20	540.22	2750.29	
		M3	88.04	365.87	4648.53	88.04	365.87	5063.80	88.04	381.25	5062.66	88.04	381.25	5483.75	
		MIN	S2	-18.37	-80.08	1460.79	-18.37	-80.08	1374.13	-18.37	-75.90	1374.37	-18.37	-75.90	1286.49
			TQ	-15.15	-100.09	1899.01	-15.15	-100.09	1827.54	-15.42	-94.59	1795.41	-15.42	-94.59	1721.67
			M3	19.74	67.75	-1199.12	19.74	67.75	-1106.00	19.74	64.38	-1106.20	19.74	64.38	-1011.79
72	4-LANES TRUCK-LOAD	MAX	S2	22.90	61.90	-1372.03	22.90	61.90	-1264.01	22.90	58.06	-1264.19	22.90	58.06	-1154.67
			TQ	22.90	61.90	-1372.03	22.90	61.90	-1264.01	22.90	58.06	-1264.19	22.90	58.06	-1154.67
			M3	-7.12	-6.43	412.37	-7.12	-6.46	378.76	-7.12	-5.31	378.78	-7.12	-5.31	344.71
		MIN	S2	-7.12	-6.43	412.37	-7.12	-6.43	378.76	-7.12	-5.28	378.78	-7.12	-5.28	344.70
			TQ	-6.74	-6.76	391.01	-6.74	-6.76	359.21	-6.45	-5.68	343.88	-6.45	-5.68	313.04
			M3	22.90	61.90	-1372.03	22.90	61.90	-1264.01	22.90	58.06	-1264.19	22.90	58.06	-1154.67
	TANDEM-LOAD	MAX	S2	15.60	43.68	-936.35	15.60	43.68	-862.77	15.60	41.06	-862.90	15.60	41.06	-788.28
			TQ	15.60	43.68	-936.35	15.60	43.68	-862.77	15.60	41.06	-862.90	15.60	41.06	-788.28
			M3	-4.84	-4.47	280.20	-4.84	-4.47	257.37	-4.84	-3.69	257.39	-4.84	-3.69	234.24
		MIN	S2	-4.84	-4.47	280.20	-4.84	-4.47	257.37	-4.84	-3.69	257.39	-4.84	-3.69	234.24
			TQ	-4.63	-4.60	268.49	-4.63	-4.60	246.64	-4.42	-3.86	235.67	-4.42	-3.86	214.53
			M3	15.60	43.68	-936.35	15.60	43.68	-862.77	15.60	41.06	-862.90	15.60	41.06	-788.28

BAGO RIVER BRIDGE

BLOCK [ No.1 : MAIN GIRDER ][ BEAM MEMBER FORCE ]

MEMBER				1041			1042			1043							
NODE				1041			1042			1043							
				SHEAR	TORQUE	MOMENT	SHEAR	TORQUE	MOMENT	SHEAR	TORQUE	MOMENT					
NAME	TITLE			S2 (kN)	TQ (kN·m)	M3 (kN·m)	S2 (kN)	TQ (kN·m)	M3 (kN·m)	S2 (kN)	TQ (kN·m)	M3 (kN·m)					
72	4-LANES	DISPERSION-LMAX	S2	16.36	37.69	-972.60	16.36	37.69	-895.45	16.36	34.97	-895.56	16.36	34.97	-817.33		
			TQ	16.34	38.13	-972.27	16.34	38.13	-895.19	15.06	35.48	-828.41	15.06	35.48	-756.37		
			M3	-8.67	-7.80	501.71	-8.67	-7.80	460.82	-8.67	-6.40	460.84	-8.67	-6.40	419.38		
		MIN	S2	-8.67	-7.80	501.71	-8.67	-7.80	460.82	-8.67	-6.40	460.84	-8.67	-6.40	419.38		
			TQ	-8.64	-8.25	500.54	-8.64	-8.25	459.79	-7.58	-6.91	404.53	-7.58	-6.91	368.27		
			M3	16.36	37.69	-972.60	16.36	37.69	-895.45	16.36	34.97	-895.55	16.36	34.97	-817.32		
		73	6-LANES	TRUCK-LOAD MAX	S2	547.72	330.83	7438.01	434.76	168.23	8714.47	434.76	194.71	8713.92	346.22	74.17	9437.05
					TQ	25.69	576.77	5555.37	25.69	576.77	5676.53	25.48	594.03	5680.25	25.48	594.03	5802.13
					M3	377.35	147.45	8697.27	321.73	58.22	9468.44	321.73	86.99	9468.22	270.65	47.16	9943.12
MIN	S2			-178.66	-59.41	7279.37	-267.14	-182.38	7554.55	-267.14	-159.42	7555.06	-381.80	-324.26	7271.23		
	TQ			136.35	-588.99	5121.64	136.35	-588.99	5764.80	136.20	-571.49	5754.29	136.20	-571.49	6405.74		
	M3			36.90	13.58	-2113.09	36.90	13.58	-1939.06	36.90	7.68	-1939.09	36.90	7.68	-1762.62		
TANDEM-LOAD MAX	S2			411.77	282.34	5329.80	331.80	165.00	6254.43	331.80	184.01	6253.90	256.14	75.05	6733.04		
	TQ			15.56	395.38	3859.86	15.56	395.38	3933.24	15.56	407.33	3932.02	15.56	407.33	4006.43		
	M3			304.08	99.28	6201.96	267.80	60.88	6737.45	267.80	81.35	6737.23	234.40	48.34	7060.00		
MIN	S2	-143.51	-67.01	5340.16	-219.19	-177.43	5541.34	-219.19	-160.59	5541.85	-299.41	-277.33	5289.04				
	TQ	91.46	-405.25	3520.66	91.46	-405.25	3952.07	91.46	-393.24	3953.28	91.46	-393.24	4390.73				
	M3	25.12	9.41	-1438.97	25.12	9.41	-1320.47	25.12	5.39	-1320.49	25.12	5.39	-1200.34				
DISPERSION-LMAX	S2	366.03	-56.00	4064.78	316.80	-51.56	5063.12	316.80	-36.18	5063.25	282.27	-12.43	5880.93				
	TQ	86.64	592.50	3505.45	57.39	592.50	3810.66	55.42	604.35	4004.25	55.42	604.35	4269.34				
	M3	244.79	-42.11	10445.87	168.53	-41.53	11420.67	168.53	-6.88	11420.74	91.17	-7.16	12041.77				
MIN	S2	-79.14	22.69	4012.67	-106.17	18.29	4185.49	-106.17	31.01	4185.42	-148.85	6.96	4209.37				
	TQ	198.66	-604.67	4574.31	151.49	-604.67	5434.41	153.58	-588.43	5236.91	76.21	-588.43	5786.39				
	M3	41.71	8.37	-2381.26	41.71	8.37	-2184.50	41.71	1.73	-2184.51	41.71	1.81	-1984.99				

BAGO RIVER BRIDGE

BLOCK [ No.1 : MAIN GIRDER ] [ BEAM MEMBER FORCE ]

MEMBER			1041			1042			1042			1043			
NODE			1041			1042			1042			1043			
NAME TITLE			SHEAR	TORQUE	MOMENT	SHEAR	TORQUE	MOMENT	SHEAR	TORQUE	MOMENT	SHEAR	TORQUE	MOMENT	
			S2 (kN)	TQ (kN·m)	M3 (kN·m)	S2 (kN)	TQ (kN·m)	M3 (kN·m)	S2 (kN)	TQ (kN·m)	M3 (kN·m)	S2 (kN)	TQ (kN·m)	M3 (kN·m)	
124	SUM TOTAL	D+1LANE (caseMAX	S2	1627.40	-441.55	34703.69	1181.35	-588.55	40018.43	1181.35	-466.95	40020.03	779.37	-551.74	43263.18
			TQ	1077.88	148.20	34040.37	770.04	148.20	38359.53	770.04	264.77	38358.90	490.94	264.77	41374.45
			M3	1560.55	-292.59	36381.05	1092.17	-440.84	41895.46	1092.17	-313.53	41896.60	638.79	-433.62	45177.30
		MIN	S2	1013.38	116.77	34612.99	620.21	9.32	39999.36	620.21	130.87	39999.15	171.58	-39.58	43381.59
			TQ	1339.53	-722.51	33353.12	1031.68	-722.51	38984.48	1031.68	-604.04	38986.50	685.34	-604.04	43092.55
			M3	1149.85	-122.58	30013.84	875.11	-122.58	34789.57	875.11	-16.86	34789.78	596.01	-16.86	38307.87
		D+1LANE (caseMAX	S2	1276.20	-184.49	33284.60	1000.90	-183.67	38607.88	1000.90	-66.35	38608.26	720.65	-66.17	42714.84
			TQ	1104.01	-29.88	32450.47	829.27	-29.88	37009.97	829.34	82.74	37092.10	550.24	82.74	40391.28
			M3	1162.37	-172.94	35344.66	930.88	-164.86	40240.83	930.88	-42.58	40241.14	683.05	-42.91	44093.35
		MIN	S2	1070.29	-84.41	33901.34	794.92	-85.23	38347.42	794.92	31.30	38347.50	515.78	31.12	41492.40
			TQ	1238.78	-242.60	33110.44	962.85	-242.60	38302.84	960.09	-126.38	38191.72	679.80	-126.38	42113.43
			M3	1148.56	-82.23	30042.21	873.81	-82.23	34811.83	873.81	23.56	34811.92	594.71	23.56	38323.82
		D+1LANE (caseMAX	S2	1236.49	131.58	32795.71	961.74	131.58	37980.09	961.74	246.99	37979.52	682.64	246.99	41911.98
			TQ	1235.91	132.94	32648.47	961.16	132.94	37830.11	959.45	248.04	37943.76	680.35	248.04	41865.27
			M3	1178.00	9.50	34500.67	920.60	53.02	39445.61	920.60	172.88	39445.26	651.75	197.44	43208.04
		MIN	S2	1104.44	-130.13	32888.12	829.70	-130.13	37449.66	829.70	-16.33	37449.88	550.60	-16.33	40750.79
			TQ	1106.11	-134.06	33142.03	831.37	-134.06	37711.45	833.08	-19.61	37597.45	553.98	-19.61	40914.52
			M3	1147.59	-51.67	30062.98	872.84	-51.67	34828.02	872.84	54.16	34828.02	593.74	54.16	38335.28
		D+1LANE (caseMAX	S2	1210.18	488.52	32497.34	935.43	488.52	37557.62	935.43	602.65	37555.96	656.33	602.65	41362.58
			TQ	1206.27	514.18	32350.06	931.53	514.18	37391.92	931.64	627.82	37399.19	652.54	627.82	41187.68
			M3	1184.00	338.68	33582.70	911.88	373.10	38520.75	911.88	490.16	38519.43	634.44	505.22	42216.09
		MIN	S2	1123.09	-166.28	31807.67	848.35	-166.28	36457.18	848.35	-55.50	36457.51	569.25	-55.50	39847.61
			TQ	1129.09	-200.27	32231.77	854.35	-200.27	36909.60	854.24	-88.13	36901.03	575.14	-88.13	40319.32
			M3	1145.72	8.69	30100.35	870.97	8.69	34856.58	870.97	114.61	34856.39	591.87	114.61	38354.70

BAGO RIVER BRIDGE

BLOCK [ No.1 : MAIN GIRDER ] [ BEAM MEMBER FORCE ]

MEMBER			1041			1042			1042			1043			
NODE			1041			1042			1042			1043			
NAME TITLE			SHEAR	TORQUE	MOMENT	SHEAR	TORQUE	MOMENT	SHEAR	TORQUE	MOMENT	SHEAR	TORQUE	MOMENT	
			S2 (kN)	TQ (kN·m)	M3 (kN·m)	S2 (kN)	TQ (kN·m)	M3 (kN·m)	S2 (kN)	TQ (kN·m)	M3 (kN·m)	S2 (kN)	TQ (kN·m)	M3 (kN·m)	
124	SUM TOTAL	D+2LANES (casMAX	S2	1752.64	-590.33	36832.61	1299.64	-760.99	42313.71	1299.64	-632.41	42315.83	886.66	-736.19	45675.18
			TQ	1044.45	201.13	35409.20	738.87	201.13	39578.68	737.53	321.45	39614.22	458.42	321.45	42474.27
			M3	1652.24	-400.96	39557.00	1171.87	-575.63	45315.00	1171.87	-437.93	45316.54	703.93	-583.14	48782.18
		MIN	S2	959.11	142.55	36711.48	557.97	7.74	42305.39	557.97	136.29	42305.17	105.31	-65.72	45878.22
			TQ	1436.97	-949.62	34705.14	1114.28	-949.62	40758.45	1115.63	-825.81	40724.82	756.65	-825.81	45202.18
			M3	1161.40	-145.84	29383.31	886.66	-145.84	34213.53	886.66	-41.88	34213.82	607.56	-41.88	37787.17
		D+2LANES (casMAX	S2	1459.97	-376.11	35650.03	1149.27	-423.59	41138.25	1149.27	-298.57	41139.35	837.73	-331.55	45218.23
			TQ	1066.22	52.73	34084.28	788.23	52.73	38454.05	786.94	169.76	38558.55	507.84	169.76	41654.96
			M3	1320.42	-301.25	38693.34	1037.46	-345.65	43936.14	1037.46	-212.14	43936.99	740.81	-257.55	47878.89
		MIN	S2	1006.54	-25.10	36118.44	703.56	-71.06	40928.78	703.56	53.32	40928.80	392.14	-6.81	44303.89
			TQ	1353.01	-549.70	34502.91	1056.93	-549.70	40190.42	1055.97	-427.76	40062.51	752.03	-427.76	44386.24
			M3	1160.33	-112.22	29406.95	885.58	-112.22	34232.09	885.58	-8.19	34232.27	606.48	-8.19	37800.46
		D+2LANES (casMAX	S2	1293.07	414.37	33896.80	1018.32	414.37	39348.06	1018.32	533.94	39346.62	739.22	533.94	43549.70
			TQ	1291.84	419.48	33627.17	1017.10	419.48	39072.65	1015.74	538.35	39175.89	736.64	538.35	43366.63
			M3	1215.33	178.63	36444.87	957.18	230.85	41566.08	957.18	357.16	41565.19	692.41	415.07	45518.08
		MIN	S2	1096.66	-197.07	33638.21	821.91	-197.07	38163.02	821.91	-81.10	38163.45	542.81	-81.10	41427.12
			TQ	1099.59	-207.99	34127.27	824.85	-207.99	38665.93	826.20	-90.62	38561.68	547.10	-90.62	41845.85
			M3	1157.64	-27.57	29464.00	882.90	-27.57	34276.48	882.90	76.59	34276.40	603.80	76.59	37831.76
		D+2LANES (casMAX	S2	1270.87	720.24	33653.87	996.13	720.24	39000.45	996.13	838.75	38998.08	717.03	838.75	43095.02
			TQ	1266.88	745.60	33384.21	992.14	745.60	38711.95	992.30	863.25	38726.52	713.20	863.25	42805.12
			M3	1220.44	451.18	35676.45	950.02	495.82	40792.41	950.02	619.78	40790.71	678.09	669.78	44689.03
		MIN	S2	1112.30	-228.98	32734.31	837.56	-228.98	37332.93	837.56	-115.54	37333.46	558.46	-115.54	40671.96
			TQ	1118.85	-264.91	33365.25	844.10	-264.91	37994.74	843.94	-149.48	37978.35	564.84	-149.48	41347.38
			M3	1155.57	39.31	29505.24	880.83	39.31	34307.96	880.83	143.57	34307.69	601.73	143.57	37853.15

BAGO RIVER BRIDGE

BLOCK [ No.1 : MAIN GIRDER ][ BEAM MEMBER FORCE ]

MEMBER			1041			1042			1042			1043				
NODE			1041			1042			1042			1043				
NAME TITLE			SHEAR	TORQUE	MOMENT	SHEAR	TORQUE	MOMENT	SHEAR	TORQUE	MOMENT	SHEAR	TORQUE	MOMENT		
			S2 (kN)	TQ (kN·m)	M3 (kN·m)	S2 (kN)	TQ (kN·m)	M3 (kN·m)	S2 (kN)	TQ (kN·m)	M3 (kN·m)	S2 (kN)	TQ (kN·m)	M3 (kN·m)		
124	SUM TOTAL	D+3LANES (casMAX	S2	1761.85	-597.57	37588.60	1335.19	-742.05	43399.51	1335.19	-610.16	43401.56	941.48	-698.25	47250.01	
			TQ	1037.92	184.69	35787.85	736.96	184.69	39942.88	735.87	306.22	40031.25	456.77	306.22	42883.38	
			M3	1595.88	-428.42	41363.54	1176.98	-571.17	47107.28	1176.98	-428.02	47108.80	759.52	-551.68	50867.41	
		MIN	S2	941.50	96.28	37922.49	558.86	-18.90	43207.95	558.86	112.40	43207.80	132.21	-59.45	46556.70	
			TQ	1467.02	-944.12	35656.88	1150.69	-944.12	41861.47	1149.87	-817.08	41754.16	802.03	-817.08	46421.96	
			M3	1168.88	-147.32	28960.00	894.14	-147.32	33825.49	894.14	-44.53	33825.78	615.04	-44.53	37434.89	
		D+3LANES (casMAX	S2	1324.67	726.03	34530.92	1049.93	726.03	40131.25	1049.93	847.98	40128.85	770.82	847.98	44483.09	
			TQ	1320.86	748.55	34197.40	1046.12	748.55	39779.77	1045.05	869.55	39872.68	765.94	869.55	44203.58	
			M3	1239.73	428.03	37473.50	980.95	496.92	42705.18	980.95	626.68	42703.47	715.21	686.64	46765.61	
		MIN	S2	1095.70	-248.53	33830.31	820.95	-248.53	38350.59	820.95	-131.99	38351.17	541.85	-131.99	41610.24	
			TQ	1102.47	-282.29	34546.34	827.72	-282.29	39098.56	828.80	-163.60	39003.86	549.69	-163.60	42300.44	
			M3	1164.11	3.52	29061.13	889.36	3.52	33904.10	889.36	106.55	33903.93	610.26	106.55	37490.20	
		D+3LANES (casMAX	S2	1323.99	747.48	34545.32	1049.25	747.48	40142.44	1049.25	869.46	40139.98	770.14	869.46	44490.96	
			TQ	1320.18	770.00	34211.81	1045.44	770.00	39790.97	1045.66	890.96	39816.01	766.56	890.96	44149.85	
			M3	1240.00	423.60	37464.28	981.23	492.37	42697.25	981.23	622.12	42695.55	715.48	682.01	46759.03	
		MIN	S2	1095.98	-253.42	33821.23	821.24	-253.42	38342.88	821.24	-136.90	38343.47	542.14	-136.90	41603.93	
			TQ	1102.73	-286.73	34537.39	827.99	-286.73	39090.84	827.76	-167.99	39063.97	548.66	-167.99	42355.61	
			M3	1162.80	45.84	29087.20	888.06	45.84	33924.01	888.06	148.93	33923.72	608.95	148.93	37503.74	
		D+4LANES	MAX	S2	1157.23	2.24	29453.39	882.49	2.24	34263.92	882.49	106.36	34263.76	603.38	106.36	37817.14
			TQ	1157.22	2.52	29453.60	882.48	2.52	34264.09	881.65	106.69	34307.41	602.54	106.69	37856.76	
			M3	1121.45	-71.75	31571.55	846.70	-71.77	36213.30	846.70	38.28	36213.35	567.60	38.28	39595.59	
		MIN	S2	1121.45	-71.75	31571.55	846.70	-71.75	36213.30	846.70	38.30	36213.35	567.60	38.30	39595.59	
			TQ	1121.71	-72.25	31556.91	846.97	-72.25	36199.92	847.85	37.70	36154.07	568.75	37.70	39541.78	
			M3	1157.23	2.24	29453.39	882.49	2.24	34263.92	882.49	106.36	34263.76	603.38	106.36	37817.14	

BAGO RIVER BRIDGE

BLOCK [ No.1 : MAIN GIRDER ] [ BEAM MEMBER FORCE ]

MEMBER					1041			1042			1043		
NODE					1041			1042			1043		
					SHEAR	TORQUE	MOMENT	SHEAR	TORQUE	MOMENT	SHEAR	TORQUE	MOMENT
NAME	TITLE				S2 (kN)	TQ (kN·m)	M3 (kN·m)	S2 (kN)	TQ (kN·m)	M3 (kN·m)	S2 (kN)	TQ (kN·m)	M3 (kN·m)
124	SUM TOTAL	D+6LANES	MAX	S2	1725.65	116.14	38454.21	1345.48	13.34	44623.01	1345.48	148.93	44622.76
				TQ	1204.73	697.53	36866.93	910.97	697.53	41834.25	909.56	824.83	41962.52
				M3	1536.10	5.98	43420.44	1175.64	-51.65	49245.49	1175.64	97.96	49245.42
			MIN	S2	964.14	-86.36	38317.23	614.32	-169.16	43298.60	614.32	-37.58	43298.91
				TQ	1349.47	-838.38	37279.77	1044.07	-838.38	42947.06	1045.33	-708.06	42811.87
				M3	1182.81	-48.23	28056.07	908.07	-48.23	32987.26	908.07	52.01	32987.26
		SUM TOTAL	MAX		1761.85	770.00	43420.44	1345.48	770.00	49245.49	1345.48	890.96	49245.42
			MIN		941.50	-949.62	28056.07	557.97	-949.62	32987.26	557.97	-825.81	32987.26
300	DEAD LOAD	TOTAL			1131.71	-62.50	30977.40	856.97	-62.50	35667.57	856.97	45.89	35667.60
301	LIVE LOAD	1-LANE (case1MAX	S2		495.69	-379.05	3726.29	324.38	-526.06	4350.86	324.38	-512.83	4352.44
			TQ		-53.83	210.70	3062.97	-86.93	210.70	2691.96	-86.93	218.88	2691.30
			M3		428.84	-230.10	5403.65	235.20	-378.34	6227.89	235.20	-359.42	6229.01
			MIN	S2	-118.33	179.27	3635.59	-236.76	71.82	4331.79	-236.76	84.98	4331.55
				TQ	207.81	-660.01	2375.72	174.71	-660.01	3316.91	174.71	-649.93	3318.90
				M3	18.14	-60.08	-963.56	18.14	-60.08	-878.00	18.14	-62.75	-877.82
		1-LANE (case2MAX	S2		144.49	-121.99	2307.20	143.93	-121.17	2940.31	143.93	-112.23	2940.66
			TQ		-27.70	32.62	1473.07	-27.70	32.62	1342.40	-27.63	36.85	1424.51
			M3		30.66	-110.44	4367.26	73.91	-102.36	4573.26	73.91	-88.47	4573.55
			MIN	S2	-61.42	-21.91	2923.94	-62.05	-22.73	2679.85	-62.05	-14.59	2679.90
				TQ	107.06	-180.11	2133.04	105.88	-180.11	2635.27	103.12	-172.26	2524.13
				M3	16.84	-19.73	-935.19	16.84	-19.73	-855.74	16.84	-22.33	-855.68
		1-LANE (case3MAX	S2		104.77	194.08	1818.32	104.77	194.08	2312.52	104.77	201.10	2311.92
			TQ		104.19	195.44	1671.07	104.19	195.44	2162.54	102.48	202.15	2276.16
			M3		46.28	72.00	3523.27	63.63	115.52	3778.04	63.63	127.00	3777.67
			MIN	S2	-27.27	-67.64	1910.72	-27.27	-67.64	1782.09	-27.27	-62.22	1782.29
				TQ	-25.60	-71.56	2164.63	-25.60	-71.56	2043.88	-23.89	-65.49	1929.86
				M3	15.87	10.83	-914.42	15.87	10.83	-839.55	15.87	8.28	-839.58

BAGO RIVER BRIDGE

BLOCK [ No.1 : MAIN GIRDER ][ BEAM MEMBER FORCE ]

MEMBER			1041			1042			1042			1043			
NODE			1041			1042			1042			1043			
NAME TITLE			SHEAR	TORQUE	MOMENT	SHEAR	TORQUE	MOMENT	SHEAR	TORQUE	MOMENT	SHEAR	TORQUE	MOMENT	
			S2 (kN)	TQ (kN·m)	M3 (kN·m)	S2 (kN)	TQ (kN·m)	M3 (kN·m)	S2 (kN)	TQ (kN·m)	M3 (kN·m)	S2 (kN)	TQ (kN·m)	M3 (kN·m)	
301	LIVE LOAD	1-LANE (case4MAX	S2	78.46	551.02	1519.94	78.46	551.02	1890.05	78.46	556.76	1888.36	78.46	556.76	2263.65
			TQ	74.56	576.68	1372.66	74.56	576.68	1724.35	74.67	581.93	1731.59	74.67	581.93	2088.74
			M3	52.29	401.18	2605.31	54.91	435.60	2853.17	54.91	444.27	2851.84	56.57	459.34	3117.16
			MIN S2	-8.62	-103.79	830.27	-8.62	-103.79	789.60	-8.62	-101.39	789.92	-8.62	-101.39	748.68
			TQ	-2.62	-137.78	1254.37	-2.62	-137.78	1242.03	-2.73	-134.01	1233.44	-2.73	-134.01	1220.39
			M3	14.00	71.19	-877.05	14.00	71.19	-810.99	14.00	68.72	-811.21	14.00	68.72	-744.23
		2-LANES (caseMAX	S2	620.93	-527.83	5855.21	442.67	-698.49	6646.14	442.67	-678.29	6648.23	308.79	-782.08	6576.24
			TQ	-87.26	263.63	4431.80	-118.10	263.63	3911.11	-119.44	275.57	3946.62	-119.44	275.57	3375.34
			M3	520.53	-338.46	8579.60	314.90	-513.14	9647.43	314.90	-483.82	9648.95	126.06	-629.02	9683.25
			MIN S2	-172.60	205.05	5734.08	-299.00	70.24	6637.82	-299.00	90.41	6637.58	-472.56	-111.61	6779.29
			TQ	305.26	-887.12	3727.74	257.31	-887.12	5090.88	258.66	-871.70	5057.23	178.78	-871.70	6103.25
			M3	29.69	-83.34	-1594.09	29.69	-83.34	-1454.04	29.69	-87.76	-1453.78	29.69	-87.76	-1311.77
		2-LANES (caseMAX	S2	328.26	-313.61	4672.64	292.30	-361.09	5470.68	292.30	-344.46	5471.75	259.86	-377.44	6119.30
			TQ	-65.49	115.23	3106.88	-68.74	115.23	2786.48	-70.03	123.88	2890.96	-70.03	123.88	2556.03
			M3	188.71	-238.75	7715.94	180.49	-283.15	8268.57	180.49	-258.03	8269.40	162.95	-303.43	8779.96
			MIN S2	-125.17	37.40	5141.04	-153.41	-8.56	5261.20	-153.41	7.43	5261.21	-185.72	-52.70	5204.96
			TQ	221.30	-487.20	3525.51	199.96	-487.20	4522.85	199.00	-473.65	4394.91	174.16	-473.65	5287.31
			M3	28.61	-49.72	-1570.45	28.61	-49.72	-1435.49	28.61	-54.08	-1435.33	28.61	-54.08	-1298.48
		2-LANES (caseMAX	S2	161.35	476.87	2919.40	161.35	476.87	3680.49	161.35	488.05	3679.02	161.35	488.05	4450.76
			TQ	160.13	481.98	2649.78	160.13	481.98	3405.07	158.77	492.46	3508.30	158.77	492.46	4267.70
			M3	83.61	241.13	5467.48	100.21	293.35	5898.51	100.21	311.27	5897.59	114.54	369.19	6419.14
			MIN S2	-35.06	-134.57	2660.81	-35.06	-134.57	2495.45	-35.06	-126.98	2495.85	-35.06	-126.98	2328.18
			TQ	-32.12	-145.49	3149.87	-32.12	-145.49	2998.35	-30.77	-136.51	2894.08	-30.77	-136.51	2746.92
			M3	25.93	34.93	-1513.40	25.93	34.93	-1391.09	25.93	30.70	-1391.19	25.93	30.70	-1267.18



BAGO RIVER BRIDGE

BLOCK [ No.1 : MAIN GIRDER ] [ BEAM MEMBER FORCE ]

MEMBER				1041			1042			1043						
NODE				1041			1042			1043						
				SHEAR	TORQUE	MOMENT	SHEAR	TORQUE	MOMENT	SHEAR	TORQUE	MOMENT				
NAME	TITLE			S2 (kN)	TQ (kN·m)	M3 (kN·m)	S2 (kN)	TQ (kN·m)	M3 (kN·m)	S2 (kN)	TQ (kN·m)	M3 (kN·m)				
301	LIVE LOAD	2-LANES (caseMAX	S2	139.16	782.73	2676.47	139.16	782.73	3332.88	139.16	792.86	3330.49	139.16	792.86	3996.09	
			TQ	135.17	808.10	2406.81	135.17	808.10	3044.37	135.33	817.37	3058.92	135.33	817.37	3706.19	
			M3	88.73	513.68	4699.05	93.05	558.32	5124.84	93.05	573.89	5123.12	100.22	623.89	5590.10	
			MIN	S2	-19.41	-166.48	1756.91	-19.41	-166.48	1665.36	-19.41	-161.42	1665.86	-19.41	-161.42	1573.03
			TQ	-12.87	-202.41	2387.85	-12.87	-202.41	2327.16	-13.03	-195.36	2310.75	-13.03	-195.36	2248.44	
			M3	23.86	101.81	-1472.16	23.86	101.81	-1359.61	23.86	97.68	-1359.91	23.86	97.68	-1245.79	
		3-LANES (caseMAX	S2	630.14	-535.07	6611.20	478.22	-679.55	7731.93	478.22	-656.05	7733.96	363.61	-744.14	8151.07	
			TQ	-93.80	247.19	4810.45	-120.01	247.19	4275.31	-121.10	260.33	4363.65	-121.10	260.33	3784.45	
			M3	464.17	-365.92	10386.14	320.01	-508.67	11439.71	320.01	-473.91	11441.20	181.66	-597.57	11768.47	
			MIN	S2	-190.22	158.77	6945.09	-298.11	43.60	7540.37	-298.11	66.51	7540.21	-445.65	-105.33	7457.77
			TQ	335.30	-881.63	4679.48	293.72	-881.63	6193.90	292.90	-862.97	6086.56	224.17	-862.97	7323.03	
			M3	37.17	-84.82	-2017.40	37.17	-84.82	-1842.08	37.17	-90.41	-1841.82	37.17	-90.41	-1664.04	
		3-LANES (caseMAX	S2	192.96	788.53	3553.52	192.96	788.53	4463.67	192.96	802.09	4461.26	192.96	802.09	5384.16	
			TQ	189.15	811.05	3220.00	189.15	811.05	4112.20	188.08	823.67	4205.09	188.08	823.67	5104.64	
			M3	108.01	490.53	6496.10	123.98	559.42	7037.60	123.98	580.80	7035.87	137.34	640.75	7666.67	
			MIN	S2	-36.02	-186.03	2852.91	-36.02	-186.03	2683.02	-36.02	-177.87	2683.57	-36.02	-177.87	2511.31
			TQ	-29.25	-219.79	3568.94	-29.25	-219.79	3430.98	-28.17	-209.49	3336.26	-28.17	-209.49	3201.51	
			M3	32.39	66.02	-1916.27	32.39	66.02	-1763.47	32.39	60.66	-1763.67	32.39	60.66	-1608.73	
		3-LANES (caseMAX	S2	192.28	809.98	3567.92	192.28	809.98	4474.86	192.28	823.58	4472.38	192.28	823.58	5392.02	
			TQ	188.47	832.50	3234.41	188.47	832.50	4123.40	188.69	845.07	4148.41	188.69	845.07	5050.92	
			M3	108.29	486.10	6486.89	124.26	554.87	7029.68	124.26	576.23	7027.96	137.61	636.12	7660.09	
MIN	S2		-35.73	-190.92	2843.83	-35.73	-190.92	2675.31	-35.73	-182.79	2675.88	-35.73	-182.79	2504.99		
TQ	-28.98		-224.24	3559.99	-28.98	-224.24	3423.27	-29.21	-213.87	3396.38	-29.21	-213.87	3256.67			
M3	31.09		108.34	-1890.19	31.09	108.34	-1743.56	31.09	103.04	-1743.88	31.09	103.04	-1595.19			

BAGO RIVER BRIDGE

BLOCK [ No.1 : MAIN GIRDER ][ BEAM MEMBER FORCE ]

MEMBER					1041			1042			1043					
NODE					1041			1042			1043					
NAME TITLE					SHEAR	TORQUE	MOMENT	SHEAR	TORQUE	MOMENT	SHEAR	TORQUE	MOMENT			
					S2 (kN)	TQ (kN·m)	M3 (kN·m)	S2 (kN)	TQ (kN·m)	M3 (kN·m)	S2 (kN)	TQ (kN·m)	M3 (kN·m)			
301	LIVE LOAD	4-LANES	MAX	S2	25.52	64.74	-1524.01	25.52	64.74	-1403.65	25.52	60.47	-1403.84	25.52	60.47	-1281.80
				TQ	25.51	65.02	-1523.80	25.51	65.02	-1403.48	24.68	60.81	-1360.19	24.68	60.81	-1242.17
			M3	-10.27	-9.25	594.15	-10.27	-9.27	545.73	-10.27	-7.61	545.75	-10.27	-7.61	496.65	
		MIN	S2	-10.27	-9.25	594.15	-10.27	-9.25	545.73	-10.27	-7.59	545.75	-10.27	-7.59	496.65	
			TQ	-10.00	-9.76	579.51	-10.00	-9.76	532.35	-9.12	-8.18	486.47	-9.12	-8.18	442.85	
			M3	25.52	64.74	-1524.01	25.52	64.74	-1403.65	25.52	60.47	-1403.84	25.52	60.47	-1281.79	
	6-LANES	MAX	S2	593.93	178.64	7476.81	488.51	75.83	8955.44	488.51	103.05	8955.16	408.52	40.13	9956.68	
			TQ	73.02	760.03	5889.53	54.00	760.03	6166.68	52.59	778.94	6294.92	52.59	778.94	6546.46	
		M3	404.39	68.47	12443.04	318.67	10.85	13577.92	318.67	52.07	13577.83	235.18	26.00	14290.18		
		MIN	S2	-167.57	-23.86	7339.83	-242.65	-106.66	7631.03	-242.65	-83.47	7631.31	-344.92	-206.24	7462.39	
			TQ	217.76	-775.88	6302.37	187.10	-775.88	7279.49	188.36	-753.95	7144.28	138.07	-753.95	7924.88	
			M3	51.10	14.26	-2921.33	51.10	14.26	-2680.31	51.10	6.12	-2680.34	51.10	6.17	-2435.95	
	LIVE LOAD	MAX		630.14	832.50	12443.04	488.51	832.50	13577.92	488.51	845.07	13577.83	408.52	845.07	14290.18	
		MIN		-190.22	-887.12	-2921.33	-299.00	-887.12	-2680.31	-299.00	-871.70	-2680.34	-472.56	-871.70	-2435.95	
303	SUM TOTAL	TOTAL	MAX	1761.85	770.00	43420.44	1345.48	770.00	49245.49	1345.48	890.96	49245.42	986.38	890.96	53389.11	
			MIN	941.50	-949.62	28056.07	557.97	-949.62	32987.26	557.97	-825.81	32987.26	105.31	-825.81	36662.98	

BAGO RIVER BRIDGE

BLOCK [ No.1 : MAIN GIRDER ] [ BEAM MEMBER FORCE ]

MEMBER NODE	1043 1043	1044			1044			1045			1045			
		SHEAR S2 (kN)	TORQUE TQ (kN·m)	MOMENT M3 (kN·m)	SHEAR S2 (kN)	TORQUE TQ (kN·m)	MOMENT M3 (kN·m)	SHEAR S2 (kN)	TORQUE TQ (kN·m)	MOMENT M3 (kN·m)	SHEAR S2 (kN)	TORQUE TQ (kN·m)	MOMENT M3 (kN·m)	
1 PAVEMENT	109.58	63.35	6193.41	64.31	63.35	6594.83	64.31	-30.04	6595.06	18.65	-30.04	6788.20		
3 RAILING	5.70	1.49	186.92	1.92	1.49	204.50	1.92	-1.40	204.50	-1.91	-1.40	204.51		
5 CURB	56.41	14.78	1850.51	18.98	14.78	2024.55	18.98	-13.89	2024.56	-18.93	-13.89	2024.68		
7 DECK WEIGHT	185.39	103.37	10148.30	110.94	103.37	10832.35	110.94	-50.04	10832.73	35.80	-50.04	11174.36		
8 GIRDER WEIGH	230.69	132.07	14536.37	144.35	132.07	15402.15	144.35	-86.05	15402.48	57.30	-86.05	15871.98		
10 MEDIAN STRIP	50.95	34.94	3150.62	50.95	34.94	3385.84	50.95	-13.01	3386.00	50.95	-13.01	3623.24		
21 ADITIONAL WE	51.91	28.94	2841.52	31.06	28.94	3033.06	31.06	-14.01	3033.16	10.02	-14.01	3128.82		
31 MEDIAN RAILI	1.88	1.73	191.88	1.88	1.73	200.57	1.88	-1.11	200.58	1.88	-1.11	209.34		
51 SUPPORT WEIG	0.00	0.00	-0.00	0.00	0.00	-0.00	0.00	0.00	-0.00	0.00	0.00	-0.00		
52 NOSE WEIGHT	-0.00	0.00	0.01	-0.00	0.00	0.01	-0.00	0.00	0.01	-0.00	0.00	0.01		
61 1-LANE(case1TRUCK-LOAD	MAX	S2	283.21	62.77	2411.59	178.49	-61.48	2715.93	178.49	-99.94	2714.78	100.59	-182.75	2521.54
		TQ	-46.76	189.35	1750.12	-46.76	189.35	1534.21	-46.76	167.60	1536.74	-46.76	167.60	1318.98
		M3	260.75	93.84	2441.26	156.49	-28.80	2764.83	156.49	-67.95	2764.15	69.15	-164.62	2562.03
	MIN	S2	-81.72	166.63	2363.08	-159.22	85.12	2687.05	-159.22	47.06	2687.99	-264.62	-78.09	2515.09
		TQ	64.58	-184.30	1327.61	64.58	-184.30	1625.76	65.98	-207.36	1649.14	65.98	-207.36	1956.35
		M3	5.76	-29.44	-302.22	5.76	-29.44	-275.65	5.76	-25.53	-276.04	5.76	-25.53	-249.23
	TANDEM-LOAD MAX	S2	227.65	84.18	1845.78	153.26	-1.62	2096.42	153.26	-31.31	2096.19	83.46	-109.96	1932.60
		TQ	-36.28	130.01	1312.25	-36.28	130.01	1144.76	-28.42	114.44	973.78	-28.42	114.44	841.44
		M3	227.65	84.18	1845.79	153.26	-1.62	2096.42	153.26	-31.30	2096.19	83.46	-109.96	1932.61
	MIN	S2	-70.72	99.53	1838.79	-140.29	21.31	2092.22	-140.29	-8.32	2092.32	-215.04	-94.53	1931.55
		TQ	41.20	-126.17	868.39	41.20	-126.17	1058.58	41.20	-141.14	1056.69	41.20	-141.14	1248.52
		M3	3.92	-20.23	-205.86	3.92	-20.23	-187.76	3.92	-17.57	-188.02	3.92	-17.57	-169.77
	DISPERSION-LMAX	S2	107.96	-182.93	1063.70	73.21	-192.07	1112.80	73.21	-207.81	1109.97	51.37	-196.72	1021.52
		TQ	3.25	150.10	1497.86	-51.11	150.10	1387.93	-50.25	130.43	1373.96	-50.25	130.43	1139.97
		M3	69.67	-6.89	2629.47	15.31	-6.89	2826.18	15.31	-46.91	2825.80	-39.34	-46.91	2771.51
	MIN	S2	-31.49	140.96	1208.94	-51.11	150.10	1387.93	-51.11	130.43	1389.91	-83.92	119.34	1455.71
		TQ	73.21	-192.07	774.78	73.21	-192.07	1112.80	72.36	-207.81	1125.92	17.71	-207.81	1337.27
		M3	6.80	-35.09	-356.82	6.80	-35.09	-325.45	6.80	-30.47	-325.91	6.80	-30.47	-294.27

BAGO RIVER BRIDGE

BLOCK [ No.1 : MAIN GIRDER ][ BEAM MEMBER FORCE ]

MEMBER NODE	1043			1044			1044			1045				
	SHEAR S2 (kN)	TORQUE TQ (kN·m)	MOMENT M3 (kN·m)	SHEAR S2 (kN)	TORQUE TQ (kN·m)	MOMENT M3 (kN·m)	SHEAR S2 (kN)	TORQUE TQ (kN·m)	MOMENT M3 (kN·m)	SHEAR S2 (kN)	TORQUE TQ (kN·m)	MOMENT M3 (kN·m)		
62	1-LANE (case2TRUCK-LOAD)													
	MAX	S2	54.47	-3.64	1281.18	54.47	-3.64	1532.68	54.47	-25.35	1532.47	54.47	-25.35	1786.12
		TQ	-20.92	45.54	988.75	-20.92	45.54	892.15	-20.42	33.02	874.96	-20.42	33.02	779.85
		M3	-14.07	8.90	1848.34	22.13	16.20	1814.11	22.13	-9.49	1814.16	49.08	-9.85	1950.06
	MIN	S2	-39.43	12.82	1774.53	-39.43	12.82	1592.49	-39.43	-9.73	1592.51	-39.43	-9.73	1408.92
		TQ	29.33	-42.09	731.64	29.33	-42.09	867.07	31.25	-54.91	919.41	31.25	-54.91	1064.91
		M3	5.63	-12.26	-296.58	5.63	-12.26	-270.58	5.63	-8.42	-270.73	5.63	-8.42	-244.51
	TANDEM-LOAD													
	MAX	S2	39.23	1.41	888.13	39.23	1.41	1069.26	39.23	-13.73	1069.17	39.23	-13.73	1251.86
		TQ	-16.00	31.45	743.71	-16.00	31.45	669.84	-13.01	22.92	565.03	-13.01	22.92	504.45
		M3	-15.95	3.25	1284.87	10.63	10.06	1245.92	10.63	-7.59	1245.94	34.57	-3.35	1356.27
	MIN	S2	-29.04	9.59	1188.25	-29.04	9.59	1054.16	-29.04	-5.34	1054.19	-29.04	-5.34	918.94
		TQ	21.86	-28.74	542.92	21.86	-28.74	643.84	21.86	-37.85	643.37	21.86	-37.85	745.16
		M3	3.83	-8.41	-201.97	3.83	-8.41	-184.26	3.83	-5.80	-184.36	3.83	-5.80	-166.51
	DISPERSION-LMAX													
		S2	44.65	-39.69	727.14	44.35	-40.01	892.78	44.35	-52.65	892.12	43.45	-52.47	1076.86
		TQ	-11.39	38.86	1624.47	-12.36	38.86	1569.64	-15.21	22.22	788.46	-15.21	22.22	717.65
		M3	13.96	8.97	2314.55	12.98	8.97	2376.74	12.98	-24.69	2376.63	12.00	-24.69	2434.80
	MIN	S2	-24.06	34.17	1238.11	-24.73	34.49	1165.27	-24.73	17.98	1165.65	-24.81	17.80	1069.96
		TQ	31.98	-44.38	340.77	31.98	-44.38	488.41	34.82	-56.88	1269.31	33.84	-56.88	1429.18
		M3	6.63	-14.49	-349.30	6.63	-14.49	-318.68	6.63	-9.97	-318.86	6.63	-9.97	-287.98
63	1-LANE (case3TRUCK-LOAD)													
	MAX	S2	29.95	75.11	1007.53	29.95	75.11	1145.81	29.95	58.88	1146.76	29.95	58.88	1286.22
		TQ	29.95	75.11	1007.53	29.95	75.11	1145.81	29.89	59.08	1105.68	29.89	59.08	1244.85
		M3	-2.85	-9.44	1402.87	10.02	26.39	1411.77	10.02	6.40	1412.00	14.54	19.08	1471.08
	MIN	S2	-18.96	-41.18	1141.21	-18.96	-41.18	1053.65	-18.96	-56.10	1052.96	-18.96	-56.10	964.65
		TQ	-18.26	-41.86	1241.47	-18.26	-41.86	1157.18	-18.01	-58.31	1169.95	-18.01	-58.31	1086.09
		M3	5.54	0.76	-292.64	5.54	0.76	-267.06	5.54	4.54	-267.02	5.54	4.54	-241.22

BAGO RIVER BRIDGE

BLOCK [ No.1 : MAIN GIRDER ][ BEAM MEMBER FORCE ]

MEMBER		1043			1044			1044			1045						
NODE		1043			1044			1044			1045						
		SHEAR	TORQUE	MOMENT	SHEAR	TORQUE	MOMENT	SHEAR	TORQUE	MOMENT	SHEAR	TORQUE	MOMENT				
NAME	TITLE	S2 (kN)	TQ (kN·m)	M3 (kN·m)	S2 (kN)	TQ (kN·m)	M3 (kN·m)	S2 (kN)	TQ (kN·m)	M3 (kN·m)	S2 (kN)	TQ (kN·m)	M3 (kN·m)				
63	1-LANE (case3TANDEM-LOAD	MAX	S2	20.67	51.63	699.09	20.67	51.63	794.51	20.67	40.37	795.16	20.67	40.37	891.40		
			TQ	20.67	51.63	699.09	20.67	51.63	794.51	20.67	40.37	795.16	20.67	40.37	891.40		
			M3	-3.93	-12.38	958.23	5.21	13.14	963.59	5.21	-0.50	963.68	11.78	18.85	1005.58		
		MIN	S2	-13.28	-28.83	797.37	-13.28	-28.83	736.03	-13.28	-39.25	735.55	-13.28	-39.25	673.70		
			TQ	-13.09	-29.02	825.35	-13.09	-29.02	764.93	-11.36	-39.92	844.28	-11.36	-39.92	791.39		
			M3	3.77	0.55	-199.27	3.77	0.55	-181.85	3.77	3.13	-181.82	3.77	3.13	-164.25		
			DISPERSION-LMAX	S2	31.02	65.78	679.38	31.02	65.78	822.61	31.02	54.12	823.46	31.02	54.12	967.92	
			TQ	26.22	67.60	924.80	26.22	67.60	1045.86	30.85	55.23	728.77	30.85	55.23	872.40		
			M3	9.60	37.03	2019.87	9.60	37.03	2064.17	9.60	7.80	2064.49	9.60	7.80	2109.18		
			MIN	S2	-14.92	-27.63	996.71	-14.92	-27.63	927.84	-14.92	-40.77	927.35	-14.92	-40.77	857.89	
			TQ	-10.11	-29.46	751.29	-10.11	-29.46	704.59	-14.74	-41.88	1022.05	-14.74	-41.88	953.42		
			M3	6.51	1.12	-343.78	6.51	1.12	-313.72	6.51	5.56	-313.68	6.51	5.56	-283.36		
		64	1-LANE (case4TRUCK-LOAD	MAX	S2	15.68	155.62	642.30	15.68	155.62	714.71	15.68	145.49	716.84	15.68	145.49	789.88
					TQ	14.17	162.86	758.76	14.17	162.86	824.20	14.40	151.27	818.88	14.40	151.27	885.92
					M3	5.02	48.38	957.51	5.02	48.38	980.68	5.02	34.49	981.26	5.08	30.72	1004.68
MIN	S2			-8.12	-113.41	620.97	-8.12	-113.41	583.47	-8.12	-121.67	581.81	-8.12	-121.67	543.99		
	TQ			-5.30	-125.50	768.60	-5.30	-125.50	744.14	-5.30	-136.03	742.29	-5.30	-136.03	717.62		
	M3			5.39	27.27	-286.38	5.39	27.27	-261.48	5.39	30.97	-261.07	5.39	30.97	-235.96		
	TANDEM-LOAD MAX			S2	10.82	104.56	421.41	10.82	104.56	471.35	10.82	97.88	472.79	10.82	97.88	523.16	
	TQ			10.26	111.25	496.18	10.26	111.25	543.55	10.26	103.55	545.07	10.26	103.55	592.83		
	M3			3.11	39.32	650.99	3.11	39.32	665.36	3.11	29.89	665.85	3.65	4.61	680.41		
	MIN			S2	-5.73	-75.37	406.14	-5.73	-75.37	379.70	-5.73	-80.74	378.60	-5.73	-80.74	351.93	
	TQ			-3.24	-86.50	533.95	-3.24	-86.50	518.98	-3.24	-93.84	517.70	-3.24	-93.84	502.60		
	M3			3.67	18.81	-195.02	3.67	18.81	-178.07	3.67	21.33	-177.78	3.67	21.33	-160.68		

BAGO RIVER BRIDGE

BLOCK [ No.1 : MAIN GIRDER ][ BEAM MEMBER FORCE ]

MEMBER		1043			1044			1044			1045						
NODE		1043			1044			1044			1045						
		SHEAR	TORQUE	MOMENT	SHEAR	TORQUE	MOMENT	SHEAR	TORQUE	MOMENT	SHEAR	TORQUE	MOMENT				
NAME	TITLE	S2 (kN)	TQ (kN·m)	M3 (kN·m)	S2 (kN)	TQ (kN·m)	M3 (kN·m)	S2 (kN)	TQ (kN·m)	M3 (kN·m)	S2 (kN)	TQ (kN·m)	M3 (kN·m)				
64	1-LANE (case4DISPERSION-LMAX	S2	20.38	147.52	773.05	20.38	147.52	867.14	20.38	135.23	869.14	20.38	135.23	964.03			
		TQ	19.04	168.42	511.35	19.04	168.42	599.26	18.70	160.63	544.45	18.70	160.63	631.55			
		M3	7.49	41.88	1635.95	7.49	41.88	1670.54	7.49	18.22	1670.96	7.49	18.22	1705.84			
		MIN	S2	-6.60	-74.46	528.86	-6.60	-74.46	498.40	-6.60	-81.52	497.30	-6.60	-81.52	466.58		
		TQ	-5.26	-95.36	790.56	-5.26	-95.36	766.28	-4.92	-106.91	821.99	-4.92	-106.91	799.06			
		M3	6.29	31.17	-334.04	6.29	31.17	-305.00	6.29	35.49	-304.52	6.29	35.49	-275.23			
		65	2-LANES (caseTRUCK-LOAD	MAX	S2	398.54	95.73	4532.45	273.62	-79.53	4941.30	273.62	-149.49	4939.68	177.02	-272.14	4743.72
				TQ	-78.79	297.71	3072.83	-78.79	297.71	2709.07	-77.93	259.54	2690.22	-77.93	259.54	2327.36	
				M3	360.63	140.35	4585.64	236.14	-32.48	5019.21	236.14	-103.56	5018.25	129.43	-244.01	4816.84	
MIN	S2			-141.31	248.03	4439.61	-237.53	128.08	4886.53	-237.53	58.87	4887.85	-363.32	-117.75	4729.13		
TQ	106.84			-289.32	2291.82	106.84	-289.32	2785.10	114.20	-329.20	2944.27	114.20	-329.20	3476.02			
M3	11.45			-50.30	-601.59	11.45	-50.30	-548.73	11.45	-42.52	-549.39	11.45	-42.52	-496.08			
TANDEM-LOAD	MAX			S2	312.39	123.03	3400.97	224.19	3.23	3728.44	224.19	-49.57	3728.11	140.65	-160.74	3565.93	
TQ	-61.05			203.97	2304.95	-61.05	203.97	2023.07	-48.08	177.79	1719.63	-48.08	177.79	1495.75			
M3	312.40			123.03	3400.98	224.19	3.23	3728.45	224.19	-49.57	3728.12	140.65	-160.74	3565.94			
MIN	S2	-116.65	145.46	3387.64	-199.81	35.34	3720.56	-199.81	-17.35	3720.68	-288.59	-138.06	3563.65				
TQ	70.72	-198.12	1540.70	70.72	-198.12	1867.22	72.38	-224.66	1902.57	72.38	-224.66	2239.63					
M3	7.80	-34.56	-409.75	7.80	-34.56	-373.74	7.80	-29.27	-374.20	7.80	-29.27	-337.89					
DISPERSION-LMAX	S2	179.53	-291.30	2051.52	130.97	-305.02	2113.74	130.97	-334.93	2109.21	97.65	-318.44	1968.89				
TQ	-7.80	239.73	2948.67	-85.42	239.73	2734.02	-81.76	202.27	2499.13	-81.76	202.27	2118.40					
M3	107.18	-5.57	5106.04	29.56	-5.57	5422.23	29.56	-82.36	5421.61	-48.48	-82.36	5379.22					
MIN	S2	-58.84	225.84	2344.63	-87.90	239.57	2660.98	-87.90	201.86	2664.10	-132.63	185.38	2824.93				
TQ	128.49	-305.18	1447.49	128.49	-305.18	2040.70	124.83	-335.33	2274.18	46.79	-335.33	2675.42					
M3	13.51	-59.89	-709.89	13.51	-59.89	-647.52	13.51	-50.71	-648.30	13.51	-50.71	-585.40					

BAGO RIVER BRIDGE

BLOCK [ No.1 : MAIN GIRDER ][ BEAM MEMBER FORCE ]

MEMBER NODE	1043	1044						1045							
		1043			1044			1044			1045				
		SHEAR	TORQUE	MOMENT	SHEAR	TORQUE	MOMENT	SHEAR	TORQUE	MOMENT	SHEAR	TORQUE	MOMENT		
NAME TITLE	S2 (kN)	TQ (kN·m)	M3 (kN·m)	S2 (kN)	TQ (kN·m)	M3 (kN·m)	S2 (kN)	TQ (kN·m)	M3 (kN·m)	S2 (kN)	TQ (kN·m)	M3 (kN·m)			
66 2-LANES (caseTRUCK-LOAD	MAX	S2	169.80	29.31	3402.05	149.60	-21.69	3758.05	149.60	-74.90	3757.37	130.90	-114.73	4008.30	
		TQ	-52.95	153.91	2311.46	-52.95	153.91	2067.00	-51.59	124.97	2028.44	-51.59	124.97	1788.23	
		M3	85.80	55.41	3992.72	101.78	12.52	4068.49	101.78	-45.09	4068.26	109.36	-89.23	4204.87	
	MIN	S2	-99.02	94.22	3851.06	-117.73	55.78	3791.97	-117.73	2.08	3792.38	-138.13	-49.39	3622.96	
		TQ	71.60	-147.11	1695.84	71.60	-147.11	2026.41	79.47	-176.75	2214.54	79.47	-176.75	2584.58	
		M3	11.32	-33.12	-595.94	11.32	-33.12	-543.67	11.32	-25.42	-544.08	11.32	-25.42	-491.36	
	TANDEM-LOAD	MAX	S2	123.98	40.26	2443.32	110.17	6.26	2701.28	110.17	-32.00	2701.10	96.42	-64.51	2885.19
		TQ	-40.78	105.40	1736.41	-40.78	105.40	1548.15	-32.67	86.26	1310.87	-32.67	86.26	1158.76	
		M3	68.79	42.10	2840.07	81.57	14.91	2877.94	81.57	-25.85	2877.87	91.76	-54.13	2989.60	
	MIN	S2	-74.98	55.51	2737.10	-88.56	23.62	2682.49	-88.56	-14.37	2682.55	-102.60	-48.87	2551.04	
		TQ	51.39	-100.70	1215.24	51.39	-100.70	1452.48	53.05	-121.37	1489.25	53.05	-121.37	1736.27	
		M3	7.71	-22.74	-405.86	7.71	-22.74	-370.25	7.71	-17.49	-370.54	7.71	-17.49	-334.63	
	DISPERSION-LMAX	S2	116.22	-148.05	1714.96	102.10	-152.96	1893.72	102.10	-179.76	1891.36	89.73	-174.19	2024.22	
		TQ	-22.44	128.49	3075.28	-46.67	128.49	2915.73	-46.72	94.06	1913.63	-46.72	94.06	1696.07	
		M3	51.46	10.28	4791.12	27.23	10.28	4972.80	27.23	-60.14	4972.44	2.86	-60.14	5042.51	
MIN	S2	-51.41	119.05	2373.79	-61.52	123.96	2438.32	-61.52	89.41	2439.84	-73.52	83.84	2439.18		
	TQ	87.25	-157.49	1013.48	87.25	-157.49	1416.31	87.30	-184.40	2417.56	62.93	-184.40	2767.33		
	M3	13.35	-39.29	-702.37	13.35	-39.29	-640.75	13.35	-30.21	-641.25	13.35	-30.21	-579.10		
67 2-LANES (caseTRUCK-LOAD	MAX	S2	51.25	194.22	1837.55	51.25	194.22	2074.18	51.25	164.83	2076.73	51.25	164.83	2315.39	
		TQ	51.25	194.22	1837.55	51.25	194.22	2074.19	51.19	165.04	2035.65	51.19	165.04	2274.01	
		M3	1.37	-9.20	2566.15	16.97	55.27	2600.89	16.97	18.43	2601.41	23.21	47.26	2698.08	
	MIN	S2	-30.70	-122.52	1968.13	-30.70	-122.52	1826.39	-30.70	-148.38	1824.47	-30.70	-148.38	1681.52	
		TQ	-29.36	-125.15	2192.99	-29.36	-125.15	2057.44	-29.11	-154.35	2068.94	-29.11	-154.35	1933.37	
		M3	11.03	10.21	-583.12	11.03	10.21	-532.18	11.03	17.75	-531.99	11.03	17.75	-480.62	

BAGO RIVER BRIDGE

BLOCK [ No.1 : MAIN GIRDER ][ BEAM MEMBER FORCE ]

MEMBER		1043			1044			1044			1045					
NODE		1043			1044			1044			1045					
		SHEAR	TORQUE	MOMENT	SHEAR	TORQUE	MOMENT	SHEAR	TORQUE	MOMENT	SHEAR	TORQUE	MOMENT			
NAME	TITLE	S2 (kN)	TQ (kN·m)	M3 (kN·m)	S2 (kN)	TQ (kN·m)	M3 (kN·m)	S2 (kN)	TQ (kN·m)	M3 (kN·m)	S2 (kN)	TQ (kN·m)	M3 (kN·m)			
67	2-LANES (caseTANDEM-LOAD	MAX	S2	35.28	133.36	1276.20	35.28	133.36	1439.09	35.28	112.97	1440.84	35.28	112.97	1605.12	
			TQ	35.28	133.36	1276.21	35.28	133.36	1439.09	35.28	112.97	1440.84	35.28	112.97	1605.12	
			M3	-0.49	-6.56	1749.28	9.41	26.96	1772.30	9.41	1.86	1772.51	18.11	44.44	1839.50	
		MIN	S2	-21.40	-86.19	1405.12	-21.40	-86.19	1306.33	-21.40	-104.68	1304.98	-21.40	-104.68	1205.34	
			TQ	-21.04	-86.56	1456.28	-21.04	-86.56	1359.15	-19.31	-105.87	1437.63	-19.31	-105.87	1347.72	
			M3	7.51	7.09	-397.06	7.51	7.09	-362.38	7.51	12.23	-362.24	7.51	12.23	-327.27	
		DISPERSION-LMAX	S2	56.01	177.25	1373.27	56.01	177.25	1631.89	56.01	154.13	1634.23	56.01	154.13	1895.06	
			TQ	50.21	181.79	1558.98	50.21	181.79	1790.79	55.40	160.14	1365.52	55.40	160.14	1623.46	
			M3	18.12	77.82	3848.64	18.12	77.82	3932.28	18.12	22.13	3932.99	18.12	22.13	4017.35	
		MIN	S2	-24.95	-86.91	1791.16	-24.95	-86.91	1675.96	-24.95	-110.63	1674.56	-24.95	-110.63	1558.37	
			TQ	-19.15	-91.45	1605.45	-19.15	-91.45	1517.05	-24.33	-116.65	1943.27	-24.33	-116.65	1829.96	
			M3	12.94	12.52	-684.20	12.94	12.52	-624.44	12.94	21.37	-624.20	12.94	21.37	-563.92	
68	2-LANES (caseTRUCK-LOAD	MAX	S2	36.99	274.72	1472.34	36.99	274.72	1643.12	36.99	251.42	1646.85	36.99	251.42	1819.09	
			TQ	35.48	281.96	1588.80	35.48	281.96	1752.61	35.70	257.21	1748.89	35.70	257.21	1915.13	
			M3	9.25	48.62	2120.82	11.97	77.25	2169.85	11.97	46.52	2170.73	13.75	58.90	2231.76	
		MIN	S2	-19.86	-194.76	1447.88	-19.86	-194.76	1356.21	-19.86	-213.94	1353.31	-19.86	-213.94	1260.85	
			TQ	-16.40	-208.80	1720.12	-16.40	-208.80	1644.40	-16.40	-232.06	1641.28	-16.40	-232.06	1564.90	
			M3	10.83	45.83	-574.76	10.83	45.83	-524.74	10.83	53.26	-524.04	10.83	53.26	-473.59	
		TANDEM-LOAD	MAX	S2	25.43	186.28	998.54	25.43	186.28	1115.96	25.43	170.46	1118.49	25.43	170.46	1236.92
			TQ	24.87	192.98	1073.31	24.87	192.98	1188.15	24.87	176.13	1190.77	24.87	176.13	1306.59	
			M3	6.56	45.14	1442.07	7.32	53.13	1474.10	7.32	32.25	1474.71	9.97	30.20	1514.39	
		MIN	S2	-13.84	-132.73	1013.89	-13.84	-132.73	949.99	-13.84	-146.17	948.02	-13.84	-146.17	883.58	
			TQ	-11.20	-144.04	1164.89	-11.20	-144.04	1113.20	-11.20	-159.79	1111.05	-11.20	-159.79	1058.92	
			M3	7.38	31.64	-391.40	7.38	31.64	-357.34	7.38	36.70	-356.85	7.38	36.70	-322.50	



BAGO RIVER BRIDGE

BLOCK [ No.1 : MAIN GIRDER ][ BEAM MEMBER FORCE ]

MEMBER		1043			1044			1044			1045						
NODE		1043			1044			1044			1045						
		SHEAR	TORQUE	MOMENT	SHEAR	TORQUE	MOMENT	SHEAR	TORQUE	MOMENT	SHEAR	TORQUE	MOMENT				
NAME	TITLE	S2 (kN)	TQ (kN·m)	M3 (kN·m)	S2 (kN)	TQ (kN·m)	M3 (kN·m)	S2 (kN)	TQ (kN·m)	M3 (kN·m)	S2 (kN)	TQ (kN·m)	M3 (kN·m)				
68	2-LANES (caseDISPERSION-LMAX	S2	45.30	268.51	1470.03	45.30	268.51	1679.18	45.30	244.71	1682.81	45.30	244.71	1893.76			
		TQ	43.79	292.04	1104.84	43.79	292.04	1307.02	43.19	275.01	1184.11	43.19	275.01	1385.21			
		M3	16.07	80.64	3462.28	16.07	80.64	3536.45	16.07	30.55	3537.24	16.07	30.55	3612.05			
		MIN	S2	-16.58	-135.76	1320.84	-16.58	-135.76	1244.29	-16.58	-153.37	1242.24	-16.58	-153.37	1165.03		
		TQ	-15.07	-159.29	1686.02	-15.07	-159.29	1616.45	-14.47	-183.67	1740.95	-14.47	-183.67	1673.59			
		M3	12.66	52.11	-671.41	12.66	52.11	-612.98	12.66	60.79	-612.18	12.66	60.79	-553.25			
		69	3-LANES (caseTRUCK-LOAD	MAX	S2	453.01	92.08	5813.63	328.09	-83.17	6473.98	328.09	-174.84	6472.15	231.49	-297.48	6529.84
				TQ	-99.71	343.26	4061.58	-99.71	343.26	3601.22	-98.35	292.57	3565.18	-98.35	292.57	3107.21	
				M3	346.55	149.25	6433.97	258.27	-16.28	6833.32	258.27	-113.05	6832.41	178.51	-253.86	6766.90	
MIN	S2			-180.74	260.85	6214.14	-276.96	140.90	6479.02	-276.96	49.14	6480.36	-402.75	-127.48	6138.04		
TQ	136.18			-331.41	3023.46	136.18	-331.41	3652.17	145.44	-384.11	3863.68	145.44	-384.11	4540.93			
M3	17.08			-62.55	-898.17	17.08	-62.55	-819.32	17.08	-50.95	-820.12	17.08	-50.95	-740.59			
TANDEM-LOAD	MAX			S2	351.63	124.44	4289.10	263.43	4.64	4797.70	263.43	-63.30	4797.28	179.88	-174.47	4817.79	
TQ	-77.05			235.42	3048.66	-77.05	235.42	2692.91	-61.09	200.71	2284.66	-61.09	200.71	2000.20			
M3	296.44			126.28	4685.85	234.83	13.29	4974.37	234.83	-57.16	4974.06	175.22	-164.09	4922.20			
MIN	S2	-145.69	155.05	4575.89	-228.86	44.93	4774.71	-228.86	-22.69	4774.87	-317.63	-143.40	4482.59				
TQ	92.58	-226.86	2083.62	92.58	-226.86	2511.07	94.24	-262.52	2545.94	94.24	-262.52	2984.78					
M3	11.63	-42.97	-611.71	11.63	-42.97	-558.01	11.63	-35.06	-558.56	11.63	-35.06	-504.40					
DISPERSION-LMAX	S2	224.18	-330.98	2778.67	175.31	-345.03	3006.52	175.31	-387.57	3001.33	141.10	-370.91	3045.75				
TQ	-19.19	278.58	4573.14	-97.78	278.58	4303.66	-96.97	224.49	3287.59	-96.97	224.49	2836.05					
M3	121.14	3.40	7420.59	42.54	3.40	7798.97	42.54	-107.05	7798.24	-36.48	-107.05	7814.02					
MIN	S2	-82.90	260.01	3582.73	-112.63	274.05	3826.25	-112.63	219.84	3829.75	-157.44	203.18	3894.90				
TQ	160.46	-349.56	1788.26	160.46	-349.56	2529.11	159.66	-392.22	3543.49	80.63	-392.22	4104.60					
M3	20.14	-74.37	-1059.19	20.14	-74.37	-966.20	20.14	-60.68	-967.16	20.14	-60.68	-873.38					

BAGO RIVER BRIDGE

BLOCK [ No.1 : MAIN GIRDER ] [ BEAM MEMBER FORCE ]

MEMBER				1043			1044			1045							
NODE				1043			1044			1044			1045				
NAME TITLE				SHEAR	TORQUE	MOMENT	SHEAR	TORQUE	MOMENT	SHEAR	TORQUE	MOMENT	SHEAR	TORQUE	MOMENT		
				S2 (kN)	TQ (kN·m)	M3 (kN·m)	S2 (kN)	TQ (kN·m)	M3 (kN·m)	S2 (kN)	TQ (kN·m)	M3 (kN·m)	S2 (kN)	TQ (kN·m)	M3 (kN·m)		
70	3-LANES (case	TRUCK-LOAD	MAX	S2	66.94	349.87	2479.85	66.94	349.87	2788.89	66.94	310.34	2793.56	66.94	310.34	3105.24	
				TQ	65.43	357.10	2596.28	65.43	357.10	2898.34	65.58	316.33	2854.51	65.58	316.33	3159.89	
				M3	6.39	39.24	3523.61	21.99	103.71	3581.50	21.99	52.99	3582.61	28.29	77.90	3702.69	
			MIN	S2	-38.82	-235.94	2589.10	-38.82	-235.94	2409.86	-38.82	-270.04	2406.28	-38.82	-270.04	2225.51	
				TQ	-34.66	-250.66	2961.59	-34.66	-250.66	2801.58	-34.41	-290.38	2811.23	-34.41	-290.38	2651.00	
				M3	16.47	28.36	-871.59	16.47	28.36	-795.53	16.47	39.62	-795.05	16.47	39.62	-718.33	
			TANDEM-LOAD	MAX	S2	46.10	237.94	1697.61	46.10	237.94	1910.44	46.10	210.86	1913.62	46.10	210.86	2128.26
					TQ	45.54	244.63	1772.38	45.54	244.63	1982.62	45.54	216.53	1985.89	45.54	216.53	2197.93
					M3	2.62	32.77	2400.22	12.52	66.29	2437.61	12.52	31.76	2438.30	21.75	49.04	2519.87
				MIN	S2	-27.12	-161.56	1811.25	-27.12	-161.56	1686.03	-27.12	-185.42	1683.57	-27.12	-185.42	1557.27
					TQ	-24.28	-173.06	1990.24	-24.28	-173.06	1878.13	-22.55	-199.71	1955.33	-22.55	-199.71	1850.31
					M3	11.22	19.62	-593.50	11.22	19.62	-541.71	11.22	27.29	-541.38	11.22	27.29	-489.14
			DISPERSION-LMAX	S2	76.46	315.20	2143.54	76.46	315.20	2496.54	76.46	279.82	2500.76	76.46	279.82	2856.78	
					TQ	69.31	340.65	2067.56	69.31	340.65	2387.57	74.16	311.25	1906.56	74.16	311.25	2251.88
					M3	25.55	121.66	5487.48	25.55	121.66	5605.44	25.55	42.27	5606.60	25.55	42.27	5725.57
		MIN	S2	-31.60	-159.37	2322.59	-31.60	-159.37	2176.68	-31.60	-190.18	2174.21	-31.60	-190.18	2027.05		
			TQ	-24.46	-184.82	2398.58	-24.46	-184.82	2285.65	-29.31	-221.61	2768.41	-29.31	-221.61	2631.95		
			M3	19.30	34.17	-1021.34	19.30	34.17	-932.21	19.30	47.37	-931.64	19.30	47.37	-841.75		
71	3-LANES (case	TRUCK-LOAD	MAX	S2	66.95	349.81	2479.89	66.95	349.81	2788.98	66.95	310.28	2793.65	66.95	310.28	3105.38	
				TQ	65.44	357.05	2596.35	65.44	357.05	2898.47	65.59	316.27	2854.61	65.59	316.27	3160.04	
				M3	6.39	39.18	3523.71	21.99	103.65	3581.68	21.99	52.92	3582.79	28.30	77.97	3702.92	
			MIN	S2	-38.82	-235.94	2589.10	-38.82	-235.94	2409.86	-38.82	-270.04	2406.28	-38.82	-270.04	2225.51	
				TQ	-34.66	-250.66	2961.59	-34.66	-250.66	2801.58	-34.41	-290.38	2811.23	-34.41	-290.38	2651.00	
				M3	16.32	55.70	-865.14	16.32	55.70	-789.78	16.32	66.88	-788.91	16.32	66.88	-712.91	

BAGO RIVER BRIDGE

BLOCK [ No.1 : MAIN GIRDER ][ BEAM MEMBER FORCE ]

MEMBER		1043			1044			1044			1045						
NODE		1043			1044			1044			1045						
		SHEAR	TORQUE	MOMENT	SHEAR	TORQUE	MOMENT	SHEAR	TORQUE	MOMENT	SHEAR	TORQUE	MOMENT				
NAME	TITLE	S2 (kN)	TQ (kN·m)	M3 (kN·m)	S2 (kN)	TQ (kN·m)	M3 (kN·m)	S2 (kN)	TQ (kN·m)	M3 (kN·m)	S2 (kN)	TQ (kN·m)	M3 (kN·m)				
71	3-LANES (case)	TANDEM-LOAD MAX	S2	46.10	237.90	1697.65	46.10	237.90	1910.51	46.10	210.82	1913.68	46.10	210.82	2128.36		
			TQ	45.54	244.59	1772.42	45.54	244.59	1982.70	45.54	216.49	1985.96	45.54	216.49	2198.04		
			M3	2.62	32.76	2400.30	12.52	66.27	2437.73	12.52	31.75	2438.43	21.76	49.05	2520.04		
		MIN	S2	-27.12	-161.56	1811.25	-27.12	-161.56	1686.03	-27.12	-185.42	1683.57	-27.12	-185.42	1557.27		
			TQ	-24.28	-173.06	1990.24	-24.28	-173.06	1878.13	-22.55	-199.71	1955.33	-22.55	-199.71	1850.31		
			M3	11.11	38.48	-589.12	11.11	38.48	-537.81	11.11	46.10	-537.21	11.11	46.10	-485.46		
		DISPERSION-LMAX	S2	76.26	343.85	2152.58	76.26	343.85	2504.66	76.26	308.35	2509.27	76.26	308.35	2864.37		
			TQ	74.74	367.49	1779.36	74.74	367.49	2124.45	73.97	339.76	1915.85	73.97	339.76	2260.27		
			M3	25.72	115.63	5479.66	25.72	115.63	5598.39	25.72	36.34	5599.46	25.72	36.34	5719.21		
		MIN	S2	-31.45	-165.42	2315.03	-31.45	-165.42	2169.84	-31.45	-196.13	2167.28	-31.45	-196.13	2020.85		
			TQ	-29.93	-189.05	2688.25	-29.93	-189.05	2550.05	-29.16	-227.54	2760.71	-29.16	-227.54	2624.95		
			M3	19.10	62.81	-1012.05	19.10	62.81	-923.89	19.10	75.88	-922.90	19.10	75.88	-833.99		
		72	4-LANES	TRUCK-LOAD MAX	S2	21.81	54.41	-1154.91	21.81	54.41	-1054.21	21.81	69.34	-1053.33	21.81	69.34	-951.77
					TQ	21.81	54.41	-1154.91	21.81	54.41	-1054.21	21.81	69.34	-1053.33	21.81	69.34	-951.77
					M3	-6.53	-2.79	344.73	-6.53	-2.79	314.61	-6.53	-7.24	314.54	-6.53	-7.24	284.15
MIN	S2			-6.53	-2.79	344.73	-6.53	-2.79	314.61	-6.53	-7.24	314.54	-6.53	-7.24	284.15		
	TQ			-1.33	-4.27	70.59	-1.33	-4.27	64.44	-6.19	-7.58	298.36	-6.19	-7.58	269.54		
	M3			21.81	54.41	-1154.91	21.81	54.41	-1054.21	21.81	69.34	-1053.33	21.81	69.34	-951.77		
TANDEM-LOAD MAX	S2			14.89	38.74	-788.45	14.89	38.74	-719.72	14.89	48.92	-719.09	14.89	48.92	-649.77		
	TQ			14.89	38.74	-788.45	14.89	38.74	-719.72	14.89	48.92	-719.09	14.89	48.92	-649.77		
	M3			-4.43	-1.99	234.26	-4.43	-1.99	213.79	-4.43	-5.01	213.74	-4.43	-5.01	193.09		
MIN	S2			-4.43	-1.99	234.26	-4.43	-1.99	213.79	-4.43	-5.01	213.74	-4.43	-5.01	193.09		
	TQ			-0.87	-2.93	46.37	-0.87	-2.93	42.33	-4.25	-5.16	204.86	-4.25	-5.16	185.07		
	M3			14.89	38.74	-788.45	14.89	38.74	-719.72	14.89	48.92	-719.09	14.89	48.92	-649.77		

BAGO RIVER BRIDGE

BLOCK [ No.1 : MAIN GIRDER ][ BEAM MEMBER FORCE ]

MEMBER				1043			1044			1045								
NODE				1043			1044			1044			1045					
				SHEAR	TORQUE	MOMENT	SHEAR	TORQUE	MOMENT	SHEAR	TORQUE	MOMENT	SHEAR	TORQUE	MOMENT			
NAME	TITLE			S2 (kN)	TQ (kN·m)	M3 (kN·m)	S2 (kN)	TQ (kN·m)	M3 (kN·m)	S2 (kN)	TQ (kN·m)	M3 (kN·m)	S2 (kN)	TQ (kN·m)	M3 (kN·m)			
72	4-LANES	DISPERSION-LMAX	S2	15.45	31.66	-817.47	15.45	31.66	-746.16	15.45	42.22	-745.64	15.45	42.22	-673.71			
			TQ	10.95	33.62	-580.05	10.95	33.62	-529.50	15.44	42.71	-745.46	15.44	42.71	-673.56			
			M3	-7.94	-3.32	419.41	-7.94	-3.32	382.76	-7.94	-8.74	382.67	-7.94	-8.74	345.70			
		MIN	S2	-7.94	-3.32	419.41	-7.94	-3.32	382.76	-7.94	-8.74	382.67	-7.94	-8.74	345.70			
			TQ	-3.61	-5.22	191.03	-3.61	-5.22	174.36	-7.92	-9.25	381.86	-7.92	-9.25	344.97			
			M3	15.45	31.66	-817.47	15.45	31.66	-746.16	15.45	42.22	-745.64	15.45	42.22	-673.71			
		73	6-LANES	TRUCK-LOAD	MAX	S2	491.81	422.87	8336.88	380.59	261.51	9270.52	380.59	130.20	9273.29	294.39	17.79	9675.92
					TQ	-27.37	650.19	6811.60	-27.37	650.19	6685.25	-16.62	556.98	6296.43	-16.62	556.98	6219.05	
					M3	321.25	179.16	9943.48	264.79	92.78	10354.23	264.79	-53.86	10354.51	215.42	-114.54	10446.17	
MIN	S2			-215.29	26.27	8753.62	-300.80	-86.17	8802.53	-300.80	-210.82	8800.43	-408.97	-373.85	8307.37			
	TQ			92.60	-524.26	5978.24	92.60	-524.26	6405.75	97.62	-616.30	6537.47	97.62	-616.30	6992.02			
	M3			33.39	-7.52	-1762.69	33.39	-7.52	-1608.54	33.39	15.26	-1608.48	33.39	15.26	-1453.00			
TANDEM-LOAD	MAX			S2	374.14	344.09	5966.24	295.32	233.18	6655.89	295.32	138.90	6658.52	221.12	37.38	6917.97		
	TQ			-19.84	445.79	4668.83	-19.84	445.79	4577.23	-8.76	382.32	4245.33	-8.76	382.32	4204.55			
	M3			271.56	150.30	7060.25	230.95	80.82	7348.95	230.95	-23.25	7349.36	194.08	-65.33	7408.78			
MIN	S2			-168.29	-7.08	6324.78	-241.33	-109.41	6366.60	-241.33	-199.56	6364.41	-316.27	-310.04	5969.73			
	TQ			62.33	-360.57	4106.73	62.33	-360.57	4394.49	65.29	-423.64	4476.31	65.29	-423.64	4780.35			
	M3			22.74	-4.94	-1200.39	22.74	-4.94	-1095.41	22.74	10.57	-1095.37	22.74	10.57	-989.49			
DISPERSION-LMAX	S2			279.51	-7.87	4445.06	232.94	-21.21	4977.24	232.94	-91.69	4976.44	200.73	-76.06	5348.37			
	TQ			50.39	594.68	5960.24	-24.30	594.68	6020.59	-21.01	519.73	4632.46	-21.01	519.73	4534.63			
	M3			132.55	106.77	12042.13	57.90	105.06	12481.90	57.89	-71.28	12482.14	-17.05	-71.88	12577.64			
MIN	S2	-109.11	93.85	5638.07	-137.22	107.14	5713.97	-137.22	26.22	5714.91	-179.82	10.46	5633.10					
	TQ	120.37	-493.40	4065.18	120.37	-493.40	4620.93	115.18	-569.40	6031.40	40.22	-569.40	6393.59					
	M3	37.61	-16.13	-1985.05	37.61	-16.09	-1811.41	37.61	9.44	-1811.46	37.61	9.53	-1636.33					

BAGO RIVER BRIDGE

BLOCK [ No.1 : MAIN GIRDER ][ BEAM MEMBER FORCE ]

MEMBER			1043			1044			1044			1045			
NODE			1043			1044			1044			1045			
NAME TITLE			SHEAR	TORQUE	MOMENT	SHEAR	TORQUE	MOMENT	SHEAR	TORQUE	MOMENT	SHEAR	TORQUE	MOMENT	
			S2 (kN)	TQ (kN·m)	M3 (kN·m)	S2 (kN)	TQ (kN·m)	M3 (kN·m)	S2 (kN)	TQ (kN·m)	M3 (kN·m)	S2 (kN)	TQ (kN·m)	M3 (kN·m)	
124	SUM TOTAL	D+1LANE (caseMAX	S2	1161.91	236.48	43269.89	726.44	76.41	46272.34	726.44	-578.85	46268.78	336.11	-664.93	47276.81
			TQ	640.29	788.01	42997.12	306.95	788.01	45184.43	307.98	148.08	45171.92	37.34	148.08	45975.88
			M3	1089.01	485.02	45184.41	630.55	337.84	48387.08	630.55	-347.39	48387.01	189.54	-463.40	49425.38
		MIN	S2	556.65	749.78	43385.97	171.99	662.94	46567.84	171.99	3.43	46572.56	-264.49	-160.06	47790.09
			TQ	857.85	-70.97	41622.42	589.74	-70.97	44964.15	590.39	-707.77	45009.15	254.17	-707.77	46977.47
			M3	707.57	303.25	38308.69	439.46	303.25	40956.55	439.46	-276.76	40956.74	168.82	-276.76	42372.93
		D+1LANE (caseMAX	S2	811.45	328.68	41509.53	542.98	328.29	44588.42	542.98	-303.15	44588.60	271.26	-302.94	46460.71
			TQ	653.73	481.96	42235.41	384.45	481.96	44632.02	381.64	-143.26	43675.18	111.00	-143.26	44822.13
			M3	692.36	402.12	44095.00	466.53	410.87	46706.88	466.53	-250.58	46708.02	227.06	-251.01	48286.96
		MIN	S2	616.32	437.06	42714.70	347.40	437.45	44987.18	347.40	-199.65	44988.87	76.67	-199.87	45999.79
			TQ	766.08	276.91	40386.44	497.97	276.91	43304.45	503.68	-343.71	44305.54	231.86	-343.71	46018.03
			M3	707.22	348.58	38324.49	439.11	348.58	40970.75	439.11	-231.64	40971.57	168.47	-231.64	42386.14
		D+1LANE (caseMAX	S2	765.67	549.74	41123.83	497.56	549.74	44039.97	497.56	-73.96	44043.34	226.92	-73.96	45730.11
			TQ	759.91	551.93	41418.34	491.80	551.93	44307.87	497.27	-72.38	43880.42	226.63	-72.38	45565.83
			M3	700.60	413.78	43206.83	447.93	456.78	45849.00	447.93	-192.53	45850.87	182.72	-177.31	47321.43
		MIN	S2	651.85	298.09	41665.05	383.74	298.09	44055.65	383.74	-325.80	44055.46	113.10	-325.80	45212.19
			TQ	658.46	295.10	41490.85	390.35	295.10	43912.00	385.10	-329.79	44309.48	114.46	-329.79	45472.54
			M3	706.97	382.92	38335.83	438.86	382.92	40980.93	438.86	-197.44	40982.24	168.22	-197.44	42395.63
		D+1LANE (caseMAX	S2	735.78	744.45	40797.96	467.67	744.45	43576.09	467.67	127.30	43582.26	197.03	127.30	45129.82
			TQ	732.36	778.21	40623.68	464.25	778.21	43386.02	464.11	164.72	43315.08	193.48	164.72	44846.09
			M3	707.52	488.99	42211.69	439.41	488.99	44859.32	439.41	-146.30	44861.75	168.84	-150.83	46277.76
		MIN	S2	674.84	155.22	40479.34	406.73	155.22	42976.11	406.73	-453.37	42974.00	136.09	-453.37	44237.81
			TQ	679.84	115.63	40970.53	411.73	115.63	43490.37	412.13	-501.09	43556.21	141.49	-501.09	44845.15
			M3	706.52	450.80	38355.04	438.41	450.80	40998.09	438.41	-129.81	41000.37	167.77	-129.81	42411.70

BAGO RIVER BRIDGE

BLOCK [ No.1 : MAIN GIRDER ] [ BEAM MEMBER FORCE ]

MEMBER			1043			1044			1044			1045			
NODE			1043			1044			1044			1045			
NAME TITLE			SHEAR	TORQUE	MOMENT	SHEAR	TORQUE	MOMENT	SHEAR	TORQUE	MOMENT	SHEAR	TORQUE	MOMENT	
			S2 (kN)	TQ (kN·m)	M3 (kN·m)	S2 (kN)	TQ (kN·m)	M3 (kN·m)	S2 (kN)	TQ (kN·m)	M3 (kN·m)	S2 (kN)	TQ (kN·m)	M3 (kN·m)	
124	SUM TOTAL	D+2LANES (casMAX	S2	1270.57	185.10	45683.51	828.98	-3.88	48732.91	828.98	-693.98	48727.96	428.42	-800.14	49737.74
			TQ	605.92	918.11	45121.04	260.19	918.11	47120.95	264.70	252.25	46868.43	-5.94	252.25	47470.89
			M3	1160.31	515.45	48791.22	690.10	342.62	52119.31	690.10	-395.47	52118.94	234.70	-535.92	53221.19
		MIN	S2	492.35	854.54	45883.78	98.97	748.32	49225.37	98.97	51.17	49231.03	-342.20	-141.93	50579.19
			TQ	927.83	-213.83	42838.85	659.72	-213.83	46503.67	663.42	-874.09	46897.52	314.74	-874.09	49176.57
			M3	717.46	270.49	37788.06	449.35	270.49	40481.61	449.35	-302.79	40481.38	178.71	-302.79	41943.65
		D+2LANES (casMAX	S2	978.53	261.94	44216.55	676.09	206.03	47329.64	676.09	-464.22	47327.81	374.38	-498.48	49057.66
			TQ	617.12	663.07	44486.27	324.78	663.07	46660.60	326.08	9.46	45621.15	55.45	9.46	46509.43
			M3	829.77	446.37	47883.38	553.41	403.48	50719.15	553.41	-314.79	50719.78	265.97	-358.93	52272.51
		MIN	S2	542.07	593.94	45324.39	245.14	560.41	47908.16	245.14	-118.07	47911.29	-57.90	-175.10	49087.27
			TQ	851.35	76.08	41808.86	583.24	76.08	45120.58	591.16	-570.71	46311.18	296.15	-570.71	48377.04
			M3	717.17	308.27	37801.23	449.06	308.27	40493.44	449.06	-265.19	40493.75	178.42	-265.19	41954.67
		D+2LANES (casMAX	S2	799.77	752.15	42310.36	531.66	752.15	45383.93	531.66	109.40	45390.04	261.02	109.40	47235.57
			TQ	793.97	756.69	42496.07	525.85	756.69	45542.84	530.98	115.62	45080.25	260.34	115.62	46922.60
			M3	711.99	449.29	45514.33	459.48	513.76	48211.03	459.48	-169.00	48213.48	195.08	-140.17	49740.56
		MIN	S2	636.85	171.24	42858.83	368.74	171.24	45180.21	368.74	-468.57	45178.11	98.10	-468.57	46265.02
			TQ	644.00	164.07	42897.98	375.89	164.07	45252.36	370.95	-480.55	45691.29	100.31	-480.55	46788.47
			M3	716.48	403.41	37832.22	448.37	403.41	40521.24	448.37	-170.45	40522.89	177.73	-170.45	41980.59
		D+2LANES (casMAX	S2	774.80	923.91	42041.90	506.69	923.91	45000.17	506.69	286.57	45008.74	236.05	286.57	46737.98
			TQ	771.77	954.67	41793.18	503.66	954.67	44737.50	503.28	322.66	44612.07	232.65	322.66	46325.47
			M3	717.82	509.93	44682.64	452.43	538.57	47384.17	452.43	-132.49	47387.04	183.57	-120.11	48868.93
		MIN	S2	656.07	50.16	41868.27	387.96	50.16	44278.36	387.96	-576.87	44274.63	117.32	-576.87	45451.02
			TQ	661.03	12.59	42505.69	392.92	12.59	44938.71	393.53	-625.29	45061.30	122.89	-625.29	46263.62
			M3	715.99	478.62	37853.37	447.88	478.62	40540.14	447.88	-95.51	40542.85	177.24	-95.51	41998.28

BAGO RIVER BRIDGE

BLOCK [ No.1 : MAIN GIRDER ][ BEAM MEMBER FORCE ]

MEMBER		1043			1044			1044			1045						
NODE		1043			1044			1044			1045						
		SHEAR	TORQUE	MOMENT	SHEAR	TORQUE	MOMENT	SHEAR	TORQUE	MOMENT	SHEAR	TORQUE	MOMENT				
NAME TITLE		S2 (kN)	TQ (kN·m)	M3 (kN·m)	S2 (kN)	TQ (kN·m)	M3 (kN·m)	S2 (kN)	TQ (kN·m)	M3 (kN·m)	S2 (kN)	TQ (kN·m)	M3 (kN·m)				
124	SUM TOTAL	D+3LANES (casMAX	S2	1268.12	177.61	46403.00	852.29	16.70	49736.29	852.29	-687.61	49731.54	470.45	-777.69	51164.38		
			TQ	591.44	909.24	46439.05	256.53	909.24	48397.01	258.37	229.94	47503.93	-12.27	229.94	48076.90		
			M3	1090.04	510.42	50875.92	680.08	369.72	54115.32	680.08	-396.64	54115.13	274.49	-516.32	55418.91		
			MIN	S2	468.41	823.40	47426.88	93.24	733.38	50437.34	93.24	19.08	50442.67	-322.41	-145.21	51553.13	
				TQ	944.65	-198.15	43189.50	676.54	-198.15	46931.96	683.73	-869.44	47975.17	345.92	-869.44	50373.83	
				M3	724.14	264.29	37435.79	456.03	264.29	40160.18	456.03	-304.44	40159.89	185.39	-304.44	41653.26	
			D+3LANES (casMAX	S2	814.39	945.99	43029.42	546.28	945.99	46170.48	546.28	292.08	46179.25	275.64	292.08	48092.85	
				TQ	807.03	973.76	43063.80	538.92	973.76	46170.89	543.17	323.88	45725.98	272.54	323.88	47625.14	
				M3	719.65	517.44	46758.96	464.80	572.24	49486.76	464.80	-128.59	49489.91	199.52	-107.41	51039.15	
			MIN	S2	632.64	44.66	43274.47	364.53	44.66	45576.43	364.53	-600.75	45572.49	93.89	-600.75	46639.80	
				TQ	642.26	10.52	43655.68	374.15	10.52	46002.01	370.24	-644.75	46421.77	99.60	-644.75	47515.63	
				M3	722.92	433.83	37490.55	454.81	433.83	40209.29	454.81	-135.62	40211.40	184.17	-135.62	41699.06	
			D+3LANES (casMAX	S2	814.23	970.29	43037.14	546.12	970.29	46177.45	546.12	316.28	46186.56	275.48	316.28	48099.42	
				TQ	811.66	996.53	42818.90	543.55	996.53	45947.34	543.02	348.07	45733.97	272.38	348.07	47632.39	
				M3	719.80	512.26	46752.40	464.95	567.06	49480.93	464.95	-133.69	49483.99	199.67	-112.40	51033.94	
			MIN	S2	632.78	39.52	43268.05	364.67	39.52	45570.61	364.67	-605.80	45566.60	94.03	-605.80	46634.54	
				TQ	637.60	6.92	43901.91	369.49	6.92	46226.75	370.36	-649.79	46415.22	99.72	-649.79	47509.69	
				M3	722.61	481.41	37503.93	454.50	481.41	40221.25	454.50	-88.21	40224.03	183.86	-88.21	41710.27	
			D+4LANES	MAX	S2	716.72	436.62	37817.49	448.61	436.62	40507.63	448.61	-137.04	40509.75	177.97	-137.04	41968.57
					TQ	713.80	437.90	37971.82	445.69	437.90	40648.45	448.61	-136.73	40509.86	177.97	-136.73	41968.67
					M3	683.10	376.70	39596.24	414.99	376.70	42131.15	414.99	-219.95	42132.26	144.35	-219.95	43434.54
			MIN	S2	683.10	376.70	39596.24	414.99	376.70	42131.15	414.99	-219.95	42132.26	144.35	-219.95	43434.54	
				TQ	689.29	374.51	39269.60	421.18	374.51	41833.09	415.22	-220.50	42121.22	144.58	-220.50	43424.56	
				M3	716.72	436.62	37817.50	448.61	436.62	40507.63	448.61	-137.04	40509.75	177.97	-137.04	41968.57	

BAGO RIVER BRIDGE

BLOCK [ No.1 : MAIN GIRDER ][ BEAM MEMBER FORCE ]

MEMBER				1043			1044			1044			1045			
NODE				1043			1044			1044			1045			
NAME TITLE				SHEAR	TORQUE	MOMENT	SHEAR	TORQUE	MOMENT	SHEAR	TORQUE	MOMENT	SHEAR	TORQUE	MOMENT	
				S2 (kN)	TQ (kN·m)	M3 (kN·m)	S2 (kN)	TQ (kN·m)	M3 (kN·m)	S2 (kN)	TQ (kN·m)	M3 (kN·m)	S2 (kN)	TQ (kN·m)	M3 (kN·m)	
124	SUM TOTAL	D+6LANES	MAX	S2	1193.86	650.42	47407.80	823.19	536.87	50938.91	823.19	-184.52	50941.40	475.58	-247.44	52790.92
				TQ	707.47	1189.84	47401.24	390.81	1189.84	49936.66	399.94	490.30	48782.86	129.30	490.30	50015.02
				M3	987.47	566.53	53390.19	634.14	509.27	56521.35	634.14	-290.89	56522.90	282.69	-330.73	57990.61
			MIN	S2	481.64	458.75	48454.14	139.69	394.30	51113.59	139.69	-329.55	51114.05	-228.96	-445.76	52086.44
				TQ	830.93	-280.80	45627.77	562.82	-280.80	48845.20	562.71	-980.26	49848.84	243.35	-980.26	51725.78
				M3	738.65	365.30	36663.51	470.54	365.33	39454.90	470.54	-193.51	39456.12	199.90	-193.45	41017.07
	SUM TOTAL		MAX		1270.57	1189.84	53390.19	852.29	1189.84	56521.35	852.29	490.30	56522.90	475.58	490.30	57990.61
			MIN		468.41	-280.80	36663.51	93.24	-280.80	39454.90	93.24	-980.26	39456.12	-342.20	-980.26	41017.07
300	DEAD LOAD	TOTAL			692.50	380.67	39099.54	424.39	380.67	41677.87	424.39	-209.56	41679.08	153.76	-209.56	43025.13
301	LIVE LOAD	1-LANE(case1MAX	S2		469.41	-144.20	4170.35	302.04	-304.26	4594.48	302.04	-369.30	4589.71	182.35	-455.37	4251.67
			TQ		-52.21	407.33	3897.58	-117.45	407.33	3506.56	-116.42	357.64	3492.84	-116.42	357.64	2950.75
			M3		396.51	104.35	6084.87	206.16	-42.83	6709.21	206.16	-137.83	6707.93	35.78	-253.84	6400.24
			MIN	S2	-135.85	369.11	4286.43	-252.40	282.26	4889.97	-252.40	212.99	4893.48	-418.24	49.50	4764.96
				TQ	165.35	-451.65	2522.87	165.35	-451.65	3286.28	166.00	-498.21	3330.08	100.42	-498.21	3952.34
				M3	15.06	-77.42	-790.85	15.06	-77.42	-721.32	15.06	-67.20	-722.34	15.06	-67.20	-652.21
		1-LANE(case2MAX	S2		118.95	-51.99	2409.99	118.58	-52.38	2910.55	118.58	-93.59	2909.52	117.50	-93.38	3435.57
			TQ		-38.77	101.28	3135.87	-39.94	101.28	2954.15	-42.76	66.29	1996.10	-42.76	66.29	1797.00
			M3		-0.14	21.45	4995.46	42.13	30.20	5029.02	42.13	-41.02	5028.94	73.30	-41.45	5261.83
			MIN	S2	-76.19	56.39	3615.16	-76.99	56.77	3309.32	-76.99	9.90	3309.79	-77.09	9.69	2974.66
				TQ	73.57	-103.76	1286.89	73.57	-103.76	1626.58	79.28	-134.15	2626.46	78.11	-134.15	2992.90
				M3	14.71	-32.09	-775.05	14.71	-32.09	-707.12	14.71	-22.08	-707.50	14.71	-22.08	-638.99
		1-LANE(case3MAX	S2		73.17	169.07	2024.29	73.17	169.07	2362.11	73.17	135.60	2364.27	73.17	135.60	2704.97
			TQ		67.41	171.25	2318.80	67.41	171.25	2630.00	72.88	137.17	2201.34	72.88	137.17	2540.69
			M3		8.09	33.11	4107.29	23.54	76.11	4171.14	23.54	17.03	4171.80	28.97	32.24	4296.30
			MIN	S2	-40.66	-82.58	2565.51	-40.66	-82.58	2377.79	-40.66	-116.24	2376.38	-40.66	-116.24	2187.05
				TQ	-34.04	-85.58	2391.31	-34.04	-85.58	2234.13	-39.30	-120.23	2630.40	-39.30	-120.23	2447.41
				M3	14.46	2.25	-763.71	14.46	2.25	-696.94	14.46	12.12	-696.84	14.46	12.12	-629.50



BAGO RIVER BRIDGE

BLOCK [ No.1 : MAIN GIRDER ][ BEAM MEMBER FORCE ]

MEMBER			1043			1044			1044			1045			
NODE			1043			1044			1044			1045			
NAME TITLE			SHEAR	TORQUE	MOMENT	SHEAR	TORQUE	MOMENT	SHEAR	TORQUE	MOMENT	SHEAR	TORQUE	MOMENT	
			S2 (kN)	TQ (kN·m)	M3 (kN·m)	S2 (kN)	TQ (kN·m)	M3 (kN·m)	S2 (kN)	TQ (kN·m)	M3 (kN·m)	S2 (kN)	TQ (kN·m)	M3 (kN·m)	
301	LIVE LOAD	1-LANE (case4MAX	S2	43.27	363.78	1698.42	43.27	363.78	1898.22	43.27	336.86	1903.18	43.27	336.86	2104.69
			TQ	39.86	397.54	1524.14	39.86	397.54	1708.16	39.72	374.28	1636.00	39.72	374.28	1820.96
			M3	15.01	108.32	3112.15	15.01	108.32	3181.46	15.01	63.25	3182.67	15.09	58.73	3252.63
			MIN S2	-17.66	-225.45	1379.80	-17.66	-225.45	1298.25	-17.66	-243.82	1294.93	-17.66	-243.82	1212.68
			TQ	-12.67	-265.04	1870.99	-12.67	-265.04	1812.51	-12.27	-291.53	1877.13	-12.27	-291.53	1820.02
			M3	14.02	70.13	-744.50	14.02	70.13	-679.77	14.02	79.75	-678.71	14.02	79.75	-613.43
		2-LANES (caseMAX	S2	578.07	-195.57	6583.97	404.58	-384.55	7055.04	404.58	-484.42	7048.89	274.67	-590.58	6712.61
			TQ	-86.59	537.44	6021.50	-164.20	537.44	5443.08	-159.69	461.81	5189.35	-159.69	461.81	4445.76
			M3	467.80	134.77	9691.68	265.70	-38.06	10441.45	265.70	-185.91	10439.86	80.95	-326.36	10196.06
			MIN S2	-200.15	473.87	6784.24	-325.43	367.64	7547.51	-325.43	260.73	7551.95	-495.95	67.63	7554.06
			TQ	235.33	-594.50	3739.30	235.33	-594.50	4825.80	239.03	-664.54	5218.45	160.99	-664.54	6151.44
			M3	24.96	-110.18	-1311.48	24.96	-110.18	-1196.25	24.96	-93.23	-1197.69	24.96	-93.23	-1081.48
		2-LANES (caseMAX	S2	286.02	-118.74	5117.01	251.70	-174.65	5651.77	251.70	-254.66	5648.73	220.63	-288.92	6032.53
			TQ	-75.39	282.40	5386.73	-99.62	282.40	4982.74	-98.31	219.02	3942.07	-98.31	219.02	3484.30
			M3	137.26	65.69	8783.84	129.01	22.80	9041.29	129.01	-105.23	9040.70	112.22	-149.37	9247.38
			MIN S2	-150.43	213.27	6224.85	-179.25	179.73	6230.29	-179.25	91.49	6232.21	-211.66	34.45	6062.14
			TQ	158.85	-304.60	2709.32	158.85	-304.60	3442.72	166.77	-361.16	4632.10	142.39	-361.16	5351.91
			M3	24.67	-72.41	-1298.31	24.67	-72.41	-1184.42	24.67	-55.63	-1185.33	24.67	-55.63	-1070.47
		2-LANES (caseMAX	S2	107.27	371.48	3210.82	107.27	371.48	3706.07	107.27	318.96	3710.96	107.27	318.96	4210.44
			TQ	101.46	376.02	3396.53	101.46	376.02	3864.97	106.58	325.18	3401.17	106.58	325.18	3897.47
			M3	19.49	68.61	6414.79	35.09	133.09	6533.17	35.09	40.56	6534.40	41.33	69.38	6715.43
			MIN S2	-55.65	-209.43	3759.29	-55.65	-209.43	3502.35	-55.65	-259.01	3499.03	-55.65	-259.01	3239.89
			TQ	-48.51	-216.60	3798.44	-48.51	-216.60	3574.49	-53.45	-271.00	4012.21	-53.45	-271.00	3763.34
			M3	23.98	22.73	-1267.32	23.98	22.73	-1156.62	23.98	39.11	-1156.19	23.98	39.11	-1044.54

BAGO RIVER BRIDGE

BLOCK [ No.1 : MAIN GIRDER ][ BEAM MEMBER FORCE ]

MEMBER			1043			1044			1044			1045			
NODE			1043			1044			1044			1045			
NAME TITLE			SHEAR	TORQUE	MOMENT	SHEAR	TORQUE	MOMENT	SHEAR	TORQUE	MOMENT	SHEAR	TORQUE	MOMENT	
			S2 (kN)	TQ (kN·m)	M3 (kN·m)	S2 (kN)	TQ (kN·m)	M3 (kN·m)	S2 (kN)	TQ (kN·m)	M3 (kN·m)	S2 (kN)	TQ (kN·m)	M3 (kN·m)	
301	LIVE LOAD	2-LANES (caseMAX	S2	82.29	543.23	2942.36	82.29	543.23	3322.30	82.29	496.13	3329.66	82.29	496.13	3712.85
			TQ	79.27	573.99	2693.64	79.27	573.99	3059.63	78.89	532.22	2932.99	78.89	532.22	3300.34
			M3	25.31	129.26	5583.09	28.04	157.89	5706.30	28.04	77.07	5707.96	29.82	89.45	5843.80
			MIN S2	-36.44	-330.52	2768.73	-36.44	-330.52	2600.50	-36.44	-367.31	2595.56	-36.44	-367.31	2425.89
			TQ	-31.47	-368.08	3406.14	-31.47	-368.08	3260.85	-30.87	-415.74	3382.23	-30.87	-415.74	3238.49
			M3	23.49	97.95	-1246.17	23.49	97.95	-1137.72	23.49	114.05	-1136.22	23.49	114.05	-1026.85
		3-LANES (caseMAX	S2	575.61	-203.07	7303.45	427.89	-363.97	8058.42	427.89	-478.05	8052.46	316.70	-568.14	8139.25
			TQ	-101.06	528.56	7339.51	-167.87	528.56	6719.14	-166.02	439.50	5824.86	-166.02	439.50	5051.77
			M3	397.53	129.75	11776.38	255.69	-10.96	12437.45	255.69	-187.08	12436.05	120.73	-306.77	12393.78
			MIN S2	-224.10	442.73	8327.34	-331.15	352.71	8759.48	-331.15	228.63	8763.59	-476.16	64.35	8528.00
			TQ	252.14	-578.82	4089.96	252.14	-578.82	5254.09	259.33	-659.88	6296.09	192.17	-659.88	7348.70
			M3	31.64	-116.39	-1663.75	31.64	-116.39	-1517.69	31.64	-94.89	-1519.19	31.64	-94.89	-1371.87
		3-LANES (caseMAX	S2	121.88	565.31	3929.88	121.88	565.31	4492.62	121.88	501.64	4500.17	121.88	501.64	5067.72
			TQ	114.53	593.09	3964.26	114.53	593.09	4493.03	118.78	533.44	4046.91	118.78	533.44	4600.01
			M3	27.15	136.77	7659.42	40.41	191.57	7808.90	40.41	80.97	7810.83	45.77	102.15	8014.02
			MIN S2	-59.86	-336.02	4174.93	-59.86	-336.02	3898.56	-59.86	-391.19	3893.41	-59.86	-391.19	3614.67
			TQ	-50.25	-370.16	4556.14	-50.25	-370.16	4324.15	-54.16	-435.19	4742.69	-54.16	-435.19	4490.50
			M3	30.41	53.15	-1608.99	30.41	53.15	-1468.58	30.41	73.94	-1467.68	30.41	73.94	-1326.07
		3-LANES (caseMAX	S2	121.72	589.61	3937.60	121.72	589.61	4499.59	121.72	525.84	4507.49	121.72	525.84	5074.28
			TQ	119.15	615.85	3719.35	119.15	615.85	4269.48	118.62	557.63	4054.89	118.62	557.63	4607.26
			M3	27.29	131.58	7652.86	40.55	186.38	7803.06	40.55	75.87	7804.92	45.91	97.16	8008.81
			MIN S2	-59.73	-341.15	4168.51	-59.73	-341.15	3892.75	-59.73	-396.24	3887.53	-59.73	-396.24	3609.41
			TQ	-54.90	-373.76	4802.37	-54.90	-373.76	4548.89	-54.03	-440.23	4736.15	-54.03	-440.23	4484.56
			M3	30.10	100.73	-1595.61	30.10	100.73	-1456.62	30.10	121.35	-1455.04	30.10	121.35	-1314.86

BAGO RIVER BRIDGE

BLOCK [ No.1 : MAIN GIRDER ][ BEAM MEMBER FORCE ]

MEMBER					1043			1044			1045					
NODE					1043			1044			1044			1045		
NAME TITLE					SHEAR	TORQUE	MOMENT	SHEAR	TORQUE	MOMENT	SHEAR	TORQUE	MOMENT	SHEAR	TORQUE	MOMENT
					S2 (kN)	TQ (kN·m)	M3 (kN·m)	S2 (kN)	TQ (kN·m)	M3 (kN·m)	S2 (kN)	TQ (kN·m)	M3 (kN·m)	S2 (kN)	TQ (kN·m)	M3 (kN·m)
301	LIVE LOAD	4-LANES	MAX	S2	24.22	55.95	-1282.05	24.22	55.95	-1170.24	24.22	72.51	-1169.33	24.22	72.51	-1056.56
				TQ	21.29	57.22	-1127.72	21.29	57.22	-1029.41	24.21	72.83	-1169.22	24.21	72.83	-1056.47
			M3	-9.40	-3.97	496.69	-9.40	-3.97	453.29	-9.40	-10.39	453.19	-9.40	-10.39	409.41	
		MIN	S2	-9.40	-3.97	496.69	-9.40	-3.97	453.29	-9.40	-10.39	453.19	-9.40	-10.39	409.41	
			TQ	-3.21	-6.17	170.06	-3.21	-6.17	155.22	-9.17	-10.94	442.14	-9.17	-10.94	399.43	
			M3	24.22	55.95	-1282.05	24.22	55.95	-1170.24	24.22	72.51	-1169.33	24.22	72.51	-1056.56	
	6-LANES	MAX	S2	501.36	269.75	8308.26	398.80	156.19	9261.04	398.80	25.03	9262.32	321.83	-37.88	9765.79	
			TQ	14.97	809.17	8301.70	-33.58	809.17	8258.79	-24.46	699.86	7103.78	-24.46	699.86	6989.89	
		M3	294.97	185.86	14290.65	209.75	128.59	14843.49	209.74	-81.34	14843.82	128.94	-121.18	14965.48		
		MIN	S2	-210.86	78.08	9354.60	-284.71	13.63	9435.73	-284.71	-119.99	9434.97	-382.71	-236.21	9061.31	
			TQ	138.43	-661.47	6528.22	138.43	-661.47	7167.34	138.32	-770.70	8169.76	89.59	-770.70	8700.65	
			M3	46.15	-15.37	-2436.03	46.15	-15.35	-2222.96	46.15	16.05	-2222.96	46.15	16.11	-2008.07	
LIVE LOAD	MAX	578.07	809.17	14290.65	427.89	809.17	14843.49	427.89	699.86	14843.82	321.83	699.86	14965.48			
	MIN	-224.10	-661.47	-2436.03	-331.15	-661.47	-2222.96	-331.15	-770.70	-2222.96	-495.95	-770.70	-2008.07			
303	SUM TOTAL	TOTAL	MAX	1270.57	1189.84	53390.19	852.29	1189.84	56521.35	852.29	490.30	56522.90	475.58	490.30	57990.61	
			MIN	468.41	-280.80	36663.51	93.24	-280.80	39454.90	93.24	-980.26	39456.12	-342.20	-980.26	41017.07	

BAGO RIVER BRIDGE

BLOCK [ No.1 : MAIN GIRDER ] [ BEAM MEMBER FORCE ]

MEMBER NODE	1045 1045	1046			1046			1047			1047			
		SHEAR	TORQUE	MOMENT	SHEAR	TORQUE	MOMENT	SHEAR	TORQUE	MOMENT	SHEAR	TORQUE	MOMENT	
NAME TITLE	S2 (kN)	TQ (kN·m)	M3 (kN·m)	S2 (kN)	TQ (kN·m)	M3 (kN·m)	S2 (kN)	TQ (kN·m)	M3 (kN·m)	S2 (kN)	TQ (kN·m)	M3 (kN·m)		
1 PAVEMENT	37.42	-5.46	6788.11	-8.74	-5.46	6855.57	-8.74	-5.46	6855.57	-54.90	-5.46	6705.83		
3 RAILING	3.61	-0.86	204.51	-0.28	-0.86	212.32	-0.28	-0.86	212.32	-4.17	-0.86	201.84		
5 CURB	35.70	-8.49	2024.64	-2.81	-8.49	2102.01	-2.81	-8.49	2102.01	-41.32	-8.49	1998.17		
7 DECK WEIGHT	68.30	-8.93	11174.21	-7.71	-8.93	11316.75	-7.71	-8.93	11316.75	-83.73	-8.93	11101.61		
8 GIRDER WEIGH	63.50	-26.81	15871.73	-24.46	-26.81	15963.56	-24.46	-26.81	15963.56	-112.42	-26.81	15641.53		
10 MEDIAN STRIP	17.14	4.13	3623.20	17.14	4.13	3703.84	17.14	4.13	3703.84	17.14	4.13	3784.48		
21 ADITIONAL WE	19.12	-2.50	3128.78	-2.16	-2.50	3168.69	-2.16	-2.50	3168.69	-23.44	-2.50	3108.45		
31 MEDIAN RAILI	-0.34	-0.25	209.34	-0.34	-0.25	207.76	-0.34	-0.25	207.76	-0.34	-0.25	206.18		
51 SUPPORT WEIG	0.00	0.00	-0.00	0.00	0.00	-0.00	0.00	0.00	-0.00	0.00	0.00	0.00		
52 NOSE WEIGHT	-0.00	0.00	0.01	-0.00	0.00	0.01	-0.00	0.00	0.01	-0.00	0.00	0.00		
61 1-LANE(case1TRUCK-LOAD	MAX	S2	276.72	99.14	2521.10	170.93	-23.31	2760.04	170.93	-23.31	2760.04	92.18	-108.88	2484.97
		TQ	-54.11	228.87	1918.55	-54.11	228.87	1663.99	-54.11	228.87	1663.99	-54.11	228.87	1409.41
		M3	254.10	129.67	2561.63	60.99	88.01	2828.82	60.99	88.01	2828.82	-44.31	-33.81	2560.12
	MIN	S2	-89.04	203.98	2514.89	-167.28	119.26	2776.27	-167.28	119.26	2776.27	-273.03	-3.13	2528.02
		TQ	57.16	-134.00	1338.05	57.16	-134.00	1606.98	57.16	-134.00	1606.98	57.16	-134.00	1875.94
		M3	5.38	-27.24	-249.29	5.38	-27.24	-223.99	5.38	-27.24	-223.99	5.38	-27.24	-198.68
	TANDEM-LOAD MAX	S2	223.07	108.76	1932.34	148.12	21.46	2140.51	148.12	21.46	2140.51	77.90	-59.70	1922.15
		TQ	-34.18	155.99	1244.56	-34.18	155.99	1083.74	-34.18	155.99	1083.74	-34.18	155.99	922.89
		M3	223.07	108.76	1932.34	10.83	43.77	2142.79	10.83	43.77	2142.79	-64.19	-43.92	1928.33
	MIN	S2	-75.50	124.36	1931.32	-145.57	43.77	2142.79	-145.57	43.77	2142.79	-220.60	-43.92	1928.33
		TQ	35.13	-91.49	855.55	35.13	-91.49	1020.85	35.13	-91.49	1020.85	35.13	-91.49	1186.16
		M3	3.66	-18.74	-169.81	3.66	-18.74	-152.58	3.66	-18.74	-152.58	3.66	-18.74	-135.35
	DISPERSION-LMAX	S2	95.70	-108.32	1021.06	61.49	-121.61	1005.43	61.49	-121.61	1005.43	40.47	-119.50	860.55
		TQ	6.55	217.72	1881.34	-48.47	217.72	1784.81	-48.47	217.72	1784.81	-75.07	217.72	1462.88
		M3	49.87	127.69	2771.39	-5.14	127.69	2878.71	-5.14	127.69	2878.71	-60.17	127.69	2727.20
	MIN	S2	-39.48	203.52	1455.99	-60.28	216.81	1608.80	-60.28	216.81	1608.80	-94.28	214.70	1632.04
		TQ	49.67	-122.52	595.71	49.67	-122.52	829.42	49.67	-122.52	829.42	21.25	-122.52	1029.71
		M3	6.35	-32.49	-294.34	6.35	-32.49	-264.48	6.35	-32.49	-264.48	6.35	-32.49	-234.61

BAGO RIVER BRIDGE

BLOCK [ No.1 : MAIN GIRDER ][ BEAM MEMBER FORCE ]

MEMBER				1045			1046			1047					
NODE				1045			1046			1047					
				SHEAR	TORQUE	MOMENT	SHEAR	TORQUE	MOMENT	SHEAR	TORQUE	MOMENT			
NAME	TITLE			S2 (kN)	TQ (kN·m)	M3 (kN·m)	S2 (kN)	TQ (kN·m)	M3 (kN·m)	S2 (kN)	TQ (kN·m)	M3 (kN·m)			
62	1-LANE (case2TRUCK-LOAD	MAX	S2	45.33	1.77	1285.96	45.33	1.77	1499.22	45.33	1.77	1499.22	45.33	1.77	1712.50
			TQ	-28.06	52.32	1173.24	-28.06	52.32	1041.20	-28.06	52.32	1041.20	-28.06	52.32	909.15
			M3	-21.90	8.68	1950.03	-12.48	10.45	1855.50	-12.48	10.45	1855.50	23.03	18.65	1928.50
		MIN	S2	-46.53	12.82	1902.31	-46.53	12.82	1683.41	-46.53	12.82	1683.41	-46.53	12.82	1464.48
			TQ	21.55	-29.40	666.93	21.55	-29.40	768.30	21.55	-29.40	768.30	21.55	-29.40	869.69
			M3	5.41	-9.94	-244.53	5.41	-9.94	-219.08	5.41	-9.94	-219.08	5.41	-9.94	-193.63
		TANDEM-LOAD MAX	S2	33.02	4.79	896.05	33.02	4.79	1051.42	33.02	4.79	1051.42	33.02	4.79	1206.81
			TQ	-18.14	35.98	765.40	-18.14	35.98	680.06	-18.14	35.98	680.06	-18.14	35.98	594.71
			M3	-21.05	2.95	1356.25	-4.01	8.45	1276.24	-4.01	8.45	1276.24	22.05	15.54	1339.65
		MIN	S2	-33.69	9.55	1277.29	-33.69	9.55	1118.76	-33.69	9.55	1118.76	-33.69	9.55	960.22
			TQ	15.31	-20.64	474.05	15.31	-20.64	546.11	15.31	-20.64	546.11	15.31	-20.64	618.17
			M3	3.68	-6.83	-166.52	3.68	-6.83	-149.20	3.68	-6.83	-149.20	3.68	-6.83	-131.86
		DISPERSION-LMAX	S2	32.85	-22.41	663.75	32.68	-22.77	786.92	32.68	-22.77	786.92	31.88	-23.07	906.48
			TQ	-19.59	50.73	1828.64	-20.57	50.73	1734.15	-20.57	50.73	1734.15	-21.56	50.73	1635.03
			M3	-6.37	34.59	2434.74	-7.35	34.59	2402.47	-7.35	34.59	2402.47	-8.33	34.59	2365.59
MIN	S2	-32.85	45.24	1482.98	-33.65	45.60	1357.53	-33.65	45.60	1357.53	-33.84	45.90	1231.06		
	TQ	19.60	-27.90	318.09	19.60	-27.90	410.30	19.60	-27.90	410.30	19.60	-27.90	502.51		
	M3	6.37	-11.76	-288.00	6.37	-11.76	-258.03	6.37	-11.76	-258.03	6.37	-11.76	-228.05		
63	1-LANE (case3TRUCK-LOAD	MAX	S2	18.97	43.11	918.85	18.97	43.11	1008.08	18.97	43.11	1008.08	18.97	43.11	1097.32
			TQ	18.97	43.11	918.85	18.97	43.11	1008.08	18.97	43.11	1008.08	18.97	43.11	1097.32
			M3	-17.74	-58.17	1471.12	-7.12	-30.86	1418.48	-7.12	-30.86	1418.48	1.20	-5.16	1406.85
		MIN	S2	-26.65	-67.75	1294.06	-26.65	-67.75	1168.68	-26.65	-67.75	1168.68	-26.65	-67.75	1043.29
			TQ	-25.71	-69.72	1385.15	-25.71	-69.72	1264.21	-25.71	-69.72	1264.21	-25.71	-69.72	1143.26
			M3	5.44	3.18	-241.21	5.44	3.18	-215.62	5.44	3.18	-215.62	5.44	3.18	-190.02

BAGO RIVER BRIDGE

BLOCK [ No.1 : MAIN GIRDER ][ BEAM MEMBER FORCE ]

MEMBER		1045						1046									
NODE		1045			1046			1046			1047						
		SHEAR	TORQUE	MOMENT	SHEAR	TORQUE	MOMENT	SHEAR	TORQUE	MOMENT	SHEAR	TORQUE	MOMENT				
NAME	TITLE	S2 (kN)	TQ (kN·m)	M3 (kN·m)	S2 (kN)	TQ (kN·m)	M3 (kN·m)	S2 (kN)	TQ (kN·m)	M3 (kN·m)	S2 (kN)	TQ (kN·m)	M3 (kN·m)				
63	1-LANE (case3TANDEM-LOAD	MAX	S2	13.14	29.80	677.15	13.14	29.80	738.98	13.14	29.80	738.98	13.14	29.80	800.83		
			TQ	13.14	29.80	677.15	13.14	29.80	738.98	13.14	29.80	738.98	13.14	29.80	800.83		
			M3	-11.19	-38.90	1005.62	-3.28	-16.64	965.81	-3.28	-16.64	965.81	4.58	8.46	956.60		
		MIN	S2	-18.52	-46.88	898.55	-18.52	-46.88	811.42	-18.52	-46.88	811.42	-18.52	-46.88	724.29		
			TQ	-16.55	-47.68	975.54	-16.55	-47.68	897.68	-16.55	-47.68	897.68	-16.55	-47.68	819.81		
			M3	3.70	2.20	-164.24	3.70	2.20	-146.82	3.70	2.20	-146.82	3.70	2.20	-129.39		
			DISPERSION-LMAX	S2	18.57	31.96	478.24	18.57	31.96	565.61	18.57	31.96	565.61	18.57	31.96	652.98	
				TQ	16.75	32.29	522.15	16.75	32.29	600.96	16.75	32.29	600.96	16.75	32.29	679.78	
				M3	-11.79	-31.73	2109.19	-11.79	-31.73	2053.72	-11.79	-31.73	2053.72	-11.79	-31.73	1998.25	
			MIN	S2	-23.97	-59.72	1347.60	-23.97	-59.72	1234.84	-23.97	-59.72	1234.84	-23.97	-59.72	1122.06	
				TQ	-22.15	-60.06	1303.69	-22.15	-60.06	1199.48	-22.15	-60.06	1199.48	-22.15	-60.06	1095.26	
				M3	6.39	3.96	-283.35	6.39	3.96	-253.28	6.39	3.96	-253.28	6.39	3.96	-223.20	
64	1-LANE (case4TRUCK-LOAD	MAX	S2	5.53	29.91	-235.88	5.53	29.91	-209.85	5.53	29.91	-209.85	5.53	29.91	-183.82		
			TQ	3.88	80.36	666.54	3.88	80.36	684.78	3.88	80.36	684.78	3.88	80.36	703.02		
			M3	-4.60	-125.31	1004.75	-4.12	-95.40	983.89	-4.12	-95.40	983.89	-4.12	-95.40	964.48		
		MIN	S2	-15.01	-179.47	790.12	-15.01	-179.47	719.49	-15.01	-179.47	719.49	-15.01	-179.47	648.85		
			TQ	-12.98	-190.96	916.40	-12.98	-190.96	855.32	-12.98	-190.96	855.32	-12.98	-190.96	794.24		
			M3	5.53	29.91	-235.88	5.53	29.91	-209.85	5.53	29.91	-209.85	5.53	29.91	-183.82		
			TANDEM-LOAD	MAX	S2	3.87	50.22	337.33	3.87	50.22	355.51	3.87	50.22	355.51	3.87	50.22	373.70
				TQ	3.14	55.68	435.83	3.14	55.68	450.59	3.14	55.68	450.59	3.14	55.68	465.34	
				M3	-2.70	-78.00	680.42	-2.60	-70.52	667.79	-2.60	-70.52	667.79	-2.60	-70.52	655.55	
			MIN	S2	-10.32	-120.16	522.70	-10.32	-120.16	474.13	-10.32	-120.16	474.13	-10.32	-120.16	425.56	
				TQ	-8.51	-130.69	631.90	-8.51	-130.69	591.86	-8.51	-130.69	591.86	-8.51	-130.69	551.81	
				M3	3.77	20.61	-160.63	3.77	20.61	-142.90	3.77	20.61	-142.90	3.77	20.61	-125.16	

BAGO RIVER BRIDGE

BLOCK [ No.1 : MAIN GIRDER ][ BEAM MEMBER FORCE ]

MEMBER		1045			1046			1046			1047						
NODE		1045			1046			1046			1047						
		SHEAR	TORQUE	MOMENT	SHEAR	TORQUE	MOMENT	SHEAR	TORQUE	MOMENT	SHEAR	TORQUE	MOMENT				
NAME	TITLE	S2 (kN)	TQ (kN·m)	M3 (kN·m)	S2 (kN)	TQ (kN·m)	M3 (kN·m)	S2 (kN)	TQ (kN·m)	M3 (kN·m)	S2 (kN)	TQ (kN·m)	M3 (kN·m)				
64	1-LANE (case4DISPERSION-LMAX	S2	8.93	71.78	26.33	8.93	71.78	68.37	8.93	71.78	68.37	8.93	71.78	110.41			
		TQ	8.16	81.53	225.88	8.16	81.53	264.29	8.16	81.53	264.29	8.16	81.53	302.70			
		M3	-13.82	-140.94	1705.88	-13.82	-140.94	1640.88	-13.82	-140.94	1640.88	-13.82	-140.94	1575.88			
		MIN	S2	-16.30	-178.47	1404.40	-16.30	-178.47	1327.70	-16.30	-178.47	1327.70	-16.30	-178.47	1250.99		
		TQ	-15.53	-188.22	1204.85	-15.53	-188.22	1131.78	-15.53	-188.22	1131.78	-15.53	-188.22	1058.70			
		M3	6.45	34.25	-275.15	6.45	34.25	-244.81	6.45	34.25	-244.81	6.45	34.25	-214.48			
		65	2-LANES (caseTRUCK-LOAD	MAX	S2	384.64	150.53	4743.06	257.67	-21.02	5019.79	257.67	-21.02	5019.79	159.69	-147.08	4663.88
				TQ	-93.08	361.70	3415.90	-93.08	361.70	2977.96	-93.08	361.70	2977.96	-93.08	361.70	2539.97	
				M3	346.67	194.21	4816.25	78.70	135.06	5134.96	78.70	135.06	5134.96	-47.74	-35.74	4802.26	
MIN	S2			-155.78	304.10	4728.84	-253.23	179.63	5050.14	-253.23	179.63	5050.14	-380.17	8.22	4744.50		
TQ	96.18			-205.75	2363.63	96.18	-205.75	2816.12	96.18	-205.75	2816.12	96.18	-205.75	3268.66			
M3	10.77			-45.85	-496.18	10.77	-45.85	-445.50	10.77	-45.85	-445.50	10.77	-45.85	-394.82			
TANDEM-LOAD	MAX			S2	303.05	159.84	3565.54	213.57	38.41	3808.01	213.57	38.41	3808.01	129.09	-75.72	3538.74	
TQ	-59.14			246.98	2219.51	-59.14	246.98	1941.27	-59.14	246.98	1941.27	-59.14	246.98	1663.01			
M3	303.05			159.84	3565.55	12.97	69.46	3812.29	12.97	69.46	3812.29	-76.64	-52.64	3550.29			
MIN	S2	-126.19	182.58	3563.31	-210.47	69.46	3812.29	-210.47	69.46	3812.29	-300.07	-52.64	3550.29				
TQ	60.07	-141.19	1521.04	60.07	-141.19	1803.66	60.07	-141.19	1803.66	60.07	-141.19	2086.30					
M3	7.33	-31.54	-337.95	7.33	-31.54	-303.45	7.33	-31.54	-303.45	7.33	-31.54	-268.94					
DISPERSION-LMAX	S2	154.85	-170.36	1968.13	107.53	-190.40	1900.34	107.53	-190.40	1900.34	75.95	-189.02	1648.76				
TQ	-8.44	347.45	3680.72	-87.02	347.45	3458.24	-87.02	347.45	3458.24	-127.68	347.45	2910.63					
M3	67.43	209.49	5379.01	-11.16	209.49	5513.47	-11.16	209.49	5513.47	-89.75	209.49	5278.21					
MIN	S2	-74.72	325.22	2825.36	-105.98	345.25	3087.40	-105.98	345.25	3087.40	-153.00	343.87	3163.51				
TQ	88.57	-192.59	1112.77	88.57	-192.59	1529.50	88.57	-192.59	1529.50	50.64	-192.59	1901.64					
M3	12.71	-54.63	-585.52	12.71	-54.63	-525.73	12.71	-54.63	-525.73	12.71	-54.63	-465.94					

BAGO RIVER BRIDGE

BLOCK [ No.1 : MAIN GIRDER ][ BEAM MEMBER FORCE ]

MEMBER NODE	1045	1046						1047							
		1045			1046			1046			1047				
		SHEAR	TORQUE	MOMENT	SHEAR	TORQUE	MOMENT	SHEAR	TORQUE	MOMENT	SHEAR	TORQUE	MOMENT		
NAME TITLE	S2 (kN)	TQ (kN·m)	M3 (kN·m)	S2 (kN)	TQ (kN·m)	M3 (kN·m)	S2 (kN)	TQ (kN·m)	M3 (kN·m)	S2 (kN)	TQ (kN·m)	M3 (kN·m)			
66 2-LANES (caseTRUCK-LOAD	MAX	S2	153.24	53.16	3507.93	132.07	4.06	3758.97	132.07	4.06	3758.97	112.83	-36.43	3891.40	
		TQ	-67.04	185.14	2670.59	-67.04	185.14	2355.17	-67.04	185.14	2355.17	-67.04	185.14	2039.72	
		M3	70.67	73.22	4204.64	5.22	57.50	4161.63	5.22	57.50	4161.63	19.60	16.72	4170.64	
	MIN	S2	-113.26	112.94	4116.25	-132.49	73.20	3957.28	-132.49	73.20	3957.28	-153.67	24.17	3680.96	
		TQ	60.56	-101.15	1692.50	60.56	-101.15	1977.44	60.56	-101.15	1977.44	60.56	-101.15	2262.41	
		M3	10.80	-28.54	-491.42	10.80	-28.54	-440.59	10.80	-28.54	-440.59	10.80	-28.54	-389.76	
	TANDEM-LOAD	MAX	S2	113.01	55.86	2529.25	98.47	21.74	2718.92	98.47	21.74	2718.92	84.22	-11.23	2823.40
		TQ	-43.09	126.98	1740.34	-43.09	126.98	1537.59	-43.09	126.98	1537.59	-43.09	126.98	1334.83	
		M3	58.94	54.03	2989.46	-1.87	34.14	2945.74	-1.87	34.14	2945.74	9.60	6.82	2961.60	
	MIN	S2	-84.38	67.77	2909.28	-98.59	35.24	2788.26	-98.59	35.24	2788.26	-113.17	0.83	2582.18	
		TQ	40.25	-70.35	1139.54	40.25	-70.35	1328.92	40.25	-70.35	1328.92	40.25	-70.35	1518.31	
		M3	7.36	-19.62	-334.67	7.36	-19.62	-300.07	7.36	-19.62	-300.07	7.36	-19.62	-265.46	
	DISPERSION-LMAX	S2	92.00	-84.45	1610.83	78.72	-91.56	1681.82	78.72	-91.56	1681.82	67.37	-92.58	1694.68	
		TQ	-34.58	180.46	3628.02	-59.13	180.46	3407.58	-59.13	180.46	3407.58	-74.17	180.46	3082.77	
		M3	11.19	116.38	5042.35	-13.36	116.38	5037.24	-13.36	116.38	5037.24	-37.92	116.38	4916.60	
	MIN	S2	-68.08	166.93	2852.35	-79.35	174.05	2836.14	-79.35	174.05	2836.14	-92.56	175.07	2762.53	
		TQ	58.50	-97.97	835.16	58.50	-97.97	1110.38	58.50	-97.97	1110.38	48.98	-97.97	1374.44	
		M3	12.73	-33.90	-579.17	12.73	-33.90	-519.28	12.73	-33.90	-519.28	12.73	-33.90	-459.38	
67 2-LANES (caseTRUCK-LOAD	MAX	S2	29.70	105.16	1633.23	29.70	105.16	1772.96	29.70	105.16	1772.96	29.70	105.16	1912.71	
		TQ	29.64	105.43	1677.84	29.64	105.43	1817.31	29.64	105.43	1817.31	29.64	105.43	1956.79	
		M3	-27.46	-150.02	2698.18	-12.61	-89.30	2611.89	-12.61	-89.30	2611.89	-1.60	-33.39	2575.91	
	MIN	S2	-45.92	-195.78	2324.30	-45.92	-195.78	2108.26	-45.92	-195.78	2108.26	-45.92	-195.78	1892.20	
		TQ	-44.66	-198.72	2486.11	-44.66	-198.72	2275.97	-44.66	-198.72	2275.97	-44.66	-198.72	2065.81	
		M3	10.91	15.12	-480.57	10.91	15.12	-429.26	10.91	15.12	-429.26	10.91	15.12	-377.94	



BAGO RIVER BRIDGE

BLOCK [ No.1 : MAIN GIRDER ][ BEAM MEMBER FORCE ]

MEMBER		1045						1046									
NODE		1045			1046			1046			1047						
		SHEAR	TORQUE	MOMENT	SHEAR	TORQUE	MOMENT	SHEAR	TORQUE	MOMENT	SHEAR	TORQUE	MOMENT				
NAME	TITLE	S2 (kN)	TQ (kN·m)	M3 (kN·m)	S2 (kN)	TQ (kN·m)	M3 (kN·m)	S2 (kN)	TQ (kN·m)	M3 (kN·m)	S2 (kN)	TQ (kN·m)	M3 (kN·m)				
67	2-LANES (caseTANDEM-LOAD	MAX	S2	20.52	72.92	1210.56	20.52	72.92	1307.10	20.52	72.92	1307.10	20.52	72.92	1403.64		
			TQ	20.52	72.92	1210.56	20.52	72.92	1307.10	20.52	72.92	1307.10	20.52	72.92	1403.64		
			M3	-16.99	-98.37	1839.60	-6.27	-48.66	1775.87	-6.27	-48.66	1775.87	2.25	-16.13	1752.68		
		MIN	S2	-31.80	-134.98	1613.77	-31.80	-134.98	1464.14	-31.80	-134.98	1464.14	-31.80	-134.98	1314.51		
			TQ	-29.74	-136.04	1710.49	-29.74	-136.04	1570.54	-29.74	-136.04	1570.54	-29.74	-136.04	1430.59		
			M3	7.43	10.44	-327.24	7.43	10.44	-292.29	7.43	10.44	-292.29	7.43	10.44	-257.34		
		DISPERSION-LMAX	S2	31.47	85.05	786.18	31.47	85.05	934.22	31.47	85.05	934.22	31.47	85.05	1082.28		
			TQ	29.63	85.56	845.47	29.63	85.56	984.86	29.63	85.56	984.86	29.63	85.56	1124.25		
			M3	-24.62	-116.69	4017.39	-24.62	-116.69	3901.53	-24.62	-116.69	3901.53	-24.62	-116.69	3785.66		
		MIN	S2	-43.29	-183.45	2667.34	-43.29	-183.45	2463.67	-43.29	-183.45	2463.67	-43.29	-183.45	2259.98		
			TQ	-41.45	-183.97	2608.05	-41.45	-183.97	2413.04	-41.45	-183.97	2413.04	-41.45	-183.97	2218.01		
			M3	12.80	18.29	-563.87	12.80	18.29	-503.64	12.80	18.29	-503.64	12.80	18.29	-443.40		
		68	2-LANES (caseTRUCK-LOAD	MAX	S2	16.27	91.95	478.51	16.27	91.95	555.05	16.27	91.95	555.05	16.27	91.95	631.60
					TQ	14.56	142.67	1425.55	14.56	142.67	1494.04	14.56	142.67	1494.04	14.56	142.67	1562.54
					M3	-14.31	-217.15	2231.89	-9.62	-153.83	2177.39	-9.62	-153.83	2177.39	-6.92	-123.62	2133.64
MIN	S2			-34.28	-307.51	1820.37	-34.28	-307.51	1659.07	-34.28	-307.51	1659.07	-34.28	-307.51	1497.76		
	TQ			-31.94	-319.96	2017.35	-31.94	-319.96	1867.08	-31.94	-319.96	1867.08	-31.94	-319.96	1716.79		
	M3			11.03	51.04	-473.47	11.03	51.04	-421.56	11.03	51.04	-421.56	11.03	51.04	-369.65		
TANDEM-LOAD	MAX			S2	11.24	93.34	870.75	11.24	93.34	923.65	11.24	93.34	923.65	11.24	93.34	976.56	
	TQ			10.51	98.79	969.26	10.51	98.79	1018.73	10.51	98.79	1018.73	10.51	98.79	1068.20		
	M3			-8.50	-137.47	1514.45	-5.59	-102.53	1477.91	-5.59	-102.53	1477.91	-4.93	-95.10	1451.69		
MIN	S2			-23.61	-208.26	1237.91	-23.61	-208.26	1126.85	-23.61	-208.26	1126.85	-23.61	-208.26	1015.78		
	TQ			-21.71	-219.06	1366.85	-21.71	-219.06	1264.72	-21.71	-219.06	1264.72	-21.71	-219.06	1162.59		
	M3			7.52	35.19	-322.42	7.52	35.19	-287.05	7.52	35.19	-287.05	7.52	35.19	-251.68		

BAGO RIVER BRIDGE

BLOCK [ No.1 : MAIN GIRDER ][ BEAM MEMBER FORCE ]

MEMBER NODE	1045	1046			1046			1047			1047				
		SHEAR	TORQUE	MOMENT	SHEAR	TORQUE	MOMENT	SHEAR	TORQUE	MOMENT	SHEAR	TORQUE	MOMENT		
		S2 (kN)	TQ (kN·m)	M3 (kN·m)	S2 (kN)	TQ (kN·m)	M3 (kN·m)	S2 (kN)	TQ (kN·m)	M3 (kN·m)	S2 (kN)	TQ (kN·m)	M3 (kN·m)		
68	2-LANES (caseDISPERSION-LMAX	S2	21.85	134.48	336.95	21.85	134.48	439.76	21.85	134.48	439.76	21.85	134.48	542.57	
		TQ	21.06	144.41	551.83	21.06	144.41	650.90	21.06	144.41	650.90	21.06	144.41	749.99	
		M3	-26.62	-227.93	3612.11	-26.62	-227.93	3486.87	-26.62	-227.93	3486.87	-26.62	-227.93	3361.62	
	MIN	S2	-35.59	-304.22	2722.05	-35.59	-304.22	2554.59	-35.59	-304.22	2554.59	-35.59	-304.22	2387.12	
		TQ	-34.80	-314.15	2507.18	-34.80	-314.15	2343.45	-34.80	-314.15	2343.45	-34.80	-314.15	2179.70	
		M3	12.88	58.19	-553.11	12.88	58.19	-492.52	12.88	58.19	-492.52	12.88	58.19	-431.93	
69	3-LANES (caseTRUCK-LOAD	MAX	S2	429.96	152.30	6029.03	303.00	-19.25	6519.01	303.00	-19.25	6519.01	205.02	-145.31	6376.38
		TQ	-121.15	414.01	4589.14	-121.15	414.01	4019.16	-121.15	414.01	4019.16	-121.15	414.01	3449.12	
		M3	324.77	202.89	6766.28	66.22	145.51	6990.45	66.22	145.51	6990.45	-24.71	-17.09	6730.76	
	MIN	S2	-202.30	316.92	6631.14	-299.76	192.46	6733.54	-299.76	192.46	6733.54	-426.70	21.04	6208.98	
		TQ	117.72	-235.15	3030.55	117.72	-235.15	3584.43	117.72	-235.15	3584.43	117.72	-235.15	4138.35	
		M3	16.18	-55.78	-740.71	16.18	-55.78	-664.58	16.18	-55.78	-664.58	16.18	-55.78	-588.44	
	TANDEM-LOAD	MAX	S2	336.08	164.63	4461.59	246.60	43.20	4859.44	246.60	43.20	4859.44	162.12	-70.93	4745.55
		TQ	-77.28	282.97	2984.91	-77.28	282.97	2621.33	-77.28	282.97	2621.33	-77.28	282.97	2257.72	
		M3	282.01	162.79	4921.80	8.96	77.91	5088.53	8.96	77.91	5088.53	-54.59	-37.10	4889.94	
	MIN	S2	-159.88	192.13	4840.60	-244.17	79.01	4931.05	-244.17	79.01	4931.05	-333.77	-43.10	4510.51	
		TQ	75.38	-161.84	1995.10	75.38	-161.84	2349.77	75.38	-161.84	2349.77	75.38	-161.84	2704.47	
		M3	11.02	-38.36	-504.48	11.02	-38.36	-452.64	11.02	-38.36	-452.64	11.02	-38.36	-400.80	
	DISPERSION-LMAX	S2	187.70	-192.77	2631.88	140.21	-213.17	2687.26	140.21	-213.17	2687.26	107.84	-212.09	2555.23	
		TQ	-28.03	398.18	5509.36	-107.60	398.18	5192.39	-107.60	398.18	5192.39	-149.24	398.18	4545.66	
		M3	61.06	244.08	7813.74	-18.51	244.08	7915.95	-18.51	244.08	7915.95	-98.08	244.08	7643.80	
	MIN	S2	-107.56	370.45	4308.34	-139.64	390.85	4444.93	-139.64	390.85	4444.93	-186.84	389.77	4394.57	
		TQ	108.17	-220.49	1430.87	108.17	-220.49	1939.80	108.17	-220.49	1939.80	70.23	-220.49	2404.15	
		M3	19.08	-66.39	-873.52	19.08	-66.39	-783.76	19.08	-66.39	-783.76	19.08	-66.39	-693.99	

BAGO RIVER BRIDGE

BLOCK [ No.1 : MAIN GIRDER ][ BEAM MEMBER FORCE ]

MEMBER NODE	1045 1045	1046			1046			1047								
		SHEAR	TORQUE	MOMENT	SHEAR	TORQUE	MOMENT	SHEAR	TORQUE	MOMENT	SHEAR	TORQUE	MOMENT			
		S2 (kN)	TQ (kN·m)	M3 (kN·m)	S2 (kN)	TQ (kN·m)	M3 (kN·m)	S2 (kN)	TQ (kN·m)	M3 (kN·m)	S2 (kN)	TQ (kN·m)	M3 (kN·m)			
70	3-LANES (caseTRUCK-LOAD	MAX	S2	35.20	125.87	1395.56	35.20	125.87	1561.17	35.20	125.87	1561.17	35.20	125.87	1726.79	
			TQ	33.52	185.79	2344.37	33.52	185.79	2502.07	33.52	185.79	2502.07	33.52	185.79	2659.78	
			M3	-32.05	-275.40	3702.86	-16.73	-184.70	3595.69	-16.73	-184.70	3595.69	-5.72	-128.78	3540.31	
			MIN	S2	-60.93	-375.26	3114.42	-60.93	-375.26	2827.75	-60.93	-375.26	2827.75	-60.93	-375.26	2541.05
				TQ	-57.65	-389.69	3402.50	-57.65	-389.69	3131.28	-57.65	-389.69	3131.28	-57.65	-389.69	2860.04
				M3	16.41	35.84	-718.24	16.41	35.84	-641.05	16.41	35.84	-641.05	16.41	35.84	-563.86
		TANDEM-LOAD	MAX	S2	24.38	123.15	1547.89	24.38	123.15	1662.61	24.38	123.15	1662.61	24.38	123.15	1777.33
				TQ	23.65	128.60	1646.39	23.65	128.60	1757.67	23.65	128.60	1757.67	23.65	128.60	1868.96
				M3	-20.50	-196.74	2519.98	-8.87	-119.18	2443.59	-8.87	-119.18	2443.59	-0.35	-86.65	2408.17
			MIN	S2	-42.12	-255.14	2136.46	-42.12	-255.14	1938.27	-42.12	-255.14	1938.27	-42.12	-255.14	1740.06
				TQ	-38.26	-266.73	2342.39	-38.26	-266.73	2162.40	-38.26	-266.73	2162.40	-38.26	-266.73	1982.40
				M3	11.17	24.71	-489.08	11.17	24.71	-436.51	11.17	24.71	-436.51	11.17	24.71	-383.93
		DISPERSION-LMAX	MAX	S2	40.38	147.20	809.63	40.38	147.20	999.61	40.38	147.20	999.61	40.38	147.20	1189.61
				TQ	37.76	157.47	1069.02	37.76	157.47	1246.69	37.76	157.47	1246.69	37.76	157.47	1424.38
				M3	-38.48	-255.75	5725.66	-38.48	-255.75	5544.62	-38.48	-255.75	5544.62	-38.48	-255.75	5363.56
			MIN	S2	-59.63	-360.02	4074.39	-59.63	-360.02	3793.86	-59.63	-360.02	3793.86	-59.63	-360.02	3513.30
				TQ	-57.01	-370.28	3815.00	-57.01	-370.28	3546.78	-57.01	-370.28	3546.78	-57.01	-370.28	3278.52
				M3	19.23	42.94	-841.63	19.23	42.94	-751.15	19.23	42.94	-751.15	19.23	42.94	-660.66
71	3-LANES (caseTRUCK-LOAD	MAX	S2	35.24	135.05	1397.38	35.24	135.05	1563.18	35.24	135.05	1563.18	35.24	135.05	1728.99	
			TQ	33.53	185.77	2344.42	33.53	185.77	2502.17	33.53	185.77	2502.17	33.53	185.77	2659.93	
			M3	-32.06	-275.31	3703.10	-16.74	-184.69	3595.97	-16.74	-184.69	3595.97	-5.72	-128.77	3540.60	
			MIN	S2	-60.93	-375.26	3114.43	-60.93	-375.26	2827.76	-60.93	-375.26	2827.76	-60.93	-375.26	2541.06
				TQ	-57.65	-389.68	3402.53	-57.65	-389.68	3131.31	-57.65	-389.68	3131.31	-57.65	-389.68	2860.06
				M3	16.50	63.40	-712.75	16.50	63.40	-635.11	16.50	63.40	-635.11	16.50	63.40	-557.47

BAGO RIVER BRIDGE

BLOCK [ No.1 : MAIN GIRDER ][ BEAM MEMBER FORCE ]

MEMBER		1045			1046			1046			1047							
NODE		1045			1046			1046			1047							
		SHEAR	TORQUE	MOMENT	SHEAR	TORQUE	MOMENT	SHEAR	TORQUE	MOMENT	SHEAR	TORQUE	MOMENT					
NAME	TITLE	S2 (kN)	TQ (kN·m)	M3 (kN·m)	S2 (kN)	TQ (kN·m)	M3 (kN·m)	S2 (kN)	TQ (kN·m)	M3 (kN·m)	S2 (kN)	TQ (kN·m)	M3 (kN·m)					
71	3-LANES (case)	TANDEM-LOAD	MAX	S2	24.39	123.13	1547.92	24.39	123.13	1662.67	24.39	123.13	1777.43					
				TQ	23.66	128.59	1646.43	23.66	128.59	1757.75	23.66	128.59	1757.75	23.66	128.59	1869.07		
				M3	-19.70	-176.36	2520.15	-8.87	-119.16	2443.79	-8.87	-119.16	2443.79	-0.35	-86.64	2408.38		
			MIN	S2	-42.12	-255.14	2136.46	-42.12	-255.14	1938.27	-42.12	-255.14	1938.27	-42.12	-255.14	1740.06		
				TQ	-38.26	-266.73	2342.42	-38.26	-266.73	2162.42	-38.26	-266.73	2162.42	-38.26	-266.73	1982.41		
				M3	11.24	43.73	-485.35	11.24	43.73	-432.46	11.24	43.73	-432.46	11.24	43.73	-379.57		
			DISPERSION-LMAX	S2	40.44	176.08	817.90	40.44	176.08	1008.17	40.44	176.08	1008.17	40.44	176.08	1198.45		
				TQ	39.62	186.15	996.77	39.62	186.15	1183.18	39.62	186.15	1183.18	39.62	186.15	1369.60		
				M3	-38.38	-261.69	5719.28	-38.38	-261.69	5538.72	-38.38	-261.69	5538.72	-38.38	-261.69	5358.15		
				MIN	S2	-59.53	-365.97	4067.57	-59.53	-365.97	3787.49	-59.53	-365.97	3787.49	-59.53	-365.97	3507.37	
					TQ	-58.71	-376.04	3888.70	-58.71	-376.04	3612.47	-58.71	-376.04	3612.47	-58.71	-376.04	3336.22	
					M3	19.29	71.80	-833.81	19.29	71.80	-743.07	19.29	71.80	-743.07	19.29	71.80	-652.33	
		72	4-LANES	TRUCK-LOAD	MAX	S2	21.87	64.49	-951.60	21.87	64.49	-848.70	21.87	64.49	-848.70	21.87	64.49	-745.79
						TQ	21.87	64.49	-951.60	21.87	64.49	-848.70	21.87	64.49	-848.70	21.87	64.49	-745.79
						M3	-6.42	-5.66	284.13	-6.42	-5.66	253.92	-6.42	-5.66	253.92	-6.42	-5.63	223.70
	MIN			S2	-6.42	-5.68	284.13	-6.42	-5.68	253.91	-6.42	-5.68	253.91	-6.42	-5.68	223.69		
				TQ	-5.75	-6.11	254.16	-5.75	-6.11	227.09	-5.75	-6.11	227.09	-5.75	-6.11	200.02		
				M3	21.87	64.49	-951.60	21.87	64.49	-848.70	21.87	64.49	-848.70	21.87	64.49	-745.79		
	TANDEM-LOAD			MAX	S2	14.94	45.63	-649.65	14.94	45.63	-579.34	14.94	45.63	-579.34	14.94	45.63	-509.02	
				TQ	14.94	45.63	-649.65	14.94	45.63	-579.34	14.94	45.63	-579.34	14.94	45.63	-509.02		
				M3	-4.36	-3.94	193.08	-4.36	-3.94	172.54	-4.36	-3.94	172.54	-4.36	-3.94	152.00		
				MIN	S2	-4.36	-3.94	193.08	-4.36	-3.94	172.54	-4.36	-3.94	172.54	-4.36	-3.94	152.00	
					TQ	-3.82	-4.16	168.94	-3.82	-4.16	150.94	-3.82	-4.16	150.94	-3.82	-4.16	132.95	
					M3	14.94	45.63	-649.65	14.94	45.63	-579.34	14.94	45.63	-579.34	14.94	45.63	-509.02	

BAGO RIVER BRIDGE

BLOCK [ No.1 : MAIN GIRDER ][ BEAM MEMBER FORCE ]

MEMBER				1045			1046			1047								
NODE				1045			1046			1046			1047					
				SHEAR	TORQUE	MOMENT	SHEAR	TORQUE	MOMENT	SHEAR	TORQUE	MOMENT	SHEAR	TORQUE	MOMENT			
NAME	TITLE			S2 (kN)	TQ (kN·m)	M3 (kN·m)	S2 (kN)	TQ (kN·m)	M3 (kN·m)	S2 (kN)	TQ (kN·m)	M3 (kN·m)	S2 (kN)	TQ (kN·m)	M3 (kN·m)			
72	4-LANES	DISPERSION-LMAX	S2	15.43	39.03	-673.53	15.43	39.03	-600.95	15.43	39.03	-600.95	15.43	39.03	-528.36			
			TQ	13.92	39.37	-606.23	13.92	39.37	-540.74	13.92	39.37	-540.74	13.92	39.37	-475.24			
			M3	-7.81	-6.82	345.68	-7.81	-6.82	308.92	-7.81	-6.82	308.92	-7.81	-6.82	272.16			
		MIN	S2	-7.81	-6.82	345.68	-7.81	-6.82	308.92	-7.81	-6.82	308.92	-7.81	-6.82	272.16			
			TQ	-6.49	-7.46	286.42	-6.49	-7.46	255.90	-6.49	-7.46	255.90	-6.49	-7.46	225.37			
			M3	15.43	38.72	-673.61	15.43	38.72	-601.03	15.43	38.72	-601.03	15.43	38.72	-528.44			
		73	6-LANES	TRUCK-LOAD	MAX	S2	430.39	315.25	8333.33	319.37	159.81	8937.46	319.37	159.81	8937.46	234.78	45.52	9003.55
					TQ	-71.49	553.67	6821.70	-71.49	553.67	6485.33	-71.49	553.67	6485.33	-71.49	553.67	6148.93	
					M3	263.61	-39.83	10445.87	38.05	-38.82	10508.77	38.05	-38.82	10508.77	-17.02	-121.94	10239.30	
MIN	S2			-258.22	-58.71	9652.56	-342.20	-175.65	9420.39	-342.20	-175.65	9420.39	-447.28	-331.26	8646.28			
	TQ			45.99	-570.92	6324.34	45.99	-570.92	6540.74	45.99	-570.92	6540.74	45.99	-570.92	6757.16			
	M3			32.67	6.94	-1452.96	32.67	6.94	-1299.27	32.67	6.94	-1299.27	32.67	6.94	-1145.57			
TANDEM-LOAD	MAX			S2	331.94	269.91	5982.86	252.59	159.19	6449.87	252.59	159.19	6449.87	180.31	56.89	6484.71		
	TQ			-46.76	380.24	4675.05	-46.76	380.24	4455.07	-46.76	380.24	4455.07	-46.76	380.24	4235.07			
	M3			231.80	-11.96	7408.60	-2.36	-41.62	7450.01	-2.36	-41.62	7450.01	-41.02	-110.23	7251.72			
MIN	S2			-196.60	-65.42	6903.68	-267.68	-169.43	6751.26	-267.68	-169.43	6751.26	-340.77	-278.92	6165.51			
	TQ			30.44	-392.35	4338.96	30.44	-392.35	4482.17	30.44	-392.35	4482.17	30.44	-392.35	4625.40			
	M3			22.25	4.91	-989.46	22.25	4.91	-884.79	22.25	4.91	-884.79	22.25	4.91	-780.11			
DISPERSION-LMAX	S2			211.92	-12.71	3076.81	166.78	-32.09	3294.27	166.78	-32.09	3294.27	136.57	-30.85	3360.57			
	TQ			11.75	542.31	5965.71	-63.48	542.31	5844.55	-63.48	542.31	5844.55	-99.95	542.31	5423.64			
	M3			16.88	-8.70	12577.43	-58.35	-8.62	12480.41	-58.35	-8.62	12480.41	-133.16	-8.60	12030.43			
MIN	S2	-158.76	14.51	7935.97	-188.76	33.71	7773.79	-188.76	33.71	7773.79	-233.18	32.70	7449.57					
	TQ	41.04	-551.08	4995.27	41.04	-551.08	5188.34	41.04	-551.08	5188.34	6.03	-551.08	5340.25					
	M3	36.73	-0.00	-1636.30	36.73	-0.00	-1463.51	36.73	-0.00	-1463.51	36.73	-0.00	-1290.70					

BAGO RIVER BRIDGE

BLOCK [ No.1 : MAIN GIRDER ][ BEAM MEMBER FORCE ]

MEMBER			1045			1046			1046			1047			
NODE			1045			1046			1046			1047			
NAME TITLE			SHEAR	TORQUE	MOMENT	SHEAR	TORQUE	MOMENT	SHEAR	TORQUE	MOMENT	SHEAR	TORQUE	MOMENT	
			S2 (kN)	TQ (kN·m)	M3 (kN·m)	S2 (kN)	TQ (kN·m)	M3 (kN·m)	S2 (kN)	TQ (kN·m)	M3 (kN·m)	S2 (kN)	TQ (kN·m)	M3 (kN·m)	
124	SUM TOTAL	D+1LANE (caseMAX	S2	691.36	-60.18	47275.10	249.54	-223.07	48049.07	249.54	-223.07	48049.07	-144.02	-323.23	46762.73
			TQ	187.38	486.74	47584.38	-152.45	486.74	47669.06	-152.45	486.74	47669.06	-458.21	486.74	46194.85
			M3	609.22	259.67	49424.14	37.66	209.68	50379.53	37.66	209.67	50379.53	-428.57	63.50	49092.88
		MIN	S2	90.23	439.83	47789.58	-302.43	354.11	48792.57	-302.43	354.11	48792.57	-743.97	204.72	47740.18
			TQ	372.65	-356.99	45345.03	98.84	-356.99	46454.18	98.84	-356.99	46454.18	-209.10	-356.99	46234.88
			M3	258.52	-120.85	42372.15	-15.29	-120.85	42944.34	-15.29	-120.85	42944.34	-289.13	-120.85	42228.15
		D+1LANE (caseMAX	S2	338.26	-73.93	45364.17	64.24	-74.37	46273.87	64.24	-74.37	46273.87	-210.55	-74.73	45890.87
			TQ	187.26	74.49	46626.77	-87.73	74.49	46860.91	-87.73	74.49	46860.91	-362.74	74.49	45801.11
			M3	210.52	2.76	48286.23	-53.16	4.89	48640.06	-53.16	4.89	48640.06	-285.56	14.72	47901.00
		MIN	S2	149.20	20.51	47086.87	-125.58	20.95	47179.62	-125.58	20.94	47179.62	-399.64	21.30	45982.76
			TQ	293.82	-117.92	44206.54	20.01	-117.92	44944.82	20.01	-117.92	44944.82	-253.82	-117.92	44394.74
			M3	258.59	-75.20	42385.48	-15.23	-75.20	42957.97	-15.23	-75.20	42957.97	-289.06	-75.20	42242.09
		D+1LANE (caseMAX	S2	289.49	40.92	44701.02	15.68	40.92	45418.92	15.68	40.92	45418.92	-258.15	40.92	44848.47
			TQ	287.31	41.32	44753.72	13.50	41.32	45461.35	13.50	41.32	45461.35	-260.34	41.32	44880.63
			M3	209.01	-157.04	47320.88	-52.05	-124.27	47697.14	-52.05	-124.27	47697.14	-315.91	-93.43	46834.21
		MIN	S2	183.71	-202.14	46194.51	-90.10	-202.14	46414.72	-90.10	-202.14	46414.72	-363.94	-202.14	45346.53
			TQ	187.02	-204.90	46251.13	-86.79	-204.90	46486.93	-86.79	-204.90	46486.93	-360.62	-204.90	45434.33
			M3	258.65	-40.60	42395.05	-15.16	-40.60	42967.82	-15.16	-40.60	42967.82	-289.00	-40.60	42252.23
		D+1LANE (caseMAX	S2	261.81	72.86	42773.05	-12.00	72.86	43360.71	-12.00	72.86	43360.71	-285.84	72.86	42660.00
			TQ	258.90	145.10	44095.42	-14.91	145.10	44669.38	-14.91	145.10	44669.38	-288.75	145.10	43954.96
			M3	222.36	-368.66	46277.27	-50.89	-332.77	46680.22	-50.89	-332.77	46680.22	-324.73	-332.77	45796.53
		MIN	S2	206.87	-478.70	45657.94	-66.94	-478.70	45987.13	-66.94	-478.70	45987.13	-340.77	-478.70	45027.92
			TQ	210.23	-504.18	45570.01	-63.58	-504.18	45915.01	-63.58	-504.18	45915.01	-337.41	-504.18	44971.63
			M3	258.82	27.82	42411.28	-14.99	27.82	42984.89	-14.99	27.82	42984.89	-288.82	27.82	42270.14

BAGO RIVER BRIDGE

BLOCK [ No.1 : MAIN GIRDER ][ BEAM MEMBER FORCE ]

MEMBER			1045			1046			1046			1047			
NODE			1045			1046			1046			1047			
NAME TITLE			SHEAR	TORQUE	MOMENT	SHEAR	TORQUE	MOMENT	SHEAR	TORQUE	MOMENT	SHEAR	TORQUE	MOMENT	
			S2 (kN)	TQ (kN·m)	M3 (kN·m)	S2 (kN)	TQ (kN·m)	M3 (kN·m)	S2 (kN)	TQ (kN·m)	M3 (kN·m)	S2 (kN)	TQ (kN·m)	M3 (kN·m)	
124	SUM TOTAL	D+2LANES (casMAX	S2	783.94	-69.00	49735.71	335.84	-260.58	50450.62	335.84	-260.58	50450.62	-67.55	-385.26	49060.74
			TQ	142.93	659.98	50121.13	-209.47	659.98	49966.69	-209.47	659.98	49966.69	-523.96	659.98	48198.70
			M3	658.55	354.53	53219.77	38.18	295.38	54178.92	38.18	295.38	54178.92	-440.69	124.59	52828.57
		MIN	S2	13.95	580.15	50578.71	-388.58	475.72	51668.04	-388.58	475.72	51668.04	-836.37	302.93	50656.11
			TQ	429.20	-447.50	46500.92	155.39	-447.50	47876.12	155.39	-447.50	47876.12	-156.38	-447.50	47918.40
			M3	267.93	-149.64	41942.82	-5.88	-149.64	42559.26	-5.88	-149.64	42559.26	-279.72	-149.64	41887.34
		D+2LANES (casMAX	S2	489.69	-80.46	48143.27	181.43	-136.66	48971.28	181.43	-136.66	48971.28	-122.99	-178.18	48334.19
			TQ	142.83	316.44	49323.12	-155.53	316.44	49293.24	-155.53	316.44	49293.24	-444.41	316.44	47870.59
			M3	326.31	140.44	52271.51	-37.50	124.72	52729.37	-37.50	124.72	52729.37	-321.52	83.94	51835.34
		MIN	S2	63.10	230.71	49993.12	-241.20	198.08	50323.91	-241.20	198.08	50323.91	-549.42	150.08	49191.59
			TQ	363.51	-248.28	45552.18	89.70	-248.28	46618.32	89.70	-248.28	46618.32	-193.65	-248.28	46384.95
			M3	267.98	-111.60	41953.92	-5.83	-111.60	42570.62	-5.83	-111.60	42570.62	-279.66	-111.60	41898.95
		D+2LANES (casMAX	S2	305.61	141.05	45443.92	31.80	141.05	46237.68	31.80	141.05	46237.68	-242.03	141.05	45743.09
			TQ	303.72	141.82	45547.83	29.91	141.82	46332.66	29.91	141.82	46332.66	-243.93	141.82	45829.15
			M3	192.37	-315.88	49740.09	-66.60	-255.16	50043.92	-66.60	-255.16	50043.92	-329.42	-199.24	49109.68
		MIN	S2	155.24	-428.40	48016.16	-118.57	-428.40	48102.43	-118.57	-428.40	48102.43	-392.40	-428.40	46900.28
			TQ	158.34	-431.85	48118.67	-115.47	-431.85	48219.50	-115.47	-431.86	48219.50	-389.31	-431.86	47031.92
			M3	268.16	-15.75	41980.07	-5.65	-15.75	42597.60	-5.65	-15.75	42597.60	-279.49	-15.75	41926.76
		D+2LANES (casMAX	S2	282.57	177.27	43839.97	8.76	177.27	44525.31	8.76	177.27	44525.31	-265.08	177.27	43922.28
			TQ	280.07	237.91	45001.89	6.25	237.91	45675.44	6.25	237.91	45675.44	-267.58	237.91	45060.63
			M3	203.52	-494.25	48868.51	-65.60	-430.93	49194.76	-65.60	-430.93	49194.76	-336.74	-400.71	48243.36
		MIN	S2	174.57	-660.90	47566.94	-99.24	-660.90	47744.16	-99.24	-660.90	47744.16	-373.07	-660.90	46632.98
			TQ	177.71	-683.28	47549.04	-96.10	-683.28	47741.02	-96.10	-683.28	47741.02	-369.94	-683.28	46644.59
			M3	268.36	60.06	41997.94	-5.45	60.06	42616.41	-5.45	60.06	42616.41	-279.29	60.06	41946.52

BAGO RIVER BRIDGE

BLOCK [ No.1 : MAIN GIRDER ][ BEAM MEMBER FORCE ]

MEMBER			1045			1046			1046			1047				
NODE			1045			1046			1046			1047				
NAME TITLE			SHEAR	TORQUE	MOMENT	SHEAR	TORQUE	MOMENT	SHEAR	TORQUE	MOMENT	SHEAR	TORQUE	MOMENT		
			S2 (kN)	TQ (kN·m)	M3 (kN·m)	S2 (kN)	TQ (kN·m)	M3 (kN·m)	S2 (kN)	TQ (kN·m)	M3 (kN·m)	S2 (kN)	TQ (kN·m)	M3 (kN·m)		
124	SUM TOTAL	D+3LANES (casMAX	S2	769.46	-83.56	50386.29	347.36	-246.72	51355.82	347.36	-246.72	51355.82	-37.27	-352.95	50339.97	
			TQ	117.65	641.20	51608.24	-223.80	641.20	51360.31	-223.80	641.20	51360.31	-533.02	641.20	49543.66	
			M3	572.40	330.76	55417.53	11.19	281.99	56200.94	11.19	281.99	56200.94	-407.57	143.78	54966.48	
		MIN	S2	-18.94	535.10	52323.08	-402.85	446.65	53032.20	-402.85	446.65	53032.20	-824.70	300.03	51761.12	
			TQ	436.46	-436.46	46816.72	162.65	-436.46	48226.09	162.65	-436.46	48226.09	-143.43	-436.46	48309.23	
			M3	274.42	-153.01	41652.42	0.61	-153.01	42299.41	0.61	-153.01	42299.41	-273.23	-153.01	41658.03	
		D+3LANES (casMAX	S2	308.69	182.95	44898.93	34.88	182.95	45707.16	34.88	182.95	45707.16	-238.96	182.95	45227.04	
			TQ	305.04	242.60	45925.90	31.23	242.60	46716.94	31.23	242.60	46716.94	-242.61	242.60	46219.64	
			M3	184.50	-500.65	51038.75	-76.29	-423.55	51299.76	-76.29	-423.55	51299.76	-340.77	-376.02	50316.40	
		MIN	S2	141.98	-674.15	49135.01	-131.84	-674.15	49158.87	-131.84	-674.15	49158.87	-405.67	-674.15	47894.30	
			TQ	146.99	-695.14	49159.39	-126.82	-695.14	49206.84	-126.82	-695.14	49206.84	-400.65	-695.14	47965.88	
			M3	274.74	17.79	41698.63	0.93	17.79	42347.13	0.93	17.79	42347.13	-272.90	17.79	41707.26	
		D+3LANES (casMAX	S2	308.78	215.30	44907.50	34.97	215.30	45716.14	34.97	215.30	45716.14	-238.87	215.30	45236.43	
			TQ	306.63	266.96	45864.53	32.81	266.96	46663.04	32.81	266.96	46663.04	-241.02	266.96	46173.20	
			M3	184.58	-505.61	51033.53	-76.21	-428.58	51294.99	-76.21	-428.58	51294.99	-340.68	-381.05	50312.04	
		MIN	S2	142.06	-679.21	49129.22	-131.75	-679.21	49153.45	-131.75	-679.21	49153.45	-405.59	-679.21	47889.27	
			TQ	145.55	-700.03	49222.06	-128.27	-700.03	49262.71	-128.27	-700.03	49262.71	-402.10	-700.03	48014.94	
			M3	274.87	65.76	41709.94	1.06	65.76	42359.04	1.06	65.76	42359.04	-272.78	65.76	41719.78	
		D+4LANES	MAX	S2	268.69	18.13	41968.18	-5.12	18.13	42588.22	-5.12	18.12	42588.22	-278.95	18.12	41919.91
			TQ	267.71	18.35	42011.92	-6.10	18.35	42627.36	-6.10	18.35	42627.36	-279.93	18.35	41954.43	
			M3	235.20	-57.28	43433.90	-38.61	-57.28	43896.34	-38.61	-57.28	43896.34	-312.45	-57.25	43070.41	
		MIN	S2	235.20	-57.29	43433.89	-38.61	-57.29	43896.34	-38.61	-57.29	43896.34	-312.45	-57.29	43070.41	
			TQ	236.49	-57.99	43375.89	-37.32	-57.99	43844.44	-37.32	-57.99	43844.44	-311.15	-57.99	43024.61	
			M3	268.69	17.93	41968.13	-5.12	17.93	42588.17	-5.12	17.93	42588.17	-278.95	17.93	41919.85	



BAGO RIVER BRIDGE

BLOCK [ No.1 : MAIN GIRDER ] [ BEAM MEMBER FORCE ]

MEMBER					1045			1046			1047							
NODE					1045			1046			1047							
					SHEAR	TORQUE	MOMENT	SHEAR	TORQUE	MOMENT	SHEAR	TORQUE	MOMENT					
NAME	TITLE				S2 (kN)	TQ (kN·m)	M3 (kN·m)	S2 (kN)	TQ (kN·m)	M3 (kN·m)	S2 (kN)	TQ (kN·m)	M3 (kN·m)					
124	SUM TOTAL	D+6LANES	MAX	S2	661.95	147.49	50441.11	286.64	33.86	51481.12	286.64	33.86	51481.12	-61.81	-39.63	50784.78		
				TQ	205.61	663.22	51336.33	-117.10	663.22	51544.92	-117.10	663.22	51544.92	-414.64	663.22	50270.27		
				M3	426.77	-80.71	57989.66	-42.55	-80.00	58473.46	-42.55	-80.00	58473.46	-400.81	-134.02	57223.43		
			MIN	S2	-26.59	-77.89	54457.06	-374.49	-141.43	54706.72	-374.49	-141.43	54706.72	-745.50	-243.23	53210.40		
				TQ	301.02	-778.46	50382.26	27.21	-778.46	51154.40	27.21	-778.47	51154.40	-269.38	-778.47	50611.42		
				M3	289.55	-44.66	41016.49	15.74	-44.66	41734.69	15.74	-44.66	41734.69	-258.09	-44.66	41164.53		
		SUM TOTAL	MAX	783.94	663.22	57989.66	347.36	663.22	58473.46	347.36	663.22	58473.46	-37.27	663.22	57223.43			
			MIN	-26.59	-778.46	41016.49	-402.85	-778.46	41734.69	-402.85	-778.47	41734.69	-836.37	-778.47	41164.53			
		300	DEAD LOAD	TOTAL			244.45	-49.16	43024.52	-29.36	-49.16	43530.50	-29.36	-49.16	43530.50	-303.20	-49.16	42748.10
		301	LIVE LOAD	1-LANE (case1MAX	S2	S2	446.91	-11.01	4250.58	278.90	-173.90	4518.57	278.90	-173.90	4518.57	159.18	-274.06	4014.63
TQ	-57.07					535.91	4559.86	-123.09	535.91	4138.56	-123.09	535.91	4138.56	-155.01	535.91	3446.75		
M3	364.77					308.84	6399.63	67.02	258.84	6849.03	67.02	258.84	6849.03	-125.37	112.66	6344.78		
MIN	S2				-154.22	489.00	4765.06	-273.07	403.28	5262.07	-273.07	403.28	5262.07	-440.78	253.89	4992.08		
	TQ				128.20	-307.82	2320.51	128.20	-307.82	2923.68	128.20	-307.82	2923.68	94.09	-307.82	3486.78		
	M3				14.07	-71.68	-652.36	14.07	-71.68	-586.16	14.07	-71.68	-586.16	14.07	-71.68	-519.95		
1-LANE (case2MAX	S2			S2	93.81	-24.77	2339.66	93.61	-25.20	2743.37	93.61	-25.20	2743.37	92.65	-25.56	3142.77		
				TQ	-57.19	123.65	3602.25	-58.37	123.65	3330.42	-58.37	123.65	3330.42	-59.55	123.65	3053.01		
				M3	-33.92	51.92	5261.72	-23.80	54.05	5109.57	-23.80	54.05	5109.57	17.64	63.88	5152.90		
	MIN			S2	-95.25	69.67	4062.35	-96.22	70.11	3649.12	-96.22	70.11	3649.12	-96.44	70.47	3234.66		
				TQ	49.37	-68.76	1182.02	49.37	-68.76	1414.32	49.37	-68.76	1414.32	49.37	-68.76	1646.64		
				M3	14.14	-26.03	-639.04	14.14	-26.03	-572.53	14.14	-26.03	-572.53	14.14	-26.03	-506.02		
1-LANE (case3MAX	S2			S2	45.04	90.08	1676.50	45.04	90.08	1888.43	45.04	90.08	1888.43	45.04	90.08	2100.37		
				TQ	42.86	90.48	1729.20	42.86	90.48	1930.85	42.86	90.48	1930.85	42.86	90.48	2132.53		
				M3	-35.44	-107.87	4296.37	-22.69	-75.11	4166.64	-22.69	-75.11	4166.64	-12.71	-44.27	4086.11		
	MIN			S2	-60.74	-152.97	3169.99	-60.74	-152.97	2884.22	-60.74	-152.97	2884.22	-60.74	-152.97	2598.42		
				TQ	-57.43	-155.74	3226.61	-57.43	-155.74	2956.43	-57.43	-155.74	2956.43	-57.43	-155.74	2686.23		
				M3	14.20	8.57	-629.47	14.20	8.57	-562.67	14.20	8.57	-562.67	14.20	8.57	-495.87		

BAGO RIVER BRIDGE

BLOCK [ No.1 : MAIN GIRDER ][ BEAM MEMBER FORCE ]

MEMBER			1045			1046			1046			1047			
NODE			1045			1046			1046			1047			
NAME TITLE			SHEAR	TORQUE	MOMENT	SHEAR	TORQUE	MOMENT	SHEAR	TORQUE	MOMENT	SHEAR	TORQUE	MOMENT	
			S2 (kN)	TQ (kN·m)	M3 (kN·m)	S2 (kN)	TQ (kN·m)	M3 (kN·m)	S2 (kN)	TQ (kN·m)	M3 (kN·m)	S2 (kN)	TQ (kN·m)	M3 (kN·m)	
301	LIVE LOAD	1-LANE (case4MAX	S2	17.36	122.03	-251.46	17.36	122.03	-169.78	17.36	122.03	-169.78	17.36	122.03	-88.10
			TQ	14.45	194.27	1070.91	14.45	194.27	1138.88	14.45	194.27	1138.88	14.45	194.27	1206.86
			M3	-22.09	-319.50	3252.76	-21.53	-283.61	3149.72	-21.53	-283.61	3149.72	-21.53	-283.61	3048.43
			MIN S2	-37.58	-429.53	2633.43	-37.58	-429.53	2456.63	-37.58	-429.53	2456.63	-37.58	-429.53	2279.82
			TQ	-34.21	-455.02	2545.49	-34.21	-455.02	2384.52	-34.21	-455.02	2384.52	-34.21	-455.02	2223.53
			M3	14.38	76.99	-613.24	14.38	76.99	-545.60	14.38	76.99	-545.60	14.38	76.99	-477.96
		2-LANES (caseMAX	S2	539.49	-19.83	6711.20	365.20	-211.41	6920.12	365.20	-211.41	6920.12	235.64	-336.10	6312.64
			TQ	-101.52	709.15	7096.62	-180.11	709.15	6436.20	-180.11	709.14	6436.20	-220.76	709.14	5450.60
			M3	414.10	403.70	10195.26	67.54	344.55	10648.43	67.54	344.55	10648.43	-137.50	173.75	10080.47
			MIN S2	-230.49	629.31	7554.20	-359.22	524.88	8137.54	-359.22	524.88	8137.54	-533.17	352.09	7908.00
			TQ	184.75	-398.34	3476.40	184.75	-398.34	4345.62	184.75	-398.34	4345.63	146.81	-398.34	5170.30
			M3	23.48	-100.48	-1081.70	23.48	-100.48	-971.23	23.48	-100.48	-971.23	23.48	-100.48	-860.76
		2-LANES (caseMAX	S2	245.24	-31.29	5118.76	210.79	-87.50	5440.79	210.79	-87.50	5440.79	180.20	-129.01	5586.09
			TQ	-101.62	365.60	6298.61	-126.17	365.60	5762.74	-126.17	365.60	5762.74	-141.21	365.60	5122.49
			M3	81.86	189.60	9247.00	-8.14	173.89	9198.87	-8.14	173.89	9198.87	-18.32	133.10	9087.24
			MIN S2	-181.35	279.88	6968.60	-211.84	247.24	6793.41	-211.84	247.24	6793.41	-246.22	199.24	6443.49
			TQ	119.06	-199.12	2527.66	119.06	-199.12	3087.83	119.06	-199.12	3087.83	109.55	-199.12	3636.85
			M3	23.53	-62.44	-1070.59	23.53	-62.44	-959.88	23.53	-62.44	-959.88	23.53	-62.44	-849.15
		2-LANES (caseMAX	S2	61.17	190.21	2419.40	61.17	190.21	2707.18	61.17	190.21	2707.18	61.17	190.21	2994.99
			TQ	59.27	190.99	2523.31	59.27	190.99	2802.17	59.27	190.99	2802.17	59.27	190.99	3081.05
			M3	-52.08	-266.71	6715.57	-37.24	-205.99	6513.42	-37.24	-205.99	6513.42	-26.22	-150.08	6361.58
			MIN S2	-89.21	-379.24	4991.64	-89.21	-379.24	4571.93	-89.21	-379.24	4571.93	-89.21	-379.24	4152.18
			TQ	-86.11	-382.69	5094.16	-86.11	-382.69	4689.01	-86.11	-382.69	4689.01	-86.11	-382.69	4283.82
			M3	23.71	33.41	-1044.44	23.71	33.41	-932.90	23.71	33.41	-932.90	23.71	33.41	-821.35

BAGO RIVER BRIDGE

BLOCK [ No.1 : MAIN GIRDER ][ BEAM MEMBER FORCE ]

MEMBER			1045			1046			1046			1047				
NODE			1045			1046			1046			1047				
NAME TITLE			SHEAR	TORQUE	MOMENT	SHEAR	TORQUE	MOMENT	SHEAR	TORQUE	MOMENT	SHEAR	TORQUE	MOMENT		
			S2 (kN)	TQ (kN·m)	M3 (kN·m)	S2 (kN)	TQ (kN·m)	M3 (kN·m)	S2 (kN)	TQ (kN·m)	M3 (kN·m)	S2 (kN)	TQ (kN·m)	M3 (kN·m)		
301	LIVE LOAD	2-LANES (caseMAX	S2	38.12	226.43	815.46	38.12	226.43	994.81	38.12	226.43	994.81	38.12	226.43	1174.18	
			TQ	35.62	287.07	1977.37	35.62	287.07	2144.94	35.62	287.07	2144.94	35.62	287.07	2312.53	
			M3	-40.93	-445.08	5844.00	-36.24	-381.77	5664.26	-36.24	-381.77	5664.26	-33.54	-351.55	5495.26	
			MIN	S2	-69.88	-611.73	4542.42	-69.88	-611.73	4213.66	-69.88	-611.73	4213.66	-69.88	-611.73	3884.88
			TQ	-66.74	-634.12	4524.53	-66.74	-634.12	4210.52	-66.74	-634.12	4210.52	-66.74	-634.12	3896.49	
			M3	23.91	109.23	-1026.57	23.91	109.23	-914.08	23.91	109.23	-914.08	23.91	109.23	-801.58	
		3-LANES (caseMAX	S2	525.02	-34.40	7361.77	376.72	-197.55	7825.32	376.72	-197.55	7825.32	265.93	-303.79	7591.87	
			TQ	-126.80	690.36	8583.72	-194.43	690.36	7829.81	-194.43	690.36	7829.81	-229.83	690.36	6795.56	
			M3	327.96	379.92	12393.02	40.55	331.15	12670.44	40.55	331.15	12670.44	-104.38	192.94	12218.37	
			MIN	S2	-263.39	584.27	9298.57	-373.49	495.81	9501.70	-373.49	495.81	9501.70	-521.51	349.19	9013.02
			TQ	192.01	-387.29	3792.21	192.01	-387.29	4695.59	192.01	-387.29	4695.59	159.76	-387.29	5561.13	
			M3	29.97	-103.85	-1372.10	29.97	-103.85	-1231.09	29.97	-103.85	-1231.09	29.97	-103.85	-1090.07	
		3-LANES (caseMAX	S2	64.24	232.11	1874.41	64.24	232.11	2176.66	64.24	232.11	2176.66	64.24	232.11	2478.94	
			TQ	60.59	291.77	2901.39	60.59	291.77	3186.45	60.59	291.77	3186.45	60.59	291.77	3471.54	
			M3	-59.95	-451.48	8014.24	-46.93	-374.39	7769.26	-46.93	-374.39	7769.26	-37.57	-326.86	7568.29	
			MIN	S2	-102.47	-624.98	6110.50	-102.47	-624.98	5628.37	-102.47	-624.98	5628.37	-102.47	-624.98	5146.20
			TQ	-97.46	-645.98	6134.88	-97.46	-645.98	5676.35	-97.46	-645.98	5676.35	-97.46	-645.98	5217.78	
			M3	30.29	66.96	-1325.89	30.29	66.96	-1183.37	30.29	66.96	-1183.37	30.29	66.96	-1040.84	
		3-LANES (caseMAX	S2	64.33	264.46	1882.99	64.33	264.46	2185.64	64.33	264.46	2185.64	64.33	264.46	2488.33	
			TQ	62.18	316.13	2840.01	62.18	316.13	3132.54	62.18	316.13	3132.54	62.18	316.13	3425.10	
			M3	-59.87	-456.45	8009.02	-46.85	-379.42	7764.49	-46.85	-379.42	7764.49	-37.48	-331.89	7563.94	
MIN	S2		-102.39	-630.05	6104.70	-102.39	-630.05	5622.96	-102.39	-630.05	5622.96	-102.39	-630.05	5141.16		
TQ	-98.90		-650.87	6197.54	-98.90	-650.87	5732.21	-98.90	-650.87	5732.21	-98.90	-650.87	5266.84			
M3	30.42		114.92	-1314.57	30.42	114.92	-1171.46	30.42	114.92	-1171.46	30.42	114.92	-1028.32			

BAGO RIVER BRIDGE

BLOCK [ No.1 : MAIN GIRDER ][ BEAM MEMBER FORCE ]

MEMBER					1045			1046			1047					
NODE					1045			1046			1046					
NAME TITLE					SHEAR	TORQUE	MOMENT	SHEAR	TORQUE	MOMENT	SHEAR	TORQUE	MOMENT			
					S2 (kN)	TQ (kN·m)	M3 (kN·m)	S2 (kN)	TQ (kN·m)	M3 (kN·m)	S2 (kN)	TQ (kN·m)	M3 (kN·m)			
301	LIVE LOAD	4-LANES	MAX	S2	24.24	67.29	-1056.34	24.24	67.29	-942.27	24.24	67.29	-942.27	24.24	67.29	-828.20
				TQ	23.26	67.51	-1012.59	23.26	67.51	-903.14	23.26	67.51	-903.14	23.26	67.51	-793.67
				M3	-9.25	-8.11	409.38	-9.25	-8.11	365.85	-9.25	-8.11	365.85	-9.25	-8.09	322.31
		MIN	S2	-9.25	-8.13	409.38	-9.25	-8.13	365.84	-9.25	-8.13	365.84	-9.25	-8.13	322.31	
			TQ	-7.96	-8.82	351.38	-7.96	-8.82	313.94	-7.96	-8.82	313.94	-7.96	-8.82	276.50	
			M3	24.24	67.09	-1056.39	24.24	67.09	-942.33	24.24	67.09	-942.33	24.24	67.09	-828.25	
	6-LANES	MAX	S2	417.50	196.65	7416.59	316.00	83.02	7950.62	316.00	83.02	7950.62	241.38	9.54	8036.68	
			TQ	-38.83	712.38	8311.82	-87.73	712.38	8014.42	-87.73	712.38	8014.42	-111.44	712.38	7522.17	
			M3	182.32	-31.55	14965.15	-13.19	-30.84	14942.96	-13.19	-30.84	14942.96	-97.61	-84.85	14475.33	
	MIN	S2	-271.03	-28.73	11432.54	-345.12	-92.26	11176.22	-345.12	-92.26	11176.22	-442.30	-194.07	10462.30		
		TQ	56.57	-729.30	7357.75	56.57	-729.30	7623.90	56.57	-729.30	7623.90	33.82	-729.30	7863.31		
		M3	45.11	4.51	-2008.02	45.11	4.51	-1795.81	45.11	4.51	-1795.81	45.11	4.51	-1583.57		
	LIVE LOAD	MAX	S2	539.49	712.38	14965.15	376.72	712.38	14942.96	376.72	712.38	14942.96	265.93	712.38	14475.33	
			MIN	-271.03	-729.30	-2008.02	-373.49	-729.30	-1795.81	-373.49	-729.30	-1795.81	-533.17	-729.30	-1583.57	
	303	SUM TOTAL	TOTAL	MAX	783.94	663.22	57989.66	347.36	663.22	58473.46	347.36	663.22	58473.46	-37.27	663.22	57223.43
MIN				-26.59	-778.46	41016.49	-402.85	-778.46	41734.69	-402.85	-778.47	41734.69	-836.37	-778.47	41164.53	

BAGO RIVER BRIDGE

BLOCK [ No.1 : MAIN GIRDER ][ BEAM MEMBER FORCE ]

MEMBER NODE	1047	1048			1048			1049			1048	1049	1048	1049			
		SHEAR	TORQUE	MOMENT	SHEAR	TORQUE	MOMENT	SHEAR	TORQUE	MOMENT					SHEAR	TORQUE	MOMENT
		S2 (kN)	TQ (kN·m)	M3 (kN·m)	S2 (kN)	TQ (kN·m)	M3 (kN·m)	S2 (kN)	TQ (kN·m)	M3 (kN·m)					S2 (kN)	TQ (kN·m)	M3 (kN·m)
1	PAVEMENT	-39.90	-2.05	6705.83	-86.07	-2.05	6409.44	-86.07	-2.05	6409.44	-132.24	-2.05	5895.72				
3	RAILING	1.27	-0.64	201.84	-2.62	-0.64	198.66	-2.62	-0.64	198.66	-6.51	-0.64	177.18				
5	CURB	12.59	-6.34	1998.17	-25.93	-6.34	1966.77	-25.93	-6.34	1966.77	-64.45	-6.34	1754.08				
7	DECK WEIGHT	-60.05	-3.48	11101.61	-136.08	-3.48	10640.15	-136.08	-3.48	10640.15	-212.12	-3.48	9820.79				
8	GIRDER WEIGH	-115.09	-19.12	15641.53	-203.06	-19.12	14892.96	-203.06	-19.12	14892.96	-291.04	-19.12	13730.26				
10	MEDIAN STRIP	-27.55	4.27	3784.48	-27.55	4.27	3654.82	-27.55	4.27	3654.82	-27.55	4.27	3525.14				
21	ADITIONAL WE	-16.81	-0.97	3108.45	-38.10	-0.97	2979.24	-38.10	-0.97	2979.24	-59.39	-0.97	2749.82				
31	MEDIAN RAILI	-2.68	-0.21	206.18	-2.68	-0.21	193.58	-2.68	-0.21	193.58	-2.68	-0.21	180.97				
51	SUPPORT WEIG	0.00	0.00	0.00	0.00	0.00	0.00	0.00	0.00	0.00	0.00	0.00	0.00				
52	NOSE WEIGHT	-0.00	0.00	0.00	-0.00	0.00	0.00	-0.00	0.00	0.00	-0.00	0.00	0.00				
61	1-LANE(case1TRUCK-LOAD	MAX	S2	266.06	165.64	2484.97	159.67	40.75	2627.31	159.67	40.75	2627.31	80.08	-47.05	2248.69		
			TQ	-65.09	293.71	1989.18	-65.09	293.71	1682.87	-65.09	293.71	1682.87	-65.09	293.71	1376.51		
			M3	138.22	252.84	2560.12	50.28	154.30	2738.56	50.28	154.30	2738.56	-55.68	29.95	2369.71		
		MIN	S2	-99.46	271.01	2528.02	-177.87	186.01	2699.06	-177.87	186.01	2699.06	-284.20	61.31	2352.31		
			TQ	44.85	-72.42	1173.09	44.85	-72.42	1384.16	44.85	-72.42	1384.16	44.85	-72.42	1595.25		
			M3	5.40	-27.90	-198.68	5.40	-27.90	-173.29	5.40	-27.90	-173.29	5.40	-27.90	-147.90		
		TANDEM-LOAD	MAX	S2	215.93	154.44	1922.15	140.82	65.78	2065.99	140.82	65.78	2065.99	69.91	-17.46	1777.70	
			TQ	-49.04	200.20	1457.83	-49.04	200.20	1227.06	-49.04	200.20	1227.06	-49.04	200.20	996.26		
			M3	73.79	170.14	1928.33	3.63	88.52	2076.30	3.63	88.52	2076.30	-72.02	-1.26	1792.77		
		MIN	S2	-82.62	170.14	1928.33	-152.78	88.52	2076.30	-152.78	88.52	2076.30	-228.43	-1.26	1792.77		
			TQ	35.41	-49.86	892.48	35.41	-49.86	1059.10	35.41	-49.86	1059.10	35.41	-49.86	1225.74		
			M3	3.67	-19.19	-135.35	3.67	-19.19	-118.06	3.67	-19.19	-118.06	3.67	-19.19	-100.77		
		DISPERSION-LMAX	S2	82.84	-40.86	860.55	49.88	-62.10	794.14	49.88	-62.10	794.14	30.19	-67.63	616.19		
			TQ	1.53	324.03	2160.58	-53.50	324.03	2040.50	-53.50	324.03	2040.50	-108.54	324.03	1661.47		
			M3	25.36	289.67	2727.20	-29.67	289.67	2719.24	-29.67	289.67	2719.24	-84.71	289.67	2452.33		
MIN	S2	-51.11	297.26	1632.04	-73.19	318.50	1720.46	-73.19	318.50	1720.46	-108.54	324.03	1661.47				
	TQ	30.19	-67.63	332.02	30.19	-67.63	474.10	30.19	-67.63	474.10	30.19	-67.63	616.19				
	M3	6.37	-33.27	-234.61	6.37	-33.27	-204.64	6.37	-33.27	-204.64	6.37	-33.27	-174.67				

BAGO RIVER BRIDGE

BLOCK [ No.1 : MAIN GIRDER ][ BEAM MEMBER FORCE ]

MEMBER				1047			1048			1048			1049		
NODE				1047			1048			1048			1049		
				SHEAR	TORQUE	MOMENT	SHEAR	TORQUE	MOMENT	SHEAR	TORQUE	MOMENT	SHEAR	TORQUE	MOMENT
NAME	TITLE			S2 (kN)	TQ (kN·m)	M3 (kN·m)	S2 (kN)	TQ (kN·m)	M3 (kN·m)	S2 (kN)	TQ (kN·m)	M3 (kN·m)	S2 (kN)	TQ (kN·m)	M3 (kN·m)
62	1-LANE (case2TRUCK-LOAD	MAX	S2	34.55	23.53	1132.79	34.55	23.53	1295.37	34.55	23.53	1295.37	34.55	23.53	1457.96
			TQ	-33.31	69.74	1143.47	-33.31	69.74	986.70	-33.31	69.74	986.70	-33.31	69.74	829.92
			M3	-48.58	29.36	1928.50	-22.93	31.18	1755.23	-22.93	31.18	1755.23	12.22	40.21	1738.83
		MIN	S2	-56.48	32.60	1898.29	-56.48	32.60	1632.51	-56.48	32.60	1632.51	-56.48	32.60	1366.71
			TQ	5.10	-10.98	-182.40	5.10	-10.98	-158.41	5.10	-10.98	-158.41	5.10	-10.98	-134.41
			M3	5.42	-10.58	-193.63	5.42	-10.58	-168.11	5.42	-10.58	-168.11	5.42	-10.58	-142.59
		TANDEM-LOAD MAX	S2	25.73	19.68	797.61	25.73	19.68	918.70	25.73	19.68	918.70	25.73	19.68	1039.81
			TQ	-23.17	47.81	794.44	-23.17	47.81	685.40	-23.17	47.81	685.40	-23.17	47.81	576.35
			M3	-34.10	16.73	1339.65	-11.16	22.56	1203.82	-11.16	22.56	1203.82	14.66	30.32	1206.18
		MIN	S2	-40.41	23.00	1279.17	-40.41	23.00	1088.99	-40.41	23.00	1088.99	-40.41	23.00	898.78
			TQ	3.53	-7.49	-126.09	3.53	-7.49	-109.50	3.53	-7.49	-109.50	3.53	-7.49	-92.91
			M3	3.69	-7.27	-131.86	3.69	-7.27	-114.49	3.69	-7.27	-114.49	3.69	-7.27	-97.11
		DISPERSION-LMAX	S2	22.51	-4.11	419.93	22.46	-4.55	509.90	22.46	-4.55	509.90	21.87	-5.69	570.43
			TQ	-33.40	87.66	2177.33	-34.39	87.66	2017.82	-34.39	87.66	2017.82	-35.37	87.66	1853.68
			M3	-29.22	85.06	2365.59	-30.20	85.06	2225.78	-30.20	85.06	2225.78	-31.18	85.06	2081.34
MIN	S2	-45.35	76.65	1717.61	-46.27	77.09	1517.88	-46.27	77.09	1517.88	-46.67	78.23	1342.96		
	TQ	10.57	-15.12	-39.80	10.57	-15.12	9.96	10.57	-15.12	9.96	10.57	-15.12	59.72		
	M3	6.39	-12.52	-228.05	6.39	-12.52	-198.00	6.39	-12.52	-198.00	6.39	-12.52	-167.94		
63	1-LANE (case3TRUCK-LOAD	MAX	S2	7.97	21.25	707.03	7.97	21.25	744.51	7.97	21.25	744.51	7.97	21.25	782.00
			TQ	7.97	21.25	707.03	7.97	21.25	744.51	7.97	21.25	744.51	7.97	21.25	782.00
			M3	-28.90	-86.14	1406.85	-20.92	-65.78	1284.40	-20.92	-65.78	1284.40	-17.15	-54.23	1194.69
		MIN	S2	-35.05	-88.01	1304.15	-35.05	-88.01	1139.23	-35.05	-88.01	1139.23	-35.05	-88.01	974.28
			TQ	-34.07	-91.73	1367.25	-34.07	-91.73	1206.92	-34.07	-91.73	1206.92	-34.07	-91.73	1046.57
			M3	5.45	2.55	-190.02	5.45	2.55	-164.38	5.45	2.55	-164.38	5.45	2.55	-138.73

BAGO RIVER BRIDGE

BLOCK [ No.1 : MAIN GIRDER ][ BEAM MEMBER FORCE ]

MEMBER		1047			1048			1048			1049						
NODE		1047			1048			1048			1049						
		SHEAR	TORQUE	MOMENT	SHEAR	TORQUE	MOMENT	SHEAR	TORQUE	MOMENT	SHEAR	TORQUE	MOMENT				
NAME	TITLE	S2 (kN)	TQ (kN·m)	M3 (kN·m)	S2 (kN)	TQ (kN·m)	M3 (kN·m)	S2 (kN)	TQ (kN·m)	M3 (kN·m)	S2 (kN)	TQ (kN·m)	M3 (kN·m)				
63	1-LANE (case3TANDEM-LOAD	MAX	S2	5.57	14.50	441.65	5.57	14.50	467.88	5.57	14.50	467.88	5.57	14.50	494.11		
			TQ	5.48	14.99	545.38	5.48	14.99	571.15	5.48	14.99	571.15	5.48	14.99	596.93		
			M3	-17.29	-54.51	956.60	-15.68	-50.19	876.44	-15.68	-50.19	876.44	-10.26	-32.54	816.23		
		MIN	S2	-24.16	-61.26	900.31	-24.16	-61.26	786.61	-24.16	-61.26	786.61	-24.16	-61.26	672.90		
			TQ	-22.23	-63.14	950.36	-22.23	-63.14	845.76	-22.23	-63.14	845.76	-22.23	-63.14	741.16		
			M3	3.71	1.77	-129.39	3.71	1.77	-111.92	3.71	1.77	-111.92	3.71	1.77	-94.46		
		DISPERSION-LMAX	S2	9.95	12.54	147.28	9.95	12.54	194.10	9.95	12.54	194.10	9.95	12.54	240.93		
			TQ	7.12	13.20	277.76	7.12	13.20	311.25	7.12	13.20	311.25	7.12	13.20	344.74		
			M3	-33.42	-79.64	1998.25	-33.42	-79.64	1840.99	-33.42	-79.64	1840.99	-33.42	-79.64	1683.71		
		MIN	S2	-36.96	-88.97	1627.76	-36.96	-88.97	1453.82	-36.96	-88.97	1453.82	-36.96	-88.97	1279.85		
			TQ	-34.13	-89.62	1497.29	-34.13	-89.62	1336.67	-34.13	-89.62	1336.67	-34.13	-89.62	1176.04		
			M3	6.40	3.21	-223.20	6.40	3.21	-193.07	6.40	3.21	-193.07	6.40	3.21	-162.93		
		64	1-LANE (case4TRUCK-LOAD	MAX	S2	5.54	29.29	-183.82	5.54	29.29	-157.76	5.54	29.29	-157.76	5.54	29.29	-131.70
					TQ	5.42	30.36	-179.34	5.42	30.36	-153.83	5.42	30.36	-153.83	5.42	30.36	-128.31
					M3	-17.07	-231.49	964.48	-16.43	-224.20	885.54	-16.43	-224.20	885.54	-16.25	-221.82	809.05
MIN	S2			-22.76	-238.42	856.83	-22.76	-238.42	749.71	-22.76	-238.42	749.71	-22.76	-238.42	642.57		
	TQ			-21.38	-248.66	936.74	-21.38	-248.66	836.13	-21.38	-248.66	836.13	-21.38	-248.66	735.51		
	M3			5.54	29.29	-183.82	5.54	29.29	-157.76	5.54	29.29	-157.76	5.54	29.29	-131.70		
TANDEM-LOAD	MAX			S2	3.77	20.20	-125.16	3.77	20.20	-107.40	3.77	20.20	-107.40	3.77	20.20	-89.65	
	TQ			3.67	20.71	-121.19	3.67	20.71	-103.94	3.67	20.71	-103.94	3.67	20.71	-86.69		
	M3			-11.79	-161.15	655.55	-10.63	-147.60	601.14	-10.63	-147.60	601.14	-10.63	-147.60	551.10		
MIN	S2			-15.54	-166.25	607.78	-15.54	-166.25	534.65	-15.54	-166.25	534.65	-15.54	-166.25	461.51		
	TQ			-14.25	-169.75	642.02	-14.25	-169.75	574.94	-14.25	-169.75	574.94	-14.25	-169.75	507.86		
	M3			3.77	20.20	-125.16	3.77	20.20	-107.40	3.77	20.20	-107.40	3.77	20.20	-89.65		

BAGO RIVER BRIDGE

BLOCK [ No.1 : MAIN GIRDER ][ BEAM MEMBER FORCE ]

MEMBER NODE	1047	1048			1048			1048			1049			
		SHEAR	TORQUE	MOMENT	SHEAR	TORQUE	MOMENT	SHEAR	TORQUE	MOMENT	SHEAR	TORQUE	MOMENT	
NAME TITLE	S2 (kN)	TQ (kN·m)	M3 (kN·m)	S2 (kN)	TQ (kN·m)	M3 (kN·m)	S2 (kN)	TQ (kN·m)	M3 (kN·m)	S2 (kN)	TQ (kN·m)	M3 (kN·m)		
64 1-LANE (case4DISPERSION-LMAX	S2	6.46	33.55	-214.24	6.46	33.55	-183.86	6.46	33.55	-183.86	6.46	33.55	-153.48	
	TQ	4.92	37.93	-74.42	4.92	37.93	-51.28	4.92	37.93	-51.28	4.92	37.93	-28.14	
	M3	-33.68	-298.11	1575.88	-33.68	-298.11	1417.38	-33.68	-298.11	1417.38	-33.68	-298.11	1258.86	
	MIN S2	-33.68	-298.12	1575.64	-33.68	-298.12	1417.14	-33.68	-298.12	1417.14	-33.68	-298.12	1258.63	
	TQ	-32.14	-302.50	1435.82	-32.14	-302.50	1284.57	-32.14	-302.50	1284.57	-32.14	-302.50	1133.29	
	M3	6.46	33.54	-214.48	6.46	33.54	-184.10	6.46	33.54	-184.10	6.46	33.54	-153.71	
	65 2-LANES (caseTRUCK-LOAD	MAX S2	363.50	260.46	4663.88	235.31	86.09	4752.54	235.31	86.09	4752.54	136.04	-42.77	4196.05
		TQ	-113.63	465.59	3554.83	-113.63	465.59	3020.11	-113.63	465.59	3020.11	-113.63	465.59	2485.33
		M3	165.81	386.25	4802.26	57.46	244.76	4948.77	57.46	244.76	4948.77	-70.28	71.01	4421.07
MIN S2		-176.23	414.06	4744.50	-274.21	289.81	4889.10	-274.21	289.81	4889.10	-402.35	115.78	4391.24	
TQ		72.53	-101.94	1987.05	72.53	-101.94	2328.35	72.53	-101.94	2328.35	72.53	-101.94	2669.69	
M3		10.80	-47.16	-394.82	10.80	-47.16	-343.98	10.80	-47.16	-343.98	10.80	-47.16	-293.13	
TANDEM-LOAD MAX S2		289.03	234.99	3538.74	198.97	112.07	3656.29	198.97	112.07	3656.29	113.32	-4.57	3251.42	
TQ		-80.45	317.19	2482.89	-80.45	317.19	2104.33	-80.45	317.19	2104.33	-80.45	317.19	1725.73	
M3		83.30	257.78	3550.29	-1.42	143.62	3675.87	-1.42	143.62	3675.87	-92.16	19.03	3279.64	
MIN S2	-140.14	257.78	3550.29	-224.86	143.62	3675.87	-224.86	143.62	3675.87	-315.60	19.03	3279.64		
TQ	52.70	-70.99	1409.54	52.70	-70.99	1657.53	52.70	-70.99	1657.53	52.70	-70.99	1905.54		
M3	7.36	-32.43	-268.94	7.36	-32.43	-234.32	7.36	-32.43	-234.32	7.36	-32.43	-199.70		
DISPERSION-LMAX S2	129.78	-57.92	1648.76	84.95	-91.08	1483.15	84.95	-91.08	1483.15	56.02	-102.48	1168.50		
TQ	-19.15	525.33	4301.25	-97.75	525.33	4028.39	-97.75	525.33	4028.39	-176.37	525.33	3385.60		
M3	19.25	477.63	5278.21	-59.36	477.63	5186.04	-59.36	477.63	5186.04	-137.97	477.63	4723.95		
MIN S2	-97.78	479.37	3163.51	-131.56	512.53	3296.92	-131.56	512.53	3296.92	-181.24	523.92	3209.47		
TQ	51.14	-103.88	511.02	51.14	-103.88	751.68	51.14	-103.88	751.68	51.14	-103.88	992.37		
M3	12.74	-56.18	-465.94	12.74	-56.18	-405.97	12.74	-56.18	-405.97	12.74	-56.18	-345.99		



BAGO RIVER BRIDGE

BLOCK [ No.1 : MAIN GIRDER ] [ BEAM MEMBER FORCE ]

MEMBER NODE	1047	1048			1048			1048			1049				
		SHEAR	TORQUE	MOMENT	SHEAR	TORQUE	MOMENT	SHEAR	TORQUE	MOMENT	SHEAR	TORQUE	MOMENT		
		S2 (kN)	TQ (kN·m)	M3 (kN·m)	S2 (kN)	TQ (kN·m)	M3 (kN·m)	S2 (kN)	TQ (kN·m)	M3 (kN·m)	S2 (kN)	TQ (kN·m)	M3 (kN·m)		
66	2-LANES (caseTRUCK-LOAD	MAX	S2	131.99	118.35	3311.69	110.19	68.87	3420.60	110.19	68.87	3420.60	90.51	27.80	3405.33
			TQ	-81.85	241.61	2709.11	-81.85	241.61	2323.95	-81.85	241.61	2323.95	-81.85	241.61	1938.74
			M3	-21.00	162.77	4170.64	-15.75	121.64	3965.44	-15.75	121.64	3965.44	-2.38	81.26	3790.20
		MIN	S2	-133.24	175.65	4114.76	-152.82	136.40	3822.55	-152.82	136.40	3822.55	-174.63	87.07	3405.64
			TQ	32.77	-40.50	631.56	32.77	-40.50	785.79	32.77	-40.50	785.79	32.77	-40.50	940.04
			M3	10.83	-29.84	-389.76	10.83	-29.84	-338.79	10.83	-29.84	-338.79	10.83	-29.84	-287.82
	TANDEM-LOAD	MAX	S2	98.83	100.22	2414.20	83.88	65.97	2509.00	83.88	65.97	2509.00	69.15	32.57	2513.52
			TQ	-54.58	164.80	1819.50	-54.58	164.80	1562.68	-54.58	164.80	1562.68	-54.58	164.80	1305.82
			M3	-24.59	104.38	2961.60	-16.21	77.66	2803.40	-16.21	77.66	2803.40	-5.48	50.61	2693.05
		MIN	S2	-97.93	110.65	2901.12	-112.50	78.10	2688.56	-112.50	78.10	2688.56	-127.58	43.30	2385.65
			TQ	20.82	-28.61	390.96	20.82	-28.61	488.92	20.82	-28.61	488.92	20.82	-28.61	586.90
			M3	7.38	-20.50	-265.46	7.38	-20.50	-230.75	7.38	-20.50	-230.75	7.38	-20.50	-196.04
	DISPERSION-LMAX	S2	69.45	-21.17	1208.14	57.52	-33.53	1198.91	57.52	-33.53	1198.91	47.70	-40.53	1122.74	
		TQ	-54.09	288.95	4318.01	-78.64	288.95	4005.71	-78.64	288.95	4005.71	-103.20	288.95	3577.81	
		M3	-35.33	273.02	4916.60	-59.88	273.02	4692.58	-59.88	273.02	4692.58	-84.44	273.02	4352.96	
		MIN	S2	-92.02	258.76	3249.08	-104.64	271.12	3094.35	-104.64	271.12	3094.35	-119.38	278.12	2890.97
			TQ	31.52	-51.36	139.21	31.52	-51.36	287.54	31.52	-51.36	287.54	31.52	-51.36	435.90
			M3	12.76	-35.43	-459.38	12.76	-35.43	-399.32	12.76	-35.43	-399.32	12.76	-35.43	-339.25
67	2-LANES (caseTRUCK-LOAD	MAX	S2	13.44	32.56	519.11	13.44	32.56	582.37	13.44	32.56	582.37	13.44	32.56	645.63
			TQ	9.16	39.00	1174.57	9.16	39.00	1217.67	9.16	39.00	1217.67	9.16	39.00	1260.76
			M3	-49.88	-232.65	2575.91	-40.28	-201.92	2356.24	-40.28	-201.92	2356.24	-33.97	-169.17	2179.07
		MIN	S2	-62.69	-253.51	2367.83	-62.69	-253.51	2072.82	-62.69	-253.51	2072.82	-62.69	-253.51	1777.78
			TQ	-61.44	-260.17	2485.60	-61.44	-260.17	2196.50	-61.44	-260.17	2196.50	-61.44	-260.17	1907.36
			M3	10.93	13.86	-377.94	10.93	13.86	-326.52	10.93	13.86	-326.52	10.93	13.86	-275.09

BAGO RIVER BRIDGE

BLOCK [ No.1 : MAIN GIRDER ][ BEAM MEMBER FORCE ]

MEMBER NODE	1047	1048			1048			1048			1049				
		SHEAR	TORQUE	MOMENT	SHEAR	TORQUE	MOMENT	SHEAR	TORQUE	MOMENT	SHEAR	TORQUE	MOMENT		
		S2 (kN)	TQ (kN·m)	M3 (kN·m)	S2 (kN)	TQ (kN·m)	M3 (kN·m)	S2 (kN)	TQ (kN·m)	M3 (kN·m)	S2 (kN)	TQ (kN·m)	M3 (kN·m)		
67	2-LANES (caseTANDEM-LOAD	MAX	S2	9.30	22.31	313.70	9.30	22.31	357.48	9.30	22.31	357.48	9.30	22.31	401.27
			TQ	6.11	27.69	923.29	6.11	27.69	952.05	6.11	27.69	952.05	6.11	27.69	980.81
			M3	-32.12	-158.10	1752.68	-28.11	-139.79	1604.88	-28.11	-139.79	1604.88	-21.98	-116.21	1487.17
		MIN	S2	-43.14	-174.89	1634.56	-43.14	-174.89	1431.54	-43.14	-174.89	1431.54	-43.14	-174.89	1228.50
			TQ	-40.42	-177.82	1729.78	-40.42	-177.82	1539.59	-40.42	-177.82	1539.59	-40.42	-177.82	1349.38
			M3	7.44	9.58	-257.34	7.44	9.58	-222.32	7.44	9.58	-222.32	7.44	9.58	-187.30
	DISPERSION-LMAX		S2	16.91	30.98	55.49	16.91	30.98	135.05	16.91	30.98	135.05	16.91	30.98	214.62
			TQ	13.76	33.42	290.78	13.76	33.42	355.53	13.76	33.42	355.53	13.76	33.42	420.28
			M3	-67.02	-267.32	3785.66	-67.02	-267.32	3470.28	-67.02	-267.32	3470.28	-67.02	-267.32	3154.87
		MIN	S2	-71.10	-281.50	3286.77	-71.10	-281.50	2952.18	-71.10	-281.50	2952.18	-71.10	-281.50	2617.56
			TQ	-67.95	-283.94	3051.48	-67.95	-283.94	2731.71	-67.95	-283.94	2731.71	-67.95	-283.94	2411.89
			M3	12.83	16.81	-443.40	12.83	16.81	-383.05	12.83	16.81	-383.05	12.83	16.81	-322.69
68	2-LANES (caseTRUCK-LOAD	MAX	S2	11.05	49.81	-369.65	11.05	49.81	-317.66	11.05	49.81	-317.66	11.05	49.81	-265.67
			TQ	10.81	51.47	-360.78	10.81	51.47	-309.91	10.81	51.47	-309.91	10.81	51.47	-259.03
			M3	-38.06	-377.98	2133.64	-35.79	-360.32	1957.47	-35.79	-360.32	1957.47	-33.07	-336.73	1793.51
		MIN	S2	-50.41	-403.91	1920.53	-50.41	-403.91	1683.32	-50.41	-403.91	1683.32	-50.41	-403.91	1446.09
			TQ	-48.75	-417.07	2055.14	-48.75	-417.07	1825.75	-48.75	-417.07	1825.75	-48.75	-417.07	1596.33
			M3	11.05	49.81	-369.65	11.05	49.81	-317.66	11.05	49.81	-317.66	11.05	49.81	-265.67
	TANDEM-LOAD	MAX	S2	7.53	34.35	-251.68	7.53	34.35	-216.27	7.53	34.35	-216.27	7.53	34.35	-180.85
			TQ	7.31	35.08	-243.82	7.31	35.08	-209.43	7.31	35.08	-209.43	7.31	35.08	-175.03
			M3	-26.62	-264.73	1451.69	-23.06	-237.18	1329.63	-23.06	-237.18	1329.63	-22.35	-231.26	1222.11
		MIN	S2	-34.52	-279.86	1342.05	-34.52	-279.86	1179.59	-34.52	-279.86	1179.59	-34.52	-279.86	1017.12
			TQ	-32.45	-284.41	1421.49	-32.45	-284.41	1268.81	-32.45	-284.41	1268.81	-32.45	-284.41	1116.11
			M3	7.53	34.35	-251.68	7.53	34.35	-216.27	7.53	34.35	-216.27	7.53	34.35	-180.85

BAGO RIVER BRIDGE

BLOCK [ No.1 : MAIN GIRDER ] [ BEAM MEMBER FORCE ]

MEMBER		1047			1048			1048			1049						
NODE		1047			1048			1048			1049						
		SHEAR	TORQUE	MOMENT	SHEAR	TORQUE	MOMENT	SHEAR	TORQUE	MOMENT	SHEAR	TORQUE	MOMENT				
NAME	TITLE	S2 (kN)	TQ (kN·m)	M3 (kN·m)	S2 (kN)	TQ (kN·m)	M3 (kN·m)	S2 (kN)	TQ (kN·m)	M3 (kN·m)	S2 (kN)	TQ (kN·m)	M3 (kN·m)				
68	2-LANES (caseDISPERSION-LMAX	S2	13.43	61.61	-303.21	13.43	61.61	-240.01	13.43	61.61	-240.01	13.43	61.61	-176.81			
		TQ	11.58	67.76	-58.61	11.58	67.76	-4.13	11.58	67.76	-4.13	11.58	67.76	50.36			
		M3	-67.25	-487.82	3361.62	-67.25	-487.82	3045.14	-67.25	-487.82	3045.14	-67.25	-487.82	2728.63			
		MIN	S2	-67.79	-492.68	3232.90	-67.79	-492.68	2913.90	-67.79	-492.68	2913.90	-67.79	-492.68	2594.86		
		TQ	-65.94	-498.83	2988.29	-65.94	-498.83	2678.01	-65.94	-498.83	2678.01	-65.94	-498.83	2367.69			
		M3	12.89	56.75	-431.93	12.89	56.75	-371.26	12.89	56.75	-371.26	12.89	56.75	-310.57			
		69	3-LANES (caseTRUCK-LOAD	MAX	S2	398.05	283.98	5796.67	269.86	109.62	6047.90	269.86	109.62	6047.90	170.59	-19.25	5654.01
				TQ	-146.94	535.33	4698.30	-146.94	535.33	4006.81	-146.94	535.33	4006.81	-146.94	535.33	3315.25	
				M3	117.23	415.61	6730.76	34.53	275.94	6704.00	34.53	275.94	6704.00	-58.06	111.21	6159.90	
MIN	S2			-232.70	446.66	6642.79	-330.69	322.41	6521.62	-330.69	322.41	6521.62	-458.83	148.38	5757.95		
TQ	77.63			-112.92	1804.65	77.63	-112.92	2169.95	77.63	-112.92	2169.95	77.63	-112.92	2535.28			
M3	16.23			-57.74	-588.44	16.23	-57.74	-512.08	16.23	-57.74	-512.08	16.23	-57.74	-435.72			
TANDEM-LOAD	MAX			S2	314.76	254.66	4336.35	224.70	131.75	4575.00	224.70	131.75	4575.00	139.05	15.10	4291.22	
TQ	-103.62			365.00	3277.34	-103.62	365.00	2789.74	-103.62	365.00	2789.74	-103.62	365.00	2302.08			
M3	49.20			274.52	4889.94	-12.58	166.18	4879.70	-12.58	166.18	4879.70	-77.50	49.35	4485.82			
MIN	S2	-180.55	280.79	4829.46	-265.27	166.62	4764.86	-265.27	166.62	4764.86	-356.01	42.04	4178.42				
TQ	56.22	-78.48	1283.44	56.22	-78.48	1548.02	56.22	-78.48	1548.02	56.22	-78.48	1812.63					
M3	11.05	-39.70	-400.80	11.05	-39.70	-348.81	11.05	-39.70	-348.81	11.05	-39.70	-296.81					
DISPERSION-LMAX	S2	152.29	-62.03	2068.69	107.40	-95.63	1993.05	107.40	-95.63	1993.05	77.89	-108.17	1738.93				
TQ	-52.55	612.98	6478.58	-132.14	612.98	6046.22	-132.14	612.98	6046.22	-211.74	612.98	5239.28					
M3	-9.97	562.69	7643.80	-89.56	562.69	7411.82	-89.56	562.69	7411.82	-169.15	562.69	6805.29					
MIN	S2	-143.13	556.02	4881.12	-177.83	589.62	4814.80	-177.83	589.62	4814.80	-227.91	602.15	4552.43				
TQ	61.71	-119.00	471.22	61.71	-119.00	761.64	61.71	-119.00	761.64	61.71	-119.00	1052.09					
M3	19.13	-68.70	-693.99	19.13	-68.70	-603.97	19.13	-68.70	-603.97	19.13	-68.70	-513.93					

BAGO RIVER BRIDGE

BLOCK [ No.1 : MAIN GIRDER ][ BEAM MEMBER FORCE ]

MEMBER				1047			1048			1048			1049		
NODE				1047			1048			1048			1049		
				SHEAR	TORQUE	MOMENT	SHEAR	TORQUE	MOMENT	SHEAR	TORQUE	MOMENT	SHEAR	TORQUE	MOMENT
NAME	TITLE			S2 (kN)	TQ (kN·m)	M3 (kN·m)	S2 (kN)	TQ (kN·m)	M3 (kN·m)	S2 (kN)	TQ (kN·m)	M3 (kN·m)	S2 (kN)	TQ (kN·m)	M3 (kN·m)
70	3-LANES (caseTRUCK-LOAD	MAX	S2	18.95	52.66	333.20	18.95	52.66	422.37	18.95	52.66	422.37	18.95	52.66	511.55
			TQ	14.16	60.95	1006.98	14.16	60.95	1073.62	14.16	60.95	1073.62	14.16	60.95	1140.26
			M3	-66.95	-464.17	3540.31	-56.71	-426.15	3241.71	-56.71	-426.15	3241.71	-50.22	-391.02	2988.06
		MIN	S2	-85.45	-491.94	3224.73	-85.45	-491.94	2822.59	-85.45	-491.94	2822.59	-85.45	-491.94	2420.42
			TQ	-82.81	-508.85	3422.42	-82.81	-508.85	3032.74	-82.81	-508.85	3032.74	-82.81	-508.85	2643.01
			M3	16.43	33.96	-563.86	16.43	33.96	-486.52	16.43	33.96	-486.52	16.43	33.96	-409.18
		TANDEM-LOAD MAX	S2	13.06	36.16	187.11	13.06	36.16	248.55	13.06	36.16	248.55	13.06	36.16	309.99
			TQ	9.46	42.68	811.21	9.46	42.68	855.72	9.46	42.68	855.72	9.46	42.68	900.24
			M3	-43.90	-319.27	2408.17	-38.74	-287.41	2205.96	-38.74	-287.41	2205.96	-32.61	-263.83	2038.23
		MIN	S2	-58.68	-341.13	2242.35	-58.68	-341.13	1966.20	-58.68	-341.13	1966.20	-58.68	-341.13	1690.02
			TQ	-54.67	-347.59	2371.80	-54.67	-347.59	2114.55	-54.67	-347.59	2114.55	-54.67	-347.59	1857.27
			M3	11.19	23.43	-383.93	11.19	23.43	-331.26	11.19	23.43	-331.26	11.19	23.43	-278.58
		DISPERSION-LMAX	S2	23.35	54.92	-161.53	23.35	54.92	-51.66	23.35	54.92	-51.66	23.35	54.92	58.21
			TQ	18.66	61.73	213.64	18.66	61.73	301.44	18.66	61.73	301.44	18.66	61.73	389.25
			M3	-100.74	-563.59	5363.56	-100.74	-563.59	4889.49	-100.74	-563.59	4889.49	-100.74	-563.59	4415.37
MIN	S2	-104.82	-577.78	4864.43	-104.82	-577.78	4371.16	-104.82	-577.78	4371.16	-104.82	-577.78	3877.82		
	TQ	-100.13	-584.59	4489.26	-100.13	-584.59	4018.05	-100.13	-584.59	4018.05	-100.13	-584.59	3546.79		
	M3	19.27	40.73	-660.66	19.27	40.73	-570.00	19.27	40.73	-570.00	19.27	40.73	-479.33		
71	3-LANES (caseTRUCK-LOAD	MAX	S2	19.02	71.05	337.40	19.02	71.05	426.89	19.02	71.05	426.89	19.02	71.05	516.38
			TQ	18.78	72.72	346.27	18.78	72.72	434.64	18.78	72.72	434.64	18.78	72.72	523.02
			M3	-66.96	-464.10	3540.60	-56.72	-426.08	3241.97	-56.72	-426.08	3241.97	-50.22	-390.94	2988.30
		MIN	S2	-85.46	-491.89	3224.74	-85.46	-491.89	2822.59	-85.46	-491.89	2822.59	-85.46	-491.89	2420.40
			TQ	-82.82	-508.77	3422.48	-82.82	-508.77	3032.74	-82.82	-508.77	3032.74	-82.82	-508.77	2642.95
			M3	16.53	61.54	-557.47	16.53	61.54	-479.70	16.53	61.54	-479.70	16.53	61.54	-401.93

BAGO RIVER BRIDGE

BLOCK [ No.1 : MAIN GIRDER ][ BEAM MEMBER FORCE ]

MEMBER		1047			1048			1048			1049					
NODE		1047			1048			1048			1049					
		SHEAR	TORQUE	MOMENT	SHEAR	TORQUE	MOMENT	SHEAR	TORQUE	MOMENT	SHEAR	TORQUE	MOMENT			
NAME	TITLE	S2 (kN)	TQ (kN·m)	M3 (kN·m)	S2 (kN)	TQ (kN·m)	M3 (kN·m)	S2 (kN)	TQ (kN·m)	M3 (kN·m)	S2 (kN)	TQ (kN·m)	M3 (kN·m)			
71	3-LANES (case)	TANDEM-LOAD MAX	S2	13.10	48.85	189.98	13.10	48.85	251.63	13.10	48.85	251.63	13.10	48.85	313.30	
			TQ	12.79	50.07	301.58	12.79	50.07	361.76	12.79	50.07	361.76	12.79	50.07	421.94	
			M3	-43.91	-319.22	2408.38	-38.75	-287.36	2206.14	-38.75	-287.36	2206.14	-32.61	-263.79	2038.41	
			MIN S2	-58.69	-341.10	2242.41	-58.69	-341.10	1966.24	-58.69	-341.10	1966.24	-58.69	-341.10	1690.04	
			TQ	-54.68	-347.54	2371.92	-54.68	-347.54	2114.63	-54.68	-347.54	2114.63	-54.68	-347.54	1857.31	
			M3	11.26	42.47	-379.57	11.26	42.47	-326.59	11.26	42.47	-326.59	11.26	42.47	-273.61	
		DISPERSION-LMAX	S2	23.40	83.81	-152.99	23.40	83.81	-42.89	23.40	83.81	-42.89	23.40	83.81	67.23	
			TQ	21.49	90.16	124.50	21.49	90.16	225.64	21.49	90.16	225.64	21.49	90.16	326.79	
			M3	-100.64	-569.47	5358.15	-100.64	-569.47	4884.56	-100.64	-569.47	4884.56	-100.64	-569.47	4410.92	
			MIN S2	-104.72	-583.66	4858.82	-104.72	-583.66	4366.01	-104.72	-583.66	4366.01	-104.72	-583.66	3873.15	
			TQ	-102.82	-590.01	4581.32	-102.82	-590.01	4097.48	-102.82	-590.01	4097.48	-102.82	-590.01	3613.59	
			M3	19.31	69.62	-652.33	19.31	69.62	-561.44	19.31	69.62	-561.44	19.31	69.62	-470.54	
72	4-LANES	TRUCK-LOAD MAX	S2	21.91	62.01	-745.79	21.91	62.01	-642.70	21.91	62.01	-642.70	21.91	62.01	-539.60	
				TQ	21.91	62.01	-745.79	21.91	62.01	-642.70	21.91	62.01	-642.70	21.91	62.01	-539.60
				M3	-6.43	-4.88	223.70	-6.43	-4.88	193.42	-6.43	-4.88	193.42	-6.43	-4.88	163.13
			MIN	S2	-6.44	-4.94	223.69	-6.44	-4.94	193.41	-6.44	-4.94	193.41	-6.44	-4.94	163.13
				TQ	-5.18	-5.49	179.68	-5.18	-5.49	155.29	-5.18	-5.49	155.29	-5.18	-5.49	130.89
				M3	21.91	62.01	-745.79	21.91	62.01	-642.70	21.91	62.01	-642.70	21.91	62.01	-539.60
		TANDEM-LOAD MAX	S2	14.97	43.94	-509.02	14.97	43.94	-438.59	14.97	43.94	-438.59	14.97	43.94	-368.14	
			TQ	14.97	43.94	-509.02	14.97	43.94	-438.59	14.97	43.94	-438.59	14.97	43.94	-368.14	
			M3	-4.37	-3.43	152.00	-4.37	-3.43	131.42	-4.37	-3.43	131.42	-4.37	-3.43	110.84	
		MIN	S2	-4.37	-3.43	152.00	-4.37	-3.43	131.42	-4.37	-3.43	131.42	-4.37	-3.43	110.84	
			TQ	-3.30	-3.74	114.32	-3.30	-3.74	98.79	-3.30	-3.74	98.79	-3.30	-3.74	83.25	
			M3	14.97	43.94	-509.02	14.97	43.94	-438.59	14.97	43.94	-438.59	14.97	43.94	-368.14	

BAGO RIVER BRIDGE

BLOCK [ No.1 : MAIN GIRDER ][ BEAM MEMBER FORCE ]

MEMBER				1047			1048			1049							
NODE				1047			1048			1048			1049				
NAME TITLE				SHEAR	TORQUE	MOMENT	SHEAR	TORQUE	MOMENT	SHEAR	TORQUE	MOMENT	SHEAR	TORQUE	MOMENT		
				S2 (kN)	TQ (kN·m)	M3 (kN·m)	S2 (kN)	TQ (kN·m)	M3 (kN·m)	S2 (kN)	TQ (kN·m)	M3 (kN·m)	S2 (kN)	TQ (kN·m)	M3 (kN·m)		
72	4-LANES	DISPERSION-LMAX	S2	15.45	37.27	-528.36	15.45	37.27	-455.63	15.45	37.27	-455.63	15.45	37.27	-382.90		
			TQ	13.10	37.84	-445.81	13.10	37.84	-384.15	13.10	37.84	-384.15	13.10	37.84	-322.48		
			M3	-7.83	-5.91	272.16	-7.83	-5.91	235.32	-7.83	-5.91	235.32	-7.83	-5.91	198.48		
	MIN	S2	-7.83	-5.91	272.16	-7.83	-5.91	235.32	-7.83	-5.91	235.32	-7.83	-5.91	198.48			
		TQ	-5.66	-6.76	195.93	-5.66	-6.76	169.29	-5.66	-6.76	169.29	-5.66	-6.76	142.65			
		M3	15.45	36.96	-528.44	15.45	36.96	-455.72	15.45	36.96	-455.72	15.45	36.96	-383.00			
	73	6-LANES	TRUCK-LOAD	MAX	S2	371.98	331.18	6237.26	263.96	176.32	6508.46	263.96	176.32	6508.46	180.55	61.07	6243.44
				TQ	-118.37	562.96	5763.93	-118.37	562.96	5206.93	-118.37	562.96	5206.93	-118.37	562.96	4649.86	
				M3	20.48	-60.36	10239.30	-40.74	-151.44	9840.45	-40.74	-151.44	9840.45	-91.28	-218.13	9093.02	
MIN		S2	-311.88	-56.67	9799.54	-394.01	-171.32	9222.07	-394.01	-171.32	9222.07	-497.21	-323.16	8081.75			
		TQ	-17.28	-568.99	5148.79	-17.28	-568.99	5067.45	-17.28	-568.99	5067.45	-17.28	-568.99	4986.10			
		M3	32.74	3.12	-1145.57	32.74	3.12	-991.52	32.74	3.12	-991.52	32.74	3.12	-837.46			
TANDEM-LOAD		MAX	S2	290.66	280.51	4582.60	214.02	170.81	4823.51	214.02	170.81	4823.51	142.92	68.11	4633.90		
		TQ	-86.89	384.62	4077.43	-86.89	384.62	3668.52	-86.89	384.62	3668.52	-86.89	384.62	3259.57			
		M3	-13.40	-56.81	7251.72	-57.25	-120.06	6976.64	-57.25	-120.06	6976.64	-95.56	-184.79	6450.35			
MIN		S2	-232.40	-69.15	6995.12	-301.84	-171.87	6606.07	-301.84	-171.87	6606.07	-374.14	-264.47	5653.89			
		TQ	-13.66	-390.46	3526.66	-13.66	-390.46	3462.36	-13.66	-390.46	3462.36	-13.66	-390.46	3398.06			
		M3	22.29	2.31	-780.11	22.29	2.31	-675.20	22.29	2.31	-675.20	22.29	2.31	-570.28			
DISPERSION-LMAX		S2	162.63	24.97	1676.41	120.48	-6.59	1699.06	120.48	-6.59	1699.06	93.16	-17.59	1585.59			
		TQ	-28.19	657.36	6105.97	-102.59	657.36	5798.86	-102.59	657.36	5798.86	-171.69	657.36	5148.30			
		M3	-106.05	16.43	12030.43	-180.44	16.52	11356.95	-180.44	16.52	11356.95	-254.44	16.52	10334.22			
MIN	S2	-233.34	-9.36	9124.86	-265.21	21.50	8565.30	-265.21	21.50	8565.30	-311.74	32.88	7837.69				
	TQ	-41.32	-657.92	4676.76	-41.32	-657.92	4482.33	-41.32	-657.92	4482.33	-41.32	-657.92	4287.88				
	M3	36.81	-4.30	-1290.70	36.81	-4.30	-1117.50	36.81	-4.30	-1117.50	36.81	-4.30	-944.28				

BAGO RIVER BRIDGE

BLOCK [ No.1 : MAIN GIRDER ][ BEAM MEMBER FORCE ]

MEMBER			1047			1048			1048			1049			
NODE			1047			1048			1048			1049			
NAME TITLE			SHEAR	TORQUE	MOMENT	SHEAR	TORQUE	MOMENT	SHEAR	TORQUE	MOMENT	SHEAR	TORQUE	MOMENT	
			S2 (kN)	TQ (kN·m)	M3 (kN·m)	S2 (kN)	TQ (kN·m)	M3 (kN·m)	S2 (kN)	TQ (kN·m)	M3 (kN·m)	S2 (kN)	TQ (kN·m)	M3 (kN·m)	
124	SUM TOTAL	D+1LANE (caseMAX	S2	170.44	121.20	46762.73	-270.63	-54.15	45041.36	-270.63	-54.15	45041.36	-663.66	-166.15	41271.82
			TQ	-324.50	712.76	47727.81	-664.40	712.76	45403.67	-664.40	712.76	45403.67	-1004.34	712.76	41479.55
			M3	-51.93	622.48	49092.88	-497.36	504.23	47484.98	-497.36	504.23	47484.98	-964.46	355.02	43620.42
		MIN	S2	-428.92	653.38	47740.18	-823.36	576.88	46239.05	-823.36	576.88	46239.05	-1267.27	433.87	42650.50
			TQ	-158.17	-196.59	44554.24	-432.04	-196.59	43165.53	-432.04	-196.59	43165.53	-705.93	-196.59	40487.70
			M3	-234.11	-101.95	42228.15	-507.98	-101.95	40482.10	-507.98	-101.95	40482.10	-781.87	-101.95	37446.89
		D+1LANE (caseMAX	S2	-179.75	-5.23	44611.36	-453.68	-5.76	43101.95	-453.68	-5.76	43101.95	-728.28	-7.13	40268.05
			TQ	-328.29	160.34	46733.06	-603.33	160.34	44541.06	-603.33	160.34	44541.06	-878.40	160.34	41054.29
			M3	-341.59	108.76	47901.00	-585.84	110.95	45712.84	-585.84	110.95	45712.84	-818.74	121.78	42418.18
		MIN	S2	-370.42	102.56	47087.18	-645.39	103.09	44716.10	-645.39	103.09	44716.10	-919.77	104.46	41085.58
			TQ	-229.42	-59.85	42481.47	-503.28	-59.85	40757.49	-503.28	-59.85	40757.49	-777.18	-59.85	37744.35
			M3	-234.06	-56.25	42242.09	-507.92	-56.25	40496.30	-507.92	-56.25	40496.30	-781.81	-56.25	37461.34
		D+1LANE (caseMAX	S2	-226.73	12.01	43773.27	-500.59	12.01	42061.96	-500.59	12.01	42061.96	-774.49	12.01	39061.49
			TQ	-230.13	12.80	43929.85	-503.99	12.80	42202.53	-503.99	12.80	42202.53	-777.89	12.80	39186.06
			M3	-323.01	-227.47	46834.21	-587.30	-203.04	44686.08	-587.30	-203.04	44686.08	-856.67	-189.18	41288.06
		MIN	S2	-334.64	-240.90	46266.40	-608.50	-240.90	44047.27	-608.50	-240.90	44047.27	-882.40	-240.90	40538.93
			TQ	-330.07	-246.17	46185.55	-603.93	-246.17	43987.93	-603.93	-246.17	43987.93	-877.83	-246.17	40501.11
			M3	-234.00	-21.62	42252.23	-507.87	-21.62	40506.69	-507.87	-21.62	40506.69	-781.76	-21.62	37471.99
		D+1LANE (caseMAX	S2	-233.83	46.88	42270.42	-507.70	46.88	40525.68	-507.70	46.88	40525.68	-781.59	46.88	37491.76
			TQ	-235.82	53.41	42443.59	-509.69	53.41	40689.49	-509.69	53.41	40689.49	-783.58	53.41	37646.22
			M3	-309.13	-664.06	45796.53	-582.23	-655.30	43699.12	-582.23	-655.30	43699.12	-855.90	-652.45	40315.46
		MIN	S2	-315.96	-672.39	45667.07	-589.83	-672.39	43535.84	-589.83	-672.39	43535.84	-863.72	-672.39	40115.41
			TQ	-312.45	-689.92	45595.18	-586.32	-689.92	43480.46	-586.32	-689.92	43480.46	-860.21	-689.92	40076.53
			M3	-233.83	46.86	42270.14	-507.70	46.86	40525.39	-507.70	46.86	40525.39	-781.59	46.86	37491.48

BAGO RIVER BRIDGE

BLOCK [ No.1 : MAIN GIRDER ][ BEAM MEMBER FORCE ]

MEMBER			1047			1048			1048			1049			
NODE			1047			1048			1048			1049			
NAME TITLE			SHEAR	TORQUE	MOMENT	SHEAR	TORQUE	MOMENT	SHEAR	TORQUE	MOMENT	SHEAR	TORQUE	MOMENT	
			S2 (kN)	TQ (kN·m)	M3 (kN·m)	S2 (kN)	TQ (kN·m)	M3 (kN·m)	S2 (kN)	TQ (kN·m)	M3 (kN·m)	S2 (kN)	TQ (kN·m)	M3 (kN·m)	
124	SUM TOTAL	D+2LANES (casMAX	S2	245.05	174.00	49060.74	-201.83	-33.53	47171.31	-201.83	-33.53	47171.31	-603.93	-173.79	43198.52
			TQ	-381.01	962.38	50604.18	-733.47	962.38	47984.13	-733.47	962.38	47984.13	-1085.98	962.38	43704.90
			M3	-63.17	835.35	52828.57	-523.99	693.86	51070.43	-523.99	693.86	51070.43	-1004.24	520.10	46979.00
		MIN	S2	-522.24	864.89	50656.11	-927.85	773.81	49121.65	-927.85	773.81	49121.65	-1379.58	611.16	45434.68
			TQ	-124.56	-234.35	45246.17	-398.42	-234.35	44015.66	-398.42	-234.35	44015.66	-672.32	-234.35	41496.03
			M3	-224.68	-131.88	41887.34	-498.54	-131.88	40185.68	-498.54	-131.88	40185.68	-772.44	-131.88	37194.86
		D+2LANES (casMAX	S2	-46.78	68.64	47267.93	-354.38	6.80	45555.13	-354.38	6.80	45555.13	-657.78	-41.27	42362.04
			TQ	-384.16	502.03	49775.22	-682.58	502.03	47265.28	-682.58	502.03	47265.28	-981.04	502.03	43350.52
			M3	-304.55	407.25	51835.34	-597.72	366.12	49593.64	-597.72	366.12	49593.64	-882.81	325.74	45977.13
		MIN	S2	-473.48	405.88	50111.94	-779.55	378.99	47852.52	-779.55	378.99	47852.52	-1089.99	336.66	44130.58
			TQ	-183.93	-120.40	43518.87	-457.79	-120.40	42008.96	-457.79	-120.40	42008.96	-731.69	-120.40	39209.91
			M3	-224.63	-93.80	41898.95	-498.50	-93.80	40197.51	-498.50	-93.80	40197.51	-772.39	-93.80	37206.90
		D+2LANES (casMAX	S2	-217.88	35.01	43322.70	-491.74	35.01	41653.04	-491.74	35.01	41653.04	-765.64	35.01	38694.22
			TQ	-225.31	43.89	44213.45	-499.17	43.89	42508.82	-499.17	43.89	42508.82	-773.07	43.89	39515.02
			M3	-365.13	-528.51	49109.68	-629.39	-497.78	46762.15	-629.39	-497.78	46762.15	-896.98	-465.03	43167.91
		MIN	S2	-382.02	-563.54	48402.70	-655.88	-563.54	45960.63	-655.88	-563.54	45960.63	-929.78	-563.54	42229.31
			TQ	-377.62	-572.64	48285.18	-651.48	-572.64	45863.83	-651.48	-572.64	45863.83	-925.37	-572.64	42153.23
			M3	-224.47	2.14	41926.76	-498.34	2.14	40226.05	-498.34	2.14	40226.05	-772.23	2.14	37236.19
		D+2LANES (casMAX	S2	-223.75	82.88	42075.24	-497.61	82.88	40377.95	-497.61	82.88	40377.95	-771.51	82.88	37391.49
			TQ	-225.84	90.70	42328.71	-499.70	90.70	40621.59	-499.70	90.70	40621.59	-773.60	90.70	37625.30
			M3	-353.54	-894.33	48243.36	-625.14	-876.67	45938.24	-625.14	-876.67	45938.24	-896.31	-853.09	42356.11
		MIN	S2	-366.42	-925.12	47901.53	-640.29	-925.12	45532.84	-640.29	-925.12	45532.84	-914.18	-925.12	41874.92
			TQ	-362.91	-944.44	47791.54	-636.77	-944.44	45439.38	-636.77	-944.44	45439.38	-910.67	-944.44	41798.00
			M3	-224.29	78.02	41946.52	-498.15	78.02	40246.70	-498.15	78.02	40246.70	-772.04	78.02	37257.73



BAGO RIVER BRIDGE

BLOCK [ No.1 : MAIN GIRDER ][ BEAM MEMBER FORCE ]

MEMBER			1047			1048			1048			1049				
NODE			1047			1048			1048			1049				
NAME TITLE			SHEAR	TORQUE	MOMENT	SHEAR	TORQUE	MOMENT	SHEAR	TORQUE	MOMENT	SHEAR	TORQUE	MOMENT		
			S2 (kN)	TQ (kN·m)	M3 (kN·m)	S2 (kN)	TQ (kN·m)	M3 (kN·m)	S2 (kN)	TQ (kN·m)	M3 (kN·m)	S2 (kN)	TQ (kN·m)	M3 (kN·m)		
124	SUM TOTAL	D+3LANES (casMAX	S2	219.56	160.13	49433.65	-201.41	-16.65	47770.44	-201.41	-16.64	47770.44	-584.78	-136.84	44117.97	
			TQ	-417.80	947.53	52248.45	-759.31	947.53	49480.70	-759.31	947.53	49480.70	-1100.86	947.53	45105.32	
			M3	-157.06	803.02	54966.48	-568.86	684.30	52934.07	-568.86	684.30	52934.07	-989.12	544.28	48854.39	
		MIN	S2	-567.69	823.74	52543.42	-954.33	746.69	50571.58	-954.33	746.69	50571.58	-1379.72	609.41	46597.80	
			TQ	-129.79	-225.66	44682.60	-403.65	-225.66	43427.47	-403.65	-225.66	43427.47	-677.55	-225.66	40883.24	
			M3	-218.17	-136.01	41658.03	-492.04	-136.01	39986.98	-492.04	-136.01	39986.98	-765.93	-136.01	37026.78	
		D+3LANES (casMAX	S2	-212.28	62.91	42894.02	-486.14	62.91	41250.72	-486.14	62.91	41250.72	-760.03	62.91	38318.27	
			TQ	-220.33	75.74	43785.64	-494.20	75.74	42104.42	-494.20	75.75	42104.42	-768.09	75.75	39134.06	
			M3	-390.77	-902.13	50316.40	-655.92	-869.81	47847.14	-655.92	-869.81	47847.14	-924.30	-839.95	44126.88	
		MIN	S2	-409.96	-937.80	49623.89	-683.83	-937.80	47050.31	-683.83	-937.80	47050.31	-957.72	-937.80	43187.48	
			TQ	-403.73	-957.96	49473.03	-677.59	-957.96	46928.79	-677.59	-957.95	46928.79	-951.49	-957.95	43095.30	
			M3	-217.88	34.95	41707.26	-491.75	34.95	40037.58	-491.75	34.95	40037.58	-765.64	34.95	37078.74	
		D+3LANES (casMAX	S2	-212.18	103.10	42904.85	-486.04	103.10	41262.02	-486.04	103.10	41262.02	-759.93	103.10	38330.04	
			TQ	-214.00	109.92	43148.26	-487.86	109.92	41496.86	-487.86	109.92	41496.86	-761.76	109.92	38556.31	
			M3	-390.69	-907.07	50312.04	-655.84	-874.75	47843.18	-655.84	-874.75	47843.18	-924.22	-844.89	44123.31	
		MIN	S2	-409.88	-942.75	49619.13	-683.75	-942.75	47045.94	-683.75	-942.75	47045.94	-957.64	-942.75	43183.49	
			TQ	-406.02	-962.50	49551.34	-679.89	-962.50	46996.31	-679.89	-962.50	46996.31	-953.78	-962.50	43152.03	
			M3	-217.76	82.95	41719.78	-491.63	82.95	40050.65	-491.63	82.95	40050.65	-765.52	82.95	37092.37	
		D+4LANES	MAX	S2	-223.94	35.99	41919.91	-497.81	35.99	40221.70	-497.81	35.99	40221.70	-771.70	35.99	37234.34
			TQ	-225.47	36.36	41973.56	-499.34	36.36	40268.17	-499.34	36.36	40268.17	-773.23	36.36	37273.62	
			M3	-257.50	-35.55	43070.41	-531.36	-35.55	41214.30	-531.36	-35.55	41214.30	-805.26	-35.55	38069.02	
		MIN	S2	-257.50	-35.59	43070.41	-531.36	-35.59	41214.30	-531.36	-35.59	41214.30	-805.26	-35.59	38069.02	
			TQ	-255.28	-36.50	42992.25	-529.14	-36.50	41146.60	-529.14	-36.50	41146.60	-803.03	-36.50	38011.77	
			M3	-223.94	35.79	41919.85	-497.81	35.79	40221.65	-497.81	35.79	40221.65	-771.70	35.79	37234.28	

BAGO RIVER BRIDGE

BLOCK [ No.1 : MAIN GIRDER ][ BEAM MEMBER FORCE ]

MEMBER					1047			1048			1049		
NODE					1047			1048			1049		
					SHEAR	TORQUE	MOMENT	SHEAR	TORQUE	MOMENT	SHEAR	TORQUE	MOMENT
NAME	TITLE				S2 (kN)	TQ (kN·m)	M3 (kN·m)	S2 (kN)	TQ (kN·m)	M3 (kN·m)	S2 (kN)	TQ (kN·m)	M3 (kN·m)
124	SUM TOTAL	D+6LANES	MAX	S2	99.27	202.96	47891.99	-272.21	81.79	46270.51	-272.21	81.79	46270.51
				TQ	-343.49	764.67	50463.54	-665.71	764.67	48089.38	-665.71	764.67	48089.38
				M3	-303.85	-57.10	57223.43	-665.86	-116.24	54713.93	-665.86	-116.24	54713.93
			MIN	S2	-602.62	-71.45	55048.96	-950.58	-125.92	52497.41	-950.58	-125.92	52497.41
				TQ	-286.32	-826.02	49134.71	-560.18	-826.02	47142.98	-560.18	-826.02	47142.98
				M3	-203.03	-29.30	41164.53	-476.89	-29.30	39564.76	-476.89	-29.30	39564.76
			SUM TOTAL	MAX	245.05	962.38	57223.43	-201.41	962.38	54713.93	-201.41	962.38	54713.93
				MIN	-602.62	-962.50	41164.53	-954.33	-962.50	39564.76	-954.33	-962.50	39564.76
300	DEAD LOAD	TOTAL			-248.23	-28.54	42748.10	-522.09	-28.54	40935.62	-522.09	-28.54	40935.62
301	LIVE LOAD	1-LANE(case1MAX	S2	418.67	149.73	4014.63	251.46	-25.62	4105.74	251.46	-25.62	4105.74	132.33
			TQ	-76.27	741.29	4979.71	-142.31	741.29	4468.04	-142.31	741.29	4468.04	-208.35
			M3	196.30	651.01	6344.78	24.73	532.77	6549.36	24.73	532.77	6549.36	-168.47
			MIN	S2	-180.69	681.92	4992.08	-301.27	605.41	5303.42	-301.27	605.41	5303.42
				TQ	90.05	-168.06	1806.13	90.05	-168.06	2229.90	90.05	-168.06	2229.90
				M3	14.12	-73.41	-519.95	14.12	-73.41	-453.52	14.12	-73.41	-453.52
		1-LANE(case2MAX	S2	68.47	23.30	1863.26	68.41	22.78	2166.32	68.41	22.78	2166.32	67.71
			TQ	-80.06	188.87	3984.96	-81.24	188.87	3605.43	-81.24	188.87	3605.43	-82.42
			M3	-93.36	137.30	5152.90	-63.75	139.48	4777.21	-63.75	139.48	4777.21	-22.75
			MIN	S2	-122.19	131.10	4339.08	-123.30	131.62	3780.48	-123.30	131.62	3780.48
				TQ	18.81	-31.31	-266.63	18.81	-31.31	-178.13	18.81	-31.31	-178.13
				M3	14.17	-27.72	-506.02	14.17	-27.72	-439.33	14.17	-27.72	-439.33
		1-LANE(case3MAX	S2	21.50	40.55	1025.17	21.50	40.55	1126.34	21.50	40.55	1126.34	21.50
			TQ	18.10	41.34	1181.74	18.10	41.34	1266.91	18.10	41.34	1266.91	18.10
			M3	-74.78	-198.94	4086.11	-65.21	-174.50	3750.46	-65.21	-174.50	3750.46	-60.69
			MIN	S2	-86.41	-212.37	3518.30	-86.41	-212.37	3111.65	-86.41	-212.37	3111.65
				TQ	-81.84	-217.63	3437.44	-81.84	-217.63	3052.31	-81.84	-217.63	3052.31
				M3	14.23	6.91	-495.87	14.23	6.91	-428.93	14.23	6.91	-428.93

BAGO RIVER BRIDGE

BLOCK [ No.1 : MAIN GIRDER ][ BEAM MEMBER FORCE ]

MEMBER			1047			1048			1048			1049			
NODE			1047			1048			1048			1049			
NAME TITLE			SHEAR	TORQUE	MOMENT	SHEAR	TORQUE	MOMENT	SHEAR	TORQUE	MOMENT	SHEAR	TORQUE	MOMENT	
			S2 (kN)	TQ (kN·m)	M3 (kN·m)	S2 (kN)	TQ (kN·m)	M3 (kN·m)	S2 (kN)	TQ (kN·m)	M3 (kN·m)	S2 (kN)	TQ (kN·m)	M3 (kN·m)	
301	LIVE LOAD	1-LANE (case4MAX	S2	14.39	75.41	-477.68	14.39	75.41	-409.95	14.39	75.41	-409.95	14.39	75.41	-342.21
			TQ	12.41	81.94	-304.51	12.41	81.94	-246.13	12.41	81.94	-246.13	12.41	81.94	-187.75
			M3	-60.91	-635.52	3048.43	-60.13	-626.77	2763.50	-60.13	-626.77	2763.50	-59.92	-623.91	2481.49
			MIN S2	-67.73	-643.85	2918.97	-67.73	-643.85	2600.22	-67.73	-643.85	2600.22	-67.73	-643.85	2281.44
			TQ	-64.23	-661.39	2847.08	-64.23	-661.39	2544.84	-64.23	-661.39	2544.84	-64.23	-661.39	2242.56
			M3	14.39	75.40	-477.96	14.39	75.40	-410.23	14.39	75.40	-410.23	14.39	75.40	-342.49
		2-LANES (caseMAX	S2	493.27	202.54	6312.64	320.26	-4.99	6235.69	320.26	-4.99	6235.69	192.06	-145.25	5364.55
			TQ	-132.78	990.92	7856.08	-211.38	990.92	7048.50	-211.38	990.92	7048.50	-290.00	990.92	5870.93
			M3	185.06	863.88	10080.47	-1.90	722.39	10134.81	-1.90	722.39	10134.81	-208.25	548.64	9145.02
			MIN S2	-274.01	893.43	7908.00	-405.76	802.34	8186.02	-405.76	802.34	8186.02	-583.60	639.70	7600.71
			TQ	123.67	-205.82	2498.07	123.67	-205.82	3080.03	123.67	-205.82	3080.03	123.67	-205.82	3662.06
			M3	23.55	-103.34	-860.76	23.55	-103.34	-749.94	23.55	-103.34	-749.94	23.55	-103.34	-639.12
		2-LANES (caseMAX	S2	201.44	97.18	4519.83	167.72	35.34	4619.51	167.72	35.34	4619.51	138.21	-12.73	4528.07
			TQ	-135.93	530.56	7027.12	-160.49	530.56	6329.66	-160.49	530.56	6329.66	-185.05	530.56	5516.55
			M3	-56.32	435.79	9087.24	-75.63	394.65	8658.02	-75.63	394.65	8658.02	-86.82	354.27	8143.16
			MIN S2	-225.26	434.41	7363.84	-257.46	407.52	6916.90	-257.46	407.52	6916.90	-294.01	365.19	6296.61
			TQ	64.30	-91.86	770.77	64.30	-91.86	1073.33	64.30	-91.86	1073.33	64.30	-91.86	1375.93
			M3	23.59	-65.26	-849.15	23.59	-65.26	-738.12	23.59	-65.26	-738.12	23.59	-65.26	-627.07
		2-LANES (caseMAX	S2	30.35	63.55	574.60	30.35	63.55	717.42	30.35	63.55	717.42	30.35	63.55	860.25
			TQ	22.92	72.43	1465.35	22.92	72.43	1573.19	22.92	72.43	1573.19	22.92	72.43	1681.05
			M3	-116.90	-499.98	6361.58	-107.30	-469.25	5826.53	-107.30	-469.25	5826.53	-100.99	-436.49	5333.94
			MIN S2	-133.79	-535.01	5654.60	-133.79	-535.01	5025.01	-133.79	-535.01	5025.01	-133.79	-535.01	4395.34
			TQ	-129.39	-544.11	5537.08	-129.39	-544.11	4928.20	-129.39	-544.11	4928.20	-129.39	-544.11	4319.26
			M3	23.75	30.67	-821.35	23.75	30.67	-709.57	23.75	30.67	-709.57	23.75	30.67	-597.78

BAGO RIVER BRIDGE

BLOCK [ No.1 : MAIN GIRDER ][ BEAM MEMBER FORCE ]

MEMBER			1047			1048			1048			1049				
NODE			1047			1048			1048			1049				
NAME TITLE			SHEAR	TORQUE	MOMENT	SHEAR	TORQUE	MOMENT	SHEAR	TORQUE	MOMENT	SHEAR	TORQUE	MOMENT		
			S2 (kN)	TQ (kN·m)	M3 (kN·m)	S2 (kN)	TQ (kN·m)	M3 (kN·m)	S2 (kN)	TQ (kN·m)	M3 (kN·m)	S2 (kN)	TQ (kN·m)	M3 (kN·m)		
301	LIVE LOAD	2-LANES (caseMAX	S2	24.48	111.42	-672.86	24.48	111.42	-557.68	24.48	111.42	-557.68	24.48	111.42	-442.48	
			TQ	22.39	119.24	-419.39	22.39	119.24	-314.04	22.39	119.24	-314.04	22.39	119.24	-208.67	
			M3	-105.31	-865.80	5495.26	-103.04	-848.13	5002.61	-103.04	-848.13	5002.61	-100.32	-824.55	4522.14	
			MIN	S2	-118.20	-896.59	5153.43	-118.20	-896.59	4597.22	-118.20	-896.59	4597.22	-118.20	-896.59	4040.95
			TQ	-114.68	-915.90	5043.43	-114.68	-915.90	4503.76	-114.68	-915.90	4503.76	-114.68	-915.90	3964.03	
			M3	23.94	106.55	-801.58	23.94	106.55	-688.92	23.94	106.55	-688.92	23.94	106.55	-576.25	
		3-LANES (caseMAX	S2	467.79	188.66	6685.55	320.68	11.89	6834.81	320.68	11.89	6834.81	211.21	-108.30	6284.00	
			TQ	-169.57	976.06	9500.35	-237.22	976.06	8545.08	-237.22	976.06	8545.08	-304.88	976.06	7271.35	
			M3	91.17	831.55	12218.37	-46.77	712.83	11998.45	-46.77	712.83	11998.45	-193.13	572.82	11020.41	
			MIN	S2	-319.46	852.28	9795.32	-432.24	775.23	9635.96	-432.24	775.23	9635.96	-583.73	637.95	8763.82
			TQ	118.44	-197.12	1934.50	118.44	-197.12	2491.85	118.44	-197.12	2491.85	118.44	-197.12	3049.27	
			M3	30.05	-107.47	-1090.07	30.05	-107.47	-948.64	30.05	-107.47	-948.64	30.05	-107.47	-807.20	
		3-LANES (caseMAX	S2	35.95	91.44	145.92	35.95	91.44	315.10	35.95	91.44	315.10	35.95	91.44	484.30	
			TQ	27.89	104.28	1037.53	27.89	104.28	1168.80	27.89	104.28	1168.80	27.89	104.28	1300.08	
			M3	-142.54	-873.60	7568.29	-133.83	-841.28	6911.52	-133.83	-841.28	6911.52	-128.31	-811.41	6292.91	
			MIN	S2	-161.74	-909.26	6875.78	-161.74	-909.26	6114.69	-161.74	-909.26	6114.69	-161.74	-909.26	5353.51
			TQ	-155.50	-929.42	6724.93	-155.50	-929.42	5993.17	-155.50	-929.42	5993.17	-155.50	-929.42	5261.33	
			M3	30.34	63.49	-1040.84	30.34	63.49	-898.04	30.34	63.49	-898.04	30.34	63.49	-755.23	
		3-LANES (caseMAX	S2	36.05	131.64	156.75	36.05	131.64	326.40	36.05	131.64	326.40	36.05	131.64	496.07	
			TQ	34.23	138.45	400.16	34.23	138.45	561.24	34.23	138.45	561.24	34.23	138.45	722.34	
			M3	-142.46	-878.53	7563.94	-133.75	-846.21	6907.55	-133.75	-846.21	6907.55	-128.23	-816.35	6289.34	
MIN	S2		-161.65	-914.22	6871.03	-161.65	-914.22	6110.31	-161.65	-914.22	6110.31	-161.65	-914.22	5349.52		
TQ	-157.79		-933.97	6803.23	-157.79	-933.97	6060.69	-157.79	-933.97	6060.69	-157.79	-933.97	5318.05			
M3	30.46		111.49	-1028.32	30.46	111.49	-884.97	30.46	111.49	-884.97	30.46	111.49	-741.60			

BAGO RIVER BRIDGE

BLOCK [ No.1 : MAIN GIRDER ][ BEAM MEMBER FORCE ]

MEMBER					1047			1048			1049					
NODE					1047			1048			1048					
NAME TITLE					SHEAR	TORQUE	MOMENT	SHEAR	TORQUE	MOMENT	SHEAR	TORQUE	MOMENT			
					S2 (kN)	TQ (kN·m)	M3 (kN·m)	S2 (kN)	TQ (kN·m)	M3 (kN·m)	S2 (kN)	TQ (kN·m)	M3 (kN·m)			
301	LIVE LOAD	4-LANES	MAX	S2	24.28	64.53	-828.20	24.28	64.53	-713.92	24.28	64.53	-713.92	24.28	64.53	-599.63
				TQ	22.76	64.90	-774.54	22.76	64.90	-667.45	22.76	64.90	-667.45	22.76	64.90	-560.36
				M3	-9.27	-7.02	322.31	-9.27	-7.02	278.68	-9.27	-7.02	278.68	-9.27	-7.02	235.05
			MIN	S2	-9.27	-7.05	322.31	-9.27	-7.05	278.68	-9.27	-7.05	278.68	-9.27	-7.05	235.04
				TQ	-7.05	-7.96	244.15	-7.05	-7.96	210.98	-7.05	-7.96	210.98	-7.05	-7.96	177.80
				M3	24.28	64.33	-828.25	24.28	64.33	-713.98	24.28	64.33	-713.98	24.28	64.33	-599.69
		6-LANES	MAX	S2	347.50	231.50	5143.89	249.88	110.33	5334.89	249.88	110.33	5334.89	177.91	28.26	5088.87
				TQ	-95.26	793.21	7715.44	-143.62	793.21	7153.76	-143.62	793.21	7153.76	-188.54	793.21	6368.80
				M3	-55.62	-28.56	14475.33	-143.77	-87.70	13778.31	-143.77	-87.70	13778.31	-224.72	-131.05	12627.71
			MIN	S2	-354.39	-42.92	12300.86	-428.49	-97.39	11561.79	-428.49	-97.39	11561.79	-525.82	-188.68	10347.64
				TQ	-38.09	-797.49	6386.60	-38.09	-797.49	6207.35	-38.09	-797.49	6207.35	-38.09	-797.49	6028.08
				M3	45.20	-0.77	-1583.57	45.20	-0.77	-1370.86	45.20	-0.77	-1370.86	45.20	-0.77	-1158.13
		LIVE LOAD	MAX		493.27	990.92	14475.33	320.68	990.92	13778.31	320.68	990.92	13778.31	211.21	990.92	12627.71
			MIN		-354.39	-933.97	-1583.57	-432.24	-933.97	-1370.86	-432.24	-933.97	-1370.86	-583.73	-933.97	-1158.13
		303	SUM TOTAL	TOTAL	MAX	245.05	962.38	57223.43	-201.41	962.38	54713.93	-201.41	962.38	54713.93	-584.78	962.38
MIN	-602.62				-962.50	41164.53	-954.33	-962.50	39564.76	-954.33	-962.50	39564.76	-1379.72	-962.50	36675.84	

BAGO RIVER BRIDGE

BLOCK [ No.1 : MAIN GIRDER ] [ BEAM MEMBER FORCE ]

MEMBER NODE	1049	1050			1050			1051			SHEAR	TORQUE	MOMENT		
		SHEAR	TORQUE	MOMENT	SHEAR	TORQUE	MOMENT	SHEAR	TORQUE	MOMENT					
NAME TITLE	S2 (kN)	TQ (kN·m)	M3 (kN·m)	S2 (kN)	TQ (kN·m)	M3 (kN·m)	S2 (kN)	TQ (kN·m)	M3 (kN·m)	S2 (kN)	TQ (kN·m)	M3 (kN·m)			
1 PAVEMENT	-99.02	16.02	5895.72	-145.20	16.02	5320.98	-145.20	16.02	5320.98	-191.38	16.02	4528.75			
3 RAILING	-0.46	0.45	177.18	-4.35	0.45	165.85	-4.35	0.45	165.85	-8.25	0.45	136.20			
5 CURB	-4.57	4.49	1754.08	-43.09	4.49	1641.90	-43.09	4.49	1641.90	-81.63	4.49	1348.34			
7 DECK WEIGHT	-160.72	25.38	9820.79	-236.77	25.38	8885.33	-236.77	25.38	8885.33	-312.82	25.38	7591.71			
8 GIRDER WEIGH	-251.70	19.29	13730.26	-339.69	19.29	12338.44	-339.69	19.29	12338.44	-427.70	19.29	10532.18			
10 MEDIAN STRIP	-70.45	5.61	3525.14	-70.45	5.61	3193.55	-70.45	5.61	3193.55	-70.45	5.61	2861.91			
21 ADITIONAL WE	-45.00	7.11	2749.82	-66.29	7.11	2487.89	-66.29	7.11	2487.89	-87.59	7.11	2125.68			
31 MEDIAN RAILI	-4.49	0.04	180.97	-4.49	0.04	159.83	-4.49	0.04	159.83	-4.49	0.04	138.68			
51 SUPPORT WEIG	0.00	0.00	0.00	0.00	0.00	0.00	0.00	0.00	0.00	0.00	0.00	0.00			
52 NOSE WEIGHT	-0.00	0.00	0.00	-0.00	0.00	0.00	-0.00	0.00	0.00	-0.00	0.00	0.00			
61 1-LANE(case1TRUCK-LOAD	MAX	S2	258.09	230.60	2248.69	149.79	100.51	2300.30	149.79	100.51	2300.30	68.22	8.14	1816.99	
		TQ	-72.51	361.63	1861.95	-72.51	361.63	1520.65	-72.51	361.63	1520.65	-72.51	361.63	1179.32	
		M3	130.89	320.34	2369.71	42.16	218.84	2459.92	42.16	218.84	2459.92	-87.64	121.85	1990.51	
	MIN	S2	-106.72	338.94	2352.31	-185.60	251.71	2436.15	-185.60	251.71	2436.15	-284.02	133.77	1940.37	
		TQ	4.78	-30.00	-140.04	4.78	-30.00	-117.56	4.78	-30.00	-117.56	4.78	-30.00	-95.08	
		M3	5.08	-28.45	-147.90	5.08	-28.45	-123.98	5.08	-28.45	-123.98	5.08	-28.45	-100.07	
	TANDEM-LOAD	MAX	S2	211.01	199.92	1777.70	134.96	108.18	1860.97	134.96	108.18	1860.97	62.23	20.67	1501.87
		TQ	-54.02	246.35	1357.28	-54.02	246.35	1103.02	-54.02	246.35	1103.02	-54.02	246.35	848.72	
		M3	68.94	216.02	1792.77	-1.89	131.86	1880.57	-1.89	131.86	1880.57	-79.35	37.70	1526.95	
	MIN	S2	-87.47	216.02	1792.77	-158.30	131.86	1880.57	-158.30	131.86	1880.57	-235.75	37.70	1526.95	
		TQ	3.30	-20.45	-96.78	3.30	-20.45	-81.23	3.30	-20.45	-81.23	3.30	-20.45	-65.68	
		M3	3.46	-19.57	-100.77	3.46	-19.57	-84.49	3.46	-19.57	-84.49	3.46	-19.57	-68.20	
	DISPERSION-LMAX	S2	71.87	4.11	616.19	39.83	-24.94	530.19	39.83	-24.94	530.19	21.31	-37.62	348.86	
		TQ	-5.44	451.69	2231.03	-60.49	451.69	2078.18	-60.49	451.69	2078.18	-115.55	451.69	1666.21	
		M3	3.75	446.45	2452.33	-51.30	446.45	2342.73	-51.30	446.45	2342.73	-106.36	446.45	1974.03	
	MIN	S2	-62.13	408.42	1661.47	-85.14	437.47	1666.09	-85.14	437.47	1666.09	-121.67	450.15	1506.95	
		TQ	15.19	-39.16	46.62	15.19	-39.16	118.11	15.19	-39.16	118.11	15.19	-39.16	189.60	
		M3	6.00	-33.92	-174.67	6.00	-33.92	-146.45	6.00	-33.92	-146.45	6.00	-33.92	-118.22	

BAGO RIVER BRIDGE

BLOCK [ No.1 : MAIN GIRDER ][ BEAM MEMBER FORCE ]

MEMBER				1049			1050			1051					
NODE				1049			1050			1050			1051		
				SHEAR	TORQUE	MOMENT	SHEAR	TORQUE	MOMENT	SHEAR	TORQUE	MOMENT	SHEAR	TORQUE	MOMENT
NAME	TITLE			S2 (kN)	TQ (kN·m)	M3 (kN·m)	S2 (kN)	TQ (kN·m)	M3 (kN·m)	S2 (kN)	TQ (kN·m)	M3 (kN·m)	S2 (kN)	TQ (kN·m)	M3 (kN·m)
62	1-LANE (case2TRUCK-LOAD	MAX	S2	26.60	58.40	995.19	26.60	58.40	1120.40	26.60	58.40	1120.40	26.60	58.40	1245.63
			TQ	-44.80	90.72	1206.21	-44.80	90.72	995.34	-44.80	90.72	995.34	-44.80	90.72	784.44
			M3	-56.02	52.87	1738.83	-39.83	53.44	1496.42	-39.83	53.44	1496.42	-4.63	63.15	1400.88
		MIN	S2	-63.86	56.15	1723.88	-63.86	56.15	1423.31	-63.86	56.15	1423.31	-63.86	56.15	1122.70
			TQ	4.97	-11.60	-139.55	4.97	-11.60	-116.16	4.97	-11.60	-116.16	4.97	-11.60	-92.77
			M3	5.08	-11.24	-142.59	5.08	-11.24	-118.66	5.08	-11.24	-118.66	5.08	-11.24	-94.73
		TANDEM-LOAD MAX	S2	20.48	38.52	629.51	20.48	38.52	725.90	20.48	38.52	725.90	20.48	38.52	822.30
			TQ	-28.98	61.70	785.96	-28.98	61.70	649.54	-28.98	61.70	649.54	-28.98	61.70	513.11
			M3	-39.14	32.61	1206.18	-37.48	32.54	1021.12	-37.48	32.54	1021.12	9.44	46.58	969.06
		MIN	S2	-45.37	38.97	1166.10	-45.37	38.97	952.54	-45.37	38.97	952.54	-45.37	38.97	738.96
			TQ	3.36	-7.92	-94.34	3.36	-7.92	-78.54	3.36	-7.92	-78.54	3.36	-7.92	-62.73
			M3	3.46	-7.71	-97.11	3.46	-7.71	-80.82	3.46	-7.71	-80.82	3.46	-7.71	-64.52
		DISPERSION-LMAX	S2	15.49	6.59	213.17	15.48	6.30	280.36	15.48	6.30	280.36	15.08	4.57	318.70
			TQ	-47.73	136.26	2081.34	-48.71	136.26	1854.36	-48.71	136.26	1854.36	-49.70	136.26	1622.73
			M3	-47.73	136.26	2081.34	-48.71	136.26	1854.36	-48.71	136.26	1854.36	-49.70	136.26	1622.73
MIN	S2	-57.24	116.39	1700.23	-58.21	116.68	1434.25	-58.21	116.68	1434.25	-58.79	118.40	1192.46		
	TQ	5.99	-13.29	-167.94	5.99	-13.29	-139.76	5.99	-13.29	-139.76	5.99	-13.29	-111.58		
	M3	5.99	-13.29	-167.94	5.99	-13.29	-139.76	5.99	-13.29	-139.76	5.99	-13.29	-111.58		
63	1-LANE (case3TRUCK-LOAD	MAX	S2	5.09	1.81	-138.73	5.09	1.81	-114.76	5.09	1.81	-114.76	5.09	1.81	-90.79
			TQ	1.44	3.80	329.29	1.44	3.80	336.05	1.44	3.80	336.05	1.44	3.80	342.81
			M3	-38.55	-115.65	1194.69	-34.57	-109.84	1026.76	-34.57	-109.84	1026.76	-27.05	-88.68	879.69
		MIN	S2	-40.65	-112.83	1154.47	-40.65	-112.83	963.11	-40.65	-112.83	963.11	-40.65	-112.83	771.73
			TQ	-39.58	-116.25	1188.65	-39.58	-116.25	1002.33	-39.58	-116.25	1002.33	-39.58	-116.25	815.99
			M3	5.09	1.81	-138.73	5.09	1.81	-114.76	5.09	1.81	-114.76	5.09	1.81	-90.79

BAGO RIVER BRIDGE

BLOCK [ No.1 : MAIN GIRDER ][ BEAM MEMBER FORCE ]

MEMBER		1049			1050			1050			1051					
NODE		1049			1050			1050			1051					
		SHEAR	TORQUE	MOMENT	SHEAR	TORQUE	MOMENT	SHEAR	TORQUE	MOMENT	SHEAR	TORQUE	MOMENT			
NAME	TITLE	S2 (kN)	TQ (kN·m)	M3 (kN·m)	S2 (kN)	TQ (kN·m)	M3 (kN·m)	S2 (kN)	TQ (kN·m)	M3 (kN·m)	S2 (kN)	TQ (kN·m)	M3 (kN·m)			
63	1-LANE (case3TANDEM-LOAD	MAX	S2	3.47	1.27	-94.46	3.47	1.27	-78.13	3.47	1.27	-78.13	3.47	1.27	-61.81	
			TQ	1.21	2.89	181.87	1.21	2.89	187.56	1.21	2.89	187.56	1.21	2.89	193.25	
			M3	-25.94	-79.51	816.23	-24.99	-78.22	697.82	-24.99	-78.22	697.82	-19.72	-65.78	599.65	
		MIN	S2	-27.91	-78.15	793.86	-27.91	-78.15	662.51	-27.91	-78.15	662.51	-27.91	-78.15	531.14	
			TQ	-25.94	-79.51	816.23	-25.94	-79.51	694.15	-25.94	-79.51	694.15	-25.94	-79.51	572.05	
			M3	3.47	1.27	-94.46	3.47	1.27	-78.13	3.47	1.27	-78.13	3.47	1.27	-61.81	
		DISPERSION-LMAX	S2	6.46	3.43	-77.47	6.46	3.43	-47.08	6.46	3.43	-47.08	6.46	3.43	-16.69	
			TQ	2.94	4.37	33.18	2.94	4.37	47.00	2.94	4.37	47.00	2.94	4.37	60.81	
			M3	-48.48	-124.21	1683.71	-48.48	-124.21	1455.52	-48.48	-124.21	1455.52	-48.48	-124.21	1227.29	
		MIN	S2	-48.95	-125.29	1598.26	-48.95	-125.29	1367.83	-48.95	-125.29	1367.83	-48.95	-125.29	1137.38	
			TQ	-45.43	-126.23	1487.61	-45.43	-126.23	1273.76	-45.43	-126.23	1273.76	-45.43	-126.23	1059.88	
			M3	5.98	2.34	-162.93	5.98	2.34	-134.76	5.98	2.34	-134.76	5.98	2.34	-106.60	
64	1-LANE (case4TRUCK-LOAD	MAX	S2	5.14	28.39	-131.70	5.14	28.39	-107.50	5.14	28.39	-107.50	5.14	28.39	-83.31	
			TQ	5.03	29.46	-128.31	5.03	29.46	-104.64	5.03	29.46	-104.64	5.03	29.46	-80.97	
			M3	-26.84	-310.32	809.05	-25.09	-307.89	689.33	-25.09	-307.89	689.33	-24.40	-304.56	573.69	
		MIN	S2	-28.26	-297.50	773.87	-28.26	-297.50	640.86	-28.26	-297.50	640.86	-28.26	-297.50	507.82	
			TQ	-26.84	-310.32	809.05	-26.84	-310.32	682.70	-26.84	-310.32	682.70	-26.84	-310.32	556.34	
			M3	5.14	28.39	-131.70	5.14	28.39	-107.50	5.14	28.39	-107.50	5.14	28.15	-83.31	
		TANDEM-LOAD	MAX	S2	3.50	19.58	-89.65	3.50	19.58	-73.16	3.50	19.58	-73.16	3.50	19.58	-56.68
			TQ	3.40	20.10	-86.69	3.40	20.10	-70.69	3.40	20.10	-70.69	3.40	20.10	-54.69	
			M3	-17.95	-211.71	551.10	-17.53	-211.24	468.42	-17.53	-211.24	468.42	-16.12	-205.98	391.67	
		MIN	S2	-19.25	-198.80	517.58	-19.25	-198.80	427.00	-19.25	-198.80	427.00	-19.25	-198.80	336.39	
			TQ	-17.95	-211.71	551.10	-17.95	-211.71	466.60	-17.95	-211.71	466.60	-17.95	-211.71	382.08	
			M3	3.50	19.58	-89.65	3.50	19.58	-73.16	3.50	19.58	-73.16	3.50	19.58	-56.68	



BAGO RIVER BRIDGE

BLOCK [ No.1 : MAIN GIRDER ][ BEAM MEMBER FORCE ]

MEMBER		1049			1050			1050			1051						
NODE		1049			1050			1050			1051						
		SHEAR	TORQUE	MOMENT	SHEAR	TORQUE	MOMENT	SHEAR	TORQUE	MOMENT	SHEAR	TORQUE	MOMENT				
NAME	TITLE	S2 (kN)	TQ (kN·m)	M3 (kN·m)	S2 (kN)	TQ (kN·m)	M3 (kN·m)	S2 (kN)	TQ (kN·m)	M3 (kN·m)	S2 (kN)	TQ (kN·m)	M3 (kN·m)				
64	1-LANE (case4DISPERSION-LMAX	S2	5.99	32.49	-153.71	5.99	32.49	-125.51	5.99	32.49	-125.51	5.99	32.49	-97.30			
		TQ	5.99	32.49	-153.71	5.99	32.49	-125.51	5.99	32.49	-125.51	5.99	32.49	-97.30			
		M3	-44.55	-436.41	1258.86	-44.55	-436.41	1049.16	-44.55	-436.41	1049.16	-44.55	-436.41	839.42			
		MIN	S2	-44.55	-436.41	1258.86	-44.55	-436.41	1049.16	-44.55	-436.41	1049.16	-44.55	-436.41	839.42		
		TQ	-44.55	-436.41	1258.86	-44.55	-436.41	1049.16	-44.55	-436.41	1049.16	-44.55	-436.41	839.42			
		M3	5.99	32.49	-153.71	5.99	32.49	-125.51	5.99	32.49	-125.51	5.99	32.49	-97.30			
		65	2-LANES (caseTRUCK-LOAD	MAX	S2	347.69	369.51	4196.05	216.58	187.85	4110.38	216.58	187.85	4110.38	114.39	52.02	3357.73
				TQ	-128.45	578.16	3337.19	-128.45	578.16	2732.58	-128.45	578.16	2732.58	-128.45	578.16	2127.89	
				M3	151.14	498.88	4421.07	41.42	353.23	4397.56	41.42	353.23	4397.56	-126.13	218.73	3682.91	
MIN	S2			-190.75	527.29	4391.24	-289.64	399.89	4367.46	-289.64	399.89	4367.46	-410.86	230.64	3632.77		
TQ	9.55			-50.82	-277.24	9.55	-50.82	-232.28	9.55	-50.82	-232.28	9.55	-50.82	-187.31			
M3	10.16			-48.31	-293.13	10.16	-48.31	-245.30	10.16	-48.31	-245.30	10.16	-48.31	-197.46			
TANDEM-LOAD	MAX			S2	279.12	310.89	3251.42	187.46	183.71	3252.61	187.46	183.71	3252.61	99.23	61.08	2715.85	
TQ	-90.45			393.65	2326.27	-90.45	393.65	1900.51	-90.45	393.65	1900.51	-90.45	393.65	1474.70			
M3	73.55			334.26	3279.64	-12.40	216.56	3289.58	-12.40	216.56	3289.58	-105.75	85.92	2762.55			
MIN	S2	-149.89	334.26	3279.64	-235.84	216.56	3289.58	-235.84	216.56	3289.58	-329.18	85.92	2762.55				
TQ	6.61	-34.64	-191.62	6.61	-34.64	-160.52	6.61	-34.64	-160.52	6.61	-34.64	-129.41					
M3	6.92	-33.21	-199.70	6.92	-33.21	-167.13	6.92	-33.21	-167.13	6.92	-33.21	-134.55					
DISPERSION-LMAX	S2	109.20	16.84	1167.19	66.20	-29.35	969.40	66.20	-29.35	969.40	39.48	-52.91	652.29				
TQ	-32.59	743.44	4476.86	-111.22	743.44	4140.71	-111.22	743.44	4140.71	-189.86	743.44	3434.42					
M3	-22.42	738.06	4723.95	-101.05	738.06	4435.68	-101.05	738.06	4435.68	-179.69	738.06	3777.27					
MIN	S2	-119.63	663.68	3210.78	-155.26	709.86	3176.72	-155.26	709.86	3176.72	-207.18	733.43	2891.86				
TQ	22.16	-62.92	-98.89	22.16	-62.92	5.41	22.16	-62.92	5.41	22.16	-62.92	109.73					
M3	11.99	-57.54	-345.99	11.99	-57.54	-289.56	11.99	-57.54	-289.56	11.99	-57.54	-233.12					

BAGO RIVER BRIDGE

BLOCK [ No.1 : MAIN GIRDER ][ BEAM MEMBER FORCE ]

MEMBER				1049			1050			1051					
NODE				1049			1050			1050			1051		
				SHEAR	TORQUE	MOMENT	SHEAR	TORQUE	MOMENT	SHEAR	TORQUE	MOMENT	SHEAR	TORQUE	MOMENT
NAME	TITLE			S2 (kN)	TQ (kN·m)	M3 (kN·m)	S2 (kN)	TQ (kN·m)	M3 (kN·m)	S2 (kN)	TQ (kN·m)	M3 (kN·m)	S2 (kN)	TQ (kN·m)	M3 (kN·m)
66	2-LANES (caseTRUCK-LOAD	MAX	S2	116.21	197.31	2942.56	93.39	145.74	2930.48	93.39	145.74	2930.48	72.77	102.28	2786.38
			TQ	-100.74	307.25	2681.45	-100.74	307.25	2207.26	-100.74	307.25	2207.26	-100.74	307.25	1733.01
			M3	-35.77	231.41	3790.20	-40.57	187.83	3434.06	-40.57	187.83	3434.06	-43.11	160.02	3093.28
		MIN	S2	-147.88	244.50	3762.81	-167.90	204.33	3354.62	-167.90	204.33	3354.62	-190.70	153.02	2815.10
			TQ	9.75	-32.42	-276.75	9.75	-32.42	-230.88	9.75	-32.42	-230.88	9.75	-32.42	-185.00
			M3	10.17	-31.10	-287.82	10.17	-31.10	-239.97	10.17	-31.10	-239.97	10.17	-31.10	-192.12
		TANDEM-LOAD MAX	S2	88.59	149.49	2103.23	72.98	114.05	2117.55	72.98	114.05	2117.55	57.48	78.93	2036.28
			TQ	-65.42	209.00	1754.96	-65.42	209.00	1447.04	-65.42	209.00	1447.04	-65.42	209.00	1139.08
			M3	-34.53	150.84	2693.05	-47.99	117.24	2430.14	-47.99	117.24	2430.14	-16.96	94.81	2204.65
		MIN	S2	-107.79	157.21	2652.97	-122.91	123.67	2361.56	-122.91	123.67	2361.56	-138.80	87.19	1974.55
			TQ	6.66	-22.12	-189.18	6.66	-22.12	-157.82	6.66	-22.12	-157.82	6.66	-22.12	-126.46
			M3	6.92	-21.36	-196.04	6.92	-21.36	-163.46	6.92	-21.36	-163.46	6.92	-21.36	-130.87
		DISPERSION-LMAX	S2	52.82	19.32	764.17	41.85	1.89	719.57	41.85	1.89	719.57	33.25	-10.72	622.13
			TQ	-74.88	428.01	4327.17	-99.44	428.01	3916.90	-99.44	428.01	3916.90	-124.01	428.01	3390.94
			M3	-73.90	427.87	4352.96	-98.46	427.87	3947.31	-98.46	427.87	3947.31	-123.03	427.87	3425.97
MIN	S2	-114.74	371.64	3249.54	-128.33	389.07	2944.87	-128.33	389.07	2944.87	-144.30	401.68	2577.36		
	TQ	12.96	-37.05	-313.46	12.96	-37.05	-252.46	12.96	-37.05	-252.46	12.96	-37.05	-191.45		
	M3	11.98	-36.91	-339.25	11.98	-36.91	-282.87	11.98	-36.91	-282.87	11.98	-36.91	-226.48		
67	2-LANES (caseTRUCK-LOAD	MAX	S2	10.20	12.33	-275.09	10.20	12.33	-227.09	10.20	12.33	-227.09	10.20	12.33	-179.08
			TQ	6.07	15.70	206.27	6.07	15.70	234.84	6.07	15.70	234.84	6.07	15.70	263.41
			M3	-69.33	-323.01	2179.07	-64.03	-311.97	1867.45	-64.03	-311.97	1867.45	-53.87	-277.91	1586.46
		MIN	S2	-73.95	-321.25	2099.81	-73.95	-321.25	1751.73	-73.95	-321.25	1751.73	-73.95	-321.25	1403.60
			TQ	-72.53	-328.07	2162.78	-72.53	-328.07	1821.39	-72.53	-328.07	1821.39	-72.53	-328.07	1479.96
			M3	10.20	12.33	-275.09	10.20	12.33	-227.09	10.20	12.33	-227.09	10.20	12.33	-179.08

BAGO RIVER BRIDGE

BLOCK [ No.1 : MAIN GIRDER ][ BEAM MEMBER FORCE ]

MEMBER		1049			1050			1050			1051						
NODE		1049			1050			1050			1051						
		SHEAR	TORQUE	MOMENT	SHEAR	TORQUE	MOMENT	SHEAR	TORQUE	MOMENT	SHEAR	TORQUE	MOMENT				
NAME	TITLE	S2 (kN)	TQ (kN·m)	M3 (kN·m)	S2 (kN)	TQ (kN·m)	M3 (kN·m)	S2 (kN)	TQ (kN·m)	M3 (kN·m)	S2 (kN)	TQ (kN·m)	M3 (kN·m)				
67	2-LANES (caseTANDEM-LOAD	MAX	S2	6.94	8.54	-187.30	6.94	8.54	-154.61	6.94	8.54	-154.61	6.94	8.54	-121.91		
			TQ	4.31	11.03	99.57	4.31	11.03	119.86	4.31	11.03	119.86	4.31	11.03	140.16		
			M3	-47.42	-222.45	1487.17	-44.49	-214.38	1269.51	-44.49	-214.38	1269.51	-38.48	-198.33	1080.88		
		MIN	S2	-50.67	-221.18	1443.05	-50.67	-221.18	1204.54	-50.67	-221.18	1204.54	-50.67	-221.18	966.00		
			TQ	-47.89	-223.59	1486.16	-47.89	-223.59	1260.74	-47.89	-223.59	1260.74	-47.89	-223.59	1035.29		
			M3	6.94	8.54	-187.30	6.94	8.54	-154.61	6.94	8.54	-154.61	6.94	8.54	-121.91		
		DISPERSION-LMAX	S2	12.44	16.10	-237.24	12.44	16.10	-178.67	12.44	16.10	-178.67	12.44	16.10	-120.10		
			TQ	8.78	17.04	-122.72	8.78	17.04	-81.39	8.78	17.04	-81.39	8.78	17.04	-40.06		
			M3	-95.13	-403.95	3154.87	-95.13	-403.95	2707.09	-95.13	-403.95	2707.09	-95.13	-403.95	2259.26		
		MIN	S2	-95.61	-405.04	3069.41	-95.61	-405.04	2619.41	-95.61	-405.04	2619.41	-95.61	-405.04	2169.34		
			TQ	-91.94	-405.98	2954.89	-91.94	-405.98	2522.13	-91.94	-405.98	2522.13	-91.94	-405.98	2089.31		
			M3	11.97	15.01	-322.69	11.97	15.01	-266.35	11.97	15.01	-266.35	11.97	15.01	-210.01		
		68	2-LANES (caseTRUCK-LOAD	MAX	S2	10.26	48.05	-265.67	10.26	48.05	-217.36	10.26	48.05	-217.36	10.26	48.05	-169.05
					TQ	10.04	49.74	-259.03	10.04	49.74	-211.78	10.04	49.74	-211.78	10.04	49.74	-164.51
					M3	-57.63	-517.63	1793.51	-54.55	-510.00	1530.10	-54.55	-509.99	1530.10	-51.23	-493.75	1280.54
MIN	S2			-61.56	-505.88	1719.27	-61.56	-505.88	1429.51	-61.56	-505.88	1429.51	-61.56	-505.88	1139.72		
	TQ			-59.79	-522.09	1783.25	-59.79	-522.09	1501.82	-59.79	-522.09	1501.82	-59.79	-522.09	1220.35		
	M3			10.26	48.05	-265.67	10.26	48.05	-217.36	10.26	48.05	-217.36	10.26	47.82	-169.06		
TANDEM-LOAD	MAX			S2	6.99	33.15	-180.85	6.99	33.15	-147.94	6.99	33.15	-147.94	6.99	33.15	-115.03	
	TQ			6.79	33.91	-175.03	6.79	33.91	-143.08	6.79	33.91	-143.08	6.79	33.91	-111.13		
	M3			-39.44	-354.62	1222.11	-37.03	-347.37	1040.17	-37.03	-347.37	1040.17	-34.88	-338.51	872.95		
MIN	S2			-42.01	-341.80	1166.82	-42.01	-341.80	969.06	-42.01	-341.80	969.06	-42.01	-341.80	771.28		
	TQ			-39.91	-355.76	1221.09	-39.91	-355.76	1033.23	-39.91	-355.76	1033.23	-39.91	-355.76	845.35		
	M3			6.99	33.15	-180.85	6.99	33.15	-147.94	6.99	33.15	-147.94	6.99	33.15	-115.03		

BAGO RIVER BRIDGE

BLOCK [ No.1 : MAIN GIRDER ][ BEAM MEMBER FORCE ]

MEMBER NODE	1049	1050						1051						
		1049			1050			1050			1051			
		SHEAR	TORQUE	MOMENT	SHEAR	TORQUE	MOMENT	SHEAR	TORQUE	MOMENT	SHEAR	TORQUE	MOMENT	
NAME TITLE	S2 (kN)	TQ (kN·m)	M3 (kN·m)	S2 (kN)	TQ (kN·m)	M3 (kN·m)	S2 (kN)	TQ (kN·m)	M3 (kN·m)	S2 (kN)	TQ (kN·m)	M3 (kN·m)		
68 2-LANES (caseDISPERSION-LMAX	S2	11.98	54.71	-310.57	11.98	54.71	-254.18	11.98	54.71	-254.18	11.98	54.71	-197.78	
	TQ	11.98	54.71	-310.57	11.98	54.71	-254.18	11.98	54.71	-254.18	11.98	54.71	-197.78	
	M3	-91.17	-718.16	2728.63	-91.17	-718.16	2299.48	-91.17	-718.16	2299.48	-91.17	-718.16	1870.27	
	MIN S2	-91.17	-718.16	2728.63	-91.17	-718.16	2299.48	-91.17	-718.16	2299.48	-91.17	-718.16	1870.27	
	TQ	-91.17	-718.16	2728.63	-91.17	-718.16	2299.48	-91.17	-718.16	2299.48	-91.17	-718.16	1870.27	
	M3	11.98	54.71	-310.57	11.98	54.71	-254.18	11.98	54.71	-254.18	11.98	54.71	-197.78	
	69 3-LANES (caseTRUCK-LOAD	MAX S2	374.29	427.91	5191.24	243.18	246.25	5230.78	243.18	246.25	5230.78	140.99	110.42	4603.36
		TQ	-173.25	668.88	4543.40	-173.25	668.88	3727.92	-173.25	668.88	3727.92	-173.25	668.88	2912.33
		M3	95.12	551.75	6159.90	1.59	406.67	5893.99	1.59	406.67	5893.99	-130.76	281.87	5083.79
MIN S2		-254.61	583.43	6115.12	-353.50	456.04	5790.77	-353.50	456.04	5790.77	-474.72	286.79	4755.47	
TQ		14.52	-62.42	-416.79	14.52	-62.42	-348.44	14.52	-62.42	-348.44	14.52	-62.42	-280.08	
M3		15.25	-59.55	-435.72	15.25	-59.55	-363.95	15.25	-59.55	-363.95	15.25	-59.55	-292.18	
TANDEM-LOAD MAX S2		299.59	349.41	3880.93	207.94	222.22	3978.52	207.94	222.22	3978.52	119.71	99.59	3538.15	
TQ		-119.44	455.35	3112.24	-119.44	455.35	2550.06	-119.44	455.35	2550.06	-119.44	455.35	1987.81	
M3		34.41	366.86	4485.82	-49.88	249.10	4310.71	-49.88	249.10	4310.71	-96.30	132.50	3731.60	
MIN S2	-195.26	373.23	4445.74	-281.21	255.53	4242.13	-281.21	255.53	4242.13	-374.55	124.89	3501.50		
TQ	9.97	-42.56	-285.96	9.97	-42.56	-239.05	9.97	-42.56	-239.05	9.97	-42.56	-192.14		
M3	10.38	-40.93	-296.81	10.38	-40.93	-247.94	10.38	-40.93	-247.94	10.38	-40.93	-199.07		
DISPERSION-LMAX S2	124.69	23.43	1380.36	81.68	-23.05	1249.76	81.68	-23.05	1249.76	54.56	-48.34	970.98		
TQ	-80.33	879.70	6558.20	-159.93	879.70	5995.08	-159.93	879.70	5995.08	-239.56	879.70	5057.15		
M3	-70.15	874.32	6805.29	-149.76	874.32	6290.04	-149.76	874.32	6290.04	-229.38	874.32	5400.00		
MIN S2	-176.87	780.06	4911.01	-213.47	826.54	4610.96	-213.47	826.54	4610.96	-265.97	851.83	4084.32		
TQ	28.15	-76.21	-266.84	28.15	-76.21	-134.35	28.15	-76.21	-134.35	28.15	-76.21	-1.85		
M3	17.98	-70.83	-513.93	17.98	-70.83	-429.32	17.98	-70.83	-429.32	17.98	-70.83	-344.69		

BAGO RIVER BRIDGE

BLOCK [ No.1 : MAIN GIRDER ][ BEAM MEMBER FORCE ]

MEMBER				1049			1050			1051					
NODE				1049			1050			1051					
NAME TITLE				SHEAR	TORQUE	MOMENT	SHEAR	TORQUE	MOMENT	SHEAR	TORQUE	MOMENT			
				S2 (kN)	TQ (kN·m)	M3 (kN·m)	S2 (kN)	TQ (kN·m)	M3 (kN·m)	S2 (kN)	TQ (kN·m)	M3 (kN·m)			
70	3-LANES (caseTRUCK-LOAD	MAX	S2	15.32	31.58	-409.18	15.32	31.58	-337.06	15.32	31.58	-337.06	15.32	31.58	-264.94
			TQ	10.72	36.86	85.76	10.72	36.86	136.21	10.72	36.86	136.21	10.72	36.86	186.66
			M3	-96.17	-633.37	2988.06	-89.12	-619.91	2556.72	-89.12	-619.91	2556.72	-78.27	-582.51	2160.11
		MIN	S2	-102.21	-618.82	2873.76	-102.21	-618.82	2392.66	-102.21	-618.82	2392.66	-102.21	-618.82	1911.50
			TQ	-99.37	-638.43	2971.76	-99.37	-638.43	2504.04	-99.37	-638.43	2504.04	-99.37	-638.43	2036.26
			M3	15.32	31.58	-409.18	15.32	31.58	-337.06	15.32	31.58	-337.06	15.32	31.39	-264.94
	TANDEM-LOAD	MAX	S2	10.43	21.81	-278.58	10.43	21.81	-229.47	10.43	21.81	-229.47	10.43	21.81	-180.35
			TQ	7.42	25.49	19.00	7.42	25.49	53.94	7.42	25.49	53.94	7.42	25.49	88.88
			M3	-65.37	-434.19	2038.23	-62.02	-425.65	1737.90	-62.02	-425.65	1737.90	-54.60	-404.34	1472.52
		MIN	S2	-69.92	-420.00	1960.61	-69.92	-420.00	1631.52	-69.92	-420.00	1631.52	-69.92	-420.00	1302.38
			TQ	-65.84	-435.33	2037.22	-65.84	-435.33	1727.30	-65.84	-435.33	1727.30	-65.84	-435.33	1417.34
			M3	10.43	21.81	-278.58	10.43	21.81	-229.47	10.43	21.81	-229.47	10.43	21.81	-180.35
	DISPERSION-LMAX	MAX	S2	18.43	39.03	-393.88	18.43	39.03	-307.12	18.43	39.03	-307.12	18.43	39.03	-220.35
			TQ	14.77	39.97	-279.36	14.77	39.97	-209.84	14.77	39.97	-209.84	14.77	39.97	-140.31
			M3	-139.72	-838.52	4415.37	-139.72	-838.52	3757.71	-139.72	-838.52	3757.71	-139.72	-838.52	3099.96
	MIN	S2	-140.20	-839.60	4329.92	-140.20	-839.60	3670.03	-140.20	-839.60	3670.03	-140.20	-839.60	3010.05	
		TQ	-136.53	-840.54	4215.39	-136.53	-840.54	3572.75	-136.53	-840.54	3572.75	-136.53	-840.54	2930.01	
		M3	17.96	37.94	-479.33	17.96	37.94	-394.80	17.96	37.94	-394.80	17.96	37.94	-310.26	
71	3-LANES (caseTRUCK-LOAD	MAX	S2	15.37	58.99	-401.93	15.37	58.99	-329.58	15.37	58.99	-329.58	15.37	58.99	-257.23
			TQ	15.11	60.86	-394.16	15.11	60.86	-323.05	15.11	60.86	-323.05	15.11	60.86	-251.93
			M3	-96.18	-633.25	2988.30	-89.13	-619.79	2556.94	-89.13	-619.79	2556.94	-78.27	-582.40	2160.31
		MIN	S2	-102.22	-618.66	2873.82	-102.22	-618.66	2392.69	-102.22	-618.66	2392.69	-102.22	-618.66	1911.49
			TQ	-99.38	-638.30	2971.99	-99.38	-638.30	2504.22	-99.38	-638.30	2504.22	-99.38	-638.30	2036.39
			M3	15.37	58.99	-401.93	15.37	58.99	-329.58	15.37	58.99	-329.58	15.37	58.76	-257.24

BAGO RIVER BRIDGE

BLOCK [ No.1 : MAIN GIRDER ][ BEAM MEMBER FORCE ]

MEMBER				1049			1050			1051								
NODE				1049			1050			1050			1051					
NAME TITLE				SHEAR	TORQUE	MOMENT	SHEAR	TORQUE	MOMENT	SHEAR	TORQUE	MOMENT	SHEAR	TORQUE	MOMENT			
				S2 (kN)	TQ (kN·m)	M3 (kN·m)	S2 (kN)	TQ (kN·m)	M3 (kN·m)	S2 (kN)	TQ (kN·m)	M3 (kN·m)	S2 (kN)	TQ (kN·m)	M3 (kN·m)			
71	3-LANES (case)	TANDEM-LOAD	MAX	S2	10.47	40.73	-273.61	10.47	40.73	-224.33	10.47	40.73	-224.33	10.47	40.73	-175.05		
				TQ	10.25	41.53	-267.48	10.25	41.53	-219.21	10.25	41.53	-219.21	10.25	41.53	-170.94		
				M3	-65.38	-434.11	2038.41	-62.03	-425.57	1738.05	-62.03	-425.57	1738.05	-54.60	-404.27	1472.65		
			MIN	S2	-69.92	-419.92	1960.73	-69.92	-419.92	1631.61	-69.92	-419.92	1631.61	-69.92	-419.92	1302.45		
				TQ	-65.85	-435.25	2037.39	-65.85	-435.25	1727.43	-65.85	-435.25	1727.43	-65.85	-435.25	1417.43		
				M3	10.47	40.73	-273.61	10.47	40.73	-224.33	10.47	40.73	-224.33	10.47	40.73	-175.05		
		DISPERSION-LMAX	S2	18.44	67.74	-385.05	18.44	67.74	-298.25	18.44	67.74	-298.25	18.44	67.74	-211.44			
			TQ	18.42	67.78	-370.52	18.42	67.78	-283.81	18.42	67.78	-283.81	18.42	67.78	-197.08			
			M3	-139.62	-844.36	4410.92	-139.62	-844.36	3753.72	-139.62	-844.36	3753.72	-139.62	-844.36	3096.43			
			MIN	S2	-140.10	-845.45	4325.42	-140.10	-845.45	3665.99	-140.10	-845.45	3665.99	-140.10	-845.45	3006.47		
				TQ	-140.08	-845.48	4310.90	-140.08	-845.48	3651.55	-140.08	-845.48	3651.55	-140.08	-845.48	2992.11		
				M3	17.97	66.65	-470.54	17.97	66.65	-385.98	17.97	66.65	-385.98	17.97	66.65	-301.40		
		72	4-LANES	TRUCK-LOAD	MAX	S2	20.40	58.74	-539.60	20.40	58.74	-443.58	20.40	58.74	-443.58	20.40	58.74	-347.55
						TQ	20.40	58.74	-539.60	20.40	58.74	-443.58	20.40	58.74	-443.58	20.40	58.74	-347.55
						M3	-6.01	-4.00	163.13	-6.01	-4.00	134.85	-6.01	-4.00	134.85	-6.01	-4.00	106.56
MIN	S2				-6.01	-4.06	163.13	-6.01	-4.06	134.84	-6.01	-4.06	134.84	-6.01	-4.06	106.54		
	TQ				-3.95	-4.85	106.65	-3.95	-4.85	88.04	-3.95	-4.85	88.04	-3.95	-4.85	69.42		
	M3				20.40	58.74	-539.60	20.40	58.74	-443.58	20.40	58.74	-443.58	20.40	58.74	-347.55		
TANDEM-LOAD	MAX			S2	13.94	41.69	-368.14	13.94	41.69	-302.55	13.94	41.69	-302.55	13.94	41.69	-236.94		
				TQ	13.94	41.69	-368.14	13.94	41.69	-302.55	13.94	41.69	-302.55	13.94	41.69	-236.94		
				M3	-4.08	-2.83	110.84	-4.08	-2.83	91.61	-4.08	-2.83	91.61	-4.08	-2.83	72.39		
	MIN			S2	-4.08	-2.83	110.84	-4.08	-2.83	91.61	-4.08	-2.83	91.61	-4.08	-2.83	72.39		
				TQ	-2.70	-3.31	72.85	-2.70	-3.31	60.13	-2.70	-3.31	60.13	-2.70	-3.31	47.42		
				M3	13.94	41.69	-368.14	13.94	41.69	-302.55	13.94	41.69	-302.55	13.94	41.69	-236.94		

BAGO RIVER BRIDGE

BLOCK [ No.1 : MAIN GIRDER ][ BEAM MEMBER FORCE ]

MEMBER				1049			1050			1050			1051			
NODE				1049			1050			1050			1051			
				SHEAR	TORQUE	MOMENT	SHEAR	TORQUE	MOMENT	SHEAR	TORQUE	MOMENT	SHEAR	TORQUE	MOMENT	
NAME	TITLE			S2 (kN)	TQ (kN·m)	M3 (kN·m)	S2 (kN)	TQ (kN·m)	M3 (kN·m)	S2 (kN)	TQ (kN·m)	M3 (kN·m)	S2 (kN)	TQ (kN·m)	M3 (kN·m)	
72	4-LANES	DISPERSION-LMAX	S2	14.40	34.81	-382.97	14.40	34.81	-315.19	14.40	34.81	-315.19	14.40	34.81	-247.40	
			TQ	11.45	35.94	-301.84	11.45	35.94	-247.96	11.45	35.94	-247.96	11.45	35.94	-194.08	
			M3	-7.31	-4.84	198.48	-7.31	-4.84	164.06	-7.31	-4.84	164.06	-7.31	-4.84	129.65	
		MIN	S2	-7.31	-4.84	198.48	-7.31	-4.84	164.06	-7.31	-4.84	164.06	-7.31	-4.84	129.65	
			TQ	-4.40	-6.03	118.51	-4.40	-6.03	97.80	-4.40	-6.03	97.80	-4.40	-6.03	77.07	
			M3	14.40	34.70	-383.00	14.40	34.70	-315.22	14.40	34.70	-315.22	14.40	34.70	-247.44	
73	6-LANES	TRUCK-LOAD	MAX	S2	333.42	427.70	4461.56	226.09	269.11	4477.07	226.09	269.11	4477.07	142.50	149.07	3952.62
			TQ	-144.55	664.24	4551.63	-144.55	664.24	3871.26	-144.55	664.24	3871.26	-144.55	664.24	3190.80	
			M3	-33.36	-93.04	9093.02	-106.32	-208.14	8314.21	-106.32	-208.14	8314.21	-193.54	-257.16	7159.76	
		MIN	S2	-349.72	-50.85	8890.81	-430.43	-166.89	8024.85	-430.43	-166.89	8024.85	-525.92	-288.64	6412.59	
			TQ	-91.16	-635.46	2679.68	-91.16	-635.46	2250.60	-91.16	-635.46	2250.60	-91.16	-635.46	1821.46	
			M3	30.60	-1.23	-837.46	30.60	-1.23	-693.42	30.60	-1.23	-693.42	30.60	-1.46	-549.37	
		TANDEM-LOAD	MAX	S2	264.27	349.90	3888.06	188.49	238.37	3956.45	188.49	238.37	3956.45	117.36	132.22	3594.06
			TQ	-102.42	452.75	3134.87	-102.42	452.75	2652.77	-102.42	452.75	2652.77	-102.42	452.75	2170.61	
			M3	-51.15	-77.32	6450.35	-110.44	-163.21	5928.45	-110.44	-163.21	5928.45	-129.99	-214.54	5110.76	
		MIN	S2	-257.36	-66.54	6336.24	-325.81	-170.68	5749.99	-325.81	-170.68	5749.99	-399.69	-261.49	4596.17	
			TQ	-61.07	-433.83	1850.79	-61.07	-433.83	1563.34	-61.07	-433.83	1563.34	-61.07	-433.83	1275.85	
			M3	20.84	-0.66	-570.28	20.84	-0.66	-472.18	20.84	-0.66	-472.18	20.84	-0.66	-374.08	
		DISPERSION-LMAX	S2	131.91	81.18	835.13	92.00	38.15	792.75	92.00	38.15	792.75	67.11	15.66	630.91	
			TQ	-59.25	881.16	5671.68	-132.84	881.16	5220.22	-132.84	881.16	5220.22	-200.61	881.16	4429.63	
			M3	-196.16	64.82	10334.22	-269.75	64.82	9238.36	-269.75	64.82	9238.36	-342.94	64.82	7796.89	
MIN	S2	-295.32	-30.49	8591.50	-328.31	11.20	7662.12	-328.31	11.20	7662.12	-376.44	33.83	6541.90			
	TQ	-103.52	-851.59	3708.73	-103.52	-851.59	3221.45	-103.52	-851.59	3221.45	-103.52	-851.59	2734.11			
	M3	34.42	-9.16	-944.28	34.42	-9.16	-782.29	34.42	-9.16	-782.29	34.42	-9.16	-620.28			

BAGO RIVER BRIDGE

BLOCK [ No.1 : MAIN GIRDER ][ BEAM MEMBER FORCE ]

MEMBER		1049			1050			1050			1051				
NODE		1049			1050			1050			1051				
NAME TITLE		SHEAR	TORQUE	MOMENT	SHEAR	TORQUE	MOMENT	SHEAR	TORQUE	MOMENT	SHEAR	TORQUE	MOMENT		
		S2 (kN)	TQ (kN·m)	M3 (kN·m)	S2 (kN)	TQ (kN·m)	M3 (kN·m)	S2 (kN)	TQ (kN·m)	M3 (kN·m)	S2 (kN)	TQ (kN·m)	M3 (kN·m)		
124	SUM TOTAL	D+1LANE (caseMAX	S2	-240.46	360.03	41271.82	-682.79	169.07	37590.37	-682.79	169.07	37590.37	-1076.87	43.00	31862.47
			TQ	-729.95	1054.37	42745.55	-1069.94	1054.37	38512.37	-1069.94	1054.37	38512.37	-1409.97	1054.37	32678.08
			M3	-474.84	998.54	43620.42	-921.30	876.73	39956.96	-921.30	876.73	39956.96	-1417.11	760.35	34020.90
		MIN	S2	-839.03	975.22	42650.50	-1235.23	905.40	39116.46	-1235.23	905.40	39116.46	-1671.12	779.09	33400.24
			TQ	-612.45	-4.61	37721.88	-886.38	-4.61	34194.43	-886.38	-4.61	34194.43	-1160.35	-4.61	29376.88
			M3	-623.12	3.54	37446.89	-897.05	3.54	33869.25	-897.05	3.54	33869.25	-1171.01	3.54	29001.51
		D+1LANE (caseMAX	S2	-585.89	156.37	39284.00	-859.84	156.02	35874.68	-859.84	156.02	35874.68	-1134.29	153.95	31140.64
			TQ	-747.45	350.76	41779.03	-1022.55	350.76	37613.42	-1022.55	350.76	37613.42	-1297.70	350.76	32152.06
			M3	-760.91	305.35	42418.18	-1016.59	306.03	38214.71	-1016.59	306.03	38214.71	-1249.49	317.68	32891.79
		MIN	S2	-781.72	285.42	41942.91	-1056.81	285.77	37622.84	-1056.81	285.77	37622.84	-1331.48	287.84	32041.65
			TQ	-623.26	48.52	37464.99	-897.19	48.52	33886.67	-897.19	48.52	33886.67	-1171.16	48.52	29018.24
			M3	-623.12	48.95	37461.34	-897.05	48.95	33883.67	-897.05	48.95	33883.67	-1171.02	48.95	29015.89
		D+1LANE (caseMAX	S2	-622.55	84.68	37574.53	-896.48	84.68	33999.56	-896.48	84.68	33999.56	-1170.45	84.68	29134.49
			TQ	-631.16	88.19	38268.94	-905.09	88.19	34653.43	-905.09	88.19	34653.43	-1179.06	88.19	29747.80
			M3	-740.84	-209.44	41288.06	-1010.00	-202.46	37172.50	-1010.00	-202.46	37172.50	-1274.94	-177.08	31791.83
		MIN	S2	-743.94	-207.36	41137.25	-1017.87	-207.36	36990.91	-1017.87	-207.36	36990.91	-1291.83	-207.36	31554.38
			TQ	-738.43	-212.59	41045.48	-1012.36	-212.59	36925.08	-1012.36	-212.59	36925.08	-1286.32	-212.59	31514.49
			M3	-623.12	83.37	37471.99	-897.05	83.37	33894.34	-897.05	83.37	33894.34	-1171.01	83.37	29026.59
		D+1LANE (caseMAX	S2	-623.05	151.43	37491.48	-896.98	151.43	33914.15	-896.98	151.43	33914.15	-1170.95	151.43	29046.72
			TQ	-623.18	152.73	37495.54	-897.11	152.73	33917.58	-897.11	152.73	33917.58	-1171.08	152.73	29049.52
			M3	-722.08	-817.69	40315.46	-993.91	-814.78	36279.95	-993.91	-814.78	36279.95	-1267.05	-810.78	30959.19
		MIN	S2	-723.78	-802.31	40273.25	-997.71	-802.31	36221.79	-997.71	-802.31	36221.79	-1271.68	-802.31	30880.14
			TQ	-722.08	-817.69	40315.46	-996.01	-817.69	36272.00	-996.01	-817.69	36272.00	-1269.98	-817.69	30938.36
			M3	-623.05	151.43	37491.48	-896.98	151.43	33914.15	-896.98	151.43	33914.15	-1170.95	151.15	29046.71



BAGO RIVER BRIDGE

BLOCK [ No.1 : MAIN GIRDER ][ BEAM MEMBER FORCE ]

MEMBER			1049			1050			1050			1051			
NODE			1049			1050			1050			1051			
NAME TITLE			SHEAR	TORQUE	MOMENT	SHEAR	TORQUE	MOMENT	SHEAR	TORQUE	MOMENT	SHEAR	TORQUE	MOMENT	
			S2 (kN)	TQ (kN·m)	M3 (kN·m)	S2 (kN)	TQ (kN·m)	M3 (kN·m)	S2 (kN)	TQ (kN·m)	M3 (kN·m)	S2 (kN)	TQ (kN·m)	M3 (kN·m)	
124	SUM TOTAL	D+2LANES (casMAX	S2	-179.52	464.74	43197.21	-627.56	236.90	39273.55	-627.56	236.90	39273.55	-1030.43	77.50	33273.47
			TQ	-797.46	1399.99	45648.02	-1150.01	1399.99	41067.06	-1150.01	1399.99	41067.06	-1502.62	1399.99	34825.76
			M3	-507.69	1315.32	46979.00	-969.97	1169.67	43027.01	-969.97	1169.67	43027.01	-1490.13	1035.17	36723.62
		MIN	S2	-946.79	1269.35	45435.99	-1355.24	1188.14	41737.95	-1355.24	1188.14	41737.95	-1802.35	1042.46	35788.08
			TQ	-604.70	-35.35	37457.84	-878.63	-35.35	33966.90	-878.63	-35.35	33966.90	-1152.59	-35.35	29185.87
			M3	-614.26	-27.47	37194.86	-888.19	-27.47	33658.92	-888.19	-27.47	33658.92	-1162.15	-27.47	28832.87
		D+2LANES (casMAX	S2	-467.38	295.02	41540.70	-775.10	226.02	37843.82	-775.10	226.02	37843.82	-1078.28	169.95	32671.96
			TQ	-812.03	813.65	44842.59	-1110.52	813.65	40317.93	-1110.52	813.65	40317.93	-1409.06	813.65	34387.40
			M3	-746.08	737.66	45977.13	-1049.37	694.09	41575.14	-1049.37	694.09	41575.14	-1350.45	666.28	35782.70
		MIN	S2	-899.04	694.52	44846.33	-1206.56	671.78	40493.26	-1206.56	671.78	40493.26	-1519.31	633.08	34655.91
			TQ	-613.70	8.92	37243.76	-887.63	8.92	33710.43	-887.63	8.92	33710.43	-1161.60	8.92	28887.00
			M3	-614.26	10.38	37206.90	-888.19	10.38	33670.93	-888.19	10.38	33670.93	-1162.16	10.38	28844.86
		D+2LANES (casMAX	S2	-613.77	106.82	37321.65	-887.70	106.82	33788.01	-887.70	106.82	33788.01	-1161.66	106.82	28964.27
			TQ	-621.56	111.12	37917.53	-895.49	111.12	34347.22	-895.49	111.12	34347.22	-1169.45	111.12	29486.80
			M3	-800.87	-648.57	43167.91	-1069.50	-637.54	38768.32	-1069.50	-637.54	38768.32	-1333.31	-603.47	33109.17
		MIN	S2	-805.97	-647.91	43003.20	-1079.89	-647.91	38564.90	-1079.89	-647.91	38564.90	-1353.86	-647.91	32836.39
			TQ	-800.88	-655.66	42951.64	-1074.81	-655.66	38537.29	-1074.81	-655.66	38537.29	-1348.77	-655.66	32832.72
			M3	-614.24	105.73	37236.19	-888.17	105.73	33700.33	-888.17	105.73	33700.33	-1162.14	105.73	28874.36
		D+2LANES (casMAX	S2	-614.16	181.14	37257.73	-888.09	181.14	33722.23	-888.09	181.14	33722.23	-1162.06	181.14	28896.62
			TQ	-614.39	182.83	37264.37	-888.32	182.83	33727.81	-888.32	182.83	33727.81	-1162.28	182.83	28901.16
			M3	-785.21	-1157.40	42356.11	-1056.07	-1149.77	38023.35	-1056.07	-1149.77	38023.35	-1326.70	-1133.52	32414.26
		MIN	S2	-789.14	-1145.65	42281.87	-1063.07	-1145.65	37922.76	-1063.07	-1145.65	37922.76	-1337.04	-1145.65	32273.44
			TQ	-787.37	-1161.86	42345.85	-1061.30	-1161.86	37995.07	-1061.30	-1161.86	37995.07	-1335.27	-1161.86	32354.07
			M3	-614.16	181.14	37257.73	-888.09	181.14	33722.23	-888.09	181.14	33722.23	-1162.06	180.91	28896.61

BAGO RIVER BRIDGE

BLOCK [ No.1 : MAIN GIRDER ][ BEAM MEMBER FORCE ]

MEMBER			1049			1050			1050			1051				
NODE			1049			1050			1050			1051				
NAME TITLE			SHEAR	TORQUE	MOMENT	SHEAR	TORQUE	MOMENT	SHEAR	TORQUE	MOMENT	SHEAR	TORQUE	MOMENT		
			S2 (kN)	TQ (kN·m)	M3 (kN·m)	S2 (kN)	TQ (kN·m)	M3 (kN·m)	S2 (kN)	TQ (kN·m)	M3 (kN·m)	S2 (kN)	TQ (kN·m)	M3 (kN·m)		
124	SUM TOTAL	D+3LANES (casMAX	S2	-212.27	462.02	43419.83	-634.21	268.11	39702.23	-634.21	268.11	39702.23	-1018.09	131.15	34001.65	
			TQ	-851.95	1394.68	47270.33	-1193.55	1394.68	42458.32	-1193.55	1394.68	42458.32	-1535.19	1394.68	36037.51	
			M3	-615.19	1290.55	48854.39	-1036.28	1167.23	44550.20	-1036.28	1167.23	44550.20	-1490.43	1061.15	38174.67	
		MIN	S2	-1003.16	1237.36	47206.18	-1392.26	1168.58	43035.24	-1392.26	1168.58	43035.24	-1813.89	1046.21	36777.27	
			TQ	-600.14	-39.45	37252.89	-874.07	-39.45	33783.40	-874.07	-39.45	33783.40	-1148.04	-39.45	29023.81	
			M3	-608.17	-32.44	37026.78	-882.10	-32.44	33519.49	-882.10	-32.44	33519.49	-1156.07	-32.44	28722.10	
		D+3LANES (casMAX	S2	-607.72	138.40	37151.38	-881.65	138.40	33646.21	-881.65	138.41	33646.21	-1155.61	138.41	28850.95	
			TQ	-614.75	143.69	37669.42	-888.67	143.69	34131.19	-888.67	143.69	34131.19	-1162.64	143.69	29302.85	
			M3	-836.92	-1172.71	44126.88	-1104.85	-1161.27	39561.04	-1104.85	-1161.27	39561.04	-1369.59	-1129.48	33734.51	
		MIN	S2	-842.45	-1161.28	43957.10	-1116.38	-1161.28	39347.06	-1116.38	-1161.28	39347.06	-1390.35	-1161.28	33446.77	
			TQ	-836.93	-1178.74	43943.06	-1110.85	-1178.74	39359.04	-1110.85	-1178.74	39359.04	-1384.82	-1178.74	33484.78	
			M3	-608.12	137.48	37078.74	-882.05	137.48	33571.68	-882.05	137.48	33571.68	-1156.02	137.32	28774.52	
		D+3LANES (casMAX	S2	-607.67	186.11	37165.05	-881.60	186.11	33660.11	-881.60	186.11	33660.11	-1155.57	186.11	28865.08	
			TQ	-607.91	187.73	37183.99	-881.84	187.73	33677.94	-881.84	187.73	33677.94	-1155.80	187.73	28881.79	
			M3	-836.84	-1177.58	44123.31	-1104.78	-1166.14	39557.84	-1104.78	-1166.14	39557.84	-1369.52	-1134.36	33731.69	
		MIN	S2	-842.38	-1166.10	43953.33	-1116.31	-1166.10	39343.65	-1116.31	-1166.10	39343.65	-1390.27	-1166.10	33443.72	
			TQ	-839.95	-1182.83	44024.43	-1113.88	-1182.83	39426.18	-1113.88	-1182.83	39426.18	-1387.85	-1182.83	33537.67	
			M3	-608.07	185.19	37092.37	-882.00	185.19	33585.54	-882.00	185.19	33585.54	-1155.97	184.99	28788.61	
		D+4LANES	MAX	S2	-613.79	139.20	37234.30	-887.72	139.20	33700.57	-887.72	139.20	33700.57	-1161.68	139.20	28876.73
			TQ	-615.71	139.93	37287.03	-889.64	139.93	33744.27	-889.64	139.93	33744.27	-1163.60	139.93	28911.39	
			M3	-645.07	72.64	38069.02	-919.00	72.64	34388.06	-919.00	72.64	34388.06	-1192.96	72.64	29416.98	
		MIN	S2	-645.07	72.61	38069.02	-919.00	72.61	34388.06	-919.00	72.61	34388.06	-1192.96	72.61	29416.98	
			TQ	-641.84	71.31	37980.33	-915.77	71.31	34314.56	-915.77	71.31	34314.56	-1189.74	71.31	29358.67	
			M3	-613.79	139.12	37234.28	-887.72	139.12	33700.55	-887.72	139.12	33700.55	-1161.68	139.12	28876.71	

BAGO RIVER BRIDGE

BLOCK [ No.1 : MAIN GIRDER ][ BEAM MEMBER FORCE ]

MEMBER				1049			1050			1051						
NODE				1049			1050			1050			1051			
NAME TITLE				SHEAR	TORQUE	MOMENT	SHEAR	TORQUE	MOMENT	SHEAR	TORQUE	MOMENT	SHEAR	TORQUE	MOMENT	
				S2 (kN)	TQ (kN·m)	M3 (kN·m)	S2 (kN)	TQ (kN·m)	M3 (kN·m)	S2 (kN)	TQ (kN·m)	M3 (kN·m)	S2 (kN)	TQ (kN·m)	M3 (kN·m)	
124	SUM TOTAL	D+6LANES	MAX	S2	-333.94	409.16	41276.82	-703.58	278.11	37619.16	-703.58	278.11	37619.16	-1048.06	185.47	32242.75
				TQ	-768.88	1082.90	44479.12	-1090.64	1082.90	40103.24	-1090.64	1082.90	40103.24	-1408.66	1082.90	34216.73
				M3	-785.60	60.04	50461.68	-1154.78	-14.77	45602.94	-1154.78	-14.77	45602.94	-1533.02	-46.63	38985.28
			MIN	S2	-1055.68	25.51	49197.47	-1403.52	-22.81	44390.30	-1403.52	-22.81	44390.30	-1770.83	-87.24	37683.87
				TQ	-762.95	-888.20	41986.44	-1036.88	-888.20	37750.60	-1036.88	-888.20	37750.60	-1310.85	-888.20	32224.57
				M3	-594.15	71.63	36675.84	-868.08	71.63	33234.56	-868.08	71.63	33234.56	-1142.05	71.49	28503.18
	SUM TOTAL		MAX		-179.52	1399.99	50461.68	-627.56	1399.99	45602.94	-627.56	1399.99	45602.94	-1018.09	1399.99	38985.28
			MIN		-1055.68	-1182.83	36675.84	-1403.52	-1182.83	33234.56	-1403.52	-1182.83	33234.56	-1813.89	-1182.83	28503.18
300	DEAD LOAD	TOTAL			-636.41	78.39	37833.97	-910.34	78.39	34193.77	-910.34	78.39	34193.77	-1184.30	78.39	29263.45
301	LIVE LOAD	1-LANE(case1MAX	S2		395.95	281.64	3437.85	227.55	90.68	3396.59	227.55	90.68	3396.59	107.43	-35.39	2599.01
			TQ		-93.54	975.98	4911.57	-159.60	975.98	4318.60	-159.60	975.98	4318.60	-225.67	975.98	3414.63
			M3		161.57	920.15	5786.44	-10.97	798.34	5763.19	-10.97	798.34	5763.19	-232.80	681.97	4757.45
			MIN	S2	-202.62	896.83	4816.53	-324.89	827.02	4922.69	-324.89	827.02	4922.69	-486.82	700.71	4136.79
				TQ	23.96	-83.00	-112.09	23.96	-83.00	0.66	23.96	-83.00	0.66	23.96	-83.00	113.43
				M3	13.29	-74.85	-387.09	13.29	-74.85	-324.52	13.29	-74.85	-324.52	13.29	-74.85	-261.94
		1-LANE(case2MAX	S2		50.52	77.98	1450.03	50.50	77.63	1680.91	50.50	77.63	1680.91	50.02	75.56	1877.19
			TQ		-111.04	272.37	3945.06	-112.22	272.37	3419.64	-112.22	272.37	3419.64	-113.40	272.37	2888.61
			M3		-124.50	226.96	4584.20	-106.25	227.65	4020.94	-106.25	227.65	4020.94	-65.19	239.29	3628.34
			MIN	S2	-145.31	207.04	4108.93	-146.48	207.38	3429.07	-146.48	207.38	3429.07	-147.17	209.45	2778.20
				TQ	13.15	-29.87	-368.99	13.15	-29.87	-307.10	13.15	-29.87	-307.10	13.15	-29.87	-245.22
				M3	13.29	-29.43	-372.63	13.29	-29.43	-310.10	13.29	-29.43	-310.10	13.29	-29.43	-247.56
		1-LANE(case3MAX	S2		13.86	6.29	-259.44	13.86	6.29	-194.21	13.86	6.29	-194.21	13.86	6.29	-128.97
			TQ		5.25	9.80	434.97	5.25	9.80	459.66	5.25	9.80	459.66	5.25	9.80	484.35
			M3		-104.44	-287.83	3454.08	-99.66	-280.85	2978.73	-99.66	-280.85	2978.73	-90.63	-255.47	2528.38
			MIN	S2	-107.53	-285.75	3303.27	-107.53	-285.75	2797.14	-107.53	-285.75	2797.14	-107.53	-285.75	2290.93
				TQ	-102.02	-290.98	3211.50	-102.02	-290.98	2731.30	-102.02	-290.98	2731.30	-102.02	-290.98	2251.04
				M3	13.29	4.98	-361.98	13.29	4.98	-299.43	13.29	4.98	-299.43	13.29	4.98	-236.86

BAGO RIVER BRIDGE

BLOCK [ No.1 : MAIN GIRDER ][ BEAM MEMBER FORCE ]

MEMBER			1049			1050			1050			1051			
NODE			1049			1050			1050			1051			
NAME TITLE			SHEAR	TORQUE	MOMENT	SHEAR	TORQUE	MOMENT	SHEAR	TORQUE	MOMENT	SHEAR	TORQUE	MOMENT	
			S2 (kN)	TQ (kN·m)	M3 (kN·m)	S2 (kN)	TQ (kN·m)	M3 (kN·m)	S2 (kN)	TQ (kN·m)	M3 (kN·m)	S2 (kN)	TQ (kN·m)	M3 (kN·m)	
301	LIVE LOAD	1-LANE (case4MAX	S2	13.36	73.05	-342.49	13.36	73.05	-279.62	13.36	73.05	-279.62	13.36	73.05	-216.73
			TQ	13.22	74.34	-338.43	13.22	74.34	-276.19	13.22	74.34	-276.19	13.22	74.34	-213.93
			M3	-85.67	-896.08	2481.49	-83.57	-893.17	2086.18	-83.57	-893.17	2086.18	-82.74	-889.17	1695.74
			MIN S2	-87.37	-880.70	2439.28	-87.37	-880.70	2028.01	-87.37	-880.70	2028.01	-87.37	-880.70	1616.69
			TQ	-85.67	-896.08	2481.49	-85.67	-896.08	2078.23	-85.67	-896.08	2078.23	-85.67	-896.08	1674.91
			M3	13.36	73.05	-342.49	13.36	73.05	-279.62	13.36	73.05	-279.62	13.35	72.77	-216.74
		2-LANES (caseMAX	S2	456.89	386.35	5363.24	282.77	158.51	5079.78	282.77	158.51	5079.78	153.87	-0.89	4010.02
			TQ	-161.05	1321.60	7814.05	-239.67	1321.60	6873.29	-239.67	1321.60	6873.29	-318.31	1321.60	5562.30
			M3	128.72	1236.94	9145.02	-59.63	1091.29	8833.24	-59.63	1091.29	8833.24	-305.82	956.79	7460.17
			MIN S2	-310.38	1190.96	7602.02	-444.90	1109.76	7544.18	-444.90	1109.76	7544.18	-618.04	964.07	6524.63
			TQ	31.71	-113.74	-376.14	31.71	-113.74	-226.87	31.71	-113.74	-226.87	31.71	-113.74	-77.58
			M3	22.15	-105.86	-639.12	22.15	-105.86	-534.85	22.15	-105.86	-534.85	22.15	-105.86	-430.58
		2-LANES (caseMAX	S2	169.03	216.63	3706.72	135.23	147.64	3650.05	135.23	147.64	3650.05	106.02	91.57	3408.50
			TQ	-175.62	735.26	7008.62	-200.19	735.26	6124.16	-200.19	735.26	6124.16	-224.75	735.26	5123.95
			M3	-109.67	659.28	8143.16	-139.03	615.70	7381.37	-139.03	615.70	7381.37	-166.14	587.89	6519.25
			MIN S2	-262.63	616.13	7012.35	-296.23	593.40	6299.49	-296.23	593.40	6299.49	-335.00	554.69	5392.46
			TQ	22.71	-69.47	-590.21	22.71	-69.47	-483.34	22.71	-69.47	-483.34	22.71	-69.47	-376.46
			M3	22.14	-68.01	-627.07	22.14	-68.01	-522.84	22.14	-68.01	-522.84	22.14	-68.01	-418.59
		2-LANES (caseMAX	S2	22.64	28.43	-512.33	22.64	28.43	-405.76	22.64	28.43	-405.76	22.64	28.43	-299.18
			TQ	14.85	32.73	83.56	14.85	32.73	153.45	14.85	32.73	153.45	14.85	32.73	223.35
			M3	-164.46	-726.96	5333.94	-159.17	-715.92	4574.54	-159.17	-715.92	4574.54	-149.00	-681.86	3845.72
			MIN S2	-169.56	-726.29	5169.22	-169.56	-726.29	4371.13	-169.56	-726.29	4371.13	-169.56	-726.29	3572.94
			TQ	-164.47	-734.05	5117.67	-164.47	-734.05	4343.52	-164.47	-734.05	4343.52	-164.47	-734.05	3569.27
			M3	22.17	27.34	-597.78	22.17	27.34	-493.44	22.17	27.34	-493.44	22.17	27.34	-389.09

BAGO RIVER BRIDGE

BLOCK [ No.1 : MAIN GIRDER ][ BEAM MEMBER FORCE ]

MEMBER				1049			1050			1051						
NODE				1049			1050			1050			1051			
				SHEAR	TORQUE	MOMENT	SHEAR	TORQUE	MOMENT	SHEAR	TORQUE	MOMENT	SHEAR	TORQUE	MOMENT	
NAME TITLE				S2 (kN)	TQ (kN·m)	M3 (kN·m)	S2 (kN)	TQ (kN·m)	M3 (kN·m)	S2 (kN)	TQ (kN·m)	M3 (kN·m)	S2 (kN)	TQ (kN·m)	M3 (kN·m)	
301	LIVE LOAD	2-LANES (caseMAX	S2	22.24	102.76	-576.25	22.24	102.76	-471.54	22.24	102.76	-471.54	22.24	102.76	-366.83	
			TQ	22.02	104.44	-569.61	22.02	104.44	-465.96	22.02	104.44	-465.96	22.02	104.44	-362.29	
			M3	-148.80	-1235.79	4522.14	-145.73	-1228.15	3829.58	-145.73	-1228.15	3829.58	-142.40	-1211.91	3150.81	
			MIN	S2	-152.73	-1224.04	4447.90	-152.73	-1224.04	3728.99	-152.73	-1224.04	3728.99	-152.73	-1224.04	3009.99
			TQ	-150.97	-1240.25	4511.88	-150.97	-1240.25	3801.30	-150.97	-1240.25	3801.30	-150.97	-1240.25	3090.62	
			M3	22.24	102.76	-576.25	22.24	102.76	-471.54	22.24	102.76	-471.54	22.24	102.52	-366.84	
		3-LANES (caseMAX	S2	424.14	383.64	5585.86	276.13	189.72	5508.46	276.13	189.72	5508.46	166.22	52.77	4738.20	
			TQ	-215.54	1316.29	9436.36	-283.21	1316.29	8264.54	-283.21	1316.29	8264.54	-350.89	1316.29	6774.05	
			M3	21.22	1212.16	11020.42	-125.95	1088.84	10356.42	-125.95	1088.84	10356.42	-306.12	982.77	8911.22	
			MIN	S2	-366.75	1158.97	9372.21	-481.92	1090.19	8841.47	-481.92	1090.19	8841.47	-629.58	967.82	7513.82
			TQ	36.27	-117.83	-581.08	36.27	-117.83	-410.37	36.27	-117.83	-410.37	36.27	-117.83	-239.64	
			M3	28.24	-110.83	-807.20	28.24	-110.83	-674.28	28.24	-110.83	-674.28	28.24	-110.83	-541.35	
		3-LANES (caseMAX	S2	28.69	60.02	-682.60	28.69	60.02	-547.56	28.69	60.02	-547.56	28.69	60.02	-412.50	
			TQ	21.66	65.30	-164.55	21.66	65.30	-62.59	21.66	65.30	-62.59	21.66	65.30	39.40	
			M3	-200.51	-1251.10	6292.91	-194.51	-1239.66	5367.27	-194.51	-1239.66	5367.27	-185.29	-1207.87	4471.06	
			MIN	S2	-206.05	-1239.66	6123.13	-206.05	-1239.66	5153.29	-206.05	-1239.66	5153.29	-206.05	-1239.66	4183.32
			TQ	-200.52	-1257.13	6109.09	-200.52	-1257.13	5165.27	-200.52	-1257.13	5165.27	-200.52	-1257.13	4221.33	
			M3	28.29	59.09	-755.23	28.29	59.09	-622.09	28.29	59.09	-622.09	28.28	58.93	-488.93	
		3-LANES (caseMAX	S2	28.74	107.73	-668.93	28.74	107.73	-533.66	28.74	107.73	-533.66	28.74	107.73	-398.37	
			TQ	28.50	109.34	-649.98	28.50	109.34	-515.83	28.50	109.34	-515.83	28.50	109.34	-381.66	
			M3	-200.43	-1255.96	6289.34	-194.44	-1244.53	5364.07	-194.44	-1244.53	5364.07	-185.21	-1212.74	4468.24	
			MIN	S2	-205.97	-1244.49	6119.35	-205.97	-1244.49	5149.88	-205.97	-1244.49	5149.88	-205.97	-1244.49	4180.27
			TQ	-203.54	-1261.22	6190.46	-203.54	-1261.22	5232.40	-203.54	-1261.22	5232.40	-203.54	-1261.22	4274.22	
			M3	28.34	106.80	-741.60	28.34	106.80	-608.23	28.34	106.80	-608.23	28.33	106.60	-474.84	

BAGO RIVER BRIDGE

BLOCK [ No.1 : MAIN GIRDER ][ BEAM MEMBER FORCE ]

MEMBER					1049			1050			1051					
NODE					1049			1050			1050			1051		
NAME TITLE					SHEAR	TORQUE	MOMENT	SHEAR	TORQUE	MOMENT	SHEAR	TORQUE	MOMENT	SHEAR	TORQUE	MOMENT
					S2 (kN)	TQ (kN·m)	M3 (kN·m)	S2 (kN)	TQ (kN·m)	M3 (kN·m)	S2 (kN)	TQ (kN·m)	M3 (kN·m)	S2 (kN)	TQ (kN·m)	M3 (kN·m)
301	LIVE LOAD	4-LANES	MAX	S2	22.62	60.81	-599.67	22.62	60.81	-493.20	22.62	60.81	-493.20	22.62	60.81	-386.72
				TQ	20.70	61.54	-546.94	20.70	61.54	-449.51	20.70	61.54	-449.51	20.70	61.54	-352.06
			M3	-8.66	-5.75	235.05	-8.66	-5.75	194.29	-8.66	-5.75	194.29	-8.66	-5.75	153.53	
		MIN	S2	-8.66	-5.78	235.04	-8.66	-5.78	194.29	-8.66	-5.78	194.29	-8.66	-5.78	153.52	
			TQ	-5.43	-7.08	146.36	-5.43	-7.08	120.79	-5.43	-7.08	120.79	-5.43	-7.08	95.22	
			M3	22.62	60.73	-599.69	22.62	60.73	-493.22	22.62	60.73	-493.22	22.62	60.73	-386.74	
	6-LANES	MAX	S2	302.47	330.78	3442.85	206.76	199.72	3425.38	206.76	199.72	3425.38	136.24	107.08	2979.30	
			TQ	-132.47	1004.51	6645.15	-180.30	1004.51	5909.46	-180.30	1004.51	5909.46	-224.35	1004.51	4953.28	
		M3	-149.19	-18.34	12627.71	-244.45	-93.15	11409.17	-244.45	-93.15	11409.17	-348.71	-125.02	9721.82		
		MIN	S2	-419.27	-52.87	11363.50	-493.18	-101.20	10196.53	-493.18	-101.20	10196.53	-586.53	-165.62	8420.42	
			TQ	-126.54	-966.58	4152.47	-126.54	-966.58	3556.83	-126.54	-966.58	3556.83	-126.54	-966.58	2961.12	
			M3	42.26	-6.75	-1158.13	42.26	-6.75	-959.21	42.26	-6.75	-959.21	42.26	-6.90	-760.27	
	LIVE LOAD	MAX	456.89	1321.60	12627.71	282.77	1321.60	11409.17	282.77	1321.60	11409.17	166.22	1321.60	9721.82		
		MIN	-419.27	-1261.22	-1158.13	-493.18	-1261.22	-959.21	-493.18	-1261.22	-959.21	-629.58	-1261.22	-760.27		
303	SUM TOTAL	TOTAL	MAX	-179.52	1399.99	50461.68	-627.56	1399.99	45602.94	-627.56	1399.99	45602.94	-1018.09	1399.99	38985.28	
			MIN	-1055.68	-1182.83	36675.84	-1403.52	-1182.83	33234.56	-1403.52	-1182.83	33234.56	-1813.89	-1182.83	28503.18	

BAGO RIVER BRIDGE

BLOCK [ No.1 : MAIN GIRDER ] [ BEAM MEMBER FORCE ]

MEMBER NODE	1051 1051	1052			1053			1052			1053					
		SHEAR	TORQUE	MOMENT	SHEAR	TORQUE	MOMENT	SHEAR	TORQUE	MOMENT	SHEAR	TORQUE	MOMENT			
		S2 (kN)	TQ (kN·m)	M3 (kN·m)	S2 (kN)	TQ (kN·m)	M3 (kN·m)	S2 (kN)	TQ (kN·m)	M3 (kN·m)	S2 (kN)	TQ (kN·m)	M3 (kN·m)			
1	PAVEMENT	-142.23	53.88	4528.75	-188.42	53.88	3750.36	-188.42	70.60	3750.08	-235.30	70.60	2738.78			
3	RAILING	-1.58	3.27	136.20	-5.47	3.27	119.60	-5.47	3.80	119.58	-9.45	3.80	83.98			
5	CURB	-15.63	32.33	1348.34	-54.17	32.33	1184.02	-54.17	37.61	1183.86	-93.52	37.61	831.37			
7	DECK WEIGHT	-237.14	85.40	7591.71	-313.21	85.40	6296.13	-313.21	113.47	6295.68	-390.48	113.47	4616.18			
8	GIRDER WEIGH	-352.34	95.72	10532.18	-440.35	95.72	8666.09	-440.35	134.36	8665.58	-529.59	134.36	6350.59			
10	MEDIAN STRIP	-112.43	1.85	2861.91	-112.43	1.85	2332.56	-112.43	12.25	2332.53	-112.43	12.25	1795.85			
21	ADITIONAL WE	-66.40	23.91	2125.68	-87.70	23.91	1762.92	-87.70	31.77	1762.79	-109.33	31.77	1292.53			
31	MEDIAN RAILI	-5.89	0.28	138.68	-5.89	0.28	110.96	-5.89	0.77	110.96	-5.89	0.77	82.85			
51	SUPPORT WEIG	0.00	0.00	0.00	0.00	0.00	0.00	0.00	0.00	0.00	0.00	0.00	0.00			
52	NOSE WEIGHT	-0.00	0.00	0.00	-0.00	0.00	0.00	-0.00	0.00	0.00	-0.00	0.00	0.00			
61	1-LANE(case1TRUCK-LOAD	MAX	S2	252.34	280.96	1816.99	139.75	142.37	1768.14	139.75	150.26	1767.49	50.96	43.22	1104.73	
			TQ	-77.86	417.71	1562.41	-77.86	417.71	1195.83	-77.86	423.04	1193.96	-77.86	423.04	822.30	
			M3	94.92	394.54	1990.51	36.14	268.50	1995.57	36.14	277.39	1994.36	-97.81	172.15	1421.71	
		MIN	S2	-107.02	398.56	1940.37	-190.86	303.20	1991.82	-190.86	312.08	1990.45	-292.35	186.87	1375.04	
			TQ	4.42	-29.47	-95.08	4.42	-29.47	-74.26	4.42	-29.80	-74.13	4.42	-29.80	-53.02	
			M3	4.69	-28.03	-100.07	4.69	-28.03	-78.00	4.69	-28.38	-77.87	4.69	-28.38	-55.50	
		TANDEM-LOAD	MAX	S2	208.06	236.48	1501.87	130.15	139.60	1528.16	130.15	146.41	1527.52	52.58	48.39	1063.59
			TQ	-57.33	284.42	1135.38	-57.33	284.42	865.44	-57.33	288.28	864.16	-57.33	288.28	590.48	
			M3	66.12	253.33	1526.95	-6.00	164.72	1559.96	-6.00	171.68	1559.21	-87.89	67.76	1109.65	
		MIN	S2	-90.28	253.33	1526.95	-162.40	164.72	1559.96	-162.40	171.68	1559.21	-244.27	67.76	1109.65	
			TQ	3.06	-20.09	-65.68	3.06	-20.09	-51.29	3.06	-20.32	-51.19	3.06	-20.32	-36.60	
			M3	3.19	-19.27	-68.20	3.19	-19.27	-53.17	3.19	-19.51	-53.08	3.19	-19.51	-37.84	
		DISPERSION-LMAX	S2	62.14	24.90	348.86	30.72	-10.25	270.85	30.72	-9.04	270.89	13.20	-27.92	112.97	
			TQ	-16.96	578.73	1966.09	-72.03	578.73	1759.06	-71.94	586.58	1758.84	-127.48	586.58	1284.90	
			M3	-16.60	578.65	1974.03	-71.66	578.65	1768.71	-71.66	586.53	1766.12	-127.21	586.53	1293.49	
MIN	S2	-73.20	520.34	1506.95	-96.85	555.49	1405.71	-96.85	561.75	1403.21	-134.88	580.63	1114.92			
	TQ	5.90	-33.49	-110.28	5.90	-33.49	-82.51	5.81	-33.87	-84.74	5.81	-33.87	-57.01			
	M3	5.53	-33.41	-118.22	5.53	-33.41	-92.16	5.53	-33.82	-92.01	5.53	-33.82	-65.60			

BAGO RIVER BRIDGE

BLOCK [ No.1 : MAIN GIRDER ][ BEAM MEMBER FORCE ]

MEMBER				1051			1052			1053					
NODE				1051			1052			1053					
				SHEAR	TORQUE	MOMENT	SHEAR	TORQUE	MOMENT	SHEAR	TORQUE	MOMENT			
NAME	TITLE			S2 (kN)	TQ (kN·m)	M3 (kN·m)	S2 (kN)	TQ (kN·m)	M3 (kN·m)	S2 (kN)	TQ (kN·m)	M3 (kN·m)			
62	1-LANE (case2TRUCK-LOAD	MAX	S2	16.07	60.32	497.13	16.07	60.32	572.79	16.07	62.88	572.51	16.07	62.88	649.22
			TQ	-49.78	114.85	999.01	-49.78	114.85	764.65	-49.78	118.26	764.13	-49.78	118.26	526.52
			M3	-65.53	78.14	1400.88	-51.48	73.47	1099.39	-51.48	78.37	1099.05	-17.26	83.00	916.97
		MIN	S2	-68.93	79.48	1396.22	-68.93	79.48	1071.67	-68.93	84.26	1071.31	-68.93	84.26	742.26
			TQ	4.50	-11.86	-92.77	4.50	-11.86	-71.57	4.50	-12.17	-71.52	4.50	-12.17	-50.03
			M3	4.60	-11.52	-94.73	4.60	-11.52	-73.05	4.60	-11.85	-73.00	4.60	-11.85	-51.03
		TANDEM-LOAD MAX	S2	13.01	38.89	285.16	13.01	38.89	346.42	13.01	40.43	346.25	13.01	40.43	408.36
			TQ	-35.84	78.15	715.03	-35.84	78.15	546.28	-35.84	80.59	545.93	-35.84	80.59	374.85
			M3	-42.83	47.68	969.06	-41.30	47.13	758.80	-41.30	50.52	758.58	-16.44	55.82	632.54
		MIN	S2	-48.66	55.15	948.94	-48.66	55.15	719.86	-48.66	58.36	719.61	-48.66	58.36	487.36
			TQ	3.04	-8.09	-62.73	3.04	-8.09	-48.40	3.04	-8.30	-48.36	3.04	-8.30	-33.84
			M3	3.13	-7.91	-64.52	3.13	-7.91	-49.76	3.13	-8.13	-49.73	3.13	-8.13	-34.76
		DISPERSION-LMAX	S2	9.10	3.23	38.80	9.10	3.13	80.55	9.10	3.49	80.54	8.84	1.41	102.01
			TQ	-64.09	177.15	1622.73	-65.07	177.15	1318.69	-65.07	183.03	1317.88	-66.06	183.03	1004.93
			M3	-64.09	177.15	1622.73	-65.07	177.15	1318.69	-65.07	183.03	1317.88	-66.06	183.03	1004.93
MIN	S2	-67.77	160.30	1472.36	-68.75	160.40	1152.09	-68.75	165.53	1151.36	-69.48	167.61	842.81		
	TQ	5.42	-13.63	-111.58	5.42	-13.63	-86.05	5.42	-14.01	-85.99	5.42	-14.01	-60.11		
	M3	5.42	-13.63	-111.58	5.42	-13.63	-86.05	5.42	-14.01	-85.99	5.42	-14.01	-60.11		
63	1-LANE (case3TRUCK-LOAD	MAX	S2	4.55	0.98	-90.79	4.55	0.98	-69.39	4.55	0.67	-69.39	4.55	0.67	-47.69
			TQ	3.00	2.26	-59.59	3.00	2.26	-45.46	3.00	2.05	-45.47	3.00	2.05	-31.14
			M3	-42.13	-135.28	879.69	-40.83	-134.42	682.32	-40.83	-131.38	682.91	-36.96	-124.78	495.35
		MIN	S2	-43.13	-130.55	864.01	-43.13	-130.55	660.94	-43.13	-127.60	661.52	-43.13	-127.60	455.64
			TQ	-41.88	-135.34	879.26	-41.88	-135.34	682.09	-41.88	-132.30	682.69	-41.88	-132.30	482.79
			M3	4.55	0.98	-90.79	4.55	0.98	-69.39	4.55	0.67	-69.39	4.55	0.67	-47.69



BAGO RIVER BRIDGE

BLOCK [ No.1 : MAIN GIRDER ][ BEAM MEMBER FORCE ]

MEMBER		1051			1052			1052			1053					
NODE		1051			1052			1052			1053					
		SHEAR	TORQUE	MOMENT	SHEAR	TORQUE	MOMENT	SHEAR	TORQUE	MOMENT	SHEAR	TORQUE	MOMENT			
NAME	TITLE	S2 (kN)	TQ (kN·m)	M3 (kN·m)	S2 (kN)	TQ (kN·m)	M3 (kN·m)	S2 (kN)	TQ (kN·m)	M3 (kN·m)	S2 (kN)	TQ (kN·m)	M3 (kN·m)			
63	1-LANE (case3TANDEM-LOAD	MAX	S2	3.09	0.71	-61.81	3.09	0.71	-47.24	3.09	0.49	-47.24	3.09	0.49	-32.47	
			TQ	2.22	1.55	-44.05	2.22	1.55	-33.61	1.76	1.43	-26.66	1.76	1.43	-18.25	
			M3	-29.21	-92.20	599.65	-27.46	-92.09	465.39	-27.46	-90.02	465.80	-22.92	-80.00	336.72	
		MIN	S2	-29.47	-91.46	597.52	-29.47	-91.46	458.77	-29.47	-89.41	459.17	-29.47	-89.41	318.50	
			TQ	-29.21	-92.20	599.65	-29.21	-92.20	462.14	-29.21	-90.14	462.54	-29.21	-90.14	323.13	
			M3	3.09	0.71	-61.81	3.09	0.71	-47.24	3.09	0.49	-47.24	3.09	0.49	-32.47	
		DISPERSION-LMAX	S2	5.34	1.36	-106.60	5.34	1.36	-81.46	5.34	1.00	-81.47	5.34	1.00	-55.98	
			TQ	1.58	2.80	-29.96	1.58	2.80	-22.52	1.35	2.71	-18.27	1.35	2.71	-11.83	
			M3	-57.36	-158.52	1227.29	-57.36	-158.52	957.25	-57.36	-154.25	957.94	-57.36	-154.25	684.16	
		MIN	S2	-57.36	-158.52	1227.29	-57.36	-158.52	957.25	-57.36	-154.25	957.94	-57.36	-154.25	684.16	
			TQ	-53.60	-159.96	1150.65	-53.60	-159.96	898.30	-53.37	-155.96	894.75	-53.37	-155.96	640.00	
			M3	5.34	1.36	-106.60	5.34	1.36	-81.46	5.34	1.00	-81.47	5.34	1.00	-55.98	
64	1-LANE (case4TRUCK-LOAD	MAX	S2	4.45	26.46	-83.31	4.45	26.46	-62.34	4.45	26.18	-62.45	4.45	26.18	-41.19	
			TQ	4.35	27.51	-80.97	4.35	27.51	-60.50	4.35	27.24	-60.62	4.35	27.24	-39.86	
			M3	-30.09	-351.71	573.69	-29.28	-357.19	434.04	-29.28	-355.25	435.63	-28.54	-355.98	296.75	
		MIN	S2	-30.25	-346.38	570.06	-30.25	-346.38	427.62	-30.25	-344.47	429.16	-30.25	-344.47	284.75	
			TQ	-28.54	-357.91	565.76	-28.54	-357.91	431.39	-28.54	-355.98	432.98	-28.54	-355.98	296.75	
			M3	4.45	26.23	-83.31	4.45	26.23	-62.35	4.45	25.95	-62.47	4.45	25.66	-41.24	
		TANDEM-LOAD	MAX	S2	3.03	18.25	-56.68	3.03	18.25	-42.40	3.03	18.06	-42.48	3.03	18.06	-28.00
			TQ	2.94	18.77	-54.69	2.94	18.77	-40.85	2.94	18.59	-40.93	2.94	18.59	-26.90	
			M3	-20.45	-240.75	391.67	-20.22	-242.28	295.95	-20.22	-240.96	297.02	-19.09	-242.32	202.57	
		MIN	S2	-20.63	-233.20	385.91	-20.63	-233.20	288.79	-20.63	-231.91	289.83	-20.63	-231.91	191.36	
			TQ	-19.09	-243.63	382.48	-19.09	-243.63	292.61	-19.09	-242.32	293.69	-19.09	-242.32	202.57	
			M3	3.03	18.25	-56.68	3.03	18.25	-42.40	3.03	18.06	-42.48	3.01	17.00	-28.02	

BAGO RIVER BRIDGE

BLOCK [ No.1 : MAIN GIRDER ][ BEAM MEMBER FORCE ]

MEMBER		1051			1052			1052			1053					
NODE		1051			1052			1052			1053					
		SHEAR	TORQUE	MOMENT	SHEAR	TORQUE	MOMENT	SHEAR	TORQUE	MOMENT	SHEAR	TORQUE	MOMENT			
NAME	TITLE	S2 (kN)	TQ (kN·m)	M3 (kN·m)	S2 (kN)	TQ (kN·m)	M3 (kN·m)	S2 (kN)	TQ (kN·m)	M3 (kN·m)	S2 (kN)	TQ (kN·m)	M3 (kN·m)			
64	1-LANE (case4DISPERSION-LMAX	S2	5.20	30.26	-97.30	5.20	30.26	-72.84	5.20	29.93	-72.98	5.20	29.93	-48.18		
		TQ	5.20	30.26	-97.30	5.20	30.26	-72.84	5.20	29.93	-72.98	5.20	29.93	-48.18		
		M3	-45.75	-526.09	839.42	-45.75	-526.09	624.04	-45.75	-523.30	626.38	-45.70	-522.67	408.02		
		MIN	S2	-45.75	-526.09	839.42	-45.75	-526.09	624.04	-45.75	-523.30	626.38	-45.75	-523.30	408.01	
		TQ	-45.75	-526.09	839.42	-45.75	-526.09	624.04	-45.75	-523.30	626.38	-45.75	-523.30	408.01		
		M3	5.20	30.26	-97.30	5.20	30.26	-72.84	5.20	29.93	-72.98	5.14	29.30	-48.19		
65	2-LANES (caseTRUCK-LOAD	MAX	S2	335.88	454.34	3357.73	197.84	257.04	3079.05	197.84	270.76	3077.88	83.35	106.03	1994.55	
		TQ	-139.29	674.24	2795.48	-139.29	674.24	2139.67	-140.14	683.81	2147.44	-140.14	683.81	1478.50		
		M3	94.35	621.83	3682.91	14.74	452.18	3504.15	14.74	467.80	3502.09	-144.45	303.66	2587.57		
		MIN	S2	-195.95	625.86	3632.77	-300.63	486.88	3500.39	-300.63	502.48	3498.19	-424.81	324.50	2521.18	
		TQ	8.80	-50.13	-187.31	8.80	-50.13	-145.88	8.80	-50.78	-145.65	8.80	-50.78	-103.65		
		M3	9.33	-47.82	-197.46	9.33	-47.82	-153.52	9.33	-48.51	-153.31	9.33	-48.51	-108.76		
		TANDEM-LOAD	MAX	S2	272.66	372.67	2715.85	177.95	236.49	2605.69	177.95	248.11	2604.61	82.35	106.98	1878.59
		TQ	-97.54	458.79	1946.52	-97.54	458.79	1487.27	-97.54	465.42	1485.21	-97.54	465.42	1019.61		
		M3	67.38	397.41	2762.55	-20.81	271.93	2665.47	-20.81	283.81	2664.23	-120.71	136.39	1963.92		
		MIN	S2	-156.05	397.41	2762.55	-244.25	271.93	2665.47	-244.25	283.81	2664.23	-344.10	136.39	1963.92	
		TQ	6.08	-34.19	-129.41	6.08	-34.19	-100.76	6.08	-34.64	-100.61	6.08	-34.64	-71.57		
		M3	6.36	-32.87	-134.55	6.36	-32.87	-104.63	6.36	-33.33	-104.48	6.36	-33.33	-74.14		
		DISPERSION-LMAX	S2	90.66	46.78	648.61	48.96	-9.48	470.64	48.96	-7.38	470.68	24.15	-41.38	200.87	
		TQ	-61.73	955.44	3769.33	-140.39	955.44	3295.97	-140.29	970.13	3294.06	-219.66	970.13	2436.97		
		M3	-61.37	955.35	3777.27	-140.02	955.35	3305.63	-140.02	970.08	3301.34	-219.39	970.08	2445.56		
		MIN	S2	-141.02	851.63	2895.53	-177.97	907.89	2653.71	-177.97	919.72	2649.64	-232.53	953.72	2116.23	
		TQ	11.38	-57.02	-225.18	11.38	-57.02	-171.62	11.29	-57.79	-173.74	11.29	-57.79	-119.87		
		M3	11.01	-56.94	-233.12	11.01	-56.94	-181.27	11.01	-57.74	-181.02	11.01	-57.74	-128.45		

BAGO RIVER BRIDGE

BLOCK [ No.1 : MAIN GIRDER ][ BEAM MEMBER FORCE ]

MEMBER				1051			1052			1053					
NODE				1051			1052			1053					
				SHEAR	TORQUE	MOMENT	SHEAR	TORQUE	MOMENT	SHEAR	TORQUE	MOMENT			
NAME	TITLE			S2 (kN)	TQ (kN·m)	M3 (kN·m)	S2 (kN)	TQ (kN·m)	M3 (kN·m)	S2 (kN)	TQ (kN·m)	M3 (kN·m)			
66	2-LANES (caseTRUCK-LOAD	MAX	S2	99.61	233.70	2037.88	74.16	174.99	1883.69	74.16	183.39	1882.90	48.46	125.68	1539.03
			TQ	-111.21	371.38	2232.09	-111.21	371.38	1708.49	-112.06	379.03	1717.62	-112.06	379.03	1182.72
			M3	-66.10	305.43	3093.28	-72.88	257.14	2607.96	-72.88	268.77	2606.79	-63.90	214.52	2082.83
		MIN	S2	-157.86	306.78	3088.62	-178.70	263.16	2580.24	-178.70	274.66	2579.05	-201.39	221.89	1888.40
			TQ	8.88	-32.52	-185.00	8.88	-32.52	-143.20	8.88	-33.16	-143.05	8.88	-33.16	-100.67
			M3	9.25	-31.32	-192.12	9.25	-31.32	-148.57	9.25	-31.98	-148.43	9.25	-31.98	-104.29
		TANDEM-LOAD MAX	S2	77.62	175.07	1499.14	60.81	135.78	1423.95	60.81	142.13	1423.33	42.79	99.02	1223.36
			TQ	-76.05	252.52	1526.17	-76.05	252.52	1168.12	-76.05	257.73	1166.98	-76.05	257.73	803.97
			M3	-41.57	191.76	2204.65	-56.11	154.34	1864.31	-56.11	162.65	1863.61	-49.26	124.45	1486.81
		MIN	S2	-114.42	199.23	2184.54	-130.50	162.35	1825.38	-130.50	170.49	1824.64	-148.48	126.99	1341.63
			TQ	6.07	-22.19	-126.46	6.07	-22.19	-97.88	6.07	-22.62	-97.78	6.07	-22.62	-68.80
			M3	6.30	-21.50	-130.87	6.30	-21.50	-101.22	6.30	-21.95	-101.13	6.30	-21.95	-71.06
		DISPERSION-LMAX	S2	37.62	25.10	338.55	27.34	3.90	280.35	27.34	5.15	280.33	19.79	-12.05	189.91
			TQ	-108.86	553.86	3425.97	-133.43	553.86	2855.60	-133.43	566.58	2853.10	-158.23	566.58	2157.00
			M3	-108.86	553.86	3425.97	-133.43	553.86	2855.60	-133.43	566.58	2853.10	-158.23	566.58	2157.00
MIN	S2	-135.58	491.60	2860.94	-149.86	512.80	2400.09	-149.86	523.49	2397.78	-167.13	540.70	1844.12		
	TQ	10.90	-37.16	-226.48	10.90	-37.16	-175.16	10.90	-37.94	-174.99	10.90	-37.94	-122.97		
	M3	10.90	-37.16	-226.48	10.90	-37.16	-175.16	10.90	-37.94	-174.99	10.90	-37.94	-122.97		
67	2-LANES (caseTRUCK-LOAD	MAX	S2	9.06	10.32	-179.08	9.06	10.32	-136.43	9.06	9.71	-136.48	9.06	9.71	-93.24
			TQ	6.77	13.02	-132.70	6.77	13.02	-100.82	6.77	12.57	-100.87	6.77	12.57	-68.55
			M3	-77.23	-380.33	1586.46	-75.80	-379.46	1224.13	-75.80	-374.00	1225.81	-69.58	-361.47	874.53
		MIN	S2	-78.67	-373.23	1566.01	-78.67	-373.23	1195.61	-78.67	-367.90	1197.27	-78.67	-367.90	821.74
			TQ	-76.97	-380.39	1586.03	-76.97	-380.39	1223.62	-76.97	-374.93	1225.31	-76.97	-374.93	857.88
			M3	9.06	10.32	-179.08	9.06	10.32	-136.43	9.06	9.71	-136.48	9.06	9.60	-93.24

BAGO RIVER BRIDGE

BLOCK [ No.1 : MAIN GIRDER ][ BEAM MEMBER FORCE ]

MEMBER		1051			1052			1052			1053					
NODE		1051			1052			1052			1053					
		SHEAR	TORQUE	MOMENT	SHEAR	TORQUE	MOMENT	SHEAR	TORQUE	MOMENT	SHEAR	TORQUE	MOMENT			
NAME	TITLE	S2 (kN)	TQ (kN·m)	M3 (kN·m)	S2 (kN)	TQ (kN·m)	M3 (kN·m)	S2 (kN)	TQ (kN·m)	M3 (kN·m)	S2 (kN)	TQ (kN·m)	M3 (kN·m)			
67	2-LANES (caseTANDEM-LOAD	MAX	S2	6.17	7.16	-121.91	6.17	7.16	-92.87	6.17	6.75	-92.90	6.17	6.75	-63.46	
			TQ	4.86	8.91	-95.38	4.86	8.91	-72.49	4.41	8.62	-65.58	4.41	8.62	-44.53	
			M3	-53.31	-258.91	1080.88	-50.70	-258.17	833.75	-50.70	-254.45	834.89	-45.65	-243.02	595.19	
			MIN	S2	-53.70	-257.51	1077.42	-53.70	-257.51	824.59	-53.70	-253.83	825.73	-53.70	-253.83	569.40
			TQ	-53.31	-258.91	1080.88	-53.31	-258.91	829.87	-53.31	-255.21	831.02	-53.31	-255.21	576.54	
			M3	6.17	7.16	-121.91	6.17	7.16	-92.87	6.17	6.75	-92.90	6.17	6.75	-63.46	
		DISPERSION-LMAX	S2	10.63	12.62	-210.01	10.63	12.62	-159.97	10.63	11.91	-160.02	10.63	11.91	-109.29	
			TQ	6.35	14.11	-122.89	6.35	14.11	-93.00	5.92	13.71	-85.86	5.92	13.71	-57.58	
			M3	-109.13	-501.77	2259.26	-109.13	-501.77	1745.44	-109.13	-493.98	1747.66	-109.13	-493.98	1226.73	
			MIN	S2	-109.13	-501.77	2259.26	-109.13	-501.77	1745.44	-109.13	-493.98	1747.66	-109.13	-493.98	1226.73
			TQ	-104.85	-503.26	2172.13	-104.85	-503.26	1678.47	-104.43	-495.78	1673.50	-104.43	-495.78	1175.03	
			M3	10.63	12.62	-210.01	10.63	12.62	-159.97	10.63	11.91	-160.02	10.63	11.91	-109.29	
68	2-LANES (caseTRUCK-LOAD	MAX	S2	8.94	44.55	-169.05	8.94	44.55	-126.97	8.94	43.98	-127.17	8.94	43.98	-84.51	
			TQ	8.73	46.20	-164.51	8.73	46.20	-123.42	8.73	45.65	-123.62	8.73	45.65	-81.96	
			M3	-65.19	-596.71	1280.54	-64.25	-602.17	975.91	-64.25	-597.82	978.58	-61.17	-592.62	675.98	
			MIN	S2	-65.80	-589.02	1272.12	-65.80	-589.02	962.34	-65.80	-584.72	964.96	-65.80	-584.72	650.88
			TQ	-63.64	-602.91	1272.60	-63.64	-602.91	972.97	-63.64	-598.56	975.65	-63.64	-598.56	671.87	
			M3	8.93	44.33	-169.06	8.93	44.33	-126.99	8.93	43.76	-127.19	8.93	43.32	-84.56	
		TANDEM-LOAD	MAX	S2	6.09	30.75	-115.03	6.09	30.75	-86.37	6.09	30.37	-86.51	6.09	30.37	-57.46
			TQ	5.90	31.51	-111.13	5.90	31.51	-83.35	5.90	31.14	-83.49	5.90	31.14	-55.33	
			M3	-44.56	-407.43	872.95	-43.46	-408.32	664.34	-43.46	-405.36	666.16	-41.83	-405.31	461.07	
			MIN	S2	-44.86	-399.22	865.85	-44.86	-399.22	654.64	-44.86	-396.29	656.42	-44.86	-396.29	442.28
			TQ	-43.20	-410.31	863.75	-43.20	-410.31	660.37	-43.20	-407.36	662.20	-43.20	-407.36	456.01	
			M3	6.09	30.75	-115.03	6.09	30.75	-86.37	6.09	30.37	-86.51	6.07	29.30	-57.47	

BAGO RIVER BRIDGE

BLOCK [ No.1 : MAIN GIRDER ][ BEAM MEMBER FORCE ]

MEMBER		1051			1052			1052			1053						
NODE		1051			1052			1052			1053						
		SHEAR	TORQUE	MOMENT	SHEAR	TORQUE	MOMENT	SHEAR	TORQUE	MOMENT	SHEAR	TORQUE	MOMENT				
NAME	TITLE	S2 (kN)	TQ (kN·m)	M3 (kN·m)	S2 (kN)	TQ (kN·m)	M3 (kN·m)	S2 (kN)	TQ (kN·m)	M3 (kN·m)	S2 (kN)	TQ (kN·m)	M3 (kN·m)				
68	2-LANES (caseDISPERSION-LMAX	S2	10.44	50.68	-197.78	10.44	50.68	-148.63	10.44	50.02	-148.85	10.44	50.02	-99.02			
		TQ	10.44	50.68	-197.78	10.44	50.68	-148.63	10.44	50.02	-148.85	10.44	50.02	-99.02			
		M3	-97.49	-871.24	1870.27	-97.49	-871.24	1411.28	-97.49	-864.94	1415.15	-97.44	-864.31	949.82			
		MIN	S2	-97.49	-871.24	1870.27	-97.49	-871.24	1411.28	-97.49	-864.94	1415.15	-97.49	-864.94	949.81		
		TQ	-97.49	-871.24	1870.27	-97.49	-871.24	1411.28	-97.49	-864.94	1415.15	-97.49	-864.94	949.81			
		M3	10.44	50.68	-197.78	10.44	50.68	-148.63	10.44	50.02	-148.85	10.39	49.38	-99.03			
		69	3-LANES (caseTRUCK-LOAD	MAX	S2	351.95	514.66	3854.86	213.91	317.36	3651.84	213.91	333.64	3650.39	99.42	168.90	2643.76
				TQ	-189.07	789.10	3794.50	-189.07	789.10	2904.32	-189.92	802.07	2911.57	-189.92	802.07	2005.03	
				M3	28.82	699.97	5083.79	-36.74	525.64	4603.53	-36.74	546.16	4601.14	-161.71	386.66	3504.54	
MIN	S2			-264.88	705.34	5028.99	-369.56	566.36	4572.07	-369.56	586.74	4569.50	-493.74	408.76	3263.44		
TQ	13.30			-61.99	-280.08	13.30	-61.99	-217.45	13.30	-62.96	-217.18	13.30	-62.96	-153.68			
M3	13.94			-59.35	-292.18	13.94	-59.35	-226.57	13.94	-60.36	-226.31	13.94	-60.36	-159.79			
TANDEM-LOAD	MAX			S2	285.67	411.56	3001.01	190.96	275.38	2952.11	190.96	288.54	2950.85	95.36	147.41	2286.95	
TQ	-133.38			536.95	2661.55	-133.38	536.95	2033.56	-133.38	546.01	2031.14	-133.38	546.01	1394.45			
M3	24.55			445.09	3731.60	-62.11	319.06	3424.27	-62.11	334.33	3422.81	-137.15	192.21	2596.46			
MIN	S2	-204.71	452.56	3711.49	-292.90	327.08	3385.34	-292.90	342.17	3383.84	-392.75	194.75	2451.28				
TQ	9.13	-42.28	-192.14	9.13	-42.28	-149.16	9.13	-42.94	-148.97	9.13	-42.94	-105.40					
M3	9.49	-40.77	-199.07	9.49	-40.77	-154.39	9.49	-41.46	-154.21	9.49	-41.46	-108.90					
DISPERSION-LMAX	S2	99.76	50.00	687.41	58.06	-6.35	551.20	58.06	-3.89	551.22	33.00	-39.97	302.88				
TQ	-125.82	1132.59	5392.06	-205.45	1132.59	4614.66	-205.36	1153.16	4611.95	-285.72	1153.16	3441.90					
M3	-125.45	1132.50	5400.00	-205.09	1132.50	4624.32	-205.09	1153.11	4619.22	-285.44	1153.11	3450.48					
MIN	S2	-208.78	1011.94	4367.89	-246.71	1068.29	3805.80	-246.71	1085.25	3801.00	-302.00	1121.33	2959.04				
TQ	16.80	-70.65	-336.76	16.80	-70.65	-257.67	16.71	-71.80	-259.73	16.71	-71.80	-179.98					
M3	16.43	-70.56	-344.69	16.43	-70.56	-267.32	16.43	-71.75	-267.01	16.43	-71.75	-188.56					

BAGO RIVER BRIDGE

BLOCK [ No.1 : MAIN GIRDER ][ BEAM MEMBER FORCE ]

MEMBER				1051			1052			1053						
NODE				1051			1052			1053						
				SHEAR	TORQUE	MOMENT	SHEAR	TORQUE	MOMENT	SHEAR	TORQUE	MOMENT				
NAME	TITLE			S2 (kN)	TQ (kN·m)	M3 (kN·m)	S2 (kN)	TQ (kN·m)	M3 (kN·m)	S2 (kN)	TQ (kN·m)	M3 (kN·m)				
70	3-LANES (caseTRUCK-LOAD	MAX	S2	13.54	28.01	-264.94	13.54	28.01	-201.18	13.54	27.11	-201.30	13.54	27.11	-136.66	
			TQ	10.82	32.62	-209.45	10.82	32.62	-158.50	10.82	31.91	-158.64	10.82	31.91	-106.98	
			M3	-107.32	-732.09	2160.11	-105.08	-736.70	1658.13	-105.08	-729.30	1661.40	-98.12	-717.50	1171.25	
		MIN	S2	-108.92	-719.67	2136.03	-108.92	-719.67	1623.21	-108.92	-712.42	1626.40	-108.92	-712.42	1106.48	
			TQ	-105.51	-738.35	2151.73	-105.51	-738.35	1654.97	-105.51	-730.96	1658.24	-105.51	-730.96	1154.60	
			M3	13.54	27.83	-264.94	13.54	27.83	-201.19	13.54	26.93	-201.31	13.53	26.54	-136.69	
	TANDEM-LOAD	MAX	S2	9.22	19.37	-180.35	9.22	19.37	-136.93	9.22	18.76	-137.01	9.22	18.76	-92.99	
			TQ	7.57	22.31	-146.66	7.57	22.31	-111.01	7.12	21.85	-104.16	7.12	21.85	-70.18	
			M3	-73.76	-499.70	1472.52	-70.92	-500.48	1129.67	-70.92	-495.44	1131.89	-64.74	-485.38	797.74	
	DISPERSION-LMAX	MIN	S2	-74.33	-490.75	1463.30	-74.33	-490.75	1113.36	-74.33	-485.78	1115.54	-74.33	-485.78	760.75	
			TQ	-72.40	-502.58	1463.31	-72.40	-502.58	1122.44	-72.40	-497.57	1124.67	-72.40	-497.57	779.09	
			M3	9.22	19.37	-180.35	9.22	19.37	-136.93	9.22	18.76	-137.01	9.22	18.76	-92.99	
	71	3-LANES (caseTRUCK-LOAD	MAX	S2	15.87	33.72	-310.26	15.87	33.72	-235.55	15.87	32.67	-235.69	15.87	32.67	-159.94
				TQ	11.59	35.22	-223.14	11.59	35.22	-168.58	11.16	34.48	-161.53	11.16	34.48	-108.24
				M3	-154.92	-1026.03	3099.96	-154.92	-1026.03	2370.56	-154.92	-1015.45	2375.11	-154.87	-1014.82	1635.63
MIN			S2	-154.92	-1026.03	3099.96	-154.92	-1026.03	2370.56	-154.92	-1015.45	2375.11	-154.92	-1015.45	1635.61	
			TQ	-150.64	-1027.52	3012.84	-150.64	-1027.52	2303.59	-150.22	-1017.26	2300.95	-150.22	-1017.26	1583.91	
			M3	15.87	33.72	-310.26	15.87	33.72	-235.55	15.87	32.67	-235.69	15.82	32.04	-159.96	
3-LANES (caseTRUCK-LOAD	MIN	S2	13.45	54.29	-257.23	13.45	54.29	-193.91	13.45	53.42	-194.15	13.45	53.42	-129.95		
		TQ	13.16	56.11	-251.00	13.16	56.11	-189.05	13.16	55.27	-189.30	13.16	55.27	-126.49		
		M3	-107.33	-731.94	2160.31	-105.09	-736.55	1658.30	-105.09	-729.15	1661.57	-98.13	-717.36	1171.39		
3-LANES (caseTRUCK-LOAD	MIN	S2	-108.93	-719.51	2136.20	-108.93	-719.51	1623.34	-108.93	-712.27	1626.53	-108.93	-712.27	1106.56		
		TQ	-105.52	-738.20	2151.95	-105.52	-738.20	1655.13	-105.52	-730.82	1658.41	-105.52	-730.82	1154.71		
		M3	13.45	54.06	-257.24	13.45	54.06	-193.93	13.45	53.20	-194.17	13.44	52.76	-130.01		

BAGO RIVER BRIDGE

BLOCK [ No.1 : MAIN GIRDER ][ BEAM MEMBER FORCE ]

MEMBER		1051			1052			1052			1053							
NODE		1051			1052			1052			1053							
		SHEAR	TORQUE	MOMENT	SHEAR	TORQUE	MOMENT	SHEAR	TORQUE	MOMENT	SHEAR	TORQUE	MOMENT					
NAME	TITLE	S2 (kN)	TQ (kN·m)	M3 (kN·m)	S2 (kN)	TQ (kN·m)	M3 (kN·m)	S2 (kN)	TQ (kN·m)	M3 (kN·m)	S2 (kN)	TQ (kN·m)	M3 (kN·m)					
71	3-LANES (caseTANDEM-LOAD	MAX	S2	9.16	37.50	-175.05	9.16	37.50	-131.93	9.16	36.91	-132.09	9.16	36.91	-88.38			
			TQ	8.96	38.30	-170.94	8.96	38.30	-128.74	8.96	37.73	-128.91	8.96	37.73	-86.13			
			M3	-73.77	-499.59	1472.65	-70.93	-500.39	1129.78	-70.93	-495.34	1132.00	-64.75	-485.29	797.83			
		MIN	S2	-74.33	-490.64	1463.42	-74.33	-490.64	1113.45	-74.33	-485.67	1115.63	-74.33	-485.67	760.81			
			TQ	-72.41	-502.48	1463.45	-72.41	-502.48	1122.55	-72.41	-497.47	1124.78	-72.41	-497.47	779.16			
			M3	9.16	37.50	-175.05	9.16	37.50	-131.93	9.16	36.91	-132.09	9.14	35.85	-88.39			
		DISPERSION-LMAX	S2	15.73	61.25	-301.40	15.73	61.25	-227.33	15.73	60.23	-227.60	15.73	60.23	-152.51			
			TQ	15.73	61.25	-300.26	15.73	61.25	-226.21	15.72	60.24	-225.69	15.72	60.24	-150.63			
			M3	-154.81	-1031.67	3096.43	-154.81	-1031.67	2367.56	-154.81	-1021.10	2372.14	-154.76	-1020.46	1633.19			
		MIN	S2	-154.81	-1031.67	3096.43	-154.81	-1031.67	2367.56	-154.81	-1021.10	2372.14	-154.81	-1021.10	1633.18			
			TQ	-154.80	-1031.67	3095.29	-154.80	-1031.67	2366.44	-154.80	-1021.11	2370.23	-154.80	-1021.11	1631.31			
			M3	15.73	61.25	-301.40	15.73	61.25	-227.33	15.73	60.23	-227.60	15.68	59.60	-152.52			
		72	4-LANES	TRUCK-LOAD	MAX	S2	17.95	53.30	-347.55	17.95	53.30	-263.04	17.95	52.13	-263.28	17.95	52.13	-177.60
						TQ	17.95	53.30	-347.55	17.95	53.30	-263.04	12.06	52.15	-173.21	12.06	52.15	-115.63
						M3	-5.35	-2.95	106.56	-5.35	-2.95	81.35	-5.35	-2.59	81.36	-5.35	-2.59	55.80
MIN	S2			-5.35	-2.98	106.55	-5.35	-2.98	81.34	-5.35	-2.62	81.35	-5.35	-2.62	55.79			
	TQ			-1.86	-4.19	36.22	-1.86	-4.19	27.49	-1.10	-4.10	15.90	-1.10	-4.10	10.66			
	M3			17.95	53.30	-347.55	17.95	53.30	-263.04	17.95	52.13	-263.28	17.95	52.13	-177.60			
TANDEM-LOAD	MAX			S2	12.25	37.91	-236.94	12.25	37.91	-179.25	12.25	37.11	-179.41	12.25	37.11	-120.92		
				TQ	12.25	37.91	-236.94	12.25	37.91	-179.25	12.25	37.11	-179.41	12.25	37.11	-120.92		
				M3	-3.64	-2.11	72.39	-3.64	-2.11	55.25	-3.64	-1.86	55.26	-3.64	-1.86	37.89		
MIN	S2			-3.64	-2.11	72.39	-3.64	-2.11	55.25	-3.64	-1.86	55.26	-3.64	-1.86	37.89			
	TQ			-1.18	-2.87	23.05	-1.18	-2.87	17.48	-0.72	-2.81	10.42	-0.72	-2.81	6.98			
	M3			12.25	37.91	-236.94	12.25	37.91	-179.25	12.25	37.11	-179.41	12.23	36.03	-120.94			

BAGO RIVER BRIDGE

BLOCK [ No.1 : MAIN GIRDER ][ BEAM MEMBER FORCE ]

MEMBER			1051			1052			1052			1053					
NODE			1051			1052			1052			1053					
NAME TITLE			SHEAR	TORQUE	MOMENT	SHEAR	TORQUE	MOMENT	SHEAR	TORQUE	MOMENT	SHEAR	TORQUE	MOMENT			
			S2 (kN)	TQ (kN·m)	M3 (kN·m)	S2 (kN)	TQ (kN·m)	M3 (kN·m)	S2 (kN)	TQ (kN·m)	M3 (kN·m)	S2 (kN)	TQ (kN·m)	M3 (kN·m)			
72	4-LANES	DISPERSION-LMAX	S2	12.70	31.14	-247.43	12.70	31.14	-187.62	12.70	30.31	-187.76	12.70	30.31	-127.12		
			TQ	9.29	32.82	-178.80	9.29	32.82	-135.04	8.95	32.23	-129.99	8.95	32.23	-87.25		
			M3	-6.51	-3.56	129.65	-6.51	-3.56	98.97	-6.51	-3.12	98.99	-6.51	-3.12	67.89		
	MIN	S2	-6.51	-3.56	129.62	-6.51	-3.56	98.95	-6.51	-3.12	98.97	-6.51	-3.12	67.88			
		TQ	-3.24	-5.19	63.66	-3.24	-5.19	48.42	-2.91	-4.98	43.39	-2.91	-4.98	29.51			
		M3	12.70	31.14	-247.44	12.70	31.14	-187.63	12.70	30.30	-187.76	12.70	30.30	-127.13			
	73	6-LANES	TRUCK-LOAD	MAX	S2	303.39	505.79	3465.42	193.37	334.96	3231.93	193.37	349.37	3230.40	100.58	201.76	2342.99
				TQ	-161.95	754.31	3272.92	-161.95	754.31	2510.44	-162.39	765.49	2513.33	-162.39	765.49	1738.19	
				M3	-111.33	-57.32	7159.76	-166.72	-210.30	6106.19	-166.72	-183.07	6107.07	-239.21	-284.59	4570.12	
MIN			S2	-365.62	-28.71	7031.34	-447.10	-157.55	5977.24	-447.10	-130.89	5977.89	-558.59	-272.88	4219.15		
TQ			-99.62	-715.29	2006.31	-99.62	-715.29	1537.28	-99.71	-708.43	1539.44	-99.71	-708.43	1063.49			
M3			27.37	-5.92	-549.37	27.37	-5.92	-420.49	27.37	-7.80	-420.46	27.37	-8.21	-289.83			
TANDEM-LOAD		MAX	S2	243.82	398.86	2709.30	167.63	280.82	2622.92	167.63	292.51	2621.65	92.32	170.51	2048.73		
		TQ	-114.27	513.70	2293.72	-114.27	513.70	1755.72	-114.27	521.53	1753.41	-114.27	521.53	1207.96			
		M3	-70.60	-67.89	5110.76	-140.07	-176.83	4403.77	-140.07	-157.19	4404.51	-182.14	-256.69	3295.55			
		MIN	S2	-270.43	-50.45	5068.67	-339.86	-141.97	4263.12	-339.86	-122.96	4263.71	-418.09	-223.43	2956.54		
		TQ	-67.53	-487.58	1369.92	-67.53	-487.58	1051.99	-67.53	-482.88	1054.15	-67.53	-482.88	731.82			
		M3	18.64	-3.71	-374.08	18.64	-3.71	-286.31	18.64	-4.99	-286.29	18.62	-6.02	-197.31			
		DISPERSION-LMAX	S2	106.56	94.25	298.65	68.29	42.82	247.65	68.29	43.93	247.46	45.41	12.15	105.12		
			TQ	-101.64	1100.97	4622.21	-174.43	1100.97	3973.00	-174.54	1118.68	3974.22	-247.86	1118.68	2966.63		
			M3	-258.94	139.81	7796.89	-331.72	139.81	6407.10	-331.72	168.38	6406.42	-405.05	168.38	4648.51		
MIN	S2	-335.81	34.66	6918.73	-369.34	84.09	5694.24	-369.34	109.48	5693.81	-419.56	141.25	4224.31				
	TQ	-125.21	-1011.20	2495.37	-125.21	-1011.20	1905.87	-124.87	-1002.71	1900.78	-124.87	-1002.71	1304.70				
	M3	30.83	-13.86	-620.28	30.83	-13.86	-475.15	30.83	-15.98	-475.08	30.77	-16.61	-327.95				



BAGO RIVER BRIDGE

BLOCK [ No.1 : MAIN GIRDER ][ BEAM MEMBER FORCE ]

MEMBER			1051			1052			1052			1053			
NODE			1051			1052			1052			1053			
NAME TITLE			SHEAR	TORQUE	MOMENT	SHEAR	TORQUE	MOMENT	SHEAR	TORQUE	MOMENT	SHEAR	TORQUE	MOMENT	
			S2 (kN)	TQ (kN·m)	M3 (kN·m)	S2 (kN)	TQ (kN·m)	M3 (kN·m)	S2 (kN)	TQ (kN·m)	M3 (kN·m)	S2 (kN)	TQ (kN·m)	M3 (kN·m)	
124	SUM TOTAL	D+1LANE (caseMAX	S2	-556.26	663.68	31862.47	-1003.07	455.19	26669.43	-1003.07	574.10	26667.13	-1409.00	423.00	19253.39
			TQ	-1047.42	1492.38	33497.65	-1387.50	1492.38	27768.50	-1387.39	1616.19	27764.43	-1732.41	1616.19	20320.80
			M3	-839.64	1464.46	34020.90	-1250.26	1313.22	28739.78	-1250.26	1441.35	28733.64	-1756.02	1315.05	21050.39
		MIN	S2	-1149.90	1399.33	33400.24	-1552.89	1327.07	28299.67	-1552.89	1453.24	28293.47	-1998.67	1325.65	20780.10
			TQ	-921.25	221.09	29017.02	-1195.25	221.09	24034.52	-1195.36	328.25	24030.44	-1473.72	328.25	17660.11
			M3	-921.37	222.92	29001.51	-1195.37	222.92	24018.44	-1195.37	330.01	24017.21	-1473.73	330.01	17646.84
		D+1LANE (caseMAX	S2	-903.43	372.90	29906.57	-1177.43	372.79	25006.65	-1177.43	484.29	25004.73	-1456.10	481.79	18693.62
			TQ	-1070.27	647.05	32409.55	-1345.45	647.05	26722.64	-1345.45	766.20	26719.49	-1624.99	766.20	19629.89
			M3	-1089.17	602.99	32891.79	-1347.49	597.39	27124.33	-1347.49	718.32	27121.39	-1585.97	723.89	20098.43
		MIN	S2	-1097.67	584.38	32705.75	-1372.86	584.50	26891.15	-1372.86	704.40	26888.27	-1652.09	706.89	19694.24
			TQ	-921.72	266.06	29018.24	-1195.73	266.06	24033.49	-1195.73	373.22	24032.07	-1474.09	373.22	17659.98
			M3	-921.60	266.46	29015.89	-1195.61	266.46	24031.72	-1195.61	373.61	24030.29	-1473.97	373.61	17658.79
		D+1LANE (caseMAX	S2	-921.77	299.46	29026.59	-1195.78	299.46	24041.62	-1195.78	406.65	24040.05	-1474.13	406.65	17667.74
			TQ	-928.13	302.71	29155.99	-1202.14	302.71	24141.07	-1202.42	410.36	24144.59	-1480.77	410.36	17740.59
			M3	-1053.02	-55.92	31791.83	-1325.46	-54.89	26190.12	-1325.46	61.89	26190.11	-1599.17	69.80	19207.56
		MIN	S2	-1054.21	-50.24	31773.01	-1328.22	-50.24	26164.47	-1328.22	66.42	26164.43	-1606.58	66.42	19159.92
			TQ	-1048.20	-57.72	31699.35	-1322.21	-57.72	26119.11	-1321.93	58.73	26114.00	-1600.29	58.73	19139.51
			M3	-921.77	299.46	29026.59	-1195.78	299.46	24041.62	-1195.78	406.65	24040.05	-1474.13	406.65	17667.74
		D+1LANE (caseMAX	S2	-922.05	364.70	29046.72	-1196.06	364.70	24060.42	-1196.06	471.98	24058.56	-1474.42	471.98	17684.91
			TQ	-922.18	365.96	29049.52	-1196.19	365.96	24062.63	-1196.19	473.25	24060.76	-1474.54	473.25	17686.51
			M3	-1024.63	-756.72	30959.19	-1297.67	-763.29	25492.33	-1297.67	-649.62	25495.48	-1575.08	-649.73	18637.88
		MIN	S2	-1024.83	-750.33	30954.84	-1298.84	-750.33	25484.63	-1298.84	-636.69	25487.72	-1577.19	-636.69	18623.47
			TQ	-1022.77	-764.16	30949.67	-1296.78	-764.16	25489.15	-1296.78	-650.50	25492.31	-1575.14	-650.50	18637.87
			M3	-922.06	364.43	29046.71	-1196.06	364.43	24060.40	-1196.06	471.71	24058.54	-1474.48	470.59	17684.83

BAGO RIVER BRIDGE

BLOCK [ No.1 : MAIN GIRDER ][ BEAM MEMBER FORCE ]

MEMBER			1051			1052			1052			1053			
NODE			1051			1052			1052			1053			
NAME TITLE			SHEAR	TORQUE	MOMENT	SHEAR	TORQUE	MOMENT	SHEAR	TORQUE	MOMENT	SHEAR	TORQUE	MOMENT	
			S2 (kN)	TQ (kN·m)	M3 (kN·m)	S2 (kN)	TQ (kN·m)	M3 (kN·m)	S2 (kN)	TQ (kN·m)	M3 (kN·m)	S2 (kN)	TQ (kN·m)	M3 (kN·m)	
124	SUM TOTAL	D+2LANES (casMAX	S2	-507.09	797.76	33269.80	-960.84	544.20	27772.34	-960.84	668.03	27769.63	-1378.50	469.29	19987.57
			TQ	-1134.66	1926.32	35828.26	-1487.31	1926.32	29658.28	-1488.07	2058.58	29662.58	-1845.79	2058.58	21707.63
			M3	-900.65	1873.82	36723.62	-1332.92	1704.17	31032.41	-1332.92	1842.52	31024.51	-1849.83	1678.39	22825.27
		MIN	S2	-1270.60	1774.13	35791.76	-1686.23	1691.41	30376.75	-1686.23	1826.84	30368.90	-2143.33	1682.86	22429.57
			TQ	-913.46	189.49	28850.96	-1187.46	189.49	23905.14	-1187.55	296.07	23901.68	-1465.91	296.07	17568.63
			M3	-913.29	191.88	28832.87	-1187.29	191.88	23887.84	-1187.29	298.40	23886.75	-1465.65	298.40	17554.94
		D+2LANES (casMAX	S2	-796.39	555.45	31639.88	-1106.15	475.53	26386.68	-1106.15	593.18	26384.30	-1417.74	518.28	19521.09
			TQ	-1153.70	1221.88	34921.50	-1452.27	1221.88	28786.73	-1453.12	1350.25	28791.80	-1756.28	1350.25	21131.87
			M3	-1108.59	1155.93	35782.70	-1413.95	1107.64	29686.20	-1413.95	1240.00	29680.97	-1708.12	1185.75	22031.97
		MIN	S2	-1227.08	1095.02	35213.01	-1536.20	1072.60	29202.98	-1536.20	1202.80	29197.90	-1854.51	1167.23	21524.68
			TQ	-913.85	226.96	28851.97	-1187.86	226.96	23904.28	-1187.86	333.55	23903.03	-1466.22	333.55	17568.52
			M3	-913.48	228.17	28844.86	-1187.49	228.17	23898.91	-1187.49	334.73	23897.65	-1465.85	334.73	17564.90
		D+2LANES (casMAX	S2	-913.94	319.58	28874.36	-1187.95	319.58	23926.24	-1187.95	426.26	23924.58	-1466.31	426.26	17589.63
			TQ	-920.51	323.78	29007.86	-1194.52	323.78	24028.82	-1194.94	430.93	24034.34	-1473.30	430.93	17666.02
			M3	-1119.99	-585.45	33109.17	-1392.57	-584.58	27192.21	-1392.57	-463.33	27194.55	-1664.71	-450.80	19893.41
		MIN	S2	-1121.43	-578.36	33088.72	-1395.44	-578.36	27163.70	-1395.44	-457.23	27166.00	-1673.80	-457.23	19840.63
			TQ	-1115.45	-587.01	33021.62	-1389.46	-587.01	27124.74	-1389.04	-466.07	27119.88	-1667.39	-466.07	19825.06
			M3	-913.94	319.58	28874.36	-1187.95	319.58	23926.24	-1187.95	426.26	23924.58	-1466.31	426.15	17589.62
		D+2LANES (casMAX	S2	-914.26	391.87	28896.62	-1188.26	391.87	23947.04	-1188.26	498.64	23945.05	-1466.62	498.64	17608.62
			TQ	-914.46	393.52	28901.16	-1188.47	393.52	23950.59	-1188.47	500.31	23948.60	-1466.83	500.31	17611.18
			M3	-1096.31	-1171.31	32414.26	-1369.38	-1176.78	26609.83	-1369.38	-1058.12	26614.81	-1644.60	-1052.29	19417.95
		MIN	S2	-1096.91	-1163.62	32405.85	-1370.92	-1163.62	26596.26	-1370.92	-1045.02	26601.18	-1649.28	-1045.02	19392.84
			TQ	-1094.76	-1177.51	32406.32	-1368.76	-1177.51	26606.89	-1368.76	-1058.86	26611.88	-1647.12	-1058.86	19413.83
			M3	-914.26	391.65	28896.61	-1188.26	391.65	23947.02	-1188.26	498.42	23945.04	-1466.68	497.34	17608.56

BAGO RIVER BRIDGE

BLOCK [ No.1 : MAIN GIRDER ][ BEAM MEMBER FORCE ]

MEMBER			1051			1052			1052			1053				
NODE			1051			1052			1052			1053				
NAME TITLE			SHEAR	TORQUE	MOMENT	SHEAR	TORQUE	MOMENT	SHEAR	TORQUE	MOMENT	SHEAR	TORQUE	MOMENT		
			S2 (kN)	TQ (kN·m)	M3 (kN·m)	S2 (kN)	TQ (kN·m)	M3 (kN·m)	S2 (kN)	TQ (kN·m)	M3 (kN·m)	S2 (kN)	TQ (kN·m)	M3 (kN·m)		
124	SUM TOTAL	D+3LANES (casMAX	S2	-549.68	776.61	33124.39	-976.47	561.00	27795.22	-976.47	684.93	27792.44	-1373.44	514.24	20296.79	
			TQ	-1201.29	1930.08	37072.02	-1542.98	1930.08	30613.77	-1543.62	2066.59	30616.07	-1890.28	2066.59	22422.04	
			M3	-1015.77	1854.24	38174.67	-1413.19	1706.07	32066.31	-1413.19	1849.03	32058.38	-1866.07	1713.45	23703.92	
		MIN	S2	-1336.25	1756.33	37250.80	-1731.47	1686.09	31343.82	-1731.47	1825.83	31335.99	-2162.38	1705.22	23081.26	
			TQ	-908.05	183.90	28739.14	-1182.05	183.90	23818.79	-1182.13	290.10	23815.70	-1460.49	290.10	17508.54	
			M3	-907.82	186.22	28722.10	-1181.83	186.22	23802.83	-1181.83	292.35	23801.76	-1460.18	292.35	17496.05	
		D+3LANES (casMAX	S2	-908.63	349.12	28774.53	-1182.64	349.12	23851.42	-1182.64	455.46	23849.63	-1460.99	455.46	17540.04	
			TQ	-914.58	354.30	28895.75	-1188.59	354.30	23944.63	-1188.95	461.08	23948.93	-1467.31	461.08	17609.22	
			M3	-1156.53	-1197.76	33734.51	-1428.64	-1201.68	27647.03	-1428.64	-1078.39	27652.11	-1701.04	-1067.82	20178.00	
		MIN	S2	-1157.90	-1187.20	33714.05	-1431.90	-1187.20	27617.34	-1431.90	-1064.05	27622.36	-1710.26	-1064.05	20122.93	
			TQ	-1151.36	-1204.35	33653.34	-1425.36	-1204.35	27587.42	-1425.00	-1081.34	27586.39	-1703.36	-1081.34	20119.88	
			M3	-908.63	348.96	28774.52	-1182.64	348.96	23851.41	-1182.64	455.31	23849.62	-1461.04	454.44	17540.00	
		D+3LANES (casMAX	S2	-908.83	394.85	28788.61	-1182.83	394.85	23864.58	-1182.83	501.25	23862.59	-1461.19	501.25	17552.06	
			TQ	-909.08	396.40	28794.88	-1183.08	396.40	23869.67	-1183.09	502.83	23868.33	-1461.44	502.83	17556.60	
			M3	-1156.44	-1202.43	33731.69	-1428.55	-1206.34	27644.62	-1428.55	-1083.07	27649.73	-1700.95	-1072.51	20176.05	
		MIN	S2	-1157.81	-1191.86	33711.19	-1431.81	-1191.86	27614.90	-1431.81	-1068.72	27619.94	-1710.17	-1068.72	20120.93	
			TQ	-1154.91	-1207.75	33723.61	-1428.91	-1207.75	27640.98	-1428.91	-1084.49	27645.42	-1707.27	-1084.49	20160.27	
			M3	-908.83	394.66	28788.61	-1182.84	394.66	23864.57	-1182.84	501.06	23862.57	-1461.24	500.15	17552.01	
		D+4LANES	MAX	S2	-913.71	351.53	28876.71	-1187.71	351.53	23929.71	-1187.71	458.23	23927.90	-1466.07	458.23	17594.08
			TQ	-915.92	352.62	28921.32	-1189.93	352.62	23963.89	-1193.98	459.49	24024.00	-1472.33	459.49	17660.28	
			M3	-941.35	292.41	29416.98	-1215.35	292.41	24339.85	-1215.35	400.94	24338.30	-1493.71	400.94	17872.55	
		MIN	S2	-941.35	292.39	29416.96	-1215.35	292.39	24339.83	-1215.35	400.92	24338.28	-1493.71	400.92	17872.54	
			TQ	-936.94	290.55	29328.37	-1210.95	290.55	24271.98	-1210.24	398.74	24259.61	-1488.60	398.74	17818.27	
			M3	-913.71	351.53	28876.71	-1187.71	351.53	23929.71	-1187.71	458.22	23927.90	-1466.07	458.22	17594.08	

BAGO RIVER BRIDGE

BLOCK [ No.1 : MAIN GIRDER ][ BEAM MEMBER FORCE ]

MEMBER				1051			1052			1053							
NODE				1051			1052			1053							
				SHEAR	TORQUE	MOMENT	SHEAR	TORQUE	MOMENT	SHEAR	TORQUE	MOMENT					
NAME	TITLE			S2 (kN)	TQ (kN·m)	M3 (kN·m)	S2 (kN)	TQ (kN·m)	M3 (kN·m)	S2 (kN)	TQ (kN·m)	M3 (kN·m)					
124	SUM TOTAL	D+6LANES	MAX	S2	-667.17	686.67	31710.10	-1037.56	542.20	26484.36	-1037.56	660.29	26481.68	-1391.10	543.69	19383.42	
				TQ	-1104.96	1502.57	34395.29	-1426.28	1502.57	28436.88	-1426.64	1629.36	28437.98	-1752.66	1629.36	20850.29	
				M3	-1174.31	350.26	38985.28	-1531.63	250.82	32356.28	-1531.63	395.09	32354.84	-1904.77	329.10	23784.26	
			MIN	S2	-1389.56	300.51	38330.99	-1738.32	248.90	31809.10	-1738.32	390.73	31807.68	-2121.79	319.09	23280.41	
				TQ	-1079.77	-825.58	32189.54	-1353.77	-825.58	26460.69	-1353.62	-707.60	26457.22	-1631.97	-707.60	19331.48	
				M3	-895.80	283.78	28503.18	-1169.81	283.78	23640.47	-1169.81	389.19	23638.97	-1448.20	388.51	17390.60	
		SUM TOTAL	MAX		-507.09	1930.08	38985.28	-960.84	1930.08	32356.28	-960.84	2066.59	32354.84	-1373.44	2066.59	23784.26	
			MIN		-1389.56	-1207.75	28503.18	-1738.32	-1207.75	23640.47	-1738.32	-1084.49	23638.97	-2162.38	-1084.49	17390.60	
	300	DEAD LOAD	TOTAL		-933.63	296.64	29263.45	-1207.64	296.64	24222.64	-1207.64	404.64	24221.08	-1485.99	404.64	17792.15	
	301	LIVE LOAD	1-LANE(case1MAX	S2	377.37	367.03	2599.01	204.57	158.55	2446.79	204.57	169.46	2446.06	76.99	18.36	1461.24	
				TQ	-113.78	1195.74	4234.20	-179.86	1195.74	3545.86	-179.75	1211.54	3543.36	-246.41	1211.54	2528.65	
				M3	93.99	1167.82	4757.45	-42.62	1016.57	4517.14	-42.62	1036.71	4512.57	-270.03	910.41	3258.24	
MIN				S2	-216.26	1102.68	4136.79	-345.26	1030.43	4077.03	-345.26	1048.60	4072.40	-512.68	921.00	2987.95	
				TQ	12.39	-75.55	-246.43	12.39	-75.55	-188.12	12.28	-76.40	-190.64	12.28	-76.40	-132.04	
				M3	12.27	-73.72	-261.94	12.27	-73.72	-204.20	12.27	-74.63	-203.86	12.27	-74.63	-145.32	
			1-LANE(case2MAX	S2	30.20	76.26	643.12	30.20	76.15	784.01	30.20	79.64	783.66	29.90	77.14	901.47	
			TQ	-136.64	350.41	3146.09	-137.82	350.41	2500.00	-137.82	361.55	2498.42	-139.00	361.55	1837.74		
			M3	-155.54	306.35	3628.34	-139.85	300.74	2901.69	-139.85	313.68	2900.32	-99.98	319.24	2306.28		
			MIN	S2	-164.04	287.74	3442.30	-165.22	287.86	2668.51	-165.22	299.75	2667.20	-166.09	302.25	1902.08	
				TQ	11.91	-30.58	-245.22	11.91	-30.58	-189.15	11.91	-31.42	-189.01	11.91	-31.42	-132.17	
				M3	12.03	-30.18	-247.56	12.03	-30.18	-190.92	12.03	-31.03	-190.79	12.03	-31.03	-133.36	
			1-LANE(case3MAX	S2	11.86	2.82	-236.86	11.86	2.82	-181.02	11.86	2.01	-181.03	11.86	2.01	-124.41	
				TQ	5.50	6.07	-107.46	5.50	6.07	-81.57	5.22	5.71	-76.49	5.22	5.71	-51.56	
				M3	-119.39	-352.56	2528.38	-117.83	-351.53	1967.48	-117.83	-342.75	1969.03	-113.18	-334.84	1415.41	
				MIN	S2	-120.58	-346.88	2509.56	-120.58	-346.88	1941.83	-120.58	-338.22	1943.36	-120.58	-338.22	1367.76
					TQ	-114.57	-354.36	2435.90	-114.57	-354.36	1896.47	-114.29	-345.91	1892.92	-114.29	-345.91	1347.36
					M3	11.86	2.82	-236.86	11.86	2.82	-181.02	11.86	2.01	-181.03	11.86	2.01	-124.41

BAGO RIVER BRIDGE

BLOCK [ No.1 : MAIN GIRDER ][ BEAM MEMBER FORCE ]

MEMBER			1051			1052			1052			1053			
NODE			1051			1052			1052			1053			
NAME TITLE			SHEAR	TORQUE	MOMENT	SHEAR	TORQUE	MOMENT	SHEAR	TORQUE	MOMENT	SHEAR	TORQUE	MOMENT	
			S2 (kN)	TQ (kN·m)	M3 (kN·m)	S2 (kN)	TQ (kN·m)	M3 (kN·m)	S2 (kN)	TQ (kN·m)	M3 (kN·m)	S2 (kN)	TQ (kN·m)	M3 (kN·m)	
301	LIVE LOAD	1-LANE (case4MAX	S2	11.58	68.06	-216.73	11.58	68.06	-162.22	11.58	67.33	-162.52	11.58	67.33	-107.25
			TQ	11.45	69.32	-213.93	11.45	69.32	-160.01	11.45	68.60	-160.32	11.45	68.60	-105.65
			M3	-91.00	-1053.36	1695.74	-90.03	-1059.93	1269.69	-90.03	-1054.26	1274.41	-89.08	-1054.38	845.73
			MIN S2	-91.20	-1046.97	1691.38	-91.20	-1046.97	1261.99	-91.20	-1041.33	1266.65	-91.20	-1041.33	831.31
			TQ	-89.14	-1060.80	1686.22	-89.14	-1060.80	1266.51	-89.14	-1055.14	1271.23	-89.14	-1055.14	845.71
			M3	11.58	67.79	-216.74	11.58	67.79	-162.24	11.58	67.06	-162.54	11.51	65.95	-107.32
		2-LANES (caseMAX	S2	426.54	501.12	4006.35	246.80	247.56	3549.70	246.80	263.38	3548.56	107.50	64.64	2195.41
			TQ	-201.02	1629.68	6564.81	-279.68	1629.68	5435.64	-280.43	1653.94	5441.50	-359.80	1653.94	3915.48
			M3	32.98	1577.18	7460.17	-125.28	1407.53	6809.77	-125.28	1437.88	6803.43	-363.84	1273.74	5033.12
			MIN S2	-336.97	1477.49	6528.30	-478.59	1394.77	6154.11	-478.59	1422.20	6147.83	-657.33	1278.22	4637.41
			TQ	20.18	-107.16	-412.49	20.18	-107.16	-317.50	20.09	-108.58	-319.40	20.09	-108.58	-223.52
			M3	20.34	-104.76	-430.58	20.34	-104.76	-334.80	20.34	-106.25	-334.32	20.34	-106.25	-237.22
		2-LANES (caseMAX	S2	137.24	258.81	2376.43	101.49	178.89	2164.04	101.49	188.54	2163.23	68.25	113.63	1728.94
			TQ	-220.07	925.24	5658.05	-244.64	925.24	4564.09	-245.48	945.61	4570.72	-270.29	945.61	3339.72
			M3	-174.96	859.29	6519.25	-206.31	811.00	5463.56	-206.31	835.35	5459.89	-222.13	781.10	4239.82
			MIN S2	-293.45	798.37	5949.56	-328.56	775.96	4980.34	-328.56	798.16	4976.83	-368.51	762.59	3732.52
			TQ	19.78	-69.68	-411.48	19.78	-69.68	-318.36	19.78	-71.10	-318.04	19.78	-71.10	-223.63
			M3	20.15	-68.47	-418.59	20.15	-68.47	-323.73	20.15	-69.91	-323.43	20.15	-69.91	-227.25
		2-LANES (caseMAX	S2	19.69	22.94	-389.09	19.69	22.94	-296.40	19.69	21.62	-296.50	19.69	21.62	-202.52
			TQ	13.12	27.14	-255.59	13.12	27.14	-193.82	12.70	26.29	-186.73	12.70	26.29	-126.13
			M3	-186.36	-882.09	3845.72	-184.93	-881.22	2969.58	-184.93	-867.97	2973.48	-178.71	-855.45	2101.26
			MIN S2	-187.80	-875.00	3825.27	-187.80	-875.00	2941.06	-187.80	-861.88	2944.93	-187.80	-861.88	2048.48
			TQ	-181.82	-883.65	3758.17	-181.82	-883.65	2902.10	-181.40	-870.72	2898.80	-181.40	-870.72	2032.91
			M3	19.69	22.94	-389.09	19.69	22.94	-296.40	19.69	21.62	-296.50	19.69	21.51	-202.53

BAGO RIVER BRIDGE

BLOCK [ No.1 : MAIN GIRDER ][ BEAM MEMBER FORCE ]

MEMBER			1051			1052			1052			1053				
NODE			1051			1052			1052			1053				
NAME TITLE			SHEAR	TORQUE	MOMENT	SHEAR	TORQUE	MOMENT	SHEAR	TORQUE	MOMENT	SHEAR	TORQUE	MOMENT		
			S2 (kN)	TQ (kN·m)	M3 (kN·m)	S2 (kN)	TQ (kN·m)	M3 (kN·m)	S2 (kN)	TQ (kN·m)	M3 (kN·m)	S2 (kN)	TQ (kN·m)	M3 (kN·m)		
301	LIVE LOAD	2-LANES (caseMAX	S2	19.38	95.23	-366.83	19.38	95.23	-275.60	19.38	94.00	-276.02	19.38	94.00	-183.53	
			TQ	19.17	96.88	-362.29	19.17	96.88	-272.04	19.17	95.67	-272.47	19.17	95.67	-180.98	
			M3	-162.67	-1467.96	3150.81	-161.74	-1473.42	2387.19	-161.74	-1462.76	2393.73	-158.60	-1456.93	1625.80	
			MIN	S2	-163.28	-1460.26	3142.40	-163.28	-1460.26	2373.62	-163.28	-1449.66	2380.11	-163.28	-1449.66	1600.69
			TQ	-161.13	-1474.15	3142.87	-161.13	-1474.15	2384.25	-161.13	-1463.51	2390.80	-161.13	-1463.51	1621.68	
			M3	19.37	95.01	-366.84	19.37	95.01	-275.62	19.37	93.78	-276.04	19.32	92.70	-183.60	
		3-LANES (caseMAX	S2	383.96	479.97	3860.94	231.17	264.36	3572.58	231.17	280.29	3571.36	112.55	109.59	2504.64	
			TQ	-267.65	1633.43	7808.57	-335.34	1633.43	6391.13	-335.99	1661.94	6394.99	-404.29	1661.94	4629.89	
			M3	-82.14	1557.60	8911.22	-205.55	1409.42	7843.67	-205.55	1444.38	7837.31	-380.08	1308.81	5911.77	
			MIN	S2	-402.62	1459.69	7987.35	-523.83	1389.45	7121.18	-523.83	1421.19	7114.92	-676.38	1300.58	5289.11
			TQ	25.58	-112.74	-524.31	25.58	-112.74	-403.85	25.51	-114.55	-405.37	25.51	-114.55	-283.61	
			M3	25.81	-110.42	-541.35	25.81	-110.42	-419.81	25.81	-112.29	-419.32	25.81	-112.29	-296.10	
		3-LANES (caseMAX	S2	25.00	52.47	-488.93	25.00	52.47	-371.22	25.00	50.82	-371.45	25.00	50.82	-252.11	
			TQ	19.05	57.66	-367.70	19.05	57.66	-278.01	18.69	56.43	-272.14	18.69	56.43	-182.93	
			M3	-222.90	-1494.40	4471.06	-221.00	-1498.32	3424.39	-221.00	-1483.03	3431.04	-215.04	-1472.47	2385.84	
			MIN	S2	-224.26	-1483.85	4450.60	-224.26	-1483.85	3394.70	-224.26	-1468.69	3401.29	-224.26	-1468.69	2330.77
			TQ	-217.73	-1500.99	4389.89	-217.73	-1500.99	3364.78	-217.37	-1485.99	3365.31	-217.37	-1485.99	2327.73	
			M3	25.00	52.32	-488.93	25.00	52.32	-371.23	25.00	50.66	-371.46	24.95	49.79	-252.15	
		3-LANES (caseMAX	S2	24.80	98.20	-474.84	24.80	98.20	-358.05	24.80	96.61	-358.49	24.80	96.61	-240.09	
			TQ	24.55	99.76	-468.57	24.55	99.76	-352.97	24.55	98.19	-352.74	24.55	98.19	-235.55	
			M3	-222.81	-1499.07	4468.24	-220.91	-1502.98	3421.98	-220.91	-1487.71	3428.65	-214.95	-1477.15	2383.89	
			MIN	S2	-224.18	-1488.50	4447.74	-224.18	-1488.50	3392.26	-224.18	-1473.36	3398.87	-224.18	-1473.36	2328.78
			TQ	-221.28	-1504.39	4460.16	-221.28	-1504.39	3418.34	-221.27	-1489.14	3424.34	-221.27	-1489.14	2368.12	
			M3	24.80	98.01	-474.84	24.80	98.01	-358.07	24.80	96.42	-358.50	24.75	95.50	-240.15	

BAGO RIVER BRIDGE

BLOCK [ No.1 : MAIN GIRDER ][ BEAM MEMBER FORCE ]

MEMBER					1051			1052			1053					
NODE					1051			1052			1053					
NAME TITLE					SHEAR	TORQUE	MOMENT	SHEAR	TORQUE	MOMENT	SHEAR	TORQUE	MOMENT			
					S2 (kN)	TQ (kN·m)	M3 (kN·m)	S2 (kN)	TQ (kN·m)	M3 (kN·m)	S2 (kN)	TQ (kN·m)	M3 (kN·m)			
301	LIVE LOAD	4-LANES	MAX	S2	19.92	54.89	-386.74	19.92	54.89	-292.93	19.92	53.58	-293.18	19.92	53.58	-198.07
				TQ	17.71	55.98	-342.13	17.71	55.98	-258.75	13.66	54.85	-197.08	13.66	54.85	-131.87
				M3	-7.71	-4.23	153.53	-7.71	-4.23	117.21	-7.71	-3.71	117.23	-7.71	-3.71	80.40
		MIN	S2	-7.71	-4.25	153.51	-7.71	-4.25	117.19	-7.71	-3.73	117.21	-7.71	-3.73	80.39	
			TQ	-3.31	-6.09	64.92	-3.31	-6.09	49.34	-2.60	-5.90	38.54	-2.60	-5.90	26.11	
			M3	19.92	54.88	-386.74	19.92	54.88	-292.93	19.92	53.58	-293.18	19.92	53.58	-198.07	
	6-LANES	MAX	S2	266.46	390.03	2446.65	170.08	245.56	2261.72	170.08	255.64	2260.61	94.90	139.04	1591.27	
			TQ	-171.33	1205.93	5131.83	-218.64	1205.93	4214.24	-219.00	1224.71	4216.91	-266.66	1224.71	3058.14	
			M3	-240.67	53.61	9721.82	-323.99	-45.82	8133.64	-323.99	-9.55	8133.77	-418.77	-75.54	5992.11	
		MIN	S2	-455.93	3.87	9067.54	-530.69	-47.75	7586.46	-530.69	-13.92	7586.60	-635.80	-85.56	5488.25	
			TQ	-146.14	-1122.22	2926.09	-146.14	-1122.22	2238.05	-145.98	-1112.24	2236.14	-145.98	-1112.24	1539.33	
			M3	37.83	-12.86	-760.27	37.83	-12.86	-582.17	37.83	-15.45	-582.10	37.79	-16.14	-401.55	
LIVE LOAD	MAX	426.54	1633.43	9721.82	246.80	1633.43	8133.64	246.80	1661.94	8133.77	112.55	1661.94	5992.11			
	MIN	-455.93	-1504.39	-760.27	-530.69	-1504.39	-582.17	-530.69	-1489.14	-582.10	-676.38	-1489.14	-401.55			
303	SUM TOTAL	TOTAL	MAX	-507.09	1930.08	38985.28	-960.84	1930.08	32356.28	-960.84	2066.59	32354.84	-1373.44	2066.59	23784.26	
			MIN	-1389.56	-1207.75	28503.18	-1738.32	-1207.75	23640.47	-1738.32	-1084.49	23638.97	-2162.38	-1084.49	17390.60	

BAGO RIVER BRIDGE

BLOCK [ No.1 : MAIN GIRDER ][ BEAM MEMBER FORCE ]

MEMBER NODE	1053	1054			1054			1055			SHEAR	TORQUE	MOMENT	
		SHEAR	TORQUE	MOMENT	SHEAR	TORQUE	MOMENT	SHEAR	TORQUE	MOMENT				
NAME TITLE	S2 (kN)	TQ (kN·m)	M3 (kN·m)	S2 (kN)	TQ (kN·m)	M3 (kN·m)	S2 (kN)	TQ (kN·m)	M3 (kN·m)	S2 (kN)	TQ (kN·m)	M3 (kN·m)		
1 PAVEMENT	-243.09	70.14	2737.65	-290.29	70.14	1457.37	-290.29	94.48	1455.99	-335.94	94.48	-0.00		
3 RAILING	-4.91	7.12	83.88	-8.94	7.12	50.64	-8.94	7.96	50.51	-12.79	7.96	-0.00		
5 CURB	-48.59	70.47	830.45	-88.51	70.47	501.35	-88.51	78.84	500.10	-126.58	78.84	-0.00		
7 DECK WEIGHT	-411.43	106.19	4614.43	-489.33	106.19	2452.31	-489.33	147.17	2450.19	-564.51	147.17	-0.00		
8 GIRDER WEIGH	-583.17	109.64	6348.69	-672.94	109.64	3333.62	-672.94	165.35	3331.32	-759.89	165.35	-0.00		
10 MEDIAN STRIP	-190.12	-42.05	1796.19	-190.12	-42.05	883.49	-190.12	-27.28	884.07	-190.12	-27.28	0.00		
21 ADITIONAL WE	-115.20	29.73	1292.04	-137.01	29.73	686.65	-137.01	41.21	686.05	-158.06	41.21	-0.00		
31 MEDIAN RAILI	-8.77	-1.05	82.86	-8.77	-1.05	40.76	-8.77	-0.37	40.78	-8.77	-0.37	0.00		
51 SUPPORT WEIG	-0.00	0.00	0.00	-0.00	0.00	0.00	-0.00	0.00	0.00	-0.00	0.00	0.00		
52 NOSE WEIGHT	-0.00	0.00	0.00	-0.00	0.00	0.00	-0.00	0.00	0.00	-0.00	0.00	-0.00		
61 1-LANE(case1TRUCK-LOAD	MAX	S2	206.35	268.75	1101.90	77.07	98.99	673.92	77.07	110.24	672.17	5.78	-26.61	0.00
		TQ	-111.19	432.70	1058.14	-111.19	432.70	524.35	-111.19	441.40	517.04	-111.19	441.40	-0.00
		M3	56.95	401.82	1416.68	-28.31	295.16	1095.14	-28.31	313.42	1090.06	5.51	-27.92	0.00
	MIN	S2	-144.22	407.02	1369.85	-222.86	310.57	1041.65	-222.86	327.93	1036.31	-355.78	149.98	-0.00
		TQ	5.51	-27.49	-52.54	5.51	-27.49	-26.09	5.51	-27.92	-25.62	5.51	-27.92	0.00
		M3	5.78	-26.16	-55.05	5.78	-26.16	-27.31	5.78	-26.61	-26.87	-111.19	441.40	-0.00
	TANDEM-LOAD MAX	S2	180.97	236.91	1061.02	94.71	121.65	828.22	94.71	135.48	826.07	3.94	-18.29	0.00
		TQ	-72.55	294.19	690.63	-72.55	294.19	342.33	-72.55	299.87	337.37	-72.55	299.87	-0.00
		M3	39.73	256.02	1106.75	-37.25	153.63	902.97	-37.25	168.70	900.28	3.80	-19.04	0.00
	MIN	S2	-116.65	256.02	1106.75	-193.61	153.63	902.97	-193.61	168.70	900.28	-298.68	20.07	-0.00
		TQ	3.80	-18.74	-36.27	3.80	-18.74	-18.01	3.80	-19.04	-17.69	3.80	-19.04	0.00
		M3	3.94	-17.98	-37.53	3.94	-17.98	-18.62	3.94	-18.29	-18.32	-72.55	299.87	-0.00
	DISPERSION-LMAX	S2	43.02	15.77	113.03	16.28	-19.04	50.37	16.28	-18.20	50.68	6.83	-31.71	0.00
		TQ	-79.65	652.36	1283.05	-135.49	652.36	767.41	-135.49	665.09	756.40	-189.84	665.09	-0.00
		M3	-79.65	652.36	1283.05	-135.49	652.36	767.41	-135.49	665.09	756.40	6.83	-31.71	0.00
	MIN	S2	-115.84	605.40	1104.97	-144.94	640.22	684.77	-144.94	651.58	673.97	-189.84	665.09	-0.00
		TQ	6.83	-31.18	-65.06	6.83	-31.18	-32.28	6.83	-31.71	-31.75	6.83	-31.71	0.00
		M3	6.83	-31.18	-65.06	6.83	-31.18	-32.28	6.83	-31.71	-31.75	-189.84	665.09	-0.00



BAGO RIVER BRIDGE

BLOCK [ No.1 : MAIN GIRDER ][ BEAM MEMBER FORCE ]

MEMBER				1053			1054			1055					
NODE				1053			1054			1055					
				SHEAR	TORQUE	MOMENT	SHEAR	TORQUE	MOMENT	SHEAR	TORQUE	MOMENT			
NAME	TITLE			S2 (kN)	TQ (kN·m)	M3 (kN·m)	S2 (kN)	TQ (kN·m)	M3 (kN·m)	S2 (kN)	TQ (kN·m)	M3 (kN·m)			
62	1-LANE (case2TRUCK-LOAD	MAX	S2	5.36	-10.82	-50.84	5.36	-10.82	-25.11	5.36	-11.24	-24.92	5.36	-11.24	0.00
			TQ	-68.65	126.22	650.90	-68.65	126.22	321.36	-68.65	131.57	319.20	-68.65	131.57	-0.00
			M3	-96.77	66.20	915.76	-96.77	66.20	451.17	-96.77	73.73	450.00	5.25	-11.53	0.00
		MIN	S2	-96.77	66.20	915.76	-96.77	66.20	451.17	-96.77	73.73	450.00	-96.77	73.73	-0.00
			TQ	5.25	-11.12	-49.84	5.25	-11.12	-24.62	5.25	-11.53	-24.43	5.25	-11.53	0.00
			M3	5.36	-10.82	-50.84	5.36	-10.82	-25.11	5.36	-11.24	-24.92	-68.65	131.57	-0.00
		TANDEM-LOAD MAX	S2	3.65	-7.42	-34.63	3.65	-7.42	-17.10	3.65	-7.71	-16.98	3.65	-7.71	0.00
			TQ	-45.34	86.14	429.93	-45.34	86.14	212.29	-45.34	89.68	210.82	-45.34	89.68	-0.00
			M3	-66.75	49.52	631.68	-66.75	49.52	311.25	-66.75	54.72	310.38	3.55	-7.87	0.00
		MIN	S2	-66.75	49.52	631.68	-66.75	49.52	311.25	-66.75	54.72	310.38	-66.75	54.72	-0.00
			TQ	3.55	-7.59	-33.71	3.55	-7.59	-16.65	3.55	-7.87	-16.52	3.55	-7.87	0.00
			M3	3.65	-7.42	-34.63	3.65	-7.42	-17.10	3.65	-7.71	-16.98	-45.34	89.68	-0.00
		DISPERSION-LMAX	S2	6.31	-12.79	-59.89	6.31	-12.79	-29.58	6.31	-13.28	-29.36	6.31	-13.28	0.00
			TQ	-104.05	177.20	995.51	-105.03	177.20	493.67	-105.62	185.45	493.37	-106.59	185.45	-0.00
			M3	-104.72	177.17	1001.93	-105.71	177.17	496.82	-105.71	185.45	493.79	6.22	-13.28	0.00
MIN	S2	-104.72	177.17	1001.93	-105.71	177.17	496.82	-105.71	185.45	493.79	-106.68	185.45	-0.00		
	TQ	5.63	-12.82	-53.47	5.63	-12.82	-26.42	6.22	-13.28	-28.94	6.22	-13.28	0.00		
	M3	6.31	-12.79	-59.89	6.31	-12.79	-29.58	6.31	-13.28	-29.36	-106.59	185.45	-0.00		
63	1-LANE (case3TRUCK-LOAD	MAX	S2	5.05	0.81	-47.71	5.05	0.81	-23.47	5.05	0.42	-23.48	5.05	0.42	0.00
			TQ	3.30	2.03	-31.18	3.30	2.03	-15.33	3.30	1.77	-15.36	3.30	1.77	0.00
			M3	-52.92	-148.91	497.68	-52.92	-148.91	243.63	-52.92	-144.82	246.08	-51.36	-147.80	0.00
		MIN	S2	-52.92	-148.91	497.68	-52.92	-148.91	243.63	-52.92	-144.82	246.08	-52.92	-144.82	0.00
			TQ	-51.36	-151.78	482.87	-51.36	-151.78	236.31	-51.36	-147.80	238.82	-51.36	-147.80	0.00
			M3	5.05	0.81	-47.71	5.05	0.81	-23.47	5.05	0.42	-23.48	0.00	0.00	0.00

BAGO RIVER BRIDGE

BLOCK [ No.1 : MAIN GIRDER ][ BEAM MEMBER FORCE ]

MEMBER		1053			1054			1054			1055					
NODE		1053			1054			1054			1055					
		SHEAR	TORQUE	MOMENT	SHEAR	TORQUE	MOMENT	SHEAR	TORQUE	MOMENT	SHEAR	TORQUE	MOMENT			
NAME	TITLE	S2 (kN)	TQ (kN·m)	M3 (kN·m)	S2 (kN)	TQ (kN·m)	M3 (kN·m)	S2 (kN)	TQ (kN·m)	M3 (kN·m)	S2 (kN)	TQ (kN·m)	M3 (kN·m)			
63	1-LANE (case3TANDEM-LOAD	MAX	S2	3.44	0.58	-32.48	3.44	0.58	-15.98	3.44	0.32	-15.98	3.44	0.32	0.00	
			TQ	1.94	1.40	-18.27	1.94	1.40	-8.98	1.94	1.25	-9.00	1.94	1.25	0.00	
			M3	-35.97	-99.80	338.29	-35.97	-99.80	165.61	-35.98	-100.59	167.29	-35.60	-100.99	0.00	
		MIN	S2	-35.98	-103.38	338.29	-35.98	-103.38	165.58	-35.98	-100.59	167.29	-35.98	-100.59	0.00	
			TQ	-35.60	-103.75	334.71	-35.60	-103.75	163.82	-35.60	-100.99	165.53	-35.60	-100.99	0.00	
			M3	3.44	0.58	-32.48	3.44	0.58	-15.98	3.44	0.32	-15.98	0.00	0.00	0.00	
		DISPERSION-LMAX	S2	5.93	1.14	-56.00	5.93	1.14	-27.55	5.93	0.68	-27.56	5.93	0.68	0.00	
			TQ	1.62	2.56	-15.26	1.62	2.56	-7.49	1.28	2.45	-5.95	1.28	2.45	-0.00	
			M3	-73.02	-183.17	687.03	-73.02	-183.17	336.51	-73.02	-177.52	339.52	-68.36	-179.29	0.00	
		MIN	S2	-73.02	-183.17	687.03	-73.02	-183.17	336.51	-73.02	-177.52	339.52	-73.02	-177.52	0.00	
			TQ	-68.71	-184.59	646.29	-68.71	-184.59	316.45	-68.37	-179.29	317.91	-68.37	-179.29	0.00	
			M3	5.93	1.14	-56.00	5.93	1.14	-27.55	5.93	0.68	-27.56	1.27	2.45	-0.00	
64	1-LANE (case4TRUCK-LOAD	MAX	S2	4.45	24.00	-41.65	4.45	24.00	-20.29	4.45	23.66	-20.69	4.45	23.66	-0.00	
			TQ	4.31	25.47	-40.30	4.31	25.47	-19.61	4.31	25.13	-20.04	4.31	25.13	-0.00	
			M3	-32.70	-369.66	302.86	-32.70	-369.66	145.89	-32.70	-367.17	152.05	-30.16	-379.24	0.00	
		MIN	S2	-32.70	-369.66	302.86	-32.70	-369.66	145.89	-32.70	-367.17	152.05	-32.70	-367.17	0.00	
			TQ	-30.16	-381.53	278.63	-30.16	-381.53	133.87	-30.16	-379.24	140.22	-30.16	-379.24	0.00	
			M3	4.45	24.00	-41.65	4.45	24.00	-20.29	4.45	23.66	-20.69	4.31	25.13	-0.00	
		TANDEM-LOAD	MAX	S2	3.02	16.90	-28.29	3.02	16.90	-13.78	3.02	16.66	-14.06	3.02	16.66	-0.00
			TQ	2.91	17.38	-27.20	2.91	17.38	-13.24	2.91	17.16	-13.53	2.91	17.16	-0.00	
			M3	-22.32	-253.19	206.75	-22.32	-253.19	99.58	-22.32	-251.49	103.80	-21.06	-258.45	0.00	
		MIN	S2	-22.32	-253.19	206.75	-22.32	-253.19	99.58	-22.32	-251.49	103.80	-22.32	-251.49	0.00	
			TQ	-21.06	-260.05	194.73	-21.06	-260.05	93.61	-21.06	-258.45	97.94	-21.06	-258.45	0.00	
			M3	3.02	16.90	-28.29	3.02	15.91	-13.79	3.02	16.66	-14.06	2.91	17.16	-0.00	

BAGO RIVER BRIDGE

BLOCK [ No.1 : MAIN GIRDER ][ BEAM MEMBER FORCE ]

MEMBER		1053			1054			1054			1055				
NODE		1053			1054			1054			1055				
		SHEAR	TORQUE	MOMENT	SHEAR	TORQUE	MOMENT	SHEAR	TORQUE	MOMENT	SHEAR	TORQUE	MOMENT		
NAME	TITLE	S2 (kN)	TQ (kN·m)	M3 (kN·m)	S2 (kN)	TQ (kN·m)	M3 (kN·m)	S2 (kN)	TQ (kN·m)	M3 (kN·m)	S2 (kN)	TQ (kN·m)	M3 (kN·m)		
64	1-LANE (case4DISPERSION-LMAX	S2	5.20	27.84	-48.67	5.20	27.84	-23.71	5.20	27.44	-24.17	5.20	27.44	-0.00	
		TQ	5.20	28.01	-48.66	5.20	28.01	-23.71	5.20	27.61	-24.17	5.20	27.61	-0.00	
		M3	-45.11	-552.24	417.08	-45.10	-551.77	200.54	-45.11	-549.02	209.74	-45.11	-549.18	0.00	
		MIN	S2	-45.11	-552.45	417.08	-45.11	-552.45	200.54	-45.11	-549.02	209.74	-45.11	-549.02	0.00
		TQ	-45.11	-552.61	417.07	-45.11	-552.61	200.53	-45.11	-549.18	209.74	-45.11	-549.18	0.00	
		M3	5.20	27.64	-48.67	5.20	27.17	-23.72	5.20	27.44	-24.17	5.20	27.61	-0.00	
65	2-LANES (caseTRUCK-LOAD	MAX	S2	250.49	405.60	1989.97	92.68	148.02	1043.83	92.68	165.44	1041.21	11.35	-45.55	0.00
		TQ	-191.87	704.57	1825.23	-191.87	704.57	904.11	-191.87	719.59	892.21	-191.87	719.59	-0.00	
		M3	22.64	621.94	2579.51	-88.26	447.67	1787.26	-88.26	477.48	1779.53	10.80	-47.65	0.00	
		MIN	S2	-264.76	631.73	2512.88	-371.14	463.07	1733.77	-371.14	491.99	1725.78	-531.75	226.09	-0.00
		TQ	10.80	-46.80	-102.84	10.80	-46.80	-51.00	10.80	-47.65	-50.21	10.80	-47.65	0.00	
		M3	11.35	-44.67	-107.99	11.35	-44.67	-53.52	11.35	-45.55	-52.76	-191.87	719.59	-0.00	
	TANDEM-LOAD	MAX	S2	220.55	359.08	1874.45	113.91	181.91	1282.83	113.91	203.32	1279.61	7.73	-31.30	0.00
		TQ	-128.23	479.40	1219.97	-128.23	479.40	604.38	-128.23	489.44	596.28	-128.23	489.44	-0.00	
		M3	16.78	390.24	1959.27	-79.69	230.47	1413.27	-79.69	254.06	1409.22	7.46	-32.50	0.00	
		MIN	S2	-206.61	390.24	1959.27	-303.06	230.47	1413.27	-303.06	254.06	1409.22	-429.86	30.12	-0.00
		TQ	7.46	-31.92	-71.01	7.46	-31.92	-35.21	7.46	-32.50	-34.68	7.46	-32.50	0.00	
		M3	7.73	-30.70	-73.61	7.73	-30.70	-36.48	7.73	-31.30	-35.96	-128.23	489.44	-0.00	
	DISPERSION-LMAX	MAX	S2	58.00	14.05	168.63	24.99	-35.94	57.10	24.99	-34.98	57.69	13.40	-54.23	0.00
		TQ	-176.60	1061.32	2428.46	-256.28	1061.32	1390.17	-256.28	1084.41	1372.24	-333.93	1084.41	-0.00	
		M3	-176.60	1061.32	2428.46	-256.28	1061.32	1390.17	-256.28	1084.41	1372.24	13.40	-54.23	0.00	
		MIN	S2	-221.20	994.09	2132.30	-267.87	1044.08	1269.87	-267.87	1065.16	1252.24	-333.93	1084.41	-0.00
		TQ	13.40	-53.18	-127.53	13.40	-53.18	-63.20	13.40	-54.23	-62.31	13.40	-54.23	0.00	
		M3	13.40	-53.18	-127.53	13.40	-53.18	-63.20	13.40	-54.23	-62.31	-333.93	1084.41	-0.00	

BAGO RIVER BRIDGE

BLOCK [ No.1 : MAIN GIRDER ][ BEAM MEMBER FORCE ]

MEMBER				1053			1054			1055					
NODE				1053			1054			1055					
				SHEAR	TORQUE	MOMENT	SHEAR	TORQUE	MOMENT	SHEAR	TORQUE	MOMENT			
NAME	TITLE			S2 (kN)	TQ (kN·m)	M3 (kN·m)	S2 (kN)	TQ (kN·m)	M3 (kN·m)	S2 (kN)	TQ (kN·m)	M3 (kN·m)			
66	2-LANES (caseTRUCK-LOAD	MAX	S2	49.50	126.03	837.24	20.98	38.21	344.80	20.98	43.97	344.12	10.93	-30.18	0.00
			TQ	-149.33	398.10	1417.99	-149.33	398.10	701.12	-149.33	409.76	694.37	-149.33	409.76	-0.00
			M3	-131.08	286.32	2078.58	-156.72	218.71	1143.29	-156.72	237.79	1139.47	10.54	-31.26	0.00
		MIN	S2	-217.32	290.91	2058.79	-245.05	218.71	1143.29	-245.05	237.79	1139.47	-272.75	149.84	-0.00
			TQ	10.54	-30.43	-100.14	10.54	-30.43	-49.53	10.54	-31.26	-49.02	10.54	-31.26	0.00
			M3	10.93	-29.32	-103.78	10.93	-29.32	-51.32	10.93	-30.18	-50.82	-149.33	409.76	-0.00
		TANDEM-LOAD MAX	S2	43.24	114.75	778.80	22.84	52.83	437.50	22.84	60.14	436.56	7.45	-20.71	0.00
			TQ	-101.02	271.35	959.27	-101.02	271.35	474.33	-101.02	279.24	469.72	-101.02	279.24	-0.00
			M3	-89.69	183.74	1484.19	-109.19	126.36	821.54	-109.19	140.08	819.32	7.21	-21.33	0.00
		MIN	S2	-156.71	183.74	1484.19	-176.20	126.36	821.54	-176.20	140.08	819.32	-197.92	64.77	-0.00
			TQ	7.21	-20.76	-68.44	7.21	-20.76	-33.86	7.21	-21.33	-33.50	7.21	-21.33	0.00
			M3	7.45	-20.13	-70.71	7.45	-20.13	-34.97	7.45	-20.71	-34.62	-101.02	279.24	-0.00
		DISPERSION-LMAX	S2	21.29	-14.51	-4.29	15.03	-29.69	-22.84	15.03	-30.06	-22.34	12.88	-35.79	0.00
			TQ	-201.00	586.16	2140.93	-225.82	586.16	1116.43	-226.41	604.76	1109.21	-250.67	604.76	-0.00
			M3	-201.68	586.13	2147.34	-226.50	586.13	1119.58	-226.50	604.76	1109.63	12.79	-35.80	0.00
MIN	S2	-210.08	565.85	2029.27	-228.64	581.03	1081.92	-228.64	599.03	1072.06	-250.76	604.76	-0.00		
	TQ	12.21	-34.82	-115.94	12.21	-34.82	-57.35	12.79	-35.80	-59.49	12.79	-35.80	0.00		
	M3	12.88	-34.79	-122.36	12.88	-34.79	-60.50	12.88	-35.79	-59.91	-250.67	604.76	-0.00		
67	2-LANES (caseTRUCK-LOAD	MAX	S2	9.90	9.38	-93.40	9.90	9.38	-45.88	9.90	8.61	-46.03	9.90	8.61	-0.00
			TQ	7.30	11.95	-68.75	7.30	11.95	-33.73	7.30	11.38	-33.93	7.30	11.38	-0.00
			M3	-93.95	-411.24	881.08	-93.95	-411.24	430.06	-93.95	-404.00	436.87	-92.05	-407.99	0.00
		MIN	S2	-93.95	-411.24	881.08	-93.95	-411.24	430.06	-93.95	-404.00	436.87	-93.95	-404.00	0.00
			TQ	-92.05	-415.09	863.01	-92.05	-415.09	421.13	-92.05	-407.99	428.01	-92.05	-407.99	0.00
			M3	9.90	9.28	-93.40	9.90	9.28	-45.88	9.90	8.61	-46.03	3.99	9.61	-0.00

BAGO RIVER BRIDGE

BLOCK [ No.1 : MAIN GIRDER ][ BEAM MEMBER FORCE ]

MEMBER		1053			1054			1054			1055				
NODE		1053			1054			1054			1055				
		SHEAR	TORQUE	MOMENT	SHEAR	TORQUE	MOMENT	SHEAR	TORQUE	MOMENT	SHEAR	TORQUE	MOMENT		
NAME	TITLE	S2 (kN)	TQ (kN·m)	M3 (kN·m)	S2 (kN)	TQ (kN·m)	M3 (kN·m)	S2 (kN)	TQ (kN·m)	M3 (kN·m)	S2 (kN)	TQ (kN·m)	M3 (kN·m)		
67	2-LANES (caseTANDEM-LOAD	MAX	S2	6.74	6.51	-63.57	6.74	6.51	-31.23	6.74	5.99	-31.33	6.74	5.99	-0.00
			TQ	4.74	8.18	-44.67	4.74	8.18	-21.91	4.74	7.81	-22.05	4.74	7.81	-0.00
			M3	-63.94	-277.40	599.64	-63.94	-277.40	292.71	-63.94	-276.05	297.33	-63.24	-278.48	0.00
		MIN	S2	-63.94	-280.98	599.63	-63.94	-280.98	292.67	-63.94	-276.05	297.33	-63.94	-276.05	0.00
			TQ	-63.24	-283.35	592.94	-63.24	-283.35	289.36	-63.24	-278.48	294.06	-63.24	-278.48	0.00
			M3	6.74	6.51	-63.57	6.74	6.51	-31.23	6.74	5.99	-31.33	2.81	6.57	-0.00
	DISPERSION-LMAX	S2	11.60	11.49	-109.48	11.60	11.49	-53.78	11.60	10.59	-53.96	11.60	10.59	-0.00	
		TQ	6.63	12.97	-62.49	6.63	12.97	-30.64	6.00	12.48	-27.88	6.00	12.48	-0.00	
		M3	-131.71	-553.51	1235.61	-131.71	-553.51	603.30	-131.71	-543.35	612.47	-126.11	-545.25	0.00	
		MIN	S2	-131.71	-553.51	1235.61	-131.71	-553.51	603.30	-131.71	-543.35	612.47	-131.71	-543.35	0.00
			TQ	-126.74	-555.00	1188.61	-126.74	-555.00	580.16	-126.11	-545.25	586.39	-126.11	-545.25	0.00
			M3	11.60	11.49	-109.48	11.60	11.49	-53.78	11.60	10.59	-53.96	6.00	12.48	-0.00
68	2-LANES (caseTRUCK-LOAD	MAX	S2	9.09	40.59	-85.27	9.09	40.59	-41.61	9.09	39.88	-42.28	9.09	39.88	-0.00
			TQ	8.83	42.74	-82.70	8.83	42.74	-40.33	8.83	42.06	-41.04	8.83	42.06	-0.00
			M3	-73.73	-631.93	686.30	-73.73	-631.93	332.34	-73.73	-626.29	342.86	-70.85	-639.38	0.00
		MIN	S2	-73.73	-631.93	686.30	-73.73	-631.93	332.34	-73.73	-626.29	342.86	-73.73	-626.29	0.00
			TQ	-70.85	-644.79	658.83	-70.85	-644.79	318.71	-70.85	-639.38	329.44	-70.85	-639.38	0.00
			M3	9.09	40.59	-85.27	9.09	40.59	-41.61	9.09	39.88	-42.28	8.83	42.06	-0.00
	TANDEM-LOAD	MAX	S2	6.18	28.44	-57.95	6.18	28.44	-28.27	6.18	27.97	-28.75	6.18	27.97	-0.00
			TQ	5.96	29.15	-55.84	5.96	29.15	-27.23	5.96	28.69	-27.71	5.96	28.69	-0.00
			M3	-50.29	-430.76	468.12	-50.29	-430.76	226.69	-50.29	-426.91	233.86	-48.71	-435.90	0.00
		MIN	S2	-50.29	-430.76	468.12	-50.29	-430.76	226.69	-50.29	-426.91	233.86	-50.29	-426.91	0.00
			TQ	-48.71	-439.62	452.99	-48.71	-439.62	219.17	-48.71	-435.90	226.49	-48.71	-435.90	0.00
			M3	6.18	28.44	-57.95	6.18	27.45	-28.28	6.18	27.97	-28.75	5.96	28.69	-0.00

BAGO RIVER BRIDGE

BLOCK [ No.1 : MAIN GIRDER ][ BEAM MEMBER FORCE ]

MEMBER		1053			1054			1054			1055				
NODE		1053			1054			1054			1055				
		SHEAR	TORQUE	MOMENT	SHEAR	TORQUE	MOMENT	SHEAR	TORQUE	MOMENT	SHEAR	TORQUE	MOMENT		
NAME	TITLE	S2 (kN)	TQ (kN·m)	M3 (kN·m)	S2 (kN)	TQ (kN·m)	M3 (kN·m)	S2 (kN)	TQ (kN·m)	M3 (kN·m)	S2 (kN)	TQ (kN·m)	M3 (kN·m)		
68	2-LANES (caseDISPERSION-LMAX	S2	10.65	46.70	-99.83	10.65	46.70	-48.73	10.65	45.88	-49.50	10.65	45.88	-0.00	
		TQ	10.65	46.86	-99.83	10.65	46.86	-48.72	10.65	46.04	-49.50	10.65	46.04	-0.00	
		M3	-103.73	-924.35	964.91	-103.73	-923.88	466.95	-103.73	-916.62	482.33	-103.73	-916.78	0.00	
		MIN	S2	-103.73	-924.55	964.90	-103.73	-924.55	466.94	-103.73	-916.62	482.33	-103.73	-916.62	0.00
		TQ	-103.73	-924.72	964.90	-103.73	-924.72	466.94	-103.73	-916.78	482.33	-103.73	-916.78	0.00	
		M3	10.65	46.50	-99.84	10.64	46.03	-48.73	10.65	45.88	-49.50	10.65	46.04	-0.00	
69	3-LANES (caseTRUCK-LOAD	MAX	S2	255.85	394.78	1939.13	98.04	137.20	1018.72	98.04	154.21	1016.29	16.71	-56.79	0.00
		TQ	-260.52	830.79	2476.13	-260.52	830.79	1225.47	-260.52	851.16	1211.42	-260.52	851.16	-0.00	
		M3	-74.13	688.14	3495.27	-185.03	513.87	2238.43	-185.03	551.21	2229.53	16.05	-59.18	0.00	
		MIN	S2	-361.53	697.93	3428.64	-479.47	513.87	2238.43	-479.47	551.21	2229.53	-640.28	283.17	-0.00
		TQ	16.05	-57.92	-152.68	16.05	-57.92	-75.62	16.05	-59.18	-74.64	16.05	-59.18	0.00	
		M3	16.71	-55.48	-158.83	16.71	-55.48	-78.62	16.71	-56.79	-77.69	-260.52	851.16	-0.00	
	TANDEM-LOAD	MAX	S2	224.20	351.66	1839.82	117.56	174.49	1265.73	117.56	195.62	1262.63	11.39	-39.01	0.00
		TQ	-173.57	565.54	1649.90	-173.57	565.54	816.66	-173.57	579.11	807.09	-173.57	579.11	-0.00	
		M3	-49.97	439.76	2590.94	-146.44	279.99	1724.52	-146.44	308.78	1719.60	11.01	-40.37	0.00	
		MIN	S2	-273.36	439.76	2590.94	-369.81	279.99	1724.52	-369.81	308.78	1719.60	-496.61	84.84	-0.00
		TQ	11.01	-39.51	-104.72	11.01	-39.51	-51.86	11.01	-40.37	-51.20	11.01	-40.37	0.00	
		M3	11.39	-38.12	-108.24	11.39	-38.12	-53.59	11.39	-39.01	-52.94	-173.57	579.11	-0.00	
	DISPERSION-LMAX	MAX	S2	64.31	1.26	108.74	31.31	-48.73	27.53	31.31	-48.26	28.34	19.71	-67.51	0.00
		TQ	-280.64	1238.52	3423.97	-361.31	1238.52	1883.84	-361.90	1269.86	1865.61	-440.52	1269.86	-0.00	
		M3	-281.32	1238.49	3430.39	-361.99	1238.49	1887.00	-361.99	1269.85	1866.03	19.62	-67.51	0.00	
		MIN	S2	-325.93	1171.26	3134.23	-373.58	1221.25	1766.69	-373.58	1250.61	1746.03	-440.61	1269.85	-0.00
		TQ	19.03	-65.99	-181.00	19.03	-65.99	-89.62	19.62	-67.51	-91.24	19.62	-67.51	0.00	
		M3	19.71	-65.97	-187.42	19.71	-65.97	-92.78	19.71	-67.51	-91.67	-440.52	1269.86	-0.00	

BAGO RIVER BRIDGE

BLOCK [ No.1 : MAIN GIRDER ] [ BEAM MEMBER FORCE ]

MEMBER				1053			1054			1055					
NODE				1053			1054			1055					
				SHEAR	TORQUE	MOMENT	SHEAR	TORQUE	MOMENT	SHEAR	TORQUE	MOMENT			
NAME	TITLE			S2 (kN)	TQ (kN·m)	M3 (kN·m)	S2 (kN)	TQ (kN·m)	M3 (kN·m)	S2 (kN)	TQ (kN·m)	M3 (kN·m)			
70	3-LANES (caseTRUCK-LOAD	MAX	S2	14.55	25.29	-137.13	14.55	25.29	-67.26	14.55	24.17	-67.67	14.55	24.17	-0.00
			TQ	11.43	30.07	-107.50	11.43	30.07	-52.64	11.43	29.19	-53.14	11.43	29.19	-0.00
			M3	-126.65	-780.95	1183.91	-126.65	-780.95	575.93	-126.65	-771.22	588.90	-122.20	-787.28	0.00
		MIN	S2	-126.65	-780.95	1183.91	-126.65	-780.95	575.93	-126.65	-771.22	588.90	-126.65	-771.22	0.00
			TQ	-122.20	-796.67	1141.59	-122.20	-796.67	554.97	-122.20	-787.28	568.21	-122.20	-787.28	0.00
			M3	14.55	25.19	-137.13	14.55	25.19	-67.26	14.55	24.17	-67.67	8.12	27.42	-0.00
		TANDEM-LOAD MAX	S2	9.90	17.79	-93.30	9.90	17.79	-45.76	9.90	17.03	-46.05	9.90	17.03	-0.00
			TQ	7.50	20.57	-70.53	7.50	20.57	-34.53	7.50	19.99	-34.87	7.50	19.99	-0.00
			M3	-86.26	-530.63	806.36	-86.26	-530.63	392.28	-86.26	-527.58	401.12	-84.30	-536.96	0.00
		MIN	S2	-86.26	-534.21	806.36	-86.26	-534.21	392.24	-86.26	-527.58	401.12	-86.26	-527.58	0.00
			TQ	-84.30	-543.44	787.64	-84.30	-543.44	382.96	-84.30	-536.96	391.99	-84.30	-536.96	0.00
			M3	9.90	17.79	-93.30	9.90	17.79	-45.76	9.90	17.03	-46.05	5.56	18.75	-0.00
		DISPERSION-LMAX	S2	17.03	30.82	-160.48	17.03	30.82	-78.71	17.03	29.50	-79.21	17.03	29.50	-0.00
			TQ	12.06	32.46	-113.48	12.06	32.46	-55.57	11.43	31.55	-53.13	11.43	31.55	-0.00
			M3	-176.90	-1104.03	1653.52	-176.90	-1103.55	804.27	-176.90	-1090.63	822.61	-171.30	-1092.69	0.00
MIN	S2	-176.90	-1104.23	1653.52	-176.90	-1104.23	804.26	-176.90	-1090.63	822.61	-176.90	-1090.63	0.00		
	TQ	-171.94	-1105.88	1606.52	-171.94	-1105.88	781.12	-171.30	-1092.69	796.53	-171.30	-1092.69	0.00		
	M3	17.03	30.61	-160.48	17.03	30.14	-78.71	17.03	29.50	-79.21	11.43	31.55	-0.00		
71	3-LANES (caseTRUCK-LOAD	MAX	S2	13.93	49.53	-130.86	13.93	49.53	-63.97	13.93	48.46	-64.79	13.93	48.46	-0.00
			TQ	13.57	51.85	-127.39	13.57	51.85	-62.24	13.57	50.81	-63.10	13.57	50.81	-0.00
			M3	-126.66	-780.79	1184.04	-126.66	-780.79	576.00	-126.66	-771.06	588.97	-122.21	-787.13	0.00
		MIN	S2	-126.66	-780.79	1184.04	-126.66	-780.79	576.00	-126.66	-771.06	588.97	-126.66	-771.06	0.00
			TQ	-122.21	-796.52	1141.76	-122.21	-796.52	555.06	-122.21	-787.13	568.30	-122.21	-787.13	0.00
			M3	13.93	49.53	-130.86	13.93	49.53	-63.97	13.93	48.46	-64.79	13.57	50.81	-0.00

BAGO RIVER BRIDGE

BLOCK [ No.1 : MAIN GIRDER ][ BEAM MEMBER FORCE ]

MEMBER		1053			1054			1054			1055							
NODE		1053			1054			1054			1055							
		SHEAR	TORQUE	MOMENT	SHEAR	TORQUE	MOMENT	SHEAR	TORQUE	MOMENT	SHEAR	TORQUE	MOMENT					
NAME	TITLE	S2 (kN)	TQ (kN·m)	M3 (kN·m)	S2 (kN)	TQ (kN·m)	M3 (kN·m)	S2 (kN)	TQ (kN·m)	M3 (kN·m)	S2 (kN)	TQ (kN·m)	M3 (kN·m)					
71	3-LANES (caseTANDEM-LOAD	MAX	S2	9.48	34.64	-88.98	9.48	34.64	-43.49	9.48	33.91	-44.06	9.48	33.91	-0.00			
			TQ	9.24	35.39	-86.75	9.24	35.39	-42.38	9.24	34.68	-42.97	9.24	34.68	-0.00			
			M3	-86.27	-534.10	806.45	-86.27	-530.52	392.32	-86.27	-527.47	401.16	-84.31	-536.86	0.00			
		MIN	S2	-86.27	-534.10	806.45	-86.27	-534.10	392.29	-86.27	-527.47	401.16	-86.27	-527.47	0.00			
			TQ	-84.31	-543.34	787.75	-84.31	-543.34	383.01	-84.31	-536.86	392.04	-84.31	-536.86	0.00			
			M3	9.48	34.64	-88.98	9.47	33.65	-43.50	9.48	33.91	-44.06	9.24	34.68	-0.00			
		DISPERSION-LMAX	S2	16.34	56.41	-153.49	16.34	56.41	-75.05	16.34	55.14	-75.98	16.34	55.14	-0.00			
			TQ	16.34	56.57	-153.49	16.34	56.57	-75.04	16.32	55.30	-75.89	16.32	55.30	-0.00			
			M3	-176.67	-1109.28	1651.18	-176.67	-1108.81	803.07	-176.67	-1095.91	821.50	-176.65	-1096.07	0.00			
		MIN	S2	-176.67	-1109.49	1651.18	-176.67	-1109.49	803.07	-176.67	-1095.91	821.50	-176.67	-1095.91	0.00			
			TQ	-176.67	-1109.65	1651.18	-176.67	-1109.65	803.06	-176.65	-1096.07	821.41	-176.65	-1096.07	0.00			
			M3	16.34	56.20	-153.49	16.34	55.73	-75.05	16.34	55.14	-75.98	16.32	55.30	-0.00			
		72	4-LANES	TRUCK-LOAD	MAX	S2	18.97	49.13	-178.45	18.97	49.13	-87.39	18.97	47.66	-88.20	18.97	47.66	-0.00
						TQ	18.97	49.13	-178.45	18.97	49.13	-87.39	12.41	47.96	-57.71	12.41	47.96	-0.00
						M3	-5.91	-2.62	55.84	-5.91	-2.62	27.46	-5.91	-2.16	27.50	0.00	0.00	0.00
MIN	S2			-5.91	-2.62	55.84	-5.91	-2.62	27.46	-5.91	-2.16	27.50	-5.91	-2.16	0.00			
	TQ			-1.56	-3.85	14.73	-1.56	-3.85	7.21	-0.53	-3.78	2.47	-0.53	-3.78	0.00			
	M3			18.97	49.13	-178.45	18.97	49.13	-87.39	18.97	47.66	-88.20	13.93	47.31	-0.00			
TANDEM-LOAD	MAX			S2	12.92	34.96	-121.52	12.92	34.96	-59.50	12.92	33.96	-60.08	12.92	33.96	-0.00		
				TQ	12.92	34.96	-121.52	12.92	34.96	-59.50	8.44	34.05	-39.26	8.44	34.05	-0.00		
				M3	-4.02	-1.88	37.93	-4.02	-1.88	18.65	-4.02	-1.57	18.68	0.00	0.00	0.00		
MIN	S2			-4.02	-1.88	37.93	-4.02	-1.88	18.65	-4.02	-1.57	18.68	-4.02	-1.57	0.00			
	TQ			-1.15	-2.64	10.78	-1.15	-2.64	5.28	-0.29	-2.59	1.34	-0.29	-2.59	0.00			
	M3			12.92	33.95	-121.52	12.92	33.95	-59.51	12.92	33.96	-60.08	9.48	33.61	-0.00			



BAGO RIVER BRIDGE

BLOCK [ No.1 : MAIN GIRDER ][ BEAM MEMBER FORCE ]

MEMBER				1053			1054			1055							
NODE				1053			1054			1055							
				SHEAR	TORQUE	MOMENT	SHEAR	TORQUE	MOMENT	SHEAR	TORQUE	MOMENT					
NAME	TITLE			S2 (kN)	TQ (kN·m)	M3 (kN·m)	S2 (kN)	TQ (kN·m)	M3 (kN·m)	S2 (kN)	TQ (kN·m)	M3 (kN·m)					
72	4-LANES	DISPERSION-LMAX	S2	13.55	28.65	-127.62	13.55	28.65	-62.55	13.55	27.60	-63.02	13.55	27.60	-0.00		
			TQ	9.58	30.30	-90.05	9.58	30.30	-44.05	9.06	29.58	-42.14	9.06	29.58	-0.00		
			M3	-7.19	-3.16	67.95	-7.19	-3.16	33.41	-7.19	-2.60	33.46	0.00	0.00	0.00		
		MIN	S2	-7.19	-3.16	67.95	-7.19	-3.16	33.41	-7.19	-2.60	33.46	-7.19	-2.60	0.00		
			TQ	-3.38	-4.75	31.83	-3.38	-4.75	15.62	-2.87	-4.51	13.33	-2.87	-4.51	0.00		
			M3	13.55	28.65	-127.62	13.55	28.65	-62.55	13.55	27.60	-63.02	9.27	28.20	-0.00		
73	6-LANES	TRUCK-LOAD	MAX	S2	222.23	280.84	857.71	98.40	115.30	541.02	98.40	124.33	539.02	30.64	-8.91	0.00	
			TQ	-226.94	778.66	2157.91	-226.94	778.66	1068.44	-227.76	796.42	1059.08	-227.76	796.42	-0.00		
			M3	-232.24	-118.56	4573.41	-322.05	-280.81	2661.90	-322.05	-236.28	2666.22	-118.60	-749.45	0.00		
		MIN	S2	-484.10	-118.56	4573.41	-569.51	-287.00	2643.79	-569.51	-242.77	2648.21	-692.28	-433.76	0.00		
			TQ	-118.60	-758.56	1108.24	-118.60	-758.56	538.89	-118.60	-749.45	551.49	-118.60	-749.45	0.00		
			M3	30.64	-6.52	-289.71	30.64	-6.52	-142.61	30.64	-8.91	-142.48	-227.76	796.42	-0.00		
		TANDEM-LOAD	MAX	S2	189.78	244.16	887.45	107.29	131.91	728.17	107.29	144.06	725.86	20.86	-5.50	0.00	
			TQ	-150.21	529.91	1428.57	-150.21	529.91	707.45	-150.21	541.66	698.49	-150.21	541.66	-0.00		
			M3	-158.14	-113.11	3298.56	-233.90	-257.18	1970.21	-233.90	-224.21	1974.23	-81.18	-511.68	0.00		
		MIN	S2	-349.21	-113.11	3298.56	-424.57	-257.18	1970.21	-424.57	-224.21	1974.23	-524.78	-368.53	0.00		
			TQ	-81.18	-517.92	758.55	-81.18	-517.92	368.86	-81.18	-511.68	377.47	-81.18	-511.68	0.00		
			M3	20.86	-3.88	-197.23	20.86	-4.84	-97.09	20.86	-5.50	-97.01	-150.21	541.66	-0.00		
		DISPERSION-LMAX		S2	S2	75.58	47.00	-63.49	45.23	1.75	-53.43	45.23	0.85	-53.45	34.65	-16.45	0.00
					TQ	-237.68	1190.10	2950.36	-311.23	1190.10	1633.02	-312.08	1217.27	1616.84	-383.34	1217.27	-0.00
					M3	-418.87	169.16	4645.76	-492.42	169.16	2458.60	-492.42	210.23	2455.43	-140.84	-1062.32	0.00
				MIN	S2	-462.52	109.60	4407.48	-503.75	153.93	2354.21	-503.75	193.25	2351.31	-563.68	210.23	-0.00
					TQ	-142.06	-1073.16	1324.68	-142.06	-1073.16	642.72	-140.84	-1062.32	654.89	-140.84	-1062.32	0.00
					M3	34.65	-13.96	-327.70	34.65	-14.43	-161.37	34.65	-16.45	-161.11	-383.34	1217.27	-0.00

BAGO RIVER BRIDGE

BLOCK [ No.1 : MAIN GIRDER ][ BEAM MEMBER FORCE ]

MEMBER			1053			1054			1054			1055			
NODE			1053			1054			1054			1055			
NAME TITLE			SHEAR	TORQUE	MOMENT	SHEAR	TORQUE	MOMENT	SHEAR	TORQUE	MOMENT	SHEAR	TORQUE	MOMENT	
			S2 (kN)	TQ (kN·m)	M3 (kN·m)	S2 (kN)	TQ (kN·m)	M3 (kN·m)	S2 (kN)	TQ (kN·m)	M3 (kN·m)	S2 (kN)	TQ (kN·m)	M3 (kN·m)	
124	SUM TOTAL	D+1LANE (caseMAX	S2	-1306.04	691.61	19244.10	-1773.90	446.12	10275.32	-1773.90	617.81	10266.43	-2141.54	437.36	-0.00
			TQ	-1834.29	1652.25	20595.62	-2181.94	1652.25	10956.29	-2181.94	1835.15	10927.14	-2517.91	1835.15	-0.00
			M3	-1632.52	1615.20	21025.87	-2082.48	1487.21	11641.24	-2082.48	1681.58	11614.76	-2141.86	435.79	-0.00
		MIN	S2	-1917.35	1565.10	20755.97	-2327.28	1491.13	11477.88	-2327.28	1682.77	11451.36	-2811.42	1485.44	-0.00
			TQ	-1590.47	279.78	17645.08	-1871.11	279.78	9336.14	-1871.11	435.79	9330.16	-2141.86	435.79	-0.00
			M3	-1590.15	281.38	17642.07	-1870.79	281.38	9334.68	-1870.79	437.36	9328.67	-2517.91	1835.15	-0.00
		D+1LANE (caseMAX	S2	-1591.27	321.86	17653.32	-1871.91	321.86	9340.56	-1871.91	477.94	9333.87	-2142.66	477.94	-0.00
			TQ	-1812.51	714.29	19761.89	-2094.33	714.29	10384.21	-2095.03	887.79	10374.10	-2366.95	887.79	-0.00
			M3	-1847.08	642.23	20087.42	-2128.90	642.23	10543.78	-2128.90	818.38	10531.57	-2142.90	477.58	-0.00
		MIN	S2	-1847.08	642.23	20087.42	-2128.90	642.23	10543.78	-2128.90	818.38	10531.57	-2400.81	818.38	-0.00
			TQ	-1592.21	321.46	17662.22	-1872.85	321.46	9344.94	-1872.15	477.58	9334.98	-2142.90	477.58	-0.00
			M3	-1591.27	321.86	17653.32	-1871.91	321.86	9340.56	-1871.91	477.94	9333.87	-2366.94	887.79	-0.00
		D+1LANE (caseMAX	S2	-1592.11	352.53	17661.75	-1872.75	352.53	9344.96	-1872.75	508.68	9337.77	-2143.49	508.68	-0.00
			TQ	-1599.37	355.70	17730.47	-1880.01	355.70	9378.81	-1880.42	512.43	9373.45	-2151.17	512.43	-0.00
			M3	-1756.40	-48.31	19207.85	-2037.04	-48.31	10102.34	-2037.04	120.55	10101.74	-2300.33	114.85	-0.00
		MIN	S2	-1756.40	-48.31	19207.85	-2037.04	-48.31	10102.34	-2037.04	120.55	10101.74	-2307.79	120.55	-0.00
			TQ	-1749.36	-53.45	19141.18	-2030.00	-53.45	10069.50	-2029.59	114.85	10067.08	-2300.34	114.85	-0.00
			M3	-1592.11	352.53	17661.75	-1872.75	352.53	9344.96	-1872.75	508.68	9337.77	-2155.14	510.30	-0.00
		D+1LANE (caseMAX	S2	-1593.70	412.41	17677.81	-1874.34	412.41	9353.38	-1874.34	568.69	9345.18	-2145.09	568.69	-0.00
			TQ	-1593.87	414.35	17679.44	-1874.51	414.35	9354.19	-1874.51	570.65	9345.96	-2145.26	570.65	-0.00
			M3	-1698.64	-756.09	18650.12	-1979.28	-755.52	9821.90	-1979.28	-592.06	9833.16	-2246.98	-606.74	0.00
		MIN	S2	-1698.65	-756.33	18650.12	-1979.28	-756.33	9821.89	-1979.28	-592.06	9833.16	-2250.03	-592.06	0.00
			TQ	-1695.59	-770.77	18621.04	-1976.23	-770.77	9807.46	-1976.23	-606.74	9818.97	-2246.98	-606.74	0.00
			M3	-1593.70	412.16	17677.81	-1874.34	411.59	9353.37	-1874.34	568.69	9345.18	-2145.26	570.65	-0.00

BAGO RIVER BRIDGE

BLOCK [ No.1 : MAIN GIRDER ][ BEAM MEMBER FORCE ]

MEMBER			1053			1054			1054			1055			
NODE			1053			1054			1054			1055			
NAME TITLE			SHEAR	TORQUE	MOMENT	SHEAR	TORQUE	MOMENT	SHEAR	TORQUE	MOMENT	SHEAR	TORQUE	MOMENT	
			S2 (kN)	TQ (kN·m)	M3 (kN·m)	S2 (kN)	TQ (kN·m)	M3 (kN·m)	S2 (kN)	TQ (kN·m)	M3 (kN·m)	S2 (kN)	TQ (kN·m)	M3 (kN·m)	
124	SUM TOTAL	D+2LANES (casMAX	S2	-1296.79	769.84	19944.79	-1768.24	462.27	10507.11	-1768.24	637.82	10497.92	-2131.92	407.58	-0.00
			TQ	-1973.75	2116.08	22039.89	-2334.07	2116.08	11700.47	-2334.07	2311.35	11663.46	-2682.47	2311.35	-0.00
			M3	-1759.23	2033.45	22794.17	-2230.46	1859.18	12583.61	-2230.46	2069.25	12550.78	-2132.47	405.49	-0.00
		MIN	S2	-2091.24	1976.00	22431.38	-2524.93	1857.34	12409.81	-2524.93	2064.51	12377.03	-3022.35	1817.85	-0.00
			TQ	-1581.08	250.21	17555.83	-1861.72	250.21	9291.97	-1861.72	405.49	9286.49	-2132.47	405.49	-0.00
			M3	-1580.53	252.35	17550.68	-1861.17	252.35	9289.46	-1861.17	407.58	9283.94	-2682.47	2311.35	-0.00
		D+2LANES (casMAX	S2	-1534.48	461.71	18619.15	-1849.92	358.71	9728.14	-1849.92	521.26	9720.79	-2132.85	441.39	-0.00
			TQ	-1955.60	1334.44	21345.11	-2261.07	1334.44	11223.73	-2261.65	1521.88	11202.59	-2556.67	1521.88	-0.00
			M3	-1938.03	1222.64	22012.12	-2269.13	1155.03	11669.06	-2269.13	1349.91	11648.12	-2133.33	440.31	-0.00
		MIN	S2	-2032.68	1206.95	21874.25	-2359.61	1149.93	11631.39	-2359.61	1344.18	11610.55	-2680.18	1261.96	-0.00
			TQ	-1582.53	284.94	17570.11	-1863.17	284.94	9299.30	-1862.58	440.31	9290.50	-2133.33	440.31	-0.00
			M3	-1581.47	286.08	17560.05	-1862.11	286.08	9294.36	-1862.11	441.39	9288.28	-2556.67	1521.88	-0.00
		D+2LANES (casMAX	S2	-1583.78	371.06	17583.31	-1864.42	371.06	9306.53	-1864.42	526.56	9299.02	-2135.16	526.56	-0.00
			TQ	-1591.35	375.11	17654.95	-1871.99	375.11	9341.81	-1872.63	531.22	9337.20	-2143.37	531.22	-0.00
			M3	-1830.94	-614.57	19902.88	-2111.58	-614.57	10439.53	-2111.58	-439.99	10448.35	-2374.82	-445.88	0.00
		MIN	S2	-1830.94	-614.57	19902.88	-2111.58	-614.57	10439.53	-2111.58	-439.99	10448.35	-2382.33	-439.99	0.00
			TQ	-1824.07	-619.90	19837.82	-2104.71	-619.90	10407.47	-2104.07	-445.88	10413.41	-2374.82	-445.88	0.00
			M3	-1583.78	370.96	17583.31	-1864.42	370.96	9306.52	-1864.42	526.56	9299.02	-2146.67	529.45	-0.00
		D+2LANES (casMAX	S2	-1585.54	437.48	17601.09	-1866.18	437.48	9315.84	-1866.18	593.13	9307.23	-2136.93	593.13	-0.00
			TQ	-1585.81	439.80	17603.67	-1866.45	439.80	9317.13	-1866.45	595.47	9308.47	-2137.20	595.47	-0.00
			M3	-1782.74	-1206.10	19437.41	-2063.38	-1205.62	10205.47	-2063.38	-1035.55	10224.20	-2331.24	-1048.80	0.00
		MIN	S2	-1782.74	-1206.30	19437.40	-2063.38	-1206.30	10205.47	-2063.38	-1035.55	10224.20	-2334.13	-1035.55	0.00
			TQ	-1779.86	-1219.32	19409.92	-2060.50	-1219.32	10191.83	-2060.50	-1048.80	10210.79	-2331.24	-1048.80	0.00
			M3	-1585.54	437.27	17601.09	-1866.18	436.80	9315.84	-1866.18	593.13	9307.23	-2137.20	595.47	-0.00

BAGO RIVER BRIDGE

BLOCK [ No.1 : MAIN GIRDER ][ BEAM MEMBER FORCE ]

MEMBER			1053			1054			1054			1055			
NODE			1053			1054			1054			1055			
NAME TITLE			SHEAR	TORQUE	MOMENT	SHEAR	TORQUE	MOMENT	SHEAR	TORQUE	MOMENT	SHEAR	TORQUE	MOMENT	
			S2 (kN)	TQ (kN·m)	M3 (kN·m)	S2 (kN)	TQ (kN·m)	M3 (kN·m)	S2 (kN)	TQ (kN·m)	M3 (kN·m)	S2 (kN)	TQ (kN·m)	M3 (kN·m)	
124	SUM TOTAL	D+3LANES (casMAX	S2	-1333.14	686.83	19526.89	-1775.97	425.39	10295.49	-1775.97	597.41	10286.94	-2125.71	401.70	-0.00
			TQ	-2065.27	2109.10	22801.29	-2414.47	2109.10	12049.10	-2414.97	2310.22	12014.48	-2752.55	2310.22	-0.00
			M3	-1907.42	1987.82	23673.00	-2350.89	1839.69	12912.79	-2350.89	2055.27	12880.24	-2126.34	399.67	-0.00
	MIN	S2	-2189.62	1939.00	23364.63	-2611.01	1825.04	12810.53	-2611.01	2038.91	12778.24	-3075.42	1827.43	-0.00	
		TQ	-1575.46	244.86	17502.57	-1856.10	244.86	9265.72	-1855.60	399.67	9258.01	-2126.34	399.67	-0.00	
		M3	-1574.32	246.95	17491.89	-1854.96	246.95	9260.49	-1854.96	401.70	9255.06	-2752.55	2310.22	-0.00	
	D+3LANES (casMAX	S2	-1578.43	397.88	17533.23	-1859.07	397.88	9282.11	-1859.07	552.97	9274.16	-2129.82	552.97	-0.00	
		TQ	-1585.31	403.34	17598.36	-1865.95	403.34	9314.20	-1866.49	558.99	9308.69	-2137.24	558.99	-0.00	
		M3	-1863.30	-1252.04	20198.01	-2143.94	-1251.64	10579.35	-2143.94	-1075.21	10598.80	-2406.14	-1090.62	0.00	
	MIN	S2	-1863.30	-1252.22	20198.01	-2143.94	-1252.22	10579.34	-2143.94	-1075.21	10598.80	-2414.68	-1075.21	0.00	
		TQ	-1855.29	-1266.98	20122.09	-2135.93	-1266.98	10541.86	-2135.39	-1090.62	10559.04	-2406.14	-1090.62	0.00	
		M3	-1578.43	397.62	17533.23	-1859.07	397.22	9282.10	-1859.07	552.97	9274.16	-2140.04	557.48	-0.00	
	D+3LANES (casMAX	S2	-1579.55	440.23	17544.50	-1860.19	440.23	9288.01	-1860.19	595.42	9279.36	-2130.93	595.42	-0.00	
		TQ	-1579.86	442.35	17547.45	-1860.50	442.35	9289.49	-1860.51	597.55	9280.87	-2131.26	597.55	-0.00	
		M3	-1863.11	-1256.38	20196.14	-2143.75	-1255.97	10578.39	-2143.75	-1079.56	10597.91	-2410.70	-1093.36	0.00	
	MIN	S2	-1863.11	-1256.55	20196.13	-2143.75	-1256.55	10578.38	-2143.75	-1079.56	10597.91	-2414.49	-1079.56	0.00	
		TQ	-1859.33	-1270.06	20160.20	-2139.97	-1270.06	10560.59	-2139.95	-1093.36	10580.26	-2410.70	-1093.36	0.00	
		M3	-1579.55	440.06	17544.49	-1860.19	439.66	9288.01	-1860.19	595.42	9279.36	-2131.26	597.55	-0.00	
	D+4LANES	MAX	S2	-1584.14	400.74	17587.25	-1864.78	400.74	9308.72	-1864.78	556.28	9300.72	-2135.53	556.28	-0.00
			TQ	-1586.72	401.81	17611.67	-1867.36	401.81	9320.74	-1871.96	557.75	9334.11	-2142.71	557.75	-0.00
			M3	-1613.80	346.43	17866.66	-1894.44	346.43	9445.74	-1894.44	504.27	9438.63	-2156.67	507.36	-0.00
	MIN	S2	-1613.80	346.43	17866.66	-1894.44	346.43	9445.74	-1894.44	504.27	9438.63	-2165.19	504.27	-0.00	
		TQ	-1608.49	344.60	17816.45	-1889.13	344.60	9421.02	-1888.13	501.97	9409.28	-2158.87	501.97	-0.00	
		M3	-1584.14	400.74	17587.25	-1864.78	400.74	9308.72	-1864.78	556.28	9300.72	-2141.59	556.44	-0.00	

BAGO RIVER BRIDGE

BLOCK [ No.1 : MAIN GIRDER ][ BEAM MEMBER FORCE ]

MEMBER					1053			1054			1055					
NODE					1053			1054			1055					
					SHEAR	TORQUE	MOMENT	SHEAR	TORQUE	MOMENT	SHEAR	TORQUE	MOMENT			
NAME TITLE					S2 (kN)	TQ (kN·m)	M3 (kN·m)	S2 (kN)	TQ (kN·m)	M3 (kN·m)	S2 (kN)	TQ (kN·m)	M3 (kN·m)			
124	SUM TOTAL	D+6LANES	MAX	S2	-1411.70	563.29	18302.44	-1792.56	426.27	9723.11	-1792.56	588.73	9714.63	-2114.23	490.88	-0.00
				TQ	-1907.29	1629.88	21106.57	-2235.73	1629.88	11162.13	-2236.81	1816.26	11138.36	-2553.88	1816.26	-0.00
				M3	-2028.50	383.08	23778.65	-2415.32	277.62	12734.50	-2415.32	490.43	12728.08	-2325.30	-670.29	0.00
			MIN	S2	-2220.58	344.36	23623.77	-2583.54	263.69	12654.88	-2583.54	475.17	12648.70	-2973.04	362.07	-0.00
				TQ	-1774.71	-840.43	19367.60	-2055.35	-840.43	10174.22	-2054.55	-670.29	10183.16	-2325.30	-670.29	0.00
				M3	-1562.84	336.87	17384.88	-1843.48	336.57	9208.59	-1843.48	490.88	9201.68	-2553.88	1816.26	-0.00
	SUM TOTAL		MAX		-1296.79	2116.08	23778.65	-1768.24	2116.08	12912.79	-1768.24	2311.35	12880.24	-2114.23	2311.35	0.00
			MIN		-2220.58	-1270.06	17384.88	-2611.01	-1270.06	9208.59	-2611.01	-1093.36	9201.68	-3075.42	-1093.36	-0.00
300	DEAD LOAD	TOTAL			-1605.28	350.19	17786.20	-1885.92	350.19	9406.18	-1885.92	507.36	9399.01	-2156.67	507.36	-0.00
301	LIVE LOAD	1-LANE(case1MAX	S2		299.24	341.43	1457.91	112.02	95.94	869.14	112.02	110.45	867.41	15.13	-69.99	0.00
			TQ		-229.01	1302.07	2809.42	-296.02	1302.07	1550.11	-296.02	1327.79	1528.13	-361.24	1327.79	-0.00
			M3		-27.24	1265.01	3239.67	-196.56	1137.02	2235.06	-196.56	1174.22	2215.75	14.81	-71.56	0.00
			MIN	S2	-312.07	1214.91	2969.78	-441.36	1140.94	2071.70	-441.36	1175.41	2052.34	-654.75	978.09	-0.00
				TQ	14.81	-70.40	-141.12	14.81	-70.40	-70.04	14.81	-71.56	-68.85	14.81	-71.56	0.00
				M3	15.13	-68.81	-144.12	15.13	-68.81	-71.50	15.13	-69.99	-70.34	-361.24	1327.79	-0.00
		1-LANE(case2MAX	S2		14.01	-28.33	-132.87	14.01	-28.33	-65.62	14.01	-29.42	-65.14	14.01	-29.42	0.00
			TQ		-207.23	364.10	1975.70	-208.41	364.10	978.03	-209.11	380.43	975.09	-210.28	380.43	-0.00
			M3		-241.80	292.04	2301.22	-242.98	292.04	1137.60	-242.98	311.02	1132.56	13.77	-29.78	0.00
			MIN	S2	-241.80	292.04	2301.22	-242.98	292.04	1137.60	-242.98	311.02	1132.56	-244.14	311.02	-0.00
				TQ	13.07	-28.73	-123.97	13.07	-28.73	-61.25	13.77	-29.78	-64.04	13.77	-29.78	0.00
				M3	14.01	-28.33	-132.87	14.01	-28.33	-65.62	14.01	-29.42	-65.14	-210.28	380.43	-0.00
		1-LANE(case3MAX	S2		13.17	2.34	-124.45	13.17	2.34	-61.22	13.17	1.32	-61.25	13.17	1.32	0.00
			TQ		5.91	5.51	-55.72	5.91	5.51	-27.37	5.50	5.07	-25.56	5.50	5.07	-0.00
			M3		-151.12	-398.50	1421.65	-151.12	-398.50	696.16	-151.12	-386.81	702.73	-143.67	-392.51	0.00
			MIN	S2	-151.12	-398.50	1421.65	-151.12	-398.50	696.16	-151.12	-386.81	702.73	-151.12	-386.81	0.00
				TQ	-144.08	-403.64	1354.99	-144.08	-403.64	663.32	-143.67	-392.51	668.07	-143.67	-392.51	0.00
				M3	13.17	2.34	-124.45	13.17	2.34	-61.22	13.17	1.32	-61.25	1.53	2.94	-0.00

BAGO RIVER BRIDGE

BLOCK [ No.1 : MAIN GIRDER ][ BEAM MEMBER FORCE ]

MEMBER			1053			1054			1054			1055				
NODE			1053			1054			1054			1055				
NAME TITLE			SHEAR	TORQUE	MOMENT	SHEAR	TORQUE	MOMENT	SHEAR	TORQUE	MOMENT	SHEAR	TORQUE	MOMENT		
			S2 (kN)	TQ (kN·m)	M3 (kN·m)	S2 (kN)	TQ (kN·m)	M3 (kN·m)	S2 (kN)	TQ (kN·m)	M3 (kN·m)	S2 (kN)	TQ (kN·m)	M3 (kN·m)		
301	LIVE LOAD	1-LANE (case4MAX	S2	11.58	62.22	-108.39	11.58	62.22	-52.80	11.58	61.33	-53.84	11.58	61.33	-0.00	
			TQ	11.41	64.17	-106.76	11.41	64.17	-51.99	11.41	63.29	-53.05	11.41	63.29	-0.00	
			M3	-93.36	-1106.28	863.92	-93.36	-1105.71	415.72	-93.36	-1099.42	434.15	-90.31	-1114.10	0.00	
			MIN	S2	-93.36	-1106.52	863.92	-93.36	-1106.52	415.71	-93.36	-1099.42	434.15	-93.36	-1099.42	0.00
			TQ	-90.31	-1120.96	834.84	-90.31	-1120.96	401.28	-90.31	-1114.10	419.96	-90.31	-1114.10	0.00	
			M3	11.58	61.97	-108.39	11.58	61.41	-52.81	11.58	61.33	-53.84	11.41	63.29	-0.00	
		2-LANES (caseMAX	S2	308.49	419.65	2158.60	117.68	112.08	1100.93	117.68	130.47	1098.90	24.75	-99.78	0.00	
			TQ	-368.47	1765.89	4253.69	-448.15	1765.89	2294.29	-448.15	1803.99	2264.45	-525.80	1803.99	-0.00	
			M3	-153.95	1683.26	5007.97	-344.54	1508.99	3177.43	-344.54	1561.89	3151.76	24.20	-101.87	0.00	
			MIN	S2	-485.96	1625.81	4645.18	-639.01	1507.15	3003.63	-639.01	1557.15	2978.02	-865.68	1310.49	-0.00
			TQ	24.20	-99.98	-230.37	24.20	-99.98	-114.21	24.20	-101.87	-112.52	24.20	-101.87	0.00	
			M3	24.75	-97.84	-235.52	24.75	-97.84	-116.72	24.75	-99.78	-115.07	-525.80	1803.99	-0.00	
		2-LANES (caseMAX	S2	70.80	111.52	832.95	36.00	8.53	321.96	36.00	13.91	321.78	23.81	-65.97	0.00	
			TQ	-350.32	984.25	3558.92	-375.15	984.25	1817.55	-375.73	1014.52	1803.58	-400.00	1014.52	-0.00	
			M3	-332.75	872.45	4225.93	-383.21	804.84	2262.87	-383.21	842.55	2249.11	23.33	-67.05	0.00	
			MIN	S2	-427.40	856.76	4088.06	-473.69	799.74	2225.21	-473.69	836.82	2211.53	-523.51	754.60	-0.00
			TQ	22.75	-65.25	-216.08	22.75	-65.25	-106.88	23.34	-67.05	-108.51	23.34	-67.05	0.00	
			M3	23.81	-64.11	-226.14	23.81	-64.11	-111.82	23.81	-65.97	-110.73	-400.00	1014.52	-0.00	
		2-LANES (caseMAX	S2	21.50	20.87	-202.88	21.50	20.87	-99.65	21.50	19.20	-99.99	21.50	19.20	-0.00	
			TQ	13.93	24.92	-131.25	13.93	24.92	-64.37	13.29	23.86	-61.81	13.29	23.86	-0.00	
			M3	-225.66	-964.76	2116.68	-225.66	-964.76	1033.35	-225.66	-947.35	1049.33	-218.15	-953.24	0.00	
			MIN	S2	-225.66	-964.76	2116.68	-225.66	-964.76	1033.35	-225.66	-947.35	1049.33	-225.66	-947.35	0.00
			TQ	-218.79	-970.09	2051.62	-218.79	-970.09	1001.29	-218.15	-953.24	1014.40	-218.15	-953.24	0.00	
			M3	21.50	20.77	-202.89	21.50	20.77	-99.66	21.50	19.20	-99.99	9.99	22.09	-0.00	

BAGO RIVER BRIDGE

BLOCK [ No.1 : MAIN GIRDER ][ BEAM MEMBER FORCE ]

MEMBER			1053			1054			1054			1055				
NODE			1053			1054			1054			1055				
NAME TITLE			SHEAR	TORQUE	MOMENT	SHEAR	TORQUE	MOMENT	SHEAR	TORQUE	MOMENT	SHEAR	TORQUE	MOMENT		
			S2 (kN)	TQ (kN·m)	M3 (kN·m)	S2 (kN)	TQ (kN·m)	M3 (kN·m)	S2 (kN)	TQ (kN·m)	M3 (kN·m)	S2 (kN)	TQ (kN·m)	M3 (kN·m)		
301	LIVE LOAD	2-LANES (caseMAX	S2	19.74	87.29	-185.10	19.74	87.29	-90.34	19.74	85.77	-91.79	19.74	85.77	-0.00	
			TQ	19.47	89.61	-182.53	19.47	89.61	-89.05	19.47	88.11	-90.54	19.47	88.11	-0.00	
			M3	-177.46	-1556.29	1651.21	-177.46	-1555.81	799.29	-177.46	-1542.91	825.19	-174.58	-1556.16	0.00	
			MIN	S2	-177.46	-1556.49	1651.21	-177.46	-1556.49	799.29	-177.46	-1542.91	825.19	-177.46	-1542.91	0.00
			TQ	-174.58	-1569.51	1623.72	-174.58	-1569.51	785.65	-174.58	-1556.16	811.78	-174.58	-1556.16	0.00	
			M3	19.74	87.08	-185.10	19.74	86.61	-90.34	19.74	85.77	-91.79	19.47	88.11	-0.00	
		3-LANES (caseMAX	S2	272.14	336.64	1740.69	109.95	75.20	889.31	109.95	90.05	887.93	30.96	-105.65	0.00	
			TQ	-459.99	1758.91	5015.09	-528.55	1758.91	2642.92	-529.05	1802.86	2615.47	-595.88	1802.86	-0.00	
			M3	-302.14	1637.64	5886.81	-464.97	1489.51	3506.61	-464.97	1547.91	3481.23	30.32	-107.69	0.00	
			MIN	S2	-584.34	1588.81	5578.44	-725.09	1474.85	3404.35	-725.09	1531.55	3379.23	-918.75	1320.07	-0.00
			TQ	29.82	-105.33	-283.63	29.82	-105.33	-140.46	30.32	-107.69	-141.00	30.32	-107.69	0.00	
			M3	30.96	-103.23	-294.31	30.96	-103.23	-145.69	30.96	-105.65	-143.95	-595.88	1802.86	-0.00	
		3-LANES (caseMAX	S2	26.85	47.69	-252.97	26.85	47.69	-124.07	26.85	45.61	-124.85	26.85	45.61	-0.00	
			TQ	19.97	53.15	-187.84	19.97	53.15	-91.98	19.43	51.63	-90.33	19.43	51.63	-0.00	
			M3	-258.02	-1602.23	2411.82	-258.02	-1601.83	1173.17	-258.02	-1582.57	1199.78	-249.47	-1597.98	0.00	
			MIN	S2	-258.02	-1602.41	2411.81	-258.02	-1602.41	1173.16	-258.02	-1582.57	1199.78	-258.02	-1582.57	0.00
			TQ	-250.01	-1617.16	2335.90	-250.01	-1617.16	1135.68	-249.47	-1597.98	1160.03	-249.47	-1597.98	0.00	
			M3	26.85	47.44	-252.97	26.85	47.03	-124.08	26.85	45.61	-124.85	16.62	50.12	-0.00	
		3-LANES (caseMAX	S2	25.73	90.05	-241.70	25.73	90.05	-118.17	25.73	88.06	-119.66	25.73	88.06	-0.00	
			TQ	25.42	92.16	-238.74	25.42	92.16	-116.69	25.41	90.19	-118.14	25.41	90.19	-0.00	
			M3	-257.83	-1606.57	2409.94	-257.83	-1606.16	1172.21	-257.83	-1586.92	1198.90	-254.03	-1600.72	0.00	
			MIN	S2	-257.83	-1606.74	2409.94	-257.83	-1606.74	1172.20	-257.83	-1586.92	1198.90	-257.83	-1586.92	0.00
			TQ	-254.05	-1620.24	2374.00	-254.05	-1620.24	1154.41	-254.03	-1600.72	1181.25	-254.03	-1600.72	0.00	
			M3	25.73	89.87	-241.70	25.73	89.47	-118.17	25.73	88.06	-119.66	25.41	90.19	-0.00	

BAGO RIVER BRIDGE

BLOCK [ No.1 : MAIN GIRDER ][ BEAM MEMBER FORCE ]

MEMBER					1053			1054			1055					
NODE					1053			1054			1055					
NAME TITLE					SHEAR	TORQUE	MOMENT	SHEAR	TORQUE	MOMENT	SHEAR	TORQUE	MOMENT			
					S2 (kN)	TQ (kN·m)	M3 (kN·m)	S2 (kN)	TQ (kN·m)	M3 (kN·m)	S2 (kN)	TQ (kN·m)	M3 (kN·m)			
301	LIVE LOAD	4-LANES	MAX	S2	21.14	50.56	-198.95	21.14	50.56	-97.46	21.14	48.92	-98.30	21.14	48.92	-0.00
				TQ	18.56	51.63	-174.52	18.56	51.63	-85.44	13.96	50.40	-64.90	13.96	50.40	-0.00
				M3	-8.52	-3.75	80.46	-8.52	-3.75	39.56	-8.52	-3.09	39.62	0.00	0.00	0.00
		MIN	S2	-8.52	-3.75	80.46	-8.52	-3.75	39.56	-8.52	-3.09	39.62	-8.52	-3.09	0.00	
			TQ	-3.21	-5.59	30.26	-3.21	-5.59	14.84	-2.21	-5.38	10.27	-2.21	-5.38	0.00	
			M3	21.14	50.56	-198.95	21.14	50.56	-97.47	21.14	48.92	-98.30	15.08	49.09	-0.00	
	6-LANES	MAX	S2	193.58	213.10	516.25	93.36	76.08	316.93	93.36	81.37	315.62	42.44	-16.48	0.00	
			TQ	-302.01	1279.69	3320.37	-349.81	1279.69	1755.95	-350.89	1308.90	1739.34	-397.21	1308.90	-0.00	
			M3	-423.22	32.89	5992.46	-529.40	-72.57	3328.32	-529.40	-16.93	3329.07	-168.64	-1177.65	0.00	
		MIN	S2	-615.30	-5.82	5837.57	-697.62	-86.50	3248.70	-697.62	-32.19	3249.69	-816.38	-145.29	0.00	
			TQ	-169.43	-1190.62	1581.40	-169.43	-1190.62	768.04	-168.63	-1177.65	784.15	-168.63	-1177.65	0.00	
			M3	42.44	-13.31	-401.32	42.44	-13.62	-197.59	42.44	-16.48	-197.34	-397.21	1308.90	-0.00	
	LIVE LOAD	MAX		308.49	1765.89	5992.46	117.68	1765.89	3506.61	117.68	1803.99	3481.23	42.44	1803.99	0.00	
		MIN		-615.30	-1620.24	-401.32	-725.09	-1620.24	-197.59	-725.09	-1600.72	-197.34	-918.75	-1600.72	-0.00	
	303	SUM TOTAL	TOTAL	MAX	-1296.79	2116.08	23778.65	-1768.24	2116.08	12912.79	-1768.24	2311.35	12880.24	-2114.23	2311.35	0.00
MIN				-2220.58	-1270.06	17384.88	-2611.01	-1270.06	9208.59	-2611.01	-1093.36	9201.68	-3075.42	-1093.36	-0.00	



BAGO RIVER BRIDGE

BLOCK [ No.1 : MAIN GIRDER ] [ BEAM MEMBER FORCE ]

MEMBER NODE	2001 2001	2002			2002			2003								
		SHEAR	TORQUE	MOMENT	SHEAR	TORQUE	MOMENT	SHEAR	TORQUE	MOMENT						
		S2 (kN)	TQ (kN·m)	M3 (kN·m)	S2 (kN)	TQ (kN·m)	M3 (kN·m)	S2 (kN)	TQ (kN·m)	M3 (kN·m)						
1	PAVEMENT	276.07	23.92	-0.04	246.38	23.92	1216.82	246.38	26.75	1216.76	216.70	26.75	2295.02			
3	RAILING	4.33	-7.02	0.01	5.91	-7.02	23.86	5.91	-6.97	23.87	7.48	-6.97	55.05			
5	CURB	42.88	-69.53	0.11	58.48	-69.53	236.20	58.48	-68.98	236.36	74.07	-68.98	545.00			
7	DECK WEIGHT	430.84	-20.92	0.03	385.72	-20.92	1901.93	385.72	-16.49	1901.97	340.59	-16.49	3593.18			
8	GIRDER WEIGH	556.95	-462.98	0.75	469.87	-462.98	2392.39	469.87	-457.41	2393.46	382.81	-457.41	4378.92			
10	MEDIAN STRIP	110.47	-105.54	0.17	82.29	-105.54	449.14	82.29	-104.50	449.38	54.11	-104.50	766.98			
21	ADITIONAL WE	120.64	-5.86	0.01	108.00	-5.86	532.54	108.00	-4.62	532.55	95.37	-4.62	1006.09			
31	MEDIAN RAILI	8.77	-8.36	0.01	6.49	-8.36	35.56	6.49	-8.27	35.58	4.21	-8.27	60.51			
51	SUPPORT WEIG	0.00	-0.00	0.00	0.00	-0.00	0.00	0.00	-0.00	0.00	0.00	-0.00	0.00			
52	NOSE WEIGHT	0.17	0.11	-0.00	0.17	0.11	0.77	0.17	0.11	0.77	0.17	0.11	1.55			
61	1-LANE(case1TRUCK-LOAD	MAX	S2	107.47	-473.51	0.76	107.47	-473.51	501.39	107.47	-472.34	502.49	159.66	-360.87	868.49	
			TQ	-7.44	51.24	-0.08	-7.44	51.24	-34.75	-7.44	51.16	-34.87	-7.44	51.16	-69.52	
			M3	97.48	-505.31	0.81	107.47	-473.51	501.39	107.47	-472.34	502.49	107.47	-472.34	1002.96	
		MIN	S2	-43.24	0.00	-0.00	-7.77	48.30	-36.25	-7.77	48.21	-36.37	-7.77	48.21	-72.53	
			TQ	97.48	-505.31	0.81	97.48	-505.31	454.89	97.48	-504.26	456.06	97.48	-504.26	910.01	
			M3	-7.44	51.24	-0.08	-7.77	48.30	-36.25	-7.77	48.21	-36.37	-7.77	48.21	-72.53	
		TANDEM-LOAD	MAX	S2	75.97	-333.97	0.54	75.97	-333.97	354.41	75.97	-333.15	355.19	129.52	-273.68	635.65
			TQ	-5.13	34.87	-0.06	-5.13	34.87	-23.95	-5.13	34.82	-24.03	-5.13	34.82	-47.92	
			M3	62.70	-344.33	0.56	75.97	-333.97	354.41	75.97	-333.15	355.19	75.97	-333.15	708.96	
		MIN	S2	-54.89	-21.62	0.03	-5.29	33.23	-24.71	-5.29	33.17	-24.79	-5.29	33.17	-49.44	
			TQ	62.70	-344.33	0.56	62.70	-344.33	292.63	62.70	-343.65	293.43	62.70	-343.65	585.41	
			M3	-5.13	34.87	-0.06	-5.29	33.23	-24.71	-5.29	33.17	-24.79	-5.29	33.17	-49.44	
		DISPERSION-LMAX	S2	86.37	-566.25	0.91	92.19	-575.41	404.44	92.19	-574.47	405.78	103.36	-574.47	861.19	
			TQ	-9.27	57.58	-0.09	-9.27	57.58	-43.28	-9.27	57.48	-43.41	-9.27	57.48	-86.59	
			M3	81.04	-575.41	0.93	89.44	-571.08	405.47	89.45	-570.16	406.79	103.36	-574.47	861.19	
		MIN	S2	-14.60	48.42	-0.08	-9.27	57.58	-43.28	-9.27	57.48	-43.41	-9.27	57.48	-86.59	
			TQ	81.04	-575.41	0.93	92.19	-575.41	404.44	92.19	-574.47	405.78	103.36	-574.47	861.19	
			M3	-9.27	57.58	-0.09	-6.52	53.26	-44.30	-6.54	53.17	-44.43	-9.27	57.48	-86.59	

BAGO RIVER BRIDGE

BLOCK [ No.1 : MAIN GIRDER ][ BEAM MEMBER FORCE ]

MEMBER				2001			2002			2002			2003		
NODE				2001			2002			2002			2003		
NAME TITLE				SHEAR	TORQUE	MOMENT	SHEAR	TORQUE	MOMENT	SHEAR	TORQUE	MOMENT	SHEAR	TORQUE	MOMENT
				S2 (kN)	TQ (kN·m)	M3 (kN·m)	S2 (kN)	TQ (kN·m)	M3 (kN·m)	S2 (kN)	TQ (kN·m)	M3 (kN·m)	S2 (kN)	TQ (kN·m)	M3 (kN·m)
62	1-LANE (case2TRUCK-LOAD	MAX	S2	245.13	-30.13	0.05	143.62	-78.32	669.15	143.62	-76.76	669.33	85.99	-122.17	801.49
			TQ	-7.14	23.87	-0.04	-7.14	23.87	-33.28	-7.14	23.79	-33.34	-7.14	23.79	-66.57
			M3	55.80	-192.02	0.31	143.62	-78.32	669.15	143.62	-76.76	669.33	85.99	-122.17	801.50
		MIN	S2	-7.48	22.70	-0.04	-51.39	-20.46	371.34	-51.39	-19.59	371.39	-156.63	-66.43	599.69
			TQ	55.80	-192.02	0.31	55.80	-192.02	260.23	55.80	-191.41	260.67	55.80	-191.41	520.51
			M3	-7.14	23.87	-0.04	-7.48	22.70	-34.90	-7.48	22.62	-34.95	-7.48	22.62	-69.80
	TANDEM-LOAD	MAX	S2	204.50	-4.33	0.01	123.09	-37.74	573.46	123.09	-36.41	573.54	67.08	-68.82	625.18
			TQ	-4.92	16.25	-0.03	-4.92	16.25	-22.96	-4.92	16.20	-22.99	-4.92	16.20	-45.92
			M3	36.68	-130.78	0.21	123.09	-37.74	573.46	123.09	-36.41	573.54	67.08	-68.82	625.18
		MIN	S2	-5.10	15.60	-0.03	-73.55	-29.28	531.47	-73.55	-28.04	531.54	-137.58	-60.70	595.67
			TQ	36.68	-130.78	0.21	36.68	-130.78	171.06	36.68	-130.38	171.36	36.68	-130.38	342.16
			M3	-4.92	16.25	-0.03	-5.10	15.60	-23.78	-5.10	15.55	-23.82	-5.10	15.55	-47.56
	DISPERSION-LMAX	MAX	S2	110.13	-216.78	0.35	80.98	-213.91	377.56	80.98	-213.04	378.05	64.01	-204.76	597.07
			TQ	-8.90	27.03	-0.04	-8.90	27.03	-41.51	-8.90	26.93	-41.57	-8.90	26.93	-83.03
			M3	110.13	-216.78	0.35	73.90	-216.78	429.00	73.90	-215.78	429.51	37.68	-215.78	689.33
		MIN	S2	-8.90	27.03	-0.04	-15.97	24.16	9.94	-15.97	24.18	9.88	-35.23	15.91	9.24
			TQ	110.13	-216.78	0.35	73.90	-216.78	429.00	73.90	-215.78	429.51	37.68	-215.78	689.33
			M3	-8.90	27.03	-0.04	-8.90	27.03	-41.51	-8.90	26.93	-41.57	-8.90	26.93	-83.03
63	1-LANE (case3TRUCK-LOAD	MAX	S2	73.98	76.17	-0.12	73.98	76.17	344.51	73.98	76.97	344.33	73.37	76.59	683.12
			TQ	73.98	76.17	-0.12	73.98	76.17	344.51	73.98	76.97	344.33	68.40	76.97	664.80
			M3	30.75	-6.08	0.01	73.98	76.17	344.51	73.98	76.97	344.33	73.37	76.59	683.12
		MIN	S2	-7.27	3.20	-0.01	-7.27	3.20	-33.88	-7.27	3.12	-33.89	-7.27	3.12	-67.75
			TQ	30.75	-6.08	0.01	30.75	-6.08	143.25	30.75	-5.75	143.26	30.75	-5.75	286.46
			M3	73.98	76.17	-0.12	-7.27	3.20	-33.88	-7.27	3.12	-33.89	-7.27	3.12	-67.75

BAGO RIVER BRIDGE

BLOCK [ No.1 : MAIN GIRDER ][ BEAM MEMBER FORCE ]

MEMBER		2001			2002			2002			2003						
NODE		2001			2002			2002			2003						
		SHEAR	TORQUE	MOMENT	SHEAR	TORQUE	MOMENT	SHEAR	TORQUE	MOMENT	SHEAR	TORQUE	MOMENT				
NAME	TITLE	S2 (kN)	TQ (kN·m)	M3 (kN·m)	S2 (kN)	TQ (kN·m)	M3 (kN·m)	S2 (kN)	TQ (kN·m)	M3 (kN·m)	S2 (kN)	TQ (kN·m)	M3 (kN·m)				
63	1-LANE (case3TANDEM-LOAD	MAX	S2	51.54	55.17	-0.09	51.54	55.17	240.00	51.54	55.72	239.87	51.54	55.72	479.90		
			TQ	51.54	55.17	-0.09	51.54	55.17	240.00	51.54	55.72	239.87	51.54	55.72	479.90		
			M3	19.79	-4.21	0.01	51.54	55.17	240.00	51.54	55.72	239.87	51.54	55.72	479.90		
		MIN	S2	-4.95	2.16	-0.00	-4.95	2.16	-23.08	-4.95	2.11	-23.08	-4.95	2.11	-46.15		
			TQ	19.79	-4.21	0.01	19.79	-4.21	92.21	19.79	-3.99	92.22	19.79	-3.99	184.40		
			M3	51.54	55.17	-0.09	-4.95	2.16	-23.08	-4.95	2.11	-23.08	-4.95	2.11	-46.15		
			DISPERSION-LMAX	S2	72.98	25.25	-0.04	67.17	24.72	317.80	67.17	25.46	317.75	61.89	24.05	595.33	
			TQ	43.64	47.08	-0.08	37.56	47.08	189.04	37.78	47.52	189.96	31.70	47.52	351.75		
			M3	20.72	-18.14	0.03	66.90	25.25	325.76	66.90	26.01	325.70	60.82	26.01	623.10		
			MIN	S2	-8.62	3.69	-0.01	-8.90	4.22	-32.23	-8.90	4.15	-32.24	-9.69	5.55	-52.57	
			TQ	20.72	-18.14	0.03	20.72	-18.14	96.54	20.50	-17.92	95.55	20.50	-17.92	191.00		
			M3	43.64	47.08	-0.08	-8.62	3.69	-40.18	-8.62	3.59	-40.19	-8.62	3.59	-80.35		
		64	1-LANE (case4TRUCK-LOAD	MAX	S2	29.98	426.72	-0.69	29.98	426.72	138.99	29.98	427.04	138.00	29.98	427.04	277.63
					TQ	29.96	426.73	-0.69	29.96	426.73	138.86	29.96	427.06	137.87	29.96	427.06	277.38
					M3	-6.22	-42.38	0.07	29.98	426.72	138.99	29.98	427.04	138.00	29.98	427.04	277.63
MIN	S2			-6.84	-37.50	0.06	-6.84	-37.50	-31.80	-6.84	-37.58	-31.72	-6.84	-37.58	-63.57		
	TQ			-6.22	-42.38	0.07	-6.22	-42.38	-28.91	-6.22	-42.45	-28.82	-6.22	-42.45	-57.79		
	M3			29.96	426.73	-0.69	-6.84	-37.50	-31.80	-6.84	-37.58	-31.72	-6.84	-37.58	-63.57		
	TANDEM-LOAD			MAX	S2	20.44	289.31	-0.47	20.44	289.31	94.73	20.44	289.53	94.06	20.44	289.53	189.23
	TQ			20.37	290.52	-0.47	20.37	290.52	94.42	20.37	290.74	93.74	20.37	290.74	188.60		
	M3			-4.17	-29.03	0.05	20.44	289.31	94.73	20.44	289.53	94.06	20.44	289.53	189.23		
	MIN			S2	-4.66	-25.92	0.04	-4.66	-25.92	-21.65	-4.66	-25.97	-21.59	-4.66	-25.97	-43.27	
	TQ			-4.17	-29.03	0.05	-4.17	-29.03	-19.37	-4.17	-29.07	-19.30	-4.17	-29.07	-38.70		
	M3			20.37	290.52	-0.47	-4.66	-25.92	-21.65	-4.66	-25.97	-21.59	-4.66	-25.97	-43.27		

BAGO RIVER BRIDGE

BLOCK [ No.1 : MAIN GIRDER ][ BEAM MEMBER FORCE ]

MEMBER			2001			2002			2002			2003					
NODE			2001			2002			2002			2003					
NAME TITLE			SHEAR	TORQUE	MOMENT	SHEAR	TORQUE	MOMENT	SHEAR	TORQUE	MOMENT	SHEAR	TORQUE	MOMENT			
			S2 (kN)	TQ (kN·m)	M3 (kN·m)	S2 (kN)	TQ (kN·m)	M3 (kN·m)	S2 (kN)	TQ (kN·m)	M3 (kN·m)	S2 (kN)	TQ (kN·m)	M3 (kN·m)			
64	1-LANE (case4DISPERSION-LMAX	S2	36.22	467.97	-0.75	36.22	467.97	167.99	36.22	468.36	166.90	36.22	468.36	335.59			
		TQ	32.59	468.82	-0.76	32.59	468.82	151.07	32.64	469.17	150.18	32.64	469.17	302.16			
		M3	-4.45	-45.29	0.07	36.22	467.97	167.99	36.22	468.36	166.90	36.22	468.36	335.59			
		MIN	S2	-8.08	-44.44	0.07	-8.08	-44.44	-37.56	-8.08	-44.53	-37.45	-8.08	-44.53	-75.07		
		TQ	-4.45	-45.29	0.07	-4.45	-45.29	-20.63	-4.49	-45.34	-20.73	-4.49	-45.34	-41.64			
		M3	32.59	468.82	-0.76	-8.08	-44.44	-37.56	-8.08	-44.53	-37.45	-8.08	-44.53	-75.07			
		65	2-LANES (caseTRUCK-LOAD	MAX	S2	259.48	-558.43	0.90	227.14	-680.93	1059.20	227.14	-678.46	1060.78	255.78	-648.67	1765.06
				TQ	-14.73	88.86	-0.14	-14.73	88.86	-68.77	-14.73	88.70	-68.97	-14.73	88.70	-137.57	
				M3	167.62	-845.26	1.36	227.14	-680.93	1059.20	227.14	-678.46	1060.78	203.59	-760.15	1899.54	
MIN	S2			-50.87	35.53	-0.06	-22.90	-11.37	228.42	-22.90	-10.83	228.45	-55.67	-135.17	606.79		
TQ	167.62			-845.26	1.36	167.62	-845.26	782.18	167.62	-843.44	784.14	167.62	-843.44	1564.74			
M3	-14.73			88.86	-0.14	-15.39	83.83	-71.83	-15.39	83.66	-72.02	-15.39	83.66	-143.69			
TANDEM-LOAD	MAX			S2	190.40	-346.52	0.56	166.18	-441.23	774.81	166.18	-439.43	775.84	200.13	-451.11	1294.09	
TQ	-10.15			60.48	-0.10	-10.15	60.48	-47.40	-10.15	60.36	-47.54	-10.15	60.36	-94.83			
M3	108.96			-575.57	0.93	166.18	-441.23	774.81	166.18	-439.43	775.84	146.57	-510.58	1367.40			
MIN	S2	-60.08	2.81	-0.00	-26.86	-51.78	352.39	-26.86	-50.96	352.51	-48.04	-129.28	578.16				
TQ	108.96	-575.57	0.93	108.96	-575.57	508.50	108.96	-574.39	509.83	108.96	-574.39	1017.25					
M3	-10.15	60.48	-0.10	-10.49	57.66	-48.96	-10.49	57.55	-49.09	-10.49	57.55	-97.94					
DISPERSION-LMAX	S2	188.65	-959.34	1.55	176.91	-963.05	805.18	176.91	-961.17	807.42	174.87	-945.76	1549.48				
TQ	-18.36	99.93	-0.16	-18.36	99.93	-85.67	-18.36	99.73	-85.91	-18.36	99.73	-171.39					
M3	183.32	-968.50	1.56	171.72	-964.17	835.96	171.73	-962.25	838.20	165.65	-966.56	1629.23					
MIN	S2	-23.69	90.76	-0.15	-20.80	94.48	-55.92	-20.80	94.35	-56.14	-27.58	78.93	-91.64				
TQ	183.32	-968.50	1.56	174.47	-968.50	834.94	174.47	-966.56	837.18	165.65	-966.56	1629.23					
M3	-18.36	99.93	-0.16	-15.61	95.60	-86.70	-15.62	95.42	-86.92	-18.36	99.73	-171.39					

BAGO RIVER BRIDGE

BLOCK [ No.1 : MAIN GIRDER ][ BEAM MEMBER FORCE ]

MEMBER				2001			2002			2003					
NODE				2001			2002			2003					
				SHEAR	TORQUE	MOMENT	SHEAR	TORQUE	MOMENT	SHEAR	TORQUE	MOMENT			
NAME	TITLE			S2 (kN)	TQ (kN·m)	M3 (kN·m)	S2 (kN)	TQ (kN·m)	M3 (kN·m)	S2 (kN)	TQ (kN·m)	M3 (kN·m)			
66	2-LANES (caseTRUCK-LOAD	MAX	S2	397.14	-115.04	0.19	263.29	-285.74	1226.97	263.29	-282.88	1227.63	182.11	-409.97	1698.07
			TQ	-14.43	61.48	-0.10	-14.43	61.48	-67.30	-14.43	61.33	-67.44	-14.43	61.33	-134.62
			M3	125.94	-531.96	0.86	263.29	-285.74	1226.97	263.29	-282.88	1227.63	182.11	-409.97	1698.07
		MIN	S2	-15.11	58.24	-0.09	-66.52	-80.12	636.01	-66.52	-78.64	636.20	-204.54	-249.82	1279.01
			TQ	125.94	-531.96	0.86	125.94	-531.96	587.52	125.94	-530.59	588.75	125.94	-530.59	1175.24
			M3	-14.43	61.48	-0.10	-15.11	58.24	-70.47	-15.11	58.07	-70.61	-15.11	58.07	-140.96
		TANDEM-LOAD MAX	S2	318.94	-16.88	0.03	213.30	-145.00	993.86	213.30	-142.69	994.19	137.69	-246.25	1283.62
			TQ	-9.95	41.86	-0.07	-9.95	41.86	-46.41	-9.95	41.75	-46.51	-9.95	41.75	-92.83
			M3	82.94	-362.02	0.58	213.30	-145.00	993.86	213.30	-142.69	994.19	137.69	-246.25	1283.62
		MIN	S2	-10.30	40.04	-0.06	-95.11	-114.28	908.57	-95.11	-112.17	908.84	-180.33	-223.15	1223.28
			TQ	82.94	-362.02	0.58	82.94	-362.02	386.93	82.94	-361.12	387.77	82.94	-361.12	774.00
			M3	-9.95	41.86	-0.07	-10.30	40.04	-48.02	-10.30	39.93	-48.12	-10.30	39.93	-96.06
		DISPERSION-LMAX	S2	212.41	-609.87	0.98	165.70	-601.55	778.30	165.70	-599.74	779.70	135.52	-576.06	1285.36
			TQ	-17.99	69.37	-0.11	-17.99	69.37	-83.90	-17.99	69.18	-84.07	-17.99	69.18	-167.83
			M3	212.41	-609.87	0.98	156.18	-609.87	859.50	156.18	-607.87	860.91	99.98	-607.87	1457.38
		MIN	S2	-17.99	69.37	-0.11	-27.50	61.05	-2.71	-27.50	61.05	-2.85	-53.53	37.36	4.18
			TQ	212.41	-609.87	0.98	156.18	-609.87	859.50	156.18	-607.87	860.91	99.98	-607.87	1457.38
			M3	-17.99	69.37	-0.11	-17.99	69.37	-83.90	-17.99	69.18	-84.07	-17.99	69.18	-167.83
67	2-LANES (caseTRUCK-LOAD	MAX	S2	134.73	226.68	-0.37	134.73	226.68	627.27	134.73	228.14	626.74	134.12	227.76	1248.46
			TQ	132.67	229.49	-0.37	132.67	229.49	617.67	132.67	230.92	617.13	127.09	230.92	1210.93
			M3	24.68	-18.00	0.03	134.73	226.68	627.27	134.73	228.14	626.74	134.12	227.76	1248.46
		MIN	S2	-14.40	-6.72	0.01	-14.40	-6.72	-67.08	-14.40	-6.88	-67.07	-14.40	-6.88	-134.14
			TQ	24.68	-18.00	0.03	24.68	-18.00	115.00	24.68	-17.74	115.05	24.68	-17.74	229.99
			M3	132.67	229.49	-0.37	-14.40	-6.72	-67.08	-14.40	-6.88	-67.07	-14.40	-6.88	-134.14

BAGO RIVER BRIDGE

BLOCK [ No.1 : MAIN GIRDER ][ BEAM MEMBER FORCE ]

MEMBER				2001			2002			2002			2003				
NODE				2001			2002			2002			2003				
NAME TITLE				SHEAR	TORQUE	MOMENT	SHEAR	TORQUE	MOMENT	SHEAR	TORQUE	MOMENT	SHEAR	TORQUE	MOMENT		
				S2 (kN)	TQ (kN·m)	M3 (kN·m)	S2 (kN)	TQ (kN·m)	M3 (kN·m)	S2 (kN)	TQ (kN·m)	M3 (kN·m)	S2 (kN)	TQ (kN·m)	M3 (kN·m)		
67	2-LANES (caseTANDEM-LOAD	MAX	S2	93.59	160.78	-0.26	93.59	160.78	435.74	93.59	161.79	435.36	93.59	161.79	871.23		
			TQ	93.02	161.56	-0.26	93.02	161.56	433.06	93.02	162.57	432.68	93.02	162.57	865.87		
			M3	15.55	-12.36	0.02	93.59	160.78	435.74	93.59	161.79	435.36	93.59	161.79	871.23		
		MIN	S2	-9.81	-4.72	0.01	-9.81	-4.72	-45.69	-9.81	-4.83	-45.68	-9.81	-4.83	-91.37		
			TQ	15.55	-12.36	0.02	15.55	-12.36	72.44	15.55	-12.19	72.46	15.55	-12.19	144.86		
			M3	93.02	161.56	-0.26	-9.81	-4.72	-45.69	-9.81	-4.83	-45.68	-9.81	-4.83	-91.37		
		DISPERSION-LMAX	S2	132.71	181.82	-0.29	126.90	181.28	595.79	126.90	182.67	595.36	121.62	181.26	1151.10		
			TQ	98.36	205.99	-0.33	92.28	205.99	443.70	92.52	207.02	444.32	86.44	207.02	861.03		
			M3	17.28	-32.48	0.05	126.63	181.82	603.74	126.63	183.22	603.31	120.55	183.22	1178.87		
		MIN	S2	-17.07	-8.31	0.01	-17.34	-7.77	-71.54	-17.34	-7.94	-71.52	-18.13	-6.54	-131.19		
			TQ	17.28	-32.48	0.05	17.28	-32.48	80.55	17.04	-32.30	79.52	17.04	-32.30	158.89		
			M3	98.36	205.99	-0.33	-17.07	-8.31	-79.50	-17.07	-8.49	-79.48	-17.07	-8.49	-158.96		
		68	2-LANES (caseTRUCK-LOAD	MAX	S2	66.25	739.70	-1.19	66.25	739.70	307.40	66.25	740.42	305.68	66.25	740.42	614.19
					TQ	65.33	746.34	-1.20	65.33	746.34	303.15	65.33	747.04	301.41	65.33	747.04	605.67
					M3	-12.13	-70.41	0.11	66.25	739.70	307.40	66.25	740.42	305.68	66.25	740.42	614.19
MIN	S2			-13.82	-61.83	0.10	-13.82	-61.83	-64.28	-13.82	-61.98	-64.13	-13.82	-61.98	-128.49		
	TQ			-12.13	-70.41	0.11	-12.13	-70.41	-56.38	-12.13	-70.54	-56.22	-12.13	-70.54	-112.70		
	M3			65.33	746.34	-1.20	-13.82	-61.83	-64.28	-13.82	-61.98	-64.13	-13.82	-61.98	-128.49		
TANDEM-LOAD MAX	S2			45.19	501.34	-0.81	45.19	501.34	209.71	45.19	501.82	208.54	45.19	501.82	418.99		
	TQ			44.63	508.77	-0.82	44.63	508.77	207.08	44.63	509.25	205.89	44.63	509.25	413.73		
	M3			-8.31	-48.22	0.08	45.19	501.34	209.71	45.19	501.82	208.54	45.19	501.82	418.99		
MIN	S2			-9.41	-42.75	0.07	-9.41	-42.75	-43.76	-9.41	-42.85	-43.66	-9.41	-42.85	-87.48		
	TQ			-8.31	-48.22	0.08	-8.31	-48.22	-38.61	-8.31	-48.31	-38.50	-8.31	-48.31	-77.17		
	M3			44.63	508.77	-0.82	-9.41	-42.75	-43.76	-9.41	-42.85	-43.66	-9.41	-42.85	-87.48		

BAGO RIVER BRIDGE

BLOCK [ No.1 : MAIN GIRDER ][ BEAM MEMBER FORCE ]

MEMBER NODE	2001 2001	2002			2002			2003							
		SHEAR	TORQUE	MOMENT	SHEAR	TORQUE	MOMENT	SHEAR	TORQUE	MOMENT					
		S2 (kN)	TQ (kN·m)	M3 (kN·m)	S2 (kN)	TQ (kN·m)	M3 (kN·m)	S2 (kN)	TQ (kN·m)	M3 (kN·m)					
68	2-LANES (caseDISPERSION-LMAX	S2	80.63	817.24	-1.32	80.63	817.24	374.28	80.63	818.11	372.38	80.63	818.11	747.86	
		TQ	72.04	820.43	-1.32	72.04	820.43	334.26	72.10	821.21	332.62	72.10	821.21	668.38	
		M3	-7.74	-76.40	0.12	80.63	817.24	374.28	80.63	818.11	372.38	80.63	818.11	747.86	
	MIN	S2	-16.33	-73.21	0.12	-16.33	-73.21	-75.97	-16.33	-73.39	-75.80	-16.33	-73.39	-151.87	
		TQ	-7.74	-76.40	0.12	-7.74	-76.40	-35.95	-7.80	-76.49	-36.05	-7.80	-76.49	-72.38	
		M3	72.04	820.43	-1.32	-16.33	-73.21	-75.97	-16.33	-73.39	-75.80	-16.33	-73.39	-151.87	
69	3-LANES (caseTRUCK-LOAD	MAX	S2	504.61	-588.56	0.95	370.76	-759.25	1728.35	370.76	-755.23	1730.11	341.77	-770.84	2566.56
		TQ	-21.87	112.72	-0.18	-21.87	112.72	-102.05	-21.87	112.49	-102.31	-21.87	112.49	-204.15	
		M3	223.41	-1037.27	1.67	370.76	-759.25	1728.35	370.76	-755.23	1730.11	289.58	-882.32	2701.03	
	MIN	S2	-58.35	58.24	-0.09	-74.29	-31.82	599.76	-74.29	-30.43	599.83	-212.30	-201.60	1206.48	
		TQ	223.41	-1037.27	1.67	223.41	-1037.27	1042.41	223.41	-1034.85	1044.81	223.41	-1034.85	2085.25	
		M3	-21.87	112.72	-0.18	-22.87	106.53	-106.72	-22.87	106.28	-106.97	-22.87	106.28	-213.49	
	TANDEM-LOAD	MAX	S2	394.91	-350.85	0.57	289.27	-478.97	1348.27	289.27	-475.84	1349.38	267.21	-519.93	1919.27
		TQ	-15.08	76.73	-0.12	-15.08	76.73	-70.36	-15.08	76.56	-70.54	-15.08	76.56	-140.75	
		M3	145.64	-706.35	1.14	289.27	-478.97	1348.27	289.27	-475.84	1349.38	213.66	-579.40	1992.58	
	MIN	S2	-65.18	18.42	-0.03	-100.40	-81.06	883.86	-100.40	-79.00	884.05	-185.62	-189.98	1173.84	
		TQ	145.64	-706.35	1.14	145.64	-706.35	679.55	145.64	-704.77	681.19	145.64	-704.77	1359.41	
		M3	-15.08	76.73	-0.12	-15.59	73.27	-72.74	-15.59	73.10	-72.91	-15.59	73.10	-145.50	
	DISPERSION-LMAX	S2	298.78	-1176.12	1.90	257.89	-1176.96	1182.74	257.89	-1174.21	1185.47	238.88	-1150.52	2146.55	
		TQ	-27.26	126.96	-0.20	-27.26	126.96	-127.18	-27.26	126.66	-127.48	-27.26	126.66	-254.42	
		M3	293.45	-1185.28	1.91	245.63	-1180.95	1264.96	245.64	-1178.03	1267.71	203.33	-1182.34	2318.57	
	MIN	S2	-32.59	117.79	-0.19	-36.77	118.64	-45.99	-36.77	118.53	-46.26	-62.81	94.84	-82.40	
		TQ	293.45	-1185.28	1.91	248.37	-1185.28	1263.94	248.37	-1182.34	1266.69	203.33	-1182.34	2318.57	
		M3	-27.26	126.96	-0.20	-24.51	122.63	-128.21	-24.52	122.35	-128.49	-27.26	126.66	-254.42	

BAGO RIVER BRIDGE

BLOCK [ No.1 : MAIN GIRDER ][ BEAM MEMBER FORCE ]

MEMBER				2001			2002			2002			2003				
NODE				2001			2002			2002			2003				
NAME TITLE				SHEAR	TORQUE	MOMENT	SHEAR	TORQUE	MOMENT	SHEAR	TORQUE	MOMENT	SHEAR	TORQUE	MOMENT		
				S2 (kN)	TQ (kN·m)	M3 (kN·m)	S2 (kN)	TQ (kN·m)	M3 (kN·m)	S2 (kN)	TQ (kN·m)	M3 (kN·m)	S2 (kN)	TQ (kN·m)	M3 (kN·m)		
70	3-LANES (case	TRUCK-LOAD	MAX	S2	181.30	430.24	-0.69	181.30	430.24	843.87	181.30	432.20	842.87	180.69	431.82	1681.45	
				TQ	174.62	468.22	-0.75	174.62	468.22	812.68	174.62	470.11	811.59	169.04	470.11	1600.73	
				M3	18.30	-44.23	0.07	181.30	430.24	843.87	181.30	432.20	842.87	180.69	431.82	1681.45	
		MIN	S2	-21.40	-29.82	0.05	-21.40	-29.82	-99.62	-21.40	-30.05	-99.55	-21.40	-30.05	-199.19		
			TQ	18.30	-44.23	0.07	18.30	-44.23	85.30	18.30	-44.03	85.41	18.30	-44.03	170.61		
			M3	174.62	468.22	-0.75	-21.40	-29.82	-99.62	-21.40	-30.05	-99.55	-21.40	-30.05	-199.19		
		TANDEM-LOAD	MAX	S2	126.03	305.51	-0.49	126.03	305.51	586.58	126.03	306.88	585.87	126.03	306.88	1172.77	
			TQ	120.92	324.25	-0.52	120.92	324.25	562.75	120.92	325.56	561.99	120.92	325.56	1125.10		
			M3	11.27	-30.33	0.05	126.03	305.51	586.58	126.03	306.88	585.87	126.03	306.88	1172.77		
			MIN	S2	-14.57	-20.70	0.03	-14.57	-20.70	-67.85	-14.57	-20.85	-67.80	-14.57	-20.85	-135.66	
				TQ	11.27	-30.33	0.05	11.27	-30.33	52.53	11.27	-30.21	52.60	11.27	-30.21	105.07	
				M3	120.92	324.25	-0.52	-14.57	-20.70	-67.85	-14.57	-20.85	-67.80	-14.57	-20.85	-135.66	
		DISPERSION-LMAX	S2	184.24	457.68	-0.74	178.43	457.15	835.40	178.43	459.09	834.33	173.15	457.69	1630.05		
			TQ	146.26	482.71	-0.78	140.18	482.71	666.38	140.46	484.26	666.56	134.38	484.26	1306.53		
			M3	12.65	-61.03	0.10	178.16	457.68	843.35	178.16	459.64	842.28	172.08	459.64	1657.83		
		MIN	S2	-25.33	-36.00	0.06	-25.61	-35.47	-110.00	-25.61	-35.72	-109.92	-26.40	-34.32	-208.08		
			TQ	12.65	-61.03	0.10	12.65	-61.03	59.01	12.37	-60.89	57.85	12.37	-60.89	115.44		
			M3	146.26	482.71	-0.78	-25.33	-36.00	-117.96	-25.33	-36.28	-117.87	-25.33	-36.28	-235.85		
71	3-LANES (case	TRUCK-LOAD	MAX	S2	113.57	955.59	-1.54	113.57	955.59	527.52	113.57	956.82	525.30	113.57	956.82	1054.21	
				TQ	109.90	968.25	-1.56	109.90	968.25	510.39	109.90	969.43	508.14	109.90	969.43	1019.95	
				M3	-18.08	-84.18	0.14	113.57	955.59	527.52	113.57	956.82	525.30	113.57	956.82	1054.21	
				MIN	S2	-20.94	-73.00	0.12	-20.94	-73.00	-97.42	-20.94	-73.22	-97.25	-20.94	-73.22	-194.75
					TQ	-18.08	-84.18	0.14	-18.08	-84.18	-84.11	-18.08	-84.37	-83.91	-18.08	-84.37	-168.13
					M3	109.90	968.25	-1.56	-20.94	-73.00	-97.42	-20.94	-73.22	-97.25	-20.94	-73.22	-194.75



BAGO RIVER BRIDGE

BLOCK [ No.1 : MAIN GIRDER ][ BEAM MEMBER FORCE ]

MEMBER				2001			2002			2003							
NODE				2001			2002			2003							
NAME TITLE				SHEAR	TORQUE	MOMENT	SHEAR	TORQUE	MOMENT	SHEAR	TORQUE	MOMENT					
				S2 (kN)	TQ (kN·m)	M3 (kN·m)	S2 (kN)	TQ (kN·m)	M3 (kN·m)	S2 (kN)	TQ (kN·m)	M3 (kN·m)					
71	3-LANES (case)	TANDEM-LOAD	MAX	S2	78.16	648.26	-1.05	78.16	648.26	363.07	78.16	649.11	361.56	78.16	649.11	725.57	
				TQ	75.31	660.73	-1.07	75.31	660.73	349.74	75.31	661.55	348.20	75.31	661.55	698.90	
				M3	-12.54	-57.59	0.09	78.16	648.26	363.07	78.16	649.11	361.56	78.16	649.11	725.57	
			MIN	S2	-14.26	-50.50	0.08	-14.26	-50.50	-66.33	-14.26	-50.65	-66.21	-14.26	-50.65	-132.61	
				TQ	-12.54	-57.59	0.09	-12.54	-57.59	-58.33	-12.54	-57.73	-58.19	-12.54	-57.73	-116.60	
				M3	75.31	660.73	-1.07	-14.26	-50.50	-66.33	-14.26	-50.65	-66.21	-14.26	-50.65	-132.61	
		DISPERSION-LMAX	S2	133.22	1047.39	-1.69	133.22	1047.39	618.89	133.22	1048.83	616.45	133.22	1048.83	1236.85		
			TQ	119.01	1054.94	-1.70	119.01	1054.94	552.67	119.08	1056.23	550.54	119.08	1056.23	1105.07		
				M3	-10.55	-93.83	0.15	133.22	1047.39	618.89	133.22	1048.83	616.45	133.22	1048.83	1236.85	
				MIN	S2	-24.77	-86.28	0.14	-24.77	-86.28	-115.24	-24.77	-86.55	-115.04	-24.77	-86.55	-230.38
					TQ	-10.55	-93.83	0.15	-10.55	-93.83	-49.02	-10.62	-93.95	-49.12	-10.62	-93.95	-98.60
					M3	119.01	1054.94	-1.70	-24.77	-86.28	-115.24	-24.77	-86.55	-115.04	-24.77	-86.55	-230.38
72	4-LANES	TRUCK-LOAD	MAX	S2	197.65	943.65	-1.52	197.65	943.65	919.18	197.65	945.78	916.98	197.65	945.78	1837.42	
				TQ	192.69	974.76	-1.57	192.69	974.76	896.04	192.69	976.84	893.77	192.69	976.84	1791.12	
				M3	-1.30	-82.12	0.13	197.65	943.65	919.18	197.65	945.78	916.98	197.65	945.78	1837.42	
			MIN	S2	-28.22	-68.56	0.11	-28.22	-68.56	-131.36	-28.22	-68.86	-131.20	-28.22	-68.86	-262.63	
				TQ	-1.30	-82.12	0.13	-18.20	-82.12	-84.64	-18.20	-82.31	-84.45	-18.20	-82.31	-169.20	
				M3	192.69	974.76	-1.57	-28.22	-68.56	-131.36	-28.22	-68.86	-131.20	-28.22	-68.86	-262.63	
		TANDEM-LOAD	MAX	S2	136.71	639.28	-1.03	136.71	639.28	635.82	136.71	640.76	634.33	136.71	640.76	1271.00	
			TQ	131.89	670.85	-1.08	131.89	670.85	613.29	131.89	672.27	611.72	112.75	672.27	1214.40		
				M3	-12.56	-56.22	0.09	136.71	639.28	635.82	136.71	640.76	634.33	136.71	640.76	1271.00	
				MIN	S2	-19.22	-47.47	0.08	-19.22	-47.47	-89.45	-19.22	-47.68	-89.34	-19.22	-47.68	-178.85
					TQ	0.26	-56.22	0.09	-12.56	-56.22	-58.40	-12.56	-56.35	-58.26	-12.56	-56.35	-116.73
					M3	131.89	670.85	-1.08	-19.22	-47.47	-89.45	-19.22	-47.68	-89.34	-19.22	-47.68	-178.85

BAGO RIVER BRIDGE

BLOCK [ No.1 : MAIN GIRDER ][ BEAM MEMBER FORCE ]

MEMBER				2001			2002			2003							
NODE				2001			2002			2003							
				SHEAR	TORQUE	MOMENT	SHEAR	TORQUE	MOMENT	SHEAR	TORQUE	MOMENT					
NAME	TITLE			S2 (kN)	TQ (kN·m)	M3 (kN·m)	S2 (kN)	TQ (kN·m)	M3 (kN·m)	S2 (kN)	TQ (kN·m)	M3 (kN·m)					
72	4-LANES	DISPERSION-LMAX	S2	195.53	970.64	-1.56	190.39	971.36	890.25	190.39	973.43	887.98	186.72	975.17	1754.49		
			TQ	169.43	1062.41	-1.71	167.11	1062.41	782.27	167.26	1064.23	780.50	164.74	1064.23	1553.68		
			M3	-3.71	-88.02	0.14	189.46	970.64	895.15	189.46	972.72	892.89	183.88	973.12	1761.12		
	MIN	S2	-25.74	-70.27	0.11	-26.01	-69.73	-111.85	-26.01	-69.99	-111.69	-26.81	-68.59	-211.75			
		TQ	-3.71	-88.02	0.14	-3.71	-88.02	-17.13	-3.91	-88.06	-17.87	-3.91	-88.06	-36.09			
		M3	169.43	1062.41	-1.71	-25.74	-70.27	-119.80	-25.74	-70.55	-119.64	-25.74	-70.55	-239.52			
	73	6-LANES	TRUCK-LOAD	MAX	S2	590.76	293.13	-0.47	478.47	349.43	2059.52	478.47	354.22	2058.71	452.65	242.57	3696.08
				TQ	208.28	937.96	-1.51	208.28	937.96	968.73	208.28	940.21	966.54	152.31	940.21	1696.33	
				M3	178.46	-909.87	1.47	478.34	226.48	2227.89	478.34	231.66	2227.36	411.17	132.98	3829.63	
MIN			S2	-72.29	-12.74	0.02	-95.84	-31.53	521.91	-95.84	-30.31	521.99	-208.27	-76.48	888.92		
TQ			178.46	-909.87	1.47	178.46	-909.87	832.77	178.46	-907.93	834.89	178.46	-907.93	1665.95			
M3			208.28	937.96	-1.51	-43.82	34.82	-204.18	-43.82	34.34	-204.26	-43.82	34.34	-408.33			
TANDEM-LOAD		MAX	S2	446.29	200.10	-0.32	358.64	168.33	1670.41	358.64	172.22	1670.01	339.90	159.77	2686.49		
		TQ	139.01	643.97	-1.04	139.01	643.97	646.53	139.01	645.47	645.03	95.12	645.47	1241.57			
		M3	120.86	-621.04	1.00	358.64	168.33	1670.41	358.64	172.22	1670.01	295.49	101.07	2752.19			
		MIN	S2	-69.63	-30.13	0.05	-101.89	-33.68	714.48	-101.89	-32.02	714.55	-178.74	-70.20	923.74		
		TQ	120.86	-621.04	1.00	120.86	-621.04	564.01	120.86	-619.73	565.46	120.86	-619.73	1128.30			
		M3	139.01	643.97	-1.04	-29.85	23.66	-139.10	-29.85	23.34	-139.15	-29.85	23.34	-278.17			
		DISPERSION-LMAX	S2	430.35	-128.69	0.21	392.75	-130.22	1808.73	392.75	-126.01	1809.03	376.39	-122.15	3421.72		
			TQ	129.36	1058.94	-1.71	123.28	1058.94	586.74	123.52	1060.31	585.37	117.45	1060.31	1146.45		
			M3	223.51	-1044.18	1.68	380.65	-130.97	1887.46	380.65	-126.60	1887.76	352.17	-141.63	3563.34		
MIN	S2		-55.35	38.63	-0.06	-58.25	43.19	-162.01	-58.25	42.81	-162.11	-81.05	29.27	-312.32			
TQ	223.51		-1044.18	1.68	198.58	-1044.18	985.12	198.31	-1041.89	986.27	172.89	-1041.89	1850.94				
M3	129.36		1058.94	-1.71	-47.26	43.47	-234.08	-47.27	42.95	-234.18	-50.01	47.27	-466.07				

BAGO RIVER BRIDGE

BLOCK [ No.1 : MAIN GIRDER ][ BEAM MEMBER FORCE ]

MEMBER			2001			2002			2002			2003			
NODE			2001			2002			2002			2003			
NAME TITLE			SHEAR	TORQUE	MOMENT	SHEAR	TORQUE	MOMENT	SHEAR	TORQUE	MOMENT	SHEAR	TORQUE	MOMENT	
			S2 (kN)	TQ (kN·m)	M3 (kN·m)	S2 (kN)	TQ (kN·m)	M3 (kN·m)	S2 (kN)	TQ (kN·m)	M3 (kN·m)	S2 (kN)	TQ (kN·m)	M3 (kN·m)	
124	SUM TOTAL	D+1LANE (caseMAX	S2	1783.72	-1903.88	3.07	1602.89	-1914.88	7876.19	1602.89	-1896.56	7880.62	1491.13	-1762.79	14777.91
			TQ	1531.06	-525.59	0.85	1343.25	-525.59	6695.56	1343.25	-510.02	6696.77	1155.45	-510.02	12514.97
			M3	1765.33	-1953.04	3.15	1599.59	-1909.69	7877.42	1599.61	-1891.39	7881.84	1428.50	-1896.56	14939.28
		MIN	S2	1481.70	-598.07	0.96	1342.86	-529.12	6693.76	1342.86	-513.55	6694.97	1155.07	-513.55	12511.36
			TQ	1765.33	-1953.04	3.15	1590.90	-1953.04	7820.40	1590.90	-1934.85	7824.92	1416.51	-1934.85	14827.73
			M3	1531.06	-525.59	0.85	1346.15	-534.31	6692.53	1346.14	-518.72	6693.75	1155.07	-513.55	12511.36
		D+1LANE (caseMAX	S2	1977.43	-952.46	1.54	1632.81	-1006.86	8045.24	1632.81	-988.15	8047.56	1355.51	-1032.70	14380.58
			TQ	1531.87	-595.10	0.96	1344.06	-595.10	6699.45	1344.06	-579.52	6700.81	1156.26	-579.52	12522.78
			M3	1750.23	-1146.73	1.85	1624.33	-1010.29	8106.98	1624.33	-991.44	8109.31	1323.91	-1045.92	14491.30
		MIN	S2	1531.45	-596.50	0.96	1282.47	-651.73	7246.73	1282.47	-634.88	7248.23	945.28	-701.01	13433.01
			TQ	1750.23	-1146.73	1.85	1518.94	-1146.73	7616.27	1518.94	-1129.02	7618.92	1287.68	-1129.02	14154.11
			M3	1531.87	-595.10	0.96	1343.64	-596.50	6697.51	1343.64	-580.92	6698.88	1155.85	-580.92	12518.91
		D+1LANE (caseMAX	S2	1727.46	-534.47	0.86	1532.69	-535.11	7583.97	1532.69	-517.47	7585.19	1337.81	-519.61	14236.44
			TQ	1692.25	-508.28	0.82	1497.15	-508.28	7429.45	1497.42	-491.00	7431.85	1295.63	-491.00	13922.16
			M3	1612.87	-685.24	1.10	1532.36	-534.47	7593.51	1532.36	-516.81	7594.74	1336.54	-517.26	14269.77
		MIN	S2	1532.04	-647.91	1.04	1343.90	-647.27	6709.87	1343.90	-631.66	6711.36	1155.16	-629.98	12557.92
			TQ	1612.87	-685.24	1.10	1425.06	-685.24	7076.94	1424.80	-668.78	7077.28	1237.00	-668.78	13275.26
			M3	1692.25	-508.28	0.82	1344.23	-647.91	6700.33	1344.23	-632.33	6701.82	1156.43	-632.33	12524.59
		D+1LANE (caseMAX	S2	1630.56	417.45	-0.67	1442.75	417.45	7157.57	1442.75	434.09	7156.58	1254.96	434.09	13438.17
			TQ	1626.17	418.49	-0.67	1438.36	418.49	7137.11	1438.41	435.09	7136.36	1250.62	435.09	13397.75
			M3	1538.31	-761.38	1.23	1442.75	417.45	7157.57	1442.75	434.09	7156.58	1254.96	434.09	13438.17
		MIN	S2	1533.21	-754.50	1.22	1345.40	-754.50	6705.97	1345.40	-738.91	6707.70	1157.61	-738.91	12535.93
			TQ	1538.31	-761.38	1.23	1350.50	-761.38	6729.74	1350.45	-745.73	6731.25	1162.66	-745.73	12582.99
			M3	1626.17	418.49	-0.67	1345.40	-754.50	6705.97	1345.40	-738.91	6707.70	1157.61	-738.91	12535.93

BAGO RIVER BRIDGE

BLOCK [ No.1 : MAIN GIRDER ][ BEAM MEMBER FORCE ]

MEMBER			2001			2002			2002			2003			
NODE			2001			2002			2002			2003			
NAME TITLE			SHEAR	TORQUE	MOMENT	SHEAR	TORQUE	MOMENT	SHEAR	TORQUE	MOMENT	SHEAR	TORQUE	MOMENT	
			S2 (kN)	TQ (kN·m)	M3 (kN·m)	S2 (kN)	TQ (kN·m)	M3 (kN·m)	S2 (kN)	TQ (kN·m)	M3 (kN·m)	S2 (kN)	TQ (kN·m)	M3 (kN·m)	
124	SUM TOTAL	D+2LANES (casMAX	S2	1999.24	-2173.94	3.50	1767.35	-2300.15	8653.58	1767.35	-2280.02	8658.91	1606.17	-2234.82	16016.84
			TQ	1518.02	-467.39	0.75	1330.21	-467.39	6634.76	1330.21	-451.96	6635.83	1142.42	-451.96	12393.33
			M3	1902.04	-2469.93	3.98	1762.17	-2301.27	8684.36	1762.18	-2281.09	8689.69	1544.76	-2367.09	16231.07
		MIN	S2	1476.55	-529.88	0.85	1319.60	-573.06	6961.70	1319.60	-556.87	6963.01	1092.26	-696.62	13217.45
			TQ	1902.04	-2469.93	3.98	1705.39	-2469.93	8406.31	1705.39	-2450.38	8412.03	1508.78	-2450.38	15896.27
			M3	1518.02	-467.39	0.75	1332.30	-476.74	6630.67	1332.29	-461.30	6631.76	1141.76	-456.99	12387.21
		D+2LANES (casMAX	S2	2160.66	-1381.09	2.23	1792.29	-1543.46	8794.46	1792.29	-1523.01	8798.03	1493.15	-1626.41	15685.73
			TQ	1518.70	-525.32	0.85	1330.89	-525.32	6637.99	1330.89	-509.88	6639.20	1143.10	-509.88	12399.84
			M3	1889.46	-1798.00	2.90	1782.78	-1551.78	8875.66	1782.78	-1531.14	8879.25	1457.60	-1658.23	15857.75
		MIN	S2	1518.01	-528.57	0.85	1269.28	-675.24	7422.51	1269.28	-657.98	7424.06	917.44	-852.84	13985.49
			TQ	1889.46	-1798.00	2.90	1645.42	-1798.00	8236.21	1645.42	-1778.85	8240.37	1401.42	-1778.85	15334.92
			M3	1518.70	-525.32	0.85	1330.21	-528.57	6634.82	1330.21	-513.14	6636.03	1142.41	-513.14	12393.50
		D+2LANES (casMAX	S2	1818.55	-247.67	0.40	1624.94	-248.21	8012.25	1624.94	-229.58	8012.81	1431.24	-231.36	15101.85
			TQ	1782.14	-220.70	0.36	1588.26	-220.70	7850.57	1588.49	-202.44	7852.16	1389.04	-202.44	14774.26
			M3	1593.07	-706.66	1.14	1624.67	-247.67	8020.21	1624.67	-229.02	8020.76	1430.18	-229.40	15129.63
		MIN	S2	1519.64	-671.21	1.08	1331.56	-670.67	6650.57	1331.56	-655.20	6652.11	1142.97	-653.80	12436.97
			TQ	1593.07	-706.66	1.14	1405.26	-706.66	6984.75	1405.03	-690.42	6985.27	1217.23	-690.42	13091.18
			M3	1782.14	-220.70	0.36	1331.83	-671.21	6642.62	1331.83	-655.76	6644.16	1144.04	-655.76	12409.20
		D+2LANES (casMAX	S2	1697.99	900.77	-1.45	1510.18	900.77	7470.88	1510.18	918.14	7468.76	1322.38	918.14	14064.35
			TQ	1688.48	910.60	-1.47	1500.67	910.60	7426.60	1500.73	927.87	7424.74	1312.94	927.87	13976.35
			M3	1531.24	-802.99	1.29	1510.18	900.77	7470.88	1510.18	918.14	7468.76	1322.38	918.14	14064.35
		MIN	S2	1520.96	-791.22	1.28	1333.15	-791.22	6648.95	1333.15	-775.76	6650.77	1145.36	-775.76	12421.95
			TQ	1531.24	-802.99	1.29	1343.43	-802.99	6696.86	1343.37	-787.41	6698.44	1155.58	-787.41	12517.22
			M3	1688.48	910.60	-1.47	1333.15	-791.22	6648.95	1333.15	-775.76	6650.77	1145.36	-775.76	12421.95

BAGO RIVER BRIDGE

BLOCK [ No.1 : MAIN GIRDER ][ BEAM MEMBER FORCE ]

MEMBER			2001			2002			2002			2003				
NODE			2001			2002			2002			2003				
NAME TITLE			SHEAR	TORQUE	MOMENT	SHEAR	TORQUE	MOMENT	SHEAR	TORQUE	MOMENT	SHEAR	TORQUE	MOMENT		
			S2 (kN)	TQ (kN·m)	M3 (kN·m)	S2 (kN)	TQ (kN·m)	M3 (kN·m)	S2 (kN)	TQ (kN·m)	M3 (kN·m)	S2 (kN)	TQ (kN·m)	M3 (kN·m)		
124	SUM TOTAL	D+3LANES (casMAX	S2	2234.00	-2156.15	3.48	1897.65	-2301.95	9263.63	1897.65	-2280.41	9268.95	1669.07	-2273.54	16708.44	
			TQ	1509.35	-452.45	0.73	1321.54	-452.45	6594.35	1321.54	-437.11	6595.39	1133.75	-437.11	12312.52	
			M3	1990.44	-2545.35	4.10	1887.23	-2305.35	9333.52	1887.24	-2283.65	9338.85	1594.49	-2395.34	16968.96	
		MIN	S2	1473.81	-506.55	0.82	1268.90	-582.38	7259.91	1268.90	-565.50	7261.24	941.67	-731.13	13657.77	
			TQ	1990.44	-2545.35	4.10	1764.32	-2545.35	8749.59	1764.32	-2524.99	8755.49	1538.25	-2524.99	16445.54	
			M3	1509.35	-452.45	0.73	1323.02	-461.39	6589.50	1323.01	-446.05	6590.56	1132.90	-442.38	12304.58	
		D+3LANES (casMAX	S2	1861.82	98.56	-0.16	1669.08	98.11	8216.58	1669.08	117.21	8216.33	1476.27	115.70	15517.08	
			TQ	1823.86	152.12	-0.25	1630.88	152.12	8046.40	1631.12	170.83	8047.13	1433.42	170.83	15173.48	
			M3	1577.41	-745.65	1.20	1668.85	98.56	8223.34	1668.85	117.69	8223.09	1475.36	117.36	15540.69	
		MIN	S2	1511.39	-712.12	1.15	1323.35	-711.67	6611.02	1323.35	-696.29	6612.66	1134.89	-695.10	12356.13	
			TQ	1577.41	-745.65	1.20	1389.60	-745.65	6911.87	1389.37	-729.57	6912.47	1201.57	-729.57	12945.45	
			M3	1823.86	152.12	-0.25	1323.58	-712.12	6604.26	1323.58	-696.76	6605.90	1135.79	-696.76	12332.52	
		D+3LANES (casMAX	S2	1760.89	1046.36	-1.69	1573.08	1046.36	7763.65	1573.08	1064.42	7761.20	1385.28	1064.42	14649.71	
			TQ	1745.68	1063.54	-1.71	1557.87	1063.54	7692.80	1557.93	1081.42	7690.58	1370.14	1081.42	14508.56	
			M3	1526.77	-807.48	1.30	1573.08	1046.36	7763.65	1573.08	1064.42	7761.20	1385.28	1064.42	14649.71	
		MIN	S2	1512.26	-791.56	1.28	1324.45	-791.56	6608.44	1324.45	-776.19	6610.26	1136.66	-776.19	12340.93	
			TQ	1526.77	-807.48	1.30	1338.96	-807.48	6676.04	1338.90	-791.96	6677.63	1151.11	-791.96	12475.58	
			M3	1745.68	1063.54	-1.71	1324.45	-791.56	6608.44	1324.45	-776.19	6610.26	1136.66	-776.19	12340.93	
		D+4LANES	MAX	S2	1806.68	588.12	-0.95	1615.52	588.58	7965.33	1615.52	607.10	7963.94	1425.35	608.23	15037.04
			TQ	1786.49	667.98	-1.08	1597.17	667.98	7880.10	1597.27	686.31	7878.98	1407.84	686.31	14876.42	
			M3	1547.85	-766.76	1.24	1614.92	588.11	7968.51	1614.92	606.64	7967.12	1423.50	606.90	15041.35	
		MIN	S2	1516.03	-746.41	1.20	1328.05	-746.06	6631.11	1328.05	-730.64	6632.83	1139.74	-729.73	12393.96	
			TQ	1547.85	-766.76	1.24	1349.06	-766.76	6723.05	1348.93	-751.13	6724.20	1161.14	-751.13	12568.87	
			M3	1786.49	667.98	-1.08	1328.22	-746.41	6625.94	1328.22	-731.00	6627.66	1140.43	-731.00	12375.90	

BAGO RIVER BRIDGE

BLOCK [ No.1 : MAIN GIRDER ][ BEAM MEMBER FORCE ]

MEMBER					2001			2002			2002			2003		
NODE					2001			2002			2002			2003		
NAME TITLE					SHEAR	TORQUE	MOMENT	SHEAR	TORQUE	MOMENT	SHEAR	TORQUE	MOMENT	SHEAR	TORQUE	MOMENT
					S2 (kN)	TQ (kN·m)	M3 (kN·m)	S2 (kN)	TQ (kN·m)	M3 (kN·m)	S2 (kN)	TQ (kN·m)	M3 (kN·m)	S2 (kN)	TQ (kN·m)	M3 (kN·m)
124	SUM TOTAL	D+6LANES	MAX	S2	2214.83	-549.29	0.89	1929.59	-513.69	9303.56	1929.59	-492.05	9304.73	1714.39	-562.11	17328.87
				TQ	1770.58	641.81	-1.03	1578.82	641.81	7800.25	1578.97	659.95	7799.45	1350.85	659.95	14550.11
				M3	1812.39	-1926.31	3.11	1921.64	-594.09	9464.18	1921.64	-572.09	9465.54	1671.68	-646.01	17507.73
			MIN	S2	1468.15	-639.35	1.03	1263.15	-648.59	7023.14	1263.15	-632.26	7024.63	987.46	-671.07	13077.09
				TQ	1812.39	-1926.31	3.11	1608.38	-1926.31	7970.83	1608.20	-1907.77	7974.46	1403.88	-1907.77	14988.28
				M3	1770.58	641.81	-1.03	1304.10	-605.28	6504.33	1304.09	-590.15	6505.72	1114.52	-587.34	12133.94
	SUM TOTAL		MAX		2234.00	1063.54	4.10	1929.59	1063.54	9464.18	1929.59	1081.42	9465.54	1714.39	1081.42	17507.73
			MIN		1468.15	-2545.35	-1.71	1263.15	-2545.35	6504.33	1263.15	-2524.99	6505.72	917.44	-2524.99	12133.94
300	DEAD LOAD	TOTAL			1551.11	-656.17	1.06	1363.30	-656.17	6789.20	1363.30	-640.38	6790.71	1175.51	-640.38	12702.30
301	LIVE LOAD	1-LANE(case1MAX	S2		232.61	-1247.71	2.01	239.59	-1258.71	1086.99	239.59	-1256.18	1089.92	315.62	-1122.40	2075.61
			TQ		-20.06	130.59	-0.21	-20.06	130.59	-93.63	-20.06	130.37	-93.94	-20.06	130.37	-187.33
			M3		214.22	-1296.87	2.09	236.29	-1253.51	1088.22	236.31	-1251.00	1091.14	252.99	-1256.18	2236.98
			MIN	S2	-69.41	58.10	-0.09	-20.44	127.06	-95.44	-20.44	126.84	-95.73	-20.44	126.84	-190.94
				TQ	214.22	-1296.87	2.09	227.60	-1296.87	1031.20	227.60	-1294.47	1034.21	241.00	-1294.47	2125.43
				M3	-20.06	130.59	-0.21	-17.15	121.86	-96.67	-17.16	121.66	-96.95	-20.44	126.84	-190.94
		1-LANE(case2MAX	S2		426.32	-296.29	0.48	269.51	-350.68	1256.05	269.51	-347.76	1256.86	180.00	-392.32	1678.28
			TQ		-19.25	61.07	-0.10	-19.25	61.07	-89.75	-19.25	60.86	-89.89	-19.25	60.86	-179.52
			M3		199.12	-490.56	0.79	261.03	-354.12	1317.79	261.03	-351.06	1318.61	148.40	-405.54	1788.99
			MIN	S2	-19.66	59.68	-0.10	-80.83	4.45	457.53	-80.83	5.51	457.52	-230.23	-60.63	730.71
				TQ	199.12	-490.56	0.79	155.64	-490.56	827.08	155.64	-488.63	828.21	112.17	-488.63	1451.81
				M3	-19.25	61.07	-0.10	-19.66	59.68	-91.69	-19.66	59.46	-91.83	-19.66	59.46	-183.39
		1-LANE(case3MAX	S2		176.35	121.71	-0.20	169.38	121.06	794.77	169.38	122.91	794.49	162.30	120.77	1534.14
			TQ		141.14	147.90	-0.24	133.85	147.90	640.26	134.11	149.39	641.15	120.13	149.39	1219.86
			M3		61.76	-29.07	0.05	169.06	121.71	804.32	169.06	123.58	804.03	161.03	123.12	1567.47
			MIN	S2	-19.07	8.26	-0.01	-19.40	8.91	-79.32	-19.40	8.72	-79.35	-20.35	10.40	-144.39
				TQ	61.76	-29.07	0.05	61.76	-29.07	287.75	61.50	-28.40	286.58	61.50	-28.40	572.96
				M3	141.14	147.90	-0.24	-19.07	8.26	-88.87	-19.07	8.06	-88.89	-19.07	8.06	-177.72

BAGO RIVER BRIDGE

BLOCK [ No.1 : MAIN GIRDER ][ BEAM MEMBER FORCE ]

MEMBER				2001			2002			2002			2003			
NODE				2001			2002			2002			2003			
NAME TITLE				SHEAR	TORQUE	MOMENT	SHEAR	TORQUE	MOMENT	SHEAR	TORQUE	MOMENT	SHEAR	TORQUE	MOMENT	
				S2 (kN)	TQ (kN·m)	M3 (kN·m)	S2 (kN)	TQ (kN·m)	M3 (kN·m)	S2 (kN)	TQ (kN·m)	M3 (kN·m)	S2 (kN)	TQ (kN·m)	M3 (kN·m)	
301	LIVE LOAD	1-LANE (case4MAX	S2	79.45	1073.62	-1.73	79.45	1073.62	368.37	79.45	1074.47	365.87	79.45	1074.47	735.87	
			TQ	75.06	1074.66	-1.73	75.06	1074.66	347.91	75.11	1075.47	345.66	75.11	1075.47	695.45	
			M3	-12.80	-105.21	0.17	79.45	1073.62	368.37	79.45	1074.47	365.87	79.45	1074.47	735.87	
			MIN	S2	-17.90	-98.33	0.16	-17.90	-98.33	-83.23	-17.90	-98.52	-83.00	-17.90	-98.52	-166.37
			TQ	-12.80	-105.21	0.17	-12.80	-105.21	-59.46	-12.85	-105.34	-59.46	-12.85	-105.34	-119.31	
			M3	75.06	1074.66	-1.73	-17.90	-98.33	-83.23	-17.90	-98.52	-83.00	-17.90	-98.52	-166.37	
		2-LANES (caseMAX	S2	448.12	-1517.77	2.45	404.05	-1643.98	1864.39	404.05	-1639.64	1868.20	430.66	-1594.43	3314.54	
			TQ	-33.09	188.78	-0.30	-33.09	188.78	-154.44	-33.09	188.43	-154.88	-33.09	188.43	-308.97	
			M3	350.93	-1813.76	2.92	398.86	-1645.10	1895.16	398.88	-1640.71	1898.98	369.25	-1726.71	3528.77	
			MIN	S2	-74.56	126.30	-0.20	-43.70	83.11	172.50	-43.70	83.51	172.31	-83.25	-56.23	515.15
			TQ	350.93	-1813.76	2.92	342.09	-1813.76	1617.12	342.09	-1809.99	1621.33	333.27	-1809.99	3193.97	
			M3	-33.09	188.78	-0.30	-31.00	179.43	-158.53	-31.01	179.08	-158.94	-33.75	183.39	-315.09	
		2-LANES (caseMAX	S2	609.55	-724.92	1.17	428.99	-887.29	2005.26	428.99	-882.62	2007.32	317.64	-986.03	2983.43	
			TQ	-32.41	130.86	-0.21	-32.41	130.86	-151.20	-32.41	130.50	-151.51	-32.41	130.50	-302.46	
			M3	338.35	-1141.83	1.84	419.48	-895.61	2086.46	419.48	-890.75	2088.54	282.09	-1017.84	3155.45	
			MIN	S2	-33.10	127.61	-0.21	-94.02	-19.07	633.31	-94.02	-17.59	633.35	-258.07	-212.45	1283.19
			TQ	338.35	-1141.83	1.84	282.12	-1141.83	1447.01	282.12	-1138.46	1449.66	225.91	-1138.46	2632.62	
			M3	-32.41	130.86	-0.21	-33.10	127.61	-154.38	-33.10	127.25	-154.67	-33.10	127.25	-308.80	
		2-LANES (caseMAX	S2	267.44	408.50	-0.66	261.63	407.96	1223.06	261.63	410.81	1222.10	255.73	409.03	2399.55	
			TQ	231.03	435.48	-0.70	224.96	435.48	1061.37	225.19	437.95	1061.45	213.54	437.95	2071.96	
			M3	41.96	-50.49	0.08	261.36	408.50	1231.01	261.36	411.36	1230.06	254.67	410.98	2427.33	
			MIN	S2	-31.47	-15.03	0.02	-31.74	-14.50	-138.63	-31.74	-14.82	-138.59	-32.53	-13.42	-265.33
			TQ	41.96	-50.49	0.08	41.96	-50.49	195.55	41.72	-50.03	194.56	41.72	-50.03	388.87	
			M3	231.03	435.48	-0.70	-31.47	-15.03	-146.58	-31.47	-15.37	-146.54	-31.47	-15.37	-293.10	

BAGO RIVER BRIDGE

BLOCK [ No.1 : MAIN GIRDER ][ BEAM MEMBER FORCE ]

MEMBER				2001			2002			2002			2003			
NODE				2001			2002			2002			2003			
NAME TITLE				SHEAR	TORQUE	MOMENT	SHEAR	TORQUE	MOMENT	SHEAR	TORQUE	MOMENT	SHEAR	TORQUE	MOMENT	
				S2 (kN)	TQ (kN·m)	M3 (kN·m)	S2 (kN)	TQ (kN·m)	M3 (kN·m)	S2 (kN)	TQ (kN·m)	M3 (kN·m)	S2 (kN)	TQ (kN·m)	M3 (kN·m)	
301	LIVE LOAD	2-LANES (caseMAX	S2	146.87	1556.95	-2.51	146.87	1556.95	681.68	146.87	1558.53	678.06	146.87	1558.53	1362.05	
			TQ	137.37	1566.77	-2.53	137.37	1566.77	637.40	137.43	1568.25	634.03	137.43	1568.25	1274.05	
			M3	-19.87	-146.81	0.24	146.87	1556.95	681.68	146.87	1558.53	678.06	146.87	1558.53	1362.05	
			MIN	S2	-30.15	-135.05	0.22	-30.15	-135.05	-140.25	-30.15	-135.37	-139.93	-30.15	-135.37	-280.36
			TQ	-19.87	-146.81	0.24	-19.87	-146.81	-92.33	-19.93	-147.03	-92.26	-19.93	-147.03	-185.08	
			M3	137.37	1566.77	-2.53	-30.15	-135.05	-140.25	-30.15	-135.37	-139.93	-30.15	-135.37	-280.36	
		3-LANES (caseMAX	S2	682.88	-1499.97	2.42	534.35	-1645.78	2474.43	534.35	-1640.02	2478.25	493.56	-1633.16	4006.14	
			TQ	-41.76	203.73	-0.33	-41.76	203.73	-194.85	-41.76	203.27	-195.32	-41.76	203.27	-389.78	
			M3	439.33	-1889.17	3.05	523.93	-1649.17	2544.32	523.94	-1643.27	2548.15	418.98	-1754.96	4266.66	
			MIN	S2	-77.30	149.62	-0.24	-94.40	73.79	470.71	-94.40	74.89	470.54	-233.84	-90.74	955.47
			TQ	439.33	-1889.17	3.05	401.02	-1889.17	1960.39	401.02	-1884.61	1964.78	362.74	-1884.61	3743.24	
			M3	-41.76	203.73	-0.33	-40.28	194.79	-199.69	-40.29	194.34	-200.15	-42.61	198.00	-397.73	
		3-LANES (caseMAX	S2	310.71	754.74	-1.22	305.78	754.28	1427.38	305.78	757.60	1425.62	300.76	756.08	2814.78	
			TQ	272.74	808.29	-1.30	267.58	808.29	1257.20	267.82	811.21	1256.43	257.91	811.21	2471.18	
			M3	26.30	-89.47	0.14	305.54	754.74	1434.14	305.54	758.07	1432.38	299.86	757.75	2838.39	
			MIN	S2	-39.72	-55.95	0.09	-39.95	-55.49	-178.18	-39.95	-55.91	-178.05	-40.62	-54.72	-346.18
			TQ	26.30	-89.47	0.14	26.30	-89.47	122.67	26.06	-89.19	121.77	26.06	-89.19	243.14	
			M3	272.74	808.29	-1.30	-39.72	-55.95	-184.94	-39.72	-56.38	-184.81	-39.72	-56.38	-369.79	
		3-LANES (caseMAX	S2	209.77	1702.54	-2.74	209.77	1702.54	974.45	209.77	1704.80	970.49	209.77	1704.80	1947.41	
			TQ	194.57	1719.71	-2.77	194.57	1719.71	903.60	194.63	1721.81	899.87	194.63	1721.81	1806.26	
			M3	-24.34	-151.31	0.24	209.77	1702.54	974.45	209.77	1704.80	970.49	209.77	1704.80	1947.41	
MIN	S2		-38.85	-135.39	0.22	-38.85	-135.39	-180.76	-38.85	-135.81	-180.44	-38.85	-135.81	-361.37		
TQ	-24.34		-151.31	0.24	-24.34	-151.31	-113.15	-24.40	-151.57	-113.08	-24.40	-151.57	-226.72			
M3	194.57		1719.71	-2.77	-38.85	-135.39	-180.76	-38.85	-135.81	-180.44	-38.85	-135.81	-361.37			



BAGO RIVER BRIDGE

BLOCK [ No.1 : MAIN GIRDER ][ BEAM MEMBER FORCE ]

MEMBER					2001			2002			2003					
NODE					2001			2002			2003					
NAME TITLE					SHEAR	TORQUE	MOMENT	SHEAR	TORQUE	MOMENT	SHEAR	TORQUE	MOMENT			
					S2 (kN)	TQ (kN·m)	M3 (kN·m)	S2 (kN)	TQ (kN·m)	M3 (kN·m)	S2 (kN)	TQ (kN·m)	M3 (kN·m)			
301	LIVE LOAD	4-LANES	MAX	S2	255.57	1244.29	-2.01	252.22	1244.75	1176.13	252.22	1247.49	1173.23	249.84	1248.62	2334.74
				TQ	235.38	1324.16	-2.13	233.87	1324.16	1090.90	233.97	1326.69	1088.27	232.33	1326.69	2174.12
				M3	-3.26	-110.59	0.18	251.62	1244.29	1179.31	251.62	1247.03	1176.42	247.99	1247.28	2339.05
		MIN	S2	-35.08	-90.24	0.15	-35.25	-89.89	-158.09	-35.25	-90.26	-157.88	-35.77	-89.34	-308.34	
			TQ	-3.26	-110.59	0.18	-14.24	-110.59	-66.15	-14.37	-110.74	-66.51	-14.37	-110.74	-133.43	
			M3	235.38	1324.16	-2.13	-35.08	-90.24	-163.26	-35.08	-90.62	-163.05	-35.08	-90.62	-326.40	
	6-LANES	MAX	S2	663.72	106.88	-0.17	566.29	142.49	2514.37	566.29	148.33	2514.03	538.88	78.28	4626.57	
			TQ	219.46	1297.99	-2.09	215.52	1297.99	1011.05	215.67	1300.33	1008.74	175.34	1300.33	1847.81	
			M3	261.28	-1270.13	2.05	558.34	62.08	2674.98	558.34	68.29	2674.83	496.17	-5.63	4805.43	
		MIN	S2	-82.96	16.83	-0.03	-100.16	7.58	233.94	-100.16	8.12	233.92	-188.05	-30.69	374.79	
			TQ	261.28	-1270.13	2.05	245.08	-1270.13	1181.63	244.90	-1267.38	1183.75	228.37	-1267.38	2285.98	
			M3	219.46	1297.99	-2.09	-59.20	50.89	-284.87	-59.21	50.24	-284.99	-60.99	53.05	-568.36	
	LIVE LOAD	MAX	682.88	1719.71	3.05	566.29	1719.71	2674.98	566.29	1721.81	2674.83	538.88	1721.81	4805.43		
		MIN	-82.96	-1889.17	-2.77	-100.16	-1889.17	-284.87	-100.16	-1884.61	-284.99	-258.07	-1884.61	-568.36		
	303	SUM TOTAL	TOTAL	MAX	2234.00	1063.54	4.10	1929.59	1063.54	9464.18	1929.59	1081.42	9465.54	1714.39	1081.42	17507.73
MIN				1468.15	-2545.35	-1.71	1263.15	-2545.35	6504.33	1263.15	-2524.99	6505.72	917.44	-2524.99	12133.94	

BAGO RIVER BRIDGE

BLOCK [ No.1 : MAIN GIRDER ] [ BEAM MEMBER FORCE ]

MEMBER NODE	2003 2003	2004			2004			2005							
		SHEAR	TORQUE	MOMENT	SHEAR	TORQUE	MOMENT	SHEAR	TORQUE	MOMENT					
		S2 (kN)	TQ (kN·m)	M3 (kN·m)	S2 (kN)	TQ (kN·m)	M3 (kN·m)	S2 (kN)	TQ (kN·m)	M3 (kN·m)					
1	PAVEMENT	173.21	30.83	2294.95	142.89	30.83	3046.82	142.89	38.07	3046.74	112.56	38.07	3654.35		
3	RAILING	1.90	-2.61	55.06	3.51	-2.61	67.95	3.51	-2.45	67.95	5.12	-2.45	88.49		
5	CURB	18.85	-25.89	545.11	34.78	-25.89	672.68	34.78	-24.29	672.74	50.70	-24.29	876.07		
7	DECK WEIGHT	269.76	5.16	3593.19	223.67	5.16	4766.84	223.67	16.48	4766.82	177.57	16.48	5721.19		
8	GIRDER WEIGH	360.31	-339.87	4379.85	271.38	-339.87	5882.38	271.38	-325.90	5883.17	182.45	-325.90	6962.64		
10	MEDIAN STRIP	75.55	-95.91	767.22	46.76	-95.91	1058.14	46.76	-93.40	1058.37	17.97	-93.40	1212.34		
21	ADITIONAL WE	75.53	1.44	1006.09	62.63	1.44	1334.72	62.63	4.61	1334.71	49.72	4.61	1601.93		
31	MEDIAN RAILI	5.96	-7.60	60.53	3.63	-7.60	83.35	3.63	-7.40	83.37	1.31	-7.40	95.12		
51	SUPPORT WEIG	-0.00	-0.00	0.00	-0.00	-0.00	0.00	-0.00	-0.00	0.00	-0.00	-0.00	-0.00		
52	NOSE WEIGHT	0.04	-0.76	1.55	0.04	-0.76	1.73	0.04	-0.76	1.73	0.04	-0.76	1.92		
61	1-LANE(case1TRUCK-LOAD	MAX	S2	75.05	-413.16	731.39	75.05	-413.16	1088.40	75.05	-410.58	1089.38	118.41	-385.84	1455.65
			TQ	-6.59	50.65	-69.12	-6.59	50.65	-100.48	-6.59	50.41	-100.60	-6.59	50.41	-131.97
			M3	-52.17	-188.92	1003.74	64.74	-388.46	1101.99	64.74	-385.84	1102.91	77.74	-392.37	1458.46
		MIN	S2	-71.06	-69.69	868.99	-25.78	-40.99	619.45	-25.78	-39.52	619.54	-25.78	-39.52	496.89
			TQ	72.73	-432.63	618.77	72.73	-432.63	964.74	72.73	-430.34	965.76	72.73	-430.34	1311.73
			M3	-6.96	47.62	-72.64	-6.96	47.62	-105.74	-6.96	47.37	-105.85	-6.96	47.37	-138.95
		TANDEM-LOAD MAX	S2	55.56	-290.53	470.95	55.56	-290.53	735.23	55.56	-288.78	735.92	102.70	-242.89	978.94
			TQ	-4.58	34.46	-48.00	-4.58	34.46	-69.79	-4.58	34.29	-69.87	-4.58	34.29	-91.67
			M3	-23.78	-146.99	709.52	46.28	-261.74	773.62	46.28	-259.90	774.24	55.56	-288.78	1000.20
		MIN	S2	-70.94	-69.78	667.35	-23.06	-15.15	386.20	-23.06	-14.23	386.24	-23.06	-14.23	276.52
			TQ	55.39	-295.09	448.88	55.39	-295.09	712.40	55.39	-293.39	713.10	55.39	-293.39	976.61
			M3	-4.74	32.77	-49.52	-4.74	32.77	-72.07	-4.74	32.60	-72.15	-4.74	32.60	-94.70
		DISPERSION-LMAX	S2	53.87	-410.16	591.58	57.00	-422.92	912.45	57.00	-420.76	913.46	67.62	-429.55	1236.21
			TQ	-8.31	56.77	-86.72	-8.31	56.77	-126.24	-8.31	56.47	-126.37	-8.31	56.47	-165.89
			M3	39.26	-441.38	862.38	50.68	-441.38	1076.38	50.68	-438.82	1077.43	62.09	-438.82	1345.72
		MIN	S2	-22.91	25.55	184.08	-14.63	38.31	37.69	-14.63	38.40	37.60	-13.84	47.19	-56.38
			TQ	39.26	-441.38	862.38	50.68	-441.38	1076.38	50.68	-438.82	1077.43	62.09	-438.82	1345.72
			M3	-8.31	56.77	-86.72	-8.31	56.77	-126.24	-8.31	56.47	-126.37	-8.31	56.47	-165.89

BAGO RIVER BRIDGE

BLOCK [ No.1 : MAIN GIRDER ][ BEAM MEMBER FORCE ]

MEMBER				2003			2004			2005					
NODE				2003			2004			2005					
				SHEAR	TORQUE	MOMENT	SHEAR	TORQUE	MOMENT	SHEAR	TORQUE	MOMENT			
NAME	TITLE			S2 (kN)	TQ (kN·m)	M3 (kN·m)	S2 (kN)	TQ (kN·m)	M3 (kN·m)	S2 (kN)	TQ (kN·m)	M3 (kN·m)			
62	1-LANE (case2TRUCK-LOAD	MAX	S2	218.81	-92.39	801.75	126.56	-108.95	1235.62	126.56	-106.02	1235.87	64.51	-123.39	1206.42
			TQ	-6.49	23.01	-66.63	-6.49	23.01	-97.49	-6.49	22.78	-97.55	-6.49	22.78	-128.41
			M3	218.81	-92.39	801.75	126.56	-108.95	1235.62	126.56	-106.02	1235.88	64.51	-123.39	1206.42
		MIN	S2	-19.69	-58.97	599.84	-85.32	-87.69	1088.16	-85.32	-85.10	1088.37	-177.75	-102.39	1096.31
			TQ	43.03	-154.75	444.79	43.03	-154.75	649.51	39.98	-153.25	592.50	39.98	-153.25	782.70
			M3	-6.81	21.78	-69.85	-6.81	21.78	-102.27	-6.81	21.53	-102.32	-6.81	21.53	-134.73
		TANDEM-LOAD MAX	S2	179.64	-56.84	625.33	112.71	-69.16	975.40	112.71	-66.84	975.56	53.05	-77.01	922.94
			TQ	-4.48	15.66	-45.96	-4.48	15.66	-67.25	-4.48	15.50	-67.29	-4.48	15.50	-88.58
			M3	179.64	-56.84	625.33	112.71	-69.16	975.40	112.71	-66.84	975.56	53.05	-77.01	922.94
		MIN	S2	-23.81	-52.14	595.81	-86.01	-66.42	954.36	-86.01	-64.16	954.52	-151.12	-74.02	906.88
			TQ	29.02	-106.14	291.38	29.02	-106.14	429.43	28.17	-105.13	413.67	28.17	-105.13	547.66
			M3	-4.64	14.97	-47.60	-4.64	14.97	-69.68	-4.64	14.81	-69.72	-4.64	14.81	-91.80
		DISPERSION-LMAX	S2	83.71	-171.67	603.75	57.17	-161.00	780.89	57.17	-159.14	781.27	41.92	-146.92	833.13
			TQ	-8.10	25.93	-83.09	-8.10	25.93	-121.64	-8.10	25.64	-121.71	-8.10	25.64	-160.26
			M3	81.27	-180.65	689.80	44.27	-180.65	988.39	44.27	-178.30	988.82	7.26	-178.30	1111.39
MIN	S2	-10.55	16.94	2.96	-21.00	6.27	85.86	-21.00	6.47	85.85	-42.76	-5.75	117.99		
	TQ	81.27	-180.65	689.80	44.27	-180.65	988.39	44.27	-178.30	988.82	7.26	-178.30	1111.39		
	M3	-8.10	25.93	-83.09	-8.10	25.93	-121.64	-8.10	25.64	-121.71	-8.10	25.64	-160.26		
63	1-LANE (case3TRUCK-LOAD	MAX	S2	54.31	42.04	523.63	54.31	42.04	781.97	54.31	43.90	781.87	54.31	43.90	1040.21
			TQ	54.03	42.67	516.14	54.03	42.67	773.18	54.03	44.50	773.08	54.03	44.50	1030.12
			M3	40.80	-15.50	683.05	50.66	19.78	853.16	50.66	21.81	853.11	54.31	43.90	1040.21
		MIN	S2	-14.40	-31.76	512.31	-15.00	-31.76	531.30	-15.00	-30.50	531.38	-15.00	-30.50	460.04
			TQ	-9.42	-31.76	578.58	-15.00	-31.76	531.30	-14.40	-30.70	443.90	-14.40	-30.70	375.42
			M3	-6.71	2.08	-67.75	-6.71	2.08	-99.67	-6.71	1.84	-99.67	-6.71	1.84	-131.58

BAGO RIVER BRIDGE

BLOCK [ No.1 : MAIN GIRDER ][ BEAM MEMBER FORCE ]

MEMBER				2003			2004			2005					
NODE				2003			2004			2005					
				SHEAR	TORQUE	MOMENT	SHEAR	TORQUE	MOMENT	SHEAR	TORQUE	MOMENT			
NAME	TITLE			S2 (kN)	TQ (kN·m)	M3 (kN·m)	S2 (kN)	TQ (kN·m)	M3 (kN·m)	S2 (kN)	TQ (kN·m)	M3 (kN·m)			
63	1-LANE (case3TANDEM-LOAD	MAX	S2	37.87	26.82	379.58	37.87	26.82	559.72	37.87	28.15	559.65	37.87	28.15	739.79
			TQ	36.77	31.30	338.16	36.77	31.30	513.09	36.77	32.52	513.02	36.77	32.52	687.95
			M3	24.09	-22.25	479.86	31.55	2.44	595.14	31.55	3.85	595.13	37.87	28.15	739.79
		MIN	S2	-11.60	-24.87	455.81	-11.60	-24.87	400.61	-11.60	-23.92	400.67	-11.60	-23.92	345.47
			TQ	-11.60	-24.87	455.81	-11.60	-24.87	400.61	-11.60	-23.92	400.67	-11.60	-23.92	345.47
			M3	-4.57	1.40	-46.16	-4.57	1.40	-67.90	-4.57	1.24	-67.90	-4.57	1.24	-89.64
		DISPERSION-LMAX	S2	49.65	13.17	525.88	45.04	15.37	686.10	45.04	17.00	686.06	40.64	17.04	828.51
			TQ	22.10	29.70	238.69	22.07	29.70	343.77	22.84	30.53	356.28	20.04	30.53	459.51
			M3	46.99	7.13	623.06	40.78	7.13	831.82	40.78	9.11	831.80	34.57	9.11	1011.03
		MIN	S2	-10.62	-3.67	16.83	-12.22	-5.88	27.52	-12.22	-5.82	27.53	-14.02	-5.85	26.47
			TQ	16.94	-20.21	304.02	10.75	-20.21	369.85	9.99	-19.35	357.32	6.57	-19.35	395.47
			M3	-7.96	2.36	-80.36	-7.96	2.36	-118.20	-7.96	2.08	-118.21	-7.96	2.08	-156.05
64	1-LANE (case4TRUCK-LOAD	MAX	S2	24.10	356.77	265.46	24.10	356.77	380.11	24.10	357.67	379.27	24.10	357.67	493.92
			TQ	24.10	356.77	265.46	24.10	356.77	380.11	24.10	357.67	379.27	24.10	357.67	493.92
			M3	21.82	343.60	276.73	23.64	354.77	383.52	23.64	355.68	382.68	23.64	355.68	495.12
		MIN	S2	-6.50	-39.03	-63.48	-6.50	-39.03	-94.38	-6.50	-39.25	-94.29	-6.50	-39.25	-125.20
			TQ	-5.95	-43.87	-57.69	-5.95	-43.87	-85.98	-5.95	-44.07	-85.88	-5.95	-44.07	-114.17
			M3	-6.50	-39.03	-63.48	-6.50	-39.03	-94.38	-6.50	-39.25	-94.29	-6.50	-39.25	-125.20
		TANDEM-LOAD MAX	S2	16.61	243.31	178.32	16.61	243.31	257.31	16.61	243.92	256.73	16.61	243.92	335.73
			TQ	16.61	243.31	178.32	16.61	243.31	257.31	16.61	243.92	256.73	16.61	243.92	335.73
			M3	13.72	225.79	188.63	16.03	240.90	262.75	16.03	241.52	262.18	16.03	241.52	338.45
		MIN	S2	-4.42	-26.96	-43.21	-4.42	-26.96	-64.26	-4.42	-27.11	-64.19	-4.42	-27.11	-85.24
			TQ	-3.99	-30.04	-38.64	-3.99	-30.04	-57.60	-3.99	-30.17	-57.53	-3.99	-30.17	-76.50
			M3	-4.42	-26.96	-43.21	-4.42	-26.96	-64.26	-4.42	-27.11	-64.19	-4.42	-27.11	-85.24

BAGO RIVER BRIDGE

BLOCK [ No.1 : MAIN GIRDER ][ BEAM MEMBER FORCE ]

MEMBER			2003			2004			2004			2005					
NODE			2003			2004			2004			2005					
NAME TITLE			SHEAR	TORQUE	MOMENT	SHEAR	TORQUE	MOMENT	SHEAR	TORQUE	MOMENT	SHEAR	TORQUE	MOMENT			
			S2 (kN)	TQ (kN·m)	M3 (kN·m)	S2 (kN)	TQ (kN·m)	M3 (kN·m)	S2 (kN)	TQ (kN·m)	M3 (kN·m)	S2 (kN)	TQ (kN·m)	M3 (kN·m)			
64	1-LANE (case4DISPERSION-LMAX	S2	31.55	397.11	334.58	31.55	397.11	484.68	31.55	398.26	483.73	31.55	398.26	633.84			
		TQ	29.02	397.46	308.97	29.02	397.46	447.00	29.35	398.53	451.09	29.35	398.53	590.73			
		M3	31.55	397.11	334.58	31.55	397.11	484.68	31.55	398.26	483.73	31.55	398.26	633.84			
		MIN	S2	-7.67	-46.25	-74.96	-7.67	-46.25	-111.47	-7.67	-46.51	-111.36	-7.67	-46.51	-147.86		
		TQ	-5.14	-46.60	-49.36	-5.14	-46.60	-73.79	-5.48	-46.78	-78.71	-5.48	-46.78	-104.76			
		M3	-7.67	-46.25	-74.96	-7.67	-46.25	-111.47	-7.67	-46.51	-111.36	-7.67	-46.51	-147.86			
		65	2-LANES (caseTRUCK-LOAD	MAX	S2	196.31	-548.09	1628.46	167.01	-622.12	2286.42	167.01	-616.69	2287.89	187.87	-645.66	2781.41
				TQ	-13.11	87.54	-136.74	-13.11	87.54	-199.09	-13.11	87.07	-199.30	-13.11	87.07	-261.65	
				M3	69.10	-323.85	1900.81	156.70	-597.42	2300.01	156.70	-591.96	2301.42	147.19	-652.18	2784.23	
MIN	S2			-93.52	-126.17	1548.59	-73.25	-163.12	1661.17	-73.25	-159.17	1661.55	-102.81	-233.77	1709.77		
TQ	123.82			-718.80	1132.93	123.82	-718.80	1721.98	123.82	-714.71	1723.68	123.82	-714.71	2312.73			
M3	-13.84			82.35	-143.89	-13.84	82.35	-209.74	-13.84	81.86	-209.94	-13.84	81.86	-275.79			
TANDEM-LOAD	MAX			S2	147.46	-356.51	1129.68	126.59	-410.60	1619.76	126.59	-406.75	1620.73	154.57	-407.96	1951.70	
TQ	-9.11			59.56	-94.97	-9.11	59.56	-138.31	-9.11	59.23	-138.45	-9.11	59.23	-181.79			
M3	68.13			-212.97	1368.25	117.32	-381.81	1658.15	117.32	-377.87	1659.05	107.43	-453.85	1972.97			
MIN	S2	-92.28	-124.21	1295.21	-64.45	-122.07	1248.52	-64.45	-119.10	1248.81	-84.83	-169.65	1233.13				
TQ	90.87	-490.91	806.26	90.87	-490.91	1238.52	90.87	-487.96	1239.68	90.87	-487.96	1671.94					
M3	-9.43	56.66	-98.07	-9.43	56.66	-142.95	-9.43	56.32	-143.08	-9.43	56.32	-187.95					
DISPERSION-LMAX	S2	125.20	-711.35	1249.17	113.74	-709.10	1733.28	113.74	-704.98	1734.96	113.46	-692.82	2146.85				
TQ	-16.51	98.16	-171.63	-16.51	98.16	-250.18	-16.51	97.56	-250.41	-16.51	97.56	-328.97					
M3	107.00	-751.48	1631.25	98.00	-751.48	2118.94	98.00	-746.45	2120.72	88.99	-746.45	2565.57					
MIN	S2	-34.71	58.02	210.46	-32.25	55.78	135.48	-32.25	56.10	135.35	-40.98	43.93	89.76				
TQ	107.00	-751.48	1631.25	98.00	-751.48	2118.94	98.00	-746.45	2120.72	88.99	-746.45	2565.57					
M3	-16.51	98.16	-171.63	-16.51	98.16	-250.18	-16.51	97.56	-250.41	-16.51	97.56	-328.97					

BAGO RIVER BRIDGE

BLOCK [ No.1 : MAIN GIRDER ][ BEAM MEMBER FORCE ]

MEMBER				2003			2004			2005					
NODE				2003			2004			2005					
				SHEAR	TORQUE	MOMENT	SHEAR	TORQUE	MOMENT	SHEAR	TORQUE	MOMENT			
NAME	TITLE			S2 (kN)	TQ (kN·m)	M3 (kN·m)	S2 (kN)	TQ (kN·m)	M3 (kN·m)	S2 (kN)	TQ (kN·m)	M3 (kN·m)			
66	2-LANES (caseTRUCK-LOAD	MAX	S2	340.08	-227.32	1698.82	218.52	-317.91	2433.64	218.52	-312.13	2434.39	133.97	-383.21	2532.18
			TQ	-13.00	59.91	-134.25	-13.00	59.91	-196.10	-13.00	59.44	-196.24	-13.00	59.44	-258.10
			M3	340.08	-227.32	1698.82	218.52	-317.91	2433.64	218.52	-312.13	2434.39	133.97	-383.21	2532.19
		MIN	S2	-42.15	-115.45	1279.44	-132.79	-209.82	2129.89	-132.79	-204.76	2130.38	-254.78	-296.63	2309.18
			TQ	94.13	-440.92	958.95	94.13	-440.92	1406.75	91.08	-437.62	1350.42	91.08	-437.62	1783.70
			M3	-13.70	56.51	-141.10	-13.70	56.51	-206.27	-13.70	56.02	-206.40	-13.70	56.02	-271.57
		TANDEM-LOAD MAX	S2	271.55	-122.82	1284.05	183.75	-189.23	1859.93	183.75	-184.81	1860.38	104.92	-242.08	1895.70
			TQ	-9.00	40.76	-92.93	-9.00	40.76	-135.77	-9.00	40.44	-135.86	-9.00	40.44	-178.70
			M3	271.55	-122.82	1284.05	183.75	-189.23	1859.93	183.75	-184.81	1860.38	104.92	-242.08	1895.70
		MIN	S2	-45.15	-106.57	1223.66	-127.40	-173.35	1816.68	-127.40	-169.03	1817.09	-212.89	-229.44	1863.48
			TQ	64.49	-301.96	648.75	64.49	-301.96	955.55	63.64	-299.70	940.25	63.64	-299.70	1242.99
			M3	-9.33	38.87	-96.16	-9.33	38.87	-140.56	-9.33	38.53	-140.65	-9.33	38.53	-185.05
		DISPERSION-LMAX	S2	155.04	-472.85	1261.33	113.91	-447.17	1601.71	113.91	-443.36	1602.77	87.76	-410.19	1743.76
			TQ	-16.31	67.32	-168.00	-16.31	67.32	-245.59	-16.31	66.73	-245.75	-16.31	66.73	-323.34
			M3	149.01	-490.75	1458.67	91.59	-490.75	2030.95	91.59	-485.93	2032.11	34.17	-485.93	2331.24
MIN	S2	-22.35	49.41	29.34	-38.63	23.73	183.65	-38.63	24.17	183.59	-69.90	-9.01	264.13		
	TQ	149.01	-490.75	1458.67	91.59	-490.75	2030.95	91.59	-485.93	2032.11	34.17	-485.93	2331.24		
	M3	-16.31	67.32	-168.00	-16.31	67.32	-245.59	-16.31	66.73	-245.75	-16.31	66.73	-323.34		
67	2-LANES (caseTRUCK-LOAD	MAX	S2	100.07	165.58	979.02	100.07	165.58	1455.07	100.07	169.04	1454.68	100.07	169.04	1930.73
			TQ	97.61	173.08	920.33	97.61	173.08	1384.67	97.61	176.37	1384.26	97.61	176.37	1848.60
			M3	51.23	28.57	1248.16	84.88	112.24	1541.79	84.88	115.90	1541.52	99.82	167.35	1934.33
		MIN	S2	-23.30	-31.83	912.85	-23.90	-31.83	889.50	-23.90	-29.72	889.57	-23.90	-29.72	775.88
			TQ	-15.08	-44.78	522.13	-20.66	-44.78	447.91	-20.06	-43.92	360.54	-20.06	-43.92	265.11
			M3	-13.35	-9.09	-134.12	-13.35	-9.09	-197.62	-13.35	-9.56	-197.60	-13.35	-9.56	-261.09

BAGO RIVER BRIDGE

BLOCK [ No.1 : MAIN GIRDER ][ BEAM MEMBER FORCE ]

MEMBER		2003			2004			2004			2005						
NODE		2003			2004			2004			2005						
NAME TITLE		SHEAR	TORQUE	MOMENT	SHEAR	TORQUE	MOMENT	SHEAR	TORQUE	MOMENT	SHEAR	TORQUE	MOMENT				
		S2 (kN)	TQ (kN·m)	M3 (kN·m)	S2 (kN)	TQ (kN·m)	M3 (kN·m)	S2 (kN)	TQ (kN·m)	M3 (kN·m)	S2 (kN)	TQ (kN·m)	M3 (kN·m)				
67	2-LANES (caseTANDEM-LOAD	MAX	S2	70.11	114.48	678.50	70.11	114.48	1012.01	70.11	116.88	1011.74	70.11	116.88	1345.25		
			TQ	68.69	120.60	627.19	68.69	120.60	953.96	68.69	122.87	953.67	68.69	122.87	1280.45		
			M3	34.46	13.81	871.02	59.26	73.37	1072.16	59.26	75.91	1071.99	68.10	106.41	1359.86		
		MIN	S2	-19.15	-28.51	708.37	-19.15	-28.51	617.29	-19.15	-27.05	617.35	-19.15	-27.05	526.28		
			TQ	-15.57	-33.79	416.29	-15.57	-33.79	342.23	-15.57	-32.97	342.30	-15.57	-32.97	268.24		
			M3	-9.09	-6.34	-91.36	-9.09	-6.34	-134.61	-9.09	-6.66	-134.60	-9.09	-6.66	-177.85		
			DISPERSION-LMAX	S2	89.73	131.99	984.85	85.12	134.20	1335.74	85.12	137.37	1335.42	80.72	137.41	1668.54	
			TQ	57.21	151.44	704.44	57.18	151.44	976.55	57.98	153.77	992.39	55.19	153.77	1262.82		
			M3	85.20	126.18	1178.51	79.00	126.18	1569.07	79.00	129.90	1568.77	72.79	129.90	1929.80		
			MIN	S2	-20.34	-16.93	34.72	-21.94	-19.13	-0.85	-21.94	-19.13	-0.81	-23.75	-19.17	-48.15	
			TQ	12.18	-36.37	315.13	6.00	-36.37	358.34	5.19	-35.54	342.22	1.78	-35.54	357.57		
			M3	-15.82	-11.11	-158.94	-15.82	-11.11	-234.18	-15.82	-11.67	-234.16	-15.82	-11.67	-309.40		
		68	2-LANES (caseTRUCK-LOAD	MAX	S2	53.79	622.73	588.37	53.79	622.73	844.26	53.79	624.73	842.78	53.79	624.73	1098.67
					TQ	53.18	626.97	573.32	53.18	626.97	826.30	53.18	628.93	824.81	53.18	628.93	1077.79
					M3	48.62	578.63	612.64	52.02	602.29	853.15	52.02	604.32	851.72	53.12	618.40	1102.67
MIN	S2			-13.06	-64.76	-128.34	-13.06	-64.76	-190.47	-13.06	-65.21	-190.32	-13.06	-65.21	-252.45		
	TQ			-11.54	-73.17	-112.53	-11.54	-73.17	-167.42	-11.54	-73.57	-167.24	-11.54	-73.57	-222.13		
	M3			-13.06	-64.76	-128.34	-13.06	-64.76	-190.47	-13.06	-65.21	-190.32	-13.06	-65.21	-252.45		
	TANDEM-LOAD			MAX	S2	36.86	420.04	402.98	36.86	420.04	578.32	36.86	421.41	577.32	36.86	421.41	752.66
	TQ			36.59	427.65	390.53	36.59	427.65	564.59	36.59	428.99	563.58	36.59	428.99	737.64		
	M3			31.76	382.20	417.95	35.98	413.70	584.25	35.98	415.08	583.26	36.29	419.01	755.39		
	MIN			S2	-8.90	-44.75	-87.37	-8.90	-44.75	-129.69	-8.90	-45.05	-129.58	-8.90	-45.05	-171.90	
	TQ			-7.90	-50.11	-77.06	-7.90	-50.11	-114.65	-7.90	-50.38	-114.53	-7.90	-50.38	-152.11		
	M3			-8.90	-44.75	-87.37	-8.90	-44.75	-129.69	-8.90	-45.05	-129.58	-8.90	-45.05	-171.90		

BAGO RIVER BRIDGE

BLOCK [ No.1 : MAIN GIRDER ][ BEAM MEMBER FORCE ]

MEMBER			2003			2004			2004			2005			
NODE			2003			2004			2004			2005			
NAME TITLE			SHEAR	TORQUE	MOMENT	SHEAR	TORQUE	MOMENT	SHEAR	TORQUE	MOMENT	SHEAR	TORQUE	MOMENT	
			S2 (kN)	TQ (kN·m)	M3 (kN·m)	S2 (kN)	TQ (kN·m)	M3 (kN·m)	S2 (kN)	TQ (kN·m)	M3 (kN·m)	S2 (kN)	TQ (kN·m)	M3 (kN·m)	
68	2-LANES (caseDISPERSION-LMAX	S2	65.75	687.86	744.59	65.75	687.86	1057.38	65.75	690.36	1055.74	65.75	690.36	1368.53	
		TQ	58.91	690.14	677.05	58.91	690.14	957.30	59.33	692.42	961.82	59.33	692.42	1244.05	
		M3	65.75	688.20	746.09	65.75	688.20	1058.86	65.75	690.71	1057.22	65.75	690.71	1369.99	
	MIN	S2	-15.44	-76.33	-150.19	-15.44	-76.33	-223.66	-15.44	-76.86	-223.48	-15.44	-76.86	-296.94	
		TQ	-8.60	-78.62	-82.65	-8.60	-78.62	-123.57	-9.02	-78.92	-129.56	-9.02	-78.92	-172.46	
		M3	-15.44	-76.67	-151.69	-15.44	-76.67	-225.14	-15.44	-77.21	-224.96	-15.44	-77.21	-298.41	
	69	3-LANES (caseTRUCK-LOAD	MAX S2	415.12	-640.48	2430.20	293.57	-731.07	3522.04	293.57	-722.71	3523.77	252.38	-769.05	3987.83
			TQ	-19.60	110.55	-203.37	-19.60	110.55	-296.58	-19.60	109.85	-296.84	-19.60	109.85	-390.06
			M3	287.90	-416.24	2702.55	283.26	-706.37	3535.63	283.26	-697.97	3537.30	211.71	-775.58	3990.65
MIN		S2	-113.21	-185.14	2148.43	-158.57	-250.81	2749.33	-158.57	-244.28	2749.92	-280.56	-336.16	2806.07	
		TQ	166.86	-873.55	1577.72	166.86	-873.55	2371.49	163.81	-867.96	2316.18	163.81	-867.96	3095.42	
		M3	-20.66	104.13	-213.74	-20.66	104.13	-312.01	-20.66	103.39	-312.25	-20.66	103.39	-410.52	
TANDEM-LOAD		MAX S2	327.10	-413.35	1755.00	239.30	-479.76	2595.16	239.30	-473.59	2596.30	207.62	-484.97	2874.64	
		TQ	-13.59	75.22	-140.93	-13.59	75.22	-205.56	-13.59	74.73	-205.74	-13.59	74.73	-270.37	
		M3	247.77	-269.81	1993.57	230.03	-450.96	2633.55	230.03	-444.71	2634.61	160.48	-530.86	2895.91	
MIN	S2	-116.09	-176.34	1891.01	-150.46	-188.49	2202.88	-150.46	-183.26	2203.33	-235.95	-243.67	2140.01		
	TQ	119.88	-597.04	1097.64	119.88	-597.04	1667.94	119.03	-593.09	1653.35	119.03	-593.09	2219.60		
	M3	-14.08	71.64	-145.67	-14.08	71.64	-212.63	-14.08	71.13	-212.80	-14.08	71.13	-279.76		
DISPERSION-LMAX	S2	208.91	-883.02	1852.92	170.91	-870.09	2514.16	170.91	-864.12	2516.22	155.38	-839.73	2979.98		
	TQ	-24.62	124.09	-254.72	-24.62	124.09	-371.82	-24.62	123.20	-372.12	-24.62	123.20	-489.23		
	M3	188.27	-932.13	2321.05	142.27	-932.13	3107.33	142.27	-924.75	3109.54	96.26	-924.75	3676.96		
MIN	S2	-45.26	74.97	213.41	-53.26	62.05	221.34	-53.26	62.57	221.20	-83.74	38.18	207.75		
	TQ	188.27	-932.13	2321.05	142.27	-932.13	3107.33	142.27	-924.75	3109.54	96.26	-924.75	3676.96		
	M3	-24.62	124.09	-254.72	-24.62	124.09	-371.82	-24.62	123.20	-372.12	-24.62	123.20	-489.23		



BAGO RIVER BRIDGE

BLOCK [ No.1 : MAIN GIRDER ][ BEAM MEMBER FORCE ]

MEMBER				2003			2004			2005					
NODE				2003			2004			2005					
				SHEAR	TORQUE	MOMENT	SHEAR	TORQUE	MOMENT	SHEAR	TORQUE	MOMENT			
NAME	TITLE			S2 (kN)	TQ (kN·m)	M3 (kN·m)	S2 (kN)	TQ (kN·m)	M3 (kN·m)	S2 (kN)	TQ (kN·m)	M3 (kN·m)			
70	3-LANES (caseTRUCK-LOAD	MAX	S2	136.28	357.57	1368.31	136.28	357.57	2016.61	136.28	362.36	2015.75	136.28	362.36	2664.05
			TQ	130.60	384.21	1254.31	130.60	384.21	1875.58	130.60	388.66	1874.66	130.60	388.66	2495.93
			M3	63.33	129.31	1680.80	119.17	292.31	2107.64	119.17	297.32	2106.94	135.78	358.16	2668.57
		MIN	S2	-29.87	-56.31	847.87	-30.47	-56.31	793.25	-30.47	-54.43	793.38	-30.47	-54.43	648.43
			TQ	-21.10	-72.34	462.82	-26.68	-72.34	359.94	-26.08	-71.68	272.64	-26.08	-71.68	148.55
			M3	-19.92	-33.57	-199.11	-19.92	-33.57	-293.87	-19.92	-34.27	-293.79	-19.92	-34.27	-388.54
		TANDEM-LOAD MAX	S2	95.52	249.42	937.38	95.52	249.42	1391.80	95.52	252.72	1391.20	95.52	252.72	1845.62
			TQ	91.51	264.64	857.81	91.51	264.64	1293.13	91.51	267.71	1292.50	91.51	267.71	1727.82
			M3	44.96	89.39	1172.31	82.92	193.22	1461.82	82.92	196.69	1461.36	91.76	227.19	1861.80
		MIN	S2	-23.62	-45.43	664.12	-23.62	-45.43	551.75	-23.62	-44.12	551.85	-23.62	-44.12	439.48
			TQ	-19.61	-52.65	376.55	-19.61	-52.65	283.27	-19.61	-51.98	283.40	-19.61	-51.98	190.12
			M3	-13.57	-23.26	-135.61	-13.57	-23.26	-200.16	-13.57	-23.73	-200.10	-13.57	-23.73	-264.64
		DISPERSION-LMAX	S2	125.91	352.70	1416.19	121.30	354.91	1939.19	121.30	359.51	1938.34	116.90	359.55	2443.57
			TQ	90.24	377.37	1157.20	90.21	377.37	1586.44	91.35	381.17	1606.78	88.56	381.17	2035.97
			M3	120.77	351.77	1656.88	114.56	351.77	2216.64	114.56	357.03	2215.80	108.36	357.03	2746.03
MIN	S2	-28.73	-41.38	4.92	-30.32	-43.58	-70.52	-30.32	-43.75	-70.42	-32.13	-43.79	-157.62		
	TQ	6.95	-66.05	263.91	0.76	-66.05	282.23	-0.38	-65.41	261.14	-3.79	-65.41	249.98		
	M3	-23.59	-40.45	-235.76	-23.59	-40.45	-347.97	-23.59	-41.27	-347.87	-23.59	-41.27	-460.08		
71	3-LANES (caseTRUCK-LOAD	MAX	S2	91.78	809.53	967.78	91.78	809.53	1404.38	91.78	812.86	1402.45	91.78	812.86	1839.04
			TQ	90.36	815.35	939.35	90.36	815.35	1369.19	90.36	818.60	1367.25	90.36	818.60	1797.10
			M3	72.00	709.10	1052.26	87.81	771.95	1437.20	87.81	775.36	1435.37	90.76	796.92	1864.31
		MIN	S2	-19.69	-77.18	-194.58	-19.69	-77.18	-288.27	-19.69	-77.87	-288.08	-19.69	-77.87	-381.77
			TQ	-17.19	-88.05	-168.79	-17.19	-88.05	-250.59	-17.19	-88.64	-250.38	-17.19	-88.64	-332.17
			M3	-19.69	-77.18	-194.58	-19.69	-77.18	-288.27	-19.69	-77.87	-288.08	-19.69	-77.87	-381.77

BAGO RIVER BRIDGE

BLOCK [ No.1 : MAIN GIRDER ][ BEAM MEMBER FORCE ]

MEMBER				2003			2004			2005							
NODE				2003			2004			2005							
				SHEAR	TORQUE	MOMENT	SHEAR	TORQUE	MOMENT	SHEAR	TORQUE	MOMENT					
NAME	TITLE			S2 (kN)	TQ (kN·m)	M3 (kN·m)	S2 (kN)	TQ (kN·m)	M3 (kN·m)	S2 (kN)	TQ (kN·m)	M3 (kN·m)					
71	3-LANES (case)	TANDEM-LOAD	MAX	S2	63.64	547.71	663.69	63.64	547.71	966.44	63.64	550.01	965.13	63.64	550.01	1267.88	
				TQ	61.27	556.19	634.46	61.27	556.19	925.91	61.27	558.39	924.59	61.27	558.39	1216.04	
				M3	45.39	464.78	724.27	60.58	527.39	986.15	60.58	529.73	984.89	63.06	545.47	1276.45	
		MIN	S2	-13.41	-53.36	-132.49	-13.41	-53.36	-196.30	-13.41	-53.82	-196.17	-13.41	-53.82	-259.98		
			TQ	-11.86	-60.26	-116.46	-11.86	-60.26	-172.88	-11.86	-60.68	-172.74	-11.86	-60.68	-229.16		
			M3	-13.41	-53.36	-132.49	-13.41	-53.36	-196.30	-13.41	-53.82	-196.17	-13.41	-53.82	-259.98		
		DISPERSION-LMAX		MAX	S2	103.10	867.37	1188.49	103.10	867.37	1678.96	103.10	871.35	1676.90	103.10	871.35	2167.37
					TQ	90.69	878.36	1114.39	90.69	878.36	1545.83	91.13	882.04	1550.26	91.13	882.04	1983.79
					M3	102.59	872.89	1234.60	102.59	872.89	1722.61	102.59	876.98	1720.53	102.59	876.98	2208.54
			MIN	S2	-23.81	-85.71	-184.07	-23.81	-85.71	-297.36	-23.81	-86.42	-297.15	-23.81	-86.42	-410.44	
				TQ	-11.41	-96.71	-109.97	-11.41	-96.71	-164.22	-11.84	-97.10	-170.51	-11.84	-97.10	-226.86	
				M3	-23.30	-91.24	-230.18	-23.30	-91.24	-341.00	-23.30	-92.05	-340.79	-23.30	-92.05	-451.62	
72	4-LANES	TRUCK-LOAD	MAX	S2	152.72	785.09	1563.71	152.72	785.09	2290.22	152.72	790.53	2288.35	152.72	790.53	3014.87	
				TQ	149.49	803.82	1486.39	149.49	803.82	2197.53	149.49	809.03	2195.62	149.49	809.03	2906.75	
				M3	90.62	575.89	1835.64	141.60	725.69	2372.29	141.60	731.32	2370.56	151.44	773.36	3026.06	
		MIN	S2	-33.46	-103.83	306.84	-33.51	-103.10	231.81	-33.51	-102.55	232.05	-33.51	-102.55	72.64		
			TQ	-31.39	-114.05	328.27	-31.39	-114.05	178.94	-31.39	-113.63	179.21	-31.39	-113.63	29.87		
			M3	-26.41	-73.85	-262.46	-26.41	-73.85	-388.09	-26.41	-74.77	-387.92	-26.41	-74.77	-513.54		
		TANDEM-LOAD	MAX	S2	106.13	535.37	1077.43	106.13	535.37	1582.33	106.13	539.12	1581.05	106.13	539.12	2085.94	
					TQ	104.29	550.42	1011.32	104.29	550.42	1507.44	104.29	554.00	1506.13	104.29	554.00	2002.25
					M3	54.89	361.49	1269.82	94.25	490.36	1632.89	94.25	494.24	1631.72	103.45	521.99	2100.54
			MIN	S2	-25.29	-60.24	581.41	-25.29	-60.24	461.08	-25.29	-59.15	461.22	-25.29	-59.15	340.89	
				TQ	-22.73	-80.42	325.90	-22.73	-80.42	217.79	-22.73	-79.90	217.98	-22.73	-79.90	109.87	
				M3	-17.99	-51.09	-178.73	-17.99	-51.09	-264.30	-17.99	-51.71	-264.18	-17.99	-51.71	-349.75	

BAGO RIVER BRIDGE

BLOCK [ No.1 : MAIN GIRDER ][ BEAM MEMBER FORCE ]

MEMBER				2003			2004			2004			2005				
NODE				2003			2004			2004			2005				
				SHEAR	TORQUE	MOMENT	SHEAR	TORQUE	MOMENT	SHEAR	TORQUE	MOMENT	SHEAR	TORQUE	MOMENT		
NAME	TITLE			S2 (kN)	TQ (kN·m)	M3 (kN·m)	S2 (kN)	TQ (kN·m)	M3 (kN·m)	S2 (kN)	TQ (kN·m)	M3 (kN·m)	S2 (kN)	TQ (kN·m)	M3 (kN·m)		
72	4-LANES	DISPERSION-LMAX	S2	137.05	798.04	1557.25	132.59	800.39	2143.10	132.59	805.48	2141.19	129.07	807.19	2723.92		
			TQ	117.52	868.37	1452.87	117.49	868.37	2011.89	117.89	873.15	2019.35	115.45	873.15	2575.20		
			M3	131.89	786.69	1759.05	125.71	786.56	2371.78	125.71	792.19	2369.91	119.51	792.19	2953.18		
	MIN	S2	-28.54	-75.68	-30.82	-30.08	-77.91	-114.43	-30.08	-78.18	-114.24	-31.89	-78.22	-200.31			
		TQ	-6.35	-95.10	100.40	-12.53	-95.10	55.46	-13.21	-94.99	42.35	-16.62	-94.99	-29.85			
		M3	-24.12	-75.18	-239.35	-24.12	-75.18	-354.11	-24.12	-76.02	-353.93	-24.12	-76.02	-468.69			
	73	6-LANES	TRUCK-LOAD	MAX	S2	488.88	108.81	3374.88	381.87	96.79	4924.49	381.87	108.49	4924.25	342.11	55.15	5932.10
				TQ	82.73	786.32	819.82	82.73	786.32	1213.38	82.73	789.20	1211.51	82.73	789.20	1605.07	
				M3	316.17	174.37	3829.27	353.29	157.04	4996.02	343.76	148.87	4995.66	307.37	48.21	5958.31	
MIN		S2	-122.54	-229.35	2314.64	-164.25	-238.84	2699.12	-164.25	-232.43	2699.68	-277.19	-245.87	2658.51			
		TQ	129.49	-778.92	1215.75	129.49	-778.92	1831.76	129.49	-774.57	1833.61	129.49	-774.57	2449.62			
		M3	-40.35	28.24	-408.40	-40.35	28.24	-600.37	-40.35	26.82	-600.43	-40.35	26.82	-792.40			
TANDEM-LOAD		MAX	S2	373.48	72.83	2367.29	297.42	63.87	3520.26	297.42	72.23	3520.10	265.48	85.52	4190.70		
		TQ	58.34	538.38	560.61	58.34	538.38	838.14	58.34	540.37	836.86	58.34	540.37	1114.39			
		M3	257.49	97.95	2751.95	281.26	48.25	3608.79	278.60	51.23	3608.68	243.76	54.48	4232.07			
MIN	S2	-117.52	-202.34	1953.20	-152.89	-159.70	2125.44	-152.89	-154.66	2125.81	-233.52	-159.93	1997.58				
	TQ	94.59	-531.16	872.57	94.59	-531.16	1322.54	94.14	-528.03	1317.11	94.14	-528.03	1764.93				
	M3	-27.49	19.19	-278.22	-27.49	19.19	-408.99	-27.49	18.21	-409.04	-27.49	18.21	-539.81				
DISPERSION-LMAX	S2	306.54	-46.15	3019.46	271.16	-37.01	4147.05	271.16	-27.16	4147.12	256.61	-17.55	5110.63				
	TQ	80.17	880.40	1037.59	80.15	880.40	1418.95	81.24	883.79	1436.25	78.48	883.79	1817.36				
	M3	271.73	-106.66	3563.64	238.97	-97.85	4799.32	238.97	-86.46	4799.54	206.45	-95.50	5840.60				
MIN	S2	-68.71	-3.33	134.42	-75.48	-12.49	38.40	-75.48	-12.40	38.43	-103.07	-27.85	-81.67				
	TQ	141.95	-849.56	1987.58	109.26	-849.56	2585.44	108.28	-843.44	2568.45	77.82	-843.44	3010.20				
	M3	-46.02	40.40	-466.18	-46.02	40.40	-685.09	-46.02	38.77	-685.19	-46.02	38.77	-904.11				

BAGO RIVER BRIDGE

BLOCK [ No.1 : MAIN GIRDER ][ BEAM MEMBER FORCE ]

MEMBER			2003			2004			2004			2005			
NODE			2003			2004			2004			2005			
NAME TITLE			SHEAR	TORQUE	MOMENT	SHEAR	TORQUE	MOMENT	SHEAR	TORQUE	MOMENT	SHEAR	TORQUE	MOMENT	
			S2 (kN)	TQ (kN·m)	M3 (kN·m)	S2 (kN)	TQ (kN·m)	M3 (kN·m)	S2 (kN)	TQ (kN·m)	M3 (kN·m)	S2 (kN)	TQ (kN·m)	M3 (kN·m)	
124	SUM TOTAL	D+1LANE (caseMAX	S2	1135.83	-1423.20	14291.13	947.75	-1438.51	19315.64	947.75	-1392.63	19319.01	820.69	-1373.50	23444.28
			TQ	963.25	-306.31	12516.55	771.41	-306.31	16642.55	771.41	-266.78	16643.23	579.56	-266.78	19856.62
			M3	965.64	-1191.57	14942.90	927.79	-1431.02	19528.66	927.79	-1384.63	19532.01	765.23	-1392.47	23579.06
		MIN	S2	868.36	-488.17	13967.24	740.79	-438.42	17703.18	740.79	-396.38	17704.18	549.89	-385.83	20742.66
			TQ	1115.51	-1484.02	14480.95	937.37	-1484.02	19363.96	937.37	-1438.02	19367.43	759.22	-1438.02	23402.98
			M3	962.81	-309.94	12512.33	770.97	-309.94	16636.25	770.97	-270.43	16636.94	579.13	-270.43	19848.24
		D+1LANE (caseMAX	S2	1344.15	-752.08	14390.16	1009.76	-759.14	19334.42	1009.76	-713.22	19336.17	725.16	-719.41	22661.51
			TQ	963.61	-376.48	12523.90	771.78	-376.48	16651.66	771.78	-336.94	16652.50	579.93	-336.94	19867.64
			M3	1341.22	-762.86	14493.42	994.28	-782.73	19583.43	994.28	-736.22	19585.24	683.58	-757.07	22995.42
		MIN	S2	944.85	-485.64	13426.92	661.71	-532.91	18323.44	661.71	-489.39	18324.66	332.84	-524.80	21671.21
			TQ	1130.29	-837.69	14065.07	894.05	-837.69	18880.10	890.39	-792.90	18813.19	654.14	-792.90	22486.95
			M3	963.22	-377.97	12520.04	771.39	-377.97	16645.93	771.39	-338.43	16646.78	579.54	-338.43	19860.05
		D+1LANE (caseMAX	S2	1105.87	-368.96	13962.97	908.50	-366.31	18676.30	908.50	-321.96	18677.12	711.37	-321.91	22456.51
			TQ	1072.48	-348.36	13609.35	880.61	-348.36	18254.96	881.53	-304.99	18270.83	686.33	-304.99	22001.60
			M3	1086.47	-445.25	14270.90	899.02	-402.92	18936.60	899.02	-357.94	18937.50	704.10	-331.43	22675.53
		MIN	S2	951.11	-477.73	13338.52	756.64	-480.38	17585.21	756.64	-438.61	17586.30	562.63	-438.66	20797.85
			TQ	990.15	-497.58	13762.69	784.20	-497.58	17996.00	784.00	-455.10	17877.07	588.06	-455.10	21139.12
			M3	963.53	-429.88	12525.83	771.69	-429.88	16653.18	771.69	-390.33	16654.15	579.85	-390.33	19868.89
		D+1LANE (caseMAX	S2	1047.91	469.45	13423.61	856.07	469.45	17952.37	856.07	512.08	17951.20	664.23	512.08	21567.35
			TQ	1044.87	469.86	13392.88	853.03	469.86	17907.16	853.44	512.40	17912.03	661.59	512.40	21515.62
			M3	1045.18	453.65	13437.13	855.52	467.05	17956.46	855.52	509.69	17955.30	663.67	509.69	21568.79
		MIN	S2	964.12	-537.54	12537.43	772.29	-537.54	16667.60	772.29	-497.96	16668.83	580.44	-497.96	19886.38
			TQ	967.83	-543.77	12575.11	775.99	-543.77	16722.89	775.58	-504.06	16718.10	583.74	-504.06	19951.33
			M3	964.12	-537.54	12537.43	772.29	-537.54	16667.60	772.29	-497.96	16668.83	580.44	-497.96	19886.38

BAGO RIVER BRIDGE

BLOCK [ No.1 : MAIN GIRDER ][ BEAM MEMBER FORCE ]

MEMBER				2003			2004			2005					
NODE				2003			2004			2005					
NAME TITLE				SHEAR	TORQUE	MOMENT	SHEAR	TORQUE	MOMENT	SHEAR	TORQUE	MOMENT			
				S2 (kN)	TQ (kN·m)	M3 (kN·m)	S2 (kN)	TQ (kN·m)	M3 (kN·m)	S2 (kN)	TQ (kN·m)	M3 (kN·m)			
124	SUM TOTAL	D+2LANES (casMAX	S2	1302.64	-1694.65	15581.19	1070.04	-1766.43	20934.32	1070.04	-1716.71	20938.46	898.77	-1733.51	25142.30
			TQ	951.51	-249.51	12395.20	759.67	-249.51	16465.35	759.67	-210.40	16465.89	567.82	-210.40	19623.43
			M3	1157.22	-1510.54	16235.62	1043.99	-1784.11	21333.57	1043.99	-1733.44	21337.75	833.63	-1793.67	25563.84
		MIN	S2	852.90	-503.35	14462.61	683.78	-542.55	18711.27	683.78	-498.11	18712.51	453.65	-584.87	22013.57
			TQ	1211.95	-1905.49	15467.74	1011.11	-1905.49	20755.54	1011.11	-1856.19	20760.00	810.26	-1856.19	25092.35
			M3	950.77	-254.70	12388.05	758.93	-254.70	16454.70	758.93	-215.62	16455.25	567.09	-215.62	19609.29
		D+2LANES (casMAX	S2	1476.24	-1135.38	15663.71	1121.71	-1200.29	20949.97	1121.71	-1150.53	20952.76	819.17	-1188.43	24489.99
			TQ	951.81	-307.99	12401.32	759.98	-307.99	16472.93	759.98	-268.86	16473.62	568.13	-268.86	19632.61
			M3	1470.21	-1153.28	15861.05	1099.40	-1243.87	21379.21	1099.40	-1193.10	21382.11	765.58	-1264.17	25077.47
		MIN	S2	916.63	-501.24	14012.34	617.87	-621.29	19228.15	617.87	-575.62	19229.57	272.76	-700.68	22787.36
			TQ	1224.27	-1366.89	15121.18	975.01	-1366.89	20352.32	971.96	-1318.59	20298.13	722.69	-1318.59	24328.98
			M3	951.12	-311.38	12394.47	759.28	-311.38	16462.76	759.28	-272.29	16463.46	567.43	-272.29	19619.14
		D+2LANES (casMAX	S2	1170.93	-137.64	14667.43	974.48	-135.43	19705.43	974.48	-88.63	19705.70	778.23	-88.59	23813.32
			TQ	1135.94	-110.69	14328.33	944.08	-110.69	19275.84	944.88	-64.89	19292.25	750.25	-64.89	23325.47
			M3	1117.56	-280.46	15130.23	953.17	-196.79	20025.48	953.17	-149.23	20025.89	770.05	-97.78	24078.17
		MIN	S2	937.48	-483.96	13651.14	743.45	-486.17	17803.26	743.45	-443.89	17804.37	549.80	-443.93	20941.79
			TQ	978.23	-516.36	13540.83	774.63	-516.36	17720.87	774.42	-474.50	17618.37	579.16	-474.50	20836.73
			M3	951.96	-455.42	12410.50	760.12	-455.42	16482.82	760.12	-416.27	16483.85	568.28	-416.27	19643.56
		D+2LANES (casMAX	S2	1100.67	875.37	14036.53	908.83	875.37	18816.26	908.83	920.06	18814.12	716.99	920.06	22681.24
			TQ	1093.22	881.91	13953.93	901.38	881.91	18698.22	901.80	926.32	18702.24	709.95	926.32	22535.89
			M3	1095.50	831.62	14062.29	907.06	855.28	18826.63	907.06	899.99	18824.55	716.32	914.07	22686.71
		MIN	S2	952.62	-576.29	12425.03	760.78	-576.29	16500.49	760.78	-537.10	16501.81	568.94	-537.10	19664.65
			TQ	960.98	-586.99	12508.38	769.15	-586.99	16623.63	768.73	-547.52	16618.80	576.89	-547.52	19819.45
			M3	952.63	-576.64	12423.53	760.79	-576.64	16499.00	760.79	-537.45	16500.33	568.94	-537.45	19663.19

BAGO RIVER BRIDGE

BLOCK [ No.1 : MAIN GIRDER ] [ BEAM MEMBER FORCE ]

MEMBER				2003			2004			2005						
NODE				2003			2004			2005						
NAME TITLE				SHEAR	TORQUE	MOMENT	SHEAR	TORQUE	MOMENT	SHEAR	TORQUE	MOMENT				
				S2 (kN)	TQ (kN·m)	M3 (kN·m)	S2 (kN)	TQ (kN·m)	M3 (kN·m)	S2 (kN)	TQ (kN·m)	M3 (kN·m)				
124	SUM TOTAL	D+3LANES (casMAX	S2	1511.56	-1730.18	16344.22	1184.09	-1796.20	22045.39	1184.09	-1743.84	22049.60	944.04	-1762.50	26136.69	
			TQ	943.55	-235.77	12314.19	751.71	-235.77	16346.47	751.71	-196.94	16346.99	559.86	-196.94	19466.65	
			M3	1385.88	-1581.33	16973.62	1150.99	-1827.94	22561.14	1150.99	-1774.35	22565.42	859.21	-1840.31	26731.51	
		MIN	S2	846.43	-528.86	14711.13	609.23	-595.66	19439.69	609.23	-549.49	19441.05	287.79	-648.31	22775.80	
			TQ	1282.99	-1970.04	16017.52	1052.05	-1970.04	21571.62	1049.45	-1918.84	21527.47	818.50	-1918.84	25970.57	
			M3	942.64	-241.23	12305.38	750.81	-241.23	16333.36	750.81	-202.43	16333.89	558.96	-202.43	19449.26	
		D+3LANES (casMAX	S2	1203.99	168.52	15070.38	1008.23	170.40	20277.04	1008.23	218.56	20276.58	812.64	218.59	24555.52	
			TQ	1168.83	212.14	14753.35	976.98	212.14	19857.33	977.95	259.32	19874.83	783.73	259.32	24066.15	
			M3	1137.61	-26.29	15540.59	987.96	112.26	20590.25	987.96	161.16	20589.93	804.96	212.88	24816.46	
		MIN	S2	931.32	-518.24	13428.43	737.62	-520.12	17528.94	737.62	-478.48	17530.13	544.24	-478.52	20631.24	
			TQ	969.09	-552.84	13321.29	767.26	-552.84	17460.46	766.80	-511.56	17369.31	572.05	-511.56	20552.80	
			M3	944.15	-498.13	12333.92	752.31	-498.13	16369.06	752.31	-459.25	16370.19	560.46	-459.25	19492.72	
		D+3LANES (casMAX	S2	1146.77	990.15	14536.40	954.94	990.15	19535.45	954.94	1036.54	19533.05	763.09	1036.54	23619.49	
			TQ	1135.02	1004.44	14449.24	943.18	1004.44	19392.39	943.56	1050.50	19395.49	751.71	1050.50	23427.80	
			M3	1129.52	909.48	14647.39	951.13	962.91	19600.46	951.13	1009.45	19598.12	761.79	1027.78	23675.97	
		MIN	S2	944.14	-573.67	12381.71	752.31	-573.67	16416.84	752.31	-534.68	16418.15	560.46	-534.68	19540.67	
			TQ	956.82	-592.25	12466.62	764.98	-592.25	16562.03	764.61	-552.92	16557.85	572.76	-552.92	19738.87	
			M3	944.58	-578.37	12342.52	752.75	-578.37	16379.74	752.75	-539.46	16381.07	560.90	-539.46	19505.67	
		D+4LANES	MAX	S2	1169.48	593.83	14732.18	974.74	595.35	19796.28	974.74	642.37	19794.81	780.61	643.48	23944.26
			TQ	1154.68	651.71	14614.08	962.83	651.71	19650.74	963.09	698.39	19655.34	769.65	698.39	23777.31	
			M3	1125.76	450.46	15040.11	963.05	547.76	19998.26	963.05	595.25	19996.91	773.56	622.58	24100.55	
		MIN	S2	940.83	-551.89	12882.97	747.95	-552.86	16990.91	747.95	-512.51	16992.18	554.94	-512.53	20131.06	
			TQ	956.60	-571.16	12982.20	760.74	-571.16	17066.98	760.30	-530.64	17059.62	566.23	-530.64	20214.06	
			M3	948.28	-532.08	12377.38	756.44	-532.08	16432.19	756.44	-493.05	16433.41	564.60	-493.05	19575.60	

BAGO RIVER BRIDGE

BLOCK [ No.1 : MAIN GIRDER ][ BEAM MEMBER FORCE ]

MEMBER					2003			2004			2005		
NODE					2003			2004			2005		
					SHEAR	TORQUE	MOMENT	SHEAR	TORQUE	MOMENT	SHEAR	TORQUE	MOMENT
NAME	TITLE				S2 (kN)	TQ (kN·m)	M3 (kN·m)	S2 (kN)	TQ (kN·m)	M3 (kN·m)	S2 (kN)	TQ (kN·m)	M3 (kN·m)
124	SUM TOTAL	D+6LANES	MAX	S2	1498.15	-394.48	16859.88	1213.75	-396.35	22811.12	1213.75	-342.17	22812.00
				TQ	1087.01	648.16	13910.88	895.16	648.16	18625.63	895.87	692.41	18636.65
				M3	1363.26	-391.20	17508.95	1174.26	-396.73	23281.59	1168.06	-354.47	23282.48
			MIN	S2	856.81	-586.45	14295.45	633.46	-598.57	18694.01	633.46	-554.17	18695.38
				TQ	1157.56	-1493.72	14785.73	944.48	-1493.72	19785.80	943.84	-1446.74	19776.94
				M3	924.98	-390.59	12135.09	733.15	-390.59	16079.07	733.15	-352.40	16079.95
	SUM TOTAL		MAX		1511.56	1004.44	17508.95	1213.75	1004.44	23281.59	1213.75	1050.50	23282.48
			MIN		846.43	-1970.04	12135.09	609.23	-1970.04	16079.07	609.23	-1918.84	16079.95
300	DEAD LOAD	TOTAL			981.13	-435.21	12703.56	789.29	-435.21	16914.62	789.29	-395.04	16915.60
301	LIVE LOAD	1-LANE(case1MAX	S2		154.70	-987.99	1587.57	158.46	-1003.30	2401.03	158.46	-997.60	2403.40
			TQ		-17.88	128.90	-187.01	-17.88	128.90	-272.06	-17.88	128.26	-272.37
			M3		-15.49	-756.36	2239.34	138.50	-995.81	2614.05	138.50	-989.60	2616.40
			MIN	S2	-112.77	-52.97	1263.68	-48.50	-3.22	788.57	-48.50	-1.34	788.57
				TQ	134.39	-1048.81	1777.38	148.08	-1048.81	2449.35	148.08	-1042.99	2451.83
				M3	-18.32	125.27	-191.23	-18.32	125.27	-278.37	-18.32	124.61	-278.67
		1-LANE(case2MAX	S2		363.02	-316.87	1686.60	220.47	-323.94	2419.81	220.47	-318.19	2420.57
			TQ		-17.51	58.72	-179.66	-17.51	58.72	-262.96	-17.51	58.10	-263.10
			M3		360.09	-327.65	1789.85	204.99	-347.52	2668.82	204.99	-341.18	2669.63
			MIN	S2	-36.28	-50.43	723.35	-127.58	-97.70	1408.83	-127.58	-94.36	1409.05
				TQ	149.16	-402.48	1361.51	104.76	-402.48	1965.49	101.10	-397.86	1897.59
				M3	-17.90	57.24	-183.53	-17.90	57.24	-268.69	-17.90	56.61	-268.83
		1-LANE(case3MAX	S2		124.75	66.25	1259.41	119.21	68.89	1761.68	119.21	73.08	1761.52
			TQ		91.35	86.84	905.79	91.33	86.84	1340.34	92.24	90.05	1355.22
			M3		105.34	-10.05	1567.33	109.73	32.29	2021.98	109.73	37.09	2021.90
			MIN	S2	-30.02	-42.52	634.96	-32.65	-45.17	670.59	-32.65	-43.58	670.69
				TQ	9.02	-62.37	1059.12	-5.09	-62.37	1081.38	-5.29	-60.06	961.46
				M3	-17.60	5.33	-177.73	-17.60	5.33	-261.44	-17.60	4.71	-261.45

BAGO RIVER BRIDGE

BLOCK [ No.1 : MAIN GIRDER ][ BEAM MEMBER FORCE ]

MEMBER			2003			2004			2004			2005			
NODE			2003			2004			2004			2005			
NAME TITLE			SHEAR	TORQUE	MOMENT	SHEAR	TORQUE	MOMENT	SHEAR	TORQUE	MOMENT	SHEAR	TORQUE	MOMENT	
			S2 (kN)	TQ (kN·m)	M3 (kN·m)	S2 (kN)	TQ (kN·m)	M3 (kN·m)	S2 (kN)	TQ (kN·m)	M3 (kN·m)	S2 (kN)	TQ (kN·m)	M3 (kN·m)	
301	LIVE LOAD	1-LANE (case4MAX	S2	66.78	904.65	720.05	66.78	904.65	1037.75	66.78	907.12	1035.60	66.78	907.12	1353.30
			TQ	63.74	905.07	689.32	63.74	905.07	992.54	64.15	907.43	996.42	64.15	907.43	1301.58
			M3	64.05	888.86	733.57	66.23	902.26	1041.84	66.23	904.73	1039.70	66.23	904.73	1354.74
			MIN S2	-17.00	-102.33	-166.13	-17.00	-102.33	-247.02	-17.00	-102.92	-246.78	-17.00	-102.92	-327.67
			TQ	-13.30	-108.56	-128.45	-13.30	-108.56	-191.73	-13.71	-109.02	-197.51	-13.71	-109.02	-262.72
			M3	-17.00	-102.33	-166.13	-17.00	-102.33	-247.02	-17.00	-102.92	-246.78	-17.00	-102.92	-327.67
		2-LANES (caseMAX	S2	321.52	-1259.44	2877.62	280.75	-1331.22	4019.70	280.75	-1321.67	4022.85	301.33	-1338.48	4928.26
			TQ	-29.62	185.70	-308.37	-29.62	185.70	-449.27	-29.62	184.63	-449.71	-29.62	184.63	-590.62
			M3	176.10	-1075.33	3532.06	254.70	-1348.91	4418.95	254.70	-1338.41	4422.14	236.19	-1398.63	5349.80
			MIN S2	-128.23	-68.14	1759.05	-105.51	-107.34	1796.65	-105.51	-103.08	1796.90	-143.80	-189.83	1799.53
			TQ	230.83	-1470.28	2764.18	221.82	-1470.28	3840.92	221.82	-1461.16	3844.40	212.82	-1461.16	4878.30
			M3	-30.36	180.51	-315.52	-30.36	180.51	-459.92	-30.36	179.42	-460.35	-30.36	179.42	-604.76
		2-LANES (caseMAX	S2	495.12	-700.17	2960.15	332.42	-765.08	4035.35	332.42	-755.50	4037.16	221.73	-793.39	4275.95
			TQ	-29.31	127.22	-302.24	-29.31	127.22	-441.69	-29.31	126.17	-441.99	-29.31	126.17	-581.44
			M3	489.08	-718.07	3157.49	310.11	-808.67	4464.59	310.11	-798.06	4466.50	168.14	-869.14	4863.43
			MIN S2	-64.49	-66.03	1308.78	-171.41	-186.08	2313.54	-171.41	-180.59	2313.97	-324.68	-305.64	2573.31
			TQ	243.14	-931.68	2417.61	185.72	-931.68	3437.70	182.67	-923.55	3382.53	125.25	-923.55	4114.94
			M3	-30.01	123.82	-309.09	-30.01	123.82	-451.86	-30.01	122.75	-452.15	-30.01	122.75	-594.91
		2-LANES (caseMAX	S2	189.80	297.57	1963.87	185.19	299.78	2790.81	185.19	306.41	2790.10	180.79	306.44	3599.27
			TQ	154.82	324.52	1624.77	154.79	324.52	2361.22	155.59	330.14	2376.64	152.80	330.14	3111.42
			M3	136.43	154.75	2426.67	163.88	238.42	3110.86	163.88	245.81	3110.28	172.61	297.25	3864.12
MIN S2	-43.64		-48.75	947.58	-45.84	-50.96	888.65	-45.84	-48.85	888.76	-47.64	-48.89	727.74		
TQ	-2.90		-81.16	837.27	-14.66	-81.16	806.25	-14.86	-79.46	702.76	-18.28	-79.46	622.69		
M3	-29.16		-20.21	-293.06	-29.16	-20.21	-431.80	-29.16	-21.23	-431.75	-29.16	-21.23	-570.49		



BAGO RIVER BRIDGE

BLOCK [ No.1 : MAIN GIRDER ][ BEAM MEMBER FORCE ]

MEMBER				2003			2004			2005						
NODE				2003			2004			2005						
				SHEAR	TORQUE	MOMENT	SHEAR	TORQUE	MOMENT	SHEAR	TORQUE	MOMENT				
NAME	TITLE			S2 (kN)	TQ (kN·m)	M3 (kN·m)	S2 (kN)	TQ (kN·m)	M3 (kN·m)	S2 (kN)	TQ (kN·m)	M3 (kN·m)				
301	LIVE LOAD	2-LANES (caseMAX	S2	119.54	1310.58	1332.96	119.54	1310.58	1901.64	119.54	1315.10	1898.52	119.54	1315.10	2467.20	
			TQ	112.09	1317.12	1250.37	112.09	1317.12	1783.60	112.51	1321.36	1786.64	112.51	1321.36	2321.84	
			M3	114.37	1266.83	1358.73	117.77	1290.49	1912.01	117.77	1295.03	1908.94	118.87	1309.11	2472.66	
			MIN	S2	-28.50	-141.09	-278.53	-28.50	-141.09	-414.13	-28.50	-142.07	-413.79	-28.50	-142.07	-549.39
			TQ	-20.14	-151.79	-195.18	-20.14	-151.79	-290.99	-20.56	-152.48	-296.80	-20.56	-152.48	-394.59	
			M3	-28.50	-141.43	-280.03	-28.50	-141.43	-415.61	-28.50	-142.42	-415.28	-28.50	-142.42	-550.86	
		3-LANES (caseMAX	S2	530.43	-1294.97	3640.65	394.80	-1360.99	5130.78	394.80	-1348.80	5133.99	346.60	-1367.47	5922.64	
			TQ	-37.58	199.44	-389.37	-37.58	199.44	-568.15	-37.58	198.09	-568.62	-37.58	198.09	-747.40	
			M3	404.75	-1146.12	4270.06	361.70	-1392.73	5646.52	361.70	-1379.32	5649.81	261.77	-1445.28	6517.47	
			MIN	S2	-134.69	-93.65	2007.57	-180.05	-160.45	2525.07	-180.05	-154.45	2525.45	-309.66	-253.28	2561.75
			TQ	301.86	-1534.83	3313.95	262.76	-1534.83	4657.00	260.16	-1523.80	4611.86	221.05	-1523.80	5756.53	
			M3	-38.48	193.98	-398.19	-38.48	193.98	-581.26	-38.48	192.60	-581.72	-38.48	192.60	-764.79	
		3-LANES (caseMAX	S2	222.86	603.73	2366.82	218.94	605.61	3362.42	218.94	613.59	3360.98	215.20	613.62	4341.48	
			TQ	187.71	647.35	2049.79	187.69	647.35	2942.72	188.66	654.35	2959.23	186.28	654.35	3852.11	
			M3	156.49	408.92	2837.02	198.67	547.47	3675.64	198.67	556.20	3674.33	207.52	607.92	4602.41	
			MIN	S2	-49.81	-83.03	724.87	-51.67	-84.91	614.32	-51.67	-83.45	614.52	-53.21	-83.48	417.19
			TQ	-12.03	-117.63	617.72	-22.03	-117.63	545.84	-22.49	-116.53	453.71	-25.39	-116.53	338.75	
			M3	-36.98	-62.92	-369.65	-36.98	-62.92	-545.56	-36.98	-64.21	-545.41	-36.98	-64.21	-721.33	
		3-LANES (caseMAX	S2	165.65	1425.36	1832.84	165.65	1425.36	2620.84	165.65	1431.58	2617.44	165.65	1431.58	3405.44	
			TQ	153.89	1439.65	1745.68	153.89	1439.65	2477.77	154.27	1445.54	2479.89	154.27	1445.54	3213.75	
			M3	148.39	1344.69	1943.83	161.84	1398.11	2685.84	161.84	1404.49	2682.51	164.34	1422.82	3461.92	
MIN	S2		-36.98	-138.46	-321.85	-36.98	-138.46	-497.78	-36.98	-139.64	-497.45	-36.98	-139.64	-673.38		
TQ	-24.31		-157.04	-236.95	-24.31	-157.04	-352.59	-24.68	-157.88	-357.76	-24.68	-157.88	-475.18			
M3	-36.54		-143.16	-361.04	-36.54	-143.16	-534.88	-36.54	-144.43	-534.54	-36.54	-144.43	-708.38			

BAGO RIVER BRIDGE

BLOCK [ No.1 : MAIN GIRDER ][ BEAM MEMBER FORCE ]

MEMBER					2003			2004			2005					
NODE					2003			2004			2005					
NAME TITLE					SHEAR	TORQUE	MOMENT	SHEAR	TORQUE	MOMENT	SHEAR	TORQUE	MOMENT			
					S2 (kN)	TQ (kN·m)	M3 (kN·m)	S2 (kN)	TQ (kN·m)	M3 (kN·m)	S2 (kN)	TQ (kN·m)	M3 (kN·m)			
301	LIVE LOAD	4-LANES	MAX	S2	188.35	1029.03	2028.62	185.45	1030.56	2881.66	185.45	1037.40	2879.21	183.16	1038.52	3730.22
				TQ	173.55	1086.92	1910.52	173.54	1086.92	2736.12	173.80	1093.42	2739.73	172.21	1093.42	3563.27
				M3	144.63	885.67	2336.55	173.76	982.96	3083.65	173.76	990.28	3081.30	176.12	1017.61	3886.51
		MIN	S2	-40.30	-116.68	179.41	-41.34	-117.66	76.30	-41.34	-117.47	76.57	-42.51	-117.50	-82.99	
			TQ	-24.53	-135.95	278.63	-28.55	-135.95	152.36	-28.99	-135.60	144.01	-31.21	-135.60	0.02	
			M3	-32.85	-96.87	-326.18	-32.85	-96.87	-482.43	-32.85	-98.02	-482.20	-32.85	-98.02	-638.45	
	6-LANES	MAX	S2	517.02	40.73	4156.32	424.47	38.86	5896.50	424.47	52.87	5896.39	389.17	24.44	7177.77	
			TQ	105.89	1083.37	1207.31	105.87	1083.37	1711.02	106.58	1087.44	1721.04	104.78	1087.44	2224.58	
			M3	382.13	44.01	4805.39	384.97	38.47	6366.97	378.77	40.57	6366.88	333.98	-30.74	7669.30	
		MIN	S2	-124.31	-151.24	1591.89	-155.83	-163.36	1779.39	-155.83	-159.14	1779.77	-247.17	-177.92	1674.95	
			TQ	176.44	-1058.52	2082.17	155.19	-1058.52	2871.18	154.55	-1051.71	2861.33	134.75	-1051.71	3548.88	
			M3	-56.14	44.62	-568.48	-56.14	44.62	-835.55	-56.14	42.63	-835.65	-56.14	42.63	-1102.73	
	LIVE LOAD	MAX	530.43	1439.65	4805.39	424.47	1439.65	6366.97	424.47	1445.54	6366.88	389.17	1445.54	7669.30		
		MIN	-134.69	-1534.83	-568.48	-180.05	-1534.83	-835.55	-180.05	-1523.80	-835.65	-324.68	-1523.80	-1102.73		
	303	SUM TOTAL	TOTAL	MAX	1511.56	1004.44	17508.95	1213.75	1004.44	23281.59	1213.75	1050.50	23282.48	986.61	1050.50	27883.34
MIN				846.43	-1970.04	12135.09	609.23	-1970.04	16079.07	609.23	-1918.84	16079.95	272.76	-1918.84	19111.32	

BAGO RIVER BRIDGE

BLOCK [ No.1 : MAIN GIRDER ] [ BEAM MEMBER FORCE ]

MEMBER NODE	2005 2005	2006			2006			2007							
		SHEAR	TORQUE	MOMENT	SHEAR	TORQUE	MOMENT	SHEAR	TORQUE	MOMENT	SHEAR	TORQUE	MOMENT		
		S2 (kN)	TQ (kN·m)	M3 (kN·m)	S2 (kN)	TQ (kN·m)	M3 (kN·m)	S2 (kN)	TQ (kN·m)	M3 (kN·m)	S2 (kN)	TQ (kN·m)	M3 (kN·m)		
1	PAVEMENT	102.23	4.83	3654.30	71.90	4.83	4068.49	71.90	14.49	4068.47	41.58	14.49	4338.39		
3	RAILING	0.28	-0.72	88.50	1.89	-0.72	93.67	1.89	-0.50	93.67	3.50	-0.50	106.49		
5	CURB	2.80	-7.18	876.10	18.72	-7.18	927.30	18.72	-4.97	927.31	34.65	-4.97	1054.26		
7	DECK WEIGHT	159.25	-17.05	5721.19	113.15	-17.05	6369.10	113.15	-1.92	6369.12	67.05	-1.92	6797.73		
8	GIRDER WEIGH	228.63	-226.63	6963.29	139.69	-226.63	7839.37	139.69	-208.01	7839.88	50.75	-208.01	8292.87		
10	MEDIAN STRIP	53.02	-69.61	1212.53	24.23	-69.61	1396.27	24.23	-66.30	1396.43	-4.56	-66.30	1443.20		
21	ADITIONAL WE	44.59	-4.77	1601.93	31.68	-4.77	1783.35	31.68	-0.54	1783.35	18.77	-0.54	1903.36		
31	MEDIAN RAILI	4.13	-5.49	95.13	1.80	-5.49	109.24	1.80	-5.23	109.25	-0.53	-5.23	112.29		
51	SUPPORT WEIG	0.00	-0.00	-0.00	0.00	-0.00	-0.00	0.00	-0.00	-0.00	0.00	-0.00	-0.00		
52	NOSE WEIGHT	-0.13	-0.77	1.92	-0.13	-0.77	1.28	-0.13	-0.77	1.28	-0.13	-0.77	0.64		
61	1-LANE(case1TRUCK-LOAD	MAX	S2	63.38	-334.31	1036.40	63.38	-334.31	1337.89	63.38	-331.13	1338.68	106.38	-308.13	1672.70
			TQ	-7.03	50.85	-132.09	-7.03	50.85	-165.53	-7.03	50.46	-165.65	-7.03	50.46	-199.08
			M3	-74.40	-86.27	1459.03	52.72	-311.40	1376.41	52.72	-308.13	1377.14	106.38	-308.13	1672.70
		MIN	S2	-83.95	-10.43	1400.65	-40.83	15.55	1122.62	-40.83	18.22	1122.58	-40.83	18.22	928.37
			TQ	61.70	-349.11	864.02	61.70	-349.11	1157.52	61.70	-346.36	1158.34	61.70	-346.36	1451.84
			M3	-7.42	47.71	-139.06	-7.42	47.71	-174.37	-7.42	47.29	-174.48	-7.42	47.29	-209.79
		TANDEM-LOAD MAX	S2	47.93	-236.80	668.51	47.93	-236.80	896.49	47.93	-234.67	897.05	94.13	-191.42	1142.37
			TQ	-4.89	34.58	-91.75	-4.89	34.58	-114.99	-4.89	34.31	-115.07	-4.89	34.31	-138.31
			M3	-32.45	-99.27	1000.66	37.90	-210.05	966.87	37.90	-207.75	967.37	70.69	-207.75	1147.64
		MIN	S2	-78.81	-26.69	994.74	-32.98	22.13	736.05	-32.98	23.88	735.99	-32.98	23.88	579.11
			TQ	47.90	-240.50	634.98	47.90	-240.50	862.85	47.90	-238.45	863.42	47.90	-238.45	1091.28
			M3	-5.06	32.84	-94.78	-5.06	32.84	-118.84	-5.06	32.55	-118.91	-5.06	32.55	-142.97
		DISPERSION-LMAX	S2	40.83	-280.00	761.43	43.13	-286.46	1030.35	43.13	-284.01	1031.03	53.30	-291.78	1305.88
			TQ	-19.56	68.10	150.03	-19.56	68.10	56.99	-19.73	68.24	63.10	-19.73	68.24	-30.77
			M3	17.65	-286.98	1346.58	29.06	-286.98	1457.78	29.06	-283.51	1458.45	40.47	-283.51	1623.92
		MIN	S2	-32.04	49.89	419.13	-22.94	56.35	219.24	-22.94	56.87	219.10	-21.70	64.64	67.55
			TQ	28.35	-298.21	1030.53	39.76	-298.21	1192.60	39.93	-295.38	1187.03	51.34	-295.38	1404.20
			M3	-8.86	56.87	-166.02	-8.86	56.87	-208.19	-8.86	56.37	-208.32	-8.86	56.37	-250.49

BAGO RIVER BRIDGE

BLOCK [ No.1 : MAIN GIRDER ][ BEAM MEMBER FORCE ]

MEMBER NODE	2005 2005	2006			2006			2007							
		SHEAR	TORQUE	MOMENT	SHEAR	TORQUE	MOMENT	SHEAR	TORQUE	MOMENT					
		S2 (kN)	TQ (kN·m)	M3 (kN·m)	S2 (kN)	TQ (kN·m)	M3 (kN·m)	S2 (kN)	TQ (kN·m)	M3 (kN·m)					
62	1-LANE (case2TRUCK-LOAD	MAX	S2	208.03	-74.72	1206.66	117.21	-80.64	1525.44	117.21	-77.02	1525.62	55.14	-87.24	1389.90
			TQ	-6.88	22.62	-127.46	-6.88	22.62	-160.21	-6.88	22.24	-160.26	-6.88	22.24	-193.01
			M3	208.03	-74.72	1206.66	105.78	-78.36	1543.73	105.78	-74.69	1543.91	34.21	-83.76	1401.43
		MIN	S2	-32.77	-58.51	1096.50	-96.40	-72.48	1455.09	-96.40	-69.03	1455.26	-187.25	-75.16	1353.08
			TQ	33.31	-112.25	610.61	33.31	-112.25	769.07	33.31	-110.42	769.33	33.31	-110.42	927.79
			M3	-7.29	21.31	-134.78	-7.29	21.31	-169.47	-7.29	20.90	-169.52	-7.29	20.90	-204.20
	TANDEM-LOAD	MAX	S2	171.66	-48.70	923.09	106.25	-52.79	1192.00	106.25	-49.96	1192.12	46.93	-54.16	1066.96
			TQ	-4.79	15.38	-88.61	-4.79	15.38	-111.39	-4.79	15.12	-111.43	-4.79	15.12	-134.20
			M3	171.66	-48.70	923.09	106.25	-52.79	1192.00	106.25	-49.96	1192.12	46.93	-54.16	1066.96
		MIN	S2	-32.19	-46.41	907.03	-92.74	-51.94	1181.93	-92.74	-49.13	1182.05	-157.23	-52.44	1061.64
			TQ	22.47	-77.09	397.56	22.47	-77.09	504.43	22.47	-75.90	504.62	22.47	-75.90	611.49
			M3	-4.97	14.65	-91.84	-4.97	14.65	-115.47	-4.97	14.38	-115.50	-4.97	14.38	-139.13
	DISPERSION-LMAX	S2	70.92	-111.10	826.97	45.64	-102.39	900.99	45.64	-100.25	901.23	31.49	-91.36	868.76	
		TQ	-8.67	25.37	-160.32	-8.67	25.37	-201.57	-8.67	24.89	-201.63	-8.67	24.89	-242.88	
		M3	63.59	-125.28	1111.75	26.59	-125.28	1326.24	26.59	-122.13	1326.53	-10.42	-122.13	1364.98	
		MIN	S2	-16.00	11.18	124.46	-27.73	2.47	223.68	-27.73	3.00	223.67	-50.58	-5.89	253.35
			TQ	63.59	-125.28	1111.75	26.59	-125.28	1326.24	26.59	-122.13	1326.53	-10.42	-122.13	1364.98
			M3	-8.67	25.37	-160.32	-8.67	25.37	-201.57	-8.67	24.89	-201.63	-8.67	24.89	-242.88
63	1-LANE (case3TRUCK-LOAD	MAX	S2	45.79	43.64	776.72	45.79	43.64	994.53	45.79	46.00	994.42	45.79	46.00	1212.23
			TQ	42.04	45.88	691.27	42.04	45.88	891.27	42.04	48.00	891.15	42.04	48.00	1091.15
			M3	31.81	-29.13	1040.19	34.28	4.52	1118.10	34.28	7.17	1118.08	40.15	40.82	1225.88
		MIN	S2	-25.13	-61.95	949.93	-25.13	-61.95	830.38	-25.13	-59.97	830.53	-25.13	-59.97	710.98
			TQ	-24.88	-62.72	925.74	-24.88	-62.72	807.38	-24.88	-60.80	807.53	-24.88	-60.80	689.16
			M3	-7.19	1.18	-131.58	-7.19	1.18	-165.81	-7.19	0.79	-165.81	-7.19	0.79	-200.04

BAGO RIVER BRIDGE

BLOCK [ No.1 : MAIN GIRDER ][ BEAM MEMBER FORCE ]

MEMBER NODE	2005 2005	2006			2006			2006			2007				
		SHEAR	TORQUE	MOMENT	SHEAR	TORQUE	MOMENT	SHEAR	TORQUE	MOMENT	SHEAR	TORQUE	MOMENT		
		S2 (kN)	TQ (kN·m)	M3 (kN·m)	S2 (kN)	TQ (kN·m)	M3 (kN·m)	S2 (kN)	TQ (kN·m)	M3 (kN·m)	S2 (kN)	TQ (kN·m)	M3 (kN·m)		
63	1-LANE (case3TANDEM-LOAD	MAX	S2	32.08	26.57	566.29	32.08	26.57	718.89	32.08	28.28	718.82	32.08	28.28	871.42
			TQ	30.07	33.76	479.81	30.07	33.76	622.87	30.07	35.24	622.79	30.07	35.24	765.84
			M3	17.86	-34.94	739.80	25.64	-2.77	788.25	25.64	-0.90	788.25	32.08	28.28	871.42
		MIN	S2	-18.06	-39.97	727.00	-18.06	-39.97	641.10	-18.06	-38.44	641.20	-18.06	-38.44	555.30
			TQ	-17.15	-45.67	599.50	-17.15	-45.67	517.90	-17.15	-44.44	518.01	-17.15	-44.44	436.41
			M3	-4.90	0.79	-89.64	-4.90	0.79	-112.96	-4.90	0.52	-112.96	-4.90	0.52	-136.27
	DISPERSION-LMAX		S2	38.32	15.40	732.22	34.44	18.46	809.75	34.44	20.39	809.71	30.57	20.23	879.26
			TQ	17.74	27.18	327.60	17.74	27.18	411.97	18.56	28.19	432.26	15.50	28.19	515.39
			M3	31.04	-5.91	1011.03	24.83	-5.91	1143.90	24.83	-3.19	1143.92	18.62	-3.19	1247.26
		MIN	S2	-15.82	-20.01	122.75	-18.14	-23.07	137.52	-18.14	-22.75	137.57	-20.48	-22.59	130.79
			TQ	4.77	-31.79	527.38	-1.44	-31.79	535.30	-2.26	-30.55	515.02	-5.41	-30.55	494.66
			M3	-8.53	1.30	-156.05	-8.53	1.30	-196.63	-8.53	0.83	-196.64	-8.53	0.83	-237.21
64	1-LANE (case4TRUCK-LOAD	MAX	S2	18.26	259.94	421.15	18.26	259.94	508.03	18.26	261.15	507.41	18.26	261.15	594.29
			TQ	18.18	259.95	425.90	18.18	259.95	512.41	18.18	261.16	511.79	18.18	261.16	598.29
			M3	12.07	217.18	494.44	12.99	229.02	555.00	12.99	230.34	554.45	15.45	248.48	623.86
		MIN	S2	-7.01	-40.83	-125.10	-7.01	-40.83	-158.43	-7.01	-41.20	-158.33	-7.01	-41.20	-191.66
			TQ	-6.42	-45.70	-114.07	-6.42	-45.70	-144.63	-6.42	-46.05	-144.52	-6.42	-46.05	-175.08
			M3	-7.01	-40.83	-125.10	-7.01	-40.83	-158.43	-7.01	-41.20	-158.33	-7.01	-41.20	-191.66
	TANDEM-LOAD	MAX	S2	12.66	177.35	279.23	12.66	177.35	339.47	12.66	178.16	339.05	12.66	178.16	399.29
			TQ	12.66	177.35	279.23	12.66	177.35	339.47	12.66	178.16	339.05	12.66	178.16	399.29
			M3	7.57	143.43	338.00	9.11	159.84	378.59	9.11	160.74	378.21	11.65	175.41	423.82
		MIN	S2	-4.77	-28.19	-85.18	-4.77	-28.19	-107.88	-4.77	-28.45	-107.81	-4.77	-28.45	-130.51
			TQ	-4.31	-31.28	-76.42	-4.31	-31.28	-96.91	-4.31	-31.51	-96.84	-4.31	-31.51	-117.32
			M3	-4.77	-28.19	-85.18	-4.77	-28.19	-107.88	-4.77	-28.45	-107.81	-4.77	-28.45	-130.51

BAGO RIVER BRIDGE

BLOCK [ No.1 : MAIN GIRDER ][ BEAM MEMBER FORCE ]

MEMBER NODE	2005 2005	2006			2006			2006			2007				
		SHEAR	TORQUE	MOMENT	SHEAR	TORQUE	MOMENT	SHEAR	TORQUE	MOMENT	SHEAR	TORQUE	MOMENT		
		S2 (kN)	TQ (kN·m)	M3 (kN·m)	S2 (kN)	TQ (kN·m)	M3 (kN·m)	S2 (kN)	TQ (kN·m)	M3 (kN·m)	S2 (kN)	TQ (kN·m)	M3 (kN·m)		
64	1-LANE (case4DISPERSION-LMAX	S2	23.59	268.24	632.67	23.59	268.24	744.88	23.59	270.01	744.24	23.59	270.01	856.45	
		TQ	22.29	268.36	609.40	22.29	268.36	715.46	22.83	270.08	727.13	22.83	270.08	835.73	
		M3	23.59	268.27	633.04	23.59	268.27	745.25	23.59	270.04	744.61	23.59	270.04	856.82	
	MIN	S2	-8.28	-48.35	-147.38	-8.28	-48.35	-186.76	-8.28	-48.79	-186.64	-8.28	-48.79	-226.02	
		TQ	-6.98	-48.47	-124.11	-6.98	-48.47	-157.33	-7.52	-48.86	-169.53	-7.52	-48.86	-205.30	
		M3	-8.28	-48.38	-147.75	-8.28	-48.38	-187.13	-8.28	-48.82	-187.01	-8.28	-48.82	-226.39	
65	2-LANES (caseTRUCK-LOAD	MAX	S2	173.08	-427.26	2362.58	144.53	-492.22	2841.52	144.53	-485.47	2842.68	165.35	-510.14	3189.85
		TQ	-13.99	87.65	-261.86	-13.99	87.65	-328.39	-13.99	86.87	-328.60	-13.99	86.87	-395.13	
		M3	35.30	-179.21	2785.21	122.69	-452.51	2891.67	122.69	-445.64	2892.73	152.04	-499.45	3206.79	
	MIN	S2	-120.29	-39.69	2613.79	-100.18	-66.62	2552.98	-100.18	-60.56	2553.13	-128.78	-125.79	2407.82	
		TQ	107.35	-572.24	1656.37	107.35	-572.24	2167.04	107.35	-567.09	2168.39	107.35	-567.09	2679.06	
		M3	-14.78	82.25	-275.98	-14.78	82.25	-346.28	-14.78	81.43	-346.48	-14.78	81.43	-416.78	
	TANDEM-LOAD	MAX	S2	131.71	-277.72	1641.52	111.47	-324.55	2008.95	111.47	-319.78	2009.72	138.91	-318.90	2264.36
		TQ	-9.72	59.61	-181.93	-9.72	59.61	-228.18	-9.72	59.07	-228.32	-9.72	59.07	-274.56	
		M3	51.34	-140.18	1973.67	101.44	-297.80	2079.33	101.44	-292.86	2080.03	115.46	-335.23	2269.64	
	MIN	S2	-108.58	-58.14	1951.56	-82.00	-54.05	1838.04	-82.00	-49.69	1838.16	-101.91	-94.99	1695.72	
		TQ	77.69	-393.34	1152.75	77.69	-393.34	1522.31	77.69	-389.72	1523.24	77.69	-389.72	1892.80	
		M3	-10.07	56.60	-188.09	-10.07	56.60	-235.99	-10.07	56.04	-236.12	-10.07	56.04	-284.02	
	DISPERSION-LMAX	S2	98.42	-482.80	1658.10	87.50	-479.10	1980.14	87.50	-474.39	1981.27	87.95	-465.28	2247.60	
		TQ	-31.52	110.84	94.03	-31.52	110.84	-55.91	-32.02	110.72	-40.49	-32.02	110.72	-192.80	
		M3	65.89	-492.82	2567.04	56.88	-492.82	2859.14	56.88	-486.03	2860.30	47.87	-486.03	3109.54	
	MIN	S2	-50.16	88.00	579.74	-48.25	84.30	465.93	-48.25	85.41	465.73	-57.71	76.29	364.76	
		TQ	79.78	-505.63	2143.81	70.77	-505.63	2501.98	71.27	-499.71	2487.49	62.26	-499.71	2805.16	
		M3	-17.63	98.02	-329.20	-17.63	98.02	-413.07	-17.63	97.04	-413.31	-17.63	97.04	-497.18	

BAGO RIVER BRIDGE

BLOCK [ No.1 : MAIN GIRDER ][ BEAM MEMBER FORCE ]

MEMBER NODE	2005 2005	2006			2006			2007									
		SHEAR	TORQUE	MOMENT	SHEAR	TORQUE	MOMENT	SHEAR	TORQUE	MOMENT							
		S2 (kN)	TQ (kN·m)	M3 (kN·m)	S2 (kN)	TQ (kN·m)	M3 (kN·m)	S2 (kN)	TQ (kN·m)	M3 (kN·m)							
66	2-LANES (caseTRUCK-LOAD	MAX	S2	317.73	-167.67	2532.84	198.36	-238.55	3029.07	198.36	-231.35	3029.63	114.11	-289.24	2907.05		
			TQ	-13.84	59.42	-257.23	-13.84	59.42	-323.07	-13.84	58.65	-323.21	-13.84	58.65	-389.05		
			M3	317.73	-167.67	2532.84	175.75	-219.47	3058.99	175.75	-212.21	3059.51	79.87	-275.07	2935.52		
		MIN	S2	-69.11	-87.77	2309.64	-155.76	-154.66	2885.45	-155.76	-147.80	2885.81	-275.20	-219.17	2832.54		
			TQ	78.96	-335.37	1402.96	78.96	-335.37	1778.59	78.96	-331.15	1779.38	78.96	-331.15	2155.01		
			M3	-14.65	55.85	-271.70	-14.65	55.85	-341.38	-14.65	55.04	-341.51	-14.65	55.04	-411.19		
		TANDEM-LOAD	MAX	S2	255.45	-89.61	1896.09	169.80	-140.54	2304.46	169.80	-135.06	2304.79	91.70	-181.64	2188.95	
				TQ	-9.62	40.41	-178.80	-9.62	40.41	-224.58	-9.62	39.87	-224.67	-9.62	39.87	-270.45	
				M3	255.45	-89.61	1896.10	169.80	-140.54	2304.46	169.80	-135.06	2304.79	91.70	-181.64	2188.96	
			MIN	S2	-61.97	-77.86	1863.85	-141.76	-128.12	2283.92	-141.76	-122.70	2284.22	-226.16	-171.31	2178.25	
				TQ	52.25	-229.93	915.33	52.25	-229.93	1163.90	52.25	-227.17	1164.44	52.25	-227.17	1413.00	
				M3	-9.98	38.42	-185.15	-9.98	38.42	-232.62	-9.98	37.87	-232.71	-9.98	37.87	-280.18	
				DISPERSION-LMAX	S2	128.51	-313.90	1723.64	90.01	-295.03	1850.78	90.01	-290.63	1851.48	66.14	-264.85	1810.48
					TQ	-20.63	68.11	-216.32	-20.63	68.11	-314.47	-20.95	67.37	-305.22	-20.95	67.37	-404.90
					M3	111.83	-331.13	2332.21	54.40	-331.13	2727.60	54.40	-324.65	2728.38	-3.02	-324.65	2850.60
			MIN	S2	-34.12	49.30	285.07	-53.04	30.43	470.37	-53.04	31.54	470.30	-86.60	5.77	550.56	
					TQ	115.02	-332.71	2225.03	57.60	-332.71	2635.62	57.92	-326.46	2626.99	0.50	-326.46	2765.94
					M3	-17.44	66.53	-323.50	-17.44	66.53	-406.45	-17.44	65.56	-406.61	-17.44	65.56	-489.56
67	2-LANES (caseTRUCK-LOAD	MAX	S2	83.45	147.29	1470.96	83.45	147.29	1867.96	83.45	151.73	1867.61	83.45	151.73	2264.61		
			TQ	77.61	156.95	1295.95	77.61	156.95	1665.15	77.61	160.90	1664.77	77.61	160.90	2033.96		
			M3	32.10	-14.53	1934.14	58.33	70.74	2050.75	58.33	75.61	2050.58	75.32	137.27	2296.16		
		MIN	S2	-42.62	-93.47	1746.74	-42.62	-93.47	1543.98	-42.62	-89.81	1544.20	-42.62	-89.81	1341.45		
			TQ	-40.38	-100.37	1522.34	-40.38	-100.37	1330.23	-40.38	-97.21	1330.47	-40.38	-97.21	1138.36		
				M3	-14.33	-11.18	-261.07	-14.33	-11.18	-329.23	-14.33	-11.96	-329.20	-14.33	-11.96	-397.36	

BAGO RIVER BRIDGE

BLOCK [ No.1 : MAIN GIRDER ][ BEAM MEMBER FORCE ]

MEMBER				2005			2006			2006			2007				
NODE				2005			2006			2006			2007				
NAME TITLE				SHEAR	TORQUE	MOMENT	SHEAR	TORQUE	MOMENT	SHEAR	TORQUE	MOMENT	SHEAR	TORQUE	MOMENT		
				S2 (kN)	TQ (kN·m)	M3 (kN·m)	S2 (kN)	TQ (kN·m)	M3 (kN·m)	S2 (kN)	TQ (kN·m)	M3 (kN·m)	S2 (kN)	TQ (kN·m)	M3 (kN·m)		
67	2-LANES (caseTANDEM-LOAD	MAX	S2	58.88	101.05	1021.60	58.88	101.05	1301.68	58.88	104.15	1301.44	58.88	104.15	1581.52		
			TQ	56.57	110.03	917.97	56.57	110.03	1187.05	56.57	112.84	1186.79	56.57	112.84	1455.88		
			M3	9.75	-42.61	1359.78	35.10	26.66	1425.61	35.10	30.04	1425.55	56.76	92.96	1616.80		
		MIN	S2	-31.39	-65.90	1253.70	-31.39	-65.90	1104.36	-31.39	-63.28	1104.51	-31.39	-63.28	955.17		
			TQ	-30.22	-73.21	1089.20	-30.22	-73.21	945.43	-30.22	-70.97	945.60	-30.22	-70.97	801.84		
			M3	-9.76	-7.77	-177.83	-9.76	-7.77	-224.26	-9.76	-8.30	-224.24	-9.76	-8.30	-270.67		
		DISPERSION-LMAX	S2	68.17	99.90	1371.82	64.28	102.96	1591.32	64.28	106.74	1591.07	60.41	106.58	1802.58		
			TQ	43.18	112.98	909.27	43.18	112.98	1114.66	44.19	115.66	1145.17	41.13	115.66	1350.23		
			M3	55.12	65.73	1929.56	48.91	65.73	2176.99	48.91	70.90	2176.83	42.70	70.90	2394.73		
		MIN	S2	-30.03	-47.75	248.37	-32.35	-50.82	195.55	-32.35	-50.35	195.67	-34.69	-50.20	121.30		
			TQ	-5.04	-60.83	710.92	-11.24	-60.83	672.20	-12.25	-59.27	641.57	-15.40	-59.27	573.66		
			M3	-16.98	-13.59	-309.37	-16.98	-13.59	-390.13	-16.98	-14.51	-390.09	-16.98	-14.51	-470.85		
		68	2-LANES (caseTRUCK-LOAD	MAX	S2	41.65	457.25	943.21	41.65	457.25	1141.37	41.65	459.95	1140.28	41.65	459.95	1338.44
					TQ	40.85	459.88	905.72	40.85	459.88	1100.07	40.85	462.49	1098.97	40.85	462.49	1293.31
					M3	25.89	351.90	1101.52	29.73	378.96	1236.96	29.73	381.90	1236.06	37.36	429.86	1403.85
MIN	S2			-14.07	-68.06	-252.29	-14.07	-68.06	-319.24	-14.07	-68.82	-319.08	-14.07	-68.82	-386.02		
	TQ			-12.91	-76.49	-230.31	-12.91	-76.49	-291.70	-12.91	-77.18	-291.52	-12.91	-77.18	-352.91		
	M3			-14.07	-68.06	-252.29	-14.07	-68.06	-319.24	-14.07	-68.82	-319.08	-14.07	-68.82	-386.02		
TANDEM-LOAD MAX	S2			28.70	308.42	651.08	28.70	308.42	787.63	28.70	310.29	786.90	28.70	310.29	923.45		
	TQ			28.33	314.27	612.57	28.33	314.27	747.33	28.33	316.05	746.58	28.33	316.05	881.34		
	M3			15.82	229.50	754.62	21.90	267.62	846.27	21.90	269.63	845.64	25.53	290.37	957.16		
MIN	S2			-9.59	-47.01	-171.79	-9.59	-47.01	-217.39	-9.59	-47.53	-217.28	-9.59	-47.53	-262.88		
	TQ			-8.65	-52.37	-154.32	-8.65	-52.37	-195.48	-8.65	-52.83	-195.36	-8.65	-52.83	-236.52		
	M3			-9.59	-47.01	-171.79	-9.59	-47.01	-217.39	-9.59	-47.53	-217.28	-9.59	-47.53	-262.88		



BAGO RIVER BRIDGE

BLOCK [ No.1 : MAIN GIRDER ] [ BEAM MEMBER FORCE ]

MEMBER NODE	2005 2005	2006			2006			2006			2007				
		SHEAR	TORQUE	MOMENT	SHEAR	TORQUE	MOMENT	SHEAR	TORQUE	MOMENT	SHEAR	TORQUE	MOMENT		
		S2 (kN)	TQ (kN·m)	M3 (kN·m)	S2 (kN)	TQ (kN·m)	M3 (kN·m)	S2 (kN)	TQ (kN·m)	M3 (kN·m)	S2 (kN)	TQ (kN·m)	M3 (kN·m)		
68	2-LANES (caseDISPERSION-LMAX	S2	48.33	453.75	1263.63	48.33	453.75	1493.54	48.33	457.29	1492.46	48.33	457.29	1722.36	
		TQ	42.23	461.38	1267.69	42.23	461.38	1468.59	42.99	464.88	1485.04	42.99	464.88	1689.56	
		M3	47.75	460.24	1368.63	47.75	460.24	1595.77	47.75	464.02	1594.67	47.75	464.02	1821.82	
	MIN	S2	-17.22	-74.09	-193.23	-17.22	-74.09	-275.14	-17.22	-74.75	-274.96	-17.22	-74.75	-356.88	
		TQ	-11.12	-81.72	-197.29	-11.12	-81.72	-250.19	-11.88	-82.34	-267.54	-11.88	-82.34	-324.07	
		M3	-16.64	-80.58	-298.22	-16.64	-80.58	-377.37	-16.64	-81.48	-377.18	-16.64	-81.48	-456.33	
69	3-LANES (caseTRUCK-LOAD	MAX	S2	381.11	-501.98	3569.24	261.74	-572.86	4366.96	261.74	-562.49	4368.31	220.49	-597.37	4579.76
		TQ	-20.87	110.27	-389.32	-20.87	110.27	-488.60	-20.87	109.11	-488.86	-20.87	109.11	-588.14	
		M3	243.34	-253.93	3991.87	228.47	-530.87	4435.40	228.47	-520.34	4436.65	186.25	-583.21	4608.23	
	MIN	S2	-153.07	-98.20	3710.29	-196.58	-139.10	4008.07	-196.58	-129.58	4008.39	-316.03	-200.95	3760.91	
		TQ	140.66	-684.48	2266.99	140.66	-684.48	2936.11	140.66	-677.51	2937.72	140.66	-677.51	3606.84	
		M3	-22.07	103.55	-410.77	-22.07	103.55	-515.75	-22.07	102.33	-515.99	-22.07	102.33	-620.97	
	TANDEM-LOAD	MAX	S2	303.37	-326.42	2564.60	217.73	-377.34	3200.95	217.73	-369.74	3201.84	185.84	-373.06	3331.32
		TQ	-14.51	74.99	-270.55	-14.51	74.99	-339.57	-14.51	74.18	-339.74	-14.51	74.18	-408.76	
		M3	223.00	-188.88	2896.76	207.70	-350.59	3271.34	207.70	-342.82	3272.16	162.39	-389.39	3336.60	
	MIN	S2	-140.78	-104.55	2858.59	-174.74	-105.99	3019.97	-174.74	-98.82	3020.21	-259.14	-147.43	2757.36	
		TQ	100.15	-470.43	1550.31	100.15	-470.43	2026.74	100.15	-465.61	2027.85	100.15	-465.61	2504.28	
		M3	-15.04	71.26	-279.93	-15.04	71.26	-351.45	-15.04	70.42	-351.62	-15.04	70.42	-423.15	
	DISPERSION-LMAX	S2	169.33	-593.90	2485.07	133.14	-581.49	2881.13	133.14	-574.64	2882.50	119.44	-556.63	3116.36	
		TQ	-40.19	136.20	-66.29	-40.19	136.20	-257.48	-40.69	135.61	-242.12	-40.69	135.61	-435.67	
		M3	129.48	-618.10	3678.79	83.47	-618.10	4185.38	83.47	-608.16	4186.84	37.45	-608.16	4474.53	
	MIN	S2	-66.16	99.19	704.20	-75.98	86.77	689.61	-75.98	88.41	689.40	-108.29	70.40	618.11	
		TQ	143.37	-630.91	3255.56	97.36	-630.91	3828.22	97.85	-621.84	3814.02	51.84	-621.84	4170.14	
		M3	-26.30	123.39	-489.52	-26.30	123.39	-614.64	-26.30	121.93	-614.93	-26.30	121.93	-740.06	

BAGO RIVER BRIDGE

BLOCK [ No.1 : MAIN GIRDER ][ BEAM MEMBER FORCE ]

MEMBER NODE	2005 2005	2006			2006			2007							
		SHEAR	TORQUE	MOMENT	SHEAR	TORQUE	MOMENT	SHEAR	TORQUE	MOMENT					
		S2 (kN)	TQ (kN·m)	M3 (kN·m)	S2 (kN)	TQ (kN·m)	M3 (kN·m)	S2 (kN)	TQ (kN·m)	M3 (kN·m)					
70	3-LANES (caseTRUCK-LOAD	MAX	S2	111.91	308.70	2046.12	111.91	308.70	2578.51	111.91	314.83	2577.77	111.91	314.83	3110.16
			TQ	103.16	323.07	1798.66	103.16	323.07	2289.41	103.16	328.51	2288.63	103.16	328.51	2779.38
			M3	36.20	48.83	2668.09	77.66	182.65	2839.48	77.66	189.40	2839.04	101.90	278.90	3195.67
		MIN	S2	-51.37	-93.11	2294.17	-51.37	-93.11	2049.78	-51.37	-88.25	2049.99	-51.37	-88.25	1805.60
			TQ	-46.87	-129.40	1405.84	-46.87	-129.40	1182.87	-46.87	-126.59	1183.17	-46.87	-126.59	960.20
			M3	-21.40	-37.14	-388.46	-21.40	-37.14	-490.26	-21.40	-38.30	-490.17	-21.40	-38.30	-591.97
	TANDEM-LOAD	MAX	S2	79.03	210.62	1419.55	79.03	210.62	1795.53	79.03	214.89	1795.02	79.03	214.89	2171.00
			TQ	74.34	223.89	1267.49	74.34	223.89	1621.11	74.34	227.74	1620.58	74.34	227.74	1974.20
			M3	7.17	-16.17	1861.54	51.82	112.84	1964.39	51.82	117.50	1964.12	75.14	187.00	2238.50
		MIN	S2	-38.33	-65.68	1654.64	-38.33	-65.68	1472.30	-38.33	-62.18	1472.46	-38.33	-62.18	1290.12
			TQ	-34.57	-93.07	1011.12	-34.57	-93.07	846.66	-34.57	-91.06	846.88	-34.57	-91.06	682.42
			M3	-14.58	-25.69	-264.59	-14.58	-25.69	-333.93	-14.58	-26.49	-333.87	-14.58	-26.49	-403.22
	DISPERSION-LMAX	S2	94.56	246.37	1967.31	90.68	249.43	2312.37	90.68	254.93	2311.77	86.81	254.77	2648.85	
		TQ	67.07	263.69	1606.77	67.07	263.69	1925.84	68.55	268.32	1972.25	65.49	268.32	2293.20	
		M3	78.62	214.04	2745.35	72.42	214.04	3104.61	72.42	221.42	3104.09	66.21	221.42	3433.82	
		MIN	S2	-41.28	-77.01	318.06	-43.60	-80.07	211.72	-43.60	-79.57	211.91	-45.94	-79.41	84.01
			TQ	-13.79	-94.33	678.60	-19.99	-94.33	598.25	-21.47	-92.96	551.43	-24.62	-92.96	439.66
			M3	-25.34	-44.68	-459.98	-25.34	-44.68	-580.52	-25.34	-46.06	-580.41	-25.34	-46.06	-700.95
71	3-LANES (caseTRUCK-LOAD	MAX	S2	73.07	592.45	1586.06	73.07	592.45	1933.68	73.07	597.04	1932.27	73.07	597.04	2279.88
			TQ	71.71	603.72	1478.60	71.71	603.72	1819.74	71.71	608.04	1818.30	71.71	608.04	2159.44
			M3	29.59	406.68	1862.88	51.99	483.60	2061.78	51.99	488.50	2060.63	66.60	557.96	2354.07
		MIN	S2	-23.25	-58.79	409.23	-23.25	-58.79	298.60	-23.25	-58.08	298.74	-23.25	-58.08	188.12
			TQ	-18.99	-92.50	-340.31	-18.99	-92.50	-430.63	-18.99	-93.52	-430.41	-18.99	-93.52	-520.73
			M3	-21.20	-81.70	-381.58	-21.20	-81.70	-482.43	-21.20	-82.85	-482.24	-21.20	-82.85	-583.09

BAGO RIVER BRIDGE

BLOCK [ No.1 : MAIN GIRDER ][ BEAM MEMBER FORCE ]

MEMBER		2005			2006			2006			2007							
NODE		2005			2006			2006			2007							
		SHEAR	TORQUE	MOMENT	SHEAR	TORQUE	MOMENT	SHEAR	TORQUE	MOMENT	SHEAR	TORQUE	MOMENT					
NAME	TITLE	S2 (kN)	TQ (kN·m)	M3 (kN·m)	S2 (kN)	TQ (kN·m)	M3 (kN·m)	S2 (kN)	TQ (kN·m)	M3 (kN·m)	S2 (kN)	TQ (kN·m)	M3 (kN·m)					
71	3-LANES (caseTANDEM-LOAD	MAX	S2	51.10	404.15	1076.36	51.10	404.15	1319.44	51.10	407.28	1318.48	51.10	407.28	1561.56			
			TQ	48.38	412.56	986.60	48.38	412.56	1216.74	48.38	415.44	1215.76	48.38	415.44	1445.91			
			M3	21.65	275.61	1275.48	40.14	345.88	1411.19	40.14	349.23	1410.36	45.72	375.96	1614.17			
		MIN	S2	-16.85	-45.21	263.89	-16.85	-45.21	183.72	-16.85	-44.78	183.83	-16.85	-44.78	103.66			
			TQ	-12.91	-63.31	-231.35	-12.91	-63.31	-292.76	-12.91	-64.00	-292.61	-12.91	-64.00	-354.02			
			M3	-14.44	-56.45	-259.85	-14.44	-56.45	-328.54	-14.44	-57.23	-328.41	-14.44	-57.23	-397.10			
			DISPERSION-LMAX	S2	76.08	567.53	1873.45	76.08	567.53	2235.38	76.08	572.84	2234.03	76.08	572.84	2595.96		
			TQ	63.43	581.85	1907.27	63.43	581.85	2208.99	64.13	587.13	2231.83	64.13	587.13	2536.90			
			M3	72.48	575.62	2206.82	72.48	575.62	2551.63	72.48	581.68	2550.26	72.48	581.68	2895.08			
			MIN	S2	-28.68	-88.49	-118.02	-28.68	-88.49	-254.45	-28.68	-89.09	-254.24	-28.68	-89.09	-390.67		
			TQ	-16.02	-102.81	-151.84	-16.02	-102.81	-228.06	-16.72	-103.38	-252.05	-16.72	-103.38	-331.61			
			M3	-25.08	-96.58	-451.39	-25.08	-96.58	-570.71	-25.08	-97.94	-570.47	-25.08	-97.94	-689.79			
		72	4-LANES	TRUCK-LOAD	MAX	S2	124.14	602.29	2421.28	124.14	602.29	3011.85	124.14	609.44	3010.41	124.14	609.44	3600.98
						TQ	117.74	618.83	2195.59	117.74	618.83	2755.67	117.74	625.37	2754.20	117.74	625.37	3314.28
						M3	47.16	310.51	3024.78	86.48	450.80	3275.82	86.48	458.58	3274.74	111.61	558.67	3697.40
	MIN			S2	-52.81	-143.20	1429.81	-52.81	-143.20	1178.60	-52.81	-140.40	1178.93	-52.81	-140.40	927.72		
	TQ			-50.07	-161.24	1242.05	-50.07	-161.24	1003.88	-50.07	-158.86	1004.26	-50.07	-158.86	766.08			
	M3			-28.40	-79.24	-513.36	-28.40	-79.24	-648.47	-28.40	-80.78	-648.28	-28.40	-80.78	-783.38			
	TANDEM-LOAD			MAX	S2	86.87	410.27	1668.27	86.87	410.27	2081.52	86.87	415.21	2080.54	86.87	415.21	2493.79	
				TQ	84.15	425.29	1524.57	84.15	425.29	1924.89	84.15	429.86	1923.88	84.15	429.86	2324.20		
				M3	20.53	180.21	2099.71	67.41	322.03	2258.09	67.41	327.39	2257.32	80.12	374.26	2570.43		
	MIN			S2	-37.83	-100.00	1034.72	-37.83	-100.00	854.75	-37.83	-97.97	854.99	-37.83	-97.97	675.02		
	TQ			-33.10	-113.85	771.42	-33.10	-113.85	613.97	-33.10	-112.39	614.23	-33.10	-112.39	456.78			
	M3			-19.35	-54.78	-349.63	-19.35	-54.78	-441.65	-19.35	-55.82	-441.52	-19.35	-55.82	-533.55			

BAGO RIVER BRIDGE

BLOCK [ No.1 : MAIN GIRDER ][ BEAM MEMBER FORCE ]

MEMBER				2005			2006			2006			2007				
NODE				2005			2006			2006			2007				
NAME TITLE				SHEAR	TORQUE	MOMENT	SHEAR	TORQUE	MOMENT	SHEAR	TORQUE	MOMENT	SHEAR	TORQUE	MOMENT		
				S2 (kN)	TQ (kN·m)	M3 (kN·m)	S2 (kN)	TQ (kN·m)	M3 (kN·m)	S2 (kN)	TQ (kN·m)	M3 (kN·m)	S2 (kN)	TQ (kN·m)	M3 (kN·m)		
72	4-LANES	DISPERSION-LMAX	S2	96.27	539.35	2232.47	92.41	542.30	2597.39	92.41	548.47	2596.10	89.09	549.36	2966.20		
			TQ	80.85	584.99	2185.09	80.85	584.99	2569.68	81.27	591.12	2589.41	78.84	591.12	2971.62		
			M3	81.39	506.33	2951.64	75.18	506.33	3324.04	75.18	514.22	3322.82	68.97	514.22	3665.69		
	MIN	S2	-40.10	-103.89	273.57	-42.28	-106.64	161.09	-42.28	-106.26	161.34	-44.62	-106.10	39.72			
		TQ	-24.48	-121.46	341.86	-30.69	-121.46	210.63	-31.32	-120.99	186.17	-34.47	-120.99	27.57			
		M3	-25.95	-80.27	-468.50	-25.95	-80.27	-591.94	-25.95	-81.68	-591.75	-25.95	-81.68	-715.20			
	73	6-LANES	TRUCK-LOAD	MAX	S2	439.31	51.13	5091.54	332.81	48.28	6272.91	332.81	63.18	6272.78	291.67	60.76	6930.51
				TQ	63.29	616.85	1230.12	63.29	616.85	1531.18	63.29	620.49	1529.71	63.29	620.49	1830.76	
				M3	241.15	47.15	5958.20	247.79	64.92	6596.59	247.79	80.58	6596.41	252.09	-6.76	7081.69	
MIN		S2	-170.45	-217.78	4085.74	-215.62	-208.75	4190.42	-215.62	-198.79	4190.90	-325.16	-204.28	3825.44			
		TQ	104.07	-682.88	2987.37	39.89	-682.88	3177.13	39.89	-675.34	3178.75	39.89	-675.34	3368.51			
		M3	-43.27	23.18	-792.46	-43.27	23.18	-998.29	-43.27	20.81	-998.34	-43.27	20.81	-1204.18			
TANDEM-LOAD		MAX	S2	344.27	30.11	3552.44	264.63	29.83	4464.72	264.63	40.43	4464.64	231.24	72.10	4918.71		
		TQ	44.44	423.28	819.37	44.44	423.28	1030.78	44.44	425.73	1029.77	44.44	425.73	1241.18			
		M3	192.97	59.48	4231.93	215.85	71.56	4704.85	215.85	82.74	4704.67	206.35	9.28	5036.91			
MIN		S2	-148.82	-157.53	3549.82	-186.67	-109.55	3555.37	-186.67	-101.10	3555.62	-264.06	-106.83	3212.12			
		TQ	34.62	-472.10	2057.99	34.62	-472.10	2222.69	34.62	-466.82	2223.80	34.62	-466.82	2388.50			
		M3	-29.48	15.74	-539.85	-29.48	15.74	-680.08	-29.48	14.12	-680.11	-29.48	14.12	-820.33			
DISPERSION-LMAX		S2	241.40	-33.94	4267.46	207.24	-22.36	4994.50	207.24	-10.50	4994.54	193.97	-4.19	5597.17			
		TQ	38.92	635.75	1889.88	38.92	635.75	2075.03	40.06	640.74	2124.69	37.17	640.74	2310.44			
		M3	182.75	-96.79	5840.82	148.88	-91.36	6646.66	148.88	-75.58	6646.86	114.75	-80.99	7258.23			
MIN	S2	-96.58	-12.72	748.23	-105.67	-24.08	606.03	-105.67	-22.64	606.09	-135.77	-34.10	406.97				
	TQ	96.12	-643.20	3088.67	53.92	-643.20	3435.85	52.76	-635.10	3386.87	21.56	-635.10	3561.84				
	M3	-49.34	34.81	-904.19	-49.34	34.81	-1138.90	-49.34	32.10	-1138.98	-49.34	32.10	-1373.69				

BAGO RIVER BRIDGE

BLOCK [ No.1 : MAIN GIRDER ][ BEAM MEMBER FORCE ]

MEMBER				2005			2006			2006			2007		
NODE				2005			2006			2006			2007		
NAME TITLE				SHEAR	TORQUE	MOMENT	SHEAR	TORQUE	MOMENT	SHEAR	TORQUE	MOMENT	SHEAR	TORQUE	MOMENT
				S2 (kN)	TQ (kN·m)	M3 (kN·m)	S2 (kN)	TQ (kN·m)	M3 (kN·m)	S2 (kN)	TQ (kN·m)	M3 (kN·m)	S2 (kN)	TQ (kN·m)	M3 (kN·m)
124	SUM TOTAL	D+1LANE (caseMAX	S2	719.83	-1064.57	22372.30	530.75	-1072.32	25429.94	530.75	-1011.93	25432.41	402.70	-993.65	27623.53
			TQ	562.88	-184.67	20236.44	371.03	-184.67	22457.81	370.82	-131.32	22465.72	178.96	-131.32	23773.41
			M3	526.69	-775.29	23581.64	501.08	-1045.45	25989.07	501.08	-983.73	25991.48	387.30	-983.73	28005.19
		MIN	S2	455.60	-280.05	22398.64	326.42	-241.12	24198.29	326.42	-183.65	24198.79	136.05	-174.32	25244.34
			TQ	702.84	-1104.19	22488.37	524.68	-1104.19	25408.19	524.89	-1043.85	25403.21	346.72	-1043.85	27476.48
			M3	575.24	-201.91	19848.80	383.39	-201.91	22128.99	383.39	-149.36	22129.40	191.53	-149.36	23496.90
		D+1LANE (caseMAX	S2	929.53	-550.38	22655.25	598.36	-547.03	25499.77	598.36	-486.47	25501.00	315.03	-488.06	26759.63
			TQ	576.12	-269.82	19869.56	384.27	-269.82	22153.92	384.27	-217.20	22154.50	192.41	-217.20	23526.17
			M3	920.73	-567.40	22996.99	561.78	-571.77	26032.02	561.78	-509.94	26033.30	239.62	-520.82	27368.94
		MIN	S2	536.26	-384.19	21680.05	253.97	-411.41	24602.58	253.97	-352.98	24603.49	-74.32	-371.01	25976.95
			TQ	711.07	-612.44	22281.74	474.81	-612.44	25102.42	474.81	-552.82	25103.81	238.54	-552.82	26800.56
			M3	575.63	-271.39	19860.78	383.78	-271.39	22142.81	383.78	-218.80	22143.40	191.92	-218.80	23512.74
		D+1LANE (caseMAX	S2	695.72	-256.55	22025.63	499.21	-252.88	24753.19	499.21	-194.09	24753.72	302.70	-194.28	26559.02
			TQ	666.52	-239.72	21437.55	474.67	-239.72	24151.94	475.65	-182.33	24176.87	280.12	-182.33	25977.08
			M3	670.20	-369.44	22676.36	473.86	-329.07	25302.46	473.86	-268.98	25303.17	281.59	-228.60	27017.00
		MIN	S2	545.65	-425.75	21502.12	351.01	-429.42	23749.54	351.01	-373.02	23750.49	156.34	-372.83	25059.36
			TQ	570.65	-440.82	21958.65	371.35	-440.82	24199.28	370.37	-383.37	24175.83	174.72	-383.37	25469.82
			M3	575.92	-324.42	19869.74	384.06	-324.42	22153.12	384.06	-271.81	22153.83	192.20	-271.81	23524.53
		D+1LANE (caseMAX	S2	645.01	306.42	21479.49	453.15	306.42	24091.55	453.15	363.64	24090.75	261.29	363.64	25790.12
			TQ	643.36	306.58	21457.27	451.51	306.58	24061.49	452.15	363.74	24075.47	260.29	363.74	25770.05
			M3	637.58	255.14	21567.88	446.82	269.36	24148.35	446.82	326.71	24147.64	257.92	348.47	25826.05
		MIN	S2	576.45	-434.41	19887.93	384.59	-434.41	22173.83	384.59	-381.74	22174.80	192.73	-381.74	23548.01
			TQ	578.70	-440.41	19929.10	386.84	-440.41	22225.71	386.20	-387.64	22211.91	194.34	-387.64	23592.78
			M3	576.45	-434.45	19887.48	384.59	-434.45	22173.39	384.59	-381.78	22174.36	192.73	-381.78	23547.57

BAGO RIVER BRIDGE

BLOCK [ No.1 : MAIN GIRDER ] [ BEAM MEMBER FORCE ]

MEMBER				2005			2006			2007					
NODE				2005			2006			2007					
NAME TITLE				SHEAR	TORQUE	MOMENT	SHEAR	TORQUE	MOMENT	SHEAR	TORQUE	MOMENT			
				S2 (kN)	TQ (kN·m)	M3 (kN·m)	S2 (kN)	TQ (kN·m)	M3 (kN·m)	S2 (kN)	TQ (kN·m)	M3 (kN·m)			
124	SUM TOTAL	D+2LANES (casMAX	S2	866.28	-1237.46	24235.59	634.96	-1298.72	27409.72	634.96	-1233.62	27412.72	464.38	-1249.17	29486.68
			TQ	549.28	-128.91	20047.08	357.43	-128.91	22203.75	356.93	-76.16	22219.69	165.07	-76.16	23461.31
			M3	695.98	-999.44	25567.16	582.50	-1272.73	28338.87	582.50	-1205.43	28341.81	410.98	-1259.23	30365.57
		MIN	S2	424.34	-279.09	23408.43	254.51	-309.72	25606.96	254.51	-248.91	25607.62	24.58	-323.25	26821.82
			TQ	781.91	-1405.27	24015.09	581.05	-1405.27	27257.08	581.55	-1340.55	27244.65	380.68	-1340.55	29533.45
			M3	562.38	-147.13	19609.72	370.52	-147.13	21828.70	370.52	-95.28	21828.99	178.66	-95.28	23135.28
		D+2LANES (casMAX	S2	1041.03	-808.97	24471.38	691.30	-860.98	27467.91	691.30	-795.74	27469.88	391.32	-827.85	28766.77
			TQ	560.31	-199.88	19741.35	368.46	-199.88	21950.51	368.14	-147.73	21960.34	176.28	-147.73	23255.28
			M3	1024.35	-826.19	25079.95	633.08	-878.00	28374.65	633.08	-810.61	28376.66	287.92	-873.47	29835.36
		MIN	S2	491.56	-365.88	22809.61	194.13	-451.63	25943.87	194.13	-390.02	25944.87	-150.73	-487.16	27432.33
			TQ	788.77	-995.48	23842.90	539.49	-995.48	27002.27	539.82	-931.36	26995.14	290.53	-931.36	28970.18
			M3	562.70	-205.03	19619.70	370.85	-205.03	21840.22	370.85	-153.16	21840.65	178.99	-153.16	23148.48
		D+2LANES (casMAX	S2	746.41	-80.21	23057.69	550.67	-77.15	26047.34	550.67	-15.28	26047.45	354.94	-15.44	28116.43
			TQ	715.57	-57.48	22420.13	523.72	-57.48	25367.87	524.73	2.81	25398.71	329.81	2.81	27433.43
			M3	682.00	-276.20	24078.61	510.17	-190.93	26815.80	510.17	-127.24	26816.18	329.09	-65.59	28740.12
		MIN	S2	522.14	-468.63	22210.01	327.96	-471.69	24327.59	327.96	-413.91	24328.64	133.76	-413.76	25511.98
			TQ	549.37	-488.61	22448.17	351.31	-488.61	24590.49	350.30	-430.24	24560.81	155.29	-430.24	25761.25
			M3	563.48	-352.17	19644.47	371.63	-352.17	21868.71	371.63	-300.23	21869.48	179.77	-300.23	23181.03
		D+2LANES (casMAX	S2	684.77	583.59	22421.75	492.92	583.59	25222.97	492.92	643.49	25221.51	301.06	643.49	27110.03
			TQ	677.87	593.86	22388.32	486.02	593.86	25156.71	486.78	653.62	25172.78	294.92	653.62	27032.10
			M3	668.43	484.74	22685.05	480.42	511.80	25420.79	480.42	572.17	25419.50	296.18	620.14	27274.90
		MIN	S2	563.50	-469.56	19769.38	371.64	-469.56	21993.68	371.64	-417.32	21994.73	179.78	-417.32	23306.33
			TQ	570.76	-485.61	19787.31	378.91	-485.61	22046.17	378.15	-433.27	22029.71	186.28	-433.27	23372.25
			M3	564.08	-476.05	19664.39	372.22	-476.05	21891.44	372.22	-424.05	21892.51	180.36	-424.05	23206.88

BAGO RIVER BRIDGE

BLOCK [ No.1 : MAIN GIRDER ][ BEAM MEMBER FORCE ]

MEMBER				2005			2006			2007						
NODE				2005			2006			2007						
NAME TITLE				SHEAR	TORQUE	MOMENT	SHEAR	TORQUE	MOMENT	SHEAR	TORQUE	MOMENT				
				S2 (kN)	TQ (kN·m)	M3 (kN·m)	S2 (kN)	TQ (kN·m)	M3 (kN·m)	S2 (kN)	TQ (kN·m)	M3 (kN·m)				
124	SUM TOTAL	D+3LANES (casMAX	S2	1062.66	-1258.90	25361.07	738.58	-1308.59	28748.93	738.58	-1240.31	28751.96	500.02	-1254.66	30590.93	
			TQ	542.89	-117.90	19827.64	351.03	-117.90	21953.89	350.61	-65.74	21967.44	158.75	-65.74	23178.99	
			M3	911.68	-1068.63	26734.97	668.08	-1304.03	29915.72	668.08	-1232.98	29918.73	401.22	-1286.41	31769.57	
		MIN	S2	408.45	-326.56	23967.22	171.26	-371.88	26581.08	171.26	-308.75	26581.89	-149.60	-384.72	27771.40	
			TQ	836.21	-1445.49	24909.07	605.25	-1445.49	28337.73	605.67	-1378.20	28327.75	374.69	-1378.20	30659.67	
			M3	553.67	-134.50	19449.66	361.82	-134.50	21627.22	361.82	-83.13	21627.48	169.96	-83.13	22892.36	
		D+3LANES (casMAX	S2	770.29	144.41	23626.33	575.14	147.02	26745.31	575.14	210.54	26744.88	379.99	210.40	28944.39	
			TQ	739.48	171.35	23109.52	547.63	171.35	26171.02	548.89	233.55	26210.52	354.43	233.55	28360.93	
			M3	692.39	-103.96	24816.33	530.50	9.79	27640.54	530.50	75.44	27640.43	353.97	151.52	29684.30	
		MIN	S2	516.03	-472.00	22435.30	322.20	-474.61	24510.33	322.20	-416.39	24511.38	128.36	-416.26	25655.40	
			TQ	543.23	-517.57	21986.68	346.10	-517.57	24102.01	344.84	-460.37	24063.18	150.30	-460.37	25239.12	
			M3	555.06	-396.94	19493.73	363.21	-396.94	21677.89	363.21	-345.46	21678.78	171.34	-345.46	22950.24	
		D+3LANES (casMAX	S2	721.57	658.58	23155.49	529.72	658.58	26131.76	529.72	720.64	26130.12	337.85	720.64	28193.70	
			TQ	709.65	680.34	23092.89	517.80	680.34	26012.47	518.40	742.14	26031.38	326.54	742.14	28041.12	
			M3	681.55	507.56	23674.15	508.74	572.94	26509.46	508.74	635.90	26508.03	329.29	694.94	28511.01	
		MIN	S2	550.64	-452.59	20462.43	358.79	-452.59	22625.58	358.79	-398.85	22626.59	166.93	-398.85	23877.06	
			TQ	565.03	-493.41	19796.58	373.18	-493.41	22028.17	372.58	-441.12	22008.68	180.72	-441.12	23324.75	
			M3	555.45	-478.94	19506.88	363.59	-478.94	21692.89	363.59	-427.42	21693.97	171.73	-427.42	22967.29	
		D+4LANES	MAX	S2	738.05	414.66	23239.84	543.70	416.58	26234.07	543.70	478.89	26233.00	349.68	479.46	28317.90
			TQ	723.87	455.08	23062.35	532.01	455.08	26049.54	532.29	516.96	26062.12	338.85	516.96	28135.07	
			M3	678.34	203.54	24099.57	508.01	294.73	26877.97	508.01	358.56	26877.19	328.45	423.62	28835.25	
		MIN	S2	534.39	-488.00	21322.10	341.12	-489.79	23458.85	341.12	-434.08	23459.95	147.74	-433.98	24678.07	
			TQ	546.33	-511.16	21244.44	350.44	-511.16	23377.49	350.03	-455.66	23362.55	156.13	-455.66	24565.11	
			M3	559.46	-431.08	19576.69	367.61	-431.08	21781.79	367.61	-379.35	21782.75	175.75	-379.35	23075.16	

BAGO RIVER BRIDGE

BLOCK [ No.1 : MAIN GIRDER ] [ BEAM MEMBER FORCE ]

MEMBER					2005			2006			2006			2007		
NODE					2005			2006			2006			2007		
					SHEAR	TORQUE	MOMENT	SHEAR	TORQUE	MOMENT	SHEAR	TORQUE	MOMENT	SHEAR	TORQUE	MOMENT
NAME	TITLE				S2 (kN)	TQ (kN·m)	M3 (kN·m)	S2 (kN)	TQ (kN·m)	M3 (kN·m)	S2 (kN)	TQ (kN·m)	M3 (kN·m)	S2 (kN)	TQ (kN·m)	M3 (kN·m)
124	SUM TOTAL	D+6LANES	MAX	S2	1037.25	-316.23	26298.25	753.97	-310.55	29911.87	753.97	-239.51	29912.53	526.74	-236.98	32192.22
				TQ	661.22	486.79	22242.90	469.37	486.79	24932.09	470.11	546.04	24964.13	276.37	546.04	26741.01
				M3	870.32	-359.66	27884.27	660.77	-344.59	31196.17	660.77	-270.50	31196.90	449.52	-330.79	33370.18
			MIN	S2	421.22	-477.23	23356.98	194.09	-478.74	25705.75	194.09	-417.69	25706.81	-88.53	-428.70	26800.30
				TQ	724.91	-1189.36	24164.33	463.91	-1189.36	26886.49	463.16	-1125.53	26856.42	251.02	-1125.53	28553.96
				M3	534.59	-289.71	19112.08	342.74	-289.71	21198.88	342.74	-239.36	21199.51	150.88	-239.36	22373.62
			SUM TOTAL	MAX	1062.66	680.34	27884.27	753.97	680.34	31196.17	753.97	742.14	31196.90	526.74	742.14	33370.18
				MIN	408.45	-1445.49	19112.08	171.26	-1445.49	21198.88	171.26	-1378.20	21199.51	-150.73	-1378.20	22373.62
300	DEAD LOAD	TOTAL			594.79	-327.40	20214.90	402.93	-327.40	22588.06	402.93	-273.75	22588.77	211.07	-273.75	24049.23
301	LIVE LOAD	1-LANE(case1MAX	S2		125.05	-737.17	2157.40	127.81	-744.92	2841.88	127.81	-738.17	2843.64	191.62	-719.89	3574.30
			TQ		-31.90	142.74	21.53	-31.90	142.74	-130.24	-32.11	142.43	-123.05	-32.11	142.43	-275.83
			M3		-68.09	-447.89	3366.73	98.15	-718.05	3401.02	98.15	-709.97	3402.71	176.22	-709.97	3955.95
			MIN	S2	-139.19	47.35	2183.73	-76.51	86.28	1610.23	-76.51	90.11	1610.02	-75.03	99.43	1195.10
				TQ	108.05	-776.79	2273.47	121.74	-776.79	2820.14	121.95	-770.10	2814.44	135.65	-770.10	3427.25
				M3	-19.54	125.49	-366.10	-19.54	125.49	-459.07	-19.54	124.40	-459.37	-19.54	124.40	-552.34
		1-LANE(case2MAX	S2		334.74	-222.98	2440.35	195.43	-219.63	2911.71	195.43	-212.72	2912.23	103.95	-214.31	2710.40
			TQ		-18.67	57.58	-345.34	-18.67	57.58	-434.14	-18.67	56.55	-434.27	-18.67	56.55	-523.07
			M3		325.95	-240.00	2782.09	158.84	-244.37	3443.96	158.84	-236.19	3444.53	28.55	-247.07	3319.70
			MIN	S2	-58.52	-56.79	1465.15	-148.96	-84.01	2014.52	-148.96	-79.23	2014.72	-285.39	-97.26	1927.71
				TQ	116.28	-285.03	2066.83	71.87	-285.03	2514.37	71.87	-279.06	2515.04	27.47	-279.06	2751.33
				M3	-19.15	56.01	-354.13	-19.15	56.01	-445.24	-19.15	54.95	-445.37	-19.15	54.95	-536.49
		1-LANE(case3MAX	S2		100.93	70.85	1810.73	96.27	74.52	2165.14	96.27	79.66	2164.95	91.63	79.48	2509.79
			TQ		71.73	87.68	1222.64	71.73	87.68	1563.88	72.72	91.42	1588.10	69.05	91.42	1927.84
			M3		75.41	-42.04	2461.46	70.93	-1.67	2714.40	70.93	4.78	2714.40	70.52	45.15	2967.77
			MIN	S2	-49.14	-98.35	1287.21	-51.93	-102.02	1161.48	-51.93	-99.26	1161.72	-54.73	-99.08	1010.12
				TQ	-24.13	-113.42	1743.74	-31.58	-113.42	1611.22	-32.57	-109.62	1587.06	-36.35	-109.62	1420.59
				M3	-18.87	2.98	-345.17	-18.87	2.98	-434.93	-18.87	1.94	-434.94	-18.87	1.94	-524.70



BAGO RIVER BRIDGE

BLOCK [ No.1 : MAIN GIRDER ][ BEAM MEMBER FORCE ]

MEMBER NODE				2005			2006			2006			2007		
				2005			2006			2006			2007		
				SHEAR	TORQUE	MOMENT	SHEAR	TORQUE	MOMENT	SHEAR	TORQUE	MOMENT	SHEAR	TORQUE	MOMENT
NAME	TITLE		S2 (kN)	TQ (kN·m)	M3 (kN·m)	S2 (kN)	TQ (kN·m)	M3 (kN·m)	S2 (kN)	TQ (kN·m)	M3 (kN·m)	S2 (kN)	TQ (kN·m)	M3 (kN·m)	
301	LIVE LOAD	1-LANE (case4MAX	S2	50.22	633.82	1264.59	50.22	633.82	1503.49	50.22	637.39	1501.98	50.22	637.39	1740.89
			TQ	48.57	633.98	1242.37	48.57	633.98	1473.44	49.21	637.49	1486.70	49.21	637.49	1720.82
			M3	42.79	582.54	1352.98	43.89	596.76	1560.30	43.89	600.46	1558.87	46.85	622.22	1776.82
			MIN S2	-18.34	-107.01	-326.97	-18.34	-107.01	-414.23	-18.34	-107.99	-413.97	-18.34	-107.99	-501.22
			TQ	-16.09	-113.01	-285.81	-16.09	-113.01	-362.35	-16.73	-113.88	-376.86	-16.73	-113.88	-456.45
			M3	-18.34	-107.05	-327.42	-18.34	-107.05	-414.67	-18.34	-108.03	-414.41	-18.34	-108.03	-501.66
		2-LANES (caseMAX	S2	271.50	-910.06	4020.69	232.03	-971.32	4821.66	232.03	-959.86	4823.95	253.31	-975.41	5437.45
			TQ	-45.51	198.49	-167.83	-45.51	198.49	-384.30	-46.00	197.59	-369.08	-46.00	197.59	-587.92
			M3	101.19	-672.04	5352.26	179.57	-945.33	5750.81	179.57	-931.67	5753.04	199.91	-985.48	6316.34
			MIN S2	-170.45	48.31	3193.53	-148.43	17.68	3018.90	-148.43	24.85	3018.85	-186.49	-49.50	2772.59
			TQ	187.13	-1077.87	3800.19	178.12	-1077.87	4669.02	178.62	-1066.80	4655.88	169.61	-1066.80	5484.21
			M3	-32.41	180.27	-605.18	-32.41	180.27	-759.36	-32.41	178.47	-759.78	-32.41	178.47	-913.96
		2-LANES (caseMAX	S2	446.24	-481.57	4256.48	288.37	-533.58	4879.85	288.37	-521.98	4881.11	180.25	-554.09	4717.53
			TQ	-34.47	127.53	-473.55	-34.47	127.53	-637.55	-34.79	126.02	-628.43	-34.79	126.02	-793.96
			M3	429.56	-498.79	4865.05	230.15	-550.60	5786.60	230.15	-536.85	5787.89	76.85	-599.72	5786.13
			MIN S2	-103.23	-38.47	2594.71	-208.80	-124.23	3355.82	-208.80	-116.26	3356.10	-361.80	-213.40	3383.10
			TQ	193.98	-668.08	3627.99	136.56	-668.08	4414.21	136.88	-657.60	4406.37	79.46	-657.60	4920.95
			M3	-32.08	122.37	-595.20	-32.08	122.37	-747.83	-32.08	120.60	-748.12	-32.08	120.60	-900.75
		2-LANES (caseMAX	S2	151.62	247.19	2842.78	147.74	250.26	3459.28	147.74	258.47	3458.68	143.87	258.32	4067.19
			TQ	120.78	269.92	2205.22	120.78	269.92	2779.81	121.80	276.56	2809.94	118.74	276.56	3384.19
			M3	87.22	51.20	3863.71	107.24	136.47	4227.75	107.24	146.51	4227.41	118.02	208.17	4690.89
MIN S2	-72.65		-141.23	1995.11	-74.97	-144.29	1739.54	-74.97	-140.16	1739.87	-77.31	-140.00	1462.75		
TQ	-45.42		-161.21	2233.26	-51.63	-161.21	2002.44	-52.64	-156.49	1972.04	-55.79	-156.49	1712.02		
M3	-31.30		-24.76	-570.44	-31.30	-24.76	-719.35	-31.30	-26.47	-719.29	-31.30	-26.47	-868.20		

BAGO RIVER BRIDGE

BLOCK [ No.1 : MAIN GIRDER ][ BEAM MEMBER FORCE ]

MEMBER				2005			2006			2006			2007			
NODE				2005			2006			2006			2007			
NAME TITLE				SHEAR	TORQUE	MOMENT	SHEAR	TORQUE	MOMENT	SHEAR	TORQUE	MOMENT	SHEAR	TORQUE	MOMENT	
				S2 (kN)	TQ (kN·m)	M3 (kN·m)	S2 (kN)	TQ (kN·m)	M3 (kN·m)	S2 (kN)	TQ (kN·m)	M3 (kN·m)	S2 (kN)	TQ (kN·m)	M3 (kN·m)	
301	LIVE LOAD	2-LANES (caseMAX	S2	89.98	910.99	2206.85	89.98	910.99	2634.91	89.98	917.25	2632.74	89.98	917.25	3060.80	
			TQ	83.08	921.26	2173.41	83.08	921.26	2568.65	83.85	927.38	2584.01	83.85	927.38	2982.87	
			M3	73.64	812.14	2470.14	77.48	839.20	2832.73	77.48	845.93	2830.73	85.10	893.89	3225.66	
			MIN	S2	-31.29	-142.15	-445.52	-31.29	-142.15	-594.38	-31.29	-143.57	-594.04	-31.29	-143.57	-742.90
			TQ	-24.03	-158.21	-427.59	-24.03	-158.21	-541.89	-24.79	-159.52	-559.06	-24.79	-159.52	-676.98	
			M3	-30.71	-148.64	-550.51	-30.71	-148.64	-696.61	-30.71	-150.30	-696.26	-30.71	-150.30	-842.36	
		3-LANES (caseMAX	S2	467.88	-931.50	5146.16	335.65	-981.19	6160.87	335.65	-966.56	6163.19	288.94	-980.91	6541.70	
			TQ	-51.90	209.50	-387.27	-51.90	209.50	-634.17	-52.32	208.01	-621.33	-52.32	208.01	-870.24	
			M3	316.90	-741.23	6520.06	265.15	-976.63	7327.66	265.15	-959.22	7329.96	190.15	-1012.66	7720.34	
			MIN	S2	-186.34	0.84	3752.31	-231.68	-44.48	3993.02	-231.68	-35.00	3993.12	-360.67	-110.96	3722.16
			TQ	241.42	-1118.09	4694.16	202.31	-1118.09	5749.68	202.73	-1104.45	5738.98	163.62	-1104.45	6610.44	
			M3	-41.11	192.90	-765.24	-41.11	192.90	-960.83	-41.11	190.62	-961.29	-41.11	190.62	-1156.88	
		3-LANES (caseMAX	S2	175.50	471.82	3411.42	172.20	474.42	4157.25	172.20	484.29	4156.11	168.91	484.16	4895.16	
			TQ	144.70	498.75	2894.62	144.70	498.75	3582.96	145.95	507.31	3621.75	143.36	507.31	4311.70	
			M3	97.60	223.45	4601.42	127.57	337.19	5052.48	127.57	349.19	5051.66	142.90	425.27	5635.06	
			MIN	S2	-78.75	-144.60	2220.40	-80.73	-147.21	1922.27	-80.73	-142.64	1922.61	-82.72	-142.51	1606.17
			TQ	-51.56	-190.17	1771.77	-56.84	-190.17	1513.95	-58.09	-186.62	1474.41	-60.77	-186.62	1189.88	
			M3	-39.73	-69.54	-721.17	-39.73	-69.54	-910.16	-39.73	-71.70	-910.00	-39.73	-71.70	-1098.99	
		3-LANES (caseMAX	S2	126.78	985.98	2940.58	126.78	985.98	3543.70	126.78	994.40	3541.35	126.78	994.40	4144.47	
			TQ	114.87	1007.74	2877.99	114.87	1007.74	3424.42	115.46	1015.89	3442.61	115.46	1015.89	3991.88	
			M3	86.77	834.96	3459.24	105.80	900.34	3921.41	105.80	909.65	3919.26	118.22	968.69	4461.77	
MIN	S2		-44.14	-125.19	247.52	-44.14	-125.19	37.53	-44.14	-125.10	37.82	-44.14	-125.10	-172.17		
TQ	-29.76		-166.01	-418.33	-29.76	-166.01	-559.88	-30.35	-167.36	-580.09	-30.35	-167.36	-724.49			
M3	-39.34		-151.54	-708.03	-39.34	-151.54	-895.17	-39.34	-153.67	-894.80	-39.34	-153.67	-1081.95			

BAGO RIVER BRIDGE

BLOCK [ No.1 : MAIN GIRDER ][ BEAM MEMBER FORCE ]

MEMBER					2005			2006			2007					
NODE					2005			2006			2007					
NAME TITLE					SHEAR	TORQUE	MOMENT	SHEAR	TORQUE	MOMENT	SHEAR	TORQUE	MOMENT			
					S2 (kN)	TQ (kN·m)	M3 (kN·m)	S2 (kN)	TQ (kN·m)	M3 (kN·m)	S2 (kN)	TQ (kN·m)	M3 (kN·m)			
301	LIVE LOAD	4-LANES	MAX	S2	143.27	742.06	3024.94	140.76	743.98	3646.01	140.76	752.64	3644.23	138.60	753.22	4268.66
				TQ	129.08	782.48	2847.44	129.08	782.48	3461.48	129.35	790.72	3473.35	127.78	790.72	4085.84
				M3	83.55	530.94	3884.67	105.08	622.13	4289.91	105.08	632.32	4288.42	117.38	697.38	4786.01
			MIN	S2	-60.39	-160.60	1107.20	-61.81	-162.39	870.80	-61.81	-160.32	871.18	-63.33	-160.22	628.83
				TQ	-48.46	-183.76	1029.54	-52.49	-183.76	789.43	-52.90	-181.90	773.77	-54.95	-181.90	515.87
				M3	-35.33	-103.68	-638.21	-35.33	-103.68	-806.27	-35.33	-105.60	-806.02	-35.33	-105.60	-974.07
		6-LANES	MAX	S2	442.46	11.17	6083.35	351.03	16.85	7323.82	351.03	34.24	7323.75	315.66	36.77	8142.99
				TQ	66.43	814.19	2028.00	66.43	814.19	2344.03	67.17	819.80	2375.36	65.29	819.80	2691.78
				M3	275.53	-32.26	7669.37	257.84	-17.19	8608.11	257.84	3.25	8608.13	238.45	-57.04	9320.95
			MIN	S2	-173.57	-149.82	3142.08	-208.84	-151.34	3117.69	-208.84	-143.93	3118.04	-299.61	-154.94	2751.06
				TQ	130.13	-861.95	3949.42	60.98	-861.95	4298.44	60.23	-851.78	4267.65	39.94	-851.78	4504.73
				M3	-60.19	37.69	-1102.82	-60.19	37.69	-1389.18	-60.19	34.39	-1389.26	-60.19	34.39	-1675.61
		LIVE LOAD	MAX	467.88	1007.74	7669.37	351.03	1007.74	8608.11	351.03	1015.89	8608.13	315.66	1015.89	9320.95	
			MIN	-186.34	-1118.09	-1102.82	-231.68	-1118.09	-1389.18	-231.68	-1104.45	-1389.26	-361.80	-1104.45	-1675.61	
		303	SUM TOTAL	TOTAL	MAX	1062.66	680.34	27884.27	753.97	680.34	31196.17	753.97	742.14	31196.90	526.74	742.14
MIN	408.45				-1445.49	19112.08	171.26	-1445.49	21198.88	171.26	-1378.20	21199.51	-150.73	-1378.20	22373.62	

BAGO RIVER BRIDGE

BLOCK [ No.1 : MAIN GIRDER ] [ BEAM MEMBER FORCE ]

MEMBER NODE	2007 2007	2008			2008			2008			2009					
		SHEAR	TORQUE	MOMENT	SHEAR	TORQUE	MOMENT	SHEAR	TORQUE	MOMENT	SHEAR	TORQUE	MOMENT			
		S2 (kN)	TQ (kN·m)	M3 (kN·m)	S2 (kN)	TQ (kN·m)	M3 (kN·m)	S2 (kN)	TQ (kN·m)	M3 (kN·m)	S2 (kN)	TQ (kN·m)	M3 (kN·m)			
1	PAVEMENT	13.68	-0.02	4338.37	-16.65	-0.02	4331.33	-16.65	10.27	4331.32	-46.98	10.27	4179.99			
3	RAILING	-1.84	0.27	106.49	-0.23	0.27	101.55	-0.23	0.51	101.55	1.37	0.51	104.26			
5	CURB	-18.25	2.66	1054.27	-2.32	2.66	1005.34	-2.32	5.05	1005.33	13.60	5.05	1032.16			
7	DECK WEIGHT	21.31	-2.93	6797.73	-24.80	-2.93	6789.44	-24.80	13.20	6789.43	-70.90	13.20	6561.81			
8	GIRDER WEIGH	63.83	-27.79	8293.15	-25.11	-27.79	8385.26	-25.11	-7.88	8385.30	-114.05	-7.88	8054.30			
10	MEDIAN STRIP	25.69	-12.04	1443.29	-3.10	-12.04	1497.01	-3.10	-8.48	1497.03	-31.90	-8.48	1413.78			
21	ADITIONAL WE	5.97	-0.82	1903.37	-6.94	-0.82	1901.04	-6.94	3.69	1901.04	-19.85	3.69	1837.31			
31	MEDIAN RAILI	1.92	-0.91	112.29	-0.41	-0.91	115.90	-0.41	-0.64	115.90	-2.73	-0.64	108.43			
51	SUPPORT WEIG	-0.00	-0.00	-0.00	-0.00	-0.00	-0.00	-0.00	-0.00	-0.00	-0.00	-0.00	-0.00			
52	NOSE WEIGHT	-0.05	-0.13	0.64	-0.05	-0.13	0.42	-0.05	-0.13	0.42	-0.05	-0.13	0.20			
61	1-LANE(case1TRUCK-LOAD	MAX	S2	50.07	-223.87	958.57	50.07	-223.87	1196.77	50.07	-221.03	1197.30	92.24	-184.49	1634.80	
			TQ	-54.59	143.22	1348.03	-54.59	143.22	1088.35	-54.59	145.81	1088.01	-54.59	145.81	828.33	
			M3	-55.25	44.71	1673.02	-5.15	-98.04	1454.06	-5.15	-94.59	1454.29	90.63	-126.41	1644.01	
		MIN	S2	-99.61	103.12	1653.98	-56.69	126.40	1326.79	-56.69	129.55	1326.49	-56.69	129.55	1056.82	
			TQ	48.67	-225.49	891.95	48.67	-225.49	1123.48	48.67	-222.82	1124.01	48.67	-222.82	1355.53	
			M3	-7.64	40.23	-209.89	-7.64	40.23	-246.25	-7.64	39.64	-246.34	-7.64	39.64	-282.70	
		TANDEM-LOAD	MAX	S2	39.03	-156.75	668.90	39.03	-156.75	854.58	39.03	-154.72	854.95	84.14	-107.73	1129.61
			TQ	-43.47	100.19	1043.42	-43.47	100.19	836.65	-43.47	102.18	836.41	-43.47	102.18	629.64	
			M3	-56.63	52.38	1147.83	18.57	-110.11	1001.78	18.57	-107.73	1002.03	84.14	-107.73	1129.61	
		MIN	S2	-89.42	52.38	1147.83	-43.55	96.14	881.25	-43.55	98.23	881.02	-43.55	98.23	673.86	
			TQ	39.03	-156.75	668.90	39.03	-156.75	854.58	39.03	-154.72	854.95	39.03	-154.72	1040.63	
			M3	-5.21	27.71	-143.04	-5.21	27.71	-167.83	-5.21	27.31	-167.89	-5.21	27.31	-192.67	
		DISPERSION-LMAX	MAX	S2	28.56	-146.38	731.93	30.08	-146.65	920.86	30.08	-144.47	921.21	39.59	-149.17	1151.10
			TQ	-38.92	119.49	461.84	-33.19	119.49	297.13	-33.19	120.20	296.84	-33.19	120.20	138.95	
			M3	-7.59	-80.54	1624.35	3.82	-80.54	1615.46	3.82	-76.70	1615.65	15.23	-76.70	1661.02	
		MIN	S2	-45.28	113.83	641.81	-35.39	114.10	400.53	-35.39	115.05	400.26	-33.50	119.75	172.28	
			TQ	22.20	-152.05	911.90	27.88	-152.05	1024.26	27.88	-149.62	1024.62	39.28	-149.62	1184.42	
			M3	-9.14	47.98	-250.62	-9.14	47.98	-294.07	-9.14	47.28	-294.19	-9.14	47.28	-337.64	

BAGO RIVER BRIDGE

BLOCK [ No.1 : MAIN GIRDER ][ BEAM MEMBER FORCE ]

MEMBER NODE	2007			2008			2008			2009					
	NAME	TITLE	S2 (kN)	TORQUE (kN·m)	MOMENT (kN·m)	S2 (kN)	TORQUE (kN·m)	MOMENT (kN·m)	S2 (kN)	TORQUE (kN·m)	MOMENT (kN·m)	S2 (kN)	TORQUE (kN·m)	MOMENT (kN·m)	
															SHEAR
62	1-LANE (case2TRUCK-LOAD	MAX	S2	194.46	-18.14	1390.03	104.44	-22.46	1590.69	104.44	-18.68	1590.74	42.34	-28.66	1345.47
			TQ	-21.02	22.52	624.52	-21.02	22.52	524.53	-21.02	23.76	524.47	-21.02	23.76	424.49
			M3	182.34	-15.93	1401.55	92.87	-20.51	1624.13	92.87	-16.65	1624.17	-46.02	-19.17	1381.79
		MIN	S2	-47.67	-6.09	1353.18	-110.09	-16.44	1584.63	-110.09	-12.68	1584.67	-200.16	-17.01	1366.93
			TQ	21.89	-56.08	600.40	21.89	-56.08	704.53	21.89	-54.41	704.66	21.89	-54.41	808.79
			M3	-7.34	16.48	-204.24	-7.34	16.48	-239.14	-7.34	15.91	-239.18	-7.34	15.91	-274.08
	TANDEM-LOAD	MAX	S2	162.03	-11.07	1067.04	97.64	-13.69	1252.49	97.64	-10.72	1252.52	38.26	-14.34	1051.32
			TQ	-15.57	16.39	454.80	-15.57	16.39	380.74	-15.57	17.29	380.70	-15.57	17.29	306.65
			M3	162.03	-11.07	1067.04	97.64	-13.69	1252.49	97.64	-10.72	1252.52	-58.19	-12.68	1054.54
		MIN	S2	-42.06	-9.36	1061.72	-101.50	-13.14	1251.66	-101.50	-10.16	1251.68	-165.88	-12.68	1054.54
			TQ	14.86	-39.27	385.56	14.86	-39.27	456.25	14.86	-38.19	456.34	14.86	-38.19	527.02
			M3	-5.00	11.35	-139.16	-5.00	11.35	-162.94	-5.00	10.97	-162.97	-5.00	10.97	-186.75
	DISPERSION-LMAX	MAX	S2	57.61	-42.62	868.92	33.93	-40.54	865.08	33.93	-38.48	865.17	21.27	-36.44	775.90
			TQ	-19.48	28.98	93.53	-19.48	28.98	0.87	-19.77	29.00	21.02	-20.10	29.00	-73.42
			M3	41.44	-34.67	1365.17	4.43	-34.67	1474.27	4.43	-31.17	1474.35	-32.58	-31.17	1407.40
		MIN	S2	-24.89	27.56	253.32	-38.22	25.47	324.77	-38.22	26.24	324.71	-62.57	24.20	305.55
			TQ	52.19	-44.04	1028.71	15.19	-44.04	1188.97	15.48	-41.24	1168.86	-21.19	-41.24	1154.86
			M3	-8.72	19.61	-242.93	-8.72	19.61	-284.42	-8.72	18.93	-284.47	-8.72	18.93	-325.96
63	1-LANE (case3TRUCK-LOAD	MAX	S2	33.95	51.73	856.69	33.95	51.73	1018.17	33.95	54.15	1018.04	33.95	54.15	1179.52
			TQ	30.44	53.29	741.73	30.44	53.29	886.56	30.44	55.39	886.43	30.44	55.39	1031.26
			M3	11.66	-30.39	1225.86	21.93	13.35	1197.88	21.93	16.19	1197.84	7.59	31.01	1214.03
		MIN	S2	-37.63	-53.68	1180.41	-37.63	-53.68	1001.42	-37.63	-51.30	1001.55	-37.63	-51.30	822.56
			TQ	-33.86	-55.11	1021.00	-33.86	-55.11	859.92	-33.86	-53.07	860.05	-33.86	-53.07	698.96
			M3	-7.11	-1.62	-200.04	-7.11	-1.62	-233.85	-7.11	-2.17	-233.84	-7.11	-2.17	-267.66

BAGO RIVER BRIDGE

BLOCK [ No.1 : MAIN GIRDER ][ BEAM MEMBER FORCE ]

MEMBER		2007			2008			2008			2009				
NODE		2007			2008			2008			2009				
		SHEAR	TORQUE	MOMENT	SHEAR	TORQUE	MOMENT	SHEAR	TORQUE	MOMENT	SHEAR	TORQUE	MOMENT		
NAME	TITLE	S2 (kN)	TQ (kN·m)	M3 (kN·m)	S2 (kN)	TQ (kN·m)	M3 (kN·m)	S2 (kN)	TQ (kN·m)	M3 (kN·m)	S2 (kN)	TQ (kN·m)	M3 (kN·m)		
63	1-LANE (case3TANDEM-LOAD	MAX	S2	23.94	32.30	634.15	23.94	32.30	748.03	23.94	34.08	747.95	23.94	34.08	861.83
			TQ	22.20	38.99	518.47	22.20	38.99	624.10	22.20	40.47	624.00	22.20	40.47	729.63
			M3	9.38	-28.56	871.42	17.19	3.25	847.58	17.19	5.26	847.57	5.54	28.99	864.39
		MIN	S2	-26.52	-33.67	866.93	-26.52	-33.67	740.76	-26.52	-31.91	740.84	-26.52	-31.91	614.68
			TQ	-24.61	-40.26	725.46	-24.61	-40.26	608.41	-24.61	-38.82	608.51	-24.61	-38.82	491.46
			M3	-4.84	-1.12	-136.27	-4.84	-1.12	-159.31	-4.84	-1.50	-159.30	-4.84	-1.50	-182.33
	DISPERSION-LMAX	S2	26.24	23.57	747.31	23.34	25.26	767.66	23.34	27.09	767.59	20.34	25.58	770.20	
		TQ	15.15	27.11	426.09	15.15	27.11	498.17	16.65	28.35	547.25	10.44	28.35	611.68	
		M3	11.21	-0.15	1247.27	5.01	-0.15	1285.85	5.01	2.90	1285.85	-1.20	2.90	1294.90	
		MIN	S2	-23.45	-25.77	262.74	-26.76	-27.46	240.93	-26.76	-26.89	241.00	-29.96	-25.39	207.40
			TQ	-12.36	-29.31	583.97	-18.56	-29.31	510.42	-20.06	-28.15	461.34	-20.06	-28.15	365.92
			M3	-8.42	-2.05	-237.21	-8.42	-2.05	-277.26	-8.42	-2.71	-277.26	-8.42	-2.71	-317.30
64	1-LANE (case4TRUCK-LOAD	MAX	S2	9.95	141.97	392.77	9.95	141.97	440.13	9.95	143.01	439.79	9.95	143.01	487.14
			TQ	9.71	145.01	449.18	9.71	145.01	495.35	9.71	146.19	495.00	9.71	146.19	541.17
			M3	0.83	63.91	623.49	0.83	63.91	627.44	0.83	65.40	627.28	1.09	72.89	632.10
		MIN	S2	-6.65	-39.40	-191.57	-6.65	-39.40	-223.18	-6.65	-39.93	-223.09	-6.65	-39.93	-254.70
			TQ	-5.99	-53.16	380.70	-5.99	-53.16	352.21	-5.99	-52.33	352.33	-5.99	-52.33	323.83
			M3	-6.65	-39.40	-191.57	-6.65	-39.40	-223.18	-6.65	-39.93	-223.09	-6.65	-39.93	-254.70
	TANDEM-LOAD	MAX	S2	7.03	99.04	277.91	7.03	99.04	311.34	7.03	99.78	311.10	7.03	99.78	344.53
			TQ	6.96	99.89	293.65	6.96	99.89	326.75	6.96	100.67	326.51	6.96	100.67	359.61
			M3	0.43	55.54	423.55	0.62	36.31	426.35	0.62	37.32	426.27	0.62	37.32	429.24
		MIN	S2	-4.52	-27.18	-130.44	-4.52	-27.18	-151.96	-4.52	-27.54	-151.90	-4.52	-27.54	-173.42
			TQ	-4.35	-37.99	275.51	-4.35	-37.99	254.82	-4.35	-37.39	254.91	-4.35	-37.39	234.21
			M3	-4.52	-27.18	-130.44	-4.52	-27.18	-151.96	-4.52	-27.54	-151.90	-4.52	-27.54	-173.42

BAGO RIVER BRIDGE

BLOCK [ No.1 : MAIN GIRDER ][ BEAM MEMBER FORCE ]

MEMBER NODE	2007 2007	2008						2009					
		2007			2008			2008			2009		
		SHEAR	TORQUE	MOMENT	SHEAR	TORQUE	MOMENT	SHEAR	TORQUE	MOMENT	SHEAR	TORQUE	MOMENT
NAME TITLE	S2 (kN)	TQ (kN·m)	M3 (kN·m)	S2 (kN)	TQ (kN·m)	M3 (kN·m)	S2 (kN)	TQ (kN·m)	M3 (kN·m)	S2 (kN)	TQ (kN·m)	M3 (kN·m)	
64 1-LANE (case4DISPERSION-LMAX	S2	11.25	100.98	581.84	11.25	100.98	635.37	11.25	102.48	635.13	11.25	102.48	688.66
	TQ	11.08	107.10	612.95	11.08	107.10	665.69	11.08	108.69	668.46	11.08	108.69	721.18
	M3	8.52	83.36	856.40	8.52	83.36	896.93	8.52	85.49	896.73	8.52	85.49	937.26
	MIN S2	-10.59	-64.25	48.28	-10.59	-64.25	-2.11	-10.59	-64.25	-1.95	-10.59	-64.25	-52.34
	TQ	-10.42	-70.37	17.16	-10.42	-70.37	-32.42	-10.42	-70.45	-35.29	-10.42	-70.45	-84.86
	M3	-7.86	-46.63	-226.28	-7.86	-46.63	-263.67	-7.86	-47.25	-263.56	-7.86	-47.25	-300.94
65 2-LANES (caseTRUCK-LOAD	MAX S2	145.18	-228.86	2475.97	117.38	-291.13	2766.47	117.38	-284.56	2767.15	137.89	-295.17	3103.31
	TQ	-87.12	216.69	2295.99	-87.12	216.69	1881.54	-92.60	221.43	2027.10	-92.60	221.43	1586.58
	M3	28.41	55.78	3207.32	50.78	-149.07	3051.14	50.78	-141.83	3051.48	77.75	-195.96	3153.82
	MIN S2	-151.51	155.83	3133.55	-130.78	131.43	2890.08	-130.78	138.30	2889.76	-158.62	75.98	2546.05
	TQ	81.62	-357.89	1710.34	81.62	-357.89	2098.60	81.62	-352.91	2099.44	81.62	-352.91	2487.70
	M3	-15.13	68.61	-416.95	-15.13	68.61	-488.94	-15.13	67.45	-489.10	-15.13	67.45	-561.08
	TANDEM-LOAD MAX S2	112.65	-139.30	1791.03	93.04	-183.53	2028.79	93.04	-178.71	2029.22	119.74	-173.28	2233.23
	TQ	-66.52	151.98	1716.99	-66.52	151.98	1400.56	-68.04	155.39	1440.97	-68.04	155.39	1117.27
	M3	16.99	69.84	2269.95	72.58	-136.89	2175.99	72.58	-131.72	2176.31	64.76	-164.78	2236.25
	MIN S2	-129.51	78.42	2264.54	-102.25	80.44	2054.58	-102.25	85.32	2054.38	-121.75	41.19	1780.50
	TQ	60.29	-248.27	1198.29	60.29	-248.27	1485.10	60.29	-244.74	1485.69	60.29	-244.74	1772.50
	M3	-10.31	47.26	-284.14	-10.31	47.26	-333.21	-10.31	46.46	-333.32	-10.31	46.46	-382.38
	DISPERSION-LMAX S2	72.17	-240.41	1664.28	62.17	-240.76	1828.19	62.17	-236.42	1828.75	63.57	-234.10	1985.08
	TQ	-61.79	190.75	852.37	-64.76	190.75	547.84	-65.20	192.06	554.91	-65.20	192.06	244.74
	M3	16.95	-138.11	3110.28	7.94	-138.11	3169.55	7.94	-130.58	3169.87	-1.08	-130.58	3186.25
	MIN S2	-73.28	184.12	948.61	-72.30	184.46	758.04	-72.30	186.26	757.60	-82.71	183.94	531.73
	TQ	60.67	-247.05	1760.52	54.63	-247.05	2038.39	55.08	-242.22	2031.45	46.06	-242.22	2272.07
	M3	-18.06	81.81	-497.39	-18.06	81.81	-583.32	-18.06	80.43	-583.51	-18.06	80.43	-669.44

BAGO RIVER BRIDGE

BLOCK [ No.1 : MAIN GIRDER ][ BEAM MEMBER FORCE ]

MEMBER NODE	2007			2008			2008			2009						
	SHEAR	TORQUE	MOMENT	SHEAR	TORQUE	MOMENT	SHEAR	TORQUE	MOMENT	SHEAR	TORQUE	MOMENT				
													S2 (kN)	TQ (kN·m)	M3 (kN·m)	S2 (kN)
66	2-LANES (case	TRUCK-LOAD	MAX	S2	289.57	-23.13	2907.42	171.76	-89.72	3160.39	171.76	-82.21	3160.60	87.99	-139.33	2813.98
				TQ	-53.55	95.98	1572.48	-53.55	95.98	1317.72	-59.03	99.39	1463.57	-59.03	99.39	1182.73
				M3	266.00	-4.85	2935.86	148.80	-71.54	3221.21	148.80	-63.89	3221.37	-58.90	-88.72	2891.60
			MIN	S2	-99.56	46.62	2832.75	-184.18	-11.41	3147.92	-184.18	-3.93	3147.94	-302.09	-70.58	2856.17
				TQ	54.84	-188.49	1418.78	54.84	-188.49	1679.65	54.84	-184.50	1680.10	54.84	-184.50	1940.96
				M3	-14.82	44.86	-411.31	-14.82	44.86	-481.83	-14.82	43.72	-481.93	-14.82	43.72	-552.46
	TANDEM-LOAD	MAX	S2	235.65	6.38	2189.16	151.65	-40.47	2426.70	151.65	-34.71	2426.79	73.86	-79.89	2154.94	
				TQ	-38.62	68.18	1128.37	-38.62	68.18	944.66	-40.15	70.50	985.26	-40.15	70.50	794.28
				M3	235.65	6.38	2189.17	151.65	-40.47	2426.71	151.65	-34.71	2426.80	-77.57	-69.73	2161.18
			MIN	S2	-82.16	16.68	2178.44	-160.20	-28.84	2424.98	-160.20	-23.08	2425.04	-244.08	-69.73	2161.18
				TQ	36.12	-130.79	914.96	36.12	-130.79	1086.77	36.12	-128.21	1087.08	36.12	-128.21	1258.90
				M3	-10.10	30.90	-280.26	-10.10	30.90	-328.32	-10.10	30.12	-328.40	-10.10	30.12	-376.46
	DISPERSION-LMAX		S2	101.21	-136.65	1801.27	66.02	-134.64	1772.40	66.02	-130.43	1772.72	45.25	-121.37	1609.88	
				TQ	-42.34	100.24	484.07	-51.05	100.24	251.58	-51.78	100.86	279.08	-52.12	100.86	32.37
				M3	65.97	-92.24	2851.10	8.55	-92.24	3028.35	8.55	-85.04	3028.57	-48.88	-85.04	2932.63
			MIN	S2	-52.89	97.85	560.12	-75.13	95.84	682.28	-75.13	97.46	682.05	-111.78	88.39	664.99
				TQ	90.67	-139.04	1877.32	41.94	-139.04	2203.10	42.67	-133.84	2175.69	-14.42	-133.84	2242.51
				M3	-17.65	53.43	-489.71	-17.65	53.43	-573.67	-17.65	52.07	-573.79	-17.65	52.07	-657.76
67	2-LANES (case	TRUCK-LOAD	MAX	S2	60.14	129.24	1630.65	60.14	129.24	1916.74	60.14	133.79	1916.43	60.14	133.79	2202.51
				TQ	54.97	137.59	1391.12	54.97	137.59	1652.63	54.97	141.52	1652.30	54.97	141.52	1913.80
				M3	-5.19	-51.65	2296.05	28.47	41.72	2209.34	28.47	46.97	2209.24	21.89	79.01	2277.69
			MIN	S2	-66.38	-106.88	2199.46	-66.38	-106.88	1883.69	-66.38	-102.41	1883.94	-66.38	-102.41	1568.17
				TQ	-60.59	-114.87	1883.52	-60.59	-114.87	1595.28	-60.59	-111.08	1595.54	-60.59	-111.08	1307.30
				M3	-14.07	-15.42	-397.32	-14.07	-15.42	-464.23	-14.07	-16.52	-464.20	-14.07	-16.52	-531.11



BAGO RIVER BRIDGE

BLOCK [ No.1 : MAIN GIRDER ][ BEAM MEMBER FORCE ]

MEMBER NODE	2007 2007	2008			2008			2008			2009				
		SHEAR	TORQUE	MOMENT	SHEAR	TORQUE	MOMENT	SHEAR	TORQUE	MOMENT	SHEAR	TORQUE	MOMENT		
		S2 (kN)	TQ (kN·m)	M3 (kN·m)	S2 (kN)	TQ (kN·m)	M3 (kN·m)	S2 (kN)	TQ (kN·m)	M3 (kN·m)	S2 (kN)	TQ (kN·m)	M3 (kN·m)		
67	2-LANES (caseTANDEM-LOAD	MAX	S2	43.04	89.01	1138.28	43.04	89.01	1343.03	43.04	92.20	1342.82	43.04	92.20	1547.57
			TQ	41.08	97.37	998.75	41.08	97.37	1194.17	41.08	100.20	1193.94	41.08	100.20	1389.36
			M3	-6.51	-51.44	1616.75	18.53	16.04	1543.90	18.53	19.71	1543.85	19.69	69.96	1605.81
		MIN	S2	-47.41	-73.98	1549.23	-47.41	-73.98	1323.72	-47.41	-70.84	1323.89	-47.41	-70.84	1098.38
			TQ	-45.22	-82.21	1379.00	-45.22	-82.21	1163.90	-45.22	-79.44	1164.09	-45.22	-79.44	948.99
			M3	-9.58	-10.64	-270.65	-9.58	-10.64	-316.23	-9.58	-11.39	-316.20	-9.58	-11.39	-361.78
	DISPERSION-LMAX		S2	45.17	76.95	1367.01	42.27	78.64	1477.38	42.27	82.15	1477.19	39.27	80.65	1569.83
			TQ	33.67	80.58	1064.86	33.67	80.58	1225.01	35.33	83.57	1291.71	29.12	83.57	1445.00
			M3	16.81	24.34	2394.62	10.60	24.34	2459.83	10.60	30.18	2459.77	4.40	30.18	2495.45
		MIN	S2	-45.01	-71.24	556.80	-48.31	-72.94	432.43	-48.31	-71.91	432.60	-51.52	-70.41	296.45
			TQ	-33.50	-74.87	858.95	-39.71	-74.87	684.80	-41.37	-73.33	618.09	-41.37	-73.33	421.28
			M3	-16.65	-18.63	-470.81	-16.65	-18.63	-550.02	-16.65	-19.94	-549.97	-16.65	-19.94	-629.18
68	2-LANES (caseTRUCK-LOAD	MAX	S2	23.73	255.47	975.55	23.73	255.47	1088.42	23.73	258.06	1087.81	23.73	258.06	1200.68
			TQ	23.05	262.38	963.31	23.05	262.38	1072.97	23.05	264.92	1072.34	23.05	264.92	1182.00
			M3	-2.59	81.69	1403.24	3.95	112.28	1400.46	3.95	115.61	1400.19	7.31	138.33	1429.33
		MIN	S2	-18.46	-84.97	459.90	-18.46	-84.97	372.08	-18.46	-84.09	372.28	-18.46	-84.09	284.47
			TQ	-16.48	-105.34	904.93	-16.48	-105.34	826.54	-16.48	-103.37	826.78	-16.48	-103.37	748.39
			M3	-13.44	-66.57	-385.86	-13.44	-66.57	-449.80	-13.44	-67.64	-449.64	-13.44	-67.64	-513.59
	TANDEM-LOAD	MAX	S2	16.44	179.08	655.50	16.44	179.08	733.69	16.44	180.82	733.27	16.44	180.82	811.46
			TQ	16.25	180.74	654.48	16.25	180.74	731.79	16.25	182.47	731.36	16.25	182.47	808.68
			M3	-4.81	53.66	956.75	1.54	63.74	954.67	1.54	66.01	954.52	6.35	87.88	977.57
		MIN	S2	-12.79	-54.14	348.82	-12.79	-54.14	287.99	-12.79	-53.45	288.12	-12.79	-53.45	227.29
			TQ	-11.15	-74.16	606.14	-11.15	-74.16	553.10	-11.15	-72.85	553.27	-11.15	-72.85	500.24
			M3	-9.15	-45.93	-262.77	-9.15	-45.93	-306.30	-9.15	-46.66	-306.19	-9.15	-46.66	-349.72

BAGO RIVER BRIDGE

BLOCK [ No.1 : MAIN GIRDER ][ BEAM MEMBER FORCE ]

MEMBER			2007			2008			2008			2009				
NODE			2007			2008			2008			2009				
NAME TITLE			SHEAR	TORQUE	MOMENT	SHEAR	TORQUE	MOMENT	SHEAR	TORQUE	MOMENT	SHEAR	TORQUE	MOMENT		
			S2 (kN)	TQ (kN·m)	M3 (kN·m)	S2 (kN)	TQ (kN·m)	M3 (kN·m)	S2 (kN)	TQ (kN·m)	M3 (kN·m)	S2 (kN)	TQ (kN·m)	M3 (kN·m)		
68	2-LANES (caseDISPERSION-LMAX	S2	25.33	182.63	1142.94	25.33	182.63	1263.45	25.33	185.63	1263.01	25.33	185.63	1383.51		
		TQ	24.60	190.38	1241.42	24.60	190.38	1358.45	24.79	193.63	1373.89	24.79	193.63	1491.80		
		M3	16.37	141.53	1821.10	16.37	141.53	1898.99	16.37	146.04	1898.64	16.37	146.04	1976.53		
	MIN	S2	-24.86	-119.84	222.01	-24.86	-119.84	103.75	-24.86	-119.60	104.04	-24.86	-119.60	-14.23		
		TQ	-24.13	-127.60	123.54	-24.13	-127.60	8.75	-24.32	-127.60	-6.84	-24.32	-127.60	-122.51		
		M3	-15.90	-78.75	-456.14	-15.90	-78.75	-531.79	-15.90	-80.01	-531.60	-15.90	-80.01	-607.24		
	69	3-LANES (caseTRUCK-LOAD	MAX	S2	339.64	-247.00	3865.99	221.83	-313.59	4357.16	221.83	-303.24	4357.90	180.23	-323.82	4448.78
			TQ	-108.14	239.20	2920.51	-108.14	239.20	2406.07	-113.62	245.19	2551.57	-113.62	245.19	2011.06	
			M3	210.75	39.85	4608.87	143.65	-169.58	4675.27	143.65	-158.48	4675.66	31.73	-215.13	4535.61	
MIN		S2	-199.17	149.75	4486.73	-240.87	114.99	4474.71	-240.87	125.62	4474.42	-358.78	58.97	3912.99		
		TQ	103.51	-413.98	2310.74	103.51	-413.98	2803.13	103.51	-407.32	2804.10	103.51	-407.32	3296.49		
		M3	-22.47	85.09	-621.20	-22.47	85.09	-728.08	-22.47	83.36	-728.28	-22.47	83.36	-835.15		
TANDEM-LOAD		MAX	S2	274.68	-150.37	2858.06	190.68	-197.22	3281.28	190.68	-189.43	3281.74	157.99	-187.62	3284.55	
		TQ	-82.08	168.37	2171.78	-82.08	168.37	1781.31	-83.61	172.68	1821.67	-83.61	172.68	1423.92		
		M3	179.02	58.76	3336.99	170.22	-150.58	3428.48	170.22	-142.44	3428.83	6.57	-177.46	3290.80		
MIN	S2	-171.57	69.06	3326.26	-203.74	67.30	3306.24	-203.74	75.15	3306.07	-287.63	28.51	2835.04			
	TQ	75.15	-287.54	1583.86	75.15	-287.54	1941.35	75.15	-282.93	1942.03	75.15	-282.93	2299.52			
	M3	-15.31	58.61	-423.30	-15.31	58.61	-496.15	-15.31	57.43	-496.29	-15.31	57.43	-569.13			
DISPERSION-LMAX	S2	129.78	-283.03	2533.20	96.10	-281.29	2693.26	96.10	-274.90	2693.92	84.84	-270.53	2760.98			
	TQ	-81.27	219.73	945.90	-84.24	219.73	548.71	-84.97	221.06	575.93	-85.31	221.06	171.32			
	M3	58.39	-172.78	4475.45	12.37	-172.78	4643.82	12.37	-161.75	4644.21	-33.65	-161.75	4593.65			
MIN	S2	-98.17	211.67	1201.93	-110.52	209.94	1082.81	-110.52	212.51	1082.31	-145.28	208.14	837.27			
	TQ	112.87	-291.09	2789.23	69.82	-291.09	3227.36	70.55	-283.45	3200.31	24.87	-283.45	3426.93			
	M3	-26.78	101.42	-740.32	-26.78	101.42	-867.74	-26.78	99.36	-867.98	-26.78	99.36	-995.40			

BAGO RIVER BRIDGE

BLOCK [ No.1 : MAIN GIRDER ][ BEAM MEMBER FORCE ]

MEMBER NODE	2007 2007	2008			2008			2008			2009				
		SHEAR	TORQUE	MOMENT	SHEAR	TORQUE	MOMENT	SHEAR	TORQUE	MOMENT	SHEAR	TORQUE	MOMENT		
		S2 (kN)	TQ (kN·m)	M3 (kN·m)	S2 (kN)	TQ (kN·m)	M3 (kN·m)	S2 (kN)	TQ (kN·m)	M3 (kN·m)	S2 (kN)	TQ (kN·m)	M3 (kN·m)		
70	3-LANES (caseTRUCK-LOAD	MAX	S2	77.71	230.08	2267.66	77.71	230.08	2637.34	77.71	236.34	2636.79	77.71	236.34	3006.47
			TQ	70.39	243.16	1920.31	70.39	243.16	2255.17	70.39	248.51	2254.58	70.39	248.51	2589.44
			M3	-15.50	-56.68	3195.40	32.77	82.25	3075.10	32.77	89.55	3074.90	31.06	137.80	3175.79
		MIN	S2	-85.25	-155.86	2985.82	-85.25	-155.86	2580.25	-85.25	-149.73	2580.62	-85.25	-149.73	2175.05
			TQ	-76.37	-167.72	2515.47	-76.37	-167.72	2152.17	-76.37	-162.60	2152.57	-76.37	-162.60	1789.26
			M3	-20.87	-41.44	-591.88	-20.87	-41.44	-691.18	-20.87	-43.08	-691.08	-20.87	-43.08	-790.38
	TANDEM-LOAD	MAX	S2	55.72	157.50	1582.48	55.72	157.50	1847.53	55.72	161.89	1847.15	55.72	161.89	2112.19
			TQ	51.90	170.29	1370.25	51.90	170.29	1617.13	51.90	174.13	1616.72	51.90	174.13	1863.60
			M3	-16.21	-62.07	2238.35	19.59	37.71	2138.24	19.59	42.79	2138.15	28.55	116.90	2226.44
		MIN	S2	-61.15	-107.57	2105.84	-61.15	-107.57	1814.95	-61.15	-103.26	1815.20	-61.15	-103.26	1524.31
			TQ	-56.48	-119.52	1828.18	-56.48	-119.52	1559.51	-56.48	-115.82	1559.79	-56.48	-115.82	1291.12
			M3	-14.22	-28.59	-403.15	-14.22	-28.59	-470.78	-14.22	-29.70	-470.71	-14.22	-29.70	-538.34
	DISPERSION-LMAX	S2	60.85	152.25	1947.46	57.95	153.94	2132.45	57.95	159.01	2132.08	54.95	157.51	2299.32	
		TQ	49.10	156.71	1697.40	49.10	156.71	1930.96	50.74	161.38	1998.97	44.54	161.38	2225.60	
		M3	23.08	74.11	3433.47	16.87	74.11	3528.51	16.87	82.49	3528.32	10.67	82.49	3593.83	
		MIN	S2	-62.47	-127.89	785.16	-65.78	-129.58	577.72	-65.78	-128.21	578.02	-68.98	-126.71	358.78
			TQ	-50.72	-132.35	1035.23	-56.92	-132.35	779.20	-58.57	-130.58	711.13	-58.57	-130.58	432.51
			M3	-24.70	-49.75	-700.84	-24.70	-49.75	-818.35	-24.70	-51.70	-818.23	-24.70	-51.70	-935.73
71	3-LANES (caseTRUCK-LOAD	MAX	S2	45.02	347.70	1636.87	45.02	347.70	1851.02	45.02	352.10	1850.19	45.02	352.10	2064.34
			TQ	43.51	356.31	1579.68	43.51	356.31	1786.68	43.51	360.55	1785.83	43.51	360.55	1992.83
			M3	-14.67	71.86	2353.32	9.32	148.51	2319.18	9.32	154.01	2318.82	18.65	192.99	2392.08
		MIN	S2	-39.44	-127.03	1357.36	-39.44	-127.03	1169.75	-39.44	-124.25	1170.05	-39.44	-124.25	982.43
			TQ	-36.02	-159.11	1655.99	-36.02	-159.11	1484.62	-36.02	-155.58	1485.00	-36.02	-155.58	1313.62
			M3	-20.38	-81.52	-582.89	-20.38	-81.52	-679.87	-20.38	-83.14	-679.67	-20.38	-83.14	-776.64

BAGO RIVER BRIDGE

BLOCK [ No.1 : MAIN GIRDER ][ BEAM MEMBER FORCE ]

MEMBER NODE	2007 2007	2008			2008			2008			2009					
		SHEAR	TORQUE	MOMENT	SHEAR	TORQUE	MOMENT	SHEAR	TORQUE	MOMENT	SHEAR	TORQUE	MOMENT			
		S2 (kN)	TQ (kN·m)	M3 (kN·m)	S2 (kN)	TQ (kN·m)	M3 (kN·m)	S2 (kN)	TQ (kN·m)	M3 (kN·m)	S2 (kN)	TQ (kN·m)	M3 (kN·m)			
71	3-LANES (case)	TANDEM-LOAD	MAX	S2	32.04	242.73	1116.74	32.04	242.73	1269.15	32.04	245.74	1268.57	32.04	245.74	1420.98
				TQ	29.54	245.38	1057.53	29.54	245.38	1198.03	29.54	248.22	1197.44	29.54	248.22	1337.95
				M3	-16.24	39.54	1613.68	2.74	82.29	1584.96	2.74	86.06	1584.76	17.37	132.46	1646.71
			MIN	S2	-28.02	-86.92	948.87	-28.02	-86.92	815.58	-28.02	-84.98	815.78	-28.02	-84.98	682.49
				TQ	-23.78	-111.88	1093.02	-23.78	-111.88	979.91	-23.78	-109.56	980.17	-23.78	-109.56	867.06
				M3	-13.88	-56.25	-396.97	-13.88	-56.25	-462.99	-13.88	-57.35	-462.86	-13.88	-57.35	-528.89
		DISPERSION-LMAX		S2	42.65	242.37	1743.31	42.65	242.37	1946.19	42.65	246.99	1945.61	42.65	246.99	2148.49
				TQ	37.07	251.37	1769.81	37.07	251.37	1946.15	38.25	256.05	1994.23	38.25	256.05	2176.20
				M3	23.56	174.44	2894.18	23.56	174.44	3006.25	23.56	181.57	3005.83	23.56	181.57	3117.89
			MIN	S2	-43.21	-164.26	461.32	-43.21	-164.26	255.74	-43.21	-163.65	256.13	-43.21	-163.65	50.56
				TQ	-37.63	-173.26	434.81	-37.63	-173.26	255.78	-38.82	-172.71	207.51	-38.82	-172.71	22.85
				M3	-24.12	-96.32	-689.56	-24.12	-96.32	-804.32	-24.12	-98.23	-804.09	-24.12	-98.23	-918.84
72	4-LANES	TRUCK-LOAD	MAX	S2	82.93	384.17	2596.40	82.93	384.17	2990.92	82.93	391.28	2990.00	82.93	391.28	3384.51
				TQ	77.43	400.17	2349.57	77.43	400.17	2717.89	77.43	406.63	2716.93	77.43	406.63	3085.26
				M3	-14.73	14.53	3696.72	30.52	150.97	3603.62	30.52	159.53	3603.25	30.88	218.11	3709.13
			MIN	S2	-83.62	-187.56	2657.21	-83.74	-186.79	2272.38	-83.74	-181.39	2272.82	-83.74	-181.39	1874.47
				TQ	-76.70	-219.12	2881.30	-76.70	-219.12	2516.44	-75.88	-213.33	2408.42	-75.88	-213.33	2047.42
				M3	-27.51	-81.99	-783.19	-27.51	-81.99	-914.04	-27.51	-84.16	-913.84	-27.51	-84.16	-1044.69
		TANDEM-LOAD	MAX	S2	58.85	261.78	1837.40	58.85	261.78	2117.35	58.85	266.81	2116.73	58.85	266.81	2396.68
				TQ	56.70	277.77	1648.34	56.70	277.77	1918.07	56.70	282.32	1917.41	56.70	282.32	2187.14
				M3	-15.68	-17.71	2570.01	17.76	79.87	2491.22	17.76	85.78	2491.03	27.57	158.39	2582.44
			MIN	S2	-59.43	-138.53	2313.92	-59.43	-138.53	2031.20	-59.43	-133.71	2031.52	-59.43	-133.71	1748.80
				TQ	-53.11	-154.91	1957.09	-53.11	-154.91	1704.45	-53.09	-150.89	1685.44	-53.09	-150.89	1432.89
				M3	-18.73	-56.57	-533.42	-18.73	-56.57	-622.52	-18.73	-58.05	-622.39	-18.73	-58.05	-711.49

BAGO RIVER BRIDGE

BLOCK [ No.1 : MAIN GIRDER ] [ BEAM MEMBER FORCE ]

MEMBER				2007			2008			2008			2009					
NODE				2007			2008			2008			2009					
				SHEAR	TORQUE	MOMENT	SHEAR	TORQUE	MOMENT	SHEAR	TORQUE	MOMENT	SHEAR	TORQUE	MOMENT			
NAME	TITLE			S2 (kN)	TQ (kN·m)	M3 (kN·m)	S2 (kN)	TQ (kN·m)	M3 (kN·m)	S2 (kN)	TQ (kN·m)	M3 (kN·m)	S2 (kN)	TQ (kN·m)	M3 (kN·m)			
72	4-LANES	DISPERSION-LMAX	S2	50.37	253.41	1945.24	47.47	255.10	2080.36	47.47	260.04	2079.75	44.70	259.19	2217.82			
			TQ	41.96	270.79	1890.05	41.96	270.79	2089.65	42.18	275.79	2117.93	38.28	275.79	2309.42			
			M3	11.50	155.67	3664.90	5.29	155.68	3704.84	5.29	164.47	3704.46	-0.92	164.47	3714.86			
		MIN	S2	-64.15	-176.90	1069.36	-67.12	-178.16	832.45	-67.12	-176.18	832.87	-70.32	-174.68	607.26			
			TQ	-57.54	-191.86	1043.04	-62.46	-191.86	759.14	-62.70	-190.09	729.74	-62.70	-190.09	431.48			
			M3	-25.08	-82.00	-715.00	-25.08	-82.00	-834.30	-25.08	-83.98	-834.10	-25.08	-83.98	-953.40			
		73	6-LANES	TRUCK-LOAD	MAX	S2	376.79	70.35	5670.81	267.92	67.92	6428.28	267.92	83.19	6428.10	224.24	85.49	6675.59
					TQ	9.91	529.27	4739.50	9.91	529.27	4786.64	9.91	540.63	4785.37	9.91	540.63	4832.52	
					M3	164.36	6.02	7081.69	119.95	73.50	7076.53	119.95	90.31	7076.34	52.57	22.65	7023.82	
MIN	S2			-237.94	-77.03	6585.40	-282.17	-65.19	6302.07	-282.17	-50.22	6302.20	-395.28	-52.29	5506.91			
	TQ			-15.86	-518.47	4734.75	-15.86	-518.47	4659.31	-15.80	-507.53	4591.11	-15.80	-507.53	4515.97			
	M3			-42.86	4.76	-1204.21	-42.86	4.76	-1408.09	-42.86	1.42	-1408.10	-42.86	1.42	-1611.98			
TANDEM-LOAD	MAX			S2	298.75	44.72	4004.49	222.04	44.80	4616.48	222.04	55.76	4616.36	185.54	90.73	4807.26		
	TQ			6.01	368.69	3481.27	6.01	368.69	3509.88	6.01	377.03	3508.99	6.01	377.03	3537.60			
	M3			137.70	21.77	5036.87	136.84	18.71	5084.46	136.84	30.78	5084.40	30.34	-7.56	5036.56			
MIN	S2			-195.23	-78.96	4736.26	-231.63	-41.01	4507.72	-231.63	-30.30	4507.81	-312.99	-31.84	3873.40			
	TQ			-5.58	-362.75	3328.46	-5.58	-362.75	3301.94	-5.56	-354.94	3283.42	-5.56	-354.94	3256.98			
	M3			-29.20	3.19	-820.36	-29.20	3.19	-959.25	-29.20	0.92	-959.25	-29.20	0.92	-1098.15			
DISPERSION-LMAX	S2			170.20	-17.33	4238.15	138.25	-13.89	4573.96	138.25	-3.02	4573.98	127.17	-3.95	4840.02			
	TQ			-19.63	422.15	2588.34	-20.69	422.15	2491.18	-19.85	428.18	2578.45	-26.00	428.18	2469.73			
	M3			65.90	-24.81	7258.35	31.22	-23.40	7505.31	31.22	-5.58	7505.34	-4.03	-7.02	7554.39			
MIN	S2	-143.93	12.51	1816.22	-155.92	7.40	1468.95	-155.92	10.89	1468.93	-189.29	10.45	1039.00					
	TQ	42.07	-427.04	3370.23	-7.15	-427.04	3456.84	-7.71	-418.93	3371.22	-36.36	-418.93	3266.29					
	M3	-48.93	13.00	-1373.74	-48.93	13.00	-1606.50	-48.93	9.18	-1606.53	-48.93	9.18	-1839.29					

BAGO RIVER BRIDGE

BLOCK [ No.1 : MAIN GIRDER ] [ BEAM MEMBER FORCE ]

MEMBER			2007			2008			2008			2009			
NODE			2007			2008			2008			2009			
NAME TITLE			SHEAR	TORQUE	MOMENT	SHEAR	TORQUE	MOMENT	SHEAR	TORQUE	MOMENT	SHEAR	TORQUE	MOMENT	
			S2 (kN)	TQ (kN·m)	M3 (kN·m)	S2 (kN)	TQ (kN·m)	M3 (kN·m)	S2 (kN)	TQ (kN·m)	M3 (kN·m)	S2 (kN)	TQ (kN·m)	M3 (kN·m)	
124	SUM TOTAL	D+1LANE (caseMAX	S2	206.62	-486.01	26078.21	16.57	-486.34	26668.44	16.57	-423.00	26669.52	-113.28	-384.80	26635.32
			TQ	0.05	273.55	26221.44	-184.94	273.55	25789.86	-184.94	334.80	25789.14	-376.81	334.80	24452.98
			M3	36.85	-84.71	28006.45	-81.20	-256.01	27810.71	-81.20	-189.96	27811.24	-144.45	-228.14	27258.28
		MIN	S2	-61.62	218.63	26804.56	-190.10	246.89	26200.07	-190.10	309.11	26199.41	-379.70	314.76	24767.15
			TQ	197.30	-494.75	26214.24	12.24	-494.75	26704.57	12.24	-431.33	26705.67	-165.94	-431.33	26340.18
			M3	92.13	64.14	23497.00	-99.74	64.14	23478.90	-99.74	119.91	23478.68	-291.62	119.91	22547.83
		D+1LANE (caseMAX	S2	414.75	-114.62	26760.35	86.44	-117.30	27074.21	86.44	-53.00	27074.41	-195.15	-62.52	25837.88
			TQ	63.67	20.08	24911.27	-128.20	20.08	24757.77	-128.55	78.91	24781.91	-320.83	78.91	23713.52
			M3	380.79	-102.42	27369.68	37.15	-107.92	27845.36	37.15	-41.79	27845.54	-365.80	-44.81	26639.26
		MIN	S2	25.18	-15.95	25977.41	-257.58	-30.87	26418.57	-257.58	31.88	26418.57	-586.75	24.22	25299.21
			TQ	201.16	-161.85	26004.54	-35.12	-161.85	26399.49	-34.77	-99.18	26375.55	-270.65	-99.18	25648.62
			M3	92.99	1.59	23513.00	-98.88	1.59	23499.01	-98.88	57.40	23498.94	-290.75	57.40	22572.20
		D+1LANE (caseMAX	S2	184.49	48.65	25974.41	-10.86	50.68	26270.28	-10.86	113.07	26270.08	-206.34	111.27	25631.90
			TQ	166.98	54.77	25450.98	-24.89	54.77	25788.95	-23.10	116.08	25847.73	-222.42	116.08	25263.76
			M3	139.71	-78.35	27017.37	-47.29	-25.87	27107.76	-47.29	38.51	27107.74	-263.82	56.28	26302.96
		MIN	S2	38.97	-137.05	25781.39	-156.86	-139.08	25618.11	-156.86	-78.24	25618.37	-352.59	-76.44	24528.18
			TQ	56.80	-143.02	25975.57	-142.52	-143.02	25771.70	-144.31	-81.87	25712.98	-336.19	-81.87	24570.10
			M3	93.63	-46.11	23524.91	-98.24	-46.11	23513.95	-98.24	9.74	23514.00	-290.11	9.74	22590.28
		D+1LANE (caseMAX	S2	137.71	249.82	25219.14	-54.16	249.82	25417.88	-54.16	310.19	25417.22	-246.03	310.19	24703.19
			TQ	137.21	260.83	25324.17	-54.66	260.83	25520.53	-54.66	321.44	25523.48	-246.54	321.44	24807.06
			M3	123.48	135.01	25825.48	-68.39	135.01	25956.52	-68.39	196.65	25956.13	-259.95	205.64	25175.46
		MIN	S2	91.57	-166.08	23877.67	-100.29	-166.08	23856.94	-100.29	-109.42	23857.27	-292.17	-109.42	22923.78
			TQ	92.56	-189.95	24527.05	-99.31	-189.95	24511.02	-99.30	-131.74	24507.76	-291.18	-131.74	23579.00
			M3	94.85	-144.94	23548.20	-97.01	-144.94	23543.07	-97.01	-89.03	23543.34	-288.89	-89.03	22625.46

BAGO RIVER BRIDGE

BLOCK [ No.1 : MAIN GIRDER ] [ BEAM MEMBER FORCE ]

MEMBER				2007			2008			2008			2009		
NODE				2007			2008			2008			2009		
NAME TITLE				SHEAR	TORQUE	MOMENT	SHEAR	TORQUE	MOMENT	SHEAR	TORQUE	MOMENT	SHEAR	TORQUE	MOMENT
				S2 (kN)	TQ (kN·m)	M3 (kN·m)	S2 (kN)	TQ (kN·m)	M3 (kN·m)	S2 (kN)	TQ (kN·m)	M3 (kN·m)	S2 (kN)	TQ (kN·m)	M3 (kN·m)
124	SUM TOTAL	D+2LANES (casMAX	S2	329.60	-510.98	28189.86	99.95	-573.60	28721.94	99.95	-505.38	28723.22	-70.02	-513.67	28380.63
			TQ	-36.65	365.73	27197.97	-231.49	365.73	26556.67	-237.41	429.09	26709.32	-429.29	429.09	25123.55
			M3	157.62	-124.03	30367.21	-20.89	-328.89	30347.97	-20.89	-256.81	30348.66	-194.81	-310.94	29632.31
		MIN	S2	-112.52	298.24	28131.76	-282.68	274.19	27775.40	-282.68	340.15	27774.67	-512.82	275.52	26370.02
			TQ	254.55	-646.65	27520.46	56.64	-646.65	28264.27	57.08	-579.53	28258.20	-143.81	-579.53	28052.01
			M3	79.07	108.72	23135.26	-112.80	108.72	23055.03	-112.80	163.47	23054.71	-304.68	163.47	22061.72
		D+2LANES (casMAX	S2	503.05	-201.49	28758.31	158.17	-266.07	29060.08	158.17	-197.05	29060.63	-138.24	-245.10	27716.09
			TQ	16.36	154.51	26106.16	-184.21	154.51	25696.59	-190.42	215.85	25869.97	-382.63	215.85	24507.34
			M3	444.24	-138.80	29836.56	77.74	-205.48	30376.85	77.74	-133.34	30377.25	-379.27	-158.17	29116.46
		MIN	S2	-40.19	102.76	27442.47	-338.91	42.72	27957.49	-338.91	109.12	27957.31	-685.36	33.41	26813.40
			TQ	257.76	-369.23	27345.72	17.17	-369.23	28010.04	17.90	-302.74	27983.10	-231.06	-302.74	27475.71
			M3	79.79	56.59	23148.60	-112.08	56.59	23071.79	-112.08	111.39	23071.59	-303.96	111.39	22082.02
		D+2LANES (casMAX	S2	217.57	164.48	27047.27	22.80	166.17	27521.41	22.80	231.54	27520.93	-172.08	230.03	27064.57
			TQ	200.90	176.46	26505.59	9.03	176.46	27004.92	10.69	240.68	27071.32	-187.39	240.68	26651.03
			M3	123.89	-69.02	28740.28	-40.53	24.35	28796.46	-40.53	92.74	28796.32	-245.19	124.78	28065.37
		MIN	S2	0.88	-219.83	26805.87	-194.30	-221.53	26443.41	-194.30	-158.72	26443.86	-389.38	-157.22	25156.86
			TQ	18.16	-231.45	26792.08	-179.91	-231.45	26407.37	-181.57	-168.81	26340.95	-373.45	-168.81	25020.81
			M3	81.54	-75.75	23181.48	-110.32	-75.75	23113.04	-110.32	-20.86	23113.15	-302.20	-20.86	22131.95
		D+2LANES (casMAX	S2	161.32	396.39	26168.10	-30.55	396.39	26479.15	-30.55	459.28	26478.13	-222.42	459.28	25876.43
			TQ	159.91	411.05	26254.33	-31.95	411.05	26558.70	-31.77	474.15	26573.54	-223.64	474.15	25966.04
			M3	126.05	181.52	27273.95	-59.28	212.10	27426.73	-59.28	277.24	27426.15	-247.81	299.97	26698.09
		MIN	S2	68.94	-246.52	24731.52	-122.93	-246.52	24603.12	-122.93	-188.09	24603.64	-314.80	-188.09	23562.48
			TQ	71.65	-274.64	25078.08	-120.22	-274.64	24962.57	-120.40	-215.38	24947.26	-312.28	-215.38	23918.12
			M3	82.92	-187.03	23207.60	-108.95	-187.03	23145.70	-108.95	-132.06	23146.07	-300.82	-132.06	22171.41

BAGO RIVER BRIDGE

BLOCK [ No.1 : MAIN GIRDER ][ BEAM MEMBER FORCE ]

MEMBER				2007			2008			2008			2009			
NODE				2007			2008			2008			2009			
NAME TITLE				SHEAR	TORQUE	MOMENT	SHEAR	TORQUE	MOMENT	SHEAR	TORQUE	MOMENT	SHEAR	TORQUE	MOMENT	
				S2 (kN)	TQ (kN·m)	M3 (kN·m)	S2 (kN)	TQ (kN·m)	M3 (kN·m)	S2 (kN)	TQ (kN·m)	M3 (kN·m)	S2 (kN)	TQ (kN·m)	M3 (kN·m)	
124	SUM TOTAL	D+3LANES (casMAX	S2	511.27	-492.24	29488.93	190.63	-547.36	30120.15	190.63	-475.82	30121.36	-46.17	-489.61	29420.53	
			TQ	-48.73	348.38	27336.06	-243.13	348.38	26638.85	-248.41	411.91	26785.69	-440.57	411.91	25147.26	
			M3	341.03	-154.69	31771.29	53.01	-332.71	32048.51	53.01	-256.60	32049.21	-273.12	-304.75	31052.11	
		MIN	S2	-140.49	265.50	28884.96	-378.29	234.48	28851.18	-378.29	303.00	28850.54	-699.93	242.64	27329.96	
			TQ	296.18	-641.01	28384.58	67.72	-641.01	29253.20	68.34	-571.56	29231.07	-162.37	-571.56	29007.14	
			M3	70.40	116.82	22892.32	-121.47	116.82	22770.84	-121.47	170.91	22770.50	-313.35	170.91	21736.27	
		D+3LANES (casMAX	S2	230.04	283.27	27632.47	35.71	284.71	28181.61	35.71	351.64	28180.85	-158.72	350.37	27802.15	
			TQ	213.83	298.18	27124.66	21.96	298.18	27685.49	23.36	364.00	27742.84	-173.79	364.00	27385.02	
			M3	118.70	-26.89	29684.15	-37.41	91.20	29740.35	-37.41	161.83	29740.05	-236.01	202.84	29046.42	
		MIN	S2	-13.31	-282.89	27254.94	-207.99	-284.33	26811.56	-207.99	-220.65	26812.16	-402.59	-219.38	25445.99	
			TQ	4.24	-296.76	27067.71	-192.91	-296.76	26618.95	-194.31	-233.61	26561.46	-386.18	-233.61	25180.74	
			M3	73.52	-119.22	22950.80	-118.35	-119.22	22844.19	-118.35	-64.97	22844.41	-310.22	-64.97	21825.04	
		D+3LANES (casMAX	S2	186.78	459.85	26922.76	-5.09	459.85	27354.91	-5.09	524.82	27353.74	-196.97	524.82	26873.15	
			TQ	180.75	474.83	26896.68	-11.11	474.83	27300.19	-10.11	539.71	27340.37	-201.98	539.71	26835.91	
			M3	119.81	167.64	28509.98	-51.66	232.79	28653.90	-51.66	300.84	28653.26	-235.60	333.98	27975.72	
		MIN	S2	42.01	-289.30	25595.48	-149.86	-289.30	25338.95	-149.86	-229.12	25339.57	-341.74	-229.12	24170.28	
			TQ	49.65	-324.22	25826.79	-142.22	-324.22	25606.63	-143.22	-263.46	25565.95	-335.10	-263.46	24428.24	
			M3	74.43	-192.88	22968.02	-117.44	-192.88	22865.73	-117.44	-138.57	22866.12	-309.31	-138.57	21851.07	
		D+4LANES	MAX	S2	198.91	372.72	27001.68	5.15	373.82	27423.61	5.15	438.95	27422.65	-188.52	438.40	26933.75
			TQ	189.86	394.42	26805.36	-2.01	394.42	27252.19	-1.87	459.17	27269.98	-196.27	459.17	26798.77	
			M3	110.16	68.92	28834.66	-56.33	157.61	28877.78	-56.33	226.20	28877.33	-252.01	264.28	28117.83	
		MIN	S2	16.21	-278.61	26471.87	-177.66	-278.92	26145.42	-177.66	-216.83	26146.01	-371.62	-215.85	24905.36	
			TQ	25.01	-308.85	26600.43	-170.06	-308.85	26256.41	-169.69	-246.63	26167.12	-361.56	-246.63	24903.53	
			M3	78.08	-148.30	23075.79	-113.79	-148.30	22990.87	-113.79	-93.70	22991.15	-305.66	-93.70	21993.48	



BAGO RIVER BRIDGE

BLOCK [ No.1 : MAIN GIRDER ] [ BEAM MEMBER FORCE ]

MEMBER					2007			2008			2008			2009		
NODE					2007			2008			2008			2009		
NAME TITLE					SHEAR	TORQUE	MOMENT	SHEAR	TORQUE	MOMENT	SHEAR	TORQUE	MOMENT	SHEAR	TORQUE	MOMENT
					S2 (kN)	TQ (kN·m)	M3 (kN·m)	S2 (kN)	TQ (kN·m)	M3 (kN·m)	S2 (kN)	TQ (kN·m)	M3 (kN·m)	S2 (kN)	TQ (kN·m)	M3 (kN·m)
124	SUM TOTAL	D+6LANES	MAX	S2	467.81	-7.25	30490.43	184.40	-6.59	31278.74	184.40	67.70	31278.67	-43.07	68.59	30777.38
				TQ	105.94	576.72	28812.71	-86.62	576.72	28857.87	-86.07	645.32	28913.80	-281.94	645.32	28038.69
				M3	261.93	-53.92	33370.64	18.66	-9.14	33605.48	18.66	70.67	33605.41	-239.93	25.76	32768.07
			MIN	S2	-135.96	-83.65	29510.66	-364.37	-79.27	29178.45	-364.37	-9.97	29178.55	-651.46	-11.60	27547.08
				TQ	129.30	-656.29	29317.84	-94.56	-656.29	29402.78	-94.89	-586.60	29302.83	-305.38	-586.60	28350.71
				M3	52.60	-30.16	22373.94	-139.27	-30.16	22167.80	-139.27	22.49	22167.81	-331.14	22.49	21048.91
			SUM TOTAL	MAX	511.27	576.72	33370.64	190.63	576.72	33605.48	190.63	645.32	33605.41	-43.07	645.32	32768.07
				MIN	-140.49	-656.29	22373.94	-378.29	-656.29	22167.80	-378.29	-586.60	22167.81	-699.93	-586.60	21048.91
300	DEAD LOAD	TOTAL			112.26	-41.71	24049.61	-79.61	-41.71	24127.29	-79.61	15.59	24127.32	-271.48	15.59	23292.24
301	LIVE LOAD	1-LANE (case1MAX	S2		94.36	-444.30	2028.60	96.18	-444.63	2541.16	96.18	-438.59	2542.21	158.20	-400.39	3343.08
			TQ		-112.21	315.25	2171.84	-105.33	315.25	1662.57	-105.33	319.20	1661.82	-105.33	319.20	1160.74
			M3		-75.41	-43.00	3956.85	-1.59	-214.30	3683.42	-1.59	-205.55	3683.92	127.03	-243.73	3966.04
			MIN	S2	-173.88	260.34	2754.95	-110.50	288.60	2072.78	-110.50	293.52	2072.09	-108.22	299.16	1474.91
				TQ	85.04	-453.05	2164.63	91.85	-453.05	2577.28	91.85	-446.92	2578.35	105.54	-446.92	3047.94
				M3	-20.13	105.85	-552.61	-20.13	105.85	-648.38	-20.13	104.31	-648.63	-20.13	104.31	-744.41
		1-LANE (case2MAX	S2		302.49	-72.91	2710.74	166.05	-75.59	2946.92	166.05	-68.59	2947.09	76.34	-78.11	2545.64
			TQ		-48.60	61.79	861.66	-48.60	61.79	630.48	-48.94	63.31	654.59	-49.35	63.31	421.29
			M3		268.53	-60.71	3320.07	116.76	-66.21	3718.08	116.76	-57.38	3718.23	-94.32	-60.40	3347.03
			MIN	S2	-87.08	25.76	1927.80	-177.97	10.84	2291.28	-177.97	16.28	2291.25	-315.27	8.63	2006.98
				TQ	88.90	-120.14	1954.93	44.49	-120.14	2272.21	44.84	-114.77	2248.23	0.83	-114.77	2356.38
				M3	-19.27	43.30	-536.61	-19.27	43.30	-628.27	-19.27	41.81	-628.37	-19.27	41.81	-720.04
		1-LANE (case3MAX	S2		72.23	90.35	1924.80	68.75	92.39	2142.99	68.75	97.48	2142.76	65.14	95.67	2339.67
			TQ		54.72	96.48	1401.38	54.72	96.48	1661.67	56.51	100.49	1720.42	49.06	100.49	1971.52
			M3		27.45	-36.65	2967.76	32.32	15.84	2980.47	32.32	22.92	2980.43	7.66	40.69	3010.72
			MIN	S2	-73.29	-95.34	1731.79	-77.26	-97.37	1490.83	-77.26	-93.83	1491.05	-81.10	-92.03	1235.95
				TQ	-55.46	-101.31	1925.97	-62.91	-101.31	1644.41	-64.70	-97.47	1585.66	-64.70	-97.47	1277.86
				M3	-18.63	-4.40	-524.70	-18.63	-4.40	-613.33	-18.63	-5.86	-613.32	-18.63	-5.86	-701.95

BAGO RIVER BRIDGE

BLOCK [ No.1 : MAIN GIRDER ][ BEAM MEMBER FORCE ]

MEMBER			2007			2008			2008			2009			
NODE			2007			2008			2008			2009			
NAME TITLE			SHEAR	TORQUE	MOMENT	SHEAR	TORQUE	MOMENT	SHEAR	TORQUE	MOMENT	SHEAR	TORQUE	MOMENT	
			S2 (kN)	TQ (kN·m)	M3 (kN·m)	S2 (kN)	TQ (kN·m)	M3 (kN·m)	S2 (kN)	TQ (kN·m)	M3 (kN·m)	S2 (kN)	TQ (kN·m)	M3 (kN·m)	
301	LIVE LOAD	1-LANE (case4MAX	S2	25.45	291.53	1169.54	25.45	291.53	1290.59	25.45	294.60	1289.90	25.45	294.60	1410.96
			TQ	24.95	302.54	1274.56	24.95	302.54	1393.24	24.94	305.85	1396.16	24.94	305.85	1514.82
			M3	11.22	176.71	1775.87	11.22	176.71	1829.24	11.22	181.06	1828.81	11.53	190.05	1883.23
			MIN S2	-20.69	-124.38	-171.94	-20.69	-124.38	-270.35	-20.69	-125.02	-270.05	-20.69	-125.02	-368.46
			TQ	-19.70	-148.25	477.44	-19.70	-148.25	383.74	-19.69	-147.34	380.45	-19.69	-147.34	286.77
			M3	-17.41	-103.23	-501.41	-17.41	-103.23	-584.22	-17.41	-104.62	-583.97	-17.41	-104.62	-666.78
		2-LANES (caseMAX	S2	217.34	-469.27	4140.25	179.56	-531.89	4594.66	179.56	-520.98	4595.91	201.46	-529.26	5088.39
			TQ	-148.91	407.44	3148.37	-151.88	407.44	2429.38	-157.80	413.49	2582.01	-157.80	413.49	1831.31
			M3	45.36	-82.33	6317.60	58.72	-287.18	6220.68	58.72	-272.41	6221.35	76.67	-326.54	6340.07
			MIN S2	-224.79	339.95	4082.15	-203.07	315.90	3648.12	-203.07	324.56	3647.36	-241.34	259.93	3077.78
			TQ	142.29	-604.94	3470.85	136.25	-604.94	4136.98	136.69	-595.12	4130.89	127.68	-595.12	4759.77
			M3	-33.19	150.42	-914.35	-33.19	150.42	-1072.26	-33.19	147.88	-1072.61	-33.19	147.88	-1230.52
		2-LANES (caseMAX	S2	390.78	-159.78	4708.70	237.78	-224.36	4932.80	237.78	-212.64	4933.31	133.24	-260.69	4423.86
			TQ	-95.90	196.22	2056.55	-104.60	196.22	1569.31	-110.81	200.25	1742.65	-111.15	200.25	1215.10
			M3	331.98	-97.09	5786.95	157.34	-163.77	6249.56	157.34	-148.93	6249.93	-107.79	-173.76	5824.23
			MIN S2	-152.45	144.47	3392.86	-259.30	84.43	3830.20	-259.30	93.53	3829.99	-413.88	17.81	3521.16
			TQ	145.50	-327.52	3296.11	96.78	-327.52	3882.76	97.51	-318.33	3855.79	40.42	-318.33	4183.47
			M3	-32.47	98.30	-901.01	-32.47	98.30	-1055.50	-32.47	95.79	-1055.73	-32.47	95.79	-1210.21
		2-LANES (caseMAX	S2	105.31	206.19	2997.66	102.41	207.88	3394.12	102.41	215.94	3393.62	99.41	214.44	3772.33
			TQ	88.64	218.17	2455.98	88.64	218.17	2877.64	90.30	225.08	2944.00	84.09	225.08	3358.80
			M3	11.63	-27.32	4690.67	39.08	66.06	4669.17	39.08	77.15	4669.00	26.29	109.19	4773.14
MIN S2	-111.38		-178.13	2756.26	-114.69	-179.82	2316.13	-114.69	-174.32	2316.55	-117.90	-172.82	1864.62		
TQ	-94.10		-189.74	2742.47	-100.30	-189.74	2280.08	-101.96	-184.41	2213.64	-101.96	-184.41	1728.58		
M3	-30.72		-34.05	-868.13	-30.72	-34.05	-1014.25	-30.72	-36.46	-1014.17	-30.72	-36.46	-1160.28		

BAGO RIVER BRIDGE

BLOCK [ No.1 : MAIN GIRDER ][ BEAM MEMBER FORCE ]

MEMBER				2007			2008			2008			2009		
NODE				2007			2008			2008			2009		
NAME TITLE				SHEAR	TORQUE	MOMENT	SHEAR	TORQUE	MOMENT	SHEAR	TORQUE	MOMENT	SHEAR	TORQUE	MOMENT
				S2 (kN)	TQ (kN·m)	M3 (kN·m)	S2 (kN)	TQ (kN·m)	M3 (kN·m)	S2 (kN)	TQ (kN·m)	M3 (kN·m)	S2 (kN)	TQ (kN·m)	M3 (kN·m)
301	LIVE LOAD	2-LANES (caseMAX	S2	49.06	438.10	2118.49	49.06	438.10	2351.86	49.06	443.68	2350.82	49.06	443.68	2584.19
			TQ	47.65	452.76	2204.73	47.65	452.76	2431.42	47.84	458.56	2446.23	47.84	458.56	2673.80
			M3	13.78	223.22	3224.34	20.32	253.81	3299.44	20.32	261.64	3298.83	23.68	284.37	3405.85
			MIN S2	-43.32	-204.81	681.91	-43.32	-204.81	475.83	-43.32	-203.68	476.32	-43.32	-203.68	270.24
			TQ	-40.61	-232.93	1028.47	-40.61	-232.93	835.29	-40.79	-230.98	819.94	-40.79	-230.98	625.88
			M3	-29.34	-145.32	-842.01	-29.34	-145.32	-981.59	-29.34	-147.65	-981.24	-29.34	-147.65	-1120.83
		3-LANES (caseMAX	S2	399.00	-450.53	5439.32	270.24	-505.65	5992.86	270.24	-491.42	5994.05	225.31	-505.20	6128.29
			TQ	-160.99	390.09	3286.45	-163.52	390.09	2511.57	-168.80	396.31	2658.38	-169.09	396.31	1855.03
			M3	228.77	-112.98	7721.68	132.62	-291.00	7921.22	132.62	-272.19	7921.89	-1.64	-320.34	7759.87
			MIN S2	-252.75	307.21	4835.35	-298.68	276.19	4723.89	-298.68	287.41	4723.22	-428.45	227.05	4037.72
			TQ	183.92	-599.30	4334.97	147.33	-599.30	5125.92	147.95	-587.15	5103.75	109.12	-587.15	5714.91
			M3	-41.86	158.53	-1157.29	-41.86	158.53	-1356.44	-41.86	155.31	-1356.82	-41.86	155.31	-1555.97
		3-LANES (caseMAX	S2	117.78	324.98	3582.86	115.31	326.42	4054.32	115.31	336.05	4053.53	112.76	334.77	4509.92
			TQ	101.57	339.89	3075.05	101.57	339.89	3558.21	102.96	348.40	3615.52	97.69	348.40	4092.78
			M3	6.44	14.82	5634.54	42.20	132.91	5613.07	42.20	146.24	5612.74	35.47	187.25	5754.18
			MIN S2	-125.57	-241.18	3205.33	-128.38	-242.62	2684.27	-128.38	-236.25	2684.84	-131.10	-234.97	2153.76
			TQ	-108.02	-255.06	3018.10	-113.30	-255.06	2491.67	-114.70	-249.21	2434.14	-114.70	-249.21	1888.51
			M3	-38.74	-77.52	-1098.81	-38.74	-77.52	-1283.10	-38.74	-80.56	-1282.91	-38.74	-80.56	-1467.19
		3-LANES (caseMAX	S2	74.52	501.56	2873.15	74.52	501.56	3227.63	74.52	509.23	3226.43	74.52	509.23	3580.91
			TQ	68.49	516.53	2847.07	68.49	516.53	3172.91	69.50	524.12	3213.05	69.50	524.12	3543.67
			M3	7.55	209.35	4460.38	27.95	274.50	4526.61	27.95	285.25	4525.95	35.88	318.38	4683.48
MIN S2	-70.25		-247.60	1545.88	-70.25	-247.60	1211.67	-70.25	-244.72	1212.25	-70.25	-244.72	878.04		
TQ	-62.61		-282.51	1777.18	-62.61	-282.51	1479.34	-63.62	-279.05	1438.63	-63.62	-279.05	1136.01		
M3	-37.83		-151.17	-1081.58	-37.83	-151.17	-1261.56	-37.83	-154.16	-1261.19	-37.83	-154.16	-1441.16		

BAGO RIVER BRIDGE

BLOCK [ No.1 : MAIN GIRDER ][ BEAM MEMBER FORCE ]

MEMBER					2007			2008			2008			2009		
NODE					2007			2008			2008			2009		
NAME TITLE					SHEAR	TORQUE	MOMENT	SHEAR	TORQUE	MOMENT	SHEAR	TORQUE	MOMENT	SHEAR	TORQUE	MOMENT
					S2 (kN)	TQ (kN·m)	M3 (kN·m)	S2 (kN)	TQ (kN·m)	M3 (kN·m)	S2 (kN)	TQ (kN·m)	M3 (kN·m)	S2 (kN)	TQ (kN·m)	M3 (kN·m)
301	LIVE LOAD	4-LANES	MAX	S2	86.65	414.43	2952.07	84.76	415.53	3296.33	84.76	423.36	3295.33	82.96	422.80	3641.52
				TQ	77.60	436.13	2755.75	77.60	436.13	3124.90	77.74	443.57	3142.66	75.21	443.57	3506.54
				M3	-2.10	110.63	4785.05	23.28	199.32	4750.50	23.28	210.60	4750.01	19.47	248.68	4825.59
		MIN	S2	-96.05	-236.90	2422.27	-98.06	-237.21	2018.14	-98.06	-232.42	2018.70	-100.14	-231.44	1613.13	
			TQ	-87.25	-267.14	2550.83	-90.45	-267.14	2129.13	-90.08	-262.22	2039.80	-90.08	-262.22	1611.29	
			M3	-34.18	-106.59	-973.82	-34.18	-106.59	-1136.42	-34.18	-109.29	-1136.16	-34.18	-109.29	-1298.76	
	6-LANES	MAX	S2	355.54	34.46	6440.82	264.01	35.12	7151.45	264.01	52.11	7151.35	228.42	53.00	7485.14	
			TQ	-6.32	618.42	4763.10	-7.01	618.42	4730.58	-6.46	629.73	4786.48	-10.46	629.73	4746.46	
			M3	149.67	-12.21	9321.03	98.26	32.56	9478.20	98.26	55.07	9478.09	31.55	10.16	9475.84	
		MIN	S2	-248.22	-41.94	5461.05	-284.76	-37.56	5051.16	-284.76	-25.56	5051.24	-379.97	-27.20	4254.84	
			TQ	17.03	-614.58	5268.23	-14.96	-614.58	5275.50	-15.28	-602.20	5175.52	-33.90	-602.20	5058.47	
			M3	-59.66	11.55	-1675.67	-59.66	11.55	-1959.49	-59.66	6.89	-1959.51	-59.66	6.89	-2243.33	
	LIVE LOAD	MAX	399.00	618.42	9321.03	270.24	618.42	9478.20	270.24	629.73	9478.09	228.42	629.73	9475.84		
		MIN	-252.75	-614.58	-1675.67	-298.68	-614.58	-1959.49	-298.68	-602.20	-1959.51	-428.45	-602.20	-2243.33		
	303	SUM TOTAL	TOTAL	MAX	511.27	576.72	33370.64	190.63	576.72	33605.48	190.63	645.32	33605.41	-43.07	645.32	32768.07
MIN				-140.49	-656.29	22373.94	-378.29	-656.29	22167.80	-378.29	-586.60	22167.81	-699.93	-586.60	21048.91	

BAGO RIVER BRIDGE

BLOCK [ No.1 : MAIN GIRDER ] [ BEAM MEMBER FORCE ]

MEMBER NODE	2009 2009	2010						2011							
		2009			2010			2010			2011				
		SHEAR S2 (kN)	TORQUE TQ (kN·m)	MOMENT M3 (kN·m)	SHEAR S2 (kN)	TORQUE TQ (kN·m)	MOMENT M3 (kN·m)	SHEAR S2 (kN)	TORQUE TQ (kN·m)	MOMENT M3 (kN·m)	SHEAR S2 (kN)	TORQUE TQ (kN·m)	MOMENT M3 (kN·m)		
1	PAVEMENT	-67.15	-9.16	4179.99	-97.48	-9.16	3788.41	-97.48	-0.16	3788.42	-127.81	-0.16	3252.54		
3	RAILING	-3.83	0.69	104.26	-2.22	0.69	89.88	-2.22	0.90	89.88	-0.61	0.90	83.15		
5	CURB	-37.89	6.81	1032.15	-21.96	6.81	889.80	-21.96	8.92	889.79	-6.03	8.92	823.20		
7	DECK WEIGHT	-104.63	3.60	6561.79	-150.74	3.60	5954.36	-150.74	17.74	5954.34	-196.85	17.74	5127.58		
8	GIRDER WEIGH	-87.17	157.25	8054.12	-176.12	157.25	7427.88	-176.12	174.89	7427.49	-265.06	174.89	6378.12		
10	MEDIAN STRIP	1.11	45.98	1413.73	-27.69	45.98	1350.51	-27.69	49.18	1350.40	-56.48	49.18	1150.19		
21	ADITIONAL WE	-29.30	1.01	1837.30	-42.21	1.01	1667.22	-42.21	4.97	1667.21	-55.12	4.97	1435.72		
31	MEDIAN RAILI	-0.08	3.68	108.42	-2.40	3.68	102.53	-2.40	3.93	102.52	-4.73	3.93	85.55		
51	SUPPORT WEIG	-0.00	-0.00	-0.00	-0.00	-0.00	-0.00	-0.00	-0.00	-0.00	-0.00	-0.00	-0.00		
52	NOSE WEIGHT	-0.02	0.35	0.20	-0.02	0.35	0.13	-0.02	0.35	0.12	-0.02	0.35	0.05		
61	1-LANE(case1TRUCK-LOAD	MAX	S2	40.47	-111.02	799.60	40.47	-111.02	992.14	40.47	-108.67	992.40	82.50	-69.12	1414.91
			TQ	-67.30	265.85	1407.60	-67.30	265.85	1087.42	-67.30	268.43	1086.79	-67.30	268.43	766.62
			M3	-68.61	226.42	1643.90	-14.92	135.33	1340.20	-14.92	138.51	1339.88	79.81	-8.02	1439.73
		MIN	S2	-111.82	226.42	1643.90	-68.96	249.65	1277.93	-68.96	252.68	1277.33	-68.96	252.68	949.28
			TQ	39.01	-113.36	725.83	39.01	-113.36	911.39	39.01	-111.19	911.66	39.01	-111.19	1097.22
			M3	-8.85	25.62	-282.77	-8.85	25.62	-324.86	-8.85	24.85	-324.92	-8.85	24.85	-367.01
		TANDEM-LOAD MAX	S2	32.90	-80.53	562.88	32.90	-80.53	719.41	32.90	-78.82	719.60	77.20	-28.33	988.59
			TQ	-51.74	183.47	1064.16	-51.74	183.47	818.02	-51.74	185.41	817.58	-51.74	185.41	571.44
			M3	-41.60	152.32	1129.56	-32.16	135.96	934.79	-32.16	138.18	934.47	77.20	-28.33	988.59
		MIN	S2	-97.73	135.96	1127.03	-51.75	179.52	853.69	-51.75	181.55	853.26	-51.75	181.55	607.07
			TQ	32.90	-80.53	562.88	32.90	-80.53	719.41	32.90	-78.82	719.60	32.90	-78.82	876.13
			M3	-6.04	17.67	-192.73	-6.04	17.67	-221.44	-6.04	17.15	-221.48	-6.04	17.15	-250.20
		DISPERSION-LMAX	S2	21.00	-53.33	600.53	22.05	-49.09	743.69	22.05	-47.32	743.81	30.91	-46.03	942.18
			TQ	-60.45	215.65	702.04	-49.04	215.65	441.67	-49.04	216.70	441.15	-43.31	216.70	228.29
			M3	-29.09	130.35	1660.96	-17.68	130.35	1549.78	-17.68	134.03	1549.47	-6.27	134.03	1492.55
		MIN	S2	-60.68	214.53	722.69	-50.32	210.29	417.95	-50.32	211.28	417.44	-47.78	209.99	111.74
			TQ	20.77	-54.45	621.18	20.77	-54.45	719.97	20.77	-52.74	720.10	26.44	-52.74	825.63
			M3	-10.60	30.85	-337.74	-10.60	30.85	-388.15	-10.60	29.93	-388.22	-10.60	29.93	-438.63

BAGO RIVER BRIDGE

BLOCK [ No.1 : MAIN GIRDER ][ BEAM MEMBER FORCE ]

MEMBER				2009			2010			2010			2011		
NODE				2009			2010			2010			2011		
NAME TITLE				SHEAR	TORQUE	MOMENT	SHEAR	TORQUE	MOMENT	SHEAR	TORQUE	MOMENT	SHEAR	TORQUE	MOMENT
				S2 (kN)	TQ (kN·m)	M3 (kN·m)	S2 (kN)	TQ (kN·m)	M3 (kN·m)	S2 (kN)	TQ (kN·m)	M3 (kN·m)	S2 (kN)	TQ (kN·m)	M3 (kN·m)
62	1-LANE (case2TRUCK-LOAD	MAX	S2	184.35	37.87	1345.46	94.46	31.44	1458.16	94.46	34.90	1458.08	31.92	22.47	1129.80
			TQ	-36.89	78.40	884.01	-36.89	78.40	708.53	-36.89	80.09	708.35	-36.89	80.09	532.87
			M3	104.11	47.62	1381.76	33.36	37.30	1524.41	33.36	40.93	1524.32	-56.09	34.19	1197.60
		MIN	S2	-58.94	51.55	1366.89	-115.13	40.31	1468.73	-115.13	43.80	1468.63	-210.20	37.03	1193.68
			TQ	9.87	-11.74	294.20	9.87	-11.74	341.14	9.87	-10.93	341.17	9.87	-10.93	388.11
			M3	-8.08	8.31	-274.11	-8.08	8.31	-312.54	-8.08	7.57	-312.56	-8.08	7.57	-351.00
		TANDEM-LOAD MAX	S2	154.94	27.49	1051.30	91.14	23.51	1174.71	91.14	26.30	1174.66	31.19	21.11	914.19
			TQ	-24.85	54.46	580.78	-24.85	54.46	462.57	-24.85	55.55	462.44	-24.85	55.55	344.23
			M3	58.34	29.45	1054.52	-0.33	24.42	1180.82	-0.33	27.22	1180.75	-65.16	23.19	923.80
		MIN	S2	-49.35	29.45	1054.52	-108.02	24.42	1180.82	-108.02	27.22	1180.75	-172.85	23.19	923.80
			TQ	8.35	-8.75	245.71	8.35	-8.75	285.44	8.35	-8.07	285.46	8.35	-8.07	325.19
			M3	-5.51	5.75	-186.77	-5.51	5.75	-212.97	-5.51	5.25	-212.98	-5.51	5.25	-239.18
		DISPERSION-LMAX	S2	48.83	7.45	775.93	26.33	2.94	740.76	26.33	4.70	740.75	14.84	0.42	636.09
			TQ	6.32	73.77	859.78	-30.69	73.77	801.81	-28.83	75.79	876.09	-65.84	75.79	650.90
			M3	22.34	59.35	1407.37	-14.67	59.35	1425.61	-14.67	62.74	1425.46	-51.68	62.74	1267.65
MIN	S2	-36.09	61.66	305.45	-50.60	66.18	313.21	-50.60	66.92	313.05	-76.12	71.20	214.24		
	TQ	6.42	-4.66	221.60	6.42	-4.66	252.16	4.57	-4.17	177.71	4.57	-4.17	199.43		
	M3	-9.60	9.76	-325.99	-9.60	9.76	-371.64	-9.60	8.88	-371.66	-9.60	8.88	-417.32		
63	1-LANE (case3TRUCK-LOAD	MAX	S2	24.89	55.25	754.13	24.89	55.25	872.52	24.89	57.32	872.39	24.89	57.32	990.78
			TQ	24.70	56.08	735.41	24.70	56.08	852.89	24.70	58.11	852.76	24.70	58.11	970.24
			M3	-19.39	-41.99	1214.05	-12.94	-10.26	1110.02	-12.94	-7.62	1110.04	-2.01	35.13	1049.05
		MIN	S2	-48.26	-46.60	1197.35	-48.26	-46.60	967.77	-48.26	-44.31	967.88	-48.26	-44.31	738.30
			TQ	-48.03	-47.42	1181.91	-48.03	-47.42	953.45	-44.68	-45.21	857.35	-44.68	-45.21	644.83
			M3	-7.50	-4.85	-267.65	-7.50	-4.85	-303.34	-7.50	-5.57	-303.33	-7.50	-5.57	-339.03

BAGO RIVER BRIDGE

BLOCK [ No.1 : MAIN GIRDER ][ BEAM MEMBER FORCE ]

MEMBER		2009			2010			2010			2011				
NODE		2009			2010			2010			2011				
		SHEAR	TORQUE	MOMENT	SHEAR	TORQUE	MOMENT	SHEAR	TORQUE	MOMENT	SHEAR	TORQUE	MOMENT		
NAME	TITLE	S2 (kN)	TQ (kN·m)	M3 (kN·m)	S2 (kN)	TQ (kN·m)	M3 (kN·m)	S2 (kN)	TQ (kN·m)	M3 (kN·m)	S2 (kN)	TQ (kN·m)	M3 (kN·m)		
63	1-LANE (case3TANDEM-LOAD	MAX	S2	17.70	35.17	573.58	17.70	35.17	657.76	17.70	36.73	657.68	17.70	36.73	741.87
			TQ	17.08	41.07	470.69	17.08	41.07	551.96	17.08	42.38	551.86	17.08	42.38	633.13
			M3	-16.12	-29.32	864.39	-9.24	-1.50	784.24	-9.24	0.37	784.24	-0.81	31.79	749.03
		MIN	S2	-33.66	-29.32	864.39	-33.66	-29.32	704.29	-33.66	-27.65	704.35	-33.66	-27.65	544.25
			TQ	-32.80	-34.98	783.63	-32.80	-34.98	627.59	-31.87	-33.51	600.82	-31.87	-33.51	449.23
			M3	-5.11	-3.32	-182.33	-5.11	-3.32	-206.64	-5.11	-3.81	-206.63	-5.11	-3.81	-230.95
	DISPERSION-LMAX	S2	18.67	26.45	639.70	16.46	27.09	640.79	16.46	28.61	640.72	14.24	26.18	618.57	
		TQ	13.78	28.80	675.04	12.18	28.80	738.70	11.60	30.57	750.52	5.39	30.57	790.95	
		M3	-6.29	7.09	1294.89	-12.49	7.09	1250.22	-12.49	10.06	1250.20	-18.70	10.06	1175.99	
		MIN	S2	-33.82	-25.47	337.90	-37.83	-26.11	249.95	-37.83	-25.52	250.01	-41.81	-23.09	155.78
			TQ	-28.94	-27.83	302.55	-33.54	-27.83	152.03	-32.96	-27.48	140.21	-32.96	-27.48	-16.61
			M3	-8.87	-6.12	-317.29	-8.87	-6.12	-359.48	-8.87	-6.97	-359.47	-8.87	-6.97	-401.65
64	1-LANE (case4TRUCK-LOAD	MAX	S2	4.17	44.69	270.30	4.17	44.69	290.14	4.17	45.38	290.03	4.17	45.38	309.87
			TQ	3.78	45.10	340.07	3.78	45.10	358.07	3.78	45.95	357.96	3.78	45.95	375.97
			M3	-9.94	-126.88	632.16	-8.51	-99.20	587.79	-8.51	-97.80	588.02	-8.51	-97.80	547.55
		MIN	S2	-16.34	-176.54	572.06	-16.34	-176.54	494.32	-16.34	-175.37	494.74	-16.34	-175.37	416.99
			TQ	-16.34	-176.54	572.06	-16.34	-176.54	494.32	-16.34	-175.37	494.74	-16.34	-175.37	416.99
			M3	-6.33	-32.24	-254.62	-6.33	-32.24	-284.72	-6.33	-32.92	-284.64	-6.33	-32.92	-314.74
	TANDEM-LOAD	MAX	S2	3.13	32.62	196.73	3.13	32.62	211.64	3.13	33.12	211.57	3.13	33.12	226.48
			TQ	3.03	32.74	216.20	3.03	32.74	230.60	3.03	33.28	230.52	3.03	33.28	244.92
			M3	-7.67	-98.06	429.31	-5.56	-72.69	400.16	-5.56	-71.74	400.33	-5.56	-71.74	373.90
		MIN	S2	-11.37	-121.45	382.05	-11.37	-121.45	327.97	-11.37	-120.67	328.26	-11.37	-120.67	274.17
			TQ	-11.37	-121.45	382.05	-11.37	-121.45	327.97	-11.37	-120.67	328.26	-11.37	-120.67	274.17
			M3	-4.30	-22.21	-173.36	-4.30	-22.21	-193.82	-4.30	-22.67	-193.77	-4.30	-22.67	-214.23

BAGO RIVER BRIDGE

BLOCK [ No.1 : MAIN GIRDER ][ BEAM MEMBER FORCE ]

MEMBER NODE	2009 2009	2010			2010			2011							
		SHEAR	TORQUE	MOMENT	SHEAR	TORQUE	MOMENT	SHEAR	TORQUE	MOMENT					
		S2 (kN)	TQ (kN·m)	M3 (kN·m)	S2 (kN)	TQ (kN·m)	M3 (kN·m)	S2 (kN)	TQ (kN·m)	M3 (kN·m)					
64	1-LANE (case4DISPERSION-LMAX	S2	6.91	21.96	316.29	6.91	21.96	349.16	6.91	22.79	349.11	6.91	22.79	381.98	
		TQ	6.68	23.41	362.53	6.68	23.41	394.31	6.66	24.35	395.97	6.66	24.35	427.65	
		M3	-6.24	-113.35	937.29	-6.24	-113.35	907.62	-6.24	-111.19	907.89	-6.24	-111.19	878.21	
	MIN	S2	-20.65	-173.14	320.16	-20.65	-173.14	221.94	-20.65	-172.62	222.35	-20.65	-172.62	124.12	
		TQ	-20.42	-174.60	273.92	-20.42	-174.60	176.79	-20.40	-174.18	175.49	-20.40	-174.18	78.45	
		M3	-7.50	-37.84	-300.84	-7.50	-37.84	-336.52	-7.50	-38.64	-336.43	-7.50	-38.64	-372.11	
65	2-LANES (caseTRUCK-LOAD	MAX	S2	124.65	-26.67	2268.14	97.33	-91.66	2420.63	97.33	-85.91	2420.84	117.96	-97.02	2659.53
		TQ	-117.76	429.48	2595.37	-117.76	429.48	2035.16	-117.76	434.31	2034.14	-117.76	434.31	1473.94	
		M3	-41.26	358.73	3153.63	-11.03	213.15	2829.03	-11.03	219.87	2828.51	56.50	8.36	2754.84	
	MIN	S2	-175.47	369.74	3133.03	-154.10	344.41	2748.73	-154.10	350.94	2747.91	-181.45	285.95	2254.24	
		TQ	57.68	-165.40	1265.14	57.68	-165.40	1539.52	57.68	-161.74	1539.91	57.68	-161.74	1814.28	
		M3	-17.31	42.61	-561.21	-17.31	42.61	-643.56	-17.31	41.08	-643.66	-17.31	41.08	-726.00	
	TANDEM-LOAD	MAX	S2	98.92	-1.93	1666.49	79.75	-47.50	1809.86	79.75	-43.20	1809.97	105.82	-36.82	1949.76
		TQ	-84.80	296.28	1837.80	-84.80	296.28	1434.39	-84.80	299.69	1433.69	-84.80	299.69	1030.28	
		M3	-30.61	239.67	2236.16	-39.30	180.54	2031.34	-39.30	185.36	2030.91	50.80	-27.70	1958.51	
	MIN	S2	-145.55	223.31	2233.63	-117.71	224.10	1950.23	-117.71	228.73	1949.70	-136.98	182.18	1576.99	
		TQ	46.24	-117.78	948.97	46.24	-117.78	1168.92	46.24	-115.00	1169.19	46.24	-115.00	1389.14	
		M3	-11.81	29.40	-382.47	-11.81	29.40	-438.64	-11.81	28.36	-438.71	-11.81	28.36	-494.88	
	DISPERSION-LMAX	S2	55.40	-66.10	1424.18	46.18	-71.70	1516.58	46.18	-68.10	1516.75	48.16	-69.95	1625.58	
		TQ	-83.81	356.20	1362.73	-92.83	356.20	942.63	-91.65	358.47	985.78	-105.47	358.47	522.70	
		M3	-24.83	225.10	3186.14	-33.84	225.10	3046.66	-33.84	232.34	3046.11	-42.86	232.34	2863.73	
	MIN	S2	-100.91	342.36	1092.36	-100.71	347.97	762.04	-100.71	349.78	761.21	-111.71	351.63	371.57	
		TQ	38.30	-79.94	1153.80	38.30	-79.94	1335.99	37.11	-76.80	1292.18	41.92	-76.80	1474.46	
		M3	-20.69	51.16	-669.60	-20.69	51.16	-768.03	-20.69	49.34	-768.15	-20.69	49.34	-866.58	



BAGO RIVER BRIDGE

BLOCK [ No.1 : MAIN GIRDER ] [ BEAM MEMBER FORCE ]

MEMBER				2009			2010			2010			2011				
NODE				2009			2010			2010			2011				
NAME TITLE				SHEAR	TORQUE	MOMENT	SHEAR	TORQUE	MOMENT	SHEAR	TORQUE	MOMENT	SHEAR	TORQUE	MOMENT		
				S2 (kN)	TQ (kN·m)	M3 (kN·m)	S2 (kN)	TQ (kN·m)	M3 (kN·m)	S2 (kN)	TQ (kN·m)	M3 (kN·m)	S2 (kN)	TQ (kN·m)	M3 (kN·m)		
66	2-LANES (case	TRUCK-LOAD	MAX	S2	268.52	122.23	2814.00	151.32	50.80	2886.65	151.32	57.66	2886.52	67.37	-5.42	2374.41	
				TQ	-87.34	242.03	2071.78	-87.34	242.03	1656.27	-87.34	245.97	1655.69	-87.34	245.97	1240.19	
				M3	131.45	179.92	2891.49	37.25	115.13	3013.23	37.25	122.28	3012.95	-79.40	50.56	2512.72	
			MIN	S2	-122.59	194.86	2856.02	-200.26	135.07	2939.54	-200.26	142.05	2939.21	-322.69	70.30	2498.64	
				TQ	28.54	-63.78	833.52	28.54	-63.78	969.28	28.54	-61.48	969.42	28.54	-61.48	1105.18	
				M3	-16.54	25.30	-552.54	-16.54	25.30	-631.24	-16.54	23.80	-631.30	-16.54	23.80	-710.00	
			TANDEM-LOAD	MAX	S2	220.96	106.08	2154.90	137.98	56.54	2265.16	137.98	61.92	2265.02	59.81	12.61	1875.36
				TQ	-57.91	167.27	1354.42	-57.91	167.27	1078.95	-57.91	169.83	1078.55	-57.91	169.83	803.07	
				M3	69.34	116.80	2161.13	-7.46	68.99	2277.36	-7.46	74.40	2277.19	-91.56	23.82	1893.71	
				MIN	S2	-97.18	116.80	2161.13	-173.98	68.99	2277.36	-173.98	74.40	2277.19	-258.08	23.82	1893.71
					TQ	21.68	-46.00	631.79	21.68	-46.00	734.94	21.68	-44.25	735.05	21.68	-44.25	838.20
					M3	-11.28	17.48	-376.51	-11.28	17.48	-430.17	-11.28	16.46	-430.21	-11.28	16.46	-483.87
			DISPERSION-LMAX	S2	83.23	-5.32	1599.59	50.46	-19.68	1513.65	50.46	-16.08	1513.69	32.09	-23.50	1319.50	
				TQ	-17.05	214.32	1520.48	-74.48	214.32	1302.77	-71.44	217.56	1420.72	-128.00	217.56	945.31	
				M3	26.60	154.10	2932.55	-30.83	154.10	2922.48	-30.83	161.04	2922.11	-88.26	161.04	2638.83	
		MIN	S2	-76.32	189.49	675.11	-100.99	203.85	657.31	-100.99	205.42	656.82	-140.05	212.84	474.06		
			TQ	23.96	-30.14	754.22	23.96	-30.14	868.18	20.91	-28.22	749.79	20.05	-28.22	848.25		
			M3	-19.69	30.08	-657.85	-19.69	30.08	-751.53	-19.69	28.29	-751.59	-19.69	28.29	-845.27		
67	2-LANES (case	TRUCK-LOAD	MAX	S2	42.37	103.71	1435.02	42.37	103.71	1636.57	42.37	107.60	1636.32	42.37	107.60	1837.87	
				TQ	40.93	110.94	1269.92	40.93	110.94	1464.61	40.93	114.42	1464.34	40.93	114.42	1659.04	
				M3	-55.58	-114.57	2277.73	-31.93	-43.53	2042.61	-31.93	-38.68	2042.71	2.89	53.55	1959.96	
			MIN	S2	-87.13	-127.81	2239.94	-87.13	-127.81	1825.47	-87.13	-123.47	1825.77	-87.13	-123.47	1411.30	
				TQ	-85.14	-134.28	2107.78	-85.14	-134.28	1702.77	-81.79	-130.29	1606.88	-81.79	-130.29	1217.80	
				M3	-14.63	-18.53	-531.06	-14.63	-18.53	-600.64	-14.63	-19.96	-600.60	-14.63	-19.96	-670.18	

BAGO RIVER BRIDGE

BLOCK [ No.1 : MAIN GIRDER ][ BEAM MEMBER FORCE ]

MEMBER		2009			2010			2010			2011						
NODE		2009			2010			2010			2011						
		SHEAR	TORQUE	MOMENT	SHEAR	TORQUE	MOMENT	SHEAR	TORQUE	MOMENT	SHEAR	TORQUE	MOMENT				
NAME	TITLE	S2 (kN)	TQ (kN·m)	M3 (kN·m)	S2 (kN)	TQ (kN·m)	M3 (kN·m)	S2 (kN)	TQ (kN·m)	M3 (kN·m)	S2 (kN)	TQ (kN·m)	M3 (kN·m)				
67	2-LANES (caseTANDEM-LOAD	MAX	S2	31.01	72.34	1010.81	31.01	72.34	1158.32	31.01	75.09	1158.15	31.01	75.09	1305.66		
			TQ	30.25	79.84	879.80	30.25	79.84	1023.69	30.25	82.27	1023.50	30.25	82.27	1167.39		
			M3	-41.39	-78.01	1605.82	-19.02	-17.77	1423.40	-19.02	-14.39	1423.44	7.09	52.82	1383.71		
		MIN	S2	-61.36	-88.40	1567.11	-61.36	-88.40	1275.20	-61.36	-85.37	1275.40	-61.36	-85.37	983.48		
			TQ	-60.29	-95.52	1465.02	-60.29	-95.52	1178.23	-59.35	-92.73	1151.61	-59.35	-92.73	869.27		
			M3	-9.96	-12.72	-361.75	-9.96	-12.72	-409.13	-9.96	-13.70	-409.10	-9.96	-13.70	-456.48		
			DISPERSION-LMAX	S2	31.24	55.58	1135.96	29.04	56.22	1196.86	29.04	59.07	1196.73	26.81	56.64	1234.38	
			TQ	26.28	58.00	1189.38	24.67	58.00	1312.49	24.07	61.14	1329.85	17.86	61.14	1429.59		
			M3	-17.33	-18.02	2495.44	-23.54	-18.02	2398.23	-23.54	-12.32	2398.27	-29.75	-12.32	2271.53		
			MIN	S2	-65.85	-96.25	730.35	-69.86	-96.89	490.03	-69.86	-95.72	490.26	-73.84	-93.30	243.66	
			TQ	-60.89	-98.66	676.93	-65.49	-98.66	374.40	-64.89	-97.79	357.14	-64.89	-97.79	48.45		
			M3	-17.28	-22.65	-629.13	-17.28	-22.65	-711.34	-17.28	-24.34	-711.28	-17.28	-24.34	-793.49		
		68	2-LANES (caseTRUCK-LOAD	MAX	S2	10.94	85.06	749.45	10.94	85.06	801.48	10.94	86.96	801.27	10.94	86.96	853.30
					TQ	10.19	90.33	707.89	10.19	90.33	756.38	10.19	92.13	756.17	10.19	92.13	804.66
					M3	-29.73	-230.94	1429.44	-21.69	-167.14	1309.10	-21.69	-164.03	1309.50	-13.46	-126.56	1230.26
MIN	S2			-38.93	-311.15	1305.87	-38.93	-311.15	1120.70	-38.93	-308.49	1121.43	-38.93	-308.49	936.26		
	TQ			-37.61	-317.22	1216.16	-37.61	-317.22	1037.23	-37.61	-314.76	1037.98	-37.61	-314.76	859.04		
	M3			-13.03	-55.62	-513.44	-13.03	-55.62	-575.45	-13.03	-56.99	-575.31	-13.03	-56.99	-637.32		
	TANDEM-LOAD			MAX	S2	7.88	62.91	506.24	7.88	62.91	543.73	7.88	64.20	543.58	7.88	64.20	581.07
	TQ			7.73	64.29	504.62	7.73	64.29	541.41	7.73	65.57	541.25	7.73	65.57	578.04		
	M3			-21.01	-165.70	977.67	-12.71	-110.24	892.21	-12.71	-108.12	892.47	-5.50	-75.96	841.26		
	MIN			S2	-26.90	-208.72	905.28	-26.90	-208.72	777.33	-26.90	-206.87	777.83	-26.90	-206.87	649.88	
	TQ			-25.46	-217.41	800.74	-25.46	-217.41	679.61	-25.46	-215.80	680.12	-25.46	-215.80	558.99		
	M3			-8.86	-38.31	-349.62	-8.86	-38.31	-391.78	-8.86	-39.24	-391.69	-8.86	-39.24	-433.85		

BAGO RIVER BRIDGE

BLOCK [ No.1 : MAIN GIRDER ][ BEAM MEMBER FORCE ]

MEMBER NODE	2009 2009	2010						2011							
		2010			2010			2010			2011				
		SHEAR S2 (kN)	TORQUE TQ (kN·m)	MOMENT M3 (kN·m)	SHEAR S2 (kN)	TORQUE TQ (kN·m)	MOMENT M3 (kN·m)	SHEAR S2 (kN)	TORQUE TQ (kN·m)	MOMENT M3 (kN·m)	SHEAR S2 (kN)	TORQUE TQ (kN·m)	MOMENT M3 (kN·m)		
68	2-LANES (caseDISPERSION-LMAX	S2	15.59	45.59	746.65	15.59	45.59	820.81	15.59	47.54	820.70	15.59	47.54	894.86	
		TQ	15.34	47.15	778.84	15.34	47.15	851.81	15.32	49.17	856.05	15.32	49.17	928.93	
		M3	-13.91	-195.78	1976.59	-13.91	-195.78	1910.39	-13.91	-191.24	1910.85	-13.91	-191.24	1844.66	
	MIN	S2	-44.95	-306.76	622.86	-44.95	-306.76	409.04	-44.95	-305.78	409.77	-44.95	-305.78	195.94	
		TQ	-44.70	-308.31	590.68	-44.70	-308.31	378.04	-44.68	-307.41	374.42	-44.68	-307.41	161.87	
		M3	-15.44	-65.38	-607.07	-15.44	-65.38	-680.54	-15.44	-67.00	-680.38	-15.44	-67.00	-753.86	
69	3-LANES (caseTRUCK-LOAD	MAX	S2	308.99	11.21	3613.60	191.79	-60.22	3878.79	191.79	-51.01	3878.92	149.88	-74.54	3789.33
		TQ	-154.65	507.88	3479.38	-154.65	507.88	2743.70	-154.65	514.39	2742.49	-154.65	514.39	2006.81	
		M3	62.84	406.34	4535.39	22.33	250.45	4353.44	22.33	260.79	4352.83	0.41	42.54	3952.45	
	MIN	S2	-234.41	421.28	4499.92	-269.22	384.72	4217.47	-269.22	394.73	4216.54	-391.65	322.98	3447.92	
		TQ	67.54	-177.14	1559.35	67.54	-177.14	1880.66	67.54	-172.67	1881.08	67.54	-172.67	2202.40	
		M3	-25.39	50.92	-835.31	-25.39	50.92	-956.10	-25.39	48.65	-956.22	-25.39	48.65	-1077.00	
	TANDEM-LOAD	MAX	S2	253.86	25.55	2717.79	170.88	-23.99	2984.57	170.88	-16.90	2984.62	137.01	-15.71	2863.96
		TQ	-109.65	350.74	2418.58	-109.65	350.74	1896.97	-109.65	355.24	1896.13	-109.65	355.24	1374.51	
		M3	27.73	269.12	3290.69	-39.62	204.96	3212.16	-39.62	212.59	3211.66	-14.36	-4.51	2882.30	
	MIN	S2	-194.90	252.76	3288.16	-225.73	248.52	3131.05	-225.73	255.95	3130.45	-309.83	205.37	2500.78	
		TQ	54.59	-126.53	1194.67	54.59	-126.53	1454.35	54.59	-123.07	1454.65	54.59	-123.07	1714.33	
		M3	-17.32	35.15	-569.24	-17.32	35.15	-651.61	-17.32	33.61	-651.69	-17.32	33.61	-734.07	
	DISPERSION-LMAX	S2	104.23	-58.64	2200.11	72.51	-68.77	2257.34	72.51	-63.40	2257.50	63.00	-69.53	2261.68	
		TQ	-77.50	429.97	2222.51	-123.52	429.97	1744.44	-120.48	434.26	1861.87	-171.32	434.26	1173.60	
		M3	-2.49	284.45	4593.50	-48.51	284.45	4472.26	-48.51	295.07	4471.57	-94.54	295.07	4131.38	
	MIN	S2	-137.01	404.02	1397.80	-151.31	414.15	1075.25	-151.31	416.70	1074.27	-187.83	422.82	585.81	
		TQ	44.72	-84.59	1375.40	44.72	-84.59	1588.15	41.68	-80.96	1469.89	46.49	-80.96	1673.88	
		M3	-30.29	60.93	-995.59	-30.29	60.93	-1139.67	-30.29	58.22	-1139.81	-30.29	58.22	-1283.90	

BAGO RIVER BRIDGE

BLOCK [ No.1 : MAIN GIRDER ][ BEAM MEMBER FORCE ]

MEMBER NODE	2009 2009	2010			2010			2011							
		SHEAR	TORQUE	MOMENT	SHEAR	TORQUE	MOMENT	SHEAR	TORQUE	MOMENT					
		S2 (kN)	TQ (kN·m)	M3 (kN·m)	S2 (kN)	TQ (kN·m)	M3 (kN·m)	S2 (kN)	TQ (kN·m)	M3 (kN·m)					
70	3-LANES (caseTRUCK-LOAD	MAX	S2	51.86	147.46	1937.99	51.86	147.46	2184.68	51.86	152.65	2184.32	51.86	152.65	2431.01
			TQ	48.97	157.18	1681.35	48.97	157.18	1914.29	48.97	161.73	1913.92	48.97	161.73	2146.86
			M3	-81.64	-206.64	3175.87	-48.17	-100.85	2839.18	-48.17	-94.11	2839.41	-0.79	36.47	2717.38
		MIN	S2	-115.81	-240.08	3078.62	-115.81	-240.08	2527.68	-115.81	-234.07	2528.25	-115.81	-234.07	1977.31
			TQ	-113.33	-249.58	2909.13	-113.33	-249.58	2369.99	-109.98	-244.01	2274.37	-109.98	-244.01	1751.17
			M3	-21.37	-41.08	-790.28	-21.37	-41.08	-891.94	-21.37	-43.20	-891.84	-21.37	-43.20	-993.49
	TANDEM-LOAD	MAX	S2	38.06	99.67	1393.18	38.06	99.67	1574.25	38.06	103.41	1574.01	38.06	103.41	1755.08
			TQ	35.99	112.53	1173.76	35.99	112.53	1344.96	35.99	115.73	1344.68	35.99	115.73	1515.88
			M3	-59.21	-138.53	2226.46	-27.12	-47.88	1966.99	-27.12	-43.21	1967.10	9.67	56.81	1905.52
		MIN	S2	-81.65	-164.98	2153.23	-81.65	-164.98	1764.83	-81.65	-160.79	1765.22	-81.65	-160.79	1376.82
			TQ	-79.07	-175.20	1994.42	-79.07	-175.20	1618.26	-78.14	-171.37	1591.82	-78.14	-171.37	1220.10
			M3	-14.55	-28.25	-538.28	-14.55	-28.25	-607.48	-14.55	-29.69	-607.41	-14.55	-29.69	-676.61
	DISPERSION-LMAX	S2	40.92	82.05	1600.04	38.71	82.69	1706.98	38.71	86.74	1706.78	36.49	84.32	1790.48	
		TQ	35.93	84.56	1637.52	34.33	84.56	1806.55	33.73	88.88	1827.12	27.53	88.88	1972.83	
		M3	-26.93	-74.21	3593.82	-33.14	-74.21	3450.95	-33.14	-66.01	3451.11	-39.35	-66.01	3278.71	
		MIN	S2	-93.10	-205.76	1058.17	-97.10	-206.40	688.23	-97.10	-204.77	688.72	-101.08	-202.34	312.50
			TQ	-88.11	-208.27	1020.69	-92.72	-208.27	588.67	-92.12	-206.90	568.38	-92.12	-206.90	130.15
			M3	-25.25	-49.50	-935.61	-25.25	-49.50	-1055.73	-25.25	-52.01	-1055.61	-25.25	-52.01	-1175.73
71	3-LANES (caseTRUCK-LOAD	MAX	S2	24.73	133.31	1313.32	24.73	133.31	1430.94	24.73	136.71	1430.62	24.73	136.71	1548.25
			TQ	23.24	140.66	1216.76	23.24	140.66	1327.32	23.24	143.81	1326.99	23.24	143.81	1437.55
			M3	-59.64	-315.50	2392.23	-38.14	-211.17	2166.70	-38.14	-206.02	2167.19	-10.87	-119.61	2065.57
		MIN	S2	-71.03	-405.95	2250.12	-71.03	-405.95	1912.21	-71.03	-401.41	1913.17	-71.03	-401.41	1575.26
			TQ	-68.38	-424.15	2051.41	-68.38	-424.15	1726.13	-68.38	-420.05	1727.13	-68.38	-420.05	1401.85
			M3	-20.12	-70.14	-776.46	-20.12	-70.14	-872.18	-20.12	-72.21	-872.01	-20.12	-72.21	-967.74

BAGO RIVER BRIDGE

BLOCK [ No.1 : MAIN GIRDER ][ BEAM MEMBER FORCE ]

MEMBER		2009			2010			2010			2011							
NODE		2009			2010			2010			2011							
NAME TITLE		SHEAR	TORQUE	MOMENT	SHEAR	TORQUE	MOMENT	SHEAR	TORQUE	MOMENT	SHEAR	TORQUE	MOMENT					
		S2 (kN)	TQ (kN·m)	M3 (kN·m)	S2 (kN)	TQ (kN·m)	M3 (kN·m)	S2 (kN)	TQ (kN·m)	M3 (kN·m)	S2 (kN)	TQ (kN·m)	M3 (kN·m)					
71	3-LANES (caseTANDEM-LOAD	MAX	S2	18.47	96.85	904.11	18.47	96.85	991.97	18.47	99.20	991.73	18.47	99.20	1079.59			
			TQ	15.96	99.46	831.42	15.96	99.46	907.34	15.96	101.62	907.10	15.96	101.62	983.02			
			M3	-41.81	-221.52	1646.81	-21.54	-133.96	1479.82	-21.54	-130.44	1480.14	-0.13	-63.15	1421.50			
		MIN	S2	-49.71	-277.35	1541.30	-49.71	-277.35	1304.84	-49.71	-274.25	1305.49	-49.71	-274.25	1069.03			
			TQ	-45.69	-291.14	1349.04	-45.69	-291.14	1131.70	-45.69	-288.45	1132.38	-45.69	-288.45	915.04			
			M3	-13.69	-48.30	-528.76	-13.69	-48.30	-593.87	-13.69	-49.71	-593.75	-13.69	-49.71	-658.87			
			DISPERSION-LMAX	S2	27.07	71.29	1235.51	27.07	71.29	1364.27	27.07	74.53	1364.10	27.07	74.53	1492.86		
			TQ	26.81	72.85	1264.81	26.81	72.85	1392.34	26.80	76.16	1399.44	26.80	76.16	1526.93			
			M3	-23.03	-247.20	3117.97	-23.03	-247.20	3008.43	-23.03	-240.05	3009.01	-23.03	-240.05	2899.46			
			MIN	S2	-73.93	-401.08	963.83	-73.93	-401.08	612.15	-73.93	-399.63	613.10	-73.93	-399.63	261.42		
			TQ	-73.67	-402.64	934.54	-73.67	-402.64	584.08	-73.66	-401.26	577.76	-73.66	-401.26	227.36			
			M3	-23.83	-82.60	-918.63	-23.83	-82.60	-1032.00	-23.83	-85.05	-1031.80	-23.83	-85.05	-1145.18			
		72	4-LANES	TRUCK-LOAD	MAX	S2	52.48	185.71	2188.25	52.48	185.71	2437.92	52.48	191.50	2437.47	52.48	191.50	2687.15
						TQ	50.60	199.83	2009.50	50.60	199.83	2250.24	50.60	205.17	2249.76	50.60	205.17	2490.49
						M3	-88.93	-347.04	3709.28	-55.24	-211.17	3346.86	-55.24	-203.23	3347.35	-9.82	-60.34	3189.78
	MIN			S2	-125.50	-436.60	3533.66	-125.50	-436.60	2936.65	-125.50	-429.62	2937.68	-125.50	-429.62	2340.67		
	TQ			-119.23	-451.05	3228.56	-119.23	-451.05	2661.37	-119.23	-444.73	2662.44	-119.23	-444.73	2095.25			
	M3			-27.66	-74.16	-1044.50	-27.66	-74.16	-1176.09	-27.66	-76.95	-1175.91	-27.66	-76.95	-1307.50			
	TANDEM-LOAD			MAX	S2	38.12	126.80	1575.76	38.12	126.80	1757.11	38.12	130.98	1756.80	38.12	130.98	1938.15	
				TQ	37.36	142.87	1380.82	37.36	142.87	1558.57	37.36	146.57	1558.22	37.36	146.57	1735.97		
				M3	-64.70	-244.44	2582.54	-32.36	-128.22	2309.69	-32.36	-122.73	2309.99	2.33	-22.63	2222.25		
	MIN			S2	-87.79	-296.12	2465.25	-87.79	-296.12	2047.60	-87.79	-291.25	2048.30	-87.79	-291.25	1630.65		
	TQ			-85.17	-312.05	2273.65	-85.17	-312.05	1868.48	-85.17	-307.61	1869.21	-85.17	-307.61	1464.04			
	M3			-18.82	-51.04	-711.36	-18.82	-51.04	-800.91	-18.82	-52.94	-800.78	-18.82	-52.94	-890.33			

BAGO RIVER BRIDGE

BLOCK [ No.1 : MAIN GIRDER ][ BEAM MEMBER FORCE ]

MEMBER				2009			2010			2010			2011				
NODE				2009			2010			2010			2011				
NAME TITLE				SHEAR	TORQUE	MOMENT	SHEAR	TORQUE	MOMENT	SHEAR	TORQUE	MOMENT	SHEAR	TORQUE	MOMENT		
				S2 (kN)	TQ (kN·m)	M3 (kN·m)	S2 (kN)	TQ (kN·m)	M3 (kN·m)	S2 (kN)	TQ (kN·m)	M3 (kN·m)	S2 (kN)	TQ (kN·m)	M3 (kN·m)		
72	4-LANES	DISPERSION-LMAX	S2	25.07	87.57	1122.88	22.86	88.21	1154.42	22.86	90.95	1154.21	20.72	88.77	1169.49		
			TQ	19.74	92.20	1191.38	18.14	92.20	1283.39	17.52	95.27	1305.78	11.32	95.27	1374.38		
			M3	-54.26	-215.80	3714.92	-60.47	-215.80	3442.03	-60.47	-207.62	3442.53	-66.68	-207.62	3140.12		
	MIN	S2	-105.13	-377.51	1676.65	-108.69	-377.55	1233.09	-108.69	-374.63	1233.98	-112.64	-372.30	794.80			
		TQ	-99.94	-405.54	1599.78	-103.44	-405.54	1115.43	-102.95	-402.92	1093.93	-102.95	-402.92	604.18			
		M3	-25.08	-72.95	-953.21	-25.08	-72.95	-1072.53	-25.08	-75.50	-1072.36	-25.08	-75.50	-1191.67			
	73	6-LANES	TRUCK-LOAD	MAX	S2	330.26	119.01	5101.86	218.72	110.82	5539.46	218.72	123.98	5539.18	172.51	106.59	5428.00
				TQ	-45.14	574.00	4477.37	-45.14	574.00	4262.65	-46.69	584.16	4307.72	-46.69	584.16	4085.61	
				M3	-19.56	23.51	7023.77	-33.85	20.10	6608.62	-33.85	35.79	6608.56	-8.53	1.27	6112.57	
MIN			S2	-305.75	-44.49	6844.39	-349.92	-43.41	6171.54	-349.92	-28.75	6171.63	-462.74	-38.11	4965.03		
			TQ	-79.51	-524.67	4679.60	-79.51	-524.67	4301.36	-79.51	-514.45	4302.59	-79.51	-514.45	3924.35		
			M3	-45.54	-18.39	-1611.96	-45.54	-18.39	-1828.59	-45.54	-22.74	-1828.54	-45.54	-22.74	-2045.16		
TANDEM-LOAD		MAX	S2	268.34	75.85	3671.39	190.17	71.97	4065.06	190.17	81.62	4064.88	150.43	117.82	4049.38		
		TQ	-30.55	401.10	3275.24	-30.55	401.10	3129.93	-30.55	408.54	3128.97	-30.55	408.54	2983.66			
		M3	-30.72	4.90	5036.57	-65.60	66.02	4728.43	-65.60	77.25	4728.26	-13.49	0.30	4372.09			
MIN		S2	-240.58	-61.17	4865.11	-277.71	-27.78	4407.97	-277.71	-17.31	4408.02	-361.19	-22.96	3506.98			
		TQ	-48.76	-365.60	3230.94	-48.76	-365.60	2998.98	-48.76	-358.48	2999.84	-48.76	-358.48	2767.87			
		M3	-31.02	-12.57	-1098.13	-31.02	-12.57	-1245.70	-31.02	-15.53	-1245.66	-31.02	-15.53	-1393.23			
		DISPERSION-LMAX	S2	129.08	35.84	3416.20	98.81	30.01	3581.81	98.81	38.52	3581.73	89.48	31.18	3687.81		
			TQ	-30.38	437.89	3327.57	-61.40	437.89	3111.44	-58.97	445.45	3253.23	-104.49	445.45	2875.98		
			M3	-38.10	48.46	7554.34	-73.52	45.65	7305.31	-73.53	63.00	7305.18	-109.74	65.82	6852.39		
MIN	S2	-211.82	-3.42	2426.60	-225.97	-0.56	1743.38	-225.97	3.58	1743.37	-261.89	10.99	923.05				
	TQ	-53.80	-443.25	2399.41	-57.87	-443.25	2131.79	-59.68	-438.31	2015.58	-53.99	-438.31	1738.46				
	M3	-52.13	-15.34	-1839.28	-52.13	-15.34	-2087.29	-52.13	-20.30	-2087.25	-52.13	-20.30	-2335.26				

BAGO RIVER BRIDGE

BLOCK [ No.1 : MAIN GIRDER ][ BEAM MEMBER FORCE ]

MEMBER		2009			2010			2010			2011				
NODE		2009			2010			2010			2011				
NAME TITLE		SHEAR	TORQUE	MOMENT	SHEAR	TORQUE	MOMENT	SHEAR	TORQUE	MOMENT	SHEAR	TORQUE	MOMENT		
		S2 (kN)	TQ (kN·m)	M3 (kN·m)	S2 (kN)	TQ (kN·m)	M3 (kN·m)	S2 (kN)	TQ (kN·m)	M3 (kN·m)	S2 (kN)	TQ (kN·m)	M3 (kN·m)		
124	SUM TOTAL	D+1LANE (caseMAX	S2	-255.18	12.97	24972.12	-445.80	18.06	23353.72	-445.80	73.52	23353.61	-576.62	122.53	21164.61
			TQ	-482.25	787.99	25823.53	-660.45	787.99	23105.63	-660.45	842.87	23103.70	-845.46	842.87	19529.99
			M3	-446.18	638.32	27257.79	-559.95	529.01	24738.70	-559.95	587.76	24737.38	-624.47	411.93	21854.83
		MIN	S2	-535.95	739.33	26131.87	-663.97	762.12	23305.77	-663.97	817.47	23303.89	-852.80	815.92	19609.33
			TQ	-257.22	8.83	24908.38	-449.10	8.83	23228.35	-449.10	64.00	23228.26	-634.18	64.00	20643.51
			M3	-352.28	277.96	22547.36	-544.16	277.96	20415.11	-544.16	326.45	20414.40	-736.05	326.45	17369.33
		D+1LANE (caseMAX	S2	-49.14	264.58	25837.64	-375.88	251.44	23909.42	-375.88	308.23	23908.76	-656.60	288.18	20455.17
			TQ	-365.63	392.81	25384.51	-601.92	392.81	23083.13	-599.69	447.76	23171.48	-835.99	447.76	19756.63
			M3	-177.22	338.56	26638.91	-498.40	326.18	24810.74	-498.40	385.11	24809.90	-842.04	377.02	21294.40
		MIN	S2	-442.98	346.05	25298.77	-719.70	337.98	23409.05	-719.70	393.57	23408.18	-1056.30	390.59	20025.60
			TQ	-309.40	190.51	23910.93	-501.28	190.51	21982.69	-503.51	242.59	21892.82	-695.40	242.59	19041.15
			M3	-350.16	231.89	22571.85	-542.04	231.89	20449.70	-542.04	280.45	20449.09	-733.93	280.45	17414.12
		D+1LANE (caseMAX	S2	-276.69	308.23	24964.56	-471.21	309.00	23086.69	-471.21	363.83	23085.90	-665.77	360.91	20267.31
			TQ	-282.78	312.06	24984.51	-476.58	312.06	23180.63	-477.27	367.13	23194.10	-676.61	367.13	20449.52
			M3	-359.77	168.31	26302.69	-551.35	206.40	24103.00	-551.35	263.64	24102.44	-737.57	314.94	21006.16
		MIN	S2	-427.45	123.70	25134.26	-624.13	122.93	22731.98	-624.13	176.92	22731.63	-820.80	179.84	19408.99
			TQ	-421.31	119.90	25073.33	-618.71	119.90	22597.31	-614.00	173.48	22467.23	-805.89	173.48	19089.96
			M3	-348.60	197.03	22590.04	-540.48	197.03	20475.33	-540.48	245.66	20474.81	-732.36	245.66	17447.28
		D+1LANE (caseMAX	S2	-315.65	290.17	23995.87	-507.53	290.17	22037.88	-507.53	342.51	22037.12	-699.42	342.51	19166.31
			TQ	-316.39	292.41	24135.08	-508.27	292.41	22173.57	-508.30	345.07	22174.88	-700.18	345.07	19300.44
			M3	-348.37	-78.08	25175.31	-538.52	-44.86	23065.21	-538.52	9.92	23065.25	-730.41	9.92	20047.01
		MIN	S2	-373.34	-209.43	24362.64	-565.22	-209.43	22130.23	-565.22	-156.87	22130.66	-757.11	-156.87	18985.43
			TQ	-373.06	-211.18	24307.15	-564.94	-211.18	22076.05	-564.92	-158.75	22074.43	-756.81	-158.75	18930.63
			M3	-345.54	126.09	22625.41	-537.42	126.09	20525.23	-537.42	174.84	20524.87	-729.31	174.84	17511.87

BAGO RIVER BRIDGE

BLOCK [ No.1 : MAIN GIRDER ][ BEAM MEMBER FORCE ]

MEMBER		2009			2010			2010			2011				
NODE		2009			2010			2010			2011				
NAME TITLE		SHEAR	TORQUE	MOMENT	SHEAR	TORQUE	MOMENT	SHEAR	TORQUE	MOMENT	SHEAR	TORQUE	MOMENT		
		S2 (kN)	TQ (kN·m)	M3 (kN·m)	S2 (kN)	TQ (kN·m)	M3 (kN·m)	S2 (kN)	TQ (kN·m)	M3 (kN·m)	S2 (kN)	TQ (kN·m)	M3 (kN·m)		
124	SUM TOTAL	D+2LANES (casMAX	S2	-148.91	117.43	26984.29	-377.32	46.83	25207.93	-377.32	106.70	25207.75	-546.60	93.74	22621.20
			TQ	-530.52	995.87	27250.07	-731.42	995.87	24248.52	-730.24	1053.49	24290.08	-935.95	1053.49	20332.73
			M3	-395.04	794.02	29631.73	-565.71	648.44	27146.40	-565.71	712.91	27144.79	-699.08	501.40	23954.67
		MIN	S2	-605.34	922.29	27517.35	-775.64	902.57	24781.50	-775.64	961.42	24779.28	-1005.88	898.29	20961.90
			TQ	-232.98	-35.14	25710.92	-424.86	-35.14	24146.23	-426.04	22.17	24102.25	-613.12	22.17	21624.84
			M3	-366.95	303.97	22061.16	-558.83	303.97	19859.13	-558.83	351.13	19858.36	-750.72	351.13	16743.51
		D+2LANES (casMAX	S2	22.80	327.11	27705.55	-319.05	241.32	25671.02	-319.05	302.29	25670.37	-613.25	231.79	22030.01
			TQ	-433.34	666.55	26884.22	-682.65	666.55	24229.77	-679.61	724.23	24346.57	-928.06	724.23	20521.60
			M3	-170.90	544.22	29116.00	-514.41	479.43	27206.43	-514.41	544.04	27205.22	-880.38	472.31	23487.65
		MIN	S2	-527.86	594.55	26823.10	-822.08	549.12	24867.56	-822.08	608.17	24866.19	-1175.45	543.85	21308.80
			TQ	-276.45	116.27	24879.70	-468.34	116.27	23108.18	-471.38	171.01	22989.38	-664.14	171.01	20289.53
			M3	-365.18	265.57	22081.57	-557.07	265.57	19887.96	-557.07	312.80	19887.27	-748.95	312.80	16780.83
		D+2LANES (casMAX	S2	-255.34	369.49	25862.96	-449.43	370.13	24104.16	-449.43	427.37	24103.21	-643.54	424.95	21408.34
			TQ	-261.74	379.13	25751.27	-455.23	379.13	24047.82	-455.83	436.26	24064.35	-653.93	436.26	21424.72
			M3	-401.86	77.60	28065.13	-576.29	148.65	25711.56	-576.29	209.71	25711.14	-739.57	301.94	22567.58
		MIN	S2	-481.93	-13.86	26262.25	-677.81	-14.50	23586.22	-677.81	41.52	23586.19	-873.68	43.95	19991.06
			TQ	-474.98	-22.75	26076.68	-671.46	-22.75	23347.90	-667.51	32.63	23234.18	-859.40	32.63	19602.35
			M3	-360.86	169.01	22131.78	-552.74	169.01	19958.74	-552.74	216.41	19958.28	-744.63	216.41	16872.43
		D+2LANES (casMAX	S2	-302.42	340.84	24788.07	-494.31	340.84	22893.01	-494.31	395.21	22892.14	-686.19	395.21	20084.26
			TQ	-303.42	347.67	24778.70	-495.30	347.67	22878.92	-495.32	402.01	22882.38	-687.20	402.01	20069.69
			M3	-372.59	-216.52	26697.99	-556.43	-152.73	24490.22	-556.43	-94.57	24490.51	-740.09	-57.09	21411.02
		MIN	S2	-412.82	-407.71	25220.71	-604.71	-407.71	22800.46	-604.71	-353.56	22801.36	-796.59	-353.56	19468.29
			TQ	-411.26	-415.34	25098.81	-603.14	-415.34	22685.99	-603.12	-361.46	22682.56	-795.01	-361.46	19357.01
			M3	-357.43	89.19	22171.46	-549.31	89.19	20014.73	-549.31	136.73	20014.46	-741.20	136.73	16944.92



BAGO RIVER BRIDGE

BLOCK [ No.1 : MAIN GIRDER ][ BEAM MEMBER FORCE ]

MEMBER				2009			2010			2011						
NODE				2009			2010			2011						
NAME TITLE				SHEAR	TORQUE	MOMENT	SHEAR	TORQUE	MOMENT	SHEAR	TORQUE	MOMENT				
				S2 (kN)	TQ (kN·m)	M3 (kN·m)	S2 (kN)	TQ (kN·m)	M3 (kN·m)	S2 (kN)	TQ (kN·m)	M3 (kN·m)				
124	SUM TOTAL	D+3LANES (casMAX	S2	22.29	169.87	28233.62	-296.17	100.55	26486.43	-296.17	163.46	26486.12	-531.77	138.25	23479.45	
			TQ	-526.27	1007.37	28138.57	-757.27	1007.37	25085.64	-754.69	1067.06	25183.86	-989.79	1067.06	21039.45	
			M3	-277.65	797.37	31051.52	-543.09	664.87	28772.56	-543.09	733.20	28770.90	-792.73	547.69	25207.35	
		MIN	S2	-644.65	911.71	28305.03	-878.29	889.23	25769.53	-878.29	950.43	25767.35	-1205.27	894.64	21764.76	
			TQ	-233.52	-12.28	25786.50	-425.40	-12.28	24219.21	-427.99	45.12	24118.49	-615.79	45.12	21630.94	
			M3	-376.28	305.27	21735.70	-568.16	305.27	19489.32	-568.16	351.55	19488.54	-760.04	351.55	16329.33	
		D+3LANES (casMAX	S2	-250.09	405.28	26299.30	-443.84	405.83	24578.64	-443.84	464.20	24577.60	-637.63	462.13	21924.36	
			TQ	-256.79	415.68	26113.01	-450.03	415.68	24433.44	-450.54	473.73	24450.04	-647.70	473.73	21837.83	
			M3	-421.23	-28.53	29046.21	-589.95	61.39	26617.33	-589.95	124.61	26617.11	-746.83	235.60	23432.77	
		MIN	S2	-506.52	-168.77	26808.24	-701.81	-169.31	24004.25	-701.81	-112.30	24004.58	-897.08	-110.24	20282.43	
			TQ	-500.18	-178.98	26632.31	-695.97	-178.98	23785.58	-692.62	-122.56	23686.50	-884.51	-122.56	19935.21	
			M3	-368.58	133.20	21824.96	-560.46	133.20	19615.20	-560.46	179.78	19614.83	-752.35	179.78	16492.26	
		D+3LANES (casMAX	S2	-284.93	384.10	25458.47	-476.81	384.10	23646.66	-476.81	440.26	23645.68	-668.69	440.26	20921.04	
			TQ	-286.41	391.67	25401.30	-478.29	391.67	23582.44	-478.30	447.69	23587.63	-670.18	447.69	20855.90	
			M3	-399.22	-268.10	27975.64	-572.82	-179.42	25669.58	-572.82	-118.45	25669.93	-741.53	-45.00	22556.38	
		MIN	S2	-452.16	-475.79	26023.83	-644.05	-475.79	23416.43	-644.05	-420.17	23417.50	-835.93	-420.17	19897.28	
			TQ	-449.69	-492.58	25830.02	-641.57	-492.58	23234.40	-641.56	-437.40	23229.32	-833.45	-437.40	19720.92	
			M3	-366.31	80.37	21851.14	-558.19	80.37	19652.16	-558.19	127.04	19651.92	-750.08	127.04	16540.12	
		D+4LANES	MAX	S2	-278.54	387.83	25444.20	-471.85	388.24	23605.74	-471.85	444.30	23604.76	-665.14	442.89	20842.91
			TQ	-283.22	400.01	25372.54	-476.15	400.01	23567.58	-476.55	456.00	23581.26	-672.47	456.00	20848.26	
			M3	-422.03	-155.65	28117.70	-596.04	-67.34	25683.50	-596.04	-6.34	25683.59	-762.44	86.53	22450.53	
		MIN	S2	-478.86	-318.98	26678.67	-673.05	-319.01	23981.05	-673.05	-262.05	23981.74	-867.51	-260.54	20374.15	
			TQ	-471.41	-346.59	26430.39	-665.57	-346.59	23725.64	-665.25	-290.26	23711.80	-857.14	-290.26	20090.73	
			M3	-363.23	114.57	21993.45	-555.11	114.57	19809.12	-555.11	161.62	19808.79	-747.00	161.62	16711.63	

BAGO RIVER BRIDGE

BLOCK [ No.1 : MAIN GIRDER ][ BEAM MEMBER FORCE ]

MEMBER					2009			2010			2011							
NODE					2009			2010			2011							
					SHEAR	TORQUE	MOMENT	SHEAR	TORQUE	MOMENT	SHEAR	TORQUE	MOMENT					
NAME	TITLE				S2 (kN)	TQ (kN·m)	M3 (kN·m)	S2 (kN)	TQ (kN·m)	M3 (kN·m)	S2 (kN)	TQ (kN·m)	M3 (kN·m)					
124	SUM TOTAL	D+6LANES	MAX	S2	-30.38	310.85	28828.71	-314.43	301.73	27199.55	-314.43	366.33	27198.75	-542.42	350.26	24261.37		
				TQ	-378.03	867.92	28365.18	-590.08	867.92	26063.88	-589.51	929.96	26184.78	-810.99	929.96	22861.13		
				M3	-366.43	256.98	32767.74	-590.62	252.93	30314.78	-590.62	324.92	30314.09	-789.59	304.32	26763.32		
			MIN	S2	-665.37	179.06	29318.11	-895.16	181.61	26415.42	-895.16	244.35	26414.91	-1183.73	243.08	22163.35		
				TQ	-415.60	-418.95	27893.32	-610.13	-418.95	25452.27	-611.30	-358.59	25376.98	-799.49	-358.59	22016.93		
				M3	-392.44	188.27	21048.66	-584.32	188.27	18725.40	-584.32	232.74	18724.90	-776.20	232.74	15488.82		
			SUM TOTAL	MAX	22.80	1007.37	32767.74	-296.17	1007.37	30314.78	-296.17	1067.06	30314.09	-531.77	1067.06	26763.32		
				MIN	-665.37	-492.58	21048.66	-895.16	-492.58	18725.40	-895.16	-437.40	18724.90	-1205.27	-437.40	15488.82		
		300	DEAD LOAD	TOTAL			-328.95	210.19	23291.97	-520.83	210.19	21270.72	-520.83	260.71	21270.16	-712.72	260.71	18336.10
		301	LIVE LOAD	1-LANE (case1MAX	S2	TQ	73.77	-197.22	1680.15	75.03	-192.14	2083.00	75.03	-187.19	2083.45	136.09	-138.18	2828.51
TQ	-153.30					577.80	2531.56	-139.61	577.80	1834.91	-139.61	582.15	1833.53	-132.74	582.15	1193.89		
M3	-117.23					428.13	3965.82	-39.12	318.81	3467.98	-39.12	327.05	3467.21	88.25	151.22	3518.73		
MIN	S2					-207.00	529.14	2839.91	-143.14	551.93	2035.05	-143.14	556.76	2033.73	-140.09	555.20	1273.23	
	TQ					71.73	-201.37	1616.42	71.73	-201.37	1957.63	71.73	-196.72	1958.10	78.54	-196.72	2307.42	
	M3					-23.33	67.77	-744.61	-23.33	67.77	-855.61	-23.33	65.74	-855.77	-23.33	65.74	-966.76	
1-LANE (case2MAX	S2			TQ	279.81	54.39	2545.67	144.95	41.25	2638.70	144.95	47.52	2638.60	56.12	27.47	2119.08		
				TQ	-36.68	182.62	2092.55	-81.09	182.62	1812.41	-78.86	187.05	1901.32	-123.27	187.05	1420.53		
				M3	151.73	128.36	3346.95	22.43	115.99	3540.02	22.43	124.40	3539.74	-129.32	116.31	2958.30		
				MIN	S2	-114.03	135.85	2006.80	-198.87	127.78	2138.33	-198.87	132.86	2138.02	-343.58	129.87	1689.50	
					TQ	19.55	-19.68	618.96	19.55	-19.68	711.96	17.32	-18.12	622.66	17.32	-18.12	705.05	
					M3	-21.21	21.69	-720.12	-21.21	21.69	-821.02	-21.21	19.74	-821.07	-21.21	19.74	-921.98	
1-LANE (case3MAX	S2			TQ	52.26	98.04	1672.59	49.62	98.80	1815.97	49.62	103.12	1815.73	46.95	100.20	1931.22		
				TQ	46.17	101.86	1692.54	44.25	101.86	1909.91	43.56	106.42	1923.94	36.11	106.42	2113.42		
				M3	-30.82	-41.88	3010.72	-30.52	-3.79	2832.28	-30.52	2.93	2832.28	-24.85	54.23	2670.06		
				MIN	S2	-98.50	-86.49	1842.29	-103.30	-87.26	1461.26	-103.30	-83.79	1461.47	-108.08	-80.88	1072.90	
					TQ	-92.36	-90.30	1781.36	-97.88	-90.30	1326.58	-93.17	-87.23	1197.07	-93.17	-87.23	753.86	
					M3	-19.65	-13.16	-701.93	-19.65	-13.16	-795.39	-19.65	-15.05	-795.35	-19.65	-15.05	-888.81	

BAGO RIVER BRIDGE

BLOCK [ No.1 : MAIN GIRDER ][ BEAM MEMBER FORCE ]

MEMBER			2009			2010			2010			2011			
NODE			2009			2010			2010			2011			
NAME TITLE			SHEAR	TORQUE	MOMENT	SHEAR	TORQUE	MOMENT	SHEAR	TORQUE	MOMENT	SHEAR	TORQUE	MOMENT	
			S2 (kN)	TQ (kN·m)	M3 (kN·m)	S2 (kN)	TQ (kN·m)	M3 (kN·m)	S2 (kN)	TQ (kN·m)	M3 (kN·m)	S2 (kN)	TQ (kN·m)	M3 (kN·m)	
301	LIVE LOAD	1-LANE (case4MAX	S2	13.30	79.97	703.90	13.30	79.97	767.15	13.30	81.79	766.96	13.30	81.79	830.22
			TQ	12.56	82.22	843.11	12.56	82.22	902.85	12.53	84.36	904.71	12.53	84.36	964.34
			M3	-19.42	-288.27	1883.34	-17.69	-255.05	1794.48	-17.69	-250.79	1795.09	-17.69	-250.79	1710.92
		MIN	S2	-44.39	-419.63	1070.67	-44.39	-419.63	859.50	-44.39	-417.58	860.50	-44.39	-417.58	649.33
			TQ	-44.11	-421.37	1015.18	-44.11	-421.37	805.33	-44.09	-419.46	804.27	-44.09	-419.46	594.53
			M3	-16.59	-84.10	-666.55	-16.59	-84.10	-745.49	-16.59	-85.87	-745.29	-16.59	-85.87	-824.23
		2-LANES (caseMAX	S2	180.04	-92.76	3692.32	143.51	-163.36	3937.21	143.51	-154.01	3937.59	166.12	-166.97	4285.11
			TQ	-201.58	785.67	3958.10	-210.59	785.67	2977.80	-209.41	792.78	3019.92	-223.24	792.78	1996.63
			M3	-66.09	583.83	6339.77	-44.88	438.25	5875.68	-44.88	452.20	5874.62	13.64	240.69	5618.57
		MIN	S2	-276.39	712.10	4225.38	-254.81	692.38	3510.77	-254.81	700.71	3509.12	-293.16	637.58	2625.81
			TQ	95.97	-245.33	2418.95	95.97	-245.33	2875.51	94.79	-238.54	2832.09	99.60	-238.54	3288.74
			M3	-38.00	93.77	-1230.81	-38.00	93.77	-1411.59	-38.00	90.42	-1411.80	-38.00	90.42	-1592.58
		2-LANES (caseMAX	S2	351.75	116.91	4413.58	201.78	31.13	4400.30	201.78	41.58	4400.21	99.47	-28.92	3693.91
			TQ	-104.39	456.36	3592.26	-161.82	456.36	2959.05	-158.78	463.52	3076.41	-215.34	463.52	2185.50
			M3	158.05	334.03	5824.04	6.42	269.23	5935.71	6.42	283.33	5935.06	-167.67	211.60	5151.55
		MIN	S2	-198.91	384.36	3531.13	-301.25	338.92	3596.84	-301.25	347.46	3596.03	-462.74	283.13	2972.70
			TQ	52.49	-93.93	1587.73	52.49	-93.93	1837.46	49.45	-89.71	1719.22	48.58	-89.71	1953.43
			M3	-36.23	55.38	-1210.39	-36.23	55.38	-1382.76	-36.23	52.09	-1382.89	-36.23	52.09	-1555.26
		2-LANES (caseMAX	S2	73.61	159.30	2570.99	71.40	159.93	2833.43	71.40	166.66	2833.05	69.18	164.23	3072.25
			TQ	67.21	168.94	2459.30	65.60	168.94	2777.10	65.00	175.55	2794.19	58.79	175.55	3088.63
			M3	-72.91	-132.59	4773.17	-55.46	-61.55	4440.84	-55.46	-51.00	4440.98	-26.86	41.23	4231.49
MIN	S2	-152.98	-224.06	2970.28	-156.98	-224.69	2315.50	-156.98	-219.19	2316.03	-160.96	-216.77	1654.96		
	TQ	-146.03	-232.94	2784.71	-150.63	-232.94	2077.18	-146.68	-228.09	1964.02	-146.68	-228.09	1266.25		
	M3	-31.91	-41.18	-1160.19	-31.91	-41.18	-1311.98	-31.91	-44.30	-1311.88	-31.91	-44.30	-1463.67		

BAGO RIVER BRIDGE

BLOCK [ No.1 : MAIN GIRDER ][ BEAM MEMBER FORCE ]

MEMBER				2009			2010			2010			2011			
NODE				2009			2010			2010			2011			
NAME TITLE				SHEAR	TORQUE	MOMENT	SHEAR	TORQUE	MOMENT	SHEAR	TORQUE	MOMENT	SHEAR	TORQUE	MOMENT	
				S2 (kN)	TQ (kN·m)	M3 (kN·m)	S2 (kN)	TQ (kN·m)	M3 (kN·m)	S2 (kN)	TQ (kN·m)	M3 (kN·m)	S2 (kN)	TQ (kN·m)	M3 (kN·m)	
301	LIVE LOAD	2-LANES (caseMAX	S2	26.53	130.65	1496.10	26.53	130.65	1622.29	26.53	134.50	1621.98	26.53	134.50	1748.16	
			TQ	25.53	137.48	1486.73	25.53	137.48	1608.20	25.51	141.30	1612.21	25.51	141.30	1733.59	
			M3	-43.64	-426.72	3406.02	-35.60	-362.92	3219.50	-35.60	-355.28	3220.35	-27.37	-317.81	3074.92	
			MIN	S2	-83.87	-617.90	1928.74	-83.87	-617.90	1529.74	-83.87	-614.27	1531.20	-83.87	-614.27	1132.20
			TQ	-82.31	-625.53	1806.84	-82.31	-625.53	1415.27	-82.29	-622.17	1412.40	-82.29	-622.17	1020.92	
			M3	-28.48	-121.00	-1120.51	-28.48	-121.00	-1255.99	-28.48	-123.99	-1255.70	-28.48	-123.99	-1391.18	
		3-LANES (caseMAX	S2	351.24	-40.32	4941.65	224.66	-109.64	5215.71	224.66	-97.25	5215.96	180.95	-122.46	5143.35	
			TQ	-197.32	797.18	4846.60	-236.44	797.18	3814.92	-233.86	806.35	3913.70	-277.07	806.35	2703.35	
			M3	51.30	587.18	7759.56	-22.26	454.67	7501.84	-22.26	472.49	7500.74	-80.01	286.97	6871.25	
			MIN	S2	-315.70	701.51	5013.06	-357.46	679.03	4498.81	-357.46	689.72	4497.18	-492.55	633.93	3428.67
			TQ	95.43	-222.47	2494.54	95.43	-222.47	2948.49	92.84	-215.59	2848.32	96.93	-215.59	3294.84	
			M3	-47.33	95.07	-1556.27	-47.33	95.07	-1781.41	-47.33	90.84	-1781.63	-47.33	90.84	-2006.76	
		3-LANES (caseMAX	S2	78.86	195.09	3007.33	76.99	195.63	3307.91	76.99	203.49	3307.44	75.09	201.42	3588.27	
			TQ	72.16	205.49	2821.04	70.80	205.49	3162.72	70.30	213.02	3179.88	65.02	213.02	3501.73	
			M3	-92.28	-238.72	5754.24	-69.12	-148.80	5346.61	-69.12	-136.10	5346.95	-34.11	-25.11	5096.68	
			MIN	S2	-177.57	-378.96	3516.27	-180.98	-379.51	2733.53	-180.98	-373.01	2734.42	-184.36	-370.95	1946.34
			TQ	-171.23	-389.18	3340.35	-175.14	-389.18	2514.86	-171.79	-383.27	2416.34	-171.79	-383.27	1599.12	
			M3	-39.63	-77.00	-1467.01	-39.63	-77.00	-1655.52	-39.63	-80.93	-1655.33	-39.63	-80.93	-1843.84	
		3-LANES (caseMAX	S2	44.02	173.91	2166.50	44.02	173.91	2375.93	44.02	179.55	2375.51	44.02	179.55	2584.95	
			TQ	42.54	181.48	2109.33	42.54	181.48	2311.72	42.53	186.98	2317.47	42.53	186.98	2519.80	
			M3	-70.27	-478.29	4683.67	-51.99	-389.61	4398.86	-51.99	-379.17	4399.77	-28.81	-305.71	4220.28	
MIN	S2		-123.21	-685.98	2731.86	-123.21	-685.98	2145.71	-123.21	-680.88	2147.33	-123.21	-680.88	1561.18		
TQ	-120.74		-702.77	2538.05	-120.74	-702.77	1963.68	-120.73	-698.12	1959.16	-120.73	-698.12	1384.83			
M3	-37.36		-129.83	-1440.83	-37.36	-129.83	-1618.56	-37.36	-133.67	-1618.25	-37.36	-133.67	-1795.98			

BAGO RIVER BRIDGE

BLOCK [ No.1 : MAIN GIRDER ][ BEAM MEMBER FORCE ]

MEMBER					2009			2010			2010			2011		
NODE					2009			2010			2010			2011		
NAME TITLE					SHEAR	TORQUE	MOMENT	SHEAR	TORQUE	MOMENT	SHEAR	TORQUE	MOMENT	SHEAR	TORQUE	MOMENT
					S2 (kN)	TQ (kN·m)	M3 (kN·m)	S2 (kN)	TQ (kN·m)	M3 (kN·m)	S2 (kN)	TQ (kN·m)	M3 (kN·m)	S2 (kN)	TQ (kN·m)	M3 (kN·m)
301	LIVE LOAD	4-LANES	MAX	S2	50.41	177.63	2152.23	48.98	178.05	2335.02	48.98	183.59	2334.59	47.58	182.17	2506.82
				TQ	45.73	189.82	2080.57	44.68	189.82	2296.86	44.28	195.29	2311.10	40.25	195.29	2512.16
				M3	-93.08	-365.84	4825.73	-75.21	-277.53	4412.78	-75.21	-267.05	4413.42	-49.72	-174.18	4114.43
		MIN	S2	-149.91	-529.17	3386.70	-152.22	-529.20	2710.33	-152.22	-522.76	2711.58	-154.79	-521.25	2038.06	
			TQ	-142.46	-556.78	3138.42	-144.73	-556.78	2454.92	-144.42	-550.97	2441.64	-144.42	-550.97	1754.63	
			M3	-34.28	-95.62	-1298.51	-34.28	-95.62	-1461.60	-34.28	-99.09	-1461.37	-34.28	-99.09	-1624.46	
	6-LANES	MAX	S2	298.57	100.65	5536.74	206.40	91.54	5928.83	206.40	105.62	5928.59	170.29	89.55	5925.28	
			TQ	-49.09	657.73	5073.21	-69.25	657.73	4793.16	-68.68	669.25	4914.62	-98.27	669.25	4525.03	
			M3	-37.48	46.78	9475.77	-69.79	42.74	9044.05	-69.79	64.21	9043.93	-76.88	43.61	8427.22	
		MIN	S2	-336.42	-31.14	6026.15	-374.33	-28.58	5144.70	-374.33	-16.36	5144.75	-471.01	-17.63	3827.25	
			TQ	-86.65	-629.15	4601.36	-89.30	-629.15	4181.55	-90.47	-619.30	4106.81	-86.77	-619.30	3680.83	
			M3	-63.49	-21.93	-2243.31	-63.49	-21.93	-2545.32	-63.49	-27.97	-2545.26	-63.49	-27.97	-2847.28	
LIVE LOAD	MAX	351.75	797.18	9475.77	224.66	797.18	9044.05	224.66	806.35	9043.93	180.95	806.35	8427.22			
	MIN	-336.42	-702.77	-2243.31	-374.33	-702.77	-2545.32	-374.33	-698.12	-2545.26	-492.55	-698.12	-2847.28			
303	SUM TOTAL	TOTAL	MAX	22.80	1007.37	32767.74	-296.17	1007.37	30314.78	-296.17	1067.06	30314.09	-531.77	1067.06	26763.32	
			MIN	-665.37	-492.58	21048.66	-895.16	-492.58	18725.40	-895.16	-437.40	18724.90	-1205.27	-437.40	15488.82	

BAGO RIVER BRIDGE

BLOCK [ No.1 : MAIN GIRDER ][ BEAM MEMBER FORCE ]

MEMBER NODE	2011 2011	2012			2012			2013								
		SHEAR	TORQUE	MOMENT	SHEAR	TORQUE	MOMENT	SHEAR	TORQUE	MOMENT						
		S2 (kN)	TQ (kN·m)	M3 (kN·m)	S2 (kN)	TQ (kN·m)	M3 (kN·m)	S2 (kN)	TQ (kN·m)	M3 (kN·m)						
1	PAVEMENT	-147.77	-30.92	3252.58	-178.10	-30.92	2477.46	-178.10	-25.03	2477.53	-208.44	-25.03	1558.12			
3	RAILING	-5.79	1.10	83.15	-4.18	1.10	59.43	-4.18	1.24	59.43	-2.57	1.24	43.36			
5	CURB	-57.33	10.86	823.18	-41.40	10.86	588.34	-41.40	12.26	588.31	-25.48	12.26	429.23			
7	DECK WEIGHT	-230.37	-15.23	5127.57	-276.48	-15.23	3921.99	-276.48	-5.91	3922.01	-322.60	-5.91	2497.07			
8	GIRDER WEIGH	-241.20	258.62	6377.61	-330.15	258.62	5018.61	-330.15	270.54	5017.98	-419.10	270.54	3235.84			
10	MEDIAN STRIP	-23.97	78.74	1150.04	-52.77	78.74	967.52	-52.77	81.04	967.33	-81.56	81.04	647.81			
21	ADITIONAL WE	-64.50	-4.26	1435.72	-77.42	-4.26	1098.16	-77.42	-1.66	1098.16	-90.33	-1.66	699.18			
31	MEDIAN RAILI	-2.16	6.31	85.53	-4.48	6.31	69.74	-4.48	6.48	69.73	-6.81	6.48	42.86			
51	SUPPORT WEIG	-0.00	-0.00	-0.00	-0.00	-0.00	-0.00	-0.00	-0.00	-0.00	-0.00	-0.00	-0.00			
52	NOSE WEIGHT	-0.01	0.53	0.04	-0.01	0.53	-0.02	-0.01	0.53	-0.02	-0.01	0.53	-0.08			
61	1-LANE(case1TRUCK-LOAD	MAX	S2	33.12	-12.00	686.70	33.12	-12.00	844.27	33.12	-10.00	844.30	75.41	14.77	1070.02	
			TQ	-80.42	351.54	1247.31	-80.42	351.54	864.75	-80.42	353.59	863.91	-80.42	353.59	481.35	
			M3	-80.75	310.36	1439.37	-25.46	219.79	1061.54	-25.46	222.31	1061.01	72.21	75.98	1105.40	
		MIN	S2	-123.95	310.36	1439.37	-81.84	348.75	916.90	-81.84	350.93	916.07	-81.84	350.93	526.74	
			TQ	30.98	-31.49	438.48	30.98	-31.49	585.84	30.98	-30.10	585.91	30.98	-30.10	733.27	
			M3	-13.47	2.27	-367.04	-13.47	2.27	-431.10	-13.47	1.24	-431.11	-13.56	1.56	-495.50	
		TANDEM-LOAD	MAX	S2	27.79	-19.09	415.97	27.79	-19.09	548.17	27.79	-17.78	548.21	72.73	28.44	762.72
			TQ	-60.31	240.32	941.06	-60.31	240.32	654.15	-60.31	241.87	653.57	-60.31	241.87	366.66	
			M3	-49.99	209.18	988.38	-40.28	192.94	750.67	-40.28	194.72	750.21	72.73	28.44	762.72	
		MIN	S2	-105.83	192.94	981.49	-60.31	240.32	654.15	-60.31	241.87	653.57	-60.31	241.87	366.66	
			TQ	27.67	-23.54	367.40	27.67	-23.54	499.02	27.67	-22.35	499.08	27.67	-22.35	630.70	
			M3	-9.20	1.58	-250.22	-9.20	1.58	-293.99	-9.20	0.88	-293.99	-9.23	0.97	-337.85	
		DISPERSION-LMAX	S2	18.12	-5.07	470.54	18.84	1.15	584.33	18.84	2.54	584.33	27.17	10.10	755.44	
			TQ	-73.67	313.27	912.53	-62.26	313.27	589.26	-59.66	314.74	677.18	-48.26	314.74	420.55	
			M3	-49.30	300.79	1492.03	-37.89	300.79	1284.70	-37.89	303.84	1283.99	-26.49	303.84	1130.90	
MIN	S2	-83.43	309.81	582.83	-72.75	303.59	185.52	-72.75	304.03	184.80	-69.67	296.46	-215.57			
	TQ	8.36	-8.53	140.84	8.36	-8.53	180.60	5.76	-8.18	91.95	5.76	-8.18	119.32			
	M3	-16.01	3.94	-438.67	-16.01	3.94	-514.85	-16.01	2.72	-514.85	-16.01	2.72	-591.03			

BAGO RIVER BRIDGE

BLOCK [ No.1 : MAIN GIRDER ][ BEAM MEMBER FORCE ]

MEMBER				2011			2012			2012			2013		
NODE				2011			2012			2012			2013		
NAME TITLE				SHEAR	TORQUE	MOMENT	SHEAR	TORQUE	MOMENT	SHEAR	TORQUE	MOMENT	SHEAR	TORQUE	MOMENT
				S2 (kN)	TQ (kN·m)	M3 (kN·m)	S2 (kN)	TQ (kN·m)	M3 (kN·m)	S2 (kN)	TQ (kN·m)	M3 (kN·m)	S2 (kN)	TQ (kN·m)	M3 (kN·m)
62	1-LANE (case2TRUCK-LOAD	MAX	S2	175.45	71.80	1129.69	86.73	61.12	1184.55	86.73	63.93	1184.40	25.64	47.68	823.55
			TQ	-46.13	120.80	714.86	-46.13	120.80	495.39	-46.13	121.98	495.10	-46.13	121.98	275.64
			M3	94.06	84.69	1197.46	24.53	70.84	1263.84	24.53	73.84	1263.67	-63.66	62.80	887.55
		MIN	S2	-69.32	89.41	1193.53	-129.48	74.53	1246.17	-129.48	77.49	1245.99	-218.18	66.81	884.54
			TQ	-6.13	-1.37	-174.30	-6.13	-1.37	-203.47	-8.23	-1.96	-281.84	-8.23	-1.96	-320.97
			M3	-11.33	-0.90	-351.01	-11.33	-0.90	-404.90	-11.33	-1.86	-404.89	-11.33	-1.86	-458.78
		TANDEM-LOAD MAX	S2	148.65	51.81	914.11	85.37	44.99	990.54	85.37	47.34	990.43	26.54	39.16	705.52
			TQ	-32.40	82.90	502.36	-32.40	82.90	348.22	-32.40	83.73	348.02	-32.40	83.73	193.89
			M3	51.84	54.34	923.70	-6.29	46.64	999.40	-6.29	49.02	999.28	-70.10	41.90	714.03
		MIN	S2	-55.85	54.34	923.70	-113.98	46.64	999.40	-113.98	49.02	999.28	-177.79	41.90	714.03
			TQ	-4.55	-0.96	-130.60	-4.55	-0.96	-152.23	-4.96	-1.34	-167.70	-4.96	-1.34	-191.30
			M3	-7.73	-0.61	-239.19	-7.73	-0.61	-275.96	-7.73	-1.26	-275.95	-7.73	-1.26	-312.72
		DISPERSION-LMAX	S2	44.77	27.72	636.06	23.33	19.17	611.73	23.33	20.62	611.69	12.76	12.90	529.25
			TQ	4.64	127.08	1261.45	-32.37	127.08	1195.48	-32.16	129.94	1202.16	-69.17	129.94	961.13
			M3	4.85	127.08	1267.42	-32.16	127.08	1202.46	-32.16	129.94	1202.16	-69.17	129.94	961.13
MIN	S2	-53.45	97.83	214.04	-69.02	106.38	109.03	-69.02	106.64	108.78	-95.47	114.37	-114.18		
	TQ	-13.32	-1.53	-411.35	-13.32	-1.53	-474.72	-13.53	-2.68	-481.69	-13.53	-2.68	-546.06		
	M3	-13.53	-1.53	-417.33	-13.53	-1.53	-481.69	-13.53	-2.68	-481.69	-13.53	-2.68	-546.06		
63	1-LANE (case3TRUCK-LOAD	MAX	S2	18.46	41.65	529.87	18.46	41.65	617.68	18.46	43.12	617.58	18.46	43.12	705.39
			TQ	18.26	42.11	510.37	18.26	42.11	597.26	18.26	43.53	597.16	18.26	43.53	684.04
			M3	-28.34	-43.02	1049.06	-20.83	-15.26	881.39	-20.83	-13.17	881.42	-8.84	24.93	771.90
		MIN	S2	-57.47	-46.72	1041.08	-57.47	-46.72	767.67	-57.47	-44.90	767.78	-57.47	-44.90	494.37
			TQ	-57.30	-47.23	1028.39	-57.30	-47.23	755.81	-57.30	-45.44	755.92	-57.30	-45.44	483.35
			M3	-9.70	-3.16	-339.02	-9.70	-3.16	-385.16	-9.70	-4.08	-385.15	-9.70	-4.08	-431.29

BAGO RIVER BRIDGE

BLOCK [ No.1 : MAIN GIRDER ][ BEAM MEMBER FORCE ]

MEMBER NODE	2011 2011	2012			2012			2013							
		SHEAR	TORQUE	MOMENT	SHEAR	TORQUE	MOMENT	SHEAR	TORQUE	MOMENT					
		S2 (kN)	TQ (kN·m)	M3 (kN·m)	S2 (kN)	TQ (kN·m)	M3 (kN·m)	S2 (kN)	TQ (kN·m)	M3 (kN·m)					
63	1-LANE (case3TANDEM-LOAD	MAX	S2	13.34	27.20	424.32	13.34	27.20	487.79	13.34	28.36	487.73	13.34	28.36	551.20
			TQ	12.70	30.88	316.86	12.70	30.88	377.29	12.70	31.77	377.21	12.70	31.77	437.64
			M3	-22.15	-30.40	749.03	-14.39	-5.34	626.98	-14.39	-3.85	626.99	-5.24	24.23	560.08
		MIN	S2	-39.69	-30.40	749.03	-39.69	-30.40	560.23	-39.69	-29.07	560.30	-39.69	-29.07	371.50
			TQ	-39.15	-34.29	682.66	-39.15	-34.29	496.42	-39.15	-33.12	496.50	-39.15	-33.12	310.26
			M3	-6.61	-2.16	-230.94	-6.61	-2.16	-262.37	-6.61	-2.78	-262.36	-6.61	-2.78	-293.79
	DISPERSION-LMAX		S2	15.72	16.65	517.48	14.01	17.01	526.38	14.01	18.26	526.34	12.33	16.20	517.31
			TQ	4.80	22.77	630.93	2.79	22.77	650.83	2.13	24.33	661.04	-4.08	24.33	656.42
			M3	-21.72	-0.27	1175.98	-27.93	-0.27	1057.90	-27.93	2.24	1057.90	-34.13	2.24	910.29
		MIN	S2	-48.93	-21.90	256.86	-53.43	-22.26	75.21	-53.43	-22.08	75.26	-57.96	-20.02	-117.99
			TQ	-38.01	-28.02	143.41	-42.21	-28.02	-49.24	-41.55	-28.15	-59.44	-41.55	-28.15	-257.10
			M3	-11.49	-4.97	-401.64	-11.49	-4.97	-456.31	-11.49	-6.06	-456.30	-11.49	-6.06	-510.97
64	1-LANE (case4TRUCK-LOAD	MAX	S2	4.12	1.40	146.58	4.12	1.40	166.20	4.12	1.80	166.19	4.12	1.80	185.82
			TQ	4.06	1.41	144.87	4.06	1.41	164.19	4.06	1.80	164.18	4.06	1.80	183.50
			M3	-22.10	-264.51	547.98	-17.98	-234.80	451.43	-17.98	-233.72	451.98	-16.69	-219.19	370.35
		MIN	S2	-24.69	-277.38	503.14	-24.69	-277.38	385.71	-24.69	-276.47	386.37	-24.69	-276.47	268.94
			TQ	-24.58	-277.96	530.06	-24.58	-277.96	413.15	-24.58	-276.98	413.81	-24.58	-276.98	296.91
			M3	-6.31	-7.41	-314.70	-6.33	-7.38	-344.74	-6.33	-8.20	-344.72	-6.37	-8.16	-374.94
	TANDEM-LOAD	MAX	S2	2.80	0.95	99.48	2.80	0.95	112.81	2.80	1.22	112.81	2.80	1.22	126.14
			TQ	2.77	0.96	98.74	2.77	0.96	111.92	2.77	1.23	111.92	2.77	1.23	125.10
			M3	-15.72	-183.47	374.20	-12.66	-164.68	307.79	-12.66	-163.95	308.18	-10.54	-144.01	254.79
		MIN	S2	-17.02	-190.08	349.35	-17.02	-190.08	268.38	-17.02	-189.44	268.83	-17.02	-189.44	187.86
			TQ	-16.99	-190.24	356.87	-16.99	-190.24	276.04	-16.99	-189.59	276.49	-16.99	-189.59	195.66
			M3	-4.27	-5.08	-214.19	-4.27	-5.08	-234.50	-4.27	-5.64	-234.49	-4.27	-5.64	-254.79



BAGO RIVER BRIDGE

BLOCK [ No.1 : MAIN GIRDER ][ BEAM MEMBER FORCE ]

MEMBER NODE	2011 2011	2012						2013									
		SHEAR		TORQUE		MOMENT		SHEAR		TORQUE		MOMENT					
		S2 (kN)	TQ (kN·m)	M3 (kN·m)	S2 (kN)	TQ (kN·m)	M3 (kN·m)	S2 (kN)	TQ (kN·m)	M3 (kN·m)	S2 (kN)	TQ (kN·m)	M3 (kN·m)				
64	1-LANE (case4DISPERSION-LMAX	S2	6.95	1.72	256.99	6.95	1.72	290.04	6.95	2.41	290.04	6.95	2.41	323.09			
			TQ	6.83	2.47	238.70	6.83	2.47	271.16	6.84	3.12	272.76	6.84	3.12	305.32		
			M3	-17.88	-284.18	878.68	-17.88	-284.18	793.65	-17.88	-282.30	794.32	-17.88	-282.30	709.28		
		MIN	S2	-32.24	-293.37	249.64	-32.24	-293.37	96.26	-32.24	-293.14	96.96	-32.24	-293.14	-56.41		
			TQ	-32.12	-294.13	267.93	-32.12	-294.13	115.14	-32.14	-293.85	114.23	-32.14	-293.85	-38.64		
			M3	-7.42	-7.47	-372.06	-7.42	-7.47	-407.34	-7.42	-8.44	-407.32	-7.42	-8.44	-442.60		
		65	2-LANES (caseTRUCK-LOAD	MAX	S2	107.62	131.62	1931.17	82.11	64.32	1986.52	82.11	69.04	1986.36	104.30	40.79	1988.23
					TQ	-138.72	579.45	2181.07	-138.72	579.45	1521.15	-138.72	583.07	1519.77	-138.72	583.07	859.84
					M3	-64.44	503.49	2754.24	-31.09	356.68	2278.18	-31.09	362.09	2277.33	41.24	148.37	2096.72
MIN	S2			-199.01	515.01	2744.04	-177.01	503.17	2121.65	-177.01	508.20	2120.45	-202.45	440.85	1509.55		
	TQ			39.79	-35.81	657.39	39.79	-35.81	846.66	39.79	-33.80	846.74	39.79	-33.80	1036.01		
	M3			-25.87	2.94	-726.06	-25.87	2.94	-849.11	-25.87	0.92	-849.12	-25.96	1.24	-972.50		
TANDEM-LOAD	MAX			S2	86.71	100.32	1377.00	68.67	53.32	1447.98	68.67	56.76	1447.85	96.81	57.06	1504.82	
	TQ			-100.68	396.46	1592.16	-100.68	396.46	1113.20	-100.68	399.10	1112.25	-100.68	399.10	633.29		
	M3			-46.34	337.62	1958.14	-53.71	277.30	1659.41	-53.71	281.24	1658.74	41.53	66.57	1513.86		
MIN	S2			-160.99	321.37	1951.26	-132.57	324.68	1562.88	-132.57	328.39	1562.10	-150.34	280.00	1117.80		
	TQ			35.87	-26.99	571.61	35.87	-26.99	742.27	35.87	-25.23	742.33	35.87	-25.23	912.98		
	M3			-17.67	2.06	-494.92	-17.67	2.06	-578.97	-17.67	0.68	-578.97	-17.69	0.77	-663.11		
DISPERSION-LMAX	MAX			S2	48.18	23.27	1136.89	39.70	14.24	1217.24	39.70	17.13	1217.20	42.08	14.91	1321.20	
				TQ	-102.10	529.42	1905.67	-111.12	529.42	1398.58	-101.93	533.10	1708.20	-110.95	533.10	1201.90	
				M3	-63.89	514.38	2862.85	-72.91	514.38	2537.51	-72.91	520.40	2536.28	-81.93	520.40	2168.03	
	MIN	S2	-142.88	496.18	859.32	-143.42	505.22	307.09	-143.42	505.94	305.89	-154.82	508.16	-312.92			
		TQ	7.40	-9.96	90.53	7.40	-9.96	125.74	-1.79	-10.02	-185.12	-1.79	-10.02	-193.61			
		M3	-30.81	5.08	-866.64	-30.81	5.08	-1013.19	-30.81	2.67	-1013.20	-30.81	2.67	-1159.74			

BAGO RIVER BRIDGE

BLOCK [ No.1 : MAIN GIRDER ][ BEAM MEMBER FORCE ]

MEMBER NODE	2011			2012			2012			2013						
	SHEAR	TORQUE	MOMENT	SHEAR	TORQUE	MOMENT	SHEAR	TORQUE	MOMENT	SHEAR	TORQUE	MOMENT				
													S2 (kN)	TQ (kN·m)	M3 (kN·m)	S2 (kN)
66	2-LANES (case	TRUCK-LOAD	MAX	S2	249.94	215.43	2374.16	135.72	137.44	2326.80	135.72	142.97	2326.46	54.53	73.70	1741.77
				TQ	-104.44	348.72	1648.62	-104.44	348.72	1151.79	-104.44	351.46	1150.96	-104.44	351.46	654.13
				M3	110.36	277.82	2512.33	18.90	207.72	2480.48	18.90	213.61	2479.98	-94.64	135.18	1878.88
			MIN	S2	-144.38	294.06	2498.21	-224.65	228.94	2450.92	-224.65	234.76	2450.37	-338.79	156.74	1867.36
				TQ	2.68	-5.69	44.61	2.68	-5.69	57.35	0.58	-5.66	-21.01	0.58	-5.66	-18.23
				M3	-23.73	-0.23	-710.02	-23.73	-0.23	-822.90	-23.73	-2.19	-822.90	-23.73	-2.19	-935.78
	TANDEM-LOAD	MAX	S2	207.58	171.22	1875.14	126.24	117.39	1890.35	126.24	121.88	1890.06	50.63	67.78	1447.62	
			TQ	-72.77	239.04	1153.46	-72.77	239.04	807.27	-72.77	240.96	806.70	-72.77	240.96	460.52	
			M3	55.50	182.78	1893.47	-19.73	131.00	1908.13	-19.73	135.53	1907.81	-101.30	80.03	1465.17	
		MIN	S2	-111.02	182.78	1893.47	-186.24	131.00	1908.13	-186.24	135.53	1907.81	-267.82	80.03	1465.17	
			TQ	3.66	-4.40	73.60	3.66	-4.40	91.01	3.24	-4.21	75.55	3.24	-4.21	90.99	
			M3	-16.20	-0.13	-483.89	-16.20	-0.13	-560.94	-16.20	-1.46	-560.93	-16.20	-1.46	-637.98	
	DISPERSION-LMAX	S2	74.83	56.06	1302.41	44.19	32.26	1244.64	44.19	35.21	1244.56	27.68	17.71	1095.02		
		TQ	-23.79	343.23	2254.60	-81.23	343.23	2004.80	-74.43	348.30	2233.17	-131.87	348.30	1742.49		
		M3	-9.74	340.67	2638.23	-67.18	340.67	2455.27	-67.18	346.50	2454.45	-124.61	346.50	1998.26		
		MIN	S2	-112.90	284.21	490.52	-139.69	308.01	230.60	-139.69	308.56	229.86	-180.61	326.07	-211.53	
			TQ	-14.27	-2.96	-461.66	-14.27	-2.96	-529.57	-21.07	-4.52	-758.75	-21.07	-4.52	-858.99	
			M3	-28.32	-0.40	-845.30	-28.32	-0.40	-980.03	-28.32	-2.72	-980.03	-28.32	-2.72	-1114.77	
67	2-LANES (case	TRUCK-LOAD	MAX	S2	29.54	54.74	1001.66	29.54	54.74	1142.19	29.54	57.46	1142.06	29.54	57.46	1282.59
			TQ	28.39	61.63	828.81	28.39	61.63	963.88	28.39	63.92	963.73	28.39	63.92	1098.81	
			M3	-72.62	-144.09	1960.06	-53.10	-91.37	1605.47	-53.10	-87.56	1605.68	-10.59	9.26	1424.30	
		MIN	S2	-104.69	-155.62	1941.42	-104.69	-155.62	1443.38	-104.69	-152.19	1443.75	-104.69	-152.19	945.72	
			TQ	-103.33	-160.46	1840.40	-103.33	-160.46	1348.84	-103.33	-157.26	1349.22	-103.33	-157.26	857.66	
			M3	-18.30	-7.73	-670.14	-18.30	-7.73	-757.22	-18.30	-9.53	-757.20	-18.30	-9.53	-844.28	

BAGO RIVER BRIDGE

BLOCK [ No.1 : MAIN GIRDER ][ BEAM MEMBER FORCE ]

MEMBER		2011			2012			2012			2013						
NODE		2011			2012			2012			2013						
		SHEAR	TORQUE	MOMENT	SHEAR	TORQUE	MOMENT	SHEAR	TORQUE	MOMENT	SHEAR	TORQUE	MOMENT				
NAME	TITLE	S2 (kN)	TQ (kN·m)	M3 (kN·m)	S2 (kN)	TQ (kN·m)	M3 (kN·m)	S2 (kN)	TQ (kN·m)	M3 (kN·m)	S2 (kN)	TQ (kN·m)	M3 (kN·m)				
67	2-LANES (caseTANDEM-LOAD	MAX	S2	22.26	40.03	718.37	22.26	40.03	824.26	22.26	41.98	824.16	22.26	41.98	930.05		
			TQ	21.52	45.26	581.35	21.52	45.26	683.73	21.52	46.88	683.62	21.52	46.88	786.00		
			M3	-52.89	-98.65	1383.77	-42.40	-67.81	1121.91	-42.40	-65.15	1122.07	-1.73	21.78	1017.93		
		MIN	S2	-73.08	-107.83	1357.94	-73.08	-107.83	1010.28	-73.08	-105.43	1010.53	-73.08	-105.43	662.87		
			TQ	-72.42	-112.90	1275.43	-72.42	-112.90	930.91	-72.42	-110.69	931.18	-72.42	-110.69	586.66		
			M3	-12.46	-5.29	-456.45	-12.46	-5.29	-515.72	-12.46	-6.51	-515.71	-12.46	-6.51	-574.97		
		DISPERSION-LMAX	S2	26.25	24.45	923.52	24.54	24.81	982.52	24.54	27.15	982.46	22.87	25.09	1023.53		
			TQ	15.09	31.13	1003.55	13.08	31.13	1072.41	12.46	33.70	1085.85	6.25	33.70	1130.37		
			M3	-47.05	-80.14	2271.64	-53.26	-80.14	2033.05	-53.26	-75.31	2033.24	-59.47	-75.31	1765.12		
		MIN	S2	-94.95	-115.70	554.67	-99.45	-116.05	154.09	-99.45	-115.69	154.37	-103.98	-113.63	-257.81		
			TQ	-83.79	-122.37	474.64	-87.99	-122.37	64.20	-87.37	-122.24	50.97	-87.37	-122.24	-364.65		
			M3	-21.65	-11.10	-793.45	-21.65	-11.10	-896.44	-21.65	-13.23	-896.41	-21.65	-13.23	-999.40		
		68	2-LANES (caseTRUCK-LOAD	MAX	S2	8.37	2.68	294.55	8.37	2.68	334.35	8.37	3.47	334.34	8.37	3.47	374.14
					TQ	8.29	2.69	292.54	8.29	2.69	331.98	8.29	3.48	331.97	8.29	3.48	371.41
					M3	-51.36	-446.61	1230.94	-40.96	-382.41	1006.38	-40.96	-380.02	1007.28	-29.00	-317.43	838.44
MIN	S2			-55.91	-481.76	1154.22	-55.91	-481.76	888.27	-55.91	-479.65	889.41	-55.91	-479.65	623.46		
	TQ			-54.72	-489.50	1114.76	-54.72	-489.50	854.47	-54.72	-487.47	855.63	-54.72	-487.47	595.35		
	M3			-13.72	-13.46	-637.24	-13.74	-13.43	-702.51	-13.74	-15.10	-702.48	-13.78	-15.06	-767.93		
TANDEM-LOAD	MAX			S2	5.68	1.81	199.92	5.68	1.81	226.94	5.68	2.35	226.94	5.68	2.35	253.96	
	TQ			5.64	1.83	198.83	5.64	1.83	225.64	5.64	2.36	225.63	5.64	2.36	252.44		
	M3			-34.39	-297.42	841.71	-30.01	-271.69	687.81	-30.01	-270.05	688.46	-20.36	-216.92	575.30		
MIN	S2			-38.26	-324.31	807.68	-38.26	-324.31	625.66	-38.26	-322.82	626.43	-38.26	-322.82	444.40		
	TQ			-37.26	-334.36	744.98	-37.26	-334.36	567.72	-37.26	-333.01	568.51	-37.26	-333.01	391.25		
	M3			-9.29	-9.23	-433.79	-9.29	-9.23	-478.00	-9.29	-10.36	-477.97	-9.29	-10.36	-522.18		

BAGO RIVER BRIDGE

BLOCK [ No.1 : MAIN GIRDER ][ BEAM MEMBER FORCE ]

MEMBER NODE	2011 2011	2012			2012			2013							
		SHEAR	TORQUE	MOMENT	SHEAR	TORQUE	MOMENT	SHEAR	TORQUE	MOMENT					
		S2 (kN)	TQ (kN·m)	M3 (kN·m)	S2 (kN)	TQ (kN·m)	M3 (kN·m)	S2 (kN)	TQ (kN·m)	M3 (kN·m)					
68	2-LANES (caseDISPERSION-LMAX	S2	14.67	1.08	578.72	14.67	1.08	648.51	14.67	2.62	648.50	14.67	2.62	718.29	
		TQ	14.08	4.77	496.58	14.08	4.77	563.55	14.12	6.11	566.62	14.12	6.11	633.77	
		M3	-38.23	-491.39	1845.47	-38.23	-491.39	1663.61	-38.23	-487.43	1664.78	-38.23	-487.43	1482.92	
	MIN	S2	-69.06	-506.71	512.99	-69.06	-506.71	184.48	-69.06	-506.27	185.68	-69.06	-506.27	-142.83	
		TQ	-68.47	-510.40	595.13	-68.47	-510.40	269.44	-68.50	-509.76	267.57	-68.50	-509.76	-58.31	
		M3	-16.16	-14.24	-753.76	-16.16	-14.24	-830.63	-16.16	-16.22	-830.59	-16.16	-16.22	-907.46	
69	3-LANES (caseTRUCK-LOAD	MAX	S2	283.06	203.43	3060.86	168.84	125.44	3171.07	168.84	132.97	3170.76	129.94	88.47	2811.79
		TQ	-184.86	700.26	2895.93	-184.86	700.26	2016.54	-184.86	705.04	2014.87	-184.86	705.04	1135.48	
		M3	29.61	588.18	3951.70	-6.56	427.52	3542.02	-6.56	435.93	3541.00	-22.42	211.16	2984.28	
	MIN	S2	-268.33	604.42	3937.57	-306.49	577.70	3367.82	-306.49	585.69	3366.44	-420.63	507.67	2394.09	
		TQ	33.66	-37.18	483.09	33.66	-37.18	643.19	31.56	-35.76	564.91	31.56	-35.76	715.04	
		M3	-37.20	2.04	-1077.06	-37.20	2.04	-1254.01	-37.20	-0.94	-1254.01	-37.29	-0.62	-1431.28	
	TANDEM-LOAD	MAX	S2	235.37	152.13	2291.11	154.03	98.31	2438.51	154.03	104.10	2438.27	123.36	96.22	2210.34
		TQ	-133.08	479.36	2094.52	-133.08	479.36	1461.42	-133.08	482.83	1460.28	-133.08	482.83	827.17	
		M3	5.50	391.96	2881.84	-60.00	323.94	2658.80	-60.00	330.25	2658.03	-28.57	108.47	2227.89	
	MIN	S2	-216.85	375.71	2874.96	-246.56	371.32	2562.28	-246.56	377.41	2561.39	-328.13	321.91	1831.83	
		TQ	31.33	-27.94	441.01	31.33	-27.94	590.03	30.91	-26.57	574.63	30.91	-26.57	721.69	
		M3	-25.40	1.45	-734.11	-25.40	1.45	-854.92	-25.40	-0.58	-854.93	-25.42	-0.49	-975.83	
	DISPERSION-LMAX	S2	92.95	50.99	1772.95	63.03	33.41	1828.97	63.03	37.75	1828.88	54.85	27.81	1850.46	
		TQ	-97.46	656.50	3167.12	-143.49	656.50	2594.06	-134.09	663.04	2910.36	-180.12	663.04	2163.03	
		M3	-59.04	641.46	4130.27	-105.07	641.46	3739.97	-105.07	650.34	3738.44	-151.10	650.34	3129.16	
	MIN	S2	-196.32	594.02	1073.35	-212.44	611.60	416.12	-212.44	612.59	414.67	-250.29	622.53	-427.09	
		TQ	-5.92	-11.49	-320.82	-5.92	-11.49	-348.97	-15.32	-12.70	-666.81	-15.32	-12.70	-739.67	
		M3	-44.34	3.54	-1283.97	-44.34	3.54	-1494.88	-44.34	-0.01	-1494.89	-44.34	-0.01	-1705.80	

BAGO RIVER BRIDGE

BLOCK [ No.1 : MAIN GIRDER ][ BEAM MEMBER FORCE ]

MEMBER				2011			2012			2012			2013				
NODE				2011			2012			2012			2013				
NAME TITLE				SHEAR	TORQUE	MOMENT	SHEAR	TORQUE	MOMENT	SHEAR	TORQUE	MOMENT	SHEAR	TORQUE	MOMENT		
				S2 (kN)	TQ (kN·m)	M3 (kN·m)	S2 (kN)	TQ (kN·m)	M3 (kN·m)	S2 (kN)	TQ (kN·m)	M3 (kN·m)	S2 (kN)	TQ (kN·m)	M3 (kN·m)		
70	3-LANES (case	TRUCK-LOAD	MAX	S2	33.67	56.14	1148.24	33.67	56.14	1308.39	33.67	59.25	1308.25	33.67	59.25	1468.40	
				TQ	32.46	63.04	973.68	32.46	63.04	1128.07	32.46	65.72	1127.91	32.46	65.72	1282.31	
				M3	-107.81	-300.83	2717.70	-79.81	-217.75	2213.27	-79.81	-212.49	2213.78	-20.92	-65.28	1944.47	
		MIN	S2	-141.21	-326.81	2649.95	-141.21	-326.81	1978.19	-141.21	-322.11	1978.96	-141.21	-322.11	1307.19		
			TQ	-139.65	-332.08	2541.73	-139.65	-332.08	1877.38	-139.65	-327.62	1878.16	-139.65	-327.62	1213.81		
			M3	-25.81	-13.65	-993.42	-25.81	-13.65	-1116.22	-25.81	-16.30	-1116.19	-25.81	-16.30	-1238.99		
		TANDEM-LOAD	MAX	S2	25.18	30.93	966.54	25.18	30.93	1086.32	25.18	33.51	1086.24	25.18	33.51	1206.02	
				TQ	22.49	46.34	648.92	22.49	46.34	755.91	22.49	48.13	755.80	22.49	48.13	862.79	
				M3	-75.50	-197.69	1905.69	-63.18	-160.59	1538.64	-63.18	-156.93	1539.02	-3.60	-12.99	1374.31	
			MIN	S2	-98.53	-222.52	1863.23	-98.53	-222.52	1394.52	-98.53	-219.21	1395.04	-98.53	-219.21	926.33	
				TQ	-96.83	-230.68	1741.05	-96.83	-230.68	1280.42	-96.83	-227.64	1280.96	-96.83	-227.64	820.33	
				M3	-17.55	-9.35	-676.56	-17.55	-9.35	-760.07	-17.55	-11.15	-760.05	-17.55	-11.15	-843.55	
		DISPERSION-LMAX		S2	34.29	24.15	1271.28	32.58	24.51	1368.49	32.58	27.76	1368.43	30.90	25.70	1447.71	
				TQ	22.44	33.97	1274.22	20.43	33.97	1378.03	19.84	37.26	1393.57	13.63	37.26	1473.18	
				M3	-69.90	-237.37	3279.07	-76.11	-237.37	2931.79	-76.11	-230.41	2932.34	-82.31	-230.41	2555.54	
		MIN	S2	-134.67	-279.45	832.14	-139.16	-279.81	242.65	-139.16	-279.23	243.32	-143.69	-277.17	-357.77		
			TQ	-122.81	-289.27	829.20	-127.01	-289.27	233.11	-126.42	-288.74	218.17	-126.42	-288.74	-383.23		
			M3	-30.48	-17.93	-1175.65	-30.48	-17.93	-1320.64	-30.48	-21.07	-1320.60	-30.48	-21.07	-1465.59		
71	3-LANES (case	TRUCK-LOAD	MAX	S2	16.73	11.12	652.37	16.73	11.12	731.96	16.73	12.86	731.93	16.73	12.86	811.53	
				TQ	15.98	13.87	591.58	15.98	13.87	667.58	15.98	15.46	667.54	15.98	15.46	743.54	
				M3	-90.11	-571.36	2066.39	-69.91	-479.60	1677.53	-69.91	-475.61	1678.66	-32.53	-351.30	1437.75	
				MIN	S2	-97.16	-616.63	1980.87	-97.16	-616.63	1518.69	-97.16	-613.02	1520.15	-97.16	-613.02	1057.96
					TQ	-95.02	-636.25	1859.19	-95.02	-636.25	1407.18	-92.15	-632.96	1356.58	-92.15	-632.96	918.22
					M3	-22.22	-18.15	-967.63	-22.24	-18.13	-1073.35	-22.24	-20.67	-1073.30	-22.28	-20.63	-1179.20

BAGO RIVER BRIDGE

BLOCK [ No.1 : MAIN GIRDER ][ BEAM MEMBER FORCE ]

MEMBER		2011			2012			2012			2013						
NODE		SHEAR	TORQUE	MOMENT	SHEAR	TORQUE	MOMENT	SHEAR	TORQUE	MOMENT	SHEAR	TORQUE	MOMENT				
NAME	TITLE	S2 (kN)	TQ (kN·m)	M3 (kN·m)	S2 (kN)	TQ (kN·m)	M3 (kN·m)	S2 (kN)	TQ (kN·m)	M3 (kN·m)	S2 (kN)	TQ (kN·m)	M3 (kN·m)				
71	3-LANES (case)	TANDEM-LOAD MAX	S2	12.56	8.48	459.04	12.56	8.48	518.78	12.56	9.71	518.76	12.56	9.71	578.50		
			TQ	10.26	10.56	381.91	10.26	10.56	430.72	10.26	11.59	430.69	10.26	11.59	479.50		
			M3	-61.20	-380.60	1422.02	-54.59	-348.40	1146.04	-54.59	-345.67	1146.87	-18.86	-231.72	994.49		
			MIN	S2	-67.34	-419.91	1366.60	-67.34	-419.91	1046.23	-67.34	-417.43	1047.23	-67.34	-417.43	726.86	
				TQ	-63.97	-434.96	1234.90	-63.97	-434.96	930.56	-63.17	-432.76	917.05	-63.17	-432.76	616.53	
				M3	-15.07	-12.44	-658.79	-15.07	-12.44	-730.50	-15.07	-14.18	-730.46	-15.07	-14.18	-802.17	
		DISPERSION-LMAX	S2	24.59	5.21	969.57	24.59	5.21	1086.56	24.59	7.79	1086.54	24.59	7.79	1203.53		
			TQ	23.51	10.21	834.91	23.51	10.21	946.77	23.59	12.46	952.34	23.59	12.46	1064.57		
				M3	-61.06	-621.35	2900.48	-61.06	-621.35	2610.03	-61.06	-615.15	2611.50	-61.06	-615.15	2321.05	
				MIN	S2	-111.88	-646.88	785.87	-111.88	-646.88	253.66	-111.88	-646.28	255.20	-111.88	-646.28	-277.01
					TQ	-110.80	-651.88	920.52	-110.80	-651.88	393.45	-110.88	-650.95	389.40	-110.88	-650.95	-138.05
					M3	-26.23	-20.32	-1145.05	-26.23	-20.32	-1269.81	-26.23	-23.34	-1269.76	-26.23	-23.34	-1394.52
72	4-LANES	TRUCK-LOAD	MAX	S2	30.75	33.74	1327.77	30.75	33.74	1474.05	30.75	37.24	1473.97	30.75	37.24	1620.25	
				TQ	27.10	57.76	805.47	27.10	57.76	934.41	27.91	60.01	1002.92	27.91	60.01	1135.70	
				M3	-126.02	-583.20	3190.54	-95.64	-473.36	2607.06	-95.64	-467.17	2608.17	-38.63	-302.06	2260.12	
			MIN	S2	-160.09	-633.37	3085.00	-160.09	-633.37	2323.41	-160.09	-627.85	2324.91	-160.09	-627.85	1563.32	
				TQ	-157.90	-647.67	2969.98	-157.90	-647.67	2218.83	-157.90	-642.40	2220.36	-157.90	-642.40	1469.21	
				M3	-32.02	-21.19	-1307.38	-32.04	-21.16	-1459.73	-32.04	-24.63	-1459.67	-32.08	-24.59	-1612.20	
		TANDEM-LOAD	MAX	S2	23.14	26.67	953.76	23.14	26.67	1063.82	23.14	29.20	1063.75	23.14	29.20	1173.81	
			TQ	18.06	42.72	510.93	18.06	42.72	596.83	20.92	44.27	688.08	20.92	44.27	787.60		
				M3	-89.01	-395.69	2222.74	-73.04	-339.01	1804.23	-73.04	-334.73	1805.03	-22.39	-193.97	1589.07	
				MIN	S2	-110.97	-430.40	2159.76	-110.97	-430.40	1631.87	-110.97	-426.52	1632.89	-110.97	-426.52	1105.00
					TQ	-109.94	-444.92	2045.85	-109.94	-444.92	1522.83	-109.94	-441.31	1523.88	-109.94	-441.31	1000.87
					M3	-21.75	-14.52	-890.25	-21.75	-14.52	-993.72	-21.75	-16.88	-993.68	-21.75	-16.88	-1097.15

BAGO RIVER BRIDGE

BLOCK [ No.1 : MAIN GIRDER ][ BEAM MEMBER FORCE ]

MEMBER				2011			2012			2012			2013				
NODE				2011			2012			2012			2013				
				SHEAR	TORQUE	MOMENT	SHEAR	TORQUE	MOMENT	SHEAR	TORQUE	MOMENT	SHEAR	TORQUE	MOMENT		
NAME	TITLE			S2 (kN)	TQ (kN·m)	M3 (kN·m)	S2 (kN)	TQ (kN·m)	M3 (kN·m)	S2 (kN)	TQ (kN·m)	M3 (kN·m)	S2 (kN)	TQ (kN·m)	M3 (kN·m)		
72	4-LANES	DISPERSION-LMAX	S2	12.45	15.59	516.81	10.74	15.95	510.14	10.74	17.16	510.11	9.09	15.17	489.56		
			TQ	0.48	26.51	498.38	-1.53	26.51	497.73	-2.11	27.71	514.50	-8.32	27.71	489.70		
			M3	-114.95	-555.52	3141.02	-121.01	-562.05	2579.58	-121.01	-555.96	2580.91	-126.37	-578.71	1992.28		
		MIN	S2	-156.85	-595.91	1458.06	-160.89	-595.56	752.69	-160.89	-593.77	754.11	-165.35	-591.69	45.05		
			TQ	-146.97	-648.71	1509.77	-150.48	-648.71	801.21	-150.14	-646.82	788.66	-150.14	-646.82	74.42		
			M3	-28.60	-20.55	-1191.56	-28.60	-20.55	-1327.62	-28.60	-23.70	-1327.57	-28.60	-23.70	-1463.63		
		73	6-LANES	TRUCK-LOAD MAX	S2	298.42	146.79	3861.01	186.51	128.53	4096.45	186.51	138.26	4096.13	141.00	113.73	3814.19
					TQ	-83.46	602.75	3371.92	-83.46	602.75	2974.91	-83.46	609.81	2973.47	-102.73	609.81	2493.64
					M3	-76.89	-16.96	6112.58	-96.47	-66.70	5290.25	-96.47	-54.14	5290.40	-57.05	-61.28	4490.41
MIN	S2			-365.15	-24.62	5947.51	-410.19	-48.30	4985.89	-410.19	-36.46	4985.99	-524.63	-54.72	3485.61		
	TQ			-92.56	-580.74	2073.05	-92.56	-580.74	1632.72	-93.75	-577.00	1527.65	-93.75	-577.00	1081.65		
	M3			-59.52	-16.21	-2045.11	-59.54	-16.19	-2328.25	-59.54	-21.72	-2328.20	-59.67	-21.36	-2611.77		
TANDEM-LOAD MAX	S2			246.39	93.87	2836.98	167.47	83.15	3078.53	167.47	90.46	3078.33	128.55	120.59	2952.33		
	TQ			-58.99	416.58	2375.58	-58.99	416.58	2094.95	-58.99	421.56	2093.95	-58.99	421.56	1813.33		
	M3			-67.66	-13.68	4372.10	-112.17	-8.11	3831.65	-112.17	0.99	3831.66	-43.49	-46.79	3272.95		
MIN	S2	-281.28	-63.30	4284.08	-319.17	-35.88	3622.60	-319.17	-27.28	3622.67	-402.23	-40.24	2525.15				
	TQ	-58.79	-400.52	1508.23	-58.79	-400.52	1228.58	-60.57	-397.70	1168.68	-60.57	-397.70	880.55				
	M3	-40.54	-11.06	-1393.20	-40.54	-11.06	-1586.06	-40.54	-14.83	-1586.03	-40.57	-14.74	-1778.96				
DISPERSION-LMAX	S2	114.59	62.29	2700.12	85.82	50.88	2855.70	85.82	57.66	2855.57	77.81	48.55	2972.48				
	TQ	-56.80	558.67	3714.75	-89.02	558.67	3370.01	-81.99	567.01	3641.97	-125.41	567.01	3156.78				
	M3	-130.14	61.34	6852.24	-165.97	45.48	6165.14	-165.97	59.95	6165.01	-201.05	17.75	5272.79				
MIN	S2	-306.74	-27.17	1889.21	-322.79	-17.87	709.94	-322.79	-16.18	709.98	-360.64	-7.13	-638.74				
	TQ	-138.24	-591.43	705.49	-141.60	-591.43	37.91	-148.37	-591.64	-222.59	-148.37	-591.64	-928.42				
	M3	-68.43	-17.11	-2335.22	-68.43	-17.11	-2660.77	-68.43	-23.43	-2660.72	-68.43	-23.43	-2986.27				

BAGO RIVER BRIDGE

BLOCK [ No.1 : MAIN GIRDER ][ BEAM MEMBER FORCE ]

MEMBER			2011			2012			2012			2013			
NODE			2011			2012			2012			2013			
NAME TITLE			SHEAR	TORQUE	MOMENT	SHEAR	TORQUE	MOMENT	SHEAR	TORQUE	MOMENT	SHEAR	TORQUE	MOMENT	
			S2 (kN)	TQ (kN·m)	M3 (kN·m)	S2 (kN)	TQ (kN·m)	M3 (kN·m)	S2 (kN)	TQ (kN·m)	M3 (kN·m)	S2 (kN)	TQ (kN·m)	M3 (kN·m)	
124	SUM TOTAL	D+1LANE (caseMAX	S2	-711.62	285.26	19724.10	-902.64	292.72	15915.55	-902.64	330.52	15914.81	-1033.80	369.32	11343.93
			TQ	-958.01	1103.51	20927.23	-1136.22	1103.51	15946.03	-1133.10	1141.47	16049.77	-1311.31	1141.47	10235.67
			M3	-929.16	1039.14	21853.11	-1041.03	930.45	17016.71	-1041.03	970.86	17014.46	-1102.03	795.26	11836.95
		MIN	S2	-1021.96	1049.96	20762.06	-1150.51	1088.56	15524.14	-1150.51	1125.42	15521.51	-1338.72	1116.35	9526.79
			TQ	-725.91	257.72	19030.61	-917.80	257.72	15120.95	-920.92	293.54	15013.89	-1112.82	293.54	10176.51
			M3	-808.49	313.20	17368.57	-1000.38	313.20	13066.09	-1000.38	344.23	13065.30	-1192.39	344.61	7849.55
		D+1LANE (caseMAX	S2	-508.86	425.17	20454.33	-832.93	402.09	16356.76	-832.93	440.94	16355.76	-1110.82	412.17	10776.76
			TQ	-822.91	603.21	20707.00	-1059.21	603.21	16230.28	-1058.96	641.78	16237.17	-1295.27	641.78	10637.51
			M3	-654.42	559.88	21293.29	-974.15	543.25	17160.79	-974.15	584.01	17159.45	-1316.30	570.76	11371.81
		MIN	S2	-920.43	530.44	20024.51	-1203.21	522.85	15827.47	-1203.21	560.43	15826.19	-1533.28	556.89	10077.83
			TQ	-796.45	302.26	17632.64	-988.34	302.26	13387.41	-991.11	333.92	13284.23	-1183.01	333.92	8112.95
			M3	-802.94	302.83	17413.43	-994.83	302.83	13137.32	-994.83	334.03	13136.56	-1186.73	334.03	7947.58
		D+1LANE (caseMAX	S2	-732.09	375.72	19592.25	-926.04	376.15	15574.11	-926.04	413.13	15573.17	-1119.95	410.66	10620.63
			TQ	-745.43	383.60	19704.98	-939.74	383.60	15698.93	-940.53	420.90	15710.29	-1139.87	420.90	10761.94
			M3	-833.18	253.80	21005.48	-1023.51	287.11	16528.37	-1023.51	326.36	16527.64	-1208.47	372.08	11172.02
		MIN	S2	-900.80	223.41	19892.95	-1098.09	222.98	15212.68	-1098.09	259.11	15212.10	-1295.42	261.58	9605.04
			TQ	-887.48	215.45	19741.59	-1084.41	215.45	15049.11	-1083.62	251.18	15036.24	-1275.52	251.18	9424.89
			M3	-798.54	295.98	17446.64	-990.43	295.98	13191.46	-990.43	327.31	13190.72	-1182.33	327.31	8022.68
		D+1LANE (caseMAX	S2	-759.82	309.49	18819.70	-951.71	309.49	14748.71	-951.71	344.52	14747.93	-1143.61	344.52	9764.08
			TQ	-760.05	310.42	18795.70	-951.94	310.42	14723.64	-951.92	345.39	14724.79	-1143.81	345.39	9739.98
			M3	-821.07	-352.68	20047.42	-1008.03	-317.02	15695.31	-1008.03	-279.74	15696.02	-1198.37	-262.31	10448.95
		MIN	S2	-841.42	-379.15	19238.76	-1033.31	-379.15	14779.59	-1033.31	-344.05	14780.45	-1225.21	-344.05	9408.42
			TQ	-841.14	-380.76	19293.01	-1033.03	-380.76	14835.18	-1033.06	-345.52	14834.12	-1224.95	-345.52	9463.31
			M3	-789.58	287.89	17511.32	-981.50	287.92	13298.73	-981.50	319.51	13298.01	-1173.45	319.56	8172.33



BAGO RIVER BRIDGE

BLOCK [ No.1 : MAIN GIRDER ][ BEAM MEMBER FORCE ]

MEMBER			2011			2012			2012			2013			
NODE			2011			2012			2012			2013			
NAME TITLE			SHEAR	TORQUE	MOMENT	SHEAR	TORQUE	MOMENT	SHEAR	TORQUE	MOMENT	SHEAR	TORQUE	MOMENT	
			S2 (kN)	TQ (kN·m)	M3 (kN·m)	S2 (kN)	TQ (kN·m)	M3 (kN·m)	S2 (kN)	TQ (kN·m)	M3 (kN·m)	S2 (kN)	TQ (kN·m)	M3 (kN·m)	
124	SUM TOTAL	D+2LANES (casMAX	S2	-617.31	460.64	21403.48	-843.19	384.31	17404.98	-843.19	425.64	17404.02	-1010.52	395.18	12462.83
			TQ	-1013.93	1414.62	22422.17	-1214.84	1414.62	17120.95	-1205.66	1455.64	17428.43	-1406.58	1455.64	11215.13
			M3	-901.44	1323.62	23952.50	-1069.01	1176.81	19016.91	-1069.01	1221.97	19014.06	-1197.60	1008.25	13418.15
		MIN	S2	-1115.00	1316.94	21938.78	-1285.43	1314.13	16629.96	-1285.43	1353.62	16626.79	-1514.17	1288.49	10350.02
			TQ	-725.92	259.98	19083.34	-917.81	259.98	15173.63	-927.00	295.65	14862.08	-1118.90	295.65	9995.79
			M3	-829.78	313.76	16742.72	-1021.67	313.76	12338.93	-1021.67	343.07	12338.15	-1213.67	343.39	7021.15
		D+2LANES (casMAX	S2	-448.34	577.24	22012.00	-785.10	475.45	17772.66	-785.10	517.66	17771.48	-1074.70	430.88	11990.18
			TQ	-901.34	997.70	22238.64	-1150.67	997.70	17357.82	-1143.87	1039.23	17584.59	-1393.21	1039.23	11550.00
			M3	-672.50	924.23	23485.99	-1013.28	854.14	19136.98	-1013.28	899.59	19134.89	-1376.15	821.16	13030.53
		MIN	S2	-1030.39	884.02	21324.15	-1329.34	842.71	16882.74	-1329.34	882.80	16880.69	-1676.30	822.28	10809.22
			TQ	-784.70	297.10	17918.37	-976.60	297.10	13729.01	-985.49	329.30	13420.70	-1177.39	329.30	8276.17
			M3	-825.16	305.12	16780.10	-1017.05	305.12	12398.29	-1017.05	334.57	12397.53	-1208.95	334.57	7102.84
		D+2LANES (casMAX	S2	-717.31	384.95	20260.60	-910.92	385.30	16325.94	-910.92	424.08	16324.97	-1104.49	422.02	11459.50
			TQ	-729.62	398.51	20167.78	-923.53	398.51	16237.52	-924.15	437.09	16250.05	-1122.25	437.09	11382.56
			M3	-892.78	81.52	22567.13	-1071.36	134.24	17839.74	-1071.36	176.60	17839.37	-1226.95	273.43	12342.81
		MIN	S2	-972.76	34.43	20831.51	-1169.14	34.07	15798.70	-1169.14	71.60	15798.58	-1365.57	73.66	9841.30
			TQ	-960.23	22.91	20650.47	-1156.32	22.91	15614.26	-1155.70	59.98	15600.65	-1347.60	59.98	9646.40
			M3	-813.06	286.92	16871.83	-1004.96	286.92	12547.57	-1004.96	316.72	12546.85	-1196.85	316.72	7309.71
		D+2LANES (casMAX	S2	-750.07	309.50	19208.70	-941.97	309.50	15184.08	-941.97	345.56	15183.30	-1133.86	345.56	10245.82
			TQ	-750.74	313.21	19124.55	-942.63	313.21	15096.75	-942.60	349.07	15099.04	-1134.49	349.07	10158.57
			M3	-862.70	-632.24	21411.84	-1044.19	-568.05	16871.21	-1044.19	-527.98	16872.52	-1224.13	-465.39	11474.74
		MIN	S2	-898.07	-682.72	20002.64	-1089.97	-682.72	15273.97	-1089.97	-646.44	15275.55	-1281.86	-646.44	9634.02
			TQ	-896.29	-694.15	20045.32	-1088.18	-694.15	15325.13	-1088.22	-657.75	15323.66	-1280.12	-657.75	9690.42
			M3	-802.98	278.04	16944.42	-994.90	278.07	12668.08	-994.90	308.16	12667.39	-1186.84	308.20	7478.00

BAGO RIVER BRIDGE

BLOCK [ No.1 : MAIN GIRDER ][ BEAM MEMBER FORCE ]

MEMBER			2011			2012			2012			2013				
NODE			2011			2012			2012			2013				
NAME TITLE			SHEAR	TORQUE	MOMENT	SHEAR	TORQUE	MOMENT	SHEAR	TORQUE	MOMENT	SHEAR	TORQUE	MOMENT		
			S2 (kN)	TQ (kN·m)	M3 (kN·m)	S2 (kN)	TQ (kN·m)	M3 (kN·m)	S2 (kN)	TQ (kN·m)	M3 (kN·m)	S2 (kN)	TQ (kN·m)	M3 (kN·m)		
124	SUM TOTAL	D+3LANES (casMAX	S2	-453.50	522.00	22444.16	-767.91	440.77	18451.26	-767.91	484.59	18450.16	-999.83	438.31	13116.30	
			TQ	-1013.08	1458.99	23489.02	-1244.10	1458.99	18120.23	-1236.11	1502.34	18386.90	-1467.13	1502.34	11957.12	
			M3	-798.12	1350.95	25205.09	-1059.89	1214.38	20390.92	-1059.89	1262.80	20387.98	-1304.40	1071.75	14349.81	
		MIN	S2	-1168.07	1324.42	22594.71	-1406.09	1316.65	17417.58	-1406.09	1358.01	17414.40	-1727.18	1300.14	10825.34	
			TQ	-749.53	264.37	18473.35	-941.42	264.37	14451.31	-951.19	298.29	14113.84	-1143.09	298.29	9132.46	
			M3	-842.41	310.49	16328.55	-1034.30	310.49	11864.67	-1034.30	338.67	11863.90	-1226.28	338.94	6486.88	
		D+3LANES (casMAX	S2	-715.35	374.00	20392.01	-908.70	374.30	16476.57	-908.70	413.43	16475.64	-1102.02	411.68	11632.09	
			TQ	-726.45	388.21	20246.13	-920.05	388.21	16331.41	-920.55	427.01	16343.72	-1117.73	427.01	11495.55	
			M3	-924.16	-151.72	23432.67	-1097.53	-81.10	18574.53	-1097.53	-36.99	18574.67	-1244.65	88.14	12978.39	
		MIN	S2	-1007.61	-209.57	21295.20	-1203.32	-209.88	16088.94	-1203.32	-171.66	16089.39	-1399.07	-169.91	9960.40	
			TQ	-996.21	-222.40	21200.71	-1191.67	-222.40	15995.14	-1191.17	-184.43	15982.35	-1383.06	-184.43	9859.38	
			M3	-820.96	278.91	16491.71	-1012.85	278.91	12129.89	-1012.85	307.71	12129.19	-1204.75	307.71	6854.50	
		D+3LANES (casMAX	S2	-737.98	319.63	19714.07	-929.88	319.63	15746.96	-929.88	357.03	15746.16	-1121.77	357.03	10866.19	
			TQ	-739.54	326.22	19547.94	-931.44	326.22	15573.42	-931.37	363.21	15577.36	-1123.27	363.21	10690.29	
			M3	-901.60	-708.06	22557.27	-1076.32	-630.06	17845.65	-1076.32	-587.67	17847.09	-1236.45	-482.01	12348.37	
		MIN	S2	-950.79	-768.23	20687.15	-1142.68	-768.23	15707.72	-1142.68	-730.93	15709.50	-1334.58	-730.93	9817.20	
			TQ	-948.05	-789.17	20698.18	-1139.94	-789.17	15731.76	-1137.57	-751.85	15684.55	-1329.47	-751.85	9816.53	
			M3	-814.29	273.05	16539.64	-1006.20	273.07	12209.54	-1006.20	302.07	12208.85	-1198.13	302.10	6965.72	
		D+4LANES	MAX	S2	-745.03	337.82	19534.40	-938.03	338.05	15490.95	-938.03	374.84	15490.10	-1131.01	373.54	10524.77
			TQ	-755.18	360.53	19182.93	-948.38	360.53	15132.12	-948.23	396.49	15186.78	-1144.16	396.49	10209.90	
			M3	-929.74	-434.42	22450.94	-1105.83	-367.27	17572.54	-1105.83	-325.56	17573.36	-1264.15	-233.03	11917.45	
		MIN	S2	-979.12	-493.29	21288.41	-1173.64	-493.05	16200.69	-1173.64	-454.57	16201.82	-1368.44	-453.23	10198.83	
			TQ	-971.28	-536.90	21247.26	-1165.45	-536.90	16164.25	-1165.23	-498.52	16156.32	-1357.13	-498.52	10156.75	
			M3	-812.51	278.62	16711.11	-1004.42	278.64	12389.45	-1004.42	308.06	12388.75	-1196.35	308.09	7154.10	

BAGO RIVER BRIDGE

BLOCK [ No.1 : MAIN GIRDER ] [ BEAM MEMBER FORCE ]

MEMBER					2011			2012			2012			2013		
NODE					2011			2012			2012			2013		
					SHEAR	TORQUE	MOMENT	SHEAR	TORQUE	MOMENT	SHEAR	TORQUE	MOMENT	SHEAR	TORQUE	MOMENT
NAME	TITLE				S2 (kN)	TQ (kN·m)	M3 (kN·m)	S2 (kN)	TQ (kN·m)	M3 (kN·m)	S2 (kN)	TQ (kN·m)	M3 (kN·m)	S2 (kN)	TQ (kN·m)	M3 (kN·m)
124	SUM TOTAL	D+6LANES	MAX	S2	-504.65	441.65	22600.16	-787.98	422.37	18720.12	-787.98	466.83	18719.07	-1014.67	444.96	13564.72
				TQ	-864.27	1060.67	22941.76	-1077.11	1060.67	18325.42	-1072.54	1104.41	18500.49	-1305.19	1104.41	12826.16
				M3	-907.68	334.60	26762.56	-1135.59	291.96	21647.23	-1135.59	343.25	21646.48	-1324.66	311.18	15499.47
			MIN	S2	-1209.83	272.09	23429.30	-1441.44	262.74	17903.51	-1441.44	305.26	17902.84	-1732.33	299.28	11003.85
				TQ	-923.13	-456.16	20141.48	-1117.21	-456.16	15287.13	-1122.38	-420.14	15048.75	-1314.28	-420.14	9252.99
				M3	-856.28	284.09	15488.21	-1048.18	284.10	10958.36	-1048.18	310.13	10957.66	-1240.17	310.36	5514.66
			SUM TOTAL	MAX	-448.34	1458.99	26762.56	-767.91	1458.99	21647.23	-767.91	1502.34	21646.48	-999.83	1502.34	15499.47
				MIN	-1209.83	-789.17	15488.21	-1441.44	-789.17	10958.36	-1441.44	-751.85	10957.66	-1732.33	-751.85	5514.66
300	DEAD LOAD	TOTAL			-773.11	305.75	18335.42	-965.00	305.75	14201.22	-965.00	339.48	14200.46	-1156.90	339.48	9153.39
301	LIVE LOAD	1-LANE (case1MAX	S2		61.49	-20.49	1388.68	62.36	-13.03	1714.32	62.36	-8.95	1714.35	123.10	29.85	2190.54
			TQ		-184.90	797.77	2591.80	-171.22	797.77	1744.81	-168.10	801.99	1849.31	-154.41	801.99	1082.28
			M3		-156.05	733.39	3517.68	-76.02	624.70	2815.49	-76.02	631.39	2814.00	54.87	455.79	2683.57
			MIN	S2	-248.85	744.21	2426.64	-185.51	782.81	1322.91	-185.51	785.95	1321.05	-181.82	776.87	373.41
				TQ	47.20	-48.03	695.19	47.20	-48.03	919.73	44.08	-45.93	813.43	44.08	-45.93	1023.12
				M3	-35.38	7.45	-966.85	-35.38	7.45	-1135.14	-35.38	4.75	-1135.15	-35.49	5.14	-1303.84
		1-LANE (case2MAX	S2		264.25	119.42	2118.90	132.07	96.35	2155.54	132.07	101.46	2155.30	46.08	72.69	1623.37
			TQ		-49.80	297.46	2371.57	-94.21	297.46	2029.05	-93.95	302.30	2036.71	-138.37	302.30	1484.12
			M3		118.69	254.13	2957.86	-9.15	237.50	2959.57	-9.15	244.53	2958.99	-159.40	231.28	2218.42
			MIN	S2	-147.32	224.69	1689.08	-238.21	217.10	1626.25	-238.21	220.96	1625.73	-376.38	217.41	924.44
				TQ	-23.34	-3.49	-702.78	-23.34	-3.49	-813.82	-26.11	-5.56	-916.23	-26.11	-5.56	-1040.44
				M3	-29.83	-2.92	-922.00	-29.83	-2.92	-1063.91	-29.83	-5.45	-1063.90	-29.83	-5.45	-1205.81
		1-LANE (case3MAX	S2		41.02	69.97	1256.83	38.96	70.40	1372.88	38.96	73.66	1372.71	36.95	71.19	1467.24
			TQ		27.68	77.85	1369.56	25.26	77.85	1497.71	24.48	81.42	1509.84	17.03	81.42	1608.55
			M3		-60.07	-51.95	2670.06	-58.51	-18.64	2327.15	-58.51	-13.11	2327.19	-51.57	32.60	2018.64
			MIN	S2	-127.69	-82.34	1557.53	-133.08	-82.77	1011.45	-133.08	-80.37	1011.64	-138.52	-77.90	451.65
				TQ	-114.37	-90.30	1406.17	-119.41	-90.30	847.89	-118.62	-88.30	835.78	-118.62	-88.30	271.50
				M3	-25.43	-9.77	-888.78	-25.43	-9.77	-1009.76	-25.43	-12.16	-1009.74	-25.43	-12.16	-1130.71

BAGO RIVER BRIDGE

BLOCK [ No.1 : MAIN GIRDER ][ BEAM MEMBER FORCE ]

MEMBER				2011			2012			2012			2013			
NODE				2011			2012			2012			2013			
NAME TITLE				SHEAR	TORQUE	MOMENT	SHEAR	TORQUE	MOMENT	SHEAR	TORQUE	MOMENT	SHEAR	TORQUE	MOMENT	
				S2 (kN)	TQ (kN·m)	M3 (kN·m)	S2 (kN)	TQ (kN·m)	M3 (kN·m)	S2 (kN)	TQ (kN·m)	M3 (kN·m)	S2 (kN)	TQ (kN·m)	M3 (kN·m)	
301	LIVE LOAD	1-LANE (case4MAX	S2	13.29	3.74	484.27	13.29	3.74	547.49	13.29	5.04	547.48	13.29	5.04	610.69	
			TQ	13.06	4.67	460.27	13.06	4.67	522.42	13.09	5.91	524.33	13.09	5.91	586.59	
			M3	-47.97	-658.43	1712.00	-43.02	-622.77	1494.09	-43.02	-619.22	1495.56	-41.47	-601.78	1295.56	
			MIN	S2	-68.31	-684.90	903.33	-68.31	-684.90	578.37	-68.31	-683.53	579.99	-68.31	-683.53	255.03
			TQ	-68.03	-686.51	957.59	-68.03	-686.51	633.96	-68.05	-685.00	633.66	-68.05	-685.00	309.92	
			M3	-16.47	-17.86	-824.11	-16.50	-17.83	-902.49	-16.50	-19.97	-902.45	-16.55	-19.92	-981.05	
		2-LANES (caseMAX	S2	155.80	154.89	3068.06	121.81	78.56	3203.76	121.81	86.16	3203.56	146.38	55.70	3309.44	
			TQ	-240.82	1108.87	4086.74	-249.84	1108.87	2919.72	-240.65	1116.16	3227.97	-249.68	1116.16	2061.74	
			M3	-128.33	1017.87	5617.08	-104.00	871.06	4815.69	-104.00	882.49	4813.61	-40.70	668.77	4264.76	
			MIN	S2	-341.89	1011.19	3603.36	-320.42	1008.38	2428.74	-320.42	1014.15	2426.33	-357.27	949.02	1196.63
			TQ	47.19	-45.77	747.92	47.19	-45.77	972.40	38.00	-43.82	661.62	38.00	-43.82	842.40	
			M3	-56.67	8.01	-1592.70	-56.67	8.01	-1862.30	-56.67	3.59	-1862.31	-56.77	3.91	-2132.24	
		2-LANES (caseMAX	S2	324.77	271.49	3676.57	179.90	169.70	3571.43	179.90	178.18	3571.02	82.20	91.41	2836.79	
			TQ	-128.23	691.95	3903.22	-185.67	691.95	3156.59	-178.87	699.75	3384.13	-236.31	699.75	2396.61	
			M3	100.61	618.48	5150.56	-48.28	548.39	4935.75	-48.28	560.11	4934.44	-219.25	481.68	3877.14	
			MIN	S2	-257.28	578.27	2988.73	-364.34	536.96	2681.52	-364.34	543.32	2680.24	-519.40	482.80	1655.83
			TQ	-11.60	-8.65	-417.06	-11.60	-8.65	-472.22	-20.49	-10.18	-779.76	-20.49	-10.18	-877.22	
			M3	-52.05	-0.63	-1555.32	-52.05	-0.63	-1802.94	-52.05	-4.91	-1802.93	-52.05	-4.91	-2050.55	
		2-LANES (caseMAX	S2	55.80	79.20	1925.18	54.08	79.55	2124.71	54.08	84.60	2124.52	52.41	82.54	2306.11	
			TQ	43.49	92.76	1832.35	41.47	92.76	2036.30	40.86	97.61	2049.59	34.65	97.61	2229.18	
			M3	-119.67	-224.23	4231.70	-106.36	-171.51	3638.52	-106.36	-162.87	3638.92	-70.05	-66.05	3189.42	
MIN	S2		-199.65	-271.32	2496.09	-204.14	-271.67	1597.48	-204.14	-267.88	1598.12	-208.67	-265.82	687.91		
TQ	-187.12		-282.84	2315.04	-191.32	-282.84	1413.04	-190.70	-279.50	1400.19	-190.70	-279.50	493.01			
M3	-39.95		-18.83	-1463.59	-39.95	-18.83	-1653.66	-39.95	-22.76	-1653.61	-39.95	-22.76	-1843.67			

BAGO RIVER BRIDGE

BLOCK [ No.1 : MAIN GIRDER ] [ BEAM MEMBER FORCE ]

MEMBER				2011			2012			2012			2013			
NODE				2011			2012			2012			2013			
				SHEAR	TORQUE	MOMENT	SHEAR	TORQUE	MOMENT	SHEAR	TORQUE	MOMENT	SHEAR	TORQUE	MOMENT	
NAME	TITLE			S2 (kN)	TQ (kN·m)	M3 (kN·m)	S2 (kN)	TQ (kN·m)	M3 (kN·m)	S2 (kN)	TQ (kN·m)	M3 (kN·m)	S2 (kN)	TQ (kN·m)	M3 (kN·m)	
301	LIVE LOAD	2-LANES (caseMAX	S2	23.04	3.75	873.27	23.04	3.75	982.86	23.04	6.09	982.84	23.04	6.09	1092.43	
			TQ	22.37	7.46	789.12	22.37	7.46	895.53	22.41	9.59	898.59	22.41	9.59	1005.18	
			M3	-89.59	-937.99	3076.42	-79.18	-873.80	2669.99	-79.18	-867.45	2672.06	-67.23	-804.87	2321.36	
			MIN	S2	-124.96	-988.47	1667.22	-124.96	-988.47	1072.75	-124.96	-985.92	1075.09	-124.96	-985.92	480.63
			TQ	-123.18	-999.90	1709.89	-123.18	-999.90	1123.91	-123.22	-997.23	1123.20	-123.22	-997.23	537.03	
			M3	-29.87	-27.70	-1391.00	-29.90	-27.68	-1533.14	-29.90	-31.32	-1533.07	-29.94	-31.28	-1675.39	
		3-LANES (caseMAX	S2	319.61	216.25	4108.74	197.09	135.02	4250.03	197.09	145.11	4249.70	157.07	98.84	3962.91	
			TQ	-239.97	1153.24	5153.59	-279.10	1153.24	3919.01	-271.11	1162.87	4186.44	-310.23	1162.87	2803.73	
			M3	-25.02	1045.20	6869.67	-94.89	908.63	6189.69	-94.89	923.33	6187.52	-147.50	732.28	5196.43	
			MIN	S2	-394.96	1018.67	4259.29	-441.09	1010.90	3216.35	-441.09	1018.54	3213.94	-570.28	960.66	1671.95
			TQ	23.58	-41.37	137.93	23.58	-41.37	250.09	13.81	-41.19	-86.62	13.81	-41.19	-20.93	
			M3	-69.30	4.74	-2006.88	-69.30	4.74	-2336.55	-69.30	-0.81	-2336.56	-69.38	-0.53	-2666.51	
		3-LANES (caseMAX	S2	57.76	68.25	2056.59	56.31	68.55	2275.35	56.31	73.96	2275.18	54.88	72.21	2478.70	
			TQ	46.66	82.46	1910.71	44.95	82.46	2130.18	44.45	87.54	2143.26	39.17	87.54	2342.16	
			M3	-151.05	-457.47	5097.25	-132.53	-386.85	4373.30	-132.53	-376.46	4374.21	-87.75	-251.34	3825.00	
			MIN	S2	-234.50	-515.32	2959.78	-238.32	-515.62	1887.71	-238.32	-511.14	1888.93	-242.17	-509.39	807.01
			TQ	-223.10	-528.15	2865.29	-226.66	-528.15	1793.92	-226.16	-523.90	1781.89	-226.16	-523.90	705.99	
			M3	-47.85	-26.84	-1843.71	-47.85	-26.84	-2071.34	-47.85	-31.76	-2071.27	-47.85	-31.76	-2298.89	
		3-LANES (caseMAX	S2	35.13	13.89	1378.64	35.13	13.89	1545.74	35.13	17.56	1545.70	35.13	17.56	1712.80	
			TQ	33.57	20.47	1212.52	33.57	20.47	1372.20	33.63	23.73	1376.90	33.63	23.73	1536.90	
			M3	-128.49	-1013.81	4221.85	-111.32	-935.81	3644.42	-111.32	-927.15	3646.64	-79.55	-821.48	3194.98	
MIN	S2		-177.68	-1073.98	2351.73	-177.68	-1073.98	1506.50	-177.68	-1070.40	1509.04	-177.68	-1070.40	663.81		
TQ	-174.94		-1094.92	2362.75	-174.94	-1094.92	1530.54	-172.57	-1091.32	1484.09	-172.57	-1091.32	663.14			
M3	-41.18		-32.70	-1795.78	-41.20	-32.68	-1991.69	-41.20	-37.41	-1991.60	-41.23	-37.37	-2187.67			

BAGO RIVER BRIDGE

BLOCK [ No.1 : MAIN GIRDER ][ BEAM MEMBER FORCE ]

MEMBER					2011			2012			2013					
NODE					2011			2012			2013					
NAME TITLE					SHEAR	TORQUE	MOMENT	SHEAR	TORQUE	MOMENT	SHEAR	TORQUE	MOMENT			
					S2 (kN)	TQ (kN·m)	M3 (kN·m)	S2 (kN)	TQ (kN·m)	M3 (kN·m)	S2 (kN)	TQ (kN·m)	M3 (kN·m)			
301	LIVE LOAD	4-LANES	MAX	S2	28.08	32.07	1198.98	26.97	32.30	1289.73	26.97	35.36	1289.65	25.90	34.07	1371.38
				TQ	17.93	54.78	847.51	16.62	54.78	930.89	16.77	57.02	986.32	12.74	57.02	1056.51
				M3	-156.63	-740.17	4115.52	-140.82	-673.02	3371.31	-140.82	-665.04	3372.90	-107.25	-572.50	2764.06
		6-LANES	MIN	S2	-206.02	-799.03	2952.99	-208.64	-798.80	1999.47	-208.64	-794.05	2001.36	-211.54	-792.70	1045.44
				TQ	-198.17	-842.65	2911.84	-200.45	-842.65	1963.03	-200.23	-837.99	1955.87	-200.23	-837.99	1003.36
				M3	-39.40	-27.13	-1624.31	-39.42	-27.11	-1811.78	-39.42	-31.41	-1811.71	-39.45	-31.39	-1999.29
	LIVE LOAD	MAX	S2	268.46	135.91	4264.74	177.02	116.62	4518.90	177.02	127.35	4518.61	142.23	105.48	4411.33	
			TQ	-91.17	754.92	4606.34	-112.11	754.92	4124.20	-107.54	764.93	4300.04	-148.29	764.93	3672.77	
			M3	-134.57	28.85	8427.13	-170.59	-13.79	7446.01	-170.59	3.78	7446.02	-167.76	-28.29	6346.08	
			MIN	S2	-436.73	-33.66	5093.87	-476.44	-43.01	3702.29	-476.44	-34.22	3702.38	-575.43	-40.20	1850.46
				TQ	-150.02	-761.91	1806.05	-152.21	-761.91	1085.91	-157.38	-759.62	848.29	-157.38	-759.62	99.60
	M3	-83.17	-21.66	-2847.22	-83.18	-21.65	-3242.86	-83.18	-29.35	-3242.80	-83.27	-29.12	-3638.73			
	303	SUM TOTAL	TOTAL	MAX	324.77	1153.24	8427.13	197.09	1153.24	7446.01	197.09	1162.87	7446.02	157.07	1162.87	6346.08
				MIN	-436.73	-1094.92	-2847.22	-476.44	-1094.92	-3242.86	-476.44	-1091.32	-3242.80	-575.43	-1091.32	-3638.73
MIN				-448.34	1458.99	26762.56	-767.91	1458.99	21647.23	-767.91	1502.34	21646.48	-999.83	1502.34	15499.47	
			MIN	-1209.83	-789.17	15488.21	-1441.44	-789.17	10958.36	-1441.44	-751.85	10957.66	-1732.33	-751.85	5514.66	

BAGO RIVER BRIDGE

BLOCK [ No.1 : MAIN GIRDER ][ BEAM MEMBER FORCE ]

MEMBER NODE	2013 2013	2014						2015							
		2013			2014			2014			2015				
		SHEAR S2 (kN)	TORQUE TQ (kN·m)	MOMENT M3 (kN·m)	SHEAR S2 (kN)	TORQUE TQ (kN·m)	MOMENT M3 (kN·m)	SHEAR S2 (kN)	TORQUE TQ (kN·m)	MOMENT M3 (kN·m)	SHEAR S2 (kN)	TORQUE TQ (kN·m)	MOMENT M3 (kN·m)		
1	PAVEMENT	-256.31	-23.04	1558.17	-286.64	-23.04	266.72	-286.64	-22.41	266.78	-316.98	-22.41	-1168.98		
3	RAILING	-8.56	3.55	43.35	-6.95	3.55	6.44	-6.95	3.56	6.43	-5.35	3.56	-22.83		
5	CURB	-84.78	35.12	429.17	-68.85	35.12	63.75	-68.85	35.27	63.67	-52.92	35.27	-225.98		
7	DECK WEIGHT	-401.34	6.81	2497.07	-447.46	6.81	478.15	-447.46	7.94	478.13	-493.57	7.94	-1760.16		
8	GIRDER WEIGH	-461.43	342.87	3235.11	-550.38	342.87	828.47	-550.38	344.84	827.65	-639.33	344.84	-2002.15		
10	MEDIAN STRIP	-61.92	90.38	647.61	-90.72	90.38	284.54	-90.72	91.05	284.32	-119.52	91.05	-215.75		
21	ADITIONAL WE	-112.38	1.91	699.18	-125.29	1.91	133.88	-125.29	2.22	133.88	-138.20	2.22	-492.85		
31	MEDIAN RAILI	-5.23	7.18	42.84	-7.56	7.18	12.44	-7.56	7.21	12.42	-9.88	7.21	-29.05		
51	SUPPORT WEIG	-0.00	-0.00	-0.00	-0.00	-0.00	-0.00	-0.00	-0.00	-0.00	-0.00	-0.00	-0.00		
52	NOSE WEIGHT	-0.02	0.55	-0.08	-0.02	0.55	-0.17	-0.02	0.55	-0.17	-0.02	0.55	-0.26		
61	1-LANE(case1TRUCK-LOAD	MAX	S2	11.42	32.72	330.70	11.42	32.72	385.03	11.42	33.64	384.95	54.39	59.50	505.58
			TQ	-106.14	422.16	920.65	-106.14	422.16	415.72	-106.14	423.14	414.71	-106.14	423.14	-90.22
			M3	-106.58	374.81	1104.87	-96.16	374.81	602.72	-96.16	376.24	601.83	51.68	122.92	545.56
		MIN	S2	-149.78	374.81	1104.87	-107.87	400.75	569.38	-107.87	402.11	568.43	-107.87	402.11	55.30
			TQ	-20.75	-49.12	-478.56	-20.75	-49.12	-577.26	-20.99	-50.50	-591.08	-20.99	-50.50	-690.91
			M3	-20.94	-48.60	-495.44	-20.94	-48.60	-595.07	-20.94	-50.01	-594.95	-20.94	-50.01	-694.57
		TANDEM-LOAD MAX	S2	12.65	11.78	175.45	12.65	11.78	235.61	12.65	12.34	235.58	59.06	59.38	384.77
			TQ	-78.40	287.49	719.18	-78.40	287.49	346.20	-78.40	288.31	345.52	-78.40	288.31	-27.47
			M3	-67.62	252.35	762.39	-67.62	252.35	440.72	-67.62	253.39	440.12	59.06	59.38	384.77
		MIN	S2	-122.90	234.56	752.55	-78.42	282.60	375.51	-78.42	283.49	374.84	-78.42	283.49	1.77
			TQ	-14.25	-33.61	-329.43	-14.25	-33.61	-397.20	-14.31	-34.56	-401.01	-14.31	-34.56	-469.10
			M3	-14.20	-32.84	-337.81	-14.20	-32.84	-405.37	-14.20	-33.81	-405.29	-14.20	-33.81	-472.84
		DISPERSION-LMAX	S2	11.86	15.67	397.70	12.09	20.25	461.46	12.09	21.35	461.41	18.77	33.74	567.36
			TQ	-88.80	449.63	1130.01	-77.39	449.63	734.77	-77.39	451.37	733.70	-65.99	451.37	392.69
			M3	-88.80	449.63	1130.01	-55.43	319.05	760.58	-55.43	320.85	759.82	-0.48	114.43	628.94
		MIN	S2	-125.59	380.73	141.34	-114.41	376.15	-436.27	-114.41	375.11	-437.16	-109.69	362.72	-1002.71
			TQ	-24.93	-53.22	-590.97	-24.93	-53.22	-709.57	-24.93	-54.90	-709.44	-24.93	-54.90	-828.04
			M3	-24.93	-53.22	-590.97	-46.90	77.36	-735.39	-46.90	75.61	-735.57	-90.44	282.04	-1064.29

BAGO RIVER BRIDGE

BLOCK [ No.1 : MAIN GIRDER ][ BEAM MEMBER FORCE ]

MEMBER				2013			2014			2014			2015		
NODE				2013			2014			2014			2015		
				SHEAR	TORQUE	MOMENT	SHEAR	TORQUE	MOMENT	SHEAR	TORQUE	MOMENT	SHEAR	TORQUE	MOMENT
NAME	TITLE			S2 (kN)	TQ (kN·m)	M3 (kN·m)	S2 (kN)	TQ (kN·m)	M3 (kN·m)	S2 (kN)	TQ (kN·m)	M3 (kN·m)	S2 (kN)	TQ (kN·m)	M3 (kN·m)
62	1-LANE (case2TRUCK-LOAD	MAX	S2	157.27	86.42	823.39	71.11	66.66	800.94	71.11	68.57	800.78	14.01	42.21	394.34
			TQ	-63.72	153.47	432.88	-63.72	153.47	129.76	-63.72	153.78	129.40	-63.72	153.78	-173.72
			M3	75.43	105.76	887.35	6.46	84.67	872.16	6.46	86.74	871.96	-78.85	66.46	432.22
		MIN	S2	-88.05	112.22	884.33	-148.03	90.70	852.59	-148.03	92.72	852.37	-233.83	73.37	420.08
			TQ	-13.64	-23.58	-425.61	-13.64	-23.58	-490.51	-13.64	-24.74	-490.45	-13.64	-24.74	-555.35
			M3	-14.03	-21.37	-458.75	-14.03	-21.37	-525.49	-14.03	-22.62	-525.43	-14.15	-23.57	-592.18
		TANDEM-LOAD MAX	S2	135.91	64.36	705.40	73.40	51.99	728.81	73.40	53.72	728.69	17.57	38.68	405.14
			TQ	-45.61	104.69	327.36	-45.61	104.69	110.36	-45.61	104.95	110.11	-45.61	104.95	-106.88
			M3	39.09	68.06	713.90	-18.70	55.19	736.21	-18.70	56.94	736.07	-79.77	43.18	408.85
		MIN	S2	-68.61	68.06	713.90	-126.40	55.19	736.21	-126.40	56.94	736.07	-187.47	43.18	408.85
			TQ	-9.22	-16.10	-285.71	-9.22	-16.10	-329.55	-9.22	-16.88	-329.51	-9.22	-16.88	-373.35
			M3	-9.59	-14.72	-312.70	-9.59	-14.72	-358.31	-9.59	-15.57	-358.28	-9.62	-15.83	-403.89
		DISPERSION-LMAX	S2	37.77	30.25	521.85	18.51	19.87	510.39	18.51	21.08	510.34	9.82	12.69	459.07
			TQ	-25.30	180.01	960.76	-62.31	180.01	752.37	-62.31	181.80	751.94	-99.32	181.80	367.48
			M3	-25.30	180.01	960.76	-47.84	133.98	764.22	-47.78	135.63	763.90	-46.69	45.97	542.35
MIN	S2	-79.29	123.11	-107.11	-97.04	133.49	-381.20	-97.04	132.58	-381.51	-125.36	140.97	-791.86		
	TQ	-16.22	-26.65	-546.02	-16.22	-26.65	-623.18	-16.22	-28.13	-623.11	-16.22	-28.13	-700.27		
	M3	-16.22	-26.65	-546.02	-30.70	19.38	-635.03	-30.75	18.04	-635.08	-68.85	107.69	-875.14		
63	1-LANE (case3TRUCK-LOAD	MAX	S2	7.81	15.32	242.61	7.81	15.32	279.74	7.81	15.98	279.70	7.81	15.98	316.84
			TQ	7.81	15.32	242.61	7.81	15.32	279.74	7.81	15.98	279.70	7.81	15.98	316.84
			M3	-43.02	-51.13	771.93	-33.84	-27.93	533.36	-33.84	-26.66	533.42	-20.25	4.63	373.60
		MIN	S2	-72.47	-53.70	767.05	-72.47	-53.70	422.29	-72.47	-52.70	422.42	-72.47	-52.70	77.66
			TQ	-72.39	-53.90	755.36	-72.39	-53.90	410.98	-72.39	-52.93	411.10	-72.39	-52.93	66.72
			M3	-9.07	-1.36	-431.28	-9.07	-1.36	-474.42	-9.07	-2.49	-474.42	-9.07	-2.49	-517.56



BAGO RIVER BRIDGE

BLOCK [ No.1 : MAIN GIRDER ][ BEAM MEMBER FORCE ]

MEMBER		2013			2014			2014			2015				
NODE		2013			2014			2014			2015				
		SHEAR	TORQUE	MOMENT	SHEAR	TORQUE	MOMENT	SHEAR	TORQUE	MOMENT	SHEAR	TORQUE	MOMENT		
NAME	TITLE	S2 (kN)	TQ (kN·m)	M3 (kN·m)	S2 (kN)	TQ (kN·m)	M3 (kN·m)	S2 (kN)	TQ (kN·m)	M3 (kN·m)	S2 (kN)	TQ (kN·m)	M3 (kN·m)		
63	1-LANE (case3TANDEM-LOAD	MAX	S2	6.01	11.63	228.09	6.01	11.63	256.68	6.01	12.24	256.65	6.01	12.24	285.24
			TQ	6.01	11.63	228.09	6.01	11.63	256.68	6.01	12.24	256.65	6.01	12.24	285.24
			M3	-32.01	-36.19	560.09	-22.88	-14.29	391.10	-22.88	-13.36	391.13	-12.73	9.51	292.30
		MIN	S2	-49.59	-38.42	499.02	-49.59	-38.42	263.11	-49.59	-37.79	263.20	-49.59	-37.79	27.29
			TQ	-49.59	-38.42	499.02	-49.59	-38.42	263.11	-49.59	-37.79	263.20	-49.59	-37.79	27.29
			M3	-6.17	-0.92	-293.78	-6.17	-0.92	-323.15	-6.17	-1.69	-323.15	-6.17	-1.69	-352.52
	DISPERSION-LMAX	S2	10.47	5.90	423.99	9.46	6.30	436.50	9.46	7.33	436.48	8.66	6.47	443.61	
		TQ	-12.80	17.59	347.90	-13.95	17.59	285.46	-13.43	18.32	336.00	-18.87	18.32	260.10	
		M3	-47.67	-11.95	910.31	-46.46	-15.45	672.38	-46.46	-13.87	672.41	-17.44	-6.59	525.65	
		MIN	S2	-69.19	-21.77	-24.65	-74.39	-22.16	-331.26	-74.39	-22.95	-331.20	-79.80	-22.09	-661.96
			TQ	-45.92	-33.45	51.44	-50.98	-33.45	-180.22	-51.50	-33.94	-230.72	-52.27	-33.94	-478.46
			M3	-11.05	-3.92	-510.96	-18.46	-0.41	-567.14	-18.47	-1.75	-567.13	-53.70	-9.03	-744.00
64	1-LANE (case4TRUCK-LOAD	MAX	S2	4.14	46.42	-218.81	4.14	46.42	-199.11	4.14	45.94	-199.22	4.14	45.94	-179.52
			TQ	3.57	49.98	-302.60	3.57	49.98	-285.61	3.57	49.30	-285.72	3.57	49.30	-268.73
			M3	-31.48	-345.56	371.02	-27.11	-318.36	232.06	-27.11	-317.81	232.81	3.67	-0.20	220.75
		MIN	S2	-32.86	-353.11	351.67	-32.86	-353.11	195.37	-32.86	-352.64	196.21	-32.86	-352.64	39.91
			TQ	-32.86	-353.11	351.67	-32.86	-353.11	195.37	-32.86	-352.64	196.21	-32.86	-352.64	39.91
			M3	1.02	40.39	-374.98	0.94	39.95	-370.30	0.94	39.07	-370.39	0.94	39.07	-365.91
	TANDEM-LOAD	MAX	S2	2.90	31.48	-140.32	2.90	31.48	-126.51	2.90	31.18	-126.58	2.90	31.18	-112.77
			TQ	2.65	34.18	-188.82	2.65	34.18	-176.23	2.65	33.76	-176.31	2.65	33.76	-163.73
			M3	-21.29	-233.76	255.24	-17.61	-212.50	158.96	-17.61	-212.12	159.47	2.50	-0.11	149.91
		MIN	S2	-22.52	-240.88	244.10	-22.52	-240.88	136.96	-22.52	-240.55	137.54	-22.52	-240.55	30.40
			TQ	-22.52	-240.88	244.10	-22.52	-240.88	136.96	-22.52	-240.55	137.54	-22.52	-240.55	30.40
			M3	0.95	28.79	-254.82	0.53	26.52	-252.10	0.53	25.92	-252.16	0.53	25.92	-249.66

BAGO RIVER BRIDGE

BLOCK [ No.1 : MAIN GIRDER ][ BEAM MEMBER FORCE ]

MEMBER			2013			2014			2014			2015					
NODE			2013			2014			2014			2015					
			SHEAR	TORQUE	MOMENT	SHEAR	TORQUE	MOMENT	SHEAR	TORQUE	MOMENT	SHEAR	TORQUE	MOMENT			
NAME	TITLE		S2 (kN)	TQ (kN·m)	M3 (kN·m)	S2 (kN)	TQ (kN·m)	M3 (kN·m)	S2 (kN)	TQ (kN·m)	M3 (kN·m)	S2 (kN)	TQ (kN·m)	M3 (kN·m)			
64	1-LANE (case4DISPERSION-LMAX	S2	8.50	36.78	53.92	8.50	36.78	94.33	8.50	37.01	94.24	8.50	37.01	134.66			
		TQ	2.68	52.03	-392.52	2.68	52.03	-379.80	4.68	51.25	-271.63	4.68	51.25	-249.37			
		M3	-30.25	-402.12	710.10	-30.25	-402.12	566.18	-30.25	-400.77	567.14	-16.32	-246.50	440.58			
		MIN	S2	-37.11	-386.91	213.52	-37.11	-386.91	36.97	-37.11	-386.82	37.89	-37.11	-386.82	-138.66		
		TQ	-31.29	-402.16	659.97	-31.29	-402.16	511.10	-33.30	-401.07	403.76	-33.30	-401.07	245.36			
		M3	1.63	51.99	-442.66	1.63	51.99	-434.88	1.63	50.96	-435.00	-12.30	-103.31	-444.59			
		65	2-LANES (caseTRUCK-LOAD	MAX	S2	65.12	211.47	1248.67	42.28	135.26	1106.71	42.28	137.89	1106.39	67.53	102.69	933.19
				TQ	-186.42	701.18	1554.19	-186.42	701.18	667.36	-186.42	702.76	665.70	-186.42	702.76	-221.13	
				M3	-112.35	610.34	2095.82	-122.35	545.88	1394.56	-122.35	549.19	1393.26	2.87	219.74	1031.63	
MIN	S2			-247.14	623.76	2087.28	-223.98	592.36	1345.84	-223.98	595.55	1344.43	-244.77	526.65	499.48		
TQ	-38.11			-85.56	-937.45	-38.11	-85.56	-1118.73	-38.34	-88.23	-1132.45	-38.34	-88.23	-1314.86			
M3	-38.25			-82.92	-972.40	-38.49	-84.17	-1155.11	-38.49	-86.92	-1154.91	-38.49	-86.92	-1338.04			
TANDEM-LOAD	MAX			S2	56.67	157.99	917.34	40.33	104.50	849.91	40.33	106.52	849.66	71.97	102.16	789.76	
TQ	-133.72			477.90	1163.41	-133.72	477.90	527.31	-133.72	479.15	526.17	-133.72	479.15	-109.93			
M3	-79.07			408.95	1513.30	-94.73	358.56	1063.15	-94.73	361.08	1062.30	16.28	112.98	796.22			
MIN	S2	-193.17	391.17	1503.46	-164.36	388.81	997.95	-164.36	391.18	997.02	-180.03	337.09	413.21				
TQ	-26.15	-58.44	-645.55	-26.15	-58.44	-769.93	-26.21	-60.27	-773.67	-26.21	-60.27	-898.37					
M3	-26.05	-56.47	-663.04	-26.11	-56.82	-787.16	-26.11	-58.69	-787.02	-26.11	-58.69	-911.26					
DISPERSION-LMAX	S2	33.62	57.73	931.08	26.70	46.28	978.51	26.70	48.60	978.40	29.51	49.49	1053.27				
TQ	-137.90	763.25	2166.51	-146.92	763.25	1489.10	-146.92	766.79	1487.29	-155.94	766.79	766.96					
M3	-137.90	763.25	2166.51	-106.87	548.05	1533.49	-106.72	551.02	1532.18	-31.77	194.38	1208.87					
MIN	S2	-216.87	612.07	75.79	-218.96	623.52	-864.77	-218.96	621.46	-866.24	-230.80	620.58	-1877.18				
TQ	-45.35	-93.45	-1159.63	-45.35	-93.45	-1375.36	-45.35	-96.72	-1375.13	-45.35	-96.72	-1590.86					
M3	-45.35	-93.45	-1159.63	-85.40	121.75	-1419.74	-85.54	119.05	-1420.03	-169.52	475.69	-2032.77					

BAGO RIVER BRIDGE

BLOCK [ No.1 : MAIN GIRDER ][ BEAM MEMBER FORCE ]

MEMBER				2013			2014			2014			2015		
NODE				2013			2014			2014			2015		
				SHEAR	TORQUE	MOMENT	SHEAR	TORQUE	MOMENT	SHEAR	TORQUE	MOMENT	SHEAR	TORQUE	MOMENT
NAME	TITLE			S2 (kN)	TQ (kN·m)	M3 (kN·m)	S2 (kN)	TQ (kN·m)	M3 (kN·m)	S2 (kN)	TQ (kN·m)	M3 (kN·m)	S2 (kN)	TQ (kN·m)	M3 (kN·m)
66	2-LANES (caseTRUCK-LOAD	MAX	S2	210.96	265.17	1741.37	101.97	169.20	1522.63	101.97	172.82	1522.22	27.15	85.39	821.95
			TQ	-144.00	432.50	1066.43	-144.00	432.50	381.41	-144.00	433.40	380.38	-144.00	433.40	-304.64
			M3	69.66	341.30	1878.31	-19.73	255.75	1664.00	-19.73	259.70	1663.38	-127.67	163.27	918.28
		MIN	S2	-185.41	361.18	1866.74	-264.14	282.30	1629.04	-264.14	286.17	1628.37	-370.74	197.92	864.27
			TQ	-31.00	-60.02	-884.51	-31.00	-60.02	-1031.97	-31.00	-62.47	-1031.83	-31.00	-62.47	-1179.29
			M3	-31.33	-55.69	-935.71	-31.58	-56.95	-1085.53	-31.58	-59.52	-1085.40	-31.70	-60.47	-1235.64
		TANDEM-LOAD MAX	S2	179.94	210.57	1447.29	101.09	144.71	1343.11	101.09	147.90	1342.77	30.48	81.45	810.13
			TQ	-100.93	295.10	771.58	-100.93	295.10	291.47	-100.93	295.79	290.77	-100.93	295.79	-189.35
			M3	27.64	224.67	1464.81	-45.81	161.40	1358.64	-45.81	164.62	1358.25	-122.55	96.77	820.29
		MIN	S2	-138.88	224.67	1464.81	-212.33	161.40	1358.64	-212.33	164.62	1358.25	-289.07	96.77	820.29
			TQ	-21.11	-40.93	-601.84	-21.11	-40.93	-702.27	-21.11	-42.60	-702.17	-21.11	-42.60	-802.61
			M3	-21.43	-38.34	-637.93	-21.50	-38.69	-740.11	-21.50	-40.45	-740.01	-21.54	-40.72	-842.31
		DISPERSION-LMAX	S2	59.53	72.31	1055.24	33.12	45.90	1027.44	33.12	48.34	1027.33	20.56	28.44	944.98
			TQ	-74.40	493.64	1997.26	-131.84	493.64	1506.71	-131.84	497.22	1505.53	-189.28	497.22	741.74
			M3	-74.40	493.64	1997.26	-99.28	362.98	1537.13	-99.08	365.79	1536.26	-77.97	125.92	1122.28
MIN	S2	-170.57	354.44	-172.66	-201.60	380.86	-809.70	-201.60	378.93	-810.60	-246.48	398.83	-1666.32		
	TQ	-36.64	-66.89	-1114.68	-36.64	-66.89	-1288.96	-36.64	-69.95	-1288.80	-36.64	-69.95	-1463.08		
	M3	-36.64	-66.89	-1114.68	-69.20	63.77	-1319.38	-69.39	61.47	-1319.53	-147.94	301.35	-1843.62		
67	2-LANES (caseTRUCK-LOAD	MAX	S2	11.80	15.90	430.47	11.80	15.90	486.61	11.80	17.05	486.57	11.80	17.05	542.71
			TQ	2.85	28.67	-146.95	2.85	28.67	-133.37	2.85	28.35	-133.44	2.85	28.35	-119.87
			M3	-98.92	-175.83	1424.50	-76.51	-127.15	940.56	-76.51	-124.92	940.86	-30.78	-35.00	668.65
		MIN	S2	-131.87	-190.61	1364.05	-131.87	-190.61	736.72	-131.87	-188.86	737.17	-131.87	-188.86	109.85
			TQ	-131.24	-190.94	1326.38	-131.24	-190.94	702.07	-131.24	-189.27	702.52	-131.24	-189.27	78.21
			M3	-14.81	11.07	-844.28	-14.81	11.07	-914.71	-14.81	8.89	-914.74	-14.83	8.78	-985.21

BAGO RIVER BRIDGE

BLOCK [ No.1 : MAIN GIRDER ][ BEAM MEMBER FORCE ]

MEMBER		2013						2014									
NODE		2013			2014			2014			2015						
		SHEAR	TORQUE	MOMENT	SHEAR	TORQUE	MOMENT	SHEAR	TORQUE	MOMENT	SHEAR	TORQUE	MOMENT				
NAME	TITLE	S2 (kN)	TQ (kN·m)	M3 (kN·m)	S2 (kN)	TQ (kN·m)	M3 (kN·m)	S2 (kN)	TQ (kN·m)	M3 (kN·m)	S2 (kN)	TQ (kN·m)	M3 (kN·m)				
67	2-LANES (caseTANDEM-LOAD	MAX	S2	9.32	8.11	341.66	9.32	8.11	385.98	9.32	9.03	385.96	9.32	9.03	430.28		
			TQ	2.55	20.78	-41.05	2.55	20.78	-28.93	2.55	20.71	-28.98	2.55	20.71	-16.87		
			M3	-70.46	-120.34	1018.05	-58.32	-92.54	671.75	-58.32	-90.94	671.96	-15.04	-9.31	509.27		
		MIN	S2	-91.47	-133.31	924.26	-91.47	-133.31	489.12	-91.47	-132.15	489.43	-91.47	-132.15	54.30		
			TQ	-91.47	-133.31	924.26	-91.47	-133.31	489.12	-91.47	-132.15	489.43	-91.47	-132.15	54.30		
			M3	-10.05	7.67	-574.97	-10.05	7.67	-622.78	-10.05	6.19	-622.80	-10.05	6.19	-670.61		
		DISPERSION-LMAX	S2	17.78	5.37	772.21	16.78	5.76	819.49	16.78	7.71	819.48	15.98	6.85	861.39		
			TQ	-14.29	32.26	113.86	-15.44	32.26	44.34	-14.21	32.47	132.76	-19.65	32.47	53.15		
			M3	-95.32	-137.50	1765.37	-91.66	-137.30	1301.32	-91.68	-134.29	1301.65	-28.77	-51.36	1021.81		
		MIN	S2	-131.22	-133.15	-6.23	-136.42	-133.55	-607.92	-136.42	-134.99	-607.61	-141.83	-134.13	-1233.45		
			TQ	-99.15	-160.04	652.11	-104.21	-160.04	167.22	-105.44	-159.75	79.11	-106.21	-159.75	-425.22		
			M3	-18.12	9.71	-999.39	-27.99	9.52	-1089.75	-27.97	7.01	-1089.77	-97.08	-75.92	-1393.88		
		68	2-LANES (caseTRUCK-LOAD	MAX	S2	8.14	47.00	-30.95	8.14	47.00	7.75	8.14	47.02	7.64	8.14	47.02	46.35
					TQ	3.48	82.31	-629.43	3.48	82.31	-612.86	3.48	80.86	-613.05	3.48	80.86	-596.48
					M3	-69.89	-571.49	839.49	-57.35	-498.81	525.26	-57.35	-497.57	526.45	7.66	0.79	447.00
MIN	S2			-73.78	-605.24	798.13	-73.78	-605.24	447.15	-73.78	-604.18	448.59	-73.78	-604.18	97.61		
	TQ			-73.19	-614.70	752.70	-73.19	-614.70	404.52	-73.19	-613.73	405.98	-73.19	-613.73	57.80		
	M3			-1.06	68.10	-767.99	-1.30	66.82	-773.77	-1.30	64.98	-773.93	-1.35	64.68	-780.24		
TANDEM-LOAD	MAX			S2	5.62	31.86	-12.62	5.62	31.86	14.09	5.62	31.90	14.02	5.62	31.90	40.73	
	TQ			2.49	56.23	-418.13	2.49	56.23	-406.30	2.49	55.26	-406.44	2.49	55.26	-394.61		
	M3			-48.34	-392.82	576.03	-40.14	-343.21	362.38	-40.14	-342.35	363.19	5.21	0.59	303.53		
MIN	S2			-50.41	-414.99	542.18	-50.41	-414.99	302.38	-50.41	-414.27	303.36	-50.41	-414.27	63.55		
	TQ			-49.75	-419.24	509.68	-49.75	-419.24	273.01	-49.75	-418.59	274.01	-49.75	-418.59	37.34		
	M3			-0.41	47.94	-522.22	-1.11	44.16	-526.28	-1.11	42.91	-526.38	-1.11	42.91	-531.64		

BAGO RIVER BRIDGE

BLOCK [ No.1 : MAIN GIRDER ][ BEAM MEMBER FORCE ]

MEMBER			2013			2014			2014			2015					
NODE			2013			2014			2014			2015					
			SHEAR	TORQUE	MOMENT	SHEAR	TORQUE	MOMENT	SHEAR	TORQUE	MOMENT	SHEAR	TORQUE	MOMENT			
NAME	TITLE		S2 (kN)	TQ (kN·m)	M3 (kN·m)	S2 (kN)	TQ (kN·m)	M3 (kN·m)	S2 (kN)	TQ (kN·m)	M3 (kN·m)	S2 (kN)	TQ (kN·m)	M3 (kN·m)			
68	2-LANES (caseDISPERSION-LMAX	S2	15.48	46.77	298.38	15.48	46.77	372.03	15.48	47.66	371.92	15.48	47.66	445.57			
		TQ	5.29	86.45	-614.98	5.29	86.45	-589.80	7.93	85.22	-447.56	7.93	85.22	-409.84			
		M3	-66.94	-696.98	1484.32	-66.94	-696.98	1165.89	-66.94	-694.21	1167.54	-30.28	-378.56	907.09			
		MIN	S2	-83.35	-658.20	278.40	-83.35	-658.20	-118.09	-83.35	-658.48	-116.52	-83.35	-658.48	-513.01		
		TQ	-73.16	-697.88	1191.76	-73.16	-697.88	843.74	-75.79	-696.04	702.96	-75.79	-696.04	342.39			
		M3	-0.93	85.56	-907.54	-0.93	85.56	-911.95	-0.93	83.39	-912.15	-37.59	-232.26	-974.53			
		69	3-LANES (caseTRUCK-LOAD	MAX	S2	222.38	297.89	2072.07	113.39	201.92	1907.66	113.39	206.45	1907.17	81.53	144.89	1327.53
				TQ	-250.14	854.65	1987.08	-250.14	854.65	797.13	-250.14	856.54	795.09	-250.14	856.54	-394.86	
				M3	-36.92	716.11	2983.18	-115.89	630.55	2266.72	-115.89	635.93	2265.22	-75.99	286.20	1463.84	
MIN	S2			-335.19	735.99	2971.61	-372.00	683.06	2198.43	-372.00	688.28	2196.80	-478.60	600.02	919.56		
TQ	-51.75			-109.14	-1363.07	-51.75	-109.14	-1609.24	-51.99	-112.97	-1622.90	-51.99	-112.97	-1870.21			
M3	-52.27			-104.29	-1431.15	-52.52	-105.55	-1680.60	-52.52	-109.54	-1680.34	-52.65	-110.49	-1930.21			
TANDEM-LOAD	MAX			S2	192.58	222.35	1622.74	113.73	156.49	1578.72	113.73	160.24	1578.35	89.54	140.83	1194.90	
TQ	-179.33			582.59	1490.77	-179.33	582.59	637.67	-179.33	584.10	636.28	-179.33	584.10	-216.81			
M3	-39.98			477.02	2227.20	-113.43	413.75	1799.36	-113.43	418.02	1798.37	-63.49	156.16	1205.06			
MIN	S2	-261.78	459.23	2217.37	-290.75	444.00	1734.15	-290.75	448.11	1733.09	-367.49	380.26	822.06				
TQ	-35.36	-74.54	-931.27	-35.36	-74.54	-1099.48	-35.43	-77.16	-1103.19	-35.43	-77.16	-1271.72					
M3	-35.63	-71.19	-975.74	-35.70	-71.54	-1145.47	-35.70	-74.26	-1145.30	-35.74	-74.52	-1315.15					
DISPERSION-LMAX	S2	71.39	87.99	1452.93	45.21	66.15	1488.90	45.21	69.69	1488.74	39.33	62.18	1512.34				
TQ	-163.20	943.27	3127.27	-209.23	943.27	2241.47	-209.23	948.59	2239.23	-255.27	948.59	1134.44					
M3	-163.20	943.27	3127.27	-154.70	682.03	2297.71	-154.51	686.65	2296.09	-78.46	240.35	1751.22					
MIN	S2	-296.16	735.17	-31.32	-316.00	757.01	-1245.96	-316.00	754.05	-1247.76	-356.17	761.55	-2669.03				
TQ	-61.57	-120.11	-1705.65	-61.57	-120.11	-1998.54	-61.57	-124.85	-1998.25	-61.57	-124.85	-2291.13					
M3	-61.57	-120.11	-1705.65	-116.10	141.13	-2054.77	-116.29	137.08	-2055.10	-238.38	583.39	-2907.91					

BAGO RIVER BRIDGE

BLOCK [ No.1 : MAIN GIRDER ][ BEAM MEMBER FORCE ]

MEMBER NODE	2013 2013	2014			2014			2015							
		SHEAR	TORQUE	MOMENT	SHEAR	TORQUE	MOMENT	SHEAR	TORQUE	MOMENT					
		S2 (kN)	TQ (kN·m)	M3 (kN·m)	S2 (kN)	TQ (kN·m)	M3 (kN·m)	S2 (kN)	TQ (kN·m)	M3 (kN·m)					
70 3-LANES (caseTRUCK-LOAD	MAX	S2	15.49	15.35	615.74	15.49	15.35	689.45	15.49	16.99	689.41	15.49	16.99	763.11	
		TQ	2.30	58.73	-476.23	2.30	58.73	-465.28	2.30	57.63	-465.42	2.30	57.63	-454.48	
		M3	-142.86	-371.83	1944.99	-110.79	-287.02	1263.71	-110.79	-284.02	1264.39	-27.10	-35.20	889.40	
	MIN	S2	-178.31	-405.37	1851.18	-178.31	-405.37	1002.93	-178.31	-402.99	1003.89	-178.31	-402.99	155.64	
		TQ	-176.45	-407.75	1768.41	-176.45	-407.75	929.03	-176.45	-405.54	930.00	-176.45	-405.54	90.62	
		M3	-17.20	37.46	-1239.01	-17.34	36.70	-1321.25	-17.34	33.56	-1321.33	-17.41	33.17	-1403.94	
	TANDEM-LOAD	MAX	S2	11.82	7.71	467.68	11.82	7.71	523.92	11.82	8.95	523.90	11.82	8.95	580.13
		TQ	2.08	41.35	-272.01	2.08	41.35	-262.12	2.08	40.73	-262.21	2.08	40.73	-252.32	
		M3	-98.56	-244.27	1374.61	-84.36	-209.06	896.01	-84.36	-206.93	896.50	-12.54	-9.41	659.19	
	MIN	S2	-123.36	-276.55	1274.32	-123.36	-276.55	687.48	-123.36	-274.91	688.14	-123.36	-274.91	101.30	
		TQ	-122.46	-281.61	1231.62	-122.46	-281.61	649.08	-122.46	-280.07	649.74	-122.46	-280.07	67.20	
		M3	-11.62	25.91	-843.57	-11.87	24.52	-898.93	-11.87	22.39	-898.98	-11.87	22.39	-955.47	
	DISPERSION-LMAX	S2	24.10	9.84	1036.74	23.10	10.23	1114.10	23.10	12.88	1114.07	22.30	12.02	1186.06	
		TQ	-16.11	64.39	-302.29	-17.26	64.39	-380.49	-14.03	63.72	-183.84	-19.47	63.72	-262.62	
		M3	-136.52	-370.83	2556.25	-132.86	-370.63	1896.22	-132.88	-366.21	1897.09	-42.17	-150.80	1483.10	
	MIN	S2	-181.60	-338.86	53.89	-186.81	-339.25	-787.49	-186.81	-341.12	-786.69	-192.22	-340.26	-1652.23	
		TQ	-141.39	-393.41	1392.92	-146.45	-393.41	707.10	-149.68	-391.97	511.23	-150.45	-391.97	-203.56	
		M3	-20.98	41.81	-1465.62	-30.86	41.61	-1569.61	-30.83	37.97	-1569.71	-127.75	-177.45	-1949.27	
71 3-LANES (caseTRUCK-LOAD	MAX	S2	12.44	48.69	159.87	12.44	48.69	219.04	12.44	49.21	218.93	12.44	49.21	278.10	
		TQ	-0.98	97.52	-1013.50	-0.98	97.52	-1018.17	-0.98	95.10	-1018.40	-0.98	95.10	-1023.07	
		M3	-120.15	-720.53	1439.03	-96.33	-618.21	902.32	-96.33	-616.07	903.79	-3.44	-52.78	713.73	
	MIN	S2	-127.41	-775.16	1353.42	-127.41	-775.16	747.32	-127.41	-773.38	749.16	-127.41	-773.38	143.07	
		TQ	-123.17	-788.23	1220.11	-123.17	-788.23	634.18	-123.17	-786.72	636.05	-123.17	-786.72	50.12	
		M3	-6.48	81.85	-1179.28	-6.72	80.57	-1210.85	-6.72	77.69	-1211.04	-6.85	76.99	-1243.28	

BAGO RIVER BRIDGE

BLOCK [ No.1 : MAIN GIRDER ][ BEAM MEMBER FORCE ]

MEMBER				2013			2014			2015						
NODE				2013			2014			2015						
				SHEAR	TORQUE	MOMENT	SHEAR	TORQUE	MOMENT	SHEAR	TORQUE	MOMENT				
NAME	TITLE			S2 (kN)	TQ (kN·m)	M3 (kN·m)	S2 (kN)	TQ (kN·m)	M3 (kN·m)	S2 (kN)	TQ (kN·m)	M3 (kN·m)				
71	3-LANES (case)	TANDEM-LOAD	MAX	S2	8.54	33.02	116.89	8.54	33.02	157.51	8.54	33.39	198.04			
				TQ	-0.29	66.61	-668.37	-0.29	66.61	-669.74	-0.29	65.02	-669.90	-0.29	65.02	-671.27
				M3	-82.84	-492.22	995.35	-72.06	-435.65	622.18	-72.06	-434.17	623.21	1.86	-27.27	498.82
		MIN	S2	-88.00	-530.78	935.25	-88.00	-530.78	516.61	-88.00	-529.55	517.87	-88.00	-529.55	99.23	
			TQ	-84.13	-537.85	835.39	-84.13	-537.85	435.17	-84.13	-536.81	436.44	-84.13	-536.81	36.22	
			M3	-4.07	57.45	-802.22	-4.76	53.67	-823.68	-4.76	51.71	-823.80	-4.76	51.71	-846.47	
	DISPERSION-LMAX	S2	23.11	47.76	645.11	23.11	47.76	755.06	23.11	49.55	754.94	23.11	49.55	864.89		
		TQ	5.76	104.21	-780.97	5.76	104.21	-753.58	8.55	102.60	-603.31	8.55	102.60	-562.63		
		M3	-110.06	-884.21	2322.83	-110.06	-884.21	1799.26	-110.06	-879.94	1801.35	-42.17	-440.78	1406.39		
		MIN	S2	-140.86	-831.31	283.10	-140.86	-831.31	-386.99	-140.86	-832.23	-385.01	-140.86	-832.23	-1055.10	
			TQ	-123.51	-887.76	1709.19	-123.51	-887.76	1121.65	-126.30	-885.27	973.24	-126.30	-885.27	372.43	
			M3	-7.69	100.66	-1394.61	-7.69	100.66	-1431.18	-7.69	97.26	-1431.42	-75.58	-341.89	-1596.59	
72	4-LANES	TRUCK-LOAD	MAX	S2	14.69	79.30	-57.15	14.69	79.30	12.74	14.69	79.33	12.55	14.69	79.33	82.43
				TQ	6.07	109.68	-777.49	6.07	109.68	-748.60	6.15	107.91	-745.23	6.15	107.91	-715.97
				M3	-170.64	-741.89	2261.36	-135.15	-624.36	1460.86	-135.15	-620.88	1462.34	-69.41	-420.11	962.93
		MIN	S2	-205.35	-791.30	2160.22	-205.35	-791.30	1183.34	-205.35	-788.49	1185.22	-205.35	-788.49	208.34	
			TQ	-203.81	-801.04	2072.95	-203.81	-801.04	1103.41	-203.81	-798.41	1105.31	-203.81	-798.41	135.77	
			M3	-15.86	79.18	-1612.26	-16.09	77.92	-1688.40	-16.09	73.91	-1688.59	-16.17	73.50	-1765.33	
	TANDEM-LOAD	MAX	S2	12.08	56.82	34.98	12.08	56.82	92.45	12.08	57.04	92.32	12.08	57.04	149.79	
			TQ	4.75	75.86	-460.12	4.75	75.86	-437.52	4.75	74.82	-437.70	4.75	74.82	-415.11	
			M3	-120.30	-510.77	1589.90	-99.01	-434.70	1029.37	-99.01	-432.25	1030.40	-35.57	-244.93	714.14	
		MIN	S2	-141.61	-537.38	1485.05	-141.61	-537.38	811.40	-141.61	-535.45	812.68	-141.61	-535.45	139.03	
			TQ	-140.53	-547.86	1423.87	-140.53	-547.86	755.35	-140.53	-546.07	756.65	-140.53	-546.07	88.12	
			M3	-10.46	55.61	-1097.20	-11.14	51.89	-1148.93	-11.14	49.16	-1149.05	-11.14	49.16	-1202.06	

BAGO RIVER BRIDGE

BLOCK [ No.1 : MAIN GIRDER ][ BEAM MEMBER FORCE ]

MEMBER				2013			2014			2014			2015				
NODE				2013			2014			2014			2015				
NAME TITLE				SHEAR	TORQUE	MOMENT	SHEAR	TORQUE	MOMENT	SHEAR	TORQUE	MOMENT	SHEAR	TORQUE	MOMENT		
				S2 (kN)	TQ (kN·m)	M3 (kN·m)	S2 (kN)	TQ (kN·m)	M3 (kN·m)	S2 (kN)	TQ (kN·m)	M3 (kN·m)	S2 (kN)	TQ (kN·m)	M3 (kN·m)		
72	4-LANES	DISPERSION-LMAX	S2	6.58	48.75	-192.74	5.58	49.14	-198.71	5.58	48.67	-198.83	4.78	47.81	-210.18		
			TQ	-23.22	100.87	-999.18	-24.37	100.87	-1111.22	-24.13	98.28	-1075.92	-29.57	98.28	-1202.72		
			M3	-189.64	-836.55	1993.96	-187.85	-853.75	1082.39	-187.84	-851.91	1084.42	-85.44	-432.32	411.59		
	MIN	S2	-211.17	-773.83	723.35	-215.89	-773.47	-263.39	-215.89	-774.10	-261.55	-221.18	-773.06	-1268.71			
		TQ	-185.12	-882.22	1554.85	-189.53	-882.22	663.33	-189.92	-880.68	630.76	-190.69	-880.68	-275.45			
		M3	-13.08	80.90	-1463.70	-21.87	81.77	-1529.78	-21.85	78.21	-1529.97	-131.56	-322.74	-1876.91			
	73	6-LANES	TRUCK-LOAD	MAX	S2	235.63	241.31	2143.07	125.95	203.74	2077.47	125.95	208.67	2076.98	85.46	184.27	1588.27
				TQ	-234.94	772.29	697.11	-234.94	772.29	-420.52	-234.42	771.36	-392.47	-234.42	771.36	-1507.64	
				M3	-169.18	-44.91	4490.54	-179.25	-91.92	3228.08	-179.25	-84.25	3228.29	-84.65	223.76	2190.56	
MIN			S2	-461.94	-59.30	4386.29	-506.77	-92.74	2970.47	-506.77	-85.68	2970.69	-618.87	-123.72	1047.97		
TQ			-187.44	-769.13	168.01	-187.44	-769.13	-723.66	-187.44	-770.85	-721.83	-187.44	-770.85	-1613.50			
M3			-59.04	-24.35	-2611.72	-59.44	-26.57	-2893.17	-59.44	-33.44	-2893.10	-59.44	-33.44	-3175.86			
TANDEM-LOAD		MAX	S2	202.76	166.34	1643.11	123.99	143.31	1673.78	123.99	147.29	1673.43	89.62	164.40	1360.11		
		TQ	-157.26	526.79	967.88	-157.26	526.79	219.77	-157.12	527.33	226.86	-157.12	527.33	-520.56			
		M3	-130.20	-34.14	3273.05	-169.83	-24.76	2442.91	-169.83	-18.95	2442.96	-89.53	86.36	1719.57			
		MIN	S2	-345.79	-88.19	3209.64	-384.82	-65.99	2260.72	-384.82	-60.62	2260.87	-464.77	-87.49	883.18		
		TQ	-130.57	-526.41	157.04	-130.57	-526.41	-464.11	-130.92	-527.53	-481.52	-130.92	-527.53	-1104.35			
		M3	-39.91	-15.12	-1778.93	-40.37	-17.61	-1970.44	-40.37	-22.29	-1970.39	-40.58	-23.48	-2163.15			
		DISPERSION-LMAX	S2	90.81	118.85	2017.05	65.39	104.34	2151.20	65.39	109.45	2150.95	59.74	105.01	2263.99		
			TQ	-140.89	864.97	2058.80	-172.95	864.97	1313.69	-169.96	868.32	1496.05	-206.62	868.32	601.45		
			M3	-278.87	43.47	5272.71	-265.30	-205.12	3930.18	-265.12	-196.93	3930.65	-113.04	-172.16	3000.40		
MIN	S2	-434.64	-39.85	210.68	-454.50	-25.00	-1652.22	-454.50	-28.92	-1652.15	-495.17	-22.13	-3723.47				
TQ	-202.08	-887.10	102.00	-205.99	-887.10	-869.88	-209.12	-889.39	-1058.94	-209.28	-889.39	-2054.31					
M3	-69.16	-31.89	-2986.21	-120.34	174.13	-3362.71	-120.35	166.25	-3363.11	-316.80	183.38	-4395.36					



BAGO RIVER BRIDGE

BLOCK [ No.1 : MAIN GIRDER ][ BEAM MEMBER FORCE ]

MEMBER			2013			2014			2014			2015			
NODE			2013			2014			2014			2015			
NAME TITLE			SHEAR	TORQUE	MOMENT	SHEAR	TORQUE	MOMENT	SHEAR	TORQUE	MOMENT	SHEAR	TORQUE	MOMENT	
			S2 (kN)	TQ (kN·m)	M3 (kN·m)	S2 (kN)	TQ (kN·m)	M3 (kN·m)	S2 (kN)	TQ (kN·m)	M3 (kN·m)	S2 (kN)	TQ (kN·m)	M3 (kN·m)	
124	SUM TOTAL	D+1LANE (caseMAX	S2	-1364.03	523.39	10026.51	-1555.66	528.89	3090.01	-1555.66	536.23	3088.75	-1687.99	582.13	-4630.48
			TQ	-1625.89	1511.45	11613.22	-1804.11	1511.45	3454.80	-1804.11	1519.65	3451.20	-1982.34	1519.65	-5555.04
			M3	-1626.42	1454.63	11834.28	-1765.77	1297.94	3710.19	-1765.77	1306.75	3707.10	-1714.34	755.06	-4508.61
		MIN	S2	-1722.41	1371.97	10647.88	-1850.60	1397.60	2233.96	-1850.60	1402.91	2230.64	-2036.84	1388.04	-7054.91
			TQ	-1446.78	342.51	7868.99	-1638.69	342.51	530.02	-1638.97	343.76	512.49	-1830.88	343.76	-7740.76
			M3	-1447.02	343.13	7848.74	-1665.28	499.82	477.68	-1665.28	500.96	476.49	-1909.43	748.67	-8028.64
		D+1LANE (caseMAX	S2	-1157.92	605.32	10766.73	-1476.33	569.16	3647.83	-1476.33	577.82	3646.46	-1747.18	536.12	-4893.93
			TQ	-1498.79	865.50	10824.81	-1735.11	865.50	3132.78	-1735.11	872.94	3130.72	-1971.43	872.94	-5685.51
			M3	-1331.81	808.25	11370.17	-1633.52	727.70	4037.89	-1633.46	737.08	4036.15	-1926.43	605.15	-4748.53
		MIN	S2	-1592.78	747.71	10085.10	-1877.95	734.34	2639.89	-1877.95	740.61	2638.14	-2206.81	727.45	-6364.14
			TQ	-1427.80	405.04	7986.47	-1619.70	405.04	737.80	-1619.70	406.79	736.84	-1811.61	406.79	-7424.75
			M3	-1428.26	407.68	7946.70	-1637.54	462.93	681.60	-1637.60	464.74	680.50	-1875.38	571.19	-7678.79
		D+1LANE (caseMAX	S2	-1370.04	490.78	9952.35	-1563.15	491.25	2933.71	-1563.15	498.22	2932.53	-1756.01	497.19	-5005.48
			TQ	-1397.96	504.80	9861.04	-1591.24	504.80	2752.46	-1590.62	511.41	2811.96	-1789.05	511.41	-5225.68
			M3	-1500.79	389.62	11171.12	-1680.23	413.26	3521.10	-1680.22	421.61	3520.11	-1821.00	467.89	-4838.91
		MIN	S2	-1561.96	374.75	10043.31	-1760.11	374.28	2183.47	-1760.11	379.46	2182.57	-1958.50	380.49	-6619.18
			TQ	-1533.95	360.49	10120.59	-1731.92	360.49	2351.13	-1732.54	366.00	2289.57	-1925.37	366.00	-6412.09
			M3	-1416.11	458.98	8021.74	-1616.91	463.19	824.35	-1616.92	465.16	823.25	-1851.10	456.42	-7431.88
		D+1LANE (caseMAX	S2	-1376.80	565.16	8954.56	-1568.71	565.16	1948.48	-1568.71	569.78	1947.14	-1760.61	569.78	-5971.86
			TQ	-1384.47	587.73	8318.28	-1576.37	587.73	1275.74	-1573.97	590.91	1404.29	-1765.88	590.91	-6539.73
			M3	-1466.05	-431.89	10449.77	-1652.71	-399.26	3032.11	-1652.71	-392.06	3033.05	-1790.95	174.19	-5124.42
		MIN	S2	-1475.93	-422.71	9830.66	-1667.83	-422.71	2353.03	-1667.83	-417.12	2354.03	-1859.74	-417.12	-6036.52
			TQ	-1468.95	-441.01	10366.39	-1660.85	-441.01	2921.98	-1663.25	-434.22	2793.07	-1855.16	-434.22	-5575.69
			M3	-1388.78	576.18	8171.27	-1580.78	575.64	1108.01	-1580.78	578.27	1106.64	-1789.41	393.15	-6890.61

BAGO RIVER BRIDGE

BLOCK [ No.1 : MAIN GIRDER ][ BEAM MEMBER FORCE ]

MEMBER			2013			2014			2014			2015			
NODE			2013			2014			2014			2015			
NAME TITLE			SHEAR	TORQUE	MOMENT	SHEAR	TORQUE	MOMENT	SHEAR	TORQUE	MOMENT	SHEAR	TORQUE	MOMENT	
			S2 (kN)	TQ (kN·m)	M3 (kN·m)	S2 (kN)	TQ (kN·m)	M3 (kN·m)	S2 (kN)	TQ (kN·m)	M3 (kN·m)	S2 (kN)	TQ (kN·m)	M3 (kN·m)	
124	SUM TOTAL	D+2LANES (casMAX	S2	-1293.23	734.52	11332.19	-1514.89	646.86	4159.45	-1514.89	656.73	4157.90	-1678.74	622.42	-3931.55
			TQ	-1716.29	1929.75	12873.13	-1917.21	1929.75	4230.69	-1917.21	1939.79	4226.10	-2118.14	1939.79	-5372.19
			M3	-1642.22	1838.92	13414.76	-1813.09	1559.25	5002.27	-1812.94	1570.46	4998.55	-1804.68	884.36	-3677.52
		MIN	S2	-1855.97	1701.15	11315.50	-2026.81	1681.19	2555.29	-2026.81	1687.26	2551.29	-2251.35	1617.47	-7295.71
			TQ	-1475.42	286.30	7055.35	-1667.32	286.30	-419.86	-1667.56	285.29	-434.47	-1859.47	285.29	-8823.73
			M3	-1475.56	288.94	7020.40	-1707.77	502.89	-500.63	-1707.91	502.37	-501.83	-1983.80	859.01	-9288.82
		D+2LANES (casMAX	S2	-1121.48	802.80	11949.04	-1448.78	680.41	4624.29	-1448.78	691.40	4622.66	-1728.06	584.07	-4151.09
			TQ	-1610.37	1391.46	12216.12	-1859.71	1391.46	3962.34	-1859.71	1400.86	3959.02	-2109.05	1400.86	-5480.91
			M3	-1396.71	1300.26	13028.01	-1702.88	1084.04	5275.35	-1702.69	1095.73	5272.76	-1981.42	759.44	-3877.45
		MIN	S2	-1747.94	1180.93	10846.52	-2049.60	1128.47	2893.57	-2049.60	1135.34	2890.88	-2392.99	1066.99	-6720.07
			TQ	-1459.60	338.41	7153.24	-1651.51	338.41	-246.71	-1651.51	337.82	-247.52	-1843.41	337.82	-8560.39
			M3	-1459.94	342.74	7102.04	-1684.65	472.15	-330.70	-1684.84	472.19	-331.82	-1955.42	711.11	-8997.28
		D+2LANES (casMAX	S2	-1362.39	486.58	10355.11	-1555.29	486.98	3380.32	-1555.29	495.00	3379.16	-1748.00	494.15	-4513.92
			TQ	-1403.40	526.24	9119.35	-1596.45	526.24	1985.19	-1595.23	531.07	2072.44	-1792.57	531.07	-5984.73
			M3	-1586.20	151.99	12342.31	-1752.03	200.86	4316.10	-1752.06	211.03	4315.61	-1835.33	383.89	-4227.54
		MIN	S2	-1655.06	141.55	10510.25	-1852.16	141.16	2203.02	-1852.16	146.39	2202.68	-2049.48	147.25	-7041.62
			TQ	-1622.36	114.34	11130.93	-1819.32	114.34	2943.52	-1820.54	121.22	2854.74	-2013.22	121.22	-6265.02
			M3	-1424.89	486.09	7308.76	-1626.67	485.90	69.76	-1626.64	486.15	68.60	-1887.69	403.10	-8297.10
		D+2LANES (casMAX	S2	-1368.35	559.09	9419.86	-1560.25	559.09	2454.01	-1560.25	564.91	2452.67	-1752.16	564.91	-5426.10
			TQ	-1383.19	634.08	7908.02	-1575.09	634.08	871.57	-1572.46	636.32	1012.50	-1764.36	636.32	-6924.33
			M3	-1528.80	-803.15	11476.25	-1708.16	-730.48	3765.38	-1708.16	-721.53	3767.10	-1798.40	92.47	-4563.92
		MIN	S2	-1549.09	-798.12	10228.97	-1741.00	-798.12	2403.29	-1741.00	-792.41	2405.18	-1932.90	-792.41	-6333.41
			TQ	-1538.32	-847.26	11096.90	-1730.22	-847.26	3322.49	-1732.86	-839.54	3182.05	-1924.76	-839.54	-5517.81
			M3	-1393.95	618.98	7476.90	-1586.09	617.69	388.50	-1586.09	618.62	387.03	-1814.71	302.66	-7672.78

BAGO RIVER BRIDGE

BLOCK [ No.1 : MAIN GIRDER ][ BEAM MEMBER FORCE ]

MEMBER			2013			2014			2014			2015			
NODE			2013			2014			2014			2015			
NAME TITLE			SHEAR	TORQUE	MOMENT	SHEAR	TORQUE	MOMENT	SHEAR	TORQUE	MOMENT	SHEAR	TORQUE	MOMENT	
			S2 (kN)	TQ (kN·m)	M3 (kN·m)	S2 (kN)	TQ (kN·m)	M3 (kN·m)	S2 (kN)	TQ (kN·m)	M3 (kN·m)	S2 (kN)	TQ (kN·m)	M3 (kN·m)	
124	SUM TOTAL	D+3LANES (casMAX	S2	-1142.26	793.31	12148.69	-1449.06	693.18	4961.30	-1449.06	704.96	4959.64	-1673.04	646.25	-3504.13
			TQ	-1743.31	1993.55	13499.63	-1974.34	1993.55	4657.03	-1974.34	2004.60	4652.29	-2205.37	2004.60	-5289.37
			M3	-1562.07	1875.79	14346.31	-1813.87	1581.01	5953.99	-1813.71	1594.44	5950.22	-1907.06	917.80	-3185.21
	MIN	S2	-1928.61	1715.80	11651.68	-2168.68	1689.37	2883.82	-2168.68	1696.22	2879.80	-2485.33	1627.58	-7405.06	
		TQ	-1488.29	270.46	6544.02	-1680.19	270.46	-992.38	-1680.39	268.09	-1004.86	-1872.30	268.09	-9455.15	
		M3	-1488.73	274.58	6486.15	-1727.20	495.56	-1100.84	-1727.36	493.66	-1102.02	-2023.15	872.20	-10030.42	
	D+3LANES (casMAX	S2	-1358.31	486.73	10557.05	-1551.07	487.07	3607.24	-1551.07	495.63	3606.07	-1743.66	494.90	-4261.22	
		TQ	-1403.71	569.97	8490.70	-1596.59	569.97	1355.31	-1593.84	573.39	1521.24	-1790.37	573.39	-6527.54	
		M3	-1629.44	-165.94	12978.48	-1790.97	-93.69	4760.16	-1790.99	-82.45	4760.37	-1834.66	312.14	-3901.39	
	MIN	S2	-1697.90	-167.28	10771.75	-1894.22	-167.61	2257.35	-1894.22	-162.25	2257.74	-2090.72	-161.52	-7190.11	
		TQ	-1662.13	-215.67	11839.56	-1858.33	-215.67	3464.94	-1861.08	-207.64	3298.16	-2053.64	-207.64	-6014.00	
		M3	-1424.43	532.69	6853.50	-1624.84	531.88	-383.01	-1624.82	531.04	-384.27	-1899.17	347.60	-8768.24	
	D+3LANES (casMAX	S2	-1361.75	547.30	9836.67	-1553.65	547.30	2902.21	-1553.65	554.19	2900.90	-1745.56	554.19	-4946.46	
		TQ	-1387.91	636.79	7627.13	-1579.81	636.79	568.24	-1577.44	638.29	694.66	-1769.34	638.29	-7265.85	
		M3	-1587.64	-898.72	12350.01	-1759.30	-811.74	4370.56	-1759.30	-801.36	4372.48	-1814.54	50.71	-4115.91	
	MIN	S2	-1619.99	-900.18	10543.47	-1811.90	-900.18	2380.51	-1811.90	-894.52	2382.64	-2003.80	-894.52	-6693.23	
		TQ	-1601.64	-959.28	11642.34	-1793.54	-959.28	3566.68	-1795.92	-950.95	3441.01	-1987.82	-950.95	-5558.84	
		M3	-1404.01	620.45	6964.63	-1596.12	619.36	-171.51	-1596.12	618.95	-172.98	-1845.84	245.08	-8331.90	
	D+4LANES	MAX	S2	-1378.14	548.55	8990.00	-1570.69	548.81	1953.34	-1570.69	553.44	1952.03	-1763.12	552.89	-6001.05
			TQ	-1403.12	602.18	7997.60	-1595.77	602.18	865.34	-1595.55	604.26	889.36	-1791.00	604.26	-7165.16
			M3	-1626.15	-560.67	11918.39	-1793.82	-495.45	3727.34	-1793.82	-487.08	3728.51	-1876.43	-83.84	-5024.57
MIN	S2	-1662.71	-552.02	11026.75	-1857.68	-551.79	2672.19	-1857.68	-545.44	2673.50	-2053.02	-544.77	-6607.25		
	TQ	-1644.77	-628.80	11510.51	-1839.54	-628.80	3222.61	-1839.79	-621.17	3201.56	-2032.20	-621.17	-6008.81		
	M3	-1410.78	569.37	7153.06	-1608.55	569.12	-17.60	-1608.54	569.13	-18.95	-1871.80	308.24	-8285.46		

BAGO RIVER BRIDGE

BLOCK [ No.1 : MAIN GIRDER ][ BEAM MEMBER FORCE ]

MEMBER					2013			2014			2015					
NODE					2013			2014			2015					
					SHEAR	TORQUE	MOMENT	SHEAR	TORQUE	MOMENT	SHEAR	TORQUE	MOMENT			
NAME	TITLE				S2 (kN)	TQ (kN·m)	M3 (kN·m)	S2 (kN)	TQ (kN·m)	M3 (kN·m)	S2 (kN)	TQ (kN·m)	M3 (kN·m)			
124	SUM TOTAL	D+6LANES	MAX	S2	-1179.78	699.42	11856.51	-1459.50	665.56	4822.86	-1459.50	677.02	4821.26	-1681.39	658.27	-3414.05
				TQ	-1636.26	1529.54	10943.77	-1849.00	1529.54	2654.78	-1846.72	1536.03	2790.44	-2062.45	1536.03	-6507.03
				M3	-1683.20	464.38	15498.55	-1872.83	272.24	6727.09	-1872.71	287.47	6726.43	-1904.27	503.78	-2543.88
			MIN	S2	-1974.74	400.87	12140.46	-2208.70	388.79	2931.09	-2208.70	395.75	2930.16	-2499.90	375.44	-7657.09
				TQ	-1645.15	-611.23	9327.94	-1839.60	-611.23	1038.43	-1841.63	-608.91	915.61	-2033.64	-608.91	-8302.09
				M3	-1475.30	428.77	5513.78	-1700.73	561.23	-1992.10	-1700.74	556.57	-1993.42	-2020.33	567.70	-10839.30
	SUM TOTAL		MAX		-1121.48	1993.55	15498.55	-1448.78	1993.55	6727.09	-1448.78	2004.60	6726.43	-1673.04	2004.60	-2543.88
			MIN		-1974.74	-959.28	5513.78	-2208.70	-959.28	-1992.10	-2208.70	-950.95	-1993.42	-2499.90	-950.95	-10839.30
300	DEAD LOAD	TOTAL			-1391.97	465.32	9152.43	-1583.87	465.32	2074.22	-1583.87	470.24	2073.11	-1775.78	470.24	-5918.01
301	LIVE LOAD	1-LANE(case1MAX	S2		27.94	58.07	874.08	28.21	63.57	1015.79	28.21	65.99	1015.64	87.78	111.89	1287.53
			TQ		-233.93	1046.14	2460.79	-220.24	1046.14	1380.58	-220.24	1049.41	1378.09	-206.56	1049.41	362.97
			M3		-234.46	989.32	2681.85	-181.90	832.63	1635.97	-181.90	836.51	1633.98	61.43	284.82	1409.40
			MIN	S2	-330.45	906.65	1495.45	-266.73	932.29	159.74	-266.73	932.66	157.52	-261.07	917.79	-1136.90
				TQ	-54.82	-122.80	-1283.44	-54.82	-122.80	-1544.20	-55.10	-126.49	-1560.63	-55.10	-126.49	-1822.75
				M3	-55.05	-122.18	-1303.70	-81.41	34.51	-1596.54	-81.41	30.71	-1596.62	-133.65	278.43	-2110.63
		1-LANE(case2MAX	S2		234.04	140.01	1614.29	107.54	103.84	1573.60	107.54	107.58	1573.35	28.59	65.87	1024.09
			TQ		-106.82	400.18	1672.38	-151.24	400.18	1058.56	-151.24	402.70	1057.60	-195.65	402.70	232.50
			M3		60.16	342.93	2217.74	-49.65	262.38	1963.66	-49.59	266.84	1963.04	-150.66	134.91	1169.48
			MIN	S2	-200.81	282.39	932.67	-294.08	269.02	565.67	-294.08	270.37	565.03	-431.03	257.21	-446.13
				TQ	-35.83	-60.28	-1165.96	-35.83	-60.28	-1336.42	-35.83	-63.45	-1336.27	-35.83	-63.45	-1506.74
				M3	-36.30	-57.63	-1205.73	-53.67	-2.39	-1392.62	-53.73	-5.50	-1392.61	-99.60	100.95	-1760.78
		1-LANE(case3MAX	S2		21.93	25.46	799.92	20.72	25.94	859.48	20.72	27.98	859.42	19.76	26.95	912.53
			TQ		-5.99	39.48	708.61	-7.37	39.48	678.24	-6.75	41.17	738.85	-13.27	41.17	692.33
			M3		-108.82	-75.70	2018.69	-96.36	-52.06	1446.88	-96.35	-48.64	1447.00	-45.22	-2.35	1079.10
			MIN	S2	-169.99	-90.56	890.88	-176.24	-91.04	109.24	-176.24	-90.78	109.46	-182.72	-89.75	-701.16
				TQ	-141.98	-104.83	968.16	-148.05	-104.83	276.91	-148.67	-104.24	216.45	-149.59	-104.24	-494.08
				M3	-24.14	-6.34	-1130.69	-33.04	-2.13	-1249.87	-33.05	-5.08	-1249.86	-75.32	-13.82	-1513.87

BAGO RIVER BRIDGE

BLOCK [ No.1 : MAIN GIRDER ][ BEAM MEMBER FORCE ]

MEMBER			2013			2014			2014			2015				
NODE			2013			2014			2014			2015				
NAME TITLE			SHEAR	TORQUE	MOMENT	SHEAR	TORQUE	MOMENT	SHEAR	TORQUE	MOMENT	SHEAR	TORQUE	MOMENT		
			S2 (kN)	TQ (kN·m)	M3 (kN·m)	S2 (kN)	TQ (kN·m)	M3 (kN·m)	S2 (kN)	TQ (kN·m)	M3 (kN·m)	S2 (kN)	TQ (kN·m)	M3 (kN·m)		
301	LIVE LOAD	1-LANE (case4MAX	S2	15.16	99.84	-197.87	15.16	99.84	-125.74	15.16	99.54	-125.98	15.16	99.54	-53.84	
			TQ	7.50	122.41	-834.15	7.50	122.41	-798.48	9.90	120.66	-668.82	9.90	120.66	-621.72	
			M3	-74.08	-897.21	1297.34	-68.84	-864.58	957.89	-68.84	-862.30	959.94	-15.17	-296.05	793.59	
			MIN	S2	-83.96	-888.03	678.23	-83.96	-888.03	278.81	-83.96	-887.36	280.92	-83.96	-887.36	-118.51
			TQ	-76.98	-906.32	1213.96	-76.98	-906.32	847.76	-79.38	-904.46	719.96	-79.38	-904.46	342.32	
			M3	3.19	110.86	-981.16	3.09	110.33	-966.22	3.09	108.03	-966.48	-13.63	-77.09	-972.60	
		2-LANES (caseMAX	S2	98.74	269.20	2179.76	68.98	181.54	2085.22	68.98	186.49	2084.79	97.04	152.18	1986.46	
			TQ	-324.32	1464.43	3720.70	-333.34	1464.43	2156.47	-333.34	1469.55	2152.98	-342.36	1469.55	545.83	
			M3	-250.25	1373.60	4262.33	-229.22	1093.93	2928.04	-229.07	1100.21	2925.44	-28.90	414.12	2240.50	
			MIN	S2	-464.00	1235.83	2163.07	-442.94	1215.88	481.07	-442.94	1217.02	478.18	-475.57	1147.23	-1377.69
			TQ	-83.45	-179.01	-2097.09	-83.45	-179.01	-2494.09	-83.69	-184.95	-2507.59	-83.69	-184.95	-2905.72	
			M3	-83.59	-176.37	-2132.03	-123.90	37.58	-2574.86	-124.04	32.13	-2574.94	-208.02	388.77	-3370.81	
		2-LANES (caseMAX	S2	270.49	337.48	2796.60	135.09	215.10	2550.07	135.09	221.15	2549.55	47.71	113.83	1766.93	
			TQ	-218.40	926.14	3063.69	-275.84	926.14	1888.12	-275.84	930.62	1885.91	-333.28	930.62	437.10	
			M3	-4.74	834.94	3875.57	-119.01	618.72	3201.13	-118.81	625.49	3199.65	-205.64	289.19	2040.56	
			MIN	S2	-355.98	715.62	1694.08	-465.73	663.16	819.35	-465.73	665.10	817.77	-617.21	596.75	-802.05
			TQ	-67.63	-126.91	-1999.19	-67.63	-126.91	-2320.94	-67.63	-132.42	-2320.63	-67.63	-132.42	-2642.38	
			M3	-67.97	-122.58	-2050.39	-100.78	6.83	-2404.92	-100.97	1.95	-2404.93	-179.64	240.87	-3079.27	
		2-LANES (caseMAX	S2	29.58	21.27	1202.67	28.58	21.66	1306.10	28.58	24.76	1306.04	27.78	23.90	1404.09	
			TQ	-11.43	60.93	-33.08	-12.58	60.93	-89.03	-11.36	60.83	-0.68	-16.79	60.83	-66.72	
			M3	-194.24	-313.32	3189.87	-168.16	-264.46	2241.88	-168.19	-259.21	2242.50	-59.55	-86.36	1690.47	
MIN	S2		-263.09	-323.77	1357.82	-268.29	-324.16	128.80	-268.29	-323.85	129.57	-273.70	-323.00	-1123.61		
TQ	-230.39		-350.98	1978.49	-235.45	-350.98	869.29	-236.67	-349.02	781.63	-237.44	-349.02	-347.01			
M3	-32.92		20.78	-1843.67	-42.80	20.59	-2004.47	-42.77	15.91	-2004.51	-111.91	-67.15	-2379.09			

BAGO RIVER BRIDGE

BLOCK [ No.1 : MAIN GIRDER ][ BEAM MEMBER FORCE ]

MEMBER NODE				2013			2014			2014			2015		
				2013			2014			2014			2015		
				SHEAR	TORQUE	MOMENT	SHEAR	TORQUE	MOMENT	SHEAR	TORQUE	MOMENT	SHEAR	TORQUE	MOMENT
NAME TITLE				S2 (kN)	TQ (kN·m)	M3 (kN·m)	S2 (kN)	TQ (kN·m)	M3 (kN·m)	S2 (kN)	TQ (kN·m)	M3 (kN·m)	S2 (kN)	TQ (kN·m)	M3 (kN·m)
301	LIVE LOAD	2-LANES (caseMAX	S2	23.62	93.77	267.43	23.62	93.77	379.78	23.62	94.67	379.56	23.62	94.67	491.92
			TQ	8.78	168.76	-1244.41	8.78	168.76	-1202.66	11.41	166.08	-1060.62	11.41	166.08	-1006.32
			M3	-136.83	-1268.47	2323.82	-124.28	-1195.80	1691.15	-124.28	-1191.78	1693.99	-22.62	-377.77	1354.09
			MIN S2	-157.13	-1263.44	1076.53	-157.13	-1263.44	329.07	-157.13	-1262.66	332.07	-157.13	-1262.66	-415.40
			TQ	-146.35	-1312.58	1944.46	-146.35	-1312.58	1248.26	-148.98	-1309.78	1108.94	-148.98	-1309.78	400.20
			M3	-1.98	153.66	-1675.54	-2.22	152.38	-1685.72	-2.22	148.37	-1686.08	-38.93	-167.58	-1754.77
		3-LANES (caseMAX	S2	249.71	327.99	2996.25	134.81	227.86	2887.08	134.81	234.72	2886.53	102.74	176.01	2413.89
			TQ	-351.34	1528.23	4347.19	-390.47	1528.23	2582.81	-390.47	1534.36	2579.17	-429.60	1534.36	628.64
			M3	-170.10	1410.47	5193.88	-230.00	1115.69	3879.77	-229.84	1124.20	3877.11	-131.28	447.56	2732.80
			MIN S2	-536.65	1250.48	2499.25	-584.81	1224.05	809.59	-584.81	1225.97	806.68	-709.55	1157.34	-1487.05
			TQ	-96.32	-194.86	-2608.41	-96.32	-194.86	-3066.61	-96.52	-202.15	-3077.98	-96.52	-202.15	-3537.13
			M3	-96.77	-190.74	-2666.29	-143.33	30.25	-3175.07	-143.49	23.41	-3175.13	-247.37	401.96	-4112.41
		3-LANES (caseMAX	S2	33.66	21.41	1404.61	32.80	21.75	1533.02	32.80	25.39	1532.96	32.12	24.66	1656.79
			TQ	-11.74	104.66	-661.74	-12.72	104.66	-718.91	-9.97	103.15	-551.88	-14.59	103.15	-609.53
			M3	-237.48	-631.25	3826.05	-207.10	-559.01	2685.94	-207.12	-552.69	2687.26	-58.88	-158.10	2016.62
			MIN S2	-305.93	-632.59	1619.31	-310.35	-632.93	183.12	-310.35	-632.49	184.63	-314.95	-631.76	-1272.09
			TQ	-270.16	-680.99	2687.13	-274.46	-680.99	1390.71	-277.21	-677.88	1225.05	-277.86	-677.88	-95.99
			M3	-32.46	67.38	-2298.93	-40.97	66.57	-2457.23	-40.95	60.80	-2457.38	-123.39	-122.64	-2850.23
		3-LANES (caseMAX	S2	30.22	81.98	684.23	30.22	81.98	827.99	30.22	83.95	827.79	30.22	83.95	971.55
			TQ	4.06	171.47	-1525.31	4.06	171.47	-1505.98	6.43	168.05	-1378.45	6.43	168.05	-1347.84
			M3	-195.67	-1364.04	3197.58	-175.43	-1277.06	2296.34	-175.43	-1271.60	2299.37	-38.77	-419.53	1802.10
MIN S2	-228.03		-1365.50	1391.04	-228.03	-1365.50	306.29	-228.03	-1364.77	309.53	-228.03	-1364.77	-775.22		
TQ	-209.67		-1424.59	2489.90	-209.67	-1424.59	1492.46	-212.05	-1421.20	1367.90	-212.05	-1421.20	359.17		
M3	-12.04		155.13	-2187.81	-12.25	154.04	-2245.73	-12.25	148.71	-2246.09	-70.06	-225.16	-2413.89		

BAGO RIVER BRIDGE

BLOCK [ No.1 : MAIN GIRDER ][ BEAM MEMBER FORCE ]

MEMBER					2013			2014			2015					
NODE					2013			2014			2015					
NAME TITLE					SHEAR	TORQUE	MOMENT	SHEAR	TORQUE	MOMENT	SHEAR	TORQUE	MOMENT			
					S2 (kN)	TQ (kN·m)	M3 (kN·m)	S2 (kN)	TQ (kN·m)	M3 (kN·m)	S2 (kN)	TQ (kN·m)	M3 (kN·m)			
301	LIVE LOAD	4-LANES	MAX	S2	13.83	83.23	-162.43	13.18	83.49	-120.89	13.18	83.20	-121.08	12.66	82.64	-83.03
				TQ	-11.15	136.86	-1154.84	-11.89	136.86	-1208.88	-11.68	134.02	-1183.75	-15.22	134.02	-1247.15
				M3	-234.18	-1025.99	2765.96	-209.95	-960.77	1653.12	-209.95	-957.32	1655.39	-100.65	-554.08	893.44
		MIN	S2	-270.74	-1017.34	1874.32	-273.81	-1017.10	597.97	-273.81	-1015.68	600.38	-277.25	-1015.01	-689.24	
			TQ	-252.80	-1094.11	2358.07	-255.67	-1094.11	1148.38	-255.92	-1091.41	1128.45	-256.42	-1091.41	-90.79	
			M3	-18.81	104.05	-1999.38	-24.68	103.80	-2091.82	-24.67	98.88	-2092.06	-96.03	-162.01	-2367.45	
	6-LANES	MAX	S2	212.18	234.10	2704.08	124.37	200.25	2748.63	124.37	206.78	2748.15	94.38	188.03	2503.97	
			TQ	-244.29	1064.22	1791.34	-265.13	1064.22	580.56	-262.84	1065.79	717.32	-286.68	1065.79	-589.02	
			M3	-291.23	-0.93	6346.11	-288.96	-193.08	4652.87	-288.84	-182.77	4653.31	-128.50	33.54	3374.13	
		MIN	S2	-582.78	-64.45	2988.03	-624.83	-76.53	856.87	-624.83	-74.49	857.05	-724.13	-94.80	-1739.08	
			TQ	-253.19	-1076.55	175.51	-255.73	-1076.55	-1035.80	-257.76	-1079.15	-1157.50	-257.87	-1079.15	-2384.08	
			M3	-83.33	-36.55	-3638.65	-116.86	95.92	-4066.32	-116.87	86.32	-4066.54	-244.55	97.46	-4921.29	
	LIVE LOAD	MAX	270.49	1528.23	6346.11	135.09	1528.23	4652.87	135.09	1534.36	4653.31	102.74	1534.36	3374.13		
		MIN	-582.78	-1424.59	-3638.65	-624.83	-1424.59	-4066.32	-624.83	-1421.20	-4066.54	-724.13	-1421.20	-4921.29		
	303	SUM TOTAL	TOTAL	MAX	-1121.48	1993.55	15498.55	-1448.78	1993.55	6727.09	-1448.78	2004.60	6726.43	-1673.04	2004.60	-2543.88
MIN				-1974.74	-959.28	5513.78	-2208.70	-959.28	-1992.10	-2208.70	-950.95	-1993.42	-2499.90	-950.95	-10839.30	

BAGO RIVER BRIDGE

BLOCK [ No.1 : MAIN GIRDER ][ BEAM MEMBER FORCE ]

MEMBER NODE	2015 2015	2016			2016			2017							
		SHEAR	TORQUE	MOMENT	SHEAR	TORQUE	MOMENT	SHEAR	TORQUE	MOMENT					
		S2 (kN)	TQ (kN·m)	M3 (kN·m)	S2 (kN)	TQ (kN·m)	M3 (kN·m)	S2 (kN)	TQ (kN·m)	M3 (kN·m)					
1 PAVEMENT	-335.11	-12.26	-1168.94	-364.81	-12.26	-2798.70	-364.81	-18.77	-2798.66	-394.51	-18.77	-4566.73			
3 RAILING	-9.40	4.60	-22.84	-7.83	4.60	-62.95	-7.83	4.45	-62.96	-6.25	4.45	-95.74			
5 CURB	-93.07	45.53	-226.08	-77.48	45.53	-623.19	-77.48	44.08	-623.29	-61.88	44.08	-947.79			
7 DECK WEIGHT	-525.60	15.39	-1760.19	-570.75	15.39	-4313.02	-570.75	5.37	-4313.05	-615.89	5.37	-7076.12			
8 GIRDER WEIGH	-639.44	263.84	-2002.86	-726.52	263.84	-5183.48	-726.52	251.79	-5184.08	-813.60	251.79	-8770.23			
10 MEDIAN STRIP	-101.53	59.31	-215.93	-129.73	59.31	-754.42	-129.73	57.56	-754.55	-157.92	57.56	-1424.34			
21 ADITIONAL WE	-147.17	4.31	-492.85	-159.81	4.31	-1207.65	-159.81	1.50	-1207.65	-172.45	1.50	-1981.31			
31 MEDIAN RAILI	-8.34	4.55	-29.07	-10.62	4.55	-73.22	-10.62	4.38	-73.23	-12.90	4.38	-128.00			
51 SUPPORT WEIG	0.00	-0.00	-0.00	0.00	-0.00	-0.00	0.00	-0.00	-0.00	0.00	-0.00	-0.00			
52 NOSE WEIGHT	-0.02	0.46	-0.26	-0.02	0.46	-0.35	-0.02	0.46	-0.36	-0.02	0.46	-0.45			
61 1-LANE(case1TRUCK-LOAD	MAX	S2	10.50	-65.25	-187.80	10.50	-65.25	-138.91	10.50	-65.58	-138.76	52.11	-56.60	-78.75	
		TQ	-126.82	396.08	317.81	-126.82	396.08	-272.80	-126.82	395.45	-273.72	-126.82	395.45	-864.32	
		M3	-126.98	335.21	545.03	3.77	17.08	268.47	3.77	17.70	268.43	3.77	17.70	285.96	
	MIN	S2	-171.27	358.95	527.93	-130.77	388.91	-199.46	-130.77	388.45	-200.37	-130.77	388.45	-809.35	
		TQ	-18.88	-175.66	-658.19	-18.88	-175.66	-746.12	-18.88	-177.40	-745.71	-18.88	-177.40	-833.65	
		M3	-18.80	-167.87	-694.32	-18.80	-167.87	-781.86	-18.80	-169.69	-781.47	-87.78	362.59	-976.74	
	TANDEM-LOAD	MAX	S2	12.86	-60.25	-171.09	12.86	-60.25	-111.19	12.86	-60.51	-111.05	56.38	14.38	-9.53
		TQ	-82.56	270.08	166.48	-82.56	270.08	-218.01	-82.56	269.57	-218.63	-82.56	269.57	-603.11	
		M3	-81.30	224.18	384.44	2.54	11.43	182.04	2.54	11.85	182.02	2.57	12.23	193.90	
	MIN	S2	-135.15	204.53	373.33	-94.74	266.65	-101.97	-94.74	266.41	-102.59	-94.74	266.41	-543.77	
		TQ	-12.89	-119.85	-443.09	-12.89	-119.85	-503.10	-12.89	-121.02	-502.82	-12.89	-121.02	-562.84	
		M3	-12.77	-112.82	-472.67	-12.77	-112.82	-532.12	-12.77	-114.05	-531.85	-60.53	248.67	-665.46	
	DISPERSION-LMAX	S2	8.89	11.70	374.40	8.99	14.22	413.84	8.99	15.18	413.81	15.19	21.87	452.96	
		TQ	-125.12	490.15	391.59	-113.96	490.15	-165.08	-113.96	489.77	-166.22	-102.79	489.77	-670.90	
		M3	-61.56	203.14	628.57	0.78	44.25	461.63	0.82	45.21	461.53	6.86	30.49	488.13	
	MIN	S2	-151.23	281.45	-810.56	-140.17	278.93	-1486.85	-140.17	275.48	-1487.49	-135.20	268.79	-2111.49	
		TQ	-17.22	-197.00	-827.75	-17.22	-197.00	-907.92	-17.22	-199.11	-907.46	-17.22	-199.11	-987.64	
		M3	-80.78	90.01	-1064.73	-131.96	248.91	-1534.63	-131.99	245.44	-1535.21	-126.86	260.17	-2146.66	



BAGO RIVER BRIDGE

BLOCK [ No.1 : MAIN GIRDER ][ BEAM MEMBER FORCE ]

MEMBER				2015			2016			2016			2017		
NODE				2015			2016			2016			2017		
				SHEAR	TORQUE	MOMENT	SHEAR	TORQUE	MOMENT	SHEAR	TORQUE	MOMENT	SHEAR	TORQUE	MOMENT
NAME	TITLE			S2 (kN)	TQ (kN·m)	M3 (kN·m)	S2 (kN)	TQ (kN·m)	M3 (kN·m)	S2 (kN)	TQ (kN·m)	M3 (kN·m)	S2 (kN)	TQ (kN·m)	M3 (kN·m)
62	1-LANE (case2TRUCK-LOAD	MAX	S2	130.62	38.33	394.24	41.91	10.09	265.94	41.91	10.71	265.92	3.06	9.07	268.18
			TQ	-73.39	144.66	-104.73	-73.39	144.66	-446.51	-73.39	143.62	-446.84	-73.39	143.62	-788.62
			M3	53.56	68.28	432.06	-18.71	36.03	323.37	-18.71	36.78	323.29	3.06	9.02	268.43
		MIN	S2	-108.51	78.21	419.90	-164.90	47.55	261.57	-164.90	48.16	261.46	-256.66	18.29	-257.94
			TQ	-12.05	-68.94	-571.39	-12.05	-68.94	-627.49	-12.05	-70.40	-627.32	-12.05	-70.40	-683.42
			M3	-11.80	-67.42	-592.07	-11.80	-67.42	-647.01	-11.80	-68.93	-646.85	-73.39	143.62	-788.62
		TANDEM-LOAD MAX	S2	119.83	35.65	405.06	54.49	15.33	359.98	54.49	16.17	359.95	2.07	6.19	181.72
			TQ	-50.65	98.72	-64.92	-50.65	98.72	-300.80	-50.65	98.02	-301.03	-50.65	98.02	-536.92
			M3	23.92	41.44	408.75	-36.66	20.27	365.32	-36.66	21.12	365.27	2.07	6.09	182.12
		MIN	S2	-83.77	41.44	408.75	-144.36	20.27	365.32	-144.36	21.12	365.27	-207.23	2.39	-38.48
			TQ	-8.27	-46.98	-393.33	-8.27	-46.98	-431.84	-8.27	-47.99	-431.73	-8.27	-47.99	-470.24
			M3	-7.92	-45.47	-403.82	-7.92	-45.47	-440.72	-7.92	-46.49	-440.61	-50.65	98.02	-536.92
		DISPERSION-LMAX	S2	26.44	21.20	465.83	10.46	16.42	466.29	10.46	17.51	466.25	5.23	15.92	455.80
			TQ	-60.71	179.22	367.05	-96.94	179.22	-0.03	-96.94	179.22	-0.45	-133.18	179.22	-536.28
			M3	-6.99	58.52	542.23	-9.79	21.20	504.59	-9.79	22.37	504.53	5.23	15.92	455.80
MIN	S2	-104.25	82.68	-798.92	-124.50	87.46	-1246.09	-124.50	84.56	-1246.29	-155.50	86.15	-1851.30		
	TQ	-17.10	-75.34	-700.14	-17.10	-75.34	-779.77	-17.10	-77.15	-779.60	-17.10	-77.15	-859.23		
	M3	-70.82	45.36	-875.32	-104.25	82.68	-1284.39	-104.25	79.69	-1284.58	-155.50	86.15	-1851.30		
63	1-LANE (case3TRUCK-LOAD	MAX	S2	2.53	2.10	231.21	2.53	2.10	242.99	2.53	2.67	242.98	2.53	2.67	254.76
			TQ	-2.21	18.99	-260.55	-2.21	18.99	-270.87	-2.21	18.36	-270.91	-2.21	18.36	-281.22
			M3	-57.06	-71.80	373.68	2.53	1.98	243.52	2.53	2.55	243.51	2.53	2.55	255.28
		MIN	S2	-86.65	-73.42	365.63	-86.65	-73.42	-37.90	-86.65	-73.51	-37.73	-86.65	-73.51	-441.26
			TQ	-86.65	-73.42	365.63	-86.65	-73.42	-37.90	-86.65	-73.51	-37.73	-86.65	-73.51	-441.26
			M3	-5.39	7.32	-517.57	-5.39	7.32	-542.67	-5.39	6.05	-542.69	-61.30	-14.80	-639.86

BAGO RIVER BRIDGE

BLOCK [ No.1 : MAIN GIRDER ][ BEAM MEMBER FORCE ]

MEMBER		2015			2016			2016			2017				
NODE		2015			2016			2016			2017				
		SHEAR	TORQUE	MOMENT	SHEAR	TORQUE	MOMENT	SHEAR	TORQUE	MOMENT	SHEAR	TORQUE	MOMENT		
NAME	TITLE	S2 (kN)	TQ (kN·m)	M3 (kN·m)	S2 (kN)	TQ (kN·m)	M3 (kN·m)	S2 (kN)	TQ (kN·m)	M3 (kN·m)	S2 (kN)	TQ (kN·m)	M3 (kN·m)		
63	1-LANE (case3TANDEM-LOAD	MAX	S2	1.72	1.41	157.16	1.72	1.41	165.16	1.72	1.79	165.15	1.72	1.79	173.15
			TQ	-2.53	13.33	-193.45	-2.53	13.33	-205.24	-2.53	12.85	-205.27	-2.53	12.85	-217.06
			M3	-41.69	-50.88	292.35	1.72	1.37	165.30	1.72	1.76	165.30	1.72	1.76	173.30
		MIN	S2	-59.24	-50.98	224.81	-59.24	-50.98	-51.08	-59.24	-51.10	-50.96	-59.24	-51.10	-326.86
			TQ	-59.24	-50.98	224.81	-59.24	-50.98	-51.08	-59.24	-51.10	-50.96	-59.24	-51.10	-326.86
			M3	-3.68	5.07	-352.52	-3.68	5.07	-369.68	-3.68	4.21	-369.69	-42.54	-11.56	-434.86
	DISPERSION-LMAX	S2	5.08	3.53	387.29	4.66	4.50	398.74	4.66	5.43	398.73	4.53	5.76	416.13	
		TQ	-23.96	29.05	-157.13	-23.96	29.05	-268.70	-23.10	28.47	-231.57	-23.10	28.47	-339.13	
		M3	-31.96	-29.58	525.69	-10.98	-10.68	430.97	-10.98	-9.68	430.99	4.21	3.60	429.98	
		MIN	S2	-86.20	-19.61	-605.60	-91.86	-20.58	-1009.01	-91.86	-22.92	-1008.96	-97.81	-23.25	-1446.60
			TQ	-57.17	-45.13	-61.19	-63.24	-45.13	-341.56	-64.11	-45.97	-378.66	-70.18	-45.97	-691.34
			M3	-49.17	13.50	-744.01	-76.23	-5.40	-1041.23	-76.23	-7.82	-1041.22	-97.49	-21.09	-1460.46
64	1-LANE (case4TRUCK-LOAD	MAX	S2	14.89	145.00	-209.22	14.89	145.00	-139.90	14.89	144.68	-140.23	14.89	144.68	-70.91
			TQ	12.04	168.92	-318.77	12.04	168.92	-262.72	12.04	168.31	-263.11	12.04	168.31	-207.06
			M3	1.82	-6.59	220.76	1.82	-6.59	229.24	1.82	-6.06	229.26	1.85	-5.58	237.81
		MIN	S2	-36.32	-346.89	93.86	-36.32	-346.89	-75.29	-36.32	-347.07	-74.48	-36.32	-347.07	-243.64
			TQ	-36.32	-346.89	93.86	-36.32	-346.89	-75.29	-36.32	-347.07	-74.48	-36.32	-347.07	-243.64
			M3	7.66	151.06	-366.13	6.69	141.81	-334.63	6.69	141.03	-334.96	6.12	134.72	-305.90
	TANDEM-LOAD	MAX	S2	10.50	103.29	-152.16	10.50	103.29	-103.26	10.50	103.05	-103.50	10.50	103.05	-54.60
			TQ	8.93	114.88	-203.22	8.93	114.88	-161.66	8.93	114.50	-161.92	8.93	114.50	-120.36
			M3	1.25	-4.36	149.92	1.25	-4.36	155.72	1.25	-4.00	155.73	1.25	-3.87	161.55
		MIN	S2	-24.85	-236.81	59.60	-24.85	-236.81	-56.14	-24.85	-236.94	-55.59	-24.85	-236.94	-171.34
			TQ	-24.85	-236.81	59.60	-24.85	-236.81	-56.14	-24.85	-236.94	-55.59	-24.85	-236.94	-171.34
			M3	4.95	100.78	-249.81	4.68	98.19	-227.91	4.68	97.66	-228.14	3.95	89.26	-208.74

BAGO RIVER BRIDGE

BLOCK [ No.1 : MAIN GIRDER ][ BEAM MEMBER FORCE ]

MEMBER NODE	2015 2015	2016						2017					
		2015			2016			2016			2017		
		SHEAR	TORQUE	MOMENT	SHEAR	TORQUE	MOMENT	SHEAR	TORQUE	MOMENT	SHEAR	TORQUE	MOMENT
NAME TITLE	S2 (kN)	TQ (kN·m)	M3 (kN·m)	S2 (kN)	TQ (kN·m)	M3 (kN·m)	S2 (kN)	TQ (kN·m)	M3 (kN·m)	S2 (kN)	TQ (kN·m)	M3 (kN·m)	
64 1-LANE (case4DISPERSION-LMAX	S2	14.29	164.70	-55.87	14.29	164.70	10.70	14.29	164.72	10.32	14.29	164.72	76.89
	TQ	11.33	180.02	-427.50	11.33	180.02	-374.75	11.33	179.15	-375.16	11.33	179.15	-322.41
	M3	-22.28	-281.33	441.20	-1.21	-77.53	389.98	-1.28	-77.40	390.16	3.57	-14.67	399.28
	MIN S2	-38.65	-397.44	52.54	-38.65	-397.44	-127.44	-38.65	-397.73	-126.52	-38.65	-397.73	-306.50
	TQ	-35.68	-412.77	424.18	-35.68	-412.77	258.01	-35.68	-412.17	258.97	-35.68	-412.17	92.80
	M3	-2.07	48.58	-444.52	-23.14	-155.21	-506.72	-23.08	-155.62	-506.36	-27.92	-218.34	-628.89
65 2-LANES (caseTRUCK-LOAD	MAX S2	41.87	61.72	239.61	20.19	-26.76	17.41	20.19	-26.72	17.47	55.53	-43.10	198.22
	TQ	-222.51	658.08	358.97	-222.51	658.08	-677.25	-222.51	656.51	-678.78	-222.51	656.51	-1715.00
	M3	-154.84	530.60	1030.75	7.18	29.84	529.80	7.18	31.07	529.73	7.18	31.07	563.15
	MIN S2	-288.98	576.17	971.71	-268.88	532.58	-14.16	-268.88	532.55	-15.40	-290.00	448.69	-1014.99
	TQ	-34.44	-297.74	-1277.98	-34.44	-297.74	-1438.37	-34.44	-301.08	-1437.67	-34.44	-301.08	-1598.07
	M3	-34.19	-285.56	-1337.60	-34.19	-285.56	-1496.85	-34.19	-289.04	-1496.18	-168.45	615.21	-1860.22
	TANDEM-LOAD MAX S2	41.70	55.27	233.71	25.85	-6.10	110.15	25.85	-5.85	110.16	58.70	23.59	178.28
	TQ	-146.20	448.76	173.88	-146.20	448.76	-506.97	-146.20	447.58	-508.01	-146.20	447.58	-1188.86
	M3	-107.89	352.26	795.67	-39.32	81.46	407.66	-39.32	82.41	407.47	4.88	21.20	381.89
	MIN S2	-220.56	332.61	784.56	-195.42	336.68	123.65	-195.42	336.96	122.87	-210.42	274.48	-572.67
	TQ	-23.36	-203.06	-851.59	-23.36	-203.06	-960.39	-23.36	-205.29	-959.91	-23.36	-205.29	-1068.72
	M3	-23.17	-191.99	-910.96	-23.17	-191.99	-1018.86	-23.17	-194.36	-1018.41	-116.20	421.67	-1267.25
DISPERSION-LMAX S2	21.50	45.32	832.33	16.54	38.54	871.70	16.54	40.57	871.61	21.09	44.12	920.87	
TQ	-210.97	822.02	765.09	-219.80	822.02	-237.92	-219.80	821.47	-239.83	-228.62	821.47	-1283.97	
M3	-88.75	331.43	1208.25	-8.20	87.87	952.21	-8.16	89.97	952.01	12.72	54.08	959.94	
MIN S2	-268.02	443.81	-1657.60	-271.89	450.60	-2865.52	-271.89	443.93	-2866.56	-285.26	440.37	-4125.50	
TQ	-35.55	-332.89	-1590.36	-35.55	-332.89	-1755.90	-35.55	-336.97	-1755.12	-35.55	-336.97	-1920.66	
M3	-157.77	157.71	-2033.52	-247.15	401.27	-2946.03	-247.19	394.53	-2946.96	-276.89	430.42	-4164.57	

BAGO RIVER BRIDGE

BLOCK [ No.1 : MAIN GIRDER ][ BEAM MEMBER FORCE ]

MEMBER NODE	2015			2016			2016			2017						
	SHEAR	TORQUE	MOMENT	SHEAR	TORQUE	MOMENT	SHEAR	TORQUE	MOMENT	SHEAR	TORQUE	MOMENT				
													S2 (kN)	TQ (kN·m)	M3 (kN·m)	S2 (kN)
66	2-LANES (case	TRUCK-LOAD	MAX	S2	162.00	165.30	821.65	51.60	48.58	422.26	51.60	49.57	422.15	6.48	22.58	545.15
				TQ	-169.08	406.66	-63.57	-169.08	406.66	-850.96	-169.08	404.68	-851.90	-169.08	404.68	-1639.30
				M3	25.70	263.67	917.78	-15.30	48.79	584.71	-15.30	50.15	584.59	6.47	22.39	545.62
			MIN	S2	-226.23	295.44	863.69	-303.01	191.22	446.87	-303.01	192.26	446.43	-415.89	78.53	-463.58
				TQ	-27.61	-191.01	-1191.17	-27.61	-191.01	-1319.73	-27.61	-194.08	-1319.28	-27.61	-194.08	-1447.84
				M3	-27.19	-185.11	-1235.36	-27.19	-185.11	-1361.99	-27.19	-188.28	-1361.56	-154.06	396.24	-1672.10
	TANDEM-LOAD	MAX	S2	148.67	151.17	809.86	67.48	69.48	581.32	67.48	70.83	581.16	4.39	15.39	369.53	
				TQ	-114.29	277.40	-57.51	-114.29	277.40	-589.77	-114.29	276.03	-590.41	-114.29	276.03	-1122.66
				M3	-2.66	169.52	819.98	-78.53	90.30	590.94	-78.53	91.68	590.73	4.38	15.06	370.11
		MIN	S2	-169.18	169.52	819.98	-245.05	90.30	590.94	-245.05	91.68	590.73	-322.91	10.47	-67.38	
				TQ	-18.74	-130.19	-801.83	-18.74	-130.19	-889.13	-18.74	-132.26	-888.82	-18.74	-132.26	-976.12
				M3	-18.33	-124.65	-842.12	-18.33	-124.65	-927.46	-18.33	-126.80	-927.17	-106.32	271.02	-1138.71
	DISPERSION-LMAX	S2	39.06	54.82	923.76	18.02	40.74	924.15	18.02	42.89	924.05	11.13	38.18	923.71		
				TQ	-146.55	511.09	740.56	-202.78	511.09	-72.87	-202.78	510.92	-74.06	-259.01	510.92	-1149.35
				M3	-34.18	186.81	1121.91	-18.77	64.82	995.17	-18.77	67.13	995.02	11.09	39.52	927.61
		MIN	S2	-221.04	245.04	-1645.96	-256.23	259.12	-2624.77	-256.23	253.02	-2625.36	-305.57	257.73	-3865.31	
				TQ	-35.43	-211.23	-1462.76	-35.43	-211.23	-1627.75	-35.43	-215.01	-1627.26	-35.43	-215.01	-1792.25
				M3	-147.81	113.06	-1844.11	-219.44	235.04	-2695.79	-219.44	228.77	-2696.33	-305.53	256.39	-3869.21
67	2-LANES (case	TRUCK-LOAD	MAX	S2	7.03	43.59	50.48	7.03	43.59	83.21	7.03	43.79	83.11	7.03	43.79	115.84
				TQ	-3.06	82.01	-648.54	-3.06	82.01	-662.79	-3.06	80.47	-662.98	-3.06	80.47	-677.23
				M3	-120.20	-193.52	668.92	4.70	-0.33	479.90	4.70	0.79	479.90	4.70	0.79	501.79
		MIN	S2	-154.76	-212.29	597.88	-154.76	-212.29	-122.83	-154.76	-212.58	-122.33	-154.76	-212.58	-843.04	
				TQ	-154.44	-213.57	570.38	-154.44	-213.57	-148.87	-154.44	-213.92	-148.37	-154.44	-213.92	-867.62
				M3	-6.47	62.27	-985.29	-6.51	61.32	-1015.47	-6.51	58.95	-1015.61	-114.10	-122.87	-1176.61

BAGO RIVER BRIDGE

BLOCK [ No.1 : MAIN GIRDER ][ BEAM MEMBER FORCE ]

MEMBER NODE	2015 2015	2016			2016			2017							
		SHEAR	TORQUE	MOMENT	SHEAR	TORQUE	MOMENT	SHEAR	TORQUE	MOMENT					
		S2 (kN)	TQ (kN·m)	M3 (kN·m)	S2 (kN)	TQ (kN·m)	M3 (kN·m)	S2 (kN)	TQ (kN·m)	M3 (kN·m)					
67	2-LANES (caseTANDEM-LOAD	MAX	S2	6.32	28.69	44.80	6.32	28.69	74.22	6.32	28.86	74.15	6.32	28.86	103.57
			TQ	-3.09	56.28	-465.56	-3.09	56.28	-479.93	-3.09	55.17	-480.06	-3.09	55.17	-494.43
			M3	-84.98	-132.54	509.44	3.20	-0.12	325.82	3.20	0.64	325.82	3.20	0.64	340.71
		MIN	S2	-107.05	-146.84	403.84	-107.05	-146.84	-94.69	-107.05	-147.06	-94.35	-107.05	-147.06	-592.88
			TQ	-107.05	-146.84	403.84	-107.05	-146.84	-94.69	-107.05	-147.06	-94.35	-107.05	-147.06	-592.88
			M3	-4.36	43.34	-670.67	-4.36	43.34	-690.97	-4.36	41.73	-691.07	-77.79	-83.11	-800.15
	DISPERSION-LMAX		S2	9.95	24.27	640.99	9.54	25.24	675.15	9.54	26.81	675.09	9.41	27.14	715.18
			TQ	-24.23	98.03	-693.40	-24.23	98.03	-806.25	-22.99	96.25	-730.35	-22.99	96.25	-837.42
			M3	-63.78	-107.40	1022.00	-18.34	-36.58	836.94	-18.34	-34.63	837.03	7.80	-0.46	843.94
		MIN	S2	-159.68	-117.53	-1012.80	-165.34	-118.50	-1758.37	-165.34	-122.59	-1758.09	-171.28	-122.92	-2537.90
			TQ	-125.49	-191.29	321.59	-131.57	-191.29	-276.97	-132.81	-192.02	-352.65	-138.89	-192.02	-985.29
			M3	-85.95	14.14	-1393.81	-137.46	-56.68	-1920.16	-137.46	-61.15	-1920.03	-169.67	-95.32	-2666.65
68	2-LANES (caseTRUCK-LOAD	MAX	S2	23.07	242.22	-436.71	23.07	242.22	-329.25	23.07	241.46	-329.81	23.07	241.46	-222.36
			TQ	18.38	287.36	-678.88	18.38	287.36	-593.28	18.38	285.98	-593.95	18.38	285.98	-508.36
			M3	4.00	-8.90	447.01	4.00	-8.90	465.62	4.00	-7.82	465.64	4.03	-7.34	484.33
		MIN	S2	-81.70	-596.30	197.97	-81.70	-596.30	-182.52	-81.70	-596.72	-181.13	-81.70	-596.72	-561.61
			TQ	-81.16	-601.82	156.13	-81.16	-601.82	-221.85	-81.16	-602.34	-220.45	-81.16	-602.34	-598.43
			M3	11.11	255.44	-780.61	10.14	246.19	-733.04	10.14	244.48	-733.61	8.99	231.64	-690.64
	TANDEM-LOAD	MAX	S2	16.23	167.77	-297.21	16.23	167.77	-221.63	16.23	167.26	-222.02	16.23	167.26	-146.45
			TQ	13.39	195.78	-443.20	13.39	195.78	-380.84	13.39	194.90	-381.29	13.39	194.90	-318.93
			M3	2.73	-5.86	303.53	2.73	-5.86	316.23	2.73	-5.12	316.25	2.74	-4.99	328.97
		MIN	S2	-55.73	-408.32	123.73	-55.73	-408.32	-135.80	-55.73	-408.63	-134.85	-55.73	-408.63	-394.38
			TQ	-55.07	-410.08	93.17	-55.07	-410.08	-163.29	-55.07	-410.46	-162.34	-55.07	-410.46	-418.80
			M3	7.15	170.35	-531.89	6.87	167.77	-499.78	6.87	166.60	-500.17	5.98	156.38	-471.16

BAGO RIVER BRIDGE

BLOCK [ No.1 : MAIN GIRDER ][ BEAM MEMBER FORCE ]

MEMBER			2015			2016			2016			2017				
NODE			2015			2016			2016			2017				
			SHEAR	TORQUE	MOMENT	SHEAR	TORQUE	MOMENT	SHEAR	TORQUE	MOMENT	SHEAR	TORQUE	MOMENT		
NAME	TITLE		S2 (kN)	TQ (kN·m)	M3 (kN·m)	S2 (kN)	TQ (kN·m)	M3 (kN·m)	S2 (kN)	TQ (kN·m)	M3 (kN·m)	S2 (kN)	TQ (kN·m)	M3 (kN·m)		
68	2-LANES (caseDISPERSION-LMAX	S2	23.63	278.53	-105.56	23.63	278.53	4.48	23.63	278.54	3.83	23.63	278.54	113.86		
		TQ	17.18	306.25	-897.40	17.18	306.25	-817.38	17.56	304.39	-779.17	17.56	304.39	-697.38		
		M3	-48.49	-446.24	908.06	-3.83	-112.14	793.42	-3.95	-111.37	793.68	7.14	-18.87	813.00		
		MIN	S2	-91.00	-690.63	39.32	-91.00	-690.63	-384.49	-91.00	-691.52	-382.88	-91.00	-691.52	-806.69	
		TQ	-84.56	-718.34	831.16	-84.56	-718.34	437.37	-84.94	-717.37	400.11	-84.94	-717.37	4.55		
		M3	-18.89	34.15	-974.30	-63.55	-299.95	-1173.43	-63.43	-301.61	-1172.73	-74.52	-394.11	-1505.83		
		MAX	S2	172.49	100.05	633.85	62.10	-16.67	283.35	62.10	-16.01	283.39	58.58	-34.02	466.39	
		TQ	-295.90	802.75	254.24	-295.90	802.75	-1123.76	-295.90	800.13	-1125.62	-295.90	800.13	-2503.62		
		M3	-101.28	598.88	1462.80	-11.54	65.87	853.17	-11.54	67.85	853.02	10.23	40.09	831.58		
69	3-LANES (caseTRUCK-LOAD	MIN	S2	-397.50	654.38	1391.62	-433.78	580.13	247.41	-433.78	580.71	246.06	-546.66	466.98	-1272.93	
		TQ	-46.49	-366.68	-1849.36	-46.49	-366.68	-2065.85	-46.49	-371.48	-2065.00	-46.49	-371.48	-2281.49		
		M3	-45.99	-352.99	-1929.67	-45.99	-352.99	-2143.86	-45.99	-357.97	-2143.03	-241.84	758.83	-2648.84		
		TANDEM-LOAD	MAX	S2	161.53	90.92	638.77	80.35	9.23	470.13	80.35	10.32	470.11	60.78	29.78	359.99
		TQ	-196.85	547.48	108.96	-196.85	547.48	-807.77	-196.85	545.60	-809.04	-196.85	545.60	-1725.78		
		M3	-83.96	393.70	1204.42	-75.98	101.74	772.99	-75.98	103.53	772.75	6.95	27.29	564.01		
		MIN	S2	-304.33	374.05	1193.30	-339.78	356.95	488.97	-339.78	358.09	488.14	-417.65	276.87	-611.15	
		TQ	-31.63	-250.05	-1244.92	-31.63	-250.05	-1392.23	-31.63	-253.28	-1391.64	-31.63	-253.28	-1538.95		
		M3	-31.09	-237.46	-1314.78	-31.09	-237.46	-1459.58	-31.09	-240.86	-1459.02	-166.85	519.69	-1804.17		
		DISPERSION-LMAX	S2	47.94	66.52	1298.16	27.01	54.96	1337.99	27.01	58.07	1337.85	26.32	60.05	1376.67	
		TQ	-271.68	1001.24	1132.15	-316.75	1001.24	-237.95	-316.75	1000.69	-240.28	-361.80	1000.69	-1820.25		
		M3	-95.74	389.95	1750.48	-17.99	109.07	1456.80	-17.96	112.35	1456.54	17.94	70.00	1415.74		
		MIN	S2	-372.27	526.50	-2456.52	-396.40	538.05	-4111.61	-396.40	528.49	-4112.85	-440.77	526.52	-5976.80	
		TQ	-52.65	-408.23	-2290.50	-52.65	-408.23	-2535.68	-52.65	-414.12	-2534.72	-52.65	-414.12	-2779.89		
		M3	-228.59	203.07	-2908.84	-351.40	483.95	-4230.43	-351.43	474.22	-4231.54	-432.39	516.56	-6015.87		

BAGO RIVER BRIDGE

BLOCK [ No.1 : MAIN GIRDER ] [ BEAM MEMBER FORCE ]

MEMBER NODE	2015 2015	2016			2016			2017							
		SHEAR	TORQUE	MOMENT	SHEAR	TORQUE	MOMENT	SHEAR	TORQUE	MOMENT					
		S2 (kN)	TQ (kN·m)	M3 (kN·m)	S2 (kN)	TQ (kN·m)	M3 (kN·m)	S2 (kN)	TQ (kN·m)	M3 (kN·m)					
70 3-LANES (caseTRUCK-LOAD	MAX	S2	14.50	119.07	-129.82	14.50	119.07	-62.31	14.50	118.93	-62.58	14.50	118.93	4.93	
		TQ	2.22	194.62	-1027.41	2.22	194.62	-1017.07	2.22	192.25	-1017.52	2.22	192.25	-1007.18	
		M3	-118.38	-200.11	889.68	6.52	-6.92	709.14	6.52	-5.27	709.16	6.56	-4.79	739.61	
	MIN	S2	-205.01	-425.21	719.00	-205.01	-425.21	-235.71	-205.01	-425.75	-234.72	-205.01	-425.75	-1189.42	
		TQ	-204.49	-428.87	667.96	-204.49	-428.87	-284.33	-204.49	-429.53	-283.33	-204.49	-429.53	-1235.61	
		M3	-3.40	162.40	-1404.17	-3.44	161.45	-1420.07	-3.44	158.15	-1420.44	-157.89	-313.76	-1613.22	
	TANDEM-LOAD	MAX	S2	11.45	84.98	-90.19	11.45	84.98	-36.86	11.45	84.90	-37.06	11.45	84.90	16.27
		TQ	0.84	133.08	-709.98	0.84	133.08	-706.07	0.84	131.44	-706.38	0.84	131.44	-702.47	
		M3	-83.73	-136.90	659.36	4.44	-4.48	481.54	4.44	-3.36	481.55	4.45	-3.23	502.26	
	MIN	S2	-141.32	-291.61	493.70	-141.32	-291.61	-164.42	-141.32	-291.99	-163.74	-141.32	-291.99	-821.86	
		TQ	-140.87	-293.88	461.15	-140.87	-293.88	-194.88	-140.87	-294.34	-194.19	-140.87	-294.34	-850.22	
		M3	-2.41	110.14	-955.62	-2.41	110.14	-966.85	-2.41	107.89	-967.10	-108.16	-215.75	-1097.04	
	DISPERSION-LMAX	S2	18.16	129.28	557.41	17.74	130.25	629.79	17.74	131.71	629.48	17.61	132.05	707.81	
		TQ	-19.02	220.92	-1187.14	-19.02	220.92	-1275.72	-17.78	218.05	-1200.11	-17.78	218.05	-1282.91	
		M3	-91.10	-244.81	1483.56	-22.27	-74.51	1228.17	-22.27	-71.65	1228.34	10.75	-12.11	1242.17	
	MIN	S2	-217.75	-353.50	-1022.93	-223.41	-354.47	-2038.96	-223.41	-359.21	-2038.13	-229.36	-359.54	-3088.40	
		TQ	-180.57	-445.14	721.62	-186.65	-445.14	-133.45	-187.89	-445.54	-208.54	-193.97	-445.54	-1097.68	
		M3	-108.50	20.59	-1949.08	-183.40	-149.71	-2637.34	-183.40	-155.84	-2636.98	-222.50	-215.39	-3622.76	
71 3-LANES (caseTRUCK-LOAD	MAX	S2	27.95	294.19	-644.00	27.95	294.19	-513.83	27.95	292.99	-514.51	27.95	292.99	-384.35	
		TQ	18.45	356.49	-1060.02	18.45	356.49	-974.10	18.45	354.22	-974.93	18.45	354.22	-889.01	
		M3	-52.55	-141.09	713.96	6.52	-6.92	709.14	6.52	-5.27	709.16	6.56	-4.79	739.61	
	MIN	S2	-143.30	-755.05	413.22	-143.30	-755.05	-254.13	-143.30	-755.64	-252.37	-143.30	-755.64	-919.72	
		TQ	-138.49	-768.78	253.32	-138.49	-768.78	-391.64	-138.49	-769.68	-389.85	-138.49	-769.68	-1034.81	
		M3	10.39	313.76	-1243.74	9.41	304.50	-1199.53	9.41	301.71	-1200.24	-40.39	75.27	-1173.70	

BAGO RIVER BRIDGE

BLOCK [ No.1 : MAIN GIRDER ][ BEAM MEMBER FORCE ]

MEMBER		2015						2016										
NODE		2015			2016			2016			2017							
		SHEAR	TORQUE	MOMENT	SHEAR	TORQUE	MOMENT	SHEAR	TORQUE	MOMENT	SHEAR	TORQUE	MOMENT					
NAME	TITLE	S2 (kN)	TQ (kN·m)	M3 (kN·m)	S2 (kN)	TQ (kN·m)	M3 (kN·m)	S2 (kN)	TQ (kN·m)	M3 (kN·m)	S2 (kN)	TQ (kN·m)	M3 (kN·m)					
71	3-LANES (caseTANDEM-LOAD	MAX	S2	20.90	197.25	-404.71	20.90	197.25	-307.37	20.90	196.54	-307.82	20.90	196.54	-210.48			
			TQ	13.42	242.90	-710.75	13.42	242.90	-648.25	13.42	241.39	-648.81	13.42	241.39	-586.32			
			M3	-35.94	-93.23	498.96	4.44	-4.48	481.54	4.44	-3.36	481.55	4.45	-3.23	502.26			
		MIN	S2	-98.76	-516.12	287.68	-98.76	-516.12	-172.24	-98.76	-516.52	-171.04	-98.76	-516.52	-630.96			
			TQ	-95.21	-523.64	184.79	-95.21	-523.64	-258.60	-95.21	-524.23	-257.39	-95.21	-524.23	-700.78			
			M3	6.77	211.76	-846.77	6.31	206.14	-816.76	6.31	204.24	-817.24	-27.00	51.36	-799.91			
		DISPERSION-LMAX	S2	29.39	314.87	124.58	29.39	314.87	261.44	29.39	315.48	260.70	29.39	315.48	397.56			
			TQ	20.82	381.45	-1112.30	20.82	381.45	-1015.35	21.35	379.15	-961.86	21.35	379.15	-862.44			
			M3	-78.96	-536.21	1407.54	-9.45	-131.82	1211.81	-9.57	-130.08	1212.11	11.34	-15.42	1242.72			
		MIN	S2	-158.50	-852.64	-313.22	-158.50	-852.64	-1051.33	-158.50	-855.08	-1049.35	-158.50	-855.08	-1787.45			
			TQ	-149.93	-919.22	923.65	-149.93	-919.22	225.45	-150.46	-918.76	173.21	-150.46	-918.76	-527.46			
			M3	-50.15	-1.55	-1596.18	-119.66	-405.94	-2001.71	-119.54	-409.52	-2000.76	-140.45	-524.18	-2632.62			
		72	4-LANES	TRUCK-LOAD	MAX	S2	27.85	293.80	-736.32	27.85	293.80	-606.63	27.85	292.39	-607.32	27.85	292.39	-477.63
						TQ	15.47	369.44	-1327.36	15.47	369.44	-1255.30	15.47	366.52	-1256.16	15.47	366.52	-1184.10
						M3	-191.68	-692.88	964.23	-118.67	-373.28	175.56	-118.67	-372.87	176.42	0.00	-0.00	0.00
MIN	S2			-235.56	-799.92	785.45	-235.57	-799.93	-309.44	-235.57	-800.65	-307.57	-235.57	-800.65	-1404.63			
	TQ			-212.81	-806.02	714.36	-234.39	-806.02	-377.21	-234.39	-806.89	-375.34	-234.39	-806.89	-1466.91			
	M3			4.66	317.82	-1765.78	3.64	307.62	-1748.34	3.64	303.55	-1749.05	-148.60	-236.60	-1859.64			
TANDEM-LOAD	MAX			S2	21.75	205.28	-515.44	21.75	205.28	-414.15	21.75	204.32	-414.62	21.75	204.32	-313.32		
				TQ	9.10	252.10	-930.32	9.10	252.10	-887.92	10.36	250.09	-861.08	10.36	250.09	-812.83		
				M3	-130.30	-452.38	714.96	-74.16	-244.33	161.54	-74.16	-243.95	162.11	0.00	-0.00	0.00		
MIN	S2			-162.09	-543.45	545.17	-162.09	-543.45	-209.66	-162.09	-543.93	-208.39	-162.09	-543.93	-963.22			
	TQ			-159.20	-551.14	446.25	-159.20	-551.14	-295.14	-159.20	-551.83	-293.85	-159.20	-551.83	-1035.24			
	M3			2.81	213.87	-1202.37	2.54	211.30	-1190.42	2.54	208.54	-1190.91	-101.68	-164.81	-1265.42			



BAGO RIVER BRIDGE

BLOCK [ No.1 : MAIN GIRDER ][ BEAM MEMBER FORCE ]

MEMBER				2015			2016			2016			2017				
NODE				2015			2016			2016			2017				
				SHEAR	TORQUE	MOMENT	SHEAR	TORQUE	MOMENT	SHEAR	TORQUE	MOMENT	SHEAR	TORQUE	MOMENT		
NAME	TITLE			S2 (kN)	TQ (kN·m)	M3 (kN·m)	S2 (kN)	TQ (kN·m)	M3 (kN·m)	S2 (kN)	TQ (kN·m)	M3 (kN·m)	S2 (kN)	TQ (kN·m)	M3 (kN·m)		
72	4-LANES	DISPERSION-LMAX	S2	18.36	286.54	-833.26	17.94	287.50	-759.97	17.94	285.74	-760.64	17.81	286.07	-681.40		
			TQ	-10.46	344.34	-1526.87	-10.46	344.34	-1575.57	-9.81	340.69	-1560.31	-9.81	340.69	-1605.97		
			M3	-128.04	-531.54	412.72	-36.50	-127.68	41.82	-36.62	-128.65	42.12	0.62	-2.88	1.41		
		MIN	S2	-252.00	-801.05	-639.67	-257.22	-801.38	-1815.54	-257.22	-805.60	-1813.67	-263.04	-805.74	-3021.00		
			TQ	-226.60	-911.86	44.36	-231.63	-911.86	-1022.54	-232.26	-914.25	-1036.62	-237.41	-914.25	-2130.17		
			M3	-107.02	-15.58	-1876.50	-203.03	-396.38	-2611.42	-202.92	-401.37	-2610.49	-246.12	-521.18	-3699.50		
		73	6-LANES	TRUCK-LOAD MAX	S2	202.08	239.13	80.26	88.18	184.89	-114.87	88.18	184.62	-115.30	75.51	193.48	182.75
					TQ	-256.94	958.50	-921.34	-256.94	958.50	-2117.91	-256.94	953.57	-2120.13	-256.94	953.57	-3316.69
					M3	-158.17	341.34	2189.90	-12.96	96.95	1538.89	-12.96	100.53	1538.66	16.79	35.35	1571.31
MIN	S2			-543.47	-144.31	1948.41	-593.30	-173.61	85.38	-593.30	-173.41	85.78	-711.58	-229.06	-2185.35		
	TQ			-204.87	-974.68	-1398.36	-204.87	-974.68	-2352.45	-204.87	-980.15	-2350.18	-204.87	-980.15	-3304.28		
	M3			-35.97	-36.07	-3175.78	-37.33	-46.53	-3347.35	-37.33	-54.32	-3347.24	-326.37	480.75	-3852.13		
TANDEM-LOAD MAX	S2			184.96	166.16	250.28	101.68	127.65	202.74	101.68	128.12	202.45	70.35	184.12	192.86		
	TQ			-174.36	653.82	-633.50	-174.36	653.82	-1445.47	-174.36	650.45	-1446.98	-174.36	650.45	-2258.95		
	M3			-155.90	113.98	1719.33	-66.21	47.67	1246.95	-66.21	50.56	1246.83	11.40	24.10	1066.36		
MIN	S2			-400.14	-154.49	1563.97	-447.31	-132.76	353.66	-447.31	-131.94	353.97	-530.02	-168.34	-1265.97		
	TQ			-141.87	-666.97	-926.42	-141.87	-666.97	-1587.12	-141.87	-670.66	-1585.57	-141.87	-670.66	-2246.27		
	M3			-24.81	-26.15	-2163.09	-25.17	-28.84	-2279.68	-25.17	-34.14	-2279.61	-223.73	328.90	-2622.67		
DISPERSION-LMAX	S2			72.85	327.17	1404.47	52.30	320.93	1565.99	52.30	324.57	1565.24	51.71	328.27	1723.86		
	TQ			-222.68	1167.90	-157.94	-253.53	1167.90	-1266.62	-252.42	1165.03	-1205.94	-283.51	1165.03	-2453.70		
	M3			-177.40	-148.55	3000.78	-37.02	-25.36	2498.44	-37.06	-20.43	2498.49	27.41	51.91	2474.35		
MIN	S2	-529.26	-232.57	-2883.65	-553.87	-227.20	-5262.11	-553.87	-239.43	-5261.57	-599.45	-241.10	-7859.56				
	TQ	-225.00	-1169.17	-1196.21	-229.70	-1169.17	-2255.03	-230.91	-1174.50	-2325.56	-235.51	-1174.50	-3411.67				
	M3	-283.86	140.98	-4395.74	-467.43	65.67	-6135.77	-467.38	52.35	-6135.91	-582.30	-6.42	-8567.67				

BAGO RIVER BRIDGE

BLOCK [ No.1 : MAIN GIRDER ][ BEAM MEMBER FORCE ]

MEMBER			2015			2016			2016			2017			
NODE			2015			2016			2016			2017			
NAME TITLE			SHEAR	TORQUE	MOMENT	SHEAR	TORQUE	MOMENT	SHEAR	TORQUE	MOMENT	SHEAR	TORQUE	MOMENT	
			S2 (kN)	TQ (kN·m)	M3 (kN·m)	S2 (kN)	TQ (kN·m)	M3 (kN·m)	S2 (kN)	TQ (kN·m)	M3 (kN·m)	S2 (kN)	TQ (kN·m)	M3 (kN·m)	
124	SUM TOTAL	D+1LANE (caseMAX	S2	-1836.43	321.48	-5695.10	-2024.17	324.50	-14687.07	-2024.17	290.35	-14687.78	-2154.67	309.14	-24541.66
			TQ	-2162.02	1449.22	-5067.74	-2336.50	1449.22	-15542.44	-2336.50	1413.08	-15545.76	-2510.96	1413.08	-26832.98
			M3	-2085.93	1031.76	-4510.70	-2042.10	459.32	-14140.86	-2042.06	426.32	-14141.89	-2222.68	408.64	-24061.81
		MIN	S2	-2246.68	1154.22	-6258.18	-2372.68	1187.15	-17040.55	-2372.68	1147.53	-17043.26	-2554.59	1139.50	-28495.73
			TQ	-1903.00	-61.46	-7702.15	-2090.88	-61.46	-17001.84	-2090.88	-100.99	-17001.65	-2278.75	-100.99	-27176.26
			M3	-1979.18	292.30	-8029.87	-2228.47	482.98	-17796.78	-2228.51	441.72	-17797.85	-2493.00	1098.13	-28738.79
		D+1LANE (caseMAX	S2	-1671.21	457.17	-4886.93	-1984.71	417.55	-14138.31	-1984.71	384.68	-14139.24	-2225.49	380.82	-24121.94
			TQ	-2020.60	774.40	-5604.24	-2251.95	774.40	-15552.83	-2251.95	738.23	-15554.59	-2483.31	738.23	-26580.58
			M3	-1803.80	537.90	-4749.88	-2081.77	454.41	-14023.43	-2081.77	421.81	-14024.45	-2225.49	380.75	-24121.64
		MIN	S2	-2115.00	578.81	-6373.84	-2394.84	547.75	-16198.41	-2394.84	510.08	-16199.64	-2730.02	476.14	-27521.80
			TQ	-1894.66	212.60	-7444.86	-2082.53	212.60	-16705.69	-2082.53	173.76	-16706.14	-2270.41	173.76	-26841.89
			M3	-1958.83	359.26	-7679.89	-2186.81	404.05	-17334.66	-2186.81	363.74	-17335.56	-2510.10	626.54	-28158.61
		D+1LANE (caseMAX	S2	-1850.56	392.50	-5176.83	-2038.93	393.65	-14246.91	-2038.93	360.53	-14247.78	-2226.96	360.93	-24185.65
			TQ	-1891.09	443.39	-6420.24	-2078.96	443.39	-15664.46	-2077.93	407.02	-15620.81	-2265.80	407.02	-25735.14
			M3	-1966.50	264.09	-4839.78	-2057.70	375.30	-14207.60	-2057.70	342.27	-14208.43	-2227.34	358.19	-24168.40
		MIN	S2	-2067.11	274.10	-6206.98	-2261.78	272.94	-16273.27	-2261.78	235.10	-16273.86	-2456.78	234.70	-27256.16
			TQ	-2032.27	243.48	-5553.68	-2227.43	243.48	-15472.34	-2228.47	207.45	-15517.50	-2423.63	207.45	-26349.85
			M3	-1925.16	410.72	-7432.90	-2145.50	388.04	-16917.67	-2145.50	348.70	-16918.52	-2425.99	307.75	-27511.10
		D+1LANE (caseMAX	S2	-1824.67	757.37	-6237.12	-2012.54	757.37	-15172.01	-2012.54	722.10	-15173.73	-2200.41	722.10	-24983.54
			TQ	-1831.65	804.47	-6814.54	-2019.52	804.47	-15781.93	-2019.52	767.77	-15783.76	-2207.39	767.77	-25626.08
			M3	-1884.24	40.23	-5124.67	-2046.82	284.79	-14273.91	-2046.90	250.67	-14274.53	-2228.92	326.52	-24226.20
		MIN	S2	-1949.65	-507.46	-5743.33	-2137.52	-507.46	-15260.26	-2137.52	-542.94	-15259.04	-2325.40	-542.94	-25650.88
			TQ	-1946.09	-525.86	-5297.37	-2133.96	-525.86	-14797.72	-2133.96	-560.26	-14796.46	-2321.84	-560.26	-25171.73
			M3	-1852.98	625.31	-6891.80	-2067.31	369.65	-16026.61	-2067.22	333.32	-16027.43	-2261.60	250.48	-26112.47

BAGO RIVER BRIDGE

BLOCK [ No.1 : MAIN GIRDER ] [ BEAM MEMBER FORCE ]

MEMBER				2015			2016			2017					
NODE				2015			2016			2017					
NAME TITLE				SHEAR	TORQUE	MOMENT	SHEAR	TORQUE	MOMENT	SHEAR	TORQUE	MOMENT			
				S2 (kN)	TQ (kN·m)	M3 (kN·m)	S2 (kN)	TQ (kN·m)	M3 (kN·m)	S2 (kN)	TQ (kN·m)	M3 (kN·m)			
124	SUM TOTAL	D+2LANES (casMAX	S2	-1796.31	492.77	-4847.08	-2010.83	397.52	-14127.87	-2010.83	364.67	-14128.76	-2158.81	351.85	-23871.63
			TQ	-2293.17	1865.84	-4794.95	-2489.87	1865.84	-15932.15	-2489.87	1828.79	-15936.44	-2686.57	1828.79	-27989.69
			M3	-2103.28	1247.76	-3680.02	-2048.58	503.44	-13534.97	-2048.55	471.86	-13536.10	-2215.54	435.97	-23467.63
		MIN	S2	-2416.69	1405.72	-6604.91	-2588.33	1368.92	-17896.66	-2588.33	1327.30	-17899.79	-2810.69	1239.88	-30131.20
			TQ	-1929.68	-244.88	-8787.35	-2117.55	-244.88	-18211.25	-2117.55	-287.23	-18210.63	-2305.42	-287.23	-28509.45
			M3	-2051.65	257.88	-9290.14	-2328.90	501.44	-19459.86	-2328.94	456.30	-19460.97	-2680.77	1396.44	-31015.51
		D+2LANES (casMAX	S2	-1658.64	605.85	-4173.61	-1977.94	475.06	-13670.58	-1977.94	443.28	-13671.64	-2217.83	411.57	-23521.86
			TQ	-2175.32	1303.49	-5242.03	-2419.42	1303.49	-15940.81	-2419.42	1266.42	-15943.80	-2663.52	1266.42	-27779.36
			M3	-1868.17	836.22	-3879.33	-2081.63	499.35	-13437.11	-2081.63	468.11	-13438.23	-2217.88	412.73	-23517.49
		MIN	S2	-2306.95	926.22	-6701.29	-2606.80	836.08	-17194.88	-2606.80	796.10	-17196.77	-2956.89	687.08	-29319.60
			TQ	-1922.72	-16.50	-8572.95	-2110.59	-16.50	-17964.46	-2110.59	-58.27	-17964.38	-2298.47	-58.27	-28230.81
			M3	-2034.69	313.68	-8998.49	-2294.19	435.67	-19074.76	-2294.19	391.32	-19075.72	-2695.02	1003.45	-30532.03
		D+2LANES (casMAX	S2	-1842.71	453.60	-5227.55	-2030.99	454.57	-14258.62	-2030.99	421.41	-14259.64	-2219.00	421.75	-24159.69
			TQ	-1886.98	565.78	-7260.95	-2074.85	565.78	-16486.02	-2073.61	527.53	-16411.17	-2261.48	527.53	-26505.37
			M3	-2043.67	84.82	-4228.10	-2061.20	348.83	-13700.14	-2061.20	316.98	-13700.91	-2222.93	351.15	-23644.98
		MIN	S2	-2174.12	55.91	-6333.94	-2367.65	54.94	-16898.18	-2367.65	15.66	-16898.26	-2561.47	15.32	-28371.65
			TQ	-2139.62	-19.13	-5027.05	-2333.57	-19.13	-15442.82	-2334.81	-55.12	-15518.86	-2528.76	-55.12	-26843.62
			M3	-1952.10	462.14	-8298.12	-2191.52	390.37	-17952.62	-2191.52	348.63	-17953.48	-2519.20	132.63	-28833.98
		D+2LANES (casMAX	S2	-1812.98	906.49	-6461.28	-2000.85	906.49	-15341.76	-2000.85	870.82	-15343.82	-2188.73	870.82	-25099.21
			TQ	-1824.13	979.34	-7495.29	-2012.00	979.34	-16427.65	-2011.62	941.19	-16390.95	-2199.49	941.19	-26196.45
			M3	-1904.18	-69.41	-4563.95	-2047.39	264.70	-13757.94	-2047.51	231.63	-13758.52	-2224.26	324.61	-23693.38
		MIN	S2	-2032.39	-901.19	-5681.74	-2220.26	-901.19	-15583.99	-2220.26	-937.42	-15581.85	-2408.14	-937.42	-26359.02
			TQ	-2025.41	-934.43	-4931.73	-2213.28	-934.43	-14801.46	-2213.66	-968.88	-14838.18	-2401.53	-968.88	-25584.59
			M3	-1867.46	675.33	-7673.92	-2100.97	331.97	-16923.45	-2100.85	293.69	-16924.18	-2300.96	188.36	-27187.18

BAGO RIVER BRIDGE

BLOCK [ No.1 : MAIN GIRDER ][ BEAM MEMBER FORCE ]

MEMBER			2015			2016			2016			2017				
NODE			2015			2016			2016			2017				
NAME TITLE			SHEAR	TORQUE	MOMENT	SHEAR	TORQUE	MOMENT	SHEAR	TORQUE	MOMENT	SHEAR	TORQUE	MOMENT		
			S2 (kN)	TQ (kN·m)	M3 (kN·m)	S2 (kN)	TQ (kN·m)	M3 (kN·m)	S2 (kN)	TQ (kN·m)	M3 (kN·m)	S2 (kN)	TQ (kN·m)	M3 (kN·m)		
124	SUM TOTAL	D+3LANES (casMAX	S2	-1672.32	527.32	-4276.81	-1971.82	418.29	-13638.85	-1971.82	386.57	-13639.78	-2163.26	372.94	-23424.11	
			TQ	-2342.13	1919.13	-4740.59	-2568.31	1919.13	-16174.43	-2568.31	1881.52	-16178.85	-2794.48	1881.52	-28666.00	
			M3	-2027.15	1226.24	-3187.72	-2072.66	534.43	-13053.50	-2072.63	503.99	-13054.71	-2211.48	444.40	-23080.50	
		MIN	S2	-2513.99	1389.48	-6824.19	-2753.21	1336.20	-18301.55	-2753.21	1293.64	-18304.61	-3074.74	1195.29	-31152.98	
			TQ	-1943.95	-272.93	-9437.90	-2131.82	-272.93	-18928.28	-2131.82	-316.94	-18927.60	-2319.69	-316.94	-29292.89	
			M3	-2093.08	258.30	-10031.76	-2385.34	497.06	-20435.12	-2385.37	449.63	-20436.22	-2808.53	1434.90	-32355.72	
		D+3LANES (casMAX	S2	-1831.93	596.84	-5555.57	-2020.15	597.66	-14534.62	-2020.15	563.86	-14535.97	-2208.14	564.15	-24384.89	
			TQ	-1873.97	738.95	-7801.39	-2061.84	738.95	-16965.85	-2060.78	699.57	-16902.82	-2248.66	699.57	-26937.28	
			M3	-2037.74	7.55	-3901.77	-2060.94	316.52	-13370.26	-2060.94	285.44	-13370.96	-2220.72	336.46	-23306.20	
		MIN	S2	-2219.03	-276.17	-6177.36	-2411.71	-276.99	-16950.44	-2411.71	-316.40	-16949.75	-2604.64	-316.68	-28626.86	
			TQ	-2186.98	-357.18	-4737.88	-2380.02	-357.18	-15372.09	-2381.08	-392.99	-15435.92	-2574.11	-392.99	-26974.02	
			M3	-1954.80	541.28	-8769.28	-2206.37	395.71	-18465.77	-2206.37	352.78	-18466.64	-2558.76	-98.96	-29441.30	
		D+3LANES (casMAX	S2	-1810.95	903.43	-6360.53	-1998.82	903.43	-15231.52	-1998.82	868.02	-15233.58	-2186.69	868.02	-24979.49	
			TQ	-1826.31	1012.99	-7765.49	-2014.18	1012.99	-16708.02	-2013.73	974.19	-16664.11	-2201.60	974.19	-26479.45	
			M3	-1971.46	-189.97	-4115.75	-2050.04	267.80	-13384.17	-2050.14	235.77	-13384.76	-2220.22	333.64	-23305.73	
		MIN	S2	-2116.21	-980.80	-5834.02	-2304.08	-980.80	-16126.62	-2304.08	-1018.29	-16124.30	-2491.96	-1018.29	-27291.81	
			TQ	-2104.84	-1049.06	-4918.60	-2292.71	-1049.06	-15158.24	-2293.16	-1084.35	-15201.98	-2481.04	-1084.35	-26318.64	
			M3	-1893.48	651.11	-8332.95	-2141.26	299.51	-17738.04	-2141.16	259.18	-17738.69	-2389.14	-30.75	-28226.09	
		D+4LANES	MAX	S2	-1829.65	762.95	-6939.25	-2017.79	763.58	-15905.27	-2017.79	726.60	-15907.01	-2205.75	726.82	-25744.08
			TQ	-1856.43	849.69	-7774.26	-2044.30	849.69	-16857.04	-2043.87	810.51	-16848.54	-2231.75	810.51	-26804.26	
			M3	-2067.50	-410.14	-5024.00	-2148.42	60.12	-14875.68	-2148.50	24.83	-14875.78	-2235.03	348.95	-24989.80	
		MIN	S2	-2176.60	-654.89	-5824.26	-2367.87	-655.11	-16398.21	-2367.87	-693.24	-16396.65	-2559.53	-693.33	-27867.37	
			TQ	-2145.30	-730.88	-5425.85	-2350.47	-730.88	-15926.82	-2350.88	-767.92	-15935.61	-2542.11	-767.92	-27328.82	
			M3	-1926.22	582.20	-8286.51	-2177.16	328.04	-17850.82	-2177.09	287.24	-17851.54	-2492.00	-141.73	-28604.15	

BAGO RIVER BRIDGE

BLOCK [ No.1 : MAIN GIRDER ][ BEAM MEMBER FORCE ]

MEMBER					2015			2016			2017						
NODE					2015			2016			2017						
					SHEAR	TORQUE	MOMENT	SHEAR	TORQUE	MOMENT	SHEAR	TORQUE	MOMENT				
NAME	TITLE				S2 (kN)	TQ (kN·m)	M3 (kN·m)	S2 (kN)	TQ (kN·m)	M3 (kN·m)	S2 (kN)	TQ (kN·m)	M3 (kN·m)				
124	SUM TOTAL	D+6LANES	MAX	S2	-1680.98	753.83	-4953.95	-1956.25	714.52	-14073.75	-1956.25	681.79	-14075.37	-2152.74	689.96	-23751.42	
				TQ	-2171.44	1767.90	-6620.56	-2379.36	1767.90	-17216.92	-2378.64	1727.91	-17179.78	-2586.73	1727.91	-28741.47	
				M3	-2077.81	511.05	-2545.08	-2080.05	432.27	-12392.72	-2080.07	402.89	-12393.69	-2206.70	407.54	-22361.03	
			MIN	S2	-2556.96	140.76	-6526.93	-2793.22	125.21	-18381.86	-2793.22	82.47	-18382.10	-3087.60	45.22	-31519.90	
				TQ	-2139.11	-1007.77	-7605.49	-2330.03	-1007.77	-18011.85	-2330.82	-1049.70	-18057.07	-2521.68	-1049.70	-29356.08	
				M3	-2067.58	453.93	-10840.50	-2375.65	398.18	-21181.01	-2375.61	349.54	-21181.88	-2826.06	659.14	-33063.58	
	SUM TOTAL	MAX		-1658.64	1919.13	-2545.08	-1956.25	1919.13	-12392.72	-1956.25	1881.52	-12393.69	-2152.74	1881.52	-22361.03		
		MIN		-2556.96	-1049.06	-10840.50	-2793.22	-1049.06	-21181.01	-2793.22	-1084.35	-21181.88	-3087.60	-1084.35	-33063.58		
	300	DEAD LOAD	TOTAL			-1859.69	385.74	-5919.02	-2047.56	385.74	-15016.98	-2047.56	350.82	-15017.84	-2235.43	350.82	-24990.71
	301	LIVE LOAD	1-LANE (case1MAX	S2	S2	23.26	-64.26	223.92	23.39	-61.24	329.92	23.39	-60.47	330.06	80.76	-41.68	449.05
					TQ	-302.34	1063.48	851.27	-288.94	1063.48	-525.45	-288.94	1062.26	-527.93	-275.53	1062.26	-1842.26
					M3	-226.25	646.02	1408.31	5.46	73.59	876.12	5.50	75.50	875.94	12.75	57.82	928.91
MIN				S2	-386.99	768.48	-339.16	-325.12	801.41	-2023.57	-325.12	796.71	-2025.43	-319.16	788.68	-3505.01	
				TQ	-43.32	-447.20	-1783.13	-43.32	-447.20	-1984.86	-43.32	-451.81	-1983.81	-43.32	-451.81	-2185.54	
				M3	-119.50	-93.44	-2110.85	-180.91	97.24	-2779.80	-180.95	90.90	-2780.02	-257.57	747.31	-3748.08	
1-LANE (case2MAX			S2	S2	188.47	71.44	1032.08	62.85	31.82	878.67	62.85	33.86	878.60	9.94	29.99	868.77	
				TQ	-160.92	388.66	314.78	-204.40	388.66	-535.85	-204.40	387.41	-536.75	-247.88	387.41	-1589.87	
				M3	55.89	152.16	1169.14	-34.21	68.68	993.55	-34.21	70.99	993.39	9.94	29.93	869.07	
			MIN	S2	-255.31	193.07	-454.82	-347.28	162.01	-1181.43	-347.28	159.26	-1181.80	-494.59	125.32	-2531.09	
				TQ	-34.97	-173.14	-1525.84	-34.97	-173.14	-1688.71	-34.97	-177.06	-1688.30	-34.97	-177.06	-1851.18	
				M3	-99.14	-26.47	-1760.87	-139.25	18.31	-2317.68	-139.25	12.92	-2317.72	-274.67	275.72	-3167.90	
1-LANE (case3MAX			S2	S2	9.13	6.76	742.19	8.63	7.92	770.07	8.63	9.71	770.05	8.47	10.11	805.07	
				TQ	-31.41	57.65	-501.22	-31.41	57.65	-647.48	-30.37	56.20	-602.98	-30.37	56.20	-744.42	
				M3	-106.82	-121.65	1079.24	-10.14	-10.44	809.38	-10.14	-8.55	809.40	8.09	7.37	822.32	
			MIN	S2	-207.42	-111.64	-287.96	-214.22	-112.80	-1256.29	-214.22	-115.72	-1256.02	-221.35	-116.12	-2265.44	
				TQ	-172.58	-142.26	365.34	-179.88	-142.26	-455.36	-180.91	-143.37	-499.66	-188.20	-143.37	-1359.13	
				M3	-65.47	24.98	-1513.89	-97.94	2.30	-1900.69	-97.94	-2.12	-1900.69	-190.56	-43.07	-2520.38	

BAGO RIVER BRIDGE

BLOCK [ No.1 : MAIN GIRDER ][ BEAM MEMBER FORCE ]

MEMBER				2015			2016			2016			2017			
NODE				2015			2016			2016			2017			
NAME TITLE				SHEAR	TORQUE	MOMENT	SHEAR	TORQUE	MOMENT	SHEAR	TORQUE	MOMENT	SHEAR	TORQUE	MOMENT	
				S2 (kN)	TQ (kN·m)	M3 (kN·m)	S2 (kN)	TQ (kN·m)	M3 (kN·m)	S2 (kN)	TQ (kN·m)	M3 (kN·m)	S2 (kN)	TQ (kN·m)	M3 (kN·m)	
301	LIVE LOAD	1-LANE (case4MAX	S2	35.02	371.64	-318.10	35.02	371.64	-155.03	35.02	371.27	-155.90	35.02	371.27	7.17	
			TQ	28.04	418.73	-895.52	28.04	418.73	-764.95	28.04	416.95	-765.93	28.04	416.95	-635.36	
			M3	-24.55	-345.50	794.34	0.73	-100.95	743.07	0.65	-100.15	743.31	6.51	-24.30	764.51	
			MIN	S2	-89.97	-893.20	175.69	-89.97	-893.20	-243.28	-89.97	-893.76	-241.20	-89.97	-893.76	-660.17
			TQ	-86.41	-911.59	621.65	-86.41	-911.59	219.26	-86.41	-911.08	221.38	-86.41	-911.08	-181.01	
			M3	6.71	239.58	-972.78	-19.75	-16.09	-1009.63	-19.67	-17.50	-1009.59	-26.17	-100.34	-1121.75	
		2-LANES (caseMAX	S2	63.37	107.04	1071.94	36.73	11.78	889.11	36.73	13.85	889.08	76.62	1.03	1119.08	
			TQ	-433.48	1480.11	1124.07	-442.31	1480.11	-915.17	-442.31	1477.97	-918.61	-451.13	1477.97	-2998.97	
			M3	-243.59	862.03	2239.00	-1.02	117.70	1482.01	-0.99	121.04	1481.73	19.89	85.15	1523.09	
			MIN	S2	-557.00	1019.99	-685.89	-540.77	983.18	-2879.68	-540.77	976.48	-2881.96	-575.26	889.06	-5140.49
			TQ	-69.99	-630.62	-2868.34	-69.99	-630.62	-3194.27	-69.99	-638.05	-3192.80	-69.99	-638.05	-3518.73	
			M3	-191.96	-127.86	-3371.12	-281.35	115.70	-4442.88	-281.38	105.48	-4443.13	-445.34	1045.62	-6024.80	
		2-LANES (caseMAX	S2	201.05	220.12	1745.41	69.62	89.33	1346.40	69.62	92.46	1346.19	17.60	60.75	1468.85	
			TQ	-315.63	917.75	676.99	-371.86	917.75	-923.83	-371.86	915.60	-925.96	-428.09	915.60	-2788.65	
			M3	-8.48	450.48	2039.69	-34.08	113.61	1579.87	-34.08	117.29	1579.61	17.56	61.91	1473.22	
			MIN	S2	-447.27	540.48	-782.27	-559.24	450.34	-2177.90	-559.24	445.28	-2178.94	-721.46	336.26	-4328.88
			TQ	-63.04	-402.24	-2653.93	-63.04	-402.24	-2947.48	-63.04	-409.09	-2946.54	-63.04	-409.09	-3240.09	
			M3	-175.00	-72.06	-3079.47	-246.63	49.93	-4057.78	-246.63	40.50	-4057.89	-459.59	652.63	-5541.31	
		2-LANES (caseMAX	S2	16.98	67.86	691.47	16.56	68.83	758.36	16.56	70.59	758.20	16.43	70.93	831.03	
			TQ	-27.29	180.04	-1341.93	-27.29	180.04	-1469.04	-26.05	176.71	-1393.33	-26.05	176.71	-1514.65	
			M3	-183.98	-300.92	1690.92	-13.64	-36.90	1316.84	-13.64	-33.84	1316.93	12.50	0.33	1345.74	
MIN	S2		-314.43	-329.83	-414.92	-320.10	-330.79	-1881.19	-320.10	-335.17	-1880.42	-326.04	-335.50	-3380.94		
TQ	-279.94		-404.86	891.97	-286.01	-404.86	-425.84	-287.25	-405.94	-501.02	-293.33	-405.94	-1852.91			
M3	-92.41		76.41	-2379.10	-143.96	4.63	-2935.64	-143.96	-2.19	-2935.64	-283.77	-218.19	-3843.27			

BAGO RIVER BRIDGE

BLOCK [ No.1 : MAIN GIRDER ][ BEAM MEMBER FORCE ]

MEMBER				2015			2016			2016			2017			
NODE				2015			2016			2016			2017			
				SHEAR	TORQUE	MOMENT	SHEAR	TORQUE	MOMENT	SHEAR	TORQUE	MOMENT	SHEAR	TORQUE	MOMENT	
NAME	TITLE			S2 (kN)	TQ (kN·m)	M3 (kN·m)	S2 (kN)	TQ (kN·m)	M3 (kN·m)	S2 (kN)	TQ (kN·m)	M3 (kN·m)	S2 (kN)	TQ (kN·m)	M3 (kN·m)	
301	LIVE LOAD	2-LANES (caseMAX	S2	46.70	520.76	-542.27	46.70	520.76	-324.77	46.70	520.00	-325.98	46.70	520.00	-108.49	
			TQ	35.56	593.61	-1576.27	35.56	593.61	-1410.67	35.94	590.37	-1373.12	35.94	590.37	-1205.74	
			M3	-44.49	-455.14	1355.07	0.17	-121.04	1259.04	0.05	-119.19	1259.32	11.17	-26.21	1297.33	
			MIN	S2	-172.71	-1286.93	237.28	-172.71	-1286.93	-567.01	-172.71	-1288.24	-564.01	-172.71	-1288.24	-1368.31
			TQ	-165.72	-1320.16	987.29	-165.72	-1320.16	215.52	-166.10	-1319.70	179.66	-166.10	-1319.70	-593.88	
			M3	-7.78	289.59	-1754.91	-53.41	-53.77	-1906.47	-53.29	-57.13	-1906.34	-65.53	-162.46	-2196.47	
		3-LANES (caseMAX	S2	187.37	141.58	1642.21	75.74	32.55	1378.13	75.74	35.75	1378.05	72.17	22.12	1566.60	
			TQ	-482.44	1533.39	1178.43	-520.75	1533.39	-1157.45	-520.75	1530.70	-1161.02	-559.04	1530.70	-3675.28	
			M3	-167.46	840.50	2731.29	-25.10	148.70	1963.48	-25.07	153.17	1963.13	23.95	93.58	1910.22	
			MIN	S2	-654.30	1003.75	-905.17	-705.65	950.46	-3284.57	-705.65	942.82	-3286.77	-839.31	844.47	-6162.27
			TQ	-84.26	-658.67	-3518.89	-84.26	-658.67	-3911.30	-84.26	-667.76	-3909.76	-84.26	-667.76	-4302.17	
			M3	-233.39	-127.43	-4112.74	-337.78	111.32	-5418.14	-337.81	98.81	-5418.38	-573.10	1084.08	-7365.00	
		3-LANES (caseMAX	S2	27.76	211.10	363.45	27.41	211.92	482.36	27.41	213.04	481.87	27.29	213.33	605.83	
			TQ	-14.28	353.21	-1882.37	-14.28	353.21	-1948.87	-13.22	348.75	-1884.98	-13.22	348.75	-1946.57	
			M3	-178.05	-378.19	2017.25	-13.39	-69.21	1646.72	-13.39	-65.39	1646.87	14.71	-14.36	1684.51	
			MIN	S2	-359.34	-661.90	-258.34	-364.16	-662.72	-1933.46	-364.16	-667.22	-1931.92	-369.21	-667.50	-3636.15
			TQ	-327.30	-742.91	1181.14	-332.46	-742.91	-355.11	-333.52	-743.81	-418.09	-338.68	-743.81	-1983.30	
			M3	-95.11	155.55	-2850.26	-158.81	9.98	-3448.79	-158.81	1.96	-3448.81	-323.33	-449.78	-4450.58	
		3-LANES (caseMAX	S2	48.74	517.70	-441.51	48.74	517.70	-214.54	48.74	517.20	-215.74	48.74	517.20	11.23	
			TQ	33.38	627.25	-1846.47	33.38	627.25	-1691.03	33.83	623.37	-1646.27	33.83	623.37	-1488.73	
			M3	-111.78	-575.70	1803.27	-2.49	-117.93	1632.81	-2.59	-115.05	1633.08	15.21	-17.18	1684.98	
MIN	S2		-256.53	-1366.54	85.00	-256.53	-1366.54	-1109.64	-256.53	-1369.11	-1106.46	-256.53	-1369.11	-2301.10		
TQ	-245.16		-1434.80	1000.42	-245.16	-1434.80	-141.26	-245.61	-1435.17	-184.14	-245.61	-1435.17	-1327.92			
M3	-33.80		265.38	-2413.93	-93.71	-86.22	-2721.05	-93.61	-91.64	-2720.85	-153.71	-381.57	-3235.37			

BAGO RIVER BRIDGE

BLOCK [ No.1 : MAIN GIRDER ][ BEAM MEMBER FORCE ]

MEMBER					2015			2016			2017					
NODE					2015			2016			2017					
NAME TITLE					SHEAR	TORQUE	MOMENT	SHEAR	TORQUE	MOMENT	SHEAR	TORQUE	MOMENT			
					S2 (kN)	TQ (kN·m)	M3 (kN·m)	S2 (kN)	TQ (kN·m)	M3 (kN·m)	S2 (kN)	TQ (kN·m)	M3 (kN·m)			
301	LIVE LOAD	4-LANES	MAX	S2	30.03	377.22	-1020.23	29.76	377.85	-888.29	29.76	375.78	-889.17	29.68	376.00	-753.37
				TQ	3.26	463.95	-1855.25	3.26	463.95	-1840.06	3.68	459.69	-1830.70	3.68	459.69	-1813.55
			M3	-207.82	-795.87	895.02	-100.86	-325.62	141.30	-100.94	-325.99	142.05	0.40	-1.87	0.92	
		MIN	S2	-316.91	-1040.63	94.75	-320.32	-1040.85	-1381.23	-320.32	-1044.06	-1378.81	-324.10	-1044.15	-2876.66	
			TQ	-285.62	-1116.62	493.17	-302.91	-1116.62	-909.84	-303.33	-1118.74	-917.77	-306.67	-1118.74	-2338.10	
			M3	-66.53	196.46	-2367.49	-129.61	-57.69	-2833.84	-129.53	-63.58	-2833.70	-256.57	-492.55	-3613.44	
	6-LANES	MAX	S2	178.71	368.10	965.07	91.31	328.78	943.23	91.31	330.97	942.46	82.69	339.14	1239.30	
			TQ	-311.75	1382.16	-701.54	-331.80	1382.16	-2199.94	-331.08	1377.09	-2161.94	-351.29	1377.09	-3750.76	
		M3	-218.12	125.32	3373.94	-32.49	46.54	2624.26	-32.51	52.07	2624.15	28.73	56.72	2629.68		
		MIN	S2	-697.27	-244.98	-607.91	-745.66	-260.53	-3364.88	-745.66	-268.35	-3364.26	-852.17	-305.61	-6529.19	
			TQ	-279.42	-1393.50	-1686.47	-282.47	-1393.50	-2994.87	-283.26	-1400.52	-3039.23	-286.25	-1400.52	-4365.37	
			M3	-207.89	68.19	-4921.49	-328.09	12.44	-6164.03	-328.06	-1.28	-6164.04	-590.63	308.32	-8072.87	
	LIVE LOAD	MAX	201.05	1533.39	3373.94	91.31	1533.39	2624.26	91.31	1530.70	2624.15	82.69	1530.70	2629.68		
		MIN	-697.27	-1434.80	-4921.49	-745.66	-1434.80	-6164.03	-745.66	-1435.17	-6164.04	-852.17	-1435.17	-8072.87		
303	SUM TOTAL	TOTAL	MAX	-1658.64	1919.13	-2545.08	-1956.25	1919.13	-12392.72	-1956.25	1881.52	-12393.69	-2152.74	1881.52	-22361.03	
			MIN	-2556.96	-1049.06	-10840.50	-2793.22	-1049.06	-21181.01	-2793.22	-1084.35	-21181.88	-3087.60	-1084.35	-33063.58	



BAGO RIVER BRIDGE

BLOCK [ No.1 : MAIN GIRDER ] [ BEAM MEMBER FORCE ]

MEMBER NODE	2017 2017	2018			2018			2019						
		SHEAR	TORQUE	MOMENT	SHEAR	TORQUE	MOMENT	SHEAR	TORQUE	MOMENT				
		S2 (kN)	TQ (kN·m)	M3 (kN·m)	S2 (kN)	TQ (kN·m)	M3 (kN·m)	S2 (kN)	TQ (kN·m)	M3 (kN·m)				
1 PAVEMENT	280.03	45.64	-4566.76	249.85	45.64	-3313.06	249.85	37.82	-3313.16	219.67	37.82	-2202.26		
3 RAILING	3.37	-2.58	-95.74	4.98	-2.58	-75.98	4.98	-2.76	-75.98	6.58	-2.76	-48.65		
5 CURB	33.41	-25.51	-947.82	49.25	-25.51	-752.23	49.25	-27.28	-752.17	65.10	-27.28	-481.61		
7 DECK WEIGHT	434.29	62.49	-7076.20	388.41	62.49	-5129.67	388.41	50.37	-5129.80	342.54	50.37	-3400.35		
8 GIRDER WEIGH	592.49	40.68	-8770.57	504.00	40.68	-6176.21	504.00	26.09	-6176.29	415.52	26.09	-4000.67		
10 MEDIAN STRIP	113.29	22.56	-1424.44	84.64	22.56	-956.11	84.64	20.30	-956.16	55.99	20.30	-623.41		
21 ADITIONAL WE	121.60	17.50	-1981.34	108.76	17.50	-1436.31	108.76	14.10	-1436.34	95.91	14.10	-952.10		
31 MEDIAN RAILI	9.97	1.65	-128.01	7.65	1.65	-86.31	7.65	1.44	-86.32	5.34	1.44	-55.57		
51 SUPPORT WEIG	-0.00	-0.00	-0.00	-0.00	-0.00	-0.00	-0.00	-0.00	-0.00	-0.00	-0.00	-0.00		
52 NOSE WEIGHT	0.02	0.21	-0.45	0.02	0.21	-0.36	0.02	0.21	-0.36	0.02	0.21	-0.26		
61 1-LANE(case1TRUCK-LOAD	MAX	S2	126.13	-359.07	-639.15	126.13	-359.07	-42.29	126.13	-359.17	-41.45	167.25	-352.74	561.52
		TQ	23.04	178.03	-938.24	23.04	178.03	-829.21	23.04	176.07	-829.63	23.04	176.07	-720.60
		M3	-17.68	30.35	285.91	-17.68	30.35	202.26	-17.68	30.83	202.18	166.77	-330.37	576.52
	MIN	S2	-51.56	24.68	-53.57	-17.68	30.35	202.26	-17.68	30.83	202.18	-17.68	30.83	118.53
		TQ	123.37	-384.47	-781.70	123.37	-384.47	-197.91	123.37	-384.93	-197.00	123.37	-384.93	386.80
		M3	23.25	168.73	-977.36	23.25	168.73	-867.32	23.25	166.68	-867.72	23.25	166.68	-757.68
	TANDEM-LOAD MAX	S2	91.54	-255.24	-472.81	91.54	-255.24	-39.62	91.54	-255.34	-39.02	133.49	-202.70	392.93
		TQ	15.44	120.95	-618.57	15.44	120.95	-545.52	15.44	119.66	-545.80	15.44	119.66	-472.75
		M3	-11.98	21.10	193.86	-11.98	21.10	137.17	-11.98	21.43	137.12	112.00	-221.53	405.37
	MIN	S2	-56.64	-14.08	-7.38	-11.99	20.25	137.09	-11.99	20.57	137.04	-11.99	20.57	80.31
		TQ	78.13	-261.47	-550.79	78.13	-261.47	-181.07	78.13	-261.89	-180.45	78.13	-261.89	189.28
		M3	15.88	115.69	-665.88	15.88	115.69	-590.74	15.88	114.30	-591.01	15.88	114.30	-515.87
	DISPERSION-LMAX	S2	129.10	-204.98	-2112.21	134.08	-211.76	-1506.37	134.08	-215.32	-1505.87	145.29	-218.10	-847.02
		TQ	-6.20	267.49	-671.78	-6.20	267.49	-701.11	-6.20	265.84	-701.74	-6.20	265.84	-731.08
		M3	-32.13	52.82	488.03	-15.84	14.96	352.71	-15.81	15.66	352.67	36.44	-116.04	422.23
	MIN	S2	-38.64	61.43	453.51	-32.29	68.21	302.55	-32.29	68.92	302.38	-32.16	71.70	152.06
		TQ	96.66	-411.05	-986.92	107.98	-411.05	-502.71	107.98	-412.23	-501.74	119.33	-412.23	36.11
		M3	122.59	-196.37	-2146.73	117.63	-158.51	-1556.53	117.59	-162.05	-1556.15	76.69	-30.35	-1117.19

BAGO RIVER BRIDGE

BLOCK [ No.1 : MAIN GIRDER ][ BEAM MEMBER FORCE ]

MEMBER NODE	2017			2018			2018			2019					
	SHEAR	TORQUE	MOMENT	SHEAR	TORQUE	MOMENT	SHEAR	TORQUE	MOMENT	SHEAR	TORQUE	MOMENT			
													S2 (kN)	TQ (kN·m)	M3 (kN·m)
62	1-LANE (case2TRUCK-LOAD	MAX	S2	261.25	-15.52	-227.83	170.26	-42.02	329.40	170.26	-41.25	329.50	105.29	-70.62	447.13
			TQ	15.38	72.33	-779.19	15.38	72.33	-706.39	15.38	70.66	-706.55	15.38	70.66	-633.75
			M3	-16.84	11.23	268.41	159.26	-33.91	348.49	159.26	-33.09	348.57	85.25	-62.14	455.93
		MIN	S2	-16.84	11.23	268.41	-40.25	-9.35	259.92	-40.25	-8.74	259.94	-131.67	-35.12	404.31
			TQ	72.46	-121.47	-701.22	72.46	-121.47	-358.33	72.46	-122.31	-358.05	72.46	-122.31	-15.16
			M3	15.01	70.91	-788.87	15.01	70.91	-717.84	15.01	69.22	-718.01	15.01	69.22	-646.98
	TANDEM-LOAD	MAX	S2	207.23	-2.21	-36.97	143.39	-19.66	380.41	143.39	-18.76	380.45	81.73	-37.90	423.86
			TQ	10.53	49.29	-528.05	10.53	49.29	-478.21	10.53	48.16	-478.33	10.53	48.16	-428.49
			M3	-11.43	7.55	182.10	143.39	-19.66	380.41	143.39	-18.76	380.45	81.73	-37.90	423.86
		MIN	S2	-11.43	7.55	182.10	-55.28	-15.18	372.96	-55.28	-14.30	372.99	-121.61	-32.79	419.09
			TQ	52.03	-82.70	-474.25	52.03	-82.70	-228.04	52.03	-83.24	-227.84	52.03	-83.24	18.37
			M3	10.27	48.53	-537.09	10.27	48.53	-488.51	10.27	47.38	-488.62	10.27	47.38	-440.04
	DISPERSION-LMAX		S2	150.78	-39.88	-1851.35	119.35	-38.36	-1261.55	119.35	-41.35	-1261.46	99.00	-36.86	-834.64
			TQ	-6.77	106.29	-536.61	-6.77	106.29	-568.67	-6.77	104.94	-568.92	-6.77	104.94	-600.98
			M3	-28.57	20.45	455.76	-6.75	10.77	400.14	-6.75	11.72	400.11	-13.77	-25.66	334.58
		MIN	S2	-28.57	20.45	455.76	-33.96	18.94	357.14	-33.96	19.78	357.10	-50.43	15.30	247.23
			TQ	128.98	-125.71	-858.99	92.16	-125.71	-335.74	92.16	-126.50	-335.45	55.35	-126.50	13.57
			M3	150.78	-39.88	-1851.35	92.14	-30.20	-1304.55	92.14	-33.28	-1304.47	62.34	4.10	-921.99
63	1-LANE (case3TRUCK-LOAD	MAX	S2	84.21	82.09	-410.22	84.21	82.09	-11.73	84.21	82.06	-11.93	84.21	82.06	386.56
			TQ	83.98	82.37	-421.95	83.98	82.37	-24.54	83.98	82.31	-24.73	83.98	82.31	372.69
			M3	-16.21	-3.02	255.28	-16.21	-3.02	178.58	-16.21	-2.60	178.59	78.06	79.21	393.29
		MIN	S2	-16.21	-3.02	255.28	-16.21	-3.02	178.58	-16.21	-2.60	178.59	-16.21	-2.60	101.89
			TQ	3.11	-19.21	-299.01	3.11	-19.21	-284.30	3.11	-19.89	-284.25	3.11	-19.89	-269.53
			M3	8.16	-2.68	-639.84	8.10	-2.25	-601.35	8.10	-3.67	-601.34	8.10	-3.67	-563.03

BAGO RIVER BRIDGE

BLOCK [ No.1 : MAIN GIRDER ][ BEAM MEMBER FORCE ]

MEMBER		2017			2018			2018			2019						
NODE		2017			2018			2018			2019						
		SHEAR	TORQUE	MOMENT	SHEAR	TORQUE	MOMENT	SHEAR	TORQUE	MOMENT	SHEAR	TORQUE	MOMENT				
NAME	TITLE	S2 (kN)	TQ (kN·m)	M3 (kN·m)	S2 (kN)	TQ (kN·m)	M3 (kN·m)	S2 (kN)	TQ (kN·m)	M3 (kN·m)	S2 (kN)	TQ (kN·m)	M3 (kN·m)				
63	1-LANE (case3TANDEM-LOAD	MAX	S2	57.94	55.20	-243.01	57.94	55.20	31.15	57.94	55.28	31.02	57.94	55.28	305.18		
			TQ	57.37	57.71	-303.85	57.37	57.71	-32.39	57.37	57.64	-32.52	57.37	57.64	238.95		
			M3	-11.00	-1.98	173.30	-11.00	-1.98	121.24	-11.00	-1.69	121.24	57.94	55.28	305.18		
		MIN	S2	-11.00	-1.98	173.30	-11.00	-1.98	121.24	-11.00	-1.69	121.24	-11.00	-1.69	69.18		
			TQ	3.18	-13.53	-230.72	3.18	-13.53	-215.69	3.18	-14.04	-215.66	3.18	-14.04	-200.63		
			M3	5.58	-2.14	-434.84	5.58	-2.14	-408.46	5.58	-3.11	-408.45	5.43	-2.07	-382.29		
			DISPERSION-LMAX	S2	93.29	57.75	-1449.60	87.27	57.35	-1026.87	87.27	54.93	-1027.00	81.55	53.77	-640.00	
				TQ	79.15	70.01	-908.66	72.98	70.01	-548.71	71.07	68.76	-510.71	64.89	68.76	-189.03	
				M3	-27.32	-6.66	429.99	-12.23	7.84	325.57	-12.23	8.61	325.55	8.48	33.92	319.61	
			MIN	S2	-27.58	-8.42	419.09	-27.72	-8.03	292.72	-27.72	-7.34	292.74	-28.19	-6.18	172.90	
				TQ	-13.44	-20.69	-121.85	-13.44	-20.69	-185.43	-11.52	-21.17	-223.54	-11.52	-21.17	-278.08	
				M3	93.04	55.99	-1460.50	71.77	41.49	-1059.71	71.77	38.98	-1059.81	44.89	13.67	-786.72	
64	1-LANE (case4TRUCK-LOAD	MAX	S2	38.50	348.39	-261.09	38.50	348.39	-78.90	38.50	348.21	-79.72	38.50	348.21	102.47		
			TQ	38.50	348.39	-261.09	38.50	348.39	-78.90	38.50	348.21	-79.72	38.50	348.21	102.47		
			M3	-15.36	-20.88	237.85	-15.36	-20.88	165.18	-15.36	-20.49	165.23	34.83	329.48	140.02		
		MIN	S2	-15.41	-164.94	-105.57	-15.41	-164.94	-178.52	-15.41	-165.36	-178.13	-15.41	-165.36	-251.07		
			TQ	-13.24	-179.56	-194.98	-13.24	-179.56	-257.62	-13.24	-180.16	-257.20	-13.24	-180.16	-319.85		
			M3	33.63	307.72	-306.42	-8.03	-158.51	-324.93	-8.03	-159.27	-324.56	-8.58	-164.06	-364.33		
			TANDEM-LOAD	MAX	S2	26.26	237.21	-163.68	26.26	237.21	-39.40	26.26	237.11	-39.96	26.26	237.11	84.32
				TQ	26.26	237.21	-163.68	26.26	237.21	-39.40	26.26	237.11	-39.96	26.26	237.11	84.32	
				M3	-10.43	-14.36	161.57	-10.43	-14.36	112.20	-10.43	-14.09	112.23	23.41	222.03	100.31	
			MIN	S2	-10.85	-110.89	-61.55	-10.85	-110.89	-112.90	-10.85	-111.16	-112.64	-10.85	-111.16	-163.99	
				TQ	-8.70	-122.52	-140.59	-8.70	-122.52	-181.74	-8.70	-122.95	-181.45	-8.70	-122.95	-222.60	
				M3	22.37	204.88	-209.09	-5.25	-105.88	-221.06	-5.25	-106.40	-220.81	-5.97	-112.84	-248.15	

BAGO RIVER BRIDGE

BLOCK [ No.1 : MAIN GIRDER ] [ BEAM MEMBER FORCE ]

MEMBER			2017			2018			2018			2019					
NODE			2017			2018			2018			2019					
			SHEAR	TORQUE	MOMENT	SHEAR	TORQUE	MOMENT	SHEAR	TORQUE	MOMENT	SHEAR	TORQUE	MOMENT			
NAME	TITLE		S2 (kN)	TQ (kN·m)	M3 (kN·m)	S2 (kN)	TQ (kN·m)	M3 (kN·m)	S2 (kN)	TQ (kN·m)	M3 (kN·m)	S2 (kN)	TQ (kN·m)	M3 (kN·m)			
64	1-LANE (case4DISPERSION-LMAX	S2	38.77	367.77	-323.21	38.77	367.77	-139.74	38.77	367.44	-140.61	38.77	367.44	42.85			
		TQ	38.77	368.86	-323.06	38.77	368.86	-139.61	38.77	368.53	-140.48	38.77	368.53	42.96			
		M3	-26.48	-39.52	399.34	-20.34	33.83	283.61	-20.44	33.56	283.53	-2.04	201.17	230.52			
		MIN	S2	-39.36	-249.49	93.72	-39.36	-249.49	-92.52	-39.36	-249.71	-91.93	-39.36	-249.71	-278.17		
		TQ	-39.35	-250.57	93.57	-39.35	-250.57	-92.65	-39.35	-250.79	-92.06	-39.35	-250.79	-278.29			
		M3	25.89	157.80	-628.83	19.76	84.45	-515.87	19.85	84.17	-516.07	1.45	-83.43	-465.85			
		65	2-LANES (caseTRUCK-LOAD	MAX	S2	285.63	-413.51	-818.51	262.06	-499.40	171.54	262.06	-498.99	172.72	282.70	-558.20	1063.08
				TQ	42.28	302.89	-1789.37	42.28	302.89	-1589.31	42.28	299.14	-1590.02	42.28	299.14	-1389.96	
				M3	-34.93	51.17	563.05	106.03	-87.33	430.62	106.03	-86.31	430.82	268.84	-520.29	1089.75	
MIN	S2			-68.82	45.40	223.56	-34.93	51.07	397.72	-34.93	52.01	397.60	-51.20	-94.46	566.81		
TQ	213.24			-628.88	-1545.69	213.24	-628.88	-536.62	213.24	-630.15	-535.13	213.24	-630.15	473.94			
M3	42.45			288.61	-1861.28	42.45	288.61	-1660.39	42.45	284.68	-1661.07	42.45	284.68	-1460.18			
TANDEM-LOAD	MAX			S2	207.13	-263.07	-499.90	191.12	-324.50	200.74	191.12	-324.02	201.51	216.78	-327.70	821.95	
TQ	28.62			205.93	-1204.63	28.62	205.93	-1069.18	28.62	203.41	-1069.66	28.62	203.41	-934.22			
M3	-23.69			35.01	381.82	87.60	-48.15	377.54	87.60	-47.26	377.65	195.29	-346.53	834.39			
MIN	S2	-68.34	-0.18	180.58	-25.79	-33.70	370.72	-25.79	-32.83	370.79	-42.63	-92.61	501.69				
TQ	142.35	-427.73	-1056.37	142.35	-427.73	-382.76	142.35	-428.64	-381.75	142.35	-428.64	291.87					
M3	29.00	197.84	-1267.97	29.00	197.84	-1130.72	29.00	195.17	-1131.19	29.00	195.17	-993.94					
DISPERSION-LMAX	S2	273.90	-322.13	-4127.68	260.30	-325.72	-2903.35	260.30	-332.58	-2902.58	256.50	-325.92	-1732.41				
TQ	-11.54	454.11	-1285.46	-11.54	454.11	-1340.08	-11.54	450.94	-1341.15	-11.54	450.94	-1395.78					
M3	-61.48	90.16	959.77	-23.24	19.80	737.82	-23.21	21.41	737.77	40.24	-185.58	794.34					
MIN	S2	-68.01	99.57	922.75	-63.39	103.16	651.49	-63.39	104.70	651.24	-68.58	98.04	391.64				
TQ	217.44	-676.67	-1919.47	208.45	-676.67	-911.78	208.45	-678.82	-910.18	199.47	-678.82	55.00					
M3	267.37	-312.72	-4164.70	220.15	-242.36	-2989.69	220.12	-249.29	-2989.11	147.68	-42.30	-2135.12					

BAGO RIVER BRIDGE

BLOCK [ No.1 : MAIN GIRDER ][ BEAM MEMBER FORCE ]

MEMBER NODE	2017 2017	2018			2018			2018			2019				
		SHEAR	TORQUE	MOMENT	SHEAR	TORQUE	MOMENT	SHEAR	TORQUE	MOMENT	SHEAR	TORQUE	MOMENT		
		S2 (kN)	TQ (kN·m)	M3 (kN·m)	S2 (kN)	TQ (kN·m)	M3 (kN·m)	S2 (kN)	TQ (kN·m)	M3 (kN·m)	S2 (kN)	TQ (kN·m)	M3 (kN·m)		
66	2-LANES (caseTRUCK-LOAD	MAX	S2	420.75	-69.96	-407.18	306.19	-182.36	543.24	306.19	-181.07	543.67	220.75	-276.07	948.69
			TQ	34.62	197.20	-1630.32	34.62	197.20	-1466.48	34.62	193.74	-1466.94	34.62	193.74	-1303.11
			M3	-34.10	32.05	545.55	282.96	-151.59	576.85	282.96	-150.23	577.20	187.32	-252.06	969.16
		MIN	S2	-34.10	31.95	545.54	-57.51	11.37	455.38	-57.51	12.44	455.36	-165.19	-160.41	852.59
			TQ	162.33	-365.88	-1465.20	162.33	-365.88	-697.04	162.33	-367.53	-696.18	162.33	-367.53	71.98
			M3	34.21	190.78	-1672.79	34.21	190.78	-1510.91	34.21	187.21	-1511.36	34.21	187.21	-1349.48
	TANDEM-LOAD	MAX	S2	322.82	-10.03	-64.06	242.97	-88.92	620.77	242.97	-87.45	620.98	165.01	-162.90	852.88
			TQ	23.72	134.28	-1114.10	23.72	134.28	-1001.87	23.72	131.91	-1002.19	23.72	131.91	-889.96
			M3	-23.13	21.46	370.07	242.97	-88.92	620.77	242.97	-87.45	620.98	165.01	-162.90	852.88
		MIN	S2	-23.13	21.46	370.07	-69.08	-69.13	606.58	-69.08	-67.70	606.75	-152.25	-145.97	840.47
			TQ	116.25	-248.97	-979.83	116.25	-248.97	-429.73	116.25	-249.98	-429.14	116.25	-249.98	120.97
			M3	23.39	130.68	-1139.18	23.39	130.68	-1028.49	23.39	128.25	-1028.79	23.39	128.25	-918.11
	DISPERSION-LMAX	S2	295.59	-157.02	-3866.82	245.57	-152.32	-2658.54	245.57	-158.60	-2658.17	210.21	-144.69	-1720.02	
		TQ	-12.12	292.90	-1150.29	-12.12	292.90	-1207.64	-12.12	290.05	-1208.33	-12.12	290.05	-1265.68	
		M3	-57.92	57.79	927.49	-14.15	15.62	785.25	-14.15	17.48	785.21	-9.97	-95.20	706.70	
		MIN	S2	-57.94	58.60	924.99	-65.06	53.89	706.09	-65.06	55.56	705.96	-86.84	41.65	486.81
			TQ	249.77	-391.33	-1791.54	192.63	-391.33	-744.81	192.63	-393.09	-743.88	135.49	-393.09	32.46
			M3	295.57	-156.22	-3869.32	194.66	-114.05	-2737.70	194.66	-120.52	-2737.43	133.34	-7.84	-1939.92
67	2-LANES (caseTRUCK-LOAD	MAX	S2	149.71	236.06	-778.90	149.71	236.06	-70.45	149.71	235.89	-71.00	149.71	235.89	637.45
			TQ	148.29	239.59	-818.22	148.29	239.59	-116.48	148.29	239.31	-117.05	148.29	239.31	584.69
			M3	-32.00	-15.52	501.81	-32.00	-15.52	350.40	-32.00	-14.69	350.44	139.42	210.35	702.98
		MIN	S2	-32.00	-15.52	501.81	-32.00	-15.52	350.40	-32.00	-14.69	350.44	-32.00	-14.69	199.03
			TQ	5.53	-80.18	-725.13	5.53	-80.18	-698.95	5.53	-81.83	-698.76	5.53	-81.83	-672.58
			M3	11.34	-52.59	-1176.41	11.27	-52.16	-1122.88	11.27	-54.81	-1122.75	11.27	-54.81	-1069.41

BAGO RIVER BRIDGE

BLOCK [ No.1 : MAIN GIRDER ] [ BEAM MEMBER FORCE ]

MEMBER				2017			2018			2018			2019				
NODE				2017			2018			2018			2019				
				SHEAR	TORQUE	MOMENT	SHEAR	TORQUE	MOMENT	SHEAR	TORQUE	MOMENT	SHEAR	TORQUE	MOMENT		
NAME	TITLE			S2 (kN)	TQ (kN·m)	M3 (kN·m)	S2 (kN)	TQ (kN·m)	M3 (kN·m)	S2 (kN)	TQ (kN·m)	M3 (kN·m)	S2 (kN)	TQ (kN·m)	M3 (kN·m)		
67	2-LANES (caseTANDEM-LOAD	MAX	S2	104.02	160.52	-488.00	104.02	160.52	4.24	104.02	160.53	3.86	104.02	160.53	496.11		
			TQ	100.05	165.38	-581.40	100.05	165.38	-107.96	100.05	165.13	-108.35	100.05	165.13	365.10		
			M3	-21.72	-10.30	340.73	-21.72	-10.30	237.94	-21.72	-9.74	237.96	100.12	142.57	531.47		
		MIN	S2	-21.72	-10.30	340.73	-21.72	-10.30	237.94	-21.72	-9.74	237.96	-21.72	-9.74	135.17		
			TQ	4.72	-55.12	-496.59	4.72	-55.12	-474.24	4.72	-56.24	-474.11	4.72	-56.24	-451.75		
			M3	7.77	-35.33	-800.01	7.77	-35.33	-763.26	7.77	-37.13	-763.17	7.62	-36.10	-726.64		
		DISPERSION-LMAX	S2	162.27	175.16	-2601.99	156.24	174.77	-1852.85	156.24	170.39	-1853.25	150.53	169.24	-1139.85		
			TQ	144.10	239.31	-1469.36	137.93	239.31	-802.07	136.01	237.45	-764.47	129.84	237.45	-135.45		
			M3	-53.87	-30.15	843.98	-27.92	6.94	625.74	-27.92	8.41	625.72	18.92	100.75	610.63		
		MIN	S2	-55.07	-45.85	779.23	-55.22	-45.46	522.74	-55.22	-44.22	522.85	-55.69	-43.07	272.88		
			TQ	-36.91	-109.99	-353.40	-36.91	-109.99	-528.03	-34.99	-111.28	-565.93	-34.99	-111.28	-731.52		
			M3	161.07	159.46	-2666.73	128.94	122.38	-1955.84	128.94	117.76	-1956.13	75.92	25.42	-1477.60		
		68	2-LANES (caseTRUCK-LOAD	MAX	S2	85.45	600.06	-578.84	85.45	600.06	-174.49	85.45	599.65	-175.91	85.45	599.65	228.44
					TQ	84.63	602.17	-611.17	84.63	602.17	-210.70	84.63	601.67	-212.12	84.63	601.67	188.34
					M3	-31.14	-33.38	484.38	-31.14	-33.38	337.00	-31.14	-32.58	337.08	75.37	524.10	338.59
MIN	S2			-31.20	-177.44	140.96	-31.20	-177.44	-6.70	-31.20	-177.46	-6.28	-31.20	-177.46	-153.93		
	TQ			-19.87	-308.97	-512.51	-19.87	-308.97	-606.52	-19.87	-310.40	-605.79	-19.87	-310.40	-699.80		
	M3			73.29	534.55	-691.54	-11.94	-276.06	-725.58	-11.94	-277.78	-724.93	-13.05	-287.31	-784.44		
TANDEM-LOAD MAX	S2			58.25	405.27	-362.55	58.25	405.27	-86.93	58.25	405.07	-87.89	58.25	405.07	187.74		
	TQ			57.90	410.80	-397.90	57.90	410.80	-123.94	57.90	410.50	-124.91	57.90	410.50	149.06		
	M3			-21.15	-22.68	329.00	-21.15	-22.68	228.90	-21.15	-22.14	228.95	52.51	362.46	238.85		
MIN	S2			-21.57	-119.21	105.88	-21.57	-119.21	3.80	-21.57	-119.20	4.08	-21.57	-119.20	-97.99		
	TQ			-13.05	-210.69	-363.32	-13.05	-210.69	-425.05	-13.05	-211.69	-424.56	-13.05	-211.69	-486.29		
	M3			49.82	361.68	-471.77	-7.99	-186.69	-493.99	-7.99	-187.85	-493.55	-8.86	-195.62	-534.20		

BAGO RIVER BRIDGE

BLOCK [ No.1 : MAIN GIRDER ][ BEAM MEMBER FORCE ]

MEMBER			2017			2018			2018			2019			
NODE			2017			2018			2018			2019			
NAME TITLE			SHEAR	TORQUE	MOMENT	SHEAR	TORQUE	MOMENT	SHEAR	TORQUE	MOMENT	SHEAR	TORQUE	MOMENT	
			S2 (kN)	TQ (kN·m)	M3 (kN·m)	S2 (kN)	TQ (kN·m)	M3 (kN·m)	S2 (kN)	TQ (kN·m)	M3 (kN·m)	S2 (kN)	TQ (kN·m)	M3 (kN·m)	
68	2-LANES (caseDISPERSION-LMAX	S2	89.90	639.09	-760.84	89.90	639.09	-335.44	89.90	638.30	-336.95	89.90	638.30	88.45	
		TQ	89.89	640.18	-760.69	89.89	640.18	-335.31	89.89	639.38	-336.82	89.89	639.38	88.57	
		M3	-53.02	-63.33	813.10	-38.32	50.19	580.55	-38.49	50.36	580.43	1.49	335.33	491.13	
	MIN	S2	-72.87	-426.92	68.24	-72.87	-426.92	-276.57	-72.87	-427.57	-275.56	-72.87	-427.57	-620.37	
		TQ	-72.86	-428.01	68.09	-72.86	-428.01	-276.70	-72.86	-428.66	-275.69	-72.86	-428.66	-620.48	
		M3	70.05	275.50	-1505.70	55.35	161.98	-1192.56	55.52	160.36	-1192.94	15.54	-124.61	-1023.05	
	69	3-LANES (caseTRUCK-LOAD	MAX S2	546.88	-429.03	-1046.34	432.32	-541.42	500.94	432.32	-540.24	502.22	388.00	-628.82	1510.21
			TQ	57.66	375.23	-2568.56	57.66	375.23	-2295.69	57.66	369.80	-2296.57	57.66	369.80	-2023.71
			M3	-51.77	62.40	831.46	265.28	-121.24	779.10	265.28	-119.40	779.39	354.09	-582.43	1545.68
MIN		S2	-85.66	56.63	491.97	-75.19	41.72	657.64	-75.19	43.27	657.54	-182.87	-129.58	971.12	
		TQ	285.70	-750.35	-2246.91	285.70	-750.35	-894.95	285.70	-752.46	-893.17	285.70	-752.46	458.78	
		M3	57.46	359.52	-2650.15	57.46	359.52	-2378.23	57.46	353.90	-2379.08	57.46	353.90	-2107.16	
TANDEM-LOAD		MAX S2	414.36	-265.27	-536.87	334.51	-344.16	581.15	334.51	-342.79	581.96	298.51	-365.60	1245.81	
		TQ	39.16	255.23	-1732.68	39.16	255.23	-1547.39	39.16	251.57	-1547.99	39.16	251.57	-1362.71	
		M3	-35.11	42.56	563.93	230.99	-67.81	757.95	230.99	-66.02	758.11	277.01	-384.43	1258.26	
MIN	S2	-79.77	7.38	362.69	-81.06	-48.89	743.68	-81.06	-47.13	743.79	-164.24	-125.39	920.78		
	TQ	194.38	-510.43	-1530.62	194.38	-510.43	-610.79	194.38	-511.87	-609.59	194.38	-511.87	310.24		
	M3	39.27	246.37	-1805.06	39.27	246.37	-1619.23	39.27	242.54	-1619.81	39.27	242.54	-1433.98		
DISPERSION-LMAX	S2	424.68	-362.00	-5979.03	379.65	-364.08	-4164.91	379.65	-373.92	-4164.04	355.51	-362.78	-2567.05		
	TQ	-18.32	560.40	-1822.07	-18.32	560.40	-1908.75	-18.32	555.88	-1910.07	-18.32	555.88	-1996.75		
	M3	-90.05	110.61	1415.52	-29.99	30.58	1137.96	-29.96	33.13	1137.88	26.47	-211.24	1128.92		
MIN	S2	-96.58	120.02	1378.50	-97.35	122.10	1008.63	-97.35	124.49	1008.34	-119.01	113.35	638.87		
	TQ	346.42	-802.38	-2778.46	300.61	-802.38	-1247.52	300.61	-805.32	-1245.63	254.81	-805.32	68.57		
	M3	418.15	-352.59	-6016.06	312.29	-272.56	-4294.24	312.25	-282.57	-4293.58	210.02	-38.20	-3057.11		

BAGO RIVER BRIDGE

BLOCK [ No.1 : MAIN GIRDER ] [ BEAM MEMBER FORCE ]

MEMBER NODE	2017 2017	2018			2018			2018			2019					
		SHEAR	TORQUE	MOMENT	SHEAR	TORQUE	MOMENT	SHEAR	TORQUE	MOMENT	SHEAR	TORQUE	MOMENT			
		S2 (kN)	TQ (kN·m)	M3 (kN·m)	S2 (kN)	TQ (kN·m)	M3 (kN·m)	S2 (kN)	TQ (kN·m)	M3 (kN·m)	S2 (kN)	TQ (kN·m)	M3 (kN·m)			
70	3-LANES (caseTRUCK-LOAD	MAX	S2	198.06	474.49	-1094.07	198.06	474.49	-156.84	198.06	474.12	-157.96	198.06	474.12	779.28	
			TQ	195.25	483.63	-1179.01	195.25	483.63	-255.05	195.25	483.03	-256.19	195.25	483.03	667.78	
			M3	-47.35	-36.40	739.66	-47.35	-36.40	515.58	-47.35	-35.18	515.67	182.36	393.29	916.20	
			MIN	S2	-47.36	-37.49	739.59	-47.36	-37.49	515.46	-47.36	-36.27	515.55	-47.36	-36.27	291.42
				TQ	1.19	-189.26	-1071.14	1.19	-189.26	-1065.51	1.19	-191.78	-1065.06	1.19	-191.78	-1059.43
				M3	10.05	-144.19	-1612.68	9.92	-144.60	-1565.54	9.92	-148.29	-1565.19	9.39	-153.58	-1518.81
		TANDEM-LOAD	MAX	S2	137.05	322.08	-696.32	137.05	322.08	-47.81	137.05	321.96	-48.57	137.05	321.96	599.94
				TQ	132.25	332.24	-823.10	132.25	332.24	-197.28	132.25	331.78	-198.06	132.25	331.78	427.76
				M3	-32.16	-24.66	502.30	-32.16	-24.66	350.13	-32.16	-23.83	350.19	126.71	250.42	679.64
			MIN	S2	-32.16	-24.96	502.28	-32.16	-24.96	350.10	-32.16	-24.14	350.16	-32.16	-24.14	197.98
				TQ	1.65	-129.59	-725.31	1.65	-129.59	-717.52	1.65	-131.28	-717.21	1.65	-131.28	-709.42
				M3	6.77	-99.14	-1096.67	6.77	-99.14	-1064.65	6.77	-101.66	-1064.41	6.48	-102.10	-1032.76
		DISPERSION-LMAX	MAX	S2	215.25	416.54	-3227.98	209.22	416.14	-2228.15	209.22	410.88	-2229.12	203.51	409.72	-1265.02
				TQ	196.66	506.31	-1915.30	190.48	506.31	-999.31	188.57	504.00	-962.34	182.40	504.00	-84.61
				M3	-79.66	-70.36	1242.27	-44.67	4.31	911.19	-44.77	6.13	911.18	24.24	210.54	867.41
			MIN	S2	-84.85	-182.94	847.38	-84.99	-182.55	450.01	-84.99	-181.49	450.44	-85.46	-180.33	59.59
				TQ	-66.26	-272.72	-465.30	-66.26	-272.72	-778.83	-64.34	-274.60	-816.34	-64.34	-274.60	-1120.82
				M3	210.06	303.95	-3622.87	168.90	229.28	-2689.32	169.00	223.26	-2689.86	93.81	18.85	-2072.84
71	3-LANES (caseTRUCK-LOAD	MAX	S2	148.39	762.02	-931.38	148.39	762.02	-229.21	148.39	761.48	-231.01	148.39	761.48	471.17	
			TQ	143.56	768.58	-1025.84	143.56	768.58	-346.49	143.56	767.76	-348.31	143.56	767.76	331.03	
			M3	-47.35	-36.40	739.66	-47.35	-36.40	515.58	-47.35	-35.18	515.67	133.36	660.68	632.36	
			MIN	S2	-47.41	-180.46	396.24	-47.41	-180.46	171.89	-47.41	-180.05	172.31	-47.41	-180.05	-52.04
				TQ	-19.90	-388.27	-948.60	-19.90	-388.27	-1042.78	-19.90	-390.73	-1041.86	-19.90	-390.73	-1136.05
				M3	73.87	460.06	-1174.33	-11.36	-350.55	-1205.61	-11.36	-353.40	-1204.78	-12.47	-362.94	-1261.53



BAGO RIVER BRIDGE

BLOCK [ No.1 : MAIN GIRDER ][ BEAM MEMBER FORCE ]

MEMBER NODE	2017 2017	2018			2018			2018			2019					
		SHEAR	TORQUE	MOMENT	SHEAR	TORQUE	MOMENT	SHEAR	TORQUE	MOMENT	SHEAR	TORQUE	MOMENT			
		S2 (kN)	TQ (kN·m)	M3 (kN·m)	S2 (kN)	TQ (kN·m)	M3 (kN·m)	S2 (kN)	TQ (kN·m)	M3 (kN·m)	S2 (kN)	TQ (kN·m)	M3 (kN·m)			
71	3-LANES (case)	TANDEM-LOAD	MAX	S2	102.38	515.79	-595.95	102.38	515.79	-111.49	102.38	515.53	-112.71	102.38	515.53	371.76
				TQ	98.45	524.88	-674.89	98.45	524.88	-209.03	98.45	524.38	-210.27	98.45	524.38	255.59
				M3	-32.16	-24.66	502.30	-32.16	-24.66	350.13	-32.16	-23.83	350.19	92.17	453.04	452.42
			MIN	S2	-32.57	-121.19	279.18	-32.57	-121.19	125.04	-32.57	-120.90	125.32	-32.57	-120.90	-28.82
				TQ	-13.14	-264.51	-645.11	-13.14	-264.51	-707.27	-13.05	-266.22	-729.32	-13.05	-266.22	-791.07
				M3	50.26	311.64	-800.34	-7.55	-236.73	-820.48	-7.55	-238.66	-819.92	-8.42	-246.43	-858.48
		DISPERSION-LMAX		S2	154.65	761.08	-1697.31	154.65	761.08	-965.47	154.65	758.80	-967.27	154.65	758.80	-235.43
				TQ	150.27	813.93	-1263.56	150.27	813.93	-552.45	149.11	812.63	-541.44	149.11	812.63	164.14
				M3	-80.33	-70.31	1242.83	-55.45	66.71	892.30	-55.65	67.55	892.15	10.03	424.34	785.78
			MIN	S2	-101.76	-479.29	307.71	-101.76	-479.29	-173.85	-101.76	-479.70	-172.72	-101.76	-479.70	-654.27
				TQ	-97.38	-532.14	-126.03	-97.38	-532.14	-586.87	-96.22	-533.54	-598.54	-96.22	-533.54	-1053.84
				M3	133.22	352.10	-2632.42	108.34	215.08	-2031.62	108.54	211.55	-2032.13	42.86	-145.24	-1675.48
72	4-LANES	TRUCK-LOAD	MAX	S2	234.42	831.97	-1340.02	234.42	831.97	-230.73	234.42	831.42	-232.69	234.42	831.42	876.60
				TQ	232.20	841.55	-1427.00	232.20	841.55	-328.19	232.20	840.77	-330.18	232.20	840.77	768.63
				M3	-0.00	-0.00	0.00	141.50	400.21	213.92	141.50	400.71	212.98	213.79	728.74	1039.67
			MIN	S2	-27.02	-315.88	-538.47	-27.02	-315.88	-666.33	-27.02	-317.46	-665.58	-27.02	-317.46	-793.44
				TQ	-14.25	-386.38	-1248.11	-14.25	-386.38	-1315.57	-14.25	-389.49	-1314.65	-14.25	-389.49	-1382.10
				M3	40.89	134.39	-1859.52	-0.67	-327.92	-1848.89	-0.67	-332.29	-1848.11	-1.77	-342.05	-1854.00
		TANDEM-LOAD	MAX	S2	161.67	565.29	-849.25	161.67	565.29	-84.20	161.67	565.09	-85.53	161.67	565.09	679.52
				TQ	157.61	576.14	-978.08	157.61	576.14	-232.24	157.61	575.59	-233.60	157.61	575.59	512.23
				M3	-0.00	-0.00	0.00	90.55	257.30	185.28	90.55	257.74	184.67	152.29	504.49	767.15
			MIN	S2	-21.08	-214.32	-338.31	-21.08	-214.32	-438.08	-21.08	-215.35	-437.57	-21.08	-215.35	-537.34
				TQ	-8.13	-263.82	-900.44	-8.13	-263.82	-938.89	-8.13	-266.04	-938.26	-8.13	-266.04	-976.71
				M3	27.22	86.14	-1265.33	-0.22	-221.84	-1257.55	-0.22	-224.81	-1257.02	-1.23	-231.70	-1260.90

BAGO RIVER BRIDGE

BLOCK [ No.1 : MAIN GIRDER ] [ BEAM MEMBER FORCE ]

MEMBER				2017			2018			2018			2019				
NODE				2017			2018			2018			2019				
				SHEAR	TORQUE	MOMENT	SHEAR	TORQUE	MOMENT	SHEAR	TORQUE	MOMENT	SHEAR	TORQUE	MOMENT		
NAME	TITLE			S2 (kN)	TQ (kN·m)	M3 (kN·m)	S2 (kN)	TQ (kN·m)	M3 (kN·m)	S2 (kN)	TQ (kN·m)	M3 (kN·m)	S2 (kN)	TQ (kN·m)	M3 (kN·m)		
72	4-LANES	DISPERSION-LMAX	S2	214.85	650.37	-2877.67	208.92	650.15	-1879.54	208.92	645.71	-1881.07	203.49	644.99	-916.75		
			TQ	200.34	735.88	-1788.67	194.98	735.88	-853.27	194.42	733.89	-831.48	188.96	733.89	75.66		
			M3	-0.71	1.00	1.41	40.21	150.96	53.32	40.01	149.81	52.96	127.40	527.71	453.74		
	MIN	S2	-21.18	-378.17	-854.12	-21.33	-377.78	-950.21	-21.33	-380.02	-949.31	-21.79	-378.87	-1038.89			
		TQ	-8.20	-456.06	-1951.90	-8.20	-456.06	-1990.70	-7.63	-460.79	-2012.86	-7.63	-460.79	-2048.96			
		M3	196.00	298.44	-3699.24	149.20	151.40	-2841.00	149.39	145.96	-2841.35	56.00	-229.80	-2360.18			
	73	6-LANES	TRUCK-LOAD	MAX	S2	709.93	275.82	-1984.23	590.23	223.14	338.73	590.23	223.94	338.21	535.86	168.59	2093.80
				TQ	215.58	993.42	-3501.13	215.58	993.42	-2480.98	215.58	987.56	-2483.32	215.58	987.56	-1463.16	
				M3	-99.13	26.12	1571.24	209.45	-70.51	1290.71	209.45	-67.46	1290.87	486.41	125.99	2227.69	
MIN		S2	-124.79	49.55	1185.99	-119.69	-22.77	1147.96	-119.69	-20.06	1148.01	-240.32	-72.85	1208.90			
		TQ	245.54	-940.87	-3138.54	245.54	-940.87	-1976.62	246.83	-945.63	-2035.57	246.83	-945.63	-867.54			
		M3	89.77	466.86	-3853.24	47.78	15.24	-3611.50	47.78	6.71	-3611.52	47.38	3.21	-3386.78			
TANDEM-LOAD		MAX	S2	528.08	190.30	-1163.10	445.11	155.49	493.05	445.11	156.66	492.68	396.42	170.65	1674.01		
		TQ	148.29	678.72	-2359.08	148.29	678.72	-1657.36	148.29	674.81	-1658.96	148.29	674.81	-957.24			
		M3	-67.27	17.98	1066.31	193.99	-40.56	1103.61	193.99	-37.95	1103.70	360.29	101.69	1755.72			
MIN		S2	-102.10	-111.74	635.69	-117.34	-127.62	860.66	-117.34	-125.59	860.96	-206.37	-162.48	848.64			
		TQ	167.88	-641.76	-2186.93	167.88	-641.76	-1392.50	164.24	-645.10	-1418.06	164.24	-645.10	-640.86			
		M3	60.64	314.90	-2623.42	33.04	16.02	-2457.92	33.04	10.22	-2457.95	32.36	4.00	-2304.36			
DISPERSION-LMAX	S2	572.76	283.10	-7849.01	526.43	281.30	-5340.19	526.43	268.69	-5340.84	501.61	274.29	-3061.73				
	TQ	160.10	1216.93	-3031.60	155.51	1216.93	-2284.89	153.65	1211.57	-2250.14	149.14	1211.57	-1533.75				
	M3	-158.71	40.58	2474.24	-70.21	100.88	1907.66	-70.38	104.02	1907.41	48.41	208.53	1843.30				
MIN	S2	-183.66	-293.15	1675.62	-184.34	-289.27	892.43	-184.34	-287.17	893.11	-205.79	-293.11	109.56				
	TQ	202.33	-1154.26	-2813.61	170.49	-1154.26	-1931.38	172.40	-1158.86	-1966.75	140.35	-1158.86	-1226.65				
	M3	554.52	12.40	-8567.68	417.67	-29.25	-6251.77	417.80	-42.90	-6251.68	253.29	-133.57	-4664.59				

BAGO RIVER BRIDGE

BLOCK [ No.1 : MAIN GIRDER ][ BEAM MEMBER FORCE ]

MEMBER			2017			2018			2018			2019			
NODE			2017			2018			2018			2019			
NAME TITLE			SHEAR	TORQUE	MOMENT	SHEAR	TORQUE	MOMENT	SHEAR	TORQUE	MOMENT	SHEAR	TORQUE	MOMENT	
			S2 (kN)	TQ (kN·m)	M3 (kN·m)	S2 (kN)	TQ (kN·m)	M3 (kN·m)	S2 (kN)	TQ (kN·m)	M3 (kN·m)	S2 (kN)	TQ (kN·m)	M3 (kN·m)	
124	SUM TOTAL	D+1LANE (caseMAX	S2	1894.74	-514.21	-28292.95	1709.81	-522.35	-19784.63	1709.81	-569.09	-19783.34	1581.70	-564.71	-12107.49
			TQ	1608.68	697.27	-26923.34	1417.77	697.27	-19762.63	1417.77	650.58	-19764.22	1226.86	650.58	-13506.89
			M3	1528.70	262.45	-24062.59	1357.34	217.02	-17260.28	1357.38	176.08	-17260.74	1450.51	-415.40	-10566.39
		MIN	S2	1480.23	265.97	-24511.39	1337.60	280.92	-17320.47	1337.60	240.00	-17321.09	1146.84	243.33	-11440.17
			TQ	1852.50	-791.97	-27113.66	1675.19	-791.97	-18766.98	1675.19	-836.30	-18765.05	1497.89	-836.30	-11257.38
			M3	1763.48	129.48	-28740.23	1566.62	174.92	-20834.86	1566.58	125.85	-20835.22	1326.58	283.89	-14014.72
		D+1LANE (caseMAX	S2	2082.90	96.17	-27486.33	1745.10	66.18	-19044.81	1745.10	21.18	-19044.92	1451.81	-8.68	-12229.88
			TQ	1598.80	376.99	-26570.27	1407.89	376.99	-19456.30	1407.89	331.02	-19457.13	1216.98	331.02	-13246.56
			M3	1533.98	200.67	-24122.32	1580.57	134.88	-17027.88	1580.57	94.66	-17028.15	1292.43	14.94	-10816.27
		MIN	S2	1533.98	200.67	-24122.32	1308.50	174.15	-17185.76	1308.50	133.55	-17186.13	988.13	96.51	-10983.03
			TQ	1830.20	-133.97	-26863.56	1595.11	-133.97	-18759.13	1595.11	-178.29	-18758.76	1360.02	-178.29	-11766.79
			M3	1787.42	199.89	-28159.58	1526.14	211.50	-20353.10	1526.14	163.42	-20353.54	1299.47	208.27	-13647.64
		D+1LANE (caseMAX	S2	1801.47	330.45	-27223.10	1603.33	329.98	-19172.55	1603.33	284.68	-19173.28	1405.57	283.29	-12069.00
			TQ	1784.23	345.50	-26588.06	1585.92	345.50	-18614.13	1583.62	301.58	-18569.10	1385.30	301.58	-11544.48
			M3	1536.23	151.03	-24168.99	1363.43	168.43	-17321.25	1363.43	127.51	-17321.60	1310.50	256.05	-10909.40
		MIN	S2	1535.93	148.92	-24182.07	1344.85	149.39	-17360.67	1344.85	108.37	-17360.97	1153.38	109.76	-11435.14
			TQ	1576.08	114.76	-25496.35	1385.17	114.76	-18489.91	1387.46	71.03	-18535.92	1196.56	71.03	-12422.01
			M3	1709.91	226.61	-27511.72	1493.41	209.73	-19919.51	1493.41	162.67	-19919.95	1270.23	132.30	-13384.58
		D+1LANE (caseMAX	S2	1681.19	1022.04	-25692.47	1490.29	1022.04	-18188.61	1490.29	979.07	-18190.97	1299.38	979.07	-11590.50
			TQ	1681.19	1023.35	-25692.29	1490.28	1023.35	-18188.45	1490.28	980.37	-18190.81	1299.37	980.37	-11590.36
			M3	1538.27	90.17	-24226.69	1354.72	178.19	-17387.69	1354.61	135.99	-17388.06	1246.00	757.07	-11320.23
		MIN	S2	1522.74	-334.67	-25005.54	1331.84	-334.67	-18251.48	1331.84	-377.79	-18250.64	1140.93	-377.79	-12399.97
			TQ	1525.36	-353.51	-25113.00	1334.45	-353.51	-18346.57	1334.45	-396.85	-18345.68	1143.54	-396.85	-12482.64
			M3	1659.90	721.27	-26113.61	1411.63	73.78	-18935.20	1411.75	30.17	-18935.32	1198.10	-176.69	-12761.09

BAGO RIVER BRIDGE

BLOCK [ No.1 : MAIN GIRDER ] [ BEAM MEMBER FORCE ]

MEMBER			2017			2018			2018			2019			
NODE			2017			2018			2018			2019			
NAME TITLE			SHEAR	TORQUE	MOMENT	SHEAR	TORQUE	MOMENT	SHEAR	TORQUE	MOMENT	SHEAR	TORQUE	MOMENT	
			S2 (kN)	TQ (kN·m)	M3 (kN·m)	S2 (kN)	TQ (kN·m)	M3 (kN·m)	S2 (kN)	TQ (kN·m)	M3 (kN·m)	S2 (kN)	TQ (kN·m)	M3 (kN·m)	
124	SUM TOTAL	D+2LANES (casMAX	S2	2148.00	-573.00	-29937.50	1919.92	-662.47	-20658.05	1919.92	-711.27	-20656.43	1745.86	-763.83	-12434.21
			TQ	1619.20	919.65	-28066.15	1428.30	919.65	-20855.62	1428.30	870.38	-20857.74	1237.39	870.38	-14550.61
			M3	1492.06	303.97	-23468.49	1480.35	95.12	-16757.80	1480.38	55.40	-16757.97	1515.73	-585.58	-9880.79
		MIN	S2	1451.65	307.62	-23845.00	1299.24	316.88	-16877.02	1299.24	277.01	-16877.72	1086.87	123.88	-10806.43
			TQ	2019.15	-1142.90	-28456.48	1819.25	-1142.90	-19374.63	1819.25	-1188.67	-19371.88	1619.36	-1188.67	-11235.93
			M3	1898.30	138.54	-31017.30	1660.16	208.89	-22576.31	1660.13	155.69	-22576.74	1396.79	362.68	-15360.18
		D+2LANES (casMAX	S2	2304.80	-64.34	-29265.32	1949.32	-172.03	-20041.53	1949.32	-219.38	-20041.07	1637.62	-300.47	-12536.21
			TQ	1610.97	652.75	-27771.92	1420.07	652.75	-20600.35	1420.07	604.08	-20601.84	1229.16	604.08	-14333.66
			M3	1496.45	252.49	-23518.27	1666.37	26.68	-16564.13	1666.37	-12.45	-16564.15	1384.00	-226.96	-10089.02
		MIN	S2	1496.44	253.19	-23520.78	1274.99	227.91	-16764.76	1274.99	188.30	-16765.25	954.62	1.53	-10425.49
			TQ	2000.57	-594.57	-28248.06	1752.52	-594.57	-19368.09	1752.52	-640.32	-19366.63	1504.47	-640.32	-11660.44
			M3	1918.24	197.21	-30533.43	1626.43	239.38	-22174.85	1626.43	186.99	-22175.35	1374.20	299.66	-15054.28
		D+2LANES (casMAX	S2	1900.45	573.86	-28372.20	1703.52	573.47	-19849.53	1703.52	526.58	-19850.83	1506.90	525.42	-12267.28
			TQ	1880.86	641.54	-27278.89	1683.78	641.54	-18844.78	1681.87	597.06	-18808.09	1484.79	597.06	-11315.64
			M3	1502.60	116.98	-23645.53	1337.65	154.06	-16950.09	1337.65	114.02	-16950.41	1364.99	431.40	-10451.27
		MIN	S2	1501.40	101.28	-23710.27	1310.35	101.67	-17053.09	1310.35	61.38	-17053.28	1118.97	62.54	-11292.97
			TQ	1557.10	-27.53	-26069.84	1366.19	-27.53	-19153.22	1368.10	-72.82	-19191.26	1177.19	-72.82	-13168.98
			M3	1760.87	269.52	-28834.45	1537.77	232.87	-21004.96	1537.77	183.24	-21005.45	1293.85	90.90	-14311.89
		D+2LANES (casMAX	S2	1763.81	1401.80	-26331.00	1572.91	1401.80	-18436.16	1572.91	1358.24	-18439.42	1382.00	1358.24	-11447.98
			TQ	1762.99	1405.00	-26363.17	1572.08	1405.00	-18472.24	1572.08	1361.35	-18475.51	1381.17	1361.35	-11487.97
			M3	1504.31	65.94	-23693.84	1328.10	179.46	-17008.68	1327.93	138.08	-17009.05	1283.51	979.73	-10935.16
		MIN	S2	1484.40	-441.72	-24782.12	1293.49	-441.72	-18209.50	1293.49	-484.74	-18208.40	1102.58	-484.74	-12539.18
			TQ	1495.74	-574.33	-25435.73	1304.83	-574.33	-18809.46	1304.83	-618.77	-18808.05	1113.92	-618.77	-13085.16
			M3	1731.80	972.70	-27188.55	1440.97	48.56	-19844.37	1441.14	2.88	-19844.44	1209.14	-291.63	-13572.36

BAGO RIVER BRIDGE

BLOCK [ No.1 : MAIN GIRDER ] [ BEAM MEMBER FORCE ]

MEMBER			2017			2018			2018			2019				
NODE			2017			2018			2018			2019				
NAME TITLE			SHEAR	TORQUE	MOMENT	SHEAR	TORQUE	MOMENT	SHEAR	TORQUE	MOMENT	SHEAR	TORQUE	MOMENT		
			S2 (kN)	TQ (kN·m)	M3 (kN·m)	S2 (kN)	TQ (kN·m)	M3 (kN·m)	S2 (kN)	TQ (kN·m)	M3 (kN·m)	S2 (kN)	TQ (kN·m)	M3 (kN·m)		
124	SUM TOTAL	D+3LANES (casMAX	S2	2414.30	-509.73	-30962.88	2087.74	-607.03	-21040.60	2087.74	-656.74	-21039.11	1838.63	-722.57	-12663.19	
			TQ	1621.91	957.93	-28723.35	1431.01	957.93	-21500.01	1431.01	907.13	-21502.22	1240.10	907.13	-15182.27	
			M3	1467.92	309.71	-23081.38	1597.56	85.59	-16296.73	1597.59	46.97	-16296.89	1530.13	-554.32	-9491.47	
			MIN	S2	1433.57	312.80	-23401.41	1250.90	301.90	-16509.90	1250.90	262.89	-16510.57	950.06	106.49	-10396.39
			TQ	2125.78	-1157.17	-29262.88	1895.93	-1157.17	-19747.34	1895.93	-1203.82	-19744.55	1666.09	-1203.82	-11316.63	
			M3	1992.74	168.53	-32357.59	1711.85	236.56	-23597.83	1711.82	180.92	-23598.33	1434.02	388.64	-16154.51	
		D+3LANES (casMAX	S2	1939.78	920.02	-28665.06	1743.75	919.68	-19953.47	1743.75	872.54	-19955.59	1547.99	871.56	-12177.76	
			TQ	1921.60	1004.10	-27621.48	1725.44	1004.10	-18992.43	1723.81	959.26	-18962.31	1527.66	959.26	-11269.19	
			M3	1480.51	71.90	-23306.68	1319.34	135.37	-16713.47	1319.26	95.61	-16713.75	1382.26	633.56	-10248.81	
			MIN	S2	1476.09	-24.72	-23642.39	1285.06	-24.39	-17105.58	1285.06	-64.80	-17105.47	1093.76	-63.82	-11466.51
			TQ	1533.16	-230.04	-26297.29	1342.26	-230.04	-19493.92	1343.88	-276.13	-19525.76	1152.97	-276.13	-13618.09	
			M3	1775.57	298.44	-29441.54	1549.56	234.63	-21542.87	1549.64	184.01	-21543.36	1294.38	5.77	-14817.78	
		D+3LANES (casMAX	S2	1846.05	1457.29	-27225.70	1655.15	1457.29	-18941.71	1655.15	1412.53	-18945.10	1464.24	1412.53	-11564.50	
			TQ	1838.23	1507.77	-26937.31	1647.32	1507.77	-18690.34	1646.33	1463.63	-18682.86	1455.42	1463.63	-11343.98	
			M3	1479.94	71.95	-23306.20	1310.18	188.41	-16729.53	1310.01	147.81	-16729.92	1328.53	1042.56	-10559.46	
			MIN	S2	1461.67	-398.15	-24392.96	1270.76	-398.15	-17927.90	1270.76	-440.50	-17926.91	1079.85	-440.50	-12365.24
			TQ	1488.77	-619.70	-25904.75	1297.87	-619.70	-19311.44	1298.86	-665.33	-19320.91	1107.95	-665.33	-13626.28	
			M3	1764.49	852.98	-28227.06	1480.00	47.49	-20677.88	1480.17	-0.28	-20677.94	1232.49	-311.66	-14261.34	
		D+4LANES	MAX	S2	1880.49	1126.17	-27732.82	1685.73	1126.03	-19297.91	1685.73	1080.43	-19300.51	1491.29	1079.96	-11790.97
			TQ	1869.62	1187.97	-27081.50	1675.23	1187.97	-18694.18	1674.87	1143.82	-18681.65	1480.41	1143.82	-11216.09	
			M3	1588.01	163.29	-24990.40	1515.68	520.90	-17752.53	1515.55	478.14	-17753.71	1428.43	936.99	-10794.16	
			MIN	S2	1557.14	-288.49	-25896.50	1366.14	-288.23	-18976.98	1366.14	-333.07	-18976.25	1174.93	-332.32	-12955.89
			TQ	1573.87	-384.94	-27071.32	1382.97	-384.94	-20075.31	1383.34	-432.39	-20089.45	1192.43	-432.39	-13995.07	
			M3	1742.44	443.99	-28604.51	1494.11	47.91	-20974.66	1494.23	-0.82	-20974.72	1241.91	-251.40	-14504.09	

BAGO RIVER BRIDGE

BLOCK [ No.1 : MAIN GIRDER ][ BEAM MEMBER FORCE ]

MEMBER					2017			2018			2018			2019		
NODE					2017			2018			2018			2019		
					SHEAR	TORQUE	MOMENT	SHEAR	TORQUE	MOMENT	SHEAR	TORQUE	MOMENT	SHEAR	TORQUE	MOMENT
NAME	TITLE				S2 (kN)	TQ (kN·m)	M3 (kN·m)	S2 (kN)	TQ (kN·m)	M3 (kN·m)	S2 (kN)	TQ (kN·m)	M3 (kN·m)	S2 (kN)	TQ (kN·m)	M3 (kN·m)
124	SUM TOTAL	D+6LANES	MAX	S2	2422.22	525.95	-31382.92	2123.39	490.53	-21177.18	2123.39	440.50	-21178.28	1881.01	408.16	-12394.03
				TQ	1832.66	1599.37	-29237.59	1638.78	1599.37	-21024.04	1637.57	1549.73	-21003.32	1443.72	1549.73	-13712.87
				M3	1420.87	206.00	-22361.75	1488.07	182.39	-15847.30	1487.96	144.06	-15847.68	1554.28	337.74	-9118.74
			MIN	S2	1387.98	4.31	-23131.27	1199.94	-40.18	-16599.98	1199.94	-79.40	-16599.84	916.68	-117.58	-10907.87
				TQ	1879.58	-1199.19	-28860.22	1667.98	-1199.19	-20466.43	1670.06	-1247.63	-20528.07	1458.32	-1247.63	-13126.10
				M3	2007.26	474.16	-33064.91	1700.10	153.54	-24337.35	1700.19	96.77	-24337.65	1402.09	35.56	-16998.27
	SUM TOTAL		MAX		2422.22	1599.37	-22361.75	2123.39	1599.37	-15847.30	2123.39	1549.73	-15847.68	1881.01	1549.73	-9118.74
			MIN		1387.98	-1199.19	-33064.91	1199.94	-1199.19	-24337.35	1199.94	-1247.63	-24337.65	916.68	-1247.63	-16998.27
300	DEAD LOAD	TOTAL			1588.47	162.65	-24991.32	1397.56	162.65	-17926.23	1397.56	120.29	-17926.57	1206.65	120.29	-11764.88
301	LIVE LOAD	1-LANE(case1MAX	S2		306.27	-676.86	-3301.64	312.25	-685.00	-1858.40	312.25	-689.38	-1856.78	375.05	-685.01	-342.61
			TQ		20.21	534.62	-1932.03	20.21	534.62	-1836.39	20.21	530.28	-1837.65	20.21	530.28	-1742.02
			M3		-59.77	99.80	928.72	-40.22	54.37	665.95	-40.18	55.79	665.82	243.86	-535.69	1198.49
			MIN	S2	-108.24	103.33	479.93	-59.96	118.27	605.76	-59.96	119.71	605.48	-59.81	123.03	324.71
				TQ	264.03	-954.61	-2122.35	277.63	-954.61	-840.74	277.63	-956.60	-838.49	291.23	-956.60	507.50
				M3	175.01	-33.16	-3748.91	169.05	12.27	-2908.63	169.01	5.56	-2908.65	119.93	163.60	-2249.85
		1-LANE(case2MAX	S2		494.43	-66.47	-2495.02	347.54	-96.47	-1118.58	347.54	-99.11	-1118.35	245.16	-128.98	-465.01
			TQ		10.33	214.34	-1578.95	10.33	214.34	-1530.06	10.33	210.73	-1530.57	10.33	210.73	-1481.68
			M3		-54.49	38.02	868.99	183.01	-27.76	898.35	183.01	-25.64	898.41	85.78	-105.35	948.61
			MIN	S2	-54.49	38.02	868.99	-89.06	11.51	740.47	-89.06	13.26	740.44	-218.52	-23.78	781.84
				TQ	241.73	-296.61	-1872.25	197.55	-296.61	-832.89	197.55	-298.58	-832.19	153.37	-298.58	-1.91
				M3	198.95	37.24	-3168.26	128.58	48.86	-2426.87	128.58	43.12	-2426.98	92.82	87.98	-1882.76
		1-LANE(case3MAX	S2		213.00	167.80	-2231.78	205.77	167.33	-1246.32	205.77	164.39	-1246.71	198.92	163.00	-304.13
			TQ		195.77	182.85	-1596.74	188.36	182.85	-687.89	186.06	181.28	-642.53	178.65	181.28	220.39
			M3		-52.24	-11.62	822.32	-34.13	5.78	604.98	-34.13	7.21	604.97	103.85	135.76	855.48
			MIN	S2	-52.54	-13.73	809.24	-52.72	-13.26	565.57	-52.72	-11.92	565.60	-53.27	-10.54	329.74
				TQ	-12.39	-47.88	-505.03	-12.39	-47.88	-563.68	-10.10	-49.27	-609.35	-10.10	-49.27	-657.14
				M3	121.44	63.97	-2520.41	95.84	47.09	-1993.27	95.84	42.38	-1993.38	63.58	12.00	-1619.70

BAGO RIVER BRIDGE

BLOCK [ No.1 : MAIN GIRDER ][ BEAM MEMBER FORCE ]

MEMBER				2017			2018			2018			2019			
NODE				2017			2018			2018			2019			
NAME TITLE				SHEAR	TORQUE	MOMENT	SHEAR	TORQUE	MOMENT	SHEAR	TORQUE	MOMENT	SHEAR	TORQUE	MOMENT	
				S2 (kN)	TQ (kN·m)	M3 (kN·m)	S2 (kN)	TQ (kN·m)	M3 (kN·m)	S2 (kN)	TQ (kN·m)	M3 (kN·m)	S2 (kN)	TQ (kN·m)	M3 (kN·m)	
301	LIVE LOAD	1-LANE (case4MAX	S2	92.72	859.40	-701.16	92.72	859.40	-262.37	92.72	858.78	-264.40	92.72	858.78	174.38	
			TQ	92.72	860.70	-700.98	92.72	860.70	-262.21	92.72	860.08	-264.25	92.72	860.08	174.51	
			M3	-50.20	-72.48	764.63	-42.84	15.55	538.55	-42.96	15.69	538.51	39.34	636.78	444.65	
			MIN	S2	-65.73	-497.32	-14.22	-65.73	-497.32	-325.25	-65.73	-498.09	-324.07	-65.73	-498.09	-635.09
			TQ	-63.11	-516.16	-121.69	-63.11	-516.16	-420.33	-63.11	-517.15	-419.11	-63.11	-517.15	-717.76	
			M3	71.43	558.62	-1122.29	14.07	-88.87	-1008.97	14.19	-90.12	-1008.75	-8.55	-296.99	-996.21	
		2-LANES (caseMAX	S2	559.53	-735.64	-4946.19	522.35	-825.12	-2731.82	522.35	-831.57	-2729.86	539.21	-884.12	-669.33	
			TQ	30.74	757.00	-3074.83	30.74	757.00	-2929.39	30.74	750.08	-2931.17	30.74	750.08	-2785.73	
			M3	-96.41	141.33	1522.82	82.78	-67.53	1168.44	82.82	-64.90	1168.59	309.08	-705.87	1884.09	
			MIN	S2	-136.82	144.97	1146.31	-98.33	154.23	1049.21	-98.33	156.71	1048.85	-119.78	3.58	958.45
			TQ	430.68	-1305.55	-3465.16	421.69	-1305.55	-1448.40	421.69	-1308.96	-1445.31	412.71	-1308.96	528.94	
			M3	309.83	-24.11	-6025.98	262.60	46.25	-4650.08	262.57	35.39	-4650.18	190.14	242.39	-3595.30	
		2-LANES (caseMAX	S2	716.33	-226.99	-4274.01	551.76	-334.68	-2115.30	551.76	-339.67	-2114.50	430.96	-420.76	-771.33	
			TQ	22.50	490.10	-2780.61	22.50	490.10	-2674.12	22.50	483.78	-2675.27	22.50	483.78	-2568.78	
			M3	-92.01	89.84	1473.05	268.81	-135.97	1362.10	268.81	-132.75	1362.42	177.35	-347.26	1675.86	
			MIN	S2	-92.03	90.55	1470.53	-122.58	65.26	1161.47	-122.58	68.01	1161.31	-252.04	-118.76	1339.39
			TQ	412.10	-757.21	-3256.74	354.96	-757.21	-1441.85	354.96	-760.62	-1440.06	297.82	-760.62	104.44	
			M3	329.78	34.56	-5542.11	228.87	76.74	-4248.61	228.87	66.70	-4248.78	167.54	179.37	-3289.40	
		2-LANES (caseMAX	S2	311.98	411.22	-3380.89	305.96	410.83	-1923.29	305.96	406.28	-1924.26	300.24	405.13	-502.40	
			TQ	292.39	478.89	-2287.58	286.22	478.89	-918.55	284.31	476.77	-881.52	278.13	476.77	449.24	
			M3	-85.87	-45.67	1345.79	-59.91	-8.58	976.14	-59.91	-6.28	976.16	158.34	311.10	1313.61	
MIN	S2		-87.07	-61.37	1281.04	-87.22	-60.98	873.15	-87.22	-58.91	873.29	-87.68	-57.76	471.91		
TQ	-31.37		-190.17	-1078.52	-31.37	-190.17	-1226.98	-29.46	-193.12	-1264.69	-29.46	-193.12	-1404.10			
M3	172.40		106.87	-3843.14	140.21	70.22	-3078.72	140.21	62.95	-3078.88	87.20	-29.39	-2547.01			

BAGO RIVER BRIDGE

BLOCK [ No.1 : MAIN GIRDER ][ BEAM MEMBER FORCE ]

MEMBER				2017			2018			2018			2019			
NODE				2017			2018			2018			2019			
NAME TITLE				SHEAR	TORQUE	MOMENT	SHEAR	TORQUE	MOMENT	SHEAR	TORQUE	MOMENT	SHEAR	TORQUE	MOMENT	
				S2 (kN)	TQ (kN·m)	M3 (kN·m)	S2 (kN)	TQ (kN·m)	M3 (kN·m)	S2 (kN)	TQ (kN·m)	M3 (kN·m)	S2 (kN)	TQ (kN·m)	M3 (kN·m)	
301	LIVE LOAD	2-LANES (caseMAX	S2	175.35	1239.16	-1339.68	175.35	1239.16	-509.93	175.35	1237.95	-512.86	175.35	1237.95	316.90	
			TQ	174.52	1242.35	-1371.86	174.52	1242.35	-546.01	174.52	1241.06	-548.94	174.52	1241.06	276.91	
			M3	-84.16	-96.70	1297.48	-69.46	16.81	917.55	-69.64	17.78	917.51	76.86	859.43	829.72	
			MIN	S2	-104.07	-604.36	209.20	-104.07	-604.36	-283.27	-104.07	-605.03	-281.84	-104.07	-605.03	-774.30
			TQ	-92.73	-736.98	-444.42	-92.73	-736.98	-883.22	-92.73	-739.06	-881.48	-92.73	-739.06	-1320.29	
			M3	143.33	810.05	-2197.23	43.41	-114.08	-1918.14	43.58	-117.42	-1917.87	2.48	-411.92	-1807.49	
		3-LANES (caseMAX	S2	825.83	-672.38	-5971.57	690.17	-769.68	-3114.37	690.17	-777.04	-3112.54	631.98	-842.86	-898.31	
			TQ	33.44	795.28	-3732.04	33.44	795.28	-3573.78	33.44	786.83	-3575.65	33.44	786.83	-3417.39	
			M3	-120.55	147.06	1909.93	200.00	-77.06	1629.50	200.03	-73.32	1629.68	323.48	-674.62	2273.41	
			MIN	S2	-154.90	150.16	1589.90	-146.66	139.25	1416.33	-146.66	142.60	1416.00	-256.60	-13.80	1368.49
			TQ	537.31	-1319.82	-4271.56	498.37	-1319.82	-1821.10	498.37	-1324.11	-1817.98	459.44	-1324.11	448.25	
			M3	404.27	5.89	-7366.27	314.29	73.92	-5671.60	314.26	60.63	-5671.76	227.36	268.34	-4389.63	
		3-LANES (caseMAX	S2	351.31	757.37	-3673.75	346.19	757.04	-2027.24	346.19	752.25	-2029.02	341.33	751.26	-412.88	
			TQ	333.13	841.45	-2630.16	327.88	841.45	-1066.20	326.25	838.97	-1035.75	321.00	838.97	495.69	
			M3	-107.96	-90.74	1684.64	-78.22	-27.27	1212.76	-78.31	-24.69	1212.82	175.61	513.26	1516.07	
			MIN	S2	-112.38	-187.37	1348.93	-112.50	-187.03	820.66	-112.50	-185.09	821.10	-112.90	-184.11	298.36
			TQ	-55.31	-392.68	-1305.97	-55.31	-392.68	-1567.69	-53.68	-396.42	-1599.19	-53.68	-396.42	-1853.21	
			M3	187.10	135.79	-4450.22	152.00	71.98	-3616.63	152.08	63.72	-3616.79	87.72	-114.53	-3052.90	
		3-LANES (caseMAX	S2	257.58	1294.64	-2234.39	257.58	1294.64	-1015.48	257.58	1292.24	-1018.53	257.58	1292.24	200.38	
			TQ	249.76	1345.13	-1945.99	249.76	1345.13	-764.10	248.77	1343.33	-756.29	248.77	1343.33	420.89	
			M3	-108.53	-90.70	1685.11	-87.39	25.77	1196.71	-87.55	27.52	1196.64	121.88	922.27	1205.41	
			MIN	S2	-126.80	-560.79	598.35	-126.80	-560.79	-1.67	-126.80	-560.79	-0.34	-126.80	-560.79	-600.37
			TQ	-99.69	-782.34	-913.44	-99.69	-782.34	-1385.20	-98.70	-785.63	-1394.34	-98.70	-785.63	-1861.40	
			M3	176.02	690.34	-3235.74	82.44	-115.15	-2751.65	82.60	-120.57	-2751.37	25.83	-431.95	-2496.46	



BAGO RIVER BRIDGE

BLOCK [ No.1 : MAIN GIRDER ][ BEAM MEMBER FORCE ]

MEMBER					2017			2018			2018			2019		
NODE					2017			2018			2018			2019		
NAME TITLE					SHEAR	TORQUE	MOMENT	SHEAR	TORQUE	MOMENT	SHEAR	TORQUE	MOMENT	SHEAR	TORQUE	MOMENT
					S2 (kN)	TQ (kN·m)	M3 (kN·m)	S2 (kN)	TQ (kN·m)	M3 (kN·m)	S2 (kN)	TQ (kN·m)	M3 (kN·m)	S2 (kN)	TQ (kN·m)	M3 (kN·m)
301	LIVE LOAD	4-LANES	MAX	S2	292.02	963.52	-2741.50	288.17	963.38	-1371.67	288.17	960.14	-1373.94	284.64	959.67	-26.09
				TQ	281.15	1025.33	-2090.19	277.67	1025.33	-767.95	277.30	1023.53	-755.08	273.75	1023.53	548.79
				M3	-0.46	0.65	0.92	118.11	358.26	173.71	117.99	357.84	172.86	221.77	816.69	970.72
			MIN	S2	-31.33	-451.13	-905.18	-31.42	-450.88	-1050.75	-31.42	-453.36	-1049.68	-31.73	-452.61	-1191.01
				TQ	-14.60	-547.59	-2080.01	-14.60	-547.59	-2149.07	-14.22	-552.68	-2162.88	-14.22	-552.68	-2230.19
				M3	153.97	281.34	-3613.20	96.54	-114.74	-3048.43	96.67	-121.11	-3048.15	35.25	-371.70	-2739.22
		6-LANES	MAX	S2	833.75	363.30	-6391.61	725.82	327.89	-3250.94	725.82	320.21	-3251.71	674.35	287.87	-629.15
				TQ	244.19	1436.73	-4246.28	241.21	1436.73	-3097.81	240.00	1429.43	-3076.75	237.07	1429.43	-1947.99
				M3	-167.60	43.35	2629.56	90.50	19.74	2078.94	90.40	23.77	2078.88	347.63	217.44	2646.14
			MIN	S2	-200.49	-158.34	1860.05	-197.62	-202.83	1326.25	-197.62	-199.69	1326.73	-289.97	-237.87	857.00
				TQ	291.11	-1361.83	-3868.90	270.42	-1361.83	-2540.20	272.50	-1367.92	-2601.51	251.67	-1367.92	-1361.22
				M3	418.79	311.51	-8073.59	302.54	-9.11	-6411.12	302.62	-23.52	-6411.08	195.44	-84.74	-5233.39
		LIVE LOAD	MAX	833.75	1436.73	2629.56	725.82	1436.73	2078.94	725.82	1429.43	2078.88	674.35	1429.43	2646.14	
			MIN	-200.49	-1361.83	-8073.59	-197.62	-1361.83	-6411.12	-197.62	-1367.92	-6411.08	-289.97	-1367.92	-5233.39	
		303	SUM TOTAL	TOTAL	MAX	2422.22	1599.37	-22361.75	2123.39	1599.37	-15847.30	2123.39	1549.73	-15847.68	1881.01	1549.73
MIN	1387.98				-1199.19	-33064.91	1199.94	-1199.19	-24337.35	1199.94	-1247.63	-24337.65	916.68	-1247.63	-16998.27	

BAGO RIVER BRIDGE

BLOCK [ No.1 : MAIN GIRDER ] [ BEAM MEMBER FORCE ]

MEMBER NODE	2019 2019	2020			2020			2021							
		SHEAR	TORQUE	MOMENT	SHEAR	TORQUE	MOMENT	SHEAR	TORQUE	MOMENT					
		S2 (kN)	TQ (kN·m)	M3 (kN·m)	S2 (kN)	TQ (kN·m)	M3 (kN·m)	S2 (kN)	TQ (kN·m)	M3 (kN·m)					
1	PAVEMENT	212.33	61.58	-2202.38	181.67	61.58	-1255.36	181.67	58.56	-1255.51	151.01	58.56	-455.87		
3	RAILING	2.69	-1.41	-48.64	4.32	-1.41	-31.79	4.32	-1.48	-31.79	5.94	-1.48	-7.12		
5	CURB	26.66	-13.92	-481.56	42.75	-13.92	-314.72	42.75	-14.67	-314.69	58.85	-14.67	-70.48		
7	DECK WEIGHT	327.22	74.17	-3400.50	280.62	74.17	-1939.50	280.62	69.52	-1939.67	234.01	69.52	-702.72		
8	GIRDER WEIGH	434.00	-76.39	-4000.61	344.10	-76.39	-2130.36	344.10	-81.50	-2130.17	254.21	-81.50	-692.06		
10	MEDIAN STRIP	77.87	-22.78	-623.40	48.76	-22.78	-319.04	48.76	-23.55	-318.99	19.65	-23.55	-154.55		
21	ADITIONAL WE	91.62	20.77	-952.14	78.57	20.77	-543.06	78.57	19.46	-543.11	65.52	19.46	-196.76		
31	MEDIAN RAILI	7.15	-2.04	-55.57	4.80	-2.04	-26.87	4.80	-2.10	-26.86	2.44	-2.10	-9.46		
51	SUPPORT WEIG	-0.00	-0.00	-0.00	-0.00	-0.00	-0.00	-0.00	-0.00	-0.00	-0.00	-0.00	-0.00		
52	NOSE WEIGHT	0.02	0.06	-0.26	0.02	0.06	-0.19	0.02	0.06	-0.19	0.02	0.06	-0.11		
61	1-LANE(case1TRUCK-LOAD	MAX	S2	107.74	-388.23	88.15	107.74	-388.23	606.09	107.74	-386.78	607.02	150.10	-362.15	1152.59
			TQ	22.06	44.85	-747.66	22.06	44.85	-641.60	22.06	43.31	-641.71	22.06	43.31	-535.65
			M3	-8.88	-115.38	577.04	96.55	-363.70	642.94	96.55	-362.15	643.81	150.10	-362.15	1152.59
		MIN	S2	-54.68	-54.43	532.30	-18.45	37.46	29.74	-18.45	37.53	29.65	-18.45	37.53	-59.07
			TQ	103.71	-403.92	-54.96	103.71	-403.92	443.58	103.71	-402.86	444.55	103.71	-402.86	943.09
			M3	21.99	43.72	-757.93	21.99	43.72	-652.21	21.99	42.16	-652.32	21.99	42.16	-546.60
		TANDEM-LOAD MAX	S2	78.24	-273.71	24.10	78.24	-273.71	400.20	78.24	-272.75	400.85	123.55	-227.29	788.20
			TQ	15.00	30.62	-506.31	15.00	30.62	-434.20	15.00	29.58	-434.28	15.00	29.58	-362.17
			M3	-26.55	-54.79	405.70	68.16	-245.50	469.22	68.16	-244.37	469.81	100.89	-244.37	797.48
		MIN	S2	-59.28	-54.79	405.70	-13.02	-9.80	246.00	-13.02	-9.21	246.02	-13.02	-9.21	183.42
			TQ	77.79	-277.56	-4.70	77.79	-277.56	369.25	77.79	-276.68	369.91	77.79	-276.68	743.86
			M3	15.01	29.98	-516.04	15.01	29.98	-443.87	15.01	28.92	-443.94	15.01	28.92	-371.77
		DISPERSION-LMAX	S2	104.22	-314.04	-1045.80	108.98	-325.88	-497.79	108.98	-327.07	-497.01	120.29	-331.45	61.46
			TQ	-3.99	118.13	-731.53	-3.99	118.13	-750.71	-3.99	116.32	-750.99	-3.99	116.32	-770.17
			M3	-21.55	-33.02	422.40	31.05	-226.91	456.26	31.19	-226.56	456.80	90.12	-385.35	793.71
		MIN	S2	-41.13	45.88	351.33	-34.38	57.72	134.31	-34.38	58.04	134.17	-34.16	62.42	-37.92
			TQ	67.08	-386.28	37.06	78.60	-386.28	387.23	78.60	-385.35	388.16	90.12	-385.35	793.71
			M3	84.64	-235.13	-1116.87	43.56	-41.24	-819.74	43.42	-42.47	-819.64	-3.99	116.32	-770.17

BAGO RIVER BRIDGE

BLOCK [ No.1 : MAIN GIRDER ][ BEAM MEMBER FORCE ]

MEMBER				2019			2020			2020			2021		
NODE				2019			2020			2020			2021		
NAME TITLE				SHEAR	TORQUE	MOMENT	SHEAR	TORQUE	MOMENT	SHEAR	TORQUE	MOMENT	SHEAR	TORQUE	MOMENT
				S2 (kN)	TQ (kN·m)	M3 (kN·m)	S2 (kN)	TQ (kN·m)	M3 (kN·m)	S2 (kN)	TQ (kN·m)	M3 (kN·m)	S2 (kN)	TQ (kN·m)	M3 (kN·m)
62	1-LANE (case2TRUCK-LOAD	MAX	S2	234.45	-65.02	447.29	148.13	-80.52	886.96	148.13	-78.39	887.15	87.49	-95.23	916.84
			TQ	13.48	19.75	-552.09	13.48	19.75	-487.27	13.48	18.58	-487.31	13.48	18.58	-422.49
			M3	220.78	-59.34	456.07	135.53	-75.84	905.81	135.53	-73.66	905.99	66.19	-90.26	922.19
		MIN	S2	-17.66	13.51	108.99	-70.30	-60.98	818.87	-70.30	-59.01	819.01	-157.76	-75.16	856.75
			TQ	63.82	-123.08	-99.31	63.82	-123.08	207.46	63.82	-122.58	207.76	63.82	-122.58	514.53
			M3	15.14	18.09	-647.08	15.14	18.09	-574.30	15.14	16.71	-574.34	15.12	16.60	-501.58
		TANDEM-LOAD MAX	S2	187.32	-38.84	423.95	126.12	-50.10	757.84	126.12	-48.28	757.95	68.59	-58.28	739.48
			TQ	9.40	13.48	-386.22	9.40	13.48	-341.05	9.40	12.66	-341.08	9.40	12.66	-295.91
			M3	187.32	-38.84	423.95	126.13	-50.10	757.84	126.13	-48.28	757.96	68.59	-58.28	739.48
		MIN	S2	-17.57	-34.97	419.17	-73.64	-47.57	749.42	-73.64	-45.77	749.54	-135.78	-55.40	730.81
			TQ	42.92	-84.47	-77.04	42.92	-84.47	129.28	42.92	-84.16	129.49	42.92	-84.16	335.81
			M3	10.31	12.42	-440.11	10.31	12.42	-390.53	10.31	11.48	-390.56	10.31	11.48	-340.98
		DISPERSION-LMAX	S2	121.00	-101.70	-826.79	92.40	-94.13	-437.19	92.40	-95.18	-436.97	74.47	-86.07	-187.07
			TQ	-11.85	48.25	-601.16	-11.85	48.25	-658.15	-11.85	46.67	-658.26	-11.85	46.67	-715.25
			M3	29.52	-16.42	334.63	23.70	-82.06	459.84	23.77	-81.16	460.04	26.39	-129.51	627.54
MIN	S2	-31.66	19.45	239.51	-40.46	11.88	189.50	-40.46	12.33	189.47	-59.94	3.22	99.36		
	TQ	101.20	-130.50	13.87	63.80	-130.50	410.45	63.80	-129.51	410.77	26.39	-129.51	627.54		
	M3	59.83	-65.83	-921.92	28.24	-0.19	-707.53	28.17	-1.68	-707.53	-11.85	46.67	-715.25		
63	1-LANE (case3TRUCK-LOAD	MAX	S2	71.18	71.58	101.93	71.18	71.58	444.12	71.18	72.65	443.94	71.18	72.65	786.13
			TQ	70.95	72.37	90.11	70.95	72.37	431.18	70.95	73.41	431.01	70.95	73.41	772.08
			M3	43.13	2.88	393.19	56.65	38.87	557.15	56.65	40.20	557.06	65.17	68.58	793.29
		MIN	S2	-17.06	-4.35	101.90	-17.06	-4.35	19.88	-17.06	-4.30	19.89	-17.06	-4.30	-62.13
			TQ	-7.81	-11.98	311.94	-7.81	-11.98	274.40	-7.81	-11.32	274.43	-7.81	-11.32	236.89
			M3	9.96	-1.95	-563.03	9.96	-1.95	-515.15	9.96	-3.18	-515.14	9.96	-3.18	-467.27

BAGO RIVER BRIDGE

BLOCK [ No.1 : MAIN GIRDER ][ BEAM MEMBER FORCE ]

MEMBER NODE	2019 2019	2020			2020			2021							
		SHEAR	TORQUE	MOMENT	SHEAR	TORQUE	MOMENT	SHEAR	TORQUE	MOMENT					
		S2 (kN)	TQ (kN·m)	M3 (kN·m)	S2 (kN)	TQ (kN·m)	M3 (kN·m)	S2 (kN)	TQ (kN·m)	M3 (kN·m)					
63	1-LANE (case3TANDEM-LOAD	MAX	S2	49.11	46.52	104.23	49.11	46.52	340.32	49.11	47.33	340.21	49.11	47.33	576.30
			TQ	48.45	51.56	43.67	48.45	51.56	276.60	48.45	52.22	276.47	48.45	52.22	509.40
			M3	30.10	-5.00	305.12	40.30	21.06	407.34	40.30	22.04	407.29	49.11	47.33	576.30
		MIN	S2	-11.58	-2.86	69.18	-11.58	-2.86	13.51	-11.58	-2.83	13.52	-11.58	-2.83	-42.16
			TQ	-5.66	-9.44	185.80	-5.66	-9.44	158.61	-5.66	-9.06	158.64	-5.66	-9.06	131.45
			M3	6.78	-1.34	-382.28	6.78	-1.34	-349.72	6.78	-2.18	-349.71	6.74	-2.16	-317.28
	DISPERSION-LMAX		S2	75.67	54.21	-694.55	70.22	54.56	-381.85	70.22	53.64	-381.98	64.97	52.67	-93.66
			TQ	60.43	57.59	-326.88	58.62	57.59	-38.99	57.36	57.58	23.82	51.08	57.58	284.47
			M3	-3.21	8.84	319.56	21.22	37.85	366.18	21.22	38.73	366.09	49.20	52.49	581.68
		MIN	S2	-30.26	-11.65	227.33	-31.07	-12.00	117.88	-31.07	-11.71	117.91	-32.10	-10.74	2.69
			TQ	-15.01	-15.03	-140.33	-19.48	-15.03	-224.98	-18.21	-15.64	-287.88	-18.21	-15.64	-375.44
			M3	48.62	33.73	-786.77	17.92	4.71	-630.14	17.93	3.21	-630.15	-16.33	-10.56	-672.65
64	1-LANE (case4TRUCK-LOAD	MAX	S2	35.13	358.53	50.99	35.13	358.53	219.88	35.13	359.06	219.02	35.13	359.06	387.91
			TQ	35.13	358.53	50.99	35.13	358.53	219.88	35.13	359.06	219.02	35.13	359.06	387.91
			M3	22.87	284.71	139.29	25.10	305.19	253.97	25.10	305.80	253.24	31.60	344.81	399.97
		MIN	S2	-16.26	-28.09	92.45	-16.26	-28.09	14.27	-16.26	-28.05	14.34	-16.26	-28.05	-63.85
			TQ	-4.19	-56.15	-273.24	-4.19	-56.15	-293.37	-4.19	-56.86	-293.23	-4.19	-56.86	-313.35
			M3	-1.82	-47.70	-364.08	-2.20	-50.07	-373.46	-2.20	-50.96	-373.34	-2.20	-50.96	-383.93
	TANDEM-LOAD	MAX	S2	24.27	244.87	28.29	24.27	244.87	144.95	24.27	245.21	144.36	24.27	245.21	261.01
			TQ	24.27	244.87	28.29	24.27	244.87	144.95	24.27	245.21	144.36	24.27	245.21	261.01
			M3	14.33	186.98	99.83	17.81	214.64	175.15	17.81	215.06	174.64	22.60	239.23	276.62
		MIN	S2	-11.05	-18.75	62.85	-11.05	-18.75	9.75	-11.05	-18.72	9.80	-11.05	-18.72	-43.30
			TQ	-2.79	-38.31	-193.31	-2.79	-38.31	-206.71	-2.79	-38.80	-206.61	-2.79	-38.80	-220.01
			M3	-1.30	-32.83	-247.98	-1.40	-33.49	-254.39	-1.40	-34.10	-254.30	-1.40	-34.10	-261.05

BAGO RIVER BRIDGE

BLOCK [ No.1 : MAIN GIRDER ][ BEAM MEMBER FORCE ]

MEMBER NODE	2019 2019	2020			2020			2021							
		SHEAR	TORQUE	MOMENT	SHEAR	TORQUE	MOMENT	SHEAR	TORQUE	MOMENT					
		S2 (kN)	TQ (kN·m)	M3 (kN·m)	S2 (kN)	TQ (kN·m)	M3 (kN·m)	S2 (kN)	TQ (kN·m)	M3 (kN·m)					
64	1-LANE (case4DISPERSION-LMAX	S2	36.83	370.52	-14.26	36.83	370.52	162.81	36.83	370.90	161.92	36.83	370.90	338.98	
		TQ	36.77	375.87	42.08	36.77	375.87	218.85	36.77	376.40	217.94	36.77	376.40	394.71	
		M3	-6.64	168.12	230.08	9.46	324.07	241.89	9.46	324.61	241.11	36.77	376.40	394.71	
	MIN	S2	-30.71	-111.97	-221.52	-30.71	-111.97	-369.15	-30.71	-112.86	-368.88	-30.71	-112.86	-516.50	
		TQ	-30.65	-117.33	-277.85	-30.65	-117.33	-425.19	-30.65	-118.35	-424.90	-30.65	-118.35	-572.24	
		M3	12.77	90.43	-465.86	-3.34	-65.52	-448.22	-3.33	-66.56	-448.07	-30.65	-118.35	-572.24	
65	2-LANES (caseTRUCK-LOAD	MAX	S2	246.87	-496.62	590.08	224.26	-569.49	1422.64	224.26	-566.07	1424.00	247.16	-595.57	2174.05
		TQ	40.23	77.10	-1417.20	40.23	77.10	-1223.81	40.23	74.17	-1223.99	40.23	74.17	-1030.61	
		M3	117.33	-204.94	1090.61	200.49	-526.26	1471.45	200.49	-522.73	1472.71	233.43	-583.58	2185.24	
	MIN	S2	-72.74	-29.04	646.00	-49.50	-59.92	781.93	-49.50	-58.05	782.07	-71.96	-131.12	899.80	
		TQ	185.98	-659.55	-99.70	185.98	-659.55	794.34	185.98	-657.64	795.92	185.98	-657.64	1689.96	
		M3	40.57	74.71	-1460.61	40.57	74.71	-1265.60	40.57	71.67	-1265.78	40.57	71.67	-1070.77	
	TANDEM-LOAD	MAX	S2	179.67	-322.87	453.33	164.15	-374.86	1046.67	164.15	-372.35	1047.56	194.09	-375.02	1569.68
		TQ	27.48	52.63	-967.91	27.48	52.63	-835.80	27.48	50.62	-835.92	27.48	50.62	-703.82	
		M3	74.88	-103.95	834.93	154.08	-346.65	1115.69	154.08	-343.97	1116.52	171.42	-392.10	1578.97	
	MIN	S2	-72.29	-93.78	827.26	-40.72	-98.12	883.20	-40.72	-96.00	883.43	-56.66	-147.31	955.90	
		TQ	132.08	-452.49	-49.95	132.08	-452.49	584.98	132.08	-451.09	586.06	132.08	-451.09	1220.98	
		M3	27.68	51.24	-994.23	27.68	51.24	-861.16	27.68	49.17	-861.28	27.68	49.17	-728.21	
	DISPERSION-LMAX	S2	220.46	-527.62	-1957.79	208.50	-528.66	-986.91	208.50	-531.03	-985.64	206.37	-520.25	-88.56	
		TQ	-12.06	201.60	-1396.55	-12.06	201.60	-1454.54	-12.06	198.11	-1455.02	-12.06	198.11	-1513.01	
		M3	-9.80	-59.63	794.63	58.16	-384.32	925.13	58.30	-382.84	926.05	140.36	-641.67	1495.33	
	MIN	S2	-73.92	85.63	617.82	-71.08	86.67	329.49	-71.08	87.46	329.28	-78.08	76.69	70.88	
		TQ	158.60	-643.59	56.58	149.48	-643.59	797.11	149.48	-641.67	798.66	140.36	-641.67	1495.33	
		M3	156.34	-382.36	-2134.61	79.26	-57.67	-1582.55	79.12	-60.72	-1582.41	-12.06	198.11	-1513.01	

BAGO RIVER BRIDGE

BLOCK [ No.1 : MAIN GIRDER ][ BEAM MEMBER FORCE ]

MEMBER NODE	2019 2019	2020			2020			2021							
		SHEAR	TORQUE	MOMENT	SHEAR	TORQUE	MOMENT	SHEAR	TORQUE	MOMENT					
		S2 (kN)	TQ (kN·m)	M3 (kN·m)	S2 (kN)	TQ (kN·m)	M3 (kN·m)	S2 (kN)	TQ (kN·m)	M3 (kN·m)					
66	2-LANES (caseTRUCK-LOAD	MAX	S2	373.57	-173.41	949.23	264.65	-261.77	1703.51	264.65	-257.69	1704.13	184.55	-328.65	1938.31
			TQ	31.65	52.00	-1221.63	31.65	52.00	-1069.48	31.65	49.43	-1069.60	31.65	49.43	-917.45
			M3	346.99	-148.90	969.64	239.47	-238.40	1734.33	239.47	-234.24	1734.90	149.52	-311.68	1954.84
		MIN	S2	-35.72	38.89	222.69	-101.34	-158.36	1571.06	-101.34	-154.59	1571.44	-211.26	-243.81	1815.62
			TQ	146.09	-378.70	-144.06	146.09	-378.70	558.22	146.09	-377.36	559.13	146.09	-377.36	1261.40
			M3	33.72	49.08	-1349.76	33.72	49.08	-1187.68	33.72	46.23	-1187.80	33.70	46.11	-1025.74
	TANDEM-LOAD	MAX	S2	288.75	-88.00	853.18	212.04	-151.25	1404.30	212.04	-147.88	1404.66	139.13	-206.01	1520.96
			TQ	21.88	35.48	-847.82	21.88	35.48	-742.65	21.88	33.70	-742.73	21.88	33.70	-637.56
			M3	288.75	-88.00	853.18	212.04	-151.25	1404.31	212.04	-147.88	1404.67	139.13	-206.01	1520.96
		MIN	S2	-30.58	-73.97	840.73	-101.34	-135.89	1386.62	-101.34	-132.56	1386.95	-179.42	-193.51	1503.29
			TQ	97.21	-259.40	-122.29	97.21	-259.40	345.01	97.21	-258.57	345.63	97.21	-258.57	812.94
			M3	22.98	33.67	-918.30	22.98	33.67	-807.82	22.98	31.74	-807.90	22.98	31.74	-697.43
	DISPERSION-LMAX	S2	237.24	-315.28	-1738.79	191.92	-296.91	-926.32	191.92	-299.13	-925.60	160.55	-274.87	-337.08	
		TQ	-19.93	131.72	-1266.18	-19.93	131.72	-1361.97	-19.93	128.46	-1362.29	-19.93	128.46	-1458.08	
		M3	41.26	-43.02	706.86	50.81	-239.47	928.71	50.88	-237.44	929.28	76.63	-385.83	1329.16	
		MIN	S2	-64.44	59.20	506.00	-77.17	40.83	384.68	-77.17	41.75	384.58	-103.85	17.49	208.16
			TQ	192.72	-387.80	33.39	134.68	-387.80	820.33	134.68	-385.83	821.26	76.63	-385.83	1329.16
			M3	131.53	-213.06	-1939.65	63.94	-16.61	-1470.35	63.87	-19.94	-1470.31	-19.93	128.46	-1458.08
67	2-LANES (caseTRUCK-LOAD	MAX	S2	128.65	226.81	206.58	128.65	226.81	825.04	128.65	228.79	824.49	128.65	228.79	1442.95
			TQ	126.58	237.63	118.20	126.58	237.63	726.70	127.28	239.38	735.88	127.28	239.38	1347.76
			M3	53.61	51.43	702.67	98.43	153.30	982.32	98.43	155.65	981.95	119.53	214.14	1458.47
		MIN	S2	-33.73	-20.57	199.07	-33.73	-20.57	36.95	-33.73	-20.48	37.00	-33.73	-20.48	-125.13
			TQ	-21.15	-32.22	388.33	-21.15	-32.22	286.66	-21.15	-31.53	286.73	-21.15	-31.53	185.06
			M3	16.47	-17.45	-1069.32	16.47	-17.45	-990.13	16.47	-19.83	-990.09	16.45	-19.93	-910.96

BAGO RIVER BRIDGE

BLOCK [ No.1 : MAIN GIRDER ][ BEAM MEMBER FORCE ]

MEMBER		2019			2020			2020			2021						
NODE		2019			2020			2020			2021						
		SHEAR	TORQUE	MOMENT	SHEAR	TORQUE	MOMENT	SHEAR	TORQUE	MOMENT	SHEAR	TORQUE	MOMENT				
NAME	TITLE	S2 (kN)	TQ (kN·m)	M3 (kN·m)	S2 (kN)	TQ (kN·m)	M3 (kN·m)	S2 (kN)	TQ (kN·m)	M3 (kN·m)	S2 (kN)	TQ (kN·m)	M3 (kN·m)				
67	2-LANES (caseTANDEM-LOAD	MAX	S2	89.54	156.28	160.90	89.54	156.28	591.31	89.54	157.70	590.94	89.54	157.70	1021.35		
			TQ	85.24	164.32	53.79	85.24	164.32	463.56	85.24	165.43	463.16	85.24	165.43	872.92		
			M3	32.48	19.19	531.28	75.03	110.90	700.18	75.03	112.58	699.91	86.64	144.78	1043.58		
		MIN	S2	-22.89	-13.67	135.20	-22.89	-13.67	25.14	-22.89	-13.61	25.17	-22.89	-13.61	-84.89		
			TQ	-14.95	-23.21	239.09	-14.95	-23.21	167.22	-14.95	-22.81	167.27	-14.95	-22.81	95.40		
			M3	11.24	-11.72	-726.59	11.24	-11.72	-672.56	11.24	-13.34	-672.53	11.20	-13.31	-618.64		
			DISPERSION-LMAX	S2	133.91	196.29	-1296.27	128.46	196.64	-703.60	128.46	194.95	-704.07	123.21	193.98	-135.78	
			TQ	110.13	219.32	-281.83	108.32	219.32	244.99	107.03	219.98	308.47	100.76	219.98	807.91		
			M3	-10.81	42.43	610.46	40.19	161.36	686.04	40.14	162.83	685.65	98.67	214.83	1110.11		
			MIN	S2	-58.95	-40.40	428.96	-59.76	-40.75	181.60	-59.76	-40.31	181.69	-60.79	-39.34	-71.44	
			TQ	-35.16	-63.42	-585.48	-39.63	-63.42	-766.99	-38.33	-65.34	-830.85	-38.33	-65.34	-1015.13		
			M3	85.78	113.47	-1477.77	28.50	-5.47	-1208.04	28.56	-8.19	-1208.03	-36.25	-60.19	-1317.33		
		68	2-LANES (caseTRUCK-LOAD	MAX	S2	78.17	617.50	115.17	78.17	617.50	490.94	78.17	618.68	489.46	78.17	618.68	865.23
					TQ	77.17	622.22	70.19	77.17	622.22	441.16	77.17	623.27	439.67	77.17	623.27	810.64
					M3	41.16	411.26	337.48	56.63	492.57	577.67	56.63	493.96	576.49	71.43	575.94	907.84
MIN	S2			-32.93	-44.31	189.63	-32.93	-44.31	31.34	-32.93	-44.23	31.45	-32.93	-44.23	-126.84		
	TQ			-4.08	-95.54	-649.36	-4.08	-95.54	-668.99	-4.08	-97.15	-668.75	-4.08	-97.15	-688.38		
	M3			-0.56	-84.01	-784.00	-0.94	-86.38	-787.31	-0.94	-88.27	-787.10	-0.98	-88.48	-791.63		
	TANDEM-LOAD			MAX	S2	53.63	423.58	64.48	53.63	423.58	322.27	53.63	424.35	321.26	53.63	424.35	579.05
	TQ			53.49	424.88	55.73	53.49	424.88	312.84	53.49	425.63	311.82	53.49	425.63	568.94		
	M3			28.39	280.64	238.08	41.34	350.38	400.06	41.34	351.34	399.22	51.13	404.65	624.48		
	MIN			S2	-22.36	-29.56	128.86	-22.36	-29.56	21.38	-22.36	-29.51	21.45	-22.36	-29.51	-86.03	
	TQ			-2.93	-65.11	-435.45	-2.93	-65.11	-449.55	-2.93	-66.19	-449.39	-2.93	-66.19	-463.49		
	M3			-0.38	-57.17	-533.90	-0.48	-57.83	-535.88	-0.48	-59.12	-535.74	-0.48	-59.12	-538.06		

BAGO RIVER BRIDGE

BLOCK [ No.1 : MAIN GIRDER ][ BEAM MEMBER FORCE ]

MEMBER NODE	2019 2019	2020			2020			2021							
		SHEAR	TORQUE	MOMENT	SHEAR	TORQUE	MOMENT	SHEAR	TORQUE	MOMENT					
		S2 (kN)	TQ (kN·m)	M3 (kN·m)	S2 (kN)	TQ (kN·m)	M3 (kN·m)	S2 (kN)	TQ (kN·m)	M3 (kN·m)					
68	2-LANES (caseDISPERSION-LMAX	S2	81.46	609.71	-365.39	81.46	609.71	26.22	81.46	609.78	24.76	81.46	609.78	416.37	
		TQ	79.72	646.64	87.04	79.72	646.64	470.29	79.72	647.77	468.73	79.72	647.77	851.98	
		M3	-13.84	270.31	490.41	23.40	559.80	521.56	23.36	560.83	520.22	79.72	647.77	851.98	
	MIN	S2	-59.23	-157.83	-167.32	-59.23	-157.83	-452.06	-59.23	-158.91	-451.68	-59.23	-158.91	-736.42	
		TQ	-57.49	-194.75	-619.74	-57.49	-194.75	-896.12	-57.49	-196.90	-895.65	-57.49	-196.90	-1172.04	
		M3	36.07	181.58	-1023.12	-1.17	-107.91	-947.40	-1.13	-109.96	-947.14	-57.49	-196.90	-1172.04	
69	3-LANES (caseTRUCK-LOAD	MAX	S2	481.32	-561.65	1037.37	372.39	-650.01	2309.60	372.39	-644.46	2311.15	334.65	-690.80	3090.89
		TQ	53.71	96.86	-1969.29	53.71	96.86	-1711.08	53.71	92.75	-1711.31	53.71	92.75	-1453.10	
		M3	338.11	-264.28	1546.68	336.02	-602.10	2377.27	336.02	-596.39	2378.70	299.62	-673.84	3107.43	
	MIN	S2	-90.40	-15.54	754.98	-119.80	-120.90	1600.80	-119.80	-117.06	1601.08	-229.71	-206.28	1756.55	
		TQ	249.79	-782.63	-199.01	249.79	-782.63	1001.80	249.79	-780.22	1003.68	249.79	-780.22	2204.49	
		M3	55.71	92.80	-2107.69	55.71	92.80	-1839.90	55.71	88.38	-1840.11	55.69	88.27	-1572.34	
	TANDEM-LOAD	MAX	S2	366.99	-361.71	877.28	290.27	-424.96	1804.50	290.27	-420.62	1805.52	262.68	-433.30	2309.16
		TQ	36.88	66.10	-1354.13	36.88	66.10	-1176.85	36.88	63.28	-1177.01	36.88	63.28	-999.73	
		M3	262.20	-142.78	1258.88	280.20	-396.75	1873.53	280.20	-392.25	1874.47	240.02	-450.39	2318.45	
	MIN	S2	-89.86	-128.76	1246.43	-114.36	-145.69	1632.62	-114.36	-141.77	1632.97	-192.44	-202.72	1686.71	
		TQ	175.00	-536.96	-126.99	175.00	-536.96	714.26	175.00	-535.24	715.55	175.00	-535.24	1556.80	
		M3	37.99	63.66	-1434.34	37.99	63.66	-1251.69	37.99	60.65	-1251.84	37.99	60.65	-1069.19	
	DISPERSION-LMAX	S2	341.46	-629.32	-2784.58	300.90	-622.79	-1424.11	300.90	-626.20	-1422.61	280.84	-606.31	-275.63	
		TQ	-23.92	249.85	-1997.71	-23.92	249.85	-2112.68	-23.92	244.78	-2113.28	-23.92	244.78	-2228.25	
		M3	19.71	-76.04	1129.27	81.85	-466.38	1384.97	82.07	-464.00	1386.09	166.75	-771.19	2122.87	
	MIN	S2	-105.57	105.08	857.33	-111.54	98.55	518.99	-111.54	99.80	518.75	-138.01	79.91	170.24	
		TQ	259.80	-774.09	70.45	213.28	-774.09	1207.57	213.28	-771.19	1209.42	166.75	-771.19	2122.87	
		M3	216.17	-448.19	-3056.52	107.51	-57.85	-2290.09	107.29	-62.41	-2289.94	-23.92	244.78	-2228.25	



BAGO RIVER BRIDGE

BLOCK [ No.1 : MAIN GIRDER ][ BEAM MEMBER FORCE ]

MEMBER NODE	2019 2019	2020			2020			2021							
		SHEAR	TORQUE	MOMENT	SHEAR	TORQUE	MOMENT	SHEAR	TORQUE	MOMENT					
		S2 (kN)	TQ (kN·m)	M3 (kN·m)	S2 (kN)	TQ (kN·m)	M3 (kN·m)	S2 (kN)	TQ (kN·m)	M3 (kN·m)					
70	3-LANES (caseTRUCK-LOAD	MAX	S2	172.91	475.85	273.02	172.91	475.85	1104.24	172.91	478.49	1103.10	172.91	478.49	1934.32
			TQ	169.27	492.68	134.08	169.27	492.68	947.81	170.60	494.97	973.02	170.60	494.97	1793.15
			M3	70.33	163.92	915.54	131.36	333.01	1317.70	131.36	336.17	1316.90	161.14	437.45	1982.38
		MIN	S2	-49.99	-48.66	291.53	-49.99	-48.66	51.22	-49.99	-48.53	51.33	-49.99	-48.53	-188.98
			TQ	-34.07	-66.20	459.52	-34.07	-66.20	295.71	-34.07	-65.49	295.87	-34.07	-65.49	132.07
			M3	19.52	-46.71	-1518.57	19.52	-46.71	-1424.73	19.52	-50.12	-1424.62	19.50	-50.23	-1330.84
	TANDEM-LOAD	MAX	S2	119.73	320.60	223.17	119.73	320.60	798.75	119.73	322.51	797.98	119.73	322.51	1373.57
			TQ	115.02	338.46	78.90	115.02	338.46	631.81	115.02	339.98	631.00	115.02	339.98	1183.91
			M3	38.81	75.03	679.25	99.79	241.54	932.67	99.79	243.78	932.08	113.23	284.64	1402.36
		MIN	S2	-33.94	-32.42	198.05	-33.94	-32.42	34.89	-33.94	-32.34	34.97	-33.94	-32.34	-128.19
			TQ	-23.96	-46.36	288.82	-23.96	-46.36	173.64	-23.96	-45.94	173.75	-23.96	-45.94	58.56
			M3	13.38	-31.26	-1032.61	13.38	-31.26	-968.29	13.38	-33.58	-968.21	13.34	-33.56	-904.04
	DISPERSION-LMAX	S2	180.94	431.58	-1750.46	175.49	431.92	-931.70	175.49	429.69	-932.74	170.24	428.72	-138.37	
		TQ	153.41	486.24	-231.63	151.60	486.24	503.25	150.31	487.52	566.09	144.04	487.52	1273.59	
		M3	-17.37	115.70	867.02	55.85	375.38	967.47	55.78	377.41	966.57	141.95	482.38	1575.79	
		MIN	S2	-86.45	-97.09	544.36	-87.26	-97.44	164.79	-87.26	-97.04	165.02	-88.29	-96.07	-220.31
			TQ	-58.91	-151.75	-974.47	-63.38	-151.75	-1270.17	-62.09	-154.88	-1333.81	-62.09	-154.88	-1632.27
			M3	111.87	218.79	-2073.12	32.37	-40.89	-1734.39	32.45	-44.76	-1734.28	-60.00	-149.73	-1934.47
71	3-LANES (caseTRUCK-LOAD	MAX	S2	133.90	780.63	221.19	133.90	780.63	864.90	133.90	782.70	863.02	133.90	782.70	1506.73
			TQ	131.64	795.92	101.52	131.64	795.92	734.34	131.64	797.68	732.42	131.64	797.68	1365.24
			M3	52.11	467.14	631.02	97.12	614.70	990.77	97.12	617.07	989.30	124.06	729.24	1555.79
		MIN	S2	-49.99	-48.66	291.53	-49.99	-48.66	51.22	-49.99	-48.53	51.33	-49.99	-48.53	-188.98
			TQ	0.18	-118.87	-1109.40	0.18	-118.87	-1108.52	0.32	-121.54	-1114.38	0.32	-121.54	-1112.84
			M3	4.18	-106.58	-1260.97	3.78	-109.04	-1241.58	3.78	-112.02	-1241.31	3.74	-112.23	-1223.17

BAGO RIVER BRIDGE

BLOCK [ No.1 : MAIN GIRDER ][ BEAM MEMBER FORCE ]

MEMBER		2019						2020								
NODE		2019			2020			2020			2021					
		SHEAR	TORQUE	MOMENT	SHEAR	TORQUE	MOMENT	SHEAR	TORQUE	MOMENT	SHEAR	TORQUE	MOMENT			
NAME	TITLE	S2 (kN)	TQ (kN·m)	M3 (kN·m)	S2 (kN)	TQ (kN·m)	M3 (kN·m)	S2 (kN)	TQ (kN·m)	M3 (kN·m)	S2 (kN)	TQ (kN·m)	M3 (kN·m)			
71	3-LANES (caseTANDEM-LOAD	MAX	S2	92.88	538.76	122.81	92.88	538.76	569.29	92.88	540.13	568.00	92.88	540.13	1014.48	
			TQ	89.61	543.48	68.16	89.61	543.48	498.92	89.61	544.68	497.61	89.61	544.68	928.37	
			M3	31.43	309.94	451.51	74.84	445.31	685.33	74.84	446.96	684.26	87.34	507.20	1078.60	
		MIN	S2	-33.94	-32.42	198.05	-33.94	-32.42	34.89	-33.94	-32.34	34.97	-33.94	-32.34	-128.19	
			TQ	-0.08	-81.02	-745.76	-0.08	-81.02	-746.16	-0.08	-82.81	-745.96	-0.08	-82.81	-746.37	
			M3	2.87	-72.36	-858.11	2.76	-73.02	-844.50	2.76	-75.04	-844.32	2.76	-75.04	-831.04	
		DISPERSION-LMAX	S2	136.80	745.54	-927.71	136.80	745.54	-270.08	136.80	744.89	-271.87	136.80	744.89	385.77	
			TQ	126.77	812.21	146.78	126.77	812.21	756.18	126.66	814.03	754.56	126.66	814.03	1363.46	
			M3	-22.18	330.47	784.88	40.49	708.09	840.12	40.42	709.81	838.42	128.86	813.93	1371.96	
		MIN	S2	-88.47	-165.48	36.98	-88.47	-165.48	-388.29	-88.47	-166.41	-387.89	-88.47	-166.41	-813.17	
			TQ	-78.43	-232.15	-1037.51	-78.43	-232.15	-1414.55	-78.33	-235.54	-1414.32	-78.33	-235.54	-1790.86	
			M3	70.52	249.59	-1675.61	7.84	-128.02	-1498.49	7.91	-131.33	-1498.18	-80.53	-235.45	-1799.36	
72	4-LANES	TRUCK-LOAD	MAX	S2	206.50	842.79	326.31	206.50	842.79	1319.00	206.50	845.95	1316.97	206.50	845.95	2309.66
			TQ	203.46	859.99	188.16	203.46	859.99	1166.24	204.01	862.79	1180.41	204.01	862.79	2161.12	
			M3	92.49	456.04	1038.27	154.78	646.00	1557.80	154.78	649.74	1556.24	191.03	790.25	2365.13	
		MIN	S2	-15.43	-82.78	72.36	-15.47	-82.77	3.73	-15.47	-82.76	3.93	-15.47	-82.76	-70.42	
			TQ	-5.99	-122.83	-813.94	-5.99	-122.83	-842.74	-5.78	-124.88	-854.58	-5.78	-124.88	-882.36	
			M3	15.92	-101.43	-1853.48	15.54	-103.81	-1777.49	15.54	-108.07	-1777.24	15.52	-108.17	-1702.63	
		TANDEM-LOAD	MAX	S2	142.83	579.83	224.96	142.83	579.83	911.58	142.83	582.01	910.18	142.83	582.01	1596.80
			TQ	138.65	589.34	109.38	138.65	589.34	775.89	138.65	591.20	774.47	138.65	591.20	1440.98	
			M3	60.28	299.68	766.19	115.95	461.34	1097.99	115.95	463.97	1096.88	137.61	549.44	1665.57	
		MIN	S2	-12.63	-56.51	164.13	-12.63	-56.51	103.42	-12.63	-56.26	103.55	-12.63	-56.26	42.84	
			TQ	-4.56	-85.12	-579.11	-4.56	-85.12	-601.02	-4.56	-86.56	-600.82	-4.56	-86.56	-622.73	
			M3	10.87	-68.88	-1260.54	10.73	-69.51	-1208.50	10.73	-72.41	-1208.33	10.73	-72.41	-1156.78	

BAGO RIVER BRIDGE

BLOCK [ No.1 : MAIN GIRDER ][ BEAM MEMBER FORCE ]

MEMBER				2019			2020			2020			2021				
NODE				2019			2020			2020			2021				
				SHEAR	TORQUE	MOMENT	SHEAR	TORQUE	MOMENT	SHEAR	TORQUE	MOMENT	SHEAR	TORQUE	MOMENT		
NAME	TITLE			S2 (kN)	TQ (kN·m)	M3 (kN·m)	S2 (kN)	TQ (kN·m)	M3 (kN·m)	S2 (kN)	TQ (kN·m)	M3 (kN·m)	S2 (kN)	TQ (kN·m)	M3 (kN·m)		
72	4-LANES	DISPERSION-LMAX	S2	176.55	611.16	-1597.49	171.15	611.62	-797.86	171.15	609.70	-799.33	166.07	609.06	-23.11		
			TQ	153.59	685.68	-47.99	151.78	685.68	687.77	150.55	687.41	749.57	144.82	687.41	1459.57		
			M3	87.30	434.32	452.60	145.09	674.67	1064.78	145.09	677.22	1063.16	138.93	674.85	1745.81		
		MIN	S2	-5.93	-72.61	-367.20	-6.74	-72.96	-359.69	-6.74	-73.82	-359.52	-7.77	-72.85	-357.77		
			TQ	16.94	-139.57	-1923.82	12.47	-139.57	-1854.89	13.65	-144.10	-1918.18	13.65	-144.10	-1852.54		
			M3	83.61	116.88	-2360.05	19.56	-125.24	-2165.47	19.56	-130.44	-2165.17	19.56	-130.44	-2071.14		
		73	6-LANES	TRUCK-LOAD MAX	S2	629.85	182.63	1180.95	514.12	148.07	3159.65	514.12	155.66	3159.29	464.94	119.43	4596.90
					TQ	165.66	790.01	-1198.86	165.66	790.01	-402.52	133.36	790.31	180.21	133.36	790.31	821.29
					M3	388.91	137.87	2227.38	403.67	138.33	3437.04	403.67	146.58	3436.69	422.23	106.69	4710.35
MIN	S2			-132.75	-43.22	991.08	-173.30	-120.35	1594.14	-173.30	-116.52	1594.42	-290.13	-151.78	1454.32		
	TQ			231.97	-739.72	-1474.60	231.97	-739.72	-359.49	231.97	-740.58	-357.71	231.97	-740.58	757.40		
	M3			60.92	-8.92	-3386.77	60.53	-11.33	-3094.78	60.53	-18.76	-3094.74	60.50	-18.93	-2803.82		
TANDEM-LOAD MAX	S2			471.92	127.31	964.42	390.60	102.41	2385.32	390.60	108.13	2385.06	349.36	130.19	3356.03		
	TQ			116.27	541.12	-802.42	116.27	541.12	-243.50	94.31	541.43	160.96	94.31	541.43	614.35		
	M3			298.93	102.33	1755.48	342.11	56.17	2597.09	342.11	62.40	2596.95	324.16	74.04	3437.99		
MIN	S2			-113.73	-146.39	1404.86	-152.17	-128.92	1621.70	-152.17	-125.02	1622.00	-236.66	-147.25	1478.74		
	TQ			164.45	-507.06	-981.60	164.45	-507.06	-191.04	164.45	-507.51	-189.83	164.45	-507.51	600.73		
	M3			41.53	-5.61	-2304.35	41.43	-6.25	-2104.93	41.43	-11.30	-2104.91	41.43	-11.30	-1905.75		
DISPERSION-LMAX	S2			472.00	64.32	-3830.08	430.36	70.20	-1854.39	430.36	65.75	-1854.56	409.99	80.77	-101.93		
	TQ			120.94	957.20	-1656.17	120.08	957.20	-1076.08	118.80	954.69	-1015.13	114.33	954.69	-454.81		
	M3			-2.91	225.99	1842.78	125.17	246.72	2181.24	125.33	250.75	2180.64	291.60	29.96	3408.34		
MIN	S2	-182.09	-51.38	897.65	-188.04	-54.83	202.45	-188.04	-54.35	202.58	-214.33	-67.28	-511.80				
	TQ	149.60	-869.97	-1120.53	112.40	-869.97	-492.46	113.59	-871.22	-549.38	80.70	-871.22	-82.30				
	M3	284.19	-160.92	-4664.24	115.21	-148.24	-3726.31	115.07	-155.98	-3725.94	-90.19	20.29	-3916.38				

BAGO RIVER BRIDGE

BLOCK [ No.1 : MAIN GIRDER ] [ BEAM MEMBER FORCE ]

MEMBER			2019			2020			2020			2021			
NODE			2019			2020			2020			2021			
NAME TITLE			SHEAR	TORQUE	MOMENT	SHEAR	TORQUE	MOMENT	SHEAR	TORQUE	MOMENT	SHEAR	TORQUE	MOMENT	
			S2 (kN)	TQ (kN·m)	M3 (kN·m)	S2 (kN)	TQ (kN·m)	M3 (kN·m)	S2 (kN)	TQ (kN·m)	M3 (kN·m)	S2 (kN)	TQ (kN·m)	M3 (kN·m)	
124	SUM TOTAL	D+1LANE (caseMAX	S2	1433.90	-802.68	-12914.25	1245.68	-816.89	-6430.94	1245.68	-832.32	-6428.96	1116.13	-808.03	-832.28
			TQ	1201.24	235.62	-13540.10	1007.29	235.62	-8231.67	1007.29	215.86	-8232.22	813.35	215.86	-3856.11
			M3	1143.03	-138.04	-10565.73	1138.72	-668.69	-5241.87	1138.89	-682.16	-5240.25	1079.92	-872.71	46.42
		MIN	S2	1064.58	29.78	-10704.72	922.21	154.26	-6364.04	922.21	138.98	-6364.40	728.52	144.23	-2405.52
			TQ	1384.49	-908.21	-11786.54	1204.37	-908.21	-5563.92	1204.37	-921.56	-5561.73	1024.25	-921.56	-204.98
			M3	1307.50	-189.65	-14014.83	1064.27	43.01	-8327.24	1064.10	23.92	-8327.32	813.27	214.47	-3869.26
		D+1LANE (caseMAX	S2	1606.08	-160.02	-12220.47	1274.24	-169.53	-6021.18	1274.24	-183.98	-6020.76	986.01	-193.26	-1413.40
			TQ	1181.50	121.64	-13148.97	987.56	121.64	-7935.40	987.56	102.60	-7935.67	793.62	102.60	-3654.41
			M3	1479.90	-50.87	-10816.22	1176.68	-149.44	-4922.11	1176.76	-161.49	-4921.74	902.76	-239.43	-429.45
		MIN	S2	1120.37	79.58	-11346.88	852.69	-18.88	-5350.86	852.69	-31.72	-5350.80	530.43	-62.03	-1141.80
			TQ	1377.57	-264.25	-11867.59	1138.74	-264.25	-5819.40	1138.74	-278.21	-5818.75	899.91	-278.21	-918.65
			M3	1269.51	-17.25	-13647.87	1037.67	61.53	-8099.10	1037.58	42.33	-8099.22	795.59	100.21	-3749.32
		D+1LANE (caseMAX	S2	1355.78	190.99	-12476.21	1155.29	191.41	-6486.18	1155.29	175.84	-6486.62	955.04	174.68	-1458.17
			TQ	1337.20	196.00	-12049.19	1141.09	196.00	-6090.26	1139.57	181.47	-6015.19	938.10	181.47	-1021.28
			M3	1227.45	54.10	-10909.77	1079.05	132.11	-5452.90	1079.05	119.01	-5453.20	928.90	169.58	-639.16
		MIN	S2	1122.77	20.85	-11369.99	927.84	20.43	-6395.59	927.84	5.08	-6395.62	732.67	6.24	-2360.46
			TQ	1152.17	7.63	-11559.14	952.87	7.63	-6501.59	954.38	-8.06	-6577.12	760.44	-8.06	-2455.39
			M3	1249.85	78.18	-13384.83	1019.06	43.36	-7935.25	1019.07	24.32	-7935.33	784.02	7.81	-3657.04
		D+1LANE (caseMAX	S2	1265.91	914.90	-11720.99	1071.97	914.90	-6101.68	1071.97	900.25	-6103.86	878.02	900.25	-1416.87
			TQ	1265.83	921.33	-11653.39	1071.89	921.33	-6034.43	1071.89	906.84	-6036.63	877.95	906.84	-1349.99
			M3	1199.02	583.43	-11321.82	1027.09	795.15	-5965.88	1027.08	780.79	-5967.77	873.70	889.74	-1335.51
		MIN	S2	1123.18	-128.03	-11919.95	929.24	-128.03	-6986.75	929.24	-144.79	-6986.43	735.29	-144.79	-2985.55
			TQ	1137.75	-168.14	-12426.38	943.81	-168.14	-7423.16	943.81	-185.95	-7422.74	749.86	-185.95	-3351.84
			M3	1192.68	91.32	-12760.99	978.95	-98.66	-7546.93	978.96	-116.73	-7546.67	752.24	-178.88	-3436.54

BAGO RIVER BRIDGE

BLOCK [ No.1 : MAIN GIRDER ] [ BEAM MEMBER FORCE ]

MEMBER			2019			2020			2020			2021			
NODE			2019			2020			2020			2021			
NAME TITLE			SHEAR	TORQUE	MOMENT	SHEAR	TORQUE	MOMENT	SHEAR	TORQUE	MOMENT	SHEAR	TORQUE	MOMENT	
			S2 (kN)	TQ (kN·m)	M3 (kN·m)	S2 (kN)	TQ (kN·m)	M3 (kN·m)	S2 (kN)	TQ (kN·m)	M3 (kN·m)	S2 (kN)	TQ (kN·m)	M3 (kN·m)	
124	SUM TOTAL	D+2LANES (casMAX	S2	1646.88	-984.20	-13132.78	1418.37	-1058.11	-6125.17	1418.37	-1072.81	-6122.62	1245.19	-1091.52	-203.64
			TQ	1207.71	318.75	-14578.81	1013.77	318.75	-9239.25	1013.77	296.57	-9239.99	819.83	296.57	-4832.75
			M3	1287.08	-224.52	-9879.82	1244.25	-870.54	-4164.32	1244.39	-881.28	-4162.22	1165.45	-1200.96	1391.44
		MIN	S2	1032.89	96.63	-10501.25	865.03	66.79	-5449.48	865.03	53.71	-5449.62	641.63	-30.14	-1318.45
			TQ	1524.13	-1263.10	-11808.19	1321.07	-1263.10	-4969.45	1321.07	-1275.02	-4966.40	1118.00	-1275.02	896.16
			M3	1376.46	-267.61	-15360.28	1105.43	57.08	-9409.05	1105.29	35.24	-9409.16	820.17	294.08	-4872.91
		D+2LANES (casMAX	S2	1790.36	-448.65	-12554.63	1442.17	-518.64	-5783.71	1442.17	-532.52	-5782.45	1136.76	-579.22	-687.91
			TQ	1191.27	223.77	-14252.87	997.33	223.77	-8992.35	997.33	202.18	-8992.87	803.38	202.18	-4664.67
			M3	1567.81	-151.88	-10088.57	1275.88	-437.83	-3897.86	1275.95	-447.38	-3896.80	1017.81	-673.22	994.87
		MIN	S2	1079.39	138.14	-11036.39	807.10	-77.49	-4605.16	807.10	-88.54	-4604.96	476.56	-202.02	-265.35
			TQ	1518.36	-726.46	-11875.73	1266.37	-726.46	-5182.35	1266.37	-738.90	-5180.59	1014.38	-738.90	301.43
			M3	1344.80	-123.94	-15054.48	1083.27	72.51	-9218.93	1083.20	50.59	-9219.08	805.43	198.86	-4772.96
		D+2LANES (casMAX	S2	1442.12	463.14	-12854.77	1242.72	463.49	-6439.46	1242.72	448.03	-6440.56	1043.52	447.06	-981.96
			TQ	1416.26	496.99	-11928.71	1220.51	496.99	-5589.21	1219.92	483.65	-5516.63	1019.70	483.65	-133.46
			M3	1222.34	133.89	-10451.94	1124.22	354.70	-4892.54	1124.17	342.78	-4893.37	1009.87	453.27	279.44
		MIN	S2	1086.88	-20.93	-11137.03	892.12	-21.27	-6342.36	892.12	-36.49	-6342.29	697.15	-35.52	-2485.70
			TQ	1123.24	-55.60	-11962.21	924.83	-55.60	-7041.24	926.12	-72.57	-7105.09	732.18	-72.57	-3119.20
			M3	1281.80	136.06	-14312.16	1030.58	17.12	-8759.07	1030.64	-3.72	-8759.09	771.87	-55.83	-4517.42
		D+2LANES (casMAX	S2	1339.18	1267.26	-12015.29	1145.24	1267.26	-6043.74	1145.24	1252.75	-6046.76	951.29	1252.75	-1007.53
			TQ	1336.44	1308.90	-11607.84	1142.50	1308.90	-5649.45	1142.50	1295.33	-5652.58	948.56	1295.33	-626.51
			M3	1206.86	721.61	-10937.18	1065.64	1092.42	-5461.66	1065.59	1079.08	-5464.27	942.82	1248.00	-529.31
		MIN	S2	1087.39	-162.09	-11742.76	893.45	-162.09	-6981.62	893.45	-178.85	-6981.21	699.50	-178.85	-3152.39
			TQ	1117.97	-250.25	-13034.17	924.03	-250.25	-8126.01	924.03	-269.75	-8125.39	730.09	-269.75	-4149.55
			M3	1215.07	137.61	-13572.18	983.50	-154.25	-8295.61	983.54	-173.94	-8295.22	733.19	-261.08	-4252.79

BAGO RIVER BRIDGE

BLOCK [ No.1 : MAIN GIRDER ][ BEAM MEMBER FORCE ]

MEMBER		2019			2020			2020			2021					
NODE		2019			2020			2020			2021					
		SHEAR	TORQUE	MOMENT	SHEAR	TORQUE	MOMENT	SHEAR	TORQUE	MOMENT	SHEAR	TORQUE	MOMENT			
NAME	TITLE	S2 (kN)	TQ (kN·m)	M3 (kN·m)	S2 (kN)	TQ (kN·m)	M3 (kN·m)	S2 (kN)	TQ (kN·m)	M3 (kN·m)	S2 (kN)	TQ (kN·m)	M3 (kN·m)			
124	SUM TOTAL	D+3LANES (casMAX	S2	1878.91	-972.28	-13250.20	1557.91	-1041.83	-5808.23	1557.91	-1055.77	-5805.71	1314.83	-1078.25	103.85	
			TQ	1204.87	334.74	-15137.02	1010.93	334.74	-9811.10	1010.93	311.19	-9811.88	816.99	311.19	-5418.28	
			M3	1483.70	-249.24	-9490.51	1340.80	-868.17	-3363.00	1340.98	-877.04	-3360.91	1188.08	-1203.97	2156.62	
		MIN	S2	1012.97	116.15	-10394.61	788.97	21.04	-4759.08	788.97	9.62	-4759.12	479.10	-83.12	-651.36	
			TQ	1612.71	-1283.17	-11874.34	1379.22	-1283.17	-4682.94	1379.22	-1294.40	-4679.84	1145.73	-1294.40	1389.13	
			M3	1410.64	-262.04	-16154.65	1124.34	69.75	-10071.39	1124.16	46.38	-10071.52	818.67	307.38	-5519.64	
		D+3LANES (casMAX	S2	1480.33	811.35	-13020.89	1281.75	811.65	-6414.24	1281.75	796.25	-6416.17	1083.34	795.42	-762.57	
			TQ	1453.83	872.13	-11847.99	1258.35	872.13	-5327.50	1258.38	859.42	-5252.74	1059.11	859.42	317.59	
			M3	1224.56	277.72	-10249.89	1144.73	642.18	-4618.50	1144.67	630.84	-4620.03	1049.29	806.14	735.31	
		MIN	S2	1063.58	-83.84	-11054.57	868.94	-84.14	-6377.30	868.94	-99.44	-6377.08	674.13	-98.62	-2637.03	
			TQ	1100.51	-145.22	-12202.78	902.77	-145.22	-7389.19	903.87	-163.02	-7443.22	709.93	-163.02	-3564.30	
			M3	1291.23	186.31	-14818.01	1029.71	-34.42	-9246.15	1029.78	-56.36	-9246.04	757.24	-145.67	-5064.65	
		D+3LANES (casMAX	S2	1409.65	1337.29	-12365.61	1215.71	1337.29	-6055.30	1215.71	1322.75	-6058.50	1021.76	1322.75	-680.51	
			TQ	1399.20	1406.96	-11554.01	1205.25	1406.96	-5293.96	1205.16	1394.25	-5297.04	1011.22	1394.25	30.27	
			M3	1204.99	718.01	-10561.56	1102.58	1164.41	-5004.64	1102.52	1152.15	-5007.42	1006.65	1336.00	199.46	
		MIN	S2	1061.86	-141.97	-11485.84	867.92	-141.97	-6847.41	867.92	-158.40	-6847.05	673.98	-158.40	-3140.95	
			TQ	1113.04	-258.33	-13589.94	919.09	-258.33	-8705.51	919.30	-279.22	-8710.37	725.35	-279.22	-4757.28	
			M3	1243.04	161.61	-14261.16	995.48	-161.46	-8889.95	995.54	-182.55	-8889.54	726.39	-271.23	-4858.29	
		D+4LANES	MAX	S2	1428.53	985.11	-12591.34	1231.08	985.41	-6222.16	1231.08	970.47	-6224.51	1033.84	970.05	-802.87
			TQ	1411.63	1044.73	-11673.96	1216.52	1044.73	-5355.79	1216.07	1031.92	-5306.49	1018.40	1031.92	64.32	
			M3	1296.42	618.77	-10796.01	1180.52	898.48	-4856.23	1180.52	886.82	-4858.37	1006.14	976.61	382.98	
		MIN	S2	1165.67	-60.97	-11956.72	971.17	-61.18	-6792.27	971.17	-77.48	-6792.11	776.56	-76.85	-2567.45	
			TQ	1186.67	-130.52	-13544.61	989.82	-130.52	-8314.36	990.72	-150.54	-8363.27	796.78	-150.54	-4066.82	
			M3	1244.25	50.08	-14503.86	1008.42	-108.84	-9123.83	1008.42	-130.73	-9123.54	814.46	-130.80	-4742.08	

BAGO RIVER BRIDGE

BLOCK [ No.1 : MAIN GIRDER ][ BEAM MEMBER FORCE ]

MEMBER					2019			2020			2021		
NODE					2019			2020			2021		
					SHEAR	TORQUE	MOMENT	SHEAR	TORQUE	MOMENT	SHEAR	TORQUE	MOMENT
NAME	TITLE				S2 (kN)	TQ (kN·m)	M3 (kN·m)	S2 (kN)	TQ (kN·m)	M3 (kN·m)	S2 (kN)	TQ (kN·m)	M3 (kN·m)
124	SUM TOTAL	D+6LANES	MAX	S2	1895.75	200.56	-13487.01	1599.52	181.92	-5712.48	1599.52	168.21	-5712.90
				TQ	1365.84	1175.73	-13620.84	1171.34	1175.73	-7521.99	1149.51	1158.55	-7103.67
				M3	1430.45	276.55	-9119.47	1329.35	290.32	-2909.02	1329.46	282.56	-2909.71
			MIN	S2	974.90	-21.45	-10537.39	750.73	-73.83	-5393.12	750.73	-86.77	-5392.92
				TQ	1427.57	-1006.26	-13451.91	1209.44	-1006.26	-7114.66	1210.22	-1023.37	-7150.59
				M3	1403.87	-70.36	-16998.23	1099.84	-63.68	-10994.61	1099.74	-89.28	-10994.42
	SUM TOTAL		MAX		1895.75	1406.96	-9119.47	1599.52	1406.96	-2909.02	1599.52	1394.25	-2909.71
			MIN		974.90	-1283.17	-16998.23	750.73	-1283.17	-10994.61	750.73	-1294.40	-10994.42
300	DEAD LOAD	TOTAL			1179.55	40.04	-11765.07	985.61	40.04	-6560.90	985.61	24.30	-6560.98
301	LIVE LOAD	1-LANE(case1MAX	S2		254.35	-842.72	-1149.18	260.07	-856.93	129.96	260.07	-856.62	132.02
			TQ		21.69	195.58	-1775.03	21.69	195.58	-1670.77	21.69	191.57	-1671.24
			M3		-36.52	-178.08	1199.34	153.11	-708.73	1319.03	153.28	-706.46	1320.73
			MIN	S2	-114.97	-10.26	1060.35	-63.40	114.21	196.86	-63.40	114.69	196.58
				TQ	204.94	-948.25	-21.47	218.77	-948.25	996.98	218.77	-945.85	999.25
				M3	127.95	-229.70	-2249.76	78.66	2.97	-1766.34	78.49	-0.37	-1766.34
		1-LANE(case2MAX	S2		426.54	-200.06	-455.40	288.64	-209.57	539.72	288.64	-208.28	540.22
			TQ		1.96	81.60	-1383.90	1.96	81.60	-1374.50	1.96	78.30	-1374.69
			M3		300.35	-90.91	948.85	191.07	-189.48	1638.79	191.16	-185.79	1639.24
			MIN	S2	-59.18	39.54	418.19	-132.91	-58.92	1210.04	-132.91	-56.02	1210.18
				TQ	198.02	-304.29	-102.52	153.13	-304.29	741.50	153.13	-302.51	742.23
				M3	89.96	-57.29	-1882.80	52.06	21.49	-1538.20	51.98	18.03	-1538.24
		1-LANE(case3MAX	S2		176.23	150.95	-711.14	169.68	151.37	74.72	169.68	151.55	74.36
			TQ		157.65	155.96	-284.12	155.48	155.96	470.64	153.97	157.18	545.79
			M3		47.91	14.05	855.30	93.45	92.06	1108.00	93.44	94.71	1107.78
			MIN	S2	-56.78	-19.19	395.08	-57.76	-19.61	165.31	-57.76	-19.22	165.36
				TQ	-27.38	-32.41	205.93	-32.74	-32.41	59.31	-31.23	-32.36	-16.15
				M3	70.30	38.14	-1619.76	33.46	3.32	-1374.35	33.46	0.03	-1374.36

BAGO RIVER BRIDGE

BLOCK [ No.1 : MAIN GIRDER ][ BEAM MEMBER FORCE ]

MEMBER			2019			2020			2020			2021				
NODE			2019			2020			2020			2021				
NAME TITLE			SHEAR	TORQUE	MOMENT	SHEAR	TORQUE	MOMENT	SHEAR	TORQUE	MOMENT	SHEAR	TORQUE	MOMENT		
			S2 (kN)	TQ (kN·m)	M3 (kN·m)	S2 (kN)	TQ (kN·m)	M3 (kN·m)	S2 (kN)	TQ (kN·m)	M3 (kN·m)	S2 (kN)	TQ (kN·m)	M3 (kN·m)		
301	LIVE LOAD	1-LANE (case4MAX	S2	86.36	874.86	44.08	86.36	874.86	459.22	86.36	875.96	457.12	86.36	875.96	872.26	
			TQ	86.29	881.29	111.68	86.29	881.29	526.47	86.29	882.55	524.35	86.29	882.55	939.14	
			M3	19.47	543.39	443.25	41.48	755.11	595.02	41.47	756.49	593.21	82.04	865.45	953.62	
			MIN	S2	-56.37	-168.07	-154.88	-56.37	-168.07	-425.85	-56.37	-169.09	-425.45	-56.37	-169.09	-696.42
			TQ	-41.80	-208.18	-661.31	-41.80	-208.18	-862.26	-41.80	-210.25	-861.76	-41.80	-210.25	-1062.71	
			M3	13.13	51.27	-995.92	-6.65	-138.70	-986.03	-6.65	-141.03	-985.69	-39.42	-203.17	-1147.40	
		2-LANES (caseMAX	S2	467.33	-1024.25	-1367.71	432.76	-1098.15	435.73	432.76	-1097.10	438.36	453.53	-1115.82	2085.49	
			TQ	28.16	278.71	-2813.75	28.16	278.71	-2678.35	28.16	272.28	-2679.01	28.16	272.28	-2543.62	
			M3	107.53	-264.57	1885.24	258.64	-910.58	2396.58	258.78	-905.57	2398.76	373.79	-1225.25	3680.57	
			MIN	S2	-146.65	56.59	1263.82	-120.58	26.75	1111.42	-120.58	29.42	1111.35	-150.03	-54.44	970.68
			TQ	344.58	-1303.14	-43.12	335.46	-1303.14	1591.45	335.46	-1299.32	1594.57	326.34	-1299.32	3185.29	
			M3	196.91	-307.65	-3595.22	119.83	17.04	-2848.15	119.69	10.95	-2848.19	28.50	269.78	-2583.77	
		2-LANES (caseMAX	S2	610.81	-488.69	-789.56	456.57	-558.68	777.19	456.57	-556.81	778.53	345.10	-603.51	1601.23	
			TQ	11.72	183.73	-2487.80	11.72	183.73	-2431.45	11.72	177.89	-2431.89	11.72	177.89	-2375.54	
			M3	388.26	-191.92	1676.50	290.27	-477.87	2663.04	290.34	-471.68	2664.18	226.15	-697.52	3284.00	
			MIN	S2	-100.16	98.10	728.68	-178.51	-117.53	1955.74	-178.51	-112.84	1956.02	-315.11	-226.32	2023.78
			TQ	338.81	-766.51	-110.67	280.77	-766.51	1378.55	280.77	-763.20	1380.39	222.72	-763.20	2590.57	
			M3	165.25	-163.98	-3289.41	97.66	32.47	-2658.03	97.59	26.29	-2658.10	13.77	174.57	-2483.83	
		2-LANES (caseMAX	S2	262.57	423.10	-1089.70	257.11	423.45	121.44	257.11	423.74	120.42	251.86	422.77	1307.17	
			TQ	236.71	456.95	-163.64	234.90	456.95	971.69	234.31	459.36	1044.35	228.04	459.36	2155.67	
			M3	42.80	93.85	1313.13	138.62	314.66	1668.36	138.57	318.49	1667.60	218.20	428.98	2568.58	
			MIN	S2	-92.67	-60.97	628.04	-93.49	-61.31	218.54	-93.49	-60.79	218.69	-94.51	-59.82	-196.57
			TQ	-56.31	-95.64	-197.14	-60.78	-95.64	-480.34	-59.49	-96.87	-544.11	-59.49	-96.87	-830.07	
			M3	102.25	96.02	-2547.09	44.98	-22.92	-2198.17	45.03	-28.02	-2198.11	-19.80	-80.12	-2228.29	



BAGO RIVER BRIDGE

BLOCK [ No.1 : MAIN GIRDER ][ BEAM MEMBER FORCE ]

MEMBER NODE				2019			2020			2020			2021			
				2019			2020			2020			2021			
				SHEAR	TORQUE	MOMENT	SHEAR	TORQUE	MOMENT	SHEAR	TORQUE	MOMENT	SHEAR	TORQUE	MOMENT	
NAME	TITLE		S2 (kN)	TQ (kN·m)	M3 (kN·m)	S2 (kN)	TQ (kN·m)	M3 (kN·m)	S2 (kN)	TQ (kN·m)	M3 (kN·m)	S2 (kN)	TQ (kN·m)	M3 (kN·m)		
301	LIVE LOAD	2-LANES (caseMAX	S2	159.63	1227.21	-250.22	159.63	1227.21	517.16	159.63	1228.45	514.22	159.63	1228.45	1281.60	
			TQ	156.89	1268.86	157.23	156.89	1268.86	911.45	156.89	1271.04	908.40	156.89	1271.04	1662.63	
			M3	27.31	681.57	827.89	80.03	1052.37	1099.24	79.98	1054.79	1096.71	151.16	1223.71	1759.82	
			MIN	S2	-92.16	-202.13	22.31	-92.16	-202.13	-420.72	-92.16	-203.14	-420.23	-92.16	-203.14	-863.26
			TQ	-61.58	-290.29	-1269.10	-61.58	-290.29	-1565.11	-61.58	-294.05	-1564.41	-61.58	-294.05	-1860.42	
			M3	35.52	97.57	-1807.12	-2.11	-194.29	-1734.71	-2.06	-198.23	-1734.24	-58.47	-285.38	-1963.66	
		3-LANES (caseMAX	S2	699.36	-1012.32	-1485.13	572.30	-1081.87	752.67	572.30	-1080.06	755.26	523.17	-1102.55	2392.98	
			TQ	25.33	294.70	-3371.95	25.33	294.70	-3250.20	25.33	286.90	-3250.90	25.33	286.90	-3129.15	
			M3	304.15	-289.28	2274.56	355.19	-908.21	3197.90	355.37	-901.33	3200.07	396.41	-1228.27	4445.75	
			MIN	S2	-166.57	76.11	1370.46	-196.64	-19.00	1801.82	-196.64	-14.67	1801.86	-312.57	-107.42	1637.77
			TQ	433.16	-1323.21	-109.28	393.61	-1323.21	1877.96	393.61	-1318.70	1881.13	354.06	-1318.70	3678.26	
			M3	231.10	-302.08	-4389.58	138.73	29.70	-3510.48	138.55	22.08	-3510.55	27.01	283.09	-3230.51	
		3-LANES (caseMAX	S2	300.78	771.31	-1255.82	296.14	771.60	146.66	296.14	771.95	144.81	291.68	771.13	1526.56	
			TQ	274.28	832.08	-82.92	272.74	832.08	1233.40	272.78	835.12	1308.24	267.45	835.12	2606.72	
			M3	45.01	237.68	1515.18	159.13	602.14	1942.40	159.06	606.54	1940.95	257.63	781.85	3024.44	
			MIN	S2	-115.97	-123.88	710.50	-116.67	-124.18	183.60	-116.67	-123.74	183.90	-117.53	-122.91	-347.90
			TQ	-79.04	-185.26	-437.71	-82.83	-185.26	-828.29	-81.74	-187.31	-882.25	-81.74	-187.31	-1275.17	
			M3	111.68	146.27	-3052.94	44.11	-74.46	-2685.25	44.17	-80.65	-2685.07	-34.43	-169.97	-2775.52	
		3-LANES (caseMAX	S2	230.10	1297.24	-600.54	230.10	1297.24	505.60	230.10	1298.45	502.48	230.10	1298.45	1608.62	
			TQ	219.65	1366.91	211.05	219.65	1366.91	1266.94	219.56	1369.95	1263.94	219.56	1369.95	2319.40	
			M3	25.44	677.97	1203.51	116.97	1124.37	1556.26	116.91	1127.85	1553.56	214.99	1311.70	2488.59	
			MIN	S2	-117.69	-182.01	279.23	-117.69	-182.01	-286.51	-117.69	-182.70	-286.08	-117.69	-182.70	-851.82
			TQ	-66.51	-298.37	-1824.87	-66.51	-298.37	-2144.61	-66.31	-303.52	-2149.39	-66.31	-303.52	-2468.15	
			M3	63.49	121.57	-2496.09	9.88	-201.50	-2329.05	9.93	-206.85	-2328.56	-65.27	-295.53	-2569.16	

BAGO RIVER BRIDGE

BLOCK [ No.1 : MAIN GIRDER ][ BEAM MEMBER FORCE ]

MEMBER					2019			2020			2021					
NODE					2019			2020			2021					
					SHEAR	TORQUE	MOMENT	SHEAR	TORQUE	MOMENT	SHEAR	TORQUE	MOMENT			
NAME	TITLE				S2 (kN)	TQ (kN·m)	M3 (kN·m)	S2 (kN)	TQ (kN·m)	M3 (kN·m)	S2 (kN)	TQ (kN·m)	M3 (kN·m)			
301	LIVE LOAD	4-LANES	MAX	S2	248.98	945.07	-826.27	245.47	945.37	338.74	245.47	946.18	336.47	242.17	945.76	1486.26
				TQ	232.08	1004.69	91.11	230.91	1004.69	1205.11	230.46	1007.63	1254.49	226.74	1007.63	2353.45
				M3	116.87	578.73	969.06	194.92	858.44	1704.67	194.92	862.53	1702.61	214.47	952.31	2672.11
			MIN	S2	-13.88	-101.01	-191.65	-14.44	-101.22	-231.37	-14.44	-101.78	-231.13	-15.10	-101.15	-278.32
				TQ	7.12	-170.56	-1779.54	4.21	-170.56	-1753.46	5.12	-174.83	-1802.29	5.12	-174.83	-1777.69
				M3	64.70	10.04	-2738.79	22.81	-148.88	-2562.93	22.81	-155.03	-2562.56	22.80	-155.10	-2452.95
		6-LANES	MAX	S2	716.20	160.52	-1721.94	613.91	141.88	848.42	613.91	143.92	848.07	568.70	130.13	2921.73
				TQ	186.29	1135.69	-1855.77	185.73	1135.69	-961.09	163.90	1134.25	-542.70	161.00	1134.25	238.21
				M3	250.90	236.51	2645.60	343.75	250.28	3651.88	343.85	258.26	3651.27	463.99	88.82	5277.15
			MIN	S2	-204.64	-61.49	1227.67	-234.87	-113.87	1167.78	-234.87	-111.07	1168.05	-327.90	-142.39	612.63
				TQ	248.02	-1046.30	-1686.84	223.84	-1046.30	-553.76	224.61	-1047.67	-589.61	203.23	-1047.67	438.81
				M3	224.32	-110.40	-5233.16	114.23	-103.72	-4433.71	114.14	-113.58	-4433.44	-19.30	0.89	-4368.13
		LIVE LOAD	MAX	716.20	1366.91	2645.60	613.91	1366.91	3651.88	613.91	1369.95	3651.27	568.70	1369.95	5277.15	
			MIN	-204.64	-1323.21	-5233.16	-234.87	-1323.21	-4433.71	-234.87	-1318.70	-4433.44	-327.90	-1318.70	-4368.13	
		303	SUM TOTAL	TOTAL	MAX	1895.75	1406.96	-9119.47	1599.52	1406.96	-2909.02	1599.52	1394.25	-2909.71	1360.37	1394.25
MIN	974.90				-1283.17	-16998.23	750.73	-1283.17	-10994.61	750.73	-1294.40	-10994.42	463.76	-1294.40	-6657.26	

BAGO RIVER BRIDGE

BLOCK [ No.1 : MAIN GIRDER ] [ BEAM MEMBER FORCE ]

MEMBER NODE	2021 2021	2022						2023								
		2021			2022			2022			2023					
		SHEAR S2 (kN)	TORQUE TQ (kN·m)	MOMENT M3 (kN·m)	SHEAR S2 (kN)	TORQUE TQ (kN·m)	MOMENT M3 (kN·m)	SHEAR S2 (kN)	TORQUE TQ (kN·m)	MOMENT M3 (kN·m)	SHEAR S2 (kN)	TORQUE TQ (kN·m)	MOMENT M3 (kN·m)			
1	PAVEMENT	125.66	65.51	-456.02	95.00	65.51	74.37	95.00	65.69	74.21	64.34	65.69	457.22			
3	RAILING	0.35	0.84	-7.12	1.98	0.84	-1.53	1.98	0.84	-1.53	3.60	0.84	11.87			
5	CURB	3.46	8.31	-70.47	19.55	8.31	-15.16	19.55	8.27	-15.18	35.65	8.27	117.51			
7	DECK WEIGHT	189.51	84.11	-702.90	142.91	84.11	96.11	142.91	84.34	95.91	96.30	84.34	670.87			
8	GIRDER WEIGH	246.42	-55.85	-691.89	156.52	-55.85	276.62	156.52	-55.19	276.75	66.63	-55.19	813.13			
10	MEDIAN STRIP	45.00	-30.52	-154.49	15.89	-30.52	-8.13	15.89	-30.54	-8.05	-13.21	-30.54	-1.61			
21	ADITIONAL WE	53.06	23.55	-196.81	40.01	23.55	26.91	40.01	23.62	26.85	26.96	23.62	187.84			
31	MEDIAN RAILI	4.50	-2.62	-9.46	2.15	-2.62	6.53	2.15	-2.61	6.54	-0.20	-2.61	11.22			
51	SUPPORT WEIG	-0.00	0.00	-0.00	-0.00	0.00	-0.00	-0.00	0.00	-0.00	-0.00	0.00	-0.00			
52	NOSE WEIGHT	0.01	-0.01	-0.11	0.01	-0.01	-0.09	0.01	-0.01	-0.09	0.01	-0.01	-0.06			
61	1-LANE(case1TRUCK-LOAD	MAX	S2	85.83	-323.50	624.33	85.83	-323.50	1036.94	85.83	-321.01	1037.71	128.26	-298.74	1487.57	
			TQ	-16.06	44.31	-50.38	-16.06	44.31	-127.59	-16.06	44.00	-127.70	-16.06	44.00	-204.91	
			M3	-30.55	-61.92	1153.10	28.47	-211.46	1098.73	28.47	-208.83	1099.24	128.26	-298.74	1487.57	
		MIN	S2	-77.22	-2.18	1119.68	-35.21	21.97	879.23	-35.21	24.08	879.18	-35.21	24.08	709.90	
			TQ	81.94	-333.68	454.68	81.94	-333.68	848.61	81.94	-331.64	849.41	81.94	-331.64	1243.33	
			M3	15.10	-9.14	-546.64	15.10	-9.14	-474.06	15.10	-10.28	-474.04	15.08	-10.22	-401.49	
		TANDEM-LOAD	MAX	S2	63.37	-229.19	385.00	63.37	-229.19	689.61	63.37	-227.53	690.16	108.81	-186.08	1021.76
			TQ	-10.75	30.18	-33.63	-10.75	30.18	-85.29	-29.00	30.66	520.81	-29.00	30.66	381.42	
			M3	-41.23	-18.92	797.80	43.36	-187.94	773.70	43.36	-186.08	774.15	86.06	-202.20	1027.48	
		MIN	S2	-73.95	-18.92	797.80	-29.20	25.47	571.41	-29.20	26.84	571.35	-29.20	26.84	430.97	
			TQ	62.94	-232.00	351.39	62.94	-232.00	653.95	62.94	-230.43	654.50	62.94	-230.43	957.06	
			M3	10.28	-6.26	-371.79	10.28	-6.26	-322.36	10.28	-7.04	-322.35	10.28	-7.04	-272.92	
		DISPERSION-LMAX	S2	69.58	-265.75	-315.07	72.61	-272.32	90.36	72.61	-272.10	91.02	83.43	-277.90	492.70	
			TQ	-40.88	81.38	162.17	-40.88	81.38	-34.36	-41.03	81.31	-29.70	-41.03	81.31	-226.96	
			M3	31.20	-256.43	794.48	42.72	-256.43	972.17	42.72	-254.10	972.78	54.24	-254.10	1205.85	
		MIN	S2	-51.13	67.20	339.17	-42.63	73.77	50.17	-42.63	73.89	49.99	-41.93	79.69	-179.88	
			TQ	59.34	-279.93	-138.07	70.86	-279.93	174.89	71.01	-279.52	170.71	82.53	-279.52	539.78	
			M3	-12.74	57.89	-770.38	-12.74	57.89	-831.64	-12.74	55.89	-831.77	-12.74	55.89	-893.03	

BAGO RIVER BRIDGE

BLOCK [ No.1 : MAIN GIRDER ][ BEAM MEMBER FORCE ]

MEMBER				2021			2022			2023					
NODE				2021			2022			2023					
				SHEAR	TORQUE	MOMENT	SHEAR	TORQUE	MOMENT	SHEAR	TORQUE	MOMENT			
NAME	TITLE			S2 (kN)	TQ (kN·m)	M3 (kN·m)	S2 (kN)	TQ (kN·m)	M3 (kN·m)	S2 (kN)	TQ (kN·m)	M3 (kN·m)			
62	1-LANE (case2TRUCK-LOAD	MAX	S2	219.32	-53.80	917.02	131.95	-62.62	1277.47	131.95	-59.55	1277.62	71.09	-71.40	1210.15
			TQ	-15.89	14.75	-54.01	-15.89	14.75	-130.38	-15.47	14.44	-126.97	-15.47	14.44	-201.36
			M3	206.22	-50.40	922.36	119.57	-59.70	1299.42	119.57	-56.58	1299.56	49.84	-67.75	1221.66
		MIN	S2	-26.22	-37.41	856.89	-85.05	-51.32	1215.53	-85.05	-48.40	1215.65	-172.25	-57.31	1164.15
			TQ	47.89	-92.81	305.02	47.89	-92.81	535.24	47.37	-91.54	522.98	47.37	-91.54	750.70
			M3	12.61	-4.07	-501.59	12.61	-4.07	-440.95	12.61	-5.13	-440.94	12.60	-5.12	-380.35
		TANDEM-LOAD MAX	S2	177.58	-33.59	739.59	115.24	-39.73	1027.13	115.24	-37.26	1027.22	57.56	-43.51	945.37
			TQ	-10.34	10.02	-35.11	-10.34	10.02	-84.83	-10.34	9.81	-84.86	-10.34	9.81	-134.58
			M3	177.58	-33.59	739.59	115.24	-39.73	1027.13	115.24	-37.26	1027.22	57.56	-43.51	945.37
		MIN	S2	-26.84	-31.23	730.91	-84.35	-38.35	1019.69	-84.35	-35.90	1019.78	-146.78	-41.49	939.90
			TQ	31.79	-63.58	186.38	31.79	-63.58	339.20	31.79	-62.77	339.35	31.79	-62.77	492.18
			M3	8.59	-2.78	-340.99	8.59	-2.78	-299.73	8.59	-3.50	-299.72	8.59	-3.50	-258.45
		DISPERSION-LMAX	S2	95.94	-87.42	-195.19	69.13	-81.13	26.64	69.13	-81.06	26.84	53.12	-74.14	127.51
			TQ	-30.05	24.78	-106.58	-30.05	24.78	-251.03	-30.18	24.18	-246.86	-30.18	24.18	-391.94
			M3	75.13	-90.67	627.80	37.73	-90.67	899.06	37.73	-88.51	899.28	0.32	-88.51	990.73
MIN	S2	-35.47	16.87	107.67	-46.07	10.58	86.60	-46.07	10.78	86.58	-67.46	3.86	6.87		
	TQ	90.52	-95.33	19.05	53.11	-95.33	364.28	53.24	-94.46	360.28	15.84	-94.46	526.32		
	M3	-14.66	20.12	-715.33	-14.66	20.12	-785.81	-14.66	18.23	-785.86	-14.66	18.23	-856.35		
63	1-LANE (case3TRUCK-LOAD	MAX	S2	59.04	65.67	487.18	59.04	65.67	771.01	59.04	67.52	770.85	59.04	67.52	1054.69
			TQ	54.96	67.10	404.37	54.96	67.10	668.59	54.96	68.70	668.43	54.96	68.70	932.65
			M3	32.33	-12.83	793.22	45.35	28.92	900.21	45.35	31.08	900.14	53.20	62.82	1067.31
		MIN	S2	-18.58	-34.12	724.81	-18.62	-33.92	641.13	-18.62	-32.38	641.21	-18.62	-32.38	551.70
			TQ	-18.45	-34.73	706.93	-18.45	-34.73	618.26	-18.45	-33.24	618.34	-18.45	-33.24	529.67
			M3	10.73	-0.45	-467.26	10.73	-0.45	-415.67	10.73	-1.45	-415.67	10.73	-1.45	-364.07

BAGO RIVER BRIDGE

BLOCK [ No.1 : MAIN GIRDER ][ BEAM MEMBER FORCE ]

MEMBER NODE	2021 2021	2022						2023							
		SHEAR		TORQUE		MOMENT		SHEAR		TORQUE		MOMENT			
		S2 (kN)	TQ (kN·m)	M3 (kN·m)	S2 (kN)	TQ (kN·m)	M3 (kN·m)	S2 (kN)	TQ (kN·m)	M3 (kN·m)	S2 (kN)	TQ (kN·m)	M3 (kN·m)		
63	1-LANE (case3TANDEM-LOAD	MAX	S2	41.07	41.97	369.81	41.07	41.97	567.23	41.07	43.33	567.13	41.07	43.33	764.55
			TQ	39.06	48.13	282.86	39.06	48.13	470.62	39.06	49.26	470.51	39.06	49.26	658.27
			M3	22.87	-16.35	576.26	32.77	14.04	641.04	32.77	15.58	641.01	41.07	43.33	764.55
		MIN	S2	-13.33	-21.03	568.31	-13.33	-21.03	504.21	-13.33	-19.82	504.26	-13.33	-19.82	440.17
			TQ	-12.92	-26.28	453.70	-12.92	-26.28	391.59	-12.92	-25.34	391.65	-12.92	-25.34	329.54
			M3	7.28	-0.24	-317.28	7.28	-0.24	-282.27	7.28	-0.92	-282.27	7.28	-0.92	-247.26
	DISPERSION-LMAX		S2	58.41	43.40	-190.92	53.78	44.49	4.84	53.78	44.51	4.73	49.14	43.29	189.78
			TQ	44.70	45.24	98.31	44.05	45.24	312.40	42.40	46.14	409.20	36.13	46.14	597.95
			M3	40.27	31.64	581.58	33.99	31.64	760.07	33.99	33.47	759.99	27.72	33.47	908.32
		MIN	S2	-34.38	-22.95	99.88	-36.03	-24.04	4.54	-36.03	-24.03	4.60	-37.66	-22.81	-110.19
			TQ	-20.67	-24.79	-189.35	-26.29	-24.79	-303.02	-24.65	-25.66	-399.87	-24.65	-25.66	-518.35
			M3	-16.24	-11.19	-672.63	-16.24	-11.19	-750.69	-16.24	-12.99	-750.66	-16.24	-12.99	-828.72
64	1-LANE (case4TRUCK-LOAD	MAX	S2	29.74	283.51	277.79	29.74	283.51	420.74	29.74	284.52	420.06	29.74	284.52	563.01
			TQ	29.41	283.98	295.45	29.41	283.98	436.82	29.41	285.02	436.13	29.41	285.02	577.50
			M3	17.53	200.77	399.31	20.24	235.10	491.64	20.24	236.27	491.07	25.88	271.57	602.51
		MIN	S2	-16.77	-31.33	-63.78	-16.77	-31.33	-144.42	-16.77	-31.67	-144.34	-16.77	-31.67	-224.98
			TQ	-13.45	-37.48	-52.90	-13.45	-37.48	-117.54	-13.45	-37.76	-117.45	-13.45	-37.76	-182.09
			M3	6.26	7.49	-383.88	6.26	7.49	-353.78	6.26	6.64	-353.80	6.24	6.67	-323.78
	TANDEM-LOAD	MAX	S2	20.48	193.32	180.04	20.48	193.32	278.51	20.48	193.99	278.04	20.48	193.99	376.51
			TQ	20.06	194.00	212.10	20.06	194.00	308.54	20.06	194.74	308.07	20.06	194.74	404.50
			M3	11.69	143.13	276.16	12.29	151.48	334.52	12.29	152.28	334.15	16.35	180.36	409.69
		MIN	S2	-11.39	-20.92	-43.25	-11.39	-20.92	-98.00	-11.39	-21.16	-97.95	-11.39	-21.16	-152.69
			TQ	-9.37	-25.54	-36.78	-9.37	-25.54	-81.82	-9.37	-25.74	-81.75	-9.37	-25.74	-126.79
			M3	4.28	5.05	-261.01	4.28	5.05	-240.43	4.28	4.48	-240.44	4.28	4.48	-219.85

BAGO RIVER BRIDGE

BLOCK [ No.1 : MAIN GIRDER ][ BEAM MEMBER FORCE ]

MEMBER			2021			2022			2022			2023				
NODE			2021			2022			2022			2023				
			SHEAR	TORQUE	MOMENT	SHEAR	TORQUE	MOMENT	SHEAR	TORQUE	MOMENT	SHEAR	TORQUE	MOMENT		
NAME	TITLE		S2 (kN)	TQ (kN·m)	M3 (kN·m)	S2 (kN)	TQ (kN·m)	M3 (kN·m)	S2 (kN)	TQ (kN·m)	M3 (kN·m)	S2 (kN)	TQ (kN·m)	M3 (kN·m)		
64	1-LANE (case4DISPERSION-LMAX	S2	35.41	275.06	-83.93	35.41	275.06	86.31	35.41	275.26	85.65	35.41	275.26	255.89		
		TQ	35.35	275.72	-68.13	35.35	275.72	101.79	35.34	275.97	102.21	35.34	275.97	272.07		
		M3	27.95	267.38	393.94	27.95	267.38	528.30	27.95	268.65	527.65	27.95	268.65	662.01		
		MIN	S2	-28.24	-56.85	-94.16	-28.24	-56.85	-229.93	-28.24	-57.41	-229.79	-28.24	-57.41	-365.56	
		TQ	-28.18	-57.52	-109.97	-28.18	-57.52	-245.41	-28.16	-58.11	-246.35	-28.16	-58.11	-381.74		
		M3	-20.78	-49.18	-572.04	-20.78	-49.18	-671.92	-20.78	-50.79	-671.80	-20.78	-50.79	-771.68		
		MAX	S2	206.72	-399.87	1646.17	183.45	-467.05	2275.66	183.45	-461.59	2276.78	206.16	-487.88	2819.57	
		TQ	-31.83	73.86	-101.85	-31.83	73.86	-254.86	-31.83	73.25	-255.03	-31.83	73.25	-408.04		
		M3	77.72	-121.19	2186.08	113.65	-337.95	2353.31	113.65	-332.30	2354.12	192.47	-477.46	2837.33		
65	2-LANES (caseTRUCK-LOAD	MIN	S2	-107.30	-17.16	2078.76	-84.31	-44.50	2064.31	-84.31	-39.55	2064.42	-107.52	-106.85	2002.88	
		TQ	146.26	-540.34	888.98	146.26	-540.34	1592.08	146.26	-536.51	1593.37	146.26	-536.51	2296.47		
		M3	28.96	-15.74	-1070.83	28.96	-15.74	-931.62	28.96	-17.97	-931.58	28.91	-17.83	-792.44		
		TANDEM-LOAD	MAX	S2	152.72	-258.45	1166.70	136.61	-306.62	1627.00	136.61	-302.72	1627.73	166.40	-305.52	2021.14
		TQ	-21.29	50.29	-68.00	-21.29	50.29	-170.35	-39.54	50.57	435.70	-39.54	50.57	245.63		
		M3	48.12	-48.18	1579.50	116.60	-265.37	1711.09	116.60	-261.27	1711.72	143.65	-321.64	2026.86		
		MIN	S2	-98.83	-39.05	1570.47	-69.46	-40.10	1501.10	-69.46	-36.50	1501.19	-85.74	-83.91	1424.75	
		TQ	104.28	-373.10	617.80	104.28	-373.10	1119.10	104.28	-370.41	1119.99	104.28	-370.41	1621.30		
		M3	19.72	-10.78	-728.25	19.72	-10.78	-633.46	19.72	-12.30	-633.43	19.72	-12.30	-538.63		
		DISPERSION-LMAX	S2	154.90	-447.86	-499.09	143.29	-446.10	122.27	143.29	-445.80	123.34	142.51	-437.83	678.02	
		TQ	-75.43	131.46	184.46	-75.43	131.46	-178.13	-75.75	131.05	-168.39	-75.75	131.05	-532.53		
		M3	92.07	-429.74	1496.62	82.95	-429.74	1917.30	82.95	-425.14	1918.33	73.82	-425.14	2295.14		
		MIN	S2	-89.25	115.08	482.35	-86.76	113.31	154.68	-86.76	113.68	154.40	-95.11	105.71	-150.45	
		TQ	141.08	-464.25	-201.21	131.95	-464.25	455.07	132.28	-463.17	446.13	123.15	-463.17	1060.10		
		M3	-26.42	96.96	-1513.36	-26.42	96.96	-1640.36	-26.42	93.02	-1640.58	-26.42	93.02	-1767.58		

BAGO RIVER BRIDGE

BLOCK [ No.1 : MAIN GIRDER ][ BEAM MEMBER FORCE ]

MEMBER NODE	2021 2021	2022			2022			2023			SHEAR	TORQUE	MOMENT		
		SHEAR	TORQUE	MOMENT	SHEAR	TORQUE	MOMENT	SHEAR	TORQUE	MOMENT					
		S2 (kN)	TQ (kN·m)	M3 (kN·m)	S2 (kN)	TQ (kN·m)	M3 (kN·m)	S2 (kN)	TQ (kN·m)	M3 (kN·m)					
66	2-LANES (caseTRUCK-LOAD	MAX	S2	340.20	-130.16	1938.86	229.56	-206.16	2516.19	229.56	-200.12	2516.68	148.99	-260.55	2542.14
			TQ	-31.65	44.30	-105.48	-31.65	44.30	-257.64	-31.24	43.69	-254.31	-31.24	43.69	-404.49
			M3	314.49	-109.67	1955.35	204.76	-186.18	2554.00	204.76	-180.05	2554.44	114.06	-246.47	2571.42
		MIN	S2	-56.30	-52.39	1815.97	-134.14	-117.80	2400.62	-134.14	-112.04	2400.89	-244.56	-188.24	2457.14
			TQ	112.21	-299.46	739.31	112.21	-299.46	1278.71	111.68	-296.41	1266.95	111.68	-296.41	1803.83
			M3	26.48	-10.67	-1025.79	26.48	-10.67	-898.50	26.48	-12.82	-898.48	26.43	-12.73	-771.31
	TANDEM-LOAD	MAX	S2	266.94	-62.86	1521.28	188.48	-117.16	1964.52	188.48	-112.45	1964.79	115.15	-162.95	1944.75
			TQ	-20.89	30.13	-69.48	-20.89	30.13	-169.89	-20.89	29.72	-169.96	-20.89	29.72	-270.38
			M3	266.94	-62.86	1521.29	188.48	-117.16	1964.52	188.48	-112.45	1964.80	115.15	-162.95	1944.75
		MIN	S2	-51.72	-51.36	1503.58	-124.60	-103.91	1949.38	-124.60	-99.24	1949.63	-203.31	-152.24	1933.69
			TQ	73.13	-204.68	452.79	73.13	-204.68	804.35	73.13	-202.75	804.84	73.13	-202.75	1156.41
			M3	18.02	-7.29	-697.45	18.02	-7.29	-610.82	18.02	-8.76	-610.80	18.02	-8.76	-524.16
	DISPERSION-LMAX	MAX	S2	181.26	-269.53	-379.22	139.82	-254.90	58.55	139.82	-254.76	59.16	112.21	-234.07	312.83
			TQ	-64.59	74.86	-84.29	-64.59	74.86	-394.80	-64.89	73.92	-385.55	-64.89	73.92	-697.51
			M3	136.00	-263.98	1329.94	77.95	-263.98	1844.19	77.95	-259.55	1844.82	19.90	-259.55	2080.03
		MIN	S2	-73.60	64.74	250.85	-90.21	50.12	191.11	-90.21	50.57	190.99	-120.65	29.88	36.30
			TQ	172.25	-279.65	-44.08	114.21	-279.65	644.46	114.51	-278.11	635.70	56.46	-278.11	1046.63
			M3	-28.34	59.19	-1458.31	-28.34	59.19	-1594.54	-28.34	55.36	-1594.67	-28.34	55.36	-1730.90
67	2-LANES (caseTRUCK-LOAD	MAX	S2	107.04	198.04	933.33	107.04	198.04	1447.89	107.04	201.51	1447.41	107.04	201.51	1961.97
			TQ	101.30	207.65	766.06	101.30	207.65	1253.05	101.30	210.66	1252.55	101.30	210.66	1739.55
			M3	34.99	14.85	1458.19	75.33	114.35	1635.19	75.33	118.28	1634.91	98.37	186.91	1990.03
		MIN	S2	-35.64	-52.67	661.86	-35.68	-52.47	496.17	-35.68	-51.28	496.29	-35.68	-51.28	324.77
			TQ	-32.18	-57.40	655.15	-32.18	-57.40	500.46	-32.18	-56.20	500.59	-32.18	-56.20	345.90
			M3	20.19	1.39	-910.94	20.19	1.39	-813.86	20.19	-0.56	-813.86	20.19	-0.56	-716.79

BAGO RIVER BRIDGE

BLOCK [ No.1 : MAIN GIRDER ][ BEAM MEMBER FORCE ]

MEMBER NODE	2021 2021	2022			2022			2023			2023				
		SHEAR	TORQUE	MOMENT	SHEAR	TORQUE	MOMENT	SHEAR	TORQUE	MOMENT	SHEAR	TORQUE	MOMENT		
		S2 (kN)	TQ (kN·m)	M3 (kN·m)	S2 (kN)	TQ (kN·m)	M3 (kN·m)	S2 (kN)	TQ (kN·m)	M3 (kN·m)	S2 (kN)	TQ (kN·m)	M3 (kN·m)		
67	2-LANES (caseTANDEM-LOAD	MAX	S2	74.99	136.09	656.70	74.99	136.09	1017.17	74.99	138.53	1016.84	74.99	138.53	1377.32
			TQ	72.77	144.21	553.37	72.77	144.21	903.18	72.77	146.38	902.83	72.77	146.38	1252.65
			M3	20.07	-6.31	1043.42	48.09	61.47	1144.66	48.09	64.21	1144.51	72.43	126.51	1408.69
		MIN	S2	-24.91	-33.40	525.60	-24.91	-33.40	405.84	-24.91	-32.43	405.92	-24.91	-32.43	286.15
			TQ	-22.48	-41.72	417.68	-22.48	-41.72	309.59	-22.48	-40.98	309.69	-22.48	-40.98	201.61
			M3	13.72	0.95	-618.63	13.72	0.95	-552.66	13.72	-0.38	-552.66	13.68	-0.23	-486.71
	DISPERSION-LMAX		S2	105.00	161.27	-391.62	100.37	162.37	28.11	100.37	162.43	27.72	95.73	161.22	436.74
			TQ	90.89	164.00	-51.14	90.24	164.00	385.02	86.10	165.16	584.02	79.83	165.16	982.85
			M3	72.12	142.41	1109.68	65.85	142.41	1441.30	65.85	145.87	1440.95	59.57	145.87	1742.42
		MIN	S2	-66.42	-61.52	184.09	-68.07	-62.61	-65.25	-68.07	-62.77	-65.10	-69.70	-61.55	-333.89
			TQ	-52.31	-64.24	-156.39	-57.93	-64.24	-422.16	-53.79	-65.49	-621.41	-53.79	-65.49	-880.00
			M3	-33.54	-42.66	-1317.21	-33.54	-42.66	-1478.44	-33.54	-46.20	-1478.34	-33.54	-46.20	-1639.57
68	2-LANES (caseTRUCK-LOAD	MAX	S2	65.79	493.83	630.85	65.79	493.83	947.10	65.79	496.10	945.91	65.79	496.10	1262.16
			TQ	64.41	497.06	599.37	64.41	497.06	908.99	64.41	499.24	907.79	64.41	499.24	1217.41
			M3	29.85	294.55	906.80	46.39	387.11	1094.19	46.39	389.73	1093.26	57.75	451.93	1349.05
		MIN	S2	-33.84	-49.88	-126.73	-33.84	-49.88	-289.38	-33.84	-50.57	-289.26	-33.84	-50.57	-451.91
			TQ	-27.18	-60.16	-104.69	-27.18	-60.16	-235.34	-27.18	-60.72	-235.20	-27.18	-60.72	-365.85
			M3	13.79	12.75	-791.54	13.79	12.75	-725.26	13.79	11.01	-725.29	13.77	11.04	-659.09
	TANDEM-LOAD	MAX	S2	45.15	332.88	441.38	45.15	332.88	658.42	45.15	334.46	657.62	45.15	334.46	874.66
			TQ	44.26	340.27	425.75	44.26	340.27	638.54	44.26	341.80	637.72	44.26	341.80	850.50
			M3	22.55	217.13	623.73	32.09	262.27	747.39	32.09	264.06	746.76	37.75	299.64	922.68
		MIN	S2	-22.97	-33.30	-85.95	-22.97	-33.30	-196.37	-22.97	-33.77	-196.29	-22.97	-33.77	-306.71
			TQ	-18.93	-40.98	-72.79	-18.93	-40.98	-163.81	-18.93	-41.38	-163.71	-18.93	-41.38	-254.73
			M3	9.42	8.58	-538.00	9.42	8.58	-492.72	9.42	7.39	-492.74	9.35	7.51	-447.50



BAGO RIVER BRIDGE

BLOCK [ No.1 : MAIN GIRDER ][ BEAM MEMBER FORCE ]

MEMBER			2021			2022			2022			2023			
NODE			2021			2022			2022			2023			
NAME TITLE			SHEAR	TORQUE	MOMENT	SHEAR	TORQUE	MOMENT	SHEAR	TORQUE	MOMENT	SHEAR	TORQUE	MOMENT	
			S2 (kN)	TQ (kN·m)	M3 (kN·m)	S2 (kN)	TQ (kN·m)	M3 (kN·m)	S2 (kN)	TQ (kN·m)	M3 (kN·m)	S2 (kN)	TQ (kN·m)	M3 (kN·m)	
68	2-LANES (caseDISPERSION-LMAX	S2	75.06	468.38	-208.65	75.06	468.38	152.18	75.06	468.74	151.05	75.06	468.74	511.88	
		TQ	74.50	471.61	-120.60	74.50	471.61	237.56	74.47	472.19	239.44	74.47	472.19	597.43	
		M3	57.91	456.75	850.66	57.91	456.75	1129.03	57.91	459.46	1127.93	57.91	459.46	1406.29	
	MIN	S2	-57.66	-89.42	-112.40	-57.66	-89.42	-389.59	-57.66	-90.36	-389.38	-57.66	-90.36	-666.56	
		TQ	-57.11	-92.66	-200.45	-57.11	-92.66	-474.97	-57.07	-93.80	-477.76	-57.07	-93.80	-752.11	
		M3	-40.51	-77.80	-1171.71	-40.51	-77.80	-1366.44	-40.51	-81.08	-1366.25	-40.51	-81.08	-1560.98	
	69	3-LANES (caseTRUCK-LOAD	MAX S2	426.04	-453.66	2563.19	315.39	-529.67	3553.13	315.39	-521.14	3554.39	277.25	-559.28	4029.71
			TQ	-47.71	88.61	-155.86	-47.71	88.61	-385.24	-47.30	87.69	-382.01	-47.30	87.69	-609.40
			M3	283.93	-171.59	3108.44	233.22	-397.64	3652.73	233.22	-388.87	3653.68	242.32	-545.21	4058.99
MIN		S2	-133.52	-54.57	2935.65	-169.36	-95.82	3279.85	-169.36	-87.95	3280.07	-279.77	-164.16	3167.04	
		TQ	194.15	-633.14	1193.99	194.15	-633.14	2127.32	193.63	-628.06	2116.35	193.63	-628.06	3047.17	
		M3	41.58	-19.81	-1572.43	41.58	-19.81	-1372.57	41.58	-23.10	-1372.52	41.51	-22.95	-1172.80	
TANDEM-LOAD		MAX S2	330.30	-292.05	1906.28	251.85	-346.35	2654.13	251.85	-339.98	2654.95	223.96	-349.03	2966.51	
		TQ	-31.63	60.31	-103.11	-31.63	60.31	-255.18	-49.88	60.38	350.85	-49.88	60.38	111.05	
		M3	225.71	-81.78	2319.08	231.84	-305.10	2738.22	231.84	-298.53	2738.95	201.21	-365.15	2972.23	
MIN	S2	-125.68	-70.28	2301.38	-153.81	-78.45	2520.79	-153.81	-72.40	2520.97	-232.51	-125.40	2364.66		
	TQ	136.07	-436.68	804.18	136.07	-436.68	1458.30	136.07	-433.18	1459.35	136.07	-433.18	2113.47		
	M3	28.30	-13.56	-1069.25	28.30	-13.56	-933.18	28.30	-15.80	-933.15	28.30	-15.80	-797.08		
DISPERSION-LMAX	S2	250.84	-535.28	-694.28	212.43	-527.22	148.91	212.43	-526.86	150.18	195.64	-511.97	805.53		
	TQ	-105.48	156.24	77.88	-105.48	156.24	-429.16	-105.93	155.23	-415.25	-105.93	155.23	-924.47		
	M3	167.20	-520.41	2124.42	120.67	-520.41	2816.36	120.67	-513.65	2817.60	74.14	-513.65	3285.87		
MIN	S2	-124.72	131.95	590.02	-132.83	123.89	241.28	-132.83	124.46	240.98	-162.57	109.57	-143.59		
	TQ	231.59	-559.58	-182.15	185.07	-559.58	819.35	185.52	-557.63	806.41	138.99	-557.63	1586.42		
	M3	-41.08	117.08	-2228.69	-41.08	117.08	-2426.17	-41.08	111.25	-2426.44	-41.08	111.25	-2623.93		

BAGO RIVER BRIDGE

BLOCK [ No.1 : MAIN GIRDER ][ BEAM MEMBER FORCE ]

MEMBER NODE	2021 2021	2022			2022			2023							
		SHEAR	TORQUE	MOMENT	SHEAR	TORQUE	MOMENT	SHEAR	TORQUE	MOMENT					
		S2 (kN)	TQ (kN·m)	M3 (kN·m)	S2 (kN)	TQ (kN·m)	M3 (kN·m)	S2 (kN)	TQ (kN·m)	M3 (kN·m)					
70	3-LANES (caseTRUCK-LOAD	MAX	S2	143.91	402.85	1287.09	143.91	402.85	1978.88	143.91	407.60	1977.91	143.91	407.60	2669.71
			TQ	136.79	414.79	1070.18	136.79	414.79	1727.76	136.79	418.94	1726.76	136.79	418.94	2384.34
			M3	46.85	103.22	1981.73	102.31	261.52	2249.69	102.31	266.91	2249.05	131.36	362.47	2751.70
		MIN	S2	-52.41	-83.99	598.09	-52.46	-83.79	351.75	-52.46	-82.95	351.95	-52.46	-82.95	99.79
			TQ	-45.63	-94.88	602.25	-45.63	-94.88	382.92	-45.63	-93.96	383.14	-45.63	-93.96	163.82
			M3	28.38	5.47	-1330.79	28.37	5.50	-1194.35	28.37	2.63	-1194.36	28.37	2.63	-1057.98
	TANDEM-LOAD	MAX	S2	100.38	272.16	918.78	100.38	272.16	1401.33	100.38	275.53	1400.67	100.38	275.53	1883.22
			TQ	97.32	286.47	767.15	97.32	286.47	1234.98	97.32	289.44	1234.29	97.32	289.44	1702.13
			M3	23.42	35.78	1401.97	68.67	169.11	1565.38	68.67	172.87	1564.97	94.69	242.67	1933.05
		MIN	S2	-36.30	-54.32	482.35	-36.30	-54.32	307.84	-36.30	-53.58	307.97	-36.30	-53.58	133.46
			TQ	-31.85	-67.26	380.91	-31.85	-67.26	227.78	-31.85	-66.71	227.94	-31.85	-66.71	74.81
			M3	19.31	3.67	-904.00	19.31	3.67	-811.19	19.31	1.72	-811.19	19.26	1.87	-718.39
	DISPERSION-LMAX	S2	145.64	352.93	-539.24	141.01	354.02	75.85	141.01	354.21	75.00	136.37	352.99	679.37	
		TQ	130.96	358.30	-121.83	130.31	358.30	506.95	126.13	359.76	708.23	119.86	359.76	1299.49	
		M3	101.97	331.28	1574.81	95.70	331.28	2049.93	95.70	336.20	2049.13	89.42	336.20	2494.08	
		MIN	S2	-95.57	-116.35	179.87	-97.22	-117.44	-209.60	-97.22	-117.94	-209.32	-98.85	-116.72	-618.24
			TQ	-80.89	-121.71	-237.54	-86.52	-121.71	-640.70	-82.34	-123.49	-842.55	-82.34	-123.49	-1238.36
			M3	-51.90	-94.69	-1934.18	-51.90	-94.69	-2183.69	-51.90	-99.94	-2183.45	-51.90	-99.94	-2432.96
71	3-LANES (caseTRUCK-LOAD	MAX	S2	112.63	631.14	1074.37	112.63	631.14	1615.80	112.63	635.02	1614.29	112.63	635.02	2155.72
			TQ	109.93	643.11	960.37	109.93	643.11	1488.81	109.93	646.69	1487.26	109.93	646.69	2015.70
			M3	33.25	327.70	1554.52	78.84	485.17	1816.75	78.84	489.53	1815.58	101.79	580.82	2256.63
		MIN	S2	-51.18	-55.63	-188.85	-51.18	-55.63	-434.89	-51.18	-56.68	-434.76	-51.18	-56.68	-680.80
			TQ	-35.63	-72.52	294.00	-35.63	-72.52	122.74	-35.63	-72.22	122.92	-35.63	-72.22	-48.34
			M3	22.59	15.75	-1223.06	22.59	15.75	-1114.44	22.59	13.07	-1114.48	22.58	13.10	-1005.93

BAGO RIVER BRIDGE

BLOCK [ No.1 : MAIN GIRDER ][ BEAM MEMBER FORCE ]

MEMBER				2021			2022			2023						
NODE				2021			2022			2023						
NAME TITLE				SHEAR	TORQUE	MOMENT	SHEAR	TORQUE	MOMENT	SHEAR	TORQUE	MOMENT				
				S2 (kN)	TQ (kN·m)	M3 (kN·m)	S2 (kN)	TQ (kN·m)	M3 (kN·m)	S2 (kN)	TQ (kN·m)	M3 (kN·m)				
71	3-LANES (case)	TANDEM-LOAD	MAX	S2	78.27	430.39	727.13	78.27	430.39	1103.41	78.27	433.04	1102.37			
				TQ	77.24	439.84	695.52	77.24	439.84	1066.85	77.24	442.40	1065.79	77.24	442.40	1437.12
				M3	20.50	231.04	1077.72	47.21	313.13	1241.71	47.21	316.11	1240.96	68.25	385.94	1555.44
		MIN	S2	-34.74	-37.11	-128.10	-34.74	-37.11	-295.12	-34.74	-37.82	-295.03	-34.74	-37.82	-462.05	
			TQ	-23.93	-50.21	169.74	-23.93	-50.21	54.69	-23.93	-50.08	54.81	-23.93	-50.08	-60.25	
			M3	15.41	10.57	-830.97	15.38	10.67	-756.98	15.38	8.85	-757.00	15.31	8.97	-683.10	
	DISPERSION-LMAX	S2	120.51	586.60	-391.75	120.51	586.60	187.59	120.51	587.05	186.18	120.51	587.05	765.52		
		TQ	118.92	591.02	-247.20	118.92	591.02	324.48	119.15	591.81	331.79	119.15	591.81	904.59		
		M3	89.87	568.01	1370.30	89.87	568.01	1802.31	89.87	572.34	1800.95	89.87	572.34	2232.96		
		MIN	S2	-89.84	-104.29	-36.92	-89.84	-104.29	-468.81	-89.84	-105.42	-468.56	-89.84	-105.42	-900.45	
			TQ	-88.25	-108.71	-181.47	-88.25	-108.71	-605.70	-88.48	-110.17	-614.17	-88.48	-110.17	-1039.53	
			M3	-59.20	-85.70	-1798.98	-59.20	-85.70	-2083.54	-59.20	-90.70	-2083.33	-59.20	-90.70	-2367.89	
72	4-LANES	TRUCK-LOAD	MAX	S2	172.62	691.76	1563.12	172.62	691.76	2392.96	172.62	697.50	2391.29	172.62	697.50	3221.13
				TQ	165.58	704.68	1365.04	165.58	704.68	2161.03	165.58	709.86	2159.33	165.58	709.86	2955.32
				M3	64.18	309.33	2363.81	121.58	501.56	2727.62	121.58	508.11	2726.41	156.18	638.97	3338.71
		MIN	S2	-31.17	-33.71	1580.64	-31.21	-33.51	1436.41	-31.21	-30.06	1436.49	-31.21	-30.06	1286.46	
			TQ	-28.00	-49.48	1167.08	-28.00	-49.48	1032.49	-28.00	-47.00	1032.60	-28.00	-47.00	898.02	
			M3	33.99	14.12	-1702.52	33.98	14.14	-1539.16	33.98	10.45	-1539.19	33.96	10.48	-1375.90	
	TANDEM-LOAD	MAX	S2	120.01	468.95	1097.65	120.01	468.95	1674.58	120.01	472.97	1673.45	120.01	472.97	2250.38	
			TQ	116.90	484.38	978.74	116.90	484.38	1540.70	116.90	488.08	1539.54	116.90	488.08	2101.50	
			M3	42.21	210.88	1664.66	80.10	323.90	1890.03	80.10	328.44	1889.25	110.15	426.25	2330.90	
		MIN	S2	-23.68	-23.78	1201.07	-23.68	-23.78	1087.25	-23.68	-21.18	1087.30	-23.68	-21.18	973.48	
			TQ	-19.16	-37.45	780.64	-19.16	-37.45	688.54	-19.16	-35.80	688.63	-19.16	-35.80	596.53	
			M3	23.14	9.52	-1156.70	23.14	9.52	-1045.44	23.14	7.01	-1045.46	23.10	7.14	-934.30	

BAGO RIVER BRIDGE

BLOCK [ No.1 : MAIN GIRDER ] [ BEAM MEMBER FORCE ]

MEMBER				2021			2022			2023								
NODE				2021			2022			2023								
				SHEAR	TORQUE	MOMENT	SHEAR	TORQUE	MOMENT	SHEAR	TORQUE	MOMENT						
NAME	TITLE			S2 (kN)	TQ (kN·m)	M3 (kN·m)	S2 (kN)	TQ (kN·m)	M3 (kN·m)	S2 (kN)	TQ (kN·m)	M3 (kN·m)						
72	4-LANES	DISPERSION-LMAX	S2	139.29	433.48	-828.25	134.69	434.59	-242.36	134.69	434.01	-243.40	130.15	433.00	333.49			
			TQ	126.55	444.07	-449.66	125.90	444.07	157.91	122.25	444.66	309.40	116.39	444.66	883.04			
			M3	88.64	403.23	1744.52	82.38	402.76	2155.59	82.38	407.94	2154.61	76.11	407.94	2535.55			
		MIN	S2	-9.21	-11.74	505.72	-10.85	-12.83	530.05	-10.85	-11.55	530.08	-12.48	-10.34	536.36			
			TQ	4.26	-17.82	64.30	-1.36	-17.82	70.48	1.93	-17.82	-75.02	1.93	-17.82	-65.72			
			M3	41.30	17.75	-2071.00	41.30	17.75	-1872.48	41.30	13.26	-1872.52	41.30	13.26	-1673.99			
		73	6-LANES	TRUCK-LOAD	MAX	S2	555.75	139.05	3575.06	436.88	116.87	5175.58	436.88	129.29	5175.28	386.37	119.50	6227.40
					TQ	73.59	660.02	881.34	73.59	660.02	1235.12	73.59	662.99	1233.54	73.59	662.99	1587.32	
					M3	321.53	117.62	4710.08	320.86	87.01	5539.53	320.86	100.31	5539.31	341.77	81.37	6366.78	
MIN	S2			-171.82	-101.57	2575.87	-221.87	-125.40	2753.46	-221.87	-118.79	2753.76	-341.61	-141.09	2363.74			
	TQ			84.43	-607.25	2060.02	62.55	-607.25	2454.98	62.55	-601.36	2456.43	62.55	-601.36	2757.11			
	M3			64.58	-4.41	-2803.79	64.57	-4.41	-2493.38	64.57	-10.39	-2493.36	64.52	-10.28	-2183.11			
TANDEM-LOAD	MAX			S2	422.88	96.64	2564.61	338.67	81.11	3741.21	338.67	90.09	3741.01	296.37	115.28	4449.80		
	TQ			51.97	453.31	607.19	51.97	453.31	857.02	52.66	455.37	861.66	52.66	455.37	1114.79			
	M3			242.99	85.77	3437.80	289.48	14.47	4024.87	289.48	24.13	4024.83	269.91	55.81	4575.15			
MIN	S2			-148.18	-128.02	2569.57	-190.82	-101.37	2629.89	-190.82	-95.06	2630.13	-276.42	-109.69	2283.33			
	TQ			47.22	-423.77	1577.13	47.22	-423.77	1804.10	47.22	-419.44	1805.12	47.22	-419.44	2032.09			
	M3			43.98	-3.22	-1905.73	43.98	-3.22	-1694.31	43.98	-7.29	-1694.30	43.89	-7.02	-1483.05			
DISPERSION-LMAX	S2			366.67	31.73	-1092.86	327.15	38.92	284.64	327.15	39.61	284.54	309.98	48.83	1487.39			
	TQ			39.05	685.22	-249.61	38.87	685.22	-62.10	35.74	685.23	92.23	31.35	685.23	253.46			
	M3			240.83	38.37	3408.26	202.15	12.65	4490.78	202.15	23.41	4490.74	162.97	16.79	5352.22			
MIN	S2	-203.19	16.96	633.42	-211.55	9.78	-72.00	-211.55	9.61	-72.02	-241.19	0.56	-818.93					
	TQ	115.93	-593.79	-270.48	70.36	-593.79	168.24	74.89	-593.65	-43.91	41.76	-593.65	236.52					
	M3	-88.57	25.28	-3916.43	-88.73	31.65	-4342.64	-88.73	21.23	-4342.70	-88.74	21.92	-4769.29					

BAGO RIVER BRIDGE

BLOCK [ No.1 : MAIN GIRDER ][ BEAM MEMBER FORCE ]

MEMBER				2021			2022			2023					
NODE				2021			2022			2023					
				SHEAR	TORQUE	MOMENT	SHEAR	TORQUE	MOMENT	SHEAR	TORQUE	MOMENT			
NAME	TITLE			S2 (kN)	TQ (kN·m)	M3 (kN·m)	S2 (kN)	TQ (kN·m)	M3 (kN·m)	S2 (kN)	TQ (kN·m)	M3 (kN·m)			
124	SUM TOTAL	D+1LANE (caseMAX	S2	854.47	-613.79	-1918.16	664.15	-621.67	1808.41	664.15	-617.33	1809.90	534.10	-597.56	4644.33
			TQ	599.64	244.15	-2155.13	405.70	244.15	261.30	405.51	244.78	266.53	211.57	244.78	1749.75
			M3	668.75	-288.71	47.82	559.45	-468.16	2940.72	559.45	-461.10	2941.84	499.08	-569.00	5500.10
		MIN	S2	513.96	171.35	-538.66	380.62	208.21	1570.92	380.62	211.98	1570.42	187.51	218.94	2904.01
			TQ	837.51	-643.01	-1909.34	657.39	-643.01	1683.84	657.58	-638.98	1679.56	477.45	-638.98	4407.73
			M3	670.80	151.81	-3869.70	476.85	151.81	-1111.20	476.85	149.15	-1111.56	282.89	149.21	714.58
		D+1LANE (caseMAX	S2	1046.28	-76.14	-1423.08	715.32	-79.17	2020.58	715.32	-74.32	2020.77	429.14	-80.24	3873.19
			TQ	612.85	140.75	-2481.98	418.91	140.75	-2.05	419.24	140.75	6.81	225.30	140.75	1556.04
			M3	1005.59	-75.97	-429.08	662.79	-87.12	3093.82	662.79	-79.69	3094.02	340.28	-93.11	4922.87
		MIN	S2	593.95	68.67	-1131.81	316.69	44.42	2018.21	316.69	49.27	2018.10	-7.58	30.27	3673.22
			TQ	834.06	-132.45	-1900.39	595.23	-132.45	1535.06	594.76	-128.79	1515.33	355.93	-128.79	3800.41
			M3	665.52	112.58	-3749.58	471.57	112.58	-1016.48	471.57	110.14	-1016.74	277.61	110.15	783.95
		D+1LANE (caseMAX	S2	808.91	224.20	-1933.77	609.42	225.51	1386.67	609.42	228.84	1386.12	409.90	227.38	3761.37
			TQ	787.57	228.13	-1686.06	592.84	228.13	1632.83	590.87	232.22	1748.57	389.39	232.22	4104.72
			M3	755.09	115.89	-639.51	569.24	165.99	2447.97	569.24	171.86	2447.57	377.19	209.96	4638.75
		MIN	S2	604.42	24.84	-1299.64	408.45	23.77	1230.45	408.45	26.72	1230.39	212.55	28.18	2797.82
			TQ	621.03	21.89	-1668.17	420.34	21.89	833.93	422.32	23.73	717.59	228.37	23.73	2281.57
			M3	661.37	79.34	-3657.14	467.42	79.34	-943.99	467.42	77.08	-944.17	273.48	77.08	836.64
		D+1LANE (caseMAX	S2	746.15	763.60	-2056.65	552.21	763.60	1064.10	552.21	766.15	1062.27	358.26	766.15	3250.68
			TQ	745.68	764.96	-2016.49	551.73	764.96	1101.97	551.72	767.60	1101.42	357.77	767.60	3287.48
			M3	722.55	655.10	-1337.37	531.85	696.29	1679.56	531.85	700.32	1677.89	344.67	742.68	3785.42
		MIN	S2	613.95	-12.50	-2478.80	420.01	-12.50	6.43	420.01	-12.49	6.46	226.06	-12.49	1559.35
			TQ	618.03	-20.68	-2484.72	424.08	-20.68	20.10	424.10	-20.64	18.86	230.15	-20.64	1591.40
			M3	650.55	43.29	-3436.37	456.61	43.29	-775.20	456.61	41.43	-775.30	262.64	41.46	953.45

BAGO RIVER BRIDGE

BLOCK [ No.1 : MAIN GIRDER ] [ BEAM MEMBER FORCE ]

MEMBER				2021			2022			2023					
NODE				2021			2022			2023					
NAME TITLE				SHEAR	TORQUE	MOMENT	SHEAR	TORQUE	MOMENT	SHEAR	TORQUE	MOMENT			
				S2 (kN)	TQ (kN·m)	M3 (kN·m)	S2 (kN)	TQ (kN·m)	M3 (kN·m)	S2 (kN)	TQ (kN·m)	M3 (kN·m)			
124	SUM TOTAL	D+2LANES (casMAX	S2	1029.60	-754.41	-1142.20	800.77	-819.83	2853.57	800.77	-812.98	2855.53	628.75	-831.31	5765.58
			TQ	560.72	298.64	-2206.66	366.77	298.64	22.66	366.45	298.71	31.99	172.50	298.71	1327.42
			M3	837.76	-457.62	1393.43	670.62	-674.37	4726.26	670.62	-663.03	4727.86	546.38	-808.19	7400.47
		MIN	S2	471.42	191.23	271.84	302.95	162.12	2674.63	302.95	168.54	2674.24	77.45	93.28	4120.43
			TQ	955.31	-911.27	-1601.50	752.24	-911.27	2502.79	752.56	-905.27	2494.92	549.50	-905.27	5624.56
			M3	670.52	174.54	-4873.47	476.57	174.54	-2116.33	476.57	169.46	-2116.74	282.57	169.60	-292.03
		D+2LANES (casMAX	S2	1189.44	-306.38	-729.63	843.41	-367.75	3030.38	843.41	-360.48	3031.26	541.28	-400.21	5122.96
			TQ	571.73	212.48	-2479.04	377.78	212.48	-196.80	377.89	212.02	-184.44	183.95	212.02	1166.00
			M3	1118.46	-280.33	996.02	756.74	-356.84	4853.84	756.74	-345.19	4854.68	414.05	-411.61	6919.44
		MIN	S2	538.07	105.67	-222.45	249.68	25.63	3047.37	249.68	32.95	3047.30	-85.12	-63.95	4761.43
			TQ	952.43	-485.80	-1594.04	700.44	-485.80	2378.81	700.22	-480.12	2358.06	448.23	-480.12	5118.46
			M3	666.11	141.84	-4773.37	472.17	141.84	-2037.40	472.17	136.95	-2037.73	278.18	137.05	-234.21
		D+2LANES (casMAX	S2	880.01	452.63	-1747.56	681.44	453.72	1931.64	681.44	458.35	1930.55	482.85	457.14	4666.70
			TQ	860.17	464.97	-1574.35	665.57	464.97	2093.71	661.43	470.23	2291.99	461.22	470.23	4990.39
			M3	775.08	250.58	278.60	615.21	350.08	3532.13	615.21	358.56	3531.28	438.03	427.19	6000.44
		MIN	S2	565.92	-20.87	-1443.32	370.28	-21.76	886.56	370.28	-19.63	886.60	174.71	-18.41	2258.87
			TQ	583.48	-28.33	-1790.51	383.91	-28.33	533.94	388.06	-27.29	334.61	194.11	-27.29	1733.90
			M3	654.63	52.05	-4517.42	460.68	52.05	-1836.66	460.68	47.65	-1836.78	266.74	47.65	-88.36
		D+2LANES (casMAX	S2	808.82	1055.52	-1867.06	614.87	1055.52	1554.92	614.87	1059.25	1552.39	420.93	1059.25	4042.04
			TQ	806.89	1061.99	-1810.50	612.94	1061.99	1602.19	612.90	1065.83	1602.65	418.96	1065.83	4082.84
			M3	755.73	844.62	-531.82	578.33	937.18	2678.86	578.33	943.60	2676.60	395.74	1005.80	5023.34
		MIN	S2	576.48	-45.98	-2528.40	382.53	-45.98	-223.33	382.53	-46.52	-223.22	188.59	-46.52	1149.52
			TQ	583.69	-59.50	-2594.41	389.74	-59.50	-254.67	389.78	-60.11	-257.54	195.83	-60.11	1150.03
			M3	641.25	28.27	-4252.51	447.31	28.27	-1636.06	447.31	24.34	-1636.12	253.34	24.37	47.93

BAGO RIVER BRIDGE

BLOCK [ No.1 : MAIN GIRDER ][ BEAM MEMBER FORCE ]

MEMBER				2021			2022			2023						
NODE				2021			2022			2023						
NAME TITLE				SHEAR	TORQUE	MOMENT	SHEAR	TORQUE	MOMENT	SHEAR	TORQUE	MOMENT				
				S2 (kN)	TQ (kN·m)	M3 (kN·m)	S2 (kN)	TQ (kN·m)	M3 (kN·m)	S2 (kN)	TQ (kN·m)	M3 (kN·m)				
124	SUM TOTAL	D+3LANES (casMAX	S2	1243.32	-747.29	-700.70	922.67	-805.04	3602.38	922.67	-796.39	3604.30	682.03	-816.16	6377.96	
			TQ	537.76	301.44	-2355.55	343.82	301.44	-236.59	343.78	300.89	-222.25	149.84	300.89	964.21	
			M3	1051.44	-494.88	2158.66	774.84	-687.03	5954.37	774.84	-672.74	5956.01	549.07	-805.62	8511.13	
		MIN	S2	448.47	159.09	707.54	217.16	117.17	3448.60	217.16	125.44	3448.31	-95.91	48.01	4837.93	
			TQ	1029.86	-920.50	-1429.21	796.36	-920.50	2960.31	796.30	-913.42	2939.77	562.81	-913.42	6206.54	
			M3	668.39	176.00	-5520.22	474.45	176.00	-2773.28	474.45	169.34	-2773.70	280.45	169.47	-959.22	
		D+3LANES (casMAX	S2	914.09	735.73	-1653.61	716.21	736.66	2202.16	716.21	741.94	2200.39	518.32	740.91	5114.71	
			TQ	895.56	750.45	-1483.18	701.06	750.45	2355.14	697.51	756.31	2525.15	498.23	756.31	5399.25	
			M3	794.47	462.64	733.79	642.33	597.20	4110.31	642.33	607.06	4108.87	467.75	688.28	6726.92	
		MIN	S2	542.19	-76.97	-1628.01	346.81	-77.73	576.47	346.81	-76.35	576.65	151.48	-75.31	1827.31	
			TQ	560.43	-90.79	-1979.27	361.71	-90.79	236.52	365.26	-90.43	64.92	171.32	-90.43	1354.63	
			M3	647.98	17.47	-5064.50	454.03	17.50	-2415.69	454.03	11.70	-2415.73	260.08	11.70	-699.30	
		D+3LANES (casMAX	S2	866.15	1128.40	-1709.05	672.20	1128.40	1988.53	672.20	1133.17	1985.81	478.26	1133.17	4751.05	
			TQ	862.49	1142.33	-1683.08	668.55	1142.33	1996.94	668.75	1147.13	2001.61	474.80	1147.13	4750.25	
			M3	772.62	854.67	196.83	617.43	988.53	3531.85	617.43	997.00	3529.47	442.99	1074.59	6084.14	
		MIN	S2	548.10	-42.62	-2481.18	354.16	-42.62	-312.51	354.16	-43.37	-312.40	160.21	-43.37	923.93	
			TQ	562.68	-60.72	-2193.62	368.73	-60.72	45.13	368.54	-60.62	37.85	174.59	-60.62	1343.31	
			M3	636.86	33.86	-4858.00	442.92	33.86	-2262.64	442.92	28.43	-2262.72	248.96	28.45	-599.75	
		D+4LANES	MAX	S2	870.72	824.72	-1811.61	673.78	825.45	1853.53	673.78	829.89	1851.55	476.89	829.24	4578.50
			TQ	857.86	840.00	-1694.27	663.49	840.00	1962.95	661.12	844.85	2060.10	463.37	844.85	4762.93	
			M3	767.31	556.48	381.14	606.60	681.13	3629.73	606.60	689.84	3628.08	431.07	774.90	6086.26	
		MIN	S2	641.73	63.77	-933.14	446.69	63.20	1733.84	446.69	67.36	1733.69	251.69	68.15	3452.83	
			TQ	652.54	49.57	-1488.87	454.94	49.57	1172.57	457.09	52.28	1077.85	263.14	52.28	2808.99	
			M3	716.91	114.03	-4742.06	522.96	114.05	-1761.92	522.96	109.82	-1762.19	329.00	109.84	285.57	

BAGO RIVER BRIDGE

BLOCK [ No.1 : MAIN GIRDER ][ BEAM MEMBER FORCE ]

MEMBER					2021			2022			2023		
NODE					2021			2022			2023		
					SHEAR	TORQUE	MOMENT	SHEAR	TORQUE	MOMENT	SHEAR	TORQUE	MOMENT
NAME	TITLE				S2 (kN)	TQ (kN·m)	M3 (kN·m)	S2 (kN)	TQ (kN·m)	M3 (kN·m)	S2 (kN)	TQ (kN·m)	M3 (kN·m)
124	SUM TOTAL	D+6LANES	MAX	S2	1267.54	204.33	-675.84	970.65	194.58	4004.78	970.65	204.19	4004.30
				TQ	741.19	967.73	-1878.65	547.13	967.73	1218.11	545.10	970.75	1317.17
				M3	1033.50	194.71	2987.65	813.98	158.10	6975.34	813.98	174.82	6974.95
			MIN	S2	424.22	38.33	-203.23	192.30	18.16	2198.60	192.30	23.44	2198.55
				TQ	798.20	-687.36	-1126.07	560.42	-687.36	2160.74	563.36	-682.34	2023.55
				M3	652.38	106.88	-6657.42	458.32	111.02	-3987.77	458.32	101.45	-3988.02
	SUM TOTAL		MAX		1267.54	1142.33	2987.65	970.65	1142.33	6975.34	970.65	1147.13	6974.95
			MIN		424.22	-920.50	-6657.42	192.30	-920.50	-3987.77	192.30	-913.42	-3988.02
300	DEAD LOAD	TOTAL			667.97	93.32	-2289.27	474.03	93.32	455.64	474.03	94.41	455.42
301	LIVE LOAD	1-LANE(case1MAX	S2		186.50	-707.11	371.11	190.12	-714.98	1352.77	190.12	-711.74	1354.48
			TQ		-68.33	150.83	134.14	-68.33	150.83	-194.34	-68.51	150.37	-188.88
			M3		0.78	-382.03	2337.09	85.42	-561.48	2485.08	85.42	-555.51	2486.42
			MIN	S2	-154.01	78.03	1750.61	-93.41	114.89	1115.28	-93.41	117.57	1115.00
				TQ	169.54	-736.33	379.94	183.37	-736.33	1228.20	183.55	-733.39	1224.14
				M3	2.83	58.50	-1580.42	2.83	58.50	-1566.84	2.83	54.73	-1566.97
		1-LANE(case2MAX	S2		378.31	-169.46	866.20	241.29	-172.49	1564.94	241.29	-168.73	1565.35
			TQ		-55.12	47.43	-192.71	-55.12	47.43	-457.69	-54.78	46.34	-448.60
			M3		337.61	-169.28	1860.20	188.76	-180.44	2638.18	188.76	-174.10	2638.60
			MIN	S2	-74.03	-24.65	1157.46	-157.34	-48.89	1562.57	-157.34	-45.14	1562.68
				TQ	166.09	-225.76	388.88	121.20	-225.76	1079.42	120.73	-223.20	1059.91
				M3	-2.46	19.26	-1460.30	-2.46	19.26	-1472.12	-2.46	15.73	-1472.16
		1-LANE(case3MAX	S2		140.94	130.88	355.50	135.39	132.19	931.03	135.39	134.43	930.71
			TQ		119.59	134.81	603.21	118.81	134.81	1177.19	116.84	137.81	1293.15
			M3		87.11	22.57	1649.76	95.21	72.67	1992.33	95.21	77.45	1992.15
			MIN	S2	-63.55	-68.48	989.63	-65.58	-69.55	774.80	-65.58	-67.69	774.97
				TQ	-46.94	-71.42	621.10	-53.69	-71.42	378.29	-51.71	-70.69	262.17
				M3	-6.61	-13.97	-1367.87	-6.61	-13.97	-1399.63	-6.61	-17.33	-1399.59



BAGO RIVER BRIDGE

BLOCK [ No.1 : MAIN GIRDER ][ BEAM MEMBER FORCE ]

MEMBER				2021			2022			2023					
NODE				2021			2022			2023					
				SHEAR	TORQUE	MOMENT	SHEAR	TORQUE	MOMENT	SHEAR	TORQUE	MOMENT			
NAME	TITLE			S2 (kN)	TQ (kN·m)	M3 (kN·m)	S2 (kN)	TQ (kN·m)	M3 (kN·m)	S2 (kN)	TQ (kN·m)	M3 (kN·m)			
301	LIVE LOAD	1-LANE (case4MAX	S2	78.18	670.28	232.63	78.18	670.28	608.46	78.18	671.74	606.85	78.18	671.74	982.68
			TQ	77.70	671.64	272.79	77.70	671.64	646.33	77.69	673.19	646.01	77.69	673.19	1019.48
			M3	54.58	561.78	951.91	57.82	602.98	1223.92	57.82	605.91	1222.47	64.59	648.27	1517.43
		MIN	S2	-54.02	-105.82	-189.53	-54.02	-105.82	-449.21	-54.02	-106.90	-448.96	-54.02	-106.90	-708.65
			TQ	-49.95	-114.00	-195.44	-49.95	-114.00	-435.55	-49.93	-115.05	-436.56	-49.93	-115.05	-676.60
			M3	-17.42	-50.03	-1147.10	-17.42	-50.03	-1230.84	-17.42	-52.98	-1230.72	-17.44	-52.95	-1314.55
		2-LANES (caseMAX	S2	361.62	-847.73	1147.08	326.74	-913.15	2397.93	326.74	-907.39	2400.11	348.67	-925.72	3497.58
			TQ	-107.26	205.33	82.61	-107.26	205.33	-432.98	-107.58	204.30	-423.42	-107.58	204.30	-940.57
			M3	169.79	-550.93	3682.70	196.60	-767.69	4270.61	196.60	-757.44	4272.44	266.29	-902.60	5132.47
		MIN	S2	-196.55	97.92	2561.11	-171.07	68.81	2218.99	-171.07	74.13	2218.82	-202.63	-1.13	1852.43
			TQ	287.34	-1004.59	687.77	278.21	-1004.59	2047.15	278.54	-999.68	2039.50	269.41	-999.68	3356.57
			M3	2.54	81.22	-2584.20	2.54	81.22	-2571.97	2.54	75.05	-2572.16	2.49	75.19	-2560.02
		2-LANES (caseMAX	S2	521.46	-399.69	1559.64	369.38	-461.07	2574.74	369.38	-454.89	2575.84	261.20	-494.62	2854.97
			TQ	-96.25	119.16	-189.76	-96.25	119.16	-652.44	-96.14	117.61	-639.86	-96.14	117.61	-1102.00
			M3	450.49	-373.64	3285.29	282.71	-450.15	4398.19	282.71	-439.60	4399.26	133.96	-506.02	4651.44
		MIN	S2	-129.90	12.35	2066.82	-224.35	-67.68	2591.73	-224.35	-61.46	2591.88	-365.21	-158.36	2493.44
			TQ	284.46	-579.11	695.23	226.41	-579.11	1923.17	226.19	-574.53	1902.64	168.14	-574.53	2850.47
			M3	-1.86	48.52	-2484.10	-1.86	48.52	-2493.04	-1.86	42.54	-2493.15	-1.91	42.63	-2502.21
		2-LANES (caseMAX	S2	212.04	359.31	541.71	207.41	360.40	1476.00	207.41	363.94	1475.13	202.77	362.73	2398.70
			TQ	192.20	371.65	714.92	191.55	371.65	1638.07	187.41	375.82	1836.58	181.13	375.82	2722.40
			M3	107.11	157.27	2567.87	141.18	256.77	3076.49	141.18	264.15	3075.86	157.94	332.78	3732.45
		MIN	S2	-102.05	-114.18	845.95	-103.75	-115.08	430.91	-103.75	-114.04	431.19	-105.38	-112.82	-9.12
			TQ	-84.49	-121.65	498.76	-90.11	-121.65	78.30	-85.97	-121.70	-120.81	-85.97	-121.70	-534.10
			M3	-13.35	-41.26	-2228.15	-13.35	-41.26	-2292.31	-13.35	-46.76	-2292.20	-13.35	-46.76	-2356.36

BAGO RIVER BRIDGE

BLOCK [ No.1 : MAIN GIRDER ][ BEAM MEMBER FORCE ]

MEMBER NODE				2021			2022			2022			2023			
				2021			2022			2022			2023			
				SHEAR	TORQUE	MOMENT	SHEAR	TORQUE	MOMENT	SHEAR	TORQUE	MOMENT	SHEAR	TORQUE	MOMENT	
NAME	TITLE		S2 (kN)	TQ (kN·m)	M3 (kN·m)	S2 (kN)	TQ (kN·m)	M3 (kN·m)	S2 (kN)	TQ (kN·m)	M3 (kN·m)	S2 (kN)	TQ (kN·m)	M3 (kN·m)		
301	LIVE LOAD	2-LANES (caseMAX	S2	140.85	962.21	422.21	140.85	962.21	1099.28	140.85	964.84	1096.97	140.85	964.84	1774.04	
			TQ	138.91	968.67	478.77	138.91	968.67	1146.55	138.88	971.42	1147.24	138.88	971.42	1814.84	
			M3	87.76	751.30	1757.45	104.30	843.86	2223.22	104.30	849.19	2221.18	115.65	911.39	2755.34	
			MIN	S2	-91.50	-139.30	-239.13	-91.50	-139.30	-678.97	-91.50	-140.93	-678.64	-91.50	-140.93	-1118.48
			TQ	-84.29	-152.81	-305.14	-84.29	-152.81	-710.32	-84.25	-154.52	-712.96	-84.25	-154.52	-1117.96	
			M3	-26.72	-65.05	-1963.24	-26.72	-65.05	-2091.70	-26.72	-70.07	-2091.54	-26.74	-70.04	-2220.06	
		3-LANES (caseMAX	S2	575.35	-840.61	1588.57	448.65	-898.36	3146.74	448.65	-890.80	3148.89	401.95	-910.57	4109.96	
			TQ	-130.21	208.12	-66.28	-130.21	208.12	-692.23	-130.25	206.48	-677.67	-130.25	206.48	-1303.79	
			M3	383.46	-588.20	4447.93	300.81	-780.35	5498.73	300.81	-767.15	5500.59	268.99	-900.03	6243.13	
			MIN	S2	-219.50	65.77	2996.82	-256.86	23.85	2992.96	-256.86	31.03	2992.89	-376.00	-46.40	2569.93
			TQ	361.88	-1013.81	860.07	322.33	-1013.81	2504.67	322.28	-1007.83	2484.35	282.73	-1007.83	3938.54	
			M3	0.42	82.68	-3230.95	0.42	82.68	-3228.93	0.42	74.93	-3229.12	0.37	75.06	-3227.22	
		3-LANES (caseMAX	S2	246.11	642.41	635.67	242.18	643.34	1746.52	242.18	647.53	1744.97	238.24	646.50	2846.72	
			TQ	227.59	657.13	806.09	227.04	657.13	1899.50	223.48	661.89	2069.74	218.15	661.89	3131.25	
			M3	126.49	369.32	3023.06	168.31	503.88	3654.67	168.31	512.65	3653.45	187.67	593.87	4458.92	
			MIN	S2	-125.78	-170.29	661.27	-127.22	-171.05	120.83	-127.22	-170.76	121.24	-128.61	-169.72	-440.68
			TQ	-107.54	-184.11	310.00	-112.32	-184.11	-219.12	-108.77	-184.84	-390.50	-108.77	-184.84	-913.36	
			M3	-19.99	-75.84	-2775.23	-20.00	-75.82	-2871.33	-20.00	-82.71	-2871.14	-20.00	-82.71	-2967.29	
		3-LANES (caseMAX	S2	198.17	1035.08	580.23	198.17	1035.08	1532.88	198.17	1038.76	1530.40	198.17	1038.76	2483.05	
			TQ	194.52	1049.01	606.19	194.52	1049.01	1541.29	194.72	1052.72	1546.19	194.72	1052.72	2482.25	
			M3	104.65	761.35	2486.10	143.40	895.21	3076.21	143.40	902.59	3074.05	162.91	980.18	3816.15	
MIN	S2		-119.87	-135.94	-191.91	-119.87	-135.94	-768.15	-119.87	-137.78	-767.82	-119.87	-137.78	-1344.06		
TQ	-105.29		-154.04	95.65	-105.29	-154.04	-410.52	-105.49	-155.03	-417.57	-105.49	-155.03	-924.69			
M3	-31.11		-59.46	-2568.73	-31.11	-59.46	-2718.29	-31.11	-65.98	-2718.13	-31.13	-65.96	-2867.75			

BAGO RIVER BRIDGE

BLOCK [ No.1 : MAIN GIRDER ][ BEAM MEMBER FORCE ]

MEMBER					2021			2022			2023					
NODE					2021			2022			2023					
NAME TITLE					SHEAR	TORQUE	MOMENT	SHEAR	TORQUE	MOMENT	SHEAR	TORQUE	MOMENT			
					S2 (kN)	TQ (kN·m)	M3 (kN·m)	S2 (kN)	TQ (kN·m)	M3 (kN·m)	S2 (kN)	TQ (kN·m)	M3 (kN·m)			
301	LIVE LOAD	4-LANES	MAX	S2	202.75	731.41	477.67	199.75	732.13	1397.89	199.75	735.48	1396.13	196.80	734.83	2310.51
				TQ	189.89	746.69	595.00	189.46	746.69	1507.31	187.09	750.44	1604.68	183.29	750.44	2494.93
				M3	99.33	463.16	2670.41	132.57	587.81	3174.09	132.57	595.43	3172.67	150.98	680.49	3818.26
		MIN	S2	-26.25	-29.54	1356.13	-27.34	-30.12	1278.20	-27.34	-27.05	1278.27	-28.40	-26.26	1184.83	
			TQ	-15.43	-43.74	800.40	-19.08	-43.74	716.93	-16.94	-42.13	622.43	-16.94	-42.13	540.99	
			M3	48.94	20.71	-2452.79	48.93	20.73	-2217.56	48.93	15.41	-2217.61	48.92	15.43	-1982.43	
	6-LANES	MAX	S2	599.57	111.01	1613.43	496.62	101.26	3549.14	496.62	109.78	3548.89	452.63	109.41	5014.61	
			TQ	73.22	874.41	410.62	73.11	874.41	762.47	71.07	876.34	861.75	68.21	876.34	1196.51	
			M3	365.53	101.39	5276.92	339.96	64.78	6519.70	339.96	80.41	6519.53	328.08	63.80	7617.35	
		MIN	S2	-243.76	-54.99	2086.04	-281.73	-75.15	1742.95	-281.73	-70.97	1743.13	-378.82	-91.34	1004.12	
			TQ	130.23	-780.68	1163.21	86.39	-780.68	1705.09	89.33	-776.75	1568.14	67.80	-776.75	1945.86	
			M3	-15.60	13.56	-4368.15	-15.71	17.71	-4443.41	-15.71	7.04	-4443.44	-15.75	7.57	-4519.06	
	LIVE LOAD	MAX	599.57	1049.01	5276.92	496.62	1049.01	6519.70	496.62	1052.72	6519.53	452.63	1052.72	7617.35		
		MIN	-243.76	-1013.81	-4368.15	-281.73	-1013.81	-4443.41	-281.73	-1007.83	-4443.44	-378.82	-1007.83	-4519.06		
	303	SUM TOTAL	TOTAL	MAX	1267.54	1142.33	2987.65	970.65	1142.33	6975.34	970.65	1147.13	6974.95	732.71	1147.13	9885.34
MIN				424.22	-920.50	-6657.42	192.30	-920.50	-3987.77	192.30	-913.42	-3988.02	-98.74	-913.42	-2251.06	

BAGO RIVER BRIDGE

BLOCK [ No.1 : MAIN GIRDER ] [ BEAM MEMBER FORCE ]

MEMBER NODE	2023 2023	2024			2024			2025						
		SHEAR	TORQUE	MOMENT	SHEAR	TORQUE	MOMENT	SHEAR	TORQUE	MOMENT				
		S2 (kN)	TQ (kN·m)	M3 (kN·m)	S2 (kN)	TQ (kN·m)	M3 (kN·m)	S2 (kN)	TQ (kN·m)	M3 (kN·m)				
1 PAVEMENT	34.78	46.17	457.09	4.12	46.17	550.58	4.12	47.49	550.47	-26.54	47.49	496.58		
3 RAILING	-2.01	1.22	11.87	-0.38	1.22	6.12	-0.38	1.23	6.12	1.24	1.23	8.19		
5 CURB	-19.88	12.06	117.49	-3.78	12.06	60.61	-3.78	12.21	60.58	12.31	12.21	81.08		
7 DECK WEIGHT	46.52	64.26	670.69	-0.09	64.26	782.28	-0.09	66.13	782.12	-46.70	66.13	669.67		
8 GIRDER WEIGH	61.28	2.80	813.19	-28.61	2.80	891.71	-28.61	4.94	891.70	-118.51	4.94	538.08		
10 MEDIAN STRIP	14.10	-11.65	-1.56	-15.00	-11.65	-3.73	-15.00	-11.66	-3.71	-44.11	-11.66	-145.80		
21 ADITIONAL WE	13.02	17.99	187.79	-0.03	17.99	219.04	-0.03	18.52	218.99	-13.07	18.52	187.51		
31 MEDIAN RAILI	2.00	-1.10	11.22	-0.35	-1.10	15.18	-0.35	-1.06	15.18	-2.71	-1.06	7.83		
51 SUPPORT WEIG	-0.00	0.00	-0.00	-0.00	0.00	-0.00	-0.00	0.00	-0.00	-0.00	0.00	-0.00		
52 NOSE WEIGHT	0.00	-0.04	-0.06	0.00	-0.04	-0.04	0.00	-0.04	-0.04	0.00	-0.04	-0.03		
61 1-LANE(case1TRUCK-LOAD	MAX	S2	67.69	-217.27	887.46	67.69	-217.27	1212.86	67.69	-214.36	1213.38	110.05	-193.04	1589.13
		TQ	-48.94	126.04	1136.58	-48.94	126.04	901.30	-48.94	128.20	900.99	-48.94	128.20	665.71
		M3	-48.35	35.85	1487.89	10.27	-109.04	1316.59	10.27	-105.88	1316.85	110.05	-193.04	1589.13
	MIN	S2	-94.62	92.58	1467.27	-52.33	114.62	1151.65	-52.33	117.38	1151.38	-52.33	117.38	899.83
		TQ	66.31	-226.16	745.07	66.31	-226.16	1063.84	66.31	-223.60	1064.38	66.31	-223.60	1383.16
		M3	13.30	-32.00	-401.44	13.29	-31.66	-337.51	13.29	-32.47	-337.43	-18.36	36.46	-412.37
	TANDEM-LOAD MAX	S2	51.10	-156.90	559.16	51.10	-156.90	804.79	51.10	-154.97	805.17	96.44	-115.25	1100.01
		TQ	-40.36	90.57	905.54	-40.36	90.57	711.50	-40.36	92.28	711.28	-40.36	92.28	517.24
		M3	-53.22	46.76	1027.66	30.99	-117.44	911.58	30.99	-115.25	911.86	73.70	-130.88	1100.29
	MIN	S2	-85.94	46.76	1027.66	-40.71	87.59	758.91	-40.71	89.41	758.70	-40.71	89.41	563.01
		TQ	50.71	-159.38	519.42	50.71	-159.38	763.21	50.71	-157.55	763.59	50.71	-157.55	1007.37
		M3	9.05	-22.07	-272.88	9.05	-22.07	-229.36	9.05	-22.62	-229.30	-12.46	24.42	-279.80
	DISPERSION-LMAX	S2	49.53	-179.58	-11.05	51.48	-179.96	284.29	51.48	-179.27	284.72	61.68	-182.71	600.70
		TQ	-57.38	126.90	190.26	-51.61	126.90	-64.78	-51.61	126.75	-65.08	-51.61	126.75	-313.20
		M3	1.81	-84.22	1206.25	13.33	-84.22	1242.64	13.33	-81.24	1242.84	24.85	-81.24	1334.61
	MIN	S2	-62.64	122.36	324.18	-53.07	122.73	-6.50	-53.07	122.71	-6.79	-51.75	126.15	-302.73
		TQ	44.27	-184.13	122.86	50.02	-184.13	342.57	50.02	-183.31	343.01	61.54	-183.31	611.17
		M3	-14.92	26.99	-893.13	-14.92	26.99	-964.85	-14.92	24.67	-964.91	-14.92	24.67	-1036.64

BAGO RIVER BRIDGE

BLOCK [ No.1 : MAIN GIRDER ][ BEAM MEMBER FORCE ]

MEMBER NODE	2023 2023	2024			2024			2025								
		SHEAR	TORQUE	MOMENT	SHEAR	TORQUE	MOMENT	SHEAR	TORQUE	MOMENT						
		S2 (kN)	TQ (kN·m)	M3 (kN·m)	S2 (kN)	TQ (kN·m)	M3 (kN·m)	S2 (kN)	TQ (kN·m)	M3 (kN·m)						
62	1-LANE (case2TRUCK-LOAD	MAX	S2	204.19	-17.21	1210.25	116.43	-24.28	1471.23	116.43	-20.75	1471.28	55.37	-31.56	1298.27	
			TQ	-18.38	18.83	583.92	-18.38	18.83	495.58	-18.38	20.02	495.53	-18.38	20.02	407.19	
			M3	191.25	-14.46	1221.76	104.15	-21.80	1501.26	104.15	-18.19	1501.31	34.15	-28.15	1318.84	
		MIN	S2	-40.08	-3.69	1164.23	-100.06	-15.18	1440.83	-100.06	-11.72	1440.86	-189.22	-18.91	1296.58	
			TQ	32.13	-52.81	462.76	32.13	-52.81	617.20	32.13	-51.33	617.32	32.13	-51.33	771.76	
			M3	12.05	-12.86	-380.33	12.05	-12.86	-322.43	12.05	-13.63	-322.39	-17.69	12.16	-401.95	
		TANDEM-LOAD	MAX	S2	167.49	-9.46	945.43	104.84	-14.20	1167.40	104.84	-11.40	1167.43	46.93	-16.76	1015.08
			TQ	-12.27	13.73	371.85	-12.27	13.73	312.88	-12.27	14.48	312.84	-12.27	14.48	253.87	
			M3	167.49	-9.46	945.43	104.84	-14.20	1167.41	104.84	-11.40	1167.44	46.93	-16.76	1015.09	
		MIN	S2	-36.84	-7.54	939.96	-94.68	-13.13	1164.45	-94.68	-10.33	1164.47	-157.37	-14.92	1014.85	
			TQ	21.51	-36.49	295.64	21.51	-36.49	399.05	21.51	-35.53	399.14	21.51	-35.53	502.55	
			M3	8.19	-8.94	-258.43	8.19	-8.94	-219.06	8.19	-9.47	-219.03	-12.01	8.16	-272.77	
		DISPERSION-LMAX	S2	77.12	-52.96	127.67	52.10	-50.99	232.54	52.10	-50.43	232.66	37.94	-48.11	236.99	
			TQ	-38.46	31.60	-118.97	-38.46	31.60	-303.84	-38.70	30.89	-290.07	-38.86	30.89	-476.31	
			M3	49.78	-30.03	990.87	12.37	-30.03	1140.25	12.37	-27.29	1140.32	-25.03	-27.29	1109.89	
		MIN	S2	-42.66	30.55	6.83	-55.05	28.59	-22.28	-55.05	28.53	-22.35	-78.28	26.21	-130.72	
			TQ	72.92	-54.00	253.46	35.52	-54.00	514.10	35.76	-52.78	500.38	-1.49	-52.78	582.59	
			M3	-15.31	7.63	-856.38	-15.31	7.63	-929.99	-15.31	5.40	-930.01	-15.31	5.40	-1003.62	
63	1-LANE (case3TRUCK-LOAD	MAX	S2	45.14	55.22	706.14	45.14	55.22	923.13	45.14	57.43	922.99	45.14	57.43	1139.98	
			TQ	40.96	56.25	601.99	40.96	56.25	798.91	44.83	58.31	905.17	44.83	58.31	1120.66	
			M3	19.43	-22.65	1067.26	31.87	19.02	1088.51	31.87	21.63	1088.46	39.36	52.90	1161.43	
		MIN	S2	-30.80	-44.17	1018.17	-30.80	-44.17	870.10	-30.80	-42.08	870.20	-30.80	-42.08	722.13	
			TQ	-30.54	-45.06	995.70	-30.54	-45.06	848.91	-26.98	-43.26	723.21	-26.98	-43.26	593.50	
			M3	11.09	1.43	-364.07	-17.19	-5.35	-311.50	-17.19	-6.10	-311.48	-17.19	-6.10	-394.11	

BAGO RIVER BRIDGE

BLOCK [ No.1 : MAIN GIRDER ][ BEAM MEMBER FORCE ]

MEMBER		2023			2024			2024			2025					
NODE		2023			2024			2024			2025					
		SHEAR	TORQUE	MOMENT	SHEAR	TORQUE	MOMENT	SHEAR	TORQUE	MOMENT	SHEAR	TORQUE	MOMENT			
NAME	TITLE	S2 (kN)	TQ (kN·m)	M3 (kN·m)	S2 (kN)	TQ (kN·m)	M3 (kN·m)	S2 (kN)	TQ (kN·m)	M3 (kN·m)	S2 (kN)	TQ (kN·m)	M3 (kN·m)			
63	1-LANE (case3TANDEM-LOAD	MAX	S2	31.71	35.08	527.32	31.71	35.08	679.78	31.71	36.71	679.69	31.71	36.71	832.15	
			TQ	29.57	40.86	420.65	29.57	40.86	562.78	30.65	42.25	592.38	30.65	42.25	739.70	
			M3	14.21	-22.95	764.53	23.68	7.41	772.04	23.68	9.26	772.02	31.71	36.71	832.15	
		MIN	S2	-21.87	-27.68	759.30	-21.87	-27.68	654.18	-21.87	-26.11	654.24	-21.87	-26.11	549.12	
			TQ	-21.01	-33.30	651.23	-21.01	-33.30	550.23	-20.02	-32.05	515.20	-20.02	-32.05	418.96	
			M3	7.53	1.06	-247.26	-11.67	-3.55	-211.41	-11.67	-4.05	-211.40	-11.67	-4.05	-267.48	
		DISPERSION-LMAX	S2	42.83	31.20	64.69	39.26	32.53	165.69	39.26	32.93	165.61	35.47	31.39	259.90	
			TQ	33.68	33.26	126.40	33.68	33.26	288.29	33.28	34.02	338.73	27.00	34.02	483.62	
			M3	18.05	10.63	908.27	11.78	10.63	979.97	11.78	12.98	979.95	5.51	12.98	1021.50	
		MIN	S2	-40.31	-29.62	14.89	-43.01	-30.94	-89.08	-43.01	-31.16	-89.00	-45.49	-29.62	-216.41	
			TQ	-31.16	-31.67	-46.83	-37.43	-31.67	-211.68	-37.03	-32.25	-262.13	-37.03	-32.25	-440.13	
			M3	-15.53	-9.04	-828.70	-15.53	-9.04	-903.37	-15.53	-11.21	-903.34	-15.53	-11.21	-978.01	
64	1-LANE (case4TRUCK-LOAD	MAX	S2	19.29	164.00	396.54	19.29	164.00	489.26	19.29	165.18	488.87	19.29	165.18	581.59	
			TQ	18.85	165.81	431.64	18.85	165.81	522.24	18.85	167.06	521.84	18.85	167.06	612.43	
			M3	7.50	78.56	602.09	8.04	87.46	638.33	8.04	88.99	638.12	9.94	121.50	677.20	
		MIN	S2	-16.51	-29.65	-224.90	-16.51	-29.65	-304.29	-16.51	-30.38	-304.22	-16.51	-30.38	-383.60	
			TQ	-6.67	-59.79	410.98	-6.67	-59.79	378.94	-6.67	-58.88	379.08	-6.67	-58.88	347.04	
			M3	8.80	35.26	-323.83	-16.51	-29.65	-304.29	-16.51	-30.38	-304.22	-16.51	-30.38	-383.60	
		TANDEM-LOAD	MAX	S2	13.43	111.50	257.14	13.43	111.50	321.68	13.43	112.27	321.41	13.43	112.27	385.95
			TQ	12.96	114.84	303.51	12.96	114.84	365.81	12.96	115.72	365.53	12.96	115.72	427.83	
			M3	4.99	43.80	409.42	5.25	69.17	434.20	5.25	70.21	434.04	5.75	77.93	459.31	
		MIN	S2	-11.21	-19.80	-152.64	-11.21	-19.80	-206.54	-11.21	-20.30	-206.50	-11.21	-20.30	-260.40	
			TQ	-4.95	-41.90	266.97	-4.95	-41.90	243.16	-4.95	-41.32	243.26	-4.95	-41.32	219.46	
			M3	5.98	23.53	-219.88	-11.21	-19.80	-206.54	-11.21	-20.30	-206.50	-11.21	-20.30	-260.40	

BAGO RIVER BRIDGE

BLOCK [ No.1 : MAIN GIRDER ][ BEAM MEMBER FORCE ]

MEMBER			2023			2024			2024			2025				
NODE			2023			2024			2024			2025				
			SHEAR	TORQUE	MOMENT	SHEAR	TORQUE	MOMENT	SHEAR	TORQUE	MOMENT	SHEAR	TORQUE	MOMENT		
NAME	TITLE		S2 (kN)	TQ (kN·m)	M3 (kN·m)	S2 (kN)	TQ (kN·m)	M3 (kN·m)	S2 (kN)	TQ (kN·m)	M3 (kN·m)	S2 (kN)	TQ (kN·m)	M3 (kN·m)		
64	1-LANE (case4DISPERSION-LMAX	S2	24.48	158.37	89.33	24.48	158.37	207.00	24.48	158.87	206.62	24.48	158.87	324.30		
		TQ	24.14	160.38	35.16	24.14	160.38	151.21	24.17	160.74	153.78	24.17	160.74	269.99		
		M3	11.22	90.16	661.58	11.22	90.16	715.51	11.22	91.88	715.29	11.22	91.88	769.21		
		MIN	S2	-30.36	-78.68	-199.36	-30.36	-78.68	-345.28	-30.36	-79.51	-345.09	-30.36	-79.51	-491.02	
		TQ	-30.02	-80.69	-145.19	-30.02	-80.69	-289.49	-30.05	-81.39	-292.26	-30.05	-81.39	-436.71		
		M3	-17.09	-10.47	-771.61	-17.09	-10.47	-853.79	-17.09	-12.52	-853.76	-17.09	-12.52	-935.94		
		MAX	S2	172.06	-225.85	2219.69	148.45	-290.14	2654.56	148.45	-283.77	2655.24	171.01	-309.06	3011.24	
		TQ	-80.66	190.87	2053.80	-80.66	190.87	1666.08	-80.66	194.87	1665.62	-80.66	194.87	1277.89		
		M3	43.54	43.38	2837.85	78.66	-165.59	2782.57	78.66	-158.91	2782.96	157.33	-299.11	3038.23		
65	2-LANES (caseTRUCK-LOAD	MIN	S2	-140.51	140.83	2760.36	-117.62	115.97	2568.32	-117.62	122.13	2568.03	-141.20	57.86	2316.47	
		TQ	113.88	-358.89	1398.07	113.88	-358.89	1945.53	113.88	-354.22	1946.38	113.88	-354.22	2493.84		
		M3	25.98	-54.28	-792.36	25.96	-53.94	-667.51	25.96	-55.54	-667.38	-36.39	60.77	-819.53		
		TANDEM-LOAD	MAX	S2	129.41	-141.31	1558.66	112.98	-187.24	1889.11	112.98	-182.71	1889.55	142.54	-185.66	2170.63
		TQ	-60.48	135.79	1486.79	-60.48	135.79	1196.06	-60.48	138.66	1195.73	-60.48	138.66	904.99		
		M3	25.09	62.35	2027.17	92.88	-147.78	1995.90	92.88	-142.99	1996.25	119.80	-201.29	2170.91		
		MIN	S2	-121.76	70.84	2021.56	-92.26	68.62	1840.21	-92.26	73.03	1840.04	-108.72	27.34	1633.37	
		TQ	80.77	-250.22	927.11	80.77	-250.22	1315.36	80.77	-247.07	1315.96	80.77	-247.07	1704.22		
		M3	17.68	-37.59	-538.57	17.68	-37.59	-453.59	17.68	-38.68	-453.50	-24.69	40.72	-556.09		
		DISPERSION-LMAX	S2	114.12	-295.22	154.28	103.40	-295.28	538.49	103.40	-293.99	539.20	103.85	-290.04	889.90	
		TQ	-98.29	203.58	315.76	-100.94	203.58	-166.28	-101.35	203.19	-159.55	-101.35	203.19	-646.78		
		M3	35.30	-141.35	2295.82	26.17	-141.35	2443.58	26.17	-135.48	2443.91	17.05	-135.48	2547.79		
		MIN	S2	-108.86	198.17	373.80	-107.26	198.23	-7.03	-107.26	198.21	-7.51	-116.83	194.26	-398.70	
		TQ	103.55	-300.63	212.32	97.07	-300.63	697.74	97.49	-298.97	691.24	88.37	-298.97	1137.99		
		M3	-30.03	44.30	-1767.74	-30.03	44.30	-1912.11	-30.03	39.71	-1912.22	-30.03	39.71	-2056.59		

BAGO RIVER BRIDGE

BLOCK [ No.1 : MAIN GIRDER ][ BEAM MEMBER FORCE ]

MEMBER NODE	2023 2023	2024			2024			2025								
		SHEAR	TORQUE	MOMENT	SHEAR	TORQUE	MOMENT	SHEAR	TORQUE	MOMENT						
		S2 (kN)	TQ (kN·m)	M3 (kN·m)	S2 (kN)	TQ (kN·m)	M3 (kN·m)	S2 (kN)	TQ (kN·m)	M3 (kN·m)						
66	2-LANES (caseTRUCK-LOAD	MAX	S2	308.56	-25.78	2542.48	197.19	-97.15	2912.92	197.19	-90.16	2913.14	116.33	-147.58	2720.37	
			TQ	-50.09	83.66	1501.14	-50.09	83.66	1260.36	-50.09	86.68	1260.16	-50.09	86.68	1019.38	
			M3	283.14	-6.93	2571.72	172.55	-78.35	2967.25	172.55	-71.22	2967.43	81.43	-134.22	2767.94	
			MIN	S2	-85.97	44.56	2457.31	-165.35	-13.83	2857.49	-165.35	-6.97	2857.51	-278.09	-78.44	2713.21
				TQ	79.70	-185.54	1115.76	79.70	-185.54	1498.88	79.70	-181.95	1499.32	79.70	-181.95	1882.44
				M3	24.72	-35.14	-771.25	24.72	-35.14	-652.43	24.72	-36.70	-652.34	-35.72	36.47	-809.12
		TANDEM-LOAD	MAX	S2	245.80	6.13	1944.93	166.73	-44.54	2251.72	166.73	-39.14	2251.82	93.03	-87.17	2085.71
				TQ	-32.38	58.95	953.10	-32.38	58.95	797.43	-32.38	60.86	797.29	-32.38	60.86	641.62
				M3	245.80	6.13	1944.94	166.73	-44.54	2251.72	166.73	-39.14	2251.82	93.03	-87.17	2085.71
			MIN	S2	-72.66	16.54	1933.85	-146.22	-32.10	2245.75	-146.22	-26.71	2245.82	-225.37	-76.99	2085.21
				TQ	51.56	-127.33	703.33	51.56	-127.33	951.21	51.56	-125.05	951.51	51.56	-125.05	1199.39
				M3	16.82	-24.46	-524.12	16.82	-24.46	-443.29	16.82	-25.52	-443.23	-24.24	24.46	-549.06
		DISPERSION-LMAX	MAX	S2	141.71	-168.59	293.00	104.03	-166.32	486.74	104.03	-165.15	487.14	80.11	-155.43	526.19
				TQ	-79.37	108.28	6.52	-87.78	108.28	-405.34	-88.45	107.33	-384.53	-88.60	107.33	-809.89
				M3	83.26	-87.16	2080.44	25.22	-87.16	2341.18	25.22	-81.54	2341.39	-32.83	-81.54	2323.08
			MIN	S2	-88.87	106.36	56.45	-109.24	104.09	-22.81	-109.24	104.04	-23.06	-143.36	94.32	-226.69
				TQ	132.21	-170.50	342.92	82.57	-170.50	869.26	83.24	-168.44	848.61	25.34	-168.44	1109.40
				M3	-30.42	24.93	-1731.00	-30.42	24.93	-1877.26	-30.42	20.43	-1877.31	-30.42	20.43	-2023.57
67	2-LANES (caseTRUCK-LOAD	MAX	S2	80.45	144.20	1354.97	80.45	144.20	1741.69	80.45	148.38	1741.34	80.45	148.38	2128.07	
			TQ	74.46	152.34	1140.12	74.46	152.34	1498.09	78.33	156.08	1604.12	78.33	156.08	1980.65	
			M3	10.64	-34.39	1989.85	47.05	57.68	2002.67	47.05	62.48	2002.53	71.96	134.54	2176.80	
			MIN	S2	-52.00	-88.65	1883.63	-52.00	-88.65	1633.65	-52.00	-84.73	1633.86	-52.00	-84.73	1383.88
				TQ	-50.45	-97.09	1707.74	-50.45	-97.09	1465.21	-46.90	-93.81	1339.62	-46.90	-93.81	1114.17
				M3	21.54	12.48	-716.81	-34.04	-22.86	-619.39	-34.04	-24.35	-619.34	-34.04	-24.35	-782.97



BAGO RIVER BRIDGE

BLOCK [ No.1 : MAIN GIRDER ][ BEAM MEMBER FORCE ]

MEMBER NODE	2023 2023	2024			2024			2025							
		SHEAR	TORQUE	MOMENT	SHEAR	TORQUE	MOMENT	SHEAR	TORQUE	MOMENT					
		S2 (kN)	TQ (kN·m)	M3 (kN·m)	S2 (kN)	TQ (kN·m)	M3 (kN·m)	S2 (kN)	TQ (kN·m)	M3 (kN·m)					
67	2-LANES (caseTANDEM-LOAD	MAX	S2	56.99	99.62	948.23	56.99	99.62	1222.22	56.99	102.55	1221.98	56.99	102.55	1495.96
			TQ	54.60	107.13	820.28	54.60	107.13	1082.77	55.68	109.77	1112.20	55.68	109.77	1379.87
			M3	3.73	-39.37	1408.58	30.84	27.15	1400.70	30.84	30.51	1400.63	54.60	91.33	1542.86
		MIN	S2	-37.65	-62.14	1336.42	-37.65	-62.14	1155.44	-37.65	-59.37	1155.59	-37.65	-59.37	974.61
			TQ	-36.64	-69.57	1199.86	-36.64	-69.57	1023.71	-35.65	-67.18	988.77	-35.65	-67.18	817.38
			M3	14.61	8.85	-486.72	-23.11	-15.22	-420.39	-23.11	-16.23	-420.35	-23.11	-16.23	-531.43
	DISPERSION-LMAX		S2	76.20	107.75	74.71	72.63	109.07	336.14	72.63	109.88	335.88	68.84	108.34	590.60
			TQ	67.05	109.83	149.50	67.05	109.83	471.80	66.64	111.03	522.06	60.37	111.03	827.36
			M3	29.55	48.80	1742.18	23.28	48.80	1869.16	23.28	53.28	1869.04	17.01	53.28	1965.86
		MIN	S2	-77.89	-86.67	27.99	-80.60	-87.99	-256.64	-80.60	-88.61	-256.43	-83.07	-87.07	-564.50
			TQ	-68.74	-88.76	-46.80	-75.01	-88.76	-392.30	-74.61	-89.76	-442.61	-74.61	-89.76	-801.26
			M3	-31.24	-27.72	-1639.48	-31.24	-27.72	-1789.66	-31.24	-32.02	-1789.59	-31.24	-32.02	-1939.76
68	2-LANES (caseTRUCK-LOAD	MAX	S2	43.87	292.47	913.23	43.87	292.47	1124.12	43.87	295.17	1123.42	43.87	295.17	1334.31
			TQ	43.34	295.08	937.08	43.34	295.08	1145.42	43.34	297.83	1144.71	43.34	297.83	1353.05
			M3	6.62	85.50	1348.41	19.21	144.33	1408.46	19.21	147.71	1408.11	30.76	223.87	1516.63
		MIN	S2	-33.36	-47.16	-451.79	-33.36	-47.16	-612.18	-33.36	-48.63	-612.07	-33.36	-48.63	-772.46
			TQ	-16.98	-113.22	916.31	-16.98	-113.22	834.69	-16.98	-111.22	834.96	-16.98	-111.22	753.33
			M3	18.25	60.87	-659.17	-33.36	-47.16	-612.18	-33.36	-48.63	-612.07	-33.36	-48.63	-772.46
	TANDEM-LOAD	MAX	S2	30.36	196.70	638.29	30.36	196.70	784.25	30.36	198.58	783.77	30.36	198.58	929.73
			TQ	29.61	204.86	633.46	29.61	204.86	775.82	29.61	206.72	775.33	29.61	206.72	917.69
			M3	2.37	40.97	922.28	11.28	101.44	961.15	11.28	103.74	960.90	19.73	144.68	1039.26
		MIN	S2	-22.65	-31.48	-306.63	-22.65	-31.48	-415.52	-22.65	-32.48	-415.45	-22.65	-32.48	-524.34
			TQ	-12.30	-79.70	627.94	-12.30	-79.70	568.81	-12.30	-78.33	569.00	-12.30	-78.33	509.87
			M3	12.39	41.34	-447.56	-22.65	-31.48	-415.52	-22.65	-32.48	-415.45	-22.65	-32.48	-524.34

BAGO RIVER BRIDGE

BLOCK [ No.1 : MAIN GIRDER ][ BEAM MEMBER FORCE ]

MEMBER NODE	2023 2023	2024			2025			2024			2025				
		SHEAR	TORQUE	MOMENT	SHEAR	TORQUE	MOMENT	SHEAR	TORQUE	MOMENT	SHEAR	TORQUE	MOMENT		
		S2 (kN)	TQ (kN·m)	M3 (kN·m)	S2 (kN)	TQ (kN·m)	M3 (kN·m)	S2 (kN)	TQ (kN·m)	M3 (kN·m)	S2 (kN)	TQ (kN·m)	M3 (kN·m)		
68	2-LANES (caseDISPERSION-LMAX	S2	52.67	277.96	109.34	52.67	277.96	362.56	52.67	278.83	361.90	52.67	278.83	615.11	
		TQ	52.30	280.04	71.76	52.30	280.04	323.16	52.31	280.83	330.09	52.31	280.83	581.54	
		M3	22.71	152.62	1405.56	22.71	152.62	1514.73	22.71	156.25	1514.36	22.71	156.25	1623.53	
	MIN	S2	-63.98	-136.68	-264.65	-63.98	-136.68	-572.23	-63.98	-138.05	-571.91	-63.98	-138.05	-879.49	
		TQ	-63.61	-138.76	-227.07	-63.61	-138.76	-532.83	-63.62	-140.04	-540.10	-63.62	-140.04	-845.92	
		M3	-34.02	-11.33	-1560.87	-34.02	-11.33	-1724.40	-34.02	-15.47	-1724.37	-34.02	-15.47	-1887.90	
69	3-LANES (caseTRUCK-LOAD	MAX	S2	376.25	-243.06	3429.95	264.88	-314.42	4125.78	264.88	-304.52	4126.52	226.39	-340.62	4309.50
		TQ	-99.03	209.70	2637.72	-99.03	209.70	2161.66	-99.03	214.89	2161.15	-99.03	214.89	1685.08	
		M3	234.79	28.92	4059.61	182.81	-187.39	4283.84	182.81	-177.11	4284.27	191.48	-327.26	4357.07	
	MIN	S2	-180.59	137.14	3924.58	-217.68	100.79	4009.14	-217.68	110.41	4008.89	-330.42	38.95	3613.04	
		TQ	146.01	-411.70	1860.83	146.01	-411.70	2562.72	146.01	-405.55	2563.70	146.01	-405.55	3265.59	
		M3	38.02	-67.14	-1172.69	38.01	-66.79	-989.94	38.01	-69.17	-989.77	-54.08	72.92	-1221.48	
	TANDEM-LOAD	MAX	S2	296.89	-150.78	2504.09	217.82	-201.44	3056.51	217.82	-194.11	3056.99	189.47	-202.42	3185.72
		TQ	-72.75	149.52	1858.64	-72.75	149.52	1508.93	-72.75	153.14	1508.57	-72.75	153.14	1158.86	
		M3	192.58	52.89	2972.60	197.72	-161.98	3163.31	197.72	-154.39	3163.69	166.73	-218.05	3186.00	
	MIN	S2	-158.60	63.29	2961.52	-186.93	55.49	3004.66	-186.93	62.70	3004.52	-266.08	12.42	2648.22	
		TQ	102.28	-286.72	1222.75	102.28	-286.72	1714.42	102.28	-282.60	1715.10	102.28	-282.60	2206.77	
		M3	25.87	-46.53	-797.01	25.87	-46.53	-672.65	25.87	-48.15	-672.53	-36.69	48.88	-828.86	
	DISPERSION-LMAX	S2	191.24	-348.17	281.95	155.50	-346.27	771.03	155.50	-344.42	771.86	141.78	-338.14	1126.89	
		TQ	-136.75	235.18	196.79	-139.39	235.18	-470.12	-140.06	234.08	-449.62	-140.21	234.08	-1123.09	
		M3	85.07	-171.38	3286.69	38.54	-171.38	3583.83	38.54	-162.78	3584.23	-7.98	-162.78	3657.69	
	MIN	S2	-151.51	228.72	380.62	-162.30	226.82	-29.31	-162.30	226.75	-29.85	-195.11	220.47	-529.41	
		TQ	176.47	-354.64	465.79	132.59	-354.64	1211.84	133.26	-351.75	1191.63	86.88	-351.75	1720.58	
		M3	-45.35	51.92	-2624.12	-45.35	51.92	-2842.11	-45.35	45.10	-2842.22	-45.35	45.10	-3060.21	

BAGO RIVER BRIDGE

BLOCK [ No.1 : MAIN GIRDER ][ BEAM MEMBER FORCE ]

MEMBER NODE	2023 2023	2024			2024			2025							
		SHEAR	TORQUE	MOMENT	SHEAR	TORQUE	MOMENT	SHEAR	TORQUE	MOMENT					
		S2 (kN)	TQ (kN·m)	M3 (kN·m)	S2 (kN)	TQ (kN·m)	M3 (kN·m)	S2 (kN)	TQ (kN·m)	M3 (kN·m)					
70	3-LANES (caseTRUCK-LOAD	MAX	S2	105.61	271.20	1872.96	105.61	271.20	2380.66	105.61	276.91	2380.01	105.61	276.91	2887.71
			TQ	98.15	280.99	1586.13	98.15	280.99	2057.94	102.01	286.07	2163.67	102.01	286.07	2654.05
			M3	9.05	-29.04	2751.30	58.53	113.09	2784.35	58.53	119.77	2784.07	93.69	235.30	3029.87
		MIN	S2	-68.51	-118.30	1658.73	-68.51	-118.30	1329.37	-68.51	-115.11	1329.65	-68.51	-115.11	1000.28
			TQ	-61.31	-149.82	2219.77	-61.31	-149.82	1925.06	-57.75	-145.43	1799.61	-57.75	-145.43	1521.98
			M3	31.32	33.18	-1058.02	-50.55	-52.51	-923.68	-50.55	-54.73	-923.55	-50.55	-54.73	-1166.57
	TANDEM-LOAD	MAX	S2	74.54	183.47	1330.77	74.54	183.47	1689.08	74.54	187.52	1688.63	74.54	187.52	2046.94
			TQ	71.12	196.20	1133.93	71.12	196.20	1475.83	72.20	199.78	1505.05	72.20	199.78	1852.13
			M3	0.42	-43.37	1932.82	36.96	58.41	1935.83	36.96	63.05	1935.68	69.26	157.13	2132.92
		MIN	S2	-48.86	-81.94	1183.77	-48.86	-81.94	948.90	-48.86	-79.66	949.09	-48.86	-79.66	714.21
			TQ	-44.39	-106.99	1565.76	-44.39	-106.99	1352.35	-43.40	-103.81	1317.49	-43.40	-103.81	1108.85
			M3	21.27	22.58	-718.42	-34.32	-35.02	-626.94	-34.32	-36.53	-626.85	-34.32	-36.53	-791.83
	DISPERSION-LMAX	MAX	S2	104.96	224.11	85.12	101.40	225.43	484.82	101.40	226.60	484.28	97.60	225.06	877.27
			TQ	95.77	226.27	176.49	95.77	226.27	636.88	95.35	227.87	691.49	89.07	227.87	1134.76
			M3	40.79	114.66	2493.54	34.52	114.66	2674.57	34.52	121.08	2674.28	28.25	121.08	2825.15
		MIN	S2	-111.30	-165.42	-24.35	-114.01	-166.74	-469.58	-114.01	-167.87	-469.18	-116.48	-166.33	-937.86
			TQ	-102.11	-167.58	-115.71	-108.38	-167.58	-621.64	-107.95	-169.14	-676.39	-107.95	-169.14	-1195.35
			M3	-47.13	-55.97	-2432.77	-47.13	-55.97	-2659.33	-47.13	-62.35	-2659.18	-47.13	-62.35	-2885.74
71	3-LANES (caseTRUCK-LOAD	MAX	S2	78.25	383.17	1558.64	78.25	383.17	1934.81	78.25	387.81	1933.88	78.25	387.81	2310.04
			TQ	76.26	392.64	1473.91	76.26	392.64	1840.51	76.26	397.06	1839.57	76.26	397.06	2206.17
			M3	-1.47	75.35	2255.84	34.10	184.45	2311.08	34.10	190.00	2310.63	62.45	307.10	2518.36
		MIN	S2	-53.41	-90.48	398.45	-53.41	-90.48	141.72	-53.41	-90.14	141.94	-53.41	-90.14	-114.79
			TQ	-35.99	-165.08	1617.43	-35.99	-165.08	1444.44	-35.99	-161.61	1444.83	-35.99	-161.61	1271.84
			M3	28.36	76.83	-1006.04	-50.55	-52.51	-923.68	-50.55	-54.73	-923.55	-50.55	-54.73	-1166.57

BAGO RIVER BRIDGE

BLOCK [ No.1 : MAIN GIRDER ][ BEAM MEMBER FORCE ]

MEMBER				2023			2024			2025						
NODE				2023			2024			2025						
				SHEAR	TORQUE	MOMENT	SHEAR	TORQUE	MOMENT	SHEAR	TORQUE	MOMENT				
NAME	TITLE			S2 (kN)	TQ (kN·m)	M3 (kN·m)	S2 (kN)	TQ (kN·m)	M3 (kN·m)	S2 (kN)	TQ (kN·m)	M3 (kN·m)				
71	3-LANES (case)	TANDEM-LOAD	MAX	S2	54.97	262.56	1057.42	54.97	262.56	1321.67	54.97	265.73	1321.04			
			TQ	54.04	272.49	1031.72	54.04	272.49	1291.52	54.04	275.59	1290.86	54.04	275.59	1550.66	
			M3	-7.42	25.73	1554.95	18.36	122.18	1581.62	18.36	125.97	1581.32	41.92	200.23	1739.85	
		MIN	S2	-37.59	-65.21	260.21	-37.59	-65.21	79.51	-37.59	-65.02	79.66	-37.59	-65.02	-101.04	
		TQ	-27.13	-115.43	1167.10	-27.13	-115.43	1036.66	-23.92	-113.15	947.55	-23.92	-113.15	832.58		
		M3	19.25	52.40	-683.18	-34.32	-35.02	-626.94	-34.32	-36.53	-626.85	-34.32	-36.53	-791.83		
	DISPERSION-LMAX	S2	85.47	357.67	130.21	85.47	357.67	541.06	85.47	358.97	540.20	85.47	358.97	951.05		
		TQ	84.39	359.79	91.45	84.39	359.79	497.15	85.05	361.01	515.52	85.05	361.01	924.37		
		M3	34.46	187.36	2232.04	34.46	187.36	2397.69	34.46	193.12	2397.23	34.46	193.12	2562.88		
		MIN	S2	-101.79	-172.79	-265.95	-101.79	-172.79	-755.26	-101.79	-174.60	-754.84	-101.79	-174.60	-1244.15	
		TQ	-100.71	-174.91	-227.19	-100.71	-174.91	-711.34	-101.37	-176.64	-730.16	-101.37	-176.64	-1217.47		
		M3	-50.78	-2.48	-2367.78	-50.78	-2.48	-2611.89	-50.78	-8.74	-2611.87	-50.78	-8.74	-2855.98		
72	4-LANES	TRUCK-LOAD	MAX	S2	120.38	426.04	2408.23	120.38	426.04	2986.91	120.38	433.21	2985.88	120.38	433.21	3564.56
			TQ	115.47	433.33	2228.49	115.47	433.33	2783.58	119.29	440.16	2888.61	119.29	440.16	3462.06	
			M3	16.64	50.99	3337.88	66.03	202.06	3410.24	66.03	210.24	3409.74	102.80	358.59	3693.74	
		MIN	S2	-69.40	-197.82	2896.00	-69.40	-197.82	2562.37	-69.40	-191.67	2562.84	-69.40	-191.67	2229.21	
		TQ	-63.73	-210.00	2479.25	-63.73	-210.00	2172.86	-63.73	-204.79	2173.36	-63.73	-204.79	1866.98		
		M3	39.78	73.34	-1376.00	39.78	73.34	-1184.75	39.78	70.50	-1184.92	39.78	70.50	-993.68		
	TANDEM-LOAD	MAX	S2	86.23	298.53	1647.66	86.23	298.53	2062.20	86.23	303.48	2061.48	86.23	303.48	2476.02	
		TQ	83.52	311.01	1468.47	83.52	311.01	1869.98	84.59	315.54	1898.83	84.59	315.54	2305.46		
		M3	5.51	1.49	2330.38	41.88	128.61	2360.73	41.88	134.27	2360.42	74.32	236.13	2582.10		
		MIN	S2	-49.96	-134.53	2053.74	-49.96	-134.53	1813.58	-49.96	-130.18	1813.90	-49.96	-130.18	1573.74	
		TQ	-47.80	-148.93	1785.97	-47.80	-148.93	1556.18	-47.80	-145.20	1556.54	-47.80	-145.20	1326.75		
		M3	27.02	49.43	-934.36	27.00	50.17	-804.53	26.96	49.30	-804.64	26.96	49.30	-675.03		

BAGO RIVER BRIDGE

BLOCK [ No.1 : MAIN GIRDER ][ BEAM MEMBER FORCE ]

MEMBER				2023			2024			2025							
NODE				2023			2024			2025							
				SHEAR	TORQUE	MOMENT	SHEAR	TORQUE	MOMENT	SHEAR	TORQUE	MOMENT					
NAME	TITLE			S2 (kN)	TQ (kN·m)	M3 (kN·m)	S2 (kN)	TQ (kN·m)	M3 (kN·m)	S2 (kN)	TQ (kN·m)	M3 (kN·m)					
72	4-LANES	DISPERSION-LMAX	S2	90.67	216.27	-434.44	87.10	217.59	-103.46	87.10	217.34	-103.99	83.37	215.91	223.06		
			TQ	83.11	227.01	-447.37	83.11	227.01	-47.86	82.03	226.95	-2.62	76.12	226.95	377.52		
			M3	13.63	35.12	2535.01	7.35	35.12	2585.44	7.35	41.32	2585.35	1.08	41.32	2605.62		
	MIN	S2	-28.60	-92.22	1301.57	-31.28	-93.50	1251.27	-31.28	-90.50	1251.49	-33.76	-88.96	1180.48			
		TQ	-19.80	-97.01	1249.35	-25.87	-97.01	1139.81	-24.80	-94.33	1094.26	-24.80	-94.33	975.04			
		M3	48.41	88.91	-1674.12	48.41	88.91	-1441.42	48.41	85.45	-1441.62	48.41	85.45	-1208.92			
	73	6-LANES	TRUCK-LOAD	MAX	S2	472.99	105.28	4924.38	352.46	86.34	6068.48	352.46	100.91	6068.25	301.04	93.62	6662.54
				TQ	-0.62	532.55	3158.35	-0.62	532.55	3155.35	-0.62	540.12	3154.06	-0.62	540.12	3151.06	
				M3	237.22	63.10	6366.61	231.36	8.72	6670.55	231.36	24.73	6670.50	252.17	30.87	6931.67	
MIN		S2	-227.24	10.39	4246.86	-276.71	-8.67	4098.15	-276.71	1.16	4098.16	-398.58	-18.21	3388.88			
		TQ	22.55	-505.31	4143.91	22.55	-505.31	4252.33	22.44	-495.13	4241.97	22.44	-495.13	4349.86			
		M3	66.60	6.71	-2183.10	-42.66	-86.55	-1904.91	-42.66	-91.12	-1904.70	-104.64	18.39	-2388.15			
TANDEM-LOAD		MAX	S2	367.45	72.71	3490.35	281.85	59.73	4361.70	281.85	70.20	4361.55	238.60	95.37	4774.68		
		TQ	-6.08	377.28	2324.13	-6.08	377.28	2294.89	45.28	383.06	3231.47	45.28	383.06	3449.14			
		M3	188.87	44.40	4575.03	223.57	-58.86	4795.19	223.57	-47.36	4795.31	209.10	18.93	4976.64			
MIN	S2	-187.47	-32.11	3188.82	-230.71	-6.16	3044.65	-230.71	1.15	3044.66	-316.91	-11.62	2466.62				
	TQ	12.67	-357.09	2986.88	12.67	-357.09	3047.78	12.67	-349.78	3048.62	12.67	-349.78	3109.52				
	M3	45.26	3.96	-1483.05	-9.12	-69.54	-1293.53	-9.12	-72.65	-1293.36	-71.02	12.48	-1620.75				
DISPERSION-LMAX	S2	274.31	3.46	393.82	237.74	6.67	1233.72	237.74	9.63	1233.70	223.46	11.29	1991.98				
	TQ	-26.00	544.43	140.13	-27.47	544.43	9.83	-28.41	544.55	83.66	-32.92	544.55	-63.60				
	M3	109.03	-0.35	5352.19	69.54	1.47	5796.90	69.54	15.38	5796.88	30.04	13.53	6020.89				
MIN	S2	-241.39	40.12	281.24	-252.77	36.53	-543.84	-252.77	35.22	-543.92	-285.82	32.74	-1444.89				
	TQ	53.97	-477.13	497.93	4.07	-477.13	640.32	5.34	-475.69	561.85	-27.76	-475.69	507.79				
	M3	-85.34	41.67	-4769.37	-85.34	41.84	-5179.61	-85.34	29.41	-5179.70	-85.34	29.44	-5589.96				

0001

BAGO RIVER BRIDGE

BLOCK [ No.1 : MAIN GIRDER ] [ BEAM MEMBER FORCE ]

MEMBER			2023			2024			2024			2025			
NODE			2023			2024			2024			2025			
NAME TITLE			SHEAR	TORQUE	MOMENT	SHEAR	TORQUE	MOMENT	SHEAR	TORQUE	MOMENT	SHEAR	TORQUE	MOMENT	
			S2 (kN)	TQ (kN·m)	M3 (kN·m)	S2 (kN)	TQ (kN·m)	M3 (kN·m)	S2 (kN)	TQ (kN·m)	M3 (kN·m)	S2 (kN)	TQ (kN·m)	M3 (kN·m)	
124	SUM TOTAL	D+1LANE (caseMAX	S2	290.48	-344.52	3319.42	98.87	-344.96	4318.34	98.87	-334.60	4319.15	-32.00	-313.14	4470.92
			TQ	22.23	435.25	3859.93	-164.80	435.25	3525.57	-164.80	443.71	3524.52	-358.75	443.71	2266.12
			M3	93.97	73.68	5500.70	-15.82	-100.20	5592.83	-15.82	-86.78	5593.05	-76.19	-191.37	5351.61
		MIN	S2	-38.89	389.64	4417.46	-170.61	416.53	3895.94	-170.61	425.88	3894.93	-362.97	430.00	2559.64
			TQ	282.51	-360.63	3309.24	95.47	-360.63	4209.45	95.47	-350.53	4210.30	-84.65	-350.53	4236.31
			M3	147.88	125.70	714.25	-46.08	126.11	958.92	-46.08	128.41	958.62	-278.02	211.12	104.31
		D+1LANE (caseMAX	S2	487.39	47.52	3873.23	158.11	41.39	4566.27	158.11	52.35	4566.16	-126.11	42.17	3685.43
			TQ	81.62	192.23	2825.66	-112.33	192.23	2751.84	-112.63	198.86	2767.98	-306.76	198.86	1760.17
			M3	439.04	78.32	4922.88	95.70	69.52	5691.57	95.70	83.18	5691.39	-227.13	71.23	4757.60
		MIN	S2	50.53	163.95	3672.99	-230.26	147.80	4224.01	-230.26	157.94	4223.64	-559.07	146.52	3242.15
			TQ	275.87	3.54	3127.19	37.04	3.54	3879.31	37.34	12.83	3862.67	-201.31	12.83	3468.33
			M3	145.90	125.44	783.67	-48.05	125.44	1018.85	-48.05	127.88	1018.55	-277.68	158.83	156.43
		D+1LANE (caseMAX	S2	255.37	235.42	3192.72	57.15	237.01	3828.33	57.15	246.19	3827.75	-141.35	244.35	3522.96
			TQ	239.38	239.12	3141.80	45.44	239.12	3826.39	49.59	248.55	4014.12	-151.88	248.55	3768.25
			M3	194.80	117.29	4638.36	8.25	167.29	5003.93	8.25	179.30	5003.51	-184.24	216.83	4462.63
		MIN	S2	64.49	43.17	3507.39	-132.71	41.58	3458.98	-132.71	49.88	3458.87	-329.63	51.73	2449.98
			TQ	75.79	39.63	3406.38	-125.69	39.63	3286.43	-120.94	47.16	3074.72	-314.89	47.16	2027.15
			M3	144.49	122.57	836.41	-83.39	114.43	1063.92	-83.39	116.99	1063.64	-277.34	116.99	196.57
		D+1LANE (caseMAX	S2	202.34	518.57	2850.77	8.39	518.57	3357.27	8.39	526.62	3356.01	-185.56	526.62	2930.17
			TQ	201.40	523.14	2827.89	7.45	523.14	3329.88	7.49	531.13	3332.17	-186.45	531.13	2902.02
			M3	172.28	334.18	3784.13	-21.03	344.86	4146.36	-21.03	354.81	4145.52	-212.68	393.82	3578.81
		MIN	S2	93.57	1.71	1758.61	-100.37	1.71	1742.27	-100.37	5.89	1742.26	-294.32	5.89	793.57
			TQ	105.80	-36.86	2586.67	-88.15	-36.86	2629.10	-88.19	-30.56	2625.62	-282.14	-30.56	1735.51
			M3	139.86	161.46	953.20	-84.46	83.57	1132.06	-84.46	86.28	1131.86	-278.41	86.28	259.67

BAGO RIVER BRIDGE

BLOCK [ No.1 : MAIN GIRDER ][ BEAM MEMBER FORCE ]

MEMBER NODE				2023			2024			2024			2025		
				2023			2024			2024			2025		
				SHEAR	TORQUE	MOMENT	SHEAR	TORQUE	MOMENT	SHEAR	TORQUE	MOMENT	SHEAR	TORQUE	MOMENT
NAME	TITLE		S2 (kN)	TQ (kN·m)	M3 (kN·m)	S2 (kN)	TQ (kN·m)	M3 (kN·m)	S2 (kN)	TQ (kN·m)	M3 (kN·m)	S2 (kN)	TQ (kN·m)	M3 (kN·m)	
124	SUM TOTAL	D+2LANES (casMAX	S2	436.00	-389.36	4641.70	207.72	-453.71	5714.80	207.72	-440.00	5715.87	36.78	-461.33	5744.26
			TQ	-29.13	526.16	4637.29	-225.72	526.16	4021.55	-226.14	535.82	4027.49	-420.09	535.82	2474.22
			M3	228.65	33.75	7401.40	60.70	-175.23	7747.90	60.70	-156.63	7748.30	-63.70	-296.83	7429.14
		MIN	S2	-99.55	470.71	5401.88	-269.01	445.92	5083.04	-269.01	458.11	5081.95	-496.11	389.88	3760.89
			TQ	367.25	-527.81	3878.12	166.83	-527.81	5165.02	167.25	-515.42	5159.05	-35.82	-515.42	5474.94
			M3	145.76	121.73	-292.38	-48.20	122.07	-57.87	-48.20	121.93	-58.17	-304.50	238.24	-1033.00
		D+2LANES (casMAX	S2	600.09	-62.66	5103.21	257.08	-131.75	5921.41	257.08	-117.54	5921.71	-41.64	-165.24	5089.68
			TQ	20.36	323.65	3775.39	-182.00	323.65	3376.78	-182.66	331.78	3397.05	-376.76	331.78	2052.60
			M3	516.22	37.62	6919.89	153.63	-33.79	7830.18	153.63	-15.00	7830.24	-189.48	-78.00	6934.13
		MIN	S2	-25.03	282.64	4781.48	-318.72	221.98	5356.43	-318.72	234.83	5355.88	-659.53	153.65	4329.64
			TQ	361.72	-224.34	3726.41	118.13	-224.34	4889.90	118.80	-212.62	4869.36	-133.04	-212.62	4834.95
			M3	144.11	121.51	-234.52	-49.84	121.51	-7.93	-49.84	121.49	-8.23	-304.22	194.66	-989.57
		D+2LANES (casMAX	S2	306.46	383.66	3697.41	108.95	384.98	4599.59	108.95	396.02	4598.65	-88.79	394.48	4561.78
			TQ	291.32	393.89	3557.35	97.38	393.89	4491.64	100.84	404.87	4647.61	-99.38	404.87	4651.12
			M3	190.00	146.12	5999.75	26.20	238.19	6393.58	26.20	253.53	6392.99	-149.11	325.59	5985.78
		MIN	S2	19.93	-43.60	4179.35	-176.73	-44.93	3898.76	-176.73	-35.57	3898.86	-373.15	-34.03	2662.50
			TQ	30.63	-54.14	3928.66	-169.59	-54.14	3594.66	-165.64	-45.81	3418.44	-359.58	-45.81	2156.03
			M3	140.11	116.47	-88.56	-109.41	81.13	112.70	-109.41	81.40	112.50	-303.36	81.40	-879.62
		D+2LANES (casMAX	S2	246.36	702.15	3290.30	52.42	702.15	4008.44	52.42	711.77	4006.74	-141.53	711.77	3792.54
			TQ	245.45	706.84	3276.56	51.51	706.84	3990.33	51.52	716.42	3996.22	-142.43	716.42	3777.71
			M3	179.15	369.84	5021.69	-2.21	428.66	5444.94	-2.21	441.73	5443.90	-184.61	517.88	4983.27
		MIN	S2	52.47	-52.12	1551.28	-141.48	-52.12	1337.33	-141.48	-48.91	1337.45	-335.42	-48.91	191.17
			TQ	69.23	-120.26	2956.97	-124.72	-120.26	2823.60	-124.73	-113.50	2816.29	-318.67	-113.50	1750.53
			M3	134.04	181.25	47.69	-111.51	73.22	185.17	-111.51	73.67	184.99	-305.46	73.67	-817.25

BAGO RIVER BRIDGE

BLOCK [ No.1 : MAIN GIRDER ][ BEAM MEMBER FORCE ]

MEMBER NODE				2023			2024			2024			2025			
				2023			2024			2024			2025			
				SHEAR	TORQUE	MOMENT	SHEAR	TORQUE	MOMENT	SHEAR	TORQUE	MOMENT	SHEAR	TORQUE	MOMENT	
NAME	TITLE		S2 (kN)	TQ (kN·m)	M3 (kN·m)	S2 (kN)	TQ (kN·m)	M3 (kN·m)	S2 (kN)	TQ (kN·m)	M3 (kN·m)	S2 (kN)	TQ (kN·m)	M3 (kN·m)		
124	SUM TOTAL	D+3LANES (casMAX	S2	632.18	-370.83	5422.84	313.20	-429.88	6684.04	313.20	-413.84	6685.05	74.87	-439.18	6464.05	
			TQ	-50.60	509.86	4677.06	-246.79	509.86	3959.56	-247.36	519.38	3976.23	-441.43	519.38	2320.81	
			M3	421.70	10.63	8512.08	144.02	-173.24	9209.27	144.02	-151.14	9209.66	-82.11	-278.77	8655.66	
		MIN	S2	-132.47	442.70	5927.15	-367.12	410.18	5904.61	-367.12	424.35	5903.61	-684.78	358.27	4464.20	
			TQ	423.93	-519.67	4245.35	192.68	-519.67	5730.13	193.25	-505.94	5713.46	-40.12	-505.94	6081.36	
			M3	143.59	118.78	-959.57	-50.37	119.07	-735.48	-50.37	117.31	-735.77	-322.59	238.09	-1796.32	
		D+3LANES (casMAX	S2	328.81	552.72	3932.09	131.83	553.85	4957.42	131.83	565.75	4956.07	-65.34	564.44	5043.35	
			TQ	314.65	562.89	3765.95	120.70	562.89	4812.35	123.62	574.62	4948.31	-75.66	574.62	5063.60	
			M3	192.19	204.48	6725.85	34.96	325.30	7161.83	34.96	342.49	7161.03	-134.43	440.68	6819.88	
		MIN	S2	-3.03	-109.45	3656.95	-199.27	-110.57	3252.57	-199.27	-102.77	3252.82	-395.33	-101.46	1896.18	
			TQ	10.92	-138.08	4056.17	-188.36	-138.08	3629.66	-184.98	-129.63	3476.16	-378.93	-129.63	2120.75	
			M3	136.38	112.34	-699.45	-127.16	39.51	-523.80	-127.16	38.25	-523.90	-321.11	38.25	-1601.35	
		D+3LANES (casMAX	S2	288.97	761.43	3703.25	95.03	761.43	4626.24	95.03	772.53	4624.40	-98.92	772.53	4615.04	
			TQ	286.37	771.28	3598.29	92.43	771.28	4508.76	92.98	782.13	4523.25	-100.96	782.13	4504.07	
			M3	177.86	355.02	6082.43	14.14	447.76	6524.20	14.14	463.41	6523.11	-155.70	562.95	6162.17	
		MIN	S2	17.90	-92.06	2380.35	-176.04	-92.06	2000.25	-176.04	-87.26	2000.46	-369.99	-87.26	688.02	
			TQ	33.62	-157.28	3449.43	-160.32	-157.28	3144.88	-160.88	-149.75	3128.90	-354.83	-149.75	1889.34	
			M3	130.76	194.91	-600.02	-130.26	84.98	-483.48	-130.26	83.81	-483.68	-324.21	83.81	-1576.05	
		D+4LANES	MAX	S2	287.00	549.21	3550.69	90.73	550.08	4395.99	90.73	560.62	4394.66	-105.64	559.69	4305.07
			TQ	278.89	560.93	3425.45	84.95	560.93	4299.97	86.73	571.39	4397.32	-111.06	571.39	4338.85	
			M3	169.49	187.69	6085.11	3.57	285.88	6418.94	3.57	301.28	6418.24	-170.55	397.71	5937.70	
		MIN	S2	86.12	-56.81	4996.14	-109.57	-57.65	5000.61	-109.57	-45.65	5000.74	-305.13	-44.65	4059.41	
			TQ	95.52	-67.85	4691.31	-102.38	-67.85	4674.99	-101.68	-56.66	4645.38	-295.62	-56.66	3690.42	
			M3	207.14	237.18	285.15	13.19	237.18	814.74	13.19	239.13	814.17	-180.75	239.13	411.43	



BAGO RIVER BRIDGE

BLOCK [ No.1 : MAIN GIRDER ][ BEAM MEMBER FORCE ]

MEMBER					2023			2024			2025		
NODE					2023			2024			2025		
					SHEAR	TORQUE	MOMENT	SHEAR	TORQUE	MOMENT	SHEAR	TORQUE	MOMENT
NAME	TITLE				S2 (kN)	TQ (kN·m)	M3 (kN·m)	S2 (kN)	TQ (kN·m)	M3 (kN·m)	S2 (kN)	TQ (kN·m)	M3 (kN·m)
124	SUM TOTAL	D+6LANES	MAX	S2	635.56	202.39	5724.56	339.50	192.17	7268.18	339.50	209.61	7267.70
				TQ	132.51	831.75	4411.74	-62.39	831.75	4579.12	-63.01	842.80	4625.95
				M3	374.88	172.50	9884.95	151.45	138.34	10625.59	151.45	163.84	10625.23
			MIN	S2	-154.79	164.55	5210.99	-388.29	149.82	4832.05	-388.29	161.42	4831.68
				TQ	199.56	-506.87	5284.92	-26.82	-506.87	5701.98	-26.07	-493.27	5643.91
				M3	137.63	163.16	-2251.38	-127.33	102.65	-2083.19	-127.33	97.65	-2083.43
	SUM TOTAL		MAX		635.56	831.75	9884.95	339.50	831.75	10625.59	339.50	842.80	10625.23
			MIN		-154.79	-527.81	-2251.38	-388.29	-527.81	-2083.19	-388.29	-515.42	-2083.43
300	DEAD LOAD	TOTAL			149.82	131.71	2267.73	-44.13	131.71	2521.75	-44.13	137.76	2521.43
301	LIVE LOAD	1-LANE(case1MAX	S2		140.66	-476.23	1051.70	143.00	-476.67	1796.58	143.00	-472.36	1797.72
			TQ		-127.59	303.53	1592.21	-120.67	303.53	1003.82	-120.67	305.94	1003.09
			M3		-55.85	-58.04	3232.97	28.31	-231.91	3071.08	28.31	-224.54	3071.63
			MIN	S2	-188.71	257.93	2149.74	-126.48	284.81	1374.19	-126.48	288.11	1373.50
				TQ	132.69	-492.34	1041.52	139.60	-492.34	1687.70	139.60	-488.29	1688.88
				M3	-1.94	-6.02	-1553.48	-1.95	-5.60	-1562.83	-1.95	-9.35	-1562.81
		1-LANE(case2MAX	S2		337.58	-84.19	1605.51	202.24	-90.32	2044.52	202.24	-85.42	2044.73
			TQ		-68.20	60.52	557.94	-68.20	60.52	230.09	-68.50	61.09	246.55
			M3		289.23	-53.39	2655.16	139.83	-62.19	3169.82	139.83	-54.59	3169.96
			MIN	S2	-99.29	32.23	1405.26	-186.13	16.09	1702.26	-186.13	20.17	1702.22
				TQ	126.06	-128.17	859.47	81.17	-128.17	1357.56	81.47	-124.93	1341.25
				M3	-3.92	-6.28	-1484.05	-3.92	-6.28	-1502.90	-3.92	-9.88	-1502.88
		1-LANE(case3MAX	S2		105.56	103.70	924.99	101.28	105.29	1306.58	101.28	108.43	1306.32
			TQ		89.57	107.41	874.07	89.57	107.41	1304.64	93.72	110.79	1492.69
			M3		44.98	-14.42	2370.63	52.38	35.58	2482.18	52.38	41.54	2482.09
			MIN	S2	-85.33	-88.54	1239.67	-88.58	-90.13	937.22	-88.58	-87.88	937.44
				TQ	-74.03	-92.08	1138.65	-81.56	-92.08	764.68	-76.81	-90.60	553.30
				M3	-5.33	-9.14	-1431.32	-39.26	-17.28	-1457.84	-39.26	-20.78	-1457.79

BAGO RIVER BRIDGE

BLOCK [ No.1 : MAIN GIRDER ][ BEAM MEMBER FORCE ]

MEMBER NODE			2023			2024			2024			2025			
			SHEAR	TORQUE	MOMENT	SHEAR	TORQUE	MOMENT	SHEAR	TORQUE	MOMENT	SHEAR	TORQUE	MOMENT	
NAME	TITLE		S2 (kN)	TQ (kN·m)	M3 (kN·m)	S2 (kN)	TQ (kN·m)	M3 (kN·m)	S2 (kN)	TQ (kN·m)	M3 (kN·m)	S2 (kN)	TQ (kN·m)	M3 (kN·m)	
301	LIVE LOAD	1-LANE (case4MAX	S2	52.52	386.86	583.04	52.52	386.86	835.51	52.52	388.86	834.58	52.52	388.86	1087.06
			TQ	51.58	391.42	560.17	51.58	391.42	808.13	51.62	393.37	810.74	51.62	393.37	1058.90
			M3	22.46	202.47	1516.41	23.11	213.14	1624.61	23.11	217.04	1624.09	25.39	256.06	1735.69
			MIN S2	-56.24	-130.00	-509.11	-56.24	-130.00	-779.49	-56.24	-131.87	-779.17	-56.24	-131.87	-1049.54
			TQ	-44.02	-168.58	318.95	-44.02	-168.58	107.34	-44.06	-168.32	104.19	-44.06	-168.32	-107.61
			M3	-9.96	29.74	-1314.52	-40.33	-48.15	-1389.69	-40.33	-51.48	-1389.57	-40.33	-51.48	-1583.45
		2-LANES (caseMAX	S2	286.18	-521.07	2373.97	251.85	-585.43	3193.05	251.85	-577.76	3194.44	274.86	-599.10	3901.14
			TQ	-178.94	394.45	2369.56	-181.59	394.45	1499.80	-182.01	398.06	1506.07	-182.01	398.06	631.11
			M3	78.84	-97.96	5133.67	104.83	-306.94	5226.15	104.83	-294.40	5226.87	174.37	-434.59	5586.03
			MIN S2	-249.36	339.00	3134.15	-224.88	314.20	2561.29	-224.88	320.35	2560.53	-258.03	252.12	1917.77
			TQ	217.44	-659.53	1610.40	210.96	-659.53	2643.27	211.38	-653.19	2637.62	202.25	-653.19	3631.83
			M3	-4.06	-9.99	-2560.10	-4.07	-9.64	-2579.62	-4.07	-15.83	-2579.59	-66.42	100.47	-2876.12
		2-LANES (caseMAX	S2	450.27	-194.37	2835.48	301.22	-263.47	3399.66	301.22	-255.31	3400.28	196.44	-303.01	3246.56
			TQ	-129.46	191.94	1507.67	-137.87	191.94	855.02	-138.53	194.01	875.62	-138.69	194.01	209.48
			M3	366.40	-94.09	4652.16	197.76	-165.51	5308.43	197.76	-152.77	5308.81	48.59	-215.76	5091.02
			MIN S2	-174.84	150.92	2513.76	-274.59	90.26	2834.68	-274.59	97.07	2834.46	-421.46	15.88	2486.53
			TQ	211.90	-356.05	1458.69	162.27	-356.05	2368.15	162.93	-350.39	2347.93	105.04	-350.39	2991.84
			M3	-5.71	-10.20	-2502.25	-5.71	-10.20	-2529.69	-5.71	-16.28	-2529.65	-66.15	56.89	-2832.69
		2-LANES (caseMAX	S2	156.65	251.94	1429.68	153.08	253.27	2077.84	153.08	258.26	2077.22	149.29	256.72	2718.66
			TQ	141.51	262.17	1289.63	141.51	262.17	1969.89	144.97	267.11	2126.18	138.70	267.11	2808.01
			M3	40.19	14.40	3732.03	70.33	106.48	3871.83	70.33	115.77	3871.57	88.97	187.82	4142.67
			MIN S2	-129.89	-175.32	1911.62	-132.60	-176.64	1377.01	-132.60	-173.34	1377.43	-135.08	-171.80	819.38
			TQ	-119.19	-185.85	1660.93	-125.46	-185.85	1072.90	-121.51	-183.57	897.01	-121.51	-183.57	312.91
			M3	-9.70	-15.24	-2356.29	-65.28	-50.58	-2409.05	-65.28	-56.36	-2408.92	-65.28	-56.36	-2722.73

BAGO RIVER BRIDGE

BLOCK [ No.1 : MAIN GIRDER ][ BEAM MEMBER FORCE ]

MEMBER NODE				2023			2024			2024			2025			
				2023			2024			2024			2025			
				SHEAR	TORQUE	MOMENT	SHEAR	TORQUE	MOMENT	SHEAR	TORQUE	MOMENT	SHEAR	TORQUE	MOMENT	
NAME TITLE				S2 (kN)	TQ (kN·m)	M3 (kN·m)	S2 (kN)	TQ (kN·m)	M3 (kN·m)	S2 (kN)	TQ (kN·m)	M3 (kN·m)	S2 (kN)	TQ (kN·m)	M3 (kN·m)	
301	LIVE LOAD	2-LANES (caseMAX	S2	96.55	570.44	1022.57	96.55	570.44	1486.69	96.55	574.00	1485.31	96.55	574.00	1949.43	
			TQ	95.64	575.12	1008.84	95.64	575.12	1468.58	95.65	578.66	1474.79	95.65	578.66	1934.59	
			M3	29.33	238.12	2753.97	41.92	296.95	2923.19	41.92	303.97	2922.47	53.47	380.12	3140.16	
			MIN	S2	-97.35	-183.83	-716.45	-97.35	-183.83	-1184.42	-97.35	-186.67	-1183.97	-97.35	-186.67	-1651.95
			TQ	-80.59	-251.98	689.25	-80.59	-251.98	301.85	-80.60	-251.26	294.86	-80.60	-251.26	-92.58	
			M3	-15.77	49.54	-2220.04	-67.38	-58.49	-2336.59	-67.38	-64.10	-2336.44	-67.38	-64.10	-2660.36	
		3-LANES (caseMAX	S2	482.37	-502.55	3155.11	357.33	-561.59	4162.29	357.33	-551.60	4163.62	312.94	-576.95	4620.94	
			TQ	-200.41	378.15	2409.33	-202.66	378.15	1437.81	-203.23	381.62	1454.80	-203.36	381.62	477.69	
			M3	271.88	-121.09	6244.36	188.15	-304.95	6687.51	188.15	-288.90	6688.23	155.97	-416.53	6812.55	
			MIN	S2	-282.29	310.98	3659.42	-322.99	278.47	3382.86	-322.99	286.58	3382.18	-446.70	220.50	2621.09
			TQ	274.11	-651.38	1977.63	236.81	-651.38	3208.38	237.38	-643.70	3192.03	197.96	-643.70	4238.24	
			M3	-6.23	-12.93	-3227.29	-6.24	-12.64	-3257.24	-6.24	-20.46	-3257.20	-84.51	100.32	-3639.44	
		3-LANES (caseMAX	S2	178.99	421.01	1664.37	175.96	422.14	2435.67	175.96	427.98	2434.65	172.73	426.67	3200.24	
			TQ	164.83	431.17	1498.23	164.83	431.17	2290.60	167.75	436.85	2426.88	162.42	436.85	3220.49	
			M3	42.37	72.77	4458.12	79.09	193.59	4640.08	79.09	204.72	4639.60	103.65	302.92	4976.77	
			MIN	S2	-152.84	-241.16	1389.22	-155.14	-242.29	730.81	-155.14	-240.53	731.39	-157.25	-239.22	53.06
			TQ	-138.90	-269.79	1788.45	-144.23	-269.79	1107.91	-140.85	-267.39	954.73	-140.85	-267.39	277.63	
			M3	-13.44	-19.37	-2967.17	-83.03	-92.21	-3045.56	-83.03	-99.52	-3045.33	-83.03	-99.52	-3444.46	
		3-LANES (caseMAX	S2	139.16	629.72	1435.53	139.16	629.72	2104.49	139.16	634.77	2102.97	139.16	634.77	2771.93	
			TQ	136.56	639.57	1330.56	136.56	639.57	1987.01	137.11	644.36	2001.82	137.11	644.36	2660.95	
			M3	28.04	223.31	3814.70	58.27	316.04	4002.45	58.27	325.65	4001.68	82.38	425.19	4319.05	
MIN	S2		-131.91	-223.78	112.63	-131.91	-223.78	-521.50	-131.91	-225.03	-520.97	-131.91	-225.03	-1155.10		
TQ	-116.19		-288.99	1181.70	-116.19	-288.99	623.13	-116.75	-287.51	607.47	-116.75	-287.51	46.22			
M3	-19.06		63.20	-2867.75	-86.13	-46.74	-3005.23	-86.13	-53.95	-3005.11	-86.13	-53.95	-3419.16			

BAGO RIVER BRIDGE

BLOCK [ No.1 : MAIN GIRDER ][ BEAM MEMBER FORCE ]

MEMBER					2023			2024			2025					
NODE					2023			2024			2025					
NAME TITLE					SHEAR	TORQUE	MOMENT	SHEAR	TORQUE	MOMENT	SHEAR	TORQUE	MOMENT			
					S2 (kN)	TQ (kN·m)	M3 (kN·m)	S2 (kN)	TQ (kN·m)	M3 (kN·m)	S2 (kN)	TQ (kN·m)	M3 (kN·m)			
301	LIVE LOAD	4-LANES	MAX	S2	137.18	417.50	1282.96	134.86	418.36	1874.24	134.86	422.86	1873.23	132.43	421.93	2461.95
				TQ	129.08	429.22	1157.73	129.08	429.22	1778.22	130.86	433.62	1875.89	127.01	433.62	2495.73
				M3	19.67	55.97	3817.38	47.70	154.17	3897.19	47.70	163.52	3896.81	67.52	259.94	4094.58
		6-LANES	MIN	S2	-63.70	-188.53	2728.42	-65.44	-189.36	2478.86	-65.44	-183.41	2479.31	-67.05	-182.41	2216.30
				TQ	-54.30	-199.56	2423.59	-58.24	-199.56	2153.24	-57.55	-194.43	2123.95	-57.55	-194.43	1847.31
				M3	57.32	105.46	-1982.58	57.32	105.46	-1707.01	57.32	101.37	-1707.26	57.32	101.37	-1431.69
	LIVE LOAD	6-LANES	MAX	S2	485.75	70.68	3456.83	383.63	60.46	4746.43	383.63	71.85	4746.27	340.93	68.19	5625.44
				TQ	-17.31	700.04	2144.01	-18.26	700.04	2057.37	-18.88	705.03	2104.52	-21.81	705.03	2006.85
				M3	225.07	40.79	7617.22	195.58	6.63	8103.84	195.58	26.07	8103.80	183.44	28.86	8419.17
		LIVE LOAD	MIN	S2	-304.61	32.84	2943.26	-344.16	18.11	2310.30	-344.16	23.65	2310.25	-444.86	9.44	1263.59
				TQ	49.74	-638.59	3017.19	17.31	-638.59	3180.22	18.06	-631.03	3122.48	-3.45	-631.03	3157.47
				M3	-12.18	31.45	-4519.10	-83.20	-29.06	-4604.94	-83.20	-40.11	-4604.86	-123.49	31.09	-5185.77
303	SUM TOTAL	TOTAL	MAX	485.75	700.04	7617.22	383.63	700.04	8103.84	383.63	705.03	8103.80	340.93	705.03	8419.17	
			MIN	-304.61	-659.53	-4519.10	-344.16	-659.53	-4604.94	-344.16	-653.19	-4604.86	-446.70	-653.19	-5185.77	
303	SUM TOTAL	TOTAL	MAX	635.56	831.75	9884.95	339.50	831.75	10625.59	339.50	842.80	10625.23	102.85	842.80	10262.28	
			MIN	-154.79	-527.81	-2251.38	-388.29	-527.81	-2083.19	-388.29	-515.42	-2083.43	-684.78	-515.42	-3342.66	

BAGO RIVER BRIDGE

BLOCK [ No.1 : MAIN GIRDER ] [ BEAM MEMBER FORCE ]

MEMBER NODE	2025 2025	2026						2027							
		2025			2026			2026			2027				
		SHEAR S2 (kN)	TORQUE TQ (kN·m)	MOMENT M3 (kN·m)	SHEAR S2 (kN)	TORQUE TQ (kN·m)	MOMENT M3 (kN·m)	SHEAR S2 (kN)	TORQUE TQ (kN·m)	MOMENT M3 (kN·m)	SHEAR S2 (kN)	TORQUE TQ (kN·m)	MOMENT M3 (kN·m)		
1	PAVEMENT	-58.95	14.62	496.50	-89.61	14.62	139.40	-89.61	14.95	139.37	-120.25	14.95	-365.09		
3	RAILING	-4.47	0.92	8.19	-2.85	0.92	-9.40	-2.85	0.90	-9.41	-1.22	0.90	-19.18		
5	CURB	-44.28	9.11	81.06	-28.18	9.11	-93.10	-28.18	8.89	-93.12	-12.09	8.89	-189.91		
7	DECK WEIGHT	-100.94	27.82	669.56	-147.54	27.82	72.30	-147.54	28.00	72.24	-194.12	28.00	-749.01		
8	GIRDER WEIGH	-128.01	67.99	538.00	-217.90	67.99	-293.43	-217.90	67.28	-293.59	-307.77	67.28	-1557.10		
10	MEDIAN STRIP	-17.35	15.20	-145.80	-46.46	15.20	-299.17	-46.46	14.49	-299.21	-75.54	14.49	-592.47		
21	ADITIONAL WE	-28.26	7.79	187.48	-41.31	7.79	20.24	-41.31	7.84	20.23	-54.35	7.84	-209.72		
31	MEDIAN RAILI	-0.52	1.03	7.83	-2.87	1.03	-0.33	-2.87	1.03	-0.34	-5.23	1.03	-19.81		
51	SUPPORT WEIG	-0.00	0.00	-0.00	-0.00	0.00	-0.00	-0.00	0.00	-0.00	-0.00	0.00	-0.00		
52	NOSE WEIGHT	0.00	-0.05	-0.03	0.00	-0.05	-0.02	0.00	-0.05	-0.02	0.00	-0.05	-0.01		
61	1-LANE(case1TRUCK-LOAD	MAX	S2	51.06	-105.95	909.29	51.06	-105.95	1154.72	51.06	-103.17	1154.97	93.23	-81.12	1460.90
			TQ	-65.67	236.57	1296.62	-65.67	236.57	980.94	-67.98	239.06	1051.71	-67.98	239.06	724.93
			M3	-65.70	148.96	1589.19	-12.07	117.64	1310.08	-12.07	120.78	1309.79	89.84	-24.25	1477.58
		MIN	S2	-111.87	205.33	1588.06	-69.46	226.90	1202.53	-69.46	229.79	1201.99	-69.46	229.79	868.09
			TQ	48.40	-116.85	678.52	48.40	-116.85	911.18	48.40	-114.66	911.46	48.40	-114.66	1144.11
			M3	-19.57	30.51	-412.45	-19.57	30.51	-506.54	-19.57	29.30	-506.61	-19.57	29.30	-600.70
		TANDEM-LOAD MAX	S2	39.85	-81.64	569.75	39.85	-81.64	761.34	39.85	-79.81	761.53	84.96	-39.03	1021.19
			TQ	-51.87	166.24	1004.80	-51.87	166.24	755.45	-51.87	168.05	755.05	-51.87	168.05	505.71
			M3	-64.98	123.37	1100.30	-32.25	123.37	906.08	-32.25	125.55	905.78	84.96	-39.03	1021.19
		MIN	S2	-97.70	123.37	1100.29	-52.28	163.55	797.38	-52.28	165.46	796.99	-52.28	165.46	545.66
			TQ	39.65	-84.50	524.62	39.65	-84.50	715.21	39.65	-82.78	715.41	39.65	-82.78	906.00
			M3	-13.27	20.46	-279.86	-13.27	20.46	-343.65	-13.27	19.64	-343.70	-13.27	19.64	-407.50
		DISPERSION-LMAX	S2	35.75	-105.19	67.48	37.00	-101.33	285.70	37.00	-100.64	285.94	46.44	-99.83	542.56
			TQ	-79.67	208.88	235.50	-68.15	208.88	-119.80	-68.15	208.59	-120.30	-62.39	208.59	-427.14
			M3	-26.06	99.42	1334.59	-14.54	99.42	1237.02	-14.54	102.39	1236.78	-3.06	102.39	1194.54
		MIN	S2	-79.80	208.13	230.44	-69.53	204.27	-171.83	-69.53	203.86	-172.32	-67.48	203.05	-557.65
			TQ	35.62	-105.93	62.42	35.62	-105.93	233.67	35.62	-105.37	233.92	41.34	-105.37	412.05
			M3	-17.99	3.52	-1036.67	-17.99	3.52	-1123.15	-17.99	0.83	-1123.16	-17.99	0.83	-1209.63

BAGO RIVER BRIDGE

BLOCK [ No.1 : MAIN GIRDER ][ BEAM MEMBER FORCE ]

MEMBER NODE	2025 2025	2026			2026			2027							
		SHEAR	TORQUE	MOMENT	SHEAR	TORQUE	MOMENT	SHEAR	TORQUE	MOMENT					
		S2 (kN)	TQ (kN·m)	M3 (kN·m)	S2 (kN)	TQ (kN·m)	M3 (kN·m)	S2 (kN)	TQ (kN·m)	M3 (kN·m)					
62	1-LANE (case2TRUCK-LOAD	MAX	S2	189.08	23.89	1298.28	101.46	16.18	1455.32	101.46	19.67	1455.28	40.80	7.81	1182.40
			TQ	-32.10	58.30	762.98	-32.10	58.30	608.66	-32.10	59.76	608.52	-32.10	59.76	454.19
			M3	176.14	26.75	1318.84	37.53	23.11	1502.69	37.53	26.71	1502.63	-49.42	18.76	1226.92
		MIN	S2	-55.53	37.36	1296.56	-115.17	26.00	1462.47	-115.17	29.50	1462.40	-204.22	21.67	1213.97
			TQ	11.06	-17.58	-247.56	11.06	-17.58	-194.38	11.06	-18.04	-194.33	11.06	-18.04	-141.16
			M3	-18.33	11.57	-401.98	-18.33	11.57	-490.12	-18.33	10.39	-490.15	-18.33	10.39	-578.28
	TANDEM-LOAD	MAX	S2	157.25	18.51	1015.08	94.61	13.46	1166.32	94.61	16.26	1166.28	36.90	10.28	944.89
			TQ	-21.48	40.33	496.16	-21.48	40.33	392.89	-21.48	41.27	392.80	-21.48	41.27	289.53
			M3	157.25	18.51	1015.08	2.65	14.64	1168.68	2.65	17.44	1168.64	-59.88	12.29	949.39
		MIN	S2	-47.05	20.47	1014.84	-104.93	14.64	1168.68	-104.93	17.44	1168.64	-167.45	12.29	949.39
			TQ	12.63	-12.24	265.01	12.63	-12.24	325.70	7.64	-12.29	-134.34	7.64	-12.29	-97.60
			M3	-12.44	7.78	-272.79	-12.44	7.78	-332.59	-12.44	6.98	-332.61	-12.44	6.98	-392.40
	DISPERSION-LMAX	S2	62.91	-21.69	237.07	39.69	-24.61	271.49	39.69	-23.96	271.55	27.31	-26.45	226.45	
		TQ	-14.04	63.26	236.40	-51.44	63.26	79.02	-50.94	63.47	92.64	-88.33	63.47	-242.14	
		M3	25.45	35.44	1109.88	-11.95	35.44	1142.32	-11.95	38.18	1142.23	-49.34	38.18	994.87	
		MIN	S2	-54.22	57.12	-130.82	-68.40	60.04	-213.33	-68.40	59.53	-213.48	-93.41	62.02	-396.27
			TQ	22.73	-27.83	-130.14	22.73	-27.83	-20.87	22.23	-27.90	-34.57	22.23	-27.90	72.31
			M3	-16.75	-0.01	-1003.63	-16.75	-0.01	-1084.16	-16.75	-2.61	-1084.16	-16.75	-2.61	-1164.69
63	1-LANE (case3TRUCK-LOAD	MAX	S2	31.95	40.72	729.15	31.95	40.72	882.74	31.95	42.84	882.64	31.95	42.84	1036.23
			TQ	31.66	41.58	709.69	31.66	41.58	861.88	31.66	43.65	861.78	31.66	43.65	1013.97
			M3	6.03	-35.43	1161.41	-7.53	-21.36	1095.87	-7.53	-18.73	1095.92	4.92	22.08	1083.28
		MIN	S2	-43.95	-56.47	1133.99	-44.02	-56.27	927.17	-44.02	-54.04	927.30	-44.02	-54.04	715.69
			TQ	-43.72	-57.09	1119.26	-43.72	-57.09	909.08	-43.72	-54.91	909.21	-43.72	-54.91	699.03
			M3	-17.40	-2.67	-394.10	-17.40	-2.67	-477.76	-17.40	-3.81	-477.75	-17.40	-3.81	-561.41

BAGO RIVER BRIDGE

BLOCK [ No.1 : MAIN GIRDER ][ BEAM MEMBER FORCE ]

MEMBER		2025			2026			2026			2027					
NODE		2025			2026			2026			2027					
		SHEAR	TORQUE	MOMENT	SHEAR	TORQUE	MOMENT	SHEAR	TORQUE	MOMENT	SHEAR	TORQUE	MOMENT			
NAME	TITLE	S2 (kN)	TQ (kN·m)	M3 (kN·m)	S2 (kN)	TQ (kN·m)	M3 (kN·m)	S2 (kN)	TQ (kN·m)	M3 (kN·m)	S2 (kN)	TQ (kN·m)	M3 (kN·m)			
63	1-LANE (case3TANDEM-LOAD	MAX	S2	22.72	25.45	552.51	22.72	25.45	661.73	22.72	27.04	661.67	22.72	27.04	770.90	
			TQ	21.74	30.87	454.84	21.74	30.87	559.35	21.74	32.21	559.27	21.74	32.21	663.78	
			M3	5.13	-31.49	832.14	-5.30	-9.17	777.30	-5.30	-7.31	777.32	4.17	22.45	775.74	
		MIN	S2	-30.92	-36.09	831.99	-30.92	-36.09	683.37	-30.92	-34.45	683.45	-30.92	-34.45	534.84	
			TQ	-29.92	-41.35	738.56	-29.92	-41.35	594.75	-29.92	-39.92	594.85	-29.92	-39.92	451.04	
			M3	-11.81	-1.74	-267.48	-11.81	-1.74	-324.27	-11.81	-2.52	-324.27	-11.81	-2.52	-381.06	
		DISPERSION-LMAX	S2	30.85	18.75	145.16	28.30	20.26	200.38	28.30	20.74	200.33	25.50	19.42	233.86	
			TQ	18.25	21.59	79.94	18.25	21.59	167.69	20.70	22.12	271.49	14.43	22.12	355.92	
			M3	-3.84	-11.70	1021.49	-10.11	-11.70	987.95	-10.11	-9.33	987.98	-16.39	-9.33	924.28	
		MIN	S2	-50.43	-34.39	-101.65	-54.16	-35.90	-266.08	-54.16	-36.54	-265.99	-57.63	-35.22	-438.87	
			TQ	-37.83	-37.23	-36.43	-44.11	-37.23	-233.39	-46.55	-37.92	-337.15	-46.55	-37.92	-560.93	
			M3	-15.74	-3.94	-977.99	-15.74	-3.94	-1053.65	-15.74	-6.47	-1053.64	-15.74	-6.47	-1129.30	
64	1-LANE (case4TRUCK-LOAD	MAX	S2	9.63	51.01	358.46	9.63	51.01	404.74	9.63	51.98	404.62	9.63	51.98	450.90	
			TQ	9.60	51.05	370.78	9.60	51.05	416.95	9.60	52.05	416.82	9.60	52.05	462.99	
			M3	-3.62	-99.10	677.17	-2.93	-85.43	660.25	-2.93	-83.85	660.45	-2.93	-83.85	646.36	
		MIN	S2	-16.17	-20.50	-382.70	-16.17	-20.50	-460.43	-16.17	-21.61	-460.38	-16.17	-21.61	-538.11	
			TQ	-15.36	-175.09	608.68	-15.36	-175.09	534.84	-15.54	-173.81	526.27	-15.54	-173.81	451.56	
			M3	-16.16	-21.59	-383.54	-16.16	-21.59	-461.23	-16.16	-22.70	-461.18	-16.16	-22.70	-538.87	
		TANDEM-LOAD	MAX	S2	6.82	35.66	227.62	6.82	35.66	260.42	6.82	36.29	260.33	6.82	36.29	293.13
			TQ	6.82	35.66	227.62	6.82	35.66	260.42	6.82	36.29	260.33	6.82	36.29	293.13	
			M3	-2.19	-73.71	459.31	-2.19	-73.71	448.77	-2.19	-72.63	448.94	-1.85	-47.40	439.84	
		MIN	S2	-11.22	-119.08	381.54	-11.22	-119.08	327.60	-11.22	-118.29	327.88	-11.22	-118.29	273.94	
			TQ	-10.57	-120.53	426.32	-10.57	-120.53	375.50	-10.57	-119.63	375.78	-10.57	-119.63	324.96	
			M3	-10.98	-14.40	-260.36	-10.98	-14.40	-313.15	-10.98	-15.16	-313.11	-10.98	-15.16	-365.90	

BAGO RIVER BRIDGE

BLOCK [ No.1 : MAIN GIRDER ][ BEAM MEMBER FORCE ]

MEMBER		2025			2026			2026			2027						
NODE		2025			2026			2026			2027						
		SHEAR	TORQUE	MOMENT	SHEAR	TORQUE	MOMENT	SHEAR	TORQUE	MOMENT	SHEAR	TORQUE	MOMENT				
NAME	TITLE	S2 (kN)	TQ (kN·m)	M3 (kN·m)	S2 (kN)	TQ (kN·m)	M3 (kN·m)	S2 (kN)	TQ (kN·m)	M3 (kN·m)	S2 (kN)	TQ (kN·m)	M3 (kN·m)				
64	1-LANE (case4DISPERSION-LMAX	S2	15.72	75.97	-70.45	15.72	75.97	5.12	15.72	75.98	4.94	15.72	75.98	80.51			
		TQ	15.65	78.79	-87.26	15.65	78.79	-12.03	15.66	78.77	-8.92	15.66	78.77	66.35			
		M3	-5.98	-104.82	769.23	-5.98	-104.82	740.50	-5.98	-103.04	740.75	-5.98	-103.04	712.02			
		MIN	S2	-37.10	-163.56	-96.27	-37.10	-163.56	-274.61	-37.10	-164.22	-274.22	-37.10	-164.22	-452.57		
		TQ	-37.03	-166.38	-79.45	-37.03	-166.38	-257.46	-37.04	-167.00	-260.36	-37.04	-167.00	-438.40			
		M3	-15.40	17.23	-935.94	-15.40	17.23	-1009.99	-15.40	14.80	-1010.03	-15.40	14.80	-1084.08			
		65	2-LANES (caseTRUCK-LOAD	MAX	S2	139.19	-37.39	2331.45	115.73	-102.19	2576.44	115.73	-96.01	2576.68	138.58	-121.78	2757.55
				TQ	-114.08	376.94	2402.05	-114.08	376.94	1853.65	-116.39	381.52	1924.08	-116.39	381.52	1364.58	
				M3	9.97	233.66	3038.31	-3.98	178.95	2773.68	-3.98	185.60	2773.24	74.59	-23.96	2825.09	
MIN	S2			-173.64	330.74	3004.62	-150.98	305.41	2637.23	-150.98	311.74	2636.49	-174.41	247.00	2192.97		
TQ	80.11			-176.13	1303.75	80.11	-176.13	1688.88	80.11	-172.07	1689.30	80.11	-172.07	2074.43			
M3	-38.53			51.56	-819.66	-38.53	51.56	-1004.87	-38.53	49.15	-1004.99	-38.53	49.15	-1190.20			
TANDEM-LOAD	MAX			S2	107.17	-13.75	1640.38	90.75	-59.83	1841.98	90.75	-55.41	1842.12	120.27	-57.92	2014.98	
TQ	-82.46			262.49	1697.45	-82.46	262.49	1301.04	-82.46	265.61	1300.41	-82.46	265.61	904.01			
M3	2.33			191.26	2170.92	-36.04	156.63	1989.11	-36.04	161.40	1988.73	64.89	-49.39	2019.52			
MIN	S2	-144.49	199.71	2170.64	-114.84	196.80	1880.41	-114.84	201.32	1879.93	-131.08	155.10	1543.99				
TQ	59.85	-125.85	921.79	59.85	-125.85	1209.51	59.85	-122.95	1209.80	59.85	-122.95	1497.52					
M3	-26.13	34.58	-556.18	-26.13	34.58	-681.78	-26.13	32.95	-681.86	-26.13	32.95	-807.45					
DISPERSION-LMAX	S2	85.00	-159.73	342.88	75.47	-164.18	581.17	75.47	-162.78	581.56	77.04	-163.21	812.90				
TQ	-122.87	342.21	401.49	-132.00	342.21	-211.12	-131.58	341.72	-204.01	-140.91	341.72	-858.73					
M3	-18.65	166.74	2547.76	-27.77	166.74	2436.18	-27.77	172.59	2435.77	-36.92	172.59	2280.31					
MIN	S2	-139.00	331.71	148.24	-138.59	336.15	-371.57	-138.59	335.26	-372.37	-149.31	335.69	-929.12				
TQ	68.88	-170.24	89.63	68.88	-170.24	420.72	68.46	-169.24	413.20	68.64	-169.24	742.52					
M3	-35.35	5.24	-2056.64	-35.35	5.24	-2226.58	-35.35	-0.11	-2226.58	-35.35	-0.11	-2396.52					



BAGO RIVER BRIDGE

BLOCK [ No.1 : MAIN GIRDER ] [ BEAM MEMBER FORCE ]

MEMBER NODE	2025 2025	2026			2026			2027							
		SHEAR	TORQUE	MOMENT	SHEAR	TORQUE	MOMENT	SHEAR	TORQUE	MOMENT					
		S2 (kN)	TQ (kN·m)	M3 (kN·m)	S2 (kN)	TQ (kN·m)	M3 (kN·m)	S2 (kN)	TQ (kN·m)	M3 (kN·m)					
66	2-LANES (caseTRUCK-LOAD	MAX	S2	277.21	92.46	2720.44	166.13	19.94	2877.04	166.13	26.84	2876.98	86.15	-32.85	2479.05
			TQ	-80.51	198.66	1868.41	-80.51	198.66	1481.36	-80.51	202.22	1480.88	-80.51	202.22	1093.84
			M3	251.81	111.45	2767.97	45.61	84.42	2966.29	45.61	91.53	2966.08	-64.68	19.05	2574.42
		MIN	S2	-117.31	162.78	2713.11	-196.69	104.51	2897.16	-196.69	111.46	2896.90	-309.17	38.88	2538.86
			TQ	42.78	-76.86	377.68	42.78	-76.86	583.33	42.78	-75.46	583.51	42.78	-75.46	789.16
			M3	-37.29	32.61	-809.20	-37.29	32.61	-988.45	-37.29	30.24	-988.53	-37.29	30.24	-1167.78
		TANDEM-LOAD MAX	S2	224.56	86.40	2085.71	145.50	35.27	2246.95	145.50	40.66	2246.86	72.21	-8.61	1938.68
			TQ	-52.07	136.58	1188.81	-52.07	136.58	938.48	-52.07	138.83	938.15	-52.07	138.83	687.83
			M3	224.56	86.40	2085.71	-1.14	47.89	2251.70	-1.14	53.30	2251.58	-79.94	1.93	1947.72
		MIN	S2	-93.84	96.81	2085.18	-167.48	47.89	2251.70	-167.48	53.30	2251.58	-246.24	1.93	1947.72
			TQ	32.83	-53.59	662.19	32.83	-53.59	820.00	27.85	-52.46	360.05	27.85	-52.46	493.92
			M3	-25.29	21.90	-549.12	-25.29	21.90	-670.71	-25.29	20.30	-670.76	-25.29	20.30	-792.36
		DISPERSION-LMAX	S2	112.16	-76.24	512.48	78.17	-87.47	566.96	78.17	-86.11	567.17	57.92	-89.83	496.80
			TQ	-57.24	196.60	402.39	-115.29	196.60	-12.30	-114.38	196.59	8.93	-166.85	196.59	-673.73
			M3	32.86	102.76	2323.05	-25.19	102.76	2341.47	-25.19	108.38	2341.22	-83.21	108.38	2080.64
		MIN	S2	-113.42	180.70	-213.02	-137.47	191.93	-413.08	-137.47	190.94	-413.53	-175.24	194.66	-767.74
			TQ	55.98	-92.14	-102.94	55.98	-92.14	166.19	55.07	-91.76	144.71	49.53	-91.76	402.79
			M3	-34.11	1.71	-2023.59	-34.11	1.71	-2187.59	-34.11	-3.54	-2187.59	-34.11	-3.54	-2351.58
67	2-LANES (caseTRUCK-LOAD	MAX	S2	54.87	79.87	1396.49	54.87	79.87	1660.27	54.87	83.85	1660.08	54.87	83.85	1923.86
			TQ	52.93	88.25	1239.75	52.93	88.25	1494.20	52.93	91.84	1493.98	52.93	91.84	1748.43
			M3	-15.01	-95.73	2176.76	-20.45	-64.07	2021.81	-20.45	-59.22	2021.96	15.94	31.34	2029.27
		MIN	S2	-77.20	-148.48	2121.11	-77.27	-148.27	1754.46	-77.27	-144.06	1754.81	-77.27	-144.06	1383.37
			TQ	-75.38	-155.50	1976.43	-75.38	-155.50	1614.05	-75.38	-151.63	1614.41	-75.38	-151.63	1252.03
			M3	-34.19	-14.80	-782.92	-34.19	-14.80	-947.26	-34.19	-17.07	-947.22	-34.19	-17.07	-1111.56

BAGO RIVER BRIDGE

BLOCK [ No.1 : MAIN GIRDER ][ BEAM MEMBER FORCE ]

MEMBER NODE	2025 2025	2026			2026			2027							
		SHEAR	TORQUE	MOMENT	SHEAR	TORQUE	MOMENT	SHEAR	TORQUE	MOMENT					
		S2 (kN)	TQ (kN·m)	M3 (kN·m)	S2 (kN)	TQ (kN·m)	M3 (kN·m)	S2 (kN)	TQ (kN·m)	M3 (kN·m)					
67	2-LANES (caseTANDEM-LOAD	MAX	S2	39.56	56.14	982.29	39.56	56.14	1172.46	39.56	58.96	1172.32	39.56	58.96	1362.49
			TQ	38.35	63.34	858.31	38.35	63.34	1042.68	38.35	65.84	1042.52	38.35	65.84	1226.89
			M3	-13.63	-80.67	1542.84	-10.89	-31.73	1414.22	-10.89	-28.34	1414.29	16.13	37.05	1435.61
		MIN	S2	-54.83	-102.61	1495.08	-54.83	-102.61	1231.50	-54.83	-99.65	1231.74	-54.83	-99.65	968.17
			TQ	-53.63	-109.48	1377.70	-53.63	-109.48	1119.90	-53.63	-106.79	1120.16	-53.63	-106.79	862.35
			M3	-23.21	-9.82	-531.40	-23.21	-9.82	-642.98	-23.21	-11.36	-642.96	-23.21	-11.36	-754.55
	DISPERSION-LMAX		S2	54.08	57.56	194.24	51.54	59.07	361.15	51.54	59.93	361.00	48.74	58.62	506.21
			TQ	41.40	61.20	74.17	41.40	61.20	273.16	43.84	61.98	376.86	37.57	61.98	572.53
			M3	-12.77	-53.37	1965.86	-19.04	-53.37	1889.39	-19.04	-48.84	1889.51	-25.32	-48.84	1782.89
		MIN	S2	-97.75	-120.01	-168.09	-101.48	-121.52	-559.99	-101.48	-122.86	-559.70	-104.95	-121.55	-960.06
			TQ	-85.06	-123.65	-48.02	-91.34	-123.65	-472.01	-93.78	-124.91	-575.56	-93.78	-124.91	-1026.38
			M3	-30.90	-9.08	-1939.72	-30.90	-9.08	-2088.24	-30.90	-14.09	-2088.21	-30.90	-14.09	-2236.74
68	2-LANES (caseTRUCK-LOAD	MAX	S2	24.01	94.31	869.62	24.01	94.31	985.05	24.01	96.68	984.82	24.01	96.68	1100.25
			TQ	22.82	96.80	790.81	22.82	96.80	900.53	22.82	98.96	900.30	22.82	98.96	1010.02
			M3	-15.59	-179.58	1516.57	-10.62	-147.78	1448.05	-10.62	-144.30	1448.40	1.66	-94.12	1430.98
		MIN	S2	-37.82	-154.84	366.35	-37.82	-154.84	184.54	-37.82	-154.39	184.91	-37.82	-154.39	3.10
			TQ	-36.13	-311.10	1274.51	-36.13	-311.10	1100.81	-36.31	-308.47	1092.57	-36.31	-308.47	918.00
			M3	-32.94	-33.72	-772.36	-32.94	-33.72	-930.73	-32.94	-35.96	-930.65	-32.94	-35.96	-1089.02
	TANDEM-LOAD	MAX	S2	16.89	62.52	614.50	16.89	62.52	695.68	16.89	64.19	695.52	16.89	64.19	776.70
			TQ	16.28	68.40	527.18	16.28	68.40	605.43	16.28	69.85	605.27	16.28	69.85	683.52
			M3	-12.34	-135.65	1039.25	-5.83	-109.75	987.77	-5.83	-107.38	988.03	3.26	-46.89	978.68
		MIN	S2	-26.09	-207.75	924.24	-26.09	-207.75	798.83	-26.09	-205.83	799.33	-26.09	-205.83	673.92
			TQ	-25.08	-214.74	893.92	-25.08	-214.74	773.38	-25.08	-212.88	773.89	-25.08	-212.88	653.35
			M3	-22.38	-22.48	-524.28	-22.38	-22.48	-631.86	-22.38	-24.00	-631.81	-22.38	-24.00	-739.39

BAGO RIVER BRIDGE

BLOCK [ No.1 : MAIN GIRDER ][ BEAM MEMBER FORCE ]

MEMBER NODE	2025 2025	2026			2026			2027							
		SHEAR	TORQUE	MOMENT	SHEAR	TORQUE	MOMENT	SHEAR	TORQUE	MOMENT					
		S2 (kN)	TQ (kN·m)	M3 (kN·m)	S2 (kN)	TQ (kN·m)	M3 (kN·m)	S2 (kN)	TQ (kN·m)	M3 (kN·m)					
68	2-LANES (caseDISPERSION-LMAX	S2	34.99	137.45	-70.84	34.99	137.45	97.38	34.99	137.69	97.05	34.99	137.69	265.27	
		TQ	34.63	141.09	-138.05	34.63	141.09	28.41	34.69	141.17	36.16	34.69	141.17	202.90	
		M3	-13.07	-180.36	1623.56	-13.07	-180.36	1560.71	-13.07	-176.61	1561.13	-13.07	-176.61	1498.28	
	MIN	S2	-79.44	-282.23	-193.53	-79.44	-282.23	-575.43	-79.44	-283.61	-574.75	-79.44	-283.61	-956.65	
		TQ	-79.08	-285.87	-126.31	-79.08	-285.87	-506.45	-79.14	-287.09	-513.86	-79.14	-287.09	-894.28	
		M3	-31.38	35.59	-1887.93	-31.38	35.59	-2038.75	-31.38	30.69	-2038.83	-31.38	30.69	-2189.66	
69	3-LANES (caseTRUCK-LOAD	MAX	S2	328.27	-13.49	3629.73	217.18	-86.01	4031.76	217.18	-76.33	4031.95	179.38	-113.97	3939.95
		TQ	-146.18	435.23	3165.03	-146.18	435.23	2462.30	-148.49	441.28	2532.60	-148.49	441.28	1818.77	
		M3	186.11	260.41	4357.15	33.55	202.05	4276.36	33.55	212.32	4275.87	25.16	-5.20	4052.00	
	MIN	S2	-229.18	368.11	4301.18	-266.15	331.41	4099.69	-266.15	341.25	4098.89	-378.63	268.66	3406.94	
		TQ	91.18	-193.71	1056.20	91.18	-193.71	1494.50	91.18	-190.12	1494.96	91.18	-190.12	1933.27	
		M3	-56.86	63.12	-1221.65	-56.86	63.12	-1494.99	-56.86	59.54	-1495.14	-56.86	59.54	-1768.48	
	TANDEM-LOAD	MAX	S2	264.42	4.76	2655.46	185.35	-46.37	3008.29	185.35	-39.15	3008.40	157.17	-47.64	2959.87
		TQ	-103.94	302.82	2193.61	-103.94	302.82	1693.94	-103.94	306.88	1693.21	-103.94	306.88	1193.54	
		M3	159.59	209.78	3186.01	-33.39	171.26	3157.78	-33.39	178.84	3157.36	5.01	-37.10	2968.91	
	MIN	S2	-191.54	220.18	3185.48	-219.77	211.44	3049.09	-219.77	218.76	3048.57	-298.52	167.39	2493.38	
		TQ	72.48	-138.09	1186.80	72.48	-138.09	1535.21	67.49	-135.24	1075.46	67.49	-135.24	1399.92	
		M3	-38.57	42.37	-828.97	-38.57	42.37	-1014.36	-38.57	39.93	-1014.46	-38.57	39.93	-1199.85	
	DISPERSION-LMAX	S2	147.92	-181.43	579.95	115.17	-188.79	852.66	115.17	-186.75	853.11	104.36	-189.66	1039.35	
		TQ	-136.91	405.48	637.89	-183.44	405.48	-132.10	-182.53	405.18	-111.37	-229.24	405.18	-1100.87	
		M3	6.80	202.18	3657.64	-39.73	202.18	3578.49	-39.73	210.77	3578.00	-86.27	210.77	3275.18	
	MIN	S2	-193.22	388.83	17.42	-207.00	396.20	-584.90	-207.00	394.79	-585.85	-242.73	397.71	-1325.38	
		TQ	91.61	-198.07	-40.52	91.61	-198.07	399.86	90.70	-197.14	378.63	90.87	-197.14	814.83	
		M3	-52.10	5.23	-3060.27	-52.10	5.23	-3310.74	-52.10	-2.72	-3310.74	-52.10	-2.72	-3561.21	

BAGO RIVER BRIDGE

BLOCK [ No.1 : MAIN GIRDER ][ BEAM MEMBER FORCE ]

MEMBER NODE	2025 2025	2026			2026			2027							
		SHEAR	TORQUE	MOMENT	SHEAR	TORQUE	MOMENT	SHEAR	TORQUE	MOMENT					
		S2 (kN)	TQ (kN·m)	M3 (kN·m)	S2 (kN)	TQ (kN·m)	M3 (kN·m)	S2 (kN)	TQ (kN·m)	M3 (kN·m)					
70 3-LANES (caseTRUCK-LOAD	MAX	S2	68.46	123.27	1905.05	68.46	123.27	2234.16	68.46	128.63	2233.86	68.46	128.63	2562.97	
		TQ	65.48	135.31	1656.81	65.48	135.31	1971.57	65.48	140.04	1971.24	65.48	140.04	2286.01	
		M3	-27.69	-174.65	3029.80	-28.57	-124.97	2819.85	-28.57	-118.20	2820.14	20.67	22.08	2821.35	
	MIN	S2	-99.68	-279.72	2879.14	-99.75	-279.52	2404.41	-99.75	-273.75	2405.07	-99.75	-273.75	1925.55	
		TQ	-96.68	-287.59	2647.75	-96.68	-287.59	2183.01	-96.68	-282.35	2183.69	-96.68	-282.35	1718.95	
		M3	-50.35	-36.39	-1166.46	-50.35	-36.39	-1408.49	-50.35	-39.77	-1408.40	-50.35	-39.77	-1650.44	
	TANDEM-LOAD	MAX	S2	49.08	82.61	1367.75	49.08	82.61	1603.70	49.08	86.46	1603.50	49.08	86.46	1839.45
		TQ	47.25	96.60	1155.85	47.25	96.60	1383.00	47.25	99.92	1382.76	47.25	99.92	1609.90	
		M3	-24.45	-141.63	2132.90	-14.68	-66.73	1960.75	-14.68	-62.03	1960.91	21.53	38.23	1980.16	
	MIN	S2	-70.42	-189.59	2045.62	-70.42	-189.59	1707.11	-70.42	-185.49	1707.56	-70.42	-185.49	1369.06	
		TQ	-68.51	-201.13	1849.29	-68.51	-201.13	1519.93	-68.51	-197.48	1520.41	-68.51	-197.48	1191.06	
		M3	-34.19	-24.22	-791.75	-34.19	-24.22	-956.13	-34.19	-26.51	-956.07	-34.19	-26.51	-1120.45	
	DISPERSION-LMAX	S2	73.39	111.84	193.39	70.84	113.35	453.10	70.84	114.43	452.83	68.04	113.12	690.84	
		TQ	60.41	116.37	20.59	60.41	116.37	310.98	62.90	117.25	419.34	56.63	117.25	706.66	
		M3	-20.55	-124.40	2825.16	-26.83	-124.40	2711.28	-26.83	-117.89	2711.57	-33.10	-117.89	2567.54	
	MIN	S2	-139.43	-251.52	-253.88	-143.16	-253.03	-846.16	-143.16	-255.06	-845.55	-146.63	-253.75	-1446.28	
		TQ	-126.45	-256.05	-81.08	-132.72	-256.05	-704.04	-135.22	-257.88	-812.07	-135.22	-257.88	-1462.10	
		M3	-45.49	-15.29	-2885.65	-45.49	-15.29	-3104.34	-45.49	-22.74	-3104.29	-45.49	-22.74	-3322.99	
71 3-LANES (caseTRUCK-LOAD	MAX	S2	47.21	133.43	1536.88	47.21	133.43	1763.84	47.21	137.67	1763.51	47.21	137.67	1990.47	
		TQ	44.90	143.39	1323.48	44.90	143.39	1539.31	44.90	147.09	1538.96	44.90	147.09	1754.79	
		M3	-35.93	-241.45	2518.28	-23.09	-191.94	2363.75	-23.09	-186.26	2364.20	12.53	-85.87	2369.52	
	MIN	S2	-70.00	-248.94	1340.49	-70.00	-248.94	1004.00	-70.00	-246.53	1004.60	-70.00	-246.53	668.10	
		TQ	-66.96	-412.60	2122.69	-66.96	-412.60	1800.79	-67.14	-408.29	1792.79	-67.14	-408.29	1470.03	
		M3	-50.35	-36.39	-1166.46	-50.35	-36.39	-1408.49	-50.35	-39.77	-1408.40	-50.35	-39.77	-1650.44	

BAGO RIVER BRIDGE

BLOCK [ No.1 : MAIN GIRDER ][ BEAM MEMBER FORCE ]

MEMBER NODE	2025 2025	2026			2027			2026 2026	2027			2026 2026	2027			
		SHEAR	TORQUE	MOMENT	SHEAR	TORQUE	MOMENT		SHEAR	TORQUE	MOMENT		SHEAR	TORQUE	MOMENT	
		S2 (kN)	TQ (kN·m)	M3 (kN·m)	S2 (kN)	TQ (kN·m)	M3 (kN·m)		S2 (kN)	TQ (kN·m)	M3 (kN·m)		S2 (kN)	TQ (kN·m)	M3 (kN·m)	
71	3-LANES (case)	TANDEM-LOAD	MAX	S2	34.15	93.57	1045.15	34.15	93.57	1209.29	34.15	96.48	1209.07	34.15	96.48	1373.21
				TQ	33.43	101.27	932.08	33.43	101.27	1092.79	33.43	103.89	1092.54	33.43	103.89	1253.25
				M3	-30.43	-185.82	1739.83	-11.27	-133.34	1617.17	-11.27	-129.46	1617.49	14.92	-32.97	1632.84
			MIN	S2	-49.24	-275.76	1578.73	-49.24	-275.76	1342.02	-49.24	-272.54	1342.68	-49.24	-272.54	1105.97
				TQ	-48.07	-284.55	1525.22	-48.07	-284.55	1294.14	-48.07	-281.45	1294.82	-48.07	-281.45	1063.74
				M3	-34.19	-24.22	-791.75	-34.19	-24.22	-956.13	-34.19	-26.51	-956.07	-34.19	-26.51	-1120.45
		DISPERSION-LMAX		S2	58.19	183.24	-17.66	58.19	183.24	262.07	58.19	183.87	261.62	58.19	183.87	541.35
				TQ	53.36	187.99	-237.54	53.36	187.99	18.97	56.44	188.15	109.09	56.44	188.15	380.41
				M3	-21.32	-226.59	2562.92	-21.32	-226.59	2460.44	-21.32	-220.68	2460.98	-21.32	-220.68	2358.49
			MIN	S2	-127.44	-354.68	-275.46	-127.44	-354.68	-888.08	-127.44	-356.81	-887.22	-127.44	-356.81	-1499.84
				TQ	-122.61	-359.42	-55.58	-122.61	-359.42	-644.99	-125.69	-361.09	-734.69	-125.69	-361.09	-1338.91
				M3	-47.93	55.15	-2856.03	-47.93	55.15	-3086.45	-47.93	47.74	-3086.57	-47.93	47.74	-3316.99
72	4-LANES	TRUCK-LOAD	MAX	S2	54.75	106.41	104.47	54.75	106.41	367.68	54.75	107.29	367.42	41.56	92.51	-594.54
				TQ	45.39	114.40	-198.63	45.39	114.40	19.58	45.39	114.45	19.31	17.06	114.45	213.95
				M3	-31.27	-275.43	3693.64	-31.27	-211.92	3469.06	-31.27	-203.59	3469.55	-27.27	-108.67	3410.31
			MIN	S2	-114.76	-456.60	3448.99	-114.76	-456.60	2897.30	-114.76	-449.65	2898.39	-114.76	-449.65	2346.71
				TQ	-111.37	-466.28	3249.06	-111.37	-466.28	2713.68	-111.37	-459.77	2714.79	-111.37	-459.77	2179.42
				M3	41.56	94.42	-993.87	41.55	94.95	-794.10	41.55	93.04	-794.33	41.53	93.86	-594.64
		TANDEM-LOAD	MAX	S2	46.90	83.86	802.58	46.90	83.86	1028.02	46.90	86.32	1027.81	32.85	65.39	355.53
				TQ	46.18	88.51	817.32	46.18	88.51	1039.30	46.18	91.00	1039.08	11.53	91.00	1240.39
				M3	-26.58	-216.44	2582.08	-16.82	-141.50	2400.97	-16.82	-135.74	2401.31	2.16	-9.74	2414.45
			MIN	S2	-80.82	-310.17	2418.03	-80.82	-310.17	2029.49	-80.82	-305.30	2030.23	-80.82	-305.30	1641.69
				TQ	-78.58	-323.92	2270.06	-78.58	-323.92	1892.29	-78.58	-319.37	1893.06	-78.58	-319.37	1515.29
				M3	28.20	65.96	-675.17	28.20	65.96	-539.60	28.20	64.67	-539.76	28.20	64.67	-404.20

BAGO RIVER BRIDGE

BLOCK [ No.1 : MAIN GIRDER ][ BEAM MEMBER FORCE ]

MEMBER				2025			2026			2027								
NODE				2025			2026			2027								
				SHEAR	TORQUE	MOMENT	SHEAR	TORQUE	MOMENT	SHEAR	TORQUE	MOMENT						
NAME	TITLE			S2 (kN)	TQ (kN·m)	M3 (kN·m)	S2 (kN)	TQ (kN·m)	M3 (kN·m)	S2 (kN)	TQ (kN·m)	M3 (kN·m)						
72	4-LANES	DISPERSION-LMAX	S2	57.67	110.99	-832.38	55.12	112.49	-648.23	55.12	110.94	-648.50	52.34	109.64	-484.11			
			TQ	50.79	125.52	-967.82	50.79	125.52	-723.67	50.20	123.81	-699.38	43.93	123.81	-473.11			
			M3	-57.47	-311.83	2605.94	-63.75	-311.83	2314.58	-63.75	-306.28	2315.32	-69.99	-307.47	1993.83			
		MIN	S2	-64.63	-308.98	2234.51	-68.30	-310.38	1999.36	-68.30	-305.58	2000.10	-71.78	-304.27	1759.21			
			TQ	-56.04	-318.99	2322.51	-61.96	-318.99	2038.89	-61.40	-314.13	2015.55	-61.40	-314.13	1720.37			
			M3	50.57	114.35	-1209.16	50.57	114.35	-966.08	50.57	112.03	-966.35	50.54	112.95	-723.28			
		73	6-LANES	TRUCK-LOAD	MAX	S2	393.64	81.25	5120.89	273.01	60.73	5819.13	273.01	74.70	5818.97	222.19	65.54	5989.02
					TQ	-4.54	495.99	4451.36	-4.54	495.99	4429.52	-6.92	506.65	4499.44	-29.05	506.65	4371.01	
					M3	153.07	-14.59	6931.65	4.45	-12.68	6715.43	4.45	3.44	6715.44	28.55	-53.90	6469.81	
MIN	S2			-295.36	-81.67	6642.05	-342.58	-86.47	6071.18	-342.58	-71.90	6071.37	-460.72	-91.93	4932.58			
	TQ			3.88	-541.07	3278.27	3.88	-541.07	3296.94	3.88	-533.15	3298.22	3.88	-533.15	3316.89			
	M3			-107.22	26.88	-2388.20	-107.22	26.88	-2903.63	-107.22	19.92	-2903.68	-107.22	19.92	-3419.11			
TANDEM-LOAD	MAX			S2	313.83	56.86	3627.94	227.85	43.15	4196.08	227.85	53.22	4195.97	184.63	77.93	4328.99		
	TQ			-8.02	350.97	3156.67	-8.02	350.97	3118.13	-8.02	358.45	3117.28	-8.02	358.45	3078.73			
	M3			132.19	-8.42	4976.63	-45.37	55.53	4825.64	-45.37	67.11	4825.49	11.62	-38.43	4648.10			
MIN	S2			-235.06	-88.08	4767.93	-278.27	-63.36	4374.38	-278.27	-52.87	4374.52	-365.60	-66.88	3528.78			
	TQ			-39.46	-379.56	3434.57	-39.46	-379.56	3244.88	8.10	-373.58	2370.07	8.10	-373.58	2409.00			
	M3			-72.77	18.25	-1620.79	-72.77	18.25	-1970.59	-72.77	13.52	-1970.63	-72.77	13.52	-2320.43			
DISPERSION-LMAX	S2			204.80	-0.57	618.18	171.69	-3.90	1127.67	171.69	-1.20	1127.68	160.19	-5.43	1575.99			
	TQ			-62.51	530.74	218.33	-95.77	530.74	-162.09	-92.37	530.52	-30.11	-138.72	530.52	-577.36			
	M3			-20.58	-11.96	6020.89	-60.00	-14.25	5842.84	-60.00	-0.23	5842.87	-99.57	-4.92	5442.98			
MIN	S2	-307.10	33.48	-54.91	-321.38	35.93	-1213.53	-321.38	33.02	-1213.61	-357.92	36.98	-2457.91					
	TQ	-43.81	-503.40	233.54	-48.17	-503.40	12.46	-51.41	-503.53	-115.14	-50.09	-503.53	-360.71					
	M3	-89.18	48.63	-5590.05	-89.19	48.78	-6018.79	-89.19	34.33	-6018.89	-89.27	37.34	-6447.70					

BAGO RIVER BRIDGE

BLOCK [ No.1 : MAIN GIRDER ][ BEAM MEMBER FORCE ]

MEMBER			2025			2026			2026			2027			
NODE			2025			2026			2026			2027			
NAME TITLE			SHEAR	TORQUE	MOMENT	SHEAR	TORQUE	MOMENT	SHEAR	TORQUE	MOMENT	SHEAR	TORQUE	MOMENT	
			S2 (kN)	TQ (kN·m)	M3 (kN·m)	S2 (kN)	TQ (kN·m)	M3 (kN·m)	S2 (kN)	TQ (kN·m)	M3 (kN·m)	S2 (kN)	TQ (kN·m)	M3 (kN·m)	
124	SUM TOTAL	D+1LANE (caseMAX	S2	-278.61	-108.93	3014.90	-471.06	-104.29	1265.00	-471.06	-101.26	1265.25	-602.96	-73.82	-1298.16
			TQ	-557.19	678.97	3681.32	-737.30	678.97	569.87	-740.07	680.50	653.85	-927.01	680.50	-3344.95
			M3	-492.89	442.49	5351.31	-608.64	404.90	2593.02	-608.64	411.13	2592.04	-666.43	237.09	-495.76
		MIN	S2	-612.78	640.58	4024.98	-743.50	661.84	773.35	-743.50	663.69	771.76	-934.89	662.72	-3329.78
			TQ	-281.96	-122.91	2731.90	-475.90	-122.91	910.32	-475.90	-120.72	910.61	-662.88	-120.72	-1834.91
			M3	-427.86	185.27	103.83	-621.80	185.27	-2419.13	-621.80	179.47	-2419.56	-815.64	179.47	-5874.70
		D+1LANE (caseMAX	S2	-80.39	147.08	3685.20	-407.34	134.31	1608.67	-407.34	138.17	1608.34	-688.83	120.95	-2011.68
			TQ	-438.15	290.30	3042.03	-676.97	290.30	361.71	-676.38	291.19	377.54	-915.09	291.19	-3447.84
			M3	-140.88	219.06	4757.25	-546.03	214.69	2710.50	-546.03	221.19	2709.98	-889.09	211.64	-1036.16
		MIN	S2	-514.48	257.81	3241.66	-797.01	247.68	1035.46	-797.01	250.16	1034.86	-1127.72	243.75	-2721.06
			TQ	-342.23	89.94	1389.54	-536.17	89.94	-721.79	-536.77	88.19	-738.53	-730.61	88.19	-3784.91
			M3	-424.89	158.30	156.05	-618.83	158.30	-2352.64	-618.83	152.66	-2353.01	-812.67	152.66	-5793.88
		D+1LANE (caseMAX	S2	-307.42	215.80	2891.94	-504.42	217.61	836.25	-504.42	219.62	835.72	-701.62	218.04	-2178.19
			TQ	-322.89	220.24	2790.33	-516.83	220.24	771.98	-513.89	222.25	896.07	-715.27	222.25	-2058.44
			M3	-380.15	87.88	4462.26	-597.89	104.75	2037.08	-597.89	109.64	2036.83	-784.33	158.61	-1293.23
		MIN	S2	-496.04	35.40	3081.58	-694.53	33.83	329.81	-694.53	34.62	329.73	-892.55	36.20	-3370.12
			TQ	-480.65	31.25	3142.17	-682.12	31.25	347.33	-685.05	31.93	222.63	-878.90	31.93	-3536.58
			M3	-422.55	136.51	196.27	-616.49	136.51	-2301.19	-616.49	130.98	-2301.52	-810.34	130.98	-5731.16
		D+1LANE (caseMAX	S2	-352.37	296.81	2188.39	-546.31	296.81	28.33	-546.31	296.87	27.62	-740.15	296.87	-3064.62
			TQ	-352.48	300.24	2183.00	-546.42	300.24	22.40	-546.41	300.30	25.64	-740.25	300.30	-3067.10
			M3	-394.30	-100.26	3578.46	-587.41	-83.87	1217.39	-587.41	-80.95	1217.59	-781.26	-80.95	-2072.25
		MIN	S2	-446.71	-76.44	1268.01	-640.65	-76.44	-1345.56	-640.65	-79.67	-1345.37	-834.49	-79.67	-4891.12
			TQ	-445.65	-265.33	2477.85	-639.59	-265.33	-130.65	-639.82	-265.66	-144.76	-833.66	-265.66	-3686.51
			M3	-420.66	139.20	259.40	-614.60	139.20	-2228.97	-614.60	133.85	-2229.30	-808.45	133.85	-5649.84

BAGO RIVER BRIDGE

BLOCK [ No.1 : MAIN GIRDER ][ BEAM MEMBER FORCE ]

MEMBER			2025			2026			2026			2027			
NODE			2025			2026			2026			2027			
NAME TITLE			SHEAR	TORQUE	MOMENT	SHEAR	TORQUE	MOMENT	SHEAR	TORQUE	MOMENT	SHEAR	TORQUE	MOMENT	
			S2 (kN)	TQ (kN·m)	M3 (kN·m)	S2 (kN)	TQ (kN·m)	M3 (kN·m)	S2 (kN)	TQ (kN·m)	M3 (kN·m)	S2 (kN)	TQ (kN·m)	M3 (kN·m)	
124	SUM TOTAL	D+2LANES (casMAX	S2	-158.59	-52.69	4517.11	-385.53	-121.94	2694.11	-385.53	-115.47	2694.39	-554.94	-141.67	-131.85
			TQ	-619.74	863.58	4646.32	-822.80	863.58	1179.02	-824.69	866.56	1256.23	-1027.87	866.56	-3196.46
			M3	-391.47	544.83	7428.84	-608.48	490.12	4746.35	-608.48	501.51	4745.16	-732.90	291.95	1403.09
		MIN	S2	-695.43	806.88	4995.63	-866.29	786.00	1802.16	-866.29	790.32	1800.26	-1094.30	726.00	-2438.45
			TQ	-233.79	-201.93	3236.15	-427.73	-201.93	1646.10	-428.15	-197.99	1638.65	-621.81	-197.99	-885.36
			M3	-456.66	201.22	-1033.53	-650.60	201.22	-3694.95	-650.60	192.36	-3695.42	-844.44	192.36	-7289.02
		D+2LANES (casMAX	S2	6.59	160.65	5075.69	-332.43	76.90	2980.50	-332.43	84.05	2980.30	-626.50	20.64	-726.46
			TQ	-520.54	539.69	4113.58	-772.52	539.69	1005.56	-771.61	542.13	1025.97	-1017.94	542.13	-3282.19
			M3	-98.12	358.63	6933.79	-556.30	331.60	4844.26	-556.30	343.23	4843.45	-918.45	270.74	952.76
		MIN	S2	-613.51	487.91	4342.87	-910.88	440.87	2020.58	-910.88	445.72	2019.52	-1254.99	376.86	-1931.18
			TQ	-284.02	-24.56	2117.52	-477.96	-24.56	286.01	-478.87	-23.90	264.37	-678.26	-23.90	-2510.36
			M3	-454.19	178.75	-990.02	-648.13	178.75	-3639.54	-648.13	170.01	-3639.96	-841.97	170.01	-7221.67
		D+2LANES (casMAX	S2	-273.83	281.86	3433.50	-470.31	283.37	1557.92	-470.31	287.10	1557.23	-666.96	285.79	-1272.23
			TQ	-288.46	293.88	3156.69	-482.40	293.88	1303.86	-479.95	297.14	1407.00	-680.07	297.14	-1381.34
			M3	-410.56	-4.67	5985.40	-616.21	26.99	3447.70	-616.21	35.26	3447.63	-779.95	125.82	109.86
		MIN	S2	-557.73	-124.06	3795.80	-755.47	-125.36	730.97	-755.47	-123.61	731.27	-952.79	-122.29	-3278.99
			TQ	-543.23	-134.72	3771.19	-743.44	-134.72	678.54	-745.89	-133.22	575.01	-939.73	-133.22	-3476.65
			M3	-447.87	120.55	-879.86	-641.80	120.55	-3499.00	-641.80	112.15	-3499.28	-835.65	112.15	-7050.60
		D+2LANES (casMAX	S2	-323.78	376.20	2641.56	-517.72	376.20	618.93	-517.72	377.68	618.03	-711.56	377.68	-2336.79
			TQ	-325.33	382.33	2495.53	-519.27	382.33	465.44	-519.21	383.45	472.61	-713.06	383.45	-2489.39
			M3	-411.45	-215.50	4982.91	-600.41	-183.70	2545.25	-600.41	-177.60	2545.69	-781.98	-127.41	-773.04
		MIN	S2	-500.05	-292.63	2015.59	-693.99	-292.63	-854.40	-693.99	-294.68	-853.69	-887.83	-294.68	-4655.86
			TQ	-497.99	-452.54	2990.98	-691.93	-452.54	130.86	-692.17	-452.24	114.86	-886.02	-452.24	-3678.58
			M3	-447.10	146.29	-817.51	-641.04	146.29	-3432.99	-641.04	138.05	-3433.33	-834.89	138.05	-6980.99



BAGO RIVER BRIDGE

BLOCK [ No.1 : MAIN GIRDER ][ BEAM MEMBER FORCE ]

MEMBER NODE	2025			2026			2026			2027					
	SHEAR	TORQUE	MOMENT	SHEAR	TORQUE	MOMENT	SHEAR	TORQUE	MOMENT	SHEAR	TORQUE	MOMENT			
	S2 (kN)	TQ (kN·m)	M3 (kN·m)	S2 (kN)	TQ (kN·m)	M3 (kN·m)	S2 (kN)	TQ (kN·m)	M3 (kN·m)	S2 (kN)	TQ (kN·m)	M3 (kN·m)			
124 SUM TOTAL	D+3LANES (casMAX	S2	21.97	-21.25	5421.00	-294.23	-89.15	3688.25	-294.23	-80.30	3688.46	-529.39	-114.77	530.10	
		TQ	-623.41	859.03	5075.26	-856.90	859.03	1517.17	-858.09	862.81	1594.19	-1091.64	862.81	-3092.09	
		M3	-218.81	537.63	8655.35	-581.97	488.03	6213.13	-581.97	502.94	6211.94	-822.50	318.05	2525.80	
	MIN	S2	-741.82	787.83	5513.58	-978.89	762.90	2524.07	-978.89	768.95	2522.23	-1298.72	709.74	-1932.98	
		TQ	-227.42	-188.58	2706.10	-421.35	-188.58	1146.71	-422.13	-185.85	1128.71	-615.82	-185.85	-1366.42	
		M3	-475.40	202.53	-1796.85	-669.34	202.53	-4548.37	-669.34	191.62	-4548.84	-863.19	191.62	-8232.54	
	D+3LANES (casMAX	S2	-262.21	344.27	3626.45	-458.31	345.55	1820.67	-458.31	349.92	1819.84	-654.54	348.80	-936.56	
		TQ	-275.78	358.35	3268.57	-469.72	358.35	1476.67	-467.60	362.01	1568.15	-666.78	362.01	-1158.54	
		M3	-423.79	-109.75	6819.49	-623.81	-67.53	4237.96	-623.81	-57.36	4238.11	-781.13	61.88	878.26	
	MIN	S2	-586.03	-307.13	4074.24	-783.20	-308.24	861.01	-783.20	-306.17	861.75	-979.99	-305.05	-3294.93	
		TQ	-572.44	-317.66	4024.44	-771.71	-317.66	793.62	-773.83	-315.87	702.04	-967.68	-315.87	-3483.98	
		M3	-464.25	100.50	-1601.51	-658.19	100.50	-4299.41	-658.19	90.19	-4299.64	-852.03	90.19	-7929.71	
	D+3LANES (casMAX	S2	-293.19	413.60	3134.11	-487.13	413.60	1258.51	-487.13	416.62	1257.52	-680.98	416.62	-1550.26	
		TQ	-299.27	426.11	2765.83	-493.20	426.11	861.04	-490.59	428.27	936.99	-684.43	428.27	-1887.38	
		M3	-431.44	-253.40	6161.80	-614.47	-211.32	3637.06	-614.47	-202.59	3637.56	-778.04	-117.25	316.51	
	MIN	S2	-550.60	-368.64	2748.06	-744.54	-368.64	-364.97	-744.54	-369.52	-364.08	-938.39	-369.52	-4409.28	
		TQ	-543.92	-511.79	3599.83	-737.86	-511.79	518.93	-740.63	-510.65	435.54	-934.47	-510.65	-3590.85	
		M3	-466.32	160.38	-1576.34	-660.26	160.38	-4284.20	-660.26	150.10	-4284.57	-854.11	150.10	-7924.61	
	D+4LANES	MAX	S2	-309.71	285.74	1369.64	-505.30	286.72	-645.86	-505.30	285.17	-646.55	-709.54	274.71	-4403.43
		TQ	-320.26	300.38	1084.58	-514.20	300.38	-921.16	-514.58	298.19	-905.89	-730.92	298.19	-3870.76	
		M3	-440.47	-237.29	5937.51	-638.48	-196.01	3295.86	-638.48	-188.10	3296.32	-833.79	-127.17	-189.61	
	MIN	S2	-499.39	-353.20	5537.05	-695.72	-354.11	2719.33	-695.72	-347.58	2720.17	-891.82	-346.72	-1033.46	
		TQ	-491.60	-365.99	5464.30	-689.39	-365.99	2625.67	-689.03	-359.71	2610.88	-882.87	-359.71	-1167.44	
		M3	-322.90	280.13	410.80	-516.85	280.48	-1607.62	-516.85	276.62	-1608.29	-710.72	277.74	-4558.96	

BAGO RIVER BRIDGE

BLOCK [ No.1 : MAIN GIRDER ] [ BEAM MEMBER FORCE ]

MEMBER					2025			2026			2027		
NODE					2025			2026			2027		
					SHEAR	TORQUE	MOMENT	SHEAR	TORQUE	MOMENT	SHEAR	TORQUE	MOMENT
NAME	TITLE				S2 (kN)	TQ (kN·m)	M3 (kN·m)	S2 (kN)	TQ (kN·m)	M3 (kN·m)	S2 (kN)	TQ (kN·m)	M3 (kN·m)
124	SUM TOTAL	D+6LANES	MAX	S2	6.20	196.87	5573.17	-287.67	181.37	4051.92	-287.67	191.09	4051.47
				TQ	-426.36	811.81	4878.08	-641.92	811.81	2310.33	-641.26	817.48	2441.22
				M3	-296.67	127.17	10261.93	-612.83	126.93	7699.38	-612.83	145.40	7699.05
			MIN	S2	-774.38	113.11	6124.42	-1008.30	111.58	2693.97	-1008.30	118.05	2693.69
				TQ	-408.74	-534.47	4125.45	-605.51	-534.47	1687.61	-607.62	-530.52	1605.16
				M3	-510.44	193.51	-3343.09	-704.39	193.61	-6263.07	-704.39	178.58	-6263.52
	SUM TOTAL		MAX		21.97	863.58	10261.93	-287.67	863.58	7699.38	-287.67	866.56	7699.05
			MIN		-774.38	-534.47	-3343.09	-1008.30	-534.47	-6263.07	-1008.30	-530.52	-6263.52
300	DEAD LOAD	TOTAL			-382.78	144.43	1842.78	-576.72	144.43	-463.50	-576.72	143.32	-463.85
301	LIVE LOAD	1-LANE (case1MAX	S2		104.17	-253.36	1172.12	105.67	-248.73	1728.50	105.67	-244.58	1729.10
			TQ		-174.41	534.54	1838.54	-160.58	534.54	1033.37	-163.35	537.18	1117.70
			M3		-110.11	298.06	3508.53	-31.92	260.47	3056.52	-31.92	267.81	3055.88
			MIN	S2	-230.00	496.15	2182.20	-166.78	517.40	1236.85	-166.78	520.37	1235.60
				TQ	100.83	-267.34	889.13	100.83	-267.34	1373.82	100.83	-264.04	1374.46
				M3	-45.07	40.84	-1738.94	-45.07	40.84	-1955.62	-45.07	36.15	-1955.72
		1-LANE (case2MAX	S2		302.39	2.64	1842.42	169.38	-10.12	2072.17	169.38	-5.15	2072.19
			TQ		-55.37	145.87	1199.26	-100.25	145.87	825.21	-99.65	147.87	841.38
			M3		241.91	74.62	2914.47	30.69	70.25	3174.00	30.69	77.87	3173.83
			MIN	S2	-131.70	113.38	1398.89	-220.29	103.25	1498.96	-220.29	106.84	1498.71
				TQ	40.55	-54.49	-453.24	40.55	-54.49	-258.29	39.96	-55.13	-274.68
				M3	-42.11	13.87	-1686.73	-42.11	13.87	-1889.14	-42.11	9.34	-1889.17
		1-LANE (case3MAX	S2		75.36	71.37	1049.17	72.30	73.18	1299.75	72.30	76.30	1299.57
			TQ		59.90	75.80	947.55	59.90	75.80	1235.48	62.83	78.93	1359.92
			M3		2.63	-56.56	2619.49	-21.17	-39.68	2500.59	-21.17	-33.68	2500.67
			MIN	S2	-113.25	-109.03	1238.80	-117.81	-110.60	793.31	-117.81	-108.70	793.57
				TQ	-97.87	-113.18	1299.39	-105.39	-113.18	810.83	-108.33	-111.39	686.48
				M3	-39.77	-7.92	-1646.51	-39.77	-7.92	-1837.69	-39.77	-12.34	-1837.67

BAGO RIVER BRIDGE

BLOCK [ No.1 : MAIN GIRDER ][ BEAM MEMBER FORCE ]

MEMBER NODE				2025			2026			2026			2027			
				2025			2026			2026			2027			
				SHEAR	TORQUE	MOMENT	SHEAR	TORQUE	MOMENT	SHEAR	TORQUE	MOMENT	SHEAR	TORQUE	MOMENT	
NAME	TITLE		S2 (kN)	TQ (kN·m)	M3 (kN·m)	S2 (kN)	TQ (kN·m)	M3 (kN·m)	S2 (kN)	TQ (kN·m)	M3 (kN·m)	S2 (kN)	TQ (kN·m)	M3 (kN·m)		
301	LIVE LOAD	1-LANE (case4MAX	S2	30.42	152.37	345.61	30.42	152.37	491.83	30.42	153.55	491.47	30.42	153.55	637.69	
			TQ	30.31	155.81	340.22	30.31	155.81	485.90	30.31	156.98	489.48	30.31	156.98	635.20	
			M3	-11.51	-244.70	1735.68	-10.69	-228.30	1680.89	-10.69	-224.27	1681.44	-10.69	-224.27	1630.05	
			MIN	S2	-63.92	-220.87	-574.77	-63.92	-220.87	-882.06	-63.92	-222.99	-881.53	-63.92	-222.99	-1188.82
			TQ	-62.87	-409.77	635.07	-62.87	-409.77	332.85	-63.09	-408.98	319.09	-63.09	-408.98	15.79	
			M3	-37.88	-5.23	-1583.38	-37.88	-5.23	-1765.47	-37.88	-9.47	-1765.45	-37.88	-9.47	-1947.54	
		2-LANES (caseMAX	S2	224.19	-197.12	2674.33	191.20	-266.37	3157.61	191.20	-258.79	3158.24	215.62	-284.99	3570.45	
			TQ	-236.95	719.15	2803.54	-246.08	719.15	1642.53	-247.97	723.24	1720.07	-257.30	723.24	505.85	
			M3	-8.68	400.40	5586.07	-31.76	345.69	5209.86	-31.76	358.19	5209.01	37.67	148.63	5105.40	
			MIN	S2	-312.64	662.45	3152.86	-289.57	641.57	2265.66	-289.57	647.00	2264.11	-323.73	582.68	1263.85
			TQ	148.99	-346.37	1393.38	148.99	-346.37	2109.60	148.58	-341.31	2102.50	148.75	-341.31	2816.94	
			M3	-73.88	56.79	-2876.31	-73.88	56.79	-3231.45	-73.88	49.04	-3231.57	-73.88	49.04	-3586.72	
		2-LANES (caseMAX	S2	389.37	16.22	3232.91	244.29	-67.53	3444.00	244.29	-59.27	3444.15	144.07	-122.68	2975.85	
			TQ	-137.76	395.26	2270.80	-195.80	395.26	1469.06	-194.89	398.81	1489.81	-247.37	398.81	420.11	
			M3	284.66	214.20	5091.02	20.42	187.17	5307.76	20.42	199.91	5307.30	-147.89	127.42	4655.06	
			MIN	S2	-230.73	343.48	2500.09	-334.16	296.44	2484.08	-334.16	302.40	2483.36	-484.42	233.54	1771.12
			TQ	98.76	-168.99	274.74	98.76	-168.99	749.51	97.85	-167.22	728.21	92.31	-167.22	1191.94	
			M3	-71.40	34.32	-2832.79	-71.40	34.32	-3176.04	-71.40	26.70	-3176.12	-71.40	26.70	-3519.36	
		2-LANES (caseMAX	S2	108.96	137.43	1590.72	106.41	138.93	2021.42	106.41	143.79	2021.08	103.61	142.47	2430.07	
			TQ	94.33	149.45	1313.91	94.33	149.45	1767.36	96.77	153.82	1870.84	90.50	153.82	2320.96	
			M3	-27.78	-149.10	4142.62	-39.49	-117.44	3911.20	-39.49	-108.06	3911.47	-9.38	-17.50	3812.16	
MIN	S2		-174.95	-268.49	1953.02	-178.74	-269.79	1194.47	-178.74	-266.92	1195.11	-182.22	-265.61	423.31		
TQ	-160.45		-279.15	1928.41	-166.72	-279.15	1142.04	-169.16	-276.54	1038.85	-169.16	-276.54	225.65			
M3	-65.08		-23.88	-2722.64	-65.08	-23.88	-3035.50	-65.08	-31.17	-3035.44	-65.08	-31.17	-3348.30			

BAGO RIVER BRIDGE

BLOCK [ No.1 : MAIN GIRDER ][ BEAM MEMBER FORCE ]

MEMBER NODE				2025			2026			2026			2027		
				2025			2026			2026			2027		
				SHEAR	TORQUE	MOMENT	SHEAR	TORQUE	MOMENT	SHEAR	TORQUE	MOMENT	SHEAR	TORQUE	MOMENT
NAME TITLE				S2 (kN)	TQ (kN·m)	M3 (kN·m)	S2 (kN)	TQ (kN·m)	M3 (kN·m)	S2 (kN)	TQ (kN·m)	M3 (kN·m)	S2 (kN)	TQ (kN·m)	M3 (kN·m)
301	LIVE LOAD	2-LANES (caseMAX	S2	59.00	231.77	798.78	59.00	231.77	1082.43	59.00	234.36	1081.87	59.00	234.36	1365.52
			TQ	57.45	237.90	652.75	57.45	237.90	928.94	57.51	240.13	936.45	57.51	240.13	1212.92
			M3	-28.66	-359.94	3140.13	-23.69	-328.14	3008.75	-23.69	-320.91	3009.53	-11.42	-270.73	2929.26
			MIN S2	-117.26	-437.06	172.81	-117.26	-437.06	-390.89	-117.26	-438.00	-389.84	-117.26	-438.00	-953.55
			TQ	-115.21	-596.97	1148.20	-115.21	-596.97	594.36	-115.45	-595.56	578.71	-115.45	-595.56	23.72
			M3	-64.32	1.86	-2660.29	-64.32	1.86	-2969.49	-64.32	-5.26	-2969.48	-64.32	-5.26	-3278.68
		3-LANES (caseMAX	S2	404.75	-165.68	3578.23	282.50	-233.58	4151.75	282.50	-223.62	4152.30	241.18	-258.09	4232.41
			TQ	-240.63	714.60	3232.48	-280.18	714.60	1980.67	-281.36	719.50	2058.04	-321.07	719.50	610.22
			M3	163.97	393.20	6812.58	-5.25	343.60	6676.63	-5.25	359.62	6675.79	-51.94	174.73	6228.11
			MIN S2	-359.04	643.40	3670.81	-402.17	618.47	2987.57	-402.17	625.63	2986.08	-528.16	566.42	1769.32
			TQ	155.37	-333.01	863.33	155.37	-333.01	1610.21	154.59	-329.17	1592.55	154.74	-329.17	2335.89
			M3	-92.62	58.10	-3639.63	-92.62	58.10	-4084.87	-92.62	48.30	-4085.00	-92.62	48.30	-4530.24
		3-LANES (caseMAX	S2	120.57	199.84	1783.67	118.41	201.12	2284.18	118.41	206.60	2283.69	116.03	205.48	2765.74
			TQ	107.00	213.92	1425.79	107.00	213.92	1940.17	109.12	218.69	2032.00	103.79	218.69	2543.76
			M3	-41.00	-254.19	4976.71	-47.09	-211.96	4701.46	-47.09	-200.68	4701.96	-10.56	-81.44	4580.56
			MIN S2	-203.24	-451.56	2231.47	-206.47	-452.67	1324.51	-206.47	-449.49	1325.59	-209.43	-448.37	407.37
			TQ	-189.66	-462.10	2181.67	-194.99	-462.10	1257.12	-197.11	-459.19	1165.88	-197.11	-459.19	218.32
			M3	-81.46	-43.93	-3444.29	-81.46	-43.93	-3835.91	-81.46	-53.13	-3835.79	-81.46	-53.13	-4227.41
		3-LANES (caseMAX	S2	89.59	269.17	1291.34	89.59	269.17	1722.02	89.59	273.30	1721.37	89.59	273.30	2152.04
			TQ	83.52	281.67	923.05	83.52	281.67	1324.54	86.14	284.95	1400.84	86.14	284.95	1814.92
			M3	-48.66	-397.83	4319.02	-37.75	-355.75	4100.56	-37.75	-345.90	4101.40	-7.47	-260.57	4018.81
			MIN S2	-167.82	-513.08	905.28	-167.82	-513.08	98.54	-167.82	-512.84	99.77	-167.82	-512.84	-706.98
			TQ	-161.14	-656.22	1757.05	-161.14	-656.22	982.44	-163.91	-653.97	899.39	-163.91	-653.97	111.45
			M3	-83.54	15.95	-3419.12	-83.54	15.95	-3820.70	-83.54	6.78	-3820.73	-83.54	6.78	-4222.31

BAGO RIVER BRIDGE

BLOCK [ No.1 : MAIN GIRDER ][ BEAM MEMBER FORCE ]

MEMBER					2025			2026			2027					
NODE					2025			2026			2027					
NAME TITLE					SHEAR	TORQUE	MOMENT	SHEAR	TORQUE	MOMENT	SHEAR	TORQUE	MOMENT			
					S2 (kN)	TQ (kN·m)	M3 (kN·m)	S2 (kN)	TQ (kN·m)	M3 (kN·m)	S2 (kN)	TQ (kN·m)	M3 (kN·m)			
301	LIVE LOAD	4-LANES	MAX	S2	73.07	141.31	-473.14	71.42	142.29	-182.36	71.42	141.85	-182.70	61.03	131.40	-701.12
				TQ	62.52	155.95	-758.19	62.52	155.95	-457.65	62.14	154.87	-442.04	39.64	154.87	-168.45
				M3	-57.69	-381.72	4094.73	-61.76	-340.44	3759.36	-61.76	-331.42	3760.17	-63.22	-270.49	3512.69
		MIN	S2	-116.61	-497.63	3694.28	-118.99	-498.54	3182.83	-118.99	-490.90	3184.02	-121.25	-490.04	2668.84	
			TQ	-108.81	-510.43	3621.52	-112.67	-510.43	3089.18	-112.30	-503.03	3074.72	-112.30	-503.03	2534.86	
			M3	59.88	135.70	-1431.97	59.87	136.05	-1144.12	59.87	133.30	-1144.44	59.84	134.42	-856.65	
	6-LANES	MAX	S2	388.98	52.44	3730.39	289.05	36.94	4515.42	289.05	47.77	4515.32	248.55	39.07	4917.26	
			TQ	-43.58	667.38	3035.30	-65.20	667.38	2773.83	-64.54	674.16	2905.06	-109.05	674.16	2465.88	
			M3	86.12	-17.26	8419.15	-36.11	-17.51	8162.88	-36.11	2.08	8162.90	-46.16	-38.24	7743.31	
		MIN	S2	-391.60	-31.32	4281.64	-431.58	-32.85	3157.47	-431.58	-25.27	3157.54	-532.11	-35.72	1608.54	
			TQ	-25.95	-678.90	2282.68	-28.78	-678.90	2151.11	-30.89	-673.84	2069.01	-30.04	-673.84	1921.52	
			M3	-127.66	49.08	-5185.87	-127.66	49.18	-5799.57	-127.66	35.26	-5799.67	-127.72	37.21	-6413.43	
LIVE LOAD	MAX	404.75	719.15	8419.15	289.05	719.15	8162.88	289.05	723.24	8162.90	248.55	723.24	7743.31			
	MIN	-391.60	-678.90	-5185.87	-431.58	-678.90	-5799.57	-431.58	-673.84	-5799.67	-532.11	-673.84	-6413.43			
303	SUM TOTAL	TOTAL	MAX	21.97	863.58	10261.93	-287.67	863.58	7699.38	-287.67	866.56	7699.05	-522.02	866.56	4041.01	
			MIN	-774.38	-534.47	-3343.09	-1008.30	-534.47	-6263.07	-1008.30	-530.52	-6263.52	-1302.68	-530.52	-10115.73	

BAGO RIVER BRIDGE

BLOCK [ No.1 : MAIN GIRDER ] [ BEAM MEMBER FORCE ]

MEMBER NODE	2027	2028			2028			2029								
		SHEAR S2 (kN)	TORQUE TQ (kN·m)	MOMENT M3 (kN·m)	SHEAR S2 (kN)	TORQUE TQ (kN·m)	MOMENT M3 (kN·m)	SHEAR S2 (kN)	TORQUE TQ (kN·m)	MOMENT M3 (kN·m)						
											2027	2028	2028	2029		
NAME TITLE																
1 PAVEMENT	-141.67	-30.39	-365.07	-172.30	-30.39	-1119.72	-172.30	-33.07	-1119.65	-202.92	-33.07	-2021.51				
3 RAILING	-6.57	0.43	-19.18	-4.94	0.43	-46.85	-4.94	0.31	-46.85	-3.32	0.31	-66.71				
5 CURB	-65.02	4.23	-189.92	-48.93	4.23	-463.83	-48.93	3.12	-463.83	-32.85	3.12	-660.41				
7 DECK WEIGHT	-230.20	-32.39	-749.01	-276.74	-32.39	-1967.49	-276.74	-37.12	-1967.40	-323.29	-37.12	-3409.65				
8 GIRDER WEIGH	-292.04	84.26	-1557.29	-381.88	84.26	-3177.13	-381.88	76.64	-3177.33	-471.72	76.64	-5229.05				
10 MEDIAN STRIP	-43.10	27.48	-592.52	-72.17	27.48	-869.57	-72.17	25.40	-869.63	-101.24	25.40	-1286.43				
21 ADITIONAL WE	-64.45	-9.07	-209.72	-77.49	-9.07	-550.90	-77.49	-10.39	-550.87	-90.52	-10.39	-954.70				
31 MEDIAN RAILI	-2.73	2.25	-19.81	-5.08	2.25	-38.60	-5.08	2.15	-38.60	-7.43	2.15	-68.69				
51 SUPPORT WEIG	0.00	0.00	-0.00	0.00	0.00	-0.00	0.00	0.00	-0.00	0.00	0.00	-0.00				
52 NOSE WEIGHT	0.00	-0.06	-0.01	0.00	-0.06	0.00	0.00	-0.06	0.00	0.00	-0.06	0.01				
61 1-LANE(case1TRUCK-LOAD	MAX	S2	29.34	-22.09	555.85	29.34	-22.09	696.89	29.34	-20.42	696.94	70.97	18.18	1075.49		
		TQ	-84.06	340.22	1227.04	-84.06	340.22	822.96	-84.06	342.19	822.14	-84.06	342.19	418.05		
		M3	-87.92	306.73	1477.24	-31.71	217.82	1079.33	-31.71	220.41	1078.80	68.68	75.16	1112.18		
		MIN	S2	-131.18	306.73	1477.24	-88.40	328.89	1013.05	-88.40	331.32	1012.26	-88.40	331.32	587.32	
			TQ	11.62	-45.56	-141.69	11.62	-45.56	-85.82	11.62	-45.76	-85.71	11.62	-45.76	-29.85	
			M3	-18.03	6.38	-600.74	-18.04	6.42	-687.45	-18.04	4.77	-687.46	-18.04	4.77	-774.17	
		TANDEM-LOAD	MAX	S2	24.59	-18.73	398.58	24.59	-18.73	516.77	24.59	-17.49	516.81	70.06	28.85	766.88
				TQ	-64.58	235.86	947.17	-64.58	235.86	636.73	-64.58	237.39	636.16	-64.58	237.39	325.72
				M3	-55.26	207.46	1020.99	-45.32	191.43	759.24	-45.32	193.26	758.78	70.06	28.85	766.88
			MIN	S2	-110.96	191.43	1016.37	-65.09	232.85	672.78	-65.09	234.46	672.21	-65.09	234.46	359.32
				TQ	8.02	-31.02	-97.95	8.02	-31.02	-59.38	8.02	-31.17	-59.31	8.02	-31.17	-20.74
				M3	-12.21	4.26	-407.52	-12.21	4.26	-466.22	-12.21	3.15	-466.23	-12.21	3.15	-524.93
		DISPERSION-LMAX	S2	24.19	-59.01	33.27	24.80	-53.35	175.20	24.80	-52.93	175.33	32.94	-45.01	382.62	
				TQ	-95.97	291.33	24.23	-84.43	291.33	-409.25	-84.27	290.36	-404.37	-72.73	290.36	-781.60
				M3	-57.53	272.14	1194.09	-45.99	272.14	945.41	-45.99	274.41	944.75	-34.44	274.41	751.57
			MIN	S2	-97.53	289.42	-48.76	-86.59	283.76	-515.34	-86.59	282.52	-516.02	-83.18	274.61	-992.46
				TQ	22.64	-60.92	-39.72	22.64	-60.92	69.11	22.48	-60.76	63.68	22.48	-60.76	171.75
				M3	-15.80	-41.73	-1209.58	-15.80	-41.73	-1285.55	-15.80	-44.81	-1285.44	-15.80	-44.81	-1361.41

BAGO RIVER BRIDGE

BLOCK [ No.1 : MAIN GIRDER ][ BEAM MEMBER FORCE ]

MEMBER				2027			2028			2028			2029		
NODE				2027			2028			2028			2029		
NAME TITLE				SHEAR	TORQUE	MOMENT	SHEAR	TORQUE	MOMENT	SHEAR	TORQUE	MOMENT	SHEAR	TORQUE	MOMENT
				S2 (kN)	TQ (kN·m)	M3 (kN·m)	S2 (kN)	TQ (kN·m)	M3 (kN·m)	S2 (kN)	TQ (kN·m)	M3 (kN·m)	S2 (kN)	TQ (kN·m)	M3 (kN·m)
62	1-LANE (case2TRUCK-LOAD	MAX	S2	171.21	61.23	1182.32	83.53	52.28	1227.86	83.53	55.23	1227.73	23.95	40.89	855.38
			TQ	-47.56	98.11	747.09	-47.56	98.11	518.46	-47.56	99.36	518.22	-47.56	99.36	289.59
			M3	90.29	71.83	1226.81	19.60	60.36	1297.76	19.60	63.47	1297.61	-67.26	54.13	911.43
		MIN	S2	-72.48	75.66	1213.86	-134.39	63.40	1275.06	-134.39	66.46	1274.90	-222.19	57.57	904.25
			TQ	10.97	-18.84	-141.11	10.97	-18.84	-88.39	10.97	-19.05	-88.35	10.97	-19.05	-35.63
			M3	-16.00	1.44	-578.30	-16.00	1.44	-655.23	-16.00	-0.14	-655.23	-16.00	-0.14	-732.16
	TANDEM-LOAD	MAX	S2	145.35	44.04	944.82	82.22	38.46	1018.83	82.22	40.91	1018.73	25.01	33.74	726.09
		TQ	-31.87	67.38	489.40	-31.87	67.38	336.19	-31.87	68.19	336.03	-31.87	68.19	182.83	
		M3	48.79	46.13	949.32	-9.70	39.82	1025.63	-9.70	42.29	1025.53	-71.95	36.15	732.83	
	MIN	S2	-58.78	46.13	949.32	-117.27	39.82	1025.63	-117.27	42.29	1025.53	-179.52	36.15	732.83	
		TQ	7.58	-12.84	-97.57	7.58	-12.84	-61.14	7.58	-12.99	-61.11	7.58	-12.99	-24.68	
		M3	-10.85	0.96	-392.41	-10.85	0.96	-444.59	-10.85	-0.11	-444.59	-10.85	-0.11	-496.77	
	DISPERSION-LMAX	S2	50.22	-0.25	226.48	29.14	-7.62	223.76	29.14	-7.08	223.77	18.91	-13.82	165.16	
		TQ	-28.31	99.88	33.88	-65.68	99.88	-192.04	-50.77	100.04	422.55	-88.14	100.04	88.67	
		M3	-1.61	97.39	994.71	-38.99	97.39	897.14	-38.99	99.54	896.90	-76.36	99.54	619.65	
MIN	S2	-64.84	77.55	-396.44	-81.14	84.91	-553.81	-81.14	83.58	-554.01	-108.28	90.32	-835.18		
	TQ	13.69	-22.59	-203.84	13.69	-22.59	-138.02	-1.23	-23.54	-752.79	-1.23	-23.54	-758.69		
	M3	-13.01	-20.10	-1164.67	-13.01	-20.10	-1227.19	-13.01	-23.04	-1227.14	-13.01	-23.04	-1289.66		
63	1-LANE (case3TRUCK-LOAD	MAX	S2	17.19	27.92	574.51	17.19	27.92	657.15	17.19	29.50	657.08	17.19	29.50	739.73
			TQ	16.97	28.63	552.76	16.97	28.63	634.33	16.97	30.15	634.26	16.97	30.15	715.84
			M3	-30.16	-61.41	1083.33	-22.75	-31.48	916.06	-22.75	-29.28	916.13	-10.24	10.15	804.27
	MIN	S2	-59.00	-65.68	1070.01	-59.00	-65.68	786.40	-59.00	-63.79	786.56	-59.00	-63.79	502.95	
		TQ	-58.66	-66.48	1053.62	-58.66	-66.48	771.64	-58.66	-64.63	771.79	-58.66	-64.63	489.80	
		M3	-14.48	-2.27	-561.41	-14.48	-2.27	-631.03	-14.48	-3.78	-631.02	-14.48	-3.78	-700.64	

BAGO RIVER BRIDGE

BLOCK [ No.1 : MAIN GIRDER ][ BEAM MEMBER FORCE ]

MEMBER		2027			2028			2028			2029					
NODE		SHEAR	TORQUE	MOMENT	SHEAR	TORQUE	MOMENT	SHEAR	TORQUE	MOMENT	SHEAR	TORQUE	MOMENT			
NAME	TITLE	S2 (kN)	TQ (kN·m)	M3 (kN·m)	S2 (kN)	TQ (kN·m)	M3 (kN·m)	S2 (kN)	TQ (kN·m)	M3 (kN·m)	S2 (kN)	TQ (kN·m)	M3 (kN·m)			
63	1-LANE (case3TANDEM-LOAD	MAX	S2	12.49	17.22	454.84	12.49	17.22	514.90	12.49	18.45	514.85	12.49	18.45	574.91	
			TQ	11.80	21.84	345.81	11.80	21.84	402.52	11.80	22.80	402.47	11.80	22.80	459.17	
			M3	-23.65	-42.50	775.76	-15.62	-16.06	651.84	-15.62	-14.49	651.87	-6.11	14.16	583.31	
		MIN	S2	-41.18	-42.50	775.76	-41.18	-42.50	577.83	-41.18	-41.11	577.93	-41.18	-41.11	379.99	
			TQ	-39.99	-47.67	697.70	-39.99	-47.67	505.46	-39.99	-46.45	505.57	-39.99	-46.45	313.32	
			M3	-9.84	-1.52	-381.06	-9.84	-1.52	-428.34	-9.84	-2.55	-428.33	-9.84	-2.55	-475.61	
			DISPERSION-LMAX	S2	21.34	10.00	104.19	19.75	11.16	140.30	19.75	11.50	140.27	18.19	10.53	156.90
				TQ	11.56	13.11	137.62	11.51	13.11	193.13	10.92	13.59	204.93	5.42	13.59	245.14
				M3	-27.58	-30.89	924.33	-33.85	-30.89	776.68	-33.85	-29.02	776.76	-40.12	-29.02	598.96
			MIN	S2	-59.58	-44.23	-309.15	-64.26	-45.40	-544.16	-64.26	-46.71	-544.05	-68.98	-45.74	-789.75
				TQ	-49.80	-47.35	-342.58	-56.03	-47.35	-597.00	-55.44	-48.79	-608.71	-56.21	-48.79	-877.99
				M3	-10.66	-3.35	-1129.29	-10.66	-3.35	-1180.55	-10.66	-6.18	-1180.54	-10.66	-6.18	-1231.80
64	1-LANE (case4TRUCK-LOAD	MAX	S2	9.93	46.34	-147.18	9.93	46.34	-99.46	9.93	46.10	-99.57	9.93	46.10	-51.85	
			TQ	9.19	49.52	-138.32	9.19	49.52	-94.13	9.19	49.30	-94.25	9.19	49.30	-50.06	
			M3	-22.30	-273.90	646.79	-15.39	-232.35	556.87	-15.39	-231.01	557.42	-13.09	-199.45	488.66	
		MIN	S2	-26.88	-286.71	602.81	-26.88	-286.71	473.60	-26.88	-285.57	474.29	-26.88	-285.57	345.08	
			TQ	-26.41	-287.13	618.69	-26.41	-287.13	491.75	-26.79	-285.97	480.98	-26.79	-285.97	352.21	
			M3	-12.46	-7.18	-538.84	-12.46	-7.18	-598.72	-12.46	-8.62	-598.70	-12.46	-8.62	-658.59	
			TANDEM-LOAD MAX	S2	6.74	30.90	-99.78	6.74	30.90	-67.37	6.74	30.74	-67.44	6.74	30.74	-35.03
				TQ	6.40	33.67	-96.04	6.40	33.67	-65.28	6.40	33.51	-65.36	6.40	33.51	-34.60
				M3	-13.80	-182.11	440.12	-9.25	-152.62	379.19	-9.25	-151.71	379.55	-8.61	-142.90	336.52
			MIN	S2	-18.62	-195.29	403.08	-18.62	-195.29	313.56	-18.62	-194.54	314.02	-18.62	-194.54	224.50
				TQ	-17.94	-196.23	433.40	-17.94	-196.23	347.15	-17.94	-195.40	347.62	-17.94	-195.40	261.37
				M3	-8.48	-4.81	-365.88	-8.48	-4.81	-406.64	-8.48	-5.79	-406.62	-8.48	-5.79	-447.38



BAGO RIVER BRIDGE

BLOCK [ No.1 : MAIN GIRDER ][ BEAM MEMBER FORCE ]

MEMBER			2027			2028			2028			2029					
NODE			2027			2028			2028			2029					
			SHEAR	TORQUE	MOMENT	SHEAR	TORQUE	MOMENT	SHEAR	TORQUE	MOMENT	SHEAR	TORQUE	MOMENT			
NAME	TITLE		S2 (kN)	TQ (kN·m)	M3 (kN·m)	S2 (kN)	TQ (kN·m)	M3 (kN·m)	S2 (kN)	TQ (kN·m)	M3 (kN·m)	S2 (kN)	TQ (kN·m)	M3 (kN·m)			
64	1-LANE (case4DISPERSION-LMAX	S2	12.36	55.76	-138.23	12.36	55.76	-78.82	12.36	55.57	-78.95	12.36	55.57	-19.54			
		TQ	12.03	58.12	-179.01	12.03	58.12	-121.17	12.03	57.82	-121.30	12.03	57.82	-63.46			
		M3	-23.17	-273.57	712.47	-23.17	-273.57	601.09	-23.17	-272.13	601.74	-23.17	-272.13	490.36			
		MIN	S2	-44.16	-283.61	-233.45	-44.16	-283.61	-445.75	-44.16	-284.68	-445.07	-44.16	-284.68	-657.38		
		TQ	-43.84	-285.97	-192.67	-43.84	-285.97	-403.41	-43.84	-286.93	-402.72	-43.84	-286.93	-613.46			
		M3	-8.63	45.72	-1084.15	-8.63	45.72	-1125.66	-8.63	43.02	-1125.76	-8.63	43.02	-1167.27			
		65	2-LANES (caseTRUCK-LOAD	MAX	S2	98.49	115.25	1852.38	74.46	49.68	1875.03	74.46	54.18	1874.91	96.98	42.93	2015.20
				TQ	-148.54	552.11	2246.22	-148.54	552.11	1532.15	-148.54	555.78	1530.83	-148.54	555.78	816.76	
				M3	-77.02	491.43	2824.53	-42.63	347.81	2323.16	-42.63	353.39	2322.32	33.85	142.84	2119.32	
MIN	S2			-210.97	502.24	2801.87	-188.89	475.65	2240.15	-188.89	481.03	2239.00	-213.10	415.61	1582.31		
TQ	22.92			-77.82	-283.09	22.92	-77.82	-172.92	22.92	-78.23	-172.74	22.92	-78.23	-62.57			
M3	-35.04			10.29	-1190.27	-35.05	10.33	-1358.77	-35.05	7.07	-1358.79	-35.06	7.09	-1527.31			
TANDEM-LOAD	MAX			S2	79.27	95.98	1392.26	62.38	49.31	1439.94	62.38	52.76	1439.82	91.91	55.48	1522.19	
TQ	-106.74			380.73	1604.95	-106.74	380.73	1091.81	-106.74	383.35	1090.89	-106.74	383.35	577.75			
M3	-55.75			330.82	2019.19	-62.05	271.00	1689.48	-62.05	275.06	1688.83	36.53	64.28	1530.22			
MIN	S2	-170.18	314.79	2014.57	-140.55	312.42	1603.02	-140.55	316.26	1602.27	-157.34	269.89	1122.65				
TQ	15.82	-53.00	-195.71	15.82	-53.00	-119.64	15.82	-53.28	-119.51	15.82	-53.28	-43.44					
M3	-23.74	6.88	-807.50	-23.74	6.88	-921.63	-23.74	4.66	-921.65	-23.74	4.66	-1035.78					
DISPERSION-LMAX	S2	59.55	-72.05	280.87	51.44	-80.45	416.02	51.44	-79.45	416.21	54.04	-80.79	581.67				
TQ	-149.17	484.16	47.75	-158.24	484.16	-691.00	-157.92	482.51	-681.07	-167.00	482.51	-1461.91					
M3	-79.38	456.58	2279.55	-88.45	456.58	1876.28	-88.45	461.09	1875.17	-97.53	461.09	1428.29					
MIN	S2	-169.14	455.90	-397.75	-170.10	464.30	-1081.40	-170.10	461.70	-1082.51	-181.78	463.04	-1840.07				
TQ	39.58	-100.31	-164.63	39.58	-100.31	25.63	39.26	-100.26	14.77	39.26	-100.26	203.51					
M3	-30.21	-72.73	-2396.43	-30.21	-72.73	-2541.65	-30.21	-78.83	-2541.47	-30.21	-78.83	-2686.68					

BAGO RIVER BRIDGE

BLOCK [ No.1 : MAIN GIRDER ][ BEAM MEMBER FORCE ]

MEMBER NODE	2027			2028			2028			2029					
	SHEAR	TORQUE	MOMENT	SHEAR	TORQUE	MOMENT	SHEAR	TORQUE	MOMENT	SHEAR	TORQUE	MOMENT			
	S2 (kN)	TQ (kN·m)	M3 (kN·m)	S2 (kN)	TQ (kN·m)	M3 (kN·m)	S2 (kN)	TQ (kN·m)	M3 (kN·m)	S2 (kN)	TQ (kN·m)	M3 (kN·m)			
66	2-LANES (caseTRUCK-LOAD	MAX	S2	240.36	198.57	2478.85	128.65	124.05	2406.00	128.65	129.83	2405.70	49.96	65.64	1795.08
			TQ	-112.04	310.00	1766.27	-112.04	310.00	1227.66	-112.04	312.95	1226.91	-112.04	312.95	688.29
			M3	101.19	256.53	2574.09	8.68	190.35	2541.59	8.68	196.45	2541.13	-102.08	121.81	1918.56
		MIN	S2	-152.28	271.17	2538.48	-234.88	210.16	2502.16	-234.88	216.16	2501.65	-346.90	141.86	1899.24
			TQ	22.26	-51.10	-282.51	22.26	-51.10	-175.49	22.26	-51.53	-175.37	22.26	-51.53	-68.35
			M3	-33.02	5.35	-1167.83	-33.02	5.35	-1326.55	-33.02	2.16	-1326.56	-33.02	2.19	-1485.29
	TANDEM-LOAD	MAX	S2	200.04	158.75	1938.50	120.01	106.50	1942.00	120.01	111.16	1941.74	46.87	60.38	1481.40
			TQ	-74.04	212.25	1147.18	-74.04	212.25	791.27	-74.04	214.15	790.76	-74.04	214.15	434.86
			M3	48.30	169.48	1947.52	-26.43	119.39	1955.87	-26.43	124.09	1955.58	-105.47	71.58	1496.17
		MIN	S2	-117.99	169.48	1947.52	-192.73	119.39	1955.87	-192.73	124.09	1955.58	-271.77	71.58	1496.17
			TQ	15.38	-34.81	-195.33	15.38	-34.81	-121.40	15.38	-35.10	-121.31	15.38	-35.10	-47.38
			M3	-22.39	3.57	-792.39	-22.39	3.57	-900.00	-22.39	1.41	-900.01	-22.39	1.41	-1007.62
	DISPERSION-LMAX	MAX	S2	85.58	-13.30	474.08	55.78	-34.72	464.58	55.78	-33.61	464.66	40.01	-49.60	364.22
			TQ	-81.50	292.70	57.40	-139.50	292.70	-473.78	-124.42	292.19	145.86	-182.41	292.19	-591.64
			M3	-23.46	281.83	2080.17	-81.45	281.83	1828.01	-81.45	286.22	1827.32	-139.45	286.22	1296.37
		MIN	S2	-136.45	244.02	-745.42	-164.64	265.45	-1119.86	-164.64	262.76	-1120.50	-206.87	278.75	-1682.79
			TQ	30.63	-61.98	-328.74	30.63	-61.98	-181.50	15.55	-63.04	-801.70	15.55	-63.04	-726.93
			M3	-27.41	-51.11	-2351.52	-27.41	-51.11	-2483.29	-27.41	-57.07	-2483.16	-27.41	-57.07	-2614.94
67	2-LANES (caseTRUCK-LOAD	MAX	S2	28.02	41.89	425.14	28.02	41.89	559.86	28.02	43.23	559.75	28.02	43.23	694.47
			TQ	26.72	44.45	417.31	26.72	44.45	545.76	26.72	45.76	545.65	26.72	45.76	674.10
			M3	-73.94	-185.54	2029.46	-54.59	-127.72	1679.27	-54.59	-123.69	1679.57	-12.77	-22.39	1493.07
		MIN	S2	-105.61	-199.30	2000.50	-105.61	-199.30	1492.83	-105.61	-195.72	1493.31	-105.61	-195.72	985.64
			TQ	-103.61	-207.19	1882.84	-103.61	-207.19	1384.74	-103.61	-203.86	1385.24	-103.61	-203.86	887.14
			M3	-27.95	-7.00	-1111.53	-27.95	-7.00	-1245.90	-27.95	-9.99	-1245.88	-27.95	-9.99	-1380.25

BAGO RIVER BRIDGE

BLOCK [ No.1 : MAIN GIRDER ] [ BEAM MEMBER FORCE ]

MEMBER		2027			2028			2028			2029						
NODE		SHEAR	TORQUE	MOMENT	SHEAR	TORQUE	MOMENT	SHEAR	TORQUE	MOMENT	SHEAR	TORQUE	MOMENT				
NAME	TITLE	S2 (kN)	TQ (kN·m)	M3 (kN·m)	S2 (kN)	TQ (kN·m)	M3 (kN·m)	S2 (kN)	TQ (kN·m)	M3 (kN·m)	S2 (kN)	TQ (kN·m)	M3 (kN·m)				
67	2-LANES (caseTANDEM-LOAD	MAX	S2	20.21	20.23	779.86	20.21	20.23	877.01	20.21	22.34	876.96	20.21	22.34	974.11		
			TQ	18.32	32.65	255.11	18.32	32.65	343.18	18.32	33.48	343.10	18.32	33.48	431.17		
			M3	-54.04	-125.77	1435.72	-30.11	-66.24	1173.82	-30.11	-63.42	1173.97	-3.45	0.28	1064.63		
		MIN	S2	-74.17	-137.28	1404.56	-74.17	-137.28	1048.01	-74.17	-134.77	1048.33	-74.17	-134.77	691.78		
			TQ	-72.78	-144.19	1307.99	-72.78	-144.19	958.13	-72.78	-141.89	958.47	-72.78	-141.89	608.61		
			M3	-18.99	-4.69	-754.53	-18.99	-4.69	-845.83	-18.99	-6.72	-845.81	-18.99	-6.72	-937.11		
			DISPERSION-LMAX	S2	37.48	28.39	91.87	35.89	29.55	205.55	35.89	30.04	205.47	34.33	29.08	299.68	
			TQ	26.94	33.25	51.34	26.90	33.25	180.81	26.38	33.71	196.63	20.88	33.71	311.14		
			M3	-58.20	-143.24	1783.12	-64.47	-143.24	1488.26	-64.47	-139.67	1488.60	-70.75	-139.67	1163.59		
			MIN	S2	-115.64	-166.20	-545.48	-120.33	-167.37	-1049.98	-120.33	-169.89	-1049.58	-125.04	-168.92	-1564.77	
			TQ	-105.11	-171.07	-504.95	-111.34	-171.07	-1025.24	-110.81	-173.55	-1040.74	-111.59	-173.55	-1576.23		
			M3	-19.96	5.42	-2236.73	-19.96	5.42	-2332.70	-19.96	-0.17	-2332.70	-19.96	-0.17	-2428.67		
		68	2-LANES (caseTRUCK-LOAD	MAX	S2	20.21	79.77	-295.23	20.21	79.77	-198.06	20.21	79.30	-198.25	20.21	79.30	-101.07
					TQ	18.81	85.02	-277.99	18.81	85.02	-187.58	18.81	84.57	-187.78	18.81	84.57	-97.38
					M3	-51.47	-453.54	1431.64	-37.63	-377.80	1213.89	-37.63	-374.88	1214.79	-22.39	-287.43	1070.04
MIN	S2			-60.47	-498.89	1335.61	-60.47	-498.89	1044.93	-60.47	-496.38	1046.13	-60.47	-496.38	755.45		
	TQ			-59.14	-501.63	1289.97	-59.14	-501.63	1005.67	-59.52	-499.24	995.42	-59.52	-499.24	709.29		
	M3			-25.93	-11.91	-1088.96	-25.93	-11.91	-1213.60	-25.93	-14.83	-1213.57	-25.93	-14.83	-1338.20		
	TANDEM-LOAD			MAX	S2	13.73	54.18	-200.46	13.73	54.18	-134.48	13.73	53.85	-134.61	13.73	53.85	-68.63
	TQ			13.04	57.81	-192.44	13.04	57.81	-129.74	13.04	57.50	-129.88	13.04	57.50	-67.18		
	M3			-33.36	-300.94	979.10	-27.23	-263.50	827.56	-27.23	-261.51	828.19	-10.50	-184.22	733.48		
	MIN			S2	-41.53	-336.32	924.87	-41.53	-336.32	725.21	-41.53	-334.58	726.01	-41.53	-334.58	526.35	
	TQ			-40.58	-343.53	901.25	-40.58	-343.53	706.17	-40.58	-341.83	706.99	-40.58	-341.83	511.91		
	M3			-17.63	-7.98	-739.35	-17.63	-7.98	-824.13	-17.63	-9.95	-824.10	-17.63	-9.95	-908.88		

BAGO RIVER BRIDGE

BLOCK [ No.1 : MAIN GIRDER ][ BEAM MEMBER FORCE ]

MEMBER			2027			2028			2028			2029					
NODE			2027			2028			2028			2029					
			SHEAR	TORQUE	MOMENT	SHEAR	TORQUE	MOMENT	SHEAR	TORQUE	MOMENT	SHEAR	TORQUE	MOMENT			
NAME	TITLE		S2 (kN)	TQ (kN·m)	M3 (kN·m)	S2 (kN)	TQ (kN·m)	M3 (kN·m)	S2 (kN)	TQ (kN·m)	M3 (kN·m)	S2 (kN)	TQ (kN·m)	M3 (kN·m)			
68	2-LANES (caseDISPERSION-LMAX	S2	26.25	94.59	-200.35	26.25	94.59	-74.14	26.25	94.41	-74.37	26.25	94.41	51.84			
		TQ	25.02	100.66	-331.79	25.02	100.66	-211.51	25.07	100.16	-208.54	25.07	100.16	-88.01			
		M3	-49.49	-467.50	1499.05	-49.49	-467.50	1261.13	-49.49	-464.47	1262.24	-49.49	-464.47	1024.32			
		MIN	S2	-94.34	-482.94	-490.39	-94.34	-482.94	-943.92	-94.34	-485.21	-942.75	-94.34	-485.21	-1396.28		
		TQ	-93.11	-489.01	-358.95	-93.11	-489.01	-806.55	-93.16	-490.95	-808.59	-93.16	-490.95	-1256.43			
		M3	-18.60	79.15	-2189.79	-18.60	79.15	-2279.18	-18.60	73.68	-2279.37	-18.60	73.68	-2368.76			
		69	3-LANES (caseTRUCK-LOAD	MAX	S2	269.70	176.48	3034.70	157.99	101.96	3102.89	157.99	109.41	3102.64	120.93	83.82	2870.58
				TQ	-196.10	650.22	2993.31	-196.10	650.22	2050.61	-196.10	655.14	2049.05	-196.10	655.14	1106.35	
				M3	13.27	563.26	4051.33	-23.03	408.17	3620.92	-23.03	416.86	3619.93	-33.40	196.97	3030.75	
MIN	S2			-283.46	577.90	4015.72	-323.28	539.05	3515.21	-323.28	547.48	3513.91	-435.29	473.18	2486.57		
TQ	33.88			-96.66	-424.20	33.88	-96.66	-261.32	33.88	-97.29	-261.08	33.88	-97.29	-98.20			
M3	-51.05			11.72	-1768.57	-51.06	11.76	-2014.00	-51.06	6.93	-2014.02	-51.06	6.96	-2259.47			
TANDEM-LOAD	MAX			S2	224.62	140.02	2337.08	144.60	87.77	2458.77	144.60	93.67	2458.55	116.93	89.23	2248.28	
TQ	-138.61			448.11	2094.35	-138.61	448.11	1428.00	-138.61	451.54	1426.92	-138.61	451.54	760.58			
M3	-6.95			376.94	2968.51	-71.75	310.83	2715.11	-71.75	317.34	2714.36	-35.42	100.43	2263.05			
MIN	S2	-228.95	360.92	2963.89	-257.82	352.24	2628.65	-257.82	358.55	2627.80	-336.86	306.04	1855.48				
TQ	23.40	-65.84	-293.28	23.40	-65.84	-180.78	23.40	-66.27	-180.62	23.40	-66.27	-68.12					
M3	-34.60	7.84	-1199.91	-34.60	7.84	-1366.23	-34.60	4.56	-1366.24	-34.60	4.56	-1532.55					
DISPERSION-LMAX	S2	109.77	-72.30	507.35	80.58	-88.07	639.78	80.58	-86.53	639.99	72.95	-94.61	746.84				
TQ	-177.47	584.04	81.63	-223.92	584.04	-883.04	-208.69	582.55	-258.52	-255.14	582.55	-1373.23					
M3	-80.99	553.97	3274.26	-127.44	553.97	2773.41	-127.44	560.63	2772.07	-173.89	560.63	2047.93					
MIN	S2	-233.98	533.44	-794.18	-251.23	549.21	-1635.21	-251.23	545.28	-1636.52	-290.06	553.36	-2675.25				
TQ	53.27	-122.90	-368.47	53.27	-122.90	-112.39	38.03	-123.80	-738.02	38.03	-123.80	-555.18					
M3	-43.21	-92.83	-3561.10	-43.21	-92.83	-3768.84	-43.21	-101.88	-3768.61	-43.21	-101.88	-3976.35					

BAGO RIVER BRIDGE

BLOCK [ No.1 : MAIN GIRDER ][ BEAM MEMBER FORCE ]

MEMBER NODE	2027	2028			2028			2029							
		SHEAR	TORQUE	MOMENT	SHEAR	TORQUE	MOMENT	SHEAR	TORQUE	MOMENT					
		S2 (kN)	TQ (kN·m)	M3 (kN·m)	S2 (kN)	TQ (kN·m)	M3 (kN·m)	S2 (kN)	TQ (kN·m)	M3 (kN·m)					
70 3-LANES (caseTRUCK-LOAD	MAX	S2	38.49	68.76	276.65	38.49	68.76	461.70	38.49	69.87	461.53	38.49	69.87	646.58	
		TQ	36.13	74.28	282.10	36.13	74.28	455.79	36.13	75.37	455.61	36.13	75.37	629.30	
		M3	-103.92	-362.42	2821.76	-78.46	-278.61	2335.65	-78.46	-273.00	2336.31	-24.20	-121.36	2058.55	
	MIN	S2	-140.07	-405.94	2740.72	-140.07	-405.94	2067.37	-140.07	-400.98	2068.34	-140.07	-400.98	1394.99	
		TQ	-136.90	-415.49	2558.11	-136.90	-415.49	1900.01	-136.90	-410.93	1901.00	-136.90	-410.93	1242.89	
		M3	-40.41	-14.18	-1650.37	-40.41	-14.18	-1844.63	-40.41	-18.61	-1844.59	-40.41	-18.61	-2038.84	
	TANDEM-LOAD	MAX	S2	27.32	38.05	679.15	27.32	38.05	810.49	27.32	39.99	810.39	27.32	39.99	941.73
		TQ	24.62	53.02	164.51	24.62	53.02	282.85	24.62	53.70	282.72	24.62	53.70	401.07	
		M3	-74.12	-242.85	1980.40	-48.48	-176.07	1624.26	-48.48	-172.17	1624.67	-12.50	-72.91	1454.76	
	MIN	S2	-97.84	-274.89	1933.15	-97.84	-274.89	1462.81	-97.84	-271.38	1463.46	-97.84	-271.38	993.13	
		TQ	-95.81	-287.36	1778.74	-95.81	-287.36	1318.15	-95.81	-284.19	1318.83	-95.81	-284.19	858.23	
		M3	-27.47	-9.49	-1120.41	-27.47	-9.49	-1252.46	-27.47	-12.50	-1252.44	-27.47	-12.50	-1384.49	
	DISPERSION-LMAX	S2	51.06	57.57	8.02	49.47	58.73	186.97	49.47	59.18	186.83	47.91	58.21	346.32	
		TQ	39.73	66.83	-125.16	39.68	66.83	65.78	39.19	67.01	83.12	33.69	67.01	259.21	
		M3	-85.67	-335.37	2568.09	-91.94	-335.37	2141.18	-91.94	-330.23	2141.98	-98.21	-330.23	1684.93	
	MIN	S2	-164.67	-366.37	-762.92	-169.35	-367.54	-1503.11	-169.35	-371.14	-1502.22	-174.06	-370.17	-2253.09	
		TQ	-153.34	-375.64	-629.75	-159.57	-375.64	-1381.91	-159.07	-378.97	-1398.51	-159.84	-378.97	-2165.99	
		M3	-27.94	26.56	-3322.99	-27.94	26.56	-3457.32	-27.94	18.27	-3457.37	-27.94	18.27	-3591.70	
71 3-LANES (caseTRUCK-LOAD	MAX	S2	32.13	88.00	229.67	32.13	88.00	384.12	32.13	88.92	383.91	32.13	88.92	538.36	
		TQ	28.77	106.49	-418.08	28.77	106.49	-279.75	28.77	105.82	-280.01	28.77	105.82	-141.69	
		M3	-94.44	-580.44	2370.32	-63.42	-459.71	1980.15	-63.42	-454.96	1981.25	-23.78	-312.97	1779.92	
	MIN	S2	-106.13	-636.48	2256.95	-106.13	-636.48	1746.74	-106.13	-632.28	1748.26	-106.13	-632.28	1238.05	
		TQ	-103.22	-647.88	2111.75	-103.22	-647.88	1615.56	-103.60	-644.02	1605.66	-103.60	-644.02	1107.64	
		M3	-40.41	-14.18	-1650.37	-40.41	-14.18	-1844.62	-40.41	-18.61	-1844.58	-40.41	-18.61	-2038.84	

BAGO RIVER BRIDGE

BLOCK [ No.1 : MAIN GIRDER ][ BEAM MEMBER FORCE ]

MEMBER		2027			2028			2028			2029							
NODE		SHEAR	TORQUE	MOMENT	SHEAR	TORQUE	MOMENT	SHEAR	TORQUE	MOMENT	SHEAR	TORQUE	MOMENT					
NAME	TITLE	S2 (kN)	TQ (kN·m)	M3 (kN·m)	S2 (kN)	TQ (kN·m)	M3 (kN·m)	S2 (kN)	TQ (kN·m)	M3 (kN·m)	S2 (kN)	TQ (kN·m)	M3 (kN·m)					
71	3-LANES (caseTANDEM-LOAD	MAX	S2	23.38	64.43	129.45	23.38	64.43	241.84	23.38	65.01	241.69	23.38	65.01	354.08			
			TQ	19.93	72.44	-289.20	19.93	72.44	-193.38	19.93	71.97	-193.56	19.93	71.97	-97.74			
			M3	-63.23	-385.95	1633.34	-41.79	-311.87	1354.11	-41.79	-308.61	1354.86	-6.76	-192.45	1232.69			
		MIN	S2	-73.76	-434.21	1546.57	-73.76	-434.21	1191.98	-73.76	-431.35	1193.02	-73.76	-431.35	838.42			
			TQ	-72.61	-443.48	1504.74	-72.61	-443.48	1155.69	-72.61	-440.70	1156.75	-72.61	-440.70	807.70			
			M3	-27.47	-9.49	-1120.41	-27.47	-9.49	-1252.46	-27.47	-12.50	-1252.44	-27.47	-12.50	-1384.49			
			DISPERSION-LMAX	S2	42.87	124.76	-201.63	42.87	124.76	4.45	42.87	124.77	4.15	42.87	124.77	210.23		
				TQ	41.20	131.96	-386.64	41.20	131.96	-188.60	41.30	131.52	-181.54	41.30	131.52	17.01		
				M3	-78.99	-581.76	2359.46	-78.99	-581.76	1979.76	-78.99	-577.01	1981.15	-78.99	-577.01	1601.45		
			MIN	S2	-151.76	-606.13	-756.08	-151.76	-606.13	-1485.64	-151.76	-609.70	-1484.19	-151.76	-609.70	-2213.75		
				TQ	-150.09	-613.33	-571.07	-150.09	-613.33	-1292.60	-150.20	-616.44	-1298.49	-150.20	-616.44	-2020.53		
				M3	-29.91	100.39	-3317.17	-29.91	100.39	-3460.95	-29.91	92.08	-3461.18	-29.91	92.08	-3604.97		
		72	4-LANES	TRUCK-LOAD	MAX	S2	42.23	94.85	-594.77	42.23	94.85	-391.75	42.23	93.91	-391.97	42.23	93.91	-188.96
					TQ	37.50	102.71	-533.75	37.50	102.71	-353.49	37.50	101.86	-353.74	37.50	101.86	-173.48	
					M3	-158.55	-665.27	3411.23	-153.69	-639.16	2662.08	-153.69	-632.77	2663.60	-153.69	-632.77	1924.79	
MIN	S2			-165.69	-698.26	3318.64	-165.69	-698.26	2522.13	-165.69	-692.21	2523.80	-165.69	-692.21	1727.29			
	TQ			-162.62	-708.45	3171.19	-162.62	-708.45	2389.44	-163.00	-702.72	2379.63	-163.00	-702.72	1596.08			
	M3			42.21	96.25	-594.87	42.20	96.57	-391.99	42.20	95.63	-392.22	42.20	95.69	-189.37			
	TANDEM-LOAD			MAX	S2	28.68	63.88	-403.73	28.68	63.88	-265.87	28.68	63.24	-266.02	28.68	63.24	-128.15	
				TQ	24.90	69.83	-354.92	24.90	69.83	-235.23	24.90	69.27	-235.39	24.90	69.27	-115.70		
				M3	-104.96	-426.58	2414.97	-100.38	-397.30	1915.83	-100.38	-392.70	1916.78	-100.38	-392.70	1434.22		
	MIN			S2	-115.67	-473.22	2328.79	-115.67	-473.22	1772.76	-115.67	-468.97	1773.89	-115.67	-468.97	1217.87		
				TQ	-113.23	-487.47	2207.69	-113.23	-487.47	1663.37	-113.23	-483.47	1664.53	-113.23	-483.47	1120.21		
				M3	28.67	66.32	-404.35	28.67	66.35	-266.54	28.67	65.71	-266.69	28.67	65.71	-128.88		

BAGO RIVER BRIDGE

BLOCK [ No.1 : MAIN GIRDER ][ BEAM MEMBER FORCE ]

MEMBER				2027			2028			2028			2029				
NODE				2027			2028			2028			2029				
NAME TITLE				SHEAR	TORQUE	MOMENT	SHEAR	TORQUE	MOMENT	SHEAR	TORQUE	MOMENT	SHEAR	TORQUE	MOMENT		
				S2 (kN)	TQ (kN·m)	M3 (kN·m)	S2 (kN)	TQ (kN·m)	M3 (kN·m)	S2 (kN)	TQ (kN·m)	M3 (kN·m)	S2 (kN)	TQ (kN·m)	M3 (kN·m)		
72	4-LANES	DISPERSION-LMAX	S2	51.39	114.87	-723.54	51.39	114.87	-476.51	51.39	113.73	-476.78	51.39	113.73	-229.75		
			TQ	45.10	124.50	-639.53	45.10	124.50	-422.72	44.67	123.49	-418.98	44.67	123.49	-204.25		
			M3	-106.33	-513.66	1994.82	-106.25	-516.11	1483.86	-106.25	-512.63	1485.09	-106.04	-514.36	974.59		
	MIN	S2	-106.35	-512.31	1994.78	-106.35	-512.31	1483.52	-106.35	-508.74	1484.74	-106.35	-508.74	973.47			
		TQ	-98.40	-520.15	1889.07	-98.40	-520.15	1416.02	-98.00	-516.76	1413.58	-98.00	-516.76	942.45			
		M3	51.37	115.82	-723.56	51.14	123.41	-477.02	51.14	122.28	-477.32	51.14	122.28	-231.46			
	73	6-LANES	TRUCK-LOAD	MAX	S2	313.86	189.13	3074.68	192.04	173.90	3440.55	192.04	182.16	3440.13	146.49	166.45	3342.63
				TQ	-75.36	634.88	2879.57	-75.36	634.88	2517.30	-75.36	640.92	2515.77	-98.84	640.92	2052.92	
				M3	-82.03	-62.38	6469.95	-95.11	-71.99	5667.29	-95.11	-58.39	5667.44	-72.66	-86.98	4847.26	
MIN		S2	-386.32	-100.45	6306.08	-442.27	-110.82	5273.27	-442.27	-98.17	5273.52	-551.99	-118.82	3668.01			
		TQ	-80.51	-659.50	1825.01	-80.51	-659.50	1437.97	-80.51	-656.04	1439.54	-80.51	-656.04	1052.50			
		M3	-91.47	-2.42	-3419.13	-91.48	-2.38	-3858.89	-91.48	-11.64	-3858.87	-91.48	-11.64	-4298.64			
TANDEM-LOAD		MAX	S2	262.00	138.45	2392.22	169.10	127.28	2655.55	169.10	133.65	2655.24	130.86	156.89	2577.01		
		TQ	-56.33	442.06	2118.51	-56.33	442.06	1847.71	-56.33	446.49	1846.64	-56.33	446.49	1575.84			
		M3	-73.63	-43.24	4648.20	-204.35	2.00	4140.68	-204.35	11.93	4140.66	-56.27	-65.73	3536.52			
MIN		S2	-297.21	-103.77	4514.96	-344.60	-77.58	3818.37	-344.60	-68.41	3818.54	-419.16	-85.56	2633.69			
		TQ	-57.09	-453.37	1289.68	-57.09	-453.37	1015.24	-57.09	-450.93	1016.33	-57.09	-450.93	741.88			
		M3	-62.08	-1.63	-2320.45	-62.08	-1.63	-2618.87	-62.08	-7.92	-2618.86	-62.08	-7.92	-2917.28			
DISPERSION-LMAX		S2	151.63	39.31	361.41	122.24	29.30	675.11	122.24	30.92	675.04	114.04	23.85	950.25			
		TQ	-113.83	621.44	-434.98	-147.83	621.44	-1063.26	-133.25	619.53	-429.03	-178.19	619.53	-1170.56			
		M3	-160.49	-2.25	5442.99	-199.74	-35.06	4593.86	-199.74	-24.30	4593.93	-238.32	-50.75	3521.83			
MIN	S2	-371.12	-44.84	-1278.53	-389.08	-34.23	-2776.00	-389.08	-40.90	-2775.91	-429.84	-33.70	-4452.61				
	TQ	-107.81	-660.26	-556.14	-111.94	-660.26	-1084.50	-126.61	-663.52	-1722.64	-127.10	-663.52	-2333.05				
	M3	-64.39	-0.02	-6447.74	-65.07	23.67	-6758.70	-65.07	7.47	-6758.74	-65.08	7.63	-7071.60				

BAGO RIVER BRIDGE

BLOCK [ No.1 : MAIN GIRDER ][ BEAM MEMBER FORCE ]

MEMBER			2027			2028			2028			2029			
NODE			2027			2028			2028			2029			
NAME TITLE			SHEAR	TORQUE	MOMENT	SHEAR	TORQUE	MOMENT	SHEAR	TORQUE	MOMENT	SHEAR	TORQUE	MOMENT	
			S2 (kN)	TQ (kN·m)	M3 (kN·m)	S2 (kN)	TQ (kN·m)	M3 (kN·m)	S2 (kN)	TQ (kN·m)	M3 (kN·m)	S2 (kN)	TQ (kN·m)	M3 (kN·m)	
124	SUM TOTAL	D+1LANE (caseMAX	S2	-781.54	-50.58	-2995.59	-974.57	-43.79	-7187.57	-974.57	-61.04	-7187.45	-1108.61	-5.22	-11947.41
			TQ	-1061.82	804.60	-2201.01	-1241.72	804.60	-7737.64	-1241.53	786.04	-7732.85	-1421.44	786.04	-14133.39
			M3	-1020.32	741.38	-496.93	-1132.77	634.69	-5804.40	-1132.77	620.75	-5805.91	-1192.22	446.46	-11460.64
		MIN	S2	-1120.23	762.12	-1988.36	-1249.52	781.92	-7636.83	-1249.52	763.59	-7638.69	-1439.19	754.09	-14183.31
			TQ	-804.67	-81.03	-3920.22	-998.43	-81.03	-8254.14	-998.62	-100.85	-8260.61	-1192.37	-100.85	-13526.86
			M3	-886.38	4.32	-5874.92	-1080.15	4.37	-10601.67	-1080.15	-21.07	-10601.65	-1273.90	-21.07	-16259.84
		D+1LANE (caseMAX	S2	-580.07	119.90	-2011.97	-904.33	100.33	-6492.14	-904.33	84.75	-6492.36	-1181.86	59.46	-12472.50
			TQ	-936.82	284.33	-2765.36	-1175.43	284.33	-7842.37	-1157.53	266.25	-7105.24	-1396.14	266.25	-13243.23
			M3	-739.36	249.80	-1036.71	-1062.81	236.04	-5600.21	-1062.81	222.59	-5600.76	-1405.64	211.39	-11859.85
		MIN	S2	-1010.57	230.58	-2721.63	-1298.17	224.71	-7368.58	-1298.17	207.02	-7369.10	-1629.86	204.45	-13614.25
			TQ	-816.19	-2.98	-4116.47	-1009.95	-2.98	-8505.77	-1027.85	-24.14	-9243.53	-1221.61	-24.14	-14650.32
			M3	-880.59	24.34	-5794.09	-1074.35	24.34	-10492.98	-1074.35	-0.84	-10493.01	-1268.11	-0.84	-16123.33
		D+1LANE (caseMAX	S2	-799.55	92.24	-2888.09	-995.21	93.64	-7277.14	-995.21	76.18	-7277.35	-1190.84	75.01	-12621.19
			TQ	-811.55	96.83	-2874.07	-1005.36	96.83	-7241.12	-1006.07	79.47	-7227.14	-1206.42	79.47	-12543.97
			M3	-915.07	-64.02	-1293.34	-1107.46	-28.10	-6202.79	-1107.46	-42.99	-6202.71	-1293.73	4.33	-12013.27
		MIN	S2	-988.07	-85.16	-2789.50	-1187.45	-86.55	-7943.39	-1187.45	-105.62	-7943.16	-1386.86	-104.45	-14041.30
			TQ	-975.93	-89.86	-2849.28	-1177.16	-89.86	-8024.52	-1176.45	-109.14	-8038.47	-1371.14	-109.14	-14162.96
			M3	-875.96	40.00	-5731.36	-1069.71	40.00	-10407.97	-1069.71	15.02	-10408.04	-1263.47	15.02	-16016.07
		D+1LANE (caseMAX	S2	-819.04	169.25	-4045.02	-1012.80	169.25	-8448.01	-1012.80	148.98	-8448.39	-1206.55	148.98	-13782.81
			TQ	-820.31	175.90	-4083.33	-1014.07	175.90	-8492.44	-1014.07	155.52	-8492.83	-1207.82	155.52	-13833.36
			M3	-900.34	-610.23	-2071.42	-1085.81	-560.37	-6844.54	-1085.81	-576.79	-6843.17	-1276.81	-538.92	-12522.32
		MIN	S2	-931.03	-637.64	-3259.30	-1124.79	-637.64	-8200.66	-1124.79	-657.32	-8199.11	-1318.55	-657.32	-14071.89
			TQ	-930.08	-640.97	-3191.31	-1123.83	-640.97	-8128.07	-1124.29	-660.51	-8140.25	-1318.05	-660.51	-14010.64
			M3	-871.09	92.98	-5650.11	-1064.85	92.98	-10303.33	-1064.85	68.25	-10303.53	-1258.61	68.25	-15888.17



BAGO RIVER BRIDGE

BLOCK [ No.1 : MAIN GIRDER ][ BEAM MEMBER FORCE ]

MEMBER			2027			2028			2028			2029			
NODE			2027			2028			2028			2029			
NAME TITLE			SHEAR	TORQUE	MOMENT	SHEAR	TORQUE	MOMENT	SHEAR	TORQUE	MOMENT	SHEAR	TORQUE	MOMENT	
			S2 (kN)	TQ (kN·m)	M3 (kN·m)	S2 (kN)	TQ (kN·m)	M3 (kN·m)	S2 (kN)	TQ (kN·m)	M3 (kN·m)	S2 (kN)	TQ (kN·m)	M3 (kN·m)	
124	SUM TOTAL	D+2LANES (casMAX	S2	-687.74	89.94	-1569.28	-913.65	15.97	-5943.02	-913.65	1.71	-5943.05	-1082.27	-10.88	-11100.27
			TQ	-1143.49	1083.00	-1408.56	-1346.32	1083.00	-7392.93	-1346.00	1065.27	-7384.41	-1548.83	1065.27	-14342.29
			M3	-1002.18	994.76	1401.55	-1170.62	851.13	-4034.65	-1170.62	841.45	-4036.68	-1296.97	630.90	-10149.54
		MIN	S2	-1225.90	1004.87	-1298.41	-1398.53	986.69	-7075.32	-1398.53	969.70	-7077.67	-1628.17	905.62	-13954.90
			TQ	-783.29	-131.39	-4150.25	-977.05	-131.39	-8381.38	-977.36	-151.52	-8392.13	-1171.12	-151.52	-13556.21
			M3	-911.03	-15.71	-7289.23	-1104.80	-15.67	-12134.50	-1104.80	-44.79	-12134.42	-1298.56	-44.77	-17911.13
		D+2LANES (casMAX	S2	-519.85	232.01	-749.60	-855.11	136.07	-5363.50	-855.11	123.20	-5363.81	-1143.32	43.02	-11537.84
			TQ	-1039.33	649.44	-1878.86	-1291.08	649.44	-7480.21	-1276.00	632.12	-6861.40	-1527.75	632.12	-13600.49
			M3	-768.05	585.11	951.73	-1112.31	518.92	-3864.49	-1112.31	509.65	-3865.72	-1474.82	435.01	-10482.21
		MIN	S2	-1134.51	561.93	-1909.47	-1439.06	522.35	-6851.78	-1439.06	505.90	-6853.02	-1787.07	447.59	-13480.69
			TQ	-792.89	-66.34	-4313.79	-986.65	-66.34	-8591.07	-1001.72	-87.59	-9211.23	-1195.48	-87.59	-14492.42
			M3	-906.21	0.98	-7221.87	-1099.97	0.98	-12043.92	-1099.97	-27.93	-12043.89	-1293.73	-27.90	-17797.37
		D+2LANES (casMAX	S2	-780.28	117.02	-3185.52	-975.63	118.18	-7468.68	-975.63	100.26	-7468.94	-1170.95	99.29	-12702.99
			TQ	-792.12	124.44	-3233.88	-985.92	124.44	-7507.52	-986.44	106.44	-7491.89	-1185.70	106.44	-12711.91
			M3	-977.92	-282.04	110.04	-1158.61	-224.22	-5066.55	-1158.61	-236.38	-5066.00	-1316.81	-135.09	-11040.49
		MIN	S2	-1067.03	-318.77	-2247.51	-1265.47	-319.93	-7791.23	-1265.47	-338.63	-7790.44	-1463.94	-337.66	-14276.28
			TQ	-1054.50	-331.52	-2324.64	-1254.49	-331.52	-7874.58	-1253.97	-350.44	-7889.67	-1448.50	-350.44	-14386.23
			M3	-893.70	45.17	-7050.79	-1087.45	45.17	-11812.68	-1087.45	16.82	-11812.75	-1281.21	16.82	-17506.07
		D+2LANES (casMAX	S2	-799.31	221.10	-4198.11	-993.07	221.10	-8506.28	-993.07	200.69	-8506.78	-1186.83	200.69	-13746.37
			TQ	-801.96	232.42	-4312.31	-995.71	232.42	-8633.17	-995.66	211.70	-8630.49	-1189.42	211.70	-13882.53
			M3	-946.75	-874.30	-771.84	-1126.66	-798.55	-5759.07	-1126.66	-812.37	-5757.14	-1305.18	-724.92	-11602.79
		MIN	S2	-1000.59	-935.09	-2857.31	-1194.35	-935.09	-8133.06	-1194.35	-954.61	-8130.80	-1388.11	-954.61	-14337.98
			TQ	-998.03	-943.90	-2771.52	-1191.79	-943.90	-8034.95	-1192.22	-963.21	-8047.33	-1385.98	-963.21	-14244.29
			M3	-890.30	113.97	-6981.29	-1084.06	113.97	-11726.86	-1084.06	85.83	-11727.10	-1277.82	85.83	-17404.10

BAGO RIVER BRIDGE

BLOCK [ No.1 : MAIN GIRDER ][ BEAM MEMBER FORCE ]

MEMBER			2027			2028			2028			2029				
NODE			2027			2028			2028			2029				
NAME TITLE			SHEAR	TORQUE	MOMENT	SHEAR	TORQUE	MOMENT	SHEAR	TORQUE	MOMENT	SHEAR	TORQUE	MOMENT		
			S2 (kN)	TQ (kN·m)	M3 (kN·m)	S2 (kN)	TQ (kN·m)	M3 (kN·m)	S2 (kN)	TQ (kN·m)	M3 (kN·m)	S2 (kN)	TQ (kN·m)	M3 (kN·m)		
124	SUM TOTAL	D+3LANES (casMAX	S2	-523.24	135.29	-691.79	-836.76	58.55	-5052.81	-836.76	46.42	-5052.94	-1068.50	17.81	-10622.34	
			TQ	-1163.32	1095.86	-1088.83	-1396.56	1095.86	-7241.64	-1383.61	1079.01	-6712.22	-1616.85	1079.01	-13924.00	
			M3	-903.34	996.39	2524.22	-1167.44	864.56	-2798.90	-1167.44	857.84	-2800.97	-1409.49	670.93	-9380.27	
		MIN	S2	-1285.60	991.38	-964.22	-1527.87	971.76	-6636.08	-1527.87	955.83	-6638.39	-1849.84	899.54	-13857.52	
			TQ	-771.70	-139.89	-4376.30	-965.46	-139.89	-8551.73	-978.41	-160.95	-9083.40	-1172.17	-160.95	-14252.52	
			M3	-925.90	-22.20	-8232.75	-1119.67	-22.17	-13149.49	-1119.67	-53.73	-13149.40	-1313.43	-53.71	-18997.58	
		D+3LANES (casMAX	S2	-769.67	154.12	-3460.57	-964.77	155.11	-7682.71	-964.77	136.67	-7683.06	-1159.86	135.85	-12853.18	
			TQ	-781.30	166.68	-3569.13	-975.10	166.68	-7790.75	-975.52	148.00	-7776.25	-1173.95	148.00	-12941.91	
			M3	-1006.93	-546.38	878.84	-1184.38	-475.14	-4428.77	-1184.38	-485.77	-4427.62	-1337.34	-356.87	-10515.19	
		MIN	S2	-1104.81	-609.73	-2021.40	-1302.55	-610.72	-7754.45	-1302.55	-629.33	-7752.97	-1500.31	-628.50	-14426.53	
			TQ	-1092.49	-625.72	-2063.42	-1291.54	-625.72	-7793.70	-1291.12	-644.44	-7807.05	-1485.53	-644.44	-14481.77	
			M3	-903.88	57.26	-7929.89	-1097.64	57.26	-12740.73	-1097.64	26.68	-12740.83	-1291.39	26.68	-18483.10	
		D+3LANES (casMAX	S2	-782.03	227.59	-3678.69	-975.79	227.59	-7903.79	-975.79	208.62	-7904.32	-1169.55	208.62	-13060.84	
			TQ	-786.31	249.42	-4386.54	-980.06	249.42	-8632.18	-979.97	228.71	-8626.49	-1173.73	228.71	-13803.12	
			M3	-993.19	-941.13	317.78	-1160.58	-838.51	-4868.15	-1160.58	-850.19	-4866.13	-1320.64	-729.50	-10822.98	
		MIN	S2	-1065.00	-1009.48	-2426.80	-1258.75	-1009.48	-8012.15	-1258.75	-1028.71	-8009.70	-1452.51	-1028.71	-14526.48	
			TQ	-1061.10	-1025.29	-2392.95	-1254.85	-1025.29	-7959.56	-1255.27	-1044.42	-7973.08	-1449.02	-1044.42	-14473.10	
			M3	-905.55	120.01	-7924.94	-1099.31	120.01	-12743.82	-1099.31	89.43	-12744.07	-1293.07	89.43	-18494.38	
		D+4LANES	MAX	S2	-784.93	183.06	-4559.43	-978.69	183.06	-8798.45	-978.69	161.94	-8798.86	-1172.44	161.94	-13969.30
			TQ	-792.09	194.43	-4465.16	-985.85	194.43	-8738.62	-986.13	173.46	-8736.44	-1179.89	173.46	-13942.67	
			M3	-1017.95	-719.57	-188.60	-1208.50	-704.19	-5539.22	-1208.50	-717.53	-5537.52	-1402.12	-718.66	-11812.55	
		MIN	S2	-1022.61	-740.13	-248.81	-1216.37	-740.13	-5630.41	-1216.37	-753.64	-5628.62	-1410.12	-753.64	-11941.64	
			TQ	-1015.45	-751.85	-413.36	-1209.21	-751.85	-5760.53	-1209.19	-765.68	-5768.58	-1402.95	-765.68	-12047.10	
			M3	-784.96	184.58	-4559.51	-978.87	189.73	-8798.94	-978.87	168.62	-8799.37	-1172.63	168.66	-13970.68	

BAGO RIVER BRIDGE

BLOCK [ No.1 : MAIN GIRDER ] [ BEAM MEMBER FORCE ]

MEMBER					2027			2028			2028			2029		
NODE					2027			2028			2028			2029		
NAME TITLE					SHEAR	TORQUE	MOMENT	SHEAR	TORQUE	MOMENT	SHEAR	TORQUE	MOMENT	SHEAR	TORQUE	MOMENT
					S2 (kN)	TQ (kN·m)	M3 (kN·m)	S2 (kN)	TQ (kN·m)	M3 (kN·m)	S2 (kN)	TQ (kN·m)	M3 (kN·m)	S2 (kN)	TQ (kN·m)	M3 (kN·m)
124	SUM TOTAL	D+6LANES	MAX	S2	-543.21	195.22	-1469.07	-835.26	178.82	-5558.90	-835.26	165.48	-5559.31	-1063.95	150.67	-10906.77
				TQ	-968.76	863.35	-2113.55	-1184.61	863.35	-7288.95	-1175.14	846.27	-6877.78	-1413.36	846.27	-13123.61
				M3	-1003.42	4.73	4040.88	-1231.20	-22.84	-1564.34	-1231.19	-26.77	-1564.28	-1435.43	-62.55	-8257.24
			MIN	S2	-1338.12	-47.70	-434.62	-1579.92	-47.55	-6610.85	-1579.92	-63.42	-6610.72	-1871.48	-72.16	-14207.13
				TQ	-968.19	-811.10	-2877.76	-1164.63	-811.10	-8004.33	-1174.17	-830.74	-8418.18	-1368.24	-830.74	-14529.50
				M3	-947.09	45.15	-10116.00	-1141.30	60.58	-15135.52	-1141.30	24.26	-15135.62	-1335.06	24.37	-21087.80
	SUM TOTAL		MAX		-519.85	1095.86	4040.88	-835.26	1095.86	-1564.34	-835.26	1079.01	-1564.28	-1063.95	1079.01	-8257.24
			MIN		-1338.12	-1025.29	-10116.00	-1579.92	-1025.29	-15135.52	-1579.92	-1044.42	-15135.62	-1871.48	-1044.42	-21087.80
300	DEAD LOAD	TOTAL			-845.78	46.74	-3702.53	-1039.54	46.74	-8234.08	-1039.54	26.98	-8234.17	-1233.30	26.98	-13697.14
301	LIVE LOAD	1-LANE (case1MAX	S2		64.24	-97.31	706.94	64.97	-90.52	1046.51	64.97	-88.01	1046.72	124.69	-32.19	1749.73
			TQ		-216.04	757.86	1501.52	-202.18	757.86	496.45	-201.99	759.06	501.32	-188.14	759.06	-436.25
			M3		-174.54	694.64	3205.60	-93.23	587.95	2429.68	-93.23	593.78	2428.26	41.08	419.48	2236.50
			MIN	S2	-274.45	715.38	1714.17	-209.98	735.18	597.25	-209.98	736.61	595.48	-205.89	727.11	-486.16
				TQ	41.11	-127.77	-217.69	41.11	-127.77	-20.06	40.92	-127.83	-26.44	40.92	-127.83	170.28
				M3	-40.60	-42.41	-2172.39	-40.61	-42.37	-2367.59	-40.61	-48.05	-2367.48	-40.61	-48.05	-2562.70
		1-LANE (case2MAX	S2		265.72	73.17	1690.56	135.21	53.59	1741.94	135.21	57.77	1741.80	51.43	32.48	1224.65
			TQ		-91.04	237.59	937.17	-135.89	237.59	391.71	-117.99	239.28	1128.93	-162.84	239.28	453.91
			M3		106.42	203.06	2665.82	-23.27	189.30	2633.87	-23.27	195.62	2633.41	-172.35	184.41	1837.29
			MIN	S2	-164.79	183.84	980.91	-258.63	177.97	865.50	-258.63	180.05	865.07	-396.57	177.47	82.89
				TQ	29.59	-49.72	-413.94	29.59	-49.72	-271.69	11.69	-51.12	-1009.36	11.69	-51.12	-953.18
				M3	-34.81	-22.39	-2091.56	-34.81	-22.39	-2258.90	-34.81	-27.82	-2258.84	-34.81	-27.82	-2426.19
		1-LANE (case3MAX	S2		46.24	45.51	814.44	44.33	46.90	956.94	44.33	49.20	956.82	42.46	48.04	1075.95
			TQ		34.23	50.09	828.46	34.18	50.09	992.96	33.47	52.49	1007.03	26.87	52.49	1153.18
			M3		-69.29	-110.76	2409.19	-67.92	-74.84	2031.29	-67.92	-69.97	2031.46	-60.44	-22.65	1683.87
			MIN	S2	-142.29	-131.89	913.03	-147.91	-133.29	290.69	-147.91	-132.59	291.01	-153.57	-131.43	-344.15
				TQ	-130.15	-136.60	853.25	-137.63	-136.60	209.56	-136.92	-136.11	195.70	-137.84	-136.11	-465.82
				M3	-30.18	-6.74	-2028.83	-30.18	-6.74	-2173.89	-30.18	-11.96	-2173.87	-30.18	-11.96	-2318.93

BAGO RIVER BRIDGE

BLOCK [ No.1 : MAIN GIRDER ][ BEAM MEMBER FORCE ]

MEMBER				2027			2028			2028			2029			
NODE				2027			2028			2028			2029			
NAME TITLE				SHEAR	TORQUE	MOMENT	SHEAR	TORQUE	MOMENT	SHEAR	TORQUE	MOMENT	SHEAR	TORQUE	MOMENT	
				S2 (kN)	TQ (kN·m)	M3 (kN·m)	S2 (kN)	TQ (kN·m)	M3 (kN·m)	S2 (kN)	TQ (kN·m)	M3 (kN·m)	S2 (kN)	TQ (kN·m)	M3 (kN·m)	
301	LIVE LOAD	1-LANE (case4MAX	S2	26.74	122.51	-342.49	26.74	122.51	-213.93	26.74	122.00	-214.22	26.74	122.00	-85.66	
			TQ	25.47	129.17	-380.80	25.47	129.17	-258.36	25.47	128.55	-258.66	25.47	128.55	-136.22	
			M3	-54.56	-656.97	1631.11	-46.27	-607.11	1389.54	-46.27	-603.77	1391.00	-43.51	-565.89	1174.82	
			MIN	S2	-85.25	-684.38	443.23	-85.25	-684.38	33.42	-85.25	-684.30	35.06	-85.25	-684.30	-374.75
			TQ	-84.29	-687.71	511.22	-84.29	-687.71	106.01	-84.75	-687.48	93.92	-84.75	-687.48	-313.50	
			M3	-25.31	46.24	-1947.58	-25.31	46.24	-2069.25	-25.31	41.28	-2069.36	-25.31	41.28	-2191.03	
		2-LANES (caseMAX	S2	158.04	43.20	2133.25	125.89	-30.77	2291.06	125.89	-25.27	2291.12	151.02	-37.86	2596.87	
			TQ	-297.71	1036.26	2293.97	-306.78	1036.26	841.15	-306.46	1038.29	849.76	-315.54	1038.29	-645.15	
			M3	-156.40	948.02	5104.08	-131.08	804.40	4199.43	-131.08	814.47	4197.49	-63.67	603.92	3547.60	
			MIN	S2	-380.11	958.14	2404.12	-358.99	939.95	1158.76	-358.99	942.73	1156.50	-394.88	878.65	-257.76
			TQ	62.49	-178.13	-447.72	62.49	-178.13	-147.30	62.18	-178.49	-157.96	62.18	-178.49	140.94	
			M3	-65.25	-62.45	-3586.70	-65.26	-62.41	-3900.42	-65.26	-71.77	-3900.26	-65.27	-71.74	-4213.99	
		2-LANES (caseMAX	S2	325.93	185.27	2952.93	184.43	89.33	2870.58	184.43	96.22	2870.36	89.97	16.04	2159.30	
			TQ	-193.55	602.71	1823.68	-251.54	602.71	753.87	-236.46	605.14	1372.77	-294.46	605.14	96.65	
			M3	77.73	538.37	4654.26	-72.78	472.19	4369.59	-72.78	482.67	4368.45	-241.53	408.03	3214.93	
			MIN	S2	-288.73	515.19	1793.06	-399.52	475.61	1382.30	-399.52	478.92	1381.15	-553.77	420.61	216.46
			TQ	52.89	-113.08	-611.26	52.89	-113.08	-356.99	37.81	-114.57	-977.07	37.81	-114.57	-795.28	
			M3	-60.43	-45.76	-3519.34	-60.43	-45.76	-3809.84	-60.43	-54.91	-3809.72	-60.44	-54.88	-4100.23	
		2-LANES (caseMAX	S2	65.50	70.28	517.01	63.91	71.44	765.40	63.91	73.28	765.23	62.35	72.31	994.15	
			TQ	53.66	77.70	468.65	53.62	77.70	726.56	53.10	79.46	742.28	47.60	79.46	985.24	
			M3	-132.14	-328.78	3812.58	-119.07	-270.96	3167.53	-119.07	-263.35	3168.17	-83.52	-162.06	2656.65	
MIN	S2		-221.25	-365.51	1455.02	-225.93	-366.67	442.85	-225.93	-365.61	443.73	-230.64	-364.64	-579.13		
TQ	-208.72		-378.26	1377.89	-214.95	-378.26	359.50	-214.43	-377.41	344.50	-215.20	-377.41	-689.09			
M3	-47.92		-1.57	-3348.26	-47.92	-1.57	-3578.60	-47.92	-10.16	-3578.58	-47.92	-10.16	-3808.92			

BAGO RIVER BRIDGE

BLOCK [ No.1 : MAIN GIRDER ] [ BEAM MEMBER FORCE ]

MEMBER				2027			2028			2028			2029			
NODE				2027			2028			2028			2029			
NAME TITLE				SHEAR	TORQUE	MOMENT	SHEAR	TORQUE	MOMENT	SHEAR	TORQUE	MOMENT	SHEAR	TORQUE	MOMENT	
				S2 (kN)	TQ (kN·m)	M3 (kN·m)	S2 (kN)	TQ (kN·m)	M3 (kN·m)	S2 (kN)	TQ (kN·m)	M3 (kN·m)	S2 (kN)	TQ (kN·m)	M3 (kN·m)	
301	LIVE LOAD	2-LANES (caseMAX	S2	46.47	174.36	-495.58	46.47	174.36	-272.20	46.47	173.71	-272.62	46.47	173.71	-49.23	
			TQ	43.83	185.68	-609.77	43.83	185.68	-399.09	43.88	184.72	-396.32	43.88	184.72	-185.39	
			M3	-100.97	-921.03	2930.69	-87.12	-845.29	2475.01	-87.12	-839.35	2477.03	-71.89	-751.90	2094.35	
			MIN	S2	-154.81	-981.83	845.22	-154.81	-981.83	101.02	-154.81	-981.59	103.37	-154.81	-981.59	-640.83
			TQ	-152.25	-990.64	931.02	-152.25	-990.64	199.13	-152.68	-990.19	186.83	-152.68	-990.19	-547.15	
			M3	-44.52	67.23	-3278.76	-44.52	67.23	-3492.78	-44.52	58.85	-3492.93	-44.52	58.85	-3706.96	
		3-LANES (caseMAX	S2	322.55	88.55	3010.74	202.78	11.81	3181.27	202.78	19.44	3181.23	164.80	-9.17	3074.80	
			TQ	-317.54	1049.12	2613.70	-357.02	1049.12	992.44	-344.07	1052.04	1521.95	-383.55	1052.04	-226.85	
			M3	-57.56	949.65	6226.76	-127.90	817.82	5435.18	-127.90	830.86	5433.20	-176.20	643.96	4316.88	
			MIN	S2	-439.82	944.64	2738.31	-488.33	925.02	1598.00	-488.33	928.85	1595.78	-616.55	872.56	-160.38
			TQ	74.08	-186.62	-673.76	74.08	-186.62	-317.65	61.13	-187.93	-849.23	61.13	-187.93	-555.37	
			M3	-80.12	-68.94	-4530.22	-80.13	-68.91	-4915.41	-80.13	-80.70	-4915.23	-80.14	-80.68	-5300.44	
		3-LANES (caseMAX	S2	76.12	107.38	241.96	74.77	108.37	551.37	74.77	109.69	551.11	73.44	108.87	843.97	
			TQ	64.48	119.95	133.40	64.44	119.95	443.33	64.02	121.03	457.92	59.35	121.03	755.24	
			M3	-161.15	-593.12	4581.37	-144.84	-521.88	3805.31	-144.84	-512.75	3806.55	-104.05	-383.85	3181.96	
			MIN	S2	-259.03	-656.47	1681.13	-263.01	-657.46	479.63	-263.01	-656.30	481.20	-267.01	-655.48	-729.39
			TQ	-246.70	-672.45	1639.11	-252.00	-672.45	440.38	-251.58	-671.41	427.11	-252.23	-671.41	-784.63	
			M3	-58.10	10.52	-4227.36	-58.10	10.52	-4506.65	-58.10	-0.29	-4506.66	-58.10	-0.29	-4785.96	
		3-LANES (caseMAX	S2	63.75	180.85	23.84	63.75	180.85	330.29	63.75	181.64	329.85	63.75	181.64	636.30	
			TQ	59.48	202.68	-684.01	59.48	202.68	-398.10	59.56	201.73	-392.32	59.56	201.73	-105.98	
			M3	-147.41	-987.87	4020.31	-121.05	-885.25	3365.93	-121.05	-877.17	3368.04	-87.35	-756.48	2874.17	
			MIN	S2	-219.21	-1056.22	1275.74	-219.21	-1056.22	221.93	-219.21	-1055.68	224.46	-219.21	-1055.68	-829.34
			TQ	-215.31	-1072.03	1309.58	-215.31	-1072.03	274.52	-215.73	-1071.39	261.09	-215.73	-1071.39	-775.96	
			M3	-59.77	73.27	-4222.41	-59.77	73.27	-4509.74	-59.77	62.45	-4509.90	-59.77	62.45	-4797.24	

BAGO RIVER BRIDGE

BLOCK [ No.1 : MAIN GIRDER ][ BEAM MEMBER FORCE ]

MEMBER					2027			2028			2028			2029		
NODE					2027			2028			2028			2029		
NAME TITLE					SHEAR	TORQUE	MOMENT	SHEAR	TORQUE	MOMENT	SHEAR	TORQUE	MOMENT	SHEAR	TORQUE	MOMENT
					S2 (kN)	TQ (kN·m)	M3 (kN·m)	S2 (kN)	TQ (kN·m)	M3 (kN·m)	S2 (kN)	TQ (kN·m)	M3 (kN·m)	S2 (kN)	TQ (kN·m)	M3 (kN·m)
301	LIVE LOAD	4-LANES	MAX	S2	60.85	136.32	-856.90	60.85	136.32	-564.36	60.85	134.97	-564.69	60.85	134.97	-272.16
				TQ	53.69	147.69	-762.63	53.69	147.69	-504.54	53.41	146.48	-502.27	53.41	146.48	-245.52
				M3	-172.17	-766.30	3513.94	-168.96	-750.92	2694.86	-168.96	-744.51	2696.65	-168.83	-745.63	1884.59
		MIN	S2	-176.83	-786.87	3453.72	-176.83	-786.87	2603.67	-176.83	-780.62	2605.55	-176.83	-780.62	1755.50	
			TQ	-169.67	-798.59	3289.17	-169.67	-798.59	2473.55	-169.65	-792.66	2465.59	-169.65	-792.66	1650.04	
			M3	60.82	137.84	-856.98	60.67	142.99	-564.86	60.67	141.64	-565.20	60.67	141.68	-273.54	
	6-LANES	MAX	S2	302.57	148.49	2233.46	204.28	132.08	2675.18	204.28	138.50	2674.86	169.34	123.70	2790.37	
			TQ	-122.97	816.61	1588.99	-145.07	816.61	945.13	-135.60	819.30	1356.38	-180.07	819.30	573.53	
			M3	-157.64	-42.01	7743.41	-191.66	-69.58	6669.74	-191.65	-53.75	6669.89	-202.13	-89.53	5439.90	
		MIN	S2	-492.33	-94.44	3267.91	-540.38	-94.29	1623.23	-540.38	-90.39	1623.45	-638.19	-99.14	-509.99	
			TQ	-122.41	-857.84	824.77	-125.09	-857.84	229.75	-134.63	-857.71	-184.01	-134.95	-857.71	-832.36	
			M3	-101.31	-1.59	-6413.47	-101.76	13.84	-6901.44	-101.76	-2.71	-6901.45	-101.77	-2.61	-7390.66	
LIVE LOAD	MAX	325.93	1049.12	7743.41	204.28	1049.12	6669.74	204.28	1052.04	6669.89	169.34	1052.04	5439.90			
	MIN	-492.33	-1072.03	-6413.47	-540.38	-1072.03	-6901.44	-540.38	-1071.39	-6901.45	-638.19	-1071.39	-7390.66			
303	SUM TOTAL	TOTAL	MAX	-519.85	1095.86	4040.88	-835.26	1095.86	-1564.34	-835.26	1079.01	-1564.28	-1063.95	1079.01	-8257.24	
			MIN	-1338.12	-1025.29	-10116.00	-1579.92	-1025.29	-15135.52	-1579.92	-1044.42	-15135.62	-1871.48	-1044.42	-21087.80	

BAGO RIVER BRIDGE

BLOCK [ No.1 : MAIN GIRDER ] [ BEAM MEMBER FORCE ]

MEMBER NODE	2029	2030			2031			2030			2031				
		SHEAR	TORQUE	MOMENT	SHEAR	TORQUE	MOMENT	SHEAR	TORQUE	MOMENT	SHEAR	TORQUE	MOMENT		
		S2 (kN)	TQ (kN·m)	M3 (kN·m)	S2 (kN)	TQ (kN·m)	M3 (kN·m)	S2 (kN)	TQ (kN·m)	M3 (kN·m)	S2 (kN)	TQ (kN·m)	M3 (kN·m)		
1	PAVEMENT	-207.48	-91.57	-2021.36	-238.10	-91.57	-3092.36	-238.10	-98.99	-3092.14	-268.73	-98.99	-4310.35		
3	RAILING	-8.47	0.48	-66.71	-6.85	0.48	-103.52	-6.85	0.23	-103.52	-5.22	0.23	-132.53		
5	CURB	-83.86	4.72	-660.42	-67.77	4.72	-1024.87	-67.77	2.26	-1024.88	-51.68	2.26	-1312.01		
7	DECK WEIGHT	-333.39	-121.35	-3409.46	-379.94	-121.35	-5124.03	-379.94	-133.65	-5123.73	-426.49	-133.65	-7062.07		
8	GIRDER WEIGH	-424.89	20.37	-5229.17	-514.73	20.37	-7487.61	-514.73	2.40	-7487.64	-604.57	2.40	-10177.96		
10	MEDIAN STRIP	-62.43	14.13	-1286.48	-91.50	14.13	-1656.47	-91.50	10.15	-1656.50	-120.57	10.15	-2166.24		
21	ADITIONAL WE	-93.35	-33.98	-954.65	-106.38	-33.98	-1434.73	-106.38	-37.42	-1434.64	-119.42	-37.42	-1977.38		
31	MEDIAN RAILI	-4.44	1.48	-68.69	-6.79	1.48	-95.68	-6.79	1.25	-95.68	-9.14	1.25	-133.97		
51	SUPPORT WEIG	0.00	0.00	-0.00	0.00	0.00	-0.00	0.00	0.00	-0.00	0.00	0.00	-0.00		
52	NOSE WEIGHT	0.00	-0.05	0.01	0.00	-0.05	0.02	0.00	-0.05	0.02	0.00	-0.05	0.03		
61	1-LANE(case1TRUCK-LOAD	MAX	S2	11.71	-41.81	-33.07	11.71	-41.81	23.22	11.71	-41.75	23.32	48.74	65.86	476.18
			TQ	-101.83	415.83	908.58	-101.83	415.83	419.08	-101.83	416.83	418.08	-101.83	416.83	-71.42
			M3	-104.95	370.94	1111.65	-94.50	370.94	612.57	-94.50	372.40	611.67	39.31	139.71	526.63
		MIN	S2	-148.21	370.94	1111.65	-105.72	396.81	578.12	-105.72	398.19	577.16	-105.72	398.19	68.96
			TQ	-20.08	-52.98	-702.06	-20.08	-52.98	-798.57	-20.08	-54.89	-798.44	-20.08	-54.89	-894.95
			M3	-20.33	-47.95	-774.12	-20.41	-48.47	-872.00	-20.41	-50.56	-871.88	-20.45	-50.79	-970.16
		TANDEM-LOAD MAX	S2	8.97	10.00	143.43	8.97	10.00	186.55	8.97	10.45	186.52	55.29	63.28	362.54
			TQ	-76.80	284.88	721.84	-76.80	284.88	352.65	-76.80	285.72	351.96	-76.80	285.72	-17.22
			M3	-66.37	249.40	766.55	-66.37	249.40	447.47	-66.37	250.47	446.87	9.13	133.75	367.50
		MIN	S2	-122.00	231.85	756.35	-77.20	280.36	382.88	-77.20	281.28	382.20	-77.20	281.28	11.08
			TQ	-13.36	-35.96	-458.93	-13.36	-35.96	-523.17	-13.77	-37.25	-552.57	-13.77	-37.25	-618.76
			M3	-13.70	-32.00	-524.90	-13.92	-33.31	-591.62	-13.92	-34.73	-591.54	-13.92	-34.73	-658.43
		DISPERSION-LMAX	S2	15.97	-46.90	8.33	16.21	-42.19	92.65	16.21	-41.97	92.75	22.65	-29.05	218.63
			TQ	-88.45	407.81	750.75	-76.91	407.81	353.43	-76.91	408.66	352.45	-65.36	408.66	10.64
			M3	-88.45	407.81	750.75	-45.87	242.44	406.05	-45.78	242.83	405.47	3.34	53.43	296.23
MIN	S2	-125.70	319.48	-618.78	-114.40	314.77	-1202.71	-114.40	311.88	-1203.46	-109.29	298.97	-1773.45		
	TQ	-21.28	-135.23	-1361.19	-21.28	-135.23	-1463.49	-21.28	-138.74	-1463.16	-21.28	-138.74	-1565.46		
	M3	-21.28	-135.23	-1361.19	-52.31	30.14	-1516.11	-52.40	27.09	-1516.18	-89.98	216.48	-1851.05		

BAGO RIVER BRIDGE

BLOCK [ No.1 : MAIN GIRDER ][ BEAM MEMBER FORCE ]

MEMBER				2029			2030			2031					
NODE				2029			2030			2031					
				SHEAR	TORQUE	MOMENT	SHEAR	TORQUE	MOMENT	SHEAR	TORQUE	MOMENT			
NAME	TITLE			S2 (kN)	TQ (kN·m)	M3 (kN·m)	S2 (kN)	TQ (kN·m)	M3 (kN·m)	S2 (kN)	TQ (kN·m)	M3 (kN·m)			
62	1-LANE (case2TRUCK-LOAD	MAX	S2	157.17	73.46	855.24	70.43	59.12	829.26	70.43	61.11	829.12	13.99	38.91	416.83
			TQ	-56.67	125.50	436.75	-56.67	125.50	164.33	-56.67	125.90	164.03	-56.67	125.90	-108.39
			M3	76.87	88.04	911.26	5.48	72.15	901.98	5.48	74.32	901.81	-80.05	59.31	451.76
		MIN	S2	-85.72	93.16	904.07	-148.57	76.61	882.40	-148.57	78.73	882.21	-235.56	64.69	441.33
			TQ	-13.55	-20.08	-656.29	-13.55	-20.08	-721.43	-13.63	-21.82	-726.33	-13.63	-21.82	-791.83
			M3	-14.59	-18.71	-732.14	-14.59	-18.71	-802.28	-14.59	-20.64	-802.24	-14.60	-20.70	-872.39
		TANDEM-LOAD MAX	S2	135.98	53.69	725.98	72.41	45.27	747.42	72.41	47.07	747.31	17.18	35.36	420.03
			TQ	-39.74	86.27	311.09	-39.74	86.27	120.07	-39.74	86.56	119.86	-39.74	86.56	-71.16
			M3	39.61	56.50	732.72	-19.65	47.50	755.07	-19.65	49.31	754.95	-80.33	39.11	422.69
		MIN	S2	-67.96	56.50	732.72	-127.22	47.50	755.07	-127.22	49.31	754.95	-187.90	39.11	422.69
			TQ	-8.89	-13.61	-427.62	-8.89	-13.61	-470.38	-9.37	-14.81	-500.56	-9.37	-14.81	-545.58
			M3	-9.88	-12.59	-496.75	-9.88	-12.59	-544.27	-9.88	-13.90	-544.23	-9.88	-13.90	-591.75
		DISPERSION-LMAX	S2	43.11	0.12	157.56	23.73	-8.77	167.53	23.73	-8.37	167.55	15.09	-15.91	138.03
			TQ	-23.57	135.43	619.37	-60.94	135.43	416.23	-60.94	136.43	415.91	-98.32	136.43	33.10
			M3	-23.57	135.43	619.37	-39.68	90.12	440.26	-39.66	91.10	440.04	-45.88	19.26	231.97
MIN	S2	-77.98	78.84	-827.77	-95.97	87.72	-1095.16	-95.97	85.09	-1095.36	-124.71	92.64	-1502.95		
	TQ	-11.30	-56.48	-1289.57	-11.30	-56.48	-1343.87	-11.30	-59.70	-1343.73	-11.30	-59.70	-1398.02		
	M3	-11.30	-56.48	-1289.57	-32.56	-11.16	-1367.89	-32.58	-14.37	-1367.86	-63.74	57.46	-1596.90		
63	1-LANE (case3TRUCK-LOAD	MAX	S2	10.43	1.43	-42.63	10.43	1.43	7.51	10.43	1.44	7.51	10.43	1.44	57.64
			TQ	7.58	5.91	245.81	7.58	5.91	282.26	7.58	6.58	282.25	7.58	6.58	318.70
			M3	-39.95	-77.18	804.35	-32.01	-48.24	573.44	-32.01	-46.87	573.55	-19.44	-10.12	408.11
		MIN	S2	-68.93	-81.25	797.88	-68.93	-81.25	466.53	-68.93	-80.13	466.72	-68.93	-80.13	135.37
			TQ	-68.65	-82.01	784.13	-68.65	-82.01	454.12	-68.65	-80.92	454.31	-68.65	-80.92	124.30
			M3	-10.31	3.10	-700.64	-10.31	3.10	-750.22	-10.31	1.30	-750.22	-10.31	1.30	-799.80



BAGO RIVER BRIDGE

BLOCK [ No.1 : MAIN GIRDER ][ BEAM MEMBER FORCE ]

MEMBER		2029			2030			2030			2031						
NODE		2029			2030			2030			2031						
		SHEAR	TORQUE	MOMENT	SHEAR	TORQUE	MOMENT	SHEAR	TORQUE	MOMENT	SHEAR	TORQUE	MOMENT				
NAME	TITLE	S2 (kN)	TQ (kN·m)	M3 (kN·m)	S2 (kN)	TQ (kN·m)	M3 (kN·m)	S2 (kN)	TQ (kN·m)	M3 (kN·m)	S2 (kN)	TQ (kN·m)	M3 (kN·m)				
63	1-LANE (case3TANDEM-LOAD	MAX	S2	7.08	1.07	-28.99	7.08	1.07	5.06	7.08	1.09	5.06	7.08	1.09	39.11		
			TQ	5.33	5.56	138.10	5.33	5.56	163.70	5.33	5.95	163.69	5.33	5.95	189.30		
			M3	-30.20	-53.18	583.36	-21.75	-27.33	417.78	-21.75	-26.33	417.84	-12.38	-0.02	313.76		
		MIN	S2	-47.73	-53.18	583.36	-47.73	-53.18	353.91	-47.73	-52.33	354.04	-47.73	-52.33	124.60		
			TQ	-46.85	-58.16	518.03	-46.85	-58.16	292.81	-46.85	-57.46	292.95	-46.85	-57.46	67.73		
			M3	-7.02	2.01	-475.61	-7.02	2.01	-509.35	-7.02	0.78	-509.36	-7.02	0.78	-543.10		
		DISPERSION-LMAX	S2	16.03	1.50	60.77	14.96	2.84	97.08	14.96	3.07	97.08	14.11	3.17	127.09		
			TQ	-6.55	12.48	-846.43	-6.55	12.48	-877.90	-4.16	10.58	-710.39	-7.41	10.58	-736.28		
			M3	-45.99	-57.77	599.06	-37.96	-55.47	372.54	-37.96	-54.58	372.68	-17.61	-28.33	232.99		
		MIN	S2	-66.49	-51.27	-693.51	-71.68	-52.60	-987.43	-71.68	-54.97	-987.30	-77.11	-55.07	-1305.08		
			TQ	-43.90	-62.25	213.69	-50.18	-62.25	-12.45	-52.57	-62.48	-179.83	-55.58	-62.48	-441.71		
			M3	-4.47	8.01	-1231.80	-18.77	5.71	-1262.89	-18.76	2.68	-1262.90	-45.38	-23.57	-1410.98		
		64	1-LANE (case4TRUCK-LOAD	MAX	S2	9.05	45.08	-51.96	9.05	45.08	-8.43	9.05	45.06	-8.54	9.05	45.06	34.99
					TQ	8.42	48.14	-50.44	8.42	48.14	-9.97	8.42	48.11	-10.08	8.42	48.11	30.39
					M3	-29.78	-361.41	489.33	-27.60	-345.63	351.35	-27.60	-344.78	352.18	-21.27	-287.61	240.80
MIN	S2			-33.20	-381.65	471.77	-33.20	-381.65	312.18	-33.20	-380.90	313.10	-33.20	-380.90	153.51		
	TQ			-33.20	-381.65	471.77	-33.20	-381.65	312.18	-33.20	-380.90	313.10	-33.20	-380.90	153.51		
	M3			-4.63	32.15	-658.61	-4.91	30.49	-682.07	-4.91	28.86	-682.14	-4.91	28.86	-705.74		
TANDEM-LOAD	MAX			S2	6.15	30.07	-35.11	6.15	30.07	-5.53	6.15	30.05	-5.61	6.15	30.05	23.97	
	TQ			5.82	32.73	-34.68	5.82	32.73	-6.70	5.82	32.71	-6.78	5.82	32.71	21.20		
	M3			-21.31	-252.27	336.99	-17.86	-230.00	241.78	-17.86	-229.42	242.33	-13.23	-187.49	168.30		
MIN	S2			-22.95	-261.21	317.24	-22.95	-261.21	206.92	-22.95	-260.71	207.55	-22.95	-260.71	97.23		
	TQ			-22.95	-261.21	317.24	-22.95	-261.21	206.92	-22.95	-260.71	207.55	-22.95	-260.71	97.23		
	M3			-3.21	21.44	-447.40	-3.29	20.98	-463.18	-3.29	19.86	-463.23	-3.29	19.86	-479.04		

BAGO RIVER BRIDGE

BLOCK [ No.1 : MAIN GIRDER ] [ BEAM MEMBER FORCE ]

MEMBER		2029			2030			2030			2031						
NODE		2029			2030			2030			2031						
		SHEAR	TORQUE	MOMENT	SHEAR	TORQUE	MOMENT	SHEAR	TORQUE	MOMENT	SHEAR	TORQUE	MOMENT				
NAME	TITLE	S2 (kN)	TQ (kN·m)	M3 (kN·m)	S2 (kN)	TQ (kN·m)	M3 (kN·m)	S2 (kN)	TQ (kN·m)	M3 (kN·m)	S2 (kN)	TQ (kN·m)	M3 (kN·m)				
64	1-LANE (case4DISPERSION-LMAX	S2	11.39	67.65	-145.09	11.39	67.65	-90.32	11.39	67.43	-90.48	11.39	67.43	-35.71			
		TQ	4.13	117.79	-1167.47	4.13	117.79	-1147.63	4.13	115.03	-1147.91	4.13	115.03	-1128.08			
		M3	-34.11	-398.15	491.16	-34.11	-398.15	327.20	-34.11	-397.36	328.16	-19.16	-295.87	209.17			
		MIN	S2	-41.37	-348.01	-531.21	-41.37	-348.01	-730.11	-41.37	-349.76	-729.28	-41.37	-349.76	-928.17		
		TQ	-34.11	-398.15	491.16	-34.11	-398.15	327.20	-34.11	-397.36	328.16	-34.11	-397.36	164.19			
		M3	4.13	117.79	-1167.47	4.13	117.79	-1147.63	4.13	115.03	-1147.91	-10.82	13.54	-1173.05			
		65	2-LANES (caseTRUCK-LOAD	MAX	S2	65.01	129.59	906.40	40.45	58.54	759.67	40.45	60.36	759.53	60.09	36.52	549.52
				TQ	-174.82	677.23	1516.00	-174.82	677.23	675.59	-174.82	678.85	673.97	-174.82	678.85	-166.44	
				M3	-109.38	595.46	2118.43	-121.39	534.40	1421.43	-121.39	537.81	1420.14	-11.89	234.36	1013.35	
MIN	S2			-243.40	607.85	2106.25	-222.02	578.74	1374.71	-222.02	582.03	1373.32	-246.89	511.32	543.77		
TQ	-36.89			-89.57	-1381.26	-36.89	-89.57	-1558.58	-36.89	-93.31	-1558.36	-36.89	-93.31	-1735.68			
M3	-37.79			-81.32	-1527.22	-37.88	-81.84	-1709.05	-37.88	-85.94	-1708.85	-37.96	-86.51	-1891.13			
TANDEM-LOAD	MAX	S2	53.27	149.47	898.54	35.61	99.10	810.32	35.61	101.04	810.08	66.04	106.75	765.47			
		TQ	-127.42	463.99	1150.03	-127.42	463.99	537.50	-127.42	465.28	536.38	-127.42	465.28	-76.15			
		M3	-77.15	398.64	1529.66	-94.13	350.88	1079.92	-94.13	353.47	1079.07	-35.68	187.21	776.83			
		MIN	S2	-191.50	381.09	1519.47	-163.68	381.85	1015.32	-163.68	384.28	1014.40	-180.74	334.73	420.42		
		TQ	-24.49	-60.81	-902.22	-24.49	-60.81	-1019.93	-25.34	-63.32	-1079.17	-25.34	-63.32	-1200.96			
		M3	-25.49	-54.30	-1035.73	-25.71	-55.61	-1159.13	-25.71	-58.39	-1158.99	-25.84	-59.23	-1283.14			
		DISPERSION-LMAX	MAX	S2	42.30	-50.35	172.44	35.36	-61.01	260.17	35.36	-60.39	260.32	38.15	-58.49	378.00	
				TQ	-136.38	678.20	1426.92	-145.45	678.20	749.64	-145.45	680.00	748.01	-154.52	680.00	27.13	
				M3	-136.38	678.20	1426.92	-88.02	412.67	839.57	-87.84	413.71	838.58	-25.24	90.46	554.42	
MIN	S2			-216.11	497.17	-1431.83	-218.24	507.83	-2376.76	-218.24	502.13	-2377.98	-230.10	500.23	-3396.47		
TQ	-37.43			-231.38	-2686.31	-37.43	-231.38	-2866.24	-37.43	-238.25	-2865.67	-37.43	-238.25	-3045.60			
M3	-37.43			-231.38	-2686.31	-94.87	34.15	-2956.16	-95.04	28.03	-2956.24	-166.71	351.29	-3572.89			

BAGO RIVER BRIDGE

BLOCK [ No.1 : MAIN GIRDER ] [ BEAM MEMBER FORCE ]

MEMBER				2029			2030			2031					
NODE				2029			2030			2031					
				SHEAR	TORQUE	MOMENT	SHEAR	TORQUE	MOMENT	SHEAR	TORQUE	MOMENT			
NAME	TITLE			S2 (kN)	TQ (kN·m)	M3 (kN·m)	S2 (kN)	TQ (kN·m)	M3 (kN·m)	S2 (kN)	TQ (kN·m)	M3 (kN·m)			
66	2-LANES (caseTRUCK-LOAD	MAX	S2	210.47	244.85	1794.71	99.17	159.46	1565.72	99.17	163.22	1565.33	25.34	9.57	490.17
			TQ	-129.66	386.91	1044.17	-129.66	386.91	420.84	-129.66	387.92	419.91	-129.66	387.92	-203.41
			M3	72.44	312.56	1918.04	-21.40	235.62	1710.84	-21.40	239.72	1710.27	-131.25	153.96	938.48
		MIN	S2	-180.91	330.08	1898.68	-264.87	258.54	1678.99	-264.87	262.57	1678.37	-376.73	177.82	916.13
			TQ	-30.36	-56.67	-1335.50	-30.36	-56.67	-1481.44	-30.44	-60.23	-1486.25	-30.44	-60.23	-1632.56
			M3	-32.06	-52.08	-1485.23	-32.06	-52.08	-1639.34	-32.06	-56.02	-1639.21	-32.12	-56.42	-1793.35
		TANDEM-LOAD MAX	S2	180.28	193.16	1481.09	99.05	134.37	1371.19	99.05	137.66	1370.87	27.93	78.84	822.97
			TQ	-90.36	265.39	739.28	-90.36	265.39	304.91	-90.36	266.12	304.28	-90.36	266.12	-130.09
			M3	28.83	205.74	1495.84	-47.40	148.99	1387.51	-47.40	152.32	1387.15	-125.14	92.56	832.03
		MIN	S2	-137.47	205.74	1495.84	-213.70	148.99	1387.51	-213.70	152.32	1387.15	-291.44	92.56	832.03
			TQ	-20.02	-38.46	-870.91	-20.02	-38.46	-967.14	-20.93	-40.87	-1027.15	-20.93	-40.87	-1127.79
			M3	-21.67	-34.89	-1007.58	-21.67	-34.89	-1111.78	-21.67	-37.56	-1111.69	-21.80	-38.40	-1216.45
		DISPERSION-LMAX	S2	69.45	-3.33	321.67	42.88	-27.59	335.05	42.88	-26.79	335.11	30.59	-45.35	297.40
			TQ	-71.50	405.82	1295.54	-129.49	405.82	812.45	-129.49	407.77	811.47	-187.48	407.77	49.59
			M3	-71.50	405.82	1295.54	-81.83	260.35	873.78	-81.72	261.99	873.15	-74.46	56.29	490.16
MIN	S2	-168.39	256.53	-1640.82	-199.81	280.79	-2269.21	-199.81	275.34	-2269.88	-245.52	293.90	-3125.97		
	TQ	-27.44	-152.62	-2614.68	-27.44	-152.62	-2746.61	-27.44	-159.21	-2746.24	-27.44	-159.21	-2878.16		
	M3	-27.44	-152.62	-2614.68	-75.11	-7.16	-2807.94	-75.22	-13.43	-2807.92	-140.47	192.27	-3318.73		
67	2-LANES (caseTRUCK-LOAD	MAX	S2	20.47	15.26	-87.92	20.47	15.26	10.49	20.47	15.28	10.46	20.47	15.28	108.87
			TQ	3.20	28.63	-289.27	3.20	28.63	-273.91	3.20	27.97	-273.98	3.20	27.97	-258.62
			M3	-91.16	-235.46	1493.38	-73.33	-181.19	1029.56	-73.33	-178.72	1029.99	-34.88	-83.60	737.41
		MIN	S2	-123.27	-250.42	1482.42	-123.27	-250.42	889.86	-123.27	-248.28	890.45	-123.27	-248.28	297.88
			TQ	-122.14	-261.32	1394.81	-122.14	-261.32	807.66	-122.14	-259.38	808.28	-122.14	-259.38	221.14
			M3	-17.78	20.73	-1380.26	-17.78	20.73	-1465.75	-17.78	17.21	-1465.79	-17.95	16.18	-1552.06

BAGO RIVER BRIDGE

BLOCK [ No.1 : MAIN GIRDER ][ BEAM MEMBER FORCE ]

MEMBER		2029			2030			2030			2031				
NODE		2029			2030			2030			2031				
		SHEAR	TORQUE	MOMENT	SHEAR	TORQUE	MOMENT	SHEAR	TORQUE	MOMENT	SHEAR	TORQUE	MOMENT		
NAME	TITLE	S2 (kN)	TQ (kN·m)	M3 (kN·m)	S2 (kN)	TQ (kN·m)	M3 (kN·m)	S2 (kN)	TQ (kN·m)	M3 (kN·m)	S2 (kN)	TQ (kN·m)	M3 (kN·m)		
67	2-LANES (caseTANDEM-LOAD	MAX	S2	13.90	10.22	-59.66	13.90	10.22	7.17	13.90	10.24	7.15	13.90	10.24	73.97
			TQ	2.72	21.00	-200.65	2.72	21.00	-187.57	2.72	20.55	-187.62	2.72	20.55	-174.53
			M3	-65.42	-159.02	1064.83	-54.21	-126.10	733.66	-54.21	-124.34	733.96	-15.09	-32.38	546.51
		MIN	S2	-86.13	-172.65	1049.37	-86.13	-172.65	635.33	-86.13	-171.12	635.74	-86.13	-171.12	221.70
			TQ	-81.74	-180.41	906.31	-81.74	-180.41	513.38	-81.74	-179.17	513.81	-81.74	-179.17	120.88
			M3	-12.13	13.73	-937.12	-12.13	13.73	-995.45	-12.13	11.34	-995.48	-12.18	11.06	-1054.03
	DISPERSION-LMAX	S2	28.66	16.52	34.26	27.58	17.85	131.26	27.58	18.17	131.22	26.73	18.27	221.91	
		TQ	-6.47	62.98	-2043.37	-6.47	62.98	-2074.49	-4.08	58.20	-1907.07	-7.34	58.20	-1932.60	
		M3	-92.39	-232.59	1164.03	-73.34	-216.15	718.06	-73.38	-214.51	718.58	-32.52	-112.34	451.11	
		MIN	S2	-125.44	-190.60	-1298.97	-130.64	-191.94	-1876.32	-130.64	-196.44	-1875.85	-136.06	-196.54	-2477.05
			TQ	-90.31	-237.07	778.66	-96.58	-237.07	329.44	-98.98	-236.48	162.44	-101.99	-236.48	-322.53
			M3	-4.39	58.50	-2428.74	-29.72	42.06	-2463.12	-29.68	36.24	-2463.21	-76.81	-65.94	-2706.24
68	2-LANES (caseTRUCK-LOAD	MAX	S2	18.50	77.71	-101.26	18.50	77.71	-12.31	18.50	77.68	-12.50	18.50	77.68	76.45
			TQ	17.23	82.73	-97.84	17.23	82.73	-15.01	17.23	82.69	-15.21	17.23	82.69	67.62
			M3	-69.11	-593.99	1071.10	-58.79	-528.51	749.13	-58.79	-526.71	750.40	-38.24	-404.11	512.53
		MIN	S2	-74.69	-649.91	1022.72	-74.69	-649.91	663.65	-74.69	-648.32	665.21	-74.69	-648.32	306.14
			TQ	-73.02	-662.19	957.22	-73.02	-662.19	606.19	-73.02	-660.74	607.78	-73.02	-660.74	256.75
			M3	-12.10	49.77	-1338.24	-12.38	48.12	-1397.60	-12.38	44.77	-1397.71	-12.55	43.74	-1458.00
	TANDEM-LOAD	MAX	S2	12.57	51.85	-68.46	12.57	51.85	-8.04	12.57	51.83	-8.17	12.57	51.83	52.25
			TQ	11.91	56.27	-67.31	11.91	56.27	-10.06	11.91	56.24	-10.19	11.91	56.24	47.06
			M3	-49.35	-420.26	734.21	-41.39	-363.28	517.59	-41.39	-362.03	518.46	-26.62	-274.23	357.31
		MIN	S2	-51.38	-435.66	709.50	-51.38	-435.66	462.51	-51.38	-434.55	463.56	-51.38	-434.55	216.57
			TQ	-49.52	-452.35	632.00	-49.52	-452.35	393.95	-49.52	-451.41	395.04	-49.52	-451.41	156.99
			M3	-8.33	33.16	-908.91	-8.41	32.70	-949.27	-8.41	30.42	-949.35	-8.45	30.13	-989.97

BAGO RIVER BRIDGE

BLOCK [ No.1 : MAIN GIRDER ][ BEAM MEMBER FORCE ]

MEMBER NODE	2029	2030						2031					
		2029			2030			2030			2031		
		SHEAR	TORQUE	MOMENT	SHEAR	TORQUE	MOMENT	SHEAR	TORQUE	MOMENT	SHEAR	TORQUE	MOMENT
NAME TITLE	S2 (kN)	TQ (kN·m)	M3 (kN·m)	S2 (kN)	TQ (kN·m)	M3 (kN·m)	S2 (kN)	TQ (kN·m)	M3 (kN·m)	S2 (kN)	TQ (kN·m)	M3 (kN·m)	
68 2-LANES (caseDISPERSION-LMAX	S2	22.94	108.22	-200.85	22.94	108.22	-90.58	22.94	108.00	-90.84	22.94	108.00	19.43
	TQ	3.59	192.81	-2369.08	3.59	192.81	-2351.82	3.59	187.16	-2352.28	3.59	187.16	-2335.02
	M3	-74.16	-684.17	1025.69	-74.16	-684.17	669.17	-74.16	-682.56	670.81	-37.28	-460.96	422.97
	MIN S2	-93.51	-599.58	-1142.54	-93.51	-599.58	-1592.07	-93.51	-603.40	-1590.63	-93.51	-603.40	-2040.16
	TQ	-74.16	-684.17	1025.69	-74.16	-684.17	669.17	-74.16	-682.56	670.81	-74.16	-682.56	314.29
	M3	3.59	192.81	-2369.08	3.59	192.81	-2351.82	3.59	187.16	-2352.28	-33.29	-34.43	-2443.70
69 3-LANES (caseTRUCK-LOAD	MAX S2	222.18	203.05	1761.64	110.88	117.65	1588.94	110.88	121.47	1588.65	74.08	75.43	966.35
	TQ	-231.49	802.74	1952.75	-231.49	802.74	839.92	-231.49	804.75	837.99	-231.49	804.75	-274.83
	M3	-32.51	683.49	3029.69	-115.91	606.55	2323.41	-115.91	612.13	2321.95	-91.94	293.67	1465.11
	MIN S2	-329.12	701.01	3010.33	-370.59	655.35	2257.11	-370.59	660.76	2255.53	-482.45	576.01	985.09
	TQ	-50.43	-109.65	-2037.56	-50.43	-109.65	-2280.01	-50.51	-115.13	-2284.69	-50.51	-115.13	-2527.51
	M3	-52.38	-100.03	-2259.35	-52.47	-100.55	-2511.34	-52.47	-106.58	-2511.09	-52.56	-107.21	-2763.52
	TANDEM-LOAD MAX S2	189.25	203.16	1624.52	108.02	144.37	1557.74	108.02	148.11	1557.39	83.22	142.12	1185.51
	TQ	-167.16	550.27	1461.11	-167.16	550.27	657.56	-167.16	551.84	656.24	-167.16	551.84	-147.31
	M3	-37.55	455.13	2262.38	-113.78	398.38	1834.99	-113.78	402.79	1834.02	-116.01	226.32	1199.53
	MIN S2	-259.46	437.59	2252.19	-290.90	429.34	1770.39	-290.90	433.59	1769.35	-368.64	373.84	843.11
	TQ	-33.38	-74.43	-1329.84	-33.38	-74.43	-1490.30	-34.70	-78.12	-1579.72	-34.70	-78.12	-1746.55
	M3	-35.37	-66.89	-1532.48	-35.59	-68.20	-1703.40	-35.59	-72.29	-1703.23	-35.72	-73.13	-1874.89
DISPERSION-LMAX S2	85.42	-50.23	330.01	59.09	-69.78	427.70	59.09	-68.75	427.86	53.24	-74.40	516.03	
TQ	-159.95	813.63	2046.28	-206.40	813.63	1165.88	-206.40	816.42	1163.92	-252.85	816.42	60.23	
M3	-159.95	813.63	2046.28	-127.70	502.79	1279.83	-127.50	504.81	1278.62	-71.12	109.72	786.39	
MIN S2	-294.09	576.00	-2259.60	-314.21	595.56	-3471.92	-314.21	587.22	-3473.34	-354.81	592.87	-4899.43	
TQ	-48.72	-287.85	-3975.88	-48.72	-287.85	-4210.10	-48.72	-297.96	-4209.40	-48.72	-297.96	-4443.62	
M3	-48.72	-287.85	-3975.88	-127.42	22.98	-4324.05	-127.62	13.66	-4324.10	-230.45	408.75	-5169.79	

BAGO RIVER BRIDGE

BLOCK [ No.1 : MAIN GIRDER ][ BEAM MEMBER FORCE ]

MEMBER				2029			2030			2031					
NODE				2029			2030			2031					
				SHEAR	TORQUE	MOMENT	SHEAR	TORQUE	MOMENT	SHEAR	TORQUE	MOMENT			
NAME	TITLE			S2 (kN)	TQ (kN·m)	M3 (kN·m)	S2 (kN)	TQ (kN·m)	M3 (kN·m)	S2 (kN)	TQ (kN·m)	M3 (kN·m)			
70	3-LANES (caseTRUCK-LOAD	MAX	S2	30.12	41.55	-135.87	30.12	41.55	8.93	30.12	41.57	8.83	30.12	41.57	153.62
			TQ	2.18	68.84	-779.64	2.18	68.84	-769.18	2.18	67.00	-769.34	2.18	67.00	-758.88
			M3	-129.12	-479.92	2059.27	-108.45	-409.51	1417.10	-108.45	-406.10	1418.08	-59.41	-256.52	983.51
		MIN	S2	-164.45	-520.33	2024.92	-164.45	-520.33	1234.38	-164.45	-517.37	1235.62	-164.45	-517.37	445.08
			TQ	-162.85	-535.49	1899.81	-162.85	-535.49	1116.95	-162.85	-532.81	1118.24	-162.85	-532.81	335.38
			M3	-22.41	52.87	-2038.88	-22.69	51.22	-2147.82	-22.69	46.07	-2147.94	-22.86	45.04	-2257.80
		TANDEM-LOAD MAX	S2	20.46	27.66	-92.08	20.46	27.66	6.25	20.46	27.67	6.19	20.46	27.67	104.52
			TQ	2.16	48.40	-524.58	2.16	48.40	-514.20	2.16	47.17	-514.31	2.16	47.17	-503.93
			M3	-92.49	-331.30	1455.25	-77.40	-276.80	1001.49	-77.40	-274.39	1002.15	-29.95	-141.93	719.81
		MIN	S2	-114.30	-358.82	1412.09	-114.30	-358.82	862.61	-114.30	-356.75	863.47	-114.30	-356.75	313.99
			TQ	-109.78	-367.77	1258.56	-109.78	-367.77	730.83	-109.78	-366.01	731.71	-109.78	-366.01	203.99
			M3	-15.35	35.17	-1384.52	-15.42	34.71	-1458.63	-15.42	31.21	-1458.70	-15.47	30.92	-1533.07
		DISPERSION-LMAX	S2	40.67	59.13	-100.13	39.59	60.47	54.61	39.59	60.60	54.46	38.74	60.70	202.90
			TQ	-1.74	156.33	-3206.53	-1.74	156.33	-3214.91	0.65	148.82	-3047.71	-2.61	148.82	-3050.49
			M3	-132.88	-519.69	1685.95	-110.17	-496.22	1045.73	-110.32	-494.03	1046.92	-50.10	-286.04	654.29
MIN	S2	-173.21	-426.97	-1805.83	-178.41	-428.30	-2612.82	-178.41	-434.57	-2611.78	-183.83	-434.67	-3442.62		
	TQ	-130.80	-524.16	1300.57	-137.08	-524.16	656.70	-139.47	-522.79	490.39	-142.48	-522.79	-189.23		
	M3	0.34	151.85	-3591.90	-28.64	128.38	-3603.94	-28.50	120.06	-3604.24	-94.99	-87.93	-3894.01		
71	3-LANES (caseTRUCK-LOAD	MAX	S2	28.35	97.88	-147.90	28.35	97.88	-11.64	28.35	97.85	-11.87	28.35	97.85	124.39
			TQ	26.43	103.79	-142.20	26.43	103.79	-15.13	26.43	103.75	-15.38	26.43	103.75	111.69
			M3	-122.59	-742.36	1781.19	-99.81	-641.83	1224.29	-99.81	-638.88	1225.83	-46.70	-445.29	878.36
		MIN	S2	-130.90	-811.98	1722.46	-130.90	-811.98	1093.17	-130.90	-809.35	1095.12	-130.90	-809.35	465.83
			TQ	-121.53	-843.44	1483.47	-121.53	-843.44	899.26	-121.53	-841.28	901.29	-121.53	-841.28	317.08
			M3	-22.41	52.87	-2038.88	-22.69	51.22	-2147.82	-22.69	46.07	-2147.93	-22.86	45.04	-2257.80

BAGO RIVER BRIDGE

BLOCK [ No.1 : MAIN GIRDER ][ BEAM MEMBER FORCE ]

MEMBER				2029			2030			2031						
NODE				2029			2030			2031						
				SHEAR	TORQUE	MOMENT	SHEAR	TORQUE	MOMENT	SHEAR	TORQUE	MOMENT				
NAME	TITLE			S2 (kN)	TQ (kN·m)	M3 (kN·m)	S2 (kN)	TQ (kN·m)	M3 (kN·m)	S2 (kN)	TQ (kN·m)	M3 (kN·m)				
71	3-LANES (case)	TANDEM-LOAD	MAX	S2	19.25	65.83	-100.23	19.25	65.83	-7.68	19.25	65.81	-7.84			
				TQ	18.27	70.61	-97.91	18.27	70.61	-10.07	18.27	70.58	-10.24	18.27	70.58	77.60
				M3	-86.62	-518.58	1233.55	-75.93	-453.52	843.72	-75.93	-451.50	844.81	-27.24	-292.74	624.07
		MIN	S2	-90.74	-550.83	1182.30	-90.74	-550.83	746.08	-90.74	-549.04	747.40	-90.74	-549.04	311.19	
			TQ	-83.00	-577.07	999.49	-83.00	-577.07	600.48	-83.00	-575.63	601.86	-83.00	-575.63	202.85	
			M3	-15.35	35.17	-1384.52	-15.42	34.71	-1458.62	-15.42	31.21	-1458.70	-15.47	30.92	-1533.07	
		DISPERSION-LMAX	MAX	S2	35.89	132.71	-215.19	35.89	132.71	-42.64	35.89	132.61	-42.96	35.89	132.65	127.43
				TQ	3.49	226.33	-3307.49	3.49	226.33	-3290.71	5.85	218.63	-3125.80	5.85	218.63	-3097.66
				M3	-120.15	-857.98	1603.17	-112.62	-844.24	1026.67	-112.76	-842.09	1028.69	-52.98	-532.45	650.30
		MIN	S2	-157.62	-765.50	-1786.99	-157.64	-765.50	-2544.73	-157.64	-771.61	-2542.88	-157.80	-771.65	-3298.74	
			TQ	-125.22	-859.12	1305.31	-125.23	-859.12	703.35	-127.60	-857.63	539.96	-127.76	-857.63	-73.65	
			M3	-1.58	225.19	-3605.35	-9.13	211.45	-3614.03	-8.99	203.09	-3614.53	-68.93	-106.55	-3821.61	
72	4-LANES	TRUCK-LOAD	MAX	S2	38.98	92.96	-189.18	38.98	92.96	-1.81	38.98	92.95	-2.04	38.98	92.95	185.33
				TQ	34.95	100.43	-175.46	34.95	100.43	-7.43	34.95	100.41	-7.67	34.95	100.41	160.35
				M3	-171.35	-897.78	1926.62	-171.35	-897.78	1102.88	-171.35	-895.13	1105.04	-48.79	-609.95	363.15
		MIN	S2	-171.51	-898.39	1922.01	-171.51	-898.39	1097.53	-171.51	-895.75	1099.68	-171.51	-895.75	275.19	
			TQ	-171.51	-898.39	1922.01	-171.51	-898.39	1097.53	-171.51	-895.75	1099.68	-171.51	-895.75	275.19	
			M3	38.93	94.68	-189.59	13.61	84.07	-17.03	13.72	84.26	-17.23	-73.25	-321.89	-181.40	
		TANDEM-LOAD	MAX	S2	26.47	62.61	-128.30	26.47	62.61	-1.05	26.47	62.61	-1.20	26.47	62.61	126.05
				TQ	23.33	68.27	-117.52	23.33	68.27	-5.38	23.33	68.26	-5.54	23.33	68.26	106.61
				M3	-122.27	-618.09	1435.43	-122.27	-618.09	847.64	-122.27	-616.05	849.12	-76.54	-565.37	291.87
		MIN	S2	-123.18	-622.29	1416.98	-123.18	-622.29	824.82	-123.18	-620.31	826.31	-123.18	-620.31	234.14	
			TQ	-123.18	-622.29	1416.98	-123.18	-622.29	824.82	-123.18	-620.31	826.31	-123.18	-620.31	234.14	
			M3	26.45	65.00	-129.03	9.42	56.82	-11.83	9.42	56.79	-11.96	-50.75	-216.09	-125.60	

BAGO RIVER BRIDGE

BLOCK [ No.1 : MAIN GIRDER ][ BEAM MEMBER FORCE ]

MEMBER				2029						2030							
NODE				2029			2030			2030			2031				
				SHEAR	TORQUE	MOMENT	SHEAR	TORQUE	MOMENT	SHEAR	TORQUE	MOMENT	SHEAR	TORQUE	MOMENT		
NAME	TITLE			S2 (kN)	TQ (kN·m)	M3 (kN·m)	S2 (kN)	TQ (kN·m)	M3 (kN·m)	S2 (kN)	TQ (kN·m)	M3 (kN·m)	S2 (kN)	TQ (kN·m)	M3 (kN·m)		
72	4-LANES	DISPERSION-LMAX	S2	47.43	112.59	-230.02	47.43	112.59	-2.02	47.43	112.58	-2.29	47.43	112.58	225.71		
			TQ	40.47	122.04	-197.92	40.47	122.04	-3.37	40.44	122.03	-3.50	40.44	122.03	190.91		
			M3	-105.72	-589.64	975.91	-79.80	-570.37	480.34	-79.93	-569.50	481.71	3.38	-249.63	305.41		
		MIN	S2	-105.93	-583.04	974.78	-105.93	-583.04	465.54	-105.93	-581.92	466.94	-105.93	-581.92	-42.30		
			TQ	-97.78	-591.92	938.74	-97.78	-591.92	468.69	-97.76	-590.79	469.97	-97.76	-590.79	0.03		
			M3	47.16	120.85	-231.76	22.75	100.31	-16.20	22.87	100.52	-16.44	-62.32	-225.86	-120.74		
		73	6-LANES	TRUCK-LOAD MAX	S2	255.72	203.41	1550.03	141.64	160.87	1549.83	141.64	164.59	1549.44	94.82	217.64	1435.60
					TQ	-187.21	746.16	1666.22	-187.21	746.16	766.25	-187.21	748.00	764.46	-187.21	748.00	-135.51
					M3	-148.14	-95.09	4847.48	-171.77	-116.13	3612.12	-171.77	-107.46	3612.39	-152.40	-135.31	2375.01
MIN	S2			-456.48	-139.96	4754.83	-508.01	-148.78	3340.91	-508.01	-140.76	3341.26	-623.80	-182.11	1394.11		
	TQ			-186.68	-840.54	-405.08	-186.68	-840.54	-1302.48	-187.14	-843.69	-1330.57	-187.14	-843.69	-2230.20		
	M3			-74.81	-47.24	-4298.57	-75.20	-49.51	-4659.61	-75.20	-60.70	-4659.47	-75.38	-61.87	-5021.66		
TANDEM-LOAD MAX	S2			212.62	187.51	1472.93	129.37	161.78	1525.18	129.37	165.44	1524.78	93.82	183.65	1262.28		
	TQ			-135.69	510.17	1253.70	-135.69	510.17	601.39	-135.69	511.61	600.17	-135.69	511.61	-52.14		
	M3			-118.80	-65.70	3536.67	-168.95	-42.56	2731.37	-168.95	-36.00	2731.46	-111.05	-92.67	1857.48		
MIN	S2	-344.53	-124.07	3439.65	-387.34	-101.27	2495.03	-387.34	-95.29	2495.26	-467.90	-126.97	1098.33				
	TQ	-130.27	-574.82	-191.21	-130.27	-574.82	-817.46	-131.26	-576.85	-883.94	-131.26	-576.85	-1514.94				
	M3	-50.75	-31.88	-2917.23	-51.04	-33.62	-3162.34	-51.04	-41.21	-3162.25	-51.20	-42.26	-3408.16				
DISPERSION-LMAX	S2	121.08	61.86	160.59	94.17	48.38	414.97	94.17	49.37	414.85	87.78	46.41	647.61				
	TQ	-130.93	901.97	-1269.68	-166.74	901.97	-1984.53	-164.34	897.41	-1819.05	-204.37	897.41	-2702.71				
	M3	-271.73	-73.28	3521.98	-226.38	-326.76	2238.32	-226.35	-322.49	2239.10	-118.56	-388.48	1395.20				
MIN	S2	-434.79	-141.14	-3691.26	-456.35	-124.59	-5570.76	-456.35	-137.96	-5570.45	-499.89	-132.40	-7665.38				
	TQ	-184.40	-1035.40	-2293.55	-188.26	-1035.40	-3189.33	-190.65	-1043.26	-3354.29	-192.48	-1043.26	-4275.68				
	M3	-44.81	-47.46	-7071.55	-129.14	185.14	-7386.75	-129.21	168.65	-7387.17	-290.06	227.84	-8392.79				



BAGO RIVER BRIDGE

BLOCK [ No.1 : MAIN GIRDER ] [ BEAM MEMBER FORCE ]

MEMBER			2029			2030			2030			2031			
NODE			2029			2030			2030			2031			
NAME TITLE			SHEAR	TORQUE	MOMENT	SHEAR	TORQUE	MOMENT	SHEAR	TORQUE	MOMENT	SHEAR	TORQUE	MOMENT	
			S2 (kN)	TQ (kN·m)	M3 (kN·m)	S2 (kN)	TQ (kN·m)	M3 (kN·m)	S2 (kN)	TQ (kN·m)	M3 (kN·m)	S2 (kN)	TQ (kN·m)	M3 (kN·m)	
124	SUM TOTAL	D+1LANE (caseMAX	S2	-1185.09	-312.23	-13726.61	-1378.56	-306.58	-19880.22	-1378.56	-354.29	-19879.43	-1520.15	-209.66	-26438.69
			TQ	-1446.64	782.58	-11705.74	-1626.54	782.58	-19092.24	-1626.54	736.76	-19094.07	-1806.44	736.76	-27345.40
			M3	-1450.38	728.71	-11462.05	-1580.51	530.26	-18796.92	-1580.40	484.45	-18798.14	-1554.64	-22.06	-26285.03
		MIN	S2	-1547.00	622.71	-13105.49	-1676.20	648.11	-20768.77	-1676.20	598.26	-20770.27	-1863.82	582.76	-29317.85
			TQ	-1267.93	-431.63	-16172.83	-1461.69	-431.63	-22733.73	-1461.69	-486.19	-22732.63	-1655.44	-486.19	-30224.96
			M3	-1268.23	-425.60	-16259.31	-1499.33	-227.77	-22884.99	-1499.44	-282.00	-22884.38	-1738.33	-54.99	-30657.93
		D+1LANE (caseMAX	S2	-977.96	-117.49	-12481.56	-1299.07	-145.37	-18823.11	-1299.07	-190.54	-18822.71	-1570.92	-226.23	-26606.63
			TQ	-1314.59	107.34	-12429.60	-1553.20	107.34	-19322.58	-1553.20	60.96	-19322.78	-1791.80	60.96	-27362.81
			M3	-1154.34	62.38	-11860.18	-1453.10	-11.06	-18408.57	-1453.07	-55.33	-18408.49	-1756.93	-159.54	-26451.99
		MIN	S2	-1414.74	0.61	-13605.36	-1705.50	-8.58	-20274.57	-1705.50	-57.24	-20274.49	-2038.13	-65.04	-28546.41
			TQ	-1248.12	-297.65	-16031.96	-1441.87	-297.65	-22497.61	-1441.97	-351.65	-22502.77	-1635.72	-351.65	-29900.29
			M3	-1249.37	-296.01	-16122.97	-1468.64	-241.64	-22623.47	-1468.67	-295.84	-22622.82	-1699.83	-209.72	-30235.61
		D+1LANE (caseMAX	S2	-1186.55	-202.27	-13675.16	-1381.60	-200.67	-19893.75	-1381.60	-248.41	-19893.21	-1576.37	-248.29	-27050.78
			TQ	-1217.06	-183.71	-14417.68	-1410.82	-183.71	-20734.03	-1407.95	-233.23	-20532.48	-1605.61	-233.23	-27773.55
			M3	-1321.43	-367.73	-12012.84	-1496.02	-330.24	-18884.08	-1496.03	-375.57	-18883.23	-1650.28	-299.98	-26503.15
		MIN	S2	-1380.80	-364.80	-13571.68	-1580.79	-366.40	-20644.34	-1580.79	-415.95	-20643.40	-1781.06	-416.07	-28676.11
			TQ	-1353.37	-378.90	-12499.55	-1554.65	-378.90	-19489.25	-1557.52	-425.91	-19689.33	-1754.90	-425.91	-27653.35
			M3	-1236.04	-192.45	-16015.86	-1446.96	-195.21	-22434.99	-1446.95	-249.05	-22434.46	-1672.65	-280.55	-29925.40
		D+1LANE (caseMAX	S2	-1193.77	-70.50	-13933.38	-1387.52	-70.50	-20137.75	-1387.52	-118.83	-20137.53	-1581.28	-118.83	-27273.33
			TQ	-1203.25	-6.67	-15158.41	-1397.01	-6.67	-21408.38	-1397.01	-58.05	-21408.30	-1590.76	-58.05	-28589.69
			M3	-1294.97	-1117.26	-12520.34	-1486.11	-1098.31	-19204.99	-1486.11	-1144.40	-19202.30	-1654.34	-954.00	-26732.50
		MIN	S2	-1307.79	-1081.38	-13768.26	-1501.55	-1081.38	-20520.78	-1501.55	-1130.63	-20518.12	-1695.30	-1130.63	-28202.06
			TQ	-1299.07	-1141.55	-12541.41	-1492.83	-1141.55	-19252.00	-1492.83	-1187.75	-19249.20	-1686.58	-1187.75	-26891.22
			M3	-1218.91	-25.86	-15888.23	-1413.00	-27.85	-22214.90	-1413.00	-81.16	-22214.77	-1624.70	-202.95	-29527.02

BAGO RIVER BRIDGE

BLOCK [ No.1 : MAIN GIRDER ][ BEAM MEMBER FORCE ]

MEMBER			2029			2030			2031			2030			
NODE			2029			2030			2030			2031			
NAME TITLE			SHEAR	TORQUE	MOMENT	SHEAR	TORQUE	MOMENT	SHEAR	TORQUE	MOMENT	SHEAR	TORQUE	MOMENT	
			S2 (kN)	TQ (kN·m)	M3 (kN·m)	S2 (kN)	TQ (kN·m)	M3 (kN·m)	S2 (kN)	TQ (kN·m)	M3 (kN·m)	S2 (kN)	TQ (kN·m)	M3 (kN·m)	
124	SUM TOTAL	D+2LANES (casMAX	S2	-1110.99	-126.54	-12618.09	-1336.25	-208.26	-18999.42	-1336.25	-253.86	-18998.86	-1507.58	-275.80	-26344.95
			TQ	-1529.51	1149.65	-10754.01	-1732.33	1149.65	-18594.02	-1732.33	1105.02	-18596.73	-1935.16	1105.02	-27411.78
			M3	-1464.07	1067.87	-10151.58	-1621.46	741.29	-17758.26	-1621.29	697.70	-17759.99	-1642.94	70.98	-25704.69
		MIN	S2	-1677.81	899.24	-13022.51	-1852.32	880.79	-21021.31	-1852.32	830.33	-21023.37	-2082.81	757.72	-30125.17
			TQ	-1292.62	-526.73	-17764.50	-1486.37	-526.73	-24444.08	-1486.37	-585.39	-24442.74	-1680.13	-585.39	-32053.74
			M3	-1293.52	-518.48	-17910.46	-1544.80	-253.47	-24684.48	-1544.98	-311.74	-24683.80	-1810.49	10.95	-32736.48
		D+2LANES (casMAX	S2	-938.38	35.74	-11580.55	-1270.01	-73.91	-18118.49	-1270.01	-117.40	-18118.26	-1549.89	-289.61	-26484.89
			TQ	-1419.47	586.95	-11357.22	-1671.22	586.95	-18785.97	-1671.22	541.86	-18787.33	-1922.97	541.86	-27426.29
			M3	-1217.36	512.59	-10483.35	-1515.29	290.19	-17434.64	-1515.18	247.88	-17435.28	-1811.52	-43.58	-25843.83
		MIN	S2	-1567.60	380.82	-13439.07	-1876.74	333.55	-20609.48	-1876.74	284.08	-20610.22	-2228.06	217.89	-29482.30
			TQ	-1276.11	-415.08	-17647.11	-1469.86	-415.08	-24247.31	-1469.94	-473.28	-24251.20	-1663.70	-473.28	-31783.19
			M3	-1277.80	-410.49	-17796.85	-1519.23	-265.03	-24466.54	-1519.34	-323.28	-24465.84	-1778.40	-117.99	-32384.55
		D+2LANES (casMAX	S2	-1169.17	-174.01	-13750.59	-1364.01	-172.68	-19877.51	-1364.01	-220.38	-19877.03	-1558.61	-220.28	-26941.68
			TQ	-1221.58	-114.17	-16029.57	-1415.34	-114.17	-22367.67	-1412.95	-167.65	-22199.76	-1609.96	-167.65	-29463.68
			M3	-1401.86	-673.84	-11039.52	-1558.73	-603.12	-18271.63	-1558.78	-647.06	-18270.13	-1673.22	-449.77	-26083.95
		MIN	S2	-1467.01	-646.80	-13513.48	-1665.97	-648.14	-21005.72	-1665.97	-698.55	-21004.10	-1865.15	-698.65	-29451.62
			TQ	-1430.75	-704.17	-11523.46	-1630.78	-704.17	-18882.16	-1633.17	-749.69	-19047.99	-1829.95	-749.69	-27373.86
			M3	-1240.48	-126.55	-17505.93	-1459.56	-143.00	-23948.13	-1459.52	-200.38	-23947.71	-1700.58	-303.58	-31530.76
		D+2LANES (casMAX	S2	-1176.86	-19.85	-13999.03	-1370.62	-19.85	-20122.15	-1370.62	-68.15	-20122.04	-1564.37	-68.15	-27176.58
			TQ	-1197.48	69.76	-16163.84	-1391.24	69.76	-22386.09	-1391.24	16.03	-22386.19	-1585.00	16.03	-29539.86
			M3	-1361.58	-1483.94	-11600.14	-1545.01	-1418.46	-18600.96	-1545.01	-1463.10	-18597.50	-1681.34	-1118.90	-26336.97
		MIN	S2	-1386.51	-1455.28	-13816.74	-1580.27	-1455.28	-20947.68	-1580.27	-1505.55	-20944.13	-1774.02	-1505.55	-29006.49
			TQ	-1365.49	-1552.15	-11714.02	-1559.25	-1552.15	-18743.90	-1559.25	-1597.13	-18740.12	-1753.00	-1597.13	-26701.43
			M3	-1226.81	36.80	-17404.25	-1420.85	35.15	-23768.68	-1420.85	-21.90	-23768.70	-1651.65	-244.53	-31174.16

BAGO RIVER BRIDGE

BLOCK [ No.1 : MAIN GIRDER ][ BEAM MEMBER FORCE ]

MEMBER			2029			2030			2031			2030				
NODE			2029			2030			2030			2031				
NAME TITLE			SHEAR	TORQUE	MOMENT	SHEAR	TORQUE	MOMENT	SHEAR	TORQUE	MOMENT	SHEAR	TORQUE	MOMENT		
			S2 (kN)	TQ (kN·m)	M3 (kN·m)	S2 (kN)	TQ (kN·m)	M3 (kN·m)	S2 (kN)	TQ (kN·m)	M3 (kN·m)	S2 (kN)	TQ (kN·m)	M3 (kN·m)		
124	SUM TOTAL	D+3LANES (casMAX	S2	-956.84	-75.89	-11919.03	-1267.59	-165.09	-18305.12	-1267.59	-209.02	-18304.67	-1497.60	-252.95	-26012.44	
			TQ	-1551.03	1168.13	-10297.75	-1784.26	1168.13	-18314.33	-1784.26	1124.17	-18317.08	-2017.50	1124.17	-27454.88	
			M3	-1381.89	1066.77	-9382.35	-1619.13	737.16	-16956.51	-1618.95	695.57	-16958.23	-1744.41	89.05	-25358.69	
		MIN	S2	-1748.03	879.68	-13058.81	-1994.14	857.49	-21051.85	-1994.14	806.96	-21053.85	-2317.48	739.72	-30599.65	
			TQ	-1302.59	-543.66	-18808.35	-1496.34	-543.66	-25535.85	-1496.41	-604.95	-25538.68	-1690.17	-604.95	-33197.93	
			M3	-1304.25	-535.49	-18996.88	-1564.97	-271.72	-25829.34	-1565.14	-332.82	-25828.62	-1846.38	2.48	-34015.77	
		D+3LANES (casMAX	S2	-1158.13	-120.20	-13897.53	-1352.81	-119.07	-19965.25	-1352.81	-166.99	-19964.91	-1547.28	-166.90	-26969.42	
			TQ	-1217.94	-14.38	-17085.17	-1411.69	-14.38	-23405.74	-1409.66	-70.39	-23263.20	-1606.18	-70.39	-30510.43	
			M3	-1441.01	-1055.45	-10513.49	-1597.89	-975.65	-17925.85	-1598.01	-1018.94	-17923.46	-1698.90	-715.01	-25880.33	
		MIN	S2	-1505.32	-1010.99	-13510.70	-1703.49	-1012.12	-21190.93	-1703.49	-1062.98	-21188.44	-1901.86	-1063.06	-29820.38	
			TQ	-1467.91	-1106.49	-10976.60	-1667.00	-1106.49	-18511.65	-1669.03	-1151.09	-18651.38	-1865.35	-1151.09	-27148.24	
			M3	-1237.07	-31.76	-18483.10	-1455.70	-53.12	-24908.26	-1455.57	-112.62	-24908.06	-1705.99	-290.29	-32501.51	
		D+3LANES (casMAX	S2	-1163.70	-9.78	-14005.56	-1357.46	-9.78	-20065.40	-1357.46	-57.94	-20065.31	-1551.22	-57.90	-27058.42	
			TQ	-1192.87	74.81	-16629.16	-1386.63	74.81	-22829.22	-1384.62	20.19	-22688.71	-1578.37	20.19	-29810.54	
			M3	-1424.64	-1566.07	-10820.22	-1592.62	-1468.94	-18105.94	-1592.74	-1512.66	-18102.37	-1690.54	-1084.91	-25973.10	
		MIN	S2	-1463.55	-1546.64	-13751.78	-1657.32	-1546.64	-21253.08	-1657.32	-1597.64	-21249.31	-1851.21	-1597.68	-29680.43	
			TQ	-1428.04	-1652.96	-11326.46	-1621.81	-1652.96	-18657.04	-1623.82	-1697.90	-18793.65	-1817.71	-1697.90	-27065.55	
			M3	-1238.69	30.57	-18494.52	-1439.11	17.49	-24916.83	-1438.99	-42.04	-24916.80	-1683.84	-306.12	-32439.96	
		D+4LANES	MAX	S2	-1162.14	-72.18	-13969.41	-1355.90	-72.18	-20021.75	-1355.90	-120.23	-20021.52	-1549.65	-120.23	-27005.29
			TQ	-1169.28	-61.18	-13939.62	-1363.03	-61.18	-20026.28	-1363.05	-109.24	-20025.97	-1556.81	-109.24	-27044.15	
			M3	-1398.41	-1172.60	-11810.28	-1575.31	-1160.07	-18990.16	-1575.40	-1205.84	-18987.32	-1635.33	-812.56	-26837.89	
		MIN	S2	-1398.64	-1168.71	-11814.01	-1592.40	-1168.71	-19003.26	-1592.40	-1214.32	-19000.40	-1786.15	-1214.32	-27121.08	
			TQ	-1393.34	-1174.48	-11837.44	-1587.10	-1174.48	-19001.22	-1587.08	-1220.08	-18998.43	-1780.84	-1220.08	-27093.57	
			M3	-1162.34	-65.69	-13970.81	-1388.43	-85.94	-20040.85	-1388.28	-133.72	-20040.59	-1693.94	-609.87	-27468.86	

BAGO RIVER BRIDGE

BLOCK [ No.1 : MAIN GIRDER ][ BEAM MEMBER FORCE ]

MEMBER					2029			2030			2031					
NODE					2029			2030			2031					
					SHEAR	TORQUE	MOMENT	SHEAR	TORQUE	MOMENT	SHEAR	TORQUE	MOMENT			
NAME	TITLE				S2 (kN)	TQ (kN·m)	M3 (kN·m)	S2 (kN)	TQ (kN·m)	M3 (kN·m)	S2 (kN)	TQ (kN·m)	M3 (kN·m)			
124	SUM TOTAL	D+6LANES	MAX	S2	-973.38	-33.36	-12585.03	-1258.79	-69.77	-18742.14	-1258.79	-114.75	-18741.92	-1487.13	-82.20	-25918.38
				TQ	-1425.10	865.50	-13439.18	-1642.13	865.50	-20811.14	-1640.57	815.69	-20704.19	-1860.34	815.69	-29117.30
				M3	-1491.22	-315.23	-8256.79	-1670.86	-493.66	-16216.48	-1670.84	-533.30	-16215.25	-1781.94	-594.29	-24821.82
			MIN	S2	-1797.63	-388.50	-13005.61	-2038.90	-383.47	-21468.67	-2038.90	-434.99	-21467.68	-2336.21	-458.26	-31348.79
				TQ	-1459.50	-1425.14	-15451.04	-1655.77	-1425.14	-22938.94	-1657.62	-1480.35	-23063.87	-1852.57	-1480.35	-31501.29
				M3	-1296.06	-267.34	-21087.51	-1544.88	-117.62	-27849.39	-1544.93	-183.66	-27849.02	-1843.35	-145.95	-35991.85
	SUM TOTAL		MAX		-938.38	1168.13	-8256.79	-1258.79	1168.13	-16216.48	-1258.79	1124.17	-16215.25	-1487.13	1124.17	-24821.82
			MIN		-1797.63	-1652.96	-21087.51	-2038.90	-1652.96	-27849.39	-2038.90	-1697.90	-27849.02	-2336.21	-1697.90	-35991.85
300	DEAD LOAD	TOTAL			-1218.30	-205.78	-13696.93	-1412.06	-205.78	-20019.26	-1412.06	-253.83	-20018.71	-1605.82	-253.83	-27272.46
301	LIVE LOAD	1-LANE(case1MAX	S2		33.22	-106.44	-29.68	33.50	-100.79	139.04	33.50	-100.46	139.28	85.67	44.17	833.77
			TQ		-228.33	988.36	1991.19	-214.48	988.36	927.01	-214.48	990.59	924.64	-200.62	990.59	-72.94
			M3		-232.08	934.49	2234.87	-168.45	736.05	1222.34	-168.34	738.28	1220.57	51.18	231.77	987.43
			MIN	S2	-328.69	828.50	591.44	-264.14	853.89	-749.51	-264.14	852.09	-751.56	-258.01	836.59	-2045.39
				TQ	-49.63	-225.85	-2475.90	-49.63	-225.85	-2714.47	-49.63	-232.36	-2713.92	-49.63	-232.36	-2952.49
				M3	-49.93	-219.81	-2562.38	-87.27	-21.99	-2865.73	-87.38	-28.17	-2865.67	-132.52	198.83	-3385.46
		1-LANE(case2MAX	S2		240.34	88.29	1215.37	112.99	60.42	1196.15	112.99	63.29	1196.00	34.89	27.60	665.83
			TQ		-96.28	313.12	1267.33	-141.14	313.12	696.68	-141.14	314.79	695.92	-185.99	314.79	-90.35
			M3		63.97	268.16	1836.75	-41.04	194.72	1610.69	-41.01	198.50	1610.22	-151.12	94.29	820.47
			MIN	S2	-196.44	206.39	91.57	-293.44	197.20	-255.31	-293.44	196.59	-255.78	-432.32	188.79	-1273.95
				TQ	-29.81	-91.87	-2335.03	-29.81	-91.87	-2478.35	-29.91	-97.82	-2484.06	-29.91	-97.82	-2627.83
				M3	-31.06	-90.23	-2426.04	-56.58	-35.85	-2604.21	-56.61	-42.01	-2604.12	-94.01	44.11	-2963.14
		1-LANE(case3MAX	S2		31.76	3.51	21.77	30.46	5.11	125.51	30.46	5.41	125.50	29.45	5.53	221.68
			TQ		1.24	22.07	-720.75	1.24	22.07	-714.77	4.11	20.59	-513.77	0.20	20.59	-501.09
			M3		-103.12	-161.95	1684.09	-83.96	-124.46	1135.18	-83.97	-121.74	1135.47	-44.47	-46.15	769.31
			MIN	S2	-162.50	-159.02	125.25	-168.73	-160.62	-625.08	-168.73	-162.12	-624.70	-175.24	-162.24	-1403.65
				TQ	-135.06	-173.12	1197.38	-142.59	-173.12	530.01	-145.46	-172.08	329.38	-149.08	-172.08	-380.89
				M3	-17.74	13.33	-2318.93	-34.90	10.57	-2415.73	-34.89	4.78	-2415.75	-66.84	-26.72	-2652.93

BAGO RIVER BRIDGE

BLOCK [ No.1 : MAIN GIRDER ][ BEAM MEMBER FORCE ]

MEMBER			2029			2030			2030			2031			
NODE			2029			2030			2030			2031			
NAME TITLE			SHEAR	TORQUE	MOMENT	SHEAR	TORQUE	MOMENT	SHEAR	TORQUE	MOMENT	SHEAR	TORQUE	MOMENT	
			S2 (kN)	TQ (kN·m)	M3 (kN·m)	S2 (kN)	TQ (kN·m)	M3 (kN·m)	S2 (kN)	TQ (kN·m)	M3 (kN·m)	S2 (kN)	TQ (kN·m)	M3 (kN·m)	
301	LIVE LOAD	1-LANE (case4MAX	S2	24.54	135.28	-236.45	24.54	135.28	-118.50	24.54	134.99	-118.82	24.54	134.99	-0.86
			TQ	15.05	199.11	-1461.48	15.05	199.11	-1389.12	15.05	195.77	-1389.59	15.05	195.77	-1317.22
			M3	-76.66	-911.48	1176.59	-74.05	-892.53	814.27	-74.05	-890.58	816.41	-48.52	-700.18	539.96
			MIN S2	-89.49	-875.60	-71.33	-89.49	-875.60	-501.52	-89.49	-876.80	-499.41	-89.49	-876.80	-929.59
			TQ	-80.77	-935.77	1155.52	-80.77	-935.77	767.26	-80.77	-933.92	769.50	-80.77	-933.92	381.24
			M3	-0.60	179.92	-2191.30	-0.94	177.94	-2195.64	-0.94	172.67	-2196.06	-18.88	50.88	-2254.55
		2-LANES (caseMAX	S2	107.32	79.25	1078.84	75.81	-2.47	1019.84	75.81	-0.03	1019.85	98.24	-21.97	927.52
			TQ	-311.20	1355.43	2942.92	-320.27	1355.43	1425.24	-320.27	1358.85	1421.98	-329.35	1358.85	-139.31
			M3	-245.76	1273.65	3545.35	-209.40	947.08	2261.00	-209.23	951.53	2258.72	-37.13	324.81	1567.77
			MIN S2	-459.51	1105.02	674.42	-440.26	1086.57	-1002.06	-440.26	1084.16	-1004.66	-476.99	1011.55	-2852.71
			TQ	-74.31	-320.95	-4067.58	-74.31	-320.95	-4424.82	-74.31	-331.57	-4424.04	-74.31	-331.57	-4781.28
			M3	-75.22	-312.69	-4213.53	-132.74	-47.69	-4665.22	-132.92	-57.91	-4665.09	-204.68	264.78	-5464.02
		2-LANES (caseMAX	S2	279.92	241.52	2116.38	142.05	131.87	1900.77	142.05	136.43	1900.44	55.93	-35.78	787.57
			TQ	-201.16	792.73	2339.70	-259.16	792.73	1233.29	-259.16	795.69	1231.38	-317.15	795.69	-153.82
			M3	0.94	718.38	3213.58	-103.23	495.97	2584.62	-103.12	501.71	2583.42	-205.71	210.24	1428.64
			MIN S2	-349.29	586.60	257.86	-464.68	539.33	-590.22	-464.68	537.91	-591.51	-622.25	471.72	-2209.84
			TQ	-57.80	-209.29	-3950.18	-57.80	-209.29	-4228.05	-57.88	-219.45	-4232.49	-57.88	-219.45	-4510.73
			M3	-59.50	-204.71	-4099.92	-107.17	-59.24	-4447.28	-107.28	-69.45	-4447.13	-172.59	135.84	-5112.08
		2-LANES (caseMAX	S2	49.13	31.77	-53.66	48.05	33.11	141.75	48.05	33.45	141.67	47.20	33.55	330.78
			TQ	-3.28	91.61	-2332.64	-3.28	91.61	-2348.41	-0.89	86.17	-2181.05	-4.14	86.17	-2191.22
			M3	-183.56	-468.06	2657.41	-146.67	-397.34	1747.63	-146.72	-393.23	1748.57	-67.40	-195.94	1188.51
			MIN S2	-248.71	-441.02	183.45	-253.91	-442.35	-986.46	-253.91	-444.72	-985.40	-259.33	-444.82	-2179.16
			TQ	-212.45	-498.39	2173.47	-218.72	-498.39	1137.10	-221.11	-495.86	970.72	-224.13	-495.86	-101.40
			M3	-22.18	79.23	-3809.01	-47.50	62.79	-3928.87	-47.46	53.45	-3929.01	-94.76	-49.75	-4258.30

BAGO RIVER BRIDGE

BLOCK [ No.1 : MAIN GIRDER ][ BEAM MEMBER FORCE ]

MEMBER NODE				2029			2030			2031						
				2029			2030			2030			2031			
				SHEAR	TORQUE	MOMENT	SHEAR	TORQUE	MOMENT	SHEAR	TORQUE	MOMENT	SHEAR	TORQUE	MOMENT	
NAME TITLE				S2 (kN)	TQ (kN·m)	M3 (kN·m)	S2 (kN)	TQ (kN·m)	M3 (kN·m)	S2 (kN)	TQ (kN·m)	M3 (kN·m)	S2 (kN)	TQ (kN·m)	M3 (kN·m)	
301	LIVE LOAD	2-LANES (caseMAX	S2	41.44	185.93	-302.10	41.44	185.93	-102.89	41.44	185.68	-103.33	41.44	185.68	95.89	
			TQ	20.82	275.54	-2466.92	20.82	275.54	-2366.83	20.82	269.86	-2367.49	20.82	269.86	-2267.40	
			M3	-143.28	-1278.16	2096.79	-132.95	-1212.68	1418.30	-132.95	-1209.27	1421.21	-75.52	-865.07	935.50	
			MIN	S2	-168.21	-1249.50	-119.82	-168.21	-1249.50	-928.42	-168.21	-1251.72	-925.42	-168.21	-1251.72	-1734.02
			TQ	-147.19	-1346.36	1982.91	-147.19	-1346.36	1275.36	-147.19	-1343.30	1278.59	-147.19	-1343.30	571.03	
			M3	-8.51	242.58	-3707.32	-8.79	240.93	-3749.42	-8.79	231.93	-3749.99	-45.84	9.30	-3901.70	
		3-LANES (caseMAX	S2	261.46	129.90	1777.90	144.47	40.69	1714.14	144.47	44.81	1714.03	108.22	0.87	1260.02	
			TQ	-332.72	1373.91	3399.17	-372.20	1373.91	1704.93	-372.20	1378.00	1701.63	-411.69	1378.00	-182.41	
			M3	-163.59	1272.55	4314.58	-207.07	942.94	3062.75	-206.89	949.40	3060.48	-138.60	342.88	1913.77	
			MIN	S2	-529.72	1085.46	638.12	-582.08	1063.27	-1032.59	-582.08	1060.79	-1035.14	-711.67	993.55	-3327.18
			TQ	-84.28	-337.88	-5111.42	-84.28	-337.88	-5516.60	-84.35	-351.12	-5519.98	-84.35	-351.12	-5925.47	
			M3	-85.94	-329.70	-5299.95	-152.91	-65.93	-5810.08	-153.08	-78.99	-5809.91	-240.56	256.31	-6743.31	
		3-LANES (caseMAX	S2	60.17	85.58	-200.60	59.25	86.71	54.01	59.25	86.84	53.80	58.53	86.93	303.04	
			TQ	0.37	191.40	-3388.24	0.37	191.40	-3386.48	2.40	183.44	-3244.49	-0.37	183.44	-3237.97	
			M3	-222.70	-849.67	3183.44	-185.83	-769.86	2093.41	-185.95	-765.11	2095.25	-93.08	-461.18	1392.13	
			MIN	S2	-287.02	-805.20	186.23	-291.43	-806.34	-1171.67	-291.43	-809.15	-1169.74	-296.04	-809.23	-2547.91
			TQ	-249.60	-900.71	2720.32	-254.94	-900.71	1507.61	-256.97	-897.26	1367.33	-259.53	-897.26	124.23	
			M3	-18.76	174.02	-4786.17	-43.64	152.67	-4889.00	-43.51	141.21	-4889.35	-100.17	-36.46	-5229.04	
		3-LANES (caseMAX	S2	54.60	196.00	-308.63	54.60	196.00	-46.14	54.60	195.89	-46.61	54.60	195.93	214.04	
			TQ	25.43	280.60	-2932.23	25.43	280.60	-2809.96	27.44	274.02	-2670.00	27.44	274.02	-2538.07	
			M3	-206.33	-1360.29	2876.71	-180.56	-1263.16	1913.31	-180.68	-1258.83	1916.34	-84.73	-831.08	1299.36	
			MIN	S2	-245.25	-1340.86	-54.85	-245.26	-1340.86	-1233.82	-245.26	-1343.81	-1230.60	-245.40	-1343.85	-2407.97
			TQ	-209.73	-1447.18	2370.46	-209.75	-1447.18	1362.22	-211.76	-1444.07	1225.06	-211.90	-1444.07	206.91	
			M3	-20.39	236.35	-4797.59	-27.05	223.27	-4897.57	-26.93	211.78	-4898.10	-78.02	-52.29	-5167.50	

BAGO RIVER BRIDGE

BLOCK [ No.1 : MAIN GIRDER ][ BEAM MEMBER FORCE ]

MEMBER					2029						2030					
NODE					2029			2030			2030			2031		
NAME TITLE					SHEAR	TORQUE	MOMENT	SHEAR	TORQUE	MOMENT	SHEAR	TORQUE	MOMENT	SHEAR	TORQUE	MOMENT
					S2 (kN)	TQ (kN·m)	M3 (kN·m)	S2 (kN)	TQ (kN·m)	M3 (kN·m)	S2 (kN)	TQ (kN·m)	M3 (kN·m)	S2 (kN)	TQ (kN·m)	M3 (kN·m)
301	LIVE LOAD	4-LANES	MAX	S2	56.16	133.61	-272.48	56.16	133.61	-2.49	56.16	133.60	-2.81	56.16	133.60	267.18
				TQ	49.03	144.60	-242.69	49.03	144.60	-7.02	49.01	144.59	-7.27	49.01	144.59	228.32
				M3	-180.10	-966.82	1886.65	-163.25	-954.29	1029.10	-163.34	-952.01	1031.38	-29.51	-558.73	434.57
		MIN	S2	-180.34	-962.93	1882.92	-180.34	-962.93	1016.00	-180.34	-960.49	1018.30	-180.34	-960.49	151.38	
			TQ	-175.04	-968.70	1859.49	-175.04	-968.70	1018.04	-175.02	-966.25	1020.27	-175.02	-966.25	178.90	
			M3	55.96	140.09	-273.88	23.63	119.84	-21.60	23.78	120.11	-21.88	-88.13	-356.04	-196.39	
	6-LANES	MAX	S2	244.92	172.42	1111.90	153.27	136.01	1277.12	153.27	139.08	1276.79	118.69	171.63	1354.09	
			TQ	-206.80	1071.29	257.75	-230.07	1071.29	-791.88	-228.51	1069.51	-685.48	-254.53	1069.51	-1844.84	
			M3	-272.91	-109.44	5440.14	-258.80	-287.88	3802.78	-258.78	-279.47	3803.46	-176.12	-340.47	2450.64	
		MIN	S2	-579.32	-182.72	691.32	-626.84	-177.69	-1449.41	-626.84	-181.17	-1448.98	-730.40	-204.43	-4076.33	
			TQ	-241.20	-1219.36	-1754.11	-243.71	-1219.36	-2919.68	-245.56	-1226.52	-3045.16	-246.75	-1226.52	-4228.82	
			M3	-77.75	-61.56	-7390.58	-132.82	88.16	-7830.13	-132.87	70.17	-7830.32	-237.54	107.88	-8719.39	
	LIVE LOAD	MAX	279.92	1373.91	5440.14	153.27	1373.91	3802.78	153.27	1378.00	3803.46	118.69	1378.00	2450.64		
		MIN	-579.32	-1447.18	-7390.58	-626.84	-1447.18	-7830.13	-626.84	-1444.07	-7830.32	-730.40	-1444.07	-8719.39		
303	SUM TOTAL	TOTAL	MAX	-938.38	1168.13	-8256.79	-1258.79	1168.13	-16216.48	-1258.79	1124.17	-16215.25	-1487.13	1124.17	-24821.82	
			MIN	-1797.63	-1652.96	-21087.51	-2038.90	-1652.96	-27849.39	-2038.90	-1697.90	-27849.02	-2336.21	-1697.90	-35991.85	

BAGO RIVER BRIDGE

BLOCK [ No.1 : MAIN GIRDER ] [ BEAM MEMBER FORCE ]

MEMBER NODE	2031	2032			2032			2033						
		SHEAR	TORQUE	MOMENT	SHEAR	TORQUE	MOMENT	SHEAR	TORQUE	MOMENT				
											S2 (kN)	TQ (kN·m)	M3 (kN·m)	S2 (kN)
1 PAVEMENT	-284.33	-125.19	-4310.08	-314.47	-125.19	-5726.87	-314.47	-138.72	-5726.56	-344.62	-138.72	-7286.00		
3 RAILING	-9.13	0.46	-132.53	-7.53	0.46	-171.93	-7.53	0.06	-171.93	-5.93	0.06	-203.76		
5 CURB	-90.35	4.57	-1312.01	-74.51	4.57	-1702.08	-74.51	0.55	-1702.09	-58.68	0.55	-2017.23		
7 DECK WEIGHT	-454.56	-173.92	-7061.70	-500.38	-173.92	-9321.12	-500.38	-195.94	-9320.69	-546.20	-195.94	-11796.95		
8 GIRDER WEIGH	-604.85	-55.79	-10177.90	-693.29	-55.79	-13249.36	-693.29	-87.09	-13249.19	-781.73	-87.09	-16739.16		
10 MEDIAN STRIP	-102.61	-4.69	-2166.24	-131.23	-4.69	-2719.52	-131.23	-11.11	-2719.50	-159.85	-11.11	-3408.20		
21 ADITIONAL WE	-127.28	-48.70	-1977.28	-140.11	-48.70	-2609.91	-140.11	-54.86	-2609.79	-152.94	-54.86	-3303.15		
31 MEDIAN RAILI	-7.56	0.06	-133.97	-9.88	0.06	-175.23	-9.88	-0.35	-175.23	-12.19	-0.35	-227.44		
51 SUPPORT WEIG	0.00	0.00	-0.00	0.00	0.00	-0.00	0.00	0.00	-0.00	0.00	0.00	-0.00		
52 NOSE WEIGHT	0.00	-0.05	0.03	0.00	-0.05	0.04	0.00	-0.05	0.04	0.00	-0.05	0.05		
61 1-LANE(case1TRUCK-LOAD	MAX	S2	11.07	-34.90	79.69	11.07	-34.90	132.07	11.07	-34.59	132.16	51.65	-24.90	-50.40
		TQ	-96.66	389.69	156.47	-96.66	389.69	-300.95	-96.66	388.98	-301.87	-96.66	388.98	-759.29
		M3	-113.03	331.10	526.07	11.07	-34.90	132.07	11.07	-34.59	132.16	11.07	-34.59	184.54
	MIN	S2	-152.89	345.94	511.08	-113.19	379.52	-123.30	-113.19	379.23	-124.19	-113.19	379.23	-659.84
		TQ	-25.82	-187.97	-875.31	-25.82	-187.97	-997.48	-25.82	-190.33	-997.04	-25.82	-190.33	-1119.21
		M3	-26.56	-167.78	-969.91	-26.56	-167.78	-1095.57	-26.56	-170.36	-1095.17	-26.56	-170.36	-1220.84
	TANDEM-LOAD MAX	S2	10.37	-54.26	-161.32	10.37	-54.26	-112.27	10.37	-54.52	-112.14	56.92	13.34	-3.50
		TQ	-67.42	266.10	127.18	-67.42	266.10	-191.85	-67.42	265.65	-192.47	-67.42	265.65	-511.50
		M3	-82.31	252.14	367.04	7.53	-23.93	89.89	7.53	-23.72	89.94	7.53	-23.72	125.56
	MIN	S2	-123.24	195.02	348.91	-82.65	259.47	-50.82	-82.65	259.35	-51.43	-82.65	259.35	-442.55
		TQ	-17.38	-128.06	-587.11	-17.38	-128.06	-669.38	-17.38	-129.64	-669.07	-17.38	-129.64	-751.34
		M3	-18.09	-114.87	-658.26	-18.09	-114.87	-743.86	-18.09	-116.63	-743.59	-18.09	-116.63	-829.19
	DISPERSION-LMAX	S2	15.45	-59.25	49.01	15.77	-55.21	119.52	15.77	-54.93	119.65	22.58	-48.13	194.15
		TQ	-107.43	433.12	9.63	-96.06	433.12	-471.69	-96.06	432.00	-472.71	-84.64	432.00	-900.19
		M3	-46.67	126.87	296.02	0.34	-2.03	170.76	0.53	-2.32	170.77	18.30	-39.34	227.11
	MIN	S2	-150.22	150.31	-1604.27	-139.18	146.27	-2285.48	-139.18	140.87	-2285.82	-134.56	134.08	-2917.18
		TQ	-27.34	-342.05	-1564.89	-27.34	-342.05	-1694.27	-27.34	-346.06	-1693.46	-27.34	-346.06	-1822.85
		M3	-88.10	-35.80	-1851.27	-123.75	93.10	-2336.73	-123.94	88.26	-2336.94	-130.28	125.29	-2950.15



BAGO RIVER BRIDGE

BLOCK [ No.1 : MAIN GIRDER ] [ BEAM MEMBER FORCE ]

MEMBER				2031			2032			2033					
NODE				2031			2032			2033					
				SHEAR	TORQUE	MOMENT	SHEAR	TORQUE	MOMENT	SHEAR	TORQUE	MOMENT			
NAME	TITLE			S2 (kN)	TQ (kN·m)	M3 (kN·m)	S2 (kN)	TQ (kN·m)	M3 (kN·m)	S2 (kN)	TQ (kN·m)	M3 (kN·m)			
62	1-LANE (case2TRUCK-LOAD	MAX	S2	136.11	27.11	416.76	43.45	6.82	286.01	43.45	7.50	285.99	10.35	-13.82	165.06
			TQ	-64.35	121.03	-10.62	-64.35	121.03	-315.15	-64.35	120.29	-315.43	-64.35	120.29	-619.96
			M3	62.52	50.85	451.62	-14.93	25.11	366.13	-14.93	25.98	366.07	10.35	-14.03	165.12
		MIN	S2	-98.54	59.13	441.18	-166.89	32.06	349.75	-166.89	32.88	349.67	-258.26	11.76	-214.37
			TQ	-17.94	-58.74	-786.41	-17.94	-58.74	-871.31	-17.94	-60.80	-871.17	-17.94	-60.80	-956.06
			M3	-18.34	-53.47	-872.30	-18.34	-53.47	-959.07	-18.34	-55.74	-958.95	-18.34	-55.74	-1045.72
		TANDEM-LOAD MAX	S2	124.55	25.28	419.96	55.93	10.48	382.91	55.93	11.39	382.89	7.03	-9.62	112.28
			TQ	-42.50	82.82	-19.74	-42.50	82.82	-220.87	-42.50	82.30	-221.06	-42.50	82.30	-422.19
			M3	29.44	29.93	422.61	-34.73	13.93	392.32	-34.73	14.86	392.29	7.03	-9.62	112.28
		MIN	S2	-78.13	29.93	422.61	-142.30	13.93	392.32	-142.30	14.86	392.29	-204.61	1.65	-35.07
			TQ	-12.00	-39.89	-513.03	-12.00	-39.89	-569.82	-12.00	-41.24	-569.73	-12.00	-41.24	-626.51
			M3	-12.39	-35.74	-591.69	-12.39	-35.74	-650.32	-12.39	-37.27	-650.23	-12.50	-38.62	-709.08
		DISPERSION-LMAX	S2	34.89	-13.27	145.26	18.08	-16.68	179.35	18.08	-16.26	179.39	12.62	-17.40	201.57
			TQ	-48.71	127.65	27.94	-83.41	127.65	-285.11	-83.53	126.97	-283.98	-118.04	126.97	-760.89
			M3	1.50	24.25	231.92	-8.42	-10.39	226.07	-8.42	-9.85	226.09	12.62	-17.40	201.57
MIN	S2	-105.88	26.89	-1510.29	-125.86	30.30	-1967.38	-125.86	25.66	-1967.45	-157.20	26.79	-2586.75		
	TQ	-22.28	-114.03	-1392.97	-24.37	-114.03	-1502.92	-24.26	-117.58	-1504.08	-26.54	-117.58	-1624.28		
	M3	-72.49	-10.63	-1596.95	-99.36	24.01	-2014.10	-99.36	19.25	-2014.15	-157.20	26.79	-2586.75		
63	1-LANE (case3TRUCK-LOAD	MAX	S2	9.79	1.31	57.64	9.79	1.31	103.99	9.79	1.56	103.98	9.79	1.56	150.33
			TQ	-10.11	39.41	-603.12	-10.11	39.41	-650.99	-10.32	37.97	-588.06	-10.32	37.97	-636.90
			M3	-49.56	-89.82	408.23	-41.77	-60.09	130.84	-41.77	-59.78	130.98	9.79	1.56	150.33
		MIN	S2	-78.45	-93.92	403.96	-78.45	-93.92	32.71	-78.45	-93.84	32.93	-78.45	-93.84	-338.31
			TQ	-78.13	-94.68	391.12	-78.13	-94.68	21.38	-78.13	-94.63	21.61	-78.13	-94.63	-348.13
			M3	-12.28	29.93	-799.84	-12.28	29.93	-857.94	-12.28	27.90	-858.01	-12.28	27.90	-916.11

BAGO RIVER BRIDGE

BLOCK [ No.1 : MAIN GIRDER ][ BEAM MEMBER FORCE ]

MEMBER		2031			2032			2032			2033						
NODE		2031			2032			2032			2033						
		SHEAR	TORQUE	MOMENT	SHEAR	TORQUE	MOMENT	SHEAR	TORQUE	MOMENT	SHEAR	TORQUE	MOMENT				
NAME	TITLE	S2 (kN)	TQ (kN·m)	M3 (kN·m)	S2 (kN)	TQ (kN·m)	M3 (kN·m)	S2 (kN)	TQ (kN·m)	M3 (kN·m)	S2 (kN)	TQ (kN·m)	M3 (kN·m)				
63	1-LANE (case3TANDEM-LOAD	MAX	S2	6.65	0.98	39.11	6.65	0.98	70.59	6.65	1.15	70.59	6.65	1.15	102.06		
			TQ	-6.78	26.89	-398.87	-6.78	26.89	-430.93	-6.83	25.90	-413.41	-6.83	25.90	-445.75		
			M3	-36.79	-61.79	313.83	-28.34	-35.76	117.08	-28.34	-35.48	117.16	6.65	1.15	102.06		
		MIN	S2	-54.31	-61.79	313.83	-54.31	-61.79	56.81	-54.31	-61.66	56.96	-54.31	-61.66	-200.06		
			TQ	-53.27	-66.81	252.88	-53.27	-66.81	0.81	-53.27	-66.80	0.97	-53.27	-66.80	-251.10		
			M3	-8.35	19.90	-543.13	-8.35	19.90	-582.64	-8.35	18.53	-582.68	-8.35	18.53	-622.19		
		DISPERSION-LMAX	S2	12.81	1.14	77.84	12.23	2.72	122.68	12.23	3.01	122.68	12.04	3.55	174.73		
			TQ	-17.81	65.47	-1315.57	-17.81	65.47	-1399.85	-17.24	62.17	-1392.47	-17.24	62.17	-1474.04		
			M3	-25.40	-51.42	233.08	-5.61	-19.39	158.94	-5.62	-19.03	158.98	11.91	1.94	182.77		
		MIN	S2	-85.85	-12.31	-1255.76	-91.44	-13.89	-1660.82	-91.44	-17.81	-1660.78	-97.43	-18.35	-2102.28		
			TQ	-55.23	-76.64	137.66	-61.40	-76.64	-138.29	-61.97	-76.97	-145.64	-68.15	-76.97	-453.52		
			M3	-47.63	40.25	-1410.99	-73.61	8.22	-1697.08	-73.59	4.22	-1697.09	-97.29	-16.75	-2110.32		
		64	1-LANE (case4TRUCK-LOAD	MAX	S2	10.64	125.00	-286.58	10.64	125.00	-236.24	10.64	124.44	-236.54	10.64	124.44	-186.20
					TQ	0.28	165.42	-578.16	0.28	165.42	-576.81	0.28	164.06	-577.20	0.28	164.06	-575.85
					M3	-33.94	-348.07	241.56	-17.65	-242.06	100.99	-17.65	-241.82	101.57	8.43	37.84	114.65
MIN	S2			-37.11	-381.65	209.58	-37.11	-381.65	33.98	-37.11	-381.56	34.89	-37.11	-381.56	-140.71		
	TQ			-36.98	-382.43	204.77	-36.98	-382.43	29.77	-36.98	-382.36	30.67	-36.98	-382.36	-144.33		
	M3			-4.58	134.02	-705.93	-4.62	133.36	-727.69	-4.62	131.64	-728.00	-4.77	128.67	-750.40		
TANDEM-LOAD	MAX			S2	7.93	82.30	-179.22	7.93	82.30	-141.70	7.93	81.96	-141.89	7.93	81.96	-104.36	
	TQ			0.29	112.93	-384.69	0.29	112.93	-383.29	0.29	112.03	-383.56	0.29	112.03	-382.17		
	M3			-22.89	-232.94	168.80	-13.39	-175.89	71.48	-13.39	-175.72	71.90	5.73	25.38	78.04		
MIN	S2			-25.55	-256.58	157.04	-25.55	-256.58	36.12	-25.55	-256.49	36.73	-25.55	-256.49	-84.19		
	TQ			-25.02	-262.02	133.31	-25.02	-262.02	14.93	-25.02	-261.99	15.55	-25.02	-261.99	-102.83		
	M3			-3.05	92.06	-479.18	-3.05	92.06	-493.61	-3.05	90.90	-493.82	-3.32	85.70	-509.33		

BAGO RIVER BRIDGE

BLOCK [ No.1 : MAIN GIRDER ][ BEAM MEMBER FORCE ]

MEMBER		2031			2032			2032			2033						
NODE		2031			2032			2032			2033						
		SHEAR	TORQUE	MOMENT	SHEAR	TORQUE	MOMENT	SHEAR	TORQUE	MOMENT	SHEAR	TORQUE	MOMENT				
NAME	TITLE	S2 (kN)	TQ (kN·m)	M3 (kN·m)	S2 (kN)	TQ (kN·m)	M3 (kN·m)	S2 (kN)	TQ (kN·m)	M3 (kN·m)	S2 (kN)	TQ (kN·m)	M3 (kN·m)				
64	1-LANE (case4DISPERSION-LMAX	S2	14.22	120.44	-161.63	14.22	120.44	-94.34	14.22	120.22	-94.62	14.22	120.22	-27.33			
		TQ	7.60	301.11	-1128.57	7.60	301.11	-1092.60	7.60	298.53	-1093.31	7.60	298.53	-1057.34			
		M3	-22.29	-321.86	209.90	-6.06	-144.58	140.69	-6.16	-145.30	141.03	7.63	-3.22	151.05			
		MIN	S2	-42.72	-225.99	-801.79	-42.72	-225.99	-1003.93	-42.72	-228.36	-1003.40	-42.72	-228.36	-1205.54		
		TQ	-36.10	-406.66	165.15	-36.10	-406.66	-5.67	-36.10	-406.67	-4.71	-36.10	-406.67	-175.53			
		M3	-6.21	216.31	-1173.32	-22.43	39.03	-1238.96	-22.34	37.16	-1239.05	-36.13	-104.92	-1383.92			
		65	2-LANES (caseTRUCK-LOAD	MAX	S2	51.09	81.37	508.37	23.51	0.42	303.40	23.51	1.13	303.39	62.36	-49.11	124.42
				TQ	-176.59	638.24	220.58	-176.59	638.24	-615.04	-176.59	636.79	-616.55	-176.59	636.79	-1452.17	
				M3	-128.11	510.95	1012.47	-29.07	73.68	371.52	-29.07	74.56	371.34	21.78	-58.92	359.40	
MIN	S2			-258.25	541.91	985.52	-241.88	509.89	104.02	-241.88	510.14	102.82	-268.73	429.49	-820.85		
TQ	-47.74			-311.30	-1696.44	-47.74	-311.30	-1922.38	-47.74	-315.84	-1921.63	-47.74	-315.84	-2147.57			
M3	-49.00			-278.26	-1890.69	-49.04	-278.80	-2122.69	-49.04	-283.82	-2122.02	-49.04	-283.82	-2354.08			
TANDEM-LOAD	MAX	S2	46.98	51.15	241.44	26.79	-5.22	126.82	26.79	-4.92	126.83	64.20	-3.35	115.45			
	TQ	-120.35	435.92	151.51	-120.35	435.92	-417.98	-120.35	434.93	-419.01	-120.35	434.93	-988.50				
	M3	-100.28	369.29	776.17	-29.81	39.36	337.09	-29.81	40.16	336.99	14.81	-40.41	244.50				
	MIN	S2	-199.93	312.17	758.04	-178.72	322.77	196.38	-178.72	323.23	195.62	-196.40	266.55	-467.01			
	TQ	-32.19	-212.04	-1137.16	-32.19	-212.04	-1289.48	-32.19	-215.09	-1288.98	-32.19	-215.09	-1441.30				
	M3	-33.39	-190.86	-1282.85	-33.39	-190.86	-1440.84	-33.39	-194.26	-1440.39	-33.39	-194.26	-1598.39				
	DISPERSION-LMAX	S2	36.26	-77.63	187.48	30.76	-82.97	289.98	30.76	-82.29	290.17	35.69	-78.65	406.80			
		TQ	-177.89	710.54	25.47	-186.82	710.54	-837.29	-186.82	708.56	-838.96	-195.69	708.56	-1743.92			
		M3	-61.64	200.12	554.07	-6.82	-2.38	378.01	-6.63	-2.17	378.01	31.40	-69.45	441.07			
MIN		S2	-268.11	218.47	-3206.65	-271.55	223.82	-4427.27	-271.55	213.36	-4427.79	-285.34	209.72	-5704.73			
TQ		-53.96	-569.70	-3044.64	-53.96	-569.70	-3300.01	-53.96	-577.50	-3298.65	-53.96	-577.50	-3554.02				
M3		-170.21	-59.27	-3573.24	-233.96	143.22	-4515.30	-234.16	133.24	-4515.63	-281.05	200.52	-5739.01				

BAGO RIVER BRIDGE

BLOCK [ No.1 : MAIN GIRDER ][ BEAM MEMBER FORCE ]

MEMBER				2031			2032			2033					
NODE				2031			2032			2033					
				SHEAR	TORQUE	MOMENT	SHEAR	TORQUE	MOMENT	SHEAR	TORQUE	MOMENT			
NAME	TITLE			S2 (kN)	TQ (kN·m)	M3 (kN·m)	S2 (kN)	TQ (kN·m)	M3 (kN·m)	S2 (kN)	TQ (kN·m)	M3 (kN·m)			
66	2-LANES (caseTRUCK-LOAD	MAX	S2	176.13	143.38	845.43	55.90	42.14	457.33	55.90	43.22	457.23	21.06	-38.03	339.88
			TQ	-144.28	369.58	53.48	-144.28	369.58	-629.24	-144.28	368.09	-630.11	-144.28	368.09	-1312.83
			M3	47.44	230.69	938.02	-55.07	133.69	605.57	-55.07	135.12	605.26	21.06	-38.37	339.99
		MIN	S2	-203.89	255.10	915.62	-295.58	162.43	577.07	-295.58	163.79	576.68	-413.79	62.02	-375.38
			TQ	-39.87	-182.07	-1607.55	-39.87	-182.07	-1796.20	-39.87	-186.31	-1795.77	-39.87	-186.31	-1984.42
			M3	-40.78	-163.95	-1793.09	-40.82	-164.50	-1986.19	-40.82	-169.19	-1985.79	-40.82	-169.19	-2178.96
		TANDEM-LOAD MAX	S2	161.17	130.69	822.72	72.36	59.52	622.00	72.36	60.99	621.85	14.31	-26.30	231.22
			TQ	-95.43	252.64	4.59	-95.43	252.64	-447.00	-95.43	251.58	-447.60	-95.43	251.58	-899.19
			M3	11.48	147.08	831.74	-72.07	77.23	639.52	-72.07	78.74	639.34	14.31	-26.30	231.22
		MIN	S2	-154.82	147.08	831.74	-238.37	77.23	639.52	-238.37	78.74	639.34	-318.36	8.85	-59.53
			TQ	-26.81	-123.88	-1063.08	-26.81	-123.88	-1189.93	-26.81	-126.69	-1189.63	-26.81	-126.69	-1316.48
			M3	-27.69	-111.72	-1216.28	-27.69	-111.72	-1347.30	-27.69	-114.91	-1347.03	-27.80	-116.25	-1478.28
		DISPERSION-LMAX	S2	55.69	-31.65	283.73	33.07	-44.45	349.81	33.07	-43.62	349.91	25.73	-47.92	414.22
			TQ	-119.17	405.07	43.78	-174.17	405.07	-650.71	-174.28	403.54	-650.23	-229.09	403.54	-1604.62
			M3	-13.47	97.50	489.98	-15.58	-10.73	433.31	-15.58	-9.71	433.34	25.72	-47.50	415.54
MIN	S2	-223.77	95.05	-3112.68	-258.23	107.85	-4109.17	-258.23	98.14	-4109.42	-307.98	102.43	-5374.30		
	TQ	-48.90	-341.67	-2872.73	-51.00	-341.67	-3108.65	-50.88	-349.02	-3109.27	-53.16	-349.02	-3355.45		
	M3	-154.61	-34.10	-3318.92	-209.58	74.13	-4192.68	-209.58	64.22	-4192.84	-307.97	102.02	-5375.61		
67	2-LANES (caseTRUCK-LOAD	MAX	S2	19.20	13.01	108.83	19.20	13.01	199.71	19.20	13.49	199.68	19.20	13.49	290.55
			TQ	-14.39	141.88	-1187.62	-14.39	141.88	-1255.71	-14.59	139.02	-1193.03	-14.59	139.02	-1262.09
			M3	-106.47	-245.36	737.80	-32.36	-48.48	226.57	-32.36	-47.95	226.69	19.20	13.39	290.55
		MIN	S2	-137.12	-267.65	693.87	-137.12	-267.65	45.00	-137.12	-267.54	45.64	-137.12	-267.54	-603.23
			TQ	-132.80	-275.49	588.55	-132.80	-275.49	-39.85	-132.80	-275.59	-39.19	-132.80	-275.59	-667.59
			M3	-20.73	111.06	-1552.21	-20.73	111.06	-1650.30	-20.73	107.16	-1650.56	-20.73	107.16	-1748.65

BAGO RIVER BRIDGE

BLOCK [ No.1 : MAIN GIRDER ][ BEAM MEMBER FORCE ]

MEMBER				2031			2032			2033							
NODE				2031			2032			2033							
				SHEAR	TORQUE	MOMENT	SHEAR	TORQUE	MOMENT	SHEAR	TORQUE	MOMENT					
NAME	TITLE			S2 (kN)	TQ (kN·m)	M3 (kN·m)	S2 (kN)	TQ (kN·m)	M3 (kN·m)	S2 (kN)	TQ (kN·m)	M3 (kN·m)					
67	2-LANES (caseTANDEM-LOAD	MAX	S2	13.04	8.72	73.95	13.04	8.72	135.66	13.04	9.04	135.64	13.04	9.04	197.35		
			TQ	-9.87	96.73	-806.85	-9.87	96.73	-853.56	-9.93	94.74	-836.20	-9.93	94.74	-883.18		
			M3	-73.36	-156.68	546.74	-21.95	-28.02	182.15	-21.95	-27.59	182.22	13.04	9.04	197.35		
		MIN	S2	-95.60	-179.95	529.53	-95.60	-179.95	77.16	-95.60	-179.77	77.58	-95.60	-179.77	-374.79		
			TQ	-90.92	-190.70	396.30	-90.92	-190.70	-33.96	-90.92	-190.78	-33.51	-90.92	-190.78	-463.76		
			M3	-14.06	75.66	-1054.13	-14.06	75.66	-1120.64	-14.06	73.01	-1120.82	-14.06	73.01	-1187.33		
		DISPERSION-LMAX	S2	25.08	33.39	76.07	24.50	34.98	178.97	24.50	35.40	178.89	24.31	35.94	289.01		
			TQ	-18.28	238.17	-2512.20	-18.28	238.17	-2598.70	-17.71	232.03	-2591.73	-17.71	232.03	-2675.52		
			M3	-54.04	-164.95	451.44	-10.57	-50.52	299.49	-10.63	-49.97	299.61	23.34	16.85	352.89		
		MIN	S2	-156.77	-62.78	-2330.95	-162.36	-64.36	-3071.63	-162.36	-71.62	-3071.46	-168.35	-72.15	-3848.57		
			TQ	-113.41	-267.55	257.31	-119.58	-267.55	-293.95	-120.15	-268.25	-300.85	-126.33	-268.25	-884.04		
			M3	-77.65	135.56	-2706.32	-127.29	21.13	-3192.15	-127.23	13.76	-3192.19	-167.37	-53.07	-3912.46		
		68	2-LANES (caseTRUCK-LOAD	MAX	S2	19.46	152.45	-245.19	19.46	152.45	-153.12	19.46	152.08	-153.48	19.46	152.08	-61.40
					TQ	-3.99	267.89	-1162.66	-3.99	267.89	-1181.54	-3.99	265.10	-1182.17	-3.99	265.10	-1201.05
					M3	-75.79	-541.10	513.65	-47.69	-368.87	185.38	-47.69	-368.43	186.25	17.25	65.34	239.48
MIN	S2			-82.56	-621.19	458.37	-82.56	-621.19	67.68	-82.56	-621.02	69.15	-82.56	-621.02	-321.54		
	TQ			-79.54	-659.04	352.86	-79.54	-659.04	-23.52	-79.54	-659.10	-21.97	-79.54	-659.10	-398.35		
	M3			-13.03	215.15	-1458.31	-13.07	214.49	-1520.05	-13.07	210.90	-1520.55	-13.22	207.93	-1582.94		
TANDEM-LOAD MAX	S2			13.92	100.62	-150.99	13.92	100.62	-85.12	13.92	100.42	-85.36	13.92	100.42	-19.49		
	TQ			-2.80	182.77	-792.67	-2.80	182.77	-805.92	-2.80	180.86	-806.35	-2.80	180.86	-819.59		
	M3			-52.69	-372.29	358.08	-36.73	-272.55	134.20	-36.73	-272.23	134.84	11.72	43.84	162.92		
MIN	S2			-56.58	-424.78	320.44	-56.58	-424.78	52.71	-56.58	-424.66	53.71	-56.58	-424.66	-214.02		
	TQ			-53.53	-451.20	227.32	-53.53	-451.20	-25.98	-53.53	-451.26	-24.91	-53.53	-451.26	-278.21		
	M3			-8.76	147.82	-990.18	-8.76	147.82	-1031.61	-8.76	145.38	-1031.96	-9.02	140.19	-1074.47		

BAGO RIVER BRIDGE

BLOCK [ No.1 : MAIN GIRDER ][ BEAM MEMBER FORCE ]

MEMBER			2031			2032			2032			2033					
NODE			2031			2032			2032			2033					
			SHEAR	TORQUE	MOMENT	SHEAR	TORQUE	MOMENT	SHEAR	TORQUE	MOMENT	SHEAR	TORQUE	MOMENT			
NAME	TITLE		S2 (kN)	TQ (kN·m)	M3 (kN·m)	S2 (kN)	TQ (kN·m)	M3 (kN·m)	S2 (kN)	TQ (kN·m)	M3 (kN·m)	S2 (kN)	TQ (kN·m)	M3 (kN·m)			
68	2-LANES (caseDISPERSION-LMAX	S2	25.93	175.22	-180.69	25.93	175.22	-58.00	25.93	175.08	-58.42	25.93	175.08	64.28			
		TQ	6.63	495.11	-2335.83	6.63	495.11	-2304.47	6.63	489.66	-2305.63	6.63	489.66	-2274.27			
		M3	-50.66	-518.61	424.14	-12.16	-192.51	270.80	-12.34	-193.44	271.25	18.00	29.60	301.86			
		MIN	S2	-104.14	-385.29	-1839.20	-104.14	-385.29	-2332.00	-104.14	-390.80	-2331.08	-104.14	-390.80	-2823.89		
		TQ	-84.84	-705.19	315.94	-84.84	-705.19	-85.53	-84.84	-705.39	-83.87	-84.84	-705.39	-485.34			
		M3	-27.55	308.53	-2444.03	-66.05	-17.56	-2660.80	-65.87	-22.29	-2660.75	-96.21	-245.33	-3061.47			
		69	3-LANES (caseTRUCK-LOAD	MAX	S2	187.20	108.48	925.13	66.97	7.24	589.40	66.97	8.63	589.39	72.71	-62.93	289.48
				TQ	-240.94	759.27	209.95	-240.94	759.27	-930.19	-240.94	757.07	-931.98	-240.94	757.07	-2072.13	
				M3	-65.59	561.80	1464.09	-44.00	98.79	737.65	-44.00	100.54	737.41	32.12	-72.95	524.52	
MIN	S2			-356.78	601.04	1426.70	-408.78	541.95	453.77	-408.78	543.02	452.49	-526.99	441.25	-1035.22		
TQ	-65.69			-370.04	-2482.86	-65.69	-370.04	-2793.69	-65.69	-376.64	-2792.80	-65.69	-376.64	-3103.63			
M3	-67.34			-331.73	-2763.00	-67.38	-332.27	-3081.76	-67.38	-339.55	-3080.97	-67.38	-339.55	-3399.80			
TANDEM-LOAD	MAX			S2	171.53	76.43	661.40	82.72	5.27	509.73	82.72	6.47	509.71	71.23	-12.97	227.73	
TQ	-162.85			518.74	131.78	-162.85	518.74	-638.85	-162.85	517.23	-640.07	-162.85	517.23	-1410.69			
M3	-70.83			399.23	1198.78	-64.54	53.29	729.41	-64.54	55.02	729.28	21.84	-50.02	356.78			
MIN	S2	-278.06	342.10	1180.66	-321.02	336.70	588.70	-321.02	338.09	587.90	-401.01	268.20	-502.08				
TQ	-44.19	-251.94	-1650.19	-44.19	-251.94	-1859.30	-44.19	-256.33	-1858.70	-44.19	-256.33	-2067.81					
M3	-45.78	-226.60	-1874.53	-45.78	-226.60	-2091.16	-45.78	-231.54	-2090.62	-45.89	-232.88	-2307.47					
DISPERSION-LMAX	S2	71.14	-90.90	332.74	48.84	-99.66	469.33	48.84	-98.55	469.56	48.31	-96.05	608.37				
TQ	-226.60	838.19	53.41	-270.23	838.19	-1122.40	-270.34	835.54	-1122.94	-313.72	835.54	-2504.81					
M3	-60.14	224.37	785.99	-15.24	-12.76	604.08	-15.05	-12.02	604.11	44.02	-86.84	642.65					
MIN	S2	-373.99	245.36	-4716.95	-397.41	254.12	-6394.66	-397.41	239.01	-6395.24	-442.54	236.51	-8291.48				
TQ	-76.24	-683.73	-4437.62	-78.34	-683.73	-4802.93	-78.23	-695.07	-4802.73	-80.51	-695.07	-5178.30					
M3	-242.70	-69.90	-5170.19	-333.33	167.23	-6529.40	-333.52	152.49	-6529.78	-438.25	227.31	-8325.76					

BAGO RIVER BRIDGE

BLOCK [ No.1 : MAIN GIRDER ][ BEAM MEMBER FORCE ]

MEMBER				2031			2032			2033					
NODE				2031			2032			2033					
				SHEAR	TORQUE	MOMENT	SHEAR	TORQUE	MOMENT	SHEAR	TORQUE	MOMENT			
NAME	TITLE			S2 (kN)	TQ (kN·m)	M3 (kN·m)	S2 (kN)	TQ (kN·m)	M3 (kN·m)	S2 (kN)	TQ (kN·m)	M3 (kN·m)			
70	3-LANES (caseTRUCK-LOAD	MAX	S2	29.03	134.34	-181.83	29.03	134.34	-44.47	29.03	134.24	-44.79	29.03	134.24	92.56
			TQ	-14.10	307.30	-1765.78	-14.10	307.30	-1832.52	-14.31	303.07	-1770.23	-14.31	303.07	-1837.95
			M3	-145.44	-485.23	984.39	-23.34	-26.51	314.00	-23.34	-25.77	314.06	28.22	35.57	420.60
		MIN	S2	-180.84	-543.93	896.04	-180.84	-543.93	40.26	-180.84	-543.83	41.55	-180.84	-543.83	-814.22
			TQ	-176.03	-553.53	757.64	-176.03	-553.53	-75.34	-176.03	-553.71	-74.03	-176.03	-553.71	-907.02
			M3	-25.31	245.09	-2258.14	-25.35	244.41	-2377.99	-25.35	238.79	-2378.56	-25.50	235.83	-2499.06
	TANDEM-LOAD	MAX	S2	20.16	87.75	-108.54	20.16	87.75	-13.16	20.16	87.72	-13.36	20.16	87.72	82.02
			TQ	-9.58	209.66	-1191.54	-9.58	209.66	-1236.85	-9.63	206.77	-1219.76	-9.63	206.77	-1265.34
			M3	-99.50	-316.15	720.35	-40.21	-145.32	245.25	-40.21	-144.74	245.59	19.17	23.86	285.80
		MIN	S2	-125.44	-369.78	660.53	-125.44	-369.78	66.92	-125.44	-369.62	67.80	-125.44	-369.62	-525.81
			TQ	-120.63	-381.01	518.07	-120.63	-381.01	-52.77	-120.63	-381.14	-51.87	-120.63	-381.14	-622.72
			M3	-17.11	167.72	-1533.31	-17.11	167.72	-1614.25	-17.11	163.91	-1614.64	-17.37	158.71	-1696.66
	DISPERSION-LMAX	MAX	S2	39.74	137.51	-77.31	39.15	139.09	94.94	39.15	139.31	94.61	38.96	139.85	274.07
			TQ	-10.18	518.12	-3630.52	-10.18	518.12	-3678.68	-9.60	509.43	-3672.36	-9.60	509.43	-3717.81
			M3	-78.26	-368.43	655.07	-14.03	-117.43	437.36	-14.16	-116.98	437.64	32.94	31.09	512.97
		MIN	S2	-208.86	-186.06	-3161.91	-214.45	-187.64	-4149.08	-214.45	-197.44	-4148.63	-220.44	-197.98	-5172.24
			TQ	-158.95	-566.67	391.31	-165.12	-566.67	-375.47	-165.70	-567.56	-381.66	-171.87	-567.56	-1180.36
			M3	-90.86	319.88	-3894.29	-161.27	68.88	-4491.51	-161.14	58.85	-4491.66	-214.41	-89.22	-5411.14
71	3-LANES (caseTRUCK-LOAD	MAX	S2	28.67	169.45	-197.30	28.67	169.45	-61.64	28.67	169.31	-62.04	28.67	169.31	73.61
			TQ	-12.60	308.45	-1566.05	-12.60	308.45	-1625.66	-12.60	304.61	-1626.38	-12.60	304.61	-1685.98
			M3	-138.46	-671.24	879.69	-95.52	-464.46	278.70	-95.52	-463.81	279.80	26.46	82.56	374.49
		MIN	S2	-148.61	-765.17	818.02	-148.61	-765.17	114.78	-148.61	-764.89	116.58	-148.61	-764.89	-586.66
			TQ	-129.23	-830.62	462.43	-129.23	-830.62	-149.10	-129.23	-830.97	-147.14	-129.23	-830.97	-758.67
			M3	-25.31	245.08	-2258.14	-25.34	244.42	-2377.99	-25.34	238.80	-2378.56	-25.50	235.83	-2499.05

BAGO RIVER BRIDGE

BLOCK [ No.1 : MAIN GIRDER ][ BEAM MEMBER FORCE ]

MEMBER				2031			2032			2033						
NODE				2031			2032			2033						
				SHEAR	TORQUE	MOMENT	SHEAR	TORQUE	MOMENT	SHEAR	TORQUE	MOMENT				
NAME	TITLE			S2 (kN)	TQ (kN·m)	M3 (kN·m)	S2 (kN)	TQ (kN·m)	M3 (kN·m)	S2 (kN)	TQ (kN·m)	M3 (kN·m)				
71	3-LANES (case)	TANDEM-LOAD	MAX	S2	20.17	112.41	-118.56	20.17	112.41	-23.10	20.17	112.35	-23.36			
				TQ	-7.63	210.31	-1022.18	-7.63	210.31	-1058.31	-7.63	207.81	-1058.80	-7.63	207.81	-1094.93
				M3	-96.64	-458.42	624.96	-61.25	-318.96	203.33	-61.25	-318.48	204.08	17.97	55.37	254.62
		MIN	S2	-102.77	-527.60	564.15	-102.77	-527.60	77.82	-102.77	-527.41	79.07	-102.77	-527.41	-407.26	
			TQ	-87.91	-567.65	309.81	-87.91	-567.65	-106.20	-87.91	-567.90	-104.86	-87.91	-567.90	-520.87	
			M3	-17.11	167.72	-1533.31	-17.11	167.72	-1614.25	-17.11	163.91	-1614.64	-17.37	158.71	-1696.66	
		DISPERSION-LMAX	MAX	S2	37.34	199.65	-137.83	37.34	199.65	38.86	37.34	199.74	38.39	37.34	199.74	215.09
				TQ	-2.85	580.64	-3621.98	-2.85	580.64	-3635.47	-2.81	572.05	-3634.20	-2.81	572.05	-3647.49
				M3	-82.83	-621.54	651.67	-18.61	-207.52	406.67	-18.82	-208.18	407.16	29.16	51.44	465.12
		MIN	S2	-185.75	-514.23	-3032.34	-186.33	-514.23	-3912.39	-186.33	-523.47	-3911.17	-187.61	-523.47	-4795.44	
			TQ	-145.56	-895.21	451.81	-146.14	-895.21	-238.05	-146.19	-895.77	-238.58	-147.46	-895.77	-932.86	
			M3	-65.59	306.97	-3821.85	-130.38	-107.06	-4280.19	-130.17	-115.54	-4279.93	-179.43	-375.16	-5045.47	
72	4-LANES	TRUCK-LOAD	MAX	S2	36.45	78.33	185.13	36.45	78.33	357.62	36.45	79.17	357.43	36.45	79.17	529.93
				TQ	32.66	84.54	160.13	32.66	84.54	314.68	32.78	85.29	315.76	32.78	85.29	470.88
				M3	-51.95	-602.04	364.60	36.45	77.88	357.75	36.45	78.72	357.57	36.45	78.81	530.05
		MIN	S2	-166.30	-849.66	283.38	-166.30	-849.66	-503.57	-166.30	-850.85	-501.57	-166.30	-850.85	-1288.52	
			TQ	-166.30	-849.66	283.38	-166.30	-849.66	-503.57	-166.30	-850.85	-501.57	-166.30	-850.85	-1288.52	
			M3	-68.41	-274.21	-180.69	-125.30	-593.87	-647.38	-125.30	-595.40	-645.98	-156.33	-772.85	-1317.55	
		TANDEM-LOAD	MAX	S2	24.76	52.29	126.10	24.76	52.29	243.26	24.76	52.86	243.13	24.76	52.86	360.29
				TQ	21.80	57.47	106.46	21.80	57.47	209.60	22.48	57.98	216.71	22.48	57.98	323.06
				M3	-77.42	-559.73	293.21	24.76	52.29	243.26	24.76	52.86	243.13	24.76	52.86	360.29
		MIN	S2	-118.92	-598.23	262.77	-118.92	-598.23	-299.97	-118.92	-598.94	-298.56	-118.92	-598.94	-861.30	
			TQ	-118.92	-598.23	262.77	-118.92	-598.23	-299.97	-118.92	-598.94	-298.56	-118.92	-598.94	-861.30	
			M3	-47.41	-184.18	-125.13	-84.24	-407.50	-442.42	-84.24	-408.55	-441.45	-107.50	-529.17	-898.61	



BAGO RIVER BRIDGE

BLOCK [ No.1 : MAIN GIRDER ][ BEAM MEMBER FORCE ]

MEMBER				2031			2032			2033							
NODE				2031			2032			2033							
				SHEAR	TORQUE	MOMENT	SHEAR	TORQUE	MOMENT	SHEAR	TORQUE	MOMENT					
NAME	TITLE			S2 (kN)	TQ (kN·m)	M3 (kN·m)	S2 (kN)	TQ (kN·m)	M3 (kN·m)	S2 (kN)	TQ (kN·m)	M3 (kN·m)					
72	4-LANES	DISPERSION-LMAX	S2	44.36	94.87	225.46	44.36	94.87	435.37	44.36	95.90	435.15	44.36	95.90	645.05		
			TQ	37.32	102.82	191.01	37.32	102.82	367.61	37.83	103.70	372.19	37.83	103.70	551.23		
			M3	1.75	-238.44	306.00	42.32	70.56	436.45	42.24	70.74	436.29	44.36	95.90	645.05		
	MIN	S2	-100.37	-519.15	-40.99	-100.37	-519.15	-515.95	-100.37	-520.37	-514.72	-100.37	-520.37	-989.69			
		TQ	-92.33	-526.99	0.94	-92.33	-526.99	-435.98	-92.85	-528.02	-439.57	-92.85	-528.02	-878.92			
		M3	-58.18	-191.39	-120.25	-98.43	-496.18	-516.97	-98.36	-496.55	-515.79	-100.37	-520.37	-989.69			
	73	6-LANES	TRUCK-LOAD	MAX	S2	220.45	207.46	714.60	97.23	143.92	535.56	97.23	145.19	535.22	92.26	102.94	352.31
				TQ	-235.66	913.28	-1479.12	-235.66	913.28	-2594.29	-240.58	907.20	-2558.98	-240.58	907.20	-3697.41	
				M3	-192.89	-149.74	2375.35	-98.98	-243.61	1050.13	-98.98	-241.13	1050.70	58.73	6.60	902.49	
MIN		S2	-506.25	-190.04	2263.37	-567.31	-215.73	537.92	-567.31	-214.46	538.43	-689.68	-278.04	-1716.91			
		TQ	-216.52	-1074.84	-1849.66	-216.52	-1074.84	-2874.26	-216.52	-1081.62	-2871.71	-216.52	-1081.62	-3896.31			
		M3	-92.57	-85.45	-5021.49	-92.75	-87.98	-5460.09	-92.75	-100.88	-5459.87	-92.90	-103.78	-5899.21			
TANDEM-LOAD		MAX	S2	194.79	128.68	532.02	103.83	85.85	488.36	103.83	87.01	488.15	81.12	96.44	295.57		
		TQ	-161.30	624.03	-939.42	-161.30	624.03	-1702.70	-162.67	620.02	-1693.72	-162.67	620.02	-2463.48			
		M3	-145.94	-103.14	1857.71	-132.41	-277.42	972.19	-132.41	-275.13	972.84	39.91	3.42	613.68			
MIN		S2	-377.28	-170.23	1820.76	-431.29	-149.09	705.45	-431.29	-147.42	705.80	-514.27	-192.26	-913.65			
		TQ	-148.68	-736.13	-1227.20	-148.68	-736.13	-1930.78	-148.68	-740.69	-1929.04	-148.68	-740.69	-2632.62			
		M3	-62.91	-59.02	-3408.04	-62.91	-59.02	-3705.71	-62.91	-67.78	-3705.57	-63.16	-72.87	-4004.14			
DISPERSION-LMAX		S2	107.40	91.60	218.05	84.59	85.70	514.83	84.59	86.92	514.63	83.85	90.16	817.64			
		TQ	-196.39	1259.15	-3285.55	-231.49	1259.15	-4297.73	-231.02	1249.00	-4291.33	-266.91	1249.00	-5468.83			
		M3	-134.99	-373.98	1396.11	-33.33	-214.05	998.38	-33.33	-213.84	998.88	71.86	-43.51	1088.49			
MIN	S2	-539.19	-223.70	-7247.98	-565.24	-217.75	-9705.76	-565.24	-240.68	-9705.22	-614.52	-243.11	-12401.22				
	TQ	-231.96	-1443.19	-3703.50	-237.89	-1443.19	-4814.59	-238.36	-1454.57	-4820.53	-245.14	-1454.57	-5963.89				
	M3	-298.59	160.34	-8393.25	-450.48	27.85	-10161.27	-450.32	5.18	-10161.31	-604.12	-131.74	-12649.87				

BAGO RIVER BRIDGE

BLOCK [ No.1 : MAIN GIRDER ][ BEAM MEMBER FORCE ]

MEMBER			2031			2032			2032			2033			
NODE			2031			2032			2032			2033			
NAME TITLE			SHEAR	TORQUE	MOMENT	SHEAR	TORQUE	MOMENT	SHEAR	TORQUE	MOMENT	SHEAR	TORQUE	MOMENT	
			S2 (kN)	TQ (kN·m)	M3 (kN·m)	S2 (kN)	TQ (kN·m)	M3 (kN·m)	S2 (kN)	TQ (kN·m)	M3 (kN·m)	S2 (kN)	TQ (kN·m)	M3 (kN·m)	
124	SUM TOTAL	D+1LANE (caseMAX	S2	-1648.84	-516.20	-27117.23	-1839.19	-511.35	-35374.08	-1839.19	-594.92	-35372.77	-1973.05	-575.15	-44809.34
			TQ	-1925.57	584.15	-27072.35	-2102.67	584.15	-36603.16	-2102.67	497.67	-36604.44	-2279.69	497.67	-46973.21
			M3	-1872.31	146.33	-26285.18	-1857.70	-447.54	-35312.59	-1857.47	-531.79	-35311.43	-2026.88	-576.22	-44487.86
		MIN	S2	-2044.40	192.28	-28583.50	-2174.25	227.73	-38566.53	-2174.25	136.61	-38566.96	-2359.43	128.46	-49274.27
			TQ	-1744.46	-1039.26	-30199.92	-1935.19	-1039.26	-38906.10	-1935.19	-1131.17	-38903.54	-2125.92	-1131.17	-48512.31
			M3	-1818.25	-647.52	-30657.09	-2051.76	-492.84	-39794.75	-2051.99	-586.03	-39793.48	-2250.33	-541.60	-49987.02
		D+1LANE (caseMAX	S2	-1475.47	-386.62	-26597.26	-1797.56	-415.06	-35117.56	-1797.56	-498.02	-35116.48	-2034.56	-524.97	-44541.88
			TQ	-1816.34	-104.81	-27250.90	-2048.72	-104.81	-36396.31	-2048.85	-190.80	-36394.24	-2281.00	-190.80	-46638.86
			M3	-1603.84	-313.11	-26451.43	-1899.42	-385.56	-34965.35	-1899.42	-468.16	-34964.34	-2034.56	-525.22	-44541.80
		MIN	S2	-1925.96	-300.00	-28554.62	-2222.71	-328.39	-37617.16	-2222.71	-417.26	-37616.28	-2560.68	-441.25	-48343.18
			TQ	-1728.93	-610.54	-29886.95	-1922.18	-610.54	-38525.07	-1922.04	-701.56	-38525.24	-2115.51	-701.56	-48078.25
			M3	-1789.66	-480.15	-30234.79	-2012.64	-438.58	-39243.81	-2012.64	-531.30	-39242.66	-2272.77	-522.24	-49340.80
		D+1LANE (caseMAX	S2	-1653.54	-400.29	-27109.10	-1844.97	-398.39	-35403.99	-1844.97	-482.03	-35402.95	-2035.93	-481.38	-44591.77
			TQ	-1714.17	-277.37	-29574.11	-1904.91	-277.37	-38137.00	-1904.47	-367.34	-38051.58	-2095.19	-367.34	-47514.96
			M3	-1770.62	-572.71	-26502.11	-1928.25	-498.60	-35328.26	-1928.26	-582.08	-35326.98	-2036.08	-483.31	-44582.12
		MIN	S2	-1877.83	-530.69	-28293.84	-2075.27	-532.59	-37629.73	-2075.27	-621.49	-37628.36	-2273.18	-622.14	-47910.55
			TQ	-1840.70	-608.80	-26637.15	-2038.84	-608.80	-35816.28	-2039.53	-693.42	-35823.78	-2237.67	-693.42	-45943.81
			M3	-1752.56	-319.01	-29924.68	-1974.46	-357.44	-38742.02	-1974.44	-448.96	-38741.06	-2193.61	-474.12	-48613.56
		D+1LANE (caseMAX	S2	-1650.83	-108.69	-27809.54	-1841.57	-108.69	-36072.69	-1841.57	-193.91	-36072.33	-2032.30	-193.91	-45238.07
			TQ	-1671.20	156.61	-29319.75	-1861.93	156.61	-37679.29	-1861.93	67.60	-37679.55	-2052.66	67.60	-46941.67
			M3	-1748.14	-1207.14	-26729.93	-1899.85	-867.18	-35385.97	-1899.97	-952.05	-35383.82	-2042.86	-445.96	-44662.99
		MIN	S2	-1776.45	-1132.39	-27982.33	-1967.19	-1132.39	-36839.93	-1967.19	-1219.42	-36837.15	-2157.92	-1219.42	-46597.34
			TQ	-1768.36	-1350.13	-26827.77	-1959.09	-1350.13	-35647.08	-1959.09	-1434.34	-35643.79	-2149.82	-1434.34	-45365.67
			M3	-1693.61	17.17	-29526.79	-1903.86	-196.36	-38035.97	-1903.74	-284.96	-38035.41	-2111.20	-459.02	-47543.02

BAGO RIVER BRIDGE

BLOCK [ No.1 : MAIN GIRDER ][ BEAM MEMBER FORCE ]

MEMBER			2031			2032			2032			2033			
NODE			2031			2032			2032			2033			
NAME TITLE			SHEAR	TORQUE	MOMENT	SHEAR	TORQUE	MOMENT	SHEAR	TORQUE	MOMENT	SHEAR	TORQUE	MOMENT	
			S2 (kN)	TQ (kN·m)	M3 (kN·m)	S2 (kN)	TQ (kN·m)	M3 (kN·m)	S2 (kN)	TQ (kN·m)	M3 (kN·m)	S2 (kN)	TQ (kN·m)	M3 (kN·m)	
124	SUM TOTAL	D+2LANES (casMAX	S2	-1593.31	-399.48	-26575.83	-1817.12	-485.78	-35082.62	-1817.12	-568.66	-35081.38	-1964.08	-615.27	-44450.62
			TQ	-2035.13	945.56	-27025.63	-2234.80	945.56	-37128.32	-2234.80	857.84	-37130.45	-2434.40	857.84	-48177.92
			M3	-1870.41	307.84	-25705.14	-1907.29	-331.92	-34926.47	-1907.10	-415.12	-34925.59	-2008.95	-615.88	-44181.36
		MIN	S2	-2207.01	357.16	-29492.81	-2384.82	330.48	-39999.24	-2384.82	235.98	-39999.91	-2616.19	151.70	-51507.41
			TQ	-1782.37	-1284.23	-32012.77	-1973.11	-1284.23	-40898.38	-1973.11	-1380.85	-40895.23	-2163.84	-1380.85	-50683.42
			M3	-1899.88	-740.76	-32735.62	-2154.40	-538.81	-42313.98	-2154.59	-638.09	-42312.59	-2392.22	-570.81	-53074.93
		D+2LANES (casMAX	S2	-1448.84	-291.50	-26142.52	-1782.43	-405.54	-34868.86	-1782.43	-487.91	-34867.80	-2015.34	-573.45	-44227.74
			TQ	-1944.11	371.43	-27174.42	-2189.84	371.43	-36955.95	-2189.95	284.12	-36955.29	-2435.49	284.12	-47899.29
			M3	-1646.69	-75.03	-25843.68	-1942.05	-280.26	-34637.11	-1942.05	-362.09	-34636.35	-2015.35	-573.38	-44226.31
		MIN	S2	-2108.32	-53.07	-29468.74	-2425.21	-132.95	-39208.10	-2425.21	-225.58	-39207.68	-2783.90	-323.06	-50731.51
			TQ	-1769.43	-926.97	-31751.96	-1962.26	-926.97	-40580.85	-1962.15	-1022.84	-40579.98	-2155.16	-1022.84	-50321.71
			M3	-1876.05	-601.28	-32383.70	-2121.80	-493.59	-41854.86	-2121.80	-592.47	-41853.58	-2410.92	-554.68	-52536.41
		D+2LANES (casMAX	S2	-1636.38	-356.82	-27086.78	-1827.70	-355.23	-35297.31	-1827.70	-438.62	-35296.38	-2018.61	-438.09	-44402.28
			TQ	-1713.33	-23.18	-30971.50	-1904.07	-23.18	-39530.41	-1903.70	-116.46	-39459.70	-2094.43	-116.46	-48919.45
			M3	-1841.17	-813.54	-26082.45	-1914.33	-502.23	-35149.93	-1914.39	-585.43	-35148.64	-2019.59	-457.26	-44338.39
		MIN	S2	-1974.55	-733.65	-28908.77	-2170.88	-735.23	-38702.62	-2170.88	-826.67	-38700.77	-2367.59	-827.21	-49433.64
			TQ	-1926.87	-946.27	-26425.82	-2123.77	-946.27	-36009.79	-2124.35	-1031.35	-36014.99	-2321.25	-1031.35	-46533.47
			M3	-1779.04	-156.60	-31530.21	-2019.42	-271.03	-40518.44	-2019.36	-366.59	-40517.69	-2250.23	-433.42	-50642.94
		D+2LANES (casMAX	S2	-1635.28	-75.56	-27697.57	-1826.01	-75.56	-35887.11	-1826.01	-160.35	-35886.84	-2016.74	-160.35	-44978.96
			TQ	-1678.03	359.78	-30770.17	-1868.76	359.78	-39162.00	-1868.76	267.26	-39162.74	-2059.49	267.26	-48457.16
			M3	-1807.12	-1462.93	-26333.89	-1931.25	-964.61	-35219.82	-1931.43	-1049.38	-35217.44	-2026.88	-392.57	-44440.50
		MIN	S2	-1867.37	-1409.70	-28652.51	-2058.10	-1409.70	-37940.31	-2058.10	-1499.34	-37936.88	-2248.83	-1499.34	-48127.27
			TQ	-1845.04	-1767.45	-26602.88	-2035.78	-1767.45	-35785.05	-2035.78	-1851.99	-35780.78	-2226.50	-1851.99	-45865.53
			M3	-1721.25	120.45	-31174.01	-1950.52	-206.30	-39856.84	-1950.34	-298.90	-39856.24	-2171.56	-524.91	-49626.25

BAGO RIVER BRIDGE

BLOCK [ No.1 : MAIN GIRDER ][ BEAM MEMBER FORCE ]

MEMBER			2031			2032			2033							
NODE			2031			2032			2033							
NAME TITLE			SHEAR	TORQUE	MOMENT	SHEAR	TORQUE	MOMENT	SHEAR	TORQUE	MOMENT	SHEAR	TORQUE	MOMENT		
			S2 (kN)	TQ (kN·m)	M3 (kN·m)	S2 (kN)	TQ (kN·m)	M3 (kN·m)	S2 (kN)	TQ (kN·m)	M3 (kN·m)	S2 (kN)	TQ (kN·m)	M3 (kN·m)		
124	SUM TOTAL	D+3LANES (casMAX	S2	-1461.07	-388.28	-26202.49	-1772.96	-481.78	-34776.07	-1772.96	-563.94	-34774.84	-1959.26	-622.64	-44218.66	
			TQ	-2078.07	954.62	-27047.82	-2305.89	954.62	-37420.70	-2305.99	866.21	-37421.63	-2533.59	866.21	-48872.23	
			M3	-1787.53	265.01	-25359.11	-1921.75	-330.10	-34535.53	-1921.59	-412.27	-34534.65	-1997.40	-623.34	-43989.74	
		MIN	S2	-2301.82	316.22	-30068.39	-2556.66	273.43	-40725.75	-2556.66	177.22	-40726.28	-2886.22	88.59	-52909.53	
			TQ	-1801.30	-1298.93	-33154.08	-1993.82	-1298.93	-42133.11	-1993.72	-1398.47	-42131.15	-2186.39	-1398.47	-52021.48	
			M3	-1944.20	-744.61	-34014.89	-2212.00	-543.52	-43845.48	-2212.16	-646.52	-43844.08	-2491.91	-582.92	-54948.56	
		D+3LANES (casMAX	S2	-1622.21	-172.15	-27491.95	-1813.45	-170.81	-35633.10	-1813.45	-254.99	-35632.60	-2004.33	-254.53	-44670.20	
			TQ	-1701.30	298.39	-31858.54	-1892.04	298.39	-40360.52	-1891.72	203.12	-40301.15	-2082.45	203.12	-49704.23	
			M3	-1870.81	-1128.84	-25878.14	-1903.17	-525.57	-35037.33	-1903.28	-608.84	-35035.99	-2010.14	-430.84	-44188.30	
		MIN	S2	-2011.92	-1023.71	-29197.67	-2207.40	-1025.06	-39168.49	-2207.40	-1117.59	-39165.96	-2403.22	-1118.05	-50070.33	
			TQ	-1965.40	-1355.39	-26295.07	-2161.38	-1355.39	-36059.18	-2161.87	-1440.59	-36062.28	-2357.84	-1440.59	-46756.11	
			M3	-1779.41	77.00	-32501.25	-2030.02	-136.93	-41515.07	-2029.91	-234.51	-41514.63	-2266.05	-362.89	-51705.50	
		D+3LANES (casMAX	S2	-1624.56	-89.48	-27556.54	-1815.29	-89.48	-35695.36	-1815.29	-173.81	-35695.05	-2006.02	-173.81	-44736.44	
			TQ	-1693.79	352.50	-31681.51	-1884.53	352.50	-40147.96	-1884.49	257.65	-40146.43	-2075.22	257.65	-49515.29	
			M3	-1868.76	-1502.09	-25970.02	-1968.41	-974.41	-35093.43	-1968.59	-1058.70	-35091.03	-2014.85	-373.61	-44268.17	
		MIN	S2	-1964.87	-1490.71	-29153.86	-2156.10	-1490.71	-38903.97	-2156.10	-1582.62	-38900.34	-2347.91	-1582.62	-49556.62	
			TQ	-1914.24	-1870.18	-26494.58	-2105.47	-1870.18	-36005.07	-2105.50	-1955.24	-36002.80	-2297.31	-1955.24	-46419.63	
			M3	-1757.93	66.02	-32439.67	-2003.77	-286.47	-41335.45	-2003.59	-382.74	-41334.66	-2236.32	-605.94	-51394.68	
		D+4LANES	MAX	S2	-1628.14	-290.65	-27004.80	-1818.87	-290.65	-35160.55	-1818.87	-373.71	-35159.77	-2009.60	-373.71	-44218.10
			TQ	-1635.18	-281.44	-27043.44	-1825.91	-281.44	-35232.51	-1825.50	-364.67	-35227.77	-2016.23	-364.67	-44317.46	
			M3	-1713.29	-949.53	-26835.80	-1820.20	-306.74	-35159.76	-1820.25	-390.36	-35158.94	-2009.60	-373.95	-44218.02	
		MIN	S2	-1854.00	-1292.95	-27114.13	-2044.73	-1292.95	-36338.69	-2044.73	-1378.80	-36335.53	-2235.46	-1378.80	-46462.67	
			TQ	-1848.78	-1298.05	-27086.87	-2039.51	-1298.05	-36286.71	-2039.84	-1383.77	-36286.68	-2230.57	-1383.77	-46390.67	
			M3	-1762.95	-705.86	-27467.29	-2016.82	-1111.76	-36432.82	-2016.77	-1197.28	-36430.09	-2228.98	-1328.10	-46481.54	

BAGO RIVER BRIDGE

BLOCK [ No.1 : MAIN GIRDER ][ BEAM MEMBER FORCE ]

MEMBER					2031			2032			2033					
NODE					2031			2032			2033					
					SHEAR	TORQUE	MOMENT	SHEAR	TORQUE	MOMENT	SHEAR	TORQUE	MOMENT			
NAME TITLE					S2 (kN)	TQ (kN·m)	M3 (kN·m)	S2 (kN)	TQ (kN·m)	M3 (kN·m)	S2 (kN)	TQ (kN·m)	M3 (kN·m)			
124	SUM TOTAL	D+6LANES	MAX	S2	-1467.56	-208.84	-26665.46	-1753.22	-253.97	-34993.24	-1753.22	-336.64	-34992.54	-1947.66	-361.99	-44221.37
				TQ	-1961.50	1008.85	-30368.72	-2175.04	1008.85	-40155.81	-2177.94	914.02	-40127.64	-2391.99	914.02	-50939.89
				M3	-1893.79	-743.64	-24820.23	-1957.40	-700.70	-34344.47	-1957.40	-783.24	-34342.72	-1977.24	-511.50	-43687.71
			MIN	S2	-2360.20	-672.16	-30511.68	-2607.55	-684.99	-41635.09	-2607.55	-783.35	-41633.36	-2909.86	-826.26	-54158.62
				TQ	-1972.17	-2039.95	-30881.24	-2166.77	-2039.95	-40673.75	-2167.07	-2136.04	-40674.90	-2362.21	-2136.04	-51390.97
				M3	-1934.92	-354.55	-35991.26	-2224.49	-442.31	-45829.88	-2224.39	-549.71	-45828.71	-2515.19	-640.60	-57038.74
	SUM TOTAL		MAX		-1448.84	1008.85	-24820.23	-1753.22	1008.85	-34344.47	-1753.22	914.02	-34342.72	-1947.66	914.02	-43687.71
			MIN		-2360.20	-2039.95	-35991.26	-2607.55	-2039.95	-45829.88	-2607.55	-2136.04	-45828.71	-2909.86	-2136.04	-57038.74
300	DEAD LOAD	TOTAL			-1680.66	-403.22	-27271.68	-1871.40	-403.22	-35675.99	-1871.40	-487.51	-35674.94	-2062.13	-487.51	-44981.84
301	LIVE LOAD	1-LANE(case1MAX	S2		31.82	-112.98	154.45	32.21	-108.13	301.92	32.21	-107.41	302.17	89.08	-87.64	172.50
			TQ		-244.91	987.37	199.33	-231.27	987.37	-927.17	-231.27	985.18	-929.50	-217.56	985.18	-1991.38
			M3		-191.64	549.56	986.50	13.69	-44.32	363.40	13.92	-44.28	363.51	35.25	-88.71	493.98
			MIN	S2	-363.74	595.50	-1311.82	-302.85	630.95	-2890.54	-302.85	624.12	-2892.02	-297.31	615.97	-4292.43
				TQ	-63.79	-636.03	-2928.24	-63.79	-636.03	-3230.11	-63.79	-643.66	-3228.60	-63.79	-643.66	-3530.47
				M3	-137.58	-244.29	-3385.41	-180.36	-89.62	-4118.76	-180.59	-98.52	-4118.53	-188.21	-54.09	-5005.18
		1-LANE(case2MAX	S2		205.19	16.61	674.42	73.83	-11.83	558.43	73.83	-10.51	558.46	27.57	-37.46	439.96
			TQ		-135.68	298.41	20.78	-177.32	298.41	-720.31	-177.46	296.71	-719.30	-218.87	296.71	-1657.02
			M3		76.82	90.12	820.25	-28.02	17.67	710.64	-28.02	19.35	710.60	27.56	-37.71	440.03
			MIN	S2	-245.30	103.22	-1282.94	-351.31	74.83	-1941.17	-351.31	70.25	-1941.34	-498.55	46.26	-3361.34
				TQ	-48.26	-207.32	-2615.27	-50.78	-207.32	-2849.08	-50.64	-214.05	-2850.30	-53.38	-214.05	-3096.42
				M3	-109.00	-76.92	-2963.11	-141.24	-35.36	-3567.81	-141.24	-43.79	-3567.72	-210.65	-34.73	-4358.96
		1-LANE(case3MAX	S2		27.13	2.94	162.58	26.42	4.84	272.00	26.42	5.48	271.99	26.20	6.12	390.07
			TQ		-33.51	125.85	-2302.43	-33.51	125.85	-2461.00	-33.07	120.17	-2376.64	-33.07	120.17	-2533.12
			M3		-89.95	-169.49	769.57	-56.85	-95.38	347.73	-56.86	-94.57	347.96	26.04	4.20	399.72
			MIN	S2	-197.16	-127.47	-1022.16	-203.87	-129.37	-1953.73	-203.87	-133.98	-1953.42	-211.05	-134.63	-2928.71
				TQ	-160.03	-205.58	634.53	-167.44	-205.58	-140.29	-168.13	-205.92	-148.84	-175.54	-205.92	-961.98
				M3	-71.89	84.22	-2653.00	-103.06	45.78	-3066.02	-103.05	38.55	-3066.12	-131.49	13.39	-3631.72

BAGO RIVER BRIDGE

BLOCK [ No.1 : MAIN GIRDER ][ BEAM MEMBER FORCE ]

MEMBER			2031			2032			2032			2033				
NODE			2031			2032			2032			2033				
NAME TITLE			SHEAR	TORQUE	MOMENT	SHEAR	TORQUE	MOMENT	SHEAR	TORQUE	MOMENT	SHEAR	TORQUE	MOMENT		
			S2 (kN)	TQ (kN·m)	M3 (kN·m)	S2 (kN)	TQ (kN·m)	M3 (kN·m)	S2 (kN)	TQ (kN·m)	M3 (kN·m)	S2 (kN)	TQ (kN·m)	M3 (kN·m)		
301	LIVE LOAD	1-LANE (case4MAX	S2	29.83	294.53	-537.86	29.83	294.53	-396.70	29.83	293.60	-397.39	29.83	293.60	-256.23	
			TQ	9.46	559.84	-2048.07	9.46	559.84	-2003.29	9.46	555.10	-2004.61	9.46	555.10	-1959.83	
			M3	-67.48	-803.92	541.75	-28.46	-463.96	290.02	-28.57	-464.54	291.12	19.27	41.55	318.85	
		MIN	S2	-95.79	-729.16	-710.65	-95.79	-729.16	-1163.94	-95.79	-731.91	-1162.21	-95.79	-731.91	-1615.50	
			TQ	-87.70	-946.90	443.91	-87.70	-946.90	28.92	-87.70	-946.83	31.16	-87.70	-946.83	-383.83	
			M3	-12.94	420.39	-2255.11	-32.46	206.86	-2359.98	-32.34	202.55	-2360.46	-49.08	28.49	-2561.18	
		2-LANES (caseMAX	MAX	S2	87.35	3.74	695.86	54.28	-82.56	593.37	54.28	-81.15	593.57	98.05	-127.76	531.22
				TQ	-354.47	1348.79	246.05	-363.40	1348.79	-1452.33	-363.40	1345.35	-1455.51	-372.27	1345.35	-3196.09
				M3	-189.75	711.07	1566.54	-35.89	71.31	749.52	-35.70	72.39	749.35	53.18	-128.37	800.48
	MIN		S2	-526.35	760.38	-2221.13	-513.43	733.71	-4323.25	-513.43	723.49	-4324.97	-554.07	639.21	-6525.58	
			TQ	-101.71	-881.00	-4741.08	-101.71	-881.00	-5222.38	-101.71	-893.34	-5220.29	-101.71	-893.34	-5701.58	
			M3	-219.21	-337.53	-5463.93	-283.00	-135.58	-6637.99	-283.20	-150.58	-6637.65	-330.09	-83.30	-8093.09	
	2-LANES (caseMAX		S2	231.83	111.73	1129.16	88.96	-2.31	807.14	88.96	-0.40	807.14	46.78	-85.94	754.10	
			TQ	-263.45	774.66	97.26	-318.44	774.66	-1279.95	-318.56	771.63	-1280.35	-373.36	771.63	-2917.45	
			M3	33.97	328.20	1428.00	-70.65	122.96	1038.89	-70.65	125.42	1038.59	46.77	-85.87	755.52	
	MIN	S2	-427.66	350.15	-2197.06	-553.81	270.28	-3532.10	-553.81	261.93	-3532.73	-721.77	164.45	-5749.67		
		TQ	-88.77	-523.74	-4480.27	-90.86	-523.74	-4904.85	-90.75	-535.33	-4905.04	-93.03	-535.33	-5339.87		
		M3	-195.39	-198.05	-5112.01	-250.40	-90.37	-6178.87	-250.40	-104.97	-6178.63	-348.79	-67.17	-7554.57		
	2-LANES (caseMAX	MAX	S2	44.29	46.41	184.91	43.70	47.99	378.68	43.70	48.88	378.57	43.51	49.42	579.56	
			TQ	-32.67	380.05	-3699.82	-32.67	380.05	-3854.41	-32.30	371.05	-3784.76	-32.30	371.05	-3937.61	
			M3	-160.50	-410.31	1189.23	-42.93	-99.00	526.07	-42.99	-97.92	526.30	42.54	30.24	643.44	
MIN		S2	-293.89	-330.43	-1637.08	-299.48	-332.01	-3026.62	-299.48	-339.16	-3025.83	-305.47	-339.70	-4451.80		
		TQ	-246.20	-543.04	845.86	-252.38	-543.04	-333.80	-252.95	-543.84	-340.04	-259.12	-543.84	-1551.63		
		M3	-98.38	246.63	-4258.53	-148.02	132.20	-4842.45	-147.96	120.92	-4842.74	-188.10	54.09	-5661.10		

BAGO RIVER BRIDGE

BLOCK [ No.1 : MAIN GIRDER ][ BEAM MEMBER FORCE ]

MEMBER				2031			2032			2033						
NODE				2031			2032			2033						
				SHEAR	TORQUE	MOMENT	SHEAR	TORQUE	MOMENT	SHEAR	TORQUE	MOMENT				
NAME	TITLE			S2 (kN)	TQ (kN·m)	M3 (kN·m)	S2 (kN)	TQ (kN·m)	M3 (kN·m)	S2 (kN)	TQ (kN·m)	M3 (kN·m)				
301	LIVE LOAD	2-LANES (caseMAX	S2	45.39	327.66	-425.89	45.39	327.66	-211.12	45.39	327.16	-211.89	45.39	327.16	2.87	
			TQ	2.64	763.00	-3498.49	2.64	763.00	-3486.01	2.64	754.77	-3487.80	2.64	754.77	-3475.32	
			M3	-126.45	-1059.71	937.79	-59.85	-561.39	456.17	-60.03	-561.87	457.50	35.24	94.94	541.34	
			MIN	S2	-186.70	-1006.48	-1380.82	-186.70	-1006.48	-2264.32	-186.70	-1011.83	-2261.94	-186.70	-1011.83	-3145.43
			TQ	-164.38	-1364.23	668.80	-164.38	-1364.23	-109.06	-164.38	-1364.48	-105.83	-164.38	-1364.48	-883.69	
			M3	-40.59	523.68	-3902.33	-79.12	196.93	-4180.85	-78.94	188.61	-4181.30	-109.43	-37.40	-4644.41	
		3-LANES (caseMAX	S2	219.59	14.95	1069.19	98.44	-78.55	899.92	98.44	-76.43	900.11	102.86	-135.13	763.17	
			TQ	-397.41	1357.85	223.86	-434.49	1357.85	-1744.70	-434.59	1353.72	-1746.69	-471.46	1353.72	-3890.40	
			M3	-106.87	668.24	1912.57	-50.35	73.13	1140.47	-50.19	75.24	1140.29	64.72	-135.83	992.10	
			MIN	S2	-621.15	719.44	-2796.71	-685.26	676.66	-5049.75	-685.26	664.73	-5051.34	-824.10	576.10	-7927.69
			TQ	-120.64	-895.70	-5882.40	-122.42	-895.70	-6457.12	-122.32	-910.96	-6456.20	-124.26	-910.96	-7039.64	
			M3	-263.54	-341.39	-6743.21	-340.60	-140.29	-8169.49	-340.76	-159.01	-8169.13	-429.79	-95.41	-9966.72	
		3-LANES (caseMAX	S2	58.45	231.07	-220.27	57.95	232.42	42.89	57.95	232.52	42.34	57.79	232.98	311.64	
			TQ	-20.64	701.61	-4586.86	-20.64	701.61	-4684.52	-20.33	690.63	-4626.21	-20.33	690.63	-4722.40	
			M3	-190.15	-725.61	1393.54	-31.77	-122.35	638.66	-31.88	-121.33	638.95	51.98	56.66	793.53	
			MIN	S2	-331.25	-620.48	-1925.99	-336.00	-621.83	-3492.50	-336.00	-630.08	-3491.02	-341.09	-630.54	-5088.50
			TQ	-284.73	-952.17	976.61	-289.98	-952.17	-383.19	-290.47	-953.08	-387.34	-295.72	-953.08	-1774.27	
			M3	-98.75	480.22	-5229.57	-158.62	266.30	-5839.07	-158.51	253.00	-5839.69	-203.93	124.62	-6723.66	
		3-LANES (caseMAX	S2	56.11	313.74	-284.86	56.11	313.74	-19.36	56.11	313.69	-20.10	56.11	313.69	245.39	
			TQ	-13.13	755.73	-4409.83	-13.13	755.73	-4471.96	-13.09	745.16	-4471.49	-13.09	745.16	-4533.46	
			M3	-188.09	-1098.87	1301.66	-97.01	-571.19	582.56	-97.19	-571.19	583.91	47.27	113.90	713.67	
MIN	S2		-284.21	-1087.49	-1882.18	-284.70	-1087.49	-3227.98	-284.70	-1095.11	-3225.40	-285.79	-1095.11	-4574.78		
TQ	-233.58		-1466.96	777.10	-234.07	-1466.96	-329.08	-234.10	-1467.73	-327.86	-235.19	-1467.73	-1437.80			
M3	-77.26		469.24	-5167.99	-132.37	116.76	-5659.45	-132.19	104.77	-5659.72	-174.19	-118.43	-6412.84			

BAGO RIVER BRIDGE

BLOCK [ No.1 : MAIN GIRDER ][ BEAM MEMBER FORCE ]

MEMBER					2031			2032			2033					
NODE					2031			2032			2033					
					SHEAR	TORQUE	MOMENT	SHEAR	TORQUE	MOMENT	SHEAR	TORQUE	MOMENT			
NAME	TITLE				S2 (kN)	TQ (kN·m)	M3 (kN·m)	S2 (kN)	TQ (kN·m)	M3 (kN·m)	S2 (kN)	TQ (kN·m)	M3 (kN·m)			
301	LIVE LOAD	4-LANES	MAX	S2	52.53	112.58	266.88	52.53	112.58	515.44	52.53	113.79	515.18	52.53	113.79	763.74
				TQ	45.49	121.79	228.24	45.49	121.79	443.49	45.90	122.84	447.17	45.90	122.84	664.37
				M3	-32.63	-546.31	435.89	51.20	96.48	516.24	51.15	97.15	516.01	52.53	113.56	763.82
			MIN	S2	-173.34	-889.73	157.55	-173.34	-889.73	-662.69	-173.34	-891.29	-660.59	-173.34	-891.29	-1480.83
				TQ	-168.11	-894.82	184.81	-168.11	-894.82	-610.71	-168.45	-896.26	-611.73	-168.45	-896.26	-1408.84
				M3	-82.28	-302.64	-195.61	-145.42	-708.53	-756.83	-145.38	-709.77	-755.15	-166.86	-840.59	-1499.70
		6-LANES	MAX	S2	213.10	194.38	606.22	118.18	149.26	682.75	118.18	150.87	682.40	114.47	125.52	760.46
				TQ	-280.83	1412.08	-3097.04	-303.65	1412.08	-4479.81	-306.54	1401.53	-4452.70	-329.87	1401.53	-5958.05
				M3	-213.12	-340.41	2451.45	-86.00	-297.48	1331.53	-86.00	-295.73	1332.23	84.88	-23.99	1294.13
			MIN	S2	-679.53	-268.93	-3240.00	-736.16	-281.77	-5959.10	-736.16	-295.84	-5958.41	-847.73	-338.75	-9176.79
				TQ	-291.51	-1636.72	-3609.56	-295.37	-1636.72	-4997.75	-295.67	-1648.53	-4999.96	-300.08	-1648.53	-6409.13
				M3	-254.26	48.68	-8719.58	-353.09	-39.08	-10153.88	-353.00	-62.20	-10153.76	-453.06	-153.09	-12056.90
		LIVE LOAD	MAX	231.83	1412.08	2451.45	118.18	1412.08	1331.53	118.18	1401.53	1332.23	114.47	1401.53	1294.13	
			MIN	-679.53	-1636.72	-8719.58	-736.16	-1636.72	-10153.88	-736.16	-1648.53	-10153.76	-847.73	-1648.53	-12056.90	
		303	SUM TOTAL	TOTAL	MAX	-1448.84	1008.85	-24820.23	-1753.22	1008.85	-34344.47	-1753.22	914.02	-34342.72	-1947.66	914.02
MIN	-2360.20				-2039.95	-35991.26	-2607.55	-2039.95	-45829.88	-2607.55	-2136.04	-45828.71	-2909.86	-2136.04	-57038.74	



BAGO RIVER BRIDGE

BLOCK [ No.1 : MAIN GIRDER ] [ BEAM MEMBER FORCE ]

MEMBER NODE	2033	2034			2034			2035							
		SHEAR	TORQUE	MOMENT	SHEAR	TORQUE	MOMENT	SHEAR	TORQUE	MOMENT					
		S2 (kN)	TQ (kN·m)	M3 (kN·m)	S2 (kN)	TQ (kN·m)	M3 (kN·m)	S2 (kN)	TQ (kN·m)	M3 (kN·m)					
1	PAVEMENT	447.78	-144.42	-7285.68	419.39	-144.42	-5353.33	419.39	-156.33	-5353.00	391.00	-156.33	-3547.17		
3	RAILING	9.78	-6.80	-203.75	11.28	-6.80	-156.83	11.28	-7.15	-156.82	12.79	-7.15	-103.18		
5	CURB	96.77	-67.31	-2017.15	111.69	-67.31	-1552.63	111.69	-70.76	-1552.48	126.60	-70.76	-1021.50		
7	DECK WEIGHT	721.40	-223.47	-11796.47	678.24	-223.47	-8677.60	678.24	-242.78	-8677.08	635.09	-242.78	-5750.53		
8	GIRDER WEIGH	1070.36	-182.95	-16738.85	987.07	-182.95	-12154.19	987.07	-209.99	-12153.75	903.78	-209.99	-7940.28		
10	MEDIAN STRIP	224.96	-6.70	-3408.18	198.01	-6.70	-2465.65	198.01	-12.19	-2465.63	171.06	-12.19	-1643.22		
21	ADITIONAL WE	201.99	-62.57	-3303.01	189.91	-62.57	-2429.73	189.91	-67.98	-2429.58	177.82	-67.98	-1610.15		
31	MEDIAN RAILI	15.92	0.23	-227.44	13.74	0.23	-161.34	13.74	-0.13	-161.34	11.56	-0.13	-104.96		
51	SUPPORT WEIG	0.00	0.00	-0.00	0.00	0.00	-0.00	0.00	0.00	-0.00	0.00	0.00	-0.00		
52	NOSE WEIGHT	-0.00	-0.02	0.05	-0.00	-0.02	0.04	-0.00	-0.02	0.04	-0.00	-0.02	0.03		
61	1-LANE(case1TRUCK-LOAD	MAX	S2	119.87	-379.34	-846.30	119.87	-379.34	-312.10	119.87	-380.03	-311.25	155.58	-342.18	341.64
			TQ	20.05	199.27	-776.94	20.05	199.27	-687.60	20.05	197.74	-688.04	20.05	197.74	-598.70
			M3	-2.56	-18.56	184.60	-2.56	-18.56	173.17	-2.56	-18.18	173.21	153.57	-316.36	365.73
		MIN	S2	-52.17	26.39	-27.81	-10.92	67.63	-107.70	-10.92	67.39	-107.85	-10.92	67.39	-156.53
			TQ	102.82	-398.86	-1059.60	102.82	-398.86	-601.38	102.82	-400.20	-600.50	102.82	-400.20	-142.28
			M3	77.57	-354.21	-1220.24	71.96	-333.05	-883.50	71.96	-335.01	-882.75	20.36	192.06	-624.70
		TANDEM-LOAD MAX	S2	86.71	-258.41	-559.89	86.71	-258.41	-173.46	86.71	-258.79	-172.89	121.71	-188.80	253.17
			TQ	13.76	135.42	-538.24	13.76	135.42	-476.89	13.76	134.36	-477.19	13.76	134.36	-415.85
			M3	-1.75	-12.73	125.60	-1.75	-12.73	117.79	-1.75	-12.46	117.81	101.52	-209.19	258.72
		MIN	S2	-56.24	-13.76	-9.80	-13.08	61.76	-82.70	-13.08	61.57	-82.83	-13.08	61.57	-141.12
			TQ	67.29	-270.68	-734.43	67.29	-270.68	-434.56	67.29	-271.65	-433.96	67.29	-271.65	-134.08
			M3	53.18	-242.48	-828.78	49.38	-228.35	-600.01	49.38	-229.69	-599.50	13.86	129.35	-425.83
		DISPERSION-LMAX	S2	166.92	-412.23	-2920.68	171.24	-418.42	-2183.94	171.24	-423.28	-2183.00	181.66	-427.00	-1400.78
			TQ	18.07	226.33	-900.95	18.07	226.33	-820.39	18.07	224.51	-820.90	18.07	224.51	-740.34
			M3	-4.17	-20.84	227.18	-1.78	-26.22	213.29	-1.77	-25.76	213.35	46.39	-143.55	320.74
MIN	S2	-12.32	-12.98	198.02	-6.00	-6.79	174.06	-6.00	-6.40	174.08	-5.71	-2.68	152.27		
	TQ	136.52	-651.54	-1821.71	147.17	-651.54	-1189.48	147.17	-654.18	-1188.03	157.87	-654.18	-508.17		
	M3	158.76	-404.36	-2949.84	167.02	-398.98	-2223.17	167.02	-403.91	-2222.28	129.55	-286.12	-1569.25		

BAGO RIVER BRIDGE

BLOCK [ No.1 : MAIN GIRDER ][ BEAM MEMBER FORCE ]

MEMBER				2033			2034			2035					
NODE				2033			2034			2035					
				SHEAR	TORQUE	MOMENT	SHEAR	TORQUE	MOMENT	SHEAR	TORQUE	MOMENT			
NAME	TITLE			S2 (kN)	TQ (kN·m)	M3 (kN·m)	S2 (kN)	TQ (kN·m)	M3 (kN·m)	S2 (kN)	TQ (kN·m)	M3 (kN·m)			
62	1-LANE (case2TRUCK-LOAD	MAX	S2	254.02	-11.77	-252.23	164.75	-31.62	210.48	164.75	-31.15	210.55	102.60	-56.44	272.83
			TQ	10.89	70.51	-616.24	10.89	70.51	-567.70	10.89	69.25	-567.86	10.89	69.25	-519.33
			M3	-1.60	-8.10	165.15	110.84	-12.41	248.94	110.84	-11.86	248.97	23.12	-31.91	316.68
		MIN	S2	-1.61	-8.27	163.70	-38.54	-6.21	222.77	-38.54	-5.72	222.78	-125.30	-24.91	307.93
			TQ	76.16	-116.11	-995.98	76.16	-116.11	-656.56	74.80	-117.60	-675.43	74.80	-117.60	-342.05
			M3	65.92	-109.26	-1045.53	60.99	-103.10	-760.98	60.99	-104.79	-760.75	10.08	67.17	-528.08
		TANDEM-LOAD MAX	S2	203.91	-1.66	-40.58	140.65	-14.12	314.03	140.65	-13.42	314.06	80.33	-28.26	319.77
			TQ	7.52	48.14	-418.26	7.52	48.14	-384.77	7.52	47.29	-384.87	7.52	47.29	-351.37
			M3	-1.09	-5.55	112.29	52.59	-10.68	315.70	52.59	-9.98	315.72	-12.30	-23.69	325.68
		MIN	S2	-1.10	-5.59	111.89	-52.46	-10.68	315.70	-52.46	-9.98	315.72	-117.35	-23.69	325.68
			TQ	52.13	-79.06	-670.77	52.13	-79.06	-438.46	52.13	-80.03	-438.28	52.13	-80.03	-205.96
			M3	46.06	-75.63	-708.95	40.73	-69.12	-516.41	40.73	-70.27	-516.26	6.94	46.13	-359.89
		DISPERSION-LMAX	S2	183.14	-103.95	-2586.66	153.47	-102.92	-1877.78	153.47	-107.10	-1877.55	134.15	-103.98	-1308.75
			TQ	19.70	78.96	-771.34	17.49	78.96	-688.47	17.54	77.43	-687.81	15.39	77.43	-614.70
			M3	-1.97	-10.03	201.61	12.37	-14.25	251.99	12.37	-13.69	252.02	-5.86	-23.66	265.82
		MIN	S2	-1.97	-10.03	201.61	-6.95	-11.06	222.94	-6.95	-10.57	222.96	-22.28	-13.69	229.94
			TQ	161.47	-192.94	-1613.72	129.03	-192.94	-966.38	128.98	-195.09	-966.78	96.48	-195.09	-464.10
			M3	183.14	-103.95	-2586.66	134.15	-99.73	-1906.84	134.15	-103.98	-1906.61	117.73	-94.00	-1344.63
63	1-LANE (case3TRUCK-LOAD	MAX	S2	81.90	96.50	-495.06	81.90	96.50	-130.07	81.90	96.21	-130.28	81.90	96.21	234.71
			TQ	77.45	102.00	-628.06	77.45	102.00	-282.87	77.45	101.37	-283.09	77.45	101.37	62.10
			M3	-0.87	-0.17	150.33	-0.87	-0.17	146.43	-0.87	0.16	146.43	75.60	90.38	252.92
		MIN	S2	-0.87	-0.18	150.28	-0.87	-0.18	146.38	-0.87	0.15	146.38	-0.87	0.15	142.48
			TQ	4.72	-32.27	-338.17	4.72	-32.27	-317.12	4.72	-32.97	-317.04	4.72	-32.97	-295.99
			M3	58.27	69.11	-916.22	54.39	63.10	-669.58	54.39	61.61	-669.71	1.76	-21.48	-456.91

BAGO RIVER BRIDGE

BLOCK [ No.1 : MAIN GIRDER ][ BEAM MEMBER FORCE ]

MEMBER		2033			2034			2034			2035					
NODE		2033			2034			2034			2035					
		SHEAR	TORQUE	MOMENT	SHEAR	TORQUE	MOMENT	SHEAR	TORQUE	MOMENT	SHEAR	TORQUE	MOMENT			
NAME	TITLE	S2 (kN)	TQ (kN·m)	M3 (kN·m)	S2 (kN)	TQ (kN·m)	M3 (kN·m)	S2 (kN)	TQ (kN·m)	M3 (kN·m)	S2 (kN)	TQ (kN·m)	M3 (kN·m)			
63	1-LANE (case3TANDEM-LOAD	MAX	S2	56.01	61.19	-285.91	56.01	61.19	-36.27	56.01	61.11	-36.41	56.01	61.11	213.23	
			TQ	55.19	70.68	-390.97	55.19	70.68	-145.02	55.19	70.36	-145.18	55.19	70.36	100.78	
			M3	-0.59	-0.07	102.06	-0.59	-0.07	99.43	-0.59	0.15	99.43	56.01	61.11	213.23	
		MIN	S2	-1.08	-15.09	-75.47	-1.08	-15.09	-80.30	-1.08	-15.27	-80.26	-1.08	-15.27	-85.09	
			TQ	2.86	-22.12	-199.96	2.86	-22.12	-187.22	2.86	-22.54	-187.17	2.86	-22.54	-174.44	
			M3	38.99	45.98	-622.26	36.35	41.72	-455.31	36.35	40.70	-455.40	1.22	-15.13	-310.91	
		DISPERSION-LMAX	S2	121.10	124.81	-2050.45	115.43	124.38	-1526.77	115.43	120.98	-1527.04	110.06	119.67	-1033.75	
			TQ	117.93	147.48	-1553.16	112.11	147.48	-1040.55	111.97	145.18	-1019.73	106.16	145.18	-533.67	
			M3	-1.06	-0.18	182.77	6.34	7.14	188.81	6.33	7.55	188.79	21.48	33.70	251.29	
		MIN	S2	-1.48	-7.93	122.78	-1.62	-7.50	119.29	-1.62	-7.23	119.30	-2.06	-5.92	120.28	
			TQ	1.70	-30.60	-374.50	1.70	-30.60	-366.93	1.84	-31.44	-388.01	1.84	-31.44	-379.80	
			M3	120.69	117.06	-2110.44	107.47	109.74	-1596.29	107.48	106.20	-1596.53	86.52	80.05	-1164.76	
64	1-LANE (case4TRUCK-LOAD	MAX	S2	56.37	344.33	-576.43	56.37	344.33	-325.22	56.37	343.60	-325.99	56.37	343.60	-74.78	
			TQ	56.13	346.30	-608.76	56.13	346.30	-358.59	56.13	345.51	-359.36	56.13	345.51	-109.19	
			M3	0.83	18.31	114.59	0.83	18.31	118.30	0.83	18.57	118.25	0.83	18.57	121.96	
		MIN	S2	-23.17	-182.93	-16.10	-23.17	-182.93	-119.35	-23.17	-183.19	-118.94	-23.17	-183.19	-222.19	
			TQ	-19.32	-206.93	-128.31	-19.32	-206.93	-214.39	-19.32	-207.40	-213.93	-19.32	-207.40	-300.01	
			M3	45.66	283.71	-750.87	42.68	264.48	-553.04	42.68	263.25	-553.63	38.98	242.75	-371.92	
		TANDEM-LOAD	MAX	S2	38.93	234.64	-382.56	38.93	234.64	-209.04	38.93	234.17	-209.56	38.93	234.17	-36.04
			TQ	37.71	235.48	-423.84	37.71	235.48	-255.78	37.71	234.91	-256.30	37.71	234.91	-88.24	
			M3	0.55	12.27	78.00	0.55	12.27	80.45	0.55	12.45	80.43	0.55	12.45	82.88	
		MIN	S2	-16.23	-122.29	-0.79	-16.23	-122.29	-73.13	-16.23	-122.46	-72.85	-16.23	-122.46	-145.19	
			TQ	-13.29	-141.08	-83.73	-13.29	-141.08	-142.97	-13.29	-141.40	-142.65	-13.29	-141.40	-201.89	
			M3	30.55	189.11	-509.64	28.34	175.60	-375.31	28.34	174.76	-375.70	25.95	162.03	-252.91	

BAGO RIVER BRIDGE

BLOCK [ No.1 : MAIN GIRDER ][ BEAM MEMBER FORCE ]

MEMBER			2033			2034			2034			2035					
NODE			2033			2034			2034			2035					
			SHEAR	TORQUE	MOMENT	SHEAR	TORQUE	MOMENT	SHEAR	TORQUE	MOMENT	SHEAR	TORQUE	MOMENT			
NAME	TITLE		S2 (kN)	TQ (kN·m)	M3 (kN·m)	S2 (kN)	TQ (kN·m)	M3 (kN·m)	S2 (kN)	TQ (kN·m)	M3 (kN·m)	S2 (kN)	TQ (kN·m)	M3 (kN·m)			
64	1-LANE (case4DISPERSION-LMAX	S2	80.86	544.29	-1058.29	80.86	544.29	-697.91	80.86	542.74	-699.12	80.86	542.74	-338.73			
		TQ	80.86	544.29	-1058.29	80.86	544.29	-697.91	80.86	542.74	-699.12	80.86	542.74	-338.73			
		M3	-4.47	-14.55	151.07	0.68	20.38	142.98	0.67	20.63	142.93	14.79	115.44	163.47			
		MIN	S2	-21.97	-226.40	-174.80	-21.97	-226.40	-272.70	-21.97	-227.01	-272.20	-21.97	-227.01	-370.10		
		TQ	-21.97	-226.40	-174.80	-21.97	-226.40	-272.70	-21.97	-227.01	-272.20	-21.97	-227.01	-370.10			
		M3	63.37	332.44	-1384.17	58.22	297.51	-1113.59	58.23	295.10	-1114.25	44.10	200.29	-872.30			
		65	2-LANES (caseTRUCK-LOAD	MAX	S2	274.13	-430.70	-1047.17	248.61	-508.41	-209.28	248.61	-508.87	-208.15	264.90	-534.94	647.30
				TQ	35.85	333.94	-1470.26	35.85	333.94	-1310.47	35.85	331.02	-1311.21	35.85	331.02	-1151.41	
				M3	-4.65	-31.91	359.51	-4.65	-31.91	338.78	-4.65	-31.16	338.85	205.79	-448.03	701.70	
MIN	S2			-54.27	12.68	145.39	-21.32	36.24	14.81	-21.32	36.27	14.73	-45.67	-41.97	160.16		
TQ	189.54			-653.10	-2109.43	189.54	-653.10	-1264.72	189.54	-655.91	-1263.27	189.54	-655.91	-418.56			
M3	149.94			-586.62	-2353.09	138.83	-550.89	-1705.33	138.83	-554.68	-1704.10	35.53	318.34	-1200.33			
TANDEM-LOAD	MAX	S2	200.22	-265.75	-590.09	182.16	-320.29	6.85	182.16	-320.28	7.56	200.13	-302.60	558.91			
	TQ	24.57	227.16	-1015.54	24.57	227.16	-906.04	24.57	225.14	-906.55	24.57	225.14	-797.05				
	M3	-3.18	-21.87	244.57	41.05	-59.98	301.00	41.05	-59.31	301.13	126.36	-310.71	566.27				
	MIN	S2	-57.67	-22.99	108.82	-27.63	14.51	100.51	-27.63	14.73	100.48	-45.59	-39.94	166.43			
	TQ	127.85	-443.47	-1424.10	127.85	-443.47	-854.32	127.85	-445.37	-853.33	127.85	-445.37	-283.55				
	M3	102.78	-401.51	-1597.71	95.59	-378.61	-1157.70	95.59	-381.18	-1156.86	24.29	216.17	-818.48				
DISPERSION-LMAX	MAX	S2	346.49	-663.81	-5706.58	333.38	-667.17	-4227.14	333.38	-676.58	-4225.65	329.85	-671.86	-2791.37			
	TQ	36.72	378.64	-1745.18	36.72	378.64	-1581.53	36.72	375.12	-1582.37	36.72	375.12	-1418.73				
	M3	-6.73	-37.34	441.20	8.70	-60.20	449.36	8.73	-59.25	449.50	60.75	-223.05	609.46				
	MIN	S2	-14.91	-28.31	409.26	-10.27	-24.94	388.76	-10.27	-24.08	388.82	-15.15	-28.80	375.92			
	TQ	294.86	-1070.76	-3552.14	286.39	-1070.76	-2256.85	286.39	-1075.78	-2254.46	277.98	-1075.78	-996.72				
	M3	338.31	-654.78	-5738.52	314.40	-631.92	-4287.75	314.38	-641.40	-4286.33	253.95	-477.61	-3024.91				

BAGO RIVER BRIDGE

BLOCK [ No.1 : MAIN GIRDER ][ BEAM MEMBER FORCE ]

MEMBER				2033			2034			2035					
NODE				2033			2034			2035					
				SHEAR	TORQUE	MOMENT	SHEAR	TORQUE	MOMENT	SHEAR	TORQUE	MOMENT			
NAME	TITLE			S2 (kN)	TQ (kN·m)	M3 (kN·m)	S2 (kN)	TQ (kN·m)	M3 (kN·m)	S2 (kN)	TQ (kN·m)	M3 (kN·m)			
66	2-LANES (caseTRUCK-LOAD	MAX	S2	408.28	-63.14	-453.10	293.49	-160.70	313.30	293.49	-160.00	313.66	211.92	-249.19	578.50
			TQ	26.70	205.18	-1309.55	26.70	205.18	-1190.57	26.70	202.53	-1191.02	26.70	202.53	-1072.04
			M3	-3.69	-21.45	340.06	108.76	-25.76	414.56	108.76	-24.84	414.61	75.34	-163.58	652.65
		MIN	S2	-3.72	-21.99	336.90	-48.94	-37.60	345.28	-48.94	-36.84	345.36	-160.04	-134.27	624.62
			TQ	162.88	-370.34	-2045.81	162.88	-370.34	-1319.90	161.53	-373.31	-1338.20	161.53	-373.31	-618.34
			M3	138.29	-341.67	-2178.38	127.86	-320.94	-1582.81	127.86	-324.46	-1582.09	25.25	193.46	-1103.71
		TANDEM-LOAD MAX	S2	317.42	-9.00	-70.79	236.10	-76.01	494.34	236.10	-74.91	494.51	158.76	-142.06	625.51
			TQ	18.32	139.88	-895.57	18.32	139.88	-813.92	18.32	138.07	-814.23	18.32	138.07	-732.58
			M3	-2.52	-14.69	231.27	95.39	-57.93	498.91	95.39	-56.82	499.04	12.53	-125.20	633.23
		MIN	S2	-2.52	-14.83	230.51	-67.01	-57.93	498.91	-67.01	-56.82	499.04	-149.87	-125.20	633.23
			TQ	112.69	-251.85	-1360.45	112.69	-251.85	-858.21	112.69	-253.76	-857.65	112.69	-253.76	-355.42
			M3	95.66	-234.67	-1477.88	86.94	-219.37	-1074.10	86.94	-221.76	-1073.61	17.37	132.95	-752.53
		DISPERSION-LMAX	S2	362.71	-355.54	-5372.57	315.61	-351.67	-3920.99	315.61	-360.40	-3920.20	282.34	-348.84	-2699.34
			TQ	38.34	231.27	-1615.57	36.14	231.27	-1449.61	36.19	228.05	-1449.29	34.03	228.05	-1293.09
			M3	-4.53	-26.52	415.62	22.85	-48.22	488.06	22.88	-47.18	488.17	8.50	-103.16	554.54
		MIN	S2	-4.56	-25.36	412.85	-11.22	-29.22	437.63	-11.22	-28.25	437.70	-31.72	-39.81	453.59
			TQ	319.81	-612.17	-3344.15	268.25	-612.17	-2033.75	268.20	-616.69	-2033.21	216.59	-616.69	-952.66
			M3	362.68	-354.37	-5375.34	281.53	-332.67	-3971.42	281.51	-341.47	-3970.67	242.13	-285.48	-2800.29
67	2-LANES (caseTRUCK-LOAD	MAX	S2	145.71	298.03	-1002.55	145.71	298.03	-353.19	145.71	297.24	-353.85	145.71	297.24	295.52
			TQ	139.53	321.24	-1309.35	139.53	321.24	-687.51	139.53	319.71	-688.22	139.53	319.71	-66.39
			M3	-1.27	4.90	290.53	-1.26	4.95	284.91	-1.26	5.58	284.89	130.39	240.70	416.34
		MIN	S2	-8.22	-63.66	45.19	-8.22	-63.66	8.57	-8.22	-63.64	8.71	-8.22	-63.64	-27.91
			TQ	0.17	-121.71	-657.32	0.17	-121.71	-656.56	0.17	-123.17	-656.28	0.17	-123.17	-655.52
			M3	109.59	247.49	-1749.05	102.16	228.51	-1280.61	102.16	225.66	-1281.12	-2.38	-100.16	-867.99

BAGO RIVER BRIDGE

BLOCK [ No.1 : MAIN GIRDER ][ BEAM MEMBER FORCE ]

MEMBER		2033			2034			2034			2035					
NODE		2033			2034			2034			2035					
		SHEAR	TORQUE	MOMENT	SHEAR	TORQUE	MOMENT	SHEAR	TORQUE	MOMENT	SHEAR	TORQUE	MOMENT			
NAME	TITLE	S2 (kN)	TQ (kN·m)	M3 (kN·m)	S2 (kN)	TQ (kN·m)	M3 (kN·m)	S2 (kN)	TQ (kN·m)	M3 (kN·m)	S2 (kN)	TQ (kN·m)	M3 (kN·m)			
67	2-LANES (caseTANDEM-LOAD	MAX	S2	99.30	190.26	-590.27	99.30	190.26	-147.70	99.30	189.93	-148.13	99.30	189.93	294.44	
			TQ	97.42	220.31	-844.20	97.42	220.31	-410.04	97.42	219.40	-410.53	97.42	219.40	23.62	
			M3	-0.86	3.30	197.33	-0.86	3.30	193.49	-0.86	3.73	193.48	92.93	158.24	339.79	
		MIN	S2	-7.01	-50.28	-109.64	-7.01	-50.28	-140.88	-7.01	-50.59	-140.77	-7.01	-50.59	-172.01	
			TQ	-0.21	-83.32	-412.41	-0.21	-83.32	-413.32	-0.21	-84.24	-413.14	-0.21	-84.24	-414.05	
			M3	74.17	168.54	-1187.60	69.17	154.92	-870.43	69.17	152.98	-870.78	-1.49	-66.99	-590.42	
		DISPERSION-LMAX	S2	217.85	460.45	-3419.63	212.17	460.02	-2464.80	212.17	454.53	-2465.81	206.80	453.23	-1541.36	
			TQ	214.20	489.98	-2755.23	208.38	489.98	-1813.59	208.24	485.96	-1793.53	202.42	485.96	-878.44	
			M3	-1.51	6.25	352.87	7.91	18.35	357.42	7.87	19.06	357.38	41.53	98.79	470.79	
		MIN	S2	-7.70	-97.95	-140.29	-7.84	-97.51	-171.51	-7.84	-97.89	-171.30	-8.28	-96.59	-198.05	
			TQ	-4.04	-127.47	-804.69	-4.04	-127.47	-822.72	-3.90	-129.33	-843.58	-3.90	-129.33	-860.98	
			M3	211.66	356.26	-3912.79	196.42	344.16	-2993.73	196.46	337.58	-2994.48	156.99	257.85	-2210.20	
68	2-LANES (caseTRUCK-LOAD	MAX	S2	119.84	548.48	-1091.07	119.84	548.48	-556.99	119.84	547.23	-558.20	119.84	547.23	-24.12	
			TQ	118.21	565.54	-1290.05	118.21	565.54	-763.23	118.21	563.84	-764.49	118.21	563.84	-237.68	
			M3	1.18	31.35	239.37	1.18	31.35	244.61	1.18	31.90	244.54	52.84	172.62	272.30	
		MIN	S2	-35.53	-317.49	-196.50	-35.53	-317.49	-354.86	-35.53	-318.28	-354.15	-35.53	-318.28	-512.51	
			TQ	-31.05	-352.40	-374.46	-31.05	-352.40	-512.84	-31.05	-353.54	-512.06	-31.05	-353.54	-650.44	
			M3	96.98	462.09	-1583.70	90.45	429.89	-1164.08	90.45	427.30	-1165.03	81.81	392.52	-780.08	
		TANDEM-LOAD	MAX	S2	82.13	376.83	-748.82	82.13	376.83	-382.80	82.13	375.98	-383.64	82.13	375.98	-17.63
			TQ	79.94	385.11	-877.06	79.94	385.11	-520.80	79.94	383.95	-521.66	79.94	383.95	-165.39	
			M3	0.78	21.02	162.84	0.78	21.02	166.30	0.78	21.39	166.25	34.87	112.75	197.17	
		MIN	S2	-24.66	-215.76	-130.31	-24.66	-215.76	-240.19	-24.66	-216.30	-239.71	-24.66	-216.30	-349.60	
			TQ	-21.39	-240.06	-246.83	-21.39	-240.06	-342.16	-21.39	-240.82	-341.62	-21.39	-240.82	-436.95	
			M3	65.74	311.68	-1074.98	61.16	288.80	-790.44	61.16	287.04	-791.08	54.25	261.66	-529.96	

BAGO RIVER BRIDGE

BLOCK [ No.1 : MAIN GIRDER ][ BEAM MEMBER FORCE ]

MEMBER NODE	2033 2033	2034			2034			2035			2035				
		SHEAR	TORQUE	MOMENT	SHEAR	TORQUE	MOMENT	SHEAR	TORQUE	MOMENT	SHEAR	TORQUE	MOMENT		
		S2 (kN)	TQ (kN·m)	M3 (kN·m)	S2 (kN)	TQ (kN·m)	M3 (kN·m)	S2 (kN)	TQ (kN·m)	M3 (kN·m)	S2 (kN)	TQ (kN·m)	M3 (kN·m)		
68	2-LANES (caseDISPERSION-LMAX	S2	177.05	898.23	-2277.01	177.05	898.23	-1487.95	177.05	894.91	-1489.95	177.05	894.91	-700.89	
		TQ	177.05	898.31	-2275.85	177.05	898.31	-1486.79	177.05	895.00	-1488.79	177.05	895.00	-699.73	
		M3	-4.25	0.39	301.82	2.13	39.68	295.97	2.11	40.23	295.88	34.76	192.03	366.75	
	MIN	S2	-35.34	-386.23	-482.92	-35.34	-386.23	-640.41	-35.34	-387.65	-639.54	-35.34	-387.65	-797.03	
		TQ	-35.34	-386.31	-484.08	-35.34	-386.31	-641.56	-35.34	-387.73	-640.70	-35.34	-387.73	-798.19	
		M3	145.96	511.61	-3061.75	139.58	472.32	-2424.33	139.60	467.04	-2425.37	106.95	315.23	-1864.67	
69	3-LANES (caseTRUCK-LOAD	MAX	S2	528.14	-442.47	-1299.40	413.36	-540.03	1.20	413.36	-540.03	2.40	367.50	-591.38	920.14
		TQ	46.74	404.45	-2086.49	46.74	404.45	-1878.17	46.74	400.27	-1879.07	46.74	400.27	-1670.74	
		M3	-6.25	-40.01	524.65	106.19	-44.32	587.72	106.19	-43.01	587.82	228.91	-479.94	1018.38	
	MIN	S2	-55.88	4.40	309.10	-59.87	30.03	237.58	-59.87	30.55	237.51	-170.96	-66.88	468.09	
		TQ	265.70	-769.21	-3105.41	265.70	-769.21	-1921.29	264.34	-773.51	-1938.70	264.34	-773.51	-760.61	
		M3	215.86	-695.89	-3398.63	199.82	-653.98	-2466.31	199.82	-659.47	-2464.85	45.61	385.51	-1728.41	
	TANDEM-LOAD	MAX	S2	404.13	-267.41	-630.68	322.81	-334.42	320.88	322.81	-333.70	321.62	280.47	-330.86	878.68
		TQ	32.09	275.30	-1433.80	32.09	275.30	-1290.81	32.09	272.43	-1291.42	32.09	272.43	-1148.42	
		M3	-4.27	-27.42	356.87	93.64	-70.66	616.70	93.64	-69.28	616.85	114.05	-334.40	891.95	
	MIN	S2	-58.77	-28.59	220.71	-80.08	3.83	416.21	-80.08	4.75	416.21	-162.95	-63.63	492.11	
		TQ	179.98	-522.53	-2094.88	179.98	-522.53	-1292.77	179.98	-525.41	-1291.61	179.98	-525.41	-489.51	
		M3	148.84	-477.15	-2306.66	136.32	-447.72	-1674.11	136.32	-451.45	-1673.11	31.23	262.30	-1178.37	
	DISPERSION-LMAX	S2	529.63	-767.77	-8293.24	486.85	-770.09	-6104.93	486.85	-783.67	-6103.20	464.00	-775.83	-4100.12	
		TQ	56.42	457.60	-2516.52	54.21	457.60	-2270.00	54.26	452.55	-2270.18	52.11	452.55	-2033.43	
		M3	-8.70	-47.37	642.80	21.07	-74.45	701.36	21.10	-72.94	701.52	54.89	-246.71	875.28	
	MIN	S2	-16.88	-38.33	610.87	-17.22	-36.01	611.70	-17.22	-34.65	611.78	-37.43	-42.49	605.86	
		TQ	456.33	-1263.70	-5165.86	415.42	-1263.70	-3223.23	415.37	-1270.87	-3221.24	374.46	-1270.87	-1460.82	
		M3	521.45	-758.73	-8325.18	448.55	-731.65	-6194.59	448.53	-745.38	-6192.94	371.68	-571.61	-4369.54	

BAGO RIVER BRIDGE

BLOCK [ No.1 : MAIN GIRDER ] [ BEAM MEMBER FORCE ]

MEMBER				2033			2034			2035					
NODE				2033			2034			2035					
				SHEAR	TORQUE	MOMENT	SHEAR	TORQUE	MOMENT	SHEAR	TORQUE	MOMENT			
NAME	TITLE			S2 (kN)	TQ (kN·m)	M3 (kN·m)	S2 (kN)	TQ (kN·m)	M3 (kN·m)	S2 (kN)	TQ (kN·m)	M3 (kN·m)			
70	3-LANES (caseTRUCK-LOAD	MAX	S2	202.07	642.36	-1578.98	202.07	642.36	-678.41	202.07	640.85	-679.84	202.07	640.85	220.74
			TQ	195.66	667.54	-1918.11	195.66	667.54	-1046.10	195.66	665.21	-1047.58	195.66	665.21	-175.58
			M3	-1.17	15.23	420.54	-1.17	15.28	415.34	-1.17	16.20	415.31	130.49	251.40	547.18
		MIN	S2	-23.91	-192.39	-23.35	-23.91	-192.39	-129.90	-23.91	-192.68	-129.47	-23.91	-192.68	-236.03
			TQ	-13.12	-271.92	-862.30	-13.12	-271.92	-920.75	-13.12	-273.97	-920.14	-13.12	-273.97	-978.59
			M3	155.26	531.20	-2499.92	144.85	493.07	-1833.65	144.85	488.99	-1834.75	36.59	142.59	-1239.90
		TANDEM-LOAD MAX	S2	138.24	424.90	-972.83	138.24	424.90	-356.75	138.24	424.10	-357.69	138.24	424.10	258.39
			TQ	135.13	455.79	-1268.03	135.13	455.79	-665.82	135.13	454.31	-666.83	135.13	454.31	-64.62
			M3	-0.81	10.20	285.76	-0.81	10.20	282.16	-0.81	10.82	282.14	92.99	165.33	428.68
		MIN	S2	-17.76	-143.37	-170.12	-17.76	-143.37	-249.26	-17.76	-143.92	-248.94	-17.76	-143.92	-328.09
			TQ	-9.72	-185.58	-534.29	-9.72	-185.58	-577.63	-9.72	-186.87	-577.22	-9.72	-186.87	-620.56
			M3	104.72	357.65	-1697.24	97.51	330.52	-1245.74	97.51	327.75	-1246.47	24.47	95.07	-843.32
		DISPERSION-LMAX	S2	298.90	989.61	-4529.91	293.23	989.17	-3213.85	293.23	982.02	-3216.04	287.86	980.71	-1930.36
			TQ	295.18	1022.96	-3798.44	289.36	1022.96	-2495.90	289.22	1017.43	-2477.02	283.40	1017.43	-1201.02
			M3	-3.00	8.50	512.92	8.09	31.44	515.57	8.04	32.49	515.50	56.68	209.21	649.89
MIN	S2	-22.11	-257.51	-369.00	-22.25	-257.08	-464.45	-22.25	-258.11	-463.88	-22.69	-256.80	-554.87		
	TQ	-18.38	-290.87	-1100.47	-18.38	-290.87	-1182.41	-18.24	-293.52	-1202.91	-18.24	-293.52	-1284.21		
	M3	279.79	723.60	-5411.84	262.89	700.66	-4193.87	262.93	691.42	-4195.42	208.48	514.70	-3135.12		
71	3-LANES (caseTRUCK-LOAD	MAX	S2	199.77	651.03	-1590.76	199.77	651.03	-700.44	199.77	649.47	-701.89	199.77	649.47	188.42
			TQ	196.51	669.23	-1878.90	196.51	669.23	-1003.12	196.51	667.00	-1004.61	196.51	667.00	-128.83
			M3	1.04	39.16	374.35	1.04	39.16	378.98	1.04	40.00	378.89	127.10	269.02	515.03
		MIN	S2	-40.11	-400.27	-563.97	-40.11	-400.27	-742.71	-40.11	-401.92	-741.82	-40.11	-401.92	-920.57
			TQ	-35.41	-436.55	-734.48	-35.41	-436.55	-892.31	-35.41	-438.53	-891.34	-35.41	-438.53	-1049.17
			M3	155.26	531.20	-2499.92	144.84	492.98	-1833.66	144.84	488.90	-1834.75	129.50	448.52	-1225.11



BAGO RIVER BRIDGE

BLOCK [ No.1 : MAIN GIRDER ][ BEAM MEMBER FORCE ]

MEMBER				2033			2034			2035						
NODE				2033			2034			2035						
				SHEAR	TORQUE	MOMENT	SHEAR	TORQUE	MOMENT	SHEAR	TORQUE	MOMENT				
NAME	TITLE			S2 (kN)	TQ (kN·m)	M3 (kN·m)	S2 (kN)	TQ (kN·m)	M3 (kN·m)	S2 (kN)	TQ (kN·m)	M3 (kN·m)				
71	3-LANES (case)	TANDEM-LOAD	MAX	S2	137.55	448.82	-1112.90	137.55	448.82	-499.89	137.55	447.71	-500.88			
			TQ	134.91	457.41	-1266.03	134.91	457.41	-664.79	134.91	455.93	-665.81	134.91	455.93	-64.57	
			M3	0.67	26.24	254.52	0.67	26.24	257.53	0.67	26.81	257.47	88.39	179.13	398.66	
			MIN	S2	-29.23	-243.18	-189.02	-29.23	-243.18	-319.29	-29.23	-243.89	-318.75	-29.23	-243.89	-449.02
			TQ	-24.58	-297.62	-494.53	-24.58	-297.62	-604.07	-24.58	-298.96	-603.40	-24.58	-298.96	-712.94	
			M3	104.72	357.65	-1697.24	97.51	330.52	-1245.74	97.51	327.75	-1246.48	87.08	299.64	-832.38	
		DISPERSION-LMAX	S2	290.43	1044.25	-3813.24	288.34	1044.24	-2523.04	288.34	1038.62	-2525.36	285.20	1038.21	-1249.08	
			TQ	290.06	1056.64	-3652.18	287.97	1056.64	-2363.59	287.97	1051.38	-2365.94	284.77	1051.38	-1089.00	
			M3	-4.37	10.34	465.05	8.36	57.63	463.98	8.31	58.49	463.85	58.98	238.37	604.37	
			MIN	S2	-40.39	-467.18	-767.37	-40.39	-467.17	-947.30	-40.39	-469.28	-946.26	-40.44	-468.87	-1123.92
			TQ	-40.01	-479.58	-928.43	-40.01	-479.58	-1106.75	-40.01	-482.04	-1105.68	-40.01	-482.04	-1284.00	
			M3	254.42	566.72	-5045.66	239.60	519.43	-3934.32	239.65	510.85	-3935.47	185.78	330.97	-2977.37	
72	4-LANES	TRUCK-LOAD	MAX	S2	3.15	14.57	-247.55	3.15	14.57	-233.49	3.15	14.05	-233.52	3.15	14.05	-219.47
			TQ	0.73	40.01	441.17	0.73	40.01	444.40	0.71	41.00	446.86	0.71	41.00	450.03	
			M3	-0.09	36.29	529.92	-0.09	36.29	529.54	-0.09	37.47	529.46	-0.08	37.54	529.09	
			MIN	S2	-31.82	-411.93	-666.94	-31.82	-411.93	-808.76	-31.82	-413.73	-807.84	-31.82	-413.73	-949.65
			TQ	-29.36	-432.09	-1287.03	-29.36	-432.09	-1417.86	-29.36	-435.24	-1416.89	-29.36	-435.24	-1547.72	
			M3	-24.02	-384.95	-1316.20	-25.98	-404.40	-1427.93	-25.98	-407.58	-1427.03	-29.09	-433.48	-1548.30	
		TANDEM-LOAD	MAX	S2	2.26	8.61	-175.87	2.26	8.61	-165.81	2.26	8.24	-165.83	2.26	8.24	-155.77
			TQ	0.60	27.23	282.16	0.60	27.23	284.81	0.48	27.89	304.42	0.48	27.89	306.56	
			M3	-0.09	24.31	360.20	-0.09	24.31	359.81	-0.09	25.11	359.76	-0.09	25.11	359.37	
			MIN	S2	-23.01	-291.03	-437.24	-23.01	-291.03	-539.80	-23.01	-292.24	-539.15	-23.01	-292.24	-641.71
			TQ	-21.24	-305.80	-860.25	-21.24	-305.80	-954.91	-21.24	-307.93	-954.23	-21.24	-307.93	-1048.89	
			M3	-16.23	-262.77	-897.69	-17.33	-273.90	-973.28	-17.33	-276.06	-972.67	-19.10	-291.54	-1054.39	

BAGO RIVER BRIDGE

BLOCK [ No.1 : MAIN GIRDER ][ BEAM MEMBER FORCE ]

MEMBER				2033			2034			2035							
NODE				2033			2034			2035							
				SHEAR	TORQUE	MOMENT	SHEAR	TORQUE	MOMENT	SHEAR	TORQUE	MOMENT					
NAME	TITLE			S2 (kN)	TQ (kN·m)	M3 (kN·m)	S2 (kN)	TQ (kN·m)	M3 (kN·m)	S2 (kN)	TQ (kN·m)	M3 (kN·m)					
72	4-LANES	DISPERSION-LMAX	S2	2.76	32.59	-0.82	2.76	32.59	11.50	2.76	32.62	11.43	2.76	32.62	23.75		
			TQ	1.21	48.95	488.31	1.21	48.95	493.70	1.09	50.07	512.46	1.09	50.07	517.33		
			M3	-0.10	44.16	644.89	-0.10	44.16	644.43	-0.10	45.59	644.33	-0.10	45.59	643.86		
		MIN	S2	-18.78	-247.48	-328.24	-18.78	-247.48	-411.94	-18.78	-248.39	-411.39	-18.78	-248.39	-495.09		
			TQ	-17.25	-263.96	-815.27	-17.25	-263.96	-892.13	-17.13	-265.96	-910.41	-17.13	-265.96	-986.76		
			M3	-15.82	-259.08	-988.78	-15.82	-259.08	-1059.30	-15.82	-261.44	-1058.72	-15.82	-261.44	-1129.23		
		73	6-LANES	TRUCK-LOAD MAX	S2	734.40	189.63	-2910.20	617.04	113.07	-693.81	617.04	111.53	-694.06	563.72	70.15	1129.15
					TQ	245.01	966.04	-3803.35	245.01	966.04	-2711.41	245.21	960.01	-2706.23	245.21	960.01	-1613.40
					M3	-5.36	-2.39	902.48	185.01	-37.00	957.96	185.01	-34.87	958.04	328.56	-206.05	1553.73
MIN	S2			-80.25	-256.39	-243.08	-93.41	-259.65	-420.66	-93.41	-260.58	-420.08	-208.07	-335.19	-346.03		
	TQ			233.81	-1090.47	-3931.18	233.81	-1090.47	-2889.17	233.81	-1096.90	-2886.74	233.81	-1096.90	-1844.73		
	M3			371.06	-164.71	-5898.90	344.66	-161.49	-4300.51	344.66	-171.05	-4300.14	170.95	728.20	-2917.38		
TANDEM-LOAD MAX	S2			546.93	147.17	-1625.96	463.93	97.71	-42.11	463.93	97.62	-42.33	411.99	111.81	1142.73		
	TQ			166.19	658.81	-2594.91	166.19	658.81	-1854.24	166.19	654.68	-1855.70	166.19	654.68	-1115.04		
	M3			-3.69	-2.16	613.68	92.90	-34.21	884.71	92.90	-32.25	884.78	178.72	-141.24	1321.23		
MIN	S2	-72.16	-198.65	110.59	-104.70	-156.99	208.31	-104.70	-156.52	208.66	-190.40	-211.30	173.31				
	TQ	155.78	-742.65	-2655.99	155.78	-742.65	-1961.73	155.78	-747.02	-1960.07	155.78	-747.02	-1265.81				
	M3	251.29	-117.00	-4003.93	233.81	-117.21	-2920.07	233.81	-123.70	-2919.80	115.41	489.70	-1985.61				
DISPERSION-LMAX	S2	776.86	166.48	-11599.87	729.73	163.83	-8322.09	729.73	145.31	-8322.43	702.63	150.15	-5254.86				
	TQ	324.43	1379.74	-5558.48	316.96	1379.74	-4128.64	316.89	1370.57	-4112.42	308.94	1370.57	-2718.14				
	M3	-13.15	-40.56	1088.58	29.79	-17.37	1148.38	29.76	-15.04	1148.42	107.57	-6.43	1445.90				
MIN	S2	-51.76	-435.02	24.94	-52.24	-432.24	-126.61	-52.24	-432.52	-125.64	-72.89	-439.10	-279.55				
	TQ	388.85	-1607.10	-5870.97	354.11	-1607.10	-4214.86	354.20	-1616.50	-4233.25	318.50	-1616.50	-2733.40				
	M3	743.44	-191.75	-12649.50	651.56	-203.51	-9569.02	651.46	-224.37	-9568.54	526.91	-223.19	-6936.32				

BAGO RIVER BRIDGE

BLOCK [ No.1 : MAIN GIRDER ][ BEAM MEMBER FORCE ]

MEMBER			2033			2034			2034			2035			
NODE			2033			2034			2034			2035			
NAME TITLE			SHEAR	TORQUE	MOMENT	SHEAR	TORQUE	MOMENT	SHEAR	TORQUE	MOMENT	SHEAR	TORQUE	MOMENT	
			S2 (kN)	TQ (kN·m)	M3 (kN·m)	S2 (kN)	TQ (kN·m)	M3 (kN·m)	S2 (kN)	TQ (kN·m)	M3 (kN·m)	S2 (kN)	TQ (kN·m)	M3 (kN·m)	
124	SUM TOTAL	D+1LANE (caseMAX	S2	3133.09	-1643.90	-49500.86	2958.66	-1651.33	-35946.51	2958.66	-1731.30	-35942.75	2834.39	-1690.35	-22991.93
			TQ	2834.70	-183.30	-46993.95	2655.08	-183.30	-34760.86	2655.08	-260.64	-34760.37	2475.45	-260.64	-23327.82
			M3	2780.88	-741.31	-44486.35	2604.12	-747.77	-32487.52	2604.13	-820.07	-32485.77	2669.66	-1319.23	-20897.20
		MIN	S2	2711.58	-677.93	-44776.23	2589.03	-621.01	-32871.64	2589.03	-694.15	-32870.18	2409.75	-689.69	-21726.07
			TQ	3076.16	-1954.50	-48438.06	2909.31	-1954.50	-35100.31	2909.31	-2032.60	-35095.87	2742.53	-2032.60	-22501.49
			M3	3072.55	-1604.32	-49984.59	2896.12	-1572.46	-36679.27	2896.11	-1654.05	-36675.68	2609.60	-880.22	-24353.70
		D+1LANE (caseMAX	S2	3313.54	-832.89	-48387.16	2991.19	-855.47	-34952.03	2991.19	-933.24	-34950.04	2713.80	-959.83	-22964.06
			TQ	2825.66	-514.66	-46645.57	2643.39	-514.66	-34458.67	2643.45	-591.32	-34456.45	2461.24	-591.32	-23081.80
			M3	2784.67	-715.78	-44540.38	2757.19	-726.01	-32350.15	2757.19	-797.99	-32348.45	2450.41	-834.02	-21021.96
		MIN	S2	2784.66	-715.98	-44542.11	2554.75	-714.75	-32416.43	2554.75	-786.88	-32414.76	2252.61	-813.65	-21075.52
			TQ	3074.12	-1064.89	-48112.12	2855.56	-1064.89	-34898.80	2853.87	-1142.57	-34920.29	2635.24	-1142.57	-22688.35
			M3	3087.82	-949.89	-49339.12	2843.51	-937.42	-36152.65	2843.51	-1017.86	-36150.47	2583.08	-799.54	-23968.21
		D+1LANE (caseMAX	S2	3032.56	-428.46	-48035.10	2846.12	-428.98	-34939.48	2846.12	-506.72	-34938.44	2660.05	-508.28	-22679.81
			TQ	3023.41	-394.65	-47597.95	2836.81	-394.65	-34539.38	2836.64	-471.47	-34513.03	2650.04	-471.47	-22286.85
			M3	2786.63	-694.44	-44580.77	2615.89	-685.66	-32548.98	2615.88	-758.09	-32547.38	2546.20	-618.44	-21115.91
		MIN	S2	2786.13	-703.75	-44652.82	2606.34	-703.23	-32632.47	2606.34	-775.84	-32630.83	2426.18	-774.27	-21405.66
			TQ	2796.66	-769.46	-45835.69	2617.04	-769.46	-33772.12	2617.21	-844.63	-33795.70	2437.58	-844.63	-22531.92
			M3	3003.71	-470.62	-48612.47	2803.57	-486.62	-35670.31	2803.58	-565.97	-35669.14	2535.64	-697.06	-23666.96
		D+1LANE (caseMAX	S2	2953.63	372.32	-46942.16	2774.01	372.32	-34179.02	2774.01	296.27	-34179.77	2594.38	296.27	-22217.17
			TQ	2953.35	374.69	-46980.95	2773.73	374.69	-34219.06	2773.73	298.55	-34219.81	2594.10	298.55	-22258.46
			M3	2784.58	-689.51	-44661.69	2611.14	-647.59	-32637.74	2611.13	-720.30	-32636.22	2448.46	-606.52	-21378.44
		MIN	S2	2734.79	-1185.21	-45209.56	2555.17	-1185.21	-33421.73	2555.17	-1259.57	-33419.01	2375.54	-1259.57	-22431.71
			TQ	2739.42	-1214.01	-45344.22	2559.79	-1214.01	-33535.78	2559.79	-1288.63	-33532.99	2380.17	-1288.63	-22525.09
			M3	2919.80	45.36	-47542.52	2730.41	-19.64	-34951.22	2730.42	-97.32	-34951.09	2529.41	-235.69	-23214.02

BAGO RIVER BRIDGE

BLOCK [ No.1 : MAIN GIRDER ][ BEAM MEMBER FORCE ]

MEMBER			2033			2034			2034			2035			
NODE			2033			2034			2034			2035			
NAME TITLE			SHEAR	TORQUE	MOMENT	SHEAR	TORQUE	MOMENT	SHEAR	TORQUE	MOMENT	SHEAR	TORQUE	MOMENT	
			S2 (kN)	TQ (kN·m)	M3 (kN·m)	S2 (kN)	TQ (kN·m)	M3 (kN·m)	S2 (kN)	TQ (kN·m)	M3 (kN·m)	S2 (kN)	TQ (kN·m)	M3 (kN·m)	
124	SUM TOTAL	D+2LANES (casMAX	S2	3409.57	-1788.54	-51734.24	3191.32	-1869.61	-37387.69	3191.32	-1952.79	-37383.44	3024.46	-1974.13	-23865.03
			TQ	2861.53	18.56	-48195.92	2681.91	18.56	-35843.27	2681.91	-61.20	-35843.22	2502.28	-61.20	-24291.10
			M3	2777.57	-763.28	-44179.78	2613.39	-786.14	-32163.12	2613.41	-857.75	-32161.29	2696.25	-1438.42	-20409.81
		MIN	S2	2719.77	-709.65	-44425.83	2577.74	-682.73	-32547.70	2577.74	-755.15	-32546.10	2368.89	-838.12	-21184.87
			TQ	3273.35	-2417.88	-50642.06	3085.26	-2417.88	-36472.84	3085.26	-2499.02	-36467.37	2897.22	-2499.02	-23136.24
			M3	3277.20	-1935.43	-53072.10	3062.57	-1876.83	-38944.35	3062.54	-1963.42	-38940.07	2719.18	-926.60	-25946.20
		D+2LANES (casMAX	S2	3559.95	-1112.70	-50806.16	3218.43	-1206.39	-36558.96	3218.43	-1287.73	-36556.18	2923.97	-1365.37	-23841.80
			TQ	2853.99	-257.57	-47905.60	2672.17	-257.57	-35591.44	2672.22	-336.76	-35589.95	2490.44	-336.76	-24086.09
			M3	2780.73	-742.00	-44224.81	2740.94	-768.01	-32048.65	2740.96	-839.35	-32046.86	2513.54	-1034.08	-20513.77
		MIN	S2	2780.68	-741.37	-44230.73	2549.17	-760.85	-32168.35	2549.17	-832.42	-32166.58	2237.94	-941.42	-20642.75
			TQ	3271.64	-1676.53	-50370.44	3040.46	-1676.53	-36304.92	3039.06	-1757.33	-36321.05	2807.82	-1757.33	-23291.95
			M3	3289.93	-1390.07	-52534.20	3018.73	-1347.63	-38505.50	3018.70	-1433.26	-38502.40	2697.08	-859.37	-25624.96
		D+2LANES (casMAX	S2	3152.51	64.46	-49402.67	2967.21	64.02	-35769.25	2967.21	-15.56	-35769.30	2782.21	-16.87	-22966.81
			TQ	3142.68	117.19	-49045.06	2957.24	117.19	-35452.37	2957.10	38.34	-35431.40	2771.66	38.34	-22665.79
			M3	2786.18	-682.88	-44337.09	2615.98	-670.73	-32308.95	2615.94	-742.70	-32307.37	2601.62	-427.85	-20833.83
		MIN	S2	2773.04	-855.63	-45075.59	2593.28	-855.20	-33114.21	2593.28	-928.88	-33112.23	2413.21	-927.57	-21946.92
			TQ	2785.08	-943.21	-46442.49	2605.46	-943.21	-34430.54	2605.60	-1019.83	-34449.51	2425.97	-1019.83	-23237.46
			M3	3110.21	-90.27	-50642.32	2907.92	-121.35	-37225.61	2907.96	-204.09	-37225.24	2584.31	-609.65	-24799.16
		D+2LANES (casMAX	S2	3085.84	752.68	-48348.57	2906.22	752.68	-34996.21	2906.22	674.81	-34997.79	2726.60	674.81	-22445.97
			TQ	3084.21	769.83	-48546.38	2904.59	769.83	-35201.30	2904.59	691.50	-35202.92	2724.96	691.50	-22658.37
			M3	2785.88	-662.28	-44439.29	2612.64	-622.99	-32410.69	2612.62	-695.21	-32409.22	2517.30	-402.69	-21081.91
		MIN	S2	2718.08	-1397.74	-45659.90	2538.46	-1397.74	-33946.53	2538.46	-1473.26	-33943.34	2358.83	-1473.26	-23030.50
			TQ	2722.57	-1432.73	-45839.02	2542.95	-1432.73	-34105.68	2542.95	-1508.61	-34102.40	2363.32	-1508.61	-23169.59
			M3	3031.90	279.68	-49625.94	2839.36	208.19	-36539.67	2839.38	127.00	-36540.05	2618.47	-59.59	-24365.71

BAGO RIVER BRIDGE

BLOCK [ No.1 : MAIN GIRDER ] [ BEAM MEMBER FORCE ]

MEMBER			2033			2034			2034			2035				
NODE			2033			2034			2034			2035				
			SHEAR	TORQUE	MOMENT	SHEAR	TORQUE	MOMENT	SHEAR	TORQUE	MOMENT	SHEAR	TORQUE	MOMENT		
NAME	TITLE		S2 (kN)	TQ (kN·m)	M3 (kN·m)	S2 (kN)	TQ (kN·m)	M3 (kN·m)	S2 (kN)	TQ (kN·m)	M3 (kN·m)	S2 (kN)	TQ (kN·m)	M3 (kN·m)		
124	SUM TOTAL	D+3LANES (casMAX	S2	3688.06	-1722.73	-53134.23	3374.51	-1807.63	-38139.43	3374.51	-1892.48	-38135.32	3136.48	-1929.46	-24423.94	
			TQ	2876.64	38.72	-48893.04	2695.14	38.72	-36477.21	2695.19	-42.44	-36476.50	2513.73	-42.44	-24869.51	
			M3	2776.24	-768.30	-43988.15	2717.51	-794.98	-31855.55	2717.53	-865.90	-31853.70	2670.93	-1384.99	-20111.35	
		MIN	S2	2727.11	-722.86	-44198.51	2543.81	-699.11	-32229.39	2543.81	-770.82	-32227.75	2252.57	-860.30	-20808.10	
			TQ	3402.68	-2422.00	-52011.06	3188.28	-2422.00	-37324.11	3187.09	-2505.06	-37335.59	2972.68	-2505.06	-23609.18	
			M3	3415.66	-1930.45	-54945.72	3160.45	-1871.81	-40313.03	3160.43	-1961.46	-40308.76	2784.40	-925.52	-26904.22	
		D+3LANES (casMAX	S2	3214.78	693.14	-50173.05	3030.34	692.78	-36259.69	3030.34	612.10	-36261.14	2846.14	610.99	-23174.14	
			TQ	3206.17	742.91	-49839.55	3021.60	742.91	-35961.97	3021.48	662.91	-35945.55	2836.91	662.91	-22891.07	
			M3	2785.41	-673.85	-44187.04	2615.22	-654.31	-32159.99	2615.18	-725.95	-32158.46	2588.80	-375.82	-20703.45	
		MIN	S2	2749.84	-1076.44	-45313.98	2570.10	-1076.07	-33456.47	2570.10	-1150.51	-33453.99	2390.09	-1149.40	-22393.22	
			TQ	2762.18	-1172.39	-46648.84	2582.56	-1172.39	-34738.95	2582.68	-1249.71	-34754.23	2403.05	-1249.71	-23644.34	
			M3	3158.74	372.56	-51705.48	2955.91	320.64	-38074.66	2955.95	236.01	-38075.28	2638.01	-208.64	-25439.73	
		D+3LANES (casMAX	S2	3205.63	746.97	-49573.88	3024.23	746.96	-35691.23	3024.23	667.54	-35692.80	2841.93	667.20	-22622.52	
			TQ	3202.54	772.97	-49681.90	3021.14	772.97	-35812.97	3021.14	693.28	-35814.60	2838.79	693.28	-22756.12	
			M3	2786.12	-651.94	-44267.00	2617.32	-611.75	-32234.75	2617.27	-683.61	-32233.31	2587.87	-336.05	-20769.48	
		MIN	S2	2720.54	-1431.36	-46112.13	2540.91	-1431.35	-34387.78	2540.91	-1507.86	-34384.51	2361.24	-1507.51	-23458.77	
			TQ	2724.84	-1472.73	-46393.96	2545.22	-1472.73	-34650.47	2545.22	-1549.82	-34647.11	2365.59	-1549.82	-23704.16	
			M3	3137.18	239.21	-51394.22	2936.11	166.53	-37854.05	2936.15	82.45	-37854.32	2697.69	-104.77	-25293.07	
		D+4LANES	MAX	S2	2792.80	-663.36	-45141.92	2613.18	-663.36	-33095.56	2613.18	-737.00	-33094.00	2433.55	-737.00	-21848.18
			TQ	2790.21	-636.20	-44376.32	2610.59	-636.20	-32341.50	2610.50	-708.14	-32326.08	2430.88	-708.14	-21092.18	
			M3	2788.83	-641.73	-44216.86	2609.21	-641.73	-32188.19	2609.21	-713.35	-32186.68	2429.59	-713.30	-20958.54	
		MIN	S2	2756.06	-1122.64	-45627.35	2576.44	-1122.64	-33744.72	2576.44	-1197.72	-33742.14	2396.81	-1197.72	-22660.04	
			TQ	2758.66	-1146.45	-46346.98	2579.04	-1146.45	-34452.76	2579.12	-1223.12	-34462.39	2399.49	-1223.12	-23368.37	
			M3	2763.06	-1112.64	-46478.73	2582.16	-1125.29	-34567.97	2582.16	-1202.20	-34565.38	2400.51	-1219.03	-23461.36	

BAGO RIVER BRIDGE

BLOCK [ No.1 : MAIN GIRDER ] [ BEAM MEMBER FORCE ]

MEMBER					2033			2034			2035		
NODE					2033			2034			2035		
					SHEAR	TORQUE	MOMENT	SHEAR	TORQUE	MOMENT	SHEAR	TORQUE	MOMENT
NAME	TITLE				S2 (kN)	TQ (kN·m)	M3 (kN·m)	S2 (kN)	TQ (kN·m)	M3 (kN·m)	S2 (kN)	TQ (kN·m)	M3 (kN·m)
124	SUM TOTAL	D+6LANES	MAX	S2	3771.27	-462.55	-54412.03	3484.73	-514.04	-38811.61	3484.73	-600.39	-38810.37
				TQ	3159.09	830.73	-51065.68	2974.62	830.73	-37397.30	2974.70	747.54	-37381.76
				M3	2776.92	-721.94	-43686.29	2748.95	-729.36	-31582.15	2748.93	-799.78	-31580.44
			MIN	S2	2703.15	-1143.44	-45122.28	2514.66	-1143.75	-33306.99	2514.66	-1217.86	-33304.36
				TQ	3193.68	-2447.45	-51351.88	2991.48	-2447.45	-37568.89	2991.54	-2531.05	-37577.63
				M3	3513.38	-925.72	-57036.95	3256.88	-931.27	-41966.46	3256.81	-1024.36	-41964.29
	SUM TOTAL		MAX		3771.27	830.73	-43686.29	3484.73	830.73	-31582.15	3484.73	747.54	-31580.44
			MIN		2703.15	-2447.45	-57036.95	2514.66	-2447.45	-41966.46	2514.66	-2531.05	-41964.29
300	DEAD LOAD	TOTAL			2788.95	-694.02	-44980.49	2609.33	-694.02	-32951.27	2609.33	-767.34	-32949.64
301	LIVE LOAD	1-LANE (case1MAX	S2		344.14	-949.88	-4520.37	349.33	-957.30	-2995.25	349.33	-963.97	-2993.11
			TQ		45.75	510.72	-2013.47	45.75	510.72	-1809.60	45.75	506.69	-1810.73
			M3		-8.08	-47.29	494.14	-5.21	-53.74	463.75	-5.21	-52.73	463.87
			MIN	S2	-77.38	16.10	204.25	-20.31	73.01	79.63	-20.31	73.19	79.47
				TQ	287.21	-1260.48	-3457.58	299.98	-1260.48	-2149.04	299.98	-1265.26	-2146.23
				M3	283.60	-910.29	-5004.11	286.78	-878.44	-3728.00	286.78	-886.71	-3726.04
		1-LANE (case2MAX	S2		524.59	-138.87	-3406.67	381.85	-161.45	-2000.76	381.85	-165.90	-2000.40
			TQ		36.70	179.37	-1665.09	34.06	179.37	-1507.41	34.12	176.01	-1506.81
			M3		-4.29	-21.75	440.10	147.86	-31.99	601.12	147.86	-30.65	601.19
			MIN	S2	-4.29	-21.96	438.37	-54.59	-20.73	534.84	-54.59	-19.54	534.89
				TQ	285.16	-370.87	-3131.64	246.22	-370.87	-1947.53	244.54	-375.23	-1970.65
				M3	298.87	-255.86	-4358.63	234.17	-243.40	-3201.38	234.17	-250.52	-3200.83
		1-LANE (case3MAX	S2		243.60	265.57	-3054.61	236.79	265.05	-1988.21	236.79	260.62	-1988.79
			TQ		234.46	299.37	-2617.47	227.48	299.37	-1588.11	227.31	295.87	-1563.39
			M3		-2.32	-0.41	399.72	6.56	8.37	402.29	6.55	9.25	402.27
			MIN	S2	-2.82	-9.73	327.67	-2.99	-9.21	318.80	-2.99	-8.50	318.82
				TQ	7.71	-75.43	-855.20	7.71	-75.43	-820.85	7.88	-77.29	-846.06
				M3	214.76	223.40	-3631.98	194.24	207.40	-2719.04	194.25	201.36	-2719.49

BAGO RIVER BRIDGE

BLOCK [ No.1 : MAIN GIRDER ] [ BEAM MEMBER FORCE ]

MEMBER			2033			2034			2034			2035				
NODE			2033			2034			2034			2035				
NAME TITLE			SHEAR	TORQUE	MOMENT	SHEAR	TORQUE	MOMENT	SHEAR	TORQUE	MOMENT	SHEAR	TORQUE	MOMENT		
			S2 (kN)	TQ (kN·m)	M3 (kN·m)	S2 (kN)	TQ (kN·m)	M3 (kN·m)	S2 (kN)	TQ (kN·m)	M3 (kN·m)	S2 (kN)	TQ (kN·m)	M3 (kN·m)		
301	LIVE LOAD	1-LANE (case4MAX	S2	164.68	1066.34	-1961.67	164.68	1066.34	-1227.75	164.68	1063.61	-1230.12	164.68	1063.61	-496.21	
			TQ	164.40	1068.71	-2000.46	164.40	1068.71	-1267.80	164.40	1065.89	-1270.17	164.40	1065.89	-537.50	
			M3	-4.37	4.51	318.79	1.81	46.43	313.53	1.80	47.04	313.42	18.75	160.82	342.52	
			MIN	S2	-54.16	-491.19	-229.08	-54.16	-491.19	-470.46	-54.16	-492.24	-469.37	-54.16	-492.24	-710.75
			TQ	-49.54	-519.99	-363.73	-49.54	-519.99	-584.51	-49.54	-521.29	-583.35	-49.54	-521.29	-804.13	
			M3	130.84	739.38	-2562.04	121.08	674.38	-1999.95	121.09	670.02	-2001.45	99.70	531.65	-1493.06	
		2-LANES (caseMAX	S2	620.62	-1094.51	-6753.75	581.99	-1175.58	-4436.42	581.99	-1185.45	-4433.80	594.75	-1206.80	-2144.07	
			TQ	72.57	712.58	-3215.44	72.57	712.58	-2892.00	72.57	706.14	-2893.58	72.57	706.14	-2570.14	
			M3	-11.38	-69.25	800.71	4.05	-92.11	788.15	4.08	-90.41	788.35	266.54	-671.08	1311.16	
			MIN	S2	-69.18	-15.63	554.66	-31.60	11.29	403.57	-31.60	12.19	403.55	-60.82	-70.78	536.09
			TQ	484.40	-1723.85	-5661.57	475.93	-1723.85	-3521.57	475.93	-1731.69	-3517.73	467.52	-1731.69	-1415.28	
			M3	488.25	-1241.40	-8091.61	453.23	-1182.80	-5993.08	453.21	-1196.08	-5990.43	289.48	-159.27	-4225.24	
		2-LANES (caseMAX	S2	770.99	-418.68	-5825.67	609.10	-512.37	-3607.69	609.10	-520.40	-3606.54	494.26	-598.03	-2120.84	
			TQ	65.04	436.45	-2925.12	62.83	436.45	-2640.17	62.88	430.58	-2640.31	60.73	430.58	-2365.13	
			M3	-8.22	-47.97	755.68	131.61	-73.98	902.62	131.63	-72.01	902.78	83.84	-266.74	1207.19	
			MIN	S2	-8.28	-47.35	749.76	-60.16	-66.82	782.92	-60.16	-65.08	783.06	-191.76	-174.08	1078.21
			TQ	482.69	-982.51	-5389.96	431.13	-982.51	-3353.65	429.73	-990.00	-3371.41	378.11	-990.00	-1570.99	
			M3	500.97	-696.04	-7553.72	409.39	-653.60	-5554.23	409.37	-665.92	-5552.76	267.37	-92.03	-3904.00	
		2-LANES (caseMAX	S2	363.55	758.48	-4422.18	357.88	758.05	-2817.98	357.88	751.78	-2819.66	352.51	750.47	-1245.84	
			TQ	353.72	811.22	-4064.58	347.91	811.22	-2501.10	347.77	805.67	-2481.75	341.95	805.67	-944.83	
			M3	-2.78	11.14	643.39	6.65	23.29	642.32	6.61	24.63	642.27	171.91	339.49	887.13	
			MIN	S2	-15.91	-161.61	-95.10	-16.05	-161.18	-162.94	-16.05	-161.54	-162.58	-16.50	-160.23	-225.96
			TQ	-3.87	-249.18	-1462.01	-3.87	-249.18	-1479.27	-3.73	-252.50	-1499.86	-3.73	-252.50	-1516.50	
			M3	321.25	603.75	-5661.84	298.58	572.67	-4274.34	298.62	563.25	-4275.60	154.61	157.69	-3078.20	

BAGO RIVER BRIDGE

BLOCK [ No.1 : MAIN GIRDER ][ BEAM MEMBER FORCE ]

MEMBER				2033			2034			2035						
NODE				2033			2034			2034			2035			
				SHEAR	TORQUE	MOMENT	SHEAR	TORQUE	MOMENT	SHEAR	TORQUE	MOMENT	SHEAR	TORQUE	MOMENT	
NAME	TITLE			S2 (kN)	TQ (kN·m)	M3 (kN·m)	S2 (kN)	TQ (kN·m)	M3 (kN·m)	S2 (kN)	TQ (kN·m)	M3 (kN·m)	S2 (kN)	TQ (kN·m)	M3 (kN·m)	
301	LIVE LOAD	2-LANES (caseMAX	S2	296.89	1446.70	-3368.08	296.89	1446.70	-2044.94	296.89	1442.15	-2048.15	296.89	1442.15	-725.01	
			TQ	295.26	1463.85	-3565.90	295.26	1463.85	-2250.03	295.26	1458.84	-2253.28	295.26	1458.84	-937.41	
			M3	-3.07	31.74	541.19	3.31	71.03	540.58	3.29	72.12	540.42	87.60	364.65	639.05	
			MIN	S2	-70.87	-703.71	-679.41	-70.87	-703.71	-995.26	-70.87	-705.92	-993.69	-70.87	-705.92	-1309.54
			TQ	-66.39	-738.70	-858.54	-66.39	-738.70	-1154.41	-66.39	-741.27	-1152.76	-66.39	-741.27	-1448.63	
			M3	242.94	973.70	-4645.45	230.03	902.21	-3588.41	230.05	894.34	-3590.40	188.76	707.75	-2644.75	
		3-LANES (caseMAX	S2	899.11	-1028.70	-8153.75	765.17	-1113.60	-5188.17	765.17	-1125.15	-5185.68	706.77	-1162.13	-2702.98	
			TQ	87.69	732.74	-3912.56	85.81	732.74	-3525.95	85.85	724.90	-3526.86	84.02	724.90	-3148.55	
			M3	-12.71	-74.27	992.34	108.18	-100.95	1095.72	108.20	-98.56	1095.94	241.23	-617.65	1609.61	
			MIN	S2	-61.85	-28.84	781.97	-65.52	-5.08	721.88	-65.52	-3.48	721.89	-177.14	-92.97	912.86
			TQ	613.73	-1727.97	-7030.58	578.95	-1727.97	-4372.84	577.75	-1737.72	-4385.95	542.98	-1737.72	-1888.22	
			M3	626.71	-1236.43	-9965.24	551.12	-1177.79	-7361.76	551.10	-1194.12	-7359.12	354.69	-158.18	-5183.26	
		3-LANES (caseMAX	S2	425.83	1387.17	-5192.56	421.00	1386.80	-3308.42	421.00	1379.44	-3311.50	416.44	1378.33	-1453.18	
			TQ	417.21	1436.93	-4859.07	412.27	1436.93	-3010.70	412.15	1430.25	-2995.91	407.21	1430.25	-1170.11	
			M3	-3.54	20.17	793.44	5.88	39.71	791.28	5.85	41.39	791.18	159.10	391.52	1017.51	
			MIN	S2	-39.12	-382.42	-333.50	-39.23	-382.05	-505.20	-39.23	-383.17	-504.35	-39.61	-382.06	-672.26
			TQ	-26.77	-478.37	-1668.35	-26.77	-478.37	-1787.68	-26.65	-482.37	-1804.59	-26.65	-482.37	-1923.38	
			M3	369.79	1066.58	-6725.00	346.58	1014.67	-5123.40	346.62	1003.35	-5125.64	208.31	558.70	-3718.77	
		3-LANES (caseMAX	S2	416.67	1440.99	-4593.39	414.90	1440.98	-2739.96	414.90	1434.88	-2743.16	412.22	1434.53	-901.56	
			TQ	413.58	1466.99	-4701.42	411.81	1466.99	-2861.70	411.81	1460.62	-2864.96	409.09	1460.62	-1035.16	
			M3	-2.84	42.08	713.49	7.99	82.28	716.52	7.94	83.72	716.33	158.17	431.28	951.49	
			MIN	S2	-68.42	-737.33	-1131.64	-68.42	-737.32	-1436.51	-68.42	-740.52	-1434.87	-68.47	-740.17	-1737.81
			TQ	-64.11	-778.71	-1413.48	-64.11	-778.71	-1699.20	-64.11	-782.48	-1697.47	-64.11	-782.48	-1983.20	
			M3	348.22	933.24	-6413.74	326.77	860.56	-4902.78	326.82	849.79	-4904.68	267.99	662.57	-3572.11	



BAGO RIVER BRIDGE

BLOCK [ No.1 : MAIN GIRDER ][ BEAM MEMBER FORCE ]

MEMBER					2033			2034			2035					
NODE					2033			2034			2035					
					SHEAR	TORQUE	MOMENT	SHEAR	TORQUE	MOMENT	SHEAR	TORQUE	MOMENT			
NAME	TITLE				S2 (kN)	TQ (kN·m)	M3 (kN·m)	S2 (kN)	TQ (kN·m)	M3 (kN·m)	S2 (kN)	TQ (kN·m)	M3 (kN·m)			
301	LIVE LOAD	4-LANES	MAX	S2	3.85	30.66	-161.44	3.85	30.66	-144.29	3.85	30.34	-144.36	3.85	30.34	-127.22
				TQ	1.26	57.82	604.16	1.26	57.82	609.77	1.17	59.20	623.56	1.17	59.20	628.78
				M3	-0.12	52.29	763.63	-0.12	52.29	763.08	-0.12	53.99	762.96	-0.12	54.04	762.42
			MIN	S2	-32.89	-428.62	-646.87	-32.89	-428.62	-793.45	-32.89	-430.38	-792.50	-32.89	-430.38	-939.08
				TQ	-30.29	-452.43	-1366.49	-30.29	-452.43	-1501.49	-30.22	-455.78	-1512.75	-30.22	-455.78	-1647.41
				M3	-25.90	-418.62	-1498.24	-27.17	-431.26	-1616.70	-27.17	-434.86	-1615.74	-29.19	-451.70	-1740.39
		6-LANES	MAX	S2	982.32	231.47	-9431.54	875.40	179.98	-5860.34	875.40	166.94	-5860.72	823.13	143.19	-2681.71
				TQ	370.14	1524.76	-6085.19	365.29	1524.76	-4446.03	365.36	1514.88	-4432.12	360.20	1514.88	-2815.50
				M3	-12.03	-27.92	1294.19	139.62	-35.34	1369.12	139.60	-32.44	1369.20	283.48	-138.11	1949.76
			MIN	S2	-85.81	-449.42	-141.79	-94.67	-449.73	-355.72	-94.67	-450.52	-354.72	-182.63	-503.29	-406.62
				TQ	404.73	-1753.42	-6371.40	382.15	-1753.42	-4617.62	382.21	-1763.71	-4627.99	359.00	-1763.71	-2975.78
				M3	724.42	-231.70	-12056.46	647.54	-237.24	-9015.20	647.48	-257.03	-9014.65	453.61	328.26	-6404.91
		LIVE LOAD	MAX	982.32	1524.76	1294.19	875.40	1524.76	1369.12	875.40	1514.88	1369.20	823.13	1514.88	1949.76	
			MIN	-85.81	-1753.42	-12056.46	-94.67	-1753.42	-9015.20	-94.67	-1763.71	-9014.65	-191.76	-1763.71	-6404.91	
		303	SUM TOTAL	TOTAL	MAX	3771.27	830.73	-43686.29	3484.73	830.73	-31582.15	3484.73	747.54	-31580.44	3252.84	747.54
MIN	2703.15				-2447.45	-57036.95	2514.66	-2447.45	-41966.46	2514.66	-2531.05	-41964.29	2237.94	-2531.05	-28125.87	

BAGO RIVER BRIDGE

BLOCK [ No.1 : MAIN GIRDER ] [ BEAM MEMBER FORCE ]

MEMBER NODE	2035	2036			2037			2038			2039				
		SHEAR	TORQUE	MOMENT	SHEAR	TORQUE	MOMENT	SHEAR	TORQUE	MOMENT	SHEAR	TORQUE	MOMENT		
														S2 (kN)	TQ (kN·m)
1	PAVEMENT	392.18	-114.28	-3546.87	362.17	-114.28	-1771.46	362.17	-118.44	-1771.19	332.15	-118.44	-137.07		
3	RAILING	9.59	-5.31	-103.17	11.18	-5.31	-54.28	11.18	-5.44	-54.26	12.77	-5.44	2.12		
5	CURB	94.95	-52.59	-1021.36	110.71	-52.59	-537.34	110.71	-53.85	-537.22	126.47	-53.85	20.97		
7	DECK WEIGHT	633.76	-183.58	-5750.04	588.15	-183.58	-2874.21	588.15	-190.33	-2873.77	542.52	-190.33	-212.70		
8	GIRDER WEIGH	928.71	-213.27	-7939.80	840.72	-213.27	-3775.37	840.72	-222.15	-3774.86	752.70	-222.15	-24.72		
10	MEDIAN STRIP	193.11	-27.77	-1643.18	164.63	-27.77	-801.20	164.63	-29.65	-801.13	136.13	-29.65	-93.28		
21	ADITIONAL WE	177.45	-51.40	-1610.01	164.68	-51.40	-804.78	164.68	-53.29	-804.66	151.91	-53.29	-59.56		
31	MEDIAN RAILI	13.29	-1.48	-104.95	10.99	-1.48	-47.81	10.99	-1.59	-47.81	8.69	-1.59	-1.50		
51	SUPPORT WEIG	0.00	0.00	-0.00	0.00	0.00	-0.00	0.00	0.00	-0.00	0.00	0.00	-0.00		
52	NOSE WEIGHT	-0.00	-0.01	0.03	-0.00	-0.01	0.02	-0.00	-0.01	0.02	-0.00	-0.01	0.02		
61	1-LANE(case1TRUCK-LOAD	MAX	S2	112.23	-435.66	-258.26	112.23	-435.66	270.00	112.23	-435.03	271.02	151.56	-384.77	930.00
			TQ	12.86	67.00	-603.42	12.86	67.00	-542.89	12.86	65.72	-543.04	12.86	65.72	-482.52
			M3	0.94	-137.72	366.24	52.69	-286.01	434.70	52.69	-284.98	435.37	151.56	-384.77	930.00
		MIN	S2	-43.57	-74.29	346.20	-4.51	-9.32	94.49	-4.51	-9.10	94.52	-4.51	-9.10	73.29
			TQ	109.53	-442.67	-316.22	109.53	-442.67	199.36	109.53	-442.20	200.40	109.53	-442.20	715.98
			M3	12.79	66.36	-625.00	12.43	64.47	-564.94	12.43	63.14	-565.09	12.43	63.14	-506.56
		TANDEM-LOAD MAX	S2	81.05	-297.87	-166.07	81.05	-297.87	215.45	81.05	-297.36	216.14	122.96	-239.41	635.96
			TQ	8.82	45.83	-416.05	8.82	45.83	-374.54	8.82	44.95	-374.65	8.82	44.95	-333.14
			M3	-18.44	-71.21	259.04	59.05	-240.17	319.33	59.05	-239.41	319.89	101.14	-257.62	642.83
		MIN	S2	-50.49	-71.21	259.04	-6.69	-14.59	143.84	-6.69	-14.25	143.87	-6.69	-14.25	112.40
			TQ	71.53	-301.63	-233.11	71.53	-301.63	103.60	71.53	-301.38	104.31	71.53	-301.38	441.02
			M3	8.64	44.85	-426.03	8.54	44.32	-385.39	8.54	43.41	-385.49	8.54	43.41	-345.27
		DISPERSION-LMAX	S2	137.97	-556.43	-1522.71	143.38	-569.88	-841.99	143.38	-571.85	-840.65	154.58	-575.89	-135.82
			TQ	15.01	74.73	-740.68	15.01	74.73	-670.04	15.01	73.16	-670.21	15.01	73.16	-599.57
			M3	-1.48	-71.55	320.98	47.97	-225.76	424.01	47.97	-224.76	424.54	97.06	-425.24	756.90
		MIN	S2	-8.98	-31.25	275.37	-3.10	-17.80	228.57	-3.10	-17.26	228.61	-2.95	-13.22	210.88
			TQ	113.99	-662.40	-506.66	125.28	-662.40	56.62	125.28	-662.27	58.17	136.62	-662.27	674.63
			M3	130.47	-516.12	-1568.32	92.31	-361.91	-1037.43	92.31	-364.35	-1036.57	54.57	-163.87	-681.84

BAGO RIVER BRIDGE

BLOCK [ No.1 : MAIN GIRDER ][ BEAM MEMBER FORCE ]

MEMBER				2035			2036			2037					
NODE				2035			2036			2037					
				SHEAR	TORQUE	MOMENT	SHEAR	TORQUE	MOMENT	SHEAR	TORQUE	MOMENT			
NAME	TITLE			S2 (kN)	TQ (kN·m)	M3 (kN·m)	S2 (kN)	TQ (kN·m)	M3 (kN·m)	S2 (kN)	TQ (kN·m)	M3 (kN·m)			
62	1-LANE (case2TRUCK-LOAD	MAX	S2	234.04	-62.96	272.97	151.58	-76.65	687.70	151.58	-75.03	687.88	93.68	-91.22	740.32
			TQ	5.65	28.40	-502.22	5.65	28.40	-475.60	5.65	27.28	-475.67	5.65	27.28	-449.05
			M3	150.23	-43.95	316.77	139.20	-72.24	713.68	139.20	-70.56	713.85	72.73	-86.08	747.59
		MIN	S2	-10.65	-36.81	308.00	-63.27	-59.01	672.42	-63.27	-57.43	672.56	-145.47	-71.60	700.14
			TQ	73.02	-127.74	-410.72	73.02	-127.74	-67.00	73.02	-127.90	-66.70	73.02	-127.90	277.01
			M3	5.56	27.20	-528.18	5.56	27.20	-502.03	5.56	26.02	-502.09	5.56	26.02	-475.93
		TANDEM-LOAD MAX	S2	186.15	-37.94	319.84	128.23	-47.95	625.95	128.23	-46.48	626.06	72.27	-55.17	618.37
			TQ	3.85	19.33	-346.64	3.85	19.33	-328.50	3.85	18.56	-328.54	3.85	18.56	-310.40
			M3	90.81	-34.14	325.75	128.23	-47.95	625.96	128.23	-46.48	626.07	72.27	-55.17	618.37
		MIN	S2	-14.24	-34.14	325.75	-66.81	-45.72	623.76	-66.81	-44.25	623.87	-127.19	-52.39	612.60
			TQ	51.07	-86.70	-260.45	51.07	-86.70	-20.04	48.51	-86.84	-61.12	48.51	-86.84	167.22
			M3	3.81	18.67	-359.97	3.81	18.67	-342.05	3.81	17.86	-342.09	3.81	17.86	-324.18
		DISPERSION-LMAX	S2	151.72	-166.22	-1296.51	122.99	-158.87	-752.33	122.99	-160.64	-751.96	104.52	-151.93	-345.36
			TQ	6.23	33.32	-618.89	6.23	33.32	-589.55	6.23	31.94	-589.62	6.23	31.94	-560.28
			M3	35.09	-21.83	265.87	37.80	-65.84	443.52	37.80	-64.80	443.67	35.85	-129.76	612.20
MIN	S2	-2.46	-9.04	218.04	-10.34	-16.39	290.30	-10.34	-15.70	290.34	-28.49	-24.41	327.81		
	TQ	143.03	-208.58	-459.58	106.42	-208.58	127.52	106.42	-208.28	128.01	69.79	-208.28	542.73		
	M3	114.17	-153.43	-1344.35	74.85	-109.42	-905.55	74.85	-111.55	-905.29	40.18	-46.59	-629.75		
63	1-LANE (case3TRUCK-LOAD	MAX	S2	77.75	100.53	-96.08	77.75	100.53	269.89	77.75	101.16	269.66	77.75	101.16	635.63
			TQ	73.83	106.03	-204.36	73.83	106.03	143.16	73.83	106.36	142.91	73.83	106.36	490.43
			M3	47.34	20.43	252.79	61.83	60.92	403.80	61.83	61.87	403.66	71.43	95.28	645.08
		MIN	S2	-3.99	-0.39	227.11	-3.99	-0.39	208.31	-3.99	0.10	208.31	-3.99	0.10	189.51
			TQ	-2.05	-2.04	67.98	-2.05	-2.04	58.31	0.04	-3.00	-421.21	0.04	-3.00	-421.02
			M3	0.38	-1.25	-456.88	0.37	-1.32	-455.14	0.37	-2.39	-455.14	0.37	-2.39	-453.42

BAGO RIVER BRIDGE

BLOCK [ No.1 : MAIN GIRDER ] [ BEAM MEMBER FORCE ]

MEMBER		2035			2036			2036			2037					
NODE		2035			2036			2036			2037					
		SHEAR	TORQUE	MOMENT	SHEAR	TORQUE	MOMENT	SHEAR	TORQUE	MOMENT	SHEAR	TORQUE	MOMENT			
NAME	TITLE	S2 (kN)	TQ (kN·m)	M3 (kN·m)	S2 (kN)	TQ (kN·m)	M3 (kN·m)	S2 (kN)	TQ (kN·m)	M3 (kN·m)	S2 (kN)	TQ (kN·m)	M3 (kN·m)			
63	1-LANE (case3TANDEM-LOAD	MAX	S2	53.14	64.00	-24.61	53.14	64.00	225.52	53.14	64.53	225.37	53.14	64.53	475.49	
			TQ	52.40	73.29	-111.04	52.40	73.29	135.62	52.40	73.61	135.45	52.40	73.61	382.10	
			M3	32.80	6.52	213.16	43.47	35.22	305.28	43.47	35.94	305.19	53.14	64.53	475.49	
		MIN	S2	-3.18	-2.44	134.42	-3.18	-2.44	119.47	-3.18	-2.16	119.48	-3.18	-2.16	104.53	
			TQ	-2.80	-2.83	103.75	-2.80	-2.83	90.57	-2.80	-2.62	90.58	-2.80	-2.62	77.40	
			M3	0.23	-0.97	-310.89	0.23	-0.97	-309.79	0.23	-1.70	-309.79	0.23	-1.70	-308.69	
		DISPERSION-LMAX	S2	103.77	150.73	-960.39	98.12	150.37	-508.83	98.12	149.17	-509.18	92.70	147.77	-85.79	
			TQ	102.15	151.62	-846.90	97.45	151.62	-375.43	97.36	150.78	-339.60	91.22	150.78	104.23	
			M3	13.61	9.14	251.24	33.68	45.71	357.92	33.68	46.55	357.81	61.43	94.51	578.53	
		MIN	S2	-1.61	-4.79	46.62	-2.10	-4.43	61.49	-2.10	-4.28	61.50	-2.82	-2.88	75.63	
			TQ	0.01	-5.68	-66.87	-1.43	-5.68	-71.91	-1.34	-5.89	-108.08	-1.34	-5.89	-114.39	
			M3	88.56	136.81	-1165.01	62.34	100.23	-805.26	62.34	98.34	-805.49	28.45	50.38	-588.69	
64	1-LANE (case4TRUCK-LOAD	MAX	S2	57.33	374.98	-198.24	57.33	374.98	71.63	57.33	375.15	70.75	57.33	375.15	340.62	
			TQ	56.76	376.32	-241.68	56.76	376.32	25.51	56.76	376.38	24.62	56.76	376.38	291.81	
			M3	0.63	4.48	121.93	34.43	243.93	195.55	34.43	244.39	194.97	49.65	340.36	391.03	
		MIN	S2	-10.58	-63.22	-299.70	-10.58	-63.22	-349.50	-10.58	-64.04	-349.36	-10.58	-64.04	-399.15	
			TQ	-10.57	-63.71	-283.02	-10.57	-63.71	-332.78	-10.57	-64.50	-332.63	-10.57	-64.50	-382.39	
			M3	42.33	297.14	-372.53	-9.86	-58.36	-364.11	-9.86	-59.21	-363.97	-10.08	-60.57	-410.85	
		TANDEM-LOAD	MAX	S2	39.32	256.52	-145.80	39.32	256.52	39.30	39.32	256.61	38.70	39.32	256.61	223.80
			TQ	39.17	256.89	-157.92	39.17	256.89	26.43	39.17	256.96	25.83	39.17	256.96	210.18	
			M3	0.42	2.99	82.86	23.52	175.07	136.59	23.52	175.39	136.18	32.42	227.24	268.06	
		MIN	S2	-7.22	-43.18	-201.68	-7.22	-43.18	-235.67	-7.22	-43.74	-235.57	-7.22	-43.74	-269.55	
			TQ	-7.22	-43.32	-197.03	-7.22	-43.32	-231.00	-7.22	-43.86	-230.90	-7.22	-43.86	-264.87	
			M3	28.19	198.57	-253.33	-6.60	-39.00	-247.74	-6.60	-39.58	-247.65	-7.02	-42.18	-279.44	

BAGO RIVER BRIDGE

BLOCK [ No.1 : MAIN GIRDER ][ BEAM MEMBER FORCE ]

MEMBER		2035			2036			2036			2037						
NODE		2035			2036			2036			2037						
		SHEAR	TORQUE	MOMENT	SHEAR	TORQUE	MOMENT	SHEAR	TORQUE	MOMENT	SHEAR	TORQUE	MOMENT				
NAME	TITLE	S2 (kN)	TQ (kN·m)	M3 (kN·m)	S2 (kN)	TQ (kN·m)	M3 (kN·m)	S2 (kN)	TQ (kN·m)	M3 (kN·m)	S2 (kN)	TQ (kN·m)	M3 (kN·m)				
64	1-LANE (case4DISPERSION-LMAX	S2	82.16	572.56	-340.00	82.16	572.56	46.73	82.16	572.67	45.38	82.16	572.67	432.12			
		TQ	82.16	572.56	-340.00	82.16	572.56	46.73	82.16	572.67	45.38	82.16	572.67	432.12			
		M3	11.65	76.28	163.25	32.44	213.70	263.44	32.32	213.37	262.94	60.00	403.62	478.00			
		MIN	S2	-11.86	-70.82	-369.76	-11.86	-70.82	-425.59	-11.86	-71.82	-425.42	-11.86	-71.82	-481.25		
		TQ	-11.86	-70.82	-369.76	-11.86	-70.82	-425.59	-11.86	-71.82	-425.42	-11.86	-71.82	-481.25			
		M3	58.65	425.46	-873.02	37.86	288.04	-642.30	37.98	287.48	-642.98	10.30	97.23	-527.13			
		65	2-LANES (caseTRUCK-LOAD	MAX	S2	254.91	-554.46	47.76	232.36	-625.35	878.44	232.36	-623.29	879.91	253.53	-629.09	1752.67
				TQ	22.14	114.86	-1156.33	22.14	114.86	-1052.13	22.14	112.38	-1052.40	22.14	112.38	-948.20	
				M3	83.85	-199.59	702.43	160.62	-456.72	1062.37	160.62	-454.22	1063.44	239.74	-615.63	1765.03	
MIN	S2			-50.90	-121.14	663.07	-27.60	-115.10	680.11	-27.60	-113.50	680.38	-49.97	-184.82	852.83		
TQ	194.09			-723.68	-702.11	194.09	-723.68	211.50	194.09	-723.19	213.20	194.09	-723.19	1126.81			
M3	21.79			112.26	-1200.82	21.43	110.37	-1098.40	21.43	107.79	-1098.66	21.43	107.79	-997.77			
TANDEM-LOAD	MAX			S2	185.08	-354.54	139.87	169.51	-404.40	725.61	169.51	-402.69	726.56	196.02	-392.39	1280.04	
TQ	15.16			78.50	-797.39	15.16	78.50	-726.03	15.16	76.80	-726.21	15.16	76.80	-654.84			
M3	31.09			-117.35	566.76	147.50	-346.70	829.50	147.50	-344.75	830.31	174.20	-410.60	1286.91			
MIN	S2	-58.31	-117.35	566.76	-28.95	-108.43	650.70	-28.95	-106.90	650.96	-45.15	-157.07	750.22				
TQ	128.00	-492.61	-507.04	128.00	-492.61	95.47	128.00	-492.38	96.63	128.00	-492.38	699.15					
M3	14.82	76.39	-818.81	14.72	75.86	-749.09	14.72	74.10	-749.26	14.72	74.10	-679.97					
DISPERSION-LMAX	S2	286.72	-922.06	-2929.73	275.00	-925.04	-1658.48	275.00	-928.94	-1656.30	272.43	-917.96	-450.42				
TQ	25.50	129.04	-1419.30	25.50	129.04	-1299.25	25.50	125.99	-1299.55	25.50	125.99	-1179.50					
M3	24.54	-117.19	609.85	90.47	-370.57	869.06	90.47	-368.53	869.93	156.40	-706.80	1432.83					
MIN	S2	-11.60	-45.49	516.20	-8.80	-42.51	519.14	-8.80	-41.29	519.24	-15.09	-52.27	545.60				
TQ	249.61	-1096.59	-994.23	240.70	-1096.59	159.91	240.70	-1096.22	162.48	231.83	-1096.22	1274.68					
M3	250.58	-850.36	-3023.38	175.74	-596.98	-2008.40	175.74	-601.70	-2006.99	100.93	-263.43	-1337.65					

BAGO RIVER BRIDGE

BLOCK [ No.1 : MAIN GIRDER ][ BEAM MEMBER FORCE ]

MEMBER				2035			2036			2037					
NODE				2035			2036			2037					
				SHEAR	TORQUE	MOMENT	SHEAR	TORQUE	MOMENT	SHEAR	TORQUE	MOMENT			
NAME	TITLE			S2 (kN)	TQ (kN·m)	M3 (kN·m)	S2 (kN)	TQ (kN·m)	M3 (kN·m)	S2 (kN)	TQ (kN·m)	M3 (kN·m)			
66	2-LANES (caseTRUCK-LOAD	MAX	S2	376.73	-181.76	578.99	271.71	-266.34	1296.14	271.71	-263.29	1296.76	195.66	-335.55	1562.99
			TQ	14.93	76.25	-1055.13	14.93	76.25	-984.84	14.93	73.94	-985.02	14.93	73.94	-914.73
			M3	233.14	-105.82	652.95	247.13	-242.95	1341.36	247.13	-239.80	1341.93	160.91	-316.93	1582.62
		MIN	S2	-17.98	-83.65	624.87	-86.36	-164.79	1258.04	-86.36	-161.83	1258.42	-190.93	-247.32	1479.67
			TQ	157.58	-408.75	-796.60	157.58	-408.75	-54.86	157.58	-408.88	-53.90	157.58	-408.88	687.84
			M3	14.56	73.10	-1104.01	14.56	73.10	-1035.49	14.56	70.67	-1035.66	14.56	70.67	-967.14
		TANDEM-LOAD MAX	S2	290.18	-94.61	625.78	216.68	-154.48	1136.12	216.68	-151.81	1136.48	145.33	-208.14	1262.45
			TQ	10.20	52.01	-727.99	10.20	52.01	-679.98	10.20	50.41	-680.10	10.20	50.41	-632.10
			M3	140.34	-80.29	633.47	216.69	-154.48	1136.12	216.69	-151.81	1136.48	145.33	-208.14	1262.45
		MIN	S2	-22.06	-80.29	633.47	-89.07	-139.56	1130.63	-89.07	-136.90	1130.95	-165.65	-195.21	1250.43
			TQ	107.54	-277.68	-534.38	107.54	-277.68	-28.17	104.98	-277.84	-68.80	104.98	-277.84	425.35
			M3	9.98	50.21	-752.74	9.98	50.21	-705.75	9.98	48.55	-705.86	9.98	48.55	-658.87
		DISPERSION-LMAX	S2	300.46	-531.85	-2703.54	254.61	-514.04	-1568.83	254.61	-517.72	-1567.61	222.37	-493.99	-659.97
			TQ	16.73	87.63	-1297.51	16.73	87.63	-1218.76	16.73	84.77	-1218.96	16.73	84.77	-1140.21
			M3	61.10	-67.47	554.74	80.29	-210.65	888.57	80.29	-208.56	889.06	95.19	-411.31	1288.13
MIN	S2	-5.08	-23.29	458.88	-16.04	-41.10	580.88	-16.04	-39.74	580.97	-40.63	-63.47	662.53		
	TQ	278.65	-642.77	-947.15	221.84	-642.77	230.81	221.84	-642.22	232.32	165.00	-642.22	1142.77		
	M3	234.28	-487.67	-2799.40	158.28	-344.49	-1876.52	158.28	-348.90	-1875.70	86.54	-146.15	-1285.56		
67	2-LANES (caseTRUCK-LOAD	MAX	S2	142.11	332.68	-252.86	142.11	332.68	416.05	142.11	333.66	415.26	142.11	333.66	1084.17
			TQ	136.21	345.27	-442.39	136.21	345.27	198.76	136.21	345.73	197.94	136.21	345.73	839.09
			M3	65.45	99.07	415.95	102.44	201.47	684.91	102.44	203.08	684.44	129.37	290.20	1166.99
		MIN	S2	-7.71	-23.53	-100.36	-7.71	-23.53	-136.64	-7.71	-23.85	-136.58	-7.71	-23.85	-172.86
			TQ	-5.74	-25.34	-291.42	-5.74	-25.34	-318.44	-3.65	-27.18	-797.91	-3.65	-27.18	-815.07
			M3	-2.60	-21.22	-867.86	-2.61	-21.28	-880.13	-2.61	-23.35	-880.08	-2.73	-23.97	-892.64

BAGO RIVER BRIDGE

BLOCK [ No.1 : MAIN GIRDER ] [ BEAM MEMBER FORCE ]

MEMBER		2035			2036			2036			2037						
NODE		2035			2036			2036			2037						
		SHEAR	TORQUE	MOMENT	SHEAR	TORQUE	MOMENT	SHEAR	TORQUE	MOMENT	SHEAR	TORQUE	MOMENT				
NAME	TITLE	S2 (kN)	TQ (kN·m)	M3 (kN·m)	S2 (kN)	TQ (kN·m)	M3 (kN·m)	S2 (kN)	TQ (kN·m)	M3 (kN·m)	S2 (kN)	TQ (kN·m)	M3 (kN·m)				
67	2-LANES (caseTANDEM-LOAD	MAX	S2	97.22	217.02	-102.11	97.22	217.02	355.52	97.22	217.86	355.01	97.22	217.86	812.64		
			TQ	94.18	235.90	-286.51	94.18	235.90	156.80	94.18	236.27	156.25	94.18	236.27	599.56		
			M3	41.09	50.20	339.55	68.04	122.27	501.86	68.04	123.45	501.57	92.34	193.33	841.85		
		MIN	S2	-5.73	-18.35	-96.20	-5.73	-18.35	-123.15	-5.73	-18.64	-123.11	-5.73	-18.64	-150.06		
			TQ	-5.34	-18.79	-135.78	-5.34	-18.79	-160.93	-5.34	-19.17	-160.88	-5.34	-19.17	-186.03		
			M3	-1.70	-14.06	-590.33	-1.91	-15.21	-598.67	-1.91	-16.62	-598.64	-1.91	-16.62	-607.64		
			DISPERSION-LMAX	S2	192.25	508.60	-1458.18	186.60	508.24	-590.14	186.60	506.85	-591.33	181.18	505.45	248.54	
			TQ	190.49	510.41	-1261.29	185.79	510.41	-374.02	185.65	509.61	-310.14	179.51	509.61	549.27		
			M3	21.81	43.16	470.63	66.35	169.33	670.84	66.28	170.64	670.44	123.52	334.40	1114.09		
		MIN	S2	-5.36	-28.35	-282.19	-5.86	-27.99	-285.01	-5.86	-28.66	-284.94	-6.58	-27.25	-288.50		
			TQ	-3.60	-30.16	-479.08	-5.04	-30.16	-501.12	-4.91	-31.42	-566.14	-4.91	-31.42	-589.23		
			M3	165.07	437.09	-2211.00	114.40	310.92	-1545.99	114.47	307.55	-1546.71	51.08	143.79	-1154.05		
		68	2-LANES (caseTRUCK-LOAD	MAX	S2	121.69	607.13	-355.02	121.69	607.13	217.78	121.69	607.64	216.36	121.69	607.64	789.16
					TQ	119.14	615.56	-479.71	119.14	615.56	81.10	119.14	615.75	79.66	119.14	615.75	640.47
					M3	19.82	88.66	272.00	75.19	386.35	474.08	75.19	387.46	473.17	107.59	535.49	912.61
MIN	S2			-17.53	-105.66	-647.95	-17.53	-105.66	-730.47	-17.53	-107.37	-730.22	-17.53	-107.37	-812.74		
	TQ			-17.52	-106.15	-631.26	-17.52	-106.15	-713.74	-17.52	-107.82	-713.49	-17.52	-107.82	-795.97		
	M3			87.85	482.40	-781.09	-16.44	-98.43	-757.67	-16.44	-100.21	-757.43	-16.79	-102.38	-835.52		
	TANDEM-LOAD MAX			S2	83.41	409.54	-223.30	83.41	409.54	169.30	83.41	409.94	168.34	83.41	409.94	560.94	
	TQ			80.94	419.50	-333.39	80.94	419.50	47.61	80.94	419.61	46.63	80.94	419.61	427.63		
	M3			9.78	51.64	196.98	48.03	263.40	331.45	48.03	264.17	330.83	71.62	356.04	634.41		
MIN	S2			-11.95	-72.10	-436.60	-11.95	-72.10	-492.87	-11.95	-73.26	-492.70	-11.95	-73.26	-548.97		
	TQ			-11.95	-72.24	-431.94	-11.95	-72.24	-488.20	-11.95	-73.39	-488.03	-11.95	-73.39	-544.29		
	M3			58.27	321.99	-530.63	-10.96	-65.54	-515.12	-10.96	-66.75	-514.96	-11.66	-71.07	-568.39		

BAGO RIVER BRIDGE

BLOCK [ No.1 : MAIN GIRDER ][ BEAM MEMBER FORCE ]

MEMBER			2035			2036			2036			2037				
NODE			2035			2036			2036			2037				
NAME TITLE			SHEAR	TORQUE	MOMENT	SHEAR	TORQUE	MOMENT	SHEAR	TORQUE	MOMENT	SHEAR	TORQUE	MOMENT		
			S2 (kN)	TQ (kN·m)	M3 (kN·m)	S2 (kN)	TQ (kN·m)	M3 (kN·m)	S2 (kN)	TQ (kN·m)	M3 (kN·m)	S2 (kN)	TQ (kN·m)	M3 (kN·m)		
68	2-LANES (caseDISPERSION-LMAX	S2	171.41	936.32	-703.17	171.41	936.32	103.68	171.41	936.56	101.48	171.41	936.56	908.33		
		TQ	171.40	936.47	-701.83	171.40	936.47	104.98	171.40	936.72	102.78	171.40	936.72	909.59		
		M3	20.90	115.66	366.40	66.15	342.67	565.03	65.96	342.78	564.22	123.13	648.82	1007.13		
	MIN	S2	-19.32	-117.08	-796.28	-19.32	-117.08	-887.20	-19.32	-119.17	-886.92	-19.32	-119.17	-977.84		
		TQ	-19.31	-117.23	-797.62	-19.31	-117.23	-888.50	-19.31	-119.32	-888.22	-19.31	-119.32	-979.11		
		M3	131.20	703.58	-1865.84	85.94	476.57	-1348.55	86.14	474.61	-1349.67	28.97	168.58	-1076.64		
	69	3-LANES (caseTRUCK-LOAD	MAX	S2	488.95	-617.42	320.73	383.94	-702.00	1566.14	383.94	-698.32	1567.78	347.22	-720.32	2492.99
			TQ	27.79	143.25	-1658.55	27.79	143.25	-1527.73	27.79	139.66	-1528.07	27.79	139.66	-1397.25	
			M3	234.08	-243.53	1019.20	299.82	-528.96	1776.06	299.82	-524.78	1777.29	312.47	-701.70	2512.62	
MIN		S2	-61.55	-157.94	971.07	-90.86	-174.11	1352.53	-90.86	-170.93	1352.94	-195.44	-256.42	1552.96		
		TQ	267.11	-851.42	-1112.82	267.11	-851.42	144.50	267.11	-851.08	146.50	267.11	-851.08	1403.82		
		M3	27.35	139.47	-1729.00	26.99	137.58	-1600.43	26.99	133.82	-1600.75	26.99	133.82	-1473.70		
TANDEM-LOAD		MAX	S2	371.23	-392.48	459.72	297.74	-452.35	1351.56	297.74	-449.17	1352.62	268.29	-447.56	1898.41	
		TQ	19.02	97.84	-1144.04	19.02	97.84	-1054.52	19.02	95.36	-1054.75	19.02	95.36	-965.24		
		M3	121.91	-151.50	892.50	275.73	-394.65	1455.45	275.73	-391.22	1456.38	246.47	-465.77	1905.28		
MIN	S2	-72.54	-151.50	892.50	-95.76	-154.15	1274.47	-95.76	-151.15	1274.82	-172.34	-209.46	1362.82			
	TQ	179.08	-579.31	-767.49	179.08	-579.31	75.43	176.51	-579.22	35.51	176.51	-579.22	866.37			
	M3	18.63	95.05	-1178.77	18.53	94.53	-1091.14	18.53	91.96	-1091.35	18.53	91.96	-1004.15			
DISPERSION-LMAX	S2	438.43	-1088.28	-4226.25	397.99	-1083.91	-2410.81	397.99	-1089.58	-2408.26	376.95	-1069.88	-795.78			
	TQ	31.74	162.36	-2038.19	31.74	162.36	-1888.79	31.74	157.92	-1889.17	31.74	157.92	-1739.78			
	M3	59.63	-139.02	875.72	128.26	-436.41	1312.58	128.26	-433.32	1313.60	192.25	-836.55	2045.03			
MIN	S2	-14.06	-54.53	734.24	-19.14	-58.90	809.44	-19.14	-56.99	809.58	-43.59	-76.69	873.41			
	TQ	392.64	-1305.17	-1453.81	347.12	-1305.17	287.42	347.12	-1304.49	290.49	301.63	-1304.49	1817.40			
	M3	364.75	-1003.79	-4367.72	250.59	-706.40	-2913.95	250.59	-713.25	-2912.28	141.12	-310.02	-1967.40			



BAGO RIVER BRIDGE

BLOCK [ No.1 : MAIN GIRDER ][ BEAM MEMBER FORCE ]

MEMBER NODE	2035	2036			2037			2038			2039				
		2035			2036			2037			2038				
		SHEAR	TORQUE	MOMENT	SHEAR	TORQUE	MOMENT	SHEAR	TORQUE	MOMENT	SHEAR	TORQUE	MOMENT		
NAME TITLE	S2 (kN)	TQ (kN·m)	M3 (kN·m)	S2 (kN)	TQ (kN·m)	M3 (kN·m)	S2 (kN)	TQ (kN·m)	M3 (kN·m)	S2 (kN)	TQ (kN·m)	M3 (kN·m)			
70 3-LANES (caseTRUCK-LOAD	MAX	S2	199.44	707.66	-451.10	199.44	707.66	487.67	199.44	708.81	486.01	199.44	708.81	1424.79	
		TQ	192.97	721.59	-684.07	192.97	721.59	224.26	192.97	722.11	222.57	192.97	722.11	1130.90	
		M3	65.60	101.00	546.78	136.91	444.65	881.71	136.91	446.72	880.66	179.02	630.56	1558.02	
	MIN	S2	-15.06	-68.57	-410.95	-15.06	-68.57	-481.82	-15.06	-69.70	-481.66	-15.06	-69.70	-552.53	
		TQ	-13.06	-70.49	-571.09	-13.06	-70.49	-632.58	-10.97	-73.06	-1111.94	-10.97	-73.06	-1163.56	
		M3	39.73	275.93	-1240.39	-8.97	-60.14	-1275.58	-8.97	-63.14	-1275.44	-9.20	-64.43	-1318.02	
	TANDEM-LOAD	MAX	S2	136.55	473.54	-247.91	136.55	473.54	394.82	136.55	474.47	393.71	136.55	474.47	1036.44
		TQ	133.35	492.79	-444.43	133.35	492.79	183.23	133.35	493.22	182.07	133.35	493.22	809.74	
		M3	41.19	51.46	428.44	91.56	297.18	638.72	91.56	298.68	638.02	124.76	420.57	1109.91	
	MIN	S2	-10.75	-49.18	-302.55	-10.75	-49.18	-353.18	-10.75	-50.01	-353.06	-10.75	-50.01	-403.68	
		TQ	-10.36	-49.64	-333.50	-10.36	-49.64	-382.29	-10.36	-50.54	-382.17	-10.36	-50.54	-430.95	
		M3	26.48	184.53	-843.64	-6.09	-40.77	-867.59	-6.09	-42.81	-867.49	-6.43	-44.84	-897.07	
	DISPERSION-LMAX	S2	273.40	1075.87	-1813.78	267.75	1075.51	-563.75	267.75	1074.18	-566.27	262.33	1072.77	655.59	
		TQ	271.63	1077.86	-1585.13	266.93	1077.86	-315.93	266.79	1077.19	-253.38	260.65	1077.19	987.96	
		M3	33.37	118.87	649.51	97.75	377.72	945.67	97.55	378.73	944.78	182.48	732.78	1598.64	
MIN	S2	-13.27	-76.88	-673.43	-13.76	-76.52	-713.46	-13.76	-78.19	-713.28	-14.48	-76.79	-754.05		
	TQ	-11.50	-78.87	-902.08	-12.93	-78.87	-961.27	-12.80	-81.21	-1026.17	-12.80	-81.21	-1086.41		
	M3	226.76	880.12	-3136.72	156.24	621.27	-2222.87	156.44	617.25	-2224.33	65.36	263.20	-1697.09		
71 3-LANES (caseTRUCK-LOAD	MAX	S2	199.44	707.66	-451.10	199.44	707.66	487.67	199.44	708.80	486.01	199.44	708.80	1424.79	
		TQ	192.97	721.59	-684.07	192.97	721.59	224.26	192.97	722.11	222.57	192.97	722.11	1130.90	
		M3	61.19	113.85	514.59	136.50	449.04	873.44	136.50	451.09	872.38	179.13	630.99	1557.58	
	MIN	S2	-20.86	-127.38	-1046.56	-20.86	-127.38	-1144.76	-20.86	-130.07	-1144.46	-20.86	-130.07	-1242.66	
		TQ	-20.85	-127.96	-1034.63	-20.85	-127.96	-1132.77	-20.85	-130.62	-1132.47	-20.85	-130.62	-1230.61	
		M3	137.65	554.79	-1226.26	-19.67	-119.79	-1180.96	-19.67	-122.56	-1180.68	-20.05	-124.88	-1274.07	

BAGO RIVER BRIDGE

BLOCK [ No.1 : MAIN GIRDER ][ BEAM MEMBER FORCE ]

MEMBER				2035			2036			2037						
NODE				2035			2036			2037						
				SHEAR	TORQUE	MOMENT	SHEAR	TORQUE	MOMENT	SHEAR	TORQUE	MOMENT				
NAME	TITLE			S2 (kN)	TQ (kN·m)	M3 (kN·m)	S2 (kN)	TQ (kN·m)	M3 (kN·m)	S2 (kN)	TQ (kN·m)	M3 (kN·m)				
71	3-LANES (case)	TANDEM-LOAD	MAX	S2	136.55	473.54	-247.91	136.55	473.54	394.82	136.55	474.47	393.71			
			TQ	133.35	492.79	-444.43	133.35	492.79	183.23	133.35	493.22	182.07	133.35	493.22	809.74	
			M3	35.85	62.39	398.39	90.63	299.93	632.63	90.63	301.41	631.93	124.76	420.57	1109.91	
		MIN	S2	-14.63	-70.80	-307.90	-14.63	-70.80	-376.79	-14.63	-71.68	-376.62	-14.63	-71.68	-445.51	
		TQ	-14.24	-87.24	-707.84	-14.24	-87.24	-774.86	-14.24	-89.06	-774.65	-14.24	-89.06	-841.67		
		M3	92.55	371.09	-833.15	-13.22	-80.45	-802.96	-13.22	-82.34	-802.77	-13.93	-86.66	-866.86		
	DISPERSION-LMAX	S2	273.29	1086.53	-1222.51	268.78	1086.12	35.52	268.78	1086.21	32.96	263.54	1084.83	1261.53		
		TQ	272.56	1088.08	-1112.30	268.09	1088.08	161.55	268.06	1088.46	160.71	262.16	1088.46	1408.86		
		M3	34.15	129.75	603.95	100.77	393.34	911.60	100.58	394.27	910.68	185.74	748.26	1579.57		
		MIN	S2	-23.16	-138.05	-1152.25	-23.50	-137.64	-1243.35	-23.50	-140.56	-1243.03	-24.16	-139.18	-1330.66	
		TQ	-22.43	-139.59	-1262.45	-22.81	-139.59	-1369.39	-22.78	-142.81	-1370.77	-22.78	-142.81	-1478.00		
		M3	215.98	818.73	-2978.70	144.50	555.15	-2119.44	144.70	551.38	-2120.74	53.63	197.38	-1648.71		
72	4-LANES	TRUCK-LOAD	MAX	S2	1.73	8.68	-122.70	1.73	8.68	-114.53	1.73	8.41	-114.55	1.73	8.41	-106.39
			TQ	1.55	9.36	89.71	1.55	9.36	97.01	1.32	9.74	234.53	1.32	9.74	240.74	
			M3	0.31	6.03	529.04	0.32	6.06	530.55	0.32	7.30	530.53	0.32	7.30	532.05	
		MIN	S2	-19.83	-119.58	-949.05	-19.83	-119.58	-1042.40	-19.83	-122.03	-1042.12	-19.83	-122.03	-1135.47	
		TQ	-19.83	-119.59	-950.55	-19.83	-119.59	-1043.90	-18.99	-123.31	-1636.18	-18.99	-123.31	-1725.55		
		M3	-18.89	-118.85	-1547.68	-18.89	-118.85	-1636.57	-18.89	-122.69	-1636.29	-18.99	-123.31	-1725.55		
	TANDEM-LOAD	MAX	S2	1.19	5.96	-84.04	1.19	5.96	-78.43	1.19	5.78	-78.45	1.19	5.78	-72.84	
		TQ	1.07	6.42	58.32	1.07	6.42	63.35	0.92	6.67	151.92	0.92	6.67	156.25		
		M3	0.19	3.97	359.34	0.21	4.05	360.29	0.21	4.89	360.28	0.26	5.21	361.41		
		MIN	S2	-14.10	-84.96	-641.28	-14.10	-84.96	-707.65	-14.10	-86.62	-707.45	-14.10	-86.62	-773.82	
		TQ	-13.57	-85.07	-1048.45	-13.57	-85.07	-1112.34	-13.57	-87.69	-1112.13	-13.57	-87.69	-1176.02		
		M3	-12.65	-79.56	-1053.97	-12.84	-80.60	-1114.04	-12.84	-83.22	-1113.84	-13.57	-87.69	-1176.02		

BAGO RIVER BRIDGE

BLOCK [ No.1 : MAIN GIRDER ][ BEAM MEMBER FORCE ]

MEMBER				2035			2036			2037								
NODE				2035			2036			2037								
				SHEAR	TORQUE	MOMENT	SHEAR	TORQUE	MOMENT	SHEAR	TORQUE	MOMENT						
NAME	TITLE			S2 (kN)	TQ (kN·m)	M3 (kN·m)	S2 (kN)	TQ (kN·m)	M3 (kN·m)	S2 (kN)	TQ (kN·m)	M3 (kN·m)						
72	4-LANES	DISPERSION-LMAX	S2	1.78	10.78	100.85	1.78	10.78	109.25	1.78	11.04	109.22	1.78	11.04	117.62			
			TQ	1.66	11.46	273.86	1.66	11.46	281.65	1.57	12.18	330.85	1.57	12.18	338.26			
			M3	0.38	7.30	643.80	0.38	7.30	645.58	0.38	8.82	645.56	0.38	8.82	647.34			
	MIN	S2	-12.21	-73.07	-578.15	-12.21	-73.07	-635.64	-12.21	-74.57	-635.46	-12.21	-74.57	-692.95				
		TQ	-12.09	-73.71	-744.36	-12.09	-73.71	-801.26	-12.00	-75.65	-852.93	-12.00	-75.65	-909.42				
		M3	-10.76	-69.40	-1128.86	-10.76	-69.40	-1179.52	-10.76	-72.17	-1179.35	-10.76	-72.17	-1230.01				
		73	6-LANES	TRUCK-LOAD	MAX	S2	694.81	65.64	-117.23	586.75	-3.73	2088.39	586.75	1.18	2088.40	542.56	-27.62	3892.14
					TQ	220.14	793.99	-2218.72	220.14	793.99	-1182.53	220.02	791.24	-1164.58	220.02	791.24	-128.93	
					M3	291.52	-152.50	1554.14	450.59	-74.48	2707.30	450.59	-68.12	2707.47	486.20	-61.44	4078.33	
MIN	S2	-76.02	-227.72	512.25	-114.08	-263.62	949.67	-114.08	-261.39	950.29	-222.33	-331.53	1037.00					
	TQ	246.35	-901.06	-2175.85	246.35	-901.06	-1016.28	236.36	-903.63	-1130.11	236.36	-903.63	-17.55					
	M3	162.51	624.24	-2918.92	7.52	19.38	-2782.01	7.52	12.84	-2782.05	7.18	10.82	-2747.42					
	TANDEM-LOAD	MAX	S2	513.87	64.61	191.53	438.46	15.37	1746.85	438.46	19.47	1746.81	400.60	30.56	2946.14			
		TQ	151.89	542.95	-1462.29	151.89	542.95	-747.35	151.89	541.19	-748.63	151.89	541.19	-33.70				
		M3	154.93	-99.26	1321.50	379.97	-90.87	2139.02	379.97	-85.84	2139.22	369.69	-36.49	3036.50				
MIN	S2	-79.34	-210.75	663.50	-112.87	-204.27	974.59	-112.87	-201.98	975.07	-192.20	-249.32	982.75					
	TQ	162.88	-614.15	-1524.01	162.88	-614.15	-757.33	160.09	-615.98	-788.25	160.09	-615.98	-34.69					
	M3	109.44	418.67	-1986.65	5.17	13.59	-1894.28	5.17	9.13	-1894.31	4.77	6.62	-1870.71					
DISPERSION-LMAX	S2	668.73	-51.51	-5268.26	623.47	-47.47	-2403.23	623.47	-53.12	-2403.11	597.81	-36.67	237.13					
	TQ	282.36	1156.52	-3047.01	277.65	1156.52	-1727.32	277.52	1152.54	-1664.95	271.38	1152.54	-373.12					
	M3	90.66	-10.28	1445.91	215.84	-46.60	2153.72	215.65	-42.75	2153.82	357.84	-90.92	3468.97					
	MIN	S2	-34.11	-172.66	-277.20	-39.69	-176.11	-276.61	-39.69	-176.76	-276.19	-64.86	-195.09	-285.05				
		TQ	346.37	-1341.27	-2458.60	303.95	-1341.27	-929.08	304.04	-1343.50	-962.94	262.44	-1343.50	370.46				
		M3	546.06	-194.81	-6935.85	369.49	-155.56	-4767.58	369.69	-165.56	-4767.20	179.83	-109.33	-3448.03				

BAGO RIVER BRIDGE

BLOCK [ No.1 : MAIN GIRDER ] [ BEAM MEMBER FORCE ]

MEMBER			2035			2036			2036			2037			
NODE			2035			2036			2036			2037			
NAME TITLE			SHEAR	TORQUE	MOMENT	SHEAR	TORQUE	MOMENT	SHEAR	TORQUE	MOMENT	SHEAR	TORQUE	MOMENT	
			S2 (kN)	TQ (kN·m)	M3 (kN·m)	S2 (kN)	TQ (kN·m)	M3 (kN·m)	S2 (kN)	TQ (kN·m)	M3 (kN·m)	S2 (kN)	TQ (kN·m)	M3 (kN·m)	
124	SUM TOTAL	D+1LANE (caseMAX	S2	2743.28	-1840.20	-23856.51	2559.97	-1856.34	-11352.82	2559.97	-1883.01	-11348.42	2430.70	-1827.55	447.29
			TQ	2476.48	-479.61	-23332.26	2286.67	-479.61	-12121.94	2286.67	-508.10	-12120.78	2096.77	-508.10	-1804.23
			M3	2442.39	-900.82	-20894.67	2374.02	-1263.81	-9635.99	2374.02	-1286.45	-9632.99	2361.67	-1646.77	1518.56
		MIN	S2	2379.98	-776.34	-20973.47	2244.10	-682.23	-10278.76	2244.10	-706.39	-10277.13	2054.38	-701.54	-164.72
			TQ	2711.26	-1975.79	-22706.80	2535.00	-1975.79	-10359.26	2535.00	-2000.12	-10354.59	2358.72	-2000.12	1163.01
			M3	2614.95	-1189.40	-24351.33	2378.93	-1006.62	-12589.27	2378.93	-1036.20	-12586.87	2143.74	-795.63	-1931.81
		D+1LANE (caseMAX	S2	2905.95	-924.71	-22947.60	2582.72	-932.32	-10743.99	2582.72	-957.56	-10741.77	2301.18	-966.54	-31.78
			TQ	2457.31	-575.63	-23064.68	2267.50	-575.63	-11944.61	2267.50	-603.70	-11943.22	2077.60	-603.70	-1716.92
			M3	2665.42	-728.62	-21020.17	2465.63	-815.39	-9277.79	2465.63	-837.19	-9275.85	2193.62	-933.76	1126.02
		MIN	S2	2427.31	-704.71	-21088.09	2164.90	-740.16	-9511.17	2164.90	-762.51	-9509.40	1854.57	-789.97	727.81
			TQ	2702.30	-1053.27	-22763.70	2468.56	-1053.27	-10593.82	2468.56	-1078.17	-10591.31	2234.71	-1078.17	477.95
			M3	2586.72	-801.17	-23966.38	2349.73	-748.35	-12355.52	2349.73	-777.39	-12353.73	2118.22	-699.43	-1832.55
		D+1LANE (caseMAX	S2	2660.86	-348.19	-22987.11	2464.28	-348.62	-10953.16	2464.28	-374.36	-10952.31	2267.87	-376.04	154.08
			TQ	2654.22	-340.52	-22980.85	2458.77	-340.52	-10945.16	2458.66	-366.19	-10900.90	2261.39	-366.19	207.87
			M3	2516.18	-614.22	-21114.50	2367.85	-521.74	-9752.37	2367.85	-544.65	-9751.11	2222.76	-447.00	962.61
		MIN	S2	2436.32	-655.91	-21390.86	2245.92	-655.48	-10342.67	2245.92	-679.78	-10341.10	2055.16	-678.09	-187.56
			TQ	2440.58	-658.96	-21718.02	2249.05	-658.96	-10682.74	2251.67	-685.42	-11300.03	2061.77	-685.42	-1148.22
			M3	2549.76	-487.03	-23665.62	2328.48	-530.99	-12178.91	2328.48	-559.61	-12177.63	2097.91	-617.17	-1756.26
		D+1LANE (caseMAX	S2	2610.43	487.36	-22365.24	2420.63	487.36	-10524.40	2420.63	462.62	-10525.52	2230.73	462.62	421.56
			TQ	2609.75	488.97	-22417.36	2419.94	488.97	-10579.75	2419.94	464.10	-10580.86	2230.04	464.10	362.99
			M3	2457.77	-552.78	-21377.12	2333.48	-100.54	-10115.64	2333.33	-125.45	-10115.38	2194.91	218.02	537.12
		MIN	S2	2416.11	-810.55	-22522.71	2226.30	-810.55	-11596.55	2226.30	-837.80	-11594.61	2036.40	-837.80	-1562.21
			TQ	2416.12	-811.14	-22502.68	2226.31	-811.14	-11576.47	2226.31	-838.34	-11574.54	2036.41	-838.34	-1542.09
			M3	2564.21	217.42	-23214.01	2286.82	-374.07	-11874.12	2286.97	-400.84	-11873.21	2063.60	-630.77	-1631.31

BAGO RIVER BRIDGE

BLOCK [ No.1 : MAIN GIRDER ][ BEAM MEMBER FORCE ]

MEMBER			2035			2036			2036			2037			
NODE			2035			2036			2036			2037			
NAME TITLE			SHEAR	TORQUE	MOMENT	SHEAR	TORQUE	MOMENT	SHEAR	TORQUE	MOMENT	SHEAR	TORQUE	MOMENT	
			S2 (kN)	TQ (kN·m)	M3 (kN·m)	S2 (kN)	TQ (kN·m)	M3 (kN·m)	S2 (kN)	TQ (kN·m)	M3 (kN·m)	S2 (kN)	TQ (kN·m)	M3 (kN·m)	
124	SUM TOTAL	D+2LANES (casMAX	S2	2984.67	-2126.21	-24601.32	2760.59	-2200.09	-11446.47	2760.59	-2226.98	-11441.27	2589.30	-2221.81	796.52
			TQ	2490.68	-405.80	-24294.98	2300.87	-405.80	-13017.81	2300.87	-436.39	-13016.82	2110.97	-436.39	-2633.42
			M3	2551.42	-966.47	-20407.07	2504.32	-1476.98	-8735.00	2504.32	-1497.50	-8731.50	2459.47	-1997.18	2692.13
		MIN	S2	2380.54	-816.33	-20540.07	2216.84	-807.31	-9467.17	2216.84	-829.55	-9465.25	1998.27	-911.85	892.71
			TQ	2886.74	-2469.97	-23415.68	2688.03	-2469.97	-10295.02	2688.03	-2494.16	-10289.19	2489.26	-2494.16	1895.76
			M3	2715.40	-1387.79	-25943.54	2450.41	-1136.30	-13773.23	2450.41	-1168.67	-13770.52	2185.70	-830.40	-2841.14
		D+2LANES (casMAX	S2	3120.23	-1363.31	-23843.90	2779.55	-1430.07	-10939.12	2779.55	-1455.77	-10935.73	2481.36	-1504.30	397.30
			TQ	2474.70	-485.81	-24071.99	2284.90	-485.81	-12870.03	2284.90	-516.05	-12868.86	2095.00	-516.05	-2560.67
			M3	2737.29	-822.97	-20511.66	2580.66	-1103.29	-8436.50	2580.66	-1123.12	-8433.89	2319.44	-1403.00	2365.03
		MIN	S2	2419.98	-756.63	-20635.60	2150.84	-855.58	-8827.52	2150.84	-876.33	-8825.48	1831.77	-985.54	1636.48
			TQ	2879.27	-1701.21	-23463.10	2632.66	-1701.21	-10490.48	2632.66	-1725.86	-10486.46	2385.92	-1725.86	1324.89
			M3	2691.88	-1064.26	-25622.75	2426.07	-921.08	-13578.44	2426.07	-952.98	-13576.24	2164.43	-750.23	-2758.43
		D+2LANES (casMAX	S2	2777.40	191.59	-23430.39	2581.94	191.23	-10840.52	2581.94	165.75	-10840.94	2386.62	164.35	826.99
			TQ	2769.74	205.99	-23423.03	2575.23	205.99	-10841.70	2575.09	180.58	-10777.07	2379.05	180.58	882.64
			M3	2530.30	-507.46	-20832.76	2422.02	-278.90	-9310.68	2421.95	-301.04	-9310.00	2316.23	-50.16	1775.36
		MIN	S2	2429.97	-701.58	-22101.89	2239.67	-701.21	-11088.08	2239.67	-727.27	-11086.40	2049.05	-725.86	-967.08
			TQ	2433.69	-705.20	-22489.85	2242.45	-705.20	-11486.00	2244.68	-733.35	-12028.92	2054.78	-733.35	-1910.02
			M3	2605.51	-233.82	-24798.21	2365.02	-360.05	-13092.55	2365.09	-390.56	-13091.67	2111.69	-554.94	-2552.41
		D+2LANES (casMAX	S2	2736.14	893.77	-22777.54	2546.34	893.77	-10344.97	2546.34	869.45	-10347.04	2356.44	869.45	1191.76
			TQ	2733.59	902.34	-22900.88	2543.78	902.34	-10480.34	2543.78	877.71	-10482.44	2353.88	877.71	1044.34
			M3	2483.76	-445.37	-21080.94	2394.57	79.32	-9627.33	2394.38	55.49	-9627.48	2294.05	509.56	1414.02
		MIN	S2	2406.19	-872.43	-23163.57	2216.39	-872.43	-12284.10	2216.39	-901.30	-12282.02	2026.49	-901.30	-2296.31
			TQ	2406.21	-873.07	-23148.23	2216.40	-873.07	-12268.68	2216.40	-901.90	-12266.59	2026.50	-901.90	-2280.81
			M3	2662.09	536.29	-24366.28	2322.74	-271.55	-12772.65	2322.93	-300.35	-12771.98	2075.51	-608.56	-2417.89

BAGO RIVER BRIDGE

BLOCK [ No.1 : MAIN GIRDER ][ BEAM MEMBER FORCE ]

MEMBER			2035			2036			2036			2037				
NODE			2035			2036			2036			2037				
NAME TITLE			SHEAR	TORQUE	MOMENT	SHEAR	TORQUE	MOMENT	SHEAR	TORQUE	MOMENT	SHEAR	TORQUE	MOMENT		
			S2 (kN)	TQ (kN·m)	M3 (kN·m)	S2 (kN)	TQ (kN·m)	M3 (kN·m)	S2 (kN)	TQ (kN·m)	M3 (kN·m)	S2 (kN)	TQ (kN·m)	M3 (kN·m)		
124	SUM TOTAL	D+3LANES (casMAX	S2	3231.32	-2099.54	-25039.04	2917.88	-2167.72	-11384.41	2917.88	-2194.47	-11379.28	2678.87	-2196.43	936.90	
			TQ	2493.64	-389.92	-24861.57	2303.83	-389.92	-13570.48	2303.83	-421.81	-13569.53	2113.93	-421.81	-3172.20	
			M3	2692.69	-974.86	-20108.67	2617.11	-1470.25	-8041.09	2617.11	-1489.15	-8037.62	2492.34	-1982.27	3368.28	
		MIN	S2	2378.77	-830.30	-20269.83	2159.73	-847.75	-8828.75	2159.73	-868.49	-8826.73	1860.16	-957.89	1556.69	
			TQ	3003.83	-2482.80	-23900.98	2775.33	-2482.80	-10299.30	2775.33	-2507.00	-10293.43	2546.76	-2507.00	2232.31	
			M3	2776.32	-1384.37	-26901.56	2489.18	-1133.19	-14503.65	2489.18	-1167.28	-14500.95	2206.22	-824.53	-3430.67	
		D+3LANES (casMAX	S2	2844.96	866.31	-23644.50	2650.35	866.00	-10731.09	2650.35	840.78	-10733.10	2455.84	839.58	1262.60	
			TQ	2837.95	879.84	-23648.16	2644.15	879.84	-10744.35	2644.03	854.65	-10691.07	2448.91	854.65	1295.31	
			M3	2527.17	-462.80	-20702.49	2452.70	49.33	-9113.16	2452.53	26.88	-9113.25	2370.61	484.08	2177.44	
		MIN	S2	2418.96	-773.32	-22641.07	2228.74	-773.01	-11682.42	2228.74	-800.47	-11680.57	2038.23	-799.27	-1616.32	
			TQ	2422.16	-776.65	-22971.54	2231.14	-776.65	-12021.20	2233.03	-805.89	-12482.26	2043.13	-805.89	-2418.20	
			M3	2669.56	332.95	-25439.89	2378.41	-172.74	-13640.12	2378.58	-203.77	-13639.67	2111.07	-505.80	-3068.57	
		D+3LANES (casMAX	S2	2844.86	875.37	-23141.91	2651.22	875.02	-10221.72	2651.22	851.00	-10223.75	2456.87	849.83	1777.64	
			TQ	2838.74	888.52	-23246.26	2645.14	888.52	-10338.49	2645.11	864.23	-10339.09	2450.19	864.23	1653.07	
			M3	2524.08	-442.63	-20768.58	2454.92	66.33	-9149.15	2454.75	43.80	-9149.28	2373.48	497.61	2160.85	
		MIN	S2	2405.62	-875.31	-23588.33	2215.52	-874.96	-12696.33	2215.52	-904.79	-12694.24	2025.06	-903.62	-2693.05	
			TQ	2406.25	-877.11	-23671.86	2216.12	-877.11	-12793.27	2216.15	-907.17	-12792.63	2026.25	-907.17	-2808.05	
			M3	2743.62	517.80	-25293.56	2359.34	-279.64	-13471.77	2359.51	-310.27	-13471.08	2091.88	-613.13	-2990.09	
		D+4LANES	MAX	S2	2445.33	-637.04	-21733.54	2255.52	-637.04	-10669.87	2255.52	-662.11	-10668.34	2065.62	-662.11	-498.43
			TQ	2445.12	-636.16	-21483.03	2255.32	-636.16	-10420.30	2255.11	-660.51	-10297.38	2065.21	-660.51	-129.38	
			M3	2443.49	-641.03	-20956.99	2253.69	-641.01	-9901.95	2253.69	-664.28	-9900.41	2063.79	-664.28	260.87	
		MIN	S2	2422.21	-774.92	-22712.02	2232.40	-774.92	-11757.16	2232.40	-802.55	-11755.30	2042.50	-802.55	-1694.20	
			TQ	2422.29	-775.34	-22821.04	2232.48	-775.34	-11865.78	2233.09	-804.08	-12282.80	2043.19	-804.08	-2218.46	
			M3	2423.77	-772.05	-23459.09	2233.96	-772.05	-12496.89	2233.96	-801.42	-12495.04	2044.00	-801.82	-2426.84	

BAGO RIVER BRIDGE

BLOCK [ No.1 : MAIN GIRDER ][ BEAM MEMBER FORCE ]

MEMBER					2035			2036			2037						
NODE					2035			2036			2037						
					SHEAR	TORQUE	MOMENT	SHEAR	TORQUE	MOMENT	SHEAR	TORQUE	MOMENT				
NAME	TITLE				S2 (kN)	TQ (kN·m)	M3 (kN·m)	S2 (kN)	TQ (kN·m)	M3 (kN·m)	S2 (kN)	TQ (kN·m)	M3 (kN·m)				
124	SUM TOTAL	D+6LANES	MAX	S2	3329.33	-640.51	-25219.92	3039.88	-682.98	-10871.08	3039.88	-708.52	-10869.44	2804.57	-716.55	2178.30	
				TQ	2769.66	618.14	-25142.07	2576.80	618.14	-12557.83	2576.63	588.70	-12504.07	2382.74	588.70	-832.06	
				M3	2691.46	-755.50	-19769.31	2686.41	-728.40	-7506.77	2686.28	-746.82	-7505.03	2611.96	-773.79	4400.02	
			MIN	S2	2371.46	-909.94	-21566.56	2153.29	-935.52	-10228.94	2153.29	-959.56	-10226.71	1876.66	-1017.06	-16.96	
				TQ	2828.30	-2107.21	-24731.74	2610.93	-2107.21	-11930.92	2604.49	-2135.39	-12025.36	2387.55	-2135.39	-276.33	
				M3	2903.61	-370.57	-28124.95	2498.29	-738.21	-15573.67	2498.42	-774.02	-15571.89	2184.89	-738.79	-4532.77	
			SUM TOTAL	MAX	3329.33	902.34	-19769.31	3039.88	902.34	-7506.77	3039.88	877.71	-7505.03	2804.57	877.71	4400.02	
				MIN	2371.46	-2482.80	-28124.95	2150.84	-2482.80	-15573.67	2150.84	-2507.00	-15571.89	1831.77	-2507.00	-4532.77	
		300	DEAD LOAD	TOTAL			2443.04	-649.69	-21719.35	2253.23	-649.69	-10666.43	2253.23	-674.76	-10664.88	2063.33	-674.76
301	LIVE LOAD	1-LANE (case1MAX	S2	S2	300.24	-1190.51	-2137.16	306.74	-1206.65	-686.39	306.74	-1208.26	-683.55	367.37	-1152.79	953.02	
				TQ	33.44	170.08	-1612.92	33.44	170.08	-1455.51	33.44	166.66	-1455.91	33.44	166.66	-1298.50	
				M3	-0.65	-251.13	824.67	120.79	-614.12	1030.44	120.79	-611.70	1031.88	298.34	-972.01	2024.28	
				MIN	S2	-63.06	-126.65	745.88	-9.13	-32.54	387.67	-9.13	-31.63	387.75	-8.95	-26.78	341.01
					TQ	268.22	-1326.09	-987.46	281.77	-1326.09	307.17	281.77	-1325.37	310.29	295.38	-1325.37	1668.73
					M3	171.91	-539.71	-2631.98	125.70	-356.93	-1922.84	125.70	-361.45	-1921.99	80.41	-120.87	-1426.08
		1-LANE (case2MAX	S2	S2	462.91	-275.02	-1228.25	329.49	-282.63	-77.56	329.49	-282.81	-76.90	237.84	-291.78	473.95	
				TQ	14.27	74.06	-1345.33	14.27	74.06	-1278.18	14.27	71.06	-1278.35	14.27	71.06	-1211.19	
				M3	222.38	-78.93	699.17	212.39	-165.70	1388.64	212.39	-162.43	1389.02	130.29	-259.00	1631.75	
				MIN	S2	-15.73	-55.01	631.25	-88.33	-90.47	1155.27	-88.33	-87.76	1155.47	-208.76	-115.21	1233.53
					TQ	259.26	-403.58	-1044.35	215.33	-403.58	72.62	215.33	-403.41	73.56	171.38	-403.41	983.68
					M3	143.68	-151.47	-2247.04	96.49	-98.66	-1689.09	96.49	-102.63	-1688.85	54.89	-24.68	-1326.82
		1-LANE (case3MAX	S2	S2	217.82	301.51	-1267.77	211.04	301.07	-286.72	211.04	300.40	-287.43	204.54	298.71	659.81	
				TQ	211.18	309.17	-1261.51	205.54	309.17	-278.73	205.43	308.57	-236.03	198.06	308.57	713.60	
				M3	73.14	35.47	604.84	114.61	127.96	914.06	114.61	130.11	913.76	159.43	227.75	1468.34	
				MIN	S2	-6.72	-6.22	328.48	-7.31	-5.78	323.76	-7.31	-5.02	323.77	-8.18	-3.34	318.17
					TQ	-2.45	-9.27	1.33	-4.18	-9.27	-16.31	-1.56	-10.66	-635.15	-1.56	-10.66	-642.49
					M3	106.73	162.66	-1946.27	75.25	118.70	-1512.48	75.25	115.14	-1512.75	34.57	57.59	-1250.53

BAGO RIVER BRIDGE

BLOCK [ No.1 : MAIN GIRDER ] [ BEAM MEMBER FORCE ]

MEMBER			2035			2036			2036			2037				
NODE			2035			2036			2036			2037				
NAME TITLE			SHEAR	TORQUE	MOMENT	SHEAR	TORQUE	MOMENT	SHEAR	TORQUE	MOMENT	SHEAR	TORQUE	MOMENT		
			S2 (kN)	TQ (kN·m)	M3 (kN·m)	S2 (kN)	TQ (kN·m)	M3 (kN·m)	S2 (kN)	TQ (kN·m)	M3 (kN·m)	S2 (kN)	TQ (kN·m)	M3 (kN·m)		
301	LIVE LOAD	1-LANE (case4MAX	S2	167.39	1137.05	-645.90	167.39	1137.05	142.03	167.39	1137.38	139.36	167.39	1137.38	927.28	
			TQ	166.71	1138.66	-698.02	166.71	1138.66	86.69	166.71	1138.86	84.01	166.71	1138.86	868.71	
			M3	14.73	96.91	342.23	80.25	549.15	550.79	80.10	549.31	549.50	131.58	892.77	1042.84	
			MIN	S2	-26.93	-160.86	-803.36	-26.93	-160.86	-930.11	-26.93	-163.04	-929.73	-26.93	-163.04	-1056.49
			TQ	-26.92	-161.45	-783.34	-26.92	-161.45	-910.04	-26.92	-163.58	-909.66	-26.92	-163.58	-1036.36	
			M3	121.18	867.12	-1494.67	33.59	275.62	-1207.69	33.74	273.92	-1208.34	0.27	43.99	-1125.58	
		2-LANES (caseMAX	S2	541.63	-1476.52	-2881.98	507.36	-1550.39	-780.04	507.36	-1552.22	-776.40	525.96	-1547.05	1302.25	
			TQ	47.64	243.90	-2575.63	47.64	243.90	-2351.38	47.64	238.37	-2351.95	47.64	238.37	-2127.70	
			M3	108.39	-316.78	1312.27	251.09	-827.29	1931.43	251.09	-822.75	1933.37	396.14	-1322.42	3197.86	
			MIN	S2	-62.50	-166.63	1179.27	-36.39	-157.61	1199.26	-36.39	-154.79	1199.62	-65.06	-237.09	1398.43
			TQ	443.70	-1820.28	-1696.34	434.79	-1820.28	371.41	434.79	-1819.40	375.69	425.92	-1819.40	2401.49	
			M3	272.37	-738.10	-4224.20	197.17	-486.61	-3106.80	197.17	-493.91	-3105.65	122.37	-155.64	-2335.42	
		2-LANES (caseMAX	S2	677.19	-713.61	-2124.55	526.32	-780.38	-272.69	526.32	-781.02	-270.85	418.03	-829.54	903.03	
			TQ	31.66	163.88	-2352.64	31.66	163.88	-2203.60	31.66	158.70	-2203.98	31.66	158.70	-2054.94	
			M3	294.25	-173.28	1207.69	327.43	-453.60	2229.93	327.43	-448.36	2230.99	256.10	-728.24	2870.75	
			MIN	S2	-23.06	-106.94	1083.75	-102.39	-205.89	1838.92	-102.39	-201.57	1839.39	-231.57	-310.78	2142.20
			TQ	436.23	-1051.52	-1743.75	379.42	-1051.52	175.95	379.42	-1051.10	178.42	322.58	-1051.10	1830.61	
			M3	248.84	-414.57	-3903.41	172.84	-271.38	-2912.01	172.84	-278.23	-2911.36	101.10	-75.48	-2252.70	
		2-LANES (caseMAX	S2	334.36	841.28	-1711.04	328.71	840.92	-174.09	328.71	840.51	-176.07	323.29	839.10	1332.71	
			TQ	326.70	855.68	-1703.68	322.00	855.68	-175.27	321.86	855.34	-112.19	315.72	855.34	1388.37	
			M3	87.26	142.23	886.58	168.79	370.79	1355.75	168.72	373.72	1354.88	252.89	624.60	2281.08	
			MIN	S2	-13.07	-51.88	-382.55	-13.56	-51.52	-421.64	-13.56	-52.51	-421.52	-14.28	-51.11	-461.36
			TQ	-9.35	-55.50	-770.50	-10.78	-55.50	-819.56	-8.55	-58.59	-1364.04	-8.55	-58.59	-1404.30	
			M3	162.48	415.87	-3078.86	111.79	289.64	-2426.12	111.86	284.20	-2426.79	48.35	119.82	-2046.69	



BAGO RIVER BRIDGE

BLOCK [ No.1 : MAIN GIRDER ][ BEAM MEMBER FORCE ]

MEMBER NODE				2035			2036			2037						
				2035			2036			2036			2037			
				SHEAR	TORQUE	MOMENT	SHEAR	TORQUE	MOMENT	SHEAR	TORQUE	MOMENT	SHEAR	TORQUE	MOMENT	
NAME TITLE				S2 (kN)	TQ (kN·m)	M3 (kN·m)	S2 (kN)	TQ (kN·m)	M3 (kN·m)	S2 (kN)	TQ (kN·m)	M3 (kN·m)	S2 (kN)	TQ (kN·m)	M3 (kN·m)	
301	LIVE LOAD	2-LANES (caseMAX	S2	293.10	1543.46	-1058.19	293.10	1543.46	321.46	293.10	1544.21	317.83	293.10	1544.21	1697.49	
			TQ	290.55	1552.04	-1181.54	290.55	1552.04	186.09	290.55	1552.47	182.44	290.55	1552.47	1550.06	
			M3	40.72	204.32	638.40	141.34	729.01	1039.11	141.14	730.24	1037.39	230.72	1184.31	1919.74	
			MIN	S2	-36.85	-222.74	-1444.23	-36.85	-222.74	-1617.67	-36.85	-226.54	-1617.14	-36.85	-226.54	-1790.58
			TQ	-36.83	-223.38	-1428.88	-36.83	-223.38	-1602.25	-36.83	-227.14	-1601.72	-36.83	-227.14	-1775.08	
			M3	219.05	1185.98	-2646.93	69.50	378.15	-2106.22	69.70	374.40	-2107.10	12.18	66.20	-1912.16	
		3-LANES (caseMAX	S2	788.28	-1449.85	-3319.69	664.64	-1518.03	-717.97	664.64	-1519.71	-714.41	615.54	-1521.67	1442.63	
			TQ	50.60	259.77	-3142.23	50.60	259.77	-2904.05	50.60	252.95	-2904.65	50.60	252.95	-2666.47	
			M3	249.65	-325.17	1610.68	363.87	-820.56	2625.34	363.87	-814.39	2627.26	429.01	-1307.51	3874.00	
			MIN	S2	-64.27	-180.61	1449.52	-93.50	-198.06	1837.68	-93.50	-193.74	1838.14	-203.17	-283.14	2062.42
			TQ	560.79	-1833.11	-2181.64	522.10	-1833.11	367.13	522.10	-1832.24	371.44	483.43	-1832.24	2738.04	
			M3	333.28	-734.68	-5182.22	235.95	-483.50	-3837.22	235.95	-492.52	-3836.07	142.89	-149.77	-2924.94	
		3-LANES (caseMAX	S2	401.92	1516.00	-1925.15	397.12	1515.69	-64.66	397.12	1515.54	-68.22	392.51	1514.34	1768.33	
			TQ	394.91	1529.53	-1928.82	390.91	1529.53	-77.92	390.80	1529.41	-26.19	385.58	1529.41	1801.03	
			M3	84.13	186.89	1016.85	199.46	699.02	1553.27	199.30	701.64	1551.62	307.28	1158.84	2683.17	
			MIN	S2	-24.08	-123.63	-921.72	-24.50	-123.32	-1015.99	-24.50	-125.71	-1015.69	-25.11	-124.51	-1110.59
			TQ	-20.88	-126.96	-1252.20	-22.10	-126.96	-1354.77	-20.20	-131.13	-1817.39	-20.20	-131.13	-1912.48	
			M3	226.52	982.64	-3720.54	125.18	476.95	-2973.69	125.35	470.99	-2974.80	47.74	168.96	-2562.85	
		3-LANES (caseMAX	S2	401.82	1525.07	-1422.57	397.99	1524.72	444.71	397.99	1525.76	441.13	393.53	1524.59	2283.37	
			TQ	395.70	1538.22	-1526.91	391.91	1538.22	327.95	391.88	1538.98	325.78	386.86	1538.98	2158.80	
			M3	81.04	207.06	950.76	201.68	716.02	1517.28	201.52	718.56	1515.60	310.14	1172.36	2666.58	
MIN	S2		-37.42	-225.62	-1868.99	-37.71	-225.27	-2029.90	-37.71	-230.04	-2029.37	-38.27	-228.87	-2187.33		
TQ	-36.79		-227.42	-1952.52	-37.12	-227.42	-2126.84	-37.09	-232.41	-2127.75	-37.09	-232.41	-2302.32			
M3	300.58		1167.49	-3574.22	106.11	370.06	-2805.34	106.27	364.49	-2806.21	28.55	61.63	-2484.36			

BAGO RIVER BRIDGE

BLOCK [ No.1 : MAIN GIRDER ][ BEAM MEMBER FORCE ]

MEMBER				2035			2036			2036			2037			
NODE				2035			2036			2036			2037			
NAME TITLE				SHEAR	TORQUE	MOMENT	SHEAR	TORQUE	MOMENT	SHEAR	TORQUE	MOMENT	SHEAR	TORQUE	MOMENT	
				S2 (kN)	TQ (kN·m)	M3 (kN·m)	S2 (kN)	TQ (kN·m)	M3 (kN·m)	S2 (kN)	TQ (kN·m)	M3 (kN·m)	S2 (kN)	TQ (kN·m)	M3 (kN·m)	
301	LIVE LOAD	4-LANES	MAX	S2	2.29	12.65	-14.20	2.29	12.65	-3.43	2.29	12.64	-3.46	2.29	12.64	7.30
				TQ	2.08	13.53	236.32	2.08	13.53	246.13	1.88	14.25	367.49	1.88	14.25	376.35
				M3	0.45	8.66	762.35	0.45	8.68	764.49	0.45	10.48	764.46	0.45	10.48	766.60
		MIN	S2	-20.83	-125.23	-992.68	-20.83	-125.23	-1090.73	-20.83	-127.79	-1090.43	-20.83	-127.79	-1188.48	
			TQ	-20.75	-125.64	-1101.69	-20.75	-125.64	-1199.35	-20.14	-129.32	-1617.92	-20.14	-129.32	-1712.73	
			M3	-19.27	-122.36	-1739.75	-19.27	-122.36	-1830.46	-19.27	-126.66	-1830.17	-19.34	-127.06	-1921.12	
	6-LANES	MAX	S2	886.30	9.19	-3500.57	786.64	-33.28	-204.65	786.64	-33.76	-204.57	741.24	-41.79	2684.02	
			TQ	326.62	1267.84	-3422.72	323.56	1267.84	-1891.40	323.40	1263.46	-1839.19	319.41	1263.46	-326.33	
			M3	248.42	-105.81	1950.03	433.18	-78.70	3159.67	433.05	-72.06	3159.84	548.62	-99.04	4905.75	
		MIN	S2	-71.58	-260.24	152.78	-99.95	-285.83	437.49	-99.95	-284.80	438.16	-186.67	-342.30	488.77	
			TQ	385.26	-1457.52	-3012.39	357.69	-1457.52	-1264.49	351.26	-1460.64	-1360.48	324.22	-1460.64	229.40	
			M3	460.57	279.13	-6405.60	245.06	-88.52	-4907.23	245.18	-99.27	-4907.01	121.56	-64.03	-4027.04	
	LIVE LOAD	MAX		886.30	1552.04	1950.03	786.64	1552.04	3159.67	786.64	1552.47	3159.84	741.24	1552.47	4905.75	
		MIN		-71.58	-1833.11	-6405.60	-102.39	-1833.11	-4907.23	-102.39	-1832.24	-4907.01	-231.57	-1832.24	-4027.04	
	303	SUM TOTAL	TOTAL	MAX		3329.33	902.34	-19769.31	3039.88	902.34	-7506.77	3039.88	877.71	-7505.03	2804.57	877.71
MIN					2371.46	-2482.80	-28124.95	2150.84	-2482.80	-15573.67	2150.84	-2507.00	-15571.89	1831.77	-2507.00	-4532.77

BAGO RIVER BRIDGE

BLOCK [ No.1 : MAIN GIRDER ][ BEAM MEMBER FORCE ]

MEMBER NODE	2037	2038						2039						
		2037			2038			2038			2039			
		SHEAR	TORQUE	MOMENT	SHEAR	TORQUE	MOMENT	SHEAR	TORQUE	MOMENT	SHEAR	TORQUE	MOMENT	
NAME TITLE	S2 (kN)	TQ (kN·m)	M3 (kN·m)	S2 (kN)	TQ (kN·m)	M3 (kN·m)	S2 (kN)	TQ (kN·m)	M3 (kN·m)	S2 (kN)	TQ (kN·m)	M3 (kN·m)		
1 PAVEMENT	328.66	-63.19	-136.85	298.64	-63.19	1339.52	298.64	-60.04	1339.66	268.62	-60.04	2674.73		
3 RAILING	7.46	-2.48	2.13	9.06	-2.48	41.01	9.06	-2.38	41.02	10.65	-2.38	87.39		
5 CURB	73.90	-24.55	21.07	89.66	-24.55	405.99	89.66	-23.59	406.05	105.42	-23.59	865.16		
7 DECK WEIGHT	531.73	-103.58	-212.36	486.10	-103.58	2183.13	486.10	-98.45	2183.36	440.46	-98.45	4364.04		
8 GIRDER WEIGH	774.13	-142.50	-24.29	686.11	-142.50	3412.42	686.11	-134.48	3412.74	598.09	-134.48	6435.13		
10 MEDIAN STRIP	169.50	-26.58	-93.22	141.00	-26.58	637.55	141.00	-25.08	637.61	112.50	-25.08	1234.23		
21 ADITIONAL WE	148.88	-29.00	-59.46	136.11	-29.00	611.28	136.11	-27.57	611.34	123.33	-27.57	1221.93		
31 MEDIAN RAILI	11.27	-1.60	-1.50	8.97	-1.60	46.14	8.97	-1.49	46.15	6.67	-1.49	82.95		
51 SUPPORT WEIG	0.00	-0.00	-0.00	0.00	-0.00	-0.00	0.00	-0.00	-0.00	0.00	-0.00	-0.00		
52 NOSE WEIGHT	-0.00	-0.00	0.02	-0.00	-0.00	0.01	-0.00	-0.00	0.01	-0.00	-0.00	0.01		
61 1-LANE(case1TRUCK-LOAD	MAX	S2	91.14	-415.79	353.73	91.14	-415.79	782.75	91.14	-413.95	783.72	129.78	-365.50	1325.34
		TQ	-10.26	4.09	300.53	-10.26	4.09	252.22	-10.26	4.68	252.21	-10.26	4.68	203.91
		M3	-19.08	-121.04	930.59	32.38	-270.10	919.10	32.38	-267.94	919.73	129.78	-365.50	1325.34
	MIN	S2	-64.58	-56.37	905.81	-25.18	-6.13	582.55	-25.18	-4.77	582.57	-25.18	-4.77	464.04
		TQ	89.24	-422.55	296.27	89.24	-422.55	716.32	80.75	-420.94	604.42	80.75	-420.94	984.50
		M3	10.08	3.74	-506.64	10.08	3.74	-459.18	10.08	2.66	-459.18	10.08	2.66	-411.72
	TANDEM-LOAD MAX	S2	66.06	-284.06	250.06	66.06	-284.06	560.99	66.06	-282.74	561.66	108.51	-227.40	900.26
		TQ	-10.52	3.73	291.68	-10.52	3.73	242.18	-10.52	4.30	242.17	-10.52	4.30	192.67
		M3	-32.53	-58.69	643.20	44.60	-228.93	651.56	44.60	-227.40	652.10	86.32	-245.04	907.88
	MIN	S2	-64.49	-58.69	643.20	-21.71	-1.71	435.78	-21.71	-0.68	435.78	-21.71	-0.68	333.56
		TQ	58.32	-288.15	181.61	58.32	-288.15	456.13	55.95	-287.09	425.30	55.95	-287.09	688.66
		M3	6.89	2.56	-345.33	6.89	2.56	-312.90	6.89	1.83	-312.91	6.89	1.83	-280.48
	DISPERSION-LMAX	S2	103.11	-541.03	-451.48	106.81	-553.16	101.60	106.81	-552.92	102.90	117.58	-559.69	649.62
		TQ	8.23	4.93	-491.55	8.23	4.93	-452.80	7.74	3.88	-437.41	7.74	3.88	-400.98
		M3	34.90	-311.23	757.77	83.73	-569.75	1043.67	83.73	-567.29	1045.00	95.01	-567.29	1465.68
	MIN	S2	-18.62	-24.86	527.90	-11.05	-12.73	399.03	-11.05	-11.79	399.06	-10.54	-5.02	329.64
		TQ	76.25	-570.82	567.98	87.53	-570.82	953.43	88.02	-568.59	939.37	99.30	-568.59	1380.24
		M3	49.58	-254.66	-681.35	12.03	3.86	-543.04	12.03	2.58	-543.04	12.03	2.58	-486.42

BAGO RIVER BRIDGE

BLOCK [ No.1 : MAIN GIRDER ][ BEAM MEMBER FORCE ]

MEMBER				2037			2038			2038			2039		
NODE				2037			2038			2038			2039		
NAME TITLE				SHEAR	TORQUE	MOMENT	SHEAR	TORQUE	MOMENT	SHEAR	TORQUE	MOMENT	SHEAR	TORQUE	MOMENT
				S2 (kN)	TQ (kN·m)	M3 (kN·m)	S2 (kN)	TQ (kN·m)	M3 (kN·m)	S2 (kN)	TQ (kN·m)	M3 (kN·m)	S2 (kN)	TQ (kN·m)	M3 (kN·m)
62	1-LANE (case2TRUCK-LOAD	MAX	S2	221.32	-60.71	740.50	136.89	-69.20	1124.92	136.89	-66.55	1125.08	80.30	-80.20	1132.57
			TQ	7.37	2.65	-433.04	7.37	2.65	-398.33	5.45	1.88	-290.86	5.45	1.88	-265.22
			M3	208.79	-57.31	747.76	124.74	-66.03	1143.17	124.74	-63.35	1143.33	59.04	-75.67	1133.93
		MIN	S2	-17.70	-44.07	700.27	-75.43	-58.12	1072.94	-75.43	-55.60	1073.07	-159.92	-64.03	1063.56
			TQ	61.63	-116.23	106.27	61.63	-116.23	396.39	61.63	-115.30	396.66	61.63	-115.30	686.78
			M3	8.02	2.54	-475.97	8.02	2.54	-438.21	8.02	1.51	-438.22	8.02	1.51	-400.47
		TANDEM-LOAD MAX	S2	178.85	-38.54	618.48	117.94	-43.94	915.47	117.94	-41.79	915.57	62.66	-48.20	876.23
			TQ	4.94	1.80	-290.00	4.94	1.80	-266.73	3.23	1.30	-171.05	3.23	1.30	-155.87
			M3	178.85	-38.54	618.48	117.94	-43.94	915.48	117.94	-41.79	915.58	62.66	-48.20	876.23
		MIN	S2	-20.63	-36.17	612.71	-76.72	-42.65	908.07	-76.72	-40.52	908.17	-137.06	-45.87	865.96
			TQ	40.99	-78.99	58.54	40.99	-78.99	251.46	40.99	-78.40	251.65	40.99	-78.40	444.57
			M3	5.47	1.74	-324.20	5.47	1.74	-298.46	5.47	1.04	-298.47	5.47	1.04	-272.73
		DISPERSION-LMAX	S2	130.26	-164.13	-357.12	103.03	-157.00	37.73	103.03	-156.91	38.10	86.33	-149.19	307.26
			TQ	9.43	3.30	-560.32	9.43	3.30	-515.91	9.43	2.09	-515.92	9.43	2.09	-471.51
			M3	80.90	-94.68	612.46	78.63	-178.10	999.49	78.63	-175.75	999.91	42.00	-175.75	1283.82
MIN	S2	-5.57	-10.67	339.98	-14.97	-17.80	445.85	-14.97	-16.75	445.89	-34.89	-24.47	505.06		
	TQ	115.25	-178.10	543.18	78.63	-178.10	999.49	78.63	-175.75	999.91	42.00	-175.75	1283.82		
	M3	43.79	-80.11	-629.60	9.43	3.30	-515.91	9.43	2.09	-515.92	9.43	2.09	-471.51		
63	1-LANE (case3TRUCK-LOAD	MAX	S2	69.67	105.49	354.03	69.67	105.49	681.96	69.67	107.09	681.71	69.67	107.09	1009.64
			TQ	66.00	110.73	256.32	66.00	110.73	566.98	66.00	112.07	566.72	66.00	112.07	877.38
			M3	40.90	18.39	644.95	54.61	64.04	790.74	54.61	65.90	790.59	63.43	101.03	1014.69
		MIN	S2	-9.83	-8.37	596.55	-9.83	-8.37	550.28	-9.83	-7.08	550.29	-9.83	-7.08	504.03
			TQ	-6.66	-14.12	389.29	-6.66	-14.12	357.92	-6.66	-13.28	357.95	-6.66	-13.28	326.58
			M3	6.48	1.57	-453.41	6.48	1.57	-422.92	6.48	0.57	-422.93	6.48	0.57	-392.43

BAGO RIVER BRIDGE

BLOCK [ No.1 : MAIN GIRDER ][ BEAM MEMBER FORCE ]

MEMBER		2037			2038			2038			2039					
NODE		2037			2038			2038			2039					
		SHEAR	TORQUE	MOMENT	SHEAR	TORQUE	MOMENT	SHEAR	TORQUE	MOMENT	SHEAR	TORQUE	MOMENT			
NAME	TITLE	S2 (kN)	TQ (kN·m)	M3 (kN·m)	S2 (kN)	TQ (kN·m)	M3 (kN·m)	S2 (kN)	TQ (kN·m)	M3 (kN·m)	S2 (kN)	TQ (kN·m)	M3 (kN·m)			
63	1-LANE (case3TANDEM-LOAD	MAX	S2	47.69	67.44	275.20	47.69	67.44	499.69	47.69	68.61	499.53	47.69	68.61	724.02	
			TQ	46.86	76.57	199.47	46.86	76.57	420.03	46.86	77.55	419.85	46.86	77.55	640.42	
			M3	28.46	4.28	475.41	38.80	37.39	564.62	38.80	38.72	564.53	47.69	68.61	724.02	
		MIN	S2	-7.07	-1.44	469.78	-7.07	-1.44	436.51	-7.07	-0.41	436.51	-7.07	-0.41	403.24	
			TQ	-6.47	-11.15	332.77	-6.47	-11.15	302.30	-6.47	-10.44	302.33	-6.47	-10.44	271.85	
			M3	4.41	1.07	-308.69	4.41	1.07	-287.95	4.41	0.39	-287.95	4.41	0.39	-267.21	
			DISPERSION-LMAX	S2	93.22	148.39	-331.99	88.02	147.71	38.62	88.02	147.80	38.27	82.97	145.72	393.10
				TQ	91.64	148.65	-327.61	87.20	148.65	95.28	87.13	148.88	99.02	80.98	148.88	494.67
				M3	51.11	77.96	578.33	74.76	141.37	886.88	74.76	143.45	886.55	68.62	143.45	1223.99
			MIN	S2	-4.86	-4.67	321.49	-5.80	-3.99	352.35	-5.80	-3.16	352.36	-6.89	-1.08	370.08
				TQ	-3.27	-4.93	317.12	-4.98	-4.93	295.68	-4.91	-4.24	291.61	-4.91	-4.24	268.51
				M3	37.25	65.77	-588.83	7.46	2.36	-495.92	7.46	1.19	-495.92	7.46	1.19	-460.81
64	1-LANE (case4TRUCK-LOAD	MAX	S2	55.93	368.41	181.20	55.93	368.41	444.47	55.93	369.45	443.60	55.93	369.45	706.87	
			TQ	55.18	368.53	139.56	55.18	368.53	399.30	55.18	369.47	398.43	55.18	369.47	658.17	
			M3	31.10	222.00	390.37	39.20	287.39	546.11	39.20	288.68	545.43	49.80	341.34	751.90	
		MIN	S2	-1.66	-0.29	127.82	-1.66	-0.29	120.00	-1.66	-0.01	120.00	-1.66	-0.01	112.19	
			TQ	1.31	-2.58	-176.80	1.31	-2.58	-170.65	1.36	-2.98	-178.92	1.36	-2.98	-172.54	
			M3	3.44	-0.60	-410.78	3.42	-0.63	-394.61	3.42	-1.56	-394.60	3.42	-1.56	-378.50	
			TANDEM-LOAD MAX	S2	38.31	251.81	112.32	38.31	251.81	292.64	38.31	252.49	292.05	38.31	252.49	472.38
				TQ	38.10	251.84	100.70	38.10	251.84	280.04	38.10	252.50	279.45	38.10	252.50	458.79
				M3	20.35	141.69	267.62	24.83	188.39	373.91	24.83	189.27	373.46	32.15	226.03	511.77
			MIN	S2	-1.13	-0.20	86.77	-1.13	-0.20	81.46	-1.13	-0.01	81.46	-1.13	-0.01	76.14
				TQ	0.70	-1.80	-88.96	0.70	-1.80	-85.67	0.99	-2.08	-134.27	0.99	-2.08	-129.60
				M3	2.30	-0.45	-279.39	2.30	-0.45	-268.55	2.30	-1.08	-268.54	2.30	-1.08	-257.70

BAGO RIVER BRIDGE

BLOCK [ No.1 : MAIN GIRDER ] [ BEAM MEMBER FORCE ]

MEMBER NODE	2037	2038						2039					
		2037			2038			2038			2039		
		SHEAR	TORQUE	MOMENT	SHEAR	TORQUE	MOMENT	SHEAR	TORQUE	MOMENT	SHEAR	TORQUE	MOMENT
NAME TITLE	S2 (kN)	TQ (kN·m)	M3 (kN·m)	S2 (kN)	TQ (kN·m)	M3 (kN·m)	S2 (kN)	TQ (kN·m)	M3 (kN·m)	S2 (kN)	TQ (kN·m)	M3 (kN·m)	
64 1-LANE (case4DISPERSION-LMAX	S2	77.72	522.39	-224.79	77.72	522.39	141.03	77.72	522.72	139.80	77.72	522.72	505.62
	TQ	74.37	525.06	187.29	74.37	525.06	537.35	72.69	526.51	677.77	72.69	526.51	1019.91
	M3	45.54	328.58	477.14	71.44	524.69	767.12	71.44	526.49	765.89	71.44	526.49	1102.18
	MIN S2	-2.09	1.00	174.46	-2.09	1.00	164.60	-2.09	1.39	164.60	-2.09	1.39	154.74
	TQ	1.26	-1.67	-237.63	1.26	-1.67	-231.72	2.94	-2.40	-373.37	2.94	-2.40	-359.54
	M3	30.08	194.82	-527.48	4.18	-1.29	-461.49	4.18	-2.38	-461.49	4.18	-2.38	-441.82
65 2-LANES (caseTRUCK-LOAD	MAX S2	217.46	-526.05	1176.82	193.55	-594.26	1854.17	193.55	-589.90	1855.56	214.23	-594.53	2545.08
	TQ	-1.20	7.28	-186.82	-1.20	7.28	-192.47	-1.26	6.83	-187.83	-1.26	6.83	-193.75
	M3	95.26	-213.20	1766.00	122.79	-430.40	2003.45	122.79	-425.69	2004.46	200.27	-581.75	2552.32
	MIN S2	-85.04	-100.10	1685.60	-64.24	-104.31	1602.23	-64.24	-100.55	1602.47	-88.25	-168.69	1618.97
	TQ	158.90	-687.63	475.16	158.90	-687.63	1223.10	150.41	-684.82	1111.82	150.41	-684.82	1819.79
	M3	19.14	6.89	-997.91	19.14	6.89	-907.83	19.14	4.75	-907.84	19.14	4.75	-817.77
	TANDEM-LOAD MAX S2	159.64	-335.64	894.38	142.68	-384.14	1378.97	142.68	-380.90	1379.87	169.32	-370.73	1806.22
	TQ	-4.41	5.90	-34.72	-4.41	5.90	-55.48	-4.41	5.77	-55.49	-4.41	5.77	-76.25
	M3	61.05	-110.27	1287.52	121.21	-329.01	1469.54	121.21	-325.55	1470.31	147.13	-388.37	1813.84
	MIN S2	-82.33	-100.43	1281.24	-55.57	-89.57	1246.42	-55.57	-86.64	1246.62	-72.45	-134.41	1230.16
	TQ	104.85	-468.36	289.65	104.85	-468.36	783.17	102.48	-466.54	752.76	102.48	-466.54	1235.12
	M3	13.07	4.72	-680.06	13.07	4.72	-618.55	13.07	3.26	-618.56	13.07	3.26	-557.05
DISPERSION-LMAX S2	222.86	-902.19	-803.63	211.21	-902.47	143.10	211.21	-902.13	145.22	209.87	-892.56	1017.33	
TQ	18.89	8.57	-1068.45	18.89	8.57	-979.55	18.30	6.29	-961.12	18.30	6.29	-874.96	
M3	100.92	-518.05	1434.27	164.87	-943.27	2074.16	164.87	-938.40	2076.37	155.94	-938.40	2831.40	
MIN S2	-26.28	-33.59	901.05	-23.57	-33.31	858.56	-23.57	-31.29	858.64	-31.17	-40.86	848.72	
TQ	177.68	-944.35	1165.87	168.75	-944.35	1981.21	169.33	-939.71	1964.98	160.40	-939.71	2741.01	
M3	95.65	-417.72	-1336.85	22.77	7.49	-1072.50	22.77	4.97	-1072.51	22.77	4.97	-965.35	

BAGO RIVER BRIDGE

BLOCK [ No.1 : MAIN GIRDER ] [ BEAM MEMBER FORCE ]

MEMBER				2037			2038			2039					
NODE				2037			2038			2038			2039		
				SHEAR	TORQUE	MOMENT	SHEAR	TORQUE	MOMENT	SHEAR	TORQUE	MOMENT	SHEAR	TORQUE	MOMENT
NAME	TITLE			S2 (kN)	TQ (kN·m)	M3 (kN·m)	S2 (kN)	TQ (kN·m)	M3 (kN·m)	S2 (kN)	TQ (kN·m)	M3 (kN·m)	S2 (kN)	TQ (kN·m)	M3 (kN·m)
66	2-LANES (caseTRUCK-LOAD	MAX	S2	347.63	-170.96	1563.59	239.30	-247.67	2196.34	239.30	-242.51	2196.92	164.76	-309.23	2352.31
			TQ	16.43	5.84	-920.38	16.43	5.84	-843.03	14.45	4.03	-730.90	14.45	4.03	-662.88
			M3	323.13	-149.48	1583.17	215.15	-226.33	2227.53	215.15	-221.10	2228.05	129.53	-291.93	2360.91
		MIN	S2	-38.15	-87.80	1480.07	-114.48	-156.30	2092.61	-114.48	-151.38	2092.97	-222.99	-227.96	2218.49
			TQ	131.29	-381.31	285.17	131.29	-381.31	903.17	131.29	-379.18	904.07	131.29	-379.18	1522.07
			M3	17.07	5.69	-967.23	17.07	5.69	-886.87	17.07	3.61	-886.88	17.07	3.61	-806.52
		TANDEM-LOAD MAX	S2	272.44	-90.12	1262.80	194.56	-144.02	1733.45	194.56	-139.94	1733.78	123.47	-191.53	1782.20
			TQ	11.05	3.97	-616.39	11.05	3.97	-564.38	9.33	2.77	-468.71	9.33	2.77	-424.79
			M3	272.44	-90.12	1262.80	194.56	-144.02	1733.45	194.56	-139.94	1733.79	123.47	-191.53	1782.20
		MIN	S2	-38.47	-77.91	1250.75	-110.58	-130.51	1718.71	-110.58	-126.47	1719.02	-187.79	-179.60	1762.56
			TQ	87.51	-259.21	166.58	87.51	-259.21	578.51	87.51	-257.85	579.11	87.51	-257.85	991.04
			M3	11.65	3.89	-658.93	11.65	3.89	-604.11	11.65	2.47	-604.12	11.65	2.47	-549.30
		DISPERSION-LMAX	S2	250.01	-525.28	-709.27	207.43	-506.31	79.23	207.43	-506.12	80.42	178.62	-482.06	674.97
			TQ	20.09	6.94	-1137.22	20.09	6.94	-1042.65	20.00	4.50	-1039.63	20.00	4.50	-945.49
			M3	146.92	-301.51	1288.96	159.77	-551.62	2029.98	159.77	-546.85	2031.28	102.93	-546.85	2649.54
MIN	S2	-13.23	-19.40	713.13	-27.49	-38.38	905.38	-27.49	-36.25	905.47	-55.52	-60.31	1024.14		
	TQ	216.69	-551.63	1141.08	159.85	-551.63	2027.27	159.94	-546.86	2025.52	103.10	-546.86	2644.59		
	M3	89.86	-243.17	-1285.11	20.17	6.94	-1045.37	20.17	4.48	-1045.38	20.17	4.48	-950.44		
67	2-LANES (caseTRUCK-LOAD	MAX	S2	129.64	338.03	612.93	129.64	338.03	1223.14	129.64	340.91	1222.34	129.64	340.91	1832.54
			TQ	124.10	348.99	438.97	124.10	348.99	1023.12	124.10	351.39	1022.29	124.10	351.39	1606.44
			M3	55.87	100.52	1166.53	97.01	224.92	1438.40	97.01	228.30	1437.87	120.27	311.20	1897.45
		MIN	S2	-11.98	2.45	943.76	-11.98	2.45	887.36	-11.98	4.53	887.35	-11.98	4.53	830.95
			TQ	-8.61	-14.56	524.47	-8.61	-14.56	483.93	-8.60	-13.43	482.62	-8.60	-13.43	442.15
			M3	11.95	2.43	-892.61	11.95	2.43	-836.37	11.95	0.46	-836.37	11.95	0.46	-780.13

BAGO RIVER BRIDGE

BLOCK [ No.1 : MAIN GIRDER ][ BEAM MEMBER FORCE ]

MEMBER		2037			2038			2038			2039						
NODE		2037			2038			2038			2039						
		SHEAR	TORQUE	MOMENT	SHEAR	TORQUE	MOMENT	SHEAR	TORQUE	MOMENT	SHEAR	TORQUE	MOMENT				
NAME	TITLE	S2 (kN)	TQ (kN·m)	M3 (kN·m)	S2 (kN)	TQ (kN·m)	M3 (kN·m)	S2 (kN)	TQ (kN·m)	M3 (kN·m)	S2 (kN)	TQ (kN·m)	M3 (kN·m)				
67	2-LANES (caseTANDEM-LOAD	MAX	S2	88.75	221.19	476.61	88.75	221.19	894.34	88.75	223.29	893.82	88.75	223.29	1311.55		
			TQ	87.01	238.56	345.83	87.01	238.56	755.37	87.01	240.33	754.80	87.01	240.33	1164.35		
			M3	34.71	50.13	841.57	72.57	159.36	1007.67	72.57	161.73	1007.30	84.14	200.34	1333.42		
		MIN	S2	-8.78	10.51	758.63	-8.78	10.51	717.28	-8.78	12.19	717.26	-8.78	12.19	675.91		
			TQ	-6.86	-11.47	409.16	-6.86	-11.47	376.89	-6.86	-10.59	376.92	-6.86	-10.59	344.65		
			M3	8.12	1.65	-607.62	8.12	1.65	-569.40	8.12	0.31	-569.40	8.12	0.31	-531.19		
			DISPERSION-LMAX	S2	175.39	481.59	-618.08	170.18	480.91	139.27	170.18	481.24	138.13	165.13	479.16	879.71	
				TQ	173.29	483.95	-535.99	168.85	483.95	271.25	165.90	484.72	502.29	159.76	484.72	1268.75	
				M3	94.89	272.48	1113.38	147.61	474.67	1712.89	147.61	478.69	1711.77	141.47	478.69	2392.11	
			MIN	S2	-7.86	-3.39	577.00	-8.80	-2.71	593.73	-8.80	-1.31	593.74	-9.89	0.77	597.33	
				TQ	-5.77	-5.74	494.91	-7.47	-5.74	461.75	-4.52	-4.79	229.58	-4.52	-4.79	208.29	
				M3	72.63	205.73	-1154.46	13.77	3.54	-979.89	13.77	1.24	-979.90	13.77	1.24	-915.08	
		68	2-LANES (caseTRUCK-LOAD	MAX	S2	115.90	600.95	440.10	115.90	600.95	985.64	115.90	603.26	984.23	115.90	603.26	1529.77
					TQ	113.28	606.79	322.21	113.28	606.79	855.44	113.28	608.79	854.01	113.28	608.79	1387.23
					M3	46.11	304.26	911.63	81.60	448.27	1193.77	81.60	451.08	1192.71	106.64	551.51	1634.66
MIN	S2			-3.46	12.63	472.30	-3.46	12.63	455.99	-3.46	13.70	455.96	-3.46	13.70	439.65		
	TQ			3.60	-3.01	-427.07	3.60	-3.01	-410.11	4.50	-4.05	-491.54	4.50	-4.05	-470.34		
	M3			7.86	-0.50	-835.40	7.84	-0.53	-798.41	7.84	-2.40	-798.41	7.84	-2.40	-761.49		
	TANDEM-LOAD			MAX	S2	79.36	405.55	313.73	79.36	405.55	687.29	79.36	407.17	686.34	79.36	407.17	1059.90
				TQ	78.25	413.83	247.06	78.25	413.83	615.37	78.25	415.28	614.40	78.25	415.28	982.72	
				M3	26.59	187.55	633.77	58.59	310.36	816.96	58.59	312.28	816.23	68.60	357.76	1121.17	
	MIN			S2	-2.58	12.80	373.41	-2.58	12.80	361.27	-2.58	13.65	361.24	-2.58	13.65	349.10	
				TQ	2.15	-2.12	-249.65	2.15	-2.12	-239.51	3.05	-2.81	-340.34	3.05	-2.81	-326.00	
				M3	5.29	-0.40	-568.31	5.29	-0.40	-543.39	5.29	-1.68	-543.38	5.29	-1.68	-518.46	



BAGO RIVER BRIDGE

BLOCK [ No.1 : MAIN GIRDER ][ BEAM MEMBER FORCE ]

MEMBER NODE	2037	2038						2039						
		2037			2038			2038			2039			
		SHEAR	TORQUE	MOMENT	SHEAR	TORQUE	MOMENT	SHEAR	TORQUE	MOMENT	SHEAR	TORQUE	MOMENT	
NAME TITLE	S2 (kN)	TQ (kN·m)	M3 (kN·m)	S2 (kN)	TQ (kN·m)	M3 (kN·m)	S2 (kN)	TQ (kN·m)	M3 (kN·m)	S2 (kN)	TQ (kN·m)	M3 (kN·m)		
68 2-LANES (caseDISPERSION-LMAX	S2	158.85	854.82	-490.94	158.85	854.82	256.78	158.85	855.42	254.77	158.85	855.42	1002.50	
	TQ	153.69	860.05	141.76	153.69	860.05	865.20	148.00	862.73	1346.32	148.00	862.73	2042.94	
	M3	89.64	524.00	1005.75	144.62	858.85	1588.22	144.62	862.58	1586.19	144.62	862.58	2266.93	
	MIN S2	-4.79	2.83	419.46	-4.79	2.83	396.91	-4.79	3.77	396.90	-4.79	3.77	374.34	
	TQ	0.37	-2.40	-213.25	0.37	-2.40	-211.52	6.06	-3.55	-694.65	6.06	-3.55	-666.11	
	M3	64.41	333.66	-1077.23	9.44	-1.20	-934.53	9.44	-3.40	-934.53	9.44	-3.40	-890.09	
	69 3-LANES (caseTRUCK-LOAD	MAX S2	438.78	-586.75	1917.32	330.45	-663.46	2979.09	330.45	-656.46	2980.64	294.54	-674.73	3677.65
		TQ	6.17	9.93	-619.86	6.17	9.93	-590.80	4.19	8.71	-478.69	4.19	8.71	-458.97
		M3	304.05	-270.52	2513.77	247.53	-496.43	3146.63	247.53	-489.03	3147.78	259.31	-657.42	3686.25
MIN S2		-102.74	-144.17	2385.88	-139.66	-162.43	2675.16	-139.66	-156.15	2675.53	-248.17	-232.72	2682.53	
TQ		220.53	-803.86	581.44	220.53	-803.86	1619.50	212.04	-800.12	1508.49	212.04	-800.12	2506.57	
M3		27.16	9.43	-1473.87	27.16	9.43	-1346.05	27.16	6.26	-1346.06	27.16	6.26	-1218.24	
TANDEM-LOAD MAX S2		338.49	-374.18	1512.86	260.61	-428.08	2294.44	260.61	-422.69	2295.44	231.98	-418.93	2682.46	
TQ		0.53	7.70	-324.71	0.53	7.70	-322.20	-1.19	7.07	-226.54	-1.19	7.07	-232.12	
M3		239.90	-148.81	1906.01	239.15	-372.95	2385.01	239.15	-367.35	2385.88	209.79	-436.57	2690.08	
MIN S2	-102.96	-136.60	1893.95	-132.29	-132.22	2154.49	-132.29	-127.15	2154.79	-209.51	-180.28	2096.12		
TQ	145.83	-547.35	348.19	145.83	-547.35	1034.63	143.46	-544.94	1004.41	143.46	-544.94	1679.70		
M3	18.54	6.46	-1004.26	18.54	6.46	-917.01	18.54	4.30	-917.03	18.54	4.30	-829.78		
DISPERSION-LMAX S2	353.11	-1066.32	-1160.75	314.24	-1059.47	180.83	314.24	-1059.04	183.32	296.20	-1041.75	1324.59		
TQ	28.32	11.87	-1628.77	28.32	11.87	-1495.46	27.74	8.38	-1477.04	27.74	8.38	-1346.47		
M3	181.82	-612.74	2046.73	243.50	-1121.37	3073.65	243.50	-1114.14	3076.28	197.94	-1114.14	4115.22		
MIN S2	-31.85	-44.26	1241.03	-38.54	-51.11	1304.42	-38.54	-48.04	1304.53	-66.06	-65.34	1353.77		
TQ	292.94	-1122.45	1709.05	247.38	-1122.45	2980.70	247.96	-1115.46	2964.89	202.40	-1115.46	4024.83		
M3	139.44	-497.84	-1966.45	32.20	10.80	-1588.41	32.20	7.06	-1588.43	32.20	7.06	-1436.86		

BAGO RIVER BRIDGE

BLOCK [ No.1 : MAIN GIRDER ][ BEAM MEMBER FORCE ]

MEMBER				2037			2038			2038			2039		
NODE				2037			2038			2038			2039		
NAME TITLE				SHEAR	TORQUE	MOMENT	SHEAR	TORQUE	MOMENT	SHEAR	TORQUE	MOMENT	SHEAR	TORQUE	MOMENT
				S2 (kN)	TQ (kN·m)	M3 (kN·m)	S2 (kN)	TQ (kN·m)	M3 (kN·m)	S2 (kN)	TQ (kN·m)	M3 (kN·m)	S2 (kN)	TQ (kN·m)	M3 (kN·m)
70	3-LANES (caseTRUCK-LOAD	MAX	S2	185.57	706.44	794.14	185.57	706.44	1667.62	185.57	710.36	1665.95	185.57	710.36	2539.43
			TQ	179.28	717.52	578.57	179.28	717.52	1422.46	179.28	720.87	1420.77	179.28	720.87	2264.67
			M3	86.97	322.52	1556.90	136.21	512.31	1984.51	136.21	516.97	1983.30	170.07	652.54	2649.35
		MIN	S2	-13.82	2.06	1076.01	-13.82	2.06	1010.98	-13.82	4.44	1010.97	-13.82	4.44	945.93
			TQ	-7.12	-15.99	343.82	-7.12	-15.99	310.29	-7.11	-15.26	308.98	-7.11	-15.26	275.53
			M3	16.44	2.58	-1317.95	16.42	2.56	-1240.62	16.42	-0.36	-1240.62	16.42	-0.36	-1163.34
		TANDEM-LOAD MAX	S2	127.06	472.99	588.93	127.06	472.99	1186.98	127.06	475.78	1185.87	127.06	475.78	1783.93
			TQ	125.11	490.40	446.53	125.11	490.40	1035.42	125.11	492.83	1034.26	125.11	492.83	1623.15
			M3	55.06	191.83	1109.19	97.39	347.75	1381.58	97.39	351.00	1380.76	116.30	426.37	1845.19
		MIN	S2	-10.03	10.24	848.42	-10.03	10.24	801.21	-10.03	12.13	801.18	-10.03	12.13	753.96
			TQ	-6.12	-12.53	318.80	-6.12	-12.53	289.99	-6.12	-11.85	290.01	-6.12	-11.85	261.20
			M3	11.14	1.72	-897.02	11.14	1.72	-844.56	11.14	-0.26	-844.56	11.14	-0.26	-792.10
		DISPERSION-LMAX	S2	254.08	1004.67	-859.71	248.88	1003.99	268.06	248.88	1004.62	265.70	243.82	1002.54	1377.71
			TQ	250.35	1008.74	-586.12	245.92	1008.74	583.87	239.23	1010.65	1126.30	233.09	1010.65	2237.92
			M3	140.12	600.21	1597.07	218.76	998.67	2485.18	218.76	1004.51	2482.83	212.61	1004.51	3498.07
MIN	S2	-10.18	-2.66	758.91	-11.12	-1.98	764.73	-11.12	-0.18	764.74	-12.21	1.90	757.42		
	TQ	-6.45	-6.73	485.31	-8.16	-6.73	448.92	-1.47	-6.22	-95.87	-1.47	-6.22	-102.79		
	M3	103.78	401.80	-1697.88	19.00	3.34	-1452.39	19.00	-0.07	-1452.39	19.00	-0.07	-1362.95		
71	3-LANES (caseTRUCK-LOAD	MAX	S2	185.57	706.44	794.13	185.57	706.44	1667.60	185.57	710.36	1665.94	185.57	710.36	2539.41
			TQ	179.28	717.52	578.53	179.28	717.52	1422.42	179.28	720.86	1420.73	179.28	720.86	2264.61
			M3	87.02	322.74	1556.46	136.21	512.31	1984.51	136.21	516.97	1983.30	170.07	652.54	2649.35
		MIN	S2	-13.24	4.77	1068.26	-13.24	4.77	1005.92	-13.24	7.14	1005.91	-13.24	7.14	943.57
			TQ	-2.96	-15.94	-38.92	-2.96	-15.94	-52.84	-2.06	-16.14	-134.24	-2.06	-16.14	-143.94
			M3	13.29	0.33	-1273.93	13.27	0.30	-1211.42	13.27	-2.55	-1211.41	13.27	-2.55	-1148.97

BAGO RIVER BRIDGE

BLOCK [ No.1 : MAIN GIRDER ] [ BEAM MEMBER FORCE ]

MEMBER				2037			2038			2038			2039			
NODE				2037			2038			2038			2039			
NAME TITLE				SHEAR	TORQUE	MOMENT	SHEAR	TORQUE	MOMENT	SHEAR	TORQUE	MOMENT	SHEAR	TORQUE	MOMENT	
				S2 (kN)	TQ (kN·m)	M3 (kN·m)	S2 (kN)	TQ (kN·m)	M3 (kN·m)	S2 (kN)	TQ (kN·m)	M3 (kN·m)	S2 (kN)	TQ (kN·m)	M3 (kN·m)	
71	3-LANES (case)	TANDEM-LOAD	MAX	S2	127.06	472.99	588.93	127.06	472.99	1186.98	127.06	475.78	1185.87	127.06	475.78	1783.93
				TQ	125.11	490.40	446.52	125.11	490.40	1035.41	125.11	492.83	1034.25	125.11	492.83	1623.14
				M3	55.06	191.83	1109.19	97.39	347.75	1381.58	97.39	351.00	1380.76	116.30	426.37	1845.19
		MIN	S2	-9.64	11.45	843.10	-9.64	11.45	797.73	-9.64	13.32	797.70	-9.64	13.32	752.33	
			TQ	-4.25	-12.61	82.34	-4.25	-12.61	62.32	-3.36	-12.60	-38.49	-3.36	-12.60	-54.30	
			M3	8.97	0.15	-866.76	8.97	0.15	-824.52	8.97	-1.78	-824.52	8.97	-1.78	-782.29	
	DISPERSION-LMAX	S2	250.96	1002.28	-806.28	245.76	1001.60	306.81	245.76	1002.32	304.46	240.70	1000.24	1401.78		
		TQ	244.20	1007.78	-168.26	239.77	1007.78	972.78	231.07	1010.83	1684.22	224.93	1010.83	2757.44		
		M3	141.01	602.40	1577.98	219.63	1000.63	2470.16	219.63	1006.43	2467.80	213.48	1006.43	3487.13		
		MIN	S2	-9.41	-1.38	734.86	-10.35	-0.71	744.31	-10.35	1.04	744.31	-11.43	3.12	740.63	
			TQ	-2.65	-6.88	96.84	-4.35	-6.88	78.35	4.34	-7.47	-635.45	4.34	-7.47	-615.03	
			M3	100.55	398.50	-1649.41	15.79	0.26	-1419.03	15.79	-3.07	-1419.03	15.79	-3.07	-1344.73	
72	4-LANES	TRUCK-LOAD	MAX	S2	20.00	2.29	-1708.13	20.00	2.29	-1614.00	20.00	-1.51	-1614.00	20.00	-1.51	-1519.87
				TQ	17.18	2.83	-1357.49	17.18	2.83	-1276.64	7.92	0.64	-517.61	7.92	0.64	-480.35
				M3	-7.45	-1.59	532.04	-7.45	-1.59	496.98	-7.45	-0.43	496.98	-7.45	-0.43	461.93
		MIN	S2	-7.45	-1.60	531.93	-7.45	-1.60	496.87	-7.45	-0.43	496.87	-7.45	-0.43	461.81	
			TQ	-2.29	-1.86	-8.34	-2.29	-1.86	-19.12	4.00	-2.61	-545.23	4.00	-2.61	-526.42	
			M3	19.91	2.01	-1725.41	19.91	2.01	-1631.69	19.91	-1.83	-1631.69	19.91	-1.83	-1537.98	
	TANDEM-LOAD	MAX	S2	13.61	1.60	-1160.41	13.61	1.60	-1096.33	13.61	-0.97	-1096.33	13.61	-0.97	-1032.25	
			TQ	11.67	1.94	-922.00	11.67	1.94	-867.08	5.44	0.45	-356.97	5.44	0.45	-331.35	
			M3	-5.05	-1.08	361.40	-5.05	-1.08	337.64	-5.05	-0.28	337.64	-5.05	-0.28	313.88	
		MIN	S2	-5.06	-1.09	361.13	-5.06	-1.09	337.31	-5.06	-0.29	337.31	-5.06	-0.29	313.49	
			TQ	-1.61	-1.33	-5.73	-1.61	-1.33	-13.32	2.61	-1.90	-371.68	2.61	-1.90	-359.39	
			M3	13.41	1.25	-1175.92	13.41	1.25	-1112.79	13.41	-1.37	-1112.79	13.41	-1.37	-1049.65	

BAGO RIVER BRIDGE

BLOCK [ No.1 : MAIN GIRDER ][ BEAM MEMBER FORCE ]

MEMBER				2037			2038			2038			2039				
NODE				2037			2038			2038			2039				
NAME TITLE				SHEAR	TORQUE	MOMENT	SHEAR	TORQUE	MOMENT	SHEAR	TORQUE	MOMENT	SHEAR	TORQUE	MOMENT		
				S2 (kN)	TQ (kN·m)	M3 (kN·m)	S2 (kN)	TQ (kN·m)	M3 (kN·m)	S2 (kN)	TQ (kN·m)	M3 (kN·m)	S2 (kN)	TQ (kN·m)	M3 (kN·m)		
72	4-LANES	DISPERSION-LMAX	S2	14.86	1.96	-1229.93	14.86	1.96	-1160.00	14.86	-0.77	-1160.00	14.86	-0.77	-1090.06		
			TQ	12.88	2.12	-1012.23	12.88	2.12	-951.59	6.03	0.47	-392.04	6.03	0.47	-363.66		
			M3	-9.06	-1.94	647.33	-9.06	-1.94	604.67	-9.06	-0.52	604.67	-9.06	-0.52	562.00		
	MIN	S2	-9.06	-1.94	647.33	-9.06	-1.94	604.67	-9.06	-0.52	604.67	-9.06	-0.52	562.00			
		TQ	-7.03	-2.11	423.08	-7.03	-2.11	389.97	-0.30	-1.78	-160.79	-0.30	-1.78	-162.18			
		M3	14.86	1.96	-1229.93	14.86	1.96	-1159.99	14.86	-0.77	-1160.00	14.86	-0.77	-1090.06			
	73	6-LANES	TRUCK-LOAD	MAX	S2	632.63	66.75	2849.91	520.56	16.32	4767.30	520.56	27.52	4767.25	476.02	20.20	6197.25
				TQ	205.51	676.67	-640.74	205.51	676.67	326.62	183.70	679.12	1134.89	183.70	679.12	1999.59	
				M3	418.69	42.87	4078.36	398.97	19.14	5186.08	398.97	31.33	5186.02	420.18	-10.68	6344.54	
MIN		S2	-111.94	-125.41	3407.91	-157.38	-132.56	3875.83	-157.38	-123.45	3876.13	-269.59	-173.61	3863.52			
		TQ	201.69	-767.16	908.78	201.69	-767.16	1858.17	207.71	-763.38	1360.91	207.71	-763.38	2338.61			
		M3	40.48	9.91	-2747.44	40.46	9.88	-2556.93	40.46	3.87	-2556.94	40.46	3.87	-2366.49			
TANDEM-LOAD		MAX	S2	472.69	75.44	2107.46	392.13	33.69	3507.96	392.13	41.94	3507.88	354.80	60.46	4478.58		
		TQ	123.92	464.27	244.50	123.92	464.27	827.81	123.58	466.23	847.48	123.58	466.23	1429.18			
		M3	321.27	34.54	3036.50	351.41	-22.81	3815.70	351.41	-13.85	3815.75	325.86	-3.45	4557.12			
MIN		S2	-108.50	-130.06	2749.62	-146.49	-110.64	2992.56	-146.49	-103.60	2992.81	-226.34	-144.75	2867.55			
		TQ	135.82	-525.08	659.93	135.82	-525.08	1299.23	140.12	-522.50	922.28	140.12	-522.50	1581.81			
		M3	27.53	6.72	-1870.72	27.53	6.72	-1741.12	27.53	2.63	-1741.13	27.53	2.63	-1611.53			
DISPERSION-LMAX		S2	568.16	-87.68	-1887.91	524.65	-82.24	406.18	524.65	-81.29	406.37	502.27	-67.86	2485.50			
		TQ	255.93	950.84	-1864.60	251.49	950.84	-668.37	243.77	949.92	-60.48	237.62	949.92	1072.48			
		M3	303.13	-11.84	3469.09	429.07	-110.34	5267.20	429.08	-98.70	5267.45	381.81	-126.24	7168.83			
MIN	S2	-40.29	-44.90	1920.73	-47.79	-49.90	1988.32	-47.79	-45.23	1988.43	-76.40	-60.09	2036.94				
	TQ	268.10	-1053.18	1797.92	224.64	-1053.18	2955.60	231.72	-1046.88	2400.08	189.96	-1046.88	3392.50				
	M3	220.69	-111.64	-3447.77	46.45	11.47	-2885.41	46.45	4.69	-2885.43	46.45	4.69	-2666.77				

BAGO RIVER BRIDGE

BLOCK [ No.1 : MAIN GIRDER ][ BEAM MEMBER FORCE ]

MEMBER			2037			2038			2038			2039			
NODE			2037			2038			2038			2039			
NAME TITLE			SHEAR	TORQUE	MOMENT	SHEAR	TORQUE	MOMENT	SHEAR	TORQUE	MOMENT	SHEAR	TORQUE	MOMENT	
			S2 (kN)	TQ (kN·m)	M3 (kN·m)	S2 (kN)	TQ (kN·m)	M3 (kN·m)	S2 (kN)	TQ (kN·m)	M3 (kN·m)	S2 (kN)	TQ (kN·m)	M3 (kN·m)	
124	SUM TOTAL	D+1LANE (caseMAX	S2	2278.64	-1541.68	-621.77	2093.18	-1556.23	9738.26	2093.18	-1533.34	9741.89	1962.56	-1483.32	19335.52
			TQ	2043.11	-382.67	-733.70	1853.20	-382.67	8436.35	1852.61	-362.82	8455.72	1662.70	-362.82	16729.08
			M3	2064.53	-912.21	1521.56	1994.97	-1401.31	11032.37	1994.97	-1375.38	11035.63	1935.48	-1492.45	20314.79
		MIN	S2	1945.69	-490.96	1215.98	1812.16	-416.13	9854.95	1812.16	-392.97	9855.90	1622.87	-384.85	17917.98
			TQ	2244.13	-1585.54	532.62	2067.76	-1585.54	10680.75	2058.16	-1560.54	10530.49	1881.79	-1560.54	19803.25
			M3	2117.14	-694.60	-1930.06	1882.17	-384.38	7474.39	1882.17	-366.81	7475.27	1692.27	-366.81	15887.80
		D+1LANE (caseMAX	S2	2467.43	-663.29	-44.42	2143.55	-664.93	10072.22	2143.55	-641.26	10073.76	1865.69	-648.36	18693.36
			TQ	2065.71	-386.35	-1696.50	1875.81	-386.35	7579.96	1873.49	-368.34	7709.82	1683.59	-368.34	16081.50
			M3	2393.17	-575.89	1127.80	2099.68	-686.45	11248.24	2099.68	-660.01	11249.83	1786.98	-674.81	19866.87
		MIN	S2	2017.62	-459.18	743.83	1747.16	-484.59	10499.59	1747.16	-459.91	10500.70	1431.96	-479.30	18847.91
			TQ	2257.81	-746.68	274.87	2023.95	-746.68	10352.10	2023.95	-722.35	10353.83	1790.10	-722.35	19330.29
			M3	2107.71	-486.58	-1831.16	1876.58	-386.48	7532.10	1876.58	-368.78	7532.98	1686.68	-368.78	15919.20
		D+1LANE (caseMAX	S2	2241.01	-88.84	-478.02	2044.86	-89.65	9541.74	2044.86	-67.23	9541.93	1848.89	-69.72	18648.86
			TQ	2234.70	-82.23	-590.02	2039.47	-82.23	9471.76	2039.39	-59.97	9476.83	1842.11	-59.97	18612.03
			M3	2155.97	-277.88	963.46	2010.88	-147.01	10690.20	2010.88	-121.88	10690.51	1824.18	-79.72	19651.98
		MIN	S2	2027.91	-409.14	597.17	1836.88	-408.33	9760.19	1836.88	-385.39	9761.13	1645.67	-382.89	18014.49
			TQ	2033.61	-416.34	343.22	1841.66	-416.34	9461.37	1841.75	-394.11	9457.42	1651.84	-394.11	17679.67
			M3	2098.01	-312.69	-1755.16	1872.36	-388.78	7574.44	1872.36	-370.98	7575.33	1682.45	-370.98	15941.67
		D+1LANE (caseMAX	S2	2205.92	675.46	-556.78	2016.01	675.46	9379.64	2016.01	697.50	9378.03	1826.11	697.50	18420.55
			TQ	2201.00	678.82	-112.25	2011.09	678.82	9801.02	2009.08	702.07	9969.39	1819.17	702.07	18979.26
			M3	2137.51	267.20	536.55	1988.40	581.00	10252.92	1988.40	605.10	10251.53	1811.23	668.29	19190.46
		MIN	S2	2041.04	-392.63	-141.74	1851.13	-392.63	9018.57	1851.13	-371.44	9019.47	1661.22	-371.44	17285.88
			TQ	2048.62	-398.58	-1001.79	1858.71	-398.58	8194.20	1860.79	-379.56	8015.19	1670.88	-379.56	16327.07
			M3	2085.77	-160.43	-1630.38	1864.76	-395.80	7649.73	1864.76	-377.82	7650.64	1674.85	-377.82	15981.19

BAGO RIVER BRIDGE

BLOCK [ No.1 : MAIN GIRDER ][ BEAM MEMBER FORCE ]

MEMBER			2037			2038			2038			2039			
NODE			2037			2038			2038			2039			
NAME TITLE			SHEAR	TORQUE	MOMENT	SHEAR	TORQUE	MOMENT	SHEAR	TORQUE	MOMENT	SHEAR	TORQUE	MOMENT	
			S2 (kN)	TQ (kN·m)	M3 (kN·m)	S2 (kN)	TQ (kN·m)	M3 (kN·m)	S2 (kN)	TQ (kN·m)	M3 (kN·m)	S2 (kN)	TQ (kN·m)	M3 (kN·m)	
124	SUM TOTAL	D+2LANES (casMAX	S2	2485.86	-1821.73	-131.28	2260.39	-1890.22	10674.31	2260.39	-1865.13	10678.73	2089.83	-1860.19	20527.97
			TQ	2063.23	-377.64	-1759.74	1873.32	-377.64	7505.02	1872.68	-359.98	7528.99	1682.78	-359.98	15896.85
			M3	2241.72	-1124.75	2695.80	2143.30	-1767.16	12754.66	2143.30	-1737.18	12758.77	2021.94	-1893.25	22349.28
		MIN	S2	1934.22	-527.18	2082.19	1767.83	-531.12	11137.83	1767.83	-504.94	11139.05	1546.31	-582.65	19433.25
			TQ	2382.12	-2025.47	1136.57	2183.28	-2025.47	11881.36	2175.37	-1997.63	11754.75	1976.53	-1997.63	21526.37
			M3	2160.33	-804.33	-2839.22	1897.54	-379.11	6696.72	1897.54	-363.37	6697.59	1707.63	-363.37	15182.44
		D+2LANES (casMAX	S2	2643.18	-1089.74	349.84	2302.37	-1147.47	10952.62	2302.37	-1121.73	10955.28	2009.11	-1164.39	19992.84
			TQ	2082.07	-380.71	-2562.07	1892.16	-380.71	6791.36	1890.09	-364.57	6907.41	1700.18	-364.57	15357.19
			M3	2515.58	-844.48	2367.67	2230.56	-1171.44	12934.55	2230.56	-1141.05	12937.27	1898.19	-1211.88	21976.01
		MIN	S2	1994.16	-500.69	1688.73	1713.67	-588.17	11675.04	1713.67	-560.73	11676.39	1387.22	-661.37	20208.19
			TQ	2393.52	-1326.42	921.78	2146.78	-1326.42	11607.49	2146.87	-1299.15	11607.54	1900.12	-1299.15	21132.23
			M3	2152.48	-630.98	-2756.81	1892.88	-380.86	6744.81	1892.88	-365.01	6745.68	1702.97	-365.01	15208.61
		D+2LANES (casMAX	S2	2350.56	426.13	-509.62	2155.45	425.45	10039.45	2155.45	449.05	10038.42	1960.49	446.97	19677.82
			TQ	2342.93	439.44	-601.49	2148.59	439.44	9971.41	2145.64	463.01	10202.53	1949.59	463.01	19840.75
			M3	2196.31	-20.49	1775.44	2100.26	306.09	11828.33	2100.26	333.89	11827.58	1927.47	416.79	21255.13
		MIN	S2	2025.70	-394.43	1016.29	1834.85	-393.75	10158.13	1834.85	-369.88	10159.03	1643.86	-367.80	18393.84
			TQ	2031.16	-413.79	514.91	1839.55	-413.79	9622.72	1842.52	-391.32	9390.14	1652.61	-391.32	17616.00
			M3	2130.12	-185.34	-2551.55	1881.35	-387.52	6860.78	1881.35	-371.40	6861.67	1691.45	-371.40	15270.35
		D+2LANES (casMAX	S2	2320.29	1062.27	-555.32	2130.39	1062.27	9919.47	2130.39	1085.58	9916.94	1940.48	1085.58	19497.83
			TQ	2312.52	1073.34	-40.50	2122.61	1073.34	10397.69	2116.91	1098.43	10878.27	1927.01	1098.43	20395.74
			M3	2181.30	434.77	1412.91	2081.85	913.64	11459.03	2081.85	940.56	11456.85	1916.99	1040.99	20867.15
		MIN	S2	2037.28	-378.03	387.29	1847.38	-378.03	9529.94	1847.38	-355.63	9530.80	1657.47	-355.63	17779.56
			TQ	2049.51	-398.90	-1144.79	1859.61	-398.90	8055.42	1866.20	-380.70	7491.76	1676.30	-380.70	15829.12
			M3	2117.82	-60.34	-2417.10	1872.92	-395.22	6944.10	1872.92	-378.90	6945.01	1683.01	-378.90	15313.98

BAGO RIVER BRIDGE

BLOCK [ No.1 : MAIN GIRDER ][ BEAM MEMBER FORCE ]

MEMBER			2037			2038			2038			2039				
NODE			2037			2038			2038			2039				
NAME TITLE			SHEAR	TORQUE	MOMENT	SHEAR	TORQUE	MOMENT	SHEAR	TORQUE	MOMENT	SHEAR	TORQUE	MOMENT		
			S2 (kN)	TQ (kN·m)	M3 (kN·m)	S2 (kN)	TQ (kN·m)	M3 (kN·m)	S2 (kN)	TQ (kN·m)	M3 (kN·m)	S2 (kN)	TQ (kN·m)	M3 (kN·m)		
124	SUM TOTAL	D+3LANES (casMAX	S2	2718.65	-1798.60	138.61	2403.62	-1857.98	11362.98	2403.62	-1831.27	11367.31	2167.86	-1832.10	21217.47	
			TQ	2074.86	-374.96	-2415.81	1884.96	-374.96	6903.73	1882.77	-358.57	7015.58	1692.87	-358.57	15430.94	
			M3	2458.53	-1144.26	3371.95	2273.01	-1768.62	13964.28	2273.01	-1735.80	13968.40	2054.39	-1878.93	23596.82	
		MIN	S2	1931.14	-553.66	2578.40	1704.17	-575.00	12059.68	1704.17	-546.66	12061.00	1398.64	-626.45	20396.42	
			TQ	2481.99	-2030.85	1442.45	2253.36	-2030.85	12587.21	2246.64	-2001.34	12480.32	2018.01	-2001.34	22517.26	
			M3	2187.15	-808.64	-3428.75	1906.09	-376.30	6182.76	1906.09	-361.77	6183.63	1716.18	-361.77	14708.73	
		D+3LANES (casMAX	S2	2419.24	1060.95	-560.21	2224.91	1060.38	10322.37	2224.91	1084.63	10319.85	2030.71	1082.86	20295.13	
			TQ	2410.73	1073.83	-510.89	2217.05	1073.83	10382.43	2211.37	1098.69	10842.96	2016.25	1098.69	20792.76	
			M3	2238.57	390.83	2176.41	2157.36	890.84	12476.29	2157.36	920.16	12474.16	1991.01	1035.39	22190.87	
		MIN	S2	2025.14	-394.00	1055.22	1834.44	-393.42	10186.40	1834.44	-369.48	10187.30	1643.61	-367.71	18413.41	
			TQ	2034.00	-412.80	200.29	1842.65	-412.80	9322.38	1848.34	-391.36	8859.09	1658.44	-391.36	17112.39	
			M3	2147.73	-49.77	-3067.92	1885.74	-388.48	6387.99	1885.74	-373.47	6388.88	1695.84	-373.47	14818.21	
		D+3LANES (casMAX	S2	2416.59	1058.92	-514.80	2222.26	1058.34	10355.30	2222.26	1082.67	10352.78	2028.06	1080.90	20315.58	
			TQ	2405.50	1073.01	-155.74	2211.83	1073.01	10712.96	2204.44	1098.83	11317.15	2009.31	1098.83	21234.31	
			M3	2239.37	392.87	2159.81	2158.10	892.51	12463.51	2158.10	921.80	12461.38	1991.75	1037.03	22181.57	
		MIN	S2	2026.29	-390.61	1028.18	1835.59	-390.03	10164.74	1835.59	-366.14	10165.63	1644.75	-364.38	18397.14	
			TQ	2040.78	-412.90	-455.24	1849.42	-412.90	8698.73	1857.57	-393.17	8023.71	1667.67	-393.17	16320.44	
			M3	2142.30	-54.49	-2989.31	1880.33	-393.01	6441.16	1880.33	-377.87	6442.07	1690.42	-377.87	14845.92	
		D+4LANES	MAX	S2	2068.20	-390.74	-2414.21	1878.29	-390.74	6873.95	1878.29	-374.58	6874.85	1688.39	-374.58	15269.11
			TQ	2065.08	-390.28	-2044.79	1875.17	-390.28	7228.70	1864.70	-372.38	8086.67	1674.79	-372.38	16416.96	
			M3	2034.81	-395.79	262.12	1844.90	-395.79	9393.12	1844.90	-373.72	9394.02	1655.00	-373.72	17631.12	
		MIN	S2	2034.81	-395.79	262.05	1844.90	-395.79	9393.04	1844.90	-373.72	9393.95	1655.00	-373.72	17631.04	
			TQ	2039.48	-396.07	-234.89	1849.58	-396.07	8918.09	1858.04	-375.95	8219.03	1668.14	-375.95	16517.97	
			M3	2068.14	-390.92	-2425.44	1878.23	-390.92	6862.45	1878.23	-374.79	6863.35	1688.33	-374.79	15257.34	

BAGO RIVER BRIDGE

BLOCK [ No.1 : MAIN GIRDER ] [ BEAM MEMBER FORCE ]

MEMBER					2037			2038			2039		
NODE					2037			2038			2039		
					SHEAR	TORQUE	MOMENT	SHEAR	TORQUE	MOMENT	SHEAR	TORQUE	MOMENT
NAME	TITLE				S2 (kN)	TQ (kN·m)	M3 (kN·m)	S2 (kN)	TQ (kN·m)	M3 (kN·m)	S2 (kN)	TQ (kN·m)	M3 (kN·m)
124	SUM TOTAL	D+6LANES	MAX	S2	2826.05	-407.10	120.83	2535.02	-436.34	12039.81	2535.02	-408.05	12040.80
				TQ	2345.48	664.39	-2132.94	2152.69	664.39	8454.91	2133.49	685.78	9376.31
				M3	2514.72	-373.32	4401.37	2393.86	-452.77	15471.67	2393.87	-416.89	15472.70
			MIN	S2	1946.59	-504.19	2959.14	1722.28	-512.09	12488.74	1722.28	-482.74	12489.91
				TQ	2350.91	-1576.71	1254.89	2132.75	-1576.71	11805.99	2141.26	-1549.76	11122.58
				M3	2215.30	-459.62	-4531.36	1912.13	-379.61	5139.53	1912.13	-367.53	5140.41
	SUM TOTAL		MAX		2826.05	1073.83	4401.37	2535.02	1073.83	15471.67	2535.02	1098.83	15472.70
			MIN		1931.14	-2030.85	-4531.36	1704.17	-2030.85	5139.53	1704.17	-2001.34	5140.41
300	DEAD LOAD	TOTAL			2045.54	-393.49	-504.47	1855.64	-393.49	8677.04	1855.64	-373.10	8677.95
301	LIVE LOAD	1-LANE (case1MAX	S2		233.10	-1148.18	-117.29	237.55	-1162.74	1061.22	237.55	-1160.24	1063.94
			TQ		-2.43	10.82	-229.23	-2.43	10.82	-240.69	-3.03	10.28	-222.23
			M3		18.99	-518.72	2026.03	139.33	-1007.82	2355.32	139.33	-1002.28	2357.69
			MIN	S2	-99.85	-97.47	1720.45	-43.48	-22.64	1177.90	-43.48	-19.87	1177.95
				TQ	198.59	-1192.05	1037.09	212.12	-1192.05	2003.71	202.52	-1187.44	1852.54
				M3	71.60	-301.11	-1425.59	26.54	9.11	-1202.66	26.54	6.29	-1202.67
		1-LANE (case2MAX	S2		421.89	-269.80	460.05	287.91	-271.44	1395.18	287.91	-268.16	1395.81
			TQ		20.17	7.14	-1192.03	20.17	7.14	-1097.08	17.86	4.76	-968.13
			M3		347.63	-182.39	1632.27	244.04	-292.95	2571.20	244.04	-286.91	2571.88
			MIN	S2	-27.92	-65.69	1248.30	-108.47	-91.10	1822.55	-108.47	-86.81	1822.75
				TQ	212.27	-353.19	779.35	168.32	-353.19	1675.06	168.32	-349.25	1675.89
				M3	62.17	-93.09	-1326.69	20.95	7.01	-1144.95	20.95	4.32	-1144.96
		1-LANE (case3MAX	S2		195.47	304.66	26.45	189.22	303.84	864.70	189.22	305.87	863.98
			TQ		189.16	311.26	-85.55	183.84	311.26	794.71	183.75	313.13	798.89
			M3		110.42	115.62	1467.93	155.25	246.48	2013.15	155.25	251.22	2012.57
			MIN	S2	-17.63	-15.65	1101.64	-18.75	-14.83	1083.15	-18.75	-12.29	1083.18
				TQ	-11.93	-22.85	847.69	-13.97	-22.85	784.32	-13.89	-21.01	779.47
				M3	52.47	80.80	-1250.69	16.72	4.71	-1102.61	16.72	2.12	-1102.61



BAGO RIVER BRIDGE

BLOCK [ No.1 : MAIN GIRDER ][ BEAM MEMBER FORCE ]

MEMBER			2037			2038			2038			2039			
NODE			2037			2038			2038			2039			
NAME TITLE			SHEAR	TORQUE	MOMENT	SHEAR	TORQUE	MOMENT	SHEAR	TORQUE	MOMENT	SHEAR	TORQUE	MOMENT	
			S2 (kN)	TQ (kN·m)	M3 (kN·m)	S2 (kN)	TQ (kN·m)	M3 (kN·m)	S2 (kN)	TQ (kN·m)	M3 (kN·m)	S2 (kN)	TQ (kN·m)	M3 (kN·m)	
301	LIVE LOAD	1-LANE (case4MAX	S2	160.38	1068.95	-52.31	160.38	1068.95	702.60	160.38	1070.60	700.08	160.38	1070.60	1454.99
			TQ	155.46	1072.31	392.22	155.46	1072.31	1123.98	153.44	1075.17	1291.44	153.44	1075.17	2013.70
			M3	91.97	660.69	1041.02	132.77	974.50	1575.88	132.77	978.20	1573.58	145.50	1041.39	2224.90
			MIN S2	-4.51	0.86	362.73	-4.51	0.86	341.52	-4.51	1.66	341.52	-4.51	1.66	320.31
			TQ	3.07	-5.09	-497.31	3.07	-5.09	-482.84	5.15	-6.46	-662.75	5.15	-6.46	-638.49
			M3	40.23	233.06	-1125.91	9.12	-2.31	-1027.32	9.12	-4.72	-1027.31	9.12	-4.72	-984.38
		2-LANES (caseMAX	S2	440.32	-1428.24	373.19	404.76	-1496.73	1997.27	404.76	-1492.03	2000.78	424.10	-1487.09	3562.41
			TQ	17.69	15.85	-1255.27	17.69	15.85	-1172.02	17.05	13.12	-1148.95	17.05	13.12	-1068.72
			M3	196.18	-731.26	3200.27	287.67	-1373.67	4077.61	287.67	-1364.08	4080.83	356.21	-1520.15	5383.72
			MIN S2	-111.32	-133.69	2586.66	-87.80	-137.62	2460.79	-87.80	-131.84	2461.10	-119.42	-209.55	2467.68
			TQ	336.58	-1631.98	1641.04	327.65	-1631.98	3204.32	319.74	-1624.53	3076.81	310.80	-1624.53	4560.80
			M3	114.79	-410.84	-2334.75	41.90	14.38	-1980.33	41.90	9.73	-1980.36	41.90	9.73	-1783.12
		2-LANES (caseMAX	S2	597.64	-696.25	854.31	446.73	-753.98	2275.57	446.73	-748.63	2277.34	343.38	-791.29	3027.28
			TQ	36.52	12.78	-2057.60	36.52	12.78	-1885.68	34.45	8.53	-1770.53	34.45	8.53	-1608.37
			M3	470.04	-450.99	2872.14	374.92	-777.95	4257.51	374.92	-767.95	4259.33	232.46	-838.78	5010.45
			MIN S2	-51.38	-107.20	2193.20	-141.97	-194.68	2997.99	-141.97	-187.63	2998.44	-278.51	-288.27	3242.63
			TQ	347.98	-932.93	1426.25	291.14	-932.93	2930.44	291.23	-926.05	2929.59	234.39	-926.05	4166.67
			M3	106.94	-237.48	-2252.34	37.24	12.63	-1932.24	37.24	8.09	-1932.26	37.24	8.09	-1756.96
		2-LANES (caseMAX	S2	305.02	819.62	-5.15	299.82	818.95	1362.40	299.82	822.15	1360.47	294.76	820.07	2712.26
			TQ	297.39	832.93	-97.02	292.95	832.93	1294.37	290.00	836.11	1524.59	283.86	836.11	2875.19
			M3	150.76	373.00	2279.91	244.62	699.58	3151.29	244.62	706.99	3149.64	261.74	789.89	4289.56
			MIN S2	-19.85	-0.94	1520.76	-20.78	-0.26	1481.09	-20.78	3.22	1481.08	-21.87	5.30	1428.27
			TQ	-14.38	-20.30	1019.39	-16.09	-20.30	945.67	-13.12	-18.22	712.20	-13.12	-18.22	650.44
			M3	84.58	208.16	-2047.07	25.72	5.97	-1816.26	25.72	1.70	-1816.27	25.72	1.70	-1695.21

BAGO RIVER BRIDGE

BLOCK [ No.1 : MAIN GIRDER ][ BEAM MEMBER FORCE ]

MEMBER				2037			2038			2038			2039			
NODE				2037			2038			2038			2039			
				SHEAR	TORQUE	MOMENT	SHEAR	TORQUE	MOMENT	SHEAR	TORQUE	MOMENT	SHEAR	TORQUE	MOMENT	
NAME	TITLE			S2 (kN)	TQ (kN·m)	M3 (kN·m)	S2 (kN)	TQ (kN·m)	M3 (kN·m)	S2 (kN)	TQ (kN·m)	M3 (kN·m)	S2 (kN)	TQ (kN·m)	M3 (kN·m)	
301	LIVE LOAD	2-LANES (caseMAX	S2	274.75	1455.77	-50.84	274.75	1455.77	1242.42	274.75	1458.68	1239.00	274.75	1458.68	2532.26	
			TQ	266.98	1466.83	463.98	266.98	1466.83	1720.64	261.28	1471.53	2200.33	261.28	1471.53	3430.17	
			M3	135.75	828.26	1917.38	226.22	1307.13	2781.99	226.22	1313.66	2778.91	251.26	1414.09	3901.59	
			MIN	S2	-8.26	15.46	891.76	-8.26	15.46	852.90	-8.26	17.47	852.86	-8.26	17.47	813.99
			TQ	3.97	-5.41	-640.32	3.97	-5.41	-621.63	10.57	-7.60	-1186.18	10.57	-7.60	-1136.45	
			M3	72.28	333.16	-1912.63	17.28	-1.73	-1732.94	17.28	-5.80	-1732.94	17.28	-5.80	-1651.58	
		3-LANES (caseMAX	S2	673.11	-1405.11	643.08	547.98	-1464.49	2685.93	547.98	-1458.17	2689.37	502.13	-1459.00	4251.91	
			TQ	29.32	18.53	-1911.34	29.32	18.53	-1773.32	27.14	14.53	-1662.37	27.14	14.53	-1534.62	
			M3	412.99	-750.77	3876.42	417.38	-1375.13	5287.24	417.38	-1362.70	5290.45	388.66	-1505.83	6631.25	
			MIN	S2	-114.40	-160.16	3082.87	-151.47	-181.51	3382.64	-151.47	-173.56	3383.06	-267.09	-253.35	3430.86
			TQ	436.45	-1637.36	1946.92	397.72	-1637.36	3910.17	391.00	-1628.24	3802.37	352.28	-1628.24	5551.70	
			M3	141.61	-415.15	-2924.28	50.45	17.19	-2494.28	50.45	11.33	-2494.32	50.45	11.33	-2256.83	
		3-LANES (caseMAX	S2	373.70	1454.44	-55.74	369.28	1453.87	1645.33	369.28	1457.73	1641.90	364.98	1455.96	3329.56	
			TQ	365.19	1467.32	-6.42	361.42	1467.32	1705.38	355.74	1471.79	2165.02	350.52	1471.79	3827.19	
			M3	193.03	784.32	2680.88	301.72	1284.34	3799.24	301.72	1293.26	3796.21	325.28	1408.49	5225.31	
			MIN	S2	-20.40	-0.51	1559.69	-21.20	0.07	1509.35	-21.20	3.62	1509.35	-22.12	5.39	1447.85
			TQ	-11.54	-19.31	704.76	-12.99	-19.31	645.33	-7.29	-18.26	181.15	-7.29	-18.26	146.83	
			M3	102.18	343.72	-2563.45	30.11	5.01	-2289.06	30.11	-0.37	-2289.06	30.11	-0.37	-2147.35	
		3-LANES (caseMAX	S2	371.05	1452.41	-10.33	366.63	1451.83	1678.25	366.63	1455.77	1674.84	362.33	1454.00	3350.01	
			TQ	359.96	1466.50	348.73	356.19	1466.50	2035.91	348.80	1471.93	2639.21	343.58	1471.93	4268.74	
			M3	193.82	786.36	2664.28	302.46	1286.00	3786.47	302.46	1294.89	3783.44	326.02	1410.13	5216.01	
			MIN	S2	-19.25	2.88	1532.65	-20.05	3.46	1487.70	-20.05	6.96	1487.69	-20.98	8.72	1431.57
			TQ	-4.77	-19.40	49.23	-6.22	-19.40	21.68	1.94	-20.07	-654.24	1.94	-20.07	-645.13	
			M3	96.76	339.00	-2484.83	24.69	0.48	-2235.88	24.69	-4.78	-2235.88	24.69	-4.78	-2119.64	

BAGO RIVER BRIDGE

BLOCK [ No.1 : MAIN GIRDER ] [ BEAM MEMBER FORCE ]

MEMBER					2037			2038			2038			2039		
NODE					2037			2038			2038			2039		
NAME TITLE					SHEAR	TORQUE	MOMENT	SHEAR	TORQUE	MOMENT	SHEAR	TORQUE	MOMENT	SHEAR	TORQUE	MOMENT
					S2 (kN)	TQ (kN·m)	M3 (kN·m)	S2 (kN)	TQ (kN·m)	M3 (kN·m)	S2 (kN)	TQ (kN·m)	M3 (kN·m)	S2 (kN)	TQ (kN·m)	M3 (kN·m)
301	LIVE LOAD	4-LANES	MAX	S2	22.66	2.76	-1909.74	22.66	2.76	-1803.09	22.66	-1.48	-1803.10	22.66	-1.48	-1696.45
				TQ	19.54	3.21	-1540.32	19.54	3.21	-1448.35	9.07	0.72	-591.27	9.07	0.72	-548.60
				M3	-10.73	-2.30	766.59	-10.73	-2.30	716.07	-10.73	-0.62	716.07	-10.73	-0.62	665.56
			MIN	S2	-10.73	-2.30	766.52	-10.73	-2.30	716.00	-10.73	-0.62	716.00	-10.73	-0.62	665.48
				TQ	-6.06	-2.58	269.58	-6.06	-2.58	241.05	2.41	-2.85	-458.91	2.41	-2.85	-447.59
				M3	22.60	2.58	-1920.97	22.60	2.58	-1814.60	22.60	-1.69	-1814.60	22.60	-1.69	-1708.22
		6-LANES	MAX	S2	780.51	-13.60	625.30	679.38	-42.85	3362.76	679.38	-34.95	3362.85	635.89	-30.98	5643.79
				TQ	299.94	1057.89	-1628.47	297.05	1057.89	-222.14	277.85	1058.88	698.37	273.86	1058.88	1996.84
				M3	469.18	20.17	4905.84	538.22	-59.28	6794.63	538.23	-43.79	6794.75	521.29	-89.00	8783.69
			MIN	S2	-98.95	-110.70	3463.61	-133.36	-118.60	3811.70	-133.36	-109.64	3811.97	-224.89	-151.91	3835.30
				TQ	305.37	-1183.22	1759.36	277.12	-1183.22	3128.95	285.63	-1176.66	2444.64	258.49	-1176.66	3725.22
				M3	169.76	-66.12	-4026.89	56.49	13.88	-3537.52	56.49	5.57	-3537.54	56.49	5.57	-3271.62
		LIVE LOAD	MAX	780.51	1467.32	4905.84	679.38	1467.32	6794.63	679.38	1471.93	6794.75	635.89	1471.93	8783.69	
			MIN	-114.40	-1637.36	-4026.89	-151.47	-1637.36	-3537.52	-151.47	-1628.24	-3537.54	-278.51	-1628.24	-3271.62	
		303	SUM TOTAL	TOTAL	MAX	2826.05	1073.83	4401.37	2535.02	1073.83	15471.67	2535.02	1098.83	15472.70	2301.62	1098.83
MIN	1931.14				-2030.85	-4531.36	1704.17	-2030.85	5139.53	1704.17	-2001.34	5140.41	1387.22	-2001.34	13693.95	

BAGO RIVER BRIDGE

BLOCK [ No.1 : MAIN GIRDER ] [ BEAM MEMBER FORCE ]

MEMBER NODE	2039 2039	2040			2040			2041			2041					
		SHEAR	TORQUE	MOMENT	SHEAR	TORQUE	MOMENT	SHEAR	TORQUE	MOMENT	SHEAR	TORQUE	MOMENT			
		S2 (kN)	TQ (kN·m)	M3 (kN·m)	S2 (kN)	TQ (kN·m)	M3 (kN·m)	S2 (kN)	TQ (kN·m)	M3 (kN·m)	S2 (kN)	TQ (kN·m)	M3 (kN·m)			
1	PAVEMENT	278.82	-44.99	2674.85	248.80	-44.99	3916.63	248.80	-35.78	3916.73	218.78	-35.78	5017.20			
3	RAILING	5.92	-1.68	87.39	7.51	-1.68	119.02	7.51	-1.40	119.02	9.11	-1.40	158.13			
5	CURB	58.62	-16.65	865.21	74.39	-16.65	1178.25	74.39	-13.88	1178.29	90.15	-13.88	1565.51			
7	DECK WEIGHT	452.84	-75.30	4364.25	407.21	-75.30	6388.40	407.21	-60.29	6388.56	361.57	-60.29	8197.90			
8	GIRDER WEIGH	660.14	-120.45	6435.43	572.11	-120.45	9335.55	572.11	-98.51	9335.81	484.09	-98.51	11821.62			
10	MEDIAN STRIP	153.50	-24.82	1234.28	125.00	-24.82	1889.73	125.00	-20.38	1889.79	96.50	-20.38	2411.08			
21	ADITIONAL WE	126.80	-21.08	1221.99	114.02	-21.08	1788.75	114.02	-16.88	1788.80	101.24	-16.88	2295.41			
31	MEDIAN RAILI	9.80	-1.61	82.95	7.49	-1.61	123.64	7.49	-1.32	123.64	5.19	-1.32	153.49			
51	SUPPORT WEIG	0.00	-0.00	-0.00	0.00	-0.00	-0.00	0.00	-0.00	-0.00	0.00	-0.00	-0.00			
52	NOSE WEIGHT	-0.00	0.00	0.01	-0.00	0.00	0.01	-0.00	0.00	0.01	-0.00	0.00	0.01			
61	1-LANE(case1TRUCK-LOAD	MAX	S2	91.83	-377.33	794.10	91.83	-377.33	1226.37	91.83	-374.45	1227.25	131.84	-325.61	1778.58	
			TQ	-25.41	49.88	967.23	-25.41	49.88	847.64	-25.41	51.87	847.52	-25.41	51.87	727.93	
			M3	-16.11	-77.77	1325.86	79.54	-328.80	1359.79	79.54	-325.61	1360.56	131.84	-325.61	1778.58	
		MIN	S2	-63.95	12.64	1253.09	-26.93	42.42	956.90	-26.93	44.67	956.80	-26.93	44.67	830.02	
			TQ	89.02	-383.94	733.60	89.02	-383.94	1152.63	89.02	-381.23	1153.53	89.02	-381.23	1572.55	
			M3	4.81	-16.93	-411.70	4.81	-16.93	-389.07	4.81	-17.84	-389.03	4.81	-17.84	-366.40	
		TANDEM-LOAD	MAX	S2	66.80	-258.30	549.70	66.80	-258.30	864.11	66.80	-256.27	864.71	110.20	-200.02	1206.34
			TQ	-14.94	35.97	599.67	-14.94	35.97	529.33	-14.94	37.21	529.25	-14.94	37.21	458.91	
			M3	-30.44	-29.13	908.20	55.81	-220.12	951.96	55.81	-217.88	952.48	87.77	-217.88	1215.18	
		MIN	S2	-62.39	-29.13	908.20	-22.99	31.81	694.12	-22.99	33.44	694.04	-22.99	33.44	585.83	
			TQ	57.99	-261.97	477.52	57.99	-261.97	750.50	57.99	-260.21	751.11	57.99	-260.21	1024.09	
			M3	3.28	-11.67	-280.47	3.28	-11.67	-265.03	3.28	-12.30	-265.00	3.28	-12.30	-249.56	
		DISPERSION-LMAX	S2	84.46	-465.69	230.42	88.48	-474.16	731.40	88.48	-472.44	732.51	99.34	-477.59	1201.04	
			TQ	-9.89	22.19	532.71	-9.89	22.19	486.17	-9.99	23.35	495.31	-9.99	23.35	448.26	
			M3	60.34	-438.00	1466.86	71.62	-438.00	1777.43	71.62	-433.82	1778.46	82.90	-433.82	2142.11	
		MIN	S2	-18.41	7.35	750.04	-11.15	15.82	586.50	-11.15	17.19	586.46	-10.73	22.34	508.46	
			TQ	75.94	-480.54	447.75	87.21	-480.54	831.73	87.32	-478.59	823.67	98.60	-478.59	1261.24	
			M3	5.71	-20.34	-486.40	5.71	-20.34	-459.53	5.71	-21.42	-459.48	5.71	-21.42	-432.61	

BAGO RIVER BRIDGE

BLOCK [ No.1 : MAIN GIRDER ][ BEAM MEMBER FORCE ]

MEMBER				2039			2040			2040			2041		
NODE				2039			2040			2040			2041		
				SHEAR	TORQUE	MOMENT	SHEAR	TORQUE	MOMENT	SHEAR	TORQUE	MOMENT	SHEAR	TORQUE	MOMENT
NAME	TITLE			S2 (kN)	TQ (kN·m)	M3 (kN·m)	S2 (kN)	TQ (kN·m)	M3 (kN·m)	S2 (kN)	TQ (kN·m)	M3 (kN·m)	S2 (kN)	TQ (kN·m)	M3 (kN·m)
62	1-LANE (case2TRUCK-LOAD	MAX	S2	222.29	-53.34	1132.73	138.78	-60.88	1542.01	138.78	-57.25	1542.15	82.20	-69.60	1561.47
			TQ	-3.74	3.50	340.25	-3.74	3.50	322.64	-3.74	4.25	322.63	-3.74	4.25	305.02
			M3	209.51	-50.06	1134.08	126.52	-58.04	1556.38	126.52	-54.38	1556.51	61.17	-65.47	1564.59
		MIN	S2	-17.35	-36.79	1063.68	-74.68	-50.82	1465.14	-74.68	-47.37	1465.25	-157.97	-54.98	1487.40
			TQ	54.10	-105.13	441.26	54.10	-105.13	695.91	54.10	-103.50	696.15	54.10	-103.50	950.80
			M3	4.20	-3.54	-400.46	4.20	-3.54	-380.70	4.20	-4.44	-380.70	4.20	-4.44	-360.94
		TANDEM-LOAD MAX	S2	179.29	-33.83	876.33	118.76	-38.67	1194.14	118.76	-35.87	1194.22	64.59	-41.51	1172.61
			TQ	-2.24	2.72	206.05	-2.24	2.72	195.49	-2.24	3.18	195.49	-2.24	3.18	184.93
			M3	179.29	-33.83	876.33	118.76	-38.67	1194.14	118.76	-35.87	1194.23	64.59	-41.51	1172.62
		MIN	S2	-20.24	-31.47	866.05	-76.12	-37.53	1182.83	-76.12	-34.76	1182.91	-135.16	-39.41	1161.53
			TQ	37.32	-71.65	307.18	37.32	-71.65	482.86	37.32	-70.51	483.03	37.32	-70.51	658.71
			M3	2.86	-2.46	-272.72	2.86	-2.46	-259.26	2.86	-3.07	-259.25	2.86	-3.07	-245.79
		DISPERSION-LMAX	S2	114.58	-140.46	308.90	87.26	-134.20	582.92	87.26	-132.83	583.24	70.32	-126.20	727.32
			TQ	-0.86	1.19	80.52	-0.86	1.19	76.48	-1.39	1.43	127.93	-1.39	1.43	121.37
			M3	104.43	-142.77	1284.20	67.81	-142.77	1689.56	67.81	-138.80	1689.89	31.18	-138.80	1922.86
MIN	S2	-5.22	-6.47	503.79	-14.52	-12.73	658.34	-14.52	-11.19	658.37	-34.21	-17.82	770.46		
	TQ	110.22	-148.12	732.17	73.59	-148.12	1164.78	74.13	-145.45	1113.68	37.50	-145.45	1376.41		
	M3	4.93	-4.16	-471.50	4.93	-4.16	-448.30	4.93	-5.22	-448.29	4.93	-5.22	-425.08		
63	1-LANE (case3TRUCK-LOAD	MAX	S2	69.76	90.93	747.95	69.76	90.93	1076.31	69.76	93.46	1076.10	69.76	93.46	1404.46
			TQ	65.26	98.72	648.23	65.26	98.72	955.39	65.26	100.96	955.16	65.26	100.96	1262.33
			M3	41.63	0.79	1014.57	55.45	47.55	1178.56	55.45	50.32	1178.44	63.74	86.88	1410.48
		MIN	S2	-9.73	-27.90	932.56	-9.73	-27.90	886.76	-9.73	-25.82	886.82	-9.73	-25.82	841.02
			TQ	-7.11	-31.90	723.05	-7.11	-31.90	689.56	-7.11	-30.28	689.63	-7.11	-30.28	656.14
			M3	3.74	6.59	-392.44	3.74	6.59	-374.82	3.74	5.71	-374.84	3.74	5.71	-357.22

BAGO RIVER BRIDGE

BLOCK [ No.1 : MAIN GIRDER ][ BEAM MEMBER FORCE ]

MEMBER		2039			2040			2040			2041				
NODE		2039			2040			2040			2041				
		SHEAR	TORQUE	MOMENT	SHEAR	TORQUE	MOMENT	SHEAR	TORQUE	MOMENT	SHEAR	TORQUE	MOMENT		
NAME	TITLE	S2 (kN)	TQ (kN·m)	M3 (kN·m)	S2 (kN)	TQ (kN·m)	M3 (kN·m)	S2 (kN)	TQ (kN·m)	M3 (kN·m)	S2 (kN)	TQ (kN·m)	M3 (kN·m)		
63	1-LANE (case3TANDEM-LOAD	MAX	S2	47.98	56.87	541.51	47.98	56.87	767.38	47.98	58.67	767.24	47.98	58.67	993.11
			TQ	46.68	67.48	466.82	46.68	67.48	686.55	46.68	69.09	686.39	46.68	69.09	906.12
			M3	28.90	-7.90	723.95	39.53	26.19	826.39	39.53	28.13	826.32	47.98	58.67	993.11
		MIN	S2	-7.18	-22.57	606.72	-7.18	-22.57	572.91	-7.18	-21.22	572.96	-7.18	-21.22	539.16
			TQ	-6.69	-23.61	566.61	-6.69	-23.61	535.11	-6.69	-22.35	535.17	-6.69	-22.35	503.67
			M3	2.55	4.52	-267.21	2.55	4.52	-255.22	2.55	3.92	-255.23	2.55	3.92	-243.24
	DISPERSION-LMAX	S2	79.85	130.67	282.74	74.58	130.96	567.24	74.58	132.29	566.93	69.48	130.72	841.70	
		TQ	76.61	131.13	231.60	74.33	131.13	589.48	74.23	132.53	599.30	68.08	132.53	934.23	
		M3	71.25	107.88	1223.70	65.11	107.88	1544.62	65.11	111.51	1544.36	58.97	111.51	1836.37	
		MIN	S2	-4.22	-14.78	480.14	-5.10	-15.07	537.17	-5.10	-13.80	537.20	-6.14	-12.23	575.05
			TQ	-0.98	-15.24	531.28	-4.84	-15.24	514.93	-4.74	-14.04	504.83	-4.74	-14.04	482.52
			M3	4.38	8.01	-460.82	4.38	8.01	-440.21	4.38	6.97	-440.23	4.38	6.97	-419.62
64	1-LANE (case4TRUCK-LOAD	MAX	S2	54.51	326.80	542.75	54.51	326.80	799.35	54.51	328.67	798.58	54.51	328.67	1055.17
			TQ	52.83	331.73	471.57	52.83	331.73	720.22	52.83	333.42	719.44	52.83	333.42	968.09
			M3	30.47	178.30	751.29	37.93	238.34	905.66	37.93	240.47	905.10	48.42	294.45	1106.91
		MIN	S2	-2.99	-30.06	382.09	-2.99	-30.06	367.99	-2.99	-29.20	368.06	-2.99	-29.20	353.97
			TQ	-2.99	-30.06	382.09	-2.99	-30.06	367.99	-2.99	-29.20	368.06	-2.99	-29.20	353.97
			M3	2.85	27.24	-378.53	2.85	27.24	-365.13	2.85	26.38	-365.19	2.85	26.38	-351.80
	TANDEM-LOAD	MAX	S2	37.37	224.40	356.30	37.37	224.40	532.21	37.37	225.65	531.68	37.37	225.65	707.58
			TQ	37.11	225.71	342.64	37.11	225.71	517.32	37.11	226.92	516.78	37.11	226.92	691.45
			M3	19.59	108.16	511.38	23.95	154.88	617.10	23.95	156.33	616.73	31.30	194.23	752.48
		MIN	S2	-2.56	-22.49	281.06	-2.56	-22.49	269.03	-2.56	-21.86	269.08	-2.56	-21.86	257.05
			TQ	-2.56	-22.49	281.06	-2.56	-22.49	269.03	-2.56	-21.86	269.08	-2.56	-21.86	257.05
			M3	1.93	18.74	-257.72	1.93	18.74	-248.64	1.93	18.16	-248.68	1.93	18.16	-239.59

BAGO RIVER BRIDGE

BLOCK [ No.1 : MAIN GIRDER ][ BEAM MEMBER FORCE ]

MEMBER		2039			2040			2040			2041						
NODE		2039			2040			2040			2041						
		SHEAR	TORQUE	MOMENT	SHEAR	TORQUE	MOMENT	SHEAR	TORQUE	MOMENT	SHEAR	TORQUE	MOMENT				
NAME	TITLE	S2 (kN)	TQ (kN·m)	M3 (kN·m)	S2 (kN)	TQ (kN·m)	M3 (kN·m)	S2 (kN)	TQ (kN·m)	M3 (kN·m)	S2 (kN)	TQ (kN·m)	M3 (kN·m)				
64	1-LANE (case4DISPERSION-LMAX	S2	67.28	442.48	387.80	67.28	442.48	704.51	67.28	444.13	703.47	67.28	444.13	1020.17			
		TQ	67.14	443.14	348.09	67.14	443.14	664.10	67.15	444.70	665.78	67.15	444.70	981.86			
		M3	61.80	397.03	1101.10	61.80	397.03	1391.99	61.80	400.30	1391.05	61.80	400.30	1681.94			
		MIN	S2	-2.13	-14.28	271.44	-2.13	-14.28	261.42	-2.13	-13.67	261.46	-2.13	-13.67	251.44		
		TQ	-1.98	-14.94	311.16	-1.98	-14.94	301.84	-2.00	-14.23	299.15	-2.00	-14.23	289.74			
		M3	3.36	31.17	-441.85	3.36	31.17	-426.06	3.36	30.17	-426.13	3.36	30.17	-410.33			
		65	2-LANES (caseTRUCK-LOAD	MAX	S2	220.15	-462.96	2014.20	196.75	-531.66	2724.58	196.75	-525.25	2725.82	218.26	-529.23	3440.90
				TQ	-33.52	71.40	1534.65	-33.52	71.40	1376.88	-33.52	74.63	1376.71	-33.52	74.63	1218.95	
				M3	99.89	-144.91	2553.17	172.46	-464.88	2866.61	172.46	-458.14	2867.70	204.63	-516.59	3449.47	
MIN	S2			-84.00	-4.45	2408.23	-64.25	-30.85	2378.54	-64.25	-25.26	2378.61	-87.44	-94.04	2421.15		
TQ	156.73			-622.88	1336.71	156.73	-622.88	2074.45	156.73	-618.00	2075.91	156.73	-618.00	2813.64			
M3	9.31			-27.18	-817.74	9.31	-27.18	-773.92	9.31	-28.99	-773.86	9.31	-28.99	-730.04			
TANDEM-LOAD	MAX			S2	161.51	-292.92	1455.88	145.01	-342.05	1966.23	145.01	-337.43	1967.03	172.91	-326.29	2416.23	
TQ	-20.00			51.32	953.18	-20.00	51.32	859.04	-20.00	53.34	858.91	-20.00	53.34	764.77			
M3	64.28			-63.76	1814.38	134.02	-303.87	2054.09	134.02	-299.05	2054.79	150.48	-344.16	2425.07			
MIN	S2	-79.33	-53.59	1804.98	-55.37	-39.64	1785.05	-55.37	-35.44	1785.14	-71.75	-83.26	1785.31				
TQ	106.11	-424.15	918.70	106.11	-424.15	1418.17	102.57	-420.87	1350.47	102.57	-420.87	1833.24					
M3	6.35	-18.75	-557.03	6.35	-18.75	-527.14	6.35	-19.99	-527.10	6.35	-19.99	-497.21					
DISPERSION-LMAX	S2	187.23	-774.33	573.02	175.67	-773.97	1343.05	175.67	-770.82	1344.87	174.17	-762.35	2016.62				
TQ	-14.78	30.93	893.41	-14.78	30.93	823.82	-15.44	32.94	881.52	-15.44	32.94	808.84					
M3	150.20	-728.20	2833.36	141.27	-728.20	3519.34	141.27	-719.92	3521.04	132.33	-719.92	4164.97					
MIN	S2	-26.00	13.53	1295.01	-23.38	13.18	1262.86	-23.38	16.15	1262.82	-30.82	7.68	1286.89				
TQ	176.01	-791.73	974.63	167.08	-791.73	1782.09	167.73	-787.61	1726.17	158.80	-787.61	2494.67					
M3	11.02	-32.60	-965.32	11.02	-32.60	-913.43	11.02	-34.74	-913.35	11.02	-34.74	-861.46					

BAGO RIVER BRIDGE

BLOCK [ No.1 : MAIN GIRDER ][ BEAM MEMBER FORCE ]

MEMBER				2039			2040			2041					
NODE				2039			2040			2040			2041		
				SHEAR	TORQUE	MOMENT	SHEAR	TORQUE	MOMENT	SHEAR	TORQUE	MOMENT	SHEAR	TORQUE	MOMENT
NAME	TITLE			S2 (kN)	TQ (kN·m)	M3 (kN·m)	S2 (kN)	TQ (kN·m)	M3 (kN·m)	S2 (kN)	TQ (kN·m)	M3 (kN·m)	S2 (kN)	TQ (kN·m)	M3 (kN·m)
66	2-LANES (caseTRUCK-LOAD	MAX	S2	350.61	-138.97	2352.83	243.69	-215.20	3040.22	243.69	-208.05	3040.72	168.62	-273.23	3223.79
			TQ	-11.85	25.01	907.66	-11.85	25.01	851.88	-11.85	27.01	851.82	-11.85	27.01	796.04
			M3	325.51	-117.21	2361.39	219.43	-194.11	3063.20	219.43	-186.91	3063.65	133.96	-256.45	3235.48
		MIN	S2	-37.40	-53.88	2218.82	-112.00	-124.09	2886.78	-112.00	-117.30	2887.06	-218.47	-193.69	3078.53
			TQ	121.81	-344.07	1044.37	121.81	-344.07	1617.73	121.81	-340.27	1618.53	121.81	-340.27	2191.89
			M3	8.70	-13.79	-806.51	8.70	-13.79	-765.55	8.70	-15.59	-765.52	8.70	-15.59	-724.57
		TANDEM-LOAD MAX	S2	274.01	-68.45	1782.50	196.97	-122.43	2296.26	196.97	-117.03	2296.54	127.30	-167.79	2382.51
			TQ	-7.30	18.07	559.56	-7.30	18.07	525.19	-7.30	19.30	525.15	-7.30	19.30	490.78
			M3	274.01	-68.45	1782.50	196.97	-122.43	2296.26	196.97	-117.03	2296.54	127.30	-167.79	2382.51
		MIN	S2	-37.18	-55.92	1762.83	-108.49	-108.98	2273.75	-108.49	-103.64	2274.00	-183.92	-156.12	2361.02
			TQ	85.44	-233.83	748.36	85.44	-233.83	1150.53	81.89	-231.17	1082.38	81.89	-231.17	1467.86
			M3	5.93	-9.54	-549.29	5.93	-9.54	-521.38	5.93	-10.76	-521.35	5.93	-10.76	-493.44
		DISPERSION-LMAX	S2	217.34	-449.10	651.51	174.45	-434.02	1194.58	174.45	-431.21	1195.60	145.15	-410.96	1542.91
			TQ	-5.76	9.93	441.22	-5.76	9.93	414.13	-6.84	11.03	514.15	-6.84	11.03	481.95
			M3	194.29	-432.97	2650.69	137.46	-432.97	3431.47	137.46	-424.90	3432.48	80.62	-424.90	3945.72
MIN	S2	-12.80	-0.29	1048.76	-26.75	-15.37	1334.70	-26.75	-12.23	1334.73	-54.29	-32.48	1548.88		
	TQ	210.29	-459.31	1259.05	153.46	-459.31	2115.15	154.54	-454.47	2016.18	97.70	-454.47	2609.84		
	M3	10.25	-16.42	-950.42	10.25	-16.42	-902.20	10.25	-18.54	-902.16	10.25	-18.54	-853.93		
67	2-LANES (caseTRUCK-LOAD	MAX	S2	128.71	294.55	1385.83	128.71	294.55	1991.65	128.71	299.23	1990.96	128.71	299.23	2596.78
			TQ	119.40	313.49	1148.28	119.40	313.49	1710.28	119.40	317.51	1709.54	119.40	317.51	2271.55
			M3	62.23	66.44	1897.00	99.39	180.80	2200.09	99.39	185.97	2199.66	117.00	254.48	2667.43
		MIN	S2	-12.67	-49.97	1610.21	-12.67	-49.97	1550.55	-12.67	-46.32	1550.67	-12.67	-46.32	1491.01
			TQ	-9.62	-60.24	1218.14	-9.62	-60.24	1172.84	-9.62	-57.48	1172.98	-9.62	-57.48	1127.68
			M3	7.19	19.95	-780.16	7.19	19.95	-746.32	7.19	18.20	-746.36	7.19	18.20	-712.52



BAGO RIVER BRIDGE

BLOCK [ No.1 : MAIN GIRDER ][ BEAM MEMBER FORCE ]

MEMBER		2039						2040									
NODE		2039		2040		2040		2040		2041							
		SHEAR	TORQUE	MOMENT	SHEAR	TORQUE	MOMENT	SHEAR	TORQUE	MOMENT	SHEAR	TORQUE	MOMENT				
NAME	TITLE	S2 (kN)	TQ (kN·m)	M3 (kN·m)	S2 (kN)	TQ (kN·m)	M3 (kN·m)	S2 (kN)	TQ (kN·m)	M3 (kN·m)	S2 (kN)	TQ (kN·m)	M3 (kN·m)				
67	2-LANES (caseTANDEM-LOAD	MAX	S2	88.48	190.01	1001.26	88.48	190.01	1417.76	88.48	193.35	1417.31	88.48	193.35	1833.80		
			TQ	83.81	213.67	814.27	83.81	213.67	1208.79	83.81	216.51	1208.28	83.81	216.51	1602.80		
			M3	35.27	15.37	1333.17	73.01	125.99	1523.95	73.01	129.57	1523.65	84.06	169.02	1856.06		
		MIN	S2	-9.23	-33.50	1125.77	-9.23	-33.50	1082.32	-9.23	-30.96	1082.39	-9.23	-30.96	1038.94		
			TQ	-8.66	-43.55	959.45	-8.66	-43.55	918.69	-8.66	-41.39	918.79	-8.66	-41.39	878.03		
			M3	4.89	13.70	-531.20	4.89	13.70	-508.18	4.89	12.50	-508.21	4.89	12.50	-485.19		
			DISPERSION-LMAX	S2	149.88	413.81	609.34	144.62	414.10	1223.51	144.62	416.97	1222.53	139.52	415.40	1826.97	
				TQ	146.63	414.39	550.29	144.35	414.39	1237.75	144.24	417.31	1251.94	138.10	417.31	1916.43	
				M3	134.66	361.43	2391.13	128.52	361.43	3010.53	128.52	368.50	3009.67	122.38	368.50	3600.16	
			MIN	S2	-6.82	-28.42	866.68	-7.70	-28.71	911.48	-7.70	-26.57	911.54	-8.74	-24.99	937.17	
				TQ	-3.56	-29.00	925.73	-7.42	-29.00	897.24	-7.32	-26.91	882.14	-7.32	-26.91	847.70	
				M3	8.41	23.96	-915.11	8.41	23.96	-875.54	8.41	21.90	-875.59	8.41	21.90	-836.03	
		68	2-LANES (caseTRUCK-LOAD	MAX	S2	113.46	530.41	1180.63	113.46	530.41	1714.69	113.46	534.44	1713.44	113.46	534.44	2247.50
					TQ	106.96	546.46	971.63	106.96	546.46	1475.12	106.96	549.93	1473.83	106.96	549.93	1977.32
					M3	51.07	243.95	1633.72	81.87	371.60	1927.19	81.87	376.12	1926.31	101.68	462.05	2363.86
MIN	S2			-5.94	-52.14	1059.77	-5.94	-52.14	1031.80	-5.94	-49.71	1031.92	-5.94	-49.71	1003.95		
	TQ			-5.53	-58.54	877.40	-5.53	-58.54	851.36	-5.53	-56.54	851.49	-5.53	-56.54	825.45		
	M3			5.99	47.70	-761.54	5.99	47.70	-733.37	5.99	45.97	-733.48	5.99	45.97	-705.31		
	TANDEM-LOAD MAX			S2	77.87	357.55	816.05	77.87	357.55	1182.59	77.87	360.33	1181.74	77.87	360.33	1548.28	
				TQ	74.24	371.88	690.10	74.24	371.88	1039.56	74.24	374.33	1038.68	74.24	374.33	1388.14	
				M3	25.96	131.43	1120.59	57.43	254.68	1314.66	57.43	257.77	1314.05	67.37	304.59	1615.43	
	MIN			S2	-4.60	-33.42	800.11	-4.60	-33.42	778.44	-4.60	-31.59	778.51	-4.60	-31.59	756.84	
				TQ	-4.53	-42.44	673.93	-4.53	-42.44	652.62	-4.53	-40.91	652.72	-4.53	-40.91	631.40	
				M3	4.06	32.82	-518.50	4.06	32.82	-499.38	4.06	31.64	-499.45	4.06	31.64	-480.33	

BAGO RIVER BRIDGE

BLOCK [ No.1 : MAIN GIRDER ][ BEAM MEMBER FORCE ]

MEMBER			2039			2040			2040			2041					
NODE			2039			2040			2040			2041					
			SHEAR	TORQUE	MOMENT	SHEAR	TORQUE	MOMENT	SHEAR	TORQUE	MOMENT	SHEAR	TORQUE	MOMENT			
NAME	TITLE		S2 (kN)	TQ (kN·m)	M3 (kN·m)	S2 (kN)	TQ (kN·m)	M3 (kN·m)	S2 (kN)	TQ (kN·m)	M3 (kN·m)	S2 (kN)	TQ (kN·m)	M3 (kN·m)			
68	2-LANES (caseDISPERSION-LMAX	S2	136.99	732.94	720.40	136.99	732.94	1365.23	136.99	736.15	1363.51	136.99	736.15	2008.34			
		TQ	136.83	733.71	672.76	136.83	733.71	1316.81	136.84	736.81	1322.84	136.84	736.81	1966.97			
		M3	125.27	649.18	2265.15	125.27	649.18	2854.81	125.27	655.89	2853.27	125.27	655.89	3442.93			
		MIN	S2	-4.67	-29.28	654.60	-4.67	-29.28	632.64	-4.67	-27.79	632.71	-4.67	-27.79	610.75		
		TQ	-4.50	-30.05	702.24	-4.50	-30.05	681.06	-4.51	-28.45	673.37	-4.51	-28.45	652.12			
		M3	7.06	54.48	-890.15	7.06	54.48	-856.94	7.06	52.47	-857.06	7.06	52.47	-823.84			
		69	3-LANES (caseTRUCK-LOAD	MAX	S2	442.44	-516.31	3146.93	335.53	-592.53	4266.59	335.53	-582.50	4267.97	300.46	-598.83	5002.37
				TQ	-37.26	74.89	1874.90	-37.26	74.89	1699.52	-37.26	78.89	1699.34	-37.26	78.89	1523.96	
				M3	309.40	-194.98	3687.25	298.98	-522.92	4422.99	298.98	-512.52	4424.21	265.80	-582.06	5014.06	
MIN	S2			-101.35	-41.24	3471.92	-138.93	-81.66	3843.68	-138.93	-72.63	3843.86	-245.41	-149.02	3908.55		
TQ	210.83			-728.01	1777.97	210.83	-728.01	2770.35	210.83	-721.50	2772.06	210.83	-721.50	3764.44			
M3	13.51			-30.72	-1218.21	13.51	-30.72	-1154.63	13.51	-33.43	-1154.55	13.51	-33.43	-1090.97			
TANDEM-LOAD	MAX			S2	340.80	-326.75	2332.20	263.77	-380.72	3160.37	263.77	-373.30	3161.25	237.50	-367.81	3588.85	
TQ	-22.24			54.04	1159.23	-22.24	54.04	1054.53	-22.24	56.52	1054.40	-22.24	56.52	949.69			
M3	243.57			-97.59	2690.70	252.79	-342.55	3248.22	252.79	-334.91	3249.02	215.07	-385.67	3597.69			
MIN	S2	-99.57	-85.06	2671.03	-131.49	-77.17	2967.87	-131.49	-70.20	2968.05	-206.91	-122.68	2946.85				
TQ	143.43	-495.80	1225.88	143.43	-495.80	1901.03	139.89	-491.39	1833.50	139.89	-491.39	2491.96					
M3	9.21	-21.21	-829.76	9.21	-21.21	-786.40	9.21	-23.06	-786.35	9.21	-23.06	-743.00					
DISPERSION-LMAX	S2	301.80	-914.79	881.93	262.93	-908.17	1925.98	262.93	-903.65	1928.11	244.49	-888.55	2743.94				
TQ	-15.64	32.12	973.93	-15.64	32.12	900.30	-16.83	34.37	1009.45	-16.83	34.37	930.21					
M3	254.63	-870.97	4117.56	209.07	-870.97	5208.91	209.07	-858.73	5210.94	163.51	-858.73	6087.83					
MIN	S2	-31.21	7.06	1798.80	-37.90	0.45	1921.20	-37.90	4.96	1921.19	-65.02	-10.14	2057.35				
TQ	286.23	-939.85	1706.80	240.67	-939.85	2946.87	241.86	-933.06	2839.85	196.30	-933.06	3871.08					
M3	15.95	-36.76	-1436.83	15.95	-36.76	-1361.73	15.95	-39.96	-1361.64	15.95	-39.96	-1286.54					

BAGO RIVER BRIDGE

BLOCK [ No.1 : MAIN GIRDER ] [ BEAM MEMBER FORCE ]

MEMBER				2039			2040			2040			2041		
NODE				2039			2040			2040			2041		
				SHEAR	TORQUE	MOMENT	SHEAR	TORQUE	MOMENT	SHEAR	TORQUE	MOMENT	SHEAR	TORQUE	MOMENT
NAME	TITLE			S2 (kN)	TQ (kN·m)	M3 (kN·m)	S2 (kN)	TQ (kN·m)	M3 (kN·m)	S2 (kN)	TQ (kN·m)	M3 (kN·m)	S2 (kN)	TQ (kN·m)	M3 (kN·m)
70	3-LANES (caseTRUCK-LOAD	MAX	S2	183.22	621.40	1928.41	183.22	621.40	2790.84	183.22	627.96	2789.37	183.22	627.96	3651.81
			TQ	172.23	645.26	1619.96	172.23	645.26	2430.65	172.23	650.97	2429.12	172.23	650.97	3239.81
			M3	92.70	244.74	2648.29	137.32	419.14	3105.75	137.32	426.44	3104.75	165.42	548.96	3774.35
		MIN	S2	-15.61	-79.57	1991.56	-15.61	-79.57	1918.09	-15.61	-75.07	1918.27	-15.61	-75.07	1844.80
			TQ	-12.56	-89.84	1599.49	-12.56	-89.84	1540.38	-12.56	-86.22	1540.59	-12.56	-86.22	1481.48
			M3	10.34	40.09	-1163.39	10.34	40.09	-1114.70	10.34	37.47	-1114.79	10.34	37.47	-1066.11
		TANDEM-LOAD MAX	S2	125.85	414.44	1357.52	125.85	414.44	1949.92	125.85	419.02	1948.94	125.85	419.02	2541.34
			TQ	120.92	439.40	1156.94	120.92	439.40	1726.13	120.92	443.45	1725.09	120.92	443.45	2294.28
			M3	54.86	123.53	1844.54	96.96	280.87	2141.05	96.96	285.90	2140.38	115.36	363.25	2608.54
		MIN	S2	-11.75	-55.82	1406.50	-11.75	-55.82	1351.20	-11.75	-52.64	1351.33	-11.75	-52.64	1296.03
			TQ	-11.18	-65.87	1240.19	-11.18	-65.87	1187.58	-11.18	-63.07	1187.73	-11.18	-63.07	1135.12
			M3	7.03	27.54	-792.13	7.03	27.54	-759.03	7.03	25.76	-759.09	7.03	25.76	-725.98
		DISPERSION-LMAX	S2	217.51	849.12	991.37	212.25	849.40	1923.89	212.25	853.92	1921.89	207.15	852.35	2844.67
			TQ	214.11	850.34	892.60	211.83	850.34	1897.71	211.74	854.82	1913.60	205.60	854.82	2895.83
			M3	196.42	759.98	3496.00	190.28	759.98	4406.11	190.28	770.33	4404.31	184.14	770.33	5285.52
MIN	S2	-9.01	-41.36	1141.62	-9.89	-41.65	1176.11	-9.89	-38.88	1176.21	-10.93	-37.31	1191.52		
	TQ	-5.60	-42.59	1240.39	-9.46	-42.59	1202.29	-9.38	-39.79	1184.49	-9.38	-39.79	1140.36		
	M3	12.09	47.78	-1363.01	12.09	47.78	-1306.11	12.09	44.71	-1306.22	12.09	44.71	-1249.33		
71	3-LANES (caseTRUCK-LOAD	MAX	S2	183.22	621.34	1928.58	183.22	621.34	2791.00	183.22	627.90	2789.53	183.22	627.90	3651.95
			TQ	172.22	645.18	1619.86	172.22	645.18	2430.51	172.22	650.89	2428.99	172.22	650.89	3239.64
			M3	92.70	244.74	2648.29	137.32	419.14	3105.75	137.32	426.44	3104.75	165.41	548.93	3774.34
		MIN	S2	-15.67	-80.04	1992.33	-15.67	-80.04	1918.55	-15.67	-75.53	1918.74	-15.67	-75.53	1844.96
			TQ	-12.65	-90.47	1600.43	-12.65	-90.47	1540.90	-12.65	-86.85	1541.11	-12.65	-86.85	1481.57
			M3	9.42	61.38	-1149.04	9.42	61.38	-1104.71	9.42	58.79	-1104.85	9.42	58.79	-1060.53

BAGO RIVER BRIDGE

BLOCK [ No.1 : MAIN GIRDER ][ BEAM MEMBER FORCE ]

MEMBER				2039			2040			2041					
NODE				2039			2040			2041					
				SHEAR	TORQUE	MOMENT	SHEAR	TORQUE	MOMENT	SHEAR	TORQUE	MOMENT			
NAME	TITLE			S2 (kN)	TQ (kN·m)	M3 (kN·m)	S2 (kN)	TQ (kN·m)	M3 (kN·m)	S2 (kN)	TQ (kN·m)	M3 (kN·m)			
71	3-LANES (caseTANDEM-LOAD	MAX	S2	125.85	414.42	1357.57	125.85	414.42	1949.96	125.85	419.00	1948.98	125.85	419.00	2541.38
			TQ	120.92	439.36	1156.92	120.92	439.36	1726.11	120.92	443.42	1725.07	120.92	443.42	2294.25
			M3	54.86	123.53	1844.54	96.96	280.87	2141.05	96.96	285.90	2140.38	115.36	363.26	2608.54
		MIN	S2	-11.79	-55.99	1406.83	-11.79	-55.99	1351.35	-11.79	-52.81	1351.48	-11.79	-52.81	1296.00
			TQ	-11.22	-66.05	1240.55	-11.22	-66.05	1187.73	-11.22	-63.26	1187.88	-11.22	-63.26	1135.07
			M3	6.40	42.23	-782.33	6.40	42.23	-752.23	6.40	40.46	-752.32	6.40	40.46	-722.22
		DISPERSION-LMAX	S2	216.51	871.00	1009.30	211.25	871.28	1937.08	211.25	875.83	1935.02	206.15	874.26	2853.07
			TQ	213.10	872.23	910.53	210.82	872.23	1910.90	210.74	876.74	1926.74	204.59	876.74	2904.23
			M3	196.62	755.56	3485.06	190.47	755.56	4396.09	190.47	765.89	4394.30	184.33	765.89	5276.42
		MIN	S2	-8.79	-45.52	1130.96	-9.67	-45.81	1166.48	-9.67	-43.07	1166.58	-10.71	-41.49	1182.92
			TQ	-5.38	-46.75	1229.73	-9.25	-46.75	1192.65	-9.16	-43.97	1174.87	-9.16	-43.97	1131.76
			M3	11.10	69.91	-1344.80	11.10	69.91	-1292.54	11.10	66.87	-1292.70	11.10	66.87	-1240.44
72	4-LANES	TRUCK-LOAD MAX	S2	13.19	66.10	-1537.52	13.19	66.10	-1475.44	13.19	62.63	-1475.59	13.19	62.63	-1413.51
			TQ	13.19	66.31	-1538.06	13.19	66.31	-1475.99	13.19	62.84	-1476.14	13.19	62.84	-1414.07
			M3	-4.35	-9.21	461.94	-4.35	-9.24	441.45	-4.35	-8.20	441.47	-4.35	-8.20	420.97
		MIN	S2	-4.35	-9.21	461.94	-4.35	-9.21	441.44	-4.35	-8.17	441.46	-4.35	-8.17	420.97
			TQ	-4.28	-9.41	455.08	-4.28	-9.41	434.95	-4.27	-8.39	434.64	-4.27	-8.39	414.52
			M3	13.19	66.31	-1538.06	13.19	66.31	-1475.99	13.19	62.84	-1476.14	13.19	62.84	-1414.07
		TANDEM-LOAD MAX	S2	8.98	44.96	-1046.57	8.98	44.96	-1004.31	8.98	42.60	-1004.41	8.98	42.60	-962.15
			TQ	8.95	46.52	-1049.70	8.95	46.52	-1007.56	8.95	44.15	-1007.66	8.95	44.15	-965.52
			M3	-2.96	-6.35	313.89	-2.96	-6.35	299.97	-2.96	-5.64	299.99	-2.96	-5.64	286.07
		MIN	S2	-2.96	-6.23	313.62	-2.96	-6.23	299.70	-2.96	-5.52	299.71	-2.96	-5.52	285.79
			TQ	-2.90	-6.40	308.88	-2.90	-6.40	295.22	-2.88	-5.71	293.21	-2.88	-5.71	279.65
			M3	8.95	46.52	-1049.70	8.95	46.52	-1007.56	8.95	44.15	-1007.66	8.95	44.15	-965.52

BAGO RIVER BRIDGE

BLOCK [ No.1 : MAIN GIRDER ][ BEAM MEMBER FORCE ]

MEMBER				2039			2040			2041							
NODE				2039			2040			2040			2041				
				SHEAR	TORQUE	MOMENT	SHEAR	TORQUE	MOMENT	SHEAR	TORQUE	MOMENT	SHEAR	TORQUE	MOMENT		
NAME	TITLE			S2 (kN)	TQ (kN·m)	M3 (kN·m)	S2 (kN)	TQ (kN·m)	M3 (kN·m)	S2 (kN)	TQ (kN·m)	M3 (kN·m)	S2 (kN)	TQ (kN·m)	M3 (kN·m)		
72	4-LANES	DISPERSION-LMAX	S2	9.54	41.56	-1090.11	9.54	41.56	-1045.18	9.54	39.11	-1045.27	9.54	39.11	-1000.34		
			TQ	9.53	41.94	-1089.75	9.53	41.94	-1044.91	9.53	39.49	-1045.00	9.53	39.49	-1000.16		
			M3	-5.30	-11.18	562.02	-5.30	-11.18	537.07	-5.30	-9.92	537.10	-5.30	-9.92	512.16		
		MIN	S2	-5.30	-11.18	562.02	-5.30	-11.18	537.07	-5.30	-9.92	537.10	-5.30	-9.92	512.16		
			TQ	-5.27	-11.57	560.72	-5.27	-11.57	535.91	-5.27	-10.31	535.93	-5.27	-10.31	511.12		
			M3	9.54	41.56	-1090.10	9.54	41.56	-1045.17	9.54	39.11	-1045.27	9.54	39.14	-1000.34		
		73	6-LANES	TRUCK-LOAD MAX	S2	634.61	50.53	5207.03	523.90	1.32	7176.45	523.90	18.19	7176.43	479.28	35.52	8651.49
					TQ	145.97	666.08	2831.96	145.97	666.08	3519.07	140.81	675.50	4109.89	140.81	675.50	4772.70
					M3	423.73	17.72	6344.53	417.72	-35.43	7576.81	417.72	-17.62	7576.87	425.38	-26.12	8799.83
MIN	S2			-112.95	-128.65	5475.24	-158.40	-134.69	5991.70	-158.40	-120.61	5992.00	-268.57	-179.74	5959.54		
	TQ			199.07	-762.00	3498.02	199.07	-762.00	4435.04	199.07	-751.58	4436.82	199.07	-751.58	5373.84		
	M3			22.93	30.14	-2366.53	22.93	30.14	-2258.58	22.93	24.83	-2258.64	22.93	24.83	-2150.69		
TANDEM-LOAD MAX	S2			474.00	64.17	3695.42	394.26	22.63	5137.50	394.26	34.70	5137.43	359.23	55.29	6144.00		
	TQ			100.28	457.93	2296.01	100.28	457.93	2768.02	100.28	464.43	2766.94	100.28	464.43	3238.95		
	M3			323.57	17.09	4557.10	363.74	-60.16	5438.09	363.74	-47.38	5438.22	330.37	-15.19	6230.30		
MIN	S2			-106.81	-137.66	4197.71	-147.29	-114.30	4472.25	-147.29	-103.79	4472.51	-225.34	-144.14	4376.54		
	TQ			131.39	-524.22	2466.09	131.39	-524.22	3084.57	128.91	-517.08	3032.26	128.91	-517.08	3639.03		
	M3			15.61	20.67	-1611.56	15.61	20.67	-1538.07	15.61	17.05	-1538.12	15.61	17.05	-1464.63		
DISPERSION-LMAX	S2			485.84	-64.12	1703.28	442.29	-57.55	3531.27	442.29	-49.26	3531.40	419.48	-37.29	5124.39		
	TQ			184.91	838.58	1519.68	182.63	838.58	2387.34	181.46	844.33	2502.09	175.32	844.33	3341.78		
	M3			416.97	-128.88	7169.13	369.00	-128.88	9025.80	369.00	-107.70	9026.07	321.32	-110.09	10644.09		
MIN	S2	-38.81	-37.41	2821.92	-46.28	-43.46	2971.58	-46.28	-36.47	2971.68	-74.44	-49.87	3128.90				
	TQ	256.90	-914.40	3038.14	211.29	-914.40	4137.38	212.37	-904.80	4030.73	170.61	-904.80	4932.09				
	M3	26.08	27.83	-2666.80	26.08	27.83	-2544.05	26.08	21.85	-2544.11	26.05	22.49	-2421.40				

BAGO RIVER BRIDGE

BLOCK [ No.1 : MAIN GIRDER ] [ BEAM MEMBER FORCE ]

MEMBER			2039			2040			2040			2041			
NODE			2039			2040			2040			2041			
NAME TITLE			SHEAR	TORQUE	MOMENT	SHEAR	TORQUE	MOMENT	SHEAR	TORQUE	MOMENT	SHEAR	TORQUE	MOMENT	
			S2 (kN)	TQ (kN·m)	M3 (kN·m)	S2 (kN)	TQ (kN·m)	M3 (kN·m)	S2 (kN)	TQ (kN·m)	M3 (kN·m)	S2 (kN)	TQ (kN·m)	M3 (kN·m)	
124	SUM TOTAL	D+1LANE (caseMAX	S2	1957.99	-1318.21	18195.79	1772.91	-1328.37	27089.30	1772.91	-1264.71	27092.35	1644.04	-1212.28	35195.90
			TQ	1704.08	-220.10	18766.29	1514.18	-220.10	26340.55	1514.05	-158.18	26352.02	1324.14	-158.18	33031.78
			M3	1799.52	-925.50	20317.64	1737.93	-1226.75	28504.65	1737.93	-1159.76	28507.45	1624.30	-1159.76	36325.19
		MIN	S2	1647.60	-282.59	19370.12	1510.83	-236.70	26592.06	1510.83	-174.21	26592.55	1321.42	-168.03	33226.53
			TQ	1944.38	-1343.96	18383.99	1768.01	-1343.96	27121.21	1768.14	-1280.23	27113.27	1591.77	-1280.23	35020.90
			M3	1759.06	-351.31	15888.64	1569.15	-351.31	23721.66	1569.15	-295.56	23722.42	1379.24	-295.56	30661.53
		D+1LANE (caseMAX	S2	2150.67	-539.15	18696.32	1827.77	-540.67	27289.90	1827.77	-476.54	27291.10	1549.64	-483.40	34366.91
			TQ	1740.92	-300.96	17471.29	1551.01	-300.96	25218.93	1550.37	-241.62	25281.30	1360.47	-241.62	32132.02
			M3	2123.17	-537.99	19868.30	1789.72	-547.56	28635.11	1789.72	-480.26	28636.32	1477.44	-493.57	35805.30
		MIN	S2	1719.35	-358.50	18847.33	1449.49	-382.84	27288.15	1449.49	-318.72	27288.98	1136.01	-335.80	34329.78
			TQ	1943.62	-610.49	18374.48	1709.76	-610.49	26972.80	1710.40	-547.18	26912.43	1476.55	-547.18	34413.00
			M3	1757.39	-315.83	15920.00	1567.48	-315.83	23745.18	1567.48	-260.03	23745.85	1377.58	-260.03	30677.13
		D+1LANE (caseMAX	S2	1925.96	-40.66	18203.19	1729.74	-40.32	26712.24	1729.74	22.46	26712.26	1533.72	20.57	34315.74
			TQ	1916.67	-30.76	18022.16	1724.03	-30.76	26593.83	1723.91	31.75	26605.99	1526.63	31.75	34256.22
			M3	1881.89	-176.17	19652.28	1701.20	-120.07	28007.79	1701.20	-54.25	28008.00	1513.87	-10.38	35516.57
		MIN	S2	1729.70	-357.80	18661.61	1538.74	-358.15	26448.69	1538.74	-295.99	26449.46	1347.58	-294.10	33319.64
			TQ	1736.72	-363.16	18471.55	1542.18	-363.16	26185.36	1542.31	-301.63	26173.98	1352.40	-301.63	32986.74
			M3	1756.18	-289.06	15942.45	1566.28	-289.06	23761.94	1566.28	-233.22	23762.55	1376.37	-233.22	30688.15
		D+1LANE (caseMAX	S2	1892.59	616.55	18083.03	1702.69	616.55	26544.61	1702.69	678.93	26543.08	1512.78	678.93	34110.77
			TQ	1890.39	623.25	17949.96	1700.48	623.25	26401.16	1700.50	685.30	26402.90	1510.60	685.30	33960.30
			M3	1857.16	383.81	19189.22	1676.21	455.85	27497.16	1676.21	520.47	27496.01	1498.89	585.25	34966.97
		MIN	S2	1740.29	-359.80	17750.60	1550.38	-359.80	25495.28	1550.38	-299.88	25496.05	1360.48	-299.88	32346.84
			TQ	1740.47	-360.58	17798.26	1550.56	-360.58	25543.78	1550.54	-300.56	25541.28	1360.64	-300.56	32392.81
			M3	1753.88	-236.49	15981.91	1563.97	-236.49	23790.56	1563.97	-180.59	23791.05	1374.07	-180.59	30705.80

BAGO RIVER BRIDGE

BLOCK [ No.1 : MAIN GIRDER ][ BEAM MEMBER FORCE ]

MEMBER			2039			2040			2040			2041			
NODE			2039			2040			2040			2041			
NAME TITLE			SHEAR	TORQUE	MOMENT	SHEAR	TORQUE	MOMENT	SHEAR	TORQUE	MOMENT	SHEAR	TORQUE	MOMENT	
			S2 (kN)	TQ (kN·m)	M3 (kN·m)	S2 (kN)	TQ (kN·m)	M3 (kN·m)	S2 (kN)	TQ (kN·m)	M3 (kN·m)	S2 (kN)	TQ (kN·m)	M3 (kN·m)	
124	SUM TOTAL	D+2LANES (casMAX	S2	2153.82	-1543.87	19553.59	1928.95	-1612.21	28807.62	1928.95	-1544.51	28811.33	1759.06	-1540.02	37077.87
			TQ	1698.14	-204.25	19394.42	1508.23	-204.25	26940.68	1507.57	-140.87	26998.87	1317.67	-140.87	33648.14
			M3	1996.53	-1179.69	22352.89	1870.26	-1499.66	31125.94	1870.26	-1426.51	31129.38	1703.59	-1484.96	39234.79
		MIN	S2	1636.44	-297.50	20669.61	1468.90	-324.25	28381.38	1468.90	-257.56	28382.06	1248.37	-334.80	35328.39
			TQ	2079.18	-1721.19	19277.71	1880.34	-1721.19	28596.52	1880.99	-1654.06	28542.71	1682.15	-1654.06	36928.66
			M3	1766.77	-366.36	15183.30	1576.87	-366.36	23052.63	1576.87	-312.18	23053.42	1386.96	-312.18	30028.86
		D+2LANES (casMAX	S2	2314.39	-894.65	19970.70	1974.67	-955.80	28974.78	1974.67	-887.71	28976.95	1680.40	-932.63	36387.05
			TQ	1728.83	-271.64	18315.25	1538.93	-271.64	26005.99	1537.84	-210.40	26106.60	1347.94	-210.40	32898.35
			M3	2266.24	-856.76	21978.44	1913.42	-933.66	31234.66	1913.42	-860.26	31236.76	1581.20	-929.80	38801.55
		MIN	S2	1696.23	-360.76	20233.95	1417.78	-446.04	28961.46	1417.78	-377.98	28962.42	1093.86	-474.61	36247.77
			TQ	2078.54	-1109.97	19269.78	1831.80	-1109.97	28472.85	1832.88	-1043.18	28375.34	1586.14	-1043.18	36422.08
			M3	1765.38	-336.79	15209.43	1575.48	-336.79	23072.23	1575.48	-282.57	23072.96	1385.57	-282.57	30041.86
		D+2LANES (casMAX	S2	2025.02	401.78	18961.54	1829.86	402.06	27955.14	1829.86	467.76	27954.12	1634.85	466.18	36044.10
			TQ	2012.46	421.29	18664.93	1820.27	421.29	27688.01	1820.17	486.37	27702.11	1624.12	486.37	35808.33
			M3	1943.33	121.28	21254.49	1784.44	235.65	29950.60	1784.44	306.03	29949.96	1606.00	374.54	37887.95
		MIN	S2	1726.95	-384.97	19443.25	1536.16	-385.26	27202.01	1536.16	-321.33	27202.84	1345.21	-319.76	34048.53
			TQ	1733.25	-395.82	19110.24	1539.49	-395.82	26810.06	1539.59	-332.83	26795.76	1349.68	-332.83	33595.73
			M3	1762.03	-262.67	15271.10	1572.13	-262.67	23118.12	1572.13	-208.34	23118.68	1382.22	-208.34	30071.80
		D+2LANES (casMAX	S2	1996.89	956.77	18867.39	1806.98	956.77	27819.90	1806.98	1022.14	27817.58	1617.08	1022.14	35876.19
			TQ	1990.23	973.59	18610.75	1800.32	973.59	27531.91	1800.34	1038.29	27537.31	1610.43	1038.29	35564.64
			M3	1922.78	586.54	20865.24	1763.67	714.20	29521.98	1763.67	783.57	29520.22	1593.57	869.50	37427.15
		MIN	S2	1735.83	-388.00	18680.73	1545.92	-388.00	26404.42	1545.92	-325.95	26405.26	1356.02	-325.95	33235.05
			TQ	1736.40	-395.17	18546.00	1546.50	-395.17	26272.40	1546.48	-333.44	26265.49	1356.58	-333.44	33097.92
			M3	1759.48	-204.41	15314.67	1569.57	-204.41	23149.68	1569.57	-150.00	23150.09	1379.67	-150.00	30091.20

BAGO RIVER BRIDGE

BLOCK [ No.1 : MAIN GIRDER ] [ BEAM MEMBER FORCE ]

MEMBER			2039			2040			2040			2041				
NODE			2039			2040			2040			2041				
NAME TITLE			SHEAR	TORQUE	MOMENT	SHEAR	TORQUE	MOMENT	SHEAR	TORQUE	MOMENT	SHEAR	TORQUE	MOMENT		
			S2 (kN)	TQ (kN·m)	M3 (kN·m)	S2 (kN)	TQ (kN·m)	M3 (kN·m)	S2 (kN)	TQ (kN·m)	M3 (kN·m)	S2 (kN)	TQ (kN·m)	M3 (kN·m)		
124	SUM TOTAL	D+3LANES (casMAX	S2	2379.04	-1523.01	20390.89	2065.22	-1582.18	30003.67	2065.22	-1511.67	30007.30	1829.83	-1512.72	38204.72	
			TQ	1701.47	-215.62	19387.86	1511.57	-215.62	26949.83	1510.55	-152.17	27043.11	1320.65	-152.17	33706.41	
			M3	2225.87	-1212.64	23600.45	1988.37	-1491.39	32927.09	1988.37	-1414.00	32930.51	1731.54	-1473.11	41056.96	
		MIN	S2	1633.76	-335.64	21446.48	1406.22	-375.62	29640.13	1406.22	-305.96	29640.93	1102.76	-383.73	36691.37	
			TQ	2168.94	-1724.27	19928.42	1940.31	-1724.27	29599.62	1941.32	-1654.82	29510.75	1712.69	-1654.82	38110.54	
			M3	1771.48	-363.94	14709.59	1581.57	-363.94	22601.08	1581.57	-310.83	22601.87	1391.67	-310.83	29599.47	
		D+3LANES (casMAX	S2	2087.06	943.36	19448.18	1892.69	943.60	28747.50	1892.69	1011.15	28745.20	1698.44	1009.81	37142.36	
			TQ	2074.82	964.68	19102.04	1882.98	964.68	28419.09	1882.91	1031.48	28431.95	1687.78	1031.48	36835.65	
			M3	1992.19	547.42	22189.01	1834.99	695.67	31125.06	1834.99	768.81	31123.34	1663.75	872.95	39321.24	
		MIN	S2	1725.52	-409.38	19629.56	1534.86	-409.62	27370.05	1534.86	-345.30	27370.94	1344.07	-343.96	34201.23	
			TQ	1731.00	-419.15	19380.26	1537.81	-419.15	27071.25	1537.89	-355.55	27056.95	1347.98	-355.55	33848.92	
			M3	1765.50	-231.90	14818.93	1575.60	-231.90	22682.29	1575.60	-178.59	22682.77	1385.69	-178.59	29652.23	
		D+3LANES (casMAX	S2	2086.20	961.91	19463.57	1891.83	962.15	28758.85	1891.83	1029.73	28756.51	1697.59	1028.39	37149.62	
			TQ	2073.96	983.21	19117.19	1882.12	983.21	28430.18	1882.05	1050.04	28443.00	1686.92	1050.04	36842.65	
			M3	1992.36	543.67	22179.71	1835.16	691.92	31116.55	1835.16	765.04	31114.83	1663.91	869.15	39313.51	
		MIN	S2	1725.65	-413.31	19621.16	1534.99	-413.55	27362.26	1534.99	-349.25	27363.15	1344.20	-347.92	34194.05	
			TQ	1731.11	-423.23	19372.00	1537.92	-423.23	27063.49	1538.00	-359.64	27049.21	1348.09	-359.64	33841.69	
			M3	1763.88	-194.98	14846.59	1573.97	-194.98	22702.32	1573.97	-141.63	22702.71	1384.07	-141.63	29664.54	
		D+4LANES	MAX	S2	1761.21	-236.61	15258.41	1571.31	-236.61	23101.58	1571.31	-182.32	23102.07	1381.40	-182.32	30051.35
			TQ	1761.20	-236.22	15258.29	1571.30	-236.22	23101.40	1571.30	-181.93	23101.89	1381.39	-181.93	30051.11	
			M3	1740.16	-319.84	17631.93	1550.26	-319.85	25376.02	1550.26	-260.22	25376.70	1360.35	-260.22	32226.89	
		MIN	S2	1740.16	-319.84	17631.93	1550.26	-319.84	25376.02	1550.26	-260.20	25376.70	1360.35	-260.20	32226.88	
			TQ	1740.23	-320.22	17626.63	1550.32	-320.22	25371.03	1550.33	-260.60	25371.50	1360.42	-260.60	32222.02	
			M3	1761.21	-236.47	15258.06	1571.31	-236.47	23101.23	1571.31	-182.18	23101.72	1381.40	-182.15	30050.99	



BAGO RIVER BRIDGE

BLOCK [ No.1 : MAIN GIRDER ][ BEAM MEMBER FORCE ]

MEMBER					2039			2040			2041						
NODE					2039			2040			2041						
					SHEAR	TORQUE	MOMENT	SHEAR	TORQUE	MOMENT	SHEAR	TORQUE	MOMENT				
NAME	TITLE				S2 (kN)	TQ (kN·m)	M3 (kN·m)	S2 (kN)	TQ (kN·m)	M3 (kN·m)	S2 (kN)	TQ (kN·m)	M3 (kN·m)				
124	SUM TOTAL	D+6LANES	MAX	S2	2474.73	-315.42	21458.07	2184.56	-343.13	31700.00	2184.56	-268.64	31700.72	1950.82	-249.59	40574.67	
				TQ	1961.51	671.44	19794.93	1770.12	671.44	28579.14	1766.01	739.45	29038.42	1572.11	739.45	36894.76	
				M3	2292.89	-378.84	25750.25	2067.90	-413.39	35531.67	2067.90	-329.90	35532.54	1851.98	-336.98	44258.90	
			MIN	S2	1647.80	-414.52	22359.52	1423.49	-422.38	30566.11	1423.49	-350.55	30567.02	1143.67	-397.69	37527.84	
				TQ	2042.82	-1396.24	21214.87	1823.26	-1396.24	30312.05	1823.97	-1325.09	30244.54	1606.92	-1325.09	38319.21	
				M3	1778.30	-268.90	13694.69	1588.39	-268.90	21618.27	1588.39	-218.10	21618.84	1398.47	-217.68	28648.49	
			SUM TOTAL	MAX		2474.73	983.21	25750.25	2184.56	983.21	35531.67	2184.56	1050.04	35532.54	1950.82	1050.04	44258.90
				MIN		1633.76	-1724.27	13694.69	1406.22	-1724.27	21618.27	1406.22	-1654.82	21618.84	1093.86	-1654.82	28648.49
			300	DEAD LOAD	TOTAL		1746.44	-306.58	16966.36	1556.53	-306.58	24739.98	1556.53	-248.44	24740.63	1366.63	-248.44
301	LIVE LOAD	1-LANE (case1MAX	S2	211.55	-1011.63	1229.42	216.38	-1021.79	2349.32	216.38	-1016.27	2351.71	277.41	-963.83	3575.54		
			TQ	-42.35	86.49	1799.93	-42.35	86.49	1600.57	-42.48	90.26	1611.39	-42.48	90.26	1411.42		
			M3	53.08	-618.92	3351.27	181.39	-920.16	3764.67	181.39	-911.31	3766.82	257.68	-911.32	4704.83		
			MIN	S2	-98.83	23.99	2403.76	-45.71	69.88	1852.08	-45.71	74.24	1851.91	-45.20	80.41	1606.18	
			TQ	197.95	-1037.37	1417.63	211.48	-1037.37	2381.23	211.61	-1031.79	2372.63	225.14	-1031.79	3400.55		
			M3	12.62	-44.72	-1077.72	12.62	-44.72	-1018.33	12.62	-47.12	-1018.22	12.62	-47.12	-958.82		
		1-LANE (case2MAX	S2	404.24	-232.57	1729.96	271.24	-234.09	2549.92	271.24	-228.10	2550.46	183.02	-234.96	2746.55		
			TQ	-5.52	5.62	504.92	-5.52	5.62	478.95	-6.16	6.82	540.67	-6.16	6.82	511.67		
			M3	376.73	-231.41	2901.93	233.19	-240.97	3895.13	233.19	-231.82	3895.68	110.82	-245.12	4184.95		
		MIN	S2	-27.08	-51.91	1880.97	-107.04	-76.26	2548.17	-107.04	-70.27	2548.35	-230.62	-87.36	2709.43		
			TQ	197.18	-303.91	1408.12	153.23	-303.91	2232.82	153.87	-298.73	2171.79	109.92	-298.73	2792.65		
			M3	10.95	-9.25	-1046.36	10.95	-9.25	-994.80	10.95	-11.59	-994.78	10.95	-11.59	-943.22		
		1-LANE (case3MAX	S2	179.53	265.92	1236.83	173.21	266.27	1972.26	173.21	270.90	1971.63	167.09	269.01	2695.38		
			TQ	170.24	275.82	1055.79	167.50	275.82	1853.85	167.38	280.19	1865.35	160.01	280.19	2635.87		
			M3	135.46	130.41	2685.92	144.67	186.52	3267.81	144.67	194.20	3267.36	147.24	238.07	3896.22		
MIN	S2	-16.74	-51.22	1695.24	-17.80	-51.56	1708.71	-17.80	-47.55	1708.83	-19.04	-45.66	1699.28				
	TQ	-9.71	-56.57	1505.19	-14.35	-56.57	1445.38	-14.23	-53.19	1433.35	-14.23	-53.19	1366.39				
	M3	9.75	17.52	-1023.91	9.75	17.52	-978.04	9.75	15.22	-978.08	9.75	15.22	-932.21				

BAGO RIVER BRIDGE

BLOCK [ No.1 : MAIN GIRDER ][ BEAM MEMBER FORCE ]

MEMBER			2039			2040			2040			2041			
NODE			2039			2040			2040			2041			
NAME TITLE			SHEAR	TORQUE	MOMENT	SHEAR	TORQUE	MOMENT	SHEAR	TORQUE	MOMENT	SHEAR	TORQUE	MOMENT	
			S2 (kN)	TQ (kN·m)	M3 (kN·m)	S2 (kN)	TQ (kN·m)	M3 (kN·m)	S2 (kN)	TQ (kN·m)	M3 (kN·m)	S2 (kN)	TQ (kN·m)	M3 (kN·m)	
301	LIVE LOAD	1-LANE (case4MAX	S2	146.16	923.13	1116.67	146.16	923.13	1804.63	146.16	927.37	1802.45	146.16	927.37	2490.41
			TQ	143.95	929.83	983.59	143.95	929.83	1661.18	143.97	933.74	1662.26	143.97	933.74	2339.95
			M3	110.72	690.39	2222.86	119.67	762.44	2757.18	119.67	768.91	2755.38	132.26	833.69	3346.62
		MIN	S2	-6.15	-53.21	784.24	-6.15	-53.21	755.30	-6.15	-51.44	755.42	-6.15	-51.44	726.48
			TQ	-5.97	-54.00	831.90	-5.97	-54.00	803.79	-5.99	-52.12	800.65	-5.99	-52.12	772.46
			M3	7.44	70.09	-984.45	7.44	70.09	-949.42	7.44	67.86	-949.59	7.44	67.86	-914.56
		2-LANES (caseMAX	S2	407.38	-1237.29	2587.23	372.42	-1305.63	4067.64	372.42	-1296.07	4070.69	392.43	-1291.58	5457.52
			TQ	-48.30	102.33	2428.06	-48.30	102.33	2200.70	-48.96	107.58	2258.24	-48.96	107.58	2027.79
			M3	250.10	-873.11	5386.53	313.73	-1193.07	6385.96	313.73	-1178.06	6388.74	336.96	-1236.51	7614.44
		MIN	S2	-110.00	9.08	3703.25	-87.63	-17.67	3641.40	-87.63	-9.11	3641.43	-118.25	-86.36	3708.04
			TQ	332.74	-1414.61	2311.35	323.81	-1414.61	3856.54	324.46	-1405.62	3802.08	315.53	-1405.62	5308.31
			M3	20.33	-59.77	-1783.07	20.33	-59.77	-1687.35	20.33	-63.74	-1687.21	20.33	-63.74	-1591.50
		2-LANES (caseMAX	S2	567.95	-588.07	3004.34	418.14	-649.21	4234.80	418.14	-639.26	4236.32	313.77	-684.18	4766.69
			TQ	-17.61	34.94	1348.88	-17.61	34.94	1266.01	-18.69	38.04	1365.97	-18.69	38.04	1277.99
			M3	519.80	-550.18	5012.08	356.89	-627.08	6494.67	356.89	-611.82	6496.13	214.58	-681.35	7181.20
		MIN	S2	-50.21	-54.17	3267.59	-138.75	-139.46	4221.48	-138.75	-129.53	4221.79	-272.76	-226.17	4627.41
			TQ	332.10	-803.39	2303.42	275.26	-803.39	3732.87	276.35	-794.74	3634.71	219.51	-794.74	4801.73
			M3	18.95	-30.21	-1756.93	18.95	-30.21	-1667.75	18.95	-34.13	-1667.68	18.95	-34.13	-1578.50
		2-LANES (caseMAX	S2	278.59	708.36	1995.18	273.33	708.65	3215.16	273.33	716.20	3213.49	268.22	714.63	4423.74
			TQ	266.02	727.88	1698.57	263.74	727.88	2948.03	263.64	734.82	2961.48	257.50	734.82	4187.98
			M3	196.89	427.87	4288.13	227.91	542.24	5210.62	227.91	554.48	5209.33	239.37	622.98	6267.59
MIN	S2	-19.49	-78.39	2476.89	-20.37	-78.67	2462.03	-20.37	-72.89	2462.21	-21.41	-71.31	2428.17		
	TQ	-13.18	-89.23	2143.88	-17.04	-89.23	2070.08	-16.94	-84.39	2055.12	-16.94	-84.39	1975.38		
	M3	15.59	43.91	-1695.26	15.59	43.91	-1621.86	15.59	40.10	-1621.96	15.59	40.10	-1548.55		

BAGO RIVER BRIDGE

BLOCK [ No.1 : MAIN GIRDER ][ BEAM MEMBER FORCE ]

MEMBER			2039			2040			2040			2041				
NODE			2039			2040			2040			2041				
NAME TITLE			SHEAR	TORQUE	MOMENT	SHEAR	TORQUE	MOMENT	SHEAR	TORQUE	MOMENT	SHEAR	TORQUE	MOMENT		
			S2 (kN)	TQ (kN·m)	M3 (kN·m)	S2 (kN)	TQ (kN·m)	M3 (kN·m)	S2 (kN)	TQ (kN·m)	M3 (kN·m)	S2 (kN)	TQ (kN·m)	M3 (kN·m)		
301	LIVE LOAD	2-LANES (caseMAX	S2	250.45	1263.35	1901.03	250.45	1263.35	3079.92	250.45	1270.59	3076.94	250.45	1270.59	4255.84	
			TQ	243.79	1280.17	1644.39	243.79	1280.17	2791.93	243.81	1286.74	2796.67	243.81	1286.74	3944.28	
			M3	176.34	893.13	3898.88	207.14	1020.78	4782.00	207.14	1032.01	4779.59	226.95	1117.94	5806.80	
			MIN	S2	-10.61	-81.41	1714.37	-10.61	-81.41	1664.44	-10.61	-77.50	1664.62	-10.61	-77.50	1614.69
			TQ	-10.03	-88.59	1579.64	-10.03	-88.59	1532.42	-10.05	-85.00	1524.86	-10.05	-85.00	1477.57	
			M3	13.04	102.18	-1651.70	13.04	102.18	-1590.31	13.04	98.44	-1590.54	13.04	98.44	-1529.15	
		3-LANES (caseMAX	S2	632.61	-1216.43	3424.53	508.69	-1275.60	5263.68	508.69	-1263.23	5266.67	463.21	-1264.27	6584.37	
			TQ	-44.96	90.96	2421.50	-44.96	90.96	2209.85	-45.98	96.27	2302.47	-45.98	96.27	2086.05	
			M3	479.43	-906.06	6634.09	431.84	-1184.80	8187.11	431.84	-1165.56	8189.88	364.92	-1224.66	9436.61	
			MIN	S2	-112.68	-29.05	4480.11	-150.31	-69.04	4900.15	-150.31	-57.52	4900.30	-263.87	-135.28	5071.01
			TQ	422.50	-1417.69	2962.06	383.77	-1417.69	4859.64	384.79	-1406.38	4770.12	346.06	-1406.38	6490.19	
			M3	25.04	-57.36	-2256.78	25.04	-57.36	-2138.90	25.04	-62.38	-2138.76	25.04	-62.38	-2020.89	
		3-LANES (caseMAX	S2	340.63	1249.94	2481.81	336.15	1250.18	4007.52	336.15	1259.60	4004.57	331.82	1258.26	5522.01	
			TQ	328.39	1271.26	2135.68	326.45	1271.26	3679.11	326.37	1279.92	3691.32	321.15	1279.92	5215.29	
			M3	245.76	854.01	5222.65	278.46	1002.25	6385.08	278.46	1017.25	6382.71	297.12	1121.39	7700.88	
			MIN	S2	-20.92	-102.80	2663.20	-21.67	-103.04	2630.07	-21.67	-96.86	2630.31	-22.56	-95.52	2580.87
			TQ	-15.43	-112.57	2413.90	-18.72	-112.57	2331.27	-18.64	-107.11	2316.32	-18.64	-107.11	2228.56	
			M3	19.07	74.69	-2147.44	19.07	74.69	-2057.69	19.07	69.85	-2057.86	19.07	69.85	-1968.12	
		3-LANES (caseMAX	S2	339.77	1268.49	2497.20	335.30	1268.73	4018.87	335.30	1278.17	4015.87	330.96	1276.84	5529.27	
			TQ	327.53	1289.80	2150.83	325.59	1289.80	3690.20	325.51	1298.48	3702.37	320.29	1298.48	5222.29	
			M3	245.92	850.26	5213.35	278.63	998.50	6376.56	278.63	1013.48	6374.20	297.28	1117.60	7693.15	
MIN	S2		-20.79	-106.73	2654.79	-21.54	-106.97	2622.28	-21.54	-100.81	2622.52	-22.43	-99.47	2573.70		
TQ	-15.33		-116.64	2405.64	-18.61	-116.64	2323.51	-18.53	-111.20	2308.58	-18.53	-111.20	2221.33			
M3	17.44		111.60	-2119.77	17.44	111.60	-2037.67	17.44	106.81	-2037.92	17.44	106.81	-1955.82			

BAGO RIVER BRIDGE

BLOCK [ No.1 : MAIN GIRDER ][ BEAM MEMBER FORCE ]

MEMBER					2039			2040			2041					
NODE					2039			2040			2040			2041		
NAME TITLE					SHEAR	TORQUE	MOMENT	SHEAR	TORQUE	MOMENT	SHEAR	TORQUE	MOMENT	SHEAR	TORQUE	MOMENT
					S2 (kN)	TQ (kN·m)	M3 (kN·m)	S2 (kN)	TQ (kN·m)	M3 (kN·m)	S2 (kN)	TQ (kN·m)	M3 (kN·m)	S2 (kN)	TQ (kN·m)	M3 (kN·m)
301	LIVE LOAD	4-LANES	MAX	S2	14.78	69.98	-1707.96	14.78	69.98	-1638.40	14.78	66.13	-1638.56	14.78	66.13	-1569.00
				TQ	14.76	70.36	-1708.08	14.76	70.36	-1638.58	14.76	66.51	-1638.74	14.76	66.51	-1569.25
				M3	-6.27	-13.25	665.57	-6.27	-13.27	636.04	-6.27	-11.77	636.07	-6.27	-11.77	606.53
		MIN	S2	-6.27	-13.25	665.57	-6.27	-13.25	636.04	-6.27	-11.76	636.07	-6.27	-11.76	606.53	
			TQ	-6.21	-13.64	660.27	-6.21	-13.64	631.05	-6.20	-12.15	630.87	-6.20	-12.15	601.67	
			M3	14.78	70.12	-1708.30	14.78	70.12	-1638.75	14.78	66.27	-1638.91	14.77	66.29	-1569.37	
	6-LANES	MAX	S2	728.29	-8.84	4491.70	628.02	-36.55	6960.02	628.02	-20.20	6960.09	584.19	-1.15	8954.32	
			TQ	215.07	978.02	2828.56	213.59	978.02	3839.16	209.48	987.89	4297.79	205.48	987.89	5274.41	
			M3	546.46	-72.25	8783.88	511.37	-106.80	10791.69	511.37	-81.46	10791.91	485.35	-88.53	12638.54	
		MIN	S2	-98.64	-107.94	5393.15	-133.04	-115.80	5826.13	-133.04	-102.10	5826.39	-222.96	-149.24	5907.49	
			TQ	296.38	-1089.66	4248.50	266.73	-1089.66	5572.07	267.43	-1076.64	5503.91	240.29	-1076.64	6698.86	
			M3	31.86	37.68	-3271.67	31.86	37.68	-3121.71	31.86	30.35	-3121.79	31.84	30.76	-2971.86	
LIVE LOAD	MAX	728.29	1289.80	8783.88	628.02	1289.80	10791.69	628.02	1298.48	10791.91	584.19	1298.48	12638.54			
	MIN	-112.68	-1417.69	-3271.67	-150.31	-1417.69	-3121.71	-150.31	-1406.38	-3121.79	-272.76	-1406.38	-2971.86			
303	SUM TOTAL	TOTAL	MAX	2474.73	983.21	25750.25	2184.56	983.21	35531.67	2184.56	1050.04	35532.54	1950.82	1050.04	44258.90	
			MIN	1633.76	-1724.27	13694.69	1406.22	-1724.27	21618.27	1406.22	-1654.82	21618.84	1093.86	-1654.82	28648.49	

BAGO RIVER BRIDGE

BLOCK [ No.1 : MAIN GIRDER ] [ BEAM MEMBER FORCE ]

MEMBER NODE	2041	2042			2043			2042			2043			
		SHEAR	TORQUE	MOMENT	SHEAR	TORQUE	MOMENT	SHEAR	TORQUE	MOMENT	SHEAR	TORQUE	MOMENT	
NAME TITLE	S2 (kN)	TQ (kN·m)	M3 (kN·m)	S2 (kN)	TQ (kN·m)	M3 (kN·m)	S2 (kN)	TQ (kN·m)	M3 (kN·m)	S2 (kN)	TQ (kN·m)	M3 (kN·m)		
1 PAVEMENT	213.19	-4.01	5017.25	183.17	-4.01	5950.08	183.17	13.68	5950.07	153.12	13.68	6744.25		
3 RAILING	3.91	-0.40	158.13	5.50	-0.40	180.29	5.50	0.13	180.29	7.13	0.13	210.12		
5 CURB	38.71	-3.97	1565.53	54.47	-3.97	1784.85	54.47	1.33	1784.85	70.57	1.33	2080.15		
7 DECK WEIGHT	348.43	-8.45	8197.98	302.80	-8.45	9730.66	302.80	20.47	9730.64	257.23	20.47	11053.19		
8 GIRDER WEIGH	508.16	-30.13	11821.77	420.14	-30.13	14006.53	420.14	11.49	14006.56	331.82	11.49	15782.37		
10 MEDIAN STRIP	130.55	-5.39	2411.11	102.05	-5.39	2958.56	102.05	3.41	2958.56	73.55	3.41	3373.28		
21 ADITIONAL WE	97.56	-2.37	2295.43	84.78	-2.37	2724.58	84.78	5.73	2724.58	72.02	5.73	3094.89		
31 MEDIAN RAILI	7.80	-0.50	153.49	5.50	-0.50	184.81	5.50	0.05	184.81	3.20	0.05	205.35		
51 SUPPORT WEIG	0.00	0.00	-0.00	0.00	0.00	-0.00	0.00	0.00	-0.00	0.00	0.00	-0.00		
52 NOSE WEIGHT	-0.00	0.00	0.01	-0.00	0.00	0.01	-0.00	0.00	0.01	-0.00	0.00	0.01		
61 1-LANE(case1TRUCK-LOAD	MAX	S2	83.68	-304.22	1183.85	83.68	-304.22	1577.71	83.68	-299.53	1578.61	122.99	-247.86	2114.46
		TQ	-32.83	127.31	1390.26	-32.83	127.31	1235.73	-32.83	130.98	1235.35	-32.83	130.98	1080.29
		M3	-25.40	1.14	1778.96	26.39	-152.76	1746.88	26.39	-147.57	1747.33	122.99	-247.86	2114.46
	MIN	S2	-72.10	90.47	1698.20	-34.63	119.98	1353.38	-34.63	124.01	1353.02	-34.63	124.01	1189.44
		TQ	71.90	-314.72	1013.79	71.90	-314.72	1352.21	71.90	-310.70	1353.14	71.90	-310.70	1692.72
		M3	4.39	-28.89	-366.35	4.39	-28.89	-345.68	4.39	-29.92	-345.59	4.39	-29.92	-324.85
	TANDEM-LOAD MAX	S2	61.22	-207.88	818.13	61.22	-207.88	1106.30	61.22	-204.59	1106.92	103.80	-146.64	1438.94
		TQ	-20.01	88.62	884.26	-20.01	88.62	790.06	-20.01	90.97	789.80	-20.01	90.97	695.27
		M3	-36.45	24.08	1215.41	39.89	-150.24	1212.32	39.89	-146.64	1212.76	81.46	-164.81	1444.68
	MIN	S2	-68.41	24.08	1215.41	-28.19	84.09	966.25	-28.19	86.96	966.00	-28.19	86.96	832.87
		TQ	50.42	-214.94	702.66	50.42	-214.94	940.00	50.42	-212.15	940.63	50.42	-212.15	1178.78
		M3	2.99	-19.89	-249.52	2.99	-19.89	-235.44	2.99	-20.59	-235.38	2.99	-20.59	-221.24
	DISPERSION-LMAX	S2	67.45	-353.97	603.20	70.70	-355.83	1047.31	70.70	-352.71	1048.37	81.45	-356.73	1453.76
		TQ	-20.80	80.50	982.24	-15.16	80.50	904.23	-15.16	83.19	903.99	-15.16	83.19	832.36
		M3	37.85	-245.82	2142.91	49.13	-245.82	2347.63	49.13	-238.84	2348.35	60.59	-238.84	2607.50
	MIN	S2	-24.41	73.65	1107.16	-16.38	75.50	892.19	-16.38	78.15	891.96	-15.67	82.17	770.23
		TQ	63.84	-360.82	728.12	69.48	-360.82	1035.28	69.48	-357.74	1036.34	80.95	-357.74	1391.63
		M3	5.19	-34.50	-432.55	5.19	-34.50	-408.12	5.19	-35.72	-408.02	5.19	-35.72	-383.51

BAGO RIVER BRIDGE

BLOCK [ No.1 : MAIN GIRDER ][ BEAM MEMBER FORCE ]

MEMBER				2041			2042			2043					
NODE				2041			2042			2042			2043		
				SHEAR	TORQUE	MOMENT	SHEAR	TORQUE	MOMENT	SHEAR	TORQUE	MOMENT	SHEAR	TORQUE	MOMENT
NAME	TITLE			S2 (kN)	TQ (kN·m)	M3 (kN·m)	S2 (kN)	TQ (kN·m)	M3 (kN·m)	S2 (kN)	TQ (kN·m)	M3 (kN·m)	S2 (kN)	TQ (kN·m)	M3 (kN·m)
62	1-LANE (case2TRUCK-LOAD	MAX	S2	214.80	-26.65	1561.59	133.34	-33.26	1922.94	133.34	-27.54	1923.03	76.63	-39.69	1889.80
			TQ	-8.37	24.45	693.84	-8.37	24.45	654.43	-8.37	26.39	654.36	-8.37	26.39	614.81
			M3	201.69	-23.72	1564.70	120.74	-30.69	1942.63	120.74	-24.92	1942.71	55.72	-35.34	1901.86
		MIN	S2	-25.57	-11.58	1487.48	-82.28	-24.39	1858.97	-82.28	-18.87	1859.03	-163.81	-25.46	1844.83
			TQ	45.58	-85.61	712.91	45.58	-85.61	927.47	45.58	-82.86	927.72	45.58	-82.86	1143.01
			M3	4.20	-9.67	-360.92	4.20	-9.67	-341.15	4.20	-10.68	-341.12	4.20	-10.68	-321.28
		TANDEM-LOAD MAX	S2	173.32	-16.03	1172.68	114.73	-20.31	1459.30	114.73	-15.97	1459.35	61.29	-21.17	1407.57
			TQ	-6.55	17.03	537.57	-6.55	17.03	506.72	-6.55	18.54	506.67	-6.55	18.54	475.71
			M3	173.32	-16.03	1172.68	114.73	-20.31	1459.30	114.73	-15.97	1459.35	61.29	-21.17	1407.57
		MIN	S2	-26.34	-13.89	1161.60	-80.56	-19.33	1449.94	-80.56	-15.03	1449.99	-138.48	-19.18	1400.95
			TQ	31.61	-58.53	495.63	31.61	-58.53	644.40	31.61	-56.61	644.57	31.61	-56.61	793.85
			M3	2.86	-6.65	-245.78	2.86	-6.65	-232.31	2.86	-7.34	-232.29	2.86	-7.34	-218.78
		DISPERSION-LMAX	S2	98.86	-102.05	725.60	72.45	-98.95	878.55	72.45	-96.34	878.84	56.12	-93.22	910.73
			TQ	-5.99	13.44	553.60	-5.99	13.44	525.39	-5.45	15.05	561.29	-6.21	15.05	534.65
			M3	84.52	-79.16	1923.12	47.89	-79.16	2234.75	47.89	-72.51	2234.98	11.17	-72.51	2374.45
MIN	S2	-9.39	11.46	772.46	-19.61	8.36	954.42	-19.61	11.20	954.39	-40.00	8.08	1085.34		
	TQ	95.46	-104.03	944.45	58.83	-104.03	1307.58	58.29	-100.19	1271.94	22.33	-100.19	1461.42		
	M3	4.95	-11.43	-425.06	4.95	-11.43	-401.78	4.95	-12.63	-401.75	4.95	-12.63	-378.38		
63	1-LANE (case3TRUCK-LOAD	MAX	S2	64.20	83.03	1114.72	64.20	83.03	1416.91	64.20	87.24	1416.66	64.20	87.24	1719.89
			TQ	53.86	96.31	912.66	53.86	96.31	1166.16	53.86	99.78	1165.87	53.86	99.78	1420.24
			M3	35.82	-11.22	1410.39	49.82	36.33	1540.89	49.82	40.91	1540.77	58.21	79.62	1732.18
		MIN	S2	-15.49	-39.81	1343.56	-15.49	-39.81	1270.63	-15.49	-36.04	1270.74	-15.49	-36.04	1197.56
			TQ	-12.54	-47.05	1101.33	-12.54	-47.05	1042.30	-12.54	-43.95	1042.44	-12.54	-43.95	983.21
			M3	4.06	4.91	-357.23	4.06	4.91	-338.12	4.06	3.90	-338.14	4.06	3.90	-318.96

BAGO RIVER BRIDGE

BLOCK [ No.1 : MAIN GIRDER ][ BEAM MEMBER FORCE ]

MEMBER		2041			2042			2042			2043				
NODE		2041			2042			2042			2043				
		SHEAR	TORQUE	MOMENT	SHEAR	TORQUE	MOMENT	SHEAR	TORQUE	MOMENT	SHEAR	TORQUE	MOMENT		
NAME	TITLE	S2 (kN)	TQ (kN·m)	M3 (kN·m)	S2 (kN)	TQ (kN·m)	M3 (kN·m)	S2 (kN)	TQ (kN·m)	M3 (kN·m)	S2 (kN)	TQ (kN·m)	M3 (kN·m)		
63	1-LANE (case3TANDEM-LOAD	MAX	S2	44.29	50.05	797.16	44.29	50.05	1005.63	44.29	53.04	1005.47	44.29	53.04	1214.65
			TQ	37.08	65.72	631.24	37.08	65.72	805.80	37.08	68.12	805.60	37.08	68.12	980.75
			M3	24.96	-15.92	993.06	35.65	18.38	1073.81	35.65	21.57	1073.75	44.29	53.04	1214.65
		MIN	S2	-11.13	-31.88	871.97	-11.13	-31.88	819.58	-11.13	-29.45	819.68	-11.13	-29.45	767.11
			TQ	-10.58	-33.28	829.51	-10.58	-33.28	779.69	-10.58	-30.96	779.79	-10.58	-30.96	729.80
			M3	2.76	3.38	-243.25	2.76	3.38	-230.24	2.76	2.70	-230.25	2.76	2.70	-217.20
	DISPERSION-LMAX	S2	65.60	106.54	666.81	60.77	107.29	845.22	60.77	109.80	844.90	55.94	108.05	1031.65	
		TQ	62.28	107.45	581.54	60.46	107.45	872.54	59.19	110.18	967.12	53.06	110.18	1232.19	
		M3	52.98	74.80	1836.15	46.84	74.80	2071.09	46.84	80.95	2070.86	40.71	80.95	2277.63	
		MIN	S2	-7.85	-25.72	749.70	-9.16	-26.46	828.67	-9.16	-24.00	828.74	-10.46	-22.25	871.27
			TQ	-4.53	-26.62	834.98	-8.85	-26.62	801.35	-7.58	-24.38	706.52	-7.58	-24.38	670.73
			M3	4.77	6.03	-419.63	4.77	6.03	-397.20	4.77	4.85	-397.22	4.77	4.85	-374.71
64	1-LANE (case4TRUCK-LOAD	MAX	S2	48.85	274.38	848.66	48.85	274.38	1078.62	48.85	277.58	1077.80	48.85	277.58	1308.55
			TQ	46.96	280.52	751.41	46.96	280.52	972.43	46.96	283.41	971.59	46.96	283.41	1193.38
			M3	25.50	113.22	1106.43	27.50	133.42	1231.81	27.50	137.08	1231.41	41.92	233.77	1391.32
		MIN	S2	-6.77	-95.15	704.38	-6.77	-95.15	672.52	-6.77	-93.15	672.80	-6.77	-93.15	640.84
			TQ	-6.77	-95.15	704.38	-6.77	-95.15	672.52	-6.77	-93.15	672.80	-6.77	-93.15	640.84
			M3	3.80	34.60	-351.87	3.80	34.60	-333.99	3.80	33.61	-334.09	3.80	33.61	-316.15
	TANDEM-LOAD	MAX	S2	33.57	189.58	560.42	33.57	189.58	718.45	33.57	191.71	717.89	33.57	191.71	876.46
			TQ	33.28	191.17	541.92	33.28	191.17	698.57	33.28	193.24	698.00	33.28	193.24	855.19
			M3	16.47	64.93	752.17	18.80	99.57	839.04	18.80	102.06	838.74	27.25	153.85	947.49
		MIN	S2	-5.23	-67.33	503.23	-5.23	-67.33	478.60	-5.23	-65.91	478.80	-5.23	-65.91	454.08
			TQ	-5.23	-67.33	503.23	-5.23	-67.33	478.60	-5.23	-65.91	478.80	-5.23	-65.91	454.08
			M3	2.59	23.84	-239.64	2.59	23.84	-227.47	2.59	23.17	-227.54	2.59	23.17	-215.33

BAGO RIVER BRIDGE

BLOCK [ No.1 : MAIN GIRDER ][ BEAM MEMBER FORCE ]

MEMBER		2041			2042			2042			2043						
NODE		2041			2042			2042			2043						
		SHEAR	TORQUE	MOMENT	SHEAR	TORQUE	MOMENT	SHEAR	TORQUE	MOMENT	SHEAR	TORQUE	MOMENT				
NAME	TITLE	S2 (kN)	TQ (kN·m)	M3 (kN·m)	S2 (kN)	TQ (kN·m)	M3 (kN·m)	S2 (kN)	TQ (kN·m)	M3 (kN·m)	S2 (kN)	TQ (kN·m)	M3 (kN·m)				
64	1-LANE (case4DISPERSION-LMAX	S2	54.50	325.30	790.46	54.50	325.30	1046.98	54.50	328.41	1046.01	54.50	328.41	1303.40			
		TQ	53.29	331.11	636.12	53.29	331.11	886.97	53.43	333.76	896.45	53.43	333.76	1148.79			
		M3	45.78	234.25	1681.19	45.78	234.25	1896.70	45.78	239.89	1896.00	45.78	239.89	2112.25			
		MIN	S2	-4.28	-51.41	480.32	-4.28	-51.41	460.20	-4.28	-50.04	460.35	-4.28	-50.04	440.16		
		TQ	-3.07	-57.22	634.66	-3.07	-57.22	620.20	-3.20	-55.39	609.91	-3.20	-55.39	594.78			
		M3	4.44	39.64	-410.41	4.44	39.64	-389.53	4.44	38.48	-389.64	4.44	38.48	-368.69			
		65	2-LANES (caseTRUCK-LOAD	MAX	S2	203.48	-337.08	2846.44	181.35	-405.34	3465.13	181.35	-395.04	3466.32	202.44	-397.81	4105.71
				TQ	-47.05	198.19	2356.64	-47.05	198.19	2135.19	-47.05	204.53	2134.59	-47.05	204.53	1912.38	
				M3	81.95	-13.50	3450.09	111.82	-235.64	3648.31	111.82	-224.80	3648.99	188.77	-384.62	4122.84	
MIN	S2			-100.60	124.78	3289.46	-80.52	99.33	3177.94	-80.52	108.77	3177.63	-102.69	39.94	3139.04		
TQ	131.08			-508.90	1942.49	131.08	-508.90	2559.51	126.51	-501.54	2458.68	126.51	-501.54	3056.19			
M3	8.69			-48.19	-729.95	8.69	-48.19	-689.06	8.69	-50.24	-688.91	8.69	-50.24	-647.88			
TANDEM-LOAD	MAX			S2	149.73	-207.08	2028.17	134.15	-255.53	2479.01	134.15	-248.17	2479.75	161.98	-236.04	2882.73	
TQ	-28.81			137.38	1488.56	-28.81	137.38	1352.95	-31.03	141.42	1475.15	-31.03	141.42	1328.58			
M3	52.06			24.88	2425.45	112.82	-197.89	2585.02	112.82	-190.21	2585.60	139.64	-254.21	2888.46			
MIN	S2	-91.54	34.82	2415.02	-66.10	48.65	2329.80	-66.10	55.57	2329.65	-81.57	7.25	2270.71				
TQ	89.51	-347.67	1313.61	89.51	-347.67	1734.95	88.24	-342.58	1707.42	88.24	-342.58	2124.17					
M3	5.92	-33.17	-497.14	5.92	-33.17	-469.28	5.92	-34.56	-469.18	5.92	-34.56	-441.23					
DISPERSION-LMAX	S2	153.34	-583.26	1378.76	142.03	-582.06	1957.78	142.03	-576.24	1959.50	141.05	-571.21	2446.29				
TQ	-32.24	124.44	1813.99	-27.34	124.44	1679.55	-27.91	129.48	1707.93	-27.91	129.48	1576.13					
M3	106.61	-408.22	4166.30	97.67	-408.22	4647.06	97.67	-394.41	4648.26	88.76	-394.41	5088.55					
MIN	S2	-36.48	117.55	1926.19	-34.10	116.35	1876.21	-34.10	121.93	1875.86	-42.04	116.90	1877.80				
TQ	149.10	-590.14	1490.95	135.26	-590.14	2154.44	135.83	-583.78	2127.42	126.92	-583.78	2747.97					
M3	10.26	-57.49	-861.35	10.26	-57.49	-813.07	10.26	-59.90	-812.90	10.26	-59.90	-764.45					



BAGO RIVER BRIDGE

BLOCK [ No.1 : MAIN GIRDER ][ BEAM MEMBER FORCE ]

MEMBER				2041			2042			2043						
NODE				2041			2042			2042			2043			
				SHEAR	TORQUE	MOMENT	SHEAR	TORQUE	MOMENT	SHEAR	TORQUE	MOMENT	SHEAR	TORQUE	MOMENT	
NAME	TITLE			S2 (kN)	TQ (kN·m)	M3 (kN·m)	S2 (kN)	TQ (kN·m)	M3 (kN·m)	S2 (kN)	TQ (kN·m)	M3 (kN·m)	S2 (kN)	TQ (kN·m)	M3 (kN·m)	
66	2-LANES (caseTRUCK-LOAD	MAX	S2	334.60	-59.51	3224.18	231.01	-134.38	3810.35	231.01	-123.06	3810.74	156.08	-189.64	3881.05	
			TQ	-22.59	95.33	1660.22	-22.59	95.33	1553.89	-22.59	99.95	1553.60	-22.59	99.95	1446.90	
			M3	309.04	-38.36	3235.82	206.17	-113.57	3844.05	206.17	-102.15	3844.37	121.50	-172.09	3910.24	
			MIN	S2	-54.07	22.73	3078.73	-128.16	-45.05	3683.53	-128.16	-34.10	3683.64	-231.87	-109.53	3794.42
				TQ	104.77	-279.79	1641.61	104.77	-279.79	2134.76	100.19	-273.69	2033.26	100.19	-273.69	2506.48
				M3	8.50	-28.96	-724.52	8.50	-28.96	-684.53	8.50	-31.00	-684.44	8.50	-31.00	-644.32
		TANDEM-LOAD	MAX	S2	261.83	-15.24	2382.72	187.66	-67.96	2832.00	187.66	-59.55	2832.19	119.47	-110.57	2851.36
				TQ	-15.35	65.79	1141.86	-15.35	65.79	1069.61	-17.57	68.99	1192.02	-17.57	68.99	1109.02
				M3	261.83	-15.24	2382.72	187.66	-67.96	2832.00	187.66	-59.55	2832.19	119.47	-110.57	2851.36
			MIN	S2	-49.47	-3.15	2361.21	-118.47	-54.78	2813.49	-118.47	-46.42	2813.64	-191.86	-98.90	2838.79
				TQ	70.70	-191.26	1106.57	70.70	-191.26	1439.35	69.42	-187.05	1411.36	69.42	-187.05	1739.24
				M3	5.79	-19.93	-493.40	5.79	-19.93	-466.16	5.79	-21.32	-466.10	5.79	-21.32	-438.77
		DISPERSION-LMAX	MAX	S2	184.75	-331.33	1501.15	143.79	-325.18	1789.02	143.79	-319.86	1789.98	115.72	-307.71	1903.27
				TQ	-17.43	57.38	1385.35	-18.17	57.38	1300.71	-18.19	61.34	1365.24	-18.96	61.34	1278.42
				M3	153.27	-241.55	3946.50	96.43	-241.55	4534.19	96.43	-228.08	4534.88	39.33	-228.08	4855.50
			MIN	S2	-21.46	55.36	1591.48	-37.34	49.21	1938.44	-37.34	54.97	1938.28	-66.37	42.81	2192.90
				TQ	180.71	-333.35	1707.28	124.61	-333.35	2426.75	124.64	-326.23	2363.02	68.30	-326.23	2817.75
				M3	10.01	-34.42	-853.87	10.01	-34.42	-806.73	10.01	-36.81	-806.63	10.01	-36.81	-759.33
67	2-LANES (caseTRUCK-LOAD	MAX	S2	117.35	256.37	2090.75	117.35	256.37	2643.13	117.35	264.23	2642.36	117.35	264.23	3196.64	
			TQ	101.53	285.47	1704.27	101.53	285.47	2182.15	101.53	291.95	2181.30	101.53	291.95	2660.82	
			M3	46.18	-0.03	2667.13	86.73	127.54	2906.63	86.73	136.18	2906.24	105.87	212.87	3299.38	
			MIN	S2	-22.88	-101.74	2384.58	-22.88	-101.74	2276.90	-22.88	-94.98	2277.19	-22.88	-94.98	2169.13
				TQ	-19.36	-116.66	1943.85	-19.36	-116.66	1852.71	-19.36	-111.15	1853.05	-19.36	-111.15	1761.60
				M3	8.03	19.55	-712.56	8.03	19.55	-674.76	8.03	17.55	-674.81	8.03	17.55	-636.88

BAGO RIVER BRIDGE

BLOCK [ No.1 : MAIN GIRDER ][ BEAM MEMBER FORCE ]

MEMBER		2041			2042			2042			2043						
NODE		2041			2042			2042			2043						
		SHEAR	TORQUE	MOMENT	SHEAR	TORQUE	MOMENT	SHEAR	TORQUE	MOMENT	SHEAR	TORQUE	MOMENT				
NAME	TITLE	S2 (kN)	TQ (kN·m)	M3 (kN·m)	S2 (kN)	TQ (kN·m)	M3 (kN·m)	S2 (kN)	TQ (kN·m)	M3 (kN·m)	S2 (kN)	TQ (kN·m)	M3 (kN·m)				
67	2-LANES (caseTANDEM-LOAD	MAX	S2	80.91	160.87	1493.54	80.91	160.87	1874.41	80.91	166.44	1873.92	80.91	166.44	2256.10		
			TQ	69.93	194.95	1179.95	69.93	194.95	1509.10	69.93	199.44	1508.52	69.93	199.44	1838.80		
			M3	28.25	-18.01	1855.88	65.34	92.62	2003.59	65.34	98.58	2003.31	76.57	139.39	2290.27		
		MIN	S2	-16.20	-69.17	1641.18	-16.20	-69.17	1564.93	-16.20	-64.52	1565.13	-16.20	-64.52	1488.61		
			TQ	-15.00	-81.18	1362.96	-15.00	-81.18	1292.36	-15.00	-77.34	1292.60	-15.00	-77.34	1221.76		
			M3	5.47	13.47	-485.22	5.47	13.47	-459.48	5.47	12.11	-459.52	5.47	12.11	-433.69		
			DISPERSION-LMAX	S2	122.09	321.09	1353.69	117.26	321.84	1798.01	117.26	327.18	1797.05	112.43	325.43	2250.62	
				TQ	118.58	322.91	1197.54	116.76	322.91	1753.56	115.53	328.27	1858.56	109.40	328.27	2389.74	
				M3	99.25	230.74	3599.46	93.11	230.74	4052.17	93.11	242.78	4051.47	86.98	242.78	4476.75	
			MIN	S2	-13.43	-66.78	1409.68	-14.74	-67.53	1462.41	-14.74	-63.18	1462.60	-16.04	-61.43	1478.80	
				TQ	-9.91	-68.60	1565.83	-14.24	-68.60	1506.85	-13.00	-64.27	1401.09	-13.00	-64.27	1339.68	
				M3	9.42	23.57	-836.08	9.42	23.57	-791.75	9.42	21.22	-791.82	9.42	21.22	-747.34	
		68	2-LANES (caseTRUCK-LOAD	MAX	S2	102.01	447.70	1824.69	102.01	447.70	2304.85	102.01	454.54	2303.51	102.01	454.54	2785.32
					TQ	94.63	469.63	1543.02	94.63	469.63	1988.43	94.63	475.54	1987.02	94.63	475.54	2433.96
					M3	35.86	124.41	2363.17	64.42	224.63	2597.56	64.42	232.35	2596.88	89.58	367.02	2958.53
MIN	S2			-14.15	-157.08	1745.40	-14.15	-157.08	1678.79	-14.15	-152.09	1679.25	-14.15	-152.09	1612.40		
	TQ			-13.59	-164.76	1546.90	-13.59	-164.76	1482.93	-13.59	-160.36	1483.42	-13.59	-160.36	1419.23		
	M3			7.68	59.46	-705.43	7.68	59.46	-669.27	7.68	57.47	-669.44	7.68	57.47	-633.16		
	TANDEM-LOAD			MAX	S2	70.20	300.39	1256.80	70.20	300.39	1587.25	70.20	305.11	1586.35	70.20	305.11	1917.93
				TQ	66.12	320.37	1090.63	66.12	320.37	1401.88	66.12	324.54	1400.92	66.12	324.54	1713.24	
				M3	19.76	62.85	1615.00	48.49	173.82	1768.82	48.49	179.07	1768.29	59.53	240.20	2023.11	
	MIN			S2	-10.30	-104.61	1272.44	-10.30	-104.61	1223.94	-10.30	-100.98	1224.25	-10.30	-100.98	1175.59	
				TQ	-9.65	-115.23	1036.69	-9.65	-115.23	991.27	-9.65	-112.28	991.61	-9.65	-112.28	946.04	
				M3	5.23	40.98	-480.42	5.23	40.98	-455.80	5.23	39.62	-455.92	5.23	39.62	-431.23	

BAGO RIVER BRIDGE

BLOCK [ No.1 : MAIN GIRDER ][ BEAM MEMBER FORCE ]

MEMBER			2041			2042			2042			2043				
NODE			2041			2042			2042			2043				
NAME TITLE			SHEAR	TORQUE	MOMENT	SHEAR	TORQUE	MOMENT	SHEAR	TORQUE	MOMENT	SHEAR	TORQUE	MOMENT		
			S2 (kN)	TQ (kN·m)	M3 (kN·m)	S2 (kN)	TQ (kN·m)	M3 (kN·m)	S2 (kN)	TQ (kN·m)	M3 (kN·m)	S2 (kN)	TQ (kN·m)	M3 (kN·m)		
68	2-LANES (caseDISPERSION-LMAX	S2	110.89	550.48	1480.22	110.89	550.48	2002.16	110.89	556.42	2000.52	110.89	556.42	2524.25		
		TQ	109.49	557.19	1255.01	109.49	557.19	1770.39	109.66	562.48	1790.25	109.66	562.48	2308.21		
		M3	92.10	387.96	3441.71	92.10	387.96	3875.21	92.10	399.48	3874.04	92.10	399.48	4309.04		
	MIN	S2	-9.80	-94.68	1137.50	-9.80	-94.68	1091.36	-9.80	-91.43	1091.64	-9.80	-91.43	1045.34		
		TQ	-8.41	-101.40	1362.72	-8.41	-101.40	1323.14	-8.58	-97.49	1301.90	-8.58	-97.49	1261.38		
		M3	8.99	67.84	-823.98	8.99	67.84	-781.69	8.99	65.51	-781.89	8.99	65.51	-739.44		
	69	3-LANES (caseTRUCK-LOAD	MAX	S2	418.28	-363.72	4408.03	314.69	-438.60	5388.07	314.69	-422.58	5389.34	279.07	-437.50	5995.51
			TQ	-55.42	222.64	3050.48	-55.42	222.64	2789.62	-55.42	230.93	2788.95	-55.42	230.93	2527.19	
			M3	283.64	-37.22	5014.79	232.55	-266.33	5590.94	232.55	-249.71	5591.70	244.49	-419.95	6024.70	
MIN		S2	-126.17	113.20	4776.93	-162.79	74.94	5036.91	-162.79	89.90	5036.66	-266.50	14.48	4983.86		
		TQ	176.67	-594.51	2655.40	176.67	-594.51	3486.98	172.09	-584.39	3386.40	172.09	-584.39	4199.20		
		M3	12.89	-57.86	-1090.87	12.89	-57.86	-1030.21	12.89	-60.92	-1030.03	12.89	-60.92	-969.16		
TANDEM-LOAD		MAX	S2	323.05	-223.12	3200.85	248.88	-275.84	3938.30	248.88	-264.14	3939.11	223.27	-257.21	4290.30	
		TQ	-35.36	154.41	2026.13	-35.36	154.41	1859.67	-37.59	159.96	1981.82	-37.59	159.96	1804.29		
		M3	225.38	8.85	3598.13	227.55	-218.20	4044.32	227.55	-206.18	4044.95	200.94	-275.38	4296.04		
MIN		S2	-117.88	20.93	3576.62	-146.66	29.32	3779.74	-146.66	40.55	3779.63	-220.04	-11.93	3671.66		
		TQ	121.12	-406.20	1809.23	121.12	-406.20	2379.35	119.84	-399.20	2351.99	119.84	-399.20	2918.03		
		M3	8.78	-39.82	-742.92	8.78	-39.82	-701.60	8.78	-41.90	-701.48	8.78	-41.90	-660.01		
DISPERSION-LMAX		S2	252.20	-685.30	2104.36	214.48	-681.01	2836.33	214.48	-672.58	2838.34	197.17	-664.43	3357.03		
		TQ	-38.23	137.88	2367.60	-33.33	137.88	2204.94	-33.35	144.52	2269.22	-34.12	144.52	2110.78		
		M3	191.12	-487.37	6089.41	145.56	-487.37	6881.82	145.56	-466.92	6883.23	99.92	-466.92	7463.00		
MIN	S2	-45.87	129.01	2698.64	-53.72	124.71	2830.63	-53.72	133.13	2830.25	-82.04	124.98	2963.13			
	TQ	244.56	-694.17	2435.41	194.10	-694.17	3462.02	194.12	-683.97	3399.37	149.25	-683.97	4209.38			
	M3	15.20	-68.92	-1286.41	15.20	-68.92	-1214.85	15.20	-72.53	-1214.64	15.20	-72.53	-1142.84			

BAGO RIVER BRIDGE

BLOCK [ No.1 : MAIN GIRDER ][ BEAM MEMBER FORCE ]

MEMBER				2041			2042			2043					
NODE				2041			2042			2043					
				SHEAR	TORQUE	MOMENT	SHEAR	TORQUE	MOMENT	SHEAR	TORQUE	MOMENT			
NAME	TITLE			S2 (kN)	TQ (kN·m)	M3 (kN·m)	S2 (kN)	TQ (kN·m)	M3 (kN·m)	S2 (kN)	TQ (kN·m)	M3 (kN·m)			
70	3-LANES (caseTRUCK-LOAD	MAX	S2	166.21	530.79	2939.40	166.21	530.79	3721.75	166.21	541.85	3720.16	166.21	541.85	4505.18
			TQ	148.48	566.02	2455.66	148.48	566.02	3154.57	148.48	575.40	3152.87	148.48	575.40	3854.18
			M3	71.68	113.24	3773.57	114.23	260.97	4138.46	114.23	273.27	4137.67	147.78	446.64	4690.72
		MIN	S2	-29.65	-196.90	3088.96	-29.65	-196.90	2949.42	-29.65	-188.13	2949.99	-29.65	-188.13	2809.97
			TQ	-26.13	-211.81	2648.23	-26.13	-211.81	2525.23	-26.13	-204.31	2525.85	-26.13	-204.31	2402.44
			M3	11.92	43.94	-1066.20	11.92	43.94	-1010.10	11.92	40.94	-1010.22	11.92	40.94	-953.93
		TANDEM-LOAD MAX	S2	114.49	350.47	2053.96	114.49	350.47	2592.86	114.49	358.18	2591.81	114.49	358.18	3132.56
			TQ	103.21	386.15	1721.86	103.21	386.15	2207.67	103.21	392.71	2206.51	103.21	392.71	2693.98
			M3	44.72	46.92	2608.05	84.14	192.20	2842.63	84.14	200.65	2842.05	103.81	293.24	3237.75
		MIN	S2	-21.43	-136.50	2144.41	-21.43	-136.50	2043.53	-21.43	-130.42	2043.93	-21.43	-130.42	1942.70
			TQ	-20.23	-148.51	1866.19	-20.23	-148.51	1770.97	-20.23	-143.25	1771.40	-20.23	-143.25	1675.85
			M3	8.11	30.27	-726.05	8.11	30.27	-687.85	8.11	28.23	-687.94	8.11	28.23	-649.61
		DISPERSION-LMAX	S2	176.70	635.82	2141.71	171.87	636.57	2843.08	171.87	645.02	2841.17	167.04	643.27	3552.68
			TQ	171.99	643.45	1831.21	170.17	643.45	2638.62	169.07	651.46	2753.13	162.94	651.46	3537.18
			M3	144.99	467.26	5284.06	138.85	467.26	5952.10	138.85	484.94	5950.68	132.72	484.94	6592.03
MIN	S2	-17.75	-116.01	1892.91	-19.06	-116.76	1925.29	-19.06	-111.03	1925.63	-20.36	-109.28	1921.40		
	TQ	-13.03	-123.63	2203.41	-17.36	-123.63	2129.74	-16.25	-117.47	2013.67	-16.25	-117.47	1936.90		
	M3	13.96	52.56	-1249.44	13.96	52.56	-1183.73	13.96	49.04	-1183.88	13.96	49.04	-1117.95		
71	3-LANES (caseTRUCK-LOAD	MAX	S2	166.21	530.72	2939.41	166.21	530.72	3721.77	166.21	541.78	3720.18	166.21	541.78	4505.22
			TQ	148.48	565.91	2455.69	148.48	565.91	3154.60	148.48	575.28	3152.91	148.48	575.28	3854.22
			M3	71.68	113.19	3773.57	114.24	260.96	4138.44	114.24	273.26	4137.65	147.79	446.63	4690.72
		MIN	S2	-29.65	-196.90	3088.96	-29.65	-196.90	2949.42	-29.65	-188.13	2949.99	-29.65	-188.13	2809.97
			TQ	-26.13	-211.81	2648.23	-26.13	-211.81	2525.23	-26.13	-204.31	2525.85	-26.13	-204.31	2402.44
			M3	11.65	74.57	-1060.68	11.65	74.57	-1005.84	11.65	71.59	-1006.06	11.65	71.59	-951.03

BAGO RIVER BRIDGE

BLOCK [ No.1 : MAIN GIRDER ][ BEAM MEMBER FORCE ]

MEMBER				2041			2042			2043								
NODE				2041			2042			2042			2043					
				SHEAR	TORQUE	MOMENT	SHEAR	TORQUE	MOMENT	SHEAR	TORQUE	MOMENT	SHEAR	TORQUE	MOMENT			
NAME	TITLE			S2 (kN)	TQ (kN·m)	M3 (kN·m)	S2 (kN)	TQ (kN·m)	M3 (kN·m)	S2 (kN)	TQ (kN·m)	M3 (kN·m)	S2 (kN)	TQ (kN·m)	M3 (kN·m)			
71	3-LANES (case)	TANDEM-LOAD	MAX	S2	114.49	350.44	2053.96	114.49	350.44	2592.87	114.49	358.14	2591.82	114.49	358.14	3132.58		
				TQ	103.21	386.07	1721.88	103.21	386.07	2207.68	103.21	392.63	2206.53	103.21	392.63	2694.00		
				M3	44.72	46.92	2608.05	84.14	192.19	2842.63	84.14	200.64	2842.04	103.81	293.24	3237.77		
			MIN	S2	-21.43	-136.50	2144.41	-21.43	-136.50	2043.53	-21.43	-130.42	2043.93	-21.43	-130.42	1942.70		
				TQ	-20.23	-148.51	1866.19	-20.23	-148.51	1770.97	-20.23	-143.25	1771.40	-20.23	-143.25	1675.85		
				M3	7.93	51.40	-722.32	7.93	51.40	-685.00	7.93	49.37	-685.15	7.93	49.37	-647.69		
			DISPERSION-LMAX	S2	176.38	667.70	2150.04	171.55	668.45	2849.90	171.55	676.91	2847.90	166.72	675.16	3557.88		
				TQ	171.70	675.33	1836.79	169.88	675.33	2642.83	169.71	683.24	2679.70	163.58	683.24	3466.81		
				M3	145.13	460.50	5274.98	138.99	460.50	5943.66	138.99	478.16	5942.27	132.86	478.16	6584.26		
			MIN	S2	-17.61	-122.62	1884.32	-18.92	-123.36	1917.38	-18.92	-117.66	1917.74	-20.22	-115.91	1914.19		
				TQ	-12.92	-130.24	2197.58	-17.24	-130.24	2124.45	-17.08	-123.99	2085.94	-17.08	-123.99	2005.27		
				M3	13.65	84.59	-1240.61	13.65	84.59	-1176.38	13.65	81.09	-1176.63	13.65	81.09	-1112.18		
		72	4-LANES	TRUCK-LOAD	MAX	S2	15.68	77.14	-1414.23	15.68	77.14	-1340.41	15.68	73.16	-1340.63	15.68	73.16	-1266.55
						TQ	15.68	77.14	-1414.23	15.68	77.14	-1340.41	15.68	73.16	-1340.63	15.68	73.16	-1266.55
						M3	-4.77	-7.91	420.99	-4.77	-7.91	398.54	-4.77	-6.72	398.56	-4.77	-6.72	376.03
	MIN			S2	-4.77	-7.87	420.98	-4.77	-7.87	398.53	-4.77	-6.69	398.55	-4.77	-6.69	376.02		
				TQ	-4.52	-8.30	399.40	-4.52	-8.30	378.13	-4.33	-7.18	362.06	-4.33	-7.18	341.63		
				M3	15.68	77.14	-1414.23	15.68	77.14	-1340.41	15.68	73.16	-1340.63	15.68	73.16	-1266.55		
	TANDEM-LOAD			MAX	S2	10.70	54.45	-965.63	10.70	54.45	-915.28	10.70	51.73	-915.44	10.70	51.73	-864.91	
					TQ	10.70	54.45	-965.63	10.70	54.45	-915.28	10.70	51.73	-915.44	10.70	51.73	-864.91	
					M3	-3.24	-5.47	286.09	-3.24	-5.47	270.83	-3.24	-4.67	270.85	-3.24	-4.67	255.54	
	MIN			S2	-3.24	-5.47	286.09	-3.24	-5.47	270.83	-3.24	-4.67	270.85	-3.24	-4.67	255.54		
				TQ	-3.10	-5.65	274.23	-3.10	-5.65	259.62	-2.96	-4.88	248.12	-2.96	-4.88	234.12		
				M3	10.70	54.45	-965.63	10.70	54.45	-915.28	10.70	51.73	-915.44	10.70	51.73	-864.91		

BAGO RIVER BRIDGE

BLOCK [ No.1 : MAIN GIRDER ][ BEAM MEMBER FORCE ]

MEMBER				2041			2042			2043								
NODE				2041			2042			2042			2043					
				SHEAR	TORQUE	MOMENT	SHEAR	TORQUE	MOMENT	SHEAR	TORQUE	MOMENT	SHEAR	TORQUE	MOMENT			
NAME	TITLE			S2 (kN)	TQ (kN·m)	M3 (kN·m)	S2 (kN)	TQ (kN·m)	M3 (kN·m)	S2 (kN)	TQ (kN·m)	M3 (kN·m)	S2 (kN)	TQ (kN·m)	M3 (kN·m)			
72	4-LANES	DISPERSION-LMAX	S2	11.15	46.90	-1000.45	11.15	46.90	-947.98	11.15	44.08	-948.11	11.15	44.08	-895.46			
			TQ	11.14	47.45	-1000.11	11.14	47.45	-947.68	10.33	44.72	-880.92	10.33	44.72	-832.13			
			M3	-5.80	-9.54	512.18	-5.80	-9.54	484.86	-5.80	-8.10	484.89	-5.80	-8.10	457.47			
		MIN	S2	-5.80	-9.54	512.18	-5.80	-9.54	484.86	-5.80	-8.10	484.89	-5.80	-8.10	457.47			
			TQ	-5.76	-10.11	508.53	-5.76	-10.11	481.43	-5.12	-8.74	429.06	-5.12	-8.74	404.85			
			M3	11.15	46.95	-1000.44	11.15	46.95	-947.98	11.15	44.14	-948.11	11.15	44.14	-895.47			
		73	6-LANES	TRUCK-LOAD	MAX	S2	593.71	109.27	7497.78	486.38	62.14	9245.02	486.38	89.62	9244.79	441.32	89.34	10474.94
					TQ	103.34	726.48	5598.04	103.34	726.48	6084.45	103.12	744.58	6099.15	103.12	744.58	6586.23	
					M3	382.56	62.34	8799.78	362.21	-1.35	9789.28	362.21	27.74	9789.24	381.37	4.97	10729.89	
MIN	S2			-151.97	-92.76	7859.63	-196.34	-95.49	8201.01	-196.34	-71.12	8201.26	-303.74	-129.06	7984.78			
	TQ			150.72	-737.53	5442.84	150.72	-737.53	6152.30	148.71	-719.50	6000.89	148.71	-719.50	6703.25			
	M3			24.53	15.96	-2150.74	24.53	15.96	-2035.26	24.53	9.91	-2035.30	24.53	9.91	-1919.42			
TANDEM-LOAD	MAX			S2	445.21	103.83	5261.30	368.38	63.49	6560.89	368.38	82.98	6560.67	334.05	105.48	7439.01		
	TQ			76.35	499.03	3730.37	76.35	499.03	4089.76	76.35	511.18	4088.25	76.35	511.18	4448.88			
	M3			295.08	47.13	6230.26	326.80	-23.18	6939.34	326.80	-2.55	6939.38	302.07	17.98	7560.59			
MIN	S2			-134.97	-111.34	5846.14	-172.23	-87.34	5980.94	-172.23	-69.56	5981.17	-248.28	-109.68	5752.43			
	TQ			100.23	-508.78	3792.59	100.23	-508.78	4264.40	99.30	-496.13	4242.06	99.30	-496.13	4711.08			
	M3			16.71	11.07	-1464.66	16.71	11.07	-1386.02	16.71	6.95	-1386.05	16.71	6.95	-1307.15			
DISPERSION-LMAX	S2			400.42	-30.78	3869.47	358.39	-25.97	5188.31	358.39	-10.55	5188.36	336.94	-5.31	6297.56			
	TQ			124.22	748.35	3659.77	127.54	748.35	4260.48	126.42	761.27	4439.29	119.52	761.27	5021.00			
	M3			307.61	-38.26	10644.27	259.75	-37.75	11985.81	259.75	-2.19	11985.87	211.84	-3.81	13093.41			
MIN	S2	-61.19	6.73	4392.63	-70.16	1.93	4550.52	-70.16	15.45	4550.49	-99.76	9.56	4681.66					
	TQ	211.70	-756.97	4582.41	158.82	-756.97	5444.30	159.95	-741.05	5265.48	118.91	-741.05	5923.14					
	M3	27.67	10.19	-2421.44	27.67	10.29	-2291.18	27.67	3.48	-2291.20	27.67	3.56	-2160.50					

BAGO RIVER BRIDGE

BLOCK [ No.1 : MAIN GIRDER ][ BEAM MEMBER FORCE ]

MEMBER			2041			2042			2042			2043			
NODE			2041			2042			2042			2043			
NAME TITLE			SHEAR	TORQUE	MOMENT	SHEAR	TORQUE	MOMENT	SHEAR	TORQUE	MOMENT	SHEAR	TORQUE	MOMENT	
			S2 (kN)	TQ (kN·m)	M3 (kN·m)	S2 (kN)	TQ (kN·m)	M3 (kN·m)	S2 (kN)	TQ (kN·m)	M3 (kN·m)	S2 (kN)	TQ (kN·m)	M3 (kN·m)	
124	SUM TOTAL	D+1LANE (caseMAX	S2	1529.67	-845.04	33765.17	1343.66	-847.26	40670.40	1343.66	-726.39	40672.74	1213.97	-669.21	46825.47
			TQ	1283.96	194.16	34467.72	1100.82	194.16	40088.32	1100.82	313.30	40087.57	911.05	313.30	44838.79
			M3	1363.26	-348.83	36326.96	1249.03	-533.51	42433.78	1249.03	-407.39	42435.18	1188.94	-527.75	48209.96
		MIN	S2	1232.51	141.74	34987.15	1097.20	179.37	40215.06	1097.20	298.89	40214.35	908.28	303.71	44895.21
			TQ	1511.21	-865.87	33711.00	1328.07	-865.87	40385.35	1328.07	-745.84	40387.75	1152.05	-745.84	46244.82
			M3	1359.82	-131.29	30662.04	1169.91	-131.29	36615.81	1169.91	-22.47	36616.04	980.14	-22.47	41693.57
		D+1LANE (caseMAX	S2	1724.70	-209.64	34365.33	1405.36	-213.86	40882.15	1405.36	-92.36	40882.61	1127.93	-103.20	45904.24
			TQ	1331.08	-9.74	33117.64	1141.17	-9.74	38936.15	1141.83	106.03	38979.14	951.14	106.03	43922.96
			M3	1691.77	-178.66	35806.09	1360.77	-187.03	42533.22	1360.77	-60.62	42533.59	1048.91	-73.13	47675.18
		MIN	S2	1306.37	-55.36	34332.63	1036.15	-74.45	40896.43	1036.15	47.09	40896.47	724.07	35.44	46059.80
			TQ	1517.57	-282.78	33609.55	1283.71	-282.78	40202.43	1283.06	-163.36	40159.96	1050.13	-163.36	45668.91
			M3	1359.29	-80.53	30677.53	1169.39	-80.53	36628.85	1169.39	28.33	36628.93	979.62	28.33	41704.00
		D+1LANE (caseMAX	S2	1504.08	172.28	33758.55	1308.38	173.18	40234.93	1308.38	292.75	40234.24	1112.81	290.65	45845.45
			TQ	1487.68	189.31	33413.74	1295.59	189.31	39966.81	1294.06	308.25	40079.96	1096.94	308.25	45726.52
			M3	1454.89	21.08	35516.56	1274.40	78.15	41854.74	1274.40	202.53	41854.33	1087.35	248.98	47355.37
		MIN	S2	1320.31	-133.85	34132.63	1128.83	-134.74	40039.53	1128.83	-15.75	40039.75	937.49	-13.65	45026.20
			TQ	1327.84	-143.62	33944.28	1132.75	-143.62	39732.75	1134.27	-25.70	39619.12	944.50	-25.70	44528.33
			M3	1358.91	-42.08	30688.47	1169.00	-42.08	36637.97	1169.00	66.80	36637.94	979.23	66.80	41711.19
		D+1LANE (caseMAX	S2	1472.34	664.41	33587.65	1282.44	664.41	40071.08	1282.44	783.49	40068.93	1092.66	783.49	45677.94
			TQ	1468.62	678.74	33285.74	1278.71	678.74	39751.65	1278.87	796.90	39762.02	1089.10	796.90	45354.20
			M3	1433.86	361.76	34965.86	1246.36	386.00	41274.58	1246.36	508.66	41273.25	1073.88	624.69	46747.88
		MIN	S2	1335.07	-231.09	33042.35	1145.16	-231.09	38879.63	1145.16	-115.54	38880.15	955.39	-115.54	43840.79
			TQ	1336.51	-238.06	33227.56	1146.61	-238.06	39071.64	1146.45	-121.96	39059.62	956.67	-121.96	44026.34
			M3	1358.20	33.88	30705.97	1168.30	33.88	36652.15	1168.30	142.80	36651.89	978.52	142.80	41721.80

BAGO RIVER BRIDGE

BLOCK [ No.1 : MAIN GIRDER ][ BEAM MEMBER FORCE ]

MEMBER				2041			2042			2043					
NODE				2041			2042			2043					
NAME TITLE				SHEAR	TORQUE	MOMENT	SHEAR	TORQUE	MOMENT	SHEAR	TORQUE	MOMENT			
				S2 (kN)	TQ (kN·m)	M3 (kN·m)	S2 (kN)	TQ (kN·m)	M3 (kN·m)	S2 (kN)	TQ (kN·m)	M3 (kN·m)			
124	SUM TOTAL	D+2LANES (casMAX	S2	1705.14	-975.54	35845.91	1481.79	-1042.61	42943.28	1481.79	-914.98	42946.19	1312.13	-912.73	49095.61
			TQ	1269.04	267.42	35791.34	1084.03	267.42	41335.10	1083.46	390.30	41362.89	893.69	390.30	46032.11
			M3	1536.87	-476.93	39237.10	1367.90	-699.07	45815.74	1367.90	-562.91	45817.61	1246.17	-722.73	51754.99
		MIN	S2	1211.24	187.12	36836.35	1043.79	160.47	42574.52	1043.79	287.00	42573.86	823.91	213.14	47560.43
			TQ	1628.50	-1154.25	35054.15	1424.76	-1154.25	42234.32	1420.75	-1029.02	42106.47	1222.07	-1029.02	48347.76
			M3	1367.26	-160.89	30029.41	1177.36	-160.89	36018.24	1177.36	-53.85	36018.56	987.58	-53.85	41131.27
		D+2LANES (casMAX	S2	1867.67	-446.05	36346.05	1533.21	-514.78	43119.74	1533.21	-386.63	43121.08	1240.44	-441.05	48327.92
			TQ	1308.30	97.50	34666.28	1117.66	97.50	40374.96	1117.63	217.58	40439.20	927.09	217.58	45268.92
			M3	1810.63	-335.12	38803.04	1461.02	-410.34	45898.61	1461.02	-273.93	45899.62	1129.47	-343.87	51309.34
		MIN	S2	1272.79	22.87	36290.92	992.91	-51.05	43142.33	992.91	77.17	43142.29	670.40	-10.42	48530.92
			TQ	1633.80	-668.35	34969.60	1387.80	-668.35	42081.88	1383.24	-543.62	41916.64	1137.13	-543.62	47867.83
			M3	1366.83	-118.59	30042.33	1176.92	-118.59	36029.11	1176.92	-11.52	36029.30	987.15	-11.52	41139.96
		D+2LANES (casMAX	S2	1587.76	522.25	35065.15	1393.03	523.00	41961.51	1393.03	647.70	41959.77	1198.43	645.95	47990.86
			TQ	1568.42	553.16	34522.52	1376.70	553.16	41456.08	1375.47	676.52	41560.22	1179.56	676.52	47594.16
			M3	1493.75	175.50	37887.30	1338.25	303.07	44479.17	1338.25	435.26	44478.07	1161.49	511.95	50319.73
		MIN	S2	1312.02	-223.74	35414.97	1120.80	-224.48	41259.67	1120.80	-101.86	41260.15	929.73	-100.11	46191.53
			TQ	1319.04	-240.47	35130.39	1124.82	-240.47	40879.93	1126.05	-119.13	40774.50	936.28	-119.13	45644.88
			M3	1365.77	-12.09	30072.06	1175.86	-12.09	36053.86	1175.86	95.06	36053.73	986.09	95.06	41159.39
		D+2LANES (casMAX	S2	1561.21	942.96	34925.62	1371.31	942.96	41827.38	1371.31	1067.26	41824.40	1181.54	1067.26	47853.17
			TQ	1552.44	971.61	34418.74	1362.53	971.61	41279.19	1362.70	1094.32	41297.65	1172.93	1094.32	47285.77
			M3	1476.28	457.16	37425.59	1314.93	557.38	43993.14	1314.93	688.12	43991.29	1150.32	822.79	49811.17
		MIN	S2	1324.37	-306.97	34503.61	1134.46	-306.97	40290.52	1134.46	-187.23	40291.25	944.69	-187.23	45201.35
			TQ	1326.32	-321.37	34530.32	1136.42	-321.37	40326.44	1136.25	-201.56	40305.69	946.47	-201.56	45224.21
			M3	1364.99	72.09	30091.29	1175.08	72.09	36069.41	1175.08	179.28	36069.04	985.31	179.28	41171.00



BAGO RIVER BRIDGE

BLOCK [ No.1 : MAIN GIRDER ] [ BEAM MEMBER FORCE ]

MEMBER			2041			2042			2042			2043				
NODE			2041			2042			2042			2043				
NAME TITLE			SHEAR	TORQUE	MOMENT	SHEAR	TORQUE	MOMENT	SHEAR	TORQUE	MOMENT	SHEAR	TORQUE	MOMENT		
			S2 (kN)	TQ (kN·m)	M3 (kN·m)	S2 (kN)	TQ (kN·m)	M3 (kN·m)	S2 (kN)	TQ (kN·m)	M3 (kN·m)	S2 (kN)	TQ (kN·m)	M3 (kN·m)		
124	SUM TOTAL	D+3LANES (casMAX	S2	1918.22	-946.88	37156.24	1608.21	-1006.88	44511.11	1608.21	-874.59	44513.90	1373.44	-880.35	50493.26	
			TQ	1268.72	251.23	36226.07	1082.98	251.23	41765.74	1082.96	375.43	41819.81	892.53	375.43	46485.88	
			M3	1751.87	-501.12	41059.28	1479.81	-695.86	48122.21	1479.81	-552.84	48124.06	1261.40	-697.55	54008.15	
		MIN	S2	1202.09	150.66	37974.95	974.38	114.49	44207.78	974.38	245.87	44207.24	672.38	174.84	49298.55	
			TQ	1706.36	-1150.59	35947.89	1473.56	-1150.59	43427.02	1469.69	-1021.82	43288.27	1241.78	-1021.82	49690.90	
			M3	1372.20	-162.97	29600.02	1182.29	-162.97	35612.07	1182.29	-57.14	35612.39	992.52	-57.14	40748.40	
		D+3LANES (casMAX	S2	1639.79	936.41	35939.65	1445.78	937.04	43100.47	1445.78	1065.13	43097.50	1251.90	1063.64	49392.79	
			TQ	1620.72	972.84	35264.55	1429.27	972.84	42444.58	1428.33	1099.12	42540.47	1233.35	1099.12	48826.26	
			M3	1532.49	438.21	39319.70	1373.54	563.78	46097.35	1373.54	700.78	46095.47	1207.07	848.14	52133.94	
		MIN	S2	1308.03	-321.18	35855.31	1117.01	-321.82	41663.87	1117.01	-197.99	41664.64	926.13	-196.51	46565.26	
			TQ	1315.03	-340.34	35744.60	1121.45	-340.34	41477.10	1122.39	-217.22	41378.96	932.61	-217.22	46232.04	
			M3	1370.32	26.81	29652.41	1180.41	26.81	35655.61	1180.41	132.78	35655.37	990.64	132.78	40782.51	
		D+3LANES (casMAX	S2	1639.52	963.45	35946.75	1445.51	964.08	43106.28	1445.51	1092.18	43103.23	1251.63	1090.70	49397.23	
			TQ	1620.47	999.83	35269.32	1429.02	999.83	42448.18	1428.88	1126.03	42478.08	1233.90	1126.03	48766.47	
			M3	1532.61	432.42	39311.98	1373.66	558.03	46090.16	1373.66	695.00	46088.29	1207.19	842.37	52127.33	
		MIN	S2	1308.16	-326.80	35848.01	1117.14	-327.43	41657.15	1117.14	-203.63	41657.94	926.26	-202.14	46559.14	
			TQ	1315.13	-345.96	35739.65	1121.55	-345.96	41472.60	1121.69	-222.76	41440.39	931.91	-222.76	46290.15	
			M3	1369.82	80.07	29664.61	1179.92	80.07	35665.48	1179.92	186.07	35665.08	990.14	186.07	40789.87	
		D+4LANES	MAX	S2	1365.76	25.42	30051.17	1175.85	25.42	36032.92	1175.85	132.50	36032.68	986.08	132.50	41138.29
			TQ	1365.75	25.77	30051.39	1175.85	25.77	36033.11	1175.32	132.91	36076.36	985.55	132.91	41179.46	
			M3	1341.45	-66.56	32227.27	1151.54	-66.56	38094.58	1151.54	46.66	38094.61	961.77	46.66	43085.38	
		MIN	S2	1341.45	-66.53	32227.27	1151.54	-66.53	38094.57	1151.54	46.68	38094.60	961.77	46.68	43085.37	
			TQ	1341.64	-67.18	32210.87	1151.73	-67.18	38079.08	1152.27	45.94	38034.60	962.50	45.94	43028.82	
			M3	1365.76	25.45	30051.17	1175.85	25.45	36032.92	1175.85	132.54	36032.68	986.08	132.54	41138.29	

BAGO RIVER BRIDGE

BLOCK [ No.1 : MAIN GIRDER ][ BEAM MEMBER FORCE ]

MEMBER					2041			2042			2043		
NODE					2041			2042			2043		
					SHEAR	TORQUE	MOMENT	SHEAR	TORQUE	MOMENT	SHEAR	TORQUE	MOMENT
NAME	TITLE				S2 (kN)	TQ (kN·m)	M3 (kN·m)	S2 (kN)	TQ (kN·m)	M3 (kN·m)	S2 (kN)	TQ (kN·m)	M3 (kN·m)
124	SUM TOTAL	D+6LANES	MAX	S2	1994.51	-4.19	39009.42	1707.51	-31.70	46902.03	1707.51	107.69	46901.92
				TQ	1496.23	903.43	37638.28	1308.48	903.43	44244.57	1307.62	1035.10	44370.35
				M3	1796.93	-39.56	44259.34	1562.69	-80.63	51674.18	1562.69	72.90	51674.19
			MIN	S2	1209.76	-111.13	39584.68	985.19	-116.03	45808.86	985.19	20.11	45809.01
				TQ	1583.90	-1026.64	38137.13	1359.62	-1026.64	45058.16	1359.04	-893.06	44843.50
				M3	1382.25	-38.22	28648.79	1192.35	-38.15	34708.18	1192.35	65.00	34708.14
	SUM TOTAL		MAX		1994.51	999.83	44259.34	1707.51	999.83	51674.18	1707.51	1126.03	51674.19
			MIN		1202.09	-1154.25	28648.79	974.38	-1154.25	34708.18	974.38	-1029.02	34708.14
300	DEAD LOAD	TOTAL			1348.32	-55.21	31620.71	1158.41	-55.21	37520.37	1158.41	56.29	37520.37
301	LIVE LOAD	1-LANE(case1MAX	S2		181.35	-789.83	2144.46	185.25	-792.05	3150.03	185.25	-782.68	3152.37
			TQ		-64.36	249.37	2847.01	-57.59	249.37	2567.96	-57.59	257.00	2567.20
			M3		14.94	-293.62	4706.25	90.62	-478.29	4913.42	90.62	-463.69	4914.82
			MIN	S2	-115.81	196.95	3366.44	-61.21	234.59	2694.69	-61.21	242.59	2693.98
				TQ	162.89	-810.66	2090.29	169.66	-810.66	2864.99	169.66	-802.14	2867.38
				M3	11.50	-76.08	-958.67	11.50	-76.08	-904.56	11.50	-78.77	-904.33
		1-LANE(case2MAX	S2		376.38	-154.43	2744.62	246.95	-158.65	3361.79	246.95	-148.66	3362.24
			TQ		-17.24	45.47	1496.93	-17.24	45.47	1415.79	-16.58	49.73	1458.78
			M3		343.45	-123.45	4185.38	202.36	-131.81	5012.86	202.36	-116.92	5013.23
			MIN	S2	-41.95	-0.15	2711.92	-122.27	-19.24	3376.06	-122.27	-9.20	3376.11
				TQ	169.25	-227.57	1988.84	125.30	-227.57	2682.06	124.64	-219.66	2639.59
				M3	10.98	-25.32	-943.18	10.98	-25.32	-891.52	10.98	-27.97	-891.44
		1-LANE(case3MAX	S2		155.76	227.49	2137.84	149.96	228.39	2714.56	149.96	236.45	2713.87
			TQ		139.36	244.52	1793.03	137.18	244.52	2446.44	135.65	251.95	2559.59
			M3		106.57	76.30	3895.85	115.99	133.36	4334.37	115.99	146.24	4333.96
			MIN	S2	-28.01	-78.63	2511.92	-29.59	-79.53	2519.16	-29.59	-72.04	2519.39
				TQ	-20.48	-88.41	2323.57	-25.67	-88.41	2212.38	-24.14	-81.99	2098.75
				M3	10.59	13.13	-932.24	10.59	13.13	-882.39	10.59	10.51	-882.43

BAGO RIVER BRIDGE

BLOCK [ No.1 : MAIN GIRDER ] [ BEAM MEMBER FORCE ]

MEMBER			2041			2042			2042			2043				
NODE			2041			2042			2042			2043				
NAME TITLE			SHEAR	TORQUE	MOMENT	SHEAR	TORQUE	MOMENT	SHEAR	TORQUE	MOMENT	SHEAR	TORQUE	MOMENT		
			S2 (kN)	TQ (kN·m)	M3 (kN·m)	S2 (kN)	TQ (kN·m)	M3 (kN·m)	S2 (kN)	TQ (kN·m)	M3 (kN·m)	S2 (kN)	TQ (kN·m)	M3 (kN·m)		
301	LIVE LOAD	1-LANE (case4MAX	S2	124.02	719.62	1966.94	124.02	719.62	2550.71	124.02	727.20	2548.56	124.02	727.20	3134.34	
			TQ	120.30	733.96	1665.03	120.30	733.96	2231.28	120.46	740.60	2241.65	120.46	740.60	2810.60	
			M3	85.54	416.97	3345.15	87.95	441.21	3754.22	87.95	452.36	3752.89	105.24	568.39	4204.28	
			MIN	S2	-13.25	-175.88	1421.64	-13.25	-175.88	1359.27	-13.25	-171.84	1359.78	-13.25	-171.84	1297.19
			TQ	-11.81	-182.85	1606.85	-11.81	-182.85	1551.27	-11.97	-178.26	1539.25	-11.97	-178.26	1482.73	
			M3	9.88	89.09	-914.74	9.88	89.09	-868.22	9.88	86.51	-868.48	9.88	86.51	-821.80	
		2-LANES (caseMAX	S2	356.82	-920.33	4225.20	323.38	-987.40	5422.91	323.38	-971.28	5425.82	343.49	-969.02	6552.01	
			TQ	-79.28	322.63	4170.63	-74.38	322.63	3814.74	-74.95	334.01	3842.52	-74.95	334.01	3488.51	
			M3	188.55	-421.72	7616.38	209.49	-643.86	8295.37	209.49	-619.20	8297.25	277.53	-779.02	9211.39	
			MIN	S2	-137.08	242.33	5215.64	-114.62	215.68	5054.15	-114.62	230.70	5053.49	-144.73	156.84	5016.83
			TQ	280.18	-1099.04	3433.44	266.35	-1099.04	4713.95	262.34	-1085.32	4586.10	253.43	-1085.32	5804.16	
			M3	18.94	-105.68	-1591.30	18.94	-105.68	-1502.13	18.94	-110.14	-1501.81	18.94	-110.14	-1412.34	
		2-LANES (caseMAX	S2	519.35	-390.84	4725.33	374.80	-459.56	5599.37	374.80	-442.92	5600.71	271.80	-497.35	5784.32	
			TQ	-40.02	152.71	3045.57	-40.76	152.71	2854.59	-40.78	161.28	2918.83	-41.55	161.28	2725.32	
			M3	462.31	-279.91	7182.33	302.60	-355.13	8378.24	302.60	-330.23	8379.26	160.83	-400.17	8765.74	
			MIN	S2	-75.53	78.08	4670.21	-165.50	4.16	5621.96	-165.50	20.87	5621.93	-298.24	-66.72	5987.32
			TQ	285.48	-613.14	3348.89	229.38	-613.14	4561.51	224.83	-599.92	4396.28	168.49	-599.92	5324.23	
			M3	18.51	-63.38	-1578.38	18.51	-63.38	-1491.26	18.51	-67.81	-1491.07	18.51	-67.81	-1403.65	
		2-LANES (caseMAX	S2	239.45	577.47	3444.44	234.61	578.21	4441.14	234.61	591.41	4439.41	229.79	589.66	5447.26	
			TQ	220.11	608.38	2901.81	218.29	608.38	3935.72	217.05	620.22	4039.86	210.92	620.22	5050.56	
			M3	145.43	230.71	6266.59	179.84	358.28	6958.80	179.84	378.96	6957.71	192.85	455.65	7776.13	
			MIN	S2	-36.30	-168.52	3794.26	-37.62	-169.27	3739.30	-37.62	-158.16	3739.79	-38.91	-156.41	3647.93
			TQ	-29.27	-185.26	3509.68	-33.60	-185.26	3359.57	-32.36	-175.42	3254.14	-32.36	-175.42	3101.28	
			M3	17.45	43.13	-1548.65	17.45	43.13	-1466.51	17.45	38.77	-1466.63	17.45	38.77	-1384.21	

BAGO RIVER BRIDGE

BLOCK [ No.1 : MAIN GIRDER ][ BEAM MEMBER FORCE ]

MEMBER			2041			2042			2042			2043			
NODE			2041			2042			2042			2043			
NAME TITLE			SHEAR	TORQUE	MOMENT	SHEAR	TORQUE	MOMENT	SHEAR	TORQUE	MOMENT	SHEAR	TORQUE	MOMENT	
			S2 (kN)	TQ (kN·m)	M3 (kN·m)	S2 (kN)	TQ (kN·m)	M3 (kN·m)	S2 (kN)	TQ (kN·m)	M3 (kN·m)	S2 (kN)	TQ (kN·m)	M3 (kN·m)	
301	LIVE LOAD	2-LANES (caseMAX	S2	212.90	998.17	3304.91	212.90	998.17	4307.01	212.90	1010.97	4304.03	212.90	1010.97	5309.57
			TQ	204.12	1026.82	2798.03	204.12	1026.82	3758.82	204.29	1038.02	3777.28	204.29	1038.02	4742.17
			M3	127.96	512.37	5804.88	156.52	612.59	6472.77	156.52	631.82	6470.92	181.68	766.49	7267.57
			MIN S2	-23.95	-251.76	2882.90	-23.95	-251.76	2770.15	-23.95	-243.53	2770.88	-23.95	-243.53	2657.75
			TQ	-22.00	-266.16	2909.61	-22.00	-266.16	2806.07	-22.17	-257.85	2785.32	-22.17	-257.85	2680.61
			M3	16.67	127.30	-1529.42	16.67	127.30	-1450.96	16.67	122.99	-1451.33	16.67	122.99	-1372.60
		3-LANES (caseMAX	S2	569.90	-891.67	5535.53	449.79	-951.66	6990.74	449.79	-930.88	6993.54	404.80	-936.65	7949.66
			TQ	-79.60	306.44	4605.36	-75.44	306.44	4245.37	-75.46	319.13	4299.44	-76.11	319.13	3942.28
			M3	403.55	-445.91	9438.57	321.40	-640.65	10601.84	321.40	-609.14	10603.70	292.76	-753.84	11464.55
			MIN S2	-146.23	205.88	6354.24	-184.03	169.70	6687.41	-184.03	189.58	6686.87	-296.26	118.54	6754.95
			TQ	358.04	-1095.38	4327.18	315.15	-1095.38	5906.65	311.28	-1078.11	5767.90	273.14	-1078.11	7147.30
			M3	23.88	-107.76	-2020.69	23.88	-107.76	-1908.30	23.88	-113.43	-1907.97	23.88	-113.43	-1795.20
		3-LANES (caseMAX	S2	291.47	991.62	4318.94	287.37	992.26	5580.10	287.37	1008.84	5577.13	283.26	1007.35	6849.18
			TQ	272.40	1028.05	3643.84	270.85	1028.05	4924.21	269.91	1042.83	5020.10	264.71	1042.83	6282.66
			M3	184.18	493.42	7698.99	215.12	618.99	8576.98	215.12	644.48	8575.10	238.43	791.84	9590.33
			MIN S2	-40.29	-265.97	4234.60	-41.40	-266.60	4143.50	-41.40	-254.29	4144.27	-42.51	-252.80	4021.66
			TQ	-33.29	-285.13	4123.89	-36.96	-285.13	3956.73	-36.03	-273.51	3858.59	-36.03	-273.51	3688.43
			M3	22.00	82.03	-1968.30	22.00	82.03	-1864.76	22.00	76.48	-1864.99	22.00	76.48	-1761.09
		3-LANES (caseMAX	S2	291.20	1018.66	4326.03	287.10	1019.29	5585.92	287.10	1035.89	5582.86	282.99	1034.40	6853.63
			TQ	272.15	1055.05	3648.60	270.60	1055.05	4927.81	270.47	1069.74	4957.72	265.26	1069.74	6222.87
			M3	184.29	487.63	7691.27	215.24	613.24	8569.79	215.24	638.71	8567.93	238.55	786.07	9583.73
			MIN S2	-40.16	-271.59	4227.30	-41.28	-272.22	4136.78	-41.28	-259.93	4137.57	-42.38	-258.44	4015.54
			TQ	-33.19	-290.75	4118.93	-36.87	-290.75	3952.23	-36.73	-279.05	3920.02	-36.73	-279.05	3746.55
			M3	21.50	135.29	-1956.10	21.50	135.29	-1854.89	21.50	129.77	-1855.29	21.50	129.77	-1753.73

BAGO RIVER BRIDGE

BLOCK [ No.1 : MAIN GIRDER ][ BEAM MEMBER FORCE ]

MEMBER					2041			2042			2043					
NODE					2041	2042		2042	2043		2043					
					SHEAR	TORQUE	MOMENT	SHEAR	TORQUE	MOMENT	SHEAR	TORQUE	MOMENT			
NAME	TITLE				S2 (kN)	TQ (kN·m)	M3 (kN·m)	S2 (kN)	TQ (kN·m)	M3 (kN·m)	S2 (kN)	TQ (kN·m)	M3 (kN·m)			
301	LIVE LOAD	4-LANES	MAX	S2	17.44	80.63	-1569.54	17.44	80.63	-1487.45	17.44	76.21	-1487.68	17.44	76.21	-1405.31
				TQ	17.44	80.98	-1569.32	17.44	80.98	-1487.26	16.91	76.62	-1444.00	16.91	76.62	-1364.14
				M3	-6.87	-11.34	606.56	-6.87	-11.34	574.21	-6.87	-9.64	574.24	-6.87	-9.64	541.78
		MIN	S2	-6.87	-11.32	606.56	-6.87	-11.32	574.20	-6.87	-9.61	574.23	-6.87	-9.61	541.77	
			TQ	-6.68	-11.97	590.16	-6.68	-11.97	558.71	-6.14	-10.35	514.23	-6.14	-10.35	485.22	
			M3	17.44	80.66	-1569.54	17.44	80.66	-1487.45	17.44	76.24	-1487.68	17.44	76.24	-1405.31	
	6-LANES	MAX	S2	646.19	51.02	7388.71	549.10	23.51	9381.66	549.10	51.39	9381.55	505.87	54.62	10902.13	
			TQ	147.91	958.64	6017.57	150.07	958.64	6724.20	149.20	978.80	6849.98	144.72	978.80	7544.69	
			M3	448.61	15.65	12638.63	404.27	-25.41	14153.81	404.27	16.61	14153.82	385.59	0.76	15485.15	
		MIN	S2	-138.56	-55.92	7963.97	-173.23	-60.82	8288.49	-173.23	-36.18	8288.64	-262.27	-77.67	8233.19	
			TQ	235.58	-971.43	6516.41	201.20	-971.43	7537.79	200.62	-949.36	7323.14	173.95	-949.36	8207.15	
			M3	33.93	17.00	-2971.92	33.93	17.06	-2812.19	33.93	8.70	-2812.22	33.93	8.75	-2651.95	
LIVE LOAD	MAX		646.19	1055.05	12638.63	549.10	1055.05	14153.81	549.10	1069.74	14153.82	505.87	1069.74	15485.15		
	MIN		-146.23	-1099.04	-2971.92	-184.03	-1099.04	-2812.19	-184.03	-1085.32	-2812.22	-298.24	-1085.32	-2651.95		
303	SUM TOTAL	TOTAL	MAX	1994.51	999.83	44259.34	1707.51	999.83	51674.18	1707.51	1126.03	51674.19	1474.51	1126.03	58028.75	
		MIN	1202.09	-1154.25	28648.79	974.38	-1154.25	34708.18	974.38	-1029.02	34708.14	670.40	-1029.02	39891.65		

BAGO RIVER BRIDGE

BLOCK [ No.1 : MAIN GIRDER ] [ BEAM MEMBER FORCE ]

MEMBER NODE	2043	2044			2044			2045						
		SHEAR S2 (kN)	TORQUE TQ (kN·m)	MOMENT M3 (kN·m)	SHEAR S2 (kN)	TORQUE TQ (kN·m)	MOMENT M3 (kN·m)	SHEAR S2 (kN)	TORQUE TQ (kN·m)	MOMENT M3 (kN·m)				
											2043	2044	2044	2045
NAME TITLE														
1 PAVEMENT	112.58	67.72	6744.55	82.65	67.72	7201.66	82.65	-34.15	7201.89	52.69	-34.15	7519.45		
3 RAILING	0.91	1.47	210.26	2.45	1.47	218.14	2.45	-1.62	218.14	4.01	-1.62	233.31		
5 CURB	9.03	14.54	2081.54	24.29	14.54	2159.55	24.29	-16.01	2159.54	39.74	-16.01	2309.76		
7 DECK WEIGHT	187.26	109.83	11053.79	141.39	109.83	11823.56	141.39	-57.44	11823.93	94.65	-57.44	12378.50		
8 GIRDER WEIGH	273.97	138.77	15782.20	186.41	138.77	16860.10	186.41	-99.75	16860.38	98.68	-99.75	17529.29		
10 MEDIAN STRIP	90.91	36.43	3372.44	61.74	36.43	3730.74	61.74	-16.35	3730.88	29.71	-16.35	3947.83		
21 ADITIONAL WE	52.43	30.75	3095.06	39.59	30.75	3310.60	39.59	-16.08	3310.70	26.50	-16.08	3465.98		
31 MEDIAN RAILI	4.72	1.84	205.29	2.43	1.84	222.04	2.43	-1.30	222.04	0.13	-1.30	228.09		
51 SUPPORT WEIG	0.00	0.00	-0.00	0.00	0.00	-0.00	0.00	0.00	-0.00	0.00	0.00	-0.00		
52 NOSE WEIGHT	-0.00	0.00	0.01	-0.00	0.00	0.01	-0.00	0.00	0.01	-0.00	0.00	0.01		
61 1-LANE(case1TRUCK-LOAD	MAX	S2	71.00	-212.93	1429.56	71.00	-212.93	1762.02	71.00	-237.84	1758.83	109.58	-184.53	2273.08
		TQ	-43.52	221.35	1757.82	-43.52	221.35	1554.01	-34.36	200.34	1361.12	-34.36	200.34	1199.89
		M3	-36.26	95.62	2119.19	12.00	-53.32	2002.77	12.00	-81.65	2001.82	106.36	-117.44	2273.85
	MIN	S2	-82.58	184.87	2054.59	-45.40	214.58	1668.13	-45.40	190.96	1671.00	-45.40	190.96	1457.94
		TQ	58.78	-225.97	1213.85	58.78	-225.97	1489.10	58.78	-247.01	1485.76	58.78	-247.01	1761.60
		M3	5.40	-35.90	-324.72	5.40	-35.90	-299.45	5.40	-31.66	-299.93	5.40	-31.66	-274.61
	TANDEM-LOAD MAX	S2	52.75	-145.99	990.22	52.75	-145.99	1237.24	52.75	-163.48	1235.05	94.47	-102.91	1556.80
		TQ	-27.35	152.07	1135.51	-27.35	152.07	1007.44	-24.79	138.08	954.83	-24.79	138.08	838.49
		M3	-43.65	88.16	1448.16	30.46	-83.44	1376.64	30.46	-102.91	1375.32	94.47	-102.91	1556.80
	MIN	S2	-75.60	88.16	1448.16	-35.42	148.41	1178.70	-35.42	131.72	1180.68	-35.42	131.72	1014.45
		TQ	41.66	-154.76	843.38	41.66	-154.76	1038.47	41.66	-169.43	1036.18	41.66	-169.43	1231.69
		M3	3.67	-24.68	-221.15	3.67	-24.68	-203.96	3.67	-21.79	-204.28	3.67	-21.79	-187.05
	DISPERSION-LMAX	S2	50.09	-234.74	726.11	52.53	-230.36	1081.34	52.53	-245.63	1077.97	62.66	-247.88	1411.67
		TQ	-33.22	177.41	1451.38	-22.07	177.41	1321.77	-22.07	158.70	1324.15	-22.07	158.70	1220.57
		M3	9.32	-16.33	2610.25	20.47	-16.33	2679.85	20.47	-54.24	2679.35	31.67	-54.24	2801.19
	MIN	S2	-34.40	175.62	1500.79	-25.70	171.24	1244.97	-25.70	153.61	1247.26	-24.63	155.86	1065.28
		TQ	48.91	-236.53	775.52	48.91	-236.53	1004.54	48.91	-250.72	1001.09	60.11	-250.72	1256.38
		M3	6.37	-42.79	-383.35	6.37	-42.79	-353.54	6.37	-37.78	-354.11	6.37	-37.78	-324.24

BAGO RIVER BRIDGE

BLOCK [ No.1 : MAIN GIRDER ] [ BEAM MEMBER FORCE ]

MEMBER				2043			2044			2045					
NODE				2043			2044			2045					
				SHEAR	TORQUE	MOMENT	SHEAR	TORQUE	MOMENT	SHEAR	TORQUE	MOMENT			
NAME	TITLE			S2 (kN)	TQ (kN·m)	M3 (kN·m)	S2 (kN)	TQ (kN·m)	M3 (kN·m)	S2 (kN)	TQ (kN·m)	M3 (kN·m)			
62	1-LANE (case2TRUCK-LOAD	MAX	S2	200.77	17.29	1888.21	120.87	10.91	2151.40	120.87	-19.52	2151.34	64.12	-29.59	2022.17
			TQ	-18.68	56.44	1092.08	-18.68	56.44	1004.59	-17.47	42.94	927.56	-17.47	42.94	845.59
			M3	187.44	19.64	1900.15	108.10	13.97	2180.89	108.10	-16.88	2180.87	43.33	-25.67	2046.07
		MIN	S2	-40.29	27.43	1843.18	-96.31	19.47	2124.24	-96.31	-10.58	2124.30	-177.37	-17.09	2021.22
			TQ	31.65	-55.38	822.79	31.65	-55.38	971.00	34.91	-69.66	1082.30	34.91	-69.66	1246.13
			M3	5.57	-14.63	-321.24	5.57	-14.63	-295.18	5.57	-10.45	-295.36	5.57	-10.45	-269.24
		TANDEM-LOAD MAX	S2	163.23	12.45	1406.23	106.24	11.27	1625.54	106.24	-11.73	1625.54	53.25	-14.21	1511.72
			TQ	-13.34	39.12	768.09	-13.34	39.12	705.63	-11.32	29.51	601.27	-11.32	29.51	548.14
			M3	163.23	12.45	1406.23	106.24	11.27	1625.55	106.24	-11.73	1625.54	53.25	-14.21	1511.72
		MIN	S2	-36.58	13.74	1399.60	-89.68	12.16	1621.55	-89.68	-10.78	1621.56	-147.90	-12.58	1511.50
			TQ	22.14	-38.05	575.57	22.14	-38.05	679.24	23.05	-47.80	709.94	23.05	-47.80	818.10
			M3	3.79	-10.04	-218.75	3.79	-10.04	-201.01	3.79	-7.19	-201.13	3.79	-7.19	-183.35
		DISPERSION-LMAX	S2	79.95	-54.70	910.79	55.33	-56.86	943.55	55.33	-70.21	942.65	40.54	-68.06	873.37
			TQ	23.49	48.40	1588.23	-12.97	48.40	1612.95	-16.99	30.60	887.83	-16.99	30.60	808.12
			M3	54.17	6.48	2374.10	17.70	6.48	2542.47	17.70	-29.49	2542.30	-18.99	-29.49	2539.53
MIN	S2	-19.22	43.88	1084.97	-31.08	46.04	1251.28	-31.08	28.34	1251.80	-52.97	26.19	1349.06		
	TQ	37.23	-59.22	407.53	37.23	-59.22	581.87	41.24	-72.47	1306.62	4.55	-72.47	1414.31		
	M3	6.55	-17.30	-378.33	6.55	-17.30	-347.64	6.55	-12.38	-347.85	6.55	-12.38	-317.10		
63	1-LANE (case3TRUCK-LOAD	MAX	S2	48.36	79.85	1368.15	48.36	79.85	1594.58	48.36	57.29	1595.55	48.36	57.29	1822.47
			TQ	44.14	91.70	1195.44	44.14	91.70	1402.15	39.93	73.00	1291.08	39.93	73.00	1478.45
			M3	19.69	-14.35	1731.21	33.06	33.25	1757.20	33.06	8.39	1757.50	42.16	49.00	1842.60
		MIN	S2	-30.55	-44.12	1677.94	-30.55	-44.12	1534.90	-30.55	-65.83	1534.12	-30.55	-65.83	1390.77
			TQ	-26.32	-53.78	1441.69	-26.32	-53.78	1318.44	-26.32	-72.43	1317.55	-26.32	-72.43	1194.04
			M3	5.70	1.48	-318.99	5.70	1.48	-292.29	5.70	5.62	-292.24	5.70	5.62	-265.48

BAGO RIVER BRIDGE

BLOCK [ No.1 : MAIN GIRDER ][ BEAM MEMBER FORCE ]

MEMBER		2043			2044			2044			2045						
NODE		2043			2044			2044			2045						
		SHEAR	TORQUE	MOMENT	SHEAR	TORQUE	MOMENT	SHEAR	TORQUE	MOMENT	SHEAR	TORQUE	MOMENT				
NAME	TITLE	S2 (kN)	TQ (kN·m)	M3 (kN·m)	S2 (kN)	TQ (kN·m)	M3 (kN·m)	S2 (kN)	TQ (kN·m)	M3 (kN·m)	S2 (kN)	TQ (kN·m)	M3 (kN·m)				
63	1-LANE (case3TANDEM-LOAD	MAX	S2	33.31	59.37	893.96	33.31	59.37	1049.93	33.31	44.51	1050.66	33.31	44.51	1206.96		
			TQ	28.82	62.82	790.66	28.82	62.82	925.63	27.65	50.04	895.11	27.65	50.04	1024.85		
			M3	14.15	-17.98	1213.99	24.21	16.37	1224.34	24.21	-0.96	1224.45	33.08	31.88	1290.82		
		MIN	S2	-21.31	-24.25	1208.13	-21.31	-24.25	1108.37	-21.31	-39.93	1107.92	-21.31	-39.93	1007.94		
			TQ	-20.32	-36.83	1059.41	-20.32	-36.83	964.28	-20.32	-50.47	963.66	-20.32	-50.47	868.32		
			M3	3.88	1.06	-217.21	3.88	1.06	-199.03	3.88	3.87	-198.99	3.88	3.87	-180.77		
			DISPERSION-LMAX	S2	46.68	80.84	810.22	43.14	81.18	869.49	43.14	68.87	870.55	39.27	68.09	938.72	
				TQ	40.46	83.13	1011.92	37.43	83.13	1197.78	42.59	69.01	844.67	37.63	69.01	1033.85	
				M3	21.31	43.45	2276.84	15.23	43.45	2362.31	15.23	10.03	2362.68	9.29	10.03	2419.98	
			MIN	S2	-18.67	-35.37	1091.88	-21.21	-35.71	1149.45	-21.21	-51.97	1148.83	-23.28	-51.18	1169.41	
				TQ	-12.45	-37.66	890.18	-15.50	-37.66	821.16	-20.66	-52.10	1174.71	-21.64	-52.10	1074.28	
				M3	6.70	2.02	-374.74	6.70	2.02	-343.36	6.70	6.88	-343.30	6.70	6.88	-311.85	
		64	1-LANE (case4TRUCK-LOAD	MAX	S2	34.43	202.54	1032.13	34.43	202.54	1193.34	34.43	185.64	1196.09	34.43	185.64	1357.65
					TQ	33.72	208.09	897.43	33.72	208.09	1055.32	33.72	193.14	1058.16	33.72	193.14	1216.39
					M3	7.03	38.22	1390.51	7.35	43.36	1423.75	8.92	37.73	1424.32	15.21	88.86	1478.36
MIN	S2			-19.55	-159.90	1135.95	-19.55	-159.90	1044.40	-19.55	-174.65	1042.03	-19.55	-174.65	950.27		
	TQ			-18.98	-162.14	1022.51	-18.98	-162.14	933.62	-18.98	-175.33	931.23	-18.98	-175.33	842.14		
	M3			6.01	34.30	-316.31	6.01	34.30	-288.15	6.01	38.38	-287.64	6.01	38.38	-259.42		
	TANDEM-LOAD			MAX	S2	24.04	140.90	680.03	24.04	140.90	792.61	24.04	129.67	794.53	24.04	129.67	907.35
				TQ	23.99	142.39	654.52	23.99	142.39	766.85	22.31	131.69	687.49	22.31	131.69	792.18	
				M3	4.19	17.35	947.00	4.19	17.35	966.64	6.32	37.89	966.96	13.66	80.75	1004.84	
	MIN			S2	-13.84	-111.54	751.65	-13.84	-111.54	686.86	-13.84	-121.25	685.22	-13.84	-121.25	620.29	
				TQ	-13.68	-112.17	719.99	-13.68	-112.17	655.95	-13.68	-121.44	654.30	-13.68	-121.44	590.12	
				M3	4.10	23.67	-215.44	4.10	23.67	-196.25	4.10	26.44	-195.89	4.10	26.44	-176.66	



BAGO RIVER BRIDGE

BLOCK [ No.1 : MAIN GIRDER ][ BEAM MEMBER FORCE ]

MEMBER			2043			2044			2044			2045			
NODE			2043			2044			2044			2045			
			SHEAR	TORQUE	MOMENT	SHEAR	TORQUE	MOMENT	SHEAR	TORQUE	MOMENT	SHEAR	TORQUE	MOMENT	
NAME	TITLE		S2 (kN)	TQ (kN·m)	M3 (kN·m)	S2 (kN)	TQ (kN·m)	M3 (kN·m)	S2 (kN)	TQ (kN·m)	M3 (kN·m)	S2 (kN)	TQ (kN·m)	M3 (kN·m)	
64	1-LANE (case4DISPERSION-LMAX	S2	33.86	210.18	809.89	33.86	210.18	968.45	33.86	196.46	971.32	33.86	196.46	1130.22	
		TQ	33.43	214.10	676.13	33.43	214.10	832.68	33.29	203.00	785.29	33.29	203.00	941.51	
		M3	12.79	51.54	2111.21	12.79	51.54	2171.09	12.79	20.83	2171.60	12.79	20.83	2231.60	
		MIN	S2	-14.07	-119.40	932.45	-14.07	-119.40	866.56	-14.07	-131.65	864.79	-14.07	-131.65	798.76
		TQ	-13.64	-123.32	1066.21	-13.64	-123.32	1002.33	-13.50	-138.18	1050.82	-13.50	-138.18	987.48	
		M3	7.00	39.23	-368.87	7.00	39.23	-336.08	7.00	43.98	-335.49	7.00	43.98	-302.62	
		MAX	S2	177.80	-175.59	3421.77	156.08	-242.96	3886.19	156.08	-297.91	3882.37	176.57	-297.24	4406.00
		TQ	-68.26	355.09	3080.23	-68.26	355.09	2760.60	-58.58	317.11	2548.28	-58.58	317.11	2273.38	
		M3	58.06	150.82	4128.48	84.83	-64.64	4150.67	84.83	-123.35	4149.34	159.81	-217.11	4435.33	
65	2-LANES (caseTRUCK-LOAD	MIN	S2	-124.07	286.09	4004.86	-103.97	264.98	3766.38	-103.97	211.68	3769.76	-125.63	143.80	3591.14
		TQ	99.30	-360.50	2215.62	99.30	-360.50	2680.58	104.02	-399.34	2804.06	104.02	-399.34	3292.18	
		M3	10.88	-61.18	-647.66	10.88	-61.18	-596.74	10.88	-52.73	-597.54	10.88	-52.73	-546.51	
		MAX	S2	132.38	-98.50	2434.61	117.20	-144.28	2782.05	117.20	-183.62	2779.73	144.34	-166.81	3109.72
		TQ	-45.96	243.57	2117.01	-45.96	243.57	1901.82	-40.43	218.17	1727.02	-40.43	218.17	1537.29	
		M3	35.98	135.66	2892.55	94.91	-81.73	2921.45	94.91	-123.04	2920.00	144.34	-166.81	3109.72	
		MIN	S2	-107.64	145.03	2886.56	-81.82	162.30	2719.74	-81.82	123.81	2721.76	-97.04	77.42	2567.33
		TQ	69.91	-247.04	1541.35	69.91	-247.04	1868.70	71.23	-273.71	1900.97	71.23	-273.71	2235.21	
		M3	7.40	-42.05	-441.08	7.40	-42.05	-406.42	7.40	-36.29	-406.97	7.40	-36.29	-372.23	
		TANDEM-LOAD	S2	116.90	-373.74	1688.82	106.47	-374.69	2059.12	106.47	-403.78	2053.61	106.39	-400.14	2352.58
		TQ	-39.62	287.28	2854.19	-48.44	287.28	2647.84	-47.12	250.47	2522.16	-47.12	250.47	2301.06	
		M3	48.37	-20.79	5092.26	39.55	-20.79	5297.95	39.55	-95.73	5297.12	30.69	-95.73	5461.45	
		MIN	S2	-55.71	280.10	2639.25	-54.10	281.05	2534.69	-54.10	245.17	2538.41	-62.87	241.53	2463.96
		TQ	100.82	-380.91	1473.88	100.82	-380.91	1945.97	99.49	-409.08	2069.86	90.64	-409.08	2515.48	
		M3	12.83	-72.85	-764.20	12.83	-72.85	-704.14	12.83	-62.88	-705.10	12.83	-62.88	-644.91	
		DISPERSION-LMAX	S2	116.90	-373.74	1688.82	106.47	-374.69	2059.12	106.47	-403.78	2053.61	106.39	-400.14	2352.58
		TQ	-39.62	287.28	2854.19	-48.44	287.28	2647.84	-47.12	250.47	2522.16	-47.12	250.47	2301.06	
		M3	48.37	-20.79	5092.26	39.55	-20.79	5297.95	39.55	-95.73	5297.12	30.69	-95.73	5461.45	
MIN	S2	-55.71	280.10	2639.25	-54.10	281.05	2534.69	-54.10	245.17	2538.41	-62.87	241.53	2463.96		
TQ	100.82	-380.91	1473.88	100.82	-380.91	1945.97	99.49	-409.08	2069.86	90.64	-409.08	2515.48			
M3	12.83	-72.85	-764.20	12.83	-72.85	-704.14	12.83	-62.88	-705.10	12.83	-62.88	-644.91			

BAGO RIVER BRIDGE

BLOCK [ No.1 : MAIN GIRDER ][ BEAM MEMBER FORCE ]

MEMBER				2043			2044			2045					
NODE				2043			2044			2045					
				SHEAR	TORQUE	MOMENT	SHEAR	TORQUE	MOMENT	SHEAR	TORQUE	MOMENT			
NAME	TITLE			S2 (kN)	TQ (kN·m)	M3 (kN·m)	S2 (kN)	TQ (kN·m)	M3 (kN·m)	S2 (kN)	TQ (kN·m)	M3 (kN·m)			
66	2-LANES (caseTRUCK-LOAD	MAX	S2	307.57	54.63	3880.42	205.96	-19.11	4275.58	205.96	-79.59	4274.88	131.11	-142.30	4155.08
			TQ	-43.42	190.17	2414.49	-43.42	190.17	2211.18	-41.69	159.70	2114.72	-41.69	159.70	1919.08
			M3	281.76	74.83	3909.44	180.93	2.65	4328.79	180.93	-58.58	4328.39	96.78	-125.34	4207.56
		MIN	S2	-81.78	128.66	3793.44	-154.88	69.88	4222.49	-154.88	10.14	4223.05	-257.60	-64.26	4154.42
			TQ	72.16	-189.91	1824.57	72.16	-189.91	2162.48	80.15	-221.98	2400.60	80.15	-221.98	2776.71
			M3	11.05	-39.91	-644.19	11.05	-39.91	-592.46	11.05	-31.53	-592.97	11.05	-31.53	-541.13
		TANDEM-LOAD MAX	S2	242.86	59.94	2850.62	170.68	12.98	3170.36	170.68	-31.86	3170.22	103.12	-78.11	3064.64
			TQ	-31.94	130.61	1749.60	-31.94	130.61	1600.01	-26.96	109.60	1373.46	-26.96	109.60	1246.94
			M3	242.86	59.94	2850.62	170.68	12.98	3170.36	170.68	-31.86	3170.23	103.12	-78.11	3064.64
		MIN	S2	-68.62	70.60	2838.00	-136.08	26.05	3162.59	-136.08	-18.69	3162.64	-209.52	-66.88	3064.38
			TQ	50.38	-130.32	1273.54	50.38	-130.32	1509.46	52.61	-152.08	1574.73	52.61	-152.08	1821.62
			M3	7.52	-27.41	-438.68	7.52	-27.41	-403.47	7.52	-21.70	-403.82	7.52	-21.70	-368.53
		DISPERSION-LMAX	S2	146.76	-193.70	1873.50	109.27	-201.19	1921.33	109.27	-228.35	1918.29	84.26	-220.32	1814.29
			TQ	17.09	158.27	2991.04	-39.34	158.27	2939.03	-42.03	122.37	2085.85	-42.03	122.37	1888.62
			M3	93.21	2.02	4856.11	36.78	2.02	5160.57	36.78	-70.98	5160.08	-19.96	-70.98	5199.79
MIN	S2	-40.53	148.36	2223.43	-59.48	155.86	2541.00	-59.48	119.90	2542.95	-91.21	111.86	2747.74		
	TQ	89.14	-203.61	1105.90	89.14	-203.61	1523.30	91.83	-230.83	2375.39	35.09	-230.83	2673.41		
	M3	13.01	-47.35	-759.18	13.01	-47.35	-698.24	13.01	-37.47	-698.84	13.01	-37.47	-637.77		
67	2-LANES (caseTRUCK-LOAD	MAX	S2	86.16	215.98	2564.59	86.16	215.98	2968.05	86.16	173.98	2970.81	86.16	173.98	3375.12
			TQ	78.37	241.27	2141.54	78.37	241.27	2508.51	74.15	206.90	2399.45	74.15	206.90	2747.41
			M3	13.39	-38.08	3297.76	47.02	70.48	3328.73	47.02	23.38	3329.39	72.61	119.73	3511.53
		MIN	S2	-52.16	-141.38	3048.16	-52.16	-141.38	2803.93	-52.16	-181.03	2801.65	-52.16	-181.03	2556.89
			TQ	-45.78	-161.08	2597.08	-45.78	-161.08	2382.69	-46.01	-194.85	2395.98	-46.01	-194.85	2180.09
			M3	11.50	13.73	-636.97	11.50	13.73	-583.10	11.50	21.98	-582.85	11.50	21.98	-528.87

BAGO RIVER BRIDGE

BLOCK [ No.1 : MAIN GIRDER ][ BEAM MEMBER FORCE ]

MEMBER				2043			2044			2045					
NODE				2043			2044			2045					
				SHEAR	TORQUE	MOMENT	SHEAR	TORQUE	MOMENT	SHEAR	TORQUE	MOMENT			
NAME	TITLE			S2 (kN)	TQ (kN·m)	M3 (kN·m)	S2 (kN)	TQ (kN·m)	M3 (kN·m)	S2 (kN)	TQ (kN·m)	M3 (kN·m)			
67	2-LANES (caseTANDEM-LOAD	MAX	S2	59.09	156.49	1677.50	59.09	156.49	1954.18	59.09	128.83	1956.20	59.09	128.83	2233.47
			TQ	52.53	165.54	1449.16	52.53	165.54	1695.16	51.36	141.86	1666.01	51.36	141.86	1907.00
			M3	6.25	-43.38	2289.20	30.97	33.64	2296.87	30.97	1.15	2297.12	53.42	75.60	2436.78
		MIN	S2	-36.39	-84.77	2198.75	-36.39	-84.77	2028.33	-36.39	-113.45	2026.93	-36.39	-113.45	1856.15
			TQ	-33.16	-110.58	1815.88	-33.16	-110.58	1660.58	-33.16	-134.06	1658.85	-33.16	-134.06	1503.22
			M3	7.84	9.52	-433.75	7.84	9.52	-397.06	7.84	15.14	-396.89	7.84	15.14	-360.12
		DISPERSION-LMAX	S2	84.43	225.07	1543.28	80.89	225.41	1779.32	80.89	200.22	1782.34	77.02	199.43	2027.65
			TQ	77.68	227.41	1774.64	74.65	227.41	2134.81	80.24	201.57	1664.17	75.28	201.57	2030.00
			M3	35.30	92.57	4475.05	29.22	92.57	4626.01	29.22	27.12	4626.85	23.28	27.12	4749.79
		MIN	S2	-35.63	-115.72	2184.31	-38.17	-116.06	2162.47	-38.17	-146.64	2160.61	-40.24	-145.85	2101.61
			TQ	-28.88	-118.06	1952.95	-31.93	-118.06	1806.99	-37.51	-147.99	2278.78	-38.50	-147.99	2099.26
			M3	13.51	16.78	-747.45	13.51	16.78	-684.21	13.51	26.46	-683.90	13.51	26.46	-620.53
68	2-LANES (caseTRUCK-LOAD	MAX	S2	72.24	338.65	2228.57	72.24	338.65	2566.83	72.24	302.31	2571.36	72.24	302.31	2910.35
			TQ	67.94	357.63	1843.54	67.94	357.63	2161.68	67.94	327.02	2166.53	67.94	327.02	2485.35
			M3	0.73	14.49	2957.07	21.31	80.58	2995.32	22.88	52.72	2996.26	45.67	159.58	3147.37
		MIN	S2	-41.16	-257.16	2506.18	-41.16	-257.16	2313.43	-41.16	-289.85	2309.56	-41.16	-289.85	2116.40
			TQ	-38.45	-269.44	2177.90	-38.45	-269.44	1997.86	-38.67	-297.76	2009.66	-38.67	-297.76	1828.20
			M3	11.92	57.84	-633.43	11.92	57.84	-577.61	11.92	66.00	-576.73	11.92	66.00	-520.79
		TANDEM-LOAD MAX	S2	49.82	238.00	1463.58	49.82	238.00	1696.88	49.82	213.97	1700.08	49.82	213.97	1933.88
			TQ	47.70	245.09	1313.03	47.70	245.09	1536.37	46.02	223.49	1458.39	46.02	223.49	1674.33
			M3	-3.70	-8.04	2022.21	10.96	34.63	2039.19	13.09	39.99	2039.65	34.01	124.47	2150.86
		MIN	S2	-28.92	-172.06	1742.26	-28.92	-172.06	1606.82	-28.92	-194.78	1604.23	-28.92	-194.78	1468.50
			TQ	-26.52	-185.92	1476.46	-26.52	-185.92	1352.25	-26.52	-205.03	1349.49	-26.52	-205.03	1225.02
			M3	8.13	39.92	-431.42	8.13	39.92	-393.37	8.13	45.48	-392.76	8.13	45.48	-354.64

BAGO RIVER BRIDGE

BLOCK [ No.1 : MAIN GIRDER ][ BEAM MEMBER FORCE ]

MEMBER		2043			2044			2044			2045						
NODE		2043			2044			2044			2045						
		SHEAR	TORQUE	MOMENT	SHEAR	TORQUE	MOMENT	SHEAR	TORQUE	MOMENT	SHEAR	TORQUE	MOMENT				
NAME	TITLE	S2 (kN)	TQ (kN·m)	M3 (kN·m)	S2 (kN)	TQ (kN·m)	M3 (kN·m)	S2 (kN)	TQ (kN·m)	M3 (kN·m)	S2 (kN)	TQ (kN·m)	M3 (kN·m)				
68	2-LANES (caseDISPERSION-LMAX	S2	71.71	366.19	1544.78	71.71	366.19	1880.57	71.71	339.55	1885.56	71.71	339.55	2222.07			
		TQ	71.28	370.11	1411.01	71.28	370.11	1744.80	71.03	347.30	1607.24	71.03	347.30	1940.58			
		M3	26.79	98.15	4307.09	26.79	98.15	4432.54	26.79	35.44	4433.49	26.79	35.44	4559.21			
		MIN	S2	-31.01	-202.25	2022.55	-31.01	-202.25	1877.32	-31.01	-228.78	1874.27	-31.01	-228.78	1728.73		
		TQ	-30.59	-206.17	2156.31	-30.59	-206.17	2013.09	-30.34	-236.53	2152.59	-30.34	-236.53	2010.23			
		M3	13.90	65.80	-739.76	13.90	65.80	-674.65	13.90	75.33	-673.65	13.90	75.33	-608.40			
		69	3-LANES (caseTRUCK-LOAD	MAX	S2	378.57	-158.30	5309.98	276.95	-232.05	6037.60	276.95	-317.43	6033.71	240.68	-326.83	6428.17
				TQ	-86.94	411.52	4172.31	-86.94	411.52	3765.19	-76.05	360.04	3475.84	-76.05	360.04	3118.97	
				M3	245.50	170.46	6028.63	192.93	-50.67	6331.56	192.93	-140.23	6330.21	203.14	-242.78	6481.40	
MIN	S2			-164.36	313.53	5848.03	-200.28	284.45	5890.62	-200.28	201.10	5894.06	-303.00	126.70	5612.36		
TQ	130.95			-415.88	3038.41	130.95	-415.88	3651.58	138.93	-468.99	3886.36	138.93	-468.99	4538.32			
M3	16.44			-75.81	-968.90	16.44	-75.81	-891.91	16.44	-63.18	-892.90	16.44	-63.18	-815.74			
TANDEM-LOAD	MAX			S2	295.61	-86.05	3840.84	223.44	-133.01	4407.59	223.44	-195.34	4405.27	197.59	-181.02	4621.44	
TQ	-59.29			282.69	2885.10	-59.29	282.69	2607.45	-51.75	247.68	2328.29	-51.75	247.68	2085.43			
M3	199.22			148.11	4298.78	201.15	-70.46	4547.00	201.15	-134.77	4545.55	197.59	-181.02	4621.45			
MIN	S2	-144.22	158.77	4286.16	-171.50	174.46	4341.29	-171.50	113.03	4343.32	-244.94	64.85	4078.83				
TQ	92.05	-285.08	2116.92	92.05	-285.08	2547.94	94.27	-321.52	2610.91	94.27	-321.52	3053.31					
M3	11.19	-52.08	-659.83	11.19	-52.08	-607.43	11.19	-43.49	-608.10	11.19	-43.49	-555.58					
DISPERSION-LMAX	S2	196.85	-428.44	2599.61	161.81	-431.55	3002.67	161.81	-473.98	2996.26	146.93	-468.20	3225.95				
TQ	-16.13	335.68	4442.42	-61.42	335.68	4260.79	-64.10	281.07	3410.00	-64.10	281.07	3109.18					
M3	102.54	-14.31	7466.36	57.25	-14.31	7840.41	57.25	-125.22	7839.43	11.71	-125.22	8000.98					
MIN	S2	-74.93	323.98	3724.22	-85.17	327.09	3785.97	-85.17	273.51	3790.22	-115.84	267.73	3813.02				
TQ	138.05	-440.14	1881.41	138.05	-440.14	2527.84	140.74	-481.55	3376.48	95.19	-481.55	3929.79					
M3	19.38	-90.14	-1142.53	19.38	-90.14	-1051.78	19.38	-75.26	-1052.95	19.38	-75.26	-962.01					

BAGO RIVER BRIDGE

BLOCK [ No.1 : MAIN GIRDER ][ BEAM MEMBER FORCE ]

MEMBER				2043			2044			2045					
NODE				2043			2044			2045					
				SHEAR	TORQUE	MOMENT	SHEAR	TORQUE	MOMENT	SHEAR	TORQUE	MOMENT			
NAME	TITLE			S2 (kN)	TQ (kN·m)	M3 (kN·m)	S2 (kN)	TQ (kN·m)	M3 (kN·m)	S2 (kN)	TQ (kN·m)	M3 (kN·m)			
70	3-LANES (caseTRUCK-LOAD	MAX	S2	120.59	418.55	3596.73	120.59	418.55	4161.39	120.59	359.64	4166.90	120.59	359.64	4732.77
			TQ	112.09	449.39	3038.95	112.09	449.39	3563.81	107.87	400.06	3457.58	107.87	400.06	3963.77
			M3	20.41	0.10	4688.29	54.37	113.98	4752.47	55.93	61.01	4753.68	87.81	208.60	4989.81
		MIN	S2	-71.71	-301.27	4184.12	-71.71	-301.27	3848.32	-71.71	-355.68	3843.68	-71.71	-355.68	3507.17
			TQ	-64.77	-323.22	3619.59	-64.77	-323.22	3316.30	-64.99	-370.19	3327.21	-64.99	-370.19	3022.24
			M3	17.41	36.75	-954.13	17.41	36.75	-872.62	17.41	49.09	-872.01	17.41	49.09	-790.33
		TANDEM-LOAD MAX	S2	83.13	297.40	2357.54	83.13	297.40	2746.80	83.13	258.52	2750.73	83.13	258.52	3140.82
			TQ	76.52	307.95	2103.68	76.52	307.95	2462.00	73.66	273.57	2353.51	73.66	273.57	2699.19
			M3	10.44	-26.05	3236.19	35.17	50.98	3263.49	37.29	39.05	3264.04	67.07	156.36	3441.56
		MIN	S2	-50.23	-196.32	2950.39	-50.23	-196.32	2715.19	-50.23	-234.70	2712.14	-50.23	-234.70	2476.44
			TQ	-46.84	-222.75	2535.87	-46.84	-222.75	2316.53	-46.84	-255.50	2313.15	-46.84	-255.50	2093.34
			M3	11.86	25.40	-649.76	11.86	25.40	-594.23	11.86	33.81	-593.81	11.86	33.81	-538.16
		DISPERSION-LMAX	S2	118.19	423.40	2351.83	114.65	423.74	2745.95	114.65	384.85	2751.67	110.78	384.07	3155.40
			TQ	111.01	429.67	2448.63	107.98	429.67	2964.85	113.42	392.76	2446.33	108.46	392.76	2967.87
			M3	48.06	146.53	6589.27	41.98	146.53	6800.00	41.98	50.33	6801.39	36.04	50.33	6984.23
MIN	S2	-49.72	-232.65	3119.25	-52.25	-232.99	3031.44	-52.25	-275.84	3027.84	-54.33	-275.06	2902.74		
	TQ	-42.53	-238.91	3022.45	-45.58	-238.91	2812.54	-51.02	-283.75	3333.18	-52.01	-283.75	3090.26		
	M3	20.41	44.22	-1118.20	20.41	44.22	-1022.61	20.41	58.68	-1021.88	20.41	58.68	-926.09		
71	3-LANES (caseTRUCK-LOAD	MAX	S2	120.60	418.49	3596.73	120.60	418.49	4161.45	120.60	359.59	4166.95	120.60	359.59	4732.88
			TQ	112.09	449.31	3038.98	112.09	449.31	3563.85	107.87	399.99	3457.62	107.87	399.99	3963.82
			M3	20.42	0.14	4688.29	54.38	113.84	4752.57	55.95	61.11	4753.80	87.83	208.57	4990.04
		MIN	S2	-71.71	-301.27	4184.12	-71.71	-301.27	3848.32	-71.71	-355.68	3843.68	-71.71	-355.68	3507.17
			TQ	-64.77	-323.22	3619.59	-64.77	-323.22	3316.30	-64.99	-370.19	3327.21	-64.99	-370.19	3022.24
			M3	17.73	70.60	-951.37	17.73	70.60	-868.36	17.73	82.88	-867.28	17.73	82.88	-784.08

BAGO RIVER BRIDGE

BLOCK [ No.1 : MAIN GIRDER ][ BEAM MEMBER FORCE ]

MEMBER		2043			2044			2044			2045				
NODE		2043			2044			2044			2045				
		SHEAR	TORQUE	MOMENT	SHEAR	TORQUE	MOMENT	SHEAR	TORQUE	MOMENT	SHEAR	TORQUE	MOMENT		
NAME	TITLE	S2 (kN)	TQ (kN·m)	M3 (kN·m)	S2 (kN)	TQ (kN·m)	M3 (kN·m)	S2 (kN)	TQ (kN·m)	M3 (kN·m)	S2 (kN)	TQ (kN·m)	M3 (kN·m)		
71	3-LANES (case)	TANDEM-LOAD MAX	S2	83.13	297.36	2357.55	83.13	297.36	2746.83	83.13	258.47	2750.76	83.13	258.47	3140.87
			TQ	76.52	307.90	2103.69	76.52	307.90	2462.01	73.66	273.52	2353.51	73.66	273.52	2699.19
			M3	10.45	-26.03	3236.20	35.18	51.00	3263.57	37.31	39.03	3264.14	67.09	156.34	3441.74
		MIN	S2	-50.23	-196.32	2950.39	-50.23	-196.32	2715.19	-50.23	-234.70	2712.14	-50.23	-234.70	2476.44
			TQ	-46.84	-222.75	2535.87	-46.84	-222.75	2316.53	-46.84	-255.50	2313.15	-46.84	-255.50	2093.34
			M3	12.08	48.76	-647.93	12.08	48.76	-591.36	12.08	57.12	-590.61	12.08	57.12	-533.92
	DISPERSION-LMAX	S2	118.49	458.87	2356.93	114.95	459.20	2752.43	114.95	420.22	2758.65	111.08	419.44	3163.70	
		TQ	116.35	463.41	2170.81	113.32	463.41	2712.04	113.72	428.11	2454.45	108.76	428.11	2977.41	
		M3	48.12	139.07	6581.53	42.04	139.07	6792.53	42.04	42.97	6793.82	36.09	42.97	6976.92	
		MIN	S2	-49.67	-240.12	3112.03	-52.21	-240.46	3024.46	-52.21	-283.22	3020.76	-54.28	-282.44	2895.94
			TQ	-47.53	-244.67	3298.15	-50.58	-244.67	3064.85	-50.98	-291.11	3324.96	-51.97	-291.11	3082.23
			M3	20.70	79.67	-1112.58	20.70	79.67	-1015.64	20.70	94.03	-1014.41	20.70	94.03	-917.27
72	4-LANES	TRUCK-LOAD MAX	S2	23.34	69.54	-1266.91	23.34	69.54	-1157.62	23.34	85.91	-1156.52	23.34	85.91	-1046.99
			TQ	23.34	69.54	-1266.91	23.34	69.54	-1157.62	23.34	85.91	-1156.52	23.34	85.91	-1046.99
			M3	-6.75	-4.10	376.07	-6.75	-4.10	344.47	-6.75	-8.97	344.38	-6.75	-8.97	312.71
		MIN	S2	-6.75	-4.14	376.06	-6.75	-4.14	344.46	-6.75	-9.02	344.37	-6.75	-9.02	312.70
			TQ	-2.69	-5.49	147.65	-2.69	-5.49	135.05	-6.41	-9.38	326.71	-6.41	-9.38	296.62
			M3	23.34	69.54	-1266.91	23.34	69.54	-1157.62	23.34	85.91	-1156.52	23.34	85.91	-1046.99
	TANDEM-LOAD MAX	S2	15.96	49.44	-865.17	15.96	49.44	-790.43	15.96	60.62	-789.65	15.96	60.62	-714.76	
		TQ	15.96	49.44	-865.17	15.96	49.44	-790.43	15.96	60.62	-789.65	15.96	60.62	-714.76	
		M3	-4.59	-2.89	255.57	-4.59	-2.89	234.09	-4.59	-6.21	234.02	-4.59	-6.21	212.50	
		MIN	S2	-4.59	-2.89	255.57	-4.59	-2.89	234.09	-4.59	-6.21	234.02	-4.59	-6.21	212.50
			TQ	-1.92	-3.76	105.46	-1.92	-3.76	96.46	-4.40	-6.39	224.33	-4.40	-6.39	203.67
			M3	15.96	49.44	-865.17	15.96	49.44	-790.43	15.96	60.62	-789.65	15.96	60.62	-714.76

BAGO RIVER BRIDGE

BLOCK [ No.1 : MAIN GIRDER ][ BEAM MEMBER FORCE ]

MEMBER				2043			2044			2045							
NODE				2043			2044			2045							
				SHEAR	TORQUE	MOMENT	SHEAR	TORQUE	MOMENT	SHEAR	TORQUE	MOMENT					
NAME	TITLE			S2 (kN)	TQ (kN·m)	M3 (kN·m)	S2 (kN)	TQ (kN·m)	M3 (kN·m)	S2 (kN)	TQ (kN·m)	M3 (kN·m)					
72	4-LANES	DISPERSION-LMAX	S2	16.41	41.34	-895.56	16.41	41.34	-818.70	16.41	52.91	-818.03	16.41	52.91	-741.01		
			TQ	12.40	42.75	-669.54	12.40	42.75	-611.47	16.41	52.91	-818.03	16.41	52.91	-741.01		
			M3	-8.21	-4.90	457.52	-8.21	-4.90	419.08	-8.21	-10.82	418.97	-8.21	-10.82	380.46		
		MIN	S2	-8.21	-4.94	457.50	-8.21	-4.94	419.06	-8.21	-10.87	418.95	-8.21	-10.87	380.43		
			TQ	-4.35	-6.84	239.78	-4.35	-6.84	219.41	-8.20	-11.45	418.12	-8.20	-11.45	379.64		
			M3	16.41	40.79	-895.69	16.41	40.79	-818.84	16.41	52.37	-818.19	16.41	52.31	-741.18		
		73	6-LANES	TRUCK-LOAD MAX	S2	508.66	214.41	9039.02	403.30	159.69	10360.38	403.30	13.12	10361.60	357.06	22.04	11121.86
					TQ	30.46	797.76	7235.39	30.46	797.76	7378.01	40.16	694.92	7156.10	40.16	694.92	7344.57
					M3	290.83	120.87	10730.84	263.06	70.77	11147.22	263.06	-86.92	11147.11	232.66	9.96	11492.84
MIN	S2			-232.62	3.25	10028.70	-277.28	11.10	9936.98	-277.28	-129.47	9936.15	-384.47	-175.27	9351.67		
	TQ			63.13	-666.57	6609.64	63.13	-666.57	6905.24	69.94	-766.27	7265.11	69.94	-766.27	7593.30		
	M3			34.15	-6.04	-1919.51	34.15	-6.04	-1759.61	34.15	18.85	-1759.52	34.15	18.85	-1599.28		
TANDEM-LOAD MAX	S2			386.85	166.52	6368.46	312.08	132.08	7348.67	312.08	28.12	7349.81	276.30	59.93	7938.44		
	TQ			25.41	547.52	4944.71	25.41	547.52	5063.69	28.10	477.33	4831.87	28.10	477.33	4963.75		
	M3			233.70	102.80	7561.22	250.63	-14.60	7866.84	250.63	-125.88	7865.84	196.07	-5.71	8095.04		
MIN	S2			-190.74	-42.95	7251.17	-226.79	-11.53	7096.41	-226.79	-111.91	7095.53	-303.49	-145.87	6568.91		
	TQ			44.39	-458.70	4648.54	44.39	-458.70	4856.38	44.79	-528.32	5013.16	44.79	-528.32	5223.35		
	M3			23.26	-3.89	-1307.20	23.26	-3.89	-1198.30	23.26	13.06	-1198.24	23.26	13.06	-1089.10		
DISPERSION-LMAX	S2			294.37	32.18	4467.31	256.16	29.94	5188.88	256.16	-43.46	5188.78	238.02	-39.64	5751.78		
	TQ			90.78	734.93	6179.30	46.27	734.93	6503.62	47.23	652.94	5198.53	42.47	652.94	5410.34		
	M3			132.95	114.81	13094.09	85.37	116.11	13612.42	85.59	-74.83	13612.71	38.42	-73.41	13896.44		
MIN	S2	-119.23	79.10	6515.19	-131.77	81.34	6494.93	-131.77	-10.55	6495.43	-164.34	-14.73	6394.40				
	TQ	81.50	-626.95	4748.70	78.43	-626.95	5119.58	75.49	-709.39	6425.33	33.02	-709.39	6678.25				
	M3	38.34	-15.17	-2160.56	38.34	-15.28	-1981.01	38.34	12.65	-1981.03	38.33	11.64	-1801.14				

BAGO RIVER BRIDGE

BLOCK [ No.1 : MAIN GIRDER ][ BEAM MEMBER FORCE ]

MEMBER			2043			2044			2044			2045			
NODE			2043			2044			2044			2045			
NAME TITLE			SHEAR	TORQUE	MOMENT	SHEAR	TORQUE	MOMENT	SHEAR	TORQUE	MOMENT	SHEAR	TORQUE	MOMENT	
			S2 (kN)	TQ (kN·m)	M3 (kN·m)	S2 (kN)	TQ (kN·m)	M3 (kN·m)	S2 (kN)	TQ (kN·m)	M3 (kN·m)	S2 (kN)	TQ (kN·m)	M3 (kN·m)	
124	SUM TOTAL	D+1LANE (caseMAX	S2	877.13	-135.86	45131.93	689.19	-130.60	48938.41	689.19	-822.86	48931.67	552.80	-761.60	52033.91
			TQ	639.73	879.87	46396.17	462.24	879.87	48977.32	473.24	188.15	48749.83	278.39	188.15	50516.76
			M3	699.50	496.50	48220.46	579.92	317.77	51145.53	579.92	-405.75	51144.90	511.74	-448.70	53702.25
		MIN	S2	591.45	833.93	46811.59	455.63	864.33	49022.10	455.63	170.79	49029.43	262.07	173.49	50640.08
			TQ	861.05	-153.65	44932.36	670.18	-153.65	48518.75	670.18	-839.97	48511.73	488.78	-839.97	51233.79
			M3	745.94	306.93	41695.44	555.07	306.93	44742.79	555.07	-326.02	44742.66	360.23	-326.02	46893.59
		D+1LANE (caseMAX	S2	1068.68	356.46	45903.93	752.40	346.21	49240.32	752.40	-350.37	49240.29	471.70	-359.88	51086.86
			TQ	737.59	527.16	45761.50	502.96	527.16	48667.44	499.61	-154.44	47705.98	304.77	-154.44	49596.67
			M3	1021.75	432.69	47674.22	691.91	425.88	51194.41	691.91	-298.34	51195.31	375.32	-308.89	53114.93
		MIN	S2	660.41	486.93	46058.90	388.09	479.97	49577.00	388.09	-221.38	49578.83	69.70	-231.77	51656.55
			TQ	814.48	263.83	44021.52	623.61	263.83	47389.83	632.34	-413.24	48394.22	393.47	-413.24	50804.75
			M3	746.37	363.04	41705.64	555.50	363.04	44755.00	555.50	-270.09	44755.66	360.66	-270.09	46908.61
		D+1LANE (caseMAX	S2	845.87	594.18	45159.17	650.75	594.59	48483.27	650.75	-91.30	48486.83	451.26	-92.24	50925.63
			TQ	833.34	611.15	45193.96	638.84	611.15	48646.31	639.98	-72.29	48090.41	439.18	-72.29	50626.97
			M3	781.03	436.27	47354.79	598.91	493.39	50469.79	598.91	-220.59	50471.72	407.85	-171.87	52727.31
		MIN	S2	672.76	305.96	45868.91	478.85	305.56	48747.60	478.85	-384.05	48747.05	281.52	-383.11	50684.43
			TQ	685.30	291.62	45343.38	490.78	291.62	48093.91	484.58	-392.13	48518.22	288.56	-392.13	50334.19
			M3	746.71	405.55	41712.65	555.84	405.55	44763.60	555.84	-227.70	44764.86	360.99	-227.70	46919.41
		D+1LANE (caseMAX	S2	813.77	896.61	44755.54	622.90	896.61	48120.53	622.90	215.82	48128.40	428.06	215.82	50597.65
			TQ	812.40	907.98	44433.39	621.54	907.98	47791.98	621.36	232.67	47739.65	426.52	232.67	50201.68
			M3	755.60	509.07	46747.19	565.11	515.24	49840.19	567.01	-172.42	49842.61	379.71	-111.07	52064.17
		MIN	S2	691.48	66.19	45027.21	500.61	66.19	47819.53	500.61	-610.25	47815.69	305.76	-610.25	49711.05
			TQ	692.67	58.79	45051.59	501.80	58.79	47849.52	501.98	-618.91	47905.96	307.13	-618.91	49807.76
			M3	747.44	489.59	41722.91	556.57	489.59	44777.31	556.57	-143.86	44779.75	361.73	-143.86	46937.76



BAGO RIVER BRIDGE

BLOCK [ No.1 : MAIN GIRDER ] [ BEAM MEMBER FORCE ]

MEMBER			2043			2044			2044			2045			
NODE			2043			2044			2044			2045			
NAME TITLE			SHEAR	TORQUE	MOMENT	SHEAR	TORQUE	MOMENT	SHEAR	TORQUE	MOMENT	SHEAR	TORQUE	MOMENT	
			S2 (kN)	TQ (kN·m)	M3 (kN·m)	S2 (kN)	TQ (kN·m)	M3 (kN·m)	S2 (kN)	TQ (kN·m)	M3 (kN·m)	S2 (kN)	TQ (kN·m)	M3 (kN·m)	
124	SUM TOTAL	D+2LANES (casMAX	S2	1026.53	-147.98	47655.71	803.51	-216.29	51471.70	803.51	-944.38	51463.49	629.07	-940.08	54370.79
			TQ	623.94	1043.71	48479.54	424.26	1043.71	50934.83	435.26	324.88	50597.95	240.41	324.88	52186.65
			M3	838.25	531.38	51765.87	665.34	315.92	54975.00	665.34	-461.77	54973.97	536.62	-555.53	57509.00
		MIN	S2	552.04	967.54	49189.23	382.89	947.38	51827.46	382.89	214.15	51835.68	157.61	142.63	53667.31
			TQ	931.94	-340.06	46234.62	741.07	-340.06	50152.94	744.47	-1051.11	50401.43	540.77	-1051.11	53419.87
			M3	755.52	267.32	41133.27	564.66	267.32	44225.51	564.66	-358.31	44224.87	369.81	-358.31	46420.80
		D+2LANES (casMAX	S2	1186.15	262.28	48299.05	856.18	181.04	51723.29	856.18	-550.64	51720.68	561.48	-605.31	53581.58
			TQ	705.49	749.79	47950.65	458.19	749.79	50676.59	457.23	39.38	49728.07	262.39	39.38	51419.90
			M3	1106.80	478.20	51310.67	758.67	406.02	55015.74	758.67	-372.26	55015.98	422.93	-439.02	57019.56
		MIN	S2	609.51	678.37	48562.00	326.60	627.08	52289.87	326.60	-112.66	52293.51	-2.70	-195.09	54514.37
			TQ	893.13	7.83	45475.59	702.26	7.83	49212.17	712.93	-695.51	50303.50	461.35	-695.51	53062.33
			M3	755.88	314.08	41141.76	565.01	314.08	44235.68	565.01	-311.69	44235.70	370.17	-311.69	46433.31
		D+2LANES (casMAX	S2	902.42	842.41	46653.00	708.01	842.74	50273.76	708.01	131.50	50280.65	509.29	130.72	53014.99
			TQ	887.87	870.03	46461.31	693.97	870.03	50169.70	695.34	165.77	49591.12	495.54	165.77	52389.63
			M3	780.51	455.84	50317.93	617.20	564.39	53481.12	617.20	-192.19	53483.75	442.00	-95.84	55873.53
		MIN	S2	644.04	144.25	47777.60	450.63	143.91	50492.78	450.63	-570.36	50489.77	253.71	-569.58	52270.72
			TQ	657.16	122.21	47095.16	463.24	122.21	49716.06	457.44	-585.54	50202.27	261.61	-585.54	51891.57
			M3	756.83	431.86	41160.71	565.96	431.86	44259.07	565.96	-194.26	44260.75	371.12	-194.26	46462.81
		D+2LANES (casMAX	S2	875.77	1106.20	46318.47	684.90	1106.20	49973.78	684.90	399.17	49984.43	490.06	399.17	52744.63
			TQ	871.05	1129.09	45799.68	680.18	1129.09	49432.87	679.93	431.63	49301.27	485.09	431.63	52038.14
			M3	759.34	513.99	49809.29	589.05	580.08	52954.24	590.63	-154.54	52957.25	418.57	-47.67	55318.79
		MIN	S2	659.65	-58.05	47073.85	468.78	-58.05	49717.13	468.78	-761.33	49711.34	273.93	-761.33	51457.34
			TQ	662.79	-74.26	46879.34	471.92	-74.26	49537.33	471.95	-776.99	49689.76	277.10	-776.99	51450.64
			M3	757.65	524.98	41171.93	566.78	524.98	44274.13	566.78	-101.36	44277.12	371.94	-101.36	46483.02

BAGO RIVER BRIDGE

BLOCK [ No.1 : MAIN GIRDER ] [ BEAM MEMBER FORCE ]

MEMBER			2043			2044			2044			2045				
NODE			2043			2044			2044			2045				
NAME TITLE			SHEAR	TORQUE	MOMENT	SHEAR	TORQUE	MOMENT	SHEAR	TORQUE	MOMENT	SHEAR	TORQUE	MOMENT		
			S2 (kN)	TQ (kN·m)	M3 (kN·m)	S2 (kN)	TQ (kN·m)	M3 (kN·m)	S2 (kN)	TQ (kN·m)	M3 (kN·m)	S2 (kN)	TQ (kN·m)	M3 (kN·m)		
124	SUM TOTAL	D+3LANES (casMAX	S2	1220.93	-97.38	49268.28	913.90	-162.71	53210.61	913.90	-915.39	53202.98	675.58	-918.48	55818.21	
			TQ	644.21	1036.47	49867.64	414.85	1036.47	52348.47	421.82	302.25	51380.47	226.98	302.25	52906.14	
			M3	1027.65	534.07	54015.86	753.61	346.12	57572.56	753.61	-468.32	57571.70	528.73	-555.49	59922.24	
		MIN	S2	528.43	943.23	50681.54	298.32	921.17	53751.49	298.32	160.72	53759.14	-9.90	92.57	55623.79	
			TQ	960.47	-326.26	46726.98	769.60	-326.26	50778.89	778.67	-1050.65	51700.92	545.12	-1050.65	54810.10	
			M3	762.27	260.29	40750.41	571.40	260.29	43874.24	571.40	-360.37	43873.54	376.56	-360.37	46101.13	
		D+3LANES (casMAX	S2	934.78	1117.01	47601.40	740.91	1117.29	51397.62	740.91	390.12	51408.29	542.77	389.46	54317.15	
			TQ	921.45	1148.55	47209.57	728.01	1148.55	51075.74	729.05	431.21	50545.83	529.99	431.21	53504.11	
			M3	790.02	525.99	52131.06	622.86	622.79	55345.99	624.18	-148.05	55349.32	451.39	-22.60	57790.15	
		MIN	S2	628.61	-52.49	48752.98	435.58	-52.77	51374.18	435.58	-779.49	51368.30	238.98	-778.83	53060.63	
			TQ	640.62	-76.46	48190.86	447.16	-76.46	50735.90	442.34	-798.54	51188.84	246.67	-798.54	52807.84	
			M3	763.97	470.17	40783.65	573.10	470.17	43915.44	573.10	-151.09	43917.69	378.26	-151.09	46153.26	
		D+3LANES (casMAX	S2	935.05	1147.11	47605.74	741.17	1147.39	51403.18	741.17	420.14	51414.27	543.04	419.48	54324.31	
			TQ	925.99	1177.16	46973.45	732.55	1177.16	50860.89	729.31	461.19	50552.76	530.25	461.19	53512.25	
			M3	790.08	519.68	52124.47	622.91	616.32	55339.72	624.25	-154.23	55342.99	451.45	-28.89	57784.12	
		MIN	S2	628.65	-58.84	48746.85	435.62	-59.12	51368.25	435.62	-785.76	51362.28	239.02	-785.09	53054.85	
			TQ	636.37	-81.36	48425.20	442.91	-81.36	50950.36	442.38	-804.79	51181.85	246.70	-804.79	52801.01	
			M3	764.49	529.08	40790.77	573.62	529.08	43924.98	573.62	-92.32	43928.07	378.78	-92.32	46166.06	
		D+4LANES	MAX	S2	757.66	473.42	41139.52	566.79	473.42	44241.78	566.79	-152.46	44244.05	371.95	-152.46	46450.01
			TQ	755.05	474.34	41286.43	564.19	474.34	44376.48	566.79	-152.46	44244.05	371.95	-152.46	46450.01	
			M3	722.10	395.50	43086.96	531.23	395.50	46022.70	531.23	-255.56	46023.69	336.39	-255.56	48062.77	
		MIN	S2	722.10	395.45	43086.94	531.23	395.45	46022.67	531.23	-255.62	46023.66	336.39	-255.62	48062.75	
			TQ	727.25	393.33	42796.95	536.38	393.33	45756.78	531.46	-256.24	46011.65	336.61	-256.24	48051.79	
			M3	757.66	473.07	41139.44	566.79	473.07	44241.68	566.79	-152.81	44243.95	371.95	-152.85	46449.90	

BAGO RIVER BRIDGE

BLOCK [ No.1 : MAIN GIRDER ][ BEAM MEMBER FORCE ]

MEMBER					2043			2044			2045					
NODE					2043			2044			2045					
					SHEAR	TORQUE	MOMENT	SHEAR	TORQUE	MOMENT	SHEAR	TORQUE	MOMENT			
NAME	TITLE				S2 (kN)	TQ (kN·m)	M3 (kN·m)	S2 (kN)	TQ (kN·m)	M3 (kN·m)	S2 (kN)	TQ (kN·m)	M3 (kN·m)			
124	SUM TOTAL	D+6LANES	MAX	S2	1253.79	561.64	51324.23	969.60	524.61	55633.40	969.60	-262.42	55635.26	732.91	-254.14	58580.08
				TQ	810.63	1397.60	51264.68	590.82	1397.60	54549.44	597.76	633.42	53558.02	399.82	633.42	55902.90
				M3	1007.28	554.54	58031.33	767.43	522.82	61620.15	767.58	-347.83	61621.39	522.32	-283.93	64115.24
			MIN	S2	503.12	454.87	53298.65	275.07	461.43	56207.13	275.07	-333.70	56208.03	-10.62	-366.19	57847.16
				TQ	825.83	-439.44	49928.04	632.97	-439.44	53342.52	635.48	-1201.87	54426.30	413.03	-1201.87	56888.72
				M3	778.94	387.56	39893.09	588.07	387.49	43094.98	588.07	-222.22	43096.15	393.22	-222.88	45401.94
	SUM TOTAL		MAX		1253.79	1397.60	58031.33	969.60	1397.60	61620.15	969.60	633.42	61621.39	732.91	633.42	64115.24
			MIN		503.12	-439.44	39893.09	275.07	-439.44	43094.98	275.07	-1201.87	43096.15	-10.62	-1201.87	45401.94
300	DEAD LOAD	TOTAL			731.82	401.35	42545.13	540.95	401.35	45526.38	540.95	-242.69	45527.51	346.11	-242.69	47612.21
301	LIVE LOAD	1-LANE(case1MAX	S2		145.31	-537.21	2586.80	148.24	-531.95	3412.03	148.24	-580.16	3404.16	206.69	-518.90	4421.70
			TQ		-92.09	478.52	3851.04	-78.72	478.52	3450.94	-67.72	430.85	3222.32	-67.72	430.85	2904.55
			M3		-32.32	95.15	5675.33	38.96	-83.58	5619.14	38.96	-163.06	5617.40	165.63	-206.01	6090.04
			MIN	S2	-140.37	432.58	4266.46	-85.32	462.98	3495.72	-85.32	413.48	3501.92	-84.04	416.19	3027.87
				TQ	129.23	-555.00	2387.24	129.23	-555.00	2992.37	129.23	-597.27	2984.22	142.67	-597.27	3621.58
				M3	14.11	-94.42	-849.69	14.11	-94.42	-783.59	14.11	-83.33	-784.85	14.11	-83.33	-718.62
		1-LANE(case2MAX	S2		336.86	-44.89	3358.81	211.45	-55.14	3713.94	211.45	-107.68	3712.79	125.59	-117.18	3474.65
			TQ		5.77	125.81	3216.37	-37.99	125.81	3141.05	-41.34	88.25	2178.47	-41.34	88.25	1984.45
			M3		289.93	31.34	5129.10	150.96	24.53	5668.03	150.96	-55.65	5667.81	29.21	-66.19	5502.72
			MIN	S2	-71.41	85.58	3513.78	-152.87	78.62	4050.62	-152.87	21.32	4051.32	-276.41	10.92	4044.34
				TQ	82.66	-137.52	1476.39	82.66	-137.52	1863.44	91.38	-170.55	2866.71	47.36	-170.55	3192.54
				M3	14.54	-38.31	-839.49	14.54	-38.31	-771.39	14.54	-27.39	-771.85	14.54	-27.39	-703.60
		1-LANE(case3MAX	S2		114.04	192.83	2614.04	109.80	193.24	2956.88	109.80	151.39	2959.32	105.15	150.45	3313.42
			TQ		101.52	209.80	2648.83	97.89	209.80	3119.92	99.03	170.41	2562.90	93.07	170.41	3014.76
			M3		49.20	34.92	4809.67	57.96	92.04	4943.41	57.96	22.10	4944.22	61.74	70.83	5115.10
			MIN	S2	-59.06	-95.39	3323.79	-62.11	-95.79	3221.22	-62.11	-141.35	3219.54	-64.59	-140.41	3072.22
				TQ	-46.52	-109.73	2798.25	-50.18	-109.73	2567.52	-56.38	-149.44	2990.72	-57.55	-149.44	2721.98
				M3	14.88	4.21	-832.47	14.88	4.21	-762.78	14.88	14.99	-762.65	14.88	14.99	-692.81

BAGO RIVER BRIDGE

BLOCK [ No.1 : MAIN GIRDER ][ BEAM MEMBER FORCE ]

MEMBER			2043			2044			2044			2045			
NODE			2043			2044			2044			2045			
NAME TITLE			SHEAR	TORQUE	MOMENT	SHEAR	TORQUE	MOMENT	SHEAR	TORQUE	MOMENT	SHEAR	TORQUE	MOMENT	
			S2 (kN)	TQ (kN·m)	M3 (kN·m)	S2 (kN)	TQ (kN·m)	M3 (kN·m)	S2 (kN)	TQ (kN·m)	M3 (kN·m)	S2 (kN)	TQ (kN·m)	M3 (kN·m)	
301	LIVE LOAD	1-LANE (case4MAX	S2	81.95	495.26	2210.42	81.95	495.26	2594.14	81.95	458.52	2600.89	81.95	458.52	2985.44
			TQ	80.58	506.63	1888.27	80.58	506.63	2265.60	80.41	475.36	2212.14	80.41	475.36	2589.47
			M3	23.78	107.72	4202.06	24.16	113.89	4313.80	26.05	70.27	4315.10	33.60	131.62	4451.96
			MIN S2	-40.35	-335.16	2482.08	-40.35	-335.16	2293.15	-40.35	-367.56	2288.18	-40.35	-367.56	2098.84
			TQ	-39.15	-342.56	2506.47	-39.15	-342.56	2323.14	-38.98	-376.22	2378.46	-38.98	-376.22	2195.54
			M3	15.62	88.24	-822.21	15.62	88.24	-749.07	15.62	98.83	-747.75	15.62	98.83	-674.46
		2-LANES (caseMAX	S2	294.70	-549.33	5110.59	262.56	-617.64	5945.31	262.56	-701.68	5935.98	282.95	-697.38	6758.58
			TQ	-107.88	642.36	5934.42	-116.70	642.36	5408.44	-105.70	567.57	5070.44	-105.70	567.57	4574.44
			M3	106.43	130.03	9220.74	124.38	-85.43	9448.62	124.38	-219.07	9446.46	190.50	-312.83	9896.78
			MIN S2	-179.78	566.19	6644.11	-158.07	546.03	6301.08	-158.07	456.84	6308.17	-188.50	385.33	6055.10
			TQ	200.11	-741.41	3689.50	200.11	-741.41	4626.55	203.51	-808.41	4873.92	194.66	-808.41	5807.66
			M3	23.70	-134.03	-1411.86	23.70	-134.03	-1300.87	23.70	-115.61	-1302.64	23.70	-115.61	-1191.41
		2-LANES (caseMAX	S2	454.33	-139.07	5753.93	315.23	-220.31	6196.91	315.23	-307.94	6193.17	215.37	-362.62	5969.37
			TQ	-26.33	348.44	5405.52	-82.76	348.44	5150.21	-83.72	282.08	4200.57	-83.72	282.08	3807.69
			M3	374.97	76.85	8765.55	217.71	4.67	9489.35	217.71	-129.56	9488.47	76.82	-196.32	9407.35
			MIN S2	-122.31	277.02	6016.87	-214.35	225.73	6763.49	-214.35	130.04	6766.01	-348.81	47.61	6902.16
			TQ	161.30	-393.52	2930.46	161.30	-393.52	3685.78	171.98	-452.81	4775.99	115.23	-452.81	5450.12
			M3	24.06	-87.27	-1403.36	24.06	-87.27	-1290.70	24.06	-69.00	-1291.80	24.06	-69.00	-1178.90
		2-LANES (caseMAX	S2	170.59	441.06	4107.87	167.05	441.39	4747.37	167.05	374.19	4753.14	163.18	373.41	5402.77
			TQ	156.05	468.68	3916.19	153.02	468.68	4643.32	154.39	408.47	4063.61	149.43	408.47	4777.41
			M3	48.69	54.49	7772.81	76.24	163.05	7954.73	76.24	50.50	7956.24	95.89	146.85	8261.32
			MIN S2	-87.79	-257.10	5232.48	-90.32	-257.44	4966.40	-90.32	-327.66	4962.26	-92.40	-326.88	4658.50
			TQ	-74.66	-279.14	4550.03	-77.71	-279.14	4189.67	-83.52	-342.84	4674.76	-84.50	-342.84	4279.35
			M3	25.01	30.51	-1384.42	25.01	30.51	-1267.31	25.01	48.44	-1266.76	25.01	48.44	-1149.40

BAGO RIVER BRIDGE

BLOCK [ No.1 : MAIN GIRDER ][ BEAM MEMBER FORCE ]

MEMBER				2043			2044			2045					
NODE				2043			2044			2044			2045		
				SHEAR	TORQUE	MOMENT	SHEAR	TORQUE	MOMENT	SHEAR	TORQUE	MOMENT	SHEAR	TORQUE	MOMENT
NAME TITLE				S2 (kN)	TQ (kN·m)	M3 (kN·m)	S2 (kN)	TQ (kN·m)	M3 (kN·m)	S2 (kN)	TQ (kN·m)	M3 (kN·m)	S2 (kN)	TQ (kN·m)	M3 (kN·m)
301	LIVE LOAD	2-LANES (caseMAX	S2	143.95	704.85	3773.35	143.95	704.85	4447.40	143.95	641.86	4456.93	143.95	641.86	5132.42
			TQ	139.22	727.74	3254.55	139.22	727.74	3906.49	138.98	674.32	3773.77	138.98	674.32	4425.93
			M3	27.52	112.64	7264.16	48.10	178.73	7427.86	49.67	88.16	7429.74	72.46	195.02	7706.58
			MIN S2	-72.18	-459.40	4528.73	-72.18	-459.40	4190.75	-72.18	-518.64	4183.83	-72.18	-518.64	3845.13
			TQ	-69.03	-475.61	4334.21	-69.03	-475.61	4010.95	-69.01	-534.29	4162.25	-69.01	-534.29	3838.43
			M3	25.83	123.63	-1373.19	25.83	123.63	-1252.26	25.83	141.33	-1250.38	25.83	141.33	-1129.19
		3-LANES (caseMAX	S2	489.10	-498.73	6723.15	372.95	-564.06	7684.22	372.95	-672.70	7675.48	329.47	-675.78	8206.00
			TQ	-87.61	635.12	7322.52	-126.10	635.12	6822.09	-119.13	544.95	5852.96	-119.13	544.95	5293.93
			M3	295.83	132.72	11470.74	212.65	-55.23	12046.18	212.65	-225.63	12044.19	182.62	-312.80	12310.02
			MIN S2	-203.40	541.88	8136.42	-242.64	519.82	8225.10	-242.64	403.41	8231.63	-356.02	335.27	8011.57
			TQ	228.64	-727.61	4181.85	228.64	-727.61	5252.51	237.72	-807.96	6173.42	199.00	-807.96	7197.89
			M3	30.45	-141.06	-1794.72	30.45	-141.06	-1652.14	30.45	-117.67	-1653.97	30.45	-117.67	-1511.09
		3-LANES (caseMAX	S2	202.96	715.66	5056.27	199.95	715.94	5871.24	199.95	632.82	5880.78	196.66	632.15	6704.94
			TQ	189.63	747.20	4664.44	187.05	747.20	5549.36	188.10	673.90	5018.32	183.88	673.90	5891.90
			M3	58.20	124.64	9585.93	81.90	221.44	9819.60	83.23	94.64	9821.81	105.28	220.09	10177.93
			MIN S2	-103.21	-453.84	6207.86	-105.37	-454.12	5847.80	-105.37	-536.80	5840.79	-107.13	-536.13	5448.42
			TQ	-91.21	-477.81	5645.73	-93.80	-477.81	5209.52	-98.61	-555.85	5661.34	-99.45	-555.85	5195.63
			M3	32.15	68.82	-1761.48	32.15	68.82	-1610.95	32.15	91.60	-1609.81	32.15	91.60	-1458.96
		3-LANES (caseMAX	S2	203.23	745.76	5060.61	200.22	746.04	5876.80	200.22	662.84	5886.76	196.92	662.17	6712.09
			TQ	194.17	775.81	4428.32	191.60	775.81	5334.51	188.36	703.88	5025.25	184.14	703.88	5900.04
			M3	58.26	118.33	9579.35	81.96	214.97	9813.34	83.30	88.47	9815.48	105.34	213.81	10171.91
			MIN S2	-103.17	-460.19	6201.72	-105.33	-460.47	5841.87	-105.33	-543.07	5834.77	-107.09	-542.40	5442.64
			TQ	-95.45	-482.70	5880.08	-98.04	-482.70	5423.98	-98.57	-562.10	5654.35	-99.41	-562.10	5188.80
			M3	32.66	127.73	-1754.36	32.66	127.73	-1601.40	32.66	150.37	-1599.44	32.66	150.37	-1446.15

BAGO RIVER BRIDGE

BLOCK [ No.1 : MAIN GIRDER ][ BEAM MEMBER FORCE ]

MEMBER					2043			2044			2045					
NODE					2043			2044			2045					
NAME TITLE					SHEAR	TORQUE	MOMENT	SHEAR	TORQUE	MOMENT	SHEAR	TORQUE	MOMENT			
					S2 (kN)	TQ (kN·m)	M3 (kN·m)	S2 (kN)	TQ (kN·m)	M3 (kN·m)	S2 (kN)	TQ (kN·m)	M3 (kN·m)			
301	LIVE LOAD	4-LANES	MAX	S2	25.84	72.07	-1405.60	25.84	72.07	-1284.60	25.84	90.24	-1283.46	25.84	90.24	-1162.20
				TQ	23.23	72.99	-1258.69	23.23	72.99	-1149.91	25.84	90.24	-1283.46	25.84	90.24	-1162.20
				M3	-9.72	-5.85	541.83	-9.72	-5.85	496.31	-9.72	-12.87	496.18	-9.72	-12.87	450.56
		MIN	S2	-9.72	-5.90	541.81	-9.72	-5.90	496.29	-9.72	-12.92	496.16	-9.72	-12.92	450.54	
			TQ	-4.58	-8.02	251.83	-4.58	-8.02	230.40	-9.50	-13.54	484.14	-9.50	-13.54	439.57	
			M3	25.84	71.72	-1405.69	25.84	71.72	-1284.70	25.84	89.88	-1283.56	25.84	89.84	-1162.31	
	6-LANES	MAX	S2	521.97	160.29	8779.11	428.65	123.26	10107.02	428.65	-19.72	10107.75	386.80	-11.44	10967.87	
			TQ	78.80	996.25	8719.55	49.87	996.25	9023.06	56.80	876.11	8030.51	53.71	876.11	8290.69	
			M3	275.46	153.19	15486.21	226.48	121.48	16093.77	226.62	-105.14	16093.88	176.21	-41.24	16503.03	
		MIN	S2	-228.70	53.52	10753.53	-265.88	60.08	10680.74	-265.88	-91.01	10680.53	-356.73	-123.50	10234.95	
			TQ	94.01	-840.79	7382.92	92.01	-840.79	7816.14	94.53	-959.18	8898.79	66.92	-959.18	9276.51	
			M3	47.12	-13.79	-2652.04	47.12	-13.86	-2431.40	47.12	20.48	-2431.36	47.11	19.82	-2210.27	
LIVE LOAD	MAX	521.97	996.25	15486.21	428.65	996.25	16093.77	428.65	876.11	16093.88	386.80	876.11	16503.03			
	MIN	-228.70	-840.79	-2652.04	-265.88	-840.79	-2431.40	-265.88	-959.18	-2431.36	-356.73	-959.18	-2210.27			
303	SUM TOTAL	TOTAL	MAX	1253.79	1397.60	58031.33	969.60	1397.60	61620.15	969.60	633.42	61621.39	732.91	633.42	64115.24	
			MIN	503.12	-439.44	39893.09	275.07	-439.44	43094.98	275.07	-1201.87	43096.15	-10.62	-1201.87	45401.94	

BAGO RIVER BRIDGE

BLOCK [ No.1 : MAIN GIRDER ] [ BEAM MEMBER FORCE ]

MEMBER NODE	2045 2045	2046			2046			2047								
		SHEAR	TORQUE	MOMENT	SHEAR	TORQUE	MOMENT	SHEAR	TORQUE	MOMENT	SHEAR	TORQUE	MOMENT			
		S2 (kN)	TQ (kN·m)	M3 (kN·m)	S2 (kN)	TQ (kN·m)	M3 (kN·m)	S2 (kN)	TQ (kN·m)	M3 (kN·m)	S2 (kN)	TQ (kN·m)	M3 (kN·m)			
1	PAVEMENT	39.24	-2.40	7519.60	9.23	-2.40	7633.61	9.23	-2.40	7633.61	-20.78	-2.40	7606.43			
3	RAILING	-1.34	-0.97	232.88	0.25	-0.97	230.32	0.25	-0.97	230.32	1.83	-0.97	235.23			
5	CURB	-13.22	-9.63	2305.48	2.47	-9.63	2280.18	2.47	-9.63	2280.18	18.16	-9.63	2328.73			
7	DECK WEIGHT	70.85	-4.57	12378.61	22.77	-4.57	12599.68	22.77	-4.57	12599.68	-26.70	-4.57	12591.27			
8	GIRDER WEIGH	105.05	-22.87	17532.90	17.09	-22.87	17820.22	17.09	-22.87	17820.22	-70.87	-22.87	17693.71			
10	MEDIAN STRIP	66.12	5.60	3951.86	29.73	5.60	4180.00	29.73	5.60	4180.00	-11.14	5.60	4226.37			
21	ADITIONAL WE	19.84	-1.28	3466.01	6.38	-1.28	3527.91	6.38	-1.28	3527.91	-7.47	-1.28	3525.56			
31	MEDIAN RAILI	2.50	-0.16	228.34	0.20	-0.16	234.75	0.20	-0.16	234.75	-2.10	-0.16	230.33			
51	SUPPORT WEIG	-0.00	0.00	-0.00	-0.00	0.00	-0.00	-0.00	0.00	-0.00	-0.00	0.00	-0.00			
52	NOSE WEIGHT	-0.00	0.00	0.01	-0.00	0.00	0.01	-0.00	0.00	0.01	-0.00	0.00	0.01			
61	1-LANE(case1TRUCK-LOAD	MAX	S2	66.71	-150.51	1448.69	66.71	-150.51	1762.55	66.71	-150.51	1762.55	104.93	-98.13	2300.28	
			TQ	-43.78	281.07	1775.18	-43.78	281.07	1569.18	-43.78	281.07	1569.18	-43.78	281.07	1363.16	
			M3	-46.96	220.23	2270.94	9.63	119.14	2099.84	9.63	119.14	2099.84	101.55	-31.82	2324.54	
		MIN	S2	-89.49	242.79	2237.58	-52.93	272.00	1846.48	-52.93	272.00	1846.48	-52.93	272.00	1597.43	
			TQ	54.18	-159.16	1185.74	54.18	-159.16	1440.65	54.18	-159.16	1440.65	54.18	-159.16	1695.59	
			M3	5.47	-34.23	-274.76	5.47	-34.23	-249.05	5.47	-34.23	-249.05	5.47	-34.23	-223.33	
		TANDEM-LOAD	MAX	S2	49.88	-104.42	1009.18	49.88	-104.42	1243.84	49.88	-104.42	1243.84	91.14	-44.74	1586.88
			TQ	-31.19	192.54	1240.74	-31.19	192.54	1093.99	-31.19	192.54	1093.99	-31.19	192.54	947.22	
			M3	-26.02	146.07	1554.36	-15.92	127.72	1440.81	-15.92	127.72	1440.81	91.14	-44.74	1586.88	
		MIN	S2	-79.93	127.72	1554.10	-40.11	186.34	1295.23	-40.11	186.34	1295.23	-40.11	186.34	1106.52	
			TQ	38.75	-109.97	829.74	38.75	-109.97	1012.05	38.75	-109.97	1012.05	38.75	-109.97	1194.37	
			M3	3.72	-23.55	-187.16	3.72	-23.55	-169.65	3.72	-23.55	-169.65	3.72	-23.55	-152.13	
		DISPERSION-LMAX	S2	41.86	-148.17	649.94	44.06	-140.76	964.68	44.06	-140.76	964.68	54.07	-139.84	1265.95	
			TQ	-43.76	270.01	1884.02	-32.50	270.01	1704.00	-32.50	270.01	1704.00	-27.14	270.01	1570.00	
			M3	-8.78	161.62	2801.69	2.48	161.62	2786.26	2.48	161.62	2786.26	13.74	161.62	2823.81	
		MIN	S2	-44.18	268.97	1827.33	-35.13	261.55	1527.51	-35.13	261.55	1527.51	-33.88	260.63	1294.14	
			TQ	41.44	-149.22	593.25	41.44	-149.22	788.20	41.44	-149.22	788.20	47.33	-149.22	990.10	
			M3	6.45	-40.83	-324.42	6.45	-40.83	-294.07	6.45	-40.83	-294.07	6.45	-40.83	-263.71	

BAGO RIVER BRIDGE

BLOCK [ No.1 : MAIN GIRDER ][ BEAM MEMBER FORCE ]

MEMBER				2045			2046			2047					
NODE				2045			2046			2046			2047		
				SHEAR	TORQUE	MOMENT	SHEAR	TORQUE	MOMENT	SHEAR	TORQUE	MOMENT	SHEAR	TORQUE	MOMENT
NAME	TITLE			S2 (kN)	TQ (kN·m)	M3 (kN·m)	S2 (kN)	TQ (kN·m)	M3 (kN·m)	S2 (kN)	TQ (kN·m)	M3 (kN·m)	S2 (kN)	TQ (kN·m)	M3 (kN·m)
62	1-LANE (case2TRUCK-LOAD	MAX	S2	194.78	20.35	2029.49	116.25	16.29	2224.06	116.25	16.29	2224.06	59.18	4.64	2023.96
			TQ	-25.24	68.21	1244.68	-25.24	68.21	1125.94	-25.24	68.21	1125.94	-25.24	68.21	1007.19
			M3	180.74	22.37	2053.67	48.13	20.16	2272.60	48.13	20.16	2272.60	-30.88	15.87	2085.14
		MIN	S2	-50.32	31.49	2028.42	-105.80	22.07	2239.49	-105.80	22.07	2239.49	-185.69	18.25	2070.60
			TQ	26.17	-38.96	837.71	26.17	-38.96	960.82	26.17	-38.96	960.82	26.17	-38.96	1083.94
			M3	5.48	-12.59	-269.34	5.48	-12.59	-243.57	5.48	-12.59	-243.57	5.48	-12.59	-217.80
		TANDEM-LOAD MAX	S2	158.36	14.51	1517.32	102.87	13.01	1689.63	102.87	13.01	1689.63	50.35	9.47	1530.91
			TQ	-16.57	46.62	815.97	-16.57	46.62	738.00	-16.57	46.62	738.00	-16.57	46.62	660.01
			M3	158.36	14.51	1517.32	10.83	13.47	1691.67	10.83	13.47	1691.67	-46.07	11.38	1537.56
		MIN	S2	-43.34	16.01	1517.08	-95.62	13.47	1691.67	-95.62	13.47	1691.67	-153.08	11.38	1537.56
			TQ	17.06	-27.10	541.89	17.06	-27.10	622.16	17.06	-27.10	622.16	17.06	-27.10	702.44
			M3	3.73	-8.65	-183.42	3.73	-8.65	-165.87	3.73	-8.65	-165.87	3.73	-8.65	-148.33
		DISPERSION-LMAX	S2	69.36	-31.25	875.52	45.37	-33.72	844.26	45.37	-33.72	844.26	31.09	-35.85	721.12
			TQ	16.20	66.80	1923.15	-19.41	66.80	1917.44	-19.41	66.80	1917.44	-56.62	66.80	1738.79
			M3	34.77	44.72	2544.02	-2.22	44.72	2620.84	-2.22	44.72	2620.84	-39.43	44.72	2523.07
MIN	S2	-28.13	61.08	1351.28	-41.15	63.55	1489.71	-41.15	63.55	1489.71	-64.06	65.67	1545.43		
	TQ	25.03	-36.98	303.65	23.64	-36.98	416.52	23.64	-36.98	416.52	23.64	-36.98	527.76		
	M3	6.45	-14.89	-317.22	6.45	-14.89	-286.87	6.45	-14.89	-286.87	6.45	-14.89	-256.52		
63	1-LANE (case3TRUCK-LOAD	MAX	S2	37.10	42.08	1401.05	37.10	42.08	1575.58	37.10	42.08	1575.58	37.10	42.08	1750.12
			TQ	29.41	55.02	1088.70	29.41	55.02	1227.07	29.41	55.02	1227.07	29.41	55.02	1365.45
			M3	9.66	-54.41	1841.89	-2.74	-38.81	1802.62	-2.74	-38.81	1802.62	10.71	8.53	1816.40
		MIN	S2	-37.85	-81.02	1814.35	-37.85	-81.02	1636.29	-37.85	-81.02	1636.29	-37.85	-81.02	1458.21
			TQ	-33.81	-87.03	1609.92	-33.81	-87.03	1450.85	-33.81	-87.03	1450.85	-33.81	-87.03	1291.78
			M3	5.49	3.82	-265.55	5.49	3.82	-239.71	5.49	3.82	-239.71	5.49	3.82	-213.87



BAGO RIVER BRIDGE

BLOCK [ No.1 : MAIN GIRDER ][ BEAM MEMBER FORCE ]

MEMBER		2045			2046			2046			2047				
NODE		2045			2046			2046			2047				
		SHEAR	TORQUE	MOMENT	SHEAR	TORQUE	MOMENT	SHEAR	TORQUE	MOMENT	SHEAR	TORQUE	MOMENT		
NAME	TITLE	S2 (kN)	TQ (kN·m)	M3 (kN·m)	S2 (kN)	TQ (kN·m)	M3 (kN·m)	S2 (kN)	TQ (kN·m)	M3 (kN·m)	S2 (kN)	TQ (kN·m)	M3 (kN·m)		
63	1-LANE (case3TANDEM-LOAD	MAX	S2	25.76	32.88	922.20	25.76	32.88	1043.40	25.76	32.88	1043.40	25.76	32.88	1164.62
			TQ	20.58	38.09	760.34	20.58	38.09	857.16	20.58	38.09	857.16	20.58	38.09	953.99
			M3	7.52	-44.87	1290.20	-1.68	-20.49	1253.71	-1.68	-20.49	1253.71	8.63	13.80	1268.21
		MIN	S2	-26.19	-50.54	1289.15	-26.19	-50.54	1165.94	-26.19	-50.54	1165.94	-26.19	-50.54	1042.71
			TQ	-25.31	-60.39	1164.08	-25.31	-60.39	1045.01	-25.31	-60.39	1045.01	-25.31	-60.39	925.92
			M3	3.74	2.65	-180.82	3.74	2.65	-163.22	3.74	2.65	-163.22	3.74	2.65	-145.62
	DISPERSION-LMAX	S2	32.41	37.75	747.30	29.74	40.62	751.36	29.74	40.62	751.36	26.69	40.43	740.91	
		TQ	26.15	41.60	607.54	26.15	41.60	730.57	26.15	41.60	730.57	23.40	41.60	850.29	
		M3	-0.89	-37.77	2420.26	-6.64	-37.77	2402.29	-6.64	-37.77	2402.29	-12.18	-37.77	2357.77	
		MIN	S2	-26.85	-70.76	1361.03	-29.93	-73.63	1369.36	-29.93	-73.63	1369.36	-32.42	-73.44	1365.65
			TQ	-20.59	-74.61	1500.79	-26.34	-74.61	1390.15	-26.34	-74.61	1390.15	-29.13	-74.61	1256.28
			M3	6.45	4.77	-311.93	6.45	4.77	-281.57	6.45	4.77	-281.57	6.45	4.77	-251.21
64	1-LANE (case4TRUCK-LOAD	MAX	S2	20.63	106.49	899.35	20.63	106.49	996.40	20.63	106.49	996.40	20.63	106.49	1093.46
			TQ	20.28	107.51	843.35	20.28	107.51	938.77	20.28	107.51	938.77	20.28	107.51	1034.21
			M3	-7.21	-118.81	1471.92	-6.02	-101.16	1442.94	-6.02	-101.16	1442.94	-4.79	-62.64	1418.34
		MIN	S2	-25.30	-242.13	1290.99	-25.30	-242.13	1171.95	-25.30	-242.13	1171.95	-25.30	-242.13	1052.91
			TQ	-24.66	-244.62	1191.61	-24.66	-244.62	1075.59	-24.66	-244.62	1075.59	-24.66	-244.62	959.55
			M3	5.56	37.25	-259.41	5.56	37.25	-233.28	5.56	37.25	-233.28	5.56	37.25	-207.14
	TANDEM-LOAD	MAX	S2	14.69	73.35	632.35	14.69	73.35	701.46	14.69	73.35	701.46	14.69	73.35	770.58
			TQ	13.35	73.94	536.81	13.35	73.94	599.63	13.35	73.94	599.63	13.35	73.94	662.47
			M3	-3.93	-61.07	1000.50	-3.93	-61.07	982.01	-3.93	-61.07	982.01	-3.59	-50.32	964.56
		MIN	S2	-17.64	-167.17	859.62	-17.64	-167.17	776.62	-17.64	-167.17	776.62	-17.64	-167.17	693.60
			TQ	-17.46	-167.86	831.89	-17.46	-167.86	749.72	-17.46	-167.86	749.72	-17.46	-167.86	667.55
			M3	3.78	25.68	-176.65	3.78	25.68	-158.85	3.78	25.68	-158.85	3.78	25.68	-141.04

BAGO RIVER BRIDGE

BLOCK [ No.1 : MAIN GIRDER ][ BEAM MEMBER FORCE ]

MEMBER NODE	2045 2045	2046			2046			2047			2047				
		SHEAR	TORQUE	MOMENT	SHEAR	TORQUE	MOMENT	SHEAR	TORQUE	MOMENT	SHEAR	TORQUE	MOMENT		
		S2 (kN)	TQ (kN·m)	M3 (kN·m)	S2 (kN)	TQ (kN·m)	M3 (kN·m)	S2 (kN)	TQ (kN·m)	M3 (kN·m)	S2 (kN)	TQ (kN·m)	M3 (kN·m)		
64	1-LANE (case4DISPERSION-LMAX	S2	18.14	105.79	377.03	18.14	105.79	462.37	18.14	105.79	462.37	18.14	105.79	547.72	
		TQ	18.07	106.45	361.65	18.07	106.45	446.65	18.07	106.45	446.65	18.07	106.45	531.65	
		M3	-10.78	-175.70	2226.35	-10.78	-175.70	2175.63	-10.78	-175.70	2175.63	-10.78	-175.70	2124.90	
	MIN	S2	-22.44	-238.83	1546.71	-22.44	-238.83	1441.11	-22.44	-238.83	1441.11	-22.44	-238.83	1335.50	
		TQ	-22.37	-239.49	1562.10	-22.37	-239.49	1456.84	-22.37	-239.49	1456.84	-22.37	-239.49	1351.57	
		M3	6.48	42.66	-302.61	6.48	42.66	-272.14	6.48	42.66	-272.14	6.48	42.66	-241.67	
65	2-LANES (caseTRUCK-LOAD	MAX	S2	166.59	-82.42	3585.46	146.80	-148.22	3961.67	146.80	-148.22	3961.67	167.57	-149.26	4443.97
		TQ	-76.94	450.77	3315.31	-76.94	450.77	2953.34	-76.94	450.77	2953.34	-76.94	450.77	2591.33	
		M3	39.91	305.73	4436.39	32.17	181.39	4343.66	32.17	181.39	4343.66	104.30	-35.20	4534.81	
	MIN	S2	-139.75	374.65	4374.68	-118.96	351.93	4064.00	-118.96	351.93	4064.00	-138.57	286.28	3789.52	
		TQ	92.91	-251.43	2251.12	92.91	-251.43	2688.23	92.91	-251.43	2688.23	92.91	-251.43	3125.39	
		M3	10.94	-57.66	-546.79	10.94	-57.66	-495.33	10.94	-57.66	-495.33	10.94	-57.66	-443.87	
	TANDEM-LOAD	MAX	S2	123.97	-36.44	2564.95	110.41	-82.28	2852.59	110.41	-82.28	2852.59	138.22	-66.78	3163.11
		TQ	-52.82	308.51	2250.61	-52.82	308.51	2002.10	-52.82	308.51	2002.10	-52.82	308.51	1753.55	
		M3	48.07	214.04	3110.13	-9.26	161.59	3052.11	-9.26	161.59	3052.11	83.94	-57.13	3170.00	
	MIN	S2	-117.75	205.06	3109.84	-90.82	220.22	2906.54	-90.82	220.22	2906.54	-104.68	173.96	2689.64	
		TQ	63.74	-173.71	1523.05	63.74	-173.71	1822.94	63.74	-173.71	1822.94	63.74	-173.71	2122.86	
		M3	7.45	-39.66	-372.43	7.45	-39.66	-337.39	7.45	-39.66	-337.39	7.45	-39.66	-302.35	
	DISPERSION-LMAX	S2	98.85	-227.12	1577.10	88.91	-228.65	1844.89	88.91	-228.65	1844.89	89.22	-228.71	2055.28	
		TQ	-55.40	435.55	3696.36	-64.31	435.55	3414.12	-64.31	435.55	3414.12	-72.90	435.55	3090.29	
		M3	11.45	265.63	5465.21	2.54	265.63	5497.52	2.54	265.63	5497.52	-6.37	265.63	5487.87	
	MIN	S2	-74.49	424.04	3242.87	-73.47	425.58	3068.08	-73.47	425.58	3068.08	-82.69	425.63	2908.76	
		TQ	79.76	-238.62	1123.60	79.76	-238.62	1498.85	79.76	-238.62	1498.85	79.43	-238.62	1873.75	
		M3	12.90	-68.71	-645.25	12.90	-68.71	-584.54	12.90	-68.71	-584.54	12.90	-68.71	-523.83	

BAGO RIVER BRIDGE

BLOCK [ No.1 : MAIN GIRDER ][ BEAM MEMBER FORCE ]

MEMBER				2045			2046			2047					
NODE				2045			2046			2046			2047		
				SHEAR	TORQUE	MOMENT	SHEAR	TORQUE	MOMENT	SHEAR	TORQUE	MOMENT	SHEAR	TORQUE	MOMENT
NAME	TITLE			S2 (kN)	TQ (kN·m)	M3 (kN·m)	S2 (kN)	TQ (kN·m)	M3 (kN·m)	S2 (kN)	TQ (kN·m)	M3 (kN·m)	S2 (kN)	TQ (kN·m)	M3 (kN·m)
66	2-LANES (caseTRUCK-LOAD	MAX	S2	294.66	88.43	4166.25	196.34	18.57	4423.18	196.34	18.57	4423.18	121.82	-46.50	4167.65
			TQ	-58.39	237.92	2784.81	-58.39	237.92	2510.10	-58.39	237.92	2510.10	-58.39	237.92	2235.37
			M3	267.60	107.87	4219.12	70.66	82.41	4516.42	70.66	82.41	4516.42	-28.14	12.49	4295.41
		MIN	S2	-100.57	163.35	4165.51	-171.83	102.00	4457.01	-171.83	102.00	4457.01	-271.32	32.53	4262.69
			TQ	64.89	-131.23	1903.08	64.89	-131.23	2208.40	64.89	-131.23	2208.40	64.89	-131.23	2513.74
			M3	10.95	-36.02	-541.37	10.95	-36.02	-489.86	10.95	-36.02	-489.86	10.95	-36.02	-438.35
		TANDEM-LOAD MAX	S2	232.45	82.48	3073.09	163.41	35.15	3298.38	163.41	35.15	3298.38	97.43	-12.56	3107.14
			TQ	-38.20	162.59	1825.85	-38.20	162.59	1646.11	-38.20	162.59	1646.11	-38.20	162.59	1466.34
			M3	232.45	82.48	3073.09	17.49	47.35	3302.97	17.49	47.35	3302.97	-53.28	-1.00	3120.67
		MIN	S2	-81.16	93.36	3072.82	-146.34	47.35	3302.97	-146.34	47.35	3302.97	-217.65	-1.00	3120.67
			TQ	42.05	-90.84	1235.20	42.05	-90.84	1433.05	42.05	-90.84	1433.05	42.05	-90.84	1630.92
			M3	7.45	-24.76	-368.69	7.45	-24.76	-333.62	7.45	-24.76	-333.62	7.45	-24.76	-298.54
		DISPERSION-LMAX	S2	126.35	-110.19	1802.68	90.22	-121.62	1724.46	90.22	-121.62	1724.46	66.24	-124.72	1510.45
			TQ	4.56	232.34	3735.49	-51.23	232.34	3627.57	-51.23	232.34	3627.57	-102.38	232.34	3259.09
			M3	55.00	148.73	5207.54	-2.17	148.73	5332.09	-2.17	148.73	5332.09	-59.54	148.73	5187.14
MIN	S2	-58.44	216.15	2766.82	-79.49	227.58	3030.28	-79.49	227.58	3030.28	-112.88	230.67	3160.05		
	TQ	63.35	-126.38	834.00	61.96	-126.38	1127.18	61.96	-126.38	1127.18	55.74	-126.38	1411.41		
	M3	12.90	-42.77	-638.05	12.90	-42.77	-577.35	12.90	-42.77	-577.35	12.90	-42.77	-516.64		
67	2-LANES (caseTRUCK-LOAD	MAX	S2	62.30	108.84	2600.39	62.30	108.84	2893.52	62.30	108.84	2893.52	62.30	108.84	3186.67
			TQ	51.60	136.66	1986.23	51.60	136.66	2229.00	51.60	136.66	2229.00	51.60	136.66	2471.80
			M3	-5.63	-145.66	3506.85	-11.89	-109.62	3407.70	-11.89	-109.62	3407.70	19.88	-3.78	3440.08
		MIN	S2	-66.37	-237.33	3330.85	-66.37	-237.33	3018.59	-66.37	-237.33	3018.59	-66.37	-237.33	2706.31
			TQ	-59.99	-250.89	2941.57	-59.99	-250.89	2659.34	-59.99	-250.89	2659.34	-59.99	-250.89	2377.09
			M3	11.00	18.60	-528.98	11.00	18.60	-477.21	11.00	18.60	-477.21	11.00	18.60	-425.44

BAGO RIVER BRIDGE

BLOCK [ No.1 : MAIN GIRDER ][ BEAM MEMBER FORCE ]

MEMBER		2045			2046			2046			2047				
NODE		2045			2046			2046			2047				
		SHEAR	TORQUE	MOMENT	SHEAR	TORQUE	MOMENT	SHEAR	TORQUE	MOMENT	SHEAR	TORQUE	MOMENT		
NAME	TITLE	S2 (kN)	TQ (kN·m)	M3 (kN·m)	S2 (kN)	TQ (kN·m)	M3 (kN·m)	S2 (kN)	TQ (kN·m)	M3 (kN·m)	S2 (kN)	TQ (kN·m)	M3 (kN·m)		
67	2-LANES (caseTANDEM-LOAD	MAX	S2	43.11	82.10	1712.05	43.11	82.10	1914.87	43.11	82.10	1914.87	43.11	82.10	2117.71
			TQ	36.15	94.67	1391.52	36.15	94.67	1561.60	36.15	94.67	1561.60	36.15	94.67	1731.70
			M3	-5.99	-115.39	2433.28	-5.54	-61.30	2349.98	-5.54	-61.30	2349.98	17.97	14.21	2380.93
		MIN	S2	-46.03	-152.11	2370.10	-46.03	-152.11	2153.54	-46.03	-152.11	2153.54	-46.03	-152.11	1936.97
			TQ	-42.68	-172.30	2043.04	-42.68	-172.30	1842.22	-42.68	-172.30	1842.22	-42.68	-172.30	1641.39
			M3	7.49	12.85	-360.20	7.49	12.85	-324.94	7.49	12.85	-324.94	7.49	12.85	-289.68
	DISPERSION-LMAX	S2	55.48	105.45	1324.38	52.81	108.32	1437.00	52.81	108.32	1437.00	49.76	108.14	1535.12	
		TQ	48.70	111.26	1045.61	48.70	111.26	1274.72	48.70	111.26	1274.72	45.95	111.26	1500.52	
		M3	-9.61	-142.77	4747.59	-15.36	-142.77	4688.61	-15.36	-142.77	4688.61	-20.90	-142.77	4603.06	
		MIN	S2	-52.18	-225.72	2802.56	-55.26	-228.58	2691.71	-55.26	-228.58	2691.71	-57.75	-228.40	2568.80
			TQ	-45.39	-231.52	3081.33	-51.14	-231.52	2853.99	-51.14	-231.52	2853.99	-53.94	-231.52	2603.40
			M3	12.91	22.51	-620.65	12.91	22.51	-559.90	12.91	22.51	-559.90	12.91	22.51	-499.14
68	2-LANES (caseTRUCK-LOAD	MAX	S2	45.84	173.24	2098.70	45.84	173.24	2314.37	45.84	173.24	2314.37	45.84	173.24	2530.06
			TQ	42.47	189.13	1740.88	42.47	189.13	1940.71	42.47	189.13	1940.71	42.47	189.13	2140.56
			M3	-22.51	-210.04	3136.95	-15.18	-171.96	3048.09	-15.18	-171.96	3048.09	4.39	-74.93	3042.12
		MIN	S2	-53.83	-398.44	2807.51	-53.83	-398.44	2554.27	-53.83	-398.44	2554.27	-53.83	-398.44	2301.00
			TQ	-50.84	-408.48	2523.27	-50.84	-408.48	2284.07	-50.84	-408.48	2284.07	-50.84	-408.48	2044.86
			M3	11.09	63.53	-520.79	11.09	63.53	-468.62	11.09	63.53	-468.62	11.09	63.53	-416.44
	TANDEM-LOAD	MAX	S2	32.04	122.57	1422.20	32.04	122.57	1572.93	32.04	122.57	1572.93	32.04	122.57	1723.68
			TQ	28.92	130.50	1167.99	28.92	130.50	1304.08	28.92	130.50	1304.08	28.92	130.50	1440.18
			M3	-17.45	-131.59	2143.65	-7.79	-101.88	2078.33	-7.79	-101.88	2078.33	5.76	-49.91	2077.36
		MIN	S2	-37.48	-268.73	1940.58	-37.48	-268.73	1764.23	-37.48	-268.73	1764.23	-37.48	-268.73	1587.86
			TQ	-34.84	-279.77	1710.85	-34.84	-279.77	1546.94	-34.84	-279.77	1546.94	-34.84	-279.77	1383.01
			M3	7.55	43.81	-354.64	7.55	43.81	-319.09	7.55	43.81	-319.09	7.55	43.81	-283.55

BAGO RIVER BRIDGE

BLOCK [ No.1 : MAIN GIRDER ][ BEAM MEMBER FORCE ]

MEMBER		2045			2046			2046			2047						
NODE		2045			2046			2046			2047						
		SHEAR	TORQUE	MOMENT	SHEAR	TORQUE	MOMENT	SHEAR	TORQUE	MOMENT	SHEAR	TORQUE	MOMENT				
NAME	TITLE	S2 (kN)	TQ (kN·m)	M3 (kN·m)	S2 (kN)	TQ (kN·m)	M3 (kN·m)	S2 (kN)	TQ (kN·m)	M3 (kN·m)	S2 (kN)	TQ (kN·m)	M3 (kN·m)				
68	2-LANES (caseDISPERSION-LMAX	S2	41.22	185.50	957.08	41.22	185.50	1151.03	41.22	185.50	1151.03	41.22	185.50	1345.00			
		TQ	40.62	188.12	802.68	40.62	188.12	993.81	40.62	188.12	993.81	40.62	188.12	1184.95			
		M3	-19.47	-283.24	4551.47	-19.47	-283.24	4459.88	-19.47	-283.24	4459.88	-19.47	-283.24	4368.29			
		MIN	S2	-47.75	-396.32	2985.98	-47.75	-396.32	2761.34	-47.75	-396.32	2761.34	-47.75	-396.32	2536.68		
		TQ	-47.15	-398.94	3140.38	-47.15	-398.94	2918.57	-47.15	-398.94	2918.57	-47.15	-398.94	2696.73			
		M3	12.94	72.42	-608.41	12.94	72.42	-547.51	12.94	72.42	-547.51	12.94	72.42	-486.60			
		69	3-LANES (caseTRUCK-LOAD	MAX	S2	361.37	-62.08	5614.95	263.05	-131.93	6185.73	263.05	-131.94	6185.73	226.75	-144.62	6467.93
				TQ	-102.17	518.98	4559.99	-102.17	518.98	4079.28	-102.17	518.98	4079.28	-102.17	518.98	3598.52	
				M3	220.64	328.10	6490.06	80.29	201.55	6616.26	80.29	201.55	6616.26	73.41	-19.33	6619.94	
MIN	S2			-190.07	406.13	6403.10	-224.76	374.00	6303.50	-224.76	374.00	6303.50	-324.26	304.53	5860.11		
TQ	119.07			-290.39	3088.83	119.07	-290.39	3649.05	119.07	-290.39	3649.05	119.07	-290.39	4209.33			
M3	16.41			-70.25	-816.13	16.41	-70.25	-738.91	16.41	-70.25	-738.91	16.41	-70.25	-661.67			
TANDEM-LOAD	MAX			S2	282.33	-21.94	4082.27	213.28	-69.27	4542.22	213.28	-69.27	4542.22	188.57	-57.30	4694.02	
TQ	-69.40			355.13	3066.59	-69.40	355.13	2740.09	-69.40	355.13	2740.09	-69.40	355.13	2413.57			
M3	206.44			228.55	4627.45	1.57	175.07	4743.78	1.57	175.07	4743.78	37.87	-45.75	4707.55			
MIN	S2	-161.09	221.08	4626.92	-186.44	233.69	4598.21	-186.44	233.69	4598.21	-257.76	185.34	4227.19				
TQ	80.80	-200.81	2064.94	80.80	-200.81	2445.10	80.80	-200.81	2445.10	80.80	-200.81	2825.30					
M3	11.18	-48.31	-555.85	11.18	-48.31	-503.26	11.18	-48.31	-503.26	11.18	-48.31	-450.67					
DISPERSION-LMAX	S2	168.20	-258.37	2452.61	134.29	-262.38	2689.15	134.29	-262.38	2689.15	120.31	-264.55	2776.40				
TQ	-39.20	502.35	5619.51	-83.73	502.35	5331.56	-83.73	502.35	5331.56	-129.52	502.35	4829.09					
M3	46.22	310.35	8009.23	0.32	310.35	8118.35	0.32	310.35	8118.35	-45.80	310.35	8010.94					
MIN	S2	-102.63	485.12	4594.15	-114.62	489.13	4557.79	-114.62	489.13	4557.79	-146.76	491.30	4454.19				
TQ	104.78	-275.60	1427.25	103.40	-275.60	1915.37	103.40	-275.60	1915.37	103.07	-275.60	2401.51					
M3	19.35	-83.60	-962.47	19.35	-83.60	-871.42	19.35	-83.60	-871.42	19.35	-83.60	-780.35					

BAGO RIVER BRIDGE

BLOCK [ No.1 : MAIN GIRDER ][ BEAM MEMBER FORCE ]

MEMBER				2045			2046			2047							
NODE				2045			2046			2046			2047				
NAME TITLE				SHEAR	TORQUE	MOMENT	SHEAR	TORQUE	MOMENT	SHEAR	TORQUE	MOMENT	SHEAR	TORQUE	MOMENT		
				S2 (kN)	TQ (kN·m)	M3 (kN·m)	S2 (kN)	TQ (kN·m)	M3 (kN·m)	S2 (kN)	TQ (kN·m)	M3 (kN·m)	S2 (kN)	TQ (kN·m)	M3 (kN·m)		
70	3-LANES (case	TRUCK-LOAD	MAX	S2	82.93	215.34	3499.73	82.93	215.34	3889.90	82.93	215.34	3889.90	82.93	215.34	4280.11	
				TQ	71.88	244.17	2829.55	71.88	244.17	3167.74	71.88	244.17	3167.74	71.88	244.17	3505.96	
				M3	-12.83	-264.47	4978.69	-17.92	-210.80	4850.57	-17.92	-210.80	4850.57	15.09	-66.42	4858.34	
			MIN	S2	-91.67	-479.47	4621.77	-91.67	-479.47	4190.46	-91.67	-479.47	4190.46	-91.67	-479.47	3759.12	
				TQ	-84.65	-495.51	4133.17	-84.65	-495.51	3734.91	-84.65	-495.51	3734.91	-84.65	-495.51	3336.61	
				M3	16.54	44.36	-790.45	16.54	44.36	-712.65	16.54	44.36	-712.65	16.54	44.36	-634.85	
		TANDEM-LOAD	MAX	S2	57.80	155.46	2344.39	57.80	155.46	2616.32	57.80	155.46	2616.32	57.80	155.46	2888.27	
				TQ	49.50	168.61	1928.34	49.50	168.61	2161.24	49.50	168.61	2161.24	49.50	168.61	2394.17	
				M3	-9.92	-176.47	3433.73	-9.47	-122.39	3331.94	-9.47	-122.39	3331.94	14.39	-36.12	3345.44	
			MIN	S2	-63.67	-319.28	3229.70	-63.67	-319.28	2930.14	-63.67	-319.28	2930.14	-63.67	-319.28	2630.55	
				TQ	-60.15	-340.16	2874.93	-60.15	-340.16	2591.95	-60.15	-340.16	2591.95	-60.15	-340.16	2308.94	
				M3	11.26	30.59	-538.24	11.26	30.59	-485.26	11.26	30.59	-485.26	11.26	30.59	-432.27	
			DISPERSION-LMAX	S2	S2	73.61	199.18	1697.91	70.94	202.05	1895.79	70.94	202.05	1895.79	67.88	201.86	2079.19
					TQ	66.74	205.66	1404.71	66.74	205.66	1718.74	66.74	205.66	1718.74	64.00	205.66	2029.48
					M3	-20.44	-316.14	6976.78	-26.19	-316.14	6866.82	-26.19	-316.14	6866.82	-31.74	-316.14	6730.31
MIN	S2	-74.67		-462.16	4352.64	-77.75	-465.03	4135.99	-77.75	-465.03	4135.99	-80.24	-464.84	3907.27			
	TQ	-67.81		-468.64	4645.83	-73.55	-468.64	4313.04	-73.55	-468.64	4313.04	-76.35	-468.64	3956.99			
	M3	19.38		53.16	-926.23	19.38	53.16	-835.04	19.38	53.16	-835.04	19.38	53.16	-743.84			
71	3-LANES (case	TRUCK-LOAD	MAX	S2	82.94	215.33	3499.76	82.94	215.33	3889.99	82.94	215.33	3889.99	82.94	215.33	4280.25	
				TQ	71.88	244.14	2829.58	71.88	244.14	3167.79	71.88	244.14	3167.79	71.88	244.14	3506.03	
				M3	-12.82	-264.44	4978.91	-17.91	-210.75	4850.81	-17.91	-210.75	4850.81	15.09	-66.40	4858.60	
			MIN	S2	-91.68	-479.45	4621.92	-91.68	-479.45	4190.60	-91.68	-479.45	4190.60	-91.68	-479.45	3759.24	
				TQ	-84.65	-495.50	4133.19	-84.65	-495.50	3734.94	-84.65	-495.50	3734.94	-84.65	-495.50	3336.64	
				M3	16.60	78.84	-784.13	16.60	78.84	-706.02	16.60	78.84	-706.02	16.60	78.84	-627.91	

BAGO RIVER BRIDGE

BLOCK [ No.1 : MAIN GIRDER ][ BEAM MEMBER FORCE ]

MEMBER				2045			2046			2047						
NODE				2045			2046			2046			2047			
NAME TITLE				SHEAR	TORQUE	MOMENT	SHEAR	TORQUE	MOMENT	SHEAR	TORQUE	MOMENT	SHEAR	TORQUE	MOMENT	
				S2 (kN)	TQ (kN·m)	M3 (kN·m)	S2 (kN)	TQ (kN·m)	M3 (kN·m)	S2 (kN)	TQ (kN·m)	M3 (kN·m)	S2 (kN)	TQ (kN·m)	M3 (kN·m)	
71	3-LANES (case)	TANDEM-LOAD	MAX	S2	57.80	155.45	2344.40	57.80	155.45	2616.36	57.80	155.45	2616.36	57.80	155.45	2888.34
				TQ	49.50	168.59	1928.33	49.50	168.59	2161.25	49.50	168.59	2161.25	49.50	168.59	2394.18
				M3	-9.90	-176.44	3433.91	-9.47	-122.36	3332.13	-9.47	-122.36	3332.13	14.39	-36.10	3345.63
		MIN	S2	-63.68	-319.26	3229.80	-63.68	-319.26	2930.21	-63.68	-319.26	2930.21	-63.68	-319.26	2630.59	
			TQ	-60.15	-340.15	2874.94	-60.15	-340.15	2591.96	-60.15	-340.15	2591.96	-60.15	-340.15	2308.94	
			M3	11.31	54.38	-533.95	11.31	54.38	-480.74	11.31	54.38	-480.74	11.31	54.38	-427.54	
		DISPERSION-LMAX	S2	73.65	235.32	1707.50	70.97	238.18	1905.46	70.97	238.18	1905.46	67.92	238.00	2088.91	
			TQ	68.79	241.48	1315.79	68.79	241.48	1639.42	68.79	241.48	1639.42	66.04	241.48	1959.76	
			M3	-20.32	-323.56	6969.46	-26.07	-323.56	6860.07	-26.07	-323.56	6860.07	-31.62	-323.56	6724.10	
		MIN	S2	-74.56	-469.61	4344.62	-77.64	-472.48	4128.58	-77.64	-472.48	4128.58	-80.14	-472.30	3900.45	
			TQ	-69.70	-475.78	4736.33	-75.46	-475.78	4394.61	-75.46	-475.78	4394.61	-78.26	-475.78	4029.60	
			M3	19.40	89.26	-917.33	19.40	89.26	-826.04	19.40	89.26	-826.04	19.40	89.26	-734.74	
72	4-LANES	TRUCK-LOAD	MAX	S2	22.02	80.05	-1047.10	22.02	80.05	-943.48	22.02	80.05	-943.48	22.02	80.05	-839.85
				TQ	22.02	80.05	-1047.10	22.02	80.05	-943.48	22.02	80.05	-943.48	22.02	80.05	-839.85
				M3	-6.48	-6.90	312.79	-6.48	-6.90	282.29	-6.48	-6.90	282.29	-6.48	-6.86	251.78
		MIN	S2	-6.48	-6.93	312.78	-6.48	-6.93	282.28	-6.48	-6.93	282.28	-6.48	-6.93	251.78	
			TQ	-5.60	-7.48	269.71	-5.60	-7.48	243.37	-5.60	-7.48	243.37	-5.60	-7.48	217.03	
			M3	22.02	80.05	-1047.10	22.02	80.05	-943.48	22.02	80.05	-943.48	22.02	80.05	-839.85	
		TANDEM-LOAD	MAX	S2	15.05	56.65	-714.83	15.05	56.65	-644.04	15.05	56.65	-644.04	15.05	56.65	-573.23
				TQ	15.05	56.65	-714.83	15.05	56.65	-644.04	15.05	56.65	-644.04	15.05	56.65	-573.23
				M3	-4.41	-4.80	212.55	-4.41	-4.80	191.82	-4.41	-4.80	191.82	-4.41	-4.80	171.09
		MIN	S2	-4.41	-4.80	212.55	-4.41	-4.80	191.82	-4.41	-4.80	191.82	-4.41	-4.80	171.09	
			TQ	-3.81	-5.09	183.71	-3.81	-5.09	165.77	-3.81	-5.09	165.77	-3.81	-5.09	147.83	
			M3	15.05	56.65	-714.83	15.05	56.65	-644.04	15.05	56.65	-644.04	15.05	56.65	-573.23	

BAGO RIVER BRIDGE

BLOCK [ No.1 : MAIN GIRDER ][ BEAM MEMBER FORCE ]

MEMBER				2045			2046			2047								
NODE				2045			2046			2046			2047					
				SHEAR	TORQUE	MOMENT	SHEAR	TORQUE	MOMENT	SHEAR	TORQUE	MOMENT	SHEAR	TORQUE	MOMENT			
NAME	TITLE			S2 (kN)	TQ (kN·m)	M3 (kN·m)	S2 (kN)	TQ (kN·m)	M3 (kN·m)	S2 (kN)	TQ (kN·m)	M3 (kN·m)	S2 (kN)	TQ (kN·m)	M3 (kN·m)			
72	4-LANES	DISPERSION-LMAX	S2	15.54	48.24	-741.24	15.54	48.24	-668.11	15.54	48.24	-668.11	15.54	48.24	-594.97			
			TQ	13.85	48.85	-658.96	13.85	48.85	-593.79	13.85	48.85	-593.79	13.85	48.85	-528.61			
			M3	-7.89	-8.30	380.54	-7.89	-8.30	343.44	-7.89	-8.30	343.44	-7.89	-8.30	306.33			
		MIN	S2	-7.89	-8.30	380.54	-7.89	-8.30	343.44	-7.89	-8.30	343.44	-7.89	-8.30	306.33			
			TQ	-6.38	-9.15	307.15	-6.38	-9.15	277.14	-6.38	-9.15	277.14	-6.38	-9.15	247.12			
			M3	15.54	48.00	-741.28	15.54	48.00	-668.16	15.54	48.00	-668.16	15.54	48.00	-595.02			
		73	6-LANES	TRUCK-LOAD	MAX	S2	458.46	89.83	9377.39	354.92	51.55	10320.88	354.92	51.55	10320.88	305.48	62.05	10730.30
					TQ	-20.74	703.84	7618.80	-20.74	703.84	7521.20	-20.74	703.84	7521.20	-20.74	703.84	7423.60	
					M3	183.13	84.24	11492.52	67.81	-12.08	11543.33	67.81	-12.08	11543.33	70.43	-70.44	11503.56	
MIN	S2			-278.12	-83.14	11026.73	-324.84	-77.98	10683.29	-324.84	-77.98	10683.29	-432.50	-86.91	9951.58			
	TQ			22.21	-716.26	6986.16	22.21	-716.26	7090.68	22.21	-716.26	7090.68	22.21	-716.26	7195.21			
	M3			33.00	7.74	-1599.72	33.00	7.74	-1444.46	33.00	7.74	-1444.46	33.00	7.74	-1289.19			
TANDEM-LOAD	MAX			S2	350.84	65.03	6740.81	278.65	31.48	7505.89	278.65	31.48	7505.89	241.31	84.55	7793.98		
	TQ			-12.94	483.59	5143.97	-12.94	483.59	5083.08	-12.94	483.59	5083.08	-12.94	483.59	5022.17			
	M3			155.29	51.45	8094.80	-7.44	50.93	8145.87	-7.44	50.93	8145.87	31.15	-67.67	8092.92			
MIN	S2			-220.37	-105.58	7875.67	-257.60	-55.58	7665.36	-257.60	-55.58	7665.36	-335.24	-58.90	7088.49			
	TQ			16.21	-493.83	4871.93	16.21	-493.83	4948.20	16.21	-493.83	4948.20	16.21	-493.83	5024.48			
	M3			22.47	5.49	-1089.40	22.47	5.49	-983.66	22.47	5.49	-983.66	22.47	5.49	-877.92			
DISPERSION-LMAX	S2			225.80	-24.63	3700.42	189.67	-24.59	4088.66	189.67	-24.59	4088.66	173.45	-27.30	4329.81			
	TQ			26.30	689.67	6357.82	-13.24	689.67	6389.76	-13.24	689.67	6389.76	-58.89	689.67	6225.89			
	M3			16.47	2.14	13897.48	-31.16	-1.39	13868.69	-31.16	-1.39	13868.69	-76.80	-0.65	13606.43			
MIN	S2	-168.89	22.74	8468.89	-183.41	22.71	8229.14	-183.41	22.71	8229.14	-217.63	25.03	7905.03					
	TQ	28.01	-693.70	5765.51	20.88	-693.70	5878.91	20.88	-693.70	5878.91	17.94	-693.70	5967.09					
	M3	37.11	-1.06	-1801.65	37.11	-1.06	-1627.06	37.11	-1.06	-1627.06	37.11	-1.07	-1452.45					



BAGO RIVER BRIDGE

BLOCK [ No.1 : MAIN GIRDER ][ BEAM MEMBER FORCE ]

MEMBER			2045			2046			2046			2047			
NODE			2045			2046			2046			2047			
NAME TITLE			SHEAR	TORQUE	MOMENT	SHEAR	TORQUE	MOMENT	SHEAR	TORQUE	MOMENT	SHEAR	TORQUE	MOMENT	
			S2 (kN)	TQ (kN·m)	M3 (kN·m)	S2 (kN)	TQ (kN·m)	M3 (kN·m)	S2 (kN)	TQ (kN·m)	M3 (kN·m)	S2 (kN)	TQ (kN·m)	M3 (kN·m)	
124	SUM TOTAL	D+1LANE (caseMAX	S2	419.32	-394.70	50134.04	221.05	-385.80	51779.36	221.05	-385.80	51779.36	71.74	-321.84	52717.11
			TQ	183.99	625.01	52006.71	-3.42	625.01	52434.50	-3.42	625.01	52434.50	-204.17	625.01	51957.42
			M3	222.16	421.94	53702.83	102.66	300.64	54370.00	102.66	300.63	54370.00	19.29	119.49	54615.64
		MIN	S2	128.63	577.82	52493.57	-17.55	603.98	52555.47	-17.55	603.98	52555.47	-223.24	602.88	51907.51
			TQ	403.78	-406.33	49750.47	202.86	-406.33	51181.30	202.86	-406.33	51181.30	2.75	-406.33	51660.45
			M3	303.35	-126.36	46896.65	102.43	-126.36	47854.94	102.43	-126.36	47854.94	-104.76	-126.36	47853.18
		D+1LANE (caseMAX	S2	606.01	-49.37	51101.68	282.08	-57.20	52188.66	282.08	-57.20	52188.66	-10.74	-73.73	51731.73
			TQ	278.20	125.74	51417.07	34.55	125.74	52158.74	34.55	125.73	52158.74	-217.29	125.73	51732.81
			M3	547.65	44.23	53132.90	143.21	41.57	54378.81	143.21	41.57	54378.81	-203.44	36.42	53967.48
		MIN	S2	194.90	74.80	51671.32	-88.20	66.47	52981.72	-88.20	66.47	52981.72	-418.76	64.43	52776.87
			TQ	350.47	-127.40	48985.31	147.89	-127.40	50159.50	147.89	-127.40	50159.50	-59.30	-127.40	50371.67
			M3	303.36	-69.25	46911.80	102.44	-69.25	47870.15	102.44	-69.25	47870.15	-104.75	-69.25	47868.44
		D+1LANE (caseMAX	S2	372.45	59.52	50193.70	168.33	62.96	51299.00	168.33	62.96	51299.00	-42.53	62.74	51426.86
			TQ	355.71	79.66	49651.17	154.80	79.66	50855.85	154.80	79.66	50855.85	-55.69	79.66	51096.52
			M3	299.57	-146.90	52730.26	76.87	-128.18	53552.58	76.87	-128.18	53552.58	-120.84	-71.38	53446.64
		MIN	S2	211.41	-218.42	51426.13	6.80	-221.86	52113.47	6.80	-221.86	52113.47	-203.38	-221.64	51826.27
			TQ	223.77	-230.24	51348.52	15.95	-230.24	51915.89	15.95	-230.24	51915.89	-194.59	-230.24	51495.29
			M3	303.38	-25.98	46922.70	102.46	-25.98	47881.14	102.46	-25.98	47881.14	-104.73	-25.98	47879.54
		D+1LANE (caseMAX	S2	335.56	218.45	49147.34	134.65	218.45	50257.22	134.65	218.45	50257.22	-72.55	218.45	50407.05
			TQ	335.06	220.47	49061.67	134.15	220.47	50169.19	134.15	220.46	50169.19	-73.05	220.46	50316.66
			M3	267.45	-389.70	52053.60	67.96	-368.52	52848.96	67.96	-368.52	52848.96	-137.75	-322.29	52689.52
		MIN	S2	231.75	-613.43	51020.92	30.83	-613.43	51642.36	30.83	-613.43	51642.36	-176.36	-613.43	51303.72
			TQ	232.60	-617.21	50920.13	31.69	-617.21	51545.59	31.69	-617.21	51545.59	-175.50	-617.21	51210.98
			M3	303.48	59.61	46941.25	102.56	59.61	47900.18	102.56	59.61	47900.18	-104.63	59.61	47899.06

BAGO RIVER BRIDGE

BLOCK [ No.1 : MAIN GIRDER ][ BEAM MEMBER FORCE ]

MEMBER				2045			2046			2047					
NODE				2045			2046			2047					
				SHEAR	TORQUE	MOMENT	SHEAR	TORQUE	MOMENT	SHEAR	TORQUE	MOMENT			
NAME	TITLE			S2 (kN)	TQ (kN·m)	M3 (kN·m)	S2 (kN)	TQ (kN·m)	M3 (kN·m)	S2 (kN)	TQ (kN·m)	M3 (kN·m)			
124	SUM TOTAL	D+2LANES (casMAX	S2	554.48	-345.82	52778.23	323.84	-413.16	54313.24	323.84	-413.16	54313.24	137.72	-414.25	54936.88
			TQ	156.71	850.04	54627.35	-53.12	850.04	54874.14	-53.12	850.04	54874.14	-268.90	850.04	54119.25
			M3	340.40	535.08	57517.28	122.83	410.75	58347.86	122.83	410.75	58347.86	-21.14	194.15	58460.31
		MIN	S2	74.80	762.41	55233.22	-104.31	741.22	55638.77	-104.31	741.22	55638.77	-340.33	675.63	55135.90
			TQ	461.71	-526.33	50990.40	260.79	-526.33	52693.76	260.79	-526.33	52693.76	53.27	-526.33	53436.76
			M3	312.88	-162.66	46423.64	111.97	-162.66	47426.81	111.97	-162.66	47426.81	-95.23	-162.66	47469.93
		D+2LANES (casMAX	S2	710.05	-58.05	53584.61	374.69	-139.33	54654.33	374.69	-139.33	54654.33	68.99	-207.49	54115.73
			TQ	235.21	433.98	54135.98	-21.49	433.98	54644.35	-21.49	433.98	54644.35	-279.84	433.98	53932.08
			M3	611.65	220.32	57042.34	156.62	194.86	58355.19	156.62	194.86	58355.19	-206.75	124.93	57920.17
		MIN	S2	130.03	343.22	54548.01	-163.19	293.29	55993.97	-163.19	293.29	55993.97	-503.27	226.93	55860.36
			TQ	417.28	-293.89	50352.76	214.98	-293.89	51842.26	214.98	-293.89	51842.26	1.57	-293.89	52362.78
			M3	312.89	-115.07	46436.26	111.98	-115.07	47439.48	111.98	-115.07	47439.48	-95.22	-115.07	47482.64
		D+2LANES (casMAX	S2	406.83	178.01	51540.45	203.24	180.88	52837.20	203.24	180.88	52837.20	-7.00	180.69	53159.42
			TQ	389.34	211.63	50647.52	188.42	211.63	52010.40	188.42	211.63	52010.40	-21.52	211.63	52409.95
			M3	273.81	-324.71	55870.12	60.88	-288.67	56602.99	60.88	-288.67	56602.99	-120.09	-182.83	56480.78
		MIN	S2	170.49	-499.33	53749.09	-33.50	-502.20	54216.98	-33.50	-502.20	54216.98	-243.18	-502.01	53712.74
			TQ	183.66	-518.69	53638.58	-23.00	-518.69	54020.01	-23.00	-518.69	54020.01	-232.99	-518.69	53418.11
			M3	312.96	4.83	46466.04	112.04	4.83	47469.57	112.04	4.83	47469.57	-95.15	4.83	47513.05
		D+2LANES (casMAX	S2	376.11	322.46	50671.46	175.19	322.46	51972.09	175.19	322.46	51972.09	-32.00	322.46	52312.69
			TQ	372.14	340.97	50159.24	171.22	340.97	51441.20	171.22	340.97	51441.20	-35.97	340.97	51763.14
			M3	247.07	-529.57	55304.11	53.48	-491.48	56014.66	53.48	-491.48	56014.66	-134.15	-394.45	55848.03
		MIN	S2	187.47	-831.04	53409.17	-13.45	-831.04	53822.29	-13.45	-831.04	53822.29	-220.64	-831.04	53275.31
			TQ	191.06	-843.70	53279.33	-9.86	-843.70	53709.32	-9.86	-843.70	53709.32	-217.05	-843.70	53179.22
			M3	313.08	99.67	46486.47	112.16	99.67	47490.55	112.16	99.67	47490.55	-95.03	99.67	47534.58

BAGO RIVER BRIDGE

BLOCK [ No.1 : MAIN GIRDER ][ BEAM MEMBER FORCE ]

MEMBER				2045			2046			2047						
NODE				2045			2046			2046			2047			
NAME TITLE				SHEAR	TORQUE	MOMENT	SHEAR	TORQUE	MOMENT	SHEAR	TORQUE	MOMENT	SHEAR	TORQUE	MOMENT	
				S2 (kN)	TQ (kN·m)	M3 (kN·m)	S2 (kN)	TQ (kN·m)	M3 (kN·m)	S2 (kN)	TQ (kN·m)	M3 (kN·m)	S2 (kN)	TQ (kN·m)	M3 (kN·m)	
124	SUM TOTAL	D+3LANES (casMAX	S2	739.18	-308.66	54473.10	425.87	-371.45	56050.33	425.87	-371.45	56050.33	175.93	-384.08	56295.32	
			TQ	168.87	831.85	56268.25	-69.89	831.85	56505.90	-69.89	831.85	56505.90	-316.00	831.85	55601.10	
			M3	515.88	506.40	59940.07	156.64	398.84	61031.10	156.64	398.84	61031.10	-95.60	211.09	60873.88	
		MIN	S2	40.25	721.28	56963.34	-200.34	697.38	57738.77	-200.34	697.38	57738.77	-519.43	640.18	57204.79	
			TQ	479.32	-517.37	51454.34	277.23	-517.37	53236.44	277.23	-517.37	53236.44	69.76	-517.37	54056.84	
			M3	319.45	-167.05	46103.86	118.53	-167.05	47137.91	118.53	-167.06	47137.91	-88.66	-167.06	47211.91	
		D+3LANES (casMAX	S2	422.10	316.06	52033.67	218.91	318.50	53424.52	218.91	318.50	53424.52	9.13	318.34	53843.03	
			TQ	406.88	346.08	51214.80	205.96	346.08	52660.19	205.96	346.08	52660.19	-3.57	346.08	53142.75	
			M3	260.76	-529.80	57777.83	50.64	-484.17	58466.46	50.64	-484.17	58466.46	-133.22	-361.46	58287.98	
		MIN	S2	147.65	-836.67	55243.92	-55.88	-839.11	55584.17	-55.88	-839.11	55584.17	-265.19	-838.95	54954.06	
			TQ	159.46	-855.81	55077.83	-46.35	-855.81	55347.44	-46.35	-855.81	55347.44	-255.91	-855.81	54637.19	
			M3	319.57	46.61	46156.50	118.66	46.61	47191.14	118.66	46.61	47191.14	-88.54	46.61	47265.74	
		D+3LANES (casMAX	S2	422.14	346.76	52041.85	218.95	349.20	53432.81	218.95	349.20	53432.81	9.16	349.04	53851.41	
			TQ	408.61	376.50	51139.25	207.70	376.50	52592.82	207.70	376.50	52592.82	-1.83	376.50	53083.55	
			M3	260.88	-536.08	57771.79	50.74	-490.44	58460.94	50.74	-490.44	58460.94	-133.12	-367.74	58282.92	
		MIN	S2	147.74	-842.98	55237.24	-55.79	-845.42	55577.98	-55.79	-845.42	55577.98	-265.10	-845.26	54948.36	
			TQ	157.85	-861.87	55154.77	-47.96	-861.87	55416.80	-47.96	-861.87	55416.80	-257.53	-861.87	54698.93	
			M3	319.65	106.60	46169.44	118.73	106.60	47204.43	118.73	106.60	47204.43	-88.46	106.60	47279.37	
		D+4LANES	MAX	S2	313.46	47.10	46453.26	112.55	47.10	47459.15	112.55	47.10	47459.15	-94.65	47.10	47505.00
			TQ	312.36	47.50	46506.74	111.45	47.50	47507.46	111.45	47.50	47507.46	-95.75	47.50	47548.13	
			M3	279.70	-46.16	48066.34	78.79	-46.16	48913.41	78.79	-46.16	48913.41	-128.40	-46.13	48800.40	
		MIN	S2	279.70	-46.18	48066.34	78.79	-46.18	48913.40	78.79	-46.18	48913.40	-128.41	-46.18	48800.40	
			TQ	281.26	-47.09	47990.64	80.34	-47.09	48845.01	80.34	-47.09	48845.01	-126.85	-47.09	48739.33	
			M3	313.46	46.95	46453.23	112.55	46.95	47459.12	112.55	46.95	47459.12	-94.65	46.95	47504.96	

BAGO RIVER BRIDGE

BLOCK [ No.1 : MAIN GIRDER ][ BEAM MEMBER FORCE ]

MEMBER					2045			2046			2047		
NODE					2045			2046			2047		
					SHEAR	TORQUE	MOMENT	SHEAR	TORQUE	MOMENT	SHEAR	TORQUE	MOMENT
NAME	TITLE				S2 (kN)	TQ (kN·m)	M3 (kN·m)	S2 (kN)	TQ (kN·m)	M3 (kN·m)	S2 (kN)	TQ (kN·m)	M3 (kN·m)
124	SUM TOTAL	D+6LANES	MAX	S2	733.81	6.10	56116.25	442.11	-18.76	57872.88	442.11	-18.76	57872.88
				TQ	292.66	869.50	56700.48	66.04	869.50	57548.81	66.04	869.50	57548.81
				M3	418.78	19.86	64119.18	111.95	-45.03	65024.50	111.95	-45.03	65024.50
			MIN	S2	-1.51	-75.54	60287.83	-242.24	-72.21	60799.76	-242.24	-72.21	60799.76
				TQ	321.69	-952.75	55904.26	116.14	-952.75	56936.92	116.14	-952.75	56936.92
				M3	334.61	-31.94	45404.79	133.70	-31.94	46510.19	133.70	-31.94	46510.19
	SUM TOTAL		MAX		739.18	869.50	64119.18	442.11	869.50	65024.50	442.11	869.50	65024.50
			MIN		-1.51	-952.75	45404.79	-242.24	-952.75	46510.19	-242.24	-952.75	46510.19
300	DEAD LOAD	TOTAL			289.04	-36.28	47615.68	88.13	-36.28	48506.68	88.13	-36.28	48506.68
301	LIVE LOAD	1-LANE(case1MAX	S2		130.28	-358.42	2518.36	132.93	-349.52	3272.68	132.93	-349.52	3272.68
			TQ		-105.06	661.29	4391.04	-91.54	661.29	3927.81	-91.54	661.29	3927.81
			M3		-66.88	458.22	6087.15	14.54	336.92	5863.32	14.54	336.92	5863.32
			MIN	S2	-160.41	614.11	4877.89	-105.67	640.26	4048.79	-105.67	640.26	4048.79
				TQ	114.74	-370.05	2134.79	114.74	-370.05	2674.62	114.74	-370.05	2674.62
				M3	14.30	-90.08	-719.03	14.30	-90.08	-651.74	14.30	-90.08	-651.74
		1-LANE(case2MAX	S2		316.96	-13.09	3486.01	193.95	-20.92	3681.98	193.95	-20.92	3681.98
			TQ		-10.85	162.02	3801.39	-53.58	162.02	3652.06	-53.58	162.02	3652.06
			M3		258.61	80.51	5517.22	55.08	77.85	5872.12	55.08	77.85	5872.12
			MIN	S2	-94.14	111.08	4055.64	-176.33	102.75	4475.04	-176.33	102.75	4475.04
				TQ	61.43	-91.12	1369.63	59.77	-91.12	1652.81	59.77	-91.12	1652.81
				M3	14.31	-32.97	-703.88	14.31	-32.97	-636.53	14.31	-32.97	-636.53
		1-LANE(case3MAX	S2		83.41	95.80	2578.02	80.20	99.24	2792.32	80.20	99.24	2792.32
			TQ		66.67	115.94	2035.49	66.67	115.94	2349.17	66.67	115.94	2349.17
			M3		10.53	-110.62	5114.58	-11.26	-91.90	5045.89	-11.26	-91.90	5045.89
			MIN	S2	-77.63	-182.14	3810.45	-81.33	-185.58	3606.79	-81.33	-185.58	3606.79
				TQ	-65.27	-193.96	3732.85	-72.17	-193.96	3409.21	-72.17	-193.96	3409.21
				M3	14.33	10.30	-692.98	14.33	10.30	-625.54	14.33	10.30	-625.54

BAGO RIVER BRIDGE

BLOCK [ No.1 : MAIN GIRDER ][ BEAM MEMBER FORCE ]

MEMBER			2045			2046			2046			2047			
NODE			2045			2046			2046			2047			
NAME TITLE			SHEAR	TORQUE	MOMENT	SHEAR	TORQUE	MOMENT	SHEAR	TORQUE	MOMENT	SHEAR	TORQUE	MOMENT	
			S2 (kN)	TQ (kN·m)	M3 (kN·m)	S2 (kN)	TQ (kN·m)	M3 (kN·m)	S2 (kN)	TQ (kN·m)	M3 (kN·m)	S2 (kN)	TQ (kN·m)	M3 (kN·m)	
301	LIVE LOAD	1-LANE (case4MAX	S2	46.52	254.73	1531.67	46.52	254.73	1750.53	46.52	254.73	1750.53	46.52	254.73	1969.42
			TQ	46.02	256.75	1445.99	46.02	256.75	1662.51	46.02	256.75	1662.51	46.02	256.75	1879.04
			M3	-21.60	-353.42	4437.93	-20.17	-332.24	4342.28	-20.17	-332.24	4342.28	-18.68	-286.01	4251.89
			MIN S2	-57.29	-577.15	3405.24	-57.29	-577.15	3135.68	-57.29	-577.15	3135.68	-57.29	-577.15	2866.09
			TQ	-56.44	-580.93	3304.45	-56.44	-580.93	3038.91	-56.44	-580.93	3038.91	-56.44	-580.93	2773.35
			M3	14.44	95.89	-674.43	14.44	95.89	-606.50	14.44	95.89	-606.50	14.44	95.89	-538.57
		2-LANES (caseMAX	S2	265.44	-309.54	5162.55	235.71	-376.88	5806.56	235.71	-376.88	5806.56	256.79	-377.97	6499.25
			TQ	-132.34	886.32	7011.67	-141.25	886.32	6367.46	-141.25	886.32	6367.46	-149.84	886.32	5681.63
			M3	51.36	571.36	9901.60	34.71	447.03	9841.17	34.71	447.03	9841.17	97.92	230.44	10022.68
			MIN S2	-214.24	798.69	7617.55	-192.44	777.50	7132.09	-192.44	777.50	7132.09	-221.26	711.91	6698.27
			TQ	172.66	-490.05	3374.72	172.66	-490.05	4187.08	172.66	-490.05	4187.08	172.34	-490.05	4999.13
			M3	23.84	-126.37	-1192.04	23.84	-126.37	-1079.88	23.84	-126.37	-1079.88	23.84	-126.37	-967.70
		2-LANES (caseMAX	S2	421.01	-21.77	5968.93	286.57	-103.05	6147.64	286.57	-103.05	6147.64	188.05	-171.21	5678.10
			TQ	-53.83	470.26	6520.30	-109.61	470.26	6137.66	-109.61	470.26	6137.66	-160.77	470.26	5494.45
			M3	322.60	256.60	9426.66	68.49	231.14	9848.51	68.49	231.14	9848.51	-87.68	161.21	9482.55
			MIN S2	-159.02	379.50	6932.33	-251.32	329.57	7487.29	-251.32	329.57	7487.29	-384.20	263.21	7422.74
			TQ	128.24	-257.61	2737.08	126.86	-257.61	3335.57	126.86	-257.61	3335.57	120.64	-257.61	3925.15
			M3	23.85	-78.79	-1179.41	23.85	-78.79	-1067.21	23.85	-78.79	-1067.21	23.85	-78.79	-954.99
		2-LANES (caseMAX	S2	117.79	214.29	3924.78	115.12	217.16	4330.52	115.12	217.16	4330.52	112.06	216.97	4721.79
			TQ	100.29	247.91	3031.84	100.29	247.91	3503.72	100.29	247.91	3503.72	97.55	247.91	3972.32
			M3	-15.24	-288.43	8254.44	-27.25	-252.39	8096.31	-27.25	-252.39	8096.31	-1.02	-146.55	8043.15
			MIN S2	-118.55	-463.05	6133.41	-121.63	-465.92	5710.30	-121.63	-465.92	5710.30	-124.12	-465.73	5275.11
			TQ	-105.38	-482.41	6022.90	-111.13	-482.41	5513.33	-111.13	-482.41	5513.33	-113.92	-482.41	4980.49
			M3	23.92	41.11	-1149.64	23.92	41.11	-1037.11	23.92	41.11	-1037.11	23.92	41.11	-924.58

BAGO RIVER BRIDGE

BLOCK [ No.1 : MAIN GIRDER ][ BEAM MEMBER FORCE ]

MEMBER			2045			2046			2046			2047				
NODE			2045			2046			2046			2047				
NAME TITLE			SHEAR	TORQUE	MOMENT	SHEAR	TORQUE	MOMENT	SHEAR	TORQUE	MOMENT	SHEAR	TORQUE	MOMENT		
			S2 (kN)	TQ (kN·m)	M3 (kN·m)	S2 (kN)	TQ (kN·m)	M3 (kN·m)	S2 (kN)	TQ (kN·m)	M3 (kN·m)	S2 (kN)	TQ (kN·m)	M3 (kN·m)		
301	LIVE LOAD	2-LANES (caseMAX	S2	87.06	358.74	3055.78	87.06	358.74	3465.40	87.06	358.74	3465.40	87.06	358.74	3875.06	
			TQ	83.10	377.25	2543.56	83.10	377.25	2934.52	83.10	377.25	2934.52	83.10	377.25	3325.51	
			M3	-41.97	-493.28	7688.43	-34.64	-455.20	7507.98	-34.64	-455.20	7507.98	-15.08	-358.17	7410.40	
			MIN	S2	-101.57	-794.76	5793.49	-101.57	-794.76	5315.61	-101.57	-794.76	5315.61	-101.57	-794.76	4837.68
			TQ	-97.98	-807.42	5663.65	-97.98	-807.42	5202.64	-97.98	-807.42	5202.64	-97.98	-807.42	4741.59	
			M3	24.03	135.95	-1129.20	24.03	135.95	-1016.13	24.03	135.95	-1016.13	24.03	135.95	-903.04	
		3-LANES (caseMAX	S2	450.14	-272.38	6857.43	337.74	-335.17	7543.65	337.74	-335.17	7543.65	295.00	-347.80	7857.69	
			TQ	-120.17	868.13	8652.57	-158.02	868.13	7999.22	-158.02	868.13	7999.22	-196.94	868.13	7163.47	
			M3	226.84	542.68	12324.39	68.52	435.12	12524.42	68.52	435.12	12524.42	23.47	247.37	12436.26	
			MIN	S2	-248.79	757.57	9347.66	-288.47	733.66	9232.09	-288.47	733.66	9232.09	-400.36	676.46	8767.16
			TQ	190.28	-481.09	3838.66	189.10	-481.09	4729.76	189.10	-481.09	4729.76	188.82	-481.09	5619.21	
			M3	30.40	-130.77	-1511.81	30.40	-130.77	-1368.77	30.40	-130.77	-1368.77	30.40	-130.77	-1225.72	
		3-LANES (caseMAX	S2	133.06	352.34	4417.99	130.79	354.78	4917.84	130.79	354.78	4917.84	128.19	354.62	5405.40	
			TQ	117.83	382.36	3599.12	117.83	382.36	4153.51	117.83	382.36	4153.51	115.50	382.36	4705.12	
			M3	-28.29	-493.52	10162.15	-37.49	-447.89	9959.78	-37.49	-447.89	9959.78	-14.15	-325.18	9850.35	
			MIN	S2	-141.39	-800.39	7628.24	-144.01	-802.83	7077.48	-144.01	-802.83	7077.48	-146.12	-802.67	6516.43
			TQ	-129.59	-819.53	7462.15	-134.47	-819.53	6840.76	-134.47	-819.53	6840.76	-136.85	-819.53	6199.56	
			M3	30.53	82.89	-1459.18	30.53	82.89	-1315.54	30.53	82.89	-1315.54	30.53	82.89	-1171.89	
		3-LANES (caseMAX	S2	133.10	383.05	4426.17	130.83	385.48	4926.13	130.83	385.48	4926.13	128.23	385.32	5413.79	
			TQ	119.57	412.78	3523.57	119.57	412.78	4086.13	119.57	412.78	4086.13	117.23	412.78	4645.92	
			M3	-28.17	-499.80	10156.11	-37.39	-454.16	9954.25	-37.39	-454.16	9954.25	-14.05	-331.46	9845.29	
			MIN	S2	-141.30	-806.70	7621.56	-143.92	-809.14	7071.30	-143.92	-809.14	7071.30	-146.04	-808.98	6510.74
			TQ	-131.20	-825.59	7539.10	-136.09	-825.59	6910.11	-136.09	-825.59	6910.11	-138.47	-825.59	6261.31	
			M3	30.60	142.88	-1446.24	30.60	142.88	-1302.25	30.60	142.88	-1302.25	30.60	142.88	-1158.25	

BAGO RIVER BRIDGE

BLOCK [ No.1 : MAIN GIRDER ][ BEAM MEMBER FORCE ]

MEMBER				2045			2046			2046			2047			
NODE				2045			2046			2046			2047			
NAME TITLE				SHEAR	TORQUE	MOMENT	SHEAR	TORQUE	MOMENT	SHEAR	TORQUE	MOMENT	SHEAR	TORQUE	MOMENT	
				S2 (kN)	TQ (kN·m)	M3 (kN·m)	S2 (kN)	TQ (kN·m)	M3 (kN·m)	S2 (kN)	TQ (kN·m)	M3 (kN·m)	S2 (kN)	TQ (kN·m)	M3 (kN·m)	
301	LIVE LOAD	4-LANES	MAX	S2	24.42	83.39	-1162.42	24.42	83.39	-1047.53	24.42	83.39	-1047.53	24.42	83.39	-932.63
				TQ	23.32	83.79	-1108.94	23.32	83.79	-999.22	23.32	83.79	-999.22	23.32	83.79	-889.50
				M3	-9.34	-9.88	450.67	-9.34	-9.88	406.72	-9.34	-9.88	406.72	-9.34	-9.85	362.78
		MIN	S2	-9.34	-9.90	450.66	-9.34	-9.90	406.72	-9.34	-9.90	406.72	-9.34	-9.90	362.77	
			TQ	-7.79	-10.81	374.96	-7.79	-10.81	338.33	-7.79	-10.81	338.33	-7.79	-10.81	301.70	
			M3	24.42	83.23	-1162.45	24.42	83.23	-1047.56	24.42	83.23	-1047.56	24.42	83.23	-932.66	
	6-LANES	MAX	S2	444.77	42.38	8500.57	353.98	17.52	9366.20	353.98	17.52	9366.20	311.30	22.59	9789.07	
			TQ	3.61	905.78	9084.80	-22.09	905.78	9042.13	-22.09	905.78	9042.12	-51.76	905.78	8872.16	
			M3	129.74	56.14	16503.50	23.82	-8.75	16517.82	23.82	-8.75	16517.82	-4.14	-46.21	16321.49	
		MIN	S2	-290.55	-39.26	12672.15	-330.36	-35.93	12293.08	-330.36	-35.93	12293.08	-422.58	-40.23	11606.79	
			TQ	32.65	-916.47	8288.59	28.01	-916.47	8430.23	28.01	-916.47	8430.23	26.10	-916.47	8555.49	
			M3	45.57	4.34	-2210.89	45.57	4.34	-1996.49	45.57	4.34	-1996.49	45.57	4.34	-1782.07	
	LIVE LOAD	MAX		450.14	905.78	16503.50	353.98	905.78	16517.82	353.98	905.78	16517.82	311.30	905.78	16321.49	
		MIN		-290.55	-916.47	-2210.89	-330.36	-916.47	-1996.49	-330.36	-916.47	-1996.49	-422.58	-916.47	-1782.07	
	303	SUM TOTAL	TOTAL	MAX		739.18	869.50	64119.18	442.11	869.50	65024.50	442.11	869.50	65024.50	192.24	869.50
MIN					-1.51	-952.75	45404.79	-242.24	-952.75	46510.19	-242.24	-952.75	46510.19	-541.65	-952.75	46655.56

BAGO RIVER BRIDGE

BLOCK [ No.1 : MAIN GIRDER ] [ BEAM MEMBER FORCE ]

MEMBER NODE	2047	2048			2048			2048			2049				
		SHEAR	TORQUE	MOMENT	SHEAR	TORQUE	MOMENT	SHEAR	TORQUE	MOMENT	SHEAR	TORQUE	MOMENT		
NAME TITLE	S2 (kN)	TQ (kN·m)	M3 (kN·m)	S2 (kN)	TQ (kN·m)	M3 (kN·m)	S2 (kN)	TQ (kN·m)	M3 (kN·m)	S2 (kN)	TQ (kN·m)	M3 (kN·m)			
1 PAVEMENT	-34.92	0.97	7605.13	-64.93	0.97	7370.19	-64.93	0.97	7370.19	-94.95	0.97	6993.96			
3 RAILING	-3.58	-0.74	234.71	-1.99	-0.74	221.62	-1.99	-0.74	221.62	-0.40	-0.74	215.98			
5 CURB	-35.39	-7.35	2323.62	-19.70	-7.35	2193.99	-19.70	-7.35	2193.99	-4.00	-7.35	2138.23			
7 DECK WEIGHT	-49.02	0.85	12589.23	-99.88	0.85	12239.71	-99.88	0.85	12239.71	-152.13	0.85	11647.52			
8 GIRDER WEIGH	-66.15	-15.32	17694.32	-154.12	-15.32	17176.06	-154.12	-15.32	17176.06	-242.10	-15.32	16243.70			
10 MEDIAN STRIP	33.72	5.72	4230.70	-11.65	5.72	4285.27	-11.65	5.72	4285.27	-61.50	5.72	4115.77			
21 ADITIONAL WE	-13.73	0.24	3524.98	-27.97	0.24	3427.12	-27.97	0.24	3427.12	-42.60	0.24	3261.30			
31 MEDIAN RAILI	0.26	-0.12	230.56	-2.04	-0.12	226.42	-2.04	-0.12	226.42	-4.34	-0.12	211.44			
51 SUPPORT WEIG	-0.00	0.00	-0.00	-0.00	0.00	-0.00	-0.00	0.00	-0.00	-0.00	0.00	-0.00			
52 NOSE WEIGHT	-0.00	0.00	0.01	-0.00	0.00	0.00	-0.00	0.00	0.00	-0.00	0.00	0.00			
61 1-LANE(case1TRUCK-LOAD	MAX	S2	59.51	-73.78	1327.67	59.51	-73.78	1607.72	59.51	-73.78	1607.72	97.65	-20.81	2166.11	
		TQ	-60.74	359.93	2082.56	-60.74	359.93	1796.73	-60.74	359.93	1796.73	-60.74	359.93	1510.87	
		M3	-55.31	303.57	2321.29	1.46	201.67	2076.39	1.46	201.67	2076.39	86.54	59.58	2220.16	
	MIN	S2	-97.95	325.81	2298.47	-61.86	359.52	1820.49	-61.86	359.52	1820.49	-61.86	359.52	1529.35	
		TQ	56.97	-81.35	1199.93	56.97	-81.35	1468.00	56.97	-81.35	1468.00	56.97	-81.35	1736.10	
		M3	5.31	-35.01	-223.36	5.31	-35.01	-198.37	5.31	-35.01	-198.37	5.31	-35.01	-173.38	
	TANDEM-LOAD	MAX	S2	45.23	-52.90	934.25	45.23	-52.90	1147.08	45.23	-52.90	1147.08	85.98	8.14	1510.20
		TQ	-39.53	245.64	1365.97	-39.53	245.64	1179.96	-39.53	245.64	1179.96	-39.53	245.64	993.92	
		M3	-31.59	202.88	1584.23	-21.47	184.44	1438.04	-21.47	184.44	1438.04	40.09	84.03	1514.86	
	MIN	S2	-85.48	184.43	1577.46	-46.08	242.30	1320.41	-46.08	242.30	1320.41	-46.08	242.30	1103.55	
		TQ	36.49	-57.42	769.97	36.49	-57.42	941.70	36.49	-57.42	941.70	36.49	-57.42	1113.46	
		M3	3.62	-24.08	-152.16	3.62	-24.08	-135.14	3.62	-24.08	-135.14	3.62	-24.08	-118.13	
	DISPERSION-LMAX	S2	32.38	-77.50	483.46	34.17	-67.67	731.49	34.17	-67.67	731.49	43.88	-63.35	993.52	
		TQ	-54.31	403.49	2227.02	-43.04	403.49	1997.33	-43.04	403.49	1997.33	-31.78	403.49	1820.60	
		M3	-29.72	363.95	2823.97	-18.45	363.95	2709.99	-18.45	363.95	2709.99	-7.19	363.95	2648.98	
	MIN	S2	-55.83	399.69	2076.76	-46.36	389.87	1744.23	-46.36	389.87	1744.23	-44.80	385.54	1450.70	
		TQ	30.86	-81.30	333.19	30.86	-81.30	478.40	30.86	-81.30	478.40	30.86	-81.30	623.61	
		M3	6.27	-41.75	-263.75	6.27	-41.75	-234.26	6.27	-41.75	-234.26	6.27	-41.75	-204.77	



BAGO RIVER BRIDGE

BLOCK [ No.1 : MAIN GIRDER ][ BEAM MEMBER FORCE ]

MEMBER				2047			2048			2049						
NODE				2047			2048			2048			2049			
NAME TITLE				SHEAR	TORQUE	MOMENT	SHEAR	TORQUE	MOMENT	SHEAR	TORQUE	MOMENT	SHEAR	TORQUE	MOMENT	
				S2 (kN)	TQ (kN·m)	M3 (kN·m)	S2 (kN)	TQ (kN·m)	M3 (kN·m)	S2 (kN)	TQ (kN·m)	M3 (kN·m)	S2 (kN)	TQ (kN·m)	M3 (kN·m)	
62	1-LANE (case2TRUCK-LOAD	MAX	S2	187.40	45.32	2031.83	109.72	42.97	2139.78	109.72	42.97	2139.78	52.48	32.25	1853.17	
			TQ	-33.35	89.46	1363.49	-33.35	89.46	1206.55	-33.35	89.46	1206.55	-33.35	89.46	1049.59	
			M3	101.69	51.80	2093.14	39.34	45.28	2229.47	39.34	45.28	2229.47	-38.76	42.70	1959.70	
			MIN	S2	-61.19	55.15	2078.23	-116.49	46.80	2207.74	-116.49	46.80	2207.74	-195.32	44.71	1957.37
				TQ	5.03	-13.83	-205.19	5.03	-13.83	-181.54	5.03	-13.83	-181.54	5.03	-13.83	-157.89
				M3	5.35	-13.34	-217.83	5.35	-13.34	-192.68	5.35	-13.34	-192.68	5.35	-13.34	-167.52
		TANDEM-LOAD MAX	S2	153.01	30.84	1536.89	98.27	30.53	1650.00	98.27	30.53	1650.00	46.20	28.21	1435.34	
			TQ	-22.06	61.24	900.15	-22.06	61.24	796.34	-22.06	61.24	796.34	-22.06	61.24	692.52	
			M3	56.00	32.19	1543.50	4.97	30.67	1659.58	4.97	30.67	1659.58	-51.22	29.93	1450.26	
			MIN	S2	-51.00	32.19	1543.50	-102.54	30.67	1659.58	-102.54	30.67	1659.58	-159.21	29.93	1450.26
				TQ	3.48	-9.44	-141.85	3.48	-9.44	-125.50	3.48	-9.44	-125.50	3.48	-9.44	-109.14
				M3	3.64	-9.16	-148.35	3.64	-9.16	-131.22	3.64	-9.16	-131.22	3.64	-9.16	-114.09
		DISPERSION-LMAX	S2	59.35	-3.47	723.50	36.25	-8.89	648.34	36.25	-8.89	648.34	22.73	-14.18	495.18	
			TQ	8.09	111.75	2304.67	-29.30	111.75	2254.98	-29.30	111.75	2254.98	-66.88	111.75	2028.84	
			M3	14.20	107.62	2527.72	-23.20	107.62	2506.74	-23.20	107.62	2506.74	-60.78	107.62	2309.32	
			MIN	S2	-38.86	95.31	1547.65	-53.16	100.73	1631.47	-53.16	100.73	1631.47	-77.21	106.02	1616.83
				TQ	12.40	-19.91	-33.51	12.40	-19.91	24.82	12.40	-19.91	24.82	12.40	-19.91	83.17
				M3	6.30	-15.78	-256.56	6.30	-15.78	-226.94	6.30	-15.78	-226.94	6.30	-15.78	-197.31
63	1-LANE (case3TRUCK-LOAD	MAX	S2	26.12	13.55	1272.12	26.12	13.55	1395.06	26.12	13.55	1395.06	26.12	13.55	1518.01	
			TQ	19.10	27.95	886.72	19.10	27.95	976.60	19.10	27.95	976.60	19.10	27.95	1066.49	
			M3	-20.08	-104.34	1814.81	-12.21	-68.45	1698.75	-12.21	-68.45	1698.75	-6.73	-33.34	1627.17	
		MIN	S2	-45.52	-110.47	1802.41	-45.52	-110.47	1588.20	-45.52	-110.47	1588.20	-45.52	-110.47	1373.97	
			TQ	-43.24	-115.42	1689.62	-43.24	-115.42	1486.15	-43.24	-115.42	1486.15	-43.24	-115.42	1282.66	
			M3	5.38	3.08	-213.90	5.38	3.08	-188.59	5.38	3.08	-188.59	5.38	3.08	-163.27	

BAGO RIVER BRIDGE

BLOCK [ No.1 : MAIN GIRDER ][ BEAM MEMBER FORCE ]

MEMBER		2047			2048			2048			2049					
NODE		2047			2048			2048			2049					
		SHEAR	TORQUE	MOMENT	SHEAR	TORQUE	MOMENT	SHEAR	TORQUE	MOMENT	SHEAR	TORQUE	MOMENT			
NAME	TITLE	S2 (kN)	TQ (kN·m)	M3 (kN·m)	S2 (kN)	TQ (kN·m)	M3 (kN·m)	S2 (kN)	TQ (kN·m)	M3 (kN·m)	S2 (kN)	TQ (kN·m)	M3 (kN·m)			
63	1-LANE (case3TANDEM-LOAD	MAX	S2	18.41	13.76	830.18	18.41	13.76	916.82	18.41	13.76	916.82	18.41	13.76	1003.46	
			TQ	13.65	19.85	629.57	13.65	19.85	693.79	13.65	19.85	693.79	13.65	19.85	758.01	
			M3	-16.07	-70.55	1266.91	-8.06	-40.61	1177.00	-8.06	-40.61	1177.00	1.97	-6.18	1132.39	
		MIN	S2	-31.28	-79.30	1199.42	-31.28	-79.30	1052.24	-31.28	-79.30	1052.24	-31.28	-79.30	905.04	
			TQ	-30.66	-80.33	1171.25	-30.66	-80.33	1027.00	-30.66	-80.33	1027.00	-30.66	-80.33	882.72	
			M3	3.66	2.15	-145.65	3.66	2.15	-128.41	3.66	2.15	-128.41	3.66	2.15	-111.17	
		DISPERSION-LMAX	S2	21.29	10.58	533.18	19.47	14.38	511.10	19.47	14.38	511.10	17.33	16.13	456.74	
			TQ	14.10	17.44	360.37	14.10	17.44	426.71	14.10	17.44	426.71	13.84	17.44	492.75	
			M3	-22.61	-98.02	2357.36	-27.96	-98.02	2238.17	-27.96	-98.02	2238.17	-33.13	-98.02	2094.20	
		MIN	S2	-37.57	-104.70	1572.93	-41.11	-108.50	1505.56	-41.11	-108.50	1505.56	-44.14	-110.25	1445.70	
			TQ	-30.38	-111.56	1745.74	-35.74	-111.56	1589.95	-35.74	-111.56	1589.95	-40.65	-111.56	1409.69	
			M3	6.32	3.90	-251.25	6.32	3.90	-221.50	6.32	3.90	-221.50	6.32	3.90	-191.76	
64	1-LANE (case4TRUCK-LOAD	MAX	S2	9.43	21.19	643.31	9.43	21.19	687.70	9.43	21.19	687.70	9.43	21.19	732.09	
			TQ	5.36	37.89	-202.13	5.36	37.89	-176.89	5.36	37.89	-176.89	5.36	37.89	-151.64	
			M3	-21.22	-258.67	1411.33	-16.29	-206.91	1320.89	-16.29	-206.91	1320.89	-16.29	-206.91	1244.24	
		MIN	S2	-32.65	-315.91	1322.21	-32.65	-315.91	1168.55	-32.65	-315.91	1168.55	-32.65	-315.91	1014.86	
			TQ	-32.13	-316.57	1246.02	-32.13	-316.57	1094.83	-32.13	-316.57	1094.83	-32.13	-316.57	943.62	
			M3	5.48	36.55	-207.17	5.48	36.55	-181.38	5.48	36.55	-181.38	5.48	36.55	-155.59	
		TANDEM-LOAD	MAX	S2	7.06	15.10	465.21	7.06	15.10	498.45	7.06	15.10	498.45	7.06	15.10	531.68
			TQ	3.63	25.85	-136.60	3.63	25.85	-119.53	3.63	25.85	-119.53	3.63	25.85	-102.46	
			M3	-15.28	-182.45	959.85	-10.62	-147.50	899.22	-10.62	-147.50	899.22	-10.62	-147.50	849.24	
		MIN	S2	-22.61	-216.36	885.74	-22.61	-216.36	779.35	-22.61	-216.36	779.35	-22.61	-216.36	672.95	
			TQ	-22.46	-216.54	864.47	-22.46	-216.54	758.78	-22.46	-216.54	758.78	-22.46	-216.54	653.07	
			M3	3.73	25.20	-141.06	3.73	25.20	-123.49	3.73	25.20	-123.49	3.73	25.20	-105.92	

BAGO RIVER BRIDGE

BLOCK [ No.1 : MAIN GIRDER ][ BEAM MEMBER FORCE ]

MEMBER			2047			2048			2048			2049					
NODE			2047			2048			2048			2049					
NAME TITLE			SHEAR	TORQUE	MOMENT	SHEAR	TORQUE	MOMENT	SHEAR	TORQUE	MOMENT	SHEAR	TORQUE	MOMENT			
			S2 (kN)	TQ (kN·m)	M3 (kN·m)	S2 (kN)	TQ (kN·m)	M3 (kN·m)	S2 (kN)	TQ (kN·m)	M3 (kN·m)	S2 (kN)	TQ (kN·m)	M3 (kN·m)			
64	1-LANE (case4DISPERSION-LMAX	S2	9.97	47.60	79.31	9.97	47.60	126.22	9.97	47.60	126.22	9.97	47.60	173.14			
		TQ	9.51	49.47	-30.80	9.51	49.47	13.94	9.51	49.47	13.94	9.51	49.47	58.69			
		M3	-32.12	-372.80	2118.62	-32.12	-372.80	1967.48	-32.12	-372.80	1967.48	-32.12	-372.80	1816.33			
		MIN	S2	-35.70	-378.55	1797.60	-35.70	-378.55	1629.60	-35.70	-378.55	1629.60	-35.70	-378.55	1461.59		
		TQ	-35.24	-380.43	1907.71	-35.24	-380.43	1741.89	-35.24	-380.43	1741.89	-35.24	-380.43	1576.04			
		M3	6.39	41.84	-241.71	6.39	41.84	-211.65	6.39	41.84	-211.65	6.39	41.84	-181.60			
		65	2-LANES (caseTRUCK-LOAD	MAX	S2	150.33	47.73	3475.54	132.19	-17.97	3731.18	132.19	-17.97	3731.18	153.56	-18.79	4151.00
				TQ	-102.63	578.20	3730.51	-102.63	578.20	3247.55	-102.63	578.20	3247.55	-102.63	578.20	2764.53	
				M3	-25.69	475.60	4535.75	15.09	317.38	4285.22	15.09	317.38	4285.22	82.01	109.70	4316.40	
MIN	S2			-158.30	510.19	4494.61	-137.18	492.80	4014.73	-137.18	492.80	4014.73	-155.12	427.33	3619.79		
TQ	86.63			-120.77	2060.32	86.63	-120.77	2467.99	86.63	-120.77	2467.99	86.63	-120.77	2875.70			
M3	10.64			-59.21	-443.94	10.64	-59.21	-393.88	10.64	-59.21	-393.88	10.64	-59.21	-343.82			
TANDEM-LOAD	MAX			S2	112.60	51.13	2513.51	100.27	5.54	2720.31	100.27	5.54	2720.31	128.65	22.27	2997.52	
TQ	-66.98			393.99	2451.63	-66.98	393.99	2136.43	-66.98	393.99	2136.43	-66.98	393.99	1821.20			
M3	-18.92			316.17	3170.36	-20.62	254.59	3021.30	-20.62	254.59	3021.30	28.33	107.87	3017.19			
MIN	S2	-130.18	297.73	3163.59	-102.60	312.46	2903.67	-102.60	312.46	2903.67	-115.21	266.14	2605.88				
TQ	55.18	-85.38	1318.27	55.18	-85.38	1577.93	55.18	-85.38	1577.93	55.18	-85.38	1837.61					
M3	7.24	-40.71	-302.40	7.24	-40.71	-268.31	7.24	-40.71	-268.31	7.24	-40.71	-234.23					
DISPERSION-LMAX	S2	78.88	-100.64	1258.90	69.61	-105.63	1419.43	69.61	-105.63	1419.43	70.48	-108.46	1553.86				
TQ	-70.73	657.64	4449.58	-79.64	657.64	4095.14	-79.64	657.64	4095.14	-88.56	657.64	3698.68					
M3	-30.45	600.50	5491.29	-39.37	600.50	5326.37	-39.37	600.50	5326.37	-48.28	600.50	5119.46					
MIN	S2	-96.78	630.61	3708.48	-96.43	635.60	3442.07	-96.43	635.60	3442.07	-106.21	638.43	3159.79				
TQ	52.82	-127.67	517.80	52.82	-127.67	766.37	52.82	-127.67	766.37	52.82	-127.67	1014.97					
M3	12.55	-70.54	-523.91	12.55	-70.54	-464.86	12.55	-70.54	-464.86	12.55	-70.54	-405.81					

BAGO RIVER BRIDGE

BLOCK [ No.1 : MAIN GIRDER ][ BEAM MEMBER FORCE ]

MEMBER				2047			2048			2048			2049		
NODE				2047			2048			2048			2049		
NAME TITLE				SHEAR	TORQUE	MOMENT	SHEAR	TORQUE	MOMENT	SHEAR	TORQUE	MOMENT	SHEAR	TORQUE	MOMENT
				S2 (kN)	TQ (kN·m)	M3 (kN·m)	S2 (kN)	TQ (kN·m)	M3 (kN·m)	S2 (kN)	TQ (kN·m)	M3 (kN·m)	S2 (kN)	TQ (kN·m)	M3 (kN·m)
66	2-LANES (caseTRUCK-LOAD	MAX	S2	278.23	166.83	4179.70	182.40	98.78	4263.24	182.40	98.78	4263.24	108.40	34.27	3838.06
			TQ	-75.24	307.73	3011.44	-75.24	307.73	2657.36	-75.24	307.73	2657.36	-75.24	307.73	2303.24
			M3	131.31	223.82	4307.61	52.97	160.99	4438.30	52.97	160.99	4438.30	-43.28	92.82	4055.93
		MIN	S2	-121.54	239.53	4274.37	-191.81	180.08	4401.98	-191.81	180.08	4401.98	-288.57	112.52	4047.81
			TQ	34.69	-53.25	655.20	34.69	-53.25	818.44	34.69	-53.25	818.44	34.69	-53.25	981.71
			M3	10.67	-37.54	-438.41	10.67	-37.54	-388.19	10.67	-37.54	-388.19	10.67	-37.54	-337.96
	TANDEM-LOAD	MAX	S2	220.38	134.87	3116.15	153.31	88.98	3223.23	153.31	88.98	3223.23	88.86	42.33	2922.66
		TQ	-49.51	209.58	1985.81	-49.51	209.58	1752.82	-49.51	209.58	1752.82	-49.51	209.58	1519.80	
		M3	68.67	145.48	3129.63	5.82	100.83	3242.84	5.82	100.83	3242.84	-62.98	53.77	2952.60	
	MIN	S2	-95.70	145.48	3129.63	-159.06	100.83	3242.84	-159.06	100.83	3242.84	-228.35	53.77	2952.60	
		TQ	22.16	-37.41	406.44	22.16	-37.41	510.72	22.16	-37.41	510.72	22.16	-37.41	615.01	
		M3	7.27	-25.79	-298.59	7.27	-25.79	-264.39	7.27	-25.79	-264.39	7.27	-25.79	-230.19	
	DISPERSION-LMAX	S2	105.85	-26.61	1498.94	71.69	-46.85	1336.28	71.69	-46.85	1336.28	49.33	-59.29	1055.52	
		TQ	-8.33	365.90	4527.23	-65.90	365.90	4352.79	-65.90	365.90	4352.79	-123.66	365.90	3906.92	
		M3	13.46	344.18	5195.04	-44.12	344.18	5123.13	-44.12	344.18	5123.13	-101.87	344.18	4779.79	
MIN	S2	-79.81	326.22	3179.38	-103.23	346.46	3329.31	-103.23	346.46	3329.31	-138.62	358.91	3325.92		
	TQ	34.36	-66.28	151.09	34.36	-66.28	312.80	34.36	-66.28	312.80	34.36	-66.28	474.52		
	M3	12.58	-44.56	-516.72	12.58	-44.56	-457.54	12.58	-44.56	-457.54	12.58	-44.56	-398.35		
67	2-LANES (caseTRUCK-LOAD	MAX	S2	40.29	22.27	2292.23	40.29	22.27	2481.83	40.29	22.27	2481.83	40.29	22.27	2671.46
			TQ	30.55	53.52	1531.46	30.55	53.52	1675.24	30.55	53.52	1675.24	30.55	53.52	1819.04
			M3	-51.30	-280.26	3433.60	-34.60	-211.35	3190.96	-34.60	-211.35	3190.96	-12.42	-120.14	3053.27
		MIN	S2	-81.76	-319.58	3330.83	-81.76	-319.58	2946.07	-81.76	-319.58	2946.07	-81.76	-319.58	2561.26
			TQ	-77.63	-328.93	3084.09	-77.63	-328.93	2718.77	-77.63	-328.93	2718.77	-77.63	-328.93	2353.41
			M3	10.79	17.14	-425.51	10.79	17.14	-374.74	10.79	17.14	-374.74	10.79	17.14	-323.96

BAGO RIVER BRIDGE

BLOCK [ No.1 : MAIN GIRDER ] [ BEAM MEMBER FORCE ]

MEMBER		2047			2048			2048			2049				
NODE		2047			2048			2048			2049				
		SHEAR	TORQUE	MOMENT	SHEAR	TORQUE	MOMENT	SHEAR	TORQUE	MOMENT	SHEAR	TORQUE	MOMENT		
NAME	TITLE	S2 (kN)	TQ (kN·m)	M3 (kN·m)	S2 (kN)	TQ (kN·m)	M3 (kN·m)	S2 (kN)	TQ (kN·m)	M3 (kN·m)	S2 (kN)	TQ (kN·m)	M3 (kN·m)		
67	2-LANES (caseTANDEM-LOAD	MAX	S2	28.36	23.89	1493.71	28.36	23.89	1627.16	28.36	23.89	1627.16	28.36	23.89	1760.62
			TQ	21.96	38.31	1095.71	21.96	38.31	1199.03	21.96	38.31	1199.03	21.96	38.31	1302.36
			M3	-37.09	-186.72	2376.08	-26.99	-148.85	2192.89	-26.99	-148.85	2192.89	-5.16	-75.84	2103.45
		MIN	S2	-56.19	-217.43	2274.74	-56.19	-217.43	2010.30	-56.19	-217.43	2010.30	-56.19	-217.43	1745.84
			TQ	-54.85	-226.27	2162.31	-54.85	-226.27	1904.22	-54.85	-226.27	1904.22	-54.85	-226.27	1646.10
			M3	7.35	11.85	-289.73	7.35	11.85	-255.15	7.35	11.85	-255.15	7.35	11.85	-220.57
	DISPERSION-LMAX	S2	34.61	32.39	828.97	32.79	36.19	869.57	32.79	36.19	869.57	30.65	37.94	877.90	
		TQ	25.93	44.32	436.00	25.93	44.32	558.04	25.93	44.32	558.04	25.67	44.32	679.77	
		M3	-52.66	-331.90	4599.29	-58.01	-331.90	4338.70	-58.01	-331.90	4338.70	-63.18	-331.90	4053.31	
		MIN	S2	-74.60	-343.51	3271.11	-78.14	-347.31	3029.51	-78.14	-347.31	3029.51	-81.17	-349.06	2795.39
			TQ	-65.93	-355.43	3664.08	-71.28	-355.43	3341.04	-71.28	-355.43	3341.04	-76.19	-355.43	2993.51
			M3	12.66	20.79	-499.21	12.66	20.79	-439.62	12.66	20.79	-439.62	12.66	20.79	-380.02
68	2-LANES (caseTRUCK-LOAD	MAX	S2	23.61	29.93	1663.42	23.61	29.93	1774.50	23.61	29.93	1774.50	23.61	29.93	1885.60
			TQ	10.69	64.20	-406.54	10.69	64.20	-356.23	10.69	64.20	-356.23	10.69	64.20	-305.90
			M3	-52.45	-434.56	3030.21	-38.67	-349.77	2813.17	-38.67	-349.77	2813.17	-21.97	-293.68	2670.43
		MIN	S2	-68.90	-524.98	2850.69	-68.90	-524.98	2526.45	-68.90	-524.98	2526.45	-68.90	-524.98	2202.18
			TQ	-66.52	-530.05	2640.50	-66.52	-530.05	2327.46	-66.52	-530.05	2327.46	-66.52	-530.05	2014.38
			M3	10.93	62.11	-416.50	10.93	62.11	-365.09	10.93	62.11	-365.09	10.93	62.11	-313.68
	TANDEM-LOAD	MAX	S2	17.01	25.24	1128.75	17.01	25.24	1208.80	17.01	25.24	1208.80	17.01	25.24	1288.87
			TQ	11.94	44.31	329.54	11.94	44.31	385.72	11.94	44.31	385.72	11.94	44.31	441.90
			M3	-36.30	-298.60	2069.09	-29.55	-255.72	1915.16	-29.55	-255.72	1915.16	-17.74	-217.15	1820.36
		MIN	S2	-47.53	-354.46	1961.11	-47.53	-354.46	1737.45	-47.53	-354.46	1737.45	-47.53	-354.46	1513.76
			TQ	-46.65	-362.46	1855.55	-46.65	-362.46	1636.02	-46.65	-362.46	1636.02	-46.65	-362.46	1416.47
			M3	7.44	42.84	-283.59	7.44	42.84	-248.57	7.44	42.84	-248.57	7.44	42.84	-213.54

BAGO RIVER BRIDGE

BLOCK [ No.1 : MAIN GIRDER ][ BEAM MEMBER FORCE ]

MEMBER			2047			2048			2048			2049					
NODE			2047			2048			2048			2049					
			SHEAR	TORQUE	MOMENT	SHEAR	TORQUE	MOMENT	SHEAR	TORQUE	MOMENT	SHEAR	TORQUE	MOMENT			
NAME	TITLE		S2 (kN)	TQ (kN·m)	M3 (kN·m)	S2 (kN)	TQ (kN·m)	M3 (kN·m)	S2 (kN)	TQ (kN·m)	M3 (kN·m)	S2 (kN)	TQ (kN·m)	M3 (kN·m)			
68	2-LANES (caseDISPERSION-LMAX	S2	23.31	81.44	378.16	23.31	81.44	487.87	23.31	81.44	487.87	23.31	81.44	597.59			
		TQ	21.37	88.38	47.91	21.37	88.38	148.46	21.37	88.38	148.46	21.37	88.38	249.02			
		M3	-62.14	-609.21	4358.65	-62.14	-609.21	4066.25	-62.14	-609.21	4066.25	-62.14	-609.21	3773.81			
		MIN	S2	-72.70	-619.89	3493.81	-72.70	-619.89	3151.71	-72.70	-619.89	3151.71	-72.70	-619.89	2809.56		
		TQ	-70.75	-626.83	3824.06	-70.75	-626.83	3491.11	-70.75	-626.83	3491.11	-70.75	-626.83	3158.13			
		M3	12.75	70.76	-486.68	12.75	70.76	-426.67	12.75	70.76	-426.67	12.75	70.76	-366.66			
		69	3-LANES (caseTRUCK-LOAD	MAX	S2	337.74	93.05	5507.37	241.92	25.00	5870.96	241.92	25.00	5870.96	206.05	13.46	6004.17
				TQ	-135.98	667.66	5094.00	-135.98	667.66	4454.10	-135.98	667.66	4454.10	-135.98	667.66	3814.12	
				M3	76.00	527.40	6628.89	54.43	362.66	6514.69	54.43	362.66	6514.69	43.26	152.40	6276.09	
MIN	S2			-219.49	565.34	6572.85	-253.67	539.60	6222.48	-253.67	539.60	6222.48	-350.43	472.04	5577.16		
TQ	91.66			-134.60	1855.13	91.66	-134.60	2286.44	91.66	-134.60	2286.44	91.66	-134.60	2717.81			
M3	15.98			-72.55	-661.78	15.98	-72.55	-586.56	15.98	-72.55	-586.56	15.98	-72.55	-511.34			
TANDEM-LOAD	MAX			S2	265.61	81.97	4050.40	198.54	36.08	4370.30	198.54	36.08	4370.30	174.85	50.48	4432.86	
TQ	-89.04			455.22	3351.79	-89.04	455.22	2932.78	-89.04	455.22	2932.78	-89.04	455.22	2513.72			
M3	37.08			348.36	4713.86	-15.65	285.26	4680.87	-15.65	285.26	4680.87	-22.89	137.80	4467.45			
MIN	S2	-181.18	329.92	4707.09	-205.14	343.12	4563.24	-205.14	343.12	4563.24	-274.42	296.07	4056.15				
TQ	58.65	-94.82	1176.41	58.65	-94.82	1452.43	58.65	-94.82	1452.43	58.65	-94.82	1728.47					
M3	10.88	-49.87	-450.74	10.88	-49.87	-399.53	10.88	-49.87	-399.53	10.88	-49.87	-348.32					
DISPERSION-LMAX	S2	138.23	-104.10	1982.40	105.86	-114.52	2067.77	105.86	-114.52	2067.77	93.21	-122.64	2049.04				
TQ	-62.63	769.39	6754.26	-108.95	769.39	6350.12	-108.95	769.39	6350.12	-155.44	769.39	5727.52					
M3	-16.26	708.12	8019.01	-62.57	708.12	7833.11	-62.57	708.12	7833.11	-109.06	708.12	7428.77					
MIN	S2	-135.65	725.91	5256.14	-149.59	736.33	5073.54	-149.59	736.33	5073.54	-183.42	744.45	4776.62				
TQ	65.22	-147.58	484.28	65.22	-147.58	791.19	65.22	-147.58	791.19	65.22	-147.58	1098.14					
M3	18.84	-86.32	-780.47	18.84	-86.32	-691.80	18.84	-86.32	-691.80	18.84	-86.32	-603.11					

BAGO RIVER BRIDGE

BLOCK [ No.1 : MAIN GIRDER ][ BEAM MEMBER FORCE ]

MEMBER				2047			2048			2048			2049		
NODE				2047			2048			2048			2049		
NAME TITLE				SHEAR	TORQUE	MOMENT	SHEAR	TORQUE	MOMENT	SHEAR	TORQUE	MOMENT	SHEAR	TORQUE	MOMENT
				S2 (kN)	TQ (kN·m)	M3 (kN·m)	S2 (kN)	TQ (kN·m)	M3 (kN·m)	S2 (kN)	TQ (kN·m)	M3 (kN·m)	S2 (kN)	TQ (kN·m)	M3 (kN·m)
70	3-LANES (caseTRUCK-LOAD	MAX	S2	49.72	43.47	2935.09	49.72	43.47	3169.06	49.72	43.47	3169.06	49.72	43.47	3403.06
			TQ	35.50	80.89	1342.63	35.50	80.89	1509.69	35.50	80.89	1509.69	35.50	80.89	1676.77
			M3	-72.51	-538.96	4844.84	-50.88	-418.27	4511.77	-50.88	-418.27	4511.77	-28.70	-327.07	4297.45
		MIN	S2	-114.42	-635.54	4652.98	-114.42	-635.54	4114.54	-114.42	-635.54	4114.54	-114.42	-635.54	3576.04
			TQ	-109.77	-645.53	4330.41	-109.77	-645.53	3813.86	-109.77	-645.53	3813.86	-109.77	-645.53	3297.25
			M3	16.23	42.18	-634.95	16.23	42.18	-558.56	16.23	42.18	-558.56	16.23	42.18	-482.16
	TANDEM-LOAD	MAX	S2	35.42	38.99	1958.83	35.42	38.99	2125.50	35.42	38.99	2125.50	35.42	38.99	2292.19
			TQ	25.27	57.00	969.42	25.27	57.00	1088.32	25.27	57.00	1088.32	25.27	57.00	1207.24
			M3	-52.36	-369.19	3335.87	-37.61	-296.36	3092.06	-37.61	-296.36	3092.06	-15.77	-223.36	2952.66
		MIN	S2	-78.80	-433.81	3160.44	-78.80	-433.81	2789.62	-78.80	-433.81	2789.62	-78.80	-433.81	2418.75
			TQ	-77.31	-442.83	3026.85	-77.31	-442.83	2663.06	-77.31	-442.83	2663.06	-77.31	-442.83	2299.22
			M3	11.06	29.11	-432.34	11.06	29.11	-380.31	11.06	29.11	-380.31	11.06	29.11	-328.27
	DISPERSION-LMAX	MAX	S2	44.55	67.94	905.16	42.74	71.74	992.55	42.74	71.74	992.55	40.59	73.49	1047.67
			TQ	35.42	81.75	401.92	35.42	81.75	568.59	35.42	81.75	568.59	35.15	81.75	734.96
			M3	-84.83	-702.40	6720.26	-90.18	-702.40	6308.27	-90.18	-702.40	6308.27	-95.35	-702.40	5871.48
	MIN	S2	-110.35	-719.74	5071.14	-113.89	-723.54	4661.31	-113.89	-723.54	4661.31	-116.92	-725.29	4258.95	
		TQ	-101.21	-733.55	5574.38	-106.57	-733.55	5085.27	-106.57	-733.55	5085.27	-111.48	-733.55	4571.67	
		M3	19.03	50.61	-743.96	19.03	50.61	-654.41	19.03	50.61	-654.41	19.03	50.61	-564.85	
71	3-LANES (caseTRUCK-LOAD	MAX	S2	49.74	43.49	2935.56	49.74	43.49	3169.60	49.74	43.49	3169.60	49.74	43.49	3403.68
			TQ	29.79	92.16	480.19	29.79	92.16	620.39	29.79	92.16	620.39	29.79	92.16	760.61
			M3	-72.51	-538.87	4845.10	-50.88	-418.20	4512.03	-50.88	-418.20	4512.03	-28.71	-327.00	4297.69
		MIN	S2	-114.43	-635.42	4653.18	-114.43	-635.42	4114.71	-114.43	-635.42	4114.71	-114.43	-635.42	3576.18
			TQ	-109.76	-645.42	4330.18	-109.76	-645.42	3813.65	-109.76	-645.42	3813.65	-109.76	-645.42	3297.07
			M3	16.34	76.70	-628.01	16.34	76.70	-551.13	16.34	76.70	-551.13	16.34	76.70	-474.24

BAGO RIVER BRIDGE

BLOCK [ No.1 : MAIN GIRDER ][ BEAM MEMBER FORCE ]

MEMBER		2047			2048			2048			2049							
NODE		2047			2048			2048			2049							
		SHEAR	TORQUE	MOMENT	SHEAR	TORQUE	MOMENT	SHEAR	TORQUE	MOMENT	SHEAR	TORQUE	MOMENT					
NAME	TITLE	S2 (kN)	TQ (kN·m)	M3 (kN·m)	S2 (kN)	TQ (kN·m)	M3 (kN·m)	S2 (kN)	TQ (kN·m)	M3 (kN·m)	S2 (kN)	TQ (kN·m)	M3 (kN·m)					
71	3-LANES (caseTANDEM-LOAD	MAX	S2	35.43	39.01	1958.94	35.43	39.01	2125.64	35.43	39.01	2125.64	35.43	39.01	2292.37			
			TQ	25.58	64.16	959.12	25.58	64.16	1079.52	25.58	64.16	1079.52	25.58	64.16	1199.93			
			M3	-52.36	-369.13	3336.07	-37.61	-296.31	3092.25	-37.61	-296.31	3092.25	-15.78	-223.31	2952.83			
		MIN	S2	-78.81	-433.74	3160.57	-78.81	-433.74	2789.72	-78.81	-433.74	2789.72	-78.81	-433.74	2418.83			
			TQ	-77.31	-442.76	3026.84	-77.31	-442.76	2663.04	-77.31	-442.76	2663.04	-77.31	-442.76	2299.21			
			M3	11.13	52.92	-427.60	11.13	52.92	-375.23	11.13	52.92	-375.23	11.13	52.92	-322.85			
		DISPERSION-LMAX	S2	44.63	104.11	914.57	42.81	107.91	1002.21	42.81	107.91	1002.21	40.67	109.66	1057.57			
			TQ	38.36	117.27	296.65	38.36	117.27	477.15	38.36	117.27	477.15	38.09	117.27	657.35			
			M3	-84.71	-709.76	6714.05	-90.07	-709.76	6302.61	-90.07	-709.76	6302.61	-95.25	-709.76	5866.34			
		MIN	S2	-110.24	-727.11	5064.64	-113.78	-730.92	4655.40	-113.78	-730.92	4655.40	-116.82	-732.67	4253.61			
			TQ	-103.97	-740.28	5682.56	-109.33	-740.28	5180.46	-109.33	-740.28	5180.46	-114.25	-740.28	4653.84			
			M3	19.09	86.75	-734.85	19.09	86.75	-645.01	19.09	86.75	-645.01	19.09	86.75	-555.15			
		72	4-LANES	TRUCK-LOAD	MAX	S2	21.65	77.17	-839.97	21.65	77.17	-738.11	21.65	77.17	-738.11	21.65	77.17	-636.23
						TQ	21.65	77.17	-839.97	21.65	77.17	-738.11	21.65	77.17	-738.11	21.65	77.17	-636.23
						M3	-6.35	-5.99	251.82	-6.35	-5.99	221.93	-6.35	-5.99	221.93	-6.35	-5.99	192.04
MIN	S2			-6.35	-6.06	251.82	-6.35	-6.06	221.93	-6.35	-6.06	221.93	-6.35	-6.06	192.03			
	TQ			-4.96	-6.77	195.93	-4.96	-6.77	172.59	-4.96	-6.77	172.59	-4.96	-6.77	149.25			
	M3			21.65	77.17	-839.97	21.65	77.17	-738.11	21.65	77.17	-738.11	21.65	77.17	-636.23			
TANDEM-LOAD	MAX			S2	14.79	54.69	-573.32	14.79	54.69	-503.72	14.79	54.69	-503.72	14.79	54.69	-434.11		
				TQ	14.79	54.69	-573.32	14.79	54.69	-503.72	14.79	54.69	-503.72	14.79	54.69	-434.11		
				M3	-4.32	-4.21	171.12	-4.32	-4.21	150.80	-4.32	-4.21	150.80	-4.32	-4.21	130.48		
MIN	S2			-4.32	-4.21	171.12	-4.32	-4.21	150.80	-4.32	-4.21	150.80	-4.32	-4.21	130.48			
	TQ			-3.26	-4.62	128.70	-3.26	-4.62	113.37	-3.26	-4.62	113.37	-3.26	-4.62	98.03			
	M3			14.79	54.69	-573.32	14.79	54.69	-503.72	14.79	54.69	-503.72	14.79	54.69	-434.11			



BAGO RIVER BRIDGE

BLOCK [ No.1 : MAIN GIRDER ][ BEAM MEMBER FORCE ]

MEMBER				2047			2048			2048			2049				
NODE				2047			2048			2048			2049				
NAME TITLE				SHEAR	TORQUE	MOMENT	SHEAR	TORQUE	MOMENT	SHEAR	TORQUE	MOMENT	SHEAR	TORQUE	MOMENT		
				S2 (kN)	TQ (kN·m)	M3 (kN·m)	S2 (kN)	TQ (kN·m)	M3 (kN·m)	S2 (kN)	TQ (kN·m)	M3 (kN·m)	S2 (kN)	TQ (kN·m)	M3 (kN·m)		
72	4-LANES	DISPERSION-LMAX	S2	15.27	46.39	-595.01	15.27	46.39	-523.16	15.27	46.39	-523.16	15.27	46.39	-451.31		
			TQ	12.84	47.10	-497.88	12.84	47.10	-437.45	12.84	47.10	-437.45	12.84	47.10	-377.01		
			M3	-7.73	-7.25	306.38	-7.73	-7.25	270.01	-7.73	-7.25	270.01	-7.73	-7.25	233.64		
	MIN	S2	-7.73	-7.25	306.38	-7.73	-7.25	270.01	-7.73	-7.25	270.01	-7.73	-7.25	233.64			
		TQ	-5.48	-8.35	216.35	-5.48	-8.35	190.55	-5.48	-8.35	190.55	-5.48	-8.35	164.74			
		M3	15.27	45.96	-595.11	15.27	45.96	-523.27	15.27	45.96	-523.27	15.27	45.96	-451.42			
	73	6-LANES	TRUCK-LOAD	MAX	S2	408.58	43.48	8932.90	303.82	39.98	9337.09	303.82	39.98	9337.09	252.33	53.98	9382.03
				TQ	-85.68	704.57	6318.70	-85.68	704.57	5915.50	-85.68	704.57	5915.50	-85.68	704.57	5512.26	
				M3	28.11	-28.88	11501.63	8.80	-59.87	11117.87	8.80	-59.87	11117.87	2.50	-126.99	10596.60	
MIN			S2	-330.23	-85.85	11230.39	-379.88	-79.14	10558.40	-379.88	-79.14	10558.40	-489.08	-83.03	9457.61		
			TQ	-39.77	-712.67	5907.45	-39.77	-712.67	5720.28	-39.77	-712.67	5720.28	-39.77	-712.67	5533.10		
			M3	32.30	3.29	-1289.39	32.30	3.29	-1137.38	32.30	3.29	-1137.38	32.30	3.29	-985.35		
TANDEM-LOAD		MAX	S2	317.18	22.42	6556.46	244.78	20.78	6917.54	244.78	20.78	6917.54	205.77	78.68	6979.20		
		TQ	-54.93	482.89	4387.89	-54.93	482.89	4129.38	-54.93	482.89	4129.38	-54.93	482.89	3870.85			
		M3	-2.38	-33.94	8091.63	-55.03	-14.25	7854.21	-55.03	-14.25	7854.21	-9.61	-113.86	7456.86			
MIN		S2	-255.53	-104.96	7961.41	-295.12	-53.12	7537.96	-295.12	-53.12	7537.96	-373.85	-52.63	6709.03			
		TQ	-25.86	-491.65	4130.09	-25.86	-491.65	4008.41	-25.86	-491.65	4008.41	-25.86	-491.65	3886.71			
		M3	22.00	2.47	-878.05	22.00	2.47	-774.53	22.00	2.47	-774.53	22.00	2.47	-670.99			
DISPERSION-LMAX		MAX	S2	171.41	5.92	2542.31	137.77	1.58	2697.67	137.77	1.58	2697.67	123.84	-3.52	2732.88		
			TQ	-24.61	827.71	6510.18	-64.49	827.71	6300.07	-64.49	827.71	6300.07	-108.76	827.71	5897.72		
			M3	-100.60	25.35	13605.05	-147.45	23.84	13027.82	-147.45	23.84	13027.82	-191.51	27.31	12220.65		
	MIN	S2	-232.50	12.67	9690.69	-249.13	17.10	9132.15	-249.13	17.10	9132.15	-285.22	22.27	8461.61			
		TQ	-39.05	-823.71	5709.04	-44.40	-823.71	5512.67	-44.40	-823.71	5512.67	-49.43	-823.71	5291.69			
		M3	36.32	-6.07	-1452.67	36.32	-6.07	-1281.78	36.32	-6.07	-1281.78	36.32	-6.07	-1110.87			

BAGO RIVER BRIDGE

BLOCK [ No.1 : MAIN GIRDER ] [ BEAM MEMBER FORCE ]

MEMBER			2047			2048			2048			2049			
NODE			2047			2048			2048			2049			
NAME TITLE			SHEAR	TORQUE	MOMENT	SHEAR	TORQUE	MOMENT	SHEAR	TORQUE	MOMENT	SHEAR	TORQUE	MOMENT	
			S2 (kN)	TQ (kN·m)	M3 (kN·m)	S2 (kN)	TQ (kN·m)	M3 (kN·m)	S2 (kN)	TQ (kN·m)	M3 (kN·m)	S2 (kN)	TQ (kN·m)	M3 (kN·m)	
124	SUM TOTAL	D+1LANE (caseMAX	S2	-58.53	-197.30	50606.62	-269.85	-185.51	49947.44	-269.85	-185.51	49947.44	-432.18	-116.75	48619.46
			TQ	-306.86	900.34	53604.76	-506.81	900.34	51693.25	-506.81	900.34	51693.25	-713.04	900.34	48825.68
			M3	-270.84	785.26	54607.57	-402.66	662.98	52884.03	-402.66	662.98	52884.03	-506.80	492.47	50670.89
		MIN	S2	-353.34	854.83	53683.54	-512.14	883.50	51418.05	-512.14	883.50	51418.05	-730.02	878.31	48403.97
			TQ	-63.42	-210.94	50273.01	-276.88	-210.94	49476.05	-276.88	-210.94	49476.05	-496.63	-210.94	47659.57
			M3	-154.91	-107.88	47848.73	-368.38	-107.88	46621.21	-368.38	-107.88	46621.21	-588.13	-107.88	44374.13
		D+1LANE (caseMAX	S2	127.31	34.46	51739.66	-207.10	25.13	50486.12	-207.10	25.13	50486.12	-511.77	5.92	47645.94
			TQ	-199.11	225.69	52835.06	-457.46	225.69	51294.22	-457.46	225.69	51294.22	-722.30	225.69	48522.03
			M3	-29.74	175.53	53978.30	-362.91	167.72	52823.84	-362.91	167.72	52823.84	-721.46	164.62	49950.73
		MIN	S2	-288.87	164.78	52784.33	-585.84	161.27	51747.43	-585.84	161.27	51747.43	-929.05	165.11	49116.96
			TQ	-147.90	-56.25	48146.82	-361.36	-56.25	46952.31	-361.36	-56.25	46952.31	-581.11	-56.25	44738.25
			M3	-154.83	-50.71	47863.99	-368.30	-50.71	46636.84	-368.30	-50.71	46636.84	-588.05	-50.71	44390.12
		D+1LANE (caseMAX	S2	-111.91	13.19	50599.63	-327.56	17.75	49427.77	-327.56	17.75	49427.77	-549.87	19.85	47197.61
			TQ	-128.97	38.70	49929.77	-342.43	38.70	48824.35	-342.43	38.70	48824.35	-562.50	38.70	46698.99
			M3	-220.03	-258.60	53439.87	-430.48	-215.53	51864.68	-430.48	-215.53	51864.68	-649.85	-173.40	49293.56
		MIN	S2	-268.52	-273.97	52483.67	-486.23	-278.53	50852.89	-486.23	-278.53	50852.89	-709.62	-280.63	48211.51
			TQ	-257.15	-288.13	52555.71	-477.04	-288.13	50831.70	-477.04	-288.13	50831.70	-702.68	-288.13	48058.74
			M3	-154.76	-7.38	47875.09	-368.23	-7.38	46648.27	-368.23	-7.38	46648.27	-587.98	-7.38	44401.88
		D+1LANE (caseMAX	S2	-145.52	66.78	49300.40	-358.99	66.78	48117.08	-358.99	66.78	48117.08	-578.74	66.78	45914.19
			TQ	-150.96	89.06	48153.75	-364.42	89.06	46944.84	-364.42	89.06	46944.84	-584.17	89.06	44716.37
			M3	-232.80	-773.53	52669.20	-440.35	-711.41	51086.42	-440.35	-711.41	51086.42	-660.10	-711.41	48500.60
		MIN	S2	-250.83	-849.13	52177.04	-464.30	-849.13	50498.16	-464.30	-849.13	50498.16	-684.04	-849.13	47799.66
			TQ	-249.64	-852.16	52217.74	-463.11	-852.16	50544.43	-463.11	-852.16	50544.43	-682.86	-852.16	47851.51
			M3	-154.56	78.30	47894.61	-368.03	78.30	46668.73	-368.03	78.30	46668.73	-587.78	78.30	44423.29

BAGO RIVER BRIDGE

BLOCK [ No.1 : MAIN GIRDER ] [ BEAM MEMBER FORCE ]

MEMBER				2047			2048			2049					
NODE				2047			2048			2049					
NAME TITLE				SHEAR	TORQUE	MOMENT	SHEAR	TORQUE	MOMENT	SHEAR	TORQUE	MOMENT			
				S2 (kN)	TQ (kN·m)	M3 (kN·m)	S2 (kN)	TQ (kN·m)	M3 (kN·m)	S2 (kN)	TQ (kN·m)	M3 (kN·m)			
124	SUM TOTAL	D+2LANES (casMAX	S2	60.41	-68.67	53167.70	-180.47	-139.37	52290.99	-180.47	-139.37	52290.99	-377.98	-143.01	50532.77
			TQ	-342.16	1220.07	56613.36	-564.55	1220.07	54483.06	-564.55	1220.07	54483.06	-793.21	1220.07	51291.12
			M3	-224.95	1060.34	58460.31	-406.55	902.12	56751.96	-406.55	902.12	56751.96	-568.29	694.44	54263.77
		MIN	S2	-423.89	1125.03	56636.36	-615.89	1112.64	54597.18	-615.89	1112.64	54597.18	-863.35	1050.00	51607.49
			TQ	-29.35	-264.21	51011.38	-242.82	-264.21	50374.73	-242.82	-264.21	50374.73	-462.57	-264.21	48718.58
			M3	-145.62	-145.51	47465.41	-359.09	-145.51	46281.63	-359.09	-145.51	46281.63	-578.83	-145.51	44078.29
		D+2LANES (casMAX	S2	215.27	124.46	54111.90	-128.18	36.17	52739.89	-128.18	36.17	52739.89	-444.29	-40.79	49721.50
			TQ	-252.37	657.86	55971.94	-523.42	657.86	54150.53	-523.42	657.86	54150.53	-800.92	657.86	51038.08
			M3	-24.03	552.24	57935.91	-373.42	489.41	56701.81	-373.42	489.41	56701.81	-747.18	421.23	53663.63
		MIN	S2	-370.16	549.99	55887.02	-677.31	510.77	54871.67	-677.31	510.77	54871.67	-1029.21	455.66	52201.65
			TQ	-99.75	-135.30	49239.55	-313.22	-135.30	48271.62	-313.22	-135.30	48271.62	-532.97	-135.30	46284.14
			M3	-145.55	-97.87	47478.13	-359.02	-97.87	46294.65	-359.02	-97.87	46294.65	-578.77	-97.87	44091.61
		D+2LANES (casMAX	S2	-93.90	38.90	51554.46	-309.19	42.70	50491.78	-309.19	42.70	50491.78	-531.08	44.45	48377.27
			TQ	-112.31	82.08	50400.72	-325.78	82.08	49373.65	-325.78	82.08	49373.65	-545.79	82.08	47326.72
			M3	-272.76	-627.93	56466.16	-474.88	-559.01	54670.03	-474.88	-559.01	54670.03	-677.62	-467.81	51934.49
		MIN	S2	-325.17	-678.85	55035.21	-542.17	-682.65	53115.95	-542.17	-682.65	53115.95	-764.95	-684.40	50184.56
			TQ	-312.36	-700.12	55181.43	-531.18	-700.12	53200.18	-531.18	-700.12	53200.18	-755.84	-700.12	50174.83
			M3	-145.35	22.17	47508.54	-358.82	22.17	46326.02	-358.82	22.17	46326.02	-578.57	22.17	44123.93
		D+2LANES (casMAX	S2	-121.88	95.60	50474.84	-335.35	95.60	49402.75	-335.35	95.60	49402.75	-555.10	95.60	47311.10
			TQ	-136.74	136.82	48074.63	-350.21	136.82	46932.61	-350.21	136.82	46932.61	-569.96	136.82	44771.03
			M3	-283.39	-1059.54	55822.12	-483.08	-974.75	54019.79	-483.08	-974.75	54019.79	-686.13	-918.65	51272.16
		MIN	S2	-310.40	-1160.64	54777.77	-523.87	-1160.64	52818.54	-523.87	-1160.64	52818.54	-743.62	-1160.64	49839.65
			TQ	-306.08	-1172.64	54897.83	-519.55	-1172.64	52958.95	-519.55	-1172.64	52958.95	-739.29	-1172.64	50000.42
			M3	-145.13	117.11	47530.08	-358.59	117.11	46348.61	-358.59	117.11	46348.61	-578.34	117.11	44147.58

BAGO RIVER BRIDGE

BLOCK [ No.1 : MAIN GIRDER ] [ BEAM MEMBER FORCE ]

MEMBER				2047			2048			2049						
NODE				2047			2048			2049						
NAME TITLE				SHEAR	TORQUE	MOMENT	SHEAR	TORQUE	MOMENT	SHEAR	TORQUE	MOMENT				
				S2 (kN)	TQ (kN·m)	M3 (kN·m)	S2 (kN)	TQ (kN·m)	M3 (kN·m)	S2 (kN)	TQ (kN·m)	M3 (kN·m)				
124	SUM TOTAL	D+3LANES (casMAX	S2	235.77	-25.16	54799.57	-86.66	-91.86	53888.30	-86.66	-91.86	53888.30	-347.65	-108.57	51673.14	
			TQ	-337.63	1205.72	58504.28	-590.46	1205.72	56323.96	-590.46	1205.72	56323.96	-849.73	1205.72	52938.31	
			M3	-118.02	1034.43	60883.98	-389.19	894.40	59336.01	-389.19	894.40	59336.01	-657.95	715.68	56477.05	
		MIN	S2	-470.67	1081.80	58487.90	-725.04	1068.77	56741.99	-725.04	1068.77	56741.99	-1055.80	1018.25	53628.63	
			TQ	-35.46	-255.62	50421.76	-248.93	-255.62	49756.37	-248.93	-255.62	49756.37	-468.67	-255.62	48071.47	
			M3	-139.20	-150.80	47207.35	-352.67	-150.80	46053.77	-352.67	-150.80	46053.77	-572.42	-150.80	43880.63	
		D+3LANES (casMAX	S2	-88.67	78.94	51697.48	-303.68	82.17	50677.75	-303.68	82.17	50677.75	-525.25	83.65	48611.04	
			TQ	-108.52	122.49	49916.13	-321.99	122.49	48906.91	-321.99	122.49	48906.91	-541.96	122.49	46877.88	
			M3	-302.54	-1070.92	58263.59	-502.17	-968.34	56337.41	-502.17	-968.34	56337.41	-707.47	-890.82	53471.50	
		MIN	S2	-359.86	-1167.75	56698.77	-576.33	-1170.98	54599.85	-576.33	-1170.98	54599.85	-798.66	-1172.47	51487.66	
			TQ	-348.14	-1187.98	56852.33	-566.16	-1187.98	54704.64	-566.16	-1187.98	54704.64	-790.08	-1187.98	51516.50	
			M3	-138.83	63.10	47261.20	-352.30	63.10	46109.36	-352.30	63.10	46109.36	-572.05	63.10	43937.96	
		D+3LANES (casMAX	S2	-88.59	109.69	51705.87	-303.61	112.92	50686.42	-303.61	112.92	50686.42	-525.18	114.41	48619.98	
			TQ	-110.87	162.25	49093.57	-324.34	162.25	48073.28	-324.34	162.25	48073.28	-544.32	162.25	46033.17	
			M3	-302.44	-1077.10	58258.54	-502.08	-974.53	56332.82	-502.08	-974.53	56332.82	-707.38	-897.01	53467.34	
		MIN	S2	-359.77	-1173.92	56693.41	-576.25	-1177.15	54594.97	-576.25	-1177.15	54594.97	-798.58	-1178.64	51483.24	
			TQ	-350.48	-1193.61	56944.09	-568.50	-1193.61	54785.37	-568.50	-1193.61	54785.37	-792.43	-1193.61	51586.18	
			M3	-138.69	123.16	47274.84	-352.16	123.16	46123.66	-352.16	123.16	46123.66	-571.90	123.16	43952.92	
		D+4LANES	MAX	S2	-144.81	64.55	47500.53	-358.28	64.55	46320.55	-358.28	64.55	46320.55	-578.03	64.55	44121.01
			TQ	-146.39	65.01	47563.66	-359.85	65.01	46376.27	-359.85	65.01	46376.27	-579.60	65.01	44169.30	
			M3	-177.95	-24.37	48796.10	-391.42	-24.37	47460.14	-391.42	-24.37	47460.14	-611.17	-24.37	45104.61	
		MIN	S2	-177.95	-24.41	48796.09	-391.42	-24.41	47460.14	-391.42	-24.41	47460.14	-611.17	-24.41	45104.60	
			TQ	-175.59	-25.59	48701.25	-389.06	-25.59	47376.42	-389.06	-25.59	47376.42	-608.81	-25.59	45032.01	
			M3	-144.81	64.27	47500.46	-358.28	64.27	46320.48	-358.28	64.27	46320.48	-578.03	64.27	44120.94	

BAGO RIVER BRIDGE

BLOCK [ No.1 : MAIN GIRDER ][ BEAM MEMBER FORCE ]

MEMBER					2047			2048			2049		
NODE					2047			2048			2049		
					SHEAR	TORQUE	MOMENT	SHEAR	TORQUE	MOMENT	SHEAR	TORQUE	MOMENT
NAME	TITLE				S2 (kN)	TQ (kN·m)	M3 (kN·m)	S2 (kN)	TQ (kN·m)	M3 (kN·m)	S2 (kN)	TQ (kN·m)	M3 (kN·m)
124	SUM TOTAL	D+6LANES	MAX	S2	208.19	16.35	55892.15	-95.24	11.25	54962.97	-95.24	11.25	54962.97
				TQ	-240.49	980.22	56772.04	-479.88	980.22	55080.50	-479.88	980.22	55080.50
				M3	-215.92	-18.06	64752.61	-472.39	-39.19	62835.08	-472.39	-39.19	62835.08
			MIN	S2	-534.58	-63.33	62031.96	-791.13	-56.09	59939.24	-791.13	-56.09	59939.24
				TQ	-220.04	-1014.41	55983.98	-436.98	-1014.41	54441.80	-436.98	-1014.41	54441.80
				M3	-124.20	-17.57	46650.92	-337.67	-17.57	45567.92	-337.67	-17.57	45567.92
	SUM TOTAL		MAX		235.77	1220.07	64752.61	-86.66	1220.07	62835.08	-86.66	1220.07	62835.08
			MIN		-534.58	-1193.61	46650.92	-791.13	-1193.61	45567.92	-791.13	-1193.61	45567.92
300	DEAD LOAD	TOTAL			-168.80	-15.76	48433.26	-382.27	-15.76	47140.38	-382.27	-15.76	47140.38
301	LIVE LOAD	1-LANE(case1MAX	S2		110.27	-181.54	2173.36	112.42	-169.75	2807.06	112.42	-169.75	2807.06
			TQ		-138.06	916.10	5171.50	-124.54	916.10	4552.87	-124.54	916.10	4552.87
			M3		-102.04	801.02	6174.31	-20.39	678.74	5743.65	-20.39	678.74	5743.65
			MIN	S2	-184.54	870.60	5250.28	-129.87	899.27	4277.67	-129.87	899.27	4277.67
				TQ	105.39	-195.18	1839.74	105.39	-195.18	2335.67	105.39	-195.18	2335.67
				M3	13.89	-92.12	-584.54	13.89	-92.12	-519.16	13.89	-92.12	-519.16
		1-LANE(case2MAX	S2		296.11	50.22	3306.40	175.17	40.90	3345.74	175.17	40.90	3345.74
			TQ		-30.31	241.45	4401.79	-75.19	241.45	4153.84	-75.19	241.45	4153.84
			M3		139.06	191.30	5545.04	19.37	183.48	5683.46	19.37	183.48	5683.46
			MIN	S2	-120.07	180.55	4351.07	-203.57	177.03	4607.06	-203.57	177.03	4607.06
				TQ	20.91	-40.49	-286.45	20.91	-40.49	-188.06	20.91	-40.49	-188.06
				M3	13.97	-34.95	-569.28	13.97	-34.95	-503.54	13.97	-34.95	-503.54
		1-LANE(case3MAX	S2		56.89	28.95	2166.37	54.72	33.51	2287.39	54.72	33.51	2287.39
			TQ		39.84	54.47	1496.51	39.84	54.47	1683.97	39.84	54.47	1683.97
			M3		-51.22	-242.84	5006.60	-48.21	-199.77	4724.30	-48.21	-199.77	4724.30
			MIN	S2	-99.71	-258.21	4050.41	-103.96	-262.77	3712.51	-103.96	-262.77	3712.51
				TQ	-88.35	-272.37	4122.44	-94.77	-272.37	3691.32	-94.77	-272.37	3691.32
				M3	14.04	8.38	-558.18	14.04	8.38	-492.11	14.04	8.38	-492.11

BAGO RIVER BRIDGE

BLOCK [ No.1 : MAIN GIRDER ][ BEAM MEMBER FORCE ]

MEMBER			2047			2048			2048			2049				
NODE			2047			2048			2048			2049				
NAME TITLE			SHEAR	TORQUE	MOMENT	SHEAR	TORQUE	MOMENT	SHEAR	TORQUE	MOMENT	SHEAR	TORQUE	MOMENT		
			S2 (kN)	TQ (kN·m)	M3 (kN·m)	S2 (kN)	TQ (kN·m)	M3 (kN·m)	S2 (kN)	TQ (kN·m)	M3 (kN·m)	S2 (kN)	TQ (kN·m)	M3 (kN·m)		
301	LIVE LOAD	1-LANE (case4MAX	S2	23.28	82.54	867.14	23.28	82.54	976.70	23.28	82.54	976.70	23.28	82.54	1086.28	
			TQ	17.85	104.83	-279.52	17.85	104.83	-195.54	17.85	104.83	-195.54	17.85	104.83	-111.54	
			M3	-64.00	-757.76	4235.93	-58.08	-695.65	3946.04	-58.08	-695.65	3946.04	-58.08	-695.65	3672.68	
			MIN	S2	-82.03	-833.36	3743.78	-82.03	-833.36	3357.78	-82.03	-833.36	3357.78	-82.03	-833.36	2971.74
			TQ	-80.84	-836.39	3784.47	-80.84	-836.39	3404.06	-80.84	-836.39	3404.06	-80.84	-836.39	3023.59	
			M3	14.24	94.06	-538.65	14.24	94.06	-471.64	14.24	94.06	-471.64	14.24	94.06	-404.63	
		2-LANES (caseMAX	S2	229.21	-52.91	4734.44	201.81	-123.61	5150.61	201.81	-123.61	5150.61	224.04	-127.25	5704.86	
			TQ	-173.36	1235.83	8180.10	-182.27	1235.83	7342.68	-182.27	1235.83	7342.68	-191.19	1235.83	6463.21	
			M3	-56.15	1076.10	10027.04	-24.28	917.88	9611.59	-24.28	917.88	9611.59	33.73	710.20	9435.85	
			MIN	S2	-255.09	1140.79	8203.09	-233.61	1128.40	7456.80	-233.61	1128.40	7456.80	-261.33	1065.76	6779.58
			TQ	139.45	-248.44	2578.11	139.45	-248.44	3234.35	139.45	-248.44	3234.35	139.45	-248.44	3890.67	
			M3	23.19	-129.74	-967.85	23.19	-129.74	-858.75	23.19	-129.74	-858.75	23.19	-129.74	-749.63	
		2-LANES (caseMAX	S2	384.07	140.23	5678.64	254.09	51.93	5599.52	254.09	51.93	5599.52	157.72	-25.03	4893.59	
			TQ	-83.57	673.63	7538.67	-141.15	673.63	7010.16	-141.15	673.63	7010.16	-198.90	673.63	6210.17	
			M3	144.77	568.00	9502.65	8.85	505.17	9561.43	8.85	505.17	9561.43	-145.16	437.00	8835.72	
			MIN	S2	-201.36	565.75	7453.75	-295.04	526.54	7731.29	-295.04	526.54	7731.29	-427.20	471.43	7373.73
			TQ	69.05	-119.54	806.29	69.05	-119.54	1131.24	69.05	-119.54	1131.24	69.05	-119.54	1456.23	
			M3	23.25	-82.10	-955.13	23.25	-82.10	-845.73	23.25	-82.10	-845.73	23.25	-82.10	-736.30	
		2-LANES (caseMAX	S2	74.90	54.67	3121.19	73.09	58.47	3351.40	73.09	58.47	3351.40	70.94	60.22	3549.36	
			TQ	56.49	97.84	1967.46	56.49	97.84	2233.28	56.49	97.84	2233.28	56.23	97.84	2498.81	
			M3	-103.96	-612.17	8032.89	-92.61	-543.25	7529.65	-92.61	-543.25	7529.65	-75.60	-452.05	7106.58	
			MIN	S2	-156.36	-663.08	6601.95	-159.90	-666.88	5975.57	-159.90	-666.88	5975.57	-162.93	-668.63	5356.65
			TQ	-143.56	-684.36	6748.17	-148.91	-684.36	6059.80	-148.91	-684.36	6059.80	-153.82	-684.36	5346.92	
			M3	23.45	37.93	-924.72	23.45	37.93	-814.36	23.45	37.93	-814.36	23.45	37.93	-703.98	

BAGO RIVER BRIDGE

BLOCK [ No.1 : MAIN GIRDER ][ BEAM MEMBER FORCE ]

MEMBER			2047			2048			2048			2049				
NODE			2047			2048			2048			2049				
NAME TITLE			SHEAR	TORQUE	MOMENT	SHEAR	TORQUE	MOMENT	SHEAR	TORQUE	MOMENT	SHEAR	TORQUE	MOMENT		
			S2 (kN)	TQ (kN·m)	M3 (kN·m)	S2 (kN)	TQ (kN·m)	M3 (kN·m)	S2 (kN)	TQ (kN·m)	M3 (kN·m)	S2 (kN)	TQ (kN·m)	M3 (kN·m)		
301	LIVE LOAD	2-LANES (caseMAX	S2	46.92	111.37	2041.58	46.92	111.37	2262.37	46.92	111.37	2262.37	46.92	111.37	2483.19	
			TQ	32.06	152.58	-358.63	32.06	152.58	-207.76	32.06	152.58	-207.76	32.06	152.58	-56.88	
			M3	-114.58	-1043.77	7388.86	-100.81	-958.98	6879.42	-100.81	-958.98	6879.42	-84.11	-902.89	6444.24	
			MIN	S2	-141.60	-1144.87	6344.51	-141.60	-1144.87	5678.16	-141.60	-1144.87	5678.16	-141.60	-1144.87	5011.74
			TQ	-137.28	-1156.88	6464.56	-137.28	-1156.88	5818.57	-137.28	-1156.88	5818.57	-137.28	-1156.88	5172.51	
			M3	23.68	132.87	-903.18	23.68	132.87	-791.77	23.68	132.87	-791.77	23.68	132.87	-680.34	
		3-LANES (caseMAX	S2	404.57	-9.39	6366.30	295.61	-76.10	6747.92	295.61	-76.10	6747.92	254.37	-92.80	6845.23	
			TQ	-168.82	1221.49	10071.02	-208.19	1221.49	9183.58	-208.19	1221.49	9183.58	-247.71	1221.49	8110.39	
			M3	50.78	1050.19	12450.72	-6.92	910.17	12195.63	-6.92	910.17	12195.63	-55.94	731.45	11649.14	
			MIN	S2	-301.87	1097.56	10054.64	-342.77	1084.54	9601.61	-342.77	1084.54	9601.61	-453.78	1034.02	8800.72
			TQ	133.34	-239.86	1988.50	133.34	-239.86	2615.99	133.34	-239.86	2615.99	133.34	-239.86	3243.55	
			M3	29.60	-135.04	-1225.91	29.60	-135.04	-1086.61	29.60	-135.04	-1086.61	29.60	-135.04	-947.29	
		3-LANES (caseMAX	S2	80.13	94.70	3264.21	78.59	97.93	3537.37	78.59	97.93	3537.37	76.77	99.42	3783.12	
			TQ	60.28	138.25	1482.87	60.28	138.25	1766.54	60.28	138.25	1766.54	60.06	138.25	2049.97	
			M3	-133.74	-1055.16	9830.33	-119.90	-952.58	9197.03	-119.90	-952.58	9197.03	-105.45	-875.05	8643.59	
			MIN	S2	-191.05	-1151.99	8265.51	-194.06	-1155.22	7459.48	-194.06	-1155.22	7459.48	-196.64	-1156.70	6659.74
			TQ	-179.33	-1172.22	8419.07	-183.88	-1172.22	7564.26	-183.88	-1172.22	7564.26	-188.06	-1172.22	6688.59	
			M3	29.97	78.87	-1172.07	29.97	78.87	-1031.02	29.97	78.87	-1031.02	29.97	78.87	-889.95	
		3-LANES (caseMAX	S2	80.21	125.45	3272.60	78.66	128.69	3546.04	78.66	128.69	3546.04	76.84	130.17	3792.07	
			TQ	57.93	178.01	660.31	57.93	178.01	932.91	57.93	178.01	932.91	57.70	178.01	1205.26	
			M3	-133.64	-1061.33	9825.28	-119.81	-958.76	9192.44	-119.81	-958.76	9192.44	-105.36	-881.24	8639.42	
			MIN	S2	-190.97	-1158.15	8260.15	-193.98	-1161.39	7454.59	-193.98	-1161.39	7454.59	-196.56	-1162.87	6655.32
			TQ	-181.68	-1177.85	8510.82	-186.23	-1177.85	7644.99	-186.23	-1177.85	7644.99	-190.41	-1177.85	6758.27	
			M3	30.11	138.93	-1158.43	30.11	138.93	-1016.72	30.11	138.93	-1016.72	30.11	138.93	-874.99	

BAGO RIVER BRIDGE

BLOCK [ No.1 : MAIN GIRDER ] [ BEAM MEMBER FORCE ]

MEMBER					2047			2048			2049					
NODE					2047			2048			2048					
NAME TITLE					SHEAR	TORQUE	MOMENT	SHEAR	TORQUE	MOMENT	SHEAR	TORQUE	MOMENT			
					S2 (kN)	TQ (kN·m)	M3 (kN·m)	S2 (kN)	TQ (kN·m)	M3 (kN·m)	S2 (kN)	TQ (kN·m)	M3 (kN·m)			
301	LIVE LOAD	4-LANES	MAX	S2	23.99	80.31	-932.74	23.99	80.31	-819.83	23.99	80.31	-819.83	23.99	80.31	-706.90
				TQ	22.42	80.77	-869.60	22.42	80.77	-764.11	22.42	80.77	-764.11	22.42	80.77	-658.61
				M3	-9.15	-8.60	362.83	-9.15	-8.60	319.76	-9.15	-8.60	319.76	-9.15	-8.60	276.69
			MIN	S2	-9.15	-8.65	362.83	-9.15	-8.65	319.76	-9.15	-8.65	319.76	-9.15	-8.65	276.69
				TQ	-6.79	-9.83	267.98	-6.79	-9.83	236.04	-6.79	-9.83	236.04	-6.79	-9.83	204.10
				M3	23.99	80.03	-932.81	23.99	80.03	-819.90	23.99	80.03	-819.90	23.99	80.03	-706.98
		6-LANES	MAX	S2	377.00	32.11	7458.89	287.03	27.02	7822.59	287.03	27.02	7822.59	244.51	32.80	7874.69
				TQ	-71.69	995.98	8338.77	-97.61	995.98	7940.12	-97.61	995.98	7940.12	-126.39	995.98	7416.49
				M3	-47.12	-2.30	16319.34	-90.12	-23.42	15694.70	-90.12	-23.42	15694.70	-122.85	-64.79	14831.21
			MIN	S2	-365.78	-47.57	13598.70	-408.86	-40.33	12798.86	-408.86	-40.33	12798.86	-503.30	-39.49	11647.49
				TQ	-51.24	-998.65	7550.72	-54.71	-998.65	7301.42	-54.71	-998.65	7301.42	-57.98	-998.65	7036.11
				M3	44.60	-1.81	-1782.34	44.60	-1.81	-1572.45	44.60	-1.81	-1572.45	44.60	-1.81	-1362.54
		LIVE LOAD	MAX	404.57	1235.83	16319.34	295.61	1235.83	15694.70	295.61	1235.83	15694.70	254.37	1235.83	14831.21	
			MIN	-365.78	-1177.85	-1782.34	-408.86	-1177.85	-1572.45	-408.86	-1177.85	-1572.45	-503.30	-1177.85	-1362.54	
		303	SUM TOTAL	TOTAL	MAX	235.77	1220.07	64752.61	-86.66	1220.07	62835.08	-86.66	1220.07	62835.08	-347.65	1220.07
MIN	-534.58				-1193.61	46650.92	-791.13	-1193.61	45567.92	-791.13	-1193.61	45567.92	-1105.32	-1193.61	43465.37	



BAGO RIVER BRIDGE

BLOCK [ No.1 : MAIN GIRDER ] [ BEAM MEMBER FORCE ]

MEMBER NODE	2049	2050			2050			2051								
		SHEAR	TORQUE	MOMENT	SHEAR	TORQUE	MOMENT	SHEAR	TORQUE	MOMENT						
		S2 (kN)	TQ (kN·m)	M3 (kN·m)	S2 (kN)	TQ (kN·m)	M3 (kN·m)	S2 (kN)	TQ (kN·m)	M3 (kN·m)						
1	PAVEMENT	-125.86	21.84	6991.36	-155.88	21.84	6328.29	-155.88	21.84	6328.29	-185.90	21.84	5523.81			
3	RAILING	-6.37	0.50	215.39	-4.79	0.50	189.11	-4.79	0.50	189.11	-3.20	0.50	170.31			
5	CURB	-63.11	4.95	2132.32	-47.41	4.95	1872.24	-47.41	4.95	1872.24	-31.70	4.95	1686.03			
7	DECK WEIGHT	-199.74	34.33	11643.55	-253.38	34.33	10577.96	-253.38	34.33	10577.96	-308.42	34.33	9256.42			
8	GIRDER WEIGH	-275.94	29.37	16241.59	-363.94	29.37	14735.65	-363.94	29.37	14735.65	-451.94	29.37	12815.26			
10	MEDIAN STRIP	-17.54	7.98	4120.53	-71.88	7.98	3912.71	-71.88	7.98	3912.71	-130.72	7.98	3438.47			
21	ADITIONAL WE	-55.93	9.61	3260.19	-70.95	9.61	2961.83	-70.95	9.61	2961.83	-86.36	9.61	2591.80			
31	MEDIAN RAILI	-2.47	0.18	211.65	-4.77	0.18	194.68	-4.77	0.18	194.68	-7.07	0.18	166.85			
51	SUPPORT WEIG	-0.00	0.00	-0.00	-0.00	0.00	-0.00	-0.00	0.00	-0.00	-0.00	0.00	-0.00			
52	NOSE WEIGHT	-0.00	0.00	0.00	-0.00	0.00	0.00	-0.00	0.00	0.00	-0.00	0.00	0.00			
61	1-LANE(case1TRUCK-LOAD	MAX	S2	45.34	-5.04	1004.02	45.34	-5.04	1217.42	45.34	-5.04	1217.42	84.08	50.23	1784.52	
			TQ	-75.09	442.27	2031.42	-75.09	442.27	1677.96	-75.09	442.27	1677.96	-75.09	442.27	1324.46	
			M3	-73.02	392.78	2216.40	-59.99	386.27	1887.95	-59.99	386.27	1887.95	61.37	172.74	1880.94	
		MIN	S2	-112.73	408.84	2204.03	-76.35	436.00	1753.62	-76.35	436.00	1753.62	-76.35	436.00	1394.21	
			TQ	5.29	-37.36	-164.09	5.29	-37.36	-139.20	5.29	-37.36	-139.20	5.29	-37.36	-114.31	
			M3	5.62	-35.44	-173.37	5.62	-35.44	-146.91	5.62	-35.44	-146.91	5.62	-35.44	-120.43	
		TANDEM-LOAD	MAX	S2	35.99	-6.43	724.20	35.99	-6.43	893.61	35.99	-6.43	893.61	76.77	57.12	1271.78
			TQ	-49.26	301.24	1336.83	-49.26	301.24	1104.98	-49.26	301.24	1104.98	-49.26	301.24	873.10	
			M3	-54.81	292.33	1512.71	-41.76	259.16	1310.52	-41.76	259.16	1310.52	30.04	136.67	1301.29	
		MIN	S2	-95.69	240.33	1492.59	-55.90	298.48	1224.71	-55.90	298.48	1224.71	-55.90	298.48	961.54	
			TQ	3.66	-25.46	-113.41	3.66	-25.46	-96.20	3.66	-25.46	-96.20	3.66	-25.46	-78.98	
			M3	3.83	-24.37	-118.12	3.83	-24.37	-100.10	3.83	-24.37	-100.10	3.83	-24.37	-82.07	
		DISPERSION-LMAX	S2	22.01	-37.67	230.70	23.18	-27.31	399.86	23.18	-27.31	399.86	32.12	-17.29	629.65	
			TQ	-69.89	561.48	2449.13	-58.62	561.48	2146.00	-58.62	561.48	2146.00	-47.35	561.48	1895.87	
			M3	-60.22	557.44	2648.48	-48.96	557.44	2390.85	-48.96	557.44	2390.85	-37.69	557.44	2186.21	
		MIN	S2	-75.60	552.86	2213.03	-65.50	542.50	1817.47	-65.50	542.50	1817.47	-63.18	532.48	1414.29	
			TQ	16.30	-46.29	-5.40	16.30	-46.29	71.33	16.30	-46.29	71.33	16.30	-46.29	148.07	
			M3	6.64	-42.25	-204.76	6.64	-42.25	-173.51	6.64	-42.25	-173.51	6.64	-42.25	-142.27	

BAGO RIVER BRIDGE

BLOCK [ No.1 : MAIN GIRDER ][ BEAM MEMBER FORCE ]

MEMBER				2049			2050			2051					
NODE				2049			2050			2050			2051		
				SHEAR	TORQUE	MOMENT	SHEAR	TORQUE	MOMENT	SHEAR	TORQUE	MOMENT	SHEAR	TORQUE	MOMENT
NAME	TITLE			S2 (kN)	TQ (kN·m)	M3 (kN·m)	S2 (kN)	TQ (kN·m)	M3 (kN·m)	S2 (kN)	TQ (kN·m)	M3 (kN·m)	S2 (kN)	TQ (kN·m)	M3 (kN·m)
62	1-LANE (case2TRUCK-LOAD	MAX	S2	175.57	74.05	1861.74	97.98	72.46	1852.00	97.98	72.46	1852.00	40.05	61.22	1442.14
			TQ	-45.33	115.56	1356.85	-45.33	115.56	1143.51	-45.33	115.56	1143.51	-45.33	115.56	930.13
			M3	88.57	80.15	1968.42	26.25	74.09	1992.97	26.25	74.09	1992.97	-66.19	74.22	1619.55
		MIN	S2	-75.79	83.49	1965.69	-131.10	75.43	1985.79	-131.10	75.43	1985.79	-202.46	74.22	1588.73
			TQ	5.49	-14.48	-163.93	5.49	-14.48	-138.08	5.49	-14.48	-138.08	5.49	-14.48	-112.23
			M3	5.62	-14.03	-167.52	5.62	-14.03	-141.07	5.62	-14.03	-141.07	5.62	-14.03	-114.61
		TANDEM-LOAD MAX	S2	144.84	49.98	1441.84	90.47	50.31	1476.20	90.47	50.31	1476.20	38.11	48.48	1179.38
			TQ	-32.25	78.97	967.33	-32.25	78.97	815.53	-32.25	78.97	815.53	-32.25	78.97	663.72
			M3	46.84	51.27	1456.73	-3.81	50.27	1495.28	-3.81	50.27	1495.28	-60.06	50.24	1205.05
		MIN	S2	-61.15	51.27	1456.73	-112.25	50.27	1495.28	-112.25	50.27	1495.28	-168.92	50.24	1205.05
			TQ	3.71	-9.88	-110.83	3.71	-9.88	-93.36	3.71	-9.88	-93.36	3.71	-9.88	-75.88
			M3	3.83	-9.63	-114.09	3.83	-9.63	-96.08	3.83	-9.63	-96.08	3.83	-9.63	-78.06
		DISPERSION-LMAX	S2	48.99	15.78	497.65	27.28	6.95	399.75	27.28	6.95	399.75	15.14	-1.86	244.30
			TQ	-12.79	171.09	2314.10	-50.54	171.09	2165.24	-50.54	171.09	2165.24	-88.45	171.09	1838.26
			M3	-12.79	171.09	2314.10	-50.54	171.09	2165.24	-50.54	171.09	2165.24	-88.45	171.09	1838.26
MIN	S2	-55.17	138.72	1619.15	-71.21	147.55	1599.34	-71.21	147.55	1599.34	-96.98	156.36	1458.96		
	TQ	6.62	-16.59	-197.30	6.62	-16.59	-166.15	6.62	-16.59	-166.15	6.62	-16.59	-135.00		
	M3	6.62	-16.59	-197.30	6.62	-16.59	-166.15	6.62	-16.59	-166.15	6.62	-16.59	-135.00		
63	1-LANE (case3TRUCK-LOAD	MAX	S2	12.66	-11.56	954.98	12.66	-11.56	1014.56	12.66	-11.56	1014.56	12.66	-11.56	1074.14
			TQ	5.57	5.47	400.83	5.57	5.47	427.03	5.57	5.47	427.03	5.57	5.47	453.24
			M3	-37.64	-140.03	1624.99	-31.95	-108.81	1418.82	-31.95	-108.81	1418.82	-19.10	-60.69	1244.50
		MIN	S2	-56.32	-140.03	1624.99	-56.32	-140.03	1359.91	-56.32	-140.03	1359.91	-56.32	-140.03	1094.79
			TQ	-53.22	-146.03	1511.60	-53.22	-146.03	1261.10	-53.22	-146.03	1261.10	-53.22	-146.03	1010.56
			M3	5.62	2.20	-163.27	5.62	2.20	-136.81	5.62	2.20	-136.81	5.62	2.20	-110.33

BAGO RIVER BRIDGE

BLOCK [ No.1 : MAIN GIRDER ][ BEAM MEMBER FORCE ]

MEMBER		2049			2050			2050			2051				
NODE		2049			2050			2050			2051				
		SHEAR	TORQUE	MOMENT	SHEAR	TORQUE	MOMENT	SHEAR	TORQUE	MOMENT	SHEAR	TORQUE	MOMENT		
NAME	TITLE	S2 (kN)	TQ (kN·m)	M3 (kN·m)	S2 (kN)	TQ (kN·m)	M3 (kN·m)	S2 (kN)	TQ (kN·m)	M3 (kN·m)	S2 (kN)	TQ (kN·m)	M3 (kN·m)		
63	1-LANE (case3TANDEM-LOAD	MAX	S2	9.38	-2.95	609.85	9.38	-2.95	653.99	9.38	-2.95	653.99	9.38	-2.95	698.14
			TQ	5.30	4.38	365.16	5.30	4.38	390.11	5.30	4.38	390.11	5.30	4.38	415.07
			M3	-24.24	-90.16	1130.54	-16.49	-59.67	972.40	-16.49	-59.67	972.40	-6.60	-24.21	855.89
		MIN	S2	-38.63	-99.53	1088.62	-38.63	-99.53	906.79	-38.63	-99.53	906.79	-38.63	-99.53	724.94
			TQ	-38.10	-100.77	1069.04	-38.10	-100.77	889.73	-38.10	-100.77	889.73	-38.10	-100.77	710.39
			M3	3.83	1.54	-111.17	3.83	1.54	-93.15	3.83	1.54	-93.15	3.83	1.54	-75.12
	DISPERSION-LMAX	S2	12.38	-4.15	250.76	11.42	-0.50	228.84	11.42	-0.50	228.84	10.40	2.38	179.97	
		TQ	4.84	5.64	64.35	4.84	5.64	87.15	4.84	5.64	87.15	4.84	5.64	109.96	
		M3	-48.00	-153.58	2093.23	-53.01	-153.58	1855.31	-53.01	-153.58	1855.31	-57.86	-153.58	1594.16	
		MIN	S2	-53.77	-146.57	1650.71	-57.83	-150.23	1465.80	-57.83	-150.23	1465.80	-61.66	-153.10	1284.63
			TQ	-46.24	-156.37	1837.12	-51.25	-156.37	1607.49	-51.25	-156.37	1607.49	-56.10	-156.37	1354.64
			M3	6.61	2.85	-191.76	6.61	2.85	-160.66	6.61	2.85	-160.66	6.61	2.85	-129.56
64	1-LANE (case4TRUCK-LOAD	MAX	S2	5.66	35.25	-155.61	5.66	35.25	-128.95	5.66	35.25	-128.95	5.66	35.25	-102.28
			TQ	5.54	36.59	-151.65	5.54	36.59	-125.57	5.54	36.59	-125.57	5.54	36.59	-99.49
			M3	-38.66	-372.29	1237.45	-36.32	-359.86	1063.37	-36.32	-359.86	1063.37	-29.40	-315.36	916.74
		MIN	S2	-42.38	-391.18	1206.49	-42.38	-391.18	1007.00	-42.38	-391.18	1007.00	-42.38	-391.18	807.48
			TQ	-41.91	-391.84	1156.94	-41.91	-391.84	959.70	-41.91	-391.84	959.70	-41.91	-391.84	762.43
			M3	5.66	35.25	-155.61	5.66	35.25	-128.95	5.66	35.25	-128.95	5.66	34.96	-102.28
	TANDEM-LOAD	MAX	S2	3.86	24.31	-105.93	3.86	24.31	-87.76	3.86	24.31	-87.76	3.86	24.31	-69.60
			TQ	3.75	24.97	-102.47	3.75	24.97	-84.83	3.75	24.97	-84.83	3.75	24.97	-67.20
			M3	-27.60	-257.88	844.75	-23.55	-240.32	725.13	-23.55	-240.32	725.13	-18.54	-207.70	626.87
		MIN	S2	-29.18	-267.55	812.84	-29.18	-267.55	675.49	-29.18	-267.55	675.49	-29.18	-267.55	538.13
			TQ	-29.05	-267.74	799.01	-29.05	-267.74	662.29	-29.05	-267.74	662.29	-29.05	-267.74	525.56
			M3	3.86	24.31	-105.93	3.86	24.31	-87.76	3.86	24.31	-87.76	3.86	24.31	-69.60

BAGO RIVER BRIDGE

BLOCK [ No.1 : MAIN GIRDER ][ BEAM MEMBER FORCE ]

MEMBER		2049			2050			2050			2051						
NODE		2049			2050			2050			2051						
		SHEAR	TORQUE	MOMENT	SHEAR	TORQUE	MOMENT	SHEAR	TORQUE	MOMENT	SHEAR	TORQUE	MOMENT				
NAME	TITLE	S2 (kN)	TQ (kN·m)	M3 (kN·m)	S2 (kN)	TQ (kN·m)	M3 (kN·m)	S2 (kN)	TQ (kN·m)	M3 (kN·m)	S2 (kN)	TQ (kN·m)	M3 (kN·m)				
64	1-LANE (case4DISPERSION-LMAX	S2	6.65	38.20	-158.34	6.65	38.20	-127.02	6.65	38.20	-127.02	6.65	38.20	-95.70			
		TQ	6.60	40.34	-181.61	6.60	40.34	-150.53	6.60	40.34	-150.53	6.60	40.34	-119.44			
		M3	-55.00	-545.16	1809.42	-55.00	-545.16	1550.56	-55.00	-545.16	1550.56	-55.00	-545.16	1291.66			
		MIN	S2	-55.05	-543.02	1786.15	-55.05	-543.02	1527.05	-55.05	-543.02	1527.05	-55.05	-543.02	1267.92		
		TQ	-55.00	-545.16	1809.42	-55.00	-545.16	1550.56	-55.00	-545.16	1550.56	-55.00	-545.16	1291.66			
		M3	6.60	40.34	-181.61	6.60	40.34	-150.53	6.60	40.34	-150.53	6.60	40.34	-119.44			
		65	2-LANES (caseTRUCK-LOAD	MAX	S2	121.77	170.62	2993.27	104.75	103.24	3059.03	104.75	103.24	3059.03	127.01	102.43	3362.63
				TQ	-130.60	714.79	3661.55	-130.60	714.79	3046.81	-130.60	714.79	3046.81	-130.60	714.79	2431.98	
				M3	-58.31	619.66	4317.02	-74.20	573.92	3866.26	-74.20	573.92	3866.26	30.36	293.36	3638.75	
MIN	S2			-187.98	648.18	4298.70	-166.18	623.66	3731.94	-166.18	623.66	3731.94	-182.98	556.63	3152.01		
TQ	10.57			-63.30	-325.06	10.57	-63.30	-275.29	10.57	-63.30	-275.29	10.57	-63.30	-225.53			
M3	11.24			-60.19	-343.81	11.24	-60.19	-290.88	11.24	-60.19	-290.88	11.24	-60.19	-237.95			
TANDEM-LOAD	MAX			S2	93.19	134.66	2214.69	81.76	88.25	2295.84	81.76	88.25	2295.84	110.84	105.96	2506.42	
TQ	-85.35			486.38	2402.78	-85.35	486.38	2001.05	-85.35	486.38	2001.05	-85.35	486.38	1599.26			
M3	-52.39			442.80	3018.19	-50.40	365.84	2732.23	-50.40	365.84	2732.23	9.63	195.61	2561.64			
MIN	S2	-150.64	390.80	2998.07	-121.92	405.16	2646.41	-121.92	405.16	2646.41	-133.68	357.42	2221.89				
TQ	7.31	-43.15	-224.68	7.31	-43.15	-190.26	7.31	-43.15	-190.26	7.31	-43.15	-155.83					
M3	7.66	-41.38	-234.22	7.66	-41.38	-198.18	7.66	-41.38	-198.18	7.66	-41.38	-162.14					
DISPERSION-LMAX	S2	56.78	-24.45	769.23	48.55	-33.71	834.33	48.55	-33.71	834.33	50.22	-37.20	924.36				
TQ	-100.51	926.30	4896.29	-109.42	926.30	4401.56	-109.42	926.30	4401.56	-118.34	926.30	3864.77					
M3	-89.84	922.11	5122.04	-98.75	922.11	4677.52	-98.75	922.11	4677.52	-107.67	922.11	4190.95					
MIN	S2	-133.36	874.87	3947.02	-134.04	884.13	3499.84	-134.04	884.13	3499.84	-144.62	887.62	2985.68				
TQ	23.93	-75.88	-180.04	23.93	-75.88	-67.39	23.93	-75.88	-67.39	23.93	-75.88	45.27					
M3	13.27	-71.69	-405.79	13.27	-71.69	-343.35	13.27	-71.69	-343.35	13.27	-71.69	-280.91					

BAGO RIVER BRIDGE

BLOCK [ No.1 : MAIN GIRDER ][ BEAM MEMBER FORCE ]

MEMBER				2049			2050			2051					
NODE				2049			2050			2051					
				SHEAR	TORQUE	MOMENT	SHEAR	TORQUE	MOMENT	SHEAR	TORQUE	MOMENT			
NAME	TITLE			S2 (kN)	TQ (kN·m)	M3 (kN·m)	S2 (kN)	TQ (kN·m)	M3 (kN·m)	S2 (kN)	TQ (kN·m)	M3 (kN·m)			
66	2-LANES (caseTRUCK-LOAD	MAX	S2	252.01	249.71	3850.99	157.39	180.74	3693.62	157.39	180.74	3693.62	82.97	113.41	3020.26
			TQ	-100.84	388.08	2986.98	-100.84	388.08	2512.35	-100.84	388.08	2512.35	-100.84	388.08	2037.66
			M3	103.28	307.02	4069.04	12.04	261.74	3971.29	12.04	261.74	3971.29	-97.20	194.84	3377.35
		MIN	S2	-151.04	322.83	4060.37	-220.93	263.08	3964.11	-220.93	263.08	3964.11	-309.09	194.85	3346.54
			TQ	10.78	-40.42	-324.90	10.78	-40.42	-274.17	10.78	-40.42	-274.17	10.78	-40.42	-223.44
			M3	11.24	-38.78	-337.95	11.24	-38.78	-285.04	11.24	-38.78	-285.04	11.24	-38.78	-232.13
		TANDEM-LOAD MAX	S2	202.04	191.08	2932.33	136.24	144.99	2878.44	136.24	144.99	2878.44	72.18	97.32	2414.02
			TQ	-68.34	264.10	2033.28	-68.34	264.10	1711.60	-68.34	264.10	1711.60	-68.34	264.10	1389.88
			M3	49.26	201.74	2962.21	-12.45	156.95	2916.98	-12.45	156.95	2916.98	-80.47	109.18	2465.41
		MIN	S2	-116.11	201.74	2962.21	-178.26	156.95	2916.98	-178.26	156.95	2916.98	-246.70	109.18	2465.41
			TQ	7.37	-27.57	-222.09	7.37	-27.57	-187.41	7.37	-27.57	-187.41	7.37	-27.57	-152.73
			M3	7.65	-26.64	-230.18	7.65	-26.64	-194.16	7.65	-26.64	-194.16	7.65	-26.64	-158.13
		DISPERSION-LMAX	S2	83.77	29.01	1036.19	52.66	0.55	834.21	52.66	0.55	834.21	33.24	-21.77	539.02
			TQ	-43.41	535.91	4761.27	-101.34	535.91	4420.80	-101.34	535.91	4420.80	-159.44	535.91	3807.17
			M3	-42.41	535.76	4787.66	-100.34	535.76	4451.91	-100.34	535.76	4451.91	-158.43	535.76	3843.00
MIN	S2	-112.93	460.72	3353.14	-139.75	489.18	3281.70	-139.75	489.18	3281.70	-178.43	511.50	3030.35		
	TQ	14.25	-46.18	-371.94	14.25	-46.18	-304.88	14.25	-46.18	-304.88	14.25	-46.18	-237.80		
	M3	13.25	-46.03	-398.34	13.25	-46.03	-335.99	13.25	-46.03	-335.99	13.25	-46.03	-273.64		
67	2-LANES (caseTRUCK-LOAD	MAX	S2	18.29	1.47	794.29	18.29	1.47	880.38	18.29	1.47	880.38	18.29	1.47	966.49
			TQ	10.68	20.22	255.80	10.68	20.22	306.07	10.68	20.22	306.07	10.68	20.22	356.35
			M3	-81.64	-378.78	3045.58	-73.71	-336.87	2636.47	-73.71	-336.87	2636.47	-48.60	-240.41	2295.96
		MIN	S2	-103.03	-401.98	3007.80	-103.03	-401.98	2522.83	-103.03	-401.98	2522.83	-103.03	-401.98	2037.81
			TQ	-98.90	-412.87	2833.61	-98.90	-412.87	2368.09	-98.90	-412.87	2368.09	-98.90	-412.87	1902.51
			M3	11.26	15.23	-323.97	11.26	15.23	-270.98	11.26	15.23	-270.98	11.26	15.23	-217.98

BAGO RIVER BRIDGE

BLOCK [ No.1 : MAIN GIRDER ] [ BEAM MEMBER FORCE ]

MEMBER		2049			2050			2050			2051					
NODE		2049			2050			2050			2051					
		SHEAR	TORQUE	MOMENT	SHEAR	TORQUE	MOMENT	SHEAR	TORQUE	MOMENT	SHEAR	TORQUE	MOMENT			
NAME	TITLE	S2 (kN)	TQ (kN·m)	M3 (kN·m)	S2 (kN)	TQ (kN·m)	M3 (kN·m)	S2 (kN)	TQ (kN·m)	M3 (kN·m)	S2 (kN)	TQ (kN·m)	M3 (kN·m)			
67	2-LANES (caseTANDEM-LOAD	MAX	S2	13.21	6.06	500.45	13.21	6.06	562.65	13.21	6.06	562.65	13.21	6.06	624.86	
			TQ	8.72	14.48	268.14	8.72	14.48	309.20	8.72	14.48	309.20	8.72	14.48	350.27	
			M3	-55.62	-259.47	2098.03	-44.59	-211.06	1804.71	-44.59	-211.06	1804.71	-24.65	-139.18	1576.01	
			MIN	S2	-70.54	-273.17	2050.23	-70.54	-273.17	1718.22	-70.54	-273.17	1718.22	-70.54	-273.17	1386.16
			TQ	-69.49	-282.78	1978.30	-69.49	-282.78	1651.20	-69.49	-282.78	1651.20	-69.49	-282.78	1324.04	
			M3	7.67	10.55	-220.58	7.67	10.55	-184.49	7.67	10.55	-184.49	7.67	10.55	-148.40	
		DISPERSION-LMAX	S2	19.84	4.61	221.48	18.89	8.26	234.71	18.89	8.26	234.71	17.87	11.14	220.99	
			TQ	11.28	21.34	-118.02	11.28	21.34	-64.93	11.28	21.34	-64.93	11.28	21.34	-11.82	
			M3	-101.98	-502.12	4048.38	-106.99	-502.12	3556.40	-106.99	-502.12	3556.40	-111.84	-502.12	3041.15	
			MIN	S2	-108.61	-488.19	3446.87	-112.67	-491.84	3003.84	-112.67	-491.84	3003.84	-116.49	-494.72	2564.51
			TQ	-100.05	-504.92	3786.37	-105.05	-504.92	3303.48	-105.05	-504.92	3303.48	-109.91	-504.92	2797.33	
			M3	13.21	18.54	-380.03	13.21	18.54	-317.85	13.21	18.54	-317.85	13.21	18.54	-255.65	
68	2-LANES (caseTRUCK-LOAD	MAX	S2	11.31	59.65	-313.70	11.31	59.65	-260.44	11.31	59.65	-260.44	11.31	59.65	-207.18	
			TQ	11.07	61.76	-305.93	11.07	61.76	-253.84	11.07	61.76	-253.84	11.07	61.76	-201.74	
			M3	-82.67	-611.01	2658.14	-78.08	-587.88	2281.09	-78.08	-587.88	2281.09	-58.90	-495.05	1968.27	
			MIN	S2	-89.10	-653.09	2589.36	-89.10	-653.09	2169.97	-89.10	-653.09	2169.97	-89.10	-653.09	1750.53
			TQ	-87.59	-658.63	2478.99	-87.59	-658.63	2066.72	-87.59	-658.63	2066.72	-87.59	-658.63	1654.39	
			M3	11.31	59.65	-313.70	11.31	59.65	-260.44	11.31	59.65	-260.44	11.31	59.36	-207.18	
		TANDEM-LOAD	MAX	S2	7.71	41.16	-213.55	7.71	41.16	-177.27	7.71	41.16	-177.27	7.71	41.16	-140.99
			TQ	7.48	42.10	-206.73	7.48	42.10	-171.51	7.48	42.10	-171.51	7.48	42.10	-136.29	
			M3	-58.98	-427.16	1812.30	-51.66	-391.69	1557.49	-51.66	-391.69	1557.49	-36.58	-322.64	1347.05	
			MIN	S2	-61.09	-441.17	1774.50	-61.09	-441.17	1486.96	-61.09	-441.17	1486.96	-61.09	-441.17	1199.38
			TQ	-60.45	-449.72	1708.30	-60.45	-449.72	1423.78	-60.45	-449.72	1423.78	-60.45	-449.72	1139.23	
			M3	7.71	41.16	-213.55	7.71	41.16	-177.27	7.71	41.16	-177.27	7.71	41.16	-140.99	

BAGO RIVER BRIDGE

BLOCK [ No.1 : MAIN GIRDER ][ BEAM MEMBER FORCE ]

MEMBER		2049			2050			2050			2051						
NODE		2049			2050			2050			2051						
		SHEAR	TORQUE	MOMENT	SHEAR	TORQUE	MOMENT	SHEAR	TORQUE	MOMENT	SHEAR	TORQUE	MOMENT				
NAME	TITLE	S2 (kN)	TQ (kN·m)	M3 (kN·m)	S2 (kN)	TQ (kN·m)	M3 (kN·m)	S2 (kN)	TQ (kN·m)	M3 (kN·m)	S2 (kN)	TQ (kN·m)	M3 (kN·m)				
68	2-LANES (caseDISPERSION-LMAX	S2	14.12	58.84	-184.34	14.12	58.84	-117.87	14.12	58.84	-117.87	14.12	58.84	-51.39			
		TQ	13.22	67.92	-365.94	13.22	67.92	-303.73	13.22	67.92	-303.73	13.22	67.92	-241.51			
		M3	-108.94	-896.19	3762.95	-108.94	-896.19	3250.19	-108.94	-896.19	3250.19	-108.94	-896.19	2737.36			
		MIN	S2	-109.85	-887.12	3580.60	-109.85	-887.12	3063.55	-109.85	-887.12	3063.55	-109.85	-887.12	2546.42		
		TQ	-108.95	-896.20	3762.20	-108.95	-896.20	3249.40	-108.95	-896.20	3249.40	-108.95	-896.20	2736.54			
		M3	13.21	67.91	-366.69	13.21	67.91	-304.52	13.21	67.91	-304.52	13.21	67.91	-242.33			
		69	3-LANES (caseTRUCK-LOAD	MAX	S2	297.34	244.67	4855.00	202.73	175.70	4911.04	202.73	175.70	4911.04	167.05	163.65	4804.78
				TQ	-175.93	830.35	5018.40	-175.93	830.35	4190.32	-175.93	830.35	4190.32	-175.93	830.35	3362.12	
				M3	30.26	699.81	6285.44	-47.95	648.01	5859.23	-47.95	648.01	5859.23	-35.84	367.58	5258.30	
MIN	S2			-263.77	731.67	6264.40	-297.28	699.08	5717.73	-297.28	699.08	5717.73	-385.44	630.85	4740.74		
TQ	16.06			-77.78	-488.99	16.06	-77.78	-413.37	16.06	-77.78	-413.37	16.06	-77.78	-337.75			
M3	16.86			-74.22	-511.32	16.86	-74.22	-431.95	16.86	-74.22	-431.95	16.86	-74.22	-352.56			
TANDEM-LOAD	MAX			S2	238.03	184.64	3656.53	172.23	138.55	3772.05	172.23	138.55	3772.05	148.96	154.44	3685.80	
TQ	-117.60			565.34	3370.11	-117.60	565.34	2816.58	-117.60	565.34	2816.58	-117.60	565.34	2262.98			
M3	-5.55			494.07	4474.92	-54.21	416.11	4227.50	-54.21	416.11	4227.50	-50.43	245.85	3766.70			
MIN	S2	-211.80	442.07	4454.80	-234.17	455.43	4141.69	-234.17	455.43	4141.69	-302.60	407.66	3426.95				
TQ	11.03	-53.04	-335.51	11.03	-53.04	-283.61	11.03	-53.04	-283.61	11.03	-53.04	-231.71					
M3	11.48	-51.01	-348.30	11.48	-51.01	-294.26	11.48	-51.01	-294.26	11.48	-51.01	-240.20					
DISPERSION-LMAX	S2	105.78	-8.66	1266.88	75.83	-26.76	1234.08	75.83	-26.76	1234.08	65.36	-39.06	1168.66				
TQ	-113.30	1097.39	7210.39	-159.96	1097.39	6566.80	-159.96	1097.39	6566.80	-206.79	1097.39	5703.03					
M3	-102.63	1093.20	7436.14	-149.30	1093.20	6842.76	-149.30	1093.20	6842.76	-196.12	1093.20	6029.21					
MIN	S2	-188.52	1013.58	5566.16	-205.25	1031.68	5099.18	-205.25	1031.68	5099.18	-241.60	1043.99	4444.64				
TQ	30.55	-92.47	-377.34	30.55	-92.47	-233.55	30.55	-92.47	-233.55	30.55	-92.47	-89.73					
M3	19.88	-88.28	-603.09	19.88	-88.28	-509.51	19.88	-88.28	-509.51	19.88	-88.28	-415.90					

BAGO RIVER BRIDGE

BLOCK [ No.1 : MAIN GIRDER ][ BEAM MEMBER FORCE ]

MEMBER				2049			2050			2051					
NODE				2049			2050			2051					
				SHEAR	TORQUE	MOMENT	SHEAR	TORQUE	MOMENT	SHEAR	TORQUE	MOMENT			
NAME	TITLE			S2 (kN)	TQ (kN·m)	M3 (kN·m)	S2 (kN)	TQ (kN·m)	M3 (kN·m)	S2 (kN)	TQ (kN·m)	M3 (kN·m)			
70	3-LANES (caseTRUCK-LOAD	MAX	S2	23.94	25.36	636.08	23.94	25.36	748.76	23.94	25.36	748.76	23.94	25.36	861.46
			TQ	15.80	46.49	113.52	15.80	46.49	187.91	15.80	46.49	187.91	15.80	46.49	262.31
			M3	-120.29	-751.12	4282.97	-110.02	-696.77	3699.78	-110.02	-696.77	3699.78	-78.00	-555.82	3212.65
		MIN	S2	-145.41	-793.22	4214.25	-145.41	-793.22	3529.81	-145.41	-793.22	3529.81	-145.41	-793.22	2845.27
			TQ	-140.81	-804.77	3990.51	-140.81	-804.77	3327.75	-140.81	-804.77	3327.75	-140.81	-804.77	2664.90
			M3	16.91	39.12	-482.18	16.91	39.12	-402.60	16.91	39.12	-402.60	16.91	39.12	-323.01
		TANDEM-LOAD MAX	S2	17.06	22.53	392.74	17.06	22.53	473.05	17.06	22.53	473.05	17.06	22.53	553.37
			TQ	12.15	32.43	173.01	12.15	32.43	230.22	12.15	32.43	230.22	12.15	32.43	287.43
			M3	-83.21	-517.38	2942.74	-68.14	-451.41	2529.80	-68.14	-451.41	2529.80	-43.18	-346.90	2202.85
		MIN	S2	-99.72	-540.76	2863.05	-99.72	-540.76	2393.69	-99.72	-540.76	2393.69	-99.72	-540.76	1924.27
			TQ	-98.54	-550.56	2777.29	-98.54	-550.56	2313.47	-98.54	-550.56	2313.47	-98.54	-550.56	1849.59
			M3	11.51	27.02	-328.29	11.51	27.02	-274.09	11.51	27.02	-274.09	11.51	27.02	-219.88
		DISPERSION-LMAX	S2	26.50	30.92	59.91	25.55	34.58	104.47	25.55	34.58	104.47	24.52	37.45	122.08
			TQ	17.89	49.80	-302.86	17.89	49.80	-218.67	17.89	49.80	-218.67	17.89	49.80	-134.48
			M3	-157.03	-1044.99	5859.65	-162.03	-1044.99	5108.56	-162.03	-1044.99	5108.56	-166.89	-1044.99	4334.18
MIN	S2	-163.71	-1028.91	5234.86	-167.76	-1032.56	4532.50	-167.76	-1032.56	4532.50	-171.59	-1035.44	3833.80		
	TQ	-155.09	-1047.79	5597.63	-160.10	-1047.79	4855.64	-160.10	-1047.79	4855.64	-164.95	-1047.79	4090.36		
	M3	19.82	47.00	-564.87	19.82	47.00	-471.59	19.82	47.00	-471.59	19.82	47.00	-378.30		
71	3-LANES (caseTRUCK-LOAD	MAX	S2	23.98	48.11	641.30	23.98	48.11	754.16	23.98	48.11	754.16	23.98	48.11	867.03
			TQ	16.66	75.53	-465.18	16.66	75.53	-386.77	16.66	75.53	-386.77	16.66	75.53	-308.34
			M3	-120.29	-750.99	4283.21	-110.03	-696.65	3700.01	-110.03	-696.65	3700.01	-78.01	-555.71	3212.86
		MIN	S2	-145.42	-793.07	4214.44	-145.42	-793.07	3529.94	-145.42	-793.07	3529.94	-145.42	-793.07	2845.35
			TQ	-140.81	-804.60	3990.64	-140.81	-804.60	3327.86	-140.81	-804.60	3327.86	-140.81	-804.60	2664.99
			M3	16.95	73.21	-474.28	16.95	73.21	-394.50	16.95	73.21	-394.50	16.95	72.92	-314.70



BAGO RIVER BRIDGE

BLOCK [ No.1 : MAIN GIRDER ] [ BEAM MEMBER FORCE ]

MEMBER				2049			2050			2051						
NODE				2049			2050			2051						
				SHEAR	TORQUE	MOMENT	SHEAR	TORQUE	MOMENT	SHEAR	TORQUE	MOMENT				
NAME	TITLE			S2 (kN)	TQ (kN·m)	M3 (kN·m)	S2 (kN)	TQ (kN·m)	M3 (kN·m)	S2 (kN)	TQ (kN·m)	M3 (kN·m)				
71	3-LANES (case)	TANDEM-LOAD	MAX	S2	17.09	38.23	396.31	17.09	38.23	476.74	17.09	38.23	557.19			
			TQ	11.31	51.55	-315.68	11.31	51.55	-262.45	11.31	51.55	-262.45	11.31	51.55	-209.22	
			M3	-83.21	-517.29	2942.91	-68.14	-451.33	2529.98	-68.14	-451.33	2529.98	-43.19	-346.83	2203.01	
		MIN	S2	-99.72	-540.66	2863.17	-99.72	-540.66	2393.78	-99.72	-540.66	2393.78	-99.72	-540.66	1924.33	
		TQ	-98.54	-550.45	2777.38	-98.54	-550.45	2313.55	-98.54	-550.45	2313.55	-98.54	-550.45	1849.64		
		M3	11.55	50.54	-322.87	11.55	50.54	-268.53	11.55	50.54	-268.53	11.55	50.54	-214.18		
	DISPERSION-LMAX	MAX	S2	26.50	66.63	69.83	25.55	70.29	114.31	25.55	70.29	114.31	24.52	73.16	131.83	
		TQ	21.98	84.35	-412.72	21.98	84.35	-309.27	21.98	84.35	-309.27	21.98	84.35	-205.81		
		M3	-156.90	-1052.25	5854.51	-161.91	-1052.25	5104.01	-161.91	-1052.25	5104.01	-166.77	-1052.25	4330.18		
		MIN	S2	-163.59	-1036.17	5229.49	-167.65	-1039.82	4527.78	-167.65	-1039.82	4527.78	-171.48	-1042.70	3829.70	
		TQ	-159.06	-1053.89	5712.04	-164.08	-1053.89	4951.35	-164.08	-1053.89	4951.35	-168.93	-1053.89	4167.34		
		M3	19.81	82.71	-555.19	19.81	82.71	-461.93	19.81	82.71	-461.93	19.81	82.71	-368.65		
72	4-LANES	TRUCK-LOAD	MAX	S2	22.51	72.84	-636.27	22.51	72.84	-530.34	22.51	72.84	-530.34	22.51	72.84	-424.39
			TQ	22.51	72.84	-636.27	22.51	72.84	-530.34	22.51	72.84	-530.34	22.51	72.84	-424.39	
			M3	-6.64	-4.92	192.04	-6.64	-4.92	160.81	-6.64	-4.92	160.81	-6.64	-4.92	129.57	
		MIN	S2	-6.64	-4.98	192.03	-6.64	-4.98	160.80	-6.64	-4.98	160.80	-6.64	-4.98	129.56	
		TQ	-4.37	-6.00	125.60	-4.37	-6.00	105.05	-4.37	-6.00	105.05	-4.37	-6.00	84.50		
		M3	22.51	72.84	-636.27	22.51	72.84	-530.34	22.51	72.84	-530.34	22.51	72.84	-424.39		
	TANDEM-LOAD	MAX	S2	15.37	51.71	-434.13	15.37	51.71	-361.77	15.37	51.71	-361.77	15.37	51.71	-289.39	
		TQ	15.37	51.71	-434.13	15.37	51.71	-361.77	15.37	51.71	-361.77	15.37	51.71	-289.39		
		M3	-4.51	-3.48	130.48	-4.51	-3.48	109.26	-4.51	-3.48	109.26	-4.51	-3.48	88.03		
		MIN	S2	-4.51	-3.48	130.48	-4.51	-3.48	109.26	-4.51	-3.48	109.26	-4.51	-3.48	88.03	
		TQ	-2.87	-4.09	82.48	-2.87	-4.09	68.98	-2.87	-4.09	68.98	-2.87	-4.09	55.48		
		M3	15.37	51.71	-434.13	15.37	51.71	-361.77	15.37	51.71	-361.77	15.37	51.71	-289.39		

BAGO RIVER BRIDGE

BLOCK [ No.1 : MAIN GIRDER ][ BEAM MEMBER FORCE ]

MEMBER				2049			2050			2051								
NODE				2049			2050			2051								
				SHEAR	TORQUE	MOMENT	SHEAR	TORQUE	MOMENT	SHEAR	TORQUE	MOMENT						
NAME	TITLE			S2 (kN)	TQ (kN·m)	M3 (kN·m)	S2 (kN)	TQ (kN·m)	M3 (kN·m)	S2 (kN)	TQ (kN·m)	M3 (kN·m)						
72	4-LANES	DISPERSION-LMAX	S2	15.89	43.12	-451.42	15.89	43.12	-376.64	15.89	43.12	-376.64	15.89	43.12	-301.84			
			TQ	12.58	44.58	-354.70	12.58	44.58	-295.48	12.58	44.58	-295.48	12.58	44.58	-236.24			
			M3	-8.07	-5.94	233.65	-8.07	-5.94	195.65	-8.07	-5.94	195.65	-8.07	-5.94	157.65			
		MIN	S2	-8.07	-5.94	233.65	-8.07	-5.94	195.65	-8.07	-5.94	195.65	-8.07	-5.94	157.65			
			TQ	-4.81	-7.46	138.16	-4.81	-7.46	115.52	-4.81	-7.46	115.52	-4.81	-7.46	92.88			
			M3	15.89	43.00	-451.45	15.89	43.00	-376.66	15.89	43.00	-376.66	15.89	43.00	-301.87			
		73	6-LANES	TRUCK-LOAD	MAX	S2	346.06	175.08	6045.25	238.37	175.49	5974.61	238.37	175.49	5974.61	184.54	191.91	5570.60
					TQ	-140.54	823.44	5075.43	-140.54	823.44	4413.92	-140.54	823.44	4413.92	-140.54	823.44	3752.31	
					M3	-53.83	-55.36	10594.18	-132.90	-45.23	9638.31	-132.90	-45.23	9638.31	-127.98	-135.46	8488.77	
MIN	S2			-406.20	-81.60	10486.71	-457.79	-73.20	9361.54	-457.79	-73.20	9361.54	-565.68	-68.69	7724.17			
	TQ			-126.48	-797.91	3568.10	-126.48	-797.91	2972.75	-126.48	-797.91	2972.75	-126.48	-797.91	2377.32			
	M3			33.80	-1.85	-985.36	33.80	-1.85	-826.28	33.80	-1.85	-826.28	33.80	-1.85	-667.18			
TANDEM-LOAD	MAX			S2	274.98	79.06	5214.82	200.87	80.28	5256.56	200.87	80.28	5256.56	159.55	143.32	5034.38		
	TQ			-91.71	561.77	3495.60	-91.71	561.77	3063.93	-91.71	561.77	3063.93	-91.71	561.77	2632.19			
	M3			-56.82	-54.98	7455.40	-122.06	-30.91	6846.16	-122.06	-30.91	6846.16	-115.21	-73.22	5999.63			
MIN	S2			-307.80	-102.21	7392.45	-348.59	-47.74	6673.24	-348.59	-47.74	6673.24	-429.63	-44.14	5490.58			
	TQ			-88.76	-545.90	2489.80	-88.76	-545.90	2072.01	-88.76	-545.90	2072.01	-88.76	-545.90	1654.15			
	M3			23.02	-1.04	-671.00	23.02	-1.04	-562.66	23.02	-1.04	-562.66	23.02	-1.04	-454.31			
DISPERSION-LMAX	S2			125.17	48.56	1162.90	94.80	37.82	1181.11	94.80	37.82	1181.11	84.10	30.99	1145.00			
	TQ			-89.29	1098.03	6245.02	-128.09	1098.03	5732.94	-128.09	1098.03	5732.94	-166.35	1098.03	5039.39			
	M3			-244.55	83.19	12217.14	-290.61	78.94	10964.15	-290.61	78.94	10964.15	-333.35	84.33	9485.13			
MIN	S2	-329.32	8.06	10024.32	-348.70	17.74	8929.66	-348.70	17.74	8929.66	-387.51	24.88	7649.61					
	TQ	-118.83	-1059.21	4887.09	-123.79	-1059.21	4316.06	-123.79	-1059.21	4316.06	-128.57	-1059.21	3722.01					
	M3	38.01	-11.74	-1110.88	38.01	-11.74	-931.96	38.01	-11.74	-931.96	38.01	-11.74	-753.00					

BAGO RIVER BRIDGE

BLOCK [ No.1 : MAIN GIRDER ][ BEAM MEMBER FORCE ]

MEMBER			2049			2050			2050			2051			
NODE			2049			2050			2050			2051			
NAME TITLE			SHEAR	TORQUE	MOMENT	SHEAR	TORQUE	MOMENT	SHEAR	TORQUE	MOMENT	SHEAR	TORQUE	MOMENT	
			S2 (kN)	TQ (kN·m)	M3 (kN·m)	S2 (kN)	TQ (kN·m)	M3 (kN·m)	S2 (kN)	TQ (kN·m)	M3 (kN·m)	S2 (kN)	TQ (kN·m)	M3 (kN·m)	
124	SUM TOTAL	D+1LANE (caseMAX	S2	-666.15	57.51	46298.25	-890.78	69.94	42713.21	-890.78	69.94	42713.21	-1065.86	148.29	38545.95
			TQ	-920.94	1313.26	50193.24	-1133.45	1313.26	45361.23	-1133.45	1313.26	45361.23	-1352.25	1313.26	39513.35
			M3	-906.86	1249.03	50654.45	-1103.73	1241.22	45907.03	-1103.73	1241.22	45907.03	-1176.90	984.98	40529.54
		MIN	S2	-972.96	1262.81	50117.06	-1143.21	1282.97	45057.79	-1143.21	1282.97	45057.79	-1372.74	1270.95	39019.16
			TQ	-721.06	8.39	44613.21	-947.09	8.39	40691.03	-947.09	8.39	40691.03	-1179.40	8.39	35689.47
			M3	-732.25	15.54	44362.83	-958.28	15.54	40387.97	-958.28	15.54	40387.97	-1190.60	15.54	35333.72
		D+1LANE (caseMAX	S2	-477.48	216.56	47647.86	-822.68	204.06	43474.58	-822.68	204.06	43474.58	-1139.08	179.99	37672.70
			TQ	-816.70	452.74	49221.73	-1088.03	452.74	44742.97	-1088.03	452.74	44742.97	-1365.84	452.74	38971.03
			M3	-656.03	410.26	49955.61	-1002.15	402.98	45762.33	-1002.15	402.98	45762.33	-1390.89	403.13	39798.33
		MIN	S2	-904.12	375.41	49118.40	-1215.77	376.33	45074.63	-1215.77	376.33	45074.63	-1564.64	385.47	39306.19
			TQ	-732.43	71.48	44383.11	-958.46	71.48	40407.39	-958.46	71.48	40407.39	-1190.78	71.48	35352.29
			M3	-732.28	72.02	44378.81	-958.31	72.02	40403.81	-958.31	72.02	40403.81	-1190.62	72.02	35349.43
		D+1LANE (caseMAX	S2	-716.93	89.91	46263.48	-944.10	94.29	42264.55	-944.10	94.29	42264.55	-1177.64	97.74	37153.89
			TQ	-734.47	122.10	45374.81	-960.50	122.10	41389.49	-960.50	122.10	41389.49	-1192.82	122.10	36324.80
			M3	-849.73	-243.56	49278.45	-1074.95	-206.11	44701.43	-1074.95	-206.11	44701.43	-1297.67	-148.36	39055.35
		MIN	S2	-879.07	-235.16	48747.43	-1109.97	-239.54	44163.32	-1109.97	-239.54	44163.32	-1346.88	-242.99	38504.26
			TQ	-866.32	-254.11	48835.05	-1098.36	-254.11	44214.78	-1098.36	-254.11	44214.78	-1336.49	-254.11	38487.20
			M3	-732.29	114.82	44390.55	-958.32	114.82	40415.51	-958.32	114.82	40415.51	-1190.63	114.82	35361.09
		D+1LANE (caseMAX	S2	-732.18	196.90	44439.86	-958.21	196.90	40465.32	-958.21	196.90	40465.32	-1190.53	196.90	35411.39
			TQ	-732.39	201.08	44416.67	-958.42	201.08	40441.15	-958.42	201.08	40441.15	-1190.74	201.08	35386.25
			M3	-859.35	-992.18	48472.84	-1082.58	-977.27	43909.19	-1082.58	-977.27	43909.19	-1306.59	-923.87	38299.05
		MIN	S2	-863.88	-1012.28	48407.76	-1089.91	-1012.28	43813.33	-1089.91	-1012.28	43813.33	-1322.22	-1012.28	38139.44
			TQ	-863.25	-1015.65	48376.23	-1089.28	-1015.65	43784.78	-1089.28	-1015.65	43784.78	-1321.59	-1015.65	38113.86
			M3	-732.24	199.47	44411.93	-958.27	199.47	40437.10	-958.27	199.47	40437.10	-1190.59	199.12	35382.90

BAGO RIVER BRIDGE

BLOCK [ No.1 : MAIN GIRDER ][ BEAM MEMBER FORCE ]

MEMBER			2049			2050			2050			2051			
NODE			2049			2050			2050			2051			
NAME TITLE			SHEAR	TORQUE	MOMENT	SHEAR	TORQUE	MOMENT	SHEAR	TORQUE	MOMENT	SHEAR	TORQUE	MOMENT	
			S2 (kN)	TQ (kN·m)	M3 (kN·m)	S2 (kN)	TQ (kN·m)	M3 (kN·m)	S2 (kN)	TQ (kN·m)	M3 (kN·m)	S2 (kN)	TQ (kN·m)	M3 (kN·m)	
124	SUM TOTAL	D+2LANES (casMAX	S2	-568.41	254.94	48579.09	-819.69	178.29	44665.83	-819.69	178.29	44665.83	-1028.08	173.99	39935.95
			TQ	-978.08	1749.85	53374.43	-1213.02	1749.85	48220.84	-1213.02	1749.85	48220.84	-1454.25	1749.85	41945.72
			M3	-895.11	1650.52	54255.65	-1145.94	1604.79	49316.25	-1145.94	1604.79	49316.25	-1282.62	1324.23	43478.66
		MIN	S2	-1068.30	1631.81	53062.31	-1273.21	1616.55	48004.25	-1273.21	1616.55	48004.25	-1532.91	1553.01	41786.66
			TQ	-712.46	-30.42	44311.50	-938.49	-30.42	40429.79	-938.49	-30.42	40429.79	-1170.81	-30.42	35468.70
			M3	-722.46	-23.12	44066.99	-948.49	-23.12	40138.24	-948.49	-23.12	40138.24	-1180.80	-23.12	35130.10
		D+2LANES (casMAX	S2	-411.19	387.48	49703.77	-762.94	290.05	45300.31	-762.94	290.05	45300.31	-1089.10	200.40	39208.24
			TQ	-891.21	1032.75	52564.84	-1175.17	1032.75	47705.62	-1175.17	1032.75	47705.62	-1465.58	1032.75	41493.79
			M3	-686.09	951.54	53673.29	-1061.29	906.26	49195.67	-1061.29	906.26	49195.67	-1460.94	839.36	42869.32
		MIN	S2	-1010.93	892.31	52230.10	-1333.68	861.01	48018.29	-1333.68	861.01	48018.29	-1692.83	815.11	42025.85
			TQ	-721.94	22.16	44119.75	-947.97	22.16	40193.42	-947.97	22.16	40193.42	-1180.28	22.16	35187.72
			M3	-722.48	23.95	44080.30	-948.51	23.95	40151.44	-948.51	23.95	40151.44	-1180.82	23.95	35143.20
		D+2LANES (casMAX	S2	-708.83	114.84	45832.36	-935.81	118.50	41887.57	-935.81	118.50	41887.57	-1169.15	121.37	36836.44
			TQ	-725.00	150.32	44954.37	-951.03	150.32	41013.62	-951.03	150.32	41013.62	-1183.35	150.32	35993.48
			M3	-930.58	-772.14	51910.55	-1153.69	-730.23	46965.34	-1153.69	-730.23	46965.34	-1365.75	-633.78	40986.07
		MIN	S2	-958.61	-781.41	51271.25	-1188.69	-785.06	46299.15	-1188.69	-785.06	46299.15	-1424.83	-787.94	40251.28
			TQ	-945.91	-809.03	51436.56	-1176.95	-809.03	46444.04	-1176.95	-809.03	46444.04	-1414.12	-809.03	40348.80
			M3	-722.49	142.54	44112.59	-948.52	142.54	40183.65	-948.52	142.54	40183.65	-1180.84	142.54	35175.33
		D+2LANES (casMAX	S2	-721.53	227.25	44318.55	-947.56	227.25	40394.16	-947.56	227.25	40394.16	-1179.87	227.25	35390.39
			TQ	-722.68	238.43	44144.73	-948.71	238.43	40214.91	-948.71	238.43	40214.91	-1181.03	238.43	35205.71
			M3	-938.57	-1398.44	51237.68	-1160.02	-1375.31	46303.75	-1160.02	-1375.31	46303.75	-1373.15	-1282.48	40354.59
		MIN	S2	-945.92	-1431.45	50986.56	-1171.95	-1431.45	46005.99	-1171.95	-1431.45	46005.99	-1404.26	-1431.45	39945.91
			TQ	-943.50	-1446.06	51057.78	-1169.53	-1446.06	46088.60	-1169.53	-1446.06	46088.60	-1401.84	-1446.06	40039.89
			M3	-722.44	236.33	44136.20	-948.47	236.33	40207.51	-948.47	236.33	40207.51	-1180.79	236.04	35199.45

BAGO RIVER BRIDGE

BLOCK [ No.1 : MAIN GIRDER ][ BEAM MEMBER FORCE ]

MEMBER			2049			2050			2050			2051				
NODE			2049			2050			2050			2051				
NAME TITLE			SHEAR	TORQUE	MOMENT	SHEAR	TORQUE	MOMENT	SHEAR	TORQUE	MOMENT	SHEAR	TORQUE	MOMENT		
			S2 (kN)	TQ (kN·m)	M3 (kN·m)	S2 (kN)	TQ (kN·m)	M3 (kN·m)	S2 (kN)	TQ (kN·m)	M3 (kN·m)	S2 (kN)	TQ (kN·m)	M3 (kN·m)		
124	SUM TOTAL	D+3LANES (casMAX	S2	-404.31	309.37	50020.20	-736.21	235.36	45995.82	-736.21	235.36	45995.82	-1007.76	214.66	40726.38	
			TQ	-992.81	1747.34	55211.07	-1258.50	1747.34	49916.02	-1258.50	1747.34	49916.02	-1530.62	1747.34	43354.34	
			M3	-808.48	1632.82	56479.93	-1140.65	1588.79	51569.17	-1140.65	1588.79	51569.17	-1402.47	1350.43	45243.34	
		MIN	S2	-1131.42	1592.23	54872.57	-1400.15	1579.91	49966.85	-1400.15	1579.91	49966.85	-1738.30	1532.37	43456.54	
			TQ	-707.34	-35.95	44080.21	-933.37	-35.95	40222.59	-933.37	-35.95	40222.59	-1165.69	-35.95	35285.60	
			M3	-715.73	-29.36	43869.34	-941.76	-29.36	39972.24	-941.76	-29.36	39972.24	-1174.07	-29.36	34995.76	
		D+3LANES (casMAX	S2	-704.09	156.60	45408.18	-930.93	159.71	41497.72	-930.93	159.71	41497.72	-1164.12	162.15	36484.97	
			TQ	-718.33	190.61	44655.66	-944.36	190.61	40746.33	-944.36	190.61	40746.33	-1176.67	190.61	35757.62	
			M3	-982.69	-1417.93	53437.81	-1204.24	-1371.74	48259.57	-1204.24	-1371.74	48259.57	-1413.46	-1251.92	42063.77	
		MIN	S2	-1009.72	-1440.05	52848.34	-1239.19	-1443.15	47625.43	-1239.19	-1443.15	47625.43	-1474.76	-1445.60	41326.17	
			TQ	-998.48	-1465.91	52966.52	-1228.77	-1465.91	47728.36	-1228.77	-1465.91	47728.36	-1465.20	-1465.91	41390.93	
			M3	-715.75	181.96	43926.60	-941.78	181.96	40029.41	-941.78	181.96	40029.41	-1174.09	181.96	35052.85	
		D+3LANES (casMAX	S2	-704.06	206.29	45421.06	-930.90	209.40	41510.67	-930.90	209.40	41510.67	-1164.09	211.85	36497.99	
			TQ	-714.12	244.66	44070.38	-940.15	244.66	40180.84	-940.15	244.66	40180.84	-1172.47	244.66	35211.93	
			M3	-982.58	-1423.99	53433.66	-1204.14	-1377.80	48255.89	-1204.14	-1377.80	48255.89	-1413.37	-1258.00	42060.55	
		MIN	S2	-1009.62	-1446.09	52843.93	-1239.10	-1449.20	47621.53	-1239.10	-1449.20	47621.53	-1474.67	-1451.64	41322.76	
			TQ	-1001.86	-1470.95	53063.87	-1232.15	-1470.95	47809.80	-1232.15	-1470.96	47809.80	-1468.59	-1470.96	41456.44	
			M3	-715.72	241.30	43941.55	-941.75	241.30	40044.51	-941.75	241.30	40044.51	-1174.06	241.05	35068.11	
		D+4LANES	MAX	S2	-722.01	184.14	44109.59	-948.04	184.14	40182.94	-948.04	184.14	40182.94	-1180.35	184.14	35176.91
			TQ	-724.16	185.08	44172.46	-950.19	185.08	40235.69	-950.19	185.08	40235.69	-1182.50	185.08	35219.55	
			M3	-756.52	101.70	45093.29	-982.55	101.70	41004.17	-982.55	101.70	41004.17	-1214.87	101.70	35835.65	
		MIN	S2	-756.52	101.66	45093.29	-982.55	101.66	41004.17	-982.55	101.66	41004.17	-1214.87	101.66	35835.65	
			TQ	-752.93	100.02	44988.03	-978.96	100.02	40915.84	-978.96	100.02	40915.84	-1211.27	100.02	35764.26	
			M3	-722.01	184.06	44109.58	-948.04	184.06	40182.92	-948.04	184.06	40182.92	-1180.35	184.06	35176.89	

BAGO RIVER BRIDGE

BLOCK [ No.1 : MAIN GIRDER ] [ BEAM MEMBER FORCE ]

MEMBER				2049			2050			2051						
NODE				2049			2050			2051						
				SHEAR	TORQUE	MOMENT	SHEAR	TORQUE	MOMENT	SHEAR	TORQUE	MOMENT				
NAME	TITLE			S2 (kN)	TQ (kN·m)	M3 (kN·m)	S2 (kN)	TQ (kN·m)	M3 (kN·m)	S2 (kN)	TQ (kN·m)	M3 (kN·m)				
124	SUM TOTAL	D+6LANES	MAX	S2	-440.66	254.13	49501.89	-756.43	247.41	45423.69	-756.43	247.41	45423.69	-1030.69	253.65	40014.10
				TQ	-896.36	1357.72	52174.89	-1147.61	1357.72	47367.93	-1147.61	1357.72	47367.93	-1404.79	1357.72	41363.56
				M3	-940.91	126.85	59643.95	-1248.28	130.67	54164.07	-1248.28	130.67	54164.07	-1505.18	75.53	47332.00
			MIN	S2	-1225.06	60.96	58148.76	-1497.22	72.71	52661.75	-1497.22	72.71	52661.75	-1824.88	80.29	45641.92
				TQ	-906.42	-1098.37	50312.46	-1135.67	-1098.37	45510.20	-1135.67	-1098.37	45510.20	-1371.09	-1098.37	39613.52
				M3	-700.29	99.93	43454.03	-926.32	99.93	39629.62	-926.32	99.93	39629.62	-1158.63	99.93	34725.84
	SUM TOTAL		MAX		-404.31	1749.85	59643.95	-736.21	1749.85	54164.07	-736.21	1749.85	54164.07	-1007.76	1749.85	47332.00
			MIN		-1225.06	-1470.95	43454.03	-1497.22	-1470.95	39629.62	-1497.22	-1470.95	39629.62	-1824.88	-1470.95	34725.84
300	DEAD LOAD	TOTAL			-746.96	108.76	44816.59	-972.99	108.76	40772.47	-972.99	108.76	40772.47	-1205.31	108.76	35648.96
301	LIVE LOAD	1-LANE (case1MAX	S2		80.82	-51.25	1481.66	82.22	-38.82	1940.74	82.22	-38.82	1940.74	139.45	39.53	2896.99
			TQ		-173.98	1204.49	5376.65	-160.46	1204.49	4588.76	-160.46	1204.49	4588.76	-146.94	1204.49	3864.39
			M3		-159.90	1140.27	5837.85	-130.73	1132.46	5134.56	-130.73	1132.46	5134.56	28.41	876.22	4880.58
			MIN	S2	-226.00	1154.04	5300.47	-170.22	1174.21	4285.32	-170.22	1174.21	4285.32	-167.43	1162.18	3370.20
				TQ	25.91	-100.37	-203.38	25.91	-100.37	-81.44	25.91	-100.37	-81.44	25.91	-100.37	40.51
				M3	14.71	-93.23	-453.76	14.71	-93.23	-384.50	14.71	-93.23	-384.50	14.71	-93.23	-315.24
		1-LANE (case2MAX	S2		269.48	107.80	2831.27	150.31	95.29	2702.11	150.31	95.29	2702.11	66.23	71.22	2023.74
			TQ		-69.74	343.98	4405.14	-115.04	343.98	3970.50	-115.04	343.98	3970.50	-160.53	343.98	3322.07
			M3		90.93	301.49	5139.02	-29.15	294.22	4989.86	-29.15	294.22	4989.86	-185.58	294.37	4149.37
			MIN	S2	-157.15	266.65	4301.81	-242.77	267.57	4302.15	-242.77	267.57	4302.15	-359.33	276.71	3657.23
				TQ	14.53	-37.28	-433.48	14.53	-37.28	-365.08	14.53	-37.28	-365.08	14.53	-37.28	-296.67
				M3	14.69	-36.74	-437.79	14.69	-36.74	-368.66	14.69	-36.74	-368.66	14.69	-36.74	-299.53
		1-LANE (case3MAX	S2		30.04	-18.86	1446.89	28.90	-14.47	1492.08	28.90	-14.47	1492.08	27.67	-11.02	1504.93
			TQ		12.49	13.34	558.21	12.49	13.34	617.02	12.49	13.34	617.02	12.49	13.34	675.84
			M3		-102.77	-352.32	4461.86	-101.95	-314.87	3928.95	-101.95	-314.87	3928.95	-92.36	-257.12	3406.38
			MIN	S2	-132.11	-343.92	3930.84	-136.97	-348.30	3390.85	-136.97	-348.30	3390.85	-141.57	-351.76	2855.30
				TQ	-119.35	-362.87	4018.46	-125.36	-362.87	3442.31	-125.36	-362.87	3442.31	-131.18	-362.87	2838.24
				M3	14.68	6.06	-426.04	14.68	6.06	-356.96	14.68	6.06	-356.96	14.68	6.06	-287.87

BAGO RIVER BRIDGE

BLOCK [ No.1 : MAIN GIRDER ][ BEAM MEMBER FORCE ]

MEMBER			2049			2050			2050			2051			
NODE			2049			2050			2050			2051			
NAME TITLE			SHEAR	TORQUE	MOMENT	SHEAR	TORQUE	MOMENT	SHEAR	TORQUE	MOMENT	SHEAR	TORQUE	MOMENT	
			S2 (kN)	TQ (kN·m)	M3 (kN·m)	S2 (kN)	TQ (kN·m)	M3 (kN·m)	S2 (kN)	TQ (kN·m)	M3 (kN·m)	S2 (kN)	TQ (kN·m)	M3 (kN·m)	
301	LIVE LOAD	1-LANE (case4MAX	S2	14.78	88.14	-376.74	14.78	88.14	-307.16	14.78	88.14	-307.16	14.78	88.14	-237.57
			TQ	14.57	92.32	-399.92	14.57	92.32	-331.32	14.57	92.32	-331.32	14.57	92.32	-262.71
			M3	-112.39	-1100.95	3656.25	-109.58	-1086.03	3136.71	-109.58	-1086.03	3136.71	-101.28	-1032.63	2650.09
			MIN S2	-116.92	-1121.04	3591.17	-116.92	-1121.04	3040.86	-116.92	-1121.04	3040.86	-116.92	-1121.04	2490.48
			TQ	-116.28	-1124.41	3559.64	-116.28	-1124.41	3012.31	-116.28	-1124.41	3012.31	-116.28	-1124.41	2464.90
			M3	14.72	90.71	-404.66	14.72	90.71	-335.37	14.72	90.71	-335.37	14.72	90.36	-266.06
		2-LANES (caseMAX	S2	178.55	146.17	3762.50	153.31	69.53	3893.36	153.31	69.53	3893.36	177.23	65.23	4286.99
			TQ	-231.11	1641.08	8557.84	-240.03	1641.08	7448.37	-240.03	1641.08	7448.37	-248.94	1641.08	6296.76
			M3	-148.15	1541.76	9439.06	-172.95	1496.03	8543.78	-172.95	1496.03	8543.78	-77.31	1215.47	7829.70
			MIN S2	-321.34	1523.05	8245.72	-300.22	1507.79	7231.78	-300.22	1507.79	7231.78	-327.60	1444.25	6137.70
			TQ	34.50	-139.18	-505.10	34.50	-139.18	-342.69	34.50	-139.18	-342.69	34.50	-139.18	-180.26
			M3	24.51	-131.88	-749.60	24.51	-131.88	-634.23	24.51	-131.88	-634.23	24.51	-131.88	-518.86
		2-LANES (caseMAX	S2	335.77	278.72	4887.18	210.05	181.29	4527.83	210.05	181.29	4527.83	116.21	91.64	3559.28
			TQ	-144.25	923.99	7748.25	-202.18	923.99	6933.15	-202.18	923.99	6933.15	-260.27	923.99	5844.83
			M3	60.87	842.78	8856.70	-88.30	797.50	8423.20	-88.30	797.50	8423.20	-255.63	730.60	7220.36
			MIN S2	-263.96	783.55	7413.51	-360.68	752.25	7245.81	-360.68	752.25	7245.81	-487.52	706.35	6376.88
			TQ	25.03	-86.60	-696.84	25.03	-86.60	-579.05	25.03	-86.60	-579.05	25.03	-86.60	-461.24
			M3	24.49	-84.81	-736.29	24.49	-84.81	-621.03	24.49	-84.81	-621.03	24.49	-84.81	-505.77
		2-LANES (caseMAX	S2	38.13	6.08	1015.77	37.18	9.74	1115.09	37.18	9.74	1115.09	36.16	12.61	1187.48
			TQ	21.96	41.56	137.78	21.96	41.56	241.14	21.96	41.56	241.14	21.96	41.56	344.52
			M3	-183.62	-880.91	7093.96	-180.69	-838.99	6192.87	-180.69	-838.99	6192.87	-160.44	-742.54	5337.11
			MIN S2	-211.64	-890.17	6454.66	-215.70	-893.82	5526.67	-215.70	-893.82	5526.67	-219.52	-896.70	4602.32
			TQ	-198.95	-917.79	6619.97	-203.96	-917.79	5671.57	-203.96	-917.79	5671.57	-208.81	-917.79	4699.84
			M3	24.47	33.78	-704.00	24.47	33.78	-588.82	24.47	33.78	-588.82	24.47	33.78	-473.63

BAGO RIVER BRIDGE

BLOCK [ No.1 : MAIN GIRDER ][ BEAM MEMBER FORCE ]

MEMBER				2049			2050			2051						
NODE				2049			2050			2051						
				SHEAR	TORQUE	MOMENT	SHEAR	TORQUE	MOMENT	SHEAR	TORQUE	MOMENT				
NAME	TITLE			S2 (kN)	TQ (kN·m)	M3 (kN·m)	S2 (kN)	TQ (kN·m)	M3 (kN·m)	S2 (kN)	TQ (kN·m)	M3 (kN·m)				
301	LIVE LOAD	2-LANES (caseMAX	S2	25.44	118.49	-498.04	25.44	118.49	-378.32	25.44	118.49	-378.32	25.44	118.49	-258.57	
			TQ	24.28	129.67	-671.86	24.28	129.67	-557.57	24.28	129.67	-557.57	24.28	129.67	-443.25	
			M3	-191.61	-1507.20	6421.09	-187.02	-1484.07	5531.28	-187.02	-1484.07	5531.28	-167.84	-1391.24	4705.63	
			MIN	S2	-198.95	-1540.21	6169.97	-198.95	-1540.21	5233.52	-198.95	-1540.21	5233.52	-198.95	-1540.21	4296.95
			TQ	-196.53	-1554.82	6241.19	-196.53	-1554.82	5316.12	-196.53	-1554.82	5316.12	-196.53	-1554.82	4390.93	
			M3	24.52	127.57	-680.39	24.52	127.57	-564.96	24.52	127.57	-564.96	24.52	127.57	-449.51	
		3-LANES (caseMAX	S2	342.65	200.60	5203.61	236.78	126.60	5223.35	236.78	126.60	5223.35	197.55	105.90	5077.42	
			TQ	-245.84	1638.58	10394.48	-285.51	1638.58	9143.55	-285.51	1638.58	9143.55	-325.31	1638.58	7705.38	
			M3	-61.52	1524.06	11663.34	-167.66	1480.03	10796.70	-167.66	1480.03	10796.70	-197.16	1241.66	9594.38	
			MIN	S2	-384.45	1483.47	10055.98	-427.15	1471.15	9194.37	-427.15	1471.15	9194.37	-532.99	1423.61	7807.58
			TQ	39.62	-144.71	-736.38	39.62	-144.71	-549.88	39.62	-144.71	-549.88	39.62	-144.71	-363.36	
			M3	31.23	-138.12	-947.26	31.23	-138.12	-800.24	31.23	-138.12	-800.24	31.23	-138.12	-653.20	
		3-LANES (caseMAX	S2	42.87	47.84	591.59	42.06	50.94	725.25	42.06	50.94	725.25	41.19	53.39	836.01	
			TQ	28.64	81.84	-160.93	28.64	81.84	-26.15	28.64	81.84	-26.15	28.64	81.84	108.66	
			M3	-235.72	-1526.69	8621.22	-231.25	-1480.50	7487.09	-231.25	-1480.50	7487.09	-208.15	-1360.69	6414.81	
			MIN	S2	-262.75	-1548.81	8031.75	-266.20	-1551.92	6852.96	-266.20	-1551.92	6852.96	-269.45	-1554.36	5677.21
			TQ	-251.51	-1574.67	8149.92	-255.77	-1574.67	6955.89	-255.77	-1574.67	6955.89	-259.90	-1574.67	5741.97	
			M3	31.22	73.20	-889.99	31.22	73.20	-743.06	31.22	73.20	-743.06	31.22	73.20	-596.11	
		3-LANES (caseMAX	S2	42.91	97.53	604.46	42.09	100.64	738.19	42.09	100.64	738.19	41.22	103.09	849.03	
			TQ	32.84	135.90	-746.21	32.84	135.90	-591.63	32.84	135.90	-591.63	32.84	135.90	-437.03	
			M3	-235.61	-1532.75	8617.06	-231.15	-1486.56	7483.42	-231.15	-1486.56	7483.42	-208.06	-1366.76	6411.59	
			MIN	S2	-262.66	-1554.85	8027.33	-266.11	-1557.96	6849.06	-266.11	-1557.96	6849.06	-269.37	-1560.41	5673.80
			TQ	-254.89	-1579.72	8247.28	-259.15	-1579.72	7037.33	-259.15	-1579.72	7037.33	-263.28	-1579.72	5807.48	
			M3	31.25	132.53	-875.05	31.25	132.53	-727.96	31.25	132.53	-727.96	31.25	132.29	-580.85	



BAGO RIVER BRIDGE

BLOCK [ No.1 : MAIN GIRDER ][ BEAM MEMBER FORCE ]

MEMBER					2049			2050			2051					
NODE					2049			2050			2050			2051		
NAME TITLE					SHEAR	TORQUE	MOMENT	SHEAR	TORQUE	MOMENT	SHEAR	TORQUE	MOMENT	SHEAR	TORQUE	MOMENT
					S2 (kN)	TQ (kN·m)	M3 (kN·m)	S2 (kN)	TQ (kN·m)	M3 (kN·m)	S2 (kN)	TQ (kN·m)	M3 (kN·m)	S2 (kN)	TQ (kN·m)	M3 (kN·m)
301	LIVE LOAD	4-LANES	MAX	S2	24.96	75.38	-707.00	24.96	75.38	-589.53	24.96	75.38	-589.53	24.96	75.38	-472.05
				TQ	22.81	76.32	-644.13	22.81	76.32	-536.78	22.81	76.32	-536.78	22.81	76.32	-429.41
				M3	-9.56	-7.06	276.70	-9.56	-7.06	231.70	-9.56	-7.06	231.70	-9.56	-7.06	186.69
		MIN	S2	-9.56	-7.10	276.70	-9.56	-7.10	231.69	-9.56	-7.10	231.69	-9.56	-7.10	186.69	
			TQ	-5.96	-8.74	171.44	-5.96	-8.74	143.37	-5.96	-8.74	143.37	-5.96	-8.74	115.29	
			M3	24.96	75.30	-707.01	24.96	75.30	-589.55	24.96	75.30	-589.55	24.96	75.30	-472.07	
	6-LANES	MAX	S2	306.30	145.37	4685.30	216.56	138.65	4651.22	216.56	138.65	4651.22	174.62	144.89	4365.14	
			TQ	-149.39	1248.96	7358.30	-174.61	1248.96	6595.46	-174.61	1248.96	6595.46	-199.48	1248.96	5714.60	
			M3	-193.95	18.09	14827.36	-275.28	21.91	13391.60	-275.28	21.91	13391.60	-299.87	-33.24	11683.04	
		MIN	S2	-478.09	-47.80	13332.17	-524.22	-36.05	11889.28	-524.22	-36.05	11889.28	-619.57	-28.48	9992.96	
			TQ	-159.45	-1207.13	5495.87	-162.68	-1207.13	4737.73	-162.68	-1207.13	4737.73	-165.78	-1207.13	3964.56	
			M3	46.68	-8.83	-1362.56	46.68	-8.83	-1142.86	46.68	-8.83	-1142.86	46.68	-8.83	-923.12	
LIVE LOAD	MAX		342.65	1641.08	14827.36	236.78	1641.08	13391.60	236.78	1641.08	13391.60	197.55	1641.08	11683.04		
	MIN		-478.09	-1579.72	-1362.56	-524.22	-1579.72	-1142.86	-524.22	-1579.72	-1142.86	-619.57	-1579.72	-923.12		
303	SUM TOTAL	TOTAL	MAX		-404.31	1749.85	59643.95	-736.21	1749.85	54164.07	-736.21	1749.85	54164.07	-1007.76	1749.85	47332.00
			MIN		-1225.06	-1470.95	43454.03	-1497.22	-1470.95	39629.62	-1497.22	-1470.96	39629.62	-1824.88	-1470.96	34725.84

BAGO RIVER BRIDGE

BLOCK [ No.1 : MAIN GIRDER ] [ BEAM MEMBER FORCE ]

MEMBER NODE	2051	2052			2053			2054			2055					
		SHEAR S2 (kN)	TORQUE TQ (kN·m)	MOMENT M3 (kN·m)	SHEAR S2 (kN)	TORQUE TQ (kN·m)	MOMENT M3 (kN·m)	SHEAR S2 (kN)	TORQUE TQ (kN·m)	MOMENT M3 (kN·m)	SHEAR S2 (kN)	TORQUE TQ (kN·m)	MOMENT M3 (kN·m)			
														2051	2052	2053
1	PAVEMENT	-236.37	62.62	5520.13	-266.40	62.62	4336.54	-266.40	81.89	4336.22	-296.49	81.89	3006.62			
3	RAILING	-9.90	3.61	169.67	-8.32	3.61	126.78	-8.32	4.17	126.76	-6.70	4.17	91.29			
5	CURB	-98.04	35.73	1679.72	-82.34	35.73	1255.08	-82.34	41.31	1254.91	-66.30	41.31	903.82			
7	DECK WEIGHT	-386.32	98.97	9250.85	-442.75	98.97	7299.93	-442.75	131.41	7299.42	-500.51	131.41	5072.05			
8	GIRDER WEIGH	-529.98	111.40	12810.71	-617.99	111.40	10108.25	-617.99	156.32	10107.66	-706.31	156.32	6979.51			
10	MEDIAN STRIP	-89.63	3.08	3443.32	-152.95	3.08	2874.89	-152.95	15.86	2874.85	-220.60	15.86	1994.66			
21	ADITIONAL WE	-108.17	27.71	2590.24	-123.97	27.71	2043.98	-123.97	36.80	2043.84	-140.14	36.80	1420.17			
31	MEDIAN RAILI	-5.71	0.40	167.04	-8.01	0.40	134.77	-8.01	1.00	134.76	-10.33	1.00	91.48			
51	SUPPORT WEIG	-0.00	0.00	-0.00	-0.00	0.00	-0.00	-0.00	0.00	-0.00	-0.00	0.00	-0.00			
52	NOSE WEIGHT	-0.00	0.00	0.00	-0.00	0.00	0.00	-0.00	0.00	0.00	-0.00	0.00	0.00			
61	1-LANE(case1TRUCK-LOAD	MAX	S2	13.09	55.08	670.02	13.09	55.08	731.67	13.09	58.33	731.42	53.80	95.45	944.65	
			TQ	-101.77	508.94	1753.98	-101.77	508.94	1274.80	-101.77	514.60	1272.53	-101.77	514.60	791.73	
			M3	-101.55	481.21	1876.12	-99.91	476.04	1403.36	-99.91	482.27	1401.23	29.80	233.89	1126.26	
		MIN	S2	-142.34	452.95	1867.41	-103.91	502.92	1328.04	-103.91	508.82	1325.79	-103.91	508.82	834.91	
			TQ	6.22	-36.37	-114.23	6.22	-36.37	-84.95	6.22	-36.75	-84.78	6.22	-36.75	-55.41	
			M3	6.56	-34.59	-120.35	6.56	-34.59	-89.44	6.56	-34.99	-89.29	6.56	-34.99	-58.27	
		TANDEM-LOAD	MAX	S2	15.28	22.37	380.55	15.28	22.37	452.47	15.28	24.38	452.37	56.30	92.40	732.08
			TQ	-67.01	346.16	1155.09	-67.01	346.16	839.60	-67.01	349.89	838.05	-67.01	349.89	521.50	
			M3	-74.14	337.98	1298.22	-62.51	304.66	973.27	-62.51	308.98	971.90	8.38	180.28	799.03	
		MIN	S2	-116.79	285.27	1242.91	-74.80	344.04	929.62	-74.80	348.16	928.08	-74.80	348.16	574.71	
			TQ	4.30	-24.80	-78.92	4.30	-24.80	-58.69	4.30	-25.06	-58.58	4.30	-25.06	-38.27	
			M3	4.47	-23.78	-82.01	4.47	-23.78	-60.95	4.47	-24.05	-60.85	4.47	-24.05	-39.72	
		DISPERSION-LMAX	S2	10.88	-31.74	-19.14	11.13	-25.29	52.64	11.13	-25.05	52.75	17.65	-7.65	202.52	
			TQ	-112.15	716.33	2183.77	-100.88	716.33	1681.56	-100.88	723.80	1678.36	-89.54	723.80	1228.01	
			M3	-112.15	716.33	2183.77	-100.88	716.33	1681.56	-100.88	723.80	1678.36	-89.54	723.80	1228.01	
		MIN	S2	-115.28	706.83	2060.74	-104.25	700.39	1523.26	-104.25	707.15	1520.13	-99.44	689.74	956.64	
			TQ	7.75	-41.23	-142.17	7.75	-41.23	-105.66	7.75	-41.70	-105.48	7.75	-41.70	-68.85	
			M3	7.75	-41.23	-142.17	7.75	-41.23	-105.66	7.75	-41.70	-105.48	7.75	-41.70	-68.85	

BAGO RIVER BRIDGE

BLOCK [ No.1 : MAIN GIRDER ][ BEAM MEMBER FORCE ]

MEMBER				2051			2052			2053					
NODE				2051			2052			2053					
				SHEAR	TORQUE	MOMENT	SHEAR	TORQUE	MOMENT	SHEAR	TORQUE	MOMENT			
NAME	TITLE			S2 (kN)	TQ (kN·m)	M3 (kN·m)	S2 (kN)	TQ (kN·m)	M3 (kN·m)	S2 (kN)	TQ (kN·m)	M3 (kN·m)			
62	1-LANE (case2TRUCK-LOAD	MAX	S2	156.26	96.64	1451.21	78.17	89.55	1281.92	78.17	95.24	1281.51	20.88	69.91	720.27
			TQ	-64.90	144.14	1179.25	-64.90	144.14	873.71	-64.90	148.02	873.06	-64.90	148.02	566.48
			M3	46.30	110.26	1628.44	-8.76	98.85	1491.11	-8.76	105.47	1490.65	-87.78	98.94	958.67
		MIN	S2	-94.33	111.86	1597.39	-152.78	98.85	1491.11	-152.78	105.47	1490.65	-232.21	98.94	958.67
			TQ	6.18	-14.61	-112.18	6.18	-14.61	-83.09	6.18	-14.97	-83.02	6.18	-14.97	-53.83
			M3	6.31	-14.20	-114.57	6.31	-14.20	-84.84	6.31	-14.57	-84.78	6.31	-14.57	-54.95
		TANDEM-LOAD MAX	S2	131.90	66.70	1186.33	77.28	64.07	1111.23	77.28	69.01	1110.94	24.14	60.60	702.53
			TQ	-44.71	98.52	812.21	-44.71	98.52	601.73	-44.71	101.20	601.28	-44.71	101.20	390.09
			M3	33.07	68.60	1211.98	-17.70	64.84	1141.31	-17.70	69.91	1141.01	-74.86	64.58	737.34
		MIN	S2	-75.79	68.60	1211.98	-126.95	64.84	1141.31	-126.95	69.91	1141.01	-184.43	64.58	737.34
			TQ	4.18	-9.97	-75.85	4.18	-9.97	-56.18	4.18	-10.22	-56.13	4.18	-10.22	-36.40
			M3	4.30	-9.74	-78.03	4.30	-9.74	-57.79	4.30	-9.99	-57.74	4.30	-9.99	-37.43
		DISPERSION-LMAX	S2	39.42	17.70	246.63	19.99	6.11	162.45	19.99	6.83	162.42	10.20	-4.94	50.66
			TQ	-49.35	220.93	1842.65	-87.42	220.93	1520.85	-87.42	227.69	1519.85	-125.75	227.69	1016.47
			M3	-49.35	220.93	1842.65	-87.42	220.93	1520.85	-87.42	227.69	1519.85	-125.75	227.69	1016.47
MIN	S2	-81.33	186.45	1461.08	-99.97	198.04	1258.46	-99.97	203.63	1257.57	-128.51	215.40	901.08		
	TQ	7.44	-16.78	-134.95	7.44	-16.78	-99.93	7.44	-17.23	-99.86	7.44	-17.23	-64.73		
	M3	7.44	-16.78	-134.95	7.44	-16.78	-99.93	7.44	-17.23	-99.86	7.44	-17.23	-64.73		
63	1-LANE (case3TRUCK-LOAD	MAX	S2	6.13	1.26	-110.32	6.13	1.26	-81.46	6.13	0.90	-81.46	6.13	0.90	-52.50
			TQ	4.03	2.82	-72.48	4.03	2.82	-53.49	4.03	2.58	-53.50	4.03	2.58	-34.44
			M3	-51.08	-162.98	1241.76	-62.78	-134.10	929.01	-62.78	-129.97	929.59	-48.74	-80.10	655.00
		MIN	S2	-68.65	-164.45	1238.77	-68.65	-164.45	915.54	-68.65	-160.38	916.26	-68.65	-160.38	591.93
			TQ	-66.22	-170.30	1181.93	-66.22	-170.30	870.16	-66.22	-166.43	870.91	-66.22	-166.43	558.08
			M3	6.13	1.26	-110.32	6.13	1.26	-81.46	6.13	0.90	-81.46	6.13	0.90	-52.50

BAGO RIVER BRIDGE

BLOCK [ No.1 : MAIN GIRDER ][ BEAM MEMBER FORCE ]

MEMBER		2051			2052			2052			2053					
NODE		2051			2052			2052			2053					
		SHEAR	TORQUE	MOMENT	SHEAR	TORQUE	MOMENT	SHEAR	TORQUE	MOMENT	SHEAR	TORQUE	MOMENT			
NAME	TITLE	S2 (kN)	TQ (kN·m)	M3 (kN·m)	S2 (kN)	TQ (kN·m)	M3 (kN·m)	S2 (kN)	TQ (kN·m)	M3 (kN·m)	S2 (kN)	TQ (kN·m)	M3 (kN·m)			
63	1-LANE (case3TANDEM-LOAD	MAX	S2	4.17	0.90	-75.11	4.17	0.90	-55.46	4.17	0.66	-55.46	4.17	0.66	-35.74	
			TQ	2.98	1.94	-53.57	2.98	1.94	-39.53	2.37	1.79	-31.39	2.37	1.79	-20.20	
			M3	-33.19	-105.27	853.60	-45.15	-99.13	635.63	-45.15	-96.31	636.06	-35.21	-61.44	448.09	
		MIN	S2	-47.08	-115.30	838.99	-47.08	-115.30	617.32	-47.08	-112.56	617.83	-47.08	-112.56	395.40	
			TQ	-46.68	-116.77	828.77	-46.68	-116.77	609.00	-46.68	-114.07	609.52	-46.68	-114.07	389.00	
			M3	4.17	0.90	-75.11	4.17	0.90	-55.46	4.17	0.66	-55.46	4.17	0.66	-35.74	
		DISPERSION-LMAX	S2	8.29	-4.92	-5.40	7.99	-2.53	-0.77	7.99	-2.53	-0.76	7.76	-1.02	4.40	
			TQ	2.18	3.48	-36.52	2.18	3.48	-26.24	1.91	3.38	-20.63	1.91	3.38	-11.60	
			M3	-74.56	-197.14	1592.97	-79.26	-197.14	1230.68	-79.26	-191.67	1231.54	-83.86	-191.67	846.10	
		MIN	S2	-75.65	-190.48	1468.82	-80.06	-192.87	1135.80	-80.06	-187.82	1136.65	-84.42	-189.33	780.06	
			TQ	-69.54	-198.88	1499.94	-74.25	-198.88	1161.28	-73.98	-193.73	1156.52	-78.57	-193.73	796.06	
	64	1-LANE (case4TRUCK-LOAD	MAX	S2	5.79	32.74	-102.33	5.79	32.74	-75.05	5.79	32.41	-75.19	5.79	32.41	-47.82
			TQ	5.64	34.04	-99.54	5.64	34.04	-72.97	5.64	33.72	-73.12	5.64	33.72	-46.46	
			M3	-48.75	-441.52	910.77	-48.75	-441.52	681.24	-48.75	-438.49	683.19	-43.14	-408.80	471.15	
MIN			S2	-49.67	-447.16	909.11	-49.67	-447.16	675.27	-49.67	-444.16	677.25	-49.67	-444.16	442.61	
			TQ	-49.49	-449.54	888.38	-49.49	-449.54	655.34	-49.49	-446.63	657.33	-49.49	-446.63	423.51	
			M3	5.79	32.74	-102.33	5.79	32.47	-75.05	5.79	32.13	-75.20	5.79	32.13	-47.83	
		TANDEM-LOAD	MAX	S2	3.94	22.59	-69.63	3.94	22.59	-51.06	3.94	22.36	-51.16	3.94	22.36	-32.53
			TQ	3.81	23.23	-67.23	3.81	23.23	-49.28	3.81	23.01	-49.38	3.81	23.01	-31.37	
			M3	-33.18	-298.75	622.52	-33.18	-298.75	466.30	-33.18	-296.68	467.62	-28.18	-273.28	323.89	
		MIN	S2	-34.15	-305.75	617.09	-34.15	-305.75	456.29	-34.15	-303.72	457.65	-34.15	-303.72	296.30	
			TQ	-34.10	-306.41	611.31	-34.10	-306.41	450.73	-34.10	-304.41	452.09	-34.10	-304.41	290.97	
			M3	3.94	22.59	-69.63	3.94	22.59	-51.06	3.94	22.36	-51.16	3.94	22.36	-32.53	

BAGO RIVER BRIDGE

BLOCK [ No.1 : MAIN GIRDER ][ BEAM MEMBER FORCE ]

MEMBER			2051			2052			2052			2053					
NODE			2051			2052			2052			2053					
			SHEAR	TORQUE	MOMENT	SHEAR	TORQUE	MOMENT	SHEAR	TORQUE	MOMENT	SHEAR	TORQUE	MOMENT			
NAME	TITLE		S2 (kN)	TQ (kN·m)	M3 (kN·m)	S2 (kN)	TQ (kN·m)	M3 (kN·m)	S2 (kN)	TQ (kN·m)	M3 (kN·m)	S2 (kN)	TQ (kN·m)	M3 (kN·m)			
64	1-LANE (case4DISPERSION-LMAX	S2	6.76	37.45	-119.49	6.76	37.45	-87.65	6.76	37.06	-87.82	6.76	37.06	-55.87			
		TQ	6.76	37.45	-119.49	6.76	37.45	-87.65	6.76	37.06	-87.82	6.76	37.06	-55.87			
		M3	-69.82	-657.31	1285.93	-69.82	-657.31	957.21	-69.82	-653.05	960.12	-69.82	-653.05	630.28			
		MIN	S2	-69.82	-657.31	1285.93	-69.82	-657.31	957.21	-69.82	-653.05	960.12	-69.82	-653.05	630.28		
		TQ	-69.82	-657.31	1285.93	-69.82	-657.31	957.21	-69.82	-653.05	960.12	-69.82	-653.05	630.28			
		M3	6.76	37.45	-119.49	6.76	37.45	-87.65	6.76	37.06	-87.82	6.76	37.06	-55.87			
		65	2-LANES (caseTRUCK-LOAD	MAX	S2	63.51	272.42	2252.17	46.92	197.24	1973.80	46.92	206.01	1972.90	72.14	170.96	1731.75
				TQ	-179.29	828.68	3141.96	-179.29	828.68	2297.84	-179.29	838.89	2294.13	-179.29	838.89	1447.15	
				M3	-126.51	766.73	3637.91	-140.09	706.48	2865.68	-140.09	719.21	2862.51	-27.15	395.49	2174.04	
MIN	S2			-242.92	738.47	3629.21	-219.71	733.36	2790.36	-219.71	745.76	2787.07	-234.88	678.20	1868.34		
TQ	12.30			-61.87	-225.37	12.30	-61.87	-167.45	12.30	-62.61	-167.17	12.30	-62.61	-109.04			
M3	13.00			-59.01	-237.80	13.00	-59.01	-176.58	13.00	-59.79	-176.31	13.00	-59.79	-114.88			
TANDEM-LOAD	MAX			S2	54.82	193.61	1618.19	43.46	143.27	1471.49	43.46	149.81	1470.84	73.17	163.19	1451.68	
TQ	-117.67			563.26	2064.75	-117.67	563.26	1510.75	-122.47	570.15	1565.54	-122.47	570.15	986.96			
M3	-89.29			519.21	2561.56	-88.78	438.80	2023.81	-88.78	447.79	2021.84	-29.46	263.67	1555.73			
MIN	S2	-189.31	466.50	2506.25	-158.45	478.18	1980.16	-158.45	486.97	1978.02	-170.02	431.55	1331.41				
TQ	8.50	-42.19	-155.73	8.50	-42.19	-115.69	8.50	-42.71	-115.50	8.50	-42.71	-75.33					
M3	8.86	-40.55	-162.03	8.86	-40.55	-120.32	8.86	-41.09	-120.14	8.86	-41.09	-78.29					
DISPERSION-LMAX	S2	32.67	-13.23	220.14	26.11	-26.15	213.18	26.11	-25.20	213.30	28.34	-24.59	269.27				
TQ	-185.77	1183.83	4190.51	-194.68	1183.83	3294.16	-194.68	1198.46	3288.86	-203.70	1198.46	2347.28					
M3	-185.77	1183.83	4190.51	-194.68	1183.83	3294.16	-194.68	1198.46	3288.86	-203.70	1198.46	2347.28					
MIN	S2	-203.09	1126.81	3689.64	-205.45	1139.72	2872.51	-205.45	1152.48	2867.42	-216.69	1151.87	1942.37				
TQ	15.35	-70.26	-280.73	15.35	-70.26	-208.46	15.35	-71.18	-208.15	15.35	-71.18	-135.64					
M3	15.35	-70.26	-280.73	15.35	-70.26	-208.46	15.35	-71.18	-208.15	15.35	-71.18	-135.64					

BAGO RIVER BRIDGE

BLOCK [ No.1 : MAIN GIRDER ][ BEAM MEMBER FORCE ]

MEMBER				2051			2052			2053					
NODE				2051			2052			2053					
				SHEAR	TORQUE	MOMENT	SHEAR	TORQUE	MOMENT	SHEAR	TORQUE	MOMENT			
NAME	TITLE			S2 (kN)	TQ (kN·m)	M3 (kN·m)	S2 (kN)	TQ (kN·m)	M3 (kN·m)	S2 (kN)	TQ (kN·m)	M3 (kN·m)			
66	2-LANES (caseTRUCK-LOAD	MAX	S2	206.67	313.99	3033.36	111.99	231.71	2524.05	111.99	242.93	2523.00	39.22	145.43	1507.37
			TQ	-142.41	463.88	2567.24	-142.41	463.88	1896.74	-142.41	472.31	1894.66	-142.41	472.31	1221.90
			M3	21.35	395.78	3390.23	-48.94	329.29	2953.43	-48.94	342.41	2951.94	-144.73	260.54	2006.46
		MIN	S2	-194.91	397.39	3359.18	-268.59	329.29	2953.43	-268.59	342.41	2951.94	-363.17	268.33	1992.10
			TQ	12.26	-40.10	-223.33	12.26	-40.10	-165.58	12.26	-40.84	-165.40	12.26	-40.84	-107.47
			M3	12.75	-38.61	-232.02	12.75	-38.61	-171.98	12.75	-39.37	-171.81	12.75	-39.37	-111.56
		TANDEM-LOAD MAX	S2	171.44	237.94	2423.97	105.46	184.98	2130.25	105.46	194.45	2129.41	41.01	131.40	1422.12
			TQ	-95.36	315.62	1721.87	-95.36	315.62	1272.87	-100.17	321.45	1328.77	-100.17	321.45	855.55
			M3	17.92	249.83	2475.32	-43.97	198.98	2191.86	-43.97	208.72	2190.95	-112.69	147.96	1494.04
		MIN	S2	-148.31	249.83	2475.32	-210.60	198.98	2191.86	-210.60	208.72	2190.95	-279.64	147.96	1494.04
			TQ	8.38	-27.36	-152.65	8.38	-27.36	-113.18	8.38	-27.86	-113.06	8.38	-27.86	-73.46
			M3	8.69	-26.51	-158.05	8.69	-26.51	-117.16	8.69	-27.03	-117.04	8.69	-27.03	-76.00
		DISPERSION-LMAX	S2	61.21	36.20	485.90	34.97	5.25	323.00	34.97	6.69	322.97	20.89	-21.89	117.41
			TQ	-122.97	688.44	3849.39	-181.22	688.44	3133.44	-181.22	702.35	3130.35	-239.91	702.35	2135.74
			M3	-122.97	688.44	3849.39	-181.22	688.44	3133.44	-181.22	702.35	3130.35	-239.91	702.35	2135.74
MIN	S2	-169.15	606.43	3089.98	-201.16	637.38	2607.71	-201.16	648.96	2604.85	-245.77	677.53	1886.80		
	TQ	15.03	-45.81	-273.51	15.03	-45.81	-202.74	15.03	-46.71	-202.53	15.03	-46.71	-131.52		
	M3	15.03	-45.81	-273.51	15.03	-45.81	-202.74	15.03	-46.71	-202.53	15.03	-46.71	-131.52		
67	2-LANES (caseTRUCK-LOAD	MAX	S2	12.15	12.85	-217.97	12.15	12.85	-160.78	12.15	12.13	-160.83	12.15	12.13	-103.45
			TQ	9.04	16.17	-161.75	9.04	16.17	-119.20	9.04	15.64	-119.27	9.04	15.64	-76.58
			M3	-107.13	-458.27	2288.42	-116.59	-412.21	1713.44	-116.59	-404.60	1715.25	-99.64	-339.90	1190.10
		MIN	S2	-125.21	-465.32	2283.20	-125.21	-465.32	1693.67	-125.21	-457.78	1695.72	-125.21	-457.78	1104.20
			TQ	-121.59	-477.91	2185.60	-121.59	-477.91	1613.11	-121.59	-470.73	1615.22	-121.59	-470.73	1040.79
			M3	12.15	12.85	-217.97	12.15	12.85	-160.78	12.15	12.13	-160.83	12.15	12.13	-103.45

BAGO RIVER BRIDGE

BLOCK [ No.1 : MAIN GIRDER ][ BEAM MEMBER FORCE ]

MEMBER		2051			2052			2052			2053				
NODE		2051			2052			2052			2053				
		SHEAR	TORQUE	MOMENT	SHEAR	TORQUE	MOMENT	SHEAR	TORQUE	MOMENT	SHEAR	TORQUE	MOMENT		
NAME	TITLE	S2 (kN)	TQ (kN·m)	M3 (kN·m)	S2 (kN)	TQ (kN·m)	M3 (kN·m)	S2 (kN)	TQ (kN·m)	M3 (kN·m)	S2 (kN)	TQ (kN·m)	M3 (kN·m)		
67	2-LANES (caseTANDEM-LOAD	MAX	S2	8.27	8.92	-148.39	8.27	8.92	-109.45	8.27	8.43	-109.49	8.27	8.43	-70.42
			TQ	6.49	11.07	-116.24	6.49	11.07	-85.68	5.88	10.72	-77.57	5.88	10.72	-49.79
			M3	-71.56	-304.58	1570.18	-82.89	-293.66	1172.03	-82.89	-288.45	1173.32	-69.43	-234.09	813.74
		MIN	S2	-85.56	-322.99	1543.50	-85.56	-322.99	1140.65	-85.56	-317.92	1142.07	-85.56	-317.92	737.86
			TQ	-84.98	-325.86	1526.54	-84.98	-325.86	1126.44	-84.98	-320.85	1127.87	-84.98	-320.85	726.41
			M3	8.27	8.92	-148.39	8.27	8.92	-109.45	8.27	8.43	-109.49	8.27	8.43	-70.42
	DISPERSION-LMAX	S2	15.35	8.79	-129.17	15.05	11.18	-91.33	15.05	10.78	-91.37	14.82	12.28	-52.89	
		TQ	8.56	17.52	-150.44	8.56	17.52	-110.16	8.04	17.05	-101.37	8.04	17.05	-63.38	
		M3	-149.12	-625.35	3036.42	-153.83	-625.35	2323.07	-153.83	-615.02	2325.83	-158.42	-615.02	1588.13	
		MIN	S2	-150.22	-618.42	2909.96	-154.63	-620.82	2225.85	-154.63	-610.92	2228.58	-158.99	-612.43	1519.72
			TQ	-143.43	-627.15	2931.22	-148.13	-627.15	2244.68	-147.62	-617.19	2238.58	-152.21	-617.19	1530.21
			M3	14.25	15.71	-255.64	14.25	15.71	-188.55	14.25	14.87	-188.62	14.25	14.87	-121.31
68	2-LANES (caseTRUCK-LOAD	MAX	S2	11.70	55.16	-207.25	11.70	55.16	-152.18	11.70	54.48	-152.43	11.70	54.48	-97.17
			TQ	11.40	57.19	-201.81	11.40	57.19	-148.13	11.40	56.54	-148.39	11.40	56.54	-94.52
			M3	-104.81	-736.75	1957.51	-102.57	-719.59	1465.73	-102.57	-713.07	1468.91	-94.04	-668.56	1006.28
		MIN	S2	-106.23	-747.97	1953.61	-106.23	-747.97	1453.45	-106.23	-741.50	1456.76	-106.23	-741.50	954.90
			TQ	-104.87	-757.09	1892.08	-104.87	-757.09	1398.32	-104.87	-750.87	1401.67	-104.87	-750.87	906.24
			M3	11.70	55.16	-207.25	11.70	54.88	-152.19	11.70	54.20	-152.43	11.70	54.20	-97.18
	TANDEM-LOAD	MAX	S2	7.96	38.07	-141.04	7.96	38.07	-103.56	7.96	37.61	-103.72	7.96	37.61	-66.11
			TQ	7.70	39.00	-136.34	7.70	39.00	-100.07	7.70	38.56	-100.24	7.70	38.56	-63.85
			M3	-71.55	-498.03	1339.15	-70.93	-493.24	1002.74	-70.93	-488.78	1004.92	-62.40	-445.89	689.57
		MIN	S2	-72.64	-513.40	1321.64	-72.64	-513.40	979.65	-72.64	-509.04	981.92	-72.64	-509.04	638.77
			TQ	-72.41	-515.46	1309.10	-72.41	-515.46	968.19	-72.41	-511.15	970.47	-72.41	-511.15	628.40
			M3	7.96	38.07	-141.04	7.96	38.07	-103.56	7.96	37.61	-103.72	7.96	37.61	-66.11

BAGO RIVER BRIDGE

BLOCK [ No.1 : MAIN GIRDER ][ BEAM MEMBER FORCE ]

MEMBER		2051			2052			2052			2053					
NODE		2051			2052			2052			2053					
		SHEAR	TORQUE	MOMENT	SHEAR	TORQUE	MOMENT	SHEAR	TORQUE	MOMENT	SHEAR	TORQUE	MOMENT			
NAME	TITLE	S2 (kN)	TQ (kN·m)	M3 (kN·m)	S2 (kN)	TQ (kN·m)	M3 (kN·m)	S2 (kN)	TQ (kN·m)	M3 (kN·m)	S2 (kN)	TQ (kN·m)	M3 (kN·m)			
68	2-LANES (caseDISPERSION-LMAX	S2	13.68	62.48	-240.10	13.68	62.48	-175.68	13.68	61.70	-175.96	13.68	61.70	-111.33		
		TQ	13.67	62.75	-242.41	13.67	62.75	-178.03	13.67	61.95	-178.31	13.67	61.95	-113.71		
		M3	-144.32	-1087.88	2728.09	-144.32	-1087.88	2048.60	-144.32	-1078.76	2053.42	-144.32	-1078.76	1371.63		
		MIN	S2	-144.32	-1087.62	2725.77	-144.32	-1087.62	2046.26	-144.32	-1078.51	2051.07	-144.32	-1078.51	1369.26	
		TQ	-144.32	-1087.88	2728.09	-144.32	-1087.88	2048.60	-144.32	-1078.76	2053.42	-144.32	-1078.76	1371.63		
		M3	13.67	62.75	-242.41	13.67	62.75	-178.03	13.67	61.95	-178.31	13.67	61.95	-113.71		
		MAX	S2	219.76	369.06	3703.38	125.08	286.79	3255.72	125.08	301.26	3254.41	93.02	240.88	2452.02	
		TQ	-244.18	972.82	4321.22	-244.18	972.82	3171.55	-244.18	986.91	3167.19	-244.18	986.91	2013.63		
		M3	-80.21	876.99	5266.35	-148.85	805.33	4356.79	-148.85	824.68	4353.17	-114.93	494.43	3132.71		
69	3-LANES (caseTRUCK-LOAD	MIN	S2	-337.26	850.33	5226.60	-372.49	832.21	4281.47	-372.49	851.23	4277.73	-467.08	777.14	2827.01	
		TQ	18.48	-76.47	-337.55	18.48	-76.47	-250.53	18.48	-77.59	-250.19	18.48	-77.59	-162.87		
		M3	19.32	-73.20	-352.37	19.32	-73.20	-261.42	19.32	-74.36	-261.09	19.32	-74.36	-169.84		
		TANDEM-LOAD	MAX	S2	186.72	260.31	2804.52	120.74	207.35	2582.72	120.74	218.82	2581.78	97.31	223.80	2154.21
		TQ	-162.37	661.78	2876.96	-162.37	661.78	2112.47	-167.18	671.34	2166.82	-167.18	671.34	1377.05		
		M3	-56.22	587.81	3773.54	-106.48	503.64	3165.12	-106.48	517.70	3162.85	-104.32	328.24	2293.07		
		MIN	S2	-265.10	535.10	3718.23	-285.40	543.02	3121.47	-285.40	556.88	3119.03	-354.45	496.13	2068.75	
		TQ	12.68	-52.16	-231.58	12.68	-52.16	-171.87	12.68	-52.92	-171.64	12.68	-52.92	-111.73		
		M3	13.16	-50.29	-240.07	13.16	-50.29	-178.11	13.16	-51.08	-177.88	13.16	-51.08	-115.72		
		DISPERSION-LMAX	S2	72.09	4.47	466.77	46.10	-20.04	375.64	46.10	-18.37	375.72	38.55	-29.53	319.94	
		TQ	-235.12	1404.77	6033.16	-282.10	1404.77	4815.01	-282.10	1426.15	4808.72	-329.44	1426.15	3363.75		
		M3	-235.12	1404.77	6033.16	-282.10	1404.77	4815.01	-282.10	1426.15	4808.72	-329.44	1426.15	3363.75		
		MIN	S2	-284.43	1313.26	5150.72	-305.42	1337.77	4130.97	-305.42	1356.11	4124.99	-345.20	1367.28	2843.45	
		TQ	22.78	-87.04	-415.67	22.78	-87.04	-308.40	22.78	-88.41	-308.01	22.78	-88.41	-200.37		
		M3	22.78	-87.04	-415.67	22.78	-87.04	-308.40	22.78	-88.41	-308.01	22.78	-88.41	-200.37		



BAGO RIVER BRIDGE

BLOCK [ No.1 : MAIN GIRDER ][ BEAM MEMBER FORCE ]

MEMBER				2051			2052			2053					
NODE				2051			2052			2053					
				SHEAR	TORQUE	MOMENT	SHEAR	TORQUE	MOMENT	SHEAR	TORQUE	MOMENT			
NAME	TITLE			S2 (kN)	TQ (kN·m)	M3 (kN·m)	S2 (kN)	TQ (kN·m)	M3 (kN·m)	S2 (kN)	TQ (kN·m)	M3 (kN·m)			
70	3-LANES (caseTRUCK-LOAD	MAX	S2	18.06	34.76	-323.02	18.06	34.76	-238.01	18.06	33.71	-238.17	18.06	33.71	-152.87
			TQ	14.34	40.43	-255.81	14.34	40.43	-188.29	14.34	39.59	-188.46	14.34	39.59	-120.71
			M3	-155.88	-899.85	3199.14	-165.34	-853.79	2394.64	-165.34	-843.14	2398.41	-142.78	-748.76	1661.23
		MIN	S2	-174.88	-912.54	3192.27	-174.88	-912.54	2368.91	-174.88	-902.00	2372.94	-174.88	-902.00	1546.80
			TQ	-171.09	-927.51	3073.94	-171.09	-927.51	2268.42	-171.09	-917.42	2272.52	-171.09	-917.42	1464.28
			M3	18.06	34.76	-323.02	18.06	34.76	-238.01	18.06	33.71	-238.17	18.05	33.48	-152.87
		TANDEM-LOAD MAX	S2	12.29	24.04	-219.89	12.29	24.04	-162.02	12.29	23.32	-162.12	12.29	23.32	-104.05
			TQ	10.04	27.66	-179.11	10.04	27.66	-131.84	9.43	27.10	-123.80	9.43	27.10	-79.27
			M3	-104.74	-603.37	2192.67	-116.07	-592.45	1638.31	-116.07	-585.16	1640.92	-97.60	-507.40	1137.62
		MIN	S2	-119.71	-628.78	2160.57	-119.71	-628.78	1596.92	-119.71	-621.68	1599.70	-119.71	-621.68	1034.15
			TQ	-119.08	-632.32	2137.82	-119.08	-632.32	1577.15	-119.08	-625.30	1579.95	-119.08	-625.30	1017.38
			M3	12.29	24.04	-219.89	12.29	24.04	-162.02	12.29	23.32	-162.12	12.29	23.32	-104.05
		DISPERSION-LMAX	S2	22.25	34.92	-251.86	21.95	37.32	-181.51	21.95	36.51	-181.68	21.72	38.02	-110.59
			TQ	15.46	43.65	-273.12	15.46	43.65	-200.35	14.94	42.78	-191.67	14.94	42.78	-121.08
			M3	-219.01	-1280.40	4323.72	-223.71	-1280.40	3281.33	-223.71	-1265.81	3286.98	-228.31	-1265.81	2219.13
MIN	S2	-220.11	-1273.48	4197.26	-224.52	-1275.87	3184.10	-224.52	-1261.71	3189.74	-228.88	-1263.22	2150.71		
	TQ	-213.32	-1282.21	4218.52	-218.02	-1282.21	3202.93	-217.51	-1267.98	3199.73	-222.10	-1267.98	2161.20		
	M3	21.15	41.85	-378.32	21.15	41.85	-278.74	21.15	40.61	-278.92	21.15	40.61	-179.01		
71	3-LANES (caseTRUCK-LOAD	MAX	S2	17.71	67.24	-314.78	17.71	67.24	-231.41	17.71	66.21	-231.70	17.71	66.21	-148.04
			TQ	17.30	69.49	-307.30	17.30	69.49	-225.84	17.30	68.49	-226.15	17.30	68.49	-144.42
			M3	-155.88	-899.68	3199.36	-165.36	-853.64	2394.83	-165.36	-842.99	2398.60	-142.80	-748.63	1661.32
		MIN	S2	-174.89	-912.37	3192.46	-174.89	-912.37	2369.04	-174.89	-901.83	2373.07	-174.89	-901.83	1546.86
			TQ	-171.09	-927.33	3074.07	-171.09	-927.33	2268.52	-171.09	-917.24	2272.62	-171.09	-917.24	1464.34
			M3	17.71	67.24	-314.78	17.71	66.96	-231.41	17.71	65.93	-231.70	17.71	65.93	-148.05

BAGO RIVER BRIDGE

BLOCK [ No.1 : MAIN GIRDER ][ BEAM MEMBER FORCE ]

MEMBER				2051			2052			2053						
NODE				2051			2052			2053						
				SHEAR	TORQUE	MOMENT	SHEAR	TORQUE	MOMENT	SHEAR	TORQUE	MOMENT				
NAME	TITLE			S2 (kN)	TQ (kN·m)	M3 (kN·m)	S2 (kN)	TQ (kN·m)	M3 (kN·m)	S2 (kN)	TQ (kN·m)	M3 (kN·m)				
71	3-LANES (caseTANDEM-LOAD	MAX	S2	12.05	46.44	-214.23	12.05	46.44	-157.48	12.05	45.74	-157.68	12.05	45.74	-100.74	
			TQ	11.78	47.43	-209.28	11.78	47.43	-153.80	11.78	46.75	-154.01	11.78	46.75	-98.35	
			M3	-104.74	-603.27	2192.83	-116.09	-592.35	1638.42	-116.09	-585.06	1641.04	-97.62	-507.31	1137.69	
		MIN	S2	-119.72	-628.66	2160.68	-119.72	-628.66	1597.00	-119.72	-621.56	1599.78	-119.72	-621.56	1034.19	
			TQ	-119.09	-632.20	2137.92	-119.09	-632.20	1577.22	-119.09	-625.18	1580.01	-119.09	-625.18	1017.41	
			M3	12.05	46.44	-214.23	12.05	46.44	-157.48	12.05	45.74	-157.68	12.05	45.74	-100.74	
	DISPERSION-LMAX	MAX	S2	21.84	68.94	-242.18	21.54	71.33	-173.86	21.54	70.56	-174.17	21.30	72.07	-105.08	
			TQ	20.76	75.87	-366.65	20.76	75.87	-268.91	20.78	74.68	-267.50	20.78	74.68	-169.32	
			M3	-218.81	-1287.36	4319.73	-223.52	-1287.36	3278.28	-223.52	-1272.78	3283.97	-228.11	-1272.78	2217.03	
		MIN	S2	-219.91	-1280.44	4193.17	-224.32	-1282.83	3181.02	-224.32	-1268.69	3186.69	-228.69	-1270.19	2148.61	
			TQ	-218.83	-1287.37	4317.65	-223.54	-1287.37	3276.07	-223.57	-1272.81	3280.01	-228.16	-1272.81	2212.85	
			M3	20.73	75.86	-368.74	20.73	75.86	-271.12	20.73	74.66	-271.45	20.73	74.66	-173.50	
72	4-LANES	TRUCK-LOAD	MAX	S2	23.79	66.06	-424.45	23.79	66.06	-312.42	23.79	64.67	-312.71	23.79	64.67	-200.30
				TQ	23.79	66.06	-424.45	23.79	66.06	-312.42	23.79	64.67	-312.71	23.79	64.67	-200.30
				M3	-7.21	-3.70	129.56	-7.21	-3.70	95.63	-7.21	-3.28	95.64	-7.21	-3.28	61.60
		MIN	S2	-7.21	-3.70	129.56	-7.21	-3.70	95.63	-7.21	-3.28	95.64	-7.21	-3.28	61.60	
			TQ	-2.47	-5.19	44.18	-2.47	-5.19	32.55	-1.45	-5.08	18.95	-1.45	-5.08	12.12	
			M3	23.79	66.06	-424.45	23.79	66.06	-312.42	23.79	64.67	-312.71	23.79	64.67	-200.30	
	TANDEM-LOAD	MAX	S2	16.23	46.99	-289.43	16.23	46.99	-213.01	16.23	46.04	-213.22	16.23	46.04	-136.53	
			TQ	16.23	46.99	-289.43	16.23	46.99	-213.01	16.23	46.04	-213.22	16.23	46.04	-136.53	
			M3	-4.90	-2.65	88.02	-4.90	-2.65	64.96	-4.90	-2.36	64.98	-4.90	-2.36	41.84	
		MIN	S2	-4.90	-2.65	88.02	-4.90	-2.65	64.96	-4.90	-2.36	64.98	-4.90	-2.36	41.84	
			TQ	-1.57	-3.56	28.12	-1.57	-3.56	20.71	-0.95	-3.48	12.43	-0.95	-3.48	7.94	
			M3	16.23	46.99	-289.43	16.23	46.99	-213.01	16.23	46.04	-213.22	16.23	46.04	-136.53	

BAGO RIVER BRIDGE

BLOCK [ No.1 : MAIN GIRDER ][ BEAM MEMBER FORCE ]

MEMBER				2051			2052			2053							
NODE				2051			2052			2053							
				SHEAR	TORQUE	MOMENT	SHEAR	TORQUE	MOMENT	SHEAR	TORQUE	MOMENT					
NAME	TITLE			S2 (kN)	TQ (kN·m)	M3 (kN·m)	S2 (kN)	TQ (kN·m)	M3 (kN·m)	S2 (kN)	TQ (kN·m)	M3 (kN·m)					
72	4-LANES	DISPERSION-LMAX	S2	16.90	38.62	-301.89	16.90	38.62	-222.35	16.90	37.63	-222.52	16.90	37.63	-142.70		
			TQ	12.33	40.66	-219.62	12.33	40.66	-161.55	11.90	39.96	-155.96	11.90	39.96	-99.74		
			M3	-8.77	-4.47	157.63	-8.77	-4.47	116.35	-8.77	-3.95	116.37	-8.77	-3.95	74.95		
		MIN	S2	-8.77	-4.47	157.63	-8.77	-4.47	116.35	-8.77	-3.95	116.37	-8.77	-3.95	74.95		
			TQ	-4.38	-6.44	78.51	-4.38	-6.44	57.88	-3.96	-6.20	52.35	-3.96	-6.20	33.62		
			M3	16.90	38.62	-301.89	16.90	38.62	-222.35	16.90	37.63	-222.52	16.90	37.63	-142.70		
		73	6-LANES	TRUCK-LOAD MAX	S2	264.60	262.46	4546.17	154.16	255.98	3897.47	154.16	273.29	3896.30	102.10	241.44	2696.32
					TQ	-209.57	928.81	3710.90	-209.57	928.81	2724.20	-209.57	940.90	2720.05	-209.57	940.90	1730.01
					M3	-204.53	-31.24	8486.22	-282.36	-42.64	6835.32	-282.36	-12.27	6835.44	-260.72	-196.78	4807.83
MIN	S2			-509.94	-59.21	8446.66	-554.66	-57.27	6669.47	-554.66	-27.63	6669.66	-679.90	-35.12	4442.31		
	TQ			-156.52	-895.05	2808.69	-156.52	-895.05	2071.76	-156.52	-885.84	2075.72	-156.52	-885.84	1336.29		
	M3			37.02	-6.76	-667.06	37.02	-7.03	-492.78	37.02	-9.22	-492.74	37.02	-9.22	-317.87		
TANDEM-LOAD MAX	S2			221.54	164.34	3494.02	145.18	162.43	3144.37	145.18	176.40	3143.62	101.75	233.06	2517.99		
	TQ			-139.77	632.56	2475.31	-139.77	632.56	1817.26	-142.63	640.78	1853.16	-142.63	640.78	1179.36		
	M3			-140.02	-27.86	5999.02	-201.24	-61.33	4886.61	-201.24	-39.61	4886.83	-197.80	-92.02	3455.87		
MIN	S2			-381.00	-90.60	5943.82	-421.73	-38.36	4825.03	-421.73	-16.92	4825.16	-505.20	-21.53	3181.95		
	TQ			-109.68	-610.79	1964.44	-109.68	-610.79	1448.02	-109.68	-604.35	1450.72	-109.68	-604.35	932.56		
	M3			25.21	-4.39	-454.23	25.21	-4.39	-335.55	25.21	-5.88	-335.52	25.21	-5.88	-216.44		
DISPERSION-LMAX	S2			90.61	55.26	159.94	64.56	37.18	150.55	64.56	37.85	150.38	57.17	32.23	181.34		
	TQ			-202.05	1364.21	5145.16	-239.77	1364.21	4104.55	-240.02	1382.45	4103.68	-277.36	1382.45	2881.11		
	M3			-420.73	165.70	9479.54	-464.53	158.76	7402.97	-464.53	191.66	7402.19	-506.81	199.89	5091.93		
MIN	S2	-466.66	81.72	8582.84	-489.89	100.19	6718.45	-489.89	130.04	6717.94	-531.67	137.66	4572.85				
	TQ	-177.78	-1260.79	3524.40	-182.37	-1260.79	2676.49	-181.85	-1248.90	2673.21	-186.30	-1248.90	1803.49				
	M3	41.75	-16.81	-752.85	41.75	-16.81	-556.30	41.75	-19.28	-556.22	41.75	-19.28	-359.00				

BAGO RIVER BRIDGE

BLOCK [ No.1 : MAIN GIRDER ][ BEAM MEMBER FORCE ]

MEMBER			2051			2052			2053			2052			
NODE			2051			2052			2052			2053			
NAME TITLE			SHEAR	TORQUE	MOMENT	SHEAR	TORQUE	MOMENT	SHEAR	TORQUE	MOMENT	SHEAR	TORQUE	MOMENT	
			S2 (kN)	TQ (kN·m)	M3 (kN·m)	S2 (kN)	TQ (kN·m)	M3 (kN·m)	S2 (kN)	TQ (kN·m)	M3 (kN·m)	S2 (kN)	TQ (kN·m)	M3 (kN·m)	
124	SUM TOTAL	D+1LANE (caseMAX	S2	-1435.36	371.54	36412.73	-1673.66	379.28	29121.40	-1673.66	508.69	29119.43	-1861.63	574.12	20936.20
			TQ	-1720.83	1813.85	40356.97	-1945.91	1813.85	31727.86	-1945.91	1954.83	31719.49	-2176.95	1954.83	21983.29
			M3	-1720.57	1780.57	40503.53	-1943.67	1774.37	31882.13	-1943.67	1916.04	31873.93	-2019.07	1617.98	22384.72
		MIN	S2	-1773.27	1735.27	40345.45	-1952.52	1787.50	31601.78	-1952.52	1927.92	31593.53	-2191.40	1907.03	21709.46
			TQ	-1447.36	250.41	35324.00	-1685.96	250.41	27951.49	-1685.96	374.62	27950.11	-1930.62	374.62	19410.50
			M3	-1446.95	252.54	35316.65	-1685.55	252.54	27946.10	-1685.55	376.73	27944.70	-1930.20	376.73	19407.06
		D+1LANE (caseMAX	S2	-1229.32	480.74	37669.08	-1584.95	458.32	29913.48	-1584.95	591.24	29911.14	-1910.08	546.72	20484.72
			TQ	-1601.22	781.62	39257.95	-1885.50	781.62	31053.69	-1885.50	919.61	31049.91	-2176.15	919.61	21459.14
			M3	-1467.79	740.96	39796.98	-1818.14	727.27	31794.57	-1818.14	868.55	31791.03	-2203.61	860.72	21929.77
		MIN	S2	-1674.93	701.50	39301.83	-2006.03	699.80	31479.71	-2006.03	839.69	31476.29	-2380.25	845.97	21791.30
			TQ	-1447.79	305.86	35335.12	-1686.39	305.86	27960.60	-1686.39	430.11	27958.96	-1931.04	430.11	19417.33
			M3	-1447.63	306.35	35332.25	-1686.23	306.35	27958.49	-1686.23	430.60	27956.85	-1930.88	430.60	19415.98
		D+1LANE (caseMAX	S2	-1446.82	339.14	35492.81	-1685.78	342.01	28081.55	-1685.78	466.80	28079.76	-1930.71	468.61	19501.87
			TQ	-1456.67	351.09	35500.87	-1695.27	351.09	28084.55	-1695.60	475.91	28089.46	-1940.25	475.91	19504.35
			M3	-1614.90	-88.61	39033.34	-1873.18	-53.96	30771.85	-1873.18	82.79	30771.78	-2106.51	142.64	21360.92
		MIN	S2	-1637.29	-82.39	38880.78	-1881.19	-85.26	30641.83	-1881.19	50.91	30641.91	-2131.07	49.11	21205.99
			TQ	-1627.04	-99.48	38849.92	-1871.29	-99.48	30617.94	-1870.97	36.57	30611.33	-2121.13	36.57	21184.56
			M3	-1448.13	347.13	35343.83	-1686.74	347.13	27967.70	-1686.74	471.42	27965.88	-1931.39	471.42	19422.62
		D+1LANE (caseMAX	S2	-1449.06	427.77	35365.49	-1687.66	427.77	27984.98	-1687.66	552.13	27982.81	-1932.32	552.13	19435.17
			TQ	-1449.24	429.32	35368.83	-1687.84	429.32	27987.48	-1687.84	553.69	27985.30	-1932.50	553.69	19436.81
			M3	-1606.41	-975.07	38267.71	-1845.02	-975.07	30146.35	-1845.02	-841.09	30150.39	-2082.94	-805.46	20881.32
		MIN	S2	-1607.51	-981.84	38265.71	-1846.11	-981.84	30139.19	-1846.11	-847.89	30143.26	-2090.77	-847.89	20847.07
			TQ	-1607.30	-984.70	38240.84	-1845.91	-984.70	30115.28	-1845.91	-850.86	30119.36	-2090.56	-850.86	20824.15
			M3	-1449.06	427.77	35365.49	-1687.66	427.43	27984.98	-1687.66	551.79	27982.80	-1932.32	551.79	19435.16

BAGO RIVER BRIDGE

BLOCK [ No.1 : MAIN GIRDER ][ BEAM MEMBER FORCE ]

MEMBER			2051			2052			2053			2052			
NODE			2051			2052			2052			2053			
NAME TITLE			SHEAR	TORQUE	MOMENT	SHEAR	TORQUE	MOMENT	SHEAR	TORQUE	MOMENT	SHEAR	TORQUE	MOMENT	
			S2 (kN)	TQ (kN·m)	M3 (kN·m)	S2 (kN)	TQ (kN·m)	M3 (kN·m)	S2 (kN)	TQ (kN·m)	M3 (kN·m)	S2 (kN)	TQ (kN·m)	M3 (kN·m)	
124	SUM TOTAL	D+2LANES (casMAX	S2	-1367.95	602.72	38103.98	-1629.70	514.63	30367.21	-1629.70	649.57	30364.62	-1846.90	615.13	21560.62
			TQ	-1829.18	2356.05	42964.14	-2076.70	2356.05	33772.22	-2076.70	2506.10	33761.42	-2330.37	2506.10	23354.02
			M3	-1776.41	2294.09	43460.08	-2037.50	2233.84	34340.06	-2037.50	2386.43	34329.79	-2178.23	2062.71	24080.92
		MIN	S2	-1910.14	2208.81	42950.52	-2127.89	2216.61	33843.09	-2127.89	2366.99	33832.91	-2398.95	2298.83	23370.31
			TQ	-1436.48	211.40	35125.57	-1675.08	211.40	27804.32	-1675.08	334.96	27803.10	-1919.73	334.96	19314.92
			M3	-1435.78	214.27	35113.14	-1674.38	214.27	27795.18	-1674.38	337.78	27793.96	-1919.03	337.78	19309.08
		D+2LANES (casMAX	S2	-1196.25	693.72	39150.93	-1555.77	580.49	31027.27	-1555.77	718.37	31024.38	-1887.28	592.30	21184.38
			TQ	-1729.51	1495.85	42048.29	-2026.36	1495.85	33210.41	-2026.36	1643.42	33203.44	-2329.70	1643.42	22917.24
			M3	-1565.75	1427.75	42871.29	-1932.90	1361.26	34267.09	-1932.90	1513.53	34260.71	-2332.02	1431.66	23701.79
		MIN	S2	-1828.19	1347.34	42080.83	-2172.48	1310.20	33741.36	-2172.48	1460.13	33735.21	-2556.32	1414.62	23438.50
			TQ	-1436.83	257.62	35134.84	-1675.44	257.62	27811.90	-1675.44	381.21	27810.48	-1920.09	381.21	19320.61
			M3	-1436.34	259.11	35126.14	-1674.95	259.11	27805.51	-1674.95	382.68	27804.08	-1919.60	382.68	19316.51
		D+2LANES (casMAX	S2	-1436.63	365.17	35284.52	-1675.53	367.56	27928.12	-1675.53	491.67	27926.21	-1920.42	493.17	19403.26
			TQ	-1446.54	377.21	35319.48	-1685.14	377.21	27950.86	-1685.65	501.44	27957.78	-1930.30	501.44	19419.64
			M3	-1720.38	-740.09	40956.51	-1973.15	-694.03	32216.73	-1973.15	-550.86	32219.50	-2205.44	-486.16	22337.83
		MIN	S2	-1739.56	-740.21	40824.83	-1982.57	-742.61	32099.74	-1982.57	-599.95	32102.73	-2231.59	-601.45	22183.51
			TQ	-1729.15	-761.53	40748.49	-1972.46	-761.53	32038.01	-1971.94	-619.17	32032.21	-2221.19	-619.17	22130.59
			M3	-1437.73	372.09	35158.06	-1676.34	372.09	27830.89	-1676.34	495.76	27828.96	-1920.99	495.76	19334.84
		D+2LANES (casMAX	S2	-1438.75	461.17	35184.32	-1677.35	461.17	27852.36	-1677.35	584.94	27850.03	-1922.01	584.94	19351.10
			TQ	-1439.05	463.47	35187.44	-1677.66	463.47	27854.06	-1677.66	587.25	27851.72	-1922.31	587.25	19351.37
			M3	-1713.25	-1481.10	40317.27	-1949.62	-1463.94	31694.56	-1949.62	-1323.07	31700.75	-2185.74	-1278.56	21937.51
		MIN	S2	-1714.68	-1492.06	40311.05	-1953.29	-1492.06	31679.93	-1953.29	-1351.26	31686.24	-2197.94	-1351.26	21883.75
			TQ	-1713.32	-1501.44	40251.84	-1951.92	-1501.44	31627.15	-1951.92	-1360.88	31633.51	-2196.57	-1360.88	21837.47
			M3	-1438.76	461.43	35182.00	-1677.36	461.15	27850.01	-1677.36	584.91	27847.68	-1922.01	584.91	19348.71

BAGO RIVER BRIDGE

BLOCK [ No.1 : MAIN GIRDER ] [ BEAM MEMBER FORCE ]

MEMBER			2051			2052			2053			2052				
NODE			2051			2052			2052			2053				
NAME TITLE			SHEAR	TORQUE	MOMENT	SHEAR	TORQUE	MOMENT	SHEAR	TORQUE	MOMENT	SHEAR	TORQUE	MOMENT		
			S2 (kN)	TQ (kN·m)	M3 (kN·m)	S2 (kN)	TQ (kN·m)	M3 (kN·m)	S2 (kN)	TQ (kN·m)	M3 (kN·m)	S2 (kN)	TQ (kN·m)	M3 (kN·m)		
124	SUM TOTAL	D+3LANES (casMAX	S2	-1216.05	661.03	39176.30	-1557.23	570.27	31266.88	-1557.23	709.21	31264.04	-1835.55	648.40	21915.76	
			TQ	-1871.54	2364.48	44432.89	-2150.07	2364.48	34968.79	-2150.07	2519.86	34957.94	-2434.96	2519.86	24130.37	
			M3	-1732.16	2283.02	45236.25	-2069.04	2222.11	35976.25	-2069.04	2381.97	35966.02	-2325.10	2101.25	25081.59	
		MIN	S2	-1992.56	2182.58	44452.39	-2278.95	2188.01	35330.80	-2278.95	2345.00	35320.72	-2637.83	2291.51	24379.49	
			TQ	-1429.05	204.54	34991.43	-1667.65	204.54	27705.13	-1667.65	327.66	27703.95	-1912.31	327.66	19250.84	
			M3	-1428.34	207.32	34978.83	-1666.95	207.32	27695.88	-1666.95	330.40	27694.68	-1911.60	330.40	19244.92	
		D+3LANES (casMAX	S2	-1429.87	402.76	35143.02	-1668.73	404.80	27823.62	-1668.73	528.44	27821.55	-1913.57	529.72	19335.66	
			TQ	-1438.80	415.00	35182.07	-1677.40	415.00	27849.88	-1677.84	538.77	27855.30	-1922.49	538.77	19354.08	
			M3	-1782.78	-1509.68	42026.10	-2033.42	-1470.54	33004.79	-2033.42	-1323.85	33011.00	-2262.80	-1243.62	22857.90	
		MIN	S2	-1799.87	-1514.58	41912.77	-2042.21	-1516.62	32900.28	-2042.21	-1370.40	32906.70	-2290.57	-1371.68	22702.48	
			TQ	-1790.87	-1534.73	41830.26	-2033.47	-1534.73	32830.88	-2033.03	-1388.84	32829.84	-2281.59	-1388.84	22641.26	
			M3	-1430.80	408.65	35035.53	-1669.41	408.65	27740.98	-1669.41	531.92	27738.89	-1914.06	531.73	19277.50	
		D+3LANES (casMAX	S2	-1430.51	459.28	35158.25	-1669.37	461.32	27835.75	-1669.37	585.01	27833.43	-1914.22	586.29	19344.44	
			TQ	-1431.78	467.09	35058.81	-1670.38	467.09	27759.69	-1670.36	590.45	27758.82	-1915.01	590.45	19292.92	
			M3	-1782.61	-1515.46	42022.89	-2033.28	-1476.33	33002.36	-2033.28	-1329.65	33008.60	-2262.66	-1249.44	22856.20	
		MIN	S2	-1799.71	-1520.36	41909.46	-2042.06	-1522.39	32897.77	-2042.06	-1376.18	32904.21	-2290.42	-1377.46	22700.75	
			TQ	-1795.57	-1538.97	41914.63	-2038.17	-1538.97	32893.13	-2038.19	-1392.78	32898.15	-2286.75	-1392.78	22685.21	
			M3	-1431.45	465.17	35050.68	-1670.06	464.93	27753.08	-1670.06	588.26	27750.74	-1914.71	588.26	19286.28	
		D+4LANES	MAX	S2	-1437.68	411.57	35159.55	-1676.28	411.57	27832.62	-1676.28	535.25	27830.52	-1920.94	535.25	19336.65
			TQ	-1440.64	412.90	35213.03	-1679.25	412.90	27872.14	-1679.53	536.77	27873.78	-1924.18	536.77	19364.57	
			M3	-1474.51	338.22	35818.34	-1713.11	338.22	28318.01	-1713.11	464.06	28316.23	-1957.77	464.06	19648.35	
		MIN	S2	-1474.51	338.22	35818.34	-1713.11	338.22	28318.01	-1713.11	464.06	28316.23	-1957.77	464.06	19648.35	
			TQ	-1468.58	335.96	35711.42	-1707.19	335.96	28239.00	-1706.25	461.43	28224.76	-1950.90	461.43	19589.33	
			M3	-1437.68	411.57	35159.55	-1676.28	411.57	27832.62	-1676.28	535.25	27830.52	-1920.94	535.25	19336.65	

BAGO RIVER BRIDGE

BLOCK [ No.1 : MAIN GIRDER ][ BEAM MEMBER FORCE ]

MEMBER					2051			2052			2053					
NODE					2051			2052			2053					
					SHEAR	TORQUE	MOMENT	SHEAR	TORQUE	MOMENT	SHEAR	TORQUE	MOMENT			
NAME TITLE					S2 (kN)	TQ (kN·m)	M3 (kN·m)	S2 (kN)	TQ (kN·m)	M3 (kN·m)	S2 (kN)	TQ (kN·m)	M3 (kN·m)			
124	SUM TOTAL	D+6LANES	MAX	S2	-1233.24	550.05	38690.64	-1560.57	534.08	30811.44	-1560.57	671.00	30808.76	-1843.86	646.64	21430.08
				TQ	-1731.68	1833.99	41388.10	-1994.80	1833.99	32618.91	-1994.96	1978.94	32613.84	-2263.89	1978.94	22556.83
				M3	-1870.54	430.93	47309.41	-2188.21	419.01	37435.11	-2188.21	585.36	37432.88	-2446.28	470.78	25994.44
			MIN	S2	-2098.92	358.16	46700.84	-2381.69	371.43	36882.37	-2381.69	535.33	36880.36	-2734.91	535.40	25419.45
				TQ	-1681.42	-1057.77	39748.17	-1923.01	-1057.77	31266.59	-1922.67	-918.82	31265.22	-2170.21	-918.82	21600.45
				M3	-1412.93	328.21	34708.72	-1651.53	328.03	27498.33	-1651.53	450.23	27496.60	-1896.19	450.23	19119.64
	SUM TOTAL		MAX		-1196.25	2364.48	47309.41	-1555.77	2364.48	37435.11	-1555.77	2519.86	37432.88	-1835.55	2519.86	25994.44
			MIN		-2098.92	-1538.97	34708.72	-2381.69	-1538.97	27498.33	-2381.69	-1392.78	27496.60	-2734.91	-1392.78	19119.64
300	DEAD LOAD	TOTAL			-1464.13	343.53	35631.67	-1702.73	343.53	28180.22	-1702.73	468.76	28178.42	-1947.38	468.76	19559.60
301	LIVE LOAD	1-LANE(case1MAX	S2		28.77	28.01	781.06	29.07	35.75	941.18	29.07	39.93	941.01	85.75	105.36	1376.61
			TQ		-256.71	1470.32	4725.30	-243.18	1470.32	3547.64	-243.18	1486.08	3541.07	-229.57	1486.08	2423.69
			M3		-256.44	1437.04	4871.86	-240.94	1430.84	3701.91	-240.94	1447.28	3695.51	-71.69	1149.22	2825.12
			MIN	S2	-309.14	1391.74	4713.78	-249.79	1443.97	3421.56	-249.79	1459.16	3415.11	-244.01	1438.27	2149.86
				TQ	16.77	-93.12	-307.67	16.77	-93.12	-228.73	16.77	-94.14	-228.31	16.77	-94.14	-149.10
				M3	17.18	-90.99	-315.02	17.18	-90.99	-234.12	17.18	-92.03	-233.72	17.18	-92.03	-152.54
		1-LANE(case2MAX	S2		234.81	137.21	2037.41	117.78	114.79	1733.25	117.78	122.49	1732.72	37.30	77.97	925.12
			TQ		-137.10	438.09	3626.29	-182.77	438.09	2873.47	-182.77	450.85	2871.50	-228.77	450.85	1899.54
			M3		-3.66	397.43	4165.31	-115.41	383.74	3614.35	-115.41	399.80	3612.61	-256.23	391.96	2370.17
			MIN	S2	-210.80	357.97	3670.16	-303.30	356.27	3299.48	-303.30	370.93	3297.87	-432.86	377.22	2231.70
				TQ	16.34	-37.67	-296.55	16.34	-37.67	-219.62	16.34	-38.64	-219.46	16.34	-38.64	-142.27
				M3	16.50	-37.17	-299.42	16.50	-37.17	-221.73	16.50	-38.16	-221.57	16.50	-38.16	-143.62
		1-LANE(case3MAX	S2		17.31	-4.39	-138.86	16.95	-1.52	-98.67	16.95	-1.95	-98.66	16.67	-0.15	-57.72
			TQ		7.46	7.56	-130.80	7.46	7.56	-95.68	7.14	7.15	-88.96	7.14	7.15	-55.25
			M3		-150.77	-432.14	3401.67	-170.45	-397.48	2591.62	-170.45	-385.96	2593.36	-159.12	-326.12	1801.32
			MIN	S2	-173.17	-425.92	3249.11	-178.45	-428.79	2461.61	-178.45	-417.85	2463.49	-183.69	-419.65	1646.39
				TQ	-162.91	-443.01	3218.25	-168.56	-443.01	2437.72	-168.23	-432.19	2432.92	-173.75	-432.19	1624.96
				M3	16.00	3.60	-287.83	16.00	3.60	-212.53	16.00	2.66	-212.54	16.00	2.66	-136.98

BAGO RIVER BRIDGE

BLOCK [ No.1 : MAIN GIRDER ][ BEAM MEMBER FORCE ]

MEMBER			2051			2052			2052			2053				
NODE			2051			2052			2052			2053				
NAME TITLE			SHEAR	TORQUE	MOMENT	SHEAR	TORQUE	MOMENT	SHEAR	TORQUE	MOMENT	SHEAR	TORQUE	MOMENT		
			S2 (kN)	TQ (kN·m)	M3 (kN·m)	S2 (kN)	TQ (kN·m)	M3 (kN·m)	S2 (kN)	TQ (kN·m)	M3 (kN·m)	S2 (kN)	TQ (kN·m)	M3 (kN·m)		
301	LIVE LOAD	1-LANE (case4MAX	S2	15.07	84.24	-266.18	15.07	84.24	-195.24	15.07	83.37	-195.61	15.07	83.37	-124.43	
			TQ	14.89	85.79	-262.83	14.89	85.79	-192.74	14.89	84.94	-193.12	14.89	84.94	-122.79	
			M3	-142.28	-1318.60	2636.04	-142.28	-1318.60	1966.13	-142.28	-1309.85	1971.97	-135.56	-1274.22	1321.72	
			MIN	S2	-143.38	-1325.37	2634.05	-143.38	-1325.37	1958.97	-143.38	-1316.65	1964.84	-143.38	-1316.65	1287.47
			TQ	-143.18	-1328.23	2609.17	-143.18	-1328.23	1935.06	-143.18	-1319.61	1940.94	-143.18	-1319.61	1264.55	
			M3	15.07	84.24	-266.18	15.07	83.91	-195.24	15.07	83.04	-195.61	15.07	83.04	-124.44	
		2-LANES (caseMAX	S2	96.18	259.19	2472.31	73.03	171.10	2186.98	73.03	180.81	2186.20	100.48	146.37	2001.02	
			TQ	-365.06	2012.52	7332.47	-373.97	2012.52	5592.00	-373.97	2037.35	5583.00	-382.98	2037.35	3794.43	
			M3	-312.28	1950.56	7828.42	-334.77	1890.31	6159.84	-334.77	1917.67	6151.38	-230.85	1593.95	4521.32	
			MIN	S2	-446.02	1865.28	7318.85	-425.16	1873.08	5662.87	-425.16	1898.23	5654.49	-451.57	1830.07	3810.71
			TQ	27.65	-132.12	-506.10	27.65	-132.12	-375.91	27.65	-133.79	-375.32	27.65	-133.79	-244.68	
			M3	28.35	-129.26	-518.53	28.35	-129.26	-385.04	28.35	-130.97	-384.46	28.35	-130.97	-250.52	
		2-LANES (caseMAX	S2	267.88	350.19	3519.26	146.96	236.96	2847.05	146.96	249.61	2845.96	60.11	123.54	1624.79	
			TQ	-265.38	1152.32	6416.63	-323.63	1152.32	5030.19	-323.63	1174.66	5025.02	-382.32	1174.66	3357.64	
			M3	-101.63	1084.22	7239.62	-230.16	1017.73	6086.87	-230.16	1044.77	6082.29	-384.63	962.90	4142.19	
			MIN	S2	-364.06	1003.81	6449.17	-469.75	966.67	5561.14	-469.75	991.37	5556.79	-608.94	945.86	3878.90
			TQ	27.30	-85.91	-496.83	27.30	-85.91	-368.32	27.30	-87.55	-367.93	27.30	-87.55	-238.99	
			M3	27.78	-84.42	-505.52	27.78	-84.42	-374.72	27.78	-86.08	-374.34	27.78	-86.08	-243.08	
		2-LANES (caseMAX	S2	27.50	21.64	-347.15	27.20	24.03	-252.10	27.20	22.91	-252.21	26.97	24.41	-156.34	
			TQ	17.59	33.68	-312.19	17.59	33.68	-229.36	17.08	32.68	-220.64	17.08	32.68	-139.96	
			M3	-256.26	-1083.61	5324.85	-270.42	-1037.56	4036.51	-270.42	-1019.61	4041.08	-258.06	-954.92	2778.23	
			MIN	S2	-275.43	-1083.74	5193.16	-279.84	-1086.13	3919.52	-279.84	-1068.71	3924.31	-284.20	-1070.21	2623.91
			TQ	-265.02	-1105.06	5116.82	-269.73	-1105.06	3857.79	-269.21	-1087.92	3853.79	-273.81	-1087.92	2571.00	
			M3	26.40	28.56	-473.61	26.40	28.56	-349.33	26.40	27.01	-349.45	26.40	27.01	-224.75	



BAGO RIVER BRIDGE

BLOCK [ No.1 : MAIN GIRDER ][ BEAM MEMBER FORCE ]

MEMBER				2051			2052			2053						
NODE				2051			2052			2053						
				SHEAR	TORQUE	MOMENT	SHEAR	TORQUE	MOMENT	SHEAR	TORQUE	MOMENT				
NAME	TITLE			S2 (kN)	TQ (kN·m)	M3 (kN·m)	S2 (kN)	TQ (kN·m)	M3 (kN·m)	S2 (kN)	TQ (kN·m)	M3 (kN·m)				
301	LIVE LOAD	2-LANES (caseMAX	S2	25.38	117.64	-447.35	25.38	117.64	-327.87	25.38	116.18	-328.39	25.38	116.18	-208.50	
			TQ	25.08	119.94	-444.23	25.08	119.94	-326.16	25.08	118.49	-326.69	25.08	118.49	-208.23	
			M3	-249.13	-1824.63	4685.60	-246.89	-1807.47	3514.33	-246.89	-1791.83	3522.33	-238.36	-1747.32	2377.92	
			MIN	S2	-250.56	-1835.59	4679.38	-250.56	-1835.59	3499.70	-250.56	-1820.02	3507.83	-250.56	-1820.02	2324.15
			TQ	-249.19	-1844.97	4620.17	-249.19	-1844.97	3446.93	-249.19	-1829.63	3455.09	-249.19	-1829.63	2277.88	
			M3	25.37	117.90	-449.67	25.37	117.62	-330.22	25.37	116.16	-330.74	25.37	116.16	-210.88	
		3-LANES (caseMAX	S2	248.08	317.50	3544.63	145.50	226.74	3086.66	145.50	240.45	3085.62	111.83	179.64	2356.16	
			TQ	-407.41	2020.95	8801.22	-447.34	2020.95	6788.57	-447.34	2051.10	6779.52	-487.58	2051.10	4570.77	
			M3	-268.03	1939.49	9604.58	-366.31	1878.58	7796.03	-366.31	1913.21	7787.60	-377.72	1632.50	5521.99	
			MIN	S2	-528.43	1839.05	8820.72	-576.22	1844.48	7150.57	-576.22	1876.24	7142.31	-690.44	1822.76	4819.89
			TQ	35.08	-138.99	-640.24	35.08	-138.99	-475.09	35.08	-141.10	-474.47	35.08	-141.10	-308.75	
			M3	35.79	-136.21	-652.83	35.79	-136.21	-484.34	35.79	-138.36	-483.73	35.79	-138.36	-314.67	
		3-LANES (caseMAX	S2	34.26	59.23	-488.65	34.01	61.27	-356.60	34.01	59.68	-356.87	33.81	60.96	-223.94	
			TQ	25.33	71.47	-449.60	25.33	71.47	-330.34	24.89	70.02	-323.11	24.89	70.02	-205.52	
			M3	-318.66	-1853.21	6394.43	-330.69	-1814.06	4824.57	-330.69	-1792.61	4832.58	-315.42	-1712.38	3298.31	
			MIN	S2	-335.74	-1858.11	6281.10	-339.48	-1860.15	4720.06	-339.48	-1839.15	4728.28	-343.19	-1840.43	3142.88
			TQ	-326.74	-1878.26	6198.59	-330.74	-1878.26	4650.65	-330.30	-1857.59	4651.42	-334.21	-1857.59	3081.66	
			M3	33.32	65.12	-596.14	33.32	65.12	-439.24	33.32	63.17	-439.53	33.32	62.97	-282.10	
		3-LANES (caseMAX	S2	33.61	115.75	-473.41	33.36	117.79	-344.47	33.36	116.25	-344.99	33.16	117.53	-215.15	
			TQ	32.35	123.56	-572.86	32.35	123.56	-420.54	32.37	121.69	-419.60	32.37	121.69	-266.68	
			M3	-318.49	-1858.99	6391.23	-330.54	-1819.85	4822.14	-330.54	-1798.41	4830.18	-315.28	-1718.20	3296.60	
			MIN	S2	-335.58	-1863.89	6277.79	-339.33	-1865.92	4717.55	-339.33	-1844.94	4725.79	-343.04	-1846.22	3141.15
			TQ	-331.44	-1882.50	6282.96	-335.44	-1882.50	4712.90	-335.46	-1861.54	4719.74	-339.37	-1861.54	3125.61	
			M3	32.68	121.64	-580.99	32.68	121.40	-427.15	32.68	119.50	-427.68	32.68	119.50	-273.32	

BAGO RIVER BRIDGE

BLOCK [ No.1 : MAIN GIRDER ][ BEAM MEMBER FORCE ]

MEMBER					2051			2052			2053					
NODE					2051			2052			2053					
					SHEAR	TORQUE	MOMENT	SHEAR	TORQUE	MOMENT	SHEAR	TORQUE	MOMENT			
NAME	TITLE				S2 (kN)	TQ (kN·m)	M3 (kN·m)	S2 (kN)	TQ (kN·m)	M3 (kN·m)	S2 (kN)	TQ (kN·m)	M3 (kN·m)			
301	LIVE LOAD	4-LANES	MAX	S2	26.45	68.04	-472.12	26.45	68.04	-347.60	26.45	66.50	-347.90	26.45	66.50	-222.95
				TQ	23.48	69.37	-418.64	23.48	69.37	-308.08	23.20	68.01	-304.64	23.20	68.01	-195.03
				M3	-10.38	-5.31	186.67	-10.38	-5.31	137.79	-10.38	-4.70	137.81	-10.38	-4.70	88.75
		MIN	S2	-10.38	-5.31	186.67	-10.38	-5.31	137.79	-10.38	-4.70	137.81	-10.38	-4.70	88.75	
			TQ	-4.45	-7.56	79.75	-4.45	-7.56	58.78	-3.52	-7.33	46.35	-3.52	-7.33	29.73	
			M3	26.45	68.04	-472.12	26.45	68.04	-347.60	26.45	66.50	-347.90	26.45	66.50	-222.95	
	6-LANES	MAX	S2	230.89	206.52	3058.97	142.16	190.55	2631.22	142.16	202.24	2630.34	103.53	177.88	1870.48	
			TQ	-267.55	1490.46	5756.43	-292.07	1490.46	4438.69	-292.23	1510.18	4435.42	-316.50	1510.18	2997.23	
			M3	-406.42	87.40	11677.74	-485.48	75.48	9254.88	-485.48	116.61	9254.46	-498.89	2.02	6434.85	
		MIN	S2	-634.79	14.63	11069.17	-678.96	27.90	8702.15	-678.96	66.57	8701.94	-787.52	66.65	5859.86	
			TQ	-217.30	-1401.30	4116.51	-220.28	-1401.30	3086.36	-219.94	-1387.58	3086.80	-222.83	-1387.58	2040.85	
			M3	51.20	-15.32	-922.94	51.20	-15.50	-681.90	51.20	-18.53	-681.82	51.20	-18.53	-439.96	
LIVE LOAD	MAX		267.88	2020.95	11677.74	146.96	2020.95	9254.88	146.96	2051.10	9254.46	111.83	2051.10	6434.85		
	MIN		-634.79	-1882.50	-922.94	-678.96	-1882.50	-681.90	-678.96	-1861.54	-681.82	-787.52	-1861.54	-439.96		
303	SUM TOTAL	TOTAL	MAX		-1196.25	2364.48	47309.41	-1555.77	2364.48	37435.11	-1555.77	2519.86	37432.88	-1835.55	2519.86	25994.44
			MIN		-2098.92	-1538.97	34708.72	-2381.69	-1538.97	27498.33	-2381.69	-1392.78	27496.60	-2734.91	-1392.78	19119.64

BAGO RIVER BRIDGE

BLOCK [ No.1 : MAIN GIRDER ] [ BEAM MEMBER FORCE ]

MEMBER NODE	2053	2054			2054			2055			SHEAR	TORQUE	MOMENT		
		SHEAR	TORQUE	MOMENT	SHEAR	TORQUE	MOMENT	SHEAR	TORQUE	MOMENT					
		S2 (kN)	TQ (kN·m)	M3 (kN·m)	S2 (kN)	TQ (kN·m)	M3 (kN·m)	S2 (kN)	TQ (kN·m)	M3 (kN·m)					
1	PAVEMENT	-291.69	83.50	3004.00	-321.51	83.50	1565.64	-321.51	109.79	1564.01	-351.19	109.79	-0.00		
3	RAILING	-11.34	7.95	90.89	-9.69	7.95	41.56	-9.69	8.65	41.42	-8.12	8.65	-0.00		
5	CURB	-112.22	78.71	899.78	-95.95	78.71	411.48	-95.95	85.61	410.10	-80.44	85.61	-0.00		
7	DECK WEIGHT	-484.59	127.02	5068.20	-542.41	127.02	2659.39	-542.41	171.68	2656.88	-600.34	171.68	-0.00		
8	GIRDER WEIGH	-659.18	134.05	6976.27	-746.90	134.05	3678.04	-746.90	195.82	3675.27	-833.86	195.82	-0.00		
10	MEDIAN STRIP	-144.78	-42.98	1998.03	-214.11	-42.98	1156.78	-214.11	-23.54	1157.33	-283.66	-23.54	0.00		
21	ADITIONAL WE	-135.68	35.57	1419.10	-151.87	35.57	744.63	-151.87	48.07	743.93	-168.09	48.07	-0.00		
31	MEDIAN RAILI	-7.53	-0.97	91.59	-9.81	-0.97	50.92	-9.81	-0.12	50.93	-12.09	-0.12	0.00		
51	SUPPORT WEIG	0.00	0.00	-0.00	0.00	0.00	-0.00	0.00	0.00	-0.00	0.00	0.00	-0.00		
52	NOSE WEIGHT	-0.00	0.00	0.00	-0.00	0.00	0.00	-0.00	0.00	0.00	-0.00	0.00	-0.00		
61	1-LANE(case1TRUCK-LOAD	MAX	S2	6.12	-31.90	-57.66	6.12	-31.90	-28.98	6.12	-32.38	-28.44	42.05	0.16	0.00
			TQ	-102.25	525.21	964.02	-102.25	525.21	484.34	-102.25	533.27	475.45	-102.25	533.27	-0.00
			M3	-118.60	486.04	1116.13	-118.60	486.04	559.74	-118.60	495.37	551.49	5.80	-33.98	0.00
		MIN	S2	-164.78	371.51	936.04	-118.60	486.04	559.74	-118.60	495.37	551.49	-118.60	495.37	-0.00
			TQ	5.80	-33.52	-54.77	5.80	-33.52	-27.55	5.80	-33.98	-26.98	5.80	-33.98	0.00
			M3	6.12	-31.90	-57.66	6.12	-31.90	-28.98	6.12	-32.38	-28.44	-114.89	531.05	-0.00
		TANDEM-LOAD MAX	S2	4.17	-21.93	-39.30	4.17	-21.93	-19.75	4.17	-22.26	-19.38	53.05	22.25	-0.00
			TQ	-71.13	357.46	670.51	-71.13	357.46	336.81	-71.13	363.07	330.76	-71.13	363.07	-0.00
			M3	-84.17	342.61	792.07	-84.17	342.61	397.20	-84.17	349.23	391.39	4.01	-23.17	0.00
		MIN	S2	-132.85	281.21	686.07	-84.17	342.61	397.20	-84.17	349.23	391.39	-84.17	349.23	-0.00
			TQ	4.01	-22.86	-37.84	4.01	-22.86	-19.03	4.01	-23.17	-18.64	4.01	-23.17	0.00
			M3	4.17	-21.93	-39.30	4.17	-21.93	-19.75	4.17	-22.26	-19.38	-83.74	356.89	-0.00
		DISPERSION-LMAX	S2	7.22	-38.02	-68.12	7.22	-38.02	-34.23	7.22	-38.59	-33.59	12.42	-29.20	0.00
			TQ	-139.71	793.44	1213.12	-128.31	793.44	584.23	-128.31	803.14	570.82	-117.20	803.14	-0.00
			M3	-139.71	793.44	1213.12	-125.87	789.43	585.03	-125.78	799.00	571.69	7.22	-38.59	0.00
		MIN	S2	-139.71	793.44	1213.12	-128.31	793.44	584.23	-128.31	803.14	570.82	-122.40	793.75	-0.00
			TQ	7.22	-38.02	-68.12	7.22	-38.02	-34.23	7.22	-38.59	-33.59	7.22	-38.59	0.00
			M3	7.22	-38.02	-68.12	4.78	-34.02	-35.03	4.70	-34.45	-34.46	-117.20	803.14	-0.00

BAGO RIVER BRIDGE

BLOCK [ No.1 : MAIN GIRDER ][ BEAM MEMBER FORCE ]

MEMBER				2053			2054			2055					
NODE				2053			2054			2055					
				SHEAR	TORQUE	MOMENT	SHEAR	TORQUE	MOMENT	SHEAR	TORQUE	MOMENT			
NAME	TITLE			S2 (kN)	TQ (kN·m)	M3 (kN·m)	S2 (kN)	TQ (kN·m)	M3 (kN·m)	S2 (kN)	TQ (kN·m)	M3 (kN·m)			
62	1-LANE (case2TRUCK-LOAD	MAX	S2	147.63	45.14	724.72	56.18	13.03	461.74	56.18	20.78	461.46	5.83	-13.66	0.00
			TQ	-69.73	156.94	654.08	-69.73	156.94	326.94	-70.25	162.44	326.64	-70.25	162.44	-0.00
			M3	41.51	93.65	963.03	-15.07	52.75	743.16	-15.07	65.22	742.17	5.71	-14.03	0.00
		MIN	S2	-102.92	93.65	963.03	-153.00	56.24	712.51	-153.00	68.20	711.47	-255.29	25.77	-0.00
			TQ	5.71	-13.58	-53.57	5.71	-13.58	-26.78	5.71	-14.03	-26.55	5.71	-14.03	0.00
			M3	5.83	-13.21	-54.70	5.83	-13.21	-27.34	5.83	-13.66	-27.12	-66.04	160.68	-0.00
		TANDEM-LOAD MAX	S2	129.54	43.38	706.20	69.04	16.01	567.47	69.04	25.54	567.12	3.97	-9.37	0.00
			TQ	-46.47	106.79	435.94	-46.47	106.79	217.92	-46.47	110.44	216.10	-46.47	110.44	-0.00
			M3	30.34	50.61	740.98	-22.98	22.05	617.18	-22.98	32.41	616.72	3.86	-9.57	0.00
		MIN	S2	-79.23	50.61	740.98	-132.63	22.05	617.18	-132.63	32.41	616.72	-209.07	3.78	0.00
			TQ	3.86	-9.26	-36.22	3.86	-9.26	-18.11	3.86	-9.57	-17.95	3.86	-9.57	0.00
			M3	3.97	-9.06	-37.26	3.97	-9.06	-18.63	3.97	-9.37	-18.47	-45.44	109.95	-0.00
		DISPERSION-LMAX	S2	32.41	-8.19	51.76	13.68	-13.99	24.10	13.68	-13.58	24.33	6.87	-16.15	0.00
			TQ	-70.43	223.34	1014.58	-108.55	223.34	594.78	-108.42	233.32	592.12	-146.25	233.32	-0.00
			M3	-70.30	223.34	1015.14	-108.42	223.34	595.95	-108.42	233.32	592.12	1.10	-15.76	0.00
MIN	S2	-95.84	215.92	898.95	-115.23	221.72	539.64	-115.23	230.75	535.84	-146.25	233.32	-0.00		
	TQ	7.00	-15.62	-63.87	7.00	-15.62	-31.04	6.87	-16.15	-31.94	6.87	-16.15	0.00		
	M3	6.87	-15.61	-64.43	6.87	-15.61	-32.21	6.87	-16.15	-31.94	-140.48	232.93	-0.00		
63	1-LANE (case3TRUCK-LOAD	MAX	S2	5.62	0.96	-52.52	5.62	0.96	-26.14	5.62	0.52	-26.15	5.62	0.52	0.00
			TQ	3.70	2.45	-34.49	3.70	2.45	-17.15	3.70	2.17	-17.19	3.70	2.17	0.00
			M3	-70.48	-176.69	655.47	-70.48	-176.69	324.82	-70.48	-171.21	327.74	-68.69	-181.82	0.00
		MIN	S2	-70.48	-176.69	655.47	-70.48	-176.69	324.82	-70.48	-171.21	327.74	-70.48	-171.21	0.00
			TQ	-68.69	-187.16	638.58	-68.69	-187.16	316.32	-68.69	-181.82	319.42	-68.69	-181.82	0.00
			M3	5.62	0.96	-52.52	5.62	0.96	-26.14	5.62	0.52	-26.15	0.00	0.00	0.00

BAGO RIVER BRIDGE

BLOCK [ No.1 : MAIN GIRDER ][ BEAM MEMBER FORCE ]

MEMBER		2053			2054			2054			2055				
NODE		2053			2054			2054			2055				
		SHEAR	TORQUE	MOMENT	SHEAR	TORQUE	MOMENT	SHEAR	TORQUE	MOMENT	SHEAR	TORQUE	MOMENT		
NAME	TITLE	S2 (kN)	TQ (kN·m)	M3 (kN·m)	S2 (kN)	TQ (kN·m)	M3 (kN·m)	S2 (kN)	TQ (kN·m)	M3 (kN·m)	S2 (kN)	TQ (kN·m)	M3 (kN·m)		
63	1-LANE (case3TANDEM-LOAD	MAX	S2	3.83	0.69	-35.76	3.83	0.69	-17.80	3.83	0.40	-17.81	3.83	0.40	0.00
			TQ	2.17	1.69	-20.23	2.17	1.69	-10.06	2.17	1.52	-10.09	2.17	1.52	0.00
			M3	-48.24	-124.77	448.60	-48.24	-124.77	222.27	-48.24	-121.02	224.33	-47.95	-123.44	0.00
		MIN	S2	-48.24	-124.77	448.60	-48.24	-124.77	222.27	-48.24	-121.02	224.33	-48.24	-121.02	0.00
			TQ	-45.66	-127.40	424.39	-45.66	-127.40	210.20	-45.66	-123.85	212.31	-45.66	-123.85	0.00
			M3	3.83	0.69	-35.76	3.83	0.69	-17.80	3.83	0.40	-17.81	0.00	0.00	0.00
	DISPERSION-LMAX	MAX	S2	6.79	-1.15	-47.31	6.65	0.72	-27.12	6.65	0.27	-27.13	6.60	0.85	0.00
			TQ	1.81	3.11	-16.86	1.81	3.11	-8.37	1.46	2.99	-6.80	1.46	2.99	0.00
			M3	-86.84	-224.96	849.17	-91.31	-224.96	431.23	-91.31	-217.69	434.95	-90.63	-219.83	0.00
		MIN	S2	-87.03	-222.45	834.80	-91.36	-224.32	427.66	-91.36	-217.11	431.37	-95.76	-217.69	0.00
			TQ	-82.05	-226.71	804.35	-86.52	-226.71	408.91	-86.17	-219.83	411.04	-90.62	-219.83	0.00
			M3	6.60	1.36	-61.67	6.60	1.36	-30.69	6.60	0.85	-30.71	0.00	0.00	0.00
64	1-LANE (case4TRUCK-LOAD	MAX	S2	5.23	29.81	-48.40	5.23	29.81	-23.84	5.23	29.41	-24.34	5.23	29.41	-0.00
			TQ	5.09	31.00	-47.06	5.09	31.00	-23.16	5.09	30.61	-23.68	5.09	30.61	-0.00
			M3	-51.84	-468.83	476.41	-51.84	-468.83	233.21	-51.84	-464.85	241.06	-50.02	-465.10	0.00
		MIN	S2	-51.84	-468.83	476.41	-51.84	-468.83	233.21	-51.84	-464.85	241.06	-51.84	-464.85	0.00
			TQ	-51.50	-471.48	473.18	-51.50	-471.48	231.58	-51.50	-467.52	239.47	-51.50	-467.52	0.00
			M3	5.23	29.56	-48.40	5.23	29.56	-23.85	5.23	29.41	-24.34	5.09	30.61	-0.00
	TANDEM-LOAD	MAX	S2	3.56	20.57	-32.93	3.56	20.57	-16.22	3.56	20.30	-16.56	3.56	20.30	-0.00
			TQ	3.44	21.16	-31.78	3.44	21.16	-15.64	3.44	20.90	-16.00	3.44	20.90	-0.00
			M3	-35.60	-318.57	327.27	-35.60	-318.57	160.23	-35.60	-315.84	165.56	-34.32	-317.53	0.00
		MIN	S2	-35.60	-318.57	327.27	-35.60	-318.57	160.23	-35.60	-315.84	165.56	-35.60	-315.84	0.00
			TQ	-34.73	-320.87	319.09	-34.73	-320.87	156.14	-34.73	-318.20	161.51	-34.73	-318.20	0.00
			M3	3.56	20.57	-32.93	3.56	20.57	-16.22	3.56	20.30	-16.56	3.44	20.90	-0.00

BAGO RIVER BRIDGE

BLOCK [ No.1 : MAIN GIRDER ][ BEAM MEMBER FORCE ]

MEMBER		2053			2054			2054			2055						
NODE		2053			2054			2054			2055						
		SHEAR	TORQUE	MOMENT	SHEAR	TORQUE	MOMENT	SHEAR	TORQUE	MOMENT	SHEAR	TORQUE	MOMENT				
NAME	TITLE	S2 (kN)	TQ (kN·m)	M3 (kN·m)	S2 (kN)	TQ (kN·m)	M3 (kN·m)	S2 (kN)	TQ (kN·m)	M3 (kN·m)	S2 (kN)	TQ (kN·m)	M3 (kN·m)				
64	1-LANE (case4DISPERSION-LMAX	S2	6.11	34.10	-56.53	6.11	34.10	-27.85	6.11	33.62	-28.42	6.11	33.62	-0.00			
		TQ	6.11	34.10	-56.53	6.11	34.10	-27.85	6.11	33.62	-28.42	6.11	33.62	-0.00			
		M3	-69.72	-680.49	639.87	-69.72	-680.49	312.80	-69.72	-675.14	324.19	-69.72	-675.14	0.00			
		MIN	S2	-69.72	-680.49	639.87	-69.72	-680.49	312.80	-69.72	-675.14	324.19	-69.72	-675.14	0.00		
		TQ	-69.72	-680.49	639.87	-69.72	-680.49	312.80	-69.72	-675.14	324.19	-69.72	-675.14	0.00			
		M3	6.11	34.10	-56.53	6.11	34.10	-27.85	6.11	33.62	-28.42	6.11	33.62	-0.00			
		65	2-LANES (caseTRUCK-LOAD	MAX	S2	40.66	140.96	729.21	18.57	30.62	292.44	18.57	35.53	291.89	48.02	-22.88	0.00
				TQ	-181.56	859.89	1710.59	-181.56	859.89	858.82	-181.56	874.20	844.26	-181.56	874.20	-0.00	
				M3	-154.47	761.38	2162.51	-173.65	678.50	1170.80	-173.65	698.07	1159.24	11.45	-57.98	0.00	
MIN	S2			-274.73	652.39	1967.93	-249.30	678.50	1170.80	-249.30	698.07	1159.24	-270.73	589.17	-0.00		
TQ	11.45			-57.07	-107.95	11.45	-57.07	-54.22	11.45	-57.98	-53.26	11.45	-57.98	0.00			
M3	12.09			-54.47	-113.84	12.09	-54.47	-57.13	12.09	-55.43	-56.21	-199.88	871.96	-0.00			
TANDEM-LOAD	MAX			S2	34.94	131.86	679.99	19.48	54.91	375.26	19.48	61.21	374.29	57.12	6.42	-0.00	
TQ	-125.73			585.57	1184.42	-125.73	585.57	594.57	-125.73	595.47	584.65	-125.73	595.47	-0.00			
M3	-107.43			511.18	1548.29	-122.07	440.31	842.01	-122.07	454.39	834.50	7.91	-39.55	0.00			
MIN	S2	-213.49	449.78	1442.29	-179.46	440.31	842.01	-179.46	454.39	834.50	-196.68	361.60	-0.00				
TQ	7.91	-38.93	-74.59	7.91	-38.93	-37.46	7.91	-39.55	-36.80	7.91	-39.55	0.00					
M3	8.24	-37.44	-77.57	8.24	-37.44	-38.93	8.24	-38.08	-38.30	-139.92	589.29	-0.00					
DISPERSION-LMAX	S2	21.93	-47.34	-45.47	16.27	-60.49	-37.53	16.27	-61.11	-36.51	19.46	-56.59	0.00				
TQ	-237.62	1296.25	2324.95	-246.56	1296.25	1189.00	-246.56	1316.04	1167.06	-255.40	1316.04	-0.00					
M3	-237.62	1296.25	2324.95	-244.12	1292.25	1189.80	-244.03	1311.90	1167.93	14.27	-65.98	0.00					
MIN	S2	-245.28	1278.73	2236.02	-248.56	1291.89	1159.08	-248.56	1311.17	1137.21	-260.60	1306.65	-0.00				
TQ	14.27	-64.86	-134.40	14.27	-64.86	-67.45	14.27	-65.98	-66.36	14.27	-65.98	0.00					
M3	14.27	-64.86	-134.40	11.83	-60.85	-68.25	11.74	-61.84	-67.22	-255.40	1316.04	-0.00					

BAGO RIVER BRIDGE

BLOCK [ No.1 : MAIN GIRDER ][ BEAM MEMBER FORCE ]

MEMBER				2053			2054			2055					
NODE				2053			2054			2055					
				SHEAR	TORQUE	MOMENT	SHEAR	TORQUE	MOMENT	SHEAR	TORQUE	MOMENT			
NAME	TITLE			S2 (kN)	TQ (kN·m)	M3 (kN·m)	S2 (kN)	TQ (kN·m)	M3 (kN·m)	S2 (kN)	TQ (kN·m)	M3 (kN·m)			
66	2-LANES (caseTRUCK-LOAD	MAX	S2	182.18	218.01	1511.59	68.64	75.55	783.16	68.64	88.70	781.78	11.81	-36.71	0.00
			TQ	-149.05	491.63	1400.65	-149.05	491.63	701.42	-149.56	503.36	695.45	-149.56	503.36	-0.00
			M3	5.64	369.00	2009.41	-70.11	245.21	1354.22	-70.11	267.92	1349.91	11.36	-38.02	0.00
		MIN	S2	-212.87	374.53	1994.92	-283.70	248.70	1323.58	-283.70	270.90	1319.21	-407.42	119.57	-0.00
			TQ	11.36	-37.13	-106.76	11.36	-37.13	-53.46	11.36	-38.02	-52.83	11.36	-38.02	0.00
			M3	11.81	-35.78	-110.88	11.81	-35.78	-55.50	11.81	-36.71	-54.89	-151.03	501.58	-0.00
		TANDEM-LOAD MAX	S2	160.31	197.17	1425.50	84.36	92.85	962.48	84.36	109.01	960.78	8.04	-25.20	0.00
			TQ	-101.07	334.90	949.86	-101.07	334.90	475.69	-101.07	342.84	469.99	-101.07	342.84	-0.00
			M3	7.08	219.19	1497.20	-60.88	119.75	1061.99	-60.88	137.58	1059.83	7.77	-25.94	0.00
		MIN	S2	-159.87	219.19	1497.20	-227.92	119.75	1061.99	-227.92	137.58	1059.83	-321.59	16.15	-0.00
			TQ	7.77	-25.33	-72.97	7.77	-25.33	-36.54	7.77	-25.94	-36.11	7.77	-25.94	0.00
			M3	8.04	-24.57	-75.54	8.04	-24.57	-37.81	8.04	-25.20	-37.39	-101.63	342.35	-0.00
		DISPERSION-LMAX	S2	47.12	-17.51	74.41	22.73	-36.46	20.81	22.73	-36.10	21.41	13.92	-43.54	0.00
			TQ	-168.34	726.15	2126.40	-226.80	726.15	1199.56	-226.67	746.22	1188.36	-284.45	746.22	-0.00
			M3	-168.21	726.15	2126.97	-226.67	726.15	1200.73	-226.67	746.22	1188.36	8.14	-43.15	0.00
MIN	S2	-201.41	701.21	1921.84	-235.48	720.16	1114.49	-235.48	738.78	1102.23	-284.45	746.22	-0.00		
	TQ	14.04	-42.45	-130.15	14.04	-42.45	-64.26	13.92	-43.54	-64.71	13.92	-43.54	0.00		
	M3	13.92	-42.45	-130.71	13.92	-42.45	-65.43	13.92	-43.54	-64.71	-278.68	745.83	-0.00		
67	2-LANES (caseTRUCK-LOAD	MAX	S2	11.12	11.38	-103.67	11.12	11.38	-51.51	11.12	10.51	-51.70	11.12	10.51	-0.00
			TQ	8.25	14.52	-76.86	8.25	14.52	-38.14	8.25	13.88	-38.38	8.25	13.88	-0.00
			M3	-128.68	-496.29	1193.82	-128.68	-496.29	590.12	-128.68	-486.31	598.38	-125.33	-501.83	0.00
		MIN	S2	-128.68	-496.29	1193.82	-128.68	-496.29	590.12	-128.68	-486.31	598.38	-128.68	-486.31	0.00
			TQ	-125.33	-511.55	1162.20	-125.33	-511.55	574.25	-125.33	-501.83	582.76	-125.33	-501.83	0.00
			M3	11.12	11.38	-103.67	11.12	11.38	-51.51	11.12	10.51	-51.70	4.56	11.71	-0.00

BAGO RIVER BRIDGE

BLOCK [ No.1 : MAIN GIRDER ][ BEAM MEMBER FORCE ]

MEMBER		2053			2054			2054			2055						
NODE		2053			2054			2054			2055						
		SHEAR	TORQUE	MOMENT	SHEAR	TORQUE	MOMENT	SHEAR	TORQUE	MOMENT	SHEAR	TORQUE	MOMENT				
NAME	TITLE	S2 (kN)	TQ (kN·m)	M3 (kN·m)	S2 (kN)	TQ (kN·m)	M3 (kN·m)	S2 (kN)	TQ (kN·m)	M3 (kN·m)	S2 (kN)	TQ (kN·m)	M3 (kN·m)				
67	2-LANES (caseTANDEM-LOAD	MAX	S2	7.57	7.90	-70.58	7.57	7.90	-35.07	7.57	7.31	-35.20	7.57	7.31	-0.00		
			TQ	5.37	9.94	-49.99	5.37	9.94	-24.80	5.37	9.53	-24.96	5.37	9.53	-0.00		
			M3	-88.00	-341.55	816.34	-88.00	-341.55	403.51	-88.00	-334.72	409.19	-86.72	-341.83	0.00		
		MIN	S2	-88.00	-341.55	816.34	-88.00	-341.55	403.51	-88.00	-334.72	409.19	-88.00	-334.72	0.00		
			TQ	-84.43	-348.78	782.86	-84.43	-348.78	386.78	-84.43	-342.23	392.59	-84.43	-342.23	0.00		
			M3	7.57	7.90	-70.58	7.57	7.90	-35.07	7.57	7.31	-35.20	3.20	8.00	-0.00		
		DISPERSION-LMAX	S2	13.23	11.42	-107.21	13.08	13.30	-56.84	13.08	12.34	-57.06	13.04	12.92	-0.00		
			TQ	7.49	15.77	-69.74	7.49	15.77	-34.59	6.84	15.21	-31.81	6.84	15.21	-0.00		
			M3	-167.76	-680.98	1597.44	-172.23	-680.98	799.89	-172.23	-667.45	811.22	-170.52	-669.74	0.00		
		MIN	S2	-167.95	-678.47	1583.07	-172.28	-680.34	796.32	-172.28	-666.87	807.64	-176.68	-667.45	0.00		
			TQ	-162.22	-682.81	1545.60	-166.68	-682.81	774.07	-166.03	-669.74	782.40	-170.48	-669.74	0.00		
			M3	13.04	13.94	-121.58	13.04	13.94	-60.41	13.04	12.92	-60.63	5.41	12.22	-0.00		
		68	2-LANES (caseTRUCK-LOAD	MAX	S2	10.60	50.16	-98.14	10.60	50.16	-48.43	10.60	49.33	-49.27	10.60	49.33	-0.00
					TQ	10.32	52.03	-95.53	10.32	52.03	-47.12	10.32	51.23	-47.98	10.32	51.23	-0.00
					M3	-110.05	-788.38	1014.80	-110.05	-788.38	498.54	-110.05	-779.89	511.71	-106.66	-785.04	0.00
MIN	S2			-110.05	-788.38	1014.80	-110.05	-788.38	498.54	-110.05	-779.89	511.71	-110.05	-779.89	0.00		
	TQ			-108.13	-795.80	996.81	-108.13	-795.80	489.52	-108.13	-787.46	502.82	-108.13	-787.46	0.00		
	M3			10.60	49.90	-98.14	10.60	49.90	-48.44	10.60	49.33	-49.27	10.32	51.23	-0.00		
TANDEM-LOAD MAX	S2			7.21	34.62	-66.78	7.21	34.62	-32.95	7.21	34.07	-33.53	7.21	34.07	-0.00		
	TQ			6.97	35.49	-64.53	6.97	35.49	-31.83	6.97	34.95	-32.42	6.97	34.95	-0.00		
	M3			-75.36	-535.32	695.03	-75.36	-535.32	341.49	-75.36	-529.50	350.43	-73.09	-535.87	0.00		
MIN	S2			-75.36	-535.32	695.03	-75.36	-535.32	341.49	-75.36	-529.50	350.43	-75.36	-529.50	0.00		
	TQ			-73.51	-542.21	677.57	-73.51	-542.21	332.74	-73.51	-536.54	341.80	-73.51	-536.54	0.00		
	M3			7.21	34.62	-66.78	7.21	34.62	-32.95	7.21	34.07	-33.53	6.97	34.95	-0.00		



BAGO RIVER BRIDGE

BLOCK [ No.1 : MAIN GIRDER ][ BEAM MEMBER FORCE ]

MEMBER			2053			2054			2054			2055					
NODE			2053			2054			2054			2055					
			SHEAR	TORQUE	MOMENT	SHEAR	TORQUE	MOMENT	SHEAR	TORQUE	MOMENT	SHEAR	TORQUE	MOMENT			
NAME	TITLE		S2 (kN)	TQ (kN·m)	M3 (kN·m)	S2 (kN)	TQ (kN·m)	M3 (kN·m)	S2 (kN)	TQ (kN·m)	M3 (kN·m)	S2 (kN)	TQ (kN·m)	M3 (kN·m)			
68	2-LANES (caseDISPERSION-LMAX	S2	12.39	57.04	-114.81	12.39	57.04	-56.67	12.39	56.08	-57.62	12.39	56.08	-0.00			
		TQ	12.39	57.04	-114.81	12.39	57.04	-56.67	12.39	56.08	-57.62	12.39	56.08	-0.00			
		M3	-150.57	-1138.66	1387.51	-150.57	-1138.66	681.12	-150.57	-1127.06	700.16	-150.57	-1127.06	0.00			
		MIN	S2	-150.57	-1138.66	1387.51	-150.57	-1138.66	681.12	-150.57	-1127.06	700.16	-150.57	-1127.06	0.00		
		TQ	-150.57	-1138.66	1387.51	-150.57	-1138.66	681.12	-150.57	-1127.06	700.16	-150.57	-1127.06	0.00			
		M3	12.39	57.04	-114.81	12.39	57.04	-56.67	12.39	56.08	-57.62	12.39	56.08	-0.00			
		69	3-LANES (caseTRUCK-LOAD	MAX	S2	188.29	186.10	1453.93	74.75	43.65	754.18	74.75	56.31	753.34	53.93	-36.71	0.00
				TQ	-251.29	1016.83	2364.66	-251.29	1016.83	1185.76	-251.81	1036.63	1170.90	-251.81	1036.63	-0.00	
				M3	-112.96	855.03	3125.55	-188.71	731.25	1913.96	-188.71	763.30	1901.40	17.16	-72.00	0.00	
MIN	S2			-377.65	746.04	2930.96	-402.30	734.74	1883.31	-402.30	766.27	1870.71	-526.02	614.95	-0.00		
TQ	17.16			-70.65	-161.52	17.16	-70.65	-81.01	17.16	-72.00	-79.81	17.16	-72.00	0.00			
M3	17.92			-67.68	-168.55	17.92	-67.68	-84.48	17.92	-69.09	-83.33	-265.92	1032.64	-0.00			
TANDEM-LOAD	MAX			S2	164.48	175.24	1386.20	88.52	70.92	942.73	88.52	86.75	941.40	61.09	-2.95	-0.00	
TQ	-172.20			692.36	1620.37	-172.20	692.36	812.49	-172.20	705.91	800.75	-172.20	705.91	-0.00			
M3	-77.09			561.80	2289.28	-145.05	462.36	1459.19	-145.05	486.81	1451.22	11.77	-49.12	0.00			
MIN	S2	-292.72	500.40	2183.28	-312.09	462.36	1459.19	-312.09	486.81	1451.22	-405.76	365.38	-0.00				
TQ	11.77	-48.19	-110.81	11.77	-48.19	-55.57	11.77	-49.12	-54.75	11.77	-49.12	0.00					
M3	12.21	-46.49	-114.83	12.21	-46.49	-57.56	12.21	-47.46	-56.77	-185.36	699.24	-0.00					
DISPERSION-LMAX	S2	54.34	-55.53	6.29	29.95	-74.48	-13.43	29.95	-74.69	-12.17	26.33	-72.74	0.00				
TQ	-308.05	1519.59	3339.52	-355.11	1519.59	1783.79	-354.98	1549.36	1759.17	-401.65	1549.36	-0.00					
M3	-307.92	1519.59	3340.09	-352.54	1515.59	1785.75	-352.46	1545.22	1760.04	15.37	-81.74	0.00					
MIN	S2	-341.12	1494.65	3134.97	-363.80	1513.60	1698.72	-363.80	1541.93	1673.05	-406.84	1539.97	-0.00				
TQ	21.27	-80.47	-198.27	21.27	-80.47	-98.49	21.14	-82.13	-98.30	21.14	-82.13	0.00					
M3	21.14	-80.47	-198.83	18.70	-76.46	-100.46	18.61	-77.99	-99.17	-395.88	1548.97	-0.00					

BAGO RIVER BRIDGE

BLOCK [ No.1 : MAIN GIRDER ][ BEAM MEMBER FORCE ]

MEMBER				2053			2054			2055					
NODE				2053			2054			2055					
				SHEAR	TORQUE	MOMENT	SHEAR	TORQUE	MOMENT	SHEAR	TORQUE	MOMENT			
NAME	TITLE			S2 (kN)	TQ (kN·m)	M3 (kN·m)	S2 (kN)	TQ (kN·m)	M3 (kN·m)	S2 (kN)	TQ (kN·m)	M3 (kN·m)			
70	3-LANES (caseTRUCK-LOAD	MAX	S2	16.49	31.27	-153.48	16.49	31.27	-76.14	16.49	29.99	-76.66	16.49	29.99	-0.00
			TQ	13.06	36.58	-121.41	13.06	36.58	-60.13	13.06	35.57	-60.74	13.06	35.57	-0.00
			M3	-180.52	-965.19	1670.21	-180.52	-965.19	823.32	-180.52	-951.22	839.42	-175.35	-966.99	0.00
		MIN	S2	-180.52	-965.19	1670.21	-180.52	-965.19	823.32	-180.52	-951.22	839.42	-180.52	-951.22	0.00
			TQ	-176.82	-983.09	1635.36	-176.82	-983.09	805.82	-176.82	-969.41	822.22	-176.82	-969.41	0.00
			M3	16.49	31.27	-153.48	16.48	31.06	-76.14	16.49	29.99	-76.66	9.37	33.40	-0.00
		TANDEM-LOAD MAX	S2	11.22	21.63	-104.47	11.22	21.63	-51.83	11.22	20.76	-52.18	11.22	20.76	-0.00
			TQ	8.58	25.03	-79.76	8.58	25.03	-39.49	8.58	24.36	-39.91	8.58	24.36	-0.00
			M3	-123.60	-660.17	1143.60	-123.60	-660.17	563.74	-123.60	-650.60	574.75	-121.04	-659.40	0.00
		MIN	S2	-123.60	-660.17	1143.60	-123.60	-660.17	563.74	-123.60	-650.60	574.75	-123.60	-650.60	0.00
			TQ	-119.16	-669.70	1101.94	-119.16	-669.70	542.92	-119.16	-660.48	554.09	-119.16	-660.48	0.00
			M3	11.22	21.63	-104.47	11.22	21.63	-51.83	11.22	20.76	-52.18	6.41	22.84	-0.00
		DISPERSION-LMAX	S2	19.50	35.15	-165.37	19.35	37.02	-85.59	19.35	35.58	-86.20	19.31	36.16	-0.00
			TQ	13.76	39.49	-127.90	13.76	39.49	-63.34	13.11	38.45	-60.96	13.11	38.45	-0.00
			M3	-237.55	-1359.36	2237.99	-242.02	-1359.36	1113.05	-242.02	-1340.47	1135.73	-240.30	-1342.77	0.00
MIN	S2	-237.74	-1356.85	2223.63	-242.06	-1358.72	1109.48	-242.06	-1339.89	1132.15	-246.47	-1340.47	0.00		
	TQ	-232.00	-1361.20	2186.15	-236.47	-1361.20	1087.23	-235.82	-1342.77	1106.91	-240.27	-1342.77	0.00		
	M3	19.31	37.66	-179.74	19.31	37.66	-89.16	19.31	36.16	-89.78	11.67	35.46	-0.00		
71	3-LANES (caseTRUCK-LOAD	MAX	S2	16.08	61.03	-149.22	16.08	61.03	-73.77	16.08	59.78	-74.79	16.08	59.78	-0.00
			TQ	15.70	63.11	-145.64	15.70	63.11	-71.97	15.70	61.89	-73.02	15.70	61.89	-0.00
			M3	-180.53	-965.04	1670.30	-180.53	-965.04	823.37	-180.53	-951.07	839.47	-175.36	-966.81	0.00
		MIN	S2	-180.53	-965.04	1670.30	-180.53	-965.04	823.37	-180.53	-951.07	839.47	-180.53	-951.07	0.00
			TQ	-176.83	-982.90	1635.44	-176.83	-982.90	805.86	-176.83	-969.23	822.26	-176.83	-969.23	0.00
			M3	16.08	60.78	-149.23	16.08	60.78	-73.78	16.08	59.78	-74.79	15.70	61.89	-0.00

BAGO RIVER BRIDGE

BLOCK [ No.1 : MAIN GIRDER ][ BEAM MEMBER FORCE ]

MEMBER				2053			2054			2055					
NODE				2053			2054			2055					
				SHEAR	TORQUE	MOMENT	SHEAR	TORQUE	MOMENT	SHEAR	TORQUE	MOMENT			
NAME	TITLE			S2 (kN)	TQ (kN·m)	M3 (kN·m)	S2 (kN)	TQ (kN·m)	M3 (kN·m)	S2 (kN)	TQ (kN·m)	M3 (kN·m)			
71	3-LANES (caseTANDEM-LOAD	MAX	S2	10.95	42.16	-101.55	10.95	42.16	-50.20	10.95	41.31	-50.90	10.95	41.31	-0.00
			TQ	10.69	43.08	-99.18	10.69	43.08	-49.01	10.69	42.25	-49.73	10.69	42.25	-0.00
			M3	-123.61	-660.06	1143.66	-123.61	-660.06	563.77	-123.61	-650.49	574.78	-121.05	-659.28	0.00
		MIN	S2	-123.61	-660.06	1143.66	-123.61	-660.06	563.77	-123.61	-650.49	574.78	-123.61	-650.49	0.00
			TQ	-119.16	-669.57	1101.99	-119.16	-669.57	542.94	-119.16	-660.35	554.12	-119.16	-660.35	0.00
			M3	10.95	42.16	-101.55	10.95	42.16	-50.20	10.95	41.31	-50.90	10.69	42.25	-0.00
	DISPERSION-LMAX	MAX	S2	19.03	66.32	-160.46	18.88	68.20	-82.89	18.88	66.79	-84.02	18.84	67.37	-0.00
			TQ	18.84	68.84	-174.83	18.84	68.84	-86.45	18.82	67.37	-87.52	18.82	67.37	-0.00
			M3	-237.35	-1365.77	2236.02	-241.82	-1365.77	1112.01	-241.82	-1346.90	1134.80	-246.26	-1346.90	0.00
		MIN	S2	-237.54	-1363.26	2221.65	-241.86	-1365.13	1108.44	-241.86	-1346.32	1131.22	-246.27	-1346.90	0.00
			TQ	-237.35	-1365.77	2236.02	-241.82	-1365.77	1112.01	-241.80	-1346.90	1134.72	-246.25	-1346.90	0.00
			M3	18.84	68.84	-174.83	18.84	68.84	-86.45	18.84	67.37	-87.60	18.83	67.37	-0.00
72	4-LANES	TRUCK-LOAD MAX	S2	21.67	59.76	-201.46	21.67	59.76	-99.79	21.67	58.08	-100.78	21.67	58.08	-0.00
			TQ	21.67	59.76	-201.46	21.67	59.76	-99.79	14.38	58.42	-66.86	14.38	58.42	-0.00
			M3	-6.61	-3.16	61.66	-6.61	-3.16	30.67	-6.61	-2.64	30.72	0.00	0.00	0.00
		MIN	S2	-6.61	-3.16	61.66	-6.61	-3.16	30.67	-6.61	-2.64	30.72	-6.61	-2.64	0.00
			TQ	-1.62	-4.69	15.03	-1.62	-4.69	7.44	-0.77	-4.60	3.59	-0.77	-4.60	0.00
			M3	21.67	59.76	-201.46	21.67	59.76	-99.79	21.67	58.08	-100.78	16.06	57.64	-0.00
	TANDEM-LOAD MAX	MAX	S2	14.78	42.53	-137.36	14.78	42.53	-68.02	14.78	41.38	-68.73	14.78	41.38	-0.00
			TQ	14.78	42.53	-137.36	14.78	42.53	-68.02	9.80	41.47	-45.57	9.80	41.47	-0.00
			M3	-4.49	-2.27	41.89	-4.49	-2.27	20.83	-4.49	-1.92	20.87	0.00	0.00	0.00
		MIN	S2	-4.49	-2.27	41.89	-4.49	-2.27	20.83	-4.49	-1.92	20.87	-4.49	-1.92	0.00
			TQ	-1.26	-3.21	11.69	-1.26	-3.21	5.79	-0.35	-3.15	1.64	-0.35	-3.15	0.00
			M3	14.78	42.53	-137.36	14.78	42.53	-68.02	14.78	41.38	-68.73	10.95	40.94	-0.00

BAGO RIVER BRIDGE

BLOCK [ No.1 : MAIN GIRDER ][ BEAM MEMBER FORCE ]

MEMBER				2053			2054			2055								
NODE				2053			2054			2055								
				SHEAR	TORQUE	MOMENT	SHEAR	TORQUE	MOMENT	SHEAR	TORQUE	MOMENT						
NAME	TITLE			S2 (kN)	TQ (kN·m)	M3 (kN·m)	S2 (kN)	TQ (kN·m)	M3 (kN·m)	S2 (kN)	TQ (kN·m)	M3 (kN·m)						
72	4-LANES	DISPERSION-LMAX	S2	15.41	34.84	-143.38	15.41	34.84	-71.08	15.41	33.64	-71.66	15.41	33.64	-0.00			
			TQ	10.98	36.86	-101.98	10.98	36.86	-50.46	10.45	36.03	-48.60	10.45	36.03	-0.00			
			M3	-8.04	-3.81	75.02	-8.04	-3.81	37.32	-8.04	-3.18	37.37	0.00	0.00	0.00			
		MIN	S2	-8.04	-3.81	75.02	-8.04	-3.81	37.32	-8.04	-3.18	37.37	-8.04	-3.18	0.00			
			TQ	-3.78	-5.77	35.22	-3.78	-5.77	17.49	-3.26	-5.49	15.16	-3.26	-5.49	0.00			
			M3	15.41	34.84	-143.38	15.41	34.84	-71.08	15.41	33.64	-71.66	7.52	28.62	-0.00			
		73	6-LANES	TRUCK-LOAD	MAX	S2	235.66	66.53	1813.77	99.79	62.19	687.73	99.79	73.73	686.59	62.66	23.00	-0.00
					TQ	-219.67	952.11	2068.19	-219.67	952.11	1037.62	-223.08	969.67	1037.30	-223.08	969.67	-0.00	
					M3	-239.84	-127.69	4811.44	-329.74	-196.28	2813.57	-329.74	-148.98	2816.47	-170.31	-914.05	0.00	
MIN	S2			-551.26	-239.81	4633.91	-605.69	-196.28	2813.57	-605.69	-148.98	2816.47	-737.11	-196.78	0.00			
	TQ			-166.22	-932.62	1537.12	-166.22	-932.62	757.34	-166.22	-919.77	772.90	-166.22	-919.77	0.00			
	M3			34.00	-7.63	-317.74	34.00	-7.63	-158.24	34.00	-10.04	-158.09	-236.78	961.82	-0.00			
TANDEM-LOAD	MAX			S2	203.93	62.93	1749.63	112.98	23.98	1170.87	112.98	43.65	1170.31	62.49	36.92	-0.00		
	TQ			-149.77	647.78	1410.03	-149.77	647.78	707.41	-154.50	659.91	718.41	-154.50	659.91	-0.00			
	M3			-161.41	-91.49	3458.25	-242.80	-134.82	2100.50	-242.80	-99.51	2102.46	-117.97	-620.59	0.00			
	MIN			S2	-410.30	-151.91	3361.02	-452.14	-134.82	2100.50	-452.14	-99.51	2102.46	-564.92	-138.78	0.00		
	TQ			-113.81	-636.42	1052.48	-113.81	-636.42	518.58	-113.81	-627.62	529.20	-113.81	-627.62	0.00			
	M3			23.15	-4.83	-216.36	23.15	-4.83	-107.75	23.15	-6.64	-107.65	-165.86	649.39	-0.00			
DISPERSION-LMAX	S2	71.63	2.69	-151.33	47.19	-12.11	-91.87	47.19	-13.65	-91.65	43.56	-10.34	0.00					
	TQ	-267.11	1458.58	2859.70	-303.80	1458.58	1520.37	-303.94	1483.94	1498.06	-340.39	1483.94	-0.00					
	M3	-499.59	199.59	5086.69	-543.36	192.32	2654.58	-543.27	235.34	2650.99	-207.72	-1303.58	0.00					
	MIN	S2	-530.44	181.54	4891.31	-554.28	189.28	2565.27	-554.28	232.34	2561.73	-599.23	230.09	-0.00				
	TQ	-193.71	-1319.76	1829.05	-197.98	-1319.76	910.21	-197.46	-1304.32	928.06	-201.70	-1304.32	0.00					
	M3	38.37	-16.74	-358.69	35.93	-12.73	-179.51	35.84	-15.59	-179.27	-334.63	1483.56	-0.00					

BAGO RIVER BRIDGE

BLOCK [ No.1 : MAIN GIRDER ][ BEAM MEMBER FORCE ]

MEMBER			2053			2054			2054			2055			
NODE			2053			2054			2054			2055			
NAME TITLE			SHEAR	TORQUE	MOMENT	SHEAR	TORQUE	MOMENT	SHEAR	TORQUE	MOMENT	SHEAR	TORQUE	MOMENT	
			S2 (kN)	TQ (kN·m)	M3 (kN·m)	S2 (kN)	TQ (kN·m)	M3 (kN·m)	S2 (kN)	TQ (kN·m)	M3 (kN·m)	S2 (kN)	TQ (kN·m)	M3 (kN·m)	
124	SUM TOTAL	D+1LANE (caseMAX	S2	-1831.00	338.93	19396.91	-2076.25	338.93	10232.59	-2076.25	510.78	10225.45	-2272.44	561.11	-0.00
			TQ	-2137.35	2005.22	22160.42	-2368.93	2005.22	11590.72	-2368.93	2199.65	11555.40	-2601.13	2199.65	-0.00
			M3	-2156.97	1958.22	22342.96	-2385.63	1953.41	11682.16	-2385.52	2149.20	11647.70	-2322.17	508.87	-0.00
		MIN	S2	-2212.38	1820.78	22126.85	-2388.55	1958.22	11681.20	-2388.55	2154.17	11646.65	-2626.99	2142.90	-0.00
			TQ	-1831.37	336.99	19400.39	-2076.63	336.99	10234.31	-2076.63	508.87	10227.20	-2322.17	508.87	-0.00
			M3	-1831.00	338.93	19396.91	-2079.18	343.74	10231.63	-2079.29	515.76	10224.41	-2616.30	2196.99	-0.00
		D+1LANE (caseMAX	S2	-1630.95	467.19	20479.62	-2008.43	421.68	10891.45	-2008.43	604.59	10882.83	-2322.55	560.17	-0.00
			TQ	-2015.19	879.18	21550.24	-2306.20	879.18	11414.51	-2306.67	1070.86	11402.39	-2597.59	1070.86	-0.00
			M3	-1881.54	803.23	21921.66	-2240.45	754.15	11915.37	-2240.45	954.21	11901.02	-2329.63	560.21	-0.00
		MIN	S2	-2085.51	794.32	21782.23	-2414.15	756.38	11811.03	-2414.15	954.69	11796.65	-2819.64	906.87	-0.00
			TQ	-1831.75	387.81	19406.92	-2077.01	387.81	10239.05	-2077.17	559.74	10229.69	-2322.70	559.74	-0.00
			M3	-1831.76	388.26	19404.89	-2077.02	388.26	10236.98	-2077.02	560.17	10229.01	-2585.61	1068.28	-0.00
		D+1LANE (caseMAX	S2	-1832.10	422.62	19428.05	-2077.53	424.86	10244.52	-2077.53	596.90	10235.94	-2323.12	597.60	-0.00
			TQ	-1840.39	429.52	19486.24	-2085.65	429.52	10277.82	-2086.07	602.14	10271.10	-2331.60	602.14	-0.00
			M3	-2035.79	-59.15	21353.41	-2286.41	-59.15	11215.70	-2286.41	129.28	11215.11	-2528.98	113.98	-0.00
		MIN	S2	-2036.02	-56.13	21336.17	-2286.47	-58.38	11211.42	-2286.47	129.97	11210.82	-2537.29	129.28	-0.00
			TQ	-2027.89	-73.81	21279.37	-2278.51	-73.81	11178.71	-2278.10	113.98	11176.44	-2528.97	113.98	-0.00
			M3	-1832.33	425.63	19410.81	-2077.59	425.63	10240.24	-2077.59	597.60	10231.65	-2337.80	595.96	-0.00
		D+1LANE (caseMAX	S2	-1833.39	499.53	19421.94	-2078.65	499.53	10246.41	-2078.65	671.59	10236.57	-2324.18	671.59	-0.00
			TQ	-1833.56	500.96	19423.55	-2078.82	500.96	10247.22	-2078.82	673.04	10237.36	-2324.35	673.04	-0.00
			M3	-1992.87	-956.35	20887.39	-2238.13	-956.35	10963.66	-2238.13	-772.04	10978.18	-2481.49	-772.34	0.00
		MIN	S2	-1992.87	-956.35	20887.39	-2238.13	-956.35	10963.66	-2238.13	-772.04	10978.18	-2483.67	-772.04	0.00
			TQ	-1992.46	-959.53	20883.51	-2237.72	-959.53	10961.70	-2237.72	-775.24	10976.27	-2483.26	-775.24	0.00
			M3	-1833.39	499.23	19421.94	-2078.65	499.23	10246.40	-2078.65	671.59	10236.57	-2324.35	673.04	-0.00

BAGO RIVER BRIDGE

BLOCK [ No.1 : MAIN GIRDER ] [ BEAM MEMBER FORCE ]

MEMBER			2053			2054			2054			2055			
NODE			2053			2054			2054			2055			
NAME TITLE			SHEAR	TORQUE	MOMENT	SHEAR	TORQUE	MOMENT	SHEAR	TORQUE	MOMENT	SHEAR	TORQUE	MOMENT	
			S2 (kN)	TQ (kN·m)	M3 (kN·m)	S2 (kN)	TQ (kN·m)	M3 (kN·m)	S2 (kN)	TQ (kN·m)	M3 (kN·m)	S2 (kN)	TQ (kN·m)	M3 (kN·m)	
124	SUM TOTAL	D+2LANES (casMAX	S2	-1784.41	516.46	20231.59	-2057.42	392.98	10563.35	-2057.42	570.38	10555.26	-2270.31	516.49	-0.00
			TQ	-2266.18	2578.99	23583.38	-2520.38	2578.99	12356.26	-2520.38	2786.20	12311.20	-2774.76	2786.20	-0.00
			M3	-2239.09	2480.48	24035.31	-2510.03	2393.59	12669.04	-2509.94	2605.93	12627.05	-2312.07	472.00	-0.00
		MIN	S2	-2367.01	2353.97	23751.79	-2590.12	2393.23	12638.32	-2590.12	2605.20	12596.33	-2869.12	2491.78	-0.00
			TQ	-1821.28	300.91	19305.50	-2066.54	300.91	10186.76	-2066.54	472.00	10180.27	-2312.07	472.00	-0.00
			M3	-1820.64	303.51	19299.61	-2068.34	307.52	10183.05	-2068.43	478.69	10176.45	-2793.08	2783.96	-0.00
		D+2LANES (casMAX	S2	-1617.71	623.34	21133.85	-2000.89	461.94	11112.41	-2000.89	648.55	11103.08	-2312.08	515.71	-0.00
			TQ	-2164.39	1640.62	23074.90	-2468.11	1640.62	12209.42	-2468.49	1845.54	12183.69	-2771.80	1845.54	-0.00
			M3	-2009.57	1517.99	23684.23	-2389.05	1394.20	12863.39	-2389.05	1610.10	12838.15	-2318.29	514.78	-0.00
		MIN	S2	-2261.28	1498.59	23464.61	-2611.45	1391.70	12746.51	-2611.45	1605.64	12721.33	-3029.66	1461.75	-0.00
			TQ	-1821.60	343.26	19310.94	-2066.86	343.26	10190.72	-2066.98	514.39	10182.35	-2312.52	514.39	-0.00
			M3	-1821.28	344.62	19306.25	-2066.54	344.62	10187.51	-2066.54	515.71	10180.28	-2767.50	1843.37	-0.00
		D+2LANES (casMAX	S2	-1822.66	445.65	19336.96	-2068.06	447.52	10200.08	-2068.06	618.81	10191.13	-2313.64	619.39	-0.00
			TQ	-1831.25	453.13	19401.25	-2076.51	453.13	10235.71	-2077.17	625.04	10229.69	-2322.70	625.04	-0.00
			M3	-2143.45	-754.43	22339.11	-2393.17	-754.43	11698.45	-2393.17	-557.80	11709.48	-2633.64	-575.61	0.00
		MIN	S2	-2143.64	-751.92	22324.75	-2393.22	-753.79	11694.89	-2393.22	-557.22	11705.90	-2643.16	-557.80	0.00
			TQ	-2134.54	-771.52	22255.65	-2384.27	-771.52	11656.76	-2383.62	-575.61	11665.05	-2633.60	-575.61	0.00
			M3	-1822.85	448.16	19322.60	-2068.10	448.16	10196.52	-2068.10	619.39	10187.55	-2327.83	619.89	-0.00
		D+2LANES (casMAX	S2	-1824.02	530.04	19334.91	-2069.27	530.04	10203.34	-2069.27	701.37	10192.99	-2314.81	701.37	-0.00
			TQ	-1824.29	531.92	19337.52	-2069.55	531.92	10204.65	-2069.55	703.27	10194.28	-2315.08	703.27	-0.00
			M3	-2107.62	-1504.20	21950.16	-2352.88	-1504.20	11488.10	-2352.88	-1311.00	11511.75	-2595.03	-1316.15	0.00
		MIN	S2	-2107.62	-1504.20	21950.16	-2352.88	-1504.20	11488.10	-2352.88	-1311.00	11511.75	-2598.41	-1311.00	0.00
			TQ	-2105.71	-1511.62	21932.17	-2350.97	-1511.62	11479.09	-2350.97	-1318.57	11502.86	-2596.50	-1318.57	0.00
			M3	-1824.02	529.79	19334.90	-2069.27	529.79	10203.33	-2069.27	701.37	10192.99	-2315.08	703.27	-0.00

BAGO RIVER BRIDGE

BLOCK [ No.1 : MAIN GIRDER ] [ BEAM MEMBER FORCE ]

MEMBER			2053			2054			2054			2055				
NODE			2053			2054			2054			2055				
NAME TITLE			SHEAR	TORQUE	MOMENT	SHEAR	TORQUE	MOMENT	SHEAR	TORQUE	MOMENT	SHEAR	TORQUE	MOMENT		
			S2 (kN)	TQ (kN·m)	M3 (kN·m)	S2 (kN)	TQ (kN·m)	M3 (kN·m)	S2 (kN)	TQ (kN·m)	M3 (kN·m)	S2 (kN)	TQ (kN·m)	M3 (kN·m)		
124	SUM TOTAL	D+3LANES (casMAX	S2	-1640.77	533.83	20789.04	-2003.26	396.64	10938.08	-2003.26	580.33	10929.88	-2269.57	502.93	-0.00	
			TQ	-2322.44	2578.81	24396.41	-2607.71	2578.81	12832.55	-2608.03	2794.05	12790.45	-2893.23	2794.05	-0.00	
			M3	-2204.75	2441.28	25043.64	-2552.33	2332.65	13453.20	-2552.26	2558.20	13412.11	-2310.15	465.27	-0.00	
		MIN	S2	-2457.95	2327.43	24703.89	-2743.44	2333.93	13353.17	-2743.44	2557.92	13312.08	-3130.73	2427.64	-0.00	
			TQ	-1814.34	294.39	19242.03	-2059.60	294.39	10155.86	-2059.70	464.94	10148.49	-2305.24	464.94	-0.00	
			M3	-1813.80	296.91	19235.58	-2061.13	300.32	10151.24	-2061.21	470.94	10144.76	-2900.32	2790.32	-0.00	
		D+3LANES (casMAX	S2	-1816.42	479.30	19276.83	-2061.80	480.89	10170.97	-2061.80	651.68	10161.45	-2307.37	652.18	-0.00	
			TQ	-1824.20	487.50	19335.93	-2069.46	487.50	10203.49	-2070.01	658.87	10196.44	-2315.55	658.87	-0.00	
			M3	-2202.36	-1553.03	22869.82	-2451.42	-1553.03	11954.36	-2451.42	-1351.99	11978.76	-2691.10	-1367.34	0.00	
		MIN	S2	-2202.52	-1550.89	22857.61	-2451.46	-1552.48	11951.32	-2451.46	-1351.49	11975.72	-2700.74	-1351.99	0.00	
			TQ	-2194.50	-1569.80	22796.13	-2443.56	-1569.80	11917.53	-2443.01	-1369.40	11939.64	-2692.32	-1369.40	0.00	
			M3	-1816.58	481.43	19264.62	-2061.84	481.25	10167.93	-2061.84	652.18	10158.41	-2319.91	654.49	-0.00	
		D+3LANES (casMAX	S2	-1817.16	531.09	19284.62	-2062.54	532.69	10175.28	-2062.54	703.55	10164.90	-2308.11	704.04	-0.00	
			TQ	-1817.64	535.00	19275.45	-2062.90	535.00	10173.78	-2062.92	705.83	10163.42	-2308.45	705.83	-0.00	
			M3	-2202.20	-1558.34	22868.22	-2451.26	-1558.34	11953.52	-2451.26	-1357.32	11978.01	-2696.17	-1370.69	0.00	
		MIN	S2	-2202.36	-1556.21	22856.01	-2451.29	-1557.80	11950.48	-2451.29	-1356.82	11974.97	-2700.57	-1357.32	0.00	
			TQ	-2199.05	-1573.53	22838.59	-2448.11	-1573.53	11938.63	-2448.10	-1372.75	11963.32	-2697.41	-1372.75	0.00	
			M3	-1817.32	533.01	19272.40	-2062.58	533.01	10172.25	-2062.58	704.04	10161.86	-2308.44	705.83	-0.00	
		D+4LANES	MAX	S2	-1822.90	484.33	19323.71	-2068.16	484.33	10197.38	-2068.16	655.57	10187.80	-2313.69	655.57	-0.00
			TQ	-1825.78	485.65	19350.62	-2071.04	485.65	10210.78	-2076.12	657.35	10224.83	-2321.66	657.35	-0.00	
			M3	-1856.52	418.31	19636.69	-2101.78	418.31	10352.63	-2101.78	592.17	10344.14	-2337.80	595.96	-0.00	
		MIN	S2	-1856.52	418.31	19636.69	-2101.78	418.31	10352.63	-2101.78	592.17	10344.14	-2347.31	592.17	-0.00	
			TQ	-1850.51	416.05	19580.51	-2095.77	416.05	10324.64	-2094.88	589.39	10312.07	-2340.42	589.39	-0.00	
			M3	-1822.90	484.33	19323.71	-2068.16	484.33	10197.38	-2068.16	655.57	10187.80	-2322.46	652.02	-0.00	

BAGO RIVER BRIDGE

BLOCK [ No.1 : MAIN GIRDER ][ BEAM MEMBER FORCE ]

MEMBER					2053			2054			2055					
NODE					2053			2054			2055					
					SHEAR	TORQUE	MOMENT	SHEAR	TORQUE	MOMENT	SHEAR	TORQUE	MOMENT			
NAME TITLE					S2 (kN)	TQ (kN·m)	M3 (kN·m)	S2 (kN)	TQ (kN·m)	M3 (kN·m)	S2 (kN)	TQ (kN·m)	M3 (kN·m)			
124	SUM TOTAL	D+6LANES	MAX	S2	-1647.27	467.84	20628.44	-1996.73	455.40	10695.75	-1996.73	635.01	10686.59	-2268.75	604.18	-0.00
				TQ	-2163.41	1989.79	22750.98	-2432.52	1989.79	11971.14	-2434.82	2190.81	11947.87	-2704.05	2190.81	-0.00
				M3	-2327.64	469.58	25981.64	-2659.78	420.27	13862.73	-2659.72	652.09	13853.73	-2583.51	-845.51	0.00
			MIN	S2	-2550.11	384.97	25739.24	-2846.24	418.29	13804.69	-2846.24	650.14	13795.71	-3206.42	617.60	-0.00
				TQ	-2080.96	-1041.20	21735.86	-2328.99	-1041.20	11392.35	-2328.65	-849.70	11405.51	-2576.94	-849.70	0.00
				M3	-1799.97	407.01	19108.17	-2046.81	409.61	10088.90	-2046.87	579.30	10080.60	-2709.22	2185.45	-0.00
	SUM TOTAL		MAX		-1617.71	2578.99	25981.64	-1996.73	2578.99	13862.73	-1996.73	2794.05	13853.73	-2268.75	2794.05	0.00
			MIN		-2550.11	-1573.53	19108.17	-2846.24	-1573.53	10088.90	-2846.24	-1372.75	10080.60	-3206.42	-1372.75	-0.00
300	DEAD LOAD	TOTAL			-1847.00	422.84	19547.85	-2092.26	422.84	10308.44	-2092.26	595.96	10299.88	-2337.80	595.96	-0.00
301	LIVE LOAD	1-LANE(case1MAX	S2		16.01	-83.91	-150.94	16.01	-83.91	-75.85	16.01	-85.17	-74.43	65.36	-34.84	0.00
			TQ		-290.34	1582.38	2612.57	-276.67	1582.38	1282.28	-276.67	1603.69	1255.52	-263.34	1603.69	-0.00
			M3		-309.97	1535.37	2795.11	-293.37	1530.57	1373.72	-293.26	1553.25	1347.81	15.63	-87.08	0.00
			MIN	S2	-365.38	1397.93	2579.00	-296.29	1535.37	1372.76	-296.29	1558.22	1346.77	-289.20	1546.95	-0.00
				TQ	15.63	-85.85	-147.46	15.63	-85.85	-74.13	15.63	-87.08	-72.68	15.63	-87.08	0.00
				M3	16.01	-83.91	-150.94	13.08	-79.10	-76.81	12.97	-80.20	-75.47	-278.51	1601.03	-0.00
		1-LANE(case2MAX	S2		216.05	44.34	931.77	83.83	-1.16	583.01	83.83	8.64	582.95	15.24	-35.78	0.00
			TQ		-168.19	456.34	2002.39	-213.94	456.34	1106.07	-214.40	474.91	1102.51	-259.79	474.91	-0.00
			M3		-34.54	380.39	2373.81	-148.19	331.30	1606.93	-148.19	358.25	1601.14	8.17	-35.74	0.00
			MIN	S2	-238.51	371.48	2234.38	-321.89	333.54	1502.59	-321.89	358.74	1496.77	-481.85	310.91	-0.00
				TQ	15.25	-35.03	-140.93	15.25	-35.03	-69.39	15.09	-36.22	-70.19	15.09	-36.22	0.00
				M3	15.24	-34.59	-142.96	15.24	-34.59	-71.46	15.24	-35.78	-70.87	-247.82	472.32	-0.00
		1-LANE(case3MAX	S2		14.90	-0.23	-119.80	14.73	2.02	-63.92	14.73	0.95	-63.94	14.67	1.64	0.00
			TQ		6.61	6.68	-61.61	6.61	6.68	-30.62	6.19	6.18	-28.79	6.19	6.18	0.00
			M3		-188.79	-481.99	1805.56	-194.15	-481.99	907.26	-194.15	-466.68	915.22	-191.18	-481.98	0.00
			MIN	S2	-189.02	-478.97	1788.32	-194.21	-481.22	902.98	-194.21	-465.98	910.93	-199.49	-466.68	0.00
				TQ	-180.89	-496.65	1731.52	-186.25	-496.65	870.27	-185.84	-481.98	876.55	-191.18	-481.98	0.00
				M3	14.67	2.79	-137.04	14.67	2.79	-68.20	14.67	1.64	-68.23	0.00	0.00	0.00



BAGO RIVER BRIDGE

BLOCK [ No.1 : MAIN GIRDER ] [ BEAM MEMBER FORCE ]

MEMBER			2053			2054			2054			2055				
NODE			2053			2054			2054			2055				
NAME TITLE			SHEAR	TORQUE	MOMENT	SHEAR	TORQUE	MOMENT	SHEAR	TORQUE	MOMENT	SHEAR	TORQUE	MOMENT		
			S2 (kN)	TQ (kN·m)	M3 (kN·m)	S2 (kN)	TQ (kN·m)	M3 (kN·m)	S2 (kN)	TQ (kN·m)	M3 (kN·m)	S2 (kN)	TQ (kN·m)	M3 (kN·m)		
301	LIVE LOAD	1-LANE (case4MAX	S2	13.62	76.69	-125.91	13.62	76.69	-62.03	13.62	75.64	-63.31	13.62	75.64	-0.00	
			TQ	13.45	78.12	-124.30	13.45	78.12	-61.22	13.45	77.08	-62.52	13.45	77.08	-0.00	
			M3	-145.87	-1379.19	1339.54	-145.87	-1379.19	655.22	-145.87	-1367.99	678.29	-143.69	-1368.30	0.00	
			MIN	S2	-145.87	-1379.19	1339.54	-145.87	-1379.19	655.22	-145.87	-1367.99	678.29	-145.87	-1367.99	0.00
			TQ	-145.46	-1382.37	1335.66	-145.46	-1382.37	653.26	-145.46	-1371.20	676.39	-145.46	-1371.20	0.00	
			M3	13.62	76.39	-125.91	13.62	76.39	-62.04	13.62	75.64	-63.31	13.45	77.08	-0.00	
		2-LANES (caseMAX	S2	62.59	93.62	683.74	34.85	-29.86	254.91	34.85	-25.58	255.38	67.48	-79.47	0.00	
			TQ	-419.18	2156.14	4035.53	-428.12	2156.14	2047.82	-428.12	2190.24	2011.31	-436.96	2190.24	-0.00	
			M3	-392.09	2057.64	4487.46	-417.77	1970.75	2360.60	-417.68	2009.97	2327.16	25.72	-123.96	0.00	
			MIN	S2	-520.01	1931.12	4203.94	-497.86	1970.39	2329.88	-497.86	2009.25	2296.45	-531.33	1895.83	-0.00
			TQ	25.72	-121.93	-242.35	25.72	-121.93	-121.68	25.72	-123.96	-119.61	25.72	-123.96	0.00	
			M3	26.36	-119.33	-248.24	23.92	-115.32	-125.39	23.83	-117.26	-123.43	-455.28	2188.01	-0.00	
		2-LANES (caseMAX	S2	229.29	200.50	1586.00	91.37	39.09	803.96	91.37	52.59	803.19	25.72	-80.25	0.00	
			TQ	-317.39	1217.78	3527.05	-375.85	1217.78	1900.98	-376.23	1249.58	1883.81	-434.01	1249.58	-0.00	
			M3	-162.57	1095.15	4136.38	-296.79	971.36	2554.95	-296.79	1014.15	2538.27	19.50	-81.17	0.00	
			MIN	S2	-414.28	1075.75	3916.76	-519.19	968.86	2438.07	-519.19	1009.68	2421.45	-691.87	865.80	-0.00
			TQ	25.41	-79.58	-236.91	25.41	-79.58	-117.72	25.28	-81.57	-117.54	25.28	-81.57	0.00	
			M3	25.72	-78.23	-241.60	25.72	-78.23	-120.93	25.72	-80.25	-119.60	-429.71	1247.41	-0.00	
		2-LANES (caseMAX	S2	24.35	22.80	-210.89	24.20	24.68	-108.36	24.20	22.85	-108.76	24.16	23.43	-0.00	
			TQ	15.75	30.29	-146.61	15.75	30.29	-72.73	15.10	29.09	-70.20	15.10	29.09	-0.00	
			M3	-296.45	-1177.27	2791.26	-300.91	-1177.27	1390.01	-300.91	-1153.75	1409.59	-295.84	-1171.56	0.00	
			MIN	S2	-296.64	-1174.76	2776.90	-300.96	-1176.63	1386.45	-300.96	-1153.17	1406.02	-305.36	-1153.75	0.00
			TQ	-287.54	-1194.36	2707.80	-292.01	-1194.36	1348.32	-291.36	-1171.56	1365.16	-295.81	-1171.56	0.00	
			M3	24.16	25.32	-225.25	24.16	25.32	-111.92	24.16	23.43	-112.33	9.96	23.94	-0.00	

BAGO RIVER BRIDGE

BLOCK [ No.1 : MAIN GIRDER ][ BEAM MEMBER FORCE ]

MEMBER				2053			2054			2055						
NODE				2053			2054			2055						
				SHEAR	TORQUE	MOMENT	SHEAR	TORQUE	MOMENT	SHEAR	TORQUE	MOMENT				
NAME TITLE				S2 (kN)	TQ (kN·m)	M3 (kN·m)	S2 (kN)	TQ (kN·m)	M3 (kN·m)	S2 (kN)	TQ (kN·m)	M3 (kN·m)				
301	LIVE LOAD	2-LANES (caseMAX	S2	22.99	107.20	-212.95	22.99	107.20	-105.10	22.99	105.42	-106.89	22.99	105.42	-0.00	
			TQ	22.71	109.08	-210.33	22.71	109.08	-103.79	22.71	107.32	-105.61	22.71	107.32	-0.00	
			M3	-260.62	-1927.04	2402.31	-260.62	-1927.04	1179.66	-260.62	-1906.95	1211.87	-257.23	-1912.10	0.00	
			MIN	S2	-260.62	-1927.04	2402.31	-260.62	-1927.04	1179.66	-260.62	-1906.95	1211.87	-260.62	-1906.95	0.00
			TQ	-258.70	-1934.46	2384.32	-258.70	-1934.46	1170.65	-258.70	-1914.52	1202.98	-258.70	-1914.52	0.00	
			M3	22.99	106.95	-212.95	22.99	106.95	-105.11	22.99	105.42	-106.89	22.71	107.32	-0.00	
		3-LANES (caseMAX	S2	206.24	110.99	1241.19	89.00	-26.21	629.64	89.00	-15.62	629.99	68.22	-93.03	0.00	
			TQ	-475.44	2155.96	4848.56	-515.44	2155.96	2524.11	-515.77	2198.10	2490.56	-555.44	2198.10	-0.00	
			M3	-357.75	2018.43	5495.79	-460.07	1909.81	3144.76	-459.99	1962.24	3112.23	27.65	-130.68	0.00	
			MIN	S2	-610.95	1904.59	5156.04	-651.18	1911.09	3044.73	-651.18	1961.97	3012.19	-792.94	1831.68	-0.00
			TQ	32.67	-128.45	-305.82	32.67	-128.45	-152.58	32.56	-131.02	-151.39	32.56	-131.02	0.00	
			M3	33.20	-125.93	-312.27	31.13	-122.52	-157.20	31.05	-125.02	-155.12	-562.53	2194.37	-0.00	
		3-LANES (caseMAX	S2	30.59	56.45	-271.02	30.46	58.04	-137.47	30.46	55.73	-138.43	30.42	56.22	-0.00	
			TQ	22.80	64.66	-211.92	22.80	64.66	-104.95	22.25	62.91	-103.45	22.25	62.91	-0.00	
			M3	-355.36	-1975.87	3321.97	-359.16	-1975.87	1645.91	-359.16	-1947.94	1678.88	-353.30	-1963.30	0.00	
			MIN	S2	-355.52	-1973.73	3309.76	-359.20	-1975.33	1642.88	-359.20	-1947.45	1675.84	-362.94	-1947.94	0.00
			TQ	-347.50	-1992.64	3248.28	-351.30	-1992.64	1609.09	-350.75	-1965.35	1639.76	-354.53	-1965.35	0.00	
			M3	30.42	58.59	-283.24	30.42	58.41	-140.51	30.42	56.22	-141.47	17.88	58.53	-0.00	
		3-LANES (caseMAX	S2	29.84	108.25	-263.23	29.72	109.84	-133.16	29.72	107.59	-134.99	29.68	108.08	-0.00	
			TQ	29.36	112.15	-272.40	29.36	112.15	-134.66	29.35	109.88	-136.46	29.35	109.88	-0.00	
			M3	-355.20	-1981.19	3320.37	-359.00	-1981.19	1645.07	-359.00	-1953.27	1678.12	-358.37	-1966.65	0.00	
			MIN	S2	-355.36	-1979.05	3308.16	-359.03	-1980.64	1642.04	-359.03	-1952.78	1675.08	-362.78	-1953.27	0.00
			TQ	-352.05	-1996.37	3290.74	-355.85	-1996.37	1630.19	-355.84	-1968.71	1663.43	-359.62	-1968.71	0.00	
			M3	29.68	110.17	-275.45	29.68	110.17	-136.19	29.68	108.08	-138.03	29.35	109.88	-0.00	

BAGO RIVER BRIDGE

BLOCK [ No.1 : MAIN GIRDER ][ BEAM MEMBER FORCE ]

MEMBER					2053			2054			2055					
NODE					2053			2054			2055					
NAME TITLE					SHEAR	TORQUE	MOMENT	SHEAR	TORQUE	MOMENT	SHEAR	TORQUE	MOMENT			
					S2 (kN)	TQ (kN·m)	M3 (kN·m)	S2 (kN)	TQ (kN·m)	M3 (kN·m)	S2 (kN)	TQ (kN·m)	M3 (kN·m)			
301	LIVE LOAD	4-LANES	MAX	S2	24.10	61.49	-224.14	24.10	61.49	-111.07	24.10	59.61	-112.08	24.10	59.61	-0.00
				TQ	21.23	62.81	-197.23	21.23	62.81	-97.66	16.14	61.39	-75.05	16.14	61.39	-0.00
				M3	-9.52	-4.53	88.84	-9.52	-4.53	44.19	-9.52	-3.79	44.26	0.00	0.00	0.00
		MIN	S2	-9.52	-4.53	88.84	-9.52	-4.53	44.19	-9.52	-3.79	44.26	-9.52	-3.79	0.00	
			TQ	-3.51	-6.80	32.66	-3.51	-6.80	16.20	-2.62	-6.56	12.19	-2.62	-6.56	0.00	
			M3	24.10	61.49	-224.14	24.10	61.49	-111.07	24.10	59.61	-112.08	15.33	56.07	-0.00	
	6-LANES	MAX	S2	199.73	45.00	1080.58	95.54	32.55	387.31	95.54	39.05	386.71	69.05	8.23	-0.00	
			TQ	-316.41	1566.95	3203.13	-340.26	1566.95	1662.70	-342.56	1594.85	1647.98	-366.25	1594.85	-0.00	
			M3	-480.64	46.74	6433.79	-567.52	-2.57	3554.29	-567.46	56.13	3553.85	-245.72	-1441.46	0.00	
		MIN	S2	-703.11	-37.88	6191.39	-753.98	-4.55	3496.25	-753.98	54.18	3495.83	-868.62	21.65	-0.00	
			TQ	-233.95	-1464.05	2188.01	-236.73	-1464.05	1083.91	-236.39	-1445.66	1105.63	-239.15	-1445.66	0.00	
			M3	47.04	-15.84	-439.68	45.45	-13.23	-219.54	45.39	-16.66	-219.28	-371.42	1589.50	-0.00	
LIVE LOAD	MAX		229.29	2156.14	6433.79	95.54	2156.14	3554.29	95.54	2198.10	3553.85	69.05	2198.10	0.00		
	MIN		-703.11	-1996.37	-439.68	-753.98	-1996.37	-219.54	-753.98	-1968.71	-219.28	-868.62	-1968.71	-0.00		
303	SUM TOTAL	TOTAL	MAX		-1617.71	2578.99	25981.64	-1996.73	2578.99	13862.73	-1996.73	2794.05	13853.73	-2268.75	2794.05	0.00
			MIN		-2550.11	-1573.53	19108.17	-2846.24	-1573.53	10088.90	-2846.24	-1372.75	10080.60	-3206.42	-1372.75	-0.00

BAGO RIVER BRIDGE

BLOCK [ No.1 : MAIN GIRDER ][ BEAM MEMBER FORCE ]

MEMBER NODE	3001	3002			3002			3003								
		SHEAR	TORQUE	MOMENT	SHEAR	TORQUE	MOMENT	SHEAR	TORQUE	MOMENT						
		S2 (kN)	TQ (kN·m)	M3 (kN·m)	S2 (kN)	TQ (kN·m)	M3 (kN·m)	S2 (kN)	TQ (kN·m)	M3 (kN·m)						
1	PAVEMENT	350.67	40.10	-0.06	290.09	40.10	1486.34	290.09	43.56	1486.25	230.64	43.56	2694.36			
3	RAILING	5.41	-0.38	0.00	6.05	-0.38	26.55	6.05	-0.32	26.55	6.68	-0.32	56.03			
5	CURB	53.55	-3.81	0.01	59.87	-3.81	262.88	59.87	-3.19	262.89	66.08	-3.19	554.72			
7	DECK WEIGHT	541.22	9.46	-0.02	450.32	9.46	2300.13	450.32	14.81	2300.10	360.96	14.81	4182.26			
8	GIRDER WEIGH	613.45	-456.09	0.74	526.68	-456.09	2646.80	526.68	-449.94	2647.85	439.88	-449.94	4891.74			
10	MEDIAN STRIP	121.68	-145.71	0.24	93.50	-145.71	499.63	93.50	-144.55	499.97	65.32	-144.55	868.68			
21	ADITIONAL WE	151.54	2.65	-0.00	126.09	2.65	644.04	126.09	4.15	644.03	101.07	4.15	1171.03			
31	MEDIAN RAILI	9.65	-11.61	0.02	7.37	-11.61	39.54	7.37	-11.52	39.56	5.10	-11.52	68.52			
51	SUPPORT WEIG	-0.00	-0.00	0.00	-0.00	-0.00	-0.00	-0.00	-0.00	-0.00	-0.00	-0.00	-0.00			
52	NOSE WEIGHT	0.62	-2.98	0.00	0.62	-2.98	2.90	0.62	-2.98	2.90	0.62	-2.98	5.80			
61	1-LANE(case1TRUCK-LOAD	MAX	S2	70.47	-455.61	0.73	70.47	-455.61	327.85	70.47	-454.85	328.91	70.47	-454.85	656.13	
			TQ	-8.38	50.11	-0.08	-8.38	50.11	-38.97	-8.38	50.02	-39.09	-8.38	50.02	-77.99	
			M3	70.24	-456.50	0.74	70.47	-455.61	327.85	70.47	-454.85	328.91	70.47	-454.85	656.13	
		MIN	S2	-8.77	47.21	-0.08	-8.77	47.21	-40.77	-8.77	47.12	-40.88	-8.77	47.12	-81.58	
			TQ	70.24	-456.50	0.74	70.24	-456.50	326.74	70.24	-455.73	327.80	70.24	-455.73	653.91	
			M3	-8.38	50.11	-0.08	-8.77	47.21	-40.77	-8.77	47.12	-40.88	-8.77	47.12	-81.58	
		TANDEM-LOAD	MAX	S2	48.63	-306.16	0.49	48.63	-306.16	226.24	48.63	-305.63	226.95	48.63	-305.63	452.77
			TQ	-5.78	34.10	-0.05	-5.78	34.10	-26.87	-5.78	34.04	-26.95	-5.78	34.04	-53.77	
			M3	47.75	-312.03	0.50	48.63	-306.16	226.24	48.63	-305.63	226.95	48.63	-305.63	452.77	
		MIN	S2	-5.97	32.48	-0.05	-5.97	32.48	-27.78	-5.97	32.42	-27.86	-5.97	32.42	-55.60	
			TQ	47.75	-312.03	0.50	47.75	-312.03	222.15	47.75	-311.51	222.88	47.75	-311.51	444.60	
			M3	-5.78	34.10	-0.05	-5.97	32.48	-27.78	-5.97	32.42	-27.86	-5.97	32.42	-55.60	
		DISPERSION-LMAX	S2	72.81	-522.85	0.84	72.81	-522.85	338.80	72.81	-522.06	340.02	72.81	-522.06	678.07	
			TQ	-10.46	56.29	-0.09	-10.46	56.29	-48.66	-10.46	56.18	-48.79	-10.46	56.18	-97.38	
			M3	72.81	-522.85	0.84	72.81	-522.85	338.80	72.81	-522.06	340.02	72.81	-522.06	678.07	
		MIN	S2	-10.46	56.29	-0.09	-10.46	56.29	-48.66	-10.46	56.18	-48.79	-10.46	56.18	-97.38	
			TQ	72.81	-522.85	0.84	72.81	-522.85	338.80	72.81	-522.06	340.02	72.81	-522.06	678.07	
			M3	-10.46	56.29	-0.09	-10.46	56.29	-48.66	-10.46	56.18	-48.79	-10.46	56.18	-97.38	

BAGO RIVER BRIDGE

BLOCK [ No.1 : MAIN GIRDER ][ BEAM MEMBER FORCE ]

MEMBER				3001			3002			3003					
NODE				3001			3002			3003					
				SHEAR	TORQUE	MOMENT	SHEAR	TORQUE	MOMENT	SHEAR	TORQUE	MOMENT			
NAME	TITLE			S2 (kN)	TQ (kN·m)	M3 (kN·m)	S2 (kN)	TQ (kN·m)	M3 (kN·m)	S2 (kN)	TQ (kN·m)	M3 (kN·m)			
62	1-LANE (case2TRUCK-LOAD	MAX	S2	88.40	-168.91	0.27	88.40	-168.91	410.57	88.40	-167.95	410.97	87.89	-179.57	816.74
			TQ	-8.15	23.26	-0.04	-8.15	23.26	-37.85	-8.15	23.17	-37.90	-8.15	23.17	-75.72
			M3	64.49	-206.81	0.33	88.40	-168.91	410.57	88.40	-167.95	410.97	87.89	-179.57	816.74
		MIN	S2	-8.55	22.11	-0.04	-8.55	22.11	-39.73	-8.55	22.02	-39.78	-8.55	22.02	-79.48
			TQ	64.49	-206.81	0.33	64.49	-206.81	299.67	64.49	-206.11	300.15	64.49	-206.11	599.58
			M3	-8.15	23.26	-0.04	-8.55	22.11	-39.73	-8.55	22.02	-39.78	-8.55	22.02	-79.48
		TANDEM-LOAD MAX	S2	61.90	-112.54	0.18	61.90	-112.54	287.49	61.90	-111.87	287.75	61.90	-111.87	575.13
			TQ	-5.62	15.84	-0.03	-5.62	15.84	-26.11	-5.62	15.78	-26.14	-5.62	15.78	-52.23
			M3	42.11	-140.55	0.23	61.90	-112.54	287.49	61.90	-111.87	287.75	61.90	-111.87	575.13
		MIN	S2	-5.83	15.20	-0.02	-5.83	15.20	-27.07	-5.83	15.13	-27.10	-5.83	15.13	-54.15
			TQ	42.11	-140.55	0.23	42.11	-140.55	195.70	42.11	-140.10	196.03	42.11	-140.10	391.56
			M3	-5.62	15.84	-0.03	-5.83	15.20	-27.07	-5.83	15.13	-27.10	-5.83	15.13	-54.15
		DISPERSION-LMAX	S2	85.83	-241.13	0.39	79.84	-240.42	378.84	79.84	-239.54	379.40	74.09	-237.36	718.49
			TQ	-10.17	26.32	-0.04	-10.17	26.32	-47.26	-10.17	26.21	-47.32	-10.17	26.21	-94.55
			M3	85.83	-241.13	0.39	79.75	-241.13	384.67	79.75	-240.24	385.23	73.66	-240.24	741.36
		MIN	S2	-10.17	26.32	-0.04	-10.27	25.61	-41.43	-10.27	25.52	-41.49	-10.60	23.34	-71.68
			TQ	85.83	-241.13	0.39	79.75	-241.13	384.67	79.75	-240.24	385.23	73.66	-240.24	741.36
			M3	-10.17	26.32	-0.04	-10.17	26.32	-47.26	-10.17	26.21	-47.32	-10.17	26.21	-94.55
63	1-LANE (case3TRUCK-LOAD	MAX	S2	258.10	5.45	-0.01	165.77	11.03	769.44	165.77	12.82	769.42	104.21	9.63	967.53
			TQ	159.81	11.22	-0.02	159.81	11.22	741.79	159.81	12.94	741.76	16.04	12.94	865.78
			M3	47.23	-12.92	0.02	165.77	11.03	769.45	165.77	12.82	769.42	104.21	9.63	967.53
		MIN	S2	-8.39	2.99	-0.00	-44.76	4.05	410.20	-44.76	5.00	410.18	-138.89	12.35	785.81
			TQ	47.23	-12.92	0.02	47.23	-12.92	219.26	47.23	-12.41	219.29	47.23	-12.41	438.60
			M3	159.81	11.22	-0.02	-8.39	2.99	-38.95	-8.39	2.90	-38.96	-8.39	2.90	-77.91

BAGO RIVER BRIDGE

BLOCK [ No.1 : MAIN GIRDER ][ BEAM MEMBER FORCE ]

MEMBER		3001			3002			3002			3003						
NODE		3001			3002			3002			3003						
		SHEAR	TORQUE	MOMENT	SHEAR	TORQUE	MOMENT	SHEAR	TORQUE	MOMENT	SHEAR	TORQUE	MOMENT				
NAME	TITLE	S2 (kN)	TQ (kN·m)	M3 (kN·m)	S2 (kN)	TQ (kN·m)	M3 (kN·m)	S2 (kN)	TQ (kN·m)	M3 (kN·m)	S2 (kN)	TQ (kN·m)	M3 (kN·m)				
63	1-LANE (case3TANDEM-LOAD	MAX	S2	208.70	0.86	-0.00	137.41	6.96	637.80	137.41	8.44	637.79	83.65	9.38	776.61		
			TQ	94.97	8.83	-0.01	94.97	8.83	440.79	94.97	9.86	440.77	-14.09	9.86	750.87		
			M3	32.57	-9.04	0.01	137.41	6.96	637.81	137.41	8.44	637.79	83.65	9.38	776.61		
		MIN	S2	-5.72	2.02	-0.00	-63.86	5.78	585.28	-63.86	7.14	585.26	-123.14	9.86	750.87		
			TQ	32.57	-9.04	0.01	32.57	-9.04	151.21	32.57	-8.69	151.23	32.57	-8.69	302.47		
			M3	94.97	8.83	-0.01	-5.72	2.02	-26.53	-5.72	1.96	-26.54	-5.72	1.96	-53.08		
			DISPERSION-LMAX	S2	116.83	-9.19	0.01	86.26	-9.75	400.41	86.26	-8.81	400.43	66.66	-10.33	618.97	
			TQ	55.45	20.97	-0.03	29.37	20.97	196.80	29.97	21.43	202.04	3.85	21.43	280.08		
			M3	51.43	-26.73	0.04	80.10	-9.19	457.05	80.10	-8.13	457.07	43.39	-8.13	743.75		
			MIN	S2	-9.95	3.43	-0.01	-16.11	3.98	10.44	-16.11	4.01	10.43	-33.23	5.53	32.36	
			TQ	51.43	-26.73	0.04	40.78	-26.73	214.05	40.18	-26.24	208.82	29.59	-26.24	371.25		
			M3	55.45	20.97	-0.03	-9.95	3.43	-46.20	-9.95	3.33	-46.21	-9.95	3.33	-92.42		
		64	1-LANE (case4TRUCK-LOAD	MAX	S2	64.56	436.66	-0.70	64.56	436.66	298.95	64.56	437.35	297.94	73.22	340.87	494.51
					TQ	61.85	459.64	-0.74	61.85	459.64	286.33	61.85	460.30	285.26	61.85	460.30	572.41
					M3	-7.37	-41.70	0.07	64.56	436.66	298.95	64.56	437.35	297.94	64.56	437.35	597.68
MIN	S2			-16.81	0.00	-0.00	-8.07	-36.93	-37.38	-8.07	-37.02	-37.30	-8.07	-37.02	-74.75		
	TQ			-7.37	-41.70	0.07	-7.37	-41.70	-34.15	-7.37	-41.78	-34.05	-7.37	-41.78	-68.28		
	M3			61.85	459.64	-0.74	-8.07	-36.93	-37.38	-8.07	-37.02	-37.30	-8.07	-37.02	-74.75		
	TANDEM-LOAD			MAX	S2	44.23	303.47	-0.49	44.23	303.47	204.80	44.23	303.94	204.10	56.42	202.85	291.74
	TQ			41.42	314.17	-0.51	41.42	314.17	191.76	41.42	314.61	191.02	41.42	314.61	383.34		
	M3			-4.94	-28.56	0.05	44.23	303.47	204.80	44.23	303.94	204.10	44.23	303.94	409.45		
	MIN			S2	-21.17	15.30	-0.02	-5.49	-25.52	-25.45	-5.49	-25.58	-25.40	-5.49	-25.58	-50.90	
	TQ			-4.94	-28.56	0.05	-4.94	-28.56	-22.88	-4.94	-28.61	-22.82	-4.94	-28.61	-45.76		
	M3			41.42	314.17	-0.51	-5.49	-25.52	-25.45	-5.49	-25.58	-25.40	-5.49	-25.58	-50.90		

BAGO RIVER BRIDGE

BLOCK [ No.1 : MAIN GIRDER ][ BEAM MEMBER FORCE ]

MEMBER		3001			3002			3002			3003						
NODE		3001			3002			3002			3003						
		SHEAR	TORQUE	MOMENT	SHEAR	TORQUE	MOMENT	SHEAR	TORQUE	MOMENT	SHEAR	TORQUE	MOMENT				
NAME	TITLE	S2 (kN)	TQ (kN·m)	M3 (kN·m)	S2 (kN)	TQ (kN·m)	M3 (kN·m)	S2 (kN)	TQ (kN·m)	M3 (kN·m)	S2 (kN)	TQ (kN·m)	M3 (kN·m)				
64	1-LANE (case4DISPERSION-LMAX	S2	64.12	496.83	-0.80	66.40	502.88	297.09	66.40	503.57	295.92	70.84	504.58	614.36			
		TQ	57.91	504.65	-0.81	62.30	504.65	278.06	62.36	505.30	277.17	66.81	505.30	576.94			
		M3	-5.43	-44.52	0.07	65.25	499.63	297.78	65.24	500.27	296.62	70.84	504.58	614.36			
		MIN	S2	-11.65	-36.70	0.06	-9.53	-42.75	-44.18	-9.53	-42.85	-44.08	-9.53	-43.86	-88.27		
		TQ	-5.43	-44.52	0.07	-5.43	-44.52	-25.15	-5.50	-44.58	-25.33	-5.50	-44.58	-50.85			
		M3	57.91	504.65	-0.81	-8.38	-39.49	-44.87	-8.37	-39.55	-44.78	-9.53	-43.86	-88.27			
		65	2-LANES (caseTRUCK-LOAD	MAX	S2	144.60	-765.00	1.23	144.60	-765.00	672.42	144.60	-763.44	674.19	144.60	-763.44	1345.57
				TQ	-16.64	86.86	-0.14	-16.64	86.86	-77.38	-16.64	86.68	-77.58	-16.64	86.68	-154.85	
				M3	137.84	-789.27	1.27	144.60	-765.00	672.42	144.60	-763.44	674.19	144.60	-763.44	1345.57	
MIN	S2			-17.43	81.91	-0.13	-17.43	81.91	-81.01	-17.43	81.72	-81.21	-17.43	81.72	-162.11		
TQ	137.84			-789.27	1.27	137.84	-789.27	641.07	137.84	-787.78	642.91	137.84	-787.78	1282.89			
M3	-16.64			86.86	-0.14	-17.43	81.91	-81.01	-17.43	81.72	-81.21	-17.43	81.72	-162.11			
TANDEM-LOAD	MAX			S2	100.11	-514.85	0.83	100.11	-514.85	465.50	100.11	-513.77	466.70	100.11	-513.77	931.50	
TQ	-11.48			59.11	-0.10	-11.48	59.11	-53.36	-11.48	58.99	-53.50	-11.48	58.99	-106.77			
M3	92.69			-538.82	0.87	100.11	-514.85	465.50	100.11	-513.77	466.70	100.11	-513.77	931.50			
MIN	S2	-11.87	56.35	-0.09	-11.87	56.35	-55.21	-11.87	56.22	-55.34	-11.87	56.22	-110.47				
TQ	92.69	-538.82	0.87	92.69	-538.82	431.12	92.69	-537.82	432.37	92.69	-537.82	862.74					
M3	-11.48	59.11	-0.10	-11.87	56.35	-55.21	-11.87	56.22	-55.34	-11.87	56.22	-110.47					
DISPERSION-LMAX	S2	149.62	-907.10	1.46	149.62	-907.10	695.94	149.62	-905.48	698.04	149.62	-905.48	1392.72				
TQ	-20.78	97.64	-0.16	-20.78	97.64	-96.63	-20.78	97.42	-96.85	-20.78	97.42	-193.35					
M3	149.62	-907.10	1.46	149.62	-907.10	695.94	149.62	-905.48	698.04	149.62	-905.48	1392.72					
MIN	S2	-20.78	97.64	-0.16	-20.78	97.64	-96.63	-20.78	97.42	-96.85	-20.78	97.42	-193.35				
TQ	149.62	-907.10	1.46	149.62	-907.10	695.94	149.62	-905.48	698.04	149.62	-905.48	1392.72					
M3	-20.78	97.64	-0.16	-20.78	97.64	-96.63	-20.78	97.42	-96.85	-20.78	97.42	-193.35					

BAGO RIVER BRIDGE

BLOCK [ No.1 : MAIN GIRDER ][ BEAM MEMBER FORCE ]

MEMBER				3001			3002			3003					
NODE				3001			3002			3003					
				SHEAR	TORQUE	MOMENT	SHEAR	TORQUE	MOMENT	SHEAR	TORQUE	MOMENT			
NAME	TITLE			S2 (kN)	TQ (kN·m)	M3 (kN·m)	S2 (kN)	TQ (kN·m)	M3 (kN·m)	S2 (kN)	TQ (kN·m)	M3 (kN·m)			
66	2-LANES (caseTRUCK-LOAD	MAX	S2	162.52	-478.30	0.77	162.52	-478.30	755.13	162.52	-476.54	756.24	162.01	-488.16	1506.18
			TQ	-16.41	60.01	-0.10	-16.41	60.01	-76.26	-16.41	59.83	-76.39	-16.41	59.83	-152.58
			M3	132.09	-539.59	0.87	162.52	-478.30	755.13	162.52	-476.54	756.24	162.01	-488.16	1506.18
		MIN	S2	-17.21	56.81	-0.09	-17.21	56.81	-79.97	-17.21	56.62	-80.10	-17.21	56.62	-160.01
			TQ	132.09	-539.59	0.87	132.09	-539.59	614.00	132.09	-538.16	615.26	132.09	-538.16	1228.57
			M3	-16.41	60.01	-0.10	-17.21	56.81	-79.97	-17.21	56.62	-80.10	-17.21	56.62	-160.01
		TANDEM-LOAD MAX	S2	113.37	-321.23	0.52	113.37	-321.23	526.75	113.37	-320.01	527.49	113.37	-320.01	1053.87
			TQ	-11.32	40.85	-0.07	-11.32	40.85	-52.60	-11.32	40.73	-52.69	-11.32	40.73	-105.24
			M3	87.05	-367.35	0.59	113.37	-321.23	526.75	113.37	-320.01	527.49	113.37	-320.01	1053.87
		MIN	S2	-11.73	39.06	-0.06	-11.73	39.06	-54.49	-11.73	38.93	-54.58	-11.73	38.93	-109.03
			TQ	87.05	-367.35	0.59	87.05	-367.35	404.67	87.05	-366.40	405.52	87.05	-366.40	809.71
			M3	-11.32	40.85	-0.07	-11.73	39.06	-54.49	-11.73	38.93	-54.58	-11.73	38.93	-109.03
		DISPERSION-LMAX	S2	162.64	-625.39	1.01	156.65	-624.67	735.97	156.65	-622.96	737.42	150.90	-620.78	1433.14
			TQ	-20.49	67.67	-0.11	-20.49	67.67	-95.22	-20.49	67.45	-95.38	-20.49	67.45	-190.51
			M3	162.64	-625.39	1.01	156.55	-625.39	741.80	156.55	-623.66	743.25	150.47	-623.66	1456.00
MIN	S2	-20.49	67.67	-0.11	-20.59	66.96	-89.39	-20.59	66.75	-89.54	-20.92	64.57	-167.64		
	TQ	162.64	-625.39	1.01	156.55	-625.39	741.80	156.55	-623.66	743.25	150.47	-623.66	1456.00		
	M3	-20.49	67.67	-0.11	-20.49	67.67	-95.22	-20.49	67.45	-95.38	-20.49	67.45	-190.51		
67	2-LANES (caseTRUCK-LOAD	MAX	S2	496.24	38.76	-0.06	318.66	91.04	1478.96	318.66	94.47	1478.75	201.69	117.96	1872.21
			TQ	228.87	127.23	-0.21	228.87	127.23	1062.14	228.87	129.70	1061.84	85.10	129.70	1506.50
			M3	40.17	-24.74	0.04	318.66	91.04	1478.97	318.66	94.47	1478.75	201.69	117.96	1872.22
		MIN	S2	-16.68	-6.90	0.01	-92.33	31.20	848.30	-92.33	33.18	848.22	-265.08	85.39	1511.19
			TQ	40.17	-24.74	0.04	40.17	-24.74	186.49	40.17	-24.31	186.55	40.17	-24.31	373.05
			M3	228.87	127.23	-0.21	-16.68	-6.90	-77.39	-16.68	-7.08	-77.37	-16.68	-7.08	-154.80



BAGO RIVER BRIDGE

BLOCK [ No.1 : MAIN GIRDER ][ BEAM MEMBER FORCE ]

MEMBER		3001			3002			3002			3003					
NODE		3001			3002			3002			3003					
		SHEAR	TORQUE	MOMENT	SHEAR	TORQUE	MOMENT	SHEAR	TORQUE	MOMENT	SHEAR	TORQUE	MOMENT			
NAME	TITLE	S2 (kN)	TQ (kN·m)	M3 (kN·m)	S2 (kN)	TQ (kN·m)	M3 (kN·m)	S2 (kN)	TQ (kN·m)	M3 (kN·m)	S2 (kN)	TQ (kN·m)	M3 (kN·m)			
67	2-LANES (caseTANDEM-LOAD	MAX	S2	401.45	5.80	-0.01	263.87	48.96	1224.73	263.87	51.81	1224.61	161.08	78.39	1495.31	
			TQ	139.29	87.76	-0.14	139.29	87.76	646.42	139.29	89.27	646.21	30.24	89.27	1162.12	
			M3	27.63	-17.12	0.03	263.87	48.96	1224.73	263.87	51.81	1224.61	161.08	78.39	1495.31	
		MIN	S2	-11.36	-4.84	0.01	-122.34	39.16	1123.82	-122.34	41.77	1123.73	-234.73	73.87	1444.12	
			TQ	27.63	-17.12	0.03	27.63	-17.12	128.27	27.63	-16.82	128.30	27.63	-16.82	256.58	
			M3	139.29	87.76	-0.14	-11.36	-4.84	-52.72	-11.36	-4.96	-52.71	-11.36	-4.96	-105.45	
		DISPERSION-LMAX	S2	228.35	125.36	-0.20	169.42	121.57	786.18	169.42	123.39	785.90	131.71	112.80	1222.48	
		TQ	161.23	157.73	-0.25	101.10	157.73	608.31	101.73	159.15	613.35	41.83	159.15	945.89		
		M3	47.36	-40.87	0.07	157.57	125.36	895.21	157.57	127.45	894.91	87.08	127.45	1462.61		
		MIN	S2	-19.76	-8.51	0.01	-31.61	-4.71	17.30	-31.61	-4.67	17.31	-64.40	5.93	56.66	
		TQ	47.36	-40.87	0.07	36.71	-40.87	195.17	36.08	-40.42	189.86	25.49	-40.42	333.26		
		M3	161.23	157.73	-0.25	-19.76	-8.51	-91.72	-19.76	-8.72	-91.70	-19.76	-8.72	-183.47		
68	2-LANES (caseTRUCK-LOAD	MAX	S2	136.24	643.57	-1.04	136.24	643.57	631.34	136.24	645.04	629.84	143.57	621.93	1146.62	
			TQ	122.28	796.99	-1.29	122.28	796.99	566.31	122.28	798.30	564.45	122.28	798.30	1132.21	
			M3	-14.32	-69.32	0.11	136.24	643.57	631.34	136.24	645.04	629.84	134.91	718.41	1249.80	
		MIN	S2	-24.98	-24.01	0.04	-16.24	-60.94	-75.27	-16.24	-61.12	-75.13	-16.24	-61.12	-150.51	
			TQ	-14.32	-69.32	0.11	-14.32	-69.32	-66.35	-14.32	-69.47	-66.18	-14.32	-69.47	-132.66	
			M3	122.28	796.99	-1.29	-16.24	-60.94	-75.27	-16.24	-61.12	-75.13	-16.24	-61.12	-150.51	
		TANDEM-LOAD	MAX	S2	93.03	460.00	-0.74	93.03	460.00	431.05	93.03	461.00	429.98	105.03	374.80	742.38
		TQ	81.62	544.05	-0.88	81.62	544.05	377.99	81.62	544.93	376.72	81.62	544.93	755.70		
		M3	-9.80	-47.47	0.08	93.03	460.00	431.05	93.03	461.00	429.98	92.84	475.89	860.10		
		MIN	S2	-26.73	-1.31	0.00	-11.06	-42.13	-51.26	-11.06	-42.25	-51.16	-11.06	-42.25	-102.50	
		TQ	-9.80	-47.47	0.08	-9.80	-47.47	-45.43	-9.80	-47.58	-45.32	-9.80	-47.58	-90.85		
		M3	81.62	544.05	-0.88	-11.06	-42.13	-51.26	-11.06	-42.25	-51.16	-11.06	-42.25	-102.50		

BAGO RIVER BRIDGE

BLOCK [ No.1 : MAIN GIRDER ][ BEAM MEMBER FORCE ]

MEMBER		3001			3002			3002			3003						
NODE		3001			3002			3002			3003						
		SHEAR	TORQUE	MOMENT	SHEAR	TORQUE	MOMENT	SHEAR	TORQUE	MOMENT	SHEAR	TORQUE	MOMENT				
NAME	TITLE	S2 (kN)	TQ (kN·m)	M3 (kN·m)	S2 (kN)	TQ (kN·m)	M3 (kN·m)	S2 (kN)	TQ (kN·m)	M3 (kN·m)	S2 (kN)	TQ (kN·m)	M3 (kN·m)				
68	2-LANES (caseDISPERSION-LMAX	S2	142.09	862.30	-1.39	136.77	865.06	629.76	136.77	866.52	627.75	134.06	857.96	1225.32			
		TQ	130.19	872.31	-1.41	126.70	872.31	594.89	126.79	873.69	593.25	123.23	873.69	1173.79			
		M3	-9.41	-75.11	0.12	135.33	865.09	641.01	135.33	866.54	638.99	132.93	870.84	1263.78			
		MIN	S2	-21.32	-65.09	0.10	-19.48	-67.86	-78.45	-19.48	-68.04	-78.29	-20.33	-59.47	-139.44		
		TQ	-9.41	-75.11	0.12	-9.41	-75.11	-43.57	-9.50	-75.21	-43.79	-9.50	-75.21	-87.90			
		M3	130.19	872.31	-1.41	-18.05	-67.89	-89.69	-18.04	-68.05	-89.54	-19.19	-72.36	-177.90			
		69	3-LANES (caseTRUCK-LOAD	MAX	S2	232.99	-933.91	1.51	232.99	-933.91	1082.99	232.99	-931.39	1085.16	232.49	-943.01	2162.31
				TQ	-24.79	110.12	-0.18	-24.79	110.12	-115.23	-24.79	109.85	-115.48	-24.79	109.85	-230.57	
				M3	202.33	-996.08	1.61	232.99	-933.91	1082.99	232.99	-931.39	1085.16	232.49	-943.01	2162.31	
MIN	S2			-25.98	104.02	-0.17	-25.98	104.02	-120.74	-25.98	103.74	-120.98	-25.98	103.74	-241.59		
TQ	202.33			-996.08	1.61	202.33	-996.08	940.75	202.33	-993.89	943.06	202.33	-993.89	1882.48			
M3	-24.79			110.12	-0.18	-25.98	104.02	-120.74	-25.98	103.74	-120.98	-25.98	103.74	-241.59			
TANDEM-LOAD	MAX			S2	162.01	-627.39	1.01	162.01	-627.39	752.99	162.01	-625.64	754.44	162.01	-625.64	1506.64	
TQ	-17.09			74.95	-0.12	-17.09	74.95	-79.47	-17.09	74.77	-79.64	-17.09	74.77	-159.01			
M3	134.81			-679.38	1.10	162.01	-627.39	752.99	162.01	-625.64	754.44	162.01	-625.64	1506.64			
MIN	S2	-17.70	71.54	-0.12	-17.70	71.54	-82.28	-17.70	71.35	-82.44	-17.70	71.35	-164.63				
TQ	134.81	-679.38	1.10	134.81	-679.38	626.82	134.81	-677.92	628.40	134.81	-677.92	1254.31					
M3	-17.09	74.95	-0.12	-17.70	71.54	-82.28	-17.70	71.35	-82.44	-17.70	71.35	-164.63					
DISPERSION-LMAX	S2	235.45	-1148.23	1.85	229.46	-1147.52	1074.78	229.46	-1145.02	1077.44	223.71	-1142.84	2111.21				
TQ	-30.95	123.97	-0.20	-30.95	123.97	-143.88	-30.95	123.63	-144.17	-30.95	123.63	-287.89					
M3	235.45	-1148.23	1.85	229.36	-1148.23	1080.60	229.36	-1145.72	1083.27	223.28	-1145.72	2134.08					
MIN	S2	-30.95	123.97	-0.20	-31.05	123.26	-138.05	-31.05	122.94	-138.34	-31.38	120.75	-265.03				
TQ	235.45	-1148.23	1.85	229.36	-1148.23	1080.60	229.36	-1145.72	1083.27	223.28	-1145.72	2134.08					
M3	-30.95	123.97	-0.20	-30.95	123.97	-143.88	-30.95	123.63	-144.17	-30.95	123.63	-287.89					

BAGO RIVER BRIDGE

BLOCK [ No.1 : MAIN GIRDER ][ BEAM MEMBER FORCE ]

MEMBER				3001			3002			3003					
NODE				3001			3002			3003					
				SHEAR	TORQUE	MOMENT	SHEAR	TORQUE	MOMENT	SHEAR	TORQUE	MOMENT			
NAME	TITLE			S2 (kN)	TQ (kN·m)	M3 (kN·m)	S2 (kN)	TQ (kN·m)	M3 (kN·m)	S2 (kN)	TQ (kN·m)	M3 (kN·m)			
70	3-LANES (caseTRUCK-LOAD	MAX	S2	656.30	95.14	-0.15	432.55	229.69	2007.37	432.55	234.36	2006.83	285.69	314.06	2651.33
			TQ	284.00	365.80	-0.59	284.00	365.80	1317.66	284.00	368.87	1316.80	140.23	368.87	2017.44
			M3	32.68	-50.60	0.08	432.55	229.69	2007.38	432.55	234.35	2006.84	285.69	314.06	2651.33
		MIN	S2	-24.86	-29.70	0.05	-116.79	76.90	1154.62	-116.79	79.59	1154.44	-328.95	209.18	2110.09
			TQ	32.68	-50.60	0.08	32.68	-50.60	151.76	32.68	-50.25	151.87	32.68	-50.25	303.59
			M3	284.00	365.80	-0.59	-24.86	-29.70	-115.32	-24.86	-29.96	-115.25	-24.86	-29.96	-230.66
		TANDEM-LOAD MAX	S2	526.91	14.10	-0.02	353.27	120.01	1639.57	353.27	123.82	1639.28	224.27	198.55	2081.51
			TQ	177.36	250.34	-0.40	177.36	250.34	822.84	177.36	252.25	822.26	68.31	252.25	1514.91
			M3	22.61	-34.84	0.06	353.27	120.01	1639.57	353.27	123.82	1639.29	224.27	198.55	2081.51
		MIN	S2	-16.93	-20.60	0.03	-152.37	95.26	1499.86	-152.37	98.75	1499.64	-290.91	183.67	2004.77
			TQ	22.61	-34.84	0.06	22.61	-34.84	104.98	22.61	-34.60	105.06	22.61	-34.60	210.02
			M3	177.36	250.34	-0.40	-16.93	-20.60	-78.55	-16.93	-20.79	-78.50	-16.93	-20.79	-157.11
		DISPERSION-LMAX	S2	323.92	399.04	-0.64	246.06	389.79	1141.50	246.06	392.44	1140.59	195.02	366.51	1809.29
			TQ	252.71	432.16	-0.70	170.69	432.16	981.45	171.38	434.45	986.13	90.20	434.45	1592.37
			M3	41.78	-68.97	0.11	231.26	399.04	1287.34	231.26	402.03	1286.41	139.48	402.03	2146.52
MIN	S2	-29.44	-35.85	0.06	-44.24	-26.60	9.27	-44.24	-26.58	9.33	-84.98	-0.64	64.07		
	TQ	41.78	-68.97	0.11	31.13	-68.97	169.31	30.44	-68.58	163.78	19.85	-68.58	281.00		
	M3	252.71	432.16	-0.70	-29.44	-35.85	-136.57	-29.44	-36.17	-136.49	-29.44	-36.17	-273.16		
71	3-LANES (caseTRUCK-LOAD	MAX	S2	284.21	701.81	-1.13	246.87	784.47	1144.63	246.87	787.13	1142.80	227.40	815.19	1924.14
			TQ	184.37	1013.12	-1.63	184.37	1013.12	854.16	184.37	1015.11	851.80	184.37	1015.11	1707.84
			M3	-21.26	-82.94	0.13	246.87	784.47	1144.63	246.87	787.13	1142.80	218.74	911.68	2027.31
		MIN	S2	-33.25	-35.11	0.06	-38.25	-13.21	217.24	-38.25	-12.70	217.27	-76.83	65.36	443.58
			TQ	-21.26	-82.94	0.13	-21.26	-82.94	-98.56	-21.26	-83.17	-98.36	-21.26	-83.17	-197.08
			M3	184.37	1013.12	-1.63	-24.51	-72.04	-113.66	-24.51	-72.30	-113.49	-24.51	-72.30	-227.30

BAGO RIVER BRIDGE

BLOCK [ No.1 : MAIN GIRDER ][ BEAM MEMBER FORCE ]

MEMBER				3001			3002			3003								
NODE				3001			3002			3003								
				SHEAR	TORQUE	MOMENT	SHEAR	TORQUE	MOMENT	SHEAR	TORQUE	MOMENT						
NAME	TITLE			S2 (kN)	TQ (kN·m)	M3 (kN·m)	S2 (kN)	TQ (kN·m)	M3 (kN·m)	S2 (kN)	TQ (kN·m)	M3 (kN·m)						
71	3-LANES (case)	TANDEM-LOAD	MAX	S2	206.47	468.65	-0.76	178.63	533.63	828.28	178.63	535.56	827.04	167.88	495.59	1325.48		
				TQ	124.36	691.78	-1.12	124.36	691.78	576.15	124.36	693.12	574.54	124.36	693.12	1151.97		
				M3	-14.74	-56.76	0.09	178.63	533.63	828.28	178.63	535.56	827.04	155.69	596.69	1443.20		
			MIN	S2	-32.37	-9.01	0.01	-38.05	16.41	307.47	-38.05	17.13	307.43	-65.45	69.03	454.37		
				TQ	-14.74	-56.76	0.09	-14.74	-56.76	-68.33	-14.74	-56.91	-68.20	-14.74	-56.91	-136.65		
				M3	124.36	691.78	-1.12	-16.69	-49.83	-77.41	-16.69	-50.01	-77.29	-16.69	-50.01	-154.80		
			DISPERSION-LMAX	S2	236.05	1088.86	-1.76	213.21	1085.90	984.23	213.21	1088.18	981.71	197.53	1063.90	1813.79		
				TQ	217.69	1103.03	-1.78	194.08	1103.03	954.21	194.18	1105.25	952.10	170.17	1105.25	1798.33		
				M3	-12.76	-92.26	0.15	209.17	1091.66	1030.30	209.17	1094.00	1027.76	186.30	1098.31	1948.15		
			MIN	S2	-31.12	-78.09	0.13	-31.89	-75.12	-89.12	-31.89	-75.33	-88.94	-40.22	-51.05	-134.52		
				TQ	-12.76	-92.26	0.15	-12.76	-92.26	-59.09	-12.86	-92.40	-59.34	-12.86	-92.40	-119.06		
				M3	217.69	1103.03	-1.78	-27.85	-80.89	-135.18	-27.84	-81.15	-134.99	-29.00	-85.46	-268.88		
		72	4-LANES	TRUCK-LOAD	MAX	S2	637.70	548.71	-0.88	456.24	721.40	2116.55	456.24	726.32	2114.87	342.32	746.47	3022.52
						TQ	369.91	934.00	-1.51	334.09	934.00	1573.72	334.09	937.66	1571.55	37.71	937.66	2485.13
						M3	23.66	-83.38	0.13	456.24	721.40	2116.55	456.24	726.32	2114.87	336.66	833.48	3122.54
	MIN			S2	-38.94	-31.06	0.05	-108.78	67.45	1042.84	-108.78	69.87	1042.68	-278.39	242.92	1902.31		
				TQ	23.66	-83.38	0.13	23.66	-83.38	109.96	20.40	-83.13	95.03	20.40	-83.13	189.75		
				M3	369.91	934.00	-1.51	-32.91	-67.84	-152.66	-32.91	-68.19	-152.50	-32.91	-68.19	-305.31		
	TANDEM-LOAD			MAX	S2	498.34	313.89	-0.51	359.25	456.55	1666.80	359.25	460.42	1665.74	262.97	458.98	2245.73	
				TQ	219.15	642.66	-1.04	219.15	642.66	1016.17	219.15	645.03	1014.68	-5.60	645.03	1897.20		
				M3	15.10	-57.22	0.09	359.25	456.55	1666.81	359.25	460.42	1665.74	253.98	554.17	2355.91		
	MIN			S2	-34.21	-6.45	0.01	-129.74	102.91	1306.45	-129.74	105.95	1306.21	-245.30	220.70	1818.40		
				TQ	15.10	-57.22	0.09	15.10	-57.22	70.17	14.19	-57.06	66.08	14.19	-57.06	131.96		
				M3	219.15	642.66	-1.04	-22.42	-46.97	-103.97	-22.42	-47.21	-103.87	-22.42	-47.21	-207.95		

BAGO RIVER BRIDGE

BLOCK [ No.1 : MAIN GIRDER ][ BEAM MEMBER FORCE ]

MEMBER				3001			3002			3003							
NODE				3001			3002			3003							
				SHEAR	TORQUE	MOMENT	SHEAR	TORQUE	MOMENT	SHEAR	TORQUE	MOMENT					
NAME	TITLE			S2 (kN)	TQ (kN·m)	M3 (kN·m)	S2 (kN)	TQ (kN·m)	M3 (kN·m)	S2 (kN)	TQ (kN·m)	M3 (kN·m)					
72	4-LANES	DISPERSION-LMAX	S2	355.95	995.61	-1.61	285.55	989.38	1317.85	285.55	992.44	1315.55	241.16	966.74	2210.65		
			TQ	311.45	1066.44	-1.72	240.27	1066.44	1278.53	240.85	1069.41	1281.23	170.50	1069.41	2235.52		
			M3	22.94	-95.78	0.15	271.48	996.17	1452.90	271.48	999.41	1450.59	189.48	998.20	2519.02		
	MIN	S2	-32.18	-62.40	0.10	-43.19	-56.44	-4.04	-43.19	-56.45	-3.91	-79.43	-24.26	44.11			
		TQ	22.94	-95.78	0.15	12.29	-95.78	81.92	11.71	-95.59	76.95	1.12	-95.59	107.21			
		M3	311.45	1066.44	-1.72	-28.91	-65.20	-140.12	-28.90	-65.48	-139.97	-30.05	-69.79	-278.77			
	73	6-LANES	TRUCK-LOAD	MAX	S2	787.14	-168.40	0.27	613.94	-46.20	2849.81	613.94	-39.58	2849.91	501.75	-33.97	4505.82
				TQ	173.49	918.69	-1.48	173.49	918.69	803.79	174.11	920.55	804.54	174.11	920.55	1612.94	
				M3	164.30	-879.36	1.42	613.95	-46.20	2849.81	613.95	-39.58	2849.91	496.56	26.09	4610.32	
MIN		S2	-56.51	68.45	-0.11	-121.19	113.09	956.03	-121.19	115.32	955.76	-282.25	233.46	1779.91			
		TQ	164.30	-879.36	1.42	164.30	-879.36	764.04	163.97	-877.58	764.54	163.97	-877.58	1525.84			
		M3	173.49	918.69	-1.48	-50.49	33.24	-234.43	-50.49	32.70	-234.50	-50.49	32.70	-468.94			
TANDEM-LOAD		MAX	S2	598.86	-161.16	0.26	465.69	-62.09	2161.66	465.69	-57.07	2161.80	373.08	-48.56	3270.14		
		TQ	116.29	627.84	-1.01	116.29	627.84	538.78	116.29	629.09	537.32	116.29	629.09	1077.28			
		M3	110.72	-600.17	0.97	465.69	-62.09	2161.66	465.69	-57.07	2161.80	364.59	7.44	3385.12			
MIN	S2	-46.18	62.04	-0.10	-135.37	117.88	1245.73	-135.37	120.78	1245.45	-245.08	195.73	1738.48				
	TQ	110.72	-600.17	0.97	110.72	-600.17	514.87	110.72	-598.97	516.27	110.72	-598.97	1030.32				
	M3	116.29	627.84	-1.01	-34.40	22.59	-159.70	-34.40	22.22	-159.75	-34.40	22.22	-319.46				
DISPERSION-LMAX	S2	537.13	-38.81	0.06	460.72	-45.41	2131.28	460.72	-40.45	2131.38	412.71	-62.13	3801.69				
	TQ	236.65	1064.39	-1.72	178.12	1064.39	959.94	178.72	1066.63	962.74	121.54	1066.63	1658.36				
	M3	211.91	-1012.30	1.63	445.44	-41.92	2278.80	445.44	-37.10	2278.89	355.60	-36.69	4137.48				
MIN	S2	-59.72	52.92	-0.09	-70.94	55.20	-128.39	-70.94	54.90	-128.51	-107.62	76.42	-201.79				
	TQ	211.91	-1012.30	1.63	199.11	-1012.30	955.73	198.44	-1010.08	952.46	185.40	-1010.08	1844.20				
	M3	236.65	1064.39	-1.72	-56.45	50.12	-268.14	-56.44	49.54	-268.25	-57.59	45.23	-534.92				

BAGO RIVER BRIDGE

BLOCK [ No.1 : MAIN GIRDER ][ BEAM MEMBER FORCE ]

MEMBER		3001			3002			3002			3003				
NODE		3001			3002			3002			3003				
NAME TITLE		SHEAR	TORQUE	MOMENT	SHEAR	TORQUE	MOMENT	SHEAR	TORQUE	MOMENT	SHEAR	TORQUE	MOMENT		
		S2 (kN)	TQ (kN·m)	M3 (kN·m)	S2 (kN)	TQ (kN·m)	M3 (kN·m)	S2 (kN)	TQ (kN·m)	M3 (kN·m)	S2 (kN)	TQ (kN·m)	M3 (kN·m)		
124	SUM TOTAL	D+1LANE (caseMAX	S2	2019.73	-1742.53	2.81	1732.54	-1742.53	8708.80	1732.54	-1722.28	8712.82	1448.29	-1722.28	16094.18
			TQ	1825.17	-440.69	0.71	1537.99	-440.69	7803.64	1537.99	-422.55	7804.65	1253.74	-422.55	14282.69
			M3	2019.44	-1743.59	2.81	1732.54	-1742.53	8708.80	1732.54	-1722.28	8712.82	1448.29	-1722.28	16094.18
		MIN	S2	1824.71	-444.16	0.72	1537.53	-444.16	7801.49	1537.53	-426.03	7802.50	1253.27	-426.03	14278.39
			TQ	2019.44	-1743.59	2.81	1732.26	-1743.59	8707.46	1732.26	-1723.34	8711.49	1448.00	-1723.34	16091.52
			M3	1825.17	-440.69	0.71	1537.53	-444.16	7801.49	1537.53	-426.03	7802.50	1253.27	-426.03	14278.39
		D+1LANE (caseMAX	S2	2056.86	-1060.42	1.71	1762.49	-1059.57	8856.10	1762.49	-1038.98	8858.54	1470.73	-1050.30	16335.42
			TQ	1825.80	-508.87	0.82	1538.62	-508.87	7806.68	1538.62	-490.72	7807.85	1254.37	-490.72	14288.82
			M3	2028.17	-1105.91	1.78	1762.37	-1060.42	8863.10	1762.37	-1039.82	8865.54	1470.21	-1053.76	16362.86
		MIN	S2	1825.32	-510.25	0.82	1538.02	-511.10	7811.42	1538.02	-492.94	7812.59	1253.37	-495.56	14311.75
			TQ	2028.17	-1105.91	1.78	1733.69	-1105.91	8730.02	1733.69	-1085.61	8732.57	1442.13	-1085.61	16102.28
			M3	1825.80	-508.87	0.82	1538.14	-510.25	7804.43	1538.14	-492.10	7805.59	1253.88	-492.10	14284.31
		D+1LANE (caseMAX	S2	2297.70	-572.87	0.92	1863.04	-566.83	9312.63	1863.04	-545.18	9313.92	1481.40	-550.83	16396.94
			TQ	2106.10	-529.75	0.85	1787.62	-529.75	9035.11	1788.35	-508.74	9042.66	1300.22	-508.74	15868.18
			M3	1966.18	-615.95	0.99	1855.66	-566.17	9380.60	1855.66	-544.36	9381.89	1453.47	-548.19	16546.67
		MIN	S2	1825.77	-560.67	0.90	1487.56	-558.73	8413.57	1487.56	-539.17	8414.84	1069.81	-528.54	15474.95
			TQ	1966.18	-615.95	0.99	1666.22	-615.95	8428.78	1665.50	-596.37	8423.84	1368.53	-596.37	15464.95
			M3	2106.10	-529.75	0.85	1538.59	-560.67	7806.63	1538.59	-542.52	7807.91	1254.34	-542.52	14288.75
		D+1LANE (caseMAX	S2	2002.20	551.81	-0.89	1717.76	559.07	8624.06	1717.76	579.12	8622.74	1449.22	464.55	15823.78
			TQ	1991.49	588.77	-0.95	1709.58	588.77	8586.07	1709.65	608.73	8585.02	1430.74	608.73	15872.36
			M3	1832.42	-671.84	1.08	1716.37	555.17	8624.89	1716.37	575.16	8623.58	1438.83	580.33	15947.59
		MIN	S2	1813.63	-612.41	0.99	1539.48	-663.98	7810.93	1539.48	-645.82	7812.45	1255.24	-647.04	14297.53
			TQ	1832.42	-671.84	1.08	1545.24	-671.84	7837.64	1545.16	-653.61	7838.85	1260.91	-653.61	14350.19
			M3	1991.49	588.77	-0.95	1540.87	-660.08	7810.10	1540.87	-641.87	7811.61	1255.24	-647.04	14297.53

BAGO RIVER BRIDGE

BLOCK [ No.1 : MAIN GIRDER ] [ BEAM MEMBER FORCE ]

MEMBER			3001			3002			3003						
NODE			3001			3002			3003						
NAME TITLE			SHEAR	TORQUE	MOMENT	SHEAR	TORQUE	MOMENT	SHEAR	TORQUE	MOMENT				
			S2 (kN)	TQ (kN·m)	M3 (kN·m)	S2 (kN)	TQ (kN·m)	M3 (kN·m)	S2 (kN)	TQ (kN·m)	M3 (kN·m)				
124	SUM TOTAL	D+2LANES (casMAX	S2	2142.00	-2240.48	3.61	1854.82	-2240.48	9277.16	1854.82	-2218.91	9282.34	1570.57	-2218.91	17231.43
			TQ	1810.36	-383.88	0.62	1523.18	-383.88	7734.80	1523.18	-365.89	7735.67	1238.93	-365.89	14144.94
			M3	2135.24	-2264.75	3.65	1854.82	-2240.48	9277.16	1854.82	-2218.91	9282.34	1570.57	-2218.91	17231.43
		MIN	S2	1809.58	-388.82	0.63	1522.40	-388.82	7731.17	1522.40	-370.85	7732.05	1238.14	-370.85	14137.68
			TQ	2135.24	-2264.75	3.65	1848.06	-2264.75	9245.82	1848.06	-2243.25	9251.06	1563.81	-2243.25	17168.75
			M3	1810.36	-383.88	0.62	1522.40	-388.82	7731.17	1522.40	-370.85	7732.05	1238.14	-370.85	14137.68
		D+2LANES (casMAX	S2	2172.94	-1672.06	2.70	1879.77	-1671.35	9399.91	1879.77	-1649.49	9403.77	1589.26	-1658.93	17432.46
			TQ	1810.89	-440.69	0.71	1523.71	-440.69	7737.33	1523.71	-422.70	7738.34	1239.45	-422.70	14150.05
			M3	2142.52	-1733.34	2.80	1879.68	-1672.06	9405.74	1879.68	-1650.19	9409.61	1588.83	-1661.81	17455.33
		MIN	S2	1810.09	-443.89	0.72	1522.80	-444.60	7739.45	1522.80	-426.61	7740.46	1238.22	-428.79	14165.49
			TQ	2142.52	-1733.34	2.80	1849.25	-1733.34	9264.61	1849.25	-1711.80	9268.62	1558.91	-1711.80	17177.72
			M3	1810.89	-440.69	0.71	1522.90	-443.89	7733.62	1522.90	-425.91	7734.63	1238.65	-425.91	14142.62
		D+2LANES (casMAX	S2	2572.37	-404.25	0.65	2048.68	-355.77	10173.95	2048.68	-332.12	10174.75	1609.76	-319.23	17587.84
			TQ	2237.88	-283.42	0.46	1890.57	-283.42	9579.26	1891.20	-261.14	9585.30	1403.28	-261.14	16945.53
			M3	1935.31	-633.99	1.02	2036.83	-351.97	10282.98	2036.83	-328.07	10283.77	1565.13	-304.58	17827.97
		MIN	S2	1811.35	-583.78	0.94	1436.67	-541.88	8774.41	1436.67	-521.48	8775.64	946.87	-458.67	16061.00
			TQ	1935.31	-633.99	1.02	1637.48	-633.99	8290.46	1636.85	-614.72	8286.51	1342.01	-614.72	15199.45
			M3	2237.88	-283.42	0.46	1524.16	-583.78	7739.69	1524.16	-565.79	7741.03	1239.91	-565.79	14154.88
		D+2LANES (casMAX	S2	2126.12	937.49	-1.51	1833.61	940.26	9169.90	1833.61	961.57	9167.69	1553.99	929.90	16865.09
			TQ	2100.26	1100.93	-1.78	1809.59	1100.93	9070.01	1809.67	1122.01	9067.82	1521.87	1122.01	16799.14
			M3	1824.05	-712.79	1.15	1832.17	940.29	9181.15	1832.17	961.58	9178.94	1544.19	1039.27	17006.72
		MIN	S2	1801.49	-657.48	1.06	1524.89	-697.17	7755.09	1524.89	-679.14	7756.69	1239.78	-670.57	14203.19
			TQ	1824.05	-712.79	1.15	1536.87	-712.79	7798.89	1536.79	-694.66	7800.13	1252.53	-694.66	14272.58
			M3	2100.26	1100.93	-1.78	1526.32	-697.20	7743.85	1526.33	-679.15	7745.45	1240.92	-683.46	14164.73

BAGO RIVER BRIDGE

BLOCK [ No.1 : MAIN GIRDER ][ BEAM MEMBER FORCE ]

MEMBER			3001			3002			3002			3003				
NODE			3001			3002			3002			3003				
NAME TITLE			SHEAR	TORQUE	MOMENT	SHEAR	TORQUE	MOMENT	SHEAR	TORQUE	MOMENT	SHEAR	TORQUE	MOMENT		
			S2 (kN)	TQ (kN·m)	M3 (kN·m)	S2 (kN)	TQ (kN·m)	M3 (kN·m)	S2 (kN)	TQ (kN·m)	M3 (kN·m)	S2 (kN)	TQ (kN·m)	M3 (kN·m)		
124	SUM TOTAL	D+3LANES (casMAX	S2	2245.96	-2338.20	3.77	1953.69	-2337.59	9742.91	1953.69	-2314.94	9748.31	1664.12	-2322.96	18125.63	
			TQ	1800.40	-369.40	0.60	1513.22	-369.40	7688.56	1513.22	-351.53	7689.40	1228.97	-351.53	14052.45	
			M3	2219.90	-2391.04	3.86	1953.61	-2338.20	9747.86	1953.61	-2315.53	9753.27	1663.75	-2325.41	18145.07	
		MIN	S2	1799.39	-374.58	0.60	1512.13	-375.18	7688.83	1512.13	-357.31	7689.68	1227.59	-359.16	14062.52	
			TQ	2219.90	-2391.04	3.86	1927.54	-2391.04	9626.96	1927.54	-2368.66	9632.49	1638.11	-2368.66	17907.21	
			M3	1800.40	-369.40	0.60	1512.21	-374.58	7683.88	1512.21	-356.72	7684.73	1227.96	-356.72	14043.08	
		D+3LANES (casMAX	S2	2680.98	-148.32	0.24	2137.42	-41.81	10585.34	2137.42	-17.21	10585.41	1684.96	28.50	18284.66	
			TQ	2303.99	109.90	-0.18	1947.10	109.90	9863.05	1947.68	132.83	9867.60	1472.21	132.83	17561.48	
			M3	1911.07	-670.01	1.08	2124.84	-33.96	10709.31	2124.84	-9.06	10709.36	1637.75	58.69	18571.32	
		MIN	S2	1801.64	-624.09	1.01	1423.73	-525.62	8898.11	1423.73	-504.93	8899.31	924.51	-372.73	16341.18	
			TQ	1911.07	-670.01	1.08	1614.84	-670.01	8181.72	1614.25	-651.00	8178.41	1321.00	-651.00	14990.04	
			M3	2303.99	109.90	-0.18	1514.46	-624.09	7694.69	1514.46	-606.20	7696.12	1230.20	-606.20	14064.89	
		D+3LANES (casMAX	S2	2290.01	953.70	-1.54	1951.67	1021.44	9718.34	1951.67	1044.03	9715.94	1637.54	1047.24	17670.38	
			TQ	2189.53	1230.36	-1.98	1882.29	1230.36	9445.92	1882.38	1252.32	9443.42	1577.71	1252.32	17473.39	
			M3	1818.86	-717.30	1.16	1948.24	1026.33	9757.49	1948.24	1048.97	9755.08	1620.63	1158.50	17872.28	
		MIN	S2	1793.07	-664.59	1.07	1500.99	-643.46	8017.71	1500.99	-624.82	8019.18	1176.85	-537.82	14755.84	
			TQ	1818.86	-717.30	1.16	1531.68	-717.30	7774.81	1531.60	-699.22	7776.06	1247.35	-699.22	14224.43	
			M3	2189.53	1230.36	-1.98	1516.10	-698.36	7697.29	1516.10	-680.43	7698.89	1230.87	-684.09	14071.39	
		D+4LANES	MAX	S2	2493.66	435.43	-0.70	2042.76	543.63	10141.17	2042.76	567.21	10139.88	1655.62	563.60	17894.70
			TQ	2290.67	731.91	-1.18	1933.94	731.91	9762.77	1934.32	754.61	9764.41	1411.69	754.61	17561.56	
			M3	1878.07	-684.83	1.10	2033.62	548.04	10228.95	2033.62	571.73	10227.65	1618.35	640.60	18160.16	
		MIN	S2	1801.55	-629.12	1.01	1461.82	-561.22	8584.02	1461.82	-541.26	8585.30	1043.76	-407.86	15758.32	
			TQ	1878.07	-684.83	1.10	1583.97	-684.83	8033.53	1581.48	-666.16	8021.89	1290.34	-666.16	14686.17	
			M3	2290.67	731.91	-1.18	1520.42	-654.85	7718.50	1520.42	-636.87	7720.00	1235.42	-639.67	14113.49	



BAGO RIVER BRIDGE

BLOCK [ No.1 : MAIN GIRDER ][ BEAM MEMBER FORCE ]

MEMBER					3001			3002			3003					
NODE					3001			3002			3003					
					SHEAR	TORQUE	MOMENT	SHEAR	TORQUE	MOMENT	SHEAR	TORQUE	MOMENT			
NAME	TITLE				S2 (kN)	TQ (kN·m)	M3 (kN·m)	S2 (kN)	TQ (kN·m)	M3 (kN·m)	S2 (kN)	TQ (kN·m)	M3 (kN·m)			
124	SUM TOTAL	D+6LANES	MAX	S2	2708.56	-703.06	1.13	2259.13	-627.92	11146.51	2259.13	-602.01	11147.94	1870.75	-612.45	19893.02
				TQ	2114.37	720.63	-1.16	1789.15	720.63	9055.23	1789.94	741.68	9058.84	1468.52	741.68	16619.48
				M3	2092.32	-1797.95	2.90	2249.20	-625.65	11242.40	2249.20	-599.83	11243.83	1830.25	-556.88	20179.21
			MIN	S2	1772.23	-489.48	0.79	1435.72	-458.98	8446.77	1435.72	-439.35	8447.82	1022.93	-348.57	15518.92
				TQ	2092.32	-1797.95	2.90	1796.82	-1797.95	9026.66	1796.17	-1776.97	9026.16	1503.44	-1776.97	16683.67
				M3	2114.37	720.63	-1.16	1491.09	-514.19	7582.14	1491.09	-496.53	7583.32	1206.09	-499.33	13840.63
	SUM TOTAL		MAX		2708.56	1230.36	3.86	2259.13	1230.36	11242.40	2259.13	1252.32	11243.83	1870.75	1252.32	20179.21
			MIN		1772.23	-2391.04	-1.98	1423.73	-2391.04	7582.14	1423.73	-2368.66	7583.32	924.51	-2368.66	13840.63
300	DEAD LOAD	TOTAL			1847.79	-568.37	0.92	1560.60	-568.37	7908.81	1560.60	-549.99	7910.11	1276.35	-549.99	14493.14
301	LIVE LOAD	1-LANE(case1MAX	S2		171.94	-1174.15	1.89	171.94	-1174.15	799.99	171.94	-1172.29	802.72	171.94	-1172.29	1601.04
			TQ		-22.61	127.68	-0.21	-22.61	127.68	-105.16	-22.61	127.44	-105.46	-22.61	127.44	-210.45
			M3		171.65	-1175.21	1.90	171.94	-1174.15	799.99	171.94	-1172.29	802.72	171.94	-1172.29	1601.04
			MIN	S2	-23.08	124.21	-0.20	-23.08	124.21	-107.32	-23.08	123.96	-107.61	-23.08	123.96	-214.76
				TQ	171.65	-1175.21	1.90	171.65	-1175.21	798.66	171.65	-1173.35	801.39	171.65	-1173.35	1598.38
				M3	-22.61	127.68	-0.21	-23.08	124.21	-107.32	-23.08	123.96	-107.61	-23.08	123.96	-214.76
		1-LANE(case2MAX	S2		209.07	-492.05	0.79	201.89	-491.20	947.30	201.89	-488.99	948.44	194.37	-500.32	1842.28
			TQ		-21.98	59.50	-0.10	-21.98	59.50	-102.12	-21.98	59.27	-102.26	-21.98	59.27	-204.32
			M3		180.39	-537.53	0.87	201.77	-492.05	954.29	201.77	-489.83	955.43	193.86	-503.77	1869.72
			MIN	S2	-22.47	58.13	-0.09	-22.59	57.27	-97.38	-22.59	57.05	-97.52	-22.98	54.43	-181.39
				TQ	180.39	-537.53	0.87	173.08	-537.53	821.21	173.08	-535.62	822.46	165.78	-535.62	1609.13
				M3	-21.98	59.50	-0.10	-22.47	58.13	-104.38	-22.47	57.88	-104.51	-22.47	57.88	-208.83
		1-LANE(case3MAX	S2		449.91	-4.50	0.01	302.44	1.55	1403.82	302.44	4.81	1403.82	205.05	-0.84	1903.80
			TQ		258.31	38.62	-0.06	227.02	38.62	1126.30	227.74	41.25	1132.56	23.87	41.25	1375.03
			M3		118.39	-47.58	0.08	295.05	2.21	1471.79	295.05	5.63	1471.78	177.12	1.80	2053.53
			MIN	S2	-22.01	7.70	-0.01	-73.04	9.64	504.76	-73.04	10.81	504.74	-206.54	21.45	981.81
				TQ	118.39	-47.58	0.08	105.62	-47.58	519.97	104.89	-46.38	513.73	92.18	-46.38	971.81
				M3	258.31	38.62	-0.06	-22.01	7.70	-102.18	-22.01	7.47	-102.20	-22.01	7.47	-204.40

BAGO RIVER BRIDGE

BLOCK [ No.1 : MAIN GIRDER ][ BEAM MEMBER FORCE ]

MEMBER			3001			3002			3002			3003				
NODE			3001			3002			3002			3003				
NAME TITLE			SHEAR	TORQUE	MOMENT	SHEAR	TORQUE	MOMENT	SHEAR	TORQUE	MOMENT	SHEAR	TORQUE	MOMENT		
			S2 (kN)	TQ (kN·m)	M3 (kN·m)	S2 (kN)	TQ (kN·m)	M3 (kN·m)	S2 (kN)	TQ (kN·m)	M3 (kN·m)	S2 (kN)	TQ (kN·m)	M3 (kN·m)		
301	LIVE LOAD	1-LANE (case4MAX	S2	154.42	1120.18	-1.81	157.15	1127.45	715.25	157.15	1129.11	712.63	172.87	1014.54	1330.64	
			TQ	143.70	1157.14	-1.87	148.98	1157.14	677.27	149.05	1158.72	674.91	154.39	1158.72	1379.22	
			M3	-15.37	-103.46	0.17	155.77	1123.54	716.09	155.76	1125.15	713.47	162.48	1130.32	1454.45	
			MIN	S2	-34.15	-44.03	0.07	-21.12	-95.61	-97.88	-21.12	-95.84	-97.65	-21.11	-97.05	-195.62
			TQ	-15.37	-103.46	0.17	-15.37	-103.46	-71.16	-15.44	-103.63	-71.26	-15.44	-103.63	-142.95	
			M3	143.70	1157.14	-1.87	-19.74	-91.71	-98.71	-19.73	-91.88	-98.49	-21.11	-97.05	-195.62	
		2-LANES (caseMAX	S2	294.22	-1672.10	2.70	294.22	-1672.10	1368.35	294.22	-1668.92	1372.23	294.22	-1668.92	2738.29	
			TQ	-37.42	184.50	-0.30	-37.42	184.50	-174.01	-37.42	184.09	-174.44	-37.42	184.09	-348.20	
			M3	287.46	-1696.37	2.74	294.22	-1672.10	1368.35	294.22	-1668.92	1372.23	294.22	-1668.92	2738.29	
			MIN	S2	-38.21	179.55	-0.29	-38.21	179.55	-177.64	-38.21	179.14	-178.06	-38.21	179.14	-355.46
			TQ	287.46	-1696.37	2.74	287.46	-1696.37	1337.01	287.46	-1693.26	1340.95	287.46	-1693.26	2675.61	
			M3	-37.42	184.50	-0.30	-38.21	179.55	-177.64	-38.21	179.14	-178.06	-38.21	179.14	-355.46	
		2-LANES (caseMAX	S2	325.16	-1103.68	1.78	319.17	-1102.97	1491.11	319.17	-1099.50	1493.67	312.91	-1108.94	2939.32	
			TQ	-36.90	127.68	-0.21	-36.90	127.68	-171.47	-36.90	127.28	-171.77	-36.90	127.28	-343.09	
			M3	294.73	-1164.97	1.88	319.07	-1103.68	1496.94	319.07	-1100.20	1499.50	312.48	-1111.82	2962.18	
			MIN	S2	-37.70	124.48	-0.20	-37.80	123.77	-169.36	-37.80	123.38	-169.65	-38.13	121.20	-327.65
			TQ	294.73	-1164.97	1.88	288.65	-1164.97	1355.81	288.65	-1161.82	1358.51	282.56	-1161.82	2684.57	
			M3	-36.90	127.68	-0.21	-37.70	124.48	-175.19	-37.70	124.08	-175.48	-37.70	124.08	-350.52	
		2-LANES (caseMAX	S2	724.59	164.13	-0.26	488.07	212.60	2265.14	488.07	217.87	2264.64	333.41	230.75	3094.70	
			TQ	390.10	284.96	-0.46	329.97	284.96	1670.45	330.60	288.85	1675.20	126.93	288.85	2452.39	
			M3	87.53	-65.61	0.11	476.23	216.40	2374.17	476.23	221.92	2373.66	288.78	245.40	3334.83	
			MIN	S2	-36.44	-15.40	0.02	-123.94	26.49	865.60	-123.94	28.51	865.53	-329.48	91.32	1567.86
			TQ	87.52	-65.61	0.11	76.88	-65.61	381.66	76.25	-64.73	376.40	65.66	-64.73	706.31	
			M3	390.10	284.96	-0.46	-36.44	-15.40	-169.11	-36.44	-15.80	-169.08	-36.44	-15.80	-338.26	

BAGO RIVER BRIDGE

BLOCK [ No.1 : MAIN GIRDER ] [ BEAM MEMBER FORCE ]

MEMBER				3001			3002			3003					
NODE				3001			3002			3003					
				SHEAR	TORQUE	MOMENT	SHEAR	TORQUE	MOMENT	SHEAR	TORQUE	MOMENT			
NAME	TITLE			S2 (kN)	TQ (kN·m)	M3 (kN·m)	S2 (kN)	TQ (kN·m)	M3 (kN·m)	S2 (kN)	TQ (kN·m)	M3 (kN·m)			
301	LIVE LOAD	2-LANES (caseMAX	S2	278.33	1505.87	-2.43	273.00	1508.63	1261.10	273.00	1511.56	1257.59	277.64	1479.89	2371.95
			TQ	252.47	1669.30	-2.69	248.98	1669.30	1161.20	249.07	1672.00	1157.71	245.52	1672.00	2306.00
			M3	-23.73	-144.42	0.23	271.57	1508.67	1272.34	271.57	1511.57	1268.83	267.84	1589.26	2513.58
		MIN	S2	-46.30	-89.10	0.14	-35.72	-128.80	-153.72	-35.72	-129.15	-153.42	-36.57	-120.59	-289.95
			TQ	-23.73	-144.42	0.23	-23.73	-144.42	-109.92	-23.82	-144.68	-109.98	-23.82	-144.68	-220.56
			M3	252.47	1669.30	-2.69	-34.28	-128.83	-164.96	-34.28	-129.17	-164.66	-35.43	-133.48	-328.41
		3-LANES (caseMAX	S2	398.18	-1769.82	2.85	393.09	-1769.22	1834.10	393.09	-1764.95	1838.21	387.77	-1772.97	3632.49
			TQ	-47.38	198.97	-0.32	-47.38	198.97	-220.24	-47.38	198.46	-220.71	-47.38	198.46	-440.69
			M3	372.11	-1822.67	2.94	393.00	-1769.82	1839.05	393.00	-1765.54	1843.16	387.40	-1775.42	3651.93
		MIN	S2	-48.39	193.79	-0.31	-48.48	193.19	-219.97	-48.48	192.68	-220.42	-48.76	190.82	-430.62
			TQ	372.11	-1822.67	2.94	366.94	-1822.67	1718.15	366.94	-1818.67	1722.38	361.76	-1818.67	3414.07
			M3	-47.38	198.97	-0.32	-48.39	193.79	-224.93	-48.39	193.27	-225.38	-48.39	193.27	-450.06
		3-LANES (caseMAX	S2	833.19	420.06	-0.68	576.81	526.56	2676.54	576.81	532.78	2675.31	408.61	578.48	3791.52
			TQ	456.21	678.27	-1.09	386.49	678.27	1954.24	387.08	682.82	1957.50	195.86	682.82	3068.33
			M3	63.29	-101.64	0.16	564.24	534.42	2800.51	564.24	540.93	2799.26	361.40	608.68	4078.18
		MIN	S2	-46.15	-55.71	0.09	-136.88	42.76	989.30	-136.88	45.06	989.20	-351.84	177.26	1848.04
			TQ	63.28	-101.64	0.16	54.23	-101.64	272.91	53.65	-101.01	268.31	44.65	-101.01	496.90
			M3	456.21	678.27	-1.09	-46.15	-55.71	-214.11	-46.15	-56.21	-213.98	-46.15	-56.21	-428.25
		3-LANES (caseMAX	S2	442.22	1522.07	-2.45	391.07	1589.81	1809.53	391.07	1594.01	1805.83	361.19	1597.23	3177.24
			TQ	341.75	1798.73	-2.90	321.69	1798.73	1537.11	321.77	1802.30	1533.32	301.36	1802.30	2980.25
			M3	-28.92	-148.93	0.24	387.64	1594.71	1848.69	387.63	1598.96	1844.97	344.28	1708.49	3379.14
		MIN	S2	-54.72	-96.22	0.16	-59.62	-75.08	108.90	-59.62	-74.83	109.08	-99.50	12.17	262.70
			TQ	-28.92	-148.93	0.24	-28.92	-148.93	-134.00	-29.01	-149.24	-134.05	-29.01	-149.24	-268.72
			M3	341.75	1798.73	-2.90	-44.51	-129.99	-211.52	-44.50	-130.44	-211.21	-45.48	-134.10	-421.75

BAGO RIVER BRIDGE

BLOCK [ No.1 : MAIN GIRDER ][ BEAM MEMBER FORCE ]

MEMBER					3001			3002			3003					
NODE					3001			3002			3003					
NAME TITLE					SHEAR	TORQUE	MOMENT	SHEAR	TORQUE	MOMENT	SHEAR	TORQUE	MOMENT			
					S2 (kN)	TQ (kN·m)	M3 (kN·m)	S2 (kN)	TQ (kN·m)	M3 (kN·m)	S2 (kN)	TQ (kN·m)	M3 (kN·m)			
301	LIVE LOAD	4-LANES	MAX	S2	645.87	1003.81	-1.62	482.16	1112.01	2232.36	482.16	1117.19	2229.77	379.26	1113.58	3401.56
				TQ	442.88	1300.29	-2.10	373.34	1300.29	1853.96	373.71	1304.60	1854.31	135.34	1304.60	3068.42
				M3	30.29	-116.45	0.19	473.02	1116.42	2320.15	473.02	1121.72	2317.55	342.00	1190.59	3667.02
		MIN	S2	-46.23	-60.75	0.10	-98.78	7.16	675.22	-98.78	8.73	675.20	-232.59	142.13	1265.18	
			TQ	30.29	-116.45	0.19	23.37	-116.45	124.72	20.87	-116.17	111.79	13.99	-116.17	193.02	
			M3	442.88	1300.29	-2.10	-40.18	-86.47	-190.31	-40.18	-86.89	-190.10	-40.93	-89.69	-379.65	
	6-LANES	MAX	S2	860.78	-134.69	0.22	698.53	-59.55	3237.70	698.53	-52.02	3237.83	594.40	-62.47	5399.88	
			TQ	266.59	1289.00	-2.08	228.55	1289.00	1146.42	229.34	1291.67	1148.73	192.17	1291.67	2126.34	
			M3	244.54	-1229.58	1.98	688.60	-57.28	3333.59	688.60	-49.84	3333.72	553.90	-6.89	5686.07	
		MIN	S2	-75.55	78.89	-0.13	-124.88	109.39	537.97	-124.88	110.64	537.71	-253.42	201.42	1025.78	
			TQ	244.54	-1229.58	1.98	236.22	-1229.58	1117.85	235.57	-1226.98	1116.05	227.09	-1226.98	2190.53	
			M3	266.59	1289.00	-2.08	-69.51	54.18	-326.67	-69.51	53.46	-326.79	-70.26	50.65	-652.51	
	LIVE LOAD	MAX	860.78	1798.73	2.94	698.53	1798.73	3333.59	698.53	1802.30	3333.72	594.40	1802.30	5686.07		
		MIN	-75.55	-1822.67	-2.90	-136.88	-1822.67	-326.67	-136.88	-1818.67	-326.79	-351.84	-1818.67	-652.51		
	303	SUM TOTAL	TOTAL	MAX	2708.56	1230.36	3.86	2259.13	1230.36	11242.40	2259.13	1252.32	11243.83	1870.75	1252.32	20179.21
MIN				1772.23	-2391.04	-1.98	1423.73	-2391.04	7582.14	1423.73	-2368.66	7583.32	924.51	-2368.66	13840.63	

BAGO RIVER BRIDGE

BLOCK [ No.1 : MAIN GIRDER ] [ BEAM MEMBER FORCE ]

MEMBER NODE	3003	3004			3004			3005								
		SHEAR	TORQUE	MOMENT	SHEAR	TORQUE	MOMENT	SHEAR	TORQUE	MOMENT						
		S2 (kN)	TQ (kN·m)	M3 (kN·m)	S2 (kN)	TQ (kN·m)	M3 (kN·m)	S2 (kN)	TQ (kN·m)	M3 (kN·m)						
1	PAVEMENT	239.40	16.10	2694.47	179.78	16.10	3687.71	179.78	24.86	3687.66	121.24	24.86	4400.74			
3	RAILING	4.21	-0.27	56.15	4.86	-0.27	77.60	4.86	-0.09	77.60	5.53	-0.09	102.20			
5	CURB	41.68	-2.68	555.84	48.16	-2.68	768.27	48.16	-0.85	768.27	54.79	-0.85	1011.79			
7	DECK WEIGHT	370.18	-19.03	4182.63	280.47	-19.03	5724.29	280.47	-5.44	5724.32	192.32	-5.44	6844.26			
8	GIRDER WEIGH	416.94	-409.72	4892.84	328.27	-409.72	6660.05	328.27	-393.90	6661.01	239.60	-393.90	8007.68			
10	MEDIAN STRIP	80.19	-131.18	868.23	51.41	-131.18	1180.30	51.41	-128.37	1180.61	22.62	-128.37	1356.15			
21	ADITIONAL WE	103.65	-5.33	1171.14	78.53	-5.33	1602.80	78.53	-1.52	1602.81	53.85	-1.52	1916.39			
31	MEDIAN RAILI	6.31	-10.43	68.48	3.98	-10.43	92.87	3.98	-10.21	92.89	1.65	-10.21	106.24			
51	SUPPORT WEIG	0.00	-0.00	-0.00	0.00	-0.00	-0.00	0.00	-0.00	-0.00	0.00	-0.00	-0.00			
52	NOSE WEIGHT	-0.62	-1.86	5.80	-0.62	-1.86	2.84	-0.62	-1.85	2.85	-0.62	-1.85	-0.11			
61	1-LANE(case1TRUCK-LOAD	MAX	S2	47.48	-419.15	531.47	47.48	-419.15	756.65	47.48	-417.35	757.65	47.48	-417.35	982.83	
			TQ	-7.53	54.67	-78.14	-7.53	54.67	-113.88	-7.53	54.40	-114.01	-7.53	54.40	-149.75	
			M3	34.95	-367.93	657.66	35.90	-373.39	825.71	35.90	-371.43	826.59	42.63	-401.29	1025.81	
		MIN	S2	-7.95	51.49	-81.72	-7.95	51.49	-119.42	-7.95	51.21	-119.54	-7.95	51.21	-157.24	
			TQ	47.48	-419.15	531.47	47.48	-419.15	756.65	47.48	-417.35	757.65	47.48	-417.35	982.83	
			M3	-7.95	51.49	-81.72	-7.95	51.49	-119.42	-7.95	51.21	-119.54	-7.95	51.21	-157.24	
		TANDEM-LOAD	MAX	S2	32.60	-286.07	385.85	32.60	-286.07	540.49	32.60	-284.79	541.16	32.60	-284.79	695.80
			TQ	-5.20	37.21	-53.87	-5.20	37.21	-78.54	-5.20	37.02	-78.63	-5.20	37.02	-103.29	
			M3	20.58	-232.11	453.87	25.52	-261.85	566.63	25.52	-260.51	567.25	31.84	-282.58	702.06	
		MIN	S2	-5.41	35.43	-55.70	-5.41	35.43	-81.37	-5.41	35.23	-81.45	-5.41	35.23	-107.12	
			TQ	32.60	-286.07	385.85	32.60	-286.07	540.49	32.60	-284.79	541.16	32.60	-284.79	695.80	
			M3	-5.41	35.43	-55.70	-5.41	35.43	-81.37	-5.41	35.23	-81.45	-5.41	35.23	-107.12	
		DISPERSION-LMAX	S2	52.33	-463.70	679.78	52.33	-463.70	927.96	52.33	-461.50	929.06	52.33	-461.50	1177.24	
			TQ	-9.49	61.39	-97.55	-9.49	61.39	-142.56	-9.49	61.05	-142.70	-9.49	61.05	-187.71	
			M3	52.33	-463.70	679.78	52.33	-463.70	927.96	52.33	-461.50	929.06	52.33	-461.50	1177.24	
MIN	S2	-9.49	61.39	-97.55	-9.49	61.39	-142.56	-9.49	61.05	-142.70	-9.49	61.05	-187.71			
	TQ	52.33	-463.70	679.78	52.33	-463.70	927.96	52.33	-461.50	929.06	52.33	-461.50	1177.24			
	M3	-9.49	61.39	-97.55	-9.49	61.39	-142.56	-9.49	61.05	-142.70	-9.49	61.05	-187.71			

BAGO RIVER BRIDGE

BLOCK [ No.1 : MAIN GIRDER ][ BEAM MEMBER FORCE ]

MEMBER				3003			3004			3005					
NODE				3003			3004			3005					
				SHEAR	TORQUE	MOMENT	SHEAR	TORQUE	MOMENT	SHEAR	TORQUE	MOMENT			
NAME	TITLE			S2 (kN)	TQ (kN·m)	M3 (kN·m)	S2 (kN)	TQ (kN·m)	M3 (kN·m)	S2 (kN)	TQ (kN·m)	M3 (kN·m)			
62	1-LANE (case2TRUCK-LOAD	MAX	S2	66.91	-188.15	608.90	66.91	-188.15	926.24	66.91	-185.95	926.68	66.91	-185.95	1244.02
			TQ	-7.64	25.25	-75.79	-7.64	25.25	-112.04	-7.64	24.98	-112.10	-7.64	24.98	-148.35
			M3	40.85	-93.61	816.62	59.11	-151.16	1003.96	59.11	-148.77	1004.32	60.75	-178.16	1244.47
		MIN	S2	-19.39	-34.96	618.86	-19.58	-46.91	628.86	-19.58	-45.41	628.97	-19.58	-45.41	536.10
			TQ	59.38	-197.05	525.85	59.38	-197.05	807.50	59.38	-195.13	807.97	59.38	-195.13	1089.62
			M3	-8.05	23.97	-79.55	-8.05	23.97	-117.74	-8.05	23.69	-117.79	-8.05	23.69	-155.98
		TANDEM-LOAD MAX	S2	46.61	-121.89	442.26	46.61	-121.89	663.32	46.61	-120.31	663.61	46.61	-120.31	884.67
			TQ	-5.27	17.19	-52.28	-5.27	17.19	-77.30	-5.27	17.00	-77.34	-5.27	17.00	-102.36
			M3	21.18	-43.28	575.05	34.90	-86.10	696.61	34.90	-84.44	696.81	46.61	-120.31	884.67
		MIN	S2	-15.31	-34.59	547.27	-15.31	-34.59	474.66	-15.31	-33.46	474.74	-15.31	-33.46	402.12
			TQ	44.26	-134.42	377.28	44.26	-134.42	587.19	44.26	-133.03	587.51	44.26	-133.03	797.42
			M3	-5.48	16.48	-54.20	-5.48	16.48	-80.21	-5.48	16.29	-80.25	-5.48	16.29	-106.26
		DISPERSION-LMAX	S2	58.54	-204.61	623.73	54.12	-198.70	816.87	54.12	-196.76	817.34	49.23	-190.87	1000.43
			TQ	-9.58	28.54	-94.63	-9.58	28.54	-140.05	-9.58	28.21	-140.12	-9.58	28.21	-185.55
			M3	54.95	-211.48	741.67	48.73	-211.48	987.55	48.73	-209.13	988.04	42.52	-209.13	1204.44
MIN	S2	-13.17	21.67	23.31	-14.97	15.76	30.62	-14.97	15.84	30.59	-16.29	9.95	18.46		
	TQ	54.95	-211.48	741.67	48.73	-211.48	987.55	48.73	-209.13	988.04	42.52	-209.13	1204.44		
	M3	-9.58	28.54	-94.63	-9.58	28.54	-140.05	-9.58	28.21	-140.12	-9.58	28.21	-185.55		
63	1-LANE (case3TRUCK-LOAD	MAX	S2	210.10	-23.74	965.51	140.41	-11.67	1340.98	140.41	-8.48	1341.00	86.74	-1.39	1369.22
			TQ	-7.94	3.09	-76.12	-7.94	3.09	-113.80	-7.91	2.82	-113.27	-7.91	2.82	-150.77
			M3	210.11	-23.74	965.51	124.13	-14.58	1347.48	124.13	-11.38	1347.51	65.00	-2.50	1374.51
		MIN	S2	-43.16	-24.16	784.15	-100.13	-24.56	1198.34	-100.13	-21.72	1198.40	-169.97	-10.08	1251.25
			TQ	-22.59	-26.04	863.92	-57.28	-26.04	741.37	-57.28	-24.28	741.43	-57.28	-24.28	469.76
			M3	-8.13	3.00	-77.92	-8.13	3.00	-116.51	-8.13	2.72	-116.51	-8.13	2.72	-155.10

BAGO RIVER BRIDGE

BLOCK [ No.1 : MAIN GIRDER ][ BEAM MEMBER FORCE ]

MEMBER		3003			3004			3004			3005				
NODE		3003			3004			3004			3005				
		SHEAR	TORQUE	MOMENT	SHEAR	TORQUE	MOMENT	SHEAR	TORQUE	MOMENT	SHEAR	TORQUE	MOMENT		
NAME	TITLE	S2 (kN)	TQ (kN·m)	M3 (kN·m)	S2 (kN)	TQ (kN·m)	M3 (kN·m)	S2 (kN)	TQ (kN·m)	M3 (kN·m)	S2 (kN)	TQ (kN·m)	M3 (kN·m)		
63	1-LANE (case3TANDEM-LOAD	MAX	S2	165.63	-19.86	775.14	116.07	-12.02	1058.82	116.07	-9.51	1058.84	70.43	-1.05	1064.26
			TQ	-5.45	2.10	-52.17	-5.45	2.10	-78.00	-5.45	1.92	-78.00	-5.45	1.92	-103.83
			M3	165.63	-19.86	775.14	116.07	-12.02	1058.82	116.07	-9.51	1058.85	70.43	-1.05	1064.27
		MIN	S2	-42.34	-20.04	749.45	-89.60	-14.27	1038.37	-89.60	-11.81	1038.40	-137.99	-2.39	1047.13
			TQ	-42.34	-20.04	749.45	-42.34	-20.04	548.63	-42.34	-18.73	548.67	-42.34	-18.73	347.85
			M3	-5.54	2.03	-53.08	-5.54	2.03	-79.37	-5.54	1.84	-79.37	-5.54	1.84	-105.66
	DISPERSION-LMAX	S2	90.33	-14.25	618.37	65.04	-11.31	811.57	65.04	-9.38	811.60	48.15	-8.35	879.70	
		TQ	20.25	16.02	129.69	17.92	16.02	222.95	18.96	16.58	244.23	1.98	16.58	296.46	
		M3	83.66	-18.50	742.86	46.16	-18.50	1050.70	46.16	-16.00	1050.74	8.67	-16.00	1180.76	
		MIN	S2	-16.33	-0.80	32.06	-28.53	-3.74	100.93	-28.53	-3.50	100.93	-49.13	-4.54	117.08
			TQ	53.76	-31.07	520.74	18.59	-31.07	689.55	17.55	-29.46	668.31	-2.96	-29.46	700.33
			M3	-9.65	3.44	-92.43	-9.65	3.44	-138.20	-9.65	3.12	-138.21	-9.65	3.12	-183.98
64	1-LANE (case4TRUCK-LOAD	MAX	S2	54.58	412.71	513.05	54.58	412.71	771.91	54.58	414.54	770.93	67.26	322.18	967.38
			TQ	53.49	416.97	470.13	53.49	416.97	723.82	53.49	418.69	722.83	53.49	418.69	976.52
			M3	30.76	320.41	598.51	49.15	382.32	805.65	49.15	384.23	804.74	53.54	406.36	1044.18
		MIN	S2	-8.32	-40.77	-74.64	-8.32	-40.77	-114.10	-8.32	-41.04	-114.00	-8.32	-41.04	-153.45
			TQ	-7.70	-45.98	-68.16	-7.70	-45.98	-104.69	-7.70	-46.23	-104.58	-7.70	-46.23	-141.11
			M3	-8.32	-40.77	-74.64	-8.32	-40.77	-114.10	-8.32	-41.04	-114.00	-8.32	-41.04	-153.45
	TANDEM-LOAD	MAX	S2	37.43	283.59	339.16	37.43	283.59	516.71	37.43	284.82	516.03	53.31	230.66	666.81
			TQ	37.13	284.78	327.18	37.13	284.78	503.29	37.13	285.97	502.61	37.13	285.97	678.71
			M3	25.40	229.40	409.90	35.71	267.26	552.69	35.71	268.57	552.05	36.93	274.75	723.17
		MIN	S2	-9.33	121.86	319.38	-5.67	-28.17	-77.72	-5.67	-28.35	-77.65	-5.67	-28.35	-104.54
			TQ	-5.17	-31.49	-45.67	-5.17	-31.49	-70.19	-5.17	-31.66	-70.12	-5.17	-31.66	-94.64
			M3	-5.67	-28.17	-50.83	-5.67	-28.17	-77.72	-5.67	-28.35	-77.65	-5.67	-28.35	-104.54

BAGO RIVER BRIDGE

BLOCK [ No.1 : MAIN GIRDER ] [ BEAM MEMBER FORCE ]

MEMBER			3003			3004			3004			3005					
NODE			3003			3004			3004			3005					
			SHEAR	TORQUE	MOMENT	SHEAR	TORQUE	MOMENT	SHEAR	TORQUE	MOMENT	SHEAR	TORQUE	MOMENT			
NAME	TITLE		S2 (kN)	TQ (kN·m)	M3 (kN·m)	S2 (kN)	TQ (kN·m)	M3 (kN·m)	S2 (kN)	TQ (kN·m)	M3 (kN·m)	S2 (kN)	TQ (kN·m)	M3 (kN·m)			
64	1-LANE (case4DISPERSION-LMAX	S2	52.95	430.32	582.15	56.40	444.15	868.46	56.40	446.21	867.40	61.15	447.41	1148.16			
		TQ	47.95	446.05	577.98	52.59	446.05	816.28	52.80	447.99	818.18	57.56	447.99	1079.77			
		M3	51.75	445.34	614.28	56.39	445.34	870.60	56.39	447.41	869.54	61.15	447.41	1148.16			
		MIN	S2	-11.03	-33.29	-56.01	-9.83	-47.11	-132.60	-9.83	-47.43	-132.49	-9.83	-48.63	-181.23		
		TQ	-6.03	-49.01	-51.83	-6.03	-49.01	-80.42	-6.24	-49.21	-83.27	-6.24	-49.21	-112.84			
		M3	-9.83	-48.31	-88.14	-9.83	-48.31	-134.74	-9.83	-48.63	-134.63	-9.83	-48.63	-181.23			
		65	2-LANES (caseTRUCK-LOAD	MAX	S2	100.58	-721.40	1118.78	100.58	-721.40	1595.80	100.58	-717.61	1597.51	100.58	-717.61	2074.54
				TQ	-15.12	94.70	-155.11	-15.12	94.70	-226.84	-15.12	94.16	-227.06	-15.12	94.16	-298.78	
				M3	67.24	-576.85	1347.94	84.53	-644.38	1709.58	84.53	-640.32	1711.10	93.93	-682.71	2149.41	
MIN	S2			-15.95	89.26	-162.36	-15.95	89.26	-238.00	-15.95	88.69	-238.21	-15.95	88.69	-313.85		
TQ	97.17			-727.31	1047.23	97.17	-727.31	1508.09	97.17	-723.73	1509.82	97.17	-723.73	1970.68			
M3	-15.95			89.26	-162.36	-15.95	89.26	-238.00	-15.95	88.69	-238.21	-15.95	88.69	-313.85			
TANDEM-LOAD	MAX			S2	69.63	-491.39	792.67	69.63	-491.39	1122.93	69.63	-488.72	1124.09	69.63	-488.72	1454.35	
TQ	-10.44			64.45	-106.95	-10.44	64.45	-156.46	-10.44	64.08	-156.61	-10.44	64.08	-206.11			
M3	39.72			-364.84	933.19	58.57	-442.86	1175.59	58.57	-440.06	1176.64	68.53	-482.25	1469.26			
MIN	S2	-10.86	61.40	-110.64	-10.86	61.40	-162.16	-10.86	61.02	-162.30	-10.86	61.02	-213.81				
TQ	67.18	-496.73	743.58	67.18	-496.73	1062.21	67.18	-494.20	1063.38	67.18	-494.20	1382.01					
M3	-10.86	61.40	-110.64	-10.86	61.40	-162.16	-10.86	61.02	-162.30	-10.86	61.02	-213.81					
DISPERSION-LMAX	S2	103.49	-796.26	1345.45	103.49	-796.26	1836.28	103.49	-791.89	1838.17	103.49	-791.89	2329.00				
TQ	-19.02	106.39	-193.64	-19.02	106.39	-283.86	-19.02	105.72	-284.12	-19.02	105.72	-374.34					
M3	102.86	-801.61	1395.45	102.86	-801.61	1883.29	102.86	-797.14	1885.19	102.86	-797.14	2373.02					
MIN	S2	-19.65	101.03	-143.64	-19.65	101.03	-236.86	-19.65	100.47	-237.10	-19.65	100.47	-330.31				
TQ	102.86	-801.61	1395.45	102.86	-801.61	1883.29	102.86	-797.14	1885.19	102.86	-797.14	2373.02					
M3	-19.02	106.39	-193.64	-19.02	106.39	-283.86	-19.02	105.72	-284.12	-19.02	105.72	-374.34					



BAGO RIVER BRIDGE

BLOCK [ No.1 : MAIN GIRDER ][ BEAM MEMBER FORCE ]

MEMBER NODE	3003	3004			3004			3005								
		SHEAR	TORQUE	MOMENT	SHEAR	TORQUE	MOMENT	SHEAR	TORQUE	MOMENT						
		S2 (kN)	TQ (kN·m)	M3 (kN·m)	S2 (kN)	TQ (kN·m)	M3 (kN·m)	S2 (kN)	TQ (kN·m)	M3 (kN·m)						
66	2-LANES (case	TRUCK-LOAD	MAX	S2	120.01	-490.41	1196.21	120.01	-490.41	1765.39	120.01	-486.21	1766.55	120.01	-486.21	2335.73
				TQ	-15.23	65.28	-152.76	-15.23	65.28	-224.99	-15.23	64.74	-225.15	-15.23	64.74	-297.38
				M3	73.14	-302.53	1506.90	107.74	-422.15	1887.83	107.74	-417.66	1888.83	112.05	-459.59	2368.07
			MIN	S2	-27.39	2.80	538.22	-27.58	-9.14	510.28	-27.58	-7.93	510.30	-27.58	-7.93	379.50
				TQ	109.08	-505.20	1041.61	109.08	-505.20	1558.95	109.08	-501.50	1560.14	109.08	-501.50	2077.47
				M3	-16.05	61.74	-160.18	-16.05	61.74	-236.31	-16.05	61.18	-236.46	-16.05	61.18	-312.59
	TANDEM-LOAD	MAX	S2	83.64	-327.21	849.08	83.64	-327.21	1245.76	83.64	-324.25	1246.54	83.64	-324.25	1643.22	
				TQ	-10.51	44.43	-105.36	-10.51	44.43	-155.22	-10.51	44.06	-155.32	-10.51	44.06	-205.18
				M3	40.32	-176.01	1054.37	67.94	-267.10	1305.56	67.94	-264.00	1306.19	83.30	-319.98	1651.87
		MIN	S2	-20.76	-8.61	492.32	-20.76	-8.61	393.87	-20.76	-7.68	393.89	-20.76	-7.68	295.43	
				TQ	78.84	-345.08	735.01	78.84	-345.08	1108.91	78.84	-342.44	1109.73	78.84	-342.44	1483.64
				M3	-10.93	42.45	-109.15	-10.93	42.45	-161.00	-10.93	42.07	-161.10	-10.93	42.07	-212.96
	DISPERSION-LMAX	S2	109.70	-537.16	1289.40	105.28	-531.26	1725.19	105.28	-527.16	1726.44	100.39	-521.27	2152.19		
				TQ	-19.11	73.54	-190.72	-19.11	73.54	-281.36	-19.11	72.88	-281.53	-19.11	72.88	-372.18
				M3	105.48	-549.39	1457.34	99.26	-549.39	1942.87	99.26	-544.77	1944.17	93.05	-544.77	2400.22
		MIN	S2	-23.33	61.32	-22.79	-25.13	55.41	-63.68	-25.13	55.26	-63.81	-26.45	49.37	-124.14	
				TQ	105.48	-549.39	1457.34	99.26	-549.39	1942.87	99.26	-544.77	1944.17	93.05	-544.77	2400.22
				M3	-19.11	73.54	-190.72	-19.11	73.54	-281.36	-19.11	72.88	-281.53	-19.11	72.88	-372.18
67	2-LANES (case	TRUCK-LOAD	MAX	S2	405.37	11.58	1868.57	270.95	62.36	2612.36	270.95	68.57	2612.21	168.62	102.40	2688.86
				TQ	48.05	113.29	395.91	48.05	113.29	623.83	48.09	114.77	624.10	48.09	114.77	852.20
				M3	405.37	11.58	1868.58	239.99	49.54	2622.07	239.99	55.77	2621.95	127.05	95.50	2696.50
		MIN	S2	-79.11	-20.31	1508.20	-187.01	4.83	2327.95	-187.01	10.36	2327.93	-319.84	60.80	2454.39	
				TQ	-29.62	-39.24	798.41	-64.31	-39.24	642.51	-64.31	-37.71	642.60	-64.31	-37.71	337.60
				M3	-16.33	-8.11	-154.78	-16.33	-8.11	-232.23	-16.33	-8.66	-232.21	-16.33	-8.66	-309.65

BAGO RIVER BRIDGE

BLOCK [ No.1 : MAIN GIRDER ][ BEAM MEMBER FORCE ]

MEMBER				3003			3004			3005					
NODE				3003			3004			3005					
				SHEAR	TORQUE	MOMENT	SHEAR	TORQUE	MOMENT	SHEAR	TORQUE	MOMENT			
NAME	TITLE			S2 (kN)	TQ (kN·m)	M3 (kN·m)	S2 (kN)	TQ (kN·m)	M3 (kN·m)	S2 (kN)	TQ (kN·m)	M3 (kN·m)			
67	2-LANES (caseTANDEM-LOAD	MAX	S2	319.74	-8.93	1492.66	223.78	26.28	2054.02	223.78	31.16	2053.96	136.10	64.80	2078.36
			TQ	30.18	77.13	260.24	30.18	77.13	403.38	30.18	78.08	403.20	30.18	78.08	546.34
			M3	319.74	-8.93	1492.66	223.78	26.28	2054.03	223.78	31.16	2053.96	136.10	64.80	2078.37
		MIN	S2	-78.06	-13.83	1441.56	-168.21	17.03	2013.34	-168.21	21.81	2013.29	-260.12	58.59	2044.37
			TQ	-47.26	-29.06	703.58	-47.26	-29.06	479.43	-47.26	-27.92	479.50	-47.26	-27.92	255.35
			M3	-11.12	-5.68	-105.44	-11.12	-5.68	-158.20	-11.12	-6.06	-158.19	-11.12	-6.06	-210.95
		DISPERSION-LMAX	S2	177.84	95.34	1221.18	128.95	94.63	1609.85	128.95	98.45	1609.62	96.33	90.72	1754.40
			TQ	97.55	128.79	732.95	63.55	128.79	1120.54	64.23	131.48	1148.59	13.23	131.48	1334.56
			M3	165.64	91.34	1460.80	93.88	91.34	2075.95	93.88	96.27	2075.73	22.36	96.27	2351.10
		MIN	S2	-31.56	-13.97	56.16	-54.42	-13.26	190.84	-54.42	-12.81	190.87	-93.33	-5.07	229.67
			TQ	48.74	-47.42	544.40	10.98	-47.42	680.16	10.30	-45.84	651.91	-10.22	-45.84	649.51
			M3	-19.36	-9.97	-183.45	-19.36	-9.97	-275.25	-19.36	-10.63	-275.23	-19.36	-10.63	-367.03
68	2-LANES (caseTRUCK-LOAD	MAX	S2	120.00	573.93	1165.61	117.84	643.18	1688.36	117.84	647.19	1686.82	127.16	604.09	2099.74
			TQ	105.23	720.09	928.77	105.23	720.09	1427.87	105.23	723.48	1426.16	105.23	723.48	1925.25
			M3	96.18	481.63	1251.06	112.41	612.79	1722.10	112.41	616.87	1720.64	113.43	688.28	2176.53
		MIN	S2	-16.58	-67.37	-150.34	-16.58	-67.37	-228.97	-16.58	-67.92	-228.81	-17.75	179.70	870.47
			TQ	-14.81	-76.50	-132.46	-14.81	-76.50	-202.73	-14.81	-76.98	-202.54	-14.81	-76.98	-272.81
			M3	-16.58	-67.37	-150.34	-16.58	-67.37	-228.97	-16.58	-67.92	-228.81	-16.58	-67.92	-307.43
		TANDEM-LOAD MAX	S2	82.23	368.62	790.18	81.21	419.77	1156.50	81.21	422.51	1155.50	95.13	411.23	1464.32
			TQ	72.97	492.18	645.53	72.97	492.18	991.60	72.97	494.53	990.43	72.97	494.53	1336.51
			M3	70.20	314.42	860.93	79.48	403.43	1192.48	79.48	406.27	1191.52	78.75	455.32	1520.68
		MIN	S2	-14.96	103.46	267.83	-11.30	-46.57	-155.96	-11.30	-46.94	-155.85	-13.41	143.28	677.49
			TQ	-10.14	-52.39	-90.71	-10.14	-52.39	-138.82	-10.14	-52.72	-138.70	-10.14	-52.72	-186.81
			M3	-11.30	-46.57	-102.38	-11.30	-46.57	-155.96	-11.30	-46.94	-155.85	-11.30	-46.94	-209.43

BAGO RIVER BRIDGE

BLOCK [ No.1 : MAIN GIRDER ][ BEAM MEMBER FORCE ]

MEMBER		3003			3004			3004			3005						
NODE		3003			3004			3004			3005						
		SHEAR	TORQUE	MOMENT	SHEAR	TORQUE	MOMENT	SHEAR	TORQUE	MOMENT	SHEAR	TORQUE	MOMENT				
NAME	TITLE	S2 (kN)	TQ (kN·m)	M3 (kN·m)	S2 (kN)	TQ (kN·m)	M3 (kN·m)	S2 (kN)	TQ (kN·m)	M3 (kN·m)	S2 (kN)	TQ (kN·m)	M3 (kN·m)				
68	2-LANES (caseDISPERSION-LMAX	S2	115.45	739.73	1173.66	111.56	742.89	1674.50	111.56	746.87	1672.73	109.52	732.48	2116.75			
		TQ	104.39	766.18	1174.89	100.67	766.18	1661.29	100.95	770.13	1663.47	97.15	770.13	2133.37			
		M3	113.63	763.26	1263.38	109.92	763.26	1793.62	109.92	767.52	1791.80	106.11	767.52	2304.21			
		MIN	S2	-21.42	-56.24	-87.98	-21.25	-59.40	-151.51	-21.25	-59.76	-151.37	-23.01	-45.37	-175.93		
		TQ	-10.35	-82.69	-89.20	-10.35	-82.69	-138.31	-10.63	-83.03	-142.11	-10.63	-83.03	-192.54			
		M3	-19.60	-79.77	-177.69	-19.60	-79.77	-270.63	-19.60	-80.41	-270.44	-19.60	-80.41	-363.39			
		69	3-LANES (caseTRUCK-LOAD	MAX	S2	167.49	-909.56	1727.68	167.49	-909.56	2522.04	167.49	-903.57	2524.20	167.49	-903.57	3318.56
				TQ	-22.77	119.95	-230.90	-22.77	119.95	-338.87	-22.77	119.14	-339.16	-22.77	119.14	-447.13	
				M3	108.08	-670.46	2164.56	143.64	-795.54	2713.54	143.64	-789.10	2715.42	154.68	-860.87	3393.88	
MIN	S2			-35.33	54.29	456.50	-35.53	42.35	390.86	-35.53	43.28	390.76	-35.53	43.28	222.26		
TQ	156.55			-924.36	1573.08	156.55	-924.36	2315.60	156.55	-918.85	2317.79	156.55	-918.85	3060.30			
M3	-24.00			113.23	-241.91	-24.00	113.23	-355.74	-24.00	112.38	-356.00	-24.00	112.38	-469.83			
TANDEM-LOAD	MAX			S2	116.24	-613.28	1234.93	116.24	-613.28	1786.25	116.24	-609.03	1787.70	116.24	-609.03	2339.02	
TQ	-15.71			81.64	-159.24	-15.71	81.64	-233.76	-15.71	81.08	-233.95	-15.71	81.08	-308.47			
M3	60.89			-408.12	1508.24	93.46	-528.96	1872.20	93.46	-524.51	1873.45	115.14	-602.56	2353.93			
MIN	S2	-26.17	26.81	436.63	-26.17	26.81	312.50	-26.17	27.55	312.44	-26.17	27.55	188.31				
TQ	111.44	-631.15	1120.86	111.44	-631.15	1649.40	111.44	-627.23	1650.90	111.44	-627.23	2179.44					
M3	-16.35	77.88	-164.84	-16.35	77.88	-242.37	-16.35	77.30	-242.55	-16.35	77.30	-320.08					
DISPERSION-LMAX	S2	162.03	-1000.87	1969.18	157.61	-994.96	2653.15	157.61	-988.65	2655.50	152.71	-982.77	3329.43				
TQ	-28.60	134.93	-288.27	-28.60	134.93	-423.92	-28.60	133.92	-424.24	-28.60	133.92	-559.88					
M3	157.81	-1013.09	2137.11	151.59	-1013.09	2870.83	151.59	-1006.27	2873.23	145.37	-1006.27	3577.46					
MIN	S2	-32.82	122.71	-120.34	-34.62	116.80	-206.23	-34.62	116.31	-206.51	-35.94	110.42	-311.85				
TQ	157.81	-1013.09	2137.11	151.59	-1013.09	2870.83	151.59	-1006.27	2873.23	145.37	-1006.27	3577.46					
M3	-28.60	134.93	-288.27	-28.60	134.93	-423.92	-28.60	133.92	-424.24	-28.60	133.92	-559.88					

BAGO RIVER BRIDGE

BLOCK [ No.1 : MAIN GIRDER ][ BEAM MEMBER FORCE ]

MEMBER				3003			3004			3005						
NODE				3003			3004			3005						
				SHEAR	TORQUE	MOMENT	SHEAR	TORQUE	MOMENT	SHEAR	TORQUE	MOMENT				
NAME	TITLE			S2 (kN)	TQ (kN·m)	M3 (kN·m)	S2 (kN)	TQ (kN·m)	M3 (kN·m)	S2 (kN)	TQ (kN·m)	M3 (kN·m)				
70	3-LANES (caseTRUCK-LOAD	MAX	S2	535.47	110.92	2647.10	366.47	219.10	3699.44	366.47	227.89	3698.91	238.64	304.16	3907.88	
			TQ	98.65	336.65	846.32	98.65	336.65	1314.19	98.68	339.77	1313.93	98.68	339.77	1781.98	
			M3	535.47	110.92	2647.11	335.52	206.28	3709.15	335.52	215.09	3708.65	197.08	297.26	3915.52	
			MIN	S2	-98.98	19.86	2106.64	-230.11	89.12	3234.23	-230.11	96.80	3234.01	-395.71	210.30	3561.26
				TQ	-37.24	-67.85	729.02	-71.93	-67.85	536.98	-71.93	-66.57	537.14	-71.93	-66.57	195.99
				M3	-24.58	-33.38	-230.58	-24.58	-33.38	-347.17	-24.58	-34.21	-347.09	-24.58	-34.21	-463.68
		TANDEM-LOAD MAX	S2	419.70	38.81	2078.46	298.53	115.22	2866.10	298.53	122.03	2865.81	188.98	192.48	2976.33	
			TQ	65.10	229.34	572.25	65.10	229.34	881.02	65.10	231.43	880.47	65.10	231.43	1189.24	
			M3	419.70	38.81	2078.46	298.54	115.22	2866.10	298.54	122.03	2865.82	188.98	192.48	2976.33	
			MIN	S2	-97.56	25.23	2001.82	-208.97	95.71	2805.31	-208.97	102.37	2805.07	-321.18	178.60	2926.32
				TQ	-52.37	-48.66	657.07	-52.37	-48.66	408.67	-52.37	-47.69	408.79	-52.37	-47.69	160.39
				M3	-16.75	-23.15	-157.06	-16.75	-23.15	-236.50	-16.75	-23.72	-236.44	-16.75	-23.72	-315.88
		DISPERSION-LMAX	S2	252.69	326.95	1807.39	188.21	315.35	2385.06	188.21	321.02	2384.30	144.21	295.10	2627.40	
			TQ	165.49	367.37	1379.87	110.30	367.37	2039.10	111.18	372.25	2069.55	39.53	372.25	2428.91	
			M3	237.39	329.22	2144.03	144.43	329.22	3048.85	144.43	336.46	3048.06	52.26	336.46	3513.87	
			MIN	S2	-44.42	-38.00	63.57	-72.90	-26.40	252.62	-72.90	-25.80	252.68	-121.07	0.11	337.28
				TQ	42.77	-78.42	491.10	5.01	-78.42	598.58	4.13	-77.04	567.43	-16.39	-77.04	535.76
				M3	-29.12	-40.27	-273.07	-29.12	-40.27	-411.18	-29.12	-41.25	-411.08	-29.12	-41.25	-549.19
71	3-LANES (caseTRUCK-LOAD	MAX	S2	250.54	671.12	1942.52	216.08	790.93	2788.91	216.08	797.55	2787.02	198.88	788.02	3332.56	
			TQ	161.69	912.20	1417.51	161.69	912.20	2184.41	161.69	917.38	2182.23	161.69	917.38	2949.13	
			M3	226.73	578.82	2027.97	210.65	760.53	2822.66	210.65	767.24	2820.84	185.15	872.20	3409.36	
		MIN	S2	-35.75	-25.30	443.35	-63.51	20.57	723.29	-63.51	22.29	723.23	-98.21	318.00	1956.81	
			TQ	-21.75	-91.67	-196.84	-21.75	-91.67	-299.99	-21.85	-92.38	-301.27	-21.85	-92.38	-404.91	
			M3	-24.78	-79.82	-227.10	-24.78	-79.82	-344.61	-24.78	-80.63	-344.42	-24.78	-80.63	-461.94	

BAGO RIVER BRIDGE

BLOCK [ No.1 : MAIN GIRDER ] [ BEAM MEMBER FORCE ]

MEMBER				3003			3004			3005								
NODE				3003			3004			3005								
				SHEAR	TORQUE	MOMENT	SHEAR	TORQUE	MOMENT	SHEAR	TORQUE	MOMENT						
NAME	TITLE			S2 (kN)	TQ (kN·m)	M3 (kN·m)	S2 (kN)	TQ (kN·m)	M3 (kN·m)	S2 (kN)	TQ (kN·m)	M3 (kN·m)						
71	3-LANES (case)	TANDEM-LOAD	MAX	S2	181.16	416.81	1372.89	157.94	505.30	1979.39	157.94	510.00	1978.18	149.74	529.99	2377.94		
				TQ	109.05	622.98	965.12	109.05	622.98	1482.35	109.05	626.50	1480.86	109.05	626.50	1998.10		
				M3	169.13	362.61	1443.64	156.21	488.96	2015.37	156.21	493.75	2014.21	133.36	574.08	2434.30		
			MIN	S2	-33.98	143.56	824.33	-53.97	29.85	645.58	-53.97	31.38	645.50	-82.22	255.90	1574.78		
				TQ	-15.07	-62.73	-136.48	-15.07	-62.73	-207.96	-15.07	-63.23	-207.81	-15.07	-63.23	-279.28		
				M3	-16.88	-55.20	-154.66	-16.88	-55.20	-234.74	-16.88	-55.76	-234.61	-16.88	-55.76	-314.69		
			DISPERSION-LMAX	S2	190.48	923.06	1761.61	170.93	915.46	2451.90	170.93	921.28	2449.72	157.13	889.62	2988.84		
				TQ	170.29	960.59	1799.07	145.18	960.59	2547.60	145.49	966.64	2549.82	119.77	966.64	3179.32		
				M3	185.73	953.32	1947.16	160.62	953.32	2768.91	160.62	959.89	2766.64	134.90	959.89	3467.86		
			MIN	S2	-34.06	-64.08	-83.09	-39.62	-56.48	-90.63	-39.62	-56.70	-90.50	-51.54	-25.04	-67.40		
				TQ	-13.87	-101.62	-120.55	-13.87	-101.62	-186.33	-14.18	-102.06	-190.60	-14.18	-102.06	-257.88		
				M3	-29.31	-94.35	-268.64	-29.31	-94.35	-407.64	-29.31	-95.31	-407.42	-29.31	-95.31	-546.43		
		72	4-LANES	TRUCK-LOAD	MAX	S2	528.70	580.32	3037.37	390.09	703.56	4308.45	390.09	713.79	4306.77	292.84	769.96	4858.29
						TQ	243.74	832.41	1938.22	243.74	832.41	3094.23	244.91	839.76	3103.06	244.91	839.76	4264.63
						M3	506.42	483.40	3120.13	368.47	666.94	4348.04	368.47	677.27	4346.45	239.43	762.12	4873.37
	MIN			S2	-90.54	22.77	1899.87	-202.19	117.78	2984.56	-202.19	124.87	2984.27	-340.25	249.98	3323.58		
				TQ	-44.17	-111.91	664.68	-79.34	-111.91	439.56	-79.34	-110.87	439.83	-79.34	-110.87	63.51		
				M3	-32.91	-75.48	-305.12	-32.91	-75.48	-461.19	-32.91	-76.58	-461.01	-32.91	-76.58	-617.08		
	TANDEM-LOAD			MAX	S2	404.90	358.53	2282.67	306.33	447.47	3213.79	306.33	455.10	3212.72	227.90	480.24	3549.74	
				TQ	158.12	569.18	1308.51	158.12	569.18	2058.44	158.12	574.07	2057.09	158.12	574.07	2807.02		
				M3	394.79	302.26	2354.03	305.08	428.59	3251.47	305.08	436.31	3250.45	214.25	514.61	3600.71		
	MIN			S2	-87.38	184.07	2194.08	-180.00	118.00	2558.22	-180.00	124.08	2557.93	-275.83	209.30	2722.19		
				TQ	-57.56	-78.61	613.31	-57.56	-78.61	340.32	-57.56	-77.80	340.51	-57.56	-77.80	67.52		
				M3	-22.42	-52.25	-207.82	-22.42	-52.25	-314.16	-22.42	-52.99	-314.04	-22.42	-52.99	-420.38		

BAGO RIVER BRIDGE

BLOCK [ No.1 : MAIN GIRDER ][ BEAM MEMBER FORCE ]

MEMBER				3003			3004			3005								
NODE				3003			3004			3004			3005					
				SHEAR	TORQUE	MOMENT	SHEAR	TORQUE	MOMENT	SHEAR	TORQUE	MOMENT	SHEAR	TORQUE	MOMENT			
NAME	TITLE			S2 (kN)	TQ (kN·m)	M3 (kN·m)	S2 (kN)	TQ (kN·m)	M3 (kN·m)	S2 (kN)	TQ (kN·m)	M3 (kN·m)	S2 (kN)	TQ (kN·m)	M3 (kN·m)			
72	4-LANES	DISPERSION-LMAX	S2	277.51	855.97	2170.26	219.82	848.64	2920.49	219.82	855.57	2918.47	182.04	827.31	3355.28			
			TQ	212.76	922.54	2040.64	168.61	922.54	2950.67	169.32	929.58	2972.35	108.67	929.58	3633.96			
			M3	260.39	854.08	2516.60	178.75	861.77	3561.02	178.75	870.20	3558.96	100.75	875.65	4215.93			
		MIN	S2	-44.85	-55.97	77.79	-69.15	-51.46	226.54	-69.15	-50.93	226.66	-112.65	-17.53	319.52			
			TQ	24.19	-107.89	278.66	-10.98	-107.89	307.21	-11.75	-107.19	283.83	-32.27	-107.19	176.85			
			M3	-30.14	-77.17	-278.57	-30.14	-77.17	-421.53	-30.14	-78.17	-421.35	-30.14	-78.22	-564.31			
		73	6-LANES	TRUCK-LOAD	MAX	S2	629.52	-108.59	4253.67	497.99	-27.71	6024.45	497.99	-13.40	6024.50	403.88	11.89	7082.26
					TQ	149.24	843.80	1219.78	149.24	843.80	1927.60	149.24	848.37	1925.59	149.24	848.37	2633.42	
					M3	566.80	-63.29	4609.28	446.42	-2.79	6184.21	446.42	11.90	6184.20	350.43	29.10	7192.74	
MIN	S2			-117.35	-0.38	2440.71	-221.07	57.72	3326.30	-221.07	65.62	3326.15	-351.49	148.56	3577.02			
	TQ			127.19	-829.12	1304.49	127.19	-829.12	1907.73	127.19	-824.59	1909.69	127.19	-824.59	2512.93			
	M3			-48.77	34.79	-469.06	-48.77	34.79	-700.35	-48.77	33.13	-700.43	-48.77	33.13	-931.72			
TANDEM-LOAD	MAX			S2	473.65	-118.25	3119.04	379.99	-59.15	4397.26	379.99	-48.70	4397.39	306.23	-20.40	5081.17		
	TQ			101.19	577.57	830.28	101.19	577.57	1310.24	101.19	580.68	1308.86	101.19	580.68	1788.81			
	M3			413.05	-66.27	3384.52	368.93	-48.30	4506.52	368.93	-37.59	4506.62	290.19	22.06	5205.57			
MIN	S2			-106.78	167.75	2512.56	-194.80	76.14	2779.06	-194.80	82.74	2778.87	-284.63	138.30	2878.13			
	TQ			84.33	-565.63	895.48	84.33	-565.63	1295.45	84.33	-562.55	1296.79	84.33	-562.55	1696.75			
	M3			-33.22	23.64	-319.54	-33.22	23.64	-477.11	-33.22	22.51	-477.16	-33.22	22.51	-634.73			
DISPERSION-LMAX	MAX			S2	404.84	-21.46	3660.53	344.11	-24.59	4953.23	344.11	-12.82	4953.27	304.40	-33.45	5947.99		
				TQ	157.14	943.45	1530.29	115.82	943.45	2177.63	117.19	948.64	2196.50	71.08	948.64	2644.61		
				M3	378.53	-75.70	4137.44	292.53	-51.00	5731.67	292.53	-37.49	5731.78	213.42	-24.25	6921.77		
	MIN	S2	-74.48	38.59	-44.29	-100.50	30.91	15.30	-100.50	30.95	15.23	-144.54	47.86	-14.55				
		TQ	158.51	-923.07	2057.16	117.94	-923.07	2707.08	117.11	-916.67	2678.68	93.50	-916.67	3175.70				
		M3	-55.53	48.39	-535.08	-55.53	48.22	-798.42	-55.53	46.36	-798.54	-55.53	45.47	-1061.92				

BAGO RIVER BRIDGE

BLOCK [ No.1 : MAIN GIRDER ][ BEAM MEMBER FORCE ]

MEMBER			3003			3004			3004			3005			
NODE			3003			3004			3004			3005			
NAME TITLE			SHEAR	TORQUE	MOMENT	SHEAR	TORQUE	MOMENT	SHEAR	TORQUE	MOMENT	SHEAR	TORQUE	MOMENT	
			S2 (kN)	TQ (kN·m)	M3 (kN·m)	S2 (kN)	TQ (kN·m)	M3 (kN·m)	S2 (kN)	TQ (kN·m)	M3 (kN·m)	S2 (kN)	TQ (kN·m)	M3 (kN·m)	
124	SUM TOTAL	D+1LANE (caseMAX	S2	1381.69	-1623.83	15949.07	1094.60	-1623.83	21818.28	1094.60	-1572.00	21822.08	810.75	-1572.00	26337.44
			TQ	1241.50	-425.13	14284.74	954.40	-425.13	19489.02	954.40	-378.84	19489.98	670.55	-378.84	23340.41
			M3	1366.65	-1562.36	16100.50	1080.71	-1568.92	21901.15	1080.71	-1516.90	21904.81	804.93	-1552.72	26389.02
		MIN	S2	1241.00	-428.95	14280.44	953.91	-428.95	19482.37	953.91	-382.67	19483.34	670.06	-382.67	23331.41
			TQ	1381.69	-1623.83	15949.07	1094.60	-1623.83	21818.28	1094.60	-1572.00	21822.08	810.75	-1572.00	26337.44
			M3	1241.00	-428.95	14280.44	953.91	-428.95	19482.37	953.91	-382.67	19483.34	670.06	-382.67	23331.41
		D+1LANE (caseMAX	S2	1412.46	-1035.72	15974.74	1120.07	-1028.63	21888.48	1120.07	-976.64	21890.86	830.34	-969.57	26438.69
			TQ	1241.26	-499.86	14291.07	954.17	-499.86	19494.24	954.17	-453.56	19495.37	670.32	-453.56	23344.68
			M3	1376.88	-930.50	16365.52	1104.24	-999.56	22186.55	1104.24	-946.87	22188.86	814.90	-982.14	26684.05
		MIN	S2	1222.86	-580.35	15266.17	933.38	-601.77	20588.12	933.38	-552.87	20589.49	647.94	-559.94	24410.83
			TQ	1399.13	-1054.63	16016.59	1104.57	-1054.63	21950.81	1104.57	-1002.49	21953.25	813.26	-1002.49	26498.23
			M3	1240.77	-501.39	14286.56	953.68	-501.39	19487.40	953.68	-455.10	19488.53	669.83	-455.10	23335.52
		D+1LANE (caseMAX	S2	1622.45	-609.98	16396.23	1221.38	-591.97	22379.81	1221.38	-538.82	22381.15	852.86	-529.06	26444.06
			TQ	1276.69	-541.47	14559.85	986.80	-541.47	19927.73	988.09	-494.11	19955.18	683.87	-494.11	23920.18
			M3	1614.44	-615.08	16545.62	1179.18	-604.10	22674.56	1179.18	-550.24	22675.93	779.38	-539.58	26811.67
		MIN	S2	1190.55	-594.36	15475.02	820.44	-598.36	21355.87	820.44	-547.64	21357.23	428.06	-534.92	25387.36
			TQ	1299.33	-632.94	16157.17	928.40	-632.94	21513.84	927.16	-581.87	21489.71	618.69	-581.87	25149.45
			M3	1240.58	-556.66	14291.15	953.49	-556.66	19491.10	953.49	-510.37	19492.37	669.64	-510.37	23338.46
		D+1LANE (caseMAX	S2	1390.96	447.24	15809.82	1108.00	463.83	21765.19	1108.00	515.52	21764.02	845.08	406.12	26284.00
			TQ	1383.65	471.22	15753.29	1102.13	471.22	21644.87	1102.38	522.63	21647.24	824.24	522.63	26212.90
			M3	1360.93	354.50	15950.92	1101.48	428.79	21808.25	1101.48	480.58	21807.17	828.61	507.15	26376.16
		MIN	S2	1238.71	-653.27	14338.79	953.05	-669.86	19500.71	953.05	-623.54	19502.25	669.21	-624.98	23343.73
			TQ	1245.45	-678.39	14351.58	958.36	-678.39	19574.61	958.11	-631.90	19572.61	674.26	-631.90	23440.61
			M3	1240.15	-671.29	14300.23	953.06	-671.29	19498.14	953.06	-624.98	19499.68	669.21	-624.98	23343.73

BAGO RIVER BRIDGE

BLOCK [ No.1 : MAIN GIRDER ][ BEAM MEMBER FORCE ]

MEMBER				3003			3004			3005					
NODE				3003			3004			3005					
				SHEAR	TORQUE	MOMENT	SHEAR	TORQUE	MOMENT	SHEAR	TORQUE	MOMENT			
NAME TITLE				S2 (kN)	TQ (kN·m)	M3 (kN·m)	S2 (kN)	TQ (kN·m)	M3 (kN·m)	S2 (kN)	TQ (kN·m)	M3 (kN·m)			
124	SUM TOTAL	D+2LANES (casMAX	S2	1465.99	-2082.06	16959.80	1178.90	-2082.06	23228.83	1178.90	-2026.88	23233.71	895.05	-2026.88	28148.89
			TQ	1227.78	-363.30	14146.82	940.69	-363.30	19286.05	940.69	-317.50	19286.86	656.84	-317.50	23072.23
			M3	1432.02	-1942.86	17238.96	1162.22	-2010.40	23389.61	1162.22	-1954.84	23394.32	887.77	-1997.23	28267.79
		MIN	S2	1226.32	-374.11	14189.57	939.23	-374.11	19321.89	939.23	-328.22	19322.73	655.38	-328.22	23101.19
			TQ	1461.95	-2093.32	16938.25	1174.86	-2093.32	23188.13	1174.86	-2038.24	23193.04	891.01	-2038.24	28089.06
			M3	1226.95	-368.75	14139.57	939.86	-368.75	19274.88	939.86	-322.97	19275.71	656.01	-322.97	23057.17
		D+2LANES (casMAX	S2	1491.63	-1591.97	16981.19	1200.12	-1586.06	23287.32	1200.12	-1530.75	23291.03	911.38	-1524.86	28233.27
			TQ	1227.58	-425.58	14152.10	940.49	-425.58	19290.39	940.49	-379.76	19291.35	656.64	-379.76	23075.79
			M3	1440.54	-1416.32	17459.81	1181.83	-1535.94	23627.45	1181.83	-1479.82	23631.03	896.08	-1521.74	28513.65
		MIN	S2	1211.20	-500.28	15011.01	922.12	-518.13	20243.35	922.12	-470.05	20244.52	636.95	-475.94	24000.71
			TQ	1476.48	-1618.99	16994.52	1183.17	-1618.99	23298.56	1183.17	-1563.65	23302.34	893.10	-1563.65	28223.05
			M3	1226.76	-429.12	14144.67	939.67	-429.12	19279.07	939.67	-383.33	19280.04	655.82	-383.33	23060.58
		D+2LANES (casMAX	S2	1845.14	-457.48	17585.33	1374.72	-407.41	24018.96	1374.72	-350.36	24019.86	955.93	-324.27	28188.62
			TQ	1407.53	-322.32	15624.44	1086.43	-322.32	21541.11	1087.15	-271.13	21570.72	752.30	-271.13	25932.11
			M3	1832.94	-461.48	17824.95	1308.70	-423.52	24494.77	1308.70	-365.34	24495.70	840.40	-325.62	28792.96
		MIN	S2	1151.25	-598.68	16059.93	733.41	-572.83	22315.54	733.41	-519.83	22316.83	277.81	-461.65	26429.41
			TQ	1281.04	-651.06	15838.38	921.50	-651.06	21119.42	920.82	-600.93	21092.55	616.45	-600.93	24732.46
			M3	1226.24	-582.48	14157.34	939.15	-582.48	19289.27	939.15	-536.67	19290.60	655.30	-536.67	23068.67
		D+2LANES (casMAX	S2	1497.37	749.26	16834.84	1204.24	821.67	23159.60	1204.24	876.68	23157.59	927.66	819.19	27961.84
			TQ	1471.54	921.88	16599.24	1180.73	921.88	22885.91	1181.01	976.23	22887.66	893.36	976.23	27803.98
			M3	1471.73	680.49	17010.01	1197.16	811.65	23312.47	1197.16	867.01	23310.48	910.52	938.42	28226.10
		MIN	S2	1223.93	-688.01	14257.25	937.01	-691.17	19416.27	937.01	-645.06	19417.85	650.22	-383.05	24439.90
			TQ	1236.76	-723.59	14273.91	949.66	-723.59	19455.72	949.38	-677.39	19453.38	665.53	-677.39	23280.00
			M3	1225.75	-711.54	14167.54	938.66	-711.54	19297.15	938.66	-665.71	19298.78	654.81	-665.71	23074.53



BAGO RIVER BRIDGE

BLOCK [ No.1 : MAIN GIRDER ][ BEAM MEMBER FORCE ]

MEMBER			3003			3004			3004			3005				
NODE			3003			3004			3004			3005				
NAME TITLE			SHEAR	TORQUE	MOMENT	SHEAR	TORQUE	MOMENT	SHEAR	TORQUE	MOMENT	SHEAR	TORQUE	MOMENT		
			S2 (kN)	TQ (kN·m)	M3 (kN·m)	S2 (kN)	TQ (kN·m)	M3 (kN·m)	S2 (kN)	TQ (kN·m)	M3 (kN·m)	S2 (kN)	TQ (kN·m)	M3 (kN·m)		
124	SUM TOTAL	D+3LANES (casMAX	S2	1542.01	-2188.26	17637.91	1251.16	-2183.24	24195.66	1251.16	-2125.77	24200.78	963.15	-2120.76	29396.14	
			TQ	1218.26	-347.75	14054.28	931.17	-347.75	19148.37	931.17	-302.27	19149.15	647.32	-302.27	22889.39	
			M3	1487.93	-1995.42	18152.00	1225.78	-2101.74	24543.46	1225.78	-2043.44	24548.38	946.03	-2104.45	29671.00	
		MIN	S2	1203.99	-413.95	14781.31	915.21	-429.12	19953.68	915.21	-381.73	19954.64	630.23	-386.74	23669.20	
			TQ	1529.13	-2211.23	17649.24	1236.75	-2211.23	24205.21	1236.75	-2153.74	24210.40	947.62	-2153.74	29387.45	
			M3	1217.21	-353.46	14044.92	930.12	-353.46	19134.04	930.12	-308.02	19134.83	646.27	-308.02	22870.09	
		D+3LANES (casMAX	S2	1931.86	-192.21	18281.89	1446.31	-110.11	24968.57	1446.31	-50.81	24968.76	1016.41	-8.01	29300.34	
			TQ	1486.44	34.02	16387.83	1152.43	34.02	22647.04	1153.22	87.84	22673.99	808.47	87.84	27324.61	
			M3	1918.85	-190.28	18568.04	1382.78	-109.22	25541.05	1382.78	-48.56	25541.23	902.93	21.28	30060.33	
		MIN	S2	1140.03	-579.82	16340.25	717.28	-511.09	22760.57	717.28	-457.03	22761.72	251.72	-338.53	27059.12	
			TQ	1266.63	-688.73	15532.67	917.95	-688.73	20761.97	917.20	-639.45	20736.92	615.91	-639.45	24367.34	
			M3	1216.28	-627.01	14067.47	929.19	-627.01	19152.15	929.19	-581.52	19153.59	645.34	-581.52	22884.42	
		D+3LANES (casMAX	S2	1636.79	790.65	17644.08	1303.79	886.03	24251.44	1303.79	943.62	24249.26	993.60	908.61	29118.55	
			TQ	1544.11	1027.47	17229.67	1235.67	1027.47	23818.95	1235.94	1084.04	23820.28	930.23	1084.04	28954.53	
			M3	1612.51	737.92	17874.43	1290.41	892.38	24549.58	1290.41	950.68	24547.39	963.03	1039.90	29591.00	
		MIN	S2	1202.58	-640.37	14801.79	887.17	-594.92	20334.50	887.17	-546.63	20335.86	563.69	-268.36	25351.35	
			TQ	1231.65	-728.69	14225.78	944.56	-728.69	19383.37	944.20	-682.66	19379.94	660.35	-682.66	23181.98	
			M3	1215.95	-712.44	14074.20	928.86	-712.44	19157.33	928.86	-666.94	19158.97	645.01	-666.94	22888.24	
		D+4LANES	MAX	S2	1785.96	369.19	17880.53	1371.27	444.53	24495.56	1371.27	502.70	24494.44	999.65	520.85	29084.17
			TQ	1558.65	576.32	17081.83	1242.86	576.32	23725.93	1244.08	632.69	23747.04	920.81	632.69	28879.44	
			M3	1760.36	304.96	18159.45	1330.52	429.26	24937.64	1330.52	488.47	24936.55	912.10	547.17	29653.40	
		MIN	S2	1173.92	-585.98	15781.05	798.47	-521.29	21883.96	798.47	-469.32	21885.13	396.60	-366.28	26113.37	
			TQ	1248.94	-707.27	15108.75	916.12	-707.27	20282.15	915.62	-659.12	20268.41	618.43	-659.12	23901.59	
			M3	1220.94	-663.62	14116.17	933.85	-663.62	19222.97	933.85	-617.97	19224.50	650.00	-618.00	22977.44	

BAGO RIVER BRIDGE

BLOCK [ No.1 : MAIN GIRDER ][ BEAM MEMBER FORCE ]

MEMBER					3003			3004			3005		
NODE					3003			3004			3004		
					SHEAR	TORQUE	MOMENT	SHEAR	TORQUE	MOMENT	SHEAR	TORQUE	MOMENT
NAME	TITLE				S2 (kN)	TQ (kN·m)	M3 (kN·m)	S2 (kN)	TQ (kN·m)	M3 (kN·m)	S2 (kN)	TQ (kN·m)	M3 (kN·m)
124	SUM TOTAL	D+6LANES	MAX	S2	1934.26	-648.93	19639.80	1522.19	-598.39	26932.24	1522.19	-534.43	26933.58
				TQ	1461.07	597.31	16283.12	1147.12	597.31	22465.15	1148.01	650.68	22477.39
				M3	1876.38	-654.74	20180.94	1455.15	-599.36	27542.07	1455.15	-534.01	27543.42
			MIN	S2	1137.23	-539.57	16053.25	765.81	-506.79	21968.79	765.81	-454.61	21969.93
				TQ	1447.63	-1703.33	16680.64	1134.17	-1703.33	22796.37	1133.62	-1649.20	22780.48
				M3	1194.13	-510.33	13842.89	907.04	-510.44	18822.54	907.04	-465.71	18823.70
	SUM TOTAL		MAX		1934.26	1027.47	20180.94	1522.19	1027.47	27542.07	1522.19	1084.04	27543.42
			MIN		1137.23	-2211.23	13842.89	717.28	-2211.23	18822.54	717.28	-2153.74	18823.70
300	DEAD LOAD	TOTAL			1261.92	-564.40	14495.57	974.83	-564.40	19796.75	974.83	-517.38	19798.03
301	LIVE LOAD	1-LANE(case1MAX	S2		119.77	-1059.43	1453.50	119.77	-1059.43	2021.54	119.77	-1054.62	2024.05
			TQ		-20.43	139.27	-210.83	-20.43	139.27	-307.73	-20.43	138.54	-308.05
			M3		104.73	-997.96	1604.93	105.88	-1004.52	2104.40	105.88	-999.52	2106.78
			MIN	S2	-20.93	135.45	-215.13	-20.93	135.45	-314.37	-20.93	134.71	-314.69
				TQ	119.77	-1059.43	1453.50	119.77	-1059.43	2021.54	119.77	-1054.62	2024.05
				M3	-20.93	135.45	-215.13	-20.93	135.45	-314.37	-20.93	134.71	-314.69
		1-LANE(case2MAX	S2		150.54	-471.32	1479.17	145.24	-464.23	2091.73	145.24	-459.26	2092.83
			TQ		-20.66	64.54	-204.50	-20.66	64.54	-302.51	-20.66	63.82	-302.66
			M3		114.95	-366.11	1869.95	129.41	-435.16	2389.81	129.41	-429.49	2390.83
			MIN	S2	-39.07	-15.95	770.60	-41.45	-37.37	791.38	-41.45	-35.49	791.46
				TQ	137.20	-490.23	1521.02	129.74	-490.23	2154.06	129.74	-485.11	2155.22
				M3	-21.16	63.01	-209.01	-21.16	63.01	-309.35	-21.16	62.28	-309.50
		1-LANE(case3MAX	S2		360.52	-45.58	1900.66	246.55	-27.57	2583.06	246.55	-21.44	2583.12
			TQ		14.76	22.93	64.28	11.97	22.93	130.98	13.26	23.27	157.15
			M3		352.51	-50.68	2050.05	204.35	-39.70	2877.82	204.35	-32.86	2877.90
			MIN	S2	-71.38	-29.96	979.45	-154.39	-33.96	1559.12	-154.39	-30.26	1559.20
				TQ	37.41	-68.54	1661.60	-46.43	-68.54	1717.10	-47.67	-64.49	1691.68
				M3	-21.34	7.73	-204.43	-21.34	7.73	-305.65	-21.34	7.01	-305.67

BAGO RIVER BRIDGE

BLOCK [ No.1 : MAIN GIRDER ][ BEAM MEMBER FORCE ]

MEMBER			3003			3004			3004			3005				
NODE			3003			3004			3004			3005				
NAME TITLE			SHEAR	TORQUE	MOMENT	SHEAR	TORQUE	MOMENT	SHEAR	TORQUE	MOMENT	SHEAR	TORQUE	MOMENT		
			S2 (kN)	TQ (kN·m)	M3 (kN·m)	S2 (kN)	TQ (kN·m)	M3 (kN·m)	S2 (kN)	TQ (kN·m)	M3 (kN·m)	S2 (kN)	TQ (kN·m)	M3 (kN·m)		
301	LIVE LOAD	1-LANE (case4MAX	S2	129.03	1011.64	1314.25	133.17	1028.23	1968.44	133.17	1032.90	1965.99	154.10	923.50	2538.65	
			TQ	121.72	1035.62	1257.72	127.30	1035.62	1848.12	127.55	1040.01	1849.21	133.26	1040.01	2467.55	
			M3	99.01	918.90	1455.35	126.65	993.19	2011.51	126.65	997.96	2009.14	137.62	1024.53	2630.81	
			MIN	S2	-23.22	-88.87	-156.79	-21.78	-105.46	-296.04	-21.78	-106.16	-295.78	-21.77	-107.60	-401.63
			TQ	-16.48	-113.99	-143.99	-16.48	-113.99	-222.13	-16.73	-114.52	-225.42	-16.73	-114.52	-304.74	
			M3	-21.77	-106.89	-195.34	-21.77	-106.89	-298.61	-21.77	-107.60	-298.35	-21.77	-107.60	-401.63	
		2-LANES (caseMAX	S2	204.07	-1517.66	2464.22	204.07	-1517.66	3432.08	204.07	-1509.50	3435.68	204.07	-1509.50	4403.54	
			TQ	-34.15	201.09	-348.75	-34.15	201.09	-510.70	-34.15	199.88	-511.18	-34.15	199.88	-673.12	
			M3	170.10	-1378.46	2743.39	187.39	-1446.00	3592.86	187.39	-1437.46	3596.29	196.79	-1479.85	4522.44	
			MIN	S2	-35.60	190.29	-306.00	-35.60	190.29	-474.85	-35.60	189.16	-475.31	-35.60	189.16	-644.16
			TQ	200.03	-1528.92	2442.68	200.03	-1528.92	3391.38	200.03	-1520.86	3395.00	200.03	-1520.86	4343.70	
			M3	-34.97	195.65	-356.00	-34.97	195.65	-521.86	-34.97	194.41	-522.32	-34.97	194.41	-688.19	
		2-LANES (caseMAX	S2	229.71	-1027.57	2485.62	225.29	-1021.66	3490.58	225.29	-1013.37	3492.99	220.39	-1007.48	4487.91	
			TQ	-34.34	138.82	-343.47	-34.34	138.82	-506.35	-34.34	137.62	-506.68	-34.34	137.62	-669.56	
			M3	178.62	-851.92	2964.23	207.00	-971.54	3830.70	207.00	-962.44	3833.00	205.10	-1004.36	4768.29	
			MIN	S2	-50.72	64.12	515.44	-52.71	46.27	446.60	-52.71	47.33	446.49	-54.03	41.44	255.36
			TQ	214.56	-1054.59	2498.95	208.34	-1054.59	3501.82	208.34	-1046.27	3504.31	202.12	-1046.27	4477.69	
			M3	-35.16	135.28	-350.90	-35.16	135.28	-517.67	-35.16	134.05	-517.99	-35.16	134.05	-684.77	
		2-LANES (caseMAX	S2	583.21	106.92	3089.76	399.89	156.99	4222.22	399.89	167.02	4221.83	264.95	193.11	4443.26	
			TQ	145.60	242.07	1128.86	111.60	242.07	1744.37	112.32	246.25	1772.69	61.32	246.25	2186.76	
			M3	571.01	102.92	3329.37	333.87	140.88	4698.02	333.87	152.04	4697.67	149.42	191.76	5047.60	
			MIN	S2	-110.67	-34.28	1564.36	-241.43	-8.43	2518.79	-241.43	-2.45	2518.80	-413.17	55.73	2684.06
			TQ	19.12	-86.66	1342.80	-53.33	-86.66	1322.67	-54.01	-83.55	1294.51	-74.53	-83.55	987.11	
			M3	-35.68	-18.08	-338.23	-35.68	-18.08	-507.48	-35.68	-19.29	-507.43	-35.68	-19.29	-676.68	

BAGO RIVER BRIDGE

BLOCK [ No.1 : MAIN GIRDER ][ BEAM MEMBER FORCE ]

MEMBER				3003			3004			3005						
NODE				3003			3004			3005						
				SHEAR	TORQUE	MOMENT	SHEAR	TORQUE	MOMENT	SHEAR	TORQUE	MOMENT				
NAME	TITLE			S2 (kN)	TQ (kN·m)	M3 (kN·m)	S2 (kN)	TQ (kN·m)	M3 (kN·m)	S2 (kN)	TQ (kN·m)	M3 (kN·m)				
301	LIVE LOAD	2-LANES (caseMAX	S2	235.45	1313.66	2339.27	229.41	1386.07	3362.86	229.41	1394.06	3359.56	236.68	1336.57	4216.49	
			TQ	209.62	1486.27	2103.66	205.90	1486.27	3089.16	206.18	1493.61	3089.63	202.38	1493.61	4058.62	
			M3	209.81	1244.89	2514.44	222.33	1376.05	3515.72	222.33	1384.39	3512.45	219.54	1455.80	4480.75	
			MIN	S2	-37.99	-123.61	-238.32	-37.82	-126.77	-380.48	-37.82	-127.68	-380.18	-40.76	134.33	694.55
			TQ	-25.17	-159.19	-221.67	-25.17	-159.19	-341.03	-25.45	-160.01	-344.66	-25.45	-160.01	-465.35	
			M3	-36.17	-147.14	-328.03	-36.17	-147.14	-499.60	-36.17	-148.33	-499.25	-36.17	-148.33	-670.82	
		3-LANES (caseMAX	S2	280.09	-1623.86	3142.33	276.33	-1618.84	4398.91	276.33	-1608.39	4402.74	272.17	-1603.38	5650.79	
			TQ	-43.66	216.65	-441.29	-43.66	216.65	-648.37	-43.66	215.11	-648.88	-43.66	215.11	-855.96	
			M3	226.01	-1431.02	3656.43	250.95	-1537.34	4746.71	250.95	-1526.06	4750.35	255.05	-1587.07	5925.64	
			MIN	S2	-57.93	150.45	285.74	-59.62	135.27	156.93	-59.62	135.65	156.61	-60.75	130.64	-76.16
			TQ	267.21	-1646.83	3153.67	261.92	-1646.83	4408.47	261.92	-1636.36	4412.37	256.64	-1636.36	5642.10	
			M3	-44.71	210.94	-450.65	-44.71	210.94	-662.70	-44.71	209.36	-663.20	-44.71	209.36	-875.26	
		3-LANES (caseMAX	S2	669.93	372.19	3786.32	471.48	454.28	5171.82	471.48	466.57	5170.73	325.43	509.37	5554.98	
			TQ	224.52	598.42	1892.26	177.60	598.42	2850.30	178.39	605.22	2875.96	117.49	605.22	3579.26	
			M3	656.93	374.12	4072.47	407.95	455.18	5744.30	407.95	468.82	5743.20	211.94	538.66	6314.98	
			MIN	S2	-121.89	-15.42	1844.68	-257.56	53.31	2963.82	-257.56	60.35	2963.69	-439.27	178.85	3313.76
			TQ	4.70	-124.33	1037.10	-56.88	-124.33	965.22	-57.63	-122.07	938.89	-75.07	-122.07	621.99	
			M3	-45.65	-62.61	-428.10	-45.65	-62.61	-644.59	-45.65	-64.14	-644.44	-45.65	-64.14	-860.94	
		3-LANES (caseMAX	S2	374.87	1355.05	3148.51	328.96	1450.43	4454.69	328.96	1461.00	4451.23	302.61	1425.99	5373.19	
			TQ	282.19	1591.87	2734.10	260.84	1591.87	4022.20	261.11	1601.42	4022.25	239.25	1601.42	5209.18	
			M3	350.59	1302.32	3378.86	315.58	1456.78	4752.83	315.58	1468.06	4749.36	272.05	1557.28	5845.64	
			MIN	S2	-59.34	-75.97	306.22	-87.66	-30.52	537.75	-87.66	-29.25	537.83	-127.29	249.02	1606.00
			TQ	-30.27	-164.29	-269.79	-30.27	-164.29	-413.38	-30.63	-165.28	-418.09	-30.63	-165.28	-563.37	
			M3	-45.97	-148.04	-421.37	-45.97	-148.04	-639.42	-45.97	-149.56	-639.07	-45.97	-149.56	-857.11	

BAGO RIVER BRIDGE

BLOCK [ No.1 : MAIN GIRDER ][ BEAM MEMBER FORCE ]

MEMBER					3003			3004			3005					
NODE					3003			3004			3005					
					SHEAR	TORQUE	MOMENT	SHEAR	TORQUE	MOMENT	SHEAR	TORQUE	MOMENT			
NAME	TITLE				S2 (kN)	TQ (kN·m)	M3 (kN·m)	S2 (kN)	TQ (kN·m)	M3 (kN·m)	S2 (kN)	TQ (kN·m)	M3 (kN·m)			
301	LIVE LOAD	4-LANES	MAX	S2	524.04	933.59	3384.96	396.44	1008.93	4698.81	396.44	1020.08	4696.40	308.67	1038.23	5338.82
				TQ	296.73	1140.72	2586.26	268.03	1140.72	3929.19	269.25	1150.07	3949.01	229.83	1150.07	5134.09
				M3	498.43	869.36	3663.87	355.69	993.66	5140.89	355.69	1005.85	5138.52	221.12	1064.55	5908.05
			MIN	S2	-88.00	-21.58	1285.48	-176.37	43.11	2087.21	-176.37	48.06	2087.10	-294.38	151.10	2368.02
				TQ	-12.99	-142.87	613.18	-58.71	-142.87	485.41	-59.21	-141.74	470.38	-72.55	-141.74	156.24
				M3	-40.98	-99.22	-379.40	-40.98	-99.22	-573.77	-40.98	-100.59	-573.54	-40.98	-100.62	-767.91
		6-LANES	MAX	S2	672.33	-84.53	5144.23	547.36	-33.99	7135.49	547.36	-17.05	7135.55	460.38	-14.01	8469.66
				TQ	199.15	1161.71	1787.55	172.29	1161.71	2668.40	173.18	1168.06	2679.36	143.21	1168.06	3430.72
				M3	614.46	-90.35	5685.37	480.32	-34.96	7745.32	480.32	-16.63	7745.39	366.50	3.15	9174.44
			MIN	S2	-124.69	24.83	1557.68	-209.02	57.61	2172.04	-209.02	62.77	2171.90	-322.42	127.67	2315.61
				TQ	185.70	-1138.93	2185.07	159.33	-1138.93	2999.62	158.79	-1131.82	2982.44	143.45	-1131.82	3697.61
				M3	-67.79	54.07	-652.69	-67.79	53.96	-974.20	-67.79	51.67	-974.33	-67.79	51.09	-1295.86
		LIVE LOAD	MAX	672.33	1591.87	5685.37	547.36	1591.87	7745.32	547.36	1601.42	7745.39	460.38	1601.42	9174.44	
			MIN	-124.69	-1646.83	-652.69	-257.56	-1646.83	-974.20	-257.56	-1636.36	-974.33	-439.27	-1636.36	-1295.86	
		303	SUM TOTAL	TOTAL	MAX	1934.26	1027.47	20180.94	1522.19	1027.47	27542.07	1522.19	1084.04	27543.42	1151.36	1084.04
MIN	1137.23				-2211.23	13842.89	717.28	-2211.23	18822.54	717.28	-2153.74	18823.70	251.72	-2153.74	22449.49	

BAGO RIVER BRIDGE

BLOCK [ No.1 : MAIN GIRDER ] [ BEAM MEMBER FORCE ]

MEMBER NODE	3005	3006			3006			3007							
		SHEAR	TORQUE	MOMENT	SHEAR	TORQUE	MOMENT	SHEAR	TORQUE	MOMENT					
		S2 (kN)	TQ (kN·m)	M3 (kN·m)	S2 (kN)	TQ (kN·m)	M3 (kN·m)	S2 (kN)	TQ (kN·m)	M3 (kN·m)					
1	PAVEMENT	134.09	8.78	4400.62	76.59	8.78	4899.51	76.59	20.41	4899.47	20.09	20.41	5128.03		
3	RAILING	1.59	0.22	102.35	2.27	0.22	111.46	2.27	0.48	111.46	2.98	0.48	123.85		
5	CURB	15.73	2.16	1013.31	22.52	2.16	1103.43	22.52	4.78	1103.42	29.46	4.78	1226.12		
7	DECK WEIGHT	207.06	-11.79	6844.24	120.40	-11.79	7619.59	120.40	6.31	7619.59	35.16	6.31	7987.34		
8	GIRDER WEIGH	233.16	-238.90	8007.47	144.49	-238.90	8903.07	144.49	-217.75	8903.61	55.82	-217.75	9378.65		
10	MEDIAN STRIP	51.62	-79.68	1355.06	22.83	-79.68	1531.62	22.83	-76.05	1531.80	-5.96	-76.05	1571.82		
21	ADITIONAL WE	57.98	-3.30	1916.39	33.71	-3.30	2133.48	33.71	1.77	2133.49	9.85	1.77	2236.45		
31	MEDIAN RAILI	4.00	-6.29	106.16	1.67	-6.29	119.60	1.67	-6.01	119.61	-0.66	-6.01	122.02		
51	SUPPORT WEIG	0.00	-0.00	-0.00	0.00	-0.00	-0.00	0.00	-0.00	-0.00	0.00	-0.00	-0.00		
52	NOSE WEIGHT	-0.10	-0.63	-0.13	-0.10	-0.63	-0.58	-0.10	-0.63	-0.58	-0.10	-0.63	-1.03		
61	1-LANE(case1TRUCK-LOAD	MAX	S2	34.31	-309.82	715.84	34.31	-309.82	878.56	34.31	-307.73	879.29	34.31	-307.73	1042.02
			TQ	-7.45	53.97	-148.66	-7.45	53.97	-184.02	-7.45	53.54	-184.14	-7.45	53.54	-219.50
			M3	10.07	-200.67	1027.04	11.78	-219.25	1082.50	11.78	-216.68	1083.01	19.90	-272.18	1164.28
		MIN	S2	-12.24	-3.44	563.47	-12.24	-3.44	505.41	-12.24	-2.23	505.41	-12.24	-2.23	447.35
			TQ	33.64	-311.67	770.03	33.64	-311.67	929.61	33.64	-309.46	930.34	33.64	-309.46	1089.92
			M3	-7.92	50.69	-157.35	-7.92	50.69	-194.91	-7.92	50.22	-195.03	-7.92	50.22	-232.59
		TANDEM-LOAD MAX	S2	23.77	-210.36	466.65	23.77	-210.36	579.38	23.77	-208.99	579.87	23.77	-208.99	692.60
			TQ	-5.19	36.71	-103.37	-5.19	36.71	-127.97	-5.19	36.41	-128.06	-5.19	36.41	-152.66
			M3	7.85	-157.99	702.85	7.85	-157.99	740.07	7.85	-156.23	740.44	14.90	-192.16	794.78
		MIN	S2	-9.47	-1.79	426.18	-9.47	-1.79	381.27	-9.47	-0.88	381.27	-9.47	-0.88	336.36
			TQ	23.33	-213.83	538.61	23.33	-213.83	649.26	23.33	-212.29	649.77	23.33	-212.29	760.42
			M3	-5.39	34.88	-107.20	-5.39	34.88	-132.78	-5.39	34.57	-132.86	-5.39	34.57	-158.44
		DISPERSION-LMAX	S2	30.65	-293.11	951.30	30.65	-293.11	1096.66	30.65	-290.50	1097.35	30.65	-290.50	1242.71
			TQ	-10.82	60.97	-140.67	-10.82	60.97	-191.99	-11.17	60.53	-179.49	-11.17	60.53	-232.47
			M3	27.09	-299.05	1178.46	27.09	-299.05	1306.97	27.09	-295.94	1307.67	27.09	-295.94	1436.18
		MIN	S2	-13.01	54.47	39.32	-13.01	54.47	-22.40	-13.01	54.42	-22.53	-13.01	54.42	-84.25
			TQ	28.46	-299.61	1131.29	28.46	-299.61	1266.26	28.80	-296.61	1254.32	28.80	-296.61	1390.93
			M3	-9.46	60.41	-187.84	-9.46	60.41	-232.71	-9.46	59.85	-232.85	-9.46	59.85	-277.71

BAGO RIVER BRIDGE

BLOCK [ No.1 : MAIN GIRDER ][ BEAM MEMBER FORCE ]

MEMBER				3005			3006			3007						
NODE				3005			3006			3006			3007			
NAME TITLE				SHEAR	TORQUE	MOMENT	SHEAR	TORQUE	MOMENT	SHEAR	TORQUE	MOMENT	SHEAR	TORQUE	MOMENT	
				S2 (kN)	TQ (kN·m)	M3 (kN·m)	S2 (kN)	TQ (kN·m)	M3 (kN·m)	S2 (kN)	TQ (kN·m)	M3 (kN·m)	S2 (kN)	TQ (kN·m)	M3 (kN·m)	
62	1-LANE (case2TRUCK-LOAD	MAX	S2	53.09	-142.35	916.84	53.09	-142.35	1168.63	53.09	-139.57	1168.97	53.09	-139.57	1420.76	
			TQ	-7.58	24.21	-148.40	-7.58	24.21	-184.35	-7.52	23.78	-182.94	-7.52	23.78	-218.60	
			M3	17.24	-46.77	1243.93	35.37	-97.28	1305.78	35.37	-94.18	1306.00	46.83	-132.88	1437.02	
			MIN	S2	-35.00	-14.52	1134.21	-35.00	-14.52	968.21	-35.00	-12.22	968.24	-35.00	-12.22	802.25
				TQ	46.01	-148.30	777.38	46.01	-148.30	995.60	46.01	-145.93	995.95	46.01	-145.93	1214.17
				M3	-7.99	22.85	-156.03	-7.99	22.85	-193.90	-7.99	22.39	-193.96	-7.99	22.39	-231.83
		TANDEM-LOAD	MAX	S2	37.09	-91.91	669.04	37.09	-91.91	844.96	37.09	-89.90	845.18	37.09	-89.90	1021.10
				TQ	-5.23	16.47	-102.39	-5.23	16.47	-127.21	-5.23	16.17	-127.25	-5.23	16.17	-152.07
				M3	11.47	-22.99	884.29	25.28	-59.73	917.02	25.28	-57.56	917.16	37.09	-89.90	1021.10
			MIN	S2	-25.17	-16.27	868.79	-25.17	-16.27	749.43	-25.17	-14.49	749.47	-25.17	-14.49	630.11
				TQ	35.10	-102.23	565.13	35.10	-102.23	731.59	35.10	-100.50	731.83	35.10	-100.50	898.28
				M3	-5.44	15.71	-106.30	-5.44	15.71	-132.10	-5.44	15.40	-132.13	-5.44	15.40	-157.93
		DISPERSION-LMAX	MAX	S2	41.72	-132.15	858.69	38.38	-128.04	939.59	38.38	-125.80	939.89	34.25	-120.31	1017.93
				TQ	-11.67	27.36	-116.75	-11.67	27.36	-172.11	-12.50	26.98	-150.14	-12.50	26.98	-209.43
				M3	31.77	-136.02	1204.19	25.55	-136.02	1340.11	25.55	-132.84	1340.43	19.33	-132.84	1446.87
			MIN	S2	-19.45	23.34	159.91	-22.33	19.23	169.89	-22.33	19.63	169.84	-24.41	14.14	153.20
				TQ	33.94	-136.17	1135.34	27.73	-136.17	1281.58	28.55	-133.15	1259.86	22.34	-133.15	1380.55
				M3	-9.50	27.21	-185.60	-9.50	27.21	-230.64	-9.50	26.66	-230.70	-9.50	26.66	-275.74
63	1-LANE (case3TRUCK-LOAD	MAX	S2	198.95	-18.00	1366.93	128.69	-4.41	1637.01	128.69	-0.52	1637.02	74.09	6.94	1550.15	
			TQ	70.41	4.28	834.76	70.41	4.28	1168.70	70.41	7.06	1168.69	70.41	7.06	1502.63	
			M3	182.81	-20.77	1372.14	112.63	-7.68	1659.21	112.63	-3.74	1659.22	52.58	5.73	1572.33	
		MIN	S2	-54.81	-25.09	1248.95	-111.13	-19.63	1557.43	-111.13	-15.93	1557.48	-181.44	-2.38	1503.10	
			TQ	-54.81	-25.09	1248.95	-54.81	-25.09	988.99	-54.81	-22.74	989.05	-54.81	-22.74	729.09	
			M3	-8.04	1.64	-155.09	-8.04	1.64	-193.23	-8.04	1.18	-193.23	-8.04	1.18	-231.37	

BAGO RIVER BRIDGE

BLOCK [ No.1 : MAIN GIRDER ][ BEAM MEMBER FORCE ]

MEMBER		3005			3006			3006			3007						
NODE		3005			3006			3006			3007						
		SHEAR	TORQUE	MOMENT	SHEAR	TORQUE	MOMENT	SHEAR	TORQUE	MOMENT	SHEAR	TORQUE	MOMENT				
NAME	TITLE	S2 (kN)	TQ (kN·m)	M3 (kN·m)	S2 (kN)	TQ (kN·m)	M3 (kN·m)	S2 (kN)	TQ (kN·m)	M3 (kN·m)	S2 (kN)	TQ (kN·m)	M3 (kN·m)				
63	1-LANE (case3TANDEM-LOAD	MAX	S2	158.17	-16.69	1062.55	108.45	-7.25	1277.06	108.45	-4.22	1277.07	62.14	4.45	1205.44		
			TQ	41.02	3.70	545.95	41.02	3.70	740.53	41.02	5.46	740.52	41.02	5.46	935.09		
			M3	158.17	-16.69	1062.56	108.45	-7.25	1277.06	108.45	-4.22	1277.07	62.14	4.45	1205.44		
		MIN	S2	-49.77	-17.79	1045.41	-97.03	-9.77	1265.64	-97.03	-6.76	1265.66	-146.02	3.05	1198.68		
			TQ	-49.77	-17.79	1045.41	-49.77	-17.79	809.37	-27.50	-15.99	574.02	-27.50	-15.99	443.59		
			M3	-5.48	1.10	-105.66	-5.48	1.10	-131.64	-5.48	0.78	-131.64	-5.48	0.78	-157.62		
			DISPERSION-LMAX	S2	73.91	-5.30	878.98	49.92	-3.03	952.83	49.92	-0.77	952.84	34.40	-0.66	920.36	
				TQ	17.10	13.40	188.42	15.34	13.40	267.43	16.54	14.09	310.96	-3.66	14.09	344.15	
				M3	62.77	-12.41	1179.41	25.29	-12.41	1388.25	25.29	-9.11	1388.27	-12.18	-9.11	1419.36	
			MIN	S2	-20.67	-5.27	116.46	-34.16	-7.54	206.23	-34.16	-7.05	206.24	-56.11	-7.16	224.60	
				TQ	36.14	-23.98	807.03	0.42	-23.98	891.63	-0.78	-21.91	848.12	-18.06	-21.91	800.81	
				M3	-9.53	1.84	-183.97	-9.53	1.84	-229.19	-9.53	1.29	-229.19	-9.53	1.29	-274.41	
		64	1-LANE (case4TRUCK-LOAD	MAX	S2	40.92	310.61	810.49	40.92	310.61	1004.57	40.92	313.00	1003.83	53.23	233.30	1254.40
					TQ	40.06	312.65	728.02	40.06	312.65	918.02	40.06	314.83	917.27	40.06	314.83	1107.27
					M3	4.89	204.77	1045.75	28.87	267.54	1114.22	28.87	270.19	1113.58	34.88	274.53	1272.24
MIN	S2			-20.39	72.38	930.35	-10.33	26.45	681.50	-10.33	28.07	681.44	-10.33	28.07	632.44		
	TQ			-7.56	-47.83	-140.99	-7.56	-47.83	-176.83	-7.56	-48.25	-176.72	-7.56	-48.25	-212.56		
	M3			-8.17	-42.65	-153.35	-8.17	-42.65	-192.08	-8.17	-43.11	-191.98	-8.17	-43.11	-230.72		
	TANDEM-LOAD			MAX	S2	28.27	213.93	532.06	28.27	213.93	666.12	28.27	215.51	665.61	44.17	168.86	853.07
				TQ	28.03	214.50	509.04	28.03	214.50	641.97	28.03	216.03	641.45	28.03	216.03	774.38	
				M3	-0.43	129.85	724.36	18.83	177.33	768.61	18.83	179.16	768.18	26.14	202.25	868.81	
	MIN			S2	-21.09	77.55	683.05	-7.73	12.44	432.46	-7.73	13.47	432.43	-7.73	13.47	395.75	
				TQ	-5.07	-32.74	-94.55	-5.07	-32.74	-118.61	-5.07	-33.02	-118.53	-5.07	-33.02	-142.58	
				M3	-5.57	-29.46	-104.46	-5.57	-29.46	-130.86	-5.57	-29.77	-130.79	-5.57	-29.77	-157.19	



BAGO RIVER BRIDGE

BLOCK [ No.1 : MAIN GIRDER ][ BEAM MEMBER FORCE ]

MEMBER			3005			3006			3006			3007					
NODE			3005			3006			3006			3007					
NAME TITLE			SHEAR	TORQUE	MOMENT	SHEAR	TORQUE	MOMENT	SHEAR	TORQUE	MOMENT	SHEAR	TORQUE	MOMENT			
			S2 (kN)	TQ (kN·m)	M3 (kN·m)	S2 (kN)	TQ (kN·m)	M3 (kN·m)	S2 (kN)	TQ (kN·m)	M3 (kN·m)	S2 (kN)	TQ (kN·m)	M3 (kN·m)			
64	1-LANE (case4DISPERSION-LMAX	S2	34.37	263.03	786.61	36.70	275.48	1033.95	36.70	277.93	1033.29	41.41	283.50	1243.44			
		TQ	26.33	291.53	1109.29	31.20	291.53	1245.61	31.91	294.51	1262.14	36.89	294.51	1425.19			
		M3	28.38	291.35	1149.02	33.25	291.35	1295.07	33.25	294.43	1294.37	38.24	294.43	1463.79			
		MIN	S2	-15.64	-22.23	181.30	-13.09	-34.68	34.23	-13.09	-34.60	34.31	-12.83	-40.16	-52.20		
		TQ	-7.60	-50.73	-141.38	-7.60	-50.73	-177.43	-8.31	-51.17	-194.53	-8.31	-51.17	-233.95			
		M3	-9.65	-50.55	-181.11	-9.65	-50.55	-226.89	-9.65	-51.09	-226.77	-9.65	-51.09	-272.55			
		65	2-LANES (caseTRUCK-LOAD	MAX	S2	73.34	-540.00	1537.68	73.34	-540.00	1885.51	73.34	-535.52	1886.79	73.34	-535.52	2234.62
				TQ	-14.94	93.14	-296.59	-14.94	93.14	-367.45	-14.94	92.27	-367.67	-14.94	92.27	-438.52	
				M3	9.45	-299.89	2151.07	33.34	-383.54	2254.66	33.34	-378.18	2255.56	53.30	-470.54	2469.77	
MIN	S2			-32.26	-17.39	1416.41	-32.26	-17.39	1263.43	-32.26	-14.39	1263.47	-32.26	-14.39	1110.48		
TQ	72.42			-542.28	1579.04	72.42	-542.28	1922.50	72.42	-537.71	1923.78	72.42	-537.71	2267.24			
M3	-15.87			87.49	-314.04	-15.87	87.49	-389.31	-15.87	86.56	-389.52	-15.87	86.56	-464.79			
TANDEM-LOAD	MAX			S2	51.11	-365.15	1064.99	51.11	-365.15	1307.41	51.11	-362.05	1308.27	51.11	-362.05	1550.69	
TQ	-10.40			63.35	-206.25	-10.40	63.35	-255.55	-10.40	62.74	-255.70	-10.40	62.74	-305.01			
M3	11.85			-238.34	1470.36	27.70	-283.53	1540.64	27.70	-279.87	1541.31	37.47	-324.39	1695.69			
MIN	S2	-24.34	-11.59	1047.26	-24.34	-11.59	931.81	-24.34	-9.38	931.83	-24.34	-9.38	816.38				
TQ	49.49	-371.79	1069.75	49.49	-371.79	1304.49	49.49	-368.69	1305.37	49.49	-368.69	1540.12					
M3	-10.81	60.20	-213.94	-10.81	60.20	-265.21	-10.81	59.57	-265.35	-10.81	59.57	-316.62					
DISPERSION-LMAX	S2	64.15	-501.25	1787.05	64.15	-501.25	2091.32	64.15	-496.29	2092.50	64.15	-496.29	2396.76				
TQ	-22.39	105.17	-254.90	-22.39	105.17	-361.08	-23.10	104.34	-337.44	-23.10	104.34	-446.99					
M3	53.32	-516.64	2374.74	53.32	-516.64	2627.63	53.32	-510.39	2628.85	53.32	-510.39	2881.75					
MIN	S2	-29.77	88.88	213.13	-29.77	88.88	71.94	-29.77	89.05	71.73	-29.77	89.05	-69.46				
TQ	56.77	-517.55	2255.08	56.77	-517.55	2524.33	57.48	-511.58	2501.67	57.48	-511.58	2774.30					
M3	-18.94	104.26	-374.56	-18.94	104.26	-464.38	-18.94	103.16	-464.62	-18.94	103.16	-554.44					

BAGO RIVER BRIDGE

BLOCK [ No.1 : MAIN GIRDER ] [ BEAM MEMBER FORCE ]

MEMBER				3005			3006			3007						
NODE				3005			3006			3006			3007			
NAME TITLE				SHEAR	TORQUE	MOMENT	SHEAR	TORQUE	MOMENT	SHEAR	TORQUE	MOMENT	SHEAR	TORQUE	MOMENT	
				S2 (kN)	TQ (kN·m)	M3 (kN·m)	S2 (kN)	TQ (kN·m)	M3 (kN·m)	S2 (kN)	TQ (kN·m)	M3 (kN·m)	S2 (kN)	TQ (kN·m)	M3 (kN·m)	
66	2-LANES (case	TRUCK-LOAD	MAX	S2	92.12	-372.52	1738.67	92.12	-372.52	2175.58	92.12	-367.36	2176.46	92.12	-367.36	2613.37
				TQ	-15.07	63.38	-296.32	-15.07	63.38	-367.79	-15.01	62.51	-366.46	-15.01	62.51	-437.63
				M3	16.62	-145.99	2367.97	56.93	-261.56	2477.94	56.93	-255.68	2478.55	80.23	-331.25	2742.51
			MIN	S2	-55.01	-28.48	1987.16	-55.01	-28.48	1726.23	-55.01	-24.38	1726.30	-55.01	-24.38	1465.38
				TQ	84.78	-378.91	1586.38	84.78	-378.91	1988.49	84.78	-374.19	1989.39	84.78	-374.19	2391.50
				M3	-15.94	59.65	-312.72	-15.94	59.65	-388.30	-15.94	58.73	-388.45	-15.94	58.73	-464.03
		TANDEM-LOAD	MAX	S2	64.44	-246.70	1267.38	64.44	-246.70	1572.99	64.44	-242.96	1573.57	64.44	-242.96	1879.19
				TQ	-10.44	43.11	-205.27	-10.44	43.11	-254.79	-10.44	42.50	-254.90	-10.44	42.50	-304.42
				M3	15.47	-103.34	1651.79	45.14	-185.28	1717.60	45.14	-181.20	1718.04	59.66	-222.13	1922.01
			MIN	S2	-40.04	-26.07	1489.87	-40.04	-26.07	1299.97	-40.04	-22.98	1300.03	-40.04	-22.98	1110.13
				TQ	61.26	-260.19	1096.27	61.26	-260.19	1386.82	61.26	-256.90	1387.43	61.26	-256.90	1677.99
				M3	-10.86	41.04	-213.04	-10.86	41.04	-264.53	-10.86	40.41	-264.62	-10.86	40.41	-316.11
		DISPERSION-LMAX	MAX	S2	75.22	-340.29	1694.44	71.88	-336.18	1934.24	71.88	-331.59	1935.03	67.75	-326.09	2171.98
				TQ	-23.24	71.56	-230.98	-23.24	71.56	-341.19	-24.43	70.80	-308.09	-24.43	70.80	-423.95
				M3	57.99	-353.61	2400.47	51.78	-353.61	2660.78	51.78	-347.29	2661.61	45.56	-347.29	2892.43
			MIN	S2	-36.20	57.75	333.71	-39.08	53.64	264.22	-39.08	54.27	264.10	-41.17	48.78	167.99
				TQ	62.26	-354.10	2259.13	56.04	-354.10	2539.66	57.23	-348.11	2507.22	51.01	-348.11	2763.91
				M3	-18.97	71.06	-372.32	-18.97	71.06	-462.31	-18.97	69.97	-462.48	-18.97	69.97	-552.47
67	2-LANES (case	TRUCK-LOAD	MAX	S2	380.27	4.59	2684.90	245.91	54.41	3212.30	245.91	62.03	3212.16	142.72	94.22	3059.24
				TQ	114.41	96.08	1574.78	114.41	96.08	2117.42	114.41	101.11	2117.19	114.41	101.11	2659.83
				M3	349.70	-7.06	2692.41	215.49	41.87	3253.46	215.49	49.60	3253.36	101.82	87.74	3100.78
			MIN	S2	-101.95	-32.48	2450.43	-208.04	-2.68	3055.56	-208.04	4.58	3055.56	-340.66	54.44	2967.58
				TQ	-61.74	-39.63	1116.83	-61.74	-39.63	824.03	-62.25	-37.68	811.79	-62.25	-37.68	516.55
				M3	-16.12	-11.01	-309.61	-16.12	-11.01	-386.07	-16.12	-11.93	-386.04	-16.12	-11.93	-462.50

BAGO RIVER BRIDGE

BLOCK [ No.1 : MAIN GIRDER ][ BEAM MEMBER FORCE ]

MEMBER		3005			3006			3006			3007						
NODE		3005			3006			3006			3007						
		SHEAR	TORQUE	MOMENT	SHEAR	TORQUE	MOMENT	SHEAR	TORQUE	MOMENT	SHEAR	TORQUE	MOMENT				
NAME	TITLE	S2 (kN)	TQ (kN·m)	M3 (kN·m)	S2 (kN)	TQ (kN·m)	M3 (kN·m)	S2 (kN)	TQ (kN·m)	M3 (kN·m)	S2 (kN)	TQ (kN·m)	M3 (kN·m)				
67	2-LANES (caseTANDEM-LOAD	MAX	S2	302.55	-13.54	2075.41	207.06	21.49	2494.23	207.06	27.41	2494.17	118.92	59.57	2365.21		
			TQ	75.19	66.16	1081.25	75.19	66.16	1437.85	75.19	69.57	1437.68	75.19	69.57	1794.28		
			M3	302.55	-13.54	2075.41	207.06	21.49	2494.23	207.06	27.41	2494.17	118.92	59.57	2365.21		
			MIN	S2	-92.63	-19.12	2041.41	-182.13	12.42	2471.83	-182.13	18.29	2471.79	-274.32	53.65	2352.08	
			TQ	-54.61	-27.75	952.94	-54.61	-27.75	693.92	-32.49	-26.23	455.14	-32.49	-26.23	301.05		
			M3	-10.98	-7.66	-210.92	-10.98	-7.66	-263.01	-10.98	-8.28	-262.99	-10.98	-8.28	-315.09		
			DISPERSION-LMAX	S2	144.26	71.51	1753.04	98.30	71.60	1899.64	98.30	76.11	1899.46	68.61	69.12	1841.25	
			TQ	77.53	91.79	977.74	47.22	91.79	1281.63	47.76	94.91	1347.52	-5.99	94.91	1448.93		
			M3	123.39	60.51	2348.67	52.12	60.51	2764.61	52.12	67.07	2764.46	-18.91	67.07	2842.95		
			MIN	S2	-39.97	-24.40	228.65	-65.28	-24.48	407.39	-65.28	-23.51	407.45	-106.62	-16.53	453.54	
			TQ	26.76	-44.68	1003.95	-14.20	-44.68	1025.40	-14.74	-42.32	959.39	-32.02	-42.32	845.87		
			M3	-19.10	-13.39	-366.98	-19.10	-13.39	-457.58	-19.10	-14.48	-457.55	-19.10	-14.48	-548.15		
		68	2-LANES (caseTRUCK-LOAD	MAX	S2	94.01	416.04	1943.59	91.11	474.63	2272.70	91.11	480.03	2271.57	99.68	443.67	2608.63
					TQ	81.62	539.41	1507.81	81.62	539.41	1894.91	81.62	543.91	1893.63	81.62	543.91	2280.73
					M3	57.98	310.20	2178.85	71.98	416.13	2384.01	71.98	421.79	2383.02	74.31	474.92	2637.17
	MIN			S2	-38.00	117.24	1955.19	-31.68	121.27	1876.74	-31.68	125.72	1876.44	-36.17	185.06	1950.91	
	TQ			-15.06	-79.93	-282.46	-15.06	-79.93	-353.88	-15.06	-80.77	-353.69	-15.06	-80.77	-425.11		
	M3			-16.29	-70.97	-307.25	-16.29	-70.97	-384.53	-16.29	-71.89	-384.36	-16.29	-71.89	-461.64		
	TANDEM-LOAD			MAX	S2	65.02	265.41	1330.17	63.35	307.42	1565.79	63.35	311.14	1565.06	76.94	302.28	1821.58
	TQ			55.64	370.14	1021.37	55.64	370.14	1285.28	55.64	373.19	1284.40	55.64	373.19	1548.31		
	M3			36.32	181.32	1522.48	53.91	270.82	1668.28	53.91	274.78	1667.63	58.91	335.66	1837.33		
	MIN			S2	-34.12	120.08	1465.71	-23.45	95.46	1321.67	-23.45	98.59	1321.44	-26.79	139.00	1359.14	
	TQ			-10.10	-54.73	-189.43	-10.10	-54.73	-237.35	-10.10	-55.30	-237.22	-10.10	-55.30	-285.14		
	M3			-11.10	-49.03	-209.31	-11.10	-49.03	-261.97	-11.10	-49.65	-261.85	-11.10	-49.65	-314.51		

BAGO RIVER BRIDGE

BLOCK [ No.1 : MAIN GIRDER ][ BEAM MEMBER FORCE ]

MEMBER		3005			3006			3006			3007						
NODE		3005			3006			3006			3007						
		SHEAR	TORQUE	MOMENT	SHEAR	TORQUE	MOMENT	SHEAR	TORQUE	MOMENT	SHEAR	TORQUE	MOMENT				
NAME	TITLE	S2 (kN)	TQ (kN·m)	M3 (kN·m)	S2 (kN)	TQ (kN·m)	M3 (kN·m)	S2 (kN)	TQ (kN·m)	M3 (kN·m)	S2 (kN)	TQ (kN·m)	M3 (kN·m)				
68	2-LANES (caseDISPERSION-LMAX	S2	79.47	460.85	1656.85	75.57	462.26	1959.77	75.57	466.92	1958.66	74.52	457.15	2201.33			
		TQ	61.83	498.32	2143.12	57.93	498.32	2427.24	58.67	504.12	2457.85	54.68	504.12	2726.77			
		M3	68.21	496.71	2305.26	64.31	496.71	2619.64	64.31	502.93	2618.45	60.33	502.93	2914.13			
		MIN	S2	-30.53	-48.19	285.24	-30.53	-49.60	205.32	-30.53	-49.11	205.43	-33.46	-39.34	167.06		
		TQ	-12.89	-85.66	-201.02	-12.89	-85.66	-262.16	-13.62	-86.32	-293.76	-13.62	-86.32	-358.38			
		M3	-19.27	-84.04	-363.17	-19.27	-84.04	-454.56	-19.27	-85.12	-454.35	-19.27	-85.12	-545.74			
		69	3-LANES (caseTRUCK-LOAD	MAX	S2	126.43	-682.35	2454.51	126.43	-682.35	3054.14	126.43	-675.09	3055.76	126.43	-675.09	3655.39
				TQ	-22.52	117.35	-444.99	-22.52	117.35	-551.80	-22.46	116.05	-550.61	-22.46	116.05	-657.13	
				M3	26.69	-346.66	3395.00	68.71	-480.82	3560.43	68.71	-472.36	3561.57	100.13	-603.43	3906.79	
MIN	S2			-67.25	-31.91	2550.62	-67.25	-31.91	2231.64	-67.25	-26.61	2231.71	-67.25	-26.61	1912.73		
TQ	118.43			-690.58	2356.42	118.43	-690.58	2918.10	118.43	-683.65	2919.73	118.43	-683.65	3481.42			
M3	-23.86			110.34	-470.07	-23.86	110.34	-583.22	-23.86	108.95	-583.48	-23.86	108.95	-696.63			
TANDEM-LOAD	MAX			S2	88.21	-457.06	1734.02	88.21	-457.06	2152.37	88.21	-451.95	2153.45	88.21	-451.95	2571.80	
TQ	-15.63			79.82	-308.65	-15.63	79.82	-382.77	-15.63	78.91	-382.95	-15.63	78.91	-457.07			
M3	23.31			-261.33	2354.65	52.99	-343.27	2457.67	52.99	-337.43	2458.48	74.56	-414.29	2716.79			
MIN	S2	-49.51	-27.86	1916.05	-49.51	-27.86	1681.24	-49.51	-23.86	1681.30	-49.51	-23.86	1446.49				
TQ	84.59	-474.02	1634.88	84.59	-474.02	2036.08	84.59	-469.19	2037.20	84.59	-469.19	2438.40					
M3	-16.25	75.92	-320.24	-16.25	75.92	-397.31	-16.25	74.97	-397.49	-16.25	74.97	-474.55					
DISPERSION-LMAX	S2	105.87	-633.40	2645.74	102.53	-629.29	3030.90	102.53	-622.09	3032.39	98.40	-616.60	3414.69				
TQ	-34.06	132.53	-371.65	-34.06	132.53	-533.18	-35.60	131.32	-487.58	-35.60	131.32	-656.42					
M3	85.09	-652.65	3578.93	78.87	-652.65	3967.75	78.87	-643.23	3969.29	72.65	-643.23	4328.61					
MIN	S2	-49.22	112.22	373.03	-52.09	108.11	241.83	-52.09	108.68	241.57	-54.18	103.19	83.74				
TQ	90.71	-653.72	3390.42	84.50	-653.72	3805.91	86.03	-644.73	3761.54	79.82	-644.73	4154.85					
M3	-28.43	131.47	-560.16	-28.43	131.47	-695.02	-28.43	129.82	-695.33	-28.43	129.82	-830.18					

BAGO RIVER BRIDGE

BLOCK [ No.1 : MAIN GIRDER ] [ BEAM MEMBER FORCE ]

MEMBER				3005			3006			3007							
NODE				3005			3006			3006			3007				
NAME TITLE				SHEAR	TORQUE	MOMENT	SHEAR	TORQUE	MOMENT	SHEAR	TORQUE	MOMENT	SHEAR	TORQUE	MOMENT		
				S2 (kN)	TQ (kN·m)	M3 (kN·m)	S2 (kN)	TQ (kN·m)	M3 (kN·m)	S2 (kN)	TQ (kN·m)	M3 (kN·m)	S2 (kN)	TQ (kN·m)	M3 (kN·m)		
70	3-LANES (case	TRUCK-LOAD	MAX	S2	491.74	72.90	3903.57	325.29	173.56	4614.85	325.29	184.52	4614.42	198.40	254.88	4478.45	
				TQ	151.82	272.74	2264.26	151.82	272.74	2984.31	151.82	279.83	2983.65	151.82	279.83	3703.71	
				M3	461.18	61.25	3911.08	284.54	147.59	4665.55	284.54	158.67	4665.19	145.03	239.55	4534.02	
			MIN	S2	-133.39	-12.31	3557.00	-263.29	56.92	4385.52	-263.29	67.33	4385.37	-421.44	164.03	4318.54	
				TQ	-69.23	-69.87	975.30	-69.23	-69.87	646.95	-69.74	-68.34	634.78	-69.74	-68.34	304.00	
				M3	-24.24	-37.98	-463.56	-24.24	-37.98	-578.55	-24.24	-39.36	-578.46	-24.24	-39.36	-693.44	
			TANDEM-LOAD	MAX	S2	389.06	15.67	2973.12	270.15	86.58	3533.96	270.15	94.97	3533.75	161.74	160.43	3413.86
				TQ	101.14	187.15	1561.80	101.14	187.15	2041.52	101.14	192.00	2041.07	101.14	192.00	2520.78	
				M3	389.06	15.67	2973.13	270.15	86.58	3533.97	270.15	94.97	3533.75	161.74	160.43	3413.86	
				MIN	S2	-119.54	2.97	2923.11	-228.60	68.41	3501.38	-228.60	76.73	3501.20	-339.38	147.58	3395.09
					TQ	-59.64	-48.45	858.03	-59.64	-48.45	575.16	-37.52	-47.21	336.43	-37.52	-47.21	158.49
					M3	-16.52	-26.29	-315.80	-16.52	-26.29	-394.14	-16.52	-27.23	-394.08	-16.52	-27.23	-472.42
			DISPERSION-LMAX	S2	200.74	228.85	2625.69	141.39	221.59	2832.56	141.39	228.32	2832.03	102.22	207.41	2767.02	
				TQ	126.97	252.13	1995.11	76.57	252.13	2485.48	77.49	258.14	2580.62	4.19	258.14	2776.31	
				M3	172.48	219.82	3511.01	81.11	219.82	4111.73	81.11	229.59	4111.20	-9.47	229.59	4280.45	
		MIN	S2	-56.97	-54.73	336.28	-89.00	-47.48	593.94	-89.00	-46.07	594.05	-140.39	-25.16	692.15		
			TQ	16.79	-78.02	966.86	-24.17	-78.02	941.03	-25.09	-75.89	845.46	-42.36	-75.89	682.85		
			M3	-28.71	-45.71	-549.05	-28.71	-45.71	-685.23	-28.71	-47.34	-685.12	-28.71	-47.34	-821.29		
71	3-LANES (case	TRUCK-LOAD	MAX	S2	216.91	475.74	3175.85	179.10	578.30	3713.39	179.10	587.11	3712.00	159.08	580.66	4052.60	
				TQ	124.78	682.42	2267.50	124.78	682.42	2859.31	124.78	689.20	2857.68	124.78	689.20	3449.48	
				M3	180.88	369.90	3411.10	148.90	508.55	3835.78	148.90	517.66	3834.57	119.76	605.51	4097.17	
			MIN	S2	-69.70	132.71	3041.11	-94.68	173.46	3239.94	-94.68	181.16	3239.52	-138.20	285.05	3354.64	
				TQ	-21.99	-96.47	-414.53	-21.99	-96.47	-518.82	-21.99	-97.70	-518.59	-21.99	-97.70	-622.89	
				M3	-24.38	-84.97	-461.71	-24.38	-84.97	-577.34	-24.38	-86.34	-577.13	-24.38	-86.34	-692.76	

BAGO RIVER BRIDGE

BLOCK [ No.1 : MAIN GIRDER ][ BEAM MEMBER FORCE ]

MEMBER				3005			3006			3007								
NODE				3005			3006			3007								
				SHEAR	TORQUE	MOMENT	SHEAR	TORQUE	MOMENT	SHEAR	TORQUE	MOMENT						
NAME	TITLE			S2 (kN)	TQ (kN·m)	M3 (kN·m)	S2 (kN)	TQ (kN·m)	M3 (kN·m)	S2 (kN)	TQ (kN·m)	M3 (kN·m)						
71	3-LANES (case)	TANDEM-LOAD	MAX	S2	159.62	290.81	2243.40	133.96	364.56	2642.87	133.96	370.84	2642.00	123.67	389.96	2901.19		
				TQ	88.16	467.60	1572.50	88.16	467.60	1990.62	88.16	472.32	1989.50	88.16	472.32	2407.62		
				M3	130.93	206.72	2435.70	124.52	327.96	2745.36	124.52	334.48	2744.57	105.64	423.34	2916.94		
			MIN	S2	-63.11	139.19	2362.63	-77.78	144.66	2387.50	-77.78	150.33	2387.15	-109.07	221.19	2432.89		
				TQ	-14.96	-66.03	-281.86	-14.96	-66.03	-352.79	-14.96	-66.87	-352.63	-14.96	-66.87	-423.56		
				M3	-16.61	-58.72	-314.53	-16.61	-58.72	-393.32	-16.61	-59.65	-393.18	-16.61	-59.65	-471.97		
			DISPERSION-LMAX	S2	138.42	578.26	2528.56	119.72	573.23	2894.81	119.72	580.10	2893.44	108.09	558.08	3124.04		
				TQ	109.65	621.52	3083.97	83.32	621.52	3542.03	83.76	629.99	3586.21	56.83	629.99	3920.05		
				M3	119.55	615.78	3468.45	93.22	615.78	3973.44	93.22	625.21	3971.97	66.28	625.21	4350.65		
			MIN	S2	-47.72	-62.93	393.74	-55.34	-57.90	395.68	-55.34	-56.96	395.81	-70.65	-34.94	407.08		
				TQ	-18.95	-106.19	-161.67	-18.95	-106.19	-251.55	-19.39	-106.84	-296.96	-19.39	-106.84	-388.92		
				M3	-28.84	-100.45	-546.16	-28.84	-100.45	-682.96	-28.84	-102.07	-682.72	-28.84	-102.07	-819.52		
		72	4-LANES	TRUCK-LOAD	MAX	S2	476.96	417.87	4625.29	338.05	528.71	5485.69	338.05	541.74	5484.42	239.72	591.42	5683.25
						TQ	192.08	637.91	3006.57	192.08	637.91	3917.56	195.84	647.38	4008.21	195.84	647.38	4937.07
						M3	399.62	253.62	4871.94	290.16	457.41	5646.16	290.16	470.82	5645.06	176.32	563.63	5745.09
	MIN			S2	-137.73	84.23	4409.79	-239.79	115.50	4905.69	-239.79	127.15	4905.40	-373.11	237.74	4850.43		
				TQ	-76.66	-118.33	833.31	-76.66	-118.33	469.73	-72.74	-117.28	427.87	-72.74	-117.28	82.90		
				M3	-32.42	-81.98	-616.86	-32.42	-81.98	-770.60	-32.42	-83.81	-770.40	-32.42	-83.81	-924.14		
	TANDEM-LOAD			MAX	S2	369.92	250.06	3404.86	271.48	329.02	4062.28	271.48	338.67	4061.48	192.37	364.23	4193.85	
				TQ	128.89	438.03	2082.12	128.89	438.03	2693.43	129.94	444.47	2718.11	129.94	444.47	3334.41		
				M3	340.17	152.93	3599.59	263.33	291.70	4170.13	263.33	301.61	4169.43	178.38	395.77	4204.97		
	MIN			S2	-123.47	100.63	3514.10	-206.68	110.02	3794.02	-206.68	119.03	3793.74	-303.00	196.39	3708.25		
				TQ	-42.21	-81.57	420.65	-42.21	-81.57	220.46	-42.21	-81.05	220.65	-42.21	-81.05	20.46		
				M3	-22.09	-56.69	-420.23	-22.09	-56.69	-524.98	-22.09	-57.93	-524.84	-22.09	-57.93	-629.60		

BAGO RIVER BRIDGE

BLOCK [ No.1 : MAIN GIRDER ][ BEAM MEMBER FORCE ]

MEMBER				3005			3006			3006			3007				
NODE				3005			3006			3006			3007				
NAME TITLE				SHEAR	TORQUE	MOMENT	SHEAR	TORQUE	MOMENT	SHEAR	TORQUE	MOMENT	SHEAR	TORQUE	MOMENT		
				S2 (kN)	TQ (kN·m)	M3 (kN·m)	S2 (kN)	TQ (kN·m)	M3 (kN·m)	S2 (kN)	TQ (kN·m)	M3 (kN·m)	S2 (kN)	TQ (kN·m)	M3 (kN·m)		
72	4-LANES	DISPERSION-LMAX	S2	206.85	546.12	2993.33	153.27	544.60	3310.74	153.27	552.46	3309.44	120.22	530.60	3339.29		
			TQ	142.77	603.72	3221.33	102.27	603.72	3809.37	102.41	612.85	3874.08	39.90	612.85	4214.03		
			M3	171.89	565.32	4214.45	92.68	565.24	4845.01	92.68	576.74	4843.65	16.08	582.16	5094.80		
	MIN	S2	-62.89	-60.88	699.11	-89.95	-59.91	868.45	-89.95	-57.85	868.59	-137.08	-36.70	936.32			
		TQ	0.88	-109.85	576.04	-35.85	-109.85	489.81	-35.70	-108.78	414.85	-52.97	-108.78	201.92			
		M3	-29.68	-83.26	-564.09	-29.68	-83.26	-704.87	-29.68	-84.93	-704.67	-29.68	-85.06	-845.45			
	73	6-LANES	TRUCK-LOAD	MAX	S2	547.07	-120.74	6311.39	416.27	-48.88	7529.46	416.27	-30.99	7529.55	322.65	-2.34	8116.44
				TQ	109.96	660.40	1811.14	109.96	660.40	2332.66	109.96	665.93	2331.08	109.96	665.93	2852.60	
				M3	422.70	-33.60	7191.27	329.93	-14.13	8039.02	328.39	-0.91	8039.04	244.85	21.12	8389.73	
MIN		S2	-184.22	36.11	6181.98	-284.98	40.48	6518.49	-284.98	55.97	6518.37	-414.81	128.84	6302.45			
		TQ	77.78	-650.18	2681.39	77.78	-650.18	3050.30	76.30	-642.96	3025.03	76.30	-642.96	3386.93			
		M3	-48.23	26.77	-931.73	-48.23	26.77	-1160.46	-48.23	24.02	-1160.52	-48.23	24.02	-1389.24			
TANDEM-LOAD		MAX	S2	416.54	-103.71	4566.06	323.87	-51.81	5468.96	323.87	-38.82	5469.07	250.28	-39.68	5885.24		
		TQ	74.34	453.40	1231.15	74.34	453.40	1583.75	74.34	457.16	1582.67	74.34	457.16	1935.27			
		M3	347.78	-17.40	5204.42	266.99	16.01	5817.47	266.99	29.82	5817.42	221.13	18.59	6040.47			
MIN		S2	-159.33	73.72	4714.59	-237.48	56.22	4811.83	-237.48	67.65	4811.68	-327.50	117.15	4586.04			
		TQ	51.62	-446.32	1999.56	51.62	-446.32	2244.40	51.48	-440.99	2242.02	51.48	-440.99	2486.18			
		M3	-32.85	18.18	-634.74	-32.85	18.18	-790.56	-32.85	16.30	-790.60	-32.85	16.30	-946.42			
DISPERSION-LMAX		S2	295.47	-24.80	5145.31	240.57	-20.68	5811.90	240.57	-6.88	5811.94	206.06	-21.26	6243.18			
		TQ	94.28	652.10	2531.31	55.70	652.10	2891.42	56.04	659.11	3005.20	8.87	659.11	3160.97			
		M3	241.64	-33.49	6921.28	161.39	-27.39	7879.80	161.39	-8.73	7879.85	85.85	2.59	8455.55			
MIN	S2	-104.01	23.99	879.94	-132.84	19.83	906.93	-132.84	21.98	906.88	-180.09	32.64	829.63				
	TQ	84.13	-642.98	3460.54	39.82	-642.98	3746.32	40.09	-634.22	3619.21	19.22	-634.22	3757.34				
	M3	-54.93	38.35	-1061.95	-54.93	38.09	-1322.47	-54.93	34.97	-1322.56	-54.93	34.25	-1583.09				

BAGO RIVER BRIDGE

BLOCK [ No.1 : MAIN GIRDER ][ BEAM MEMBER FORCE ]

MEMBER				3005			3006			3007					
NODE				3005			3006			3006			3007		
NAME TITLE				SHEAR	TORQUE	MOMENT	SHEAR	TORQUE	MOMENT	SHEAR	TORQUE	MOMENT	SHEAR	TORQUE	MOMENT
				S2 (kN)	TQ (kN·m)	M3 (kN·m)	S2 (kN)	TQ (kN·m)	M3 (kN·m)	S2 (kN)	TQ (kN·m)	M3 (kN·m)	S2 (kN)	TQ (kN·m)	M3 (kN·m)
124	SUM TOTAL	D+1LANE (caseMAX	S2	783.09	-1052.96	25746.03	502.35	-1052.96	28791.43	502.35	-984.58	28793.85	224.59	-984.58	30514.92
			TQ	683.21	-191.51	23398.27	402.47	-191.51	25969.95	402.06	-129.82	25985.51	124.30	-129.82	27230.88
			M3	749.74	-929.10	26392.06	471.06	-951.40	29288.52	471.06	-881.84	29290.70	203.04	-948.44	30893.79
		MIN	S2	674.84	-268.20	24468.82	394.10	-268.20	27000.78	394.10	-204.07	27001.34	116.34	-204.07	28208.97
			TQ	779.66	-1062.98	26027.06	498.92	-1062.98	29056.20	499.34	-993.98	29043.46	221.58	-993.98	30750.26
			M3	684.29	-196.13	23331.23	403.55	-196.13	25908.02	403.55	-134.60	25908.41	125.79	-134.60	27160.87
		D+1LANE (caseMAX	S2	818.91	-658.83	25876.09	534.16	-653.90	28951.02	534.16	-585.14	28952.50	251.45	-578.55	30699.67
			TQ	682.04	-267.55	23427.29	401.30	-267.55	25993.41	400.38	-205.78	26022.18	122.62	-205.78	27259.61
			M3	763.95	-548.78	26683.21	497.51	-609.40	29596.23	497.51	-539.10	29597.59	226.04	-585.55	31233.91
		MIN	S2	639.81	-318.86	25298.40	355.61	-323.80	27786.88	355.61	-257.80	27787.57	75.35	-264.39	28919.77
			TQ	801.09	-670.80	26040.73	512.89	-670.80	29153.78	513.88	-601.59	29128.85	228.66	-601.59	30886.91
			M3	684.16	-269.37	23335.51	403.43	-269.37	25911.71	403.43	-207.83	25912.28	125.67	-207.83	27164.15
		D+1LANE (caseMAX	S2	1032.57	-357.41	26440.57	638.74	-338.37	29528.98	638.74	-268.23	29529.70	276.83	-259.16	30737.85
			TQ	810.15	-308.22	24973.28	527.30	-308.22	28144.52	528.74	-241.31	28197.45	226.75	-241.31	29989.37
			M3	999.85	-369.25	26807.33	589.91	-353.55	30078.11	589.91	-282.11	30078.86	195.12	-270.75	31363.27
		MIN	S2	614.56	-365.87	25383.95	250.06	-362.05	28537.56	250.06	-294.27	28538.33	-138.41	-278.14	29846.48
			TQ	682.74	-388.32	26212.64	359.14	-388.32	28677.91	357.70	-320.27	28626.47	59.21	-320.27	29609.12
			M3	684.05	-325.28	23338.59	403.32	-325.28	25914.27	403.32	-263.73	25914.97	125.56	-263.73	27166.31
		D+1LANE (caseMAX	S2	795.49	358.93	25661.99	517.54	373.86	28867.39	517.54	442.42	28866.42	260.21	353.47	30770.64
			TQ	784.81	395.58	25950.23	509.92	395.58	29017.52	510.77	464.52	29037.17	238.99	464.52	30812.20
			M3	745.07	265.91	26379.18	498.95	341.23	29312.31	498.95	410.85	29311.41	234.39	416.05	31056.47
		MIN	S2	661.91	-269.27	25079.44	396.29	-339.32	27280.04	396.29	-274.53	27280.77	118.86	-281.20	28469.53
			TQ	686.95	-447.71	23406.62	406.21	-447.71	25996.05	405.36	-385.99	25976.37	127.60	-385.99	27237.43
			M3	683.76	-441.28	23344.12	403.02	-441.28	25918.39	403.02	-379.73	25919.37	125.26	-379.73	27169.31



BAGO RIVER BRIDGE

BLOCK [ No.1 : MAIN GIRDER ][ BEAM MEMBER FORCE ]

MEMBER				3005			3006			3007					
NODE				3005			3006			3007					
NAME TITLE				SHEAR	TORQUE	MOMENT	SHEAR	TORQUE	MOMENT	SHEAR	TORQUE	MOMENT			
				S2 (kN)	TQ (kN·m)	M3 (kN·m)	S2 (kN)	TQ (kN·m)	M3 (kN·m)	S2 (kN)	TQ (kN·m)	M3 (kN·m)			
124	SUM TOTAL	D+2LANES (casMAX	S2	842.63	-1370.69	27070.19	561.89	-1370.69	30397.99	561.89	-1298.50	30401.16	284.14	-1298.50	32404.63
			TQ	667.82	-131.13	23193.97	387.08	-131.13	25692.64	386.37	-70.08	25716.76	108.61	-70.08	26887.72
			M3	767.91	-1145.97	28271.28	511.06	-1229.62	31303.45	511.06	-1155.27	31306.29	253.26	-1247.63	33124.76
		MIN	S2	643.12	-257.95	25375.00	362.38	-257.95	27756.53	362.38	-192.03	27757.07	84.62	-192.03	28814.27
			TQ	834.33	-1389.27	27579.58	553.59	-1389.27	30867.99	554.30	-1315.98	30847.32	276.54	-1315.98	32814.78
			M3	670.33	-137.69	23056.86	389.60	-137.69	25567.47	389.60	-76.97	25567.73	111.84	-76.97	26754.01
		D+2LANES (casMAX	S2	872.48	-1042.26	27178.58	588.40	-1038.15	30530.99	588.40	-965.63	30533.37	306.52	-960.14	32558.58
			TQ	666.84	-194.50	23218.16	386.10	-194.50	25712.19	384.97	-133.39	25747.32	107.21	-133.39	26911.66
			M3	779.76	-829.03	28513.90	533.11	-944.61	31559.88	533.11	-869.65	31562.03	272.43	-945.22	33408.19
		MIN	S2	613.93	-300.17	26066.33	330.31	-304.28	28411.62	330.31	-236.80	28412.27	50.46	-242.29	29406.61
			TQ	852.18	-1062.45	27590.98	565.22	-1062.45	30949.31	566.42	-988.99	30918.48	282.44	-988.99	32928.65
			M3	670.23	-198.72	23060.42	389.49	-198.72	25570.55	389.49	-137.99	25570.95	111.73	-137.99	26756.74
		D+2LANES (casMAX	S2	1229.67	-253.34	28183.41	768.61	-203.44	31533.10	768.61	-128.55	31533.50	357.97	-103.35	32673.73
			TQ	897.09	-141.57	26297.99	586.04	-141.57	29820.22	586.58	-70.67	29886.58	255.06	-70.67	31882.00
			M3	1178.24	-276.00	28786.55	692.02	-227.06	32439.24	692.02	-150.02	32439.69	229.55	-111.88	33716.96
		MIN	S2	563.22	-386.31	26424.54	151.08	-356.60	29884.12	151.08	-285.62	29884.88	-300.63	-228.78	31194.36
			TQ	670.16	-413.75	25866.25	348.46	-413.75	28270.59	347.41	-346.68	28193.05	52.38	-346.68	29135.65
			M3	669.92	-353.84	23068.88	389.18	-353.84	25577.51	389.18	-293.09	25578.28	111.42	-293.09	26762.59
		D+2LANES (casMAX	S2	878.62	547.45	27345.91	591.08	607.45	30653.63	591.08	680.25	30652.10	320.85	634.13	32583.20
			TQ	848.59	708.28	27396.39	563.95	708.28	30743.32	564.69	781.34	30773.35	282.94	781.34	32780.74
			M3	831.33	477.47	28229.57	560.70	583.40	31424.81	560.70	658.03	31423.34	281.28	711.15	33324.55
		MIN	S2	636.61	-260.39	25985.90	362.19	-257.77	28503.21	362.19	-190.08	28503.75	77.02	-120.97	29891.21
			TQ	677.19	-495.03	23261.98	396.46	-495.03	25805.12	395.72	-433.77	25774.42	117.96	-433.77	26989.76
			M3	669.58	-484.46	23075.05	388.84	-484.46	25582.08	388.84	-423.70	25583.16	111.08	-423.70	26765.86

BAGO RIVER BRIDGE

BLOCK [ No.1 : MAIN GIRDER ] [ BEAM MEMBER FORCE ]

MEMBER				3005			3006			3007						
NODE				3005			3006			3007						
NAME TITLE				SHEAR	TORQUE	MOMENT	SHEAR	TORQUE	MOMENT	SHEAR	TORQUE	MOMENT				
				S2 (kN)	TQ (kN·m)	M3 (kN·m)	S2 (kN)	TQ (kN·m)	M3 (kN·m)	S2 (kN)	TQ (kN·m)	M3 (kN·m)				
124	SUM TOTAL	D+3LANES (casMAX	S2	902.59	-1447.83	28080.68	619.02	-1444.33	31593.45	619.02	-1369.29	31596.79	337.75	-1364.63	33782.80	
			TQ	657.05	-117.04	23051.32	376.31	-117.04	25498.93	375.05	-56.43	25539.42	97.30	-56.43	26656.73	
			M3	800.15	-1178.85	29673.31	549.85	-1292.89	32820.12	549.85	-1214.94	32823.10	293.51	-1326.35	34773.34	
		MIN	S2	606.14	-261.18	26230.57	322.96	-264.67	28523.61	322.96	-196.93	28524.16	43.42	-201.60	29470.24	
			TQ	882.91	-1472.09	28630.28	596.89	-1472.09	32136.58	598.20	-1395.81	32100.95	315.15	-1395.81	34264.06	
			M3	660.70	-123.90	22869.77	379.96	-123.90	25334.66	379.96	-63.73	25334.89	102.20	-63.73	26475.45	
		D+3LANES (casMAX	S2	1293.75	-72.96	29295.33	821.08	6.44	32751.46	821.08	84.22	32751.35	402.17	126.25	33931.89	
			TQ	942.11	116.70	27365.92	618.53	116.70	31070.48	619.31	190.59	31151.51	279.25	190.59	33281.25	
			M3	1243.75	-90.53	30054.24	735.20	-17.14	33881.86	735.20	63.33	33881.80	261.88	132.08	35265.54	
		MIN	S2	543.34	-386.43	27054.75	124.96	-321.42	30653.71	124.96	-248.62	30654.38	-330.91	-148.65	32032.32	
			TQ	660.57	-455.14	25396.30	345.01	-455.14	27770.95	343.79	-389.29	27680.08	51.35	-389.29	28612.06	
			M3	660.13	-400.58	22884.74	379.39	-400.58	25346.95	379.39	-340.38	25347.83	101.63	-340.38	26485.72	
		D+3LANES (casMAX	S2	1007.18	566.46	28594.21	678.40	649.35	32038.13	678.40	725.44	32036.50	373.74	701.24	33873.39	
			TQ	904.41	778.91	28294.21	601.29	778.91	31862.30	601.66	854.62	31899.17	301.01	854.62	34037.34	
			M3	960.50	508.39	29593.08	630.20	626.24	33059.01	630.20	704.75	33057.42	304.78	779.43	34953.88	
		MIN	S2	605.34	-270.13	26665.08	296.88	-231.21	29511.44	296.88	-161.12	29511.91	-30.88	-54.10	30970.71	
			TQ	670.34	-501.70	23255.69	389.60	-501.70	25766.34	389.23	-440.55	25728.65	111.47	-440.55	26913.20	
			M3	659.90	-487.04	22888.77	379.17	-487.04	25349.91	379.17	-426.83	25351.00	101.41	-426.83	26487.80	
		D+4LANES	MAX	S2	1149.62	297.16	28697.57	743.76	368.21	32138.84	743.76	444.54	32137.88	380.61	462.63	33637.89
			TQ	922.79	477.62	27793.60	615.73	477.62	31443.67	618.27	552.46	31545.36	299.88	552.46	33721.46	
			M3	1076.62	202.87	29651.62	673.25	335.29	33240.42	673.25	414.23	33239.53	271.71	478.07	34819.16	
		MIN	S2	574.74	-314.27	27066.25	210.07	-293.30	30174.36	210.07	-221.64	30174.97	-184.98	-136.01	31534.63	
			TQ	655.89	-477.76	24661.54	351.27	-477.76	27044.86	353.92	-413.63	26969.64	64.93	-413.63	27958.37	
			M3	664.78	-436.85	22977.85	384.04	-436.85	25462.11	384.04	-376.37	25463.07	106.28	-376.46	26623.00	

BAGO RIVER BRIDGE

BLOCK [ No.1 : MAIN GIRDER ][ BEAM MEMBER FORCE ]

MEMBER					3005			3006			3007		
NODE					3005			3006			3007		
					SHEAR	TORQUE	MOMENT	SHEAR	TORQUE	MOMENT	SHEAR	TORQUE	MOMENT
NAME	TITLE				S2 (kN)	TQ (kN·m)	M3 (kN·m)	S2 (kN)	TQ (kN·m)	M3 (kN·m)	S2 (kN)	TQ (kN·m)	M3 (kN·m)
124	SUM TOTAL	D+6LANES	MAX	S2	1252.79	-424.04	31192.32	851.35	-374.65	35093.05	851.35	-291.31	35093.84
				TQ	837.90	523.68	26568.06	532.08	523.68	29816.81	532.30	594.59	29890.45
				M3	1136.96	-373.05	32918.62	743.77	-356.43	36768.40	742.76	-272.96	36769.15
			MIN	S2	517.79	-290.37	28335.71	152.82	-290.24	31247.68	152.82	-216.03	31248.28
				TQ	810.39	-1169.99	27737.72	500.84	-1169.99	30838.96	500.06	-1096.86	30740.63
				M3	638.09	-287.11	22449.57	357.35	-287.28	24807.26	357.35	-228.35	24807.87
	SUM TOTAL		MAX		1293.75	778.91	32918.62	851.35	778.91	36768.40	851.35	854.62	36769.15
			MIN		517.79	-1472.09	22449.57	124.96	-1472.09	24807.26	124.96	-1395.81	24807.87
300	DEAD LOAD	TOTAL			705.14	-329.44	23745.46	424.40	-329.44	26421.16	424.40	-266.69	26421.87
301	LIVE LOAD	1-LANE(case1MAX	S2		77.95	-723.52	2000.56	77.95	-723.52	2370.27	77.95	-717.89	2371.98
			TQ		-21.93	137.93	-347.20	-21.93	137.93	-451.21	-22.35	136.87	-436.36
			M3		44.60	-599.66	2646.60	46.65	-621.96	2867.36	46.65	-615.15	2868.83
			MIN	S2	-30.31	61.24	723.35	-30.31	61.24	579.61	-30.31	62.62	579.47
				TQ	74.52	-733.54	2281.59	74.52	-733.54	2635.04	74.94	-727.29	2621.59
				M3	-20.85	133.31	-414.23	-20.85	133.31	-513.14	-20.85	132.09	-513.46
		1-LANE(case2MAX	S2		113.77	-329.39	2130.63	109.76	-324.46	2529.86	109.76	-318.45	2530.62
			TQ		-23.10	61.89	-318.17	-23.10	61.89	-427.75	-24.02	60.91	-399.69
			M3		58.81	-219.34	2937.75	73.11	-279.96	3175.07	73.11	-272.41	3175.72
			MIN	S2	-65.34	10.58	1552.94	-68.79	5.65	1365.72	-68.79	8.89	1365.70
				TQ	95.94	-341.36	2295.26	88.48	-341.36	2732.62	89.48	-334.90	2706.98
				M3	-20.98	60.07	-409.96	-20.98	60.07	-509.45	-20.98	58.86	-509.60
		1-LANE(case3MAX	S2		327.43	-27.97	2695.10	214.33	-8.93	3107.82	214.33	-1.54	3107.83
			TQ		105.01	21.22	1227.81	102.90	21.22	1723.35	104.34	25.38	1775.58
			M3		294.70	-39.81	3061.86	165.51	-24.11	3656.94	165.51	-15.42	3656.99
			MIN	S2	-90.58	-36.43	1638.49	-174.35	-32.61	2116.39	-174.35	-27.58	2116.46
				TQ	-22.40	-58.88	2467.17	-65.27	-58.88	2256.75	-66.71	-53.58	2204.60
				M3	-21.09	4.17	-406.88	-21.09	4.17	-506.90	-21.09	2.96	-506.91

BAGO RIVER BRIDGE

BLOCK [ No.1 : MAIN GIRDER ][ BEAM MEMBER FORCE ]

MEMBER			3005			3006			3006			3007				
NODE			3005			3006			3006			3007				
NAME TITLE			SHEAR	TORQUE	MOMENT	SHEAR	TORQUE	MOMENT	SHEAR	TORQUE	MOMENT	SHEAR	TORQUE	MOMENT		
			S2 (kN)	TQ (kN·m)	M3 (kN·m)	S2 (kN)	TQ (kN·m)	M3 (kN·m)	S2 (kN)	TQ (kN·m)	M3 (kN·m)	S2 (kN)	TQ (kN·m)	M3 (kN·m)		
301	LIVE LOAD	1-LANE (case4MAX	S2	90.34	688.37	1916.53	93.14	703.31	2446.22	93.14	709.11	2444.55	113.56	620.16	2997.41	
			TQ	79.67	725.02	2204.77	85.52	725.02	2596.36	86.37	731.21	2615.29	92.35	731.21	3038.96	
			M3	39.92	595.35	2633.71	74.54	670.67	2891.14	74.54	677.54	2889.54	87.74	682.74	3283.23	
			MIN	S2	-43.24	60.17	1333.98	-28.11	-9.88	858.88	-28.11	-7.84	858.90	-27.79	-14.51	696.29
			TQ	-18.19	-118.27	-338.84	-18.19	-118.27	-425.12	-19.04	-119.30	-445.50	-19.04	-119.30	-535.81	
			M3	-21.39	-111.84	-401.34	-21.39	-111.84	-502.77	-21.39	-113.04	-502.50	-21.39	-113.04	-603.93	
		2-LANES (caseMAX	S2	137.49	-1041.25	3324.73	137.49	-1041.25	3976.83	137.49	-1031.81	3979.29	137.49	-1031.81	4631.39	
			TQ	-37.33	198.31	-551.49	-37.33	198.31	-728.52	-38.04	196.61	-705.11	-38.04	196.61	-885.52	
			M3	62.77	-816.52	4525.81	86.66	-900.18	4882.29	86.66	-888.58	4884.42	106.62	-980.94	5351.52	
			MIN	S2	-62.02	71.49	1629.54	-62.02	71.49	1335.37	-62.02	74.66	1335.20	-62.02	74.66	1041.03
			TQ	129.19	-1059.83	3834.12	129.19	-1059.83	4446.83	129.90	-1049.29	4425.45	129.90	-1049.29	5041.54	
			M3	-34.81	191.75	-688.60	-34.81	191.75	-853.69	-34.81	189.72	-854.14	-34.81	189.72	-1019.23	
		2-LANES (caseMAX	S2	167.34	-712.82	3433.11	164.00	-708.70	4109.82	164.00	-698.94	4111.50	159.87	-693.45	4785.34	
			TQ	-38.30	134.94	-527.31	-38.30	134.94	-708.98	-39.43	133.30	-674.55	-39.43	133.30	-861.58	
			M3	74.62	-499.59	4768.44	108.71	-615.17	5138.72	108.71	-602.96	5140.16	125.79	-678.53	5634.95	
			MIN	S2	-91.22	29.27	2320.86	-94.09	25.16	1990.46	-94.09	29.89	1990.39	-96.18	24.40	1633.37
			TQ	147.04	-733.01	3845.51	140.82	-733.01	4528.15	142.01	-722.30	4496.61	135.80	-722.30	5155.41	
			M3	-34.91	130.72	-685.04	-34.91	130.72	-850.62	-34.91	128.70	-850.93	-34.91	128.70	-1016.50	
		2-LANES (caseMAX	S2	524.53	76.10	4437.95	344.21	126.00	5111.94	344.21	138.14	5111.62	211.33	163.34	4900.49	
			TQ	191.95	187.87	2552.52	161.64	187.87	3399.05	162.17	196.02	3464.71	108.42	196.02	4108.76	
			M3	473.10	53.45	5041.09	267.62	102.38	6018.08	267.62	116.67	6017.82	82.91	154.81	5943.72	
MIN	S2		-141.93	-56.87	2679.08	-273.33	-27.16	3462.95	-273.33	-18.93	3463.01	-447.28	37.91	3421.12		
TQ	-34.98		-84.31	2120.78	-75.94	-84.31	1849.43	-76.99	-80.00	1771.18	-94.27	-80.00	1362.41			
M3	-35.22		-24.40	-676.59	-35.22	-24.40	-843.65	-35.22	-26.40	-843.59	-35.22	-26.40	-1010.65			

BAGO RIVER BRIDGE

BLOCK [ No.1 : MAIN GIRDER ][ BEAM MEMBER FORCE ]

MEMBER			3005			3006			3006			3007				
NODE			3005			3006			3006			3007				
NAME TITLE			SHEAR	TORQUE	MOMENT	SHEAR	TORQUE	MOMENT	SHEAR	TORQUE	MOMENT	SHEAR	TORQUE	MOMENT		
			S2 (kN)	TQ (kN·m)	M3 (kN·m)	S2 (kN)	TQ (kN·m)	M3 (kN·m)	S2 (kN)	TQ (kN·m)	M3 (kN·m)	S2 (kN)	TQ (kN·m)	M3 (kN·m)		
301	LIVE LOAD	2-LANES (caseMAX	S2	173.48	876.90	3600.45	166.68	936.89	4232.47	166.68	946.94	4230.23	174.20	900.82	4809.96	
			TQ	143.44	1037.72	3650.93	139.55	1037.72	4322.15	140.28	1048.02	4351.48	136.30	1048.02	5007.50	
			M3	126.19	806.91	4484.11	136.29	912.84	5003.65	136.29	924.72	5001.47	134.64	977.84	5551.31	
			MIN	S2	-68.53	69.05	2240.43	-62.21	71.67	2082.05	-62.21	76.61	2081.87	-69.63	145.72	2117.97
			TQ	-27.95	-165.58	-483.49	-27.95	-165.58	-616.04	-28.68	-167.08	-647.45	-28.68	-167.08	-783.48	
			M3	-35.56	-155.02	-670.42	-35.56	-155.02	-839.09	-35.56	-157.01	-838.72	-35.56	-157.01	-1007.38	
		3-LANES (caseMAX	S2	197.45	-1118.39	4335.21	194.61	-1114.89	5172.29	194.61	-1102.60	5174.92	191.11	-1097.94	6009.57	
			TQ	-48.09	212.40	-694.14	-48.09	212.40	-922.24	-49.35	210.26	-882.46	-49.35	210.26	-1116.51	
			M3	95.01	-849.41	5927.85	125.45	-963.45	6398.95	125.45	-948.25	6401.22	146.87	-1059.66	7000.10	
			MIN	S2	-99.00	68.26	2485.11	-101.45	64.77	2102.45	-101.45	69.76	2102.29	-103.22	65.09	1697.00
			TQ	177.77	-1142.65	4884.81	172.48	-1142.65	5715.41	173.79	-1129.12	5679.08	168.51	-1129.12	6490.82	
			M3	-44.45	205.54	-875.70	-44.45	205.54	-1086.50	-44.45	202.96	-1086.99	-44.45	202.96	-1297.79	
		3-LANES (caseMAX	S2	588.61	256.48	5549.87	396.68	335.88	6330.30	396.68	350.91	6329.48	255.52	392.94	6158.65	
			TQ	236.97	446.14	3620.46	194.13	446.14	4649.32	194.91	457.28	4729.63	132.60	457.28	5508.01	
			M3	538.61	238.91	6308.78	310.80	312.30	7460.69	310.80	330.02	7459.93	115.23	398.77	7492.30	
			MIN	S2	-161.81	-56.99	3309.28	-299.44	8.02	4232.54	-299.44	18.07	4232.51	-477.56	118.04	4259.08
			TQ	-44.57	-125.70	1650.83	-79.39	-125.70	1349.79	-80.61	-122.60	1258.21	-95.29	-122.60	838.82	
			M3	-45.01	-71.14	-860.72	-45.01	-71.14	-1074.21	-45.01	-73.69	-1074.04	-45.01	-73.69	-1287.52	
		3-LANES (caseMAX	S2	302.03	895.90	4848.74	254.00	978.79	5616.97	254.00	992.13	5614.63	227.09	967.93	6100.15	
			TQ	199.27	1108.35	4548.75	176.89	1108.35	5441.14	177.26	1121.31	5477.30	154.36	1121.31	6264.10	
			M3	255.36	837.83	5847.62	205.80	955.68	6637.84	205.80	971.44	6635.55	158.13	1046.12	7180.65	
			MIN	S2	-99.80	59.31	2919.62	-127.52	98.23	3090.28	-127.52	105.57	3090.03	-177.52	212.59	3197.47
			TQ	-34.80	-172.26	-489.77	-34.80	-172.26	-654.82	-35.17	-173.86	-693.22	-35.17	-173.86	-860.04	
			M3	-45.24	-157.60	-856.69	-45.24	-157.60	-1071.25	-45.24	-160.14	-1070.88	-45.24	-160.14	-1285.44	

BAGO RIVER BRIDGE

BLOCK [ No.1 : MAIN GIRDER ][ BEAM MEMBER FORCE ]

MEMBER					3005			3006			3007					
NODE					3005			3006			3007					
NAME TITLE					SHEAR	TORQUE	MOMENT	SHEAR	TORQUE	MOMENT	SHEAR	TORQUE	MOMENT			
					S2 (kN)	TQ (kN·m)	M3 (kN·m)	S2 (kN)	TQ (kN·m)	M3 (kN·m)	S2 (kN)	TQ (kN·m)	M3 (kN·m)			
301	LIVE LOAD	4-LANES	MAX	S2	444.48	626.60	4952.10	319.36	697.65	5717.68	319.36	711.23	5716.01	233.96	729.32	5864.65
				TQ	217.65	807.06	4048.14	191.33	807.06	5022.51	193.87	819.14	5123.49	153.23	819.14	5948.22
				M3	371.48	532.31	5906.16	248.85	664.73	6819.26	248.85	680.92	6817.66	125.06	744.76	7045.93
		MIN	S2	-130.40	15.17	3320.79	-214.33	36.14	3753.20	-214.33	45.05	3753.10	-331.62	130.68	3761.39	
			TQ	-49.25	-148.32	916.08	-73.13	-148.32	623.70	-70.48	-146.94	547.77	-81.71	-146.94	185.13	
			M3	-40.36	-107.41	-767.61	-40.36	-107.41	-959.06	-40.36	-109.68	-958.80	-40.36	-109.77	-1150.24	
	6-LANES	MAX	S2	547.65	-94.60	7446.85	426.95	-45.21	8671.89	426.95	-24.62	8671.97	343.66	-15.34	9333.76	
			TQ	132.76	853.13	2822.59	107.68	853.13	3395.65	107.90	861.28	3468.58	77.24	861.28	3908.82	
			M3	431.82	-43.61	9173.16	319.36	-26.99	10347.24	318.36	-6.27	10347.28	214.95	15.41	10949.44	
		MIN	S2	-187.35	39.07	4590.24	-271.58	39.20	4826.52	-271.58	50.66	4826.41	-386.69	104.96	4635.85	
			TQ	105.25	-840.55	3992.26	76.44	-840.55	4417.80	75.66	-830.17	4318.76	62.09	-830.17	4643.78	
			M3	-67.05	42.33	-1295.89	-67.05	42.16	-1613.90	-67.05	38.34	-1614.00	-67.05	37.88	-1932.01	
	LIVE LOAD	MAX	588.61	1108.35	9173.16	426.95	1108.35	10347.24	426.95	1121.31	10347.28	343.66	1121.31	10949.44		
		MIN	-187.35	-1142.65	-1295.89	-299.44	-1142.65	-1613.90	-299.44	-1129.12	-1614.00	-477.56	-1129.12	-1932.01		
	303	SUM TOTAL	TOTAL	MAX	1293.75	778.91	32918.62	851.35	778.91	36768.40	851.35	854.62	36769.15	490.31	854.62	38722.68
MIN				517.79	-1472.09	22449.57	124.96	-1472.09	24807.26	124.96	-1395.81	24807.87	-330.91	-1395.81	25841.22	

BAGO RIVER BRIDGE

BLOCK [ No.1 : MAIN GIRDER ][ BEAM MEMBER FORCE ]

MEMBER NODE	3007	3008			3008			3009							
		SHEAR	TORQUE	MOMENT	SHEAR	TORQUE	MOMENT	SHEAR	TORQUE	MOMENT					
		S2 (kN)	TQ (kN·m)	M3 (kN·m)	S2 (kN)	TQ (kN·m)	M3 (kN·m)	S2 (kN)	TQ (kN·m)	M3 (kN·m)					
1	PAVEMENT	35.79	2.79	5127.95	-19.77	2.79	5165.25	-19.77	15.06	5165.23	-74.45	15.06	4941.14		
3	RAILING	-0.95	0.41	124.00	-0.24	0.41	121.13	-0.24	0.70	121.13	0.50	0.70	121.70		
5	CURB	-9.43	4.06	1227.65	-2.33	4.06	1199.20	-2.33	6.91	1199.18	4.92	6.91	1204.78		
7	DECK WEIGHT	54.62	1.31	7987.30	-29.27	1.31	8046.29	-29.27	20.42	8046.26	-111.86	20.42	7710.52		
8	GIRDER WEIGH	60.35	-26.06	9377.77	-28.32	-26.06	9453.74	-28.32	-3.60	9453.78	-117.00	-3.60	9109.17		
10	MEDIAN STRIP	25.29	-12.38	1570.51	-3.50	-12.38	1622.19	-3.50	-8.53	1622.21	-32.29	-8.53	1537.33		
21	ADITIONAL WE	15.29	0.37	2236.44	-8.19	0.37	2252.96	-8.19	5.72	2252.95	-31.32	5.72	2158.95		
31	MEDIAN RAILI	1.87	-0.91	121.92	-0.46	-0.91	125.26	-0.46	-0.61	125.26	-2.79	-0.61	117.56		
51	SUPPORT WEIG	0.00	-0.00	-0.00	0.00	-0.00	-0.00	0.00	-0.00	-0.00	0.00	-0.00	-0.00		
52	NOSE WEIGHT	0.04	0.18	-1.04	0.04	0.18	-0.84	0.04	0.18	-0.84	0.04	0.18	-0.64		
61	1-LANE(case1TRUCK-LOAD	MAX	S2	22.89	-180.54	694.06	22.89	-180.54	802.64	22.89	-178.63	803.06	22.89	-178.63	911.64
			TQ	-28.11	96.73	878.32	-28.11	96.73	744.98	-28.11	98.50	744.75	-28.11	98.50	611.41
			M3	-5.86	-23.95	1165.10	-3.81	-64.18	1142.68	-3.81	-61.46	1142.83	-2.09	-79.33	1127.76
		MIN	S2	-28.11	96.73	878.32	-28.11	96.73	744.98	-28.11	98.50	744.75	-28.11	98.50	611.41
			TQ	21.95	-181.67	764.21	21.95	-181.67	868.33	21.95	-179.60	868.76	21.95	-179.60	972.88
			M3	-7.86	44.08	-232.66	-7.86	44.08	-269.92	-7.86	43.44	-270.02	-7.86	43.44	-307.28
		TANDEM-LOAD MAX	S2	16.16	-123.13	446.40	16.16	-123.13	523.04	16.16	-121.89	523.34	16.16	-121.89	599.99
			TQ	-19.73	67.50	664.05	-19.73	67.50	570.48	-19.73	68.86	570.32	-19.73	68.86	476.74
			M3	-3.60	-24.24	795.35	-3.03	-35.47	779.79	-3.03	-33.62	779.87	-3.03	-33.62	765.52
		MIN	S2	-19.73	67.50	664.05	-19.73	67.50	570.48	-19.73	68.86	570.32	-19.73	68.86	476.74
			TQ	15.34	-125.57	539.34	15.34	-125.57	612.11	15.34	-124.12	612.41	15.34	-124.12	685.17
			M3	-5.35	30.35	-158.49	-5.35	30.35	-183.86	-5.35	29.91	-183.93	-5.35	29.91	-209.30
		DISPERSION-LMAX	S2	17.80	-119.25	650.26	17.80	-119.25	734.68	17.80	-117.51	734.97	17.80	-117.51	819.39
			TQ	-22.84	99.05	293.52	-22.84	99.05	185.21	-22.84	99.49	185.77	-22.84	99.49	77.46
			M3	3.50	-85.53	1436.76	3.50	-85.53	1453.37	3.50	-82.08	1453.57	3.50	-82.08	1470.18
		MIN	S2	-23.71	86.22	508.70	-23.71	86.22	396.26	-23.71	87.17	396.05	-23.71	87.17	283.60
			TQ	16.93	-132.08	865.44	16.93	-132.08	945.73	16.93	-129.83	945.25	16.93	-129.83	1025.53
			M3	-9.41	52.50	-277.80	-9.41	52.50	-322.43	-9.41	51.73	-322.55	-9.41	51.73	-367.18

BAGO RIVER BRIDGE

BLOCK [ No.1 : MAIN GIRDER ][ BEAM MEMBER FORCE ]

MEMBER				3007			3008			3008			3009		
NODE				3007			3008			3008			3009		
NAME TITLE				SHEAR	TORQUE	MOMENT	SHEAR	TORQUE	MOMENT	SHEAR	TORQUE	MOMENT	SHEAR	TORQUE	MOMENT
				S2 (kN)	TQ (kN·m)	M3 (kN·m)	S2 (kN)	TQ (kN·m)	M3 (kN·m)	S2 (kN)	TQ (kN·m)	M3 (kN·m)	S2 (kN)	TQ (kN·m)	M3 (kN·m)
62	1-LANE (case2TRUCK-LOAD	MAX	S2	40.48	-81.91	991.17	40.48	-81.91	1183.17	40.48	-79.10	1183.36	40.48	-79.10	1375.37
			TQ	-38.93	50.95	1097.63	-38.93	50.95	912.97	-38.93	53.12	912.85	-38.93	53.12	728.19
			M3	4.61	12.56	1436.34	22.50	-36.52	1384.17	22.50	-33.24	1384.25	10.73	-50.28	1412.50
		MIN	S2	-47.35	42.13	1376.98	-47.35	42.13	1152.39	-47.35	44.87	1152.29	-47.35	44.87	927.69
			TQ	33.72	-88.74	806.05	33.72	-88.74	965.97	33.72	-86.44	966.18	33.72	-86.44	1126.10
			M3	-8.02	18.70	-231.85	-8.02	18.70	-269.92	-8.02	18.06	-269.96	-8.02	18.06	-308.02
		TANDEM-LOAD MAX	S2	28.45	-50.72	734.60	28.45	-50.72	869.53	28.45	-48.65	869.65	28.45	-48.65	1004.58
			TQ	-30.86	35.32	842.98	-30.86	35.32	696.64	-30.86	36.97	696.55	-30.86	36.97	550.20
			M3	3.01	16.98	1020.63	16.50	-18.46	976.14	16.50	-16.14	976.18	9.27	-42.53	1006.66
		MIN	S2	-33.56	23.23	1014.50	-33.56	23.23	855.34	-33.56	25.26	855.29	-33.56	25.26	696.13
			TQ	26.69	-61.64	598.19	26.69	-61.64	724.79	26.69	-59.92	724.94	26.69	-59.92	851.54
			M3	-5.47	12.87	-157.95	-5.47	12.87	-183.87	-5.47	12.44	-183.90	-5.47	12.44	-209.82
		DISPERSION-LMAX	S2	28.93	-63.06	863.57	26.52	-63.23	891.12	26.52	-61.11	891.27	23.27	-58.39	895.34
			TQ	-26.20	48.31	323.04	-29.31	48.31	187.72	-29.31	48.75	187.61	-29.31	48.75	48.61
			M3	10.88	-37.65	1446.30	4.66	-37.65	1483.17	4.66	-34.13	1483.25	-1.55	-34.13	1490.63
MIN	S2	-27.58	47.69	306.96	-31.39	47.86	271.07	-31.39	48.50	270.95	-34.36	45.78	229.05		
	TQ	27.55	-63.68	847.50	24.44	-63.68	974.46	24.44	-61.36	974.61	18.22	-61.36	1075.78		
	M3	-9.53	22.28	-275.77	-9.53	22.28	-320.98	-9.53	21.52	-321.03	-9.53	21.52	-366.24		
63	1-LANE (case3TRUCK-LOAD	MAX	S2	187.04	-8.01	1547.99	116.30	3.46	1704.34	116.30	7.51	1704.32	61.19	13.36	1505.82
			TQ	57.50	10.58	908.52	57.50	10.58	1181.23	57.50	13.39	1181.20	57.50	13.39	1453.91
			M3	170.98	-10.32	1570.08	100.39	0.73	1742.59	100.39	4.86	1742.59	-33.84	8.53	1551.38
		MIN	S2	-66.58	-13.82	1500.90	-122.85	-9.38	1693.84	-122.85	-5.36	1693.86	-193.65	6.00	1523.01
			TQ	-66.58	-13.82	1500.90	-66.58	-13.82	1185.12	-66.58	-11.00	1185.15	-66.58	-11.00	869.37
			M3	-8.16	-0.65	-231.35	-8.16	-0.65	-270.06	-8.16	-1.29	-270.05	-8.16	-1.29	-308.76



BAGO RIVER BRIDGE

BLOCK [ No.1 : MAIN GIRDER ][ BEAM MEMBER FORCE ]

MEMBER		3007			3008			3008			3009						
NODE		3007			3008			3008			3009						
		SHEAR	TORQUE	MOMENT	SHEAR	TORQUE	MOMENT	SHEAR	TORQUE	MOMENT	SHEAR	TORQUE	MOMENT				
NAME	TITLE	S2 (kN)	TQ (kN·m)	M3 (kN·m)	S2 (kN)	TQ (kN·m)	M3 (kN·m)	S2 (kN)	TQ (kN·m)	M3 (kN·m)	S2 (kN)	TQ (kN·m)	M3 (kN·m)				
63	1-LANE (case3TANDEM-LOAD	MAX	S2	150.19	-9.19	1203.82	100.33	-1.31	1339.90	100.33	1.87	1339.90	53.43	9.09	1190.10		
			TQ	32.20	7.83	590.05	32.20	7.83	742.76	32.20	9.59	742.73	32.20	9.59	895.44		
			M3	150.19	-9.19	1203.82	100.33	-1.31	1339.90	100.33	1.87	1339.90	-45.63	7.98	1192.65		
		MIN	S2	-57.68	-10.08	1197.05	-104.97	-3.44	1338.47	-104.97	-0.26	1338.48	-154.54	7.98	1192.65		
			TQ	-57.68	-10.08	1197.05	-57.68	-10.08	923.49	-57.68	-7.88	923.52	-57.68	-7.88	649.96		
			M3	-5.56	-0.46	-157.61	-5.56	-0.46	-183.98	-5.56	-0.90	-183.98	-5.56	-0.90	-210.35		
			DISPERSION-LMAX	S2	60.81	2.01	919.68	38.21	3.09	916.16	38.21	5.27	916.15	24.13	4.42	826.54	
				TQ	11.87	10.64	366.27	11.87	10.64	422.57	13.14	11.77	533.17	-15.45	11.77	528.70	
				M3	43.29	-0.99	1417.98	5.83	-0.99	1534.45	5.83	2.65	1534.44	-31.63	2.65	1473.26	
			MIN	S2	-27.17	-3.85	223.92	-42.03	-4.92	298.12	-42.03	-4.22	298.13	-65.41	-3.37	280.77	
				TQ	21.77	-12.48	777.32	-15.70	-12.48	791.71	-16.97	-10.71	681.12	-25.83	-10.71	578.61	
				M3	-9.65	-0.84	-274.38	-9.65	-0.84	-320.17	-9.65	-1.60	-320.16	-9.65	-1.60	-365.95	
		64	1-LANE (case4TRUCK-LOAD	MAX	S2	30.48	187.73	863.11	30.48	187.73	1007.68	30.48	190.12	1007.24	42.54	159.00	1272.96
					TQ	29.68	190.67	749.22	29.68	190.67	889.99	29.68	192.78	889.53	29.68	192.78	1030.29
					M3	-32.35	10.53	1274.61	-1.00	84.38	1218.84	-1.00	87.28	1218.63	39.37	100.42	1307.86
MIN	S2			-36.17	-50.63	1236.01	-26.10	-87.39	985.24	-26.10	-85.05	985.45	-26.10	-85.05	861.67		
	TQ			-25.27	-94.64	913.33	-25.27	-94.64	793.48	-25.27	-92.76	793.70	-25.27	-92.76	673.85		
	M3			-8.47	-41.07	-230.62	-8.47	-41.07	-270.78	-8.47	-41.71	-270.68	-8.47	-41.71	-310.84		
	TANDEM-LOAD MAX			S2	21.24	131.01	560.52	21.24	131.01	661.27	21.24	132.58	660.96	37.23	83.48	882.36	
				TQ	21.02	131.84	528.74	21.02	131.84	628.43	21.02	133.33	628.11	21.02	133.33	727.80	
				M3	-15.54	30.28	870.28	6.74	81.50	832.54	6.74	83.48	832.34	20.11	45.30	891.64	
	MIN			S2	-31.97	-8.39	859.22	-18.48	-63.70	645.56	-18.48	-62.17	645.71	-18.48	-62.17	558.08	
				TQ	-18.44	-65.63	697.30	-18.44	-65.63	609.84	-18.44	-64.18	610.00	-18.44	-64.18	522.55	
				M3	-5.77	-28.34	-157.12	-5.77	-28.34	-184.50	-5.77	-28.78	-184.43	-5.77	-28.78	-211.81	

BAGO RIVER BRIDGE

BLOCK [ No.1 : MAIN GIRDER ][ BEAM MEMBER FORCE ]

MEMBER		3007			3008			3008			3009						
NODE		3007			3008			3008			3009						
		SHEAR	TORQUE	MOMENT	SHEAR	TORQUE	MOMENT	SHEAR	TORQUE	MOMENT	SHEAR	TORQUE	MOMENT				
NAME	TITLE	S2 (kN)	TQ (kN·m)	M3 (kN·m)	S2 (kN)	TQ (kN·m)	M3 (kN·m)	S2 (kN)	TQ (kN·m)	M3 (kN·m)	S2 (kN)	TQ (kN·m)	M3 (kN·m)				
64	1-LANE (case4DISPERSION-LMAX	S2	23.12	126.11	717.70	24.41	127.59	910.46	24.41	129.76	910.15	28.78	135.15	1101.56			
		TQ	20.70	133.36	858.59	23.25	133.36	959.72	23.52	135.67	992.80	28.72	135.67	1116.56			
		M3	5.78	87.44	1465.25	10.87	87.44	1504.62	10.87	91.01	1504.41	16.07	91.01	1568.20			
		MIN	S2	-27.38	-87.37	475.12	-23.58	-88.85	274.14	-23.58	-88.20	274.35	-22.74	-93.60	99.14		
		TQ	-24.95	-94.62	334.23	-22.41	-94.62	224.87	-22.68	-94.11	191.71	-22.68	-94.11	84.13			
		M3	-10.03	-48.69	-272.44	-10.03	-48.69	-320.03	-10.03	-49.45	-319.91	-10.03	-49.45	-367.50			
		65	2-LANES (caseTRUCK-LOAD	MAX	S2	49.65	-315.24	1542.71	49.65	-315.24	1778.21	49.65	-311.01	1778.95	49.65	-311.01	2014.45
				TQ	-57.54	170.85	1791.43	-57.54	170.85	1518.51	-57.54	174.46	1518.10	-57.54	174.46	1245.18	
				M3	-25.05	-13.97	2470.71	-1.03	-116.32	2385.67	-1.03	-110.66	2385.94	8.44	-150.84	2405.26	
MIN	S2			-61.49	165.33	2017.34	-61.49	165.33	1725.71	-61.49	169.43	1725.32	-61.49	169.43	1433.69		
TQ	48.50			-316.93	1595.71	48.50	-316.93	1825.75	48.50	-312.60	1826.50	48.50	-312.60	2056.54			
M3	-15.79			75.50	-464.91	-15.79	75.50	-539.82	-15.79	74.22	-540.00	-15.79	74.22	-614.91			
TANDEM-LOAD	MAX			S2	35.04	-212.87	1076.95	35.04	-212.87	1243.14	35.04	-209.91	1243.64	35.04	-209.91	1409.83	
TQ	-40.75			119.50	1314.46	-40.75	119.50	1121.17	-40.75	122.16	1120.89	-40.75	122.16	927.60			
M3	-20.44			-7.62	1696.34	-4.06	-62.91	1633.11	-4.06	-59.03	1633.25	7.96	-91.90	1649.68			
MIN	S2	-43.51	114.53	1469.61	-43.51	114.53	1263.23	-43.51	117.53	1262.95	-43.51	117.53	1056.57				
TQ	33.28	-219.15	1079.91	33.28	-219.15	1237.77	33.28	-216.21	1238.29	33.28	-216.21	1396.15					
M3	-10.75	51.99	-316.70	-10.75	51.99	-367.71	-10.75	51.11	-367.83	-10.75	51.11	-418.84					
DISPERSION-LMAX	S2	39.12	-217.11	1414.60	39.12	-217.11	1600.14	39.12	-213.31	1600.65	39.12	-213.31	1786.20				
TQ	-48.96	174.41	604.46	-48.96	174.41	372.26	-48.96	175.29	372.64	-48.96	175.29	140.44					
M3	7.55	-147.15	2882.34	7.55	-147.15	2918.16	7.55	-140.22	2918.50	7.55	-140.22	2954.33					
MIN	S2	-50.45	159.89	913.16	-50.45	159.89	673.90	-50.45	161.49	673.52	-50.45	161.49	434.26				
TQ	37.63	-231.62	1723.30	37.63	-231.62	1901.78	37.63	-227.10	1901.53	37.63	-227.10	2080.01					
M3	-18.88	89.93	-554.58	-18.88	89.93	-644.12	-18.88	88.40	-644.33	-18.88	88.40	-733.87					

BAGO RIVER BRIDGE

BLOCK [ No.1 : MAIN GIRDER ] [ BEAM MEMBER FORCE ]

MEMBER				3007			3008			3009					
NODE				3007			3008			3009					
				SHEAR	TORQUE	MOMENT	SHEAR	TORQUE	MOMENT	SHEAR	TORQUE	MOMENT			
NAME	TITLE			S2 (kN)	TQ (kN·m)	M3 (kN·m)	S2 (kN)	TQ (kN·m)	M3 (kN·m)	S2 (kN)	TQ (kN·m)	M3 (kN·m)			
66	2-LANES (caseTRUCK-LOAD	MAX	S2	67.24	-216.61	1839.81	67.24	-216.61	2158.74	67.24	-211.49	2159.25	67.24	-211.49	2478.18
			TQ	-68.36	125.07	2010.74	-68.36	125.07	1686.51	-68.36	129.07	1686.20	-68.36	129.07	1361.97
			M3	-14.58	22.54	2741.95	25.29	-88.67	2627.16	25.29	-82.43	2627.36	21.25	-121.78	2690.01
		MIN	S2	-80.73	110.73	2516.01	-80.73	110.73	2133.13	-80.73	115.79	2132.86	-80.73	115.79	1749.97
			TQ	60.27	-224.00	1637.55	60.27	-224.00	1923.39	60.27	-219.43	1923.92	60.27	-219.43	2209.76
			M3	-15.96	50.12	-464.10	-15.96	50.12	-539.82	-15.96	48.84	-539.94	-15.96	48.84	-615.65
		TANDEM-LOAD MAX	S2	47.33	-140.45	1365.15	47.33	-140.45	1589.63	47.33	-136.68	1589.96	47.33	-136.68	1814.43
			TQ	-51.88	87.32	1493.39	-51.88	87.32	1247.33	-51.88	90.28	1247.12	-51.88	90.28	1001.06
			M3	-13.84	33.61	1921.62	15.47	-45.90	1829.45	15.47	-41.56	1829.56	20.26	-100.81	1890.82
		MIN	S2	-57.34	70.25	1820.06	-57.34	70.25	1548.09	-57.34	73.93	1547.92	-57.34	73.93	1275.96
			TQ	44.63	-155.21	1138.76	44.63	-155.21	1350.45	44.63	-152.01	1350.82	44.63	-152.01	1562.51
			M3	-10.87	34.51	-316.16	-10.87	34.51	-367.72	-10.87	33.64	-367.80	-10.87	33.64	-419.36
		DISPERSION-LMAX	S2	50.25	-160.91	1627.90	47.84	-161.08	1756.58	47.84	-156.91	1756.96	44.59	-154.19	1862.15
			TQ	-52.32	123.67	633.97	-55.43	123.67	374.77	-55.43	124.56	374.48	-55.43	124.56	111.59
			M3	14.93	-99.27	2891.88	8.72	-99.27	2947.96	8.72	-92.27	2948.18	2.50	-92.27	2974.78
MIN	S2	-54.32	121.36	711.42	-58.12	121.52	548.71	-58.12	122.83	548.42	-61.09	120.11	379.71		
	TQ	48.25	-163.22	1705.36	45.14	-163.22	1930.52	45.14	-158.64	1930.90	38.93	-158.64	2130.26		
	M3	-19.00	59.71	-552.55	-19.00	59.71	-642.67	-19.00	58.19	-642.81	-19.00	58.19	-732.92		
67	2-LANES (caseTRUCK-LOAD	MAX	S2	353.80	-10.47	3055.62	219.99	35.03	3352.25	219.99	42.99	3352.16	116.90	72.38	2979.71
			TQ	89.28	73.69	1689.52	89.28	73.69	2112.94	89.28	78.71	2112.76	89.28	78.71	2536.18
			M3	323.44	-21.01	3097.04	189.90	23.55	3425.27	189.90	31.68	3425.21	-62.50	47.09	3069.05
		MIN	S2	-125.58	-43.58	2963.95	-230.48	-17.08	3333.36	-230.48	-9.16	3333.39	-362.61	36.12	3015.98
			TQ	-99.76	-47.81	2538.31	-99.76	-47.81	2065.17	-99.76	-42.91	2065.28	-99.76	-42.91	1592.14
			M3	-16.42	-14.33	-462.44	-16.42	-14.33	-540.32	-16.42	-15.62	-540.28	-16.42	-15.62	-618.16

BAGO RIVER BRIDGE

BLOCK [ No.1 : MAIN GIRDER ][ BEAM MEMBER FORCE ]

MEMBER		3007			3008			3008			3009						
NODE		3007			3008			3008			3009						
NAME TITLE		SHEAR	TORQUE	MOMENT	SHEAR	TORQUE	MOMENT	SHEAR	TORQUE	MOMENT	SHEAR	TORQUE	MOMENT				
		S2 (kN)	TQ (kN·m)	M3 (kN·m)	S2 (kN)	TQ (kN·m)	M3 (kN·m)	S2 (kN)	TQ (kN·m)	M3 (kN·m)	S2 (kN)	TQ (kN·m)	M3 (kN·m)				
67	2-LANES (caseTANDEM-LOAD	MAX	S2	284.30	-22.15	2362.51	189.59	9.48	2621.60	189.59	15.71	2621.57	101.27	45.25	2339.51		
			TQ	57.81	50.95	1167.35	57.81	50.95	1441.56	57.81	54.37	1441.43	57.81	54.37	1715.64		
			M3	284.30	-22.15	2362.51	189.59	9.48	2621.60	189.59	15.71	2621.58	-84.82	39.82	2344.91		
			MIN	S2	-108.30	-27.11	2349.38	-196.89	1.20	2619.11	-196.89	7.42	2619.10	-289.20	39.82	2344.91	
			TQ	-84.92	-34.31	1998.74	-84.92	-34.31	1595.97	-84.92	-30.52	1596.05	-84.92	-30.52	1193.28		
			M3	-11.19	-9.91	-315.04	-11.19	-9.91	-368.10	-11.19	-10.78	-368.08	-11.19	-10.78	-421.14		
		DISPERSION-LMAX	S2	117.69	43.96	1840.06	74.82	45.76	1830.69	74.82	50.10	1830.57	48.16	45.32	1657.90		
			TQ	52.27	53.65	1100.94	41.26	53.65	1335.72	41.28	57.04	1520.72	-20.41	57.04	1570.94		
			M3	83.70	25.24	2840.64	12.91	25.24	3069.45	12.91	32.53	3069.38	-57.64	32.53	2963.04		
			MIN	S2	-53.41	-35.98	452.50	-81.33	-37.78	598.58	-81.33	-36.35	598.67	-125.22	-31.57	572.89	
				TQ	12.00	-45.67	1191.63	-47.77	-45.67	1093.55	-47.79	-43.29	908.52	-56.65	-43.29	659.84	
				M3	-19.42	-17.26	-548.08	-19.42	-17.26	-640.19	-19.42	-18.78	-640.14	-19.42	-18.78	-732.25	
68	2-LANES (caseTRUCK-LOAD	MAX	S2	72.37	201.63	2218.25	69.45	259.89	2381.99	69.45	265.55	2381.36	77.80	278.76	2622.94		
			TQ	57.04	328.72	1468.60	57.04	328.72	1739.13	57.04	332.85	1738.34	57.04	332.85	2008.87		
			M3	2.04	8.90	2640.52	30.52	141.07	2611.07	30.52	147.27	2610.73	42.53	181.00	2695.55		
			MIN	S2	-68.43	-93.83	2555.57	-62.10	-83.75	2352.92	-62.10	-78.17	2353.11	-66.57	-19.64	2235.83	
			TQ	-50.58	-166.95	1842.60	-50.58	-166.95	1602.69	-50.58	-163.14	1603.08	-50.58	-163.14	1363.18		
			M3	-16.84	-69.06	-461.47	-16.84	-69.06	-541.32	-16.84	-70.35	-541.15	-16.84	-70.35	-621.00		
		TANDEM-LOAD	MAX	S2	50.41	120.91	1529.75	48.73	162.04	1652.01	48.73	165.97	1651.62	62.40	155.13	1865.41	
				TQ	40.27	227.49	1035.49	40.27	227.49	1226.50	40.27	230.40	1225.96	40.27	230.40	1416.98	
				M3	13.63	20.17	1839.51	34.23	112.53	1823.28	34.23	116.86	1823.01	18.61	108.90	1878.13	
				MIN	S2	-54.91	-26.94	1823.35	-44.11	-43.08	1635.30	-44.11	-39.19	1635.40	-47.43	1.43	1544.57
				TQ	-36.33	-116.02	1356.91	-36.33	-116.02	1184.60	-36.33	-113.21	1184.87	-36.33	-113.21	1012.56	
				M3	-11.47	-47.67	-314.39	-11.47	-47.67	-368.82	-11.47	-48.54	-368.70	-11.47	-48.54	-423.13	

BAGO RIVER BRIDGE

BLOCK [ No.1 : MAIN GIRDER ] [ BEAM MEMBER FORCE ]

MEMBER		3007			3008			3008			3009					
NODE		3007			3008			3008			3009					
		SHEAR	TORQUE	MOMENT	SHEAR	TORQUE	MOMENT	SHEAR	TORQUE	MOMENT	SHEAR	TORQUE	MOMENT			
NAME	TITLE	S2 (kN)	TQ (kN·m)	M3 (kN·m)	S2 (kN)	TQ (kN·m)	M3 (kN·m)	S2 (kN)	TQ (kN·m)	M3 (kN·m)	S2 (kN)	TQ (kN·m)	M3 (kN·m)			
68	2-LANES (caseDISPERSION-LMAX	S2	55.68	220.90	1645.12	52.04	221.48	1809.01	52.04	225.78	1808.48	51.82	223.09	1950.25		
		TQ	48.48	228.75	1639.29	46.42	228.75	1866.81	47.96	233.27	1941.59	43.80	233.27	2159.29		
		M3	24.38	146.67	2916.20	20.31	146.67	3022.31	20.31	153.84	3021.95	16.15	153.84	3108.53		
		MIN	S2	-51.23	-156.04	725.54	-51.67	-156.61	573.18	-51.67	-155.25	573.55	-55.61	-152.57	423.76	
		TQ	-44.03	-163.89	731.37	-46.06	-163.89	515.37	-47.59	-162.74	440.44	-47.59	-162.74	214.73		
		M3	-19.94	-81.80	-545.54	-19.94	-81.80	-640.12	-19.94	-83.32	-639.93	-19.94	-83.32	-734.51		
		MAX	S2	90.14	-397.15	2533.87	90.14	-397.15	2961.38	90.14	-390.12	2962.31	90.14	-390.12	3389.82	
		TQ	-96.48	221.80	2889.06	-96.48	221.80	2431.48	-96.48	227.57	2430.95	-96.48	227.57	1973.37		
		M3	-20.44	-1.41	3907.05	21.47	-152.85	3769.84	21.47	-143.89	3770.19	19.16	-201.11	3817.76		
69	3-LANES (caseTRUCK-LOAD	MIN	S2	-108.84	207.46	3394.33	-108.84	207.46	2878.10	-108.84	214.29	2877.60	-108.84	214.29	2361.38	
		TQ	82.22	-405.67	2401.76	82.22	-405.67	2791.72	82.22	-399.04	2792.67	82.22	-399.04	3182.64		
		M3	-23.82	94.20	-696.77	-23.82	94.20	-809.74	-23.82	92.28	-809.96	-23.82	92.28	-922.93		
		TANDEM-LOAD	MAX	S2	63.49	-263.58	1811.55	63.49	-263.58	2112.67	63.49	-258.56	2113.29	63.49	-258.56	2414.42
		TQ	-71.61	154.82	2157.44	-71.61	154.82	1817.81	-71.61	159.14	1817.44	-71.61	159.14	1477.80		
		M3	-17.44	9.36	2716.97	12.44	-81.37	2609.24	12.44	-75.17	2609.43	17.23	-134.43	2656.34		
		MIN	S2	-77.07	137.75	2484.11	-77.07	137.75	2118.57	-77.07	142.79	2118.24	-77.07	142.79	1752.70	
		TQ	59.98	-280.79	1678.10	59.98	-280.79	1962.56	59.98	-276.13	1963.22	59.98	-276.13	2247.69		
		M3	-16.22	64.86	-474.65	-16.22	64.86	-551.58	-16.22	63.55	-551.73	-16.22	63.55	-628.66		
		DISPERSION-LMAX	S2	68.05	-280.16	2278.16	65.64	-280.33	2491.26	65.64	-274.41	2491.92	62.39	-271.70	2681.54	
		TQ	-75.15	222.71	927.49	-78.26	222.71	559.98	-78.26	224.05	560.25	-78.26	224.05	189.05		
		M3	18.43	-184.80	4328.64	12.22	-184.80	4401.33	12.22	-174.34	4401.76	6.00	-174.34	4444.96		
		MIN	S2	-78.03	207.58	1220.13	-81.83	207.75	944.97	-81.83	209.99	944.47	-84.80	207.27	663.31	
		TQ	65.18	-295.30	2570.80	62.07	-295.30	2876.25	62.07	-288.47	2876.15	55.85	-288.47	3155.79		
		M3	-28.41	112.21	-830.35	-28.41	112.21	-965.10	-28.41	109.92	-965.36	-28.41	109.92	-1100.11		

BAGO RIVER BRIDGE

BLOCK [ No.1 : MAIN GIRDER ] [ BEAM MEMBER FORCE ]

MEMBER				3007			3008			3009						
NODE				3007			3008			3008			3009			
NAME TITLE				SHEAR	TORQUE	MOMENT	SHEAR	TORQUE	MOMENT	SHEAR	TORQUE	MOMENT	SHEAR	TORQUE	MOMENT	
				S2 (kN)	TQ (kN·m)	M3 (kN·m)	S2 (kN)	TQ (kN·m)	M3 (kN·m)	S2 (kN)	TQ (kN·m)	M3 (kN·m)	S2 (kN)	TQ (kN·m)	M3 (kN·m)	
70	3-LANES (case	TRUCK-LOAD	MAX	S2	446.87	-2.94	4474.78	284.14	91.94	4833.78	284.14	103.42	4833.55	159.70	170.62	4376.18
				TQ	115.63	187.55	2394.82	115.63	187.55	2943.23	115.63	194.54	2942.77	115.63	194.54	3491.18
				M3	406.34	-26.13	4530.24	243.89	67.32	4931.51	243.89	79.03	4931.33	-72.19	111.97	4504.75
			MIN	S2	-167.81	-82.70	4314.92	-295.31	-17.84	4809.25	-295.31	-6.41	4809.28	-452.09	88.14	4433.50
				TQ	-124.38	-100.41	3421.44	-124.38	-100.41	2831.50	-124.38	-93.68	2831.73	-124.38	-93.68	2241.79
				M3	-24.78	-41.10	-693.31	-24.78	-41.10	-810.83	-24.78	-43.02	-810.73	-24.78	-43.02	-928.25
		TANDEM-LOAD	MAX	S2	357.26	-33.40	3411.12	241.45	32.61	3727.24	241.45	41.46	3727.16	134.85	103.85	3384.41
				TQ	76.25	129.60	1663.70	76.25	129.60	2025.33	76.25	134.41	2025.02	76.25	134.41	2386.65
				M3	357.26	-33.40	3411.12	241.45	32.61	3727.25	241.45	41.46	3727.16	-100.54	91.56	3392.96
			MIN	S2	-142.87	-44.97	3392.35	-248.84	15.49	3724.16	-248.84	24.34	3724.11	-357.67	91.56	3392.96
				TQ	-102.32	-71.35	2625.30	-102.32	-71.35	2139.99	-102.32	-66.27	2140.16	-102.32	-66.27	1654.85
				M3	-16.88	-28.38	-472.33	-16.88	-28.38	-552.41	-16.88	-29.69	-552.34	-16.88	-29.69	-632.41
		DISPERSION-LMAX	MAX	S2	160.09	124.47	2765.69	106.03	126.01	2736.20	106.03	132.51	2735.89	71.69	121.05	2498.82
				TQ	88.58	134.78	1938.22	68.19	134.78	2334.03	68.21	140.54	2518.84	-11.94	140.54	2652.64
				M3	111.16	79.80	4278.09	21.38	79.80	4591.75	21.38	90.70	4591.55	-67.63	90.70	4481.22
			MIN	S2	-78.24	-93.97	691.26	-113.96	-95.52	895.38	-113.96	-93.39	895.61	-168.63	-81.93	883.30
				TQ	-6.73	-104.28	1518.73	-76.12	-104.28	1297.55	-76.14	-101.42	1112.66	-85.01	-101.42	729.48
				M3	-29.32	-49.30	-821.13	-29.32	-49.30	-960.17	-29.32	-51.58	-960.05	-29.32	-51.58	-1099.09
71	3-LANES (case	TRUCK-LOAD	MAX	S2	187.92	205.54	3661.73	147.93	306.71	3922.50	147.93	316.02	3921.76	125.95	359.29	4050.24
				TQ	87.49	416.35	2254.82	87.49	416.35	2669.77	88.45	422.72	2688.14	88.45	422.72	3107.64
				M3	105.97	1.69	4100.04	97.55	176.80	4179.58	97.55	186.72	4179.15	26.75	235.29	4165.09
			MIN	S2	-116.11	-129.61	3958.96	-140.88	-87.04	3884.05	-140.88	-77.81	3884.25	-186.49	23.88	3685.33
				TQ	-75.25	-217.26	2720.75	-75.25	-217.26	2363.86	-75.25	-211.65	2364.37	-75.25	-211.65	2007.48
				M3	-25.10	-83.97	-692.54	-25.10	-83.97	-811.60	-25.10	-85.90	-811.40	-25.10	-85.90	-930.46

BAGO RIVER BRIDGE

BLOCK [ No.1 : MAIN GIRDER ][ BEAM MEMBER FORCE ]

MEMBER				3007			3008			3009							
NODE				3007			3008			3009							
				SHEAR	TORQUE	MOMENT	SHEAR	TORQUE	MOMENT	SHEAR	TORQUE	MOMENT					
NAME	TITLE			S2 (kN)	TQ (kN·m)	M3 (kN·m)	S2 (kN)	TQ (kN·m)	M3 (kN·m)	S2 (kN)	TQ (kN·m)	M3 (kN·m)					
71	3-LANES (case)	TANDEM-LOAD	MAX	S2	140.73	109.09	2609.02	113.63	180.74	2818.78	113.63	187.43	2818.34	101.83	204.34	2952.93	
				TQ	59.28	287.57	1547.22	59.28	287.57	1828.38	59.28	291.92	1827.69	59.28	291.92	2108.84	
				M3	103.95	8.35	2918.78	99.13	131.23	2990.05	99.13	138.33	2989.73	-6.35	152.60	2968.81	
			MIN	S2	-93.91	-44.66	2896.79	-109.70	-32.11	2800.60	-109.70	-25.46	2800.67	-142.57	45.13	2635.25	
				TQ	-53.68	-151.19	1978.85	-53.68	-151.19	1724.26	-53.68	-147.09	1724.61	-53.68	-147.09	1470.03	
				M3	-17.11	-57.97	-471.82	-17.11	-57.97	-552.96	-17.11	-59.28	-552.82	-17.11	-59.28	-633.97	
		DISPERSION-LMAX		S2	102.69	277.16	2567.58	85.07	277.80	2716.65	85.07	284.25	2715.98	75.36	275.94	2785.76	
				TQ	82.28	287.19	2308.97	68.37	287.19	2682.80	70.17	293.64	2765.92	42.03	293.64	3032.43	
				M3	55.91	177.59	4352.45	28.37	177.59	4552.76	28.37	188.40	4552.33	0.24	188.40	4620.62	
				MIN	S2	-76.50	-198.87	965.62	-86.42	-199.51	875.88	-86.42	-197.43	876.35	-104.85	-189.11	733.88
					TQ	-56.10	-208.89	1224.22	-69.73	-208.89	909.73	-71.52	-206.82	826.41	-71.52	-206.82	487.21
					M3	-29.72	-99.30	-819.26	-29.72	-99.30	-960.24	-29.72	-101.58	-960.00	-29.72	-101.58	-1100.98
72	4-LANES	TRUCK-LOAD	MAX	S2	428.22	188.16	5271.34	290.20	294.12	5734.49	290.20	307.73	5733.77	192.23	352.39	5607.41	
				TQ	145.70	403.06	3158.61	145.70	403.06	3849.65	145.70	412.21	3848.68	145.70	412.21	4539.72	
				M3	333.26	-13.20	5744.59	223.69	164.64	6052.02	223.69	179.02	6051.61	-26.02	228.67	5769.89	
			MIN	S2	-188.13	-141.74	5461.90	-293.36	-99.14	5684.30	-293.36	-85.64	5684.52	-430.90	20.41	5246.54	
				TQ	-4.13	-214.05	4370.37	-149.11	-214.05	3663.15	-143.98	-205.41	3605.34	-143.98	-205.41	2922.47	
				M3	-33.25	-83.39	-923.91	-33.25	-83.39	-1081.63	-33.25	-85.96	-1081.43	-33.25	-85.96	-1239.16	
		TANDEM-LOAD		MAX	S2	336.51	95.86	3891.49	239.12	170.33	4274.93	239.12	180.49	4274.52	159.96	201.48	4211.76
				TQ	90.70	278.78	2124.85	90.70	278.78	2555.01	97.22	284.99	2664.37	97.22	284.99	3125.45	
				M3	303.42	-3.53	4204.38	226.13	121.47	4452.93	226.13	132.04	4452.62	-70.51	149.78	4224.33	
				MIN	S2	-159.71	-55.25	4179.76	-241.74	-39.79	4253.88	-241.74	-29.69	4253.96	-337.99	44.80	3886.58
					TQ	-90.47	-148.84	2877.26	-90.47	-148.84	2448.17	-90.47	-143.02	2448.51	-90.47	-143.02	2019.42
					M3	-22.66	-57.58	-629.44	-22.66	-57.58	-736.92	-22.66	-59.33	-736.78	-22.66	-59.33	-844.26

BAGO RIVER BRIDGE

BLOCK [ No.1 : MAIN GIRDER ][ BEAM MEMBER FORCE ]

MEMBER				3007			3008			3008			3009				
NODE				3007			3008			3008			3009				
NAME TITLE				SHEAR	TORQUE	MOMENT	SHEAR	TORQUE	MOMENT	SHEAR	TORQUE	MOMENT	SHEAR	TORQUE	MOMENT		
				S2 (kN)	TQ (kN·m)	M3 (kN·m)	S2 (kN)	TQ (kN·m)	M3 (kN·m)	S2 (kN)	TQ (kN·m)	M3 (kN·m)	S2 (kN)	TQ (kN·m)	M3 (kN·m)		
72	4-LANES	DISPERSION-LMAX	S2	154.65	266.27	2853.62	105.22	268.70	2876.21	105.22	275.53	2875.56	76.68	266.19	2701.22		
			TQ	94.02	285.03	2477.58	76.59	285.03	2903.00	76.27	292.07	3051.17	6.59	292.07	3248.53		
			M3	86.04	170.64	5094.61	8.84	169.35	5324.85	8.84	182.00	5324.43	-67.45	182.02	5180.72		
	MIN	S2	-96.94	-180.04	1435.13	-127.07	-182.46	1497.65	-127.07	-178.91	1498.08	-177.57	-169.84	1377.52			
		TQ	-36.60	-198.69	1927.91	-98.65	-198.69	1583.83	-99.47	-195.05	1468.31	-108.34	-195.05	974.50			
		M3	-30.48	-83.94	-845.23	-30.49	-84.56	-989.81	-30.49	-86.91	-989.61	-30.49	-87.32	-1134.21			
	73	6-LANES	TRUCK-LOAD	MAX	S2	473.16	-100.65	6986.54	343.58	-34.01	7689.79	343.58	-15.75	7689.85	252.62	-2.36	7861.70
				TQ	11.55	521.65	5066.91	11.55	521.65	5121.68	8.11	533.89	5187.14	8.11	533.89	5225.61	
				M3	307.88	-5.28	8388.61	207.46	8.19	8543.12	207.46	28.48	8543.07	-12.20	37.83	8295.67	
MIN			S2	-264.93	27.60	7755.32	-364.09	47.52	7575.04	-364.09	65.51	7574.91	-493.29	132.50	6817.98		
			TQ	-6.13	-515.36	5105.84	-6.13	-515.36	5076.76	-6.13	-503.30	5077.96	-6.13	-503.30	5048.88		
			M3	-48.90	11.52	-1389.17	-48.92	8.97	-1621.14	-48.92	5.12	-1621.16	-48.93	3.52	-1853.23		
TANDEM-LOAD		MAX	S2	366.37	-91.96	4997.92	275.01	-44.54	5549.22	275.01	-31.36	5549.31	203.98	-41.15	5711.10		
			TQ	10.72	362.14	3430.02	10.72	362.14	3480.85	5.09	370.52	3587.77	5.09	370.52	3611.91		
			M3	268.07	-1.44	6039.66	211.96	6.16	6190.87	211.96	20.86	6190.84	54.20	73.75	5988.46		
		MIN	S2	-212.98	60.66	5693.53	-289.80	54.76	5499.36	-289.80	67.82	5499.22	-379.78	113.86	4910.36		
			TQ	-7.65	-356.83	3758.29	-7.65	-356.83	3721.99	-7.65	-347.99	3722.83	-7.65	-347.99	3686.53		
			M3	-33.31	7.79	-946.37	-33.33	6.04	-1104.41	-33.33	3.42	-1104.42	-33.34	2.32	-1262.52		
		DISPERSION-LMAX	S2	S2	217.42	5.56	4934.71	168.23	7.88	5193.00	168.23	20.21	5192.96	138.73	13.86	5296.82	
				TQ	25.51	434.62	2941.52	8.24	434.62	3036.17	8.62	442.07	3248.29	-45.15	442.07	3162.00	
				M3	111.16	-8.94	8455.17	35.58	-8.45	8811.42	35.57	12.46	8811.42	-38.25	13.37	8796.67	
MIN	S2		-157.46	-12.81	2121.96	-188.99	-15.04	1911.62	-188.99	-10.50	1911.65	-239.40	-6.48	1563.56			
	TQ		30.66	-431.06	3901.41	-35.26	-431.06	3874.58	-34.89	-422.06	3695.47	-47.77	-422.06	3498.57			
	M3		-55.69	19.41	-1583.02	-55.73	15.31	-1847.27	-55.73	10.96	-1847.30	-55.76	7.21	-2111.68			



BAGO RIVER BRIDGE

BLOCK [ No.1 : MAIN GIRDER ] [ BEAM MEMBER FORCE ]

MEMBER			3007			3008			3008			3009			
NODE			3007			3008			3008			3009			
NAME TITLE			SHEAR	TORQUE	MOMENT	SHEAR	TORQUE	MOMENT	SHEAR	TORQUE	MOMENT	SHEAR	TORQUE	MOMENT	
			S2 (kN)	TQ (kN·m)	M3 (kN·m)	S2 (kN)	TQ (kN·m)	M3 (kN·m)	S2 (kN)	TQ (kN·m)	M3 (kN·m)	S2 (kN)	TQ (kN·m)	M3 (kN·m)	
124	SUM TOTAL	D+1LANE (caseMAX	S2	231.70	-389.98	29385.68	-43.21	-389.98	29829.96	-43.21	-319.13	29830.80	-315.41	-319.13	28977.75
			TQ	121.73	204.70	29178.70	-153.18	204.70	29101.40	-153.18	273.82	29101.78	-425.38	273.82	27727.15
			M3	180.04	-161.61	30894.74	-92.42	-209.88	31100.44	-92.42	-136.01	31100.85	-362.55	-157.45	30018.03
		MIN	S2	120.68	189.32	29436.92	-154.23	189.32	29354.65	-154.23	259.04	29354.12	-426.43	259.04	27974.52
			TQ	229.53	-406.72	29728.08	-45.38	-406.72	30162.04	-45.38	-335.09	30161.97	-317.58	-335.09	29298.60
			M3	162.15	85.67	27159.94	-112.76	85.67	27274.35	-112.76	150.44	27274.07	-384.96	150.44	26091.15
		D+1LANE (caseMAX	S2	266.17	-204.19	29998.18	-11.64	-204.39	30474.32	-11.64	-132.01	30474.72	-287.73	-128.75	29625.37
			TQ	104.71	88.88	29477.29	-173.93	88.88	29306.00	-173.93	158.48	29305.71	-446.13	158.48	27832.67
			M3	201.46	-60.34	31231.67	-59.44	-119.24	31425.97	-59.44	-44.60	31426.17	-353.23	-65.05	30384.27
		MIN	S2	92.95	77.56	29793.23	-186.53	77.76	29693.32	-186.53	148.28	29693.05	-462.29	145.02	28288.60
			TQ	256.39	-213.12	29756.76	-22.25	-213.12	30313.69	-22.25	-141.13	30314.11	-301.91	-141.13	29542.77
			M3	161.80	18.95	27163.35	-113.11	18.95	27276.10	-113.11	83.73	27275.97	-385.31	83.73	26091.40
		D+1LANE (caseMAX	S2	480.29	-37.42	30733.69	93.37	-22.37	31129.76	93.37	51.57	31129.73	-261.86	57.58	29699.34
			TQ	266.11	-4.76	29302.25	-8.80	-4.76	29909.74	-7.27	66.42	30042.40	-313.78	66.42	29279.64
			M3	440.00	-43.80	31358.17	35.42	-30.55	31917.62	35.42	45.26	31917.60	-442.80	49.65	30530.07
		MIN	S2	70.37	-51.42	29842.28	-289.90	-47.39	30375.52	-289.90	24.75	30375.55	-675.11	39.39	29065.05
			TQ	129.09	-61.78	30506.37	-190.77	-61.78	30357.36	-192.30	10.17	30224.68	-475.14	10.17	28638.08
			M3	161.49	-32.02	27165.62	-113.42	-32.02	27276.90	-113.42	32.76	27276.90	-385.62	32.76	26090.86
		D+1LANE (caseMAX	S2	247.20	346.38	29669.48	-26.17	348.15	30286.94	-26.17	420.09	30286.03	-278.65	389.22	29749.93
			TQ	243.32	358.61	29701.87	-28.52	358.61	30204.82	-28.20	430.38	30243.96	-294.16	430.38	29476.74
			M3	150.98	87.34	31060.34	-80.20	175.95	31253.32	-80.20	250.18	31252.81	-297.71	265.95	30351.78
		MIN	S2	106.61	-195.83	29825.85	-151.65	-241.72	29496.43	-151.65	-171.66	29496.92	-422.85	-178.14	28053.47
			TQ	122.61	-257.34	29269.57	-149.26	-257.34	29207.19	-149.58	-188.01	29167.65	-421.78	-188.01	27810.09
			M3	160.67	-137.94	27168.83	-114.24	-137.94	27276.20	-114.24	-73.16	27276.45	-386.44	-73.16	26086.50

BAGO RIVER BRIDGE

BLOCK [ No.1 : MAIN GIRDER ][ BEAM MEMBER FORCE ]

MEMBER				3007			3008			3009					
NODE				3007			3008			3008			3009		
NAME TITLE				SHEAR	TORQUE	MOMENT	SHEAR	TORQUE	MOMENT	SHEAR	TORQUE	MOMENT	SHEAR	TORQUE	MOMENT
				S2 (kN)	TQ (kN·m)	M3 (kN·m)	S2 (kN)	TQ (kN·m)	M3 (kN·m)	S2 (kN)	TQ (kN·m)	M3 (kN·m)	S2 (kN)	TQ (kN·m)	M3 (kN·m)
124	SUM TOTAL	D+2LANES (casMAX	S2	271.65	-562.57	30729.80	-3.27	-562.57	31363.52	-3.27	-488.08	31364.76	-275.47	-488.08	30701.16
			TQ	76.37	315.03	30168.38	-198.54	315.03	29875.94	-198.54	385.99	29875.90	-470.74	385.99	28286.14
			M3	165.37	-191.35	33125.54	-85.52	-293.70	33289.00	-85.52	-214.64	33289.61	-348.25	-254.82	32260.10
		MIN	S2	70.94	294.99	30703.00	-203.97	294.99	30384.79	-203.97	367.15	30384.00	-476.17	367.15	28768.46
			TQ	269.01	-578.78	31091.50	-5.91	-578.78	31712.70	-5.91	-503.47	31713.19	-278.11	-503.47	31037.06
			M3	148.20	135.21	26753.00	-126.71	135.21	26801.23	-126.71	198.86	26800.83	-398.91	198.86	25551.73
		D+2LANES (casMAX	S2	300.37	-407.75	31240.22	23.04	-407.92	31900.49	23.04	-332.16	31901.37	-252.40	-329.44	31240.84
			TQ	62.19	218.51	30417.21	-215.83	218.51	30046.45	-215.83	289.87	30045.84	-488.03	289.87	28374.07
			M3	183.23	-106.96	33406.32	-58.04	-218.17	33560.28	-58.04	-138.46	33560.71	-340.49	-177.81	32565.30
		MIN	S2	47.82	201.85	30999.93	-230.89	202.02	30667.01	-230.89	274.86	30666.44	-506.06	272.14	29030.19
			TQ	291.39	-417.45	31115.40	13.37	-417.45	31839.08	13.37	-341.84	31839.98	-265.05	-341.84	31240.53
			M3	147.91	79.61	26755.84	-127.00	79.61	26802.68	-127.00	143.26	26802.42	-399.20	143.26	25551.94
		D+2LANES (casMAX	S2	654.36	3.26	32668.18	202.77	50.56	33168.10	202.77	129.33	33167.89	-199.18	153.93	31538.12
			TQ	324.42	97.11	30562.96	38.49	97.11	31433.83	38.51	171.98	31618.65	-295.37	171.98	31007.63
			M3	590.01	-26.00	33710.18	110.77	18.56	34479.90	110.77	100.45	34479.75	-484.38	115.86	32932.60
		MIN	S2	3.88	-109.78	31188.95	-403.86	-85.08	31917.11	-403.86	-9.28	31917.22	-852.07	40.79	30489.38
			TQ	95.12	-123.72	31502.43	-239.56	-123.72	31143.89	-239.58	-49.96	30958.96	-520.65	-49.96	29152.49
			M3	147.03	-61.83	26761.98	-127.88	-61.83	26804.66	-127.88	1.84	26804.74	-400.08	1.84	25550.10
		D+2LANES (casMAX	S2	310.92	392.31	31635.87	29.45	451.14	32176.17	29.45	527.56	32175.01	-234.62	538.08	31473.71
			TQ	288.39	527.25	30880.39	11.42	527.25	31591.11	12.96	602.35	31665.10	-263.41	602.35	31068.67
			M3	209.30	125.34	33329.22	-41.21	257.50	33618.55	-41.21	337.35	33617.84	-305.56	371.08	32704.59
		MIN	S2	63.21	-280.10	31053.61	-205.81	-270.60	30911.27	-205.81	-197.18	30911.82	-486.42	-135.97	29560.11
			TQ	88.25	-361.06	30346.47	-188.68	-361.06	30103.23	-190.21	-289.65	30028.68	-462.41	-289.65	28478.41
			M3	146.09	-181.09	26765.49	-128.82	-181.09	26803.73	-128.82	-117.43	26804.09	-401.02	-117.43	25545.00

BAGO RIVER BRIDGE

BLOCK [ No.1 : MAIN GIRDER ][ BEAM MEMBER FORCE ]

MEMBER				3007			3008			3008			3009			
NODE				3007			3008			3008			3009			
NAME TITLE				SHEAR	TORQUE	MOMENT	SHEAR	TORQUE	MOMENT	SHEAR	TORQUE	MOMENT	SHEAR	TORQUE	MOMENT	
				S2 (kN)	TQ (kN·m)	M3 (kN·m)	S2 (kN)	TQ (kN·m)	M3 (kN·m)	S2 (kN)	TQ (kN·m)	M3 (kN·m)	S2 (kN)	TQ (kN·m)	M3 (kN·m)	
124	SUM TOTAL	D+3LANES (casMAX	S2	317.33	-605.95	31862.73	40.37	-606.09	32619.92	40.37	-528.61	32621.26	-234.59	-526.30	32061.16	
			TQ	36.98	347.61	31016.56	-240.57	347.61	30527.92	-240.57	420.11	30527.68	-512.77	420.11	28738.57	
			M3	181.16	-188.51	34772.83	-63.40	-317.23	34930.66	-63.40	-234.26	34931.32	-342.85	-282.90	33923.82	
		MIN	S2	24.03	322.56	31694.78	-254.11	322.70	31234.78	-254.11	396.88	31233.93	-528.84	394.57	29471.50	
			TQ	308.16	-626.05	31999.17	30.61	-626.05	32802.94	30.61	-548.14	32803.66	-246.88	-548.14	32288.18	
			M3	138.48	145.23	26474.45	-136.44	145.23	26476.56	-136.44	208.11	26476.14	-408.64	208.11	25180.93	
		D+3LANES (casMAX	S2	698.79	73.07	33926.90	239.60	155.03	34419.65	239.60	236.78	34419.19	-167.56	284.15	32744.26	
			TQ	356.45	243.75	31455.58	64.20	243.75	32470.84	64.22	321.05	32627.53	-276.10	321.05	32122.76	
			M3	622.75	15.39	35259.57	133.44	94.82	36079.94	133.44	180.51	36079.61	-483.09	208.50	34538.59	
		MIN	S2	-26.27	-180.41	32027.75	-439.92	-126.58	32834.11	-439.92	-48.60	32834.32	-891.86	41.51	31419.79	
			TQ	71.43	-204.22	31971.64	-262.47	-204.22	31494.86	-262.49	-129.60	31337.89	-542.23	-129.60	29426.09	
			M3	136.89	-107.06	26485.22	-138.02	-107.06	26479.82	-138.02	-44.17	26480.00	-410.22	-44.17	25177.27	
		D+3LANES (casMAX	S2	429.89	380.07	33067.41	106.01	466.61	33628.45	106.01	546.47	33627.24	-193.13	576.18	32711.11	
			TQ	327.18	567.78	31651.72	40.44	567.78	32534.86	42.78	645.15	32621.11	-253.33	645.15	32119.57	
			M3	320.47	122.16	34957.12	14.99	271.00	35407.66	14.99	355.09	35406.92	-341.30	396.37	34368.36	
		MIN	S2	19.16	-309.43	31958.39	-285.25	-273.79	32031.11	-285.25	-197.72	32031.67	-611.88	-104.21	30656.85	
			TQ	71.23	-392.46	31125.72	-215.27	-392.46	30767.72	-216.79	-319.46	30697.32	-488.99	-319.46	29021.00	
			M3	136.27	-186.01	26487.46	-138.64	-186.01	26479.11	-138.64	-123.12	26479.47	-410.84	-123.12	25173.79	
		D+4LANES	MAX	S2	561.74	265.15	33053.72	164.99	335.60	33582.12	164.99	415.36	33581.23	-189.45	438.31	32301.12
			TQ	338.69	417.03	31436.02	52.45	417.03	32374.39	52.24	494.02	32470.06	-265.25	494.02	31962.88	
			M3	455.42	72.10	34817.98	59.11	186.87	35380.13	59.11	270.89	35379.59	-425.00	303.18	34018.40	
		MIN	S2	-2.43	-239.38	32255.57	-365.32	-213.27	32653.44	-365.32	-135.72	32653.86	-759.75	-60.89	31206.15	
			TQ	156.40	-298.51	31866.38	-253.09	-298.51	31395.71	-250.28	-224.07	31283.03	-528.24	-224.07	29433.54	
			M3	141.44	-138.99	26622.56	-133.47	-139.40	26638.73	-133.47	-76.13	26638.99	-405.67	-76.40	25357.82	

BAGO RIVER BRIDGE

BLOCK [ No.1 : MAIN GIRDER ][ BEAM MEMBER FORCE ]

MEMBER					3007			3008			3009						
NODE					3007			3008			3009						
					SHEAR	TORQUE	MOMENT	SHEAR	TORQUE	MOMENT	SHEAR	TORQUE	MOMENT				
NAME	TITLE				S2 (kN)	TQ (kN·m)	M3 (kN·m)	S2 (kN)	TQ (kN·m)	M3 (kN·m)	S2 (kN)	TQ (kN·m)	M3 (kN·m)				
124	SUM TOTAL	D+6LANES	MAX	S2	631.75	-92.04	35521.31	240.63	-47.22	36358.98	240.63	39.14	36358.99	-109.86	43.71	35453.55	
				TQ	206.96	591.34	32977.97	-79.18	591.34	33287.78	-81.16	670.60	33468.19	-388.32	670.60	32352.46	
				M3	455.24	-39.47	38720.96	65.93	-30.40	39265.62	65.93	62.84	39265.58	-397.04	69.52	38010.53	
			MIN	S2	-91.68	-20.61	34192.73	-451.54	-9.11	34151.50	-451.54	72.00	34151.43	-840.49	118.15	32348.51	
			TQ	198.81	-645.40	33627.21	-118.94	-645.40	33803.54	-118.70	-565.25	33687.90	-399.27	-565.25	32456.36		
			M3	114.89	-10.13	25840.58	-160.07	-14.44	25730.70	-160.07	46.69	25730.66	-432.29	43.21	24323.32		
			SUM TOTAL	MAX		698.79	591.34	38720.96	240.63	591.34	39265.62	240.63	670.60	39265.58	-109.86	670.60	38010.53
			MIN			-91.68	-645.40	25840.58	-451.54	-645.40	25730.70	-451.54	-565.25	25730.66	-891.86	-565.25	24323.32
		300	DEAD LOAD	TOTAL		182.87	-30.23	27772.50	-92.04	-30.23	27985.17	-92.04	36.24	27985.16	-364.24	36.24	26900.51
301	LIVE LOAD	1-LANE (case1MAX	S2	48.83	-359.75	1613.18	48.83	-359.75	1844.79	48.83	-355.37	1845.64	48.83	-355.37	2077.24		
			TQ	-61.14	234.93	1406.20	-61.14	234.93	1116.23	-61.14	237.59	1116.62	-61.14	237.59	826.64		
			M3	-2.84	-131.38	3122.24	-0.38	-179.65	3115.27	-0.38	-172.25	3115.68	1.69	-193.69	3117.52		
			MIN	S2	-62.19	219.55	1664.43	-62.19	219.55	1369.48	-62.19	222.80	1368.96	-62.19	222.80	1074.01	
			TQ	46.66	-376.49	1955.58	46.66	-376.49	2176.87	46.66	-371.32	2176.80	46.66	-371.32	2398.09		
			M3	-20.72	115.90	-612.56	-20.72	115.90	-710.82	-20.72	114.21	-711.09	-20.72	114.21	-809.36		
		1-LANE (case2MAX	S2	83.30	-173.96	2225.68	80.40	-174.16	2489.15	80.40	-168.25	2489.56	76.51	-164.99	2724.86		
			TQ	-78.16	119.11	1704.79	-81.89	119.11	1320.83	-81.89	122.24	1320.54	-81.89	122.24	932.16		
			M3	18.59	-30.11	3459.17	32.60	-89.01	3440.80	32.60	-80.83	3441.00	11.01	-101.28	3483.76		
			MIN	S2	-89.93	107.79	2020.74	-94.49	107.99	1708.15	-94.49	112.04	1707.89	-98.05	108.78	1388.09	
			TQ	73.52	-182.90	1984.26	69.79	-182.90	2328.52	69.79	-177.36	2328.95	62.33	-177.36	2642.26		
			M3	-21.07	49.18	-609.15	-21.07	49.18	-709.07	-21.07	47.49	-709.19	-21.07	47.49	-809.11		
		1-LANE (case3MAX	S2	297.42	-7.20	2961.19	185.41	7.86	3144.59	185.41	15.33	3144.57	102.39	21.34	2798.83		
			TQ	83.24	25.47	1529.75	83.24	25.47	1924.57	84.77	30.19	2057.24	50.46	30.19	2379.13		
			M3	257.12	-13.57	3585.67	127.46	-0.32	3932.45	127.46	9.02	3932.44	-78.56	13.42	3629.56		
			MIN	S2	-112.51	-21.20	2069.79	-197.86	-17.16	2390.35	-197.86	-11.49	2390.39	-310.87	3.16	2164.54	
			TQ	-53.78	-31.55	2733.87	-98.73	-31.55	2372.19	-100.26	-26.06	2239.52	-110.90	-26.06	1737.57		
			M3	-21.38	-1.79	-606.88	-21.38	-1.79	-708.27	-21.38	-3.48	-708.26	-21.38	-3.48	-809.65		

BAGO RIVER BRIDGE

BLOCK [ No.1 : MAIN GIRDER ][ BEAM MEMBER FORCE ]

MEMBER			3007			3008			3008			3009			
NODE			3007			3008			3008			3009			
NAME TITLE			SHEAR	TORQUE	MOMENT	SHEAR	TORQUE	MOMENT	SHEAR	TORQUE	MOMENT	SHEAR	TORQUE	MOMENT	
			S2 (kN)	TQ (kN·m)	M3 (kN·m)	S2 (kN)	TQ (kN·m)	M3 (kN·m)	S2 (kN)	TQ (kN·m)	M3 (kN·m)	S2 (kN)	TQ (kN·m)	M3 (kN·m)	
301	LIVE LOAD	1-LANE (case4MAX	S2	64.33	376.61	1896.98	65.87	378.38	2301.77	65.87	383.85	2300.87	85.59	352.99	2849.42
			TQ	60.45	388.84	1929.37	63.52	388.84	2219.65	63.84	394.14	2258.79	70.08	394.14	2576.23
			M3	-31.89	117.56	3287.84	11.84	206.18	3268.15	11.84	213.94	3267.65	66.53	229.71	3451.27
			MIN S2	-76.26	-165.60	2053.35	-59.61	-211.49	1511.26	-59.61	-207.90	1511.75	-58.61	-214.38	1152.96
			TQ	-60.26	-227.11	1497.07	-57.22	-227.11	1222.02	-57.54	-224.24	1182.49	-57.54	-224.24	909.58
			M3	-22.20	-107.71	-603.67	-22.20	-107.71	-708.97	-22.20	-109.40	-708.71	-22.20	-109.40	-814.01
		2-LANES (caseMAX	S2	88.77	-532.35	2957.30	88.77	-532.35	3378.35	88.77	-524.32	3379.60	88.77	-524.32	3800.65
			TQ	-106.50	345.26	2395.89	-106.50	345.26	1890.77	-106.50	349.75	1890.74	-106.50	349.75	1385.63
			M3	-17.50	-161.12	5353.05	6.52	-263.47	5303.83	6.52	-250.87	5304.44	15.99	-291.05	5359.59
			MIN S2	-111.93	325.22	2930.51	-111.93	325.22	2399.62	-111.93	330.92	2398.84	-111.93	330.92	1867.95
			TQ	86.13	-548.55	3319.01	86.13	-548.55	3727.53	86.13	-539.70	3728.03	86.13	-539.70	4136.55
			M3	-34.67	165.44	-1019.49	-34.67	165.44	-1183.94	-34.67	162.63	-1184.33	-34.67	162.63	-1348.78
		2-LANES (caseMAX	S2	117.50	-377.52	3467.72	115.08	-377.69	3915.32	115.08	-368.39	3916.21	111.84	-365.67	4340.33
			TQ	-120.68	248.74	2644.71	-123.79	248.74	2061.28	-123.79	253.63	2060.68	-123.79	253.63	1473.56
			M3	0.35	-76.73	5633.82	34.00	-187.94	5575.11	34.00	-174.70	5575.54	23.75	-214.05	5664.79
			MIN S2	-135.05	232.08	3227.43	-138.85	232.25	2681.84	-138.85	238.62	2681.28	-141.82	235.90	2129.68
			TQ	108.52	-387.23	3342.91	105.41	-387.23	3853.91	105.41	-378.07	3854.82	99.19	-378.07	4340.02
			M3	-34.96	109.84	-1016.65	-34.96	109.84	-1182.49	-34.96	107.03	-1182.74	-34.96	107.03	-1348.57
		2-LANES (caseMAX	S2	471.49	33.49	4895.68	294.81	80.79	5182.93	294.81	93.10	5182.73	165.06	117.70	4637.61
			TQ	141.55	127.34	2790.46	130.53	127.34	3448.66	130.55	135.75	3633.48	68.87	135.75	4107.12
			M3	407.14	4.23	5937.68	202.81	48.79	6494.73	202.81	64.22	6494.59	-120.13	79.62	6032.09
MIN S2	-178.99		-79.56	3416.45	-311.82	-54.85	3931.94	-311.82	-45.51	3932.06	-487.83	4.55	3588.87		
TQ	-87.76		-93.49	3729.93	-147.52	-93.49	3158.72	-147.54	-86.20	2973.80	-156.41	-86.20	2251.98		
M3	-35.84		-31.60	-1010.52	-35.84	-31.60	-1180.50	-35.84	-34.40	-1180.43	-35.84	-34.40	-1350.41		

BAGO RIVER BRIDGE

BLOCK [ No.1 : MAIN GIRDER ][ BEAM MEMBER FORCE ]

MEMBER			3007			3008			3008			3009				
NODE			3007			3008			3008			3009				
NAME TITLE			SHEAR	TORQUE	MOMENT	SHEAR	TORQUE	MOMENT	SHEAR	TORQUE	MOMENT	SHEAR	TORQUE	MOMENT		
			S2 (kN)	TQ (kN·m)	M3 (kN·m)	S2 (kN)	TQ (kN·m)	M3 (kN·m)	S2 (kN)	TQ (kN·m)	M3 (kN·m)	S2 (kN)	TQ (kN·m)	M3 (kN·m)		
301	LIVE LOAD	2-LANES (caseMAX	S2	128.04	422.54	3863.37	121.49	481.37	4191.00	121.49	491.32	4189.84	129.62	501.85	4573.20	
			TQ	105.52	557.48	3107.89	103.46	557.48	3605.94	105.00	566.12	3679.93	100.83	566.12	4168.16	
			M3	26.43	155.57	5556.72	50.83	287.73	5633.38	50.83	301.11	5632.68	58.68	334.85	5804.08	
			MIN	S2	-119.66	-249.87	3281.11	-113.77	-240.37	2926.10	-113.77	-233.42	2926.66	-122.18	-172.21	2659.60
			TQ	-94.62	-330.84	2573.97	-96.64	-330.84	2118.06	-98.17	-325.88	2043.52	-98.17	-325.88	1577.90	
			M3	-36.78	-150.86	-1007.01	-36.78	-150.86	-1181.44	-36.78	-153.67	-1181.08	-36.78	-153.67	-1355.51	
		3-LANES (caseMAX	S2	134.46	-575.72	4090.23	132.41	-575.86	4634.75	132.41	-564.85	4636.10	129.65	-562.54	5160.65	
			TQ	-145.89	377.84	3244.07	-148.53	377.84	2542.75	-148.53	383.88	2542.52	-148.53	383.88	1838.06	
			M3	-1.71	-158.28	7000.34	28.64	-287.00	6945.49	28.64	-270.50	6946.16	21.39	-319.14	7023.31	
			MIN	S2	-158.84	352.78	3922.29	-162.07	352.93	3249.61	-162.07	360.64	3248.76	-164.60	358.33	2570.99
			TQ	125.29	-595.82	4226.67	122.65	-595.82	4817.77	122.65	-584.38	4818.50	117.36	-584.38	5387.67	
			M3	-44.40	175.45	-1298.05	-44.40	175.45	-1508.61	-44.40	171.87	-1509.02	-44.40	171.87	-1719.58	
		3-LANES (caseMAX	S2	515.91	103.30	6154.40	331.64	185.26	6434.48	331.64	200.54	6434.02	196.68	247.92	5843.75	
			TQ	173.57	273.98	3683.08	156.24	273.98	4485.67	156.26	284.82	4642.37	88.14	284.82	5222.25	
			M3	439.88	45.62	7487.07	225.48	125.05	8094.77	225.48	144.27	8094.45	-118.85	172.27	7638.08	
			MIN	S2	-209.14	-150.18	4255.26	-347.88	-96.35	4848.94	-347.88	-84.83	4849.16	-527.62	5.28	4519.28
			TQ	-111.45	-173.99	4199.15	-170.43	-173.99	3509.69	-170.45	-165.84	3352.73	-177.99	-165.84	2525.58	
			M3	-45.98	-76.83	-1287.28	-45.98	-76.83	-1505.35	-45.98	-80.41	-1505.17	-45.98	-80.41	-1723.24	
		3-LANES (caseMAX	S2	247.01	410.29	5294.91	198.05	496.83	5643.28	198.05	510.24	5642.08	171.11	539.95	5810.60	
			TQ	144.31	598.01	3879.23	132.48	598.01	4549.69	134.82	608.91	4635.95	110.91	608.91	5219.06	
			M3	137.60	152.38	7184.62	107.03	301.23	7422.49	107.03	318.86	7421.76	22.94	360.13	7467.85	
			MIN	S2	-163.71	-279.20	4185.89	-193.21	-243.56	4045.94	-193.21	-233.95	4046.51	-247.64	-140.45	3756.34
			TQ	-111.64	-362.23	3353.23	-123.23	-362.23	2782.55	-124.75	-355.69	2712.16	-124.75	-355.69	2120.49	
			M3	-46.60	-155.78	-1285.03	-46.60	-155.78	-1506.06	-46.60	-159.36	-1505.69	-46.60	-159.36	-1726.72	

BAGO RIVER BRIDGE

BLOCK [ No.1 : MAIN GIRDER ][ BEAM MEMBER FORCE ]

MEMBER					3007			3008			3009					
NODE					3007			3008			3009					
NAME TITLE					SHEAR	TORQUE	MOMENT	SHEAR	TORQUE	MOMENT	SHEAR	TORQUE	MOMENT			
					S2 (kN)	TQ (kN·m)	M3 (kN·m)	S2 (kN)	TQ (kN·m)	M3 (kN·m)	S2 (kN)	TQ (kN·m)	M3 (kN·m)			
301	LIVE LOAD	4-LANES	MAX	S2	378.87	295.38	5281.23	257.03	365.83	5596.95	257.03	379.12	5596.07	174.79	402.07	5400.61
				TQ	155.82	447.26	3663.52	144.49	447.26	4389.22	144.28	457.78	4484.90	98.99	457.78	5062.37
				M3	272.54	102.33	7045.48	151.15	217.10	7394.96	151.15	234.66	7394.43	-60.76	266.95	7117.89
		MIN	S2	-185.30	-209.16	4483.07	-273.28	-183.04	4668.27	-273.28	-171.95	4668.69	-395.50	-97.13	4305.64	
			TQ	-26.47	-268.28	4093.88	-161.05	-268.28	3410.54	-158.24	-260.30	3297.87	-164.00	-260.30	2533.03	
			M3	-41.43	-108.76	-1149.94	-41.43	-109.17	-1346.44	-41.43	-112.37	-1346.18	-41.43	-112.64	-1542.69	
	6-LANES	MAX	S2	448.88	-61.81	7748.81	332.67	-16.99	8373.81	332.67	2.90	8373.83	254.38	7.47	8553.04	
			TQ	24.09	621.57	5205.48	12.86	621.57	5302.61	10.88	634.37	5483.03	-24.08	634.37	5451.95	
			M3	272.37	-9.24	10948.46	157.97	-0.17	11280.45	157.97	26.61	11280.42	-32.80	33.28	11110.02	
		MIN	S2	-274.55	9.62	6420.23	-359.50	21.12	6166.33	-359.50	35.76	6166.27	-476.25	81.91	5448.00	
			TQ	15.94	-615.17	5854.71	-26.90	-615.17	5818.37	-26.66	-601.49	5702.73	-35.03	-601.49	5555.85	
			M3	-67.99	20.10	-1931.92	-68.03	15.79	-2254.47	-68.03	10.46	-2254.50	-68.05	6.97	-2577.19	
	LIVE LOAD	MAX		515.91	621.57	10948.46	332.67	621.57	11280.45	332.67	634.37	11280.42	254.38	634.37	11110.02	
		MIN		-274.55	-615.17	-1931.92	-359.50	-615.17	-2254.47	-359.50	-601.49	-2254.50	-527.62	-601.49	-2577.19	
303	SUM TOTAL	TOTAL	MAX		698.79	591.34	38720.96	240.63	591.34	39265.62	240.63	670.60	39265.58	-109.86	670.60	38010.53
			MIN		-91.68	-645.40	25840.58	-451.54	-645.40	25730.70	-451.54	-565.25	25730.66	-891.86	-565.25	24323.32

BAGO RIVER BRIDGE

BLOCK [ No.1 : MAIN GIRDER ] [ BEAM MEMBER FORCE ]

MEMBER NODE	3009	3010			3010			3010			3011				
		SHEAR	TORQUE	MOMENT	SHEAR	TORQUE	MOMENT	SHEAR	TORQUE	MOMENT	SHEAR	TORQUE	MOMENT		
		S2 (kN)	TQ (kN·m)	M3 (kN·m)	S2 (kN)	TQ (kN·m)	M3 (kN·m)	S2 (kN)	TQ (kN·m)	M3 (kN·m)	S2 (kN)	TQ (kN·m)	M3 (kN·m)		
1	PAVEMENT	-65.32	-2.67	4941.18	-119.14	-2.67	4503.12	-119.14	8.03	4503.11	-172.17	8.03	3811.70		
3	RAILING	-3.51	0.52	121.84	-2.76	0.52	106.91	-2.76	0.77	106.91	-2.00	0.77	95.56		
5	CURB	-34.76	5.13	1206.23	-27.35	5.13	1058.41	-27.35	7.64	1058.39	-19.80	7.64	946.06		
7	DECK WEIGHT	-102.24	14.66	7710.61	-183.61	14.66	7031.71	-183.61	31.36	7031.65	-263.83	31.36	5969.61		
8	GIRDER WEIGH	-119.35	181.96	9108.02	-208.03	181.96	8331.66	-208.03	201.74	8331.21	-296.71	201.74	7134.25		
10	MEDIAN STRIP	-2.51	54.26	1536.00	-31.30	54.26	1455.83	-31.30	57.71	1455.70	-60.09	57.71	1238.97		
21	ADITIONAL WE	-28.63	4.11	2158.97	-51.41	4.11	1968.88	-51.41	8.78	1968.86	-73.87	8.78	1671.49		
31	MEDIAN RAILI	-0.39	4.38	117.45	-2.72	4.38	110.09	-2.72	4.64	110.08	-5.04	4.64	91.67		
51	SUPPORT WEIG	-0.00	-0.00	-0.00	-0.00	-0.00	-0.00	-0.00	-0.00	-0.00	-0.00	-0.00	-0.00		
52	NOSE WEIGHT	0.04	0.53	-0.64	0.04	0.53	-0.47	0.04	0.53	-0.47	0.04	0.53	-0.29		
61	1-LANE(case1TRUCK-LOAD	MAX	S2	13.55	-67.30	508.19	13.55	-67.30	572.47	13.55	-65.94	572.63	13.55	-65.94	636.90
			TQ	-42.03	227.66	1023.41	-42.03	227.66	824.09	-42.03	229.62	823.54	-42.03	229.62	624.22
			M3	-27.33	174.00	1128.11	-21.00	125.46	1018.88	-21.00	127.88	1018.58	-19.09	109.18	927.45
		MIN	S2	-42.21	227.35	984.87	-42.21	227.35	784.68	-42.21	229.22	784.13	-42.21	229.22	583.94
			TQ	13.46	-67.60	527.99	13.46	-67.60	591.84	13.46	-66.20	592.00	13.46	-66.20	655.84
			M3	-8.16	30.44	-307.29	-8.16	30.44	-346.00	-8.16	29.61	-346.07	-8.16	29.61	-384.78
		TANDEM-LOAD MAX	S2	9.84	-46.73	317.40	9.84	-46.73	364.05	9.84	-45.86	364.16	9.84	-45.86	410.81
			TQ	-29.25	156.64	717.01	-29.25	156.64	578.29	-29.25	158.01	577.92	-29.25	158.01	439.19
			M3	-21.70	135.21	765.69	-14.62	98.84	692.67	-12.42	65.71	692.49	-12.42	65.71	633.57
		MIN	S2	-29.25	156.64	717.01	-29.25	156.64	578.29	-29.25	158.01	577.92	-29.25	158.01	439.19
			TQ	8.99	-47.23	420.74	8.99	-47.23	463.36	8.99	-46.12	463.47	8.99	-46.12	506.09
			M3	-5.56	20.98	-209.30	-5.56	20.98	-235.65	-5.56	20.42	-235.70	-5.56	20.42	-262.05
		DISPERSION-LMAX	S2	11.39	-31.12	462.79	11.39	-31.12	516.82	11.39	-29.89	516.89	11.39	-29.89	570.92
			TQ	-39.78	206.13	568.30	-39.78	206.13	379.63	-39.83	207.04	386.43	-39.83	207.04	197.51
			M3	-18.89	137.08	1470.19	-18.89	137.08	1380.62	-18.89	140.36	1380.29	-18.89	140.36	1290.72
		MIN	S2	-40.14	204.37	640.20	-40.14	204.37	449.83	-40.14	205.44	449.34	-40.14	205.44	258.97
			TQ	11.03	-32.88	534.70	11.03	-32.88	587.02	11.08	-31.50	579.81	11.08	-31.50	632.38
			M3	-9.86	36.17	-367.19	-9.86	36.17	-413.97	-9.86	35.18	-414.05	-9.86	35.18	-460.82



BAGO RIVER BRIDGE

BLOCK [ No.1 : MAIN GIRDER ][ BEAM MEMBER FORCE ]

MEMBER				3009			3010			3011					
NODE				3009			3010			3010			3011		
				SHEAR	TORQUE	MOMENT	SHEAR	TORQUE	MOMENT	SHEAR	TORQUE	MOMENT	SHEAR	TORQUE	MOMENT
NAME	TITLE			S2 (kN)	TQ (kN·m)	M3 (kN·m)	S2 (kN)	TQ (kN·m)	M3 (kN·m)	S2 (kN)	TQ (kN·m)	M3 (kN·m)	S2 (kN)	TQ (kN·m)	M3 (kN·m)
62	1-LANE (case2TRUCK-LOAD	MAX	S2	28.57	-27.57	866.25	28.57	-27.57	1001.74	28.57	-25.19	1001.80	28.57	-25.19	1137.29
			TQ	-52.19	112.50	1164.41	-52.19	112.50	916.85	-52.19	114.68	916.58	-52.19	114.68	669.03
			M3	-31.22	95.81	1411.69	-20.31	54.83	1267.31	-20.31	57.84	1267.17	-1.87	6.28	1200.79
		MIN	S2	-60.34	103.27	1389.19	-60.34	103.27	1102.99	-60.34	105.89	1102.74	-60.34	105.89	816.54
			TQ	22.66	-36.63	653.06	22.66	-36.63	760.55	22.66	-34.82	760.63	22.66	-34.82	868.13
			M3	-8.43	11.04	-308.00	-8.43	11.04	-348.00	-8.43	10.21	-348.02	-8.43	10.21	-388.01
		TANDEM-LOAD MAX	S2	20.12	-13.12	660.22	20.12	-13.12	755.66	20.12	-11.32	755.69	20.12	-11.32	851.13
			TQ	-39.66	76.94	869.58	-39.66	76.94	681.48	-39.66	78.56	681.30	-39.66	78.56	493.20
			M3	-24.78	64.41	1006.12	-13.32	30.58	893.23	-13.32	32.71	893.15	0.82	-4.68	858.44
		MIN	S2	-42.32	64.41	1006.12	-42.32	64.41	805.40	-42.32	66.33	805.24	-42.32	66.33	604.52
			TQ	18.91	-25.82	501.86	18.91	-25.82	591.57	18.91	-24.41	591.63	18.91	-24.41	681.34
			M3	-5.74	7.62	-209.81	-5.74	7.62	-237.04	-5.74	7.06	-237.06	-5.74	7.06	-264.29
		DISPERSION-LMAX	S2	19.84	-14.07	724.97	18.21	-16.97	732.98	18.21	-15.23	733.02	15.96	-16.23	709.99
			TQ	-37.21	95.50	531.00	-43.42	95.50	339.80	-41.65	96.36	412.89	-47.25	96.36	201.32
			M3	-10.30	64.49	1489.87	-16.51	64.49	1426.29	-16.51	67.88	1426.14	-22.73	67.88	1333.08
MIN	S2	-40.12	91.74	398.67	-44.71	94.64	279.73	-44.71	95.31	279.51	-48.68	96.31	162.11		
	TQ	16.92	-17.82	592.64	16.92	-17.82	672.91	15.16	-16.28	599.63	14.53	-16.28	670.78		
	M3	-9.99	13.18	-366.22	-9.99	13.18	-413.58	-9.99	12.20	-413.61	-9.99	12.20	-460.98		
63	1-LANE (case3TRUCK-LOAD	MAX	S2	175.08	-1.62	1503.80	103.12	7.65	1556.30	103.12	11.35	1556.28	47.30	15.64	1256.10
			TQ	43.65	13.22	787.75	43.65	13.22	994.78	47.30	15.64	1031.75	47.30	15.64	1256.10
			M3	86.27	-5.46	1549.27	24.53	-0.76	1632.06	24.53	3.12	1632.06	-47.13	12.17	1336.15
		MIN	S2	-78.41	-5.45	1520.97	-134.56	-2.65	1603.44	-134.56	1.16	1603.44	-206.59	10.22	1321.54
			TQ	-57.30	-5.46	1549.27	-91.95	-5.46	1262.09	-8.58	-4.64	-347.04	-8.58	-4.64	-387.72
			M3	-8.66	-3.77	-308.73	-8.66	-3.77	-349.78	-8.66	-4.60	-349.77	-8.66	-4.60	-390.83

BAGO RIVER BRIDGE

BLOCK [ No.1 : MAIN GIRDER ][ BEAM MEMBER FORCE ]

MEMBER		3009			3010			3010			3011					
NODE		3009			3010			3010			3011					
		SHEAR	TORQUE	MOMENT	SHEAR	TORQUE	MOMENT	SHEAR	TORQUE	MOMENT	SHEAR	TORQUE	MOMENT			
NAME	TITLE	S2 (kN)	TQ (kN·m)	M3 (kN·m)	S2 (kN)	TQ (kN·m)	M3 (kN·m)	S2 (kN)	TQ (kN·m)	M3 (kN·m)	S2 (kN)	TQ (kN·m)	M3 (kN·m)			
63	1-LANE (case3TANDEM-LOAD	MAX	S2	142.41	-4.09	1188.59	91.93	2.13	1253.35	91.93	5.11	1253.34	43.84	10.94	1028.55	
			TQ	22.66	9.47	504.21	22.66	9.47	611.68	43.84	10.94	820.63	43.84	10.94	1028.55	
			M3	43.54	-4.67	1191.13	-4.15	0.40	1260.30	-4.15	3.39	1260.29	-55.01	10.10	1038.38	
		MIN	S2	-65.38	-4.67	1191.13	-113.04	0.40	1260.30	-113.04	3.39	1260.29	-163.89	10.10	1038.38	
			TQ	-65.38	-4.67	1191.13	-65.38	-4.67	881.05	-5.88	-3.16	-237.77	-5.88	-3.16	-265.67	
			M3	-5.90	-2.58	-210.32	-5.90	-2.58	-238.29	-5.90	-3.14	-238.28	-5.90	-3.14	-266.25	
		DISPERSION-LMAX	S2	50.73	6.47	825.90	29.50	6.78	785.83	29.50	8.65	785.81	16.97	7.34	679.19	
			TQ	18.78	15.68	981.58	4.47	15.68	1038.38	4.35	18.27	1126.70	-33.08	18.27	1058.55	
			M3	22.52	10.11	1471.96	-14.92	10.11	1489.96	-14.92	13.65	1489.93	-52.36	13.65	1330.36	
		MIN	S2	-38.37	-0.84	280.15	-54.59	-1.14	290.04	-54.59	-0.45	290.04	-79.49	0.85	188.89	
			TQ	-6.42	-10.05	124.48	-29.56	-10.05	37.48	-29.44	-10.08	-50.85	-29.44	-10.08	-190.47	
			M3	-10.16	-4.47	-365.90	-10.16	-4.47	-414.10	-10.16	-5.45	-414.08	-10.16	-5.45	-462.28	
64	1-LANE (case4TRUCK-LOAD	MAX	S2	20.84	78.96	726.66	20.84	78.96	825.50	20.84	80.92	825.31	33.23	45.43	1086.54	
			TQ	19.77	83.30	592.09	19.77	83.30	685.86	19.77	84.93	685.66	19.77	84.93	779.42	
			M3	-33.43	-171.92	1310.55	-26.77	-166.87	1160.43	-26.77	-164.12	1160.83	24.50	-41.72	1153.32	
		MIN	S2	-52.57	-182.82	1301.80	-41.83	-220.24	1028.24	-41.83	-217.79	1028.76	-41.83	-217.79	830.37	
			TQ	-41.54	-226.45	1129.08	-41.54	-226.45	932.07	-41.27	-224.26	917.86	-41.27	-224.26	722.12	
			M3	-9.18	-34.73	-310.77	-9.18	-34.73	-354.32	-9.18	-35.57	-354.24	-9.18	-35.57	-397.80	
		TANDEM-LOAD	MAX	S2	14.66	57.81	462.52	14.66	57.81	532.05	14.66	59.08	531.91	30.79	3.71	772.69
			TQ	14.36	59.03	424.97	14.36	59.03	493.08	14.36	60.20	492.94	14.36	60.20	561.05	
			M3	-25.96	-135.40	893.45	-17.27	-108.31	802.36	-17.27	-106.41	802.61	11.91	-38.60	795.98	
		MIN	S2	-43.32	-96.57	880.47	-29.09	-153.63	680.12	-29.09	-152.01	680.48	-29.09	-152.01	542.52	
			TQ	-29.01	-155.36	790.85	-29.01	-155.36	653.28	-29.01	-153.81	653.64	-29.01	-153.81	516.07	
			M3	-6.26	-23.94	-211.75	-6.26	-23.94	-241.45	-6.26	-24.51	-241.40	-6.26	-24.51	-271.10	

BAGO RIVER BRIDGE

BLOCK [ No.1 : MAIN GIRDER ][ BEAM MEMBER FORCE ]

MEMBER NODE	3009	3010			3010			3011							
		SHEAR	TORQUE	MOMENT	SHEAR	TORQUE	MOMENT	SHEAR	TORQUE	MOMENT					
		S2 (kN)	TQ (kN·m)	M3 (kN·m)	S2 (kN)	TQ (kN·m)	M3 (kN·m)	S2 (kN)	TQ (kN·m)	M3 (kN·m)					
64	1-LANE (case4DISPERSION-LMAX	S2	15.34	42.01	585.49	15.88	37.94	700.98	15.88	39.61	700.89	19.56	37.26	865.58	
		TQ	15.23	42.35	565.89	15.23	42.35	638.15	15.23	43.87	638.04	15.23	43.87	710.30	
		M3	-17.74	-123.86	1570.06	-12.43	-123.86	1498.40	-12.43	-120.30	1498.69	-7.01	-120.30	1452.47	
	MIN	S2	-44.05	-207.08	617.16	-39.27	-203.01	378.00	-39.27	-202.11	378.49	-37.54	-199.76	115.57	
		TQ	-43.94	-207.42	636.76	-38.63	-207.42	440.84	-38.63	-206.37	441.33	-33.21	-206.37	270.85	
		M3	-10.97	-41.21	-367.41	-10.97	-41.21	-419.41	-10.97	-42.20	-419.31	-10.97	-42.20	-471.32	
65	2-LANES (caseTRUCK-LOAD	MAX	S2	29.92	-116.93	1200.38	29.92	-116.93	1342.30	29.92	-113.75	1342.58	29.92	-113.75	1484.50
		TQ	-85.29	398.21	2035.26	-85.29	398.21	1630.75	-85.29	402.08	1629.80	-85.29	402.08	1225.29	
		M3	-69.57	311.39	2405.45	-45.78	208.09	2141.16	-45.78	213.18	2140.66	-20.84	129.24	1994.42	
	MIN	S2	-89.26	392.96	2166.96	-89.26	392.96	1743.61	-89.26	397.10	1742.67	-89.26	397.10	1319.33	
		TQ	28.06	-119.43	1081.16	28.06	-119.43	1214.24	28.06	-116.54	1214.52	28.06	-116.54	1347.60	
		M3	-16.46	51.20	-614.91	-16.46	51.20	-692.97	-16.46	49.55	-693.09	-16.46	49.55	-771.14	
	TANDEM-LOAD	MAX	S2	21.47	-77.99	850.13	21.47	-77.99	951.97	21.47	-75.73	952.15	21.47	-75.73	1053.99
		TQ	-59.60	274.12	1426.78	-59.60	274.12	1144.10	-59.60	276.83	1143.45	-59.60	276.83	860.77	
		M3	-50.39	225.87	1649.77	-28.58	146.72	1460.95	-26.38	115.42	1460.66	-9.59	68.92	1371.39	
	MIN	S2	-62.27	269.43	1544.68	-62.27	269.43	1249.35	-62.27	272.40	1248.70	-62.27	272.40	953.36	
		TQ	19.56	-84.08	816.57	19.56	-84.08	909.35	19.56	-81.92	909.55	19.56	-81.92	1002.33	
		M3	-11.20	35.30	-418.84	-11.20	35.30	-471.98	-11.20	34.18	-472.06	-11.20	34.18	-525.20	
	DISPERSION-LMAX	S2	25.00	-57.48	1051.34	25.00	-57.48	1169.92	25.00	-54.70	1170.05	25.00	-54.70	1288.63	
		TQ	-80.85	358.19	1131.71	-80.85	358.19	748.25	-80.89	359.98	756.09	-80.89	359.98	372.45	
		M3	-36.56	237.87	2953.96	-36.56	237.87	2780.54	-36.56	244.47	2779.96	-36.56	244.47	2606.54	
	MIN	S2	-81.34	356.23	1168.74	-81.34	356.23	782.94	-81.34	358.09	782.10	-81.34	358.09	396.30	
		TQ	24.51	-59.44	1088.38	24.51	-59.44	1204.61	24.55	-56.59	1196.06	24.55	-56.59	1312.48	
		M3	-19.78	60.88	-733.87	-19.78	60.88	-827.67	-19.78	58.92	-827.82	-19.78	58.92	-921.62	

BAGO RIVER BRIDGE

BLOCK [ No.1 : MAIN GIRDER ][ BEAM MEMBER FORCE ]

MEMBER				3009			3010			3011					
NODE				3009			3010			3010			3011		
				SHEAR	TORQUE	MOMENT	SHEAR	TORQUE	MOMENT	SHEAR	TORQUE	MOMENT	SHEAR	TORQUE	MOMENT
NAME	TITLE			S2 (kN)	TQ (kN·m)	M3 (kN·m)	S2 (kN)	TQ (kN·m)	M3 (kN·m)	S2 (kN)	TQ (kN·m)	M3 (kN·m)	S2 (kN)	TQ (kN·m)	M3 (kN·m)
66	2-LANES (caseTRUCK-LOAD	MAX	S2	44.94	-77.21	1558.44	44.94	-77.21	1771.57	44.94	-73.00	1771.75	44.94	-73.00	1984.88
			TQ	-95.46	283.04	2176.26	-95.46	283.04	1723.52	-95.46	287.13	1722.84	-95.46	287.13	1270.11
			M3	-73.46	233.21	2689.03	-45.09	137.46	2389.59	-45.09	143.13	2389.25	-3.62	26.33	2267.77
		MIN	S2	-107.39	268.88	2571.28	-107.39	268.88	2061.93	-107.39	273.77	2061.28	-107.39	273.77	1551.93
			TQ	37.26	-88.45	1206.23	37.26	-88.45	1382.96	37.26	-85.17	1383.16	37.26	-85.17	1559.89
			M3	-16.73	31.80	-615.63	-16.73	31.80	-694.96	-16.73	30.15	-695.04	-16.73	30.15	-774.37
		TANDEM-LOAD MAX	S2	31.76	-44.38	1192.95	31.76	-44.38	1343.58	31.76	-41.19	1343.69	31.76	-41.19	1494.32
			TQ	-70.01	194.42	1579.35	-70.01	194.42	1247.30	-70.01	197.38	1246.83	-70.01	197.38	914.77
			M3	-53.48	155.07	1890.20	-27.28	78.47	1661.51	-27.28	82.42	1661.32	3.65	-1.47	1596.26
		MIN	S2	-75.34	177.20	1833.79	-75.34	177.20	1476.45	-75.34	180.71	1476.03	-75.34	180.71	1118.69
			TQ	29.49	-62.68	897.70	29.49	-62.68	1037.56	29.49	-60.21	1037.71	29.49	-60.21	1177.58
			M3	-11.39	21.94	-419.35	-11.39	21.94	-473.37	-11.39	20.82	-473.42	-11.39	20.82	-527.44
		DISPERSION-LMAX	S2	33.45	-40.43	1313.52	31.82	-43.33	1386.07	31.82	-40.04	1386.17	29.57	-41.04	1427.69
			TQ	-78.27	247.55	1094.41	-84.49	247.55	708.42	-82.71	249.30	782.56	-88.31	249.30	376.26
			M3	-27.97	165.28	2973.63	-34.19	165.28	2826.21	-34.19	171.99	2825.81	-40.41	171.99	2648.90
MIN	S2	-81.32	243.60	927.21	-85.91	246.50	612.85	-85.91	247.96	612.26	-89.88	248.96	299.44		
	TQ	30.40	-44.38	1146.33	30.40	-44.38	1290.50	28.62	-41.38	1215.88	28.00	-41.38	1350.87		
	M3	-19.90	37.89	-732.90	-19.90	37.89	-827.29	-19.90	35.93	-827.38	-19.90	35.93	-921.77		
67	2-LANES (caseTRUCK-LOAD	MAX	S2	327.24	-34.50	2976.46	192.66	8.62	3062.36	192.66	15.89	3062.33	89.36	44.14	2490.94
			TQ	63.42	46.64	1428.87	63.42	46.64	1729.66	67.07	50.81	1766.55	67.07	50.81	2084.67
			M3	159.90	-60.66	3065.69	44.88	-30.47	3210.69	44.88	-22.85	3210.75	-88.21	19.82	2648.96
		MIN	S2	-149.44	-65.00	3012.74	-253.03	-40.74	3157.63	-253.03	-33.24	3157.72	-386.01	9.40	2622.96
			TQ	-103.80	-68.91	2677.50	-138.45	-68.91	2169.80	-55.07	-65.94	560.82	-55.07	-65.94	299.61
			M3	-17.48	-17.51	-618.07	-17.48	-17.51	-700.98	-17.48	-19.18	-700.94	-17.48	-19.18	-783.84

BAGO RIVER BRIDGE

BLOCK [ No.1 : MAIN GIRDER ][ BEAM MEMBER FORCE ]

MEMBER		3009			3010			3010			3011						
NODE		3009			3010			3010			3011						
		SHEAR	TORQUE	MOMENT	SHEAR	TORQUE	MOMENT	SHEAR	TORQUE	MOMENT	SHEAR	TORQUE	MOMENT				
NAME	TITLE	S2 (kN)	TQ (kN·m)	M3 (kN·m)	S2 (kN)	TQ (kN·m)	M3 (kN·m)	S2 (kN)	TQ (kN·m)	M3 (kN·m)	S2 (kN)	TQ (kN·m)	M3 (kN·m)				
67	2-LANES (caseTANDEM-LOAD	MAX	S2	266.39	-37.45	2337.06	171.62	-7.92	2450.74	171.62	-2.10	2450.75	82.06	26.24	2023.03		
			TQ	39.39	32.47	995.48	39.39	32.47	1182.29	60.57	35.29	1391.18	60.57	35.29	1678.44		
			M3	80.72	-42.00	2342.47	-8.25	-15.77	2464.81	-8.25	-9.92	2464.84	-102.58	21.00	2042.81		
		MIN	S2	-123.67	-42.00	2342.47	-211.96	-15.77	2464.81	-211.96	-9.92	2464.84	-305.64	21.00	2042.81		
			TQ	-101.30	-48.90	2035.13	-101.30	-48.90	1554.67	-41.80	-45.79	435.94	-41.80	-45.79	237.67		
			M3	-11.91	-12.04	-421.08	-11.91	-12.04	-477.56	-11.91	-13.17	-477.53	-11.91	-13.17	-534.02		
			DISPERSION-LMAX	S2	96.98	20.48	1656.86	57.20	25.06	1572.27	57.20	28.80	1572.21	33.75	27.17	1364.33	
				TQ	40.07	34.57	1567.96	25.76	34.57	1725.72	26.50	38.79	1825.61	-29.41	38.79	1835.32	
				M3	41.29	-14.03	2961.04	-29.02	-14.03	2989.85	-29.02	-6.93	2989.88	-99.10	-6.93	2685.76	
			MIN	S2	-76.24	-55.39	572.03	-106.78	-59.97	587.96	-106.78	-58.58	588.10	-153.40	-56.95	394.39	
				TQ	-19.33	-69.48	660.93	-75.33	-69.48	434.51	-76.07	-68.57	334.70	-90.24	-68.57	-76.61	
				M3	-20.55	-20.88	-732.15	-20.55	-20.88	-829.62	-20.55	-22.85	-829.57	-20.55	-22.85	-927.04	
		68	2-LANES (caseTRUCK-LOAD	MAX	S2	51.26	3.08	2077.65	48.55	65.67	2090.78	48.55	70.64	2090.62	57.51	83.80	2232.26
					TQ	36.91	144.67	1152.86	36.91	144.67	1327.91	36.91	147.83	1327.56	36.91	147.83	1502.62
					M3	-36.67	-296.18	2699.41	-32.81	-236.91	2479.16	-32.81	-231.02	2479.71	14.94	-46.39	2368.24
MIN	S2			-99.81	-318.88	2677.17	-92.69	-307.07	2338.74	-92.69	-301.52	2339.46	-96.90	-238.88	2042.25		
	TQ			-81.79	-392.21	2198.34	-81.79	-392.21	1810.41	-81.52	-387.94	1796.59	-81.52	-387.94	1409.93		
	M3			-18.20	-59.44	-620.85	-18.20	-59.44	-707.15	-18.20	-61.12	-707.01	-18.20	-61.12	-793.31		
	TANDEM-LOAD			MAX	S2	36.01	-14.33	1446.34	34.45	29.40	1463.96	34.45	32.87	1463.88	48.43	19.12	1629.50
				TQ	26.63	102.61	826.69	26.63	102.61	953.02	26.63	104.87	952.77	26.63	104.87	1079.09	
				M3	-31.59	-216.44	1880.75	-24.89	-147.90	1740.68	-24.89	-143.76	1741.03	1.72	-32.01	1662.27	
	MIN			S2	-76.40	-177.60	1867.77	-64.71	-193.21	1618.44	-64.71	-189.37	1618.90	-67.83	-145.43	1408.81	
				TQ	-57.01	-269.10	1538.11	-57.01	-269.10	1267.70	-57.01	-266.09	1268.34	-57.01	-266.09	997.93	
				M3	-12.41	-40.97	-423.03	-12.41	-40.97	-481.87	-12.41	-42.11	-481.77	-12.41	-42.11	-540.61	

BAGO RIVER BRIDGE

BLOCK [ No.1 : MAIN GIRDER ][ BEAM MEMBER FORCE ]

MEMBER		3009			3010			3010			3011						
NODE		3009			3010			3010			3011						
		SHEAR	TORQUE	MOMENT	SHEAR	TORQUE	MOMENT	SHEAR	TORQUE	MOMENT	SHEAR	TORQUE	MOMENT				
NAME	TITLE	S2 (kN)	TQ (kN·m)	M3 (kN·m)	S2 (kN)	TQ (kN·m)	M3 (kN·m)	S2 (kN)	TQ (kN·m)	M3 (kN·m)	S2 (kN)	TQ (kN·m)	M3 (kN·m)				
68	2-LANES (caseDISPERSION-LMAX	S2	38.09	63.02	1411.93	34.96	67.18	1476.45	34.96	70.68	1476.29	35.37	70.02	1565.53			
		TQ	31.75	73.65	1135.67	31.75	73.65	1286.24	32.44	76.74	1318.54	28.00	76.74	1467.20			
		M3	-21.34	-214.55	3111.28	-25.59	-214.55	3000.12	-25.59	-207.43	3000.62	-29.92	-207.43	2869.11			
		MIN	S2	-81.09	-348.01	965.01	-82.21	-352.17	686.59	-82.21	-350.54	687.43	-86.95	-349.88	363.95		
		TQ	-74.74	-358.65	1241.26	-78.99	-358.65	876.81	-79.68	-356.60	845.18	-79.58	-356.60	462.28			
		M3	-21.66	-70.45	-734.34	-21.66	-70.45	-837.07	-21.66	-72.43	-836.90	-21.66	-72.43	-939.63			
		69	3-LANES (caseTRUCK-LOAD	MAX	S2	58.49	-144.51	2066.64	58.49	-144.51	2344.04	58.49	-138.94	2344.38	58.49	-138.94	2621.78
				TQ	-137.48	510.71	3199.67	-137.48	510.71	2547.61	-137.48	516.76	2546.39	-137.48	516.76	1894.33	
				M3	-100.79	407.20	3817.14	-66.09	262.92	3408.47	-66.09	271.02	3407.83	-22.72	135.52	3195.21	
MIN	S2			-149.60	496.23	3556.15	-149.60	496.23	2846.60	-149.60	502.99	2845.42	-149.60	502.99	2135.87		
TQ	50.72			-156.06	1734.22	50.72	-156.06	1974.79	50.72	-151.37	1975.16	50.72	-151.37	2215.73			
M3	-24.89			62.23	-922.91	-24.89	62.23	-1040.96	-24.89	59.76	-1041.11	-24.89	59.76	-1159.15			
TANDEM-LOAD	MAX			S2	41.60	-91.11	1510.35	41.60	-91.11	1707.63	41.60	-87.05	1707.84	41.60	-87.05	1905.13	
TQ	-99.26			351.06	2296.36	-99.26	351.06	1825.59	-99.26	355.39	1824.75	-99.26	355.39	1353.97			
M3	-75.18			290.28	2655.89	-41.91	177.31	2354.18	-39.71	148.12	2353.81	-8.77	64.24	2229.83			
MIN	S2	-104.59	333.84	2550.80	-104.59	333.84	2054.74	-104.59	338.72	2053.94	-104.59	338.72	1557.88				
TQ	38.48	-109.90	1318.44	38.48	-109.90	1500.92	38.48	-106.34	1501.18	38.48	-106.34	1683.67					
M3	-16.95	42.92	-628.65	-16.95	42.92	-709.02	-16.95	41.24	-709.12	-16.95	41.24	-789.49					
DISPERSION-LMAX	S2	44.84	-71.55	1776.32	43.21	-74.45	1902.90	43.21	-69.93	1903.07	40.96	-70.94	1998.62				
TQ	-118.05	453.68	1662.71	-124.27	453.68	1088.05	-122.54	456.34	1168.98	-128.14	456.34	573.77					
M3	-46.86	302.36	4443.82	-53.08	302.36	4206.83	-53.08	312.35	4206.10	-59.29	312.35	3939.62					
MIN	S2	-121.46	447.97	1567.42	-126.05	450.87	1062.68	-126.05	453.39	1061.60	-130.02	454.40	558.41				
TQ	41.43	-77.26	1681.02	41.43	-77.26	1877.52	39.70	-72.87	1795.69	39.08	-72.87	1983.25					
M3	-29.76	74.06	-1100.09	-29.76	74.06	-1241.26	-29.76	71.11	-1241.43	-29.76	71.11	-1382.60					

BAGO RIVER BRIDGE

BLOCK [ No.1 : MAIN GIRDER ][ BEAM MEMBER FORCE ]

MEMBER				3009			3010			3011					
NODE				3009			3010			3011					
				SHEAR	TORQUE	MOMENT	SHEAR	TORQUE	MOMENT	SHEAR	TORQUE	MOMENT			
NAME	TITLE			S2 (kN)	TQ (kN·m)	M3 (kN·m)	S2 (kN)	TQ (kN·m)	M3 (kN·m)	S2 (kN)	TQ (kN·m)	M3 (kN·m)			
70	3-LANES (caseTRUCK-LOAD	MAX	S2	401.75	-94.72	4373.12	241.46	0.34	4410.62	241.46	10.82	4410.60	119.36	79.67	3666.20
			TQ	79.64	100.12	1977.93	79.64	100.12	2355.64	83.29	105.77	2392.40	83.29	105.77	2787.44
			M3	184.93	-158.45	4501.65	47.53	-85.91	4620.23	47.53	-74.93	4620.42	-108.95	19.48	3895.07
		MIN	S2	-205.60	-171.28	4430.53	-325.98	-113.66	4531.08	-325.98	-102.90	4531.34	-482.43	-4.55	3862.73
			TQ	-147.68	-190.14	3827.01	-182.33	-190.14	3111.16	-98.96	-184.93	1502.47	-98.96	-184.93	1033.11
			M3	-26.48	-41.28	-928.10	-26.48	-41.28	-1053.67	-26.48	-43.78	-1053.57	-26.48	-43.78	-1179.14
		TANDEM-LOAD MAX	S2	325.69	-95.25	3382.12	212.14	-29.96	3474.70	212.14	-21.71	3474.76	106.33	41.66	2924.35
			TQ	50.89	70.34	1388.53	50.89	70.34	1629.89	72.07	74.22	1838.69	72.07	74.22	2180.49
			M3	90.99	-106.60	3390.68	-14.73	-47.09	3495.76	-14.73	-38.79	3495.87	-125.05	29.05	2953.58
		MIN	S2	-166.14	-106.60	3390.68	-269.66	-47.09	3495.76	-269.66	-38.79	3495.87	-377.84	29.05	2953.58
			TQ	-129.88	-132.42	2785.46	-129.88	-132.42	2169.48	-70.38	-127.85	1050.95	-70.38	-127.85	717.15
			M3	-18.04	-28.41	-632.31	-18.04	-28.41	-717.88	-18.04	-30.12	-717.81	-18.04	-30.12	-803.38
		DISPERSION-LMAX	S2	128.03	40.91	2497.79	79.26	53.19	2351.86	79.26	58.77	2351.73	49.94	58.15	2059.91
			TQ	58.45	64.20	2159.95	44.14	64.20	2404.89	45.24	70.06	2519.41	-19.27	70.06	2607.76
			M3	45.80	-71.52	4479.49	-42.45	-71.52	4486.79	-42.45	-60.86	4486.95	-129.94	-60.86	4077.51
MIN	S2	-113.45	-161.72	882.79	-152.92	-174.00	887.97	-152.92	-171.89	888.38	-211.10	-171.27	622.71		
	TQ	-43.87	-185.01	1220.63	-117.80	-185.01	834.94	-118.90	-183.18	720.70	-141.89	-183.18	74.86		
	M3	-31.22	-49.29	-1098.91	-31.22	-49.29	-1246.96	-31.22	-52.25	-1246.84	-31.22	-52.25	-1394.89		
71	3-LANES (caseTRUCK-LOAD	MAX	S2	159.29	-45.48	3504.51	116.98	61.61	3513.73	116.98	69.96	3513.58	93.85	115.13	3437.46
			TQ	55.95	185.39	1794.38	55.95	185.39	2059.75	55.95	190.28	2059.30	55.95	190.28	2324.67
			M3	8.70	-377.82	4168.61	-21.13	-281.23	3966.81	-21.13	-271.80	3967.47	-14.94	-43.08	3649.74
		MIN	S2	-161.91	-408.20	4126.40	-187.19	-363.09	3807.66	-187.19	-354.04	3808.51	-234.94	-246.83	3315.68
			TQ	-120.77	-497.27	3207.78	-120.77	-497.27	2635.01	-120.50	-491.04	2621.44	-120.50	-491.04	2049.94
			M3	-27.03	-74.13	-930.27	-27.03	-74.13	-1058.49	-27.03	-76.64	-1058.31	-27.03	-76.64	-1186.53

BAGO RIVER BRIDGE

BLOCK [ No.1 : MAIN GIRDER ][ BEAM MEMBER FORCE ]

MEMBER				3009			3010			3011						
NODE				3009			3010			3010			3011			
NAME TITLE				SHEAR	TORQUE	MOMENT	SHEAR	TORQUE	MOMENT	SHEAR	TORQUE	MOMENT	SHEAR	TORQUE	MOMENT	
				S2 (kN)	TQ (kN·m)	M3 (kN·m)	S2 (kN)	TQ (kN·m)	M3 (kN·m)	S2 (kN)	TQ (kN·m)	M3 (kN·m)	S2 (kN)	TQ (kN·m)	M3 (kN·m)	
71	3-LANES (case)	TANDEM-LOAD	MAX	S2	122.03	-62.06	2533.56	93.40	12.97	2569.28	93.40	19.07	2569.24	80.02	34.42	2579.44
				TQ	38.09	131.11	1236.45	38.09	131.11	1417.09	38.09	134.48	1416.77	38.09	134.48	1597.41
				M3	-10.31	-270.19	2971.15	-30.12	-172.32	2852.54	-30.12	-165.55	2852.94	-33.57	-22.57	2622.20
		MIN	S2	-125.30	-231.36	2958.17	-141.56	-217.64	2730.30	-141.56	-211.15	2730.81	-176.12	-135.98	2368.74	
			TQ	-84.02	-341.22	2241.78	-84.02	-341.22	1843.27	-84.02	-336.84	1844.07	-84.02	-336.84	1445.56	
			M3	-18.43	-51.09	-633.83	-18.43	-51.09	-721.24	-18.43	-52.80	-721.12	-18.43	-52.80	-808.52	
	DISPERSION-LMAX	S2	75.95	76.19	2247.23	59.68	86.57	2258.88	59.68	91.94	2258.67	51.76	91.64	2255.18		
		TQ	51.69	94.12	1731.49	51.69	94.12	1976.67	52.38	98.86	2008.92	35.36	98.86	2237.28		
		M3	-10.69	-271.96	4623.29	-39.41	-271.96	4504.91	-39.41	-261.26	4505.54	-68.70	-261.26	4249.59		
		MIN	S2	-118.72	-435.85	1275.31	-131.17	-446.22	993.12	-131.17	-443.86	994.18	-152.54	-443.57	589.56	
			TQ	-94.47	-453.78	1791.05	-123.19	-453.78	1275.34	-123.87	-450.78	1243.93	-136.14	-450.78	607.46	
			M3	-32.08	-87.69	-1100.75	-32.08	-87.69	-1252.90	-32.08	-90.67	-1252.69	-32.08	-90.67	-1404.85	
72	4-LANES	TRUCK-LOAD	MAX	S2	380.01	-34.83	5052.33	241.74	73.01	5153.22	241.74	85.25	5153.04	144.21	128.48	4727.13
				TQ	98.98	191.07	2566.08	98.98	191.07	3035.52	99.92	198.32	3056.38	99.92	198.32	3530.27
				M3	123.99	-357.70	5770.30	26.21	-225.18	5699.04	26.21	-211.65	5699.56	-74.30	-4.23	5020.49
		MIN	S2	-246.74	-385.95	5694.58	-345.33	-350.28	5477.85	-345.33	-337.27	5478.66	-483.89	-225.24	4659.46	
			TQ	-205.70	-460.46	4838.70	-205.70	-460.46	3863.11	-204.24	-451.32	3832.67	-204.24	-451.32	2863.99	
			M3	-35.68	-76.95	-1238.93	-35.68	-76.95	-1408.13	-35.68	-80.30	-1407.94	-35.68	-80.30	-1577.15	
	TANDEM-LOAD	MAX	S2	303.75	-54.93	3783.00	206.64	19.95	3915.73	206.64	29.25	3915.67	126.55	45.98	3658.76	
			TQ	59.95	135.07	1730.35	59.95	135.07	2014.67	59.95	139.86	2014.34	59.95	139.86	2298.66	
			M3	49.47	-258.41	4224.45	-29.92	-151.34	4211.37	-29.92	-141.34	4211.71	-104.07	-10.08	3705.84	
		MIN	S2	-196.34	-220.98	4217.06	-277.20	-207.84	4083.75	-277.20	-198.14	4084.23	-374.45	-121.86	3450.37	
			TQ	-150.44	-316.32	3437.22	-150.44	-316.32	2723.70	-128.64	-310.02	2547.33	-128.64	-310.02	1937.20	
			M3	-24.32	-53.01	-844.11	-24.32	-53.01	-959.43	-24.32	-55.29	-959.30	-24.32	-55.29	-1074.62	



BAGO RIVER BRIDGE

BLOCK [ No.1 : MAIN GIRDER ][ BEAM MEMBER FORCE ]

MEMBER				3009			3010			3010			3011				
NODE				3009			3010			3010			3011				
NAME TITLE				SHEAR	TORQUE	MOMENT	SHEAR	TORQUE	MOMENT	SHEAR	TORQUE	MOMENT	SHEAR	TORQUE	MOMENT		
				S2 (kN)	TQ (kN·m)	M3 (kN·m)	S2 (kN)	TQ (kN·m)	M3 (kN·m)	S2 (kN)	TQ (kN·m)	M3 (kN·m)	S2 (kN)	TQ (kN·m)	M3 (kN·m)		
72	4-LANES	DISPERSION-LMAX	S2	113.50	70.90	2204.65	68.33	81.47	2046.99	68.33	86.33	2046.79	44.10	84.25	1787.34		
			TQ	47.38	98.66	1832.30	33.07	98.66	2024.73	33.42	103.62	2138.67	-26.69	103.62	2181.68		
			M3	-3.80	-248.58	5181.61	-80.65	-249.77	4984.78	-80.65	-237.94	4985.36	-156.39	-241.39	4419.39		
	MIN	S2	-148.83	-393.31	1860.67	-182.26	-404.80	1678.51	-182.26	-400.81	1679.47	-236.05	-398.73	1213.42			
		TQ	-87.64	-427.49	2380.17	-151.31	-427.49	1811.72	-152.66	-423.34	1683.56	-168.21	-423.34	898.52			
		M3	-32.73	-77.00	-1133.99	-32.73	-77.19	-1289.24	-32.73	-80.26	-1289.06	-32.73	-80.26	-1444.31			
	73	6-LANES	TRUCK-LOAD	MAX	S2	415.99	-80.96	6444.30	279.21	-18.94	6692.37	279.21	-3.05	6692.40	182.51	4.81	6433.70
				TQ	-76.59	574.47	4877.14	-76.59	574.47	4513.86	-80.05	585.56	4722.06	-80.05	585.56	4342.40	
				M3	37.94	13.63	8295.02	-24.27	28.42	7936.17	-24.27	47.27	7936.08	-94.45	74.58	7117.03	
MIN			S2	-347.92	37.93	8042.93	-443.88	67.03	7360.78	-443.88	84.51	7360.60	-581.19	152.03	6062.27		
TQ			-80.77	-531.46	4971.49	-80.77	-531.46	4588.42	-80.49	-520.58	4574.93	-80.49	-520.58	4193.20			
M3			-51.93	-14.06	-1853.02	-51.93	-14.06	-2099.31	-51.93	-19.04	-2099.27	-51.93	-19.04	-2345.56			
TANDEM-LOAD		MAX	S2	330.35	-77.77	4678.19	233.73	-34.56	4917.51	233.73	-22.89	4917.58	155.57	-37.34	4787.45		
		TQ	-46.96	398.49	3418.46	-46.96	398.49	3195.71	-49.36	406.13	3225.47	-49.36	406.13	2991.37			
		M3	96.81	42.80	5987.57	-61.19	-19.34	5742.76	-61.19	-5.70	5742.79	-106.48	33.21	5159.16			
		MIN	S2	-267.55	68.63	5828.06	-349.01	57.18	5373.87	-349.01	69.95	5373.72	-441.86	113.16	4419.70		
		TQ	-61.75	-366.93	3552.32	-61.75	-366.93	3259.45	-61.75	-359.19	3260.31	-61.75	-359.19	2967.45			
		M3	-35.38	-9.64	-1262.37	-35.38	-9.64	-1430.16	-35.38	-13.04	-1430.13	-35.38	-13.04	-1597.92			
DISPERSION-LMAX	S2	161.78	11.20	4134.63	117.98	15.98	4178.86	117.98	25.90	4178.81	93.56	22.61	4117.76				
	TQ	-32.29	453.97	3455.00	-50.79	453.97	3259.75	-48.17	461.91	3448.58	-111.64	461.91	3090.11				
	M3	-18.90	9.05	8796.33	-92.96	8.21	8537.05	-92.96	28.47	8537.01	-165.16	19.86	7916.58				
	MIN	S2	-238.09	-18.14	2705.87	-272.46	-24.59	2097.29	-272.46	-19.61	2097.34	-325.87	-16.83	1232.42			
	TQ	-47.38	-458.59	3259.99	-94.95	-458.59	2920.19	-98.68	-451.87	2726.19	-113.53	-451.87	2200.20				
	M3	-59.24	-13.48	-2111.44	-59.30	-18.67	-2392.63	-59.30	-24.30	-2392.57	-59.31	-24.98	-2673.86				

BAGO RIVER BRIDGE

BLOCK [ No.1 : MAIN GIRDER ][ BEAM MEMBER FORCE ]

MEMBER		3009			3010			3010			3011				
NODE		3009			3010			3010			3011				
NAME TITLE		SHEAR	TORQUE	MOMENT	SHEAR	TORQUE	MOMENT	SHEAR	TORQUE	MOMENT	SHEAR	TORQUE	MOMENT		
		S2 (kN)	TQ (kN·m)	M3 (kN·m)	S2 (kN)	TQ (kN·m)	M3 (kN·m)	S2 (kN)	TQ (kN·m)	M3 (kN·m)	S2 (kN)	TQ (kN·m)	M3 (kN·m)		
124	SUM TOTAL	D+1LANE (caseMAX	S2	-326.73	144.76	28064.84	-596.36	144.76	25873.29	-596.36	206.21	25872.88	-863.55	206.21	22408.42
			TQ	-454.83	783.42	28809.71	-724.46	783.42	26010.60	-724.52	845.21	26017.41	-991.71	845.21	21945.11
			M3	-412.12	636.16	30017.61	-674.15	577.92	27445.54	-674.15	643.10	27444.09	-939.06	620.66	23620.83
		MIN	S2	-455.48	780.94	28849.74	-725.11	780.94	26047.55	-725.11	842.80	26045.62	-992.30	842.80	21970.52
			TQ	-327.27	142.28	28174.88	-596.90	142.28	25980.77	-596.84	203.98	25971.62	-864.03	203.98	22504.90
			M3	-378.29	342.79	26090.28	-647.92	342.79	23654.18	-647.92	398.97	23653.30	-915.11	398.97	19944.30
		D+1LANE (caseMAX	S2	-298.58	212.90	28809.13	-570.16	209.42	26647.80	-570.16	272.70	26647.23	-840.05	271.50	23175.76
			TQ	-463.95	512.46	28934.15	-741.03	512.46	26074.13	-738.91	574.46	26160.82	-1012.82	574.46	22003.46
			M3	-406.48	455.23	30381.52	-670.48	406.05	27798.46	-670.48	472.07	27797.42	-923.01	410.20	23999.67
		MIN	S2	-477.22	496.88	29045.10	-752.35	500.36	26225.41	-752.35	562.65	26224.15	-1024.31	563.85	22133.41
			TQ	-309.16	197.52	28394.49	-578.79	197.52	26286.30	-580.91	259.88	26197.77	-848.85	259.88	22805.71
			M3	-378.77	291.93	26090.59	-648.39	291.93	23652.25	-648.39	348.10	23651.49	-915.59	348.10	19940.24
		D+1LANE (caseMAX	S2	-85.69	268.70	29695.30	-467.14	280.19	27376.70	-467.14	345.21	27375.95	-816.35	348.79	23281.37
			TQ	-281.75	297.56	29022.85	-568.54	297.56	27005.94	-564.31	361.91	27155.58	-876.42	361.91	23736.61
			M3	-226.12	268.44	30525.13	-614.77	274.09	28312.57	-614.77	341.33	28311.84	-1012.88	352.19	24158.84
		MIN	S2	-496.80	255.32	29061.00	-853.27	258.32	26838.31	-853.27	322.06	26837.63	-1236.79	334.50	22771.55
			TQ	-433.13	244.26	28908.15	-772.10	244.26	26125.63	-671.91	303.55	24087.99	-939.10	303.55	20265.20
			M3	-379.25	252.98	26090.10	-648.87	252.98	23649.49	-648.87	309.15	23648.82	-916.07	309.15	19935.30
		D+1LANE (caseMAX	S2	-313.25	408.03	28474.23	-582.23	403.15	26397.92	-582.23	465.84	26396.89	-830.14	420.44	23301.57
			TQ	-314.66	413.65	28289.23	-584.29	413.65	26154.94	-584.29	475.76	26153.89	-851.48	475.76	22746.70
			M3	-418.07	-92.07	30356.37	-673.33	-86.01	27756.74	-673.33	-20.09	27756.87	-872.50	126.79	24085.99
		MIN	S2	-472.60	-205.01	29202.41	-723.61	-245.03	26253.64	-723.61	-182.68	26254.15	-988.73	-179.86	22094.16
			TQ	-459.24	-257.78	29018.66	-722.49	-257.78	26213.63	-722.17	-195.55	26196.48	-982.86	-195.55	22150.60
			M3	-380.84	171.74	26085.85	-650.47	171.74	23637.66	-650.47	227.88	23637.18	-917.66	227.88	19916.09

BAGO RIVER BRIDGE

BLOCK [ No.1 : MAIN GIRDER ][ BEAM MEMBER FORCE ]

MEMBER			3009			3010			3010			3011			
NODE			3009			3010			3010			3011			
NAME TITLE			SHEAR	TORQUE	MOMENT	SHEAR	TORQUE	MOMENT	SHEAR	TORQUE	MOMENT	SHEAR	TORQUE	MOMENT	
			S2 (kN)	TQ (kN·m)	M3 (kN·m)	S2 (kN)	TQ (kN·m)	M3 (kN·m)	S2 (kN)	TQ (kN·m)	M3 (kN·m)	S2 (kN)	TQ (kN·m)	M3 (kN·m)	
124	SUM TOTAL	D+2LANES (casMAX	S2	-301.74	88.45	29151.38	-571.37	88.45	27078.36	-571.37	152.76	27078.08	-838.56	152.76	23732.15
			TQ	-522.80	1019.26	30066.62	-792.43	1019.26	26945.15	-792.47	1083.27	26951.34	-1059.66	1083.27	22556.77
			M3	-462.80	812.13	32259.06	-708.64	708.83	29487.84	-708.64	778.86	29486.07	-950.89	694.92	25560.00
		MIN	S2	-527.27	1012.06	30235.35	-796.89	1012.06	27092.70	-796.89	1076.40	27090.22	-1064.09	1076.40	22674.66
			TQ	-304.10	84.00	29069.20	-573.73	84.00	26984.99	-573.69	148.08	26976.03	-840.88	148.08	23619.11
			M3	-392.90	374.95	25550.87	-662.53	374.95	23045.50	-662.53	429.68	23044.55	-929.72	429.68	19266.27
		D+2LANES (casMAX	S2	-278.28	145.23	29771.62	-549.54	142.33	27723.79	-549.54	208.17	27723.37	-818.98	207.17	24371.60
			TQ	-530.40	793.46	30170.32	-806.24	793.46	26998.09	-804.46	857.64	27070.85	-1077.25	857.64	22605.40
			M3	-458.10	661.36	32562.31	-705.58	565.60	29781.94	-705.58	636.33	29780.51	-937.52	519.53	25875.70
		MIN	S2	-545.38	775.35	30398.15	-819.59	778.25	27240.92	-819.59	842.94	27238.99	-1090.76	843.95	22810.40
			TQ	-289.01	130.03	29252.21	-558.63	130.03	27239.60	-560.41	194.67	27164.49	-828.23	194.67	23869.79
			M3	-393.29	332.56	25551.13	-662.92	332.56	23043.89	-662.92	387.29	23043.04	-930.11	387.29	19262.89
		D+2LANES (casMAX	S2	67.55	248.85	31532.97	-376.43	296.55	29200.78	-376.43	365.90	29199.99	-770.37	392.52	24814.29
			TQ	-253.18	344.08	29896.49	-537.11	344.08	28021.52	-532.72	410.81	28157.61	-855.82	410.81	24879.02
			M3	-155.47	188.18	32926.39	-610.44	218.37	30766.68	-610.44	291.44	30766.07	-1080.80	334.10	26293.75
		MIN	S2	-582.35	142.47	30484.42	-986.10	162.15	28311.73	-986.10	229.39	28311.27	-1432.90	273.66	23976.38
			TQ	-479.79	124.48	30238.08	-840.07	124.48	27170.45	-757.44	186.70	25460.96	-1038.80	186.70	21182.03
			M3	-394.70	224.47	25549.43	-664.32	224.47	23035.54	-664.32	279.18	23034.94	-931.52	279.18	19248.14
		D+2LANES (casMAX	S2	-267.32	328.96	30389.23	-542.78	395.72	28133.38	-542.78	462.53	28132.36	-800.60	475.04	24756.82
			TQ	-288.01	481.19	29188.18	-557.64	481.19	27180.29	-556.95	545.78	27211.55	-828.57	545.78	23928.84
			M3	-414.68	-247.86	32710.35	-684.69	-188.60	30045.42	-684.69	-117.24	30045.78	-908.46	67.40	26196.39
		MIN	S2	-537.56	-404.02	30541.84	-801.19	-396.38	27591.47	-801.19	-330.85	27592.34	-1077.33	-267.55	23365.23
			TQ	-513.20	-487.99	30339.26	-787.08	-487.99	27253.36	-787.50	-423.32	27207.22	-1054.59	-423.32	22831.24
			M3	-396.52	132.98	25544.45	-666.15	132.98	23021.91	-666.15	187.66	23021.53	-933.34	187.66	19226.09

BAGO RIVER BRIDGE

BLOCK [ No.1 : MAIN GIRDER ][ BEAM MEMBER FORCE ]

MEMBER			3009			3010			3010			3011				
NODE			3009			3010			3010			3011				
NAME TITLE			SHEAR	TORQUE	MOMENT	SHEAR	TORQUE	MOMENT	SHEAR	TORQUE	MOMENT	SHEAR	TORQUE	MOMENT		
			S2 (kN)	TQ (kN·m)	M3 (kN·m)	S2 (kN)	TQ (kN·m)	M3 (kN·m)	S2 (kN)	TQ (kN·m)	M3 (kN·m)	S2 (kN)	TQ (kN·m)	M3 (kN·m)		
124	SUM TOTAL	D+3LANES (casMAX	S2	-268.84	79.22	30166.16	-539.85	76.75	28176.04	-539.85	143.67	28175.78	-808.95	142.82	24886.37	
			TQ	-573.87	1082.60	31032.68	-848.78	1082.60	27656.45	-847.31	1148.34	27723.51	-1119.26	1148.34	23056.91	
			M3	-482.17	866.00	33921.47	-727.59	743.36	31039.14	-727.59	817.07	31037.29	-963.19	701.90	27023.64	
		MIN	S2	-587.07	1065.44	31254.69	-860.59	1067.91	27889.03	-860.59	1134.14	27886.42	-1131.16	1134.99	23249.17	
			TQ	-278.34	64.55	29802.61	-547.96	64.55	27840.61	-549.43	130.61	27770.67	-817.15	130.61	24528.16	
			M3	-403.12	378.72	25180.10	-672.75	378.72	22626.26	-672.75	432.46	22625.29	-939.94	432.46	18798.54	
		D+3LANES (casMAX	S2	93.64	217.13	32739.92	-353.68	308.37	30314.25	-353.68	380.36	30313.43	-749.57	438.35	25826.22	
			TQ	-239.29	402.54	30416.85	-521.08	402.54	28612.59	-517.04	470.67	28740.48	-839.06	470.67	25544.95	
			M3	-160.55	67.39	34533.62	-621.98	129.06	32307.11	-621.98	205.79	32306.71	-1096.54	286.04	27735.73	
		MIN	S2	-627.85	-20.18	31415.97	-1033.36	18.36	29172.34	-1033.36	87.65	29172.21	-1482.99	171.76	24771.66	
			TQ	-519.48	-56.01	31190.15	-881.41	-56.01	27920.33	-811.47	8.32	26455.14	-1098.21	8.32	21900.81	
			M3	-405.70	185.88	25176.69	-675.33	185.88	22610.61	-675.33	239.58	22610.10	-942.52	239.58	18771.10	
		D+3LANES (casMAX	S2	-156.71	288.97	31788.64	-476.13	388.83	29472.86	-476.13	458.82	29471.86	-769.71	496.97	25797.77	
			TQ	-265.17	500.46	29896.65	-534.79	500.46	27997.09	-534.21	566.98	28023.44	-815.87	566.98	24836.68	
			M3	-358.36	-289.45	34372.77	-677.75	-207.34	31767.11	-677.75	-131.89	31767.51	-964.58	62.52	27673.46	
		MIN	S2	-595.20	-454.57	31491.10	-896.90	-425.04	28646.81	-896.90	-357.01	28647.74	-1222.84	-265.63	24278.48	
			TQ	-539.61	-545.52	31148.66	-833.65	-545.52	27889.94	-834.01	-479.34	27851.01	-1111.63	-479.34	23217.82	
			M3	-406.91	125.32	25173.29	-676.54	125.32	22601.46	-676.54	179.00	22601.10	-943.73	179.00	18756.35	
		D+4LANES	MAX	S2	-35.88	286.31	31616.69	-424.75	363.28	29246.28	-424.75	432.74	29245.34	-771.09	459.49	25193.44
			TQ	-261.54	451.20	29758.60	-540.46	451.20	27855.30	-539.62	517.47	27942.23	-845.89	517.47	24671.80	
			M3	-278.54	-131.22	34018.39	-661.67	-45.85	31510.62	-661.67	28.98	31510.64	-1043.43	161.56	27094.95	
		MIN	S2	-613.79	-243.65	31810.57	-969.23	-227.93	29217.77	-969.23	-158.54	29218.23	-1361.44	-84.37	24776.40	
			TQ	-547.33	-314.30	31591.92	-858.35	-314.30	28254.78	-858.28	-247.32	28151.00	-1135.57	-247.32	23404.67	
			M3	-401.13	162.80	25357.26	-670.76	162.67	22812.85	-670.76	216.85	22812.40	-937.95	216.85	18995.08	

BAGO RIVER BRIDGE

BLOCK [ No.1 : MAIN GIRDER ][ BEAM MEMBER FORCE ]

MEMBER				3009			3010			3010			3011			
NODE				3009			3010			3010			3011			
NAME TITLE				SHEAR	TORQUE	MOMENT	SHEAR	TORQUE	MOMENT	SHEAR	TORQUE	MOMENT	SHEAR	TORQUE	MOMENT	
				S2 (kN)	TQ (kN·m)	M3 (kN·m)	S2 (kN)	TQ (kN·m)	M3 (kN·m)	S2 (kN)	TQ (kN·m)	M3 (kN·m)	S2 (kN)	TQ (kN·m)	M3 (kN·m)	
124	SUM TOTAL	D+6LANES	MAX	S2	18.88	217.52	33775.96	-368.12	260.94	31632.44	-368.12	336.07	31631.73	-714.04	339.04	27817.48
				TQ	-427.44	931.35	32315.54	-709.09	931.35	29618.99	-709.64	1002.06	29876.37	-1018.08	1002.06	25790.16
				M3	-344.29	277.61	38009.03	-702.49	286.68	35273.74	-702.49	370.44	35272.96	-1062.23	382.59	30730.88
			MIN	S2	-737.57	275.73	33886.37	-1091.92	290.45	30713.89	-1091.92	363.39	30713.11	-1483.07	409.09	25700.58
				TQ	-439.96	-380.66	32250.11	-740.51	-380.66	29446.74	-742.75	-310.88	29311.18	-1019.59	-310.88	25114.74
				M3	-428.92	244.97	24322.76	-698.59	241.59	21646.39	-698.59	293.04	21645.75	-965.79	292.60	17696.41
	SUM TOTAL		MAX		93.64	1082.60	38009.03	-353.68	1082.60	35273.74	-353.68	1148.34	35272.96	-714.04	1148.34	30730.88
			MIN		-737.57	-545.52	24322.76	-1091.92	-545.52	21646.39	-1091.92	-479.34	21645.75	-1483.07	-479.34	17696.41
300	DEAD LOAD	TOTAL			-356.67	262.87	26899.65	-626.29	262.87	24566.14	-626.29	321.21	24565.45	-893.48	321.21	20959.03
301	LIVE LOAD	1-LANE(case1MAX	S2		29.93	-118.10	1165.18	29.93	-118.10	1307.15	29.93	-115.00	1307.43	29.93	-115.00	1449.39
			TQ		-98.17	520.55	1910.05	-98.17	520.55	1444.46	-98.23	523.99	1451.96	-98.23	523.99	986.08
			M3		-55.45	373.29	3117.96	-47.86	315.05	2879.40	-47.86	321.89	2878.64	-45.57	299.45	2661.80
			MIN	S2	-98.82	518.07	1950.09	-98.82	518.07	1481.41	-98.82	521.59	1480.17	-98.82	521.59	1011.49
				TQ	29.39	-120.58	1275.22	29.39	-120.58	1414.63	29.45	-117.23	1406.17	29.45	-117.23	1545.87
				M3	-21.63	79.92	-809.38	-21.63	79.92	-911.96	-21.63	77.76	-912.15	-21.63	77.76	-1014.73
		1-LANE(case2MAX	S2		58.09	-49.97	1909.47	56.13	-53.45	2081.66	56.13	-48.51	2081.78	53.43	-49.71	2216.73
			TQ		-107.28	249.60	2034.49	-114.74	249.60	1507.98	-112.62	253.25	1595.37	-119.33	253.25	1044.43
			M3		-49.82	192.36	3481.87	-44.19	143.18	3232.32	-44.19	150.86	3231.97	-29.52	88.99	3040.64
			MIN	S2	-120.56	234.01	2145.44	-126.06	237.49	1659.27	-126.06	241.43	1658.70	-130.82	242.64	1174.38
				TQ	47.51	-65.34	1494.84	47.51	-65.34	1720.15	45.38	-61.33	1632.32	44.64	-61.33	1846.68
				M3	-22.10	29.06	-809.07	-22.10	29.06	-913.89	-22.10	26.89	-913.96	-22.10	26.89	-1018.79
		1-LANE(case3MAX	S2		270.97	5.83	2795.64	159.15	17.32	2810.55	159.15	23.99	2810.50	77.13	27.58	2322.34
			TQ		74.92	34.69	2123.20	57.75	34.69	2439.79	61.99	40.70	2590.14	17.06	40.70	2777.58
			M3		130.55	5.58	3625.48	11.52	11.22	3746.43	11.52	20.12	3746.39	-119.40	30.98	3199.81
			MIN	S2	-140.14	-7.55	2161.34	-226.98	-4.55	2272.17	-226.98	0.84	2272.18	-343.30	13.28	1812.52
				TQ	-76.47	-18.61	2008.50	-145.81	-18.61	1559.49	-45.62	-17.66	-477.46	-45.62	-17.66	-693.83
				M3	-22.58	-9.88	-809.55	-22.58	-9.88	-916.66	-22.58	-12.06	-916.63	-22.58	-12.06	-1023.73

BAGO RIVER BRIDGE

BLOCK [ No.1 : MAIN GIRDER ][ BEAM MEMBER FORCE ]

MEMBER			3009			3010			3010			3011				
NODE			3009			3010			3010			3011				
NAME TITLE			SHEAR	TORQUE	MOMENT	SHEAR	TORQUE	MOMENT	SHEAR	TORQUE	MOMENT	SHEAR	TORQUE	MOMENT		
			S2 (kN)	TQ (kN·m)	M3 (kN·m)	S2 (kN)	TQ (kN·m)	M3 (kN·m)	S2 (kN)	TQ (kN·m)	M3 (kN·m)	S2 (kN)	TQ (kN·m)	M3 (kN·m)		
301	LIVE LOAD	1-LANE (case4MAX	S2	43.42	145.16	1574.58	44.06	140.28	1831.78	44.06	144.63	1831.44	63.35	99.23	2342.54	
			TQ	42.01	150.78	1389.57	42.01	150.78	1588.80	42.01	154.55	1588.44	42.01	154.55	1787.67	
			M3	-61.40	-354.94	3456.72	-47.04	-348.88	3190.60	-47.04	-341.30	3191.42	20.98	-194.42	3126.96	
			MIN	S2	-115.94	-467.88	2302.76	-97.32	-507.90	1687.50	-97.32	-503.89	1688.70	-95.24	-501.07	1135.14
			TQ	-102.57	-520.64	2119.01	-96.20	-520.64	1647.49	-95.88	-516.76	1631.03	-89.38	-516.76	1191.57	
			M3	-24.18	-91.13	-813.81	-24.18	-91.13	-928.48	-24.18	-93.33	-928.27	-24.18	-93.33	-1042.94	
		2-LANES (caseMAX	S2	54.92	-174.41	2251.73	54.92	-174.41	2512.22	54.92	-168.45	2512.63	54.92	-168.45	2773.12	
			TQ	-166.14	756.39	3166.97	-166.14	756.39	2379.01	-166.18	762.05	2385.89	-166.18	762.05	1597.74	
			M3	-106.13	549.26	5359.40	-82.34	445.96	4921.70	-82.34	457.65	4920.62	-57.41	373.71	4600.97	
			MIN	S2	-170.60	749.19	3335.70	-170.60	749.19	2526.56	-170.60	755.19	2524.77	-170.60	755.19	1715.63
			TQ	52.56	-178.87	2169.54	52.56	-178.87	2418.85	52.61	-173.13	2410.58	52.61	-173.13	2660.08	
			M3	-36.23	112.08	-1348.78	-36.23	112.08	-1520.64	-36.23	108.47	-1520.90	-36.23	108.47	-1692.76	
		2-LANES (caseMAX	S2	78.38	-117.64	2871.97	76.75	-120.54	3157.65	76.75	-113.04	3157.92	74.51	-114.04	3412.57	
			TQ	-173.73	530.60	3270.67	-179.95	530.60	2431.95	-178.17	536.43	2505.40	-183.76	536.43	1646.37	
			M3	-101.44	398.49	5662.66	-79.28	302.74	5215.80	-79.28	315.12	5215.06	-44.03	198.32	4916.67	
			MIN	S2	-188.72	512.48	3498.49	-193.30	515.38	2674.77	-193.30	521.73	2673.54	-197.27	522.73	1851.37
			TQ	67.66	-132.83	2352.56	67.66	-132.83	2673.45	65.88	-126.54	2599.04	65.26	-126.54	2910.76	
			M3	-36.63	69.69	-1348.52	-36.63	69.69	-1522.25	-36.63	66.08	-1522.41	-36.63	66.08	-1696.14	
		2-LANES (caseMAX	S2	424.22	-14.02	4633.32	249.86	33.68	4634.63	249.86	44.69	4634.54	123.11	71.31	3855.26	
			TQ	103.49	81.21	2996.83	89.18	81.21	3455.38	93.57	89.60	3592.16	37.66	89.60	3919.99	
			M3	201.19	-74.69	6026.73	15.85	-44.50	6200.54	15.85	-29.77	6200.62	-187.32	12.89	5334.72	
MIN	S2		-225.68	-120.39	3584.77	-359.80	-100.71	3745.59	-359.80	-91.82	3745.82	-539.41	-47.55	3017.35		
TQ	-123.13		-138.39	3338.43	-213.78	-138.39	2604.31	-131.15	-134.51	895.51	-145.32	-134.51	223.01			
M3	-38.03		-38.40	-1350.22	-38.03	-38.40	-1530.60	-38.03	-42.03	-1530.51	-38.03	-42.03	-1710.89			

BAGO RIVER BRIDGE

BLOCK [ No.1 : MAIN GIRDER ][ BEAM MEMBER FORCE ]

MEMBER			3009			3010			3010			3011				
NODE			3009			3010			3010			3011				
NAME TITLE			SHEAR	TORQUE	MOMENT	SHEAR	TORQUE	MOMENT	SHEAR	TORQUE	MOMENT	SHEAR	TORQUE	MOMENT		
			S2 (kN)	TQ (kN·m)	M3 (kN·m)	S2 (kN)	TQ (kN·m)	M3 (kN·m)	S2 (kN)	TQ (kN·m)	M3 (kN·m)	S2 (kN)	TQ (kN·m)	M3 (kN·m)		
301	LIVE LOAD	2-LANES (caseMAX	S2	89.35	66.09	3489.57	83.51	132.85	3567.24	83.51	141.32	3566.91	92.88	153.82	3797.79	
			TQ	68.65	218.32	2288.53	68.65	218.32	2614.15	69.34	224.57	2646.10	64.91	224.57	2969.81	
			M3	-58.01	-510.73	5810.69	-58.39	-451.46	5479.28	-58.39	-438.45	5480.33	-14.98	-253.82	5237.36	
		MIN	S2	-180.90	-666.89	3642.18	-174.89	-659.24	3025.33	-174.89	-652.06	3026.89	-183.85	-588.77	2406.20	
			TQ	-156.54	-750.85	3439.61	-160.78	-750.85	2687.22	-161.20	-744.54	2641.77	-161.10	-744.54	1872.21	
			M3	-39.86	-129.89	-1355.20	-39.86	-129.89	-1544.23	-39.86	-133.55	-1543.92	-39.86	-133.55	-1732.94	
		3-LANES (caseMAX	S2	S2	87.83	-183.65	3266.51	86.44	-186.11	3609.90	86.44	-177.54	3610.33	84.53	-178.39	3927.34
				TQ	-217.21	819.73	4133.02	-222.49	819.73	3090.31	-221.02	827.13	3158.06	-225.78	827.13	2097.88
				M3	-125.50	603.13	7021.82	-101.29	480.49	6473.00	-101.29	495.86	6471.84	-69.71	380.69	6064.61
	MIN		S2	-230.41	802.57	4355.03	-234.30	805.04	3322.89	-234.30	812.93	3320.97	-237.68	813.78	2290.14	
			TQ	78.33	-198.32	2902.96	78.33	-198.32	3274.47	76.86	-190.60	3205.22	76.33	-190.60	3569.13	
			M3	-46.46	115.85	-1719.55	-46.46	115.85	-1939.88	-46.46	111.24	-1940.15	-46.46	111.24	-2160.49	
	3-LANES (caseMAX		S2	S2	450.31	-45.74	5840.27	272.61	45.50	5748.11	272.61	59.15	5747.98	143.91	117.14	4867.20
				TQ	117.37	139.67	3517.19	105.21	139.67	4046.45	109.25	149.46	4175.04	54.42	149.46	4585.92
				M3	196.12	-195.48	7633.97	4.32	-133.81	7740.97	4.32	-115.43	7741.26	-203.06	-35.17	6776.70
		MIN	S2	-271.19	-283.05	4516.32	-407.07	-244.51	4606.19	-407.07	-233.57	4606.76	-589.50	-149.45	3812.63	
			TQ	-162.82	-318.88	4290.49	-255.11	-318.88	3354.19	-185.18	-312.89	1889.69	-204.72	-312.89	941.78	
			M3	-49.04	-76.99	-1722.96	-49.04	-76.99	-1955.54	-49.04	-81.63	-1955.35	-49.04	-81.63	-2187.93	
		3-LANES (caseMAX	S2	S2	199.95	26.10	4888.99	150.16	125.96	4906.72	150.16	137.61	4906.41	123.77	175.76	4838.74
				TQ	91.50	237.59	2996.99	91.50	237.59	3430.95	92.08	245.77	3457.99	77.61	245.77	3877.65
				M3	-1.69	-552.32	7473.11	-51.46	-470.21	7200.96	-51.46	-453.11	7202.06	-71.10	-258.69	6714.43
MIN	S2		-238.53	-717.44	4591.45	-270.61	-687.91	4080.67	-270.61	-678.22	4082.29	-329.36	-586.84	3319.45		
	TQ		-182.95	-808.39	4249.01	-207.36	-808.39	3323.80	-207.72	-800.55	3285.56	-218.14	-800.55	2258.79		
	M3		-50.25	-137.55	-1726.36	-50.25	-137.55	-1964.68	-50.25	-142.21	-1964.35	-50.25	-142.21	-2202.68		

BAGO RIVER BRIDGE

BLOCK [ No.1 : MAIN GIRDER ][ BEAM MEMBER FORCE ]

MEMBER					3009			3010			3011					
NODE					3009			3010			3011					
NAME TITLE					SHEAR	TORQUE	MOMENT	SHEAR	TORQUE	MOMENT	SHEAR	TORQUE	MOMENT			
					S2 (kN)	TQ (kN·m)	M3 (kN·m)	S2 (kN)	TQ (kN·m)	M3 (kN·m)	S2 (kN)	TQ (kN·m)	M3 (kN·m)			
301	LIVE LOAD	4-LANES	MAX	S2	320.78	23.44	4717.03	201.55	100.41	4680.14	201.55	111.53	4679.89	122.40	138.28	4234.41
				TQ	95.13	188.33	2858.95	85.83	188.33	3289.16	86.67	196.26	3376.78	47.60	196.26	3712.77
				M3	78.12	-394.08	7118.74	-35.38	-308.72	6944.48	-35.38	-292.23	6945.19	-149.95	-159.65	6135.92
		MIN	S2	-257.12	-506.52	4910.91	-342.93	-490.80	4651.63	-342.93	-479.75	4652.78	-467.96	-405.58	3817.38	
			TQ	-190.67	-577.17	4692.27	-232.06	-577.17	3688.64	-231.98	-568.53	3585.55	-242.09	-568.53	2445.64	
			M3	-44.46	-100.07	-1542.40	-44.47	-100.20	-1753.29	-44.47	-104.36	-1753.05	-44.47	-104.36	-1963.95	
	6-LANES	MAX	S2	375.55	-45.35	6876.31	258.17	-1.93	7066.30	258.17	14.85	7066.28	179.45	17.83	6858.45	
			TQ	-70.77	668.49	5415.89	-82.80	668.49	5052.85	-83.34	680.85	5310.92	-124.59	680.85	4831.13	
			M3	12.38	14.74	11109.38	-76.20	23.81	10707.60	-76.20	49.23	10707.51	-168.74	61.38	9771.85	
		MIN	S2	-380.91	12.86	6986.72	-465.63	27.58	6147.75	-465.63	42.18	6147.66	-589.59	87.88	4741.55	
			TQ	-83.30	-643.53	5350.46	-114.22	-643.53	4880.60	-116.46	-632.09	4745.73	-126.11	-632.09	4155.71	
			M3	-72.26	-17.90	-2576.90	-72.30	-21.27	-2919.76	-72.30	-28.17	-2919.70	-72.30	-28.62	-3262.62	
	LIVE LOAD	MAX	450.31	819.73	11109.38	272.61	819.73	10707.60	272.61	827.13	10707.51	179.45	827.13	9771.85		
		MIN	-380.91	-808.39	-2576.90	-465.63	-808.39	-2919.76	-465.63	-800.55	-2919.70	-589.59	-800.55	-3262.62		
303	SUM TOTAL	TOTAL	MAX	93.64	1082.60	38009.03	-353.68	1082.60	35273.74	-353.68	1148.34	35272.96	-714.04	1148.34	30730.88	
			MIN	-737.57	-545.52	24322.76	-1091.92	-545.52	21646.39	-1091.92	-479.34	21645.75	-1483.07	-479.34	17696.41	



BAGO RIVER BRIDGE

BLOCK [ No.1 : MAIN GIRDER ][ BEAM MEMBER FORCE ]

MEMBER NODE	3011	3012			3012			3013			3013				
		SHEAR	TORQUE	MOMENT	SHEAR	TORQUE	MOMENT	SHEAR	TORQUE	MOMENT	SHEAR	TORQUE	MOMENT		
		S2 (kN)	TQ (kN·m)	M3 (kN·m)	S2 (kN)	TQ (kN·m)	M3 (kN·m)	S2 (kN)	TQ (kN·m)	M3 (kN·m)	S2 (kN)	TQ (kN·m)	M3 (kN·m)		
1	PAVEMENT	-164.46	-14.62	3811.85	-216.73	-14.62	2907.35	-216.73	-7.71	2907.37	-268.31	-7.71	1756.62		
3	RAILING	-6.09	0.38	95.69	-5.32	0.38	68.58	-5.32	0.55	68.58	-4.53	0.55	45.20		
5	CURB	-60.33	3.79	947.36	-52.64	3.79	678.99	-52.64	5.41	678.98	-44.80	5.41	447.45		
7	DECK WEIGHT	-255.85	12.40	5969.84	-334.99	12.40	4567.80	-334.99	23.24	4567.75	-413.10	23.24	2792.86		
8	GIRDER WEIGH	-294.42	321.21	7133.09	-383.10	321.21	5526.41	-383.10	334.34	5525.63	-471.78	334.34	3498.34		
10	MEDIAN STRIP	-28.43	101.94	1237.71	-57.23	101.94	1034.56	-57.23	104.40	1034.32	-86.03	104.40	694.60		
21	ADITIONAL WE	-71.64	3.47	1671.56	-93.80	3.47	1278.98	-93.80	6.51	1278.97	-115.67	6.51	782.00		
31	MEDIAN RAILI	-2.53	8.10	91.57	-4.86	8.10	74.06	-4.86	8.28	74.04	-7.18	8.28	45.48		
51	SUPPORT WEIG	-0.00	-0.00	-0.00	-0.00	-0.00	-0.00	-0.00	-0.00	-0.00	-0.00	-0.00	-0.00		
52	NOSE WEIGHT	0.02	0.60	-0.29	0.02	0.60	-0.20	0.02	0.60	-0.20	0.02	0.60	-0.10		
61	1-LANE(case1TRUCK-LOAD	MAX	S2	4.65	2.11	173.26	4.65	2.11	195.33	4.65	2.58	195.32	4.65	2.58	217.38
			TQ	-52.16	329.63	851.47	-52.16	329.63	604.08	-52.16	331.06	603.29	-52.16	331.06	355.90
			M3	-46.14	311.72	927.36	-31.27	230.41	747.60	-31.27	232.18	747.05	-29.25	212.97	602.29
		MIN	S2	-52.16	329.63	851.47	-52.16	329.63	604.08	-52.16	331.06	603.29	-52.16	331.06	355.90
			TQ	-3.35	-0.28	-131.26	-3.35	-0.28	-147.13	-5.42	-0.72	-240.02	-5.42	-0.72	-265.72
			M3	-9.41	2.12	-384.68	-9.41	2.12	-429.31	-9.41	1.10	-429.32	-9.41	1.10	-473.95
		TANDEM-LOAD MAX	S2	3.16	1.44	117.61	3.16	1.44	132.59	3.16	1.76	132.58	3.16	1.76	147.56
			TQ	-35.88	225.03	612.20	-35.88	225.03	442.01	-35.88	226.08	441.47	-35.88	226.08	271.28
			M3	-30.16	209.46	633.55	-21.24	165.83	511.76	-21.24	167.04	511.36	-21.24	167.04	410.62
		MIN	S2	-35.88	225.03	612.20	-35.88	225.03	442.01	-35.88	226.08	441.47	-35.88	226.08	271.28
			TQ	2.66	-0.55	94.68	2.66	-0.55	107.31	-3.52	-0.50	-155.85	-3.52	-0.50	-172.56
			M3	-6.40	1.51	-261.98	-6.40	1.51	-292.34	-6.40	0.82	-292.34	-6.40	0.82	-322.70
		DISPERSION-LMAX	S2	8.68	4.70	349.07	8.68	4.70	390.22	8.68	5.63	390.21	8.68	5.63	431.37
			TQ	-47.03	327.75	905.47	-47.03	327.75	682.39	-44.87	329.48	778.67	-44.87	329.48	565.87
			M3	-37.42	325.16	1290.31	-37.42	325.16	1112.82	-37.42	327.80	1112.05	-37.42	327.80	934.56
		MIN	S2	-57.62	322.84	480.55	-57.62	322.84	207.28	-57.62	323.33	206.51	-57.62	323.33	-66.76
			TQ	-1.90	-0.21	-75.86	-1.90	-0.21	-84.89	-4.07	-0.53	-181.95	-4.07	-0.53	-201.26
			M3	-11.52	2.38	-460.70	-11.52	2.38	-515.32	-11.52	1.16	-515.33	-11.52	1.16	-569.95

BAGO RIVER BRIDGE

BLOCK [ No.1 : MAIN GIRDER ][ BEAM MEMBER FORCE ]

MEMBER				3011			3012			3013					
NODE				3011			3012			3012			3013		
				SHEAR	TORQUE	MOMENT	SHEAR	TORQUE	MOMENT	SHEAR	TORQUE	MOMENT	SHEAR	TORQUE	MOMENT
NAME	TITLE			S2 (kN)	TQ (kN·m)	M3 (kN·m)	S2 (kN)	TQ (kN·m)	M3 (kN·m)	S2 (kN)	TQ (kN·m)	M3 (kN·m)	S2 (kN)	TQ (kN·m)	M3 (kN·m)
62	1-LANE (case2TRUCK-LOAD	MAX	S2	19.85	12.69	598.35	19.85	12.69	692.47	19.85	14.33	692.44	19.85	14.33	786.56
			TQ	-62.87	155.82	1004.40	-62.87	155.82	706.24	-62.87	157.50	705.86	-62.87	157.50	407.70
			M3	-41.14	137.90	1199.97	-29.73	96.57	982.15	-29.73	98.90	981.92	-10.87	46.99	855.96
		MIN	S2	-70.43	145.56	1187.85	-70.43	145.56	853.79	-70.43	147.59	853.44	-70.43	147.59	519.38
			TQ	-9.81	-3.36	-372.11	-9.81	-3.36	-418.65	-9.87	-4.36	-420.99	-9.87	-4.36	-467.78
			M3	-10.16	-3.16	-387.93	-10.16	-3.16	-436.13	-10.16	-4.20	-436.13	-10.16	-4.20	-484.33
		TANDEM-LOAD MAX	S2	14.11	14.87	480.20	14.11	14.87	547.11	14.11	16.17	547.07	14.11	16.17	613.99
			TQ	-39.89	105.88	636.85	-39.89	105.88	447.66	-46.62	107.02	524.82	-46.62	107.02	303.70
			M3	-31.48	92.82	857.90	-19.59	58.79	696.88	-19.59	60.45	696.74	-5.23	22.96	622.75
		MIN	S2	-49.02	92.82	857.90	-49.02	92.82	625.41	-49.02	94.31	625.19	-49.02	94.31	392.71
			TQ	-6.61	-2.29	-250.39	-6.61	-2.29	-281.74	-6.61	-2.96	-281.73	-6.61	-2.96	-313.08
			M3	-6.92	-2.13	-264.24	-6.92	-2.13	-297.04	-6.92	-2.83	-297.04	-6.92	-2.83	-329.85
		DISPERSION-LMAX	S2	15.85	13.75	577.34	14.69	9.82	592.12	14.69	11.23	592.10	13.14	7.76	582.21
			TQ	-30.17	149.69	1272.97	-36.39	149.69	1115.13	-35.62	152.37	1143.06	-41.84	152.37	959.37
			M3	-28.31	149.46	1332.21	-34.53	149.46	1183.18	-34.53	152.27	1182.82	-40.75	152.27	1004.31
MIN	S2	-56.15	131.98	293.99	-61.21	135.90	73.31	-61.21	136.07	72.99	-65.87	139.54	-152.50		
	TQ	-10.13	-3.97	-401.64	-10.13	-3.97	-449.69	-10.90	-5.07	-477.97	-10.90	-5.07	-529.66		
	M3	-11.99	-3.74	-460.88	-11.99	-3.74	-517.74	-11.99	-4.97	-517.73	-11.99	-4.97	-574.60		
63	1-LANE (case3TRUCK-LOAD	MAX	S2	165.75	0.16	1254.22	93.46	7.48	1247.81	93.46	10.44	1247.79	38.65	13.14	913.62
			TQ	-34.37	12.01	531.23	-34.37	12.01	368.22	38.65	13.14	730.30	38.65	13.14	913.63
			M3	76.70	-2.59	1334.21	15.17	0.84	1335.65	15.17	4.01	1335.64	-56.74	11.07	982.31
		MIN	S2	-88.17	-2.42	1319.65	-143.88	-0.60	1314.78	-143.88	2.52	1314.78	-216.26	9.63	968.62
			TQ	-10.78	-7.22	-390.77	-10.78	-7.22	-441.90	-10.78	-8.27	-441.88	-10.78	-8.27	-493.01
			M3	-10.78	-7.22	-390.77	-10.78	-7.22	-441.90	-10.78	-8.27	-441.88	-10.78	-8.27	-493.01

BAGO RIVER BRIDGE

BLOCK [ No.1 : MAIN GIRDER ][ BEAM MEMBER FORCE ]

MEMBER		3011			3012			3012			3013				
NODE		3011			3012			3012			3013				
		SHEAR	TORQUE	MOMENT	SHEAR	TORQUE	MOMENT	SHEAR	TORQUE	MOMENT	SHEAR	TORQUE	MOMENT		
NAME	TITLE	S2 (kN)	TQ (kN·m)	M3 (kN·m)	S2 (kN)	TQ (kN·m)	M3 (kN·m)	S2 (kN)	TQ (kN·m)	M3 (kN·m)	S2 (kN)	TQ (kN·m)	M3 (kN·m)		
63	1-LANE (case3TANDEM-LOAD	MAX	S2	136.34	-2.28	1027.13	85.31	2.68	1043.39	85.31	5.15	1043.38	37.28	9.55	789.39
			TQ	-22.63	8.27	346.84	-22.63	8.27	239.49	37.28	9.55	612.55	37.28	9.55	789.39
			M3	37.44	-2.67	1036.97	-10.64	1.28	1053.16	-10.64	3.79	1053.15	-61.71	9.00	797.08
		MIN	S2	-71.43	-2.67	1036.97	-119.49	1.28	1053.16	-119.49	3.79	1053.15	-170.54	9.00	797.08
			TQ	-7.34	-4.92	-266.21	-7.34	-4.92	-301.04	-7.34	-5.64	-301.03	-7.34	-5.64	-335.86
			M3	-7.34	-4.92	-266.21	-7.34	-4.92	-301.04	-7.34	-5.64	-301.03	-7.34	-5.64	-335.86
	DISPERSION-LMAX	S2	46.44	8.85	678.60	26.31	8.92	652.56	26.31	10.47	652.53	14.93	9.25	572.51	
		TQ	7.00	24.41	950.64	-9.13	24.41	946.71	-9.50	26.69	974.62	-40.94	26.69	862.10	
		M3	4.22	16.72	1329.18	-33.21	16.72	1260.41	-33.21	19.72	1260.37	-70.63	19.72	1014.10	
		MIN	S2	-54.77	-0.61	188.39	-72.06	-0.68	86.18	-72.06	-0.48	86.18	-98.11	0.74	-139.53
			TQ	-15.32	-16.17	-83.66	-36.62	-16.17	-207.97	-36.25	-16.70	-235.91	-42.23	-16.70	-429.13
			M3	-12.54	-8.48	-462.20	-12.54	-8.48	-521.67	-12.54	-9.72	-521.65	-12.54	-9.72	-581.13
64	1-LANE (case4TRUCK-LOAD	MAX	S2	13.13	-2.94	466.39	13.13	-2.94	528.64	13.13	-1.68	528.65	26.92	-39.25	760.01
			TQ	9.35	7.49	246.28	9.35	7.49	290.63	9.35	8.18	290.61	9.35	8.18	334.96
			M3	-49.67	-287.76	1155.98	-41.91	-266.43	930.31	-41.91	-264.22	930.94	15.56	-133.82	844.83
		MIN	S2	-69.12	-283.14	1153.28	-58.30	-321.83	834.78	-58.30	-319.85	835.54	-58.30	-319.85	559.04
			TQ	-57.27	-329.09	996.55	-57.27	-329.09	724.91	-57.27	-327.36	725.69	-57.27	-327.36	454.05
			M3	-12.22	-15.82	-397.77	-12.22	-15.82	-455.72	-12.22	-16.90	-455.68	-12.22	-16.90	-513.63
	TANDEM-LOAD	MAX	S2	9.46	-8.00	391.29	9.46	-8.00	436.14	9.46	-6.97	436.16	26.58	-55.90	562.30
			TQ	5.24	5.63	129.56	5.24	5.63	154.40	8.49	6.20	271.26	8.49	6.20	311.54
			M3	-36.96	-203.67	797.79	-27.54	-175.76	643.93	-27.54	-174.23	644.35	5.24	-102.02	588.26
		MIN	S2	-54.31	-163.41	765.56	-40.26	-222.43	552.23	-40.26	-221.12	552.76	-40.26	-221.12	361.81
			TQ	-40.18	-224.35	722.12	-40.18	-224.35	531.56	-40.18	-223.09	532.09	-40.18	-223.09	341.53
			M3	-8.34	-10.86	-271.08	-8.34	-10.86	-310.63	-8.34	-11.59	-310.60	-8.34	-11.59	-350.15

BAGO RIVER BRIDGE

BLOCK [ No.1 : MAIN GIRDER ][ BEAM MEMBER FORCE ]

MEMBER		3011			3012			3012			3013					
NODE		3011			3012			3012			3013					
		SHEAR	TORQUE	MOMENT	SHEAR	TORQUE	MOMENT	SHEAR	TORQUE	MOMENT	SHEAR	TORQUE	MOMENT			
NAME	TITLE	S2 (kN)	TQ (kN·m)	M3 (kN·m)	S2 (kN)	TQ (kN·m)	M3 (kN·m)	S2 (kN)	TQ (kN·m)	M3 (kN·m)	S2 (kN)	TQ (kN·m)	M3 (kN·m)			
64	1-LANE (case4DISPERSION-LMAX	S2	11.85	3.12	449.96	12.07	-1.18	523.41	12.07	0.06	523.41	15.14	-9.96	650.34		
		TQ	10.33	7.32	350.98	10.33	7.32	399.98	10.33	8.27	399.97	10.33	8.27	448.97		
		M3	-41.23	-302.53	1454.49	-35.71	-302.53	1271.94	-35.71	-299.51	1272.66	-30.09	-299.51	1116.52		
		MIN	S2	-67.77	-324.44	533.23	-62.47	-320.14	207.54	-62.47	-319.64	208.30	-59.92	-309.62	-144.46	
		TQ	-66.25	-328.64	632.22	-60.73	-328.64	330.97	-60.73	-327.86	331.75	-55.12	-327.86	56.91		
		M3	-14.70	-18.79	-471.29	-14.70	-18.79	-540.99	-14.70	-20.07	-540.94	-14.70	-20.07	-610.64		
		MAX	S2	12.29	12.72	587.48	12.29	12.72	645.78	12.29	14.25	645.75	12.29	14.25	704.05	
		TQ	-105.96	573.08	1727.13	-105.96	573.08	1224.57	-105.96	575.98	1223.20	-105.96	575.98	720.63		
		M3	-98.30	519.38	1994.06	-71.38	399.78	1591.10	-71.38	403.56	1590.15	-45.95	317.76	1325.40		
65	2-LANES (caseTRUCK-LOAD	MIN	S2	-109.35	566.47	1855.55	-109.35	566.47	1336.94	-109.35	569.64	1335.59	-109.35	569.64	816.98	
		TQ	-10.63	-1.65	-413.29	-10.63	-1.65	-463.72	-13.74	-2.92	-602.66	-13.74	-2.92	-667.81		
		M3	-19.19	1.61	-770.94	-19.19	1.61	-861.97	-19.19	-0.44	-861.97	-19.19	-0.44	-953.00		
		TANDEM-LOAD	MAX	S2	8.74	13.22	462.85	8.74	13.22	504.32	8.74	14.42	504.29	8.74	14.42	545.77
		TQ	-73.28	391.55	1223.44	-73.28	391.55	875.89	-73.28	393.63	874.96	-73.28	393.63	527.41		
		M3	-65.59	347.63	1371.22	-53.93	295.07	1087.93	-53.93	297.66	1087.23	-24.52	215.59	913.14		
		MIN	S2	-75.71	385.80	1313.86	-75.71	385.80	954.76	-75.71	388.07	953.84	-75.71	388.07	594.75	
		TQ	-2.42	-1.49	-102.23	-2.42	-1.49	-113.72	-9.29	-2.00	-407.30	-9.29	-2.00	-451.34		
		M3	-13.06	1.21	-525.06	-13.06	1.21	-586.98	-13.06	-0.18	-586.98	-13.06	-0.18	-648.90		
		DISPERSION-LMAX	S2	18.94	12.57	779.66	18.94	12.57	869.50	18.94	14.64	869.46	18.94	14.64	959.30	
		TQ	-87.27	565.76	2048.10	-87.27	565.76	1634.21	-83.22	569.86	1813.88	-83.22	569.86	1419.20		
		M3	-73.31	562.53	2605.50	-73.31	562.53	2257.80	-73.31	567.89	2256.46	-73.31	567.89	1908.76		
		MIN	S2	-115.50	551.67	904.46	-115.50	551.67	356.65	-115.50	552.52	355.34	-115.50	552.52	-192.47	
		TQ	-9.29	-1.51	-363.99	-9.29	-1.51	-408.07	-13.34	-2.70	-589.07	-13.34	-2.70	-652.36		
		M3	-23.25	1.72	-921.38	-23.25	1.72	-1031.65	-23.25	-0.73	-1031.65	-23.25	-0.73	-1141.92		

BAGO RIVER BRIDGE

BLOCK [ No.1 : MAIN GIRDER ] [ BEAM MEMBER FORCE ]

MEMBER				3011			3012			3013					
NODE				3011			3012			3012			3013		
				SHEAR	TORQUE	MOMENT	SHEAR	TORQUE	MOMENT	SHEAR	TORQUE	MOMENT	SHEAR	TORQUE	MOMENT
NAME	TITLE			S2 (kN)	TQ (kN·m)	M3 (kN·m)	S2 (kN)	TQ (kN·m)	M3 (kN·m)	S2 (kN)	TQ (kN·m)	M3 (kN·m)	S2 (kN)	TQ (kN·m)	M3 (kN·m)
66	2-LANES (caseTRUCK-LOAD	MAX	S2	27.49	23.29	1012.56	27.49	23.29	1142.92	27.49	26.00	1142.86	27.49	26.00	1273.23
			TQ	-116.67	399.27	1880.07	-116.67	399.27	1326.73	-116.67	402.42	1325.77	-116.67	402.42	772.43
			M3	-93.30	345.55	2266.66	-69.84	265.94	1825.65	-69.84	270.28	1825.01	-27.57	151.78	1579.06
		MIN	S2	-127.62	382.40	2191.92	-127.62	382.40	1586.65	-127.62	386.17	1585.74	-127.62	386.17	980.46
			TQ	-17.10	-4.74	-654.13	-17.10	-4.74	-735.24	-18.18	-6.56	-783.63	-18.18	-6.56	-869.86
			M3	-19.95	-3.67	-774.19	-19.95	-3.67	-868.79	-19.95	-5.74	-868.78	-19.95	-5.74	-963.38
		TANDEM-LOAD MAX	S2	19.69	26.65	825.43	19.69	26.65	918.85	19.69	28.83	918.78	19.69	28.83	1012.19
			TQ	-77.28	272.39	1248.09	-77.28	272.39	881.54	-84.01	274.57	958.30	-84.01	274.57	559.83
			M3	-66.92	231.00	1595.56	-52.27	188.04	1273.06	-52.27	191.06	1272.60	-8.51	71.51	1125.27
		MIN	S2	-88.85	253.59	1559.55	-88.85	253.59	1138.16	-88.85	256.29	1137.56	-88.85	256.29	716.17
			TQ	-11.70	-3.23	-447.30	-11.70	-3.23	-502.77	-12.37	-4.46	-533.18	-12.37	-4.46	-591.87
			M3	-13.57	-2.42	-527.31	-13.57	-2.42	-591.69	-13.57	-3.83	-591.68	-13.57	-3.83	-656.05
		DISPERSION-LMAX	S2	26.11	21.62	1007.93	24.96	17.70	1071.40	24.96	20.24	1071.35	23.40	16.78	1110.14
			TQ	-70.40	387.70	2415.60	-76.62	387.70	2066.95	-73.97	392.75	2178.27	-80.19	392.75	1812.69
			M3	-64.20	386.83	2647.39	-70.42	386.83	2328.16	-70.42	392.35	2327.23	-76.63	392.35	1978.51
MIN	S2	-114.03	360.81	717.90	-119.10	364.73	222.69	-119.10	365.26	221.82	-123.76	368.73	-278.21		
	TQ	-17.52	-5.27	-689.77	-17.52	-5.27	-772.87	-20.17	-7.25	-885.10	-20.17	-7.25	-980.76		
	M3	-23.72	-4.40	-921.56	-23.72	-4.40	-1034.07	-23.72	-6.85	-1034.06	-23.72	-6.85	-1146.58		
67	2-LANES (caseTRUCK-LOAD	MAX	S2	305.55	-59.64	2487.99	172.25	-18.63	2449.34	172.25	-12.82	2449.37	72.16	13.99	1809.44
			TQ	-22.39	19.32	893.45	-22.39	19.32	787.25	51.58	21.46	1170.76	51.58	21.46	1415.39
			M3	138.09	-84.65	2645.94	24.97	-55.81	2622.48	24.97	-49.58	2622.61	-106.73	-9.10	1948.14
		MIN	S2	-169.86	-88.92	2620.06	-269.83	-66.41	2573.30	-269.83	-60.30	2573.45	-401.35	-20.03	1912.53
			TQ	-69.96	-98.16	601.00	-69.96	-98.16	269.21	-69.96	-97.52	269.44	-69.96	-97.52	-62.36
			M3	-22.02	-17.21	-783.72	-22.02	-17.21	-888.14	-22.02	-19.32	-888.10	-22.02	-19.32	-992.51

BAGO RIVER BRIDGE

BLOCK [ No.1 : MAIN GIRDER ][ BEAM MEMBER FORCE ]

MEMBER		3011			3012			3012			3013						
NODE		3011			3012			3012			3013						
		SHEAR	TORQUE	MOMENT	SHEAR	TORQUE	MOMENT	SHEAR	TORQUE	MOMENT	SHEAR	TORQUE	MOMENT				
NAME	TITLE	S2 (kN)	TQ (kN·m)	M3 (kN·m)	S2 (kN)	TQ (kN·m)	M3 (kN·m)	S2 (kN)	TQ (kN·m)	M3 (kN·m)	S2 (kN)	TQ (kN·m)	M3 (kN·m)				
67	2-LANES (caseTANDEM-LOAD	MAX	S2	251.55	-53.79	2020.81	157.05	-25.69	2032.92	157.05	-20.86	2032.97	68.94	6.00	1548.34		
			TQ	-16.26	13.66	567.82	-16.26	13.66	490.71	43.66	15.54	863.76	43.66	15.54	1070.83		
			M3	66.84	-58.14	2040.60	-21.68	-33.16	2052.69	-21.68	-28.28	2052.76	-115.03	1.04	1564.37		
		MIN	S2	-136.22	-58.14	2040.60	-224.10	-33.16	2052.69	-224.10	-28.28	2052.76	-316.84	1.04	1564.37		
			TQ	-51.30	-67.47	468.59	-51.30	-67.47	225.28	-51.30	-66.94	225.44	-51.30	-66.94	-17.87		
			M3	-15.00	-11.75	-533.94	-15.00	-11.75	-605.09	-15.00	-13.19	-605.06	-15.00	-13.19	-676.21		
			DISPERSION-LMAX	S2	87.63	5.22	1363.39	50.41	12.72	1303.59	50.41	15.81	1303.56	29.39	17.53	1146.98	
				TQ	19.31	31.87	1350.14	3.18	31.87	1404.58	3.23	35.25	1441.79	-28.24	35.25	1389.62	
				M3	3.13	-53.88	2684.06	-66.72	-53.88	2533.01	-66.72	-47.86	2533.13	-136.36	-47.86	2051.27	
			MIN	S2	-110.20	-79.38	393.78	-142.84	-86.88	180.59	-142.84	-86.45	180.80	-191.47	-88.16	-266.42	
				TQ	-41.88	-106.04	407.02	-95.61	-106.04	79.60	-95.67	-105.89	42.56	-133.83	-105.89	-509.06	
				M3	-25.71	-20.28	-926.90	-25.71	-20.28	-1048.83	-25.71	-22.78	-1048.78	-25.71	-22.78	-1170.70	
		68	2-LANES (caseTRUCK-LOAD	MAX	S2	33.73	-145.33	1613.10	32.52	-79.41	1516.82	32.52	-75.81	1517.00	44.03	-61.56	1576.63
					TQ	16.90	14.21	474.79	16.90	14.21	554.94	16.90	15.52	554.91	16.90	15.52	635.06
					M3	-65.25	-480.41	2372.07	-59.08	-402.72	1989.09	-59.08	-398.00	1990.05	-3.57	-202.00	1736.16
MIN	S2			-130.77	-488.06	2366.35	-122.46	-475.69	1891.63	-122.46	-471.20	1892.75	-124.94	-408.07	1443.48		
	TQ			-111.43	-565.78	1925.15	-111.43	-565.78	1396.64	-111.43	-562.47	1397.98	-111.43	-562.47	869.46		
	M3			-23.97	-28.85	-793.24	-23.97	-28.85	-906.91	-23.97	-31.01	-906.84	-23.97	-31.01	-1020.51		
	TANDEM-LOAD			MAX	S2	23.71	-126.15	1248.86	23.09	-80.41	1186.87	23.09	-77.59	1187.06	39.22	-82.31	1200.62
				TQ	12.21	11.01	343.02	12.21	11.01	400.95	15.47	12.16	517.80	15.47	12.16	591.16	
				M3	-50.98	-331.02	1664.87	-42.68	-259.93	1404.38	-42.68	-256.59	1404.99	-11.22	-137.82	1236.87	
	MIN			S2	-96.88	-290.76	1632.65	-84.47	-306.60	1312.67	-84.47	-303.48	1313.39	-86.31	-256.92	1010.43	
				TQ	-78.56	-385.73	1396.58	-78.56	-385.73	1023.99	-78.56	-383.29	1024.91	-78.56	-383.29	652.32	
				M3	-16.35	-19.79	-540.56	-16.35	-19.79	-618.11	-16.35	-21.26	-618.06	-16.35	-21.26	-695.62	

BAGO RIVER BRIDGE

BLOCK [ No.1 : MAIN GIRDER ][ BEAM MEMBER FORCE ]

MEMBER			3011			3012			3012			3013				
NODE			3011			3012			3012			3013				
			SHEAR	TORQUE	MOMENT	SHEAR	TORQUE	MOMENT	SHEAR	TORQUE	MOMENT	SHEAR	TORQUE	MOMENT		
NAME	TITLE		S2 (kN)	TQ (kN·m)	M3 (kN·m)	S2 (kN)	TQ (kN·m)	M3 (kN·m)	S2 (kN)	TQ (kN·m)	M3 (kN·m)	S2 (kN)	TQ (kN·m)	M3 (kN·m)		
68	2-LANES (caseDISPERSION-LMAX	S2	29.78	-13.93	1107.64	27.24	-5.96	1150.78	27.24	-3.23	1150.79	27.99	-5.00	1228.22		
		TQ	20.45	14.19	704.78	20.45	14.19	801.78	20.62	16.11	808.12	20.62	16.11	905.92		
		M3	-66.23	-518.79	2872.15	-70.65	-518.79	2547.64	-70.65	-512.74	2548.87	-75.14	-512.74	2203.23		
		MIN	S2	-124.68	-539.07	824.94	-126.56	-547.04	321.34	-126.56	-546.27	322.64	-131.80	-544.50	-236.38	
		TQ	-115.35	-567.19	1227.81	-119.77	-567.19	670.35	-119.94	-565.61	665.32	-124.43	-565.61	85.92		
		M3	-28.67	-34.21	-939.56	-28.67	-34.21	-1075.52	-28.67	-36.76	-1075.43	-28.67	-36.76	-1211.39		
		MAX	S2	32.14	25.40	1185.82	32.14	25.40	1338.25	32.14	28.58	1338.18	32.14	28.58	1490.61	
		TQ	-168.83	728.90	2731.54	-168.83	728.90	1930.80	-168.83	733.48	1929.07	-168.83	733.48	1128.33		
		M3	-139.44	657.27	3194.02	-101.11	496.35	2573.25	-101.11	502.46	2572.06	-56.82	364.75	2181.36		
69	3-LANES (caseTRUCK-LOAD	MIN	S2	-179.78	712.03	3043.39	-179.78	712.03	2190.73	-179.78	717.23	2189.03	-179.78	717.23	1336.36	
		TQ	-20.45	-5.02	-785.39	-20.45	-5.02	-882.37	-23.60	-7.28	-1023.65	-23.60	-7.28	-1135.59		
		M3	-29.36	-1.55	-1158.87	-29.36	-1.55	-1298.10	-29.36	-4.63	-1298.10	-29.36	-4.63	-1437.33		
		TANDEM-LOAD	MAX	S2	22.85	28.09	943.04	22.85	28.09	1051.43	22.85	30.58	1051.36	22.85	30.58	1159.75
		TQ	-113.17	497.43	1860.29	-113.17	497.43	1323.55	-119.90	500.66	1399.78	-119.90	500.66	831.11		
		M3	-97.07	440.46	2229.11	-73.51	353.87	1784.81	-73.51	358.10	1783.97	-29.75	238.55	1535.89		
		MIN	S2	-124.73	478.62	2171.75	-124.73	478.62	1580.17	-124.73	482.38	1579.03	-124.73	482.38	987.45	
		TQ	-9.03	-3.79	-352.62	-9.03	-3.79	-395.46	-15.90	-4.96	-689.03	-15.90	-4.96	-764.42		
		M3	-19.97	-0.91	-789.30	-19.97	-0.91	-884.03	-19.97	-3.01	-884.02	-19.97	-3.01	-978.75		
		DISPERSION-LMAX	S2	34.79	26.32	1357.00	33.63	22.40	1461.62	33.63	25.87	1461.56	32.08	22.40	1541.51	
		TQ	-117.44	715.45	3321.08	-123.65	715.45	2749.34	-118.84	722.23	2956.94	-125.05	722.23	2378.56		
		M3	-101.62	711.98	3937.71	-107.84	711.98	3440.98	-107.84	720.15	3439.28	-114.06	720.15	2913.06		
		MIN	S2	-171.65	683.65	1198.45	-176.71	687.57	429.96	-176.71	688.59	428.33	-181.37	692.05	-344.97	
		TQ	-19.43	-5.48	-765.63	-19.43	-5.48	-857.76	-24.24	-7.78	-1067.04	-24.24	-7.78	-1182.02		
		M3	-35.24	-2.02	-1382.26	-35.24	-2.02	-1549.40	-35.24	-5.70	-1549.39	-35.24	-5.70	-1716.52		

BAGO RIVER BRIDGE

BLOCK [ No.1 : MAIN GIRDER ][ BEAM MEMBER FORCE ]

MEMBER				3011			3012			3013					
NODE				3011			3012			3013					
				SHEAR	TORQUE	MOMENT	SHEAR	TORQUE	MOMENT	SHEAR	TORQUE	MOMENT			
NAME	TITLE			S2 (kN)	TQ (kN·m)	M3 (kN·m)	S2 (kN)	TQ (kN·m)	M3 (kN·m)	S2 (kN)	TQ (kN·m)	M3 (kN·m)			
70	3-LANES (caseTRUCK-LOAD	MAX	S2	363.48	-176.27	3663.61	208.99	-80.54	3500.59	208.99	-72.23	3500.77	93.73	-2.12	2648.32
			TQ	-15.34	25.84	1116.94	-15.34	25.84	1044.17	58.63	28.59	1427.67	58.63	28.59	1705.73
			M3	147.08	-240.47	3892.48	15.39	-167.42	3749.61	15.39	-158.52	3750.00	-135.26	-63.48	2859.20
		MIN	S2	-238.01	-253.60	3860.29	-353.25	-192.14	3693.96	-353.25	-183.37	3694.41	-502.10	-88.80	2819.31
			TQ	-128.04	-278.60	1627.53	-128.04	-278.60	1020.25	-128.04	-276.18	1020.91	-128.04	-276.18	413.63
			M3	-33.72	-29.98	-1178.98	-33.72	-29.98	-1338.90	-33.72	-33.16	-1338.83	-33.72	-33.16	-1498.75
		TANDEM-LOAD MAX	S2	298.18	-150.58	2922.40	187.93	-85.05	2854.66	187.93	-78.27	2854.86	86.77	-14.19	2219.71
			TQ	-9.72	18.99	776.22	-9.72	18.99	730.13	50.20	21.43	1103.16	50.20	21.43	1341.26
			M3	66.82	-162.01	2951.65	-35.67	-102.29	2884.50	-35.67	-95.43	2884.73	-141.77	-27.00	2245.28
		MIN	S2	-185.97	-162.01	2951.65	-286.39	-102.29	2884.50	-286.39	-95.43	2884.73	-390.49	-27.00	2245.28
			TQ	-89.71	-191.18	1141.42	-89.71	-191.18	715.92	-89.71	-189.48	716.37	-89.71	-189.48	290.86
			M3	-22.98	-20.50	-803.27	-22.98	-20.50	-912.28	-22.98	-22.67	-912.22	-22.98	-22.67	-1021.23
		DISPERSION-LMAX	S2	112.37	-11.76	2059.03	68.15	10.05	1943.01	68.15	14.67	1942.98	42.72	23.76	1723.50
			TQ	29.64	39.18	1710.47	13.52	39.18	1813.94	13.74	43.54	1857.50	-17.73	43.54	1855.16
			M3	-14.29	-211.19	4076.30	-101.06	-211.19	3802.14	-101.06	-202.16	3802.63	-187.12	-202.16	3118.64
MIN	S2	-166.26	-234.89	622.58	-208.81	-256.70	276.60	-208.81	-256.05	277.21	-269.45	-265.14	-375.14		
	TQ	-83.54	-285.83	971.14	-154.18	-285.83	405.68	-154.40	-284.92	362.69	-208.99	-284.92	-506.80		
	M3	-39.60	-35.46	-1394.70	-39.60	-35.46	-1582.53	-39.60	-39.22	-1582.44	-39.60	-39.22	-1770.28		
71	3-LANES (caseTRUCK-LOAD	MAX	S2	136.18	-230.92	2817.88	93.95	-120.11	2655.16	93.95	-113.80	2655.43	73.07	-66.93	2450.10
			TQ	24.46	20.55	735.87	24.46	20.55	851.87	28.97	22.65	985.60	28.97	22.65	1123.02
			M3	-28.41	-599.30	3653.24	-56.87	-484.04	3207.46	-56.87	-476.42	3208.60	-44.14	-235.95	2682.15
		MIN	S2	-205.94	-614.77	3639.51	-230.64	-568.81	3097.83	-230.64	-561.45	3099.17	-277.82	-453.40	2382.31
			TQ	-164.64	-710.12	2829.98	-164.64	-710.12	2049.10	-162.48	-705.30	2016.85	-162.48	-705.30	1246.22
			M3	-35.25	-39.10	-1186.41	-35.25	-39.10	-1353.58	-35.25	-42.32	-1353.48	-35.25	-42.32	-1520.64



BAGO RIVER BRIDGE

BLOCK [ No.1 : MAIN GIRDER ][ BEAM MEMBER FORCE ]

MEMBER				3011			3012			3013							
NODE				3011			3012			3013							
				SHEAR	TORQUE	MOMENT	SHEAR	TORQUE	MOMENT	SHEAR	TORQUE	MOMENT					
NAME	TITLE			S2 (kN)	TQ (kN·m)	M3 (kN·m)	S2 (kN)	TQ (kN·m)	M3 (kN·m)	S2 (kN)	TQ (kN·m)	M3 (kN·m)					
71	3-LANES (case)	TANDEM-LOAD	MAX	S2	106.53	-199.02	2198.51	77.58	-121.83	2105.36	77.58	-116.83	2105.65	65.68	-92.09	1926.51	
				TQ	17.67	16.20	538.96	17.67	16.20	622.77	22.19	17.90	776.93	22.19	17.90	882.16	
				M3	-35.58	-409.96	2624.52	-54.86	-309.40	2332.52	-54.86	-303.86	2333.24	-54.26	-153.54	1971.86	
			MIN	S2	-154.48	-369.70	2592.30	-171.00	-356.07	2240.81	-171.00	-350.75	2241.65	-205.00	-272.64	1745.42	
				TQ	-115.14	-484.13	2023.40	-115.14	-484.13	1477.31	-115.14	-480.62	1478.46	-115.14	-480.62	932.37	
				M3	-24.04	-26.80	-808.44	-24.04	-26.80	-922.46	-24.04	-28.99	-922.39	-24.04	-28.99	-1036.41	
		DISPERSION-LMAX	MAX	S2	63.77	-23.75	1797.10	48.73	-5.23	1797.76	48.73	-0.96	1797.76	41.97	2.00	1804.21	
				TQ	31.49	20.95	1087.86	31.49	20.95	1237.20	31.83	23.90	1248.06	31.83	23.90	1399.01	
				M3	-74.91	-648.48	4252.64	-104.77	-648.48	3826.96	-104.77	-639.39	3828.49	-135.15	-639.39	3259.94	
				MIN	S2	-180.60	-670.99	1050.83	-195.40	-689.50	425.73	-195.40	-688.49	427.36	-219.04	-691.45	-346.40
					TQ	-148.31	-715.68	1760.07	-178.16	-715.68	986.28	-178.50	-713.35	977.06	-208.89	-713.35	58.81
					M3	-41.91	-46.25	-1404.71	-41.91	-46.25	-1603.47	-41.91	-50.06	-1603.36	-41.91	-50.06	-1802.12
72	4-LANES	TRUCK-LOAD	MAX	S2	340.40	-208.36	4100.14	205.17	-99.51	3966.59	205.17	-90.08	3966.81	113.91	-47.19	3389.43	
				TQ	67.34	31.98	1386.13	67.34	31.98	1705.52	67.34	36.03	1705.44	67.34	36.03	2024.84	
				M3	74.21	-549.48	5021.24	-34.97	-457.64	4615.47	-34.97	-446.68	4616.54	-115.31	-210.14	3686.80	
			MIN	S2	-297.85	-578.23	4989.09	-391.51	-541.14	4455.76	-391.51	-530.56	4457.04	-529.04	-421.11	3371.03	
				TQ	-258.32	-657.29	4253.17	-258.32	-657.29	3027.99	-180.98	-652.42	1685.01	-180.98	-652.42	826.64	
				M3	-45.98	-46.06	-1576.96	-45.98	-46.06	-1795.04	-45.98	-50.32	-1794.93	-45.98	-50.32	-2013.01	
		TANDEM-LOAD	MAX	S2	276.36	-182.72	3268.64	180.66	-107.42	3220.25	180.66	-99.77	3220.50	104.76	-75.82	2753.75	
				TQ	35.80	24.13	893.32	35.80	24.13	1063.10	59.09	27.09	1381.49	59.09	27.09	1661.75	
				M3	16.17	-389.34	3706.19	-65.16	-292.14	3460.41	-65.16	-283.92	3461.09	-129.44	-135.67	2801.24	
				MIN	S2	-229.15	-349.71	3679.44	-308.90	-338.15	3365.22	-308.90	-330.16	3366.02	-403.81	-252.99	2573.63
					TQ	-187.02	-449.10	3059.31	-187.02	-449.10	2172.31	-122.92	-445.17	1173.26	-122.92	-445.17	590.26
					M3	-31.35	-31.54	-1074.50	-31.35	-31.54	-1223.20	-31.35	-34.44	-1223.12	-31.35	-34.44	-1371.82

BAGO RIVER BRIDGE

BLOCK [ No.1 : MAIN GIRDER ][ BEAM MEMBER FORCE ]

MEMBER				3011			3012			3012			3013					
NODE				3011			3012			3012			3013					
				SHEAR	TORQUE	MOMENT	SHEAR	TORQUE	MOMENT	SHEAR	TORQUE	MOMENT	SHEAR	TORQUE	MOMENT			
NAME	TITLE			S2 (kN)	TQ (kN·m)	M3 (kN·m)	S2 (kN)	TQ (kN·m)	M3 (kN·m)	S2 (kN)	TQ (kN·m)	M3 (kN·m)	S2 (kN)	TQ (kN·m)	M3 (kN·m)			
72	4-LANES	DISPERSION-LMAX	S2	88.30	-36.17	1367.06	46.92	-16.01	1173.10	46.92	-13.22	1173.13	25.80	-12.01	928.09			
			TQ	7.56	24.62	902.46	-8.57	24.62	901.16	-8.36	26.81	944.58	-39.80	26.81	837.46			
			M3	-93.65	-612.99	4420.96	-169.92	-614.51	3798.34	-169.92	-605.49	3799.79	-245.25	-609.20	2812.76			
		MIN	S2	-223.52	-619.70	1629.93	-259.73	-638.15	991.65	-259.73	-635.79	993.16	-315.72	-637.52	50.10			
			TQ	-149.83	-684.25	2209.96	-210.66	-684.25	1353.85	-210.88	-681.08	1311.89	-255.90	-681.08	197.74			
			M3	-42.31	-43.91	-1444.14	-42.31	-43.92	-1644.82	-42.31	-47.82	-1644.71	-42.31	-47.82	-1845.39			
		73	6-LANES	TRUCK-LOAD	MAX	S2	355.27	-95.97	4735.30	223.07	-35.92	4666.01	223.07	-24.84	4666.08	133.07	-19.96	4179.31
					TQ	-143.35	621.28	3618.65	-143.35	621.28	2938.74	-135.83	628.37	3079.26	-135.83	628.37	2435.05	
					M3	-30.73	49.50	7116.15	-102.70	55.03	6261.90	-102.70	69.90	6261.75	-157.86	106.80	5088.43	
MIN	S2			-417.46	70.33	6964.16	-514.00	73.77	5909.66	-514.00	87.81	5909.46	-641.78	145.76	4244.00			
	TQ			-194.33	-584.02	2010.78	-194.33	-584.02	1089.08	-196.05	-581.51	1013.60	-196.05	-581.51	83.77			
	M3			-64.62	-41.20	-2345.15	-64.62	-41.20	-2651.63	-64.62	-47.49	-2651.53	-64.62	-47.49	-2958.01			
TANDEM-LOAD	MAX			S2	287.43	-90.84	3724.07	193.47	-49.21	3722.87	193.47	-40.37	3722.98	119.45	-50.16	3330.39		
	TQ			-89.97	426.59	2504.19	-89.97	426.59	2077.49	-86.73	431.77	2192.73	-86.73	431.77	1781.37			
	M3			-57.99	16.41	5158.51	-108.09	23.25	4590.75	-108.09	34.15	4590.68	-144.27	49.15	3779.34			
MIN	S2			-314.53	89.94	5056.48	-391.25	70.30	4341.92	-391.25	80.61	4341.75	-481.13	122.54	3171.51			
	TQ			-132.56	-399.03	1697.39	-132.56	-399.03	1068.66	-139.73	-396.78	761.64	-139.73	-396.78	98.94			
	M3			-44.02	-28.08	-1597.64	-44.02	-28.08	-1806.44	-44.02	-32.37	-1806.37	-44.02	-32.37	-2015.17			
DISPERSION-LMAX	S2			135.17	13.49	3226.86	95.68	22.23	3268.65	95.68	29.99	3268.59	75.01	24.89	3230.52			
	TQ			-58.01	607.27	4307.48	-78.64	607.27	3984.63	-74.50	616.99	4199.61	-110.60	616.99	3767.85			
	M3			-136.44	15.88	7916.20	-208.67	11.01	7102.33	-208.67	27.15	7102.29	-279.56	15.51	5938.12			
MIN	S2	-345.17	-31.48	2096.54	-381.85	-43.21	894.05	-381.85	-41.09	894.15	-437.00	-38.07	-608.15					
	TQ	-156.60	-626.43	865.24	-202.04	-626.43	14.31	-206.13	-626.63	-172.39	-246.25	-626.63	-1251.36					
	M3	-73.99	-47.90	-2673.41	-74.01	-48.03	-3024.39	-74.01	-55.22	-3024.27	-74.01	-55.27	-3375.29					

BAGO RIVER BRIDGE

BLOCK [ No.1 : MAIN GIRDER ][ BEAM MEMBER FORCE ]

MEMBER			3011			3012			3012			3013			
NODE			3011			3012			3012			3013			
NAME TITLE			SHEAR	TORQUE	MOMENT	SHEAR	TORQUE	MOMENT	SHEAR	TORQUE	MOMENT	SHEAR	TORQUE	MOMENT	
			S2 (kN)	TQ (kN·m)	M3 (kN·m)	S2 (kN)	TQ (kN·m)	M3 (kN·m)	S2 (kN)	TQ (kN·m)	M3 (kN·m)	S2 (kN)	TQ (kN·m)	M3 (kN·m)	
124	SUM TOTAL	D+1LANE (caseMAX	S2	-867.74	445.47	21585.19	-1132.64	445.47	16839.19	-1132.64	485.46	16838.09	-1395.38	485.46	10840.94
			TQ	-1002.77	1226.15	23066.72	-1267.67	1226.15	17680.30	-1265.06	1268.27	17793.80	-1527.81	1268.27	11168.56
			M3	-984.01	1201.54	23619.60	-1231.06	1103.97	18369.05	-1231.06	1147.59	18366.37	-1491.39	1124.54	11906.66
		MIN	S2	-1015.46	1220.25	22556.81	-1280.36	1220.25	17110.16	-1280.36	1260.89	17107.21	-1543.11	1260.89	10409.41
			TQ	-890.03	436.70	20709.85	-1154.93	436.70	15858.11	-1160.02	474.12	15629.09	-1422.77	474.12	9502.06
			M3	-908.84	442.70	19943.94	-1173.74	442.70	15002.97	-1173.74	478.33	15001.88	-1436.49	478.33	8809.76
		D+1LANE (caseMAX	S2	-840.90	469.01	22369.22	-1107.19	464.31	17678.05	-1107.19	506.29	17676.89	-1371.80	502.13	11704.97
			TQ	-995.38	803.91	23691.24	-1267.74	803.91	18322.17	-1266.82	847.46	18354.16	-1537.02	847.46	11702.92
			M3	-967.07	782.12	23997.00	-1225.74	732.52	18734.93	-1225.74	777.01	18733.13	-1473.32	714.72	12294.76
		MIN	S2	-1035.63	770.34	22736.59	-1306.61	775.05	17249.05	-1306.61	816.01	17247.16	-1574.95	820.17	10502.70
			TQ	-907.67	428.49	20029.89	-1172.57	428.49	15094.52	-1173.55	464.30	15056.70	-1436.30	464.30	8865.51
			M3	-910.32	429.01	19939.82	-1175.21	429.01	14991.88	-1175.21	464.62	14990.82	-1437.96	464.62	8791.73
		D+1LANE (caseMAX	S2	-629.11	448.10	23277.78	-1004.91	456.97	18416.97	-1004.91	500.71	18415.83	-1347.08	502.49	11845.80
			TQ	-916.58	480.99	22736.64	-1200.83	480.99	17714.45	-1113.64	523.42	18181.35	-1414.12	523.42	12193.31
			M3	-786.63	454.26	24154.46	-1170.28	458.37	19251.80	-1170.28	504.09	19250.66	-1564.23	512.56	12458.14
		MIN	S2	-1055.26	433.66	22768.04	-1407.76	435.75	17817.69	-1407.76	478.07	17816.60	-1788.62	488.07	11057.35
			TQ	-915.06	409.22	20389.08	-1205.52	409.22	15356.69	-1205.07	445.65	15322.10	-1475.00	445.65	8955.87
			M3	-911.72	418.45	19934.83	-1176.62	418.45	14980.25	-1176.62	454.03	14979.21	-1439.37	454.03	8773.47
		D+1LANE (caseMAX	S2	-853.76	437.51	22058.01	-1118.40	432.35	17399.00	-1118.40	473.67	17397.92	-1360.91	416.56	11754.87
			TQ	-860.11	455.07	21675.10	-1125.01	455.07	16965.27	-1125.01	495.36	16964.14	-1387.76	495.36	11003.16
			M3	-992.81	-271.06	24090.95	-1241.77	-245.47	18779.24	-1241.77	-200.87	18779.77	-1428.82	-44.39	12416.07
		MIN	S2	-1047.99	-291.80	22982.20	-1293.55	-333.07	17387.32	-1293.55	-291.78	17388.06	-1553.24	-279.75	10559.94
			TQ	-1031.96	-351.99	22912.91	-1290.24	-351.99	17403.58	-1290.24	-310.65	17404.37	-1546.25	-310.65	10675.60
			M3	-916.03	395.76	19915.52	-1180.93	395.76	14940.48	-1180.93	431.25	14939.50	-1443.68	431.25	8713.32

BAGO RIVER BRIDGE

BLOCK [ No.1 : MAIN GIRDER ][ BEAM MEMBER FORCE ]

MEMBER			3011			3012			3012			3013			
NODE			3011			3012			3012			3013			
NAME TITLE			SHEAR	TORQUE	MOMENT	SHEAR	TORQUE	MOMENT	SHEAR	TORQUE	MOMENT	SHEAR	TORQUE	MOMENT	
			S2 (kN)	TQ (kN·m)	M3 (kN·m)	S2 (kN)	TQ (kN·m)	M3 (kN·m)	S2 (kN)	TQ (kN·m)	M3 (kN·m)	S2 (kN)	TQ (kN·m)	M3 (kN·m)	
124	SUM TOTAL	D+2LANES (casMAX	S2	-852.50	462.59	22325.53	-1117.40	462.59	17651.81	-1117.40	504.51	17650.66	-1380.15	504.51	11725.79
			TQ	-1076.96	1576.13	24733.63	-1341.86	1576.13	18995.31	-1337.81	1621.46	19172.53	-1600.56	1621.46	12202.27
			M3	-1055.34	1519.19	25557.95	-1293.32	1399.60	19985.44	-1293.32	1447.06	19982.05	-1530.64	1361.26	13296.60
		MIN	S2	-1108.58	1555.43	23718.40	-1373.48	1555.43	17830.12	-1373.48	1597.78	17826.38	-1636.23	1597.78	10686.95
			TQ	-903.66	434.12	20181.12	-1168.56	434.12	15264.75	-1175.71	469.99	14943.71	-1438.46	469.99	8742.27
			M3	-926.17	440.62	19266.07	-1191.07	440.62	14242.91	-1191.07	474.45	14241.83	-1453.82	474.45	7967.52
		D+2LANES (casMAX	S2	-830.13	482.20	22978.88	-1096.19	478.28	18350.85	-1096.19	521.86	18349.66	-1360.49	518.40	12445.81
			TQ	-1070.80	1224.26	25254.06	-1341.92	1224.26	19530.21	-1339.27	1270.79	19639.49	-1608.24	1270.79	12647.57
			M3	-1041.23	1169.67	25872.45	-1288.89	1090.06	20290.33	-1288.89	1138.25	20287.69	-1515.58	1019.75	13620.01
		MIN	S2	-1125.38	1180.51	23868.22	-1395.34	1184.43	17945.87	-1395.34	1227.05	17943.01	-1662.75	1230.51	10764.69
			TQ	-918.35	427.28	19614.49	-1183.25	427.28	14628.42	-1186.98	461.81	14466.72	-1449.73	461.81	8211.82
			M3	-927.40	429.22	19262.64	-1192.30	429.22	14233.67	-1192.30	463.03	14232.61	-1455.05	463.03	7952.49
		D+2LANES (casMAX	S2	-490.56	382.87	24809.77	-925.98	431.38	19889.46	-925.98	478.61	19888.38	-1309.82	507.14	13018.87
			TQ	-886.82	488.48	23201.98	-1167.84	488.48	18328.36	-1093.82	532.33	18748.01	-1388.04	532.33	12867.46
			M3	-742.50	298.77	26288.39	-1190.39	327.60	21292.02	-1190.39	378.17	21291.19	-1654.48	418.66	14061.85
		MIN	S2	-1163.79	269.00	23972.23	-1561.29	284.00	18890.42	-1561.29	328.86	18889.70	-2004.20	367.42	11708.55
			TQ	-995.57	233.10	21966.41	-1314.20	233.10	16485.34	-1314.25	272.21	16447.45	-1615.17	272.21	9491.03
			M3	-931.45	399.80	19247.77	-1196.35	399.80	14199.57	-1196.35	433.52	14198.58	-1459.10	433.52	7899.23
		D+2LANES (casMAX	S2	-820.22	278.04	23679.14	-1088.87	351.92	18804.13	-1088.87	396.57	18803.24	-1339.36	409.05	12867.29
			TQ	-846.38	465.69	22137.96	-1111.28	465.69	17493.25	-1111.11	507.25	17498.48	-1373.86	507.25	11603.43
			M3	-1015.21	-561.91	26202.61	-1278.36	-484.22	20673.27	-1278.36	-435.12	20674.36	-1490.09	-239.12	14001.83
		MIN	S2	-1139.18	-589.84	24149.69	-1397.65	-585.44	18349.51	-1397.65	-541.85	18350.84	-1668.11	-476.95	11269.55
			TQ	-1110.52	-695.69	24111.35	-1379.83	-695.69	18203.52	-1380.00	-652.46	18198.74	-1647.24	-652.46	11017.82
			M3	-936.36	374.23	19225.59	-1201.26	374.23	14154.11	-1201.26	407.84	14153.18	-1464.01	407.84	7830.54

BAGO RIVER BRIDGE

BLOCK [ No.1 : MAIN GIRDER ][ BEAM MEMBER FORCE ]

MEMBER			3011			3012			3012			3013				
NODE			3011			3012			3012			3013				
NAME TITLE			SHEAR	TORQUE	MOMENT	SHEAR	TORQUE	MOMENT	SHEAR	TORQUE	MOMENT	SHEAR	TORQUE	MOMENT		
			S2 (kN)	TQ (kN·m)	M3 (kN·m)	S2 (kN)	TQ (kN·m)	M3 (kN·m)	S2 (kN)	TQ (kN·m)	M3 (kN·m)	S2 (kN)	TQ (kN·m)	M3 (kN·m)		
124	SUM TOTAL	D+3LANES (casMAX	S2	-826.84	481.26	23119.79	-1092.72	477.92	18516.42	-1092.72	521.90	18515.23	-1356.80	518.95	12639.74	
			TQ	-1127.06	1664.99	26103.11	-1397.24	1664.99	20114.65	-1393.15	1712.97	20288.55	-1661.18	1712.97	13043.30	
			M3	-1088.64	1601.16	27020.36	-1326.24	1464.38	21248.63	-1326.24	1514.84	21245.09	-1556.63	1397.78	14392.70	
		MIN	S2	-1182.45	1623.62	24563.95	-1451.65	1626.95	18364.12	-1451.65	1670.56	18360.20	-1718.36	1673.51	10905.12	
			TQ	-917.62	428.37	19640.02	-1182.52	428.37	14657.42	-1189.30	462.82	14358.36	-1452.05	462.82	8092.47	
			M3	-938.64	434.26	18798.43	-1203.54	434.26	13716.16	-1203.54	466.84	13715.09	-1466.29	466.84	7381.67	
		D+3LANES (casMAX	S2	-479.26	277.47	25822.63	-913.06	377.38	20763.59	-913.06	426.69	20762.64	-1295.40	494.01	13778.49	
			TQ	-871.58	492.56	23361.68	-1150.18	492.56	18565.92	-1087.12	536.92	18927.85	-1376.62	536.92	13089.20	
			M3	-770.86	53.38	27731.86	-1221.45	115.47	22555.53	-1221.45	169.04	22555.19	-1685.40	249.83	15143.61	
		MIN	S2	-1227.36	22.07	24768.82	-1626.38	55.77	19511.51	-1626.38	102.11	19511.32	-2067.19	174.77	12139.99	
			TQ	-1063.57	-42.48	23167.25	-1388.52	-42.48	17348.57	-1388.71	-1.32	17311.51	-1697.86	-1.32	9983.25	
			M3	-946.06	381.67	18770.77	-1210.95	381.67	13653.31	-1210.95	414.09	13652.37	-1473.70	414.09	7283.76	
		D+3LANES (casMAX	S2	-713.78	220.83	24881.12	-1027.35	330.75	19921.51	-1027.35	378.06	19920.67	-1313.59	420.43	13678.61	
			TQ	-836.18	472.57	22508.56	-1101.08	472.57	17912.25	-1096.95	515.18	18034.06	-1359.70	515.18	12206.17	
			M3	-971.56	-623.32	27678.38	-1286.02	-525.35	22115.79	-1286.02	-472.82	22116.97	-1563.78	-268.42	15113.22	
		MIN	S2	-1212.29	-655.60	24945.17	-1510.77	-632.27	19131.56	-1510.77	-586.83	19133.00	-1833.70	-497.51	11792.97	
			TQ	-1149.74	-774.64	24859.93	-1440.01	-774.64	18716.60	-1438.46	-730.24	18680.28	-1727.04	-730.24	11171.72	
			M3	-949.31	364.74	18755.94	-1214.21	364.74	13623.04	-1214.21	397.09	13622.14	-1476.96	397.09	7238.09	
		D+4LANES	MAX	S2	-605.07	278.35	24512.07	-984.77	362.21	19477.33	-984.77	408.46	19476.41	-1320.56	437.14	12868.83
			TQ	-835.05	474.08	22445.97	-1110.43	474.08	17830.88	-1110.29	516.46	17857.97	-1393.48	516.46	11922.94	
			M3	-896.37	-318.32	27095.82	-1281.81	-259.60	21605.51	-1281.81	-208.29	21606.07	-1645.74	-56.96	14287.16	
		MIN	S2	-1222.62	-341.36	25260.75	-1571.94	-329.24	19677.35	-1571.94	-282.51	19678.08	-1960.47	-212.49	12286.18	
			TQ	-1149.03	-434.71	25159.42	-1453.46	-434.71	18984.73	-1403.34	-391.16	18083.44	-1695.35	-391.16	10728.29	
			M3	-941.12	378.81	18994.67	-1206.02	378.81	13900.62	-1206.02	411.82	13899.68	-1468.77	411.82	7554.48	

BAGO RIVER BRIDGE

BLOCK [ No.1 : MAIN GIRDER ][ BEAM MEMBER FORCE ]

MEMBER				3011			3012			3013						
NODE				3011			3012			3012			3013			
NAME TITLE				SHEAR	TORQUE	MOMENT	SHEAR	TORQUE	MOMENT	SHEAR	TORQUE	MOMENT	SHEAR	TORQUE	MOMENT	
				S2 (kN)	TQ (kN·m)	M3 (kN·m)	S2 (kN)	TQ (kN·m)	M3 (kN·m)	S2 (kN)	TQ (kN·m)	M3 (kN·m)	S2 (kN)	TQ (kN·m)	M3 (kN·m)	
124	SUM TOTAL	D+6LANES	MAX	S2	-564.95	383.68	26133.79	-941.44	428.40	21294.06	-941.44	478.97	21292.99	-1276.13	478.82	14878.83
				TQ	-1014.62	1235.85	26110.37	-1292.93	1235.85	20636.72	-1285.34	1285.10	20866.71	-1571.56	1285.10	14094.32
				M3	-992.39	479.79	30729.42	-1351.02	480.22	24823.28	-1351.02	538.70	24822.07	-1695.71	555.12	17229.70
			MIN	S2	-1379.44	462.54	26847.85	-1730.93	457.16	20558.94	-1730.93	505.98	20557.80	-2112.59	545.62	12425.75
				TQ	-1111.84	-349.50	22827.81	-1406.27	-349.50	16853.74	-1410.05	-309.67	16682.23	-1698.88	-309.67	9303.51
				M3	-973.83	379.38	17696.33	-1238.74	379.29	12447.12	-1238.74	408.85	12446.18	-1501.49	408.82	5945.80
			SUM TOTAL	MAX	-479.26	1664.99	30729.42	-913.06	1664.99	24823.28	-913.06	1712.97	24822.07	-1276.13	1712.97	17229.70
				MIN	-1379.44	-774.64	17696.33	-1730.93	-774.64	12447.12	-1730.93	-730.24	12446.18	-2112.59	-730.24	5945.80
300	DEAD LOAD	TOTAL			-883.73	437.29	20958.39	-1148.63	437.29	16136.53	-1148.63	475.62	16135.45	-1411.38	475.62	10062.44
301	LIVE LOAD	1-LANE(case1MAX	S2		15.99	8.18	626.80	15.99	8.18	702.66	15.99	9.85	702.64	15.99	9.85	778.50
				TQ	-119.04	788.85	2108.33	-119.04	788.85	1543.76	-116.43	792.65	1658.35	-116.43	792.65	1106.12
				M3	-100.28	764.25	2661.21	-82.43	666.68	2232.51	-82.43	671.98	2230.92	-80.01	648.92	1844.22
			MIN	S2	-131.73	782.96	1598.42	-131.73	782.96	973.62	-131.73	785.27	971.76	-131.73	785.27	346.97
				TQ	-6.30	-0.59	-248.54	-6.30	-0.59	-278.42	-11.39	-1.50	-506.36	-11.39	-1.50	-560.38
				M3	-25.11	5.40	-1014.45	-25.11	5.40	-1133.56	-25.11	2.71	-1133.57	-25.11	2.71	-1252.68
		1-LANE(case2MAX	S2		42.83	31.72	1410.83	41.45	27.01	1541.51	41.45	30.67	1541.44	39.58	26.51	1642.53
				TQ	-111.65	366.61	2732.85	-119.11	366.61	2185.64	-118.18	371.85	2218.71	-125.65	371.85	1640.48
				M3	-83.34	344.82	3038.61	-77.11	295.23	2598.39	-77.11	301.40	2597.68	-61.94	239.10	2232.32
			MIN	S2	-151.90	333.05	1778.20	-157.97	337.75	1112.52	-157.97	340.39	1111.72	-163.57	344.55	440.25
				TQ	-23.93	-8.80	-928.50	-23.93	-8.80	-1042.02	-24.92	-11.32	-1078.75	-24.92	-11.32	-1196.93
				M3	-26.58	-8.28	-1018.57	-26.58	-8.28	-1144.65	-26.58	-11.00	-1144.63	-26.58	-11.00	-1270.72
		1-LANE(case3MAX	S2		254.62	10.80	2319.39	143.72	19.68	2280.44	143.72	25.10	2280.39	64.30	26.87	1783.36
				TQ	-32.84	43.70	1778.25	-52.20	43.70	1577.92	34.99	47.81	2045.90	-2.74	47.81	2130.87
				M3	97.10	16.96	3196.07	-21.65	21.07	3115.27	-21.65	28.47	3115.21	-152.85	36.94	2395.69
			MIN	S2	-171.53	-3.63	1809.65	-259.13	-1.54	1681.15	-259.13	2.45	1681.15	-377.24	12.45	994.90
				TQ	-31.32	-28.07	-569.31	-56.89	-28.07	-779.84	-56.44	-29.97	-813.35	-63.62	-29.97	-1106.57
				M3	-27.99	-18.84	-1023.56	-27.99	-18.84	-1156.29	-27.99	-21.59	-1156.24	-27.99	-21.59	-1288.97

BAGO RIVER BRIDGE

BLOCK [ No.1 : MAIN GIRDER ][ BEAM MEMBER FORCE ]

MEMBER			3011			3012			3012			3013			
NODE			3011			3012			3012			3013			
NAME TITLE			SHEAR	TORQUE	MOMENT	SHEAR	TORQUE	MOMENT	SHEAR	TORQUE	MOMENT	SHEAR	TORQUE	MOMENT	
			S2 (kN)	TQ (kN·m)	M3 (kN·m)	S2 (kN)	TQ (kN·m)	M3 (kN·m)	S2 (kN)	TQ (kN·m)	M3 (kN·m)	S2 (kN)	TQ (kN·m)	M3 (kN·m)	
301	LIVE LOAD	1-LANE (case4MAX	S2	29.97	0.22	1099.62	30.23	-4.94	1262.46	30.23	-1.94	1262.47	50.47	-59.05	1692.42
			TQ	23.62	17.77	716.71	23.62	17.77	828.74	23.62	19.74	828.69	23.62	19.74	940.72
			M3	-109.07	-708.35	3132.56	-93.14	-682.76	2642.70	-93.14	-676.48	2644.32	-17.44	-520.00	2353.63
			MIN S2	-164.26	-729.10	2023.81	-144.92	-770.37	1250.78	-144.92	-767.39	1252.61	-141.86	-755.36	497.50
			TQ	-148.23	-789.28	1954.52	-141.61	-789.28	1267.05	-141.61	-786.27	1268.92	-134.87	-786.27	613.15
			M3	-32.30	-41.53	-1042.87	-32.30	-41.53	-1196.05	-32.30	-44.37	-1195.95	-32.30	-44.37	-1349.12
		2-LANES (caseMAX	S2	31.23	25.29	1367.14	31.23	25.29	1515.27	31.23	28.89	1515.21	31.23	28.89	1663.35
			TQ	-193.23	1138.84	3775.24	-193.23	1138.84	2858.78	-189.18	1145.84	3037.08	-189.18	1145.84	2139.83
			M3	-171.61	1081.90	4599.56	-144.69	962.31	3848.90	-144.69	971.45	3846.61	-119.26	885.65	3234.16
			MIN S2	-224.85	1118.14	2760.01	-224.85	1118.14	1693.59	-224.85	1122.16	1690.93	-224.85	1122.16	624.51
			TQ	-19.93	-3.17	-777.27	-19.93	-3.17	-871.78	-27.08	-5.62	-1191.74	-27.08	-5.62	-1320.17
			M3	-42.44	3.33	-1692.32	-42.44	3.33	-1893.62	-42.44	-1.17	-1893.62	-42.44	-1.17	-2094.92
		2-LANES (caseMAX	S2	53.60	44.91	2020.49	52.44	40.99	2214.32	52.44	46.25	2214.21	50.89	42.78	2383.37
			TQ	-187.07	786.97	4295.67	-193.29	786.97	3393.67	-190.64	795.17	3504.04	-196.86	795.17	2585.13
			M3	-157.50	732.38	4914.06	-140.26	652.77	4153.80	-140.26	662.63	4152.24	-104.20	544.13	3557.57
			MIN S2	-241.65	743.21	2909.83	-246.71	747.14	1809.34	-246.71	751.43	1807.56	-251.37	754.90	702.25
			TQ	-34.62	-10.01	-1343.90	-34.62	-10.01	-1508.11	-38.35	-13.81	-1668.73	-38.35	-13.81	-1850.63
			M3	-43.67	-8.07	-1695.75	-43.67	-8.07	-1902.86	-43.67	-12.59	-1902.84	-43.67	-12.59	-2109.95
		2-LANES (caseMAX	S2	393.17	-54.42	3851.38	222.66	-5.92	3752.93	222.66	3.00	3752.93	101.56	31.52	2956.42
			TQ	-3.08	51.19	2243.59	-19.21	51.19	2191.83	54.81	56.71	2612.56	23.34	56.71	2805.01
			M3	141.23	-138.53	5330.00	-41.76	-109.69	5155.49	-41.76	-97.44	5155.74	-243.10	-56.96	3999.41
			MIN S2	-280.06	-168.30	3013.84	-412.66	-153.29	2753.89	-412.66	-146.75	2754.25	-592.82	-108.19	1646.11
			TQ	-111.84	-204.20	1008.02	-165.57	-204.20	348.80	-165.62	-203.41	312.00	-203.79	-203.41	-571.41
			M3	-47.72	-37.49	-1710.62	-47.72	-37.49	-1936.97	-47.72	-42.09	-1936.87	-47.72	-42.09	-2163.21

BAGO RIVER BRIDGE

BLOCK [ No.1 : MAIN GIRDER ][ BEAM MEMBER FORCE ]

MEMBER				3011			3012			3013					
NODE				3011			3012			3013					
				SHEAR	TORQUE	MOMENT	SHEAR	TORQUE	MOMENT	SHEAR	TORQUE	MOMENT			
NAME	TITLE			S2 (kN)	TQ (kN·m)	M3 (kN·m)	S2 (kN)	TQ (kN·m)	M3 (kN·m)	S2 (kN)	TQ (kN·m)	M3 (kN·m)			
301	LIVE LOAD	2-LANES (caseMAX	S2	63.51	-159.25	2720.75	59.76	-85.38	2667.60	59.76	-79.04	2667.79	72.02	-66.57	2804.84
			TQ	37.35	28.40	1179.57	37.35	28.40	1356.72	37.52	31.63	1363.03	37.52	31.63	1540.99
			M3	-131.48	-999.20	5244.22	-129.73	-921.51	4536.74	-129.73	-910.73	4538.91	-78.71	-714.74	3939.39
		MIN	S2	-255.45	-1027.13	3191.30	-249.01	-1022.73	2212.97	-249.01	-1017.47	2215.39	-256.73	-952.56	1207.10
			TQ	-226.78	-1132.98	3152.96	-231.20	-1132.98	2066.98	-231.37	-1128.07	2063.29	-235.86	-1128.07	955.38
			M3	-52.63	-63.06	-1732.80	-52.63	-63.06	-1982.43	-52.63	-67.77	-1982.27	-52.63	-67.77	-2231.90
		3-LANES (caseMAX	S2	56.89	43.97	2161.40	55.91	40.63	2379.89	55.91	46.28	2379.78	54.58	43.34	2577.30
			TQ	-243.33	1227.70	5144.72	-248.61	1227.70	3978.12	-244.52	1237.36	4153.10	-249.80	1237.36	2980.86
			M3	-204.90	1163.87	6061.97	-177.61	1027.08	5112.09	-177.61	1039.22	5109.64	-145.25	922.17	4330.26
		MIN	S2	-298.72	1186.33	3605.56	-303.02	1189.66	2227.59	-303.02	1194.95	2224.75	-306.98	1197.89	842.68
			TQ	-33.89	-8.93	-1318.37	-33.89	-8.93	-1479.11	-40.67	-12.80	-1777.09	-40.67	-12.80	-1969.97
			M3	-54.91	-3.03	-2159.96	-54.91	-3.03	-2420.37	-54.91	-8.78	-2420.36	-54.91	-8.78	-2680.78
		3-LANES (caseMAX	S2	404.47	-159.82	4864.24	235.57	-59.91	4627.06	235.57	-48.93	4627.19	115.98	18.39	3716.05
			TQ	12.16	55.27	2403.29	-1.55	55.27	2429.39	61.51	61.31	2792.40	34.76	61.31	3026.76
			M3	112.87	-383.91	6773.47	-72.82	-321.82	6418.99	-72.82	-306.57	6419.74	-274.02	-225.79	5081.17
		MIN	S2	-343.63	-415.22	3810.43	-477.75	-381.52	3374.98	-477.75	-373.50	3375.87	-655.81	-300.85	2077.55
			TQ	-179.84	-479.77	2208.86	-239.89	-479.77	1212.04	-240.08	-476.93	1176.06	-286.48	-476.93	-79.19
			M3	-62.32	-55.63	-2187.62	-62.32	-55.63	-2483.22	-62.32	-61.52	-2483.08	-62.32	-61.52	-2778.68
		3-LANES (caseMAX	S2	169.96	-216.46	3922.73	121.28	-106.54	3784.98	121.28	-97.55	3785.22	97.79	-55.19	3616.16
			TQ	47.55	35.27	1550.17	47.55	35.27	1775.71	51.68	39.57	1898.61	51.68	39.57	2143.72
			M3	-87.83	-1060.62	6719.99	-137.39	-962.64	5979.25	-137.39	-948.44	5981.52	-152.40	-744.04	5050.77
		MIN	S2	-328.55	-1092.89	3986.78	-362.14	-1069.56	2995.02	-362.14	-1062.45	2997.55	-422.32	-973.12	1730.53
			TQ	-266.01	-1211.93	3901.54	-291.38	-1211.93	2580.07	-289.83	-1205.85	2544.83	-315.66	-1205.85	1109.27
			M3	-65.58	-72.55	-2202.45	-65.58	-72.55	-2513.49	-65.58	-78.52	-2513.31	-65.58	-78.52	-2824.35



BAGO RIVER BRIDGE

BLOCK [ No.1 : MAIN GIRDER ][ BEAM MEMBER FORCE ]

MEMBER					3011			3012			3013					
NODE					3011			3012			3013					
NAME TITLE					SHEAR	TORQUE	MOMENT	SHEAR	TORQUE	MOMENT	SHEAR	TORQUE	MOMENT			
					S2 (kN)	TQ (kN·m)	M3 (kN·m)	S2 (kN)	TQ (kN·m)	M3 (kN·m)	S2 (kN)	TQ (kN·m)	M3 (kN·m)			
301	LIVE LOAD	4-LANES	MAX	S2	278.66	-158.94	3553.68	163.86	-75.09	3340.79	163.86	-67.15	3340.96	90.82	-38.48	2806.39
				TQ	48.68	36.79	1487.58	38.20	36.79	1694.34	38.34	40.84	1722.52	17.90	40.84	1860.49
				M3	-12.64	-755.61	6137.43	-133.18	-696.90	5468.98	-133.18	-683.91	5470.62	-234.36	-532.58	4224.72
		MIN	S2	-338.89	-778.65	4302.36	-423.31	-766.54	3540.82	-423.31	-758.13	3542.63	-549.09	-688.11	2223.74	
			TQ	-265.30	-872.00	4201.03	-304.83	-872.00	2848.20	-254.71	-866.78	1947.99	-283.97	-866.78	665.85	
			M3	-57.39	-58.48	-1963.72	-57.39	-58.48	-2235.91	-57.39	-63.79	-2235.77	-57.39	-63.79	-2507.96	
	6-LANES	MAX	S2	318.79	-53.62	5175.40	207.19	-8.90	5157.53	207.19	3.35	5157.54	135.25	3.21	4816.39	
			TQ	-130.88	798.56	5151.98	-144.29	798.56	4500.19	-136.71	809.49	4731.26	-160.18	809.49	4031.88	
			M3	-108.66	42.49	9771.03	-202.39	42.93	8686.75	-202.39	63.08	8686.62	-284.33	79.50	7167.25	
		MIN	S2	-495.71	25.25	5889.46	-582.30	19.86	4422.41	-582.30	30.37	4422.35	-701.21	70.00	2363.31	
			TQ	-228.11	-786.79	1869.42	-257.64	-786.79	717.20	-261.42	-785.29	546.78	-287.50	-785.29	-758.93	
			M3	-90.10	-57.91	-3262.06	-90.11	-58.00	-3689.42	-90.11	-66.76	-3689.27	-90.11	-66.80	-4116.65	
	LIVE LOAD	MAX	404.47	1227.70	9771.03	235.57	1227.70	8686.75	235.57	1237.36	8686.62	135.25	1237.36	7167.25		
		MIN	-495.71	-1211.93	-3262.06	-582.30	-1211.93	-3689.42	-582.30	-1205.85	-3689.27	-701.21	-1205.85	-4116.65		
303	SUM TOTAL	TOTAL	MAX	-479.26	1664.99	30729.42	-913.06	1664.99	24823.28	-913.06	1712.97	24822.07	-1276.13	1712.97	17229.70	
			MIN	-1379.44	-774.64	17696.33	-1730.93	-774.64	12447.12	-1730.93	-730.24	12446.18	-2112.59	-730.24	5945.80	

BAGO RIVER BRIDGE

BLOCK [ No.1 : MAIN GIRDER ][ BEAM MEMBER FORCE ]

MEMBER NODE	3013	3014			3014			3015								
		SHEAR	TORQUE	MOMENT	SHEAR	TORQUE	MOMENT	SHEAR	TORQUE	MOMENT						
		S2 (kN)	TQ (kN·m)	M3 (kN·m)	S2 (kN)	TQ (kN·m)	M3 (kN·m)	S2 (kN)	TQ (kN·m)	M3 (kN·m)						
1	PAVEMENT	-269.91	-45.22	1757.06	-320.84	-45.22	355.65	-320.84	-44.38	355.76	-371.16	-44.38	-1285.72			
3	RAILING	-8.51	-0.50	45.31	-7.70	-0.50	6.82	-7.70	-0.49	6.82	-6.89	-0.49	-27.83			
5	CURB	-84.24	-4.96	448.55	-76.27	-4.96	67.47	-76.27	-4.80	67.48	-68.18	-4.80	-275.49			
7	DECK WEIGHT	-419.30	-28.21	2793.53	-496.47	-28.21	621.06	-496.47	-26.74	621.12	-572.77	-26.74	-1915.24			
8	GIRDER WEIGH	-483.98	337.40	3497.83	-572.67	337.40	992.07	-572.67	339.75	991.26	-661.35	339.75	-1935.13			
10	MEDIAN STRIP	-59.42	116.84	693.65	-88.22	116.84	343.55	-88.22	117.66	343.27	-117.01	117.66	-143.42			
21	ADITIONAL WE	-117.40	-7.90	782.19	-139.01	-7.90	173.90	-139.01	-7.49	173.91	-160.37	-7.49	-536.27			
31	MEDIAN RAILI	-5.01	9.24	45.41	-7.33	9.24	16.15	-7.33	9.28	16.12	-9.66	9.28	-24.18			
51	SUPPORT WEIG	-0.00	-0.00	-0.00	-0.00	-0.00	-0.00	-0.00	-0.00	-0.00	-0.00	-0.00	-0.00			
52	NOSE WEIGHT	0.01	0.58	-0.11	0.01	0.58	-0.06	0.01	0.58	-0.06	0.01	0.58	-0.01			
61	1-LANE(case1TRUCK-LOAD	MAX	S2	3.86	7.40	216.84	3.86	7.40	235.17	3.86	7.96	235.15	3.86	7.96	253.48	
			TQ	-62.30	392.27	547.41	-62.30	392.27	251.95	-62.30	392.87	251.02	-62.30	392.87	-44.44	
			M3	-56.72	370.62	602.12	-44.81	315.46	359.55	-44.81	316.31	358.80	3.86	8.11	253.98	
		MIN	S2	-62.40	392.23	555.65	-62.40	392.23	259.70	-62.40	392.85	258.77	-62.40	392.85	-37.18	
			TQ	-4.58	-55.32	-449.83	-4.58	-55.32	-471.56	-4.58	-56.44	-471.43	-4.58	-56.44	-493.17	
			M3	-5.54	-52.16	-473.76	-5.54	-52.16	-500.02	-5.54	-53.35	-499.90	-5.54	-53.35	-526.16	
		TANDEM-LOAD	MAX	S2	2.62	5.05	147.40	2.62	5.05	159.85	2.62	5.43	159.84	2.62	5.43	172.29
			TQ	-42.55	267.19	363.07	-42.55	267.19	161.25	-42.55	267.57	160.61	-42.55	267.57	-41.21	
			M3	-41.86	262.90	410.40	-28.36	207.54	247.71	-28.36	208.13	247.21	2.62	5.47	172.43	
		MIN	S2	-42.73	265.88	403.60	-42.73	265.88	200.94	-42.73	266.36	200.31	-42.73	266.36	-2.35	
			TQ	-3.24	-37.68	-310.21	-3.24	-37.68	-325.56	-3.24	-38.45	-325.47	-3.24	-38.45	-340.83	
			M3	-3.74	-35.89	-322.56	-3.74	-35.89	-340.32	-3.74	-36.69	-340.23	-3.74	-36.69	-357.98	
		DISPERSION-LMAX	MAX	S2	6.95	6.66	330.97	6.95	6.66	363.92	6.95	7.52	363.91	6.95	7.52	396.86
			TQ	-57.54	448.83	933.99	-57.54	448.83	661.09	-57.54	450.40	660.02	-57.54	450.40	387.12	
			M3	-57.54	448.83	933.99	-49.49	382.81	665.21	-49.49	384.39	664.30	-17.60	163.69	504.69	
		MIN	S2	-70.18	379.46	33.28	-70.18	379.46	-299.58	-70.18	378.75	-300.48	-70.18	378.75	-633.34	
			TQ	-5.69	-62.71	-569.74	-5.69	-62.71	-596.75	-5.69	-64.13	-596.60	-5.69	-64.13	-623.61	
			M3	-5.69	-62.71	-569.74	-13.74	3.31	-600.87	-13.74	1.88	-600.87	-45.64	222.58	-741.17	

BAGO RIVER BRIDGE

BLOCK [ No.1 : MAIN GIRDER ][ BEAM MEMBER FORCE ]

MEMBER				3013			3014			3015					
NODE				3013			3014			3014			3015		
				SHEAR	TORQUE	MOMENT	SHEAR	TORQUE	MOMENT	SHEAR	TORQUE	MOMENT	SHEAR	TORQUE	MOMENT
NAME	TITLE			S2 (kN)	TQ (kN·m)	M3 (kN·m)	S2 (kN)	TQ (kN·m)	M3 (kN·m)	S2 (kN)	TQ (kN·m)	M3 (kN·m)	S2 (kN)	TQ (kN·m)	M3 (kN·m)
62	1-LANE (case2TRUCK-LOAD	MAX	S2	9.31	19.43	265.34	9.31	19.43	309.49	9.31	20.17	309.44	9.31	20.17	353.59
			TQ	-73.16	176.02	662.61	-73.16	176.02	315.62	-73.16	176.77	315.20	-73.16	176.77	-31.78
			M3	-51.81	154.05	855.29	-39.72	108.77	584.04	-39.72	110.16	583.78	-20.95	55.13	415.22
		MIN	S2	-81.30	162.72	846.65	-81.30	162.72	461.05	-81.30	163.82	460.66	-81.30	163.82	75.05
			TQ	-7.67	-26.01	-458.08	-7.67	-26.01	-494.44	-7.67	-27.19	-494.37	-7.67	-27.19	-530.73
			M3	-8.09	-24.84	-484.25	-8.09	-24.84	-522.63	-8.09	-26.09	-522.57	-8.09	-26.09	-560.94
		TANDEM-LOAD MAX	S2	7.08	20.34	250.03	7.08	20.34	283.59	7.08	21.01	283.55	7.08	21.01	317.11
			TQ	-47.69	119.80	420.71	-47.69	119.80	194.50	-47.69	120.26	194.22	-47.69	120.26	-31.99
			M3	-38.58	103.32	622.31	-26.16	66.40	426.86	-26.16	67.41	426.71	-12.16	28.20	324.60
		MIN	S2	-56.12	103.32	622.31	-56.12	103.32	356.16	-56.12	104.17	355.91	-56.12	104.17	89.76
			TQ	-5.29	-17.70	-316.38	-5.29	-17.70	-341.45	-5.29	-18.52	-341.41	-5.29	-18.52	-366.49
			M3	-5.50	-17.06	-329.79	-5.50	-17.06	-355.90	-5.50	-17.91	-355.86	-5.50	-17.91	-381.96
		DISPERSION-LMAX	S2	10.15	17.91	471.70	9.42	14.59	485.45	9.42	15.74	485.42	8.58	12.71	490.63
			TQ	-52.25	200.78	1003.59	-58.47	200.78	741.02	-58.47	202.54	740.54	-64.69	202.54	448.48
			M3	-52.25	200.78	1003.59	-51.86	177.17	743.84	-51.86	178.93	743.42	-17.61	58.49	579.40
MIN	S2	-72.55	153.67	-42.60	-78.05	156.99	-367.08	-78.05	156.12	-367.45	-83.42	159.15	-712.88		
	TQ	-10.15	-29.20	-574.49	-10.15	-29.20	-622.64	-10.15	-30.68	-622.57	-10.15	-30.68	-670.72		
	M3	-10.15	-29.20	-574.49	-16.76	-5.59	-625.47	-16.76	-7.07	-625.45	-57.23	113.37	-801.65		
63	1-LANE (case3TRUCK-LOAD	MAX	S2	153.86	-7.25	912.09	81.33	-0.01	866.50	81.33	2.04	866.50	27.89	4.70	499.97
			TQ	-33.81	7.84	174.51	-33.81	7.84	14.14	-33.81	7.87	14.13	-33.81	7.87	-146.24
			M3	65.49	-10.25	980.69	3.23	-6.56	939.11	3.23	-4.33	939.12	-68.75	2.64	545.43
		MIN	S2	-99.35	-10.17	967.05	-155.64	-8.03	915.02	-155.64	-5.86	915.04	-228.35	1.21	525.85
			TQ	-77.98	-10.25	980.69	-112.60	-10.25	595.47	-99.35	-8.99	495.85	-99.35	-8.99	24.63
			M3	-9.95	-4.11	-493.02	-9.95	-4.11	-540.21	-9.95	-5.39	-540.20	-9.95	-5.39	-587.39

BAGO RIVER BRIDGE

BLOCK [ No.1 : MAIN GIRDER ][ BEAM MEMBER FORCE ]

MEMBER		3013			3014			3014			3015				
NODE		3013			3014			3014			3015				
		SHEAR	TORQUE	MOMENT	SHEAR	TORQUE	MOMENT	SHEAR	TORQUE	MOMENT	SHEAR	TORQUE	MOMENT		
NAME	TITLE	S2 (kN)	TQ (kN·m)	M3 (kN·m)	S2 (kN)	TQ (kN·m)	M3 (kN·m)	S2 (kN)	TQ (kN·m)	M3 (kN·m)	S2 (kN)	TQ (kN·m)	M3 (kN·m)		
63	1-LANE (case3TANDEM-LOAD	MAX	S2	128.62	-7.31	788.21	76.82	-2.30	780.29	76.82	-0.44	780.29	29.32	3.75	498.73
			TQ	-23.75	5.38	123.56	-23.75	5.38	10.92	-23.75	5.41	10.91	-23.75	5.41	-101.72
			M3	29.90	-7.76	795.89	-19.01	-3.67	787.28	-19.01	-1.80	787.29	-69.86	3.22	502.31
		MIN	S2	-78.93	-7.76	795.89	-127.83	-3.67	787.28	-127.83	-1.80	787.29	-178.65	3.22	502.31
			TQ	-78.93	-7.76	795.89	-78.93	-7.76	421.52	-78.93	-6.76	421.53	-78.93	-6.76	47.16
			M3	-6.78	-2.78	-335.86	-6.78	-2.78	-368.03	-6.78	-3.65	-368.02	-6.78	-3.65	-400.19
	DISPERSION-LMAX	S2	39.80	4.97	572.13	21.06	5.91	561.41	21.06	7.25	561.40	11.13	7.01	508.23	
		TQ	-12.75	23.75	585.55	-25.70	23.75	494.80	-24.77	25.00	555.81	-44.33	25.00	395.19	
		M3	-20.83	8.71	1013.28	-52.74	6.70	827.64	-52.70	8.63	827.62	-45.50	5.98	598.45	
		MIN	S2	-72.96	-1.07	-139.96	-91.64	-2.01	-375.28	-91.64	-2.90	-375.27	-119.11	-2.67	-745.56
			TQ	-20.41	-19.85	-153.39	-44.88	-19.85	-308.66	-45.81	-20.66	-369.68	-63.65	-20.66	-632.51
			M3	-12.34	-4.80	-581.11	-17.84	-2.80	-641.50	-17.87	-4.28	-641.49	-62.48	-1.63	-835.78
64	1-LANE (case4TRUCK-LOAD	MAX	S2	4.38	0.72	214.78	4.38	0.72	235.54	4.38	1.28	235.54	13.23	-67.83	248.76
			TQ	-12.65	43.84	-480.66	-12.65	43.84	-540.64	-12.65	42.55	-540.74	-12.65	42.55	-600.73
			M3	-69.61	-355.59	847.46	-61.53	-331.33	524.76	-61.53	-330.08	525.54	0.51	-179.77	346.65
		MIN	S2	-89.80	-350.40	844.35	-77.50	-393.91	438.06	-77.50	-392.86	438.99	-77.50	-392.86	71.42
			TQ	-75.23	-403.18	698.96	-75.23	-403.18	342.17	-75.23	-402.36	343.13	-75.23	-402.36	-13.66
			M3	-13.62	38.86	-513.83	-13.62	38.86	-578.42	-13.62	37.49	-578.51	-13.62	37.49	-643.09
	TANDEM-LOAD	MAX	S2	2.97	0.42	145.39	2.97	0.42	159.47	2.97	0.79	159.46	17.56	-81.58	221.97
			TQ	-8.49	30.02	-322.96	-8.49	30.02	-363.25	-8.49	29.16	-363.32	-8.49	29.16	-403.60
			M3	-50.65	-250.73	590.04	-41.01	-219.32	369.65	-41.01	-218.44	370.17	-5.21	-134.88	253.56
		MIN	S2	-68.53	-205.15	552.62	-53.03	-271.58	283.51	-53.03	-270.91	284.15	-53.03	-270.91	32.61
			TQ	-50.13	-274.04	448.87	-50.13	-274.04	211.09	-50.13	-273.54	211.74	-50.13	-273.54	-26.04
			M3	-9.31	26.86	-350.29	-9.31	26.86	-394.43	-9.31	25.92	-394.49	-9.31	25.92	-438.63

BAGO RIVER BRIDGE

BLOCK [ No.1 : MAIN GIRDER ][ BEAM MEMBER FORCE ]

MEMBER		3013			3014			3014			3015						
NODE		3013			3014			3014			3015						
		SHEAR	TORQUE	MOMENT	SHEAR	TORQUE	MOMENT	SHEAR	TORQUE	MOMENT	SHEAR	TORQUE	MOMENT				
NAME	TITLE	S2 (kN)	TQ (kN·m)	M3 (kN·m)	S2 (kN)	TQ (kN·m)	M3 (kN·m)	S2 (kN)	TQ (kN·m)	M3 (kN·m)	S2 (kN)	TQ (kN·m)	M3 (kN·m)				
64	1-LANE (case4DISPERSION-LMAX	S2	7.43	0.18	366.15	7.44	-0.96	402.91	7.44	-0.00	402.91	9.43	-11.22	460.95			
		TQ	-9.87	47.36	-337.91	-9.87	47.36	-384.70	-9.26	46.49	-352.94	-9.26	46.49	-396.87			
		M3	-72.99	-440.80	1118.68	-65.42	-427.29	786.18	-65.57	-426.61	787.20	-17.87	-165.42	591.34			
		MIN	S2	-95.81	-394.96	141.62	-90.10	-393.82	-300.87	-90.10	-394.53	-299.93	-86.29	-383.31	-736.37		
		TQ	-78.51	-442.14	845.68	-72.80	-442.14	486.75	-73.40	-441.02	455.92	-67.60	-441.02	121.46			
		M3	-15.39	46.02	-610.91	-17.24	32.51	-684.13	-17.09	32.07	-684.21	-58.99	-229.11	-866.76			
		65	2-LANES (caseTRUCK-LOAD	MAX	S2	7.82	13.71	433.76	7.82	13.71	470.84	7.82	14.83	470.81	7.82	14.83	507.90
				TQ	-125.56	677.05	1085.74	-125.56	677.05	490.21	-127.04	678.22	514.05	-127.04	678.22	-88.49	
				M3	-121.86	623.38	1324.95	-96.33	518.58	805.73	-96.33	520.50	804.49	-15.63	111.55	534.52	
MIN	S2			-130.15	671.98	1208.03	-130.15	671.98	590.75	-130.15	673.39	589.16	-130.15	673.39	-28.12		
TQ	-10.73			-96.06	-903.52	-10.73	-96.06	-954.40	-10.73	-98.33	-954.17	-10.73	-98.33	-1005.05			
M3	-12.36			-90.69	-952.67	-12.36	-90.69	-1011.28	-12.36	-93.10	-1011.06	-12.36	-93.10	-1069.68			
TANDEM-LOAD	MAX			S2	5.31	9.31	294.64	5.31	9.31	319.83	5.31	10.07	319.80	5.31	10.07	344.99	
TQ	-87.28			461.25	763.85	-87.28	461.25	349.88	-87.28	462.08	348.78	-87.28	462.08	-65.20			
M3	-83.80			421.93	912.81	-67.38	356.43	556.04	-67.38	357.74	555.19	-6.51	64.24	374.86			
MIN	S2	-89.70	451.65	881.71	-89.70	451.65	456.28	-89.70	452.73	455.20	-89.70	452.73	29.77				
TQ	-7.52	-65.41	-623.34	-7.52	-65.41	-658.99	-7.52	-66.97	-658.83	-7.52	-66.97	-694.47					
M3	-8.37	-62.38	-648.67	-8.37	-62.38	-688.38	-8.37	-64.01	-688.23	-8.37	-64.01	-727.93					
DISPERSION-LMAX	S2	13.77	18.47	706.36	13.77	18.47	771.67	13.77	20.30	771.62	13.77	20.30	836.93				
TQ	-115.66	774.21	1907.56	-115.66	774.21	1359.00	-115.66	777.44	1357.16	-115.66	777.44	808.61					
M3	-115.66	774.21	1907.56	-100.94	668.88	1366.58	-100.50	669.35	1364.99	-32.92	271.71	1050.17					
MIN	S2	-143.18	647.17	59.64	-143.18	647.17	-619.43	-143.18	645.70	-620.96	-143.18	645.70	-1300.03				
TQ	-13.75	-108.57	-1141.56	-13.75	-108.57	-1206.76	-13.75	-111.44	-1206.50	-13.75	-111.44	-1271.70					
M3	-13.75	-108.57	-1141.56	-28.47	-3.25	-1214.33	-28.91	-3.35	-1214.33	-96.49	394.29	-1513.27					

BAGO RIVER BRIDGE

BLOCK [ No.1 : MAIN GIRDER ] [ BEAM MEMBER FORCE ]

MEMBER				3013			3014			3015					
NODE				3013			3014			3014			3015		
				SHEAR	TORQUE	MOMENT	SHEAR	TORQUE	MOMENT	SHEAR	TORQUE	MOMENT	SHEAR	TORQUE	MOMENT
NAME	TITLE			S2 (kN)	TQ (kN·m)	M3 (kN·m)	S2 (kN)	TQ (kN·m)	M3 (kN·m)	S2 (kN)	TQ (kN·m)	M3 (kN·m)	S2 (kN)	TQ (kN·m)	M3 (kN·m)
66	2-LANES (caseTRUCK-LOAD	MAX	S2	13.26	25.75	482.25	13.26	25.75	545.16	13.26	27.04	545.10	13.26	27.04	608.01
			TQ	-136.43	460.81	1200.94	-136.43	460.81	553.88	-137.91	462.12	578.24	-137.91	462.12	-75.83
			M3	-116.94	406.81	1578.11	-91.24	311.90	1030.21	-91.24	314.35	1029.47	-40.45	158.58	695.76
		MIN	S2	-149.05	442.47	1499.03	-149.05	442.47	792.10	-149.05	444.35	791.04	-149.05	444.35	84.11
			TQ	-13.81	-66.75	-911.78	-13.81	-66.75	-977.27	-13.81	-69.07	-977.11	-13.81	-69.07	-1042.61
			M3	-14.91	-63.37	-963.16	-14.91	-63.37	-1033.89	-14.91	-65.83	-1033.73	-14.91	-65.83	-1104.46
		TANDEM-LOAD MAX	S2	9.76	24.60	397.26	9.76	24.60	443.57	9.76	25.65	443.51	9.76	25.65	489.81
			TQ	-92.43	313.86	821.50	-92.43	313.86	383.13	-92.43	314.76	382.38	-92.43	314.76	-55.99
			M3	-80.52	262.36	1124.71	-65.18	215.28	735.20	-65.18	217.03	734.69	-21.30	86.97	527.03
		MIN	S2	-103.09	289.08	1100.41	-103.09	289.08	611.49	-103.09	290.54	610.80	-103.09	290.54	121.88
			TQ	-9.56	-45.43	-629.51	-9.56	-45.43	-674.88	-9.56	-47.03	-674.77	-9.56	-47.03	-720.13
			M3	-10.13	-43.56	-655.90	-10.13	-43.56	-703.96	-10.13	-45.23	-703.85	-10.13	-45.23	-751.91
		DISPERSION-LMAX	S2	16.97	29.71	847.09	16.25	26.39	893.20	16.25	28.51	893.13	15.40	25.49	930.71
			TQ	-110.37	526.17	1977.16	-116.59	526.17	1438.93	-116.59	529.59	1437.68	-122.81	529.59	869.96
			M3	-110.37	526.17	1977.16	-103.31	463.24	1445.21	-102.87	463.88	1444.11	-32.94	166.51	1124.89
MIN	S2	-145.55	421.39	-16.24	-151.04	424.71	-686.92	-151.04	423.07	-687.93	-156.41	426.10	-1379.56		
	TQ	-18.21	-75.07	-1146.31	-18.21	-75.07	-1232.66	-18.21	-78.00	-1232.47	-18.21	-78.00	-1318.82		
	M3	-18.21	-75.07	-1146.31	-31.49	-12.14	-1238.93	-31.93	-12.30	-1238.90	-108.08	285.08	-1573.74		
67	2-LANES (caseTRUCK-LOAD	MAX	S2	277.94	-89.75	1807.14	145.88	-44.75	1673.94	145.88	-40.77	1674.04	49.50	-10.14	960.15
			TQ	-43.91	20.05	-245.70	-43.91	20.05	-453.94	-43.91	18.97	-453.99	-43.91	18.97	-662.23
			M3	112.22	-118.39	1945.74	-1.03	-85.50	1821.76	-1.03	-81.18	1821.95	-131.25	-36.73	1058.45
		MIN	S2	-193.05	-123.99	1910.24	-295.57	-96.43	1779.09	-295.57	-92.20	1779.31	-425.00	-48.72	1014.47
			TQ	-151.00	-130.04	1646.01	-185.62	-130.04	914.46	-172.37	-128.02	815.13	-172.37	-128.02	-2.42
			M3	-21.10	5.66	-992.59	-21.10	5.66	-1092.65	-21.10	3.07	-1092.66	-21.10	3.07	-1192.72

BAGO RIVER BRIDGE

BLOCK [ No.1 : MAIN GIRDER ][ BEAM MEMBER FORCE ]

MEMBER		3013			3014			3014			3015						
NODE		3013			3014			3014			3015						
		SHEAR	TORQUE	MOMENT	SHEAR	TORQUE	MOMENT	SHEAR	TORQUE	MOMENT	SHEAR	TORQUE	MOMENT				
NAME	TITLE	S2 (kN)	TQ (kN·m)	M3 (kN·m)	S2 (kN)	TQ (kN·m)	M3 (kN·m)	S2 (kN)	TQ (kN·m)	M3 (kN·m)	S2 (kN)	TQ (kN·m)	M3 (kN·m)				
67	2-LANES (caseTANDEM-LOAD	MAX	S2	232.89	-75.58	1546.56	138.19	-44.45	1498.86	138.19	-40.89	1498.96	52.15	-11.70	953.64		
			TQ	-30.27	13.71	-141.06	-30.27	13.71	-284.62	-30.27	13.03	-284.65	-30.27	13.03	-428.22		
			M3	49.50	-80.62	1562.60	-39.51	-52.60	1514.03	-39.51	-49.01	1514.15	-131.28	-17.27	962.66		
		MIN	S2	-152.31	-80.62	1562.60	-240.73	-52.60	1514.03	-240.73	-49.01	1514.15	-331.95	-17.27	962.66		
			TQ	-131.75	-89.54	1298.95	-131.75	-89.54	674.09	-131.75	-87.94	674.31	-131.75	-87.94	49.45		
			M3	-14.39	4.01	-676.26	-14.39	4.01	-744.50	-14.39	2.25	-744.51	-14.39	2.25	-812.75		
			DISPERSION-LMAX	S2	73.34	-9.93	1146.43	39.38	1.13	1114.21	39.38	3.78	1114.21	21.50	8.81	1011.38	
				TQ	-19.21	38.53	345.85	-32.16	38.53	224.46	-30.77	39.16	309.20	-50.33	39.16	120.14	
				M3	-48.97	-109.41	2050.29	-108.29	-103.82	1656.24	-108.29	-99.98	1656.48	-88.83	-24.03	1195.10	
			MIN	S2	-148.10	-92.57	-266.91	-183.57	-103.64	-754.13	-183.57	-105.43	-753.88	-234.93	-110.45	-1499.34	
				TQ	-55.54	-141.03	533.68	-112.03	-141.03	135.62	-113.42	-140.81	51.12	-163.10	-140.81	-608.10	
				M3	-25.78	6.91	-1170.76	-35.90	1.32	-1296.16	-35.90	-1.66	-1296.16	-124.59	-77.62	-1683.07	
		68	2-LANES (caseTRUCK-LOAD	MAX	S2	10.65	-180.58	1032.40	10.23	-105.68	816.18	10.23	-103.74	816.43	17.52	-65.31	504.65
					TQ	-23.60	72.75	-920.35	-23.60	72.75	-1032.29	-23.60	70.29	-1032.46	-23.60	70.29	-1144.40
					M3	-101.10	-593.74	1739.99	-94.33	-505.70	1179.75	-94.33	-502.89	1180.95	-33.38	-278.05	759.84
MIN	S2			-168.92	-604.02	1730.03	-159.05	-588.14	1091.76	-159.05	-585.55	1093.15	-160.78	-511.00	482.39		
	TQ			-146.06	-691.81	1328.82	-146.06	-691.81	636.06	-146.06	-690.30	637.70	-146.06	-690.30	-55.05		
	M3			-26.06	63.83	-1020.85	-26.06	63.83	-1144.43	-26.06	61.11	-1144.58	-26.06	61.11	-1268.15		
	TANDEM-LOAD MAX			S2	7.26	-147.04	784.50	7.18	-95.05	638.18	7.18	-93.53	638.40	21.34	-125.78	537.83	
				TQ	-16.17	49.81	-630.26	-16.17	49.81	-706.93	-16.17	48.13	-707.05	-16.17	48.13	-783.72	
				M3	-75.69	-408.59	1239.48	-66.71	-328.10	858.75	-66.71	-326.06	859.52	-31.60	-189.88	579.62	
	MIN			S2	-123.16	-363.01	1202.06	-108.81	-380.36	772.61	-108.81	-378.53	773.51	-109.95	-325.90	358.67	
				TQ	-97.14	-470.16	852.46	-97.14	-470.16	391.74	-97.14	-469.23	392.85	-97.14	-469.23	-67.87	
				M3	-17.80	44.14	-695.85	-17.80	44.14	-780.29	-17.80	42.29	-780.39	-17.80	42.29	-864.82	

BAGO RIVER BRIDGE

BLOCK [ No.1 : MAIN GIRDER ][ BEAM MEMBER FORCE ]

MEMBER			3013			3014			3014			3015					
NODE			3013			3014			3014			3015					
			SHEAR	TORQUE	MOMENT	SHEAR	TORQUE	MOMENT	SHEAR	TORQUE	MOMENT	SHEAR	TORQUE	MOMENT			
NAME	TITLE		S2 (kN)	TQ (kN·m)	M3 (kN·m)	S2 (kN)	TQ (kN·m)	M3 (kN·m)	S2 (kN)	TQ (kN·m)	M3 (kN·m)	S2 (kN)	TQ (kN·m)	M3 (kN·m)			
68	2-LANES (caseDISPERSION-LMAX	S2	18.25	-21.79	871.21	16.53	-11.44	894.11	16.53	-9.31	894.14	17.44	-13.06	942.78			
		TQ	-17.42	79.86	-593.52	-17.42	79.86	-676.12	-16.63	78.31	-634.81	-16.63	78.31	-713.70			
		M3	-127.22	-756.05	2206.60	-127.27	-727.82	1593.11	-127.55	-725.98	1594.84	-47.36	-264.78	1184.12			
		MIN	S2	-175.30	-658.78	123.56	-178.15	-669.14	-654.94	-178.15	-670.69	-653.35	-183.70	-666.94	-1479.44		
		TQ	-139.63	-760.43	1588.29	-144.20	-760.43	915.30	-144.99	-758.31	875.60	-149.63	-758.31	177.03			
		M3	-29.82	75.48	-1211.83	-34.35	47.25	-1353.94	-34.07	45.98	-1354.05	-118.90	-415.22	-1720.78			
		69	3-LANES (caseTRUCK-LOAD	MAX	S2	17.13	33.14	699.10	17.13	33.14	780.33	17.13	35.00	780.25	17.13	35.00	861.49
				TQ	-198.72	853.08	1748.35	-198.72	853.08	805.83	-200.20	854.99	829.25	-200.20	854.99	-120.27	
				M3	-173.67	777.43	2180.23	-136.05	627.36	1389.77	-136.05	630.66	1388.27	-36.58	166.69	949.74	
MIN	S2			-211.45	834.71	2054.68	-211.45	834.71	1051.80	-211.45	837.20	1049.81	-211.45	837.20	46.93		
TQ	-18.39			-122.07	-1361.60	-18.39	-122.07	-1448.84	-18.39	-125.51	-1448.54	-18.39	-125.51	-1535.78			
M3	-20.45			-115.54	-1436.92	-20.45	-115.54	-1533.91	-20.45	-119.18	-1533.63	-20.45	-119.18	-1630.62			
TANDEM-LOAD	MAX	S2	12.39	29.65	544.67	12.39	29.65	603.42	12.39	31.08	603.35	12.39	31.08	662.10			
		TQ	-134.98	581.05	1184.56	-134.98	581.05	544.38	-134.98	582.34	543.00	-134.98	582.34	-97.19			
		M3	-122.38	525.25	1535.11	-93.54	422.82	982.90	-93.54	425.15	981.90	-18.68	92.44	699.46			
		MIN	S2	-145.81	554.97	1504.01	-145.81	554.97	812.43	-145.81	556.89	811.11	-145.81	556.89	119.53		
		TQ	-12.80	-83.11	-939.72	-12.80	-83.11	-1000.44	-12.80	-85.49	-1000.24	-12.80	-85.49	-1060.96			
		M3	-13.88	-79.44	-978.46	-13.88	-79.44	-1044.27	-13.88	-81.92	-1044.08	-13.88	-81.92	-1109.89			
DISPERSION-LMAX	MIN	S2	23.92	36.37	1178.06	23.19	33.05	1257.12	23.19	36.04	1257.04	22.35	33.01	1327.56			
		TQ	-167.91	975.00	2911.15	-174.13	975.00	2100.02	-174.13	979.98	2097.70	-180.35	979.98	1257.08			
		M3	-167.91	975.00	2911.15	-152.80	846.05	2110.42	-152.36	848.28	2108.41	-50.53	330.20	1629.57			
		S2	-215.73	800.85	17.04	-221.22	804.17	-986.50	-221.22	801.82	-988.41	-226.60	804.85	-2012.91			
		TQ	-23.90	-137.78	-1716.05	-23.90	-137.78	-1829.40	-23.90	-142.12	-1829.07	-23.90	-142.12	-1942.43			
		M3	-23.90	-137.78	-1716.05	-45.23	-8.83	-1839.80	-45.67	-10.42	-1839.78	-153.71	507.66	-2314.92			



BAGO RIVER BRIDGE

BLOCK [ No.1 : MAIN GIRDER ][ BEAM MEMBER FORCE ]

MEMBER				3013			3014			3015					
NODE				3013			3014			3014			3015		
				SHEAR	TORQUE	MOMENT	SHEAR	TORQUE	MOMENT	SHEAR	TORQUE	MOMENT	SHEAR	TORQUE	MOMENT
NAME	TITLE			S2 (kN)	TQ (kN·m)	M3 (kN·m)	S2 (kN)	TQ (kN·m)	M3 (kN·m)	S2 (kN)	TQ (kN·m)	M3 (kN·m)	S2 (kN)	TQ (kN·m)	M3 (kN·m)
70	3-LANES (caseTRUCK-LOAD	MAX	S2	315.31	-245.11	2646.57	165.99	-136.34	2310.14	165.99	-130.85	2310.46	57.61	-48.24	1327.77
			TQ	-54.78	47.06	-683.91	-54.78	47.06	-943.71	-54.78	44.82	-943.82	-54.78	44.82	-1203.62
			M3	101.88	-319.69	2857.45	-27.10	-235.01	2533.72	-27.10	-229.00	2534.27	-172.48	-120.97	1493.58
		MIN	S2	-276.46	-335.78	2817.70	-391.97	-262.40	2485.37	-391.97	-256.49	2485.98	-535.19	-149.90	1444.23
			TQ	-221.42	-361.48	2277.09	-256.04	-361.48	1211.53	-242.80	-358.77	1112.74	-242.80	-358.77	-38.82
			M3	-33.42	29.32	-1498.97	-33.42	29.32	-1657.49	-33.42	25.39	-1657.55	-33.42	25.39	-1816.08
		TANDEM-LOAD MAX	S2	264.31	-201.56	2218.35	156.56	-126.74	2037.09	156.56	-121.90	2037.39	60.21	-49.46	1300.75
			TQ	-37.88	32.22	-447.42	-37.88	32.22	-627.06	-37.88	30.73	-627.14	-37.88	30.73	-806.77
			M3	36.66	-214.93	2243.94	-63.98	-146.23	2062.39	-63.98	-141.34	2062.74	-165.73	-64.32	1318.85
		MIN	S2	-212.06	-214.93	2243.94	-310.80	-146.23	2062.39	-310.80	-141.34	2062.74	-410.74	-64.32	1318.85
			TQ	-180.13	-247.91	1738.81	-180.13	-247.91	884.48	-180.13	-245.81	885.07	-180.13	-245.81	30.74
			M3	-22.81	20.39	-1021.38	-22.81	20.39	-1129.54	-22.81	17.70	-1129.59	-22.81	17.70	-1237.75
		DISPERSION-LMAX	S2	89.03	-42.81	1712.22	50.50	-14.52	1638.77	50.50	-10.63	1638.80	30.16	4.72	1502.95
			TQ	-28.09	68.18	19.19	-41.04	68.18	-144.31	-39.04	67.98	-27.50	-58.60	67.98	-255.80
			M3	-96.00	-353.69	3118.45	-167.68	-335.28	2463.94	-167.77	-329.86	2464.73	-121.32	-103.83	1787.13
MIN	S2	-225.23	-275.65	-364.27	-272.08	-303.94	-1139.85	-272.08	-306.65	-1139.12	-336.49	-321.99	-2255.72		
	TQ	-108.11	-386.64	1328.76	-180.55	-386.64	643.24	-182.55	-385.25	527.18	-247.73	-385.25	-496.98		
	M3	-40.19	35.23	-1770.50	-53.90	16.82	-1965.02	-53.81	12.59	-1965.05	-185.01	-213.45	-2539.90		
71	3-LANES (caseTRUCK-LOAD	MAX	S2	103.61	-289.05	1905.58	60.50	-165.24	1567.98	60.50	-161.52	1568.37	35.27	-86.68	938.17
			TQ	-33.77	86.88	-1342.12	-33.77	86.88	-1502.30	-33.77	83.31	-1502.51	-33.77	83.31	-1662.69
			M3	-75.51	-738.72	2685.76	-105.30	-609.49	2005.32	-105.30	-604.72	2006.76	-88.54	-331.45	1250.82
		MIN	S2	-259.33	-757.64	2668.70	-284.10	-704.79	1903.14	-284.10	-700.27	1904.81	-330.73	-578.18	953.17
			TQ	-212.51	-865.91	1889.57	-212.51	-865.91	881.66	-212.51	-863.81	883.71	-212.51	-863.81	-124.21
			M3	-37.31	74.91	-1521.06	-37.31	74.91	-1698.03	-37.31	70.87	-1698.20	-37.31	70.87	-1875.17

BAGO RIVER BRIDGE

BLOCK [ No.1 : MAIN GIRDER ][ BEAM MEMBER FORCE ]

MEMBER				3013			3014			3015								
NODE				3013			3014			3014			3015					
				SHEAR	TORQUE	MOMENT	SHEAR	TORQUE	MOMENT	SHEAR	TORQUE	MOMENT	SHEAR	TORQUE	MOMENT			
NAME	TITLE			S2 (kN)	TQ (kN·m)	M3 (kN·m)	S2 (kN)	TQ (kN·m)	M3 (kN·m)	S2 (kN)	TQ (kN·m)	M3 (kN·m)	S2 (kN)	TQ (kN·m)	M3 (kN·m)			
71	3-LANES (case)	TANDEM-LOAD	MAX	S2	84.39	-236.78	1510.18	54.38	-150.38	1297.21	54.38	-147.30	1297.56	39.90	-147.66	961.47		
				TQ	-22.72	59.48	-896.09	-22.72	59.48	-1003.87	-22.72	57.10	-1004.01	-22.72	57.10	-1111.78		
				M3	-68.29	-505.00	1974.28	-88.44	-392.19	1526.20	-88.44	-388.56	1527.13	-84.94	-218.30	1009.83		
			MIN	S2	-191.41	-459.43	1936.85	-207.42	-444.45	1440.06	-207.42	-441.03	1441.11	-241.36	-354.33	788.88		
				TQ	-141.01	-588.35	1210.76	-141.01	-588.35	541.95	-141.01	-587.07	543.34	-141.01	-587.07	-125.47		
				M3	-25.48	51.84	-1036.70	-25.48	51.84	-1157.57	-25.48	49.09	-1157.69	-25.48	49.09	-1278.56		
			DISPERSION-LMAX	S2	45.55	-40.49	1447.13	32.43	-16.87	1439.72	32.43	-13.45	1439.76	27.14	-10.11	1442.33		
				TQ	-23.33	97.98	-797.77	-23.33	97.98	-908.44	-22.24	95.89	-850.79	-22.24	95.89	-956.27		
				M3	-162.59	-945.32	3263.57	-185.31	-903.77	2420.95	-185.67	-900.30	2423.09	-87.58	-308.23	1780.34		
			MIN	S2	-251.43	-816.50	13.80	-269.22	-840.12	-1028.16	-269.22	-842.56	-1026.16	-295.32	-845.90	-2225.85		
				TQ	-182.55	-954.96	2258.70	-213.45	-954.96	1320.01	-214.55	-951.90	1264.39	-245.94	-951.90	172.75		
				M3	-43.29	88.33	-1802.64	-51.48	46.78	-2009.38	-51.11	44.29	-2009.49	-180.61	-547.77	-2563.86		
		72	4-LANES	TRUCK-LOAD	MAX	S2	284.96	-274.51	2625.38	151.97	-152.87	2255.85	151.97	-147.51	2256.21	65.19	-122.36	1553.35
						TQ	-8.32	87.99	-1118.93	-8.32	87.99	-1158.41	-5.80	85.30	-1132.50	-5.80	85.30	-1160.00
						M3	11.17	-711.40	3688.17	-96.25	-589.09	3004.71	-96.25	-581.96	3006.10	-169.70	-313.20	1821.34
	MIN			S2	-360.68	-726.42	3660.36	-452.51	-685.18	2846.84	-452.51	-678.42	2848.46	-586.32	-556.96	1490.73		
				TQ	-318.43	-817.89	2976.00	-318.43	-817.89	1465.71	-316.77	-814.45	1439.87	-316.77	-814.45	-62.52		
				M3	-47.15	69.49	-2013.43	-47.15	69.49	-2237.07	-47.15	64.18	-2237.23	-47.15	64.18	-2460.87		
	TANDEM-LOAD			MAX	S2	237.89	-225.99	2186.45	142.69	-141.54	1979.02	142.69	-136.84	1979.35	70.77	-137.09	1495.53	
				TQ	-11.82	60.57	-771.73	-11.82	60.57	-827.78	6.66	58.77	-642.59	6.66	58.77	-610.98		
				M3	-25.97	-488.42	2802.03	-106.98	-379.10	2375.45	-106.98	-373.46	2376.35	-166.06	-205.61	1542.38		
	MIN			S2	-272.13	-444.21	2769.52	-349.73	-430.47	2285.95	-349.73	-425.04	2286.96	-442.30	-339.53	1320.13		
				TQ	-225.64	-557.25	2120.38	-225.64	-557.25	1050.18	-204.65	-554.92	899.61	-204.65	-554.92	-71.03		
				M3	-32.19	48.16	-1372.11	-32.19	48.16	-1524.78	-32.19	44.53	-1524.89	-32.19	44.53	-1677.56		

BAGO RIVER BRIDGE

BLOCK [ No.1 : MAIN GIRDER ][ BEAM MEMBER FORCE ]

MEMBER				3013			3014			3015							
NODE				3013			3014			3014			3015				
				SHEAR	TORQUE	MOMENT	SHEAR	TORQUE	MOMENT	SHEAR	TORQUE	MOMENT	SHEAR	TORQUE	MOMENT		
NAME	TITLE			S2 (kN)	TQ (kN·m)	M3 (kN·m)	S2 (kN)	TQ (kN·m)	M3 (kN·m)	S2 (kN)	TQ (kN·m)	M3 (kN·m)	S2 (kN)	TQ (kN·m)	M3 (kN·m)		
72	4-LANES	DISPERSION-LMAX	S2	64.08	-51.58	597.40	27.47	-25.50	435.08	27.47	-24.47	435.14	10.07	-20.83	231.53		
			TQ	-54.00	94.72	-1183.48	-66.95	94.72	-1469.87	-66.12	91.29	-1414.46	-85.68	91.29	-1771.20		
			M3	-204.32	-903.79	2815.17	-265.87	-863.52	1673.02	-266.11	-861.19	1675.06	-167.48	-306.04	655.46		
		MIN	S2	-311.88	-783.77	386.27	-351.81	-807.96	-811.82	-351.81	-809.88	-809.90	-410.66	-813.56	-2325.76		
			TQ	-203.35	-927.83	2213.78	-266.46	-927.83	1099.13	-267.31	-925.28	1045.59	-323.41	-925.28	-358.59		
			M3	-43.70	72.87	-1845.81	-58.50	38.51	-2056.91	-58.35	34.40	-2057.00	-232.05	-487.48	-2755.65		
		73	6-LANES	TRUCK-LOAD MAX	S2	293.53	-131.34	3267.16	164.97	-65.46	2950.62	164.97	-58.45	2950.77	75.13	-78.04	2075.77
					TQ	-226.16	772.07	343.17	-226.16	772.07	-729.49	-233.21	770.45	-657.97	-233.21	770.45	-1764.06
					M3	-120.44	22.93	5088.17	-201.14	11.76	3852.48	-201.14	20.91	3852.44	-183.69	-153.09	2436.01
MIN	S2			-497.80	42.52	4968.45	-590.72	47.26	3537.32	-590.72	55.66	3537.20	-715.88	119.27	1534.58		
	TQ			-236.32	-813.16	549.98	-236.32	-813.16	-570.85	-236.32	-814.51	-568.91	-236.32	-814.51	-1689.74		
	M3			-58.15	-37.40	-2958.02	-58.15	-37.40	-3233.85	-58.15	-45.08	-3233.75	-58.15	-45.08	-3509.57		
TANDEM-LOAD MAX	S2			243.05	-105.54	2583.46	150.82	-59.85	2408.92	150.82	-54.13	2409.05	77.73	-92.27	1817.30		
	TQ			-155.11	526.47	246.89	-155.11	526.47	-488.76	-157.04	525.34	-471.71	-157.04	525.34	-1216.51		
	M3			-114.93	-2.87	3779.19	-165.84	-5.56	2959.41	-165.84	1.47	2959.41	-162.75	-120.59	1978.83		
MIN	S2	-368.28	76.22	3699.27	-442.69	53.24	2753.73	-442.69	59.78	2753.60	-529.79	105.51	1355.82				
	TQ	-165.16	-553.39	427.48	-165.16	-553.39	-355.87	-165.16	-554.23	-354.55	-165.16	-554.23	-1137.90				
	M3	-39.63	-25.39	-2015.18	-39.63	-25.39	-2203.14	-39.63	-30.63	-2203.07	-39.63	-30.63	-2391.03				
DISPERSION-LMAX	S2	101.91	3.85	2635.96	67.29	20.22	2664.66	67.29	26.54	2664.61	50.56	22.89	2649.73				
	TQ	-163.90	886.53	2049.98	-181.60	886.53	1231.15	-179.70	889.58	1340.53	-204.13	889.58	433.60				
	M3	-287.30	-43.24	5938.66	-329.59	-90.17	4425.80	-329.38	-84.21	4426.00	-163.53	8.80	3265.12				
MIN	S2	-456.72	-87.14	-55.60	-496.70	-101.55	-1938.45	-496.70	-106.15	-1938.21	-554.32	-107.34	-4126.30				
	TQ	-196.06	-946.90	354.10	-242.69	-946.90	-687.20	-244.39	-948.66	-789.31	-290.52	-948.66	-2057.75				
	M3	-65.89	-37.57	-3375.34	-96.97	35.71	-3701.51	-96.76	28.12	-3701.58	-335.91	-39.04	-4740.89				

BAGO RIVER BRIDGE

BLOCK [ No.1 : MAIN GIRDER ][ BEAM MEMBER FORCE ]

MEMBER			3013			3014			3014			3015			
NODE			3013			3014			3014			3015			
NAME TITLE			SHEAR	TORQUE	MOMENT	SHEAR	TORQUE	MOMENT	SHEAR	TORQUE	MOMENT	SHEAR	TORQUE	MOMENT	
			S2 (kN)	TQ (kN·m)	M3 (kN·m)	S2 (kN)	TQ (kN·m)	M3 (kN·m)	S2 (kN)	TQ (kN·m)	M3 (kN·m)	S2 (kN)	TQ (kN·m)	M3 (kN·m)	
124	SUM TOTAL	D+1LANE (caseMAX	S2	-1434.78	394.13	10720.79	-1695.53	394.13	3295.50	-1695.53	401.96	3294.56	-1954.42	401.96	-5362.87
			TQ	-1591.56	1386.58	11841.09	-1852.30	1386.58	3672.24	-1852.30	1395.30	3668.94	-2111.19	1395.30	-5732.06
			M3	-1584.87	1360.60	11906.75	-1821.66	1215.19	3806.31	-1821.66	1224.23	3803.41	-1983.87	589.54	-5232.87
		MIN	S2	-1606.85	1303.29	10770.13	-1867.60	1303.29	2528.74	-1867.60	1309.29	2525.63	-2126.49	1309.29	-6947.90
			TQ	-1460.09	235.62	8839.94	-1720.83	235.62	1294.62	-1720.83	238.70	1294.05	-1979.72	238.70	-7483.40
			M3	-1461.23	239.41	8811.22	-1731.64	318.63	1255.52	-1731.64	321.61	1254.76	-2028.80	586.45	-7664.08
		D+1LANE (caseMAX	S2	-1424.41	422.07	10947.87	-1686.02	418.09	3530.52	-1686.02	426.47	3529.52	-1945.92	422.84	-5130.21
			TQ	-1598.25	829.43	12062.86	-1866.46	829.43	3844.56	-1866.46	838.56	3842.58	-2132.81	838.56	-5643.24
			M3	-1572.63	803.06	12294.07	-1818.40	720.39	4170.05	-1818.40	730.29	4168.33	-2013.67	519.73	-4949.73
		MIN	S2	-1632.38	756.94	11028.28	-1899.72	760.92	2689.35	-1899.72	767.31	2687.54	-2165.06	770.94	-6908.67
			TQ	-1469.14	311.00	8824.33	-1729.88	311.00	1236.10	-1729.88	313.94	1235.35	-1988.77	313.94	-7585.02
			M3	-1469.65	312.40	8792.93	-1738.32	340.75	1198.88	-1738.32	343.59	1198.07	-2045.77	488.12	-7778.39
		D+1LANE (caseMAX	S2	-1215.37	374.53	11844.48	-1585.63	384.34	4290.09	-1585.63	394.53	4289.16	-1920.56	397.44	-4933.42
			TQ	-1503.63	415.16	10975.49	-1779.91	415.16	3187.33	-1778.80	422.83	3259.61	-2061.16	422.83	-5844.54
			M3	-1394.16	375.41	12456.18	-1767.92	377.43	4696.68	-1767.87	388.54	4695.78	-2104.49	393.72	-4770.61
		MIN	S2	-1654.53	363.77	11055.92	-2005.24	365.21	3224.29	-2005.24	372.87	3223.42	-2384.34	381.63	-6406.93
			TQ	-1565.82	341.15	11056.18	-1897.47	341.15	2920.76	-1882.69	347.80	2727.10	-2163.00	347.80	-6872.73
			M3	-1474.50	366.57	8774.45	-1741.84	368.98	1158.54	-1741.89	371.77	1157.66	-2054.31	374.95	-7851.08
		D+1LANE (caseMAX	S2	-1433.59	378.35	10760.53	-1694.32	376.97	3342.73	-1694.32	384.91	3341.83	-1940.19	288.52	-5291.62
			TQ	-1474.77	486.70	9081.13	-1735.52	486.70	1466.18	-1734.79	490.23	1503.27	-1993.68	490.23	-7340.40
			M3	-1618.87	-578.40	12422.78	-1860.84	-533.08	4149.72	-1861.02	-524.65	4150.97	-1988.22	-30.85	-5017.69
		MIN	S2	-1670.49	-517.16	11246.58	-1909.62	-568.00	2741.22	-1909.62	-561.49	2742.56	-2163.94	-548.03	-6941.21
			TQ	-1632.24	-637.11	11916.98	-1886.13	-637.11	3571.30	-1886.85	-628.68	3534.55	-2138.78	-628.68	-6013.92
			M3	-1482.57	479.13	8713.73	-1745.53	462.91	1061.53	-1745.35	466.85	1060.43	-2054.52	153.43	-7955.10

BAGO RIVER BRIDGE

BLOCK [ No.1 : MAIN GIRDER ][ BEAM MEMBER FORCE ]

MEMBER			3013			3014			3014			3015			
NODE			3013			3014			3014			3015			
NAME TITLE			SHEAR	TORQUE	MOMENT	SHEAR	TORQUE	MOMENT	SHEAR	TORQUE	MOMENT	SHEAR	TORQUE	MOMENT	
			S2 (kN)	TQ (kN·m)	M3 (kN·m)	S2 (kN)	TQ (kN·m)	M3 (kN·m)	S2 (kN)	TQ (kN·m)	M3 (kN·m)	S2 (kN)	TQ (kN·m)	M3 (kN·m)	
124	SUM TOTAL	D+2LANES (casMAX	S2	-1426.16	409.44	11203.53	-1686.91	409.44	3819.11	-1686.91	418.51	3818.12	-1945.80	418.51	-4798.44
			TQ	-1688.98	1828.53	13056.71	-1949.72	1828.53	4425.81	-1951.20	1839.04	4446.90	-2210.09	1839.04	-5423.16
			M3	-1685.27	1774.85	13295.92	-1905.77	1564.73	4748.89	-1905.33	1573.22	4745.17	-2015.94	766.65	-4558.58
		MIN	S2	-1721.08	1696.42	11331.09	-1981.82	1696.42	2547.92	-1981.82	1702.47	2543.89	-2240.71	1702.47	-7471.42
			TQ	-1472.23	172.63	8018.33	-1732.97	172.63	415.43	-1732.97	173.62	415.02	-1991.86	173.62	-8420.02
			M3	-1473.86	177.99	7969.19	-1749.33	283.32	350.98	-1749.77	286.94	350.30	-2076.24	684.57	-8726.22
		D+2LANES (casMAX	S2	-1417.52	432.72	11392.76	-1678.99	429.40	4014.95	-1678.99	438.93	4013.92	-1938.72	435.91	-4604.56
			TQ	-1694.55	1364.24	13241.51	-1961.52	1364.24	4569.41	-1963.00	1375.09	4591.61	-2228.10	1375.09	-5349.14
			M3	-1675.07	1310.24	13618.69	-1903.05	1152.40	5052.01	-1902.61	1161.61	5049.27	-2040.77	708.46	-4322.63
		MIN	S2	-1742.35	1241.12	11546.21	-2008.59	1244.44	2681.77	-2008.59	1250.81	2678.81	-2272.86	1253.83	-7438.73
			TQ	-1479.77	235.45	8005.33	-1740.51	235.45	366.66	-1740.51	236.32	366.10	-1999.40	236.32	-8504.70
			M3	-1480.87	238.82	7953.95	-1754.90	301.75	303.77	-1755.34	305.25	303.05	-2090.38	602.63	-8821.48
		D+2LANES (casMAX	S2	-1096.47	277.59	13016.99	-1523.24	333.65	5364.74	-1523.24	346.39	5363.94	-1896.39	382.05	-4171.74
			TQ	-1510.87	435.84	10163.56	-1784.56	435.84	2347.10	-1783.17	441.52	2430.90	-2061.62	441.52	-6685.37
			M3	-1384.51	149.46	14059.45	-1817.82	187.94	6054.59	-1817.83	202.22	6054.12	-2187.47	322.61	-3889.73
		MIN	S2	-1788.90	160.70	11706.75	-2187.64	177.20	3601.55	-2187.64	185.75	3601.12	-2627.32	224.21	-6628.14
			TQ	-1654.29	106.20	12243.10	-2006.15	106.20	3626.68	-1994.30	114.55	3441.94	-2302.86	114.55	-6753.79
			M3	-1494.63	389.83	7900.06	-1765.50	384.24	187.79	-1765.49	384.78	186.87	-2113.08	308.83	-9019.06
		D+2LANES (casMAX	S2	-1418.85	174.89	11967.03	-1681.74	260.14	4286.89	-1681.74	270.32	4286.26	-1932.43	305.01	-4695.85
			TQ	-1488.77	529.87	8549.54	-1749.52	529.87	868.18	-1748.73	531.98	908.42	-2007.62	531.98	-8001.37
			M3	-1676.07	-972.53	14010.00	-1930.09	-856.25	5349.45	-1930.37	-845.49	5351.47	-2048.13	-159.45	-4199.32
		MIN	S2	-1791.97	-885.55	11917.00	-2045.70	-880.01	3013.41	-2045.70	-872.85	3015.49	-2311.88	-794.56	-7140.33
			TQ	-1733.45	-1074.99	12980.52	-1998.76	-1074.99	4127.95	-1999.55	-1065.23	4088.99	-2263.08	-1065.23	-6021.29
			M3	-1503.63	516.57	7830.74	-1768.91	488.34	78.23	-1768.63	490.47	77.07	-2112.35	29.28	-9132.21

BAGO RIVER BRIDGE

BLOCK [ No.1 : MAIN GIRDER ][ BEAM MEMBER FORCE ]

MEMBER			3013			3014			3014			3015				
NODE			3013			3014			3014			3015				
NAME TITLE			SHEAR	TORQUE	MOMENT	SHEAR	TORQUE	MOMENT	SHEAR	TORQUE	MOMENT	SHEAR	TORQUE	MOMENT		
			S2 (kN)	TQ (kN·m)	M3 (kN·m)	S2 (kN)	TQ (kN·m)	M3 (kN·m)	S2 (kN)	TQ (kN·m)	M3 (kN·m)	S2 (kN)	TQ (kN·m)	M3 (kN·m)		
124	SUM TOTAL	D+3LANES (casMAX	S2	-1412.86	436.35	11659.00	-1674.23	433.53	4308.43	-1674.23	443.76	4307.39	-1933.83	441.19	-4282.58	
			TQ	-1759.39	1931.13	14023.99	-2025.42	1931.13	5046.57	-2026.68	1943.11	5063.60	-2290.85	1943.11	-5176.98	
			M3	-1738.10	1866.82	14391.09	-1954.02	1629.66	5551.75	-1953.65	1640.47	5547.87	-2041.44	805.74	-3950.86	
		MIN	S2	-1810.86	1767.48	11824.38	-2076.27	1770.30	2632.09	-2076.27	1776.55	2627.88	-2339.73	1779.12	-7814.35	
			TQ	-1483.70	156.39	7447.41	-1744.45	156.39	-209.91	-1744.45	155.89	-210.28	-2003.34	155.89	-9099.75	
			M3	-1485.45	161.94	7383.40	-1764.33	271.55	-291.06	-1764.70	273.22	-291.71	-2115.43	713.58	-9496.98	
		D+3LANES (casMAX	S2	-1104.07	132.53	13768.39	-1524.49	249.04	5933.17	-1524.49	263.13	5932.56	-1892.78	346.39	-3737.17	
			TQ	-1518.19	475.21	9498.41	-1789.94	475.21	1651.78	-1788.24	479.26	1750.07	-2063.76	479.26	-7383.78	
			M3	-1442.76	-195.11	15142.93	-1874.07	-107.49	6824.61	-1874.14	-91.65	6824.84	-2217.12	192.30	-3354.67	
		MIN	S2	-1874.19	-142.45	12148.83	-2272.95	-104.13	3720.29	-2272.95	-95.29	3720.52	-2708.32	-17.73	-6833.04	
			TQ	-1727.85	-258.64	13128.39	-2079.60	-258.64	4153.15	-2070.04	-249.04	3969.63	-2384.34	-249.04	-6598.70	
			M3	-1510.33	432.13	7284.37	-1782.73	416.48	-502.54	-1782.65	415.66	-503.52	-2153.06	223.53	-9845.86	
		D+3LANES (casMAX	S2	-1320.96	97.16	12913.22	-1629.51	222.47	5133.14	-1629.51	234.66	5132.60	-1914.34	301.11	-4119.85	
			TQ	-1496.30	534.39	8244.51	-1757.04	534.39	527.46	-1756.11	535.71	575.39	-2015.00	535.71	-8369.39	
			M3	-1650.14	-1054.17	15120.35	-1955.52	-909.00	6338.92	-1955.83	-895.88	6341.06	-2117.09	-160.35	-3566.79	
		MIN	S2	-1881.91	-960.75	12343.54	-2178.82	-935.91	3320.33	-2178.82	-928.02	3322.54	-2499.54	-827.08	-7225.05	
			TQ	-1783.55	-1170.48	13589.45	-2070.57	-1170.48	4448.01	-2071.50	-1159.97	4401.58	-2357.08	-1159.97	-6102.02	
			M3	-1516.27	516.02	7238.27	-1783.97	480.70	-574.70	-1783.66	481.27	-575.85	-2152.62	-21.98	-9916.45	
		D+4LANES	MAX	S2	-1220.87	165.30	12158.22	-1591.87	261.32	4325.70	-1591.87	271.60	4325.07	-1918.47	290.31	-4983.10
			TQ	-1488.26	496.02	8566.85	-1757.43	496.02	868.21	-1755.25	498.17	920.16	-2026.85	498.17	-8048.56	
			M3	-1573.30	-672.62	14290.59	-1943.88	-566.94	5617.11	-1944.03	-554.67	5618.45	-2186.56	-19.13	-4533.35	
		MIN	S2	-1884.91	-604.36	12693.72	-2231.31	-593.28	3899.35	-2231.31	-584.01	3900.75	-2615.43	-507.46	-6686.04	
			TQ	-1786.91	-757.45	13436.77	-2088.68	-757.45	4243.74	-2088.15	-747.45	4191.23	-2383.51	-747.45	-6417.00	
			M3	-1506.81	469.80	7554.91	-1777.17	447.46	-214.49	-1777.08	447.46	-215.56	-2148.87	108.23	-9534.01	

BAGO RIVER BRIDGE

BLOCK [ No.1 : MAIN GIRDER ][ BEAM MEMBER FORCE ]

MEMBER					3013			3014			3015					
NODE					3013			3014			3014					
					SHEAR	TORQUE	MOMENT	SHEAR	TORQUE	MOMENT	SHEAR	TORQUE	MOMENT			
NAME TITLE					S2 (kN)	TQ (kN·m)	M3 (kN·m)	S2 (kN)	TQ (kN·m)	M3 (kN·m)	S2 (kN)	TQ (kN·m)	M3 (kN·m)			
124	SUM TOTAL	D+6LANES	MAX	S2	-1190.72	294.40	13900.44	-1557.54	347.85	6226.53	-1557.54	362.64	6225.68	-1885.69	347.53	-3071.70
				TQ	-1701.29	1455.35	11618.96	-1973.54	1455.35	2902.67	-1976.89	1462.40	3019.36	-2251.66	1462.40	-7008.07
				M3	-1712.79	364.06	17230.85	-2053.47	326.29	7957.47	-2053.34	342.24	7956.68	-2193.08	289.59	-2437.54
			MIN	S2	-2068.19	348.26	13256.77	-2415.32	341.97	3615.86	-2415.32	350.56	3615.03	-2793.02	391.14	-7827.89
				TQ	-1728.80	-766.77	10651.07	-2019.86	-766.77	1758.86	-2020.96	-762.68	1692.84	-2309.84	-762.68	-8579.14
				M3	-1528.38	328.53	5946.73	-1809.33	376.16	-1931.39	-1809.19	372.35	-1932.27	-2223.53	328.70	-11506.08
	SUM TOTAL		MAX		-1096.47	1931.13	17230.85	-1523.24	1931.13	7957.47	-1523.24	1943.11	7956.68	-1885.69	1943.11	-2437.54
			MIN		-2068.19	-1170.48	5946.73	-2415.32	-1170.48	-1931.39	-2415.32	-1159.97	-1932.27	-2793.02	-1159.97	-11506.08
300	DEAD LOAD	TOTAL			-1447.75	377.26	10063.42	-1708.50	377.26	2576.59	-1708.50	383.38	2575.69	-1967.39	383.38	-6143.27
301	LIVE LOAD	1-LANE(case1MAX	S2		12.97	16.87	657.38	12.97	16.87	718.91	12.97	18.58	718.87	12.97	18.58	780.40
			TQ		-143.80	1009.32	1777.68	-143.80	1009.32	1095.65	-143.80	1011.92	1093.25	-143.80	1011.92	411.22
			M3		-137.11	983.34	1843.33	-113.16	837.93	1229.72	-113.16	840.85	1227.72	-16.48	206.16	910.40
			MIN	S2	-159.10	926.03	706.71	-159.10	926.03	-47.86	-159.10	925.91	-50.06	-159.10	925.91	-804.63
				TQ	-12.33	-141.64	-1223.48	-12.33	-141.64	-1281.98	-12.33	-144.68	-1281.63	-12.33	-144.68	-1340.13
				M3	-13.48	-137.85	-1252.20	-23.14	-58.63	-1321.07	-23.14	-61.77	-1320.93	-61.41	203.07	-1520.81
		1-LANE(case2MAX	S2		23.35	44.81	884.45	22.48	40.82	953.93	22.48	43.09	953.83	21.47	39.46	1013.06
			TQ		-150.50	452.17	1999.44	-157.96	452.17	1267.97	-157.96	455.18	1266.89	-165.42	455.18	500.04
			M3		-124.88	425.80	2230.66	-109.90	343.13	1593.46	-109.90	346.91	1592.64	-46.28	136.34	1193.55
			MIN	S2	-184.63	379.68	964.86	-191.22	383.66	112.76	-191.22	383.92	111.85	-197.67	387.56	-765.39
				TQ	-21.38	-66.26	-1239.09	-21.38	-66.26	-1340.50	-21.38	-69.44	-1340.34	-21.38	-69.44	-1441.74
				M3	-21.89	-64.86	-1270.49	-29.82	-36.52	-1377.71	-29.82	-39.79	-1377.62	-78.38	104.74	-1635.12
		1-LANE(case3MAX	S2		232.39	-2.73	1781.07	122.87	7.08	1713.50	122.87	11.15	1713.47	46.83	14.05	1209.85
			TQ		-55.87	37.90	912.07	-71.41	37.90	610.73	-70.30	39.45	683.92	-93.77	39.45	298.74
			M3		53.59	-1.85	2392.76	-59.42	0.17	2120.09	-59.37	5.16	2120.09	-137.10	10.34	1372.66
			MIN	S2	-206.78	-13.49	992.50	-296.74	-12.05	647.70	-296.74	-10.51	647.73	-416.95	-1.75	-263.66
				TQ	-118.07	-36.11	992.76	-188.97	-36.11	344.17	-174.19	-35.58	151.41	-195.61	-35.58	-729.46
				M3	-26.75	-10.70	-1288.96	-33.34	-8.28	-1418.05	-33.39	-11.61	-1418.03	-86.92	-8.43	-1707.81

BAGO RIVER BRIDGE

BLOCK [ No.1 : MAIN GIRDER ][ BEAM MEMBER FORCE ]

MEMBER			3013			3014			3014			3015			
NODE			3013			3014			3014			3015			
NAME TITLE			SHEAR	TORQUE	MOMENT	SHEAR	TORQUE	MOMENT	SHEAR	TORQUE	MOMENT	SHEAR	TORQUE	MOMENT	
			S2 (kN)	TQ (kN·m)	M3 (kN·m)	S2 (kN)	TQ (kN·m)	M3 (kN·m)	S2 (kN)	TQ (kN·m)	M3 (kN·m)	S2 (kN)	TQ (kN·m)	M3 (kN·m)	
301	LIVE LOAD	1-LANE (case4MAX	S2	14.17	1.08	697.12	14.18	-0.29	766.14	14.18	1.53	766.14	27.20	-94.86	851.66
			TQ	-27.02	109.44	-982.28	-27.02	109.44	-1110.41	-26.29	106.85	-1072.42	-26.29	106.85	-1197.12
			M3	-171.12	-955.66	2359.36	-152.34	-910.34	1573.12	-152.52	-908.03	1575.28	-20.83	-414.23	1125.59
			MIN S2	-222.73	-894.43	1183.16	-201.12	-945.27	164.63	-201.12	-944.87	166.87	-196.55	-931.41	-797.93
			TQ	-184.49	-1014.38	1853.57	-177.63	-1014.38	994.71	-178.35	-1012.06	958.86	-171.39	-1012.06	129.36
			M3	-34.81	101.86	-1349.68	-37.03	85.65	-1515.06	-36.85	83.47	-1515.26	-87.13	-229.95	-1811.82
		2-LANES (caseMAX	S2	21.59	32.18	1140.11	21.59	32.18	1242.51	21.59	35.13	1242.43	21.59	35.13	1344.83
			TQ	-241.22	1451.27	2993.30	-241.22	1451.27	1849.21	-242.70	1455.66	1871.21	-242.70	1455.66	720.11
			M3	-237.51	1397.59	3232.50	-197.27	1187.47	2172.30	-196.83	1189.84	2169.48	-48.55	383.27	1584.69
			MIN S2	-273.32	1319.16	1267.67	-273.32	1319.16	-28.67	-273.32	1319.09	-31.80	-273.32	1319.09	-1328.15
			TQ	-24.47	-204.63	-2045.08	-24.47	-204.63	-2161.16	-24.47	-209.76	-2160.67	-24.47	-209.76	-2276.75
			M3	-26.11	-199.27	-2094.22	-40.83	-93.94	-2225.62	-41.27	-96.44	-2225.39	-108.85	301.19	-2582.95
		2-LANES (caseMAX	S2	30.23	55.46	1329.34	29.51	52.14	1438.36	29.51	55.55	1438.23	28.67	52.53	1538.72
			TQ	-246.80	986.98	3178.10	-253.02	986.98	1992.81	-254.50	991.71	2015.92	-260.71	991.71	794.13
			M3	-227.32	932.98	3555.28	-194.55	775.14	2475.42	-194.11	778.23	2473.58	-73.38	325.08	1820.64
			MIN S2	-294.60	863.86	1482.79	-300.09	867.18	105.18	-300.09	867.43	103.12	-305.47	870.45	-1295.45
			TQ	-32.01	-141.82	-2058.09	-32.01	-141.82	-2209.93	-32.01	-147.06	-2209.59	-32.01	-147.06	-2361.43
			M3	-33.12	-138.44	-2109.47	-46.40	-75.51	-2272.82	-46.84	-78.13	-2272.64	-122.99	219.25	-2678.20
		2-LANES (caseMAX	S2	351.28	-99.68	2953.57	185.26	-43.61	2788.15	185.26	-36.99	2788.25	71.00	-1.33	1971.53
			TQ	-63.12	58.58	100.15	-76.06	58.58	-229.49	-74.67	58.14	-144.79	-94.23	58.14	-542.10
			M3	63.24	-227.80	3996.03	-109.32	-189.32	3477.99	-109.33	-181.16	3478.43	-220.08	-60.77	2253.55
			MIN S2	-341.15	-216.57	1643.33	-479.14	-200.06	1024.95	-479.14	-197.63	1025.43	-659.93	-159.17	-484.87
			TQ	-206.54	-271.06	2179.69	-297.65	-271.06	1050.08	-285.80	-268.83	866.25	-335.47	-268.83	-610.52
			M3	-46.88	12.57	-2163.35	-57.00	6.98	-2388.81	-56.99	1.40	-2388.82	-145.69	-74.55	-2875.78



BAGO RIVER BRIDGE

BLOCK [ No.1 : MAIN GIRDER ][ BEAM MEMBER FORCE ]

MEMBER				3013			3014			3015						
NODE				3013			3014			3014			3015			
				SHEAR	TORQUE	MOMENT	SHEAR	TORQUE	MOMENT	SHEAR	TORQUE	MOMENT	SHEAR	TORQUE	MOMENT	
NAME TITLE				S2 (kN)	TQ (kN·m)	M3 (kN·m)	S2 (kN)	TQ (kN·m)	M3 (kN·m)	S2 (kN)	TQ (kN·m)	M3 (kN·m)	S2 (kN)	TQ (kN·m)	M3 (kN·m)	
301	LIVE LOAD	2-LANES (caseMAX	S2	28.90	-202.37	1903.62	26.76	-117.12	1710.29	26.76	-113.06	1710.57	34.96	-78.37	1447.43	
			TQ	-41.02	152.61	-1513.87	-41.02	152.61	-1708.41	-40.23	148.60	-1667.27	-40.23	148.60	-1858.09	
			M3	-228.32	-1349.79	3946.58	-221.59	-1233.51	2772.86	-221.87	-1228.87	2775.78	-80.74	-542.83	1943.96	
			MIN	S2	-344.21	-1262.81	1853.59	-337.20	-1257.28	436.82	-337.20	-1256.23	439.80	-344.48	-1177.94	-997.05
			TQ	-285.69	-1452.25	2917.11	-290.26	-1452.25	1551.36	-291.05	-1448.61	1513.30	-295.69	-1448.61	121.98	
			M3	-55.88	139.31	-2232.68	-60.41	111.08	-2498.36	-60.13	107.09	-2498.62	-144.96	-354.10	-2988.94	
		3-LANES (caseMAX	S2	34.89	59.09	1595.58	34.27	56.27	1731.84	34.27	60.38	1731.70	33.56	57.81	1860.69	
			TQ	-311.64	1553.86	3960.57	-316.92	1553.86	2469.98	-318.18	1559.73	2487.91	-323.46	1559.73	966.29	
			M3	-290.34	1489.56	4327.68	-245.52	1252.40	2975.16	-245.15	1257.09	2972.18	-74.05	422.35	2192.42	
			MIN	S2	-363.10	1390.22	1760.96	-367.77	1393.04	55.50	-367.77	1393.17	52.19	-372.34	1395.74	-1671.08
			TQ	-35.95	-220.87	-2616.01	-35.95	-220.87	-2786.51	-35.95	-227.49	-2785.97	-35.95	-227.49	-2956.47	
			M3	-37.70	-215.32	-2680.02	-55.83	-105.71	-2867.65	-56.20	-110.16	-2867.40	-148.04	330.20	-3353.71	
		3-LANES (caseMAX	S2	343.69	-244.73	3704.97	184.01	-128.23	3356.58	184.01	-120.25	3356.87	74.61	-36.99	2406.11	
			TQ	-70.44	97.95	-565.01	-81.44	97.95	-924.82	-79.74	95.88	-825.62	-96.37	95.88	-1240.50	
			M3	4.99	-572.37	5079.52	-165.57	-484.75	4248.01	-165.64	-475.03	4249.15	-249.73	-191.08	2788.60	
			MIN	S2	-426.44	-519.71	2085.41	-564.45	-481.39	1143.69	-564.45	-478.67	1144.83	-740.93	-401.11	-689.77
			TQ	-280.10	-635.91	3064.97	-371.10	-635.91	1576.55	-361.54	-632.42	1393.94	-416.95	-632.42	-455.43	
			M3	-62.57	54.87	-2779.05	-74.23	39.22	-3079.13	-74.15	32.28	-3079.21	-185.67	-159.85	-3702.58	
		3-LANES (caseMAX	S2	126.79	-280.10	2849.80	78.99	-154.79	2556.55	78.99	-148.72	2556.91	53.05	-82.27	2023.43	
			TQ	-48.54	157.13	-1818.91	-48.54	157.13	-2049.13	-47.61	152.33	-2000.30	-47.61	152.33	-2226.12	
			M3	-202.39	-1431.44	5056.93	-247.02	-1286.26	3762.33	-247.33	-1279.26	3765.37	-149.70	-543.73	2576.49	
			MIN	S2	-434.15	-1338.01	2280.12	-470.32	-1313.17	743.73	-470.32	-1311.40	746.85	-532.15	-1210.46	-1081.78
			TQ	-335.80	-1547.74	3526.03	-362.07	-1547.74	1871.42	-363.00	-1543.35	1825.89	-389.69	-1543.35	41.26	
			M3	-68.51	138.76	-2825.14	-75.47	103.43	-3151.30	-75.16	97.89	-3151.54	-185.23	-405.36	-3773.18	

BAGO RIVER BRIDGE

BLOCK [ No.1 : MAIN GIRDER ][ BEAM MEMBER FORCE ]

MEMBER					3013			3014			3015					
NODE					3013			3014			3015					
					SHEAR	TORQUE	MOMENT	SHEAR	TORQUE	MOMENT	SHEAR	TORQUE	MOMENT			
NAME TITLE					S2 (kN)	TQ (kN·m)	M3 (kN·m)	S2 (kN)	TQ (kN·m)	M3 (kN·m)	S2 (kN)	TQ (kN·m)	M3 (kN·m)			
301	LIVE LOAD	4-LANES	MAX	S2	226.88	-211.96	2094.81	116.63	-115.94	1749.11	116.63	-111.78	1749.38	48.92	-93.08	1160.17
				TQ	-40.51	118.76	-1496.57	-48.93	118.76	-1708.38	-46.75	114.78	-1655.53	-59.46	114.78	-1905.28
				M3	-125.55	-1049.88	4227.17	-235.38	-944.20	3040.52	-235.53	-938.05	3042.76	-219.17	-402.51	1609.92
		MIN	S2	-437.16	-981.62	2630.31	-522.81	-970.54	1322.76	-522.81	-967.40	1325.06	-648.04	-890.84	-542.77	
			TQ	-339.16	-1134.72	3373.36	-380.18	-1134.72	1667.15	-379.65	-1130.83	1615.55	-416.12	-1130.83	-273.73	
			M3	-59.05	92.54	-2508.51	-68.67	70.20	-2791.09	-68.58	64.08	-2791.25	-181.48	-275.15	-3390.74	
	6-LANES	MAX	S2	257.03	-82.86	3837.03	150.96	-29.41	3649.93	150.96	-20.74	3649.99	81.70	-35.85	3071.58	
			TQ	-253.54	1078.09	1555.55	-265.04	1078.09	326.08	-268.39	1079.02	443.67	-284.27	1079.02	-864.80	
			M3	-265.03	-13.21	7167.44	-344.97	-50.97	5380.88	-344.84	-41.14	5380.99	-225.69	-93.79	3705.74	
		MIN	S2	-620.43	-29.00	3193.35	-706.82	-35.29	1039.26	-706.82	-32.82	1039.35	-825.63	7.76	-1684.62	
			TQ	-281.04	-1144.04	587.65	-311.36	-1144.04	-817.73	-312.46	-1146.06	-882.85	-342.45	-1146.06	-2435.87	
			M3	-80.63	-48.73	-4116.69	-100.83	-1.10	-4507.98	-100.69	-11.03	-4507.96	-256.14	-54.68	-5362.80	
	LIVE LOAD	MAX	351.28	1553.86	7167.44	185.26	1553.86	5380.88	185.26	1559.73	5380.99	81.70	1559.73	3705.74		
		MIN	-620.43	-1547.74	-4116.69	-706.82	-1547.74	-4507.98	-706.82	-1543.35	-4507.96	-825.63	-1543.35	-5362.80		
	303	SUM TOTAL	TOTAL	MAX	-1096.47	1931.13	17230.85	-1523.24	1931.13	7957.47	-1523.24	1943.11	7956.68	-1885.69	1943.11	-2437.54
MIN				-2068.19	-1170.48	5946.73	-2415.32	-1170.48	-1931.39	-2415.32	-1159.97	-1932.27	-2793.02	-1159.97	-11506.08	

BAGO RIVER BRIDGE

BLOCK [ No.1 : MAIN GIRDER ][ BEAM MEMBER FORCE ]

MEMBER NODE	3015	3016			3016			3017			3017					
		SHEAR	TORQUE	MOMENT	SHEAR	TORQUE	MOMENT	SHEAR	TORQUE	MOMENT	SHEAR	TORQUE	MOMENT			
		S2 (kN)	TQ (kN·m)	M3 (kN·m)	S2 (kN)	TQ (kN·m)	M3 (kN·m)	S2 (kN)	TQ (kN·m)	M3 (kN·m)	S2 (kN)	TQ (kN·m)	M3 (kN·m)			
1	PAVEMENT	-364.26	-24.86	-1285.61	-412.99	-24.86	-3090.39	-412.99	-32.04	-3090.33	-461.23	-32.04	-5120.16			
3	RAILING	-8.09	-0.60	-27.78	-7.27	-0.60	-63.48	-7.27	-0.75	-63.48	-6.47	-0.75	-95.40			
5	CURB	-80.06	-5.92	-275.03	-72.02	-5.92	-628.45	-72.02	-7.38	-628.43	-64.02	-7.38	-944.50			
7	DECK WEIGHT	-563.13	-10.04	-1915.09	-637.05	-10.04	-4701.96	-637.05	-20.97	-4701.92	-710.29	-20.97	-7830.30			
8	GIRDER WEIGH	-656.95	247.15	-1935.60	-743.77	247.15	-5187.39	-743.77	235.09	-5187.95	-830.59	235.09	-8842.85			
10	MEDIAN STRIP	-104.99	85.10	-143.89	-133.18	85.10	-696.81	-133.18	83.48	-697.00	-161.38	83.48	-1380.83			
21	ADITIONAL WE	-157.68	-2.81	-536.23	-178.37	-2.81	-1316.55	-178.37	-5.87	-1316.54	-198.88	-5.87	-2192.48			
31	MEDIAN RAILI	-8.62	6.72	-24.21	-10.90	6.72	-69.52	-10.90	6.56	-69.54	-13.18	6.56	-125.43			
51	SUPPORT WEIG	-0.00	-0.00	-0.00	-0.00	-0.00	-0.00	-0.00	-0.00	-0.00	-0.00	-0.00	-0.00			
52	NOSE WEIGHT	0.01	0.45	-0.01	0.01	0.45	0.04	0.01	0.45	0.04	0.01	0.45	0.10			
61	1-LANE(case1TRUCK-LOAD	MAX	S2	19.27	-145.21	-308.34	19.27	-145.21	-218.87	19.27	-145.71	-218.53	19.27	-145.71	-129.05	
			TQ	-65.82	355.25	72.13	-65.82	355.25	-233.46	-65.82	354.70	-234.28	-65.82	354.70	-539.87	
			M3	2.14	16.05	253.96	2.14	16.05	263.89	2.14	16.66	263.85	2.14	16.66	273.78	
		MIN	S2	-66.25	351.56	123.81	-66.25	351.56	-183.80	-66.25	351.13	-184.62	-66.25	351.13	-492.23	
			TQ	7.53	-180.82	-488.19	7.53	-180.82	-453.24	7.53	-181.88	-452.82	7.53	-181.88	-417.87	
			M3	2.21	-167.94	-525.73	1.61	-162.59	-517.46	1.61	-163.79	-517.08	-54.50	327.93	-590.44	
		TANDEM-LOAD	MAX	S2	14.12	-96.15	-197.60	14.12	-96.15	-132.06	14.12	-96.46	-131.83	14.12	-96.46	-66.29
			TQ	-45.78	242.58	63.05	-45.78	242.58	-149.52	-45.78	242.23	-150.09	-45.78	242.23	-362.66	
			M3	1.46	10.77	172.42	1.46	10.77	179.18	1.46	11.19	179.16	1.46	11.19	185.92	
		MIN	S2	-45.90	241.55	77.47	-45.90	241.55	-135.67	-45.90	241.23	-136.23	-45.90	241.23	-349.37	
			TQ	6.63	-123.00	-317.76	6.63	-123.00	-286.98	6.63	-123.66	-286.70	6.63	-123.66	-255.92	
			M3	1.57	-115.70	-357.68	0.89	-108.60	-352.19	0.89	-109.42	-351.94	-37.67	225.44	-402.75	
		DISPERSION-LMAX	S2	12.15	-126.99	0.88	12.15	-126.99	57.28	12.15	-126.85	57.57	12.15	-126.85	113.97	
			TQ	-62.01	438.61	386.43	-62.01	438.61	98.51	-62.01	438.83	97.49	-62.01	438.83	-190.44	
			M3	-25.34	203.72	504.52	1.12	49.80	449.97	1.13	50.64	449.85	3.96	27.43	464.18	
		MIN	S2	-65.87	366.91	-237.62	-65.87	366.91	-543.45	-65.87	365.65	-544.30	-65.87	365.65	-850.13	
			TQ	8.29	-198.68	-623.16	8.29	-198.68	-584.67	8.29	-200.04	-584.21	8.29	-200.04	-545.72	
			M3	-28.38	36.20	-741.25	-54.84	190.13	-936.14	-54.85	188.15	-936.58	-57.68	211.37	-1200.33	

BAGO RIVER BRIDGE

BLOCK [ No.1 : MAIN GIRDER ][ BEAM MEMBER FORCE ]

MEMBER				3015			3016			3017					
NODE				3015			3016			3016			3017		
				SHEAR	TORQUE	MOMENT	SHEAR	TORQUE	MOMENT	SHEAR	TORQUE	MOMENT	SHEAR	TORQUE	MOMENT
NAME	TITLE			S2 (kN)	TQ (kN·m)	M3 (kN·m)	S2 (kN)	TQ (kN·m)	M3 (kN·m)	S2 (kN)	TQ (kN·m)	M3 (kN·m)	S2 (kN)	TQ (kN·m)	M3 (kN·m)
62	1-LANE (case2TRUCK-LOAD	MAX	S2	2.56	6.86	254.86	2.56	6.86	266.75	2.56	7.48	266.73	2.56	7.48	278.62
			TQ	-74.32	152.85	62.41	-74.32	152.85	-282.67	-74.32	152.19	-283.03	-74.32	152.19	-628.11
			M3	-65.30	120.72	414.87	2.56	6.86	266.75	2.56	7.48	266.73	2.56	7.48	278.62
		MIN	S2	-94.77	130.22	403.65	-94.78	130.09	-35.65	-94.78	130.01	-35.96	-94.78	130.01	-476.03
			TQ	-6.11	-72.05	-512.47	-6.11	-72.05	-540.83	-6.11	-73.30	-540.67	-6.11	-73.30	-569.03
			M3	-4.40	-65.89	-560.80	-4.40	-65.89	-581.24	-4.40	-67.24	-581.09	-63.07	148.48	-655.26
		TANDEM-LOAD MAX	S2	1.74	4.62	172.98	1.74	4.62	181.06	1.74	5.04	181.04	1.74	5.04	189.12
			TQ	-48.80	104.00	22.08	-48.80	104.00	-204.49	-48.80	103.52	-204.73	-48.80	103.52	-431.30
			M3	-47.85	80.08	324.38	1.74	4.62	181.06	1.74	5.04	181.04	1.74	5.04	189.12
		MIN	S2	-65.38	80.08	324.38	-65.38	80.08	20.80	-65.38	80.13	20.62	-65.38	80.13	-282.97
			TQ	-4.28	-49.17	-343.39	-4.28	-49.17	-363.27	-4.28	-50.02	-363.16	-4.28	-50.02	-383.04
			M3	-3.00	-45.43	-381.86	-3.00	-45.43	-395.80	-3.00	-46.35	-395.70	-43.35	101.59	-445.43
		DISPERSION-LMAX	S2	4.91	9.31	422.56	4.74	8.19	436.56	4.74	9.21	436.54	4.69	8.85	455.75
			TQ	-78.51	196.82	447.99	-84.60	196.82	69.31	-84.60	196.98	68.85	-90.69	196.98	-338.08
			M3	-32.80	80.10	579.19	-12.53	32.78	473.60	-12.53	33.88	473.52	4.30	13.36	471.37
MIN	S2	-89.51	108.46	-645.10	-95.42	109.57	-1066.02	-95.42	107.10	-1066.27	-101.46	107.45	-1520.66		
	TQ	-6.08	-79.05	-670.53	-6.08	-79.05	-698.77	-6.08	-80.67	-698.59	-6.08	-80.67	-726.83		
	M3	-51.80	37.67	-801.73	-78.16	84.99	-1103.06	-78.16	82.43	-1103.25	-101.07	102.94	-1536.28		
63	1-LANE (case3TRUCK-LOAD	MAX	S2	115.31	-11.89	499.12	35.90	-4.13	275.71	35.90	-3.48	275.72	2.88	0.56	282.21
			TQ	-12.05	12.66	-555.31	-12.05	12.66	-611.24	-12.05	11.24	-611.27	-12.05	11.24	-667.21
			M3	36.49	-15.03	544.36	-34.57	-11.40	350.02	-34.57	-10.59	350.05	2.88	0.58	282.25
		MIN	S2	-125.64	-15.14	524.78	-184.39	-13.37	291.90	-184.39	-12.69	291.93	-271.27	-5.04	-262.48
			TQ	-125.64	-15.14	524.78	-125.64	-15.14	-58.57	-125.64	-15.28	-58.53	-125.64	-15.28	-641.87
			M3	-8.53	11.92	-587.47	-9.38	12.33	-628.41	-9.38	10.87	-628.44	-69.31	-5.66	-702.62

BAGO RIVER BRIDGE

BLOCK [ No.1 : MAIN GIRDER ][ BEAM MEMBER FORCE ]

MEMBER		3015			3016			3016			3017					
NODE		3015			3016			3016			3017					
		SHEAR	TORQUE	MOMENT	SHEAR	TORQUE	MOMENT	SHEAR	TORQUE	MOMENT	SHEAR	TORQUE	MOMENT			
NAME	TITLE	S2 (kN)	TQ (kN·m)	M3 (kN·m)	S2 (kN)	TQ (kN·m)	M3 (kN·m)	S2 (kN)	TQ (kN·m)	M3 (kN·m)	S2 (kN)	TQ (kN·m)	M3 (kN·m)			
63	1-LANE (case3TANDEM-LOAD	MAX	S2	106.33	-10.28	497.97	47.52	-5.81	375.87	47.52	-4.94	375.88	1.95	0.43	191.52	
			TQ	-7.42	8.60	-385.96	-7.42	8.60	-420.41	-9.13	7.65	-405.87	-9.13	7.65	-448.27	
			M3	9.50	-10.74	501.52	-46.54	-7.21	384.20	-46.54	-6.31	384.21	1.95	0.43	191.52	
		MIN	S2	-99.30	-10.74	501.52	-155.32	-7.21	384.20	-155.32	-6.31	384.21	-210.39	-0.73	-42.00	
			TQ	-99.30	-10.74	501.52	-99.30	-10.74	40.46	-99.30	-10.65	40.49	-99.30	-10.65	-420.57	
			M3	-5.85	8.19	-400.24	-6.09	8.31	-427.77	-6.09	7.31	-427.79	-46.17	-3.47	-476.93	
		DISPERSION-LMAX	S2	23.61	-2.86	508.14	9.47	-1.39	490.99	9.47	-0.25	490.99	4.90	0.23	477.39	
			TQ	-45.95	31.89	-356.19	-55.08	31.89	-591.01	-53.45	30.63	-498.03	-62.90	30.63	-768.15	
			M3	-10.20	-6.70	598.09	-21.21	-3.77	534.23	-21.21	-2.53	534.24	4.90	0.23	477.39	
		MIN	S2	-102.32	12.51	-745.88	-124.79	11.05	-1179.17	-124.79	8.30	-1179.19	-156.82	7.83	-1786.00	
			TQ	-32.76	-22.24	118.45	-60.24	-22.24	-97.18	-61.87	-22.57	-190.18	-89.02	-22.57	-540.46	
			M3	-68.51	16.36	-835.83	-94.11	13.43	-1222.42	-94.11	10.59	-1222.45	-156.82	7.83	-1786.00	
64	1-LANE (case4TRUCK-LOAD	MAX	S2	12.77	126.78	-311.10	12.77	126.78	-251.79	12.77	126.19	-252.09	31.27	53.24	-47.74	
			TQ	-8.77	191.29	-601.41	-8.77	191.29	-642.13	-8.77	189.80	-642.57	-8.77	189.80	-683.29	
			M3	-79.21	-303.05	348.53	3.30	-9.22	271.67	3.30	-8.59	271.69	3.30	-8.66	287.02	
		MIN	S2	-99.22	-296.11	344.58	-93.64	-371.58	-199.54	-93.64	-372.05	-198.68	-93.64	-372.05	-633.46	
			TQ	-89.03	-376.44	114.56	-89.03	-376.44	-298.79	-89.03	-377.13	-297.91	-89.03	-377.13	-711.26	
			M3	-13.75	174.08	-643.67	-13.75	174.08	-707.51	-13.75	172.43	-707.91	-13.75	172.43	-771.74	
		TANDEM-LOAD	MAX	S2	11.11	68.56	-158.71	11.11	68.56	-107.11	11.11	68.31	-107.27	30.15	-11.10	-2.73
			TQ	-5.63	130.70	-404.07	-5.63	130.70	-430.20	-5.63	129.70	-430.51	-5.63	129.70	-456.64	
			M3	-58.89	-218.22	254.88	2.23	-6.14	184.29	2.23	-5.71	184.30	2.23	-5.71	194.66	
		MIN	S2	-70.25	-158.37	209.30	-64.50	-252.32	-122.75	-64.50	-252.61	-122.16	-64.50	-252.61	-421.65	
			TQ	-61.42	-257.12	90.19	-61.42	-257.12	-194.98	-61.42	-257.57	-194.38	-61.42	-257.57	-479.55	
			M3	-9.40	120.06	-439.03	-9.40	120.06	-482.66	-9.40	118.93	-482.94	-9.40	118.93	-526.57	

BAGO RIVER BRIDGE

BLOCK [ No.1 : MAIN GIRDER ][ BEAM MEMBER FORCE ]

MEMBER			3015			3016			3016			3017					
NODE			3015			3016			3016			3017					
			SHEAR	TORQUE	MOMENT	SHEAR	TORQUE	MOMENT	SHEAR	TORQUE	MOMENT	SHEAR	TORQUE	MOMENT			
NAME	TITLE		S2 (kN)	TQ (kN·m)	M3 (kN·m)	S2 (kN)	TQ (kN·m)	M3 (kN·m)	S2 (kN)	TQ (kN·m)	M3 (kN·m)	S2 (kN)	TQ (kN·m)	M3 (kN·m)			
64	1-LANE (case4DISPERSION-LMAX	S2	8.88	22.61	333.47	9.05	19.86	373.46	9.05	20.73	373.41	12.46	15.85	415.33			
		TQ	-9.26	205.59	-757.80	-9.26	205.59	-800.77	-9.26	203.73	-801.24	-9.26	203.73	-844.22			
		M3	-52.07	-228.55	592.45	-2.55	-49.17	463.79	-2.60	-48.35	463.90	8.24	-17.55	485.68			
		MIN	S2	-114.74	-270.02	-608.00	-109.14	-267.27	-1126.20	-109.14	-269.89	-1125.57	-106.75	-265.01	-1618.83		
		TQ	-96.61	-453.00	483.27	-90.84	-453.00	48.03	-90.84	-452.89	49.08	-85.03	-452.89	-359.29			
		M3	-53.79	-18.86	-866.98	-97.54	-198.24	-1216.53	-97.49	-200.81	-1216.06	-102.52	-231.61	-1689.18			
		65	2-LANES (caseTRUCK-LOAD	MAX	S2	28.02	-228.46	-554.82	28.02	-228.46	-424.73	28.02	-229.45	-424.20	28.02	-229.45	-294.11
				TQ	-133.42	610.03	105.85	-133.42	610.03	-513.62	-133.42	608.83	-515.04	-133.42	608.83	-1134.52	
				M3	-60.38	198.14	534.39	4.49	27.51	529.21	4.49	28.74	529.14	4.49	28.74	549.98	
MIN	S2			-139.71	588.43	335.46	-139.71	588.43	-313.24	-139.71	587.70	-314.60	-139.71	587.70	-963.30		
TQ	8.04			-307.50	-995.24	8.04	-307.50	-957.90	8.04	-309.73	-957.18	8.04	-309.73	-919.84			
M3	1.02			-284.99	-1068.96	0.37	-278.62	-1066.25	0.37	-281.10	-1065.60	-114.05	571.60	-1212.71			
TANDEM-LOAD	MAX			S2	20.86	-141.43	-322.99	20.86	-141.43	-226.13	20.86	-141.95	-225.80	20.86	-141.95	-128.95	
TQ	-92.33			416.33	94.79	-92.33	416.33	-333.91	-92.33	415.55	-334.87	-92.33	415.55	-763.57			
M3	-40.35			129.43	374.81	3.06	18.47	359.30	3.06	19.31	359.26	3.06	19.31	373.45			
MIN	S2	-95.91	407.84	200.08	-95.91	407.84	-245.22	-95.91	407.27	-246.17	-95.91	407.27	-691.47				
TQ	7.45	-209.34	-648.24	7.45	-209.34	-613.63	7.45	-210.76	-613.15	7.45	-210.76	-578.54					
M3	0.80	-196.36	-727.43	0.11	-189.26	-725.55	0.11	-190.95	-725.10	-77.25	389.29	-826.06					
DISPERSION-LMAX	S2	19.04	-159.97	255.57	19.04	-159.97	343.95	19.04	-159.17	344.33	19.04	-159.17	432.71				
TQ	-135.71	758.48	807.33	-135.71	758.48	177.22	-135.71	758.89	175.45	-135.71	758.89	-454.66					
M3	-58.41	344.66	1049.82	-4.22	95.79	906.37	-4.09	97.34	906.14	7.89	48.97	931.72					
MIN	S2	-145.23	580.47	-719.17	-145.23	580.47	-1393.48	-145.23	577.23	-1394.82	-145.23	577.23	-2069.13				
TQ	9.52	-337.98	-1270.94	9.52	-337.98	-1226.74	9.52	-340.83	-1225.95	9.52	-340.83	-1181.76					
M3	-67.78	75.84	-1513.42	-121.98	324.70	-1955.89	-122.11	320.71	-1956.64	-134.08	369.08	-2568.14					

BAGO RIVER BRIDGE

BLOCK [ No.1 : MAIN GIRDER ][ BEAM MEMBER FORCE ]

MEMBER				3015			3016			3016			3017		
NODE				3015			3016			3016			3017		
				SHEAR	TORQUE	MOMENT	SHEAR	TORQUE	MOMENT	SHEAR	TORQUE	MOMENT	SHEAR	TORQUE	MOMENT
NAME	TITLE			S2 (kN)	TQ (kN·m)	M3 (kN·m)	S2 (kN)	TQ (kN·m)	M3 (kN·m)	S2 (kN)	TQ (kN·m)	M3 (kN·m)	S2 (kN)	TQ (kN·m)	M3 (kN·m)
66	2-LANES (caseTRUCK-LOAD	MAX	S2	11.31	-76.39	8.38	11.31	-76.39	60.89	11.31	-76.25	61.06	11.31	-76.25	113.57
			TQ	-141.93	407.63	96.13	-141.93	407.63	-562.84	-141.93	406.32	-563.79	-141.93	406.32	-1222.76
			M3	-127.82	302.81	695.30	4.91	18.32	532.07	4.91	19.56	532.03	4.91	19.56	554.82
		MIN	S2	-168.23	367.09	615.30	-168.24	366.96	-165.09	-168.24	366.57	-165.94	-168.24	366.57	-947.09
			TQ	-5.59	-198.73	-1019.52	-5.59	-198.73	-1045.50	-5.59	-201.16	-1045.03	-5.59	-201.16	-1071.01
			M3	-5.59	-182.94	-1104.02	-5.64	-181.92	-1130.03	-5.64	-184.55	-1129.61	-122.61	392.15	-1277.53
		TANDEM-LOAD MAX	S2	8.48	-40.65	47.59	8.48	-40.65	86.98	8.48	-40.45	87.07	8.48	-40.45	126.46
			TQ	-95.35	277.75	53.81	-95.35	277.75	-388.87	-95.35	276.84	-389.52	-95.35	276.84	-832.21
			M3	-89.66	198.74	526.78	3.34	12.32	361.18	3.34	13.16	361.15	3.34	13.16	376.64
		MIN	S2	-115.39	246.38	447.00	-115.39	246.38	-88.75	-115.39	246.17	-89.32	-115.39	246.17	-625.07
			TQ	-3.46	-135.51	-673.87	-3.46	-135.51	-689.92	-3.46	-137.12	-689.61	-3.46	-137.12	-705.66
			M3	-3.78	-126.09	-751.60	-3.78	-126.09	-769.16	-3.78	-127.87	-768.86	-82.93	265.44	-868.73
		DISPERSION-LMAX	S2	11.80	-23.67	677.25	11.63	-24.79	723.24	11.63	-23.11	723.29	11.58	-23.47	774.49
			TQ	-152.22	516.69	868.89	-158.30	516.69	148.02	-158.30	517.03	146.82	-164.39	517.03	-602.31
			M3	-65.87	221.03	1124.50	-17.86	78.77	930.00	-17.74	80.58	929.81	8.24	34.90	938.91
MIN	S2	-168.87	322.01	-1126.65	-174.79	323.13	-1916.05	-174.79	318.68	-1916.80	-180.82	319.03	-2739.66		
	TQ	-4.85	-218.35	-1318.30	-4.85	-218.35	-1340.84	-4.85	-221.46	-1340.33	-4.85	-221.46	-1362.87		
	M3	-91.20	77.31	-1573.91	-145.30	219.57	-2122.81	-145.41	214.98	-2123.32	-177.48	260.66	-2904.08		
67	2-LANES (caseTRUCK-LOAD	MAX	S2	205.81	-75.77	958.88	64.01	-23.79	509.51	64.01	-22.61	509.57	5.97	-3.65	566.49
			TQ	-25.02	82.42	-1116.31	-25.02	82.42	-1232.49	-25.02	79.55	-1232.68	-25.02	79.55	-1348.86
			M3	56.26	-110.41	1056.88	-70.11	-72.13	652.27	-70.11	-70.61	652.44	5.96	-3.42	566.88
		MIN	S2	-243.04	-118.13	1012.94	-352.42	-85.49	576.80	-352.42	-84.15	577.00	-501.30	-33.34	-491.54
			TQ	-209.93	-131.55	618.31	-209.93	-131.55	-356.38	-209.93	-132.38	-356.08	-209.93	-132.38	-1330.77
			M3	-18.96	76.14	-1193.03	-20.38	79.33	-1283.18	-20.38	76.35	-1283.36	-142.88	-117.50	-1418.44

BAGO RIVER BRIDGE

BLOCK [ No.1 : MAIN GIRDER ][ BEAM MEMBER FORCE ]

MEMBER NODE	3015	3016			3016			3017			3017						
		SHEAR	TORQUE	MOMENT	SHEAR	TORQUE	MOMENT	SHEAR	TORQUE	MOMENT	SHEAR	TORQUE	MOMENT				
		S2 (kN)	TQ (kN·m)	M3 (kN·m)	S2 (kN)	TQ (kN·m)	M3 (kN·m)	S2 (kN)	TQ (kN·m)	M3 (kN·m)	S2 (kN)	TQ (kN·m)	M3 (kN·m)				
67	2-LANES (caseTANDEM-LOAD	MAX	S2	189.90	-67.91	952.51	84.76	-33.92	697.91	84.76	-32.30	697.99	4.05	-2.49	384.26		
			TQ	-16.33	56.20	-762.51	-16.33	56.20	-838.33	-18.04	54.28	-823.90	-18.04	54.28	-907.66		
			M3	10.51	-74.04	961.49	-89.20	-43.27	714.03	-89.20	-41.61	714.12	4.04	-2.21	384.61		
		MIN	S2	-190.16	-74.04	961.49	-289.35	-43.27	714.03	-289.35	-41.61	714.12	-386.72	-4.81	-78.26		
			TQ	-156.93	-90.30	572.33	-156.93	-90.30	-156.28	-156.93	-90.66	-156.07	-156.93	-90.66	-884.68		
			M3	-13.00	52.45	-812.96	-13.39	53.34	-873.90	-13.39	51.31	-874.02	-95.19	-78.61	-963.95		
		DISPERSION-LMAX	S2	43.69	-22.48	1011.27	18.35	-13.09	978.87	18.35	-10.82	978.90	10.16	-7.69	958.51		
			TQ	-63.26	109.05	-1073.62	-72.38	109.05	-1388.78	-70.75	105.93	-1295.98	-80.21	105.93	-1646.45		
			M3	-26.55	-68.81	1194.66	-39.69	-29.02	1059.93	-39.69	-26.56	1059.99	10.16	-7.69	958.51		
		MIN	S2	-206.29	-26.93	-1499.80	-248.55	-36.31	-2379.48	-248.55	-41.85	-2379.39	-307.75	-44.98	-3584.43		
			TQ	-99.34	-158.45	585.09	-157.82	-158.45	-11.83	-159.44	-158.59	-104.51	-217.37	-158.59	-979.48		
			M3	-136.05	19.40	-1683.19	-190.51	-20.38	-2460.54	-190.51	-26.10	-2460.48	-307.75	-44.98	-3584.43		
		68	2-LANES (caseTRUCK-LOAD	MAX	S2	15.87	121.94	-55.54	15.87	121.94	18.13	15.87	121.98	17.84	34.36	49.02	236.55
					TQ	-19.51	325.21	-1183.75	-19.51	325.21	-1274.34	-19.51	322.25	-1275.09	-19.51	322.25	-1365.68
					M3	-124.06	-498.15	762.54	6.39	-13.86	541.96	6.39	-12.60	541.99	6.39	-12.67	571.65
MIN	S2			-194.08	-508.73	756.41	-188.60	-572.26	-197.72	-188.60	-572.72	-196.39	-188.60	-572.71	-1072.08		
	TQ			-172.79	-645.04	179.99	-172.79	-645.04	-622.27	-172.79	-646.49	-620.76	-172.79	-646.49	-1423.02		
	M3			-25.91	295.69	-1269.15	-25.91	295.69	-1389.46	-25.91	292.46	-1390.14	-25.91	292.46	-1510.45		
TANDEM-LOAD MAX	S2			13.21	65.22	14.53	13.21	65.22	75.87	13.21	65.39	75.72	32.25	-14.02	190.01		
	TQ			-12.80	222.22	-795.17	-12.80	222.22	-854.60	-12.80	220.23	-855.12	-12.80	220.23	-914.55		
	M3			-92.76	-345.41	581.49	4.32	-9.21	367.66	4.32	-8.35	367.68	4.32	-8.35	387.76		
MIN	S2			-134.68	-314.85	459.78	-128.94	-408.80	-171.43	-128.94	-409.19	-170.48	-128.94	-409.19	-769.14		
	TQ			-119.05	-440.42	144.24	-119.05	-440.42	-408.49	-119.05	-441.37	-407.46	-119.05	-441.37	-960.20		
	M3			-17.72	203.93	-865.51	-17.72	203.93	-947.79	-17.72	201.73	-948.26	-17.72	201.73	-1030.54		



BAGO RIVER BRIDGE

BLOCK [ No.1 : MAIN GIRDER ][ BEAM MEMBER FORCE ]

MEMBER		3015			3016			3016			3017					
NODE		3015			3016			3016			3017					
		SHEAR	TORQUE	MOMENT	SHEAR	TORQUE	MOMENT	SHEAR	TORQUE	MOMENT	SHEAR	TORQUE	MOMENT			
NAME	TITLE	S2 (kN)	TQ (kN·m)	M3 (kN·m)	S2 (kN)	TQ (kN·m)	M3 (kN·m)	S2 (kN)	TQ (kN·m)	M3 (kN·m)	S2 (kN)	TQ (kN·m)	M3 (kN·m)			
68	2-LANES (caseDISPERSION-LMAX	S2	15.65	11.41	774.09	14.87	15.06	820.33	14.87	16.97	820.29	17.96	14.27	879.72		
		TQ	-22.10	349.14	-1496.19	-22.10	349.14	-1598.80	-22.10	345.42	-1599.61	-22.10	345.42	-1702.23		
		M3	-89.25	-374.81	1185.79	-13.65	-90.37	951.55	-13.70	-88.41	951.76	13.51	-25.62	966.94		
		MIN	S2	-218.42	-439.33	-1309.38	-222.25	-442.98	-2307.73	-222.25	-448.34	-2306.69	-230.01	-445.64	-3339.78	
		TQ	-180.67	-777.06	960.90	-185.28	-777.06	111.41	-185.28	-776.80	113.21	-189.95	-776.80	-757.83		
		M3	-113.52	-53.11	-1721.09	-193.73	-337.55	-2438.95	-193.68	-342.97	-2438.16	-225.56	-405.75	-3427.00		
		MAX	S2	30.58	-221.60	-299.96	30.58	-221.60	-157.98	30.58	-221.97	-157.46	30.58	-221.97	-15.48	
		TQ	-207.74	762.88	168.26	-207.74	762.88	-796.30	-207.74	761.03	-798.07	-207.74	761.03	-1762.63		
		M3	-125.68	318.86	949.26	7.05	34.37	795.96	7.05	36.22	795.87	7.05	36.22	828.60		
69	3-LANES (caseTRUCK-LOAD	MIN	S2	-234.48	718.65	739.11	-234.49	718.52	-348.89	-234.49	717.71	-350.56	-234.49	717.71	-1439.32	
		TQ	1.93	-379.55	-1507.70	1.93	-379.55	-1498.73	1.93	-383.03	-1497.85	1.93	-383.03	-1488.88		
		M3	-3.38	-350.88	-1629.75	-4.03	-344.51	-1647.49	-4.03	-348.34	-1646.69	-177.12	720.08	-1867.97		
		TANDEM-LOAD	MAX	S2	22.60	-136.80	-150.01	22.60	-136.80	-45.08	22.60	-136.91	-44.76	22.60	-136.91	60.17
		TQ	-141.13	520.32	116.86	-141.13	520.32	-538.40	-141.13	519.07	-539.61	-141.13	519.07	-1194.87		
		M3	-88.20	209.52	699.19	4.80	23.10	540.36	4.80	24.35	540.30	4.80	24.35	562.57		
		MIN	S2	-161.29	487.92	524.47	-161.29	487.92	-224.42	-161.29	487.40	-225.55	-161.29	487.40	-974.43	
		TQ	3.17	-258.51	-991.62	3.17	-258.51	-976.90	3.17	-260.78	-976.30	3.17	-260.78	-961.58		
		M3	-2.21	-241.79	-1109.29	-2.89	-234.69	-1121.35	-2.89	-237.30	-1120.80	-120.60	490.88	-1271.48		
		DISPERSION-LMAX	S2	23.95	-150.66	678.13	23.78	-151.78	780.51	23.78	-149.96	780.86	23.73	-150.32	888.46	
		TQ	-214.23	955.29	1255.32	-220.31	955.29	246.53	-220.31	955.86	244.31	-226.40	955.86	-792.74		
		M3	-91.21	424.76	1629.02	-16.74	128.57	1379.97	-16.61	131.22	1379.67	12.19	62.33	1403.09		
		MIN	S2	-234.74	688.92	-1364.27	-240.66	690.04	-2459.50	-240.66	684.32	-2461.10	-246.69	684.68	-3589.79	
		TQ	3.44	-417.03	-1941.46	3.44	-417.03	-1925.51	3.44	-421.50	-1924.54	3.44	-421.50	-1908.59		
		M3	-119.58	113.51	-2315.16	-200.13	409.69	-3058.95	-200.26	403.14	-3059.90	-235.16	472.03	-4104.42		

BAGO RIVER BRIDGE

BLOCK [ No.1 : MAIN GIRDER ][ BEAM MEMBER FORCE ]

MEMBER				3015			3016			3017					
NODE				3015			3016			3016			3017		
				SHEAR	TORQUE	MOMENT	SHEAR	TORQUE	MOMENT	SHEAR	TORQUE	MOMENT	SHEAR	TORQUE	MOMENT
NAME	TITLE			S2 (kN)	TQ (kN·m)	M3 (kN·m)	S2 (kN)	TQ (kN·m)	M3 (kN·m)	S2 (kN)	TQ (kN·m)	M3 (kN·m)	S2 (kN)	TQ (kN·m)	M3 (kN·m)
70	3-LANES (caseTRUCK-LOAD	MAX	S2	223.23	-187.71	1326.84	69.13	-57.37	629.38	69.13	-55.91	629.51	9.28	-12.55	853.26
			TQ	-36.02	209.55	-1696.39	-36.02	209.55	-1863.65	-36.02	205.21	-1864.13	-36.02	205.21	-2031.39
			M3	25.75	-281.94	1492.53	-66.81	-81.35	923.94	-66.81	-79.20	924.13	9.27	-12.08	853.89
		MIN	S2	-343.20	-304.06	1443.25	-461.91	-212.74	736.31	-461.91	-211.03	736.80	-619.68	-88.85	-651.61
			TQ	-296.14	-355.51	735.65	-296.14	-355.51	-639.34	-296.14	-357.00	-638.51	-296.14	-357.00	-2013.50
			M3	-30.98	192.82	-1816.79	-32.39	196.02	-1962.74	-32.39	191.45	-1963.19	-154.90	-2.39	-2154.07
		TANDEM-LOAD MAX	S2	206.23	-169.58	1299.93	91.62	-82.36	871.37	91.62	-80.33	871.56	6.30	-8.62	578.72
			TQ	-23.69	142.99	-1152.04	-23.69	142.99	-1262.04	-25.40	140.08	-1247.81	-25.40	140.08	-1365.76
			M3	-15.52	-186.59	1318.02	-86.96	-49.41	898.31	-86.96	-47.32	898.43	6.27	-7.92	579.28
		MIN	S2	-260.53	-186.59	1318.02	-366.89	-105.80	893.39	-366.89	-103.72	893.63	-470.19	-11.99	-99.71
			TQ	-214.08	-242.58	628.42	-214.08	-242.58	-365.58	-214.08	-243.43	-365.01	-214.08	-243.43	-1359.01
			M3	-21.22	132.89	-1238.24	-21.62	133.78	-1337.36	-21.62	130.67	-1337.66	-103.41	0.75	-1465.77
		DISPERSION-LMAX	S2	52.60	-49.66	1480.36	24.81	-30.65	1443.49	24.81	-27.29	1443.55	15.85	-21.01	1436.08
			TQ	-76.96	248.37	-1810.59	-86.08	248.37	-2189.37	-84.46	243.39	-2096.89	-93.91	243.39	-2510.97
			M3	-58.32	-198.18	1787.10	-52.05	-74.73	1557.49	-52.05	-71.11	1557.66	15.80	-23.70	1443.55
MIN	S2	-308.14	-126.17	-2233.43	-362.73	-145.18	-3574.79	-362.73	-153.49	-3574.45	-435.52	-159.77	-5326.17		
	TQ	-178.59	-424.20	1057.51	-251.84	-424.20	58.07	-253.47	-424.17	-34.00	-325.76	-424.17	-1379.12		
	M3	-197.23	22.36	-2540.18	-285.87	-101.10	-3688.80	-285.87	-109.67	-3688.55	-435.46	-157.08	-5333.64		
71	3-LANES (caseTRUCK-LOAD	MAX	S2	85.94	44.62	377.78	38.02	98.57	222.54	38.02	99.08	222.31	37.24	49.59	518.76
			TQ	-32.23	401.76	-1746.99	-32.23	401.76	-1896.64	-32.23	397.35	-1897.57	-32.23	397.35	-2047.21
			M3	-118.64	-617.09	1253.34	9.26	-13.90	810.85	9.26	-12.01	810.88	9.27	-12.08	853.89
		MIN	S2	-306.33	-638.69	1227.05	-341.20	-660.12	55.37	-341.20	-659.99	56.91	-392.57	-606.74	-1279.08
			TQ	-251.28	-805.80	196.28	-251.28	-805.80	-970.44	-251.28	-808.06	-968.57	-251.28	-808.06	-2135.29
			M3	-36.49	364.85	-1876.42	-37.01	368.19	-2046.57	-37.01	363.43	-2047.43	-97.96	134.08	-2231.78

BAGO RIVER BRIDGE

BLOCK [ No.1 : MAIN GIRDER ][ BEAM MEMBER FORCE ]

MEMBER				3015			3016			3017								
NODE				3015			3016			3016			3017					
				SHEAR	TORQUE	MOMENT	SHEAR	TORQUE	MOMENT	SHEAR	TORQUE	MOMENT	SHEAR	TORQUE	MOMENT			
NAME	TITLE			S2 (kN)	TQ (kN·m)	M3 (kN·m)	S2 (kN)	TQ (kN·m)	M3 (kN·m)	S2 (kN)	TQ (kN·m)	M3 (kN·m)	S2 (kN)	TQ (kN·m)	M3 (kN·m)			
71	3-LANES (case)	TANDEM-LOAD	MAX	S2	77.42	-5.10	437.99	42.74	31.94	360.17	42.74	32.78	360.10	34.20	-13.59	381.53		
				TQ	-21.52	274.55	-1173.29	-21.52	274.55	-1273.20	-21.52	271.59	-1273.84	-21.52	271.59	-1373.75		
				M3	-99.59	-423.34	1011.53	-36.12	-52.21	659.21	-36.12	-50.68	659.33	6.27	-7.92	579.28		
			MIN	S2	-219.57	-392.78	889.82	-248.52	-451.80	120.11	-248.52	-451.52	121.17	-284.48	-414.05	-801.64		
				TQ	-172.88	-549.91	162.15	-172.88	-549.91	-640.54	-172.88	-551.39	-639.26	-172.88	-551.39	-1441.96		
				M3	-24.97	251.62	-1279.42	-25.12	252.55	-1395.57	-25.12	249.31	-1396.15	-67.28	93.44	-1521.06		
			DISPERSION-LMAX	S2	32.12	-2.35	1273.64	22.65	10.86	1302.68	22.65	13.89	1302.65	22.86	14.34	1357.23		
				TQ	-36.52	431.24	-2031.78	-36.52	431.24	-2201.33	-35.83	426.19	-2138.73	-35.83	426.19	-2305.11		
				M3	-110.85	-448.34	1782.06	-30.88	-111.07	1467.58	-30.92	-107.91	1467.83	18.41	-25.55	1444.45		
			MIN	S2	-322.76	-538.83	-2055.72	-344.47	-552.05	-3506.29	-344.47	-560.20	-3504.99	-376.23	-560.65	-5126.75		
				TQ	-254.13	-972.43	1249.70	-285.31	-972.43	-2.28	-285.99	-972.50	-63.61	-317.54	-972.50	-1464.41		
				M3	-179.79	-92.84	-2564.13	-290.95	-430.11	-3671.18	-290.91	-438.40	-3670.18	-371.79	-520.76	-5213.97		
		72	4-LANES	TRUCK-LOAD	MAX	S2	215.75	-77.06	989.68	75.78	64.37	347.44	75.78	65.17	347.29	29.28	52.88	-49.62
						TQ	-45.65	407.59	-2286.53	-45.65	407.59	-2498.49	-45.65	401.78	-2499.43	-45.65	401.78	-2711.39
						M3	-68.32	-606.86	1822.43	-139.25	-298.51	805.49	-146.17	-359.79	806.27	0.00	0.00	0.00
	MIN			S2	-435.55	-628.34	1768.00	-542.02	-599.94	511.66	-542.02	-598.75	513.05	-688.14	-456.71	-1248.25		
				TQ	-382.69	-773.59	854.98	-382.69	-773.59	-921.88	-382.69	-775.73	-920.08	-382.69	-775.73	-2696.93		
				M3	-44.88	371.83	-2462.18	-46.28	375.30	-2672.68	-46.28	369.08	-2673.54	-165.96	151.84	-2930.48		
	TANDEM-LOAD			MAX	S2	198.19	-115.97	1110.60	94.93	-20.18	726.10	94.93	-18.49	726.14	27.55	-11.01	-3.20	
				TQ	-30.88	278.41	-1535.18	-30.88	278.41	-1678.54	-30.88	274.51	-1679.19	-30.88	274.51	-1822.55		
				M3	-82.33	-417.94	1543.05	-159.12	-269.59	878.42	-159.12	-267.54	879.04	0.00	0.00	0.00		
	MIN			S2	-322.44	-360.07	1501.60	-417.04	-362.61	731.66	-417.04	-360.90	732.50	-514.16	-262.03	-518.49		
				TQ	-248.39	-527.83	440.88	-248.39	-527.83	-712.42	-248.39	-529.48	-711.19	-248.39	-529.48	-1864.49		
				M3	-30.72	256.38	-1678.46	-31.11	257.35	-1821.71	-31.11	253.11	-1822.30	-112.54	105.58	-1995.52		

BAGO RIVER BRIDGE

BLOCK [ No.1 : MAIN GIRDER ][ BEAM MEMBER FORCE ]

MEMBER				3015			3016			3016			3017				
NODE				3015			3016			3016			3017				
				SHEAR	TORQUE	MOMENT	SHEAR	TORQUE	MOMENT	SHEAR	TORQUE	MOMENT	SHEAR	TORQUE	MOMENT		
NAME	TITLE			S2 (kN)	TQ (kN·m)	M3 (kN·m)	S2 (kN)	TQ (kN·m)	M3 (kN·m)	S2 (kN)	TQ (kN·m)	M3 (kN·m)	S2 (kN)	TQ (kN·m)	M3 (kN·m)		
72	4-LANES	DISPERSION-LMAX	S2	38.81	20.64	67.32	12.22	36.26	-22.58	12.22	36.21	-22.66	6.99	37.42	-83.98		
			TQ	-77.77	391.54	-2154.96	-86.90	391.54	-2537.53	-86.03	385.66	-2515.87	-95.48	385.66	-2937.26		
			M3	-136.34	-409.23	656.40	-75.78	-84.76	188.89	-75.83	-84.57	189.08	2.60	-1.39	0.64		
		MIN	S2	-415.54	-557.88	-2166.34	-463.14	-572.50	-3998.27	-463.14	-581.80	-3996.93	-531.75	-583.01	-6200.83		
			TQ	-309.79	-924.73	26.51	-374.39	-924.73	-1561.59	-375.26	-928.39	-1582.00	-439.16	-928.39	-3472.76		
			M3	-239.60	-87.34	-2755.85	-374.78	-437.76	-4209.19	-374.76	-447.42	-4208.16	-527.27	-537.50	-6283.54		
		73	6-LANES	TRUCK-LOAD MAX	S2	230.62	-208.04	523.80	95.94	-130.62	-28.77	95.94	-130.69	-28.46	59.65	-147.72	488.38
					TQ	-243.23	969.29	-1618.33	-243.23	969.29	-2747.63	-244.17	962.92	-2740.71	-244.17	962.92	-3874.42
					M3	-150.54	-283.95	2436.26	-19.20	-20.72	1700.00	-19.20	-16.77	1700.04	16.32	24.07	1682.54
MIN	S2			-585.26	53.68	2161.57	-695.07	37.07	225.43	-695.07	37.59	225.34	-829.76	113.35	-2249.38		
	TQ			-257.40	-977.64	-1294.10	-257.40	-977.64	-2489.20	-257.40	-983.43	-2486.92	-257.40	-983.43	-3682.02		
	M3			-42.12	25.59	-3509.96	-43.47	32.42	-3708.72	-43.47	23.79	-3708.79	-339.72	457.13	-4125.08		
TANDEM-LOAD MAX	S2			209.51	-166.78	784.15	109.47	-114.57	468.26	109.47	-113.48	468.52	49.81	-142.00	414.24		
	TQ			-165.50	661.48	-1074.47	-165.50	661.48	-1842.90	-165.50	657.19	-1844.43	-165.50	657.19	-2612.86		
	M3			-138.12	-209.98	1979.03	-117.84	-50.57	1388.15	-117.84	-47.34	1388.26	11.07	16.38	1141.87		
MIN	S2	-426.80	94.11	1791.59	-519.13	50.54	518.65	-519.13	51.75	518.53	-610.20	105.29	-1203.58				
	TQ	-176.40	-666.62	-811.84	-176.40	-666.62	-1630.85	-176.40	-670.41	-1629.30	-176.40	-670.41	-2448.31				
	M3	-28.75	17.77	-2391.29	-29.60	25.05	-2526.64	-29.60	19.18	-2526.69	-187.23	526.05	-2807.87				
DISPERSION-LMAX	S2	72.20	-137.46	1937.32	47.65	-125.50	2015.33	47.65	-120.81	2015.61	43.10	-120.83	2125.94				
	TQ	-236.46	1170.40	-872.06	-250.44	1170.40	-2002.64	-248.87	1165.85	-1917.87	-263.25	1165.85	-3106.73				
	M3	-174.20	-32.48	3265.57	-67.03	16.16	2725.98	-67.05	22.26	2725.93	28.72	32.84	2648.12				
MIN	S2	-561.82	18.61	-3539.47	-609.51	8.89	-6057.89	-609.51	-5.20	-6057.90	-676.63	-5.81	-8943.92				
	TQ	-246.54	-1201.31	-630.50	-294.91	-1201.31	-1887.51	-296.54	-1205.80	-1977.80	-344.18	-1205.80	-3465.53				
	M3	-314.86	55.27	-4741.45	-496.86	-42.39	-6655.69	-496.97	-57.10	-6655.57	-664.54	-94.59	-9362.97				

BAGO RIVER BRIDGE

BLOCK [ No.1 : MAIN GIRDER ][ BEAM MEMBER FORCE ]

MEMBER			3015			3016			3016			3017			
NODE			3015			3016			3016			3017			
NAME TITLE			SHEAR	TORQUE	MOMENT	SHEAR	TORQUE	MOMENT	SHEAR	TORQUE	MOMENT	SHEAR	TORQUE	MOMENT	
			S2 (kN)	TQ (kN·m)	M3 (kN·m)	S2 (kN)	TQ (kN·m)	M3 (kN·m)	S2 (kN)	TQ (kN·m)	M3 (kN·m)	S2 (kN)	TQ (kN·m)	M3 (kN·m)	
124	SUM TOTAL	D+1LANE (caseMAX	S2	-1906.06	-31.42	-6512.40	-2157.85	-31.42	-15948.41	-2157.85	-68.50	-15948.29	-2408.33	-68.50	-26549.95
			TQ	-2097.16	1247.83	-5593.17	-2348.94	1247.83	-15916.44	-2348.94	1210.82	-15919.30	-2599.42	1210.82	-27408.21
			M3	-1971.61	558.93	-5233.27	-2191.65	374.22	-14897.87	-2191.63	339.34	-14898.70	-2438.71	311.49	-25646.30
		MIN	S2	-2102.31	1157.37	-6280.01	-2354.10	1157.37	-16627.20	-2354.10	1118.71	-16629.85	-2604.57	1118.71	-28142.68
			TQ	-1924.78	-160.20	-7477.06	-2176.57	-160.20	-17000.00	-2176.57	-199.73	-16999.58	-2427.05	-199.73	-27688.16
			M3	-1975.17	137.12	-7663.82	-2259.42	328.25	-17498.82	-2259.44	287.81	-17499.54	-2580.65	905.73	-28680.78
		D+1LANE (caseMAX	S2	-1934.80	314.61	-5330.54	-2186.79	313.27	-14910.53	-2186.79	278.61	-14911.22	-2437.33	278.18	-25650.61
			TQ	-2127.17	714.81	-5530.97	-2386.26	714.81	-16010.53	-2386.26	677.58	-16012.15	-2644.04	677.58	-27691.27
			M3	-2061.49	536.19	-4950.56	-2207.51	342.77	-14866.08	-2207.51	308.21	-14866.84	-2437.79	283.59	-25631.86
		MIN	S2	-2164.89	581.62	-6433.18	-2423.80	582.80	-17076.51	-2423.80	543.10	-17077.82	-2681.52	543.53	-28927.87
			TQ	-1958.40	113.89	-7563.03	-2210.18	113.89	-17242.03	-2210.18	73.80	-17242.25	-2460.66	73.80	-28086.89
			M3	-2011.20	261.34	-7778.48	-2294.62	318.13	-17775.66	-2294.62	276.80	-17776.35	-2643.00	560.29	-29161.69
		D+1LANE (caseMAX	S2	-1777.06	277.52	-4934.73	-2141.10	288.59	-14834.47	-2141.10	254.10	-14835.10	-2436.70	259.53	-25620.34
			TQ	-2013.36	348.67	-7237.24	-2276.10	348.67	-17197.21	-2274.15	308.82	-17086.31	-2535.97	308.82	-28254.28
			M3	-1912.21	269.13	-4772.50	-2262.48	277.00	-14693.40	-2262.48	242.83	-14694.00	-2436.70	259.55	-25620.29
		MIN	S2	-2217.31	292.05	-6408.76	-2566.56	292.42	-16819.22	-2566.56	253.31	-16819.86	-2959.73	261.92	-28990.03
			TQ	-2133.84	250.35	-5371.58	-2418.61	250.35	-15941.39	-2420.56	213.16	-16053.59	-2703.61	213.16	-27950.66
			M3	-2036.20	329.14	-7851.40	-2319.74	326.12	-17975.50	-2319.74	284.32	-17976.21	-2717.38	261.18	-29518.20
		D+1LANE (caseMAX	S2	-1917.78	474.47	-6116.60	-2169.37	471.17	-15608.50	-2169.37	434.88	-15609.55	-2393.55	341.48	-26090.74
			TQ	-1965.39	771.46	-7774.49	-2217.18	771.46	-17485.98	-2217.18	730.80	-17487.73	-2467.66	730.80	-28364.86
			M3	-2101.30	-342.71	-5014.26	-2194.66	225.13	-14871.95	-2194.71	190.25	-14872.43	-2432.18	227.12	-25604.62
		MIN	S2	-2200.51	-384.15	-6459.54	-2438.89	-471.42	-17345.39	-2438.89	-511.75	-17344.25	-2686.50	-505.89	-29234.60
			TQ	-2166.52	-700.12	-5426.05	-2411.39	-700.12	-16055.41	-2411.39	-737.45	-16053.74	-2654.90	-737.45	-27816.51
			M3	-2024.81	481.46	-7956.23	-2329.10	266.21	-18063.34	-2329.04	224.52	-18063.91	-2585.55	187.56	-29484.95

BAGO RIVER BRIDGE

BLOCK [ No.1 : MAIN GIRDER ][ BEAM MEMBER FORCE ]

MEMBER			3015			3016			3016			3017			
NODE			3015			3016			3016			3017			
NAME TITLE			SHEAR	TORQUE	MOMENT	SHEAR	TORQUE	MOMENT	SHEAR	TORQUE	MOMENT	SHEAR	TORQUE	MOMENT	
			S2 (kN)	TQ (kN·m)	M3 (kN·m)	S2 (kN)	TQ (kN·m)	M3 (kN·m)	S2 (kN)	TQ (kN·m)	M3 (kN·m)	S2 (kN)	TQ (kN·m)	M3 (kN·m)	
124	SUM TOTAL	D+2LANES (casMAX	S2	-1896.71	-93.23	-6442.70	-2148.49	-93.23	-15835.28	-2148.49	-130.04	-15835.02	-2398.97	-130.04	-26393.24
			TQ	-2212.90	1663.71	-5230.25	-2464.68	1663.71	-16090.91	-2464.68	1626.30	-16094.73	-2715.16	1626.30	-28121.04
			M3	-2062.55	838.00	-4559.23	-2195.28	418.51	-14318.93	-2195.15	384.66	-14319.86	-2433.65	336.28	-25050.15
		MIN	S2	-2228.71	1464.10	-6527.15	-2480.49	1464.10	-17461.22	-2480.49	1423.50	-17464.57	-2730.97	1423.50	-29564.28
			TQ	-1926.20	-350.28	-8409.62	-2177.99	-350.28	-17939.14	-2177.99	-391.98	-17938.28	-2428.47	-391.98	-28633.45
			M3	-2010.53	86.05	-8725.82	-2317.15	341.29	-18776.65	-2317.28	298.19	-18777.39	-2694.16	1199.26	-30312.70
		D+2LANES (casMAX	S2	-1920.65	195.14	-5457.81	-2172.61	194.02	-14970.38	-2172.61	159.21	-14970.79	-2423.14	158.86	-25643.79
			TQ	-2237.91	1219.53	-5178.42	-2495.78	1219.53	-16169.32	-2495.78	1181.93	-16172.11	-2752.34	1181.93	-28356.92
			M3	-2137.45	819.05	-4323.64	-2208.50	392.30	-14292.43	-2208.38	358.72	-14293.31	-2432.88	313.04	-25038.12
		MIN	S2	-2280.86	984.31	-6654.79	-2538.58	985.30	-17835.64	-2538.58	943.83	-17837.88	-2795.09	944.18	-30218.61
			TQ	-1954.21	-121.87	-8481.26	-2206.00	-121.87	-18140.84	-2206.00	-164.04	-18140.50	-2456.48	-164.04	-28965.73
			M3	-2040.55	189.57	-8821.37	-2346.49	332.85	-19007.35	-2346.61	289.01	-19008.07	-2746.12	911.39	-30713.46
		D+2LANES (casMAX	S2	-1694.27	196.95	-4173.28	-2113.19	258.32	-14266.11	-2113.19	225.16	-14266.68	-2429.90	247.24	-25006.85
			TQ	-2032.04	486.67	-8333.37	-2292.95	486.67	-18375.78	-2291.33	444.05	-18283.81	-2551.26	444.05	-29527.16
			M3	-1914.06	115.99	-3891.90	-2305.35	194.06	-14042.31	-2305.35	161.41	-14042.72	-2429.90	247.47	-25006.47
		MIN	S2	-2393.09	150.15	-6630.30	-2796.52	173.40	-17557.19	-2796.52	132.58	-17557.54	-3255.07	180.26	-30607.82
			TQ	-2253.03	5.21	-4940.04	-2563.29	5.21	-16122.71	-2564.92	-32.39	-16215.73	-2873.33	-32.39	-28842.10
			M3	-2098.77	390.75	-9019.66	-2406.43	354.16	-19498.22	-2406.43	308.82	-19498.99	-2896.65	96.10	-31534.73
		D+2LANES (casMAX	S2	-1912.25	428.56	-5424.90	-2164.82	432.20	-14916.05	-2164.82	397.52	-14917.01	-2393.71	321.87	-25415.58
			TQ	-1985.38	969.56	-8823.37	-2237.16	969.56	-18627.65	-2237.16	926.25	-18629.85	-2487.64	926.25	-29599.76
			M3	-2157.08	-577.76	-4195.11	-2202.82	190.98	-14260.99	-2202.87	157.57	-14261.39	-2426.13	220.29	-24993.26
		MIN	S2	-2356.27	-652.85	-6696.41	-2606.41	-720.03	-18259.95	-2606.41	-762.48	-18258.22	-2864.64	-759.78	-30943.71
			TQ	-2297.22	-1126.90	-5002.55	-2553.62	-1126.90	-16265.36	-2553.62	-1164.71	-16262.70	-2808.77	-1164.71	-28712.70
			M3	-2083.19	537.79	-9133.68	-2415.19	253.35	-19582.91	-2415.15	208.07	-19583.45	-2697.50	145.29	-31469.30

BAGO RIVER BRIDGE

BLOCK [ No.1 : MAIN GIRDER ][ BEAM MEMBER FORCE ]

MEMBER			3015			3016			3016			3017				
NODE			3015			3016			3016			3017				
NAME TITLE			SHEAR	TORQUE	MOMENT	SHEAR	TORQUE	MOMENT	SHEAR	TORQUE	MOMENT	SHEAR	TORQUE	MOMENT		
			S2 (kN)	TQ (kN·m)	M3 (kN·m)	S2 (kN)	TQ (kN·m)	M3 (kN·m)	S2 (kN)	TQ (kN·m)	M3 (kN·m)	S2 (kN)	TQ (kN·m)	M3 (kN·m)		
124	SUM TOTAL	D+3LANES (casMAX	S2	-1897.42	-21.21	-5822.00	-2149.35	-22.16	-15225.35	-2149.35	-57.56	-15225.26	-2399.87	-57.87	-25789.82	
			TQ	-2302.44	1755.65	-4933.40	-2559.40	1755.65	-16221.81	-2559.40	1717.93	-16225.84	-2815.05	1717.93	-28703.92	
			M3	-2128.12	927.28	-3951.91	-2203.79	433.71	-13904.97	-2203.68	400.90	-13905.94	-2429.67	342.35	-24634.91	
		MIN	S2	-2342.60	1491.65	-6674.83	-2599.43	1492.48	-18141.63	-2599.43	1450.30	-18145.05	-2855.04	1450.60	-30806.60	
			TQ	-1939.20	-381.89	-9075.23	-2190.99	-381.89	-18665.11	-2190.99	-425.28	-18664.17	-2441.47	-425.28	-29419.69	
			M3	-2048.28	93.44	-9496.61	-2369.09	350.61	-19754.98	-2369.20	305.16	-19755.74	-2796.46	1271.87	-31608.38	
		D+3LANES (casMAX	S2	-1709.31	93.44	-3757.33	-2115.70	220.39	-13992.57	-2115.70	187.85	-13993.04	-2424.67	230.04	-24585.92	
			TQ	-2039.80	684.44	-9124.37	-2299.34	684.44	-19199.57	-2297.96	639.89	-19122.01	-2556.47	639.89	-30392.86	
			M3	-1971.45	-112.90	-3355.76	-2296.58	162.54	-13645.28	-2296.58	130.81	-13645.62	-2424.72	228.16	-24579.03	
		MIN	S2	-2497.41	-70.49	-6815.10	-2896.50	-9.03	-18167.21	-2896.50	-51.27	-18167.14	-3342.95	47.25	-31612.96	
			TQ	-2347.29	-367.55	-4619.26	-2661.33	-367.55	-16248.58	-2662.72	-405.42	-16326.78	-2974.64	-405.42	-29415.58	
			M3	-2137.74	478.11	-9846.86	-2466.07	375.89	-20558.31	-2466.07	328.09	-20559.13	-2947.83	123.02	-32896.41	
		D+3LANES (casMAX	S2	-1843.41	331.13	-4739.74	-2143.98	388.22	-14458.07	-2143.98	354.60	-14458.93	-2394.94	312.92	-24937.26	
			TQ	-2002.20	1003.25	-9355.40	-2253.99	1003.25	-19237.78	-2253.40	958.59	-19186.00	-2503.88	958.59	-30231.32	
			M3	-2138.83	-610.41	-3563.36	-2213.92	188.98	-13817.84	-2213.96	156.64	-13818.24	-2422.50	226.59	-24578.26	
		MIN	S2	-2478.49	-705.69	-6847.81	-2778.37	-735.14	-18687.78	-2778.37	-778.59	-18686.02	-3099.51	-733.71	-31976.80	
			TQ	-2373.36	-1216.29	-4914.36	-2651.66	-1216.29	-16581.31	-2652.24	-1254.90	-16632.50	-2929.53	-1254.90	-29591.59	
			M3	-2127.60	526.41	-9917.91	-2474.32	242.57	-20614.60	-2474.28	194.85	-20615.11	-2845.32	-70.10	-32860.74	
		D+4LANES	MAX	S2	-1778.30	258.53	-5456.39	-2138.35	360.62	-15543.34	-2138.35	324.48	-15544.13	-2422.45	317.27	-26618.69
			TQ	-2023.99	814.64	-9030.41	-2281.71	814.64	-19027.92	-2281.14	770.41	-19015.09	-2537.77	770.41	-30203.47	
			M3	-2076.79	-365.25	-4532.20	-2335.32	46.08	-15108.16	-2339.85	-30.26	-15108.17	-2444.34	257.68	-26531.43	
		MIN	S2	-2496.97	-475.84	-6402.36	-2848.90	-466.88	-18020.80	-2848.90	-508.78	-18019.67	-3238.95	-417.25	-31373.75	
			TQ	-2393.88	-808.70	-5570.47	-2687.65	-808.70	-17368.76	-2688.22	-849.10	-17381.50	-2980.23	-849.10	-30542.15	
			M3	-2128.68	480.12	-9535.16	-2469.24	254.61	-20227.71	-2469.22	207.66	-20228.25	-2896.62	7.90	-32520.96	

BAGO RIVER BRIDGE

BLOCK [ No.1 : MAIN GIRDER ][ BEAM MEMBER FORCE ]

MEMBER					3015			3016			3017					
NODE					3015			3016			3016					
					SHEAR	TORQUE	MOMENT	SHEAR	TORQUE	MOMENT	SHEAR	TORQUE	MOMENT			
NAME TITLE					S2 (kN)	TQ (kN·m)	M3 (kN·m)	S2 (kN)	TQ (kN·m)	M3 (kN·m)	S2 (kN)	TQ (kN·m)	M3 (kN·m)			
124	SUM TOTAL	D+6LANES	MAX	S2	-1746.93	70.63	-4543.71	-2102.22	128.73	-14463.24	-2102.22	95.10	-14463.50	-2379.24	84.01	-24832.54
				TQ	-2255.56	1686.01	-7762.19	-2516.43	1686.01	-18842.18	-2516.03	1642.27	-18783.22	-2775.86	1642.27	-31069.60
				M3	-2154.84	89.53	-2437.25	-2251.60	292.24	-12877.62	-2251.61	262.15	-12878.26	-2416.75	295.57	-23716.92
			MIN	S2	-2689.36	342.19	-7039.07	-3043.53	325.08	-19545.60	-3043.53	279.63	-19546.31	-3425.18	328.48	-33807.49
				TQ	-2271.32	-1121.11	-7394.43	-2554.55	-1121.11	-18599.36	-2555.61	-1164.42	-18657.21	-2837.05	-1164.42	-31177.76
				M3	-2175.80	347.76	-11506.86	-2546.76	288.73	-22491.37	-2546.84	236.93	-22491.98	-3098.79	494.23	-35299.09
	SUM TOTAL		MAX		-1694.27	1755.65	-2437.25	-2102.22	1755.65	-12877.62	-2102.22	1717.93	-12878.26	-2379.24	1717.93	-23716.92
			MIN		-2689.36	-1216.29	-11506.86	-3043.53	-1216.29	-22491.37	-3043.53	-1254.90	-22491.98	-3425.18	-1254.90	-35299.09
300	DEAD LOAD	TOTAL			-1943.76	295.21	-6143.44	-2195.55	295.21	-15754.50	-2195.55	258.58	-15755.15	-2446.03	258.58	-26531.85
301	LIVE LOAD	1-LANE(case1MAX	S2		37.70	-326.63	-368.96	37.70	-326.63	-193.91	37.70	-327.08	-193.15	37.70	-327.08	-18.10
			TQ		-153.39	952.62	550.27	-153.39	952.62	-161.94	-153.39	952.24	-164.15	-153.39	952.24	-876.36
			M3		-27.84	263.73	910.17	3.90	79.02	856.63	3.92	80.76	856.44	7.32	52.91	885.55
			MIN	S2	-158.55	862.17	-136.57	-158.55	862.17	-872.70	-158.55	860.13	-874.70	-158.55	860.13	-1610.83
				TQ	18.98	-455.41	-1333.62	18.98	-455.41	-1245.49	18.98	-458.30	-1244.43	18.98	-458.30	-1156.31
				M3	-31.41	-158.09	-1520.38	-63.87	33.05	-1744.32	-63.89	29.24	-1744.39	-134.62	647.15	-2148.93
		1-LANE(case2MAX	S2		8.97	19.41	812.90	8.76	18.07	843.97	8.76	20.03	843.93	8.70	19.60	881.24
			TQ		-183.40	419.60	612.47	-190.71	419.60	-256.03	-190.71	419.00	-257.01	-198.01	419.00	-1159.42
			M3		-117.72	240.99	1192.88	-11.96	47.57	888.42	-11.96	49.63	888.31	8.24	25.01	899.99
			MIN	S2	-221.13	286.41	-289.74	-228.25	287.60	-1322.01	-228.25	284.52	-1322.67	-235.49	284.95	-2396.02
				TQ	-14.63	-181.31	-1419.59	-14.63	-181.31	-1487.53	-14.63	-184.77	-1487.10	-14.63	-184.77	-1555.04
				M3	-67.44	-33.86	-1635.04	-99.07	22.92	-2021.16	-99.07	18.22	-2021.21	-196.97	301.71	-2629.84
		1-LANE(case3MAX	S2		166.70	-17.69	1208.71	54.45	-6.61	920.03	54.45	-4.47	920.04	9.33	0.95	911.51
			TQ		-69.60	53.47	-1093.80	-80.55	53.47	-1442.71	-78.60	50.24	-1331.16	-89.94	50.24	-1722.43
			M3		31.55	-26.07	1370.94	-66.93	-18.21	1061.10	-66.93	-15.74	1061.14	9.33	0.98	911.56
			MIN	S2	-273.55	-3.16	-265.32	-371.01	-2.79	-1064.72	-371.01	-5.26	-1064.71	-513.70	3.35	-2458.18
				TQ	-190.08	-44.86	771.87	-223.06	-44.86	-186.89	-225.01	-45.42	-298.45	-257.59	-45.42	-1418.80
				M3	-92.44	33.93	-1707.96	-124.19	30.91	-2221.00	-124.19	25.75	-2221.06	-271.35	2.61	-2986.34



BAGO RIVER BRIDGE

BLOCK [ No.1 : MAIN GIRDER ][ BEAM MEMBER FORCE ]

MEMBER			3015			3016			3016			3017				
NODE			3015			3016			3016			3017				
NAME TITLE			SHEAR	TORQUE	MOMENT	SHEAR	TORQUE	MOMENT	SHEAR	TORQUE	MOMENT	SHEAR	TORQUE	MOMENT		
			S2 (kN)	TQ (kN·m)	M3 (kN·m)	S2 (kN)	TQ (kN·m)	M3 (kN·m)	S2 (kN)	TQ (kN·m)	M3 (kN·m)	S2 (kN)	TQ (kN·m)	M3 (kN·m)		
301	LIVE LOAD	1-LANE (case4MAX	S2	25.98	179.26	26.84	26.18	175.97	146.00	26.18	176.31	145.59	52.48	82.90	441.11	
			TQ	-21.63	476.25	-1631.05	-21.63	476.25	-1731.48	-21.63	472.23	-1732.58	-21.63	472.23	-1833.01	
			M3	-157.54	-637.92	1129.18	0.89	-70.07	882.55	0.84	-68.32	882.71	13.84	-31.45	927.23	
			MIN	S2	-256.75	-679.35	-316.10	-243.34	-766.63	-1590.89	-243.34	-770.32	-1589.10	-240.47	-764.47	-2702.74
			TQ	-222.76	-995.33	717.40	-215.84	-995.33	-300.91	-215.84	-996.02	-298.60	-208.87	-996.02	-1284.66	
			M3	-81.05	186.26	-1812.79	-133.55	-28.99	-2308.84	-133.49	-34.06	-2308.77	-139.52	-71.01	-2953.10	
		2-LANES (caseMAX	S2	47.06	-388.43	-299.25	47.06	-388.43	-80.78	47.06	-388.62	-79.87	47.06	-388.62	138.61	
			TQ	-269.13	1368.51	913.19	-269.13	1368.51	-336.41	-269.13	1367.72	-339.59	-269.13	1367.72	-1589.18	
			M3	-118.79	542.79	1584.21	0.27	123.30	1435.58	0.40	126.08	1435.29	12.38	77.71	1481.70	
			MIN	S2	-284.94	1168.90	-383.71	-284.94	1168.90	-1706.71	-284.94	1164.93	-1709.43	-284.94	1164.93	-3032.43
			TQ	17.56	-645.48	-2266.17	17.56	-645.48	-2184.64	17.56	-650.56	-2183.13	17.56	-650.56	-2101.60	
			M3	-66.76	-209.15	-2582.38	-121.60	46.08	-3022.14	-121.73	39.61	-3022.24	-248.13	940.68	-3780.85	
		2-LANES (caseMAX	S2	23.11	-100.07	685.63	22.94	-101.19	784.12	22.94	-99.36	784.35	22.89	-99.72	888.06	
			TQ	-294.14	924.32	965.02	-300.23	924.32	-414.82	-300.23	923.35	-416.97	-306.32	923.35	-1825.07	
			M3	-193.69	523.84	1819.80	-12.95	97.09	1462.07	-12.83	100.14	1461.84	13.15	54.46	1493.73	
			MIN	S2	-337.10	689.10	-511.35	-343.03	690.09	-2081.14	-343.03	685.25	-2082.74	-349.07	685.61	-3686.76
			TQ	-10.45	-417.07	-2337.82	-10.45	-417.07	-2386.33	-10.45	-422.62	-2385.36	-10.45	-422.62	-2433.87	
			M3	-96.79	-105.63	-2677.93	-150.94	37.65	-3252.85	-151.06	30.44	-3252.92	-300.09	652.81	-4181.61	
		2-LANES (caseMAX	S2	249.49	-98.25	1970.16	82.36	-36.88	1488.39	82.36	-33.42	1488.47	16.13	-11.33	1525.00	
			TQ	-88.28	191.46	-2189.92	-97.40	191.46	-2621.28	-95.78	185.48	-2528.66	-105.23	185.48	-2995.31	
			M3	29.71	-179.21	2251.54	-109.80	-101.15	1712.20	-109.80	-97.17	1712.43	16.13	-11.11	1525.38	
			MIN	S2	-449.33	-145.06	-486.86	-600.97	-121.80	-1802.68	-600.97	-125.99	-1802.40	-809.05	-78.32	-4075.97
			TQ	-309.27	-290.00	1203.40	-367.74	-290.00	-368.21	-369.37	-290.96	-460.59	-427.30	-290.96	-2310.25	
			M3	-155.01	95.54	-2876.22	-210.88	58.95	-3743.72	-210.88	50.25	-3743.84	-450.62	-162.47	-5002.88	

BAGO RIVER BRIDGE

BLOCK [ No.1 : MAIN GIRDER ][ BEAM MEMBER FORCE ]

MEMBER			3015			3016			3016			3017				
NODE			3015			3016			3016			3017				
			SHEAR	TORQUE	MOMENT	SHEAR	TORQUE	MOMENT	SHEAR	TORQUE	MOMENT	SHEAR	TORQUE	MOMENT		
NAME	TITLE		S2 (kN)	TQ (kN·m)	M3 (kN·m)	S2 (kN)	TQ (kN·m)	M3 (kN·m)	S2 (kN)	TQ (kN·m)	M3 (kN·m)	S2 (kN)	TQ (kN·m)	M3 (kN·m)		
301	LIVE LOAD	2-LANES (caseMAX	S2	31.52	133.35	718.54	30.73	137.00	838.45	30.73	138.95	838.13	52.32	63.29	1116.27	
			TQ	-41.61	674.35	-2679.93	-41.61	674.35	-2873.14	-41.61	667.67	-2874.70	-41.61	667.67	-3067.91	
			M3	-213.31	-872.96	1948.33	-7.27	-104.23	1493.51	-7.32	-101.01	1493.75	19.90	-38.29	1538.59	
			MIN	S2	-412.50	-948.06	-552.97	-410.86	-1015.23	-2505.44	-410.86	-1021.06	-2503.08	-418.61	-1018.36	-4411.86
			TQ	-353.46	-1422.10	1140.89	-358.07	-1422.10	-510.86	-358.07	-1423.29	-507.55	-362.74	-1423.29	-2180.85	
			M3	-139.43	242.59	-2990.23	-219.64	-41.85	-3828.41	-219.60	-50.50	-3828.30	-251.47	-113.29	-4937.45	
		3-LANES (caseMAX	S2	46.35	-316.42	321.44	46.20	-317.37	529.15	46.20	-316.14	529.89	46.16	-316.44	742.03	
			TQ	-358.68	1460.45	1210.04	-363.85	1460.45	-467.30	-363.85	1459.36	-470.70	-369.02	1459.36	-2172.07	
			M3	-184.36	632.07	2191.54	-8.24	138.50	1849.54	-8.13	142.33	1849.21	16.36	83.77	1896.94	
			MIN	S2	-398.84	1196.44	-531.38	-403.88	1197.28	-2387.13	-403.88	1191.72	-2389.91	-409.01	1192.03	-4274.75
			TQ	4.56	-677.09	-2931.79	4.56	-677.09	-2910.61	4.56	-683.86	-2909.03	4.56	-683.86	-2887.84	
			M3	-104.52	-201.77	-3353.17	-173.54	55.41	-4000.48	-173.65	46.58	-4000.60	-350.43	1013.29	-5076.53	
		3-LANES (caseMAX	S2	234.45	-201.76	2386.11	79.85	-74.82	1761.93	79.85	-70.72	1762.10	21.36	-28.53	1945.93	
			TQ	-96.03	389.23	-2980.93	-103.79	389.23	-3445.07	-102.41	381.31	-3366.87	-110.44	381.31	-3861.01	
			M3	-27.69	-408.11	2787.69	-101.03	-132.67	2109.22	-101.03	-127.77	2109.52	21.30	-30.42	1952.83	
			MIN	S2	-553.64	-365.69	-671.66	-700.95	-304.23	-2412.71	-700.95	-309.84	-2412.00	-896.92	-211.33	-5081.11
			TQ	-403.52	-662.76	1524.19	-465.78	-662.76	-494.08	-467.17	-663.99	-571.63	-528.61	-663.99	-2883.73	
			M3	-193.97	182.90	-3703.42	-270.52	80.68	-4803.81	-270.52	69.51	-4803.98	-501.81	-135.55	-6364.55	
		3-LANES (caseMAX	S2	100.35	35.93	1403.71	51.57	93.01	1296.44	51.57	96.03	1296.22	51.08	54.34	1594.59	
			TQ	-58.44	708.05	-3211.96	-58.44	708.05	-3483.27	-57.85	700.01	-3430.85	-57.85	700.01	-3699.47	
			M3	-195.06	-905.62	2580.08	-18.37	-106.23	1936.66	-18.41	-101.94	1936.90	23.53	-31.98	1953.59	
			MIN	S2	-534.73	-1000.90	-704.37	-582.82	-1030.35	-2933.28	-582.82	-1037.16	-2930.87	-653.48	-992.28	-5444.95
			TQ	-429.60	-1511.49	1229.08	-456.11	-1511.49	-826.81	-456.69	-1513.47	-877.35	-483.50	-1513.47	-3059.74	
			M3	-183.84	231.21	-3774.47	-278.77	-52.64	-4860.10	-278.73	-63.73	-4859.96	-399.29	-328.68	-6328.89	

BAGO RIVER BRIDGE

BLOCK [ No.1 : MAIN GIRDER ][ BEAM MEMBER FORCE ]

MEMBER					3015			3016			3017					
NODE					3015			3016			3016					
					SHEAR	TORQUE	MOMENT	SHEAR	TORQUE	MOMENT	SHEAR	TORQUE	MOMENT			
NAME	TITLE				S2 (kN)	TQ (kN·m)	M3 (kN·m)	S2 (kN)	TQ (kN·m)	M3 (kN·m)	S2 (kN)	TQ (kN·m)	M3 (kN·m)			
301	LIVE LOAD	4-LANES	MAX	S2	165.47	-36.67	687.05	57.20	65.41	211.16	57.20	65.90	211.01	23.58	58.69	-86.84
				TQ	-80.23	519.43	-2886.97	-86.16	519.43	-3273.42	-85.59	511.84	-3259.95	-91.74	511.84	-3671.62
				M3	-133.03	-660.46	1611.24	-139.77	-249.13	646.34	-144.30	-288.84	646.98	1.69	-0.90	0.42
		MIN	S2	-553.21	-771.04	-258.92	-653.35	-762.09	-2266.30	-653.35	-767.36	-2264.52	-792.92	-675.82	-4841.90	
			TQ	-450.11	-1103.91	572.97	-492.10	-1103.91	-1614.26	-492.67	-1107.68	-1626.35	-534.21	-1107.68	-4010.30	
			M3	-184.91	184.92	-3391.72	-273.69	-40.60	-4473.21	-273.67	-50.92	-4473.11	-450.60	-250.68	-5989.11	
		6-LANES	MAX	S2	196.83	-224.58	1599.73	93.33	-166.47	1291.26	93.33	-163.47	1291.65	66.79	-174.56	1699.31
				TQ	-311.80	1390.80	-1618.75	-320.88	1390.80	-3087.68	-320.48	1383.70	-3028.08	-329.83	1383.70	-4537.75
				M3	-211.08	-205.68	3706.19	-56.05	-2.96	2876.88	-56.06	3.57	2876.88	29.27	36.99	2814.93
			MIN	S2	-745.60	46.99	-895.63	-847.98	29.87	-3791.10	-847.98	21.06	-3791.16	-979.16	69.90	-7275.64
				TQ	-327.56	-1416.32	-1250.99	-359.00	-1416.32	-2844.86	-360.06	-1423.00	-2902.07	-391.02	-1423.00	-4645.90
				M3	-232.04	52.56	-5363.41	-351.21	-6.48	-6736.87	-351.28	-21.65	-6736.83	-652.76	235.65	-8767.23
		LIVE LOAD	MAX		249.49	1460.45	3706.19	93.33	1460.45	2876.88	93.33	1459.36	2876.88	66.79	1459.36	2814.93
			MIN		-745.60	-1511.49	-5363.41	-847.98	-1511.49	-6736.87	-847.98	-1513.47	-6736.83	-979.16	-1513.47	-8767.23
303	SUM TOTAL	TOTAL	MAX	-1694.27	1755.65	-2437.25	-2102.22	1755.65	-12877.62	-2102.22	1717.93	-12878.26	-2379.24	1717.93	-23716.92	
		MIN	-2689.36	-1216.29	-11506.86	-3043.53	-1216.29	-22491.37	-3043.53	-1254.90	-22491.98	-3425.18	-1254.90	-35299.09		

BAGO RIVER BRIDGE

BLOCK [ No.1 : MAIN GIRDER ] [ BEAM MEMBER FORCE ]

MEMBER NODE	3017	3018			3018			3018			3019			
		SHEAR	TORQUE	MOMENT	SHEAR	TORQUE	MOMENT	SHEAR	TORQUE	MOMENT	SHEAR	TORQUE	MOMENT	
NAME TITLE	S2 (kN)	TQ (kN·m)	M3 (kN·m)	S2 (kN)	TQ (kN·m)	M3 (kN·m)	S2 (kN)	TQ (kN·m)	M3 (kN·m)	S2 (kN)	TQ (kN·m)	M3 (kN·m)		
1 PAVEMENT	329.68	38.74	-5120.17	281.08	38.74	-3679.71	281.08	30.04	-3679.79	232.89	30.04	-2467.64		
3 RAILING	3.15	2.02	-95.41	4.01	2.02	-78.54	4.01	1.84	-78.54	4.87	1.84	-57.63		
5 CURB	31.18	20.04	-944.51	39.70	20.04	-777.51	39.70	18.20	-777.55	48.17	18.20	-570.54		
7 DECK WEIGHT	502.70	58.07	-7830.34	428.98	58.07	-5633.03	428.98	44.76	-5633.15	355.80	44.76	-3782.37		
8 GIRDER WEIGH	586.43	26.27	-8843.15	498.20	26.27	-6284.56	498.20	11.42	-6284.60	409.98	11.42	-4142.23		
10 MEDIAN STRIP	113.74	-6.25	-1380.92	85.09	-6.25	-911.88	85.09	-8.40	-911.86	56.44	-8.40	-577.98		
21 ADITIONAL WE	140.76	16.26	-2192.50	120.11	16.26	-1577.25	120.11	12.53	-1577.28	99.62	12.53	-1059.06		
31 MEDIAN RAILI	10.06	-0.75	-125.44	7.74	-0.75	-83.45	7.74	-0.95	-83.44	5.43	-0.95	-52.37		
51 SUPPORT WEIG	0.00	-0.00	-0.00	0.00	-0.00	-0.00	0.00	-0.00	-0.00	0.00	-0.00	-0.00		
52 NOSE WEIGHT	-0.01	0.23	0.10	-0.01	0.23	0.07	-0.01	0.23	0.06	-0.01	0.23	0.03		
61 1-LANE(case1TRUCK-LOAD	MAX	S2	62.64	-342.81	-426.88	62.64	-342.81	-131.36	62.64	-343.12	-130.55	62.64	-343.12	164.97
		TQ	-3.68	187.99	-492.86	-3.68	187.99	-510.23	-3.68	186.78	-510.68	-3.68	186.78	-528.05
		M3	-17.24	31.06	273.72	-17.24	31.06	192.37	-17.24	31.51	192.30	54.89	-319.59	202.52
	MIN	S2	-17.24	31.06	273.72	-17.24	31.06	192.37	-17.24	31.51	192.30	-17.24	31.51	110.94
		TQ	61.62	-342.98	-468.82	61.62	-342.98	-178.08	61.62	-343.40	-177.27	61.62	-343.40	113.47
		M3	2.37	169.05	-591.02	1.83	176.43	-581.04	1.83	175.05	-581.45	1.83	175.05	-572.82
	TANDEM-LOAD MAX	S2	43.33	-235.06	-303.59	43.33	-235.06	-99.19	43.33	-235.29	-98.63	43.33	-235.29	105.77
		TQ	-1.62	128.10	-349.80	-1.62	128.10	-357.44	-1.62	127.25	-357.74	-1.62	127.25	-365.39
		M3	-11.71	20.83	185.89	-11.71	20.83	130.64	-11.71	21.14	130.59	40.19	-224.08	144.61
	MIN	S2	-12.69	96.54	-88.75	-12.69	96.54	-148.62	-12.69	96.19	-148.85	-12.69	96.19	-208.71
		TQ	43.04	-235.11	-315.30	43.04	-235.11	-112.23	43.04	-235.37	-111.67	43.04	-235.37	91.40
		M3	1.60	116.31	-403.15	1.44	118.37	-395.96	1.44	117.43	-396.24	1.44	117.43	-389.43
	DISPERSION-LMAX	S2	61.37	-240.76	-1034.89	61.37	-240.76	-745.34	61.37	-242.52	-744.77	61.37	-242.52	-455.23
		TQ	-33.42	276.85	-191.27	-33.42	276.85	-348.94	-33.42	276.03	-349.59	-33.42	276.03	-507.25
		M3	-29.16	52.47	464.08	-24.13	9.18	333.06	-24.01	9.15	333.03	1.92	-138.10	285.25
	MIN	S2	-35.72	147.92	298.56	-35.72	147.92	130.06	-35.72	148.23	129.71	-35.72	148.23	-38.79
		TQ	59.07	-369.69	-545.05	59.07	-369.69	-266.35	59.07	-370.32	-265.47	59.07	-370.32	13.23
		M3	54.82	-145.31	-1200.41	49.78	-102.02	-948.34	49.67	-103.44	-948.09	23.73	43.81	-779.26

BAGO RIVER BRIDGE

BLOCK [ No.1 : MAIN GIRDER ][ BEAM MEMBER FORCE ]

MEMBER				3017			3018			3018			3019		
NODE				3017			3018			3018			3019		
				SHEAR	TORQUE	MOMENT	SHEAR	TORQUE	MOMENT	SHEAR	TORQUE	MOMENT	SHEAR	TORQUE	MOMENT
NAME	TITLE			S2 (kN)	TQ (kN·m)	M3 (kN·m)	S2 (kN)	TQ (kN·m)	M3 (kN·m)	S2 (kN)	TQ (kN·m)	M3 (kN·m)	S2 (kN)	TQ (kN·m)	M3 (kN·m)
62	1-LANE (case2TRUCK-LOAD	MAX	S2	91.91	-126.01	-446.24	91.91	-126.01	-12.62	91.91	-126.04	-12.32	91.91	-126.04	421.30
			TQ	7.95	77.94	-628.38	7.95	77.94	-590.85	7.95	76.54	-591.03	7.95	76.54	-553.50
			M3	-17.48	12.44	278.60	-17.48	12.44	196.15	-17.48	12.90	196.12	85.75	-117.69	430.29
		MIN	S2	-17.48	12.44	278.60	-17.48	12.44	196.15	-17.48	12.90	196.12	-17.48	12.90	113.66
			TQ	74.84	-140.04	-568.78	74.84	-140.04	-215.69	74.84	-140.55	-215.36	74.84	-140.55	137.73
			M3	6.58	75.15	-655.52	6.53	74.80	-624.54	6.53	73.32	-624.71	6.42	72.60	-594.33
		TANDEM-LOAD MAX	S2	63.61	-78.65	-266.27	63.61	-78.65	33.86	63.61	-78.57	34.04	63.61	-78.57	334.17
			TQ	5.16	53.07	-431.48	5.16	53.07	-407.13	5.16	52.11	-407.25	5.16	52.11	-382.90
			M3	-11.86	8.37	189.11	-11.86	8.37	133.14	-11.86	8.69	133.12	63.61	-78.57	334.17
		MIN	S2	-11.86	8.37	189.11	-11.86	8.37	133.14	-11.86	8.69	133.12	-11.86	8.69	77.15
			TQ	51.66	-95.58	-382.87	51.66	-95.58	-139.14	51.66	-95.91	-138.92	51.66	-95.91	104.80
			M3	4.50	51.48	-445.61	4.50	51.48	-424.40	4.50	50.48	-424.52	4.25	48.49	-403.54
		DISPERSION-LMAX	S2	97.37	-61.50	-1524.04	91.25	-61.08	-1082.34	91.25	-63.64	-1082.19	85.28	-62.38	-675.55
			TQ	-20.72	116.25	-338.44	-20.72	116.25	-436.19	-20.72	115.22	-436.47	-20.72	115.22	-534.22
			M3	-29.57	22.46	471.32	-12.95	1.91	358.01	-12.95	2.76	358.01	9.03	-46.91	351.81
MIN	S2	-29.84	25.94	459.04	-29.91	25.52	321.32	-29.91	26.28	321.26	-30.13	25.02	189.42		
	TQ	88.24	-151.81	-726.56	82.06	-151.81	-324.83	82.06	-152.58	-324.47	75.87	-152.58	48.09		
	M3	97.10	-58.03	-1536.33	74.29	-37.48	-1119.03	74.29	-40.12	-1118.94	46.13	9.55	-837.94		
63	1-LANE (case3TRUCK-LOAD	MAX	S2	270.56	5.70	-253.61	187.64	14.94	346.15	187.64	15.76	346.12	121.42	21.82	526.88
			TQ	66.01	26.41	-672.02	66.01	26.41	-360.58	68.17	25.56	-351.02	68.17	25.56	-29.39
			M3	-17.65	-1.55	282.25	175.22	12.53	365.33	175.22	13.39	365.30	102.62	20.43	545.70
		MIN	S2	-17.65	-1.55	282.25	-34.20	3.64	260.89	-34.20	4.25	260.89	-119.10	14.19	501.82
			TQ	24.08	-8.81	-646.09	24.08	-8.81	-532.49	19.94	-10.10	-574.26	19.94	-10.10	-480.19
			M3	10.46	-6.02	-702.60	9.48	-5.11	-654.81	9.48	-6.65	-654.79	9.08	-6.22	-610.20

BAGO RIVER BRIDGE

BLOCK [ No.1 : MAIN GIRDER ][ BEAM MEMBER FORCE ]

MEMBER		3017			3018			3018			3019					
NODE		3017			3018			3018			3019					
		SHEAR	TORQUE	MOMENT	SHEAR	TORQUE	MOMENT	SHEAR	TORQUE	MOMENT	SHEAR	TORQUE	MOMENT			
NAME	TITLE	S2 (kN)	TQ (kN·m)	M3 (kN·m)	S2 (kN)	TQ (kN·m)	M3 (kN·m)	S2 (kN)	TQ (kN·m)	M3 (kN·m)	S2 (kN)	TQ (kN·m)	M3 (kN·m)			
63	1-LANE (case3TANDEM-LOAD	MAX	S2	210.28	0.81	-40.62	153.51	7.20	394.11	153.51	8.13	394.09	96.17	13.65	500.85	
			TQ	43.86	18.00	-456.08	43.86	18.00	-249.14	43.86	17.41	-249.18	43.86	17.41	-42.25	
			M3	-11.98	-0.99	191.52	153.51	7.20	394.11	153.51	8.13	394.10	96.17	13.65	500.85	
		MIN	S2	-11.98	-0.99	191.52	-48.91	5.53	385.13	-48.91	6.44	385.12	-109.12	12.55	497.55	
			TQ	15.31	-6.11	-444.69	15.31	-6.11	-372.47	14.15	-7.00	-384.12	14.15	-7.00	-317.35	
			M3	6.77	-3.89	-476.92	6.50	-3.64	-445.40	6.50	-4.69	-445.39	6.50	-4.69	-414.72	
			DISPERSION-LMAX	S2	151.81	25.79	-1786.04	119.40	25.24	-1195.33	119.40	22.42	-1195.39	96.96	20.65	-781.77
			TQ	99.06	41.72	-915.89	70.86	41.72	-515.07	68.39	40.56	-466.94	39.46	40.56	-212.66	
			M3	-29.85	-4.16	477.39	-4.16	-0.73	420.28	-4.16	0.26	420.28	-15.29	7.45	365.92	
		MIN	S2	-29.85	-4.16	477.39	-34.63	-3.62	374.36	-34.63	-2.73	374.37	-49.38	-0.96	272.97	
			TQ	22.91	-20.09	-392.77	13.92	-20.09	-305.90	16.38	-20.87	-354.08	8.13	-20.87	-296.13	
			M3	151.81	25.79	-1786.04	88.94	22.36	-1241.26	88.94	19.43	-1241.31	62.88	12.24	-874.72	
64	1-LANE (case4TRUCK-LOAD	MAX	S2	95.32	366.26	-610.39	95.32	366.26	-160.68	95.32	365.88	-161.55	104.53	308.20	350.30	
			TQ	91.90	378.78	-710.83	91.90	378.78	-277.26	91.90	378.13	-278.16	91.90	378.13	155.41	
			M3	-17.88	-20.30	287.05	-17.88	-20.30	202.70	-17.88	-19.82	202.75	83.61	315.82	353.31	
		MIN	S2	-32.60	-55.93	-36.06	-17.88	-20.30	202.70	-17.88	-19.82	202.75	-17.88	-19.82	118.40	
			TQ	5.76	-204.16	-669.19	5.76	-204.16	-642.03	5.76	-205.68	-641.54	5.76	-205.68	-614.38	
			M3	75.48	351.94	-772.36	10.62	-191.18	-695.39	10.62	-192.82	-694.94	10.23	-196.03	-645.81	
			TANDEM-LOAD MAX	S2	65.31	254.14	-436.56	65.31	254.14	-128.44	65.31	253.84	-129.04	75.03	166.91	219.09
			TQ	60.94	257.87	-500.64	60.94	257.87	-213.12	60.94	257.37	-213.73	60.94	257.37	73.80	
			M3	-12.13	-13.44	194.69	-12.13	-13.44	137.47	-12.13	-13.11	137.50	61.93	227.06	258.01	
		MIN	S2	-30.05	11.48	-4.53	-12.54	-70.11	-98.69	-12.54	-70.34	-98.53	-12.54	-70.34	-157.68	
			TQ	4.63	-138.83	-467.53	4.63	-138.83	-445.67	4.63	-139.88	-445.34	4.63	-139.88	-423.48	
			M3	52.37	242.62	-527.00	7.45	-127.49	-472.16	7.45	-128.61	-471.86	6.88	-134.43	-439.36	

BAGO RIVER BRIDGE

BLOCK [ No.1 : MAIN GIRDER ][ BEAM MEMBER FORCE ]

MEMBER		3017			3018			3018			3019						
NODE		3017			3018			3018			3019						
		SHEAR	TORQUE	MOMENT	SHEAR	TORQUE	MOMENT	SHEAR	TORQUE	MOMENT	SHEAR	TORQUE	MOMENT				
NAME	TITLE	S2 (kN)	TQ (kN·m)	M3 (kN·m)	S2 (kN)	TQ (kN·m)	M3 (kN·m)	S2 (kN)	TQ (kN·m)	M3 (kN·m)	S2 (kN)	TQ (kN·m)	M3 (kN·m)				
64	1-LANE (case4DISPERSION-LMAX	S2	97.87	208.57	-1591.65	100.49	213.79	-1132.77	100.49	211.11	-1133.27	106.44	213.64	-646.79			
		TQ	83.83	400.97	-844.93	89.87	400.97	-435.24	89.87	399.94	-436.19	95.95	399.94	2.09			
		M3	-32.15	-37.75	485.74	-22.40	-9.36	346.05	-22.68	-9.87	346.07	20.93	143.59	350.53			
		MIN	S2	-38.04	-84.43	388.29	-34.63	-89.64	225.82	-34.63	-89.11	226.03	-34.50	-91.64	64.56		
		TQ	-24.01	-276.82	-358.43	-24.01	-276.82	-471.71	-24.01	-277.94	-471.05	-24.01	-277.94	-584.33			
		M3	91.98	161.90	-1689.10	88.26	133.51	-1253.00	88.54	131.87	-1253.31	51.01	-21.59	-932.77			
		65	2-LANES (caseTRUCK-LOAD	MAX	S2	133.18	-573.62	-851.45	133.18	-573.62	-223.14	133.18	-574.14	-221.78	133.18	-574.14	406.53
				TQ	-1.18	321.25	-1056.92	-1.18	321.25	-1062.48	-1.18	318.74	-1063.23	-1.18	318.74	-1068.79	
				M3	-34.60	52.80	549.88	-34.60	52.80	386.63	-34.60	53.72	386.50	119.79	-515.58	507.10	
MIN	S2			-34.60	52.80	549.88	-34.60	52.80	386.63	-34.60	53.72	386.50	-34.60	53.72	223.24		
TQ	128.63			-585.28	-976.42	128.63	-585.28	-369.58	128.63	-586.15	-368.19	128.63	-586.15	238.65			
M3	6.56			294.24	-1213.72	6.01	301.61	-1184.01	6.01	298.81	-1184.72	5.98	299.54	-1156.37			
TANDEM-LOAD	MAX	S2	91.53	-385.47	-561.79	91.53	-385.47	-129.95	91.53	-385.78	-129.03	91.53	-385.78	302.81			
	TQ	0.35	218.87	-742.35	0.35	218.87	-740.69	0.35	217.11	-741.21	0.35	217.11	-739.55				
	M3	-23.50	35.44	373.38	-23.50	35.44	262.54	-23.50	36.06	262.45	80.84	-342.16	361.72				
	MIN	S2	-24.47	111.14	98.74	-24.47	111.14	-16.73	-24.47	111.10	-16.99	-24.47	111.10	-132.46			
	TQ	87.89	-400.32	-668.35	87.89	-400.32	-253.71	87.89	-400.92	-252.76	87.89	-400.92	161.88				
	M3	4.49	200.32	-826.74	4.33	202.38	-805.92	4.33	200.48	-806.39	4.33	200.48	-785.94				
	DISPERSION-LMAX	S2	136.66	-380.50	-2314.00	136.66	-380.50	-1669.26	136.66	-384.45	-1668.36	136.66	-384.45	-1023.63			
		TQ	-60.59	473.83	-456.11	-60.59	473.83	-741.94	-60.59	472.07	-743.06	-60.59	472.07	-1028.90			
		M3	-58.55	91.51	931.56	-43.11	17.59	673.38	-43.00	18.35	673.33	11.48	-228.68	607.01			
MIN		S2	-67.20	221.67	677.28	-67.20	221.67	360.26	-67.20	222.52	359.73	-67.20	222.52	42.71			
TQ		130.05	-632.66	-1180.61	130.05	-632.66	-567.07	130.05	-634.00	-565.57	130.05	-634.00	47.98				
M3		128.02	-250.34	-2568.27	112.57	-176.42	-1982.39	112.46	-180.28	-1981.96	57.98	66.76	-1587.93				

BAGO RIVER BRIDGE

BLOCK [ No.1 : MAIN GIRDER ][ BEAM MEMBER FORCE ]

MEMBER				3017			3018			3018			3019		
NODE				3017			3018			3018			3019		
				SHEAR	TORQUE	MOMENT	SHEAR	TORQUE	MOMENT	SHEAR	TORQUE	MOMENT	SHEAR	TORQUE	MOMENT
NAME	TITLE			S2 (kN)	TQ (kN·m)	M3 (kN·m)	S2 (kN)	TQ (kN·m)	M3 (kN·m)	S2 (kN)	TQ (kN·m)	M3 (kN·m)	S2 (kN)	TQ (kN·m)	M3 (kN·m)
66	2-LANES (caseTRUCK-LOAD	MAX	S2	162.45	-356.82	-870.82	162.45	-356.82	-104.40	162.45	-357.06	-103.55	162.45	-357.06	662.87
			TQ	10.46	211.20	-1192.43	10.46	211.20	-1143.09	10.46	208.50	-1143.59	10.46	208.50	-1094.25
			M3	-34.84	34.18	554.76	-34.84	34.18	390.40	-34.84	35.11	390.32	150.65	-313.67	734.88
		MIN	S2	-34.84	34.18	554.76	-34.84	34.18	390.40	-34.84	35.11	390.32	-34.84	35.11	225.97
			TQ	141.84	-382.34	-1076.38	141.84	-382.34	-407.18	141.84	-383.30	-406.28	141.84	-383.30	262.91
			M3	10.76	200.34	-1278.22	10.71	199.98	-1227.51	10.71	197.08	-1227.98	10.57	197.09	-1177.89
		TANDEM-LOAD MAX	S2	111.82	-229.07	-524.47	111.82	-229.07	3.10	111.82	-229.06	3.64	111.82	-229.06	531.21
			TQ	7.13	143.84	-824.04	7.13	143.84	-790.38	7.13	141.97	-790.71	7.13	141.97	-757.06
			M3	-23.65	22.98	376.60	-23.65	22.98	265.03	-23.65	23.60	264.98	104.26	-196.65	551.28
		MIN	S2	-23.65	22.98	376.60	-23.65	22.98	265.03	-23.65	23.60	264.98	-23.65	23.60	153.41
			TQ	96.50	-260.80	-735.92	96.50	-260.80	-280.62	96.50	-261.46	-280.01	96.50	-261.46	175.29
			M3	7.39	135.49	-869.20	7.39	135.49	-834.35	7.39	133.52	-834.67	7.14	131.54	-800.04
		DISPERSION-LMAX	S2	172.65	-201.24	-2803.15	166.53	-200.83	-2006.26	166.53	-205.57	-2005.78	160.57	-204.30	-1243.95
			TQ	-47.89	313.23	-603.28	-47.89	313.23	-829.20	-47.89	311.27	-829.94	-47.89	311.27	-1055.86
			M3	-58.97	61.51	938.80	-31.94	10.32	698.33	-31.94	11.97	698.31	18.58	-137.50	673.57
MIN	S2	-61.32	99.69	837.76	-61.39	99.28	551.51	-61.39	100.58	551.28	-61.61	99.32	270.92		
	TQ	159.21	-414.78	-1362.12	153.03	-414.78	-625.55	153.03	-416.25	-624.57	146.85	-416.25	82.83		
	M3	170.29	-163.06	-2904.19	137.08	-111.87	-2153.08	137.08	-116.95	-2152.81	80.38	32.51	-1646.60		
67	2-LANES (caseTRUCK-LOAD	MAX	S2	499.75	35.65	-477.01	353.02	92.55	638.11	353.02	94.06	637.89	236.81	136.29	1024.06
			TQ	144.61	165.09	-1365.24	144.61	165.09	-682.99	146.77	163.48	-673.76	146.77	163.48	18.67
			M3	-35.42	-12.41	566.90	328.65	77.43	674.68	328.65	79.02	674.50	201.16	126.23	1057.49
		MIN	S2	-35.42	-12.41	566.90	-62.78	24.73	501.42	-62.78	25.92	501.36	-209.40	84.05	962.94
			TQ	37.08	-74.19	-1334.77	37.08	-74.19	-1159.82	32.94	-76.96	-1201.43	32.94	-76.96	-1046.01
			M3	21.10	-67.97	-1418.23	19.53	-64.26	-1322.87	19.53	-67.39	-1322.71	19.14	-66.96	-1230.68



BAGO RIVER BRIDGE

BLOCK [ No.1 : MAIN GIRDER ][ BEAM MEMBER FORCE ]

MEMBER		3017			3018			3018			3019						
NODE		3017			3018			3018			3019						
		SHEAR	TORQUE	MOMENT	SHEAR	TORQUE	MOMENT	SHEAR	TORQUE	MOMENT	SHEAR	TORQUE	MOMENT				
NAME	TITLE	S2 (kN)	TQ (kN·m)	M3 (kN·m)	S2 (kN)	TQ (kN·m)	M3 (kN·m)	S2 (kN)	TQ (kN·m)	M3 (kN·m)	S2 (kN)	TQ (kN·m)	M3 (kN·m)				
67	2-LANES (caseTANDEM-LOAD	MAX	S2	386.47	5.09	-75.96	285.62	45.12	727.58	285.62	46.84	727.47	184.66	83.18	957.84		
			TQ	95.96	112.42	-930.34	95.96	112.42	-477.63	95.96	111.29	-477.89	95.96	111.29	-25.17		
			M3	-24.03	-8.20	384.62	285.62	45.12	727.58	285.62	46.84	727.47	184.66	83.18	957.84		
		MIN	S2	-24.03	-8.20	384.62	-86.25	34.93	710.92	-86.25	36.61	710.84	-191.73	75.53	949.52		
			TQ	24.28	-50.82	-908.66	24.28	-50.82	-794.10	23.13	-52.70	-805.64	23.13	-52.70	-696.53		
			M3	13.81	-45.43	-963.80	13.37	-44.40	-899.83	13.37	-46.53	-899.72	13.37	-46.53	-836.64		
			DISPERSION-LMAX	S2	296.60	106.40	-3584.51	236.66	102.96	-2416.65	236.66	97.25	-2416.88	194.47	86.73	-1580.54	
			TQ	226.28	194.54	-1794.45	166.86	194.54	-867.22	164.39	192.55	-819.45	104.43	192.55	-185.58		
			M3	-59.87	-24.84	958.54	-10.66	-3.57	830.91	-10.66	-1.61	830.91	-25.09	47.26	729.99		
			MIN	S2	-59.87	-24.84	958.54	-68.33	-21.39	746.03	-68.33	-19.63	746.08	-94.36	-9.11	542.80	
			TQ	10.45	-112.98	-831.52	1.46	-112.98	-803.40	3.93	-114.93	-851.36	-4.32	-114.93	-852.16		
			M3	296.60	106.40	-3584.51	178.99	85.14	-2501.53	178.99	79.23	-2501.72	125.20	30.35	-1767.73		
		68	2-LANES (caseTRUCK-LOAD	MAX	S2	192.60	567.31	-1061.55	192.60	567.32	-152.87	192.60	566.95	-154.21	201.42	526.24	768.01
					TQ	177.91	643.96	-1411.97	177.91	643.96	-572.58	177.91	642.61	-574.10	177.91	642.61	265.28
					M3	-35.64	-31.16	571.70	-35.64	-31.16	403.54	-35.64	-30.20	403.61	170.81	516.89	776.15
MIN	S2			-50.36	-66.79	248.59	-35.64	-31.16	403.54	-35.64	-30.20	403.61	-35.64	-30.20	235.45		
	TQ			14.19	-350.57	-1351.38	14.19	-350.57	-1284.42	14.19	-353.60	-1283.59	14.19	-353.60	-1216.64		
	M3			146.38	598.39	-1511.49	20.82	-330.65	-1379.39	20.82	-333.91	-1378.60	20.40	-337.79	-1281.45		
	TANDEM-LOAD			MAX	S2	131.59	385.75	-725.81	131.59	385.75	-104.96	131.59	385.50	-105.87	141.31	298.57	554.98
	TQ			117.69	438.26	-988.77	117.69	438.26	-433.51	117.69	437.23	-434.54	117.69	437.23	120.72		
	M3			-24.18	-20.65	387.79	52.81	58.97	281.06	52.81	59.63	280.92	128.22	358.72	593.89		
	MIN			S2	-42.10	4.26	188.58	-24.59	-77.32	37.55	-24.59	-77.23	37.73	-24.59	-77.23	-78.28	
	TQ			10.62	-238.43	-939.73	10.62	-238.43	-889.61	10.62	-240.53	-889.04	10.62	-240.53	-838.91		
	M3			101.46	412.47	-1031.26	14.33	-223.54	-937.18	14.33	-225.76	-936.65	13.76	-231.58	-871.69		

BAGO RIVER BRIDGE

BLOCK [ No.1 : MAIN GIRDER ][ BEAM MEMBER FORCE ]

MEMBER		3017			3018			3018			3019						
NODE		3017			3018			3018			3019						
		SHEAR	TORQUE	MOMENT	SHEAR	TORQUE	MOMENT	SHEAR	TORQUE	MOMENT	SHEAR	TORQUE	MOMENT				
NAME	TITLE	S2 (kN)	TQ (kN·m)	M3 (kN·m)	S2 (kN)	TQ (kN·m)	M3 (kN·m)	S2 (kN)	TQ (kN·m)	M3 (kN·m)	S2 (kN)	TQ (kN·m)	M3 (kN·m)				
68	2-LANES (caseDISPERSION-LMAX	S2	212.93	327.29	-3299.99	205.04	330.21	-2331.99	205.04	324.70	-2332.76	201.14	320.36	-1400.74			
		TQ	187.21	681.83	-1703.44	182.40	681.83	-831.48	182.40	679.86	-833.09	177.54	679.86	16.05			
		M3	-62.18	-58.74	967.04	-35.28	3.50	717.10	-35.56	3.87	717.10	28.92	247.80	705.61			
		MIN	S2	-68.48	-116.89	840.19	-65.41	-119.81	542.38	-65.41	-118.53	542.66	-66.36	-114.19	258.02		
		TQ	-42.76	-471.43	-756.37	-42.76	-471.43	-958.13	-42.76	-473.69	-957.01	-42.76	-473.69	-1158.77			
		M3	206.63	269.15	-3426.85	174.92	206.90	-2506.71	175.20	202.30	-2507.20	105.85	-41.63	-1848.33			
		69	3-LANES (caseTRUCK-LOAD	MAX	S2	225.09	-699.63	-1297.70	225.09	-699.63	-235.76	225.09	-700.18	-234.10	225.09	-700.18	827.83
				TQ	6.78	399.19	-1685.29	6.78	399.19	-1653.33	6.78	395.28	-1654.26	6.78	395.28	-1622.30	
				M3	-52.08	65.24	828.48	-52.08	65.24	582.77	-52.08	66.62	582.62	205.55	-633.26	937.40	
MIN	S2			-52.08	65.24	828.48	-52.08	65.24	582.77	-52.08	66.62	582.62	-52.08	66.62	336.91		
TQ	203.47			-725.32	-1545.20	203.47	-725.32	-585.27	203.47	-726.70	-583.55	203.47	-726.70	376.38			
M3	13.13			369.39	-1869.24	12.54	376.41	-1808.55	12.54	372.14	-1809.43	12.40	372.14	-1750.71			
TANDEM-LOAD	MAX	S2	155.15	-464.12	-828.06	155.15	-464.12	-96.09	155.15	-464.35	-94.99	155.15	-464.35	636.98			
	TQ	5.51	271.94	-1173.83	5.51	271.94	-1147.82	5.51	269.23	-1148.46	5.51	269.23	-1122.44				
	M3	-35.36	43.81	562.49	-35.36	43.81	395.68	-35.36	44.74	395.57	144.45	-420.73	695.88				
	MIN	S2	-36.34	119.52	287.85	-36.34	119.52	116.41	-36.34	119.79	116.13	-36.34	119.79	-55.31			
	TQ	139.55	-495.90	-1051.22	139.55	-495.90	-392.85	139.55	-496.83	-391.68	139.55	-496.83	266.69				
	M3	8.98	251.80	-1272.35	8.83	253.86	-1230.32	8.83	250.95	-1230.91	8.58	248.97	-1189.47				
DISPERSION-LMAX	MAX	S2	234.02	-442.00	-3838.04	227.90	-441.59	-2751.60	227.90	-448.09	-2750.55	221.94	-446.82	-1699.18			
	TQ	-81.30	590.08	-794.55	-81.30	590.08	-1178.14	-81.30	587.30	-1179.53	-81.30	587.30	-1563.11				
	M3	-88.13	113.98	1402.88	-56.07	19.50	1031.39	-55.95	21.11	1031.34	20.51	-275.60	958.82				
	MIN	S2	-97.04	247.61	1136.32	-97.10	247.19	681.57	-97.10	248.80	680.99	-97.32	247.54	232.13			
	TQ	218.29	-784.47	-1907.17	212.10	-784.47	-891.89	212.10	-786.58	-890.04	205.92	-786.58	96.06				
	M3	225.11	-308.37	-4104.60	186.87	-213.89	-3101.42	186.75	-220.39	-3100.91	104.11	76.32	-2425.87				

BAGO RIVER BRIDGE

BLOCK [ No.1 : MAIN GIRDER ][ BEAM MEMBER FORCE ]

MEMBER				3017			3018			3018			3019		
NODE				3017			3018			3018			3019		
				SHEAR	TORQUE	MOMENT	SHEAR	TORQUE	MOMENT	SHEAR	TORQUE	MOMENT	SHEAR	TORQUE	MOMENT
NAME	TITLE			S2 (kN)	TQ (kN·m)	M3 (kN·m)	S2 (kN)	TQ (kN·m)	M3 (kN·m)	S2 (kN)	TQ (kN·m)	M3 (kN·m)	S2 (kN)	TQ (kN·m)	M3 (kN·m)
70	3-LANES (caseTRUCK-LOAD	MAX	S2	617.43	88.58	-620.16	460.47	230.08	792.26	460.47	231.95	791.72	336.31	340.88	1453.49
			TQ	229.13	417.40	-2070.60	229.13	417.40	-989.57	231.29	415.06	-980.93	231.29	415.06	110.29
			M3	-53.29	-32.71	853.95	310.77	57.13	877.38	310.77	59.20	877.25	289.83	314.55	1493.20
		MIN	S2	-53.29	-32.71	853.95	-80.66	4.44	704.12	-80.66	6.10	704.11	-227.28	64.23	1081.34
			TQ	46.24	-197.25	-1999.81	46.24	-197.25	-1781.67	42.10	-201.49	-1823.00	42.10	-201.49	-1624.40
			M3	91.57	168.56	-2154.27	29.65	-177.67	-2001.51	29.65	-182.40	-2001.08	29.26	-181.97	-1861.32
	TANDEM-LOAD	MAX	S2	469.70	12.65	-97.23	361.27	112.14	901.55	361.27	114.27	901.29	254.09	206.22	1310.92
			TQ	152.25	284.34	-1417.13	152.25	284.34	-698.84	152.25	282.69	-699.51	152.25	282.69	18.78
			M3	-36.16	-21.64	579.31	361.27	112.14	901.56	361.27	114.27	901.29	254.09	206.22	1310.92
		MIN	S2	-36.16	-21.64	579.31	-98.38	21.49	848.40	-98.38	23.50	848.34	-203.86	62.42	1029.81
			TQ	30.41	-134.84	-1354.62	30.41	-134.84	-1211.14	29.26	-137.71	-1222.48	29.26	-137.71	-1084.45
			M3	62.60	117.51	-1465.91	20.25	-122.44	-1361.38	20.25	-125.65	-1361.09	20.25	-125.65	-1265.57
	DISPERSION-LMAX	MAX	S2	416.78	244.68	-5324.29	343.20	238.11	-3636.23	343.20	229.52	-3636.79	289.08	209.93	-2361.83
			TQ	333.92	467.74	-2659.46	260.17	467.74	-1258.46	257.70	464.82	-1211.34	183.78	464.82	-170.42
			M3	-90.07	-61.93	1443.65	-22.80	-9.18	1211.26	-22.80	-6.32	1211.28	-19.44	128.30	1089.01
		MIN	S2	-90.15	-65.36	1434.19	-99.30	-58.79	1091.56	-99.30	-56.22	1091.70	-127.36	-36.62	773.17
			TQ	-7.28	-288.42	-1230.64	-16.27	-288.42	-1286.21	-13.81	-291.52	-1333.75	-22.06	-291.52	-1418.24
			M3	416.70	241.25	-5333.74	266.69	188.50	-3755.93	266.69	179.62	-3756.37	181.15	45.01	-2677.66
71	3-LANES (caseTRUCK-LOAD	MAX	S2	398.47	601.47	-1269.87	347.28	655.08	112.90	347.28	655.34	111.35	314.18	654.16	1253.44
			TQ	258.05	795.55	-2103.45	258.05	795.55	-886.01	258.05	793.45	-887.89	258.05	793.45	329.56
			M3	-53.29	-32.71	853.95	107.31	42.44	685.76	107.31	44.06	685.66	267.88	635.44	1275.02
		MIN	S2	-68.01	-68.34	530.84	-57.17	-9.87	597.82	-57.17	-8.45	597.84	-110.33	46.97	667.29
			TQ	25.30	-439.21	-2046.54	25.30	-439.21	-1927.18	25.30	-443.76	-1926.14	25.30	-443.76	-1806.78
			M3	156.49	512.50	-2232.54	30.93	-416.54	-2052.75	30.93	-421.39	-2051.76	30.50	-425.27	-1906.92

BAGO RIVER BRIDGE

BLOCK [ No.1 : MAIN GIRDER ][ BEAM MEMBER FORCE ]

MEMBER		3017			3018			3018			3019						
NODE		3017			3018			3018			3019						
		SHEAR	TORQUE	MOMENT	SHEAR	TORQUE	MOMENT	SHEAR	TORQUE	MOMENT	SHEAR	TORQUE	MOMENT				
NAME	TITLE	S2 (kN)	TQ (kN·m)	M3 (kN·m)	S2 (kN)	TQ (kN·m)	M3 (kN·m)	S2 (kN)	TQ (kN·m)	M3 (kN·m)	S2 (kN)	TQ (kN·m)	M3 (kN·m)				
71	3-LANES (case)	TANDEM-LOAD MAX	S2	287.47	390.66	-758.46	252.99	429.05	198.10	252.99	429.52	197.09	226.66	376.72	994.77		
			TQ	174.64	541.41	-1448.16	174.64	541.41	-624.21	174.64	539.93	-625.49	174.64	539.93	198.45		
			M3	-36.16	-21.64	579.31	174.21	102.27	584.13	174.21	103.65	583.88	213.57	436.87	1033.69		
			MIN	S2	-54.08	3.28	380.10	-55.75	-43.61	333.38	-55.75	-42.83	333.48	-95.08	-6.26	355.94	
				TQ	17.97	-298.80	-1416.60	17.97	-298.80	-1331.81	17.97	-301.94	-1331.10	17.97	-301.94	-1246.32	
				M3	108.34	353.70	-1521.59	21.20	-282.32	-1395.07	21.20	-285.61	-1394.40	20.64	-291.44	-1296.99	
		DISPERSION-LMAX	S2	352.25	380.22	-5086.89	319.69	379.81	-3555.90	319.69	371.41	-3556.79	297.35	357.18	-2204.96		
				TQ	302.33	842.92	-2450.28	269.78	842.92	-1100.40	268.26	840.34	-1085.21	235.40	840.34	103.17	
				M3	-92.04	-63.22	1444.55	-42.54	19.24	1118.54	-42.82	20.56	1118.49	21.91	311.46	1065.65	
				MIN	S2	-98.34	-121.36	1317.70	-98.33	-120.95	908.18	-98.33	-118.80	908.46	-108.84	-104.57	523.78
					TQ	-48.42	-584.06	-1318.91	-48.42	-584.06	-1547.33	-46.89	-587.73	-1563.12	-46.89	-587.73	-1784.34
					M3	345.95	322.08	-5213.74	263.91	239.63	-3766.26	264.19	232.05	-3766.82	166.60	-58.85	-2746.83
72	4-LANES	TRUCK-LOAD MAX	S2	689.80	457.88	-1216.13	545.22	606.13	605.19	545.22	607.56	603.75	437.23	662.62	1793.55		
				TQ	325.52	808.79	-2775.45	325.52	808.79	-1239.69	325.52	805.86	-1241.60	325.52	805.86	294.16	
				M3	0.00	0.00	0.00	451.28	385.14	815.69	451.28	387.07	814.78	372.25	643.12	1834.71	
			MIN	S2	-30.51	-55.40	-38.85	-74.36	-66.67	334.61	-74.36	-65.88	334.77	-219.92	86.78	995.10	
				TQ	46.02	-423.84	-2705.10	46.02	-423.84	-2487.95	44.32	-429.75	-2503.68	44.32	-429.75	-2294.60	
				M3	166.75	515.02	-2931.27	40.36	-395.84	-2702.49	40.36	-402.22	-2701.55	39.60	-404.98	-2512.19	
		TANDEM-LOAD MAX	S2	515.03	266.32	-531.28	415.99	371.22	742.84	415.99	372.98	741.97	324.49	381.91	1515.14		
				TQ	213.62	550.51	-1919.27	213.62	550.51	-911.42	213.62	548.35	-912.71	213.62	548.35	95.14	
				M3	0.00	0.00	0.00	390.75	284.14	884.71	390.75	286.23	884.04	312.98	441.87	1551.76	
				MIN	S2	-27.51	11.40	-4.86	-97.32	22.33	749.93	-97.32	24.11	749.87	-201.83	125.88	1118.77
					TQ	33.60	-288.22	-1853.17	33.60	-288.22	-1694.63	33.60	-292.22	-1693.95	33.60	-292.22	-1535.40
					M3	114.99	355.40	-1996.06	27.17	-273.85	-1837.22	27.17	-278.19	-1836.56	27.17	-278.19	-1708.36

BAGO RIVER BRIDGE

BLOCK [ No.1 : MAIN GIRDER ][ BEAM MEMBER FORCE ]

MEMBER			3017			3018			3018			3019					
NODE			3017			3018			3018			3019					
NAME TITLE			SHEAR	TORQUE	MOMENT	SHEAR	TORQUE	MOMENT	SHEAR	TORQUE	MOMENT	SHEAR	TORQUE	MOMENT			
			S2 (kN)	TQ (kN·m)	M3 (kN·m)	S2 (kN)	TQ (kN·m)	M3 (kN·m)	S2 (kN)	TQ (kN·m)	M3 (kN·m)	S2 (kN)	TQ (kN·m)	M3 (kN·m)			
72	4-LANES	DISPERSION-LMAX	S2	463.15	278.80	-6170.44	393.84	277.62	-4259.08	393.84	267.56	-4259.72	346.74	251.56	-2724.28		
			TQ	377.45	738.48	-2926.41	312.07	738.48	-1299.92	311.32	735.44	-1272.63	245.52	735.44	40.76		
			M3	-1.95	-0.36	0.64	75.09	84.76	192.97	74.80	83.89	192.77	122.90	375.70	646.14		
	MIN	S2	-8.14	-56.04	-120.33	-13.65	-54.86	-61.53	-13.65	-55.01	-61.40	-40.96	-38.40	21.40			
		TQ	79.70	-514.80	-3483.25	70.71	-514.80	-3128.43	71.46	-522.22	-3156.24	63.20	-522.22	-2838.46			
		M3	457.33	225.27	-6283.18	305.57	138.83	-4504.08	305.85	129.51	-4504.40	181.33	-168.22	-3340.04			
	73	6-LANES	TRUCK-LOAD	MAX	S2	822.65	-106.61	-2102.28	683.51	-25.30	377.76	683.51	-24.41	377.82	576.14	-18.89	2253.23
				TQ	264.13	1005.28	-3851.66	264.13	1005.28	-2605.51	264.13	999.13	-2607.88	264.13	999.13	-1361.72	
				M3	-105.38	32.38	1682.48	231.02	29.27	1397.34	231.02	32.57	1397.27	497.54	8.48	2426.03	
MIN		S2	-115.83	-2.71	1354.51	-127.54	45.85	1282.06	-127.54	48.88	1281.95	-245.43	151.46	1645.24			
		TQ	236.46	-967.07	-3679.69	236.46	-967.07	-2564.09	236.50	-973.14	-2566.12	236.50	-973.14	-1450.32			
		M3	112.51	482.22	-4126.18	46.57	-43.54	-3878.11	46.57	-52.70	-3878.00	45.82	-56.24	-3659.69			
TANDEM-LOAD		MAX	S2	605.98	-96.49	-1142.85	510.85	-39.37	586.47	510.85	-37.98	586.56	420.60	-71.16	1847.60		
		TQ	176.41	684.29	-2657.39	176.41	684.29	-1825.10	176.41	679.98	-1826.71	176.41	679.98	-994.42			
		M3	-71.52	22.07	1141.83	310.78	85.52	1260.31	310.78	88.50	1260.11	404.31	17.13	1969.09			
MIN		S2	-84.54	121.07	661.50	-116.87	145.55	955.90	-116.87	147.81	955.55	-215.90	203.24	1226.96			
		TQ	164.94	-659.52	-2503.23	164.94	-659.52	-1725.05	160.78	-663.64	-1766.69	160.78	-663.64	-1008.16			
		M3	119.60	551.59	-2809.13	31.56	-36.43	-2636.61	31.56	-42.66	-2636.51	31.56	-42.66	-2487.62			
DISPERSION-LMAX		S2	635.06	-5.19	-9093.03	567.49	-5.67	-6360.54	567.49	-20.69	-6360.51	520.79	-30.60	-3996.32			
		TQ	253.68	1244.50	-3246.43	204.91	1244.50	-2164.93	202.53	1239.44	-2120.61	153.37	1239.44	-1281.42			
		M3	-167.66	44.72	2648.03	-71.01	41.66	2076.29	-70.92	45.63	2076.19	24.97	40.54	1967.10			
MIN	S2	-181.47	111.03	2320.64	-186.22	111.00	1557.75	-186.22	114.68	1557.48	-211.17	127.68	822.92				
	TQ	174.53	-1179.26	-3314.99	160.46	-1179.26	-2524.72	162.93	-1185.27	-2570.16	149.54	-1185.27	-1832.92				
	M3	625.10	28.36	-9362.90	456.68	23.25	-6809.44	456.85	9.47	-6809.48	281.47	-23.10	-5058.22				

BAGO RIVER BRIDGE

BLOCK [ No.1 : MAIN GIRDER ][ BEAM MEMBER FORCE ]

MEMBER		3017			3018			3018			3019				
NODE		3017			3018			3018			3019				
		SHEAR	TORQUE	MOMENT	SHEAR	TORQUE	MOMENT	SHEAR	TORQUE	MOMENT	SHEAR	TORQUE	MOMENT		
NAME TITLE		S2 (kN)	TQ (kN·m)	M3 (kN·m)	S2 (kN)	TQ (kN·m)	M3 (kN·m)	S2 (kN)	TQ (kN·m)	M3 (kN·m)	S2 (kN)	TQ (kN·m)	M3 (kN·m)		
124	SUM TOTAL	D+1LANE (caseMAX	S2	1866.49	-545.64	-28286.45	1613.73	-545.64	-20077.89	1613.73	-593.08	-20076.54	1362.01	-593.08	-13058.12
			TQ	1673.16	712.44	-27353.30	1420.40	712.44	-20056.85	1420.40	665.06	-20058.48	1168.68	665.06	-13952.16
			M3	1662.00	254.86	-25646.97	1415.27	202.92	-18395.34	1415.41	158.47	-18395.76	1281.38	-439.55	-12124.49
		MIN	S2	1654.13	369.40	-25845.59	1401.37	369.40	-18638.93	1401.37	325.37	-18639.75	1149.65	325.37	-12623.22
			TQ	1862.52	-700.58	-27748.98	1609.76	-700.58	-19559.16	1609.76	-746.78	-19557.45	1358.04	-746.78	-12557.76
			M3	1786.31	183.13	-28682.05	1526.85	243.92	-20861.10	1526.71	195.62	-20861.61	1243.87	372.32	-14332.31
		D+1LANE (caseMAX	S2	1944.82	-70.37	-28896.68	1684.71	-69.88	-20339.80	1684.71	-117.93	-20339.57	1425.83	-116.42	-13014.90
			TQ	1702.37	387.66	-27692.52	1449.60	387.66	-20258.30	1449.60	339.80	-20259.16	1197.88	339.80	-14015.07
			M3	1661.23	196.52	-25632.43	1428.40	171.86	-18360.86	1428.40	128.48	-18361.21	1326.93	-87.83	-11771.28
		MIN	S2	1660.90	200.68	-25647.17	1408.06	200.18	-18404.89	1408.06	156.70	-18405.31	1156.07	155.19	-12346.10
			TQ	1913.38	-195.59	-28086.74	1653.20	-195.59	-19674.47	1653.20	-242.07	-19673.95	1394.06	-242.07	-12486.82
			M3	1842.09	175.19	-29162.55	1561.91	199.42	-21118.13	1561.91	149.53	-21118.55	1276.25	208.28	-14428.53
		D+1LANE (caseMAX	S2	2224.53	192.42	-28979.92	1833.36	202.86	-20044.87	1833.36	155.50	-20045.29	1475.25	160.65	-13015.68
			TQ	1915.77	236.39	-28437.82	1629.16	236.39	-20076.63	1628.79	189.03	-20007.72	1342.36	189.03	-13000.27
			M3	1660.69	147.78	-25620.77	1670.18	168.79	-18083.12	1670.18	126.07	-18083.46	1317.99	143.15	-11615.86
		MIN	S2	1660.69	147.78	-25620.77	1382.32	154.66	-18263.54	1382.32	111.52	-18263.86	1011.03	125.56	-11780.05
			TQ	1774.07	119.96	-27778.96	1510.51	119.96	-20031.91	1508.51	72.53	-20140.17	1246.88	72.53	-13641.40
			M3	1912.41	178.35	-29518.71	1583.01	175.34	-21301.12	1583.01	125.02	-21301.48	1299.55	116.90	-14491.70
		D+1LANE (caseMAX	S2	1949.51	844.44	-29174.78	1699.89	850.70	-20577.98	1699.89	802.08	-20579.93	1466.37	735.90	-13065.60
			TQ	1928.56	1090.34	-28399.25	1683.05	1090.34	-19880.85	1683.05	1043.37	-19883.37	1438.61	1043.37	-12520.80
			M3	1657.64	84.98	-25604.98	1416.59	119.04	-18367.35	1416.25	74.06	-18367.58	1338.65	660.97	-11865.19
		MIN	S2	1632.92	-13.79	-26109.65	1401.91	22.71	-18511.63	1401.91	-21.03	-18511.63	1150.34	-24.06	-12490.26
			TQ	1695.78	-422.55	-27765.48	1443.02	-422.55	-20362.33	1443.02	-470.65	-20361.27	1191.30	-470.65	-14148.25
			M3	1918.63	771.25	-29486.08	1583.57	85.43	-21363.91	1583.91	36.55	-21364.06	1286.68	-151.45	-14604.10

BAGO RIVER BRIDGE

BLOCK [ No.1 : MAIN GIRDER ][ BEAM MEMBER FORCE ]

MEMBER			3017			3018			3018			3019			
NODE			3017			3018			3018			3019			
NAME TITLE			SHEAR	TORQUE	MOMENT	SHEAR	TORQUE	MOMENT	SHEAR	TORQUE	MOMENT	SHEAR	TORQUE	MOMENT	
			S2 (kN)	TQ (kN·m)	M3 (kN·m)	S2 (kN)	TQ (kN·m)	M3 (kN·m)	S2 (kN)	TQ (kN·m)	M3 (kN·m)	S2 (kN)	TQ (kN·m)	M3 (kN·m)	
124	SUM TOTAL	D+2LANES (casMAX	S2	1987.52	-799.48	-29697.78	1734.75	-799.48	-20918.25	1734.75	-848.90	-20916.30	1483.03	-848.90	-13326.90
			TQ	1655.92	949.72	-28045.36	1403.15	949.72	-20830.27	1403.15	900.50	-20832.45	1151.43	900.50	-14807.49
			M3	1624.53	298.95	-25050.89	1387.20	225.03	-17965.84	1387.32	181.76	-17966.32	1344.47	-634.57	-11595.69
		MIN	S2	1615.88	429.11	-25305.17	1363.12	429.11	-18278.97	1363.12	385.93	-18279.93	1111.40	385.93	-12443.85
			TQ	1976.35	-1063.30	-28689.36	1723.59	-1063.30	-19962.49	1723.59	-1110.46	-19959.92	1471.87	-1110.46	-12423.18
			M3	1852.26	198.53	-30314.33	1583.50	279.83	-22192.24	1583.39	228.23	-22192.84	1277.16	475.99	-15454.11
		D+2LANES (casMAX	S2	2052.79	-403.42	-30206.31	1793.90	-403.01	-21136.51	1793.90	-452.94	-21135.49	1536.22	-451.68	-13290.89
			TQ	1680.26	679.07	-28328.05	1427.49	679.07	-20998.14	1427.49	629.46	-20999.69	1175.77	629.46	-14859.92
			M3	1623.88	250.33	-25038.78	1398.14	199.14	-17937.11	1398.14	156.76	-17937.53	1382.43	-341.48	-11301.35
		MIN	S2	1621.52	288.51	-25139.82	1368.69	288.10	-18083.93	1368.69	245.37	-18084.56	1116.75	244.11	-12212.92
			TQ	2018.74	-642.48	-28970.83	1759.79	-642.48	-20058.58	1759.79	-689.86	-20057.01	1501.88	-689.86	-12364.06
			M3	1898.74	191.92	-30714.75	1612.71	242.75	-22406.44	1612.71	189.82	-22406.95	1304.14	339.29	-15534.29
		D+2LANES (casMAX	S2	2514.04	296.69	-30593.85	2054.59	350.15	-20804.38	2054.59	301.00	-20805.15	1644.47	332.71	-13266.28
			TQ	2088.57	514.27	-29692.02	1776.39	514.27	-20576.06	1776.08	465.72	-20519.37	1464.40	465.72	-12876.72
			M3	1622.40	117.39	-25006.89	1782.90	228.49	-17520.26	1782.90	187.10	-17520.75	1389.27	283.18	-10922.32
		MIN	S2	1622.40	117.39	-25006.89	1333.80	157.98	-17778.40	1333.80	115.97	-17778.72	909.43	184.62	-11204.07
			TQ	1765.22	-32.53	-28698.62	1503.47	-32.53	-20989.06	1501.79	-82.20	-21078.95	1241.82	-82.20	-14607.97
			M3	2035.38	193.07	-31535.07	1663.44	175.51	-22850.24	1663.44	121.53	-22850.59	1357.54	73.08	-15708.22
		D+2LANES (casMAX	S2	2123.21	1049.24	-30893.88	1862.56	1052.17	-21510.71	1862.56	1001.34	-21513.13	1615.75	956.29	-13342.54
			TQ	2082.81	1480.43	-29647.74	1825.23	1480.43	-20429.92	1825.23	1432.16	-20433.36	1568.65	1432.16	-12428.48
			M3	1619.86	64.73	-24993.60	1393.99	126.98	-17905.21	1393.71	83.36	-17905.45	1412.93	874.38	-11228.05
		MIN	S2	1598.84	-29.04	-25443.56	1363.87	3.67	-18079.93	1363.87	-39.04	-18079.89	1111.19	-34.70	-12216.33
			TQ	1689.11	-667.36	-28640.09	1436.35	-667.36	-21268.40	1436.35	-717.60	-21266.76	1184.63	-717.60	-15085.21
			M3	2070.69	1022.17	-31470.67	1660.66	30.89	-22911.95	1660.94	-21.92	-22911.96	1339.44	-269.73	-15839.58

BAGO RIVER BRIDGE

BLOCK [ No.1 : MAIN GIRDER ] [ BEAM MEMBER FORCE ]

MEMBER			3017			3018			3018			3019				
NODE			3017			3018			3018			3019				
NAME TITLE			SHEAR	TORQUE	MOMENT	SHEAR	TORQUE	MOMENT	SHEAR	TORQUE	MOMENT	SHEAR	TORQUE	MOMENT		
			S2 (kN)	TQ (kN·m)	M3 (kN·m)	S2 (kN)	TQ (kN·m)	M3 (kN·m)	S2 (kN)	TQ (kN·m)	M3 (kN·m)	S2 (kN)	TQ (kN·m)	M3 (kN·m)		
124	SUM TOTAL	D+3LANES (casMAX	S2	2107.93	-815.75	-30897.71	1849.96	-815.39	-21565.10	1849.96	-866.34	-21563.12	1593.17	-865.27	-13450.45	
			TQ	1654.33	995.51	-28640.20	1401.57	995.51	-21432.59	1401.57	944.88	-21434.88	1149.85	944.88	-15417.40	
			M3	1598.51	306.97	-24635.68	1372.99	226.67	-17653.81	1373.09	184.26	-17654.30	1405.34	-662.84	-11098.02	
		MIN	S2	1590.93	420.56	-24862.25	1338.11	420.20	-17951.15	1338.11	377.79	-17952.10	1086.20	376.72	-12226.12	
			TQ	2076.17	-1128.69	-29466.85	1818.15	-1128.69	-20281.43	1818.15	-1176.60	-20278.71	1561.18	-1176.60	-12308.23	
			M3	1920.19	206.51	-31610.10	1634.42	292.78	-23199.32	1634.31	238.67	-23199.94	1312.23	490.88	-16259.89	
		D+3LANES (casMAX	S2	2596.76	437.90	-31585.11	2148.04	552.60	-21443.22	2148.04	501.94	-21444.47	1744.78	577.87	-13481.89	
			TQ	2196.28	907.00	-30552.88	1880.83	907.00	-20936.67	1880.56	857.59	-20889.59	1566.01	857.59	-12760.91	
			M3	1595.82	74.19	-24579.38	1709.69	195.39	-17250.50	1709.69	154.64	-17250.91	1443.03	486.11	-10514.93	
		MIN	S2	1595.76	71.27	-24587.41	1311.95	108.43	-17499.51	1311.95	67.09	-17499.72	911.75	133.16	-11133.46	
			TQ	1750.79	-258.19	-29278.21	1490.39	-258.19	-21633.54	1488.97	-309.37	-21709.40	1230.23	-309.37	-15296.04	
			M3	2149.71	502.97	-32897.14	1716.81	163.83	-23919.67	1716.81	107.32	-23919.99	1392.05	-6.73	-16567.94	
		D+3LANES (casMAX	S2	2355.80	989.08	-31935.58	2031.84	1034.29	-21952.40	2031.84	982.43	-21954.78	1732.99	969.32	-13518.59	
			TQ	2194.01	1547.33	-30403.01	1913.57	1547.33	-20714.29	1912.28	1498.41	-20703.29	1632.63	1498.41	-12341.99	
			M3	1594.15	73.10	-24578.61	1519.97	207.07	-17492.19	1519.73	164.62	-17492.63	1459.52	914.56	-10720.23	
		MIN	S2	1576.29	-6.61	-24961.08	1332.75	43.44	-17745.75	1332.75	1.52	-17745.80	1026.90	60.73	-11697.39	
			TQ	1698.03	-715.14	-29392.96	1445.27	-715.14	-21979.18	1446.57	-767.08	-21992.03	1194.84	-767.08	-15762.26	
			M3	2144.76	864.03	-32861.68	1715.53	4.26	-23972.01	1715.77	-51.25	-23971.95	1380.74	-301.82	-16665.49	
		D+4LANES	MAX	S2	2467.10	633.48	-31333.61	2075.31	729.07	-21400.88	2075.31	678.51	-21402.54	1722.78	703.91	-13314.78
			TQ	2174.61	1160.36	-30238.54	1879.35	1160.36	-20676.60	1878.86	1111.53	-20660.41	1584.37	1111.53	-12492.11	
			M3	1716.41	154.40	-26531.92	1807.05	460.07	-18370.22	1806.87	415.81	-18371.25	1535.04	771.92	-11097.25	
		MIN	S2	1692.56	82.20	-26635.80	1407.71	75.64	-18848.35	1407.71	31.11	-18848.47	1043.63	141.13	-12049.08	
			TQ	1799.41	-455.48	-30554.76	1540.80	-455.48	-22676.50	1540.17	-509.10	-22705.11	1283.09	-509.10	-16046.29	
			M3	2123.33	635.82	-32521.72	1689.77	-12.42	-23710.12	1689.96	-67.57	-23710.03	1356.80	-262.89	-16513.75	



BAGO RIVER BRIDGE

BLOCK [ No.1 : MAIN GIRDER ][ BEAM MEMBER FORCE ]

MEMBER				3017			3018			3018			3019			
NODE				3017			3018			3018			3019			
NAME TITLE				SHEAR	TORQUE	MOMENT	SHEAR	TORQUE	MOMENT	SHEAR	TORQUE	MOMENT	SHEAR	TORQUE	MOMENT	
				S2 (kN)	TQ (kN·m)	M3 (kN·m)	S2 (kN)	TQ (kN·m)	M3 (kN·m)	S2 (kN)	TQ (kN·m)	M3 (kN·m)	S2 (kN)	TQ (kN·m)	M3 (kN·m)	
124	SUM TOTAL	D+6LANES	MAX	S2	2665.20	81.97	-33809.29	2278.07	134.51	-22914.66	2278.07	80.37	-22914.91	1926.20	77.51	-13842.81
				TQ	2054.26	1617.00	-31146.09	1769.79	1617.00	-22126.63	1768.25	1564.76	-22099.68	1484.58	1564.76	-14427.84
				M3	1540.21	204.75	-23717.50	1568.92	200.74	-16767.99	1568.99	160.52	-16768.41	1552.83	141.56	-9854.27
			MIN	S2	1524.44	225.04	-24143.49	1260.98	256.59	-17179.97	1260.98	216.00	-17180.53	916.41	291.13	-11105.50
				TQ	1984.83	-1240.48	-31078.88	1722.92	-1240.48	-22333.57	1724.55	-1293.28	-22364.75	1464.12	-1293.28	-14843.91
				M3	2197.13	486.52	-35300.24	1792.03	141.45	-25972.76	1792.14	81.59	-25973.02	1425.94	58.12	-18376.45
	SUM TOTAL		MAX		2665.20	1617.00	-23717.50	2278.07	1617.00	-16767.99	2278.07	1564.76	-16768.41	1926.20	1564.76	-9854.27
			MIN		1524.44	-1240.48	-35300.24	1260.98	-1240.48	-25972.76	1260.98	-1293.28	-25973.02	909.43	-1293.28	-18376.45
300	DEAD LOAD	TOTAL			1717.68	154.64	-26532.33	1464.92	154.64	-19025.85	1464.92	109.69	-19026.16	1213.20	109.69	-12709.80
301	LIVE LOAD	1-LANE(case1MAX	S2		148.81	-700.28	-1754.11	148.81	-700.28	-1052.04	148.81	-702.76	-1050.38	148.81	-702.76	-348.31
			TQ		-44.52	557.81	-820.96	-44.52	557.81	-1031.00	-44.52	555.37	-1032.32	-44.52	555.37	-1242.36
			M3		-55.68	100.23	885.37	-49.65	48.29	630.51	-49.50	48.79	630.40	68.18	-549.24	585.32
			MIN	S2	-63.55	214.77	686.74	-63.55	214.77	386.92	-63.55	215.68	386.41	-63.55	215.68	86.58
				TQ	144.84	-855.21	-1216.65	144.84	-855.21	-533.31	144.84	-856.47	-531.29	144.84	-856.47	152.04
				M3	68.63	28.49	-2149.71	61.94	89.28	-1835.25	61.79	85.93	-1835.45	30.67	262.63	-1622.50
		1-LANE(case2MAX	S2		227.13	-225.01	-2364.34	219.79	-224.51	-1313.95	219.79	-227.62	-1313.41	212.63	-226.10	-305.10
			TQ		-15.32	233.03	-1160.19	-15.32	233.03	-1232.45	-15.32	230.11	-1233.00	-15.32	230.11	-1305.26
			M3		-56.46	41.88	899.91	-36.52	17.22	664.99	-36.52	18.79	664.95	113.73	-197.52	938.52
			MIN	S2	-56.78	46.05	885.17	-56.86	45.55	620.96	-56.86	47.02	620.85	-57.13	45.50	363.70
				TQ	195.70	-350.23	-1554.41	188.28	-350.23	-648.62	188.28	-351.76	-647.79	180.86	-351.76	222.98
				M3	124.41	20.56	-2630.22	96.99	44.79	-2092.29	96.99	39.84	-2092.39	63.05	98.59	-1718.73
		1-LANE(case3MAX	S2		506.84	37.79	-2447.59	368.44	48.22	-1019.02	368.44	45.81	-1019.13	262.06	50.96	-305.87
			TQ		198.08	81.75	-1905.49	164.24	81.75	-1050.79	163.87	79.34	-981.56	129.16	79.34	-290.46
			M3		-57.00	-6.85	911.57	205.26	14.15	942.73	205.26	16.38	942.70	104.80	33.46	1093.95
			MIN	S2	-57.00	-6.85	911.57	-82.60	0.03	762.30	-82.60	1.83	762.30	-202.17	15.88	929.75
				TQ	56.38	-34.68	-1246.63	45.59	-34.68	-1006.07	43.59	-37.15	-1114.01	33.68	-37.15	-931.59
				M3	194.72	23.72	-2986.38	118.10	20.71	-2275.28	118.10	15.33	-2275.32	86.35	7.22	-1781.90

BAGO RIVER BRIDGE

BLOCK [ No.1 : MAIN GIRDER ][ BEAM MEMBER FORCE ]

MEMBER			3017			3018			3018			3019			
NODE			3017			3018			3018			3019			
NAME TITLE			SHEAR	TORQUE	MOMENT	SHEAR	TORQUE	MOMENT	SHEAR	TORQUE	MOMENT	SHEAR	TORQUE	MOMENT	
			S2 (kN)	TQ (kN·m)	M3 (kN·m)	S2 (kN)	TQ (kN·m)	M3 (kN·m)	S2 (kN)	TQ (kN·m)	M3 (kN·m)	S2 (kN)	TQ (kN·m)	M3 (kN·m)	
301	LIVE LOAD	1-LANE (case4MAX	S2	231.82	689.80	-2642.45	234.97	696.06	-1552.13	234.97	692.39	-1553.77	253.17	626.21	-355.79
			TQ	210.88	935.70	-1866.91	218.13	935.70	-855.00	218.13	933.68	-857.21	225.42	933.68	189.01
			M3	-60.04	-69.66	927.35	-48.33	-35.59	658.50	-48.67	-35.62	658.58	125.45	551.29	844.61
			MIN S2	-84.77	-168.42	422.68	-63.01	-131.93	514.22	-63.01	-130.71	514.53	-62.86	-133.74	219.55
			TQ	-21.90	-577.18	-1233.15	-21.90	-577.18	-1336.48	-21.90	-580.34	-1335.11	-21.90	-580.34	-1438.45
			M3	200.95	616.61	-2953.75	118.65	-69.20	-2338.06	118.99	-73.14	-2337.90	73.48	-261.14	-1894.29
		2-LANES (caseMAX	S2	269.83	-954.12	-3165.45	269.83	-954.12	-1892.40	269.83	-958.59	-1890.14	269.83	-958.59	-617.10
			TQ	-61.76	795.08	-1513.02	-61.76	795.08	-1804.42	-61.76	790.82	-1806.29	-61.76	790.82	-2097.69
			M3	-93.16	144.32	1481.44	-77.72	70.39	1060.00	-77.60	72.07	1059.84	131.28	-744.26	1114.11
			MIN S2	-101.80	274.48	1227.16	-101.80	274.48	746.88	-101.80	276.24	746.23	-101.80	276.24	265.95
			TQ	258.67	-1217.93	-2157.03	258.67	-1217.93	-936.64	258.67	-1220.14	-933.76	258.67	-1220.14	286.63
			M3	134.57	43.90	-3782.00	118.59	125.20	-3166.39	118.47	118.54	-3166.68	63.96	366.30	-2744.30
		2-LANES (caseMAX	S2	335.10	-558.06	-3673.97	328.98	-557.65	-2110.66	328.98	-562.63	-2109.33	323.02	-561.37	-581.09
			TQ	-37.43	524.43	-1795.71	-37.43	524.43	-1972.29	-37.43	519.77	-1973.53	-37.43	519.77	-2150.11
			M3	-93.80	95.69	1493.56	-66.78	44.50	1088.74	-66.78	47.07	1088.63	169.24	-451.16	1408.45
			MIN S2	-96.16	133.87	1392.52	-96.23	133.46	941.92	-96.23	135.69	941.60	-96.45	134.43	496.89
			TQ	301.06	-797.11	-2438.50	294.87	-797.11	-1032.73	294.87	-799.55	-1030.85	288.69	-799.55	345.74
			M3	181.05	37.28	-4182.42	147.80	88.12	-3380.59	147.80	80.13	-3380.79	90.95	229.60	-2824.49
		2-LANES (caseMAX	S2	796.35	142.05	-4061.52	589.67	195.51	-1778.54	589.67	191.31	-1778.99	431.28	223.02	-556.47
			TQ	370.89	359.63	-3159.69	311.47	359.63	-1550.22	311.16	356.03	-1493.22	251.20	356.03	-166.91
			M3	-95.28	-37.25	1525.44	317.99	73.85	1505.59	317.99	77.41	1505.41	176.07	173.50	1787.48
			MIN S2	-95.28	-37.25	1525.44	-131.12	3.34	1247.45	-131.12	6.29	1247.44	-303.77	74.94	1505.74
			TQ	47.54	-187.17	-2166.29	38.55	-187.17	-1963.21	36.88	-191.89	-2052.79	28.62	-191.89	-1898.17
			M3	317.70	38.43	-5002.73	198.52	20.87	-3824.39	198.52	11.84	-3824.43	144.34	-36.60	-2998.41

BAGO RIVER BRIDGE

BLOCK [ No.1 : MAIN GIRDER ][ BEAM MEMBER FORCE ]

MEMBER			3017			3018			3018			3019			
NODE			3017			3018			3018			3019			
NAME TITLE			SHEAR	TORQUE	MOMENT	SHEAR	TORQUE	MOMENT	SHEAR	TORQUE	MOMENT	SHEAR	TORQUE	MOMENT	
			S2 (kN)	TQ (kN·m)	M3 (kN·m)	S2 (kN)	TQ (kN·m)	M3 (kN·m)	S2 (kN)	TQ (kN·m)	M3 (kN·m)	S2 (kN)	TQ (kN·m)	M3 (kN·m)	
301	LIVE LOAD	2-LANES (caseMAX	S2	405.53	894.61	-4361.54	397.64	897.53	-2484.86	397.64	891.66	-2486.97	402.55	846.60	-632.74
			TQ	365.12	1325.80	-3115.41	360.31	1325.80	-1404.07	360.31	1322.47	-1407.20	355.45	1322.47	281.33
			M3	-97.83	-89.90	1538.74	-70.93	-27.65	1120.64	-71.21	-26.33	1120.71	199.73	764.69	1481.76
			MIN S2	-118.84	-183.67	1088.78	-101.05	-150.97	945.92	-101.05	-148.73	946.27	-102.01	-144.39	493.47
			TQ	-28.57	-821.99	-2107.75	-28.57	-821.99	-2242.55	-28.57	-827.29	-2240.60	-28.57	-827.29	-2375.40
			M3	353.01	867.54	-4938.34	195.74	-123.75	-3886.10	196.02	-131.61	-3885.80	126.25	-379.41	-3129.77
		3-LANES (caseMAX	S2	390.24	-970.38	-4365.37	385.04	-970.03	-2539.26	385.04	-976.03	-2536.96	379.97	-974.95	-740.64
			TQ	-63.35	840.88	-2107.87	-63.35	840.88	-2406.74	-63.35	835.19	-2408.72	-63.35	835.19	-2707.60
			M3	-119.18	152.33	1896.66	-91.93	72.03	1372.04	-91.83	74.57	1371.86	192.15	-772.53	1611.78
			MIN S2	-126.75	265.92	1670.08	-126.81	265.57	1074.69	-126.81	268.11	1074.06	-126.99	267.04	483.68
			TQ	358.49	-1283.32	-2934.52	353.23	-1283.32	-1255.59	353.23	-1286.28	-1252.55	347.98	-1286.28	401.58
			M3	202.51	51.87	-5077.77	169.50	138.14	-4173.47	169.40	128.98	-4173.79	99.03	381.19	-3550.09
		3-LANES (caseMAX	S2	879.08	283.27	-5052.78	683.12	397.96	-2417.37	683.12	392.25	-2418.31	531.58	468.18	-772.09
			TQ	478.59	752.36	-4020.55	415.91	752.36	-1910.83	415.65	747.90	-1863.43	352.81	747.90	-51.11
			M3	-121.86	-80.45	1952.96	244.78	40.76	1775.35	244.78	44.95	1775.25	229.83	376.42	2194.88
			MIN S2	-121.93	-83.36	1944.92	-152.97	-46.20	1526.33	-152.97	-42.60	1526.44	-301.45	23.47	1576.34
			TQ	33.11	-412.82	-2745.88	25.47	-412.82	-2607.70	24.05	-419.06	-2683.24	17.03	-419.06	-2586.24
			M3	432.03	348.34	-6364.81	251.89	9.20	-4893.82	251.89	-2.36	-4893.83	178.85	-116.42	-3858.14
		3-LANES (caseMAX	S2	638.12	834.44	-5403.24	566.92	879.66	-2926.55	566.92	872.74	-2928.62	519.80	859.63	-808.79
			TQ	476.32	1392.70	-3870.67	448.65	1392.70	-1688.45	447.36	1388.72	-1677.13	419.43	1388.72	367.82
			M3	-123.53	-81.54	1953.72	55.05	52.43	1533.65	54.81	54.93	1533.53	246.32	804.87	1989.58
			MIN S2	-141.39	-161.25	1571.26	-132.17	-111.19	1280.10	-132.17	-108.17	1280.36	-186.29	-48.96	1012.41
			TQ	-19.65	-869.77	-2860.63	-19.65	-869.77	-2953.33	-18.35	-876.77	-2965.87	-18.35	-876.77	-3052.45
			M3	427.08	709.39	-6329.34	250.61	-150.38	-4946.16	250.85	-160.94	-4945.79	167.54	-411.51	-3955.69

BAGO RIVER BRIDGE

BLOCK [ No.1 : MAIN GIRDER ][ BEAM MEMBER FORCE ]

MEMBER					3017			3018			3019					
NODE					3017			3018			3019					
					SHEAR	TORQUE	MOMENT	SHEAR	TORQUE	MOMENT	SHEAR	TORQUE	MOMENT			
NAME	TITLE				S2 (kN)	TQ (kN·m)	M3 (kN·m)	S2 (kN)	TQ (kN·m)	M3 (kN·m)	S2 (kN)	TQ (kN·m)	M3 (kN·m)			
301	LIVE LOAD	4-LANES	MAX	S2	749.42	478.84	-4801.27	610.39	574.44	-2375.03	610.39	568.82	-2376.38	509.58	594.22	-604.98
				TQ	456.93	1005.73	-3706.21	414.43	1005.73	-1650.75	413.94	1001.85	-1634.25	371.17	1001.85	217.69
				M3	-1.27	-0.23	0.42	342.14	305.44	655.63	341.95	306.12	654.91	321.84	662.23	1612.55
		MIN	S2	-25.12	-72.44	-103.47	-57.21	-78.99	177.50	-57.21	-78.57	177.69	-169.57	31.44	660.72	
			TQ	81.72	-610.12	-4022.42	75.88	-610.12	-3650.65	75.26	-618.78	-3678.95	69.89	-618.78	-3336.49	
			M3	405.65	481.19	-5989.39	224.86	-167.05	-4684.28	225.04	-177.26	-4683.87	143.61	-372.58	-3803.95	
		6-LANES	MAX	S2	947.51	-72.67	-7276.95	813.15	-20.13	-3888.81	813.15	-29.32	-3888.75	713.00	-32.17	-1133.01
				TQ	336.58	1462.36	-4613.76	304.88	1462.36	-3100.79	303.33	1455.07	-3073.52	271.38	1455.07	-1718.04
				M3	-177.48	50.12	2814.83	104.01	46.11	2257.86	104.07	50.83	2257.75	339.63	31.87	2855.54
			MIN	S2	-193.25	70.41	2388.85	-203.94	101.96	1845.88	-203.94	106.32	1845.63	-296.79	181.44	1604.31
				TQ	267.14	-1395.11	-4546.54	258.00	-1395.11	-3307.72	259.63	-1402.97	-3338.59	250.93	-1402.97	-2134.10
				M3	479.44	331.88	-8767.90	327.11	-13.18	-6946.91	327.22	-28.09	-6946.86	212.74	-51.57	-5666.64
	LIVE LOAD	MAX		947.51	1462.36	2814.83	813.15	1462.36	2257.86	813.15	1455.07	2257.75	713.00	1455.07	2855.54	
		MIN		-193.25	-1395.11	-8767.90	-203.94	-1395.11	-6946.91	-203.94	-1402.97	-6946.86	-303.77	-1402.97	-5666.64	
303	SUM TOTAL	TOTAL	MAX		2665.20	1617.00	-23717.50	2278.07	1617.00	-16767.99	2278.07	1564.76	-16768.41	1926.20	1564.76	-9854.27
			MIN		1524.44	-1240.48	-35300.24	1260.98	-1240.48	-25972.76	1260.98	-1293.28	-25973.02	909.43	-1293.28	-18376.45

BAGO RIVER BRIDGE

BLOCK [ No.1 : MAIN GIRDER ] [ BEAM MEMBER FORCE ]

MEMBER NODE	3019 3019	3020			3020			3021			3021					
		SHEAR	TORQUE	MOMENT	SHEAR	TORQUE	MOMENT	SHEAR	TORQUE	MOMENT	SHEAR	TORQUE	MOMENT			
		S2 (kN)	TQ (kN·m)	M3 (kN·m)	S2 (kN)	TQ (kN·m)	M3 (kN·m)	S2 (kN)	TQ (kN·m)	M3 (kN·m)	S2 (kN)	TQ (kN·m)	M3 (kN·m)			
1	PAVEMENT	250.88	82.33	-2467.95	202.28	82.33	-1382.26	202.28	79.01	-1382.45	153.97	79.01	-528.95			
3	RAILING	3.93	2.60	-57.61	4.81	2.60	-36.70	4.81	2.51	-36.70	5.69	2.51	-11.56			
5	CURB	38.91	25.70	-570.36	47.60	25.70	-363.28	47.60	24.83	-363.34	56.35	24.83	-114.44			
7	DECK WEIGHT	382.44	108.67	-3782.77	308.62	108.67	-2127.15	308.62	103.56	-2127.41	235.24	103.56	-824.46			
8	GIRDER WEIGH	433.96	-59.70	-4142.30	344.34	-59.70	-2277.18	344.34	-65.16	-2277.03	254.71	-65.16	-841.46			
10	MEDIAN STRIP	71.03	-44.05	-578.09	41.93	-44.05	-307.39	41.93	-44.79	-307.29	12.82	-44.79	-176.09			
21	ADITIONAL WE	107.08	30.43	-1059.18	86.41	30.43	-595.60	86.41	29.00	-595.67	65.87	29.00	-230.85			
31	MEDIAN RAILI	6.65	-3.74	-52.38	4.30	-3.74	-26.13	4.30	-3.80	-26.12	1.95	-3.80	-11.14			
51	SUPPORT WEIG	-0.00	-0.00	-0.00	-0.00	-0.00	-0.00	-0.00	-0.00	-0.00	-0.00	-0.00	-0.00			
52	NOSE WEIGHT	-0.00	0.06	0.03	-0.00	0.06	0.02	-0.00	0.06	0.02	-0.00	0.06	0.00			
61	1-LANE(case1TRUCK-LOAD	MAX	S2	57.75	-357.22	2.05	57.75	-357.22	278.82	57.75	-356.55	279.68	57.75	-356.55	556.45	
			TQ	6.31	46.15	-528.19	6.31	46.15	-497.93	6.31	44.96	-498.04	6.31	44.96	-467.79	
			M3	35.13	-251.91	203.49	40.13	-292.20	380.39	40.13	-291.29	381.09	52.23	-341.76	605.21	
		MIN	S2	-18.45	37.13	110.86	-18.45	37.13	22.42	-18.45	37.18	22.33	-18.45	37.18	-66.11	
			TQ	57.75	-357.22	2.05	57.75	-357.22	278.82	57.75	-356.55	279.68	57.75	-356.55	556.45	
			M3	7.30	42.93	-572.93	7.30	42.93	-537.93	7.30	41.64	-538.03	7.29	41.91	-503.05	
		TANDEM-LOAD	MAX	S2	39.70	-244.36	24.54	39.70	-244.36	214.83	39.70	-243.84	215.41	39.70	-243.84	405.71
			TQ	4.41	31.42	-365.48	4.41	31.42	-344.32	4.41	30.60	-344.40	4.41	30.60	-323.24	
			M3	23.78	-181.10	145.28	25.18	-192.34	261.65	25.18	-191.72	262.11	38.85	-241.80	412.79	
		MIN	S2	-12.53	24.89	75.30	-12.53	24.89	15.25	-12.53	24.92	15.20	-12.53	24.92	-44.85	
			TQ	39.70	-244.36	24.54	39.70	-244.36	214.83	39.70	-243.84	215.41	39.70	-243.84	405.71	
			M3	4.99	28.78	-389.50	4.99	28.78	-365.61	4.99	27.90	-365.67	4.99	27.90	-341.78	
		DISPERSION-LMAX	S2	65.10	-320.00	-658.87	65.10	-320.00	-346.87	65.10	-320.83	-346.10	65.10	-320.83	-34.11	
			TQ	-23.31	121.66	-507.58	-23.31	121.66	-619.32	-23.31	120.18	-619.61	-23.31	120.18	-731.35	
			M3	-5.72	-94.73	285.69	21.79	-279.80	325.92	21.94	-280.04	326.60	56.87	-370.48	560.30	
		MIN	S2	-31.54	70.49	165.60	-31.54	70.49	14.42	-31.54	70.53	14.25	-31.54	70.53	-136.94	
			TQ	56.87	-371.16	14.31	56.87	-371.16	286.86	56.87	-370.48	287.75	56.87	-370.48	560.30	
			M3	39.27	-154.78	-778.96	11.76	30.30	-658.38	11.61	29.74	-658.45	-23.31	120.18	-731.35	

BAGO RIVER BRIDGE

BLOCK [ No.1 : MAIN GIRDER ][ BEAM MEMBER FORCE ]

MEMBER				3019			3020			3021					
NODE				3019			3020			3021					
				SHEAR	TORQUE	MOMENT	SHEAR	TORQUE	MOMENT	SHEAR	TORQUE	MOMENT			
NAME	TITLE			S2 (kN)	TQ (kN·m)	M3 (kN·m)	S2 (kN)	TQ (kN·m)	M3 (kN·m)	S2 (kN)	TQ (kN·m)	M3 (kN·m)			
62	1-LANE (case2TRUCK-LOAD	MAX	S2	78.17	-138.89	98.70	78.17	-138.89	473.36	78.17	-137.76	473.69	78.17	-137.76	848.35
			TQ	8.26	18.17	-553.54	8.26	18.17	-513.96	8.19	16.94	-509.61	8.19	16.94	-470.34
			M3	42.58	-44.07	430.37	60.54	-93.04	595.29	60.54	-91.61	595.51	71.94	-130.80	857.31
		MIN	S2	-18.51	13.24	113.64	-18.51	13.24	24.93	-18.51	13.30	24.90	-18.51	13.30	-63.81
			TQ	71.10	-146.67	-1.79	71.10	-146.67	338.99	71.10	-145.86	339.34	71.10	-145.86	680.11
			M3	8.76	17.21	-594.38	8.76	17.21	-552.38	8.76	15.88	-552.42	8.76	15.88	-510.42
		TANDEM-LOAD MAX	S2	54.07	-89.09	104.92	54.07	-89.09	364.09	54.07	-88.21	364.30	54.07	-88.21	623.46
			TQ	5.70	12.36	-382.92	5.70	12.36	-355.60	5.70	11.50	-355.63	5.70	11.50	-328.31
			M3	28.80	-21.55	334.21	42.34	-56.77	434.18	42.34	-55.73	434.32	54.07	-88.21	623.46
		MIN	S2	-12.56	8.90	77.14	-12.56	8.90	16.93	-12.56	8.94	16.91	-12.56	8.94	-43.30
			TQ	52.03	-100.52	21.19	52.03	-100.52	270.57	52.03	-99.87	270.81	52.03	-99.87	520.19
			M3	5.94	11.50	-403.57	5.94	11.50	-375.08	5.94	10.60	-375.11	5.94	10.60	-346.62
		DISPERSION-LMAX	S2	79.04	-117.71	-740.00	73.68	-115.19	-414.40	73.68	-116.19	-414.12	68.21	-113.31	-109.11
			TQ	-20.19	45.54	-534.30	-20.19	45.54	-631.07	-20.19	44.02	-631.18	-20.19	44.02	-727.95
			M3	-4.79	-21.95	351.84	21.88	-101.94	395.43	21.89	-101.00	395.68	53.42	-140.20	621.02
MIN	S2	-33.24	22.20	254.05	-34.16	19.69	132.90	-34.16	20.01	132.85	-34.98	17.13	2.18		
	TQ	65.99	-141.04	48.36	59.71	-141.04	349.58	59.71	-140.20	349.91	53.42	-140.20	621.02		
	M3	50.59	-73.56	-837.78	17.63	6.43	-676.93	17.62	4.82	-676.94	-20.19	44.02	-727.95		
63	1-LANE (case3TRUCK-LOAD	MAX	S2	228.50	11.78	526.09	154.30	23.23	921.55	154.30	25.44	921.49	97.40	33.09	970.72
			TQ	62.55	34.75	-82.37	62.55	34.75	217.40	69.21	35.40	282.21	69.21	35.40	613.90
			M3	212.45	9.05	544.92	139.04	20.29	944.79	139.04	22.56	944.74	76.01	31.46	983.68
		MIN	S2	-27.17	2.70	501.20	-79.54	9.87	854.90	-79.54	11.92	854.87	-153.36	23.47	897.68
			TQ	-14.31	-6.79	89.58	-14.31	-6.79	21.00	-14.31	-6.74	21.02	-14.31	-6.74	-47.56
			M3	9.81	-2.49	-610.21	9.81	-2.49	-563.19	9.81	-3.84	-563.18	9.81	-3.84	-516.16

BAGO RIVER BRIDGE

BLOCK [ No.1 : MAIN GIRDER ][ BEAM MEMBER FORCE ]

MEMBER		3019			3020			3020			3021				
NODE		3019			3020			3020			3021				
		SHEAR	TORQUE	MOMENT	SHEAR	TORQUE	MOMENT	SHEAR	TORQUE	MOMENT	SHEAR	TORQUE	MOMENT		
NAME	TITLE	S2 (kN)	TQ (kN·m)	M3 (kN·m)	S2 (kN)	TQ (kN·m)	M3 (kN·m)	S2 (kN)	TQ (kN·m)	M3 (kN·m)	S2 (kN)	TQ (kN·m)	M3 (kN·m)		
63	1-LANE (case3TANDEM-LOAD	MAX	S2	179.05	4.31	500.27	127.04	12.08	789.00	127.04	13.97	788.97	77.33	21.18	796.02
			TQ	42.80	23.62	-51.57	42.80	23.62	153.58	44.66	24.03	171.63	44.66	24.03	385.68
			M3	179.05	4.31	500.28	127.04	12.08	789.00	127.04	13.97	788.97	77.33	21.18	796.02
		MIN	S2	-28.57	2.99	497.01	-77.08	10.03	781.64	-77.08	11.91	781.62	-129.81	19.81	787.48
			TQ	-9.48	-4.65	59.36	-9.48	-4.65	13.93	-9.48	-4.62	13.94	-9.48	-4.62	-31.49
			M3	6.69	-1.83	-414.73	6.69	-1.83	-382.65	6.69	-2.75	-382.65	6.69	-2.75	-350.58
	DISPERSION-LMAX	S2	115.23	34.21	-782.05	87.46	32.95	-427.55	87.46	31.92	-427.62	68.78	28.97	-210.37	
		TQ	82.70	40.75	-215.36	52.54	40.75	108.90	51.06	41.11	195.42	19.47	41.11	364.32	
		M3	22.88	-1.85	365.65	21.08	20.24	472.89	21.04	21.32	472.84	23.40	38.77	623.51	
		MIN	S2	-35.27	-9.55	272.91	-45.28	-8.29	211.09	-45.28	-7.78	211.11	-64.36	-4.83	105.52
			TQ	-2.75	-16.08	-293.77	-10.36	-16.08	-325.36	-8.87	-16.97	-411.94	-15.05	-16.97	-469.17
			M3	57.07	26.51	-874.78	21.11	4.43	-689.35	21.14	2.82	-689.36	-18.98	-14.62	-728.36
64	1-LANE (case4TRUCK-LOAD	MAX	S2	84.89	403.10	15.71	84.89	403.10	422.56	84.89	404.12	421.59	102.26	368.13	905.23
			TQ	79.91	405.44	-61.89	79.91	405.44	321.12	79.91	406.21	320.15	79.91	406.21	703.17
			M3	3.03	189.31	353.57	71.78	348.04	540.61	71.78	349.34	539.77	79.70	355.93	911.39
		MIN	S2	-18.60	-28.58	118.47	-18.60	-28.58	29.31	-18.60	-28.51	29.38	-18.60	-28.51	-59.78
			TQ	11.23	-51.68	-614.36	11.23	-51.68	-560.53	11.23	-53.03	-560.41	11.23	-53.03	-506.58
			M3	12.02	-49.52	-645.76	12.02	-49.52	-588.14	12.02	-50.93	-588.02	12.02	-50.93	-530.40
	TANDEM-LOAD	MAX	S2	59.18	269.29	48.95	59.18	269.29	332.57	59.18	270.09	331.92	78.68	217.54	607.24
			TQ	55.78	278.08	-34.09	55.78	278.08	233.26	55.78	278.64	232.60	55.78	278.64	499.95
			M3	8.08	141.86	258.15	48.42	231.27	385.43	48.42	232.20	384.88	57.94	263.44	628.02
		MIN	S2	-17.29	85.13	232.36	-12.62	-19.08	19.85	-12.62	-19.04	19.90	-12.62	-19.04	-40.59
			TQ	7.78	-35.18	-423.46	7.78	-35.18	-386.15	7.78	-36.11	-386.06	7.78	-36.11	-348.75
			M3	8.18	-33.95	-439.32	8.18	-33.95	-400.12	8.18	-34.91	-400.04	8.18	-34.91	-360.83

BAGO RIVER BRIDGE

BLOCK [ No.1 : MAIN GIRDER ][ BEAM MEMBER FORCE ]

MEMBER			3019			3020			3020			3021					
NODE			3019			3020			3020			3021					
			SHEAR	TORQUE	MOMENT	SHEAR	TORQUE	MOMENT	SHEAR	TORQUE	MOMENT	SHEAR	TORQUE	MOMENT			
NAME	TITLE		S2 (kN)	TQ (kN·m)	M3 (kN·m)	S2 (kN)	TQ (kN·m)	M3 (kN·m)	S2 (kN)	TQ (kN·m)	M3 (kN·m)	S2 (kN)	TQ (kN·m)	M3 (kN·m)			
64	1-LANE (case4DISPERSION-LMAX	S2	83.69	334.60	-808.65	87.98	345.85	-379.38	87.98	344.94	-380.21	94.26	344.94	56.48			
		TQ	67.58	407.27	1.40	73.81	407.27	340.18	73.81	408.09	339.20	80.10	408.09	707.98			
		M3	-10.76	80.85	350.65	29.29	271.26	402.47	29.29	272.22	401.82	80.10	408.09	707.98			
		MIN	S2	-33.33	-40.89	225.87	-31.40	-52.14	52.83	-31.40	-52.01	52.95	-31.40	-52.01	-97.52		
		TQ	-17.23	-113.56	-584.17	-17.23	-113.56	-666.73	-17.23	-115.16	-666.46	-17.23	-115.16	-749.02			
		M3	61.11	212.87	-933.42	27.30	22.45	-729.02	27.30	20.70	-729.08	-17.23	-115.16	-749.02			
		65	2-LANES (caseTRUCK-LOAD	MAX	S2	121.48	-603.58	68.62	121.48	-603.58	650.86	121.48	-602.01	652.31	121.48	-602.01	1234.56
				TQ	13.62	78.37	-1069.02	13.62	78.37	-1003.76	13.54	75.97	-999.54	13.54	75.97	-934.65	
				M3	57.79	-361.51	508.58	88.32	-476.48	842.22	88.32	-474.45	843.36	110.40	-557.38	1329.62	
MIN	S2			-36.93	62.31	223.12	-36.93	62.31	46.10	-36.93	62.42	45.95	-36.93	62.42	-131.07		
TQ	118.43			-609.00	-11.62	118.43	-609.00	555.98	118.43	-607.66	557.44	118.43	-607.66	1125.04			
M3	15.33			73.15	-1156.56	15.33	73.15	-1083.07	15.33	70.56	-1083.24	15.32	70.83	-1009.77			
TANDEM-LOAD	MAX	S2	83.93	-411.77	78.90	83.93	-411.77	481.15	83.93	-410.62	482.14	83.93	-410.62	884.38			
		TQ	9.48	53.34	-739.69	9.48	53.34	-694.24	9.48	51.68	-694.36	9.48	51.68	-648.90			
		M3	31.40	-232.89	362.69	61.77	-327.48	580.71	61.77	-326.09	581.50	78.23	-385.23	916.26			
		MIN	S2	-25.07	41.78	151.52	-25.07	41.78	31.35	-25.07	41.85	31.25	-25.07	41.85	-88.92		
		TQ	81.74	-416.90	21.37	81.74	-416.90	413.15	81.74	-415.91	414.15	81.74	-415.91	805.93			
		M3	10.45	48.93	-786.06	10.45	48.93	-735.96	10.45	47.16	-736.07	10.45	47.16	-685.97			
		DISPERSION-LMAX	S2	S2	133.37	-537.25	-1351.50	133.37	-537.25	-712.27	133.37	-538.96	-710.98	133.37	-538.96	-71.75	
				TQ	-44.93	205.17	-1029.43	-44.93	205.17	-1244.78	-44.93	202.19	-1245.27	-44.93	202.19	-1460.63	
				M3	-13.30	-148.88	607.68	43.73	-468.47	683.44	43.93	-468.05	684.56	115.24	-626.46	1155.93	
MIN	S2			-63.06	114.52	371.81	-63.06	114.52	69.57	-63.06	114.68	69.30	-63.06	114.68	-232.95		
TQ	115.24			-627.90	49.74	115.24	-627.90	602.08	115.24	-626.46	603.59	115.24	-626.46	1155.93			
M3	83.61			-273.85	-1587.38	26.58	45.74	-1326.14	26.38	43.78	-1326.25	-44.93	202.19	-1460.63			



BAGO RIVER BRIDGE

BLOCK [ No.1 : MAIN GIRDER ][ BEAM MEMBER FORCE ]

MEMBER				3019			3020			3021						
NODE				3019			3020			3021						
				SHEAR	TORQUE	MOMENT	SHEAR	TORQUE	MOMENT	SHEAR	TORQUE	MOMENT				
NAME	TITLE			S2 (kN)	TQ (kN·m)	M3 (kN·m)	S2 (kN)	TQ (kN·m)	M3 (kN·m)	S2 (kN)	TQ (kN·m)	M3 (kN·m)				
66	2-LANES (caseTRUCK-LOAD	MAX	S2	141.91	-385.25	165.27	141.91	-385.25	845.40	141.91	-383.22	846.33	141.91	-383.22	1526.46	
			TQ	15.56	50.38	-1094.37	15.56	50.38	-1019.79	15.42	47.94	-1011.11	15.42	47.94	-937.20	
			M3	65.24	-153.67	735.46	108.73	-277.32	1057.12	108.73	-274.78	1057.78	130.11	-346.41	1581.73	
			MIN	S2	-36.99	38.42	225.89	-36.99	38.42	48.61	-36.99	38.54	48.51	-36.99	38.54	-128.78
				TQ	131.78	-398.44	-15.46	131.78	-398.44	616.14	131.78	-396.96	617.10	131.78	-396.96	1248.70
				M3	16.79	47.44	-1178.01	16.79	47.44	-1097.52	16.79	44.80	-1097.63	16.79	44.80	-1017.14
		TANDEM-LOAD	MAX	S2	98.30	-256.50	159.29	98.30	-256.50	630.41	98.30	-254.99	631.02	98.30	-254.99	1102.14
				TQ	10.77	34.28	-757.14	10.77	34.28	-705.51	10.77	32.58	-705.59	10.77	32.58	-653.97
				M3	36.42	-73.34	551.63	78.93	-191.91	753.24	78.93	-190.10	753.70	93.45	-231.64	1126.93
			MIN	S2	-25.11	25.79	153.36	-25.11	25.79	33.02	-25.11	25.87	32.96	-25.11	25.87	-87.38
				TQ	94.07	-273.06	18.02	94.07	-273.06	468.89	94.07	-271.93	469.54	94.07	-271.93	920.41
				M3	11.41	31.65	-800.13	11.41	31.65	-745.43	11.41	29.86	-745.50	11.41	29.86	-690.81
		DISPERSION-LMAX	MAX	S2	147.31	-334.96	-1432.63	141.96	-332.44	-779.79	141.96	-334.31	-778.99	136.49	-331.44	-146.75
				TQ	-41.81	129.05	-1056.15	-41.81	129.05	-1256.54	-41.81	126.03	-1256.84	-41.81	126.03	-1457.23
				M3	-12.37	-76.10	673.84	43.82	-290.60	752.95	43.88	-289.01	753.65	111.80	-396.18	1216.65
			MIN	S2	-64.75	66.23	460.27	-65.68	63.71	188.05	-65.68	64.16	187.90	-66.50	61.28	-93.83
				TQ	124.37	-397.78	83.79	118.08	-397.78	664.80	118.08	-396.18	665.75	111.80	-396.18	1216.65
				M3	94.93	-192.63	-1646.20	32.46	21.87	-1344.69	32.39	18.86	-1344.74	-41.81	126.03	-1457.23
67	2-LANES (caseTRUCK-LOAD	MAX	S2	424.34	74.81	1022.64	293.10	130.64	1788.46	293.10	134.94	1788.14	192.62	175.21	1941.57	
			TQ	135.53	189.13	-123.77	135.53	189.13	525.80	142.19	190.52	590.23	142.19	190.52	1271.71	
			M3	393.85	60.71	1056.09	264.04	116.19	1829.64	264.04	120.58	1829.35	152.87	166.30	1965.42	
			MIN	S2	-47.28	24.84	961.87	-138.90	64.56	1646.73	-138.90	68.51	1646.57	-270.44	126.17	1807.02
				TQ	-29.46	-27.42	185.81	-29.46	-27.42	44.61	-29.46	-27.32	44.68	-29.46	-27.32	-96.52
				M3	20.29	-18.53	-1230.68	20.29	-18.41	-1133.42	20.29	-21.13	-1133.37	20.29	-21.13	-1036.14

BAGO RIVER BRIDGE

BLOCK [ No.1 : MAIN GIRDER ][ BEAM MEMBER FORCE ]

MEMBER		3019			3020			3020			3021					
NODE		3019			3020			3020			3021					
		SHEAR	TORQUE	MOMENT	SHEAR	TORQUE	MOMENT	SHEAR	TORQUE	MOMENT	SHEAR	TORQUE	MOMENT			
NAME	TITLE	S2 (kN)	TQ (kN·m)	M3 (kN·m)	S2 (kN)	TQ (kN·m)	M3 (kN·m)	S2 (kN)	TQ (kN·m)	M3 (kN·m)	S2 (kN)	TQ (kN·m)	M3 (kN·m)			
67	2-LANES (caseTANDEM-LOAD	MAX	S2	330.45	32.38	956.83	238.30	71.23	1512.59	238.30	74.86	1512.42	150.57	111.17	1570.64	
			TQ	90.50	129.30	-90.64	90.50	129.30	343.11	92.36	130.16	360.91	92.36	130.16	803.57	
			M3	330.46	32.38	956.84	238.30	71.23	1512.60	238.30	74.86	1512.42	150.57	111.17	1570.65	
			MIN	S2	-49.82	25.06	948.57	-135.18	61.31	1496.89	-135.18	64.91	1496.74	-227.72	103.96	1553.20
			TQ	-20.02	-18.69	126.30	-20.02	-18.69	30.33	-20.02	-18.62	30.37	-20.02	-18.62	-65.60	
			M3	13.83	-12.88	-836.63	13.83	-12.88	-770.37	13.83	-14.72	-770.34	13.83	-14.72	-704.08	
		DISPERSION-LMAX	S2	227.02	170.12	-1581.29	175.42	161.93	-866.23	175.42	159.85	-866.61	139.94	144.23	-413.90	
			TQ	178.66	199.59	-188.89	117.10	199.59	519.90	115.62	200.94	606.04	52.73	200.94	1009.24	
			M3	41.67	8.93	729.52	43.82	118.03	940.02	43.79	120.24	939.74	56.66	198.60	1268.43	
			MIN	S2	-69.54	-37.28	542.75	-87.12	-29.08	416.51	-87.12	-28.08	416.58	-120.70	-12.46	221.46
			TQ	-21.19	-66.75	-849.65	-28.80	-66.75	-969.62	-27.31	-69.18	-1056.08	-33.49	-69.18	-1201.68	
			M3	115.80	123.91	-1768.06	44.48	14.81	-1389.74	44.51	11.52	-1389.77	-37.42	-66.83	-1460.87	
68	2-LANES (caseTRUCK-LOAD	MAX	S2	174.65	535.72	416.51	174.15	604.75	1105.26	174.15	607.40	1103.80	188.53	629.28	1840.91	
			TQ	153.63	690.94	-133.29	153.63	690.94	603.02	158.88	692.41	680.10	158.88	692.41	1441.57	
			M3	82.81	293.46	776.32	151.28	529.56	1226.90	151.28	532.50	1225.63	156.94	603.93	1854.06	
			MIN	S2	-37.18	-45.24	235.57	-37.18	-45.24	57.38	-37.18	-45.10	57.48	-37.18	-45.10	-120.71
			TQ	22.00	-89.21	-1216.59	22.00	-89.21	-1111.17	22.00	-91.88	-1110.95	22.00	-91.88	-1005.53	
			M3	23.43	-85.61	-1281.37	23.43	-85.61	-1169.08	23.43	-88.42	-1168.87	23.43	-88.42	-1056.59	
		TANDEM-LOAD	MAX	S2	120.04	368.90	299.34	120.02	382.55	846.53	120.02	384.58	845.61	138.79	382.67	1298.39
			TQ	106.90	473.86	-75.94	106.90	473.86	436.41	108.36	474.91	457.24	108.36	474.91	976.60	
			M3	68.77	200.56	594.01	109.26	344.53	899.39	109.26	346.68	898.56	118.04	428.57	1319.17	
			MIN	S2	-29.90	74.02	311.80	-25.23	-30.19	38.88	-25.23	-30.09	38.95	-25.23	-30.09	-81.95
			TQ	15.22	-60.73	-838.88	15.22	-60.73	-765.93	15.22	-62.56	-765.78	15.22	-62.56	-692.83	
			M3	15.94	-58.68	-871.63	15.94	-58.68	-795.24	15.94	-60.58	-795.10	15.94	-60.58	-718.71	

BAGO RIVER BRIDGE

BLOCK [ No.1 : MAIN GIRDER ][ BEAM MEMBER FORCE ]

MEMBER			3019			3020			3020			3021					
NODE			3019			3020			3020			3021					
			SHEAR	TORQUE	MOMENT	SHEAR	TORQUE	MOMENT	SHEAR	TORQUE	MOMENT	SHEAR	TORQUE	MOMENT			
NAME	TITLE		S2 (kN)	TQ (kN·m)	M3 (kN·m)	S2 (kN)	TQ (kN·m)	M3 (kN·m)	S2 (kN)	TQ (kN·m)	M3 (kN·m)	S2 (kN)	TQ (kN·m)	M3 (kN·m)			
68	2-LANES (caseDISPERSION-LMAX	S2	178.75	569.74	-1617.23	172.92	573.38	-807.13	172.92	571.44	-808.50	169.80	559.49	-51.57			
		TQ	148.27	693.10	14.72	143.28	693.10	713.44	143.28	694.81	711.78	138.26	694.81	1386.51			
		M3	-6.41	141.26	705.66	56.35	476.48	833.55	56.14	477.39	832.40	138.26	694.81	1386.51			
		MIN	S2	-65.37	-66.40	473.46	-64.53	-70.04	194.88	-64.53	-69.57	195.05	-66.43	-57.62	-54.36		
		TQ	-34.89	-189.76	-1158.48	-34.89	-189.76	-1325.69	-34.89	-192.94	-1325.23	-34.89	-192.94	-1492.43			
		M3	119.78	362.08	-1849.42	52.04	26.86	-1445.79	52.25	24.48	-1445.86	-34.89	-192.94	-1492.43			
		69	3-LANES (caseTRUCK-LOAD	MAX	S2	199.65	-742.47	167.32	199.65	-742.47	1124.22	199.65	-739.77	1126.00	199.65	-739.77	2082.90
				TQ	21.87	96.54	-1622.55	21.87	96.54	-1517.72	21.73	92.90	-1509.15	21.73	92.90	-1404.99	
				M3	100.37	-405.58	938.95	148.86	-569.52	1437.51	148.86	-566.07	1438.88	182.34	-688.18	2186.94	
MIN	S2			-55.44	75.55	336.76	-55.44	75.55	71.03	-55.44	75.72	70.85	-55.44	75.72	-194.89		
TQ	189.53			-755.67	-13.42	189.53	-755.67	894.96	189.53	-753.52	896.77	189.53	-753.52	1805.15			
M3	24.10			90.37	-1750.94	24.10	90.37	-1635.45	24.10	86.44	-1635.66	24.08	86.71	-1520.19			
TANDEM-LOAD	MAX	S2	138.00	-500.86	183.82	138.00	-500.86	845.24	138.00	-498.83	846.43	138.00	-498.83	1507.85			
		TQ	15.19	65.70	-1122.61	15.19	65.70	-1049.83	15.19	63.18	-1049.99	15.19	63.18	-977.21			
		M3	60.20	-254.44	696.91	104.11	-384.25	1014.89	104.11	-381.81	1015.81	132.30	-473.44	1539.72			
		MIN	S2	-37.64	50.67	228.66	-37.64	50.67	48.28	-37.64	50.79	48.15	-37.64	50.79	-132.23		
		TQ	133.78	-517.42	42.56	133.78	-517.42	683.72	133.78	-515.78	684.96	133.78	-515.78	1326.12			
		M3	16.40	60.42	-1189.63	16.40	60.42	-1111.04	16.40	57.76	-1111.18	16.40	57.76	-1032.59			
		DISPERSION-LMAX	S2	212.41	-654.95	-2091.50	207.05	-652.44	-1126.67	207.05	-655.14	-1125.10	201.58	-652.26	-180.86		
				TQ	-65.12	250.71	-1563.73	-65.12	250.71	-1875.85	-65.12	246.21	-1876.45	-65.12	246.21	-2188.58	
				M3	-18.09	-170.82	959.53	65.61	-570.40	1078.88	65.82	-569.05	1080.24	168.67	-766.66	1776.95	
MIN	S2			-96.30	136.72	625.87	-97.23	134.21	202.47	-97.23	134.69	202.15	-98.04	131.81	-230.77		
TQ	181.23			-768.94	98.09	174.95	-768.94	951.66	174.95	-766.66	953.50	168.67	-766.66	1776.95			
M3	134.20			-347.41	-2425.16	44.22	52.17	-2003.07	44.00	48.60	-2003.19	-65.12	246.21	-2188.58			

BAGO RIVER BRIDGE

BLOCK [ No.1 : MAIN GIRDER ][ BEAM MEMBER FORCE ]

MEMBER				3019			3020			3021					
NODE				3019			3020			3021					
				SHEAR	TORQUE	MOMENT	SHEAR	TORQUE	MOMENT	SHEAR	TORQUE	MOMENT			
NAME	TITLE			S2 (kN)	TQ (kN·m)	M3 (kN·m)	S2 (kN)	TQ (kN·m)	M3 (kN·m)	S2 (kN)	TQ (kN·m)	M3 (kN·m)			
70	3-LANES (caseTRUCK-LOAD	MAX	S2	528.42	191.52	1451.85	388.37	321.56	2493.88	388.37	327.55	2493.10	279.91	424.27	2881.64
			TQ	208.66	463.38	-196.12	208.66	463.38	803.96	215.32	465.44	867.73	215.32	465.44	1899.73
			M3	487.42	157.93	1491.63	349.01	287.66	2540.42	349.01	293.75	2539.72	229.96	402.46	2912.61
		MIN	S2	-65.88	-3.75	1080.34	-157.51	35.98	1676.04	-157.51	40.00	1675.95	-289.04	97.65	1747.24
			TQ	-44.69	-61.87	283.92	-44.69	-61.87	69.73	-44.69	-61.70	69.88	-44.69	-61.70	-144.31
			M3	31.39	-48.00	-1861.29	31.39	-47.88	-1710.83	31.39	-51.99	-1710.72	31.39	-51.99	-1560.29
	TANDEM-LOAD	MAX	S2	403.86	86.85	1309.83	305.38	177.90	2052.53	305.38	182.83	2052.10	212.12	268.23	2270.99
			TQ	141.18	317.27	-133.24	141.18	317.27	543.39	143.03	318.61	560.73	143.03	318.61	1246.27
			M3	403.86	86.85	1309.83	305.38	177.90	2052.54	305.38	182.83	2052.11	212.12	268.23	2271.00
		MIN	S2	-62.44	5.98	1028.91	-147.80	42.23	1516.75	-147.80	45.87	1516.64	-242.49	250.90	2244.18
			TQ	-30.62	-42.16	194.51	-30.62	-42.16	47.75	-30.62	-42.04	47.85	-30.62	-42.04	-98.90
			M3	21.38	-33.14	-1265.55	21.38	-33.14	-1163.08	21.38	-35.94	-1163.00	21.38	-35.94	-1060.53
	DISPERSION-LMAX	MAX	S2	324.15	408.20	-2390.64	260.37	390.83	-1304.73	260.37	387.70	-1305.66	214.15	357.76	-552.71
			TQ	261.45	480.10	-174.38	186.00	480.10	897.72	184.52	482.36	983.19	108.00	482.36	1683.76
			M3	48.28	43.73	1088.50	70.36	293.21	1378.26	70.12	295.37	1377.56	111.93	480.02	1942.95
		MIN	S2	-101.90	-82.96	800.71	-121.18	-65.59	580.61	-121.18	-64.20	580.76	-157.65	-34.26	296.46
			TQ	-39.20	-154.87	-1415.56	-46.81	-154.87	-1621.85	-45.33	-158.86	-1708.09	-51.50	-158.86	-1940.02
			M3	173.98	281.51	-2678.44	68.83	32.03	-2102.38	69.07	28.12	-2102.46	-55.43	-156.52	-2199.21
71	3-LANES (caseTRUCK-LOAD	MAX	S2	356.13	606.60	901.36	306.92	722.88	1949.40	306.92	727.56	1947.66	282.74	783.49	2807.35
			TQ	227.14	857.17	-172.47	227.14	857.17	916.19	232.39	859.40	992.86	232.39	859.40	2106.68
			M3	250.40	352.05	1274.65	270.82	635.51	2087.20	270.82	640.52	2085.67	233.95	750.61	2831.25
		MIN	S2	-55.73	-49.95	351.29	-89.50	16.60	824.81	-89.50	18.58	824.76	-141.48	67.86	785.15
			TQ	32.30	-112.59	-1806.70	32.30	-112.59	-1651.91	32.30	-116.55	-1651.64	32.30	-116.55	-1496.85
			M3	34.22	-108.28	-1906.82	34.22	-108.28	-1742.83	34.22	-112.46	-1742.57	34.21	-112.37	-1578.58

BAGO RIVER BRIDGE

BLOCK [ No.1 : MAIN GIRDER ][ BEAM MEMBER FORCE ]

MEMBER				3019			3020			3021							
NODE				3019			3020			3021							
				SHEAR	TORQUE	MOMENT	SHEAR	TORQUE	MOMENT	SHEAR	TORQUE	MOMENT					
NAME	TITLE			S2 (kN)	TQ (kN·m)	M3 (kN·m)	S2 (kN)	TQ (kN·m)	M3 (kN·m)	S2 (kN)	TQ (kN·m)	M3 (kN·m)					
71	3-LANES (case)	TANDEM-LOAD	MAX	S2	258.73	401.19	738.75	225.04	448.28	1544.13	225.04	451.99	1543.05	210.59	480.74	2063.81	
				TQ	155.03	587.51	-113.91	155.03	587.51	629.10	156.49	589.03	649.66	156.49	589.03	1399.69	
				M3	207.46	232.85	1033.43	214.29	410.26	1596.99	214.29	414.10	1596.00	189.85	526.64	2084.59	
			MIN	S2	-48.58	99.74	745.67	-76.52	27.16	727.73	-76.52	28.91	727.66	-112.81	61.87	674.70	
				TQ	22.31	-76.64	-1246.26	22.31	-76.64	-1139.34	22.31	-79.37	-1139.15	22.31	-79.37	-1032.23	
				M3	23.28	-74.18	-1296.92	23.28	-74.18	-1185.37	23.28	-77.02	-1185.19	23.28	-77.02	-1073.63	
		DISPERSION-LMAX		S2	288.41	701.56	-2421.90	260.53	697.36	-1251.51	260.53	694.36	-1253.18	241.36	668.48	-256.07	
				TQ	240.49	857.32	50.06	206.79	857.32	1122.16	206.67	860.01	1120.27	172.69	860.01	2029.58	
					M3	10.59	178.44	1065.48	79.71	605.07	1293.50	79.51	607.08	1292.05	174.43	859.96	2035.44
				MIN	S2	-99.29	-72.70	739.20	-105.12	-68.50	394.70	-105.12	-67.55	394.86	-119.92	-41.68	61.43
					TQ	-51.37	-228.46	-1732.76	-51.37	-228.46	-1978.97	-51.25	-233.21	-1978.59	-51.25	-233.21	-2224.23
					M3	178.52	450.42	-2748.18	75.70	23.79	-2150.31	75.91	19.72	-2150.37	-52.99	-233.16	-2230.09
72	4-LANES	TRUCK-LOAD	MAX	S2	599.21	601.87	1455.63	467.30	735.25	2893.65	467.30	742.20	2891.87	380.30	804.55	3783.39	
				TQ	295.76	880.36	-223.76	295.76	880.36	1193.74	297.16	883.23	1204.74	297.16	883.23	2628.99	
				M3	478.63	353.91	1833.46	415.71	645.52	3057.63	415.71	652.86	3056.07	309.77	770.28	3820.17	
			MIN	S2	-61.84	144.94	1569.77	-145.58	175.64	2264.08	-145.58	181.07	2263.65	-276.63	318.58	2678.83	
				TQ	40.83	-110.44	-2298.31	40.83	-110.44	-2102.63	40.98	-115.49	-2113.09	40.98	-115.49	-1916.69	
				M3	43.73	-104.21	-2512.10	43.73	-104.21	-2302.52	43.73	-109.73	-2302.27	43.72	-109.62	-2092.71	
		TANDEM-LOAD		MAX	S2	450.56	359.76	1341.44	358.42	453.54	2359.20	358.42	459.20	2358.10	288.10	493.93	2870.50
				TQ	199.22	603.23	-157.38	199.22	603.23	797.45	206.52	605.15	863.36	206.52	605.15	1853.15	
					M3	400.46	232.61	1550.86	347.88	415.55	2412.82	347.88	421.34	2411.82	268.65	539.76	2889.78
				MIN	S2	-68.66	157.61	1509.80	-138.90	161.65	2001.00	-138.90	166.45	2000.61	-232.32	259.74	2235.45
					TQ	27.58	-75.17	-1535.28	27.58	-75.17	-1403.11	28.01	-78.58	-1442.52	28.01	-78.58	-1308.28
					M3	29.77	-71.58	-1708.30	29.77	-71.58	-1565.63	29.77	-75.33	-1565.46	29.77	-75.33	-1422.79

BAGO RIVER BRIDGE

BLOCK [ No.1 : MAIN GIRDER ][ BEAM MEMBER FORCE ]

MEMBER				3019			3020			3021								
NODE				3019			3020			3021								
				SHEAR	TORQUE	MOMENT	SHEAR	TORQUE	MOMENT	SHEAR	TORQUE	MOMENT						
NAME	TITLE			S2 (kN)	TQ (kN·m)	M3 (kN·m)	S2 (kN)	TQ (kN·m)	M3 (kN·m)	S2 (kN)	TQ (kN·m)	M3 (kN·m)						
72	4-LANES	DISPERSION-LMAX	S2	356.64	551.09	-2921.43	298.19	545.31	-1640.98	298.19	541.37	-1642.28	258.93	513.18	-680.65			
			TQ	281.10	709.89	94.06	213.70	709.89	1279.95	212.35	713.06	1364.68	143.71	713.06	2217.79			
			M3	161.71	276.16	645.34	217.95	703.31	1586.34	217.95	707.11	1584.65	144.04	709.14	2449.84			
		MIN	S2	-9.51	22.12	228.81	-26.45	27.89	431.39	-26.45	28.92	431.33	-62.26	58.34	594.06			
			TQ	68.35	-134.98	-2893.51	60.75	-134.98	-2584.32	62.10	-141.29	-2670.43	55.92	-141.29	-2387.49			
			M3	184.85	296.30	-3340.98	53.37	-132.74	-2800.47	53.37	-139.46	-2800.14	53.35	-139.00	-2544.38			
		73	6-LANES	TRUCK-LOAD	MAX	S2	711.37	-25.64	1564.79	587.00	48.15	3571.78	587.00	56.72	3571.65	502.31	75.96	5079.11
					TQ	200.66	820.27	-470.18	200.66	820.27	491.55	200.66	821.45	489.58	200.66	821.45	1451.31	
					M3	513.62	-40.13	2426.10	484.77	25.26	3919.63	484.77	34.67	3919.56	426.15	72.49	5191.43	
MIN	S2			-118.22	37.90	1059.23	-201.35	134.26	2313.64	-201.35	139.81	2313.31	-324.49	216.93	2458.30			
	TQ			227.25	-722.95	-1771.52	227.25	-722.95	-682.36	227.30	-724.58	-684.77	227.30	-724.58	404.61			
	M3			58.53	-18.91	-3659.79	58.51	-18.79	-3379.28	58.51	-26.90	-3379.22	58.50	-26.64	-3098.80			
TANDEM-LOAD	MAX			S2	526.73	-53.10	1419.17	439.81	-1.46	2828.39	439.81	5.32	2828.39	371.40	1.41	3777.05		
	TQ			134.33	561.68	-341.04	134.33	561.68	302.79	134.33	562.41	301.44	134.33	562.41	945.28			
	M3			416.86	-20.50	1969.08	388.87	47.35	2998.19	388.87	54.54	2998.06	350.05	40.56	3838.74			
MIN	S2			-96.49	118.02	1376.52	-173.93	114.55	2020.37	-173.93	119.40	2020.09	-260.71	170.47	2077.15			
	TQ			157.91	-493.97	-1183.13	157.91	-493.97	-426.28	158.18	-495.02	-449.13	158.18	-495.02	309.02			
	M3			39.83	-13.99	-2487.69	39.83	-13.99	-2296.77	39.83	-19.50	-2296.73	39.81	-19.74	-2105.84			
DISPERSION-LMAX	S2			522.73	76.51	-4434.96	466.50	73.39	-2362.62	466.50	67.72	-2362.79	428.22	51.37	-582.86			
	TQ			197.76	984.47	-1283.92	147.32	984.47	-457.00	145.85	983.47	-372.81	94.22	983.47	202.19			
	M3			23.89	16.55	1967.18	143.15	43.43	2386.47	143.16	46.93	2386.37	300.19	107.25	3687.04			
MIN	S2	-186.00	57.43	1337.00	-202.06	57.05	699.45	-202.06	58.73	699.31	-235.19	80.05	19.30					
	TQ	125.72	-860.34	-1828.61	112.83	-860.34	-1257.10	114.31	-863.46	-1341.65	102.82	-863.46	-821.18					
	M3	308.14	112.03	-5058.82	118.15	52.32	-4051.77	118.09	43.53	-4051.89	-105.50	1.49	-4274.97					

BAGO RIVER BRIDGE

BLOCK [ No.1 : MAIN GIRDER ][ BEAM MEMBER FORCE ]

MEMBER			3019			3020			3020			3021			
NODE			3019			3020			3020			3021			
NAME TITLE			SHEAR	TORQUE	MOMENT	SHEAR	TORQUE	MOMENT	SHEAR	TORQUE	MOMENT	SHEAR	TORQUE	MOMENT	
			S2 (kN)	TQ (kN·m)	M3 (kN·m)	S2 (kN)	TQ (kN·m)	M3 (kN·m)	S2 (kN)	TQ (kN·m)	M3 (kN·m)	S2 (kN)	TQ (kN·m)	M3 (kN·m)	
124	SUM TOTAL	D+1LANE (caseMAX	S2	1442.31	-670.38	-13498.79	1187.69	-670.38	-7197.34	1187.69	-687.65	-7195.71	934.02	-687.65	-2112.14
			TQ	1274.49	343.67	-13953.52	1019.88	343.67	-8456.38	1019.88	323.37	-8457.18	766.21	323.37	-4177.91
			M3	1330.18	-273.67	-12123.59	1114.59	-544.12	-6268.10	1114.76	-560.38	-6266.77	917.53	-729.48	-1340.33
		MIN	S2	1234.90	271.44	-12378.85	980.28	271.44	-7071.47	980.28	254.46	-7072.10	726.62	254.46	-2982.59
			TQ	1432.43	-731.78	-12690.97	1177.82	-731.78	-6436.86	1177.82	-747.22	-6435.08	924.15	-747.22	-1398.84
			M3	1350.78	8.07	-14332.86	1063.15	230.16	-8551.25	1062.98	210.86	-8551.78	767.38	319.71	-4220.22
		D+1LANE (caseMAX	S2	1483.54	-165.63	-13480.15	1222.50	-162.62	-7044.92	1222.50	-179.52	-7044.51	962.27	-176.07	-1851.86
			TQ	1280.57	218.73	-14016.01	1025.96	218.73	-8489.72	1025.88	198.36	-8484.95	772.22	198.36	-4176.89
			M3	1340.24	63.07	-11771.95	1139.19	-91.69	-5926.81	1139.20	-105.93	-5926.57	937.05	-199.99	-964.94
		MIN	S2	1232.80	184.82	-12269.37	977.07	181.80	-6926.28	977.07	165.17	-6926.69	722.43	161.72	-2812.90
			TQ	1459.40	-202.96	-12654.72	1197.25	-202.96	-6289.40	1197.25	-218.06	-6288.89	936.04	-218.06	-1177.58
			M3	1366.12	74.67	-14429.20	1071.95	170.66	-8590.85	1071.94	150.06	-8591.23	772.90	197.10	-4224.99
		D+1LANE (caseMAX	S2	1707.36	197.48	-13017.75	1330.40	209.70	-6522.88	1330.40	194.05	-6523.36	986.03	199.68	-1826.52
			TQ	1469.19	232.88	-13067.88	1178.38	232.88	-6724.11	1184.59	217.02	-6542.84	893.02	217.02	-1565.09
			M3	1577.29	150.93	-11617.93	1232.42	190.92	-5414.45	1232.37	177.87	-5414.89	905.90	209.48	-810.31
		MIN	S2	1219.96	134.07	-11781.67	890.49	144.18	-5836.49	890.49	130.17	-5836.82	525.35	147.58	-1535.10
			TQ	1274.43	114.84	-12955.64	1010.68	114.84	-7480.90	1012.46	96.76	-7585.10	751.38	96.76	-3359.01
			M3	1375.15	171.11	-14492.59	1077.38	144.61	-8618.72	1077.42	123.99	-8619.04	775.61	103.05	-4232.36
		D+1LANE (caseMAX	S2	1497.19	1027.53	-13662.13	1247.72	1041.03	-7063.86	1247.72	1024.07	-7066.33	1022.44	980.89	-1584.89
			TQ	1471.89	1117.54	-12783.20	1224.75	1117.54	-6322.11	1224.75	1102.36	-6324.77	978.62	1102.36	-1045.57
			M3	1285.63	466.47	-11865.54	1161.56	885.45	-5983.98	1161.56	871.08	-5986.09	978.36	1042.02	-795.69
		MIN	S2	1232.57	58.92	-12297.39	980.28	45.42	-7017.11	980.28	28.58	-7017.20	726.61	28.58	-2927.70
			TQ	1287.70	-56.00	-14148.83	1033.08	-56.00	-8588.39	1033.08	-76.61	-8588.23	779.42	-76.61	-4245.66
			M3	1382.66	338.30	-14605.62	1087.46	109.81	-8696.27	1087.46	88.94	-8696.51	780.37	-74.10	-4274.24

BAGO RIVER BRIDGE

BLOCK [ No.1 : MAIN GIRDER ][ BEAM MEMBER FORCE ]

MEMBER			3019			3020			3020			3021			
NODE			3019			3020			3020			3021			
NAME TITLE			SHEAR	TORQUE	MOMENT	SHEAR	TORQUE	MOMENT	SHEAR	TORQUE	MOMENT	SHEAR	TORQUE	MOMENT	
			S2 (kN)	TQ (kN·m)	M3 (kN·m)	S2 (kN)	TQ (kN·m)	M3 (kN·m)	S2 (kN)	TQ (kN·m)	M3 (kN·m)	S2 (kN)	TQ (kN·m)	M3 (kN·m)	
124	SUM TOTAL	D+2LANES (casMAX	S2	1549.75	-998.54	-13993.49	1295.14	-998.54	-7177.08	1295.14	-1015.76	-7174.67	1041.47	-1015.76	-1576.13
			TQ	1263.58	425.83	-14809.04	1008.96	425.83	-9364.22	1008.89	403.36	-9360.81	755.22	403.36	-5134.22
			M3	1339.38	-368.10	-11594.34	1172.33	-802.65	-5590.01	1172.53	-817.29	-5588.07	1012.26	-1058.62	-253.39
		MIN	S2	1194.90	319.12	-12115.67	940.28	319.12	-7000.01	940.28	302.32	-7000.75	686.62	302.32	-3102.96
			TQ	1528.57	-1094.61	-12672.49	1273.95	-1094.61	-5957.62	1273.95	-1108.91	-5954.97	1020.28	-1108.91	-457.97
			M3	1393.84	-58.41	-15454.53	1082.20	261.18	-9524.88	1082.00	239.54	-9525.48	757.00	398.23	-5209.34
		D+2LANES (casMAX	S2	1584.11	-577.92	-13977.96	1324.14	-575.40	-7050.06	1324.14	-592.32	-7048.66	1065.01	-589.45	-1359.23
			TQ	1268.64	321.72	-14861.12	1014.03	321.72	-9392.00	1013.89	299.18	-9383.95	760.22	299.18	-5133.37
			M3	1347.76	-87.48	-11301.31	1192.83	-425.63	-5305.60	1192.89	-438.58	-5304.57	1028.52	-617.39	59.44
		MIN	S2	1193.15	246.94	-12024.44	937.61	244.42	-6879.01	937.61	227.91	-6879.58	683.13	225.03	-2961.55
			TQ	1551.04	-653.94	-12642.28	1290.15	-653.94	-5834.74	1290.15	-667.94	-5833.15	1030.20	-667.94	-273.59
			M3	1406.62	-2.91	-15534.81	1089.53	211.60	-9557.88	1089.47	188.88	-9558.36	761.60	296.05	-5213.30
		D+2LANES (casMAX	S2	1946.25	387.22	-13269.25	1508.80	434.86	-6193.44	1508.80	419.99	-6194.47	1119.18	444.64	-1211.27
			TQ	1609.08	531.01	-13023.25	1292.91	531.01	-6069.97	1298.08	516.67	-5919.72	981.53	516.67	-457.99
			M3	1730.41	211.94	-10924.99	1348.15	376.52	-4346.02	1348.11	366.04	-4346.91	996.15	490.11	494.91
		MIN	S2	1178.07	129.85	-11205.98	814.25	177.77	-5052.43	814.25	165.64	-5052.84	395.48	238.92	-710.46
			TQ	1244.24	48.12	-13374.44	982.02	48.12	-8040.68	983.50	28.72	-8127.39	723.66	28.72	-4037.15
			M3	1430.99	247.67	-15709.34	1105.04	138.69	-9638.83	1105.08	115.60	-9639.13	769.48	37.24	-5235.95
		D+2LANES (casMAX	S2	1648.29	1247.75	-13911.32	1387.35	1320.41	-6817.54	1387.35	1304.05	-6820.69	1144.95	1313.98	-949.60
			TQ	1596.79	1526.33	-12829.17	1337.19	1526.33	-5799.21	1342.44	1512.44	-5724.12	1083.75	1512.44	89.13
			M3	1371.30	577.00	-11228.62	1247.91	1148.33	-5055.22	1247.71	1135.10	-5057.96	1081.81	1423.95	501.63
		MIN	S2	1192.34	30.65	-12001.57	938.57	27.01	-6863.42	938.57	10.54	-6863.46	683.00	22.49	-2914.01
			TQ	1282.00	-136.69	-15085.67	1027.39	-136.69	-9552.53	1027.39	-159.61	-9552.17	773.72	-159.61	-5236.90
			M3	1438.11	418.76	-15841.39	1115.75	83.53	-9730.55	1115.96	61.27	-9730.73	775.15	-156.15	-5287.97



BAGO RIVER BRIDGE

BLOCK [ No.1 : MAIN GIRDER ] [ BEAM MEMBER FORCE ]

MEMBER			3019			3020			3020			3021				
NODE			3019			3020			3020			3021				
NAME TITLE			SHEAR	TORQUE	MOMENT	SHEAR	TORQUE	MOMENT	SHEAR	TORQUE	MOMENT	SHEAR	TORQUE	MOMENT		
			S2 (kN)	TQ (kN·m)	M3 (kN·m)	S2 (kN)	TQ (kN·m)	M3 (kN·m)	S2 (kN)	TQ (kN·m)	M3 (kN·m)	S2 (kN)	TQ (kN·m)	M3 (kN·m)		
124	SUM TOTAL	D+3LANES (casMAX	S2	1645.15	-1045.52	-14346.15	1385.98	-1043.39	-7117.75	1385.98	-1060.47	-7115.23	1127.67	-1058.02	-1122.20	
			TQ	1258.13	437.45	-15418.94	1003.52	437.45	-10000.22	1003.40	413.45	-9993.76	749.73	413.45	-5793.47	
			M3	1364.83	-347.66	-11096.90	1222.58	-826.65	-4976.74	1222.76	-839.64	-4974.75	1084.97	-1111.40	630.37	
		MIN	S2	1165.91	322.72	-11892.37	910.51	320.58	-6883.20	910.51	304.06	-6883.95	656.15	301.62	-3100.74	
			TQ	1610.04	-1153.63	-12638.63	1350.09	-1153.63	-5546.05	1350.09	-1166.94	-5543.26	1091.08	-1166.94	305.85	
			M3	1429.45	-76.20	-16260.28	1098.34	263.44	-10208.42	1098.17	239.99	-10209.02	751.73	408.19	-5891.39	
		D+3LANES (casMAX	S2	2019.58	652.05	-13508.57	1591.71	747.82	-6104.90	1591.71	733.17	-6106.68	1206.56	789.93	-759.35	
			TQ	1694.49	944.25	-13025.53	1375.74	944.25	-5669.24	1380.14	930.84	-5542.71	1061.43	930.84	307.03	
			M3	1750.24	313.70	-10517.49	1396.75	636.02	-3784.79	1396.54	625.97	-3786.31	1077.22	875.32	1388.28	
		MIN	S2	1152.28	68.59	-11111.71	803.40	117.12	-5197.52	803.40	104.64	-5197.79	406.92	179.10	-1001.80	
			TQ	1223.59	-41.94	-13672.49	962.51	-41.94	-8434.97	963.77	-62.27	-8508.47	704.85	-62.27	-4510.62	
			M3	1469.46	340.77	-16569.37	1125.46	128.81	-10356.91	1125.67	104.92	-10357.19	766.17	-52.02	-5934.51	
		D+3LANES (casMAX	S2	1842.75	1254.22	-14003.06	1522.61	1349.49	-6522.47	1522.61	1333.84	-6525.69	1232.10	1359.39	-570.36	
			TQ	1692.38	1599.61	-12814.65	1409.12	1599.61	-5383.08	1413.48	1586.71	-5319.83	1130.93	1586.71	776.88	
			M3	1516.74	593.21	-10721.50	1338.23	1196.78	-4242.08	1338.06	1185.67	-4244.94	1133.73	1494.20	1397.74	
		MIN	S2	1163.13	38.04	-11783.69	874.86	98.17	-6079.10	874.86	83.58	-6079.31	564.42	147.46	-2019.35	
			TQ	1278.68	-147.60	-15719.15	1024.07	-147.60	-10201.93	1024.17	-172.09	-10201.69	770.50	-172.09	-5901.85	
			M3	1475.72	433.11	-16667.36	1133.71	70.48	-10424.85	1133.89	46.39	-10424.99	770.65	-168.48	-5976.31	
		D+4LANES	MAX	S2	1916.19	891.71	-13663.37	1537.85	974.65	-6301.44	1537.85	959.53	-6303.76	1202.11	981.73	-722.16
			TQ	1669.85	1175.95	-12794.91	1371.43	1175.95	-5507.78	1371.46	1162.80	-5445.87	1073.18	1162.80	411.46	
			M3	1711.12	551.83	-11099.38	1452.16	1019.03	-4097.10	1452.16	1009.19	-4099.53	1081.59	1086.83	1336.56	
		MIN	S2	1248.51	250.88	-11541.53	928.46	274.58	-5363.62	928.46	261.71	-5364.26	566.33	370.21	-611.56	
			TQ	1365.86	-17.23	-16085.29	1106.30	-17.23	-10162.20	1107.28	-41.70	-10225.28	849.60	-41.70	-5536.66	
			M3	1443.47	267.15	-16515.11	1103.39	-11.73	-10432.62	1103.39	-36.76	-10432.56	849.71	-36.40	-5753.05	

BAGO RIVER BRIDGE

BLOCK [ No.1 : MAIN GIRDER ][ BEAM MEMBER FORCE ]

MEMBER					3019			3020			3021					
NODE					3019			3020			3021					
					SHEAR	TORQUE	MOMENT	SHEAR	TORQUE	MOMENT	SHEAR	TORQUE	MOMENT			
NAME	TITLE				S2 (kN)	TQ (kN·m)	M3 (kN·m)	S2 (kN)	TQ (kN·m)	M3 (kN·m)	S2 (kN)	TQ (kN·m)	M3 (kN·m)			
124	SUM TOTAL	D+6LANES	MAX	S2	2097.06	175.35	-14576.21	1725.05	221.29	-6329.72	1725.05	206.10	-6330.23	1391.46	207.98	183.62
				TQ	1553.87	1315.37	-13850.77	1266.47	1315.37	-7093.22	1265.51	1298.41	-7040.10	978.28	1298.41	-1664.17
				M3	1644.27	126.96	-9854.98	1448.43	186.94	-3016.71	1448.43	178.25	-3017.14	1258.73	242.04	3032.06
			MIN	S2	1097.15	204.25	-11153.05	778.06	266.64	-5157.17	778.06	254.26	-5157.79	422.82	318.25	-1128.50
				TQ	1524.32	-886.85	-15050.69	1261.33	-886.85	-8376.32	1262.33	-907.02	-8433.16	1001.19	-907.02	-3009.71
				M3	1533.23	202.82	-18377.70	1155.11	164.08	-11945.86	1155.07	136.01	-11946.22	756.07	108.87	-7531.89
	SUM TOTAL		MAX		2097.06	1599.61	-9854.98	1725.05	1599.61	-3016.71	1725.05	1586.71	-3017.14	1391.46	1586.71	3032.06
			MIN		1097.15	-1153.63	-18377.70	778.06	-1153.63	-11945.86	778.06	-1166.94	-11946.22	395.48	-1166.94	-7531.89
300	DEAD LOAD	TOTAL			1294.89	142.29	-12710.60	1040.28	142.29	-7115.67	1040.28	125.21	-7116.00	786.61	125.21	-2738.94
301	LIVE LOAD	1-LANE(case1MAX	S2		147.41	-812.66	-788.18	147.41	-812.66	-81.67	147.41	-812.86	-79.72	147.41	-812.86	626.80
			TQ		-20.40	201.38	-1242.92	-20.40	201.38	-1340.70	-20.40	198.16	-1341.18	-20.40	198.16	-1438.97
			M3		35.29	-415.96	587.01	74.31	-686.41	847.58	74.49	-685.59	849.23	130.92	-854.69	1398.62
			MIN	S2	-60.00	129.15	331.76	-60.00	129.15	44.21	-60.00	129.25	43.90	-60.00	129.25	-243.65
				TQ	137.54	-874.06	19.63	137.54	-874.06	678.82	137.54	-872.43	680.91	137.54	-872.43	1340.10
				M3	55.89	-134.22	-1622.26	22.87	87.87	-1435.57	22.70	85.65	-1435.78	-19.23	194.50	-1481.28
		1-LANE(case2MAX	S2		188.65	-307.92	-769.55	182.22	-304.91	70.76	182.22	-304.73	71.49	175.66	-301.28	887.09
			TQ		-14.32	76.44	-1305.41	-14.32	76.44	-1374.04	-14.40	73.15	-1368.95	-14.40	73.15	-1437.95
			M3		45.34	-79.22	938.65	98.91	-233.98	1188.87	98.92	-231.14	1189.43	150.43	-325.20	1774.00
			MIN	S2	-62.10	42.53	441.24	-63.21	39.51	189.40	-63.21	39.96	189.30	-64.18	36.51	-73.96
				TQ	164.51	-345.25	55.88	156.97	-345.25	826.28	156.97	-343.27	827.10	149.43	-343.27	1561.36
				M3	71.22	-67.62	-1718.60	31.67	28.37	-1475.17	31.66	24.85	-1475.24	-13.71	71.89	-1486.04
		1-LANE(case3MAX	S2		412.47	55.19	-307.15	290.12	67.41	592.80	290.12	68.84	592.64	199.42	74.47	912.42
			TQ		174.30	90.59	-357.28	138.10	90.59	391.57	144.32	91.81	573.15	106.41	91.81	1173.86
			M3		282.39	8.64	1092.67	192.14	48.64	1701.22	192.09	52.66	1701.10	119.29	84.27	1928.63
			MIN	S2	-74.93	-8.22	928.93	-149.79	1.89	1279.18	-149.79	4.96	1279.17	-261.26	22.37	1203.84
				TQ	-20.47	-27.45	-245.03	-29.60	-27.45	-365.23	-27.82	-28.45	-469.11	-35.23	-28.45	-620.07
				M3	80.26	28.82	-1781.99	37.10	2.32	-1503.05	37.14	-1.22	-1503.05	-11.00	-22.16	-1493.42

BAGO RIVER BRIDGE

BLOCK [ No.1 : MAIN GIRDER ][ BEAM MEMBER FORCE ]

MEMBER			3019			3020			3020			3021			
NODE			3019			3020			3020			3021			
NAME TITLE			SHEAR	TORQUE	MOMENT	SHEAR	TORQUE	MOMENT	SHEAR	TORQUE	MOMENT	SHEAR	TORQUE	MOMENT	
			S2 (kN)	TQ (kN·m)	M3 (kN·m)	S2 (kN)	TQ (kN·m)	M3 (kN·m)	S2 (kN)	TQ (kN·m)	M3 (kN·m)	S2 (kN)	TQ (kN·m)	M3 (kN·m)	
301	LIVE LOAD	1-LANE (case4MAX	S2	202.29	885.24	-951.52	207.45	898.74	51.82	207.45	898.86	49.66	235.83	855.68	1154.05
			TQ	177.00	975.25	-72.59	184.47	975.25	793.57	184.47	977.15	791.22	192.01	977.15	1693.37
			M3	-9.27	324.18	845.06	121.28	743.16	1131.70	121.28	745.87	1129.91	191.75	916.81	1943.25
			MIN S2	-62.32	-83.36	413.21	-60.00	-96.86	98.57	-60.00	-96.63	98.80	-60.00	-96.63	-188.76
			TQ	-7.20	-198.29	-1438.23	-7.20	-198.29	-1472.72	-7.20	-201.82	-1472.24	-7.20	-201.82	-1506.72
			M3	87.76	196.01	-1895.01	47.18	-32.48	-1580.59	47.18	-36.27	-1580.51	-6.25	-199.31	-1535.30
		2-LANES (caseMAX	S2	254.86	-1140.82	-1282.89	254.86	-1140.82	-61.41	254.86	-1140.97	-58.67	254.86	-1140.97	1162.81
			TQ	-31.32	283.55	-2098.44	-31.32	283.55	-2248.54	-31.39	278.15	-2244.81	-31.39	278.15	-2395.28
			M3	44.49	-510.39	1116.26	132.05	-944.94	1525.66	132.25	-942.50	1527.93	225.65	-1183.83	2485.55
			MIN S2	-100.00	176.83	594.93	-100.00	176.83	115.67	-100.00	177.11	115.24	-100.00	177.11	-364.02
			TQ	233.67	-1236.90	38.11	233.67	-1236.90	1158.06	233.67	-1234.12	1161.02	233.67	-1234.12	2280.97
			M3	98.95	-200.70	-2743.93	41.92	118.89	-2409.21	41.72	114.33	-2409.49	-29.62	273.02	-2470.39
		2-LANES (caseMAX	S2	289.22	-720.21	-1267.36	283.86	-717.69	65.61	283.86	-717.53	67.33	278.40	-714.66	1379.71
			TQ	-26.25	179.43	-2150.52	-26.25	179.43	-2276.33	-26.39	173.97	-2267.95	-26.39	173.97	-2394.43
			M3	52.87	-229.77	1409.29	152.55	-567.92	1810.07	152.62	-563.79	1811.43	241.91	-742.60	2798.38
			MIN S2	-101.75	104.65	686.16	-102.67	102.14	236.66	-102.67	102.70	236.41	-103.49	99.82	-222.61
			TQ	256.15	-796.22	68.32	249.87	-796.22	1280.94	249.87	-793.15	1282.85	243.59	-793.15	2465.36
			M3	111.73	-145.20	-2824.21	49.25	69.31	-2442.21	49.19	63.67	-2442.37	-25.02	170.84	-2474.36
		2-LANES (caseMAX	S2	651.36	244.93	-558.65	468.52	292.57	922.23	468.52	294.78	921.53	332.57	319.43	1527.67
			TQ	314.19	388.72	-312.65	252.63	388.72	1045.70	257.80	391.46	1196.27	194.92	391.46	2280.95
			M3	435.52	69.65	1785.61	307.87	234.23	2769.66	307.83	240.83	2769.09	209.53	364.90	3233.85
MIN S2	-116.82		-12.44	1504.62	-226.02	35.48	2063.24	-226.02	40.43	2063.15	-391.14	113.71	2028.48		
TQ	-50.65		-94.17	-663.84	-58.26	-94.17	-925.01	-56.78	-96.49	-1011.40	-62.95	-96.49	-1298.20		
M3	136.09		105.38	-2998.73	64.77	-3.60	-2523.15	64.80	-9.61	-2523.14	-17.13	-87.97	-2497.01		

BAGO RIVER BRIDGE

BLOCK [ No.1 : MAIN GIRDER ] [ BEAM MEMBER FORCE ]

MEMBER			3019			3020			3020			3021				
NODE			3019			3020			3020			3021				
NAME TITLE			SHEAR	TORQUE	MOMENT	SHEAR	TORQUE	MOMENT	SHEAR	TORQUE	MOMENT	SHEAR	TORQUE	MOMENT		
			S2 (kN)	TQ (kN·m)	M3 (kN·m)	S2 (kN)	TQ (kN·m)	M3 (kN·m)	S2 (kN)	TQ (kN·m)	M3 (kN·m)	S2 (kN)	TQ (kN·m)	M3 (kN·m)		
301	LIVE LOAD	2-LANES (caseMAX	S2	353.40	1105.46	-1200.72	347.07	1178.13	298.13	347.07	1178.84	295.30	358.34	1188.77	1789.34	
			TQ	301.89	1384.04	-118.57	296.91	1384.04	1316.46	302.16	1387.23	1391.87	297.13	1387.23	2828.07	
			M3	76.41	434.72	1481.98	207.63	1006.04	2060.45	207.43	1009.89	2058.03	295.20	1298.74	3240.57	
			MIN	S2	-102.55	-111.64	709.03	-101.71	-115.28	252.26	-101.71	-114.67	252.53	-103.61	-102.72	-175.07
			TQ	-12.89	-278.97	-2375.07	-12.89	-278.97	-2436.85	-12.89	-284.82	-2436.18	-12.89	-284.82	-2497.96	
			M3	143.21	276.47	-3130.79	75.47	-58.76	-2614.88	75.68	-63.94	-2614.73	-11.46	-281.36	-2549.02	
		3-LANES (caseMAX	S2	350.25	-1187.81	-1635.55	345.70	-1185.68	-2.08	345.70	-1185.68	0.77	341.05	-1183.23	1616.74	
			TQ	-36.76	295.16	-2708.34	-36.76	295.16	-2884.54	-36.88	288.24	-2877.76	-36.88	288.24	-3054.53	
			M3	69.93	-489.95	1613.70	182.30	-968.94	2138.93	182.48	-964.85	2141.25	298.36	-1236.61	3369.31	
			MIN	S2	-128.98	180.43	818.23	-129.77	178.29	232.47	-129.77	178.85	232.04	-130.46	176.41	-361.80
			TQ	315.15	-1295.92	71.98	309.81	-1295.92	1569.63	309.81	-1292.15	1572.73	304.47	-1292.15	3044.79	
			M3	134.56	-218.49	-3549.68	58.06	121.16	-3092.74	57.89	114.78	-3093.02	-34.89	282.98	-3152.45	
		3-LANES (caseMAX	S2	724.69	509.76	-797.97	551.43	605.53	1010.77	551.43	607.96	1009.32	419.95	664.72	1979.59	
			TQ	399.60	801.96	-314.93	335.46	801.96	1446.43	339.86	805.63	1573.28	274.82	805.63	3045.97	
			M3	455.34	171.41	2193.12	356.47	493.74	3330.88	356.26	500.76	3329.69	290.61	750.11	4127.22	
			MIN	S2	-142.61	-73.70	1598.89	-236.88	-25.17	1918.15	-236.88	-20.57	1918.21	-379.69	53.89	1737.14
			TQ	-71.31	-184.23	-961.89	-77.77	-184.23	-1319.30	-76.51	-187.48	-1392.48	-81.76	-187.48	-1771.68	
			M3	174.57	198.48	-3858.77	85.18	-13.48	-3241.24	85.39	-20.29	-3241.20	-20.44	-177.23	-3195.57	
		3-LANES (caseMAX	S2	547.86	1111.93	-1292.46	482.33	1207.21	593.21	482.33	1208.63	590.31	445.49	1234.18	2168.58	
			TQ	397.49	1457.32	-104.05	368.84	1457.32	1732.60	373.20	1461.50	1796.16	344.32	1461.50	3515.82	
			M3	221.85	450.92	1989.11	297.95	1054.50	2873.60	297.78	1060.46	2871.06	347.12	1368.99	4136.68	
			MIN	S2	-131.77	-104.25	926.91	-165.42	-44.12	1036.58	-165.42	-41.63	1036.68	-222.19	22.25	719.59
			TQ	-16.21	-289.89	-3008.55	-16.21	-289.89	-3086.25	-16.11	-297.30	-3085.69	-16.11	-297.30	-3162.91	
			M3	180.83	290.82	-3956.76	93.43	-71.81	-3309.17	93.61	-78.82	-3308.99	-15.96	-293.69	-3237.37	

BAGO RIVER BRIDGE

BLOCK [ No.1 : MAIN GIRDER ][ BEAM MEMBER FORCE ]

MEMBER					3019			3020			3021					
NODE					3019			3020			3021					
					SHEAR	TORQUE	MOMENT	SHEAR	TORQUE	MOMENT	SHEAR	TORQUE	MOMENT			
NAME	TITLE				S2 (kN)	TQ (kN·m)	M3 (kN·m)	S2 (kN)	TQ (kN·m)	M3 (kN·m)	S2 (kN)	TQ (kN·m)	M3 (kN·m)			
301	LIVE LOAD	4-LANES	MAX	S2	621.30	749.43	-952.77	497.57	832.37	814.23	497.57	834.32	812.23	415.50	856.52	2016.78
				TQ	374.96	1033.66	-84.31	331.15	1033.66	1607.90	331.18	1037.59	1670.12	286.57	1037.59	3150.40
				M3	416.22	409.54	1611.22	411.88	876.74	3018.58	411.88	883.98	3016.47	294.98	961.62	4075.51
			MIN	S2	-46.38	108.59	1169.08	-111.82	132.29	1752.06	-111.82	136.50	1751.74	-220.28	245.00	2127.38
				TQ	70.97	-159.52	-3374.69	66.02	-159.52	-3046.52	67.00	-166.91	-3109.29	62.99	-166.91	-2797.72
				M3	148.58	124.86	-3804.51	63.11	-154.01	-3316.94	63.11	-161.97	-3316.57	63.10	-161.61	-3014.11
		6-LANES	MAX	S2	802.17	33.07	-1865.61	684.77	79.00	785.95	684.77	80.89	785.76	604.84	82.77	2922.56
				TQ	258.98	1173.08	-1140.16	226.19	1173.08	22.46	225.23	1173.20	75.90	191.67	1173.20	1074.77
				M3	349.38	-15.32	2855.63	408.15	44.65	4098.97	408.15	53.04	4098.85	472.12	116.83	5771.01
			MIN	S2	-197.74	61.96	1557.55	-262.22	124.35	1958.51	-262.22	129.05	1958.20	-363.79	193.04	1610.44
				TQ	229.43	-1029.14	-2340.09	221.05	-1029.14	-1260.65	222.05	-1032.23	-1317.17	214.57	-1032.23	-270.77
				M3	238.34	60.53	-5667.10	114.83	21.80	-4830.18	114.79	10.80	-4830.22	-30.55	-16.34	-4792.95
		LIVE LOAD	MAX	802.17	1457.32	2855.63	684.77	1457.32	4098.97	684.77	1461.50	4098.85	604.84	1461.50	5771.01	
			MIN	-197.74	-1295.92	-5667.10	-262.22	-1295.92	-4830.18	-262.22	-1292.15	-4830.22	-391.14	-1292.15	-4792.95	
		303	SUM TOTAL	TOTAL	MAX	2097.06	1599.61	-9854.98	1725.05	1599.61	-3016.71	1725.05	1586.71	-3017.14	1391.46	1586.71
MIN	1097.15				-1153.63	-18377.70	778.06	-1153.63	-11945.86	778.06	-1166.94	-11946.22	395.48	-1166.94	-7531.89	

BAGO RIVER BRIDGE

BLOCK [ No.1 : MAIN GIRDER ] [ BEAM MEMBER FORCE ]

NAME	TITLE	MEMBER NODE	3021			3022			3022			3023				
			SHEAR	TORQUE	MOMENT	SHEAR	TORQUE	MOMENT	SHEAR	TORQUE	MOMENT	SHEAR	TORQUE	MOMENT		
			S2 (kN)	TQ (kN·m)	M3 (kN·m)	S2 (kN)	TQ (kN·m)	M3 (kN·m)	S2 (kN)	TQ (kN·m)	M3 (kN·m)	S2 (kN)	TQ (kN·m)	M3 (kN·m)		
1	PAVEMENT		160.40	84.73	-529.13	112.34	84.73	124.30	112.34	85.03	124.09	64.48	85.03	547.72		
3	RAILING		1.67	2.28	-11.52	2.56	2.28	-1.38	2.56	2.27	-1.39	3.46	2.27	13.03		
5	CURB		16.57	22.53	-114.09	25.39	22.53	-13.70	25.39	22.50	-13.76	34.25	22.50	129.03		
7	DECK WEIGHT		241.01	113.17	-824.65	168.00	113.17	155.21	168.00	113.54	154.94	95.27	113.54	785.60		
8	GIRDER WEIGH		259.51	-39.61	-841.39	169.89	-39.61	187.64	169.89	-39.16	187.73	80.26	-39.16	787.20		
10	MEDIAN STRIP		42.42	-37.12	-176.26	13.31	-37.12	-42.71	13.31	-37.22	-42.62	-15.79	-37.22	-48.56		
21	ADITIONAL WE		67.48	31.69	-230.90	47.04	31.69	43.46	47.04	31.79	43.38	26.67	31.79	219.97		
31	MEDIAN RAILI		4.39	-3.09	-11.15	2.04	-3.09	4.24	2.04	-3.08	4.25	-0.32	-3.08	8.37		
51	SUPPORT WEIG		0.00	0.00	-0.00	0.00	0.00	-0.00	0.00	0.00	-0.00	0.00	0.00	-0.00		
52	NOSE WEIGHT		-0.00	-0.02	0.00	-0.00	-0.02	-0.00	-0.00	-0.02	-0.00	-0.00	-0.02	-0.01		
61	1-LANE(case1TRUCK-LOAD	MAX	S2	46.10	-282.88	342.38	46.10	-282.88	563.34	46.10	-281.53	564.01	46.10	-281.53	784.97	
			TQ	-16.71	44.18	-58.09	-16.71	44.18	-138.16	-16.71	43.85	-138.26	-16.71	43.85	-218.33	
			M3	22.93	-183.00	606.06	24.84	-200.66	721.23	24.84	-198.93	721.71	40.00	-272.51	868.77	
		MIN	S2	-19.39	38.61	-66.20	-19.39	38.61	-159.11	-19.39	38.23	-159.20	-19.39	38.23	-252.11	
			TQ	45.90	-284.78	372.32	45.90	-284.78	592.32	45.90	-283.36	593.00	45.90	-283.36	813.01	
			M3	11.09	-12.19	-503.04	11.09	-12.19	-449.86	11.09	-13.27	-449.83	11.09	-13.27	-396.66	
		TANDEM-LOAD	MAX	S2	31.94	-196.05	263.40	31.94	-196.05	416.49	31.94	-195.05	416.96	31.94	-195.05	570.04
			TQ	-11.16	30.10	-38.87	-11.16	30.10	-92.37	-11.16	29.88	-92.44	-11.16	29.88	-145.94	
			M3	16.79	-145.13	413.38	16.79	-145.13	493.85	16.79	-143.94	494.20	25.94	-183.80	594.48	
		MIN	S2	-13.16	25.86	-44.91	-13.16	25.86	-107.99	-13.16	25.60	-108.05	-13.16	25.60	-171.13	
			TQ	31.94	-196.05	263.40	31.94	-196.05	416.49	31.94	-195.05	416.96	31.94	-195.05	570.04	
			M3	7.54	-8.13	-341.77	7.54	-8.13	-305.62	7.54	-8.86	-305.60	7.54	-8.86	-269.46	
		DISPERSION-LMAX	S2	52.13	-271.85	-140.66	52.13	-271.85	109.19	52.13	-271.59	109.84	52.13	-271.59	359.68	
			TQ	-33.76	70.16	-75.45	-33.76	70.16	-237.25	-33.81	69.59	-234.79	-33.81	69.59	-396.82	
			M3	37.02	-257.23	561.21	37.02	-257.23	738.62	37.02	-255.46	739.23	37.02	-255.46	916.64	
		MIN	S2	-34.15	69.17	-29.64	-34.15	69.17	-193.31	-34.15	68.70	-193.48	-34.15	68.70	-357.15	
			TQ	51.74	-272.85	-94.84	51.74	-272.85	153.13	51.78	-272.48	151.15	51.78	-272.48	399.34	
			M3	-19.04	54.54	-731.50	-19.04	54.54	-822.74	-19.04	52.57	-822.87	-19.04	52.57	-914.11	

BAGO RIVER BRIDGE

BLOCK [ No.1 : MAIN GIRDER ][ BEAM MEMBER FORCE ]

MEMBER				3021			3022			3023					
NODE				3021			3022			3023					
				SHEAR	TORQUE	MOMENT	SHEAR	TORQUE	MOMENT	SHEAR	TORQUE	MOMENT			
NAME	TITLE			S2 (kN)	TQ (kN·m)	M3 (kN·m)	S2 (kN)	TQ (kN·m)	M3 (kN·m)	S2 (kN)	TQ (kN·m)	M3 (kN·m)			
62	1-LANE (case2TRUCK-LOAD	MAX	S2	65.62	-113.92	512.74	65.62	-113.92	827.25	65.62	-111.93	827.52	65.62	-111.93	1142.03
			TQ	-16.84	13.88	-55.61	-16.84	13.88	-136.32	-16.84	13.55	-136.35	-16.84	13.55	-217.06
			M3	31.32	-26.30	857.34	48.79	-72.31	964.71	48.79	-70.00	964.88	59.54	-105.90	1156.36
		MIN	S2	-21.30	1.17	789.71	-21.30	1.17	687.62	-21.30	2.82	687.62	-21.30	2.82	585.53
			TQ	60.65	-118.67	424.54	60.65	-118.67	715.20	58.19	-117.05	672.36	58.19	-117.05	951.24
			M3	11.67	-4.68	-510.43	11.67	-4.68	-454.51	11.67	-5.78	-454.50	11.67	-5.78	-398.58
		TANDEM-LOAD MAX	S2	45.72	-73.18	390.17	45.72	-73.18	609.31	45.72	-71.72	609.49	45.72	-71.72	828.63
			TQ	-11.25	9.44	-37.18	-11.25	9.44	-91.11	-11.25	9.22	-91.13	-11.25	9.22	-145.06
			M3	21.26	-9.88	623.47	34.51	-43.21	685.67	34.51	-41.57	685.77	45.72	-71.72	828.63
		MIN	S2	-15.34	-4.09	615.03	-15.34	-4.09	541.51	-15.34	-2.79	541.52	-15.34	-2.79	467.99
			TQ	43.36	-82.46	296.11	43.36	-82.46	503.94	43.36	-81.25	504.13	43.36	-81.25	711.96
			M3	7.93	-3.12	-346.62	7.93	-3.12	-308.61	7.93	-3.86	-308.60	7.93	-3.86	-270.59
		DISPERSION-LMAX	S2	63.37	-101.08	-218.84	58.84	-99.07	-3.84	58.84	-99.08	-3.60	53.92	-96.08	205.06
			TQ	-37.10	25.51	44.89	-37.10	25.51	-132.94	-37.62	25.20	-118.71	-37.62	25.20	-299.01
			M3	43.68	-93.29	621.19	37.40	-93.29	815.50	37.40	-91.33	815.72	31.12	-91.33	979.93
		MIN	S2	-38.53	24.76	112.04	-40.28	22.75	1.05	-40.28	22.76	0.99	-41.64	19.76	-133.76
			TQ	61.95	-101.83	-151.69	55.66	-101.83	130.15	56.18	-101.53	116.10	49.90	-101.53	370.32
			M3	-18.84	16.97	-727.99	-18.84	16.97	-818.29	-18.84	15.01	-818.33	-18.84	15.01	-908.62
63	1-LANE (case3TRUCK-LOAD	MAX	S2	216.13	11.62	970.05	140.64	22.23	1307.32	140.64	25.37	1307.27	83.29	32.33	1275.42
			TQ	55.04	32.75	366.42	55.04	32.75	630.22	56.44	34.28	645.86	56.44	34.28	916.37
			M3	200.64	9.07	982.99	125.67	19.51	1331.80	125.67	22.70	1331.75	61.99	30.87	1293.59
		MIN	S2	-35.82	3.06	897.04	-93.35	10.08	1253.84	-93.35	13.09	1253.81	-168.75	23.81	1233.90
			TQ	-15.82	-9.17	-50.12	-15.82	-9.17	-125.96	-15.82	-9.47	-125.94	-15.82	-9.47	-201.77
			M3	12.13	1.06	-516.17	12.13	1.06	-458.02	12.13	-0.03	-458.02	12.13	-0.03	-399.86

BAGO RIVER BRIDGE

BLOCK [ No.1 : MAIN GIRDER ][ BEAM MEMBER FORCE ]

MEMBER		3021			3022			3022			3023					
NODE		3021			3022			3022			3023					
		SHEAR	TORQUE	MOMENT	SHEAR	TORQUE	MOMENT	SHEAR	TORQUE	MOMENT	SHEAR	TORQUE	MOMENT			
NAME	TITLE	S2 (kN)	TQ (kN·m)	M3 (kN·m)	S2 (kN)	TQ (kN·m)	M3 (kN·m)	S2 (kN)	TQ (kN·m)	M3 (kN·m)	S2 (kN)	TQ (kN·m)	M3 (kN·m)			
63	1-LANE (case3TANDEM-LOAD	MAX	S2	171.23	4.46	795.51	118.00	11.67	1053.17	118.00	14.20	1053.14	67.83	20.80	1008.59	
			TQ	35.08	22.27	236.48	35.08	22.27	404.63	42.33	23.29	484.42	42.33	23.29	687.32	
			M3	171.23	4.46	795.52	118.00	11.67	1053.17	118.00	14.20	1053.14	67.83	20.80	1008.59	
		MIN	S2	-35.93	3.23	786.98	-85.86	9.77	1045.48	-85.86	12.28	1045.46	-139.20	19.55	1002.63	
			TQ	-11.01	-6.25	-34.90	-11.01	-6.25	-87.68	-11.01	-6.46	-87.66	-11.01	-6.46	-140.44	
			M3	8.23	0.74	-350.59	8.23	0.74	-311.13	8.23	-0.00	-311.13	8.23	-0.00	-271.66	
		DISPERSION-LMAX	S2	97.39	31.57	-210.64	71.09	30.32	12.73	71.09	30.35	12.65	54.02	27.41	113.26	
			TQ	77.07	33.36	68.58	43.01	33.36	354.91	38.78	34.46	562.22	5.17	34.46	667.04	
			M3	76.37	31.11	623.10	38.61	31.11	898.64	38.61	33.27	898.56	0.85	33.27	993.13	
		MIN	S2	-39.48	-13.89	105.41	-50.93	-12.64	69.12	-50.93	-12.48	69.15	-71.62	-9.53	-25.35	
			TQ	-19.16	-15.67	-173.81	-22.86	-15.67	-273.06	-18.62	-16.58	-480.41	-22.77	-16.58	-579.14	
			M3	-18.46	-13.43	-728.33	-18.46	-13.43	-816.80	-18.46	-15.39	-816.76	-18.46	-15.39	-905.23	
64	1-LANE (case4TRUCK-LOAD	MAX	S2	69.22	338.88	481.81	69.22	338.88	813.57	69.22	340.83	812.76	86.68	310.80	1250.96	
			TQ	68.73	339.61	466.42	68.73	339.61	795.85	68.73	341.52	795.03	68.73	341.52	1124.46	
			M3	-21.92	113.64	911.72	33.97	242.03	974.26	33.97	244.36	973.68	63.81	299.67	1262.09	
		MIN	S2	-32.20	33.58	837.92	-19.51	-33.51	-153.22	-19.51	-33.88	-153.14	-19.51	-33.88	-246.67	
			TQ	-15.97	-39.56	-47.69	-15.97	-39.56	-124.24	-15.97	-39.86	-124.15	-15.97	-39.86	-200.70	
			M3	13.43	15.17	-530.45	13.43	15.17	-466.08	13.43	14.05	-466.12	13.43	14.05	-401.75	
		TANDEM-LOAD	MAX	S2	48.58	227.75	375.06	48.58	227.75	607.90	48.58	229.21	607.35	68.12	181.50	853.63
			TQ	46.41	233.14	293.80	46.41	233.14	516.22	46.41	234.38	515.66	46.41	234.38	738.09	
			M3	-3.89	108.37	628.14	31.51	179.86	681.05	31.51	181.50	680.61	55.91	195.25	859.59	
		MIN	S2	-30.49	54.07	617.26	-13.24	-22.40	-103.98	-13.24	-22.65	-103.93	-13.24	-22.65	-167.39	
			TQ	-11.11	-26.98	-33.24	-11.11	-26.98	-86.50	-11.11	-27.18	-86.44	-11.11	-27.18	-139.70	
			M3	9.15	10.40	-360.87	9.15	10.40	-317.04	9.15	9.64	-317.06	9.15	9.64	-273.23	



BAGO RIVER BRIDGE

BLOCK [ No.1 : MAIN GIRDER ][ BEAM MEMBER FORCE ]

MEMBER		3021			3022			3022			3023						
NODE		3021			3022			3022			3023						
		SHEAR	TORQUE	MOMENT	SHEAR	TORQUE	MOMENT	SHEAR	TORQUE	MOMENT	SHEAR	TORQUE	MOMENT				
NAME	TITLE	S2 (kN)	TQ (kN·m)	M3 (kN·m)	S2 (kN)	TQ (kN·m)	M3 (kN·m)	S2 (kN)	TQ (kN·m)	M3 (kN·m)	S2 (kN)	TQ (kN·m)	M3 (kN·m)				
64	1-LANE (case4DISPERSION-LMAX	S2	63.91	289.73	-261.24	66.83	299.87	118.79	66.83	300.15	118.07	73.06	303.71	466.91			
		TQ	58.28	307.02	-36.83	64.60	307.02	257.61	64.60	307.64	256.87	70.96	307.64	581.72			
		M3	38.84	285.58	707.59	45.17	285.58	908.88	45.17	287.76	908.19	51.53	287.76	1139.88			
		MIN	S2	-41.38	-46.61	219.89	-37.98	-56.75	-37.07	-37.98	-56.84	-36.93	-37.85	-60.40	-232.30		
		TQ	-35.75	-63.90	-4.53	-35.75	-63.90	-175.89	-35.75	-64.33	-175.74	-35.75	-64.33	-347.10			
		M3	-16.32	-42.47	-748.94	-16.32	-42.47	-827.16	-16.32	-44.45	-827.05	-16.32	-44.45	-905.27			
		65	2-LANES (caseTRUCK-LOAD	MAX	S2	97.90	-483.02	794.60	97.90	-483.02	1263.84	97.90	-479.98	1264.99	97.90	-479.98	1734.23
				TQ	-33.48	73.24	-114.95	-33.48	73.24	-275.40	-33.48	72.58	-275.57	-33.48	72.58	-436.02	
				M3	29.57	-247.71	1330.89	59.58	-341.86	1541.12	59.58	-338.16	1541.93	86.74	-446.74	1886.27	
MIN	S2			-38.80	64.11	-131.21	-38.80	64.11	-317.16	-38.80	63.35	-317.31	-38.80	63.35	-503.25		
TQ	97.21			-487.72	781.70	97.21	-487.72	1247.59	97.21	-484.72	1248.76	97.21	-484.72	1714.65			
M3	22.47			-20.64	-1009.75	22.47	-20.64	-902.05	22.47	-22.80	-902.00	22.47	-22.80	-794.30			
TANDEM-LOAD	MAX			S2	68.13	-332.77	581.84	68.13	-332.77	908.37	68.13	-330.59	909.17	68.13	-330.59	1235.70	
TQ	-22.37			49.89	-76.90	-22.37	49.89	-184.11	-22.37	49.45	-184.23	-22.37	49.45	-291.44			
M3	17.39			-179.40	917.12	33.70	-222.69	1053.89	33.70	-220.16	1054.43	57.63	-299.86	1299.13			
MIN	S2	-26.34	42.94	-89.02	-26.34	42.94	-215.25	-26.34	42.43	-215.35	-26.34	42.43	-341.58				
TQ	66.49	-335.09	526.14	66.49	-335.09	844.81	66.49	-333.06	845.61	66.49	-333.06	1164.28					
M3	15.28	-13.76	-685.96	15.28	-13.76	-612.75	15.28	-15.23	-612.71	15.28	-15.23	-539.50					
DISPERSION-LMAX	S2	106.26	-455.97	-351.49	106.26	-455.97	157.80	106.26	-455.59	158.89	106.26	-455.59	668.18				
TQ	-68.45	117.63	-108.38	-68.45	117.63	-436.44	-68.62	116.59	-428.53	-68.62	116.59	-757.43					
M3	74.13	-432.62	1157.38	74.13	-432.62	1512.66	74.13	-428.98	1513.69	74.13	-428.98	1868.98					
MIN	S2	-70.13	113.63	47.99	-70.13	113.63	-288.11	-70.13	112.94	-288.38	-70.13	112.94	-624.48				
TQ	104.58	-459.97	-195.12	104.58	-459.97	306.13	104.76	-459.24	299.04	104.76	-459.24	801.13					
M3	-37.99	90.28	-1460.88	-37.99	90.28	-1642.97	-37.99	86.34	-1643.18	-37.99	86.34	-1825.27					

BAGO RIVER BRIDGE

BLOCK [ No.1 : MAIN GIRDER ][ BEAM MEMBER FORCE ]

MEMBER				3021			3022			3023					
NODE				3021			3022			3023					
				SHEAR	TORQUE	MOMENT	SHEAR	TORQUE	MOMENT	SHEAR	TORQUE	MOMENT			
NAME	TITLE			S2 (kN)	TQ (kN·m)	M3 (kN·m)	S2 (kN)	TQ (kN·m)	M3 (kN·m)	S2 (kN)	TQ (kN·m)	M3 (kN·m)			
66	2-LANES (caseTRUCK-LOAD	MAX	S2	117.42	-314.06	964.95	117.42	-314.06	1527.74	117.42	-310.39	1528.49	117.42	-310.39	2091.28
			TQ	-33.61	42.94	-112.47	-33.61	42.94	-273.56	-33.61	42.28	-273.66	-33.61	42.28	-434.75
			M3	37.96	-91.00	1582.17	83.54	-213.51	1784.60	83.54	-209.23	1785.11	106.28	-280.13	2173.85
		MIN	S2	-40.71	26.67	724.70	-40.71	26.67	529.57	-40.71	27.94	529.51	-40.71	27.94	334.39
			TQ	111.95	-321.61	833.92	111.95	-321.61	1370.47	109.49	-318.42	1328.11	109.49	-318.42	1852.88
			M3	23.04	-13.13	-1017.14	23.04	-13.13	-906.70	23.04	-15.31	-906.66	23.04	-15.31	-796.22
		TANDEM-LOAD MAX	S2	81.91	-209.89	708.60	81.91	-209.89	1101.20	81.91	-207.25	1101.70	81.91	-207.25	1494.29
			TQ	-22.46	29.24	-75.20	-22.46	29.24	-182.85	-22.46	28.80	-182.92	-22.46	28.80	-290.56
			M3	21.86	-44.15	1127.22	51.42	-120.77	1245.71	51.42	-117.78	1246.00	77.42	-187.78	1533.28
		MIN	S2	-28.52	13.00	570.92	-28.52	13.00	434.24	-28.52	14.04	434.21	-28.52	14.04	297.54
			TQ	77.91	-221.50	558.84	77.91	-221.50	932.26	77.91	-219.26	932.78	77.91	-219.26	1306.20
			M3	15.66	-8.75	-690.81	15.66	-8.75	-615.73	15.66	-10.23	-615.71	15.66	-10.23	-540.63
		DISPERSION-LMAX	S2	117.50	-285.19	-429.68	112.98	-283.18	44.77	112.98	-283.08	45.45	108.06	-280.08	513.56
			TQ	-71.79	72.98	11.95	-71.79	72.98	-332.13	-72.44	72.21	-312.45	-72.44	72.21	-659.62
			M3	80.80	-268.68	1217.35	74.52	-268.68	1589.54	74.52	-264.86	1590.18	68.23	-264.86	1932.26
MIN	S2	-74.50	69.23	189.66	-76.26	67.22	-93.75	-76.26	66.99	-93.91	-77.62	63.99	-401.08		
	TQ	114.79	-288.95	-251.97	108.51	-288.95	283.15	109.16	-288.29	263.99	102.87	-288.29	772.10		
	M3	-37.80	52.71	-1457.37	-37.80	52.71	-1638.52	-37.80	48.78	-1638.64	-37.80	48.78	-1819.78		
67	2-LANES (caseTRUCK-LOAD	MAX	S2	397.01	60.16	1940.37	264.40	112.83	2576.73	264.40	119.02	2576.45	163.68	156.12	2562.72
			TQ	113.32	165.26	756.23	113.32	165.26	1299.36	114.72	168.40	1314.69	114.72	168.40	1864.51
			M3	367.52	46.99	1964.21	235.83	99.28	2621.49	235.83	105.57	2621.24	124.12	148.09	2597.54
		MIN	S2	-67.47	14.11	1805.94	-167.56	52.20	2468.41	-167.56	58.12	2468.28	-297.89	109.95	2466.67
			TQ	-31.72	-33.56	-99.03	-31.72	-33.56	-251.06	-31.72	-34.16	-250.98	-31.72	-34.16	-403.01
			M3	24.61	6.12	-1036.19	24.61	6.12	-918.22	24.61	3.92	-918.23	24.61	3.92	-800.26

BAGO RIVER BRIDGE

BLOCK [ No.1 : MAIN GIRDER ][ BEAM MEMBER FORCE ]

MEMBER		3021			3022			3022			3023						
NODE		3021			3022			3022			3023						
		SHEAR	TORQUE	MOMENT	SHEAR	TORQUE	MOMENT	SHEAR	TORQUE	MOMENT	SHEAR	TORQUE	MOMENT				
NAME	TITLE	S2 (kN)	TQ (kN·m)	M3 (kN·m)	S2 (kN)	TQ (kN·m)	M3 (kN·m)	S2 (kN)	TQ (kN·m)	M3 (kN·m)	S2 (kN)	TQ (kN·m)	M3 (kN·m)				
67	2-LANES (caseTANDEM-LOAD	MAX	S2	312.59	23.43	1569.77	218.99	60.23	2052.62	218.99	65.16	2052.47	131.00	99.16	2003.99		
			TQ	72.84	112.85	486.34	72.84	112.85	835.45	80.09	114.90	915.03	80.09	114.90	1298.89		
			M3	312.59	23.43	1569.78	219.00	60.23	2052.63	219.00	65.16	2052.48	131.00	99.16	2003.99		
		MIN	S2	-65.74	16.64	1552.35	-153.15	50.86	2037.07	-153.15	55.75	2036.94	-246.37	92.48	1992.00		
			TQ	-22.07	-22.87	-68.96	-22.07	-22.87	-174.76	-22.07	-23.29	-174.71	-22.07	-23.29	-280.51		
			M3	16.72	4.24	-704.11	16.72	4.24	-623.97	16.72	2.74	-623.98	16.72	2.74	-543.84		
			DISPERSION-LMAX	S2	190.33	152.59	-414.58	141.98	146.09	31.44	141.98	146.17	31.09	109.90	132.40	246.12	
				TQ	166.14	155.75	-24.42	100.89	155.75	613.98	95.76	157.52	852.69	31.01	157.52	1155.98	
				M3	148.04	146.69	1267.54	79.10	146.69	1811.80	79.10	151.04	1811.44	10.21	151.04	2025.44	
			MIN	S2	-78.66	-51.04	221.35	-99.25	-44.54	145.25	-99.25	-44.19	145.36	-136.06	-30.43	-30.00	
				TQ	-54.47	-54.20	-168.81	-58.17	-54.20	-437.29	-53.03	-55.55	-676.23	-57.18	-55.55	-939.86	
				M3	-36.37	-45.14	-1460.77	-36.37	-45.14	-1635.10	-36.37	-49.06	-1634.99	-36.37	-49.06	-1809.32	
		68	2-LANES (caseTRUCK-LOAD	MAX	S2	143.87	437.99	1399.20	143.28	503.58	1924.41	143.28	508.20	1923.20	157.70	532.15	2518.93
					TQ	132.46	579.91	896.11	132.46	579.91	1530.94	132.46	583.58	1529.54	132.46	583.58	2164.38
					M3	42.73	186.12	1854.33	98.13	387.72	2093.62	98.13	392.74	2092.69	125.68	509.01	2543.65
MIN	S2			-51.69	13.16	777.04	-40.92	43.39	889.99	-40.92	45.52	889.88	-41.93	122.07	980.03		
	TQ			-31.87	-63.95	-96.60	-31.87	-63.95	-249.34	-31.87	-64.55	-249.19	-31.87	-64.55	-401.93		
	M3			26.48	26.30	-1056.69	26.48	26.30	-929.78	26.48	24.07	-929.85	26.48	24.07	-802.94		
	TANDEM-LOAD			MAX	S2	99.19	304.22	973.90	99.15	317.22	1418.28	99.15	320.62	1417.52	117.91	320.94	1777.96
				TQ	88.67	397.89	566.52	88.67	397.89	991.48	88.67	400.26	990.52	88.67	400.26	1415.48	
				M3	46.62	145.87	1319.28	82.09	269.33	1491.43	82.09	272.91	1490.78	105.70	334.69	1783.92	
	MIN			S2	-44.78	81.41	1299.20	-28.05	54.07	698.25	-28.05	55.74	698.12	-28.72	107.08	751.02	
				TQ	-22.18	-43.60	-67.30	-22.18	-43.60	-173.59	-22.18	-44.02	-173.48	-22.18	-44.02	-279.77	
				M3	18.02	18.03	-718.78	18.02	18.03	-632.39	18.02	16.51	-632.43	18.02	16.51	-546.04	

BAGO RIVER BRIDGE

BLOCK [ No.1 : MAIN GIRDER ][ BEAM MEMBER FORCE ]

MEMBER			3021			3022			3022			3023					
NODE			3021			3022			3022			3023					
			SHEAR	TORQUE	MOMENT	SHEAR	TORQUE	MOMENT	SHEAR	TORQUE	MOMENT	SHEAR	TORQUE	MOMENT			
NAME	TITLE		S2 (kN)	TQ (kN·m)	M3 (kN·m)	S2 (kN)	TQ (kN·m)	M3 (kN·m)	S2 (kN)	TQ (kN·m)	M3 (kN·m)	S2 (kN)	TQ (kN·m)	M3 (kN·m)			
68	2-LANES (caseDISPERSION-LMAX	S2	139.66	503.03	-455.01	133.81	504.35	143.03	133.81	504.69	141.82	131.74	495.19	677.64			
		TQ	131.11	523.21	-100.60	126.05	523.21	515.70	125.65	524.48	528.89	120.56	524.48	1118.93			
		M3	93.11	486.24	1385.70	88.05	486.24	1819.85	88.05	490.60	1818.68	82.96	490.60	2228.51			
		MIN	S2	-79.84	-83.67	348.39	-79.05	-84.99	24.96	-79.05	-84.93	25.17	-82.07	-75.43	-260.36		
		TQ	-71.29	-103.86	-6.02	-71.29	-103.86	-347.70	-70.89	-104.72	-361.90	-70.89	-104.72	-701.65			
		M3	-33.29	-66.88	-1492.32	-33.29	-66.88	-1651.86	-33.29	-70.84	-1651.69	-33.29	-70.84	-1811.23			
		69	3-LANES (caseTRUCK-LOAD	MAX	S2	163.53	-596.94	1307.34	163.53	-596.94	2091.08	163.53	-591.92	2092.51	163.53	-591.92	2876.25
				TQ	-50.32	87.12	-170.56	-50.32	87.12	-411.71	-50.32	86.13	-411.92	-50.32	86.13	-653.08	
				M3	60.89	-274.01	2188.23	108.38	-414.17	2505.83	108.38	-408.16	2506.81	146.28	-552.64	3042.62	
MIN	S2			-60.10	65.28	658.50	-60.10	65.28	370.47	-60.10	66.17	370.31	-60.10	66.17	82.27		
TQ	157.85			-606.39	1206.24	157.85	-606.39	1962.79	155.39	-601.77	1921.11	155.39	-601.77	2665.89			
M3	34.14			-25.32	-1520.17	34.14	-25.32	-1356.56	34.14	-28.58	-1356.50	34.14	-28.58	-1192.88			
TANDEM-LOAD	MAX			S2	113.85	-405.94	972.01	113.85	-405.94	1517.68	113.85	-402.30	1518.65	113.85	-402.30	2064.33	
TQ	-33.62			59.34	-114.08	-33.62	59.34	-275.22	-33.62	58.68	-275.36	-33.62	58.68	-436.50			
M3	38.65			-189.28	1540.59	68.21	-265.90	1739.56	68.21	-261.73	1740.19	103.36	-371.58	2127.76			
MIN	S2	-41.68	38.86	526.01	-41.68	38.86	326.26	-41.68	39.64	326.17	-41.68	39.64	126.41				
TQ	109.85	-417.55	822.24	109.85	-417.55	1348.74	109.85	-414.31	1349.74	109.85	-414.31	1876.24					
M3	23.21	-16.88	-1032.58	23.21	-16.88	-921.36	23.21	-19.09	-921.32	23.21	-19.09	-810.09					
DISPERSION-LMAX	S2	169.63	-557.05	-570.34	165.10	-555.04	153.96	165.10	-554.67	155.29	160.18	-551.67	873.24				
TQ	-105.55	143.14	-63.50	-105.55	143.14	-569.38	-106.24	141.80	-547.24	-106.24	141.80	-1056.44					
M3	117.81	-525.91	1778.56	111.53	-525.91	2328.16	111.53	-520.32	2329.41	105.25	-520.32	2848.90					
MIN	S2	-108.65	138.39	160.03	-110.41	136.38	-287.06	-110.41	135.69	-287.39	-111.77	132.69	-758.24				
TQ	166.53	-561.80	-346.81	160.25	-561.80	436.28	160.94	-560.77	415.14	154.66	-560.77	1171.45					
M3	-56.83	107.25	-2188.87	-56.83	107.25	-2461.26	-56.83	101.34	-2461.51	-56.83	101.34	-2733.90					

BAGO RIVER BRIDGE

BLOCK [ No.1 : MAIN GIRDER ][ BEAM MEMBER FORCE ]

MEMBER				3021			3022			3023					
NODE				3021			3022			3023					
				SHEAR	TORQUE	MOMENT	SHEAR	TORQUE	MOMENT	SHEAR	TORQUE	MOMENT			
NAME	TITLE			S2 (kN)	TQ (kN·m)	M3 (kN·m)	S2 (kN)	TQ (kN·m)	M3 (kN·m)	S2 (kN)	TQ (kN·m)	M3 (kN·m)			
70	3-LANES (caseTRUCK-LOAD	MAX	S2	482.78	147.37	2880.29	343.18	270.85	3702.93	343.18	279.74	3702.27	235.53	369.33	3832.69
			TQ	176.62	397.07	1182.75	176.62	397.07	2029.25	178.02	401.96	2044.01	178.02	401.96	2897.21
			M3	442.93	115.97	2911.29	304.33	238.89	3757.28	304.33	247.91	3756.70	185.95	349.61	3881.19
		MIN	S2	-87.85	34.33	2668.65	-194.02	125.48	3526.25	-194.02	133.94	3525.94	-330.02	257.75	3686.83
			TQ	-47.69	-73.12	-146.72	-47.69	-73.12	-375.30	-47.69	-74.02	-375.12	-47.69	-74.02	-603.70
			M3	37.48	15.25	-1560.38	37.48	15.25	-1380.76	37.48	11.94	-1380.79	37.48	11.94	-1201.18
		TANDEM-LOAD MAX	S2	372.94	58.96	2270.08	274.44	145.80	2881.32	274.44	152.72	2880.96	181.96	233.32	2934.58
			TQ	114.75	271.82	757.28	114.75	271.82	1307.25	122.00	275.01	1386.44	122.00	275.01	1971.16
			M3	372.94	58.96	2270.09	274.44	145.80	2881.32	274.44	152.72	2880.96	181.96	233.32	2934.58
		MIN	S2	-81.73	42.46	2243.31	-173.07	123.87	2857.69	-173.07	130.73	2857.38	-269.93	217.20	2916.54
			TQ	-33.19	-49.85	-102.20	-33.19	-49.85	-261.27	-33.19	-50.48	-261.15	-33.19	-50.48	-420.21
			M3	25.47	10.52	-1060.59	25.47	10.52	-938.51	25.47	8.27	-938.53	25.47	8.27	-816.45
		DISPERSION-LMAX	S2	267.76	363.19	-607.39	209.24	347.56	50.99	209.24	347.69	50.15	167.99	319.34	433.93
			TQ	240.60	369.07	-91.62	161.94	369.07	871.42	156.30	371.50	1127.89	78.30	371.50	1689.54
			M3	204.22	347.28	1941.60	121.87	347.28	2722.89	121.87	353.81	2722.04	39.72	353.81	3109.22
MIN	S2	-117.18	-110.80	349.99	-141.01	-95.18	215.80	-141.01	-94.66	216.03	-181.91	-66.31	-37.68		
	TQ	-90.02	-116.68	-165.78	-93.72	-116.68	-604.64	-88.07	-118.47	-861.71	-92.22	-118.47	-1293.28		
	M3	-53.64	-94.89	-2199.00	-53.64	-94.89	-2456.10	-53.64	-100.78	-2455.86	-53.64	-100.78	-2712.96		
71	3-LANES (caseTRUCK-LOAD	MAX	S2	313.59	490.76	2365.15	262.30	600.87	3178.41	262.30	608.49	3176.96	237.25	664.08	3804.20
			TQ	191.16	720.90	1289.09	191.16	720.90	2205.29	191.16	726.19	2203.55	191.16	726.19	3119.75
			M3	198.83	227.55	2831.04	203.95	473.57	3366.83	203.95	481.65	3365.68	187.86	634.06	3845.48
		MIN	S2	-82.01	25.51	1682.52	-108.22	87.85	2071.97	-108.22	92.82	2071.75	-161.33	214.43	2212.23
			TQ	-47.69	-73.12	-146.72	-47.69	-73.12	-375.30	-47.69	-74.02	-375.12	-47.69	-74.02	-603.70
			M3	39.14	33.35	-1578.72	39.14	33.35	-1391.11	39.14	30.01	-1391.18	39.14	30.01	-1203.57

BAGO RIVER BRIDGE

BLOCK [ No.1 : MAIN GIRDER ][ BEAM MEMBER FORCE ]

MEMBER				3021			3022			3023								
NODE				3021			3022			3023								
				SHEAR	TORQUE	MOMENT	SHEAR	TORQUE	MOMENT	SHEAR	TORQUE	MOMENT						
NAME	TITLE			S2 (kN)	TQ (kN·m)	M3 (kN·m)	S2 (kN)	TQ (kN·m)	M3 (kN·m)	S2 (kN)	TQ (kN·m)	M3 (kN·m)						
71	3-LANES (case)	TANDEM-LOAD	MAX	S2	230.71	325.15	1738.99	195.28	369.68	2399.42	195.28	375.43	2398.52	179.90	404.57	2767.10		
				TQ	126.77	494.24	818.17	126.77	494.24	1425.77	126.77	497.66	1424.58	126.77	497.66	2032.17		
				M3	178.14	166.80	2084.38	178.21	321.79	2472.57	178.21	327.72	2471.79	167.70	418.33	2773.06		
			MIN	S2	-72.89	96.35	2055.54	-90.22	98.61	1671.45	-90.22	102.62	1671.21	-127.81	185.02	1734.27		
				TQ	-33.19	-49.85	-102.20	-33.19	-49.85	-261.27	-33.19	-50.48	-261.15	-33.19	-50.48	-420.21		
				M3	26.64	22.87	-1073.72	26.64	22.87	-946.05	26.64	20.60	-946.10	26.64	20.60	-818.42		
		DISPERSION-LMAX	S2	230.90	626.75	-659.93	204.38	622.34	159.75	204.38	622.72	158.26	187.88	601.63	811.66			
			TQ	218.65	648.48	-195.07	184.44	648.48	771.07	183.13	650.41	816.14	148.73	650.41	1611.52			
			M3	162.85	601.86	2034.17	128.64	601.86	2732.87	128.64	608.42	2731.42	94.24	608.42	3265.66			
			MIN	S2	-118.97	-97.99	464.14	-126.66	-93.58	99.13	-126.66	-93.35	99.36	-144.56	-72.25	-263.83		
				TQ	-106.72	-119.72	-0.72	-106.72	-119.72	-512.19	-105.40	-121.03	-558.52	-105.40	-121.03	-1063.69		
				M3	-50.91	-73.10	-2229.97	-50.91	-73.10	-2473.99	-50.91	-79.04	-2473.81	-50.91	-79.04	-2717.83		
		72	4-LANES	TRUCK-LOAD	MAX	S2	541.01	489.89	3357.69	407.70	616.21	4501.09	407.70	627.01	4499.59	320.69	688.31	5082.30
						TQ	245.74	745.18	1652.08	245.74	745.18	2829.88	247.14	751.99	2843.81	247.14	751.99	4028.29
						M3	411.70	233.02	3819.22	334.56	486.91	4717.33	334.56	498.23	4716.15	249.77	657.14	5141.68
MIN	S2				-118.10	70.58	3516.16	-203.80	126.85	4074.23	-203.80	136.63	4073.91	-338.43	263.10	4188.36		
	TQ				-24.91	-21.89	952.88	-24.91	-21.89	833.48	-21.11	-20.07	666.63	-21.11	-20.07	565.44		
	M3				51.09	32.43	-2092.86	51.09	32.43	-1847.99	51.09	28.00	-1848.06	51.09	28.00	-1603.19		
TANDEM-LOAD	MAX			S2	411.84	288.14	2635.93	318.21	377.21	3470.97	318.21	385.54	3470.05	247.91	420.16	3783.06		
				TQ	161.48	510.73	1052.72	161.48	510.73	1826.65	168.72	515.19	1905.29	168.72	515.19	2713.93		
				M3	360.15	169.06	2889.02	301.40	329.42	3545.09	301.40	337.92	3544.29	236.25	433.88	3789.04		
	MIN			S2	-109.29	97.93	2853.03	-180.35	129.69	3309.17	-180.35	137.63	3308.85	-274.30	225.95	3320.94		
				TQ	-22.88	-17.90	881.27	-22.88	-17.90	771.63	-20.70	-16.20	671.60	-20.70	-16.20	572.36		
				M3	34.74	22.27	-1422.89	34.74	22.27	-1256.37	34.74	19.26	-1256.42	34.74	19.26	-1089.89		

BAGO RIVER BRIDGE

BLOCK [ No.1 : MAIN GIRDER ][ BEAM MEMBER FORCE ]

MEMBER				3021			3022			3023							
NODE				3021			3022			3023							
				SHEAR	TORQUE	MOMENT	SHEAR	TORQUE	MOMENT	SHEAR	TORQUE	MOMENT					
NAME	TITLE			S2 (kN)	TQ (kN·m)	M3 (kN·m)	S2 (kN)	TQ (kN·m)	M3 (kN·m)	S2 (kN)	TQ (kN·m)	M3 (kN·m)					
72	4-LANES	DISPERSION-LMAX	S2	277.82	454.10	-1073.76	222.94	448.41	-288.08	222.94	447.71	-289.15	188.34	423.68	200.21		
			TQ	248.38	478.40	-411.62	177.42	478.40	607.29	171.83	480.19	858.14	101.45	480.19	1512.52		
			M3	187.94	430.32	2448.63	113.58	429.88	3172.67	113.63	437.24	3171.63	39.66	437.78	3537.65		
		MIN	S2	-26.96	17.10	982.41	-47.03	22.79	1219.40	-47.03	25.72	1219.34	-87.20	50.16	1395.31		
			TQ	4.81	-6.19	238.21	1.11	-6.19	253.86	6.87	-5.92	-2.14	2.73	-5.92	21.34		
			M3	62.13	40.99	-2544.56	62.08	40.34	-2246.86	62.08	34.95	-2246.95	62.03	34.21	-1949.53		
		73	6-LANES	TRUCK-LOAD MAX	S2	630.05	-9.05	4197.65	504.74	60.57	5809.12	504.74	74.52	5808.95	419.93	95.97	6905.84
					TQ	137.17	704.06	1092.14	137.17	704.06	1749.55	137.17	708.26	1747.86	137.17	708.26	2405.27
					M3	432.53	-31.13	5191.51	387.98	47.55	6262.63	387.98	62.58	6262.50	351.90	101.00	7060.72
MIN	S2			-156.40	121.53	3354.42	-241.73	108.38	2967.14	-241.73	115.50	2966.87	-367.62	184.84	2890.25		
	TQ			115.49	-571.74	1045.39	115.49	-571.74	1598.89	115.49	-567.90	1600.26	115.49	-567.90	2153.76		
	M3			73.22	8.13	-3098.92	73.22	8.13	-2748.02	73.22	1.53	-2748.03	73.22	1.53	-2397.12		
TANDEM-LOAD MAX	S2			472.15	-38.57	3193.00	384.21	10.09	4351.50	384.21	20.54	4351.46	315.64	18.63	5033.22		
	TQ			89.03	482.10	683.58	89.03	482.10	1110.30	95.86	484.79	1189.67	95.86	484.79	1649.10		
	M3			352.74	-36.34	3838.85	332.84	57.83	4590.30	332.84	68.85	4590.14	293.29	56.12	5119.89		
MIN	S2	-133.01	124.04	2738.35	-202.88	94.70	2464.84	-202.88	100.62	2464.61	-290.29	148.83	2358.59				
	TQ	82.16	-392.86	756.59	82.16	-392.86	1150.37	82.16	-390.10	1151.31	82.16	-390.10	1545.09				
	M3	49.78	5.99	-2105.92	49.76	5.90	-1867.39	49.76	1.42	-1867.40	49.76	1.42	-1628.89				
DISPERSION-LMAX	S2	422.79	95.99	-1205.53	370.58	94.44	269.78	370.58	95.09	269.55	336.89	78.62	1462.79				
	TQ	143.72	713.79	-297.11	89.81	713.79	260.93	84.39	714.74	504.35	31.08	714.74	780.47				
	M3	294.23	78.31	3686.96	228.53	90.13	4950.59	228.70	99.16	4950.37	164.30	106.79	5883.23				
MIN	S2	-216.18	38.16	673.89	-235.32	38.06	13.36	-235.32	38.09	13.27	-272.55	52.27	-724.12				
	TQ	50.55	-589.82	-259.23	41.49	-589.82	-37.21	47.80	-590.27	-314.13	38.27	-590.27	-107.37				
	M3	-96.28	39.45	-4275.14	-96.38	37.52	-4736.74	-96.38	26.21	-4736.82	-96.54	23.56	-5199.10				

BAGO RIVER BRIDGE

BLOCK [ No.1 : MAIN GIRDER ][ BEAM MEMBER FORCE ]

MEMBER			3021			3022			3023						
NODE			3021			3022			3023						
NAME TITLE			SHEAR	TORQUE	MOMENT	SHEAR	TORQUE	MOMENT	SHEAR	TORQUE	MOMENT	SHEAR	TORQUE	MOMENT	
			S2 (kN)	TQ (kN·m)	M3 (kN·m)	S2 (kN)	TQ (kN·m)	M3 (kN·m)	S2 (kN)	TQ (kN·m)	M3 (kN·m)	S2 (kN)	TQ (kN·m)	M3 (kN·m)	
124	SUM TOTAL	D+1LANE (caseMAX	S2	911.33	-491.11	-2497.02	658.45	-491.11	1264.07	658.45	-488.08	1265.25	406.17	-488.08	3815.94
			TQ	732.90	311.77	-2899.34	480.01	311.77	6.55	479.96	311.79	8.96	227.68	311.79	1704.18
			M3	865.39	-353.71	-1338.37	614.80	-374.90	2208.86	614.80	-369.60	2209.75	380.72	-457.89	4584.86
		MIN	S2	729.21	303.89	-2854.09	476.33	303.89	34.14	476.33	303.97	33.41	224.05	303.97	1711.24
			TQ	910.63	-494.58	-2406.11	657.74	-494.58	1351.59	657.80	-491.34	1349.61	405.52	-491.34	3897.18
			M3	783.93	225.39	-4220.54	531.04	225.39	-1070.08	531.04	222.82	-1070.62	278.76	222.82	869.43
		D+1LANE (caseMAX	S2	948.25	-83.44	-2386.41	689.93	-81.02	1445.14	689.93	-77.56	1445.33	431.75	-73.96	4058.86
			TQ	728.73	221.83	-2751.96	475.84	221.83	133.93	475.22	222.17	150.55	222.94	222.17	1823.07
			M3	883.46	31.06	-964.85	644.01	-24.16	2593.29	644.01	-17.93	2593.34	397.09	-61.01	5005.90
		MIN	S2	721.67	205.68	-1656.99	466.67	203.27	1283.45	466.67	206.35	1282.96	212.76	202.75	2984.48
			TQ	940.57	-90.03	-2411.67	680.14	-90.03	1471.47	677.81	-86.63	1402.77	418.00	-86.63	4028.23
			M3	784.85	189.31	-4225.19	531.96	189.31	-1070.32	531.96	186.74	-1070.77	279.69	186.74	873.71
		D+1LANE (caseMAX	S2	1169.69	226.39	-1827.79	794.64	237.63	2041.11	794.64	242.53	2040.53	453.06	247.35	4108.77
			TQ	952.00	253.90	-2217.09	658.23	253.90	1639.20	654.83	258.15	1906.32	362.22	258.15	4342.44
			M3	1125.88	222.78	-811.78	737.71	235.31	3133.58	737.71	242.83	3133.00	363.70	252.63	5186.43
		MIN	S2	703.10	161.57	-1536.15	367.44	171.49	2044.59	367.44	176.39	2044.17	-0.15	192.80	3892.61
			TQ	751.48	144.75	-3007.81	494.15	144.75	-21.78	499.23	144.40	-271.00	241.98	144.40	1505.27
			M3	785.87	159.73	-4232.49	532.98	159.73	-1072.73	532.98	157.15	-1073.11	280.70	157.15	876.24
		D+1LANE (caseMAX	S2	953.21	928.89	-2474.40	703.84	941.06	1575.88	703.84	944.84	1573.61	479.98	913.08	4503.80
			TQ	945.87	950.52	-2223.58	700.58	950.52	1721.19	700.58	954.65	1718.91	455.93	954.65	4489.76
			M3	813.77	653.63	-795.91	635.53	807.70	2716.81	635.53	814.22	2714.86	426.70	880.59	5324.72
		MIN	S2	705.16	158.93	-1469.72	471.57	66.25	228.70	471.57	66.80	228.54	219.45	62.52	1867.60
			TQ	731.39	50.41	-2801.75	478.50	50.41	96.88	478.50	50.64	96.76	226.22	50.64	1785.00
			M3	789.99	141.81	-4274.37	537.10	141.81	-1094.85	537.10	139.18	-1095.18	284.83	139.18	873.94



BAGO RIVER BRIDGE

BLOCK [ No.1 : MAIN GIRDER ][ BEAM MEMBER FORCE ]

MEMBER				3021			3022			3023					
NODE				3021			3022			3023					
NAME TITLE				SHEAR	TORQUE	MOMENT	SHEAR	TORQUE	MOMENT	SHEAR	TORQUE	MOMENT			
				S2 (kN)	TQ (kN·m)	M3 (kN·m)	S2 (kN)	TQ (kN·m)	M3 (kN·m)	S2 (kN)	TQ (kN·m)	M3 (kN·m)			
124	SUM TOTAL	D+2LANES (casMAX	S2	997.62	-764.42	-2295.98	744.74	-764.42	1878.68	744.74	-759.91	1880.51	492.46	-759.91	4844.77
			TQ	691.53	365.44	-2962.42	438.65	365.44	-254.79	438.47	364.83	-247.48	186.19	364.83	1248.91
			M3	897.16	-505.76	-250.83	674.28	-599.91	3510.82	674.28	-591.48	3512.25	449.16	-700.06	6197.60
		MIN	S2	684.54	352.30	-2822.31	431.65	352.30	-148.22	431.65	351.95	-149.07	179.37	351.95	1314.63
			TQ	995.25	-773.12	-2152.51	742.36	-773.12	2010.77	742.54	-768.30	2004.42	490.26	-768.30	4958.14
			M3	777.94	244.21	-5209.71	525.05	244.21	-2087.97	525.05	239.20	-2088.55	272.77	239.20	-177.21
		D+2LANES (casMAX	S2	1028.39	-424.69	-2203.82	770.97	-422.68	2029.56	770.97	-417.80	2030.57	513.77	-414.81	5047.20
			TQ	688.06	290.49	-2839.60	435.17	290.49	-148.64	434.52	290.15	-129.49	182.25	290.15	1347.98
			M3	912.22	-185.11	60.44	698.63	-307.62	3831.18	698.63	-298.43	3831.91	462.80	-369.33	6548.47
		MIN	S2	678.25	270.46	-1824.73	423.60	268.45	892.87	423.60	270.59	892.22	169.96	267.60	2375.66
			TQ	1020.20	-436.00	-2157.14	761.03	-436.00	2110.67	759.22	-431.05	2048.73	500.66	-431.05	5067.35
			M3	778.71	214.14	-5213.59	525.82	214.14	-2088.17	525.82	209.13	-2088.68	273.54	209.13	-173.65
		D+2LANES (casMAX	S2	1380.79	387.32	-1213.31	946.94	433.49	3065.21	946.94	440.85	3064.17	561.87	464.18	5251.20
			TQ	1072.92	495.58	-2007.28	754.78	495.58	2370.39	751.04	501.58	2624.00	434.03	501.58	5462.85
			M3	1309.02	368.24	492.66	855.50	420.54	4890.33	855.50	432.27	4889.31	422.63	474.79	7065.34
		MIN	S2	647.33	137.63	-711.80	273.75	182.22	3070.71	273.75	189.59	3070.26	-145.66	255.19	4879.03
			TQ	707.27	86.81	-3006.93	450.68	86.81	-231.30	455.82	85.95	-470.59	199.39	85.95	1099.49
			M3	781.70	135.55	-5236.05	528.81	135.55	-2096.27	528.81	130.52	-2096.59	276.53	130.52	-167.22
		D+2LANES (casMAX	S2	1076.98	1115.58	-1794.89	817.66	1182.49	2524.49	817.66	1188.55	2521.64	577.74	1203.00	5638.93
			TQ	1057.02	1277.69	-1943.58	799.08	1277.69	2503.69	798.67	1283.73	2515.06	541.31	1283.73	5725.67
			M3	929.29	846.93	500.94	726.75	1048.52	4370.52	726.75	1059.01	4367.99	496.93	1175.28	7214.52
		MIN	S2	661.92	104.05	-1613.66	420.60	132.96	1371.99	420.60	136.26	1371.67	164.29	222.31	3162.03
			TQ	690.30	6.76	-2841.71	437.41	6.76	-140.00	437.81	6.39	-154.46	185.54	6.39	1338.78
			M3	786.65	133.98	-5288.10	533.76	133.98	-2124.60	533.76	128.88	-2124.91	281.49	128.88	-171.81

BAGO RIVER BRIDGE

BLOCK [ No.1 : MAIN GIRDER ][ BEAM MEMBER FORCE ]

MEMBER			3021			3022			3023						
NODE			3021			3022			3023						
NAME TITLE			SHEAR	TORQUE	MOMENT	SHEAR	TORQUE	MOMENT	SHEAR	TORQUE	MOMENT	SHEAR	TORQUE	MOMENT	
			S2 (kN)	TQ (kN·m)	M3 (kN·m)	S2 (kN)	TQ (kN·m)	M3 (kN·m)	S2 (kN)	TQ (kN·m)	M3 (kN·m)	S2 (kN)	TQ (kN·m)	M3 (kN·m)	
124	SUM TOTAL	D+3LANES (casMAX	S2	1076.64	-806.32	-2112.64	819.91	-804.61	2365.33	819.91	-798.93	2367.26	563.45	-796.39	5629.43
			TQ	660.97	370.29	-2938.04	408.08	370.29	-376.89	407.49	369.40	-358.66	155.22	369.40	989.27
			M3	945.36	-505.36	632.68	727.49	-624.50	4565.93	727.49	-613.54	4567.42	502.09	-736.35	7450.15
		MIN	S2	650.02	347.68	-2043.34	395.64	345.98	527.94	395.64	347.24	527.11	142.21	344.69	1867.79
			TQ	1069.18	-818.39	-2008.58	810.96	-818.39	2496.26	809.46	-812.50	2442.44	551.84	-812.50	5704.10
			M3	774.17	244.20	-5891.78	521.28	244.20	-2788.10	521.28	237.51	-2788.68	269.00	237.51	-895.40
		D+3LANES (casMAX	S2	1431.42	608.54	-807.13	1010.12	700.22	3647.87	1010.12	708.97	3646.18	631.29	761.03	6068.99
			TQ	1148.09	825.79	-1811.63	828.35	825.79	2922.62	824.74	833.10	3152.74	506.16	833.10	6341.09
			M3	1343.54	568.33	1385.87	902.84	672.81	5965.19	902.84	687.13	5963.56	480.11	773.57	8384.21
		MIN	S2	619.18	109.56	-173.24	255.80	200.32	3637.79	255.80	209.05	3637.30	-146.85	338.38	5544.14
			TQ	676.40	13.24	-3004.71	420.37	13.24	-375.90	425.17	12.05	-594.68	169.37	12.05	829.92
			M3	779.72	106.87	-5934.56	526.83	106.87	-2804.29	526.83	100.14	-2804.54	274.55	100.14	-884.66
		D+3LANES (casMAX	S2	1256.28	1124.45	-1289.65	937.25	1214.29	3294.48	937.25	1222.19	3291.56	649.66	1251.51	6365.84
			TQ	1141.80	1338.54	-1809.18	859.83	1338.54	2986.95	858.71	1345.78	3023.36	577.20	1345.78	6463.94
			M3	1100.89	879.56	1396.34	823.27	1088.69	5641.79	823.27	1102.22	5639.16	528.08	1231.77	8486.83
		MIN	S2	622.63	112.96	-914.43	340.92	169.69	2302.48	340.92	175.22	2302.07	28.29	296.52	4098.50
			TQ	662.21	10.65	-2864.41	409.32	10.65	-297.32	410.44	9.87	-336.97	158.16	9.87	1025.07
			M3	783.45	140.78	-5976.47	530.57	140.78	-2828.29	530.57	133.99	-2828.62	278.29	133.99	-890.83
		D+4LANES	MAX	S2	1325.70	788.16	-1254.53	950.48	866.56	3195.50	950.48	874.23	3193.41	619.17	898.46
			TQ	1114.64	969.89	-1932.79	815.63	969.89	2691.20	812.90	976.58	2862.89	514.88	976.58	6043.89
			M3	1183.23	605.74	1335.01	831.86	770.48	5585.55	831.89	783.71	5583.68	476.43	887.36	8083.93
		MIN	S2	699.17	231.56	184.98	377.53	271.84	3897.90	377.53	281.19	3897.24	11.64	379.28	6071.75
			TQ	780.39	156.31	-1964.88	525.10	156.31	1163.81	531.31	158.77	888.54	276.34	158.77	2823.76
			M3	867.05	222.29	-5753.41	614.14	221.87	-2204.61	614.14	216.58	-2205.14	361.82	216.10	133.09

BAGO RIVER BRIDGE

BLOCK [ No.1 : MAIN GIRDER ][ BEAM MEMBER FORCE ]

MEMBER					3021			3022			3023					
NODE					3021			3022			3023					
					SHEAR	TORQUE	MOMENT	SHEAR	TORQUE	MOMENT	SHEAR	TORQUE	MOMENT			
NAME	TITLE				S2 (kN)	TQ (kN·m)	M3 (kN·m)	S2 (kN)	TQ (kN·m)	M3 (kN·m)	S2 (kN)	TQ (kN·m)	M3 (kN·m)			
124	SUM TOTAL	D+6LANES	MAX	S2	1477.81	231.08	-794.21	1109.52	275.32	4408.33	1109.52	285.90	4407.65	780.22	289.15	7881.97
				TQ	976.04	1096.17	-2222.32	688.11	1096.17	1763.86	684.58	1100.61	1920.56	397.66	1100.61	4513.09
				M3	1265.85	205.23	3031.92	941.30	264.06	7745.64	941.42	280.79	7744.99	623.83	310.73	10855.92
			MIN	S2	551.28	278.36	-120.69	230.49	269.75	2394.37	230.49	275.50	2393.72	-127.81	329.78	3850.35
				TQ	901.38	-580.45	-2228.08	642.60	-580.45	1472.14	646.71	-577.15	1292.61	388.23	-577.15	3772.51
				M3	778.47	205.49	-7532.23	525.51	204.24	-4408.05	525.52	193.69	-4408.53	273.13	191.97	-2495.18
	SUM TOTAL		MAX		1477.81	1338.54	3031.92	1109.52	1338.54	7745.64	1109.52	1345.78	7744.99	780.22	1345.78	10855.92
			MIN		551.28	-818.39	-7532.23	230.49	-818.39	-4408.05	230.49	-812.50	-4408.53	-146.85	-812.50	-2495.18
300	DEAD LOAD	TOTAL			793.46	174.57	-2739.09	540.57	174.57	457.04	540.57	175.66	456.62	288.29	175.66	2442.36
301	LIVE LOAD	1-LANE(case1MAX	S2		117.88	-665.68	242.07	117.88	-665.68	807.03	117.88	-663.74	808.62	117.88	-663.74	1373.58
			TQ		-60.56	137.21	-160.25	-60.56	137.21	-450.49	-60.61	136.13	-447.66	-60.61	136.13	-738.18
			M3		71.93	-528.28	1400.72	74.23	-549.47	1751.81	74.23	-545.26	1753.13	92.42	-633.56	2142.50
			MIN	S2	-64.24	129.33	-115.00	-64.24	129.33	-422.90	-64.24	128.31	-423.21	-64.24	128.31	-731.12
				TQ	117.17	-669.15	332.98	117.17	-669.15	894.54	117.23	-667.00	892.99	117.23	-667.00	1454.82
				M3	-9.53	50.82	-1481.45	-9.53	50.82	-1527.13	-9.53	47.16	-1527.25	-9.53	47.16	-1572.93
		1-LANE(case2MAX	S2		154.79	-258.00	352.67	149.36	-255.59	988.09	149.36	-253.22	988.70	143.45	-249.62	1616.50
			TQ		-64.73	47.27	-12.87	-64.73	47.27	-323.11	-65.35	46.51	-306.07	-65.35	46.51	-619.29
			M3		90.01	-143.51	1774.24	103.44	-198.72	2136.25	103.44	-193.60	2136.72	108.79	-236.67	2563.54
			MIN	S2	-71.79	31.12	1082.10	-73.90	28.71	826.40	-73.90	30.69	826.33	-75.53	27.09	542.12
				TQ	147.11	-264.60	327.42	139.57	-264.60	1014.42	137.24	-262.29	946.15	129.71	-262.29	1585.87
				M3	-8.61	14.74	-1486.10	-8.61	14.74	-1527.36	-8.61	11.08	-1527.39	-8.61	11.08	-1568.65
		1-LANE(case3MAX	S2		376.23	51.83	911.29	254.07	63.06	1584.06	254.07	66.87	1583.91	164.77	71.69	1666.41
			TQ		158.54	79.33	522.00	117.66	79.33	1182.15	114.26	82.49	1449.70	73.93	82.49	1900.09
			M3		332.42	48.22	1927.31	197.14	60.75	2676.53	197.14	67.17	2676.38	75.41	76.96	2744.07
			MIN	S2	-90.36	-13.00	1202.94	-173.13	-3.08	1587.55	-173.13	0.73	1587.55	-288.45	17.14	1450.26
				TQ	-41.98	-29.81	-268.72	-46.42	-29.81	-478.82	-41.34	-31.26	-727.62	-46.31	-31.26	-937.09
				M3	-7.59	-14.84	-1493.40	-7.59	-14.84	-1529.78	-7.59	-18.51	-1529.74	-7.59	-18.51	-1566.11

BAGO RIVER BRIDGE

BLOCK [ No.1 : MAIN GIRDER ][ BEAM MEMBER FORCE ]

MEMBER			3021			3022			3022			3023			
NODE			3021			3022			3022			3023			
NAME TITLE			SHEAR	TORQUE	MOMENT	SHEAR	TORQUE	MOMENT	SHEAR	TORQUE	MOMENT	SHEAR	TORQUE	MOMENT	
			S2 (kN)	TQ (kN·m)	M3 (kN·m)	S2 (kN)	TQ (kN·m)	M3 (kN·m)	S2 (kN)	TQ (kN·m)	M3 (kN·m)	S2 (kN)	TQ (kN·m)	M3 (kN·m)	
301	LIVE LOAD	1-LANE (case4MAX	S2	159.75	754.33	264.69	163.26	766.49	1118.83	163.26	769.18	1116.99	191.68	737.41	2061.45
			TQ	152.42	775.96	515.51	160.01	775.96	1264.15	160.01	778.99	1262.28	167.64	778.99	2047.41
			M3	20.31	479.07	1943.18	94.96	633.13	2259.76	94.96	638.55	2258.24	138.41	704.93	2882.36
			MIN S2	-88.30	-15.64	1269.37	-69.00	-108.32	-228.35	-69.00	-108.87	-228.09	-68.84	-113.14	-574.76
			TQ	-62.07	-124.16	-62.66	-62.07	-124.16	-360.16	-62.07	-125.02	-359.86	-62.07	-125.02	-657.36
			M3	-3.47	-32.75	-1535.28	-3.47	-32.75	-1551.89	-3.47	-36.48	-1551.81	-3.47	-36.48	-1568.42
		2-LANES (caseMAX	S2	204.17	-938.98	443.10	204.17	-938.98	1421.63	204.17	-935.57	1423.88	204.17	-935.57	2402.41
			TQ	-101.93	190.87	-223.33	-101.93	190.87	-711.84	-102.10	189.17	-704.10	-102.10	189.17	-1193.45
			M3	103.70	-680.32	2488.26	133.71	-774.47	3053.78	133.71	-767.14	3055.63	160.87	-875.73	3755.24
			MIN S2	-108.92	177.74	-83.22	-108.92	177.74	-605.26	-108.92	176.28	-605.69	-108.92	176.28	-1127.73
			TQ	201.79	-947.69	586.58	201.79	-947.69	1553.72	201.97	-943.97	1547.80	201.97	-943.97	2515.78
			M3	-15.52	69.64	-2470.63	-15.52	69.64	-2545.02	-15.52	63.53	-2545.18	-15.52	63.53	-2619.57
		2-LANES (caseMAX	S2	234.93	-599.25	535.27	230.40	-597.24	1572.52	230.40	-593.47	1573.95	225.48	-590.47	2604.84
			TQ	-105.40	115.92	-100.51	-105.40	115.92	-605.69	-106.05	114.49	-586.11	-106.05	114.49	-1094.37
			M3	118.76	-359.68	2799.52	158.06	-482.19	3374.14	158.06	-474.09	3375.29	174.51	-544.99	4106.11
			MIN S2	-115.21	95.90	914.36	-116.97	93.89	435.82	-116.97	94.93	435.60	-118.33	91.93	-66.70
			TQ	226.74	-610.56	581.94	220.46	-610.56	1653.62	218.65	-606.71	1592.11	212.37	-606.71	2624.99
			M3	-14.75	39.57	-2474.51	-14.75	39.57	-2545.21	-14.75	33.47	-2545.30	-14.75	33.47	-2616.01
		2-LANES (caseMAX	S2	587.33	212.76	1525.78	406.37	258.93	2608.17	406.37	265.19	2607.54	273.58	288.52	2808.84
			TQ	279.46	321.01	731.81	214.21	321.01	1913.34	210.47	325.92	2167.37	145.73	325.92	3020.49
			M3	515.56	193.68	3231.74	314.93	245.97	4433.29	314.93	256.61	4432.68	134.33	299.13	4622.98
			MIN S2	-146.13	-36.94	2027.29	-266.82	7.65	2613.67	-266.82	13.92	2613.64	-433.95	79.53	2436.67
			TQ	-86.19	-87.76	-267.84	-89.89	-87.76	-688.34	-84.75	-89.71	-927.21	-88.90	-89.71	-1342.87
			M3	-11.76	-39.02	-2496.96	-11.76	-39.02	-2553.32	-11.76	-45.14	-2553.22	-11.76	-45.14	-2609.58

BAGO RIVER BRIDGE

BLOCK [ No.1 : MAIN GIRDER ][ BEAM MEMBER FORCE ]

MEMBER			3021			3022			3022			3023			
NODE			3021			3022			3022			3023			
NAME TITLE			SHEAR	TORQUE	MOMENT	SHEAR	TORQUE	MOMENT	SHEAR	TORQUE	MOMENT	SHEAR	TORQUE	MOMENT	
			S2 (kN)	TQ (kN·m)	M3 (kN·m)	S2 (kN)	TQ (kN·m)	M3 (kN·m)	S2 (kN)	TQ (kN·m)	M3 (kN·m)	S2 (kN)	TQ (kN·m)	M3 (kN·m)	
301	LIVE LOAD	2-LANES (caseMAX	S2	283.53	941.02	944.19	277.09	1007.93	2067.44	277.09	1012.89	2065.02	289.44	1027.34	3196.57
			TQ	263.57	1103.12	795.51	258.51	1103.12	2046.64	258.10	1108.06	2058.44	253.02	1108.06	3283.31
			M3	135.84	672.36	3240.03	186.17	873.96	3913.48	186.17	883.35	3911.37	208.64	999.62	4772.16
			MIN S2	-131.53	-70.51	1125.43	-119.97	-41.60	914.95	-119.97	-39.41	915.05	-124.00	46.65	719.67
			TQ	-103.16	-167.81	-102.62	-103.16	-167.81	-597.04	-102.76	-169.27	-611.09	-102.76	-169.27	-1103.58
			M3	-6.81	-40.58	-2549.01	-6.81	-40.58	-2581.64	-6.81	-46.78	-2581.54	-6.81	-46.78	-2614.17
		3-LANES (caseMAX	S2	283.18	-980.89	626.45	279.34	-979.18	1908.29	279.34	-974.60	1910.63	275.15	-972.05	3187.07
			TQ	-132.49	195.72	-198.95	-132.49	195.72	-833.93	-133.08	193.74	-815.29	-133.08	193.74	-1453.09
			M3	151.90	-679.92	3371.77	186.92	-799.07	4108.89	186.92	-789.20	4110.79	213.80	-912.01	5007.79
			MIN S2	-143.44	173.12	695.75	-144.93	171.41	70.89	-144.93	171.58	70.48	-146.09	169.03	-574.57
			TQ	275.73	-992.96	730.51	270.39	-992.96	2039.21	268.89	-988.16	1985.82	263.55	-988.16	3261.74
			M3	-19.29	69.64	-3152.69	-19.29	69.64	-3245.15	-19.29	61.85	-3245.30	-19.29	61.85	-3337.76
		3-LANES (caseMAX	S2	637.96	433.98	1931.96	469.55	525.66	3190.83	469.55	533.31	3189.56	343.00	585.37	3626.63
			TQ	354.64	651.22	927.46	287.78	651.22	2465.57	284.17	657.44	2696.12	217.87	657.44	3898.73
			M3	550.08	393.76	4124.95	362.27	498.25	5508.14	362.27	511.46	5506.93	191.82	597.91	5941.85
			MIN S2	-174.28	-65.00	2565.85	-284.77	25.75	3180.75	-284.77	33.39	3180.67	-435.14	162.72	3101.78
			TQ	-117.05	-161.33	-265.62	-120.20	-161.33	-832.95	-115.40	-163.62	-1051.31	-118.93	-163.62	-1612.44
			M3	-13.74	-67.69	-3195.47	-13.74	-67.69	-3261.33	-13.74	-75.52	-3261.16	-13.74	-75.52	-3327.02
		3-LANES (caseMAX	S2	462.82	949.88	1449.44	396.68	1039.73	2837.44	396.68	1046.53	2834.93	361.37	1075.85	3923.48
			TQ	348.34	1163.97	929.91	319.26	1163.97	2529.91	318.14	1170.11	2566.74	288.90	1170.11	4021.58
			M3	307.43	705.00	4135.43	282.70	914.12	5184.75	282.70	926.56	5182.54	239.78	1056.11	6044.47
			MIN S2	-170.83	-61.60	1824.66	-199.65	-4.88	1845.44	-199.65	-0.45	1845.44	-260.00	120.85	1656.14
			TQ	-131.25	-163.91	-125.33	-131.25	-163.91	-754.36	-130.13	-165.80	-793.60	-130.13	-165.80	-1417.28
			M3	-10.00	-33.79	-3237.38	-10.00	-33.79	-3285.33	-10.00	-41.67	-3285.24	-10.00	-41.67	-3333.19

BAGO RIVER BRIDGE

BLOCK [ No.1 : MAIN GIRDER ][ BEAM MEMBER FORCE ]

MEMBER					3021			3022			3023					
NODE					3021			3022			3023					
NAME TITLE					SHEAR	TORQUE	MOMENT	SHEAR	TORQUE	MOMENT	SHEAR	TORQUE	MOMENT			
					S2 (kN)	TQ (kN·m)	M3 (kN·m)	S2 (kN)	TQ (kN·m)	M3 (kN·m)	S2 (kN)	TQ (kN·m)	M3 (kN·m)			
301	LIVE LOAD	4-LANES	MAX	S2	532.24	613.60	1484.55	409.91	692.00	2738.46	409.91	698.57	2736.79	330.87	722.79	3433.63
				TQ	321.18	795.33	806.30	275.06	795.33	2234.16	272.33	800.92	2406.26	226.58	800.92	3601.53
				M3	389.77	431.17	4074.10	291.29	595.91	5128.51	291.32	608.05	5127.06	188.13	711.69	5641.57
		MIN	S2	-94.29	56.99	2924.06	-163.04	97.27	3440.86	-163.04	105.53	3440.61	-276.66	203.62	3629.39	
			TQ	-13.06	-18.25	774.21	-15.47	-18.25	706.77	-9.26	-16.89	431.92	-11.95	-16.89	381.40	
			M3	73.59	47.72	-3014.33	73.56	47.30	-2661.65	73.56	40.91	-2661.76	73.53	40.44	-2309.27	
		6-LANES	MAX	S2	684.35	56.52	1944.88	568.95	100.76	3951.28	568.95	110.24	3951.03	491.93	113.49	5439.61
			TQ	182.58	921.60	516.77	147.54	921.60	1306.82	144.01	924.95	1463.94	109.36	924.95	2070.73	
			M3	472.39	30.67	5771.01	400.73	89.49	7288.59	400.84	105.13	7288.36	335.53	135.06	8413.57	
		MIN	S2	-242.18	103.80	2618.40	-310.08	95.19	1937.33	-310.08	99.84	1937.09	-416.11	154.12	1407.99	
			TQ	107.92	-755.02	511.01	102.03	-755.02	1015.09	106.14	-752.81	835.98	99.94	-752.81	1330.15	
			M3	-14.99	30.92	-4793.14	-15.06	29.67	-4865.09	-15.05	18.03	-4865.15	-15.16	16.31	-4937.54	
		LIVE LOAD	MAX		684.35	1163.97	5771.01	568.95	1163.97	7288.59	568.95	1170.11	7288.36	491.93	1170.11	8413.57
			MIN		-242.18	-992.96	-4793.14	-310.08	-992.96	-4865.09	-310.08	-988.16	-4865.15	-435.14	-988.16	-4937.54
	303	SUM TOTAL	TOTAL	MAX		1477.81	1338.54	3031.92	1109.52	1338.54	7745.64	1109.52	1345.78	7744.99	780.22	1345.78
MIN					551.28	-818.39	-7532.23	230.49	-818.39	-4408.05	230.49	-812.50	-4408.53	-146.85	-812.50	-2495.18

BAGO RIVER BRIDGE

BLOCK [ No.1 : MAIN GIRDER ] [ BEAM MEMBER FORCE ]

MEMBER NODE	3023	3024						3025							
		3023			3024			3024			3025				
		SHEAR S2 (kN)	TORQUE TQ (kN·m)	MOMENT M3 (kN·m)	SHEAR S2 (kN)	TORQUE TQ (kN·m)	MOMENT M3 (kN·m)	SHEAR S2 (kN)	TORQUE TQ (kN·m)	MOMENT M3 (kN·m)	SHEAR S2 (kN)	TORQUE TQ (kN·m)	MOMENT M3 (kN·m)		
1	PAVEMENT	54.51	48.58	547.65	6.79	48.58	694.45	6.79	50.24	694.33	-40.85	50.24	612.66		
3	RAILING	-1.26	1.35	13.06	-0.36	1.35	9.18	-0.36	1.37	9.18	0.54	1.37	9.62		
5	CURB	-12.43	13.38	129.27	-3.53	13.38	90.92	-3.53	13.60	90.89	5.39	13.60	95.28		
7	DECK WEIGHT	75.39	66.92	785.56	2.87	66.92	972.95	2.87	69.25	972.78	-69.53	69.25	812.95		
8	GIRDER WEIGH	56.93	-2.75	787.30	-32.69	-2.75	845.39	-32.69	-0.72	845.39	-122.32	-0.72	473.92		
10	MEDIAN STRIP	11.44	-15.15	-48.67	-17.67	-15.15	-63.60	-17.67	-15.30	-63.57	-46.77	-15.30	-218.00		
21	ADITIONAL WE	21.11	18.74	219.96	0.80	18.74	272.43	0.80	19.39	272.38	-19.47	19.39	227.63		
31	MEDIAN RAILI	1.89	-1.28	8.36	-0.47	-1.28	11.76	-0.47	-1.25	11.77	-2.82	-1.25	3.90		
51	SUPPORT WEIG	0.00	0.00	-0.00	0.00	0.00	-0.00	0.00	0.00	-0.00	0.00	0.00	-0.00		
52	NOSE WEIGHT	-0.00	-0.05	-0.01	-0.00	-0.05	-0.01	-0.00	-0.05	-0.01	-0.00	-0.05	-0.01		
61	1-LANE(case1TRUCK-LOAD	MAX	S2	32.10	-171.70	504.75	32.10	-171.70	658.59	32.10	-170.12	659.00	32.10	-170.12	812.84
			TQ	-17.38	77.10	662.99	-17.38	77.10	579.68	-17.38	78.49	579.49	-17.38	78.49	496.17
			M3	8.88	-70.81	869.30	8.88	-70.81	911.84	8.88	-68.62	912.01	15.65	-124.91	963.90
		MIN	S2	-19.41	36.24	-252.20	-19.41	36.24	-345.21	-19.41	35.41	-345.30	-19.41	35.41	-438.30
			TQ	31.84	-173.53	544.73	31.84	-173.53	697.34	31.84	-171.85	697.76	31.84	-171.85	850.37
			M3	11.79	-34.18	-396.59	-19.41	36.24	-345.21	-19.41	35.41	-345.30	-19.41	35.41	-438.30
		TANDEM-LOAD MAX	S2	22.39	-120.65	384.46	22.39	-120.65	491.77	22.39	-119.47	492.06	22.39	-119.47	599.37
			TQ	-12.51	54.69	475.63	-12.51	54.69	415.65	-12.51	55.69	415.52	-12.51	55.69	355.54
			M3	5.58	-40.37	594.84	5.58	-40.37	621.58	5.58	-38.88	621.68	8.70	-80.23	653.97
		MIN	S2	-13.18	24.27	-171.19	-13.18	24.27	-234.33	-13.18	23.70	-234.39	-13.18	23.70	-297.53
			TQ	22.39	-120.65	384.46	22.39	-120.65	491.77	22.39	-119.47	492.06	22.39	-119.47	599.37
			M3	8.02	-22.78	-269.41	-13.18	24.27	-234.33	-13.18	23.70	-234.39	-13.18	23.70	-297.53
		DISPERSION-LMAX	S2	34.64	-160.73	102.39	34.64	-160.73	268.42	34.64	-160.09	268.80	34.64	-160.09	434.83
			TQ	-39.95	101.04	-58.76	-39.95	101.04	-250.22	-39.93	100.45	-242.35	-39.93	100.45	-433.71
			M3	12.93	-83.58	917.12	12.93	-83.58	979.09	12.93	-81.23	979.29	12.93	-81.23	1041.27
		MIN	S2	-40.15	99.71	-99.46	-40.15	99.71	-291.87	-40.15	99.01	-292.11	-40.15	99.01	-484.52
			TQ	34.44	-162.06	61.69	34.44	-162.06	226.76	34.42	-161.52	219.04	34.42	-161.52	384.02
			M3	-18.44	22.55	-914.19	-18.44	22.55	-1002.55	-18.44	20.15	-1002.60	-18.44	20.15	-1090.96

BAGO RIVER BRIDGE

BLOCK [ No.1 : MAIN GIRDER ][ BEAM MEMBER FORCE ]

MEMBER				3023			3024			3025					
NODE				3023			3024			3024			3025		
				SHEAR	TORQUE	MOMENT	SHEAR	TORQUE	MOMENT	SHEAR	TORQUE	MOMENT	SHEAR	TORQUE	MOMENT
NAME	TITLE			S2 (kN)	TQ (kN·m)	M3 (kN·m)	S2 (kN)	TQ (kN·m)	M3 (kN·m)	S2 (kN)	TQ (kN·m)	M3 (kN·m)	S2 (kN)	TQ (kN·m)	M3 (kN·m)
62	1-LANE (case2TRUCK-LOAD	MAX	S2	50.62	-73.00	755.91	50.62	-73.00	998.54	50.62	-70.60	998.71	50.62	-70.60	1241.34
			TQ	-27.27	43.28	843.83	-27.27	43.28	713.12	-27.27	44.99	713.02	-27.27	44.99	582.31
			M3	17.42	11.85	1156.37	34.23	-32.65	1173.11	34.23	-29.83	1173.19	44.60	-64.76	1264.74
		MIN	S2	-34.31	37.75	1097.69	-34.36	37.51	936.89	-34.36	39.75	936.80	-34.36	39.75	772.10
			TQ	45.60	-77.36	645.24	45.60	-77.36	863.78	43.16	-75.32	811.28	43.16	-75.32	1018.13
			M3	12.14	-13.61	-398.56	-19.48	11.18	-343.56	-19.48	10.35	-343.59	-19.48	10.35	-436.96
		TANDEM-LOAD MAX	S2	35.62	-45.69	564.46	35.62	-45.69	735.16	35.62	-43.93	735.27	35.62	-43.93	905.97
			TQ	-22.24	30.94	659.91	-22.24	30.94	553.32	-22.24	32.27	553.24	-22.24	32.27	446.65
			M3	11.93	15.78	828.63	24.69	-16.47	830.35	24.69	-14.47	830.38	35.62	-43.93	905.97
		MIN	S2	-24.52	21.24	822.83	-24.52	21.24	705.31	-24.52	22.94	705.26	-24.52	22.94	587.74
			TQ	33.15	-54.51	449.82	33.15	-54.51	608.70	33.15	-53.05	608.83	33.15	-53.05	767.70
			M3	8.24	-9.08	-270.58	-13.22	7.50	-233.17	-13.22	6.94	-233.19	-13.22	6.94	-296.56
		DISPERSION-LMAX	S2	46.63	-65.86	62.32	43.22	-66.19	175.45	43.22	-65.77	175.61	39.15	-63.82	285.13
			TQ	-43.51	41.66	36.51	-46.66	41.66	-183.34	-46.81	41.22	-179.68	-46.81	41.22	-404.04
			M3	19.73	-28.56	979.99	13.45	-28.56	1059.50	13.45	-26.02	1059.57	7.17	-26.02	1108.96
MIN	S2	-45.14	40.95	9.04	-48.01	41.27	-112.01	-48.01	41.00	-112.11	-50.22	39.05	-259.64		
	TQ	45.01	-66.58	34.84	41.86	-66.58	246.78	42.02	-65.99	243.18	35.74	-65.99	429.53		
	M3	-18.24	3.65	-908.64	-18.24	3.65	-996.06	-18.24	1.26	-996.06	-18.24	1.26	-1083.48		
63	1-LANE (case3TRUCK-LOAD	MAX	S2	201.31	2.55	1275.03	125.13	12.33	1515.81	125.13	15.96	1515.78	67.42	22.20	1378.55
			TQ	40.64	21.78	597.90	40.64	21.78	792.66	40.64	23.68	792.61	40.64	23.68	987.37
			M3	186.07	0.24	1293.20	110.33	9.83	1548.10	110.33	13.54	1548.07	46.18	20.92	1405.84
		MIN	S2	-50.39	-4.94	1233.53	-107.97	1.15	1491.98	-107.97	4.74	1491.97	-182.12	14.30	1360.48
			TQ	-15.88	-9.29	-201.75	-15.88	-9.29	-277.85	-17.00	-9.98	-297.55	-17.00	-9.98	-379.03
			M3	12.40	2.06	-399.87	-19.54	-7.65	-342.31	-19.54	-8.47	-342.29	-19.54	-8.47	-435.92



BAGO RIVER BRIDGE

BLOCK [ No.1 : MAIN GIRDER ][ BEAM MEMBER FORCE ]

MEMBER		3023			3024			3024			3025				
NODE		3023			3024			3024			3025				
		SHEAR	TORQUE	MOMENT	SHEAR	TORQUE	MOMENT	SHEAR	TORQUE	MOMENT	SHEAR	TORQUE	MOMENT		
NAME	TITLE	S2 (kN)	TQ (kN·m)	M3 (kN·m)	S2 (kN)	TQ (kN·m)	M3 (kN·m)	S2 (kN)	TQ (kN·m)	M3 (kN·m)	S2 (kN)	TQ (kN·m)	M3 (kN·m)		
63	1-LANE (case3TANDEM-LOAD	MAX	S2	161.45	-1.40	1008.30	107.68	5.21	1203.15	107.68	8.09	1203.14	57.12	14.12	1088.46
			TQ	31.54	14.80	443.41	31.54	14.80	594.59	31.54	16.22	594.55	31.54	16.22	745.73
			M3	161.45	-1.40	1008.30	107.68	5.21	1203.16	107.68	8.09	1203.14	57.12	14.12	1088.46
		MIN	S2	-45.53	-2.50	1002.34	-96.04	3.46	1199.74	-96.04	6.34	1199.73	-149.83	13.00	1087.76
			TQ	-11.05	-6.34	-140.42	-11.05	-6.34	-193.39	-11.36	-6.81	-198.88	-11.36	-6.81	-253.34
			M3	8.43	1.49	-271.67	-13.26	-5.10	-232.30	-13.26	-5.66	-232.28	-13.26	-5.66	-295.83
	DISPERSION-LMAX	S2	79.52	18.58	113.11	54.96	18.40	222.79	54.96	18.93	222.75	39.73	17.09	229.82	
		TQ	56.54	20.52	276.12	30.92	20.52	500.24	29.51	21.85	606.20	-6.45	21.85	659.76	
		M3	51.76	13.20	992.90	14.01	13.20	1150.50	14.01	15.96	1150.47	-23.75	15.96	1127.11	
		MIN	S2	-45.79	-17.90	-25.41	-58.99	-17.71	-63.93	-58.99	-17.86	-63.89	-81.51	-16.02	-180.75
			TQ	-22.81	-19.83	-188.42	-34.95	-19.83	-341.38	-33.54	-20.78	-447.34	-35.33	-20.78	-610.69
			M3	-18.03	-12.51	-905.20	-18.03	-12.51	-991.64	-18.03	-14.89	-991.61	-18.03	-14.89	-1078.04
64	1-LANE (case4TRUCK-LOAD	MAX	S2	51.67	219.69	726.04	51.67	219.69	973.69	51.67	222.03	973.16	69.15	195.19	1363.76
			TQ	51.11	220.12	702.93	51.11	220.12	947.88	51.11	222.39	947.35	51.11	222.39	1192.30
			M3	-39.92	3.99	1262.28	9.93	102.98	1210.07	9.93	105.89	1209.82	68.18	178.85	1384.53
		MIN	S2	-49.84	-71.23	1209.78	-33.43	-102.03	874.37	-33.43	-99.93	874.61	-33.43	-99.93	714.38
			TQ	-33.07	-102.89	1007.86	-33.07	-102.89	849.38	-33.07	-100.85	849.62	-33.07	-100.85	691.15
			M3	13.04	39.98	-401.84	-19.61	-32.69	-340.57	-19.61	-33.51	-340.49	-19.61	-33.51	-434.46
	TANDEM-LOAD	MAX	S2	36.64	148.33	552.92	36.64	148.33	728.51	36.64	150.07	728.16	56.33	104.49	947.12
			TQ	34.51	152.06	449.44	34.51	152.06	614.84	34.51	153.54	614.47	34.51	153.54	779.88
			M3	-24.49	-19.57	859.79	19.54	102.50	831.56	19.54	104.49	831.31	44.05	117.82	947.34
		MIN	S2	-42.80	-19.57	859.79	-23.96	-66.94	672.51	-23.96	-65.32	672.67	-23.96	-65.32	557.85
			TQ	-22.39	-72.89	650.70	-22.39	-72.89	543.38	-22.39	-71.58	543.56	-22.39	-71.58	436.24
			M3	8.88	27.41	-273.29	-13.30	-21.86	-231.09	-13.30	-22.41	-231.03	-13.30	-22.41	-294.79

BAGO RIVER BRIDGE

BLOCK [ No.1 : MAIN GIRDER ][ BEAM MEMBER FORCE ]

MEMBER			3023			3024			3024			3025					
NODE			3023			3024			3024			3025					
			SHEAR	TORQUE	MOMENT	SHEAR	TORQUE	MOMENT	SHEAR	TORQUE	MOMENT	SHEAR	TORQUE	MOMENT			
NAME	TITLE		S2 (kN)	TQ (kN·m)	M3 (kN·m)	S2 (kN)	TQ (kN·m)	M3 (kN·m)	S2 (kN)	TQ (kN·m)	M3 (kN·m)	S2 (kN)	TQ (kN·m)	M3 (kN·m)			
64	1-LANE (case4DISPERSION-LMAX	S2	44.94	189.11	6.56	46.50	190.27	299.73	46.50	190.99	299.27	52.32	194.16	572.92			
		TQ	42.51	194.01	109.84	45.70	194.01	317.38	45.70	194.77	316.92	52.10	194.77	551.28			
		M3	8.99	95.16	1139.74	15.38	95.16	1198.12	15.38	98.03	1197.89	21.78	98.03	1286.92			
		MIN	S2	-53.08	-104.32	227.95	-48.26	-105.49	-88.98	-48.26	-105.70	-88.72	-47.68	-108.88	-355.48		
		TQ	-50.65	-109.22	124.67	-47.46	-109.22	-106.63	-47.46	-109.48	-106.37	-47.46	-109.48	-333.84			
		M3	-17.14	-10.38	-905.23	-17.14	-10.38	-987.37	-17.14	-12.75	-987.34	-17.14	-12.75	-1069.49			
		65	2-LANES (caseTRUCK-LOAD	MAX	S2	69.34	-295.93	1170.24	69.34	-295.93	1502.58	69.34	-292.32	1503.28	69.34	-292.32	1835.62
				TQ	-38.82	137.46	1451.66	-38.82	137.46	1265.61	-38.82	140.49	1265.28	-38.82	140.49	1079.23	
				M3	1.99	-66.32	1887.03	23.97	-124.05	1933.76	23.97	-119.40	1934.05	47.96	-224.17	2087.06	
MIN	S2			-41.16	96.11	558.52	-41.16	96.11	361.23	-41.16	96.98	361.00	-41.16	96.98	163.71		
TQ	68.59			-300.27	1154.29	68.59	-300.27	1483.05	68.59	-296.71	1483.76	68.59	-296.71	1812.51			
M3	23.76			-58.09	-794.18	-38.85	59.96	-689.60	-38.85	58.30	-689.74	-38.85	58.30	-875.94			
TANDEM-LOAD	MAX			S2	48.71	-206.01	851.50	48.71	-206.01	1084.94	48.71	-203.41	1085.44	48.71	-203.41	1318.88	
TQ	-26.88			97.29	985.21	-26.88	97.29	856.40	-26.88	99.34	856.16	-26.88	99.34	727.35			
M3	-2.91			-28.14	1299.63	12.99	-69.19	1322.95	12.99	-66.02	1323.12	30.63	-145.67	1434.13			
MIN	S2	-28.92	63.69	443.16	-28.92	63.69	304.54	-28.92	64.42	304.38	-28.92	64.42	165.76				
TQ	47.07	-207.95	778.86	47.07	-207.95	1004.48	47.07	-205.54	1004.97	47.07	-205.54	1230.59					
M3	16.15	-38.73	-539.42	-26.37	40.15	-468.08	-26.37	39.03	-468.18	-26.37	39.03	-594.58					
DISPERSION-LMAX	S2	72.68	-276.43	130.38	72.68	-276.43	478.72	72.68	-275.28	479.39	72.68	-275.28	827.73				
TQ	-83.15	173.71	-48.18	-83.15	173.71	-446.70	-83.13	172.65	-439.01	-83.13	172.65	-837.44					
M3	26.10	-139.70	1869.73	26.10	-139.70	1994.84	26.10	-134.91	1995.17	26.10	-134.91	2120.29					
MIN	S2	-83.35	172.35	-86.04	-83.35	172.35	-485.52	-83.35	171.19	-485.93	-83.35	171.19	-885.41				
TQ	72.48	-277.79	92.51	72.48	-277.79	439.90	72.46	-276.74	432.46	72.46	-276.74	779.75					
M3	-36.77	35.63	-1825.39	-36.77	35.63	-2001.64	-36.77	30.82	-2001.72	-36.77	30.82	-2177.97					

BAGO RIVER BRIDGE

BLOCK [ No.1 : MAIN GIRDER ][ BEAM MEMBER FORCE ]

MEMBER				3023			3024			3025					
NODE				3023			3024			3024			3025		
				SHEAR	TORQUE	MOMENT	SHEAR	TORQUE	MOMENT	SHEAR	TORQUE	MOMENT	SHEAR	TORQUE	MOMENT
NAME	TITLE			S2 (kN)	TQ (kN·m)	M3 (kN·m)	S2 (kN)	TQ (kN·m)	M3 (kN·m)	S2 (kN)	TQ (kN·m)	M3 (kN·m)	S2 (kN)	TQ (kN·m)	M3 (kN·m)
66	2-LANES (caseTRUCK-LOAD	MAX	S2	87.87	-197.23	1421.40	87.87	-197.23	1842.53	87.87	-192.81	1842.99	87.87	-192.81	2264.11
			TQ	-48.71	103.64	1632.50	-48.71	103.64	1399.06	-48.71	107.00	1398.80	-48.71	107.00	1165.36
			M3	10.54	16.35	2174.10	49.33	-85.88	2195.03	49.33	-80.61	2195.23	76.91	-164.02	2387.90
		MIN	S2	-56.07	97.61	1908.41	-56.12	97.37	1643.34	-56.12	101.32	1643.10	-56.12	101.32	1374.12
			TQ	82.35	-204.10	1254.80	82.35	-204.10	1649.48	79.91	-200.18	1597.29	79.91	-200.18	1980.28
			M3	24.11	-37.53	-796.15	-38.93	34.89	-687.95	-38.93	33.24	-688.03	-38.93	33.24	-874.59
		TANDEM-LOAD MAX	S2	61.93	-131.05	1031.50	61.93	-131.05	1328.33	61.93	-127.87	1328.64	61.93	-127.87	1625.47
			TQ	-36.60	73.54	1169.48	-36.60	73.54	994.06	-36.60	75.93	993.88	-36.60	75.93	818.46
			M3	3.44	28.00	1533.43	32.10	-45.29	1531.71	32.10	-41.61	1531.82	57.55	-109.36	1686.13
		MIN	S2	-40.27	60.67	1437.17	-40.27	60.67	1244.18	-40.27	63.65	1244.03	-40.27	63.65	1051.04
			TQ	57.83	-141.81	844.22	57.83	-141.81	1121.40	57.83	-139.12	1121.74	57.83	-139.12	1398.93
			M3	16.38	-25.02	-540.58	-26.42	23.38	-466.92	-26.42	22.26	-466.98	-26.42	22.26	-593.61
		DISPERSION-LMAX	S2	84.67	-181.56	90.30	81.26	-181.88	385.76	81.26	-180.96	386.20	77.19	-179.01	678.03
			TQ	-86.72	114.34	47.09	-89.86	114.34	-379.82	-90.02	113.43	-376.33	-90.02	113.43	-807.76
			M3	32.90	-84.69	1932.61	26.62	-84.69	2075.25	26.62	-79.71	2075.45	20.34	-79.71	2187.98
		MIN	S2	-88.34	113.59	22.45	-91.21	113.91	-305.66	-91.21	113.18	-305.93	-93.43	111.23	-660.53
			TQ	83.05	-182.31	65.67	79.90	-182.31	459.92	80.06	-181.20	456.60	73.78	-181.20	825.27
			M3	-36.58	16.72	-1819.85	-36.58	16.72	-1995.15	-36.58	11.93	-1995.18	-36.58	11.93	-2170.48
67	2-LANES (caseTRUCK-LOAD	MAX	S2	365.85	9.64	2562.03	232.47	59.74	2999.78	232.47	66.94	2999.63	131.34	101.87	2771.95
			TQ	82.59	108.76	1212.99	82.59	108.76	1608.83	82.59	112.62	1608.57	82.59	112.62	2004.41
			M3	336.82	-2.72	2596.85	204.22	46.88	3060.45	204.22	54.23	3060.33	91.93	94.39	2825.21
		MIN	S2	-95.88	-33.23	2466.08	-195.95	1.17	2938.47	-195.95	8.22	2938.46	-326.96	58.17	2738.19
			TQ	-40.61	-46.91	628.36	-40.61	-46.91	433.72	-41.73	-45.89	414.11	-41.73	-45.89	214.09
			M3	24.98	14.91	-800.29	-39.11	-27.83	-683.75	-39.11	-29.47	-683.68	-39.11	-29.47	-871.12

BAGO RIVER BRIDGE

BLOCK [ No.1 : MAIN GIRDER ][ BEAM MEMBER FORCE ]

MEMBER				3023			3024			3025							
NODE				3023			3024			3024			3025				
				SHEAR	TORQUE	MOMENT	SHEAR	TORQUE	MOMENT	SHEAR	TORQUE	MOMENT	SHEAR	TORQUE	MOMENT		
NAME	TITLE			S2 (kN)	TQ (kN·m)	M3 (kN·m)	S2 (kN)	TQ (kN·m)	M3 (kN·m)	S2 (kN)	TQ (kN·m)	M3 (kN·m)	S2 (kN)	TQ (kN·m)	M3 (kN·m)		
67	2-LANES (caseTANDEM-LOAD	MAX	S2	291.77	-9.90	2003.49	197.59	25.03	2356.69	197.59	30.68	2356.62	109.13	63.00	2165.90		
			TQ	58.28	74.46	841.64	58.28	74.46	1120.99	58.28	77.15	1120.81	58.28	77.15	1400.15		
			M3	291.77	-9.90	2003.50	197.59	25.03	2356.70	197.59	30.68	2356.63	109.13	63.00	2165.90		
		MIN	S2	-85.49	-16.19	1991.53	-173.76	16.10	2349.87	-173.76	21.74	2349.82	-267.74	56.72	2164.60		
			TQ	-26.15	-32.53	382.60	-26.15	-32.53	257.29	-26.46	-31.92	251.86	-26.46	-31.92	125.04		
			M3	16.98	10.39	-543.87	-26.54	-18.59	-463.99	-26.54	-19.70	-463.95	-26.54	-19.70	-591.14		
		DISPERSION-LMAX	S2	153.62	93.92	245.72	108.94	93.38	459.25	108.94	94.48	459.02	80.63	86.85	482.99		
			TQ	119.69	96.30	324.95	78.55	96.30	833.16	77.14	98.42	938.93	10.13	98.42	1146.36		
			M3	97.37	55.12	2024.95	28.53	55.12	2326.65	28.53	60.71	2326.52	-40.27	60.71	2298.39		
		MIN	S2	-92.10	-72.79	-30.01	-116.25	-72.24	-113.63	-116.25	-72.52	-113.46	-156.75	-64.88	-337.35		
			TQ	-58.17	-75.16	-109.24	-85.86	-75.16	-487.54	-84.45	-76.46	-593.37	-86.24	-76.46	-1000.71		
			M3	-35.84	-33.99	-1809.24	-35.84	-33.99	-1981.04	-35.84	-38.74	-1980.95	-35.84	-38.74	-2152.75		
		68	2-LANES (caseTRUCK-LOAD	MAX	S2	110.16	233.31	1993.94	108.97	304.14	2308.84	108.97	309.68	2308.10	123.15	334.82	2741.47
					TQ	97.72	375.28	1363.30	97.72	375.28	1831.67	97.72	379.68	1830.77	97.72	379.68	2299.14
					M3	8.68	-0.46	2543.82	57.37	169.06	2562.43	57.37	175.21	2562.02	112.99	307.13	2785.60
MIN	S2			-85.34	-121.85	2436.56	-71.75	-101.06	2180.04	-71.75	-95.83	2180.27	-73.15	-23.25	2089.35		
	TQ			-62.21	-174.98	1931.81	-62.21	-174.98	1633.66	-62.21	-171.06	1634.07	-62.21	-171.06	1335.93		
	M3			25.90	69.10	-803.09	-39.18	-52.87	-682.01	-39.18	-54.51	-681.88	-39.18	-54.51	-869.66		
TANDEM-LOAD MAX	S2			76.46	134.03	1477.26	75.99	184.08	1700.99	75.99	188.16	1700.54	94.63	189.23	1956.86		
	TQ			65.23	259.06	873.94	65.23	259.06	1186.56	65.23	261.91	1185.93	65.23	261.91	1498.55		
	M3			15.33	-33.87	1784.13	58.90	138.25	1804.04	58.90	142.58	1803.70	82.35	202.55	1957.08		
MIN	S2			-68.34	-43.42	1778.23	-50.41	-43.76	1641.58	-50.41	-39.82	1641.68	-51.22	10.02	1567.20		
	TQ			-41.35	-123.76	1241.21	-41.35	-123.76	1043.04	-41.35	-121.26	1043.34	-41.35	-121.26	845.17		
	M3			17.62	47.37	-546.14	-26.58	-35.34	-462.78	-26.58	-36.45	-462.70	-26.58	-36.45	-590.10		

BAGO RIVER BRIDGE

BLOCK [ No.1 : MAIN GIRDER ][ BEAM MEMBER FORCE ]

MEMBER			3023			3024			3024			3025					
NODE			3023			3024			3024			3025					
			SHEAR	TORQUE	MOMENT	SHEAR	TORQUE	MOMENT	SHEAR	TORQUE	MOMENT	SHEAR	TORQUE	MOMENT			
NAME	TITLE		S2 (kN)	TQ (kN·m)	M3 (kN·m)	S2 (kN)	TQ (kN·m)	M3 (kN·m)	S2 (kN)	TQ (kN·m)	M3 (kN·m)	S2 (kN)	TQ (kN·m)	M3 (kN·m)			
68	2-LANES (caseDISPERSION-LMAX	S2	100.67	325.28	165.79	95.32	325.67	540.86	95.32	326.96	540.08	94.41	321.62	873.00			
		TQ	94.77	330.88	189.99	92.21	330.88	641.14	92.21	332.42	640.35	87.09	332.42	1070.05			
		M3	35.27	161.12	2228.19	30.16	161.12	2385.00	30.16	166.84	2384.61	25.04	166.84	2516.90			
		MIN	S2	-99.93	-176.07	251.22	-99.68	-176.46	-132.54	-99.68	-176.77	-132.12	-103.90	-171.43	-498.23		
		TQ	-94.03	-181.67	227.02	-96.58	-181.67	-232.82	-96.58	-182.23	-232.38	-96.58	-182.23	-695.28			
		M3	-34.53	-11.90	-1811.19	-34.53	-11.90	-1976.68	-34.53	-16.65	-1976.64	-34.53	-16.65	-2142.13			
		69	3-LANES (caseTRUCK-LOAD	MAX	S2	119.96	-368.93	1926.15	119.96	-368.93	2501.11	119.96	-362.93	2501.99	119.96	-362.93	3076.95
				TQ	-66.09	180.73	2295.49	-66.09	180.73	1978.73	-66.09	185.48	1978.29	-66.09	185.48	1661.53	
				M3	19.41	-54.47	3043.40	58.20	-156.69	3106.87	58.20	-149.24	3107.24	92.56	-288.93	3351.80	
MIN	S2			-75.48	133.85	1656.21	-75.53	133.62	1298.13	-75.53	136.73	1297.80	-75.53	136.73	935.81		
TQ	114.19			-377.63	1799.53	114.19	-377.63	2346.82	111.75	-372.03	2295.05	111.75	-372.03	2830.65			
M3	35.90			-71.70	-1192.74	-58.33	71.13	-1033.16	-58.33	68.65	-1033.33	-58.33	68.65	-1312.90			
TANDEM-LOAD	MAX			S2	84.32	-251.70	1415.97	84.32	-251.70	1820.11	84.32	-247.33	1820.70	84.32	-247.33	2224.84	
TQ	-49.11			128.23	1645.11	-49.11	128.23	1409.71	-49.11	131.61	1409.40	-49.11	131.61	1174.00			
M3	9.02			-12.37	2128.27	37.68	-85.66	2153.30	37.68	-80.49	2153.50	66.25	-189.60	2340.10			
MIN	S2	-53.44	84.93	1265.98	-53.44	84.93	1009.85	-53.44	87.36	1009.64	-53.44	87.36	753.50				
TQ	80.22	-262.46	1228.68	80.22	-262.46	1613.18	80.22	-258.59	1613.80	80.22	-258.59	1998.30					
M3	24.39	-47.80	-810.00	-39.60	47.65	-701.26	-39.60	45.96	-701.37	-39.60	45.96	-891.14					
DISPERSION-LMAX	S2	119.31	-342.29	192.70	115.90	-342.62	654.18	115.90	-341.05	655.00	111.83	-339.10	1112.86				
TQ	-126.66	215.37	-11.67	-129.81	215.37	-630.04	-129.94	213.87	-618.68	-129.94	213.87	-1241.48					
M3	45.83	-168.26	2849.72	39.55	-168.26	3054.34	39.55	-160.93	3054.74	33.27	-160.93	3229.25					
MIN	S2	-128.49	213.30	-77.01	-131.36	213.63	-597.53	-131.36	212.19	-598.04	-133.57	210.24	-1145.05				
TQ	117.49	-344.37	127.36	114.35	-344.37	686.69	114.48	-342.73	675.64	108.20	-342.73	1209.29					
M3	-55.01	39.27	-2734.03	-55.01	39.27	-2997.70	-55.01	32.08	-2997.78	-55.01	32.08	-3261.44					

BAGO RIVER BRIDGE

BLOCK [ No.1 : MAIN GIRDER ][ BEAM MEMBER FORCE ]

MEMBER				3023			3024			3025					
NODE				3023			3024			3024			3025		
				SHEAR	TORQUE	MOMENT	SHEAR	TORQUE	MOMENT	SHEAR	TORQUE	MOMENT	SHEAR	TORQUE	MOMENT
NAME	TITLE			S2 (kN)	TQ (kN·m)	M3 (kN·m)	S2 (kN)	TQ (kN·m)	M3 (kN·m)	S2 (kN)	TQ (kN·m)	M3 (kN·m)	S2 (kN)	TQ (kN·m)	M3 (kN·m)
70	3-LANES (caseTRUCK-LOAD	MAX	S2	433.36	22.78	3831.91	293.78	141.29	4346.95	293.78	151.72	4346.60	186.13	237.07	4151.16
			TQ	129.02	260.68	1870.66	129.02	260.68	2489.02	129.02	266.66	2488.38	129.02	266.66	3106.74
			M3	394.13	-6.96	3880.45	255.37	110.69	4425.72	255.37	121.31	4425.44	136.78	218.43	4227.67
		MIN	S2	-132.12	-82.51	3686.30	-238.49	3.69	4261.88	-238.49	13.92	4261.86	-374.95	130.70	4107.82
			TQ	-69.27	-115.34	1542.40	-69.27	-115.34	1210.40	-70.40	-112.46	1190.94	-70.40	-112.46	853.55
			M3	37.75	38.69	-1201.27	-58.72	-60.52	-1024.31	-58.72	-62.98	-1024.17	-58.72	-62.98	-1305.58
	TANDEM-LOAD	MAX	S2	339.46	-23.68	2934.07	241.03	59.51	3343.80	241.03	67.53	3343.65	148.49	144.96	3180.88
			TQ	88.82	179.18	1264.81	88.82	179.18	1690.50	88.82	183.24	1690.06	88.82	183.24	2115.75
			M3	339.46	-23.68	2934.08	241.03	59.51	3343.81	241.03	67.53	3343.65	148.49	144.96	3180.89
		MIN	S2	-112.29	-39.13	2916.08	-204.38	38.43	3333.59	-204.38	46.44	3333.48	-302.05	129.60	3179.14
			TQ	-44.68	-80.74	965.83	-44.68	-80.74	751.68	-45.00	-78.94	746.36	-45.00	-78.94	530.71
			M3	25.66	26.74	-816.51	-39.84	-40.44	-695.08	-17.85	-3.90	-695.01	-39.84	-42.11	-885.93
	DISPERSION-LMAX	MAX	S2	211.09	226.19	403.76	158.38	224.90	701.94	158.38	226.58	701.40	122.78	209.88	771.84
			TQ	173.04	229.24	403.51	125.36	229.24	1159.60	123.95	232.15	1265.05	43.88	232.15	1665.52
			M3	125.62	126.17	3108.52	43.65	126.17	3514.12	43.65	134.61	3513.81	-38.21	134.61	3526.82
		MIN	S2	-138.88	-164.29	-8.05	-168.14	-163.00	-156.60	-168.14	-163.37	-156.21	-214.40	-146.68	-469.62
			TQ	-100.83	-167.34	-7.79	-135.11	-167.34	-614.26	-133.71	-168.94	-719.86	-135.50	-168.94	-1363.29
			M3	-53.41	-64.27	-2712.81	-53.41	-64.27	-2968.78	-53.41	-71.40	-2968.62	-53.41	-71.40	-3224.59
71	3-LANES (caseTRUCK-LOAD	MAX	S2	265.67	240.87	3278.92	212.29	354.45	3780.75	212.29	363.52	3779.89	186.28	418.91	4133.35
			TQ	141.05	465.73	1996.59	141.05	465.73	2672.63	141.05	472.14	2671.50	141.05	472.14	3347.54
			M3	150.71	-3.63	3845.37	147.55	208.38	4061.84	147.55	218.13	4061.33	158.68	384.83	4203.54
		MIN	S2	-129.96	-152.37	3668.57	-156.98	-99.98	3628.17	-156.98	-91.27	3628.40	-209.91	23.21	3468.30
			TQ	-87.42	-216.26	2771.82	-87.42	-216.26	2352.83	-87.42	-210.61	2353.35	-87.42	-210.61	1934.36
			M3	38.57	87.31	-1203.76	-58.72	-60.52	-1024.31	-58.72	-62.98	-1024.16	-58.72	-62.98	-1305.58

BAGO RIVER BRIDGE

BLOCK [ No.1 : MAIN GIRDER ][ BEAM MEMBER FORCE ]

MEMBER				3023			3024			3025								
NODE				3023			3024			3024			3025					
				SHEAR	TORQUE	MOMENT	SHEAR	TORQUE	MOMENT	SHEAR	TORQUE	MOMENT	SHEAR	TORQUE	MOMENT			
NAME	TITLE			S2 (kN)	TQ (kN·m)	M3 (kN·m)	S2 (kN)	TQ (kN·m)	M3 (kN·m)	S2 (kN)	TQ (kN·m)	M3 (kN·m)	S2 (kN)	TQ (kN·m)	M3 (kN·m)			
71	3-LANES (case)	TANDEM-LOAD	MAX	S2	198.91	125.01	2466.21	161.83	205.18	2839.89	161.83	211.99	2839.39	145.58	240.88	3029.05		
				TQ	97.97	321.27	1347.86	97.97	321.27	1817.39	97.97	325.63	1816.62	97.97	325.63	2286.15		
				M3	137.78	-42.89	2773.08	144.73	159.35	2942.94	144.73	166.41	2942.55	133.30	254.20	3029.27		
			MIN	S2	-107.04	-58.03	2761.30	-123.97	-30.27	2777.06	-123.97	-23.60	2777.12	-162.08	56.19	2638.84		
				TQ	-56.86	-152.62	1771.52	-56.86	-152.62	1498.98	-56.86	-149.02	1499.35	-56.86	-149.02	1226.81		
				M3	26.24	59.87	-818.55	-39.84	-40.44	-695.08	-39.84	-42.11	-694.98	-39.84	-42.11	-885.93		
			DISPERSION-LMAX	S2	173.02	404.53	299.55	148.67	404.52	775.71	148.67	406.38	774.74	135.19	394.92	1125.46		
				TQ	156.83	410.59	240.38	139.54	410.59	971.33	139.54	412.92	970.35	104.92	412.92	1556.22		
				M3	78.89	197.93	3265.11	44.35	197.93	3560.53	44.35	206.47	3560.05	9.74	206.47	3689.72		
			MIN	S2	-146.32	-211.08	247.76	-156.49	-211.08	-183.08	-156.49	-211.52	-182.57	-177.63	-200.06	-653.71		
				TQ	-130.12	-217.15	306.92	-147.37	-217.15	-378.70	-147.37	-218.05	-378.17	-147.37	-218.05	-1084.47		
				M3	-52.18	-4.48	-2717.80	-52.18	-4.48	-2967.89	-52.18	-11.61	-2967.87	-52.18	-11.61	-3217.97		
		72	4-LANES	TRUCK-LOAD	MAX	S2	475.61	238.62	4613.27	340.95	359.91	5363.49	340.95	372.78	5362.61	253.89	436.72	5513.98
						TQ	195.28	477.01	2796.34	195.28	477.01	3732.28	195.28	485.97	3731.12	195.28	485.97	4667.06
						M3	346.67	-3.26	5141.15	262.05	215.92	5624.86	262.05	229.42	5624.32	204.20	401.55	5611.37
	MIN			S2	-181.15	-155.55	4908.48	-268.89	-103.77	5111.20	-268.89	-91.51	5111.43	-403.71	37.01	4851.80		
				TQ	-110.80	-218.87	3567.26	-110.80	-218.87	3036.25	-110.80	-211.58	3036.76	-110.80	-211.58	2505.74		
				M3	50.89	84.06	-1603.38	50.89	84.02	-1359.49	50.89	80.76	-1359.69	50.88	80.62	-1115.80		
	TANDEM-LOAD			MAX	S2	368.34	123.60	3480.70	273.63	208.85	4057.70	273.63	218.58	4057.18	202.89	252.30	4123.73	
					TQ	123.49	333.67	1715.60	123.49	333.67	2307.46	123.49	339.21	2306.65	123.49	339.21	2898.51	
					M3	307.60	-43.81	3788.75	256.76	163.13	4161.58	256.76	173.12	4161.18	191.08	265.59	4123.96	
	MIN			S2	-152.86	-59.70	3770.88	-224.21	-27.29	3991.29	-224.21	-17.71	3991.34	-319.05	67.34	3731.56		
				TQ	-76.47	-154.39	2397.32	-76.47	-154.39	2030.80	-76.47	-149.51	2031.17	-76.47	-149.51	1664.65		
				M3	34.60	57.77	-1090.02	34.60	57.75	-924.18	34.60	55.54	-924.32	34.60	55.54	-758.48		

BAGO RIVER BRIDGE

BLOCK [ No.1 : MAIN GIRDER ][ BEAM MEMBER FORCE ]

MEMBER				3023			3024			3024			3025				
NODE				3023			3024			3024			3025				
				SHEAR	TORQUE	MOMENT	SHEAR	TORQUE	MOMENT	SHEAR	TORQUE	MOMENT	SHEAR	TORQUE	MOMENT		
NAME	TITLE			S2 (kN)	TQ (kN·m)	M3 (kN·m)	S2 (kN)	TQ (kN·m)	M3 (kN·m)	S2 (kN)	TQ (kN·m)	M3 (kN·m)	S2 (kN)	TQ (kN·m)	M3 (kN·m)		
72	4-LANES	DISPERSION-LMAX	S2	201.05	243.87	-302.44	150.53	243.70	24.96	150.53	243.76	24.37	121.01	230.47	116.30		
			TQ	164.10	251.85	-250.41	120.47	251.85	467.67	118.75	253.09	567.23	46.27	253.09	961.11		
			M3	78.58	37.12	3537.29	4.47	36.95	3737.34	4.47	45.92	3737.23	-69.52	45.82	3580.26		
		MIN	S2	-59.95	-99.79	1893.94	-84.12	-99.62	2063.79	-84.12	-94.67	2064.03	-129.21	-81.18	2113.06		
			TQ	-21.36	-107.97	1786.69	-51.86	-107.97	1574.72	-50.19	-104.32	1474.02	-51.98	-104.32	1230.86		
			M3	61.86	103.10	-1949.76	61.85	102.08	-1653.29	61.85	98.13	-1653.53	61.83	97.27	-1357.15		
		73	6-LANES	TRUCK-LOAD MAX	S2	536.66	-32.34	5746.05	410.45	33.99	6835.44	410.45	50.40	6835.34	325.02	64.67	7420.18
					TQ	104.24	548.88	4447.83	104.24	548.88	4947.42	101.26	560.86	5037.87	65.64	560.86	5387.40
					M3	347.97	-24.80	7060.80	288.20	51.68	7554.95	288.20	69.81	7554.81	253.82	94.47	7730.26
MIN	S2			-224.75	-30.61	5618.45	-310.27	-10.70	5590.62	-310.27	2.71	5590.63	-435.52	67.89	5092.34		
	TQ			30.25	-499.92	4472.92	30.25	-499.92	4617.88	30.25	-488.84	4619.07	30.25	-488.84	4764.04		
	M3			74.48	16.15	-2397.17	-117.05	10.81	-2057.50	-117.05	5.87	-2057.52	-117.05	5.87	-2618.50		
TANDEM-LOAD MAX	S2			409.09	-52.81	4301.32	320.46	-6.67	5112.58	320.46	5.60	5112.58	251.52	3.76	5459.47		
	TQ			46.36	385.14	3106.30	46.36	385.14	3328.48	46.36	393.13	3327.54	46.36	393.13	3549.73		
	M3			289.68	-40.54	5119.99	266.44	72.37	5469.15	266.44	85.50	5468.96	223.65	63.36	5591.53		
MIN	S2	-182.27	22.03	4239.67	-251.70	18.66	4272.42	-251.70	28.91	4272.36	-340.06	74.94	3870.54				
	TQ	25.49	-348.65	3145.31	25.49	-348.65	3267.50	31.98	-340.88	3151.75	31.98	-340.88	3305.04				
	M3	50.62	12.04	-1628.92	-79.44	7.34	-1396.35	-79.44	3.98	-1396.37	-79.44	3.98	-1777.09				
DISPERSION-LMAX	S2	317.46	78.33	507.31	269.84	78.10	1383.51	269.84	81.42	1383.32	241.28	74.11	2060.88				
	TQ	60.29	559.82	198.96	21.75	559.82	418.03	20.19	560.95	534.57	-35.29	560.95	496.66				
	M3	145.08	32.96	5883.24	80.18	35.17	6432.46	80.18	50.56	6432.36	15.38	50.52	6651.95				
MIN	S2	-261.10	-0.03	274.03	-284.42	0.15	-510.11	-284.42	-1.08	-510.11	-326.42	6.50	-1419.39				
	TQ	-12.44	-488.98	495.16	-39.19	-488.98	345.86	-39.23	-488.24	258.54	-46.43	-488.24	54.95				
	M3	-95.68	36.99	-5199.22	-95.74	33.13	-5657.95	-95.74	19.61	-5658.02	-95.81	15.70	-6117.04				



BAGO RIVER BRIDGE

BLOCK [ No.1 : MAIN GIRDER ][ BEAM MEMBER FORCE ]

MEMBER			3023			3024			3024			3025			
NODE			3023			3024			3024			3025			
NAME TITLE			SHEAR	TORQUE	MOMENT	SHEAR	TORQUE	MOMENT	SHEAR	TORQUE	MOMENT	SHEAR	TORQUE	MOMENT	
			S2 (kN)	TQ (kN·m)	M3 (kN·m)	S2 (kN)	TQ (kN·m)	M3 (kN·m)	S2 (kN)	TQ (kN·m)	M3 (kN·m)	S2 (kN)	TQ (kN·m)	M3 (kN·m)	
124	SUM TOTAL	D+1LANE (caseMAX	S2	287.66	-269.18	3171.04	35.83	-269.18	3945.87	35.83	-259.71	3946.51	-215.74	-259.71	3515.16
			TQ	138.78	343.50	3167.55	-113.06	343.50	3228.81	-113.04	351.26	3237.71	-364.60	351.26	2092.91
			M3	233.74	-55.53	4586.18	-18.09	-55.53	5102.59	-18.09	-43.28	5102.71	-261.53	-110.82	4424.16
		MIN	S2	136.11	292.88	2020.48	-115.72	292.88	2068.96	-115.72	297.85	2068.26	-367.29	297.85	910.56
			TQ	287.11	-272.97	3170.19	35.28	-272.97	3942.39	35.25	-263.52	3933.30	-216.31	-263.52	3499.22
			M3	199.60	115.79	869.55	-89.67	200.29	1216.15	-89.67	203.21	1215.67	-341.24	203.21	182.83
		D+1LANE (caseMAX	S2	324.28	-36.90	3424.35	68.35	-37.29	4242.26	68.35	-27.11	4242.33	-188.10	-24.77	3849.72
			TQ	122.63	231.67	3498.89	-132.97	231.67	3469.21	-133.16	239.99	3473.16	-384.73	239.99	2231.88
			M3	252.16	109.68	5006.12	12.95	56.29	5512.60	12.95	69.52	5512.45	-233.71	27.60	4866.40
		MIN	S2	112.24	224.17	3770.55	-143.11	224.27	3823.33	-143.11	233.45	3822.78	-397.33	231.11	2632.91
			TQ	316.30	-42.99	3258.58	60.69	-42.99	4166.14	57.95	-33.03	4098.50	-201.15	-33.03	3755.16
			M3	200.25	117.79	873.84	-89.53	147.53	1225.92	-89.53	150.47	1225.57	-341.09	150.47	193.44
		D+1LANE (caseMAX	S2	544.57	155.10	4108.25	171.85	166.61	4919.79	171.85	178.42	4919.37	-167.25	183.70	3948.00
			TQ	324.18	180.50	3491.30	41.60	180.50	4384.95	39.91	191.17	4511.71	-254.81	191.17	3994.51
			M3	492.97	145.86	5185.79	104.94	157.37	6071.79	104.94	171.94	6071.39	-268.91	180.80	5057.50
		MIN	S2	92.15	102.34	3892.22	-244.62	109.87	4547.12	-244.62	120.78	4546.85	-612.19	134.48	3433.63
			TQ	161.15	94.79	1974.27	-105.25	94.79	2090.39	-104.91	99.62	1939.27	-358.62	99.62	830.29
			M3	200.82	117.20	876.39	-89.35	105.55	1232.73	-89.35	108.50	1232.47	-340.91	108.50	201.20
		D+1LANE (caseMAX	S2	323.51	620.30	3321.59	73.55	621.69	4361.56	73.55	632.16	4360.06	-150.06	603.76	4341.97
			TQ	319.91	626.69	3417.80	71.91	626.69	4351.78	71.91	637.13	4350.27	-171.98	637.13	4110.25
			M3	170.47	248.72	5324.90	-13.89	367.51	5723.30	-13.89	381.25	5722.40	-187.88	468.81	5223.69
		MIN	S2	84.07	-80.93	4167.75	-142.30	-119.28	3775.93	-142.30	-110.22	3776.21	-393.17	-114.03	2448.63
			TQ	107.11	-124.80	3801.51	-140.89	-124.80	3724.76	-140.89	-115.86	3725.05	-392.46	-115.86	2446.72
			M3	202.66	165.26	874.00	-88.36	78.06	1239.94	-88.36	81.03	1239.75	-339.92	81.03	213.22

BAGO RIVER BRIDGE

BLOCK [ No.1 : MAIN GIRDER ][ BEAM MEMBER FORCE ]

MEMBER				3023			3024			3025					
NODE				3023			3024			3024					
				SHEAR	TORQUE	MOMENT	SHEAR	TORQUE	MOMENT	SHEAR	TORQUE	MOMENT			
NAME	TITLE			S2 (kN)	TQ (kN·m)	M3 (kN·m)	S2 (kN)	TQ (kN·m)	M3 (kN·m)	S2 (kN)	TQ (kN·m)	M3 (kN·m)			
124	SUM TOTAL	D+2LANES (casMAX	S2	349.60	-442.62	3743.10	97.76	-442.62	4814.76	97.76	-431.06	4815.81	-153.81	-431.06	4681.31
			TQ	85.61	440.91	3845.96	-166.23	440.91	3652.37	-166.21	449.68	3659.42	-417.78	449.68	2259.75
			M3	235.67	-76.28	6199.23	5.81	-134.00	6762.06	5.81	-117.77	6762.37	-221.77	-222.54	6225.31
		MIN	S2	83.06	398.20	2914.95	-168.78	398.20	2709.18	-168.78	404.70	2708.21	-420.34	404.70	1296.26
			TQ	348.65	-448.32	3689.29	96.81	-448.32	4756.41	96.79	-436.91	4749.36	-154.77	-436.91	4610.23
			M3	194.56	107.27	-177.09	-119.88	225.32	142.23	-119.88	225.66	141.68	-371.45	225.66	-1035.95
		D+2LANES (casMAX	S2	380.11	-249.05	3954.19	124.86	-249.38	5061.75	124.86	-237.23	5062.34	-130.77	-235.28	4960.11
			TQ	72.15	347.71	4122.07	-182.83	347.71	3852.70	-182.99	356.96	3855.62	-434.55	356.96	2375.55
			M3	251.01	61.40	6549.19	31.68	-40.83	7103.74	31.68	-23.78	7103.82	-198.58	-107.19	6593.84
		MIN	S2	63.16	340.94	4373.34	-191.60	341.03	4171.14	-191.60	351.04	4170.31	-445.38	349.09	2731.54
			TQ	372.97	-256.67	3762.95	117.99	-256.67	4942.87	115.71	-244.84	4887.03	-142.14	-244.84	4823.50
			M3	195.10	108.93	-173.52	-119.76	181.35	150.37	-119.76	181.71	149.93	-371.33	181.71	-1027.11
		D+2LANES (casMAX	S2	727.04	233.30	5250.22	297.15	282.86	6292.49	297.15	297.96	6291.79	-83.85	325.25	5272.90
			TQ	409.86	334.79	3980.42	116.87	334.79	5275.45	115.47	347.58	5380.64	-203.11	347.58	5168.73
			M3	641.76	182.14	7064.28	188.50	231.74	8220.57	188.50	251.47	8219.99	-244.17	291.64	7141.56
		MIN	S2	19.60	23.72	4878.56	-356.46	58.66	5658.31	-356.46	72.24	5658.15	-779.54	129.83	4418.80
			TQ	108.80	7.67	2961.59	-170.73	7.67	2779.64	-170.44	14.19	2653.88	-423.80	14.19	1231.33
			M3	196.71	110.66	-167.06	-119.22	67.92	168.68	-119.22	68.32	168.52	-370.78	68.32	-1005.91
		D+2LANES (casMAX	S2	418.41	688.33	4602.20	160.02	759.55	5683.17	160.02	773.18	5681.33	-78.27	792.98	5632.42
			TQ	400.07	835.90	3995.77	145.68	835.90	5306.28	145.68	848.63	5304.26	-111.01	848.63	5387.15
			M3	251.52	290.40	7214.48	43.27	459.92	7780.90	43.27	478.59	7779.77	-157.80	610.51	7320.46
		MIN	S2	22.31	-168.17	5130.25	-215.70	-147.78	4880.96	-215.70	-136.06	4881.30	-472.88	-58.14	3609.09
			TQ	51.34	-226.91	4601.30	-203.05	-226.91	4234.30	-203.05	-216.75	4234.84	-454.62	-216.75	2658.60
			M3	198.95	186.94	-171.80	-117.97	64.97	174.78	-117.97	65.38	174.62	-369.54	65.38	-993.84

BAGO RIVER BRIDGE

BLOCK [ No.1 : MAIN GIRDER ][ BEAM MEMBER FORCE ]

MEMBER				3023			3024			3025						
NODE				3023			3024			3024			3025			
NAME TITLE				SHEAR	TORQUE	MOMENT	SHEAR	TORQUE	MOMENT	SHEAR	TORQUE	MOMENT	SHEAR	TORQUE	MOMENT	
				S2 (kN)	TQ (kN·m)	M3 (kN·m)	S2 (kN)	TQ (kN·m)	M3 (kN·m)	S2 (kN)	TQ (kN·m)	M3 (kN·m)	S2 (kN)	TQ (kN·m)	M3 (kN·m)	
124	SUM TOTAL	D+3LANES (casMAX	S2	410.96	-474.80	4243.50	156.22	-475.08	5515.46	156.22	-461.84	5516.59	-98.80	-460.18	5579.30	
			TQ	43.73	466.43	4383.73	-210.77	466.43	3979.86	-210.89	475.99	3988.82	-462.46	475.99	2375.01	
			M3	263.03	-59.58	7451.63	38.83	-146.47	8070.50	38.83	-127.10	8070.82	-188.87	-245.85	7611.85	
		MIN	S2	34.21	424.82	3784.80	-220.11	424.89	3428.97	-220.11	433.12	3427.94	-473.56	431.47	1840.10	
			TQ	404.50	-483.96	4080.34	149.99	-483.96	5411.95	148.04	-471.00	5358.23	-108.87	-471.00	5451.90	
			M3	191.33	102.17	-895.28	-140.60	223.59	-592.76	-140.60	222.16	-593.30	-392.17	222.16	-1870.23	
		D+3LANES (casMAX	S2	755.35	341.36	6042.80	340.07	441.00	7125.03	340.07	458.10	7123.95	-33.26	516.45	6202.51	
			TQ	464.33	546.17	4375.52	171.96	546.17	5934.78	170.76	560.52	6023.57	-148.87	560.52	6074.38	
			M3	649.37	231.07	8383.11	209.90	331.07	9582.33	209.90	354.07	9581.51	-212.05	436.62	8609.27	
		MIN	S2	-22.78	-80.04	5568.99	-389.89	-5.67	6322.95	-389.89	9.50	6322.94	-796.77	122.96	5110.43	
			TQ	62.99	-110.54	3746.90	-217.99	-110.54	3340.18	-217.75	-102.65	3233.56	-470.84	-102.65	1584.67	
			M3	194.27	107.99	-884.49	-139.57	23.66	-560.67	-139.57	22.32	-560.72	-391.13	22.32	-1832.69	
		D+3LANES (casMAX	S2	580.46	678.33	5484.17	262.55	774.87	6706.46	262.55	790.96	6704.58	-22.58	828.29	6487.95	
			TQ	460.77	874.61	4343.90	194.24	874.61	5930.83	194.24	888.84	5928.72	-86.75	888.84	6186.16	
			M3	402.74	294.89	8486.39	118.86	475.10	9312.48	118.86	497.45	9311.31	-152.67	639.14	8727.23	
		MIN	S2	-27.26	-179.20	5771.35	-310.72	-134.66	5761.79	-310.72	-120.83	5762.10	-625.24	-13.78	4410.36	
			TQ	22.66	-238.65	5059.41	-243.83	-238.65	4511.48	-243.83	-227.83	4512.04	-495.40	-227.83	2740.36	
			M3	196.01	200.15	-890.85	-138.52	74.49	-559.91	-138.52	73.14	-560.09	-390.09	73.14	-1827.06	
		D+4LANES	MAX	S2	647.40	443.36	5244.52	275.20	522.09	6335.96	275.20	537.30	6334.69	-52.15	570.22	5677.64
			TQ	441.17	603.50	4097.33	160.97	603.50	5563.43	159.86	616.93	5627.07	-138.82	616.93	5676.27	
			M3	483.99	151.75	8083.46	128.98	294.11	8918.89	128.98	315.51	8918.16	-208.28	427.34	7992.52	
		MIN	S2	50.86	-36.23	6864.06	-273.72	-2.47	7497.21	-273.72	15.52	7497.19	-642.22	107.83	6545.12	
			TQ	121.68	-82.71	5922.55	-149.98	-82.71	5830.59	-148.90	-68.79	5765.16	-401.63	-68.79	4446.75	
			M3	280.86	251.40	132.94	29.02	250.71	875.15	29.02	252.82	874.55	-222.56	252.17	410.54	

BAGO RIVER BRIDGE

BLOCK [ No.1 : MAIN GIRDER ] [ BEAM MEMBER FORCE ]

MEMBER					3023			3024			3025					
NODE					3023			3024			3024					
					SHEAR	TORQUE	MOMENT	SHEAR	TORQUE	MOMENT	SHEAR	TORQUE	MOMENT			
NAME	TITLE				S2 (kN)	TQ (kN·m)	M3 (kN·m)	S2 (kN)	TQ (kN·m)	M3 (kN·m)	S2 (kN)	TQ (kN·m)	M3 (kN·m)			
124	SUM TOTAL	D+6LANES	MAX	S2	762.75	159.63	6507.17	397.93	202.60	8175.78	397.93	222.22	8175.27	72.26	226.75	8180.65
				TQ	314.52	850.39	5462.89	37.63	850.39	6321.01	34.69	865.72	6455.23	-276.10	865.72	5842.60
				M3	528.06	135.05	10856.11	195.19	186.19	11925.29	195.19	214.78	11924.81	-120.85	230.78	11366.40
			MIN	S2	-108.23	109.82	6272.59	-430.81	122.88	6135.80	-430.81	137.60	6135.48	-791.09	184.89	4405.38
				TQ	219.15	-513.05	5671.73	-50.07	-513.05	6059.90	-50.10	-498.56	6003.59	-306.35	-498.56	5150.30
				M3	193.79	164.28	-2495.17	-182.58	158.30	-2181.58	-182.58	153.10	-2181.95	-434.18	150.56	-3660.15
	SUM TOTAL		MAX		762.75	874.61	10856.11	397.93	874.61	11925.29	397.93	888.84	11924.81	72.26	888.84	11366.40
			MIN		-108.23	-513.05	-2495.17	-430.81	-513.05	-2181.58	-430.81	-498.56	-2181.95	-796.77	-498.56	-3660.15
300	DEAD LOAD	TOTAL			207.57	129.74	2442.48	-44.26	129.74	2833.46	-44.26	136.54	2833.14	-295.83	136.54	2017.96
301	LIVE LOAD	1-LANE(case1MAX	S2		80.09	-398.92	728.57	80.09	-398.92	1112.41	80.09	-396.25	1113.36	80.09	-396.25	1497.20
			TQ		-68.80	213.76	725.08	-68.80	213.76	395.35	-68.77	214.72	404.57	-68.77	214.72	74.95
			M3		26.17	-185.27	2143.70	26.17	-185.27	2269.13	26.17	-179.82	2269.56	34.30	-247.36	2406.20
			MIN	S2	-71.46	163.14	-421.99	-71.46	163.14	-764.50	-71.46	161.31	-764.89	-71.46	161.31	-1107.40
				TQ	79.54	-402.71	727.71	79.54	-402.71	1108.93	79.52	-400.05	1100.16	79.52	-400.05	1481.27
				M3	-7.97	-13.95	-1572.93	-45.41	70.55	-1617.31	-45.41	66.67	-1617.48	-45.41	66.67	-1835.12
		1-LANE(case2MAX	S2		116.70	-166.64	981.87	112.61	-167.03	1408.79	112.61	-163.65	1409.19	107.73	-161.31	1831.76
			TQ		-84.94	101.93	1056.41	-88.71	101.93	635.75	-88.90	103.45	640.01	-88.90	103.45	213.92
			M3		44.59	-20.06	2563.64	57.22	-73.45	2679.14	57.22	-67.02	2679.30	62.12	-108.94	2848.44
			MIN	S2	-95.34	94.43	1328.07	-98.85	94.53	989.86	-98.85	96.91	989.63	-101.50	94.57	614.95
				TQ	108.72	-172.72	816.10	104.95	-172.72	1332.67	102.22	-169.57	1265.36	94.68	-169.57	1737.20
				M3	-7.32	-11.95	-1568.64	-45.26	17.79	-1607.54	-45.26	13.93	-1607.58	-45.26	13.93	-1824.52
		1-LANE(case3MAX	S2		337.00	25.36	1665.77	216.11	36.87	2086.32	216.11	41.88	2086.23	128.58	47.16	1930.04
			TQ		116.61	50.76	1048.83	85.86	50.76	1551.48	84.18	54.63	1678.57	41.02	54.63	1976.55
			M3		285.40	16.12	2743.32	149.20	27.63	3238.32	149.20	35.40	3238.25	26.92	44.26	3039.54
			MIN	S2	-115.42	-27.40	1449.74	-200.36	-19.87	1713.66	-200.36	-15.75	1713.70	-316.36	-2.06	1415.68
				TQ	-46.43	-34.95	-468.21	-60.99	-34.95	-743.08	-60.65	-36.92	-893.87	-62.80	-36.92	-1187.67
				M3	-6.76	-12.54	-1566.09	-45.09	-24.19	-1600.73	-45.09	-28.04	-1600.67	-45.09	-28.04	-1816.76

BAGO RIVER BRIDGE

BLOCK [ No.1 : MAIN GIRDER ][ BEAM MEMBER FORCE ]

MEMBER			3023			3024			3024			3025				
NODE			3023			3024			3024			3025				
NAME TITLE			SHEAR	TORQUE	MOMENT	SHEAR	TORQUE	MOMENT	SHEAR	TORQUE	MOMENT	SHEAR	TORQUE	MOMENT		
			S2 (kN)	TQ (kN·m)	M3 (kN·m)	S2 (kN)	TQ (kN·m)	M3 (kN·m)	S2 (kN)	TQ (kN·m)	M3 (kN·m)	S2 (kN)	TQ (kN·m)	M3 (kN·m)		
301	LIVE LOAD	1-LANE (case4MAX	S2	115.93	490.56	879.11	117.81	491.95	1528.10	117.81	495.62	1526.91	145.77	467.22	2324.01	
			TQ	112.34	496.95	975.32	116.17	496.95	1518.32	116.17	500.59	1517.12	123.85	500.59	2092.29	
			M3	-37.11	118.98	2882.43	30.37	237.77	2889.83	30.37	244.71	2889.25	107.95	332.27	3205.73	
			MIN	S2	-123.51	-210.67	1725.27	-98.03	-249.02	942.47	-98.03	-246.76	943.06	-97.34	-250.56	430.67
			TQ	-100.46	-254.54	1359.04	-96.63	-254.54	891.30	-96.63	-252.40	891.91	-96.63	-252.40	428.77	
			M3	-4.91	35.52	-1568.48	-44.09	-51.68	-1593.53	-44.09	-55.51	-1593.40	-44.09	-55.51	-1804.74	
		2-LANES (caseMAX	S2	142.02	-572.36	1300.62	142.02	-572.36	1981.30	142.02	-567.60	1982.67	142.02	-567.60	2663.35	
			TQ	-121.97	311.17	1403.48	-121.97	311.17	818.91	-121.95	313.14	826.27	-121.95	313.14	241.79	
			M3	28.09	-206.02	3756.76	50.07	-263.74	3928.60	50.07	-254.31	3929.22	74.06	-359.08	4207.35	
			MIN	S2	-124.51	268.46	472.48	-124.51	268.46	-124.29	-124.51	268.16	-124.93	-124.51	268.16	-721.70
			TQ	141.07	-578.06	1246.81	141.07	-578.06	1922.95	141.06	-573.45	1916.22	141.06	-573.45	2592.27	
			M3	-13.01	-22.47	-2619.57	-75.62	95.58	-2691.24	-75.62	89.12	-2691.46	-75.62	89.12	-3053.91	
		2-LANES (caseMAX	S2	172.53	-378.79	1511.71	169.12	-379.12	2228.29	169.12	-373.77	2229.19	165.05	-371.82	2942.15	
			TQ	-135.42	217.98	1679.59	-138.57	217.98	1019.24	-138.72	220.42	1022.47	-138.72	220.42	357.60	
			M3	43.44	-68.34	4106.71	75.95	-170.57	4270.28	75.95	-160.32	4270.67	97.25	-243.73	4575.88	
			MIN	S2	-144.41	211.20	1930.86	-147.33	211.29	1337.68	-147.33	214.50	1337.17	-149.55	212.55	713.59
			TQ	165.39	-386.41	1320.47	162.25	-386.41	2109.40	159.97	-381.38	2053.89	153.69	-381.38	2805.55	
			M3	-12.47	-20.81	-2616.00	-75.50	51.61	-2683.10	-75.50	45.17	-2683.21	-75.50	45.17	-3045.07	
		2-LANES (caseMAX	S2	519.47	103.56	2807.74	341.41	153.12	3459.03	341.41	161.42	3458.65	211.98	188.72	3254.95	
			TQ	202.28	205.05	1537.94	161.14	205.05	2441.99	159.73	211.04	2547.50	92.72	211.04	3150.77	
			M3	434.19	52.40	4621.81	232.76	102.00	5387.11	232.76	114.93	5386.85	51.66	155.10	5123.60	
			MIN	S2	-187.98	-106.02	2436.08	-312.20	-71.07	2824.84	-312.20	-64.29	2825.00	-483.71	-6.71	2400.85
			TQ	-98.78	-122.07	519.12	-126.47	-122.07	-53.82	-126.18	-122.35	-179.26	-127.97	-122.35	-786.63	
			M3	-10.86	-19.08	-2609.54	-74.95	-61.82	-2664.79	-74.95	-68.21	-2664.63	-74.95	-68.21	-3023.87	

BAGO RIVER BRIDGE

BLOCK [ No.1 : MAIN GIRDER ][ BEAM MEMBER FORCE ]

MEMBER				3023			3024			3025						
NODE				3023			3024			3024			3025			
				SHEAR	TORQUE	MOMENT	SHEAR	TORQUE	MOMENT	SHEAR	TORQUE	MOMENT	SHEAR	TORQUE	MOMENT	
NAME TITLE				S2 (kN)	TQ (kN·m)	M3 (kN·m)	S2 (kN)	TQ (kN·m)	M3 (kN·m)	S2 (kN)	TQ (kN·m)	M3 (kN·m)	S2 (kN)	TQ (kN·m)	M3 (kN·m)	
301	LIVE LOAD	2-LANES (caseMAX	S2	210.83	558.59	2159.73	204.29	629.81	2849.71	204.29	636.64	2848.19	217.56	656.44	3614.46	
			TQ	192.49	706.16	1553.29	189.94	706.16	2472.82	189.94	712.10	2471.12	184.82	712.10	3369.19	
			M3	43.95	160.66	4772.01	87.53	330.18	4947.43	87.53	342.05	4946.63	138.03	473.97	5302.50	
			MIN	S2	-185.27	-297.91	2687.78	-171.44	-277.52	2047.50	-171.44	-272.60	2048.16	-177.05	-194.68	1591.13
			TQ	-156.24	-356.65	2158.82	-158.79	-356.65	1400.84	-158.79	-353.29	1401.69	-158.79	-353.29	640.64	
			M3	-8.63	57.20	-2614.27	-73.71	-64.77	-2658.69	-73.71	-71.15	-2658.52	-73.71	-71.15	-3011.79	
		3-LANES (caseMAX	S2	203.38	-604.54	1801.02	200.48	-604.82	2682.00	200.48	-598.38	2683.44	197.02	-596.72	3561.34	
			TQ	-163.84	336.69	1941.25	-166.51	336.69	1146.39	-166.63	339.45	1155.67	-166.63	339.45	357.05	
			M3	55.46	-189.32	5009.16	83.09	-276.21	5237.03	83.09	-263.64	5237.68	106.96	-382.39	5593.89	
			MIN	S2	-173.37	295.08	1342.32	-175.85	295.15	595.51	-175.85	296.58	594.80	-177.74	294.93	-177.86
			TQ	196.93	-613.70	1637.86	194.26	-613.70	2578.48	192.30	-607.54	2525.08	186.96	-607.54	3433.94	
			M3	-16.25	-27.57	-3337.75	-96.34	93.85	-3426.23	-96.34	85.62	-3426.44	-96.34	85.62	-3888.19	
		3-LANES (caseMAX	S2	547.78	211.62	3600.32	384.33	311.26	4291.56	384.33	321.56	4290.80	262.57	379.91	4184.55	
			TQ	256.75	416.44	1933.04	216.22	416.44	3101.32	215.02	423.99	3190.42	146.96	423.99	4056.42	
			M3	441.79	101.33	5940.63	254.17	201.33	6748.86	254.17	217.53	6748.36	83.78	300.08	6591.31	
			MIN	S2	-230.35	-209.78	3126.51	-345.63	-135.41	3489.48	-345.63	-127.04	3489.80	-500.94	-13.58	3092.47
			TQ	-144.59	-240.28	1304.42	-173.73	-240.28	506.72	-173.49	-239.19	400.42	-175.01	-239.19	-433.28	
			M3	-13.31	-21.75	-3326.96	-95.31	-106.08	-3394.13	-95.31	-114.22	-3393.87	-95.31	-114.22	-3850.65	
		3-LANES (caseMAX	S2	372.89	548.59	3041.70	306.82	645.13	3873.00	306.82	654.42	3871.44	273.25	691.75	4469.99	
			TQ	253.20	744.87	1901.42	238.50	744.87	3097.37	238.50	752.30	3095.57	209.08	752.30	4168.20	
			M3	195.16	165.15	6043.91	163.12	345.36	6479.02	163.12	360.91	6478.17	143.16	502.60	6709.27	
			MIN	S2	-234.84	-308.94	3328.88	-266.46	-264.40	2928.33	-266.46	-257.37	2928.95	-329.41	-150.32	2392.40
			TQ	-184.91	-368.39	2616.93	-199.57	-368.39	1678.02	-199.57	-364.36	1678.90	-199.57	-364.36	722.41	
			M3	-11.57	70.41	-3333.33	-94.26	-55.25	-3393.38	-94.26	-63.40	-3393.23	-94.26	-63.40	-3845.02	

BAGO RIVER BRIDGE

BLOCK [ No.1 : MAIN GIRDER ][ BEAM MEMBER FORCE ]

MEMBER					3023			3024			3025					
NODE					3023			3024			3024					
					SHEAR	TORQUE	MOMENT	SHEAR	TORQUE	MOMENT	SHEAR	TORQUE	MOMENT			
NAME	TITLE				S2 (kN)	TQ (kN·m)	M3 (kN·m)	S2 (kN)	TQ (kN·m)	M3 (kN·m)	S2 (kN)	TQ (kN·m)	M3 (kN·m)			
301	LIVE LOAD	4-LANES	MAX	S2	439.83	313.62	2802.04	319.46	392.35	3502.49	319.46	400.76	3501.54	243.68	433.68	3659.69
				TQ	233.60	473.76	1654.86	205.24	473.76	2729.97	204.12	480.39	2793.93	157.01	480.39	3658.31
				M3	276.41	22.01	5640.99	173.24	164.37	6085.43	173.24	178.97	6085.01	87.55	290.80	5974.56
			MIN	S2	-156.72	-165.97	4421.58	-229.45	-132.21	4663.74	-229.45	-121.01	4664.05	-346.40	-28.71	4527.16
				TQ	-85.90	-212.45	3480.07	-105.72	-212.45	2997.12	-104.64	-205.33	2932.01	-105.80	-205.33	2428.79
				M3	73.29	121.66	-2309.54	73.28	120.97	-1958.31	73.28	116.28	-1958.59	73.26	115.63	-1607.42
		6-LANES	MAX	S2	555.17	29.89	4064.69	442.19	72.86	5342.32	442.19	85.68	5342.13	368.09	90.21	6162.69
				TQ	106.94	720.65	3020.42	81.89	720.65	3487.54	78.95	729.18	3622.08	19.73	729.18	3824.64
				M3	320.48	5.31	8413.63	239.45	56.45	9091.82	239.45	78.24	9091.66	174.98	94.24	9348.44
			MIN	S2	-315.80	-19.92	3830.11	-386.55	-6.86	3302.33	-386.55	1.06	3302.34	-495.26	48.35	2387.42
				TQ	11.57	-642.78	3229.25	-5.81	-642.78	3226.43	-5.84	-635.10	3170.45	-10.52	-635.10	3132.34
				M3	-13.78	34.54	-4937.65	-138.31	28.56	-5015.04	-138.31	16.56	-5015.10	-138.36	14.02	-5678.11
		LIVE LOAD	MAX	555.17	744.87	8413.63	442.19	744.87	9091.82	442.19	752.30	9091.66	368.09	752.30	9348.44	
			MIN	-315.80	-642.78	-4937.65	-386.55	-642.78	-5015.04	-386.55	-635.10	-5015.10	-500.94	-635.10	-5678.11	
303	SUM TOTAL	TOTAL	MAX	762.75	874.61	10856.11	397.93	874.61	11925.29	397.93	888.84	11924.81	72.26	888.84	11366.40	
			MIN	-108.23	-513.05	-2495.17	-430.81	-513.05	-2181.58	-430.81	-498.56	-2181.95	-796.77	-498.56	-3660.15	

BAGO RIVER BRIDGE

BLOCK [ No.1 : MAIN GIRDER ] [ BEAM MEMBER FORCE ]

MEMBER NODE	3025	3026			3026			3027							
		SHEAR S2 (kN)	TORQUE TQ (kN·m)	MOMENT M3 (kN·m)	SHEAR S2 (kN)	TORQUE TQ (kN·m)	MOMENT M3 (kN·m)	SHEAR S2 (kN)	TORQUE TQ (kN·m)	MOMENT M3 (kN·m)					
											3026	3026	3027		
1	PAVEMENT	-48.80	-1.00	612.62	-96.40	-1.00	264.67	-96.40	-0.37	264.67	-143.73	-0.37	-311.23		
3	RAILING	-3.97	0.24	9.63	-3.07	0.24	-7.23	-3.07	0.22	-7.23	-2.10	0.22	-19.67		
5	CURB	-39.29	2.36	95.33	-30.35	2.36	-71.57	-30.35	2.18	-71.58	-20.78	2.18	-194.69		
7	DECK WEIGHT	-85.66	2.37	812.90	-158.01	2.37	228.96	-158.01	2.92	228.95	-229.78	2.92	-701.17		
8	GIRDER WEIGH	-139.51	33.25	473.89	-229.13	33.25	-409.51	-229.13	32.27	-409.59	-318.73	32.27	-1722.50		
10	MEDIAN STRIP	-18.56	9.81	-218.03	-47.66	9.81	-376.71	-47.66	8.91	-376.73	-76.75	8.91	-674.88		
21	ADITIONAL WE	-23.99	0.66	227.61	-44.24	0.66	64.11	-44.24	0.82	64.11	-64.34	0.82	-196.33		
31	MEDIAN RAILI	-0.62	0.73	3.90	-2.97	0.73	-4.70	-2.97	0.72	-4.70	-5.32	0.72	-24.57		
51	SUPPORT WEIG	0.00	0.00	-0.00	0.00	0.00	-0.00	0.00	0.00	-0.00	0.00	0.00	-0.00		
52	NOSE WEIGHT	0.00	-0.06	-0.01	0.00	-0.06	-0.01	0.00	-0.06	-0.01	0.00	-0.06	-0.01		
61	1-LANE(case1TRUCK-LOAD	MAX	S2	16.54	-65.65	467.89	16.54	-65.65	547.18	16.54	-64.34	547.33	16.54	-64.34	626.62
			TQ	-32.63	185.25	838.21	-32.63	185.25	681.82	-32.63	186.88	681.38	-32.63	186.88	524.99
			M3	-12.27	104.24	963.95	-10.05	80.70	910.29	-10.05	82.89	910.09	-7.77	44.36	864.91
		MIN	S2	-32.79	183.57	799.29	-32.79	183.57	642.16	-32.79	185.11	641.71	-32.79	185.11	484.58
			TQ	16.07	-65.93	517.03	16.07	-65.93	594.07	16.07	-64.51	594.22	16.07	-64.51	671.26
			M3	-17.59	28.44	-438.38	-17.59	28.44	-522.67	-17.59	27.18	-522.74	-17.59	27.18	-607.03
		TANDEM-LOAD MAX	S2	11.60	-47.02	369.48	11.60	-47.02	425.06	11.60	-46.00	425.17	11.60	-46.00	480.75
			TQ	-22.97	128.50	591.66	-22.97	128.50	481.58	-22.97	129.65	481.27	-22.97	129.65	371.18
			M3	-8.24	79.34	653.99	-6.37	47.03	621.24	-6.37	48.52	621.13	-5.73	37.76	591.43
		MIN	S2	-22.97	128.50	591.66	-22.97	128.50	481.58	-22.97	129.65	481.27	-22.97	129.65	371.18
			TQ	11.60	-47.02	369.48	11.60	-47.02	425.06	11.60	-46.00	425.17	11.60	-46.00	480.75
			M3	-11.94	19.05	-297.59	-11.94	19.05	-354.82	-11.94	18.19	-354.86	-11.94	18.19	-412.10
		DISPERSION-LMAX	S2	22.23	-81.04	-85.56	22.23	-81.04	20.97	22.23	-80.99	21.16	22.23	-80.99	127.68
			TQ	-50.35	181.54	-4.47	-50.35	181.54	-245.77	-50.35	180.95	-246.20	-50.35	180.95	-487.51
			M3	-14.03	100.57	1041.26	-14.03	100.57	974.02	-14.03	102.91	973.78	-14.03	102.91	906.54
MIN	S2	-50.60	180.52	35.83	-50.60	180.52	-206.67	-50.60	180.02	-207.11	-50.60	180.02	-449.61		
	TQ	21.97	-82.06	-45.26	21.97	-82.06	60.06	21.97	-81.92	60.26	21.97	-81.92	165.58		
	M3	-14.34	-1.09	-1090.99	-14.34	-1.09	-1159.73	-14.34	-3.88	-1159.72	-14.34	-3.88	-1228.46		



BAGO RIVER BRIDGE

BLOCK [ No.1 : MAIN GIRDER ] [ BEAM MEMBER FORCE ]

MEMBER				3025			3026			3027					
NODE				3025			3026			3026			3027		
				SHEAR	TORQUE	MOMENT	SHEAR	TORQUE	MOMENT	SHEAR	TORQUE	MOMENT	SHEAR	TORQUE	MOMENT
NAME	TITLE			S2 (kN)	TQ (kN·m)	M3 (kN·m)	S2 (kN)	TQ (kN·m)	M3 (kN·m)	S2 (kN)	TQ (kN·m)	M3 (kN·m)	S2 (kN)	TQ (kN·m)	M3 (kN·m)
62	1-LANE (case2TRUCK-LOAD	MAX	S2	33.36	-33.98	789.48	33.36	-33.98	949.36	33.36	-31.70	949.44	33.36	-31.70	1109.32
			TQ	-43.24	83.21	1006.82	-43.24	83.21	799.57	-43.24	85.13	799.36	-43.24	85.13	592.11
			M3	0.11	51.65	1264.74	-12.14	35.73	1173.44	-12.14	38.55	1173.35	4.53	-6.24	1157.46
		MIN	S2	-51.17	77.53	1237.02	-51.17	77.53	991.79	-51.17	79.91	991.60	-51.17	79.91	746.37
			TQ	26.70	-38.77	604.13	26.70	-38.77	732.10	26.70	-37.01	732.19	26.70	-37.01	860.17
			M3	-17.79	8.99	-436.98	-17.79	8.99	-522.25	-17.79	7.73	-522.27	-17.79	7.73	-607.53
		TANDEM-LOAD MAX	S2	23.73	-19.18	597.81	23.73	-19.18	711.57	23.73	-17.47	711.61	23.73	-17.47	825.36
			TQ	-33.36	58.09	762.15	-33.36	58.09	602.28	-33.36	59.54	602.14	-33.36	59.54	442.26
			M3	0.24	42.78	905.96	-7.90	18.35	831.22	-7.90	20.34	831.18	4.77	-12.04	829.96
		MIN	S2	-36.12	48.30	905.33	-36.12	48.30	732.19	-36.12	50.05	732.07	-36.12	50.05	558.94
			TQ	21.66	-28.18	460.43	21.66	-28.18	564.26	21.66	-26.82	564.33	21.66	-26.82	668.15
			M3	-12.08	6.03	-296.58	-12.08	6.03	-354.45	-12.08	5.18	-354.47	-12.08	5.18	-412.34
		DISPERSION-LMAX	S2	32.32	-36.43	137.01	30.16	-38.68	199.92	30.16	-38.20	200.01	27.38	-38.28	234.35
			TQ	-50.75	71.86	22.83	-57.03	71.86	-235.47	-57.03	71.29	-235.65	-60.18	71.29	-520.29
			M3	-7.17	37.11	1108.94	-13.45	37.11	1059.51	-13.45	39.65	1059.42	-19.74	39.65	979.88
MIN	S2	-54.20	69.22	-111.55	-58.33	71.47	-294.38	-58.33	70.77	-294.55	-61.83	70.85	-478.94		
	TQ	28.87	-39.07	2.63	28.87	-39.07	141.01	28.87	-38.73	141.10	25.73	-38.73	275.71		
	M3	-14.71	-4.32	-1083.48	-14.71	-4.32	-1153.97	-14.71	-7.09	-1153.96	-14.71	-7.09	-1224.46		
63	1-LANE (case3TRUCK-LOAD	MAX	S2	183.42	-12.94	1378.46	106.77	-4.04	1499.01	106.77	-0.44	1499.02	49.37	5.68	1243.50
			TQ	15.04	6.75	447.85	15.04	6.75	519.92	17.18	8.10	573.72	17.18	8.10	656.08
			M3	168.38	-14.95	1405.75	32.02	-12.06	1549.94	32.02	-8.34	1549.96	-44.16	0.42	1294.98
		MIN	S2	-66.34	-19.16	1360.41	-123.81	-14.35	1501.34	-123.81	-10.75	1501.37	-202.45	-1.76	1275.05
			TQ	-46.17	-19.52	1072.24	-46.17	-19.52	850.97	-39.92	-17.51	783.15	-39.92	-17.51	591.82
			M3	-17.94	-5.63	-435.91	-17.94	-5.63	-521.90	-17.94	-6.88	-521.89	-17.94	-6.88	-607.88

BAGO RIVER BRIDGE

BLOCK [ No.1 : MAIN GIRDER ] [ BEAM MEMBER FORCE ]

MEMBER		3025			3026			3026			3027				
NODE		3025			3026			3026			3027				
		SHEAR	TORQUE	MOMENT	SHEAR	TORQUE	MOMENT	SHEAR	TORQUE	MOMENT	SHEAR	TORQUE	MOMENT		
NAME	TITLE	S2 (kN)	TQ (kN·m)	M3 (kN·m)	S2 (kN)	TQ (kN·m)	M3 (kN·m)	S2 (kN)	TQ (kN·m)	M3 (kN·m)	S2 (kN)	TQ (kN·m)	M3 (kN·m)		
63	1-LANE (case3TANDEM-LOAD	MAX	S2	149.56	-11.52	1088.40	95.29	-5.71	1202.38	95.29	-2.82	1202.39	44.59	2.75	1004.86
			TQ	9.06	4.65	274.10	9.06	4.65	317.52	11.84	5.60	406.87	11.84	5.60	463.63
			M3	149.56	-11.52	1088.40	0.27	-7.29	1204.88	0.27	-4.40	1204.90	-53.79	1.66	1009.40
		MIN	S2	-57.26	-12.42	1087.70	-108.32	-7.29	1204.88	-108.32	-4.40	1204.90	-162.35	1.66	1009.40
			TQ	-31.24	-13.67	739.41	-31.24	-13.67	589.70	-31.24	-12.25	589.73	-31.24	-12.25	440.02
			M3	-12.18	-3.75	-295.82	-12.18	-3.75	-354.17	-12.18	-4.60	-354.16	-12.18	-4.60	-412.51
	DISPERSION-LMAX	S2	63.72	3.99	229.78	41.28	5.63	261.29	41.28	6.26	261.27	28.23	6.37	214.90	
		TQ	18.40	8.53	135.40	14.32	8.53	212.56	15.80	9.17	325.66	-0.62	9.17	374.67	
		M3	24.59	-10.48	1127.07	-13.17	-10.48	1154.44	-13.17	-7.71	1154.47	-50.91	-7.71	1000.89	
		MIN	S2	-54.17	-22.72	-180.73	-69.49	-24.36	-256.96	-69.49	-24.98	-256.90	-94.18	-25.08	-436.20
			TQ	-8.85	-27.26	-86.35	-42.52	-27.26	-208.23	-44.01	-27.89	-321.28	-65.33	-27.89	-595.97
			M3	-15.04	-8.25	-1078.02	-15.04	-8.25	-1150.11	-15.04	-11.01	-1150.09	-15.04	-11.01	-1222.18
64	1-LANE (case4TRUCK-LOAD	MAX	S2	32.99	91.38	720.29	32.99	91.38	878.40	32.99	93.49	878.18	50.00	50.71	1250.38
			TQ	32.49	91.87	696.79	32.49	91.87	852.53	32.49	93.91	852.30	32.49	93.91	1008.04
			M3	-38.12	-132.45	1384.60	-7.82	-107.50	1221.47	-7.82	-104.57	1221.73	41.36	-7.19	1278.59
		MIN	S2	-66.72	-196.44	1362.28	-49.36	-224.63	979.50	-49.36	-222.28	980.03	-49.36	-222.28	743.47
			TQ	-48.90	-225.17	1191.92	-48.90	-225.17	957.54	-48.90	-222.87	958.08	-48.90	-222.87	723.71
			M3	-18.14	-25.07	-434.39	-18.14	-25.07	-521.35	-18.14	-26.32	-521.29	-18.14	-26.32	-608.24
	TANDEM-LOAD	MAX	S2	24.00	60.93	560.06	24.00	60.93	675.07	24.00	62.55	674.93	44.28	18.31	868.32
			TQ	21.80	64.72	440.72	21.80	64.72	545.23	21.80	66.03	545.07	21.80	66.03	649.57
			M3	-36.28	-105.24	947.42	-17.88	-105.24	839.53	-17.88	-103.23	839.78	17.41	-34.23	871.85
		MIN	S2	-54.68	-105.24	947.42	-35.03	-151.01	733.96	-35.03	-149.25	734.32	-35.03	-149.25	566.43
			TQ	-33.00	-155.40	778.84	-33.00	-155.40	620.67	-33.00	-153.91	621.04	-33.00	-153.91	462.87
			M3	-12.31	-16.76	-294.74	-12.31	-16.76	-353.73	-12.31	-17.60	-353.69	-12.31	-17.60	-412.67

BAGO RIVER BRIDGE

BLOCK [ No.1 : MAIN GIRDER ][ BEAM MEMBER FORCE ]

MEMBER			3025			3026			3026			3027					
NODE			3025			3026			3026			3027					
			SHEAR	TORQUE	MOMENT	SHEAR	TORQUE	MOMENT	SHEAR	TORQUE	MOMENT	SHEAR	TORQUE	MOMENT			
NAME	TITLE		S2 (kN)	TQ (kN·m)	M3 (kN·m)	S2 (kN)	TQ (kN·m)	M3 (kN·m)	S2 (kN)	TQ (kN·m)	M3 (kN·m)	S2 (kN)	TQ (kN·m)	M3 (kN·m)			
64	1-LANE (case4DISPERSION-LMAX	S2	29.32	101.57	51.76	29.98	98.16	233.38	29.98	98.72	233.14	35.09	97.37	462.86			
		TQ	29.12	102.16	69.52	29.12	102.16	209.07	29.12	102.67	208.82	32.41	102.67	352.27			
		M3	-20.20	-109.72	1287.01	-13.79	-109.72	1205.56	-13.79	-106.83	1205.82	-7.20	-106.83	1155.41			
		MIN	S2	-65.16	-197.82	165.75	-59.42	-194.41	-172.29	-59.42	-194.83	-171.82	-57.93	-193.48	-526.93		
		TQ	-64.96	-198.42	147.99	-58.55	-198.42	-147.98	-58.55	-198.77	-147.51	-55.26	-198.77	-416.35			
		M3	-15.64	13.47	-1069.49	-15.64	13.47	-1144.47	-15.64	10.72	-1144.50	-15.64	10.72	-1219.48			
		65	2-LANES (caseTRUCK-LOAD	MAX	S2	37.43	-117.91	1089.89	37.43	-117.91	1269.28	37.43	-114.86	1269.56	37.43	-114.86	1448.94
				TQ	-69.89	320.63	1789.71	-69.89	320.63	1454.75	-69.89	324.12	1453.98	-69.89	324.12	1119.01	
				M3	-36.17	185.16	2087.15	-26.23	140.46	1931.58	-26.23	145.10	1931.24	-1.98	48.68	1882.71	
MIN	S2			-70.67	316.02	1813.78	-70.67	316.02	1475.05	-70.67	319.56	1474.29	-70.67	319.56	1135.56		
TQ	36.65			-118.58	1120.49	36.65	-118.58	1296.15	36.65	-115.47	1296.43	36.65	-115.47	1472.08			
M3	-35.28			47.15	-876.07	-35.28	47.15	-1045.13	-35.28	44.65	-1045.24	-35.28	44.65	-1214.31			
TANDEM-LOAD	MAX			S2	26.70	-81.56	845.13	26.70	-81.56	973.11	26.70	-79.23	973.31	26.70	-79.23	1101.30	
TQ	-47.96			221.81	1214.90	-47.96	221.81	985.06	-47.96	224.17	984.52	-47.96	224.17	754.68			
M3	-28.25			143.33	1434.16	-14.53	80.17	1322.89	-14.53	83.34	1322.69	2.01	31.48	1297.04			
MIN	S2	-49.78	219.28	1306.26	-49.78	219.28	1067.70	-49.78	221.84	1067.17	-49.78	221.84	828.60				
TQ	25.38	-84.21	755.78	25.38	-84.21	877.41	25.38	-82.10	877.61	25.38	-82.10	999.25					
M3	-23.95	31.58	-594.67	-23.95	31.58	-709.46	-23.95	29.88	-709.53	-23.95	29.88	-824.32					
DISPERSION-LMAX	S2	47.53	-142.69	-79.78	47.53	-142.69	148.05	47.53	-142.34	148.39	47.53	-142.34	376.21				
TQ	-103.85	309.33	-3.07	-103.85	309.33	-500.78	-103.80	308.14	-493.78	-103.80	308.14	-991.26					
M3	-27.76	169.40	2120.26	-27.76	169.40	1987.23	-27.76	174.16	1986.82	-27.76	174.16	1853.78					
MIN	S2	-104.15	308.27	22.04	-104.15	308.27	-477.13	-104.15	307.12	-477.87	-104.15	307.12	-977.03				
TQ	47.23	-143.76	-54.67	47.23	-143.76	171.70	47.18	-143.35	164.30	47.18	-143.35	390.44					
M3	-28.86	-3.82	-2178.00	-28.86	-3.82	-2316.31	-28.86	-9.38	-2316.29	-28.86	-9.38	-2454.60					

BAGO RIVER BRIDGE

BLOCK [ No.1 : MAIN GIRDER ][ BEAM MEMBER FORCE ]

MEMBER				3025			3026			3027							
NODE				3025			3026			3026			3027				
NAME TITLE				SHEAR	TORQUE	MOMENT	SHEAR	TORQUE	MOMENT	SHEAR	TORQUE	MOMENT	SHEAR	TORQUE	MOMENT		
				S2 (kN)	TQ (kN·m)	M3 (kN·m)	S2 (kN)	TQ (kN·m)	M3 (kN·m)	S2 (kN)	TQ (kN·m)	M3 (kN·m)	S2 (kN)	TQ (kN·m)	M3 (kN·m)		
66	2-LANES (case	TRUCK-LOAD	MAX	S2	54.24	-86.23	1411.49	54.24	-86.23	1671.46	54.24	-82.22	1671.66	54.24	-82.22	1931.64	
				TQ	-80.50	218.59	1958.33	-80.50	218.59	1572.49	-80.50	222.36	1571.96	-80.50	222.36	1186.13	
				M3	-23.80	132.57	2387.93	-28.32	95.49	2194.74	-28.32	100.76	2194.50	10.32	-1.92	2175.25	
			MIN	S2	-89.06	209.98	2251.51	-89.06	209.98	1824.68	-89.06	214.35	1824.17	-89.06	214.35	1397.35	
				TQ	47.28	-91.42	1207.59	47.28	-91.42	1434.18	47.28	-87.98	1434.40	47.28	-87.98	1660.99	
				M3	-35.48	27.70	-874.67	-35.48	27.70	-1044.71	-35.48	25.20	-1044.77	-35.48	25.20	-1214.81	
			TANDEM-LOAD	MAX	S2	38.84	-53.72	1073.46	38.84	-53.72	1259.62	38.84	-50.70	1259.75	38.84	-50.70	1445.91
				TQ	-58.34	151.40	1385.39	-58.34	151.40	1105.76	-58.34	154.06	1105.39	-58.34	154.06	825.76	
				M3	-19.77	106.77	1686.13	-16.07	51.49	1532.87	-16.07	55.17	1532.74	12.52	-18.32	1535.56	
			MIN	S2	-62.93	139.08	1619.93	-62.93	139.08	1318.31	-62.93	142.24	1317.98	-62.93	142.24	1016.36	
				TQ	35.44	-65.36	846.74	35.44	-65.36	1016.61	35.44	-62.92	1016.77	35.44	-62.92	1186.64	
				M3	-24.08	18.57	-593.66	-24.08	18.57	-709.09	-24.08	16.86	-709.13	-24.08	16.86	-824.56	
			DISPERSION-LMAX	S2	57.63	-98.09	142.79	55.47	-100.34	327.00	55.47	-99.55	327.24	52.69	-99.63	482.89	
				TQ	-104.25	199.65	24.23	-110.53	199.65	-490.48	-110.49	198.48	-483.22	-113.63	198.48	-1024.05	
				M3	-20.90	105.93	2187.94	-27.18	105.93	2072.72	-27.18	110.90	2072.46	-33.46	110.90	1927.13	
MIN	S2	-107.75	196.97	-125.35	-111.88	199.23	-564.84	-111.88	197.87	-565.32	-115.38	197.95	-1006.36				
	TQ	54.13	-100.76	-6.78	54.13	-100.76	252.64	54.08	-100.16	245.14	50.94	-100.16	500.58				
	M3	-29.22	-7.04	-2170.49	-29.22	-7.04	-2310.56	-29.22	-12.59	-2310.53	-29.22	-12.59	-2450.60				
67	2-LANES (case	TRUCK-LOAD	MAX	S2	329.80	-57.66	2771.80	195.65	-9.27	2968.33	195.65	-2.15	2968.34	94.93	33.05	2499.80	
				TQ	40.03	43.13	1063.71	40.03	43.13	1255.55	42.18	46.24	1309.26	42.18	46.24	1511.40	
				M3	301.18	-69.40	2825.07	55.22	-52.66	3066.91	55.22	-45.30	3067.03	-78.31	2.86	2604.54	
			MIN	S2	-128.71	-97.67	2738.14	-230.92	-64.94	2988.59	-230.92	-57.76	2988.74	-366.60	-9.25	2566.93	
				TQ	-88.00	-105.77	2103.78	-88.00	-105.77	1682.02	-81.75	-101.76	1614.40	-81.75	-101.76	1222.58	
				M3	-35.99	-20.98	-871.07	-35.99	-20.98	-1043.54	-35.99	-23.49	-1043.48	-35.99	-23.49	-1215.95	

BAGO RIVER BRIDGE

BLOCK [ No.1 : MAIN GIRDER ][ BEAM MEMBER FORCE ]

MEMBER		3025			3026			3026			3027						
NODE		3025			3026			3026			3027						
		SHEAR	TORQUE	MOMENT	SHEAR	TORQUE	MOMENT	SHEAR	TORQUE	MOMENT	SHEAR	TORQUE	MOMENT				
NAME	TITLE	S2 (kN)	TQ (kN·m)	M3 (kN·m)	S2 (kN)	TQ (kN·m)	M3 (kN·m)	S2 (kN)	TQ (kN·m)	M3 (kN·m)	S2 (kN)	TQ (kN·m)	M3 (kN·m)				
67	2-LANES (caseTANDEM-LOAD	MAX	S2	267.74	-54.71	2165.81	172.74	-21.42	2356.58	172.74	-15.76	2356.63	83.82	15.89	1997.17		
			TQ	24.50	30.23	668.54	24.50	30.23	785.98	27.29	32.31	875.27	27.29	32.31	1006.04		
			M3	267.74	-54.71	2165.81	-0.89	-30.01	2361.70	-0.89	-24.34	2361.77	-95.27	9.61	2006.89		
		MIN	S2	-108.90	-60.58	2164.52	-198.26	-30.01	2361.70	-198.26	-24.34	2361.77	-292.03	9.61	2006.89		
			TQ	-63.11	-72.58	1517.00	-63.11	-72.58	1214.52	-57.02	-69.89	1111.88	-57.02	-69.89	838.59		
			M3	-24.42	-14.01	-591.10	-24.42	-14.01	-708.13	-24.42	-15.71	-708.09	-24.42	-15.71	-825.11		
			DISPERSION-LMAX	S2	121.29	33.55	482.83	80.87	40.95	536.25	80.87	42.24	536.15	56.91	42.79	448.73	
				TQ	51.63	44.92	153.75	47.54	44.92	390.16	49.03	45.98	503.17	17.13	45.98	692.96	
				M3	42.50	-51.70	2298.34	-26.29	-51.70	2337.20	-26.29	-46.09	2337.31	-95.12	-46.09	2046.31	
			MIN	S2	-109.11	-103.02	-337.18	-137.48	-110.42	-497.07	-137.48	-111.61	-496.81	-182.36	-112.16	-845.73	
				TQ	-39.45	-114.39	-8.10	-104.15	-114.39	-350.99	-105.64	-115.36	-463.83	-142.57	-115.36	-1089.96	
				M3	-30.32	-17.77	-2152.69	-30.32	-17.77	-2298.02	-30.32	-23.29	-2297.97	-30.32	-23.29	-2443.30	
		68	2-LANES (caseTRUCK-LOAD	MAX	S2	73.95	13.97	2097.98	72.04	83.44	2200.13	72.04	88.72	2199.93	85.52	97.18	2484.06
					TQ	60.89	153.71	1350.40	60.89	153.71	1642.21	60.89	157.65	1641.84	60.89	157.65	1933.65
					M3	-6.86	-227.49	2785.68	-10.59	-177.64	2582.53	-10.59	-171.44	2582.95	36.55	-4.22	2572.18
MIN	S2			-119.08	-336.17	2737.38	-105.43	-312.80	2322.59	-105.43	-307.22	2323.33	-108.04	-238.67	2019.35		
	TQ			-93.87	-383.94	2294.90	-93.87	-383.94	1844.99	-93.87	-379.51	1845.90	-93.87	-379.51	1395.99		
	M3			-36.19	-40.42	-869.55	-36.19	-40.42	-1042.98	-36.19	-42.92	-1042.88	-36.19	-42.92	-1216.31		
	TANDEM-LOAD			MAX	S2	52.26	-14.54	1569.82	51.11	34.57	1650.67	51.11	38.53	1650.58	70.06	40.60	1793.08
				TQ	40.12	108.03	856.26	40.12	108.03	1048.53	40.12	110.55	1048.26	40.12	110.55	1240.53	
				M3	-8.02	-180.71	1957.18	-23.54	-143.95	1818.16	-23.54	-139.59	1818.50	10.32	-21.02	1803.55	
	MIN			S2	-91.92	-190.00	1956.82	-73.74	-189.72	1712.59	-73.74	-185.61	1713.04	-75.69	-136.04	1498.13	
				TQ	-62.56	-264.73	1494.06	-62.56	-264.73	1194.23	-62.56	-261.86	1194.86	-62.56	-261.86	895.03	
				M3	-24.55	-27.01	-590.03	-24.55	-27.01	-707.68	-24.55	-28.71	-707.62	-24.55	-28.71	-825.27	

BAGO RIVER BRIDGE

BLOCK [ No.1 : MAIN GIRDER ][ BEAM MEMBER FORCE ]

MEMBER		3025			3026			3026			3027					
NODE		3025			3026			3026			3027					
		SHEAR	TORQUE	MOMENT	SHEAR	TORQUE	MOMENT	SHEAR	TORQUE	MOMENT	SHEAR	TORQUE	MOMENT			
NAME	TITLE	S2 (kN)	TQ (kN·m)	M3 (kN·m)	S2 (kN)	TQ (kN·m)	M3 (kN·m)	S2 (kN)	TQ (kN·m)	M3 (kN·m)	S2 (kN)	TQ (kN·m)	M3 (kN·m)			
68	2-LANES (caseDISPERSION-LMAX	S2	67.50	162.95	318.25	63.23	168.30	509.15	63.23	169.53	508.74	63.62	169.14	714.29		
		TQ	59.98	174.09	113.05	59.98	174.09	400.54	59.98	175.05	400.12	57.38	175.05	684.52		
		M3	-22.33	-189.35	2517.04	-27.45	-189.35	2397.75	-27.45	-183.60	2398.20	-32.63	-183.60	2254.33		
		MIN	S2	-120.86	-324.13	56.63	-121.72	-329.48	-402.30	-121.72	-330.44	-401.51	-127.28	-330.06	-899.67	
		TQ	-113.35	-335.26	261.83	-118.47	-335.26	-293.70	-118.47	-335.96	-292.89	-121.04	-335.96	-869.91		
		M3	-31.04	28.18	-2142.16	-31.04	28.18	-2290.91	-31.04	22.68	-2290.97	-31.04	22.68	-2439.71		
		MAX	S2	70.79	-151.89	1879.37	70.79	-151.89	2218.64	70.79	-146.56	2218.99	70.79	-146.56	2558.26	
		TQ	-113.13	403.84	2796.53	-113.13	403.84	2254.31	-113.13	409.25	2253.34	-113.13	409.25	1711.12		
		M3	-36.06	236.82	3351.89	-38.37	176.19	3105.02	-38.37	183.65	3104.59	2.55	42.44	3040.16		
69	3-LANES (caseTRUCK-LOAD	MIN	S2	-121.84	393.55	3050.80	-121.84	393.55	2466.84	-121.84	399.47	2465.89	-121.84	399.47	1881.93	
		TQ	63.35	-157.35	1724.62	63.35	-157.35	2028.25	63.35	-152.48	2028.62	63.35	-152.48	2332.25		
		M3	-53.07	56.14	-1313.05	-53.07	56.14	-1567.38	-53.07	52.38	-1567.51	-53.07	52.38	-1821.84		
		TANDEM-LOAD	MAX	S2	50.44	-100.74	1442.94	50.44	-100.74	1684.68	50.44	-96.70	1684.92	50.44	-96.70	1926.66
		TQ	-81.31	279.90	1977.05	-81.31	279.90	1587.34	-81.31	283.71	1586.66	-81.31	283.71	1196.94		
		M3	-28.01	186.10	2340.12	-22.43	98.51	2154.11	-22.43	103.68	2153.87	6.79	19.44	2127.00		
		MIN	S2	-85.90	267.58	2211.59	-85.90	267.58	1799.89	-85.90	271.89	1799.24	-85.90	271.89	1387.54	
		TQ	47.04	-112.39	1216.21	47.04	-112.39	1441.67	47.04	-108.93	1441.94	47.04	-108.93	1667.40		
		M3	-36.03	37.61	-891.25	-36.03	37.61	-1063.91	-36.03	35.06	-1064.00	-36.03	35.06	-1236.66		
		DISPERSION-LMAX	S2	79.85	-179.13	57.24	77.70	-181.38	347.96	77.70	-180.54	348.40	74.92	-180.62	610.57	
		TQ	-154.60	381.19	19.76	-160.88	381.19	-736.25	-160.83	379.43	-729.42	-163.97	379.43	-1511.55		
		M3	-34.93	206.50	3229.20	-41.21	206.50	3046.74	-41.21	213.81	3046.23	-47.49	213.81	2833.66		
		MIN	S2	-158.35	377.49	-89.51	-162.47	379.74	-771.51	-162.47	377.89	-772.42	-165.98	377.97	-1455.97	
		TQ	76.10	-182.82	-52.04	76.10	-182.82	312.70	76.05	-182.08	305.40	72.91	-182.08	666.15		
		M3	-43.57	-8.13	-3261.48	-43.57	-8.13	-3470.29	-43.57	-16.46	-3470.26	-43.57	-16.46	-3679.06		

BAGO RIVER BRIDGE

BLOCK [ No.1 : MAIN GIRDER ][ BEAM MEMBER FORCE ]

MEMBER				3025			3026			3027						
NODE				3025			3026			3026			3027			
				SHEAR	TORQUE	MOMENT	SHEAR	TORQUE	MOMENT	SHEAR	TORQUE	MOMENT	SHEAR	TORQUE	MOMENT	
NAME	TITLE			S2 (kN)	TQ (kN·m)	M3 (kN·m)	S2 (kN)	TQ (kN·m)	M3 (kN·m)	S2 (kN)	TQ (kN·m)	M3 (kN·m)	S2 (kN)	TQ (kN·m)	M3 (kN·m)	
70	3-LANES (caseTRUCK-LOAD	MAX	S2	378.83	-132.51	4150.98	238.25	-16.50	4302.07	238.25	-6.18	4302.09	131.10	80.63	3739.72	
			TQ	69.12	109.53	1722.74	69.12	109.53	2054.02	71.27	114.56	2107.56	71.27	114.56	2449.14	
			M3	340.28	-161.28	4227.54	54.37	-120.48	4439.89	54.37	-109.82	4440.16	-85.47	6.37	3898.39	
			MIN	S2	-181.72	-233.20	4107.88	-290.92	-150.18	4342.71	-290.92	-139.75	4343.06	-431.22	-22.97	3847.05
				TQ	-132.59	-258.32	3198.44	-132.59	-258.32	2562.94	-126.35	-252.19	2495.69	-126.35	-252.19	1890.13
				M3	-54.13	-46.05	-1305.46	-54.13	-46.05	-1564.89	-54.13	-49.80	-1564.77	-54.13	-49.80	-1824.19
		TANDEM-LOAD	MAX	S2	302.96	-127.69	3180.81	203.66	-46.93	3345.87	203.66	-38.90	3345.97	110.22	38.04	2925.64
				TQ	43.44	77.23	1088.15	43.44	77.23	1296.35	46.22	80.53	1385.53	46.22	80.53	1607.06
				M3	302.96	-127.69	3180.82	-6.20	-67.48	3354.01	-6.20	-59.43	3354.16	-104.12	22.65	2941.21
			MIN	S2	-147.26	-142.49	3179.11	-240.91	-67.48	3354.01	-240.91	-59.43	3354.16	-336.83	22.65	2941.21
				TQ	-92.34	-177.54	2226.20	-92.34	-177.54	1783.63	-86.25	-173.48	1681.24	-86.25	-173.48	1267.86
				M3	-36.72	-30.76	-885.85	-36.72	-30.76	-1061.85	-36.72	-33.31	-1061.78	-36.72	-33.31	-1237.78
		DISPERSION-LMAX	MAX	S2	161.32	89.27	760.46	115.02	105.91	816.82	115.02	107.87	816.56	85.94	109.33	706.14
				TQ	83.09	111.59	198.23	79.00	111.59	585.43	80.49	113.12	698.28	42.27	113.12	1031.35
				M3	42.34	-123.19	3526.79	-39.48	-123.19	3533.63	-39.48	-114.71	3533.91	-121.26	-114.71	3148.46
			MIN	S2	-164.85	-240.94	-458.17	-200.37	-257.57	-727.49	-200.37	-259.31	-726.87	-253.06	-260.77	-1221.71
				TQ	-86.61	-263.25	104.07	-164.35	-263.25	-496.10	-165.83	-264.57	-608.59	-209.39	-264.57	-1546.93
				M3	-45.86	-28.47	-3224.49	-45.86	-28.47	-3444.30	-45.86	-36.74	-3444.22	-45.86	-36.74	-3664.04
71	3-LANES (caseTRUCK-LOAD	MAX	S2	212.25	-33.31	3489.79	157.41	77.50	3657.56	157.41	86.27	3657.36	130.44	123.44	3734.27	
			TQ	86.25	185.68	1979.28	86.25	185.68	2392.67	86.25	191.42	2392.21	86.25	191.42	2805.60	
			M3	118.10	-285.10	4203.58	10.70	-220.55	4087.57	10.70	-210.74	4088.08	4.74	-2.32	3881.58	
			MIN	S2	-180.78	-419.59	4116.35	-207.61	-367.07	3789.91	-207.61	-357.97	3790.78	-266.36	-246.88	3312.49
				TQ	-136.05	-476.34	3334.62	-136.05	-476.34	2682.57	-134.91	-469.93	2663.47	-134.91	-469.93	2016.88
				M3	-54.13	-46.05	-1305.46	-54.13	-46.05	-1564.88	-54.13	-49.80	-1564.77	-54.13	-49.80	-1824.19

BAGO RIVER BRIDGE

BLOCK [ No.1 : MAIN GIRDER ][ BEAM MEMBER FORCE ]

MEMBER				3025			3026			3027							
NODE				3025			3026			3026			3027				
NAME TITLE				SHEAR	TORQUE	MOMENT	SHEAR	TORQUE	MOMENT	SHEAR	TORQUE	MOMENT	SHEAR	TORQUE	MOMENT		
				S2 (kN)	TQ (kN·m)	M3 (kN·m)	S2 (kN)	TQ (kN·m)	M3 (kN·m)	S2 (kN)	TQ (kN·m)	M3 (kN·m)	S2 (kN)	TQ (kN·m)	M3 (kN·m)		
71	3-LANES (case)	TANDEM-LOAD	MAX	S2	163.47	-60.23	2641.98	124.77	18.01	2791.21	124.77	24.71	2791.16	108.68	53.87	2781.71	
				TQ	60.47	130.29	1337.76	60.47	130.29	1627.59	60.47	134.20	1627.27	60.47	134.20	1917.11	
				M3	103.19	-226.41	3029.35	-25.04	-167.90	2961.29	-25.04	-160.79	2961.68	-29.43	-12.89	2798.44	
				MIN	S2	-142.45	-241.02	3028.44	-159.75	-213.67	2855.72	-159.75	-206.81	2856.22	-201.23	-127.91	2493.01
					TQ	-88.67	-327.99	2145.68	-88.67	-327.99	1720.70	-88.67	-323.86	1721.48	-88.67	-323.86	1296.50
					M3	-36.72	-30.76	-885.85	-36.72	-30.76	-1061.85	-36.72	-33.31	-1061.78	-36.72	-33.31	-1237.78
		DISPERSION-L	MAX	S2	123.16	197.40	570.58	101.93	208.83	779.31	101.93	210.70	778.81	91.81	210.81	942.15	
				TQ	92.63	215.73	130.41	92.63	215.73	574.35	92.63	217.11	573.83	74.96	217.11	996.69	
				M3	-6.37	-238.74	3689.86	-41.02	-238.74	3576.28	-41.02	-230.15	3576.84	-76.13	-230.15	3296.54	
				MIN	S2	-175.72	-391.96	-98.75	-189.15	-403.39	-642.42	-189.15	-404.93	-641.45	-214.13	-405.03	-1306.46
					TQ	-145.19	-410.29	341.42	-179.84	-410.29	-437.46	-179.84	-411.34	-436.47	-197.28	-411.34	-1361.00
					M3	-46.19	44.18	-3218.03	-46.19	44.18	-3439.39	-46.19	35.92	-3439.49	-46.19	35.92	-3660.86
	72	4-LANES	TRUCK-LOAD	MAX	S2	383.25	-88.10	3872.79	235.83	-45.13	5050.32	235.83	-33.01	5050.41	80.18	46.57	666.77
					TQ	46.27	106.61	-1035.87	46.27	106.61	-814.12	45.41	104.69	-799.40	45.41	104.69	-581.76
					M3	294.72	-296.93	5611.32	44.25	-230.29	5651.29	44.25	-216.73	5651.82	-370.31	-57.83	5000.91
				MIN	S2	-248.92	-433.42	5500.57	-337.92	-383.95	5303.10	-337.92	-371.23	5304.01	-459.94	-258.84	4475.41
					TQ	-181.82	-489.66	4397.97	-181.82	-489.66	3526.55	-175.57	-481.25	3459.84	-175.57	-481.25	2618.35
					M3	49.85	100.60	-1116.03	49.85	100.60	-877.09	49.85	98.50	-877.33	49.85	98.67	-638.39
		TANDEM-LOAD	MAX	S2	304.52	-98.07	2987.50	208.33	-15.43	3184.57	208.33	-7.78	3184.59	69.24	54.03	542.54	
				TQ	31.35	72.48	-701.99	31.35	72.48	-551.73	31.11	71.16	-547.72	31.11	71.16	-398.61	
				M3	260.16	-235.46	4123.97	-24.63	-173.81	4180.65	-24.63	-163.78	4181.05	-315.87	-11.26	3810.12	
				MIN	S2	-199.96	-250.67	4122.32	-272.05	-219.40	4074.20	-272.05	-209.62	4074.71	-367.76	-125.90	3504.71
					TQ	-119.54	-337.26	2878.54	-119.54	-337.26	2305.62	-119.54	-331.72	2306.42	-119.54	-331.72	1733.50
					M3	33.89	69.28	-758.63	33.89	69.28	-596.22	33.89	67.85	-596.38	33.89	67.85	-433.96



BAGO RIVER BRIDGE

BLOCK [ No.1 : MAIN GIRDER ] [ BEAM MEMBER FORCE ]

MEMBER				3025			3026			3026			3027				
NODE				3025			3026			3026			3027				
				SHEAR	TORQUE	MOMENT	SHEAR	TORQUE	MOMENT	SHEAR	TORQUE	MOMENT	SHEAR	TORQUE	MOMENT		
NAME	TITLE			S2 (kN)	TQ (kN·m)	M3 (kN·m)	S2 (kN)	TQ (kN·m)	M3 (kN·m)	S2 (kN)	TQ (kN·m)	M3 (kN·m)	S2 (kN)	TQ (kN·m)	M3 (kN·m)		
72	4-LANES	DISPERSION-LMAX	S2	135.66	102.00	-427.05	90.60	115.26	-446.25	90.60	114.19	-446.53	66.83	114.38	-588.89		
			TQ	63.95	131.26	-938.50	59.87	131.26	-643.01	60.39	129.82	-553.83	25.76	129.82	-312.82		
			M3	-33.45	-333.52	3580.66	-107.57	-333.75	3243.65	-107.57	-325.97	3244.44	-181.53	-326.33	2550.36		
	MIN	S2	-108.12	-314.02	2655.39	-137.64	-327.08	2626.36	-137.64	-320.77	2627.13	-188.42	-320.96	2365.22			
		TQ	-35.11	-337.35	3131.28	-105.39	-337.35	2795.81	-105.80	-330.73	2709.03	-145.54	-330.73	2072.09			
		M3	60.63	121.47	-1357.42	60.63	121.51	-1066.81	60.63	119.05	-1067.10	60.63	119.11	-776.50			
	73	6-LANES	TRUCK-LOAD	MAX	S2	428.87	-90.39	6043.02	302.51	-31.52	6516.70	302.51	-15.88	6516.76	218.49	0.08	6529.75
				TQ	-32.37	494.36	4766.13	-32.37	494.36	4610.98	-36.61	505.43	4670.06	-36.61	505.43	4494.58	
				M3	240.35	-51.19	7730.27	4.87	-44.46	7567.63	4.87	-26.29	7567.72	-39.84	42.90	7079.66	
MIN		S2	-321.97	-43.35	7419.12	-409.22	-26.37	6857.35	-409.22	-9.91	6857.39	-534.62	55.65	5776.39			
		TQ	-66.35	-547.24	4978.36	-66.35	-547.24	4660.36	-66.35	-536.05	4661.66	-66.35	-536.05	4343.67			
		M3	-107.19	10.25	-2618.54	-107.19	10.25	-3132.29	-107.19	2.73	-3132.30	-107.20	2.42	-3646.06			
TANDEM-LOAD		MAX	S2	338.25	-92.90	4552.55	247.83	-47.89	4947.50	247.83	-36.01	4947.60	179.37	-41.01	4910.15		
		TQ	-27.78	343.58	3396.79	-27.78	343.58	3263.66	-27.78	351.41	3262.83	-27.78	351.41	3129.69			
		M3	215.77	-41.28	5591.54	-155.66	-71.08	5485.33	-155.66	-57.91	5485.49	-55.14	51.61	5127.86			
MIN		S2	-250.33	14.46	5445.93	-320.47	10.21	5109.97	-320.47	22.47	5109.93	-406.99	65.87	4294.93			
		TQ	-40.93	-379.43	3511.56	-40.93	-379.43	3315.37	-44.67	-371.71	3211.61	-44.67	-371.71	2997.53			
		M3	-72.75	6.95	-1777.11	-72.75	6.95	-2125.78	-72.75	1.85	-2125.79	-72.75	1.64	-2474.46			
DISPERSION-LMAX		S2	229.13	10.53	737.00	187.27	17.57	1180.51	187.27	20.41	1180.46	164.49	20.20	1496.93			
		TQ	-42.13	521.55	-54.37	-51.63	521.55	-280.29	-52.08	520.97	-199.84	-81.98	520.97	-498.90			
		M3	-14.42	-42.91	6652.00	-79.37	-44.24	6436.45	-79.37	-28.83	6436.54	-143.65	-33.37	5892.29			
MIN	S2	-318.27	-27.52	-94.71	-346.94	-34.15	-1143.35	-346.94	-36.89	-1143.27	-394.71	-36.87	-2400.44				
	TQ	-49.57	-522.62	608.17	-102.73	-522.62	244.41	-104.22	-522.16	132.53	-138.45	-522.16	-469.72				
	M3	-79.30	28.99	-6117.12	-79.32	28.31	-6497.22	-79.31	13.38	-6497.27	-79.33	13.43	-6877.45				

BAGO RIVER BRIDGE

BLOCK [ No.1 : MAIN GIRDER ][ BEAM MEMBER FORCE ]

MEMBER			3025			3026			3026			3027			
NODE			3025			3026			3026			3027			
NAME TITLE			SHEAR	TORQUE	MOMENT	SHEAR	TORQUE	MOMENT	SHEAR	TORQUE	MOMENT	SHEAR	TORQUE	MOMENT	
			S2 (kN)	TQ (kN·m)	M3 (kN·m)	S2 (kN)	TQ (kN·m)	M3 (kN·m)	S2 (kN)	TQ (kN·m)	M3 (kN·m)	S2 (kN)	TQ (kN·m)	M3 (kN·m)	
124	SUM TOTAL	D+1LANE (caseMAX	S2	-313.86	-127.67	2476.63	-565.30	-127.67	369.77	-565.30	-126.78	370.08	-814.99	-126.78	-2939.87
			TQ	-459.95	488.51	3018.33	-711.39	488.51	211.27	-711.39	489.01	210.10	-961.08	489.01	-3800.05
			M3	-391.94	294.14	4424.10	-640.71	265.89	1949.17	-640.71	270.57	1948.53	-887.68	224.33	-1719.30
		MIN	S2	-460.44	485.27	3019.99	-711.88	485.27	210.58	-711.88	485.77	209.42	-961.57	485.77	-3803.08
			TQ	-314.73	-129.23	2583.97	-566.17	-129.23	472.96	-566.17	-128.10	473.27	-815.86	-128.10	-2840.84
			M3	-398.70	81.17	182.60	-650.14	81.17	-2330.88	-650.14	75.58	-2331.06	-899.83	75.58	-6047.63
		D+1LANE (caseMAX	S2	-281.57	-36.13	3129.63	-535.60	-38.83	1067.14	-535.60	-36.27	1067.23	-788.62	-36.37	-2232.63
			TQ	-473.18	234.43	3253.42	-732.15	234.43	364.91	-732.15	235.31	364.35	-985.62	235.31	-3758.86
			M3	-368.86	154.87	4866.25	-642.54	135.77	2367.54	-642.54	141.45	2367.21	-879.77	87.70	-1280.24
		MIN	S2	-486.82	224.46	3368.40	-743.21	227.16	524.89	-743.21	228.42	524.34	-997.11	228.52	-3524.12
			TQ	-293.70	-45.04	2745.96	-545.14	-45.04	735.74	-545.14	-43.27	735.84	-798.60	-43.27	-2481.99
			M3	-399.38	53.97	193.29	-650.82	53.97	-2323.46	-650.82	48.39	-2323.58	-900.51	48.39	-6043.43
		D+1LANE (caseMAX	S2	-63.81	37.62	3947.73	-434.16	50.28	1800.36	-434.16	54.60	1800.24	-768.39	62.07	-2094.95
			TQ	-320.26	66.70	2717.75	-576.60	66.70	566.98	-572.24	68.34	767.14	-841.64	68.34	-2608.14
			M3	-128.82	17.84	5057.23	-589.20	21.31	2933.26	-589.20	28.35	2933.20	-975.60	38.86	-1090.00
		MIN	S2	-505.00	-1.89	3433.47	-843.77	1.90	1181.27	-843.77	4.74	1181.26	-1217.47	15.40	-2838.42
			TQ	-426.41	-7.78	3200.91	-718.25	-7.78	459.30	-712.54	-6.86	242.13	-987.82	-6.86	-3850.01
			M3	-399.96	31.71	201.13	-651.40	31.71	-2318.41	-651.40	26.14	-2318.48	-901.10	26.14	-6041.12
		D+1LANE (caseMAX	S2	-285.61	279.90	2944.31	-536.26	275.81	1022.14	-536.26	278.26	1021.47	-759.42	225.31	-1789.15
			TQ	-286.45	281.20	2937.42	-537.89	281.20	961.92	-537.89	283.51	961.24	-783.63	283.51	-2212.66
			M3	-430.36	-242.24	5223.77	-637.76	-212.30	2600.44	-637.76	-206.06	2600.94	-820.53	-89.21	-924.24
		MIN	S2	-518.63	-424.76	3851.48	-742.35	-454.49	656.65	-742.35	-452.91	657.74	-990.26	-451.30	-3585.19
			TQ	-497.01	-459.94	3625.73	-740.76	-459.94	659.48	-740.76	-458.36	660.58	-986.51	-458.36	-3476.21
			M3	-400.93	34.44	213.18	-652.37	34.44	-2310.98	-652.37	28.90	-2311.06	-902.06	28.90	-6038.30

BAGO RIVER BRIDGE

BLOCK [ No.1 : MAIN GIRDER ] [ BEAM MEMBER FORCE ]

MEMBER			3025			3026			3026			3027			
NODE			3025			3026			3026			3027			
NAME TITLE			SHEAR	TORQUE	MOMENT	SHEAR	TORQUE	MOMENT	SHEAR	TORQUE	MOMENT	SHEAR	TORQUE	MOMENT	
			S2 (kN)	TQ (kN·m)	M3 (kN·m)	S2 (kN)	TQ (kN·m)	M3 (kN·m)	S2 (kN)	TQ (kN·m)	M3 (kN·m)	S2 (kN)	TQ (kN·m)	M3 (kN·m)	
124	SUM TOTAL	D+2LANES (casMAX	S2	-275.42	-212.24	3027.96	-526.86	-212.24	1105.33	-526.86	-209.59	1105.84	-776.55	-209.59	-2019.89
			TQ	-534.12	678.32	3804.49	-785.56	678.32	641.98	-785.51	679.87	648.09	-1035.20	679.87	-3717.29
			M3	-424.31	402.92	6225.25	-665.81	358.22	3606.82	-665.81	366.87	3605.95	-891.25	270.46	-108.55
		MIN	S2	-535.20	672.65	3853.66	-786.64	672.65	685.93	-786.64	674.30	684.31	-1036.34	674.30	-3686.51
			TQ	-276.50	-213.98	3083.66	-527.94	-213.98	1155.85	-527.99	-211.21	1148.62	-777.68	-211.21	-1982.52
			M3	-424.51	91.70	-1036.23	-675.95	91.70	-3673.44	-675.95	82.88	-3673.65	-925.65	82.88	-7513.95
		D+2LANES (casMAX	S2	-248.51	-135.96	3572.12	-502.11	-138.21	1686.46	-502.11	-134.16	1686.79	-754.58	-134.24	-1430.52
			TQ	-545.14	466.59	4000.40	-802.86	466.59	770.01	-802.81	468.45	776.63	-1055.65	468.45	-3682.96
			M3	-405.08	286.86	6593.71	-667.33	249.78	3955.46	-667.33	259.27	3954.85	-884.66	156.60	257.34
		MIN	S2	-557.19	455.31	4144.00	-812.75	457.56	947.85	-812.75	459.84	946.75	-1065.95	459.92	-3454.05
			TQ	-258.98	-143.82	3218.65	-510.42	-143.82	1374.83	-510.46	-140.53	1367.43	-763.30	-140.53	-1683.47
			M3	-425.08	69.02	-1027.32	-676.52	69.02	-3667.26	-676.52	60.22	-3667.42	-926.22	60.22	-7510.45
		D+2LANES (casMAX	S2	90.71	24.25	5272.47	-335.30	80.04	3192.58	-335.30	87.70	3192.38	-709.67	123.45	-896.50
			TQ	-268.73	136.41	3235.30	-524.25	136.41	1333.72	-520.62	139.84	1500.33	-802.21	139.84	-1640.68
			M3	-16.70	-72.74	7141.25	-582.89	-55.99	5092.11	-582.89	-43.77	5092.23	-1034.95	4.38	805.81
		MIN	S2	-598.20	-152.33	4418.80	-980.22	-127.00	2179.52	-980.22	-121.76	2179.82	-1410.47	-73.80	-2123.84
			TQ	-487.83	-171.80	4113.52	-803.97	-171.80	1019.03	-799.21	-169.50	838.46	-1085.84	-169.50	-3712.42
			M3	-426.69	9.61	-1005.92	-678.13	9.61	-3653.56	-678.13	0.84	-3653.57	-927.82	0.84	-7504.30
		D+2LANES (casMAX	S2	-218.94	225.29	4434.07	-476.55	300.10	2397.28	-476.55	305.85	2396.56	-712.38	313.92	-646.69
			TQ	-239.51	376.16	3481.29	-490.95	376.16	1730.76	-490.95	380.31	1729.85	-743.25	380.31	-1226.87
			M3	-389.57	-368.49	7320.56	-649.87	-318.63	4668.29	-649.87	-307.43	4669.04	-857.60	-140.20	981.47
		MIN	S2	-600.32	-611.94	4811.85	-838.98	-593.92	1608.29	-838.98	-590.05	1609.71	-1096.84	-521.11	-2725.36
			TQ	-567.60	-670.84	4574.57	-824.16	-670.84	1239.30	-824.16	-667.87	1240.90	-1076.43	-667.87	-3318.96
			M3	-427.60	36.12	-993.87	-679.04	36.12	-3645.88	-679.04	27.37	-3645.96	-928.74	27.37	-7501.06

BAGO RIVER BRIDGE

BLOCK [ No.1 : MAIN GIRDER ][ BEAM MEMBER FORCE ]

MEMBER			3025			3026			3026			3027				
NODE			3025			3026			3026			3027				
NAME TITLE			SHEAR	TORQUE	MOMENT	SHEAR	TORQUE	MOMENT	SHEAR	TORQUE	MOMENT	SHEAR	TORQUE	MOMENT		
			S2 (kN)	TQ (kN·m)	M3 (kN·m)	S2 (kN)	TQ (kN·m)	M3 (kN·m)	S2 (kN)	TQ (kN·m)	M3 (kN·m)	S2 (kN)	TQ (kN·m)	M3 (kN·m)		
124	SUM TOTAL	D+3LANES (casMAX	S2	-232.34	-233.00	3663.96	-485.61	-234.91	1869.62	-485.61	-230.42	1870.17	-737.67	-230.49	-1151.54	
			TQ	-587.95	715.63	4411.69	-844.73	715.63	978.36	-844.69	717.98	983.22	-1097.05	717.98	-3675.41	
			M3	-420.72	425.18	7611.76	-679.47	373.65	4917.00	-679.47	385.45	4916.09	-899.72	265.42	1147.71	
		MIN	S2	-598.54	703.75	4534.93	-853.49	705.66	1129.03	-853.49	708.37	1127.34	-1106.16	708.43	-3482.97	
			TQ	-241.85	-240.78	3439.54	-493.29	-240.78	1677.82	-493.33	-236.76	1671.81	-745.69	-236.76	-1296.40	
			M3	-442.52	89.17	-1870.51	-693.96	89.17	-4594.01	-693.96	78.14	-4594.21	-943.65	78.14	-8520.81	
		D+3LANES (casMAX	S2	98.75	11.61	6192.57	-311.54	124.35	4039.06	-311.54	134.05	4038.75	-677.03	209.08	-66.06	
			TQ	-231.00	236.31	3650.67	-485.92	236.31	1931.54	-482.83	241.14	2072.86	-765.01	241.14	-886.62	
			M3	-35.15	-193.44	8609.02	-599.17	-158.75	6465.49	-599.17	-143.24	6465.86	-1037.24	-44.48	2144.79	
		MIN	S2	-654.96	-354.66	5120.10	-1029.41	-298.22	2760.94	-1029.41	-291.59	2761.65	-1443.16	-193.57	-1613.50	
			TQ	-546.71	-394.97	4824.97	-864.22	-394.97	1444.82	-860.18	-391.64	1291.93	-1146.89	-391.64	-3553.32	
			M3	-445.37	-14.98	-1832.62	-696.81	-14.98	-4569.81	-696.81	-25.95	-4569.76	-946.51	-25.95	-8510.04	
		D+3LANES (casMAX	S2	-75.28	187.84	5469.16	-391.38	291.74	3459.34	-391.38	300.04	3458.63	-672.60	331.72	129.92	
			TQ	-208.34	389.56	3811.08	-459.78	389.56	2209.96	-459.78	394.87	2209.02	-724.49	394.87	-613.10	
			M3	-265.41	-396.90	8727.26	-637.60	-342.04	6202.28	-637.60	-327.15	6203.08	-922.20	-149.99	2256.36	
		MIN	S2	-663.41	-641.45	5432.80	-949.06	-606.53	2363.37	-949.06	-600.86	2364.82	-1269.93	-506.52	-2139.91	
			TQ	-599.43	-705.27	5142.47	-880.32	-705.27	1596.35	-879.36	-701.47	1580.84	-1143.87	-701.47	-3287.54	
			M3	-445.65	46.77	-1827.12	-697.09	46.77	-4565.63	-697.09	35.81	-4565.73	-946.78	35.81	-8507.33	
		D+4LANES	MAX	S2	-23.08	57.40	4257.57	-399.65	93.95	2680.65	-399.65	100.38	2680.41	-765.96	152.23	-3794.42
			TQ	-288.74	202.98	734.50	-542.83	202.98	-1259.13	-543.05	200.04	-1191.71	-815.25	200.04	-4426.52	
			M3	-190.56	-361.43	7992.62	-652.98	-318.27	5469.71	-652.98	-305.14	5470.46	-1220.21	-202.09	1063.29	
		MIN	S2	-592.46	-437.48	7319.21	-920.93	-413.81	4842.15	-920.93	-402.19	4843.13	-1282.95	-329.26	601.37	
			TQ	-501.38	-489.19	6911.85	-798.51	-489.19	3797.54	-794.71	-480.17	3697.65	-1070.24	-480.17	-796.25	
			M3	-288.57	192.70	410.10	-540.01	192.73	-1575.53	-540.01	189.02	-1575.99	-789.70	189.17	-4764.72	

BAGO RIVER BRIDGE

BLOCK [ No.1 : MAIN GIRDER ][ BEAM MEMBER FORCE ]

MEMBER					3025			3026			3027		
NODE					3025			3026			3026		
					SHEAR	TORQUE	MOMENT	SHEAR	TORQUE	MOMENT	SHEAR	TORQUE	MOMENT
NAME	TITLE				S2 (kN)	TQ (kN·m)	M3 (kN·m)	S2 (kN)	TQ (kN·m)	M3 (kN·m)	S2 (kN)	TQ (kN·m)	M3 (kN·m)
124	SUM TOTAL	D+6LANES	MAX	S2	67.31	-3.54	6424.85	-293.47	39.29	4691.19	-293.47	50.55	4691.08
				TQ	-408.81	708.70	5080.49	-666.42	708.70	2502.95	-669.47	714.77	2593.53
				M3	-213.52	-12.80	11366.32	-660.25	-9.29	8790.66	-660.25	11.78	8790.65
			MIN	S2	-776.54	2.30	6778.71	-1103.32	9.03	3402.10	-1103.32	17.19	3402.07
				TQ	-435.73	-647.05	5649.08	-721.73	-647.05	2876.11	-722.69	-640.23	2804.12
				M3	-481.60	73.87	-3660.34	-733.05	73.42	-6571.18	-733.05	58.08	-6571.33
	SUM TOTAL		MAX		98.75	715.63	11366.32	-293.47	715.63	8790.66	-293.47	717.98	8790.65
			MIN		-776.54	-705.27	-3660.34	-1103.32	-705.27	-6571.18	-1103.32	-701.47	-6571.33
300	DEAD LOAD	TOTAL			-360.38	48.36	2017.84	-611.82	48.36	-312.00	-611.82	47.61	-312.11
301	LIVE LOAD	1-LANE(case1MAX	S2		46.52	-176.03	458.79	46.52	-176.03	681.77	46.52	-174.39	682.19
			TQ		-99.57	440.15	1000.49	-99.57	440.15	523.27	-99.57	441.40	522.21
			M3		-31.56	245.78	2406.26	-28.89	217.53	2261.17	-28.89	222.96	2260.64
			MIN	S2	-100.06	436.91	1002.15	-100.06	436.91	522.58	-100.06	438.16	521.53
				TQ	45.66	-177.59	566.13	45.66	-177.59	784.95	45.66	-175.71	785.38
				M3	-38.32	32.81	-1835.25	-38.32	32.81	-2018.88	-38.32	27.97	-2018.95
		1-LANE(case2MAX	S2		78.81	-84.49	1111.79	76.22	-87.19	1379.13	76.22	-83.88	1379.34
			TQ		-112.79	186.07	1235.58	-120.33	186.07	676.91	-120.33	187.70	676.46
			M3		-8.48	106.51	2848.41	-30.71	87.40	2679.54	-30.71	93.84	2679.32
			MIN	S2	-126.44	176.10	1350.56	-131.39	178.80	836.89	-131.39	180.81	836.45
				TQ	66.69	-93.40	728.12	66.69	-93.40	1047.73	66.69	-90.88	1047.95
				M3	-39.00	5.61	-1824.55	-39.00	5.61	-2011.47	-39.00	0.78	-2011.47
		1-LANE(case3MAX	S2		296.57	-10.74	1929.89	177.66	1.92	2112.36	177.66	6.99	2112.35
			TQ		40.12	18.34	699.91	35.22	18.34	878.98	39.58	20.73	1079.25
			M3		231.56	-30.52	3039.39	22.62	-27.05	3245.26	22.62	-19.26	3245.31
			MIN	S2	-144.62	-50.25	1415.62	-231.95	-46.46	1493.26	-231.95	-42.87	1493.37
				TQ	-66.03	-56.14	1183.07	-106.43	-56.14	771.29	-100.71	-54.47	554.25
				M3	-39.58	-16.65	-1816.71	-39.58	-16.65	-2006.42	-39.58	-21.47	-2006.37

BAGO RIVER BRIDGE

BLOCK [ No.1 : MAIN GIRDER ][ BEAM MEMBER FORCE ]

MEMBER			3025			3026			3026			3027				
NODE			3025			3026			3026			3027				
NAME TITLE			SHEAR	TORQUE	MOMENT	SHEAR	TORQUE	MOMENT	SHEAR	TORQUE	MOMENT	SHEAR	TORQUE	MOMENT		
			S2 (kN)	TQ (kN·m)	M3 (kN·m)	S2 (kN)	TQ (kN·m)	M3 (kN·m)	S2 (kN)	TQ (kN·m)	M3 (kN·m)	S2 (kN)	TQ (kN·m)	M3 (kN·m)		
301	LIVE LOAD	1-LANE (case4MAX	S2	74.77	231.54	926.47	75.57	227.45	1334.13	75.57	230.65	1333.58	102.10	177.70	2055.89	
			TQ	73.93	232.84	919.58	73.93	232.84	1273.91	73.93	235.90	1273.35	77.89	235.90	1632.37	
			M3	-69.98	-290.60	3205.93	-25.94	-260.66	2912.44	-25.94	-253.67	2913.06	40.98	-136.82	2920.80	
			MIN	S2	-158.25	-473.12	1833.64	-130.53	-502.85	968.65	-130.53	-500.52	969.85	-128.75	-498.91	259.85
			TQ	-136.63	-508.30	1607.89	-128.94	-508.30	971.47	-128.94	-505.97	972.69	-124.99	-505.97	368.83	
			M3	-40.54	-13.92	-1804.67	-40.54	-13.92	-1998.98	-40.54	-18.72	-1998.95	-40.54	-18.72	-2193.26	
		2-LANES (caseMAX	S2	84.96	-260.60	1010.12	84.96	-260.60	1417.32	84.96	-257.20	1417.95	84.96	-257.20	1825.15	
			TQ	-173.73	629.96	1786.65	-173.73	629.96	953.97	-173.69	632.26	960.20	-173.69	632.26	127.75	
			M3	-63.93	354.56	4207.41	-53.99	309.86	3918.81	-53.99	319.26	3918.06	-29.74	222.84	3736.49	
			MIN	S2	-174.82	624.29	1835.82	-174.82	624.29	997.92	-174.82	626.69	996.42	-174.82	626.69	158.53
			TQ	83.88	-262.34	1065.82	83.88	-262.34	1467.84	83.83	-258.82	1460.73	83.83	-258.82	1862.52	
			M3	-64.13	43.34	-3054.07	-64.13	43.34	-3361.44	-64.13	35.27	-3361.54	-64.13	35.27	-3668.91	
		2-LANES (caseMAX	S2	111.87	-184.32	1554.28	109.71	-186.57	1998.46	109.71	-181.77	1998.90	106.94	-181.85	2414.52	
			TQ	-184.76	418.23	1982.56	-191.04	418.23	1082.01	-190.99	420.84	1088.74	-194.13	420.84	162.08	
			M3	-44.70	238.50	4575.87	-55.51	201.42	4267.45	-55.51	211.66	4266.96	-23.15	108.98	4102.38	
			MIN	S2	-196.80	406.95	2126.16	-200.93	409.20	1259.84	-200.93	412.22	1258.86	-204.44	412.31	390.99
			TQ	101.41	-192.18	1200.81	101.41	-192.18	1686.83	101.36	-188.14	1679.54	98.22	-188.14	2161.57	
			M3	-64.70	20.66	-3045.16	-64.70	20.66	-3355.27	-64.70	12.61	-3355.31	-64.70	12.61	-3665.41	
		2-LANES (caseMAX	S2	451.09	-24.11	3254.62	276.52	31.68	3504.57	276.52	40.09	3504.49	151.84	75.84	2948.54	
			TQ	91.66	88.04	1217.46	87.57	88.04	1645.72	91.20	92.22	1812.44	59.31	92.22	2204.36	
			M3	343.68	-121.10	5123.41	28.93	-104.36	5404.11	28.93	-91.39	5404.34	-173.43	-43.23	4650.85	
			MIN	S2	-237.82	-200.69	2400.96	-368.39	-175.36	2491.52	-368.39	-169.38	2491.93	-548.96	-121.41	1721.20
			TQ	-127.45	-220.16	2095.68	-192.15	-220.16	1331.03	-187.39	-217.11	1150.57	-224.33	-217.11	132.62	
			M3	-66.31	-38.75	-3023.76	-66.31	-38.75	-3341.56	-66.31	-46.77	-3341.46	-66.31	-46.77	-3659.26	

BAGO RIVER BRIDGE

BLOCK [ No.1 : MAIN GIRDER ][ BEAM MEMBER FORCE ]

MEMBER			3025			3026			3026			3027				
NODE			3025			3026			3026			3027				
NAME TITLE			SHEAR	TORQUE	MOMENT	SHEAR	TORQUE	MOMENT	SHEAR	TORQUE	MOMENT	SHEAR	TORQUE	MOMENT		
			S2 (kN)	TQ (kN·m)	M3 (kN·m)	S2 (kN)	TQ (kN·m)	M3 (kN·m)	S2 (kN)	TQ (kN·m)	M3 (kN·m)	S2 (kN)	TQ (kN·m)	M3 (kN·m)		
301	LIVE LOAD	2-LANES (caseMAX	S2	141.45	176.93	2416.23	135.28	251.74	2709.28	135.28	258.24	2708.67	149.13	266.31	3198.35	
			TQ	120.87	327.80	1463.45	120.87	327.80	2042.75	120.87	332.70	2041.96	118.26	332.70	2618.17	
			M3	-29.18	-416.85	5302.72	-38.05	-367.00	4980.28	-38.05	-355.04	4981.15	3.92	-187.81	4826.51	
			MIN	S2	-239.94	-660.30	2794.01	-227.16	-642.28	1920.29	-227.16	-637.67	1921.82	-235.33	-568.72	1119.68
			TQ	-207.22	-719.20	2556.73	-212.34	-719.20	1551.29	-212.34	-715.48	1553.01	-214.92	-715.48	526.08	
			M3	-67.22	-12.24	-3011.71	-67.22	-12.24	-3333.89	-67.22	-20.24	-3333.85	-67.22	-20.24	-3656.02	
		3-LANES (caseMAX	S2	128.04	-281.36	1646.12	126.21	-283.27	2181.61	126.21	-278.04	2182.28	123.85	-278.10	2693.50	
			TQ	-227.57	667.27	2393.85	-232.91	667.27	1290.35	-232.87	670.37	1295.33	-235.54	670.37	169.63	
			M3	-60.34	376.82	5593.92	-67.64	325.29	5229.00	-67.64	337.84	5228.20	-38.21	217.81	4992.75	
			MIN	S2	-238.16	655.39	2517.09	-241.67	657.30	1441.03	-241.67	660.75	1439.45	-244.65	660.82	362.07
			TQ	118.53	-289.14	1421.70	118.53	-289.14	1989.81	118.49	-284.38	1983.92	115.82	-284.38	2548.64	
			M3	-82.14	40.81	-3888.35	-82.14	40.81	-4282.02	-82.14	30.53	-4282.10	-82.14	30.53	-4675.77	
		3-LANES (caseMAX	S2	459.13	-36.75	4174.73	300.28	75.99	4351.05	300.28	86.44	4350.86	184.48	161.46	3778.98	
			TQ	129.38	187.95	1632.83	125.91	187.95	2243.53	128.99	193.53	2384.97	96.50	193.53	2958.42	
			M3	325.23	-241.80	6591.18	12.65	-207.11	6777.49	12.65	-190.85	6777.97	-175.72	-92.09	5989.83	
			MIN	S2	-294.58	-403.02	3102.26	-417.59	-346.58	3072.93	-417.59	-339.21	3073.76	-581.64	-241.18	2231.54
			TQ	-186.33	-443.34	2807.13	-252.40	-443.34	1756.81	-248.36	-439.25	1604.04	-285.38	-439.25	291.72	
			M3	-84.99	-63.34	-3850.46	-84.99	-63.34	-4257.81	-84.99	-73.56	-4257.65	-84.99	-73.56	-4665.00	
		3-LANES (caseMAX	S2	285.10	139.48	3451.32	220.44	243.38	3771.34	220.44	252.43	3770.75	188.91	284.11	3974.96	
			TQ	152.05	341.20	1793.24	152.05	341.20	2521.96	152.05	347.25	2521.13	137.03	347.25	3231.94	
			M3	94.97	-445.26	6709.42	-25.78	-390.40	6514.27	-25.78	-374.76	6515.19	-60.68	-197.60	6101.40	
MIN	S2		-303.03	-689.81	3414.96	-337.24	-654.89	2675.37	-337.24	-648.47	2676.93	-408.41	-554.13	1705.12		
TQ	-239.05		-753.63	3124.63	-268.50	-753.63	1908.35	-267.54	-749.08	1892.95	-282.36	-749.08	557.50			
M3	-85.27		-1.59	-3844.96	-85.27	-1.59	-4253.64	-85.27	-11.80	-4253.62	-85.27	-11.80	-4662.29			

BAGO RIVER BRIDGE

BLOCK [ No.1 : MAIN GIRDER ][ BEAM MEMBER FORCE ]

MEMBER				3025			3026			3026			3027			
NODE				3025			3026			3026			3027			
NAME TITLE				SHEAR	TORQUE	MOMENT	SHEAR	TORQUE	MOMENT	SHEAR	TORQUE	MOMENT	SHEAR	TORQUE	MOMENT	
				S2 (kN)	TQ (kN·m)	M3 (kN·m)	S2 (kN)	TQ (kN·m)	M3 (kN·m)	S2 (kN)	TQ (kN·m)	M3 (kN·m)	S2 (kN)	TQ (kN·m)	M3 (kN·m)	
301	LIVE LOAD	4-LANES	MAX	S2	337.30	9.04	2239.73	212.18	45.59	2992.64	212.18	52.77	2992.52	95.55	104.62	50.62
			TQ	71.64	154.62	-1283.34	68.99	154.62	-947.13	68.77	152.43	-879.60	46.26	152.43	-581.48	
			M3	169.82	-409.79	5974.78	-41.15	-366.63	5781.71	-41.15	-352.75	5782.57	-358.70	-249.71	4908.33	
		MIN	S2	-232.08	-485.84	5301.37	-309.11	-462.17	5154.15	-309.11	-449.80	5155.24	-421.44	-376.87	4446.41	
		TQ	-141.00	-537.55	4894.01	-186.69	-537.55	4109.54	-182.89	-527.79	4009.76	-208.72	-527.79	3048.79		
		M3	71.82	144.34	-1607.74	71.82	144.37	-1263.54	71.82	141.41	-1263.88	71.82	141.55	-919.68		
	6-LANES	MAX	S2	427.70	-51.91	4407.01	318.36	-9.07	5003.19	318.36	2.94	5003.19	248.94	13.18	5217.34	
		TQ	-48.42	660.34	3062.65	-54.60	660.34	2814.94	-57.65	667.16	2905.64	-77.09	667.16	2597.19		
		M3	146.86	-61.16	9348.48	-48.42	-57.65	9102.65	-48.42	-35.83	9102.77	-119.27	6.20	8431.77		
		MIN	S2	-416.16	-46.06	4760.87	-491.50	-39.33	3714.10	-491.50	-30.42	3714.18	-604.07	12.21	2194.36	
		TQ	-75.35	-695.41	3631.24	-109.90	-695.41	3188.10	-110.87	-687.84	3116.23	-133.12	-687.84	2518.07		
		M3	-121.22	25.51	-5678.18	-121.23	25.06	-6259.18	-121.23	10.47	-6259.22	-121.24	10.30	-6840.28		
	LIVE LOAD	MAX		459.13	667.27	9348.48	318.36	667.27	9102.65	318.36	670.37	9102.77	248.94	670.37	8431.77	
		MIN		-416.16	-753.63	-5678.18	-491.50	-753.63	-6259.18	-491.50	-749.08	-6259.22	-604.07	-749.08	-6840.28	
303	SUM TOTAL	TOTAL	MAX		98.75	715.63	11366.32	-293.47	715.63	8790.66	-293.47	717.98	8790.65	-612.58	717.98	4586.73
			MIN		-776.54	-705.27	-3660.34	-1103.32	-705.27	-6571.18	-1103.32	-701.47	-6571.33	-1465.58	-701.47	-10685.32



BAGO RIVER BRIDGE

BLOCK [ No.1 : MAIN GIRDER ][ BEAM MEMBER FORCE ]

MEMBER NODE	3027	3028			3028			3028			3029				
		SHEAR	TORQUE	MOMENT	SHEAR	TORQUE	MOMENT	SHEAR	TORQUE	MOMENT	SHEAR	TORQUE	MOMENT		
		S2 (kN)	TQ (kN·m)	M3 (kN·m)	S2 (kN)	TQ (kN·m)	M3 (kN·m)	S2 (kN)	TQ (kN·m)	M3 (kN·m)	S2 (kN)	TQ (kN·m)	M3 (kN·m)		
1	PAVEMENT	-137.89	-46.92	-310.55	-184.08	-46.92	-1083.47	-184.08	-49.52	-1083.35	-228.58	-49.52	-2073.63		
3	RAILING	-6.33	-1.00	-19.35	-5.38	-1.00	-47.54	-5.38	-1.11	-47.54	-4.39	-1.11	-71.11		
5	CURB	-62.62	-9.90	-191.56	-53.29	-9.90	-470.69	-53.29	-11.03	-470.67	-43.48	-11.03	-704.03		
7	DECK WEIGHT	-224.19	-58.42	-700.04	-294.45	-58.42	-1945.19	-294.45	-63.08	-1945.04	-362.21	-63.08	-3521.03		
8	GIRDER WEIGH	-305.56	60.13	-1723.69	-395.13	60.13	-3402.82	-395.13	51.96	-3402.96	-484.70	51.96	-5511.39		
10	MEDIAN STRIP	-43.07	31.74	-677.37	-72.14	31.74	-953.44	-72.14	29.45	-953.51	-101.20	29.45	-1368.90		
21	ADITIONAL WE	-62.77	-16.36	-196.01	-82.45	-16.36	-544.65	-82.45	-17.66	-544.61	-101.42	-17.66	-985.89		
31	MEDIAN RAILI	-2.71	2.53	-24.76	-5.06	2.53	-43.40	-5.06	2.43	-43.40	-7.41	2.43	-73.31		
51	SUPPORT WEIG	0.00	0.00	-0.00	0.00	0.00	-0.00	0.00	0.00	-0.00	0.00	0.00	-0.00		
52	NOSE WEIGHT	0.00	-0.06	-0.01	0.00	-0.06	-0.00	0.00	-0.06	-0.00	0.00	-0.06	-0.00		
61	1-LANE(case1TRUCK-LOAD	MAX	S2	12.10	-42.57	-161.55	12.10	-42.57	-103.54	12.10	-42.82	-103.43	12.10	-42.82	-45.42
			TQ	-46.15	286.47	800.90	-46.15	286.47	579.70	-46.15	287.86	579.01	-46.15	287.86	357.82
			M3	-34.56	251.52	866.32	-26.48	198.23	718.19	-26.48	199.95	717.71	-24.67	182.53	594.95
		MIN	S2	-46.17	285.38	771.36	-46.17	285.38	550.09	-46.17	286.70	549.41	-46.17	286.70	328.14
			TQ	11.26	-45.25	-150.24	11.26	-45.25	-96.26	11.26	-45.48	-96.15	11.26	-45.48	-42.16
			M3	-13.94	8.43	-607.20	-13.94	8.43	-674.00	-13.94	6.81	-674.01	-13.94	6.81	-740.82
		TANDEM-LOAD MAX	S2	8.22	-28.38	-109.72	8.22	-28.38	-70.33	8.22	-28.55	-70.26	8.22	-28.55	-30.86
			TQ	-32.20	196.79	562.40	-32.20	196.79	408.08	-32.20	197.77	407.61	-32.20	197.77	253.29
			M3	-24.86	177.89	592.36	-17.87	143.25	491.50	-17.87	144.43	491.16	-16.00	110.74	405.86
		MIN	S2	-32.20	196.79	562.40	-32.20	196.79	408.08	-32.20	197.77	407.61	-32.20	197.77	253.29
			TQ	7.79	-30.81	-103.88	7.79	-30.81	-66.56	7.79	-30.97	-66.48	7.79	-30.97	-29.16
			M3	-9.48	5.65	-412.21	-9.48	5.65	-457.63	-9.48	4.55	-457.65	-9.48	4.55	-503.07
		DISPERSION-LMAX	S2	15.45	-52.76	-141.96	15.45	-52.76	-67.93	15.45	-52.92	-67.80	15.45	-52.92	6.23
			TQ	-61.95	278.69	-137.49	-61.95	278.69	-434.42	-61.93	277.65	-433.27	-61.93	277.65	-730.06
			M3	-38.03	263.71	907.11	-38.03	263.71	724.85	-38.03	265.45	724.22	-38.03	265.45	541.96
		MIN	S2	-62.32	277.86	-179.54	-62.32	277.86	-478.23	-62.32	276.71	-478.90	-62.32	276.71	-777.59
			TQ	15.08	-53.59	-184.02	15.08	-53.59	-111.74	15.05	-53.86	-113.43	15.05	-53.86	-41.30
			M3	-8.85	-38.61	-1228.62	-8.85	-38.61	-1271.01	-8.85	-41.66	-1270.92	-8.85	-41.66	-1313.32

BAGO RIVER BRIDGE

BLOCK [ No.1 : MAIN GIRDER ][ BEAM MEMBER FORCE ]

MEMBER				3027			3028			3028			3029		
NODE				3027			3028			3028			3029		
				SHEAR	TORQUE	MOMENT	SHEAR	TORQUE	MOMENT	SHEAR	TORQUE	MOMENT	SHEAR	TORQUE	MOMENT
NAME	TITLE			S2 (kN)	TQ (kN·m)	M3 (kN·m)	S2 (kN)	TQ (kN·m)	M3 (kN·m)	S2 (kN)	TQ (kN·m)	M3 (kN·m)	S2 (kN)	TQ (kN·m)	M3 (kN·m)
62	1-LANE(case2TRUCK-LOAD	MAX	S2	18.89	-3.92	608.35	18.89	-3.92	698.88	18.89	-2.25	698.89	18.89	-2.25	789.42
			TQ	-57.02	118.74	944.34	-57.02	118.74	671.06	-57.02	120.35	670.77	-57.02	120.35	397.49
			M3	-36.44	104.92	1156.36	-26.79	67.77	967.29	-26.79	70.09	967.12	-10.33	24.19	853.78
		MIN	S2	-65.34	111.47	1140.20	-65.34	111.47	827.05	-65.34	113.45	826.78	-65.34	113.45	513.62
			TQ	11.24	-18.27	-150.39	11.24	-18.27	-96.52	11.24	-18.50	-96.48	11.24	-18.50	-42.61
			M3	-15.06	2.87	-607.75	-15.06	2.87	-679.95	-15.06	1.24	-679.95	-15.06	1.24	-752.16
		TANDEM-LOAD MAX	S2	13.63	1.57	481.87	13.63	1.57	547.21	13.63	2.88	547.20	13.63	2.88	612.54
			TQ	-42.80	81.67	708.57	-42.80	81.67	503.42	-42.80	82.87	503.22	-42.80	82.87	298.07
			M3	-28.32	70.75	829.22	-17.87	39.82	687.68	-17.87	41.47	687.58	-5.37	8.48	620.51
		MIN	S2	-45.85	70.75	829.22	-45.85	70.75	609.49	-45.85	72.21	609.32	-45.85	72.21	389.59
			TQ	7.77	-12.44	-103.99	7.77	-12.44	-66.74	7.77	-12.60	-66.71	7.77	-12.60	-29.46
			M3	-10.23	1.93	-412.49	-10.23	1.93	-461.51	-10.23	0.82	-461.52	-10.23	0.82	-510.54
		DISPERSION-LMAX	S2	22.55	-19.71	102.29	21.22	-22.54	146.31	21.22	-22.19	146.36	19.62	-23.95	166.81
			TQ	-60.31	104.16	-193.57	-66.59	104.16	-497.67	-65.14	102.99	-435.46	-71.43	102.99	-762.74
			M3	-30.45	95.81	979.00	-36.73	95.81	818.01	-36.73	97.78	817.78	-43.01	97.78	626.69
MIN	S2	-63.66	99.20	-348.06	-68.61	102.03	-604.16	-68.61	100.58	-604.41	-73.29	102.34	-867.04		
	TQ	19.20	-24.67	-52.20	19.20	-24.67	39.82	17.75	-24.60	-22.58	17.75	-24.60	62.51		
	M3	-10.66	-16.32	-1224.78	-10.66	-16.32	-1275.87	-10.66	-19.39	-1275.82	-10.66	-19.39	-1326.91		
63	1-LANE(case3TRUCK-LOAD	MAX	S2	168.57	-26.90	1239.62	91.13	-18.99	1263.97	91.13	-15.96	1264.01	34.67	-9.59	923.39
			TQ	9.38	2.74	-125.78	9.38	2.74	-80.83	9.38	2.55	-80.84	9.38	2.55	-35.90
			M3	82.94	-31.27	1290.85	17.06	-26.16	1336.88	17.06	-22.95	1336.94	-59.67	-15.18	983.69
		MIN	S2	-80.99	-31.98	1271.08	-140.31	-27.97	1311.82	-140.31	-24.82	1311.89	-217.79	-17.24	969.60
			TQ	-59.70	-32.13	997.35	-59.70	-32.13	711.19	-59.70	-30.42	711.27	-59.70	-30.42	425.12
			M3	-15.91	-1.30	-608.14	-15.91	-1.30	-684.40	-15.91	-2.95	-684.40	-15.91	-2.95	-760.67

BAGO RIVER BRIDGE

BLOCK [ No.1 : MAIN GIRDER ][ BEAM MEMBER FORCE ]

MEMBER		3027			3028			3028			3029				
NODE		3027			3028			3028			3029				
		SHEAR	TORQUE	MOMENT	SHEAR	TORQUE	MOMENT	SHEAR	TORQUE	MOMENT	SHEAR	TORQUE	MOMENT		
NAME	TITLE	S2 (kN)	TQ (kN·m)	M3 (kN·m)	S2 (kN)	TQ (kN·m)	M3 (kN·m)	S2 (kN)	TQ (kN·m)	M3 (kN·m)	S2 (kN)	TQ (kN·m)	M3 (kN·m)		
63	1-LANE (case3TANDEM-LOAD	MAX	S2	139.97	-20.54	1001.81	84.66	-15.65	1048.78	84.66	-13.14	1048.82	33.96	-8.06	788.25
			TQ	6.19	1.88	-83.05	6.19	1.88	-53.38	6.19	1.76	-53.38	6.19	1.76	-23.71
			M3	41.94	-21.28	1006.34	-10.11	-17.04	1055.71	-10.11	-14.50	1055.74	-64.44	-9.17	794.66
		MIN	S2	-66.61	-21.28	1006.34	-118.60	-17.04	1055.71	-118.60	-14.50	1055.74	-172.86	-9.17	794.66
			TQ	-40.34	-22.20	683.46	-40.34	-22.20	490.10	-40.34	-21.02	490.15	-40.34	-21.02	296.79
			M3	-10.80	-0.87	-412.69	-10.80	-0.87	-464.42	-10.80	-1.98	-464.42	-10.80	-1.98	-516.16
	DISPERSION-LMAX	S2	52.76	-5.85	213.97	32.09	-2.57	217.75	32.09	-2.05	217.75	20.92	-0.10	164.14	
		TQ	3.42	4.75	-31.88	0.50	4.75	-23.54	-0.12	4.77	24.12	-0.81	4.77	21.05	
		M3	1.21	-31.26	999.02	-36.50	-31.26	914.42	-36.50	-29.06	914.50	-74.17	-29.06	649.25	
		MIN	S2	-63.85	-25.43	-437.58	-80.88	-28.71	-584.89	-80.88	-30.11	-584.82	-107.39	-32.06	-855.39
			TQ	-14.51	-36.03	-191.73	-49.29	-36.03	-343.61	-48.67	-36.93	-391.19	-85.66	-36.93	-712.30
			M3	-12.30	-0.02	-1222.63	-12.30	-0.02	-1281.57	-12.30	-3.10	-1281.57	-12.30	-3.10	-1340.51
64	1-LANE (case4TRUCK-LOAD	MAX	S2	17.70	2.53	492.16	17.70	2.53	576.98	17.70	3.92	576.97	39.09	-29.85	873.47
			TQ	11.14	50.77	-150.21	11.14	50.77	-96.84	11.14	50.54	-96.96	11.14	50.54	-43.59
			M3	-58.09	-297.76	1285.84	-49.01	-290.28	1022.42	-49.01	-287.82	1023.12	25.86	-133.52	977.94
		MIN	S2	-80.95	-308.06	1275.69	-64.57	-339.60	863.22	-64.57	-337.53	864.03	-64.57	-337.53	554.56
			TQ	-64.16	-340.21	1152.44	-64.16	-340.21	844.94	-64.16	-338.19	845.76	-64.16	-338.19	538.26
			M3	-17.04	-6.86	-608.54	-17.04	-6.86	-690.21	-17.04	-8.52	-690.19	-17.05	-8.56	-771.88
	TANDEM-LOAD	MAX	S2	13.77	-2.44	411.14	13.77	-2.44	477.14	13.77	-1.29	477.14	38.86	-49.24	654.92
			TQ	7.68	34.52	-103.59	7.68	34.52	-66.78	7.68	34.36	-66.87	7.68	34.36	-30.06
			M3	-43.72	-222.90	876.57	-32.87	-192.91	716.08	-32.87	-191.19	716.54	10.78	-102.92	683.32
		MIN	S2	-64.04	-178.66	866.17	-45.20	-228.62	643.19	-45.20	-227.07	643.74	-45.20	-227.07	427.11
			TQ	-43.44	-233.40	757.23	-43.44	-233.40	549.04	-43.44	-232.08	549.60	-43.44	-232.08	341.41
			M3	-11.55	-4.59	-412.87	-11.55	-4.59	-468.22	-11.55	-5.71	-468.20	-11.55	-5.71	-523.55

BAGO RIVER BRIDGE

BLOCK [ No.1 : MAIN GIRDER ][ BEAM MEMBER FORCE ]

MEMBER		3027			3028			3028			3029						
NODE		3027			3028			3028			3029						
		SHEAR	TORQUE	MOMENT	SHEAR	TORQUE	MOMENT	SHEAR	TORQUE	MOMENT	SHEAR	TORQUE	MOMENT				
NAME	TITLE	S2 (kN)	TQ (kN·m)	M3 (kN·m)	S2 (kN)	TQ (kN·m)	M3 (kN·m)	S2 (kN)	TQ (kN·m)	M3 (kN·m)	S2 (kN)	TQ (kN·m)	M3 (kN·m)				
64	1-LANE (case4DISPERSION-LMAX	S2	19.78	56.57	14.71	20.15	51.23	133.12	20.15	51.55	133.00	24.68	41.81	309.71			
		TQ	17.11	61.64	-123.75	17.11	61.64	-41.75	17.76	61.56	-20.03	17.76	61.56	65.09			
		M3	-46.19	-290.31	1159.80	-39.50	-290.31	954.11	-39.50	-288.02	954.80	-32.48	-288.02	781.93			
		MIN	S2	-80.76	-300.05	-75.09	-74.44	-294.71	-470.08	-74.44	-295.84	-469.37	-71.95	-286.10	-889.85		
		TQ	-78.09	-305.12	63.38	-71.40	-305.12	-295.21	-72.05	-305.84	-316.34	-65.03	-305.84	-645.23			
		M3	-14.79	46.83	-1220.17	-14.79	46.83	-1291.06	-14.79	43.73	-1291.17	-14.79	43.73	-1362.07			
		65	2-LANES (caseTRUCK-LOAD	MAX	S2	24.17	-72.53	-322.88	24.17	-72.53	-207.01	24.17	-73.02	-206.84	24.17	-73.02	-90.97
				TQ	-97.20	489.55	1694.60	-97.20	489.55	1228.75	-97.20	492.50	1227.57	-97.20	492.50	761.72	
				M3	-82.08	424.87	1884.49	-62.48	336.09	1537.67	-62.48	339.78	1536.85	-38.68	262.50	1312.40	
MIN	S2			-98.00	484.68	1714.92	-98.00	484.68	1245.22	-98.00	487.67	1244.05	-98.00	487.67	774.35		
TQ	22.52			-77.08	-300.56	22.52	-77.08	-192.65	22.52	-77.54	-192.46	22.52	-77.54	-84.54			
M3	-28.44			14.08	-1214.67	-28.44	14.08	-1350.97	-28.44	10.84	-1351.00	-28.44	10.84	-1487.30			
TANDEM-LOAD	MAX			S2	16.42	-48.36	-219.26	16.42	-48.36	-140.59	16.42	-48.70	-140.47	16.42	-48.70	-61.79	
TQ	-66.46			336.25	1150.42	-66.46	336.25	831.88	-66.46	338.24	831.07	-66.46	338.24	512.53			
M3	-57.19			293.06	1298.28	-35.82	218.45	1052.31	-35.82	220.98	1051.78	-18.10	145.25	904.29			
MIN	S2	-68.51	332.56	1224.88	-68.51	332.56	896.53	-68.51	334.71	895.73	-68.51	334.71	567.39				
TQ	15.57	-52.48	-207.82	15.57	-52.48	-133.21	15.57	-52.80	-133.08	15.57	-52.80	-58.47					
M3	-19.33	9.44	-824.56	-19.33	9.44	-917.21	-19.33	7.24	-917.23	-19.33	7.24	-1009.87					
DISPERSION-LMAX	S2	32.43	-88.91	-190.33	32.43	-88.91	-34.89	32.43	-88.99	-34.67	32.43	-88.99	120.77				
TQ	-124.96	469.50	-276.44	-124.96	469.50	-875.37	-124.83	467.40	-869.09	-124.83	467.40	-1467.39					
M3	-75.33	443.57	1854.20	-75.33	443.57	1493.17	-75.33	447.16	1492.10	-75.33	447.16	1131.06					
MIN	S2	-126.34	466.40	-410.45	-126.34	466.40	-1015.96	-126.34	463.96	-1017.07	-126.34	463.96	-1622.58				
TQ	31.06	-92.00	-324.35	31.06	-92.00	-175.48	30.93	-92.43	-182.66	30.93	-92.43	-34.42					
M3	-18.57	-66.08	-2454.99	-18.57	-66.08	-2544.01	-18.57	-72.18	-2543.84	-18.57	-72.18	-2632.87					

BAGO RIVER BRIDGE

BLOCK [ No.1 : MAIN GIRDER ][ BEAM MEMBER FORCE ]

MEMBER NODE	3027	3028			3028			3028			3029				
		SHEAR	TORQUE	MOMENT	SHEAR	TORQUE	MOMENT	SHEAR	TORQUE	MOMENT	SHEAR	TORQUE	MOMENT		
		S2 (kN)	TQ (kN·m)	M3 (kN·m)	S2 (kN)	TQ (kN·m)	M3 (kN·m)	S2 (kN)	TQ (kN·m)	M3 (kN·m)	S2 (kN)	TQ (kN·m)	M3 (kN·m)		
66	2-LANES (caseTRUCK-LOAD	MAX	S2	30.96	-33.88	447.02	30.96	-33.88	595.40	30.96	-32.46	595.48	30.96	-32.46	743.87
			TQ	-108.06	321.83	1838.04	-108.06	321.83	1320.11	-108.06	324.99	1319.33	-108.06	324.99	801.40
			M3	-83.97	278.27	2174.52	-62.79	205.64	1786.76	-62.79	209.92	1786.26	-24.34	104.15	1571.22
		MIN	S2	-117.17	310.77	2083.76	-117.17	310.77	1522.17	-117.17	314.42	1521.42	-117.17	314.42	959.83
			TQ	22.49	-50.09	-300.71	22.49	-50.09	-192.91	22.49	-50.56	-192.79	22.49	-50.56	-84.99
			M3	-29.57	8.53	-1215.22	-29.57	8.53	-1356.92	-29.57	5.27	-1356.94	-29.57	5.27	-1498.64
	TANDEM-LOAD	MAX	S2	21.83	-18.41	372.33	21.83	-18.41	476.95	21.83	-17.27	476.99	21.83	-17.27	581.61
			TQ	-77.07	221.12	1296.59	-77.07	221.12	927.21	-77.07	223.34	926.68	-77.07	223.34	557.31
			M3	-60.65	185.92	1535.15	-35.82	115.03	1248.48	-35.82	118.02	1248.20	-7.47	42.99	1118.94
		MIN	S2	-82.16	206.51	1491.70	-82.16	206.51	1097.95	-82.16	209.15	1097.45	-82.16	209.15	703.69
			TQ	15.55	-34.11	-207.93	15.55	-34.11	-133.40	15.55	-34.43	-133.31	15.55	-34.43	-58.78
			M3	-20.08	5.72	-824.84	-20.08	5.72	-921.09	-20.08	3.51	-921.10	-20.08	3.51	-1017.35
	DISPERSION-LMAX	S2	39.53	-55.87	53.92	38.21	-58.69	179.35	38.21	-58.26	179.49	36.61	-60.02	281.35	
		TQ	-123.32	294.96	-332.52	-129.60	294.96	-938.62	-128.05	292.74	-871.28	-134.33	292.74	-1500.07	
		M3	-67.75	275.67	1926.09	-74.03	275.67	1586.33	-74.03	279.48	1585.66	-80.31	279.48	1215.78	
		MIN	S2	-127.67	287.75	-578.98	-132.63	290.57	-1141.89	-132.63	287.83	-1142.58	-137.31	289.59	-1712.03
			TQ	35.18	-63.08	-192.53	35.18	-63.08	-23.92	33.63	-63.17	-91.81	33.63	-63.17	69.39
			M3	-20.39	-43.79	-2451.15	-20.39	-43.79	-2548.86	-20.39	-49.91	-2548.75	-20.39	-49.91	-2646.47
67	2-LANES (caseTRUCK-LOAD	MAX	S2	298.30	-116.70	2494.46	162.54	-68.82	2488.16	162.54	-62.85	2488.32	64.99	-25.75	1851.50
			TQ	20.19	19.45	-271.06	20.19	19.45	-174.30	20.19	19.03	-174.34	20.19	19.03	-77.58
			M3	140.01	-148.70	2598.85	24.35	-111.82	2635.07	24.35	-105.50	2635.34	-107.31	-58.02	1979.59
		MIN	S2	-157.76	-155.32	2561.48	-259.62	-123.70	2590.48	-259.62	-117.49	2590.77	-389.84	-70.30	1954.88
			TQ	-115.46	-164.03	1970.63	-115.46	-164.03	1417.24	-115.46	-160.63	1417.63	-115.46	-160.63	864.25
			M3	-32.39	-5.39	-1216.48	-32.39	-5.39	-1371.72	-32.39	-8.68	-1371.70	-32.39	-8.68	-1526.94

BAGO RIVER BRIDGE

BLOCK [ No.1 : MAIN GIRDER ][ BEAM MEMBER FORCE ]

MEMBER		3027			3028			3028			3029						
NODE		3027			3028			3028			3029						
		SHEAR	TORQUE	MOMENT	SHEAR	TORQUE	MOMENT	SHEAR	TORQUE	MOMENT	SHEAR	TORQUE	MOMENT				
NAME	TITLE	S2 (kN)	TQ (kN·m)	M3 (kN·m)	S2 (kN)	TQ (kN·m)	M3 (kN·m)	S2 (kN)	TQ (kN·m)	M3 (kN·m)	S2 (kN)	TQ (kN·m)	M3 (kN·m)				
67	2-LANES (caseTANDEM-LOAD	MAX	S2	247.65	-94.26	1992.93	149.77	-61.90	2041.40	149.77	-57.00	2041.55	62.07	-25.30	1557.99		
			TQ	13.43	13.30	-180.36	13.43	13.30	-115.97	13.43	13.02	-116.01	13.43	13.02	-51.62		
			M3	69.43	-99.97	2002.62	-21.39	-70.35	2056.33	-21.39	-65.41	2056.49	-113.69	-31.87	1572.54		
		MIN	S2	-127.32	-99.97	2002.62	-216.14	-70.35	2056.33	-216.14	-65.41	2056.49	-306.21	-31.87	1572.54		
			TQ	-75.64	-112.08	1297.71	-75.64	-112.08	935.20	-75.64	-109.84	935.47	-75.64	-109.84	572.96		
			M3	-21.97	-3.59	-825.47	-21.97	-3.59	-930.75	-21.97	-5.83	-930.74	-21.97	-5.83	-1036.02		
			DISPERSION-LMAX	S2	98.27	-6.92	447.50	61.64	7.49	441.31	61.64	8.55	441.29	41.73	16.35	338.64	
				TQ	18.99	23.69	-188.95	16.07	23.69	-105.99	15.70	23.52	-47.71	15.01	23.52	25.03	
				M3	-5.68	-146.77	2044.08	-73.89	-146.77	1853.20	-73.89	-142.32	1853.55	-141.36	-142.32	1337.47	
			MIN	S2	-129.69	-128.78	-847.70	-161.27	-143.19	-1155.76	-161.27	-145.96	-1155.41	-208.83	-153.76	-1692.22	
				TQ	-50.41	-159.38	-211.26	-115.70	-159.38	-608.46	-115.33	-160.93	-666.41	-182.11	-160.93	-1378.61	
				M3	-25.74	11.07	-2444.29	-25.74	11.07	-2567.66	-25.74	4.91	-2567.68	-25.74	4.91	-2691.04	
		68	2-LANES (caseTRUCK-LOAD	MAX	S2	47.35	-148.80	1728.48	45.19	-75.42	1664.60	45.19	-71.43	1664.78	61.04	-52.28	1774.51
					TQ	22.30	87.38	-300.51	22.30	87.38	-193.65	22.30	86.91	-193.86	22.30	86.91	-87.00
					M3	-70.66	-504.03	2582.41	-63.85	-433.58	2181.32	-63.85	-428.35	2182.36	6.24	-201.70	1965.12
MIN	S2			-147.23	-527.76	2554.54	-135.60	-505.16	2006.94	-135.60	-500.34	2008.15	-142.74	-424.02	1539.21		
	TQ			-123.74	-580.44	2208.56	-123.74	-580.44	1615.49	-123.74	-576.56	1616.88	-123.74	-576.56	1023.81		
	M3			-33.52	-10.95	-1216.88	-33.52	-10.95	-1377.53	-33.52	-14.26	-1377.50	-33.52	-14.30	-1538.16		
	TANDEM-LOAD			MAX	S2	34.08	-89.65	1193.81	33.77	-76.68	1307.74	33.77	-73.54	1307.92	56.02	-74.71	1366.00
				TQ	15.38	59.43	-207.32	15.38	59.43	-133.59	15.38	59.11	-133.74	15.38	59.11	-60.01	
				M3	-56.65	-360.14	1810.40	-47.37	-280.13	1555.82	-47.37	-276.40	1556.49	-7.73	-137.80	1406.57	
	MIN			S2	-110.53	-315.90	1799.99	-94.92	-315.84	1482.93	-94.92	-312.28	1483.69	-100.77	-261.95	1150.36	
				TQ	-82.97	-397.93	1445.85	-82.97	-397.93	1048.20	-82.97	-395.42	1049.15	-82.97	-395.42	651.50	
				M3	-22.72	-7.31	-825.66	-22.72	-7.31	-934.54	-22.72	-9.56	-934.52	-22.72	-9.56	-1043.41	

BAGO RIVER BRIDGE

BLOCK [ No.1 : MAIN GIRDER ][ BEAM MEMBER FORCE ]

MEMBER		3027			3028			3028			3029						
NODE		3027			3028			3028			3029						
		SHEAR	TORQUE	MOMENT	SHEAR	TORQUE	MOMENT	SHEAR	TORQUE	MOMENT	SHEAR	TORQUE	MOMENT				
NAME	TITLE	S2 (kN)	TQ (kN·m)	M3 (kN·m)	S2 (kN)	TQ (kN·m)	M3 (kN·m)	S2 (kN)	TQ (kN·m)	M3 (kN·m)	S2 (kN)	TQ (kN·m)	M3 (kN·m)				
68	2-LANES (caseDISPERSION-LMAX	S2	47.22	74.32	231.87	43.75	83.06	345.48	43.75	83.88	345.28	44.87	83.10	489.99			
		TQ	33.49	105.96	-255.84	33.49	105.96	-95.33	34.24	105.76	-69.78	34.24	105.76	94.33			
		M3	-72.48	-496.79	2260.72	-77.82	-496.79	1900.91	-77.82	-492.22	1902.09	-83.56	-492.22	1515.41			
		MIN	S2	-148.09	-488.44	-412.15	-149.96	-497.18	-1021.65	-149.96	-499.63	-1020.46	-156.83	-498.85	-1687.94		
		TQ	-134.36	-520.08	75.56	-139.70	-520.08	-580.84	-140.45	-521.50	-605.40	-146.20	-521.50	-1292.28			
		M3	-28.39	82.67	-2441.00	-28.39	82.67	-2577.08	-28.39	76.48	-2577.27	-28.39	76.48	-2713.36			
		69	3-LANES (caseTRUCK-LOAD	MAX	S2	43.06	-76.45	285.47	43.06	-76.45	491.87	43.06	-75.27	492.05	43.06	-75.27	698.44
				TQ	-154.22	608.29	2638.94	-154.22	608.29	1899.81	-154.22	612.85	1898.35	-154.22	612.85	1159.22	
				M3	-118.53	529.79	3040.84	-89.27	403.86	2504.95	-89.27	409.87	2503.98	-49.01	286.68	2166.17	
MIN	S2			-163.34	596.15	2855.12	-163.34	596.15	2072.27	-163.34	601.12	2070.83	-163.34	601.12	1287.97		
TQ	33.76			-95.35	-450.96	33.76	-95.35	-289.17	33.76	-96.04	-288.94	33.76	-96.04	-127.15			
M3	-43.50			16.95	-1822.42	-43.50	16.95	-2030.92	-43.50	12.08	-2030.95	-43.50	12.08	-2239.46			
TANDEM-LOAD	MAX			S2	30.05	-46.79	262.60	30.05	-46.79	406.62	30.05	-45.82	406.73	30.05	-45.82	550.75	
TQ	-109.27			417.91	1858.99	-109.27	417.91	1335.30	-109.27	421.12	1334.29	-109.27	421.12	810.60			
M3	-85.51			363.81	2127.51	-53.69	258.28	1739.98	-53.69	262.45	1739.36	-23.47	153.73	1524.80			
MIN	S2	-114.35	403.31	2054.10	-114.35	403.31	1506.03	-114.35	406.92	1505.05	-114.35	406.92	956.98				
TQ	23.34	-64.92	-311.81	23.34	-64.92	-199.95	23.34	-65.40	-199.79	23.34	-65.40	-87.93					
M3	-29.56	11.37	-1237.05	-29.56	11.37	-1378.72	-29.56	8.06	-1378.74	-29.56	8.06	-1520.42					
DISPERSION-LMAX	S2	54.98	-108.62	-88.04	53.65	-111.45	111.42	53.65	-111.18	111.69	52.05	-112.94	287.58				
TQ	-185.27	573.66	-470.01	-191.56	573.66	-1373.04	-189.98	570.39	-1304.55	-196.26	570.39	-2230.13					
M3	-105.78	539.39	2833.20	-112.06	539.39	2311.18	-112.06	544.93	2309.88	-118.34	544.93	1757.74					
MIN	S2	-189.99	565.61	-758.52	-194.95	568.43	-1620.12	-194.95	564.54	-1621.48	-199.63	566.30	-2489.62				
TQ	50.26	-116.67	-376.55	50.26	-116.67	-135.66	48.68	-117.03	-205.24	48.68	-117.03	28.09					
M3	-29.23	-82.40	-3679.77	-29.23	-82.40	-3819.88	-29.23	-91.57	-3819.67	-29.23	-91.57	-3959.78					

BAGO RIVER BRIDGE

BLOCK [ No.1 : MAIN GIRDER ][ BEAM MEMBER FORCE ]

MEMBER				3027			3028			3028			3029		
NODE				3027			3028			3028			3029		
				SHEAR	TORQUE	MOMENT	SHEAR	TORQUE	MOMENT	SHEAR	TORQUE	MOMENT	SHEAR	TORQUE	MOMENT
NAME	TITLE			S2 (kN)	TQ (kN·m)	M3 (kN·m)	S2 (kN)	TQ (kN·m)	M3 (kN·m)	S2 (kN)	TQ (kN·m)	M3 (kN·m)	S2 (kN)	TQ (kN·m)	M3 (kN·m)
70	3-LANES (caseTRUCK-LOAD	MAX	S2	328.23	-267.84	3737.05	185.59	-149.68	3565.54	185.59	-141.12	3565.89	85.25	-49.34	2752.06
			TQ	30.99	50.31	-416.45	30.99	50.31	-267.91	30.99	49.67	-268.03	30.99	49.67	-119.49
			M3	129.68	-350.19	3895.48	6.42	-255.70	3783.31	6.42	-246.62	3783.91	-125.26	-129.18	2959.55
		MIN	S2	-224.57	-368.07	3844.33	-328.57	-292.46	3714.08	-328.57	-283.54	3714.77	-458.79	-236.36	2748.41
			TQ	-174.66	-395.86	3018.65	-174.66	-395.86	2181.55	-174.66	-390.62	2182.49	-174.66	-390.62	1345.39
			M3	-49.43	-12.26	-1825.02	-49.43	-12.26	-2061.93	-49.43	-17.20	-2061.90	-49.44	-17.24	-2298.82
		TANDEM-LOAD MAX	S2	271.02	-219.49	2923.36	166.17	-138.41	2859.64	166.17	-131.54	2859.97	76.77	-52.62	2256.60
			TQ	20.67	34.36	-277.79	20.67	34.36	-178.71	20.67	33.93	-178.79	20.67	33.93	-79.72
			M3	58.28	-234.34	2938.92	-36.37	-159.26	2884.07	-36.37	-152.34	2884.44	-126.22	-68.93	2282.08
		MIN	S2	-174.44	-234.34	2938.92	-263.55	-195.58	2797.29	-263.55	-188.87	2797.76	-353.63	-155.33	2086.56
			TQ	-114.84	-270.84	1980.57	-114.84	-270.84	1430.18	-114.84	-267.40	1430.83	-114.84	-267.40	880.43
			M3	-33.51	-8.18	-1238.34	-33.51	-8.18	-1398.97	-33.51	-11.54	-1398.94	-33.51	-11.54	-1559.57
		DISPERSION-LMAX	S2	125.09	2.66	664.84	84.66	31.07	652.18	84.66	32.63	652.11	62.08	49.07	528.72
			TQ	35.84	59.92	-316.11	32.92	59.92	-152.38	32.55	59.64	-94.19	31.86	59.64	59.33
			M3	-32.53	-346.28	3148.26	-112.54	-346.28	2799.81	-112.54	-339.56	2800.63	-190.13	-339.56	2074.33
MIN	S2	-198.00	-315.70	-1182.22	-237.58	-344.11	-1711.56	-237.58	-348.22	-1710.73	-292.59	-364.65	-2507.17		
	TQ	-108.76	-372.96	-201.27	-185.84	-372.96	-906.99	-185.47	-375.23	-964.43	-262.37	-375.23	-2037.79		
	M3	-40.38	33.24	-3665.64	-40.38	33.24	-3859.18	-40.38	23.98	-3859.25	-40.38	23.98	-4052.79		
71	3-LANES (caseTRUCK-LOAD	MAX	S2	176.85	-238.76	2977.20	121.08	-122.31	2899.29	121.08	-115.35	2899.57	93.06	-67.26	2703.27
			TQ	33.48	109.82	-450.90	33.48	109.82	-290.42	33.48	109.12	-290.69	33.48	109.12	-130.21
			M3	-15.85	-626.24	3890.46	-53.51	-518.69	3490.45	-53.51	-510.32	3491.69	-43.13	-241.57	2968.46
		MIN	S2	-223.61	-657.08	3846.47	-255.06	-603.14	3279.19	-255.06	-595.27	3280.63	-330.63	-474.34	2534.04
			TQ	-179.85	-720.70	3189.86	-179.85	-720.70	2327.86	-178.74	-715.13	2313.36	-178.74	-715.13	1456.68
			M3	-49.43	-12.26	-1825.02	-49.43	-12.26	-2061.93	-49.43	-17.20	-2061.90	-49.44	-17.24	-2298.82



BAGO RIVER BRIDGE

BLOCK [ No.1 : MAIN GIRDER ][ BEAM MEMBER FORCE ]

MEMBER				3027			3028			3028			3029			
NODE				3027			3028			3028			3029			
NAME TITLE				SHEAR	TORQUE	MOMENT	SHEAR	TORQUE	MOMENT	SHEAR	TORQUE	MOMENT	SHEAR	TORQUE	MOMENT	
				S2 (kN)	TQ (kN·m)	M3 (kN·m)	S2 (kN)	TQ (kN·m)	M3 (kN·m)	S2 (kN)	TQ (kN·m)	M3 (kN·m)	S2 (kN)	TQ (kN·m)	M3 (kN·m)	
71	3-LANES (case)	TANDEM-LOAD	MAX	S2	138.66	-165.27	2181.35	102.50	-120.67	2312.77	102.50	-115.12	2313.05	86.59	-90.10	2148.26
				TQ	23.11	74.73	-311.19	23.11	74.73	-200.43	23.11	74.24	-200.61	23.11	74.24	-89.85
				M3	-30.95	-441.70	2804.23	-58.17	-331.75	2568.49	-58.17	-325.58	2569.28	-62.97	-158.33	2198.19
		MIN	S2	-170.63	-397.46	2793.83	-195.79	-367.45	2495.60	-195.79	-361.46	2496.48	-250.79	-282.48	1941.98	
			TQ	-118.59	-493.59	2065.85	-118.59	-493.59	1497.48	-118.59	-490.00	1498.66	-118.59	-490.00	930.29	
			M3	-33.51	-8.18	-1238.34	-33.51	-8.18	-1398.97	-33.51	-11.54	-1398.94	-33.51	-11.54	-1559.57	
	DISPERSION-LMAX	S2	93.41	82.08	459.30	73.92	101.91	566.23	73.92	103.27	565.98	65.57	107.85	658.99		
		TQ	47.75	133.32	-457.50	47.75	133.32	-228.64	49.13	132.84	-175.07	49.13	132.84	60.42		
		M3	-78.78	-619.26	3302.57	-114.87	-619.26	2840.00	-114.87	-612.45	2841.47	-153.06	-612.45	2200.43		
		MIN	S2	-213.03	-593.91	-819.39	-229.62	-613.75	-1584.59	-229.62	-617.55	-1583.12	-259.46	-622.13	-2512.87	
			TQ	-167.37	-645.15	97.41	-203.45	-645.15	-789.72	-204.83	-647.12	-842.07	-243.02	-647.12	-1914.30	
			M3	-40.83	107.43	-3662.66	-40.83	107.43	-3858.36	-40.83	98.17	-3858.61	-40.83	98.17	-4054.31	
72	4-LANES	TRUCK-LOAD	MAX	S2	47.50	100.43	-638.70	47.50	100.43	-411.04	47.50	99.44	-411.28	47.50	99.44	-183.62
				TQ	43.27	106.67	-582.08	43.27	106.67	-374.70	43.12	105.77	-373.69	43.12	105.77	-167.01
				M3	-272.85	-688.24	5005.76	-272.85	-688.24	3698.06	-272.85	-679.36	3699.70	-272.85	-679.36	2392.00
		MIN	S2	-281.00	-719.48	4901.93	-281.00	-719.48	3555.16	-281.00	-710.95	3556.88	-281.00	-710.95	2210.11	
			TQ	-239.15	-744.41	4178.50	-239.15	-744.41	3032.31	-239.15	-737.13	3034.09	-239.15	-737.13	1887.90	
			M3	47.50	100.60	-638.70	47.50	100.60	-411.05	47.50	99.62	-411.29	47.50	99.67	-183.63	
	TANDEM-LOAD	MAX	S2	32.29	69.17	-434.18	32.29	69.17	-279.42	32.29	68.50	-279.59	32.29	68.50	-124.84	
			TQ	29.65	72.51	-398.83	29.65	72.51	-256.73	29.65	71.89	-256.90	29.65	71.89	-114.81	
			M3	-217.53	-459.85	3812.68	-206.77	-430.14	2819.57	-206.77	-423.38	2820.59	-206.77	-423.38	1829.60	
		MIN	S2	-219.00	-465.51	3795.78	-219.00	-465.51	2746.17	-219.00	-458.92	2747.27	-219.00	-458.92	1697.66	
			TQ	-158.56	-510.00	2743.07	-158.56	-510.00	1983.11	-158.56	-505.24	1984.33	-158.56	-505.24	1224.37	
			M3	32.29	69.17	-434.18	32.29	69.17	-279.42	32.29	68.50	-279.59	32.29	68.53	-124.84	

BAGO RIVER BRIDGE

BLOCK [ No.1 : MAIN GIRDER ][ BEAM MEMBER FORCE ]

MEMBER				3027			3028			3028			3029				
NODE				3027			3028			3028			3029				
NAME TITLE				SHEAR	TORQUE	MOMENT	SHEAR	TORQUE	MOMENT	SHEAR	TORQUE	MOMENT	SHEAR	TORQUE	MOMENT		
				S2 (kN)	TQ (kN·m)	M3 (kN·m)	S2 (kN)	TQ (kN·m)	M3 (kN·m)	S2 (kN)	TQ (kN·m)	M3 (kN·m)	S2 (kN)	TQ (kN·m)	M3 (kN·m)		
72	4-LANES	DISPERSION-LMAX	S2	57.78	121.00	-776.87	57.78	121.00	-499.95	57.78	119.80	-500.24	57.78	119.80	-223.32		
			TQ	47.88	130.19	-627.37	47.88	130.19	-397.87	47.05	129.24	-389.58	47.05	129.24	-164.06		
			M3	-154.06	-545.63	2553.14	-154.02	-545.98	1814.83	-154.02	-541.62	1816.14	-154.00	-541.75	1077.98		
	MIN	S2	-154.07	-545.11	2552.95	-154.07	-545.11	1814.53	-154.07	-540.76	1815.83	-154.07	-540.76	1077.41			
		TQ	-142.90	-548.28	2389.02	-142.90	-548.28	1704.12	-142.07	-544.20	1696.83	-142.07	-544.20	1015.90			
		M3	57.78	121.48	-776.87	57.78	121.71	-499.96	57.78	120.52	-500.25	57.77	122.20	-223.34			
	73	6-LANES	TRUCK-LOAD	MAX	S2	349.35	-211.90	3830.97	221.35	-151.17	3838.28	221.35	-141.96	3838.63	144.50	-132.76	3467.30
				TQ	-123.17	597.26	2211.77	-123.17	597.26	1621.43	-123.17	601.15	1619.99	-123.17	601.15	1029.65	
				M3	-33.11	-84.17	7082.70	-98.05	-66.67	6316.63	-98.05	-51.51	6316.78	-124.82	39.62	5238.57	
MIN		S2	-405.85	-74.50	6915.59	-491.96	-58.01	5859.95	-491.96	-43.94	5860.08	-612.65	16.00	4273.19			
		TQ	-139.99	-702.05	3195.64	-139.99	-702.05	2524.71	-139.99	-695.99	2526.38	-139.99	-695.99	1855.45			
		M3	-92.94	4.66	-3647.46	-92.94	4.66	-4092.91	-92.94	-5.17	-4092.91	-92.95	-5.21	-4538.38			
TANDEM-LOAD		MAX	S2	281.69	-152.32	3504.80	189.19	-108.01	3566.15	189.19	-99.46	3566.39	126.94	-110.54	3254.59		
		TQ	-86.31	408.86	1541.98	-86.31	408.86	1128.30	-86.31	411.56	1127.32	-86.31	411.56	713.64			
		M3	-51.22	-45.13	5129.89	-105.24	-61.03	4622.44	-105.24	-49.94	4622.57	-130.55	-11.99	3866.58			
MIN		S2	-306.15	-4.18	5033.43	-375.17	-11.09	4376.27	-375.17	-0.59	4376.28	-457.71	38.55	3233.75			
		TQ	-94.21	-481.90	2231.68	-94.21	-481.90	1780.14	-94.21	-477.63	1781.29	-94.21	-477.63	1329.75			
		M3	-63.08	3.16	-2475.41	-63.08	3.16	-2777.73	-63.08	-3.51	-2777.73	-63.08	-3.51	-3080.05			
DISPERSION-LMAX		S2	170.06	-29.82	484.78	133.47	-16.63	744.87	133.47	-14.84	744.91	116.61	-13.57	938.52			
		TQ	-115.26	606.08	-1089.61	-123.76	606.08	-1663.31	-121.98	602.22	-1518.42	-128.45	602.22	-2119.27			
		M3	-155.24	-109.79	5895.40	-218.90	-114.22	5006.55	-218.91	-102.31	5006.81	-280.29	-105.97	3800.71			
MIN	S2	-383.93	-54.44	-1423.43	-416.16	-69.03	-2857.00	-416.16	-75.89	-2856.82	-466.12	-77.73	-4564.87				
	TQ	-101.98	-673.78	102.50	-155.14	-673.78	-513.80	-156.68	-675.14	-650.61	-210.61	-675.14	-1531.20				
	M3	-61.19	18.94	-6879.78	-61.27	20.32	-7173.28	-61.27	3.45	-7173.31	-61.31	9.22	-7467.04				

BAGO RIVER BRIDGE

BLOCK [ No.1 : MAIN GIRDER ][ BEAM MEMBER FORCE ]

MEMBER			3027			3028			3028			3029			
NODE			3027			3028			3028			3029			
NAME TITLE			SHEAR	TORQUE	MOMENT	SHEAR	TORQUE	MOMENT	SHEAR	TORQUE	MOMENT	SHEAR	TORQUE	MOMENT	
			S2 (kN)	TQ (kN·m)	M3 (kN·m)	S2 (kN)	TQ (kN·m)	M3 (kN·m)	S2 (kN)	TQ (kN·m)	M3 (kN·m)	S2 (kN)	TQ (kN·m)	M3 (kN·m)	
124	SUM TOTAL	D+1LANE (caseMAX	S2	-812.09	-152.64	-4207.54	-1058.93	-152.64	-8696.97	-1058.93	-173.51	-8696.58	-1300.35	-173.51	-14356.31
			TQ	-974.87	639.94	-3047.24	-1221.72	639.94	-8316.87	-1221.69	619.98	-8316.20	-1463.11	619.98	-14755.98
			M3	-932.25	580.03	-1715.21	-1169.40	516.07	-6759.56	-1169.40	499.85	-6760.77	-1408.65	478.95	-12944.99
		MIN	S2	-975.33	637.63	-3133.15	-1222.18	637.63	-8404.98	-1222.18	617.46	-8406.48	-1463.60	617.46	-14848.62
			TQ	-813.53	-156.86	-4244.44	-1060.38	-156.86	-8740.80	-1060.41	-177.84	-8742.59	-1301.84	-177.84	-14409.43
			M3	-872.49	-74.47	-6046.30	-1119.33	-74.47	-10825.22	-1119.33	-100.45	-10825.01	-1360.76	-100.45	-16774.24
		D+1LANE (caseMAX	S2	-795.42	-66.62	-2990.57	-1043.86	-70.01	-7476.98	-1043.86	-87.95	-7476.79	-1287.20	-90.06	-13161.81
			TQ	-985.94	229.23	-2942.40	-1240.33	229.23	-8283.14	-1238.59	209.37	-8208.72	-1487.55	209.37	-14747.58
			M3	-925.42	202.62	-1280.90	-1168.22	158.04	-6348.85	-1168.22	142.81	-6349.21	-1397.42	87.72	-12532.73
		MIN	S2	-999.94	214.55	-2892.77	-1252.73	217.94	-8223.75	-1252.73	198.20	-8224.25	-1499.77	200.31	-14733.38
			TQ	-808.62	-89.78	-4086.45	-1055.46	-89.78	-8559.25	-1057.20	-110.35	-8633.96	-1298.62	-110.35	-14285.40
			M3	-876.02	-54.40	-6042.36	-1122.86	-54.40	-10838.19	-1122.86	-80.41	-10838.03	-1364.28	-80.41	-16804.17
		D+1LANE (caseMAX	S2	-579.55	-77.56	-2099.02	-944.13	-64.13	-6713.15	-944.13	-80.24	-6712.98	-1266.71	-70.26	-13004.24
			TQ	-829.79	-29.27	-4032.52	-1080.14	-29.27	-8616.46	-1080.89	-49.86	-8559.16	-1323.14	-49.86	-14327.11
			M3	-744.16	-113.28	-1095.48	-1115.32	-107.16	-5789.65	-1115.32	-121.05	-5789.37	-1494.02	-111.73	-12349.75
		MIN	S2	-1018.95	-107.14	-2843.13	-1357.42	-106.26	-7618.89	-1357.42	-124.55	-7618.62	-1723.62	-117.80	-14172.23
			TQ	-934.20	-120.05	-2876.59	-1222.79	-120.05	-8050.11	-1222.04	-139.46	-8107.00	-1507.85	-139.46	-14653.90
			M3	-879.00	-39.84	-6040.25	-1125.85	-39.84	-10850.38	-1125.85	-65.88	-10850.25	-1367.27	-65.88	-16830.69
		D+1LANE (caseMAX	S2	-800.18	32.67	-3235.08	-1046.58	26.26	-7639.09	-1046.58	7.93	-7639.13	-1256.89	-44.28	-12889.47
			TQ	-811.25	96.64	-4172.08	-1058.10	96.64	-8657.51	-1057.32	75.88	-8631.48	-1298.74	75.88	-14283.49
			M3	-970.27	-743.94	-908.57	-1198.21	-734.96	-6119.37	-1198.21	-749.64	-6117.59	-1341.36	-564.48	-12197.44
		MIN	S2	-1039.20	-767.98	-2402.60	-1258.81	-799.42	-8019.44	-1258.81	-818.67	-8017.50	-1497.23	-806.98	-14711.63
			TQ	-1015.84	-812.65	-2384.34	-1254.67	-812.65	-7831.53	-1255.45	-831.47	-7855.79	-1488.44	-831.47	-14437.65
			M3	-883.35	9.70	-6037.78	-1130.19	9.70	-10868.74	-1130.19	-16.38	-10868.73	-1371.62	-16.43	-16870.03

BAGO RIVER BRIDGE

BLOCK [ No.1 : MAIN GIRDER ][ BEAM MEMBER FORCE ]

MEMBER			3027			3028			3028			3029			
NODE			3027			3028			3028			3029			
NAME TITLE			SHEAR	TORQUE	MOMENT	SHEAR	TORQUE	MOMENT	SHEAR	TORQUE	MOMENT	SHEAR	TORQUE	MOMENT	
			S2 (kN)	TQ (kN·m)	M3 (kN·m)	S2 (kN)	TQ (kN·m)	M3 (kN·m)	S2 (kN)	TQ (kN·m)	M3 (kN·m)	S2 (kN)	TQ (kN·m)	M3 (kN·m)	
124	SUM TOTAL	D+2LANES (casMAX	S2	-788.54	-199.69	-4356.54	-1035.39	-199.69	-8733.11	-1035.39	-220.65	-8732.60	-1276.81	-220.65	-14279.49
			TQ	-1067.31	920.80	-2425.17	-1314.16	920.80	-8137.83	-1314.02	901.27	-8132.61	-1555.45	901.27	-15014.95
			M3	-1002.56	830.19	-104.64	-1229.80	741.41	-5460.38	-1229.80	728.31	-5462.14	-1447.43	651.02	-11865.83
		MIN	S2	-1069.48	912.83	-2538.86	-1316.33	912.83	-8261.95	-1316.33	893.00	-8264.11	-1557.75	893.00	-15157.51
			TQ	-791.57	-207.33	-4468.24	-1038.42	-207.33	-8859.33	-1038.55	-228.60	-8866.22	-1279.97	-228.60	-14428.25
			M3	-892.16	-90.25	-7512.99	-1139.01	-90.25	-12386.19	-1139.01	-119.97	-12385.94	-1380.43	-119.97	-18429.45
		D+2LANES (casMAX	S2	-774.65	-128.00	-3342.39	-1022.83	-130.83	-7716.45	-1022.83	-149.35	-7716.12	-1265.85	-151.11	-13284.07
			TQ	-1076.53	578.54	-2337.81	-1329.66	578.54	-8109.72	-1328.11	559.10	-8043.04	-1575.81	559.10	-15007.95
			M3	-996.86	515.69	257.28	-1228.82	443.05	-5118.12	-1228.82	430.77	-5119.17	-1438.07	325.00	-11522.28
		MIN	S2	-1089.99	560.26	-2338.54	-1341.79	563.09	-8110.92	-1341.79	543.62	-8112.25	-1587.90	545.38	-15061.48
			TQ	-787.47	-151.43	-4336.57	-1034.32	-151.43	-8708.04	-1035.87	-172.36	-8775.69	-1277.29	-172.36	-14324.89
			M3	-895.10	-73.52	-7509.70	-1141.95	-73.52	-12397.00	-1141.95	-103.27	-12396.78	-1383.37	-103.27	-18454.39
		D+2LANES (casMAX	S2	-448.57	-161.87	-901.37	-867.82	-99.58	-5561.74	-867.82	-112.93	-5561.48	-1226.70	-68.04	-12119.14
			TQ	-805.97	4.88	-4303.34	-1055.74	4.88	-8771.50	-1056.11	-16.08	-8713.15	-1298.22	-16.08	-14361.83
			M3	-710.82	-333.72	799.61	-1141.54	-296.85	-4002.93	-1141.54	-306.46	-4002.21	-1582.09	-258.97	-10992.23
		MIN	S2	-1132.60	-322.35	-2129.55	-1512.88	-305.15	-7056.49	-1512.88	-322.08	-7055.73	-1932.08	-282.70	-14046.63
			TQ	-1011.01	-361.66	-2083.96	-1323.15	-361.66	-7682.43	-1322.78	-380.19	-7739.87	-1630.98	-380.19	-14823.65
			M3	-903.28	-32.57	-7504.10	-1150.12	-32.57	-12430.59	-1150.12	-62.40	-12430.47	-1391.55	-62.40	-18527.27
		D+2LANES (casMAX	S2	-750.58	-112.74	-1882.97	-1003.06	-30.62	-6481.13	-1003.06	-46.17	-6481.04	-1227.51	-27.81	-12044.78
			TQ	-789.36	155.09	-4399.68	-1036.21	155.09	-8780.19	-1035.46	134.04	-8754.73	-1276.88	134.04	-14301.95
			M3	-988.29	-1039.07	999.81	-1233.66	-968.63	-4408.98	-1233.66	-979.20	-4406.64	-1410.74	-752.56	-10828.76
		MIN	S2	-1140.47	-1054.45	-1700.94	-1377.55	-1040.59	-7505.92	-1377.55	-1058.60	-7503.40	-1632.98	-981.50	-14458.02
			TQ	-1103.25	-1138.78	-1559.21	-1355.44	-1138.78	-7456.57	-1356.19	-1156.70	-7479.61	-1603.36	-1156.70	-14577.75
			M3	-907.06	33.46	-7501.21	-1153.90	33.46	-12445.82	-1153.90	3.59	-12445.86	-1395.33	3.55	-18560.80

BAGO RIVER BRIDGE

BLOCK [ No.1 : MAIN GIRDER ][ BEAM MEMBER FORCE ]

MEMBER			3027			3028			3028			3029				
NODE			3027			3028			3028			3029				
NAME TITLE			SHEAR	TORQUE	MOMENT	SHEAR	TORQUE	MOMENT	SHEAR	TORQUE	MOMENT	SHEAR	TORQUE	MOMENT		
			S2 (kN)	TQ (kN·m)	M3 (kN·m)	S2 (kN)	TQ (kN·m)	M3 (kN·m)	S2 (kN)	TQ (kN·m)	M3 (kN·m)	S2 (kN)	TQ (kN·m)	M3 (kN·m)		
124	SUM TOTAL	D+3LANES (casMAX	S2	-761.81	-195.57	-3675.51	-1009.78	-197.97	-7978.41	-1009.78	-217.11	-7977.91	-1252.57	-218.61	-13471.16	
			TQ	-1133.71	966.40	-1999.74	-1385.90	966.40	-8043.46	-1384.56	947.12	-7986.37	-1631.32	947.12	-15219.56	
			M3	-1035.81	870.54	1149.61	-1263.12	763.51	-4397.50	-1263.12	752.95	-4399.32	-1475.66	648.24	-10973.96	
		MIN	S2	-1145.48	949.24	-2061.22	-1396.54	951.64	-8106.89	-1396.54	932.18	-8109.15	-1641.94	933.67	-15330.68	
			TQ	-773.73	-218.47	-4546.71	-1020.58	-218.47	-8852.31	-1021.92	-239.74	-8911.15	-1263.34	-239.74	-14393.49	
			M3	-906.97	-93.88	-8520.18	-1153.82	-93.88	-13464.39	-1153.82	-126.20	-13464.12	-1395.24	-126.20	-19578.64	
		D+3LANES (casMAX	S2	-459.83	-263.66	-101.72	-862.29	-139.07	-4906.14	-862.29	-150.85	-4905.80	-1208.18	-58.87	-11520.63	
			TQ	-788.34	55.44	-4466.00	-1037.67	55.44	-8848.46	-1037.98	34.28	-8798.98	-1279.99	34.28	-14360.42	
			M3	-762.57	-630.26	2143.85	-1182.19	-549.94	-2895.56	-1182.19	-556.89	-2894.23	-1601.49	-457.07	-10030.49	
		MIN	S2	-1204.33	-619.46	-1580.54	-1573.22	-579.33	-6789.06	-1573.22	-595.63	-6787.65	-1972.09	-569.49	-14104.24	
			TQ	-1086.05	-691.75	-1448.55	-1398.41	-691.75	-7407.83	-1398.10	-709.60	-7455.74	-1704.89	-709.60	-14897.82	
			M3	-921.49	-20.42	-8510.39	-1168.33	-20.42	-13524.15	-1168.33	-52.87	-13524.07	-1409.76	-52.91	-19708.15	
		D+3LANES (casMAX	S2	-615.43	-171.43	-922.31	-926.24	-55.59	-5545.52	-926.24	-68.90	-5545.37	-1198.58	-24.14	-11451.36	
			TQ	-776.10	168.41	-4615.47	-1022.94	168.41	-8932.41	-1021.77	147.04	-8886.98	-1263.19	147.04	-14368.61	
			M3	-925.59	-1096.94	2270.75	-1235.11	-1005.52	-3110.33	-1235.11	-1012.98	-3107.91	-1500.17	-784.54	-9915.73	
		MIN	S2	-1216.28	-1101.60	-1270.31	-1503.97	-1072.61	-7050.80	-1503.97	-1089.53	-7048.21	-1834.99	-990.63	-14291.29	
			TQ	-1140.28	-1199.23	-1049.15	-1417.80	-1199.23	-7183.80	-1418.03	-1216.55	-7240.49	-1691.91	-1216.55	-14698.25	
			M3	-921.87	42.64	-8507.86	-1168.72	42.64	-13523.46	-1168.72	10.19	-13523.52	-1410.14	10.15	-19709.44	
		D+4LANES	MAX	S2	-776.72	105.68	-4763.45	-1023.56	105.68	-9083.36	-1023.56	83.87	-9083.58	-1264.98	83.87	-14573.80
			TQ	-785.90	115.70	-4629.47	-1032.74	115.70	-8993.38	-1033.38	94.12	-8987.22	-1274.80	94.12	-14524.48	
			M3	-1122.63	-840.27	1069.96	-1369.46	-840.50	-4907.83	-1369.46	-852.27	-4905.80	-1610.87	-852.36	-12053.80	
		MIN	S2	-1127.94	-860.24	1002.35	-1374.79	-860.24	-5000.91	-1374.79	-872.24	-4998.83	-1616.21	-872.24	-12172.40	
			TQ	-1093.48	-878.50	425.56	-1340.33	-878.50	-5412.53	-1339.79	-891.50	-5416.00	-1581.21	-891.50	-12421.82	
			M3	-776.72	106.10	-4763.45	-1023.56	106.25	-9083.36	-1023.56	84.45	-9083.59	-1264.99	85.58	-14573.81	

BAGO RIVER BRIDGE

BLOCK [ No.1 : MAIN GIRDER ][ BEAM MEMBER FORCE ]

MEMBER					3027			3028			3028			3029		
NODE					3027			3028			3028			3029		
					SHEAR	TORQUE	MOMENT	SHEAR	TORQUE	MOMENT	SHEAR	TORQUE	MOMENT	SHEAR	TORQUE	MOMENT
NAME TITLE					S2 (kN)	TQ (kN·m)	M3 (kN·m)	S2 (kN)	TQ (kN·m)	M3 (kN·m)	S2 (kN)	TQ (kN·m)	M3 (kN·m)	S2 (kN)	TQ (kN·m)	M3 (kN·m)
124	SUM TOTAL	D+6LANES	MAX	S2	-507.53	-195.37	-1038.09	-861.36	-147.33	-5512.16	-861.36	-160.56	-5511.79	-1163.69	-153.75	-11445.50
				TQ	-1000.13	743.92	-3113.92	-1252.50	743.92	-8518.43	-1251.34	723.56	-8425.07	-1496.97	723.56	-15017.54
				M3	-967.57	-164.32	4592.43	-1298.02	-155.83	-1131.14	-1298.02	-158.61	-1130.76	-1596.73	-101.76	-8433.75
			MIN	S2	-1358.51	-122.06	-273.42	-1682.27	-120.83	-6539.29	-1682.27	-136.52	-6538.98	-2034.62	-98.76	-14498.87
				TQ	-1002.43	-932.55	-1699.54	-1283.83	-932.55	-7184.12	-1284.83	-949.87	-7271.84	-1561.30	-949.87	-14098.52
				M3	-945.33	-22.92	-10686.03	-1192.23	-22.02	-15814.24	-1192.23	-59.75	-15814.14	-1433.69	-56.02	-22112.81
	SUM TOTAL		MAX		-448.57	966.40	4592.43	-861.36	966.40	-1131.14	-861.36	947.12	-1130.76	-1163.69	947.12	-8433.75
			MIN		-1358.51	-1199.23	-10686.03	-1682.27	-1199.23	-15814.24	-1682.27	-1216.55	-15814.14	-2034.62	-1216.55	-22112.81
300	DEAD LOAD	TOTAL			-845.15	-38.25	-3843.33	-1091.99	-38.25	-8491.21	-1091.99	-58.63	-8491.09	-1333.41	-58.63	-14309.28
301	LIVE LOAD	1-LANE(case1MAX	S2		33.06	-114.39	-364.21	33.06	-114.39	-205.76	33.06	-114.88	-205.48	33.06	-114.88	-47.03
			TQ		-129.73	678.19	796.09	-129.73	678.19	174.34	-129.69	678.61	174.90	-129.69	678.61	-446.69
			M3		-87.11	618.28	2128.12	-77.41	554.33	1731.65	-77.41	558.48	1730.32	-75.23	537.58	1364.29
			MIN	S2	-130.18	675.88	710.18	-130.18	675.88	86.23	-130.18	676.09	84.61	-130.18	676.09	-539.34
				TQ	31.61	-118.61	-401.11	31.61	-118.61	-249.59	31.58	-119.21	-251.50	31.58	-119.21	-100.15
				M3	-27.34	-36.21	-2202.97	-27.34	-36.21	-2334.01	-27.34	-41.82	-2333.92	-27.34	-41.82	-2464.96
		1-LANE(case2MAX	S2		49.72	-28.37	852.76	48.13	-31.75	1014.22	48.13	-29.32	1014.30	46.21	-31.43	1147.47
			TQ		-140.79	267.48	900.92	-148.33	267.48	208.06	-146.60	268.00	282.37	-154.13	268.00	-438.29
			M3		-80.27	240.87	2562.43	-76.22	196.30	2142.36	-76.22	201.44	2141.88	-64.01	146.36	1776.55
			MIN	S2	-154.79	252.80	950.56	-160.74	256.19	267.46	-160.74	256.83	266.84	-166.36	258.94	-424.10
				TQ	36.53	-51.53	-243.12	36.53	-51.53	-68.04	34.79	-51.72	-142.87	34.79	-51.72	23.88
				M3	-30.87	-16.14	-2199.03	-30.87	-16.14	-2346.98	-30.87	-21.77	-2346.93	-30.87	-21.77	-2494.89
		1-LANE(case3MAX	S2		265.60	-39.30	1744.31	147.86	-25.88	1778.06	147.86	-21.61	1778.12	66.70	-11.62	1305.04
			TQ		15.36	8.99	-189.19	11.85	8.99	-125.25	11.10	8.78	-68.06	10.27	8.78	-17.82
			M3		100.98	-75.03	2747.85	-23.33	-68.90	2701.56	-23.33	-62.42	2701.72	-160.61	-53.10	1959.53
			MIN	S2	-173.80	-68.88	1000.20	-265.43	-68.01	872.32	-265.43	-65.91	872.48	-390.21	-59.17	137.05
				TQ	-89.06	-81.79	966.74	-130.80	-81.79	441.10	-130.05	-80.82	384.09	-174.43	-80.82	-344.62
				M3	-33.85	-1.59	-2196.92	-33.85	-1.59	-2359.17	-33.85	-7.25	-2359.16	-33.85	-7.25	-2521.41

BAGO RIVER BRIDGE

BLOCK [ No.1 : MAIN GIRDER ][ BEAM MEMBER FORCE ]

MEMBER			3027			3028			3028			3029				
NODE			3027			3028			3028			3029				
NAME TITLE			SHEAR	TORQUE	MOMENT	SHEAR	TORQUE	MOMENT	SHEAR	TORQUE	MOMENT	SHEAR	TORQUE	MOMENT		
			S2 (kN)	TQ (kN·m)	M3 (kN·m)	S2 (kN)	TQ (kN·m)	M3 (kN·m)	S2 (kN)	TQ (kN·m)	M3 (kN·m)	S2 (kN)	TQ (kN·m)	M3 (kN·m)		
301	LIVE LOAD	1-LANE (case4MAX	S2	44.97	70.92	608.25	45.41	64.52	852.12	45.41	66.56	851.97	76.52	14.35	1419.81	
			TQ	33.89	134.89	-328.75	33.89	134.89	-166.30	34.67	134.51	-140.39	34.67	134.51	25.79	
			M3	-125.12	-705.68	2934.76	-106.22	-696.70	2371.84	-106.22	-691.01	2373.50	-7.95	-505.85	2111.84	
			MIN	S2	-194.05	-729.72	1440.73	-166.82	-761.17	471.77	-166.82	-760.03	473.59	-163.82	-748.35	-402.35
			TQ	-170.70	-774.40	1458.99	-162.68	-774.40	659.68	-163.46	-772.84	635.30	-155.02	-772.84	-128.36	
			M3	-38.20	47.96	-2194.45	-38.20	47.96	-2377.53	-38.20	42.25	-2377.64	-38.21	42.20	-2560.74	
		2-LANES (caseMAX	S2	56.61	-161.44	-513.21	56.61	-161.44	-241.90	56.61	-162.02	-241.51	56.61	-162.02	29.80	
			TQ	-222.16	959.05	1418.16	-222.16	959.05	353.38	-222.03	959.90	358.49	-222.03	959.90	-705.66	
			M3	-157.41	868.44	3738.69	-137.81	779.67	3030.83	-137.81	786.94	3028.95	-114.01	709.65	2443.46	
			MIN	S2	-224.34	951.08	1304.47	-224.34	951.08	229.26	-224.34	951.63	226.98	-224.34	951.63	-848.23
			TQ	53.58	-169.08	-624.91	53.58	-169.08	-368.12	53.45	-169.97	-375.12	53.45	-169.97	-118.96	
			M3	-47.01	-51.99	-3669.66	-47.01	-51.99	-3894.98	-47.01	-61.34	-3894.84	-47.01	-61.34	-4120.17	
		2-LANES (caseMAX	S2	70.49	-89.75	500.94	69.17	-92.57	774.75	69.17	-90.72	774.97	67.57	-92.47	1025.21	
			TQ	-231.38	616.79	1505.52	-237.67	616.79	381.49	-236.12	617.73	448.05	-242.40	617.73	-698.67	
			M3	-151.72	553.94	4100.61	-136.82	481.31	3373.09	-136.82	489.40	3371.92	-104.66	383.63	2787.01	
			MIN	S2	-244.84	598.52	1504.79	-249.80	601.34	380.28	-249.80	602.25	378.84	-254.48	604.01	-752.20
			TQ	57.67	-113.18	-493.24	57.67	-113.18	-216.83	56.12	-113.73	-284.60	56.12	-113.73	-15.60	
			M3	-49.95	-35.27	-3666.37	-49.95	-35.27	-3905.79	-49.95	-44.64	-3905.69	-49.95	-44.64	-4145.11	
		2-LANES (caseMAX	S2	396.57	-123.62	2941.96	224.17	-61.32	2929.47	224.17	-54.29	2929.61	106.72	-9.40	2190.15	
			TQ	39.18	43.14	-460.01	36.26	43.14	-280.29	35.89	42.55	-222.06	35.20	42.55	-52.54	
			M3	134.33	-295.47	4642.93	-49.54	-258.60	4488.28	-49.54	-247.82	4488.89	-248.67	-200.34	3317.05	
			MIN	S2	-287.45	-284.10	1713.78	-420.89	-266.89	1434.72	-420.89	-263.45	1435.36	-598.67	-224.06	262.66
			TQ	-165.87	-323.41	1759.37	-231.16	-323.41	808.78	-230.79	-321.56	751.22	-297.57	-321.56	-514.36	
			M3	-58.13	5.68	-3660.77	-58.13	5.68	-3939.38	-58.13	-3.77	-3939.38	-58.13	-3.77	-4217.99	

BAGO RIVER BRIDGE

BLOCK [ No.1 : MAIN GIRDER ][ BEAM MEMBER FORCE ]

MEMBER				3027			3028			3028			3029		
NODE				3027			3028			3028			3029		
				SHEAR	TORQUE	MOMENT	SHEAR	TORQUE	MOMENT	SHEAR	TORQUE	MOMENT	SHEAR	TORQUE	MOMENT
NAME TITLE				S2 (kN)	TQ (kN·m)	M3 (kN·m)	S2 (kN)	TQ (kN·m)	M3 (kN·m)	S2 (kN)	TQ (kN·m)	M3 (kN·m)	S2 (kN)	TQ (kN·m)	M3 (kN·m)
301	LIVE LOAD	2-LANES (caseMAX	S2	94.57	-74.48	1960.36	88.94	7.63	2010.08	88.94	12.46	2010.06	105.91	30.82	2264.50
			TQ	55.79	193.34	-556.35	55.79	193.34	-288.98	56.54	192.67	-263.64	56.54	192.67	7.33
			M3	-143.14	-1000.82	4843.14	-141.67	-930.37	4082.23	-141.67	-920.57	4084.45	-77.33	-693.92	3480.53
		MIN	S2	-295.32	-1016.20	2142.39	-285.56	-1002.34	985.29	-285.56	-999.97	987.69	-299.57	-922.86	-148.73
			TQ	-258.10	-1100.53	2284.12	-263.44	-1100.53	1034.64	-264.19	-1098.07	1011.48	-269.94	-1098.07	-268.47
			M3	-61.91	71.71	-3657.88	-61.91	71.71	-3954.61	-61.91	62.22	-3954.77	-61.92	62.18	-4251.51
	3-LANES (caseMAX	S2	83.34	-157.31	167.82	82.21	-159.71	512.80	82.21	-158.48	513.18	80.85	-159.98	838.12	
		TQ	-288.57	1004.66	1843.59	-293.91	1004.66	447.75	-292.56	1005.75	504.73	-297.90	1005.75	-910.27	
		M3	-190.66	908.80	4992.94	-171.13	801.76	4093.71	-171.13	811.58	4091.77	-142.25	706.87	3335.33	
		MIN	S2	-300.33	987.49	1782.11	-304.54	989.89	384.32	-304.54	990.81	381.95	-308.52	992.30	-1021.40
			TQ	71.42	-180.22	-703.38	71.42	-180.22	-361.10	70.07	-181.11	-420.05	70.07	-181.11	-84.20
			M3	-61.83	-55.63	-4676.86	-61.83	-55.63	-4973.18	-61.83	-67.56	-4973.03	-61.83	-67.56	-5269.35
	3-LANES (caseMAX	S2	385.32	-225.41	3741.61	229.71	-100.82	3585.06	229.71	-92.22	3585.30	125.23	-0.23	2788.66	
		TQ	56.81	93.70	-622.68	54.32	93.70	-357.25	54.01	92.91	-307.88	53.42	92.91	-51.14	
		M3	82.57	-592.00	5987.18	-90.20	-511.69	5595.65	-90.20	-498.26	5596.86	-268.08	-398.43	4278.80	
		MIN	S2	-359.18	-581.21	2262.79	-481.23	-541.08	1702.15	-481.23	-536.99	1703.44	-638.67	-510.86	205.05
			TQ	-240.90	-653.50	2394.77	-306.42	-653.50	1083.38	-306.11	-650.97	1035.35	-371.47	-650.97	-588.54
			M3	-76.34	17.84	-4667.06	-76.34	17.84	-5032.94	-76.34	5.76	-5032.97	-76.35	5.72	-5398.87
	3-LANES (caseMAX	S2	229.72	-133.18	2921.02	165.75	-17.33	2945.69	165.75	-10.26	2945.73	134.84	34.50	2857.92	
		TQ	69.05	206.66	-772.14	69.05	206.66	-441.20	70.22	205.67	-395.89	70.22	205.67	-59.33	
		M3	-80.44	-1058.68	6114.08	-143.12	-967.26	5380.88	-143.12	-954.35	5383.19	-166.76	-725.91	4393.56	
MIN		S2	-371.14	-1063.35	2573.02	-411.97	-1034.36	1440.41	-411.97	-1030.90	1442.88	-501.57	-931.99	17.99	
		TQ	-295.14	-1160.98	2794.18	-325.81	-1160.98	1307.41	-326.04	-1157.92	1250.60	-358.50	-1157.92	-388.97	
		M3	-76.72	80.90	-4664.53	-76.72	80.90	-5032.25	-76.72	68.82	-5032.43	-76.73	68.78	-5400.16	



BAGO RIVER BRIDGE

BLOCK [ No.1 : MAIN GIRDER ][ BEAM MEMBER FORCE ]

MEMBER					3027			3028			3028			3029		
NODE					3027			3028			3028			3029		
NAME TITLE					SHEAR	TORQUE	MOMENT	SHEAR	TORQUE	MOMENT	SHEAR	TORQUE	MOMENT	SHEAR	TORQUE	MOMENT
					S2 (kN)	TQ (kN·m)	M3 (kN·m)	S2 (kN)	TQ (kN·m)	M3 (kN·m)	S2 (kN)	TQ (kN·m)	M3 (kN·m)	S2 (kN)	TQ (kN·m)	M3 (kN·m)
301	LIVE LOAD	4-LANES	MAX	S2	68.43	143.93	-920.12	68.43	143.93	-592.15	68.43	142.51	-592.49	68.43	142.51	-264.52
				TQ	59.25	153.95	-786.15	59.25	153.95	-502.17	58.61	152.76	-496.13	58.61	152.76	-215.20
				M3	-277.49	-802.02	4913.29	-277.46	-802.24	3583.38	-277.46	-793.64	3585.29	-277.45	-793.73	2255.49
		MIN	S2	-282.79	-821.98	4845.68	-282.79	-821.98	3490.30	-282.79	-813.61	3492.26	-282.79	-813.61	2136.88	
			TQ	-248.33	-840.25	4268.89	-248.33	-840.25	3078.68	-247.79	-832.86	3075.09	-247.79	-832.86	1887.47	
			M3	68.43	144.35	-920.12	68.43	144.51	-592.15	68.43	143.09	-592.50	68.43	144.22	-264.53	
	6-LANES	MAX	S2	337.62	-157.12	2805.24	230.63	-109.07	2979.05	230.63	-101.92	2979.30	169.72	-95.11	2863.79	
			TQ	-154.98	782.17	729.41	-160.51	782.17	-27.22	-159.35	782.19	66.02	-163.56	782.19	-708.26	
			M3	-122.43	-126.07	8435.76	-206.02	-117.58	7360.07	-206.02	-99.98	7360.33	-263.32	-43.13	5875.54	
		MIN	S2	-513.36	-83.81	3569.90	-590.28	-82.57	1951.92	-590.28	-77.89	1952.12	-701.20	-40.13	-189.59	
			TQ	-157.28	-894.29	2143.79	-191.83	-894.29	1307.09	-192.84	-891.23	1219.26	-227.89	-891.23	210.76	
			M3	-100.18	15.33	-6842.70	-100.24	16.23	-7323.03	-100.24	-1.12	-7323.04	-100.27	2.61	-7803.52	
	LIVE LOAD	MAX	396.57	1004.66	8435.76	230.63	1004.66	7360.07	230.63	1005.75	7360.33	169.72	1005.75	5875.54		
		MIN	-513.36	-1160.98	-6842.70	-590.28	-1160.98	-7323.03	-590.28	-1157.92	-7323.04	-701.20	-1157.92	-7803.52		
	303	SUM TOTAL	TOTAL	MAX	-448.57	966.40	4592.43	-861.36	966.40	-1131.14	-861.36	947.12	-1130.76	-1163.69	947.12	-8433.75
MIN				-1358.51	-1199.23	-10686.03	-1682.27	-1199.23	-15814.24	-1682.27	-1216.55	-15814.14	-2034.62	-1216.55	-22112.81	

BAGO RIVER BRIDGE

BLOCK [ No.1 : MAIN GIRDER ][ BEAM MEMBER FORCE ]

MEMBER NODE	3029	3030			3030			3031			3030				
		SHEAR	TORQUE	MOMENT	SHEAR	TORQUE	MOMENT	SHEAR	TORQUE	MOMENT	SHEAR	TORQUE	MOMENT		
		S2 (kN)	TQ (kN·m)	M3 (kN·m)	S2 (kN)	TQ (kN·m)	M3 (kN·m)	S2 (kN)	TQ (kN·m)	M3 (kN·m)	S2 (kN)	TQ (kN·m)	M3 (kN·m)		
1	PAVEMENT	-210.04	-86.70	-2073.50	-252.82	-86.70	-3184.09	-252.82	-94.35	-3183.87	-293.85	-94.35	-4495.36		
3	RAILING	-8.08	-2.61	-70.82	-7.04	-2.61	-107.20	-7.04	-2.87	-107.19	-5.93	-2.87	-138.44		
5	CURB	-80.00	-25.87	-701.10	-69.66	-25.87	-1061.29	-69.66	-28.42	-1061.22	-58.73	-28.42	-1370.56		
7	DECK WEIGHT	-335.53	-113.92	-3520.76	-400.74	-113.92	-5287.57	-400.74	-126.61	-5287.29	-463.35	-126.61	-7360.50		
8	GIRDER WEIGH	-435.26	64.07	-5513.82	-524.83	64.07	-7814.57	-524.83	45.31	-7814.70	-614.40	45.31	-10544.75		
10	MEDIAN STRIP	-61.71	46.87	-1371.53	-90.78	46.87	-1736.96	-90.78	42.71	-1737.06	-119.85	42.71	-2241.81		
21	ADITIONAL WE	-93.95	-31.90	-985.81	-112.21	-31.90	-1480.52	-112.21	-35.45	-1480.44	-129.74	-35.45	-2060.94		
31	MEDIAN RAILI	-4.40	3.85	-73.51	-6.75	3.85	-100.23	-6.75	3.61	-100.24	-9.10	3.61	-138.22		
51	SUPPORT WEIG	0.00	0.00	-0.00	0.00	0.00	-0.00	0.00	0.00	-0.00	0.00	0.00	-0.00		
52	NOSE WEIGHT	-0.00	-0.06	-0.00	-0.00	-0.06	-0.00	-0.00	-0.06	-0.00	-0.00	-0.06	-0.00		
61	1-LANE(case1TRUCK-LOAD	MAX	S2	10.96	-41.33	-45.29	10.96	-41.33	7.26	10.96	-41.31	7.36	10.96	-41.31	59.91
			TQ	-53.83	370.97	543.84	-53.83	370.97	285.82	-53.83	371.65	284.93	-53.83	371.65	26.91
			M3	-49.02	351.26	595.60	-37.43	296.17	384.42	-37.43	297.09	383.71	-32.65	255.34	215.84
		MIN	S2	-53.83	370.97	543.84	-53.83	370.97	285.82	-53.83	371.65	284.93	-53.83	371.65	26.91
			TQ	-1.86	-50.06	-591.13	-1.86	-50.06	-600.05	-2.55	-51.57	-646.84	-2.55	-51.57	-659.06
			M3	-5.23	-43.35	-740.78	-5.48	-41.62	-766.06	-5.48	-43.46	-765.96	-5.48	-43.46	-792.21
		TANDEM-LOAD MAX	S2	7.45	-27.72	-30.77	7.45	-27.72	4.94	7.45	-27.71	5.01	7.45	-27.71	40.72
			TQ	-37.27	252.47	398.13	-37.27	252.47	219.50	-37.27	253.00	218.89	-37.27	253.00	40.26
			M3	-31.27	233.05	406.48	-23.42	194.25	264.00	-23.42	194.88	263.53	-22.09	183.23	154.50
		MIN	S2	-37.27	252.47	398.13	-37.27	252.47	219.50	-37.27	253.00	218.89	-37.27	253.00	40.26
			TQ	-1.40	-34.10	-411.75	-1.40	-34.10	-418.48	-1.60	-35.13	-431.49	-1.60	-35.13	-439.14
			M3	-3.61	-29.03	-503.05	-3.68	-28.54	-520.43	-3.68	-29.79	-520.36	-3.68	-29.79	-538.01
		DISPERSION-LMAX	S2	13.99	-63.72	-144.28	13.99	-63.72	-77.22	13.99	-63.90	-77.07	13.99	-63.90	-10.00
			TQ	-51.46	390.99	541.94	-51.46	390.99	295.29	-51.46	391.70	294.36	-51.46	391.70	47.71
			M3	-51.46	390.99	541.94	-36.61	325.71	304.54	-36.61	326.44	303.76	-13.40	133.29	180.61
		MIN	S2	-59.80	323.07	-626.88	-59.80	323.07	-913.47	-59.80	320.88	-914.25	-59.80	320.88	-1200.84
			TQ	5.66	-131.64	-1313.09	5.66	-131.64	-1285.99	5.66	-134.72	-1285.67	5.66	-134.72	-1258.56
			M3	5.66	-131.64	-1313.09	-9.19	-66.35	-1295.23	-9.19	-69.46	-1295.07	-32.40	123.69	-1391.46

BAGO RIVER BRIDGE

BLOCK [ No.1 : MAIN GIRDER ][ BEAM MEMBER FORCE ]

MEMBER				3029			3030			3031					
NODE				3029			3030			3031					
				SHEAR	TORQUE	MOMENT	SHEAR	TORQUE	MOMENT	SHEAR	TORQUE	MOMENT			
NAME	TITLE			S2 (kN)	TQ (kN·m)	M3 (kN·m)	S2 (kN)	TQ (kN·m)	M3 (kN·m)	S2 (kN)	TQ (kN·m)	M3 (kN·m)			
62	1-LANE (case2TRUCK-LOAD	MAX	S2	11.13	-17.13	-45.60	11.13	-17.13	7.76	11.13	-17.11	7.81	11.13	-17.11	61.17
			TQ	-67.51	146.51	676.58	-67.51	146.51	353.02	-67.51	147.36	352.67	-67.51	147.36	29.10
			M3	-46.73	127.69	852.39	-37.04	86.07	596.73	-37.04	87.50	596.52	-20.96	38.51	424.14
		MIN	S2	-75.66	135.47	843.08	-75.66	135.47	480.46	-75.66	136.62	480.14	-75.66	136.62	117.53
			TQ	10.38	-18.05	-42.54	10.38	-18.05	7.21	10.38	-18.03	7.25	10.38	-18.03	56.99
			M3	-10.02	-13.31	-752.29	-10.02	-13.31	-800.29	-10.02	-15.23	-800.26	-10.02	-15.23	-848.27
		TANDEM-LOAD MAX	S2	7.56	-11.44	-30.96	7.56	-11.44	5.27	7.56	-11.43	5.30	7.56	-11.43	41.53
			TQ	-42.80	99.60	417.12	-42.80	99.60	211.98	-49.88	100.16	277.62	-49.88	100.16	38.58
			M3	-35.24	85.65	619.58	-24.75	51.43	434.61	-24.75	52.48	434.48	-12.72	17.83	327.90
		MIN	S2	-52.76	85.65	619.58	-52.76	85.65	366.71	-52.76	86.53	366.50	-52.76	86.53	113.62
			TQ	7.18	-12.29	-29.42	7.18	-12.29	4.99	7.18	-12.28	5.02	7.18	-12.28	39.42
			M3	-6.81	-8.93	-510.63	-6.81	-8.93	-543.29	-6.81	-10.23	-543.27	-6.81	-10.23	-575.93
		DISPERSION-LMAX	S2	16.71	-15.77	56.74	15.88	-18.41	99.30	15.88	-18.17	99.34	15.07	-20.08	134.88
			TQ	-50.01	145.27	620.11	-56.29	145.27	365.36	-56.23	146.15	366.79	-62.51	146.15	82.25
			M3	-49.77	145.23	625.49	-40.17	116.43	382.00	-40.17	117.35	381.72	-16.77	31.18	237.34
MIN	S2	-69.92	115.42	-758.27	-75.38	118.06	-1070.93	-75.38	115.49	-1071.21	-80.86	117.40	-1406.98		
	TQ	-3.21	-45.62	-1321.63	-3.21	-45.62	-1337.00	-3.27	-48.83	-1338.67	-3.27	-48.83	-1354.35		
	M3	-3.45	-45.58	-1327.01	-19.33	-16.78	-1353.64	-19.33	-20.03	-1353.59	-49.01	66.14	-1509.44		
63	1-LANE (case3TRUCK-LOAD	MAX	S2	153.77	-37.79	919.18	76.02	-28.66	870.92	76.02	-26.57	870.99	22.44	-15.64	483.54
			TQ	-11.23	11.60	-587.08	-11.23	11.60	-640.88	-10.31	10.15	-576.87	-10.31	10.15	-626.29
			M3	69.69	-42.24	979.12	2.22	-37.06	945.22	2.22	-34.79	945.31	-74.41	-25.53	520.69
		MIN	S2	-93.72	-42.99	965.18	-154.66	-39.04	923.36	-154.66	-36.82	923.46	-232.64	-28.43	503.75
			TQ	-72.24	-43.45	712.86	-72.24	-43.45	366.61	-65.99	-42.58	320.28	-65.99	-42.58	3.98
			M3	-13.61	9.25	-760.92	-13.61	9.25	-826.15	-13.61	7.26	-826.17	-13.61	7.26	-891.39

BAGO RIVER BRIDGE

BLOCK [ No.1 : MAIN GIRDER ][ BEAM MEMBER FORCE ]

MEMBER		3029			3030			3030			3031				
NODE		3029			3030			3030			3031				
		SHEAR	TORQUE	MOMENT	SHEAR	TORQUE	MOMENT	SHEAR	TORQUE	MOMENT	SHEAR	TORQUE	MOMENT		
NAME	TITLE	S2 (kN)	TQ (kN·m)	M3 (kN·m)	S2 (kN)	TQ (kN·m)	M3 (kN·m)	S2 (kN)	TQ (kN·m)	M3 (kN·m)	S2 (kN)	TQ (kN·m)	M3 (kN·m)		
63	1-LANE (case3TANDEM-LOAD	MAX	S2	130.53	-27.92	784.91	73.84	-23.11	779.95	73.84	-21.24	780.00	24.27	-14.38	478.45
			TQ	-7.47	7.90	-388.95	-7.47	7.90	-424.78	-7.22	6.91	-406.93	-7.22	6.91	-441.53
			M3	32.95	-28.64	791.28	-20.68	-24.63	787.52	-20.68	-22.74	787.58	-74.47	-16.25	480.50
		MIN	S2	-75.47	-28.64	791.28	-129.02	-24.63	787.52	-129.02	-22.74	787.58	-182.72	-16.25	480.50
			TQ	-48.62	-29.75	484.73	-48.62	-29.75	251.68	-48.62	-29.15	251.75	-48.62	-29.15	18.70
			M3	-9.22	6.16	-516.33	-9.22	6.16	-560.51	-9.22	4.82	-560.52	-9.22	4.82	-604.70
	DISPERSION-LMAX	S2	45.06	-8.99	163.22	26.15	-4.40	176.51	26.15	-3.98	176.52	16.82	-0.70	150.04	
		TQ	-22.70	23.33	-1243.47	-24.62	23.33	-1357.98	-25.10	20.08	-1346.33	-25.10	20.08	-1466.63	
		M3	-21.23	-47.22	647.20	-42.73	-43.60	466.00	-42.73	-42.49	466.10	-45.93	-15.70	244.20	
		MIN	S2	-76.05	-17.64	-856.93	-94.79	-22.23	-1108.99	-94.79	-24.89	-1108.94	-123.06	-28.16	-1501.56
			TQ	-8.29	-49.96	549.76	-44.01	-49.96	425.49	-43.53	-48.94	413.91	-81.14	-48.94	115.11
			M3	-9.76	20.60	-1340.90	-25.90	16.98	-1398.48	-25.90	13.62	-1398.52	-60.31	-13.16	-1595.72
64	1-LANE (case4TRUCK-LOAD	MAX	S2	11.50	46.40	-46.09	11.50	46.40	9.02	11.50	46.42	8.91	26.72	-134.43	446.80
			TQ	10.92	48.72	-43.70	10.92	48.72	8.64	10.92	48.74	8.52	10.92	48.74	60.86
			M3	-78.04	-384.25	985.14	-67.77	-354.11	624.02	-67.77	-352.61	624.87	14.79	-175.58	461.69
		MIN	S2	-103.15	-376.94	981.99	-85.05	-426.24	513.32	-85.05	-425.01	514.34	-85.05	-425.01	106.70
			TQ	-80.17	-434.24	792.50	-80.17	-434.24	408.25	-80.17	-433.26	409.29	-80.17	-433.26	25.05
			M3	-18.41	39.45	-772.31	-18.41	39.45	-860.54	-18.41	37.38	-860.64	-18.52	38.18	-949.19
	TANDEM-LOAD	MAX	S2	7.82	31.82	-31.34	7.82	31.82	6.14	7.82	31.83	6.07	32.88	-73.73	295.56
			TQ	7.53	33.13	-30.13	7.53	33.13	5.95	7.53	33.14	5.87	7.53	33.14	41.95
			M3	-57.47	-272.53	688.19	-45.49	-233.48	442.18	-45.49	-232.42	442.74	3.09	-132.24	338.71
		MIN	S2	-79.84	-216.41	645.13	-59.16	-281.57	395.01	-59.16	-280.62	395.68	-59.16	-280.62	112.12
			TQ	-56.06	-298.01	562.09	-56.06	-298.01	293.42	-56.06	-297.31	294.14	-56.06	-297.31	25.47
			M3	-12.41	26.22	-523.83	-12.61	27.60	-583.62	-12.61	26.20	-583.69	-12.61	26.20	-644.10

BAGO RIVER BRIDGE

BLOCK [ No.1 : MAIN GIRDER ][ BEAM MEMBER FORCE ]

MEMBER			3029			3030			3030			3031				
NODE			3029			3030			3030			3031				
			SHEAR	TORQUE	MOMENT	SHEAR	TORQUE	MOMENT	SHEAR	TORQUE	MOMENT	SHEAR	TORQUE	MOMENT		
NAME	TITLE		S2 (kN)	TQ (kN·m)	M3 (kN·m)	S2 (kN)	TQ (kN·m)	M3 (kN·m)	S2 (kN)	TQ (kN·m)	M3 (kN·m)	S2 (kN)	TQ (kN·m)	M3 (kN·m)		
64	1-LANE (case4DISPERSION-LMAX	S2	14.32	53.63	-29.64	14.47	49.52	46.03	14.47	49.63	45.91	18.31	36.86	153.19		
		TQ	-17.61	128.00	-1362.98	-17.61	128.00	-1447.40	-17.61	124.53	-1447.70	-17.61	124.53	-1532.12		
		M3	-77.22	-431.53	786.38	-52.05	-345.52	446.04	-52.05	-344.45	446.86	-11.08	-122.53	289.59		
		MIN	S2	-109.15	-357.16	-546.95	-101.90	-353.05	-1059.84	-101.90	-355.59	-1058.99	-97.92	-342.82	-1567.03	
		TQ	-77.22	-431.53	786.38	-69.82	-431.53	433.59	-69.82	-430.49	434.62	-61.99	-430.49	118.28		
		M3	-17.61	128.00	-1362.98	-35.38	41.99	-1459.84	-35.38	38.49	-1459.94	-68.53	-183.42	-1703.42		
		MAX	S2	22.01	-70.71	-90.74	22.01	-70.71	14.77	22.01	-70.67	14.94	22.01	-70.67	120.45	
		TQ	-110.59	630.11	1105.30	-110.59	630.11	575.25	-110.59	631.48	573.73	-110.59	631.48	43.68		
		M3	-104.91	567.95	1313.14	-83.80	478.86	848.19	-83.80	480.89	847.04	-54.62	364.33	523.34		
65	2-LANES (caseTRUCK-LOAD	MIN	S2	-114.44	621.02	1215.21	-114.44	621.02	666.72	-114.44	622.62	665.23	-114.44	622.62	116.74	
		TQ	-7.23	-82.53	-1233.53	-7.23	-82.53	-1268.18	-7.92	-85.64	-1314.89	-7.92	-85.64	-1352.84		
		M3	-12.85	-71.69	-1487.31	-13.10	-69.95	-1549.13	-13.10	-73.67	-1548.96	-13.25	-72.56	-1611.77		
		TANDEM-LOAD	MAX	S2	14.96	-47.32	-61.64	14.96	-47.32	10.05	14.96	-47.30	10.16	14.96	-47.30	81.84
		TQ	-76.69	429.65	793.37	-76.69	429.65	425.79	-76.69	430.67	424.76	-76.69	430.67	57.18		
		M3	-69.20	376.59	905.06	-58.70	328.30	584.71	-58.70	329.70	583.92	-29.62	235.01	371.36		
		MIN	S2	-79.51	421.92	872.57	-79.51	421.92	491.51	-79.51	423.10	490.50	-79.51	423.10	109.44	
		TQ	-4.93	-56.23	-840.86	-4.93	-56.23	-864.47	-5.12	-58.32	-877.42	-5.12	-58.32	-901.96		
		M3	-8.83	-48.01	-1009.88	-8.90	-47.52	-1052.25	-8.90	-50.05	-1052.14	-8.94	-49.74	-1094.79		
		DISPERSION-LMAX	S2	27.62	-100.28	-194.51	27.62	-100.28	-62.13	27.62	-100.43	-61.89	27.62	-100.43	70.49	
		TQ	-105.30	659.98	1130.43	-105.30	659.98	625.76	-105.30	661.48	624.17	-105.30	661.48	119.49		
		M3	-105.30	659.98	1130.43	-75.05	546.58	644.65	-74.85	546.78	643.34	-25.64	209.63	393.19		
		MIN	S2	-126.26	540.14	-1307.64	-126.26	540.14	-1912.79	-126.26	535.55	-1914.08	-126.26	535.55	-2519.23	
		TQ	6.66	-220.11	-2632.58	6.66	-220.11	-2600.67	6.66	-226.35	-2600.13	6.66	-226.35	-2568.23		
		M3	6.66	-220.11	-2632.58	-23.59	-106.72	-2619.57	-23.80	-111.66	-2619.30	-73.00	225.50	-2841.93		

BAGO RIVER BRIDGE

BLOCK [ No.1 : MAIN GIRDER ][ BEAM MEMBER FORCE ]

MEMBER				3029			3030			3031						
NODE				3029			3030			3031						
				SHEAR	TORQUE	MOMENT	SHEAR	TORQUE	MOMENT	SHEAR	TORQUE	MOMENT				
NAME	TITLE			S2 (kN)	TQ (kN·m)	M3 (kN·m)	S2 (kN)	TQ (kN·m)	M3 (kN·m)	S2 (kN)	TQ (kN·m)	M3 (kN·m)				
66	2-LANES (caseTRUCK-LOAD	MAX	S2	22.18	-46.52	-91.05	22.18	-46.52	15.28	22.18	-46.48	15.39	22.18	-46.48	121.71	
			TQ	-124.27	405.65	1238.04	-124.27	405.65	642.45	-124.27	407.19	641.47	-124.27	407.19	45.87	
			M3	-102.62	344.38	1569.93	-83.40	268.76	1060.49	-83.40	271.31	1059.85	-42.92	147.50	731.65	
			MIN	S2	-136.26	385.52	1514.45	-136.26	385.52	861.36	-136.26	387.59	860.44	-136.26	387.59	207.35
				TQ	5.01	-50.52	-684.94	5.01	-50.52	-660.92	5.01	-52.10	-660.80	5.01	-52.10	-636.78
				M3	-17.64	-41.65	-1498.82	-17.64	-41.65	-1583.36	-17.64	-45.45	-1583.26	-17.78	-44.34	-1667.82
		TANDEM-LOAD MAX	S2	15.07	-31.04	-61.82	15.07	-31.04	10.38	15.07	-31.02	10.46	15.07	-31.02	82.66	
			TQ	-82.23	276.78	812.36	-82.23	276.78	418.27	-89.30	277.84	483.49	-89.30	277.84	55.49	
			M3	-73.17	229.19	1118.16	-60.02	185.48	755.31	-60.02	187.29	754.87	-20.26	69.60	544.76	
			MIN	S2	-95.00	255.10	1094.03	-95.00	255.10	638.72	-95.00	256.63	638.10	-95.00	256.63	182.79
				TQ	3.66	-34.42	-458.52	3.66	-34.42	-441.00	3.66	-35.47	-440.92	3.66	-35.47	-423.39
				M3	-12.03	-27.91	-1017.47	-12.03	-27.91	-1075.12	-12.03	-30.49	-1075.05	-12.07	-30.18	-1132.71
		DISPERSION-LMAX	S2	30.33	-52.33	6.52	29.50	-54.97	114.39	29.50	-54.69	114.52	28.70	-56.61	215.37	
			TQ	-103.85	414.25	1208.61	-110.13	414.25	695.82	-110.07	415.92	696.61	-116.35	415.92	154.03	
			M3	-103.61	414.21	1213.99	-78.60	337.31	722.11	-78.40	337.69	721.30	-29.01	107.52	449.92	
			MIN	S2	-136.39	332.49	-1439.03	-141.84	335.13	-2070.25	-141.84	330.16	-2071.05	-147.32	332.07	-2725.36
				TQ	-2.20	-134.09	-2641.12	-2.20	-134.09	-2651.68	-2.27	-140.46	-2653.14	-2.27	-140.46	-2664.02
				M3	-2.45	-134.06	-2646.50	-33.73	-57.15	-2677.97	-33.93	-62.23	-2677.83	-89.61	167.95	-2959.91
67	2-LANES (caseTRUCK-LOAD	MAX	S2	259.69	-157.73	1845.80	127.81	-102.17	1670.64	127.81	-98.16	1670.88	38.44	-48.24	935.25	
			TQ	-25.64	40.34	-1214.87	-25.64	40.34	-1337.75	-24.72	37.22	-1273.81	-24.72	37.22	-1392.30	
			M3	106.33	-194.46	1973.37	-8.52	-152.27	1826.05	-8.52	-147.89	1826.41	-135.03	-92.36	1028.75	
		MIN	S2	-184.64	-202.35	1948.90	-285.65	-165.94	1790.01	-285.65	-161.64	1790.41	-411.03	-107.61	1000.96	
			TQ	-141.92	-214.72	1401.22	-141.92	-214.72	721.01	-135.67	-213.00	675.10	-135.67	-213.00	24.85	
			M3	-29.60	33.49	-1527.54	-29.62	33.64	-1669.48	-29.62	29.63	-1669.55	-29.62	29.63	-1811.54	

BAGO RIVER BRIDGE

BLOCK [ No.1 : MAIN GIRDER ][ BEAM MEMBER FORCE ]

MEMBER		3029			3030			3030			3031						
NODE		3029			3030			3030			3031						
		SHEAR	TORQUE	MOMENT	SHEAR	TORQUE	MOMENT	SHEAR	TORQUE	MOMENT	SHEAR	TORQUE	MOMENT				
NAME	TITLE	S2 (kN)	TQ (kN·m)	M3 (kN·m)	S2 (kN)	TQ (kN·m)	M3 (kN·m)	S2 (kN)	TQ (kN·m)	M3 (kN·m)	S2 (kN)	TQ (kN·m)	M3 (kN·m)				
67	2-LANES (caseTANDEM-LOAD	MAX	S2	221.07	-123.94	1553.40	123.88	-87.65	1479.04	123.88	-84.10	1479.25	41.15	-45.89	914.27		
			TQ	-17.45	27.50	-825.71	-17.45	27.50	-909.32	-17.19	25.34	-891.52	-17.19	25.34	-973.91		
			M3	47.08	-130.48	1567.90	-43.32	-97.27	1496.44	-43.32	-93.68	1496.67	-130.95	-54.58	922.38		
		MIN	S2	-145.44	-130.48	1567.90	-233.37	-97.27	1496.44	-233.37	-93.68	1496.67	-318.25	-54.58	922.38		
			TQ	-94.19	-146.68	925.13	-94.19	-146.68	473.68	-94.19	-145.54	474.03	-94.19	-145.54	22.59		
			M3	-20.03	22.36	-1036.43	-20.03	22.36	-1132.43	-20.03	19.64	-1132.48	-20.15	20.53	-1228.60		
			DISPERSION-LMAX	S2	80.56	-20.65	337.41	48.57	-1.28	345.34	48.57	-0.45	345.34	32.89	11.70	297.50	
				TQ	-36.42	85.63	-2594.62	-38.33	85.63	-2774.84	-38.81	78.98	-2763.33	-38.81	78.98	-2949.35	
				M3	-54.65	-222.63	1335.04	-88.33	-191.83	935.12	-88.49	-190.11	935.58	-86.71	-65.19	500.26	
			MIN	S2	-158.68	-119.08	-1694.43	-193.34	-138.45	-2236.82	-193.34	-143.82	-2236.48	-243.38	-155.97	-3040.38	
				TQ	-41.71	-225.36	1237.60	-106.44	-225.36	883.36	-105.96	-223.24	872.19	-171.68	-223.24	206.47	
				M3	-23.47	82.90	-2692.06	-56.43	52.11	-2826.60	-56.28	45.84	-2826.72	-123.78	-79.08	-3243.15	
		68	2-LANES (caseTRUCK-LOAD	MAX	S2	31.61	-135.46	856.94	27.17	-56.43	680.57	27.17	-54.80	680.70	38.15	-100.86	510.27
					TQ	21.73	83.75	-87.18	21.73	83.75	16.99	21.73	83.79	16.79	21.73	83.79	120.95
					M3	-103.20	-629.91	1974.82	-97.05	-527.27	1378.98	-97.05	-523.95	1380.24	-22.10	-269.15	950.27
MIN	S2			-187.58	-638.78	1969.20	-176.35	-620.87	1266.15	-176.35	-617.83	1267.63	-186.83	-538.61	593.27		
	TQ			-152.46	-739.56	1488.36	-152.46	-739.56	757.66	-152.46	-737.74	759.43	-152.46	-737.74	28.74		
	M3			-34.41	63.69	-1538.92	-34.43	63.84	-1703.88	-34.43	59.75	-1704.02	-34.54	60.55	-1869.34		
	TANDEM-LOAD			MAX	S2	22.32	-117.92	681.36	20.62	-60.78	562.39	20.62	-59.43	562.53	41.04	-115.14	672.63
				TQ	14.99	56.96	-60.13	14.99	56.96	11.70	14.99	56.99	11.57	14.99	56.99	83.40	
				M3	-79.41	-434.16	1413.15	-70.56	-339.96	1009.99	-70.56	-337.53	1010.80	-28.37	-184.02	727.31	
	MIN			S2	-138.85	-378.04	1370.08	-123.35	-388.04	962.81	-123.35	-385.73	963.74	-132.02	-332.40	500.72	
				TQ	-106.22	-507.54	1052.07	-106.22	-507.54	542.98	-106.22	-506.24	544.19	-106.22	-506.24	35.09	
				M3	-23.22	42.42	-1043.93	-23.42	43.80	-1155.54	-23.42	41.03	-1155.64	-23.54	41.91	-1268.00	

BAGO RIVER BRIDGE

BLOCK [ No.1 : MAIN GIRDER ][ BEAM MEMBER FORCE ]

MEMBER			3029			3030			3030			3031					
NODE			3029			3030			3030			3031					
			SHEAR	TORQUE	MOMENT	SHEAR	TORQUE	MOMENT	SHEAR	TORQUE	MOMENT	SHEAR	TORQUE	MOMENT			
NAME	TITLE		S2 (kN)	TQ (kN·m)	M3 (kN·m)	S2 (kN)	TQ (kN·m)	M3 (kN·m)	S2 (kN)	TQ (kN·m)	M3 (kN·m)	S2 (kN)	TQ (kN·m)	M3 (kN·m)			
68	2-LANES (caseDISPERSION-LMAX	S2	35.00	64.82	100.96	31.93	74.79	185.01	31.93	75.24	184.83	33.64	71.99	296.96			
		TQ	-31.27	214.75	-2714.95	-31.27	214.75	-2864.83	-31.27	207.88	-2865.34	-31.27	207.88	-3015.23			
		M3	-129.61	-735.15	1521.71	-100.17	-587.05	910.52	-100.17	-584.86	911.92	-41.25	-201.85	562.45			
		MIN	S2	-195.88	-585.22	-1294.19	-198.70	-595.19	-2163.72	-198.70	-600.38	-2162.28	-206.64	-597.13	-3088.94		
		TQ	-129.61	-735.15	1521.71	-135.50	-735.15	886.13	-135.50	-733.02	887.89	-141.73	-733.02	223.25			
		M3	-31.27	214.75	-2714.95	-66.61	66.65	-2889.23	-66.61	59.72	-2889.38	-131.76	-323.30	-3354.43			
		69	3-LANES (caseTRUCK-LOAD	MAX	S2	33.15	-87.84	-136.34	33.15	-87.84	22.54	33.15	-87.79	22.75	33.15	-87.79	181.62
				TQ	-178.10	776.62	1781.88	-178.10	776.62	928.27	-178.10	778.85	926.40	-178.10	778.85	72.78	
				M3	-151.64	695.64	2165.53	-120.83	564.93	1444.92	-120.83	568.39	1443.56	-75.57	402.83	947.48	
MIN	S2			-190.10	756.49	2058.29	-190.10	756.49	1147.18	-190.10	759.24	1145.36	-190.10	759.24	234.26		
TQ	3.15			-100.58	-1276.07	3.15	-100.58	-1260.98	2.46	-103.67	-1307.64	2.46	-103.67	-1295.84			
M3	-22.87			-85.00	-2239.60	-23.12	-83.26	-2349.42	-23.12	-88.90	-2349.22	-23.26	-87.79	-2460.03			
TANDEM-LOAD	MAX			S2	22.52	-58.77	-92.59	22.52	-58.77	15.32	22.52	-58.73	15.46	22.52	-58.73	123.38	
TQ	-119.50			529.25	1210.49	-119.50	529.25	637.76	-126.57	530.84	702.38	-126.57	530.84	95.75			
M3	-104.44			462.24	1524.65	-83.44	379.73	1019.31	-83.44	382.18	1018.40	-42.35	252.83	699.26			
MIN	S2	-132.27	507.57	1492.15	-132.27	507.57	858.21	-132.27	509.63	856.99	-132.27	509.63	223.05				
TQ	2.25	-68.52	-870.27	2.25	-68.52	-859.48	2.06	-70.60	-872.41	2.06	-70.60	-862.54					
M3	-15.64	-56.94	-1520.51	-15.71	-56.45	-1595.55	-15.71	-60.28	-1595.41	-15.75	-59.97	-1670.72					
DISPERSION-LMAX	S2	44.33	-116.04	-137.76	43.50	-118.68	37.17	43.50	-118.59	37.45	42.69	-120.51	205.37				
TQ	-155.31	805.24	1750.55	-161.59	805.24	991.12	-161.53	807.62	990.96	-167.81	807.62	201.74					
M3	-155.07	805.21	1755.93	-115.22	663.01	1026.65	-115.01	664.13	1025.06	-42.41	240.81	630.54					
MIN	S2	-196.19	655.56	-2065.90	-201.64	658.20	-2983.72	-201.64	651.04	-2985.29	-207.12	652.95	-3926.20				
TQ	3.45	-265.73	-3954.21	3.45	-265.73	-3937.67	3.39	-275.18	-3938.80	3.39	-275.18	-3922.58					
M3	3.21	-265.69	-3959.59	-42.93	-123.50	-3973.20	-43.13	-131.69	-3972.90	-122.01	291.63	-4351.37					



BAGO RIVER BRIDGE

BLOCK [ No.1 : MAIN GIRDER ][ BEAM MEMBER FORCE ]

MEMBER				3029			3030			3031					
NODE				3029			3030			3031					
				SHEAR	TORQUE	MOMENT	SHEAR	TORQUE	MOMENT	SHEAR	TORQUE	MOMENT			
NAME	TITLE			S2 (kN)	TQ (kN·m)	M3 (kN·m)	S2 (kN)	TQ (kN·m)	M3 (kN·m)	S2 (kN)	TQ (kN·m)	M3 (kN·m)			
70	3-LANES (caseTRUCK-LOAD	MAX	S2	271.09	-130.52	1799.83	139.21	-74.95	1679.29	139.21	-70.92	1679.46	49.84	-21.00	998.46
			TQ	-43.48	86.23	-1894.45	-43.48	86.23	-2102.83	-42.56	81.28	-2039.00	-42.56	81.28	-2243.00
			M3	66.26	-455.12	2956.57	-56.83	-365.33	2528.25	-56.83	-359.26	2529.12	-171.60	-221.65	1495.10
		MIN	S2	-267.05	-476.79	2927.36	-368.06	-440.38	2373.50	-368.06	-434.68	2374.55	-493.44	-380.65	1190.12
			TQ	-219.01	-514.46	2197.19	-219.01	-514.46	1147.52	-212.76	-511.72	1102.32	-212.76	-511.72	82.60
			M3	-48.01	72.94	-2299.85	-48.04	73.08	-2530.02	-48.04	67.01	-2530.19	-48.14	67.81	-2760.73
		TANDEM-LOAD MAX	S2	228.82	-105.21	1522.15	131.63	-68.92	1484.92	131.63	-65.36	1485.09	48.90	-27.15	957.25
			TQ	-29.48	58.82	-1280.48	-29.48	58.82	-1421.78	-29.23	55.43	-1404.05	-29.23	55.43	-1544.12
			M3	17.02	-304.18	2279.77	-69.76	-216.85	2003.79	-69.76	-212.04	2004.30	-146.15	-114.87	1271.21
		MIN	S2	-201.90	-304.18	2279.77	-289.82	-270.97	1937.74	-289.82	-266.32	1938.39	-374.70	-227.22	1093.52
			TQ	-145.52	-351.97	1440.69	-145.52	-351.97	743.26	-145.52	-350.19	744.10	-145.52	-350.19	46.66
			M3	-32.44	48.58	-1560.26	-32.64	49.96	-1716.05	-32.64	45.84	-1716.16	-32.75	46.73	-1872.70
		DISPERSION-LMAX	S2	97.20	-9.41	411.04	63.86	19.64	443.56	63.86	20.71	443.52	47.67	37.33	434.47
			TQ	-54.09	189.28	-3957.20	-56.00	189.28	-4222.11	-56.48	179.15	-4210.84	-56.48	179.15	-4481.55
			M3	-112.97	-526.02	2074.14	-137.41	-442.79	1385.77	-137.56	-439.99	1386.83	-110.00	-159.35	772.03
MIN	S2	-251.31	-330.07	-2391.53	-292.88	-359.12	-3343.42	-292.88	-367.14	-3342.55	-348.63	-383.76	-4605.03		
	TQ	-100.02	-528.75	1976.70	-173.02	-528.75	1322.25	-172.54	-525.58	1311.82	-244.48	-525.58	310.99		
	M3	-41.14	186.54	-4054.63	-91.62	103.32	-4285.62	-91.46	93.55	-4285.86	-190.96	-187.08	-4942.60		
71	3-LANES (caseTRUCK-LOAD	MAX	S2	162.89	-236.89	1783.13	96.33	-115.26	1539.08	96.33	-111.56	1539.36	59.48	-126.06	993.85
			TQ	32.44	105.08	-130.43	32.44	105.08	25.05	32.44	105.14	24.80	32.44	105.14	180.28
			M3	-51.68	-767.14	2975.77	-97.91	-623.94	2314.44	-97.91	-618.39	2315.94	-92.29	-321.90	1481.00
		MIN	S2	-280.54	-785.54	2961.85	-322.97	-729.38	2183.75	-322.97	-724.14	2185.50	-411.30	-602.15	1110.95
			TQ	-214.42	-916.21	2048.58	-214.42	-916.21	1020.89	-214.42	-913.76	1023.09	-214.42	-913.76	-4.61
			M3	-48.01	72.94	-2299.84	-48.04	73.08	-2530.02	-48.04	67.01	-2530.19	-48.14	67.81	-2760.73

BAGO RIVER BRIDGE

BLOCK [ No.1 : MAIN GIRDER ][ BEAM MEMBER FORCE ]

MEMBER				3029			3030			3031							
NODE				3029			3030			3031							
				SHEAR	TORQUE	MOMENT	SHEAR	TORQUE	MOMENT	SHEAR	TORQUE	MOMENT					
NAME	TITLE			S2 (kN)	TQ (kN·m)	M3 (kN·m)	S2 (kN)	TQ (kN·m)	M3 (kN·m)	S2 (kN)	TQ (kN·m)	M3 (kN·m)					
71	3-LANES (case)	TANDEM-LOAD	MAX	S2	131.16	-200.98	1461.68	87.02	-112.88	1323.66	87.02	-109.70	1323.92	64.15	-139.48	1150.19	
				TQ	22.38	71.49	-90.00	22.38	71.49	17.27	22.38	71.53	17.10	22.38	71.53	124.36	
				M3	-57.17	-523.94	2202.89	-91.83	-399.51	1779.43	-91.83	-395.24	1780.38	-101.13	-213.87	1209.01	
			MIN	S2	-211.38	-467.81	2159.82	-244.63	-447.60	1732.25	-244.63	-443.44	1733.32	-310.64	-362.25	982.42	
				TQ	-150.50	-628.59	1469.97	-150.50	-628.59	748.67	-150.50	-626.79	750.17	-150.50	-626.79	28.87	
				M3	-32.44	48.58	-1560.26	-32.64	49.96	-1716.05	-32.64	45.84	-1716.16	-32.75	46.73	-1872.70	
		DISPERSION-LMAX	S2	76.74	67.09	269.29	57.31	89.46	361.72	57.31	90.32	361.50	50.42	94.01	447.99		
			TQ	-40.96	259.87	-4056.37	-40.96	259.87	-4252.67	-40.83	249.67	-4245.18	-40.83	249.67	-4440.89		
				M3	-157.24	-910.76	2205.98	-144.79	-725.51	1393.03	-144.94	-722.69	1394.77	-88.66	-235.73	819.04	
				MIN	S2	-274.94	-717.98	-2119.67	-295.40	-740.35	-3257.19	-295.40	-748.16	-3255.40	-330.37	-751.84	-4583.02
					TQ	-157.24	-910.76	2205.98	-197.14	-910.76	1357.20	-197.26	-907.51	1351.28	-239.12	-907.51	305.86
					M3	-40.96	259.87	-4056.37	-93.31	74.62	-4288.50	-93.15	64.85	-4288.67	-191.30	-422.11	-4954.07
72	4-LANES	TRUCK-LOAD	MAX	S2	45.51	95.75	-183.79	45.51	95.75	34.34	45.51	95.83	34.11	45.51	95.83	252.24	
				TQ	41.46	101.71	-167.20	41.46	101.71	31.51	41.46	101.79	31.27	41.46	101.79	229.98	
				M3	-262.18	-945.53	2396.49	-262.18	-945.53	1139.90	-262.18	-942.79	1142.17	45.51	95.93	252.24	
			MIN	S2	-262.18	-945.53	2396.49	-262.18	-945.53	1139.90	-262.18	-942.79	1142.17	-262.18	-942.79	-114.42	
				TQ	-262.18	-945.53	2396.49	-262.18	-945.53	1139.90	-262.18	-942.79	1142.17	-262.18	-942.79	-114.42	
				M3	45.51	95.75	-183.79	-36.13	-168.39	-16.31	-36.13	-168.43	-15.91	-155.19	-674.66	-482.26	
		TANDEM-LOAD	MAX	S2	30.94	65.84	-124.95	30.94	65.84	23.36	30.94	65.89	23.20	30.94	65.89	171.51	
			TQ	27.72	69.14	-111.77	27.72	69.14	21.09	27.72	69.19	20.92	27.72	69.19	153.79		
				M3	-190.10	-653.03	1832.75	-190.10	-653.03	921.65	-190.10	-650.82	923.21	30.94	65.89	171.51	
				MIN	S2	-190.10	-653.03	1832.75	-190.10	-653.03	921.65	-190.10	-650.82	923.21	-190.10	-650.82	12.10
					TQ	-190.10	-653.03	1832.75	-190.10	-653.03	921.65	-190.10	-650.82	923.21	-190.10	-650.82	12.10
					M3	30.94	65.84	-124.95	-25.38	-113.18	-12.88	-25.38	-113.21	-12.61	-102.61	-444.40	-332.76

BAGO RIVER BRIDGE

BLOCK [ No.1 : MAIN GIRDER ][ BEAM MEMBER FORCE ]

MEMBER				3029			3030			3030			3031					
NODE				3029			3030			3030			3031					
				SHEAR	TORQUE	MOMENT	SHEAR	TORQUE	MOMENT	SHEAR	TORQUE	MOMENT	SHEAR	TORQUE	MOMENT			
NAME	TITLE			S2 (kN)	TQ (kN·m)	M3 (kN·m)	S2 (kN)	TQ (kN·m)	M3 (kN·m)	S2 (kN)	TQ (kN·m)	M3 (kN·m)	S2 (kN)	TQ (kN·m)	M3 (kN·m)			
72	4-LANES	DISPERSION-LMAX	S2	55.37	121.86	-223.51	55.37	121.86	41.86	55.37	121.96	41.57	55.37	121.96	306.95			
			TQ	46.22	124.09	-169.63	46.22	124.09	51.91	46.17	124.22	51.88	46.17	124.22	273.16			
			M3	-150.01	-610.03	1080.11	-81.62	-424.39	407.72	-81.78	-423.94	408.74	47.30	82.18	308.82			
		MIN	S2	-150.01	-610.24	1080.10	-150.01	-610.24	361.14	-150.01	-609.37	362.60	-150.01	-609.37	-356.35			
			TQ	-139.67	-612.37	1023.39	-139.67	-612.37	353.99	-139.61	-611.52	355.19	-139.61	-611.52	-313.94			
			M3	55.36	117.80	-223.55	-13.02	-61.38	-4.66	-12.87	-60.87	-4.52	-141.92	-568.34	-358.30			
		73	6-LANES	TRUCK-LOAD	MAX	S2	288.08	-184.92	2540.68	166.38	-124.83	2272.35	166.38	-119.37	2272.64	91.39	-173.27	1765.03
					TQ	-155.78	737.04	1779.88	-155.78	737.04	1033.26	-155.78	739.52	1031.49	-155.78	739.52	284.87	
					M3	-123.31	-50.95	5239.96	-200.02	-69.51	3984.90	-200.02	-59.95	3985.06	-204.88	49.08	2499.88	
MIN	S2			-482.94	-46.12	5157.98	-566.04	-38.97	3697.70	-566.04	-30.10	3697.78	-682.54	29.62	1721.36			
	TQ			-217.12	-876.85	-45.08	-217.12	-876.85	-1085.68	-217.88	-879.53	-1135.76	-217.88	-879.53	-2180.03			
	M3			-70.92	-11.82	-4539.55	-71.19	-9.98	-4879.67	-71.19	-21.70	-4879.63	-71.29	-20.91	-5221.10			
TANDEM-LOAD	MAX			S2	236.69	-144.06	2110.52	147.30	-101.72	1962.48	147.30	-97.00	1962.72	89.94	-163.94	1635.34		
	TQ			-106.35	503.34	1231.43	-106.35	503.34	721.73	-106.35	505.07	720.52	-106.35	505.07	210.81			
	M3			-117.16	-59.09	3867.21	-287.93	-25.88	3026.88	-287.93	-18.62	3026.93	-177.70	33.46	2008.26			
MIN	S2			-359.63	27.66	3780.25	-425.80	3.52	2863.23	-425.80	10.39	2863.22	-504.35	50.72	1469.98			
	TQ			-151.52	-603.19	51.76	-151.52	-603.19	-674.45	-152.18	-604.88	-718.29	-152.18	-604.88	-1447.68			
	M3			-48.11	-8.19	-3080.84	-48.37	-6.35	-3311.75	-48.37	-14.30	-3311.73	-48.37	-14.30	-3543.55			
DISPERSION-LMAX	MAX			S2	134.47	-32.24	215.19	103.75	-13.46	445.85	103.75	-12.39	445.88	91.99	-11.79	659.49		
				TQ	-169.44	922.96	-2250.94	-177.29	922.96	-3082.84	-177.70	915.57	-3071.05	-183.78	915.57	-3937.21		
				M3	-284.38	-153.93	3802.53	-249.36	-67.35	2365.28	-249.30	-62.73	2365.44	-133.55	11.88	1403.12		
	MIN	S2	-449.90	-116.04	-3873.36	-484.12	-133.90	-5770.72	-484.12	-147.75	-5770.38	-535.31	-150.70	-7948.58				
		TQ	-147.11	-1050.74	-1439.45	-198.28	-1050.74	-2267.32	-197.88	-1056.19	-2278.80	-249.33	-1056.19	-3351.80				
		M3	-31.89	2.67	-7468.79	-127.90	-42.00	-7686.11	-127.88	-59.52	-7685.98	-304.40	-161.25	-8685.26				

BAGO RIVER BRIDGE

BLOCK [ No.1 : MAIN GIRDER ][ BEAM MEMBER FORCE ]

MEMBER			3029			3030			3030			3031			
NODE			3029			3030			3030			3031			
NAME TITLE			SHEAR	TORQUE	MOMENT	SHEAR	TORQUE	MOMENT	SHEAR	TORQUE	MOMENT	SHEAR	TORQUE	MOMENT	
			S2 (kN)	TQ (kN·m)	M3 (kN·m)	S2 (kN)	TQ (kN·m)	M3 (kN·m)	S2 (kN)	TQ (kN·m)	M3 (kN·m)	S2 (kN)	TQ (kN·m)	M3 (kN·m)	
124	SUM TOTAL	D+1LANE (caseMAX	S2	-1199.02	-272.32	-14538.33	-1434.87	-272.32	-20856.38	-1434.87	-322.38	-20855.67	-1665.00	-322.38	-28290.70
			TQ	-1355.32	768.08	-13007.92	-1591.17	768.08	-20075.10	-1591.17	719.90	-20076.88	-1821.30	719.90	-28261.04
			M3	-1349.54	744.43	-12945.81	-1553.67	599.97	-19945.68	-1553.67	552.10	-19947.06	-1750.22	270.23	-27874.85
		MIN	S2	-1365.32	686.57	-14410.50	-1601.18	686.57	-21525.62	-1601.18	634.91	-21527.20	-1831.31	634.91	-29759.31
			TQ	-1224.41	-364.31	-16595.92	-1460.27	-364.31	-23035.68	-1461.09	-419.67	-23091.03	-1691.22	-419.67	-30651.73
			M3	-1228.45	-356.26	-16775.50	-1482.43	-275.83	-23245.98	-1482.43	-331.62	-23245.25	-1740.40	-99.85	-30970.99
		D+1LANE (caseMAX	S2	-1195.55	-185.76	-14297.48	-1432.41	-188.92	-20643.96	-1432.41	-238.47	-20643.45	-1663.50	-240.77	-28115.33
			TQ	-1369.99	203.86	-12754.82	-1613.39	203.86	-19910.38	-1613.31	156.08	-19908.67	-1850.97	156.08	-28216.96
			M3	-1344.76	181.23	-12537.40	-1557.46	96.73	-19597.96	-1557.46	49.69	-19598.14	-1740.22	-112.50	-27556.81
		MIN	S2	-1403.66	154.79	-14209.08	-1646.06	157.96	-21481.00	-1646.06	106.40	-21481.32	-1882.77	108.70	-29897.93
			TQ	-1220.36	-222.67	-15947.85	-1456.21	-222.67	-22368.18	-1456.29	-276.36	-22369.72	-1686.42	-276.36	-29907.42
			M3	-1245.12	-216.95	-16806.01	-1500.04	-182.39	-23357.15	-1500.04	-238.44	-23356.64	-1765.79	-135.04	-31179.84
		D+1LANE (caseMAX	S2	-990.37	-202.41	-13011.97	-1342.21	-185.95	-19515.51	-1342.21	-232.78	-19515.01	-1647.83	-215.74	-27590.29
			TQ	-1269.68	-104.36	-16507.50	-1507.84	-104.36	-23171.06	-1507.31	-159.85	-23079.86	-1737.44	-159.85	-30862.09
			M3	-1170.81	-253.64	-12359.27	-1513.43	-243.07	-19078.97	-1513.43	-288.86	-19078.33	-1839.36	-245.61	-27432.71
		MIN	S2	-1432.69	-219.03	-14180.94	-1764.16	-219.79	-20995.19	-1764.16	-270.18	-20994.60	-2121.79	-264.05	-29547.96
			TQ	-1325.60	-258.36	-12795.71	-1604.33	-258.36	-19821.91	-1596.25	-305.96	-19891.00	-1871.51	-305.96	-28207.68
			M3	-1257.01	-110.46	-16833.04	-1512.23	-114.81	-23441.99	-1512.23	-171.07	-23441.64	-1783.65	-203.21	-31335.13
		D+1LANE (caseMAX	S2	-1197.99	-26.24	-14401.72	-1433.66	-31.17	-20706.37	-1433.66	-80.87	-20706.23	-1640.91	-313.21	-27630.60
			TQ	-1237.00	65.80	-15998.86	-1472.85	65.80	-22498.94	-1472.85	11.80	-22499.04	-1702.98	11.80	-30116.10
			M3	-1415.28	-1125.21	-12185.02	-1608.60	-985.83	-19488.37	-1608.60	-1032.60	-19485.94	-1690.49	-553.86	-27449.05
		MIN	S2	-1483.72	-1027.19	-13788.81	-1689.16	-1081.42	-21428.26	-1689.16	-1132.84	-21425.60	-1914.52	-1117.52	-30102.99
			TQ	-1417.84	-1185.19	-12416.19	-1644.81	-1185.19	-19762.22	-1644.81	-1232.62	-19759.32	-1865.55	-1232.62	-28178.59
			M3	-1272.19	54.67	-16873.19	-1529.37	-48.55	-23556.90	-1529.37	-105.09	-23556.72	-1799.41	-370.42	-31533.73

BAGO RIVER BRIDGE

BLOCK [ No.1 : MAIN GIRDER ][ BEAM MEMBER FORCE ]

MEMBER			3029			3030			3031						
NODE			3029			3030			3031						
NAME TITLE			SHEAR	TORQUE	MOMENT	SHEAR	TORQUE	MOMENT	SHEAR	TORQUE	MOMENT	SHEAR	TORQUE	MOMENT	
			S2 (kN)	TQ (kN·m)	M3 (kN·m)	S2 (kN)	TQ (kN·m)	M3 (kN·m)	S2 (kN)	TQ (kN·m)	M3 (kN·m)	S2 (kN)	TQ (kN·m)	M3 (kN·m)	
124	SUM TOTAL	D+2LANES (casMAX	S2	-1179.33	-317.26	-14596.09	-1415.19	-317.26	-20819.79	-1415.19	-367.23	-20818.97	-1645.32	-367.23	-28159.65
			TQ	-1444.86	1143.81	-12075.12	-1680.71	1143.81	-19571.43	-1680.71	1096.83	-19574.12	-1910.84	1096.83	-28187.42
			M3	-1439.17	1081.65	-11867.27	-1623.67	879.17	-19279.59	-1623.47	831.54	-19281.65	-1775.21	377.83	-27434.06
		MIN	S2	-1469.67	1014.89	-14403.28	-1705.52	1014.89	-22018.50	-1705.52	962.04	-22020.87	-1935.65	962.04	-30753.08
			TQ	-1229.54	-448.92	-18176.96	-1465.39	-448.92	-24641.29	-1466.08	-508.12	-24687.05	-1696.21	-508.12	-32271.65
			M3	-1235.16	-438.07	-18430.74	-1501.52	-322.94	-24941.13	-1501.72	-381.45	-24940.28	-1781.20	-43.19	-32804.28
		D+2LANES (casMAX	S2	-1176.44	-245.12	-14395.38	-1413.13	-247.76	-20642.77	-1413.13	-297.30	-20642.12	-1644.06	-299.22	-28013.50
			TQ	-1457.08	673.63	-11864.20	-1699.22	673.63	-19434.17	-1699.16	626.99	-19433.94	-1935.57	626.99	-28150.69
			M3	-1435.20	612.32	-11526.93	-1626.83	459.79	-18989.83	-1626.63	412.87	-18990.88	-1766.87	58.89	-27169.02
		MIN	S2	-1501.62	571.73	-14235.43	-1742.93	574.37	-21981.32	-1742.93	521.62	-21982.63	-1978.53	523.53	-30868.60
			TQ	-1226.16	-330.88	-17636.91	-1462.01	-330.88	-24085.04	-1462.08	-388.69	-24085.96	-1692.21	-388.69	-31651.39
			M3	-1249.05	-321.98	-18456.17	-1516.19	-245.07	-25033.77	-1516.39	-303.80	-25033.11	-1802.35	-72.52	-32978.32
		D+2LANES (casMAX	S2	-888.71	-324.66	-12127.64	-1288.44	-249.72	-18756.46	-1288.44	-294.74	-18755.80	-1623.62	-232.66	-27117.84
			TQ	-1291.02	-20.30	-18120.33	-1528.79	-20.30	-24885.02	-1528.36	-79.93	-24809.17	-1758.48	-79.93	-32692.24
			M3	-1177.29	-563.36	-11002.44	-1561.68	-490.38	-18011.27	-1561.84	-534.12	-18010.04	-1916.69	-353.68	-26821.58
		MIN	S2	-1572.28	-467.70	-14056.38	-1943.81	-450.66	-21219.24	-1943.81	-501.59	-21218.10	-2349.35	-459.71	-30390.02
			TQ	-1412.60	-586.35	-11672.02	-1713.18	-586.35	-19168.06	-1706.45	-632.37	-19224.73	-2002.30	-632.37	-28119.28
			M3	-1282.04	-29.89	-18530.45	-1550.88	-60.53	-25268.51	-1550.72	-120.66	-25268.29	-1848.36	-245.58	-33405.27
		D+2LANES (casMAX	S2	-1162.36	-216.91	-13352.95	-1405.72	-127.91	-19906.86	-1405.72	-175.69	-19906.49	-1623.16	-225.00	-27543.36
			TQ	-1238.50	152.23	-17112.97	-1474.36	152.23	-23620.28	-1474.36	95.54	-23620.58	-1704.49	95.54	-31244.87
			M3	-1461.77	-1511.34	-10814.32	-1662.03	-1260.59	-18482.94	-1662.03	-1304.95	-18479.86	-1758.30	-667.13	-26837.87
		MIN	S2	-1612.42	-1370.27	-13635.84	-1839.88	-1362.34	-21670.01	-1839.88	-1414.35	-21666.67	-2088.43	-1331.87	-30846.26
			TQ	-1511.03	-1620.99	-11300.78	-1752.78	-1620.99	-19128.65	-1752.78	-1666.90	-19124.70	-1989.14	-1666.90	-28098.60
			M3	-1294.64	132.17	-18564.72	-1565.86	-15.79	-25365.54	-1565.86	-76.66	-25365.42	-1861.25	-458.88	-33574.36

BAGO RIVER BRIDGE

BLOCK [ No.1 : MAIN GIRDER ][ BEAM MEMBER FORCE ]

MEMBER			3029			3030			3030			3031				
NODE			3029			3030			3030			3031				
NAME TITLE			SHEAR	TORQUE	MOMENT	SHEAR	TORQUE	MOMENT	SHEAR	TORQUE	MOMENT	SHEAR	TORQUE	MOMENT		
			S2 (kN)	TQ (kN·m)	M3 (kN·m)	S2 (kN)	TQ (kN·m)	M3 (kN·m)	S2 (kN)	TQ (kN·m)	M3 (kN·m)	S2 (kN)	TQ (kN·m)	M3 (kN·m)		
124	SUM TOTAL	D+3LANES (casMAX	S2	-1163.11	-319.58	-14543.84	-1399.67	-321.82	-20721.68	-1399.67	-371.55	-20720.85	-1630.48	-373.18	-28021.65	
			TQ	-1512.37	1198.31	-11308.29	-1753.56	1198.31	-19140.96	-1753.51	1152.37	-19142.27	-1988.98	1152.37	-28117.24	
			M3	-1489.67	1129.45	-10977.61	-1665.46	897.48	-18671.60	-1665.29	851.51	-18673.70	-1795.24	350.97	-27009.27	
		MIN	S2	-1557.31	1053.97	-14317.32	-1797.80	1056.21	-22333.49	-1797.80	1002.61	-22335.96	-2032.58	1004.24	-31488.74	
			TQ	-1223.35	-457.63	-18756.59	-1459.21	-457.63	-25191.28	-1459.85	-518.15	-25231.50	-1689.98	-518.15	-32786.25	
			M3	-1245.68	-444.36	-19580.16	-1520.96	-322.02	-26146.67	-1521.13	-383.63	-26145.82	-1818.43	-22.86	-34140.28	
		D+3LANES (casMAX	S2	-915.92	-265.21	-12431.61	-1292.21	-193.29	-18968.01	-1292.21	-238.81	-18967.49	-1612.07	-182.25	-27132.61	
			TQ	-1311.89	87.91	-19284.74	-1549.38	87.91	-26148.63	-1549.01	25.24	-26084.40	-1779.14	25.24	-34066.46	
			M3	-1268.66	-980.24	-10034.75	-1629.92	-833.18	-17445.52	-1630.05	-875.49	-17443.47	-1934.32	-519.98	-26423.53	
		MIN	S2	-1669.57	-832.11	-13855.39	-2026.62	-825.85	-21596.86	-2026.62	-877.68	-21594.82	-2410.70	-845.88	-31253.26	
			TQ	-1500.14	-1033.01	-10763.04	-1798.05	-1033.01	-18673.13	-1792.33	-1077.84	-18720.01	-2083.60	-1077.84	-28016.04	
			M3	-1304.75	74.28	-19712.16	-1583.52	3.67	-26565.73	-1583.39	-59.65	-26565.67	-1898.18	-297.51	-34898.42	
		D+3LANES (casMAX	S2	-1025.28	-290.61	-12566.29	-1334.23	-168.21	-19156.75	-1334.23	-214.18	-19156.29	-1601.54	-223.38	-27125.03	
			TQ	-1236.20	163.93	-17869.63	-1472.06	163.93	-24365.91	-1471.96	105.46	-24359.35	-1702.09	105.46	-31972.11	
			M3	-1406.55	-1572.49	-9906.36	-1671.11	-1293.31	-17621.08	-1671.25	-1336.04	-17617.93	-1848.76	-670.12	-26395.55	
		MIN	S2	-1701.13	-1424.26	-13595.00	-1990.43	-1395.55	-21684.85	-1990.43	-1447.59	-21681.44	-2325.37	-1347.02	-31301.85	
			TQ	-1544.88	-1699.21	-10694.47	-1814.65	-1699.21	-18751.06	-1814.75	-1744.21	-18753.81	-2080.46	-1744.21	-28094.52	
			M3	-1304.59	136.61	-19713.63	-1584.96	-20.73	-26568.18	-1584.83	-84.05	-26568.05	-1898.48	-497.28	-34908.17	
		D+4LANES	MAX	S2	-1163.39	-4.83	-14575.60	-1399.25	-4.83	-20722.90	-1399.25	-54.57	-20722.83	-1629.38	-54.57	-27987.12
			TQ	-1171.97	0.50	-14529.79	-1407.83	0.50	-20718.21	-1407.86	-49.23	-20717.98	-1637.99	-49.23	-28023.55	
			M3	-1496.89	-1157.39	-12051.06	-1688.29	-1036.72	-19766.48	-1688.39	-1084.50	-19763.93	-1634.62	-80.36	-27985.90	
		MIN	S2	-1496.89	-1157.53	-12051.07	-1732.74	-1157.53	-19796.76	-1732.74	-1205.04	-19793.92	-1962.87	-1205.04	-28656.59	
			TQ	-1490.17	-1158.91	-12087.93	-1726.02	-1158.91	-19801.40	-1725.99	-1206.43	-19798.74	-1956.12	-1206.43	-28629.02	
			M3	-1163.40	-7.47	-14575.62	-1496.77	-295.62	-20786.07	-1496.67	-345.17	-20785.30	-1888.07	-1004.08	-28896.96	

BAGO RIVER BRIDGE

BLOCK [ No.1 : MAIN GIRDER ] [ BEAM MEMBER FORCE ]

MEMBER				3029			3030			3030			3031			
NODE				3029			3030			3030			3031			
NAME TITLE				SHEAR	TORQUE	MOMENT	SHEAR	TORQUE	MOMENT	SHEAR	TORQUE	MOMENT	SHEAR	TORQUE	MOMENT	
				S2 (kN)	TQ (kN·m)	M3 (kN·m)	S2 (kN)	TQ (kN·m)	M3 (kN·m)	S2 (kN)	TQ (kN·m)	M3 (kN·m)	S2 (kN)	TQ (kN·m)	M3 (kN·m)	
124	SUM TOTAL	D+6LANES	MAX	S2	-954.31	-287.44	-12519.53	-1289.24	-236.16	-19005.61	-1289.24	-281.77	-19004.98	-1575.75	-316.42	-26774.65
				TQ	-1440.35	932.73	-14617.04	-1681.32	932.73	-22104.66	-1681.58	879.68	-22097.74	-1915.66	879.68	-30724.61
				M3	-1493.96	-279.44	-8433.23	-1756.92	-235.23	-16644.81	-1756.88	-275.87	-16644.20	-1914.93	-156.51	-25813.64
			MIN	S2	-1835.31	-251.68	-13475.85	-2147.43	-258.64	-22119.90	-2147.43	-311.73	-22119.22	-2486.56	-274.83	-32398.28
				TQ	-1465.71	-1399.21	-15275.79	-1734.83	-1399.21	-22951.89	-1735.06	-1454.34	-22991.49	-1998.64	-1454.34	-31946.28
				M3	-1295.79	-152.22	-22116.27	-1594.22	-180.07	-28940.19	-1594.21	-248.92	-28939.67	-1939.15	-314.53	-37389.72
	SUM TOTAL		MAX		-888.71	1198.31	-8433.23	-1288.44	1198.31	-16644.81	-1288.44	1152.37	-16644.20	-1575.75	1152.37	-25813.64
			MIN		-1835.31	-1699.21	-22116.27	-2147.43	-1699.21	-28940.19	-2147.43	-1744.21	-28939.67	-2486.56	-1744.21	-37389.72
300	DEAD LOAD	TOTAL			-1228.96	-146.28	-14310.85	-1464.82	-146.28	-20772.43	-1464.82	-196.13	-20772.02	-1694.95	-196.13	-28350.59
301	LIVE LOAD	1-LANE(case1MAX	S2		29.95	-126.05	-227.48	29.95	-126.05	-83.95	29.95	-126.25	-83.65	29.95	-126.25	59.89
			TQ		-126.35	914.35	1302.93	-126.35	914.35	697.34	-126.35	916.02	695.14	-126.35	916.02	89.55
			M3		-120.57	890.71	1365.04	-88.85	746.25	826.75	-88.85	748.23	824.96	-55.27	466.36	475.74
			MIN	S2	-136.36	832.85	-99.65	-136.36	832.85	-753.18	-136.36	831.04	-755.18	-136.36	831.04	-1408.72
				TQ	4.55	-218.03	-2285.07	4.55	-218.03	-2263.25	3.73	-223.55	-2319.01	3.73	-223.55	-2301.14
				M3	0.51	-209.99	-2464.65	-17.61	-129.56	-2473.55	-17.61	-135.49	-2473.23	-45.45	96.28	-2620.40
		1-LANE(case2MAX	S2		33.41	-39.48	13.37	32.41	-42.65	128.47	32.41	-42.34	128.58	31.45	-44.64	235.26
			TQ		-141.03	350.14	1556.03	-148.56	350.14	862.05	-148.49	352.21	863.35	-156.02	352.21	133.63
			M3		-115.80	327.51	1773.45	-92.64	243.00	1174.47	-92.64	245.82	1173.89	-45.27	83.63	793.78
			MIN	S2	-174.70	301.06	101.77	-181.24	304.23	-708.56	-181.24	302.53	-709.29	-187.82	304.83	-1547.34
				TQ	8.61	-76.40	-1637.00	8.61	-76.40	-1595.75	8.53	-80.23	-1597.70	8.53	-80.23	-1556.83
				M3	-16.16	-70.67	-2495.16	-35.22	-36.11	-2584.71	-35.22	-42.31	-2584.62	-70.84	61.08	-2829.25
		1-LANE(case3MAX	S2		238.60	-56.13	1298.88	122.61	-39.67	1256.92	122.61	-36.66	1257.01	47.12	-19.61	760.30
			TQ		-40.72	41.91	-2196.65	-43.02	41.91	-2398.63	-42.49	36.27	-2307.84	-42.49	36.27	-2511.50
			M3		58.15	-107.36	1951.58	-48.61	-96.80	1693.47	-48.61	-92.74	1693.70	-144.41	-49.48	917.88
			MIN	S2	-203.72	-72.76	129.91	-299.34	-73.51	-222.75	-299.34	-74.05	-222.58	-426.84	-67.92	-1197.37
				TQ	-96.64	-112.09	1515.14	-139.51	-112.09	950.52	-131.43	-109.83	881.03	-176.56	-109.83	142.91
				M3	-28.04	35.81	-2522.19	-47.41	31.47	-2669.55	-47.41	25.06	-2669.62	-88.70	-7.08	-2984.54

BAGO RIVER BRIDGE

BLOCK [ No.1 : MAIN GIRDER ][ BEAM MEMBER FORCE ]

MEMBER			3029			3030			3030			3031			
NODE			3029			3030			3030			3031			
NAME TITLE			SHEAR	TORQUE	MOMENT	SHEAR	TORQUE	MOMENT	SHEAR	TORQUE	MOMENT	SHEAR	TORQUE	MOMENT	
			S2 (kN)	TQ (kN·m)	M3 (kN·m)	S2 (kN)	TQ (kN·m)	M3 (kN·m)	S2 (kN)	TQ (kN·m)	M3 (kN·m)	S2 (kN)	TQ (kN·m)	M3 (kN·m)	
301	LIVE LOAD	1-LANE (case4MAX	S2	30.98	120.04	-90.87	31.16	115.10	66.07	31.16	115.26	65.79	54.04	-117.09	719.99
			TQ	-8.03	212.07	-1688.01	-8.03	212.07	-1726.51	-8.03	207.93	-1727.01	-8.03	207.93	-1765.51
			M3	-186.32	-978.93	2125.83	-143.78	-839.55	1284.07	-143.78	-836.47	1286.08	4.46	-357.73	901.54
			MIN S2	-254.76	-880.92	522.04	-224.34	-935.14	-655.82	-224.34	-936.71	-653.58	-219.57	-921.39	-1752.40
			TQ	-188.87	-1038.92	1894.66	-179.99	-1038.92	1010.21	-179.99	-1036.49	1012.70	-170.60	-1036.49	172.00
			M3	-43.23	200.94	-2562.34	-64.55	97.73	-2784.47	-64.55	91.04	-2784.69	-104.46	-174.29	-3183.14
		2-LANES (caseMAX	S2	49.63	-170.99	-285.24	49.63	-170.99	-47.36	49.63	-171.10	-46.95	49.63	-171.10	190.94
			TQ	-215.89	1290.08	2235.74	-215.89	1290.08	1201.00	-215.89	1292.96	1197.90	-215.89	1292.96	163.17
			M3	-210.21	1227.93	2443.58	-158.85	1025.44	1492.84	-158.64	1027.67	1490.38	-80.26	573.95	916.53
			MIN S2	-240.70	1161.16	-92.43	-240.70	1161.16	-1246.07	-240.70	1158.17	-1248.85	-240.70	1158.17	-2402.49
			TQ	-0.57	-302.64	-3866.11	-0.57	-302.64	-3868.85	-1.26	-311.99	-3915.03	-1.26	-311.99	-3921.06
			M3	-6.20	-291.80	-4119.89	-36.70	-176.67	-4168.70	-36.90	-185.33	-4168.26	-86.25	152.94	-4453.69
		2-LANES (caseMAX	S2	52.52	-98.85	-84.53	51.69	-101.49	129.66	51.69	-101.17	129.91	50.89	-103.09	337.09
			TQ	-228.12	819.90	2446.65	-234.40	819.90	1338.27	-234.34	823.11	1338.08	-240.62	823.11	199.90
			M3	-206.23	758.59	2783.92	-162.01	606.07	1782.61	-161.80	609.00	1781.15	-71.92	255.02	1181.57
			MIN S2	-272.65	718.01	75.42	-278.11	720.65	-1208.88	-278.11	717.75	-1210.61	-283.58	719.66	-2518.01
			TQ	2.81	-184.61	-3326.06	2.81	-184.61	-3312.61	2.74	-192.56	-3313.94	2.74	-192.56	-3300.80
			M3	-20.09	-175.70	-4145.32	-51.37	-98.80	-4261.34	-51.57	-107.67	-4261.09	-107.40	123.61	-4627.73
		2-LANES (caseMAX	S2	340.25	-178.38	2183.21	176.39	-103.45	2015.98	176.39	-98.61	2016.22	71.33	-36.53	1232.75
			TQ	-62.05	125.97	-3809.48	-63.97	125.97	-4112.59	-63.53	116.20	-4037.14	-63.53	116.20	-4341.65
			M3	51.67	-417.09	3308.41	-96.86	-344.10	2761.17	-97.02	-338.00	2761.99	-221.74	-157.55	1529.01
			MIN S2	-343.32	-321.43	254.47	-478.99	-304.39	-446.81	-478.99	-305.46	-446.07	-654.40	-263.58	-2039.43
			TQ	-183.63	-440.08	2638.83	-248.36	-440.08	1604.37	-241.63	-436.25	1547.29	-307.35	-436.25	231.31
			M3	-53.07	116.38	-4219.60	-86.06	85.74	-4496.08	-85.90	75.47	-4496.27	-153.41	-49.45	-5054.68



BAGO RIVER BRIDGE

BLOCK [ No.1 : MAIN GIRDER ][ BEAM MEMBER FORCE ]

MEMBER			3029			3030			3030			3031				
NODE			3029			3030			3030			3031				
NAME TITLE			SHEAR	TORQUE	MOMENT	SHEAR	TORQUE	MOMENT	SHEAR	TORQUE	MOMENT	SHEAR	TORQUE	MOMENT		
			S2 (kN)	TQ (kN·m)	M3 (kN·m)	S2 (kN)	TQ (kN·m)	M3 (kN·m)	S2 (kN)	TQ (kN·m)	M3 (kN·m)	S2 (kN)	TQ (kN·m)	M3 (kN·m)		
301	LIVE LOAD	2-LANES (caseMAX	S2	66.61	-70.64	957.90	59.10	18.36	865.58	59.10	20.44	865.53	71.79	-28.87	807.23	
			TQ	-9.54	298.50	-2802.12	-9.54	298.50	-2847.85	-9.54	291.67	-2848.55	-9.54	291.67	-2894.28	
			M3	-232.81	-1365.06	3496.53	-197.21	-1114.32	2289.50	-197.21	-1108.82	2292.16	-63.35	-471.00	1512.72	
			MIN	S2	-383.46	-1223.99	675.01	-375.06	-1216.07	-897.57	-375.06	-1218.22	-894.65	-393.48	-1135.74	-2495.68
			TQ	-282.06	-1474.72	3010.07	-287.96	-1474.72	1643.79	-287.96	-1470.77	1647.32	-294.19	-1470.77	251.99	
			M3	-65.68	278.44	-4253.87	-101.03	130.49	-4593.10	-101.03	119.46	-4593.40	-166.30	-262.75	-5223.77	
		3-LANES (caseMAX	S2	65.85	-173.30	-232.99	65.15	-175.55	50.75	65.15	-175.42	51.17	64.47	-177.05	328.94	
			TQ	-283.40	1344.58	3002.56	-288.74	1344.58	1631.47	-288.69	1348.50	1629.76	-294.03	1348.50	233.35	
			M3	-260.70	1275.72	3333.24	-200.64	1043.75	2100.83	-200.47	1047.64	2098.32	-100.29	547.10	1341.32	
			MIN	S2	-328.34	1200.24	-6.47	-332.98	1202.49	-1561.06	-332.98	1198.74	-1563.94	-337.63	1200.36	-3138.15
			TQ	5.61	-311.36	-4445.74	5.61	-311.36	-4418.85	4.97	-322.02	-4459.48	4.97	-322.02	-4435.66	
			M3	-16.71	-298.09	-5269.31	-56.14	-175.75	-5374.23	-56.31	-187.50	-5373.79	-123.48	173.27	-5789.69	
		3-LANES (caseMAX	S2	313.05	-118.93	1879.24	172.61	-47.01	1804.42	172.61	-42.68	1804.53	82.88	13.88	1217.98	
			TQ	-82.93	234.19	-4973.89	-84.56	234.19	-5376.20	-84.19	221.37	-5312.37	-84.19	221.37	-5715.87	
			M3	-39.70	-833.97	4276.10	-165.10	-686.91	3326.92	-165.23	-679.36	3328.56	-239.37	-323.85	1927.06	
			MIN	S2	-440.60	-685.83	455.46	-561.80	-679.57	-824.43	-561.80	-681.55	-822.80	-715.75	-649.75	-2902.67
			TQ	-271.18	-886.73	3547.81	-333.23	-886.73	2099.31	-327.51	-881.71	2052.02	-388.65	-881.71	334.55	
			M3	-75.78	220.56	-5401.31	-118.70	149.94	-5793.30	-118.57	136.48	-5793.64	-203.23	-101.38	-6547.83	
		3-LANES (caseMAX	S2	203.68	-144.33	1744.56	130.59	-21.93	1615.68	130.59	-18.05	1615.73	93.41	-27.25	1225.56	
			TQ	-7.24	310.21	-3558.78	-7.24	310.21	-3593.47	-7.14	301.58	-3587.33	-7.14	301.58	-3621.52	
			M3	-177.59	-1426.22	4404.49	-206.29	-1147.04	3151.35	-206.43	-1139.92	3154.10	-153.81	-473.99	1955.04	
MIN	S2		-472.16	-1277.99	715.85	-525.61	-1249.27	-912.42	-525.61	-1251.46	-909.42	-630.42	-1150.89	-2951.26		
TQ	-315.92		-1552.93	3616.38	-349.83	-1552.93	2021.37	-349.93	-1548.08	2018.21	-385.51	-1548.08	256.07			
M3	-75.63		282.89	-5402.78	-120.14	125.55	-5795.74	-120.01	112.08	-5796.03	-203.53	-301.15	-6557.58			

BAGO RIVER BRIDGE

BLOCK [ No.1 : MAIN GIRDER ][ BEAM MEMBER FORCE ]

MEMBER					3029			3030			3031					
NODE					3029			3030			3031					
					SHEAR	TORQUE	MOMENT	SHEAR	TORQUE	MOMENT	SHEAR	TORQUE	MOMENT			
NAME TITLE					S2 (kN)	TQ (kN·m)	M3 (kN·m)	S2 (kN)	TQ (kN·m)	M3 (kN·m)	S2 (kN)	TQ (kN·m)	M3 (kN·m)			
301	LIVE LOAD	4-LANES	MAX	S2	65.57	141.44	-264.75	65.57	141.44	49.53	65.57	141.56	49.19	65.57	141.56	363.47
				TQ	56.99	146.77	-218.94	56.99	146.77	54.23	56.96	146.90	54.05	56.96	146.90	327.04
				M3	-267.92	-1011.11	2259.79	-223.47	-890.45	1005.96	-223.57	-888.37	1008.09	60.33	115.77	364.69
		MIN	S2	-267.92	-1011.25	2259.78	-267.92	-1011.25	975.68	-267.92	-1008.91	978.10	-267.92	-1008.91	-306.00	
			TQ	-261.20	-1012.63	2222.92	-261.20	-1012.63	971.03	-261.17	-1010.30	973.28	-261.17	-1010.30	-278.43	
			M3	65.57	138.81	-264.77	-31.95	-149.35	-13.64	-31.85	-149.04	-13.28	-193.12	-807.95	-546.37	
	6-LANES	MAX	S2	274.66	-141.16	1791.32	175.59	-89.88	1766.83	175.59	-85.64	1767.04	119.20	-120.29	1575.94	
			TQ	-211.39	1079.00	-306.19	-216.50	1079.00	-1332.23	-216.76	1075.81	-1325.71	-220.71	1075.81	-2374.02	
			M3	-265.00	-133.17	5877.62	-292.10	-88.96	4127.62	-292.06	-79.74	4127.82	-219.98	39.62	2536.95	
		MIN	S2	-606.34	-105.40	835.00	-682.60	-112.37	-1347.47	-682.60	-115.60	-1347.19	-791.61	-78.70	-4047.69	
			TQ	-236.75	-1252.93	-964.94	-270.01	-1252.93	-2179.45	-270.24	-1258.21	-2219.47	-303.69	-1258.21	-3595.69	
			M3	-66.83	-5.95	-7805.42	-129.40	-33.79	-8167.76	-129.39	-52.79	-8167.65	-244.20	-118.40	-9039.13	
LIVE LOAD	MAX		340.25	1344.58	5877.62	176.39	1344.58	4127.62	176.39	1348.50	4127.82	119.20	1348.50	2536.95		
	MIN		-606.34	-1552.93	-7805.42	-682.60	-1552.93	-8167.76	-682.60	-1548.08	-8167.65	-791.61	-1548.08	-9039.13		
303	SUM TOTAL	TOTAL	MAX		-888.71	1198.31	-8433.23	-1288.44	1198.31	-16644.81	-1288.44	1152.37	-16644.20	-1575.75	1152.37	-25813.64
			MIN		-1835.31	-1699.21	-22116.27	-2147.43	-1699.21	-28940.19	-2147.43	-1744.21	-28939.67	-2486.56	-1744.21	-37389.72

BAGO RIVER BRIDGE

BLOCK [ No.1 : MAIN GIRDER ] [ BEAM MEMBER FORCE ]

MEMBER NODE	3031	3032			3032			3033			SHEAR	TORQUE	MOMENT			
		SHEAR	TORQUE	MOMENT	SHEAR	TORQUE	MOMENT	SHEAR	TORQUE	MOMENT						
		S2 (kN)	TQ (kN·m)	M3 (kN·m)	S2 (kN)	TQ (kN·m)	M3 (kN·m)	S2 (kN)	TQ (kN·m)	M3 (kN·m)						
1	PAVEMENT	-287.42	-136.49	-4494.69	-326.08	-136.49	-5943.35	-326.08	-150.53	-5943.01	-363.08	-150.53	-7570.06			
3	RAILING	-8.32	-5.35	-138.22	-7.16	-5.35	-174.91	-7.16	-5.76	-174.90	-6.01	-5.76	-206.12			
5	CURB	-82.33	-52.98	-1368.35	-70.93	-52.98	-1731.61	-70.93	-57.07	-1731.48	-59.55	-57.07	-2040.62			
7	DECK WEIGHT	-455.62	-196.10	-7359.31	-514.64	-196.10	-9650.65	-514.64	-218.90	-9650.16	-571.36	-218.90	-12214.29			
8	GIRDER WEIGH	-599.39	-44.21	-10544.77	-687.56	-44.21	-13580.63	-687.56	-76.30	-13580.49	-775.73	-76.30	-17032.34			
10	MEDIAN STRIP	-100.19	31.87	-2243.19	-128.81	31.87	-2783.40	-128.81	25.30	-2783.47	-157.43	25.30	-3458.69			
21	ADITIONAL WE	-127.57	-54.91	-2060.61	-144.10	-54.91	-2702.18	-144.10	-61.29	-2702.05	-159.98	-61.29	-3420.00			
31	MEDIAN RAILI	-7.44	3.08	-138.34	-9.76	3.08	-178.91	-9.76	2.65	-178.92	-12.07	2.65	-230.40			
51	SUPPORT WEIG	0.00	0.00	-0.00	0.00	0.00	-0.00	0.00	0.00	-0.00	0.00	0.00	-0.00			
52	NOSE WEIGHT	-0.00	-0.05	-0.00	-0.00	-0.05	-0.00	-0.00	-0.05	-0.00	-0.00	-0.05	-0.01			
61	1-LANE(case1TRUCK-LOAD	MAX	S2	17.11	-154.26	-370.39	17.11	-154.26	-289.68	17.11	-154.95	-289.31	17.11	-154.95	-208.60	
			TQ	-52.74	367.75	134.89	-52.74	367.75	-113.91	-52.74	367.48	-114.78	-52.74	367.48	-363.58	
			M3	-46.96	328.41	216.48	9.83	-35.05	106.36	9.83	-34.80	106.44	9.83	-34.80	152.80	
		MIN	S2	-54.01	362.65	184.29	-54.01	362.65	-70.51	-54.01	362.48	-71.37	-54.01	362.48	-326.17	
			TQ	6.59	-194.71	-658.18	6.59	-194.71	-627.10	6.59	-196.19	-626.63	6.59	-196.19	-595.55	
			M3	0.42	-164.55	-791.40	0.33	-163.39	-789.44	0.33	-165.25	-789.05	0.08	-161.95	-788.29	
		TANDEM-LOAD	MAX	S2	12.14	-93.26	-206.25	12.14	-93.26	-148.97	12.14	-93.61	-148.75	12.14	-93.61	-91.48
			TQ	-37.08	251.52	105.95	-37.08	251.52	-69.00	-37.08	251.35	-69.60	-37.08	251.35	-244.55	
			M3	-34.64	231.65	154.87	6.68	-23.52	72.30	6.68	-23.35	72.35	6.68	-23.35	103.87	
		MIN	S2	-37.44	250.09	119.74	-37.44	250.09	-56.89	-37.44	249.96	-57.48	-37.44	249.96	-234.11	
			TQ	4.62	-132.64	-438.54	4.62	-132.64	-416.76	4.62	-133.62	-416.44	4.62	-133.62	-394.66	
			M3	0.37	-112.84	-537.45	0.37	-112.84	-535.70	0.37	-114.10	-535.43	-0.06	-108.29	-534.89	
		DISPERSION-LMAX	S2	20.86	-232.08	-574.39	20.86	-232.08	-475.98	20.86	-233.20	-475.43	20.86	-233.20	-377.02	
			TQ	-48.92	400.10	47.47	-48.92	400.10	-183.34	-48.92	399.67	-184.29	-48.92	399.67	-415.10	
			M3	-16.84	175.96	180.94	3.12	35.48	145.78	3.16	35.49	145.70	11.46	-31.07	188.14	
		MIN	S2	-50.47	282.01	-635.28	-50.47	282.01	-873.42	-50.47	279.95	-874.08	-50.47	279.95	-1112.22	
			TQ	19.31	-350.17	-1257.14	19.31	-350.17	-1166.06	19.31	-352.92	-1165.23	19.31	-352.92	-1074.14	
			M3	-12.78	-126.03	-1390.62	-32.73	14.46	-1495.19	-32.78	11.25	-1495.22	-41.07	77.82	-1677.37	

BAGO RIVER BRIDGE

BLOCK [ No.1 : MAIN GIRDER ][ BEAM MEMBER FORCE ]

MEMBER				3031			3032			3033					
NODE				3031			3032			3033					
				SHEAR	TORQUE	MOMENT	SHEAR	TORQUE	MOMENT	SHEAR	TORQUE	MOMENT			
NAME	TITLE			S2 (kN)	TQ (kN·m)	M3 (kN·m)	S2 (kN)	TQ (kN·m)	M3 (kN·m)	S2 (kN)	TQ (kN·m)	M3 (kN·m)			
62	1-LANE (case2TRUCK-LOAD	MAX	S2	10.21	-14.95	61.23	10.21	-14.95	109.39	10.21	-14.69	109.43	10.21	-14.69	157.58
			TQ	-65.63	144.13	151.79	-65.63	144.13	-157.85	-65.63	143.75	-158.19	-65.63	143.75	-467.84
			M3	-54.93	118.12	423.05	-46.10	74.07	127.75	-46.10	74.37	127.57	10.21	-14.69	157.58
		MIN	S2	-83.63	126.93	415.69	-83.63	126.93	21.13	-83.63	126.98	20.83	-83.63	126.98	-373.73
			TQ	-7.54	-63.00	-677.51	-7.54	-63.00	-713.10	-7.75	-64.80	-764.61	-7.75	-64.80	-801.15
			M3	-9.46	-56.37	-847.94	-9.46	-56.37	-892.58	-9.46	-58.48	-892.44	-9.46	-58.48	-937.07
		TANDEM-LOAD MAX	S2	6.93	-9.99	41.57	6.93	-9.99	74.28	6.93	-9.82	74.30	6.93	-9.82	107.00
			TQ	-45.28	98.18	112.63	-45.28	98.18	-101.01	-45.28	97.94	-101.24	-45.28	97.94	-314.88
			M3	-40.89	78.55	327.21	-31.02	43.47	115.91	-31.02	43.75	115.81	6.93	-9.82	107.00
		MIN	S2	-58.42	78.55	327.21	-58.42	78.55	51.59	-58.42	78.67	51.40	-58.42	78.67	-224.21
			TQ	-5.04	-42.85	-472.15	-5.04	-42.85	-495.93	-5.10	-44.05	-510.24	-5.10	-44.05	-534.28
			M3	-6.45	-37.83	-575.72	-6.45	-37.83	-606.13	-6.45	-39.26	-606.04	-6.45	-39.26	-636.46
		DISPERSION-LMAX	S2	13.16	-19.67	74.45	12.78	-21.35	123.10	12.78	-21.06	123.15	12.66	-21.60	178.82
			TQ	-66.22	162.04	86.83	-72.40	162.04	-240.16	-72.40	161.47	-240.54	-78.58	161.47	-596.71
			M3	-24.74	60.42	236.71	-5.51	6.62	164.08	-5.47	6.96	164.06	12.42	-18.46	191.80
MIN	S2	-83.33	57.43	-1346.81	-89.13	59.11	-1741.11	-89.13	55.00	-1741.25	-95.20	55.55	-2171.75		
	TQ	-3.96	-124.27	-1359.19	-3.96	-124.27	-1377.85	-3.96	-127.52	-1377.56	-3.96	-127.52	-1396.22		
	M3	-45.43	-22.65	-1509.07	-70.85	31.15	-1782.10	-70.88	26.99	-1782.16	-94.96	52.41	-2184.74		
63	1-LANE (case3TRUCK-LOAD	MAX	S2	126.52	-14.01	479.83	39.71	-4.17	291.01	39.71	-3.48	291.02	10.49	0.77	161.13
			TQ	-17.20	37.71	-731.09	-17.20	37.71	-812.24	-17.20	35.79	-812.33	-17.20	35.79	-893.47
			M3	52.43	-21.95	515.99	-24.71	-13.24	379.67	-24.71	-12.35	379.70	10.49	0.77	161.13
		MIN	S2	-108.41	-24.32	499.07	-178.26	-15.98	364.35	-178.26	-15.12	364.39	-264.08	-5.67	-230.72
			TQ	-60.32	-38.41	3.31	-60.32	-38.41	-281.28	-60.32	-39.07	-281.19	-60.32	-39.07	-565.77
			M3	-17.25	29.95	-891.46	-17.28	30.19	-972.95	-17.28	27.89	-973.02	-17.28	27.89	-1054.54

BAGO RIVER BRIDGE

BLOCK [ No.1 : MAIN GIRDER ] [ BEAM MEMBER FORCE ]

MEMBER		3031			3032			3032			3033						
NODE		3031			3032			3032			3033						
		SHEAR	TORQUE	MOMENT	SHEAR	TORQUE	MOMENT	SHEAR	TORQUE	MOMENT	SHEAR	TORQUE	MOMENT				
NAME	TITLE	S2 (kN)	TQ (kN·m)	M3 (kN·m)	S2 (kN)	TQ (kN·m)	M3 (kN·m)	S2 (kN)	TQ (kN·m)	M3 (kN·m)	S2 (kN)	TQ (kN·m)	M3 (kN·m)				
63	1-LANE (case3TANDEM-LOAD	MAX	S2	116.33	-12.31	475.14	51.40	-6.46	390.91	51.40	-5.54	390.93	7.13	0.61	109.50		
			TQ	-11.67	25.79	-508.48	-11.67	25.79	-563.55	-11.67	24.46	-563.61	-11.67	24.46	-618.69		
			M3	20.78	-13.77	477.04	-40.93	-8.12	401.91	-40.93	-7.17	401.92	7.13	0.61	109.50		
		MIN	S2	-87.47	-13.77	477.04	-149.08	-8.12	401.91	-149.08	-7.17	401.92	-206.20	-0.81	-37.48		
			TQ	-39.86	-26.16	-8.33	-39.86	-26.16	-196.36	-39.86	-26.62	-196.30	-39.86	-26.62	-384.34		
			M3	-11.65	19.92	-604.75	-11.65	19.92	-659.71	-11.65	18.36	-659.76	-11.82	19.80	-715.24		
		DISPERSION-LMAX	S2	33.41	-1.73	149.46	17.77	0.03	174.05	17.77	0.44	174.05	12.76	0.99	195.96		
			TQ	-38.06	63.72	-1440.13	-46.52	63.72	-1639.86	-45.75	59.87	-1620.57	-54.81	59.87	-1857.80		
			M3	-0.48	-14.90	242.39	-10.83	-3.01	223.49	-10.83	-2.48	223.50	12.76	0.99	195.96		
		MIN	S2	-104.54	21.67	-1502.86	-125.88	19.90	-1950.33	-125.88	15.30	-1950.38	-157.79	14.75	-2569.50		
			TQ	-33.07	-43.79	86.73	-61.59	-43.79	-136.42	-62.36	-44.13	-155.76	-90.22	-44.13	-515.75		
			M3	-70.66	34.84	-1595.79	-97.29	22.94	-1999.78	-97.29	18.22	-1999.83	-157.79	14.75	-2569.50		
		64	1-LANE (case4TRUCK-LOAD	MAX	S2	11.13	37.83	63.99	11.13	37.83	116.51	11.13	38.11	116.42	40.82	-47.08	-1.45
					TQ	-27.18	172.20	-801.54	-27.18	172.20	-929.79	-27.18	170.00	-930.20	-27.18	170.00	-1058.45
					M3	-86.70	-331.59	467.82	11.13	37.83	116.51	11.13	38.11	116.42	11.13	38.11	168.93
MIN	S2			-114.18	-322.90	461.88	-98.19	-386.48	-42.19	-98.19	-386.58	-41.28	-98.19	-386.58	-504.52		
	TQ			-85.51	-415.05	147.50	-85.51	-415.05	-255.93	-85.51	-415.66	-254.95	-85.51	-415.66	-658.38		
	M3			-27.91	148.68	-949.81	-27.91	148.68	-1081.47	-27.91	146.13	-1081.82	-28.43	152.34	-1214.19		
TANDEM-LOAD	MAX			S2	7.57	25.95	43.53	7.57	25.95	79.26	7.57	26.14	79.20	45.44	-11.84	2.65	
	TQ			-18.82	117.25	-556.79	-18.82	117.25	-645.56	-18.82	115.73	-645.84	-18.82	115.73	-734.61		
	M3			-64.76	-238.51	342.93	7.57	25.95	79.26	7.57	26.14	79.20	7.57	26.14	114.93		
MIN	S2			-85.71	-173.08	280.94	-67.37	-249.79	18.71	-67.37	-249.75	19.30	-67.37	-249.75	-298.53		
	TQ			-59.29	-283.22	113.51	-59.29	-283.22	-166.21	-59.29	-283.61	-165.54	-59.29	-283.61	-445.26		
	M3			-19.04	102.00	-644.52	-19.04	102.00	-734.36	-19.04	100.27	-734.60	-19.19	102.00	-824.64		

BAGO RIVER BRIDGE

BLOCK [ No.1 : MAIN GIRDER ][ BEAM MEMBER FORCE ]

MEMBER		3031			3032			3032			3033					
NODE		3031			3032			3032			3033					
		SHEAR	TORQUE	MOMENT	SHEAR	TORQUE	MOMENT	SHEAR	TORQUE	MOMENT	SHEAR	TORQUE	MOMENT			
NAME	TITLE	S2 (kN)	TQ (kN·m)	M3 (kN·m)	S2 (kN)	TQ (kN·m)	M3 (kN·m)	S2 (kN)	TQ (kN·m)	M3 (kN·m)	S2 (kN)	TQ (kN·m)	M3 (kN·m)			
64	1-LANE (case4DISPERSION-LMAX	S2	14.74	60.01	38.97	15.19	55.74	107.21	15.19	55.99	107.08	20.68	50.24	181.35		
		TQ	-30.13	313.25	-1533.48	-30.13	313.25	-1675.63	-30.13	309.29	-1676.37	-30.13	309.29	-1818.53		
		M3	-48.82	-190.15	292.32	-5.10	-27.96	161.77	-5.17	-27.84	161.83	19.29	37.81	209.04		
		MIN	S2	-142.51	-197.91	-1451.01	-134.80	-193.64	-2103.32	-134.80	-198.60	-2102.85	-131.78	-192.86	-2721.95	
		TQ	-97.64	-451.15	121.43	-89.48	-451.15	-320.47	-89.48	-451.90	-319.40	-80.97	-451.90	-722.06		
		M3	-78.95	52.25	-1704.37	-114.50	-109.93	-2157.87	-114.44	-114.77	-2157.60	-130.39	-180.42	-2749.63		
		MAX	S2	27.12	-179.25	-309.78	27.12	-179.25	-181.81	27.12	-179.68	-181.39	27.12	-179.68	-53.42	
		TQ	-107.45	623.63	223.89	-107.45	623.63	-283.05	-107.45	622.96	-284.52	-107.45	622.96	-791.46		
		M3	-105.08	524.45	524.14	19.84	-60.18	214.23	19.84	-59.68	214.37	19.84	-59.68	307.98		
65	2-LANES (caseTRUCK-LOAD	MIN	S2	-116.24	599.43	435.62	-116.24	599.43	-112.77	-116.24	599.16	-114.19	-116.24	599.16	-662.58	
		TQ	5.89	-323.76	-1351.31	5.89	-323.76	-1323.54	5.89	-326.89	-1322.77	5.89	-326.89	-1295.00		
		M3	-4.15	-274.07	-1610.40	-4.24	-272.90	-1629.99	-4.24	-276.76	-1629.34	-4.49	-273.45	-1650.13		
		TANDEM-LOAD	MAX	S2	18.95	-110.04	-165.07	18.95	-110.04	-75.68	18.95	-110.21	-75.42	18.95	-110.21	13.97
		TQ	-74.90	426.45	174.56	-74.90	426.45	-178.79	-74.90	426.03	-179.80	-74.90	426.03	-533.15		
		M3	-71.29	348.14	371.96	13.49	-40.29	145.59	13.49	-39.95	145.68	13.49	-39.95	209.31		
		MIN	S2	-80.35	402.41	321.27	-80.35	402.41	-57.84	-80.35	402.27	-58.79	-80.35	402.27	-437.90	
		TQ	4.31	-220.52	-900.92	4.31	-220.52	-880.60	4.31	-222.60	-880.07	4.31	-222.60	-859.75		
		M3	-2.68	-187.91	-1093.85	-2.68	-187.91	-1106.50	-2.68	-190.53	-1106.05	-3.11	-184.72	-1119.91		
		DISPERSION-LMAX	S2	35.44	-315.33	-702.13	35.44	-315.33	-534.92	35.44	-316.59	-534.17	35.44	-316.59	-366.97	
		TQ	-110.04	683.68	118.66	-110.04	683.68	-400.49	-110.04	682.73	-402.10	-110.04	682.73	-921.25		
		M3	-41.40	290.25	393.42	1.94	48.12	294.97	2.04	48.21	294.86	23.66	-62.32	377.24		
		MIN	S2	-118.46	411.22	-1744.93	-118.46	411.22	-2303.81	-118.46	405.78	-2304.78	-118.46	405.78	-2863.66	
		TQ	27.02	-587.78	-2565.72	27.02	-587.78	-2438.24	27.02	-593.54	-2436.85	27.02	-593.54	-2309.38		
		M3	-41.62	-194.35	-2840.48	-84.96	47.78	-3133.70	-85.06	40.98	-3133.81	-106.68	151.51	-3607.87		

BAGO RIVER BRIDGE

BLOCK [ No.1 : MAIN GIRDER ][ BEAM MEMBER FORCE ]

MEMBER				3031			3032			3033					
NODE				3031			3032			3033					
				SHEAR	TORQUE	MOMENT	SHEAR	TORQUE	MOMENT	SHEAR	TORQUE	MOMENT			
NAME	TITLE			S2 (kN)	TQ (kN·m)	M3 (kN·m)	S2 (kN)	TQ (kN·m)	M3 (kN·m)	S2 (kN)	TQ (kN·m)	M3 (kN·m)			
66	2-LANES (caseTRUCK-LOAD	MAX	S2	20.22	-39.94	121.85	20.22	-39.94	217.26	20.22	-39.43	217.35	20.22	-39.43	312.76
			TQ	-120.35	400.00	240.80	-120.35	400.00	-326.99	-120.35	399.23	-327.93	-120.35	399.23	-895.72
			M3	-113.06	314.16	730.71	-36.09	48.94	235.62	-36.09	49.50	235.50	20.22	-39.57	312.77
		MIN	S2	-145.86	363.72	667.02	-145.86	363.72	-21.13	-145.86	363.67	-21.99	-145.86	363.67	-710.14
			TQ	-8.24	-192.05	-1370.65	-8.24	-192.05	-1409.54	-8.45	-195.50	-1460.75	-8.45	-195.50	-1500.59
			M3	-14.03	-165.89	-1666.94	-14.03	-165.89	-1733.12	-14.03	-169.98	-1732.73	-14.03	-169.98	-1798.91
		TANDEM-LOAD MAX	S2	13.74	-26.77	82.75	13.74	-26.77	147.57	13.74	-26.42	147.63	13.74	-26.42	212.45
			TQ	-83.09	273.11	181.23	-83.09	273.11	-210.80	-83.09	272.61	-211.45	-83.09	272.61	-603.47
			M3	-77.55	195.04	544.30	-24.21	26.70	189.20	-24.21	27.15	189.14	13.74	-26.42	212.45
		MIN	S2	-101.34	230.86	528.73	-101.34	230.86	50.64	-101.34	230.98	50.10	-101.34	230.98	-427.99
			TQ	-5.35	-130.73	-934.53	-5.35	-130.73	-959.77	-5.41	-133.03	-973.87	-5.41	-133.03	-999.38
			M3	-9.50	-112.91	-1132.11	-9.50	-112.91	-1176.93	-9.50	-115.69	-1176.66	-9.50	-115.69	-1221.47
		DISPERSION-LMAX	S2	27.74	-102.92	-53.28	27.36	-104.60	64.16	27.36	-104.45	64.41	27.24	-104.99	188.87
			TQ	-127.33	445.61	158.03	-133.52	445.61	-457.30	-133.52	444.53	-458.35	-139.70	444.53	-1102.86
			M3	-49.31	174.71	449.19	-6.69	19.26	313.27	-6.60	19.67	313.22	24.62	-49.71	380.91
		MIN	S2	-151.31	186.65	-2456.45	-157.12	188.33	-3171.51	-157.12	180.84	-3171.94	-163.19	181.38	-3923.19
			TQ	3.76	-361.88	-2667.76	3.76	-361.88	-2650.04	3.76	-368.14	-2649.18	3.76	-368.14	-2631.46
			M3	-74.27	-90.98	-2958.92	-123.07	64.47	-3420.61	-123.16	56.72	-3420.76	-160.57	126.10	-4115.23
67	2-LANES (caseTRUCK-LOAD	MAX	S2	202.87	-95.82	930.12	62.62	-28.99	505.72	62.62	-27.80	505.79	21.17	12.26	324.51
			TQ	-39.62	142.65	-1497.49	-39.62	142.65	-1684.43	-39.62	138.67	-1684.76	-39.62	138.67	-1871.70
			M3	67.66	-146.01	1022.20	-57.58	-90.13	679.96	-57.58	-88.52	680.18	21.17	12.26	324.51
		MIN	S2	-212.08	-158.78	994.45	-322.11	-107.81	654.69	-322.11	-106.26	654.95	-451.84	-41.32	-406.89
			TQ	-133.60	-203.80	105.80	-133.60	-203.80	-524.49	-133.60	-205.04	-524.00	-133.60	-205.04	-1154.29
			M3	-39.71	117.89	-1811.94	-39.93	120.07	-1999.98	-39.93	115.34	-2000.26	-39.93	115.34	-2188.65

BAGO RIVER BRIDGE

BLOCK [ No.1 : MAIN GIRDER ][ BEAM MEMBER FORCE ]

MEMBER		3031			3032			3032			3033						
NODE		3031			3032			3032			3033						
		SHEAR	TORQUE	MOMENT	SHEAR	TORQUE	MOMENT	SHEAR	TORQUE	MOMENT	SHEAR	TORQUE	MOMENT				
NAME	TITLE	S2 (kN)	TQ (kN·m)	M3 (kN·m)	S2 (kN)	TQ (kN·m)	M3 (kN·m)	S2 (kN)	TQ (kN·m)	M3 (kN·m)	S2 (kN)	TQ (kN·m)	M3 (kN·m)				
67	2-LANES (caseTANDEM-LOAD	MAX	S2	187.40	-85.88	909.67	81.30	-42.04	687.32	81.30	-40.42	687.42	14.39	8.53	220.60		
			TQ	-27.05	97.32	-1041.13	-27.05	97.32	-1168.77	-27.05	94.55	-1168.99	-27.05	94.55	-1296.63		
			M3	20.84	-95.04	917.56	-78.11	-53.71	709.68	-78.11	-52.03	709.81	14.39	8.53	220.60		
		MIN	S2	-166.45	-95.04	917.56	-262.36	-53.71	709.68	-262.36	-52.03	709.81	-346.61	-5.94	-65.19		
			TQ	-88.60	-138.94	47.59	-88.60	-138.94	-370.43	-88.60	-139.82	-370.10	-88.60	-139.82	-788.13		
			M3	-27.09	81.62	-1228.88	-27.09	81.62	-1356.67	-27.09	78.41	-1356.86	-27.25	79.85	-1485.17		
			DISPERSION-LMAX	S2	58.73	-1.85	296.70	33.63	10.21	340.31	33.63	11.01	340.28	25.74	15.02	394.66	
			TQ	-66.12	239.13	-2923.40	-74.58	239.13	-3255.49	-73.81	231.46	-3236.60	-82.87	231.46	-3606.19		
			M3	-14.09	-87.97	497.80	-18.90	-10.59	431.12	-18.90	-9.57	431.14	25.74	15.02	394.66		
			MIN	S2	-219.29	18.39	-3042.59	-257.89	6.33	-3994.47	-257.89	-3.11	-3994.47	-312.39	-7.12	-5254.65	
			TQ	-94.45	-222.60	177.51	-149.68	-222.60	-398.68	-150.45	-223.56	-417.59	-203.78	-223.56	-1253.79		
			M3	-146.48	104.51	-3243.70	-205.36	27.12	-4085.28	-205.36	17.47	-4085.33	-312.39	-7.12	-5254.65		
		68	2-LANES (caseTRUCK-LOAD	MAX	S2	27.37	-82.35	471.32	22.08	64.99	231.62	22.08	65.54	231.46	51.77	-19.65	165.25
					TQ	-49.61	277.14	-1567.94	-49.61	277.14	-1801.98	-49.61	272.88	-1802.63	-49.61	272.88	-2036.67
					M3	-117.70	-522.31	957.62	-28.22	-74.42	333.94	-28.22	-73.63	334.12	22.08	65.54	335.64
MIN	S2			-210.86	-532.35	949.76	-205.78	-522.33	171.78	-205.78	-521.93	173.02	-222.59	-437.91	-625.27		
	TQ			-161.72	-702.44	234.02	-161.72	-702.44	-528.98	-161.72	-703.69	-527.32	-161.72	-703.69	-1290.32		
	M3			-50.37	236.62	-1870.29	-50.56	238.56	-2108.50	-50.56	233.58	-2109.06	-51.08	239.79	-2348.30		
	TANDEM-LOAD			MAX	S2	21.33	-84.01	421.32	15.79	-23.68	279.22	15.79	-23.02	279.27	52.89	6.96	116.04
	TQ			-34.20	188.78	-1089.43	-34.20	188.78	-1250.77	-34.20	185.82	-1251.22	-34.20	185.82	-1412.56		
	M3			-91.14	-361.62	732.34	-25.65	-38.72	290.11	-25.65	-38.04	290.20	15.02	44.94	228.31		
	MIN			S2	-153.48	-296.19	670.35	-144.52	-314.47	229.56	-144.52	-313.92	230.31	-157.89	-257.00	-316.58	
	TQ			-108.26	-478.72	138.45	-108.26	-478.72	-372.32	-108.26	-479.60	-371.19	-108.26	-479.60	-881.96		
	M3			-34.48	163.70	-1268.65	-34.48	163.70	-1431.32	-34.48	160.32	-1431.70	-34.62	162.05	-1594.56		



BAGO RIVER BRIDGE

BLOCK [ No.1 : MAIN GIRDER ][ BEAM MEMBER FORCE ]

MEMBER			3031			3032			3032			3033					
NODE			3031			3032			3032			3033					
			SHEAR	TORQUE	MOMENT	SHEAR	TORQUE	MOMENT	SHEAR	TORQUE	MOMENT	SHEAR	TORQUE	MOMENT			
NAME	TITLE		S2 (kN)	TQ (kN·m)	M3 (kN·m)	S2 (kN)	TQ (kN·m)	M3 (kN·m)	S2 (kN)	TQ (kN·m)	M3 (kN·m)	S2 (kN)	TQ (kN·m)	M3 (kN·m)			
68	2-LANES (caseDISPERSION-LMAX	S2	32.11	82.09	160.61	29.61	86.58	262.63	29.61	87.20	262.42	34.00	84.40	383.73			
		TQ	-57.04	510.77	-3017.22	-57.04	510.77	-3286.32	-57.04	503.01	-3287.52	-57.04	503.01	-3556.62			
		M3	-76.63	-311.60	565.87	-12.46	-33.45	353.62	-12.58	-32.99	353.70	32.61	71.83	411.85			
		MIN	S2	-262.04	-332.54	-2950.48	-266.04	-337.03	-4152.87	-266.04	-346.84	-4152.06	-277.35	-344.03	-5405.40		
		TQ	-172.89	-761.22	227.35	-179.39	-761.22	-603.92	-179.39	-762.65	-602.12	-186.32	-762.65	-1465.05			
		M3	-153.30	61.16	-3355.74	-223.97	-216.99	-4243.86	-223.85	-226.65	-4243.33	-275.96	-331.46	-5433.52			
		69	3-LANES (caseTRUCK-LOAD	MAX	S2	37.33	-194.21	-248.54	37.33	-194.21	-72.42	37.33	-194.38	-71.96	37.33	-194.38	104.16
				TQ	-173.08	767.75	375.68	-173.08	767.75	-440.90	-173.08	766.71	-442.71	-173.08	766.71	-1259.30	
				M3	-160.01	642.57	947.19	-26.26	13.89	341.98	-26.26	14.69	341.94	30.05	-74.37	465.56	
MIN	S2			-199.87	726.37	851.31	-199.87	726.37	-91.64	-199.87	726.15	-93.36	-199.87	726.15	-1036.31		
TQ	-1.66			-386.76	-2028.83	-1.66	-386.76	-2036.64	-1.86	-391.69	-2087.38	-1.86	-391.69	-2096.15			
M3	-13.61			-330.44	-2458.34	-13.70	-329.27	-2522.56	-13.70	-335.23	-2521.78	-13.95	-331.93	-2587.20			
	TANDEM-LOAD	MAX	S2	25.88	-120.03	-123.49	25.88	-120.03	-1.40	25.88	-120.03	-1.12	25.88	-120.03	120.97		
		TQ	-120.18	524.63	287.18	-120.18	524.63	-279.80	-120.18	523.97	-281.04	-120.18	523.97	-848.03			
		M3	-112.19	426.69	699.17	-17.53	3.18	261.50	-17.53	3.80	261.49	20.42	-49.77	316.32			
		MIN	S2	-138.77	480.96	648.48	-138.77	480.96	-6.25	-138.77	480.94	-7.38	-138.77	480.94	-662.11		
		TQ	-0.73	-263.37	-1373.07	-0.73	-263.37	-1376.52	-0.79	-266.65	-1390.32	-0.79	-266.65	-1394.04			
		M3	-9.13	-225.74	-1669.56	-9.13	-225.74	-1712.63	-9.13	-229.79	-1712.09	-9.56	-223.98	-1756.37			
		DISPERSION-LMAX	S2	48.60	-334.99	-627.67	48.22	-336.67	-411.82	48.22	-337.65	-411.02	48.10	-338.19	-188.14		
			TQ	-176.25	845.72	205.49	-182.44	845.72	-640.65	-182.44	844.20	-642.64	-188.62	844.20	-1517.96		
			M3	-66.15	350.67	630.13	-3.57	54.74	459.05	-3.43	55.17	458.92	36.08	-80.78	569.04		
MIN	S2		-201.79	468.66	-3091.74	-207.59	470.34	-4044.93	-207.59	460.78	-4046.03	-213.66	461.33	-5035.41			
TQ	23.06		-712.05	-3924.91	23.06	-712.05	-3816.10	23.06	-721.06	-3814.41	23.06	-721.06	-3705.60				
M3	-87.05		-217.00	-4349.54	-155.81	78.93	-4915.80	-155.94	67.97	-4915.97	-201.64	203.92	-5792.60				

BAGO RIVER BRIDGE

BLOCK [ No.1 : MAIN GIRDER ][ BEAM MEMBER FORCE ]

MEMBER				3031			3032			3033					
NODE				3031			3032			3033					
				SHEAR	TORQUE	MOMENT	SHEAR	TORQUE	MOMENT	SHEAR	TORQUE	MOMENT			
NAME	TITLE			S2 (kN)	TQ (kN·m)	M3 (kN·m)	S2 (kN)	TQ (kN·m)	M3 (kN·m)	S2 (kN)	TQ (kN·m)	M3 (kN·m)			
70	3-LANES (caseTRUCK-LOAD	MAX	S2	213.73	-73.92	993.32	73.48	-7.10	620.15	73.48	-5.63	620.17	32.03	34.43	490.12
			TQ	-66.81	314.84	-2299.03	-66.81	314.84	-2614.22	-66.81	308.66	-2614.96	-66.81	308.66	-2930.15
			M3	-3.90	-393.92	1491.62	-117.37	-260.09	805.10	-117.37	-258.19	805.71	32.03	34.43	490.12
		MIN	S2	-304.20	-437.55	1375.42	-414.22	-386.57	601.08	-414.22	-385.15	601.99	-543.96	-320.21	-894.42
			TQ	-217.52	-500.31	296.35	-217.52	-500.31	-729.91	-217.52	-502.03	-728.73	-217.52	-502.03	-1754.98
			M3	-67.62	266.57	-2761.75	-67.84	268.75	-3081.45	-67.84	261.47	-3082.08	-68.36	267.68	-3402.84
		TANDEM-LOAD MAX	S2	194.79	-70.81	952.65	88.69	-26.97	765.15	88.69	-25.17	765.21	21.78	23.78	333.23
			TQ	-45.87	214.57	-1597.91	-45.87	214.57	-1814.33	-45.87	210.28	-1814.83	-45.87	210.28	-2031.25
			M3	-24.26	-245.86	1268.66	-107.58	-137.82	811.58	-107.58	-135.91	811.91	21.78	23.78	333.23
		MIN	S2	-230.48	-283.58	1200.51	-326.38	-242.26	690.59	-326.38	-240.62	691.16	-410.63	-194.53	-385.90
			TQ	-148.27	-340.55	219.88	-148.27	-340.55	-479.67	-143.76	-341.70	-530.06	-143.76	-341.70	-1208.30
			M3	-46.13	183.62	-1873.40	-46.13	183.62	-2091.03	-46.13	178.68	-2091.46	-46.44	181.85	-2309.80
		DISPERSION-LMAX	S2	72.85	30.50	357.45	47.50	45.45	457.05	47.50	46.53	456.94	40.88	49.15	574.70
			TQ	-97.42	530.40	-4456.88	-105.88	530.40	-4936.64	-105.11	518.76	-4918.44	-114.17	518.76	-5435.71
			M3	-50.60	-231.90	770.97	-25.33	-36.16	601.85	-25.38	-34.85	601.94	40.06	40.67	596.38
MIN	S2	-348.53	-42.63	-4530.68	-390.74	-57.57	-6091.99	-390.74	-71.97	-6091.84	-447.84	-74.59	-7981.33		
	TQ	-178.26	-542.53	283.65	-237.36	-542.53	-698.30	-238.13	-544.20	-716.45	-292.79	-544.20	-1970.92		
	M3	-225.08	219.78	-4944.19	-317.91	24.04	-6236.79	-317.86	9.42	-6236.83	-447.02	-66.11	-8003.01		
71	3-LANES (caseTRUCK-LOAD	MAX	S2	150.59	-132.81	951.75	61.34	50.55	521.21	61.34	51.78	521.09	62.54	-2.90	329.73
			TQ	-66.81	314.84	-2299.03	-66.81	314.84	-2614.22	-66.81	308.66	-2614.96	-66.81	308.66	-2930.15
			M3	-69.17	-607.88	1484.66	-52.89	-121.30	714.17	-52.89	-119.61	714.45	32.85	82.29	500.11
		MIN	S2	-320.46	-628.37	1463.86	-382.77	-580.21	538.14	-382.77	-578.93	539.51	-483.32	-458.13	-851.78
			TQ	-227.91	-864.26	253.89	-227.91	-864.26	-821.37	-227.91	-866.20	-819.33	-227.91	-866.20	-1894.59
			M3	-67.62	266.57	-2761.75	-67.84	268.75	-3081.45	-67.84	261.47	-3082.08	-68.36	267.68	-3402.84

BAGO RIVER BRIDGE

BLOCK [ No.1 : MAIN GIRDER ][ BEAM MEMBER FORCE ]

MEMBER				3031			3032			3033								
NODE				3031			3032			3033								
				SHEAR	TORQUE	MOMENT	SHEAR	TORQUE	MOMENT	SHEAR	TORQUE	MOMENT						
NAME	TITLE			S2 (kN)	TQ (kN·m)	M3 (kN·m)	S2 (kN)	TQ (kN·m)	M3 (kN·m)	S2 (kN)	TQ (kN·m)	M3 (kN·m)						
71	3-LANES (case)	TANDEM-LOAD	MAX	S2	134.03	-130.85	896.11	66.60	-43.56	668.57	66.60	-41.98	668.67	60.21	18.42	227.88		
				TQ	-45.87	214.57	-1597.91	-45.87	214.57	-1814.33	-45.87	210.28	-1814.83	-45.87	210.28	-2031.24		
				M3	-72.36	-415.18	1211.21	-66.26	-65.00	690.86	-66.26	-63.37	691.01	22.34	56.40	340.15		
			MIN	S2	-240.55	-349.75	1149.22	-292.18	-340.74	630.31	-292.18	-339.25	631.11	-361.11	-259.76	-353.38		
				TQ	-152.41	-590.34	142.76	-152.41	-590.34	-576.30	-152.41	-591.70	-574.90	-152.41	-591.70	-1293.96		
				M3	-46.13	183.62	-1873.40	-46.13	183.62	-2091.03	-46.13	178.68	-2091.46	-46.44	181.85	-2309.80		
		DISPERSION-LMAX	MAX	S2	65.47	94.67	311.10	47.76	105.38	439.46	47.76	106.42	439.21	47.10	105.39	583.78		
				TQ	-79.26	592.17	-4451.53	-79.26	592.17	-4825.47	-79.11	580.78	-4816.90	-79.11	580.78	-5190.11		
				M3	-82.52	-361.51	821.16	-22.65	-25.63	580.15	-22.76	-24.63	580.21	45.71	92.82	611.90		
			MIN	S2	-371.43	-432.65	-4445.20	-396.55	-443.37	-6117.96	-396.55	-457.82	-6116.89	-439.93	-456.79	-8010.99		
				TQ	-226.70	-930.15	317.43	-269.54	-930.15	-853.03	-269.69	-932.18	-860.79	-313.73	-932.18	-2237.10		
				M3	-223.44	23.53	-4955.26	-326.15	-312.35	-6258.65	-326.04	-326.77	-6257.90	-438.54	-444.22	-8039.11		
		72	4-LANES	TRUCK-LOAD	MAX	S2	43.25	76.77	252.24	43.25	76.77	456.29	43.25	77.84	456.11	43.25	77.84	660.16
						TQ	39.11	81.92	227.43	39.11	81.92	411.92	39.11	82.89	411.73	39.11	82.89	596.23
						M3	43.25	76.77	252.24	43.25	76.77	456.29	43.25	77.84	456.11	43.25	77.84	660.16
MIN	S2				-249.92	-855.58	-112.85	-249.92	-855.58	-1291.96	-249.92	-858.63	-1289.94	-249.92	-858.63	-2469.05		
	TQ				-249.92	-855.58	-112.85	-249.92	-855.58	-1291.96	-249.92	-858.63	-1289.94	-249.92	-858.63	-2469.05		
	M3				-148.98	-567.80	-481.56	-218.69	-774.20	-1340.96	-218.69	-777.37	-1339.12	-249.92	-858.63	-2469.05		
TANDEM-LOAD	MAX			S2	29.41	52.75	171.51	29.41	52.75	310.28	29.41	53.48	310.15	29.41	53.48	448.92		
				TQ	26.03	55.72	151.34	26.03	55.72	274.16	26.03	56.37	274.03	26.03	56.37	396.84		
				M3	29.41	52.75	171.51	29.41	52.75	310.28	29.41	53.48	310.15	29.41	53.48	448.92		
	MIN			S2	-181.19	-603.51	13.29	-181.19	-603.51	-841.54	-181.19	-605.49	-840.11	-181.19	-605.49	-1694.94		
				TQ	-181.19	-603.51	13.29	-181.19	-603.51	-841.54	-181.19	-605.49	-840.11	-181.19	-605.49	-1694.94		
				M3	-98.64	-372.86	-332.32	-145.54	-514.05	-914.32	-145.54	-516.21	-913.10	-181.19	-605.49	-1694.94		

BAGO RIVER BRIDGE

BLOCK [ No.1 : MAIN GIRDER ][ BEAM MEMBER FORCE ]

MEMBER				3031			3032			3033							
NODE				3031			3032			3033							
				SHEAR	TORQUE	MOMENT	SHEAR	TORQUE	MOMENT	SHEAR	TORQUE	MOMENT					
NAME	TITLE			S2 (kN)	TQ (kN·m)	M3 (kN·m)	S2 (kN)	TQ (kN·m)	M3 (kN·m)	S2 (kN)	TQ (kN·m)	M3 (kN·m)					
72	4-LANES	DISPERSION-LMAX	S2	52.67	98.21	306.94	52.67	98.21	555.44	52.67	99.53	555.21	52.67	99.53	803.71		
			TQ	42.61	100.15	265.96	42.61	100.15	466.98	43.19	101.26	472.16	43.19	101.26	675.91		
			M3	45.04	60.53	308.92	52.67	98.21	555.44	52.67	99.53	555.21	52.67	99.53	803.71		
	MIN	S2	-143.85	-523.49	-355.64	-143.85	-523.49	-1034.33	-143.85	-525.93	-1033.09	-143.85	-525.93	-1711.78			
		TQ	-132.69	-525.82	-306.02	-132.69	-525.82	-932.05	-133.27	-528.03	-936.22	-133.27	-528.03	-1564.98			
		M3	-136.22	-485.17	-357.69	-143.85	-523.49	-1034.33	-143.85	-525.93	-1033.09	-143.85	-525.93	-1711.78			
	73	6-LANES	TRUCK-LOAD	MAX	S2	227.89	-205.46	1056.98	102.21	-177.20	509.58	102.21	-176.00	510.00	91.96	-125.81	367.36
				TQ	-257.41	949.91	-1728.27	-257.41	949.91	-2942.70	-257.41	942.96	-2944.94	-257.41	942.96	-4159.38	
				M3	-176.24	20.16	2499.39	-70.78	-81.91	1167.61	-70.78	-79.15	1167.80	62.93	8.49	966.19	
MIN			S2	-532.81	95.46	2367.57	-630.05	91.79	653.09	-630.05	93.34	652.87	-756.11	145.46	-1700.82		
			TQ	-213.10	-1101.01	-1906.39	-213.10	-1101.01	-2911.79	-213.27	-1108.00	-2960.63	-213.27	-1108.00	-3966.82		
			M3	-80.97	-67.47	-5220.41	-81.48	-61.51	-5604.21	-81.48	-74.75	-5604.05	-82.32	-64.24	-5990.12		
TANDEM-LOAD		MAX	S2	201.49	-145.57	1124.92	103.87	-134.80	716.27	103.87	-133.10	716.59	77.81	-100.57	342.45		
		TQ	-176.27	649.37	-1204.28	-176.27	649.37	-2035.92	-176.27	644.55	-2037.45	-176.27	644.55	-2869.08			
		M3	-158.87	26.33	2007.63	-88.99	-46.82	1080.54	-88.99	-44.27	1080.65	42.78	6.64	656.74			
		MIN	S2	-393.50	132.56	1886.08	-472.90	96.84	801.82	-472.90	98.74	801.59	-555.38	149.79	-966.19		
			TQ	-148.95	-753.18	-1251.66	-148.95	-753.18	-1954.37	-148.99	-757.83	-1966.95	-148.99	-757.83	-2669.88		
			M3	-54.88	-46.17	-3543.08	-55.28	-41.94	-3803.85	-55.28	-50.93	-3803.74	-55.85	-43.53	-4065.76		
DISPERSION-LMAX	S2	118.42	-217.85	-262.67	95.02	-208.63	55.40	95.02	-208.49	55.89	92.90	-210.08	401.57				
	TQ	-227.50	1273.33	-3909.34	-242.03	1273.33	-5017.10	-241.25	1261.49	-5000.06	-256.44	1261.49	-6174.07				
	M3	-129.57	-0.47	1403.56	-27.95	35.74	1034.51	-27.99	37.44	1034.42	80.04	24.56	1153.42				
	MIN	S2	-551.61	-43.17	-7096.77	-588.48	-49.75	-9604.42	-588.48	-72.44	-9604.27	-645.47	-70.93	-12418.94			
		TQ	-202.42	-1484.64	-3354.05	-248.02	-1484.64	-4418.18	-248.74	-1495.10	-4434.57	-291.19	-1495.10	-5710.04			
		M3	-304.54	-200.83	-8684.71	-467.28	-255.14	-10511.23	-467.27	-278.55	-10510.60	-633.67	-271.96	-13101.88			

BAGO RIVER BRIDGE

BLOCK [ No.1 : MAIN GIRDER ][ BEAM MEMBER FORCE ]

MEMBER			3031			3032			3032			3033			
NODE			3031			3032			3032			3033			
NAME TITLE			SHEAR	TORQUE	MOMENT	SHEAR	TORQUE	MOMENT	SHEAR	TORQUE	MOMENT	SHEAR	TORQUE	MOMENT	
			S2 (kN)	TQ (kN·m)	M3 (kN·m)	S2 (kN)	TQ (kN·m)	M3 (kN·m)	S2 (kN)	TQ (kN·m)	M3 (kN·m)	S2 (kN)	TQ (kN·m)	M3 (kN·m)	
124	SUM TOTAL	D+1LANE (caseMAX	S2	-1622.73	-918.75	-29481.23	-1843.49	-918.75	-37664.44	-1843.49	-1007.73	-37662.16	-2059.65	-1007.73	-46875.27
			TQ	-1790.27	466.28	-28128.67	-2011.04	466.28	-37102.36	-2011.04	378.63	-37103.36	-2227.20	378.63	-47106.95
			M3	-1744.84	150.11	-27870.59	-1873.52	-454.63	-36443.08	-1873.46	-541.12	-36441.90	-2079.67	-621.00	-45763.41
		MIN	S2	-1793.66	318.45	-28888.68	-2014.43	318.45	-37878.37	-2014.43	228.97	-37879.01	-2230.59	228.97	-47898.60
			TQ	-1637.21	-1108.99	-30645.88	-1857.97	-1108.99	-38897.43	-1857.97	-1200.88	-38894.70	-2074.13	-1200.88	-48176.16
			M3	-1683.12	-803.83	-30965.92	-1927.93	-633.85	-39487.20	-1927.99	-726.75	-39485.59	-2154.40	-642.90	-49131.32
		D+1LANE (caseMAX	S2	-1640.25	-496.68	-28184.67	-1861.47	-498.70	-36466.66	-1861.47	-584.85	-36465.38	-2077.76	-585.50	-45768.84
			TQ	-1826.50	-87.74	-28061.14	-2054.69	-87.74	-37223.27	-2054.69	-175.68	-37222.96	-2278.27	-175.68	-47449.99
			M3	-1763.90	-240.90	-27555.78	-1950.98	-358.31	-36395.46	-1950.94	-444.35	-36394.51	-2078.05	-581.73	-45753.26
		MIN	S2	-1868.64	-233.90	-29464.84	-2096.36	-231.88	-38809.63	-2096.36	-323.57	-38808.97	-2319.81	-322.91	-49227.10
			TQ	-1682.08	-679.86	-30791.53	-1902.85	-679.86	-39254.79	-1903.09	-772.74	-39315.07	-2119.25	-772.74	-48809.37
			M3	-1734.15	-549.96	-31175.90	-1985.42	-485.40	-39955.25	-1985.46	-579.74	-39954.00	-2230.51	-549.23	-49918.70
		D+1LANE (caseMAX	S2	-1476.38	-474.03	-27592.35	-1820.07	-460.10	-36187.57	-1820.07	-545.59	-36186.38	-2077.30	-539.83	-45744.02
			TQ	-1734.60	-333.42	-30952.97	-1965.51	-333.42	-39688.17	-1964.59	-427.16	-39663.94	-2191.62	-427.16	-49474.05
			M3	-1605.95	-499.36	-27437.43	-1931.69	-474.64	-36021.85	-1931.69	-559.74	-36020.63	-2077.30	-539.83	-45744.02
		MIN	S2	-1923.83	-458.32	-29552.04	-2254.02	-450.43	-38648.83	-2254.02	-541.73	-38647.66	-2611.46	-531.05	-49532.80
			TQ	-1780.36	-553.78	-28239.44	-2035.34	-553.78	-37246.89	-2036.26	-641.79	-37268.81	-2285.86	-641.79	-47470.35
			M3	-1773.77	-377.39	-31332.19	-2026.53	-391.38	-40312.92	-2026.53	-486.62	-40311.88	-2315.29	-490.78	-50521.38
		D+1LANE (caseMAX	S2	-1637.24	-337.72	-28223.94	-1857.46	-342.85	-36477.19	-1857.46	-429.03	-36476.28	-2031.41	-538.15	-45956.65
			TQ	-1737.07	127.40	-31149.51	-1957.83	127.40	-39872.16	-1957.83	33.20	-39872.35	-2173.99	33.20	-49624.90
			M3	-1830.91	-1081.22	-27435.32	-1881.81	-443.29	-36411.72	-1881.90	-529.63	-36410.57	-2068.70	-450.85	-45718.96
		MIN	S2	-1976.32	-1080.11	-29534.45	-2168.63	-1151.27	-39320.26	-2168.63	-1244.17	-39317.43	-2381.17	-1237.27	-50044.29
			TQ	-1888.07	-1494.58	-28024.77	-2099.03	-1494.58	-37437.33	-2099.03	-1583.02	-37433.69	-2304.98	-1583.02	-47829.06
			M3	-1796.52	-214.02	-31532.50	-2059.94	-408.64	-40632.86	-2059.86	-504.32	-40631.78	-2295.79	-575.65	-50929.11

BAGO RIVER BRIDGE

BLOCK [ No.1 : MAIN GIRDER ][ BEAM MEMBER FORCE ]

MEMBER			3031			3032			3032			3033			
NODE			3031			3032			3032			3033			
NAME TITLE			SHEAR	TORQUE	MOMENT	SHEAR	TORQUE	MOMENT	SHEAR	TORQUE	MOMENT	SHEAR	TORQUE	MOMENT	
			S2 (kN)	TQ (kN·m)	M3 (kN·m)	S2 (kN)	TQ (kN·m)	M3 (kN·m)	S2 (kN)	TQ (kN·m)	M3 (kN·m)	S2 (kN)	TQ (kN·m)	M3 (kN·m)	
124	SUM TOTAL	D+2LANES (casMAX	S2	-1605.72	-949.72	-29359.39	-1826.48	-949.72	-37462.38	-1826.48	-1038.22	-37460.03	-2042.64	-1038.22	-46592.92
			TQ	-1885.77	852.17	-28004.94	-2106.54	852.17	-37429.18	-2106.54	763.74	-37431.09	-2322.69	763.74	-47885.24
			M3	-1814.77	359.57	-27429.93	-1867.27	-467.20	-36236.45	-1867.17	-553.42	-36235.24	-2061.71	-663.95	-45487.31
		MIN	S2	-1902.98	555.52	-29656.79	-2123.75	555.52	-39162.23	-2123.75	463.00	-39163.44	-2339.90	463.00	-49698.77
			TQ	-1635.38	-1366.68	-32264.52	-1856.14	-1366.68	-40507.43	-1856.14	-1462.37	-40504.09	-2072.30	-1462.37	-49776.91
			M3	-1714.05	-923.56	-32798.36	-1978.24	-680.27	-41509.34	-1978.35	-777.72	-41507.62	-2216.37	-663.89	-51430.52
		D+2LANES (casMAX	S2	-1620.32	-598.00	-28278.92	-1841.47	-599.68	-36464.23	-1841.47	-685.82	-36462.71	-2057.74	-686.37	-45670.89
			TQ	-1915.96	390.48	-27948.67	-2142.91	390.48	-37529.94	-2142.91	301.81	-37530.76	-2365.25	301.81	-48171.10
			M3	-1830.65	33.73	-27167.59	-1931.82	-386.94	-36196.76	-1931.73	-472.78	-36195.75	-2060.36	-631.23	-45478.85
		MIN	S2	-1965.46	95.23	-30136.93	-2192.03	96.91	-39938.28	-2192.03	2.55	-39938.40	-2414.26	3.10	-50805.86
			TQ	-1672.77	-1009.07	-32385.90	-1893.54	-1009.07	-40805.24	-1893.74	-1105.59	-40854.40	-2109.90	-1105.59	-50304.58
			M3	-1756.58	-712.00	-32973.35	-2026.15	-556.56	-41899.39	-2026.24	-655.22	-41897.95	-2279.80	-585.83	-52086.67
		D+2LANES (casMAX	S2	-1406.69	-552.81	-27120.67	-1792.80	-473.92	-35899.62	-1792.80	-558.73	-35898.40	-2058.29	-514.67	-45453.36
			TQ	-1774.02	-73.36	-32768.39	-2003.25	-73.36	-41685.57	-2002.48	-171.82	-41665.84	-2227.70	-171.82	-51650.42
			M3	-1614.72	-689.12	-26827.48	-1965.52	-555.86	-35634.57	-1965.52	-640.04	-35633.16	-2058.29	-514.67	-45453.36
		MIN	S2	-2099.66	-595.53	-30395.63	-2469.05	-556.62	-40085.43	-2469.05	-651.32	-40084.00	-2869.44	-590.38	-51834.06
			TQ	-1896.33	-881.53	-28064.18	-2172.33	-881.53	-37668.81	-2173.09	-970.54	-37686.06	-2442.58	-970.54	-48580.61
			M3	-1854.47	-232.74	-33403.13	-2134.34	-307.94	-42830.91	-2134.34	-409.13	-42830.06	-2457.53	-433.72	-53615.82
		D+2LANES (casMAX	S2	-1608.81	-455.40	-27715.56	-1837.36	-303.56	-36251.40	-1837.36	-389.20	-36250.58	-2019.43	-477.20	-45623.55
			TQ	-1774.93	332.77	-32932.65	-1995.69	332.77	-41833.95	-1995.69	233.94	-41834.62	-2211.85	233.94	-51765.82
			M3	-1862.62	-1289.05	-26824.00	-1929.73	-563.01	-36058.09	-1929.85	-648.56	-36056.66	-2050.52	-404.58	-45425.04
		MIN	S2	-2141.18	-1320.02	-30348.21	-2360.87	-1314.50	-40726.74	-2360.87	-1410.72	-40723.52	-2605.15	-1323.90	-52203.20
			TQ	-2002.90	-1918.80	-27886.12	-2230.17	-1918.80	-37878.55	-2230.17	-2008.28	-37873.91	-2453.25	-2008.28	-48927.90
			M3	-1871.95	-157.36	-33573.52	-2163.58	-433.57	-43098.01	-2163.46	-535.02	-43096.86	-2432.25	-633.63	-53954.35

BAGO RIVER BRIDGE

BLOCK [ No.1 : MAIN GIRDER ][ BEAM MEMBER FORCE ]

MEMBER			3031			3032			3032			3033				
NODE			3031			3032			3032			3033				
NAME TITLE			SHEAR	TORQUE	MOMENT	SHEAR	TORQUE	MOMENT	SHEAR	TORQUE	MOMENT	SHEAR	TORQUE	MOMENT		
			S2 (kN)	TQ (kN·m)	M3 (kN·m)	S2 (kN)	TQ (kN·m)	M3 (kN·m)	S2 (kN)	TQ (kN·m)	M3 (kN·m)	S2 (kN)	TQ (kN·m)	M3 (kN·m)		
124	SUM TOTAL	D+3LANES (casMAX	S2	-1595.25	-904.96	-29092.27	-1816.33	-906.38	-37157.25	-1816.33	-994.17	-37155.01	-2032.59	-994.63	-46243.91	
			TQ	-1965.22	916.31	-27853.49	-2191.24	916.31	-37664.97	-2191.24	827.32	-37667.02	-2412.66	827.32	-48533.20	
			M3	-1860.52	389.11	-27006.77	-1914.40	-396.81	-36064.77	-1914.29	-482.56	-36063.74	-2049.00	-673.83	-45293.11	
		MIN	S2	-2009.69	560.63	-30251.85	-2235.39	562.06	-40261.73	-2235.39	466.94	-40262.95	-2456.71	467.41	-51333.49	
			TQ	-1650.09	-1389.13	-33408.16	-1870.85	-1389.13	-41720.48	-1871.02	-1487.79	-41760.99	-2087.18	-1487.79	-51104.01	
			M3	-1753.84	-920.47	-34134.19	-2033.13	-667.93	-43068.26	-2033.24	-769.12	-43066.56	-2288.46	-650.76	-53295.36	
		D+3LANES (casMAX	S2	-1424.69	-492.04	-27199.34	-1786.21	-422.54	-35830.02	-1786.21	-507.19	-35828.93	-2043.24	-470.91	-45267.44	
			TQ	-1807.88	263.32	-34090.01	-2035.83	263.32	-43163.88	-2035.18	161.36	-43147.86	-2259.04	161.36	-53283.51	
			M3	-1714.61	-987.09	-26424.30	-2010.35	-706.95	-35549.74	-2010.39	-791.04	-35547.97	-2043.93	-478.12	-45249.01	
		MIN	S2	-2223.11	-863.29	-31029.46	-2573.27	-832.66	-41412.92	-2573.27	-930.50	-41410.84	-2948.23	-877.52	-53716.91	
			TQ	-2004.70	-1341.55	-27854.49	-2275.70	-1341.55	-37959.63	-2276.35	-1431.24	-37972.87	-2538.97	-1431.24	-49339.55	
			M3	-1917.08	-41.74	-34897.54	-2216.93	-206.27	-44666.16	-2216.89	-311.69	-44665.54	-2543.28	-370.61	-55867.50	
		D+3LANES (casMAX	S2	-1484.64	-487.56	-27274.07	-1796.31	-322.60	-35929.09	-1796.31	-407.48	-35928.22	-2012.02	-454.83	-45396.05	
			TQ	-1792.44	315.82	-34085.47	-2013.20	315.82	-43069.39	-2013.07	214.08	-43061.55	-2229.23	214.08	-53074.75	
			M3	-1797.22	-1279.12	-26387.54	-1953.25	-580.03	-35645.48	-1953.35	-664.55	-35644.01	-2038.44	-393.10	-45227.31	
		MIN	S2	-2256.39	-1357.00	-30881.63	-2551.47	-1325.17	-41488.50	-2551.47	-1423.19	-41485.25	-2889.97	-1319.63	-53705.88	
			TQ	-2054.71	-1980.39	-27861.87	-2311.88	-1980.39	-38168.89	-2312.01	-2070.57	-38172.57	-2565.60	-2070.57	-49684.47	
			M3	-1915.69	-208.55	-34906.95	-2223.94	-492.20	-44684.74	-2223.84	-597.45	-44683.45	-2536.07	-692.01	-55898.19	
		D+4LANES	MAX	S2	-1605.94	-341.40	-27984.02	-1826.70	-341.40	-36088.02	-1826.70	-426.66	-36087.11	-2042.86	-426.66	-45221.01
			TQ	-1615.17	-336.79	-28026.79	-1835.93	-336.79	-36174.36	-1835.56	-422.25	-36169.94	-2051.72	-422.25	-45345.64	
			M3	-1610.90	-365.90	-27982.74	-1826.70	-341.40	-36088.02	-1826.70	-426.66	-36087.12	-2042.86	-426.66	-45221.01	
		MIN	S2	-1924.24	-1351.53	-28652.00	-2145.00	-1351.53	-38257.74	-2145.00	-1441.92	-38254.44	-2361.16	-1441.92	-48890.07	
			TQ	-1916.99	-1353.05	-28619.75	-2137.75	-1353.05	-38191.26	-2138.12	-1443.28	-38191.47	-2354.28	-1443.28	-48794.65	
			M3	-1853.66	-1139.57	-28893.00	-2124.70	-1298.64	-38289.59	-2124.70	-1389.09	-38286.41	-2361.16	-1441.92	-48890.07	

BAGO RIVER BRIDGE

BLOCK [ No.1 : MAIN GIRDER ][ BEAM MEMBER FORCE ]

MEMBER					3031			3032			3033					
NODE					3031			3032			3033					
					SHEAR	TORQUE	MOMENT	SHEAR	TORQUE	MOMENT	SHEAR	TORQUE	MOMENT			
NAME TITLE					S2 (kN)	TQ (kN·m)	M3 (kN·m)	S2 (kN)	TQ (kN·m)	M3 (kN·m)	S2 (kN)	TQ (kN·m)	M3 (kN·m)			
124	SUM TOTAL	D+6LANES	MAX	S2	-1443.18	-730.29	-27831.19	-1760.85	-705.92	-36378.41	-1760.85	-791.87	-36376.64	-1985.05	-760.28	-45672.72
				TQ	-1983.48	989.97	-32011.93	-2213.68	989.97	-41919.52	-2213.18	890.94	-41908.72	-2439.21	890.94	-52889.27
				M3	-1867.06	-442.34	-25810.57	-1953.22	-485.14	-35314.27	-1953.25	-569.06	-35313.03	-2012.28	-520.46	-44794.78
			MIN	S2	-2373.16	-421.15	-31421.47	-2681.10	-427.81	-42564.01	-2681.10	-528.37	-42562.88	-3016.23	-493.50	-55350.38
				TQ	-1938.37	-2135.81	-31766.78	-2188.77	-2135.81	-41510.13	-2189.35	-2233.96	-41551.35	-2433.11	-2233.96	-52462.49
				M3	-1918.87	-629.54	-37385.82	-2245.74	-660.96	-47220.68	-2245.74	-771.59	-47218.99	-2570.60	-760.48	-58582.33
	SUM TOTAL		MAX		-1406.69	989.97	-25810.57	-1760.85	989.97	-35314.27	-1760.85	890.94	-35313.03	-1985.05	890.94	-44794.78
			MIN		-2373.16	-2135.81	-37385.82	-2681.10	-2135.81	-47220.68	-2681.10	-2233.96	-47218.99	-3016.23	-2233.96	-58582.33
300	DEAD LOAD	TOTAL			-1668.29	-455.14	-28347.49	-1889.05	-455.14	-36745.65	-1889.05	-541.95	-36744.47	-2105.21	-541.95	-46172.53
301	LIVE LOAD	1-LANE(case1MAX	S2		45.56	-463.61	-1133.74	45.56	-463.61	-918.79	45.56	-465.78	-917.69	45.56	-465.78	-702.75
			TQ		-121.99	921.42	218.83	-121.99	921.42	-356.71	-121.99	920.58	-358.88	-121.99	920.58	-934.42
			M3		-76.55	605.24	476.90	15.53	0.51	302.57	15.59	0.83	302.57	25.54	-79.05	409.12
			MIN	S2	-125.38	773.59	-541.19	-125.38	773.59	-1132.72	-125.38	770.91	-1134.54	-125.38	770.91	-1726.07
				TQ	31.07	-653.85	-2298.39	31.07	-653.85	-2151.78	31.07	-658.93	-2150.23	31.07	-658.93	-2003.63
				M3	-14.83	-348.69	-2618.42	-38.88	-178.71	-2741.55	-38.94	-184.80	-2741.12	-49.19	-100.95	-2958.79
		1-LANE(case2MAX	S2		28.04	-41.54	162.82	27.58	-43.56	278.99	27.58	-42.90	279.09	27.44	-43.56	403.69
			TQ		-158.22	367.39	286.35	-165.64	367.39	-477.62	-165.64	366.27	-478.48	-173.06	366.27	-1277.46
			M3		-95.61	214.24	791.71	-61.93	96.83	350.19	-61.89	97.60	349.96	27.16	-39.79	419.27
			MIN	S2	-200.35	221.24	-1117.35	-207.32	223.26	-2063.98	-207.32	218.38	-2064.50	-214.60	219.04	-3054.57
				TQ	-13.80	-224.72	-2444.04	-13.80	-224.72	-2509.14	-14.04	-230.79	-2570.60	-14.04	-230.79	-2636.84
				M3	-65.87	-94.82	-2828.41	-96.37	-30.26	-3209.61	-96.41	-37.79	-3209.53	-125.31	-7.29	-3746.17
		1-LANE(case3MAX	S2		191.91	-18.89	755.15	68.98	-4.96	558.08	68.98	-3.65	558.09	27.90	2.12	428.50
			TQ		-66.31	121.72	-2605.47	-76.46	121.72	-2942.52	-75.54	114.79	-2919.47	-86.41	114.79	-3301.52
			M3		62.34	-44.22	910.06	-42.65	-19.50	723.80	-42.65	-17.79	723.84	27.90	2.12	428.50
			MIN	S2	-255.54	-3.18	-1204.55	-364.97	4.71	-1903.18	-364.97	0.21	-1903.19	-506.25	10.89	-3360.27
				TQ	-112.07	-98.64	108.06	-146.30	-98.64	-501.24	-147.22	-99.85	-524.33	-180.65	-99.85	-1297.82
				M3	-105.49	77.75	-2984.70	-137.48	63.76	-3567.27	-137.48	55.33	-3567.41	-210.09	51.17	-4348.85



BAGO RIVER BRIDGE

BLOCK [ No.1 : MAIN GIRDER ][ BEAM MEMBER FORCE ]

MEMBER			3031			3032			3032			3033				
NODE			3031			3032			3032			3033				
NAME TITLE			SHEAR	TORQUE	MOMENT	SHEAR	TORQUE	MOMENT	SHEAR	TORQUE	MOMENT	SHEAR	TORQUE	MOMENT		
			S2 (kN)	TQ (kN·m)	M3 (kN·m)	S2 (kN)	TQ (kN·m)	M3 (kN·m)	S2 (kN)	TQ (kN·m)	M3 (kN·m)	S2 (kN)	TQ (kN·m)	M3 (kN·m)		
301	LIVE LOAD	1-LANE (case4MAX	S2	31.05	117.41	123.55	31.59	112.29	268.46	31.59	112.92	268.20	73.80	3.80	215.88	
			TQ	-68.78	582.53	-2802.02	-68.78	582.53	-3126.51	-68.78	575.15	-3127.88	-68.78	575.15	-3452.38	
			M3	-162.63	-626.09	912.17	7.24	11.84	333.93	7.15	12.32	333.90	36.50	91.10	453.56	
			MIN	S2	-308.04	-624.98	-1186.96	-279.58	-696.14	-2574.61	-279.58	-702.22	-2572.96	-275.96	-695.32	-3871.76
			TQ	-219.78	-1039.44	322.72	-209.98	-1039.44	-691.68	-209.98	-1041.07	-689.22	-199.78	-1041.07	-1656.53	
			M3	-128.23	241.12	-3185.00	-170.90	46.50	-3887.21	-170.81	37.63	-3887.31	-190.58	-33.70	-4756.58	
		2-LANES (caseMAX	S2	62.56	-494.58	-1011.90	62.56	-494.58	-716.73	62.56	-496.27	-715.56	62.56	-496.27	-420.39	
			TQ	-217.49	1307.30	342.55	-217.49	1307.30	-683.53	-217.49	1305.69	-686.62	-217.49	1305.69	-1712.71	
			M3	-146.48	814.70	917.56	21.78	-12.06	509.20	21.88	-11.47	509.23	43.50	-122.00	685.22	
			MIN	S2	-234.70	1010.66	-1309.30	-234.70	1010.66	-2416.58	-234.70	1004.95	-2418.96	-234.70	1004.95	-3526.25
			TQ	32.91	-911.54	-3917.03	32.91	-911.54	-3761.79	32.91	-920.43	-3759.62	32.91	-920.43	-3604.38	
			M3	-45.77	-468.42	-4450.87	-89.20	-225.13	-4763.69	-89.30	-235.78	-4763.15	-111.16	-121.94	-5257.99	
		2-LANES (caseMAX	S2	47.96	-142.86	68.57	47.58	-144.54	281.42	47.58	-143.87	281.76	47.47	-144.42	501.64	
			TQ	-247.68	845.62	398.82	-253.86	845.62	-784.29	-253.86	843.76	-786.29	-260.05	843.76	-1998.58	
			M3	-162.37	488.87	1179.90	-42.77	68.20	548.89	-42.68	69.17	548.72	44.85	-89.28	693.67	
			MIN	S2	-297.17	550.37	-1789.43	-302.98	552.05	-3192.64	-302.98	544.50	-3193.93	-309.05	545.05	-4633.33
			TQ	-4.49	-553.93	-4038.41	-4.49	-553.93	-4059.59	-4.69	-563.64	-4109.93	-4.69	-563.64	-4132.05	
			M3	-88.30	-256.87	-4625.86	-137.10	-101.42	-5153.74	-137.19	-113.27	-5153.48	-174.60	-43.89	-5914.14	
		2-LANES (caseMAX	S2	261.60	-97.67	1226.82	96.25	-18.78	846.03	96.25	-16.79	846.07	46.91	27.28	719.17	
			TQ	-105.74	381.78	-4420.90	-114.20	381.78	-4939.92	-113.43	370.13	-4921.36	-122.49	370.13	-5477.89	
			M3	53.57	-233.98	1520.01	-76.47	-100.72	1111.08	-76.47	-98.09	1111.32	46.91	27.28	719.17	
			MIN	S2	-431.38	-140.40	-2048.14	-580.00	-101.48	-3339.78	-580.00	-109.37	-3339.53	-764.23	-48.43	-5661.54
			TQ	-228.05	-426.39	283.31	-283.28	-426.39	-923.16	-284.05	-428.59	-941.59	-337.37	-428.59	-2408.09	
			M3	-186.19	222.40	-5055.64	-245.29	147.19	-6085.26	-245.29	132.82	-6085.59	-352.32	108.23	-7443.29	

BAGO RIVER BRIDGE

BLOCK [ No.1 : MAIN GIRDER ][ BEAM MEMBER FORCE ]

MEMBER			3031			3032			3032			3033				
NODE			3031			3032			3032			3033				
NAME TITLE			SHEAR	TORQUE	MOMENT	SHEAR	TORQUE	MOMENT	SHEAR	TORQUE	MOMENT	SHEAR	TORQUE	MOMENT		
			S2 (kN)	TQ (kN·m)	M3 (kN·m)	S2 (kN)	TQ (kN·m)	M3 (kN·m)	S2 (kN)	TQ (kN·m)	M3 (kN·m)	S2 (kN)	TQ (kN·m)	M3 (kN·m)		
301	LIVE LOAD	2-LANES (caseMAX	S2	59.47	-0.26	631.93	51.69	151.58	494.25	51.69	152.74	493.89	85.77	64.75	548.98	
			TQ	-106.65	787.91	-4585.16	-106.65	787.91	-5088.30	-106.65	775.89	-5090.15	-106.65	775.89	-5593.29	
			M3	-194.34	-833.92	1523.49	-40.68	-107.87	687.56	-40.80	-106.62	687.81	54.69	137.37	747.49	
			MIN	S2	-472.90	-864.88	-2000.72	-471.82	-859.36	-3981.09	-471.82	-868.77	-3979.05	-499.94	-781.95	-6030.68
			TQ	-334.62	-1463.66	461.37	-341.12	-1463.66	-1132.90	-341.12	-1466.34	-1129.44	-348.04	-1466.34	-2755.37	
			M3	-203.66	297.78	-5226.03	-274.53	21.57	-6352.36	-274.41	6.93	-6352.39	-327.04	-91.68	-7781.82	
		3-LANES (caseMAX	S2	73.04	-449.82	-744.78	72.72	-451.25	-411.61	72.72	-452.22	-410.54	72.62	-452.68	-71.39	
			TQ	-296.94	1371.45	494.00	-302.19	1371.45	-919.32	-302.19	1369.27	-922.55	-307.45	1369.27	-2360.67	
			M3	-192.24	844.25	1340.72	-25.36	58.33	680.87	-25.24	59.38	680.74	56.21	-131.88	879.42	
			MIN	S2	-341.41	1015.77	-1904.36	-346.34	1017.20	-3516.08	-346.34	1008.89	-3518.48	-351.50	1009.36	-5160.97
			TQ	18.20	-933.99	-5060.67	18.20	-933.99	-4974.83	18.02	-945.84	-5016.52	18.02	-945.84	-4931.48	
			M3	-85.56	-465.33	-5786.70	-144.08	-212.80	-6322.61	-144.19	-227.18	-6322.09	-183.25	-108.81	-7122.83	
		3-LANES (caseMAX	S2	243.60	-36.91	1148.15	102.83	32.60	915.63	102.83	34.76	915.55	61.97	71.04	905.09	
			TQ	-139.59	718.46	-5742.52	-146.78	718.46	-6418.23	-146.13	703.31	-6403.39	-153.83	703.31	-7110.98	
			M3	-46.32	-531.95	1923.19	-121.30	-251.82	1195.91	-121.34	-249.09	1196.50	61.27	63.83	923.52	
			MIN	S2	-554.82	-408.15	-2681.97	-684.22	-377.52	-4667.27	-684.22	-388.55	-4666.37	-843.02	-335.58	-7544.39
			TQ	-336.42	-886.41	493.00	-386.65	-886.41	-1213.98	-387.30	-889.30	-1228.40	-433.76	-889.30	-3167.02	
			M3	-248.79	413.40	-6550.05	-327.89	248.87	-7920.51	-327.84	230.25	-7921.07	-438.07	171.34	-9694.97	
		3-LANES (caseMAX	S2	183.65	-32.43	1073.42	92.73	132.54	816.56	92.73	134.47	816.25	93.19	87.12	776.48	
			TQ	-124.16	770.96	-5737.98	-124.16	770.96	-6323.74	-124.03	756.02	-6317.08	-124.03	756.02	-6902.22	
			M3	-128.93	-823.98	1959.95	-64.21	-124.89	1100.17	-64.30	-122.61	1100.46	66.77	148.85	945.21	
			MIN	S2	-588.10	-901.86	-2534.14	-662.42	-870.04	-4742.85	-662.42	-881.24	-4740.78	-784.77	-777.68	-7533.35
			TQ	-386.42	-1525.26	485.62	-422.83	-1525.26	-1423.24	-422.96	-1528.62	-1428.10	-460.39	-1528.62	-3511.94	
			M3	-247.40	246.58	-6559.46	-334.89	-37.06	-7939.09	-334.79	-55.50	-7938.98	-430.87	-150.06	-9725.66	

BAGO RIVER BRIDGE

BLOCK [ No.1 : MAIN GIRDER ][ BEAM MEMBER FORCE ]

MEMBER					3031			3032			3033					
NODE					3031			3032			3033					
NAME TITLE					SHEAR	TORQUE	MOMENT	SHEAR	TORQUE	MOMENT	SHEAR	TORQUE	MOMENT			
					S2 (kN)	TQ (kN·m)	M3 (kN·m)	S2 (kN)	TQ (kN·m)	M3 (kN·m)	S2 (kN)	TQ (kN·m)	M3 (kN·m)			
301	LIVE LOAD	4-LANES	MAX	S2	62.35	113.74	363.47	62.35	113.74	657.63	62.35	115.29	657.36	62.35	115.29	951.52
				TQ	53.11	118.34	320.70	53.11	118.34	571.29	53.49	119.70	574.53	53.49	119.70	826.89
				M3	57.39	89.24	364.75	62.35	113.74	657.63	62.35	115.29	657.36	62.35	115.29	951.52
		MIN	S2	-255.96	-896.40	-304.51	-255.96	-896.40	-1512.09	-255.96	-899.97	-1509.97	-255.96	-899.97	-2717.54	
			TQ	-248.70	-897.91	-272.26	-248.70	-897.91	-1445.61	-249.08	-901.33	-1447.00	-249.08	-901.33	-2622.12	
			M3	-185.38	-684.44	-545.51	-235.65	-843.50	-1543.94	-235.65	-847.15	-1541.94	-255.96	-899.97	-2717.54	
	6-LANES	MAX	S2	225.10	-275.15	516.30	128.20	-250.79	367.23	128.20	-249.92	367.83	120.16	-218.33	499.80	
			TQ	-315.19	1445.11	-3664.44	-324.64	1445.11	-5173.87	-324.13	1432.89	-5164.25	-334.00	1432.89	-6716.74	
			M3	-198.78	12.80	2536.92	-64.17	-30.01	1431.38	-64.20	-27.11	1431.44	92.93	21.48	1377.75	
		MIN	S2	-704.87	33.99	-3073.98	-792.05	27.33	-5818.36	-792.05	13.58	-5818.41	-911.03	48.45	-9177.85	
			TQ	-270.09	-1680.68	-3419.29	-299.73	-1680.68	-4764.48	-300.31	-1692.01	-4806.88	-327.90	-1692.01	-6289.96	
			M3	-250.58	-174.40	-9038.33	-356.69	-205.82	-10475.03	-356.69	-229.64	-10474.52	-465.39	-218.53	-12409.80	
	LIVE LOAD	MAX	261.60	1445.11	2536.92	128.20	1445.11	1431.38	128.20	1432.89	1431.44	120.16	1432.89	1377.75		
		MIN	-704.87	-1680.68	-9038.33	-792.05	-1680.68	-10475.03	-792.05	-1692.01	-10474.52	-911.03	-1692.01	-12409.80		
	303	SUM TOTAL	TOTAL	MAX	-1406.69	989.97	-25810.57	-1760.85	989.97	-35314.27	-1760.85	890.94	-35313.03	-1985.05	890.94	-44794.78
MIN				-2373.16	-2135.81	-37385.82	-2681.10	-2135.81	-47220.68	-2681.10	-2233.96	-47218.99	-3016.23	-2233.96	-58582.33	

BAGO RIVER BRIDGE

BLOCK [ No.1 : MAIN GIRDER ] [ BEAM MEMBER FORCE ]

NAME	TITLE	MEMBER NODE	3033			3034			3034			3035			
			SHEAR	TORQUE	MOMENT	SHEAR	TORQUE	MOMENT	SHEAR	TORQUE	MOMENT	SHEAR	TORQUE	MOMENT	
			S2 (kN)	TQ (kN·m)	M3 (kN·m)	S2 (kN)	TQ (kN·m)	M3 (kN·m)	S2 (kN)	TQ (kN·m)	M3 (kN·m)	S2 (kN)	TQ (kN·m)	M3 (kN·m)	
1	PAVEMENT		464.42	-149.76	-7569.71	431.43	-149.76	-5580.65	431.43	-162.17	-5580.30	399.94	-162.17	-3734.67	
3	RAILING		9.58	-2.31	-206.11	10.89	-2.31	-160.76	10.89	-2.67	-160.75	12.21	-2.67	-109.63	
5	CURB		94.88	-22.88	-2040.53	107.85	-22.88	-1591.51	107.85	-26.42	-1591.46	120.84	-26.42	-1085.36	
7	DECK WEIGHT		745.27	-227.54	-12213.78	695.12	-227.54	-9015.82	695.12	-247.60	-9015.29	647.08	-247.60	-6035.92	
8	GIRDER WEIGH		1080.15	-224.47	-17032.00	997.11	-224.47	-12417.04	997.11	-252.10	-12416.51	914.07	-252.10	-8170.51	
10	MEDIAN STRIP		229.32	-40.28	-3458.67	202.37	-40.28	-2499.59	202.37	-45.84	-2499.49	175.42	-45.84	-1660.15	
21	ADITIONAL WE		208.68	-63.71	-3419.86	194.63	-63.71	-2524.43	194.63	-69.33	-2524.28	181.18	-69.33	-1690.06	
31	MEDIAN RAILI		16.24	-2.38	-230.40	14.06	-2.38	-163.08	14.06	-2.74	-163.07	11.88	-2.74	-105.42	
51	SUPPORT WEIG		0.00	0.00	-0.00	0.00	0.00	-0.00	0.00	0.00	-0.00	0.00	0.00	-0.00	
52	NOSE WEIGHT		0.00	-0.02	-0.01	0.00	-0.02	-0.00	0.00	-0.02	-0.00	0.00	-0.02	-0.00	
61	1-LANE(case1TRUCK-LOAD	MAX	S2	62.58	-384.56	-623.42	62.58	-384.56	-345.38	62.58	-385.33	-344.52	62.58	-385.33	-66.47
			TQ	-3.48	209.44	-326.83	-3.48	209.44	-342.31	-3.48	208.67	-342.77	-3.48	208.67	-358.25
			M3	-1.03	-19.73	152.86	-1.03	-19.73	148.30	-1.03	-19.40	148.35	-1.03	-19.40	143.79
		MIN	S2	-16.09	158.55	-71.29	-16.09	158.55	-142.76	-16.09	158.23	-143.11	-16.09	158.23	-214.59
			TQ	62.41	-384.78	-631.29	62.41	-384.78	-353.99	62.41	-385.57	-353.14	62.41	-385.57	-75.84
			M3	51.28	-325.50	-787.73	47.76	-302.47	-567.75	47.76	-303.73	-567.08	0.85	192.80	-393.03
		TANDEM-LOAD MAX	S2	42.99	-259.86	-394.21	42.99	-259.86	-203.19	42.99	-260.31	-202.61	42.99	-260.31	-11.59
			TQ	-1.53	142.96	-234.57	-1.53	142.96	-241.35	-1.53	142.42	-241.66	-1.53	142.42	-248.44
			M3	-0.70	-13.25	103.91	-0.70	-13.25	100.81	-0.70	-13.02	100.84	-0.70	-13.02	97.73
		MIN	S2	-11.92	104.10	-30.59	-11.92	104.10	-83.56	-11.92	103.91	-83.79	-11.92	103.91	-136.76
			TQ	42.07	-261.81	-440.40	42.07	-261.81	-253.46	42.07	-262.37	-252.88	42.07	-262.37	-65.95
			M3	34.30	-217.68	-534.52	31.90	-201.69	-385.70	31.90	-202.55	-385.25	0.70	129.05	-267.44
		DISPERSION-LMAX	S2	91.08	-467.25	-1567.35	91.08	-467.25	-1162.63	91.08	-469.83	-1161.59	91.08	-469.83	-756.87
			TQ	-5.15	233.85	-415.83	-5.15	233.85	-438.73	-5.15	232.87	-439.25	-5.15	232.87	-462.16
			M3	-2.58	-14.58	188.19	-0.87	-27.74	181.14	-0.86	-27.41	181.20	16.67	-153.01	205.56
MIN	S2	-7.41	83.26	78.48	-7.41	83.26	45.56	-7.41	83.36	45.37	-7.41	83.36	12.45		
	TQ	88.83	-617.84	-1073.03	88.83	-617.84	-678.34	88.83	-619.35	-676.96	88.83	-619.35	-282.26		
	M3	86.25	-369.41	-1677.05	84.54	-356.25	-1298.21	84.54	-359.07	-1297.41	67.01	-233.46	-949.98		

BAGO RIVER BRIDGE

BLOCK [ No.1 : MAIN GIRDER ] [ BEAM MEMBER FORCE ]

MEMBER				3033			3034			3035					
NODE				3033			3034			3034			3035		
				SHEAR	TORQUE	MOMENT	SHEAR	TORQUE	MOMENT	SHEAR	TORQUE	MOMENT	SHEAR	TORQUE	MOMENT
NAME	TITLE			S2 (kN)	TQ (kN·m)	M3 (kN·m)	S2 (kN)	TQ (kN·m)	M3 (kN·m)	S2 (kN)	TQ (kN·m)	M3 (kN·m)	S2 (kN)	TQ (kN·m)	M3 (kN·m)
62	1-LANE (case2TRUCK-LOAD	MAX	S2	84.24	-121.45	-499.65	84.24	-121.45	-125.33	84.24	-121.73	-125.06	84.24	-121.73	249.25
			TQ	6.07	79.14	-478.10	6.07	79.14	-451.15	6.07	78.13	-451.33	6.07	78.13	-424.37
			M3	-1.22	-9.00	157.61	-1.22	-9.00	152.21	-1.22	-8.66	152.23	77.75	-113.47	267.27
		MIN	S2	-1.22	-8.96	157.57	-1.22	-8.96	152.17	-1.22	-8.62	152.19	-1.22	-8.62	146.78
			TQ	79.26	-133.35	-647.67	79.26	-133.35	-295.48	79.26	-134.00	-295.18	79.26	-134.00	57.01
			M3	60.15	-112.91	-936.88	53.62	-102.04	-684.00	53.62	-103.56	-683.77	4.23	73.85	-456.33
		TANDEM-LOAD MAX	S2	57.70	-87.99	-371.90	57.70	-87.99	-115.51	57.70	-88.24	-115.31	57.70	-88.24	141.08
			TQ	3.77	53.86	-327.44	3.77	53.86	-310.68	3.77	53.17	-310.80	3.77	53.17	-294.04
			M3	-0.83	-6.03	107.02	-0.83	-6.03	103.35	-0.83	-5.80	103.36	57.47	-75.88	223.60
		MIN	S2	-0.83	-6.03	107.02	-0.83	-6.03	103.35	-0.83	-5.80	103.36	-0.83	-5.80	99.69
			TQ	52.21	-90.69	-453.76	52.21	-90.69	-221.79	52.21	-91.18	-221.59	52.21	-91.18	10.39
			M3	40.25	-75.75	-636.32	36.82	-70.06	-464.75	36.82	-71.10	-464.59	2.94	51.07	-310.47
		DISPERSION-LMAX	S2	128.75	-126.35	-2177.82	123.05	-125.78	-1621.72	123.05	-129.39	-1621.44	117.61	-127.73	-1095.71
			TQ	6.60	90.90	-597.00	6.60	90.90	-567.66	6.60	89.63	-567.86	6.60	89.63	-538.51
			M3	-1.48	-11.26	191.84	6.45	-21.02	196.87	6.46	-20.60	196.92	21.90	-53.63	261.87
MIN	S2	-1.70	-8.32	185.00	-1.82	-8.89	180.47	-1.82	-8.49	180.49	-2.21	-10.14	180.46		
	TQ	120.44	-225.57	-1395.82	114.62	-225.57	-873.59	114.62	-227.51	-873.09	108.79	-227.51	-376.74		
	M3	128.52	-123.41	-2184.66	114.77	-113.65	-1638.12	114.76	-117.28	-1637.86	93.50	-84.25	-1177.12		
63	1-LANE (case3TRUCK-LOAD	MAX	S2	256.20	3.94	-257.71	168.34	13.20	209.09	168.34	13.66	209.06	106.17	29.20	279.74
			TQ	77.64	73.99	-971.47	77.64	73.99	-626.49	77.64	72.60	-626.66	77.64	72.60	-281.68
			M3	-1.36	-0.75	161.13	112.67	4.13	249.41	112.67	4.69	249.40	26.52	14.01	329.61
		MIN	S2	-1.36	-0.72	161.11	-37.29	1.67	222.49	-37.29	2.16	222.48	-122.44	10.20	320.70
			TQ	10.66	-22.21	-555.46	10.66	-22.21	-508.07	10.66	-23.34	-508.02	10.66	-23.34	-460.64
			M3	64.60	64.42	-1054.65	60.17	59.23	-775.96	60.17	57.51	-776.09	52.53	52.45	-523.43

BAGO RIVER BRIDGE

BLOCK [ No.1 : MAIN GIRDER ][ BEAM MEMBER FORCE ]

MEMBER		3033			3034			3034			3035				
NODE		3033			3034			3034			3035				
		SHEAR	TORQUE	MOMENT	SHEAR	TORQUE	MOMENT	SHEAR	TORQUE	MOMENT	SHEAR	TORQUE	MOMENT		
NAME	TITLE	S2 (kN)	TQ (kN·m)	M3 (kN·m)	S2 (kN)	TQ (kN·m)	M3 (kN·m)	S2 (kN)	TQ (kN·m)	M3 (kN·m)	S2 (kN)	TQ (kN·m)	M3 (kN·m)		
63	1-LANE (case3TANDEM-LOAD	MAX	S2	204.94	0.49	-41.25	142.67	4.57	315.43	142.67	5.28	315.42	83.46	12.65	330.10
			TQ	51.95	50.59	-667.89	51.95	50.59	-437.05	51.95	49.62	-437.16	51.95	49.62	-206.32
			M3	-0.93	-0.46	109.50	53.96	3.12	317.32	53.96	3.82	317.31	-9.42	9.92	336.91
		MIN	S2	-0.93	-0.46	109.50	-51.43	3.12	317.32	-51.43	3.82	317.31	-114.68	9.92	336.91
			TQ	7.44	-15.30	-374.70	7.44	-15.30	-341.65	7.44	-16.06	-341.61	7.44	-16.06	-308.56
			M3	45.15	45.36	-715.31	39.94	38.92	-526.31	39.94	37.75	-526.39	36.12	35.53	-355.72
	DISPERSION-LMAX	S2	181.33	90.79	-2569.62	151.45	90.48	-1871.41	151.45	86.32	-1871.61	131.75	85.04	-1315.22	
		TQ	148.12	115.50	-1873.89	124.80	115.50	-1267.59	124.38	112.71	-1241.45	99.48	112.71	-743.89	
		M3	-1.66	-0.88	195.96	13.17	0.64	247.86	13.17	1.20	247.86	-5.13	5.86	265.99	
		MIN	S2	-1.66	-0.88	195.96	-6.53	-0.57	218.83	-6.53	-0.09	218.83	-21.52	1.20	229.26
			TQ	31.55	-25.59	-499.77	20.12	-25.59	-384.99	20.54	-26.47	-411.33	10.76	-26.47	-342.08
			M3	181.33	90.79	-2569.62	131.75	89.27	-1900.44	131.75	85.04	-1900.64	115.36	80.37	-1351.95
64	1-LANE (case4TRUCK-LOAD	MAX	S2	111.19	347.25	-905.68	111.19	347.25	-411.64	111.19	346.33	-412.41	142.72	306.66	259.92
			TQ	96.32	354.94	-1059.05	96.32	354.94	-631.05	97.36	353.56	-617.87	97.36	353.56	-185.26
			M3	-1.71	19.19	168.87	-1.71	19.19	161.29	-1.71	19.55	161.24	140.51	284.26	287.40
		MIN	S2	-47.41	-58.17	-5.38	-21.69	-135.66	-205.67	-21.69	-136.11	-205.37	-21.69	-136.11	-301.74
			TQ	5.81	-219.72	-657.64	5.81	-219.72	-631.82	5.81	-221.12	-631.33	5.81	-221.12	-605.51
			M3	75.27	319.82	-1214.73	66.60	286.39	-900.52	66.60	284.38	-901.15	60.12	257.99	-616.47
	TANDEM-LOAD	MAX	S2	80.33	230.49	-556.88	80.33	230.49	-199.95	80.33	230.04	-200.47	110.61	171.06	202.68
			TQ	63.07	241.05	-735.02	63.07	241.05	-454.76	63.07	240.04	-455.30	63.07	240.04	-175.04
			M3	-1.16	13.17	114.88	-1.16	13.17	109.72	-1.16	13.41	109.69	92.67	188.87	204.78
		MIN	S2	-44.26	12.51	-12.29	-17.82	-73.40	-78.74	-17.82	-73.58	-78.58	-17.82	-73.58	-157.75
			TQ	3.86	-149.92	-444.76	3.86	-149.92	-427.59	3.86	-150.87	-427.26	3.86	-150.87	-410.08
			M3	50.23	214.33	-824.99	45.70	196.68	-611.83	45.70	195.31	-612.27	39.86	171.28	-418.23

BAGO RIVER BRIDGE

BLOCK [ No.1 : MAIN GIRDER ][ BEAM MEMBER FORCE ]

MEMBER			3033			3034			3034			3035					
NODE			3033			3034			3034			3035					
			SHEAR	TORQUE	MOMENT	SHEAR	TORQUE	MOMENT	SHEAR	TORQUE	MOMENT	SHEAR	TORQUE	MOMENT			
NAME	TITLE		S2 (kN)	TQ (kN·m)	M3 (kN·m)	S2 (kN)	TQ (kN·m)	M3 (kN·m)	S2 (kN)	TQ (kN·m)	M3 (kN·m)	S2 (kN)	TQ (kN·m)	M3 (kN·m)			
64	1-LANE (case4DISPERSION-LMAX	S2	141.28	357.37	-2647.61	145.20	362.99	-2026.75	145.20	358.48	-2027.55	154.32	361.32	-1366.26			
		TQ	127.35	570.86	-1819.53	136.25	570.86	-1234.48	136.25	568.11	-1235.75	145.55	568.11	-610.28			
		M3	-4.00	17.06	208.97	-1.18	25.75	196.66	-1.18	26.17	196.60	42.86	131.22	280.15			
		MIN	S2	-13.26	-30.74	106.82	-8.28	-36.36	73.99	-8.28	-36.19	74.07	-8.10	-39.04	41.22		
		TQ	0.67	-244.22	-721.26	0.67	-244.22	-718.28	0.67	-245.82	-717.74	0.67	-245.82	-714.76			
		M3	132.02	309.57	-2749.76	138.10	300.89	-2149.42	138.10	296.12	-2150.09	103.36	191.07	-1605.19			
		65	2-LANES (caseTRUCK-LOAD	MAX	S2	129.74	-633.48	-1220.58	129.74	-633.48	-644.10	129.74	-634.91	-642.69	129.74	-634.91	-66.22
				TQ	-1.78	354.09	-732.56	-1.78	354.09	-740.46	-1.78	352.44	-741.25	-1.78	352.44	-749.15	
				M3	-2.14	-34.17	308.09	-2.14	-34.17	298.56	-2.14	-33.50	298.63	54.14	-193.97	322.50	
MIN	S2			-22.21	247.03	-195.28	-22.21	247.03	-293.96	-22.21	246.37	-294.51	-22.21	246.37	-393.18		
TQ	128.29			-642.30	-1355.13	128.29	-642.30	-785.08	128.29	-644.05	-783.65	128.29	-644.05	-213.60			
M3	106.46			-547.26	-1649.20	98.82	-507.90	-1192.99	98.82	-510.55	-1191.86	3.35	326.61	-817.49			
TANDEM-LOAD	MAX	S2	88.71	-428.23	-786.71	88.71	-428.23	-392.57	88.71	-429.10	-391.61	88.71	-429.10	2.53			
	TQ	-0.20	241.58	-517.17	-0.20	241.58	-518.05	-0.20	240.42	-518.58	-0.20	240.42	-519.46				
	M3	-1.46	-22.89	209.39	-1.46	-22.89	202.89	-1.46	-22.44	202.94	36.02	-125.81	232.90				
	MIN	S2	-17.19	151.41	-74.24	-17.19	151.41	-150.63	-17.19	151.08	-150.96	-17.19	151.08	-227.34			
	TQ	87.20	-436.80	-905.19	87.20	-436.80	-517.72	87.20	-437.95	-516.75	87.20	-437.95	-129.28				
	M3	72.13	-369.71	-1119.28	67.15	-343.58	-810.05	67.15	-345.39	-809.29	2.42	217.94	-555.84				
DISPERSION-LMAX	S2	197.19	-748.00	-3437.17	197.19	-748.00	-2560.97	197.19	-753.70	-2559.30	197.19	-753.70	-1683.11				
	TQ	-4.47	396.76	-922.50	-4.47	396.76	-942.37	-4.47	394.66	-943.25	-4.47	394.66	-963.13				
	M3	-3.93	-32.67	377.35	0.91	-55.64	365.53	0.94	-55.02	365.65	38.60	-249.04	442.68				
	MIN	S2	-10.61	102.92	207.15	-10.61	102.92	160.02	-10.61	103.27	159.79	-10.61	103.27	112.66			
	TQ	191.06	-1041.84	-2307.52	191.06	-1041.84	-1458.58	191.06	-1045.08	-1456.26	191.06	-1045.08	-607.32				
	M3	190.52	-612.41	-3607.36	185.67	-589.44	-2766.48	185.64	-595.40	-2765.16	147.99	-401.39	-2013.13				

BAGO RIVER BRIDGE

BLOCK [ No.1 : MAIN GIRDER ] [ BEAM MEMBER FORCE ]

MEMBER				3033			3034			3035						
NODE				3033			3034			3034			3035			
				SHEAR	TORQUE	MOMENT	SHEAR	TORQUE	MOMENT	SHEAR	TORQUE	MOMENT	SHEAR	TORQUE	MOMENT	
NAME	TITLE			S2 (kN)	TQ (kN·m)	M3 (kN·m)	S2 (kN)	TQ (kN·m)	M3 (kN·m)	S2 (kN)	TQ (kN·m)	M3 (kN·m)	S2 (kN)	TQ (kN·m)	M3 (kN·m)	
66	2-LANES (caseTRUCK-LOAD	MAX	S2	151.41	-370.36	-1096.80	151.41	-370.36	-424.06	151.41	-371.30	-423.23	151.41	-371.30	249.51	
			TQ	7.77	223.79	-883.83	7.77	223.79	-849.30	7.77	221.90	-849.80	7.77	221.90	-815.27	
			M3	-2.34	-23.43	312.84	-2.34	-23.43	302.46	-2.34	-22.76	302.51	132.91	-288.04	445.98	
			MIN	S2	-7.34	79.52	33.58	-7.34	79.52	0.97	-7.34	79.52	0.80	-7.34	79.52	-31.81
				TQ	145.15	-390.87	-1371.51	145.15	-390.87	-726.57	145.15	-392.49	-725.70	145.15	-392.49	-80.75
				M3	115.32	-334.67	-1798.34	104.68	-307.46	-1309.23	104.68	-310.37	-1308.55	6.74	207.66	-880.79
		TANDEM-LOAD MAX	S2	103.42	-256.36	-764.40	103.42	-256.36	-304.88	103.42	-257.03	-304.31	103.42	-257.03	155.21	
			TQ	5.10	152.48	-610.04	5.10	152.48	-587.38	5.10	151.17	-587.72	5.10	151.17	-565.06	
			M3	-1.59	-15.67	212.49	-1.59	-15.67	205.43	-1.59	-15.21	205.46	94.18	-188.66	358.77	
			MIN	S2	-6.10	41.29	63.37	-6.10	41.29	36.28	-6.10	41.37	36.19	-6.10	41.37	9.10
				TQ	97.34	-265.68	-918.56	97.34	-265.68	-486.05	97.34	-266.76	-485.45	97.34	-266.76	-52.94
				M3	78.07	-227.77	-1221.08	72.07	-211.96	-889.11	72.07	-213.93	-888.63	4.66	139.96	-598.87
		DISPERSION-LMAX	S2	234.85	-407.11	-4047.64	229.16	-406.54	-3020.06	229.16	-413.25	-3019.15	223.72	-411.60	-2021.95	
			TQ	7.29	253.81	-1103.67	7.29	253.81	-1071.29	7.29	251.42	-1071.86	7.29	251.42	-1039.48	
			M3	-2.83	-29.35	381.00	8.23	-48.92	381.26	8.27	-48.21	381.37	43.83	-149.65	498.99	
			MIN	S2	-4.90	11.35	313.67	-5.02	10.78	294.93	-5.02	11.43	294.91	-5.41	9.77	280.67
				TQ	222.67	-649.57	-2630.30	216.85	-649.57	-1653.84	216.85	-653.24	-1652.39	211.02	-653.24	-701.80
				M3	232.79	-366.41	-4114.97	215.90	-346.84	-3106.39	215.86	-353.61	-3105.62	174.48	-252.17	-2240.27
67	2-LANES (caseTRUCK-LOAD	MAX	S2	437.23	43.78	-475.97	305.27	116.14	319.28	305.27	116.85	319.02	214.60	186.70	557.87	
			TQ	162.26	285.92	-2004.90	162.26	285.92	-1283.93	162.26	283.06	-1284.56	162.26	283.06	-563.59	
			M3	-2.82	4.23	324.49	197.23	46.45	408.65	197.23	47.36	408.55	73.25	119.24	646.84	
		MIN	S2	-2.82	4.26	324.47	-53.08	26.09	362.72	-53.08	26.90	362.66	-170.79	96.97	622.53	
			TQ	19.38	-112.69	-1131.28	19.38	-112.69	-1045.16	19.38	-115.01	-1044.90	19.38	-115.01	-958.78	
			M3	133.46	251.16	-2189.06	124.22	232.76	-1613.88	124.22	229.17	-1614.40	110.09	207.55	-1092.91	



BAGO RIVER BRIDGE

BLOCK [ No.1 : MAIN GIRDER ][ BEAM MEMBER FORCE ]

MEMBER				3033			3034			3035					
NODE				3033			3034			3034			3035		
				SHEAR	TORQUE	MOMENT	SHEAR	TORQUE	MOMENT	SHEAR	TORQUE	MOMENT	SHEAR	TORQUE	MOMENT
NAME	TITLE			S2 (kN)	TQ (kN·m)	M3 (kN·m)	S2 (kN)	TQ (kN·m)	M3 (kN·m)	S2 (kN)	TQ (kN·m)	M3 (kN·m)	S2 (kN)	TQ (kN·m)	M3 (kN·m)
67	2-LANES (caseTANDEM-LOAD	MAX	S2	344.10	6.09	-74.65	248.39	52.54	516.85	248.39	53.69	516.73	162.31	104.24	624.40
			TQ	109.94	195.12	-1361.39	109.94	195.12	-872.88	109.94	193.18	-873.31	109.94	193.18	-384.80
			M3	-1.92	2.98	220.58	99.46	39.35	523.41	99.46	40.51	523.32	10.33	91.01	634.73
		MIN	S2	-1.92	2.98	220.58	-73.51	39.35	523.41	-73.51	40.51	523.32	-158.55	91.01	634.73
			TQ	13.43	-77.13	-762.17	13.43	-77.13	-702.50	13.43	-78.70	-702.33	13.43	-78.70	-642.66
			M3	92.35	173.49	-1485.46	83.88	158.13	-1095.12	83.88	155.69	-1095.47	74.50	139.08	-742.60
	DISPERSION-LMAX	S2	352.25	319.24	-5254.91	301.41	315.91	-3868.60	301.41	307.30	-3869.30	266.21	297.54	-2727.96	
		TQ	305.41	447.44	-3622.86	258.89	447.44	-2369.77	258.47	442.19	-2344.37	211.78	442.19	-1300.10	
		M3	-3.43	5.20	394.64	24.00	19.49	475.72	23.98	20.53	475.67	3.51	55.77	536.76	
		MIN	S2	-3.43	5.17	394.55	-10.54	8.50	428.81	-10.54	9.45	428.79	-31.81	19.21	453.68
			TQ	43.41	-123.03	-1237.49	31.98	-123.03	-1070.02	32.40	-125.44	-1096.13	22.62	-125.44	-974.18
			M3	352.25	319.20	-5254.99	266.87	304.92	-3915.51	266.89	296.23	-3916.18	230.89	260.99	-2811.04
68	2-LANES (caseTRUCK-LOAD	MAX	S2	242.87	395.43	-1101.92	232.05	465.60	-346.97	232.05	464.82	-348.01	249.68	474.61	529.58
			TQ	180.95	566.86	-2092.48	180.95	566.86	-1288.48	181.98	564.02	-1275.77	181.98	564.02	-467.17
			M3	-3.31	32.68	335.53	-3.31	32.68	320.80	-3.31	33.39	320.73	196.59	404.89	600.96
		MIN	S2	-49.01	-44.69	161.28	-27.62	-105.53	-104.03	-27.62	-105.76	-103.79	-45.31	-34.37	-3.61
			TQ	12.58	-372.31	-1286.46	12.58	-372.31	-1230.56	12.58	-375.04	-1229.73	12.58	-375.04	-1173.83
			M3	144.13	506.56	-2349.14	130.65	459.92	-1738.45	130.65	456.05	-1739.47	67.28	108.45	-1193.51
	TANDEM-LOAD	MAX	S2	172.10	237.47	-585.95	167.22	289.17	-54.19	167.22	289.05	-54.84	187.40	273.48	484.62
			TQ	121.06	385.58	-1428.51	121.06	385.58	-890.59	121.06	383.60	-891.45	121.06	383.60	-353.53
			M3	-2.26	22.42	228.24	39.65	58.55	260.67	39.65	59.13	260.54	120.97	281.73	491.22
		MIN	S2	-45.35	21.76	101.06	-25.67	-28.02	72.21	-25.67	-27.86	72.27	-41.57	19.28	128.69
			TQ	8.43	-253.80	-870.13	8.43	-253.80	-832.67	8.43	-255.66	-832.10	8.43	-255.66	-794.65
			M3	97.43	342.46	-1595.14	89.65	315.89	-1180.65	89.65	313.26	-1181.35	44.73	68.10	-811.97

BAGO RIVER BRIDGE

BLOCK [ No.1 : MAIN GIRDER ][ BEAM MEMBER FORCE ]

MEMBER			3033			3034			3034			3035					
NODE			3033			3034			3034			3035					
			SHEAR	TORQUE	MOMENT	SHEAR	TORQUE	MOMENT	SHEAR	TORQUE	MOMENT	SHEAR	TORQUE	MOMENT			
NAME	TITLE		S2 (kN)	TQ (kN·m)	M3 (kN·m)	S2 (kN)	TQ (kN·m)	M3 (kN·m)	S2 (kN)	TQ (kN·m)	M3 (kN·m)	S2 (kN)	TQ (kN·m)	M3 (kN·m)			
68	2-LANES (caseDISPERSION-LMAX	S2	300.99	530.80	-5305.83	290.16	534.04	-4021.47	290.16	525.09	-4022.65	286.39	520.72	-2778.78			
		TQ	276.68	918.02	-3558.23	269.78	918.02	-2344.39	269.78	912.80	-2346.43	262.37	912.80	-1164.28			
		M3	-5.96	33.82	411.73	8.44	56.90	417.00	8.42	57.79	416.88	56.02	196.36	553.12			
		MIN	S2	-15.66	-24.84	283.90	-11.73	-28.09	251.83	-11.73	-27.53	251.89	-15.37	-23.15	228.59		
		TQ	8.65	-412.06	-1463.69	8.65	-412.06	-1425.26	8.65	-415.23	-1424.34	8.65	-415.23	-1385.91			
		M3	291.30	472.13	-5433.66	269.98	449.05	-4186.65	270.00	439.77	-4187.64	215.00	301.21	-3103.31			
		69	3-LANES (caseTRUCK-LOAD	MAX	S2	213.98	-754.93	-1720.22	213.98	-754.93	-769.43	213.98	-756.64	-767.75	213.98	-756.64	183.04
				TQ	4.29	433.22	-1210.66	4.29	433.22	-1191.61	4.29	430.57	-1192.57	4.29	430.57	-1173.52	
				M3	-3.36	-43.17	465.70	-3.36	-43.17	450.76	-3.36	-42.16	450.86	131.88	-307.44	589.77	
MIN	S2			-23.42	238.07	-37.71	-23.42	238.07	-141.79	-23.42	237.75	-142.32	-23.42	237.75	-246.40		
TQ	207.56			-775.65	-2002.80	207.56	-775.65	-1080.56	207.56	-778.05	-1078.83	207.56	-778.05	-156.59			
M3	166.61			-660.17	-2586.07	152.44	-609.93	-1876.99	152.44	-614.11	-1875.63	7.59	400.46	-1273.82			
TANDEM-LOAD	MAX	S2	146.41	-516.22	-1158.62	146.41	-516.22	-508.07	146.41	-517.35	-506.92	146.41	-517.35	143.62			
	TQ	3.57	295.44	-844.61	3.57	295.44	-828.73	3.57	293.60	-829.39	3.57	293.60	-813.50				
	M3	-2.29	-28.92	316.41	-2.29	-28.92	306.24	-2.29	-28.24	306.30	93.49	-201.69	456.50				
	MIN	S2	-18.02	145.39	32.78	-18.02	145.39	-47.28	-18.02	145.28	-47.60	-18.02	145.28	-127.66			
	TQ	139.41	-527.49	-1358.96	139.41	-527.49	-739.51	139.41	-529.13	-738.34	139.41	-529.13	-118.89				
	M3	112.37	-445.46	-1755.61	103.97	-413.65	-1274.81	103.97	-416.48	-1273.88	5.36	269.01	-866.31				
DISPERSION-LMAX	S2	325.94	-874.36	-5614.98	320.24	-873.78	-4182.69	320.24	-883.09	-4180.74	314.80	-881.43	-2778.82				
	TQ	2.13	487.66	-1519.50	2.13	487.66	-1510.03	2.13	484.30	-1511.11	2.13	484.30	-1501.64				
	M3	-5.41	-43.93	569.19	7.37	-76.66	562.40	7.41	-75.62	562.57	60.50	-302.66	704.54				
	MIN	S2	-12.31	94.60	392.15	-12.43	94.03	340.49	-12.43	94.79	340.28	-12.82	93.13	293.11			
	TQ	311.50	-1267.41	-3703.34	305.68	-1267.41	-2332.18	305.68	-1272.59	-2329.35	299.85	-1272.59	-984.07				
	M3	319.04	-735.82	-5792.02	300.44	-703.09	-4404.60	300.40	-712.68	-4403.03	241.49	-485.63	-3190.25				

BAGO RIVER BRIDGE

BLOCK [ No.1 : MAIN GIRDER ][ BEAM MEMBER FORCE ]

MEMBER				3033			3034			3035					
NODE				3033			3034			3035					
				SHEAR	TORQUE	MOMENT	SHEAR	TORQUE	MOMENT	SHEAR	TORQUE	MOMENT			
NAME	TITLE			S2 (kN)	TQ (kN·m)	M3 (kN·m)	S2 (kN)	TQ (kN·m)	M3 (kN·m)	S2 (kN)	TQ (kN·m)	M3 (kN·m)			
70	3-LANES (caseTRUCK-LOAD	MAX	S2	548.43	378.43	-1320.85	416.47	450.79	-31.48	416.47	450.72	-32.48	343.60	483.00	826.40
			TQ	258.58	640.86	-3063.95	258.58	640.86	-1914.98	259.62	636.62	-1902.43	259.62	636.62	-748.85
			M3	-4.38	14.91	490.06	195.67	57.12	567.29	195.67	58.39	567.17	197.39	391.50	941.50
		MIN	S2	-11.64	-89.15	165.74	-61.90	-67.32	164.81	-61.90	-66.95	164.96	-179.60	3.13	385.66
			TQ	24.45	-271.74	-1713.00	24.45	-271.74	-1604.36	24.45	-275.31	-1603.76	24.45	-275.31	-1495.12
			M3	208.73	570.98	-3403.79	190.82	519.16	-2514.41	190.82	513.57	-2515.56	170.23	465.61	-1709.39
	TANDEM-LOAD	MAX	S2	424.08	233.91	-630.80	328.37	280.36	316.09	328.37	281.06	315.47	252.78	263.51	838.46
		TQ	173.02	436.17	-2096.41	173.02	436.17	-1327.64	173.02	433.22	-1328.61	173.02	433.22	-559.84	
		M3	-2.98	10.34	333.19	98.40	46.71	631.31	98.40	48.11	631.20	93.51	269.08	851.88	
	MIN	S2	-10.13	-57.01	147.40	-81.73	-20.65	413.74	-81.73	-19.73	413.79	-166.76	30.77	488.70	
		TQ	16.76	-185.74	-1152.09	16.76	-185.74	-1077.64	16.76	-188.14	-1077.22	16.76	-188.14	-1002.76	
		M3	142.58	387.82	-2310.45	129.58	354.81	-1706.96	129.58	351.01	-1707.74	114.35	310.36	-1160.83	
	DISPERSION-LMAX	S2	498.09	715.30	-7944.68	447.02	714.98	-5918.70	447.02	701.81	-5920.27	416.01	692.05	-4124.34	
		TQ	440.90	1003.28	-5453.34	395.71	1003.28	-3596.81	395.28	995.30	-3572.64	352.79	995.30	-1912.83	
		M3	-5.62	17.18	596.31	24.59	37.91	672.08	24.57	39.37	671.99	41.81	171.83	814.72	
MIN	S2	-9.24	-8.91	537.30	-14.79	-8.60	555.48	-14.79	-7.36	555.50	-36.07	2.40	561.49		
	TQ	47.95	-296.89	-1954.05	36.52	-296.89	-1766.41	36.94	-300.85	-1792.14	27.16	-300.85	-1650.02		
	M3	494.46	689.21	-8003.70	407.64	668.48	-6035.29	407.66	655.08	-6036.76	338.14	522.62	-4377.57		
71	3-LANES (caseTRUCK-LOAD	MAX	S2	496.14	406.50	-1359.55	399.72	491.67	-142.63	399.72	491.35	-143.73	356.19	512.64	809.70
			TQ	258.58	640.86	-3063.95	258.58	640.86	-1914.98	259.62	636.62	-1902.43	259.62	636.62	-748.85
			M3	-4.82	40.46	499.97	108.44	44.36	566.28	108.44	45.62	566.18	224.53	431.81	932.25
		MIN	S2	-50.52	-36.90	325.72	-63.82	-99.46	114.79	-63.82	-99.21	115.02	-164.62	-11.68	318.68
			TQ	19.90	-458.28	-1890.45	19.90	-458.28	-1802.01	19.90	-462.29	-1800.98	19.90	-462.29	-1712.54
			M3	208.73	570.98	-3403.79	190.82	519.15	-2514.40	190.82	513.55	-2515.55	74.19	22.26	-1735.67

BAGO RIVER BRIDGE

BLOCK [ No.1 : MAIN GIRDER ][ BEAM MEMBER FORCE ]

MEMBER				3033			3034			3035						
NODE				3033			3034			3034			3035			
				SHEAR	TORQUE	MOMENT	SHEAR	TORQUE	MOMENT	SHEAR	TORQUE	MOMENT	SHEAR	TORQUE	MOMENT	
NAME	TITLE			S2 (kN)	TQ (kN·m)	M3 (kN·m)	S2 (kN)	TQ (kN·m)	M3 (kN·m)	S2 (kN)	TQ (kN·m)	M3 (kN·m)	S2 (kN)	TQ (kN·m)	M3 (kN·m)	
71	3-LANES (case)	TANDEM-LOAD	MAX	S2	374.10	239.13	-627.10	308.72	302.66	255.68	308.72	303.23	255.01	271.10	295.20	814.34
				TQ	173.02	436.17	-2096.41	173.02	436.17	-1327.64	173.02	433.22	-1328.61	173.02	433.22	-559.84
				M3	-3.28	27.75	340.06	93.60	69.23	572.66	93.60	70.51	572.51	112.99	301.48	827.99
		MIN	S2	-46.38	27.10	212.88	-75.42	-17.33	384.20	-75.42	-16.48	384.24	-153.48	39.04	465.47	
			TQ	13.26	-312.79	-1281.93	13.26	-312.79	-1223.00	13.26	-315.51	-1222.30	13.26	-315.51	-1163.37	
			M3	142.58	387.82	-2310.45	129.58	354.81	-1706.95	129.58	351.01	-1707.74	49.45	8.55	-1181.66	
		DISPERSION-LMAX	MAX	S2	483.05	555.16	-7911.31	441.71	557.32	-5927.70	441.71	544.13	-5928.93	417.84	536.93	-4130.58
				TQ	434.42	1043.89	-5172.72	394.61	1043.89	-3333.03	394.55	1036.47	-3333.61	355.95	1036.47	-1668.05
				M3	-7.80	43.62	611.74	21.71	70.53	669.26	21.69	71.99	669.10	50.31	216.53	822.17
		MIN	S2	-17.50	-15.04	483.91	-18.56	-17.20	474.48	-18.56	-16.15	474.51	-37.59	-8.95	460.75	
			TQ	31.13	-503.78	-2254.67	28.53	-503.78	-2120.19	28.60	-508.50	-2120.81	24.31	-508.50	-2001.78	
			M3	473.36	496.49	-8039.14	401.43	469.58	-6122.48	401.45	455.99	-6123.51	329.95	311.45	-4492.00	
72	4-LANES	TRUCK-LOAD	MAX	S2	27.50	-434.75	-2451.56	27.50	-434.75	-2329.36	27.50	-439.94	-2328.39	27.50	-439.94	-2206.19
				TQ	-5.18	40.29	541.86	-5.18	40.29	518.85	-5.36	41.46	539.92	-5.36	41.46	516.08
				M3	-6.14	36.93	660.03	-6.14	36.93	632.76	-6.14	38.34	632.68	-6.14	38.34	605.41
		MIN	S2	-6.14	36.96	660.01	-6.14	36.96	632.74	-6.14	38.36	632.66	-6.14	38.36	605.39	
			TQ	27.35	-448.37	-2467.54	27.35	-448.37	-2346.03	27.35	-453.59	-2345.03	27.35	-453.59	-2223.52	
			M3	27.35	-448.37	-2467.54	27.35	-448.37	-2346.03	27.35	-453.59	-2345.03	27.35	-453.59	-2223.52	
		TANDEM-LOAD	MAX	S2	19.28	-299.99	-1679.45	19.28	-299.99	-1593.78	19.28	-303.54	-1593.11	19.28	-303.54	-1507.43
				TQ	-3.49	27.45	364.42	-3.49	27.45	348.93	-3.54	28.23	354.77	-3.54	28.23	339.04
				M3	-4.18	25.41	448.83	-4.18	25.41	430.27	-4.18	26.36	430.21	-4.18	26.36	411.65
		MIN	S2	-4.18	25.41	448.83	-4.18	25.41	430.27	-4.18	26.36	430.21	-4.18	26.36	411.65	
			TQ	18.95	-317.59	-1693.87	18.95	-317.59	-1609.67	18.95	-321.18	-1608.96	18.95	-321.18	-1524.77	
			M3	18.95	-317.59	-1693.87	18.95	-317.59	-1609.67	18.95	-321.18	-1608.96	18.95	-321.18	-1524.77	

BAGO RIVER BRIDGE

BLOCK [ No.1 : MAIN GIRDER ][ BEAM MEMBER FORCE ]

MEMBER				3033			3034			3035							
NODE				3033			3034			3034			3035				
				SHEAR	TORQUE	MOMENT	SHEAR	TORQUE	MOMENT	SHEAR	TORQUE	MOMENT	SHEAR	TORQUE	MOMENT		
NAME	TITLE			S2 (kN)	TQ (kN·m)	M3 (kN·m)	S2 (kN)	TQ (kN·m)	M3 (kN·m)	S2 (kN)	TQ (kN·m)	M3 (kN·m)	S2 (kN)	TQ (kN·m)	M3 (kN·m)		
72	4-LANES	DISPERSION-LMAX	S2	18.48	-271.21	-1710.86	18.48	-271.21	-1628.76	18.48	-274.84	-1628.15	18.48	-274.84	-1546.06		
			TQ	-5.82	49.53	608.95	-5.82	49.53	583.08	-6.00	50.85	603.06	-6.00	50.85	576.38		
			M3	-7.51	47.51	803.54	-7.51	47.51	770.19	-7.51	49.22	770.08	-7.51	49.18	736.73		
		MIN	S2	-7.51	47.51	803.54	-7.51	47.51	770.19	-7.51	49.22	770.08	-7.51	49.22	736.73		
			TQ	16.64	-273.57	-1497.27	16.64	-273.57	-1423.33	16.82	-276.76	-1442.82	16.82	-276.76	-1368.07		
			M3	18.48	-271.21	-1710.86	18.48	-271.21	-1628.76	18.48	-274.84	-1628.15	18.48	-274.84	-1546.06		
		73	6-LANES	TRUCK-LOAD MAX	S2	766.44	-252.35	-2617.54	637.79	-229.72	-551.95	637.79	-230.95	-551.44	570.01	-239.58	1090.95
					TQ	264.81	958.88	-4305.95	264.81	958.88	-3129.32	265.82	951.92	-3117.61	265.82	951.92	-1936.48
					M3	-8.19	-2.40	966.18	-47.50	-4.17	1024.04	-47.50	-1.90	1024.05	347.48	109.43	1551.41
MIN	S2			-64.95	176.53	277.89	-95.55	113.62	41.31	-95.55	113.71	41.06	-208.00	123.16	200.00		
	TQ			228.39	-1118.87	-3861.04	228.39	-1118.87	-2846.24	228.39	-1125.20	-2843.75	228.39	-1125.20	-1828.95		
	M3			375.26	-89.25	-5989.95	343.15	-92.77	-4391.32	343.15	-102.54	-4391.10	83.25	408.41	-3011.23		
TANDEM-LOAD MAX	S2			571.01	-169.45	-1365.15	479.54	-153.67	102.05	479.54	-153.44	102.39	416.83	-199.83	1159.46		
	TQ			180.47	653.24	-2913.54	180.47	653.24	-2111.66	180.47	648.54	-2113.11	180.47	648.54	-1311.23		
	M3			-5.58	-1.17	656.74	22.38	6.78	940.83	22.38	8.87	940.81	202.32	84.96	1332.20		
MIN	S2	-55.31	164.34	226.62	-105.43	88.15	382.35	-105.43	89.00	382.15	-189.73	122.88	381.59				
	TQ	157.71	-763.88	-2577.16	157.71	-763.88	-1876.42	157.71	-768.05	-1874.71	157.71	-768.05	-1173.97				
	M3	252.71	-60.32	-4065.64	233.53	-59.02	-2981.77	233.53	-65.66	-2981.63	55.86	272.16	-2049.06				
DISPERSION-LMAX	S2	778.87	-273.43	-12866.51	725.99	-270.63	-9606.28	725.99	-292.00	-9605.65	694.23	-295.69	-6583.23				
	TQ	405.52	1392.48	-6171.19	370.77	1392.48	-4448.12	370.44	1382.59	-4436.74	336.38	1382.59	-2867.65				
	M3	-13.07	6.58	1153.39	30.50	0.03	1214.94	30.52	2.49	1214.94	102.35	-76.86	1490.35				
MIN	S2	-28.67	78.45	884.73	-30.85	75.59	835.39	-30.85	77.45	835.22	-52.31	82.70	781.80				
	TQ	335.46	-1628.13	-5680.10	318.23	-1628.13	-4227.80	318.58	-1637.56	-4248.60	302.99	-1637.56	-2867.99				
	M3	766.19	-228.02	-13101.30	666.38	-225.12	-9948.15	666.38	-247.13	-9947.62	540.40	-182.66	-7250.49				

BAGO RIVER BRIDGE

BLOCK [ No.1 : MAIN GIRDER ][ BEAM MEMBER FORCE ]

MEMBER			3033			3034			3034			3035			
NODE			3033			3034			3034			3035			
NAME TITLE			SHEAR	TORQUE	MOMENT	SHEAR	TORQUE	MOMENT	SHEAR	TORQUE	MOMENT	SHEAR	TORQUE	MOMENT	
			S2 (kN)	TQ (kN·m)	M3 (kN·m)	S2 (kN)	TQ (kN·m)	M3 (kN·m)	S2 (kN)	TQ (kN·m)	M3 (kN·m)	S2 (kN)	TQ (kN·m)	M3 (kN·m)	
124	SUM TOTAL	D+1LANE (caseMAX	S2	3032.93	-1755.54	-48799.99	2837.87	-1755.54	-35762.48	2837.87	-1835.10	-35758.48	2647.02	-1835.10	-23579.74
			TQ	2838.18	-201.42	-47062.26	2643.11	-201.42	-34890.12	2643.11	-279.05	-34889.59	2452.26	-279.05	-23576.22
			M3	2844.22	-774.54	-45761.81	2651.20	-790.33	-33557.55	2651.21	-865.08	-33555.70	2481.39	-1015.80	-22172.52
		MIN	S2	2820.35	-443.19	-46162.44	2625.28	-443.19	-34069.52	2625.28	-519.00	-34068.45	2434.43	-519.00	-22834.30
			TQ	3030.03	-1936.51	-48216.26	2834.96	-1936.51	-35191.67	2834.96	-2014.81	-35187.27	2644.11	-2014.81	-23021.46
			M3	3013.58	-1567.25	-49128.82	2812.24	-1523.83	-36192.03	2812.23	-1604.27	-36188.55	2544.05	-857.71	-24203.34
		D+1LANE (caseMAX	S2	3104.13	-1030.73	-49384.03	2902.22	-1030.04	-36049.34	2902.22	-1110.25	-36046.96	2704.85	-1108.26	-23607.48
			TQ	2863.75	-529.33	-47461.19	2668.68	-529.33	-35175.44	2668.68	-607.59	-35174.18	2477.83	-607.59	-23747.19
			M3	2845.31	-757.68	-45751.73	2659.76	-769.38	-33533.98	2659.77	-844.01	-33532.18	2582.19	-1009.42	-21956.76
		MIN	S2	2845.04	-754.09	-45759.98	2649.83	-754.78	-33553.70	2649.83	-829.43	-33551.94	2458.51	-831.42	-22199.04
			TQ	3088.19	-1164.06	-48623.25	2886.13	-1164.06	-35355.76	2886.13	-1242.72	-35353.08	2688.29	-1242.72	-22975.41
			M3	3074.95	-1016.94	-49916.91	2855.54	-992.19	-36739.41	2855.53	-1073.91	-36737.11	2579.91	-821.39	-24551.87
		D+1LANE (caseMAX	S2	3373.58	-619.69	-49563.86	3037.23	-608.95	-35947.65	3037.23	-688.93	-35946.20	2748.13	-671.82	-23834.30
			TQ	3119.46	-505.97	-49585.50	2896.41	-505.97	-36225.77	2895.90	-586.54	-36192.88	2675.17	-586.54	-23822.41
			M3	2844.92	-735.31	-45742.57	2804.48	-727.63	-33356.14	2804.48	-801.84	-33354.44	2488.29	-785.07	-21877.02
		MIN	S2	2844.92	-735.28	-45742.58	2600.89	-732.05	-33423.29	2600.89	-806.41	-33421.58	2289.87	-795.24	-21931.79
			TQ	2899.19	-790.73	-47437.33	2690.41	-790.73	-35024.55	2690.92	-868.69	-35054.37	2488.33	-868.69	-23554.99
			M3	3143.65	-547.11	-50520.19	2883.79	-555.17	-37164.55	2883.79	-637.86	-37163.23	2664.10	-649.51	-24842.19
		D+1LANE (caseMAX	S2	3151.51	112.18	-50435.01	2961.14	118.93	-36878.94	2961.14	36.87	-36879.11	2819.08	-7.32	-23919.34
			TQ	3116.95	377.59	-49625.36	2932.56	377.59	-36191.51	2933.81	297.10	-36175.50	2754.12	297.10	-23546.38
			M3	2841.69	-689.86	-45717.66	2650.01	-679.44	-33523.34	2650.01	-754.05	-33521.74	2682.68	-310.33	-21910.68
		MIN	S2	2775.74	-840.06	-46049.34	2617.51	-939.78	-34110.90	2617.51	-1015.67	-34108.72	2426.87	-1019.08	-22904.35
			TQ	2856.32	-1290.09	-47825.75	2661.25	-1290.09	-35572.99	2661.25	-1369.24	-35570.04	2470.40	-1369.24	-24176.05
			M3	3097.29	21.90	-50928.45	2899.11	-28.63	-37612.80	2899.12	-112.30	-37612.64	2658.80	-270.04	-25257.71

BAGO RIVER BRIDGE

BLOCK [ No.1 : MAIN GIRDER ][ BEAM MEMBER FORCE ]

MEMBER			3033			3034			3034			3035			
NODE			3033			3034			3034			3035			
NAME TITLE			SHEAR	TORQUE	MOMENT	SHEAR	TORQUE	MOMENT	SHEAR	TORQUE	MOMENT	SHEAR	TORQUE	MOMENT	
			S2 (kN)	TQ (kN·m)	M3 (kN·m)	S2 (kN)	TQ (kN·m)	M3 (kN·m)	S2 (kN)	TQ (kN·m)	M3 (kN·m)	S2 (kN)	TQ (kN·m)	M3 (kN·m)	
124	SUM TOTAL	D+2LANES (casMAX	S2	3175.47	-2114.84	-50828.81	2980.41	-2114.84	-37157.94	2980.41	-2197.51	-37153.15	2789.56	-2197.51	-24341.05
			TQ	2842.29	17.49	-47826.12	2647.22	17.49	-35635.70	2647.22	-61.80	-35635.65	2456.37	-61.80	-24304.00
			M3	2842.46	-800.20	-45485.63	2652.24	-823.17	-33288.79	2652.27	-897.43	-33286.87	2555.36	-1251.91	-21826.56
		MIN	S2	2815.73	-383.42	-46159.20	2620.66	-383.42	-34086.81	2620.66	-459.26	-34085.88	2429.81	-459.26	-22872.26
			TQ	3167.89	-2417.51	-49833.72	2972.83	-2417.51	-36196.54	2972.83	-2498.04	-36191.07	2781.98	-2498.04	-23412.66
			M3	3145.52	-1893.03	-51427.63	2937.97	-1830.70	-37912.34	2937.94	-1914.86	-37908.18	2613.97	-883.68	-25422.34
		D+2LANES (casMAX	S2	3234.80	-1510.83	-51315.51	3034.04	-1510.26	-37396.99	3034.04	-1593.47	-37393.54	2837.75	-1591.81	-24364.17
			TQ	2863.60	-255.77	-48158.56	2668.53	-255.77	-35873.47	2668.53	-335.59	-35872.81	2477.68	-335.59	-24446.49
			M3	2843.37	-786.15	-45477.23	2659.37	-805.72	-33269.15	2659.41	-879.88	-33267.27	2639.36	-1246.60	-21646.76
		MIN	S2	2836.31	-642.50	-45823.82	2641.12	-643.07	-33656.97	2641.12	-717.95	-33655.45	2449.88	-719.61	-22342.88
			TQ	3216.36	-1773.80	-50172.88	3015.47	-1773.80	-36333.28	3015.47	-1854.64	-36329.24	2818.80	-1854.64	-23374.28
			M3	3196.66	-1434.44	-52084.38	2974.06	-1387.67	-38368.50	2974.02	-1472.89	-38365.32	2643.85	-853.41	-25712.79
		D+2LANES (casMAX	S2	3638.02	-370.34	-51901.95	3260.16	-301.32	-37502.20	3260.16	-384.76	-37501.43	2943.43	-324.67	-24761.83
			TQ	3316.22	-0.01	-51798.83	3074.63	-0.01	-37606.57	3074.20	-83.65	-37580.09	2836.66	-83.65	-24455.42
			M3	2842.29	-723.93	-45451.94	2874.70	-667.43	-33068.51	2874.69	-741.02	-33066.94	2539.39	-633.90	-21408.13
		MIN	S2	2842.29	-723.93	-45452.05	2589.85	-698.77	-33161.34	2589.85	-772.56	-33159.70	2260.03	-692.72	-21515.52
			TQ	2911.33	-969.08	-48539.84	2704.84	-969.08	-36068.04	2705.26	-1049.36	-36092.19	2504.63	-1049.36	-24524.69
			M3	3334.25	-162.99	-53615.12	3044.56	-195.69	-39482.26	3044.58	-283.51	-39481.73	2803.60	-340.37	-26495.68
		D+2LANES (casMAX	S2	3392.40	192.87	-52578.81	3175.68	266.27	-38321.32	3175.68	181.01	-38321.82	2998.70	186.42	-24840.93
			TQ	3306.17	751.52	-51821.78	3104.20	751.52	-37585.74	3105.24	667.91	-37573.36	2906.98	667.91	-24223.18
			M3	2839.27	-666.87	-45423.81	2658.61	-643.79	-33215.07	2658.58	-717.73	-33213.55	2715.24	-207.66	-21437.65
		MIN	S2	2783.87	-802.90	-45725.89	2614.12	-866.98	-33805.08	2614.12	-942.20	-33803.06	2401.95	-866.43	-22366.76
			TQ	2869.77	-1517.73	-48921.22	2674.71	-1517.73	-36608.69	2674.71	-1599.18	-36605.22	2483.86	-1599.18	-25151.46
			M3	3283.96	245.33	-53953.87	3054.10	175.61	-39877.97	3054.12	86.91	-39878.26	2744.91	-399.25	-26888.54

BAGO RIVER BRIDGE

BLOCK [ No.1 : MAIN GIRDER ][ BEAM MEMBER FORCE ]

MEMBER				3033			3034			3035						
NODE				3033			3034			3035						
				SHEAR	TORQUE	MOMENT	SHEAR	TORQUE	MOMENT	SHEAR	TORQUE	MOMENT				
NAME TITLE				S2 (kN)	TQ (kN·m)	M3 (kN·m)	S2 (kN)	TQ (kN·m)	M3 (kN·m)	S2 (kN)	TQ (kN·m)	M3 (kN·m)				
124	SUM TOTAL	D+3LANES (casMAX	S2	3307.47	-2118.25	-52405.99	3107.56	-2117.77	-38162.18	3107.56	-2202.67	-38157.37	2912.09	-2201.26	-24798.14	
			TQ	2854.00	49.38	-48491.70	2658.93	49.38	-36249.26	2658.93	-31.27	-36249.29	2468.08	-31.27	-24865.62	
			M3	2841.09	-807.40	-45291.41	2656.88	-835.21	-33091.68	2656.92	-909.02	-33089.74	2626.15	-1327.49	-21491.56	
		MIN	S2	2818.17	-450.59	-45869.80	2623.00	-451.08	-33783.98	2623.00	-526.24	-33782.89	2431.82	-527.65	-22552.02	
			TQ	3289.74	-2469.96	-51021.28	3089.72	-2469.96	-36853.70	3089.72	-2551.96	-36848.11	2893.92	-2551.96	-23561.29	
			M3	3261.34	-1919.95	-53292.45	3038.43	-1849.44	-39292.22	3038.39	-1936.68	-39288.01	2674.34	-881.31	-26386.19	
		D+3LANES (casMAX	S2	3738.08	196.31	-54046.77	3387.44	257.54	-39010.52	3387.44	170.74	-39011.00	3108.30	189.89	-25394.98	
			TQ	3443.10	664.15	-53410.76	3209.63	664.15	-38637.89	3210.15	578.23	-38604.97	2983.18	578.23	-24854.16	
			M3	2840.04	-706.09	-45247.65	2840.69	-652.59	-32899.41	2840.68	-725.81	-32897.87	2665.94	-330.07	-21098.94	
		MIN	S2	2830.79	-816.71	-45573.49	2588.29	-797.89	-33340.62	2588.29	-872.07	-33338.76	2279.31	-804.21	-21786.65	
			TQ	2910.08	-1216.70	-49288.06	2705.29	-1216.70	-36818.03	2705.66	-1298.64	-36837.66	2506.49	-1298.64	-25265.10	
			M3	3446.25	337.79	-55867.44	3162.17	276.13	-41220.12	3162.19	184.45	-41220.63	2894.74	31.08	-27765.65	
		D+3LANES (casMAX	S2	3680.86	84.05	-54051.30	3368.69	158.28	-39112.66	3368.69	71.25	-39112.91	3120.55	83.23	-25414.49	
			TQ	3437.60	698.67	-53172.24	3208.69	698.67	-38413.68	3209.52	613.23	-38401.79	2985.86	613.23	-24646.10	
			M3	2837.81	-661.89	-45226.11	2764.10	-635.70	-32902.67	2764.08	-708.94	-32901.17	2696.24	-257.82	-21100.48	
		MIN	S2	2790.73	-777.52	-45482.88	2583.45	-832.53	-33451.99	2583.45	-906.96	-33450.06	2290.75	-826.45	-21929.21	
			TQ	2891.92	-1551.11	-49694.42	2694.64	-1551.11	-37286.74	2694.70	-1634.07	-37284.68	2500.20	-1634.07	-25748.91	
			M3	3428.31	173.99	-55897.56	3156.89	107.05	-41294.23	3156.91	15.20	-41294.36	2806.14	-525.25	-27885.25	
		D+4LANES	MAX	S2	2878.43	-1192.24	-48876.64	2683.36	-1192.24	-36525.65	2683.36	-1273.51	-36522.91	2492.51	-1273.51	-25030.69
			TQ	2841.39	-674.98	-45423.05	2646.33	-674.98	-33236.62	2646.09	-748.91	-33208.22	2455.24	-748.91	-21881.63	
			M3	2839.67	-678.48	-45219.75	2644.61	-678.48	-33040.96	2644.61	-751.99	-33039.36	2453.76	-752.02	-21719.34	
		MIN	S2	2839.67	-678.46	-45219.76	2644.61	-678.46	-33040.97	2644.61	-751.98	-33039.37	2453.76	-751.98	-21719.35	
			TQ	2877.13	-1202.63	-48748.19	2682.07	-1202.63	-36402.96	2682.18	-1283.63	-36413.25	2491.33	-1283.63	-24926.26	
			M3	2878.33	-1201.09	-48887.03	2683.26	-1201.09	-36536.49	2683.26	-1282.38	-36533.72	2492.41	-1282.38	-25041.96	



BAGO RIVER BRIDGE

BLOCK [ No.1 : MAIN GIRDER ][ BEAM MEMBER FORCE ]

MEMBER					3033			3034			3035		
NODE					3033			3034			3035		
					SHEAR	TORQUE	MOMENT	SHEAR	TORQUE	MOMENT	SHEAR	TORQUE	MOMENT
NAME	TITLE				S2 (kN)	TQ (kN·m)	M3 (kN·m)	S2 (kN)	TQ (kN·m)	M3 (kN·m)	S2 (kN)	TQ (kN·m)	M3 (kN·m)
124	SUM TOTAL	D+6LANES	MAX	S2	3852.99	-1075.12	-56235.70	3539.93	-1058.59	-40555.72	3539.93	-1148.83	-40553.27
				TQ	3284.26	795.02	-52981.20	3066.60	795.02	-38878.21	3067.05	708.53	-38861.48
				M3	2834.72	-730.65	-44793.35	2642.43	-736.06	-32497.53	2642.44	-808.52	-32495.81
			MIN	S2	2787.68	-567.63	-45415.36	2571.32	-610.37	-33383.02	2571.32	-684.65	-33381.57
				TQ	3215.04	-2518.91	-52372.81	3008.78	-2518.91	-38551.00	3009.00	-2604.70	-38561.18
				M3	3590.49	-939.59	-58580.38	3309.67	-939.99	-43273.53	3309.67	-1036.19	-43271.33
		SUM TOTAL	MAX		3852.99	795.02	-44793.35	3539.93	795.02	-32497.53	3539.93	708.53	-32495.81
			MIN		2775.74	-2518.91	-58580.38	2571.32	-2518.91	-43273.53	2571.32	-2604.70	-43271.33
300	DEAD LOAD	TOTAL			2848.54	-733.36	-46171.07	2653.48	-733.36	-33952.87	2653.48	-808.91	-33951.16
301	LIVE LOAD	1-LANE(case1MAX	S2		184.39	-1022.17	-2628.92	184.39	-1022.17	-1809.61	184.39	-1026.20	-1807.33
			TQ		-10.36	531.95	-891.20	-10.36	531.95	-937.25	-10.36	529.86	-938.43
			M3		-4.32	-41.17	409.26	-2.27	-56.96	395.33	-2.27	-56.17	395.45
			MIN	S2	-28.19	290.17	8.63	-28.19	290.17	-116.65	-28.19	289.91	-117.29
				TQ	181.48	-1203.15	-2045.19	181.48	-1203.15	-1238.80	181.48	-1205.90	-1236.12
				M3	165.04	-833.89	-2957.75	158.76	-790.47	-2239.15	158.75	-795.36	-2237.39
		1-LANE(case2MAX	S2		255.58	-297.36	-3212.96	248.75	-296.68	-2096.47	248.75	-301.34	-2095.80
			TQ		15.20	204.04	-1290.13	15.20	204.04	-1222.57	15.20	201.32	-1223.02
			M3		-3.23	-24.32	419.34	6.28	-36.02	418.90	6.30	-35.11	418.97
			MIN	S2	-3.50	-20.73	411.08	-3.65	-21.42	399.17	-3.65	-20.53	399.22
				TQ	239.65	-430.70	-2452.19	232.66	-430.70	-1402.89	232.66	-433.82	-1401.92
				M3	226.41	-283.58	-3745.85	202.07	-258.83	-2786.54	202.05	-265.01	-2785.96
		1-LANE(case3MAX	S2		525.03	113.68	-3392.80	383.75	124.41	-1994.78	383.75	119.97	-1995.05
			TQ		270.92	227.39	-3414.43	242.93	227.39	-2272.90	242.42	222.37	-2241.73
			M3		-3.62	-1.95	428.50	151.00	5.73	596.73	151.00	7.06	596.72
			MIN	S2	-3.62	-1.91	428.48	-52.59	1.31	529.58	-52.59	2.49	529.57
				TQ	50.65	-57.36	-1266.27	36.94	-57.36	-1071.68	37.45	-59.78	-1103.22
				M3	295.11	186.26	-4349.12	230.31	178.20	-3211.68	230.31	171.05	-3212.07

BAGO RIVER BRIDGE

BLOCK [ No.1 : MAIN GIRDER ][ BEAM MEMBER FORCE ]

MEMBER			3033			3034			3034			3035			
NODE			3033			3034			3034			3035			
			SHEAR	TORQUE	MOMENT	SHEAR	TORQUE	MOMENT	SHEAR	TORQUE	MOMENT	SHEAR	TORQUE	MOMENT	
NAME	TITLE		S2 (kN)	TQ (kN·m)	M3 (kN·m)	S2 (kN)	TQ (kN·m)	M3 (kN·m)	S2 (kN)	TQ (kN·m)	M3 (kN·m)	S2 (kN)	TQ (kN·m)	M3 (kN·m)	
301	LIVE LOAD	1-LANE (case4MAX	S2	302.96	845.55	-4263.94	307.67	852.29	-2926.07	307.67	845.78	-2927.96	356.45	801.59	-1327.61
			TQ	268.41	1110.96	-3454.29	279.09	1110.96	-2238.63	280.33	1106.01	-2224.34	291.49	1106.01	-954.65
			M3	-6.85	43.50	453.41	-3.46	53.92	429.53	-3.47	54.86	429.41	220.05	498.58	681.05
			MIN S2	-72.80	-106.69	121.73	-35.97	-206.41	-158.02	-35.97	-206.77	-157.56	-35.75	-210.18	-312.62
			TQ	7.78	-556.73	-1654.68	7.78	-556.73	-1620.12	7.78	-560.33	-1618.88	7.78	-560.33	-1584.32
			M3	248.75	755.26	-4757.38	245.64	704.73	-3659.93	245.65	696.61	-3661.49	196.18	538.87	-2665.98
		2-LANES (caseMAX	S2	326.93	-1381.48	-4657.74	326.93	-1381.48	-3205.07	326.93	-1388.61	-3201.99	326.93	-1388.61	-1749.32
			TQ	-6.25	750.85	-1655.05	-6.25	750.85	-1682.83	-6.25	747.10	-1684.50	-6.25	747.10	-1712.27
			M3	-6.08	-66.83	685.44	-1.23	-89.81	664.08	-1.20	-88.52	664.28	92.74	-443.00	765.17
			MIN S2	-32.82	349.95	11.87	-32.82	349.95	-133.94	-32.82	349.65	-134.72	-32.82	349.65	-280.53
			TQ	319.35	-1684.14	-3662.65	319.35	-1684.14	-2243.66	319.35	-1689.13	-2239.91	319.35	-1689.13	-820.93
			M3	296.98	-1159.67	-5256.56	284.50	-1097.34	-3959.47	284.47	-1105.95	-3957.02	151.34	-74.77	-2830.61
		2-LANES (caseMAX	S2	386.26	-777.47	-5144.44	380.56	-776.90	-3444.12	380.56	-784.56	-3442.38	375.13	-782.90	-1772.44
			TQ	15.06	477.59	-1987.50	15.06	477.59	-1920.60	15.06	473.32	-1921.65	15.06	473.32	-1854.76
			M3	-5.17	-52.79	693.84	5.90	-72.35	683.72	5.93	-70.97	683.88	176.74	-437.69	944.97
			MIN S2	-12.23	90.87	347.24	-12.36	90.29	295.91	-12.36	90.95	295.70	-12.75	89.30	248.85
			TQ	367.82	-1040.44	-4001.81	362.00	-1040.44	-2380.40	362.00	-1045.73	-2378.08	356.17	-1045.73	-782.55
			M3	348.11	-701.08	-5913.31	320.58	-654.30	-4415.63	320.55	-663.99	-4414.16	181.22	-44.51	-3121.06
		2-LANES (caseMAX	S2	789.48	363.02	-5730.88	606.68	432.05	-3549.32	606.68	424.15	-3550.28	480.81	484.24	-2170.10
			TQ	467.67	733.36	-5627.76	421.15	733.36	-3653.70	420.73	725.25	-3628.93	374.04	725.25	-1863.69
			M3	-6.25	9.43	719.12	221.23	65.94	884.37	221.21	67.88	884.22	76.76	175.00	1183.60
			MIN S2	-6.26	9.43	719.02	-63.62	34.59	791.53	-63.62	36.35	791.45	-202.60	116.19	1076.21
			TQ	62.79	-235.72	-2368.78	51.36	-235.72	-2115.17	51.79	-240.45	-2141.04	42.00	-240.45	-1932.96
			M3	485.71	570.37	-7444.05	391.09	537.68	-5529.39	391.11	525.39	-5530.57	340.97	468.53	-3903.95

BAGO RIVER BRIDGE

BLOCK [ No.1 : MAIN GIRDER ][ BEAM MEMBER FORCE ]

MEMBER				3033			3034			3035						
NODE				3033			3034			3034			3035			
				SHEAR	TORQUE	MOMENT	SHEAR	TORQUE	MOMENT	SHEAR	TORQUE	MOMENT	SHEAR	TORQUE	MOMENT	
NAME TITLE				S2 (kN)	TQ (kN·m)	M3 (kN·m)	S2 (kN)	TQ (kN·m)	M3 (kN·m)	S2 (kN)	TQ (kN·m)	M3 (kN·m)	S2 (kN)	TQ (kN·m)	M3 (kN·m)	
301	LIVE LOAD	2-LANES (caseMAX	S2	543.86	926.23	-6407.74	522.21	999.64	-4368.45	522.21	989.92	-4370.66	536.07	995.33	-2249.20	
			TQ	457.63	1484.88	-5650.71	450.72	1484.88	-3632.87	451.76	1476.82	-3622.20	444.36	1476.82	-1631.45	
			M3	-9.27	66.50	747.25	5.13	89.57	737.80	5.11	91.18	737.60	252.61	601.25	1154.08	
			MIN	S2	-64.67	-69.53	445.17	-39.36	-133.62	147.80	-39.36	-133.29	148.09	-60.68	-57.52	224.98
			TQ	21.23	-784.37	-2750.16	21.23	-784.37	-2655.82	21.23	-790.28	-2654.07	21.23	-790.28	-2559.73	
			M3	435.42	978.69	-7782.80	400.63	908.97	-5925.10	400.65	895.82	-5927.11	282.28	409.65	-4296.81	
		3-LANES (caseMAX	S2	458.93	-1384.89	-6234.93	454.09	-1384.40	-4209.31	454.09	-1393.76	-4206.22	449.47	-1392.36	-2206.41	
			TQ	5.46	782.75	-2320.64	5.46	782.75	-2296.39	5.46	777.64	-2298.13	5.46	777.64	-2273.89	
			M3	-7.46	-74.03	879.65	3.40	-101.85	861.19	3.44	-100.11	861.41	163.52	-518.59	1100.17	
			MIN	S2	-30.37	282.77	301.27	-30.48	282.29	168.90	-30.48	282.66	168.27	-30.81	281.25	39.71
			TQ	441.20	-1736.60	-4850.22	436.25	-1736.60	-2900.83	436.25	-1743.05	-2896.95	431.30	-1743.05	-969.56	
			M3	412.80	-1186.59	-7121.38	384.95	-1116.07	-5339.35	384.92	-1127.77	-5336.86	211.71	-72.40	-3794.46	
		3-LANES (caseMAX	S2	889.54	929.67	-7875.71	733.97	990.91	-5057.65	733.97	979.65	-5059.84	645.67	998.79	-2803.25	
			TQ	594.56	1397.52	-7239.69	556.15	1397.52	-4685.02	556.67	1387.13	-4653.81	520.55	1387.13	-2262.43	
			M3	-8.50	27.28	923.42	187.22	80.78	1053.46	187.20	83.09	1053.28	203.32	478.83	1492.79	
			MIN	S2	-17.75	-83.35	597.58	-65.19	-64.53	612.25	-65.19	-63.16	612.39	-183.32	4.70	805.08
			TQ	61.53	-483.34	-3116.99	51.82	-483.34	-2865.16	52.18	-489.73	-2886.51	43.86	-489.73	-2673.37	
			M3	597.71	1071.16	-9696.37	508.69	1009.49	-7267.25	508.71	993.35	-7269.47	432.11	839.99	-5173.91	
		3-LANES (caseMAX	S2	832.32	817.41	-7880.23	715.21	891.64	-5159.79	715.21	880.16	-5161.76	657.93	892.14	-2822.76	
			TQ	589.06	1432.04	-7001.17	555.22	1432.04	-4460.81	556.04	1422.13	-4450.63	523.23	1422.13	-2054.37	
			M3	-10.73	71.47	944.96	110.63	97.66	1050.20	110.61	99.97	1049.98	233.61	551.09	1491.25	
MIN	S2		-57.82	-44.15	688.19	-70.03	-99.17	500.88	-70.03	-98.05	501.10	-171.88	-17.54	662.52		
TQ	43.38		-817.75	-3523.35	41.17	-817.75	-3333.87	41.23	-825.17	-3333.52	37.58	-825.17	-3157.17			
M3	579.77		907.35	-9726.49	503.41	840.42	-7341.35	503.43	824.11	-7343.21	343.51	283.66	-5293.52			

BAGO RIVER BRIDGE

BLOCK [ No.1 : MAIN GIRDER ][ BEAM MEMBER FORCE ]

MEMBER					3033			3034			3035					
NODE					3033			3034			3034					
					SHEAR	TORQUE	MOMENT	SHEAR	TORQUE	MOMENT	SHEAR	TORQUE	MOMENT			
NAME	TITLE				S2 (kN)	TQ (kN·m)	M3 (kN·m)	S2 (kN)	TQ (kN·m)	M3 (kN·m)	S2 (kN)	TQ (kN·m)	M3 (kN·m)			
301	LIVE LOAD	4-LANES	MAX	S2	29.89	-458.88	-2705.57	29.89	-458.88	-2572.78	29.89	-464.60	-2571.75	29.89	-464.60	-2438.96
				TQ	-7.15	58.38	748.02	-7.15	58.38	716.25	-7.39	60.00	742.94	-7.39	60.00	710.10
				M3	-8.87	54.88	951.32	-8.87	54.88	911.92	-8.87	56.91	911.79	-8.87	56.89	872.39
		MIN	S2	-8.87	54.90	951.31	-8.87	54.90	911.91	-8.87	56.93	911.78	-8.87	56.93	872.38	
			TQ	28.59	-469.26	-2577.12	28.59	-469.26	-2450.08	28.71	-474.73	-2462.10	28.71	-474.73	-2334.53	
			M3	29.78	-467.73	-2715.96	29.78	-467.73	-2583.62	29.78	-473.48	-2582.57	29.78	-473.48	-2450.23	
	6-LANES	MAX	S2	1004.45	-341.76	-10064.63	886.45	-325.23	-6602.85	886.45	-339.92	-6602.11	821.76	-347.93	-3569.98	
			TQ	435.72	1528.38	-6810.14	413.12	1528.38	-4925.34	413.57	1517.43	-4910.33	391.43	1517.43	-3122.68	
			M3	-13.82	2.72	1377.72	-11.05	-2.69	1455.34	-11.04	0.39	1455.34	292.39	21.17	1977.14	
		MIN	S2	-60.86	165.74	755.71	-82.16	122.99	569.86	-82.16	124.26	569.58	-169.20	133.81	638.17	
			TQ	366.50	-1785.55	-6201.75	355.30	-1785.55	-4598.13	355.53	-1795.79	-4610.03	345.39	-1795.79	-3053.01	
			M3	741.95	-206.22	-12409.31	656.19	-206.63	-9320.66	656.19	-227.29	-9320.17	405.37	146.73	-6670.12	
	LIVE LOAD	MAX		1004.45	1528.38	1377.72	886.45	1528.38	1455.34	886.45	1517.43	1455.34	821.76	1517.43	1977.14	
		MIN		-72.80	-1785.55	-12409.31	-82.16	-1785.55	-9320.66	-82.16	-1795.79	-9320.17	-202.60	-1795.79	-6670.12	
	303	SUM TOTAL	TOTAL	MAX		3852.99	795.02	-44793.35	3539.93	795.02	-32497.53	3539.93	708.53	-32495.81	3284.39	708.53
MIN				2775.74	-2518.91	-58580.38	2571.32	-2518.91	-43273.53	2571.32	-2604.70	-43271.33	2260.03	-2604.70	-29261.85	

BAGO RIVER BRIDGE

BLOCK [ No.1 : MAIN GIRDER ] [ BEAM MEMBER FORCE ]

MEMBER NODE	3035	3036			3037			3038			3039				
		SHEAR	TORQUE	MOMENT	SHEAR	TORQUE	MOMENT	SHEAR	TORQUE	MOMENT	SHEAR	TORQUE	MOMENT		
														S2 (kN)	TQ (kN·m)
1	PAVEMENT	405.80	-102.63	-3735.05	374.35	-102.63	-1906.12	374.35	-107.11	-1905.87	343.92	-107.11	-221.00		
3	RAILING	10.21	-1.62	-109.46	11.70	-1.62	-58.31	11.70	-1.75	-58.31	13.16	-1.75	-0.09		
5	CURB	101.05	-16.00	-1083.66	115.78	-16.00	-577.29	115.78	-17.35	-577.25	130.24	-17.35	-0.91		
7	DECK WEIGHT	654.67	-162.09	-6036.35	606.73	-162.09	-3079.55	606.73	-169.33	-3079.16	560.12	-169.33	-342.21		
8	GIRDER WEIGH	941.98	-210.34	-8172.37	854.25	-210.34	-3957.51	854.25	-219.64	-3957.01	766.50	-219.64	-153.96		
10	MEDIAN STRIP	193.44	-47.17	-1661.49	164.96	-47.17	-820.51	164.96	-49.10	-820.39	136.46	-49.10	-113.13		
21	ADITIONAL WE	183.31	-45.39	-1690.18	169.89	-45.39	-862.27	169.89	-47.41	-862.16	156.83	-47.41	-95.82		
31	MEDIAN RAILI	13.26	-3.02	-105.53	10.96	-3.02	-48.70	10.96	-3.13	-48.70	8.65	-3.13	-2.68		
51	SUPPORT WEIG	0.00	0.00	-0.00	0.00	0.00	-0.00	0.00	0.00	-0.00	0.00	0.00	-0.00		
52	NOSE WEIGHT	0.00	-0.01	-0.00	0.00	-0.01	0.00	0.00	-0.01	0.00	0.00	-0.01	0.00		
61	1-LANE(case1TRUCK-LOAD	MAX	S2	53.25	-418.34	-167.42	53.25	-418.34	82.50	53.25	-418.14	83.48	53.25	-418.14	333.40
			TQ	-3.02	63.08	-353.59	-3.02	63.08	-367.77	-3.02	62.22	-367.92	-3.02	62.22	-382.11
			M3	-0.52	-6.10	143.69	29.77	-273.31	213.43	29.77	-272.81	214.07	45.05	-377.77	386.09
		MIN	S2	-3.28	44.41	-148.30	-3.28	44.41	-163.70	-3.28	44.03	-163.81	-3.28	44.03	-179.21
			TQ	52.94	-421.31	-213.87	52.94	-421.31	34.58	52.94	-421.22	35.57	52.94	-421.22	284.03
			M3	-2.49	57.43	-392.25	-2.53	57.90	-404.03	-2.53	56.95	-404.17	-2.53	56.95	-416.05
		TANDEM-LOAD MAX	S2	36.61	-286.29	-125.50	36.61	-286.29	46.29	36.61	-286.18	46.96	36.61	-286.18	218.75
			TQ	-2.05	42.87	-228.07	-2.05	42.87	-237.70	-2.05	42.31	-237.80	-2.05	42.31	-247.42
			M3	-0.36	-4.10	97.66	20.26	-196.06	148.84	20.26	-195.71	149.30	29.27	-252.09	264.94
		MIN	S2	-2.44	25.35	-68.33	-2.44	25.35	-79.78	-2.44	25.16	-79.84	-2.44	25.16	-91.28
			TQ	36.52	-287.12	-138.46	36.52	-287.12	32.92	36.52	-287.04	33.59	36.52	-287.04	204.98
			M3	-1.64	38.42	-266.91	-1.64	38.42	-274.60	-1.64	37.78	-274.69	-1.84	40.00	-282.90
		DISPERSION-LMAX	S2	76.24	-642.22	-455.13	76.24	-642.22	-97.34	76.24	-642.44	-95.83	76.24	-642.44	261.96
			TQ	-3.25	72.23	-461.56	-3.25	72.23	-476.81	-3.25	71.10	-476.98	-3.25	71.10	-492.23
			M3	11.61	-110.83	206.52	29.00	-248.82	297.80	29.09	-248.85	298.39	52.17	-439.94	487.15
		MIN	S2	-3.86	64.53	-285.91	-3.86	64.53	-304.03	-3.86	63.82	-304.18	-3.86	63.82	-322.30
			TQ	75.63	-649.91	-279.48	75.63	-649.91	75.44	75.63	-649.73	76.97	75.63	-649.73	431.89
			M3	60.77	-466.86	-947.56	43.38	-328.87	-699.17	43.29	-329.77	-698.40	20.21	-138.69	-547.49

BAGO RIVER BRIDGE

BLOCK [ No.1 : MAIN GIRDER ][ BEAM MEMBER FORCE ]

MEMBER				3035			3036			3037					
NODE				3035			3036			3036					
				SHEAR	TORQUE	MOMENT	SHEAR	TORQUE	MOMENT	SHEAR	TORQUE	MOMENT			
NAME	TITLE			S2 (kN)	TQ (kN·m)	M3 (kN·m)	S2 (kN)	TQ (kN·m)	M3 (kN·m)	S2 (kN)	TQ (kN·m)	M3 (kN·m)			
62	1-LANE (case2TRUCK-LOAD	MAX	S2	76.08	-132.83	-89.90	76.08	-132.83	267.14	76.08	-132.20	267.45	76.08	-132.20	624.48
			TQ	1.11	23.12	-442.74	1.11	23.12	-437.54	1.11	22.10	-437.59	1.11	22.10	-432.39
			M3	44.69	-40.24	266.53	59.42	-87.35	403.47	59.42	-86.40	403.67	69.60	-124.98	633.80
		MIN	S2	-6.01	-11.93	243.00	-6.01	-11.93	214.80	-6.01	-11.42	214.83	-6.01	-11.42	186.62
			TQ	72.61	-141.76	-202.32	72.61	-141.76	138.42	72.61	-141.43	138.75	72.61	-141.43	479.49
			M3	1.31	22.48	-455.90	1.30	22.59	-449.76	1.30	21.54	-449.81	1.30	21.54	-443.71
		TANDEM-LOAD MAX	S2	52.08	-94.83	-88.77	52.08	-94.83	155.65	52.08	-94.46	155.87	52.08	-94.46	400.28
			TQ	0.74	15.77	-298.97	0.74	15.77	-295.52	0.74	15.08	-295.55	0.74	15.08	-292.10
			M3	30.89	-19.15	223.11	41.74	-52.70	305.22	41.74	-51.98	305.35	51.84	-84.16	467.73
		MIN	S2	-4.66	-13.26	222.19	-4.66	-13.26	200.31	-4.66	-12.79	200.34	-4.66	-12.79	178.47
			TQ	51.45	-96.48	-108.56	51.45	-96.48	132.91	51.45	-96.17	133.13	51.45	-96.17	374.60
			M3	0.87	15.50	-310.17	0.87	15.50	-306.08	0.87	14.78	-306.11	0.87	14.78	-302.03
		DISPERSION-LMAX	S2	103.59	-187.87	-1114.52	98.07	-186.12	-668.14	98.07	-187.69	-667.70	92.71	-185.18	-246.71
			TQ	1.67	25.83	-534.11	1.67	25.83	-526.28	1.65	24.59	-525.86	1.65	24.59	-518.12
			M3	12.25	-22.50	261.51	31.90	-71.76	360.10	31.90	-70.91	360.27	56.65	-137.44	566.24
MIN	S2	-2.13	-3.82	199.81	-2.77	-5.56	215.10	-2.77	-5.06	215.11	-3.56	-7.57	226.93		
	TQ	99.79	-217.52	-380.60	93.63	-217.52	73.25	93.65	-217.35	73.27	87.50	-217.35	498.34		
	M3	89.21	-169.19	-1176.22	63.40	-119.93	-813.14	63.40	-121.84	-812.86	32.50	-55.31	-586.02		
63	1-LANE (case3TRUCK-LOAD	MAX	S2	232.40	40.39	273.88	151.60	49.43	672.44	151.60	51.01	672.32	95.01	62.83	726.43
			TQ	75.67	90.08	-418.12	75.67	90.08	-62.99	75.67	89.93	-63.20	75.67	89.93	291.93
			M3	148.14	28.51	324.20	138.76	46.20	699.99	138.76	47.84	699.88	73.80	58.90	733.46
		MIN	S2	-12.90	24.00	315.87	-65.20	37.71	664.39	-65.20	39.27	664.30	-145.62	48.44	684.53
			TQ	2.07	-10.20	-300.56	2.07	-10.20	-290.85	2.07	-10.89	-290.82	2.07	-10.89	-281.11
			M3	56.19	73.85	-523.89	4.30	-4.83	-485.75	4.30	-5.97	-485.74	4.30	-5.97	-465.54

BAGO RIVER BRIDGE

BLOCK [ No.1 : MAIN GIRDER ][ BEAM MEMBER FORCE ]

MEMBER		3035			3036			3036			3037					
NODE		3035			3036			3036			3037					
		SHEAR	TORQUE	MOMENT	SHEAR	TORQUE	MOMENT	SHEAR	TORQUE	MOMENT	SHEAR	TORQUE	MOMENT			
NAME	TITLE	S2 (kN)	TQ (kN·m)	M3 (kN·m)	S2 (kN)	TQ (kN·m)	M3 (kN·m)	S2 (kN)	TQ (kN·m)	M3 (kN·m)	S2 (kN)	TQ (kN·m)	M3 (kN·m)			
63	1-LANE (case3TANDEM-LOAD	MAX	S2	184.60	24.66	325.58	127.71	30.29	617.37	127.71	31.74	617.30	73.02	37.19	609.01	
			TQ	52.11	61.77	-277.79	52.11	61.77	-33.26	52.11	61.69	-33.40	52.11	61.69	211.13	
			M3	89.05	22.31	332.55	127.72	30.29	617.37	127.72	31.74	617.30	73.02	37.19	609.01	
		MIN	S2	-16.21	22.31	332.55	-67.72	28.86	616.32	-67.72	30.31	616.25	-126.66	35.17	602.97	
			TQ	1.25	-7.20	-192.59	1.25	-7.20	-186.72	1.25	-7.64	-186.70	1.25	-7.64	-180.83	
			M3	38.64	50.11	-356.04	2.94	-3.37	-330.87	2.94	-4.15	-330.86	2.94	-4.15	-317.07	
		DISPERSION-LMAX	S2	152.32	132.36	-1304.92	123.85	127.67	-758.72	123.85	125.88	-759.01	105.42	120.00	-347.70	
			TQ	146.04	143.38	-782.89	109.46	143.38	-183.41	109.07	143.03	-116.14	72.92	143.03	310.44	
			M3	31.82	9.28	264.24	32.81	35.25	430.31	32.81	36.26	430.23	36.28	85.34	589.86	
		MIN	S2	-2.96	2.14	216.50	-11.07	6.83	285.33	-11.07	7.50	285.32	-29.17	13.38	317.51	
			TQ	3.32	-8.89	-305.53	3.32	-8.89	-289.97	3.70	-9.64	-357.56	3.33	-9.64	-340.62	
			M3	117.54	125.22	-1352.66	79.97	99.25	-903.70	79.97	97.12	-903.93	39.96	48.04	-620.04	
64	1-LANE (case4TRUCK-LOAD	MAX	S2	117.45	407.60	-321.04	117.45	407.60	230.13	117.45	408.14	229.17	157.27	362.43	914.59	
			TQ	114.74	413.49	-377.19	114.74	413.49	161.29	114.74	413.87	160.32	114.74	413.87	698.80	
			M3	10.54	133.47	293.58	59.05	267.08	396.55	59.05	268.01	395.92	157.27	362.43	914.59	
		MIN	S2	-32.47	52.53	257.83	-2.06	10.86	90.22	-2.06	11.07	90.20	-2.06	11.07	80.51	
			TQ	10.73	-61.68	-606.30	10.73	-61.68	-555.97	10.73	-62.98	-555.82	10.73	-62.98	-505.49	
			M3	69.01	326.89	-617.89	10.56	-59.90	-563.07	10.56	-61.22	-562.92	10.56	-61.22	-513.39	
		TANDEM-LOAD	MAX	S2	84.64	279.24	-208.67	84.64	279.24	188.52	84.64	279.68	187.87	126.94	225.39	626.70
			TQ	75.00	281.50	-274.35	75.00	281.50	77.64	75.00	281.68	76.98	75.00	281.68	428.96	
			M3	-9.90	70.42	209.69	63.20	224.70	292.25	63.20	225.39	291.72	105.17	242.71	632.28	
		MIN	S2	-38.89	70.42	209.69	-3.24	16.14	135.49	-3.24	16.46	135.45	-3.24	16.46	120.26	
			TQ	7.29	-42.05	-410.63	7.29	-42.05	-376.41	7.29	-42.94	-376.31	7.29	-42.94	-342.08	
			M3	45.67	217.33	-419.17	7.25	-41.29	-384.26	7.25	-42.19	-384.17	7.25	-42.19	-350.16	

BAGO RIVER BRIDGE

BLOCK [ No.1 : MAIN GIRDER ][ BEAM MEMBER FORCE ]

MEMBER		3035			3036			3036			3037						
NODE		3035			3036			3036			3037						
		SHEAR	TORQUE	MOMENT	SHEAR	TORQUE	MOMENT	SHEAR	TORQUE	MOMENT	SHEAR	TORQUE	MOMENT				
NAME	TITLE	S2 (kN)	TQ (kN·m)	M3 (kN·m)	S2 (kN)	TQ (kN·m)	M3 (kN·m)	S2 (kN)	TQ (kN·m)	M3 (kN·m)	S2 (kN)	TQ (kN·m)	M3 (kN·m)				
64	1-LANE (case4DISPERSION-LMAX	S2	142.64	514.46	-1559.20	148.74	526.40	-863.72	148.74	524.37	-864.96	159.54	526.18	-140.46			
		TQ	123.31	604.22	-610.61	133.86	604.22	-7.99	133.86	604.20	-9.41	144.69	604.20	644.00			
		M3	1.95	65.15	282.14	46.48	183.85	385.99	46.48	184.76	385.55	100.45	379.76	727.74			
		MIN	S2	-6.90	22.81	232.66	-2.44	10.87	198.16	-2.44	11.34	198.13	-2.41	9.52	185.41		
		TQ	12.44	-66.96	-715.93	12.44	-66.96	-657.57	12.44	-68.50	-657.41	12.44	-68.50	-599.05			
		M3	133.79	472.12	-1608.68	99.81	353.41	-1051.55	99.81	350.94	-1052.38	56.68	155.94	-682.78			
		65	2-LANES (caseTRUCK-LOAD	MAX	S2	114.71	-688.10	-304.49	114.71	-688.10	233.85	114.71	-687.55	235.47	114.71	-687.55	773.81
				TQ	-4.09	106.03	-743.86	-4.09	106.03	-763.08	-4.09	104.23	-763.33	-4.09	104.23	-782.54	
				M3	15.03	-104.55	323.56	66.83	-440.17	501.99	66.83	-438.99	503.03	99.64	-603.78	899.96	
MIN	S2			-4.50	85.70	-484.12	-4.50	85.70	-505.24	-4.50	84.51	-505.44	-4.50	84.51	-526.57		
TQ	112.61			-701.59	-443.18	112.61	-701.59	85.27	112.61	-701.39	86.92	112.61	-701.39	615.38			
M3	-3.09			97.53	-816.10	-3.14	98.00	-830.71	-3.14	96.05	-830.94	-3.18	96.52	-845.78			
TANDEM-LOAD	MAX	S2	78.60	-463.67	-188.39	78.60	-463.67	180.46	78.60	-463.24	181.55	78.60	-463.24	550.39			
	TQ	-2.76	72.13	-498.66	-2.76	72.13	-511.60	-2.76	70.93	-511.76	-2.76	70.93	-524.70				
	M3	6.41	-60.57	233.68	42.35	-300.33	350.56	42.35	-299.51	351.26	66.12	-401.43	625.81				
	MIN	S2	-3.28	52.46	-277.03	-3.28	52.46	-292.45	-3.28	51.77	-292.57	-3.28	51.77	-307.98			
	TQ	76.65	-477.92	-304.45	76.65	-477.92	55.26	76.65	-477.79	56.38	76.65	-477.79	416.09				
	M3	-2.00	65.09	-554.90	-2.13	66.50	-564.63	-2.13	65.17	-564.78	-2.33	67.39	-575.29				
	DISPERSION-LMAX	S2	161.91	-1058.14	-1125.24	161.91	-1058.14	-365.41	161.91	-1058.99	-362.92	161.91	-1058.99	396.90			
		TQ	-3.89	121.07	-961.89	-3.89	121.07	-980.14	-3.89	118.77	-980.42	-3.89	118.77	-998.67			
		M3	20.29	-167.85	443.98	59.17	-401.49	623.25	59.32	-401.04	624.19	110.19	-729.28	1017.95			
MIN		S2	-5.62	94.68	-439.76	-5.62	94.68	-466.15	-5.62	93.58	-466.37	-5.62	93.58	-492.76			
TQ		160.17	-1084.53	-603.12	160.17	-1084.53	148.58	160.17	-1084.18	151.12	160.17	-1084.18	902.81				
M3		135.99	-795.61	-2008.98	97.12	-561.96	-1454.81	96.97	-564.37	-1453.49	46.10	-236.13	-1113.80				



BAGO RIVER BRIDGE

BLOCK [ No.1 : MAIN GIRDER ][ BEAM MEMBER FORCE ]

MEMBER				3035			3036			3037					
NODE				3035			3036			3036					
				SHEAR	TORQUE	MOMENT	SHEAR	TORQUE	MOMENT	SHEAR	TORQUE	MOMENT			
NAME	TITLE			S2 (kN)	TQ (kN·m)	M3 (kN·m)	S2 (kN)	TQ (kN·m)	M3 (kN·m)	S2 (kN)	TQ (kN·m)	M3 (kN·m)			
66	2-LANES (caseTRUCK-LOAD	MAX	S2	137.54	-402.59	-226.97	137.54	-402.59	418.49	137.54	-401.60	419.43	137.54	-401.60	1064.89
			TQ	0.04	66.07	-833.02	0.04	66.07	-832.84	0.04	64.11	-833.00	0.04	64.11	-832.83
			M3	60.24	-138.70	446.40	96.48	-254.21	692.03	96.48	-252.58	692.63	124.18	-351.00	1147.67
		MIN	S2	-7.23	29.36	-92.82	-7.23	29.36	-126.74	-7.23	29.06	-126.81	-7.23	29.06	-160.74
			TQ	132.27	-422.05	-431.63	132.27	-422.05	189.11	132.27	-421.60	190.10	132.27	-421.60	810.84
			M3	0.71	62.58	-879.75	0.70	62.70	-876.44	0.70	60.64	-876.58	0.65	61.11	-873.44
		TANDEM-LOAD MAX	S2	94.07	-272.21	-151.66	94.07	-272.21	289.81	94.07	-271.52	290.45	94.07	-271.52	731.92
			TQ	0.03	45.03	-569.55	0.03	45.03	-569.41	0.03	43.69	-569.52	0.03	43.69	-569.38
			M3	37.66	-75.63	359.12	63.83	-156.97	506.95	63.83	-155.78	507.31	88.70	-233.50	828.60
		MIN	S2	-5.51	13.85	13.49	-5.51	13.85	-12.35	-5.51	13.82	-12.39	-5.51	13.82	-38.23
			TQ	91.58	-287.29	-274.54	91.58	-287.29	155.25	91.58	-286.92	155.92	91.58	-286.92	585.72
			M3	0.51	42.17	-598.16	0.38	43.58	-596.11	0.38	42.18	-596.21	0.38	42.18	-594.41
		DISPERSION-LMAX	S2	189.25	-603.79	-1784.63	183.74	-602.05	-936.21	183.74	-604.25	-934.79	178.38	-601.74	-111.76
			TQ	1.03	74.67	-1034.43	1.03	74.67	-1029.61	1.01	72.26	-1029.30	1.01	72.26	-1024.55
			M3	20.93	-79.52	498.97	62.07	-224.44	685.55	62.13	-223.10	686.07	114.67	-426.78	1097.04
MIN	S2	-3.89	26.33	45.96	-4.53	24.58	52.98	-4.53	24.71	52.92	-5.32	22.20	56.47		
	TQ	184.33	-652.14	-704.24	178.18	-652.14	146.38	178.20	-651.79	147.43	172.05	-651.79	969.26		
	M3	164.43	-497.94	-2237.64	117.14	-353.03	-1568.78	117.07	-356.44	-1567.94	58.39	-152.76	-1152.34		
67	2-LANES (caseTRUCK-LOAD	MAX	S2	386.69	142.17	550.19	275.86	215.65	1255.16	275.86	218.60	1254.65	200.44	280.96	1533.23
			TQ	163.99	337.53	-839.03	163.99	337.53	-69.42	163.99	337.37	-70.22	163.99	337.37	699.39
			M3	240.91	80.44	639.81	250.54	195.00	1303.90	250.54	198.06	1303.43	165.25	264.84	1552.64
		MIN	S2	-19.29	63.04	616.26	-87.37	127.47	1233.68	-87.37	130.37	1233.38	-188.72	203.65	1447.86
			TQ	7.93	-36.62	-763.52	7.93	-36.62	-726.29	7.93	-38.32	-726.21	7.93	-38.32	-688.98
			M3	120.06	274.20	-1094.32	10.65	-27.76	-996.59	10.65	-30.10	-996.52	10.65	-30.10	-946.54

BAGO RIVER BRIDGE

BLOCK [ No.1 : MAIN GIRDER ] [ BEAM MEMBER FORCE ]

MEMBER		3035			3036			3036			3037						
NODE		3035			3036			3036			3037						
		SHEAR	TORQUE	MOMENT	SHEAR	TORQUE	MOMENT	SHEAR	TORQUE	MOMENT	SHEAR	TORQUE	MOMENT				
NAME	TITLE	S2 (kN)	TQ (kN·m)	M3 (kN·m)	S2 (kN)	TQ (kN·m)	M3 (kN·m)	S2 (kN)	TQ (kN·m)	M3 (kN·m)	S2 (kN)	TQ (kN·m)	M3 (kN·m)				
67	2-LANES (caseTANDEM-LOAD	MAX	S2	300.25	72.32	618.56	219.53	122.13	1114.24	219.53	124.75	1113.95	148.40	173.64	1243.00		
			TQ	114.00	230.15	-536.53	114.00	230.15	-1.52	114.00	230.15	-2.06	114.00	230.15	532.94		
			M3	145.24	60.86	629.10	219.53	122.13	1114.24	219.53	124.75	1113.95	148.40	173.64	1243.00		
		MIN	S2	-23.63	60.86	629.10	-89.29	109.10	1111.43	-89.29	111.71	1111.17	-162.97	162.26	1230.60		
			TQ	5.35	-25.22	-516.90	5.35	-25.22	-491.81	5.35	-26.38	-491.75	5.35	-26.38	-466.66		
			M3	81.19	184.03	-743.55	7.28	-19.21	-679.05	7.28	-20.81	-679.01	7.28	-20.81	-644.82		
			DISPERSION-LMAX	S2	303.59	467.22	-2725.38	256.74	453.89	-1581.17	256.74	450.17	-1582.24	224.33	431.63	-662.55	
				TQ	287.67	513.79	-1344.35	229.61	513.79	-131.65	229.20	513.56	-62.43	172.85	513.56	880.20	
				M3	55.76	36.38	534.42	71.63	141.86	849.98	71.63	143.85	849.64	96.25	316.84	1238.36	
			MIN	S2	-5.39	9.59	446.33	-16.60	22.92	564.23	-16.60	24.25	564.18	-40.93	42.79	638.01	
				TQ	10.53	-36.98	-934.70	10.53	-36.98	-885.29	10.94	-39.14	-955.63	10.56	-39.14	-904.74	
				M3	242.44	440.44	-2813.47	168.51	334.96	-1866.92	168.51	330.57	-1867.70	87.16	157.58	-1262.90	
		68	2-LANES (caseTRUCK-LOAD	MAX	S2	255.53	511.97	-52.54	239.99	575.05	806.85	239.99	576.94	805.50	262.69	580.56	1721.39
					TQ	203.06	660.94	-798.10	203.06	660.94	154.86	203.06	661.30	153.30	203.06	661.30	1106.27
					M3	88.83	187.49	606.58	169.51	417.44	994.12	169.51	419.78	993.13	249.12	568.61	1734.41
MIN	S2			-37.48	93.40	555.55	-20.77	103.30	653.60	-20.77	104.83	653.35	-43.08	167.64	848.00		
	TQ			19.28	-104.66	-1177.13	19.28	-104.66	-1086.66	19.28	-107.22	-1086.41	19.28	-107.22	-995.93		
	M3			77.51	285.04	-1195.34	19.05	-101.75	-1100.62	19.05	-104.33	-1100.38	19.05	-104.33	-1010.96		
	TANDEM-LOAD			MAX	S2	182.04	329.00	72.67	174.33	372.58	678.04	174.33	374.17	677.16	202.32	361.84	1260.69
				TQ	136.90	449.88	-533.08	136.90	449.88	109.37	136.90	450.13	108.31	136.90	450.13	750.76	
				M3	36.87	110.92	495.66	152.89	318.05	781.77	152.89	319.88	781.02	180.56	379.16	1266.27	
	MIN			S2	-44.18	110.92	495.66	-22.09	98.16	623.04	-22.09	99.62	622.81	-39.19	143.76	748.46	
				TQ	13.08	-71.31	-795.50	13.08	-71.31	-734.09	13.08	-73.04	-733.92	13.08	-73.04	-672.52	
				M3	51.50	188.45	-813.20	13.08	-70.17	-750.93	13.08	-71.93	-750.76	13.08	-71.93	-689.39	

BAGO RIVER BRIDGE

BLOCK [ No.1 : MAIN GIRDER ][ BEAM MEMBER FORCE ]

MEMBER NODE	3035	3036			3036			3037							
		SHEAR	TORQUE	MOMENT	SHEAR	TORQUE	MOMENT	SHEAR	TORQUE	MOMENT					
		S2 (kN)	TQ (kN·m)	M3 (kN·m)	S2 (kN)	TQ (kN·m)	M3 (kN·m)	S2 (kN)	TQ (kN·m)	M3 (kN·m)					
68	2-LANES (caseDISPERSION-LMAX	S2	294.33	831.28	-3017.53	284.03	835.28	-1707.88	284.03	831.27	-1709.83	281.10	820.59	-462.96	
		TQ	262.72	978.64	-1166.61	254.31	978.64	46.48	254.31	978.74	44.18	245.40	978.74	1216.76	
		M3	23.70	96.29	554.85	85.63	294.50	805.54	85.63	296.40	804.84	161.20	615.30	1379.24	
	MIN	S2	-9.51	33.30	463.36	-7.62	29.30	470.53	-7.62	30.41	470.46	-13.60	41.08	499.90	
		TQ	22.10	-114.05	-1387.57	22.10	-114.05	-1283.83	22.10	-117.07	-1283.56	22.10	-117.07	-1179.82	
		M3	261.12	768.30	-3109.02	190.78	570.08	-2042.88	190.78	565.28	-2044.22	106.31	246.38	-1342.30	
69	3-LANES (caseTRUCK-LOAD	MAX	S2	190.79	-820.93	-394.39	190.79	-820.93	500.99	190.79	-819.75	502.91	190.79	-819.75	1398.29
		TQ	-2.99	129.15	-1186.60	-2.99	129.15	-1200.62	-2.99	126.33	-1200.92	-2.99	126.33	-1214.93	
		M3	59.72	-144.79	590.09	126.25	-527.52	905.46	126.25	-525.39	906.70	169.24	-728.76	1533.76	
	MIN	S2	-10.51	73.77	-241.12	-10.51	73.77	-290.45	-10.51	73.09	-290.62	-10.51	73.09	-339.94	
		TQ	185.21	-843.35	-645.50	185.21	-843.35	223.69	185.21	-842.82	225.67	185.21	-842.82	1094.87	
		M3	-1.78	120.01	-1272.00	-1.84	120.60	-1280.47	-1.84	117.59	-1280.75	-1.88	118.06	-1289.49	
	TANDEM-LOAD	MAX	S2	130.68	-558.50	-277.16	130.68	-558.50	336.10	130.68	-557.70	337.41	130.68	-557.70	950.68
		TQ	-2.02	87.90	-797.62	-2.02	87.90	-807.11	-2.02	86.00	-807.32	-2.02	86.00	-816.80	
		M3	37.30	-79.73	456.78	84.09	-353.03	655.78	84.09	-351.48	656.61	117.96	-485.59	1093.53	
	MIN	S2	-7.95	39.20	-54.84	-7.95	39.20	-92.13	-7.95	38.98	-92.22	-7.95	38.98	-129.51	
		TQ	128.10	-574.40	-413.01	128.10	-574.40	188.17	128.10	-573.96	189.52	128.10	-573.96	790.69	
		M3	-1.12	80.59	-865.07	-1.26	82.00	-870.71	-1.26	79.96	-870.90	-1.46	82.17	-877.32	
	DISPERSION-LMAX	S2	265.49	-1246.01	-2239.76	259.98	-1244.26	-1033.55	259.98	-1246.69	-1030.63	254.62	-1244.18	150.20	
		TQ	-2.22	146.90	-1495.99	-2.22	146.90	-1506.42	-2.24	143.36	-1506.28	-2.24	143.36	-1516.79	
		M3	32.54	-190.35	705.49	91.07	-473.25	983.35	91.22	-471.95	984.46	166.84	-866.72	1584.19	
	MIN	S2	-7.76	90.86	-239.95	-8.39	89.12	-251.05	-8.39	88.53	-251.26	-9.19	86.02	-265.83	
		TQ	259.96	-1302.05	-983.72	253.81	-1302.05	221.82	253.83	-1301.52	224.40	247.67	-1301.52	1401.15	
		M3	225.20	-964.80	-3185.20	160.52	-681.89	-2267.95	160.36	-686.21	-2266.34	78.60	-291.45	-1699.82	

BAGO RIVER BRIDGE

BLOCK [ No.1 : MAIN GIRDER ][ BEAM MEMBER FORCE ]

MEMBER				3035			3036			3037					
NODE				3035			3036			3036			3037		
				SHEAR	TORQUE	MOMENT	SHEAR	TORQUE	MOMENT	SHEAR	TORQUE	MOMENT	SHEAR	TORQUE	MOMENT
NAME	TITLE			S2 (kN)	TQ (kN·m)	M3 (kN·m)	S2 (kN)	TQ (kN·m)	M3 (kN·m)	S2 (kN)	TQ (kN·m)	M3 (kN·m)	S2 (kN)	TQ (kN·m)	M3 (kN·m)
70	3-LANES (caseTRUCK-LOAD	MAX	S2	504.14	549.77	229.15	393.31	623.26	1485.29	393.31	626.75	1483.82	357.62	664.04	2425.91
			TQ	278.74	751.02	-1216.23	278.74	751.02	91.86	278.74	751.23	90.10	278.74	751.23	1398.19
			M3	252.51	211.40	939.88	310.89	461.01	1706.28	310.89	465.02	1705.19	322.16	627.08	2466.62
		MIN	S2	-37.93	113.65	876.63	-89.17	138.09	1319.21	-89.17	141.19	1318.88	-190.52	214.47	1524.89
			TQ	16.49	-81.07	-1313.17	16.49	-81.07	-1235.81	16.49	-83.98	-1235.61	16.49	-83.98	-1158.24
			M3	189.08	601.18	-1712.23	19.05	-68.74	-1532.93	19.05	-72.34	-1532.77	19.05	-72.34	-1443.36
		TANDEM-LOAD MAX	S2	384.88	351.56	409.89	304.16	401.37	1302.76	304.16	404.43	1301.82	275.03	398.87	1869.16
			TQ	189.00	511.65	-810.87	189.00	511.65	76.11	189.00	511.83	74.91	189.00	511.83	961.89
			M3	142.05	129.21	850.44	283.08	346.68	1407.63	283.08	349.98	1406.82	253.58	416.35	1875.28
		MIN	S2	-44.25	129.21	850.44	-92.05	124.79	1240.36	-92.05	127.70	1240.06	-165.74	178.25	1346.52
			TQ	11.07	-55.50	-877.39	11.07	-55.50	-825.42	11.07	-57.44	-825.29	11.07	-57.44	-773.32
			M3	126.85	401.36	-1162.72	13.04	-47.46	-1044.83	13.04	-49.92	-1044.72	13.04	-49.92	-983.51
		DISPERSION-LMAX	S2	444.44	1001.56	-4245.22	402.36	998.59	-2418.69	402.36	992.90	-2421.03	380.42	975.69	-793.00
			TQ	413.19	1114.25	-1957.74	363.14	1114.25	-139.58	362.73	1114.00	-71.77	316.85	1114.00	1521.46
			M3	59.90	97.57	814.04	117.74	321.75	1236.14	117.74	324.66	1235.38	196.03	692.95	1963.34
MIN	S2	-10.72	27.75	676.27	-18.69	30.73	764.27	-18.69	32.52	764.19	-43.00	49.73	827.24		
	TQ	20.53	-84.93	-1611.21	20.53	-84.93	-1514.85	20.94	-88.57	-1585.07	20.57	-88.57	-1487.22		
	M3	373.83	931.74	-4382.99	265.93	707.56	-2890.56	265.93	700.77	-2892.22	141.38	332.47	-1929.10		
71	3-LANES (caseTRUCK-LOAD	MAX	S2	486.39	555.47	221.87	391.43	625.64	1478.91	391.43	629.11	1477.43	357.70	643.39	2447.82
			TQ	278.74	751.02	-1216.23	278.74	751.02	91.86	278.74	751.23	90.10	278.74	751.23	1398.19
			M3	235.59	219.22	932.71	308.18	465.25	1694.18	308.18	469.23	1693.08	323.00	627.75	2468.15
		MIN	S2	-49.95	120.38	873.27	-85.33	144.21	1320.11	-85.33	147.32	1319.77	-188.32	217.49	1534.42
			TQ	25.66	-128.99	-1710.65	25.66	-128.99	-1590.24	25.66	-132.73	-1589.93	25.66	-132.73	-1469.53
			M3	83.95	261.23	-1737.64	25.50	-125.55	-1612.68	25.50	-129.34	-1612.38	25.50	-129.34	-1492.72

BAGO RIVER BRIDGE

BLOCK [ No.1 : MAIN GIRDER ][ BEAM MEMBER FORCE ]

MEMBER				3035			3036			3037								
NODE				3035			3036			3036								
				SHEAR	TORQUE	MOMENT	SHEAR	TORQUE	MOMENT	SHEAR	TORQUE	MOMENT						
NAME	TITLE			S2 (kN)	TQ (kN·m)	M3 (kN·m)	S2 (kN)	TQ (kN·m)	M3 (kN·m)	S2 (kN)	TQ (kN·m)	M3 (kN·m)						
71	3-LANES (case)	TANDEM-LOAD	MAX	S2	364.79	356.42	398.04	301.85	404.28	1294.90	301.85	407.33	1293.95	275.34	399.03	1869.70		
				TQ	189.00	511.65	-810.87	189.00	511.65	76.11	189.00	511.83	74.91	189.00	511.83	961.89		
				M3	125.09	135.96	828.26	280.41	349.75	1398.63	280.41	353.03	1397.81	253.58	416.35	1875.28		
			MIN	S2	-59.88	135.96	828.26	-89.30	128.81	1239.25	-89.30	131.72	1238.95	-165.79	179.14	1351.67		
				TQ	17.50	-87.90	-1164.32	17.50	-87.90	-1082.20	17.50	-90.45	-1082.00	17.50	-90.45	-999.88		
				M3	55.91	171.99	-1182.98	17.49	-86.63	-1099.99	17.49	-89.22	-1099.79	17.49	-89.22	-1017.70		
			DISPERSION-L	MAX	S2	449.36	944.61	-4360.18	410.16	943.42	-2493.87	410.16	937.56	-2496.08	388.74	920.84	-827.69	
				TQ	406.91	1125.03	-1660.99	361.41	1125.03	141.31	361.54	1125.36	139.20	316.37	1125.36	1729.32		
				M3	55.73	109.94	822.19	118.13	334.12	1238.37	118.13	337.03	1237.58	197.06	705.02	1969.80		
				MIN	S2	-12.75	39.17	683.61	-19.05	40.36	758.99	-19.05	42.14	758.89	-43.19	58.86	818.95	
					TQ	29.70	-141.25	-2015.58	29.70	-141.25	-1876.18	29.57	-145.66	-1876.38	29.19	-145.66	-1738.07	
					M3	380.88	873.84	-4498.76	272.98	649.65	-2973.25	272.98	642.66	-2974.77	148.49	274.68	-1978.55	
		72	4-LANES	TRUCK-LOAD	MAX	S2	29.30	-126.05	-2224.57	29.30	-126.05	-2087.06	29.30	-130.96	-2086.76	29.30	-130.96	-1949.24
						TQ	-4.22	10.75	411.80	-4.22	10.75	391.98	-4.87	11.80	472.92	-4.87	11.80	450.08
						M3	-5.59	9.46	605.40	-5.59	9.44	579.15	-5.59	10.80	579.13	-5.59	10.80	552.88
	MIN			S2	-5.61	9.78	603.15	-5.61	9.78	576.83	-5.61	11.13	576.81	-5.61	11.13	550.49		
				TQ	29.30	-126.05	-2224.57	29.30	-126.05	-2087.06	29.30	-130.96	-2086.76	29.30	-130.96	-1949.24		
				M3	29.30	-126.05	-2224.57	29.30	-126.05	-2087.06	29.30	-130.96	-2086.76	29.30	-130.96	-1949.24		
	TANDEM-LOAD			MAX	S2	20.36	-89.38	-1525.53	20.36	-89.38	-1429.98	20.36	-92.74	-1429.76	20.36	-92.74	-1334.22	
				TQ	-3.07	7.34	304.88	-3.07	7.34	290.48	-3.28	8.04	317.97	-3.28	8.04	302.56		
				M3	-3.81	6.52	411.64	-3.81	6.52	393.75	-3.81	7.44	393.73	-3.81	7.44	375.85		
				MIN	S2	-3.82	6.60	411.03	-3.82	6.60	393.12	-3.82	7.53	393.10	-3.82	7.53	375.19	
					TQ	20.36	-89.38	-1525.53	20.36	-89.38	-1429.98	20.36	-92.74	-1429.76	20.36	-92.74	-1334.22	
					M3	20.36	-89.38	-1525.53	20.36	-89.38	-1429.98	20.36	-92.74	-1429.76	20.36	-92.74	-1334.22	

BAGO RIVER BRIDGE

BLOCK [ No.1 : MAIN GIRDER ] [ BEAM MEMBER FORCE ]

MEMBER				3035			3036			3037							
NODE				3035			3036			3036			3037				
				SHEAR	TORQUE	MOMENT	SHEAR	TORQUE	MOMENT	SHEAR	TORQUE	MOMENT	SHEAR	TORQUE	MOMENT		
NAME	TITLE			S2 (kN)	TQ (kN·m)	M3 (kN·m)	S2 (kN)	TQ (kN·m)	M3 (kN·m)	S2 (kN)	TQ (kN·m)	M3 (kN·m)	S2 (kN)	TQ (kN·m)	M3 (kN·m)		
72	4-LANES	DISPERSION-LMAX	S2	19.27	-75.90	-1546.63	19.27	-75.90	-1456.19	19.27	-79.32	-1456.01	19.27	-79.32	-1365.56		
			TQ	-5.13	13.30	496.19	-5.13	13.30	472.13	-5.62	14.48	534.40	-5.62	14.48	508.04		
			M3	-6.88	12.25	736.72	-6.84	11.86	704.48	-6.84	13.52	704.45	-6.79	13.07	672.47		
		MIN	S2	-6.88	12.26	736.72	-6.88	12.26	704.43	-6.88	13.91	704.40	-6.88	13.91	672.11		
			TQ	17.42	-77.07	-1291.39	17.42	-77.07	-1209.64	17.89	-79.98	-1268.94	17.89	-79.98	-1185.00		
			M3	19.27	-75.90	-1546.63	19.27	-75.90	-1456.19	19.27	-79.32	-1456.01	19.27	-79.32	-1365.56		
		73	6-LANES	TRUCK-LOAD MAX	S2	697.58	-176.30	167.34	587.18	-166.46	2124.35	587.18	-161.46	2124.74	544.30	-161.79	3818.32
					TQ	272.56	801.58	-2410.94	272.56	801.58	-1131.84	272.56	798.91	-1133.73	272.56	798.91	145.37
					M3	336.08	84.14	1549.58	449.90	-68.58	2666.20	449.90	-62.32	2666.35	486.29	-110.45	4008.98
MIN	S2			-57.94	141.82	1036.33	-103.86	131.26	1603.91	-103.86	135.02	1603.60	-209.45	189.87	1731.20		
	TQ			209.69	-900.21	-2252.24	209.69	-900.21	-1268.16	209.79	-903.20	-1273.11	209.79	-903.20	-288.59		
	M3			137.79	591.32	-3011.71	23.81	-7.07	-2894.14	23.81	-13.87	-2894.11	23.78	-13.67	-2782.42		
TANDEM-LOAD MAX	S2			516.52	-118.39	452.37	437.97	-133.44	1735.02	437.97	-129.36	1735.33	401.47	-152.05	2898.77		
	TQ			182.64	545.64	-1656.14	182.64	545.64	-799.04	185.23	543.85	-722.85	185.23	543.85	146.41		
	M3			197.71	61.84	1330.69	380.13	-7.89	2114.56	380.13	-2.92	2114.57	369.86	-78.10	2989.70		
MIN	S2			-65.49	131.88	1097.11	-104.93	110.37	1485.23	-104.93	113.86	1484.97	-182.34	150.53	1527.62		
	TQ			144.18	-614.31	-1478.72	144.18	-614.31	-802.10	144.18	-616.19	-800.65	144.18	-616.19	-124.03		
	M3			54.73	247.84	-2049.10	16.36	-6.43	-1971.38	16.36	-11.06	-1971.36	16.17	-8.92	-1895.13		
DISPERSION-LMAX	S2	675.89	-232.18	-6390.11	629.89	-231.88	-3511.44	629.89	-240.13	-3510.89	603.73	-252.63	-848.09				
	TQ	379.21	1177.69	-2857.98	335.49	1177.69	-1182.79	335.35	1174.95	-1150.98	293.62	1174.95	323.97				
	M3	86.38	-71.76	1490.92	196.51	-126.45	2150.68	196.66	-122.41	2150.97	344.42	-145.41	3399.52				
MIN	S2	-20.35	118.05	536.84	-27.74	117.68	607.64	-27.74	119.11	607.36	-52.83	133.33	652.50				
	TQ	269.74	-1340.28	-2830.48	263.59	-1340.28	-1579.04	263.95	-1344.05	-1638.05	257.42	-1344.05	-414.23				
	M3	569.63	-64.91	-7252.16	405.28	-14.23	-4962.60	405.13	-24.88	-4962.56	209.83	-10.35	-3507.65				

BAGO RIVER BRIDGE

BLOCK [ No.1 : MAIN GIRDER ][ BEAM MEMBER FORCE ]

MEMBER			3035			3036			3036			3037			
NODE			3035			3036			3036			3037			
NAME TITLE			SHEAR	TORQUE	MOMENT	SHEAR	TORQUE	MOMENT	SHEAR	TORQUE	MOMENT	SHEAR	TORQUE	MOMENT	
			S2 (kN)	TQ (kN·m)	M3 (kN·m)	S2 (kN)	TQ (kN·m)	M3 (kN·m)	S2 (kN)	TQ (kN·m)	M3 (kN·m)	S2 (kN)	TQ (kN·m)	M3 (kN·m)	
124	SUM TOTAL	D+1LANE (caseMAX	S2	2659.10	-1860.93	-23341.15	2464.01	-1860.93	-11328.08	2464.01	-1887.54	-11323.67	2271.28	-1887.54	-215.37
			TQ	2496.18	-425.90	-23572.26	2301.09	-425.90	-12323.77	2301.09	-454.85	-12322.73	2108.36	-454.85	-1979.01
			M3	2517.01	-728.57	-22173.83	2379.14	-1214.81	-10696.78	2379.25	-1240.83	-10693.90	2232.55	-1596.08	118.09
		MIN	S2	2495.13	-457.53	-23115.13	2300.04	-457.53	-11871.54	2300.04	-485.42	-11870.43	2107.31	-485.42	-1531.61
			TQ	2657.99	-1873.72	-23186.10	2462.90	-1873.72	-11178.23	2462.90	-1899.98	-11173.80	2270.17	-1899.98	-70.69
			M3	2573.64	-1079.57	-24201.85	2357.63	-913.42	-12634.11	2357.52	-942.22	-12631.93	2137.10	-712.92	-2086.05
		D+1LANE (caseMAX	S2	2719.30	-973.09	-24039.39	2517.60	-971.00	-11791.47	2517.60	-998.71	-11789.16	2318.43	-995.70	-476.47
			TQ	2507.04	-529.52	-23766.30	2311.95	-529.52	-12466.85	2311.92	-558.81	-12465.00	2119.19	-558.81	-2070.41
			M3	2572.03	-663.54	-21960.44	2418.21	-779.19	-10393.98	2418.21	-803.62	-10392.12	2267.38	-929.75	510.25
		MIN	S2	2493.93	-607.16	-22062.71	2298.08	-609.25	-10794.38	2298.08	-634.62	-10792.92	2104.40	-637.63	-433.54
			TQ	2710.58	-1019.40	-23293.59	2508.10	-1019.40	-11056.27	2508.12	-1045.37	-11054.42	2308.01	-1045.37	243.60
			M3	2612.33	-764.32	-24552.62	2386.25	-705.06	-12825.74	2386.25	-735.20	-12824.05	2156.44	-655.37	-2165.48
		D+1LANE (caseMAX	S2	2965.37	-380.96	-23831.32	2639.15	-375.74	-11413.80	2639.15	-402.57	-11412.88	2356.40	-395.44	-475.31
			TQ	2769.77	-308.11	-24035.30	2530.78	-308.11	-11605.95	2530.31	-335.29	-11524.06	2294.19	-335.29	-206.96
			M3	2719.65	-542.91	-21887.95	2514.49	-490.53	-9953.90	2514.49	-513.92	-9952.72	2247.98	-441.75	658.19
		MIN	S2	2484.68	-556.89	-21955.24	2217.09	-534.81	-10170.59	2217.09	-558.71	-10169.31	1906.13	-540.65	272.66
			TQ	2510.17	-611.17	-23321.40	2315.08	-611.17	-12007.25	2315.54	-639.48	-12086.91	2122.36	-639.48	-1675.87
			M3	2712.19	-349.39	-24845.94	2409.75	-474.95	-12977.61	2409.75	-505.45	-12976.45	2169.01	-564.35	-2232.49
		D+1LANE (caseMAX	S2	2815.82	518.21	-24850.37	2628.04	532.54	-12070.57	2628.04	504.17	-12071.79	2496.06	451.49	-0.84
			TQ	2789.36	633.00	-23779.45	2606.94	633.00	-11126.31	2606.94	606.85	-11127.77	2427.21	606.85	681.57
			M3	2518.69	-349.91	-21903.22	2435.25	-47.14	-10371.22	2435.25	-71.51	-10371.08	2425.15	275.79	1040.99
		MIN	S2	2456.46	-497.85	-22005.50	2303.21	-562.19	-10964.21	2303.21	-587.95	-10962.85	2110.51	-590.13	-610.69
			TQ	2531.50	-742.62	-24180.76	2336.41	-742.62	-12766.51	2336.41	-772.62	-12764.73	2143.68	-772.62	-2255.24
			M3	2747.06	370.54	-25265.97	2441.06	-236.04	-13247.80	2441.06	-267.17	-13247.21	2196.57	-501.17	-2365.20

BAGO RIVER BRIDGE

BLOCK [ No.1 : MAIN GIRDER ] [ BEAM MEMBER FORCE ]

MEMBER				3035			3036			3037					
NODE				3035			3036			3036					
				SHEAR	TORQUE	MOMENT	SHEAR	TORQUE	MOMENT	SHEAR	TORQUE	MOMENT			
NAME TITLE				S2 (kN)	TQ (kN·m)	M3 (kN·m)	S2 (kN)	TQ (kN·m)	M3 (kN·m)	S2 (kN)	TQ (kN·m)	M3 (kN·m)			
124	SUM TOTAL	D+2LANES (casMAX	S2	2780.33	-2334.50	-24023.81	2585.24	-2334.50	-11441.83	2585.24	-2361.38	-11436.31	2392.51	-2361.38	240.91
			TQ	2495.72	-361.16	-24299.83	2300.63	-361.16	-13053.48	2300.63	-391.84	-13052.59	2107.90	-391.84	-2711.00
			M3	2539.02	-860.67	-21826.54	2434.61	-1429.92	-10185.02	2434.76	-1454.87	-10181.63	2325.71	-1947.89	988.11
		MIN	S2	2493.58	-407.88	-23517.96	2298.49	-407.88	-12281.66	2298.49	-436.74	-12280.66	2105.76	-436.74	-1949.12
			TQ	2776.49	-2374.38	-23640.38	2581.40	-2374.38	-11076.42	2581.40	-2400.40	-11070.81	2388.67	-2400.40	588.39
			M3	2636.61	-1286.34	-25419.16	2402.60	-1052.22	-13595.79	2402.44	-1083.16	-13593.28	2158.80	-754.45	-2889.38
		D+2LANES (casMAX	S2	2830.50	-1594.64	-24605.68	2629.89	-1592.90	-11827.99	2629.89	-1620.69	-11824.21	2431.80	-1618.18	23.33
			TQ	2504.77	-447.51	-24461.53	2309.68	-447.51	-13172.72	2309.66	-478.47	-13171.15	2116.93	-478.47	-2787.17
			M3	2584.88	-806.48	-21648.72	2467.17	-1066.91	-9932.69	2467.23	-1090.52	-9930.15	2354.74	-1392.61	1314.92
		MIN	S2	2492.58	-532.57	-22640.94	2296.85	-534.32	-11384.03	2296.85	-561.07	-11382.74	2103.33	-563.58	-1034.06
			TQ	2820.31	-1662.44	-23729.95	2619.07	-1662.44	-10974.78	2619.08	-1688.23	-10971.33	2420.20	-1688.23	850.30
			M3	2668.84	-1023.63	-25711.47	2426.45	-878.59	-13755.48	2426.39	-910.64	-13753.38	2174.92	-706.49	-2955.57
		D+2LANES (casMAX	S2	3193.99	21.13	-24769.27	2841.21	81.28	-11636.28	2841.21	53.94	-11636.44	2540.65	97.75	-59.12
			TQ	2955.37	263.06	-24777.47	2702.22	263.06	-11511.33	2701.81	236.09	-11441.49	2452.72	236.09	649.79
			M3	2800.37	-471.45	-21419.85	2630.78	-251.41	-9156.39	2630.78	-272.92	-9155.77	2377.38	-33.16	1861.21
		MIN	S2	2479.03	-515.63	-21531.50	2204.65	-437.87	-9512.35	2204.65	-460.22	-9511.30	1886.24	-368.40	1156.07
			TQ	2522.17	-661.85	-24292.31	2327.08	-661.85	-12921.85	2327.49	-692.30	-12990.69	2134.38	-692.30	-2523.51
			M3	2866.20	126.38	-26501.88	2487.78	-281.07	-14173.78	2487.78	-314.37	-14173.08	2213.69	-487.36	-3139.24
		D+2LANES (casMAX	S2	3053.56	754.99	-25664.15	2832.64	822.07	-12211.29	2832.64	793.37	-12213.19	2659.68	786.32	328.63
			TQ	2969.48	1051.32	-24558.79	2765.98	1051.32	-11108.92	2765.98	1025.21	-11111.36	2564.35	1025.21	1393.23
			M3	2616.24	-304.48	-21432.66	2563.75	123.69	-9510.61	2563.75	101.34	-9510.87	2526.20	569.07	2183.85
		MIN	S2	2456.72	-461.56	-21575.17	2280.22	-455.66	-10186.14	2280.22	-479.60	-10185.04	2059.20	-406.12	418.10
			TQ	2545.09	-806.98	-25158.78	2350.00	-806.98	-13680.75	2350.00	-839.12	-13678.82	2157.27	-839.12	-3105.55
			M3	2842.33	465.07	-26898.44	2518.45	-119.93	-14453.77	2518.45	-153.89	-14453.45	2241.25	-472.79	-3283.05



BAGO RIVER BRIDGE

BLOCK [ No.1 : MAIN GIRDER ][ BEAM MEMBER FORCE ]

MEMBER			3035			3036			3036			3037				
NODE			3035			3036			3036			3037				
NAME TITLE			SHEAR	TORQUE	MOMENT	SHEAR	TORQUE	MOMENT	SHEAR	TORQUE	MOMENT	SHEAR	TORQUE	MOMENT		
			S2 (kN)	TQ (kN·m)	M3 (kN·m)	S2 (kN)	TQ (kN·m)	M3 (kN·m)	S2 (kN)	TQ (kN·m)	M3 (kN·m)	S2 (kN)	TQ (kN·m)	M3 (kN·m)		
124	SUM TOTAL	D+3LANES (casMAX	S2	2891.55	-2345.16	-24833.11	2691.77	-2343.67	-11762.95	2691.77	-2371.31	-11757.41	2494.48	-2369.18	386.42	
			TQ	2499.28	-353.62	-24874.29	2304.19	-353.62	-13611.25	2304.17	-385.60	-13609.97	2111.44	-385.60	-3251.76	
			M3	2582.13	-873.13	-21492.84	2493.34	-1438.92	-9704.77	2493.47	-1462.58	-9701.36	2401.55	-1971.00	1720.46	
		MIN	S2	2488.18	-448.32	-23002.99	2292.55	-449.80	-11770.53	2292.55	-477.46	-11769.44	2099.14	-479.60	-1444.71	
			TQ	2882.10	-2411.85	-23978.92	2681.78	-2411.85	-10931.58	2681.80	-2437.53	-10926.29	2483.84	-2437.53	1191.82	
			M3	2693.61	-1306.33	-26382.70	2443.49	-1065.36	-14326.42	2443.36	-1098.16	-14323.88	2181.09	-762.21	-3470.72	
		D+3LANES (casMAX	S2	3310.00	730.37	-26007.74	2984.93	790.31	-12103.65	2984.93	761.86	-12105.48	2743.22	778.93	458.17	
			TQ	3091.85	997.21	-25291.96	2854.21	997.21	-11350.82	2853.86	970.61	-11293.27	2622.13	970.61	1551.91	
			M3	2769.25	-325.64	-21103.26	2672.95	77.09	-8809.21	2672.95	56.38	-8809.37	2556.35	507.19	2835.67	
		MIN	S2	2462.36	-468.07	-21274.12	2216.93	-444.76	-9539.31	2216.93	-467.18	-9538.24	1917.39	-390.26	1069.52	
			TQ	2535.17	-729.36	-25079.81	2340.08	-729.36	-13648.32	2340.43	-761.51	-13706.43	2147.38	-761.51	-3178.44	
			M3	2982.18	714.72	-27775.02	2550.85	-45.26	-15070.24	2550.85	-80.68	-15070.09	2252.25	-393.73	-3796.38	
		D+3LANES (casMAX	S2	3299.09	686.80	-26111.65	2989.96	745.44	-12172.98	2989.96	716.83	-12174.70	2750.36	714.75	447.31	
			TQ	3086.50	1006.38	-25039.72	2852.74	1006.38	-11112.07	2852.85	980.26	-11113.95	2621.72	980.26	1728.59	
			M3	2751.33	-308.47	-21102.42	2670.99	91.21	-8817.60	2670.99	70.49	-8817.79	2557.94	518.01	2842.46	
		MIN	S2	2450.42	-452.65	-21270.74	2219.90	-431.38	-9543.03	2219.90	-453.80	-9541.99	1919.11	-379.94	1070.57	
			TQ	2550.76	-817.97	-25761.38	2355.67	-817.97	-14256.73	2355.56	-851.47	-14255.22	2162.51	-851.47	-3656.25	
			M3	2898.81	376.54	-27895.02	2562.32	-142.78	-15208.31	2562.32	-178.52	-15207.93	2263.78	-491.30	-3880.37	
		D+4LANES	MAX	S2	2535.28	-719.53	-25045.37	2340.19	-719.53	-13613.37	2340.19	-751.52	-13611.65	2147.46	-751.52	-3084.42
			TQ	2497.63	-572.63	-22003.89	2302.54	-572.63	-10748.59	2301.80	-597.76	-10654.09	2109.07	-597.76	-307.02	
			M3	2495.60	-574.15	-21721.71	2300.53	-574.41	-10475.91	2300.53	-599.03	-10474.53	2107.83	-599.33	-133.32	
		MIN	S2	2495.59	-573.94	-21723.17	2300.50	-573.94	-10477.44	2300.50	-598.56	-10476.07	2107.77	-598.56	-135.11	
			TQ	2534.07	-720.29	-24879.46	2338.98	-720.29	-13453.12	2339.29	-751.95	-13490.06	2146.56	-751.95	-2967.06	
			M3	2535.28	-719.53	-25045.37	2340.19	-719.53	-13613.38	2340.19	-751.52	-13611.65	2147.46	-751.52	-3084.42	

BAGO RIVER BRIDGE

BLOCK [ No.1 : MAIN GIRDER ][ BEAM MEMBER FORCE ]

MEMBER					3035			3036			3037					
NODE					3035			3036			3036					
					SHEAR	TORQUE	MOMENT	SHEAR	TORQUE	MOMENT	SHEAR	TORQUE	MOMENT			
NAME	TITLE				S2 (kN)	TQ (kN·m)	M3 (kN·m)	S2 (kN)	TQ (kN·m)	M3 (kN·m)	S2 (kN)	TQ (kN·m)	M3 (kN·m)			
124	SUM TOTAL	D+6LANES	MAX	S2	3396.46	-853.78	-26638.88	3099.71	-847.18	-12211.87	3099.71	-875.87	-12209.85	2862.10	-884.21	1000.85
				TQ	2927.36	698.26	-26018.88	2703.84	698.26	-12814.78	2703.75	668.17	-12793.91	2483.90	668.17	-624.72
				M3	2778.31	-580.21	-20617.75	2728.78	-715.03	-8179.30	2728.88	-734.91	-8177.59	2655.85	-781.15	3885.73
			MIN	S2	2452.81	-419.34	-21571.53	2223.08	-426.45	-9872.76	2223.08	-449.65	-9871.73	1945.41	-404.76	619.61
				TQ	2815.34	-2044.58	-25897.85	2616.25	-2044.58	-13160.94	2616.54	-2075.56	-13201.10	2419.57	-2075.56	-1386.63
				M3	2963.53	-246.09	-29265.60	2587.52	-602.11	-16417.15	2587.42	-640.03	-16415.69	2267.73	-630.45	-5018.35
	SUM TOTAL		MAX		3396.46	1051.32	-20617.75	3099.71	1051.32	-8179.30	3099.71	1025.21	-8177.59	2862.10	1025.21	3885.73
			MIN		2450.42	-2411.85	-29265.60	2204.65	-2411.85	-16417.15	2204.65	-2437.53	-16415.69	1886.24	-2437.53	-5018.35
300	DEAD LOAD	TOTAL			2503.71	-588.26	-22594.08	2308.62	-588.26	-11310.26	2308.62	-614.84	-11308.85	2115.88	-614.84	-929.80
301	LIVE LOAD	1-LANE(case1MAX	S2		155.39	-1272.67	-747.06	155.39	-1272.67	-17.81	155.39	-1272.70	-14.82	155.39	-1272.70	714.43
			TQ		-7.53	162.37	-978.18	-7.53	162.37	-1013.50	-7.53	159.98	-1013.88	-7.53	159.98	-1049.21
			M3		13.31	-140.31	420.25	70.52	-626.55	613.48	70.63	-625.99	614.96	116.67	-981.25	1047.88
			MIN	S2	-8.57	130.74	-521.05	-8.57	130.74	-561.28	-8.57	129.42	-561.58	-8.57	129.42	-601.81
				TQ	154.29	-1285.46	-592.02	154.29	-1285.46	132.03	154.29	-1285.15	135.05	154.29	-1285.15	859.11
				M3	69.94	-491.31	-1607.77	49.02	-325.16	-1323.85	48.91	-327.38	-1323.08	21.21	-98.08	-1156.25
		1-LANE(case2MAX	S2		215.60	-384.83	-1445.31	208.98	-382.74	-481.21	208.98	-383.87	-480.31	202.55	-380.86	453.33
			TQ		3.33	58.75	-1172.22	3.33	58.75	-1156.59	3.31	56.03	-1156.14	3.31	56.03	-1140.61
			M3		68.33	-75.28	633.65	109.59	-190.93	916.29	109.59	-188.78	916.73	151.50	-314.91	1440.05
			MIN	S2	-9.77	-18.90	531.38	-10.54	-20.99	515.88	-10.54	-19.78	515.93	-11.49	-22.79	496.26
				TQ	206.87	-431.13	-699.51	199.49	-431.13	254.00	199.51	-430.54	254.43	192.13	-430.54	1173.40
				M3	108.62	-176.06	-1958.54	77.64	-116.80	-1515.48	77.64	-120.36	-1515.20	40.56	-40.53	-1235.68
		1-LANE(case3MAX	S2		461.66	207.30	-1237.24	330.53	212.52	-103.53	330.53	212.27	-104.03	240.52	219.39	454.48
			TQ		266.06	280.15	-1441.21	222.16	280.15	-295.68	221.70	279.55	-215.21	178.31	279.55	722.84
			M3		215.95	45.35	706.13	205.88	97.73	1356.36	205.88	100.92	1356.13	132.10	173.09	1587.98
			MIN	S2	-19.02	31.37	638.85	-91.53	53.45	1139.67	-91.53	56.13	1139.54	-209.75	74.19	1202.45
				TQ	6.46	-22.91	-727.31	6.46	-22.91	-696.98	6.93	-24.64	-778.06	6.48	-24.64	-746.07
				M3	208.48	238.87	-2251.86	101.13	113.31	-1667.34	101.13	109.39	-1667.60	53.12	50.48	-1302.70

BAGO RIVER BRIDGE

BLOCK [ No.1 : MAIN GIRDER ][ BEAM MEMBER FORCE ]

MEMBER			3035			3036			3036			3037			
NODE			3035			3036			3036			3037			
			SHEAR	TORQUE	MOMENT	SHEAR	TORQUE	MOMENT	SHEAR	TORQUE	MOMENT	SHEAR	TORQUE	MOMENT	
NAME	TITLE		S2 (kN)	TQ (kN·m)	M3 (kN·m)	S2 (kN)	TQ (kN·m)	M3 (kN·m)	S2 (kN)	TQ (kN·m)	M3 (kN·m)	S2 (kN)	TQ (kN·m)	M3 (kN·m)	
301	LIVE LOAD	1-LANE (case4MAX	S2	312.11	1106.47	-2256.29	319.42	1120.80	-760.31	319.42	1119.01	-762.94	380.18	1066.33	928.96
			TQ	285.66	1221.26	-1185.36	298.32	1221.26	183.95	298.32	1221.69	181.08	311.32	1221.69	1611.36
			M3	14.99	238.35	690.86	126.63	541.12	939.04	126.63	543.33	937.77	309.26	890.63	1970.79
		MIN	S2	-47.24	90.41	588.59	-5.41	26.07	346.06	-5.41	26.89	346.00	-5.37	24.71	319.10
			TQ	27.79	-154.36	-1586.68	27.79	-154.36	-1456.25	27.79	-157.78	-1455.88	27.79	-157.78	-1325.44
			M3	243.36	958.80	-2671.88	132.44	352.22	-1937.54	132.44	347.67	-1938.36	80.68	113.66	-1435.40
		2-LANES (caseMAX	S2	276.62	-1746.24	-1429.73	276.62	-1746.24	-131.56	276.62	-1746.55	-127.46	276.62	-1746.55	1170.71
			TQ	-7.98	227.10	-1705.75	-7.98	227.10	-1743.21	-7.98	223.00	-1743.74	-7.98	223.00	-1781.21
			M3	35.32	-272.40	767.54	126.00	-841.66	1125.24	126.15	-840.03	1127.22	209.82	-1333.05	1917.91
		MIN	S2	-10.12	180.38	-923.88	-10.12	180.38	-971.39	-10.12	178.10	-971.81	-10.12	178.10	-1019.33
			TQ	272.78	-1786.12	-1046.30	272.78	-1786.12	233.85	272.78	-1785.57	238.04	272.78	-1785.57	1518.19
			M3	132.90	-698.08	-2825.08	93.98	-463.96	-2285.52	93.83	-468.32	-2284.43	42.92	-139.61	-1959.58
		2-LANES (caseMAX	S2	326.79	-1006.38	-2011.60	321.28	-1004.64	-517.72	321.28	-1005.85	-515.36	315.92	-1003.34	953.13
			TQ	1.06	140.75	-1867.45	1.06	140.75	-1862.45	1.05	136.37	-1862.30	1.05	136.37	-1857.38
			M3	81.17	-218.22	945.37	158.55	-478.65	1377.58	158.62	-475.68	1378.70	238.85	-777.77	2244.72
		MIN	S2	-11.12	55.69	-46.86	-11.76	53.94	-73.76	-11.76	53.77	-73.89	-12.55	51.26	-104.27
			TQ	316.60	-1074.18	-1135.87	310.45	-1074.18	335.49	310.47	-1073.39	337.53	304.32	-1073.39	1780.10
			M3	165.14	-435.36	-3117.39	117.83	-290.33	-2445.21	117.77	-295.80	-2444.53	59.04	-91.65	-2025.78
		2-LANES (caseMAX	S2	690.28	609.39	-2175.19	532.60	669.54	-326.01	532.60	668.78	-327.59	424.77	712.59	870.68
			TQ	451.66	851.32	-2183.39	393.60	851.32	-201.07	393.19	850.93	-132.64	336.84	850.93	1579.59
			M3	296.67	116.81	1174.23	322.17	336.85	2153.87	322.17	341.91	2153.08	261.50	581.68	2791.00
MIN	S2	-24.68	72.63	1062.58	-103.97	150.39	1797.91	-103.97	154.61	1797.55	-229.64	246.44	2085.87		
	TQ	18.46	-73.59	-1698.23	18.46	-73.59	-1611.59	18.87	-77.46	-1681.84	18.50	-77.46	-1593.71		
	M3	362.50	714.64	-3907.80	179.16	307.20	-2863.51	179.16	300.47	-2864.23	97.81	127.48	-2209.45		

BAGO RIVER BRIDGE

BLOCK [ No.1 : MAIN GIRDER ][ BEAM MEMBER FORCE ]

MEMBER				3035			3036			3037						
NODE				3035			3036			3036						
				SHEAR	TORQUE	MOMENT	SHEAR	TORQUE	MOMENT	SHEAR	TORQUE	MOMENT				
NAME	TITLE			S2 (kN)	TQ (kN·m)	M3 (kN·m)	S2 (kN)	TQ (kN·m)	M3 (kN·m)	S2 (kN)	TQ (kN·m)	M3 (kN·m)				
301	LIVE LOAD	2-LANES (caseMAX	S2	549.86	1343.25	-3070.07	524.02	1410.33	-901.03	524.02	1408.21	-904.34	543.80	1401.15	1258.42	
			TQ	465.78	1639.58	-1964.71	457.37	1639.58	201.34	457.37	1640.05	197.49	448.46	1640.05	2323.02	
			M3	112.54	283.78	1161.42	255.14	711.95	1799.65	255.14	716.18	1797.98	410.32	1183.91	3113.65	
			MIN	S2	-46.99	126.70	1018.91	-28.39	132.60	1124.13	-28.39	135.24	1123.81	-56.68	208.72	1347.90
			TQ	41.38	-218.72	-2564.70	41.38	-218.72	-2370.49	41.38	-224.29	-2369.97	41.38	-224.29	-2175.75	
			M3	338.62	1053.33	-4304.36	209.84	468.33	-3143.51	209.84	460.95	-3144.60	125.36	142.04	-2353.26	
		3-LANES (caseMAX	S2	387.84	-1756.90	-2239.03	383.16	-1755.41	-452.68	383.16	-1756.47	-448.56	378.60	-1754.34	1316.21	
			TQ	-4.43	234.64	-2280.21	-4.43	234.64	-2300.98	-4.44	229.24	-2301.12	-4.44	229.24	-2321.96	
			M3	78.42	-284.87	1101.24	184.72	-850.66	1605.49	184.85	-847.74	1607.49	285.66	-1356.16	2650.26	
			MIN	S2	-15.53	139.94	-408.91	-16.07	138.46	-460.27	-16.07	137.37	-460.59	-16.74	135.24	-514.91
			TQ	378.40	-1823.59	-1384.84	373.17	-1823.59	378.69	373.18	-1822.70	382.56	367.95	-1822.70	2121.62	
			M3	189.91	-718.07	-3788.62	134.88	-477.10	-3016.16	134.75	-483.33	-3015.03	65.21	-147.38	-2540.92	
		3-LANES (caseMAX	S2	806.30	1318.63	-3413.66	676.31	1378.57	-793.39	676.31	1376.70	-796.63	627.33	1393.77	1387.97	
			TQ	588.14	1585.48	-2697.88	545.59	1585.48	-40.55	545.24	1585.45	15.58	506.25	1585.45	2481.71	
			M3	265.54	262.62	1490.83	364.34	665.35	2501.05	364.34	671.22	2499.48	440.47	1122.03	3765.46	
			MIN	S2	-41.35	120.19	1319.96	-91.68	143.50	1770.95	-91.68	147.66	1770.61	-198.49	224.58	1999.31
			TQ	31.47	-141.10	-2485.73	31.47	-141.10	-2338.06	31.82	-146.67	-2397.58	31.50	-146.67	-2248.65	
			M3	478.48	1302.98	-5180.94	242.23	543.00	-3759.97	242.23	534.16	-3761.24	136.37	221.11	-2866.59	
		3-LANES (caseMAX	S2	795.39	1275.06	-3517.57	681.35	1333.70	-862.72	681.35	1331.67	-865.85	634.48	1329.59	1377.11	
			TQ	582.79	1594.64	-2445.63	544.12	1594.64	198.20	544.24	1595.10	194.90	505.84	1595.10	2658.38	
			M3	247.62	279.79	1491.66	362.37	679.47	2492.67	362.37	685.32	2491.06	442.05	1132.85	3772.26	
			MIN	S2	-53.29	135.61	1323.34	-88.72	156.88	1767.23	-88.72	161.04	1766.86	-196.78	234.90	2000.36
			TQ	47.06	-229.71	-3167.30	47.06	-229.71	-2946.46	46.94	-236.63	-2946.37	46.62	-236.63	-2726.45	
			M3	395.10	964.80	-5300.94	253.70	445.48	-3898.04	253.70	436.32	-3899.08	147.89	123.53	-2950.58	

BAGO RIVER BRIDGE

BLOCK [ No.1 : MAIN GIRDER ][ BEAM MEMBER FORCE ]

MEMBER					3035			3036			3037					
NODE					3035			3036			3036					
NAME TITLE					SHEAR	TORQUE	MOMENT	SHEAR	TORQUE	MOMENT	SHEAR	TORQUE	MOMENT			
					S2 (kN)	TQ (kN·m)	M3 (kN·m)	S2 (kN)	TQ (kN·m)	M3 (kN·m)	S2 (kN)	TQ (kN·m)	M3 (kN·m)			
301	LIVE LOAD	4-LANES	MAX	S2	31.57	-131.27	-2451.28	31.57	-131.27	-2303.11	31.57	-136.68	-2302.80	31.57	-136.68	-2154.62
				TQ	-6.08	15.63	590.19	-6.08	15.63	561.67	-6.81	17.08	654.76	-6.81	17.08	622.78
				M3	-8.11	14.11	872.38	-8.08	13.85	834.36	-8.08	15.81	834.32	-8.05	15.51	796.48
		MIN	S2	-8.12	14.32	870.92	-8.12	14.32	832.82	-8.12	16.28	832.79	-8.12	16.28	794.69	
			TQ	30.37	-132.03	-2285.37	30.37	-132.03	-2142.86	30.67	-137.11	-2181.21	30.67	-137.11	-2037.26	
			M3	31.57	-131.27	-2451.28	31.57	-131.27	-2303.11	31.57	-136.68	-2302.80	31.57	-136.68	-2154.62	
	6-LANES	MAX	S2	892.76	-265.51	-4044.80	791.10	-258.92	-901.61	791.10	-261.03	-900.99	746.22	-269.37	1930.65	
			TQ	423.65	1286.52	-3424.80	395.23	1286.52	-1504.52	395.14	1283.01	-1485.06	368.01	1283.01	305.07	
			M3	274.60	8.05	1976.33	420.16	-126.77	3130.97	420.26	-120.07	3131.26	539.96	-166.31	4815.53	
	LIVE LOAD	MIN	S2	-50.89	168.92	1022.56	-85.54	161.81	1437.51	-85.54	165.19	1437.12	-170.48	210.08	1549.40	
			TQ	311.63	-1456.32	-3303.77	307.63	-1456.32	-1850.68	307.93	-1460.72	-1892.25	303.68	-1460.72	-456.83	
			M3	459.82	342.17	-6671.52	278.91	-13.85	-5106.88	278.81	-25.19	-5106.84	151.85	-15.61	-4088.55	
	303	SUM TOTAL	TOTAL	MAX	892.76	1639.58	1976.33	791.10	1639.58	3130.97	791.10	1640.05	3131.26	746.22	1640.05	4815.53
				MIN	-53.29	-1823.59	-6671.52	-103.97	-1823.59	-5106.88	-103.97	-1822.70	-5106.84	-229.64	-1822.70	-4088.55
				MAX	3396.46	1051.32	-20617.75	3099.71	1051.32	-8179.30	3099.71	1025.21	-8177.59	2862.10	1025.21	3885.73
			MIN	2450.42	-2411.85	-29265.60	2204.65	-2411.85	-16417.15	2204.65	-2437.53	-16415.69	1886.24	-2437.53	-5018.35	

BAGO RIVER BRIDGE

BLOCK [ No.1 : MAIN GIRDER ] [ BEAM MEMBER FORCE ]

MEMBER NODE	3037	3038			3038			3038			3039			
		SHEAR	TORQUE	MOMENT	SHEAR	TORQUE	MOMENT	SHEAR	TORQUE	MOMENT	SHEAR	TORQUE	MOMENT	
NAME TITLE	S2 (kN)	TQ (kN·m)	M3 (kN·m)	S2 (kN)	TQ (kN·m)	M3 (kN·m)	S2 (kN)	TQ (kN·m)	M3 (kN·m)	S2 (kN)	TQ (kN·m)	M3 (kN·m)		
1 PAVEMENT	331.45	-73.35	-220.79	301.47	-73.35	1264.32	301.47	-70.38	1264.49	271.49	-70.38	2608.92		
3 RAILING	7.52	-2.19	-0.09	9.10	-2.19	38.91	9.10	-2.10	38.92	10.67	-2.10	85.32		
5 CURB	74.47	-21.65	-0.86	90.08	-21.65	385.24	90.08	-20.74	385.29	105.68	-20.74	844.62		
7 DECK WEIGHT	535.75	-120.06	-341.87	490.13	-120.06	2065.33	490.13	-115.20	2065.61	444.51	-115.20	4258.70		
8 GIRDER WEIGH	775.40	-175.40	-153.50	687.65	-175.40	3279.51	687.65	-167.69	3279.92	599.89	-167.69	6301.08		
10 MEDIAN STRIP	169.42	-37.15	-113.03	140.92	-37.15	615.17	140.92	-35.70	615.25	112.42	-35.70	1209.70		
21 ADITIONAL WE	150.01	-33.62	-95.72	137.24	-33.62	578.29	137.24	-32.26	578.37	124.46	-32.26	1192.44		
31 MEDIAN RAILI	11.26	-2.33	-2.67	8.96	-2.33	44.78	8.96	-2.23	44.78	6.66	-2.23	81.43		
51 SUPPORT WEIG	0.00	0.00	-0.00	0.00	0.00	-0.00	0.00	0.00	-0.00	0.00	0.00	-0.00		
52 NOSE WEIGHT	0.00	-0.00	0.00	0.00	-0.00	0.01	0.00	-0.00	0.01	0.00	-0.00	0.01		
61 1-LANE(case1TRUCK-LOAD	MAX	S2	54.10	-402.86	172.79	54.10	-402.86	426.69	54.10	-401.85	427.63	54.10	-401.85	681.53
		TQ	3.93	5.80	-416.00	3.93	5.80	-397.56	3.93	4.87	-397.57	3.93	4.87	-379.13
		M3	29.51	-244.42	386.82	32.23	-272.03	532.30	37.35	-312.71	533.01	47.95	-369.80	727.96
	MIN	S2	-1.97	-1.81	138.84	-1.97	-1.81	129.58	-1.97	-1.51	129.59	-1.97	-1.51	120.33
		TQ	53.43	-404.24	130.70	53.43	-404.24	381.44	53.43	-403.35	382.39	53.43	-403.35	633.14
		M3	3.98	5.78	-416.13	3.95	5.79	-397.56	3.95	4.86	-397.57	3.93	4.87	-379.13
	TANDEM-LOAD MAX	S2	37.08	-275.52	106.51	37.08	-275.52	280.54	37.08	-274.86	281.18	37.08	-274.86	455.21
		TQ	2.65	3.95	-282.95	2.65	3.95	-270.52	2.65	3.31	-270.52	2.65	3.31	-258.09
		M3	19.31	-156.41	265.42	22.17	-194.28	364.75	23.59	-205.12	365.22	30.85	-244.52	495.74
	MIN	S2	-1.34	-1.23	94.32	-1.34	-1.23	88.02	-1.34	-1.03	88.02	-1.34	-1.03	81.73
		TQ	36.90	-275.91	94.76	36.90	-275.91	267.91	36.90	-275.28	268.56	36.90	-275.28	441.71
		M3	2.65	3.95	-282.95	2.65	3.95	-270.52	2.65	3.31	-270.52	2.65	3.31	-258.09
	DISPERSION-LMAX	S2	76.26	-568.12	-258.57	76.26	-568.12	99.32	76.26	-567.88	100.65	76.26	-567.88	458.54
		TQ	4.78	7.38	-492.33	4.78	7.38	-469.91	4.78	6.28	-469.93	4.78	6.28	-447.51
		M3	41.23	-348.65	488.07	68.86	-580.58	756.52	68.86	-578.80	757.88	68.86	-578.80	1081.05
	MIN	S2	-2.62	-5.08	199.58	-2.62	-5.08	187.29	-2.62	-4.64	187.30	-2.62	-4.64	175.00
		TQ	68.86	-580.58	433.34	68.86	-580.58	756.52	68.86	-578.80	757.88	68.86	-578.80	1081.05
		M3	32.41	-224.54	-547.06	4.78	7.38	-469.91	4.78	6.28	-469.93	4.78	6.28	-447.51

BAGO RIVER BRIDGE

BLOCK [ No.1 : MAIN GIRDER ][ BEAM MEMBER FORCE ]

MEMBER				3037			3038			3038			3039		
NODE				3037			3038			3038			3039		
NAME TITLE				SHEAR	TORQUE	MOMENT	SHEAR	TORQUE	MOMENT	SHEAR	TORQUE	MOMENT	SHEAR	TORQUE	MOMENT
				S2 (kN)	TQ (kN·m)	M3 (kN·m)	S2 (kN)	TQ (kN·m)	M3 (kN·m)	S2 (kN)	TQ (kN·m)	M3 (kN·m)	S2 (kN)	TQ (kN·m)	M3 (kN·m)
62	1-LANE (case2TRUCK-LOAD	MAX	S2	69.10	-131.36	343.54	69.10	-131.36	667.80	69.10	-129.79	668.11	69.10	-129.79	992.37
			TQ	6.13	5.74	-443.37	6.13	5.74	-414.62	-6.07	5.54	349.66	-6.07	5.54	321.18
			M3	40.80	-36.07	633.99	54.25	-85.61	777.73	54.25	-83.78	777.93	62.89	-122.66	997.79
		MIN	S2	-9.59	-5.42	585.17	-9.59	-5.42	540.16	-9.59	-4.15	540.17	-9.59	-4.15	495.17
			TQ	65.37	-139.58	245.72	65.37	-139.58	552.48	65.37	-138.28	552.81	65.37	-138.28	859.57
			M3	6.11	5.74	-443.74	6.11	5.74	-415.07	6.11	4.76	-415.09	6.11	4.76	-386.41
		TANDEM-LOAD MAX	S2	47.34	-83.96	268.04	47.34	-83.96	490.21	47.34	-82.81	490.40	47.34	-82.81	712.57
			TQ	4.15	3.90	-302.05	4.15	3.90	-282.57	-6.15	4.07	295.82	-6.15	4.07	266.97
			M3	28.42	-15.76	467.84	38.59	-51.65	555.85	38.59	-50.35	555.97	47.34	-82.81	712.57
		MIN	S2	-7.05	-9.31	462.11	-7.05	-9.31	429.03	-7.05	-8.30	429.05	-7.05	-8.30	395.97
			TQ	46.42	-95.18	192.26	46.42	-95.18	410.12	46.42	-94.22	410.34	46.42	-94.22	628.21
			M3	4.15	3.90	-302.05	4.15	3.90	-282.57	4.15	3.24	-282.57	4.15	3.24	-263.09
		DISPERSION-LMAX	S2	92.31	-181.84	-337.29	87.10	-179.91	28.14	87.10	-179.84	28.56	82.05	-176.92	378.16
			TQ	5.77	7.77	-426.09	5.77	7.77	-399.03	5.67	6.83	-394.18	5.67	6.83	-367.57
			M3	47.97	-104.04	566.53	74.35	-190.13	865.33	74.35	-188.09	865.77	68.20	-188.09	1200.28
MIN	S2	-4.74	-1.83	317.96	-5.68	-3.76	349.05	-5.68	-2.94	349.05	-6.78	-5.86	367.12		
	TQ	81.80	-191.43	406.75	75.65	-191.43	776.22	75.75	-189.62	771.80	69.60	-189.62	1112.85		
	M3	39.60	-79.62	-585.86	7.06	6.46	-488.14	7.06	5.31	-488.16	7.06	5.31	-455.00		
63	1-LANE (case3TRUCK-LOAD	MAX	S2	221.70	42.72	726.31	137.41	47.44	1111.36	137.41	50.06	1111.25	80.87	59.39	1120.70
			TQ	61.94	84.98	95.03	61.94	84.98	385.70	61.94	85.89	385.50	61.94	85.89	676.16
			M3	209.24	40.59	733.34	125.28	45.29	1129.72	125.28	47.94	1129.61	59.63	56.06	1122.26
		MIN	S2	-16.94	31.96	684.44	-74.79	40.94	1059.85	-74.79	43.43	1059.75	-159.19	48.23	1052.93
			TQ	-2.24	-1.76	138.69	-2.24	-1.76	128.20	-2.24	-1.46	128.20	-2.24	-1.46	117.70
			M3	7.79	5.76	-465.54	7.79	5.76	-428.97	7.79	4.75	-428.98	7.79	4.75	-392.42

BAGO RIVER BRIDGE

BLOCK [ No.1 : MAIN GIRDER ][ BEAM MEMBER FORCE ]

MEMBER		3037			3038			3038			3039				
NODE		3037			3038			3038			3039				
		SHEAR	TORQUE	MOMENT	SHEAR	TORQUE	MOMENT	SHEAR	TORQUE	MOMENT	SHEAR	TORQUE	MOMENT		
NAME	TITLE	S2 (kN)	TQ (kN·m)	M3 (kN·m)	S2 (kN)	TQ (kN·m)	M3 (kN·m)	S2 (kN)	TQ (kN·m)	M3 (kN·m)	S2 (kN)	TQ (kN·m)	M3 (kN·m)		
63	1-LANE (case3TANDEM-LOAD	MAX	S2	179.13	27.88	608.93	118.31	29.99	906.50	118.31	32.12	906.43	63.10	35.35	868.55
			TQ	43.31	57.91	85.20	43.31	57.91	288.44	43.31	58.59	288.30	43.31	58.59	491.53
			M3	179.13	27.88	608.93	118.31	29.99	906.50	118.31	32.12	906.43	63.10	35.35	868.56
		MIN	S2	-20.29	26.39	602.89	-76.34	29.34	899.18	-76.34	31.46	899.11	-136.58	33.78	858.50
			TQ	-1.52	-1.20	94.24	-1.52	-1.20	87.10	-1.52	-0.99	87.10	-1.52	-0.99	79.97
			M3	5.31	3.92	-317.07	5.31	3.92	-292.15	5.31	3.24	-292.16	5.31	3.24	-267.24
	DISPERSION-LMAX	S2	130.35	134.68	-350.94	103.13	129.67	44.75	103.13	129.78	44.45	86.40	123.99	314.58	
		TQ	126.96	141.13	-203.45	90.42	141.13	306.65	90.71	141.86	310.10	54.60	141.86	650.55	
		M3	81.48	65.30	589.68	79.57	132.60	974.80	79.57	134.89	974.48	43.03	134.89	1262.15	
		MIN	S2	-5.17	4.28	320.43	-14.49	9.28	426.50	-14.49	10.29	426.47	-34.29	16.08	486.62
			TQ	-1.78	-2.18	172.94	-1.78	-2.18	164.60	-2.06	-1.79	160.82	-2.49	-1.79	150.65
			M3	43.70	73.66	-620.18	9.08	6.36	-503.55	9.08	5.17	-503.56	9.08	5.17	-460.96
64	1-LANE (case4TRUCK-LOAD	MAX	S2	93.24	390.96	335.85	93.24	390.96	773.40	93.24	392.78	772.48	132.11	348.55	1323.80
			TQ	91.33	396.56	279.91	91.33	396.56	708.52	91.33	398.22	707.59	91.33	398.22	1136.20
			M3	-17.46	108.39	914.03	34.04	251.78	908.73	34.04	253.92	908.14	132.11	348.55	1323.80
		MIN	S2	-64.16	24.29	854.02	-25.51	-0.44	583.96	-25.51	0.93	583.96	-25.51	0.93	464.26
			TQ	-14.85	-7.95	397.09	-14.85	-7.95	327.40	-14.85	-7.18	327.42	-14.85	-7.18	257.73
			M3	11.33	6.05	-513.32	11.33	6.05	-460.18	11.33	4.97	-460.19	11.33	4.97	-407.04
	TANDEM-LOAD	MAX	S2	67.58	267.62	237.67	67.58	267.62	554.84	67.58	268.93	554.21	110.04	217.00	899.28
			TQ	59.66	270.15	170.66	59.66	270.15	450.63	59.66	271.21	450.00	59.66	271.21	729.97
			M3	-31.61	50.52	631.93	46.13	215.49	644.86	46.13	217.00	644.35	87.97	234.08	907.11
		MIN	S2	-63.57	50.52	631.93	-21.84	-3.01	435.84	-21.84	-1.98	435.85	-21.84	-1.98	333.34
			TQ	-11.38	-6.87	300.14	-11.38	-6.87	246.75	-11.38	-6.29	246.76	-11.38	-6.29	193.37
			M3	7.75	4.13	-350.12	7.75	4.13	-313.76	7.75	3.39	-313.77	7.75	3.39	-277.40



BAGO RIVER BRIDGE

BLOCK [ No.1 : MAIN GIRDER ][ BEAM MEMBER FORCE ]

MEMBER			3037			3038			3038			3039					
NODE			3037			3038			3038			3039					
			SHEAR	TORQUE	MOMENT	SHEAR	TORQUE	MOMENT	SHEAR	TORQUE	MOMENT	SHEAR	TORQUE	MOMENT			
NAME	TITLE		S2 (kN)	TQ (kN·m)	M3 (kN·m)	S2 (kN)	TQ (kN·m)	M3 (kN·m)	S2 (kN)	TQ (kN·m)	M3 (kN·m)	S2 (kN)	TQ (kN·m)	M3 (kN·m)			
64	1-LANE (case4DISPERSION-LMAX	S2	105.94	514.01	-464.26	109.75	524.98	99.88	109.75	525.22	98.65	120.47	531.31	656.09			
		TQ	95.11	535.30	-244.41	106.29	535.30	228.16	106.17	535.84	229.60	117.35	535.84	754.07			
		M3	33.46	268.72	726.98	85.35	523.57	1016.99	85.35	525.96	1015.75	96.53	525.96	1442.52			
		MIN	S2	-18.50	17.09	507.97	-11.13	6.12	380.39	-11.13	7.01	380.38	-10.68	0.92	311.97		
		TQ	-7.67	-4.20	288.12	-7.67	-4.20	252.12	-7.55	-3.61	249.43	-7.55	-3.61	213.99			
		M3	53.98	262.38	-683.27	13.27	7.53	-536.71	13.27	6.27	-536.73	13.27	6.27	-474.47			
		65	2-LANES (caseTRUCK-LOAD	MAX	S2	112.79	-665.43	423.25	112.79	-665.43	952.55	112.79	-663.19	954.11	112.79	-663.19	1483.41
				TQ	8.94	11.56	-845.76	8.94	11.56	-803.79	8.94	9.67	-803.82	8.94	9.67	-761.85	
				M3	43.82	-344.55	901.08	73.53	-455.98	1167.04	78.65	-495.16	1168.18	100.55	-591.33	1591.10	
MIN	S2			-4.20	-22.30	479.33	-4.20	-22.30	459.63	-4.20	-21.22	459.68	-4.20	-21.22	439.99		
TQ	110.08			-675.34	297.92	110.08	-675.34	814.52	110.08	-673.43	816.10	110.08	-673.43	1332.71			
M3	9.01			11.54	-845.91	8.96	11.55	-803.80	8.96	9.67	-803.82	8.94	9.67	-761.85			
TANDEM-LOAD	MAX			S2	77.25	-448.66	302.33	77.25	-448.66	664.88	77.25	-447.10	665.93	77.25	-447.10	1028.48	
TQ	6.05			7.87	-575.38	6.05	7.87	-547.00	6.05	6.58	-547.02	6.05	6.58	-518.64			
M3	25.16			-213.99	626.53	55.17	-332.74	798.63	56.60	-342.57	799.43	66.49	-391.29	1092.05			
MIN	S2	-3.12	-21.16	377.39	-3.12	-21.16	362.73	-3.12	-20.31	362.78	-3.12	-20.31	348.11				
TQ	74.97	-460.33	198.29	74.97	-460.33	550.10	74.97	-459.04	551.19	74.97	-459.04	903.00					
M3	6.05	7.87	-575.38	6.05	7.87	-547.00	6.05	6.58	-547.02	6.05	6.58	-518.64					
DISPERSION-LMAX	S2	156.80	-939.89	-554.20	156.80	-939.89	181.64	156.80	-939.46	183.85	156.80	-939.46	919.68				
TQ	10.66	14.24	-998.36	10.66	14.24	-948.32	10.66	12.01	-947.54	10.66	12.01	-897.52					
M3	83.40	-575.49	1019.48	140.37	-965.95	1563.99	140.37	-962.28	1566.26	140.37	-962.28	2225.03					
MIN	S2	-5.76	-11.83	460.60	-5.76	-11.83	433.58	-5.76	-10.81	433.61	-5.76	-10.81	406.58				
TQ	140.38	-965.95	904.76	140.38	-965.95	1563.53	140.38	-962.28	1564.99	140.38	-962.28	2223.79					
M3	67.64	-376.23	-1113.08	10.66	14.24	-948.78	10.66	12.01	-948.81	10.66	12.01	-898.76					

BAGO RIVER BRIDGE

BLOCK [ No.1 : MAIN GIRDER ][ BEAM MEMBER FORCE ]

MEMBER				3037			3038			3039					
NODE				3037			3038			3038			3039		
				SHEAR	TORQUE	MOMENT	SHEAR	TORQUE	MOMENT	SHEAR	TORQUE	MOMENT	SHEAR	TORQUE	MOMENT
NAME	TITLE			S2 (kN)	TQ (kN·m)	M3 (kN·m)	S2 (kN)	TQ (kN·m)	M3 (kN·m)	S2 (kN)	TQ (kN·m)	M3 (kN·m)	S2 (kN)	TQ (kN·m)	M3 (kN·m)
66	2-LANES (caseTRUCK-LOAD	MAX	S2	127.78	-393.93	594.00	127.78	-393.93	1193.66	127.78	-391.13	1194.59	127.78	-391.13	1794.25
			TQ	11.14	11.50	-873.13	11.14	11.50	-820.86	-1.05	10.35	-56.59	-1.05	10.35	-61.54
			M3	55.11	-136.19	1148.25	95.55	-269.56	1412.47	95.55	-266.24	1413.10	115.50	-344.19	1860.93
		MIN	S2	-11.81	-25.91	925.65	-11.81	-25.91	870.21	-11.81	-23.86	870.27	-11.81	-23.86	814.83
			TQ	122.02	-410.68	412.94	122.02	-410.68	985.56	122.02	-408.36	986.52	122.02	-408.36	1559.14
			M3	11.14	11.50	-873.53	11.12	11.50	-821.31	11.12	9.57	-821.33	11.12	9.57	-769.13
		TANDEM-LOAD MAX	S2	87.51	-257.10	463.86	87.51	-257.10	874.55	87.51	-255.05	875.15	87.51	-255.05	1285.84
			TQ	7.55	7.82	-594.47	7.55	7.82	-559.05	-2.75	7.34	19.33	-2.75	7.34	6.42
			M3	34.28	-73.34	828.96	71.59	-190.11	989.73	71.59	-187.79	990.18	82.98	-229.58	1308.88
		MIN	S2	-8.83	-29.24	745.18	-8.83	-29.24	703.73	-8.83	-27.59	703.80	-8.83	-27.59	662.35
			TQ	84.49	-279.61	295.79	84.49	-279.61	692.32	84.49	-277.98	692.97	84.49	-277.98	1089.50
			M3	7.55	7.82	-594.47	7.55	7.82	-559.05	7.55	6.51	-559.07	7.55	6.51	-523.64
		DISPERSION-LMAX	S2	172.84	-553.61	-632.92	167.63	-551.68	110.46	167.63	-551.42	111.76	162.58	-548.49	839.30
			TQ	11.65	14.62	-932.12	11.65	14.62	-877.43	11.55	12.57	-871.79	11.55	12.57	-817.58
			M3	90.14	-330.89	1097.93	145.86	-575.51	1672.81	145.86	-571.58	1674.16	139.71	-571.58	2344.26
MIN	S2	-7.88	-8.58	578.97	-8.82	-10.51	595.34	-8.82	-9.11	595.36	-9.92	-12.04	598.70		
	TQ	153.31	-576.81	878.17	147.16	-576.81	1583.23	147.26	-573.10	1578.91	141.11	-573.10	2255.58		
	M3	74.82	-231.31	-1151.88	12.95	13.32	-967.01	12.95	11.05	-967.03	12.95	11.05	-906.25		
67	2-LANES (caseTRUCK-LOAD	MAX	S2	348.99	136.89	1532.74	241.14	205.83	2170.29	241.14	210.93	2169.80	166.74	268.97	2333.12
			TQ	133.09	320.99	268.27	133.09	320.99	892.85	133.09	323.09	892.10	133.09	323.09	1516.68
			M3	324.52	117.84	1552.19	216.98	186.52	2201.57	216.98	191.69	2201.13	131.57	254.03	2342.02
		MIN	S2	-36.48	64.89	1447.55	-112.76	123.47	2066.75	-112.76	128.32	2066.46	-220.82	197.45	2200.50
			TQ	-4.55	-3.50	277.13	-4.55	-3.50	255.79	-4.55	-2.90	255.80	-4.55	-2.90	234.46
			M3	16.74	11.60	-946.52	16.74	11.60	-867.98	16.74	9.56	-868.01	16.74	9.56	-789.47

BAGO RIVER BRIDGE

BLOCK [ No.1 : MAIN GIRDER ][ BEAM MEMBER FORCE ]

MEMBER		3037			3038			3038			3039						
NODE		3037			3038			3038			3039						
		SHEAR	TORQUE	MOMENT	SHEAR	TORQUE	MOMENT	SHEAR	TORQUE	MOMENT	SHEAR	TORQUE	MOMENT				
NAME	TITLE	S2 (kN)	TQ (kN·m)	M3 (kN·m)	S2 (kN)	TQ (kN·m)	M3 (kN·m)	S2 (kN)	TQ (kN·m)	M3 (kN·m)	S2 (kN)	TQ (kN·m)	M3 (kN·m)				
67	2-LANES (caseTANDEM-LOAD	MAX	S2	273.28	69.91	1242.71	195.79	117.37	1716.28	195.79	121.41	1716.00	124.94	166.77	1770.09		
			TQ	93.21	218.54	231.18	93.21	218.54	668.63	93.21	220.11	668.11	93.21	220.11	1105.56		
			M3	273.28	69.91	1242.71	195.79	117.37	1716.29	195.79	121.41	1716.01	124.94	166.76	1770.09		
		MIN	S2	-37.58	59.37	1230.34	-109.37	105.14	1701.60	-109.37	109.14	1701.35	-186.29	156.29	1750.68		
			TQ	-3.09	-2.38	188.34	-3.09	-2.38	173.82	-3.09	-1.97	173.83	-3.09	-1.97	159.31		
			M3	11.41	7.90	-644.81	11.41	7.90	-591.24	11.41	6.51	-591.26	11.41	6.51	-537.69		
			DISPERSION-LMAX	S2	250.95	466.75	-704.65	208.33	451.91	90.14	208.33	452.12	89.08	179.42	431.76	689.78	
				TQ	243.57	478.63	-385.64	186.91	478.63	624.48	187.11	480.11	630.32	130.89	480.11	1375.99	
				M3	146.10	233.47	1237.72	162.27	461.17	1979.07	162.27	465.82	1977.98	105.62	465.82	2606.57	
			MIN	S2	-12.44	7.48	679.00	-26.48	22.32	870.58	-26.48	24.37	870.53	-54.22	44.72	990.32	
				TQ	-5.06	-4.40	359.98	-5.06	-4.40	336.24	-5.26	-3.62	329.28	-5.69	-3.62	304.11	
				M3	92.41	240.76	-1263.37	19.58	13.06	-1018.35	19.58	10.67	-1018.37	19.58	10.67	-926.47	
		68	2-LANES (caseTRUCK-LOAD	MAX	S2	220.52	485.13	1142.29	196.97	549.35	1832.33	196.97	553.65	1831.04	217.99	558.13	2536.22
					TQ	162.48	632.56	453.14	162.48	632.56	1215.67	162.48	635.42	1214.18	162.48	635.42	1976.71
					M3	97.76	185.59	1733.52	125.74	393.01	1980.58	125.74	397.66	1979.65	204.05	546.52	2543.56
MIN	S2			-84.09	56.82	1621.29	-63.53	82.04	1591.20	-63.53	85.78	1591.00	-87.15	150.15	1611.83		
	TQ			-17.27	-9.66	535.10	-17.27	-9.66	454.03	-17.27	-8.60	454.05	-17.27	-8.60	372.98		
	M3			21.49	12.00	-1010.85	21.49	12.00	-910.01	21.49	9.86	-910.04	21.49	9.86	-809.20		
	TANDEM-LOAD			MAX	S2	161.73	309.66	871.45	145.06	355.01	1364.62	145.06	358.21	1363.78	171.88	348.42	1800.81
				TQ	109.57	430.78	316.64	109.57	430.78	830.82	109.57	432.73	829.81	109.57	432.73	1344.00	
				M3	62.53	92.55	1265.71	123.61	302.87	1454.64	123.61	306.29	1453.92	149.80	365.50	1808.64	
	MIN			S2	-80.91	83.45	1259.94	-54.88	72.79	1238.27	-54.88	75.70	1238.09	-71.55	120.53	1225.52	
				TQ	-13.03	-8.03	393.98	-13.03	-8.03	332.84	-13.03	-7.25	332.86	-13.03	-7.25	271.72	
				M3	14.69	8.18	-689.32	14.69	8.18	-620.36	14.69	6.72	-620.38	14.69	6.72	-551.42	

BAGO RIVER BRIDGE

BLOCK [ No.1 : MAIN GIRDER ][ BEAM MEMBER FORCE ]

MEMBER		3037			3038			3038			3039						
NODE		3037			3038			3038			3039						
		SHEAR	TORQUE	MOMENT	SHEAR	TORQUE	MOMENT	SHEAR	TORQUE	MOMENT	SHEAR	TORQUE	MOMENT				
NAME	TITLE	S2 (kN)	TQ (kN·m)	M3 (kN·m)	S2 (kN)	TQ (kN·m)	M3 (kN·m)	S2 (kN)	TQ (kN·m)	M3 (kN·m)	S2 (kN)	TQ (kN·m)	M3 (kN·m)				
68	2-LANES (caseDISPERSION-LMAX	S2	227.85	846.36	-834.61	216.26	847.50	134.79	216.26	847.81	132.80	214.81	839.34	1026.98			
		TQ	213.13	872.82	-453.54	204.19	872.82	525.68	203.93	874.06	530.95	194.99	874.06	1467.02			
		M3	97.63	436.53	1378.00	167.60	851.74	2022.13	167.60	856.49	2020.13	158.67	856.49	2785.71			
		MIN	S2	-26.22	19.93	869.52	-23.57	18.80	825.35	-23.57	20.74	825.31	-31.06	29.20	814.43		
		TQ	-11.50	-6.53	488.45	-11.50	-6.53	434.47	-11.25	-5.51	427.16	-11.25	-5.51	374.39			
		M3	104.00	429.76	-1343.09	25.08	14.55	-1061.98	25.08	12.06	-1062.02	25.08	12.06	-944.30			
		69	3-LANES (caseTRUCK-LOAD	MAX	S2	181.88	-796.79	766.79	181.88	-796.79	1620.35	181.88	-792.98	1622.22	181.88	-792.98	2475.78
				TQ	15.07	17.30	-1289.13	15.07	17.30	-1218.41	2.87	15.21	-454.16	2.87	15.21	-440.68	
				M3	84.62	-380.62	1535.06	127.78	-541.59	1944.77	132.90	-578.95	1946.11	163.44	-714.00	2588.89	
MIN	S2			-13.79	-27.72	1064.49	-13.79	-27.72	999.80	-13.79	-25.37	999.86	-13.79	-25.37	935.16		
TQ	175.45			-814.92	543.63	175.45	-814.92	1367.00	175.45	-811.71	1368.91	175.45	-811.71	2192.28			
M3	15.12			17.28	-1289.65	15.07	17.29	-1218.87	15.07	14.43	-1218.91	15.05	14.43	-1148.27			
TANDEM-LOAD	MAX	S2	124.59	-532.62	570.37	124.59	-532.62	1155.09	124.59	-529.91	1156.33	124.59	-529.91	1741.05			
	TQ	10.20	11.77	-877.43	10.20	11.77	-829.57	-0.10	10.65	-251.19	-0.10	10.65	-251.67				
	M3	53.58	-229.75	1094.37	93.75	-384.39	1354.48	95.18	-392.91	1355.40	113.83	-474.10	1804.61				
	MIN	S2	-10.17	-30.47	839.50	-10.17	-30.47	791.75	-10.17	-28.61	791.82	-10.17	-28.61	744.08			
	TQ	121.39	-555.52	390.56	121.39	-555.52	960.23	121.39	-553.26	961.53	121.39	-553.26	1531.20				
	M3	10.20	11.77	-877.43	10.20	11.77	-829.57	10.20	9.82	-829.59	10.20	9.82	-781.73				
	DISPERSION-LMAX	S2	249.10	-1121.72	-891.49	243.89	-1119.80	209.78	243.89	-1119.30	212.41	238.84	-1116.38	1297.85			
		TQ	16.43	22.00	-1424.45	16.43	22.00	-1347.34	16.33	18.84	-1341.72	16.33	18.84	-1265.09			
		M3	131.38	-679.54	1586.01	214.73	-1156.08	2429.32	214.73	-1150.37	2432.03	208.58	-1150.37	3425.31			
MIN		S2	-10.50	-13.66	778.56	-11.44	-15.59	782.63	-11.44	-13.75	782.66	-12.54	-16.67	773.70			
TQ		222.18	-1157.39	1311.51	216.03	-1157.39	2339.75	216.13	-1151.89	2336.79	209.98	-1151.89	3336.64				
M3		107.23	-455.85	-1698.95	17.73	20.70	-1436.92	17.73	17.32	-1436.96	17.73	17.32	-1353.76				

BAGO RIVER BRIDGE

BLOCK [ No.1 : MAIN GIRDER ][ BEAM MEMBER FORCE ]

MEMBER				3037			3038			3038			3039		
NODE				3037			3038			3038			3039		
				SHEAR	TORQUE	MOMENT	SHEAR	TORQUE	MOMENT	SHEAR	TORQUE	MOMENT	SHEAR	TORQUE	MOMENT
NAME	TITLE			S2 (kN)	TQ (kN·m)	M3 (kN·m)	S2 (kN)	TQ (kN·m)	M3 (kN·m)	S2 (kN)	TQ (kN·m)	M3 (kN·m)	S2 (kN)	TQ (kN·m)	M3 (kN·m)
70	3-LANES (caseTRUCK-LOAD	MAX	S2	442.23	527.85	1868.59	334.38	596.79	2943.70	334.38	603.71	2942.29	298.85	617.52	3656.92
			TQ	224.42	717.55	548.18	224.42	717.55	1601.37	224.42	721.31	1599.68	224.42	721.31	2652.88
			M3	307.14	226.32	2465.62	251.01	438.30	3110.30	251.01	445.61	3109.26	263.69	602.58	3665.81
		MIN	S2	-100.23	110.67	2339.23	-137.40	123.96	2644.90	-137.40	130.17	2644.60	-245.47	199.29	2662.99
			TQ	-18.44	-10.15	663.15	-18.44	-10.15	576.61	-18.44	-8.80	576.63	-18.44	-8.80	490.09
			M3	26.84	17.55	-1443.30	26.84	17.55	-1317.33	26.84	14.45	-1317.36	26.84	14.45	-1191.39
		TANDEM-LOAD MAX	S2	340.86	337.54	1480.38	263.38	385.00	2271.12	263.38	390.33	2270.21	234.98	383.77	2669.36
			TQ	152.87	488.69	401.84	152.87	488.69	1119.26	152.87	491.32	1118.11	152.87	491.32	1835.53
			M3	241.66	120.43	1874.65	241.92	332.86	2361.14	241.92	338.41	2360.35	212.91	400.85	2677.20
		MIN	S2	-101.15	109.89	1862.27	-130.74	102.62	2134.43	-130.74	107.63	2134.18	-207.66	154.79	2083.24
			TQ	-13.62	-8.17	478.98	-13.62	-8.17	415.09	-13.62	-7.19	415.11	-13.62	-7.19	351.21
			M3	18.32	11.95	-983.46	18.32	11.95	-897.49	18.32	9.84	-897.51	18.32	9.84	-811.54
		DISPERSION-LMAX	S2	355.61	980.65	-1152.32	316.80	976.78	200.60	316.80	977.25	198.31	298.61	962.98	1350.44
			TQ	337.36	1013.85	-612.03	291.88	1013.85	864.48	291.91	1015.89	873.16	246.87	1015.89	2136.88
			M3	180.06	502.90	1961.93	248.10	985.32	2995.56	248.10	992.36	2993.23	202.62	992.36	4050.83
MIN	S2	-30.49	24.94	1184.18	-37.16	28.82	1250.29	-37.16	31.75	1250.22	-64.45	46.02	1303.69		
	TQ	-12.25	-8.26	643.88	-12.25	-8.26	586.41	-12.28	-6.89	575.36	-12.71	-6.89	517.25		
	M3	145.05	502.69	-1930.08	31.54	20.27	-1544.67	31.54	16.64	-1544.71	31.54	16.64	-1396.70		
71	3-LANES (caseTRUCK-LOAD	MAX	S2	442.23	527.85	1868.59	334.38	596.79	2943.70	334.38	603.71	2942.29	298.85	617.52	3656.92
			TQ	224.42	717.54	548.18	224.42	717.54	1601.37	224.42	721.30	1599.68	224.42	721.30	2652.88
			M3	306.99	226.17	2467.14	251.01	438.30	3110.30	251.01	445.61	3109.26	263.69	602.58	3665.81
		MIN	S2	-101.16	88.70	2307.62	-138.34	122.97	2651.22	-138.34	129.20	2650.92	-246.33	198.38	2664.76
			TQ	-19.62	-11.39	673.39	-19.62	-11.39	581.30	-19.62	-10.03	581.32	-19.62	-10.03	489.23
			M3	30.49	17.84	-1492.59	30.49	17.84	-1349.52	30.49	14.67	-1349.56	30.49	14.67	-1206.49

BAGO RIVER BRIDGE

BLOCK [ No.1 : MAIN GIRDER ][ BEAM MEMBER FORCE ]

MEMBER		3037			3038			3038			3039							
NODE		3037			3038			3038			3039							
		SHEAR	TORQUE	MOMENT	SHEAR	TORQUE	MOMENT	SHEAR	TORQUE	MOMENT	SHEAR	TORQUE	MOMENT					
NAME	TITLE	S2 (kN)	TQ (kN·m)	M3 (kN·m)	S2 (kN)	TQ (kN·m)	M3 (kN·m)	S2 (kN)	TQ (kN·m)	M3 (kN·m)	S2 (kN)	TQ (kN·m)	M3 (kN·m)					
71	3-LANES (caseTANDEM-LOAD	MAX	S2	340.86	337.53	1480.38	263.38	385.00	2271.12	263.38	390.33	2270.21	234.98	383.77	2669.36			
			TQ	152.87	488.69	401.84	152.87	488.69	1119.26	152.87	491.32	1118.11	152.87	491.32	1835.53			
			M3	241.66	120.43	1874.65	241.92	332.86	2361.14	241.92	338.41	2360.35	212.91	400.85	2677.20			
		MIN	S2	-101.22	109.83	1863.08	-131.22	102.14	2137.45	-131.22	107.16	2137.20	-208.13	154.31	2084.02			
			TQ	-14.63	-9.21	487.99	-14.63	-9.21	419.35	-14.63	-8.22	419.37	-14.63	-8.22	350.74			
			M3	20.84	12.16	-1017.61	20.84	12.16	-919.81	20.84	10.00	-919.84	20.84	10.00	-822.04			
			DISPERSION-LMAX	S2	359.48	981.18	-1201.73	320.68	977.30	169.39	320.68	977.70	167.09	302.49	963.43	1337.41		
				TQ	341.29	1014.05	-671.90	295.81	1014.05	823.04	295.84	1015.99	831.78	250.79	1015.99	2113.93		
				M3	178.89	501.83	1968.38	246.94	984.31	2996.57	246.94	991.35	2994.25	201.47	991.35	4046.44		
			MIN	S2	-31.62	24.21	1190.65	-38.29	28.08	1251.49	-38.29	31.02	1251.42	-65.58	45.29	1299.63		
				TQ	-13.42	-8.67	660.82	-13.42	-8.67	597.84	-13.45	-7.27	586.73	-13.88	-7.27	523.12		
				M3	148.98	503.55	-1979.46	35.45	21.08	-1575.69	35.45	17.37	-1575.74	35.45	17.37	-1409.39		
		72	4-LANES	TRUCK-LOAD	MAX	S2	37.92	23.52	-1949.11	37.92	23.52	-1771.17	37.92	19.36	-1771.22	37.92	19.36	-1593.28
						TQ	37.92	23.52	-1949.11	37.92	23.52	-1771.17	37.92	19.36	-1771.22	37.92	19.36	-1593.28
						M3	-9.48	-6.90	552.88	-9.47	-6.90	508.41	-9.47	-5.71	508.42	-9.47	-5.71	463.96
	MIN			S2	-9.48	-6.90	552.84	-9.48	-6.90	508.37	-9.48	-5.71	508.38	-9.48	-5.71	463.91		
				TQ	-9.47	-6.90	552.85	-9.47	-6.90	508.40	-9.47	-5.71	508.41	-9.47	-5.71	463.96		
				M3	37.92	23.52	-1949.11	37.92	23.52	-1771.17	37.92	19.36	-1771.22	37.92	19.36	-1593.28		
	TANDEM-LOAD			MAX	S2	26.11	16.08	-1334.13	26.11	16.08	-1211.60	26.11	13.23	-1211.64	26.11	13.23	-1089.11	
				TQ	26.11	16.08	-1334.13	26.11	16.08	-1211.60	26.06	13.24	-1209.46	26.06	13.24	-1087.17		
				M3	-6.45	-4.69	375.84	-6.45	-4.69	345.59	-6.45	-3.88	345.60	-6.45	-3.88	315.35		
				MIN	S2	-6.45	-4.69	375.84	-6.45	-4.69	345.59	-6.45	-3.88	345.60	-6.45	-3.88	315.34	
					TQ	-6.45	-4.69	375.84	-6.45	-4.69	345.59	-6.45	-3.88	345.60	-6.45	-3.88	315.35	
					M3	26.11	16.08	-1334.13	26.11	16.08	-1211.60	26.11	13.23	-1211.64	26.11	13.23	-1089.11	

BAGO RIVER BRIDGE

BLOCK [ No.1 : MAIN GIRDER ][ BEAM MEMBER FORCE ]

MEMBER				3037			3038			3038			3039					
NODE				3037			3038			3038			3039					
				SHEAR	TORQUE	MOMENT	SHEAR	TORQUE	MOMENT	SHEAR	TORQUE	MOMENT	SHEAR	TORQUE	MOMENT			
NAME	TITLE			S2 (kN)	TQ (kN·m)	M3 (kN·m)	S2 (kN)	TQ (kN·m)	M3 (kN·m)	S2 (kN)	TQ (kN·m)	M3 (kN·m)	S2 (kN)	TQ (kN·m)	M3 (kN·m)			
72	4-LANES	DISPERSION-LMAX	S2	25.94	16.57	-1365.49	25.94	16.57	-1243.73	25.94	13.64	-1243.76	25.94	13.64	-1122.01			
			TQ	25.92	16.57	-1365.19	25.92	16.57	-1243.56	25.90	13.64	-1243.47	25.90	13.64	-1121.91			
			M3	-11.52	-8.40	672.46	-11.52	-8.40	618.40	-11.52	-6.95	618.42	-11.51	-6.95	564.38			
		MIN	S2	-11.56	-8.39	672.10	-11.56	-8.39	617.87	-11.56	-6.93	617.88	-11.56	-6.93	563.65			
			TQ	-11.51	-8.40	672.40	-11.51	-8.40	618.38	-11.51	-6.95	618.40	-11.51	-6.95	564.38			
			M3	25.94	16.57	-1365.49	25.94	16.57	-1243.73	25.94	13.64	-1243.76	25.94	13.64	-1122.00			
		73	6-LANES	TRUCK-LOAD	MAX	S2	632.65	-212.23	2773.55	520.94	-170.53	4685.17	520.94	-159.52	4685.56	476.65	-161.11	6112.32
					TQ	226.01	679.90	72.47	226.01	679.90	1133.13	226.01	682.56	1131.52	226.01	682.56	2192.18	
					M3	419.33	-145.48	4009.28	393.80	-107.34	5110.82	393.80	-95.32	5111.05	420.85	-116.54	6263.54	
MIN	S2			-110.56	68.81	3363.15	-156.75	65.43	3842.62	-156.75	74.46	3842.46	-268.68	116.17	3832.19			
	TQ			157.11	-774.96	1220.34	157.11	-774.96	1957.66	156.87	-770.36	1952.11	156.87	-770.36	2688.27			
	M3			45.68	35.00	-2782.45	45.63	35.02	-2568.20	45.63	28.99	-2568.28	45.63	28.99	-2354.15			
TANDEM-LOAD	MAX			S2	472.70	-171.22	2056.19	392.47	-135.89	3452.84	392.47	-127.78	3453.15	355.32	-149.73	4422.35		
	TQ			149.62	463.56	97.67	149.62	463.56	799.81	151.87	465.51	855.55	151.87	465.51	1568.26			
	M3			321.57	-101.08	2989.91	350.46	-54.27	3764.75	350.46	-45.42	3764.87	326.48	-80.01	4503.28			
MIN	S2			-107.20	84.02	2713.98	-146.01	60.48	2968.53	-146.01	67.46	2968.38	-225.62	102.65	2845.71			
	TQ			107.20	-530.26	876.99	107.20	-530.26	1380.07	107.20	-527.01	1381.32	107.20	-527.01	1884.40			
	M3			31.10	23.85	-1895.15	31.10	23.85	-1749.21	31.10	19.74	-1749.27	31.10	19.74	-1603.33			
DISPERSION-LMAX	MAX			S2	572.87	-95.26	-2007.07	529.43	-96.68	305.23	529.43	-95.96	305.46	506.91	-105.60	2403.17		
				TQ	333.27	966.95	-1993.56	291.58	966.95	-527.38	291.37	965.73	-513.62	250.11	965.73	756.44		
				M3	291.39	-166.53	3399.89	428.13	-148.08	5155.12	428.09	-138.53	5155.45	380.94	-113.07	7046.87		
	MIN	S2	-41.05	10.88	1909.03	-48.54	11.81	1969.31	-48.54	16.44	1969.28	-76.93	27.56	2012.56				
		TQ	193.44	-1086.39	1898.25	187.29	-1086.39	2791.64	187.34	-1079.85	2778.46	180.76	-1079.85	3642.69				
		M3	236.50	68.69	-3507.72	51.71	39.63	-2891.09	51.71	32.83	-2891.17	51.70	32.83	-2648.52				

BAGO RIVER BRIDGE

BLOCK [ No.1 : MAIN GIRDER ] [ BEAM MEMBER FORCE ]

MEMBER			3037			3038			3038			3039			
NODE			3037			3038			3038			3039			
NAME TITLE			SHEAR	TORQUE	MOMENT	SHEAR	TORQUE	MOMENT	SHEAR	TORQUE	MOMENT	SHEAR	TORQUE	MOMENT	
			S2 (kN)	TQ (kN·m)	M3 (kN·m)	S2 (kN)	TQ (kN·m)	M3 (kN·m)	S2 (kN)	TQ (kN·m)	M3 (kN·m)	S2 (kN)	TQ (kN·m)	M3 (kN·m)	
124	SUM TOTAL	D+1LANE (caseMAX	S2	2211.72	-1630.91	-1031.46	2021.96	-1630.91	8902.77	2021.96	-1609.98	8906.58	1832.21	-1609.98	17950.30
			TQ	2065.73	-449.93	-2018.51	1875.97	-449.93	7230.60	1875.97	-432.93	7231.64	1686.22	-432.93	15590.23
			M3	2140.18	-1177.43	121.34	1986.85	-1488.87	9818.14	1992.99	-1516.11	9821.70	1815.95	-1584.62	18753.03
		MIN	S2	2049.77	-474.01	-522.42	1860.02	-474.01	8651.81	1860.02	-453.68	8652.90	1670.26	-453.68	16936.61
			TQ	2202.04	-1647.52	-251.68	2012.28	-1647.52	9637.11	2012.28	-1624.87	9640.96	1822.53	-1624.87	18639.24
			M3	2098.96	-728.26	-2084.35	1876.00	-449.94	7230.60	1876.00	-432.94	7231.63	1686.22	-432.93	15590.23
		D+1LANE (caseMAX	S2	2248.97	-841.58	-921.03	2052.96	-839.27	9106.69	2052.96	-817.86	9108.64	1857.14	-814.36	18226.85
			TQ	2069.56	-449.53	-1971.88	1879.80	-449.53	7295.19	1865.05	-431.45	8219.21	1675.29	-431.45	16526.54
			M3	2161.81	-633.88	512.09	2019.86	-796.63	10243.23	2019.86	-772.56	10245.08	1833.08	-819.21	19219.90
		MIN	S2	2038.09	-474.45	155.22	1847.21	-476.76	9338.62	1847.21	-454.81	9339.71	1656.13	-458.32	17616.95
			TQ	2231.89	-862.96	-145.56	2034.75	-862.96	9866.00	2034.87	-839.78	9862.16	1837.73	-839.78	18949.11
			M3	2110.13	-554.41	-2164.06	1881.34	-451.11	7187.71	1881.34	-434.21	7188.75	1691.58	-434.21	15572.51
		D+1LANE (caseMAX	S2	2477.75	-252.86	-478.08	2154.18	-253.20	9658.90	2154.18	-230.50	9659.47	1876.49	-226.26	18304.54
			TQ	2281.97	-194.41	-1058.62	2048.36	-194.41	9102.38	2048.70	-173.01	9107.36	1815.61	-173.01	18174.26
			M3	2404.16	-338.68	659.10	2111.34	-252.28	10796.98	2111.34	-226.90	10797.54	1798.97	-217.17	19443.50
		MIN	S2	2028.76	-422.27	277.32	1758.39	-405.48	10055.18	1758.39	-381.85	10056.10	1443.60	-369.13	18429.67
			TQ	2050.47	-470.46	-554.56	1860.71	-470.46	8622.92	1860.37	-450.20	8619.46	1670.10	-450.20	16904.23
			M3	2117.08	-370.44	-2231.39	1885.77	-451.20	7152.54	1885.77	-434.39	7153.58	1696.02	-434.39	15558.17
		D+1LANE (caseMAX	S2	2294.29	620.23	-1082.62	2109.11	633.39	9319.51	2109.11	655.29	9317.99	1978.88	609.52	18958.07
			TQ	2279.01	652.48	-885.93	2102.67	652.48	9395.58	2102.53	674.56	9397.26	1926.19	674.56	18850.53
			M3	2074.48	-13.21	1040.69	2008.79	464.69	10582.43	2008.79	489.55	10581.30	1950.14	603.11	19901.79
		MIN	S2	1956.09	-416.09	705.86	1821.56	-458.93	9428.80	1821.56	-436.77	9429.85	1632.35	-444.08	17513.68
			TQ	2028.26	-480.32	-106.27	1838.50	-480.32	8966.99	1838.65	-459.25	8964.85	1648.89	-459.25	17148.27
			M3	2133.65	-143.63	-2364.44	1895.04	-449.45	7075.30	1895.04	-432.82	7076.34	1705.28	-432.82	15524.40



BAGO RIVER BRIDGE

BLOCK [ No.1 : MAIN GIRDER ][ BEAM MEMBER FORCE ]

MEMBER			3037			3038			3038			3039			
NODE			3037			3038			3038			3039			
NAME TITLE			SHEAR	TORQUE	MOMENT	SHEAR	TORQUE	MOMENT	SHEAR	TORQUE	MOMENT	SHEAR	TORQUE	MOMENT	
			S2 (kN)	TQ (kN·m)	M3 (kN·m)	S2 (kN)	TQ (kN·m)	M3 (kN·m)	S2 (kN)	TQ (kN·m)	M3 (kN·m)	S2 (kN)	TQ (kN·m)	M3 (kN·m)	
124	SUM TOTAL	D+2LANES (casMAX	S2	2324.87	-2071.06	-1059.48	2135.11	-2071.06	9405.75	2135.11	-2048.95	9410.60	1945.36	-2048.95	18985.31
			TQ	2074.89	-439.95	-2772.64	1885.13	-439.95	6519.45	1885.13	-424.62	6521.27	1695.37	-424.62	14922.84
			M3	2182.51	-1385.78	992.03	2079.43	-1887.67	11002.60	2084.55	-1903.74	11007.08	1916.70	-1999.91	20398.34
		MIN	S2	2045.33	-499.87	11.40	1855.57	-499.87	9164.78	1855.57	-478.33	9165.93	1665.82	-478.33	17428.78
			TQ	2305.74	-2107.04	274.14	2115.99	-2107.04	10649.61	2115.99	-2082.01	10653.73	1926.23	-2082.01	20138.71
			M3	2131.94	-830.43	-2887.52	1885.16	-439.95	6518.99	1885.16	-424.63	6520.01	1695.38	-424.63	14921.60
		D+2LANES (casMAX	S2	2355.91	-1413.28	-967.45	2160.94	-1411.35	9575.69	2160.94	-1388.85	9578.98	1966.13	-1385.93	19215.76
			TQ	2078.08	-439.62	-2733.78	1888.32	-439.62	6573.28	1876.03	-423.39	7344.25	1686.27	-423.39	15703.09
			M3	2200.53	-932.82	1317.65	2106.94	-1310.81	11356.84	2106.94	-1284.12	11359.89	1930.98	-1362.07	20787.40
		MIN	S2	2035.60	-500.23	576.10	1844.90	-502.16	9737.12	1844.90	-479.28	9738.27	1654.04	-482.20	17995.74
			TQ	2330.62	-1453.24	362.58	2134.71	-1453.24	10840.35	2134.81	-1427.77	10838.07	1938.90	-1427.77	20396.93
			M3	2141.25	-685.55	-2953.94	1889.60	-440.93	6483.25	1889.60	-425.69	6484.27	1699.85	-425.69	14906.83
		D+2LANES (casMAX	S2	2655.23	137.89	-100.44	2315.00	191.99	10532.00	2315.00	216.74	10531.52	2021.93	254.43	19605.11
			TQ	2431.95	333.88	-1045.90	2185.53	333.88	9788.90	2185.73	356.89	9795.05	1939.75	356.89	19474.88
			M3	2525.91	-114.43	1861.38	2244.78	181.94	12452.20	2244.78	211.20	12451.74	1912.96	273.55	21530.80
		MIN	S2	2006.37	-393.37	1198.01	1726.30	-319.95	11208.90	1726.30	-293.61	11209.62	1400.73	-204.13	19773.03
			TQ	2045.68	-473.64	-291.41	1855.92	-473.64	8863.59	1855.73	-452.82	8857.72	1665.54	-452.82	17120.78
			M3	2164.43	-213.38	-3138.42	1901.85	-441.08	6385.24	1901.85	-426.07	6386.26	1712.09	-426.07	14866.27
		D+2LANES (casMAX	S2	2503.66	865.75	-620.85	2278.75	931.10	10238.69	2278.75	955.16	10236.48	2108.57	951.17	20145.41
			TQ	2430.90	1039.64	-928.92	2232.20	1039.64	10012.92	2231.95	1063.18	10017.77	2033.25	1063.18	20025.94
			M3	2250.67	156.38	2183.00	2158.87	779.01	12274.28	2158.87	807.85	12272.42	2038.49	956.71	21911.47
		MIN	S2	1944.97	-388.99	1562.28	1778.43	-364.91	10688.12	1778.43	-339.79	10688.95	1557.56	-266.95	19008.47
			TQ	2026.51	-481.93	95.02	1836.75	-481.93	9160.06	1837.01	-460.41	9153.85	1647.25	-460.41	17329.58
			M3	2180.77	-23.99	-3282.47	1912.10	-439.20	6299.57	1912.10	-424.39	6300.58	1722.34	-424.39	14828.71

BAGO RIVER BRIDGE

BLOCK [ No.1 : MAIN GIRDER ][ BEAM MEMBER FORCE ]

MEMBER			3037			3038			3038			3039				
NODE			3037			3038			3038			3039				
NAME TITLE			SHEAR	TORQUE	MOMENT	SHEAR	TORQUE	MOMENT	SHEAR	TORQUE	MOMENT	SHEAR	TORQUE	MOMENT		
			S2 (kN)	TQ (kN·m)	M3 (kN·m)	S2 (kN)	TQ (kN·m)	M3 (kN·m)	S2 (kN)	TQ (kN·m)	M3 (kN·m)	S2 (kN)	TQ (kN·m)	M3 (kN·m)		
124	SUM TOTAL	D+3LANES (casMAX	S2	2421.62	-2096.48	-1034.53	2227.44	-2094.84	9827.18	2227.44	-2071.74	9832.07	2033.39	-2069.26	19789.79	
			TQ	2082.06	-432.33	-3235.06	1892.30	-432.33	6090.67	1881.85	-417.36	6746.14	1692.09	-417.36	15132.31	
			M3	2238.88	-1366.87	1724.39	2156.66	-1908.76	11989.54	2161.01	-1916.23	11994.05	1991.99	-2031.02	21694.28	
		MIN	S2	2034.65	-500.92	638.07	1844.09	-502.56	9786.62	1844.09	-479.56	9787.78	1653.40	-482.04	18034.74	
			TQ	2393.27	-2142.21	648.35	2198.28	-2142.21	11422.30	2198.37	-2115.37	11422.48	2003.38	-2115.37	21281.79	
			M3	2159.29	-838.53	-3468.84	1893.41	-433.45	6014.14	1893.41	-419.32	6015.15	1703.64	-419.31	14455.48	
		D+3LANES (casMAX	S2	2733.44	816.48	-319.70	2419.03	871.79	10944.22	2419.03	897.51	10942.14	2183.62	897.12	20838.47	
			TQ	2532.80	1005.95	-982.80	2304.39	1005.95	10367.54	2304.41	1030.32	10374.55	2076.37	1030.32	20653.50	
			M3	2469.41	154.10	2834.89	2289.77	744.33	13461.54	2289.77	775.97	13459.76	2072.14	909.39	23141.36	
		MIN	S2	1944.17	-350.48	2066.37	1717.15	-335.89	11582.47	1717.15	-308.67	11583.23	1412.34	-237.79	19953.89	
			TQ	2029.20	-481.39	182.45	1839.45	-481.39	9260.13	1839.42	-459.64	9251.83	1649.30	-459.64	17438.46	
			M3	2201.40	-23.54	-3795.89	1915.15	-433.60	5838.87	1915.15	-419.87	5839.87	1725.40	-419.87	14382.33	
		D+3LANES (casMAX	S2	2736.74	816.93	-361.69	2422.33	872.24	10917.68	2422.33	897.89	10915.60	2186.92	897.50	20827.39	
			TQ	2536.14	1006.11	-1033.69	2307.73	1006.11	10332.32	2307.75	1030.40	10339.38	2079.70	1030.40	20633.99	
			M3	2468.28	153.06	2841.67	2288.79	743.47	13462.41	2288.79	775.11	13460.62	2071.16	908.53	23137.62	
		MIN	S2	1942.43	-369.77	2045.00	1715.40	-337.35	11588.87	1715.40	-310.11	11589.63	1410.65	-239.18	19951.95	
			TQ	2027.20	-482.79	205.55	1837.44	-482.79	9273.83	1837.42	-461.01	9265.48	1647.30	-461.01	17442.71	
			M3	2207.83	-22.56	-3879.77	1921.57	-432.66	5785.13	1921.57	-419.07	5786.14	1731.82	-419.07	14358.72	
		D+4LANES	MAX	S2	2096.80	-439.69	-3083.02	1907.04	-439.69	6311.88	1907.04	-424.85	6312.89	1717.28	-424.85	14817.27
			TQ	2096.78	-439.69	-3082.83	1907.02	-439.69	6311.99	1907.01	-424.85	6313.09	1717.26	-424.85	14817.33	
			M3	2041.64	-475.69	-132.06	1851.88	-475.69	9003.99	1851.88	-454.53	9005.08	1662.13	-454.53	17250.64	
		MIN	S2	2041.61	-475.68	-132.31	1851.86	-475.68	9003.62	1851.86	-454.52	9004.71	1662.10	-454.52	17250.12	
			TQ	2041.65	-475.69	-132.12	1851.89	-475.69	9003.97	1851.89	-454.53	9005.06	1662.13	-454.53	17250.64	
			M3	2096.80	-439.69	-3083.02	1907.04	-439.69	6311.88	1907.04	-424.85	6312.89	1717.28	-424.85	14817.27	

BAGO RIVER BRIDGE

BLOCK [ No.1 : MAIN GIRDER ][ BEAM MEMBER FORCE ]

MEMBER					3037			3038			3039					
NODE					3037			3038			3038					
					SHEAR	TORQUE	MOMENT	SHEAR	TORQUE	MOMENT	SHEAR	TORQUE	MOMENT			
NAME TITLE					S2 (kN)	TQ (kN·m)	M3 (kN·m)	S2 (kN)	TQ (kN·m)	M3 (kN·m)	S2 (kN)	TQ (kN·m)	M3 (kN·m)			
124	SUM TOTAL	D+6LANES	MAX	S2	2838.87	-665.61	-430.32	2548.26	-639.43	11515.33	2548.26	-612.37	11516.80	2315.09	-619.66	22117.28
				TQ	2418.82	604.71	-2177.24	2201.96	604.71	8665.30	2201.83	625.09	8674.28	1985.25	625.09	18498.81
				M3	2517.26	-668.55	3887.43	2399.78	-631.76	14944.42	2399.76	-598.31	14945.87	2196.94	-595.55	25233.97
			MIN	S2	1956.74	-413.95	2498.39	1732.09	-415.53	12049.32	1732.09	-387.22	12050.27	1451.13	-352.88	20381.30
				TQ	2283.15	-1675.62	1098.55	2089.39	-1675.62	11358.61	2089.26	-1648.94	11347.51	1895.23	-1648.94	20697.34
				M3	2238.70	-398.34	-5017.14	1928.80	-417.22	4723.03	1928.80	-406.12	4723.99	1739.04	-406.12	13330.47
	SUM TOTAL		MAX		2838.87	1039.64	3887.43	2548.26	1039.64	14944.42	2548.26	1063.18	14945.87	2315.09	1063.18	25233.97
			MIN		1942.43	-2142.21	-5017.14	1715.40	-2142.21	4723.03	1715.40	-2115.37	4723.99	1400.73	-2115.37	13330.47
300	DEAD LOAD	TOTAL			2055.29	-465.74	-928.53	1865.53	-465.74	8271.56	1865.53	-446.30	8272.64	1675.77	-446.30	16582.21
301	LIVE LOAD	1-LANE(case1MAX	S2		156.44	-1165.17	-102.94	156.44	-1165.17	631.21	156.44	-1163.68	633.94	156.44	-1163.68	1368.09
			TQ		10.45	15.82	-1089.99	10.45	15.82	-1040.97	10.45	13.37	-1041.00	10.45	13.37	-991.98
			M3		84.90	-711.69	1049.87	121.32	-1023.12	1546.58	127.46	-1069.81	1549.06	140.17	-1138.32	2170.82
			MIN	S2	-5.51	-8.27	406.11	-5.51	-8.27	380.24	-5.51	-7.38	380.26	-5.51	-7.38	354.40
				TQ	146.75	-1181.78	676.84	146.75	-1181.78	1365.55	146.75	-1178.57	1368.32	146.75	-1178.57	2057.03
				M3	43.67	-262.52	-1155.83	10.47	15.81	-1040.97	10.47	13.36	-1041.00	10.45	13.37	-991.98
		1-LANE(case2MAX	S2		193.68	-375.84	7.49	187.43	-373.52	835.13	187.43	-371.56	836.00	181.37	-368.05	1644.63
			TQ		14.27	16.21	-1043.35	14.27	16.21	-976.37	-0.48	14.85	-53.42	-0.48	14.85	-55.67
			M3		106.53	-168.14	1440.62	154.33	-330.89	1971.67	154.33	-326.26	1972.44	157.31	-372.91	2637.69
			MIN	S2	-17.19	-8.70	1083.75	-18.32	-11.02	1067.05	-18.32	-8.51	1067.07	-19.64	-12.02	1034.74
				TQ	176.60	-397.22	782.97	169.22	-397.22	1594.44	169.34	-393.48	1589.52	161.96	-393.48	2366.90
				M3	54.85	-88.66	-1235.53	15.81	14.64	-1083.86	15.81	12.09	-1083.89	15.81	12.09	-1009.70
		1-LANE(case3MAX	S2		422.47	212.88	450.45	288.65	212.54	1387.34	288.65	215.80	1386.84	200.72	220.05	1722.33
			TQ		226.68	271.34	-130.09	182.83	271.34	830.82	183.17	273.29	834.72	139.84	273.29	1592.05
			M3		348.88	127.06	1587.63	245.81	213.47	2525.42	245.81	219.40	2524.91	123.20	229.14	2861.29
			MIN	S2	-26.52	43.48	1205.84	-107.14	60.26	1783.61	-107.14	64.45	1783.47	-232.17	77.17	1847.46
				TQ	-4.82	-4.72	373.96	-4.82	-4.72	351.36	-5.16	-3.90	346.82	-5.67	-3.90	322.02
				M3	61.79	95.31	-1302.87	20.24	14.54	-1119.02	20.24	11.92	-1119.05	20.24	11.92	-1024.05

BAGO RIVER BRIDGE

BLOCK [ No.1 : MAIN GIRDER ] [ BEAM MEMBER FORCE ]

MEMBER			3037			3038			3038			3039			
NODE			3037			3038			3038			3039			
			SHEAR	TORQUE	MOMENT	SHEAR	TORQUE	MOMENT	SHEAR	TORQUE	MOMENT	SHEAR	TORQUE	MOMENT	
NAME	TITLE		S2 (kN)	TQ (kN·m)	M3 (kN·m)	S2 (kN)	TQ (kN·m)	M3 (kN·m)	S2 (kN)	TQ (kN·m)	M3 (kN·m)	S2 (kN)	TQ (kN·m)	M3 (kN·m)	
301	LIVE LOAD	1-LANE (case4MAX	S2	239.01	1085.97	-154.09	243.58	1099.14	1047.94	243.58	1101.60	1045.36	303.10	1055.83	2375.86
			TQ	223.73	1118.22	42.60	237.14	1118.22	1124.02	237.00	1120.87	1124.62	250.41	1120.87	2268.32
			M3	19.20	452.54	1969.21	143.26	930.43	2310.86	143.26	935.86	2308.67	274.37	1049.41	3319.58
			MIN S2	-99.20	49.65	1634.39	-43.97	6.81	1157.23	-43.97	9.53	1157.21	-43.42	2.22	931.47
			TQ	-27.03	-14.58	822.25	-27.03	-14.58	695.42	-26.88	-12.95	692.22	-26.88	-12.95	566.06
			M3	78.37	322.12	-1435.92	29.51	16.29	-1196.27	29.51	13.48	-1196.30	29.51	13.48	-1057.81
		2-LANES (caseMAX	S2	269.58	-1605.32	-130.95	269.58	-1605.32	1134.19	269.58	-1602.65	1137.96	269.58	-1602.65	2403.10
			TQ	19.61	25.80	-1844.12	19.61	25.80	-1752.11	19.60	21.68	-1751.36	19.60	21.68	-1659.38
			M3	127.22	-920.04	1920.56	213.91	-1421.93	2731.03	219.02	-1457.44	2734.44	240.93	-1553.61	3816.13
			MIN S2	-9.95	-34.13	939.93	-9.95	-34.13	893.21	-9.95	-32.03	893.29	-9.95	-32.03	846.57
			TQ	250.46	-1641.30	1202.67	250.46	-1641.30	2378.05	250.46	-1635.71	2381.10	250.46	-1635.71	3556.50
			M3	76.65	-364.69	-1958.99	19.63	25.79	-1752.57	19.63	21.67	-1752.63	19.61	21.68	-1660.62
		2-LANES (caseMAX	S2	300.62	-947.54	-38.92	295.41	-945.61	1304.12	295.41	-942.54	1306.34	290.36	-939.62	2633.55
			TQ	22.79	26.13	-1805.25	22.79	26.13	-1698.29	10.50	22.92	-928.38	10.50	22.92	-879.12
			M3	145.25	-467.08	2246.18	241.41	-845.07	3085.28	241.41	-837.81	3087.25	255.21	-915.77	4205.18
			MIN S2	-19.69	-34.49	1504.63	-20.63	-36.42	1465.55	-20.63	-32.97	1465.63	-21.73	-35.90	1413.53
			TQ	275.33	-987.50	1291.11	269.18	-987.50	2568.79	269.28	-981.46	2565.43	263.13	-981.46	3814.72
			M3	85.96	-219.81	-2025.41	24.08	24.82	-1788.31	24.08	20.61	-1788.37	24.08	20.61	-1675.38
		2-LANES (caseMAX	S2	599.94	603.64	828.09	449.47	657.73	2260.43	449.47	663.04	2258.88	346.16	700.73	3022.90
			TQ	376.66	799.62	-117.37	320.00	799.62	1517.33	320.20	803.19	1522.41	263.98	803.19	2892.67
			M3	470.63	351.31	2789.91	379.25	647.68	4180.64	379.25	657.51	4179.10	237.19	719.85	4948.59
			MIN S2	-48.92	72.37	2126.54	-139.23	145.79	2937.33	-139.23	152.69	2936.98	-275.05	242.17	3190.82
			TQ	-9.61	-7.90	637.11	-9.61	-7.90	592.03	-9.80	-6.52	585.08	-10.23	-6.52	538.57
			M3	109.14	252.36	-2209.89	36.32	24.67	-1886.33	36.32	20.23	-1886.38	36.32	20.23	-1715.94

BAGO RIVER BRIDGE

BLOCK [ No.1 : MAIN GIRDER ][ BEAM MEMBER FORCE ]

MEMBER			3037			3038			3038			3039				
NODE			3037			3038			3038			3039				
			SHEAR	TORQUE	MOMENT	SHEAR	TORQUE	MOMENT	SHEAR	TORQUE	MOMENT	SHEAR	TORQUE	MOMENT		
NAME	TITLE		S2 (kN)	TQ (kN·m)	M3 (kN·m)	S2 (kN)	TQ (kN·m)	M3 (kN·m)	S2 (kN)	TQ (kN·m)	M3 (kN·m)	S2 (kN)	TQ (kN·m)	M3 (kN·m)		
301	LIVE LOAD	2-LANES (caseMAX	S2	448.37	1331.49	307.68	413.23	1396.84	1967.13	413.23	1401.46	1963.84	432.80	1397.47	3563.20	
			TQ	375.61	1505.38	-0.40	366.67	1505.38	1741.35	366.42	1509.48	1745.13	357.48	1509.48	3443.73	
			M3	195.39	622.12	3111.53	293.34	1244.75	4002.72	293.34	1254.15	3999.78	362.72	1403.01	5329.26	
			MIN	S2	-110.31	76.75	2490.80	-87.10	100.84	2416.56	-87.10	106.51	2416.31	-118.21	179.36	2426.26
			TQ	-28.78	-16.19	1023.55	-28.78	-16.19	888.50	-28.52	-14.11	881.21	-28.52	-14.11	747.37	
			M3	125.49	441.76	-2353.94	46.57	26.55	-1972.00	46.57	21.91	-1972.06	46.57	21.91	-1753.50	
		3-LANES (caseMAX	S2	366.34	-1630.74	-106.00	361.91	-1629.10	1555.61	361.91	-1625.44	1559.43	357.62	-1622.95	3207.58	
			TQ	26.77	33.41	-2306.54	26.77	33.41	-2180.89	16.32	28.95	-1526.50	16.32	28.95	-1449.90	
			M3	183.60	-901.13	2652.91	291.13	-1443.02	3717.98	295.48	-1469.92	3721.42	316.22	-1584.71	5112.07	
			MIN	S2	-20.64	-35.17	1566.59	-21.44	-36.81	1515.06	-21.44	-33.25	1515.14	-22.37	-35.74	1452.53
			TQ	337.98	-1676.47	1576.87	332.75	-1676.47	3150.73	332.84	-1669.06	3149.85	327.61	-1669.06	4699.58	
			M3	104.00	-372.79	-2540.31	27.88	32.29	-2257.42	27.88	26.99	-2257.49	27.86	26.99	-2126.73	
		3-LANES (caseMAX	S2	678.16	1282.23	608.83	553.50	1337.53	2672.65	553.50	1343.81	2669.50	507.85	1343.43	4256.26	
			TQ	477.51	1471.69	-54.27	438.86	1471.69	2095.97	438.88	1476.62	2101.91	400.59	1476.62	4071.29	
			M3	414.12	619.84	3763.42	424.24	1210.08	5189.98	424.24	1222.27	5187.12	396.36	1355.70	6559.15	
			MIN	S2	-111.11	115.27	2994.89	-148.38	129.86	3310.91	-148.38	137.64	3310.59	-263.43	208.52	3371.68
			TQ	-26.08	-15.65	1110.97	-26.08	-15.65	988.56	-26.11	-13.33	979.20	-26.47	-13.33	856.24	
			M3	146.11	442.20	-2867.37	49.62	32.15	-2432.69	49.62	26.43	-2432.76	49.62	26.43	-2199.88	
		3-LANES (caseMAX	S2	681.45	1282.67	566.83	556.80	1337.98	2646.12	556.80	1344.19	2642.97	511.14	1343.81	4245.18	
			TQ	480.85	1471.85	-105.16	442.20	1471.85	2060.75	442.22	1476.70	2066.74	403.93	1476.70	4051.78	
			M3	412.99	618.80	3770.20	423.26	1209.21	5190.84	423.26	1221.41	5187.99	395.38	1354.84	6555.41	
			MIN	S2	-112.86	95.97	2973.53	-150.13	128.40	3317.30	-150.13	136.19	3316.99	-265.12	207.12	3369.73
			TQ	-28.09	-17.05	1134.08	-28.09	-17.05	1002.26	-28.11	-14.71	992.84	-28.48	-14.71	860.49	
			M3	152.55	443.18	-2951.24	56.04	33.08	-2486.43	56.04	27.24	-2486.50	56.04	27.24	-2223.50	

BAGO RIVER BRIDGE

BLOCK [ No.1 : MAIN GIRDER ][ BEAM MEMBER FORCE ]

MEMBER					3037			3038			3039					
NODE					3037			3038			3038					
					SHEAR	TORQUE	MOMENT	SHEAR	TORQUE	MOMENT	SHEAR	TORQUE	MOMENT			
NAME	TITLE				S2 (kN)	TQ (kN·m)	M3 (kN·m)	S2 (kN)	TQ (kN·m)	M3 (kN·m)	S2 (kN)	TQ (kN·m)	M3 (kN·m)			
301	LIVE LOAD	4-LANES	MAX	S2	41.51	26.06	-2154.49	41.51	26.06	-1959.69	41.51	21.45	-1959.74	41.51	21.45	-1764.94
				TQ	41.49	26.06	-2154.30	41.49	26.06	-1959.58	41.48	21.45	-1959.55	41.48	21.45	-1764.88
				M3	-13.65	-9.95	796.47	-13.64	-9.95	732.43	-13.64	-8.23	732.45	-13.64	-8.23	668.42
		MIN	S2	-13.67	-9.94	796.21	-13.67	-9.94	732.05	-13.67	-8.22	732.07	-13.67	-8.22	667.91	
			TQ	-13.64	-9.95	796.41	-13.64	-9.95	732.41	-13.64	-8.23	732.43	-13.64	-8.23	668.42	
			M3	41.51	26.06	-2154.49	41.51	26.06	-1959.69	41.51	21.45	-1959.74	41.51	21.45	-1764.94	
	6-LANES	MAX	S2	783.59	-199.86	498.21	682.74	-173.69	3243.76	682.74	-166.06	3244.16	639.32	-173.36	5535.07	
			TQ	363.53	1070.46	-1248.71	336.43	1070.46	393.73	336.30	1071.39	401.64	309.48	1071.39	1916.60	
			M3	461.97	-202.81	4815.96	534.25	-166.02	6672.86	534.23	-152.01	6673.23	521.17	-149.24	8651.76	
		MIN	S2	-98.54	51.80	3426.91	-133.44	50.21	3777.76	-133.44	59.09	3777.63	-224.65	93.42	3799.09	
			TQ	227.86	-1209.88	2027.08	223.86	-1209.88	3087.05	223.73	-1202.63	3074.87	219.46	-1202.63	4115.13	
			M3	183.42	67.40	-4088.61	63.27	48.52	-3548.54	63.27	40.18	-3548.64	63.26	40.18	-3251.74	
LIVE LOAD	MAX		783.59	1505.38	4815.96	682.74	1505.38	6672.86	682.74	1509.48	6673.23	639.32	1509.48	8651.76		
	MIN		-112.86	-1676.47	-4088.61	-150.13	-1676.47	-3548.54	-150.13	-1669.06	-3548.64	-275.05	-1669.06	-3251.74		
303	SUM TOTAL	TOTAL	MAX		2838.87	1039.64	3887.43	2548.26	1039.64	14944.42	2548.26	1063.18	14945.87	2315.09	1063.18	25233.97
		MIN		1942.43	-2142.21	-5017.14	1715.40	-2142.21	4723.03	1715.40	-2115.37	4723.99	1400.73	-2115.37	13330.47	

BAGO RIVER BRIDGE

BLOCK [ No.1 : MAIN GIRDER ] [ BEAM MEMBER FORCE ]

MEMBER NODE	3039	3040			3040			3041			3041			
		SHEAR	TORQUE	MOMENT	SHEAR	TORQUE	MOMENT	SHEAR	TORQUE	MOMENT	SHEAR	TORQUE	MOMENT	
NAME TITLE	S2 (kN)	TQ (kN·m)	M3 (kN·m)	S2 (kN)	TQ (kN·m)	M3 (kN·m)	S2 (kN)	TQ (kN·m)	M3 (kN·m)	S2 (kN)	TQ (kN·m)	M3 (kN·m)		
1 PAVEMENT	272.87	-33.38	2609.04	242.89	-33.38	3819.27	242.89	-24.40	3819.33	212.91	-24.40	4888.87		
3 RAILING	5.74	-1.15	85.32	7.32	-1.15	115.96	7.32	-0.88	115.96	8.89	-0.88	154.00		
5 CURB	56.83	-11.38	844.66	72.44	-11.38	1147.99	72.44	-8.69	1148.02	88.04	-8.69	1524.57		
7 DECK WEIGHT	442.99	-56.77	4258.91	397.36	-56.77	6230.76	397.36	-42.13	6230.88	351.74	-42.13	7988.62		
8 GIRDER WEIGH	644.53	-93.67	6301.39	556.77	-93.67	9120.19	556.77	-72.23	9120.39	469.01	-72.23	11527.35		
10 MEDIAN STRIP	150.15	-22.31	1209.77	121.65	-22.31	1847.55	121.65	-17.96	1847.60	93.15	-17.96	2351.63		
21 ADITIONAL WE	124.04	-15.90	1192.49	111.26	-15.90	1744.61	111.26	-11.80	1744.65	98.49	-11.80	2236.81		
31 MEDIAN RAILI	9.58	-1.34	81.43	7.28	-1.34	121.00	7.28	-1.05	121.00	4.98	-1.05	149.76		
51 SUPPORT WEIG	0.00	-0.00	-0.00	0.00	-0.00	-0.00	0.00	-0.00	-0.00	0.00	-0.00	-0.00		
52 NOSE WEIGHT	0.00	0.00	0.01	0.00	0.00	0.01	0.00	0.00	0.01	0.00	0.00	0.01		
61 1-LANE(case1TRUCK-LOAD	MAX	S2	53.12	-349.98	516.79	53.12	-349.98	766.10	53.12	-348.18	766.92	53.12	-348.18	1016.23
		TQ	-3.12	27.11	370.39	-3.12	27.11	355.73	-3.12	27.95	355.66	-3.12	27.95	341.00
		M3	29.21	-195.40	728.63	36.40	-257.80	874.63	36.40	-255.74	875.24	46.12	-309.93	1067.56
	MIN	S2	-3.12	27.11	370.39	-3.12	27.11	355.73	-3.12	27.95	355.66	-3.12	27.95	341.00
		TQ	52.26	-353.05	469.15	52.26	-353.05	714.42	52.26	-351.37	715.25	52.26	-351.37	960.52
		M3	3.34	-19.71	-379.12	3.34	-19.71	-363.45	3.34	-20.56	-363.40	3.34	-20.56	-347.74
	TANDEM-LOAD MAX	S2	36.44	-239.73	339.00	36.44	-239.73	509.99	36.44	-238.53	510.56	36.44	-238.53	681.55
		TQ	-2.66	20.35	272.61	-2.66	20.35	260.12	-2.66	20.96	260.07	-2.66	20.96	247.59
		M3	18.77	-118.87	496.16	22.94	-167.75	596.08	22.94	-166.35	596.47	30.18	-206.27	726.06
	MIN	S2	-2.66	20.35	272.61	-2.66	20.35	260.12	-2.66	20.96	260.07	-2.66	20.96	247.59
		TQ	36.20	-240.59	325.70	36.20	-240.59	495.57	36.20	-239.42	496.14	36.20	-239.42	666.01
		M3	2.27	-13.57	-258.07	2.27	-13.57	-247.44	2.27	-14.15	-247.41	2.27	-14.15	-236.77
	DISPERSION-LMAX	S2	66.63	-466.52	351.10	66.63	-466.52	663.81	66.63	-464.96	664.90	66.63	-464.96	977.62
		TQ	-2.40	11.31	310.55	-2.40	11.31	299.28	-2.40	12.02	299.26	-2.40	12.02	287.99
		M3	60.21	-431.98	1082.24	60.21	-431.98	1364.81	60.21	-428.78	1365.82	60.21	-428.78	1648.39
	MIN	S2	-2.48	11.08	283.65	-2.48	11.08	271.99	-2.48	11.72	271.96	-2.48	11.72	260.30
		TQ	66.55	-466.76	324.20	66.55	-466.76	636.51	66.55	-465.26	637.61	66.55	-465.26	949.93
		M3	3.94	-23.46	-447.49	3.94	-23.46	-429.01	3.94	-24.47	-428.96	3.94	-24.47	-410.47

BAGO RIVER BRIDGE

BLOCK [ No.1 : MAIN GIRDER ][ BEAM MEMBER FORCE ]

MEMBER				3039			3040			3041					
NODE				3039			3040			3040			3041		
				SHEAR	TORQUE	MOMENT	SHEAR	TORQUE	MOMENT	SHEAR	TORQUE	MOMENT	SHEAR	TORQUE	MOMENT
NAME	TITLE			S2 (kN)	TQ (kN·m)	M3 (kN·m)	S2 (kN)	TQ (kN·m)	M3 (kN·m)	S2 (kN)	TQ (kN·m)	M3 (kN·m)	S2 (kN)	TQ (kN·m)	M3 (kN·m)
62	1-LANE (case2TRUCK-LOAD	MAX	S2	68.03	-111.35	730.91	68.03	-111.35	1050.16	68.03	-108.88	1050.42	68.03	-108.88	1369.67
			TQ	-7.71	24.01	711.10	-7.71	24.01	674.93	-7.71	25.60	674.87	-7.71	25.60	638.71
			M3	40.49	-14.92	997.95	53.98	-64.72	1153.51	53.98	-62.00	1153.66	62.03	-101.48	1375.88
		MIN	S2	-10.58	15.52	936.35	-10.58	15.52	886.71	-10.58	17.60	886.67	-10.58	17.60	837.02
			TQ	63.58	-120.86	631.71	63.58	-120.86	930.08	63.58	-118.67	930.36	63.58	-118.67	1228.72
			M3	3.99	-6.00	-386.41	3.99	-6.00	-367.69	3.99	-6.86	-367.67	3.99	-6.86	-348.94
		TANDEM-LOAD MAX	S2	46.82	-69.96	529.76	46.82	-69.96	749.48	46.82	-68.20	749.64	46.82	-68.20	969.36
			TQ	-7.17	17.27	557.46	-7.17	17.27	523.81	-7.17	18.50	523.77	-7.17	18.50	490.12
			M3	28.18	-1.27	712.67	38.58	-37.56	809.43	38.58	-35.66	809.52	46.82	-68.20	969.36
		MIN	S2	-7.71	15.68	597.02	-7.71	15.68	560.85	-7.71	17.00	560.81	-7.71	17.00	524.64
			TQ	41.40	-82.14	411.39	41.40	-82.14	605.67	41.40	-80.72	605.86	41.40	-80.72	800.13
			M3	2.71	-4.13	-263.09	2.71	-4.13	-250.35	2.71	-4.72	-250.34	2.71	-4.72	-237.60
		DISPERSION-LMAX	S2	78.53	-154.99	269.80	73.34	-154.25	545.30	73.34	-152.96	545.66	68.30	-150.77	812.94
			TQ	-3.22	10.24	478.01	-4.85	10.24	457.16	-5.03	11.34	472.96	-5.03	11.34	449.37
			M3	69.15	-137.66	1200.66	62.99	-137.66	1510.73	62.99	-134.11	1511.04	56.84	-134.11	1792.24
MIN	S2	-4.69	10.17	475.86	-5.65	9.44	532.46	-5.65	10.69	532.44	-6.76	8.49	568.39		
	TQ	77.06	-155.05	267.65	72.54	-155.05	620.60	72.72	-153.61	605.13	66.57	-153.61	931.95		
	M3	4.70	-7.15	-455.00	4.70	-7.15	-432.97	4.70	-8.16	-432.95	4.70	-8.16	-410.91		
63	1-LANE (case3TRUCK-LOAD	MAX	S2	220.70	37.32	1120.58	137.06	41.99	1519.88	137.06	45.56	1519.78	80.39	54.53	1530.17
			TQ	50.78	88.67	406.70	50.78	88.67	645.03	51.24	90.19	653.05	51.24	90.19	893.51
			M3	208.02	34.99	1122.15	124.88	39.89	1534.57	124.88	43.50	1534.47	59.41	51.31	1533.46
		MIN	S2	-18.54	25.26	1052.85	-76.00	35.37	1445.13	-76.00	38.76	1445.05	-159.45	43.78	1457.99
			TQ	-4.24	-5.99	350.01	-4.24	-5.99	330.09	-4.24	-5.22	330.11	-4.24	-5.22	310.18
			M3	4.49	4.41	-392.43	4.49	4.41	-371.35	4.49	3.54	-371.36	4.49	3.54	-350.28



BAGO RIVER BRIDGE

BLOCK [ No.1 : MAIN GIRDER ][ BEAM MEMBER FORCE ]

MEMBER		3039			3040			3040			3041						
NODE		3039			3040			3040			3041						
		SHEAR	TORQUE	MOMENT	SHEAR	TORQUE	MOMENT	SHEAR	TORQUE	MOMENT	SHEAR	TORQUE	MOMENT				
NAME	TITLE	S2 (kN)	TQ (kN·m)	M3 (kN·m)	S2 (kN)	TQ (kN·m)	M3 (kN·m)	S2 (kN)	TQ (kN·m)	M3 (kN·m)	S2 (kN)	TQ (kN·m)	M3 (kN·m)				
63	1-LANE (case3TANDEM-LOAD	MAX	S2	178.32	24.18	868.48	117.71	26.39	1179.35	117.71	29.16	1179.29	63.41	32.24	1151.46		
			TQ	33.72	60.31	265.76	33.72	60.31	423.99	33.72	61.31	423.84	33.72	61.31	582.08		
			M3	178.32	24.18	868.49	117.71	26.39	1179.36	117.71	29.16	1179.29	63.41	32.24	1151.47		
		MIN	S2	-21.16	22.50	858.43	-77.10	25.74	1168.36	-77.10	28.49	1168.30	-136.28	30.73	1140.67		
			TQ	-3.59	-4.48	294.04	-3.59	-4.48	277.18	-3.59	-3.83	277.19	-3.59	-3.83	260.33		
			M3	3.06	3.03	-267.25	3.06	3.03	-252.88	3.06	2.44	-252.89	3.06	2.44	-238.53		
			DISPERSION-LMAX	S2	112.74	117.19	304.91	85.66	112.82	571.89	85.66	114.17	571.62	68.95	108.90	711.30	
				TQ	109.41	121.69	529.58	72.88	121.69	957.32	73.17	123.96	972.68	36.63	123.96	1230.33	
				M3	101.76	113.71	1261.86	65.22	113.71	1653.66	65.22	117.60	1653.39	28.68	117.60	1873.72	
			MIN	S2	-5.71	1.82	495.98	-15.17	6.19	645.53	-15.17	7.71	645.51	-35.00	12.97	750.89	
				TQ	-2.39	-2.67	271.31	-2.39	-2.67	260.10	-2.69	-2.08	244.46	-2.69	-2.08	231.86	
				M3	5.27	5.30	-460.97	5.27	5.30	-436.24	5.27	4.27	-436.25	5.27	4.27	-411.53	
64	1-LANE (case4TRUCK-LOAD	MAX	S2	89.65	354.01	790.45	89.65	354.01	1211.18	89.65	356.86	1210.35	130.00	311.10	1753.54		
			TQ	87.48	360.27	735.62	87.48	360.27	1146.17	87.48	362.97	1145.32	87.48	362.97	1555.87		
			M3	-17.77	63.36	1323.31	77.71	307.94	1345.76	77.71	311.10	1345.03	130.00	311.10	1753.54		
		MIN	S2	-65.81	-24.57	1249.20	-28.30	-51.26	945.59	-28.30	-49.04	945.71	-28.30	-49.04	812.91		
			TQ	-26.67	-57.29	963.61	-26.67	-57.29	838.46	-26.67	-55.32	838.59	-26.67	-55.32	713.44		
			M3	5.54	25.65	-407.08	5.54	25.65	-381.06	5.54	24.76	-381.12	5.54	24.76	-355.11		
			TANDEM-LOAD	MAX	S2	65.38	242.62	547.20	65.38	242.62	854.03	65.38	244.63	853.46	108.99	191.03	1190.56
				TQ	56.87	245.40	478.86	56.87	245.40	745.73	56.87	247.15	745.15	56.87	247.15	1012.03	
				M3	-31.75	19.49	906.81	54.67	206.32	942.94	54.67	208.53	942.45	86.63	208.53	1199.04	
			MIN	S2	-63.71	19.49	906.81	-24.05	-38.36	686.69	-24.05	-36.75	686.78	-24.05	-36.75	573.91	
				TQ	-15.70	-40.40	596.57	-15.70	-40.40	522.91	-15.70	-39.18	523.00	-15.70	-39.18	449.34	
				M3	3.79	17.67	-277.43	3.79	17.67	-259.67	3.79	17.06	-259.71	3.79	17.06	-241.94	

BAGO RIVER BRIDGE

BLOCK [ No.1 : MAIN GIRDER ][ BEAM MEMBER FORCE ]

MEMBER		3039			3040			3040			3041						
NODE		3039			3040			3040			3041						
		SHEAR	TORQUE	MOMENT	SHEAR	TORQUE	MOMENT	SHEAR	TORQUE	MOMENT	SHEAR	TORQUE	MOMENT				
NAME	TITLE	S2 (kN)	TQ (kN·m)	M3 (kN·m)	S2 (kN)	TQ (kN·m)	M3 (kN·m)	S2 (kN)	TQ (kN·m)	M3 (kN·m)	S2 (kN)	TQ (kN·m)	M3 (kN·m)				
64	1-LANE (case4DISPERSION-LMAX	S2	82.62	448.94	234.55	86.44	456.06	722.32	86.44	457.76	721.24	97.16	462.82	1179.37			
		TQ	74.44	461.76	410.41	85.62	461.76	785.98	85.48	463.62	793.41	96.66	463.62	1220.79			
		M3	57.04	404.69	1441.43	68.22	404.69	1735.36	68.22	408.77	1734.40	79.40	408.77	2080.79			
		MIN	S2	-19.12	-14.77	732.37	-11.77	-21.89	568.83	-11.77	-20.55	568.88	-11.31	-25.61	487.44		
		TQ	-10.94	-27.59	556.51	-10.94	-27.59	505.17	-10.80	-26.41	496.71	-10.80	-26.41	446.01			
		M3	6.46	29.48	-474.51	6.46	29.48	-444.21	6.46	28.44	-444.28	6.46	28.44	-413.99			
		65	2-LANES (caseTRUCK-LOAD	MAX	S2	110.47	-575.98	1134.76	110.47	-575.98	1653.17	110.47	-572.09	1654.52	110.47	-572.09	2172.93
				TQ	-5.89	50.85	840.94	-5.89	50.85	813.28	-5.89	52.76	813.16	-5.89	52.76	785.50	
				M3	43.27	-257.77	1592.09	78.90	-409.09	1868.21	78.90	-404.70	1869.17	97.75	-492.48	2288.26	
MIN	S2			-6.58	41.66	1035.27	-6.58	41.66	1004.41	-6.58	44.02	1004.30	-6.58	44.02	973.44		
TQ	107.07			-589.14	997.28	107.07	-589.14	1499.78	107.07	-585.62	1501.16	107.07	-585.62	2003.65			
M3	7.00			-32.58	-761.83	7.00	-32.58	-728.97	7.00	-34.29	-728.89	7.00	-34.29	-696.03			
TANDEM-LOAD	MAX			S2	75.79	-387.64	784.97	75.79	-387.64	1140.66	75.79	-384.95	1141.57	75.79	-384.95	1497.26	
TQ	-4.38			37.24	567.94	-4.38	37.24	547.37	-4.38	38.53	547.28	-4.38	38.53	526.70			
M3	24.49			-150.94	1092.68	55.36	-280.09	1274.28	55.36	-277.09	1274.94	65.16	-326.39	1564.30			
MIN	S2	-5.12	25.24	781.55	-5.12	25.24	757.54	-5.12	27.02	757.48	-5.12	27.02	733.47				
TQ	72.95	-401.24	672.88	72.95	-401.24	1015.24	72.95	-398.85	1016.18	72.95	-398.85	1358.54					
M3	4.76	-22.43	-518.62	4.76	-22.43	-496.30	4.76	-23.60	-496.25	4.76	-23.60	-473.93					
DISPERSION-LMAX	S2	135.53	-776.76	650.18	135.53	-776.76	1286.21	135.53	-773.74	1288.04	135.53	-773.74	1924.08				
TQ	-5.32	21.74	678.24	-5.32	21.74	653.29	-5.32	23.28	658.50	-5.32	23.28	633.52					
M3	121.81	-716.76	2227.00	121.81	-716.76	2798.63	121.81	-710.18	2800.31	121.81	-710.18	3371.93					
MIN	S2	-5.47	21.23	678.10	-5.47	21.23	652.42	-5.47	22.76	652.37	-5.47	22.76	626.70				
TQ	135.38	-777.27	650.03	135.38	-777.27	1285.35	135.38	-774.26	1281.91	135.38	-774.26	1917.26					
M3	8.25	-38.78	-898.73	8.25	-38.78	-859.99	8.25	-40.80	-859.90	8.25	-40.80	-821.16					

BAGO RIVER BRIDGE

BLOCK [ No.1 : MAIN GIRDER ][ BEAM MEMBER FORCE ]

MEMBER				3039			3040			3041					
NODE				3039			3040			3040			3041		
				SHEAR	TORQUE	MOMENT	SHEAR	TORQUE	MOMENT	SHEAR	TORQUE	MOMENT	SHEAR	TORQUE	MOMENT
NAME	TITLE			S2 (kN)	TQ (kN·m)	M3 (kN·m)	S2 (kN)	TQ (kN·m)	M3 (kN·m)	S2 (kN)	TQ (kN·m)	M3 (kN·m)	S2 (kN)	TQ (kN·m)	M3 (kN·m)
66	2-LANES (caseTRUCK-LOAD	MAX	S2	125.37	-337.34	1348.89	125.37	-337.34	1937.23	125.37	-332.79	1938.02	125.37	-332.79	2526.37
			TQ	-10.48	47.75	1181.66	-10.48	47.75	1132.49	-10.48	50.41	1132.37	-10.48	50.41	1083.21
			M3	54.55	-77.29	1861.42	96.48	-216.01	2147.09	96.48	-210.96	2147.59	113.67	-284.03	2596.58
		MIN	S2	-14.03	30.07	1601.23	-14.03	30.07	1535.39	-14.03	33.68	1535.31	-14.03	33.68	1469.47
			TQ	118.39	-356.95	1159.85	118.39	-356.95	1715.43	118.39	-352.92	1716.26	118.39	-352.92	2271.84
			M3	7.65	-18.86	-769.12	7.65	-18.86	-733.20	7.65	-20.59	-733.16	7.65	-20.59	-697.24
		TANDEM-LOAD MAX	S2	86.17	-217.87	975.74	86.17	-217.87	1380.15	86.17	-214.62	1380.65	86.17	-214.62	1785.06
			TQ	-8.89	34.17	852.79	-8.89	34.17	811.05	-8.89	36.07	810.97	-8.89	36.07	769.23
			M3	33.90	-33.35	1309.19	71.01	-149.90	1487.64	71.01	-146.40	1487.99	81.79	-188.32	1807.60
		MIN	S2	-10.16	20.58	1105.96	-10.16	20.58	1058.27	-10.16	23.06	1058.21	-10.16	23.06	1010.52
			TQ	78.15	-242.79	758.57	78.15	-242.79	1125.33	78.15	-240.15	1125.90	78.15	-240.15	1492.66
			M3	5.20	-12.99	-523.64	5.20	-12.99	-499.21	5.20	-14.17	-499.18	5.20	-14.17	-474.75
		DISPERSION-LMAX	S2	147.42	-465.23	568.88	142.23	-464.49	1167.70	142.23	-461.75	1168.79	137.19	-459.55	1759.40
			TQ	-6.14	20.66	845.70	-7.77	20.66	811.16	-7.95	22.60	832.21	-7.95	22.60	794.90
			M3	130.74	-422.44	2345.42	124.59	-422.44	2944.54	124.59	-415.51	2945.53	118.44	-415.51	3515.78
MIN	S2	-7.67	20.33	870.31	-8.63	19.59	912.90	-8.63	21.73	912.85	-9.74	19.53	934.79		
	TQ	145.89	-465.56	593.49	141.37	-465.56	1269.44	141.55	-462.61	1249.43	135.40	-462.61	1899.29		
	M3	9.01	-22.47	-906.24	9.01	-22.47	-863.95	9.01	-24.50	-863.89	9.01	-24.50	-821.60		
67	2-LANES (caseTRUCK-LOAD	MAX	S2	347.24	107.12	2332.68	240.21	177.54	2999.99	240.21	184.59	2999.57	164.97	243.06	3163.59
			TQ	112.20	306.33	939.17	112.20	306.33	1465.72	116.83	309.87	1552.35	116.83	309.87	2100.62
			M3	322.31	87.18	2341.62	216.07	157.91	3023.60	216.07	165.02	3023.22	130.41	228.03	3175.78
		MIN	S2	-40.05	30.62	2200.24	-114.93	93.03	2849.94	-114.93	99.73	2849.72	-221.56	170.86	3022.10
			TQ	-13.23	-32.03	929.60	-13.23	-32.03	867.51	-13.23	-29.99	867.58	-13.23	-29.99	805.48
			M3	9.33	15.78	-789.50	9.33	15.78	-745.73	9.33	14.03	-745.77	9.33	14.03	-702.00

BAGO RIVER BRIDGE

BLOCK [ No.1 : MAIN GIRDER ][ BEAM MEMBER FORCE ]

MEMBER		3039			3040			3040			3041					
NODE		3039			3040			3040			3041					
		SHEAR	TORQUE	MOMENT	SHEAR	TORQUE	MOMENT	SHEAR	TORQUE	MOMENT	SHEAR	TORQUE	MOMENT			
NAME	TITLE	S2 (kN)	TQ (kN·m)	M3 (kN·m)	S2 (kN)	TQ (kN·m)	M3 (kN·m)	S2 (kN)	TQ (kN·m)	M3 (kN·m)	S2 (kN)	TQ (kN·m)	M3 (kN·m)			
67	2-LANES (caseTANDEM-LOAD	MAX	S2	271.87	49.10	1769.83	194.78	98.01	2269.75	194.78	103.34	2269.51	124.95	149.23	2342.52	
			TQ	76.08	208.49	636.08	76.08	208.49	993.10	77.24	210.85	1014.68	77.24	210.85	1377.17	
			M3	271.87	49.10	1769.83	194.78	98.01	2269.75	194.78	103.34	2269.51	124.95	149.23	2342.53	
		MIN	S2	-39.22	37.85	1750.45	-110.61	85.51	2247.75	-110.61	90.79	2247.54	-186.18	138.68	2321.62	
			TQ	-10.87	-22.94	759.14	-10.87	-22.94	708.14	-10.87	-21.27	708.20	-10.87	-21.27	657.20	
			M3	6.36	10.86	-537.71	6.36	10.86	-507.88	6.36	9.67	-507.91	6.36	9.67	-478.08	
		DISPERSION-LMAX	S2	213.35	401.84	651.75	170.96	390.40	1177.84	170.96	393.17	1176.91	142.12	375.32	1511.75	
			TQ	208.12	407.58	981.63	151.46	407.58	1825.37	151.67	411.90	1846.04	95.01	411.90	2424.86	
			M3	188.60	374.07	2605.59	131.95	374.07	3357.76	131.95	381.96	3356.87	75.29	381.96	3843.16	
			MIN	S2	-13.81	-8.89	1027.33	-28.07	2.54	1304.76	-28.07	5.61	1304.75	-55.89	23.46	1507.55
				TQ	-8.57	-14.64	697.44	-8.57	-14.64	657.22	-8.78	-13.12	635.62	-8.78	-13.12	594.44
				M3	10.94	18.87	-926.51	10.94	18.87	-875.17	10.94	16.82	-875.21	10.94	16.82	-823.87
	68	2-LANES (caseTRUCK-LOAD	MAX	S2	216.19	423.82	2002.54	192.80	489.56	2691.29	192.80	495.88	2690.14	214.58	499.63	3386.97
				TQ	148.90	577.90	1268.09	148.90	577.90	1966.86	153.07	582.62	2044.61	153.07	582.62	2762.96
				M3	96.52	115.55	2542.78	168.90	425.95	2834.79	168.90	432.61	2833.78	200.99	487.82	3395.86
		MIN	S2	-87.33	-19.20	2396.59	-67.22	6.40	2350.40	-67.22	11.93	2350.38	-90.41	78.05	2377.02	
			TQ	-35.69	-83.76	1543.78	-35.69	-83.76	1376.31	-35.69	-80.52	1376.50	-35.69	-80.52	1209.03	
			M3	10.74	44.33	-809.27	10.74	44.33	-758.87	10.74	42.55	-758.97	10.74	42.55	-708.57	
		TANDEM-LOAD	MAX	S2	158.93	267.54	1448.55	142.45	314.25	1944.42	142.45	318.81	1943.68	170.54	308.03	2381.61
			TQ	99.23	393.56	849.18	99.23	393.56	1314.84	100.39	396.68	1335.99	100.39	396.68	1807.11	
			M3	61.80	44.40	1808.16	131.74	277.94	2033.33	131.74	282.72	2032.67	148.17	325.53	2390.10	
			MIN	S2	-81.77	34.84	1798.83	-57.56	21.40	1766.08	-57.56	25.55	1766.02	-73.95	71.20	1754.86
				TQ	-22.98	-58.91	1061.75	-22.98	-58.91	953.93	-22.98	-56.67	954.06	-22.98	-56.67	846.24
				M3	7.33	30.54	-551.46	7.33	30.54	-517.05	7.33	29.32	-517.12	7.33	29.32	-482.72

BAGO RIVER BRIDGE

BLOCK [ No.1 : MAIN GIRDER ][ BEAM MEMBER FORCE ]

MEMBER		3039			3040			3040			3041						
NODE		3039			3040			3040			3041						
		SHEAR	TORQUE	MOMENT	SHEAR	TORQUE	MOMENT	SHEAR	TORQUE	MOMENT	SHEAR	TORQUE	MOMENT				
NAME	TITLE	S2 (kN)	TQ (kN·m)	M3 (kN·m)	S2 (kN)	TQ (kN·m)	M3 (kN·m)	S2 (kN)	TQ (kN·m)	M3 (kN·m)	S2 (kN)	TQ (kN·m)	M3 (kN·m)				
68	2-LANES (caseDISPERSION-LMAX	S2	183.61	741.22	577.06	172.12	741.26	1325.69	172.12	744.37	1323.95	170.72	736.85	1978.99			
		TQ	173.52	755.28	858.13	164.58	755.28	1651.46	164.35	759.18	1664.19	155.41	759.18	2414.49			
		M3	143.82	663.37	2783.92	134.89	663.37	3437.91	134.89	671.45	3436.34	125.95	671.45	4048.38			
		MIN	S2	-27.28	-27.13	1262.49	-24.74	-27.17	1226.51	-24.74	-24.29	1226.57	-32.27	-16.77	1242.25		
		TQ	-17.19	-41.19	981.41	-17.19	-41.19	900.75	-16.96	-39.09	886.33	-16.96	-39.09	806.74			
		M3	12.50	50.72	-944.37	12.50	50.72	-885.70	12.50	48.64	-885.82	12.50	48.64	-827.15			
		69	3-LANES (caseTRUCK-LOAD	MAX	S2	178.49	-687.33	1865.67	178.49	-687.33	2703.33	178.49	-680.97	2704.94	178.49	-680.97	3542.60
				TQ	-13.60	74.86	1552.04	-13.60	74.86	1488.21	-13.60	78.36	1488.04	-13.60	78.36	1424.21	
				M3	83.76	-272.69	2590.05	132.88	-473.81	3021.73	132.88	-466.71	3022.83	159.79	-593.96	3664.14	
MIN	S2			-17.16	57.18	1971.62	-17.16	57.18	1891.11	-17.16	61.62	1890.97	-17.16	61.62	1810.46		
TQ	170.65			-710.00	1628.99	170.65	-710.00	2429.85	170.65	-704.29	2431.51	170.65	-704.29	3232.37			
M3	10.99			-38.57	-1148.24	10.99	-38.57	-1096.65	10.99	-41.15	-1096.56	10.99	-41.15	-1044.97			
TANDEM-LOAD	MAX			S2	122.61	-457.60	1314.73	122.61	-457.60	1890.14	122.61	-453.16	1891.21	122.61	-453.16	2466.62	
TQ	-11.55			54.51	1125.40	-11.55	54.51	1071.18	-11.55	57.03	1071.05	-11.55	57.03	1016.82			
M3	52.67			-152.21	1805.35	93.94	-317.65	2083.71	93.94	-312.75	2084.45	111.97	-394.59	2533.66			
MIN	S2	-12.82	40.92	1378.57	-12.82	40.92	1318.39	-12.82	44.02	1318.29	-12.82	44.02	1258.10				
TQ	114.35	-483.38	1084.27	114.35	-483.38	1620.91	114.35	-479.57	1622.04	114.35	-479.57	2158.67					
M3	7.47	-26.57	-781.71	7.47	-26.57	-746.65	7.47	-28.32	-746.59	7.47	-28.32	-711.53					
DISPERSION-LMAX	S2	214.06	-931.75	919.98	208.87	-931.01	1831.51	208.87	-926.70	1833.69	203.83	-924.51	2737.01				
TQ	-8.54	31.97	1156.25	-10.17	31.97	1110.44	-10.35	34.61	1131.47	-10.35	34.61	1082.89					
M3	190.95	-854.42	3427.67	184.80	-854.42	4309.35	184.80	-844.29	4311.35	178.65	-844.29	5164.17					
MIN	S2	-10.16	31.40	1153.96	-11.12	30.66	1184.89	-11.12	33.45	1184.81	-12.23	31.25	1195.09				
TQ	212.44	-932.32	917.69	207.92	-932.32	1905.95	208.10	-927.87	1887.04	201.95	-927.87	2849.21					
M3	12.95	-45.93	-1353.73	12.95	-45.93	-1292.96	12.95	-48.97	-1292.85	12.95	-48.97	-1232.07					

BAGO RIVER BRIDGE

BLOCK [ No.1 : MAIN GIRDER ][ BEAM MEMBER FORCE ]

MEMBER				3039			3040			3041					
NODE				3039			3040			3040			3041		
				SHEAR	TORQUE	MOMENT	SHEAR	TORQUE	MOMENT	SHEAR	TORQUE	MOMENT	SHEAR	TORQUE	MOMENT
NAME	TITLE			S2 (kN)	TQ (kN·m)	M3 (kN·m)	S2 (kN)	TQ (kN·m)	M3 (kN·m)	S2 (kN)	TQ (kN·m)	M3 (kN·m)	S2 (kN)	TQ (kN·m)	M3 (kN·m)
70	3-LANES (caseTRUCK-LOAD	MAX	S2	436.90	461.13	3123.21	329.87	531.55	4211.31	329.87	541.44	4210.05	294.97	554.16	4917.13
			TQ	199.68	666.62	1674.77	199.68	666.62	2611.86	204.31	672.84	2697.64	204.31	672.84	3656.44
			M3	304.54	150.54	3664.93	293.78	465.85	4369.36	293.78	476.11	4368.25	260.41	539.13	4929.32
		MIN	S2	-105.86	6.06	3449.44	-143.23	41.77	3795.54	-143.23	50.69	3795.43	-249.86	121.82	3835.01
			TQ	-39.90	-89.26	1893.28	-39.90	-89.26	1706.03	-39.90	-85.26	1706.23	-39.90	-85.26	1518.98
			M3	14.51	34.13	-1191.45	14.51	34.13	-1123.38	14.51	31.49	-1123.45	14.51	31.49	-1055.38
		TANDEM-LOAD MAX	S2	337.25	291.72	2317.05	260.16	340.63	3123.80	260.16	347.97	3122.99	233.94	340.26	3533.08
			TQ	132.94	453.90	1114.92	132.94	453.90	1738.80	134.11	458.01	1759.81	134.11	458.01	2389.16
			M3	240.12	68.58	2676.64	249.45	304.33	3212.69	249.45	311.88	3211.96	211.58	357.76	3541.56
		MIN	S2	-102.93	57.34	2657.26	-134.66	47.14	2934.44	-134.66	54.04	2934.32	-210.23	101.93	2895.53
			TQ	-26.56	-63.34	1355.71	-26.56	-63.34	1231.05	-26.56	-60.45	1231.20	-26.56	-60.45	1106.54
			M3	9.89	23.49	-811.58	9.89	23.49	-765.16	9.89	21.69	-765.21	9.89	21.69	-718.79
		DISPERSION-LMAX	S2	295.64	843.33	890.88	257.07	839.01	1903.15	257.07	843.48	1901.17	238.95	830.69	2692.55
			TQ	282.22	861.89	1396.62	236.74	861.89	2614.34	236.81	868.07	2642.47	191.33	868.07	3647.09
			M3	245.75	780.59	4048.75	200.27	780.59	5095.32	200.27	792.56	5093.47	154.79	792.56	5926.61
MIN	S2	-32.87	-22.04	1761.10	-39.78	-17.72	1875.28	-39.78	-13.31	1875.31	-67.14	-0.53	1996.96		
	TQ	-19.45	-40.60	1255.36	-19.45	-40.60	1164.09	-19.52	-37.90	1134.02	-19.52	-37.90	1042.42		
	M3	17.02	40.70	-1396.77	17.02	40.70	-1316.89	17.02	37.60	-1316.98	17.02	37.60	-1237.10		
71	3-LANES (caseTRUCK-LOAD	MAX	S2	436.89	461.13	3123.12	329.86	531.55	4211.18	329.86	541.45	4209.92	294.97	554.16	4917.13
			TQ	199.68	666.52	1674.78	199.68	666.52	2611.88	204.31	672.76	2697.66	204.31	672.76	3656.46
			M3	304.54	150.54	3664.93	293.78	465.85	4369.36	293.78	476.11	4368.25	260.41	539.13	4929.32
		MIN	S2	-105.86	6.06	3449.44	-143.23	41.77	3795.54	-143.23	50.69	3795.43	-249.86	121.82	3835.01
			TQ	-40.03	-90.83	1895.43	-40.03	-90.83	1707.58	-39.84	-86.83	1693.36	-39.84	-86.83	1506.40
			M3	15.59	56.04	-1206.57	15.59	56.04	-1133.41	15.59	53.37	-1133.53	15.59	53.37	-1060.37

BAGO RIVER BRIDGE

BLOCK [ No.1 : MAIN GIRDER ][ BEAM MEMBER FORCE ]

MEMBER		3039			3040			3040			3041							
NODE		3039			3040			3040			3041							
		SHEAR	TORQUE	MOMENT	SHEAR	TORQUE	MOMENT	SHEAR	TORQUE	MOMENT	SHEAR	TORQUE	MOMENT					
NAME	TITLE	S2 (kN)	TQ (kN·m)	M3 (kN·m)	S2 (kN)	TQ (kN·m)	M3 (kN·m)	S2 (kN)	TQ (kN·m)	M3 (kN·m)	S2 (kN)	TQ (kN·m)	M3 (kN·m)					
71	3-LANES (caseTANDEM-LOAD	MAX	S2	337.25	291.72	2317.03	260.16	340.63	3123.78	260.16	347.97	3122.97	233.94	340.26	3533.08			
			TQ	132.94	453.84	1114.93	132.94	453.84	1738.82	134.11	457.95	1759.83	134.11	457.95	2389.18			
			M3	240.12	68.58	2676.64	249.45	304.33	3212.69	249.45	311.88	3211.96	211.58	357.76	3541.56			
		MIN	S2	-102.93	57.34	2657.26	-134.66	47.14	2934.44	-134.66	54.04	2934.32	-210.23	101.93	2895.53			
			TQ	-25.51	-63.96	1265.86	-25.51	-63.96	1146.16	-25.51	-61.26	1146.30	-25.51	-61.26	1026.60			
			M3	10.64	38.60	-822.10	10.64	38.60	-772.17	10.64	36.79	-772.26	10.64	36.79	-722.32			
			DISPERSION-LMAX	S2	296.72	866.04	877.82	258.15	861.72	1895.16	258.15	866.17	1893.13	240.03	853.38	2689.57		
				TQ	283.31	884.60	1382.00	237.83	884.60	2604.86	237.93	890.75	2630.79	192.45	890.75	3640.66		
				M3	245.52	775.46	4044.36	200.04	775.46	5089.86	200.04	787.42	5088.02	154.56	787.42	5920.09		
			MIN	S2	-33.06	-26.89	1757.05	-39.97	-22.57	1870.33	-39.97	-18.17	1870.38	-67.33	-5.39	1991.13		
				TQ	-19.65	-45.45	1252.87	-19.65	-45.45	1160.63	-19.75	-42.75	1132.72	-19.75	-42.75	1040.05		
				M3	18.14	63.69	-1409.49	18.14	63.69	-1324.36	18.14	60.58	-1324.51	18.14	60.58	-1239.38		
		72	4-LANES	TRUCK-LOAD	MAX	S2	19.95	58.76	-1593.38	19.95	58.76	-1499.75	19.95	55.24	-1499.89	19.95	55.24	-1406.26
						TQ	19.95	58.76	-1593.38	19.95	58.76	-1499.75	19.95	55.24	-1499.89	19.95	55.24	-1406.26
						M3	-5.38	-6.75	463.98	-5.38	-6.75	438.74	-5.38	-5.72	438.76	-5.38	-5.72	413.53
MIN	S2			-5.38	-6.79	463.94	-5.38	-6.79	438.71	-5.38	-5.76	438.72	-5.38	-5.76	413.49			
	TQ			-5.24	-6.96	450.71	-5.24	-6.96	426.12	-5.13	-5.97	416.66	-5.13	-5.97	392.58			
	M3			19.95	58.76	-1593.38	19.95	58.76	-1499.75	19.95	55.24	-1499.89	19.95	55.24	-1406.26			
TANDEM-LOAD	MAX			S2	13.69	41.39	-1089.17	13.69	41.39	-1024.94	13.69	38.99	-1025.03	13.69	38.99	-960.79		
				TQ	13.69	41.39	-1089.17	13.69	41.39	-1024.94	13.69	38.99	-1025.03	13.69	38.99	-960.79		
				M3	-3.66	-4.65	315.36	-3.66	-4.65	298.20	-3.66	-3.95	298.21	-3.66	-3.95	281.04		
MIN	S2			-3.66	-4.65	315.35	-3.66	-4.65	298.19	-3.66	-3.95	298.20	-3.66	-3.95	281.04			
	TQ			-3.57	-4.75	307.04	-3.57	-4.75	290.29	-3.52	-4.07	286.06	-3.52	-4.07	269.54			
	M3			13.69	41.39	-1089.17	13.69	41.39	-1024.94	13.69	38.99	-1025.03	13.69	38.99	-960.79			

BAGO RIVER BRIDGE

BLOCK [ No.1 : MAIN GIRDER ][ BEAM MEMBER FORCE ]

MEMBER				3039			3040			3041								
NODE				3039			3040			3041								
				SHEAR	TORQUE	MOMENT	SHEAR	TORQUE	MOMENT	SHEAR	TORQUE	MOMENT						
NAME	TITLE			S2 (kN)	TQ (kN·m)	M3 (kN·m)	S2 (kN)	TQ (kN·m)	M3 (kN·m)	S2 (kN)	TQ (kN·m)	M3 (kN·m)						
72	4-LANES	DISPERSION-LMAX	S2	13.84	36.47	-1122.06	13.84	36.47	-1057.09	13.84	33.99	-1057.18	13.84	33.99	-992.21			
			TQ	13.84	36.47	-1122.06	13.84	36.47	-1057.10	13.84	33.99	-1057.17	13.84	33.99	-992.21			
			M3	-6.54	-8.14	564.40	-6.54	-8.14	533.72	-6.54	-6.88	533.74	-6.54	-6.88	503.07			
		MIN	S2	-6.55	-8.54	563.66	-6.55	-8.54	532.95	-6.55	-7.29	532.96	-6.55	-7.29	502.25			
			TQ	-6.55	-8.54	563.66	-6.55	-8.54	532.95	-6.53	-7.29	531.97	-6.53	-7.29	501.31			
			M3	13.84	36.47	-1122.06	13.84	36.42	-1057.10	13.84	33.94	-1057.18	13.84	33.79	-992.23			
		73	6-LANES	TRUCK-LOAD	MAX	S2	624.63	-168.66	5119.89	513.68	-126.02	7033.77	513.68	-109.49	7034.05	469.07	-133.08	8457.13
					TQ	190.62	682.74	3323.36	190.62	682.74	4217.95	190.62	692.65	4216.34	190.62	692.65	5110.93	
					M3	415.41	-106.29	6263.80	405.94	-69.53	7439.77	405.94	-52.05	7439.92	414.97	-64.27	8604.91	
MIN	S2			-118.90	71.81	5413.29	-164.43	70.09	5893.52	-164.43	83.94	5893.34	-274.83	127.32	5900.17			
	TQ			133.18	-746.98	3486.85	133.18	-746.98	4111.86	133.18	-737.32	4113.60	133.18	-737.32	4738.61			
	M3			26.61	18.32	-2354.21	26.61	18.32	-2229.33	26.61	13.08	-2229.36	26.61	13.08	-2104.48			
TANDEM-LOAD	MAX			S2	467.29	-141.86	3637.30	387.47	-105.39	5041.16	387.47	-93.55	5041.40	352.43	-116.87	6013.34		
	TQ			124.80	469.40	2287.07	124.80	469.40	2872.75	124.05	476.17	2959.88	124.05	476.17	3542.04			
	M3			317.95	-74.86	4503.47	348.66	-33.41	5344.87	348.66	-20.85	5344.93	323.48	-43.98	6099.00			
MIN	S2			-111.32	93.11	4154.03	-151.70	66.85	4402.88	-151.70	77.20	4402.71	-229.92	112.95	4283.44			
	TQ			95.46	-511.56	2275.72	95.46	-511.56	2723.70	95.46	-505.16	2724.89	95.46	-505.16	3172.88			
	M3			18.13	12.62	-1603.37	18.13	12.62	-1518.28	18.13	9.06	-1518.31	18.13	9.06	-1433.23			
DISPERSION-LMAX	S2			479.00	-34.58	1616.85	435.82	-37.82	3406.91	435.82	-29.81	3406.99	413.37	-38.92	4969.33			
	TQ			256.68	849.20	2132.06	213.37	849.20	3233.11	213.25	856.86	3281.13	171.56	856.86	4184.09			
	M3			403.14	-45.58	7047.05	355.24	-49.30	8833.33	355.24	-28.69	8833.42	307.66	-27.68	10382.19			
MIN	S2	-41.91	4.11	2801.59	-49.67	7.00	2938.28	-49.67	13.91	2938.26	-78.13	24.28	3073.65					
	TQ	175.60	-903.11	2281.38	171.08	-903.11	3096.77	171.19	-895.89	3051.06	165.04	-895.89	3839.99					
	M3	30.03	22.61	-2648.59	30.00	22.00	-2507.72	30.00	16.12	-2507.76	29.87	13.25	-2367.20					



BAGO RIVER BRIDGE

BLOCK [ No.1 : MAIN GIRDER ][ BEAM MEMBER FORCE ]

MEMBER			3039			3040			3040			3041			
NODE			3039			3040			3040			3041			
NAME TITLE			SHEAR	TORQUE	MOMENT	SHEAR	TORQUE	MOMENT	SHEAR	TORQUE	MOMENT	SHEAR	TORQUE	MOMENT	
			S2 (kN)	TQ (kN·m)	M3 (kN·m)	S2 (kN)	TQ (kN·m)	M3 (kN·m)	S2 (kN)	TQ (kN·m)	M3 (kN·m)	S2 (kN)	TQ (kN·m)	M3 (kN·m)	
124	SUM TOTAL	D+1LANE (caseMAX	S2	1850.44	-1215.69	17624.48	1660.68	-1215.69	25863.22	1660.68	-1154.91	25866.01	1470.92	-1154.91	33214.24
			TQ	1700.10	-189.78	17400.14	1510.34	-189.78	24933.34	1510.34	-131.18	24933.72	1320.58	-131.18	31576.41
			M3	1814.03	-988.74	18756.05	1632.90	-1063.63	26834.67	1632.90	-1000.56	26837.09	1454.81	-1065.59	34080.77
		MIN	S2	1700.00	-190.06	17367.86	1510.24	-190.06	24900.59	1510.24	-131.54	24900.97	1320.48	-131.54	31543.18
			TQ	1849.30	-1219.66	17535.03	1659.55	-1219.66	25768.46	1659.55	-1159.10	25771.25	1469.79	-1159.10	33114.17
			M3	1715.46	-287.69	15591.08	1525.70	-287.69	23196.38	1525.70	-233.18	23196.99	1335.95	-233.18	29911.78
		D+1LANE (caseMAX	S2	1882.59	-555.48	17783.86	1686.61	-554.60	26061.88	1686.61	-493.35	26063.11	1490.80	-490.72	33440.75
			TQ	1693.61	-194.79	18009.94	1501.90	-194.79	25505.84	1501.69	-134.82	25525.23	1311.93	-134.82	32127.32
			M3	1838.29	-418.99	19221.35	1657.33	-478.74	27344.42	1657.33	-414.48	27345.47	1469.87	-461.85	34623.37
		MIN	S2	1688.41	-205.06	18277.67	1497.50	-205.94	25850.34	1497.50	-145.19	25850.75	1306.41	-147.83	32508.12
			TQ	1875.49	-566.97	17662.25	1680.31	-566.97	26008.14	1680.52	-505.88	25990.41	1483.38	-505.88	33414.43
			M3	1717.15	-251.66	15573.32	1527.39	-251.66	23186.55	1527.39	-197.17	23187.08	1337.64	-197.17	29909.80
		D+1LANE (caseMAX	S2	2106.85	-50.48	18293.61	1784.23	-50.11	26657.46	1784.23	12.54	26657.51	1506.42	16.98	33511.38
			TQ	1898.97	16.55	17706.54	1665.36	16.55	26070.15	1666.26	77.84	26098.70	1432.66	77.84	33370.24
			M3	2078.46	-57.45	19443.82	1745.09	-51.56	27973.21	1745.09	14.18	27973.25	1432.92	23.55	34910.24
		MIN	S2	1677.63	-203.39	18441.60	1407.56	-186.02	26656.13	1407.56	-123.38	26656.49	1093.88	-111.04	33472.28
			TQ	1698.77	-246.29	17328.60	1509.01	-246.29	24855.57	1508.65	-187.90	24837.30	1318.90	-187.90	31472.08
			M3	1718.44	-224.24	15558.94	1528.68	-224.24	23178.22	1528.68	-169.77	23178.69	1338.93	-169.77	29907.46
		D+1LANE (caseMAX	S2	1913.46	727.66	17813.00	1728.29	736.20	26467.53	1728.29	798.40	26465.73	1599.81	749.56	34341.12
			TQ	1901.03	750.56	17958.25	1724.69	750.56	26465.91	1724.52	812.76	26474.30	1548.18	812.76	34153.62
			M3	1753.86	325.77	19900.70	1692.08	619.27	27844.68	1692.08	684.70	27843.15	1578.49	684.70	35422.83
		MIN	S2	1604.80	-283.09	18960.91	1468.89	-323.67	25964.64	1468.89	-262.65	25965.33	1279.69	-268.73	32382.05
			TQ	1661.60	-337.74	18407.16	1471.84	-337.74	25759.69	1472.01	-277.22	25750.18	1282.25	-277.22	32212.97
			M3	1721.12	-169.72	15525.11	1531.37	-169.72	23157.00	1531.37	-115.31	23157.34	1341.61	-115.31	29898.71

BAGO RIVER BRIDGE

BLOCK [ No.1 : MAIN GIRDER ] [ BEAM MEMBER FORCE ]

MEMBER			3039			3040			3040			3041			
NODE			3039			3040			3040			3041			
NAME TITLE			SHEAR	TORQUE	MOMENT	SHEAR	TORQUE	MOMENT	SHEAR	TORQUE	MOMENT	SHEAR	TORQUE	MOMENT	
			S2 (kN)	TQ (kN·m)	M3 (kN·m)	S2 (kN)	TQ (kN·m)	M3 (kN·m)	S2 (kN)	TQ (kN·m)	M3 (kN·m)	S2 (kN)	TQ (kN·m)	M3 (kN·m)	
124	SUM TOTAL	D+2LANES (casMAX	S2	1952.72	-1588.63	18367.95	1762.97	-1588.63	27086.72	1762.97	-1524.97	27090.38	1573.21	-1524.97	34918.63
			TQ	1695.51	-163.30	18102.20	1505.76	-163.30	25613.90	1505.75	-103.10	25619.49	1316.00	-103.10	32240.64
			M3	1871.80	-1210.41	20402.11	1717.68	-1361.73	28814.18	1717.68	-1294.02	28817.30	1546.77	-1381.80	36481.82
		MIN	S2	1694.68	-173.00	18296.37	1504.92	-173.00	25804.16	1504.92	-112.36	25804.50	1315.17	-112.36	32421.77
			TQ	1949.18	-1602.30	18230.33	1759.42	-1602.30	26932.46	1759.43	-1539.01	26930.88	1569.67	-1539.01	34742.54
			M3	1721.98	-307.24	14922.46	1532.23	-307.24	22558.37	1532.23	-254.23	22559.03	1342.47	-254.23	29304.44
		D+2LANES (casMAX	S2	1979.52	-1038.46	18500.78	1784.57	-1037.72	27252.27	1784.57	-973.67	27254.63	1589.78	-971.48	35107.39
			TQ	1690.11	-167.48	18610.36	1498.73	-167.48	26090.98	1498.54	-106.13	26112.41	1308.79	-106.13	32699.73
			M3	1892.01	-735.62	20789.86	1738.04	-874.33	29238.97	1738.04	-805.62	29240.94	1559.32	-878.68	36933.99
		MIN	S2	1685.02	-185.49	19054.55	1494.31	-186.23	26595.62	1494.31	-123.73	26595.98	1303.44	-125.93	33225.88
			TQ	1971.00	-1058.40	18336.35	1776.72	-1058.40	27132.20	1776.91	-994.67	27113.51	1581.00	-994.67	34992.76
			M3	1723.39	-277.22	14907.65	1533.64	-277.22	22550.18	1533.64	-224.23	22550.77	1343.88	-224.23	29302.79
		D+2LANES (casMAX	S2	2267.32	273.07	19567.44	1928.14	332.06	28325.16	1928.14	398.62	28324.30	1634.31	439.24	35496.96
			TQ	2027.04	478.03	18503.81	1780.63	478.03	27438.42	1785.46	542.62	27546.21	1539.05	542.62	35347.10
			M3	2217.64	225.37	21530.22	1864.99	296.10	30528.69	1864.99	367.84	30527.91	1532.92	430.86	37840.57
		MIN	S2	1652.87	-214.16	19810.57	1373.97	-140.31	28302.03	1373.97	-73.80	28302.29	1049.76	15.18	35351.27
			TQ	1684.92	-282.55	18210.06	1495.17	-282.55	25672.06	1494.96	-222.25	25651.02	1305.21	-222.25	32221.54
			M3	1726.99	-201.23	14867.01	1537.24	-201.23	22526.43	1537.24	-148.30	22526.85	1347.48	-148.30	29295.76
		D+2LANES (casMAX	S2	2106.53	929.15	19162.61	1881.89	994.93	28164.32	1881.89	1061.12	28161.90	1712.51	1057.34	36187.58
			TQ	2029.14	1097.29	18709.24	1830.44	1097.29	27765.65	1834.39	1162.66	27856.62	1635.69	1162.66	35999.08
			M3	1947.07	543.04	21909.71	1820.75	853.44	30420.04	1820.75	924.92	30417.95	1654.16	980.13	38265.87
		MIN	S2	1592.11	-282.22	20242.09	1425.01	-256.65	27724.25	1425.01	-191.50	27724.78	1204.54	-117.86	34440.90
			TQ	1653.85	-360.83	19108.21	1464.10	-360.83	26424.39	1464.33	-298.75	26410.65	1274.57	-298.75	32837.40
			M3	1729.97	-140.84	14829.37	1540.21	-140.84	22502.77	1540.21	-87.96	22503.03	1350.46	-87.96	29285.91

BAGO RIVER BRIDGE

BLOCK [ No.1 : MAIN GIRDER ][ BEAM MEMBER FORCE ]

MEMBER			3039			3040			3040			3041				
NODE			3039			3040			3040			3041				
NAME TITLE			SHEAR	TORQUE	MOMENT	SHEAR	TORQUE	MOMENT	SHEAR	TORQUE	MOMENT	SHEAR	TORQUE	MOMENT		
			S2 (kN)	TQ (kN·m)	M3 (kN·m)	S2 (kN)	TQ (kN·m)	M3 (kN·m)	S2 (kN)	TQ (kN·m)	M3 (kN·m)	S2 (kN)	TQ (kN·m)	M3 (kN·m)		
124	SUM TOTAL	D+3LANES (casMAX	S2	2040.39	-1612.10	18950.82	1846.23	-1611.47	28001.95	1846.23	-1545.66	28005.66	1652.19	-1543.80	36159.29	
			TQ	1687.91	-145.08	18885.06	1496.77	-145.08	26356.19	1496.61	-83.11	26374.40	1306.85	-83.11	32952.65	
			M3	1940.23	-1193.93	21698.07	1786.99	-1364.88	30378.75	1786.99	-1293.49	30381.88	1614.88	-1401.65	38325.69	
		MIN	S2	1683.51	-160.59	19239.75	1492.94	-161.22	26761.93	1492.94	-98.33	26762.24	1302.24	-100.20	33376.35	
			TQ	2032.35	-1631.86	18747.69	1838.75	-1631.86	27832.77	1838.91	-1566.48	27818.59	1643.92	-1566.48	35990.97	
			M3	1727.08	-307.71	14456.34	1537.32	-307.71	22116.16	1537.32	-255.74	22116.83	1347.56	-255.74	28886.14	
		D+3LANES (casMAX	S2	2329.39	872.90	19994.99	2015.87	929.09	29344.62	2015.87	998.04	29342.36	1781.05	997.98	37289.86	
			TQ	2116.34	1063.34	19193.70	1887.93	1063.34	28589.61	1891.92	1130.63	28686.91	1663.51	1130.63	37029.62	
			M3	2174.47	555.57	23139.64	1936.91	823.58	32192.31	1936.91	899.23	32190.29	1680.13	952.80	40049.17	
		MIN	S2	1588.80	-249.47	21011.98	1361.41	-215.44	28967.53	1361.41	-147.37	28967.95	1057.77	-76.04	35778.80	
			TQ	1656.28	-346.27	19259.36	1466.52	-346.27	26586.93	1466.46	-283.82	26562.04	1276.71	-283.82	32998.82	
			M3	1733.52	-172.29	14383.03	1543.77	-172.29	22073.11	1543.77	-120.41	22073.45	1354.01	-120.41	28873.02	
		D+3LANES (casMAX	S2	2330.29	892.21	19983.82	2016.78	948.40	29337.72	2016.78	1017.34	29335.41	1781.97	1017.27	37287.33	
			TQ	2117.27	1082.56	19181.28	1888.86	1082.56	28581.56	1892.87	1149.85	28677.00	1664.46	1149.85	37024.18	
			M3	2174.28	551.21	23135.91	1936.72	819.22	32187.67	1936.72	894.86	32185.65	1679.94	948.43	40043.63	
		MIN	S2	1588.64	-253.59	21008.53	1361.25	-219.56	28963.32	1361.25	-151.50	28963.76	1057.61	-80.17	35773.85	
			TQ	1656.00	-351.72	19259.06	1466.24	-351.72	26585.31	1466.32	-289.29	26549.99	1276.57	-289.29	32986.11	
			M3	1735.40	-134.12	14359.37	1545.64	-134.12	22058.23	1545.64	-82.28	22058.49	1355.88	-82.28	28866.84	
		D+4LANES	MAX	S2	1728.69	-173.98	14817.98	1538.94	-173.98	22485.38	1538.94	-121.14	22485.73	1349.18	-121.14	29262.62
			TQ	1728.69	-173.98	14817.98	1538.94	-173.98	22485.38	1538.94	-121.14	22485.73	1349.18	-121.14	29262.62	
			M3	1698.98	-245.56	17251.46	1509.23	-245.56	24779.44	1509.23	-187.33	24779.95	1319.47	-187.33	31417.41	
		MIN	S2	1698.98	-245.85	17250.96	1509.22	-245.85	24778.91	1509.22	-187.62	24779.42	1319.46	-187.62	31416.85	
			TQ	1699.07	-245.96	17242.36	1509.31	-245.96	24770.73	1509.39	-187.76	24764.43	1319.63	-187.76	31402.66	
			M3	1728.69	-173.98	14817.98	1538.93	-174.01	22485.38	1538.93	-121.17	22485.73	1349.17	-121.27	29262.60	

BAGO RIVER BRIDGE

BLOCK [ No.1 : MAIN GIRDER ][ BEAM MEMBER FORCE ]

MEMBER					3039			3040			3041		
NODE					3039			3040			3041		
					SHEAR	TORQUE	MOMENT	SHEAR	TORQUE	MOMENT	SHEAR	TORQUE	MOMENT
NAME	TITLE				S2 (kN)	TQ (kN·m)	M3 (kN·m)	S2 (kN)	TQ (kN·m)	M3 (kN·m)	S2 (kN)	TQ (kN·m)	M3 (kN·m)
124	SUM TOTAL	D+6LANES	MAX	S2	2424.09	-367.99	20961.90	2134.14	-342.38	30933.78	2134.14	-269.69	30934.50
				TQ	1997.48	759.87	20129.03	1779.56	759.87	28990.52	1779.49	828.04	29021.18
				M3	2238.78	-334.60	25235.07	2011.74	-313.13	34724.85	2011.74	-231.62	34725.49
			MIN	S2	1602.20	-186.54	21922.68	1377.81	-185.78	29888.01	1377.81	-115.54	29888.36
				TQ	1907.43	-1308.45	20332.36	1714.74	-1308.45	28832.94	1714.81	-1240.73	28804.85
				M3	1743.54	-209.29	13331.20	1553.77	-209.68	21068.26	1553.77	-160.16	21068.69
	SUM TOTAL		MAX		2424.09	1097.29	25235.07	2134.14	1097.29	34724.85	2134.14	1162.66	34725.49
			MIN		1588.64	-1631.86	13331.20	1361.25	-1631.86	21068.26	1361.25	-1566.48	21068.69
300	DEAD LOAD	TOTAL			1706.73	-235.89	16583.01	1516.97	-235.89	24147.33	1516.97	-179.14	24147.82
301	LIVE LOAD	1-LANE(case1MAX	S2		143.71	-979.80	1041.46	143.71	-979.80	1715.89	143.71	-975.77	1718.19
			TQ		-6.63	46.11	817.13	-6.63	46.11	786.01	-6.63	47.96	785.90
			M3		107.31	-752.86	2173.04	115.93	-827.74	2687.33	115.93	-821.42	2689.27
			MIN	S2	-6.73	45.83	784.84	-6.73	45.83	753.26	-6.73	47.60	753.15
				TQ	142.58	-983.77	952.02	142.58	-983.77	1621.12	142.58	-979.96	1623.43
				M3	8.73	-51.80	-991.93	8.73	-51.80	-950.95	8.73	-54.04	-950.83
		1-LANE(case2MAX	S2		175.86	-319.60	1200.85	169.64	-318.71	1914.54	169.64	-314.21	1915.29
			TQ		-13.11	41.10	1426.93	-15.07	41.10	1358.51	-15.28	44.32	1377.41
			M3		131.56	-183.10	2638.34	140.36	-242.86	3197.09	140.36	-235.34	3197.65
			MIN	S2	-18.32	30.83	1694.66	-19.47	29.94	1703.00	-19.47	33.94	1702.93
				TQ	168.76	-331.09	1079.24	163.34	-331.09	1860.81	163.55	-326.74	1842.59
				M3	10.42	-15.77	-1009.70	10.42	-15.77	-960.78	10.42	-18.03	-960.74
		1-LANE(case3MAX	S2		400.12	185.41	1710.60	267.26	185.78	2510.13	267.26	191.68	2509.68
			TQ		192.24	252.43	1123.53	148.39	252.43	1922.81	149.29	256.98	1950.88
			M3		371.74	178.44	2860.81	228.12	184.33	3825.88	228.12	193.32	3825.43
			MIN	S2	-29.10	32.50	1858.59	-109.41	49.87	2508.79	-109.41	55.76	2508.67
				TQ	-7.96	-10.40	745.59	-7.96	-10.40	708.23	-8.32	-8.76	689.48
				M3	11.71	11.65	-1024.07	11.71	11.65	-969.11	11.71	9.37	-969.13

BAGO RIVER BRIDGE

BLOCK [ No.1 : MAIN GIRDER ][ BEAM MEMBER FORCE ]

MEMBER			3039			3040			3040			3041			
NODE			3039			3040			3040			3041			
NAME TITLE			SHEAR	TORQUE	MOMENT	SHEAR	TORQUE	MOMENT	SHEAR	TORQUE	MOMENT	SHEAR	TORQUE	MOMENT	
			S2 (kN)	TQ (kN·m)	M3 (kN·m)	S2 (kN)	TQ (kN·m)	M3 (kN·m)	S2 (kN)	TQ (kN·m)	M3 (kN·m)	S2 (kN)	TQ (kN·m)	M3 (kN·m)	
301	LIVE LOAD	1-LANE (case4MAX	S2	206.73	963.55	1229.99	211.32	972.09	2320.20	211.32	977.54	2317.91	272.60	928.70	3519.49
			TQ	194.31	986.44	1375.24	207.72	986.44	2318.58	207.55	991.90	2326.48	220.97	991.90	3331.99
			M3	47.13	561.66	3317.69	175.11	855.15	3697.34	175.11	863.84	3695.32	251.28	863.84	4601.21
			MIN S2	-101.92	-47.21	2377.89	-48.08	-87.78	1817.30	-48.08	-83.51	1817.51	-47.53	-89.59	1560.42
			TQ	-45.13	-101.86	1824.15	-45.13	-101.86	1612.36	-44.96	-98.08	1602.36	-44.96	-98.08	1391.35
			M3	14.40	66.16	-1057.90	14.40	66.16	-990.33	14.40	63.83	-990.49	14.40	63.83	-922.92
		2-LANES (caseMAX	S2	246.00	-1352.74	1784.94	246.00	-1352.74	2939.39	246.00	-1345.83	2942.56	246.00	-1345.83	4097.01
			TQ	-11.21	72.59	1519.18	-11.21	72.59	1466.57	-11.22	76.04	1471.66	-11.22	76.04	1419.02
			M3	165.07	-974.53	3819.10	200.71	-1125.85	4666.84	200.71	-1114.88	4669.48	219.56	-1202.66	5660.19
			MIN S2	-12.05	62.89	1713.36	-12.05	62.89	1656.83	-12.05	66.78	1656.68	-12.05	66.78	1600.14
			TQ	242.45	-1366.42	1647.31	242.45	-1366.42	2785.13	242.46	-1359.87	2783.06	242.46	-1359.87	3920.91
			M3	15.26	-71.36	-1660.56	15.26	-71.36	-1588.96	15.26	-75.09	-1588.79	15.26	-75.09	-1517.19
		2-LANES (caseMAX	S2	272.79	-802.57	1917.76	267.60	-801.83	3104.93	267.60	-794.53	3106.81	262.56	-792.34	4285.76
			TQ	-16.61	68.41	2027.35	-18.24	68.41	1943.65	-18.43	73.01	1964.59	-18.43	73.01	1878.11
			M3	185.29	-499.73	4206.85	221.07	-638.44	5091.64	221.07	-626.48	5093.12	232.11	-699.54	6112.36
			MIN S2	-21.70	50.39	2471.54	-22.66	49.65	2448.29	-22.66	55.41	2448.16	-23.78	53.21	2404.26
			TQ	264.27	-822.51	1753.34	259.75	-822.51	2984.87	259.94	-815.53	2965.69	253.79	-815.53	4171.13
			M3	16.67	-41.33	-1675.36	16.67	-41.33	-1597.15	16.67	-45.09	-1597.05	16.67	-45.09	-1518.84
		2-LANES (caseMAX	S2	560.59	508.96	2984.43	411.17	567.94	4177.83	411.17	577.76	4176.48	307.10	618.38	4675.34
			TQ	320.32	713.92	1920.80	263.66	713.92	3291.09	268.49	721.76	3398.39	211.84	721.76	4525.47
			M3	510.91	461.25	4947.20	348.02	531.98	6381.36	348.02	546.98	6380.09	205.70	610.00	7018.94
			MIN S2	-53.86	21.73	3227.56	-143.00	95.58	4154.70	-143.00	105.34	4154.47	-277.45	194.32	4529.65
			TQ	-21.80	-46.67	1627.05	-21.80	-46.67	1524.73	-22.01	-43.11	1503.20	-22.01	-43.11	1399.92
			M3	20.27	34.65	-1716.01	20.27	34.65	-1620.90	20.27	30.84	-1620.98	20.27	30.84	-1525.87

BAGO RIVER BRIDGE

BLOCK [ No.1 : MAIN GIRDER ][ BEAM MEMBER FORCE ]

MEMBER			3039			3040			3040			3041				
NODE			3039			3040			3040			3041				
			SHEAR	TORQUE	MOMENT	SHEAR	TORQUE	MOMENT	SHEAR	TORQUE	MOMENT	SHEAR	TORQUE	MOMENT		
NAME	TITLE		S2 (kN)	TQ (kN·m)	M3 (kN·m)	S2 (kN)	TQ (kN·m)	M3 (kN·m)	S2 (kN)	TQ (kN·m)	M3 (kN·m)	S2 (kN)	TQ (kN·m)	M3 (kN·m)		
301	LIVE LOAD	2-LANES (caseMAX	S2	399.80	1165.03	2579.60	364.92	1230.82	4016.99	364.92	1240.26	4014.08	385.29	1236.48	5365.96	
			TQ	322.41	1333.18	2126.23	313.47	1333.18	3618.32	317.42	1341.80	3708.80	308.48	1341.80	5177.46	
			M3	240.34	778.92	5326.70	303.78	1089.32	6272.70	303.78	1104.06	6270.13	326.94	1159.27	7444.24	
			MIN	S2	-114.61	-46.33	3659.08	-91.96	-20.77	3576.92	-91.96	-12.36	3576.96	-122.68	61.28	3619.27
			TQ	-52.87	-124.95	2525.19	-52.87	-124.95	2277.05	-52.64	-119.61	2262.83	-52.64	-119.61	2015.77	
			M3	23.24	95.05	-1753.64	23.24	95.05	-1644.57	23.24	91.18	-1644.79	23.24	91.18	-1535.72	
		3-LANES (caseMAX	S2	333.67	-1376.21	2367.80	329.26	-1375.59	3854.62	329.26	-1366.52	3857.84	324.97	-1364.66	5337.67	
			TQ	-18.82	90.81	2302.05	-20.20	90.81	2208.86	-20.36	96.03	2226.58	-20.36	96.03	2131.03	
			M3	233.50	-958.04	5115.06	270.02	-1128.99	6231.42	270.02	-1114.35	6234.05	287.67	-1222.51	7504.06	
			MIN	S2	-23.21	75.29	2656.74	-24.03	74.67	2614.60	-24.03	80.81	2614.42	-24.98	78.94	2554.72
			TQ	325.63	-1395.97	2164.68	321.78	-1395.97	3685.43	321.94	-1387.34	3670.77	316.71	-1387.34	5169.34	
			M3	20.35	-71.83	-2126.67	20.35	-71.83	-2031.17	20.35	-76.60	-2030.99	20.35	-76.60	-1935.49	
		3-LANES (caseMAX	S2	622.66	1108.79	3411.97	498.90	1164.97	5197.29	498.90	1177.18	5194.54	453.83	1177.12	6468.23	
			TQ	409.61	1299.23	2610.68	370.96	1299.23	4442.28	374.95	1309.77	4539.09	336.29	1309.77	6208.00	
			M3	467.74	791.46	6556.63	419.94	1059.47	8044.98	419.94	1078.37	8042.46	352.92	1131.94	9227.55	
			MIN	S2	-117.92	-13.59	4428.96	-155.56	20.44	4820.19	-155.56	31.77	4820.13	-269.45	103.10	4957.18
			TQ	-50.45	-110.39	2676.35	-50.45	-110.39	2439.60	-50.51	-104.69	2414.21	-50.51	-104.69	2177.20	
			M3	26.80	63.60	-2199.99	26.80	63.60	-2074.22	26.80	58.73	-2074.37	26.80	58.73	-1948.61	
		3-LANES (caseMAX	S2	623.57	1128.10	3400.81	499.81	1184.28	5190.39	499.81	1196.48	5187.59	454.75	1196.41	6465.70	
			TQ	410.54	1318.45	2598.27	371.89	1318.45	4434.23	375.90	1328.98	4529.18	337.24	1328.98	6202.55	
			M3	467.55	787.10	6552.90	419.75	1055.11	8040.33	419.75	1074.00	8037.83	352.73	1127.57	9222.00	
			MIN	S2	-118.08	-17.71	4425.52	-155.72	16.32	4815.99	-155.72	27.64	4815.94	-269.61	98.97	4952.22
			TQ	-50.73	-115.83	2676.05	-50.73	-115.83	2437.98	-50.65	-110.15	2402.16	-50.65	-110.15	2164.48	
			M3	28.67	101.77	-2223.65	28.67	101.77	-2089.10	28.67	96.86	-2089.34	28.67	96.86	-1954.79	

BAGO RIVER BRIDGE

BLOCK [ No.1 : MAIN GIRDER ][ BEAM MEMBER FORCE ]

MEMBER					3039			3040			3041					
NODE					3039			3040			3041					
					SHEAR	TORQUE	MOMENT	SHEAR	TORQUE	MOMENT	SHEAR	TORQUE	MOMENT			
NAME	TITLE				S2 (kN)	TQ (kN·m)	M3 (kN·m)	S2 (kN)	TQ (kN·m)	M3 (kN·m)	S2 (kN)	TQ (kN·m)	M3 (kN·m)			
301	LIVE LOAD	4-LANES	MAX	S2	21.97	61.90	-1765.04	21.97	61.90	-1661.95	21.97	58.00	-1662.09	21.97	58.00	-1559.00
				TQ	21.97	61.90	-1765.04	21.97	61.90	-1661.95	21.97	58.00	-1662.09	21.97	58.00	-1559.00
				M3	-7.74	-9.68	668.45	-7.74	-9.68	632.10	-7.74	-8.19	632.13	-7.74	-8.19	595.79
			MIN	S2	-7.75	-9.96	667.95	-7.75	-9.96	631.57	-7.75	-8.48	631.60	-7.75	-8.48	595.23
				TQ	-7.66	-10.08	659.35	-7.66	-10.08	623.40	-7.58	-8.62	616.61	-7.58	-8.62	581.03
				M3	21.97	61.90	-1765.04	21.96	61.87	-1661.95	21.96	57.97	-1662.09	21.96	57.87	-1559.02
		6-LANES	MAX	S2	717.36	-132.11	4378.88	617.17	-106.50	6786.45	617.17	-90.55	6786.68	573.59	-111.80	8727.20
				TQ	290.75	995.76	3546.02	262.59	995.76	4843.19	262.52	1007.18	4873.36	235.42	1007.18	6041.76
				M3	532.06	-98.72	8652.05	494.77	-77.24	10577.52	494.77	-52.48	10577.67	469.71	-59.76	12341.62
			MIN	S2	-104.53	49.35	5339.67	-139.16	50.11	5740.67	-139.16	63.60	5740.54	-229.43	98.54	5832.99
				TQ	200.71	-1072.56	3749.35	197.77	-1072.56	4685.60	197.84	-1061.59	4657.03	193.84	-1061.59	5576.09
				M3	36.81	26.60	-3251.82	36.80	26.20	-3079.08	36.80	18.98	-3079.13	36.71	17.11	-2906.59
		LIVE LOAD	MAX	717.36	1333.18	8652.05	617.17	1333.18	10577.52	617.17	1341.80	10577.67	573.59	1341.80	12341.62	
			MIN	-118.08	-1395.97	-3251.82	-155.72	-1395.97	-3079.08	-155.72	-1387.34	-3079.13	-277.45	-1387.34	-2906.59	
		303	SUM TOTAL	TOTAL	MAX	2424.09	1097.29	25235.07	2134.14	1097.29	34724.85	2134.14	1162.66	34725.49	1900.80	1162.66
MIN	1588.64				-1631.86	13331.20	1361.25	-1631.86	21068.26	1361.25	-1566.48	21068.69	1049.76	-1566.48	27915.03	

BAGO RIVER BRIDGE

BLOCK [ No.1 : MAIN GIRDER ][ BEAM MEMBER FORCE ]

MEMBER NODE	3041	3042			3043			3042			3043			
		SHEAR	TORQUE	MOMENT	SHEAR	TORQUE	MOMENT	SHEAR	TORQUE	MOMENT	SHEAR	TORQUE	MOMENT	
NAME TITLE	S2 (kN)	TQ (kN·m)	M3 (kN·m)	S2 (kN)	TQ (kN·m)	M3 (kN·m)	S2 (kN)	TQ (kN·m)	M3 (kN·m)	S2 (kN)	TQ (kN·m)	M3 (kN·m)		
1 PAVEMENT	191.11	-23.36	4888.93	161.14	-23.36	5715.48	161.14	-5.14	5715.52	131.20	-5.14	6398.76		
3 RAILING	3.32	-0.68	154.00	4.89	-0.68	173.27	4.89	-0.13	173.27	6.43	-0.13	199.74		
5 CURB	32.84	-6.76	1524.59	48.45	-6.76	1715.34	48.45	-1.29	1715.35	63.66	-1.29	1977.38		
7 DECK WEIGHT	312.35	-41.46	7988.72	266.72	-41.46	9347.50	266.72	-11.67	9347.59	221.03	-11.67	10487.58		
8 GIRDER WEIGH	455.47	-77.95	11527.52	367.72	-77.95	13459.12	367.72	-35.05	13459.30	280.31	-35.05	14973.87		
10 MEDIAN STRIP	118.88	-22.40	2351.68	90.38	-22.40	2842.70	90.38	-13.34	2842.76	61.88	-13.34	3198.65		
21 ADITIONAL WE	87.46	-11.61	2236.84	74.68	-11.61	2617.30	74.68	-3.27	2617.32	61.89	-3.27	2936.52		
31 MEDIAN RAILI	7.10	-1.28	149.76	4.79	-1.28	177.66	4.79	-0.71	177.66	2.49	-0.71	194.68		
51 SUPPORT WEIG	0.00	-0.00	-0.00	0.00	-0.00	-0.00	0.00	-0.00	-0.00	0.00	-0.00	-0.00		
52 NOSE WEIGHT	-0.00	0.00	0.01	-0.00	0.00	0.01	-0.00	0.00	0.01	-0.00	0.00	0.01		
61 1-LANE(case1TRUCK-LOAD	MAX	S2	44.77	-283.18	817.45	44.77	-283.18	1027.55	44.77	-279.91	1028.45	44.77	-279.91	1237.72
		TQ	-8.63	94.36	684.44	-8.63	94.36	643.92	-8.63	96.42	643.62	-8.63	96.42	603.26
		M3	21.18	-125.31	1068.07	23.08	-145.45	1172.13	23.08	-141.71	1172.59	37.41	-237.16	1312.38
	MIN	S2	-8.63	94.36	684.44	-8.63	94.36	643.92	-8.63	96.42	643.62	-8.63	96.42	603.26
		TQ	43.32	-288.26	723.48	43.32	-288.26	926.77	43.32	-285.31	927.69	43.32	-285.31	1130.17
		M3	4.82	-28.14	-347.68	4.82	-28.14	-325.04	4.82	-29.17	-324.95	4.82	-29.17	-302.41
	TANDEM-LOAD MAX	S2	30.85	-195.36	539.72	30.85	-195.36	684.52	30.85	-193.18	685.14	30.85	-193.18	829.37
		TQ	-6.55	66.54	488.83	-6.55	66.54	458.10	-6.55	68.00	457.89	-6.55	68.00	427.28
		M3	13.47	-71.01	726.38	15.73	-107.93	797.87	15.73	-105.39	798.21	24.16	-156.26	893.27
	MIN	S2	-6.55	66.54	488.83	-6.55	66.54	458.10	-6.55	68.00	457.89	-6.55	68.00	427.28
		TQ	30.64	-196.75	521.84	30.64	-196.75	665.65	30.64	-194.63	666.27	30.64	-194.63	809.52
		M3	3.28	-19.37	-236.73	3.28	-19.37	-221.33	3.28	-20.08	-221.27	3.28	-20.08	-205.92
	DISPERSION-LMAX	S2	50.99	-334.68	728.55	50.99	-334.68	967.83	50.99	-331.59	968.89	50.99	-331.59	1207.21
		TQ	-5.21	54.97	610.35	-5.21	54.97	585.88	-5.14	56.85	596.63	-5.14	56.85	572.62
		M3	39.48	-249.36	1649.19	39.48	-249.36	1834.49	39.48	-243.51	1835.27	39.48	-243.51	2019.84
	MIN	S2	-5.81	51.74	510.23	-5.81	51.74	482.98	-5.81	53.28	482.81	-5.81	53.28	455.67
		TQ	50.39	-337.91	628.43	50.39	-337.91	864.92	50.32	-335.17	855.07	50.32	-335.17	1090.27
		M3	5.69	-33.58	-410.41	5.69	-33.58	-383.68	5.69	-34.80	-383.57	5.69	-34.80	-356.95



BAGO RIVER BRIDGE

BLOCK [ No.1 : MAIN GIRDER ][ BEAM MEMBER FORCE ]

MEMBER				3041			3042			3043					
NODE				3041			3042			3043					
				SHEAR	TORQUE	MOMENT	SHEAR	TORQUE	MOMENT	SHEAR	TORQUE	MOMENT			
NAME	TITLE			S2 (kN)	TQ (kN·m)	M3 (kN·m)	S2 (kN)	TQ (kN·m)	M3 (kN·m)	S2 (kN)	TQ (kN·m)	M3 (kN·m)			
62	1-LANE (case2TRUCK-LOAD	MAX	S2	58.10	-94.11	1083.38	58.10	-94.11	1356.04	58.10	-89.79	1356.33	58.10	-89.79	1627.91
			TQ	-15.49	41.76	1073.64	-15.49	41.76	1000.95	-15.49	44.95	1000.81	-15.49	44.95	928.42
			M3	31.02	1.35	1376.00	43.93	-47.63	1478.76	43.93	-42.91	1478.91	52.07	-82.20	1639.28
		MIN	S2	-19.28	31.96	1311.37	-19.28	31.96	1220.90	-19.28	35.85	1220.79	-19.28	35.85	1130.67
			TQ	53.23	-105.02	953.96	53.23	-105.02	1203.77	48.97	-101.37	1116.61	48.97	-101.37	1345.49
			M3	4.96	-8.86	-348.92	4.96	-8.86	-325.66	4.96	-9.90	-325.63	4.96	-9.90	-302.47
		TANDEM-LOAD MAX	S2	39.97	-58.10	774.81	39.97	-58.10	962.40	39.97	-55.03	962.58	39.97	-55.03	1149.43
			TQ	-12.81	28.86	808.93	-12.81	28.86	748.82	-12.81	31.25	748.72	-12.81	31.25	688.85
			M3	21.91	9.43	969.43	31.74	-26.07	1031.59	31.74	-22.78	1031.66	39.97	-55.03	1149.43
		MIN	S2	-13.56	15.88	961.13	-13.56	15.88	897.51	-13.56	18.74	897.46	-13.56	18.74	834.09
			TQ	34.89	-71.71	631.97	34.89	-71.71	795.72	33.70	-69.22	771.53	33.70	-69.22	929.07
			M3	3.37	-6.10	-237.59	3.37	-6.10	-221.75	3.37	-6.81	-221.73	3.37	-6.81	-205.96
		DISPERSION-LMAX	S2	61.35	-121.85	636.19	56.90	-121.71	794.30	56.90	-119.18	794.68	52.37	-117.03	955.36
			TQ	-7.74	24.58	805.99	-10.82	24.58	758.83	-10.82	27.00	758.75	-10.82	27.00	708.18
			M3	45.61	-87.12	1792.50	39.46	-87.12	1992.10	39.46	-80.77	1992.37	33.30	-80.77	2162.40
MIN	S2	-9.91	24.22	745.41	-11.61	24.08	814.29	-11.61	26.67	814.20	-13.24	24.52	850.83		
	TQ	59.18	-122.21	575.61	56.11	-122.21	849.75	56.11	-119.51	850.14	49.95	-119.51	1098.01		
	M3	5.83	-10.51	-410.89	5.83	-10.51	-383.51	5.83	-11.73	-383.48	5.83	-11.73	-356.21		
63	1-LANE (case3TRUCK-LOAD	MAX	S2	209.10	14.43	1530.08	126.52	19.48	1858.87	126.52	25.41	1858.80	70.08	36.77	1796.43
			TQ	41.51	78.96	697.07	41.51	78.96	891.86	41.51	81.81	891.60	41.51	81.81	1085.61
			M3	196.42	12.22	1533.39	114.16	16.97	1879.11	114.16	22.96	1879.05	49.16	32.48	1807.30
		MIN	S2	-29.55	3.23	1457.93	-87.52	12.55	1801.39	-87.52	18.29	1801.34	-169.82	23.23	1751.90
			TQ	-10.69	-25.41	735.42	-10.69	-25.41	685.26	-10.69	-23.23	685.33	-10.69	-23.23	635.37
			M3	5.06	5.75	-350.29	5.06	5.75	-326.53	5.06	4.71	-326.54	5.06	4.71	-302.87

BAGO RIVER BRIDGE

BLOCK [ No.1 : MAIN GIRDER ] [ BEAM MEMBER FORCE ]

MEMBER		3041			3042			3042			3043						
NODE		3041			3042			3042			3043						
		SHEAR	TORQUE	MOMENT	SHEAR	TORQUE	MOMENT	SHEAR	TORQUE	MOMENT	SHEAR	TORQUE	MOMENT				
NAME	TITLE	S2 (kN)	TQ (kN·m)	M3 (kN·m)	S2 (kN)	TQ (kN·m)	M3 (kN·m)	S2 (kN)	TQ (kN·m)	M3 (kN·m)	S2 (kN)	TQ (kN·m)	M3 (kN·m)				
63	1-LANE (case3TANDEM-LOAD	MAX	S2	170.01	8.79	1151.42	110.38	10.74	1416.38	110.38	15.26	1416.34	56.71	18.69	1341.36		
			TQ	28.78	53.93	484.62	28.78	53.93	619.70	28.78	55.91	619.52	28.78	55.91	754.07		
			M3	170.01	8.79	1151.42	110.38	10.74	1416.38	110.38	15.26	1416.34	56.71	18.69	1341.36		
		MIN	S2	-29.39	7.25	1140.62	-84.64	10.10	1408.10	-84.64	14.59	1408.06	-142.98	16.82	1334.77		
			TQ	-7.89	-18.14	524.54	-7.89	-18.14	487.53	-7.89	-16.59	487.58	-7.89	-16.59	450.72		
			M3	3.45	3.96	-238.54	3.45	3.96	-222.36	3.45	3.25	-222.37	3.45	3.25	-206.25		
			DISPERSION-LMAX	S2	93.52	86.12	711.07	67.83	84.48	845.44	67.83	87.17	845.17	52.40	84.36	866.29	
				TQ	87.20	87.21	827.01	50.66	87.21	1150.50	51.76	90.99	1231.21	16.81	90.99	1389.75	
				M3	76.24	66.14	1873.50	39.70	66.14	2145.57	39.70	72.98	2145.35	3.29	72.98	2245.83	
			MIN	S2	-11.33	-12.98	750.89	-22.18	-11.34	916.50	-22.18	-8.42	916.53	-43.17	-5.60	1023.69	
				TQ	-5.01	-14.07	634.95	-5.01	-14.07	611.44	-6.11	-12.24	530.49	-7.58	-12.24	500.23	
				M3	5.95	7.00	-411.54	5.95	7.00	-383.63	5.95	5.77	-383.65	5.95	5.77	-355.84	
		64	1-LANE (case4TRUCK-LOAD	MAX	S2	77.92	289.95	1167.61	77.92	289.95	1533.27	77.92	294.83	1532.34	117.09	241.32	2035.70
					TQ	62.38	303.73	955.55	62.38	303.73	1248.30	66.34	307.80	1310.36	66.34	307.80	1620.47
					M3	-29.53	-11.34	1753.19	19.31	134.38	1697.17	19.31	139.79	1696.74	117.09	241.32	2035.70
MIN	S2			-76.39	-99.12	1674.09	-38.20	-126.23	1313.87	-38.20	-122.04	1314.27	-38.20	-122.04	1135.72		
	TQ			-36.17	-132.42	1370.24	-36.17	-132.42	1200.49	-36.17	-128.60	1200.91	-36.17	-128.60	1031.84		
	M3			5.31	35.55	-355.18	5.31	35.55	-330.24	5.31	34.50	-330.36	5.31	34.50	-305.52		
	TANDEM-LOAD MAX			S2	57.36	197.79	806.89	57.36	197.79	1076.07	57.36	201.22	1075.43	99.68	141.34	1385.22	
				TQ	46.59	207.18	693.09	46.59	207.18	911.73	46.59	210.09	911.07	46.59	210.09	1128.85	
				M3	-39.50	-31.02	1198.83	35.77	137.58	1179.44	35.77	141.34	1179.00	77.56	159.79	1390.80	
	MIN			S2	-71.46	-31.02	1198.83	-30.81	-88.76	938.97	-30.81	-85.77	939.25	-30.81	-85.77	795.25	
				TQ	-22.10	-91.66	870.33	-22.10	-91.66	766.61	-22.10	-89.21	766.90	-22.10	-89.21	663.58	
				M3	3.62	24.49	-241.99	3.62	24.49	-224.99	3.62	23.77	-225.07	3.62	23.77	-208.14	

BAGO RIVER BRIDGE

BLOCK [ No.1 : MAIN GIRDER ][ BEAM MEMBER FORCE ]

MEMBER		3041			3042			3042			3043						
NODE		3041			3042			3042			3043						
		SHEAR	TORQUE	MOMENT	SHEAR	TORQUE	MOMENT	SHEAR	TORQUE	MOMENT	SHEAR	TORQUE	MOMENT				
NAME	TITLE	S2 (kN)	TQ (kN·m)	M3 (kN·m)	S2 (kN)	TQ (kN·m)	M3 (kN·m)	S2 (kN)	TQ (kN·m)	M3 (kN·m)	S2 (kN)	TQ (kN·m)	M3 (kN·m)				
64	1-LANE (case4DISPERSION-LMAX	S2	62.69	346.79	588.62	65.59	347.89	995.55	65.59	351.07	994.44	75.74	355.11	1371.42			
		TQ	58.84	352.93	718.22	64.43	352.93	1000.91	64.43	356.12	999.78	75.38	356.12	1326.53			
		M3	29.77	228.30	2080.05	40.95	228.30	2246.00	40.95	235.46	2245.26	51.91	235.46	2462.27			
		MIN	S2	-26.72	-77.72	1077.35	-18.45	-78.82	865.44	-18.45	-76.06	865.69	-17.64	-80.11	734.67		
		TQ	-22.87	-83.86	947.76	-17.28	-83.86	860.09	-17.28	-81.12	860.35	-17.28	-81.12	779.56			
		M3	6.19	40.77	-414.07	6.19	40.77	-385.00	6.19	39.54	-385.13	6.19	39.54	-356.18			
		65	2-LANES (caseTRUCK-LOAD	MAX	S2	92.95	-466.30	1762.11	92.95	-466.30	2198.33	92.95	-459.29	2199.81	92.95	-459.29	2634.31
				TQ	-17.55	161.51	1486.87	-17.55	161.51	1404.50	-17.55	165.99	1403.98	-17.55	165.99	1321.93	
				M3	27.11	-145.28	2289.00	54.44	-246.79	2476.39	54.44	-238.89	2477.16	79.68	-373.73	2791.63	
MIN	S2			-18.88	151.35	1696.93	-18.88	151.35	1608.33	-18.88	156.47	1607.84	-18.88	156.47	1519.59		
TQ	86.97			-485.13	1489.00	86.97	-485.13	1897.14	86.97	-479.08	1898.68	86.97	-479.08	2305.22			
M3	9.71			-46.66	-695.94	9.71	-46.66	-650.36	9.71	-48.73	-650.21	9.71	-48.73	-604.81			
TANDEM-LOAD	MAX			S2	63.93	-313.26	1213.84	63.93	-313.26	1513.87	63.93	-308.43	1514.86	63.93	-308.43	1813.72	
TQ	-12.36			113.11	1007.12	-12.36	113.11	949.09	-12.36	116.14	948.73	-12.36	116.14	890.93			
M3	13.91			-74.78	1564.77	30.93	-156.79	1685.10	30.93	-151.42	1685.59	52.66	-245.07	1907.67			
MIN	S2	-13.77	99.72	1236.67	-13.77	99.72	1172.06	-13.77	103.46	1171.74	-13.77	103.46	1107.39				
TQ	60.70	-331.31	1052.47	60.70	-331.31	1337.34	60.70	-327.04	1338.39	60.70	-327.04	1622.13					
M3	6.61	-32.12	-473.86	6.61	-32.12	-442.84	6.61	-33.54	-442.73	6.61	-33.54	-411.83					
DISPERSION-LMAX	S2	103.69	-565.88	1346.12	103.69	-565.88	1832.72	103.69	-560.03	1834.51	103.69	-560.03	2319.19				
TQ	-12.68	95.85	1304.32	-12.68	95.85	1244.82	-12.62	99.85	1267.00	-12.62	99.85	1208.00					
M3	78.91	-417.74	3373.26	78.91	-417.74	3743.56	78.91	-405.81	3744.87	78.91	-405.81	4113.71					
MIN	S2	-13.32	92.49	1206.10	-13.32	92.49	1143.57	-13.32	96.14	1143.27	-13.32	96.14	1081.00				
TQ	103.04	-569.23	1247.89	103.04	-569.23	1731.47	102.99	-563.75	1710.79	102.99	-563.75	2192.18					
M3	11.46	-55.64	-821.04	11.46	-55.64	-767.27	11.46	-58.08	-767.09	11.46	-58.08	-713.53					

BAGO RIVER BRIDGE

BLOCK [ No.1 : MAIN GIRDER ][ BEAM MEMBER FORCE ]

MEMBER				3041			3042			3043					
NODE				3041			3042			3042			3043		
				SHEAR	TORQUE	MOMENT	SHEAR	TORQUE	MOMENT	SHEAR	TORQUE	MOMENT	SHEAR	TORQUE	MOMENT
NAME	TITLE			S2 (kN)	TQ (kN·m)	M3 (kN·m)	S2 (kN)	TQ (kN·m)	M3 (kN·m)	S2 (kN)	TQ (kN·m)	M3 (kN·m)	S2 (kN)	TQ (kN·m)	M3 (kN·m)
66	2-LANES (caseTRUCK-LOAD	MAX	S2	106.28	-277.23	2028.04	106.28	-277.23	2526.82	106.28	-269.17	2527.69	106.28	-269.17	3024.50
			TQ	-24.41	108.91	1876.07	-24.41	108.91	1761.53	-24.41	114.52	1761.18	-24.41	114.52	1647.09
			M3	36.95	-18.62	2596.93	75.29	-148.97	2783.02	75.29	-140.10	2783.48	94.34	-218.77	3118.54
		MIN	S2	-29.52	88.94	2323.86	-29.52	88.94	2185.31	-29.52	95.91	2185.01	-29.52	95.91	2047.00
			TQ	96.88	-301.89	1719.48	96.88	-301.89	2174.15	92.62	-295.14	2087.60	92.62	-295.14	2520.54
			M3	9.85	-27.38	-697.18	9.85	-27.38	-650.98	9.85	-29.46	-650.89	9.85	-29.46	-604.87
		TANDEM-LOAD MAX	S2	73.05	-175.99	1448.92	73.05	-175.99	1791.76	73.05	-170.28	1792.31	73.05	-170.28	2133.78
			TQ	-18.63	75.43	1327.22	-18.63	75.43	1239.81	-18.63	79.38	1239.56	-18.63	79.38	1152.49
			M3	22.34	5.66	1807.82	46.94	-74.93	1918.82	46.94	-68.81	1919.05	68.48	-143.84	2163.83
		MIN	S2	-20.78	49.06	1708.97	-20.78	49.06	1611.47	-20.78	54.20	1611.31	-20.78	54.20	1514.19
			TQ	64.95	-206.27	1162.60	64.95	-206.27	1467.41	63.76	-201.64	1443.64	63.76	-201.64	1741.67
			M3	6.70	-18.85	-474.72	6.70	-18.85	-443.26	6.70	-20.27	-443.20	6.70	-20.27	-411.87
		DISPERSION-LMAX	S2	114.06	-353.05	1253.76	109.60	-352.91	1659.19	109.60	-347.62	1660.31	105.07	-345.47	2067.33
			TQ	-15.21	65.47	1499.96	-18.28	65.47	1417.77	-18.30	70.01	1429.12	-18.30	70.01	1343.57
			M3	85.03	-255.51	3516.57	78.88	-255.51	3901.17	78.88	-243.07	3901.97	72.72	-243.07	4256.28
MIN	S2	-17.43	64.97	1441.28	-19.13	64.83	1474.88	-19.13	69.53	1474.67	-20.75	67.38	1476.16		
	TQ	111.83	-353.54	1195.08	108.76	-353.54	1716.30	108.78	-348.09	1705.85	102.62	-348.09	2199.92		
	M3	11.60	-32.57	-821.53	11.60	-32.57	-767.11	11.60	-35.01	-767.00	11.60	-35.01	-712.79		
67	2-LANES (caseTRUCK-LOAD	MAX	S2	323.60	35.42	3163.26	217.97	106.80	3686.48	217.97	118.55	3686.12	143.27	182.37	3700.36
			TQ	91.24	264.99	1529.68	91.24	264.99	1957.88	91.24	271.23	1957.03	91.24	271.23	2383.54
			M3	298.79	15.67	3175.49	193.58	86.18	3721.42	193.58	98.04	3721.12	108.76	164.81	3727.14
		MIN	S2	-62.14	-39.60	3021.95	-138.33	21.43	3572.40	-138.33	32.81	3572.31	-243.44	103.19	3612.33
			TQ	-27.27	-99.04	1680.94	-27.27	-99.04	1552.95	-27.27	-94.09	1553.25	-27.27	-94.09	1425.77
			M3	10.21	21.27	-702.04	10.21	21.27	-654.14	10.21	19.19	-654.21	10.21	19.19	-606.49

BAGO RIVER BRIDGE

BLOCK [ No.1 : MAIN GIRDER ][ BEAM MEMBER FORCE ]

MEMBER		3041			3042			3042			3043					
NODE		3041			3042			3042			3043					
		SHEAR	TORQUE	MOMENT	SHEAR	TORQUE	MOMENT	SHEAR	TORQUE	MOMENT	SHEAR	TORQUE	MOMENT			
NAME	TITLE	S2 (kN)	TQ (kN·m)	M3 (kN·m)	S2 (kN)	TQ (kN·m)	M3 (kN·m)	S2 (kN)	TQ (kN·m)	M3 (kN·m)	S2 (kN)	TQ (kN·m)	M3 (kN·m)			
67	2-LANES (caseTANDEM-LOAD	MAX	S2	255.26	0.78	2342.35	179.47	49.14	2750.02	179.47	57.90	2749.85	110.57	104.47	2724.01	
			TQ	63.23	181.04	1062.41	63.23	181.04	1359.16	63.23	185.37	1358.58	63.23	185.37	1654.16	
			M3	255.26	0.78	2342.35	179.47	49.14	2750.03	179.47	57.90	2749.86	110.57	104.47	2724.01	
			MIN	S2	-55.61	-10.20	2321.47	-126.19	36.62	2733.65	-126.19	45.33	2733.51	-200.57	92.98	2711.12
			TQ	-20.75	-69.21	1247.00	-20.75	-69.21	1149.63	-20.75	-65.54	1149.85	-20.75	-65.54	1052.86	
			M3	6.95	14.64	-478.11	6.95	14.64	-445.48	6.95	13.22	-445.53	6.95	13.22	-413.03	
		DISPERSION-LMAX	S2	173.83	298.20	1474.40	134.25	294.93	1724.08	134.25	300.43	1723.13	107.99	288.73	1807.73	
			TQ	164.32	299.58	1524.50	112.30	299.58	2179.02	112.77	306.68	2281.35	57.90	306.68	2678.54	
			M3	136.54	214.57	3842.46	79.89	214.57	4350.30	79.89	228.43	4349.59	23.54	228.43	4591.32	
			MIN	S2	-25.31	-58.07	1544.14	-42.39	-54.81	1858.52	-42.39	-48.88	1858.69	-72.47	-37.18	2071.81
			TQ	-15.80	-59.46	1494.05	-20.44	-59.46	1403.58	-20.91	-55.14	1300.46	-22.38	-55.14	1201.01	
			M3	11.98	25.55	-823.92	11.98	25.55	-767.70	11.98	23.11	-767.78	11.98	23.11	-711.78	
68	2-LANES (caseTRUCK-LOAD	MAX	S2	192.42	310.94	2800.79	169.37	377.26	3360.88	169.37	387.97	3359.66	190.28	386.90	3939.61	
			TQ	112.12	489.70	1788.15	112.12	489.70	2314.31	116.08	497.17	2375.77	116.08	497.17	2918.37	
			M3	72.84	-7.88	3395.30	98.73	203.58	3539.48	98.73	214.86	3538.81	176.68	373.64	3955.52	
			MIN	S2	-108.98	-141.94	3238.10	-89.01	-117.35	3084.89	-89.01	-107.52	3085.24	-111.81	-42.07	2996.15
			TQ	-52.75	-206.05	2315.75	-52.75	-206.05	2068.18	-52.75	-199.46	2068.83	-52.75	-199.46	1822.24	
			M3	10.54	61.32	-708.69	10.54	61.32	-659.21	10.54	59.22	-659.40	10.54	59.22	-610.11	
		TANDEM-LOAD	MAX	S2	142.61	189.78	1997.82	126.45	236.18	2409.71	126.45	243.86	2408.94	153.54	227.12	2767.86
			TQ	81.04	334.25	1270.87	81.04	334.25	1651.18	81.04	339.51	1650.11	81.04	339.51	2028.92	
			M3	45.75	-39.03	2389.76	104.86	175.97	2513.09	104.86	183.98	2512.51	131.42	245.57	2773.45	
			MIN	S2	-97.68	-48.48	2379.68	-72.35	-62.25	2264.52	-72.35	-55.03	2264.71	-88.40	-9.62	2171.61
			TQ	-34.96	-142.72	1592.80	-34.96	-142.72	1428.71	-34.96	-138.17	1429.16	-34.96	-138.17	1265.72	
			M3	7.19	42.24	-482.80	7.19	42.24	-449.07	7.19	40.81	-449.21	7.19	40.81	-415.62	

BAGO RIVER BRIDGE

BLOCK [ No.1 : MAIN GIRDER ][ BEAM MEMBER FORCE ]

MEMBER		3041			3042			3042			3043						
NODE		3041			3042			3042			3043						
		SHEAR	TORQUE	MOMENT	SHEAR	TORQUE	MOMENT	SHEAR	TORQUE	MOMENT	SHEAR	TORQUE	MOMENT				
NAME	TITLE	S2 (kN)	TQ (kN·m)	M3 (kN·m)	S2 (kN)	TQ (kN·m)	M3 (kN·m)	S2 (kN)	TQ (kN·m)	M3 (kN·m)	S2 (kN)	TQ (kN·m)	M3 (kN·m)				
68	2-LANES (caseDISPERSION-LMAX	S2	143.07	569.54	1351.11	132.09	569.02	1873.70	132.09	574.99	1871.88	131.41	570.15	2312.71			
		TQ	136.03	575.98	1414.86	126.15	575.98	2028.94	125.52	582.48	2049.40	116.55	582.48	2615.15			
		M3	90.07	374.45	4047.16	81.14	374.45	4448.90	81.14	388.62	4447.68	72.17	388.62	4805.97			
		MIN	S2	-40.69	-125.05	1868.76	-38.65	-124.54	1805.65	-38.65	-118.78	1806.03	-46.94	-113.94	1781.00		
		TQ	-33.65	-131.49	1805.01	-32.71	-131.49	1650.41	-32.08	-126.27	1628.51	-32.08	-126.27	1478.56			
		M3	12.30	70.04	-827.29	12.30	70.04	-769.55	12.30	67.58	-769.77	12.30	67.58	-712.26			
		69	3-LANES (caseTRUCK-LOAD	MAX	S2	151.05	-560.41	2845.49	151.05	-560.41	3554.37	151.05	-549.08	3556.14	151.05	-549.08	4262.22
				TQ	-33.04	203.27	2560.51	-33.04	203.27	2405.45	-33.04	210.94	2404.79	-33.04	210.94	2250.35	
				M3	58.13	-143.92	3665.00	98.37	-294.41	3955.15	98.37	-281.81	3956.07	131.75	-455.93	4430.91	
MIN	S2			-38.16	183.31	3008.30	-38.16	183.31	2829.23	-38.16	192.32	2828.63	-38.16	192.32	2650.26		
TQ	140.20			-590.15	2442.96	140.20	-590.15	3100.92	135.94	-580.45	3015.29	135.94	-580.45	3650.71			
M3	14.67			-55.52	-1044.86	14.67	-55.52	-976.02	14.67	-58.63	-975.84	14.67	-58.63	-907.27			
TANDEM-LOAD	MAX			S2	103.91	-371.35	1988.65	103.91	-371.35	2476.28	103.91	-363.46	2477.45	103.91	-363.46	2963.15	
TQ	-25.17			141.97	1816.05	-25.17	141.97	1697.91	-25.17	147.38	1697.45	-25.17	147.38	1579.77			
M3	35.82			-65.36	2534.20	62.67	-182.86	2716.69	62.67	-174.20	2717.26	92.63	-300.10	3057.10			
MIN	S2	-27.32	115.60	2197.80	-27.32	115.60	2069.57	-27.32	122.20	2069.20	-27.32	122.20	1941.48				
TQ	95.59	-403.01	1684.44	95.59	-403.01	2133.06	94.40	-396.26	2109.91	94.40	-396.26	2551.19					
M3	9.99	-38.23	-711.45	9.99	-38.23	-664.59	9.99	-40.34	-664.46	9.99	-40.34	-617.79					
DISPERSION-LMAX	S2	165.04	-687.73	1982.31	160.59	-687.59	2627.01	160.59	-679.21	2629.19	156.05	-677.06	3274.55				
TQ	-20.42	120.44	2110.32	-23.50	120.44	2003.65	-23.44	126.86	2025.75	-23.44	126.86	1916.19					
M3	124.51	-504.87	5165.76	118.36	-504.87	5735.66	118.36	-486.59	5737.24	112.20	-486.59	6276.12					
MIN	S2	-23.23	116.71	1951.51	-24.93	116.57	1957.86	-24.93	122.81	1957.48	-26.56	120.66	1931.83				
TQ	162.23	-691.45	1823.50	159.15	-691.45	2581.22	159.09	-683.26	2560.92	152.93	-683.26	3290.19					
M3	17.29	-66.15	-1231.94	17.29	-66.15	-1150.79	17.29	-69.81	-1150.57	17.29	-69.81	-1069.74					

BAGO RIVER BRIDGE

BLOCK [ No.1 : MAIN GIRDER ][ BEAM MEMBER FORCE ]

MEMBER				3041			3042			3043					
NODE				3041			3042			3043					
				SHEAR	TORQUE	MOMENT	SHEAR	TORQUE	MOMENT	SHEAR	TORQUE	MOMENT			
NAME	TITLE			S2 (kN)	TQ (kN·m)	M3 (kN·m)	S2 (kN)	TQ (kN·m)	M3 (kN·m)	S2 (kN)	TQ (kN·m)	M3 (kN·m)			
70	3-LANES (caseTRUCK-LOAD	MAX	S2	401.56	325.42	4330.96	295.93	396.80	5220.01	295.93	413.44	5218.72	260.32	423.55	5736.17
			TQ	153.63	568.77	2485.23	153.63	568.77	3206.19	157.58	579.08	3267.33	157.58	579.08	4003.94
			M3	269.26	4.34	4928.68	212.96	220.66	5418.66	212.96	237.93	5417.93	225.81	406.00	5762.95
		MIN	S2	-138.53	-138.72	4696.03	-176.53	-104.80	4886.27	-176.53	-89.23	4886.58	-281.63	-18.85	4748.05
			TQ	-63.44	-231.46	3051.17	-63.44	-231.46	2753.44	-63.44	-222.69	2754.16	-63.44	-222.69	2457.60
			M3	15.43	46.57	-1055.47	15.43	46.57	-983.04	15.43	43.44	-983.18	15.43	43.44	-911.04
		TANDEM-LOAD MAX	S2	312.63	198.58	3149.29	236.84	246.94	3826.18	236.84	259.13	3825.37	210.27	245.83	4109.24
			TQ	109.83	388.26	1755.50	109.83	388.26	2270.92	109.83	395.49	2269.67	109.83	395.49	2783.04
			M3	215.76	-30.25	3541.18	215.25	186.74	3929.48	215.25	199.26	3928.87	188.13	264.23	4114.83
		MIN	S2	-127.07	-41.23	3520.30	-157.00	-52.15	3672.62	-157.00	-40.44	3672.77	-231.37	7.21	3506.37
			TQ	-42.85	-160.87	2117.33	-42.85	-160.87	1916.24	-42.85	-154.76	1916.74	-42.85	-154.76	1716.44
			M3	10.51	32.06	-718.86	10.51	32.06	-669.52	10.51	29.93	-669.62	10.51	29.93	-620.47
		DISPERSION-LMAX	S2	236.47	634.42	2064.48	199.80	632.26	2720.88	199.80	640.93	2718.85	183.72	633.27	3180.27
			TQ	223.11	641.94	2244.17	176.69	641.94	3181.18	177.16	652.23	3282.42	133.27	652.23	4006.18
			M3	166.34	445.23	5925.16	120.86	445.23	6599.07	120.86	466.26	6597.62	75.50	466.26	7056.50
MIN	S2	-52.04	-133.57	2623.47	-60.84	-131.41	2725.90	-60.84	-122.72	2726.30	-90.12	-115.06	2808.37		
	TQ	-38.68	-141.09	2443.77	-37.73	-141.09	2265.60	-38.20	-134.02	2162.74	-39.67	-134.02	1982.46		
	M3	18.10	55.62	-1237.21	18.10	55.62	-1152.29	18.10	51.95	-1152.46	18.10	51.95	-1067.87		
71	3-LANES (caseTRUCK-LOAD	MAX	S2	401.52	325.36	4330.87	295.89	396.75	5219.74	295.89	413.38	5218.45	260.35	423.65	5736.02
			TQ	153.62	568.62	2485.21	153.62	568.62	3206.16	157.58	578.93	3267.36	157.58	578.93	4003.97
			M3	269.26	4.34	4928.68	212.89	220.55	5418.59	212.89	237.82	5417.86	225.85	406.11	5762.81
		MIN	S2	-138.53	-138.72	4696.03	-176.53	-104.80	4886.27	-176.53	-89.23	4886.58	-281.63	-18.85	4748.05
			TQ	-63.44	-231.46	3051.17	-63.44	-231.46	2753.44	-62.83	-222.75	2698.17	-62.83	-222.75	2404.48
			M3	15.69	77.31	-1060.52	15.69	77.31	-986.88	15.69	74.16	-987.12	15.69	74.16	-913.77

BAGO RIVER BRIDGE

BLOCK [ No.1 : MAIN GIRDER ][ BEAM MEMBER FORCE ]

MEMBER				3041			3042			3043								
NODE				3041			3042			3043								
				SHEAR	TORQUE	MOMENT	SHEAR	TORQUE	MOMENT	SHEAR	TORQUE	MOMENT						
NAME	TITLE			S2 (kN)	TQ (kN·m)	M3 (kN·m)	S2 (kN)	TQ (kN·m)	M3 (kN·m)	S2 (kN)	TQ (kN·m)	M3 (kN·m)						
71	3-LANES (case)	TANDEM-LOAD	MAX	S2	312.62	198.57	3149.24	236.83	246.93	3826.09	236.83	259.12	3825.28	210.25	245.81	4109.22		
				TQ	109.82	388.16	1755.48	109.82	388.16	2270.87	109.82	395.39	2269.62	109.82	395.39	2782.98		
				M3	215.76	-30.25	3541.18	215.24	186.72	3929.47	215.24	199.24	3928.85	188.14	264.26	4114.81		
			MIN	S2	-127.07	-41.23	3520.30	-157.00	-52.15	3672.62	-157.00	-40.44	3672.77	-231.37	7.21	3506.37		
				TQ	-42.85	-160.87	2117.33	-42.85	-160.87	1916.24	-42.85	-154.76	1916.74	-42.85	-154.76	1716.44		
				M3	10.69	53.27	-722.43	10.69	53.27	-672.25	10.69	51.12	-672.41	10.69	51.12	-622.43		
			DISPERSION-L	MAX	S2	236.67	666.38	2061.44	200.00	664.22	2718.77	200.00	672.88	2716.63	183.89	665.22	3178.93	
					TQ	223.31	673.90	2241.11	176.88	673.90	3179.03	177.55	684.18	3267.46	133.63	684.18	3993.02	
					M3	166.33	438.31	5918.65	120.85	438.31	6592.52	120.85	459.32	6591.09	75.47	459.32	7049.91	
				MIN	S2	-52.01	-140.28	2617.65	-60.82	-138.11	2720.21	-60.82	-129.44	2720.64	-90.09	-121.79	2802.83	
					TQ	-38.65	-147.80	2437.98	-37.70	-147.80	2259.94	-38.37	-140.74	2169.81	-39.84	-140.74	1988.74	
					M3	18.33	87.79	-1239.56	18.33	87.79	-1153.55	18.33	84.11	-1153.82	18.33	84.11	-1068.15	
		72	4-LANES	TRUCK-LOAD	MAX	S2	20.68	80.70	-1406.42	20.68	80.70	-1309.38	20.68	76.53	-1309.63	20.68	76.53	-1212.97
						TQ	20.68	80.70	-1406.42	20.68	80.70	-1309.38	20.68	76.53	-1309.63	20.68	76.53	-1212.97
						M3	-5.99	-8.94	413.55	-5.99	-8.94	385.43	-5.99	-7.71	385.45	-5.99	-7.71	357.45
	MIN			S2	-5.99	-8.96	413.54	-5.99	-8.96	385.42	-5.99	-7.73	385.45	-5.99	-7.73	357.44		
				TQ	-5.77	-9.26	397.95	-5.77	-9.26	370.88	-5.69	-8.09	365.92	-5.69	-8.09	339.31		
				M3	20.68	80.70	-1406.42	20.68	80.70	-1309.38	20.68	76.53	-1309.63	20.68	76.53	-1212.97		
	TANDEM-LOAD			MAX	S2	14.14	56.89	-960.90	14.14	56.89	-894.55	14.14	54.04	-894.73	14.14	54.04	-828.64	
					TQ	14.14	56.89	-960.90	14.14	56.89	-894.55	14.14	54.04	-894.73	14.14	54.04	-828.64	
					M3	-4.07	-6.16	281.06	-4.07	-6.16	261.95	-4.07	-5.33	261.96	-4.07	-5.33	242.93	
				MIN	S2	-4.07	-6.16	281.06	-4.07	-6.16	261.95	-4.07	-5.33	261.96	-4.07	-5.33	242.93	
					TQ	-3.95	-6.31	272.55	-3.95	-6.31	254.01	-3.91	-5.51	251.23	-3.91	-5.51	232.96	
					M3	14.14	56.89	-960.90	14.14	56.89	-894.55	14.14	54.04	-894.73	14.14	54.04	-828.64	



BAGO RIVER BRIDGE

BLOCK [ No.1 : MAIN GIRDER ][ BEAM MEMBER FORCE ]

MEMBER				3041			3042			3043							
NODE				3041			3042			3042			3043				
				SHEAR	TORQUE	MOMENT	SHEAR	TORQUE	MOMENT	SHEAR	TORQUE	MOMENT	SHEAR	TORQUE	MOMENT		
NAME	TITLE			S2 (kN)	TQ (kN·m)	M3 (kN·m)	S2 (kN)	TQ (kN·m)	M3 (kN·m)	S2 (kN)	TQ (kN·m)	M3 (kN·m)	S2 (kN)	TQ (kN·m)	M3 (kN·m)		
72	4-LANES	DISPERSION-LMAX	S2	14.55	49.94	-992.31	14.55	49.94	-924.04	14.55	46.99	-924.19	14.55	46.99	-856.19		
			TQ	14.55	49.94	-992.31	14.55	49.94	-924.04	14.44	46.99	-917.47	14.44	46.99	-849.95		
			M3	-7.29	-10.77	503.09	-7.29	-10.77	468.88	-7.29	-9.27	468.92	-7.29	-9.27	434.85		
	MIN	S2	-7.29	-10.80	503.08	-7.29	-10.80	468.87	-7.29	-9.30	468.91	-7.29	-9.30	434.84			
		TQ	-7.28	-11.34	502.27	-7.28	-11.34	468.10	-7.15	-9.85	460.02	-7.15	-9.85	426.57			
		M3	14.55	49.66	-992.33	14.55	49.60	-924.07	14.55	46.66	-924.22	14.55	46.58	-856.23			
	73	6-LANES	TRUCK-LOAD	MAX	S2	561.82	-177.82	7323.78	452.25	-134.13	8906.33	452.25	-105.74	8906.71	407.42	-109.56	9970.55
				TQ	119.39	702.60	5040.04	119.39	702.60	5600.33	123.09	720.67	5677.01	123.09	720.67	6252.39	
				M3	354.25	-123.30	8605.13	326.54	-78.10	9432.37	326.54	-48.04	9432.57	352.48	-60.34	10204.52	
MIN		S2	-172.89	51.45	7805.10	-219.74	47.71	8029.14	-219.74	73.30	8028.95	-328.73	116.21	7753.54			
		TQ	81.86	-760.69	5496.43	81.86	-760.69	5880.60	81.86	-741.94	5882.99	81.86	-741.94	6265.65			
		M3	30.35	23.00	-2104.53	30.35	23.00	-1962.07	30.35	16.75	-1962.14	30.35	15.46	-1820.25			
TANDEM-LOAD		MAX	S2	424.10	-149.33	5143.97	345.57	-113.32	6331.06	345.57	-93.14	6331.39	310.30	-121.76	7086.59		
		TQ	84.08	483.70	3565.19	84.08	483.70	3959.76	84.08	496.32	3958.20	84.08	496.32	4351.20			
		M3	276.47	-87.16	6099.16	291.37	1.60	6698.28	291.37	22.95	6698.24	280.87	-43.53	7196.11			
MIN		S2	-150.52	79.45	5760.30	-189.20	52.56	5813.28	-189.20	71.08	5813.08	-266.21	106.67	5496.22			
		TQ	58.60	-522.27	3863.92	58.60	-522.27	4138.91	60.66	-509.29	4024.98	60.66	-509.29	4308.53			
		M3	20.67	15.88	-1433.26	20.67	15.88	-1336.24	20.67	11.62	-1336.28	20.67	10.74	-1239.64			
DISPERSION-LMAX		S2	375.76	-6.31	3677.76	335.09	-8.22	4876.91	335.09	7.32	4876.92	315.08	2.98	5877.47			
		TQ	190.70	731.96	3830.44	143.09	731.96	4606.73	143.62	746.83	4730.04	103.47	746.83	5305.80			
		M3	265.37	-47.09	10382.28	217.53	-48.34	11522.08	217.53	-11.81	11522.17	169.81	-11.59	12421.02			
MIN	S2	-72.45	-22.78	4373.39	-82.71	-20.87	4478.16	-82.71	-6.60	4478.21	-113.56	-1.87	4534.87				
	TQ	109.57	-770.46	4199.27	107.69	-770.46	4714.06	107.09	-755.62	4593.27	99.46	-755.62	5077.73				
	M3	34.13	23.88	-2367.24	34.12	21.73	-2207.10	34.12	14.76	-2207.15	34.11	13.44	-2047.68				

BAGO RIVER BRIDGE

BLOCK [ No.1 : MAIN GIRDER ][ BEAM MEMBER FORCE ]

MEMBER			3041			3042			3042			3043			
NODE			3041			3042			3042			3043			
NAME TITLE			SHEAR	TORQUE	MOMENT	SHEAR	TORQUE	MOMENT	SHEAR	TORQUE	MOMENT	SHEAR	TORQUE	MOMENT	
			S2 (kN)	TQ (kN·m)	M3 (kN·m)	S2 (kN)	TQ (kN·m)	M3 (kN·m)	S2 (kN)	TQ (kN·m)	M3 (kN·m)	S2 (kN)	TQ (kN·m)	M3 (kN·m)	
124	SUM TOTAL	D+1LANE (caseMAX	S2	1323.44	-926.92	32677.25	1133.68	-926.92	38442.82	1133.68	-804.40	38445.58	943.80	-804.40	43301.10
			TQ	1191.91	-6.29	32375.81	1002.16	-6.29	37524.13	1002.25	113.32	37537.07	812.37	113.32	41778.23
			M3	1281.33	-635.09	34082.76	1093.85	-659.25	39656.31	1093.85	-532.87	39658.21	921.16	-647.41	44365.83
		MIN	S2	1191.20	-10.16	32255.65	1001.45	-10.16	37400.65	1001.45	109.03	37400.49	811.57	109.03	41637.89
			TQ	1320.99	-936.89	32444.34	1131.23	-936.89	38198.40	1131.14	-815.16	38188.09	941.26	-815.16	43031.71
			M3	1221.15	-259.54	29912.35	1031.40	-259.54	35197.90	1031.40	-147.37	35198.55	841.52	-147.37	39575.95
		D+1LANE (caseMAX	S2	1351.88	-444.64	32885.54	1156.77	-444.47	38628.77	1156.77	-321.36	38630.00	961.46	-318.77	43467.11
			TQ	1180.66	-105.87	33077.61	987.21	-105.87	38160.11	987.21	15.74	38160.26	797.33	15.74	42331.10
			M3	1300.49	-288.41	34624.25	1118.84	-347.19	40213.41	1118.84	-219.03	40214.31	931.33	-266.17	44929.19
		MIN	S2	1173.50	-118.07	33290.19	981.71	-118.24	38490.59	981.71	4.43	38490.77	789.88	1.84	42744.98
			TQ	1343.43	-458.17	32657.54	1149.98	-458.17	38512.60	1144.86	-335.65	38408.87	947.59	-335.65	43299.38
			M3	1221.48	-208.73	29910.27	1031.72	-208.73	35197.35	1031.72	-96.55	35197.84	841.84	-96.55	39576.77
		D+1LANE (caseMAX	S2	1571.68	-64.83	33511.44	1252.00	-60.73	39293.54	1252.00	64.50	39293.53	975.87	74.75	43562.43
			TQ	1362.98	13.92	32650.96	1129.37	13.92	38499.20	1130.69	136.76	38596.15	898.88	136.76	43337.62
			M3	1535.72	-91.45	34910.32	1203.41	-85.75	40877.99	1203.41	44.53	40878.05	891.84	55.95	45230.93
		MIN	S2	1159.48	-197.19	33472.64	887.14	-184.03	39309.84	887.14	-58.75	39310.22	573.31	-49.45	43697.89
			TQ	1189.69	-232.86	32466.50	999.94	-232.86	37604.41	998.62	-113.16	37507.77	806.97	-113.16	41729.89
			M3	1221.74	-170.19	29907.86	1031.99	-170.19	35196.18	1031.99	-58.02	35196.55	842.11	-58.02	39576.71
		D+1LANE (caseMAX	S2	1377.25	578.60	32929.54	1190.99	579.93	39082.96	1190.99	704.48	39080.92	1060.29	645.12	44455.73
			TQ	1354.00	602.51	32830.58	1170.95	602.51	38747.42	1175.70	726.10	38820.94	998.97	726.10	43903.58
			M3	1208.82	74.87	35421.94	1091.09	249.73	40780.18	1091.09	379.69	40779.18	1031.69	501.53	45764.74
		MIN	S2	1084.80	-397.69	34123.78	950.80	-431.55	38663.55	950.80	-308.32	38664.73	761.89	-313.18	42611.64
			TQ	1137.68	-445.02	33603.64	954.63	-445.02	38521.07	954.63	-322.25	38522.29	764.75	-322.25	42540.85
			M3	1222.34	-93.90	29898.95	1032.58	-93.90	35190.07	1032.58	18.25	35190.19	842.71	18.25	39573.14

BAGO RIVER BRIDGE

BLOCK [ No.1 : MAIN GIRDER ][ BEAM MEMBER FORCE ]

MEMBER			3041			3042			3042			3043			
NODE			3041			3042			3042			3043			
NAME TITLE			SHEAR	TORQUE	MOMENT	SHEAR	TORQUE	MOMENT	SHEAR	TORQUE	MOMENT	SHEAR	TORQUE	MOMENT	
			S2 (kN)	TQ (kN·m)	M3 (kN·m)	S2 (kN)	TQ (kN·m)	M3 (kN·m)	S2 (kN)	TQ (kN·m)	M3 (kN·m)	S2 (kN)	TQ (kN·m)	M3 (kN·m)	
124	SUM TOTAL	D+2LANES (casMAX	S2	1405.17	-1217.66	33930.28	1215.41	-1217.66	40079.42	1215.41	-1089.92	40083.09	1025.54	-1089.92	45320.67
			TQ	1178.30	71.88	33613.25	988.54	71.88	38697.68	988.60	195.25	38719.75	798.72	195.25	42897.11
			M3	1314.54	-748.51	36484.32	1152.12	-850.02	42268.32	1152.12	-715.30	42270.81	987.48	-850.14	47272.52
		MIN	S2	1176.33	58.36	33725.08	986.57	58.36	38800.28	986.57	182.01	38799.89	796.69	182.01	42967.77
			TQ	1398.55	-1239.85	33558.94	1208.79	-1239.85	39676.99	1208.73	-1113.43	39658.25	1018.85	-1113.43	44864.58
			M3	1229.70	-287.78	29305.07	1039.95	-287.78	34630.74	1039.95	-177.41	34631.48	850.07	-177.41	39048.84
		D+2LANES (casMAX	S2	1428.87	-815.76	34103.85	1234.66	-815.62	40234.38	1234.66	-687.39	40236.77	1040.25	-685.24	45459.01
			TQ	1168.92	-11.11	34198.08	976.09	-11.11	39227.67	976.07	113.93	39239.07	786.19	113.93	43357.84
			M3	1330.51	-459.61	36935.56	1172.95	-589.96	42732.57	1172.95	-453.77	42734.23	995.96	-532.44	47741.99
		MIN	S2	1161.58	-31.57	34587.20	970.12	-31.71	39708.56	970.12	94.84	39708.46	778.62	92.69	43890.34
			TQ	1417.25	-840.92	33736.61	1224.42	-840.92	39938.82	1220.17	-713.83	39842.23	1024.13	-713.83	45087.64
			M3	1229.97	-245.43	29303.34	1040.22	-245.43	34630.29	1040.22	-135.07	34630.89	850.34	-135.07	39049.52
		D+2LANES (casMAX	S2	1705.97	148.13	35459.72	1371.00	216.25	41458.93	1371.00	348.38	41458.03	1080.16	400.50	45875.27
			TQ	1464.09	379.09	33876.24	1222.32	379.09	40185.28	1222.79	507.31	40287.16	978.04	507.31	45429.25
			M3	1643.87	44.76	37840.01	1292.24	115.26	44120.09	1292.24	255.87	44119.50	961.20	322.65	48685.64
		MIN	S2	1121.08	-283.15	35388.14	838.06	-218.87	41479.29	838.06	-86.67	41479.78	512.99	-4.59	46051.32
			TQ	1165.46	-343.98	33997.04	971.06	-343.98	39004.89	970.59	-219.83	38902.50	779.24	-219.83	42993.95
			M3	1230.72	-138.66	29296.09	1040.96	-138.66	34626.53	1040.96	-28.30	34626.79	851.08	-28.30	39048.90
		D+2LANES (casMAX	S2	1544.02	694.99	34973.95	1320.23	760.80	41282.95	1320.23	892.36	41280.32	1150.58	886.45	46619.49
			TQ	1456.68	880.19	34025.06	1257.04	880.19	40391.62	1260.37	1009.05	40473.95	1061.52	1009.05	45900.69
			M3	1371.45	181.08	38264.51	1198.64	392.54	44036.75	1198.64	532.89	44035.28	1077.75	691.67	49128.66
		MIN	S2	1058.86	-452.48	35928.92	891.12	-427.37	40938.90	891.12	-296.90	40940.06	670.15	-226.61	45144.33
			TQ	1122.12	-523.03	34942.82	933.31	-523.03	39766.96	933.94	-396.32	39746.12	744.06	-396.32	43667.97
			M3	1231.38	-54.13	29286.08	1041.62	-54.13	34619.62	1041.62	56.20	34619.61	851.74	56.20	39044.81

BAGO RIVER BRIDGE

BLOCK [ No.1 : MAIN GIRDER ][ BEAM MEMBER FORCE ]

MEMBER			3041			3042			3042			3043				
NODE			3041			3042			3042			3043				
NAME TITLE			SHEAR	TORQUE	MOMENT	SHEAR	TORQUE	MOMENT	SHEAR	TORQUE	MOMENT	SHEAR	TORQUE	MOMENT		
			S2 (kN)	TQ (kN·m)	M3 (kN·m)	S2 (kN)	TQ (kN·m)	M3 (kN·m)	S2 (kN)	TQ (kN·m)	M3 (kN·m)	S2 (kN)	TQ (kN·m)	M3 (kN·m)		
124	SUM TOTAL	D+3LANES (casMAX	S2	1477.21	-1246.40	34925.68	1283.67	-1246.28	41302.55	1283.67	-1114.65	41306.31	1089.94	-1112.82	46773.43	
			TQ	1163.09	89.67	34792.25	970.72	89.67	39796.11	970.77	216.53	39814.74	780.89	216.53	43908.73	
			M3	1363.78	-736.96	38328.20	1203.00	-864.87	44285.56	1203.00	-723.73	44288.09	1036.25	-871.74	49468.15	
		MIN	S2	1156.35	69.53	35037.89	965.15	69.41	40117.39	965.15	197.27	40116.97	773.89	195.44	44261.96	
			TQ	1465.60	-1274.85	34448.54	1273.23	-1274.85	40878.19	1269.55	-1144.75	40788.56	1074.44	-1144.75	46266.94	
			M3	1235.70	-288.90	28886.78	1045.94	-288.90	34240.58	1045.94	-179.78	34241.33	856.06	-179.78	38686.72	
		D+3LANES (casMAX	S2	1750.86	630.38	36258.18	1440.14	689.22	42798.13	1440.14	825.61	42795.71	1206.32	827.70	47946.15	
			TQ	1528.76	843.62	34842.05	1299.54	843.62	41477.64	1303.31	976.02	41616.06	1076.12	976.02	47175.78	
			M3	1578.79	196.65	40047.82	1302.52	380.52	46263.44	1302.52	527.96	46261.99	1085.01	670.82	51263.72	
		MIN	S2	1046.55	-416.93	37043.63	817.01	-386.26	42518.72	817.01	-250.75	42519.73	512.90	-184.42	46790.13	
			TQ	1121.73	-502.16	35492.76	932.78	-502.16	40314.55	932.38	-373.80	40228.15	741.25	-373.80	44141.23	
			M3	1237.03	-98.62	28873.28	1047.28	-98.62	34233.34	1047.28	10.48	34233.48	857.40	10.48	38685.10	
		D+3LANES (casMAX	S2	1750.99	657.49	36255.52	1440.28	716.33	42796.10	1440.28	852.72	42793.60	1206.50	854.95	47944.88	
			TQ	1528.92	870.66	34839.43	1299.70	870.66	41475.78	1303.64	1003.04	41603.37	1076.43	1003.04	47164.62	
			M3	1578.78	190.77	40042.29	1302.46	374.55	46257.82	1302.46	521.97	46256.39	1085.01	665.02	51257.99	
		MIN	S2	1046.57	-422.63	37038.69	817.03	-391.96	42513.88	817.03	-256.47	42514.91	512.93	-190.14	46785.42	
			TQ	1121.75	-507.86	35487.84	932.80	-507.86	40309.74	932.76	-379.57	40186.56	741.63	-379.57	44101.41	
			M3	1237.45	-45.15	28866.99	1047.69	-45.15	34229.00	1047.69	63.94	34228.97	857.81	63.94	38682.54	
		D+4LANES	MAX	S2	1231.43	-100.57	29262.88	1041.67	-100.57	34596.65	1041.67	9.69	34596.79	851.79	9.69	39022.22
			TQ	1231.43	-100.57	29262.88	1041.67	-100.57	34596.65	1041.60	9.69	34601.16	851.73	9.69	39026.28	
			M3	1199.90	-198.30	31417.86	1010.14	-198.30	36603.67	1010.14	-81.64	36604.12	820.26	-81.64	40882.17	
		MIN	S2	1199.90	-198.33	31417.86	1010.14	-198.33	36603.66	1010.14	-81.67	36604.11	820.26	-81.67	40882.16	
			TQ	1200.05	-198.88	31407.20	1010.29	-198.88	36593.71	1010.42	-82.26	36585.63	820.55	-82.26	40865.00	
			M3	1231.43	-100.75	29262.87	1041.67	-100.79	34596.63	1041.67	9.48	34596.77	851.79	9.42	39022.19	

BAGO RIVER BRIDGE

BLOCK [ No.1 : MAIN GIRDER ][ BEAM MEMBER FORCE ]

MEMBER					3041			3042			3043					
NODE					3041			3042			3043					
					SHEAR	TORQUE	MOMENT	SHEAR	TORQUE	MOMENT	SHEAR	TORQUE	MOMENT			
NAME TITLE					S2 (kN)	TQ (kN·m)	M3 (kN·m)	S2 (kN)	TQ (kN·m)	M3 (kN·m)	S2 (kN)	TQ (kN·m)	M3 (kN·m)			
124	SUM TOTAL	D+6LANES	MAX	S2	1817.96	-305.17	37973.05	1530.55	-278.01	45007.48	1530.55	-134.57	45008.14	1298.53	-139.88	50668.39
				TQ	1410.09	746.98	36587.87	1189.39	746.98	42682.96	1192.14	883.28	42813.36	976.16	883.28	47880.00
				M3	1611.28	-296.24	43163.87	1372.42	-267.68	49668.76	1372.42	-109.50	49669.36	1168.38	-117.35	55073.78
	MIN	S2	1049.07	-166.85	38738.07	822.19	-168.04	44178.12	822.19	-27.24	44178.43	541.41	3.72	48354.64		
		TQ	1332.96	-1180.73	37124.25	1141.98	-1180.73	42934.90	1141.59	-1044.01	42858.35	946.75	-1044.01	47740.37		
		M3	1250.45	-155.01	27915.41	1060.68	-156.41	33338.41	1060.68	-50.11	33338.74	870.79	-51.81	37853.02		
	SUM TOTAL	MAX	S2	1817.96	880.19	43163.87	1530.55	880.19	49668.76	1530.55	1009.05	49669.36	1298.53	1009.05	55073.78	
			MIN	1046.55	-1274.85	27915.41	817.01	-1274.85	33338.41	817.01	-1144.75	33338.74	512.90	-1144.75	37853.02	
	300	DEAD LOAD	TOTAL		1208.53	-185.48	30822.05	1018.77	-185.48	36048.37	1018.77	-70.60	36048.78	828.90	-70.60	40367.18
	301	LIVE LOAD	1-LANE(case1MAX	S2	114.91	-741.44	1855.20	114.91	-741.44	2394.45	114.91	-733.80	2396.80	114.91	-733.80	2933.92
TQ				-16.62	179.20	1553.75	-16.62	179.20	1475.76	-16.53	183.92	1488.29	-16.53	183.92	1411.05	
M3				72.80	-449.60	3260.70	75.08	-473.77	3607.94	75.08	-462.27	3609.43	92.27	-576.81	3998.66	
MIN				S2	-17.33	175.32	1433.60	-17.33	175.32	1352.28	-17.33	179.63	1351.72	-17.33	179.63	1270.72
TQ				112.46	-751.40	1622.29	112.46	-751.40	2150.03	112.36	-744.57	2139.31	112.36	-744.57	2664.53	
M3				12.62	-74.06	-909.70	12.62	-74.06	-850.47	12.62	-76.77	-850.23	12.62	-76.77	-791.23	
1-LANE(case2MAX		S2	143.34	-259.15	2063.49	138.00	-258.98	2580.41	138.00	-250.76	2581.22	132.56	-248.17	3099.93		
		TQ	-27.88	79.61	2255.56	-31.57	79.61	2111.74	-31.57	86.34	2111.48	-31.57	86.34	1963.92		
		M3	91.96	-102.93	3802.19	100.07	-161.70	4165.04	100.07	-148.43	4165.53	102.43	-195.57	4562.02		
		MIN	S2	-35.03	67.41	2468.14	-37.07	67.24	2442.22	-37.07	75.03	2441.99	-39.02	72.44	2377.81	
		TQ	134.90	-272.68	1835.49	131.21	-272.68	2464.23	126.09	-265.05	2360.09	118.70	-265.05	2932.20		
		M3	12.95	-23.24	-911.78	12.95	-23.24	-851.01	12.95	-25.96	-850.94	12.95	-25.96	-790.41		
1-LANE(case3MAX		S2	363.15	120.66	2689.38	233.23	124.76	3245.17	233.23	135.10	3244.76	146.97	145.35	3195.25		
		TQ	154.45	199.40	1828.90	110.60	199.40	2450.83	111.92	207.36	2547.37	69.98	207.36	2970.44		
		M3	327.19	94.03	4088.27	184.64	99.74	4829.62	184.64	115.13	4829.28	62.94	126.55	4863.76		
		MIN	S2	-49.05	-11.71	2650.59	-131.64	1.45	3261.47	-131.64	11.85	3261.44	-255.59	21.15	3330.72	
		TQ	-18.84	-47.38	1644.44	-18.84	-47.38	1556.04	-20.15	-42.56	1458.99	-21.92	-42.56	1362.71		
		M3	13.21	15.30	-914.20	13.21	15.30	-852.19	13.21	12.58	-852.23	13.21	12.58	-790.46		

BAGO RIVER BRIDGE

BLOCK [ No.1 : MAIN GIRDER ][ BEAM MEMBER FORCE ]

MEMBER			3041			3042			3042			3043				
NODE			3041			3042			3042			3043				
NAME TITLE			SHEAR	TORQUE	MOMENT	SHEAR	TORQUE	MOMENT	SHEAR	TORQUE	MOMENT	SHEAR	TORQUE	MOMENT		
			S2 (kN)	TQ (kN·m)	M3 (kN·m)	S2 (kN)	TQ (kN·m)	M3 (kN·m)	S2 (kN)	TQ (kN·m)	M3 (kN·m)	S2 (kN)	TQ (kN·m)	M3 (kN·m)		
301	LIVE LOAD	1-LANE (case4MAX	S2	168.72	764.09	2107.48	172.21	765.41	3034.59	172.21	775.08	3032.14	231.40	715.71	4088.55	
			TQ	145.47	787.99	2008.52	152.17	787.99	2699.05	156.93	796.70	2772.16	170.07	796.70	3536.40	
			M3	0.29	260.36	4599.89	72.32	435.22	4731.81	72.32	450.29	4730.40	202.79	572.13	5397.57	
			MIN	S2	-123.73	-212.21	3301.73	-67.97	-246.06	2615.18	-67.97	-237.72	2615.95	-67.01	-242.58	2244.46
			TQ	-70.85	-259.54	2781.59	-64.14	-259.54	2472.70	-64.14	-251.66	2473.51	-64.14	-251.66	2173.68	
			M3	13.81	91.58	-923.10	13.81	91.58	-858.30	13.81	88.85	-858.58	13.81	88.85	-794.03	
		2-LANES (caseMAX	S2	196.64	-1032.18	3108.23	196.64	-1032.18	4031.05	196.64	-1019.33	4034.32	196.64	-1019.33	4953.49	
			TQ	-30.23	257.37	2791.19	-30.23	257.37	2649.32	-30.17	265.84	2670.97	-30.17	265.84	2529.93	
			M3	106.01	-563.02	5662.26	133.34	-664.53	6219.95	133.34	-644.70	6222.04	158.59	-779.54	6905.35	
			MIN	S2	-32.20	243.84	2903.03	-32.20	243.84	2751.91	-32.20	252.61	2751.12	-32.20	252.61	2600.59
			TQ	190.01	-1054.37	2736.89	190.01	-1054.37	3628.62	189.96	-1042.83	3609.47	189.96	-1042.83	4497.40	
			M3	21.17	-102.30	-1516.98	21.17	-102.30	-1417.63	21.17	-106.81	-1417.30	21.17	-106.81	-1318.33	
		2-LANES (caseMAX	S2	220.34	-630.27	3281.80	215.88	-630.13	4186.01	215.88	-616.79	4188.00	211.35	-614.64	5091.83	
			TQ	-39.61	174.38	3376.03	-42.69	174.38	3179.30	-42.71	184.53	3190.29	-42.71	184.53	2990.66	
			M3	121.98	-274.12	6113.51	154.17	-404.47	6684.20	154.17	-383.17	6685.45	167.06	-461.84	7374.81	
			MIN	S2	-46.95	153.92	3765.14	-48.65	153.78	3660.19	-48.65	165.44	3659.68	-50.28	163.29	3523.16
			TQ	208.72	-655.44	2914.55	205.64	-655.44	3890.45	201.39	-643.23	3793.46	195.23	-643.23	4720.46	
			M3	21.44	-59.95	-1518.71	21.44	-59.95	-1418.08	21.44	-64.47	-1417.89	21.44	-64.47	-1317.65	
		2-LANES (caseMAX	S2	497.44	333.61	4637.66	352.23	401.74	5410.56	352.23	418.98	5409.25	251.26	471.09	5508.09	
			TQ	255.56	564.57	3054.18	203.55	564.57	4136.91	204.02	577.91	4238.38	149.15	577.91	5062.07	
			M3	435.34	230.25	7017.96	273.47	300.75	8071.72	273.47	326.47	8070.72	132.30	393.25	8318.46	
			MIN	S2	-87.45	-97.67	4566.09	-180.72	-33.38	5430.92	-180.72	-16.07	5431.00	-315.90	66.01	5684.15
			TQ	-43.07	-158.50	3174.98	-47.71	-158.50	2956.52	-48.18	-149.23	2853.72	-49.66	-149.23	2626.78	
			M3	22.19	46.83	-1525.96	22.19	46.83	-1421.84	22.19	42.30	-1421.98	22.19	42.30	-1318.27	

BAGO RIVER BRIDGE

BLOCK [ No.1 : MAIN GIRDER ][ BEAM MEMBER FORCE ]

MEMBER			3041			3042			3042			3043				
NODE			3041			3042			3042			3043				
NAME TITLE			SHEAR	TORQUE	MOMENT	SHEAR	TORQUE	MOMENT	SHEAR	TORQUE	MOMENT	SHEAR	TORQUE	MOMENT		
			S2 (kN)	TQ (kN·m)	M3 (kN·m)	S2 (kN)	TQ (kN·m)	M3 (kN·m)	S2 (kN)	TQ (kN·m)	M3 (kN·m)	S2 (kN)	TQ (kN·m)	M3 (kN·m)		
301	LIVE LOAD	2-LANES (caseMAX	S2	335.49	880.47	4151.90	301.46	946.28	5234.58	301.46	962.96	5231.54	321.69	957.05	6252.31	
			TQ	248.15	1065.68	3203.00	238.26	1065.68	4343.25	241.60	1079.64	4425.17	232.63	1079.64	5533.52	
			M3	162.92	366.56	7442.45	179.87	578.03	7988.38	179.87	603.48	7986.50	248.85	762.26	8761.49	
			MIN	S2	-149.67	-267.00	5106.86	-127.66	-241.89	4890.53	-127.66	-226.30	4891.28	-158.75	-156.01	4777.15
			TQ	-86.41	-337.54	4120.76	-85.46	-337.54	3718.59	-84.83	-325.73	3697.34	-84.83	-325.73	3300.80	
			M3	22.85	131.36	-1535.98	22.85	131.36	-1428.75	22.85	126.80	-1429.17	22.85	126.80	-1322.37	
		3-LANES (caseMAX	S2	268.68	-1060.92	4103.63	264.89	-1060.80	5254.18	264.89	-1044.05	5257.53	261.04	-1042.22	6406.25	
			TQ	-45.44	275.15	3970.20	-48.06	275.15	3747.74	-48.01	287.13	3765.96	-48.01	287.13	3541.56	
			M3	155.25	-551.47	7506.14	184.22	-679.39	8237.19	184.22	-653.13	8239.32	207.36	-801.14	9100.97	
			MIN	S2	-52.18	255.02	4215.84	-53.63	254.90	4069.02	-53.63	267.86	4068.19	-55.01	266.03	3894.78
			TQ	257.07	-1089.36	3626.49	254.45	-1089.36	4829.82	250.78	-1074.15	4739.78	245.54	-1074.15	5899.77	
			M3	27.17	-103.42	-1935.28	27.17	-103.42	-1807.79	27.17	-109.18	-1807.45	27.17	-109.18	-1680.46	
		3-LANES (caseMAX	S2	542.33	815.86	5436.13	421.37	874.70	6749.76	421.37	896.21	6746.94	377.43	898.30	7578.97	
			TQ	320.23	1029.10	4019.99	280.77	1029.10	5429.27	284.53	1046.62	5567.28	247.23	1046.62	6808.60	
			M3	370.26	382.13	9225.77	283.75	566.01	10215.07	283.75	598.56	10213.21	256.11	741.42	10896.54	
			MIN	S2	-161.98	-231.44	6221.58	-201.76	-200.78	6470.35	-201.76	-180.15	6470.95	-315.99	-113.82	6422.96
			TQ	-86.80	-316.67	4670.70	-86.00	-316.67	4266.18	-86.40	-303.20	4179.37	-87.65	-303.20	3774.05	
			M3	28.50	86.86	-1948.78	28.50	86.86	-1815.03	28.50	81.08	-1815.30	28.50	81.08	-1682.07	
		3-LANES (caseMAX	S2	542.46	842.98	5433.47	421.50	901.82	6747.73	421.50	923.32	6744.82	377.60	925.54	7577.71	
			TQ	320.39	1056.14	4017.38	280.93	1056.14	5427.41	284.86	1073.64	5554.60	247.53	1073.64	6797.44	
			M3	370.25	376.25	9220.23	283.68	560.04	10209.45	283.68	592.57	10207.61	256.11	735.62	10890.82	
			MIN	S2	-161.96	-237.14	6216.63	-201.74	-206.48	6465.51	-201.74	-185.87	6466.14	-315.97	-119.54	6418.25
			TQ	-86.78	-322.37	4665.78	-85.97	-322.37	4261.37	-86.02	-308.97	4137.78	-87.27	-308.97	3734.23	
			M3	28.92	140.33	-1955.07	28.92	140.33	-1819.37	28.92	134.53	-1819.80	28.92	134.53	-1684.64	

BAGO RIVER BRIDGE

BLOCK [ No.1 : MAIN GIRDER ][ BEAM MEMBER FORCE ]

MEMBER					3041			3042			3043					
NODE					3041			3042			3043					
NAME TITLE					SHEAR	TORQUE	MOMENT	SHEAR	TORQUE	MOMENT	SHEAR	TORQUE	MOMENT			
					S2 (kN)	TQ (kN·m)	M3 (kN·m)	S2 (kN)	TQ (kN·m)	M3 (kN·m)	S2 (kN)	TQ (kN·m)	M3 (kN·m)			
301	LIVE LOAD	4-LANES	MAX	S2	22.90	84.92	-1559.17	22.90	84.92	-1451.72	22.90	80.29	-1451.98	22.90	80.29	-1344.96
				TQ	22.90	84.92	-1559.17	22.90	84.92	-1451.72	22.83	80.29	-1447.61	22.83	80.29	-1340.90
				M3	-8.63	-12.81	595.81	-8.63	-12.81	555.30	-8.63	-11.04	555.34	-8.63	-11.04	514.99
		MIN	S2	-8.63	-12.84	595.80	-8.63	-12.84	555.29	-8.63	-11.07	555.33	-8.63	-11.07	514.98	
			TQ	-8.48	-13.39	585.14	-8.48	-13.39	545.34	-8.35	-11.66	536.86	-8.35	-11.66	497.82	
			M3	22.90	84.74	-1559.19	22.90	84.70	-1451.74	22.90	80.07	-1452.00	22.89	80.02	-1344.98	
	6-LANES	MAX	S2	609.43	-119.69	7151.00	511.77	-92.52	8959.11	511.77	-63.97	8959.36	469.63	-69.28	10301.21	
			TQ	201.56	932.47	5765.81	170.61	932.47	6634.59	173.36	953.88	6764.58	147.27	953.88	7512.82	
			M3	402.75	-110.75	12341.82	353.64	-82.19	13620.39	353.64	-38.90	13620.58	339.49	-46.76	14706.60	
		MIN	S2	-159.46	18.64	7916.01	-196.59	17.45	8129.75	-196.59	43.36	8129.65	-287.49	74.32	7987.46	
			TQ	124.43	-995.25	6302.20	123.21	-995.25	6886.53	122.82	-973.41	6809.57	117.86	-973.41	7373.20	
			M3	41.92	30.48	-2906.65	41.91	29.08	-2709.96	41.91	20.48	-2710.04	41.90	18.79	-2514.15	
	LIVE LOAD	MAX	609.43	1065.68	12341.82	511.77	1065.68	13620.39	511.77	1079.64	13620.58	469.63	1079.64	14706.60		
		MIN	-161.98	-1089.36	-2906.65	-201.76	-1089.36	-2709.96	-201.76	-1074.15	-2710.04	-315.99	-1074.15	-2514.15		
303	SUM TOTAL	TOTAL	MAX	1817.96	880.19	43163.87	1530.55	880.19	49668.76	1530.55	1009.05	49669.36	1298.53	1009.05	55073.78	
			MIN	1046.55	-1274.85	27915.41	817.01	-1274.85	33338.41	817.01	-1144.75	33338.74	512.90	-1144.75	37853.02	



BAGO RIVER BRIDGE

BLOCK [ No.1 : MAIN GIRDER ] [ BEAM MEMBER FORCE ]

MEMBER NODE	3043	3044			3044			3045						
		SHEAR	TORQUE	MOMENT	SHEAR	TORQUE	MOMENT	SHEAR	TORQUE	MOMENT				
NAME TITLE	S2 (kN)	TQ (kN·m)	M3 (kN·m)	S2 (kN)	TQ (kN·m)	M3 (kN·m)	S2 (kN)	TQ (kN·m)	M3 (kN·m)	S2 (kN)	TQ (kN·m)	M3 (kN·m)		
1 PAVEMENT	123.66	39.88	6398.66	93.76	39.88	6906.96	93.76	136.60	6905.72	63.82	136.60	7274.99		
3 RAILING	1.27	1.94	199.55	2.81	1.94	209.07	2.81	4.87	209.03	4.36	4.87	225.83		
5 CURB	12.54	19.25	1975.58	27.77	19.25	2069.83	27.77	48.24	2069.36	43.21	48.24	2235.69		
7 DECK WEIGHT	205.36	61.12	10487.39	159.52	61.12	11340.72	159.52	219.94	11338.75	112.81	219.94	11977.66		
8 GIRDER WEIGH	300.43	63.16	14975.51	213.00	63.16	16175.85	213.00	289.70	16173.38	125.38	289.70	16966.33		
10 MEDIAN STRIP	96.16	-0.70	3200.30	67.00	-0.70	3582.66	67.00	49.47	3582.32	34.97	49.47	3823.65		
21 ADITIONAL WE	57.50	17.11	2936.47	44.67	17.11	3175.40	44.67	61.58	3174.85	31.59	61.58	3353.75		
31 MEDIAN RAILI	5.08	0.23	194.79	2.79	0.23	213.18	2.79	3.22	213.16	0.49	3.22	220.81		
51 SUPPORT WEIG	-0.00	-0.00	-0.00	-0.00	-0.00	-0.00	-0.00	-0.00	-0.00	-0.00	-0.00	-0.00		
52 NOSE WEIGHT	-0.00	0.00	0.01	-0.00	0.00	0.01	-0.00	0.00	0.01	-0.00	0.00	0.00		
61 1-LANE(case1TRUCK-LOAD	MAX	S2	35.67	-190.28	984.15	35.67	-190.28	1150.94	35.67	-174.15	1153.49	35.67	-174.15	1320.68
		TQ	-16.15	178.50	959.89	-16.15	178.50	884.37	-16.15	190.87	881.79	-16.15	190.87	806.10
		M3	10.26	-22.47	1313.47	11.94	-42.16	1362.65	11.94	-23.08	1363.11	17.69	-74.85	1432.21
	MIN	S2	-16.41	176.89	1066.05	-16.41	176.89	989.32	-16.41	190.72	986.75	-16.41	190.72	909.84
		TQ	34.73	-197.47	857.46	34.73	-197.47	1019.83	34.41	-183.21	1009.09	34.41	-183.21	1170.35
		M3	5.20	-34.15	-301.73	5.20	-34.15	-277.43	5.20	-38.03	-276.93	5.20	-38.03	-252.57
	TANDEM-LOAD MAX	S2	24.83	-132.78	648.75	24.83	-132.78	764.85	24.83	-122.05	766.63	24.83	-122.05	883.01
		TQ	-11.68	123.39	675.88	-11.68	123.39	621.29	-11.68	132.08	619.50	-11.68	132.08	564.78
		M3	6.48	-6.67	893.80	8.25	-41.10	925.50	8.25	-28.13	925.98	15.10	-71.42	974.17
	MIN	S2	-11.75	122.94	705.51	-11.75	122.94	650.58	-11.75	132.04	648.79	-11.75	132.04	593.73
		TQ	24.73	-134.57	624.76	24.73	-134.57	740.39	22.95	-125.25	664.44	22.95	-125.25	771.99
		M3	3.54	-23.49	-205.45	3.54	-23.49	-188.90	3.54	-26.13	-188.55	3.54	-26.13	-171.96
	DISPERSION-LMAX	S2	35.18	-195.11	829.68	35.18	-195.11	994.17	35.18	-181.16	996.80	35.18	-181.16	1161.68
		TQ	-10.65	141.65	1070.11	-10.65	141.65	1020.31	-10.18	155.99	1078.71	-10.18	155.99	1030.99
		M3	17.20	-22.72	2021.34	17.20	-22.72	2101.76	17.20	6.72	2101.87	17.20	6.72	2182.49
	MIN	S2	-11.84	131.66	835.51	-11.84	131.66	780.15	-11.84	142.58	778.23	-11.84	142.58	722.74
		TQ	33.99	-205.09	595.09	33.99	-205.09	754.01	33.52	-194.58	696.32	33.52	-194.58	853.43
		M3	6.14	-40.72	-356.14	6.14	-40.72	-327.44	6.14	-45.30	-326.84	6.14	-45.30	-298.07

BAGO RIVER BRIDGE

BLOCK [ No.1 : MAIN GIRDER ][ BEAM MEMBER FORCE ]

MEMBER				3043			3044			3045					
NODE				3043			3044			3044			3045		
				SHEAR	TORQUE	MOMENT	SHEAR	TORQUE	MOMENT	SHEAR	TORQUE	MOMENT	SHEAR	TORQUE	MOMENT
NAME	TITLE			S2 (kN)	TQ (kN·m)	M3 (kN·m)	S2 (kN)	TQ (kN·m)	M3 (kN·m)	S2 (kN)	TQ (kN·m)	M3 (kN·m)	S2 (kN)	TQ (kN·m)	M3 (kN·m)
62	1-LANE (case2TRUCK-LOAD	MAX	S2	50.08	-63.12	1299.35	50.08	-63.12	1533.52	50.08	-41.63	1534.26	50.08	-41.63	1768.98
			TQ	-22.56	71.57	1361.69	-22.56	71.57	1256.19	-22.56	89.16	1255.07	-22.56	89.16	1149.31
			M3	23.60	32.50	1640.02	35.88	-15.40	1687.55	35.88	8.23	1687.60	44.07	-33.05	1787.89
		MIN	S2	-26.30	62.19	1588.12	-26.30	62.19	1465.15	-26.30	82.71	1464.14	-26.30	82.71	1340.88
			TQ	41.20	-77.23	1048.61	41.20	-77.23	1241.24	39.37	-60.29	1191.94	39.37	-60.29	1376.48
			M3	5.00	-12.86	-302.24	5.00	-12.86	-278.85	5.00	-16.76	-278.64	5.00	-16.76	-255.19
		TANDEM-LOAD MAX	S2	34.39	-36.20	930.49	34.39	-36.20	1091.28	34.39	-20.92	1091.68	34.39	-20.92	1252.86
			TQ	-17.55	49.07	1000.98	-17.55	49.07	918.91	-17.55	61.94	918.13	-17.55	61.94	835.86
			M3	17.07	30.31	1149.80	26.25	-4.19	1176.11	26.25	12.28	1176.05	34.39	-20.92	1252.86
		MIN	S2	-18.30	36.57	1143.96	-18.30	36.57	1058.39	-18.30	51.39	1057.77	-18.30	51.39	972.00
			TQ	28.53	-52.95	727.09	28.53	-52.95	860.49	25.44	-41.05	775.68	25.44	-41.05	894.90
			M3	3.41	-8.83	-205.80	3.41	-8.83	-189.87	3.41	-11.49	-189.73	3.41	-11.49	-173.75
		DISPERSION-LMAX	S2	47.57	-79.97	788.54	43.72	-81.84	858.58	43.72	-69.81	859.64	39.69	-70.10	938.61
			TQ	-12.14	55.38	1181.33	-18.21	55.38	1110.27	-15.69	71.63	1214.21	-18.88	71.63	1129.80
			M3	25.64	-11.50	2163.79	19.56	-11.50	2269.34	19.56	20.28	2269.28	13.61	20.28	2346.76
MIN	S2	-16.04	53.25	1019.30	-18.27	55.12	1082.37	-18.27	70.27	1081.49	-20.19	70.57	1107.62		
	TQ	43.66	-82.10	626.52	43.66	-82.10	830.68	41.14	-71.16	726.93	38.38	-71.16	916.44		
	M3	5.89	-15.22	-355.94	5.89	-15.22	-328.39	5.89	-19.81	-328.14	5.89	-19.81	-300.52		
63	1-LANE (case3TRUCK-LOAD	MAX	S2	203.82	3.01	1798.83	122.92	8.45	2079.23	122.92	37.57	2078.91	65.58	46.55	1962.58
			TQ	35.95	66.44	871.66	35.95	66.44	1039.77	36.40	81.06	1053.58	36.40	81.06	1224.18
			M3	190.73	0.71	1809.90	110.42	5.71	2107.48	110.42	35.22	2107.20	44.93	42.99	1985.24
		MIN	S2	-36.50	-7.39	1754.53	-93.02	0.82	2049.12	-93.02	29.52	2048.91	-175.07	35.36	1958.75
			TQ	-15.47	-39.83	975.35	-15.47	-39.83	903.04	-15.18	-27.31	886.92	-15.18	-27.31	815.79
			M3	4.86	3.27	-303.00	4.86	3.27	-280.25	4.86	-0.65	-280.27	4.86	-0.65	-257.48

BAGO RIVER BRIDGE

BLOCK [ No.1 : MAIN GIRDER ][ BEAM MEMBER FORCE ]

MEMBER		3043			3044			3044			3045					
NODE		3043			3044			3044			3045					
		SHEAR	TORQUE	MOMENT	SHEAR	TORQUE	MOMENT	SHEAR	TORQUE	MOMENT	SHEAR	TORQUE	MOMENT			
NAME	TITLE	S2 (kN)	TQ (kN·m)	M3 (kN·m)	S2 (kN)	TQ (kN·m)	M3 (kN·m)	S2 (kN)	TQ (kN·m)	M3 (kN·m)	S2 (kN)	TQ (kN·m)	M3 (kN·m)			
63	1-LANE (case3TANDEM-LOAD	MAX	S2	165.69	1.57	1343.34	107.92	2.18	1574.94	107.92	24.23	1574.76	54.33	26.13	1469.60	
			TQ	23.72	45.68	571.03	23.72	45.68	681.97	26.36	55.23	769.93	26.36	55.23	893.49	
			M3	165.69	1.57	1343.34	107.92	2.18	1574.95	107.92	24.23	1574.76	54.33	26.13	1469.60	
		MIN	S2	-34.00	0.25	1336.78	-87.79	1.44	1570.44	-87.79	23.43	1570.26	-146.70	24.68	1468.94	
			TQ	-11.58	-27.47	728.93	-11.58	-27.47	674.78	-9.84	-19.08	574.85	-9.84	-19.08	528.74	
			M3	3.31	2.28	-206.33	3.31	2.28	-190.85	3.31	-0.40	-190.86	3.31	-0.40	-175.34	
		DISPERSION-LMAX	S2	80.57	57.20	865.56	55.60	56.94	910.10	55.60	69.68	909.21	40.57	65.38	848.70	
			TQ	64.64	58.49	1007.78	39.97	58.49	1256.62	33.40	80.21	1730.20	-3.25	80.21	1801.09	
			M3	58.12	27.28	2246.35	21.69	27.28	2433.05	21.69	61.35	2432.42	-14.96	61.35	2448.44	
	MIN		S2	-16.74	-25.80	1024.79	-28.20	-25.54	1193.66	-28.20	-8.82	1193.90	-49.82	-4.53	1297.19	
			TQ	-0.80	-27.09	882.57	-12.56	-27.09	847.14	-6.00	-19.36	372.91	-6.00	-19.36	344.80	
			M3	5.71	4.12	-355.99	5.71	4.12	-329.29	5.71	-0.50	-329.31	5.71	-0.50	-302.55	
64	1-LANE (case4TRUCK-LOAD	MAX	S2	72.77	231.73	1356.90	72.77	231.73	1697.17	72.77	255.48	1693.76	111.83	204.43	2213.84	
			TQ	60.09	242.26	1149.25	60.09	242.26	1430.24	70.34	262.69	1597.39	70.34	262.69	1927.03	
			M3	-33.40	-70.84	2031.89	14.35	75.87	1929.83	14.35	102.89	1928.57	111.83	204.43	2213.84	
		MIN	S2	-80.14	-161.08	1969.70	-42.38	-190.26	1609.20	-42.38	-167.70	1611.71	-42.38	-167.70	1413.07	
			TQ	-31.80	-198.27	1457.67	-31.80	-198.27	1308.97	-31.80	-179.92	1311.62	-31.80	-179.92	1162.57	
			M3	4.61	36.15	-306.34	4.61	36.15	-284.80	4.61	32.16	-285.27	4.61	32.16	-263.68	
		TANDEM-LOAD	MAX	S2	54.04	159.05	940.02	54.04	159.05	1192.68	54.04	175.74	1190.34	96.10	116.98	1516.21
			TQ	42.58	166.10	798.71	42.58	166.10	997.79	45.44	180.18	1043.00	45.44	180.18	1255.95	
			M3	-41.85	-71.16	1388.29	32.17	98.39	1328.30	32.17	116.98	1326.80	73.93	135.43	1516.40	
	MIN		S2	-73.81	-71.16	1388.29	-33.35	-131.46	1137.89	-33.35	-115.51	1139.62	-33.35	-115.51	983.29	
			TQ	-23.02	-136.87	1026.25	-23.02	-136.87	918.61	-23.02	-124.00	920.43	-23.02	-124.00	812.54	
			M3	3.14	24.92	-208.71	3.14	24.92	-194.04	3.14	22.20	-194.37	3.14	22.20	-179.67	

BAGO RIVER BRIDGE

BLOCK [ No.1 : MAIN GIRDER ][ BEAM MEMBER FORCE ]

MEMBER			3043			3044			3044			3045					
NODE			3043			3044			3044			3045					
			SHEAR	TORQUE	MOMENT	SHEAR	TORQUE	MOMENT	SHEAR	TORQUE	MOMENT	SHEAR	TORQUE	MOMENT			
NAME	TITLE		S2 (kN)	TQ (kN·m)	M3 (kN·m)	S2 (kN)	TQ (kN·m)	M3 (kN·m)	S2 (kN)	TQ (kN·m)	M3 (kN·m)	S2 (kN)	TQ (kN·m)	M3 (kN·m)			
64	1-LANE (case4DISPERSION-LMAX	S2	50.26	246.60	696.39	52.83	243.56	1051.25	52.83	258.26	1047.74	62.94	261.20	1378.22			
		TQ	49.12	248.97	738.25	49.12	248.97	967.93	51.56	263.12	1075.31	62.67	263.12	1342.75			
		M3	13.44	52.63	2458.82	24.45	52.63	2547.30	24.45	88.30	2546.31	35.56	88.30	2686.73			
		MIN	S2	-31.44	-152.58	1405.31	-22.99	-149.54	1164.08	-22.99	-133.22	1166.06	-22.00	-136.16	1001.20		
		TQ	-30.30	-154.95	1363.45	-19.29	-154.95	1247.40	-21.72	-138.09	1138.49	-21.72	-138.09	1036.67			
		M3	5.38	41.39	-357.12	5.38	41.39	-331.97	5.38	36.74	-332.52	5.38	36.74	-307.30			
		65	2-LANES (caseTRUCK-LOAD	MAX	S2	75.01	-311.80	2122.03	75.01	-311.80	2472.76	75.01	-277.14	2476.88	75.01	-277.14	2828.44
				TQ	-32.48	302.67	2046.53	-32.48	302.67	1894.67	-32.66	329.33	1906.22	-32.66	329.33	1753.14	
				M3	7.87	18.28	2792.74	28.94	-62.62	2868.07	28.94	-22.45	2868.67	50.35	-130.50	3050.55	
MIN	S2			-34.32	291.75	2356.87	-34.32	291.75	2196.41	-34.32	322.48	2192.11	-34.32	322.48	2031.26		
TQ	70.03			-335.39	1759.11	70.03	-335.39	2086.53	68.59	-306.19	2031.43	68.59	-306.19	2352.89			
M3	10.30			-57.67	-603.68	10.30	-57.67	-555.53	10.30	-65.45	-554.67	10.30	-65.45	-506.42			
TANDEM-LOAD	MAX			S2	51.69	-208.36	1463.50	51.69	-208.36	1705.20	51.69	-184.46	1707.95	51.69	-184.46	1950.21	
TQ	-22.47			208.48	1387.30	-22.47	208.48	1282.23	-23.53	226.67	1371.69	-23.53	226.67	1261.39			
M3	1.44			30.26	1908.00	17.20	-46.97	1952.42	17.20	-19.62	1952.89	36.99	-104.80	2085.20			
MIN	S2	-24.16	195.58	1638.72	-24.16	195.58	1525.74	-24.16	216.93	1522.85	-24.16	216.93	1409.59				
TQ	49.18	-229.16	1252.21	49.18	-229.16	1482.18	47.40	-209.43	1407.49	47.40	-209.43	1629.65					
M3	7.01	-39.66	-411.06	7.01	-39.66	-378.26	7.01	-44.96	-377.66	7.01	-44.96	-344.79					
DISPERSION-LMAX	S2	73.80	-339.93	1534.42	73.80	-339.93	1879.51	73.80	-313.58	1884.09	73.80	-313.58	2230.00				
TQ	-24.58	241.91	2198.06	-24.58	241.91	2083.14	-23.18	271.40	2229.58	-23.18	271.40	2120.94					
M3	35.56	-40.43	4116.67	35.56	-40.43	4282.96	35.56	19.56	4283.11	35.56	19.56	4449.79					
MIN	S2	-26.09	230.80	1870.06	-26.09	230.80	1748.09	-26.09	255.25	1744.69	-26.09	255.25	1622.43				
TQ	72.30	-351.04	1206.43	72.30	-351.04	1544.47	70.90	-329.72	1399.20	70.90	-329.72	1731.49					
M3	12.15	-68.71	-712.18	12.15	-68.71	-655.35	12.15	-77.88	-654.33	12.15	-77.88	-597.36					

BAGO RIVER BRIDGE

BLOCK [ No.1 : MAIN GIRDER ][ BEAM MEMBER FORCE ]

MEMBER				3043			3044			3045					
NODE				3043			3044			3044			3045		
				SHEAR	TORQUE	MOMENT	SHEAR	TORQUE	MOMENT	SHEAR	TORQUE	MOMENT	SHEAR	TORQUE	MOMENT
NAME	TITLE			S2 (kN)	TQ (kN·m)	M3 (kN·m)	S2 (kN)	TQ (kN·m)	M3 (kN·m)	S2 (kN)	TQ (kN·m)	M3 (kN·m)	S2 (kN)	TQ (kN·m)	M3 (kN·m)
66	2-LANES (caseTRUCK-LOAD	MAX	S2	89.42	-184.64	2437.23	89.42	-184.64	2855.34	89.42	-144.63	2857.65	89.42	-144.63	3276.75
			TQ	-38.89	195.75	2448.34	-38.89	195.75	2266.49	-39.08	227.62	2279.50	-39.08	227.62	2096.36
			M3	21.21	73.25	3119.29	52.88	-35.86	3192.97	52.88	8.86	3193.16	76.73	-88.70	3406.23
		MIN	S2	-44.21	177.06	2878.94	-44.21	177.06	2672.23	-44.21	214.46	2669.49	-44.21	214.46	2462.30
			TQ	76.50	-215.16	1950.26	76.50	-215.16	2307.94	73.55	-183.27	2214.29	73.55	-183.27	2559.02
			M3	10.10	-36.39	-604.19	10.10	-36.39	-556.95	10.10	-44.18	-556.39	10.10	-44.18	-509.03
		TANDEM-LOAD MAX	S2	61.25	-111.79	1745.24	61.25	-111.79	2031.63	61.25	-83.32	2033.00	61.25	-83.32	2320.06
			TQ	-28.35	134.16	1712.40	-28.35	134.16	1579.85	-29.41	156.53	1670.32	-29.41	156.53	1532.47
			M3	12.03	67.24	2164.01	35.20	-10.06	2203.03	35.20	20.80	2202.96	56.28	-54.29	2363.89
		MIN	S2	-30.72	109.22	2077.18	-30.72	109.22	1933.54	-30.72	136.28	1931.83	-30.72	136.28	1787.86
			TQ	52.99	-147.54	1354.54	52.99	-147.54	1602.28	49.89	-125.23	1518.72	49.89	-125.23	1752.56
			M3	6.88	-25.01	-411.41	6.88	-25.01	-379.23	6.88	-30.31	-378.84	6.88	-30.31	-346.59
		DISPERSION-LMAX	S2	86.19	-224.80	1493.28	82.35	-226.67	1743.93	82.35	-202.22	1746.93	78.31	-202.52	2006.93
			TQ	-26.06	155.64	2309.28	-32.14	155.64	2173.10	-28.69	187.04	2365.07	-31.88	187.04	2219.75
			M3	44.00	-29.21	4259.12	37.92	-29.21	4450.54	37.92	33.12	4450.51	31.97	33.12	4614.06
MIN	S2	-30.28	152.39	2053.85	-32.52	154.25	2050.31	-32.52	182.95	2047.95	-34.43	183.25	2007.31		
	TQ	81.97	-228.05	1237.85	81.97	-228.05	1621.13	78.52	-206.31	1429.81	75.76	-206.31	1794.49		
	M3	11.91	-43.20	-711.99	11.91	-43.20	-656.30	11.91	-52.39	-655.63	11.91	-52.39	-599.82		
67	2-LANES (caseTRUCK-LOAD	MAX	S2	313.43	-12.07	3702.51	210.24	59.42	4130.81	210.24	117.26	4129.57	134.31	177.35	4035.70
			TQ	82.41	214.94	1921.65	82.41	214.94	2306.97	82.85	247.28	2318.57	82.85	247.28	2706.89
			M3	288.04	-32.17	3729.85	185.65	38.37	4181.70	185.65	96.93	4180.76	100.26	161.23	4085.95
		MIN	S2	-74.59	-86.72	3616.10	-148.62	-27.41	4071.89	-148.62	29.61	4071.87	-252.92	102.37	4029.34
			TQ	-37.54	-154.55	2236.38	-37.54	-154.55	2060.84	-36.81	-126.06	2026.93	-36.81	-126.06	1854.41
			M3	9.64	17.33	-606.97	9.64	17.33	-561.89	9.64	9.46	-562.07	9.64	9.46	-516.89

BAGO RIVER BRIDGE

BLOCK [ No.1 : MAIN GIRDER ][ BEAM MEMBER FORCE ]

MEMBER		3043			3044			3044			3045						
NODE		3043			3044			3044			3045						
		SHEAR	TORQUE	MOMENT	SHEAR	TORQUE	MOMENT	SHEAR	TORQUE	MOMENT	SHEAR	TORQUE	MOMENT				
NAME	TITLE	S2 (kN)	TQ (kN·m)	M3 (kN·m)	S2 (kN)	TQ (kN·m)	M3 (kN·m)	S2 (kN)	TQ (kN·m)	M3 (kN·m)	S2 (kN)	TQ (kN·m)	M3 (kN·m)				
67	2-LANES (caseTANDEM-LOAD	MAX	S2	247.43	-30.50	2726.27	174.08	15.08	3069.17	174.08	58.06	3068.66	105.51	102.84	2980.78		
			TQ	54.08	147.47	1260.12	54.08	147.47	1513.00	56.72	168.66	1599.45	56.72	168.66	1865.29		
			M3	247.43	-30.50	2726.28	174.08	15.08	3069.18	174.08	58.06	3068.66	105.51	102.84	2980.78		
			MIN	S2	-63.83	-41.25	2713.62	-132.37	2.38	3060.41	-132.37	45.24	3060.07	-206.92	92.03	2979.66	
			TQ	-25.52	-105.96	1534.38	-25.52	-105.96	1415.04	-23.78	-87.19	1316.14	-23.78	-87.19	1204.70		
			M3	6.56	11.97	-413.35	6.56	11.97	-382.66	6.56	6.61	-382.79	6.56	6.61	-352.02		
			DISPERSION-LMAX	S2	147.97	199.24	1781.75	109.81	201.69	1853.05	109.81	227.62	1850.05	84.32	215.38	1766.46	
			TQ	118.84	203.23	1697.27	94.18	203.23	2199.58	81.45	240.11	2907.93	24.77	240.11	3157.09		
			M3	101.09	67.57	4590.66	44.73	67.57	4931.66	44.73	136.63	4930.23	-11.96	136.63	5007.26		
			MIN	S2	-35.58	-110.68	2096.56	-53.78	-113.12	2419.13	-53.78	-79.23	2420.48	-84.97	-67.00	2634.10	
			TQ	-6.45	-114.67	2181.04	-38.14	-114.67	2072.61	-25.42	-91.72	1362.60	-25.42	-91.72	1243.47		
			M3	11.31	21.00	-712.35	11.31	21.00	-659.47	11.31	11.76	-659.70	11.31	11.76	-606.71		
		68	2-LANES (caseTRUCK-LOAD	MAX	S2	182.40	216.65	3260.55	160.11	282.68	3748.77	160.11	335.15	3744.44	180.57	335.20	4286.91
					TQ	106.54	390.71	2199.24	106.54	390.71	2697.41	116.78	428.88	2862.35	116.78	428.88	3409.70
					M3	63.92	-103.72	3951.82	89.60	108.52	4004.07	89.60	164.58	4002.16	167.16	322.64	4314.50
	MIN			S2	-118.24	-240.40	3831.26	-97.99	-218.50	3632.00	-97.99	-167.61	3634.71	-120.30	-100.72	3483.64	
	TQ			-53.88	-313.00	2718.70	-53.88	-313.00	2466.78	-53.44	-278.67	2451.64	-53.44	-278.67	2201.19		
	M3			9.30	61.51	-611.52	9.30	61.51	-568.05	9.30	53.54	-568.85	9.30	53.54	-525.28		
	TANDEM-LOAD			MAX	S2	135.77	126.98	2322.95	120.21	171.95	2686.95	120.21	209.56	2684.28	147.28	193.66	3027.39
	TQ			72.93	267.87	1487.79	72.93	267.87	1828.81	75.79	293.57	1872.51	75.79	293.57	2227.72		
	M3			39.89	-103.23	2771.22	98.34	111.29	2822.57	98.34	150.81	2820.74	125.12	212.11	3027.58		
	MIN			S2	-103.64	-112.66	2765.13	-77.95	-130.52	2627.90	-77.95	-93.71	2629.47	-93.64	-48.18	2494.02	
	TQ			-36.96	-215.36	1831.69	-36.96	-215.36	1658.87	-36.96	-192.11	1661.72	-36.96	-192.11	1488.50		
	M3			6.33	42.42	-416.59	6.33	42.42	-387.00	6.33	37.00	-387.55	6.33	37.00	-357.89		

BAGO RIVER BRIDGE

BLOCK [ No.1 : MAIN GIRDER ] [ BEAM MEMBER FORCE ]

MEMBER		3043			3044			3044			3045					
NODE		3043			3044			3044			3045					
		SHEAR	TORQUE	MOMENT	SHEAR	TORQUE	MOMENT	SHEAR	TORQUE	MOMENT	SHEAR	TORQUE	MOMENT			
NAME	TITLE	S2 (kN)	TQ (kN·m)	M3 (kN·m)	S2 (kN)	TQ (kN·m)	M3 (kN·m)	S2 (kN)	TQ (kN·m)	M3 (kN·m)	S2 (kN)	TQ (kN·m)	M3 (kN·m)			
68	2-LANES (caseDISPERSION-LMAX	S2	117.56	400.43	1612.16	106.93	400.09	1993.30	106.93	427.96	1987.51	106.59	422.97	2294.33		
		TQ	103.23	405.50	1427.32	103.23	405.50	1909.99	100.90	434.32	2171.52	91.97	434.32	2623.28		
		M3	56.46	90.38	4801.38	47.54	90.38	5044.41	47.54	161.02	5042.65	38.61	161.02	5244.29		
		MIN	S2	-50.22	-239.96	2475.35	-48.52	-239.62	2388.06	-48.52	-206.15	2391.18	-57.11	-201.15	2336.96	
		TQ	-35.89	-245.03	2660.18	-44.82	-245.03	2471.38	-42.49	-212.50	2207.17	-42.49	-212.50	2008.01		
		M3	10.87	70.09	-713.87	10.87	70.09	-663.04	10.87	60.79	-663.96	10.87	60.79	-613.00		
		MAX	S2	125.09	-374.92	3421.37	125.09	-374.92	4006.28	125.09	-318.78	4011.14	125.09	-318.78	4597.43	
		TQ	-55.04	374.25	3408.22	-55.04	374.25	3150.86	-55.23	418.49	3161.29	-55.23	418.49	2902.46		
		M3	31.47	50.78	4432.75	64.82	-78.03	4555.62	64.82	-14.22	4556.27	94.42	-163.55	4838.43		
69	3-LANES (caseTRUCK-LOAD	MIN	S2	-60.62	353.94	3944.99	-60.62	353.94	3661.56	-60.62	405.19	3656.24	-60.62	405.19	3372.14	
		TQ	111.22	-412.62	2807.72	111.22	-412.62	3327.77	107.96	-366.48	3223.38	107.96	-366.48	3729.37		
		M3	15.30	-70.53	-905.92	15.30	-70.53	-834.38	15.30	-82.21	-833.31	15.30	-82.21	-761.60		
		TANDEM-LOAD	MAX	S2	86.08	-244.56	2393.99	86.08	-244.56	2796.48	86.08	-205.37	2799.63	86.08	-205.37	3203.07
		TQ	-40.02	257.55	2388.28	-40.02	257.55	2201.14	-41.09	288.61	2289.82	-41.09	288.61	2097.25		
		M3	18.51	60.57	3057.81	43.45	-51.16	3128.53	43.45	-7.34	3128.94	71.38	-125.71	3338.06		
		MIN	S2	-42.47	232.16	2782.68	-42.47	232.16	2584.12	-42.47	268.32	2580.62	-42.47	268.32	2381.59	
		TQ	77.72	-282.11	1979.30	77.72	-282.11	2342.68	72.84	-250.48	2183.17	72.84	-250.48	2524.54		
		M3	10.42	-48.49	-616.86	10.42	-48.49	-568.13	10.42	-56.45	-567.39	10.42	-56.45	-518.54		
		DISPERSION-LMAX	S2	121.37	-419.91	2322.96	117.53	-421.77	2738.10	117.53	-383.38	2743.73	113.49	-383.68	3168.61	
		TQ	-36.71	297.29	3379.38	-42.79	297.29	3193.41	-38.87	343.03	3443.79	-42.06	343.03	3250.74		
		M3	61.20	-51.93	6280.45	55.12	-51.93	6552.30	55.12	39.84	6552.39	49.17	39.84	6796.55		
		MIN	S2	-42.12	284.05	2889.36	-44.36	285.92	2830.46	-44.36	325.53	2826.18	-46.27	325.82	2730.05	
		TQ	115.96	-433.15	1832.94	115.96	-433.15	2375.15	112.04	-400.89	2126.13	109.28	-400.89	2647.92		
		M3	18.05	-83.92	-1068.13	18.05	-83.92	-983.74	18.05	-97.69	-982.47	18.05	-97.69	-897.89		

BAGO RIVER BRIDGE

BLOCK [ No.1 : MAIN GIRDER ][ BEAM MEMBER FORCE ]

MEMBER				3043			3044			3045						
NODE				3043			3044			3044			3045			
				SHEAR	TORQUE	MOMENT	SHEAR	TORQUE	MOMENT	SHEAR	TORQUE	MOMENT	SHEAR	TORQUE	MOMENT	
NAME	TITLE			S2 (kN)	TQ (kN·m)	M3 (kN·m)	S2 (kN)	TQ (kN·m)	M3 (kN·m)	S2 (kN)	TQ (kN·m)	M3 (kN·m)	S2 (kN)	TQ (kN·m)	M3 (kN·m)	
70	3-LANES (caseTRUCK-LOAD	MAX	S2	386.21	219.71	5059.42	283.02	291.20	5828.01	283.02	372.79	5823.36	246.23	381.87	6249.60	
			TQ	142.50	457.24	3070.91	142.50	457.24	3737.22	153.20	510.02	3916.03	153.20	510.02	4634.03	
			M3	254.41	-103.34	5761.85	200.17	114.56	6111.58	200.17	200.14	6109.38	212.18	365.75	6299.85	
			MIN	S2	-154.72	-247.75	5585.92	-191.01	-217.68	5681.06	-191.01	-138.10	5683.55	-295.31	-65.35	5442.36
				TQ	-69.34	-352.82	3694.05	-69.34	-352.82	3369.82	-68.61	-305.98	3338.55	-68.61	-305.98	3016.98
				M3	14.34	42.17	-912.09	14.34	42.17	-845.06	14.34	30.33	-845.57	14.34	30.33	-778.38
		TANDEM-LOAD	MAX	S2	301.47	128.59	3666.31	228.12	174.16	4261.89	228.12	233.83	4259.04	201.70	219.88	4497.01
				TQ	96.66	313.60	2058.84	96.66	313.60	2510.81	102.16	348.86	2642.49	102.16	348.86	3121.29
				M3	205.53	-101.72	4114.59	206.26	113.53	4397.51	206.26	175.10	4395.49	179.48	238.29	4497.18
			MIN	S2	-137.69	-112.48	4101.93	-165.73	-129.08	4198.29	-165.73	-70.27	4199.69	-240.27	-23.48	3962.96
				TQ	-48.54	-242.84	2560.63	-48.54	-242.84	2333.65	-46.80	-211.19	2236.57	-46.80	-211.19	2017.24
				M3	9.76	29.10	-621.20	9.76	29.10	-575.56	9.76	21.03	-575.91	9.76	21.03	-530.17
		DISPERSION-LMAX	MAX	S2	198.32	434.05	2479.21	162.79	433.45	2907.19	162.79	474.12	2900.84	147.51	464.75	3146.93
				TQ	168.08	440.35	2435.10	143.42	440.35	3167.64	132.99	491.42	3996.14	87.48	491.42	4512.44
				M3	114.44	122.61	7052.33	69.19	122.61	7481.43	69.19	227.38	7478.98	23.68	227.38	7696.26
			MIN	S2	-67.09	-260.86	3503.99	-76.80	-260.26	3583.63	-76.80	-210.04	3586.92	-107.03	-200.68	3636.81
				TQ	-36.86	-267.17	3548.11	-57.43	-267.17	3323.19	-47.01	-227.34	2491.62	-47.01	-227.34	2271.30
				M3	16.79	50.57	-1069.13	16.79	50.57	-990.61	16.79	36.69	-991.22	16.79	36.69	-912.52
71	3-LANES (caseTRUCK-LOAD	MAX	S2	386.22	219.65	5059.37	283.03	291.12	5827.97	283.03	372.71	5823.32	246.14	381.71	6249.44	
			TQ	142.49	457.12	3070.89	142.49	457.12	3737.16	153.18	509.90	3915.92	153.18	509.90	4633.86	
			M3	254.65	-103.01	5761.71	200.02	114.22	6111.53	200.02	199.80	6109.33	212.09	365.60	6299.70	
			MIN	S2	-154.74	-247.80	5585.80	-191.02	-217.67	5681.12	-191.02	-138.09	5683.61	-295.38	-65.37	5442.36
				TQ	-69.34	-352.82	3694.05	-69.34	-352.82	3369.81	-68.61	-305.98	3338.55	-68.61	-305.98	3016.98
				M3	14.07	76.08	-915.55	14.07	76.08	-849.75	14.07	64.17	-850.74	14.07	64.17	-784.78



BAGO RIVER BRIDGE

BLOCK [ No.1 : MAIN GIRDER ][ BEAM MEMBER FORCE ]

MEMBER				3043			3044			3045								
NODE				3043			3044			3044			3045					
				SHEAR	TORQUE	MOMENT	SHEAR	TORQUE	MOMENT	SHEAR	TORQUE	MOMENT	SHEAR	TORQUE	MOMENT			
NAME	TITLE			S2 (kN)	TQ (kN·m)	M3 (kN·m)	S2 (kN)	TQ (kN·m)	M3 (kN·m)	S2 (kN)	TQ (kN·m)	M3 (kN·m)	S2 (kN)	TQ (kN·m)	M3 (kN·m)			
71	3-LANES (case)	TANDEM-LOAD	MAX	S2	301.47	128.55	3666.29	228.13	174.13	4261.89	228.13	233.80	4259.03	201.61	219.77	4496.96		
				TQ	96.66	313.52	2058.82	96.66	313.52	2510.77	102.15	348.78	2642.43	102.15	348.78	3121.20		
				M3	205.58	-101.65	4114.56	206.27	113.46	4397.51	206.27	175.04	4395.49	179.45	238.22	4497.15		
			MIN	S2	-137.64	-112.41	4101.91	-165.74	-129.08	4198.33	-165.74	-70.27	4199.73	-240.35	-23.52	3962.93		
				TQ	-48.54	-242.84	2560.63	-48.54	-242.84	2333.65	-46.80	-211.19	2236.57	-46.80	-211.19	2017.24		
				M3	9.58	52.49	-623.65	9.58	52.49	-578.86	9.58	44.38	-579.54	9.58	44.38	-534.65		
		DISPERSION-LMAX	S2	198.02	469.47	2477.41	162.43	468.88	2902.58	162.43	509.48	2895.73	147.05	500.18	3141.54			
			TQ	170.09	475.33	2290.08	145.42	475.33	3031.99	138.80	522.78	3636.95	93.22	522.78	4180.69			
			M3	114.63	115.14	7045.90	69.28	115.14	7475.86	69.28	219.83	7473.52	23.70	219.83	7691.42			
			MIN	S2	-66.91	-268.26	3498.33	-76.67	-267.66	3580.15	-76.67	-217.49	3583.54	-106.88	-208.20	3632.85		
				TQ	-38.98	-274.11	3685.65	-59.66	-274.11	3450.74	-53.05	-230.79	2842.33	-53.05	-230.79	2593.71		
				M3	16.48	86.08	-1070.17	16.48	86.08	-993.13	16.48	72.16	-994.24	16.48	72.16	-917.02		
		72	4-LANES	TRUCK-LOAD	MAX	S2	18.90	76.79	-1214.82	18.90	76.79	-1126.45	18.90	61.00	-1127.41	18.90	61.00	-1038.83
						TQ	18.90	76.79	-1214.82	18.90	76.79	-1126.45	12.58	63.00	-763.85	12.58	63.00	-704.90
						M3	-5.72	-6.24	357.64	-5.72	-6.24	330.90	-5.72	-1.61	330.96	-5.72	-1.61	304.16
MIN	S2				-5.72	-6.17	357.62	-5.72	-6.17	330.88	-5.72	-1.54	330.93	-5.72	-1.54	304.13		
	TQ				-4.61	-6.88	289.65	-4.61	-6.88	268.07	0.86	-5.25	-46.26	0.86	-5.25	-42.25		
	M3				18.90	76.79	-1214.82	18.90	76.79	-1126.45	18.90	61.00	-1127.41	18.90	61.00	-1038.83		
TANDEM-LOAD	MAX			S2	12.89	54.39	-829.94	12.89	54.39	-769.65	12.89	43.61	-770.34	12.89	43.61	-709.91		
				TQ	12.89	54.39	-829.94	12.89	54.39	-769.65	8.58	44.82	-522.35	8.58	44.82	-482.13		
				M3	-3.89	-4.33	243.06	-3.89	-4.33	224.89	-3.89	-1.18	224.93	-3.89	-1.18	206.72		
	MIN			S2	-3.89	-4.33	243.06	-3.89	-4.33	224.89	-3.89	-1.18	224.93	-3.89	-1.18	206.72		
				TQ	-3.10	-4.69	194.66	-3.10	-4.69	180.16	0.50	-3.61	-26.86	0.50	-3.61	-24.50		
				M3	12.89	54.39	-829.94	12.89	54.39	-769.65	12.89	43.61	-770.34	12.89	43.61	-709.91		

BAGO RIVER BRIDGE

BLOCK [ No.1 : MAIN GIRDER ][ BEAM MEMBER FORCE ]

MEMBER				3043			3044			3045							
NODE				3043			3044			3044			3045				
				SHEAR	TORQUE	MOMENT	SHEAR	TORQUE	MOMENT	SHEAR	TORQUE	MOMENT	SHEAR	TORQUE	MOMENT		
NAME	TITLE			S2 (kN)	TQ (kN·m)	M3 (kN·m)	S2 (kN)	TQ (kN·m)	M3 (kN·m)	S2 (kN)	TQ (kN·m)	M3 (kN·m)	S2 (kN)	TQ (kN·m)	M3 (kN·m)		
72	4-LANES	DISPERSION-LMAX	S2	13.42	45.84	-857.34	13.42	45.84	-794.60	13.42	34.70	-795.17	13.42	34.70	-732.29		
			TQ	11.43	46.85	-735.15	11.43	46.85	-681.69	8.05	38.65	-487.68	8.05	38.65	-449.96		
			M3	-6.96	-7.47	435.08	-6.96	-7.47	402.55	-6.96	-1.83	402.61	-6.96	-1.83	370.00		
		MIN	S2	-6.96	-7.47	435.08	-6.96	-7.47	402.55	-6.96	-1.83	402.61	-6.96	-1.83	370.00		
			TQ	-5.14	-8.46	323.04	-5.14	-8.46	299.02	-1.69	-5.65	100.87	-1.69	-5.65	92.95		
			M3	13.42	46.06	-857.36	13.41	46.21	-794.63	13.41	35.10	-795.20	13.41	35.21	-732.34		
		73	6-LANES	TRUCK-LOAD MAX	S2	521.78	-98.65	8653.98	414.47	-56.23	9988.79	414.47	83.66	9988.59	366.84	73.10	10807.67
					TQ	84.97	758.35	6493.50	84.97	758.35	6890.80	93.48	855.29	7231.08	93.48	855.29	7669.22
					M3	313.98	-45.40	10206.12	280.82	28.81	10729.27	280.82	179.07	10727.82	245.45	92.85	11156.49
MIN	S2			-211.79	114.80	9526.90	-257.19	108.03	9537.28	-257.19	241.59	9534.84	-366.39	251.84	9220.47		
	TQ			51.26	-700.87	6633.82	51.26	-700.87	6873.50	49.84	-606.36	6639.32	49.84	-606.36	6872.89		
	M3			29.35	6.90	-1820.70	29.35	6.90	-1683.48	29.35	-16.68	-1683.41	29.35	-16.68	-1545.87		
TANDEM-LOAD MAX	S2			396.13	-93.80	6067.92	320.10	-60.67	7092.43	320.10	38.66	7092.59	283.55	7.13	7718.57		
	TQ			55.58	521.81	4444.00	55.58	521.81	4703.90	59.49	589.01	4953.63	59.49	589.01	5232.43		
	M3			249.04	-33.84	7197.16	264.48	57.56	7581.04	264.48	163.72	7579.49	185.38	92.91	7865.68		
MIN	S2	-176.35	124.79	6898.61	-213.31	92.50	6821.68	-213.31	188.03	6819.72	-291.36	169.69	6627.27				
	TQ	37.30	-481.41	4544.74	37.30	-481.41	4719.15	31.51	-416.98	4496.94	31.51	-416.98	4644.60				
	M3	19.98	4.93	-1239.96	19.98	4.93	-1146.52	19.98	-11.13	-1146.47	19.98	-11.13	-1052.81				
DISPERSION-LMAX	S2	297.98	44.12	4321.21	258.96	41.33	5083.08	258.96	112.51	5082.00	240.24	104.20	5674.34				
	TQ	122.89	710.99	5195.62	92.15	710.99	5702.44	87.24	797.79	6654.73	42.80	797.79	6955.46				
	M3	156.59	58.29	12421.25	109.07	57.13	13049.21	109.04	238.81	13047.14	62.11	238.74	13440.96				
MIN	S2	-104.46	16.44	6084.19	-116.15	19.23	6108.34	-116.15	104.77	6107.47	-148.11	113.36	6060.06				
	TQ	66.27	-647.12	5174.97	49.47	-647.12	5441.13	53.89	-577.98	4446.00	51.13	-577.98	4695.24				
	M3	33.06	2.98	-2048.08	33.02	7.24	-1893.60	33.01	-18.66	-1893.52	32.99	-17.09	-1738.86				

BAGO RIVER BRIDGE

BLOCK [ No.1 : MAIN GIRDER ] [ BEAM MEMBER FORCE ]

MEMBER		3043			3044			3044			3045			
NODE		3043			3044			3044			3045			
		SHEAR	TORQUE	MOMENT	SHEAR	TORQUE	MOMENT	SHEAR	TORQUE	MOMENT	SHEAR	TORQUE	MOMENT	
NAME TITLE		S2 (kN)	TQ (kN·m)	M3 (kN·m)	S2 (kN)	TQ (kN·m)	M3 (kN·m)	S2 (kN)	TQ (kN·m)	M3 (kN·m)	S2 (kN)	TQ (kN·m)	M3 (kN·m)	
124	SUM TOTAL													
	D+1LANE (caseMAX	S2	887.02	-260.47	42544.87	696.33	-260.47	46247.81	696.33	387.25	46246.92	501.65	387.25	49057.53
		TQ	769.84	586.18	42804.26	579.15	586.18	45959.30	579.71	1229.84	46019.17	385.03	1229.84	48283.21
		M3	834.95	147.77	44370.03	646.28	124.14	47830.98	646.28	793.99	47824.55	458.50	731.86	50416.34
	MIN	S2	768.10	572.26	42650.15	577.41	572.26	45797.05	577.41	1213.58	45784.54	382.73	1213.58	48037.80
		TQ	884.46	-281.07	42111.32	693.77	-281.07	45802.30	692.83	360.28	45713.06	498.15	360.28	48507.24
		M3	815.61	112.16	39578.82	624.91	112.16	42947.83	624.91	713.62	42942.05	430.23	713.62	45417.94
	D+1LANE (caseMAX	S2	919.18	30.30	42873.74	723.87	28.06	46544.21	723.87	679.89	46539.25	524.35	679.54	49327.82
		TQ	760.36	354.35	43419.90	562.38	354.35	46513.44	565.40	1006.56	46629.70	366.90	1006.56	48813.65
		M3	861.08	227.20	44932.83	677.84	169.71	48421.95	677.84	847.83	48414.82	485.85	798.30	51040.29
	MIN	S2	751.20	340.54	43497.17	557.83	342.78	46730.71	557.83	997.19	46721.32	360.85	997.55	49016.91
		TQ	903.84	10.80	42378.42	713.14	10.80	46159.99	707.93	655.88	45969.22	509.94	655.88	48830.21
		M3	815.08	168.31	39578.45	624.39	168.31	42945.00	624.39	769.73	42938.43	429.71	769.73	45411.85
	D+1LANE (caseMAX	S2	1143.27	274.25	43565.54	825.54	280.47	47260.88	825.54	942.32	47252.31	544.01	947.93	49452.24
		TQ	922.71	351.92	42623.60	702.42	351.92	46429.35	695.07	1007.14	47007.10	456.40	1007.14	49709.02
		M3	1100.63	235.59	45235.77	769.84	241.59	49122.32	769.84	929.51	49114.12	452.59	938.83	51399.13
	MIN	S2	738.12	162.17	43703.46	465.84	172.34	47565.02	465.84	838.45	47557.94	146.76	850.62	49985.84
		TQ	782.48	121.70	42597.78	577.67	121.70	45773.89	585.90	757.62	45178.36	391.22	757.62	47471.42
		M3	814.69	210.87	39577.48	624.00	210.87	42942.23	624.00	812.24	42935.06	429.32	812.24	45406.68
	D+1LANE (caseMAX	S2	949.64	776.00	42832.22	762.03	772.35	46971.79	762.03	1430.10	46956.37	626.36	1372.37	50389.18
		TQ	933.06	791.47	42633.28	742.37	791.47	46551.48	757.58	1444.60	46873.81	576.23	1444.60	50002.45
		M3	778.05	180.14	45757.13	657.87	356.20	49046.23	657.87	1043.05	49036.43	593.51	1164.89	51959.39
	MIN	S2	668.11	-174.39	44418.28	532.86	-205.76	47001.62	532.86	452.51	46999.89	339.37	448.98	48975.83
		TQ	727.48	-221.86	43753.62	550.00	-221.86	46741.33	547.08	432.00	46606.70	352.40	432.00	48717.80
		M3	813.99	295.04	39572.12	623.29	295.04	42933.56	623.29	896.29	42925.22	428.61	896.29	45393.53

BAGO RIVER BRIDGE

BLOCK [ No.1 : MAIN GIRDER ][ BEAM MEMBER FORCE ]

MEMBER				3043			3044			3045					
NODE				3043			3044			3045					
				SHEAR	TORQUE	MOMENT	SHEAR	TORQUE	MOMENT	SHEAR	TORQUE	MOMENT			
NAME	TITLE			S2 (kN)	TQ (kN·m)	M3 (kN·m)	S2 (kN)	TQ (kN·m)	M3 (kN·m)	S2 (kN)	TQ (kN·m)	M3 (kN·m)			
124	SUM TOTAL	D+2LANES (casMAX	S2	950.82	-449.74	44024.72	760.13	-449.74	48025.96	760.13	222.89	48027.54	565.45	222.89	51137.15
			TQ	744.95	746.58	44612.86	554.25	746.58	47651.48	555.47	1414.35	47802.37	360.79	1414.35	49952.79
			M3	845.44	179.85	47277.68	675.81	98.95	50824.71	675.81	810.72	50818.34	502.54	702.67	53579.04
		MIN	S2	741.60	724.55	44595.21	550.91	724.55	47618.18	550.91	1391.35	47603.36	356.23	1391.35	49732.40
			TQ	944.33	-484.43	43333.80	753.63	-484.43	47304.68	750.80	177.71	47097.20	556.11	177.71	50163.08
			M3	824.45	75.62	39052.41	633.76	75.62	42462.79	633.76	670.29	42457.57	439.08	670.29	44974.93
		D+2LANES (casMAX	S2	977.62	-207.44	44298.77	783.08	-209.30	48272.95	783.08	466.77	48271.15	584.37	466.47	51362.39
			TQ	737.05	553.39	45125.89	540.28	553.39	48113.27	543.54	1228.28	48311.15	345.68	1228.28	50394.82
			M3	867.21	246.03	47746.68	702.11	136.93	51317.19	702.11	855.60	51310.24	525.33	758.03	54099.00
		MIN	S2	727.51	531.44	45301.06	534.59	533.31	48396.23	534.59	1211.03	48384.01	337.99	1211.33	50548.32
			TQ	960.47	-241.21	43556.39	769.78	-241.21	47602.75	763.38	424.04	47310.67	565.94	424.04	50432.22
			M3	824.02	122.41	39052.09	633.32	122.41	42460.43	633.32	717.05	42454.55	438.64	717.05	44969.86
		D+2LANES (casMAX	S2	1263.41	389.17	45852.53	931.36	463.10	49657.54	931.36	1158.50	49646.19	635.27	1206.35	51880.86
			TQ	1003.25	620.17	43987.19	787.89	620.17	48180.22	775.62	1301.01	48893.07	524.25	1301.01	51942.68
			M3	1191.13	237.40	48688.78	841.69	307.94	52787.04	841.69	1047.18	52777.55	504.93	1111.48	55171.92
		MIN	S2	691.84	4.60	46080.93	408.91	61.46	50164.70	408.91	764.00	50158.92	78.73	848.99	52742.14
			TQ	758.02	-67.22	44785.69	535.63	-67.22	47807.13	549.08	595.84	47056.10	354.40	595.84	49176.59
			M3	822.95	240.32	39048.96	632.26	240.32	42452.32	632.26	834.83	42444.79	437.58	834.83	44955.12
		D+2LANES (casMAX	S2	1101.96	819.08	45240.98	878.35	884.77	49415.75	878.35	1576.73	49398.52	703.79	1571.78	52659.95
			TQ	1011.77	998.21	43994.83	821.08	998.21	48281.07	829.00	1676.81	48700.45	625.39	1676.81	52111.69
			M3	922.38	188.66	49121.48	748.45	400.90	52722.16	748.45	1139.22	52711.37	622.40	1297.27	55637.50
		MIN	S2	633.54	-278.36	46674.88	464.80	-256.12	49693.75	464.80	439.86	49692.46	239.22	511.75	51899.31
			TQ	712.23	-356.02	45747.16	512.61	-356.02	48611.84	515.38	322.45	48325.37	320.70	322.45	50287.91
			M3	822.17	333.59	39042.87	631.48	333.59	42442.59	631.48	927.96	42433.76	436.80	927.96	44940.43

BAGO RIVER BRIDGE

BLOCK [ No.1 : MAIN GIRDER ][ BEAM MEMBER FORCE ]

MEMBER		3043			3044			3044			3045					
NODE		3043			3044			3044			3045					
		SHEAR	TORQUE	MOMENT	SHEAR	TORQUE	MOMENT	SHEAR	TORQUE	MOMENT	SHEAR	TORQUE	MOMENT			
NAME TITLE		S2 (kN)	TQ (kN·m)	M3 (kN·m)	S2 (kN)	TQ (kN·m)	M3 (kN·m)	S2 (kN)	TQ (kN·m)	M3 (kN·m)	S2 (kN)	TQ (kN·m)	M3 (kN·m)			
124	SUM TOTAL	D+3LANES (casMAX	S2	1011.50	-473.60	45250.96	817.54	-475.19	49406.40	817.54	216.78	49408.21	619.43	216.53	52679.84	
			TQ	724.01	772.81	46137.74	528.15	772.81	49066.31	531.33	1460.91	49280.88	333.94	1460.91	51308.92	
			M3	880.77	201.02	49474.50	713.26	91.54	53115.42	713.26	835.39	53108.93	538.69	708.46	55968.44	
		MIN	S2	714.67	744.29	46177.47	522.08	745.88	49191.90	522.08	1434.72	49176.63	325.78	1434.98	51265.57	
			TQ	995.11	-516.90	44312.83	804.42	-516.90	48521.16	798.31	161.36	48213.65	601.28	161.36	51499.41	
			M3	830.35	70.71	38690.33	639.66	70.71	42128.27	639.66	660.70	42123.15	444.98	660.70	44668.14	
		D+3LANES (casMAX	S2	1298.86	757.69	46776.11	990.24	817.95	51098.60	990.24	1533.49	51082.14	751.31	1533.25	54065.76	
			TQ	1066.00	964.95	45048.37	854.34	964.95	49542.81	854.57	1664.84	50391.92	621.21	1664.84	53853.21	
			M3	1115.53	218.38	51260.33	840.27	403.60	55227.74	840.27	1177.01	55216.68	617.11	1317.78	57975.40	
		MIN	S2	613.46	-230.32	48094.69	383.67	-204.25	51548.67	383.67	517.69	51546.47	74.64	587.49	53796.01	
			TQ	711.73	-324.99	46524.11	503.55	-324.99	49362.73	513.03	360.29	48622.21	318.35	360.29	50573.74	
			M3	828.46	280.83	38684.23	637.77	280.83	42113.36	637.77	870.59	42105.30	443.09	870.59	44641.45	
		D+3LANES (casMAX	S2	1298.61	787.76	46774.53	989.95	847.99	51094.65	989.95	1563.48	51077.77	750.85	1563.23	54061.05	
			TQ	1067.70	994.59	44925.10	856.04	994.59	49427.46	859.50	1691.40	50086.51	626.07	1691.40	53571.07	
			M3	1115.89	212.31	51254.74	840.21	396.95	55222.97	840.21	1170.30	55211.99	617.05	1311.23	57971.16	
		MIN	S2	613.60	-236.65	48089.78	383.78	-210.53	51545.76	383.78	511.37	51543.65	74.71	581.09	53792.64	
			TQ	709.93	-330.90	46641.02	501.66	-330.90	49471.15	507.90	357.36	48920.32	313.22	357.36	50847.79	
			M3	827.97	339.83	38680.41	637.28	339.83	42107.23	637.28	929.50	42098.34	442.60	929.50	44632.17	
		D+4LANES	MAX	S2	823.01	281.70	39021.37	632.32	281.70	42425.00	632.32	875.83	42416.89	437.64	875.83	44927.48
			TQ	821.72	282.36	39100.80	631.03	282.36	42498.40	624.72	879.69	42853.07	430.04	879.69	45328.05	
			M3	793.76	193.09	40883.54	603.07	193.09	44150.42	603.07	811.38	44143.39	408.39	811.38	46516.91	
		MIN	S2	793.76	193.13	40883.53	603.07	193.13	44150.41	603.07	811.43	44143.37	408.39	811.43	46516.90	
			TQ	795.66	192.03	40766.52	604.97	192.03	44042.29	610.77	806.53	43702.06	416.09	806.53	46111.67	
			M3	823.01	281.85	39021.36	632.31	281.95	42424.98	632.31	876.09	42416.87	437.63	876.16	44927.44	

BAGO RIVER BRIDGE

BLOCK [ No.1 : MAIN GIRDER ] [ BEAM MEMBER FORCE ]

MEMBER					3043			3044			3045					
NODE					3043			3044			3044			3045		
					SHEAR	TORQUE	MOMENT	SHEAR	TORQUE	MOMENT	SHEAR	TORQUE	MOMENT	SHEAR	TORQUE	MOMENT
NAME TITLE					S2 (kN)	TQ (kN·m)	M3 (kN·m)	S2 (kN)	TQ (kN·m)	M3 (kN·m)	S2 (kN)	TQ (kN·m)	M3 (kN·m)	S2 (kN)	TQ (kN·m)	M3 (kN·m)
124	SUM TOTAL	D+6LANES	MAX	S2	1334.84	166.55	48802.14	1049.04	192.31	53470.39	1049.04	941.13	53462.45	811.23	928.86	56792.02
				TQ	937.11	1157.07	47966.20	726.43	1157.07	51859.29	728.78	1888.13	52692.35	505.21	1888.13	55584.76
				M3	1107.88	210.38	55076.06	864.74	257.86	59129.70	864.72	1085.24	59120.29	616.54	1029.15	62067.05
			MIN	S2	596.44	287.30	50515.48	368.64	284.72	53843.34	368.64	1038.75	53834.07	82.20	1051.00	56011.05
				TQ	878.40	-674.19	48043.98	676.79	-674.19	51678.19	678.73	43.80	50872.02	482.26	43.80	53597.99
				M3	842.57	208.42	37853.57	651.85	211.19	41348.58	651.84	790.65	41341.57	457.15	791.66	43943.64
	SUM TOTAL		MAX		1334.84	1157.07	55076.06	1049.04	1157.07	59129.70	1049.04	1888.13	59120.29	811.23	1888.13	62067.05
			MIN		596.44	-674.19	37853.57	368.64	-674.19	41348.58	368.64	43.80	41341.57	74.64	43.80	43943.64
300	DEAD LOAD	TOTAL			802.00	202.00	40368.27	611.31	202.00	43673.68	611.31	813.62	43666.57	416.63	813.62	46078.71
301	LIVE LOAD	1-LANE(case1MAX	S2		85.02	-462.47	2176.60	85.02	-462.47	2574.13	85.02	-426.37	2580.36	85.02	-426.37	2978.83
			TQ		-32.16	384.18	2435.99	-32.16	384.18	2285.62	-31.60	416.23	2352.60	-31.60	416.23	2204.50
			M3		32.95	-54.23	4001.76	34.97	-77.86	4157.30	34.97	-19.63	4157.98	41.87	-81.76	4337.63
			MIN	S2	-33.90	370.26	2281.87	-33.90	370.26	2123.37	-33.90	399.96	2117.97	-33.90	399.96	1959.10
				TQ	82.46	-483.07	1743.05	82.46	-483.07	2128.62	81.51	-453.34	2046.49	81.51	-453.34	2428.53
				M3	13.60	-89.84	-789.45	13.60	-89.84	-725.85	13.60	-100.00	-724.52	13.60	-100.00	-660.77
		1-LANE(case2MAX	S2		117.18	-171.70	2505.46	112.56	-173.94	2870.53	112.56	-133.73	2872.68	107.72	-134.08	3249.12
			TQ		-41.64	152.35	3051.63	-48.93	152.35	2839.76	-45.91	192.94	2963.13	-49.73	192.94	2734.94
			M3		59.08	25.20	4564.56	66.53	-32.29	4748.27	66.53	34.22	4748.26	69.22	-15.32	4961.58
			MIN	S2	-50.80	138.54	3128.90	-53.48	140.78	3057.03	-53.48	183.57	3054.75	-55.78	183.93	2938.20
				TQ	101.83	-191.20	2010.15	101.83	-191.20	2486.31	96.62	-157.74	2302.65	93.31	-157.74	2751.50
				M3	13.08	-33.69	-789.83	13.08	-33.69	-728.68	13.08	-43.89	-728.14	13.08	-43.89	-666.85
		1-LANE(case3MAX	S2		341.27	72.25	3197.27	214.23	78.47	3587.20	214.23	128.70	3585.75	127.38	134.32	3373.53
			TQ		120.71	149.92	2255.33	91.11	149.92	2755.67	83.76	193.52	3340.53	39.77	193.52	3630.32
			M3		298.62	33.59	4867.50	158.53	39.59	5448.64	158.53	115.89	5447.55	35.96	125.21	5320.42
			MIN	S2	-63.88	-39.83	3335.19	-145.47	-29.66	3891.34	-145.47	24.84	3891.37	-269.87	37.00	3907.13
				TQ	-19.52	-80.30	2229.51	-33.64	-80.30	2100.21	-25.41	-56.00	1511.79	-25.41	-56.00	1392.71
				M3	12.69	8.87	-790.79	12.69	8.87	-731.45	12.69	-1.38	-731.50	12.69	-1.38	-672.03

BAGO RIVER BRIDGE

BLOCK [ No.1 : MAIN GIRDER ][ BEAM MEMBER FORCE ]

MEMBER			3043			3044			3044			3045				
NODE			3043			3044			3044			3045				
NAME TITLE			SHEAR	TORQUE	MOMENT	SHEAR	TORQUE	MOMENT	SHEAR	TORQUE	MOMENT	SHEAR	TORQUE	MOMENT		
			S2 (kN)	TQ (kN·m)	M3 (kN·m)	S2 (kN)	TQ (kN·m)	M3 (kN·m)	S2 (kN)	TQ (kN·m)	M3 (kN·m)	S2 (kN)	TQ (kN·m)	M3 (kN·m)		
301	LIVE LOAD	1-LANE (case4MAX	S2	147.64	574.00	2463.95	150.72	570.35	3298.11	150.72	616.48	3289.80	209.73	558.76	4310.48	
			TQ	131.06	589.47	2265.01	131.06	589.47	2877.80	146.27	630.98	3207.24	159.60	630.98	3923.74	
			M3	-23.95	-21.86	5388.86	46.56	154.20	5372.55	46.56	229.43	5369.86	176.88	351.28	5880.68	
			MIN	S2	-133.90	-376.39	4050.01	-78.45	-407.76	3327.94	-78.45	-361.11	3333.32	-77.26	-364.64	2897.13
			TQ	-74.52	-423.86	3385.35	-61.31	-423.86	3067.65	-64.23	-381.62	2940.13	-64.23	-381.62	2639.09	
			M3	11.98	93.04	-796.15	11.98	93.04	-740.12	11.98	82.67	-741.35	11.98	82.67	-685.18	
		2-LANES (caseMAX	S2	148.82	-651.74	3656.45	148.82	-651.74	4352.27	148.82	-590.72	4360.97	148.82	-590.72	5058.44	
			TQ	-57.06	544.58	4244.58	-57.06	544.58	3977.80	-55.84	600.73	4135.80	-55.84	600.73	3874.08	
			M3	43.43	-22.15	6909.41	64.50	-103.05	7151.03	64.50	-2.89	7151.78	85.91	-110.95	7500.34	
			MIN	S2	-60.40	522.54	4226.93	-60.40	522.54	3944.50	-60.40	577.74	3936.79	-60.40	577.74	3653.69
			TQ	142.32	-686.44	2965.53	142.32	-686.44	3631.00	139.48	-635.91	3430.64	139.48	-635.91	4084.37	
			M3	22.45	-126.38	-1315.86	22.45	-126.38	-1210.89	22.45	-143.33	-1209.00	22.45	-143.33	-1103.78	
		2-LANES (caseMAX	S2	175.61	-409.44	3930.50	171.77	-411.30	4599.27	171.77	-346.85	4604.58	167.74	-347.15	5283.68	
			TQ	-64.96	351.39	4757.61	-71.03	351.39	4439.59	-67.77	414.66	4644.58	-70.95	414.66	4316.11	
			M3	65.21	44.03	7378.41	90.80	-65.07	7643.51	90.80	41.98	7643.67	108.70	-55.58	8020.29	
			MIN	S2	-74.49	329.44	4932.79	-76.72	331.31	4722.55	-76.72	397.41	4717.44	-78.64	397.71	4469.61
			TQ	158.47	-443.21	3188.12	158.47	-443.21	3929.07	152.07	-389.58	3644.10	149.31	-389.58	4353.51	
			M3	22.01	-79.59	-1316.18	22.01	-79.59	-1213.25	22.01	-96.57	-1212.02	22.01	-96.57	-1108.85	
		2-LANES (caseMAX	S2	461.40	187.17	5484.26	320.05	261.10	5983.86	320.05	344.88	5979.62	218.64	392.73	5802.16	
			TQ	201.25	418.17	3618.92	176.58	418.17	4506.54	164.31	487.39	5226.50	107.62	487.39	5863.97	
			M3	389.13	35.40	8320.51	230.38	105.94	9113.36	230.38	233.56	9110.98	88.30	297.86	9093.21	
			MIN	S2	-110.17	-197.40	5712.66	-202.40	-140.54	6491.02	-202.40	-49.62	6492.35	-337.90	35.37	6663.43
			TQ	-43.99	-269.22	4417.42	-75.68	-269.22	4133.45	-62.23	-217.78	3389.53	-62.23	-217.78	3097.88	
			M3	20.95	38.32	-1319.31	20.95	38.32	-1221.36	20.95	21.21	-1221.78	20.95	21.21	-1123.59	

BAGO RIVER BRIDGE

BLOCK [ No.1 : MAIN GIRDER ][ BEAM MEMBER FORCE ]

MEMBER			3043			3044			3044			3045				
NODE			3043			3044			3044			3045				
NAME TITLE			SHEAR	TORQUE	MOMENT	SHEAR	TORQUE	MOMENT	SHEAR	TORQUE	MOMENT	SHEAR	TORQUE	MOMENT		
			S2 (kN)	TQ (kN·m)	M3 (kN·m)	S2 (kN)	TQ (kN·m)	M3 (kN·m)	S2 (kN)	TQ (kN·m)	M3 (kN·m)	S2 (kN)	TQ (kN·m)	M3 (kN·m)		
301	LIVE LOAD	2-LANES (caseMAX	S2	299.96	617.08	4872.71	267.04	682.77	5742.07	267.04	763.11	5731.95	287.16	758.16	6581.25	
			TQ	209.77	796.21	3626.56	209.77	796.21	4607.39	217.69	863.19	5033.88	208.76	863.19	6032.98	
			M3	120.38	-13.34	8753.20	137.13	198.90	9048.48	137.13	325.60	9044.80	205.77	483.66	9558.80	
			MIN	S2	-168.46	-480.36	6306.61	-146.51	-458.12	6020.06	-146.51	-373.76	6025.89	-177.41	-301.87	5820.60
			TQ	-89.77	-558.02	5378.89	-98.70	-558.02	4938.16	-95.93	-491.17	4658.80	-95.93	-491.17	4209.20	
			M3	20.17	131.59	-1325.40	20.17	131.59	-1231.09	20.17	114.34	-1232.81	20.17	114.34	-1138.28	
		3-LANES (caseMAX	S2	209.50	-675.60	4882.68	206.23	-677.19	5732.72	206.23	-596.84	5741.64	202.80	-597.09	6601.13	
			TQ	-77.99	570.80	5769.46	-83.16	570.80	5392.63	-79.98	647.29	5614.31	-82.69	647.29	5230.22	
			M3	78.77	-0.98	9106.23	101.95	-110.46	9441.74	101.95	21.78	9442.36	122.06	-105.16	9889.74	
			MIN	S2	-87.33	542.29	5809.20	-89.23	543.88	5518.22	-89.23	621.11	5510.06	-90.85	621.36	5186.86
			TQ	193.11	-718.90	3944.56	193.11	-718.90	4847.48	187.00	-652.26	4547.08	184.65	-652.26	5420.70	
			M3	28.35	-131.29	-1677.94	28.35	-131.29	-1545.41	28.35	-152.92	-1543.42	28.35	-152.92	-1410.57	
		3-LANES (caseMAX	S2	496.85	555.69	6407.84	378.93	615.95	7424.92	378.93	719.87	7415.57	334.68	719.63	7987.05	
			TQ	264.00	762.95	4680.10	243.03	762.95	5869.13	243.26	851.22	6725.35	204.58	851.22	7774.50	
			M3	313.52	16.38	10892.06	228.96	201.60	11554.06	228.96	363.39	11550.11	200.48	504.16	11896.69	
			MIN	S2	-188.55	-432.32	7726.42	-227.64	-406.25	7874.99	-227.64	-295.92	7879.90	-341.99	-226.12	7717.30
			TQ	-90.27	-526.99	6155.84	-107.76	-526.99	5689.05	-98.28	-453.32	4955.65	-98.28	-453.32	4495.04	
			M3	26.46	78.83	-1684.04	26.46	78.83	-1560.32	26.46	56.97	-1561.27	26.46	56.97	-1437.26	
		3-LANES (caseMAX	S2	496.60	585.76	6406.26	378.64	645.99	7420.97	378.64	749.86	7411.20	334.22	749.61	7982.34	
			TQ	265.70	792.59	4556.83	244.73	792.59	5753.78	248.19	877.78	6419.94	209.44	877.78	7492.37	
			M3	313.89	10.31	10886.47	228.90	194.95	11549.29	228.90	356.68	11545.42	200.42	497.61	11892.45	
			MIN	S2	-188.40	-438.65	7721.51	-227.53	-412.53	7872.08	-227.53	-302.25	7877.08	-341.92	-232.53	7713.93
			TQ	-92.07	-532.90	6272.75	-109.65	-532.90	5797.47	-103.41	-456.26	5253.75	-103.41	-456.26	4769.09	
			M3	25.97	137.83	-1687.86	25.97	137.83	-1566.45	25.97	115.88	-1568.23	25.97	115.88	-1446.54	



BAGO RIVER BRIDGE

BLOCK [ No.1 : MAIN GIRDER ][ BEAM MEMBER FORCE ]

MEMBER					3043			3044			3045					
NODE					3043			3044			3045					
NAME TITLE					SHEAR	TORQUE	MOMENT	SHEAR	TORQUE	MOMENT	SHEAR	TORQUE	MOMENT			
					S2 (kN)	TQ (kN·m)	M3 (kN·m)	S2 (kN)	TQ (kN·m)	M3 (kN·m)	S2 (kN)	TQ (kN·m)	M3 (kN·m)			
301	LIVE LOAD	4-LANES	MAX	S2	21.01	79.70	-1346.90	21.01	79.70	-1248.68	21.01	62.21	-1249.68	21.01	62.21	-1151.23
				TQ	19.72	80.36	-1267.48	19.72	80.36	-1175.29	13.41	66.07	-813.49	13.41	66.07	-750.66
			M3	-8.24	-8.91	515.27	-8.24	-8.91	476.74	-8.24	-2.24	476.82	-8.24	-2.24	438.20	
		MIN	S2	-8.24	-8.87	515.26	-8.24	-8.87	476.73	-8.24	-2.19	476.81	-8.24	-2.19	438.19	
			TQ	-6.34	-9.97	398.25	-6.34	-9.97	368.61	-0.54	-7.08	35.49	-0.54	-7.08	32.96	
			M3	21.00	79.85	-1346.91	21.00	79.95	-1248.70	21.00	62.47	-1249.70	21.00	62.54	-1151.26	
	6-LANES	MAX	S2	532.84	-35.45	8433.87	437.73	-9.69	9796.71	437.73	127.51	9795.89	394.60	115.24	10713.31	
			TQ	135.11	955.07	7597.93	115.12	955.07	8185.61	117.47	1074.51	9025.78	88.58	1074.51	9506.05	
		M3	305.87	8.38	14707.79	253.43	55.86	15456.02	253.41	271.62	15453.72	199.91	215.53	15988.34		
		MIN	S2	-205.56	85.30	10147.21	-242.67	82.72	10169.66	-242.67	225.13	10167.50	-334.43	237.38	9932.34	
			TQ	76.40	-876.19	7675.71	65.48	-876.19	8004.51	67.42	-769.82	7205.46	65.63	-769.82	7519.28	
			M3	40.56	6.42	-2514.70	40.54	9.19	-2325.10	40.53	-22.97	-2325.00	40.52	-21.95	-2135.07	
	LIVE LOAD	MAX	532.84	955.07	14707.79	437.73	955.07	15456.02	437.73	1074.51	15453.72	394.60	1074.51	15988.34		
		MIN	-205.56	-876.19	-2514.70	-242.67	-876.19	-2325.10	-242.67	-769.82	-2325.00	-341.99	-769.82	-2135.07		
303	SUM TOTAL	TOTAL	MAX	1334.84	1157.07	55076.06	1049.04	1157.07	59129.70	1049.04	1888.13	59120.29	811.23	1888.13	62067.05	
			MIN	596.44	-674.19	37853.57	368.64	-674.19	41348.58	368.64	43.80	41341.57	74.64	43.80	43943.64	

BAGO RIVER BRIDGE

BLOCK [ No.1 : MAIN GIRDER ] [ BEAM MEMBER FORCE ]

MEMBER NODE	3045	3046			3046			3047						
		SHEAR	TORQUE	MOMENT	SHEAR	TORQUE	MOMENT	SHEAR	TORQUE	MOMENT				
NAME TITLE	S2 (kN)	TQ (kN·m)	M3 (kN·m)	S2 (kN)	TQ (kN·m)	M3 (kN·m)	S2 (kN)	TQ (kN·m)	M3 (kN·m)	S2 (kN)	TQ (kN·m)	M3 (kN·m)		
1 PAVEMENT	42.81	134.28	7274.03	12.83	134.28	7404.73	12.83	134.28	7404.73	-17.14	134.28	7394.60		
3 RAILING	-1.21	5.19	225.17	0.38	5.19	223.21	0.38	5.19	223.21	1.96	5.19	228.69		
5 CURB	-11.95	51.34	2229.15	3.72	51.34	2209.80	3.72	51.34	2209.80	19.38	51.34	2264.06		
7 DECK WEIGHT	76.62	215.20	11975.93	28.58	215.20	12223.84	28.58	215.20	12223.84	-20.85	215.20	12242.79		
8 GIRDER WEIGH	113.40	281.02	16968.92	25.58	281.02	17295.37	25.58	281.02	17295.37	-62.23	281.02	17209.31		
10 MEDIAN STRIP	67.45	41.47	3828.93	31.06	41.47	4062.96	31.06	41.47	4062.96	-9.81	41.47	4115.52		
21 ADITIONAL WE	21.45	60.26	3353.26	8.00	60.26	3422.67	8.00	60.26	3422.67	-5.84	60.26	3427.98		
31 MEDIAN RAILI	2.63	2.92	221.14	0.33	2.92	228.05	0.33	2.92	228.05	-1.97	2.92	224.14		
51 SUPPORT WEIG	-0.00	-0.00	-0.00	-0.00	-0.00	-0.00	-0.00	-0.00	-0.00	-0.00	-0.00	-0.00		
52 NOSE WEIGHT	-0.00	0.00	0.00	-0.00	0.00	0.00	-0.00	0.00	0.00	-0.00	0.00	0.00		
61 1-LANE(case1TRUCK-LOAD	MAX	S2	20.70	-96.14	877.79	20.70	-96.14	975.04	20.70	-96.14	975.04	20.70	-96.14	1072.27
		TQ	-23.26	269.17	1143.99	-23.26	269.17	1034.74	-23.26	269.17	1034.74	-23.26	269.17	925.50
		M3	-4.95	120.87	1422.54	-4.95	120.87	1399.30	-4.95	120.87	1399.30	-3.91	81.38	1380.11
	MIN	S2	-23.83	267.38	1239.88	-23.83	267.38	1127.91	-23.83	267.38	1127.91	-23.83	267.38	1015.96
		TQ	20.11	-98.06	807.87	20.11	-98.06	902.35	20.11	-98.06	902.35	20.11	-98.06	996.80
		M3	5.30	-38.35	-252.54	5.30	-38.35	-227.66	5.30	-38.35	-227.66	5.30	-38.35	-202.78
	TANDEM-LOAD MAX	S2	14.73	-66.02	616.92	14.73	-66.02	686.12	14.73	-66.02	686.12	14.73	-66.02	755.31
		TQ	-16.48	184.69	798.71	-16.48	184.69	721.27	-16.48	184.69	721.27	-16.48	184.69	643.84
		M3	-3.23	74.21	967.63	-3.23	74.21	952.45	-3.23	74.21	952.45	-2.94	63.19	938.41
	MIN	S2	-16.65	184.19	825.47	-16.65	184.19	747.27	-16.65	184.19	747.27	-16.65	184.19	669.09
		TQ	13.40	-67.87	524.44	13.40	-67.87	587.38	13.40	-67.87	587.38	13.40	-67.87	650.32
		M3	3.61	-26.35	-171.94	3.61	-26.35	-154.99	3.61	-26.35	-154.99	3.61	-26.35	-138.05
	DISPERSION-LMAX	S2	18.09	-101.25	375.47	18.09	-101.25	460.44	18.09	-101.25	460.44	18.09	-101.25	545.39
		TQ	-21.03	272.98	1549.16	-21.03	272.98	1450.35	-21.03	272.98	1450.35	-21.03	272.98	1351.55
		M3	-9.40	216.16	2174.27	-9.40	216.16	2130.10	-9.40	216.16	2130.10	-9.40	216.16	2085.94
	MIN	S2	-21.24	271.72	1500.76	-21.24	271.72	1401.00	-21.24	271.72	1401.00	-21.24	271.72	1301.26
		TQ	17.88	-102.51	327.07	17.88	-102.51	411.09	17.88	-102.51	411.09	17.88	-102.51	495.10
		M3	6.25	-45.69	-298.04	6.25	-45.69	-268.66	6.25	-45.69	-268.66	6.25	-45.69	-239.29

BAGO RIVER BRIDGE

BLOCK [ No.1 : MAIN GIRDER ][ BEAM MEMBER FORCE ]

MEMBER				3045			3046			3047					
NODE				3045			3046			3046			3047		
				SHEAR	TORQUE	MOMENT	SHEAR	TORQUE	MOMENT	SHEAR	TORQUE	MOMENT	SHEAR	TORQUE	MOMENT
NAME	TITLE			S2 (kN)	TQ (kN·m)	M3 (kN·m)	S2 (kN)	TQ (kN·m)	M3 (kN·m)	S2 (kN)	TQ (kN·m)	M3 (kN·m)	S2 (kN)	TQ (kN·m)	M3 (kN·m)
62	1-LANE (case2TRUCK-LOAD	MAX	S2	37.04	-25.38	1360.02	37.04	-25.38	1534.05	37.04	-25.38	1534.05	37.04	-25.38	1708.05
			TQ	-32.19	111.50	1554.79	-32.19	111.50	1403.59	-32.19	111.50	1403.59	-32.19	111.50	1252.41
			M3	10.76	75.47	1786.60	-1.87	59.20	1753.05	-1.87	59.20	1753.05	10.95	10.15	1770.87
		MIN	S2	-36.30	103.66	1757.18	-36.30	103.66	1586.63	-36.30	103.66	1586.63	-36.30	103.66	1416.11
			TQ	27.65	-42.34	1003.11	27.65	-42.34	1133.00	27.65	-42.34	1133.00	27.65	-42.34	1262.88
			M3	5.24	-16.69	-255.21	5.24	-16.69	-230.58	5.24	-16.69	-230.58	5.24	-16.69	-205.95
		TANDEM-LOAD MAX	S2	25.71	-21.82	895.28	25.71	-21.82	1016.04	25.71	-21.82	1016.04	25.71	-21.82	1136.78
			TQ	-24.16	76.37	1125.29	-24.16	76.37	1011.82	-24.16	76.37	1011.82	-24.16	76.37	898.35
			M3	8.39	59.29	1251.79	-1.20	34.11	1220.04	-1.20	34.11	1220.04	8.68	-1.33	1237.10
		MIN	S2	-25.22	65.25	1250.27	-25.22	65.25	1131.77	-25.22	65.25	1131.77	-25.22	65.25	1013.29
			TQ	20.56	-29.00	738.44	20.56	-29.00	835.03	20.56	-29.00	835.03	20.56	-29.00	931.60
			M3	3.57	-11.44	-173.77	3.57	-11.44	-157.00	3.57	-11.44	-157.00	3.57	-11.44	-140.22
		DISPERSION-LMAX	S2	32.26	-40.48	731.62	29.52	-44.93	736.57	29.52	-44.93	736.57	26.44	-46.16	728.83
			TQ	-19.23	106.15	1638.81	-24.98	106.15	1534.73	-24.98	106.15	1534.73	-30.53	106.15	1404.14
			M3	0.49	78.83	2346.68	-5.27	78.83	2335.21	-5.27	78.83	2335.21	-10.81	78.83	2297.22
MIN	S2	-25.60	99.59	1314.52	-28.61	104.04	1327.10	-28.61	104.04	1327.10	-31.08	105.26	1325.86		
	TQ	25.89	-47.05	407.32	25.89	-47.05	528.94	25.89	-47.05	528.94	25.89	-47.05	650.54		
	M3	6.18	-19.72	-300.55	6.18	-19.72	-271.54	6.18	-19.72	-271.54	6.18	-19.72	-242.53		
63	1-LANE (case3TRUCK-LOAD	MAX	S2	195.44	0.82	1973.05	116.25	2.99	2172.36	116.25	2.99	2172.36	58.95	12.53	1976.04
			TQ	26.56	48.63	827.61	26.56	48.63	952.40	26.56	48.63	952.40	26.56	48.63	1077.17
			M3	181.61	-0.64	1996.11	48.80	0.86	2219.12	48.80	0.86	2219.12	-30.84	3.24	2034.08
		MIN	S2	-48.85	-7.98	1969.01	-104.91	-0.49	2185.86	-104.91	-0.49	2185.86	-185.48	1.44	2019.36
			TQ	-21.62	-43.49	1077.52	-21.62	-43.49	975.95	-21.62	-43.49	975.95	-21.62	-43.49	874.39
			M3	5.21	-0.27	-257.53	5.21	-0.27	-233.06	5.21	-0.27	-233.06	5.21	-0.27	-208.60

BAGO RIVER BRIDGE

BLOCK [ No.1 : MAIN GIRDER ][ BEAM MEMBER FORCE ]

MEMBER NODE	3045	3046			3046			3047							
		SHEAR	TORQUE	MOMENT	SHEAR	TORQUE	MOMENT	SHEAR	TORQUE	MOMENT					
		S2 (kN)	TQ (kN·m)	M3 (kN·m)	S2 (kN)	TQ (kN·m)	M3 (kN·m)	S2 (kN)	TQ (kN·m)	M3 (kN·m)					
63	1-LANE (case3TANDEM-LOAD	MAX	S2	159.10	0.40	1477.62	103.05	0.69	1653.41	103.05	0.69	1653.41	50.19	2.87	1496.48
			TQ	19.81	33.40	623.52	19.81	33.40	716.61	19.81	33.40	716.61	19.81	33.40	809.68
			M3	159.10	0.40	1477.62	11.15	0.56	1655.19	11.15	0.56	1655.19	-46.18	1.32	1502.60
		MIN	S2	-42.47	-0.78	1476.93	-95.30	0.56	1655.19	-95.30	0.56	1655.19	-153.18	1.32	1502.60
			TQ	-15.13	-30.06	753.07	-15.13	-30.06	681.97	-15.13	-30.06	681.97	-15.13	-30.06	610.88
			M3	3.55	-0.14	-175.38	3.55	-0.14	-158.72	3.55	-0.14	-158.72	3.55	-0.14	-142.06
	DISPERSION-LMAX		S2	68.94	29.59	851.85	44.89	29.52	824.99	44.89	29.52	824.99	30.61	29.32	705.87
			TQ	42.61	34.84	1123.14	24.83	34.84	1281.79	24.83	34.84	1281.79	-3.01	34.84	1344.19
			M3	35.99	-3.07	2454.57	-0.96	-3.07	2537.11	-0.96	-3.07	2537.11	-38.12	-3.07	2445.56
		MIN	S2	-26.82	-32.70	1300.11	-39.73	-32.63	1438.25	-39.73	-32.63	1438.25	-62.61	-32.43	1494.56
			TQ	-0.50	-37.96	1028.82	-19.67	-37.96	981.45	-19.67	-37.96	981.45	-28.99	-37.96	856.24
			M3	6.12	-0.04	-302.61	6.12	-0.04	-273.87	6.12	-0.04	-273.87	6.12	-0.04	-245.13
64	1-LANE (case4TRUCK-LOAD	MAX	S2	66.75	166.20	1401.73	66.75	166.20	1715.29	66.75	166.20	1715.29	105.31	116.41	2250.65
			TQ	64.38	173.06	1298.17	64.38	173.06	1600.59	64.38	173.06	1600.59	64.38	173.06	1902.97
			M3	-41.80	-131.70	2209.55	10.54	-96.98	2044.43	10.54	-96.98	2044.43	102.02	51.36	2274.04
		MIN	S2	-88.35	-217.91	2174.69	-51.46	-244.87	1789.08	-51.46	-244.87	1789.08	-51.46	-244.87	1547.38
			TQ	-42.09	-252.57	1712.80	-42.09	-252.57	1515.07	-42.09	-252.57	1515.07	-42.09	-252.57	1317.36
			M3	5.17	33.15	-263.81	5.17	33.15	-239.52	5.17	33.15	-239.52	5.17	33.15	-215.24
	TANDEM-LOAD	MAX	S2	49.94	115.39	976.64	49.94	115.39	1211.26	49.94	115.39	1211.26	91.47	57.80	1552.98
			TQ	41.52	119.35	844.26	41.52	119.35	1039.33	41.52	119.35	1039.33	41.52	119.35	1234.37
			M3	-47.28	-112.12	1512.90	-15.31	-112.12	1402.61	-15.31	-112.12	1402.61	91.47	57.80	1552.98
		MIN	S2	-79.24	-112.12	1512.90	-39.21	-168.43	1256.62	-39.21	-168.43	1256.62	-39.21	-168.43	1072.45
			TQ	-30.01	-172.79	1197.40	-30.01	-172.79	1056.41	-30.01	-172.79	1056.41	-30.01	-172.79	915.44
			M3	3.52	22.89	-179.76	3.52	22.89	-163.22	3.52	22.89	-163.22	3.52	22.89	-146.68

BAGO RIVER BRIDGE

BLOCK [ No.1 : MAIN GIRDER ][ BEAM MEMBER FORCE ]

MEMBER		3045			3046			3046			3047						
NODE		3045			3046			3046			3047						
		SHEAR	TORQUE	MOMENT	SHEAR	TORQUE	MOMENT	SHEAR	TORQUE	MOMENT	SHEAR	TORQUE	MOMENT				
NAME	TITLE	S2 (kN)	TQ (kN·m)	M3 (kN·m)	S2 (kN)	TQ (kN·m)	M3 (kN·m)	S2 (kN)	TQ (kN·m)	M3 (kN·m)	S2 (kN)	TQ (kN·m)	M3 (kN·m)				
64	1-LANE (case4DISPERSION-LMAX	S2	41.27	154.77	632.20	43.47	148.50	941.13	43.47	148.50	941.13	53.43	148.33	1238.71			
		TQ	40.83	155.31	574.92	40.83	155.31	766.73	40.83	155.31	766.73	46.55	155.31	965.23			
		M3	-7.26	-118.93	2687.27	3.96	-118.93	2679.24	3.96	-118.93	2679.24	15.18	-118.93	2723.92			
		MIN	S2	-42.50	-235.82	1747.62	-33.48	-229.55	1458.98	-33.48	-229.55	1458.98	-32.22	-229.38	1234.39		
		TQ	-42.06	-236.36	1804.90	-30.84	-236.36	1633.38	-30.84	-236.36	1633.38	-25.35	-236.36	1507.87			
		M3	6.03	37.88	-307.45	6.03	37.88	-279.13	6.03	37.88	-279.13	6.03	37.88	-250.81			
		65	2-LANES (caseTRUCK-LOAD	MAX	S2	45.97	-148.60	2043.40	45.97	-148.60	2259.35	45.97	-148.60	2259.35	45.97	-148.60	2475.27
				TQ	-47.94	458.05	2424.20	-47.94	458.05	2198.98	-47.94	458.05	2198.98	-47.94	458.05	1973.80	
				M3	-19.10	232.85	3034.80	-13.12	211.71	2957.64	-13.12	211.71	2957.64	5.76	112.03	2962.05	
MIN	S2			-50.79	447.89	2704.13	-50.79	447.89	2465.54	-50.79	447.89	2465.54	-50.79	447.89	2226.99		
TQ	42.33			-169.23	1681.83	42.33	-169.23	1880.69	42.33	-169.23	1880.69	42.33	-169.23	2079.53			
M3	10.57			-65.89	-506.39	10.57	-65.89	-456.75	10.57	-65.89	-456.75	10.57	-65.89	-407.12			
TANDEM-LOAD	MAX			S2	32.11	-105.82	1384.76	32.11	-105.82	1535.60	32.11	-105.82	1535.60	32.11	-105.82	1686.41	
TQ	-32.88			313.54	1643.67	-32.88	313.54	1489.21	-32.88	313.54	1489.21	-32.88	313.54	1334.78			
M3	-15.88			158.94	2074.28	-6.50	128.40	2017.05	-6.50	128.40	2017.05	6.65	75.03	2022.76			
MIN	S2	-35.40	301.57	1869.80	-35.40	301.57	1703.50	-35.40	301.57	1703.50	-35.40	301.57	1537.24				
TQ	28.99	-117.04	1138.88	28.99	-117.04	1275.06	28.99	-117.04	1275.06	28.99	-117.04	1411.22					
M3	7.20	-45.26	-344.77	7.20	-45.26	-310.96	7.20	-45.26	-310.96	7.20	-45.26	-277.16					
DISPERSION-LMAX	S2	41.07	-173.39	950.44	41.07	-173.39	1143.39	41.07	-173.39	1143.39	41.07	-173.39	1336.32				
TQ	-43.95	463.36	3141.55	-43.95	463.36	2935.09	-43.95	463.36	2935.09	-43.95	463.36	2728.66					
M3	-16.72	362.71	4437.45	-16.72	362.71	4358.89	-16.72	362.71	4358.89	-16.72	362.71	4280.35					
MIN	S2	-45.33	457.68	2889.68	-45.33	457.68	2676.74	-45.33	457.68	2676.74	-45.33	457.68	2463.83				
TQ	39.69	-179.06	698.57	39.69	-179.06	885.04	39.69	-179.06	885.04	39.69	-179.06	1071.49					
M3	12.47	-78.42	-597.33	12.47	-78.42	-538.76	12.47	-78.42	-538.76	12.47	-78.42	-480.20					

BAGO RIVER BRIDGE

BLOCK [ No.1 : MAIN GIRDER ][ BEAM MEMBER FORCE ]

MEMBER				3045			3046			3047					
NODE				3045			3046			3046			3047		
				SHEAR	TORQUE	MOMENT	SHEAR	TORQUE	MOMENT	SHEAR	TORQUE	MOMENT	SHEAR	TORQUE	MOMENT
NAME	TITLE			S2 (kN)	TQ (kN·m)	M3 (kN·m)	S2 (kN)	TQ (kN·m)	M3 (kN·m)	S2 (kN)	TQ (kN·m)	M3 (kN·m)	S2 (kN)	TQ (kN·m)	M3 (kN·m)
66	2-LANES (caseTRUCK-LOAD	MAX	S2	62.31	-77.84	2525.63	62.31	-77.84	2818.36	62.31	-77.84	2818.36	62.31	-77.84	3111.05
			TQ	-56.87	300.38	2834.99	-56.87	300.38	2567.83	-56.87	300.38	2567.83	-56.87	300.38	2300.71
			M3	-3.39	187.46	3398.86	-10.04	150.04	3311.39	-10.04	150.04	3311.39	20.61	40.81	3352.81
		MIN	S2	-63.26	284.18	3221.43	-63.26	284.18	2924.27	-63.26	284.18	2924.27	-63.26	284.18	2627.15
			TQ	49.87	-113.51	1877.07	49.87	-113.51	2111.35	49.87	-113.51	2111.35	49.87	-113.51	2345.60
			M3	10.51	-44.23	-509.05	10.51	-44.23	-459.66	10.51	-44.23	-459.66	10.51	-44.23	-410.29
		TANDEM-LOAD MAX	S2	43.08	-61.62	1663.12	43.08	-61.62	1865.52	43.08	-61.62	1865.52	43.08	-61.62	2067.89
			TQ	-40.55	205.21	1970.25	-40.55	205.21	1779.76	-40.55	205.21	1779.76	-40.55	205.21	1589.29
			M3	-4.26	144.02	2358.44	-4.47	88.31	2284.64	-4.47	88.31	2284.64	18.27	10.51	2321.45
		MIN	S2	-43.98	182.63	2294.59	-43.98	182.63	2088.00	-43.98	182.63	2088.00	-43.98	182.63	1881.43
			TQ	36.15	-78.17	1352.89	36.15	-78.17	1522.71	36.15	-78.17	1522.71	36.15	-78.17	1692.50
			M3	7.16	-30.35	-346.60	7.16	-30.35	-312.97	7.16	-30.35	-312.97	7.16	-30.35	-279.34
		DISPERSION-LMAX	S2	55.25	-112.61	1306.59	52.51	-117.06	1419.53	52.51	-117.06	1419.53	49.43	-118.29	1519.76
			TQ	-42.14	296.54	3231.20	-47.89	296.54	3019.47	-47.89	296.54	3019.47	-53.44	296.54	2781.25
			M3	-6.83	225.39	4609.86	-12.58	225.39	4564.00	-12.58	225.39	4564.00	-18.13	225.39	4491.63
MIN	S2	-49.69	285.55	2703.43	-52.70	290.00	2602.84	-52.70	290.00	2602.84	-55.17	291.23	2488.43		
	TQ	47.70	-123.60	778.82	47.70	-123.60	1002.89	47.70	-123.60	1002.89	47.70	-123.60	1226.93		
	M3	12.39	-52.45	-599.84	12.39	-52.45	-541.64	12.39	-52.45	-541.64	12.39	-52.45	-483.44		
67	2-LANES (caseTRUCK-LOAD	MAX	S2	296.04	-45.63	4051.75	196.59	20.33	4318.67	196.59	20.33	4318.67	121.58	81.05	4070.77
			TQ	65.16	152.99	1857.91	65.16	152.99	2164.00	65.16	152.99	2164.00	65.16	152.99	2470.04
			M3	269.35	-63.92	4102.56	72.04	-40.03	4408.30	72.04	-40.03	4408.30	-27.84	25.96	4193.00
		MIN	S2	-97.78	-115.63	4045.19	-170.09	-58.46	4348.45	-170.09	-58.46	4348.45	-270.74	7.09	4159.81
			TQ	-53.44	-186.08	2568.45	-53.44	-186.08	2317.40	-53.44	-186.08	2317.40	-53.44	-186.08	2066.37
			M3	10.40	10.42	-517.02	10.40	10.42	-468.15	10.40	10.42	-468.15	10.40	10.42	-419.29

BAGO RIVER BRIDGE

BLOCK [ No.1 : MAIN GIRDER ][ BEAM MEMBER FORCE ]

MEMBER		3045			3046			3046			3047						
NODE		3045			3046			3046			3047						
		SHEAR	TORQUE	MOMENT	SHEAR	TORQUE	MOMENT	SHEAR	TORQUE	MOMENT	SHEAR	TORQUE	MOMENT				
NAME	TITLE	S2 (kN)	TQ (kN·m)	M3 (kN·m)	S2 (kN)	TQ (kN·m)	M3 (kN·m)	S2 (kN)	TQ (kN·m)	M3 (kN·m)	S2 (kN)	TQ (kN·m)	M3 (kN·m)				
67	2-LANES (caseTANDEM-LOAD	MAX	S2	233.87	-52.34	2992.92	163.88	-7.52	3225.40	163.88	-7.52	3225.40	97.31	37.42	3038.24		
			TQ	44.71	105.01	1293.76	44.71	105.01	1503.79	44.71	105.01	1503.79	44.71	105.01	1713.78		
			M3	233.87	-52.34	2992.93	18.20	-19.08	3229.44	18.20	-19.08	3229.44	-53.28	26.59	3050.84		
			MIN	S2	-79.52	-62.53	2991.78	-145.62	-19.08	3229.44	-145.62	-19.08	3229.44	-217.66	26.59	3050.84	
			TQ	-35.90	-127.81	1730.58	-35.90	-127.81	1561.91	-35.90	-127.81	1561.91	-35.90	-127.81	1393.27		
			M3	7.08	7.27	-352.12	7.08	7.27	-318.84	7.08	7.27	-318.84	7.08	7.27	-285.57		
			DISPERSION-LMAX	S2	125.47	106.74	1753.71	89.20	113.02	1684.38	89.20	113.02	1684.38	65.21	111.53	1478.26	
			TQ	80.37	118.96	1731.39	62.59	118.96	2067.40	62.59	118.96	2067.40	24.67	118.96	2295.31		
			M3	57.53	-64.16	5017.83	0.43	-64.16	5154.23	0.43	-64.16	5154.23	-56.86	-64.16	5021.94		
			MIN	S2	-55.73	-158.00	2657.26	-76.56	-164.28	2920.33	-76.56	-164.28	2920.33	-109.86	-162.79	3051.50	
			TQ	-10.63	-170.22	2679.57	-49.95	-170.22	2537.31	-49.95	-170.22	2537.31	-69.33	-170.22	2234.45		
			M3	12.21	12.90	-606.87	12.21	12.90	-549.52	12.21	12.90	-549.52	12.21	12.90	-492.19		
		68	2-LANES (caseTRUCK-LOAD	MAX	S2	167.43	119.77	3480.39	147.12	183.53	3861.66	147.12	183.53	3861.66	167.93	184.90	4345.32
					TQ	102.96	277.39	2328.46	102.96	277.39	2812.16	102.96	277.39	2812.16	102.96	277.39	3295.79
					M3	46.01	-194.95	4315.96	33.80	-137.85	4233.67	33.80	-137.85	4233.67	104.99	74.07	4432.90
	MIN			S2	-137.29	-325.53	4250.86	-116.67	-302.81	3951.74	-116.67	-302.81	3951.74	-136.80	-239.23	3687.78	
	TQ			-73.91	-395.15	3203.74	-73.91	-395.15	2856.52	-73.91	-395.15	2856.52	-73.91	-395.15	2509.34		
	M3			10.35	55.33	-525.51	10.35	55.33	-476.88	10.35	55.33	-476.88	10.35	55.33	-428.26		
	TANDEM-LOAD			MAX	S2	124.78	62.68	2491.94	110.81	107.19	2783.34	110.81	107.19	2783.34	138.59	92.33	3094.73
	TQ			66.41	190.95	1514.50	66.41	190.95	1826.49	66.41	190.95	1826.49	66.41	190.95	2138.44		
	M3			27.56	-164.83	3028.20	-8.26	-131.74	2976.95	-8.26	-131.74	2976.95	84.33	83.05	3101.21		
	MIN			S2	-116.30	-173.85	3027.76	-89.56	-188.06	2830.96	-89.56	-188.06	2830.96	-103.75	-143.18	2620.69	
	TQ			-50.78	-270.54	2174.91	-50.78	-270.54	1936.35	-50.78	-270.54	1936.35	-50.78	-270.54	1697.83		
	M3			7.05	38.22	-358.05	7.05	38.22	-324.93	7.05	38.22	-324.93	7.05	38.22	-291.81		

BAGO RIVER BRIDGE

BLOCK [ No.1 : MAIN GIRDER ][ BEAM MEMBER FORCE ]

MEMBER		3045			3046			3046			3047						
NODE		3045			3046			3046			3047						
		SHEAR	TORQUE	MOMENT	SHEAR	TORQUE	MOMENT	SHEAR	TORQUE	MOMENT	SHEAR	TORQUE	MOMENT				
NAME	TITLE	S2 (kN)	TQ (kN·m)	M3 (kN·m)	S2 (kN)	TQ (kN·m)	M3 (kN·m)	S2 (kN)	TQ (kN·m)	M3 (kN·m)	S2 (kN)	TQ (kN·m)	M3 (kN·m)				
68	2-LANES (caseDISPERSION-LMAX	S2	97.79	243.93	1532.47	87.76	244.01	1798.81	87.76	244.01	1798.81	88.00	242.55	2009.18			
		TQ	79.93	251.05	1113.70	79.93	251.05	1489.20	79.93	251.05	1489.20	75.58	251.05	1859.52			
		M3	14.32	-182.60	5249.28	5.39	-182.60	5295.31	5.39	-182.60	5295.31	-3.54	-182.60	5299.38			
		MIN	S2	-71.37	-363.68	3103.54	-70.28	-363.76	2940.02	-70.28	-363.76	2940.02	-79.45	-362.30	2790.51		
		TQ	-53.52	-370.80	3522.30	-62.45	-370.80	3249.63	-62.45	-370.80	3249.63	-67.03	-370.80	2940.16			
		M3	12.09	62.85	-613.27	12.09	62.85	-556.48	12.09	62.85	-556.48	12.09	62.85	-499.70			
		69	3-LANES (caseTRUCK-LOAD	MAX	S2	83.01	-173.98	3403.42	83.01	-173.98	3793.40	83.01	-173.98	3793.40	83.01	-173.98	4183.32
				TQ	-80.13	569.55	3978.99	-80.13	569.55	3602.57	-80.13	569.55	3602.57	-80.13	569.55	3226.20	
				M3	-8.34	308.33	4821.40	-14.99	270.91	4710.69	-14.99	270.91	4710.69	16.71	122.18	4732.92	
MIN	S2			-87.09	551.55	4461.31	-87.09	551.55	4052.18	-87.09	551.55	4052.18	-87.09	551.55	3643.10		
TQ	69.98			-211.57	2684.94	69.98	-211.57	3013.70	69.98	-211.57	3013.70	69.98	-211.57	3342.40			
M3	15.81			-82.58	-761.60	15.81	-82.58	-687.32	15.81	-82.58	-687.32	15.81	-82.58	-613.06			
TANDEM-LOAD	MAX			S2	57.81	-127.64	2280.04	57.81	-127.64	2551.64	57.81	-127.64	2551.64	57.81	-127.64	2823.19	
TQ	-57.03			389.90	2768.96	-57.03	389.90	2501.03	-57.03	389.90	2501.03	-57.03	389.90	2233.13			
M3	-7.49			218.23	3326.07	-7.70	162.52	3237.09	-7.70	162.52	3237.09	15.33	73.70	3259.86			
MIN	S2	-60.62	366.82	3120.06	-60.62	366.82	2835.27	-60.62	366.82	2835.27	-60.62	366.82	2550.52				
TQ	49.55	-146.04	1877.32	49.55	-146.04	2110.09	49.55	-146.04	2110.09	49.55	-146.04	2342.82					
M3	10.77	-56.70	-518.54	10.77	-56.70	-467.96	10.77	-56.70	-467.96	10.77	-56.70	-417.39					
DISPERSION-LMAX	S2	73.33	-213.87	1682.06	70.59	-218.32	1879.97	70.59	-218.32	1879.97	67.51	-219.54	2065.15				
TQ	-63.17	569.52	4780.36	-68.93	569.52	4469.82	-68.93	569.52	4469.82	-74.48	569.52	4132.81					
M3	-16.23	441.54	6784.13	-21.99	441.54	6694.11	-21.99	441.54	6694.11	-27.54	441.54	6577.57					
MIN	S2	-70.93	557.27	4204.19	-73.94	561.72	4003.84	-73.94	561.72	4003.84	-76.41	562.95	3789.68				
TQ	65.58	-226.11	1105.89	65.58	-226.11	1413.98	65.58	-226.11	1413.98	65.58	-226.11	1722.03					
M3	18.64	-98.14	-897.88	18.64	-98.14	-810.30	18.64	-98.14	-810.30	18.64	-98.14	-722.73					



BAGO RIVER BRIDGE

BLOCK [ No.1 : MAIN GIRDER ][ BEAM MEMBER FORCE ]

MEMBER				3045			3046			3047					
NODE				3045			3046			3046			3047		
				SHEAR	TORQUE	MOMENT	SHEAR	TORQUE	MOMENT	SHEAR	TORQUE	MOMENT	SHEAR	TORQUE	MOMENT
NAME	TITLE			S2 (kN)	TQ (kN·m)	M3 (kN·m)	S2 (kN)	TQ (kN·m)	M3 (kN·m)	S2 (kN)	TQ (kN·m)	M3 (kN·m)	S2 (kN)	TQ (kN·m)	M3 (kN·m)
70	3-LANES (caseTRUCK-LOAD	MAX	S2	362.79	120.60	5453.49	263.34	186.56	6033.99	263.34	186.56	6033.99	226.94	197.49	6321.45
			TQ	129.54	326.08	3156.12	129.54	326.08	3764.67	129.54	326.08	3764.67	129.54	326.08	4373.13
			M3	227.54	-195.61	6312.16	82.62	-137.02	6452.67	82.62	-137.02	6452.67	74.25	77.32	6467.08
		MIN	S2	-186.16	-333.48	6220.28	-221.59	-303.34	6138.21	-221.59	-303.34	6138.21	-322.24	-237.80	5707.68
			TQ	-95.53	-438.66	4281.25	-95.53	-438.66	3832.45	-95.53	-438.66	3832.45	-95.53	-438.66	3383.73
			M3	15.58	32.07	-778.62	15.58	32.07	-705.41	15.58	32.07	-705.41	15.58	32.07	-632.20
		TANDEM-LOAD MAX	S2	283.82	63.08	3969.58	213.83	107.90	4436.70	213.83	107.90	4436.70	188.84	95.23	4591.21
			TQ	86.24	224.39	2138.05	86.24	224.39	2543.16	86.24	224.39	2543.16	86.24	224.39	2948.22
			M3	186.57	-164.48	4505.82	2.91	-131.22	4632.05	2.91	-131.22	4632.05	38.25	84.40	4603.81
		MIN	S2	-158.83	-174.68	4504.68	-184.84	-187.52	4486.23	-184.84	-187.52	4486.23	-256.87	-141.86	4123.42
			TQ	-65.92	-300.60	2928.02	-65.92	-300.60	2618.36	-65.92	-300.60	2618.36	-65.92	-300.60	2308.74
			M3	10.61	22.23	-530.33	10.61	22.23	-480.47	10.61	22.23	-480.47	10.61	22.23	-430.62
		DISPERSION-LMAX	S2	166.75	249.48	2388.05	132.75	249.48	2628.94	132.75	249.48	2628.94	118.77	247.83	2718.47
			TQ	121.11	262.23	2313.79	103.33	262.23	2841.20	103.33	262.23	2841.19	71.32	262.23	3267.40
			M3	50.27	-180.75	7707.36	4.40	-180.75	7835.33	4.40	-180.75	7835.33	-41.66	-180.75	7747.37
MIN	S2	-98.22	-391.47	4406.51	-110.08	-391.48	4379.39	-110.08	-391.48	4379.39	-142.17	-389.83	4287.70		
	TQ	-52.57	-404.23	4480.77	-80.66	-404.23	4167.14	-80.66	-404.23	4167.14	-94.72	-404.23	3738.76		
	M3	18.26	38.76	-912.80	18.26	38.76	-827.00	18.26	38.76	-827.00	18.26	38.76	-741.21		
71	3-LANES (caseTRUCK-LOAD	MAX	S2	362.88	120.61	5453.39	263.37	186.52	6033.99	263.37	186.52	6033.99	226.88	197.41	6321.31
			TQ	129.53	326.00	3156.07	129.53	326.00	3764.55	129.53	326.00	3764.55	129.53	326.00	4372.94
			M3	227.64	-195.56	6312.02	82.60	-136.98	6452.77	82.60	-136.98	6452.77	74.15	77.30	6466.93
		MIN	S2	-186.13	-333.48	6219.83	-221.59	-303.28	6137.57	-221.59	-303.28	6137.57	-322.30	-237.78	5707.08
			TQ	-95.53	-438.65	4281.25	-95.53	-438.65	3832.46	-95.53	-438.65	3832.46	-95.53	-438.65	3383.74
			M3	15.54	66.55	-785.10	15.54	66.55	-712.07	15.54	66.55	-712.07	15.54	66.55	-639.06

BAGO RIVER BRIDGE

BLOCK [ No.1 : MAIN GIRDER ][ BEAM MEMBER FORCE ]

MEMBER		3045			3046			3046			3047							
NODE		3045			3046			3046			3047							
		SHEAR	TORQUE	MOMENT	SHEAR	TORQUE	MOMENT	SHEAR	TORQUE	MOMENT	SHEAR	TORQUE	MOMENT					
NAME	TITLE	S2 (kN)	TQ (kN·m)	M3 (kN·m)	S2 (kN)	TQ (kN·m)	M3 (kN·m)	S2 (kN)	TQ (kN·m)	M3 (kN·m)	S2 (kN)	TQ (kN·m)	M3 (kN·m)					
71	3-LANES (caseTANDEM-LOAD	MAX	S2	283.89	63.11	3969.53	213.86	107.88	4436.74	213.86	107.88	4436.74	188.78	95.19	4591.18			
			TQ	86.23	224.33	2138.02	86.23	224.33	2543.09	86.23	224.33	2543.09	86.23	224.33	2948.11			
			M3	186.67	-164.41	4505.79	2.90	-131.18	4632.13	2.90	-131.18	4632.13	38.15	84.36	4603.78			
		MIN	S2	-158.77	-174.61	4504.66	-184.87	-187.49	4486.14	-184.87	-187.49	4486.14	-256.95	-141.87	4123.25			
			TQ	-65.92	-300.60	2927.98	-65.92	-300.60	2618.32	-65.92	-300.60	2618.32	-65.92	-300.60	2308.71			
			M3	10.59	46.01	-534.86	10.59	46.01	-485.13	10.59	46.01	-485.13	10.59	46.01	-435.40			
			DISPERSION-LMAX	S2	166.69	285.60	2382.80	132.61	285.59	2622.14	132.61	285.59	2622.14	118.58	283.94	2713.26		
				TQ	127.39	294.69	1995.23	109.60	294.69	2552.14	109.60	294.69	2552.14	77.40	294.69	3007.57		
				M3	50.35	-188.24	7702.55	4.46	-188.24	7831.28	4.46	-188.24	7831.28	-41.62	-188.24	7743.98		
			MIN	S2	-98.16	-398.95	4402.36	-109.97	-398.95	4377.15	-109.97	-398.95	4377.15	-142.02	-397.29	4284.12		
				TQ	-58.86	-408.04	4789.93	-86.96	-408.04	4447.15	-86.96	-408.04	4447.15	-100.84	-408.04	3989.81		
				M3	18.18	74.89	-917.39	18.18	74.89	-831.99	18.18	74.89	-831.99	18.18	74.89	-746.60		
		72	4-LANES	TRUCK-LOAD	MAX	S2	20.70	63.71	-1039.20	20.70	63.71	-941.97	20.70	63.71	-941.97	20.70	63.71	-844.76
						TQ	13.95	65.24	-706.04	13.95	65.24	-640.50	13.95	65.24	-640.50	13.95	65.24	-574.96
						M3	-6.14	-2.10	304.23	-6.14	-2.10	275.38	-6.14	-2.10	275.38	-6.14	-2.10	246.53
	MIN			S2	-6.14	-2.07	304.22	-6.14	-2.07	275.37	-6.14	-2.07	275.37	-6.14	-2.07	246.53		
				TQ	0.31	-5.31	-14.07	0.31	-5.31	-12.61	0.31	-5.31	-12.61	0.31	-5.31	-11.15		
				M3	20.70	63.71	-1039.20	20.70	63.71	-941.97	20.70	63.71	-941.97	20.70	63.71	-844.76		
	TANDEM-LOAD			MAX	S2	14.13	45.50	-710.17	14.13	45.50	-643.77	14.13	45.50	-643.77	14.13	45.50	-577.38	
				TQ	9.53	46.38	-482.57	9.53	46.38	-437.81	9.53	46.38	-437.81	9.53	46.38	-393.06		
				M3	-4.17	-1.52	206.77	-4.17	-1.52	187.16	-4.17	-1.52	187.16	-4.17	-1.52	167.56		
				MIN	S2	-4.17	-1.52	206.77	-4.17	-1.52	187.16	-4.17	-1.52	187.16	-4.17	-1.52	167.56	
					TQ	0.35	-3.64	-16.63	0.35	-3.64	-14.97	0.35	-3.64	-14.97	0.35	-3.64	-13.30	
					M3	14.13	45.50	-710.17	14.13	45.50	-643.77	14.13	45.50	-643.77	14.13	45.50	-577.38	

BAGO RIVER BRIDGE

BLOCK [ No.1 : MAIN GIRDER ][ BEAM MEMBER FORCE ]

MEMBER				3045			3046			3046			3047				
NODE				3045			3046			3046			3047				
				SHEAR	TORQUE	MOMENT	SHEAR	TORQUE	MOMENT	SHEAR	TORQUE	MOMENT	SHEAR	TORQUE	MOMENT		
NAME	TITLE			S2 (kN)	TQ (kN·m)	M3 (kN·m)	S2 (kN)	TQ (kN·m)	M3 (kN·m)	S2 (kN)	TQ (kN·m)	M3 (kN·m)	S2 (kN)	TQ (kN·m)	M3 (kN·m)		
72	4-LANES	DISPERSION-LMAX	S2	14.63	36.52	-732.54	14.63	36.52	-663.81	14.63	36.52	-663.81	14.63	36.52	-595.09		
			TQ	9.23	40.06	-466.30	9.23	40.06	-422.94	9.23	40.06	-422.94	9.23	40.06	-379.58		
			M3	-7.47	-2.43	370.09	-7.47	-2.43	334.99	-7.47	-2.43	334.99	-7.47	-2.43	299.90		
		MIN	S2	-7.47	-2.43	370.09	-7.47	-2.43	334.99	-7.47	-2.43	334.99	-7.47	-2.43	299.90		
			TQ	-2.23	-5.91	111.84	-2.23	-5.91	101.35	-2.23	-5.91	101.35	-2.23	-5.91	90.87		
			M3	14.63	36.98	-732.58	14.63	37.01	-663.86	14.63	37.01	-663.86	14.63	37.06	-595.14		
		73	6-LANES	TRUCK-LOAD MAX	S2	460.59	40.10	9242.56	355.52	46.82	10066.90	355.52	46.82	10066.90	305.56	31.91	10486.46
					TQ	45.01	825.12	7157.49	45.01	825.12	7368.93	45.01	825.12	7368.93	45.01	825.12	7580.33
					M3	189.67	47.10	11154.95	72.96	136.70	11239.39	72.96	136.69	11239.39	74.20	165.66	11224.39
MIN	S2			-269.58	227.75	10683.15	-317.59	218.87	10379.23	-317.59	218.87	10379.23	-427.14	222.25	9678.89		
	TQ			-12.98	-590.03	6912.69	-12.98	-590.03	6851.70	-12.98	-590.03	6851.70	-12.98	-590.03	6790.71		
	M3			31.34	-14.64	-1546.18	31.34	-14.64	-1398.97	31.34	-14.64	-1398.97	31.34	-14.64	-1251.77		
TANDEM-LOAD MAX	S2			352.80	14.90	6589.58	279.58	38.39	7326.55	279.58	38.39	7326.55	241.55	-16.58	7619.69		
	TQ			24.16	566.84	4811.74	24.16	566.84	4925.24	24.16	566.84	4925.24	24.16	566.84	5038.73		
	M3			142.33	54.80	7864.66	-4.40	33.05	7938.86	-4.40	33.05	7938.86	32.34	143.93	7902.57		
MIN	S2			-215.03	199.45	7643.53	-253.45	148.16	7458.79	-253.45	148.16	7458.79	-332.28	147.64	6902.63		
	TQ			-12.87	-405.72	4783.54	-12.87	-405.72	4723.09	-12.87	-405.72	4723.09	-12.87	-405.72	4662.64		
	M3			21.34	-9.73	-1053.03	21.34	-9.73	-952.77	21.34	-9.73	-952.77	21.34	-9.73	-852.53		
DISPERSION-LMAX	S2			224.13	63.42	3612.62	187.80	58.07	4004.59	187.80	58.07	4004.59	171.54	55.92	4248.70		
	TQ			56.10	800.89	6306.79	32.67	800.89	6514.84	32.67	800.89	6514.84	-2.01	800.89	6599.11		
	M3			24.36	221.72	13440.20	-23.24	224.99	13448.09	-23.24	224.99	13448.09	-68.83	223.83	13223.09		
MIN	S2	-161.15	142.35	8151.62	-175.44	147.70	7936.00	-175.44	147.70	7936.00	-209.55	150.29	7637.06				
	TQ	3.93	-585.53	5326.57	-19.27	-585.53	5290.07	-19.27	-585.53	5290.08	-30.50	-585.53	5160.01				
	M3	35.24	-14.71	-1739.21	35.24	-14.17	-1573.66	35.24	-14.17	-1573.66	35.23	-13.54	-1408.16				

BAGO RIVER BRIDGE

BLOCK [ No.1 : MAIN GIRDER ][ BEAM MEMBER FORCE ]

MEMBER			3045			3046			3046			3047			
NODE			3045			3046			3046			3047			
NAME TITLE			SHEAR	TORQUE	MOMENT	SHEAR	TORQUE	MOMENT	SHEAR	TORQUE	MOMENT	SHEAR	TORQUE	MOMENT	
			S2 (kN)	TQ (kN·m)	M3 (kN·m)	S2 (kN)	TQ (kN·m)	M3 (kN·m)	S2 (kN)	TQ (kN·m)	M3 (kN·m)	S2 (kN)	TQ (kN·m)	M3 (kN·m)	
124	SUM TOTAL	D+1LANE (caseMAX	S2	357.75	554.82	47580.43	157.02	554.82	48793.21	157.02	554.82	48793.21	-49.96	554.82	49048.28
			TQ	258.06	1442.27	49308.31	57.33	1442.27	50052.74	57.33	1442.27	50052.74	-149.65	1442.27	49839.55
			M3	293.99	1196.12	50392.70	93.26	1196.12	51305.92	93.26	1196.12	51305.92	-112.47	1148.73	51266.35
		MIN	S2	257.12	1438.60	49365.29	56.39	1438.60	50105.33	56.39	1438.60	50105.33	-150.59	1438.60	49887.74
			TQ	356.80	551.00	47438.46	156.07	551.00	48646.76	156.07	551.00	48646.76	-50.91	551.00	48897.37
			M3	325.07	690.84	45415.82	124.34	690.84	46475.05	124.34	690.84	46475.05	-82.64	690.84	46576.60
		D+1LANE (caseMAX	S2	394.37	712.66	48586.49	190.35	707.32	49795.37	190.35	707.32	49795.37	-20.32	705.84	50031.34
			TQ	249.51	1052.88	49908.84	41.88	1052.88	50596.62	41.88	1052.88	50596.62	-171.76	1052.88	50294.94
			M3	324.70	976.85	51036.47	101.91	957.33	51976.55	101.91	957.33	51976.55	-96.34	898.47	51988.80
		MIN	S2	236.93	1035.59	49762.56	32.58	1040.93	50567.12	32.58	1040.93	50567.12	-177.36	1042.40	50397.45
			TQ	375.46	684.43	47769.04	174.72	684.43	49064.97	174.72	684.43	49064.97	-32.25	684.43	49403.19
			M3	324.91	748.00	45409.61	124.18	748.00	46468.10	124.18	748.00	46468.10	-82.80	748.00	46568.91
		D+1LANE (caseMAX	S2	628.46	828.18	49466.40	303.84	830.70	50667.46	303.84	830.70	50667.46	10.97	841.91	50325.39
			TQ	394.22	891.86	48417.42	172.15	891.86	49751.67	172.15	891.86	49751.66	-68.24	891.86	50012.72
			M3	572.34	787.24	51417.34	167.88	789.04	52778.11	167.88	789.04	52778.11	-179.25	791.89	52482.65
		MIN	S2	220.40	742.87	49999.47	-63.09	751.94	51419.56	-63.09	751.94	51419.56	-394.21	754.50	51323.78
			TQ	284.67	693.95	48604.13	60.92	693.95	49419.51	60.92	693.95	49419.51	-157.23	693.95	49183.85
			M3	324.80	791.31	45404.34	124.07	791.31	46462.32	124.07	791.31	46462.32	-82.91	791.31	46562.61
		D+1LANE (caseMAX	S2	440.83	1176.86	48517.24	242.73	1169.33	50258.34	242.73	1169.33	50258.34	93.98	1109.38	51294.31
			TQ	437.46	1185.72	48324.23	236.72	1185.72	49911.42	236.72	1185.72	49911.42	36.61	1185.72	50548.92
			M3	252.33	490.93	51952.71	127.87	532.59	52739.04	127.87	532.59	52739.04	44.13	710.60	53104.64
		MIN	S2	154.19	247.21	50783.29	8.55	222.39	50968.31	8.55	222.39	50968.31	-196.92	222.59	50445.21
			TQ	210.22	204.98	50297.76	22.95	204.98	50848.77	22.95	204.98	50848.77	-177.43	204.98	50497.37
			M3	324.65	876.93	45391.01	123.91	876.93	46448.25	123.91	876.93	46448.25	-83.06	876.93	46547.82

BAGO RIVER BRIDGE

BLOCK [ No.1 : MAIN GIRDER ][ BEAM MEMBER FORCE ]

MEMBER			3045			3046			3046			3047			
NODE			3045			3046			3046			3047			
NAME TITLE			SHEAR	TORQUE	MOMENT	SHEAR	TORQUE	MOMENT	SHEAR	TORQUE	MOMENT	SHEAR	TORQUE	MOMENT	
			S2 (kN)	TQ (kN·m)	M3 (kN·m)	S2 (kN)	TQ (kN·m)	M3 (kN·m)	S2 (kN)	TQ (kN·m)	M3 (kN·m)	S2 (kN)	TQ (kN·m)	M3 (kN·m)	
124	SUM TOTAL	D+2LANES (casMAX	S2	398.25	469.71	49070.36	197.52	469.71	50473.38	197.52	469.71	50473.38	-9.46	469.71	50918.68
			TQ	219.32	1713.10	51642.27	18.59	1713.10	52204.71	18.59	1713.10	52204.71	-188.39	1713.10	51809.55
			M3	275.39	1387.26	53548.77	80.64	1366.11	54387.17	80.64	1366.11	54387.17	-107.47	1266.43	54349.48
		MIN	S2	215.09	1697.26	51670.33	14.36	1697.26	52212.92	14.36	1697.26	52212.92	-192.62	1697.26	51797.90
			TQ	393.23	443.40	48456.92	192.50	443.40	49836.37	192.50	443.39	49836.37	-14.48	443.39	50258.10
			M3	334.24	647.38	44972.80	133.51	647.38	46075.13	133.51	647.38	46075.13	-73.47	647.38	46219.77
		D+2LANES (casMAX	S2	428.77	601.24	49908.74	225.29	596.79	51308.52	225.29	596.79	51308.52	15.24	595.56	51737.89
			TQ	212.20	1388.60	52142.72	5.71	1388.60	52657.94	5.71	1388.60	52657.94	-206.81	1388.60	52189.04
			M3	300.98	1204.53	54085.24	87.85	1167.12	54946.03	87.85	1167.12	54946.03	-94.02	1057.88	54951.52
		MIN	S2	198.26	1361.42	52001.38	-5.48	1365.87	52597.74	-5.48	1365.87	52597.74	-214.93	1367.10	52222.66
			TQ	408.78	554.59	48732.41	208.04	554.59	50184.88	208.04	554.58	50184.88	1.07	554.58	50679.62
			M3	334.11	695.02	44967.63	133.38	695.02	46069.34	133.38	695.02	46069.34	-73.60	695.02	46213.36
		D+2LANES (casMAX	S2	732.72	852.80	51881.98	396.27	925.04	53073.69	396.27	925.04	53073.69	90.28	984.26	52656.11
			TQ	456.73	1063.64	49665.82	238.22	1063.64	51302.04	238.22	1063.64	51302.04	-6.67	1063.64	51872.44
			M3	638.09	663.62	55196.91	182.95	687.50	56633.17	182.95	687.50	56633.17	-181.20	753.49	56322.03
		MIN	S2	157.70	518.06	52778.97	-136.17	568.96	54339.42	-136.17	568.95	54339.42	-477.11	635.99	54318.40
			TQ	247.14	435.39	51324.55	7.09	435.39	51925.34	7.09	435.39	51925.34	-219.27	435.39	51407.91
			M3	333.82	815.01	44952.63	133.09	815.01	46052.96	133.09	815.00	46052.96	-73.89	815.00	46195.61
		D+2LANES (casMAX	S2	576.42	1155.39	51089.38	345.35	1219.22	52731.10	345.35	1219.22	52731.10	159.43	1219.14	53461.58
			TQ	494.10	1320.13	49518.68	293.37	1320.13	51371.99	293.37	1320.13	51371.99	82.04	1320.13	52262.39
			M3	371.55	414.14	55641.76	149.66	471.24	56599.63	149.66	471.24	56599.63	4.95	683.16	56839.37
		MIN	S2	102.55	102.48	53430.92	-76.47	125.13	53962.40	-76.47	125.13	53962.40	-312.76	190.17	53585.37
			TQ	183.78	25.73	52802.56	-25.89	25.73	53176.79	-25.89	25.73	53176.79	-237.45	25.73	52556.59
			M3	333.65	909.87	44937.74	132.92	909.87	46037.27	132.92	909.87	46037.27	-74.06	909.87	46179.12

BAGO RIVER BRIDGE

BLOCK [ No.1 : MAIN GIRDER ][ BEAM MEMBER FORCE ]

MEMBER				3045			3046			3047						
NODE				3045			3046			3046			3047			
NAME TITLE				SHEAR	TORQUE	MOMENT	SHEAR	TORQUE	MOMENT	SHEAR	TORQUE	MOMENT	SHEAR	TORQUE	MOMENT	
				S2 (kN)	TQ (kN·m)	M3 (kN·m)	S2 (kN)	TQ (kN·m)	M3 (kN·m)	S2 (kN)	TQ (kN·m)	M3 (kN·m)	S2 (kN)	TQ (kN·m)	M3 (kN·m)	
124	SUM TOTAL	D+3LANES (casMAX	S2	444.10	462.02	50399.18	241.04	458.24	51892.99	241.04	458.24	51892.99	31.45	457.20	52418.29	
			TQ	189.40	1759.89	53521.97	-16.22	1759.89	53932.17	-16.22	1759.89	53932.17	-227.91	1759.89	53362.24	
			M3	290.32	1429.08	55941.23	79.04	1397.28	56764.71	79.04	1397.27	56764.71	-105.71	1270.86	56721.00	
		MIN	S2	176.89	1734.19	53442.20	-26.40	1737.97	53918.25	-26.40	1737.97	53918.25	-235.47	1739.01	53424.95	
			TQ	426.44	419.66	49298.73	225.71	419.66	50834.16	225.71	419.66	50834.16	18.73	419.66	51411.85	
			M3	340.49	638.08	44665.97	139.76	638.08	45797.66	139.76	638.08	45797.66	-67.22	638.08	45971.66	
		D+3LANES (casMAX	S2	761.32	1106.26	52741.83	447.15	1162.33	54434.13	447.15	1162.33	54434.13	197.35	1170.21	54791.02	
			TQ	524.26	1291.75	50725.95	308.41	1291.75	52685.62	308.41	1291.75	52685.62	74.23	1291.75	53601.54	
			M3	547.35	471.78	57993.12	184.44	521.58	59215.44	184.44	521.58	59215.44	-68.80	703.77	59189.37	
		MIN	S2	69.49	175.48	55109.30	-171.44	201.09	56010.59	-171.44	201.09	56010.59	-491.25	258.21	55603.15	
			TQ	185.32	75.24	53524.24	-39.29	75.24	53870.29	-39.29	75.24	53870.29	-258.21	75.24	53161.20	
			M3	339.98	851.90	44638.81	139.25	851.90	45768.09	139.25	851.90	45768.09	-67.73	851.90	45939.69	
		D+3LANES (casMAX	S2	761.34	1136.96	52737.29	447.06	1192.98	54428.35	447.06	1192.98	54428.35	197.14	1200.83	54786.47	
			TQ	529.59	1319.27	50455.13	313.73	1319.27	52439.82	313.73	1319.27	52439.82	79.38	1319.27	53380.52	
			M3	547.50	465.46	57988.90	184.48	515.26	59212.08	184.48	515.26	59212.08	-68.85	697.39	59186.36	
		MIN	S2	69.56	169.12	55105.39	-171.35	194.80	56008.15	-171.35	194.80	56008.15	-491.17	251.88	55599.61	
			TQ	179.97	72.01	53787.03	-44.64	72.01	54108.31	-44.64	72.00	54108.31	-263.42	72.00	53374.60	
			M3	339.87	911.91	44629.41	139.14	911.91	45758.18	139.14	911.91	45758.18	-67.84	911.91	45929.27	
		D+4LANES	MAX	S2	334.17	856.84	44924.89	133.44	856.84	46026.88	133.44	856.84	46026.88	-73.54	856.84	46171.19
			TQ	326.28	860.14	45314.50	125.54	860.14	46379.40	125.54	860.13	46379.40	-81.43	860.13	46486.63	
			M3	302.36	788.75	46514.83	101.63	788.75	47467.38	101.63	788.74	47467.38	-105.35	788.74	47462.26	
		MIN	S2	302.36	788.77	46514.82	101.63	788.77	47467.37	101.63	788.77	47467.37	-105.35	788.77	47462.26	
			TQ	309.96	784.40	46140.07	109.23	784.40	47128.32	109.23	784.40	47128.32	-97.75	784.40	47158.90	
			M3	334.17	857.14	44924.86	133.44	857.16	46026.85	133.44	857.16	46026.85	-73.54	857.19	46171.15	

BAGO RIVER BRIDGE

BLOCK [ No.1 : MAIN GIRDER ] [ BEAM MEMBER FORCE ]

MEMBER					3045			3046			3047		
NODE					3045			3046			3046		
					SHEAR	TORQUE	MOMENT	SHEAR	TORQUE	MOMENT	SHEAR	TORQUE	MOMENT
NAME	TITLE				S2 (kN)	TQ (kN·m)	M3 (kN·m)	S2 (kN)	TQ (kN·m)	M3 (kN·m)	S2 (kN)	TQ (kN·m)	M3 (kN·m)
124	SUM TOTAL	D+6LANES	MAX	S2	756.28	858.97	54432.39	463.64	859.86	56217.11	463.64	859.86	56217.11
				TQ	376.93	1848.59	54828.30	160.97	1848.59	56095.09	160.97	1848.59	56095.09
				M3	450.33	966.42	62063.37	142.80	1026.79	63117.50	142.80	1026.78	63117.50
			MIN	S2	31.23	1032.26	58319.12	-210.00	1029.96	58975.53	-210.00	1029.96	58975.53
				TQ	305.33	27.58	54032.04	89.51	27.58	54962.79	89.51	27.58	54962.79
				M3	354.48	772.61	43941.02	153.75	772.96	45138.43	153.75	772.96	45138.43
	SUM TOTAL		MAX		761.34	1848.59	62063.37	463.64	1848.59	63117.50	463.64	1848.59	63117.50
			MIN		31.23	25.73	43941.02	-210.00	25.73	45138.43	-210.00	25.73	45138.43
300	DEAD LOAD	TOTAL			311.21	791.69	46076.52	110.48	791.69	47070.64	110.48	791.69	47070.64
301	LIVE LOAD	1-LANE (case1MAX	S2		46.55	-236.87	1503.91	46.55	-236.87	1722.57	46.55	-236.87	1722.57
			TQ		-53.15	650.58	3231.79	-53.15	650.58	2982.11	-53.15	650.58	2982.11
			M3		-17.22	404.43	4316.18	-17.22	404.43	4235.28	-17.22	404.43	4235.28
			MIN	S2	-54.08	646.91	3288.77	-54.08	646.91	3034.70	-54.08	646.91	3034.70
				TQ	45.59	-240.69	1361.93	45.59	-240.69	1576.12	45.59	-240.69	1576.12
				M3	13.86	-100.85	-660.70	13.86	-100.85	-595.59	13.86	-100.85	-595.59
		1-LANE (case2MAX	S2		83.16	-79.03	2509.97	79.88	-84.37	2724.74	79.88	-84.37	2724.74
			TQ		-61.69	261.19	3832.32	-68.60	261.19	3525.98	-68.60	261.19	3525.98
			M3		13.49	185.16	4959.95	-8.57	165.64	4905.91	-8.57	165.64	4905.91
			MIN	S2	-74.28	243.90	3686.03	-77.89	249.24	3496.49	-77.89	249.24	3496.49
				TQ	64.25	-107.26	1692.52	64.25	-107.26	1994.33	64.25	-107.26	1994.33
				M3	13.70	-43.69	-666.91	13.70	-43.69	-602.54	13.70	-43.69	-602.54
		1-LANE (case3MAX	S2		317.25	36.50	3389.88	193.36	39.01	3596.82	193.36	39.01	3596.82
			TQ		83.01	100.17	2340.90	61.67	100.17	2681.03	61.67	100.17	2681.03
			M3		261.13	-4.45	5340.82	57.40	-2.65	5707.47	57.40	-2.65	5707.47
			MIN	S2	-90.80	-48.82	3922.94	-173.57	-39.75	4348.93	-173.57	-39.75	4348.93
				TQ	-26.54	-97.74	2527.60	-49.55	-97.74	2348.87	-49.55	-97.74	2348.87
				M3	13.59	-0.38	-672.18	13.59	-0.38	-608.32	13.59	-0.38	-608.32

BAGO RIVER BRIDGE

BLOCK [ No.1 : MAIN GIRDER ][ BEAM MEMBER FORCE ]

MEMBER			3045			3046			3046			3047			
NODE			3045			3046			3046			3047			
NAME TITLE			SHEAR	TORQUE	MOMENT	SHEAR	TORQUE	MOMENT	SHEAR	TORQUE	MOMENT	SHEAR	TORQUE	MOMENT	
			S2 (kN)	TQ (kN·m)	M3 (kN·m)	S2 (kN)	TQ (kN·m)	M3 (kN·m)	S2 (kN)	TQ (kN·m)	M3 (kN·m)	S2 (kN)	TQ (kN·m)	M3 (kN·m)	
301	LIVE LOAD	1-LANE (case4MAX	S2	129.62	385.17	2440.72	132.26	377.64	3187.70	132.26	377.64	3187.70	190.48	317.69	4187.23
			TQ	126.25	394.03	2247.71	126.25	394.03	2840.79	126.25	394.03	2840.79	133.11	394.03	3441.84
			M3	-58.87	-300.76	5876.19	17.40	-259.10	5668.40	17.40	-259.10	5668.40	140.64	-81.09	5997.55
			MIN S2	-157.02	-544.48	4706.77	-101.93	-569.30	3897.67	-101.93	-569.30	3897.67	-100.42	-569.10	3338.13
			TQ	-100.99	-586.71	4221.24	-87.52	-586.71	3778.13	-87.52	-586.71	3778.13	-80.92	-586.71	3390.28
			M3	13.44	85.24	-685.51	13.44	85.24	-622.38	13.44	85.24	-622.38	13.44	85.24	-559.26
		2-LANES (caseMAX	S2	87.04	-321.98	2993.84	87.04	-321.98	3402.75	87.04	-321.98	3402.75	87.04	-321.98	3811.60
			TQ	-91.89	921.41	5565.75	-91.89	921.41	5134.07	-91.89	921.41	5134.07	-91.89	921.41	4702.46
			M3	-35.82	595.57	7472.24	-29.84	574.42	7316.53	-29.84	574.42	7316.53	-10.97	474.74	7242.39
			MIN S2	-96.12	905.57	5593.81	-96.12	905.57	5142.28	-96.12	905.57	5142.28	-96.12	905.57	4690.82
			TQ	82.02	-348.29	2380.40	82.02	-348.29	2765.74	82.02	-348.29	2765.74	82.02	-348.29	3151.01
			M3	23.03	-144.31	-1103.72	23.03	-144.31	-995.51	23.03	-144.31	-995.51	23.03	-144.31	-887.31
		2-LANES (caseMAX	S2	117.56	-190.45	3832.22	114.82	-194.90	4237.89	114.82	-194.90	4237.89	111.74	-196.13	4630.81
			TQ	-99.01	596.91	6066.19	-104.76	596.91	5587.30	-104.76	596.91	5587.30	-110.31	596.91	5081.96
			M3	-10.23	412.84	8008.72	-22.63	375.43	7875.39	-22.63	375.43	7875.39	2.48	266.20	7844.43
			MIN S2	-112.95	569.73	5924.86	-115.96	574.18	5527.11	-115.96	574.18	5527.11	-118.43	575.41	5115.57
			TQ	97.57	-237.10	2655.89	97.57	-237.10	3114.24	97.57	-237.10	3114.24	97.57	-237.10	3572.53
			M3	22.90	-96.67	-1108.89	22.90	-96.67	-1001.30	22.90	-96.67	-1001.30	22.90	-96.67	-893.73
		2-LANES (caseMAX	S2	421.51	61.11	5805.46	285.79	133.35	6003.05	285.79	133.35	6003.05	186.79	192.58	5549.03
			TQ	145.52	271.95	3589.30	127.74	271.95	4231.40	127.74	271.95	4231.40	89.83	271.95	4765.36
			M3	326.88	-128.07	9120.39	72.47	-104.19	9562.54	72.47	-104.19	9562.54	-84.70	-38.20	9214.94
			MIN S2	-153.51	-273.63	6702.44	-246.65	-222.73	7268.78	-246.65	-222.73	7268.78	-380.61	-155.70	7211.31
			TQ	-64.07	-356.30	5248.03	-103.39	-356.30	4854.70	-103.39	-356.30	4854.70	-122.77	-356.30	4300.82
			M3	22.61	23.32	-1123.89	22.61	23.32	-1017.68	22.61	23.32	-1017.68	22.61	23.32	-911.48



BAGO RIVER BRIDGE

BLOCK [ No.1 : MAIN GIRDER ][ BEAM MEMBER FORCE ]

MEMBER			3045			3046			3046			3047			
NODE			3045			3046			3046			3047			
NAME TITLE			SHEAR	TORQUE	MOMENT	SHEAR	TORQUE	MOMENT	SHEAR	TORQUE	MOMENT	SHEAR	TORQUE	MOMENT	
			S2 (kN)	TQ (kN·m)	M3 (kN·m)	S2 (kN)	TQ (kN·m)	M3 (kN·m)	S2 (kN)	TQ (kN·m)	M3 (kN·m)	S2 (kN)	TQ (kN·m)	M3 (kN·m)	
301	LIVE LOAD	2-LANES (caseMAX	S2	265.21	363.70	5012.86	234.88	427.53	5660.47	234.88	427.53	5660.47	255.93	427.45	6354.50
			TQ	182.89	528.44	3442.16	182.89	528.44	4301.35	182.89	528.44	4301.35	178.54	528.44	5155.31
			M3	60.34	-377.55	9565.24	39.19	-320.45	9528.99	39.19	-320.45	9528.99	101.45	-108.53	9732.29
			MIN S2	-208.66	-689.21	7354.40	-186.95	-666.56	6891.76	-186.95	-666.56	6891.76	-216.26	-601.52	6478.29
			TQ	-127.43	-765.96	6726.04	-136.37	-765.96	6106.15	-136.37	-765.96	6106.15	-140.94	-765.96	5449.50
			M3	22.44	118.18	-1138.78	22.44	118.18	-1033.36	22.44	118.18	-1033.36	22.44	118.18	-927.96
		3-LANES (caseMAX	S2	132.90	-329.67	4322.66	130.57	-333.45	4822.36	130.57	-333.45	4822.36	127.95	-334.49	5311.20
			TQ	-121.81	968.20	7445.45	-126.70	968.20	6861.53	-126.70	968.20	6861.53	-131.41	968.20	6255.16
			M3	-20.89	637.39	9864.70	-31.43	605.59	9694.08	-31.43	605.59	9694.08	-9.20	479.17	9613.91
			MIN S2	-134.31	942.50	7365.68	-136.87	946.28	6847.62	-136.87	946.28	6847.62	-138.97	947.33	6317.87
			TQ	115.23	-372.03	3222.21	115.23	-372.03	3763.53	115.23	-372.03	3763.53	115.23	-372.03	4304.77
			M3	29.29	-153.61	-1410.55	29.29	-153.61	-1272.98	29.29	-153.61	-1272.98	29.29	-153.61	-1135.43
		3-LANES (caseMAX	S2	450.11	314.57	6665.31	336.67	370.64	7363.49	336.67	370.64	7363.49	293.85	378.52	7683.94
			TQ	213.05	500.06	4649.43	197.94	500.06	5614.99	197.94	500.06	5614.98	170.73	500.06	6494.45
			M3	236.14	-319.91	11916.60	73.97	-270.11	12144.80	73.97	-270.11	12144.80	27.70	-87.92	12082.29
			MIN S2	-241.72	-616.21	9032.78	-281.92	-590.60	8939.96	-281.92	-590.60	8939.96	-394.75	-533.48	8496.07
			TQ	-125.89	-716.45	7447.72	-149.76	-716.45	6799.65	-149.76	-716.45	6799.65	-161.71	-716.45	6054.12
			M3	28.77	60.21	-1437.71	28.77	60.21	-1302.54	28.77	60.21	-1302.54	28.77	60.21	-1167.40
		3-LANES (caseMAX	S2	450.13	345.28	6660.76	336.59	401.29	7357.71	336.59	401.29	7357.71	293.64	409.14	7679.38
			TQ	218.38	527.58	4378.60	203.26	527.58	5369.18	203.26	527.58	5369.18	175.88	527.58	6273.43
			M3	236.29	-326.23	11912.38	74.01	-276.43	12141.44	74.01	-276.43	12141.44	27.65	-94.30	12079.28
			MIN S2	-241.65	-622.57	9028.86	-281.82	-596.89	8937.51	-281.82	-596.89	8937.51	-394.67	-539.81	8492.52
			TQ	-131.24	-719.68	7710.51	-155.12	-719.68	7037.67	-155.12	-719.68	7037.67	-166.92	-719.68	6267.52
			M3	28.66	120.22	-1447.11	28.66	120.22	-1312.45	28.66	120.22	-1312.45	28.66	120.22	-1177.81

BAGO RIVER BRIDGE

BLOCK [ No.1 : MAIN GIRDER ][ BEAM MEMBER FORCE ]

MEMBER					3045			3046			3047					
NODE					3045			3046			3046					
NAME TITLE					SHEAR	TORQUE	MOMENT	SHEAR	TORQUE	MOMENT	SHEAR	TORQUE	MOMENT			
					S2 (kN)	TQ (kN·m)	M3 (kN·m)	S2 (kN)	TQ (kN·m)	M3 (kN·m)	S2 (kN)	TQ (kN·m)	M3 (kN·m)			
301	LIVE LOAD	4-LANES	MAX	S2	22.96	65.15	-1151.63	22.96	65.15	-1043.76	22.96	65.15	-1043.76	22.96	65.15	-935.90
				TQ	15.07	68.45	-762.02	15.07	68.45	-691.23	15.07	68.45	-691.23	15.07	68.45	-620.45
				M3	-8.85	-2.94	438.31	-8.85	-2.94	396.74	-8.85	-2.94	396.74	-8.85	-2.94	355.18
		MIN	S2	-8.85	-2.92	438.30	-8.85	-2.92	396.74	-8.85	-2.92	396.74	-8.85	-2.92	355.17	
			TQ	-1.25	-7.29	63.55	-1.25	-7.29	57.68	-1.25	-7.29	57.68	-1.25	-7.29	51.81	
			M3	22.96	65.45	-1151.66	22.96	65.47	-1043.79	22.96	65.47	-1043.79	22.96	65.50	-935.93	
	6-LANES	MAX	S2	445.07	67.28	8355.87	353.16	68.17	9146.47	353.16	68.17	9146.47	310.11	57.09	9577.85	
			TQ	65.72	1056.90	8751.78	50.49	1056.90	9024.45	50.49	1056.90	9024.45	27.95	1056.90	9216.64	
			M3	139.12	174.73	15986.85	32.32	235.10	16046.86	32.32	235.10	16046.86	3.49	253.17	15890.86	
		MIN	S2	-279.97	240.57	12242.60	-320.47	238.27	11904.90	-320.47	238.27	11904.90	-413.85	242.15	11255.37	
			TQ	-5.88	-764.11	7955.52	-20.96	-764.11	7892.15	-20.96	-764.11	7892.15	-28.26	-764.11	7767.97	
			M3	43.28	-19.08	-2135.50	43.27	-18.73	-1932.21	43.27	-18.73	-1932.21	43.27	-18.32	-1728.95	
LIVE LOAD	MAX		450.13	1056.90	15986.85	353.16	1056.90	16046.86	353.16	1056.90	16046.86	310.11	1056.90	15890.86		
	MIN		-279.97	-765.96	-2135.50	-320.47	-765.96	-1932.21	-320.47	-765.96	-1932.21	-413.85	-765.96	-1728.95		
303	SUM TOTAL	TOTAL	MAX	761.34	1848.59	62063.37	463.64	1848.59	63117.50	463.64	1848.59	63117.50	213.61	1848.59	62997.94	
			MIN	31.23	25.73	43941.02	-210.00	25.73	45138.43	-210.00	25.73	45138.43	-510.35	25.73	45378.13	

BAGO RIVER BRIDGE

BLOCK [ No.1 : MAIN GIRDER ] [ BEAM MEMBER FORCE ]

MEMBER NODE	3047	3048			3048			3048			3049			
		SHEAR	TORQUE	MOMENT	SHEAR	TORQUE	MOMENT	SHEAR	TORQUE	MOMENT	SHEAR	TORQUE	MOMENT	
NAME TITLE	S2 (kN)	TQ (kN·m)	M3 (kN·m)	S2 (kN)	TQ (kN·m)	M3 (kN·m)	S2 (kN)	TQ (kN·m)	M3 (kN·m)	S2 (kN)	TQ (kN·m)	M3 (kN·m)		
1 PAVEMENT	-29.54	141.49	7392.92	-59.51	141.49	7183.83	-59.51	141.49	7183.83	-89.48	141.49	6834.02		
3 RAILING	-3.41	5.34	228.08	-1.82	5.34	215.80	-1.82	5.34	215.80	-0.24	5.34	210.95		
5 CURB	-33.72	52.83	2258.01	-18.06	52.83	2136.41	-18.06	52.83	2136.41	-2.40	52.83	2088.39		
7 DECK WEIGHT	-40.20	226.89	12240.15	-91.01	226.89	11932.86	-91.01	226.89	11932.86	-143.21	226.89	11383.75		
8 GIRDER WEIGH	-53.50	298.26	17209.65	-141.29	298.26	16752.23	-141.29	298.26	16752.23	-229.08	298.26	15882.62		
10 MEDIAN STRIP	36.38	45.42	4120.56	-8.98	45.42	4187.54	-8.98	45.42	4187.54	-58.83	45.42	4030.97		
21 ADITIONAL WE	-11.26	63.53	3427.24	-25.48	63.53	3341.20	-25.48	63.53	3341.20	-40.10	63.53	3187.45		
31 MEDIAN RAILI	0.45	3.16	224.40	-1.85	3.16	221.07	-1.85	3.16	221.07	-4.15	3.16	206.92		
51 SUPPORT WEIG	-0.00	-0.00	-0.00	-0.00	-0.00	-0.00	-0.00	-0.00	-0.00	-0.00	-0.00	-0.00		
52 NOSE WEIGHT	-0.00	0.00	0.00	-0.00	0.00	0.00	-0.00	0.00	0.00	-0.00	0.00	0.00		
61 1-LANE(case1TRUCK-LOAD	MAX	S2	9.77	-14.72	634.13	9.77	-14.72	680.00	9.77	-14.72	680.00	9.77	-14.72	725.86
		TQ	-30.48	345.35	1210.21	-30.48	345.35	1067.08	-30.48	345.35	1067.08	-30.48	345.35	923.97
		M3	-19.41	279.25	1371.87	-14.66	225.04	1291.08	-14.66	225.04	1291.08	-14.66	225.04	1222.26
	MIN	S2	-30.88	342.52	1284.24	-30.88	342.52	1139.23	-30.88	342.52	1139.23	-30.88	342.52	994.24
		TQ	4.95	-40.28	-190.04	4.95	-40.28	-166.78	4.95	-40.28	-166.78	4.95	-40.28	-143.53
		M3	5.25	-38.49	-202.79	5.25	-38.49	-178.13	5.25	-38.49	-178.13	5.25	-38.49	-153.47
	TANDEM-LOAD MAX	S2	7.29	-10.38	458.30	7.29	-10.38	492.55	7.29	-10.38	492.55	7.29	-10.38	526.79
		TQ	-21.30	235.54	839.60	-21.30	235.54	739.56	-21.30	235.54	739.56	-21.30	235.54	639.54
		M3	-14.03	196.65	932.87	-9.48	160.00	878.69	-9.48	160.00	878.69	-9.48	160.00	834.19
	MIN	S2	-21.41	234.75	860.26	-21.41	234.75	759.70	-21.41	234.75	759.70	-21.41	234.75	659.15
		TQ	3.42	-27.48	-131.53	3.42	-27.48	-115.45	3.42	-27.48	-115.45	3.42	-27.48	-99.37
		M3	3.58	-26.45	-138.06	3.58	-26.45	-121.26	3.58	-26.45	-121.26	3.58	-26.45	-104.46
	DISPERSION-LMAX	S2	9.98	-47.94	88.61	9.98	-47.94	135.50	9.98	-47.94	135.50	9.98	-47.94	182.38
		TQ	-33.08	425.59	1896.12	-33.08	425.59	1740.78	-33.08	425.59	1740.78	-33.08	425.59	1585.46
		M3	-30.10	419.86	2078.41	-30.10	419.86	1937.05	-30.10	419.86	1937.05	-30.10	419.86	1795.70
	MIN	S2	-33.88	421.95	1750.49	-33.88	421.95	1591.36	-33.88	421.95	1591.36	-33.88	421.95	1432.25
		TQ	9.18	-51.58	-57.02	9.18	-51.58	-13.92	9.18	-51.58	-13.92	9.18	-51.58	29.17
		M3	6.20	-45.85	-239.31	6.20	-45.85	-210.19	6.20	-45.85	-210.19	6.20	-45.85	-181.07

BAGO RIVER BRIDGE

BLOCK [ No.1 : MAIN GIRDER ][ BEAM MEMBER FORCE ]

MEMBER NODE	3047	3048			3048			3049					
		SHEAR	TORQUE	MOMENT	SHEAR	TORQUE	MOMENT	SHEAR	TORQUE	MOMENT			
NAME TITLE	S2 (kN)	TQ (kN·m)	M3 (kN·m)	S2 (kN)	TQ (kN·m)	M3 (kN·m)	S2 (kN)	TQ (kN·m)	M3 (kN·m)	S2 (kN)	TQ (kN·m)	M3 (kN·m)	
62 1-LANE (case2TRUCK-LOAD	MAX S2	26.53	-1.05	1242.21	26.53	-1.05	1366.81	26.53	-1.05	1366.81	26.53	-1.05	1491.40
	TQ	-40.17	137.92	1595.26	-40.17	137.92	1406.60	-40.17	137.92	1406.60	-40.17	137.92	1217.96
	M3	-18.26	123.35	1769.06	-10.82	85.19	1663.24	-10.82	85.19	1663.24	-5.76	48.58	1598.33
	MIN S2	-43.65	130.22	1756.33	-43.65	130.22	1551.33	-43.65	130.22	1551.33	-43.65	130.22	1346.36
	TQ	17.58	-19.54	798.21	17.58	-19.54	880.76	17.58	-19.54	880.76	17.58	-19.54	963.31
	M3	5.18	-16.76	-205.97	5.18	-16.76	-181.66	5.18	-16.76	-181.66	5.18	-16.76	-157.36
	TANDEM-LOAD MAX S2	18.63	-5.55	810.78	18.63	-5.55	898.27	18.63	-5.55	898.27	18.63	-5.55	985.76
	TQ	-29.34	94.59	1139.88	-29.34	94.59	1002.07	-29.34	94.59	1002.07	-29.34	94.59	864.27
	M3	-14.83	83.08	1235.63	-7.19	51.69	1153.07	-7.19	51.69	1153.07	2.42	15.85	1112.81
	MIN S2	-29.99	83.08	1235.63	-29.99	83.08	1094.79	-29.99	83.08	1094.79	-29.99	83.08	953.97
	TQ	13.79	-13.62	615.14	13.79	-13.62	679.92	13.79	-13.62	679.92	13.79	-13.62	744.70
	M3	3.52	-11.49	-140.24	3.52	-11.49	-123.69	3.52	-11.49	-123.69	3.52	-11.49	-107.14
	DISPERSION-LMAX S2	21.41	-18.68	529.47	19.50	-23.71	507.12	19.50	-23.71	507.12	17.28	-26.71	454.01
	TQ	-29.92	151.91	1882.28	-35.28	151.91	1728.96	-35.28	151.91	1728.96	-40.46	151.91	1550.94
	M3	-20.64	143.49	2296.65	-26.00	143.49	2186.90	-26.00	143.49	2186.90	-31.18	143.49	2052.43
	MIN S2	-35.96	142.36	1524.63	-39.41	147.38	1465.85	-39.41	147.38	1465.85	-42.37	150.39	1413.11
	TQ	15.37	-28.23	171.82	15.37	-28.23	244.01	15.37	-28.23	244.00	15.37	-28.23	316.18
	M3	6.10	-19.81	-242.56	6.10	-19.81	-213.93	6.10	-19.81	-213.93	6.10	-19.81	-185.31
63 1-LANE (case3TRUCK-LOAD	MAX S2	188.53	-28.74	1985.34	110.23	-28.61	2101.07	110.23	-28.61	2101.07	52.62	-20.07	1819.30
	TQ	16.40	17.55	581.36	16.40	17.55	658.38	16.40	17.55	658.38	16.40	17.55	735.40
	M3	103.34	-33.02	2043.55	40.52	-28.89	2188.40	40.52	-28.89	2188.40	-38.17	-28.53	1924.31
	MIN S2	-59.46	-35.61	2028.38	-115.13	-29.72	2166.26	-115.13	-29.72	2166.26	-194.54	-29.88	1921.92
	TQ	-32.38	-60.72	1336.61	-32.38	-60.72	1184.53	-32.38	-60.72	1184.53	-32.38	-60.72	1032.46
	M3	5.12	-0.30	-208.62	5.12	-0.30	-184.56	5.12	-0.30	-184.56	5.12	-0.30	-160.50

BAGO RIVER BRIDGE

BLOCK [ No.1 : MAIN GIRDER ][ BEAM MEMBER FORCE ]

MEMBER		3047			3048			3048			3049				
NODE		3047			3048			3048			3049				
		SHEAR	TORQUE	MOMENT	SHEAR	TORQUE	MOMENT	SHEAR	TORQUE	MOMENT	SHEAR	TORQUE	MOMENT		
NAME	TITLE	S2 (kN)	TQ (kN·m)	M3 (kN·m)	S2 (kN)	TQ (kN·m)	M3 (kN·m)	S2 (kN)	TQ (kN·m)	M3 (kN·m)	S2 (kN)	TQ (kN·m)	M3 (kN·m)		
63	1-LANE (case3TANDEM-LOAD	MAX	S2	154.04	-18.89	1503.55	98.83	-20.11	1622.76	98.83	-20.11	1622.76	46.38	-19.26	1411.32
			TQ	13.23	12.53	473.40	13.23	12.53	535.51	13.23	12.53	535.51	13.23	12.53	597.62
			M3	57.13	-19.81	1509.62	5.66	-19.86	1631.93	5.66	-19.86	1631.93	-50.94	-20.60	1426.04
		MIN	S2	-49.88	-19.81	1509.62	-101.85	-19.86	1631.93	-101.85	-19.86	1631.93	-158.94	-20.60	1426.04
			TQ	-23.29	-41.57	963.10	-23.29	-41.57	853.74	-23.29	-41.57	853.74	-23.29	-41.57	744.39
			M3	3.49	-0.16	-142.07	3.49	-0.16	-125.68	3.49	-0.16	-125.68	3.49	-0.16	-109.30
	DISPERSION-LMAX	S2	59.23	-3.92	708.70	36.01	-0.51	638.00	36.01	-0.51	638.00	22.44	3.04	488.28	
		TQ	8.60	9.78	323.24	5.95	9.78	355.42	5.95	9.78	355.42	5.95	9.78	383.37	
		M3	15.91	-62.79	2450.95	-21.43	-62.79	2438.21	-21.43	-62.79	2438.21	-58.95	-62.79	2249.69	
		MIN	S2	-37.30	-58.95	1497.10	-51.42	-62.36	1583.32	-51.42	-62.36	1583.32	-75.37	-65.91	1572.79
			TQ	13.33	-72.65	1882.57	-21.36	-72.65	1865.90	-21.36	-72.65	1865.90	-58.88	-72.65	1677.70
			M3	6.02	-0.08	-245.15	6.02	-0.08	-216.88	6.02	-0.08	-216.88	6.02	-0.08	-188.62
64	1-LANE (case4TRUCK-LOAD	MAX	S2	59.57	83.88	1290.24	59.57	83.88	1570.02	59.57	83.88	1570.02	98.03	33.31	2126.22
			TQ	56.97	90.51	1165.43	56.97	90.51	1432.97	56.97	90.51	1432.97	56.97	90.51	1700.48
			M3	-54.28	-285.18	2270.31	2.44	-185.26	2031.47	2.44	-185.26	2031.47	87.25	-45.36	2179.54
		MIN	S2	-96.83	-306.64	2247.07	-60.56	-331.95	1842.21	-60.56	-331.95	1842.21	-60.56	-331.95	1557.82
			TQ	-59.42	-337.30	2030.88	-59.42	-337.30	1751.82	-59.42	-337.30	1751.82	-59.42	-337.30	1472.80
			M3	5.05	33.21	-215.26	5.05	33.21	-191.55	5.05	33.21	-191.55	5.05	33.21	-167.85
	TANDEM-LOAD	MAX	S2	45.32	60.05	908.26	45.32	60.05	1121.10	45.32	60.05	1121.10	86.30	0.93	1482.88
			TQ	36.44	63.33	747.23	36.44	63.33	918.36	36.44	63.33	918.36	36.44	63.33	1089.46
			M3	-30.94	-190.81	1549.92	-20.83	-172.75	1407.21	-20.83	-172.75	1407.21	40.61	-73.81	1487.10
		MIN	S2	-84.76	-172.75	1543.39	-45.26	-228.28	1289.47	-45.26	-228.28	1289.47	-45.26	-228.28	1076.95
			TQ	-38.59	-229.94	1330.81	-38.59	-229.94	1149.58	-38.59	-229.94	1149.58	-38.59	-229.94	968.38
			M3	3.44	22.93	-146.70	3.44	22.93	-130.55	3.44	22.93	-130.55	3.44	22.93	-114.40

BAGO RIVER BRIDGE

BLOCK [ No.1 : MAIN GIRDER ][ BEAM MEMBER FORCE ]

MEMBER			3047			3048			3048			3049					
NODE			3047			3048			3048			3049					
			SHEAR	TORQUE	MOMENT	SHEAR	TORQUE	MOMENT	SHEAR	TORQUE	MOMENT	SHEAR	TORQUE	MOMENT			
NAME	TITLE		S2 (kN)	TQ (kN·m)	M3 (kN·m)	S2 (kN)	TQ (kN·m)	M3 (kN·m)	S2 (kN)	TQ (kN·m)	M3 (kN·m)	S2 (kN)	TQ (kN·m)	M3 (kN·m)			
64	1-LANE (case4DISPERSION-LMAX	S2	31.91	78.84	474.63	33.68	69.65	718.19	33.68	69.65	718.19	43.33	65.87	975.35			
		TQ	30.35	81.63	326.66	30.35	81.63	469.20	30.35	81.63	469.20	30.35	81.63	611.72			
		M3	-28.04	-319.08	2724.12	-16.83	-319.08	2618.50	-16.83	-319.08	2618.50	-5.61	-319.08	2565.57			
		MIN	S2	-54.07	-359.96	1998.65	-44.62	-350.78	1677.13	-44.62	-350.78	1677.13	-43.05	-347.00	1394.69		
		TQ	-52.51	-362.76	2146.62	-41.29	-362.76	1926.12	-41.29	-362.76	1926.12	-30.07	-362.76	1758.32			
		M3	5.89	37.95	-250.84	5.89	37.95	-223.19	5.89	37.95	-223.19	5.89	37.95	-195.53			
		65	2-LANES (caseTRUCK-LOAD	MAX	S2	24.35	-13.05	1632.22	24.35	-13.05	1746.57	24.35	-13.05	1746.57	24.35	-13.05	1860.90
				TQ	-63.17	584.82	2564.52	-63.17	584.82	2267.86	-63.17	584.82	2267.86	-63.17	584.82	1971.24	
				M3	-48.83	474.41	2948.10	-35.44	385.51	2750.34	-35.44	385.51	2750.34	-19.19	327.26	2623.43	
MIN	S2			-65.26	574.39	2770.32	-65.26	574.39	2463.82	-65.26	574.39	2463.82	-65.26	574.39	2157.36		
TQ	9.86			-68.99	-381.77	9.86	-68.99	-335.46	9.86	-68.99	-335.46	9.86	-68.99	-289.15			
M3	10.46			-66.13	-407.15	10.46	-66.13	-358.00	10.46	-66.13	-358.00	10.46	-66.13	-308.86			
TANDEM-LOAD	MAX			S2	17.49	-13.74	1107.76	17.49	-13.74	1189.92	17.49	-13.74	1189.92	17.49	-13.74	1272.06	
TQ	-43.01			398.29	1731.73	-43.01	398.29	1529.72	-43.01	398.29	1529.72	-43.01	398.29	1327.74			
M3	-33.82			325.52	2013.08	-27.24	280.55	1871.76	-27.24	280.55	1871.76	-15.75	240.54	1788.09			
MIN	S2	-45.03	387.31	1906.24	-45.03	387.31	1694.76	-45.03	387.31	1694.76	-45.03	387.31	1483.31				
TQ	6.82	-47.08	-264.18	6.82	-47.08	-232.15	6.82	-47.08	-232.15	6.82	-47.08	-200.12					
M3	7.13	-45.43	-277.18	7.13	-45.43	-243.71	7.13	-45.43	-243.71	7.13	-45.43	-210.24					
DISPERSION-LMAX	S2	23.38	-79.70	391.14	23.38	-79.70	500.95	23.38	-79.70	500.95	23.38	-79.70	610.75				
TQ	-66.02	713.50	3818.47	-66.02	713.50	3508.41	-66.02	713.50	3508.41	-66.02	713.50	3198.39					
M3	-58.13	700.69	4268.77	-58.13	700.69	3995.75	-58.13	700.69	3995.75	-58.13	700.69	3722.76					
MIN	S2	-69.17	701.68	3397.40	-69.17	701.68	3072.56	-69.17	701.68	3072.56	-69.17	701.68	2747.76				
TQ	20.23	-91.52	-29.93	20.23	-91.52	65.10	20.23	-91.52	65.10	20.23	-91.52	160.12					
M3	12.35	-78.71	-480.23	12.35	-78.71	-422.24	12.35	-78.71	-422.24	12.35	-78.71	-364.26					

BAGO RIVER BRIDGE

BLOCK [ No.1 : MAIN GIRDER ][ BEAM MEMBER FORCE ]

MEMBER		3047			3048			3048			3049				
NODE		3047			3048			3048			3049				
		SHEAR	TORQUE	MOMENT	SHEAR	TORQUE	MOMENT	SHEAR	TORQUE	MOMENT	SHEAR	TORQUE	MOMENT		
NAME	TITLE	S2 (kN)	TQ (kN·m)	M3 (kN·m)	S2 (kN)	TQ (kN·m)	M3 (kN·m)	S2 (kN)	TQ (kN·m)	M3 (kN·m)	S2 (kN)	TQ (kN·m)	M3 (kN·m)		
66	2-LANES (caseTRUCK-LOAD	MAX	S2	41.11	0.62	2240.31	41.11	0.62	2433.39	41.11	0.62	2433.39	41.11	0.62	2626.44
			TQ	-72.86	377.38	2949.57	-72.86	377.38	2607.38	-72.86	377.38	2607.38	-72.86	377.38	2265.23
			M3	-47.68	318.51	3345.29	-31.61	245.65	3122.49	-31.61	245.65	3122.49	-10.29	150.80	2999.49
		MIN	S2	-78.03	362.09	3242.41	-78.03	362.09	2875.92	-78.03	362.09	2875.92	-78.03	362.09	2509.48
			TQ	22.49	-48.24	606.48	22.49	-48.24	712.09	22.49	-48.24	712.09	22.49	-48.24	817.69
			M3	10.39	-44.41	-410.32	10.39	-44.41	-361.53	10.39	-44.41	-361.53	10.39	-44.41	-312.75
	TANDEM-LOAD	MAX	S2	28.83	-8.92	1460.23	28.83	-8.92	1595.64	28.83	-8.92	1595.64	28.83	-8.92	1731.03
			TQ	-51.06	257.35	2032.02	-51.06	257.35	1792.23	-51.06	257.35	1792.23	-51.06	257.35	1552.46
			M3	-34.62	211.95	2315.84	-24.96	172.23	2146.14	-24.96	172.23	2146.14	-3.85	96.39	2066.72
		MIN	S2	-53.61	235.64	2281.61	-53.61	235.64	2029.85	-53.61	235.64	2029.85	-53.61	235.64	1778.13
			TQ	17.19	-33.21	482.50	17.19	-33.21	563.22	17.19	-33.21	563.22	17.19	-33.21	643.94
			M3	7.07	-30.47	-279.36	7.07	-30.47	-246.14	7.07	-30.47	-246.14	7.07	-30.47	-212.92
	DISPERSION-LMAX	S2	34.80	-50.43	831.99	32.90	-55.46	872.57	32.90	-55.46	872.57	30.68	-58.46	882.38	
		TQ	-62.86	439.82	3804.62	-68.22	439.82	3496.59	-68.22	439.82	3496.59	-73.40	439.82	3163.86	
		M3	-48.68	424.31	4487.01	-54.04	424.31	4245.60	-54.04	424.31	4245.60	-59.22	424.31	3979.48	
		MIN	S2	-71.24	422.08	3171.54	-74.69	427.11	2947.04	-74.69	427.11	2947.04	-77.66	430.11	2728.61
			TQ	26.43	-68.17	198.90	26.43	-68.17	323.02	26.43	-68.17	323.02	26.43	-68.17	447.13
			M3	12.24	-52.66	-483.48	12.24	-52.66	-425.98	12.24	-52.66	-425.98	12.24	-52.66	-368.49
67	2-LANES (caseTRUCK-LOAD	MAX	S2	280.37	-133.80	4085.04	183.47	-70.17	4183.34	183.47	-70.17	4183.34	108.74	-10.07	3767.30
			TQ	46.00	64.02	1417.03	46.00	64.02	1633.05	46.00	64.02	1633.05	46.00	64.02	1849.04
			M3	134.33	-186.48	4207.46	55.16	-128.46	4354.10	55.16	-128.46	4354.10	-42.14	-64.71	3982.41
		MIN	S2	-118.37	-200.65	4173.66	-189.31	-146.20	4316.98	-189.31	-146.20	4316.98	-287.10	-83.15	3974.08
			TQ	-73.39	-253.33	2955.35	-73.39	-253.33	2610.69	-73.39	-253.33	2610.69	-73.39	-253.33	2266.07
			M3	10.22	10.39	-419.33	10.22	10.39	-371.33	10.22	10.39	-371.33	10.22	10.39	-323.34

BAGO RIVER BRIDGE

BLOCK [ No.1 : MAIN GIRDER ][ BEAM MEMBER FORCE ]

MEMBER		3047			3048			3048			3049						
NODE		3047			3048			3048			3049						
		SHEAR	TORQUE	MOMENT	SHEAR	TORQUE	MOMENT	SHEAR	TORQUE	MOMENT	SHEAR	TORQUE	MOMENT				
NAME	TITLE	S2 (kN)	TQ (kN·m)	M3 (kN·m)	S2 (kN)	TQ (kN·m)	M3 (kN·m)	S2 (kN)	TQ (kN·m)	M3 (kN·m)	S2 (kN)	TQ (kN·m)	M3 (kN·m)				
67	2-LANES (caseTANDEM-LOAD	MAX	S2	222.26	-111.10	3048.92	154.40	-68.25	3167.28	154.40	-68.25	3167.28	89.28	-24.55	2872.90		
			TQ	31.85	44.98	1005.60	31.85	44.98	1155.18	31.85	44.98	1155.18	31.85	44.98	1304.74		
			M3	70.71	-120.89	3061.46	7.14	-79.36	3186.14	7.14	-79.36	3186.14	-62.40	-35.25	2902.45		
		MIN	S2	-93.66	-120.89	3061.46	-157.75	-79.36	3186.14	-157.75	-79.36	3186.14	-227.76	-35.25	2902.45		
			TQ	-53.18	-173.24	2131.74	-53.18	-173.24	1881.96	-53.18	-173.24	1881.96	-53.18	-173.24	1632.22		
			M3	6.96	7.25	-285.59	6.96	7.25	-252.91	6.96	7.25	-252.91	6.96	7.25	-220.23		
			DISPERSION-LMAX	S2	105.49	11.46	1468.33	71.11	27.79	1313.64	71.11	27.79	1313.64	48.65	36.80	1039.90	
				TQ	30.83	44.40	616.26	28.18	44.40	752.82	28.18	44.40	752.82	28.18	44.40	885.14	
				M3	16.84	-253.81	5031.14	-40.64	-253.81	4975.45	-40.64	-253.81	4975.45	-98.29	-253.81	4649.45	
			MIN	S2	-76.67	-252.41	3070.58	-99.76	-268.74	3225.90	-99.76	-268.74	3225.90	-134.95	-277.75	3229.95	
				TQ	-2.00	-285.35	3922.65	-56.83	-285.35	3786.72	-56.83	-285.35	3786.72	-114.47	-285.35	3384.71	
				M3	11.99	12.86	-492.23	11.99	12.86	-435.91	11.99	12.86	-435.91	11.99	12.86	-379.60	
		68	2-LANES (caseTRUCK-LOAD	MAX	S2	151.49	-21.15	3389.90	132.85	42.32	3652.36	132.85	42.32	3652.36	154.15	43.29	4074.17
					TQ	86.56	136.97	2001.09	86.56	136.97	2407.60	86.56	136.97	2407.60	86.56	136.97	2814.06
					M3	-23.23	-438.58	4434.18	17.11	-284.79	4197.23	17.11	-284.79	4197.23	83.26	-81.54	4237.58
MIN	S2			-155.75	-471.62	4392.30	-134.78	-448.38	3992.99	-134.78	-448.38	3992.99	-153.20	-385.21	3609.92		
	TQ			-100.42	-529.87	3649.58	-100.42	-529.87	3177.96	-100.42	-529.87	3177.96	-100.42	-529.87	2706.39		
	M3			10.12	55.43	-428.31	10.12	55.43	-380.77	10.12	55.43	-380.77	10.12	55.43	-333.25		
	TANDEM-LOAD			MAX	S2	113.61	-32.13	2453.64	100.93	11.93	2665.71	100.93	11.93	2665.71	129.19	-4.36	2944.46
				TQ	55.06	95.77	1279.42	55.06	95.77	1538.00	55.06	95.77	1538.00	55.06	95.77	1796.55	
				M3	-17.32	-291.85	3101.76	-19.35	-232.23	2961.52	-19.35	-232.23	2961.52	29.13	-88.46	2963.50	
	MIN			S2	-128.55	-273.78	3095.23	-101.19	-287.77	2843.78	-101.19	-287.77	2843.78	-114.15	-242.94	2553.36	
				TQ	-68.48	-361.57	2499.41	-68.48	-361.57	2177.78	-68.48	-361.57	2177.78	-68.48	-361.57	1856.18	
				M3	6.89	38.29	-291.85	6.89	38.29	-259.47	6.89	38.29	-259.47	6.89	38.29	-227.11	



BAGO RIVER BRIDGE

BLOCK [ No.1 : MAIN GIRDER ][ BEAM MEMBER FORCE ]

MEMBER		3047			3048			3048			3049						
NODE		3047			3048			3048			3049						
		SHEAR	TORQUE	MOMENT	SHEAR	TORQUE	MOMENT	SHEAR	TORQUE	MOMENT	SHEAR	TORQUE	MOMENT				
NAME	TITLE	S2 (kN)	TQ (kN·m)	M3 (kN·m)	S2 (kN)	TQ (kN·m)	M3 (kN·m)	S2 (kN)	TQ (kN·m)	M3 (kN·m)	S2 (kN)	TQ (kN·m)	M3 (kN·m)				
68	2-LANES (caseDISPERSION-LMAX	S2	78.15	106.27	1232.45	68.75	110.01	1391.80	68.75	110.01	1391.80	69.50	111.68	1524.67			
		TQ	53.89	127.92	562.39	53.89	127.92	815.49	53.89	127.92	815.49	53.89	127.92	1068.56			
		M3	-27.07	-512.66	5303.39	-36.00	-512.66	5155.04	-36.00	-512.66	5155.04	-44.93	-512.66	4964.77			
		MIN	S2	-93.39	-555.98	3571.18	-92.93	-559.71	3319.01	-92.93	-559.71	3319.01	-102.60	-561.39	3051.37		
		TQ	-69.14	-577.62	4241.24	-78.07	-577.62	3895.31	-78.07	-577.62	3895.31	-87.00	-577.62	3507.48			
		M3	11.82	62.96	-499.75	11.82	62.96	-444.24	11.82	62.96	-444.24	11.82	62.96	-388.72			
		69	3-LANES (caseTRUCK-LOAD	MAX	S2	50.88	-14.11	2874.44	50.88	-14.11	3113.38	50.88	-14.11	3113.38	50.88	-14.11	3352.30
				TQ	-103.34	722.74	4159.78	-103.34	722.74	3674.46	-103.34	722.74	3674.46	-103.34	722.74	3189.20	
				M3	-67.10	597.76	4717.16	-46.26	470.69	4413.58	-46.26	470.69	4413.58	-24.94	375.84	4221.76	
MIN	S2			-108.91	704.61	4526.64	-108.91	704.61	4015.15	-108.91	704.61	4015.15	-108.91	704.61	3503.72		
TQ	27.44			-88.53	416.44	27.44	-88.53	545.31	27.44	-88.53	545.31	27.44	-88.53	674.16			
M3	15.64			-82.90	-613.11	15.64	-82.90	-539.66	15.64	-82.90	-539.66	15.64	-82.90	-466.22			
TANDEM-LOAD	MAX			S2	36.12	-19.29	1918.54	36.12	-19.29	2088.19	36.12	-19.29	2088.19	36.12	-19.29	2257.82	
TQ	-72.36			492.89	2871.62	-72.36	492.89	2531.79	-72.36	492.89	2531.79	-72.36	492.89	2192.01			
M3	-48.65			408.60	3248.70	-34.44	332.23	3024.84	-34.44	332.23	3024.84	-13.32	256.39	2900.90			
MIN	S2	-75.02	470.39	3141.87	-75.02	470.39	2789.55	-75.02	470.39	2789.55	-75.02	470.39	2437.28				
TQ	20.61	-60.69	350.97	20.61	-60.69	447.78	20.61	-60.69	447.78	20.61	-60.69	544.57					
M3	10.65	-56.92	-417.42	10.65	-56.92	-367.40	10.65	-56.92	-367.40	10.65	-56.92	-317.38					
DISPERSION-LMAX	S2	44.79	-98.38	920.60	42.88	-103.40	1008.07	42.88	-103.40	1008.07	40.66	-106.41	1064.76				
TQ	-95.94	865.41	5700.75	-101.30	865.41	5237.38	-101.30	865.41	5237.38	-106.48	865.41	4749.32					
M3	-78.78	844.18	6565.42	-84.14	844.18	6182.65	-84.14	844.18	6182.65	-89.32	844.18	5775.19					
MIN	S2	-105.12	844.03	4922.03	-108.57	849.06	4538.40	-108.57	849.06	4538.40	-111.54	852.07	4160.86				
TQ	35.60	-119.75	141.89	35.60	-119.75	309.10	35.60	-119.75	309.10	35.60	-119.75	476.30					
M3	18.44	-98.52	-722.79	18.44	-98.52	-636.17	18.44	-98.52	-636.17	18.44	-98.52	-549.56					

BAGO RIVER BRIDGE

BLOCK [ No.1 : MAIN GIRDER ][ BEAM MEMBER FORCE ]

MEMBER				3047			3048			3049					
NODE				3047			3048			3048			3049		
				SHEAR	TORQUE	MOMENT	SHEAR	TORQUE	MOMENT	SHEAR	TORQUE	MOMENT	SHEAR	TORQUE	MOMENT
NAME TITLE				S2 (kN)	TQ (kN·m)	M3 (kN·m)	S2 (kN)	TQ (kN·m)	M3 (kN·m)	S2 (kN)	TQ (kN·m)	M3 (kN·m)	S2 (kN)	TQ (kN·m)	M3 (kN·m)
70	3-LANES (caseTRUCK-LOAD	MAX	S2	339.95	-49.90	5375.29	243.05	13.73	5753.39	243.05	13.73	5753.39	206.83	23.26	5893.56
			TQ	102.97	154.56	2582.52	102.97	154.56	3066.11	102.97	154.56	3066.11	102.97	154.56	3549.65
			M3	80.04	-471.72	6477.82	57.65	-313.74	6385.51	57.65	-313.74	6385.51	45.19	-110.06	6161.99
		MIN	S2	-215.26	-507.36	6420.76	-249.87	-478.21	6159.24	-249.87	-478.21	6159.24	-347.67	-415.17	5531.93
			TQ	-132.82	-590.70	4986.43	-132.82	-590.70	4362.67	-132.82	-590.70	4362.67	-132.82	-590.70	3738.98
			M3	15.29	32.07	-632.27	15.29	32.07	-560.44	15.29	32.07	-560.44	15.29	32.07	-488.62
	TANDEM-LOAD	MAX	S2	267.59	-51.03	3957.20	199.73	-8.18	4288.41	199.73	-8.18	4288.41	175.64	-23.61	4355.78
			TQ	68.29	108.32	1752.85	68.29	108.32	2073.58	68.29	108.32	2073.58	68.29	108.32	2394.27
			M3	39.78	-311.74	4611.38	-13.68	-252.14	4593.35	-13.68	-252.14	4593.35	-21.74	-109.06	4389.61
		MIN	S2	-178.49	-293.67	4604.85	-203.01	-307.69	4475.66	-203.01	-307.69	4475.66	-273.03	-263.58	3979.42
			TQ	-91.78	-403.23	3462.61	-91.78	-403.23	3031.59	-91.78	-403.23	3031.59	-91.78	-403.23	2600.62
			M3	10.41	22.23	-430.67	10.41	22.23	-381.76	10.41	22.23	-381.76	10.41	22.23	-332.85
	DISPERSION-LMAX	MAX	S2	137.42	78.19	1945.13	104.87	85.21	2035.82	104.87	85.21	2035.82	92.11	90.53	2017.67
			TQ	61.08	113.94	947.73	58.43	113.94	1226.36	58.43	113.94	1226.36	58.43	113.94	1500.73
			M3	-11.21	-570.60	7756.77	-57.46	-570.60	7595.07	-57.46	-570.60	7595.07	-103.88	-570.60	7215.79
		MIN	S2	-130.71	-610.03	5070.36	-144.41	-617.04	4902.13	-144.41	-617.04	4902.13	-178.07	-622.37	4625.17
			TQ	-54.37	-645.77	6067.76	-97.96	-645.77	5711.60	-97.96	-645.77	5711.60	-144.39	-645.77	5142.12
			M3	17.92	38.77	-741.28	17.92	38.77	-657.11	17.92	38.77	-657.11	17.92	38.77	-572.95
71	3-LANES (caseTRUCK-LOAD	MAX	S2	340.04	-49.85	5375.19	243.08	13.72	5753.39	243.08	13.72	5753.39	206.77	23.21	5893.41
			TQ	102.96	154.52	2582.45	102.96	154.52	3065.98	102.96	154.52	3065.98	102.96	154.52	3549.45
			M3	80.11	-471.55	6477.67	57.63	-313.66	6385.60	57.63	-313.66	6385.60	45.08	-110.07	6161.82
		MIN	S2	-215.21	-507.18	6420.63	-249.91	-478.07	6159.22	-249.91	-478.07	6159.22	-347.76	-415.08	5531.78
			TQ	-132.80	-590.58	4986.18	-132.80	-590.58	4362.48	-132.80	-590.58	4362.48	-132.80	-590.58	3738.85
			M3	15.22	66.65	-639.13	15.22	66.65	-567.66	15.22	66.65	-567.66	15.22	66.65	-496.21

BAGO RIVER BRIDGE

BLOCK [ No.1 : MAIN GIRDER ][ BEAM MEMBER FORCE ]

MEMBER		3047			3048			3048			3049							
NODE		3047			3048			3048			3049							
		SHEAR	TORQUE	MOMENT	SHEAR	TORQUE	MOMENT	SHEAR	TORQUE	MOMENT	SHEAR	TORQUE	MOMENT					
NAME	TITLE	S2 (kN)	TQ (kN·m)	M3 (kN·m)	S2 (kN)	TQ (kN·m)	M3 (kN·m)	S2 (kN)	TQ (kN·m)	M3 (kN·m)	S2 (kN)	TQ (kN·m)	M3 (kN·m)					
71	3-LANES (caseTANDEM-LOAD	MAX	S2	267.66	-50.98	3957.15	199.76	-8.17	4288.45	199.76	-8.17	4288.45	175.57	-23.62	4355.74			
			TQ	68.28	108.29	1752.82	68.28	108.29	2073.51	68.28	108.29	2073.51	68.28	108.29	2394.15			
			M3	39.81	-311.63	4611.35	-13.69	-252.08	4593.43	-13.69	-252.08	4593.43	-21.83	-109.06	4389.50			
		MIN	S2	-178.43	-293.57	4604.82	-203.05	-307.61	4475.69	-203.05	-307.61	4475.69	-273.11	-263.54	3979.36			
			TQ	-91.77	-403.13	3462.50	-91.77	-403.13	3031.51	-91.77	-403.13	3031.51	-91.77	-403.13	2600.57			
			M3	10.36	46.08	-435.45	10.36	46.08	-386.78	10.36	46.08	-386.78	10.36	46.08	-338.12			
			DISPERSION-LMAX	S2	137.33	114.47	1939.36	104.72	121.61	2027.80	104.72	121.61	2027.80	91.89	126.83	2010.76		
				TQ	67.25	146.50	689.58	64.59	146.50	997.17	64.59	146.50	997.17	64.59	146.50	1300.47		
				M3	-11.12	-578.01	7753.38	-57.39	-578.01	7592.47	-57.39	-578.01	7592.47	-103.83	-578.01	7213.88		
			MIN	S2	-130.65	-617.49	5067.34	-144.31	-624.63	4901.57	-144.31	-624.63	4901.57	-177.93	-629.85	4623.60		
				TQ	-60.57	-649.51	6317.12	-104.18	-649.51	5932.20	-104.18	-649.51	5932.20	-150.62	-649.51	5333.89		
				M3	17.80	74.99	-746.68	17.80	74.99	-663.10	17.80	74.99	-663.10	17.80	74.99	-579.52		
		72	4-LANES	TRUCK-LOAD	MAX	S2	20.29	63.77	-844.84	20.29	63.77	-749.57	20.29	63.77	-749.57	20.29	63.77	-654.30
						TQ	13.65	65.34	-575.02	13.65	65.34	-510.91	13.65	65.34	-510.91	13.65	65.34	-446.80
						M3	-6.04	-2.07	246.56	-6.04	-2.09	218.20	-6.04	-2.09	218.20	-6.04	-2.09	189.85
	MIN			S2	-6.04	-2.04	246.55	-6.04	-2.04	218.19	-6.04	-2.04	218.19	-6.04	-2.04	189.84		
				TQ	0.31	-5.32	-11.15	0.31	-5.32	-9.69	0.31	-5.32	-9.69	0.31	-5.32	-8.23		
				M3	20.29	63.77	-844.84	20.29	63.77	-749.57	20.29	63.77	-749.57	20.29	63.77	-654.30		
	TANDEM-LOAD			MAX	S2	13.85	45.54	-577.44	13.85	45.54	-512.38	13.85	45.54	-512.38	13.85	45.54	-447.34	
				TQ	9.32	46.45	-393.10	9.32	46.45	-349.33	9.32	46.45	-349.33	9.32	46.45	-305.56		
				M3	-4.10	-1.50	167.58	-4.10	-1.50	148.31	-4.10	-1.50	148.31	-4.10	-1.50	129.04		
	MIN			S2	-4.10	-1.50	167.58	-4.10	-1.50	148.31	-4.10	-1.50	148.31	-4.10	-1.50	129.04		
				TQ	0.35	-3.66	-13.30	0.35	-3.66	-11.65	0.35	-3.66	-11.65	0.35	-3.66	-9.99		
				M3	13.85	45.54	-577.44	13.85	45.54	-512.38	13.85	45.54	-512.38	13.85	45.54	-447.34		

BAGO RIVER BRIDGE

BLOCK [ No.1 : MAIN GIRDER ][ BEAM MEMBER FORCE ]

MEMBER				3047			3048			3048			3049				
NODE				3047			3048			3048			3049				
				SHEAR	TORQUE	MOMENT	SHEAR	TORQUE	MOMENT	SHEAR	TORQUE	MOMENT	SHEAR	TORQUE	MOMENT		
NAME	TITLE			S2 (kN)	TQ (kN·m)	M3 (kN·m)	S2 (kN)	TQ (kN·m)	M3 (kN·m)	S2 (kN)	TQ (kN·m)	M3 (kN·m)	S2 (kN)	TQ (kN·m)	M3 (kN·m)		
72	4-LANES	DISPERSION-LMAX	S2	14.35	36.54	-595.15	14.35	36.54	-527.75	14.35	36.54	-527.75	14.35	36.54	-460.36		
			TQ	9.01	40.12	-378.58	9.01	40.12	-336.27	9.01	40.12	-336.27	9.01	40.12	-293.96		
			M3	-7.35	-2.40	299.93	-7.35	-2.40	265.43	-7.35	-2.40	265.43	-7.35	-2.42	230.93		
	MIN	S2	-7.35	-2.39	299.86	-7.35	-2.39	265.37	-7.35	-2.39	265.37	-7.35	-2.39	230.88			
		TQ	-2.16	-5.91	89.73	-2.16	-5.91	79.58	-2.16	-5.91	79.58	-2.16	-5.91	69.44			
		M3	14.35	37.08	-595.20	14.35	37.09	-527.82	14.35	37.09	-527.82	14.35	37.09	-460.44			
	73	6-LANES	TRUCK-LOAD	MAX	S2	412.99	33.75	8727.36	306.51	30.71	9159.39	306.51	30.71	9159.39	254.13	11.92	9220.67
				TQ	-5.95	807.27	6732.66	-5.95	807.27	6704.71	-5.95	807.27	6704.71	-5.95	807.27	6676.75	
				M3	39.39	128.70	11222.23	16.62	161.17	10890.28	16.62	161.17	10890.28	7.85	216.83	10406.98	
MIN			S2	-320.40	212.90	10951.54	-370.91	201.04	10329.36	-370.91	201.04	10329.36	-481.77	198.29	9271.69		
TQ			-93.21	-616.20	5442.84	-93.21	-616.20	5005.06	-93.21	-616.20	5005.06	-93.21	-616.20	4567.34			
M3			30.84	-14.86	-1251.89	30.84	-14.86	-1107.06	30.84	-14.86	-1107.06	30.84	-14.86	-962.25			
TANDEM-LOAD		MAX	S2	320.90	33.36	6408.31	247.23	30.53	6790.55	247.23	30.53	6790.55	207.43	-29.81	6863.36		
		TQ	-10.17	553.84	4508.56	-10.17	553.84	4460.79	-10.17	553.84	4460.79	-10.17	553.84	4413.03			
		M3	4.12	109.98	7901.30	-39.74	53.08	7700.24	-39.74	53.08	7700.24	-6.52	173.43	7327.70			
		MIN	S2	-249.03	186.54	7772.60	-289.61	132.42	7383.73	-289.61	132.42	7383.73	-369.52	127.58	6582.37		
		TQ	-62.13	-420.74	3600.58	-62.13	-420.74	3308.78	-62.13	-420.74	3308.78	-62.13	-420.74	3017.02			
		M3	21.00	-9.88	-852.61	21.00	-9.88	-753.98	21.00	-9.88	-753.98	21.00	-9.88	-655.36			
DISPERSION-LMAX	S2	170.71	8.02	2507.67	136.79	7.97	2666.92	136.79	7.97	2666.92	122.67	9.35	2703.93				
	TQ	-29.69	941.34	5903.00	-37.55	941.34	5742.40	-37.55	941.34	5742.40	-42.72	941.34	5553.72				
	M3	-90.22	221.77	13221.03	-136.98	223.30	12693.55	-136.98	223.31	12693.55	-180.97	219.75	11936.89				
	MIN	S2	-222.94	201.28	9380.56	-239.21	201.05	8861.46	-239.21	201.05	8861.46	-275.04	199.64	8233.51			
	TQ	-23.53	-716.17	5910.44	-60.85	-716.17	5714.09	-60.85	-716.17	5714.09	-104.91	-716.17	5329.86				
	M3	34.67	-13.78	-1408.29	34.67	-13.61	-1245.47	34.67	-13.61	-1245.47	34.67	-13.56	-1082.67				

BAGO RIVER BRIDGE

BLOCK [ No.1 : MAIN GIRDER ][ BEAM MEMBER FORCE ]

MEMBER		3047			3048			3048			3049				
NODE		3047			3048			3048			3049				
NAME TITLE		SHEAR	TORQUE	MOMENT	SHEAR	TORQUE	MOMENT	SHEAR	TORQUE	MOMENT	SHEAR	TORQUE	MOMENT		
		S2 (kN)	TQ (kN·m)	M3 (kN·m)	S2 (kN)	TQ (kN·m)	M3 (kN·m)	S2 (kN)	TQ (kN·m)	M3 (kN·m)	S2 (kN)	TQ (kN·m)	M3 (kN·m)		
124	SUM TOTAL	D+1LANE (caseMAX	S2	-111.08	761.73	47968.31	-324.31	761.73	46949.54	-324.31	761.73	46949.54	-543.78	761.73	44914.97
			TQ	-211.05	1762.06	50828.61	-424.27	1762.06	49340.38	-424.27	1762.06	49340.39	-643.74	1762.06	46836.40
			M3	-194.20	1675.87	51241.36	-401.71	1610.81	49844.71	-401.71	1610.81	49844.71	-621.19	1610.81	47446.64
		MIN	S2	-212.49	1754.29	50742.69	-425.72	1754.29	49247.66	-425.72	1754.29	49247.66	-645.19	1754.29	46736.87
			TQ	-117.83	726.69	46804.55	-331.05	726.69	45754.10	-331.05	726.69	45754.10	-550.52	726.69	43687.85
			M3	-121.04	735.71	46570.49	-334.26	735.71	45504.97	-334.26	735.72	45504.97	-553.74	735.72	43423.63
		D+1LANE (caseMAX	S2	-77.26	813.24	49227.03	-292.77	807.21	48219.67	-292.77	807.21	48219.67	-514.90	803.60	46159.57
			TQ	-218.89	1184.72	51274.06	-438.55	1184.72	49733.63	-438.55	1184.72	49733.63	-664.23	1184.72	47147.76
			M3	-181.47	1157.14	51979.87	-392.19	1111.34	50591.12	-392.19	1111.34	50591.12	-611.81	1067.41	48205.99
		MIN	S2	-230.31	1164.02	51038.17	-447.67	1170.04	49591.56	-447.67	1170.05	49591.56	-670.70	1173.65	47136.44
			TQ	-95.25	779.60	48265.05	-308.47	779.60	47320.67	-308.47	779.60	47320.67	-527.94	779.60	45360.47
			M3	-121.26	793.04	46562.79	-334.48	793.04	45496.24	-334.48	793.04	45496.24	-553.95	793.04	43413.88
		D+1LANE (caseMAX	S2	162.53	797.73	50333.86	-172.52	801.98	49257.82	-172.52	801.98	49257.82	-477.40	816.49	46594.17
			TQ	-104.78	869.72	48186.54	-321.18	869.72	47187.51	-321.18	869.72	47187.51	-540.66	869.72	45167.60
			M3	8.31	721.95	52494.42	-325.10	726.90	51522.87	-325.10	726.90	51522.87	-684.02	727.33	48833.87
		MIN	S2	-250.90	723.46	51331.60	-547.87	726.42	50470.45	-547.87	726.42	50470.45	-891.37	721.97	48018.74
			TQ	-157.65	676.88	50964.03	-412.50	676.88	49631.47	-412.50	676.88	49631.47	-676.99	676.88	47077.28
			M3	-121.41	836.47	46556.49	-334.64	836.47	45489.22	-334.64	836.47	45489.22	-554.11	836.47	43406.14
		D+1LANE (caseMAX	S2	-25.00	1032.18	49218.87	-236.10	1021.16	48716.80	-236.10	1021.16	48716.80	-397.84	955.94	47546.96
			TQ	-30.00	1043.50	48891.53	-243.23	1043.50	48253.55	-243.23	1043.50	48253.55	-462.70	1043.50	46599.71
			M3	-233.57	111.81	53094.34	-365.27	231.71	51550.92	-365.27	231.72	51550.92	-469.52	399.60	49519.21
		MIN	S2	-315.87	37.00	52195.88	-474.23	17.65	50194.16	-474.23	17.65	50194.16	-691.82	22.19	47368.09
			TQ	-269.09	-3.15	52114.02	-468.86	-3.15	50384.48	-468.86	-3.15	50384.48	-674.87	-3.15	47702.43
			M3	-121.66	922.33	46541.69	-334.88	922.33	45473.26	-334.88	922.33	45473.26	-554.35	922.33	43389.02

BAGO RIVER BRIDGE

BLOCK [ No.1 : MAIN GIRDER ][ BEAM MEMBER FORCE ]

MEMBER			3047			3048			3048			3049			
NODE			3047			3048			3048			3049			
NAME TITLE			SHEAR	TORQUE	MOMENT	SHEAR	TORQUE	MOMENT	SHEAR	TORQUE	MOMENT	SHEAR	TORQUE	MOMENT	
			S2 (kN)	TQ (kN·m)	M3 (kN·m)	S2 (kN)	TQ (kN·m)	M3 (kN·m)	S2 (kN)	TQ (kN·m)	M3 (kN·m)	S2 (kN)	TQ (kN·m)	M3 (kN·m)	
124	SUM TOTAL	D+2LANES (casMAX	S2	-87.05	744.18	49124.38	-300.28	744.18	48218.47	-300.28	744.18	48218.47	-519.75	744.18	46296.73
			TQ	-263.97	2135.24	53484.00	-477.19	2135.24	51747.22	-477.19	2135.24	51747.22	-696.67	2135.24	48994.70
			M3	-241.75	2012.02	54317.88	-441.58	1923.12	52717.03	-441.58	1923.12	52717.03	-644.80	1864.87	50171.27
		MIN	S2	-269.21	2112.99	53268.73	-482.44	2112.99	51507.32	-482.44	2112.99	51507.32	-701.91	2112.99	48730.19
			TQ	-104.69	676.42	46689.31	-317.91	676.42	45700.59	-317.91	676.42	45700.59	-537.38	676.42	43696.05
			M3	-111.97	692.09	46213.63	-325.19	692.09	45190.71	-325.19	692.09	45190.71	-544.67	692.09	43151.96
		D+2LANES (casMAX	S2	-58.87	787.11	50173.31	-274.00	782.09	49276.91	-274.00	782.09	49276.91	-495.69	779.08	47333.90
			TQ	-270.51	1654.13	53855.21	-489.09	1654.13	52074.92	-489.09	1654.13	52074.92	-713.74	1654.13	49254.17
			M3	-231.14	1579.75	54933.31	-433.65	1506.89	53339.04	-433.65	1506.89	53339.04	-636.98	1412.04	50804.06
		MIN	S2	-284.06	1621.10	53514.96	-500.73	1626.12	51793.91	-500.73	1626.12	51793.91	-723.17	1629.13	49063.18
			TQ	-85.87	720.52	47906.39	-299.09	720.52	47006.06	-299.09	720.52	47006.06	-518.56	720.52	45089.90
			M3	-112.15	739.85	46207.21	-325.38	739.85	45183.43	-325.38	739.85	45183.43	-544.85	739.85	43143.84
		D+2LANES (casMAX	S2	251.08	714.59	52654.38	-93.42	794.55	51467.93	-93.42	794.55	51467.93	-410.09	863.66	48632.28
			TQ	-57.96	945.35	49134.30	-273.83	945.35	48356.82	-273.83	945.35	48356.82	-493.30	945.35	46559.26
			M3	16.38	396.63	56339.62	-333.48	454.65	55300.50	-333.48	454.65	55300.50	-707.90	518.40	52456.94
		MIN	S2	-329.82	383.86	54345.25	-637.08	421.99	53513.83	-637.08	421.99	53513.83	-989.53	476.03	51029.11
			TQ	-210.17	298.25	53979.01	-478.22	298.25	52368.36	-478.22	298.25	52368.36	-755.34	298.25	49475.87
			M3	-112.57	860.18	46189.45	-325.79	860.18	45163.70	-325.79	860.18	45163.70	-545.27	860.18	43122.14
		D+2LANES (casMAX	S2	94.85	922.05	51723.37	-146.41	989.25	51015.10	-146.41	989.25	51015.10	-343.83	991.90	49423.93
			TQ	5.67	1101.81	49664.49	-207.56	1101.81	49194.04	-207.56	1101.81	49194.04	-427.03	1101.81	47707.71
			M3	-185.08	-114.32	56838.58	-366.90	39.47	55323.22	-366.90	39.47	55323.22	-529.15	242.72	53027.44
		MIN	S2	-383.92	-190.68	55064.50	-575.71	-171.17	53282.94	-575.71	-171.17	53282.94	-823.28	-109.67	50486.38
			TQ	-304.34	-270.57	54991.84	-526.50	-270.57	53044.22	-526.50	-270.57	53044.22	-754.90	-270.57	50038.96
			M3	-112.84	955.31	46172.96	-326.06	955.31	45145.94	-326.06	955.31	45145.94	-545.54	955.31	43103.11

BAGO RIVER BRIDGE

BLOCK [ No.1 : MAIN GIRDER ][ BEAM MEMBER FORCE ]

MEMBER			3047			3048			3048			3049				
NODE			3047			3048			3048			3049				
NAME TITLE			SHEAR	TORQUE	MOMENT	SHEAR	TORQUE	MOMENT	SHEAR	TORQUE	MOMENT	SHEAR	TORQUE	MOMENT		
			S2 (kN)	TQ (kN·m)	M3 (kN·m)	S2 (kN)	TQ (kN·m)	M3 (kN·m)	S2 (kN)	TQ (kN·m)	M3 (kN·m)	S2 (kN)	TQ (kN·m)	M3 (kN·m)		
124	SUM TOTAL	D+3LANES (casMAX	S2	-53.47	741.32	50326.80	-268.31	737.05	49474.19	-268.31	737.05	49474.19	-489.67	734.49	47579.58	
			TQ	-304.17	2186.85	55482.46	-521.95	2186.85	53546.01	-521.95	2186.85	53546.01	-745.82	2186.85	50572.83	
			M3	-258.78	2062.58	56691.21	-458.85	1954.56	54977.74	-458.85	1954.57	54977.74	-664.60	1873.94	52322.48	
		MIN	S2	-316.71	2153.27	55132.39	-532.87	2157.54	53241.47	-532.87	2157.54	53241.47	-754.86	2160.10	50339.98	
			TQ	-81.20	659.89	47575.59	-294.42	659.89	46697.20	-294.42	659.89	46697.20	-513.89	659.89	44802.97	
			M3	-105.81	682.72	45965.50	-319.04	682.72	44971.49	-319.04	682.72	44971.49	-538.51	682.72	42961.67	
		D+3LANES (casMAX	S2	270.98	860.98	53323.37	-52.27	921.02	52591.78	-52.27	921.02	52591.78	-313.38	933.65	50549.63	
			TQ	4.66	1065.15	50101.73	-210.82	1065.15	49619.55	-210.82	1065.15	49619.55	-430.29	1065.15	48117.90	
			M3	-76.28	-49.04	59200.41	-347.85	85.24	57854.43	-347.85	85.24	57854.43	-617.37	258.37	55196.20	
		MIN	S2	-428.86	-112.85	56868.47	-683.15	-94.04	55373.11	-683.15	-94.04	55373.11	-1014.36	-44.97	52458.61	
			TQ	-293.89	-214.08	56497.08	-544.17	-214.08	54534.07	-544.17	-214.08	54534.07	-803.10	-214.08	51374.02	
			M3	-106.55	897.14	45933.50	-319.77	897.14	44936.03	-319.77	897.14	44936.03	-539.24	897.14	42922.74	
		D+3LANES (casMAX	S2	270.98	891.85	53318.38	-52.38	951.96	52584.96	-52.38	951.96	52584.96	-313.62	964.47	50543.62	
			TQ	9.89	1092.79	49882.24	-205.59	1092.79	49424.62	-205.59	1092.79	49424.62	-425.07	1092.79	47947.51	
			M3	-76.14	-55.20	59197.41	-347.80	79.01	57852.31	-347.80	79.01	57852.31	-617.42	252.06	55194.43	
		MIN	S2	-428.77	-119.04	56865.79	-683.09	-100.37	55372.62	-683.09	-100.37	55372.62	-1014.31	-51.26	52457.16	
			TQ	-299.15	-217.15	56708.83	-549.44	-217.15	54721.43	-549.44	-217.15	54721.43	-808.39	-217.15	51536.91	
			M3	-106.72	957.32	45923.08	-319.94	957.32	44924.80	-319.94	957.32	44924.80	-539.42	957.32	42910.71	
		D+4LANES	MAX	S2	-112.27	902.13	46165.02	-325.49	902.13	45140.69	-325.49	902.13	45140.69	-544.96	902.13	43100.55
			TQ	-120.05	905.48	46481.18	-333.28	905.48	45420.29	-333.28	905.48	45420.29	-552.75	905.48	43343.59	
			M3	-143.48	834.02	47456.23	-356.71	834.01	46285.31	-356.71	834.01	46285.31	-576.18	834.00	44098.59	
		MIN	S2	-143.48	834.04	47456.18	-356.71	834.04	46285.26	-356.71	834.05	46285.26	-576.18	834.05	44098.55	
			TQ	-135.99	829.62	47152.09	-349.21	829.62	46016.38	-349.21	829.62	46016.38	-568.68	829.62	43864.87	
			M3	-112.27	902.48	46164.99	-325.49	902.49	45140.65	-325.49	902.49	45140.65	-544.97	902.49	43100.50	

BAGO RIVER BRIDGE

BLOCK [ No.1 : MAIN GIRDER ] [ BEAM MEMBER FORCE ]

MEMBER					3047			3048			3049		
NODE					3047			3048			3048		
					SHEAR	TORQUE	MOMENT	SHEAR	TORQUE	MOMENT	SHEAR	TORQUE	MOMENT
NAME	TITLE				S2 (kN)	TQ (kN·m)	M3 (kN·m)	S2 (kN)	TQ (kN·m)	M3 (kN·m)	S2 (kN)	TQ (kN·m)	M3 (kN·m)
124	SUM TOTAL	D+6LANES	MAX	S2	244.63	864.07	54403.79	-59.87	862.07	53658.05	-59.87	862.07	53658.05
				TQ	-157.95	1973.53	55314.20	-376.29	1973.53	54061.57	-376.29	1973.53	54061.57
				M3	-167.83	1064.73	62989.14	-426.24	1086.83	61300.44	-426.24	1086.83	61300.44
			MIN	S2	-487.95	1106.14	60316.88	-744.58	1098.28	58444.98	-744.58	1098.28	58444.98
				TQ	-210.67	-29.11	54480.65	-448.15	-29.11	52938.40	-448.15	-29.11	52938.40
				M3	-92.20	818.31	45371.90	-305.43	818.42	44441.80	-305.43	818.42	44441.80
	SUM TOTAL		MAX		270.98	2186.85	62989.14	-52.27	2186.85	61300.44	-52.27	2186.85	61300.44
			MIN		-487.95	-270.57	45371.90	-744.58	-270.57	44441.80	-744.58	-270.57	44441.80
300	DEAD LOAD	TOTAL			-134.78	836.93	47101.02	-348.01	836.93	45970.95	-348.01	836.93	45970.95
301	LIVE LOAD	1-LANE(case1MAX	S2		23.70	-75.20	867.29	23.70	-75.20	978.60	23.70	-75.20	978.60
			TQ		-76.26	925.13	3727.60	-76.26	925.13	3369.44	-76.26	925.13	3369.44
			M3		-59.42	838.94	4140.35	-53.71	773.88	3873.76	-53.71	773.88	3873.76
			MIN	S2	-77.71	917.37	3641.67	-77.71	917.37	3276.71	-77.71	917.37	3276.71
				TQ	16.95	-110.24	-296.47	16.95	-110.24	-216.85	16.95	-110.24	-216.85
				M3	13.74	-101.21	-530.52	13.74	-101.21	-465.98	13.74	-101.21	-465.98
		1-LANE(case2MAX	S2		57.52	-23.68	2126.01	55.23	-29.71	2248.72	55.23	-29.71	2248.72
			TQ		-84.11	347.79	4173.05	-90.54	347.79	3762.68	-90.54	347.79	3762.68
			M3		-46.69	320.21	4878.86	-44.19	274.41	4620.17	-44.19	274.41	4620.17
			MIN	S2	-95.52	327.09	3937.15	-99.67	333.12	3620.61	-99.67	333.12	3620.61
				TQ	39.54	-57.32	1164.04	39.54	-57.32	1349.72	39.54	-57.32	1349.72
				M3	13.52	-43.89	-538.23	13.52	-43.89	-474.71	13.52	-43.89	-474.71
		1-LANE(case3MAX	S2		297.31	-39.20	3232.85	175.49	-34.94	3286.88	175.49	-34.94	3286.88
			TQ		30.00	32.80	1085.52	26.82	32.80	1216.56	26.82	32.80	1216.56
			M3		143.10	-114.98	5393.40	22.91	-110.03	5551.93	22.91	-110.03	5551.93
			MIN	S2	-116.12	-113.47	4230.58	-199.86	-110.50	4499.50	-199.86	-110.50	4499.50
				TQ	-22.87	-160.05	3863.01	-64.50	-160.05	3660.52	-64.50	-160.05	3660.52
				M3	13.37	-0.46	-544.52	13.37	-0.46	-481.73	13.37	-0.46	-481.73



BAGO RIVER BRIDGE

BLOCK [ No.1 : MAIN GIRDER ][ BEAM MEMBER FORCE ]

MEMBER			3047			3048			3048			3049			
NODE			3047			3048			3048			3049			
NAME TITLE			SHEAR	TORQUE	MOMENT	SHEAR	TORQUE	MOMENT	SHEAR	TORQUE	MOMENT	SHEAR	TORQUE	MOMENT	
			S2 (kN)	TQ (kN·m)	M3 (kN·m)	S2 (kN)	TQ (kN·m)	M3 (kN·m)	S2 (kN)	TQ (kN·m)	M3 (kN·m)	S2 (kN)	TQ (kN·m)	M3 (kN·m)	
301	LIVE LOAD	1-LANE (case4MAX	S2	109.78	195.26	2117.85	111.91	184.24	2745.85	111.91	184.24	2745.85	169.63	119.02	3721.88
			TQ	104.78	206.58	1790.52	104.78	206.58	2282.60	104.78	206.58	2282.60	104.78	206.58	2774.63
			M3	-98.79	-725.12	5993.32	-17.26	-605.21	5579.97	-17.26	-605.21	5579.97	97.96	-437.33	5694.12
		MIN	S2	-181.08	-799.92	5094.87	-126.22	-819.28	4223.21	-126.22	-819.28	4223.21	-124.34	-814.74	3543.01
			TQ	-134.31	-840.08	5013.00	-120.85	-840.08	4413.53	-120.85	-840.08	4413.53	-107.39	-840.08	3877.34
			M3	13.12	85.40	-559.32	13.12	85.40	-497.69	13.12	85.40	-497.69	13.12	85.40	-436.06
	2-LANES (caseMAX	S2	47.73	-92.75	2023.36	47.73	-92.75	2247.52	47.73	-92.75	2247.52	47.73	-92.75	2471.65	
		TQ	-129.19	1298.32	6382.99	-129.19	1298.32	5776.27	-129.19	1298.32	5776.27	-129.19	1298.32	5169.62	
		M3	-106.97	1175.10	7216.87	-93.58	1086.19	6746.08	-93.58	1086.19	6746.08	-77.32	1027.95	6346.19	
		MIN	S2	-134.43	1276.07	6167.72	-134.43	1276.07	5536.38	-134.43	1276.07	5536.38	-134.43	1276.07	4905.11
			TQ	30.10	-160.51	-411.71	30.10	-160.51	-270.36	30.10	-160.51	-270.36	30.10	-160.51	-129.03
			M3	22.81	-144.84	-887.38	22.81	-144.84	-780.24	22.81	-144.84	-780.24	22.81	-144.84	-673.12
	2-LANES (caseMAX	S2	75.92	-49.82	3072.30	74.01	-54.84	3305.96	74.01	-54.84	3305.96	71.79	-57.85	3508.82	
		TQ	-135.72	817.20	6754.19	-141.08	817.20	6103.97	-141.08	817.20	6103.97	-146.27	817.20	5429.09	
		M3	-96.36	742.82	7832.30	-85.64	669.97	7368.09	-85.64	669.97	7368.09	-69.51	575.11	6978.98	
		MIN	S2	-149.27	784.17	6413.95	-152.72	789.19	5822.97	-152.72	789.19	5822.96	-155.69	792.20	5238.09
			TQ	48.92	-116.41	805.38	48.92	-116.41	1035.11	48.92	-116.41	1035.11	48.92	-116.41	1264.82
			M3	22.63	-97.07	-893.80	22.63	-97.07	-787.52	22.63	-97.07	-787.52	22.63	-97.07	-681.24
	2-LANES (caseMAX	S2	385.87	-122.34	5553.37	254.59	-42.38	5496.98	254.59	-42.38	5496.98	157.39	26.73	4807.20	
		TQ	76.82	108.42	2033.29	74.17	108.42	2385.87	74.17	108.42	2385.87	74.17	108.42	2734.18	
		M3	151.16	-440.29	9238.60	14.52	-382.27	9329.55	14.52	-382.27	9329.55	-140.43	-318.53	8631.86	
MIN		S2	-195.04	-453.07	7244.24	-289.07	-414.94	7542.88	-289.07	-414.94	7542.88	-422.05	-360.90	7204.03	
		TQ	-75.39	-538.68	6878.00	-130.21	-538.68	6397.41	-130.21	-538.68	6397.41	-187.86	-538.68	5650.79	
		M3	22.21	23.25	-911.57	22.21	23.25	-807.24	22.21	23.25	-807.24	22.21	23.25	-702.94	

BAGO RIVER BRIDGE

BLOCK [ No.1 : MAIN GIRDER ][ BEAM MEMBER FORCE ]

MEMBER			3047			3048			3048			3049			
NODE			3047			3048			3048			3049			
NAME TITLE			SHEAR	TORQUE	MOMENT	SHEAR	TORQUE	MOMENT	SHEAR	TORQUE	MOMENT	SHEAR	TORQUE	MOMENT	
			S2 (kN)	TQ (kN·m)	M3 (kN·m)	S2 (kN)	TQ (kN·m)	M3 (kN·m)	S2 (kN)	TQ (kN·m)	M3 (kN·m)	S2 (kN)	TQ (kN·m)	M3 (kN·m)	
301	LIVE LOAD	2-LANES (caseMAX	S2	229.64	85.13	4622.36	201.60	152.33	5044.16	201.60	152.33	5044.16	223.64	154.97	5598.85
			TQ	140.45	264.89	2563.48	140.45	264.89	3223.09	140.45	264.89	3223.09	140.45	264.89	3882.63
			M3	-50.30	-951.24	9737.56	-18.89	-797.46	9352.27	-18.89	-797.46	9352.27	38.33	-594.20	9202.36
			MIN S2	-249.14	-1027.60	7963.48	-227.70	-1008.10	7311.99	-227.70	-1008.10	7311.99	-255.80	-946.60	6661.30
			TQ	-169.56	-1107.49	7890.82	-178.49	-1107.49	7073.27	-178.49	-1107.49	7073.27	-187.42	-1107.49	6213.88
			M3	21.94	118.39	-928.06	21.94	118.39	-825.01	21.94	118.39	-825.01	21.94	118.39	-721.97
		3-LANES (caseMAX	S2	81.32	-95.61	3225.78	79.69	-99.88	3503.24	79.69	-99.88	3503.24	77.81	-102.44	3754.50
			TQ	-169.39	1349.92	8381.45	-173.94	1349.92	7575.06	-173.94	1349.92	7575.06	-178.34	1349.92	6747.75
			M3	-123.99	1225.65	9590.20	-110.84	1117.64	9006.79	-110.84	1117.64	9006.79	-97.12	1037.02	8497.40
			MIN S2	-181.93	1316.35	8031.37	-184.86	1320.62	7270.52	-184.86	1320.62	7270.52	-187.38	1323.17	6514.89
			TQ	53.59	-177.03	474.57	53.59	-177.03	726.25	53.59	-177.03	726.25	53.59	-177.03	977.89
			M3	28.97	-154.20	-1135.52	28.97	-154.20	-999.46	28.97	-154.20	-999.46	28.97	-154.20	-863.42
		3-LANES (caseMAX	S2	405.77	24.05	6222.36	295.73	84.10	6620.83	295.73	84.10	6620.83	254.10	96.72	6724.55
			TQ	139.44	228.23	3000.71	137.19	228.23	3648.60	137.19	228.23	3648.60	137.19	228.23	4292.82
			M3	58.51	-885.97	12099.40	0.16	-751.68	11883.49	0.16	-751.68	11883.49	-49.89	-578.56	11371.12
			MIN S2	-294.08	-949.78	9767.45	-335.14	-930.96	9402.16	-335.14	-930.96	9402.16	-446.88	-881.90	8633.53
			TQ	-159.10	-1051.00	9396.06	-196.16	-1051.00	8563.13	-196.16	-1051.00	8563.13	-235.62	-1051.00	7548.94
			M3	28.23	60.21	-1167.52	28.23	60.21	-1034.92	28.23	60.21	-1034.92	28.23	60.21	-902.34
		3-LANES (caseMAX	S2	405.76	54.92	6217.37	295.63	115.03	6614.01	295.63	115.03	6614.01	253.86	127.54	6718.54
			TQ	144.68	255.86	2781.22	142.41	255.86	3453.68	142.41	255.86	3453.68	142.41	255.86	4122.43
			M3	58.65	-892.13	12096.40	0.21	-757.92	11881.36	0.21	-757.92	11881.36	-49.94	-584.87	11369.35
			MIN S2	-293.98	-955.97	9764.77	-335.09	-937.30	9401.67	-335.09	-937.29	9401.67	-446.84	-888.19	8632.08
			TQ	-164.37	-1054.08	9607.81	-201.44	-1054.08	8750.48	-201.44	-1054.08	8750.48	-240.91	-1054.08	7711.83
			M3	28.06	120.40	-1177.94	28.06	120.40	-1046.15	28.06	120.40	-1046.15	28.06	120.40	-914.37

BAGO RIVER BRIDGE

BLOCK [ No.1 : MAIN GIRDER ][ BEAM MEMBER FORCE ]

MEMBER					3047			3048			3049					
NODE					3047			3048			3048					
NAME TITLE					SHEAR	TORQUE	MOMENT	SHEAR	TORQUE	MOMENT	SHEAR	TORQUE	MOMENT			
					S2 (kN)	TQ (kN·m)	M3 (kN·m)	S2 (kN)	TQ (kN·m)	M3 (kN·m)	S2 (kN)	TQ (kN·m)	M3 (kN·m)			
301	LIVE LOAD	4-LANES	MAX	S2	22.51	65.20	-935.99	22.51	65.20	-830.25	22.51	65.20	-830.25	22.51	65.20	-724.53
				TQ	14.73	68.55	-619.84	14.73	68.55	-550.66	14.73	68.55	-550.66	14.73	68.55	-481.49
				M3	-8.70	-2.90	355.21	-8.70	-2.92	314.36	-8.70	-2.92	314.36	-8.70	-2.93	273.51
		MIN	S2	-8.70	-2.88	355.17	-8.70	-2.88	314.32	-8.70	-2.88	314.32	-8.70	-2.88	273.47	
			TQ	-1.20	-7.30	51.08	-1.20	-7.30	45.43	-1.20	-7.30	45.43	-1.20	-7.30	39.79	
			M3	22.51	65.55	-936.03	22.51	65.56	-830.30	22.51	65.56	-830.30	22.51	65.56	-724.58	
	6-LANES	MAX	S2	379.41	27.15	7302.77	288.14	25.15	7687.10	288.14	25.15	7687.10	244.92	13.82	7750.99	
			TQ	-23.17	1136.60	8213.18	-28.28	1136.60	8090.62	-28.28	1136.60	8090.62	-31.63	1136.60	7949.81	
			M3	-33.04	227.80	15888.12	-78.23	249.91	15329.49	-78.23	249.91	15329.49	-112.53	283.77	14523.51	
		MIN	S2	-353.17	269.21	13215.87	-396.58	261.36	12474.03	-396.58	261.36	12474.03	-491.93	258.66	11378.38	
			TQ	-75.89	-866.04	7379.63	-100.14	-866.04	6967.45	-100.14	-866.04	6967.45	-128.78	-866.04	6433.18	
			M3	42.58	-18.62	-1729.12	42.58	-18.50	-1529.14	42.58	-18.50	-1529.14	42.58	-18.47	-1329.20	
	LIVE LOAD	MAX		405.77	1349.92	15888.12	295.73	1349.92	15329.49	295.73	1349.92	15329.49	254.10	1349.92	14523.51	
		MIN		-353.17	-1107.49	-1729.12	-396.58	-1107.49	-1529.14	-396.58	-1107.49	-1529.14	-491.93	-1107.49	-1329.20	
	303	SUM TOTAL	TOTAL	MAX	270.98	2186.85	62989.14	-52.27	2186.85	61300.44	-52.27	2186.85	61300.44	-313.38	2186.85	58348.59
MIN				-487.95	-270.57	45371.90	-744.58	-270.57	44441.80	-744.58	-270.57	44441.80	-1059.41	-270.57	42495.88	

BAGO RIVER BRIDGE

BLOCK [ No.1 : MAIN GIRDER ] [ BEAM MEMBER FORCE ]

MEMBER NODE	3049	3050			3050			3051			3049	3050	3051			
		SHEAR	TORQUE	MOMENT	SHEAR	TORQUE	MOMENT	SHEAR	TORQUE	MOMENT				SHEAR	TORQUE	MOMENT
		S2 (kN)	TQ (kN·m)	M3 (kN·m)	S2 (kN)	TQ (kN·m)	M3 (kN·m)	S2 (kN)	TQ (kN·m)	M3 (kN·m)				S2 (kN)	TQ (kN·m)	M3 (kN·m)
1	PAVEMENT	-125.72	128.81	6831.20	-155.69	128.81	6170.54	-155.69	128.81	6170.54	-185.65	128.81	5369.26			
3	RAILING	-6.38	4.41	210.38	-4.80	4.41	184.15	-4.80	4.41	184.15	-3.21	4.41	165.34			
5	CURB	-63.14	43.63	2082.74	-47.48	43.63	1823.04	-47.48	43.63	1823.04	-31.82	43.63	1636.89			
7	DECK WEIGHT	-199.59	206.71	11379.39	-253.17	206.71	10317.26	-253.17	206.71	10317.26	-308.14	206.71	9000.42			
8	GIRDER WEIGH	-275.55	273.18	15879.69	-363.33	273.18	14379.81	-363.33	273.18	14379.81	-451.09	273.18	12468.02			
10	MEDIAN STRIP	-17.66	46.28	4035.22	-71.99	46.28	3827.37	-71.99	46.28	3827.37	-130.82	46.28	3353.91			
21	ADITIONAL WE	-55.89	57.88	3186.23	-70.89	57.88	2888.83	-70.89	57.88	2888.83	-86.28	57.88	2520.12			
31	MEDIAN RAILI	-2.43	3.09	207.11	-4.74	3.09	190.24	-4.74	3.09	190.24	-7.04	3.09	162.56			
51	SUPPORT WEIG	-0.00	-0.00	-0.00	-0.00	-0.00	-0.00	-0.00	-0.00	-0.00	-0.00	-0.00	-0.00			
52	NOSE WEIGHT	-0.00	0.00	0.00	-0.00	0.00	0.00	-0.00	0.00	0.00	-0.00	0.00	0.00			
61	1-LANE(case1TRUCK-LOAD	MAX	S2	5.62	-37.77	-153.46	5.62	-37.77	-127.05	5.62	-37.77	-127.05	5.62	-37.77	-100.64	
			TQ	-41.32	417.01	1135.44	-41.32	417.01	941.43	-41.32	417.01	941.43	-41.32	417.01	747.44	
			M3	-38.12	392.47	1215.82	-35.81	378.93	1044.83	-35.81	378.93	1044.83	-29.05	331.90	900.93	
		MIN	S2	-41.79	414.33	1184.61	-41.79	414.33	988.40	-41.79	414.33	988.40	-41.79	414.33	792.22	
			TQ	5.30	-39.57	-143.53	5.30	-39.57	-118.66	5.30	-39.57	-118.66	5.30	-39.57	-93.80	
			M3	5.62	-37.77	-153.46	5.62	-37.77	-127.05	5.62	-37.77	-127.05	5.62	-37.77	-100.64	
		TANDEM-LOAD MAX	S2	3.83	-25.96	-104.45	3.83	-25.96	-86.47	3.83	-25.96	-86.47	3.83	-25.96	-68.48	
			TQ	-28.64	284.33	784.30	-28.64	284.33	649.83	-28.64	284.33	649.83	-28.64	284.33	515.38	
			M3	-27.21	271.84	829.92	-23.22	252.88	712.54	-23.22	252.88	712.54	-18.33	218.60	616.09	
		MIN	S2	-28.77	283.58	798.02	-28.77	283.58	662.94	-28.77	283.58	662.94	-28.77	283.58	527.88	
			TQ	3.66	-26.99	-99.36	3.66	-26.99	-82.17	3.66	-26.99	-82.17	3.66	-26.99	-64.97	
			M3	3.83	-25.96	-104.45	3.83	-25.96	-86.47	3.83	-25.96	-86.47	3.83	-25.96	-68.48	
		DISPERSION-LMAX	S2	6.68	-42.90	-160.68	6.68	-42.90	-129.32	6.68	-42.90	-129.32	6.68	-42.90	-97.97	
			TQ	-54.84	597.79	1789.02	-54.84	597.79	1531.53	-54.84	597.79	1531.53	-54.84	597.79	1274.07	
			M3	-54.84	597.79	1789.02	-54.84	597.79	1531.53	-54.84	597.79	1531.53	-54.84	597.79	1274.07	
		MIN	S2	-54.88	595.69	1768.64	-54.88	595.69	1510.97	-54.88	595.69	1510.97	-54.88	595.69	1253.33	
			TQ	6.64	-45.00	-181.06	6.64	-45.00	-149.88	6.64	-45.00	-149.88	6.64	-45.00	-118.71	
			M3	6.64	-45.00	-181.06	6.64	-45.00	-149.88	6.64	-45.00	-149.88	6.64	-45.00	-118.71	

BAGO RIVER BRIDGE

BLOCK [ No.1 : MAIN GIRDER ][ BEAM MEMBER FORCE ]

MEMBER				3049			3050			3051					
NODE				3049			3050			3051					
				SHEAR	TORQUE	MOMENT	SHEAR	TORQUE	MOMENT	SHEAR	TORQUE	MOMENT			
NAME	TITLE			S2 (kN)	TQ (kN·m)	M3 (kN·m)	S2 (kN)	TQ (kN·m)	M3 (kN·m)	S2 (kN)	TQ (kN·m)	M3 (kN·m)			
62	1-LANE (case2TRUCK-LOAD	MAX	S2	12.14	20.01	938.00	12.14	20.01	995.01	12.14	20.01	995.01	12.14	20.01	1052.01
			TQ	-52.76	164.45	1483.13	-52.76	164.45	1235.39	-52.76	164.45	1235.39	-52.76	164.45	987.67
			M3	-37.20	155.70	1596.25	-31.70	122.03	1393.13	-31.70	122.03	1393.13	-19.22	71.74	1220.14
		MIN	S2	-55.88	155.70	1596.25	-55.88	155.70	1333.88	-55.88	155.70	1333.88	-55.88	155.70	1071.54
			TQ	5.46	-16.67	-153.64	5.46	-16.67	-128.01	5.46	-16.67	-128.01	5.46	-16.67	-102.38
			M3	5.58	-16.27	-157.35	5.58	-16.27	-131.12	5.58	-16.27	-131.12	5.58	-16.27	-104.91
		TANDEM-LOAD MAX	S2	8.98	8.45	599.11	8.98	8.45	641.26	8.98	8.45	641.26	8.98	8.45	683.42
			TQ	-37.77	112.29	1049.44	-37.77	112.29	872.10	-37.77	112.29	872.10	-37.77	112.29	694.78
			M3	-23.96	99.93	1111.07	-16.42	67.90	955.22	-16.42	67.90	955.22	-6.84	31.06	839.30
		MIN	S2	-38.31	110.59	1068.95	-38.31	110.59	889.09	-38.31	110.59	889.09	-38.31	110.59	709.24
			TQ	3.69	-11.37	-103.83	3.69	-11.37	-86.50	3.69	-11.37	-86.50	3.69	-11.37	-69.18
			M3	3.80	-11.16	-107.13	3.80	-11.16	-89.27	3.80	-11.16	-89.27	3.80	-11.16	-71.42
		DISPERSION-LMAX	S2	12.16	-8.31	250.27	11.20	-12.59	228.01	11.20	-12.59	228.01	10.19	-16.20	180.20
			TQ	-49.01	202.94	1965.41	-54.02	202.94	1723.35	-54.02	202.94	1723.35	-58.88	202.94	1458.14
			M3	-47.78	202.40	2051.36	-52.80	202.40	1815.06	-52.80	202.40	1815.06	-57.66	202.40	1555.60
MIN	S2	-53.37	191.48	1615.80	-57.42	195.76	1432.64	-57.42	195.76	1432.64	-61.27	199.37	1251.87		
	TQ	7.80	-19.77	-99.34	7.80	-19.77	-62.70	7.80	-19.77	-62.70	7.80	-19.77	-26.07		
	M3	6.58	-19.23	-185.29	6.58	-19.23	-154.41	6.58	-19.23	-154.41	6.58	-19.23	-123.53		
63	1-LANE (case3TRUCK-LOAD	MAX	S2	175.56	-62.61	1827.30	97.56	-63.25	1819.82	97.56	-63.25	1819.82	39.31	-54.07	1411.25
			TQ	3.36	2.14	-97.41	3.36	2.14	-81.65	3.36	2.14	-81.65	3.36	2.14	-65.88
			M3	88.85	-66.45	1932.44	26.35	-62.85	1958.76	26.35	-62.85	1958.76	-66.34	-64.56	1586.72
		MIN	S2	-75.46	-69.02	1929.67	-130.88	-63.49	1951.29	-130.88	-63.49	1951.29	-202.73	-64.38	1556.70
			TQ	-49.09	-92.63	1460.02	-49.09	-92.63	1229.53	-49.09	-92.63	1229.53	-49.09	-92.63	999.07
			M3	5.56	0.02	-160.48	5.56	0.02	-134.37	5.56	0.02	-134.37	5.56	0.02	-108.27

BAGO RIVER BRIDGE

BLOCK [ No.1 : MAIN GIRDER ][ BEAM MEMBER FORCE ]

MEMBER		3049			3050			3050			3051					
NODE		3049			3050			3050			3051					
		SHEAR	TORQUE	MOMENT	SHEAR	TORQUE	MOMENT	SHEAR	TORQUE	MOMENT	SHEAR	TORQUE	MOMENT			
NAME	TITLE	S2 (kN)	TQ (kN·m)	M3 (kN·m)	S2 (kN)	TQ (kN·m)	M3 (kN·m)	S2 (kN)	TQ (kN·m)	M3 (kN·m)	S2 (kN)	TQ (kN·m)	M3 (kN·m)			
63	1-LANE (case3TANDEM-LOAD	MAX	S2	145.00	-41.48	1417.39	90.39	-43.40	1453.35	90.39	-43.40	1453.35	37.70	-42.99	1157.31	
			TQ	2.16	1.52	-62.73	2.16	1.52	-52.58	2.16	1.52	-52.58	2.16	1.52	-42.44	
			M3	47.05	-42.34	1432.07	-3.78	-42.98	1472.09	-3.78	-42.98	1472.09	-60.38	-44.40	1182.75	
		MIN	S2	-60.94	-42.34	1432.07	-112.23	-42.98	1472.09	-112.23	-42.98	1472.09	-169.24	-44.40	1182.75	
			TQ	-32.84	-63.98	971.18	-32.84	-63.98	816.98	-32.84	-63.98	816.98	-32.84	-63.98	662.80	
			M3	3.79	0.06	-109.29	3.79	0.06	-91.51	3.79	0.06	-91.51	3.79	0.06	-73.74	
			DISPERSION-LMAX	S2	48.54	-27.53	490.59	26.85	-20.11	394.88	26.85	-20.11	394.88	14.77	-12.43	241.78
			TQ	1.09	3.29	-32.37	1.09	3.29	-27.23	1.09	3.29	-27.23	1.09	3.29	-22.09	
			M3	-12.70	-124.27	2254.04	-50.38	-124.27	2106.12	-50.38	-124.27	2106.12	-88.21	-124.27	1780.96	
		MIN	S2	-54.71	-96.44	1574.85	-70.70	-103.87	1553.31	-70.70	-103.87	1553.31	-96.45	-111.55	1411.92	
			TQ	-7.27	-127.27	2097.81	-44.94	-127.27	1975.42	-44.94	-127.27	1975.42	-82.77	-127.27	1675.79	
			M3	6.53	0.29	-188.60	6.53	0.29	-157.93	6.53	0.29	-157.93	6.53	0.29	-127.26	
64	1-LANE (case4TRUCK-LOAD	MAX	S2	44.45	9.29	976.07	44.45	9.29	1184.77	44.45	9.29	1184.77	83.30	-43.70	1742.95	
			TQ	5.21	34.59	-158.53	5.21	34.59	-134.06	5.21	34.59	-134.06	5.21	34.59	-109.60	
			M3	-73.26	-379.96	2176.04	-60.34	-373.86	1846.79	-60.34	-373.86	1846.79	60.79	-163.91	1837.89	
		MIN	S2	-113.00	-395.68	2163.47	-76.46	-420.71	1712.90	-76.46	-420.71	1712.90	-76.46	-420.71	1353.93	
			TQ	-75.16	-425.79	1990.92	-75.16	-425.79	1638.02	-75.16	-425.79	1638.02	-75.16	-425.79	1285.15	
			M3	5.54	33.19	-167.82	5.54	33.19	-141.79	5.54	33.19	-141.79	5.54	33.19	-115.76	
			TANDEM-LOAD MAX	S2	35.41	9.60	704.31	35.41	9.60	870.56	35.41	9.60	870.56	76.22	-52.12	1243.08
			TQ	3.61	23.61	-109.62	3.61	23.61	-92.69	3.61	23.61	-92.69	3.61	23.61	-75.76	
			M3	-54.96	-282.91	1485.10	-42.03	-251.11	1282.62	-42.03	-251.11	1282.62	29.63	-130.51	1271.92	
		MIN	S2	-95.89	-232.65	1465.67	-56.02	-288.56	1197.06	-56.02	-288.56	1197.06	-56.02	-288.56	934.07	
			TQ	-49.26	-289.73	1309.25	-49.26	-289.73	1077.95	-49.26	-289.73	1077.95	-49.26	-289.73	846.67	
			M3	3.78	22.91	-114.38	3.78	22.91	-96.65	3.78	22.91	-96.65	3.78	22.91	-78.92	

BAGO RIVER BRIDGE

BLOCK [ No.1 : MAIN GIRDER ][ BEAM MEMBER FORCE ]

MEMBER		3049			3050			3050			3051						
NODE		3049			3050			3050			3051						
		SHEAR	TORQUE	MOMENT	SHEAR	TORQUE	MOMENT	SHEAR	TORQUE	MOMENT	SHEAR	TORQUE	MOMENT				
NAME	TITLE	S2 (kN)	TQ (kN·m)	M3 (kN·m)	S2 (kN)	TQ (kN·m)	M3 (kN·m)	S2 (kN)	TQ (kN·m)	M3 (kN·m)	S2 (kN)	TQ (kN·m)	M3 (kN·m)				
64	1-LANE (case4DISPERSION-LMAX	S2	21.40	35.29	224.51	22.50	25.70	386.37	22.50	25.70	386.37	31.29	16.00	611.46			
		TQ	16.65	42.72	15.54	16.65	42.72	93.73	16.65	42.72	93.73	16.65	42.72	171.90			
		M3	-60.28	-511.42	2565.06	-49.06	-511.42	2308.12	-49.06	-511.42	2308.12	-37.85	-511.42	2103.87			
		MIN	S2	-75.21	-508.78	2145.04	-65.10	-499.19	1756.60	-65.10	-499.19	1756.60	-62.68	-489.49	1357.61		
		TQ	-70.46	-516.21	2354.01	-59.25	-516.21	2049.25	-59.25	-516.21	2049.25	-48.04	-516.21	1797.17			
		M3	6.47	37.93	-195.51	6.47	37.93	-165.15	6.47	37.93	-165.15	6.47	37.93	-134.80			
		65	2-LANES (caseTRUCK-LOAD	MAX	S2	11.23	-64.81	-308.84	11.23	-64.81	-256.12	11.23	-64.81	-256.12	11.23	-64.81	-203.40
				TQ	-85.85	705.90	2404.39	-85.85	705.90	2001.31	-85.85	705.90	2001.31	-85.85	705.90	1598.28	
				M3	-81.69	647.64	2611.78	-77.18	622.69	2240.56	-77.18	622.69	2240.56	-58.38	525.00	1932.70	
MIN	S2			-88.00	695.39	2542.37	-88.00	695.39	2129.20	-88.00	695.39	2129.20	-88.00	695.39	1716.07		
TQ	10.57			-67.67	-289.13	10.57	-67.67	-239.50	10.57	-67.67	-239.50	10.57	-67.67	-189.88			
M3	11.23			-64.81	-308.84	11.23	-64.81	-256.12	11.23	-64.81	-256.12	11.23	-64.81	-203.40			
TANDEM-LOAD	MAX			S2	7.65	-44.53	-210.23	7.65	-44.53	-174.32	7.65	-44.53	-174.32	7.65	-44.53	-138.42	
TQ	-58.35			480.74	1625.64	-58.35	480.74	1351.68	-58.35	480.74	1351.68	-58.35	480.74	1077.76			
M3	-58.27			452.72	1780.44	-51.06	414.58	1529.98	-51.06	414.58	1529.98	-36.29	342.35	1322.77			
MIN	S2	-60.34	469.24	1742.58	-60.34	469.24	1459.27	-60.34	469.24	1459.27	-60.34	469.24	1175.99				
TQ	7.31	-46.17	-200.11	7.31	-46.17	-165.79	7.31	-46.17	-165.79	7.31	-46.17	-131.47					
M3	7.65	-44.53	-210.23	7.65	-44.53	-174.32	7.65	-44.53	-174.32	7.65	-44.53	-138.42					
DISPERSION-LMAX	S2	14.06	-66.92	-192.67	14.06	-66.92	-126.67	14.06	-66.92	-126.67	14.06	-66.92	-60.68				
TQ	-108.60	997.64	3712.18	-108.60	997.64	3202.28	-108.60	997.64	3202.28	-108.60	997.64	2692.44					
M3	-108.60	997.64	3712.18	-108.60	997.64	3202.28	-108.60	997.64	3202.28	-108.60	997.64	2692.44					
MIN	S2	-109.40	987.42	3540.62	-109.40	987.42	3026.93	-109.40	987.42	3026.93	-109.40	987.42	2513.29				
TQ	13.25	-77.14	-364.23	13.25	-77.14	-302.03	13.25	-77.14	-302.03	13.25	-77.14	-239.83					
M3	13.25	-77.14	-364.23	13.25	-77.14	-302.03	13.25	-77.14	-302.03	13.25	-77.14	-239.83					

BAGO RIVER BRIDGE

BLOCK [ No.1 : MAIN GIRDER ][ BEAM MEMBER FORCE ]

MEMBER				3049			3050			3051					
NODE				3049			3050			3051					
				SHEAR	TORQUE	MOMENT	SHEAR	TORQUE	MOMENT	SHEAR	TORQUE	MOMENT			
NAME	TITLE			S2 (kN)	TQ (kN·m)	M3 (kN·m)	S2 (kN)	TQ (kN·m)	M3 (kN·m)	S2 (kN)	TQ (kN·m)	M3 (kN·m)			
66	2-LANES (caseTRUCK-LOAD	MAX	S2	17.75	-7.03	782.62	17.75	-7.03	865.94	17.75	-7.03	865.94	17.75	-7.03	949.25
			TQ	-97.29	453.34	2752.08	-97.29	453.34	2295.27	-97.29	453.34	2295.27	-97.29	453.34	1838.50
			M3	-80.76	410.87	2992.21	-73.07	365.78	2588.86	-73.07	365.78	2588.86	-48.55	264.83	2251.92
		MIN	S2	-102.09	436.76	2954.01	-102.09	436.76	2474.68	-102.09	436.76	2474.68	-102.09	436.76	1995.40
			TQ	10.73	-44.78	-299.24	10.73	-44.78	-248.85	10.73	-44.78	-248.85	10.73	-44.78	-198.46
			M3	11.19	-43.31	-312.73	11.19	-43.31	-260.19	11.19	-43.31	-260.19	11.19	-43.31	-207.66
		TANDEM-LOAD MAX	S2	12.79	-10.12	493.33	12.79	-10.12	553.41	12.79	-10.12	553.41	12.79	-10.12	613.48
			TQ	-67.48	308.71	1890.78	-67.48	308.71	1573.95	-67.48	308.71	1573.95	-67.48	308.71	1257.16
			M3	-55.02	280.82	2061.59	-44.27	229.59	1772.66	-44.27	229.59	1772.66	-24.80	154.82	1545.98
		MIN	S2	-69.88	296.25	2013.51	-69.88	296.25	1685.41	-69.88	296.25	1685.41	-69.88	296.25	1357.35
			TQ	7.34	-30.55	-204.58	7.34	-30.55	-170.13	7.34	-30.55	-170.13	7.34	-30.55	-135.68
			M3	7.62	-29.72	-212.90	7.62	-29.72	-177.13	7.62	-29.72	-177.13	7.62	-29.72	-141.36
		DISPERSION-LMAX	S2	19.54	-32.32	218.28	18.58	-36.61	230.66	18.58	-36.61	230.66	17.57	-40.22	217.49
			TQ	-102.76	602.79	3888.57	-107.78	602.79	3394.10	-107.78	602.79	3394.10	-112.64	602.79	2876.51
			M3	-101.54	602.25	3974.53	-106.55	602.25	3485.81	-106.55	602.25	3485.81	-111.41	602.25	2973.97
MIN	S2	-107.89	583.21	3387.78	-111.95	587.49	2948.60	-111.95	587.49	2948.60	-115.80	591.10	2511.83		
	TQ	14.41	-51.90	-282.51	14.41	-51.90	-214.84	14.41	-51.90	-214.84	14.41	-51.90	-147.19		
	M3	13.19	-51.37	-368.46	13.19	-51.37	-306.56	13.19	-51.37	-306.56	13.19	-51.37	-244.65		
67	2-LANES (caseTRUCK-LOAD	MAX	S2	251.79	-227.37	3779.40	156.47	-162.85	3625.45	156.47	-162.85	3625.45	81.47	-99.74	2953.54
			TQ	8.01	15.10	-234.67	8.01	15.10	-197.07	8.01	15.10	-197.07	8.01	15.10	-159.47
			M3	103.58	-280.30	3994.65	25.51	-222.03	3899.27	25.51	-222.03	3899.27	-97.74	-176.25	3306.79
		MIN	S2	-150.65	-294.57	3985.79	-220.82	-239.93	3891.75	-220.82	-239.93	3891.75	-309.75	-176.07	3276.76
			TQ	-106.84	-345.53	3113.91	-106.84	-345.53	2612.24	-106.84	-345.53	2612.24	-106.84	-345.53	2110.63
			M3	11.11	10.91	-323.30	11.11	10.91	-271.12	11.11	10.91	-271.12	11.11	10.91	-218.95



BAGO RIVER BRIDGE

BLOCK [ No.1 : MAIN GIRDER ][ BEAM MEMBER FORCE ]

MEMBER		3049			3050			3050			3051						
NODE		3049			3050			3050			3051						
		SHEAR	TORQUE	MOMENT	SHEAR	TORQUE	MOMENT	SHEAR	TORQUE	MOMENT	SHEAR	TORQUE	MOMENT				
NAME	TITLE	S2 (kN)	TQ (kN·m)	M3 (kN·m)	S2 (kN)	TQ (kN·m)	M3 (kN·m)	S2 (kN)	TQ (kN·m)	M3 (kN·m)	S2 (kN)	TQ (kN·m)	M3 (kN·m)				
67	2-LANES (caseTANDEM-LOAD	MAX	S2	202.17	-174.51	2881.95	135.95	-131.58	2830.42	135.95	-131.58	2830.42	71.32	-86.76	2366.76		
			TQ	5.42	10.37	-158.96	5.42	10.37	-133.49	5.42	10.37	-133.49	5.42	10.37	-108.03		
			M3	49.47	-184.33	2911.44	-12.58	-142.80	2868.37	-12.58	-142.80	2868.37	-81.17	-97.93	2417.67		
		MIN	S2	-115.90	-184.33	2911.44	-178.39	-142.80	2868.37	-178.39	-142.80	2868.37	-247.41	-97.93	2417.67		
			TQ	-72.78	-236.63	2113.34	-72.78	-236.63	1771.59	-72.78	-236.63	1771.59	-72.78	-236.63	1429.88		
			M3	7.57	7.61	-220.20	7.57	7.61	-184.67	7.57	7.61	-184.67	7.57	7.61	-149.14		
			DISPERSION-LMAX	S2	82.73	-52.88	1020.07	51.69	-27.14	822.46	51.69	-27.14	822.46	32.40	-7.03	532.03	
				TQ	7.79	17.08	-143.52	7.79	17.08	-106.93	7.79	17.08	-106.93	7.79	17.08	-70.33	
				M3	-42.31	-441.88	4656.60	-100.12	-441.88	4322.41	-100.12	-441.88	4322.41	-158.08	-441.88	3716.49	
			MIN	S2	-112.00	-375.52	3256.98	-138.77	-401.27	3181.63	-138.77	-401.27	3181.63	-177.44	-421.37	2927.36	
				TQ	-37.06	-445.48	4420.57	-94.87	-445.48	4111.02	-94.87	-445.48	4111.02	-152.83	-445.48	3529.73	
				M3	13.04	13.47	-379.56	13.04	13.47	-318.32	13.04	13.47	-318.32	13.04	13.47	-257.09	
		68	2-LANES (caseTRUCK-LOAD	MAX	S2	120.76	-155.42	2928.12	103.40	-90.30	2990.46	103.40	-90.30	2990.46	125.45	-89.38	3285.19
					TQ	10.64	57.70	-320.53	10.64	57.70	-270.59	10.64	57.70	-270.59	10.64	57.70	-220.65
					M3	-58.48	-593.73	4238.20	-61.16	-533.00	3787.36	-61.16	-533.00	3787.36	29.37	-275.59	3557.90
MIN	S2			-188.18	-621.15	4219.54	-166.43	-597.10	3653.41	-166.43	-597.10	3653.41	-182.06	-538.14	3055.32		
	TQ			-132.91	-678.62	3644.74	-132.91	-678.62	3020.68	-132.91	-678.62	3020.68	-132.91	-678.62	2396.68		
	M3			11.09	55.49	-333.20	11.09	55.49	-281.12	11.09	55.49	-281.12	11.09	55.49	-229.04		
	TANDEM-LOAD			MAX	S2	92.64	-123.39	2168.87	81.00	-78.56	2247.73	81.00	-78.56	2247.73	109.86	-95.90	2452.53
				TQ	7.27	39.36	-219.15	7.27	39.36	-185.00	7.27	39.36	-185.00	7.27	39.36	-150.86	
				M3	-52.51	-424.85	2964.46	-50.82	-350.90	2678.99	-50.82	-350.90	2678.99	8.80	-184.04	2506.83	
	MIN			S2	-150.85	-374.59	2945.03	-122.22	-388.36	2593.44	-122.22	-388.36	2593.44	-134.25	-342.10	2168.98	
				TQ	-89.20	-462.33	2451.36	-89.20	-462.33	2032.52	-89.20	-462.33	2032.52	-89.20	-462.33	1613.72	
				M3	7.56	38.33	-227.08	7.56	38.33	-191.60	7.56	38.33	-191.60	7.56	38.33	-156.13	

BAGO RIVER BRIDGE

BLOCK [ No.1 : MAIN GIRDER ][ BEAM MEMBER FORCE ]

MEMBER		3049			3050			3050			3051						
NODE		3049			3050			3050			3051						
		SHEAR	TORQUE	MOMENT	SHEAR	TORQUE	MOMENT	SHEAR	TORQUE	MOMENT	SHEAR	TORQUE	MOMENT				
NAME	TITLE	S2 (kN)	TQ (kN·m)	M3 (kN·m)	S2 (kN)	TQ (kN·m)	M3 (kN·m)	S2 (kN)	TQ (kN·m)	M3 (kN·m)	S2 (kN)	TQ (kN·m)	M3 (kN·m)				
68	2-LANES (caseDISPERSION-LMAX	S2	55.59	21.87	751.86	47.32	30.61	811.64	47.32	30.61	811.64	48.90	33.33	899.29			
		TQ	24.68	68.14	-136.64	24.68	68.14	-20.77	24.68	68.14	-20.77	24.68	68.14	95.09			
		M3	-89.83	-831.53	4967.07	-98.76	-831.53	4524.07	-98.76	-831.53	4524.07	-107.69	-831.53	4039.20			
		MIN	S2	-132.47	-790.35	3826.54	-133.12	-799.09	3384.58	-133.12	-799.09	3384.58	-143.64	-801.82	2872.87		
		TQ	-101.55	-836.62	4715.03	-110.49	-836.62	4216.99	-110.49	-836.62	4216.99	-119.42	-836.62	3677.08			
		M3	12.95	63.04	-388.67	12.95	63.04	-327.85	12.95	63.04	-327.85	12.95	63.04	-267.03			
		69	3-LANES (caseTRUCK-LOAD	MAX	S2	23.37	-44.80	629.16	23.37	-44.80	738.89	23.37	-44.80	738.89	23.37	-44.80	848.61
				TQ	-138.61	870.34	3887.52	-138.61	870.34	3236.70	-138.61	870.34	3236.70	-138.61	870.34	2585.95	
				M3	-118.89	803.34	4208.03	-108.88	744.72	3633.69	-108.88	744.72	3633.69	-77.60	596.73	3152.84	
MIN	S2			-143.87	851.09	4138.62	-143.87	851.09	3463.08	-143.87	851.09	3463.08	-143.87	851.09	2787.61		
TQ	16.03			-84.34	-442.77	16.03	-84.34	-367.51	16.03	-84.34	-367.51	16.03	-84.34	-292.26			
M3	16.81			-81.08	-466.19	16.81	-81.08	-387.24	16.81	-81.08	-387.24	16.81	-81.08	-308.31			
TANDEM-LOAD	MAX			S2	16.63	-36.08	388.88	16.63	-36.08	466.94	16.63	-36.08	466.94	16.63	-36.08	545.00	
TQ	-96.11			593.03	2675.08	-96.11	593.03	2223.79	-96.11	593.03	2223.79	-96.11	593.03	1772.54			
M3	-82.23			552.66	2891.51	-67.48	482.48	2485.20	-67.48	482.48	2485.20	-43.13	373.41	2162.07			
MIN	S2	-98.65	579.83	2811.53	-98.65	579.83	2348.35	-98.65	579.83	2348.35	-98.65	579.83	1885.22				
TQ	11.00	-57.54	-303.94	11.00	-57.54	-252.29	11.00	-57.54	-252.29	11.00	-57.54	-200.65					
M3	11.45	-55.68	-317.36	11.45	-55.68	-263.60	11.45	-55.68	-263.60	11.45	-55.68	-209.84					
DISPERSION-LMAX	S2	26.22	-75.22	57.60	25.26	-79.51	101.33	25.26	-79.51	101.33	24.25	-83.12	119.52				
TQ	-157.60	1200.58	5677.59	-162.62	1200.58	4925.63	-162.62	1200.58	4925.63	-167.48	1200.58	4150.57					
M3	-156.38	1200.04	5763.54	-161.39	1200.04	5017.34	-161.39	1200.04	5017.34	-166.25	1200.04	4248.04					
MIN	S2	-162.77	1178.90	5156.42	-166.82	1183.18	4459.57	-166.82	1183.18	4459.57	-170.67	1186.79	3765.16				
TQ	21.05	-96.90	-463.57	21.05	-96.90	-364.73	21.05	-96.90	-364.73	21.05	-96.90	-265.90					
M3	19.83	-96.37	-549.53	19.83	-96.37	-456.44	19.83	-96.37	-456.44	19.83	-96.37	-363.36					

BAGO RIVER BRIDGE

BLOCK [ No.1 : MAIN GIRDER ][ BEAM MEMBER FORCE ]

MEMBER				3049			3050			3051					
NODE				3049			3050			3051					
				SHEAR	TORQUE	MOMENT	SHEAR	TORQUE	MOMENT	SHEAR	TORQUE	MOMENT			
NAME	TITLE			S2 (kN)	TQ (kN·m)	M3 (kN·m)	S2 (kN)	TQ (kN·m)	M3 (kN·m)	S2 (kN)	TQ (kN·m)	M3 (kN·m)			
70	3-LANES (caseTRUCK-LOAD	MAX	S2	296.20	-218.06	4754.77	200.89	-153.54	4809.36	200.89	-153.54	4809.36	164.82	-143.43	4696.52
			TQ	13.03	39.47	-385.44	13.03	39.47	-324.24	13.03	39.47	-324.24	13.03	39.47	-263.05
			M3	30.31	-660.31	6170.74	-34.82	-595.96	5746.08	-34.82	-595.96	5746.08	-36.87	-340.17	5144.72
		MIN	S2	-263.70	-690.32	6149.30	-297.28	-660.72	5604.70	-297.28	-660.72	5604.70	-386.21	-596.86	4630.73
			TQ	-182.01	-771.40	5104.94	-182.01	-771.40	4250.34	-182.01	-771.40	4250.34	-182.01	-771.40	3395.83
			M3	16.66	32.69	-488.57	16.66	32.69	-410.33	16.66	32.69	-410.33	16.66	32.69	-332.11
		TANDEM-LOAD MAX	S2	237.57	-164.90	3586.13	171.35	-121.96	3700.84	171.35	-121.96	3700.84	147.61	-138.89	3609.85
			TQ	8.79	27.05	-259.94	8.79	27.05	-218.68	8.79	27.05	-218.68	8.79	27.05	-177.43
			M3	-5.49	-467.29	4396.60	-54.61	-393.95	4151.01	-54.61	-393.95	4151.01	-51.50	-228.45	3689.65
		MIN	S2	-211.86	-417.02	4377.10	-234.41	-431.41	4065.48	-234.41	-431.41	4065.48	-303.43	-386.55	3351.76
			TQ	-122.05	-526.41	3422.65	-122.05	-526.41	2849.58	-122.05	-526.41	2849.58	-122.05	-526.41	2276.57
			M3	11.35	22.65	-332.81	11.35	22.65	-279.53	11.35	22.65	-279.53	11.35	22.65	-226.26
		DISPERSION-LMAX	S2	104.12	-29.53	1246.03	74.21	-13.65	1211.97	74.21	-13.65	1211.97	63.79	-3.12	1146.21
			TQ	24.41	47.86	-124.38	24.41	47.86	-9.79	24.41	47.86	-9.79	24.41	47.86	104.79
			M3	-102.60	-951.03	7222.44	-149.18	-951.03	6630.90	-149.18	-951.03	6630.90	-195.92	-951.03	5820.37
MIN	S2	-187.19	-882.02	5403.52	-203.87	-897.90	4937.75	-203.87	-897.90	4937.75	-240.18	-908.43	4284.66		
	TQ	-107.47	-959.41	6773.94	-154.06	-959.41	6159.50	-154.06	-959.41	6159.50	-200.80	-959.41	5326.07		
	M3	19.53	39.48	-572.88	19.53	39.48	-481.19	19.53	39.48	-481.19	19.53	39.48	-389.51		
71	3-LANES (caseTRUCK-LOAD	MAX	S2	296.33	-217.99	4755.36	200.96	-153.53	4810.24	200.96	-153.53	4810.24	164.76	-143.45	4696.38
			TQ	16.09	69.37	-480.63	16.09	69.37	-405.09	16.09	69.37	-405.09	16.09	69.37	-329.56
			M3	30.38	-660.12	6170.58	-34.81	-595.81	5746.09	-34.81	-595.81	5746.09	-36.98	-340.12	5144.56
		MIN	S2	-263.65	-690.10	6149.15	-297.31	-660.54	5604.67	-297.31	-660.54	5604.67	-391.92	-602.67	4641.98
			TQ	-182.00	-771.18	5104.71	-182.00	-771.18	4250.17	-182.00	-771.18	4250.17	-182.00	-771.18	3395.72
			M3	16.65	66.91	-496.14	16.65	66.91	-417.98	16.65	66.91	-417.98	16.65	66.91	-339.83

BAGO RIVER BRIDGE

BLOCK [ No.1 : MAIN GIRDER ][ BEAM MEMBER FORCE ]

MEMBER		3049			3050			3050			3051							
NODE		3049			3050			3050			3051							
		SHEAR	TORQUE	MOMENT	SHEAR	TORQUE	MOMENT	SHEAR	TORQUE	MOMENT	SHEAR	TORQUE	MOMENT					
NAME	TITLE	S2 (kN)	TQ (kN·m)	M3 (kN·m)	S2 (kN)	TQ (kN·m)	M3 (kN·m)	S2 (kN)	TQ (kN·m)	M3 (kN·m)	S2 (kN)	TQ (kN·m)	M3 (kN·m)					
71	3-LANES (caseTANDEM-LOAD	MAX	S2	237.66	-164.83	3586.22	171.40	-121.94	3701.06	171.40	-121.94	3701.06	147.55	-138.88	3609.80			
			TQ	11.04	47.35	-329.81	11.04	47.35	-277.97	11.04	47.35	-277.97	11.04	47.35	-226.13			
			M3	-5.45	-467.15	4396.50	-54.61	-393.85	4151.07	-54.61	-393.85	4151.07	-51.59	-228.43	3689.54			
		MIN	S2	-211.80	-416.89	4377.07	-234.45	-431.31	4065.51	-234.45	-431.31	4065.51	-303.51	-386.49	3351.69			
			TQ	-122.04	-526.26	3422.51	-122.04	-526.26	2849.48	-122.04	-526.26	2849.48	-122.04	-526.26	2276.51			
			M3	11.34	46.25	-338.08	11.34	46.25	-284.84	11.34	46.25	-284.84	11.34	46.25	-231.62			
			DISPERSION-LMAX	S2	104.10	6.33	1240.26	74.15	22.49	1204.23	74.15	22.49	1204.23	63.65	32.90	1138.68		
				TQ	30.91	80.43	-319.46	30.91	80.43	-174.32	30.91	80.43	-174.32	30.91	80.43	-29.19		
				M3	-102.50	-958.30	7220.52	-149.10	-958.30	6629.79	-149.10	-958.30	6629.79	-195.86	-958.30	5819.95		
			MIN	S2	-187.13	-889.30	5400.82	-203.79	-905.46	4937.51	-203.79	-905.46	4937.51	-240.05	-915.87	4284.60		
				TQ	-113.95	-963.41	6960.54	-160.55	-963.41	6316.05	-160.55	-963.41	6316.05	-207.31	-963.41	5452.47		
				M3	19.46	75.33	-579.45	19.46	75.33	-488.06	19.46	75.33	-488.06	19.46	75.33	-396.68		
		72	4-LANES	TRUCK-LOAD	MAX	S2	22.14	64.37	-654.22	22.14	64.37	-550.25	22.14	64.37	-550.25	22.14	64.37	-446.28
						TQ	14.95	65.52	-446.74	14.95	65.52	-376.56	14.95	65.52	-376.56	14.95	65.52	-306.40
						M3	-6.56	-2.44	189.83	-6.56	-2.44	159.04	-6.56	-2.44	159.04	-6.56	-2.46	128.25
	MIN			S2	-6.56	-2.42	189.82	-6.56	-2.42	159.04	-6.56	-2.42	159.04	-6.56	-2.42	128.25		
				TQ	0.04	-5.25	0.06	0.04	-5.25	0.25	0.04	-5.25	0.25	0.04	-5.25	0.44		
				M3	22.14	64.37	-654.22	22.14	64.37	-550.25	22.14	64.37	-550.25	22.14	64.37	-446.28		
	TANDEM-LOAD			MAX	S2	15.12	45.93	-447.28	15.12	45.93	-376.27	15.12	45.93	-376.27	15.12	45.93	-305.27	
				TQ	10.21	46.55	-305.52	10.21	46.55	-257.60	10.21	46.55	-257.60	10.21	46.55	-209.68		
				M3	-4.46	-1.74	129.02	-4.46	-1.74	108.10	-4.46	-1.74	108.10	-4.46	-1.74	87.18		
	MIN			S2	-4.46	-1.74	129.02	-4.46	-1.74	108.10	-4.46	-1.74	108.10	-4.46	-1.74	87.18		
				TQ	0.38	-3.60	-9.99	0.38	-3.60	-8.23	0.38	-3.60	-8.23	0.38	-3.60	-6.47		
				M3	15.12	45.93	-447.28	15.12	45.93	-376.27	15.12	45.93	-376.27	15.12	45.93	-305.27		

BAGO RIVER BRIDGE

BLOCK [ No.1 : MAIN GIRDER ][ BEAM MEMBER FORCE ]

MEMBER				3049			3050			3051							
NODE				3049			3050			3051							
				SHEAR	TORQUE	MOMENT	SHEAR	TORQUE	MOMENT	SHEAR	TORQUE	MOMENT					
NAME	TITLE			S2 (kN)	TQ (kN·m)	M3 (kN·m)	S2 (kN)	TQ (kN·m)	M3 (kN·m)	S2 (kN)	TQ (kN·m)	M3 (kN·m)					
72	4-LANES	DISPERSION-LMAX	S2	15.65	37.05	-460.31	15.65	37.05	-386.84	15.65	37.05	-386.84	15.65	37.05	-313.37		
			TQ	10.17	40.28	-303.13	10.17	40.28	-255.35	10.17	40.28	-255.35	10.17	40.28	-207.58		
			M3	-7.98	-2.85	230.91	-7.98	-2.87	193.45	-7.98	-2.87	193.45	-7.98	-2.90	156.00		
		MIN	S2	-7.98	-2.82	230.91	-7.98	-2.82	193.45	-7.98	-2.82	193.45	-7.98	-2.82	155.99		
			TQ	-2.69	-6.00	78.97	-2.69	-6.00	66.36	-2.69	-6.00	66.36	-2.69	-6.00	53.74		
			M3	15.65	37.60	-460.38	15.65	37.60	-386.92	15.65	37.60	-386.92	15.65	37.60	-313.47		
		73	6-LANES	TRUCK-LOAD MAX	S2	345.14	-140.69	5924.82	236.32	-147.67	5856.06	236.32	-147.67	5856.06	181.71	-168.66	5447.07
					TQ	-123.66	854.36	3457.26	-123.66	854.36	2876.61	-123.66	854.36	2876.61	-123.66	854.36	2296.01
					M3	-52.35	145.47	10404.56	-132.19	125.79	9459.66	-132.19	125.79	9459.66	-128.85	202.52	8315.88
MIN	S2			-404.50	180.84	10295.77	-456.37	167.02	9182.40	-456.37	167.02	9182.40	-565.42	156.11	7556.24		
	TQ			-156.30	-764.69	4389.82	-156.30	-764.69	3655.94	-156.30	-764.69	3655.94	-156.30	-764.69	2922.14		
	M3			33.44	-12.80	-962.15	33.44	-12.80	-805.13	33.44	-12.80	-805.13	33.44	-12.80	-648.13		
TANDEM-LOAD MAX	S2			274.66	-89.91	4474.07	199.87	-95.78	4516.75	199.87	-95.78	4516.75	157.76	-161.19	4289.77		
	TQ			-85.68	582.49	2379.17	-85.68	582.49	1976.86	-85.68	582.49	1976.86	-85.68	582.49	1574.59		
	M3			-55.86	114.38	7326.26	-121.75	83.67	6724.96	-121.75	83.67	6724.96	-116.28	116.72	5881.94		
MIN	S2			-306.77	165.03	7263.03	-347.96	107.98	6552.22	-347.96	107.98	6552.22	-429.93	100.12	5375.90		
	TQ			-102.55	-521.01	2885.12	-102.55	-521.01	2403.60	-102.55	-521.01	2403.60	-102.55	-521.01	1922.13		
	M3			22.77	-8.48	-655.30	22.77	-8.48	-548.36	22.77	-8.48	-548.36	22.77	-8.48	-441.44		
DISPERSION-LMAX	S2			123.40	-65.21	1131.57	93.04	-57.13	1147.54	93.04	-57.13	1147.54	82.38	-52.61	1111.36		
	TQ			-117.80	1186.66	4915.11	-122.77	1186.66	4350.11	-122.77	1186.66	4350.11	-127.56	1186.66	3762.27		
	M3			-243.97	181.95	11932.80	-289.71	184.74	10686.57	-289.71	184.74	10686.57	-332.42	179.19	9215.28		
MIN	S2	-327.17	238.22	9801.01	-346.46	231.15	8713.37	-346.46	231.15	8713.37	-385.21	226.30	7439.71				
	TQ	-88.61	-982.97	5909.65	-127.33	-982.97	5402.07	-127.33	-982.97	5402.07	-165.51	-982.97	4714.02				
	M3	37.60	-11.28	-1082.56	37.60	-11.28	-906.01	37.60	-11.28	-906.01	37.60	-11.28	-729.47				

BAGO RIVER BRIDGE

BLOCK [ No.1 : MAIN GIRDER ][ BEAM MEMBER FORCE ]

MEMBER			3049			3050			3051						
NODE			3049			3050			3050			3051			
NAME TITLE			SHEAR	TORQUE	MOMENT	SHEAR	TORQUE	MOMENT	SHEAR	TORQUE	MOMENT	SHEAR	TORQUE	MOMENT	
			S2 (kN)	TQ (kN·m)	M3 (kN·m)	S2 (kN)	TQ (kN·m)	M3 (kN·m)	S2 (kN)	TQ (kN·m)	M3 (kN·m)	S2 (kN)	TQ (kN·m)	M3 (kN·m)	
124	SUM TOTAL	D+1LANE (caseMAX	S2	-731.60	667.18	43434.99	-957.32	667.18	39473.60	-957.32	667.18	39473.60	-1189.29	667.18	34438.19
			TQ	-861.75	1981.74	47321.32	-1087.47	1981.74	42748.80	-1087.47	1981.74	42748.80	-1319.45	1981.74	37102.33
			M3	-857.92	1952.30	47417.76	-1080.86	1936.05	42872.88	-1080.86	1936.05	42872.88	-1304.73	1879.61	37286.51
		MIN	S2	-862.36	1976.01	47355.85	-1088.08	1976.01	42780.49	-1088.08	1976.01	42780.49	-1320.06	1976.01	37131.17
			TQ	-732.04	662.51	43422.46	-957.76	662.51	39458.99	-957.76	662.50	39458.99	-1189.74	662.50	34421.51
			M3	-731.64	664.66	43410.54	-957.37	664.66	39448.92	-957.37	664.66	39448.92	-1189.34	664.66	34413.30
		D+1LANE (caseMAX	S2	-717.20	778.04	45237.88	-944.07	772.89	41248.86	-944.07	772.89	41248.86	-1177.26	768.56	36155.17
			TQ	-868.49	1204.84	47950.21	-1100.23	1204.84	43331.72	-1100.23	1204.84	43331.72	-1338.03	1204.84	37611.48
			M3	-848.33	1193.71	48189.10	-1073.47	1153.30	43631.06	-1073.47	1153.30	43631.06	-1296.31	1092.95	38007.41
		MIN	S2	-877.46	1180.60	47666.42	-1108.04	1185.74	43101.07	-1108.04	1185.74	43101.07	-1344.63	1190.08	37464.61
			TQ	-730.45	720.26	43508.39	-956.17	720.26	39552.39	-956.17	720.26	39552.39	-1188.14	720.26	34522.38
			M3	-731.77	721.38	43400.80	-957.49	721.38	39438.60	-957.49	721.38	39438.60	-1189.46	721.38	34402.39
		D+1LANE (caseMAX	S2	-477.45	655.82	46593.43	-822.79	663.95	42438.88	-822.79	663.95	42438.88	-1139.15	684.18	36660.16
			TQ	-741.02	770.50	43656.22	-966.74	770.50	39650.59	-966.74	770.50	39650.59	-1198.71	770.50	34570.95
			M3	-654.99	535.12	48835.74	-1000.93	539.44	44659.10	-1000.93	539.44	44659.10	-1389.52	537.39	38717.75
		MIN	S2	-902.57	565.43	48017.38	-1213.99	563.16	43986.77	-1213.99	563.16	43986.77	-1563.08	552.87	38238.86
			TQ	-813.99	500.11	48081.36	-1084.92	500.11	43627.19	-1084.92	500.11	43627.19	-1362.29	500.11	37886.35
			M3	-731.85	764.36	43393.06	-957.57	764.36	39430.48	-957.57	764.36	39430.48	-1189.55	764.36	34393.89
		D+1LANE (caseMAX	S2	-667.34	817.48	45252.66	-891.75	805.98	41666.62	-891.75	805.98	41666.62	-1066.55	730.75	37501.81
			TQ	-720.13	856.76	43640.37	-945.85	856.76	39732.84	-945.85	856.76	39732.84	-1177.82	856.76	34751.29
			M3	-906.61	-305.66	49501.28	-1103.37	-298.34	44767.14	-1103.37	-298.34	44767.14	-1176.53	-46.41	39406.62
		MIN	S2	-972.21	-321.36	48982.18	-1141.95	-339.90	43944.64	-1141.95	-339.90	43944.64	-1371.02	-328.26	37930.38
			TQ	-921.11	-366.42	49025.88	-1133.37	-366.42	44205.96	-1133.37	-366.42	44205.96	-1351.89	-366.42	38375.30
			M3	-731.95	849.33	43375.97	-957.67	849.33	39412.92	-957.67	849.33	39412.92	-1189.65	849.33	34375.86

BAGO RIVER BRIDGE

BLOCK [ No.1 : MAIN GIRDER ][ BEAM MEMBER FORCE ]

MEMBER			3049			3050			3050			3051			
NODE			3049			3050			3050			3051			
NAME TITLE			SHEAR	TORQUE	MOMENT	SHEAR	TORQUE	MOMENT	SHEAR	TORQUE	MOMENT	SHEAR	TORQUE	MOMENT	
			S2 (kN)	TQ (kN·m)	M3 (kN·m)	S2 (kN)	TQ (kN·m)	M3 (kN·m)	S2 (kN)	TQ (kN·m)	M3 (kN·m)	S2 (kN)	TQ (kN·m)	M3 (kN·m)	
124	SUM TOTAL	D+2LANES (casMAX	S2	-721.08	632.26	43310.45	-946.80	632.26	39398.45	-946.80	632.26	39398.45	-1178.77	632.26	34412.44
			TQ	-940.80	2467.52	49928.53	-1166.53	2467.52	44984.84	-1166.53	2467.52	44984.84	-1398.50	2467.52	38967.24
			M3	-936.65	2409.26	50135.92	-1157.86	2384.32	45224.09	-1157.86	2384.32	45224.09	-1371.03	2286.62	39301.66
		MIN	S2	-943.76	2446.80	49894.95	-1169.48	2446.80	44937.38	-1169.48	2446.80	44937.38	-1401.46	2446.80	38905.88
			TQ	-722.54	619.18	43158.60	-948.27	619.18	39239.71	-948.27	619.18	39239.71	-1180.24	619.18	34246.81
			M3	-721.88	622.04	43138.89	-947.61	622.04	39223.10	-947.61	622.04	39223.10	-1179.58	622.04	34233.30
		D+2LANES (casMAX	S2	-709.07	724.64	44812.86	-935.76	720.35	40877.84	-935.76	720.35	40877.84	-1168.74	716.74	35843.26
			TQ	-946.42	1820.11	50452.61	-1177.15	1820.11	45470.61	-1177.15	1820.11	45470.61	-1413.99	1820.11	39391.53
			M3	-928.66	1777.11	50778.70	-1151.70	1732.02	45855.91	-1151.70	1732.02	45855.91	-1364.02	1631.07	39902.41
		MIN	S2	-956.34	1783.96	50153.76	-1186.12	1788.24	45204.52	-1186.12	1788.24	45204.52	-1421.94	1791.85	39183.75
			TQ	-721.22	667.31	43230.21	-946.94	667.31	39317.55	-946.94	667.30	39317.55	-1178.91	667.30	34330.88
			M3	-721.99	669.31	43130.77	-947.71	669.31	39214.50	-947.71	669.31	39214.50	-1179.68	669.31	34224.20
		D+2LANES (casMAX	S2	-411.84	483.73	48611.43	-763.92	574.00	44229.15	-763.92	574.00	44229.15	-1090.19	657.21	38162.09
			TQ	-730.56	796.16	43433.77	-956.28	796.16	39477.25	-956.28	796.16	39477.25	-1188.26	796.16	34446.72
			M3	-685.10	41.81	52463.21	-1046.69	100.07	48002.92	-1046.69	100.07	48002.92	-1459.87	145.86	41699.80
		MIN	S2	-1009.01	93.90	51054.73	-1331.66	122.79	46854.63	-1331.66	122.79	46854.63	-1691.25	166.54	40880.65
			TQ	-890.27	-27.02	51346.44	-1173.80	-27.02	46504.50	-1173.80	-27.02	46504.50	-1463.73	-27.02	40316.88
			M3	-722.21	788.37	43109.10	-947.93	788.37	39191.80	-947.93	788.37	39191.80	-1179.90	788.37	34200.48
		D+2LANES (casMAX	S2	-570.02	630.43	47491.94	-821.37	704.29	43583.34	-821.37	704.29	43583.34	-1029.71	707.94	38861.00
			TQ	-711.05	889.82	43354.80	-936.77	889.82	39489.89	-936.77	889.82	39489.89	-1168.74	889.82	34550.95
			M3	-894.68	-661.27	53017.23	-1132.00	-600.54	48092.67	-1132.00	-600.54	48092.67	-1282.38	-343.13	42273.62
		MIN	S2	-1067.01	-647.52	51858.04	-1271.63	-632.20	46819.24	-1271.63	-632.20	46819.24	-1529.75	-575.97	40604.72
			TQ	-980.83	-751.25	52171.73	-1215.48	-751.25	47018.91	-1215.48	-751.25	47018.91	-1456.38	-751.25	40750.28
			M3	-722.32	882.52	43090.09	-948.04	882.52	39172.28	-948.04	882.52	39172.28	-1180.01	882.52	34180.45

BAGO RIVER BRIDGE

BLOCK [ No.1 : MAIN GIRDER ][ BEAM MEMBER FORCE ]

MEMBER		3049			3050			3050			3051					
NODE		3049			3050			3050			3051					
		SHEAR	TORQUE	MOMENT	SHEAR	TORQUE	MOMENT	SHEAR	TORQUE	MOMENT	SHEAR	TORQUE	MOMENT			
NAME TITLE		S2 (kN)	TQ (kN·m)	M3 (kN·m)	S2 (kN)	TQ (kN·m)	M3 (kN·m)	S2 (kN)	TQ (kN·m)	M3 (kN·m)	S2 (kN)	TQ (kN·m)	M3 (kN·m)			
124	SUM TOTAL	D+3LANES (casMAX	S2	-704.21	661.97	44395.70	-930.75	658.33	40495.43	-930.75	658.32	40495.43	-1163.58	655.26	35499.43	
			TQ	-998.14	2524.27	51942.31	-1228.13	2524.27	46719.23	-1228.13	2524.27	46719.23	-1464.23	2524.27	40402.56	
			M3	-980.33	2466.86	52287.80	-1201.81	2417.03	47134.62	-1201.81	2417.03	47134.62	-1411.33	2291.24	40967.27	
		MIN	S2	-1007.01	2489.48	51712.75	-1236.18	2493.12	46515.50	-1236.18	2493.12	46515.50	-1471.42	2496.19	40246.38	
			TQ	-714.84	609.92	43041.57	-940.57	609.92	39158.84	-940.57	609.92	39158.84	-1172.54	609.92	34202.09	
			M3	-715.22	613.15	42948.61	-940.94	613.15	39064.12	-940.94	613.15	39064.12	-1172.91	613.15	34105.60	
		D+3LANES (casMAX	S2	-406.09	553.54	48912.65	-738.25	621.88	44899.38	-738.25	621.88	44899.38	-1009.74	639.41	39642.83	
			TQ	-714.54	838.22	43378.61	-940.26	838.22	39497.32	-940.26	838.22	39497.32	-1172.23	838.22	34542.00	
			M3	-807.80	-605.65	55196.16	-1128.49	-550.96	50301.68	-1128.49	-550.96	50301.68	-1401.92	-333.53	43996.85	
		MIN	S2	-1129.62	-572.51	53631.85	-1398.06	-560.84	48742.32	-1398.06	-560.84	48742.32	-1736.49	-515.51	42254.60	
			TQ	-992.42	-707.20	53909.00	-1257.74	-707.20	48629.61	-1257.74	-707.20	48629.61	-1529.44	-707.20	42090.14	
			M3	-715.60	825.33	42909.73	-941.32	825.33	39023.45	-941.32	825.33	39023.45	-1173.30	825.33	34063.15	
		D+3LANES (casMAX	S2	-406.00	584.08	48908.24	-738.24	652.60	44893.54	-738.24	652.60	44893.54	-1009.91	670.01	39636.32	
			TQ	-706.41	891.32	43131.88	-932.13	891.32	39288.74	-932.13	891.32	39288.74	-1164.11	891.32	34371.58	
			M3	-807.66	-611.67	55194.40	-1128.41	-557.00	50300.74	-1128.41	-557.00	50300.74	-1401.97	-339.67	43996.35	
		MIN	S2	-1129.52	-578.51	53629.44	-1398.02	-567.12	48742.09	-1398.02	-567.12	48742.09	-1741.23	-526.77	42264.11	
			TQ	-997.91	-710.41	54067.42	-1263.25	-710.41	48762.53	-1263.25	-710.41	48762.53	-1534.97	-710.41	42197.48	
			M3	-715.67	884.89	42897.71	-941.39	884.89	39011.11	-941.39	884.89	39011.11	-1173.36	884.89	34050.49	
		D+4LANES	MAX	S2	-721.80	829.91	43087.52	-947.52	829.91	39172.14	-947.52	829.91	39172.14	-1179.49	829.91	34182.74
			TQ	-730.03	832.75	43324.55	-955.76	832.75	39370.50	-955.76	832.75	39370.50	-1187.73	832.75	34342.43	
			M3	-755.81	760.55	44085.44	-981.53	760.54	40010.36	-981.53	760.54	40010.36	-1213.51	760.51	34861.28	
		MIN	S2	-755.81	760.58	44085.44	-981.53	760.58	40010.36	-981.53	760.58	40010.36	-1213.51	760.58	34861.28	
			TQ	-748.08	756.68	43863.33	-973.80	756.68	39824.54	-973.80	756.68	39824.54	-1205.78	756.68	34711.74	
			M3	-721.80	830.27	43087.47	-947.52	830.27	39172.08	-947.52	830.27	39172.08	-1179.49	830.27	34182.68	



BAGO RIVER BRIDGE

BLOCK [ No.1 : MAIN GIRDER ] [ BEAM MEMBER FORCE ]

MEMBER				3049			3050			3051						
NODE				3049			3050			3051						
				SHEAR	TORQUE	MOMENT	SHEAR	TORQUE	MOMENT	SHEAR	TORQUE	MOMENT				
NAME	TITLE			S2 (kN)	TQ (kN·m)	M3 (kN·m)	S2 (kN)	TQ (kN·m)	M3 (kN·m)	S2 (kN)	TQ (kN·m)	M3 (kN·m)				
124	SUM TOTAL	D+6LANES	MAX	S2	-441.81	630.15	48398.61	-758.00	630.86	44333.58	-758.00	630.86	44333.58	-1032.40	620.16	38939.50
				TQ	-903.32	2090.64	49254.00	-1132.27	2090.64	44478.61	-1132.27	2090.64	44478.61	-1367.35	2090.64	38614.41
				M3	-938.97	976.81	58331.24	-1246.32	965.83	52876.29	-1246.32	965.83	52876.29	-1503.88	1012.10	46071.78
			MIN	S2	-1221.94	1036.37	56874.87	-1493.92	1022.80	51413.50	-1493.92	1022.80	51413.50	-1821.97	1012.55	44423.89
				TQ	-905.55	-371.99	50506.62	-1156.44	-371.99	45668.95	-1156.44	-371.99	45668.95	-1413.24	-371.99	39640.03
				M3	-700.18	748.34	42482.90	-925.91	748.34	38669.00	-925.91	748.34	38669.00	-1157.88	748.34	33781.08
	SUM TOTAL		MAX		-406.00	2524.27	58331.24	-738.24	2524.27	52876.29	-738.24	2524.27	52876.29	-1009.74	2524.27	46071.78
			MIN		-1221.94	-751.25	42482.90	-1493.92	-751.25	38669.00	-1493.92	-751.25	38669.00	-1821.97	-751.25	33781.08
300	DEAD LOAD	TOTAL			-746.36	763.99	43811.96	-972.08	763.99	39781.24	-972.08	763.99	39781.24	-1204.06	763.99	34676.52
301	LIVE LOAD	1-LANE(case1MAX	S2		14.76	-96.81	-376.97	14.76	-96.81	-307.65	14.76	-96.81	-307.65	14.76	-96.81	-238.33
			TQ		-115.39	1217.75	3509.36	-115.39	1217.75	2967.56	-115.39	1217.75	2967.56	-115.39	1217.75	2425.81
			M3		-111.55	1188.31	3605.80	-108.78	1172.07	3091.63	-108.78	1172.07	3091.63	-100.67	1115.63	2609.99
			MIN	S2	-116.00	1212.02	3543.89	-116.00	1212.02	2999.24	-116.00	1212.02	2999.24	-116.00	1212.02	2454.65
				TQ	14.32	-101.48	-389.51	14.32	-101.48	-322.26	14.32	-101.48	-322.26	14.32	-101.48	-255.01
				M3	14.72	-99.33	-401.43	14.72	-99.33	-332.32	14.72	-99.33	-332.32	14.72	-99.33	-263.22
		1-LANE(case2MAX	S2		29.17	14.05	1425.92	28.01	8.91	1467.62	28.01	8.91	1467.62	26.80	4.57	1478.65
			TQ		-122.12	440.86	4138.25	-128.14	440.86	3550.48	-128.14	440.86	3550.48	-133.97	440.86	2934.96
			M3		-101.97	429.72	4377.14	-101.39	389.32	3849.82	-101.39	389.32	3849.82	-92.25	328.97	3330.89
			MIN	S2	-131.09	416.61	3854.46	-135.96	421.76	3319.82	-135.96	421.76	3319.82	-140.58	426.09	2788.09
				TQ	15.91	-43.73	-303.57	15.91	-43.73	-228.85	15.91	-43.73	-228.85	15.91	-43.73	-154.14
				M3	14.59	-42.60	-411.17	14.59	-42.60	-342.64	14.59	-42.60	-342.64	14.59	-42.60	-274.13
		1-LANE(case3MAX	S2		268.91	-108.17	2781.47	149.29	-100.03	2657.64	149.29	-100.03	2657.64	64.90	-79.81	1983.64
			TQ		5.34	6.52	-155.74	5.34	6.52	-130.65	5.34	6.52	-130.65	5.34	6.52	-105.57
			M3		91.38	-228.87	5023.78	-28.84	-224.54	4877.86	-28.84	-224.54	4877.86	-185.46	-226.59	4041.23
			MIN	S2	-156.21	-198.55	4205.42	-241.90	-200.83	4205.53	-241.90	-200.83	4205.53	-359.02	-211.11	3562.34
				TQ	-67.63	-263.88	4269.40	-112.84	-263.88	3845.95	-112.84	-263.88	3845.95	-158.23	-263.88	3209.83
				M3	14.51	0.37	-418.90	14.51	0.37	-350.76	14.51	0.37	-350.76	14.51	0.37	-282.63

BAGO RIVER BRIDGE

BLOCK [ No.1 : MAIN GIRDER ][ BEAM MEMBER FORCE ]

MEMBER			3049			3050			3050			3051				
NODE			3049			3050			3050			3051				
NAME TITLE			SHEAR	TORQUE	MOMENT	SHEAR	TORQUE	MOMENT	SHEAR	TORQUE	MOMENT	SHEAR	TORQUE	MOMENT		
			S2 (kN)	TQ (kN·m)	M3 (kN·m)	S2 (kN)	TQ (kN·m)	M3 (kN·m)	S2 (kN)	TQ (kN·m)	M3 (kN·m)	S2 (kN)	TQ (kN·m)	M3 (kN·m)		
301	LIVE LOAD	1-LANE (case4MAX	S2	79.02	53.50	1440.70	80.34	41.99	1885.37	80.34	41.99	1885.37	137.51	-33.24	2825.29	
			TQ	26.24	92.77	-171.59	26.24	92.77	-48.40	26.24	92.77	-48.40	26.24	92.77	74.77	
			M3	-160.25	-1069.65	5689.32	-131.29	-1062.33	4985.90	-131.29	-1062.33	4985.90	27.53	-810.40	4730.10	
			MIN	S2	-225.85	-1085.34	5170.22	-169.87	-1103.88	4163.40	-169.87	-1103.88	4163.40	-166.96	-1092.24	3253.85
			TQ	-174.75	-1130.40	5213.91	-161.29	-1130.40	4424.72	-161.29	-1130.40	4424.72	-147.84	-1130.40	3698.78	
			M3	14.41	85.34	-435.99	14.41	85.34	-368.33	14.41	85.34	-368.33	14.41	85.34	-300.67	
		2-LANES (caseMAX	S2	25.29	-131.73	-501.52	25.29	-131.73	-382.79	25.29	-131.73	-382.79	25.29	-131.73	-264.08	
			TQ	-194.44	1703.54	6116.57	-194.44	1703.54	5203.60	-194.44	1703.54	5203.60	-194.44	1703.54	4290.72	
			M3	-190.29	1645.28	6323.96	-185.78	1620.33	5442.84	-185.78	1620.33	5442.84	-166.98	1522.64	4625.14	
			MIN	S2	-197.40	1682.81	6082.99	-197.40	1682.81	5156.13	-197.40	1682.81	5156.13	-197.40	1682.81	4229.36
			TQ	23.82	-144.81	-653.36	23.82	-144.81	-541.53	23.82	-144.81	-541.53	23.82	-144.81	-429.71	
			M3	24.48	-141.95	-673.07	24.48	-141.95	-558.14	24.48	-141.95	-558.14	24.48	-141.95	-443.22	
		2-LANES (caseMAX	S2	37.29	-39.35	1000.89	36.32	-43.63	1096.59	36.32	-43.63	1096.59	35.31	-47.25	1166.74	
			TQ	-200.05	1056.12	6640.65	-205.07	1056.12	5689.37	-205.07	1056.12	5689.37	-209.93	1056.12	4715.01	
			M3	-182.30	1013.12	6966.74	-179.62	968.04	6074.67	-179.62	968.04	6074.67	-159.96	867.09	5225.89	
			MIN	S2	-209.98	1019.97	6341.80	-214.03	1024.26	5423.28	-214.03	1024.26	5423.28	-217.88	1027.87	4507.23
			TQ	25.14	-96.68	-581.75	25.14	-96.68	-463.69	25.14	-96.68	-463.69	25.14	-96.68	-345.64	
			M3	24.37	-94.68	-681.19	24.37	-94.68	-566.75	24.37	-94.68	-566.75	24.37	-94.68	-452.32	
		2-LANES (caseMAX	S2	334.52	-280.25	4799.47	208.16	-189.99	4447.91	208.16	-189.99	4447.91	113.87	-106.77	3485.57	
			TQ	15.80	32.17	-378.19	15.80	32.17	-303.99	15.80	32.17	-303.99	15.80	32.17	-229.80	
			M3	61.26	-722.18	8651.25	-74.61	-663.91	8221.68	-74.61	-663.91	8221.68	-255.81	-618.12	7023.28	
			MIN	S2	-262.65	-670.09	7242.77	-359.58	-641.19	7073.38	-359.58	-641.19	7073.38	-487.19	-597.45	6204.13
			TQ	-143.91	-791.01	7534.48	-201.71	-791.01	6723.26	-201.71	-791.01	6723.26	-259.67	-791.01	5640.36	
			M3	24.15	24.39	-702.86	24.15	24.39	-589.44	24.15	24.39	-589.44	24.15	24.39	-476.04	

BAGO RIVER BRIDGE

BLOCK [ No.1 : MAIN GIRDER ][ BEAM MEMBER FORCE ]

MEMBER				3049			3050			3051					
NODE				3049			3050			3051					
				SHEAR	TORQUE	MOMENT	SHEAR	TORQUE	MOMENT	SHEAR	TORQUE	MOMENT			
NAME	TITLE			S2 (kN)	TQ (kN·m)	M3 (kN·m)	S2 (kN)	TQ (kN·m)	M3 (kN·m)	S2 (kN)	TQ (kN·m)	M3 (kN·m)			
301	LIVE LOAD	2-LANES (caseMAX	S2	176.34	-133.56	3679.98	150.71	-59.69	3802.10	150.71	-59.69	3802.10	174.35	-56.05	4184.48
			TQ	35.31	125.84	-457.16	35.31	125.84	-291.36	35.31	125.84	-291.36	35.31	125.84	-125.57
			M3	-148.31	-1425.26	9205.26	-159.92	-1364.53	8311.43	-159.92	-1364.53	8311.43	-78.32	-1107.12	7597.10
		MIN	S2	-320.65	-1411.50	8046.08	-299.55	-1396.19	7037.99	-299.55	-1396.19	7037.99	-325.70	-1339.96	5928.19
			TQ	-234.46	-1515.24	8359.77	-243.40	-1515.24	7237.67	-243.40	-1515.24	7237.67	-252.33	-1515.24	6073.76
			M3	24.05	118.53	-721.87	24.05	118.53	-608.97	24.05	118.53	-608.97	24.05	118.53	-496.07
		3-LANES (caseMAX	S2	42.15	-102.02	583.74	41.33	-105.66	714.19	41.33	-105.66	714.19	40.47	-108.73	822.91
			TQ	-251.78	1760.28	8130.35	-256.04	1760.28	6937.98	-256.04	1760.28	6937.98	-260.17	1760.28	5726.04
			M3	-233.97	1702.87	8475.84	-229.73	1653.05	7353.37	-229.73	1653.05	7353.37	-207.27	1527.26	6290.75
		MIN	S2	-260.65	1725.49	7900.79	-264.09	1729.14	6734.25	-264.09	1729.14	6734.25	-267.36	1732.20	5569.86
			TQ	31.52	-154.06	-770.39	31.52	-154.06	-622.40	31.52	-154.06	-622.40	31.52	-154.06	-474.43
			M3	31.14	-150.83	-863.36	31.14	-150.83	-717.13	31.14	-150.83	-717.13	31.14	-150.83	-570.92
		3-LANES (caseMAX	S2	340.28	-210.45	5100.69	233.84	-142.11	5118.13	233.84	-142.11	5118.13	194.32	-124.57	4966.31
			TQ	31.82	74.23	-433.35	31.82	74.23	-283.93	31.82	74.23	-283.93	31.82	74.23	-134.52
			M3	-61.44	-1369.64	11384.20	-156.40	-1314.94	10520.43	-156.40	-1314.94	10520.43	-197.87	-1097.51	9320.33
		MIN	S2	-383.25	-1336.49	9819.89	-425.97	-1324.83	8961.08	-425.97	-1324.83	8961.08	-532.43	-1279.50	7578.08
			TQ	-246.06	-1471.18	10097.04	-285.66	-1471.18	8848.37	-285.66	-1471.18	8848.37	-325.38	-1471.18	7413.62
			M3	30.76	61.34	-902.23	30.76	61.34	-757.79	30.76	61.34	-757.79	30.76	61.34	-613.37
		3-LANES (caseMAX	S2	340.36	-179.91	5096.28	233.84	-111.38	5112.30	233.84	-111.38	5112.30	194.15	-93.97	4959.80
			TQ	39.95	127.33	-680.08	39.95	127.33	-492.50	39.95	127.33	-492.50	39.95	127.33	-304.94
			M3	-61.30	-1375.66	11382.44	-156.32	-1320.99	10519.49	-156.32	-1320.99	10519.49	-197.92	-1103.66	9319.83
		MIN	S2	-383.16	-1342.50	9817.47	-425.94	-1331.10	8960.85	-425.94	-1331.10	8960.85	-537.17	-1290.76	7587.59
			TQ	-251.55	-1474.40	10255.46	-291.17	-1474.40	8981.29	-291.17	-1474.40	8981.29	-330.91	-1474.40	7520.96
			M3	30.69	120.90	-914.25	30.69	120.90	-770.14	30.69	120.90	-770.14	30.69	120.90	-626.04

BAGO RIVER BRIDGE

BLOCK [ No.1 : MAIN GIRDER ][ BEAM MEMBER FORCE ]

MEMBER					3049			3050			3051					
NODE					3049			3050			3051					
NAME TITLE					SHEAR	TORQUE	MOMENT	SHEAR	TORQUE	MOMENT	SHEAR	TORQUE	MOMENT			
					S2 (kN)	TQ (kN·m)	M3 (kN·m)	S2 (kN)	TQ (kN·m)	M3 (kN·m)	S2 (kN)	TQ (kN·m)	M3 (kN·m)			
301	LIVE LOAD	4-LANES	MAX	S2	24.56	65.93	-724.44	24.56	65.93	-609.10	24.56	65.93	-609.10	24.56	65.93	-493.78
				TQ	16.33	68.77	-487.41	16.33	68.77	-410.75	16.33	68.77	-410.75	16.33	68.77	-334.09
				M3	-9.45	-3.44	273.48	-9.45	-3.45	229.12	-9.45	-3.45	229.12	-9.45	-3.48	184.76
		MIN	S2	-9.45	-3.41	273.48	-9.45	-3.41	229.11	-9.45	-3.41	229.11	-9.45	-3.41	184.76	
			TQ	-1.72	-7.31	51.37	-1.72	-7.31	43.30	-1.72	-7.31	43.30	-1.72	-7.31	35.22	
			M3	24.56	66.28	-724.49	24.56	66.28	-609.16	24.56	66.28	-609.16	24.56	66.28	-493.84	
	6-LANES	MAX	S2	304.55	-133.83	4586.65	214.08	-133.13	4552.34	214.08	-133.13	4552.34	171.66	-143.82	4262.98	
			TQ	-156.95	1326.66	5442.03	-160.19	1326.66	4697.36	-160.19	1326.66	4697.36	-163.29	1326.66	3937.89	
			M3	-192.60	212.83	14519.28	-274.24	201.85	13095.05	-274.24	201.85	13095.05	-299.82	248.11	11395.25	
		MIN	S2	-475.58	272.39	13062.90	-521.84	258.81	11632.25	-521.84	258.81	11632.25	-617.91	248.57	9747.37	
			TQ	-159.19	-1135.98	6694.66	-184.36	-1135.98	5887.71	-184.36	-1135.98	5887.71	-209.18	-1135.98	4963.50	
			M3	46.18	-15.65	-1329.06	46.18	-15.65	-1112.24	46.18	-15.65	-1112.24	46.18	-15.65	-895.44	
LIVE LOAD	MAX	S2	340.36	1760.28	14519.28	233.84	1760.28	13095.05	233.84	1760.28	13095.05	194.32	1760.28	11395.25		
		MIN	-475.58	-1515.24	-1329.06	-521.84	-1515.24	-1112.24	-521.84	-1515.24	-1112.24	-617.91	-1515.24	-895.44		
303	SUM TOTAL	TOTAL	MAX	-406.00	2524.27	58331.24	-738.24	2524.27	52876.29	-738.24	2524.27	52876.29	-1009.74	2524.27	46071.78	
			MIN	-1221.94	-751.25	42482.90	-1493.92	-751.25	38669.00	-1493.92	-751.25	38669.00	-1821.97	-751.25	33781.08	

BAGO RIVER BRIDGE

BLOCK [ No.1 : MAIN GIRDER ] [ BEAM MEMBER FORCE ]

MEMBER NODE	3051	3052			3053			3054			3055				
		SHEAR	TORQUE	MOMENT	SHEAR	TORQUE	MOMENT	SHEAR	TORQUE	MOMENT	SHEAR	TORQUE	MOMENT		
		S2 (kN)	TQ (kN·m)	M3 (kN·m)	S2 (kN)	TQ (kN·m)	M3 (kN·m)	S2 (kN)	TQ (kN·m)	M3 (kN·m)	S2 (kN)	TQ (kN·m)	M3 (kN·m)		
1	PAVEMENT	-231.28	86.90	5366.79	-261.24	86.90	4210.75	-261.24	68.25	4211.10	-291.27	68.25	2910.04		
3	RAILING	-9.76	1.33	164.88	-8.18	1.33	122.76	-8.18	0.79	122.77	-6.57	0.79	88.03		
5	CURB	-96.66	13.16	1632.35	-81.00	13.16	1215.33	-81.00	7.78	1215.38	-65.02	7.78	871.53		
7	DECK WEIGHT	-377.90	140.21	8996.73	-434.25	140.21	7091.26	-434.25	108.81	7091.81	-491.93	108.81	4911.50		
8	GIRDER WEIGH	-518.53	190.53	12465.14	-606.29	190.53	9824.93	-606.29	147.02	9825.68	-694.34	147.02	6762.88		
10	MEDIAN STRIP	-86.66	49.93	3357.59	-149.98	49.93	2804.77	-149.98	37.51	2804.96	-217.62	37.51	1941.51		
21	ADITIONAL WE	-105.81	39.26	2519.08	-121.59	39.26	1985.55	-121.59	30.47	1985.71	-137.74	30.47	1375.22		
31	MEDIAN RAILI	-5.54	2.84	162.70	-7.84	2.84	131.25	-7.84	2.26	131.26	-10.15	2.26	88.85		
51	SUPPORT WEIG	-0.00	-0.00	-0.00	-0.00	-0.00	-0.00	-0.00	-0.00	-0.00	-0.00	-0.00	-0.00		
52	NOSE WEIGHT	-0.00	0.00	0.00	-0.00	0.00	0.00	-0.00	0.00	0.00	-0.00	0.00	0.00		
61	1-LANE(case1TRUCK-LOAD	MAX	S2	5.69	-35.55	-100.67	5.69	-35.55	-73.94	5.69	-35.22	-74.10	5.69	-35.22	-47.29
			TQ	-48.34	470.56	873.73	-48.34	470.56	646.80	-48.34	467.69	648.88	-48.34	467.69	421.21
			M3	-47.65	459.79	896.53	-47.65	459.79	672.85	-47.65	456.81	674.88	-42.16	424.61	468.40
		MIN	S2	-48.54	466.47	894.61	-48.54	466.47	666.76	-48.54	463.51	668.82	-48.54	463.51	440.23
			TQ	5.31	-37.30	-93.83	5.31	-37.30	-68.89	5.31	-37.00	-69.05	5.31	-37.00	-44.02
			M3	5.69	-35.55	-100.67	5.69	-35.31	-73.94	5.69	-34.98	-74.10	5.69	-34.98	-47.29
		TANDEM-LOAD MAX	S2	3.87	-24.44	-68.50	3.87	-24.44	-50.31	3.87	-24.21	-50.42	3.87	-24.21	-32.17
			TQ	-33.32	320.26	601.35	-33.32	320.26	444.94	-33.32	318.29	446.35	-33.32	318.29	289.43
			M3	-32.44	310.78	612.89	-32.44	310.78	460.62	-32.44	308.73	461.99	-27.53	283.68	321.94
		MIN	S2	-33.37	319.12	607.18	-33.37	319.12	450.51	-33.37	317.12	451.92	-33.37	317.12	294.74
			TQ	3.68	-25.44	-64.99	3.68	-25.44	-47.72	3.68	-25.23	-47.83	3.68	-25.23	-30.50
			M3	3.87	-24.44	-68.50	3.87	-24.44	-50.31	3.87	-24.21	-50.42	3.87	-24.21	-32.17
		DISPERSION-LMAX	S2	6.72	-42.37	-118.74	6.72	-42.37	-87.21	6.72	-41.98	-87.40	6.72	-41.98	-55.77
			TQ	-68.58	713.31	1269.80	-68.58	713.31	947.88	-68.58	709.11	951.02	-68.58	709.11	628.06
			M3	-68.58	713.31	1269.80	-68.58	713.31	947.88	-68.58	709.11	951.02	-68.58	709.11	628.06
		MIN	S2	-68.58	713.31	1269.80	-68.58	713.31	947.88	-68.58	709.11	951.02	-68.58	709.11	628.06
			TQ	6.72	-42.37	-118.74	6.72	-42.37	-87.21	6.72	-41.98	-87.40	6.72	-41.98	-55.77
			M3	6.72	-42.37	-118.74	6.72	-42.37	-87.21	6.72	-41.98	-87.40	6.72	-41.98	-55.77

BAGO RIVER BRIDGE

BLOCK [ No.1 : MAIN GIRDER ][ BEAM MEMBER FORCE ]

MEMBER				3051			3052			3053					
NODE				3051			3052			3053					
				SHEAR	TORQUE	MOMENT	SHEAR	TORQUE	MOMENT	SHEAR	TORQUE	MOMENT			
NAME	TITLE			S2 (kN)	TQ (kN·m)	M3 (kN·m)	S2 (kN)	TQ (kN·m)	M3 (kN·m)	S2 (kN)	TQ (kN·m)	M3 (kN·m)			
62	1-LANE (case2TRUCK-LOAD	MAX	S2	5.89	-15.01	-104.91	5.89	-15.01	-77.25	5.89	-14.66	-77.31	5.89	-14.66	-49.56
			TQ	-65.14	183.66	1158.44	-65.14	183.66	852.65	-65.14	179.88	853.45	-65.14	179.88	546.67
			M3	-50.03	173.76	1218.18	-61.92	142.87	911.46	-61.92	138.84	912.08	-48.29	87.03	641.81
		MIN	S2	-67.60	175.48	1215.10	-67.60	175.48	897.77	-67.60	171.50	898.54	-67.60	171.50	580.18
			TQ	5.75	-15.40	-102.38	5.75	-15.40	-75.38	5.75	-15.07	-75.44	5.75	-15.07	-48.35
			M3	5.89	-15.01	-104.91	5.89	-15.01	-77.25	5.89	-14.66	-77.31	5.89	-14.66	-49.56
		TANDEM-LOAD MAX	S2	4.01	-10.29	-71.42	4.01	-10.29	-52.59	4.01	-10.06	-52.63	4.01	-10.06	-33.74
			TQ	-45.94	124.94	812.70	-45.94	124.94	597.04	-43.01	122.33	566.58	-43.01	122.33	364.03
			M3	-32.50	111.78	837.66	-44.50	105.28	623.61	-44.50	102.51	624.07	-34.83	66.31	439.04
		MIN	S2	-46.35	123.03	822.89	-46.35	123.03	605.31	-46.35	120.35	605.84	-46.35	120.35	387.55
			TQ	3.89	-10.51	-69.18	3.89	-10.51	-50.93	3.89	-10.28	-50.98	3.89	-10.28	-32.67
			M3	4.01	-10.29	-71.42	4.01	-10.29	-52.59	4.01	-10.06	-52.63	4.01	-10.06	-33.74
		DISPERSION-LMAX	S2	8.08	-9.88	0.28	7.75	-12.61	3.03	7.75	-12.62	2.97	7.51	-14.42	6.48
			TQ	-72.93	246.41	1554.45	-77.65	246.41	1200.84	-77.66	241.09	1200.94	-82.26	241.09	824.22
			M3	-72.93	246.41	1554.76	-77.64	246.41	1201.17	-77.64	241.09	1202.25	-82.25	241.09	825.60
		MIN	S2	-74.07	238.55	1430.95	-78.46	241.28	1107.18	-78.46	236.37	1108.23	-82.81	238.16	760.76
			TQ	6.94	-17.74	-123.23	6.94	-17.74	-90.63	6.96	-17.34	-89.74	6.96	-17.34	-56.98
			M3	6.94	-17.74	-123.54	6.94	-17.74	-90.96	6.94	-17.34	-91.04	6.94	-17.34	-58.36
63	1-LANE (case3TRUCK-LOAD	MAX	S2	157.07	-91.66	1417.97	78.63	-86.39	1257.05	78.63	-91.95	1256.66	21.10	-67.99	705.34
			TQ	4.03	2.37	-72.09	4.03	2.37	-53.19	4.03	2.61	-53.18	4.03	2.61	-34.22
			M3	47.45	-102.41	1593.29	-7.69	-93.45	1461.94	-7.69	-99.92	1461.52	-87.02	-95.32	937.49
		MIN	S2	-93.26	-103.75	1563.10	-145.24	-93.70	1425.92	-145.24	-100.01	1425.49	-224.00	-95.88	911.63
			TQ	-67.35	-128.38	1214.24	-67.35	-128.38	898.06	-67.35	-132.35	897.48	-67.35	-132.35	580.28
			M3	6.05	0.56	-108.25	6.05	0.56	-79.84	6.05	0.91	-79.84	6.05	0.91	-51.34

BAGO RIVER BRIDGE

BLOCK [ No.1 : MAIN GIRDER ][ BEAM MEMBER FORCE ]

MEMBER		3051			3052			3052			3053						
NODE		3051			3052			3052			3053						
		SHEAR	TORQUE	MOMENT	SHEAR	TORQUE	MOMENT	SHEAR	TORQUE	MOMENT	SHEAR	TORQUE	MOMENT				
NAME	TITLE	S2 (kN)	TQ (kN·m)	M3 (kN·m)	S2 (kN)	TQ (kN·m)	M3 (kN·m)	S2 (kN)	TQ (kN·m)	M3 (kN·m)	S2 (kN)	TQ (kN·m)	M3 (kN·m)				
63	1-LANE (case3TANDEM-LOAD	MAX	S2	132.62	-62.65	1162.45	77.77	-61.48	1092.35	77.77	-66.32	1092.07	24.36	-58.92	689.84		
			TQ	2.37	1.67	-42.43	2.37	1.67	-31.31	2.37	1.81	-31.30	2.37	1.81	-20.14		
			M3	33.84	-64.13	1187.87	-17.10	-61.93	1121.83	-17.10	-66.90	1121.55	-74.56	-62.65	723.74		
		MIN	S2	-75.02	-64.13	1187.87	-126.36	-61.93	1121.83	-126.36	-66.90	1121.55	-184.12	-62.65	723.74		
			TQ	-45.01	-88.22	809.62	-45.01	-88.22	598.32	-45.01	-90.87	597.92	-45.01	-90.87	385.94		
			M3	4.12	0.43	-73.72	4.12	0.43	-54.38	4.12	0.67	-54.38	4.12	0.67	-34.97		
			DISPERSION-LMAX	S2	39.26	-32.15	243.49	19.76	-21.20	162.32	19.76	-21.92	162.23	9.93	-10.59	52.36	
				TQ	1.64	3.27	-29.49	1.64	3.27	-21.78	1.91	3.38	-25.33	1.91	3.38	-16.32	
				M3	-47.49	-175.67	1784.27	-85.46	-175.67	1472.37	-85.46	-182.19	1471.58	-123.70	-182.19	979.16	
			MIN	S2	-79.63	-142.60	1413.54	-98.11	-153.55	1216.19	-98.11	-158.93	1215.50	-126.51	-170.27	866.45	
				TQ	-42.02	-178.03	1686.52	-79.99	-178.03	1400.29	-80.26	-184.23	1403.06	-118.50	-184.23	935.13	
		64	1-LANE (case4TRUCK-LOAD	MAX	S2	12.62	-56.66	658.86	12.62	-56.66	718.10	12.62	-59.84	717.84	53.96	-94.35	915.29
	TQ			6.29	33.59	-113.61	6.29	33.59	-84.08	6.29	33.96	-83.93	6.29	33.96	-54.31		
	M3			-100.96	-475.67	1834.54	-99.40	-470.90	1365.80	-99.40	-476.95	1363.70	29.81	-232.25	1091.60		
MIN	S2			-141.81	-448.47	1826.55	-103.18	-495.72	1290.56	-103.18	-501.43	1288.35	-103.18	-501.43	802.38		
	TQ			-102.34	-500.68	1733.13	-102.34	-500.68	1252.69	-102.34	-506.22	1250.46	-102.34	-506.22	768.47		
	M3			6.41	32.26	-115.70	6.41	32.26	-85.61	6.41	32.64	-85.47	6.41	32.64	-55.28		
	TANDEM-LOAD			MAX	S2	15.05	-23.45	373.93	15.05	-23.45	444.57	15.05	-25.42	444.46	56.24	-91.74	708.65
				TQ	4.25	22.93	-76.85	4.25	22.93	-56.88	4.25	23.18	-56.78	4.25	23.18	-36.74	
				M3	-73.72	-333.99	1269.80	-62.23	-301.99	947.99	-62.23	-306.18	946.64	8.45	-178.98	775.53	
	MIN			S2	-116.44	-282.91	1215.75	-74.34	-339.59	904.17	-74.34	-343.59	902.65	-74.34	-343.59	552.52	
				TQ	-66.46	-340.17	1126.65	-66.46	-340.17	814.64	-66.46	-343.78	813.12	-66.46	-343.78	500.10	
				M3	4.37	22.27	-78.88	4.37	22.27	-58.37	4.37	22.52	-58.27	4.37	22.52	-37.69	

BAGO RIVER BRIDGE

BLOCK [ No.1 : MAIN GIRDER ][ BEAM MEMBER FORCE ]

MEMBER		3051			3052			3052			3053						
NODE		3051			3052			3052			3053						
		SHEAR	TORQUE	MOMENT	SHEAR	TORQUE	MOMENT	SHEAR	TORQUE	MOMENT	SHEAR	TORQUE	MOMENT				
NAME	TITLE	S2 (kN)	TQ (kN·m)	M3 (kN·m)	S2 (kN)	TQ (kN·m)	M3 (kN·m)	S2 (kN)	TQ (kN·m)	M3 (kN·m)	S2 (kN)	TQ (kN·m)	M3 (kN·m)				
64	1-LANE (case4DISPERSION-LMAX	S2	10.50	27.53	-18.08	10.74	21.39	50.28	10.74	21.17	50.38	17.21	3.74	195.25			
		TQ	7.46	36.89	-134.73	7.46	36.89	-99.69	7.46	37.33	-99.52	7.46	37.33	-64.37			
		M3	-110.35	-673.32	2102.32	-99.14	-673.32	1610.36	-99.14	-680.45	1607.36	-87.78	-680.45	1167.04			
		MIN	S2	-113.39	-663.96	1985.67	-102.42	-657.82	1460.39	-102.42	-664.28	1457.46	-97.52	-646.85	907.42		
		TQ	-110.35	-673.32	2102.32	-99.14	-673.32	1610.36	-99.14	-680.45	1607.36	-87.78	-680.45	1167.04			
		M3	7.46	36.89	-134.73	7.46	36.89	-99.69	7.46	37.33	-99.52	7.46	37.33	-64.37			
		65	2-LANES (caseTRUCK-LOAD	MAX	S2	11.49	-60.85	-203.44	11.49	-60.85	-149.52	11.49	-60.19	-149.79	11.49	-60.19	-95.70
				TQ	-102.40	795.83	1853.82	-102.40	795.83	1373.11	-102.40	789.74	1376.62	-102.40	789.74	894.35	
				M3	-102.67	769.20	1924.81	-100.50	750.58	1444.66	-100.50	744.18	1447.97	-92.16	696.23	996.05	
MIN	S2			-104.04	782.19	1920.49	-104.04	782.19	1432.10	-104.04	775.84	1435.55	-104.04	775.84	945.57		
TQ	10.74			-63.65	-189.93	10.74	-63.65	-139.53	10.74	-63.03	-139.82	10.74	-63.03	-89.26			
M3	11.49			-60.85	-203.44	11.48	-60.61	-149.53	11.48	-59.95	-149.79	11.48	-59.95	-95.70			
TANDEM-LOAD	MAX			S2	7.82	-41.81	-138.45	7.82	-41.81	-101.76	7.82	-41.36	-101.94	7.82	-41.36	-65.12	
TQ	-69.70			541.51	1259.09	-69.70	541.51	931.88	-69.70	537.38	934.27	-69.70	537.38	606.01			
M3	-70.11			519.32	1316.99	-69.50	514.13	988.39	-69.50	509.74	990.66	-61.15	464.02	682.49			
MIN	S2	-71.12	537.33	1299.00	-71.12	537.33	965.13	-71.12	533.06	967.50	-71.12	533.06	632.53				
TQ	7.43	-43.42	-131.50	7.43	-43.42	-96.62	7.43	-42.99	-96.81	7.43	-42.99	-61.81					
M3	7.82	-41.81	-138.45	7.82	-41.81	-101.76	7.82	-41.36	-101.94	7.82	-41.36	-65.12					
DISPERSION-LMAX	S2	13.55	-72.16	-237.71	13.55	-72.16	-174.11	13.55	-71.39	-174.42	13.55	-71.39	-110.61				
TQ	-141.66	1194.65	2685.55	-141.66	1194.65	2020.53	-141.66	1185.69	2025.80	-141.66	1185.69	1358.62					
M3	-141.66	1194.65	2685.55	-141.66	1194.65	2020.53	-141.66	1185.69	2025.80	-141.66	1185.69	1358.62					
MIN	S2	-141.67	1194.38	2683.39	-141.67	1194.38	2018.34	-141.67	1185.43	2023.61	-141.67	1185.43	1356.40				
TQ	13.54	-72.44	-239.88	13.54	-72.44	-176.30	13.54	-71.65	-176.62	13.54	-71.65	-112.83					
M3	13.54	-72.44	-239.88	13.54	-72.44	-176.30	13.54	-71.65	-176.62	13.54	-71.65	-112.83					



BAGO RIVER BRIDGE

BLOCK [ No.1 : MAIN GIRDER ][ BEAM MEMBER FORCE ]

MEMBER				3051			3052			3053					
NODE				3051			3052			3053					
				SHEAR	TORQUE	MOMENT	SHEAR	TORQUE	MOMENT	SHEAR	TORQUE	MOMENT			
NAME	TITLE			S2 (kN)	TQ (kN·m)	M3 (kN·m)	S2 (kN)	TQ (kN·m)	M3 (kN·m)	S2 (kN)	TQ (kN·m)	M3 (kN·m)			
66	2-LANES (caseTRUCK-LOAD	MAX	S2	11.68	-40.31	-207.68	11.68	-40.31	-152.83	11.68	-39.63	-153.00	11.68	-39.63	-97.97
			TQ	-119.20	508.93	2138.53	-119.20	508.93	1578.96	-119.20	501.93	1581.20	-119.20	501.93	1019.81
			M3	-105.05	483.17	2246.46	-114.78	433.67	1683.26	-114.78	426.21	1685.17	-98.29	358.65	1169.45
		MIN	S2	-123.10	491.20	2240.98	-123.10	491.20	1663.11	-123.10	483.83	1665.27	-123.10	483.83	1085.52
			TQ	11.17	-41.75	-198.48	11.17	-41.75	-146.03	11.17	-41.10	-146.21	11.17	-41.10	-93.59
			M3	11.68	-40.31	-207.68	11.68	-40.31	-152.83	11.68	-39.63	-153.00	11.68	-39.63	-97.97
		TANDEM-LOAD MAX	S2	7.95	-27.67	-141.37	7.95	-27.67	-104.03	7.95	-27.21	-104.15	7.95	-27.21	-66.69
			TQ	-82.32	346.19	1470.43	-82.32	346.19	1083.98	-79.39	341.41	1054.50	-79.39	341.41	680.61
			M3	-70.17	320.32	1541.76	-81.57	308.63	1151.38	-81.57	303.53	1152.73	-68.44	246.65	799.59
		MIN	S2	-84.10	341.25	1514.72	-84.10	341.25	1119.92	-84.10	336.28	1121.42	-84.10	336.28	725.35
			TQ	7.64	-28.49	-135.69	7.64	-28.49	-99.83	7.64	-28.04	-99.96	7.64	-28.04	-63.99
			M3	7.95	-27.67	-141.37	7.95	-27.67	-104.03	7.95	-27.21	-104.15	7.95	-27.21	-66.69
		DISPERSION-LMAX	S2	14.91	-39.68	-118.69	14.58	-42.41	-83.86	14.58	-42.03	-84.05	14.34	-43.83	-48.37
			TQ	-146.02	727.74	2970.20	-150.73	727.74	2273.49	-150.75	717.67	2275.72	-155.35	717.67	1554.79
			M3	-146.01	727.74	2970.52	-150.73	727.74	2273.82	-150.73	717.67	2277.02	-155.33	717.67	1556.16
		MIN	S2	-147.16	719.61	2844.54	-151.55	722.34	2177.64	-151.55	712.69	2180.82	-155.90	714.48	1489.11
			TQ	13.77	-47.81	-244.36	13.77	-47.81	-179.72	13.78	-47.02	-178.95	13.78	-47.02	-114.04
			M3	13.77	-47.81	-244.67	13.77	-47.81	-180.05	13.77	-47.01	-180.26	13.77	-47.01	-115.42
67	2-LANES (caseTRUCK-LOAD	MAX	S2	208.12	-305.14	2963.34	112.78	-226.28	2469.27	112.78	-237.22	2468.24	39.45	-142.08	1469.52
			TQ	9.23	15.21	-165.65	9.23	15.21	-122.30	9.23	15.76	-122.24	9.23	15.76	-78.75
			M3	23.38	-381.50	3316.39	-47.12	-319.86	2891.16	-47.12	-332.66	2889.72	-143.53	-254.53	1957.87
		MIN	S2	-192.94	-382.84	3286.20	-258.89	-325.83	2839.06	-258.89	-338.40	2837.59	-354.54	-262.51	1917.96
			TQ	-146.83	-436.00	2613.23	-146.83	-436.00	1923.95	-146.83	-444.52	1922.00	-146.83	-444.52	1230.49
			M3	12.22	11.52	-218.90	12.22	11.52	-161.55	12.22	12.23	-161.50	12.22	12.23	-103.96

BAGO RIVER BRIDGE

BLOCK [ No.1 : MAIN GIRDER ][ BEAM MEMBER FORCE ]

MEMBER		3051			3052			3052			3053				
NODE		3051			3052			3052			3053				
		SHEAR	TORQUE	MOMENT	SHEAR	TORQUE	MOMENT	SHEAR	TORQUE	MOMENT	SHEAR	TORQUE	MOMENT		
NAME	TITLE	S2 (kN)	TQ (kN·m)	M3 (kN·m)	S2 (kN)	TQ (kN·m)	M3 (kN·m)	S2 (kN)	TQ (kN·m)	M3 (kN·m)	S2 (kN)	TQ (kN·m)	M3 (kN·m)		
67	2-LANES (caseTANDEM-LOAD	MAX	S2	172.70	-230.74	2374.18	106.32	-180.54	2089.74	106.32	-189.79	2088.92	41.33	-128.63	1392.00
			TQ	6.02	10.44	-108.00	6.02	10.44	-79.75	6.02	10.80	-79.70	6.02	10.80	-51.35
			M3	19.26	-241.84	2425.06	-42.96	-193.97	2150.31	-42.96	-203.49	2149.43	-112.22	-144.83	1462.39
		MIN	S2	-146.97	-241.84	2425.06	-209.58	-193.97	2150.31	-209.58	-203.49	2149.43	-279.18	-144.83	1462.39
			TQ	-99.85	-297.92	1774.11	-99.85	-297.92	1305.39	-99.85	-303.69	1304.05	-99.85	-303.69	833.81
			M3	8.32	8.01	-149.11	8.32	8.01	-110.04	8.32	8.50	-110.01	8.32	8.50	-70.81
	DISPERSION-LMAX	S2	60.74	-65.59	480.32	34.39	-35.61	321.73	34.39	-37.03	321.57	20.23	-9.17	119.42	
		TQ	7.74	16.68	-138.96	7.74	16.68	-102.63	8.25	17.15	-109.29	8.25	17.15	-70.44	
		M3	-119.26	-598.46	3721.42	-177.36	-598.46	3025.33	-177.36	-611.85	3022.65	-235.89	-611.85	2049.63	
		MIN	S2	-165.66	-518.72	2984.07	-197.41	-548.70	2513.90	-197.41	-559.82	2511.45	-241.78	-587.69	1808.14
			TQ	-112.66	-600.99	3603.34	-170.76	-600.99	2938.26	-171.27	-614.01	2942.31	-229.80	-614.01	1998.00
			M3	14.34	14.15	-257.04	14.34	14.15	-189.70	14.34	14.99	-189.63	14.34	14.99	-122.08
68	2-LANES (caseTRUCK-LOAD	MAX	S2	63.75	-270.08	2204.19	46.79	-196.54	1930.39	46.79	-205.08	1929.50	72.31	-168.43	1679.47
			TQ	12.45	56.21	-224.61	12.45	56.21	-166.15	12.45	56.94	-165.90	12.45	56.94	-107.24
			M3	-124.97	-754.67	3557.59	-138.81	-697.25	2795.08	-138.81	-709.62	2791.96	-26.72	-391.43	2111.94
		MIN	S2	-240.32	-730.56	3530.93	-216.86	-727.79	2703.75	-216.86	-739.75	2700.50	-233.76	-668.03	1808.67
			TQ	-181.81	-808.22	3132.05	-181.81	-808.22	2278.54	-181.81	-818.31	2274.94	-181.81	-818.31	1418.66
			M3	12.70	54.12	-228.93	12.70	54.12	-169.32	12.70	54.87	-169.07	12.70	54.87	-109.26
	TANDEM-LOAD	MAX	S2	55.20	-191.49	1585.66	43.63	-142.49	1442.06	43.63	-148.87	1441.41	73.21	-161.45	1410.81
			TQ	8.42	38.34	-151.92	8.42	38.34	-112.38	8.42	38.84	-112.21	8.42	38.84	-72.54
			M3	-88.27	-511.64	2506.99	-88.09	-434.00	1976.56	-88.09	-442.75	1974.62	-29.22	-261.15	1514.18
		MIN	S2	-188.39	-460.55	2452.94	-157.60	-471.60	1932.74	-157.60	-480.15	1930.63	-169.42	-425.76	1291.17
			TQ	-121.30	-549.81	2091.09	-121.30	-549.81	1521.67	-121.30	-556.54	1519.22	-121.30	-556.54	947.95
			M3	8.66	37.37	-156.06	8.66	37.37	-115.42	8.66	37.88	-115.25	8.66	37.88	-74.49

BAGO RIVER BRIDGE

BLOCK [ No.1 : MAIN GIRDER ][ BEAM MEMBER FORCE ]

MEMBER			3051			3052			3052			3053				
NODE			3051			3052			3052			3053				
			SHEAR	TORQUE	MOMENT	SHEAR	TORQUE	MOMENT	SHEAR	TORQUE	MOMENT	SHEAR	TORQUE	MOMENT		
NAME	TITLE		S2 (kN)	TQ (kN·m)	M3 (kN·m)	S2 (kN)	TQ (kN·m)	M3 (kN·m)	S2 (kN)	TQ (kN·m)	M3 (kN·m)	S2 (kN)	TQ (kN·m)	M3 (kN·m)		
68	2-LANES (caseDISPERSION-LMAX	S2	32.11	5.49	216.46	25.49	18.38	207.87	25.49	17.46	207.95	27.63	16.56	261.03		
		TQ	14.81	61.53	-266.92	14.81	61.53	-197.39	14.81	62.40	-197.12	14.81	62.40	-127.37		
		M3	-182.10	-1098.48	4039.26	-191.03	-1098.48	3163.22	-191.03	-1112.47	3158.33	-199.96	-1112.47	2237.44		
		MIN	S2	-199.40	-1042.44	3555.89	-201.71	-1055.33	2757.96	-201.71	-1067.53	2753.26	-212.78	-1066.63	1849.04	
		TQ	-182.10	-1098.48	4039.26	-191.03	-1098.48	3163.22	-191.03	-1112.47	3158.33	-199.96	-1112.47	2237.44		
		M3	14.81	61.53	-266.92	14.81	61.53	-197.39	14.81	62.40	-197.12	14.81	62.40	-127.37		
		MAX	S2	17.38	-75.86	-308.35	17.38	-75.86	-226.77	17.38	-74.85	-227.10	17.38	-74.85	-145.26	
		TQ	-167.54	979.49	3012.26	-167.54	979.49	2225.76	-167.54	969.63	2230.07	-167.54	969.63	1441.02		
		M3	-152.70	942.96	3142.99	-162.43	893.46	2356.12	-162.43	883.01	2360.05	-140.45	783.26	1637.86		
69	3-LANES (caseTRUCK-LOAD	MIN	S2	-171.63	957.67	3135.59	-171.63	957.67	2329.87	-171.63	947.34	2334.09	-171.63	947.34	1525.75	
		TQ	16.49	-79.05	-292.31	16.49	-79.05	-214.91	16.49	-78.10	-215.26	16.49	-78.10	-137.61		
		M3	17.38	-75.86	-308.35	17.38	-75.62	-226.77	17.38	-74.61	-227.10	17.38	-74.61	-145.26		
		TANDEM-LOAD	MAX	S2	11.83	-52.10	-209.87	11.83	-52.10	-154.34	11.83	-51.42	-154.57	11.83	-51.42	-98.86
		TQ	-115.64	666.45	2071.78	-115.64	666.45	1528.92	-112.70	659.70	1500.85	-112.70	659.70	970.05		
		M3	-102.61	631.10	2154.65	-114.01	619.40	1612.00	-114.01	612.26	1614.73	-95.98	530.33	1121.53		
		MIN	S2	-117.47	660.37	2121.89	-117.47	660.37	1570.43	-117.47	653.41	1573.34	-117.47	653.41	1020.09	
		TQ	11.32	-53.93	-200.68	11.32	-53.93	-147.55	11.32	-53.27	-147.79	11.32	-53.27	-94.48		
		M3	11.83	-52.10	-209.87	11.83	-52.10	-154.34	11.83	-51.42	-154.57	11.83	-51.42	-98.86		
		DISPERSION-LMAX	S2	21.62	-82.05	-237.43	21.30	-84.77	-171.08	21.30	-84.01	-171.45	21.06	-85.80	-104.14	
		TQ	-214.59	1441.06	4240.00	-219.31	1441.06	3221.37	-219.32	1426.78	3226.75	-223.92	1426.78	2182.84		
		M3	-214.59	1441.06	4240.31	-219.30	1441.06	3221.70	-219.30	1426.78	3228.05	-223.91	1426.78	2184.22		
		MIN	S2	-215.73	1432.93	4114.33	-220.12	1435.65	3125.52	-220.12	1421.80	3131.84	-224.48	1423.59	2117.17	
		TQ	20.49	-90.18	-363.10	20.49	-90.18	-266.93	20.50	-89.00	-266.35	20.50	-89.00	-169.81		
		M3	20.48	-90.18	-363.41	20.48	-90.18	-267.26	20.48	-88.99	-267.66	20.48	-88.99	-171.19		

BAGO RIVER BRIDGE

BLOCK [ No.1 : MAIN GIRDER ][ BEAM MEMBER FORCE ]

MEMBER				3051			3052			3053					
NODE				3051			3052			3053					
				SHEAR	TORQUE	MOMENT	SHEAR	TORQUE	MOMENT	SHEAR	TORQUE	MOMENT			
NAME	TITLE			S2 (kN)	TQ (kN·m)	M3 (kN·m)	S2 (kN)	TQ (kN·m)	M3 (kN·m)	S2 (kN)	TQ (kN·m)	M3 (kN·m)			
70	3-LANES (caseTRUCK-LOAD	MAX	S2	220.70	-361.93	3623.04	125.36	-283.08	3188.02	125.36	-297.19	3186.73	93.42	-236.37	2384.40
			TQ	14.98	39.01	-269.18	14.98	39.01	-198.87	14.98	39.89	-198.70	14.98	39.89	-128.16
			M3	-77.57	-857.25	5150.98	-146.52	-790.85	4256.99	-146.52	-809.69	4253.45	-113.51	-486.48	3049.27
		MIN	S2	-334.81	-831.39	5112.80	-362.08	-821.64	4129.66	-362.08	-839.92	4125.98	-457.73	-764.03	2720.37
			TQ	-249.17	-936.77	4346.41	-249.17	-936.77	3176.68	-249.17	-950.83	3172.50	-249.17	-950.83	1998.97
			M3	18.50	32.88	-332.01	18.50	32.88	-245.16	18.50	33.96	-245.01	18.50	33.96	-157.88
	TANDEM-LOAD	MAX	S2	187.74	-254.22	2748.29	121.36	-204.02	2534.45	121.36	-215.24	2533.52	97.55	-220.44	2100.71
			TQ	9.87	26.72	-177.37	9.87	26.72	-131.05	9.87	27.30	-130.93	9.87	27.30	-84.46
			M3	-54.46	-575.89	3694.92	-105.19	-496.02	3098.32	-105.19	-509.73	3096.09	-103.70	-323.77	2237.92
		MIN	S2	-263.47	-524.79	3640.80	-283.93	-533.62	3054.52	-283.93	-547.14	3052.13	-353.53	-488.48	2014.93
			TQ	-166.32	-638.15	2900.83	-166.32	-638.15	2120.07	-166.32	-647.53	2117.22	-166.32	-647.53	1333.93
			M3	12.60	22.76	-226.20	12.60	22.76	-167.03	12.60	23.50	-166.92	12.60	23.50	-107.56
	DISPERSION-LMAX	MAX	S2	71.13	-49.43	464.27	45.02	-25.80	374.17	45.02	-27.46	374.05	37.33	-16.86	315.68
			TQ	15.09	42.17	-271.32	15.09	42.17	-200.47	15.60	43.07	-207.02	15.60	43.07	-133.54
			M3	-229.57	-1269.55	5823.75	-276.45	-1269.55	4635.58	-276.45	-1290.06	4629.91	-323.69	-1290.06	3216.40
		MIN	S2	-279.01	-1180.48	4970.08	-299.78	-1204.11	3973.87	-299.78	-1221.69	3968.50	-339.33	-1232.29	2715.55
			TQ	-222.96	-1272.08	5705.67	-269.84	-1272.08	4548.51	-270.35	-1292.22	4549.57	-317.60	-1292.22	3164.76
			M3	21.70	39.64	-389.40	21.70	39.64	-287.54	21.70	40.92	-287.36	21.70	40.92	-185.18
71	3-LANES (caseTRUCK-LOAD	MAX	S2	220.83	-361.69	3622.10	125.43	-282.90	3187.44	125.43	-297.01	3186.16	93.41	-236.42	2384.81
			TQ	18.52	67.89	-333.49	18.52	67.89	-246.55	18.52	68.99	-246.25	18.52	68.99	-159.02
			M3	-77.51	-857.01	5150.82	-146.49	-790.64	4257.00	-146.49	-809.48	4253.45	-113.75	-486.72	3049.40
		MIN	S2	-336.36	-832.90	5124.15	-362.11	-821.43	4129.64	-362.11	-839.71	4125.96	-457.77	-763.89	2720.26
			TQ	-249.16	-936.53	4346.24	-249.16	-936.53	3176.56	-249.16	-950.58	3172.39	-249.16	-950.58	1998.91
			M3	18.87	65.58	-339.70	18.87	65.58	-251.11	18.87	66.69	-250.82	18.87	66.69	-161.94

BAGO RIVER BRIDGE

BLOCK [ No.1 : MAIN GIRDER ][ BEAM MEMBER FORCE ]

MEMBER				3051			3052			3053								
NODE				3051			3052			3053								
				SHEAR	TORQUE	MOMENT	SHEAR	TORQUE	MOMENT	SHEAR	TORQUE	MOMENT						
NAME	TITLE			S2 (kN)	TQ (kN·m)	M3 (kN·m)	S2 (kN)	TQ (kN·m)	M3 (kN·m)	S2 (kN)	TQ (kN·m)	M3 (kN·m)						
71	3-LANES (case)	TANDEM-LOAD	MAX	S2	187.83	-254.10	2748.07	121.41	-203.94	2534.41	121.41	-215.17	2533.48	97.57	-220.37	2100.65		
				TQ	12.62	46.35	-227.17	12.62	46.35	-167.95	12.62	47.09	-167.74	12.62	47.09	-108.33		
				M3	-54.41	-575.73	3694.82	-105.18	-495.90	3098.39	-105.18	-509.61	3096.16	-103.78	-323.80	2237.91		
			MIN	S2	-263.41	-524.64	3640.77	-283.97	-533.50	3054.57	-283.97	-547.02	3052.17	-353.54	-488.41	2014.90		
				TQ	-166.30	-637.98	2900.68	-166.30	-637.98	2119.97	-166.30	-647.36	2117.12	-166.30	-647.36	1333.88		
				M3	12.86	45.32	-231.52	12.86	45.32	-171.15	12.86	46.08	-170.95	12.86	46.08	-110.38		
		DISPERSION-LMAX	S2	71.48	-15.20	457.57	45.35	8.64	368.34	45.35	7.01	368.38	37.67	17.44	312.12			
			TQ	22.01	73.91	-396.15	22.01	73.91	-292.82	22.03	75.20	-292.76	22.03	75.20	-188.99			
			M3	-229.58	-1276.51	5823.32	-276.48	-1276.51	4635.45	-276.48	-1297.02	4629.75	-323.65	-1297.02	3216.53			
		72	4-LANES	TRUCK-LOAD	MAX	S2	24.83	63.70	-446.14	24.83	63.70	-329.60	24.83	65.15	-329.31	24.83	65.15	-212.39
						TQ	17.01	64.09	-306.27	17.01	64.09	-226.44	24.83	65.15	-329.31	24.83	65.15	-212.39
						M3	-7.16	-2.99	128.23	-7.16	-2.99	94.60	-7.16	-3.41	94.59	-7.16	-3.41	60.85
					MIN	S2	-7.16	-2.99	128.23	-7.16	-2.99	94.60	-7.16	-3.41	94.59	-7.16	-3.41	60.85
						TQ	-0.95	-5.05	17.22	-0.95	-5.05	12.74	-1.53	-5.12	20.39	-1.53	-5.12	13.16
						M3	24.83	63.70	-446.14	24.83	63.70	-329.60	24.83	65.15	-329.31	24.83	65.15	-212.39
TANDEM-LOAD	MAX			S2	16.98	45.38	-305.16	16.98	45.38	-225.46	16.98	46.38	-225.26	16.98	46.38	-145.30		
				TQ	11.63	45.50	-209.59	11.63	45.50	-154.97	16.98	46.38	-225.26	16.98	46.38	-145.30		
				M3	-4.87	-2.10	87.16	-4.87	-2.10	64.30	-4.87	-2.38	64.29	-4.87	-2.38	41.36		
MIN	S2			-4.87	-2.10	87.16	-4.87	-2.10	64.30	-4.87	-2.38	64.29	-4.87	-2.38	41.36			
	TQ			-0.46	-3.46	8.38	-0.46	-3.46	6.21	-1.01	-3.51	13.43	-1.01	-3.51	8.67			
	M3			16.98	45.38	-305.16	16.98	45.38	-225.46	16.98	46.38	-225.26	16.98	46.38	-145.30			

BAGO RIVER BRIDGE

BLOCK [ No.1 : MAIN GIRDER ][ BEAM MEMBER FORCE ]

MEMBER				3051			3052			3053							
NODE				3051			3052			3053							
				SHEAR	TORQUE	MOMENT	SHEAR	TORQUE	MOMENT	SHEAR	TORQUE	MOMENT					
NAME	TITLE			S2 (kN)	TQ (kN·m)	M3 (kN·m)	S2 (kN)	TQ (kN·m)	M3 (kN·m)	S2 (kN)	TQ (kN·m)	M3 (kN·m)					
72	4-LANES	DISPERSION-LMAX	S2	17.45	37.47	-313.37	17.45	37.47	-231.45	17.45	38.50	-231.28	17.45	38.50	-149.09		
			TQ	12.18	39.52	-219.07	12.18	39.52	-161.92	12.59	40.25	-167.24	12.59	40.25	-107.93		
			M3	-8.71	-3.55	155.97	-8.71	-3.55	115.07	-8.71	-4.06	115.05	-8.71	-4.06	74.01		
	MIN	S2	-8.71	-3.53	155.97	-8.71	-3.53	115.07	-8.71	-4.04	115.05	-8.71	-4.04	74.01			
		TQ	-3.63	-6.02	65.20	-3.63	-6.02	48.14	-4.04	-6.25	53.52	-4.04	-6.25	34.48			
		M3	17.45	37.47	-313.37	17.45	37.47	-231.45	17.45	38.50	-231.28	17.45	38.50	-149.09			
	73	6-LANES	TRUCK-LOAD	MAX	S2	266.32	-251.91	4450.06	154.80	-250.84	3820.73	154.80	-267.76	3819.58	102.40	-237.85	2625.24
				TQ	-152.67	937.20	2743.27	-152.67	937.20	2026.55	-152.67	928.21	2030.68	-152.67	928.21	1311.63	
				M3	-198.66	92.53	8314.41	-277.05	94.90	6696.99	-277.05	65.24	6697.34	-257.03	237.15	4701.77	
MIN			S2	-504.09	123.72	8275.17	-552.91	121.25	6557.86	-552.91	92.20	6558.33	-670.50	84.32	4319.80		
TQ			-217.81	-897.58	3801.94	-217.81	-897.58	2779.46	-219.10	-909.95	2789.97	-219.10	-909.95	1758.08			
M3			36.25	-8.97	-648.04	36.25	-8.73	-477.88	36.25	-6.85	-477.92	36.25	-6.61	-307.21			
TANDEM-LOAD		MAX	S2	223.19	-155.16	3425.25	146.14	-157.41	3087.58	146.14	-171.08	3086.85	102.02	-229.23	2459.32		
		TQ	-105.49	638.32	1889.39	-105.49	638.32	1394.17	-105.49	632.14	1396.99	-105.49	632.14	900.16			
		M3	-136.04	67.03	5881.78	-197.97	94.33	4793.57	-197.97	73.10	4793.94	-195.92	116.93	3384.95			
		MIN	S2	-377.11	129.92	5827.37	-418.22	75.34	4731.75	-418.22	54.38	4732.04	-502.59	55.69	3113.82		
		TQ	-143.84	-610.91	2511.18	-143.84	-610.91	1835.94	-143.84	-619.03	1833.21	-143.84	-619.03	1155.78			
		M3	24.69	-5.88	-441.38	24.69	-5.88	-325.49	24.69	-4.44	-325.51	24.69	-4.44	-209.24			
		DISPERSION-LMAX	S2	89.80	-75.69	157.53	63.60	-58.91	148.54	63.60	-59.57	148.28	56.12	-54.74	176.47		
			TQ	-176.26	1393.41	3501.43	-180.85	1393.41	2663.02	-180.66	1381.61	2665.54	-185.07	1381.61	1804.18		
			M3	-412.75	96.04	9211.55	-455.31	103.80	7184.28	-455.31	71.99	7184.67	-498.37	63.77	4925.01		
MIN	S2	-457.71	177.86	8341.66	-480.69	160.63	6520.90	-480.69	131.75	6521.54	-522.20	124.99	4424.48				
	TQ	-194.83	-1256.12	4915.81	-232.46	-1256.12	3912.27	-232.97	-1273.45	3914.39	-270.18	-1273.45	2729.14				
	M3	40.79	-7.10	-729.37	40.79	-7.10	-537.88	40.79	-4.72	-537.91	40.79	-4.72	-345.80				

BAGO RIVER BRIDGE

BLOCK [ No.1 : MAIN GIRDER ][ BEAM MEMBER FORCE ]

MEMBER			3051			3052			3053						
NODE			3051			3052			3053						
NAME TITLE			SHEAR	TORQUE	MOMENT	SHEAR	TORQUE	MOMENT	SHEAR	TORQUE	MOMENT	SHEAR	TORQUE	MOMENT	
			S2 (kN)	TQ (kN·m)	M3 (kN·m)	S2 (kN)	TQ (kN·m)	M3 (kN·m)	S2 (kN)	TQ (kN·m)	M3 (kN·m)	S2 (kN)	TQ (kN·m)	M3 (kN·m)	
124	SUM TOTAL	D+1LANE (caseMAX	S2	-1417.25	430.67	34401.98	-1655.48	430.67	27193.22	-1655.48	310.25	27194.86	-1899.74	310.25	18825.89
			TQ	-1572.44	1944.83	37237.51	-1810.67	1944.83	29300.21	-1810.67	1815.06	29308.54	-2054.93	1815.06	20208.67
			M3	-1571.61	1931.90	37264.87	-1809.84	1931.90	29331.48	-1809.84	1801.99	29339.75	-2047.52	1763.36	20265.31
		MIN	S2	-1572.68	1939.91	37262.57	-1810.90	1939.91	29324.17	-1810.90	1810.04	29332.47	-2055.16	1810.04	20231.50
			TQ	-1417.71	428.58	34410.19	-1655.94	428.58	27199.29	-1655.94	308.12	27200.92	-1900.20	308.12	18829.81
			M3	-1417.25	430.67	34401.98	-1655.48	430.96	27193.22	-1655.48	310.54	27194.86	-1899.74	310.54	18825.89
		D+1LANE (caseMAX	S2	-1415.38	494.31	34539.72	-1654.00	491.03	27297.55	-1654.00	370.15	27299.45	-1898.55	368.00	18897.86
			TQ	-1597.83	1040.26	37920.74	-1841.71	1040.26	29850.78	-1841.73	908.06	29853.93	-2091.51	908.06	20594.62
			M3	-1579.69	1028.38	37992.81	-1837.85	991.31	29921.75	-1837.85	858.80	29925.85	-2071.28	796.64	20710.44
		MIN	S2	-1602.14	1021.01	37840.53	-1845.63	1024.28	29792.54	-1845.63	892.34	29796.78	-2095.12	894.49	20558.68
			TQ	-1416.91	484.40	34394.55	-1655.14	484.40	27187.39	-1655.12	364.00	27190.44	-1899.38	364.00	18823.15
			M3	-1416.74	484.88	34391.14	-1654.97	484.88	27184.76	-1654.97	364.49	27186.64	-1899.23	364.49	18820.05
		D+1LANE (caseMAX	S2	-1196.56	375.60	36659.03	-1552.31	395.07	29089.86	-1552.31	266.25	29091.32	-1877.39	308.60	19858.79
			TQ	-1425.34	530.95	34543.39	-1663.57	530.95	27296.65	-1663.25	410.08	27294.45	-1907.51	410.08	18888.91
			M3	-1432.19	190.48	38718.36	-1782.15	201.23	30907.78	-1782.15	64.36	30908.37	-2167.49	69.88	21249.54
		MIN	S2	-1639.61	228.55	38237.25	-1962.39	227.48	30557.14	-1962.39	92.16	30557.85	-2335.25	83.52	21083.26
			TQ	-1563.39	156.49	38146.19	-1847.19	156.49	30144.63	-1847.51	22.99	30149.31	-2137.65	22.99	20768.04
			M3	-1416.35	525.95	34382.69	-1654.58	525.95	27178.17	-1654.58	405.59	27180.23	-1898.84	405.59	18815.52
		D+1LANE (caseMAX	S2	-1404.40	489.22	35434.21	-1642.34	481.85	28308.66	-1642.34	356.49	28310.51	-1829.22	294.16	20282.20
			TQ	-1415.64	608.74	34367.27	-1653.87	608.74	27166.09	-1653.87	488.44	27168.51	-1898.13	488.44	18807.15
			M3	-1685.72	-854.62	39389.51	-1908.62	-848.89	30957.99	-1908.62	-985.98	30953.93	-1984.20	-692.34	21659.92
		MIN	S2	-1738.38	-810.75	39239.95	-1917.09	-860.08	30687.74	-1917.09	-995.97	30683.63	-2155.48	-975.05	21001.32
			TQ	-1687.38	-884.63	39267.81	-1912.15	-884.63	30822.27	-1912.15	-1021.11	30818.05	-2142.77	-1021.11	21272.16
			M3	-1415.49	607.16	34364.76	-1653.72	607.16	27164.25	-1653.72	486.86	27166.67	-1897.98	486.86	18805.98

BAGO RIVER BRIDGE

BLOCK [ No.1 : MAIN GIRDER ][ BEAM MEMBER FORCE ]

MEMBER			3051			3052			3052			3053			
NODE			3051			3052			3052			3053			
NAME TITLE			SHEAR	TORQUE	MOMENT	SHEAR	TORQUE	MOMENT	SHEAR	TORQUE	MOMENT	SHEAR	TORQUE	MOMENT	
			S2 (kN)	TQ (kN·m)	M3 (kN·m)	S2 (kN)	TQ (kN·m)	M3 (kN·m)	S2 (kN)	TQ (kN·m)	M3 (kN·m)	S2 (kN)	TQ (kN·m)	M3 (kN·m)	
124	SUM TOTAL	D+2LANES (casMAX	S2	-1407.11	391.16	34224.13	-1645.34	391.16	27062.98	-1645.34	271.32	27064.44	-1889.60	271.32	18743.24
			TQ	-1676.20	2514.66	39204.65	-1914.43	2514.66	30780.25	-1914.43	2378.33	30791.08	-2158.69	2378.33	21202.53
			M3	-1676.47	2488.03	39275.64	-1912.54	2469.41	30851.80	-1912.54	2332.76	30862.43	-2148.45	2284.81	21304.23
		MIN	S2	-1677.85	2500.74	39269.16	-1916.07	2500.74	30837.05	-1916.07	2364.16	30847.82	-2160.33	2364.16	21251.53
			TQ	-1407.86	388.09	34235.47	-1646.09	388.09	27070.77	-1646.09	268.21	27072.23	-1890.35	268.21	18747.47
			M3	-1407.11	390.89	34221.96	-1645.34	391.13	27060.78	-1645.34	271.29	27062.25	-1889.60	271.29	18741.02
		D+2LANES (casMAX	S2	-1405.55	444.19	34338.91	-1644.10	441.46	27149.91	-1644.10	321.23	27151.60	-1888.61	319.44	18803.22
			TQ	-1697.36	1760.85	39774.01	-1940.30	1760.85	31239.06	-1940.32	1622.50	31245.58	-2189.18	1622.50	21524.15
			M3	-1683.21	1735.09	39882.26	-1935.88	1685.58	31343.69	-1935.88	1546.77	31350.85	-2168.25	1479.21	21675.17
		MIN	S2	-1702.40	1734.99	39750.80	-1945.02	1737.72	31227.36	-1945.02	1599.42	31234.74	-2193.63	1601.21	21524.18
			TQ	-1407.20	434.61	34222.44	-1645.43	434.61	27060.86	-1645.42	314.77	27063.49	-1889.68	314.77	18741.92
			M3	-1406.69	436.06	34212.93	-1644.92	436.06	27053.73	-1644.92	316.25	27055.40	-1889.18	316.25	18736.16
		D+2LANES (casMAX	S2	-1163.28	153.44	38108.93	-1523.21	262.28	30177.61	-1523.21	128.64	30178.47	-1854.95	251.64	20538.49
			TQ	-1415.17	556.07	34360.67	-1653.40	556.07	27161.67	-1652.89	435.80	27157.13	-1897.15	435.80	18800.36
			M3	-1528.02	-455.79	41703.09	-1894.86	-394.14	33303.10	-1894.86	-541.61	33301.03	-2294.05	-463.49	22957.06
		MIN	S2	-1790.75	-377.38	40935.54	-2126.67	-350.35	32739.57	-2126.67	-495.33	32737.70	-2510.95	-447.30	22675.66
			TQ	-1691.63	-512.82	40881.85	-1987.96	-512.82	32248.82	-1988.47	-655.63	32252.97	-2291.26	-655.63	22178.04
			M3	-1405.58	549.85	34189.34	-1643.81	549.85	27035.36	-1643.81	430.12	27037.53	-1888.07	430.12	18723.52
		D+2LANES (casMAX	S2	-1336.28	259.58	37085.92	-1598.09	346.02	29524.87	-1598.09	215.27	29526.11	-1814.70	251.02	20890.06
			TQ	-1404.88	641.91	34173.75	-1643.11	641.91	27023.06	-1643.11	522.24	27025.64	-1887.37	522.24	18714.94
			M3	-1739.22	-1328.97	42262.14	-2000.21	-1271.55	33344.90	-2000.21	-1419.20	33338.95	-2141.32	-1101.01	23298.93
		MIN	S2	-1871.86	-1248.82	41752.09	-2088.94	-1258.94	32848.31	-2088.94	-1404.39	32842.41	-2361.18	-1331.77	22607.26
			TQ	-1796.05	-1382.53	41836.59	-2043.21	-1382.53	32828.36	-2043.21	-1527.88	32821.92	-2296.41	-1527.88	22605.65
			M3	-1404.63	639.83	34169.43	-1642.86	639.83	27019.90	-1642.86	520.17	27022.46	-1887.12	520.17	18712.92



BAGO RIVER BRIDGE

BLOCK [ No.1 : MAIN GIRDER ][ BEAM MEMBER FORCE ]

MEMBER			3051			3052			3052			3053				
NODE			3051			3052			3052			3053				
NAME TITLE			SHEAR	TORQUE	MOMENT	SHEAR	TORQUE	MOMENT	SHEAR	TORQUE	MOMENT	SHEAR	TORQUE	MOMENT		
			S2 (kN)	TQ (kN·m)	M3 (kN·m)	S2 (kN)	TQ (kN·m)	M3 (kN·m)	S2 (kN)	TQ (kN·m)	M3 (kN·m)	S2 (kN)	TQ (kN·m)	M3 (kN·m)		
124	SUM TOTAL	D+3LANES (casMAX	S2	-1398.99	389.96	34201.36	-1637.50	387.64	27048.44	-1637.50	267.86	27049.89	-1881.96	266.34	18737.57	
			TQ	-1756.96	2581.64	40829.70	-1999.19	2581.64	32016.66	-1999.20	2439.84	32026.95	-2247.37	2439.84	22029.84	
			M3	-1744.34	2550.59	40941.09	-1994.84	2508.51	32127.75	-1994.84	2366.22	32138.54	-2224.34	2281.43	22198.32	
		MIN	S2	-1761.40	2556.18	40827.72	-2003.36	2558.50	32023.68	-2003.36	2416.67	32034.70	-2251.33	2418.19	22046.03	
			TQ	-1400.71	380.33	34108.18	-1638.94	380.33	26977.04	-1638.93	260.86	26979.29	-1883.19	260.86	18688.25	
			M3	-1399.96	383.05	34094.28	-1638.19	383.25	26966.68	-1638.19	263.83	26968.11	-1882.45	263.83	18680.57	
		D+3LANES (casMAX	S2	-1184.09	174.52	38139.49	-1525.55	261.63	30414.47	-1525.55	126.95	30415.33	-1803.49	187.65	21244.62	
			TQ	-1406.58	593.18	34205.85	-1644.81	593.18	27047.16	-1644.38	473.41	27043.80	-1888.64	473.41	18727.11	
			M3	-1693.22	-1283.60	43993.80	-2029.89	-1227.16	34945.29	-2029.89	-1381.90	34939.51	-2286.25	-1107.17	24275.37	
		MIN	S2	-1953.89	-1185.92	43235.73	-2232.95	-1197.71	34274.61	-2232.95	-1349.47	34268.97	-2592.13	-1293.98	23570.09	
			TQ	-1833.46	-1353.35	43209.54	-2111.54	-1353.35	33953.02	-2111.97	-1503.70	33952.42	-2396.38	-1503.70	23338.73	
			M3	-1397.97	585.82	34052.08	-1636.20	585.82	26933.81	-1636.20	466.54	26936.14	-1880.46	466.54	18657.96	
		D+3LANES (casMAX	S2	-1183.68	203.82	38133.00	-1525.20	291.05	30409.02	-1525.20	156.39	30410.01	-1803.22	216.76	21241.94	
			TQ	-1397.69	644.71	34045.08	-1635.92	644.71	26928.14	-1635.90	525.45	26930.50	-1880.16	525.45	18653.74	
			M3	-1693.17	-1289.32	43993.30	-2029.89	-1232.90	34945.18	-2029.89	-1387.64	34939.38	-2286.42	-1113.29	24275.59	
		MIN	S2	-1955.22	-1193.09	43244.65	-2232.99	-1203.60	34274.71	-2232.99	-1355.37	34269.04	-2592.12	-1299.78	23569.88	
			TQ	-1839.05	-1356.91	43309.08	-2117.14	-1356.91	34026.58	-2117.16	-1507.57	34020.47	-2401.52	-1507.57	23382.68	
			M3	-1397.37	642.74	34039.49	-1635.60	642.74	26924.03	-1635.60	523.50	26926.61	-1879.86	523.50	18651.26	
		D+4LANES	MAX	S2	-1404.66	589.93	34171.60	-1642.89	589.93	27021.92	-1642.89	470.27	27024.27	-1887.15	470.27	18714.59
			TQ	-1413.18	591.52	34323.80	-1651.40	591.52	27134.17	-1646.05	471.41	27065.90	-1890.31	471.41	18741.34	
			M3	-1442.46	519.93	34850.01	-1680.69	519.92	27522.89	-1680.69	398.04	27524.92	-1924.95	398.04	19037.22	
		MIN	S2	-1442.46	519.94	34850.01	-1680.69	519.94	27522.89	-1680.69	398.05	27524.92	-1924.95	398.05	19037.22	
			TQ	-1435.12	516.98	34718.85	-1673.35	516.98	27426.18	-1674.00	395.51	27436.70	-1918.26	395.51	18980.52	
			M3	-1404.66	589.93	34171.60	-1642.89	589.93	27021.92	-1642.89	470.27	27024.27	-1887.15	470.27	18714.59	

BAGO RIVER BRIDGE

BLOCK [ No.1 : MAIN GIRDER ] [ BEAM MEMBER FORCE ]

MEMBER					3051			3052			3053					
NODE					3051			3052			3053					
					SHEAR	TORQUE	MOMENT	SHEAR	TORQUE	MOMENT	SHEAR	TORQUE	MOMENT			
NAME TITLE					S2 (kN)	TQ (kN·m)	M3 (kN·m)	S2 (kN)	TQ (kN·m)	M3 (kN·m)	S2 (kN)	TQ (kN·m)	M3 (kN·m)			
124	SUM TOTAL	D+6LANES	MAX	S2	-1200.66	311.23	37660.21	-1528.42	322.84	29966.63	-1528.42	190.13	29967.77	-1811.60	212.71	20770.66
				TQ	-1645.95	2039.07	38724.33	-1887.16	2039.07	30434.82	-1887.04	1904.28	30441.20	-2134.17	1904.28	20974.83
				M3	-1829.56	646.74	46057.15	-2146.40	653.33	36409.43	-2146.40	492.10	36411.96	-2405.64	598.49	25206.96
			MIN	S2	-2057.31	720.20	45466.22	-2342.21	707.39	35887.80	-2342.21	548.46	35890.58	-2689.88	538.95	24633.34
				TQ	-1700.35	-875.73	40331.82	-1963.05	-875.73	31736.23	-1964.21	-1016.31	31746.50	-2232.67	-1016.31	21866.25
				M3	-1382.07	513.73	33769.97	-1620.30	513.89	26726.36	-1620.30	395.37	26728.37	-1864.56	395.53	18525.10
	SUM TOTAL		MAX		-1163.28	2581.64	46057.15	-1523.21	2581.64	36409.43	-1523.21	2439.84	36411.96	-1803.22	2439.84	25206.96
			MIN		-2057.31	-1382.53	33769.97	-2342.21	-1382.53	26726.36	-2342.21	-1527.88	26728.37	-2689.88	-1527.88	18525.10
300	DEAD LOAD	TOTAL			-1432.14	524.18	34665.28	-1670.37	524.18	27386.61	-1670.37	402.89	27388.66	-1914.63	402.89	18949.56
301	LIVE LOAD	1-LANE(case1MAX	S2		14.89	-93.50	-263.29	14.89	-93.50	-193.39	14.89	-92.64	-193.80	14.89	-92.64	-123.67
			TQ		-140.30	1420.65	2572.23	-140.30	1420.65	1913.61	-140.30	1412.17	1919.88	-140.30	1412.17	1259.12
			M3		-139.47	1407.73	2599.59	-139.47	1407.73	1944.87	-139.47	1399.10	1951.09	-132.89	1360.46	1315.75
			MIN	S2	-140.53	1415.74	2597.29	-140.53	1415.74	1937.56	-140.53	1407.15	1943.81	-140.53	1407.15	1281.95
				TQ	14.44	-95.60	-255.09	14.44	-95.60	-187.32	14.44	-94.77	-187.74	14.44	-94.77	-119.75
				M3	14.89	-93.50	-263.29	14.89	-93.21	-193.39	14.89	-92.35	-193.80	14.89	-92.35	-123.67
		1-LANE(case2MAX	S2		16.76	-29.87	-125.56	16.37	-33.14	-89.06	16.37	-32.75	-89.21	16.08	-34.90	-51.70
			TQ		-165.69	516.08	3255.46	-171.34	516.08	2464.18	-171.36	505.17	2465.27	-176.88	505.17	1645.07
			M3		-147.55	504.20	3327.53	-167.48	467.14	2535.15	-167.48	455.91	2537.19	-156.64	393.74	1760.89
			MIN	S2	-169.99	496.83	3175.25	-175.26	500.11	2405.93	-175.26	489.45	2408.12	-180.49	491.60	1609.13
				TQ	15.23	-39.77	-270.73	15.23	-39.77	-199.21	15.25	-38.89	-198.22	15.25	-38.89	-126.40
				M3	15.40	-39.30	-274.13	15.40	-39.30	-201.85	15.40	-38.40	-202.02	15.40	-38.40	-129.50
		1-LANE(case3MAX	S2		235.59	-148.58	1993.76	118.06	-129.10	1703.25	118.06	-136.65	1702.66	37.24	-94.29	909.24
			TQ		6.80	6.77	-121.89	6.80	6.77	-89.96	7.13	7.18	-94.21	7.13	7.18	-60.64
			M3		-0.05	-333.70	4053.08	-111.78	-322.94	3521.18	-111.78	-338.53	3519.71	-252.86	-333.01	2299.99
			MIN	S2	-207.47	-295.62	3571.97	-292.02	-296.70	3170.54	-292.02	-310.73	3169.19	-420.61	-319.38	2133.70
				TQ	-131.25	-367.68	3480.91	-176.81	-367.68	2758.02	-177.14	-379.90	2760.65	-223.02	-379.90	1818.49
				M3	15.80	1.78	-282.59	15.80	1.78	-208.44	15.80	2.70	-208.43	15.80	2.70	-134.04

BAGO RIVER BRIDGE

BLOCK [ No.1 : MAIN GIRDER ][ BEAM MEMBER FORCE ]

MEMBER			3051			3052			3052			3053				
NODE			3051			3052			3052			3053				
NAME TITLE			SHEAR	TORQUE	MOMENT	SHEAR	TORQUE	MOMENT	SHEAR	TORQUE	MOMENT	SHEAR	TORQUE	MOMENT		
			S2 (kN)	TQ (kN·m)	M3 (kN·m)	S2 (kN)	TQ (kN·m)	M3 (kN·m)	S2 (kN)	TQ (kN·m)	M3 (kN·m)	S2 (kN)	TQ (kN·m)	M3 (kN·m)		
301	LIVE LOAD	1-LANE (case4MAX	S2	27.75	-34.95	768.93	28.03	-42.32	922.05	28.03	-46.41	921.86	85.41	-108.73	1332.65	
			TQ	16.51	84.57	-298.00	16.51	84.57	-220.52	16.51	85.54	-220.14	16.51	85.54	-142.41	
			M3	-253.58	-1378.79	4724.23	-238.24	-1373.07	3571.38	-238.24	-1388.87	3565.27	-69.57	-1095.23	2710.36	
			MIN	S2	-306.24	-1334.92	4574.67	-246.72	-1384.26	3301.13	-246.72	-1398.86	3294.97	-240.85	-1377.94	2051.76
			TQ	-255.23	-1408.80	4602.54	-241.78	-1408.80	3435.66	-241.78	-1424.00	3429.39	-228.14	-1424.00	2322.61	
			M3	16.65	82.98	-300.52	16.65	82.98	-222.36	16.65	83.97	-221.99	16.65	83.97	-143.58	
		2-LANES (caseMAX	S2	25.03	-133.01	-441.15	25.03	-133.01	-323.63	25.03	-131.58	-324.22	25.03	-131.58	-206.31	
			TQ	-244.06	1990.48	4539.38	-244.06	1990.48	3393.64	-244.06	1975.44	3402.42	-244.06	1975.44	2252.97	
			M3	-244.33	1963.85	4610.37	-242.16	1945.23	3465.19	-242.16	1929.87	3473.77	-233.82	1881.92	2354.67	
			MIN	S2	-245.70	1976.57	4603.88	-245.70	1976.57	3450.44	-245.70	1961.27	3459.16	-245.70	1961.27	2301.97
			TQ	24.28	-136.08	-429.81	24.28	-136.08	-315.83	24.28	-134.68	-316.43	24.28	-134.68	-202.09	
			M3	25.03	-133.29	-443.32	25.03	-133.04	-325.82	25.03	-131.60	-326.41	25.03	-131.60	-208.53	
		2-LANES (caseMAX	S2	26.59	-79.99	-326.37	26.27	-82.71	-236.69	26.27	-81.66	-237.06	26.02	-83.45	-146.34	
			TQ	-265.22	1236.67	5108.74	-269.93	1236.67	3852.45	-269.94	1219.60	3856.92	-274.55	1219.60	2574.59	
			M3	-251.07	1210.92	5216.98	-265.51	1161.41	3957.09	-265.51	1143.87	3962.19	-253.62	1076.32	2725.62	
			MIN	S2	-270.25	1210.81	5085.52	-274.64	1213.54	3840.75	-274.64	1196.52	3846.09	-279.00	1198.31	2574.63
			TQ	24.94	-89.56	-442.84	24.94	-89.56	-325.74	24.96	-88.12	-325.16	24.96	-88.12	-207.63	
			M3	25.45	-88.12	-452.35	25.45	-88.12	-332.87	25.45	-86.64	-333.26	25.45	-86.64	-213.39	
		2-LANES (caseMAX	S2	268.86	-370.73	3443.66	147.17	-261.89	2791.00	147.17	-274.25	2789.81	59.68	-151.25	1588.94	
			TQ	16.97	31.90	-304.60	16.97	31.90	-224.94	17.48	32.91	-231.53	17.48	32.91	-149.19	
			M3	-95.88	-979.96	7037.81	-224.49	-918.32	5916.49	-224.49	-944.51	5912.37	-379.42	-866.38	4007.51	
			MIN	S2	-358.61	-901.56	6270.27	-456.30	-874.52	5352.96	-456.30	-898.22	5349.04	-596.32	-850.19	3726.10
			TQ	-259.49	-1036.99	6216.57	-317.59	-1036.99	4862.22	-318.10	-1058.53	4864.31	-376.62	-1058.53	3228.49	
			M3	26.56	25.67	-475.93	26.56	25.67	-351.25	26.56	27.23	-351.13	26.56	27.23	-226.04	

BAGO RIVER BRIDGE

BLOCK [ No.1 : MAIN GIRDER ][ BEAM MEMBER FORCE ]

MEMBER			3051			3052			3053							
NODE			3051			3052			3053							
			SHEAR	TORQUE	MOMENT	SHEAR	TORQUE	MOMENT	SHEAR	TORQUE	MOMENT					
NAME	TITLE		S2 (kN)	TQ (kN·m)	M3 (kN·m)	S2 (kN)	TQ (kN·m)	M3 (kN·m)	S2 (kN)	TQ (kN·m)	M3 (kN·m)					
301	LIVE LOAD	2-LANES (caseMAX	S2	95.86	-264.59	2420.64	72.28	-178.16	2138.26	72.28	-187.62	2137.45	99.93	-151.87	1940.50	
			TQ	27.26	117.74	-491.53	27.26	117.74	-363.54	27.26	119.34	-363.02	27.26	119.34	-234.61	
			M3	-307.07	-1853.15	7596.86	-329.84	-1795.72	5958.30	-329.84	-1822.09	5950.29	-226.69	-1503.90	4349.37	
			MIN	S2	-439.72	-1773.00	7086.81	-418.57	-1783.12	5461.70	-418.57	-1807.29	5453.75	-446.55	-1734.67	3657.70
			TQ	-363.91	-1906.70	7171.31	-372.84	-1906.70	5441.76	-372.84	-1930.78	5433.26	-381.78	-1930.78	3656.09	
			M3	27.51	115.65	-495.85	27.51	115.65	-366.71	27.51	117.27	-366.19	27.51	117.27	-236.63	
		3-LANES (caseMAX	S2	33.15	-134.22	-463.92	32.88	-136.54	-338.17	32.88	-135.04	-338.77	32.67	-136.56	-211.99	
			TQ	-324.81	2057.47	6164.42	-328.82	2057.47	4630.06	-328.83	2036.95	4638.30	-332.74	2036.95	3080.28	
			M3	-312.19	2026.42	6275.81	-324.47	1984.34	4741.14	-324.47	1963.32	4749.88	-309.71	1878.53	3248.77	
			MIN	S2	-329.26	2032.01	6162.44	-332.99	2034.33	4637.08	-332.99	2013.77	4646.04	-336.70	2015.29	3096.48
			TQ	31.43	-143.84	-557.10	31.43	-143.84	-409.57	31.44	-142.03	-409.37	31.44	-142.03	-261.31	
			M3	32.18	-141.13	-571.00	32.18	-140.92	-419.93	32.18	-139.06	-420.55	32.18	-139.06	-268.98	
		3-LANES (caseMAX	S2	248.05	-349.65	3474.21	144.82	-262.54	3027.86	144.82	-275.95	3026.67	111.14	-215.25	2295.07	
			TQ	25.56	69.00	-459.42	25.56	69.00	-339.44	25.99	70.52	-344.86	25.99	70.52	-222.44	
			M3	-261.07	-1807.78	9328.52	-359.52	-1751.34	7558.68	-359.52	-1784.79	7550.86	-371.62	-1510.07	5325.82	
			MIN	S2	-521.74	-1710.09	8570.45	-562.58	-1721.88	6888.00	-562.58	-1752.37	6880.31	-677.50	-1696.87	4620.53
			TQ	-401.32	-1877.52	8544.27	-441.16	-1877.52	6566.41	-441.60	-1906.59	6563.76	-481.75	-1906.59	4389.17	
			M3	34.17	61.64	-613.20	34.17	61.64	-452.80	34.17	63.65	-452.52	34.17	63.65	-291.59	
		3-LANES (caseMAX	S2	248.47	-320.36	3467.72	145.17	-233.12	3022.42	145.17	-246.50	3021.35	111.41	-186.13	2292.39	
			TQ	34.45	120.53	-620.19	34.45	120.53	-458.46	34.47	122.56	-458.16	34.47	122.56	-295.82	
			M3	-261.02	-1813.50	9328.02	-359.52	-1757.08	7558.57	-359.52	-1790.53	7550.72	-371.79	-1516.19	5326.04	
			MIN	S2	-523.08	-1717.26	8579.37	-562.62	-1727.77	6888.10	-562.62	-1758.26	6880.38	-677.49	-1702.68	4620.33
			TQ	-406.91	-1881.08	8643.81	-446.77	-1881.08	6639.97	-446.79	-1910.47	6631.81	-486.89	-1910.47	4433.13	
			M3	34.77	118.56	-625.79	34.77	118.56	-462.57	34.77	120.61	-462.04	34.77	120.61	-298.29	

BAGO RIVER BRIDGE

BLOCK [ No.1 : MAIN GIRDER ][ BEAM MEMBER FORCE ]

MEMBER					3051			3052			3053					
NODE					3051			3052			3053					
					SHEAR	TORQUE	MOMENT	SHEAR	TORQUE	MOMENT	SHEAR	TORQUE	MOMENT			
NAME	TITLE				S2 (kN)	TQ (kN·m)	M3 (kN·m)	S2 (kN)	TQ (kN·m)	M3 (kN·m)	S2 (kN)	TQ (kN·m)	M3 (kN·m)			
301	LIVE LOAD	4-LANES	MAX	S2	27.48	65.76	-493.68	27.48	65.76	-364.68	27.48	67.37	-364.39	27.48	67.37	-234.97
				TQ	18.97	67.35	-341.47	18.97	67.35	-252.43	24.32	68.51	-322.76	24.32	68.51	-208.21
				M3	-10.32	-4.25	184.73	-10.32	-4.25	136.28	-10.32	-4.85	136.26	-10.32	-4.86	87.66
		MIN	S2	-10.32	-4.24	184.73	-10.32	-4.24	136.28	-10.32	-4.84	136.26	-10.32	-4.84	87.66	
			TQ	-2.98	-7.20	53.57	-2.98	-7.20	39.58	-3.63	-7.39	48.04	-3.63	-7.39	30.97	
			M3	27.48	65.76	-493.68	27.48	65.76	-364.68	27.48	67.37	-364.39	27.48	67.37	-234.97	
	6-LANES	MAX	S2	231.48	-212.94	2994.93	141.96	-201.34	2580.02	141.96	-212.76	2579.11	103.04	-190.18	1821.11	
			TQ	-213.81	1514.89	4059.05	-216.79	1514.89	3048.22	-216.67	1501.38	3052.54	-219.54	1501.38	2025.27	
			M3	-397.42	122.57	11391.87	-476.03	129.15	9022.82	-476.03	89.20	9023.31	-491.01	195.60	6257.41	
		MIN	S2	-625.17	196.03	10800.94	-671.84	183.22	8501.19	-671.84	145.57	8501.92	-775.25	136.05	5683.78	
			TQ	-268.21	-1399.91	5666.54	-292.67	-1399.91	4349.62	-293.84	-1419.21	4357.84	-318.04	-1419.21	2916.69	
			M3	50.07	-10.44	-895.31	50.07	-10.29	-660.25	50.07	-7.52	-660.29	50.07	-7.36	-424.46	
LIVE LOAD	MAX		268.86	2057.47	11391.87	147.17	2057.47	9022.82	147.17	2036.95	9023.31	111.41	2036.95	6257.41		
	MIN		-625.17	-1906.70	-895.31	-671.84	-1906.70	-660.25	-671.84	-1930.78	-660.29	-775.25	-1930.78	-424.46		
303	SUM TOTAL	TOTAL	MAX		-1163.28	2581.64	46057.15	-1523.21	2581.64	36409.43	-1523.21	2439.84	36411.96	-1803.22	2439.84	25206.96
			MIN		-2057.31	-1382.53	33769.97	-2342.21	-1382.53	26726.36	-2342.21	-1527.88	26728.37	-2689.88	-1527.88	18525.10

BAGO RIVER BRIDGE

BLOCK [ No.1 : MAIN GIRDER ] [ BEAM MEMBER FORCE ]

MEMBER NODE	3053	3054			3054			3055			SHEAR	TORQUE	MOMENT		
		SHEAR	TORQUE	MOMENT	SHEAR	TORQUE	MOMENT	SHEAR	TORQUE	MOMENT					
		S2 (kN)	TQ (kN·m)	M3 (kN·m)	S2 (kN)	TQ (kN·m)	M3 (kN·m)	S2 (kN)	TQ (kN·m)	M3 (kN·m)					
1	PAVEMENT	-283.40	57.94	2910.62	-313.09	57.94	1525.20	-313.09	66.03	1524.87	-342.77	66.03	-0.00		
3	RAILING	-11.03	-3.04	87.93	-9.46	-3.04	40.34	-9.46	-2.83	40.36	-7.90	-2.83	0.00		
5	CURB	-109.19	-30.09	870.56	-93.68	-30.09	399.37	-93.68	-27.97	399.53	-78.16	-27.97	0.00		
7	DECK WEIGHT	-470.57	99.07	4912.55	-528.43	99.07	2592.44	-528.43	112.81	2591.88	-586.36	112.81	-0.00		
8	GIRDER WEIGH	-640.77	151.43	6764.82	-727.64	151.43	3586.53	-727.64	170.44	3585.67	-814.59	170.44	-0.00		
10	MEDIAN STRIP	-139.70	90.19	1943.29	-208.99	90.19	1134.00	-208.99	96.21	1133.51	-278.54	96.21	-0.00		
21	ADITIONAL WE	-131.76	27.74	1375.51	-147.96	27.74	725.88	-147.96	31.59	725.73	-164.18	31.59	-0.00		
31	MEDIAN RAILI	-7.28	3.95	88.93	-9.57	3.95	49.80	-9.57	4.21	49.78	-11.84	4.21	0.00		
51	SUPPORT WEIG	0.00	-0.00	-0.00	0.00	-0.00	-0.00	0.00	-0.00	-0.00	0.00	-0.00	-0.00		
52	NOSE WEIGHT	-0.00	0.00	0.00	-0.00	0.00	0.00	-0.00	0.00	0.00	-0.00	0.00	-0.00		
61	1-LANE(case1TRUCK-LOAD	MAX	S2	5.12	-32.24	-47.75	5.12	-32.24	-23.97	5.12	-32.37	-23.80	5.12	-32.37	0.00
			TQ	-50.31	486.21	470.23	-50.31	486.21	236.52	-50.31	487.46	233.94	-50.31	487.46	-0.00
			M3	-50.68	482.66	473.66	-50.68	482.66	238.23	-50.68	483.91	235.67	4.77	-34.18	0.00
		MIN	S2	-50.68	482.66	473.66	-50.68	482.66	238.23	-50.68	483.91	235.67	-50.68	483.91	-0.00
			TQ	4.77	-34.06	-44.51	4.77	-34.06	-22.36	4.77	-34.18	-22.17	4.77	-34.18	0.00
			M3	5.12	-32.46	-47.75	5.12	-32.46	-23.97	5.12	-32.37	-23.80	-50.48	487.02	-0.00
		TANDEM-LOAD MAX	S2	3.48	-22.31	-32.49	3.48	-22.31	-16.31	3.48	-22.40	-16.20	3.48	-22.40	0.00
			TQ	-33.92	331.13	317.05	-33.92	331.13	159.49	-33.92	331.97	157.73	-33.92	331.97	-0.00
			M3	-34.82	327.60	325.43	-34.82	327.60	163.67	-34.82	328.46	161.93	3.30	-23.31	0.00
		MIN	S2	-34.82	327.60	325.43	-34.82	327.60	163.67	-34.82	328.46	161.93	-34.82	328.46	-0.00
			TQ	3.30	-23.23	-30.83	3.30	-23.23	-15.48	3.30	-23.31	-15.36	3.30	-23.31	0.00
			M3	3.48	-22.31	-32.49	3.48	-22.31	-16.31	3.48	-22.40	-16.20	-33.92	331.97	-0.00
		DISPERSION-LMAX	S2	6.04	-38.68	-56.32	6.04	-38.68	-28.28	6.04	-38.83	-28.07	6.04	-38.83	0.00
			TQ	-68.11	731.97	637.01	-68.11	731.97	320.61	-68.11	733.66	316.73	-68.11	733.66	-0.00
			M3	-68.11	731.97	637.01	-68.11	731.97	320.61	-68.11	733.66	316.73	6.04	-38.83	0.00
		MIN	S2	-68.11	731.97	637.01	-68.11	731.97	320.61	-68.11	733.66	316.73	-68.11	733.66	-0.00
			TQ	6.04	-38.68	-56.32	6.04	-38.68	-28.28	6.04	-38.83	-28.07	6.04	-38.83	0.00
			M3	6.04	-38.68	-56.32	6.04	-38.68	-28.28	6.04	-38.83	-28.07	-68.11	733.66	-0.00

BAGO RIVER BRIDGE

BLOCK [ No.1 : MAIN GIRDER ][ BEAM MEMBER FORCE ]

MEMBER				3053			3054			3055					
NODE				3053			3054			3054			3055		
				SHEAR	TORQUE	MOMENT	SHEAR	TORQUE	MOMENT	SHEAR	TORQUE	MOMENT	SHEAR	TORQUE	MOMENT
NAME	TITLE			S2 (kN)	TQ (kN·m)	M3 (kN·m)	S2 (kN)	TQ (kN·m)	M3 (kN·m)	S2 (kN)	TQ (kN·m)	M3 (kN·m)	S2 (kN)	TQ (kN·m)	M3 (kN·m)
62	1-LANE (case2TRUCK-LOAD	MAX	S2	5.34	-13.67	-49.75	5.34	-13.67	-24.93	5.34	-13.81	-24.85	5.34	-13.81	0.00
			TQ	-66.85	194.23	622.38	-66.85	194.23	311.87	-66.85	195.88	310.83	-66.85	195.88	-0.00
			M3	-69.07	181.36	642.98	-69.07	181.36	322.14	-69.07	183.07	321.17	5.22	-14.17	0.00
		MIN	S2	-69.07	181.36	642.98	-69.07	181.36	322.14	-69.07	183.07	321.17	-69.07	183.07	-0.00
			TQ	5.22	-14.04	-48.55	5.22	-14.04	-24.33	5.22	-14.17	-24.25	5.22	-14.17	0.00
			M3	5.34	-13.67	-49.75	5.34	-13.67	-24.93	5.34	-13.81	-24.85	-64.15	194.57	-0.00
		TANDEM-LOAD MAX	S2	3.64	-9.38	-33.87	3.64	-9.38	-16.97	3.64	-9.47	-16.92	3.64	-9.47	0.00
			TQ	-44.67	132.55	415.91	-44.67	132.55	208.41	-44.67	133.65	207.71	-44.67	133.65	-0.00
			M3	-47.26	128.15	439.95	-47.26	128.15	220.43	-47.26	129.32	219.74	3.52	-9.66	0.00
		MIN	S2	-47.26	128.15	439.95	-47.26	128.15	220.43	-47.26	129.32	219.74	-47.26	129.32	-0.00
			TQ	3.52	-9.57	-32.81	3.52	-9.57	-16.44	3.52	-9.66	-16.39	3.52	-9.66	0.00
			M3	3.64	-9.38	-33.87	3.64	-9.38	-16.97	3.64	-9.47	-16.92	-43.92	133.29	-0.00
		DISPERSION-LMAX	S2	6.52	-13.38	-43.19	6.35	-15.45	-25.44	6.35	-15.59	-25.36	6.29	-16.32	0.00
			TQ	-84.52	270.25	828.82	-89.02	270.25	425.72	-89.02	272.51	424.28	-93.47	272.51	-0.00
			M3	-84.52	270.25	828.82	-89.02	270.25	425.72	-89.02	272.51	424.28	6.29	-16.32	0.00
MIN	S2	-84.75	267.47	813.43	-89.07	269.54	421.81	-89.07	271.77	420.38	-93.47	272.51	-0.00		
	TQ	6.29	-16.17	-58.59	6.29	-16.17	-29.35	6.29	-16.32	-29.27	6.29	-16.32	0.00		
	M3	6.29	-16.17	-58.59	6.29	-16.17	-29.35	6.29	-16.32	-29.27	-93.47	272.51	-0.00		
63	1-LANE (case3TRUCK-LOAD	MAX	S2	148.78	-47.66	706.21	56.91	-16.17	457.98	56.91	-13.74	458.06	5.52	0.42	0.00
			TQ	3.68	2.20	-34.18	3.68	2.20	-17.10	3.36	2.11	-15.63	3.36	2.11	0.00
			M3	43.46	-91.43	938.09	-13.04	-55.62	732.46	-13.04	-51.73	732.75	-70.36	-144.46	0.00
		MIN	S2	-98.19	-94.67	912.16	-151.55	-58.30	704.42	-151.55	-54.57	704.72	-245.74	-20.57	0.00
			TQ	-68.71	-146.35	637.90	-68.71	-146.35	318.73	-68.71	-144.66	319.50	-68.71	-144.66	0.00
			M3	5.52	0.56	-51.33	5.52	0.56	-25.68	5.52	0.42	-25.68	0.00	0.00	0.00

BAGO RIVER BRIDGE

BLOCK [ No.1 : MAIN GIRDER ][ BEAM MEMBER FORCE ]

MEMBER		3053			3054			3054			3055					
NODE		3053			3054			3054			3055					
		SHEAR	TORQUE	MOMENT	SHEAR	TORQUE	MOMENT	SHEAR	TORQUE	MOMENT	SHEAR	TORQUE	MOMENT			
NAME	TITLE	S2 (kN)	TQ (kN·m)	M3 (kN·m)	S2 (kN)	TQ (kN·m)	M3 (kN·m)	S2 (kN)	TQ (kN·m)	M3 (kN·m)	S2 (kN)	TQ (kN·m)	M3 (kN·m)			
63	1-LANE (case3TANDEM-LOAD	MAX	S2	130.70	-43.76	690.54	69.94	-19.87	562.84	69.94	-16.88	562.93	3.76	0.33	0.00	
			TQ	2.17	1.54	-20.12	2.17	1.54	-10.06	2.17	1.49	-10.07	2.17	1.49	0.00	
			M3	31.61	-50.14	724.39	-21.86	-25.91	611.38	-21.86	-22.67	611.51	-48.41	-98.91	0.00	
		MIN	S2	-77.96	-50.14	724.39	-131.51	-25.91	611.38	-131.51	-22.67	611.51	-208.94	-2.50	0.00	
			TQ	-48.41	-100.10	449.49	-48.41	-100.10	224.60	-48.41	-98.91	225.12	-48.41	-98.91	0.00	
			M3	3.76	0.42	-34.96	3.76	0.42	-17.49	3.76	0.33	-17.49	0.00	0.00	0.00	
			DISPERSION-LMAX	S2	32.16	-7.21	52.53	13.39	-1.11	25.67	13.39	-0.97	25.67	6.49	0.74	0.00
				TQ	1.54	3.01	-14.32	1.54	3.01	-7.16	1.49	2.97	-6.26	1.20	2.97	0.00
				M3	-67.45	-181.38	977.55	-105.26	-181.38	576.44	-105.26	-178.32	577.40	-138.05	-180.56	0.00
			MIN	S2	-93.12	-173.27	864.68	-112.16	-179.38	520.59	-112.16	-176.61	521.54	-143.08	-178.32	0.00
				TQ	-62.50	-183.49	931.54	-100.31	-183.49	553.42	-100.26	-180.56	553.47	-137.80	-180.56	0.00
				M3	6.49	0.90	-60.34	6.49	0.90	-30.18	6.49	0.74	-30.19	0.00	0.00	0.00
64	1-LANE (case4TRUCK-LOAD	MAX	S2	5.92	29.55	-54.86	5.92	29.55	-27.37	5.92	29.40	-27.52	42.12	0.00	0.00	
			TQ	5.81	30.76	-53.87	5.81	30.76	-26.87	5.81	30.61	-27.03	5.81	30.61	-0.00	
			M3	-117.11	-482.03	1086.00	-117.11	-482.03	542.00	-117.11	-479.15	544.55	-95.94	-515.45	0.00	
		MIN	S2	-162.97	-365.76	911.21	-117.11	-482.03	542.00	-117.11	-479.15	544.55	-117.11	-479.15	0.00	
			TQ	-100.63	-519.15	932.64	-100.63	-519.15	465.18	-100.63	-516.68	467.93	-100.63	-516.68	0.00	
			M3	5.92	29.55	-54.86	5.92	29.55	-27.37	5.92	29.40	-27.52	5.81	30.61	-0.00	
			TANDEM-LOAD MAX	S2	4.04	20.39	-37.40	4.04	20.39	-18.66	4.04	20.29	-18.76	53.02	-21.79	0.00
				TQ	3.93	21.00	-36.44	3.93	21.00	-18.17	3.93	20.90	-18.28	3.93	20.90	-0.00
				M3	-83.20	-340.22	771.55	-83.20	-340.22	385.08	-83.20	-338.17	386.87	-61.58	-348.10	0.00
			MIN	S2	-131.72	-277.85	667.22	-83.20	-340.22	385.08	-83.20	-338.17	386.87	-83.20	-338.17	0.00
				TQ	-70.04	-353.72	649.14	-70.04	-353.72	323.80	-70.04	-352.00	325.67	-70.04	-352.00	0.00
				M3	4.04	20.39	-37.40	4.04	20.39	-18.66	4.04	20.29	-18.76	3.93	20.90	-0.00



BAGO RIVER BRIDGE

BLOCK [ No.1 : MAIN GIRDER ][ BEAM MEMBER FORCE ]

MEMBER		3053			3054			3054			3055						
NODE		3053			3054			3054			3055						
		SHEAR	TORQUE	MOMENT	SHEAR	TORQUE	MOMENT	SHEAR	TORQUE	MOMENT	SHEAR	TORQUE	MOMENT				
NAME	TITLE	S2 (kN)	TQ (kN·m)	M3 (kN·m)	S2 (kN)	TQ (kN·m)	M3 (kN·m)	S2 (kN)	TQ (kN·m)	M3 (kN·m)	S2 (kN)	TQ (kN·m)	M3 (kN·m)				
64	1-LANE (case4DISPERSION-LMAX	S2	6.89	33.79	-63.88	6.89	33.79	-31.87	6.89	33.62	-32.05	12.07	24.38	-0.00			
		TQ	6.89	33.79	-63.88	6.89	33.79	-31.87	6.89	33.62	-32.05	6.89	33.62	-0.00			
		M3	-135.99	-748.84	1157.15	-122.41	-744.78	551.94	-122.44	-741.89	555.89	-113.81	-745.91	0.00			
		MIN	S2	-135.99	-748.84	1157.15	-124.92	-748.84	551.10	-124.92	-745.91	555.06	-118.99	-736.67	0.00		
		TQ	-135.99	-748.84	1157.15	-124.92	-748.84	551.10	-124.92	-745.91	555.06	-113.81	-745.91	0.00			
		M3	6.89	33.79	-63.88	4.38	29.73	-32.71	4.41	29.60	-32.87	6.89	33.62	-0.00			
		65	2-LANES (caseTRUCK-LOAD	MAX	S2	10.35	-55.32	-96.49	10.35	-55.32	-48.42	10.35	-55.58	-48.12	10.35	-55.58	0.00
				TQ	-105.65	823.19	986.41	-105.65	823.19	495.64	-105.65	825.81	491.27	-105.65	825.81	-0.00	
				M3	-107.63	812.38	1004.72	-107.63	812.38	504.77	-107.63	815.05	500.46	9.66	-58.35	0.00	
MIN	S2			-107.63	812.38	1004.72	-107.63	812.38	504.77	-107.63	815.05	500.46	-107.63	815.05	-0.00		
TQ	9.66			-58.11	-90.09	9.66	-58.11	-45.22	9.66	-58.35	-44.91	9.66	-58.35	0.00			
M3	10.35			-55.55	-96.49	10.35	-55.55	-48.42	10.35	-55.58	-48.12	-105.82	825.36	-0.00			
TANDEM-LOAD	MAX			S2	7.04	-38.17	-65.67	7.04	-38.17	-32.95	7.04	-38.34	-32.75	7.04	-38.34	0.00	
TQ	-71.81			560.70	670.48	-71.81	560.70	336.90	-71.81	562.47	333.92	-71.81	562.47	-0.00			
M3	-73.73			550.91	688.23	-73.73	550.91	345.76	-73.73	552.74	342.83	6.69	-39.81	0.00			
MIN	S2	-73.73	550.91	688.23	-73.73	550.91	345.76	-73.73	552.74	342.83	-73.73	552.74	-0.00				
TQ	6.69	-39.64	-62.37	6.69	-39.64	-31.31	6.69	-39.81	-31.10	6.69	-39.81	0.00					
M3	7.04	-38.17	-65.67	7.04	-38.17	-32.95	7.04	-38.34	-32.75	-71.81	562.47	-0.00					
DISPERSION-LMAX	S2	12.20	-66.12	-113.77	12.20	-66.12	-57.09	12.20	-66.42	-56.74	12.20	-66.42	0.00				
TQ	-147.07	1236.84	1373.66	-147.07	1236.84	690.47	-147.07	1240.49	683.90	-147.07	1240.49	-0.00					
M3	-147.07	1236.84	1373.66	-147.07	1236.84	690.47	-147.07	1240.49	683.90	12.20	-66.42	0.00					
MIN	S2	-147.07	1236.84	1373.66	-147.07	1236.84	690.47	-147.07	1240.49	683.90	-147.07	1240.49	-0.00				
TQ	12.20	-66.12	-113.77	12.20	-66.12	-57.09	12.20	-66.42	-56.74	12.20	-66.42	0.00					
M3	12.20	-66.12	-113.77	12.20	-66.12	-57.09	12.20	-66.42	-56.74	-147.07	1240.49	-0.00					

BAGO RIVER BRIDGE

BLOCK [ No.1 : MAIN GIRDER ][ BEAM MEMBER FORCE ]

MEMBER				3053			3054			3054			3055		
NODE				3053			3054			3054			3055		
				SHEAR	TORQUE	MOMENT	SHEAR	TORQUE	MOMENT	SHEAR	TORQUE	MOMENT	SHEAR	TORQUE	MOMENT
NAME	TITLE			S2 (kN)	TQ (kN·m)	M3 (kN·m)	S2 (kN)	TQ (kN·m)	M3 (kN·m)	S2 (kN)	TQ (kN·m)	M3 (kN·m)	S2 (kN)	TQ (kN·m)	M3 (kN·m)
66	2-LANES (caseTRUCK-LOAD	MAX	S2	10.58	-36.76	-98.50	10.58	-36.76	-49.37	10.58	-37.02	-49.18	10.58	-37.02	0.00
			TQ	-122.18	531.21	1138.56	-122.18	531.21	570.98	-122.18	534.23	568.16	-122.18	534.23	-0.00
			M3	-126.01	511.09	1174.04	-126.01	511.09	588.68	-126.01	514.20	585.96	10.11	-38.34	0.00
		MIN	S2	-126.01	511.09	1174.04	-126.01	511.09	588.68	-126.01	514.20	585.96	-126.01	514.20	-0.00
			TQ	10.11	-38.09	-94.13	10.11	-38.09	-47.19	10.11	-38.34	-46.99	10.11	-38.34	0.00
			M3	10.58	-36.76	-98.50	10.58	-36.76	-49.37	10.58	-37.02	-49.18	-119.49	532.92	-0.00
		TANDEM-LOAD MAX	S2	7.20	-25.23	-67.05	7.20	-25.23	-33.61	7.20	-25.41	-33.47	7.20	-25.41	0.00
			TQ	-82.56	362.12	769.34	-82.56	362.12	385.83	-82.56	364.16	383.90	-82.56	364.16	-0.00
			M3	-86.16	351.47	802.75	-86.16	351.47	402.52	-86.16	353.60	400.65	6.91	-26.16	0.00
		MIN	S2	-86.16	351.47	802.75	-86.16	351.47	402.52	-86.16	353.60	400.65	-86.16	353.60	-0.00
			TQ	6.91	-25.99	-64.36	6.91	-25.99	-32.26	6.91	-26.16	-32.13	6.91	-26.16	0.00
			M3	7.20	-25.23	-67.05	7.20	-25.23	-33.61	7.20	-25.41	-33.47	-81.81	363.79	-0.00
		DISPERSION-LMAX	S2	12.69	-40.82	-100.65	12.51	-42.89	-54.26	12.51	-43.18	-54.03	12.46	-43.91	0.00
			TQ	-163.48	775.12	1565.47	-167.98	775.12	795.57	-167.98	779.33	791.45	-172.43	779.33	-0.00
			M3	-163.48	775.12	1565.47	-167.98	775.12	795.57	-167.98	779.33	791.45	12.46	-43.91	0.00
MIN	S2	-163.71	772.34	1550.08	-168.04	774.41	791.66	-168.04	778.60	787.55	-172.43	779.33	-0.00		
	TQ	12.46	-43.60	-116.04	12.46	-43.60	-58.17	12.46	-43.91	-57.93	12.46	-43.91	0.00		
	M3	12.46	-43.60	-116.04	12.46	-43.60	-58.17	12.46	-43.91	-57.93	-172.43	779.33	-0.00		
67	2-LANES (caseTRUCK-LOAD	MAX	S2	184.25	-219.79	1469.48	69.75	-80.33	776.20	69.75	-76.22	776.62	11.17	10.35	-0.00
			TQ	8.46	13.98	-78.55	8.46	13.98	-39.26	8.14	13.78	-37.86	8.14	13.78	-0.00
			M3	9.39	-364.01	1956.47	-66.55	-249.78	1332.02	-66.55	-242.71	1333.33	-153.72	-469.22	0.00
		MIN	S2	-206.38	-372.46	1916.40	-279.03	-259.96	1296.11	-279.03	-253.09	1297.47	-397.27	-107.66	0.00
			TQ	-152.07	-473.16	1411.01	-152.07	-473.16	704.62	-152.07	-469.41	707.12	-152.07	-469.41	0.00
			M3	11.17	10.63	-103.80	11.17	10.63	-51.90	11.17	10.35	-51.96	4.78	11.67	-0.00

BAGO RIVER BRIDGE

BLOCK [ No.1 : MAIN GIRDER ][ BEAM MEMBER FORCE ]

MEMBER		3053			3054			3054			3055						
NODE		3053			3054			3054			3055						
		SHEAR	TORQUE	MOMENT	SHEAR	TORQUE	MOMENT	SHEAR	TORQUE	MOMENT	SHEAR	TORQUE	MOMENT				
NAME	TITLE	S2 (kN)	TQ (kN·m)	M3 (kN·m)	S2 (kN)	TQ (kN·m)	M3 (kN·m)	S2 (kN)	TQ (kN·m)	M3 (kN·m)	S2 (kN)	TQ (kN·m)	M3 (kN·m)				
67	2-LANES (caseTANDEM-LOAD	MAX	S2	162.53	-196.54	1391.84	85.72	-98.73	953.93	85.72	-93.67	954.44	7.61	7.20	-0.00		
			TQ	5.52	9.60	-51.21	5.52	9.60	-25.60	5.52	9.46	-25.65	5.52	9.46	-0.00		
			M3	9.54	-217.34	1462.02	-59.10	-125.69	1050.90	-59.10	-120.11	1051.55	-103.50	-320.22	0.00		
		MIN	S2	-157.41	-217.34	1462.02	-226.14	-125.69	1050.90	-226.14	-120.11	1051.55	-321.38	-13.88	0.00		
			TQ	-103.50	-322.76	960.36	-103.50	-322.76	479.58	-103.50	-320.22	481.28	-103.50	-320.22	0.00		
			M3	7.61	7.39	-70.71	7.61	7.39	-35.35	7.61	7.20	-35.39	3.35	7.97	-0.00		
			DISPERSION-LMAX	S2	46.50	-12.78	77.47	22.06	6.48	24.69	22.06	6.61	24.65	13.12	12.73	-0.00	
				TQ	7.17	15.31	-66.54	7.17	15.31	-33.25	7.02	15.14	-31.98	6.74	15.14	-0.00	
				M3	-162.34	-640.85	2042.49	-220.08	-640.85	1154.31	-220.08	-634.72	1157.70	-271.75	-637.13	0.00	
			MIN	S2	-195.72	-615.02	1843.14	-229.02	-634.27	1068.69	-229.02	-628.60	1072.03	-277.85	-634.72	0.00	
				TQ	-156.39	-643.11	1987.14	-214.13	-643.11	1126.62	-213.98	-637.13	1128.67	-271.47	-637.13	0.00	
				M3	13.12	13.06	-121.89	13.12	13.06	-60.94	13.12	12.73	-61.01	5.56	12.17	-0.00	
		68	2-LANES (caseTRUCK-LOAD	MAX	S2	41.40	-142.57	708.41	18.76	-34.62	290.86	18.76	-33.08	291.04	47.91	19.89	-0.00
					TQ	11.49	51.49	-106.50	11.49	51.49	-53.14	11.49	51.21	-53.41	11.49	51.21	-0.00
					M3	-151.16	-754.55	2104.35	-170.61	-676.17	1141.56	-170.61	-670.11	1145.13	-179.29	-840.12	0.00
MIN	S2			-271.16	-643.50	1915.40	-246.27	-676.17	1141.56	-246.27	-670.11	1145.13	-268.63	-566.23	0.00		
	TQ			-183.98	-845.88	1705.71	-183.98	-845.88	851.05	-183.98	-841.35	855.53	-183.98	-841.35	0.00		
	M3			11.71	49.59	-108.55	11.71	49.59	-54.17	11.71	49.30	-54.43	11.49	51.21	-0.00		
	TANDEM-LOAD MAX			S2	35.88	-132.38	663.90	19.81	-58.47	372.43	19.81	-56.49	372.74	56.97	-8.04	0.00	
				TQ	7.77	35.12	-72.03	7.77	35.12	-35.94	7.77	34.93	-36.13	7.77	34.93	-0.00	
				M3	-105.25	-507.40	1509.18	-120.44	-439.99	824.59	-120.44	-435.61	826.91	-116.66	-569.35	0.00	
	MIN			S2	-211.17	-445.04	1404.85	-177.83	-439.99	824.59	-177.83	-435.61	826.91	-195.64	-349.55	0.00	
				TQ	-125.12	-576.33	1159.99	-125.12	-576.33	578.77	-125.12	-573.25	581.81	-125.12	-573.25	0.00	
				M3	7.98	34.24	-74.00	7.98	34.24	-36.93	7.98	34.04	-37.11	7.77	34.93	-0.00	

BAGO RIVER BRIDGE

BLOCK [ No.1 : MAIN GIRDER ][ BEAM MEMBER FORCE ]

MEMBER		3053			3054			3054			3055						
NODE		3053			3054			3054			3055						
		SHEAR	TORQUE	MOMENT	SHEAR	TORQUE	MOMENT	SHEAR	TORQUE	MOMENT	SHEAR	TORQUE	MOMENT				
NAME	TITLE	S2 (kN)	TQ (kN·m)	M3 (kN·m)	S2 (kN)	TQ (kN·m)	M3 (kN·m)	S2 (kN)	TQ (kN·m)	M3 (kN·m)	S2 (kN)	TQ (kN·m)	M3 (kN·m)				
68	2-LANES (caseDISPERSION-LMAX	S2	21.36	38.65	-40.07	15.69	51.80	-33.39	15.69	51.62	-33.66	18.82	46.80	-0.00			
		TQ	13.65	56.37	-126.56	13.65	56.37	-63.16	13.65	56.04	-63.46	13.65	56.04	-0.00			
		M3	-230.86	-1210.46	2221.99	-237.22	-1206.40	1129.76	-237.25	-1200.44	1136.14	-248.58	-1204.46	0.00			
		MIN	S2	-238.57	-1192.73	2135.50	-241.77	-1205.88	1099.14	-241.77	-1200.04	1105.52	-253.75	-1195.22	0.00		
		TQ	-230.86	-1210.46	2221.99	-239.73	-1210.46	1128.92	-239.73	-1204.46	1135.32	-248.58	-1204.46	0.00			
		M3	13.65	56.37	-126.56	11.13	52.32	-64.01	11.16	52.02	-64.28	13.65	56.04	-0.00			
		69	3-LANES (caseTRUCK-LOAD	MAX	S2	15.69	-69.00	-146.25	15.69	-69.00	-73.34	15.69	-69.39	-72.98	15.69	-69.39	0.00
				TQ	-172.50	1017.42	1608.79	-172.50	1017.42	807.51	-172.50	1021.69	802.10	-172.50	1021.69	-0.00	
				M3	-176.69	993.74	1647.70	-176.69	993.74	826.91	-176.69	998.11	821.63	14.87	-72.52	0.00	
MIN	S2			-176.69	993.74	1647.70	-176.69	993.74	826.91	-176.69	998.11	821.63	-176.69	998.11	-0.00		
TQ	14.87			-72.15	-138.64	14.87	-72.15	-69.55	14.87	-72.52	-69.16	14.87	-72.52	0.00			
M3	15.69			-69.22	-146.25	15.69	-69.22	-73.34	15.69	-69.39	-72.98	-169.96	1019.93	-0.00			
TANDEM-LOAD	MAX			S2	10.68	-47.55	-99.54	10.68	-47.55	-49.92	10.68	-47.81	-49.67	10.68	-47.81	0.00	
TQ	-116.48			693.25	1086.39	-116.48	693.25	545.32	-116.48	696.13	541.63	-116.48	696.13	-0.00			
M3	-120.98			679.07	1128.18	-120.98	679.07	566.18	-120.98	682.06	562.57	10.21	-49.47	0.00			
MIN	S2	-120.98	679.07	1128.18	-120.98	679.07	566.18	-120.98	682.06	562.57	-120.98	682.06	-0.00				
TQ	10.21	-49.22	-95.18	10.21	-49.22	-47.75	10.21	-49.47	-47.49	10.21	-49.47	0.00					
M3	10.68	-47.55	-99.54	10.68	-47.55	-49.92	10.68	-47.81	-49.67	-115.73	695.76	-0.00					
DISPERSION-LMAX	S2	18.72	-79.50	-156.97	18.55	-81.58	-82.54	18.55	-82.01	-82.10	18.50	-82.74	0.00				
TQ	-231.60	1507.09	2202.49	-236.09	1507.09	1116.18	-236.09	1512.99	1108.18	-240.54	1512.99	-0.00					
M3	-231.60	1507.09	2202.49	-236.09	1507.09	1116.18	-236.09	1512.99	1108.18	18.50	-82.74	0.00					
MIN	S2	-231.83	1504.31	2187.09	-236.15	1506.38	1112.28	-236.15	1512.26	1104.27	-240.54	1512.99	-0.00				
TQ	18.50	-82.29	-172.36	18.50	-82.29	-86.44	18.50	-82.74	-86.01	18.50	-82.74	0.00					
M3	18.50	-82.29	-172.36	18.50	-82.29	-86.44	18.50	-82.74	-86.01	-240.54	1512.99	-0.00					

BAGO RIVER BRIDGE

BLOCK [ No.1 : MAIN GIRDER ][ BEAM MEMBER FORCE ]

MEMBER				3053			3054			3055						
NODE				3053			3054			3055						
				SHEAR	TORQUE	MOMENT	SHEAR	TORQUE	MOMENT	SHEAR	TORQUE	MOMENT				
NAME	TITLE			S2 (kN)	TQ (kN·m)	M3 (kN·m)	S2 (kN)	TQ (kN·m)	M3 (kN·m)	S2 (kN)	TQ (kN·m)	M3 (kN·m)				
70	3-LANES (caseTRUCK-LOAD	MAX	S2	190.03	-200.21	1415.84	75.53	-60.75	749.42	75.53	-56.78	749.73	53.30	10.35	-0.00	
			TQ	13.75	35.78	-127.64	13.75	35.78	-63.76	13.44	35.45	-62.47	13.44	35.45	-0.00	
			M3	-107.70	-845.95	3042.27	-183.63	-731.72	1873.93	-183.63	-721.77	1877.78	-249.66	-984.76	0.00	
			MIN	S2	-369.25	-738.00	2827.21	-396.11	-741.91	1838.02	-396.11	-732.15	1841.93	-514.35	-586.72	0.00
				TQ	-252.70	-992.40	2343.69	-252.70	-992.40	1169.82	-252.70	-986.18	1175.07	-252.70	-986.18	0.00
				M3	16.95	30.21	-157.44	16.95	30.21	-78.68	16.95	29.79	-78.84	10.07	33.34	-0.00
		TANDEM-LOAD	MAX	S2	166.47	-183.02	1355.28	89.66	-85.21	935.68	89.66	-80.25	936.11	60.63	-14.59	0.00
				TQ	9.06	24.51	-84.11	9.06	24.51	-42.01	9.06	24.28	-42.14	9.06	24.28	-0.00
				M3	-73.66	-557.58	2233.57	-142.30	-465.93	1435.97	-142.30	-458.31	1438.42	-165.08	-668.37	0.00
			MIN	S2	-289.12	-495.14	2129.13	-309.34	-465.93	1435.97	-309.34	-458.31	1438.42	-404.58	-352.07	0.00
				TQ	-173.54	-676.54	1609.54	-173.54	-676.54	803.39	-173.54	-672.27	806.97	-173.54	-672.27	0.00
				M3	11.55	20.91	-107.26	11.55	20.91	-53.60	11.55	20.62	-53.71	6.90	22.79	-0.00
		DISPERSION-LMAX	MAX	S2	53.27	10.58	14.70	28.83	29.84	-6.65	28.83	29.80	-6.81	25.06	26.69	-0.00
				TQ	13.93	38.68	-129.30	13.93	38.68	-64.58	13.78	38.34	-63.43	13.50	38.34	-0.00
				M3	-298.24	-1387.49	3199.40	-342.47	-1383.44	1706.18	-342.50	-1374.42	1713.50	-385.55	-1380.84	0.00
			MIN	S2	-331.62	-1361.66	3000.05	-353.92	-1380.91	1619.71	-353.92	-1372.31	1627.01	-396.83	-1369.19	0.00
				TQ	-292.29	-1389.75	3144.05	-339.03	-1389.75	1677.64	-338.88	-1380.84	1683.64	-385.26	-1380.84	0.00
				M3	19.89	36.42	-184.65	17.37	32.36	-93.12	17.40	31.91	-93.29	12.33	35.37	-0.00
71	3-LANES (caseTRUCK-LOAD	MAX	S2	190.18	-190.22	1414.62	75.67	-50.78	748.84	75.67	-46.81	749.10	53.57	30.28	-0.00	
			TQ	17.05	62.22	-158.13	17.05	62.22	-78.94	17.05	61.80	-79.27	17.05	61.80	-0.00	
			M3	-107.70	-845.93	3042.40	-183.65	-731.77	1874.02	-183.65	-721.83	1877.88	-249.65	-984.51	0.00	
			MIN	S2	-369.34	-738.11	2827.53	-403.84	-731.77	1874.02	-403.84	-721.83	1877.88	-523.04	-584.57	0.00
				TQ	-252.69	-992.15	2343.58	-252.69	-992.15	1169.77	-252.69	-985.93	1175.01	-252.69	-985.93	0.00
				M3	17.36	60.11	-161.08	17.36	60.11	-80.42	17.36	59.68	-80.74	17.05	61.80	-0.00

BAGO RIVER BRIDGE

BLOCK [ No.1 : MAIN GIRDER ][ BEAM MEMBER FORCE ]

MEMBER		3053			3054			3054			3055							
NODE		3053			3054			3054			3055							
		SHEAR	TORQUE	MOMENT	SHEAR	TORQUE	MOMENT	SHEAR	TORQUE	MOMENT	SHEAR	TORQUE	MOMENT					
NAME	TITLE	S2 (kN)	TQ (kN·m)	M3 (kN·m)	S2 (kN)	TQ (kN·m)	M3 (kN·m)	S2 (kN)	TQ (kN·m)	M3 (kN·m)	S2 (kN)	TQ (kN·m)	M3 (kN·m)					
71	3-LANES (case)	TANDEM-LOAD	MAX	S2	166.59	-176.13	1354.44	89.76	-78.33	935.27	89.76	-73.37	935.67	60.82	-0.84	-0.00		
				TQ	11.61	42.48	-107.72	11.61	42.48	-53.77	11.61	42.19	-54.00	11.61	42.19	-0.00		
				M3	-73.64	-557.52	2233.56	-142.30	-465.90	1435.97	-142.30	-458.28	1438.42	-165.07	-668.20	0.00		
			MIN	S2	-289.13	-495.16	2129.23	-309.34	-465.90	1435.97	-309.34	-458.28	1438.42	-404.58	-352.05	0.00		
			TQ	-173.53	-676.38	1609.46	-173.53	-676.38	803.35	-173.53	-672.11	806.93	-173.53	-672.11	0.00			
			M3	11.83	41.54	-109.78	11.83	41.54	-54.81	11.83	41.25	-55.03	11.61	42.19	-0.00			
			DISPERSION-LMAX	S2	53.65	41.91	11.34	29.21	61.17	-8.25	29.21	61.12	-8.58	25.44	58.01	-0.00		
			TQ	20.26	67.75	-187.95	20.26	67.75	-93.84	20.26	67.25	-93.56	19.98	67.25	-0.00			
			M3	-298.31	-1393.99	3199.44	-342.47	-1389.94	1706.15	-342.50	-1380.92	1713.49	-391.61	-1384.93	0.00			
			MIN	S2	-331.69	-1368.16	3000.08	-353.92	-1387.41	1619.68	-353.92	-1378.81	1627.01	-396.83	-1375.69	0.00		
			TQ	-298.30	-1393.99	3199.36	-344.98	-1393.99	1705.27	-344.98	-1384.93	1712.00	-391.36	-1384.93	0.00			
			M3	20.27	67.75	-188.02	17.75	63.69	-94.72	17.78	63.24	-95.06	20.23	67.25	-0.00			
		72	4-LANES	TRUCK-LOAD	MAX	S2	22.79	58.44	-211.55	22.79	58.44	-105.68	22.79	57.87	-105.98	22.79	57.87	-0.00
						TQ	15.66	58.73	-145.22	15.66	58.73	-72.49	15.66	58.34	-72.80	15.66	58.34	-0.00
						M3	-6.54	-2.79	60.81	-6.54	-2.79	30.41	-6.54	-2.63	30.43	0.00	0.00	0.00
	MIN			S2	-6.54	-2.79	60.81	-6.54	-2.79	30.41	-6.54	-2.63	30.43	-6.54	-2.63	0.00		
	TQ			-0.88	-4.62	8.17	-0.88	-4.62	4.07	-0.64	-4.60	2.99	-0.64	-4.60	0.00			
	M3			22.79	58.44	-211.55	22.79	58.44	-105.68	22.79	57.87	-105.98	17.29	57.53	-0.00			
	TANDEM-LOAD			MAX	S2	15.59	41.63	-144.70	15.59	41.63	-72.28	15.59	41.25	-72.50	15.59	41.25	-0.00	
	TQ			10.72	41.69	-99.38	10.72	41.69	-49.60	10.72	41.43	-49.83	10.72	41.43	-0.00			
	M3			-4.45	-1.96	41.33	-4.45	-1.96	20.67	-4.45	-1.85	20.68	0.00	0.00	0.00			
	MIN			S2	-4.45	-1.96	41.33	-4.45	-1.96	20.67	-4.45	-1.85	20.68	-4.45	-1.85	0.00		
	TQ			-0.80	-3.16	7.45	-0.80	-3.16	3.72	-0.43	-3.15	2.00	-0.43	-3.15	0.00			
	M3			15.59	41.63	-144.70	15.59	41.63	-72.28	15.59	41.25	-72.50	11.83	40.88	-0.00			

BAGO RIVER BRIDGE

BLOCK [ No.1 : MAIN GIRDER ] [ BEAM MEMBER FORCE ]

MEMBER				3053			3054			3055								
NODE				3053			3054			3054			3055					
				SHEAR	TORQUE	MOMENT	SHEAR	TORQUE	MOMENT	SHEAR	TORQUE	MOMENT	SHEAR	TORQUE	MOMENT			
NAME	TITLE			S2 (kN)	TQ (kN·m)	M3 (kN·m)	S2 (kN)	TQ (kN·m)	M3 (kN·m)	S2 (kN)	TQ (kN·m)	M3 (kN·m)	S2 (kN)	TQ (kN·m)	M3 (kN·m)			
72	4-LANES	DISPERSION-LMAX	S2	16.01	34.40	-148.60	16.01	34.40	-74.25	16.01	34.01	-74.43	16.01	34.01	-0.00			
			TQ	11.25	36.23	-104.41	11.25	36.23	-52.14	11.09	35.96	-51.58	11.09	35.96	-0.00			
			M3	-7.96	-3.31	73.96	-7.96	-3.31	36.99	-7.96	-3.12	37.01	0.00	0.00	0.00			
		MIN	S2	-7.96	-3.32	73.96	-7.96	-3.32	36.99	-7.96	-3.12	37.01	-7.96	-3.12	0.00			
			TQ	-3.39	-5.54	31.44	-3.39	-5.54	15.71	-3.23	-5.45	15.00	-3.23	-5.45	0.00			
			M3	16.01	34.40	-148.60	16.01	34.40	-74.25	16.01	34.01	-74.43	11.32	34.28	-0.00			
		73	6-LANES	TRUCK-LOAD	MAX	S2	238.58	-75.39	1770.08	100.76	-37.91	911.00	100.76	-33.08	911.19	59.46	-61.52	0.00
					TQ	-160.38	957.20	1495.84	-160.38	957.20	750.85	-160.58	961.17	746.71	-160.58	961.17	-0.00	
					M3	-230.64	162.30	4704.88	-320.79	218.55	2776.02	-320.79	233.26	2774.82	-221.12	-923.55	0.00	
MIN	S2			-539.77	191.31	4647.34	-592.86	212.62	2757.95	-592.86	227.24	2756.78	-736.50	270.78	-0.00			
	TQ			-223.71	-931.61	2074.52	-223.71	-931.61	1035.33	-223.71	-926.11	1040.25	-223.71	-926.11	0.00			
	M3			33.06	-7.91	-307.32	33.06	-7.91	-153.76	33.06	-8.51	-153.71	-162.64	953.44	-0.00			
TANDEM-LOAD	MAX			S2	206.81	-65.98	1711.99	114.89	-35.33	1161.25	114.89	-29.17	1161.42	61.97	-46.84	0.00		
	TQ			-110.43	652.46	1029.90	-110.43	652.46	516.94	-110.48	655.19	513.74	-110.48	655.19	-0.00			
	M3			-155.35	110.92	3386.81	-237.43	144.27	2078.27	-237.43	155.29	2077.47	-147.52	-627.36	0.00			
MIN	S2			-404.10	172.28	3291.01	-446.77	144.27	2078.27	-446.77	155.29	2077.47	-561.97	174.17	-0.00			
	TQ			-154.85	-634.95	1435.99	-154.85	-634.95	716.68	-154.85	-631.14	720.04	-154.85	-631.14	0.00			
	M3			22.52	-5.18	-209.31	22.52	-5.18	-104.72	22.52	-5.73	-104.70	-110.67	649.99	-0.00			
DISPERSION-LMAX				S2	S2	70.67	-26.08	-143.52	46.17	-11.27	-86.58	46.17	-11.73	-86.52	42.38	-16.33	0.00	
					TQ	-191.20	1441.19	1824.73	-195.49	1441.19	926.57	-195.52	1446.08	919.71	-200.05	1446.08	-0.00	
					M3	-484.20	50.31	4925.42	-528.82	57.46	2584.01	-528.85	70.86	2583.67	-329.04	-1344.43	0.00	
		MIN	S2	-516.33	67.62	4733.87	-539.95	59.31	2494.94	-539.95	72.54	2494.59	-584.75	76.09	-0.00			
			TQ	-256.20	-1352.07	2713.89	-292.74	-1352.07	1438.82	-292.59	-1344.43	1444.62	-328.75	-1344.43	0.00			
			M3	37.21	-6.17	-345.88	34.69	-10.23	-173.89	34.72	-11.10	-173.83	-199.80	1446.08	-0.00			

BAGO RIVER BRIDGE

BLOCK [ No.1 : MAIN GIRDER ][ BEAM MEMBER FORCE ]

MEMBER			3053			3054			3054			3055			
NODE			3053			3054			3054			3055			
NAME TITLE			SHEAR	TORQUE	MOMENT	SHEAR	TORQUE	MOMENT	SHEAR	TORQUE	MOMENT	SHEAR	TORQUE	MOMENT	
			S2 (kN)	TQ (kN·m)	M3 (kN·m)	S2 (kN)	TQ (kN·m)	M3 (kN·m)	S2 (kN)	TQ (kN·m)	M3 (kN·m)	S2 (kN)	TQ (kN·m)	M3 (kN·m)	
124	SUM TOTAL	D+1LANE (caseMAX	S2	-1780.31	312.08	18829.32	-2025.42	312.08	9990.87	-2025.42	365.06	9989.07	-2270.95	365.06	-0.00
			TQ	-1935.80	1859.01	20282.89	-2180.92	1859.01	10722.13	-2180.92	1915.84	10712.12	-2426.45	1915.84	-0.00
			M3	-1936.25	1854.74	20287.02	-2181.36	1854.74	10724.18	-2181.36	1911.58	10714.20	-2271.37	362.88	-0.00
		MIN	S2	-1936.25	1854.74	20287.02	-2181.36	1854.74	10724.18	-2181.36	1911.58	10714.20	-2426.90	1911.58	-0.00
			TQ	-1780.72	309.90	18833.20	-2025.84	309.90	9992.81	-2025.84	362.88	9991.02	-2271.37	362.88	-0.00
			M3	-1780.31	311.82	18829.32	-2025.42	311.82	9990.87	-2025.42	365.06	9989.07	-2426.65	1915.31	-0.00
		D+1LANE (caseMAX	S2	-1779.45	364.73	18842.66	-2024.77	362.24	9993.12	-2024.77	415.22	9991.06	-2270.38	414.34	-0.00
			TQ	-1975.33	954.57	20695.65	-2225.84	954.57	10938.67	-2225.84	1012.56	10933.46	-2476.72	1012.56	-0.00
			M3	-1978.00	939.13	20720.36	-2228.51	939.13	10950.99	-2228.51	997.18	10945.86	-2270.53	413.91	-0.00
		MIN	S2	-1978.27	935.78	20701.89	-2228.58	938.27	10946.31	-2228.58	996.30	10941.18	-2479.39	997.18	-0.00
			TQ	-1779.88	360.95	18825.63	-2025.00	360.95	9989.15	-2025.00	413.91	9987.10	-2270.53	413.91	-0.00
			M3	-1779.73	361.38	18824.19	-2024.84	361.38	9988.43	-2024.84	414.34	9986.38	-2473.48	1010.99	-0.00
		D+1LANE (caseMAX	S2	-1576.56	331.35	19864.70	-1954.44	376.46	10633.94	-1954.44	432.85	10631.79	-2269.92	451.89	-0.00
			TQ	-1787.43	403.44	18895.99	-2032.54	403.44	10024.46	-2032.99	456.60	10025.05	-2278.86	456.60	-0.00
			M3	-1822.49	69.82	21252.97	-2180.77	112.79	11624.26	-2180.77	174.43	11623.49	-2534.43	60.47	-0.00
		MIN	S2	-2023.26	75.67	21086.41	-2355.26	111.97	11523.58	-2355.26	173.08	11522.83	-2750.93	211.82	-0.00
			TQ	-1951.15	1.38	20837.52	-2241.63	1.38	11100.14	-2241.56	60.24	11098.88	-2532.15	60.24	-0.00
			M3	-1779.27	398.94	18820.19	-2024.39	398.94	9986.53	-2024.39	451.89	9984.28	-2284.34	450.50	-0.00
		D+1LANE (caseMAX	S2	-1778.32	473.20	18811.71	-2023.43	473.20	9982.49	-2023.43	526.12	9979.84	-2219.31	479.75	-0.00
			TQ	-1778.45	474.64	18812.90	-2023.56	474.64	9983.09	-2023.56	527.57	9980.43	-2269.10	527.57	-0.00
			M3	-2097.41	-1079.85	21645.98	-2326.23	-1074.98	11366.31	-2326.26	-1014.75	11371.85	-2536.04	-1063.13	0.00
		MIN	S2	-2152.44	-940.33	21436.23	-2329.24	-1079.85	11365.30	-2329.24	-1019.57	11370.86	-2567.66	-1008.48	0.00
			TQ	-2077.63	-1124.40	21461.94	-2309.47	-1124.40	11273.11	-2309.47	-1064.61	11278.92	-2541.68	-1064.61	0.00
			M3	-1778.32	473.20	18811.71	-2026.45	468.33	9981.48	-2026.42	521.31	9978.85	-2269.10	527.57	-0.00



BAGO RIVER BRIDGE

BLOCK [ No.1 : MAIN GIRDER ][ BEAM MEMBER FORCE ]

MEMBER			3053			3054			3054			3055			
NODE			3053			3054			3054			3055			
NAME TITLE			SHEAR	TORQUE	MOMENT	SHEAR	TORQUE	MOMENT	SHEAR	TORQUE	MOMENT	SHEAR	TORQUE	MOMENT	
			S2 (kN)	TQ (kN·m)	M3 (kN·m)	S2 (kN)	TQ (kN·m)	M3 (kN·m)	S2 (kN)	TQ (kN·m)	M3 (kN·m)	S2 (kN)	TQ (kN·m)	M3 (kN·m)	
124	SUM TOTAL	D+2LANES (casMAX	S2	-1771.14	275.74	18743.93	-2016.26	275.74	9948.06	-2016.26	328.49	9946.46	-2261.79	328.49	-0.00
			TQ	-2046.42	2457.22	21314.27	-2291.53	2457.22	11239.68	-2291.53	2516.79	11226.49	-2537.07	2516.79	-0.00
			M3	-2048.39	2446.42	21332.59	-2293.51	2446.42	11248.81	-2293.51	2506.03	11235.68	-2262.48	325.72	-0.00
		MIN	S2	-2048.39	2446.42	21332.59	-2293.51	2446.42	11248.81	-2293.51	2506.03	11235.68	-2539.04	2506.03	-0.00
			TQ	-1771.83	272.96	18750.34	-2016.95	272.96	9951.26	-2016.95	325.72	9949.67	-2262.48	325.72	-0.00
			M3	-1771.14	275.52	18743.93	-2016.26	275.52	9948.06	-2016.26	328.49	9946.46	-2537.23	2516.34	-0.00
		D+2LANES (casMAX	S2	-1770.43	319.61	18755.06	-2015.72	317.54	9949.94	-2015.72	370.29	9948.11	-2261.31	369.56	-0.00
			TQ	-2079.36	1703.52	21658.24	-2328.97	1703.52	11420.13	-2328.97	1764.06	11410.93	-2578.96	1764.06	-0.00
			M3	-2083.19	1683.40	21693.71	-2332.80	1683.40	11437.82	-2332.80	1744.03	11428.73	-2261.78	368.25	-0.00
		MIN	S2	-2083.42	1680.62	21678.31	-2332.85	1682.69	11433.91	-2332.85	1743.30	11424.83	-2582.78	1744.03	-0.00
			TQ	-1771.13	315.50	18744.03	-2016.24	315.50	9948.21	-2016.24	368.25	9946.40	-2261.78	368.25	-0.00
			M3	-1770.66	316.83	18739.66	-2015.77	316.83	9946.03	-2015.77	369.56	9944.21	-2576.26	1762.74	-0.00
		D+2LANES (casMAX	S2	-1562.95	164.63	20501.15	-1947.00	323.33	10854.46	-1947.00	380.89	10852.59	-2260.05	473.58	-0.00
			TQ	-1778.07	426.49	18809.11	-2023.18	426.49	9981.06	-2023.64	479.41	9981.48	-2269.46	479.41	-0.00
			M3	-1946.64	-607.67	22953.17	-2325.43	-493.44	12539.91	-2325.43	-426.93	12542.35	-2709.82	-655.86	0.00
		MIN	S2	-2195.79	-590.29	22713.74	-2546.85	-497.04	12418.37	-2546.85	-431.19	12420.83	-2959.46	-291.88	0.00
			TQ	-2102.15	-719.08	22352.36	-2405.00	-719.08	11884.81	-2404.86	-656.05	11887.11	-2707.88	-656.05	0.00
			M3	-1769.40	420.87	18728.51	-2014.51	420.87	9940.73	-2014.51	473.58	9938.35	-2274.00	474.33	-0.00
		D+2LANES (casMAX	S2	-1730.94	293.27	19622.54	-2004.36	414.37	10311.04	-2004.36	469.04	10308.70	-2217.61	517.19	-0.00
			TQ	-1768.56	505.06	18721.14	-2013.67	505.06	9937.26	-2013.67	557.74	9934.44	-2259.21	557.74	-0.00
			M3	-2175.72	-1567.82	23280.53	-2446.64	-1485.38	12324.89	-2446.67	-1420.06	12332.60	-2712.21	-1594.09	0.00
		MIN	S2	-2303.43	-1439.04	23005.10	-2526.85	-1484.86	12294.27	-2526.85	-1419.65	12301.97	-2806.72	-1310.95	0.00
			TQ	-2208.54	-1659.15	22881.90	-2462.53	-1659.15	12033.54	-2462.53	-1595.32	12042.17	-2716.90	-1595.32	0.00
			M3	-1768.34	503.15	18719.09	-2015.97	499.09	9935.39	-2015.94	551.82	9932.60	-2259.21	557.74	-0.00

BAGO RIVER BRIDGE

BLOCK [ No.1 : MAIN GIRDER ][ BEAM MEMBER FORCE ]

MEMBER			3053			3054			3054			3055				
NODE			3053			3054			3054			3055				
NAME TITLE			SHEAR	TORQUE	MOMENT	SHEAR	TORQUE	MOMENT	SHEAR	TORQUE	MOMENT	SHEAR	TORQUE	MOMENT		
			S2 (kN)	TQ (kN·m)	M3 (kN·m)	S2 (kN)	TQ (kN·m)	M3 (kN·m)	S2 (kN)	TQ (kN·m)	M3 (kN·m)	S2 (kN)	TQ (kN·m)	M3 (kN·m)		
124	SUM TOTAL	D+3LANES (casMAX	S2	-1764.44	270.97	18696.47	-2009.70	269.20	9921.07	-2009.70	321.81	9919.50	-2255.28	321.18	-0.00	
			TQ	-2137.17	2543.03	22193.79	-2386.11	2543.03	11688.71	-2386.11	2604.97	11675.06	-2635.42	2604.97	-0.00	
			M3	-2140.74	2522.90	22226.86	-2389.68	2522.90	11705.20	-2389.68	2584.93	11691.66	-2255.98	318.52	-0.00	
		MIN	S2	-2140.93	2520.53	22213.77	-2389.72	2522.30	11701.88	-2389.72	2584.31	11688.34	-2638.99	2584.93	-0.00	
			TQ	-1765.33	265.92	18689.85	-2010.44	265.92	9920.97	-2010.44	318.52	9919.43	-2255.98	318.52	-0.00	
			M3	-1764.63	268.41	18683.38	-2009.75	268.41	9917.75	-2009.75	321.18	9916.18	-2633.27	2603.48	-0.00	
		D+3LANES (casMAX	S2	-1586.89	236.01	20170.17	-1950.10	370.91	10684.93	-1950.10	427.57	10682.81	-2217.74	481.98	-0.00	
			TQ	-1770.16	460.48	18735.80	-2015.27	460.48	9944.48	-2015.67	513.21	9944.30	-2261.45	513.21	-0.00	
			M3	-2138.74	-1501.24	24259.62	-2485.99	-1400.69	13096.66	-2486.02	-1331.27	13103.91	-2824.27	-1560.26	0.00	
		MIN	S2	-2389.43	-1387.52	23907.36	-2676.34	-1407.21	12992.64	-2676.34	-1338.29	12999.92	-3058.84	-1212.03	0.00	
			TQ	-2256.94	-1627.63	23618.78	-2541.78	-1627.63	12473.92	-2541.65	-1561.47	12481.22	-2826.61	-1561.47	0.00	
			M3	-1762.38	453.82	18663.42	-2009.63	450.38	9907.54	-2009.61	502.94	9905.01	-2265.30	508.89	-0.00	
		D+3LANES (casMAX	S2	-1586.44	271.13	20166.27	-1949.66	406.02	10683.07	-1949.66	462.66	10680.76	-2217.18	525.54	-0.00	
			TQ	-1761.98	507.67	18660.03	-2007.10	507.67	9906.70	-2007.09	560.19	9904.41	-2252.87	560.19	-0.00	
			M3	-2138.80	-1506.75	24259.76	-2486.01	-1406.26	13096.71	-2486.04	-1336.84	13103.98	-2829.42	-1563.53	0.00	
		MIN	S2	-2389.57	-1393.14	23907.66	-2682.91	-1404.12	13023.21	-2682.91	-1335.04	13030.47	-3066.22	-1215.73	0.00	
			TQ	-2262.03	-1631.03	23665.70	-2546.82	-1631.03	12497.35	-2546.83	-1564.74	12505.28	-2831.79	-1564.74	0.00	
			M3	-1761.71	505.87	18657.47	-2008.96	502.42	9904.70	-2008.94	554.98	9901.89	-2252.65	560.19	-0.00	
		D+4LANES	MAX	S2	-1768.47	457.53	18720.10	-2013.59	457.53	9936.62	-2013.59	510.22	9934.05	-2259.12	510.22	-0.00
			TQ	-1776.20	458.92	18791.94	-2021.32	458.92	9972.56	-2021.42	511.79	9970.47	-2266.95	511.79	-0.00	
			M3	-1803.12	393.22	19041.80	-2048.23	393.22	10097.38	-2048.23	446.76	10095.15	-2284.34	450.50	-0.00	
		MIN	S2	-1803.12	393.22	19041.80	-2048.23	393.22	10097.38	-2048.23	446.76	10095.15	-2293.77	446.76	-0.00	
			TQ	-1796.46	390.59	18979.94	-2041.58	390.59	10066.43	-2041.32	443.96	10063.02	-2286.86	443.96	-0.00	
			M3	-1768.47	457.53	18720.10	-2013.59	457.53	9936.62	-2013.59	510.22	9934.05	-2265.75	510.18	-0.00	

BAGO RIVER BRIDGE

BLOCK [ No.1 : MAIN GIRDER ][ BEAM MEMBER FORCE ]

MEMBER					3053			3054			3055					
NODE					3053			3054			3055					
					SHEAR	TORQUE	MOMENT	SHEAR	TORQUE	MOMENT	SHEAR	TORQUE	MOMENT			
NAME TITLE					S2 (kN)	TQ (kN·m)	M3 (kN·m)	S2 (kN)	TQ (kN·m)	M3 (kN·m)	S2 (kN)	TQ (kN·m)	M3 (kN·m)			
124	SUM TOTAL	D+6LANES	MAX	S2	-1592.68	331.24	20011.47	-1943.30	365.22	10589.44	-1943.30	421.37	10587.36	-2218.14	399.89	-0.00
				TQ	-2022.22	1956.14	21112.57	-2270.12	1956.14	11143.89	-2270.28	2015.21	11134.49	-2518.75	2015.21	-0.00
				M3	-2258.34	535.39	25213.89	-2591.05	576.59	13537.59	-2591.07	648.18	13534.34	-2641.94	-1023.69	0.00
			MIN	S2	-2480.16	565.49	25051.99	-2775.13	573.94	13467.94	-2775.13	645.35	13464.71	-3143.15	675.96	-0.00
				TQ	-2105.63	-1087.20	22066.66	-2374.50	-1087.20	11661.77	-2374.40	-1025.35	11666.49	-2643.44	-1025.35	0.00
				M3	-1748.02	388.04	18529.62	-1994.77	385.40	9840.60	-1994.75	437.75	9838.41	-2519.93	2010.19	-0.00
	SUM TOTAL		MAX		-1562.95	2543.03	25213.89	-1943.30	2543.03	13537.59	-1943.30	2604.97	13534.34	-2217.18	2604.97	0.00
			MIN		-2480.16	-1659.15	18529.62	-2775.13	-1659.15	9840.60	-2775.13	-1595.32	9838.41	-3143.15	-1595.32	-0.00
300	DEAD LOAD	TOTAL			-1793.69	397.19	18954.20	-2038.81	397.19	10053.57	-2038.81	450.50	10051.32	-2284.34	450.50	-0.00
301	LIVE LOAD	1-LANE(case1MAX	S2		13.39	-85.11	-124.88	13.39	-85.11	-62.70	13.39	-85.44	-62.25	13.39	-85.44	0.00
			TQ		-142.11	1461.82	1328.69	-142.11	1461.82	668.56	-142.11	1465.35	660.80	-142.11	1465.35	-0.00
			M3		-142.55	1457.55	1332.82	-142.55	1457.55	670.62	-142.55	1461.09	662.88	12.97	-87.62	0.00
			MIN	S2	-142.55	1457.55	1332.82	-142.55	1457.55	670.62	-142.55	1461.09	662.88	-142.55	1461.09	-0.00
				TQ	12.97	-87.29	-121.00	12.97	-87.29	-60.76	12.97	-87.62	-60.30	12.97	-87.62	0.00
				M3	13.39	-85.37	-124.88	13.39	-85.37	-62.70	13.39	-85.44	-62.25	-142.31	1464.81	-0.00
		1-LANE(case2MAX	S2		14.24	-32.46	-111.54	14.03	-34.95	-60.44	14.03	-35.27	-60.26	13.97	-36.15	0.00
			TQ		-181.64	557.38	1741.45	-187.04	557.38	885.10	-187.04	562.07	882.14	-192.38	562.07	-0.00
			M3		-184.31	541.93	1766.16	-189.70	541.93	897.43	-189.70	546.69	894.54	13.81	-36.59	0.00
			MIN	S2	-184.58	538.59	1747.69	-189.77	541.08	892.74	-189.77	545.81	889.86	-195.04	546.69	-0.00
				TQ	13.81	-36.24	-128.57	13.81	-36.24	-64.42	13.81	-36.59	-64.22	13.81	-36.59	0.00
				M3	13.97	-35.81	-130.01	13.97	-35.81	-65.13	13.97	-36.15	-64.94	-189.14	560.49	-0.00
		1-LANE(case3MAX	S2		217.13	-65.84	910.50	84.36	-20.73	580.37	84.36	-17.65	580.47	14.42	1.39	0.00
			TQ		6.27	6.25	-58.21	6.27	6.25	-29.10	5.82	6.10	-26.27	5.48	6.10	0.00
			M3		-28.79	-327.37	2298.77	-141.96	-284.40	1570.69	-141.96	-276.07	1572.17	-250.09	-390.02	0.00
			MIN	S2	-229.57	-321.52	2132.21	-316.45	-285.22	1470.02	-316.45	-277.42	1471.51	-466.59	-238.67	0.00
				TQ	-157.45	-395.81	1883.32	-202.82	-395.81	1046.57	-202.76	-390.25	1047.56	-247.81	-390.25	0.00
				M3	14.42	1.75	-134.01	14.42	1.75	-67.03	14.42	1.39	-67.04	0.00	0.00	0.00

BAGO RIVER BRIDGE

BLOCK [ No.1 : MAIN GIRDER ][ BEAM MEMBER FORCE ]

MEMBER			3053			3054			3054			3055				
NODE			3053			3054			3054			3055				
			SHEAR	TORQUE	MOMENT	SHEAR	TORQUE	MOMENT	SHEAR	TORQUE	MOMENT	SHEAR	TORQUE	MOMENT		
NAME TITLE			S2 (kN)	TQ (kN·m)	M3 (kN·m)	S2 (kN)	TQ (kN·m)	M3 (kN·m)	S2 (kN)	TQ (kN·m)	M3 (kN·m)	S2 (kN)	TQ (kN·m)	M3 (kN·m)		
301	LIVE LOAD	1-LANE (case4MAX	S2	15.37	76.00	-142.49	15.37	76.00	-71.08	15.37	75.63	-71.48	65.03	29.25	-0.00	
			TQ	15.25	77.45	-141.30	15.25	77.45	-70.48	15.25	77.08	-70.89	15.25	77.08	-0.00	
			M3	-303.71	-1477.04	2691.78	-287.42	-1472.18	1312.74	-287.45	-1465.25	1320.53	-251.70	-1513.63	0.00	
			MIN	S2	-358.75	-1337.52	2482.03	-290.44	-1477.04	1311.73	-290.44	-1470.07	1319.54	-283.32	-1458.98	0.00
			TQ	-283.94	-1521.59	2507.74	-270.66	-1521.59	1219.54	-270.66	-1515.10	1227.60	-257.33	-1515.10	0.00	
			M3	15.37	76.00	-142.49	12.36	71.14	-72.09	12.39	70.81	-72.47	15.25	77.08	-0.00	
		2-LANES (caseMAX	S2	22.55	-121.45	-210.27	22.55	-121.45	-105.51	22.55	-122.00	-104.86	22.55	-122.00	0.00	
			TQ	-252.72	2060.03	2360.07	-252.72	2060.03	1186.11	-252.72	2066.29	1175.17	-252.72	2066.29	-0.00	
			M3	-254.70	2049.22	2378.39	-254.70	2049.22	1195.24	-254.70	2055.53	1184.36	21.86	-124.77	0.00	
			MIN	S2	-254.70	2049.22	2378.39	-254.70	2049.22	1195.24	-254.70	2055.53	1184.36	-254.70	2055.53	-0.00
			TQ	21.86	-124.23	-203.86	21.86	-124.23	-102.31	21.86	-124.77	-101.65	21.86	-124.77	0.00	
			M3	22.55	-121.67	-210.27	22.55	-121.67	-105.51	22.55	-122.00	-104.86	-252.89	2065.85	-0.00	
		2-LANES (caseMAX	S2	23.26	-77.58	-199.14	23.09	-79.65	-103.63	23.09	-80.20	-103.21	23.03	-80.93	0.00	
			TQ	-285.67	1306.33	2704.04	-290.16	1306.33	1366.56	-290.16	1313.56	1359.61	-294.61	1313.56	-0.00	
			M3	-289.50	1286.21	2739.51	-293.99	1286.21	1384.25	-293.99	1293.53	1377.41	22.56	-82.25	0.00	
			MIN	S2	-289.72	1283.42	2724.11	-294.05	1285.50	1380.34	-294.05	1292.80	1373.51	-298.44	1293.53	-0.00
			TQ	22.56	-81.69	-210.17	22.56	-81.69	-105.36	22.56	-82.25	-104.92	22.56	-82.25	0.00	
			M3	23.03	-80.36	-214.54	23.03	-80.36	-107.54	23.03	-80.93	-107.11	-291.91	1312.25	-0.00	
		2-LANES (caseMAX	S2	230.75	-232.56	1546.95	91.81	-73.86	800.89	91.81	-69.61	801.27	24.29	23.09	-0.00	
			TQ	15.63	29.30	-145.09	15.63	29.30	-72.50	15.16	28.92	-69.84	14.88	28.92	-0.00	
			M3	-152.95	-1004.86	3998.97	-286.63	-890.63	2486.34	-286.63	-877.43	2491.03	-425.47	-1106.35	0.00	
			MIN	S2	-402.10	-987.48	3759.54	-508.05	-894.24	2364.80	-508.05	-881.68	2369.51	-675.12	-742.38	0.00
			TQ	-308.45	-1116.27	3398.16	-366.19	-1116.27	1831.24	-366.05	-1106.54	1835.79	-423.54	-1106.54	0.00	
			M3	24.29	23.68	-225.69	24.29	23.68	-112.84	24.29	23.09	-112.97	10.34	23.84	-0.00	

BAGO RIVER BRIDGE

BLOCK [ No.1 : MAIN GIRDER ][ BEAM MEMBER FORCE ]

MEMBER			3053			3054			3054			3055				
NODE			3053			3054			3054			3055				
NAME TITLE			SHEAR	TORQUE	MOMENT	SHEAR	TORQUE	MOMENT	SHEAR	TORQUE	MOMENT	SHEAR	TORQUE	MOMENT		
			S2 (kN)	TQ (kN·m)	M3 (kN·m)	S2 (kN)	TQ (kN·m)	M3 (kN·m)	S2 (kN)	TQ (kN·m)	M3 (kN·m)	S2 (kN)	TQ (kN·m)	M3 (kN·m)		
301	LIVE LOAD	2-LANES (caseMAX	S2	62.75	-103.92	668.34	34.44	17.18	257.48	34.44	18.54	257.38	66.74	66.69	-0.00	
			TQ	25.13	107.86	-233.06	25.13	107.86	-116.31	25.13	107.25	-116.88	25.13	107.25	-0.00	
			M3	-382.03	-1965.01	4326.33	-407.83	-1882.57	2271.32	-407.86	-1870.55	2281.27	-427.87	-2044.58	0.00	
			MIN	S2	-509.74	-1836.23	4050.90	-488.04	-1882.06	2240.70	-488.04	-1870.15	2250.65	-522.38	-1761.45	0.00
				TQ	-414.85	-2056.34	3927.70	-423.72	-2056.34	1979.97	-423.72	-2045.81	1990.85	-432.56	-2045.81	0.00
				M3	25.35	105.96	-235.11	22.84	101.90	-118.18	22.87	101.32	-118.72	25.13	107.25	-0.00
		3-LANES (caseMAX	S2	29.26	-126.23	-257.73	29.11	-127.99	-132.50	29.11	-128.69	-131.82	29.06	-129.31	0.00	
			TQ	-343.48	2145.84	3239.59	-347.30	2145.84	1635.14	-347.30	2154.48	1623.74	-351.08	2154.48	-0.00	
			M3	-347.05	2125.71	3272.66	-350.87	2125.71	1651.63	-350.87	2134.44	1640.34	28.36	-131.97	0.00	
			MIN	S2	-347.24	2123.34	3259.57	-350.92	2125.11	1648.31	-350.92	2133.82	1637.02	-354.65	2134.44	-0.00
				TQ	28.36	-131.27	-264.35	28.36	-131.27	-132.59	28.36	-131.97	-131.90	28.36	-131.97	0.00
				M3	29.06	-128.78	-270.82	29.06	-128.78	-135.82	29.06	-129.31	-135.14	-348.93	2152.99	-0.00
		3-LANES (caseMAX	S2	206.80	-161.18	1215.97	88.70	-26.28	631.36	88.70	-22.93	631.49	66.61	31.49	-0.00	
			TQ	23.53	63.29	-218.40	23.53	63.29	-109.09	23.14	62.72	-107.02	22.89	62.72	-0.00	
			M3	-345.05	-1898.43	5305.42	-447.19	-1797.88	3043.09	-447.21	-1781.76	3052.58	-539.93	-2010.75	0.00	
			MIN	S2	-595.74	-1784.71	4953.16	-637.53	-1804.40	2939.07	-637.53	-1788.79	2948.60	-774.50	-1662.53	0.00
				TQ	-463.24	-2024.82	4664.58	-502.97	-2024.82	2420.35	-502.85	-2011.96	2429.90	-542.27	-2011.96	0.00
				M3	31.31	56.63	-290.78	29.18	53.18	-146.03	29.20	52.45	-146.31	19.04	58.40	-0.00
		3-LANES (caseMAX	S2	207.25	-126.06	1212.07	89.14	8.83	629.50	89.14	12.17	629.44	67.16	75.05	-0.00	
			TQ	31.71	110.48	-294.17	31.71	110.48	-146.87	31.71	109.70	-146.91	31.47	109.70	-0.00	
			M3	-345.10	-1903.94	5305.56	-447.20	-1803.45	3043.14	-447.23	-1787.33	3052.66	-545.08	-2014.03	0.00	
			MIN	S2	-595.88	-1790.33	4953.46	-644.10	-1801.31	2969.64	-644.10	-1785.54	2979.15	-781.88	-1666.22	0.00
				TQ	-468.34	-2028.22	4711.50	-508.02	-2028.22	2443.78	-508.02	-2015.24	2453.96	-547.44	-2015.24	0.00
				M3	31.98	108.68	-296.73	29.85	105.23	-148.87	29.87	104.48	-149.43	31.69	109.70	-0.00

BAGO RIVER BRIDGE

BLOCK [ No.1 : MAIN GIRDER ][ BEAM MEMBER FORCE ]

MEMBER					3053			3054			3055					
NODE					3053			3054			3055					
					SHEAR	TORQUE	MOMENT	SHEAR	TORQUE	MOMENT	SHEAR	TORQUE	MOMENT			
NAME	TITLE				S2 (kN)	TQ (kN·m)	M3 (kN·m)	S2 (kN)	TQ (kN·m)	M3 (kN·m)	S2 (kN)	TQ (kN·m)	M3 (kN·m)			
301	LIVE LOAD	4-LANES	MAX	S2	25.22	60.34	-234.10	25.22	60.34	-116.95	25.22	59.72	-117.27	25.22	59.72	-0.00
				TQ	17.49	61.73	-162.26	17.49	61.73	-81.01	17.39	61.30	-80.85	17.39	61.30	-0.00
				M3	-9.43	-3.97	87.60	-9.43	-3.97	43.81	-9.43	-3.74	43.83	0.00	0.00	0.00
		MIN	S2	-9.43	-3.97	87.60	-9.43	-3.97	43.81	-9.43	-3.74	43.83	-9.43	-3.74	0.00	
			TQ	-2.77	-6.60	25.74	-2.77	-6.60	12.86	-2.52	-6.54	11.70	-2.52	-6.54	0.00	
			M3	25.22	60.34	-234.10	25.22	60.34	-116.95	25.22	59.72	-117.27	18.59	59.68	-0.00	
	6-LANES	MAX	S2	201.01	-65.96	1057.27	95.50	-31.97	535.88	95.50	-29.13	536.04	66.20	-50.60	0.00	
			TQ	-228.52	1558.95	2158.37	-231.32	1558.95	1090.32	-231.47	1564.71	1083.17	-234.41	1564.71	-0.00	
			M3	-464.65	138.20	6259.69	-552.24	179.40	3484.02	-552.26	197.68	3483.02	-357.60	-1474.19	0.00	
		MIN	S2	-686.47	168.30	6097.79	-736.33	176.75	3414.38	-736.33	194.85	3413.39	-858.81	225.46	-0.00	
			TQ	-311.94	-1484.40	3112.46	-335.69	-1484.40	1608.20	-335.60	-1475.85	1615.17	-359.10	-1475.85	0.00	
			M3	45.67	-9.15	-424.58	44.04	-11.79	-212.97	44.06	-12.74	-212.91	-235.59	1559.69	-0.00	
LIVE LOAD	MAX				230.75	2145.84	6259.69	95.50	2145.84	3484.02	95.50	2154.48	3483.02	67.16	2154.48	0.00
	MIN				-686.47	-2056.34	-424.58	-736.33	-2056.34	-212.97	-736.33	-2045.81	-212.91	-858.81	-2045.81	-0.00
303	SUM TOTAL	TOTAL	MAX		-1562.95	2543.03	25213.89	-1943.30	2543.03	13537.59	-1943.30	2604.97	13534.34	-2217.18	2604.97	0.00
			MIN		-2480.16	-1659.15	18529.62	-2775.13	-1659.15	9840.60	-2775.13	-1595.32	9838.41	-3143.15	-1595.32	-0.00

BAGO RIVER BRIDGE

BLOCK [ No.1 : MAIN GIRDER ][ BEAM MEMBER FORCE ]

MEMBER NODE	4001	4002			4003			4002	4002			4003				
		SHEAR	TORQUE	MOMENT	SHEAR	TORQUE	MOMENT		SHEAR	TORQUE	MOMENT	SHEAR	TORQUE	MOMENT		
NAME TITLE	S2 (kN)	TQ (kN·m)	M3 (kN·m)	S2 (kN)	TQ (kN·m)	M3 (kN·m)	S2 (kN)	TQ (kN·m)	M3 (kN·m)	S2 (kN)	TQ (kN·m)	M3 (kN·m)				
1 PAVEMENT	419.96	-0.55	-0.03	350.77	-0.55	1802.73	350.77	-0.47	1802.73	283.46	-0.47	3270.33				
3 RAILING	11.71	5.05	0.25	8.71	5.05	48.12	8.71	5.06	48.12	5.82	5.06	81.94				
5 CURB	115.91	50.03	2.43	86.22	50.03	476.38	86.22	50.05	476.38	57.58	50.05	811.16				
7 DECK WEIGHT	642.60	-33.02	-1.61	537.31	-33.02	2758.60	537.31	-32.91	2758.60	434.97	-32.91	5009.07				
8 GIRDER WEIGH	637.14	-376.94	-18.32	549.68	-376.94	2757.90	549.68	-376.82	2757.92	463.18	-376.82	5101.30				
10 MEDIAN STRIP	75.94	-154.34	-7.50	75.94	-154.34	347.77	75.94	-154.33	347.78	75.94	-154.33	699.17				
21 ADITIONAL WE	179.93	-9.25	-0.45	150.45	-9.25	772.41	150.45	-9.21	772.41	121.79	-9.21	1402.54				
31 MEDIAN RAILI	5.93	-12.33	-0.60	5.93	-12.33	27.16	5.93	-12.33	27.16	5.93	-12.33	54.62				
51 SUPPORT WEIG	0.00	0.00	0.00	0.00	0.00	0.00	0.00	0.00	0.00	0.00	0.00	0.00				
52 NOSE WEIGHT	-0.88	17.38	0.84	-0.88	17.38	-3.25	-0.88	17.38	-3.25	-0.88	17.38	-7.31				
61 1-LANE(case1TRUCK-LOAD	MAX	S2	17.16	-282.98	-13.76	17.16	-282.98	66.54	17.16	-282.98	66.56	17.16	-282.98	145.98		
		TQ	-7.14	37.78	1.84	-7.14	37.78	-31.57	-7.14	37.78	-31.57	-7.14	37.78	-64.61		
		M3	-7.14	37.78	1.84	17.05	-268.58	66.70	17.05	-268.57	66.72	17.16	-282.98	145.98		
		MIN	S2	-7.75	34.98	1.70	-7.75	34.98	-34.58	-7.75	34.98	-34.58	-7.75	34.98	-70.47	
		TQ	15.29	-299.93	-14.58	15.29	-299.93	56.93	15.29	-299.92	56.95	15.29	-299.92	127.68		
		M3	15.29	-299.93	-14.58	-7.75	34.69	-34.59	-7.75	34.69	-34.59	-7.75	34.69	-70.47		
		TANDEM-LOAD	MAX	S2	11.76	-189.84	-9.23	11.76	-189.84	45.81	11.76	-189.83	45.82	11.76	-189.83	100.25
		TQ	-4.95	25.72	1.25	-4.95	25.72	-21.89	-4.95	25.72	-21.89	-4.95	25.72	-44.78		
		M3	-4.95	25.72	1.25	11.73	-185.82	45.86	11.73	-185.81	45.86	11.76	-189.83	100.25		
		MIN	S2	-5.27	23.22	1.13	-5.27	23.22	-23.53	-5.27	23.22	-23.54	-5.27	23.22	-47.93	
		TQ	10.20	-204.87	-9.96	10.20	-204.87	37.78	10.20	-204.87	37.79	10.20	-204.87	85.00		
		M3	10.20	-204.87	-9.96	-5.27	23.22	-23.53	-5.27	23.22	-23.54	-5.27	23.22	-47.93		
		DISPERSION-LMAX	S2	23.05	-307.93	-14.97	23.05	-307.93	92.86	23.05	-307.93	92.87	23.05	-307.93	199.52	
		TQ	-9.24	42.55	2.07	-9.24	42.55	-41.16	-9.24	42.55	-41.16	-9.24	42.55	-83.92		
		M3	-9.24	42.55	2.07	22.98	-294.62	93.17	22.98	-294.63	93.18	23.03	-301.53	199.66		
		MIN	S2	-10.09	6.47	0.31	-10.09	6.47	-46.87	-10.09	6.46	-46.87	-10.09	6.46	-93.54	
		TQ	22.20	-344.02	-16.72	22.20	-344.02	87.15	22.20	-344.01	87.16	22.20	-344.01	189.90		
		M3	22.20	-344.02	-16.72	-10.01	-6.84	-47.18	-10.01	-6.83	-47.18	-10.07	0.07	-93.69		

BAGO RIVER BRIDGE

BLOCK [ No.1 : MAIN GIRDER ][ BEAM MEMBER FORCE ]

MEMBER				4001			4002			4003					
NODE				4001			4002			4003					
				SHEAR	TORQUE	MOMENT	SHEAR	TORQUE	MOMENT	SHEAR	TORQUE	MOMENT			
NAME	TITLE			S2 (kN)	TQ (kN·m)	M3 (kN·m)	S2 (kN)	TQ (kN·m)	M3 (kN·m)	S2 (kN)	TQ (kN·m)	M3 (kN·m)			
62	1-LANE (case2TRUCK-LOAD	MAX	S2	44.65	-170.97	-8.31	44.65	-170.97	200.57	44.65	-170.96	200.58	44.65	-170.96	407.18
			TQ	-8.26	17.98	0.87	-8.26	17.98	-37.76	-8.26	17.98	-37.76	-8.26	17.98	-75.98
			M3	-8.26	17.98	0.87	44.65	-170.97	200.57	44.65	-170.96	200.58	44.65	-170.96	407.18
		MIN	S2	-8.79	17.18	0.83	-8.79	17.18	-40.28	-8.79	17.17	-40.28	-8.79	17.17	-80.95
			TQ	44.65	-170.97	-8.31	44.65	-170.97	200.57	44.65	-170.96	200.58	44.65	-170.96	407.18
			M3	44.65	-170.97	-8.31	-8.79	17.18	-40.28	-8.79	17.17	-40.28	-8.79	17.17	-80.95
		TANDEM-LOAD MAX	S2	30.52	-116.48	-5.66	30.52	-116.48	137.14	30.52	-116.47	137.14	30.52	-116.47	278.37
			TQ	-5.71	12.25	0.60	-5.71	12.25	-26.11	-5.71	12.25	-26.11	-5.71	12.25	-52.52
			M3	-5.71	12.25	0.60	30.52	-116.48	137.14	30.52	-116.47	137.14	30.52	-116.47	278.37
		MIN	S2	-5.98	11.80	0.57	-5.98	11.80	-27.41	-5.98	11.80	-27.41	-5.98	11.80	-55.08
			TQ	30.52	-116.48	-5.66	30.52	-116.48	137.14	30.52	-116.47	137.14	30.52	-116.47	278.37
			M3	30.52	-116.48	-5.66	-5.98	11.80	-27.41	-5.98	11.80	-27.41	-5.98	11.80	-55.08
		DISPERSION-LMAX	S2	54.19	-190.12	-9.24	54.19	-190.12	244.29	54.19	-190.11	244.30	54.19	-190.11	495.06
			TQ	-10.45	20.45	0.99	-10.45	20.45	-47.92	-10.45	20.44	-47.92	-10.45	20.44	-96.29
			M3	-10.45	20.45	0.99	54.19	-190.12	244.29	54.19	-190.11	244.30	54.19	-190.11	495.06
		MIN	S2	-10.45	20.45	0.99	-10.45	20.45	-47.92	-10.45	20.44	-47.92	-10.45	20.44	-96.29
			TQ	54.19	-190.12	-9.24	54.19	-190.12	244.29	54.19	-190.11	244.30	54.19	-190.11	495.06
			M3	54.19	-190.12	-9.24	-10.45	20.45	-47.92	-10.45	20.44	-47.92	-10.45	20.44	-96.29
63	1-LANE (case3TRUCK-LOAD	MAX	S2	74.70	-89.81	-4.37	74.70	-89.81	345.14	74.70	-89.80	345.14	74.70	-89.80	690.82
			TQ	-9.36	3.10	0.15	-9.36	3.10	-43.64	-9.36	3.10	-43.64	-9.36	3.10	-86.96
			M3	-9.36	3.10	0.15	74.70	-89.81	345.14	74.70	-89.80	345.14	74.70	-89.80	690.82
		MIN	S2	-9.59	3.07	0.15	-9.59	3.07	-44.72	-9.59	3.07	-44.72	-9.59	3.07	-89.10
			TQ	69.98	-97.46	-4.74	69.98	-97.46	322.66	69.98	-97.45	322.66	69.98	-97.45	646.47
			M3	69.98	-97.46	-4.74	-9.59	3.07	-44.72	-9.59	3.07	-44.72	-9.59	3.07	-89.10



BAGO RIVER BRIDGE

BLOCK [ No.1 : MAIN GIRDER ][ BEAM MEMBER FORCE ]

MEMBER		4001			4002			4002			4003						
NODE		4001			4002			4002			4003						
		SHEAR	TORQUE	MOMENT	SHEAR	TORQUE	MOMENT	SHEAR	TORQUE	MOMENT	SHEAR	TORQUE	MOMENT				
NAME	TITLE	S2 (kN)	TQ (kN·m)	M3 (kN·m)	S2 (kN)	TQ (kN·m)	M3 (kN·m)	S2 (kN)	TQ (kN·m)	M3 (kN·m)	S2 (kN)	TQ (kN·m)	M3 (kN·m)				
63	1-LANE (case3TANDEM-LOAD	MAX	S2	51.03	-59.20	-2.88	51.03	-59.20	235.88	51.03	-59.19	235.88	51.03	-59.19	472.03		
			TQ	-6.42	2.12	0.10	-6.42	2.12	-29.92	-6.42	2.12	-29.92	-6.42	2.12	-59.60		
			M3	-6.42	2.12	0.10	51.03	-59.20	235.88	51.03	-59.19	235.88	51.03	-59.19	472.03		
			MIN	S2	-6.53	2.08	0.10	-6.53	2.08	-30.47	-6.53	2.08	-30.47	-6.53	2.08	-60.70	
			TQ	49.52	-67.95	-3.30	49.52	-67.95	228.36	49.52	-67.94	228.37	49.52	-67.94	457.50		
			M3	49.52	-67.95	-3.30	-6.53	2.08	-30.47	-6.53	2.08	-30.47	-6.53	2.08	-60.70		
		DISPERSION-LMAX	S2	80.82	-66.43	-3.23	80.43	-66.43	373.98	80.43	-66.41	373.99	80.04	-66.41	745.29		
			TQ	-1.06	6.35	0.31	-1.06	6.35	-4.65	-1.05	6.35	-4.62	-1.05	6.35	-9.50		
			M3	-1.06	6.35	0.31	80.43	-66.43	373.98	80.43	-66.41	373.99	80.04	-66.41	745.29		
			MIN	S2	-11.38	3.56	0.17	-11.38	3.56	-53.09	-11.38	3.56	-53.09	-11.38	3.56	-105.76	
				TQ	70.49	-69.22	-3.36	70.11	-69.22	325.55	70.10	-69.20	325.52	69.71	-69.20	649.02	
				M3	70.49	-69.22	-3.36	-11.38	3.56	-53.09	-11.38	3.56	-53.09	-11.38	3.56	-105.76	
64	1-LANE (case4TRUCK-LOAD	MAX	S2	363.88	94.04	4.57	286.53	231.15	1351.75	286.53	231.21	1351.74	224.65	322.07	2106.20		
			TQ	143.39	372.66	18.11	143.39	372.66	688.95	143.39	372.68	688.94	143.39	372.68	1352.43		
			M3	143.39	372.66	18.11	286.53	231.15	1351.75	286.53	231.21	1351.74	224.65	322.06	2106.20		
			MIN	S2	-11.32	-27.88	-1.36	-41.30	76.95	747.47	-41.30	76.99	747.47	-113.03	204.75	1644.81	
			TQ	-10.71	-29.95	-1.46	-10.71	-29.95	-51.58	-10.71	-29.95	-51.58	-10.71	-29.95	-101.16		
			M3	-10.71	-29.95	-1.46	-11.32	-27.88	-54.32	-11.32	-27.89	-54.31	-11.32	-27.89	-106.70		
		TANDEM-LOAD	MAX	S2	273.18	13.85	0.67	216.74	119.00	1019.79	216.74	119.04	1019.78	169.04	198.63	1582.69	
				TQ	106.34	254.56	12.37	106.34	254.56	509.89	106.34	254.58	509.88	106.34	254.58	1001.95	
				M3	106.34	254.56	12.37	216.74	119.00	1019.79	216.74	119.04	1019.78	169.04	198.63	1582.69	
				MIN	S2	-7.71	-18.65	-0.91	-50.54	94.16	914.63	-50.54	94.20	914.63	-101.43	181.74	1517.13
				TQ	-7.21	-20.53	-1.00	-7.21	-20.53	-34.74	-7.21	-20.53	-34.74	-7.21	-20.53	-68.11	
				M3	-7.21	-20.53	-1.00	-7.71	-18.65	-36.98	-7.71	-18.65	-36.98	-7.71	-18.65	-72.66	

BAGO RIVER BRIDGE

BLOCK [ No.1 : MAIN GIRDER ][ BEAM MEMBER FORCE ]

MEMBER NODE	4001	4002			4003			4002			4003				
		SHEAR	TORQUE	MOMENT	SHEAR	TORQUE	MOMENT	SHEAR	TORQUE	MOMENT	SHEAR	TORQUE	MOMENT		
		S2 (kN)	TQ (kN·m)	M3 (kN·m)	S2 (kN)	TQ (kN·m)	M3 (kN·m)	S2 (kN)	TQ (kN·m)	M3 (kN·m)	S2 (kN)	TQ (kN·m)	M3 (kN·m)		
64	1-LANE (case4DISPERSION-LMAX	S2	211.12	397.95	19.34	168.17	388.74	805.65	168.17	388.77	805.63	134.70	363.43	1271.16	
		TQ	205.63	398.97	19.39	157.74	398.97	869.47	157.74	399.00	869.46	110.30	399.00	1489.65	
		M3	205.63	398.97	19.39	163.22	397.95	895.08	163.22	397.98	895.07	115.78	397.98	1540.62	
	MIN	S2	-13.32	-31.25	-1.52	-18.26	-22.04	25.59	-18.26	-22.04	25.59	-32.24	3.31	143.98	
		TQ	-7.84	-32.27	-1.57	-7.84	-32.27	-38.23	-7.84	-32.27	-38.24	-7.84	-32.27	-74.51	
		M3	-7.84	-32.27	-1.57	-13.32	-31.25	-63.84	-13.32	-31.25	-63.84	-13.32	-31.25	-125.48	
65	2-LANES (caseTRUCK-LOAD	MAX	S2	45.88	-513.89	-24.98	45.88	-513.89	189.66	45.88	-513.88	189.68	45.88	-513.88	401.97
		TQ	-14.84	65.70	3.19	-14.84	65.70	-66.21	-14.84	65.70	-66.22	-14.84	65.70	-134.87	
		M3	-14.84	65.70	3.19	45.76	-499.48	189.82	45.76	-499.48	189.84	45.88	-513.88	401.97	
	MIN	S2	-16.02	60.93	2.96	-16.02	60.93	-71.99	-16.02	60.92	-71.99	-16.02	60.92	-146.12	
		TQ	43.80	-533.78	-25.95	43.80	-533.78	178.96	43.80	-533.77	178.98	43.80	-533.77	381.64	
		M3	43.80	-533.78	-25.95	-16.02	60.64	-72.00	-16.02	60.63	-72.00	-16.02	60.63	-146.13	
	TANDEM-LOAD	MAX	S2	31.40	-348.08	-16.92	31.40	-348.08	130.00	31.40	-348.07	130.02	31.40	-348.07	275.33
		TQ	-10.27	44.73	2.17	-10.27	44.73	-45.88	-10.27	44.73	-45.88	-10.27	44.73	-93.40	
		M3	-10.27	44.73	2.17	31.37	-344.06	130.05	31.37	-344.05	130.06	31.40	-348.07	275.33	
	MIN	S2	-10.89	41.41	2.01	-10.89	41.41	-48.94	-10.89	41.41	-48.94	-10.89	41.41	-99.33	
		TQ	29.81	-363.92	-17.69	29.81	-363.92	121.78	29.81	-363.91	121.79	29.81	-363.91	259.73	
		M3	29.81	-363.92	-17.69	-10.88	40.46	-48.94	-10.88	40.46	-48.94	-10.89	41.41	-99.33	
	DISPERSION-LMAX	S2	61.02	-575.70	-27.98	61.02	-575.70	257.47	61.02	-575.68	257.50	61.02	-575.68	539.83	
		TQ	-19.09	74.08	3.60	-19.09	74.08	-85.69	-19.09	74.07	-85.70	-19.09	74.07	-174.01	
		M3	-19.09	74.08	3.60	60.94	-562.38	257.79	60.94	-562.39	257.81	61.00	-569.29	539.98	
	MIN	S2	-19.93	37.99	1.85	-19.93	37.99	-91.40	-19.93	37.99	-91.40	-19.93	37.99	-183.63	
		TQ	60.17	-611.78	-29.74	60.17	-611.78	251.76	60.17	-611.77	251.79	60.17	-611.77	530.21	
		M3	60.17	-611.78	-29.74	-19.86	24.68	-91.71	-19.86	24.69	-91.72	-19.91	31.59	-183.78	

BAGO RIVER BRIDGE

BLOCK [ No.1 : MAIN GIRDER ][ BEAM MEMBER FORCE ]

MEMBER				4001			4002			4003						
NODE				4001			4002			4003						
				SHEAR	TORQUE	MOMENT	SHEAR	TORQUE	MOMENT	SHEAR	TORQUE	MOMENT				
NAME	TITLE			S2 (kN)	TQ (kN·m)	M3 (kN·m)	S2 (kN)	TQ (kN·m)	M3 (kN·m)	S2 (kN)	TQ (kN·m)	M3 (kN·m)				
66	2-LANES (caseTRUCK-LOAD	MAX	S2	73.36	-401.88	-19.53	73.36	-401.88	323.69	73.36	-401.87	323.71	73.36	-401.87	663.17	
			TQ	-15.95	45.91	2.23	-15.95	45.91	-72.41	-15.95	45.90	-72.41	-15.95	45.90	-146.24	
			M3	-15.95	45.91	2.23	73.36	-401.88	323.69	73.36	-401.87	323.71	73.36	-401.87	663.17	
			MIN	S2	-17.05	43.12	2.10	-17.05	43.12	-77.69	-17.05	43.12	-77.69	-17.05	43.12	-156.60
				TQ	73.16	-404.82	-19.68	73.16	-404.82	322.60	73.16	-404.81	322.61	73.16	-404.81	661.14
				M3	73.16	-404.82	-19.68	-17.05	43.12	-77.69	-17.05	43.12	-77.69	-17.05	43.12	-156.60
		TANDEM-LOAD MAX	S2	50.16	-274.72	-13.35	50.16	-274.72	221.33	50.16	-274.71	221.34	50.16	-274.71	453.45	
			TQ	-11.03	31.26	1.52	-11.03	31.26	-50.10	-11.03	31.26	-50.10	-11.03	31.26	-101.15	
			M3	-11.03	31.26	1.52	50.16	-274.72	221.33	50.16	-274.71	221.34	50.16	-274.71	453.45	
			MIN	S2	-11.60	29.99	1.46	-11.60	29.99	-52.81	-11.60	29.99	-52.81	-11.60	29.99	-106.49
				TQ	50.13	-275.52	-13.39	50.13	-275.52	221.13	50.13	-275.51	221.15	50.13	-275.51	453.11
				M3	50.13	-275.52	-13.39	-11.59	29.04	-52.82	-11.59	29.03	-52.82	-11.60	29.99	-106.49
		DISPERSION-LMAX	S2	92.16	-457.88	-22.26	92.16	-457.88	408.91	92.16	-457.87	408.93	92.16	-457.87	835.38	
			TQ	-20.30	51.97	2.53	-20.30	51.97	-92.45	-20.30	51.97	-92.45	-20.30	51.97	-186.38	
			M3	-20.30	51.97	2.53	92.16	-457.88	408.91	92.16	-457.87	408.93	92.16	-457.87	835.38	
			MIN	S2	-20.30	51.97	2.53	-20.30	51.97	-92.45	-20.30	51.97	-92.45	-20.30	51.97	-186.38
				TQ	92.16	-457.88	-22.26	92.16	-457.88	408.91	92.16	-457.87	408.93	92.16	-457.87	835.38
				M3	92.16	-457.88	-22.26	-20.30	51.97	-92.45	-20.30	51.97	-92.45	-20.30	51.97	-186.38
67	2-LANES (caseTRUCK-LOAD	MAX	S2	179.08	-98.80	-4.80	179.08	-98.80	833.00	179.08	-98.77	833.01	179.08	-98.77	1661.64	
			TQ	48.80	64.53	3.14	48.80	64.53	231.44	48.80	64.54	231.43	48.80	64.54	457.23	
			M3	48.80	64.53	3.14	179.08	-98.80	833.00	179.08	-98.77	833.01	179.08	-98.77	1661.64	
		MIN	S2	-19.72	-3.35	-0.16	-19.72	-3.35	-92.44	-19.72	-3.35	-92.44	-19.72	-3.35	-183.71	
			TQ	171.07	-113.64	-5.52	171.07	-113.64	794.82	171.07	-113.60	794.83	98.10	-113.60	1431.87	
			M3	171.07	-113.64	-5.52	-19.72	-3.35	-92.44	-19.72	-3.35	-92.44	-19.72	-3.35	-183.71	

BAGO RIVER BRIDGE

BLOCK [ No.1 : MAIN GIRDER ][ BEAM MEMBER FORCE ]

MEMBER		4001			4002			4002			4003						
NODE		4001			4002			4002			4003						
		SHEAR	TORQUE	MOMENT	SHEAR	TORQUE	MOMENT	SHEAR	TORQUE	MOMENT	SHEAR	TORQUE	MOMENT				
NAME	TITLE	S2 (kN)	TQ (kN·m)	M3 (kN·m)	S2 (kN)	TQ (kN·m)	M3 (kN·m)	S2 (kN)	TQ (kN·m)	M3 (kN·m)	S2 (kN)	TQ (kN·m)	M3 (kN·m)				
67	2-LANES (caseTANDEM-LOAD	MAX	S2	122.24	-70.74	-3.44	122.24	-70.74	568.44	122.24	-70.72	568.44	122.24	-70.72	1134.06		
			TQ	31.66	44.14	2.15	31.66	44.14	150.26	31.66	44.15	150.26	31.66	44.15	296.76		
			M3	31.66	44.14	2.15	122.24	-70.74	568.44	122.24	-70.72	568.44	122.24	-70.72	1134.06		
			MIN	S2	-13.44	-2.39	-0.12	-13.44	-2.39	-63.01	-13.44	-2.39	-63.01	-13.44	-2.39	-125.21	
			TQ	119.89	-80.54	-3.91	119.89	-80.54	556.96	119.89	-80.52	556.97	64.10	-80.52	1078.99		
			M3	119.89	-80.54	-3.91	-13.44	-2.39	-63.01	-13.44	-2.39	-63.01	-13.44	-2.39	-125.21		
			DISPERSION-LMAX	S2	190.96	-17.10	-0.83	181.42	-17.13	868.78	181.42	-17.10	868.78	171.70	-17.30	1675.88	
			TQ	72.84	65.48	3.18	69.78	65.48	336.88	69.79	65.49	336.97	65.98	65.49	651.51		
			M3	72.84	65.48	3.18	181.42	-17.10	870.49	181.42	-17.07	870.49	171.68	-17.07	1687.68		
		MIN	S2	-23.40	-4.22	-0.20	-23.40	-4.19	-107.96	-23.40	-4.19	-107.96	-23.43	-3.99	-206.14		
		TQ	94.72	-86.79	-4.22	88.24	-86.79	423.94	88.22	-86.78	423.85	82.30	-86.78	818.23			
		M3	94.72	-86.79	-4.22	-23.40	-4.22	-109.67	-23.40	-4.22	-109.67	-23.40	-4.22	-217.94			
	68	2-LANES (caseTRUCK-LOAD	MAX	S2	640.20	154.89	7.53	512.49	380.97	2416.18	512.49	381.07	2416.16	409.11	532.74	3832.94	
				TQ	268.31	624.55	30.36	268.31	624.55	1285.65	268.31	624.61	1285.63	268.31	624.61	2527.19	
				M3	268.31	624.55	30.36	512.49	380.97	2416.18	512.49	381.07	2416.16	409.11	532.74	3832.94	
			MIN	S2	-22.07	-45.80	-2.23	-66.41	125.45	1309.18	-66.41	125.51	1309.17	-183.47	337.28	2976.40	
			TQ	-20.21	-49.58	-2.41	-20.21	-49.58	-96.95	-20.21	-49.58	-96.95	-20.21	-49.58	-190.46		
			M3	-20.21	-49.58	-2.41	-22.07	-45.80	-105.47	-22.07	-45.80	-105.46	-22.07	-45.80	-207.57		
			TANDEM-LOAD	MAX	S2	477.65	22.82	1.11	384.65	195.92	1809.11	384.65	196.00	1809.11	305.68	327.52	2860.46
			TQ	186.31	426.05	20.71	186.31	426.05	892.34	186.31	426.09	892.33	186.31	426.09	1754.42		
			M3	186.31	426.05	20.71	384.65	195.92	1809.11	384.65	196.00	1809.11	305.68	327.52	2860.46		
		MIN	S2	-15.04	-30.61	-1.49	-82.04	155.00	1619.30	-82.04	155.07	1619.29	-164.60	299.40	2738.84		
		TQ	-13.84	-33.95	-1.65	-13.84	-33.95	-66.39	-13.84	-33.96	-66.39	-13.84	-33.96	-130.43			
		M3	-13.84	-33.95	-1.65	-15.04	-30.61	-71.83	-15.04	-30.61	-71.83	-15.04	-30.61	-141.41			

BAGO RIVER BRIDGE

BLOCK [ No.1 : MAIN GIRDER ][ BEAM MEMBER FORCE ]

MEMBER		4001			4002			4002			4003						
NODE		4001			4002			4002			4003						
		SHEAR	TORQUE	MOMENT	SHEAR	TORQUE	MOMENT	SHEAR	TORQUE	MOMENT	SHEAR	TORQUE	MOMENT				
NAME	TITLE	S2 (kN)	TQ (kN·m)	M3 (kN·m)	S2 (kN)	TQ (kN·m)	M3 (kN·m)	S2 (kN)	TQ (kN·m)	M3 (kN·m)	S2 (kN)	TQ (kN·m)	M3 (kN·m)				
68	2-LANES (caseDISPERSION-LMAX	S2	388.30	667.55	32.45	312.87	652.40	1495.44	312.87	652.46	1495.41	253.07	610.69	2384.66			
		TQ	376.06	670.79	32.61	292.61	670.79	1596.65	292.61	670.86	1596.63	210.12	670.86	2759.59			
		M3	376.06	670.79	32.61	304.85	667.55	1653.73	304.85	667.62	1653.70	222.35	667.62	2873.26			
		MIN	S2	-26.01	-51.16	-2.49	-34.03	-36.01	34.10	-34.03	-36.01	34.10	-56.73	5.77	244.04		
		TQ	-13.78	-54.40	-2.64	-13.78	-54.40	-67.11	-13.78	-54.40	-67.12	-13.78	-54.40	-130.89			
		M3	-13.78	-54.40	-2.64	-26.01	-51.16	-124.19	-26.01	-51.17	-124.19	-26.01	-51.17	-244.57			
		69	3-LANES (caseTRUCK-LOAD	MAX	S2	90.53	-684.86	-33.29	90.53	-684.86	390.23	90.53	-684.85	390.26	90.53	-684.85	809.15
				TQ	-23.09	83.68	4.07	-23.09	83.68	-103.98	-23.09	83.68	-103.98	-23.09	83.68	-210.85	
				M3	-23.09	83.68	4.07	90.41	-670.46	390.39	90.41	-670.44	390.42	90.53	-684.85	809.15	
MIN	S2			-24.81	78.10	3.80	-24.81	78.10	-112.27	-24.81	78.10	-112.27	-24.81	78.10	-227.07		
TQ	88.45			-704.75	-34.26	88.45	-704.75	379.53	88.45	-704.73	379.56	88.45	-704.73	788.82			
M3	88.45			-704.75	-34.26	-24.81	77.81	-112.28	-24.81	77.81	-112.28	-24.81	77.81	-227.07			
TANDEM-LOAD	MAX	S2	61.93	-464.55	-22.58	61.93	-464.55	267.14	61.93	-464.54	267.16	61.93	-464.54	553.70			
		TQ	-15.98	56.98	2.77	-15.98	56.98	-71.99	-15.98	56.98	-71.99	-15.98	56.98	-145.92			
		M3	-15.98	56.98	2.77	61.89	-460.53	267.18	61.89	-460.52	267.20	61.93	-464.54	553.70			
		MIN	S2	-16.87	53.21	2.59	-16.87	53.21	-76.35	-16.87	53.21	-76.35	-16.87	53.21	-154.42		
		TQ	60.33	-480.39	-23.35	60.33	-480.39	258.91	60.33	-480.38	258.93	60.33	-480.38	538.11			
		M3	60.33	-480.39	-23.35	-16.86	52.26	-76.35	-16.86	52.26	-76.35	-16.87	53.21	-154.42			
		DISPERSION-LMAX	S2	S2	115.21	-765.82	-37.22	115.21	-765.82	501.77	115.21	-765.80	501.80	115.21	-765.80	1034.90	
				TQ	-29.54	94.52	4.59	-29.54	94.52	-133.61	-29.54	94.52	-133.61	-29.54	94.52	-270.30	
				M3	-29.54	94.52	4.59	115.14	-752.51	502.08	115.14	-752.50	502.11	115.19	-759.40	1035.04	
				MIN	S2	-30.39	58.44	2.84	-30.39	58.44	-139.32	-30.39	58.43	-139.32	-30.39	58.43	-279.92
				TQ	114.36	-801.90	-38.98	114.36	-801.90	496.06	114.36	-801.88	496.09	114.36	-801.88	1025.27	
				M3	114.36	-801.90	-38.98	-30.31	45.13	-139.63	-30.31	45.14	-139.63	-30.37	52.04	-280.07	

BAGO RIVER BRIDGE

BLOCK [ No.1 : MAIN GIRDER ][ BEAM MEMBER FORCE ]

MEMBER				4001			4002			4003					
NODE				4001			4002			4003					
				SHEAR	TORQUE	MOMENT	SHEAR	TORQUE	MOMENT	SHEAR	TORQUE	MOMENT			
NAME	TITLE			S2 (kN)	TQ (kN·m)	M3 (kN·m)	S2 (kN)	TQ (kN·m)	M3 (kN·m)	S2 (kN)	TQ (kN·m)	M3 (kN·m)			
70	3-LANES (caseTRUCK-LOAD	MAX	S2	354.92	-73.96	-3.59	340.16	-33.64	1589.80	340.16	-33.58	1589.80	323.70	3.62	3012.40
			TQ	132.38	225.85	10.98	132.38	225.85	630.29	132.38	225.88	630.28	132.38	225.88	1242.81
			M3	132.38	225.85	10.98	340.16	-33.64	1589.80	340.16	-33.58	1589.80	323.70	3.62	3012.40
		MIN	S2	-30.41	-20.27	-0.99	-30.41	-20.27	-143.27	-30.41	-20.27	-143.27	-45.30	53.04	818.47
			TQ	161.65	-131.93	-6.41	161.65	-131.93	749.88	161.65	-131.90	749.88	88.68	-131.90	1343.35
			M3	161.65	-131.93	-6.41	-30.41	-20.27	-143.27	-30.41	-20.27	-143.27	-30.41	-20.27	-284.00
		TANDEM-LOAD MAX	S2	245.82	-67.20	-3.27	236.46	-39.67	1104.32	236.46	-39.62	1104.32	225.85	-12.52	2101.09
			TQ	89.78	154.39	7.50	89.78	154.39	427.55	89.78	154.41	427.54	89.78	154.41	842.99
			M3	89.78	154.39	7.50	236.46	-39.67	1104.32	236.46	-39.62	1104.32	225.85	-12.52	2101.09
		MIN	S2	-20.73	-13.69	-0.67	-23.88	21.58	409.19	-23.88	21.59	409.19	-37.13	49.12	791.80
			TQ	113.31	-93.08	-4.52	113.31	-93.08	525.59	113.31	-93.06	525.60	57.52	-93.06	1017.19
			M3	113.31	-93.08	-4.52	-20.73	-13.69	-97.66	-20.73	-13.70	-97.66	-20.73	-13.70	-193.59
		DISPERSION-LMAX	S2	335.19	161.17	7.83	305.22	158.84	1456.52	305.22	158.90	1456.52	276.84	151.74	2662.49
			TQ	211.59	244.77	11.90	187.09	244.77	944.85	187.11	244.81	944.94	161.49	244.81	1752.17
			M3	211.59	244.77	11.90	304.22	161.17	1504.08	304.22	161.24	1504.07	272.67	161.24	2839.34
MIN	S2	-36.04	-23.35	-1.14	-37.05	-21.02	-122.21	-37.05	-21.02	-122.21	-40.22	-13.87	-159.70		
	TQ	87.56	-106.95	-5.20	81.08	-106.95	389.47	81.06	-106.94	389.37	75.14	-106.94	750.62		
	M3	87.56	-106.95	-5.20	-36.04	-23.35	-169.77	-36.04	-23.36	-169.77	-36.04	-23.36	-336.55		
71	3-LANES (caseTRUCK-LOAD	MAX	S2	828.98	182.52	8.87	677.84	449.51	3193.10	677.84	449.65	3193.08	553.34	632.06	5179.94
			TQ	363.32	757.78	36.83	363.32	757.78	1736.60	363.32	757.85	1736.57	363.32	757.85	3417.74
			M3	363.32	757.78	36.83	677.84	449.51	3193.10	677.84	449.65	3193.08	553.34	632.06	5179.95
		MIN	S2	-32.25	-53.12	-2.58	-76.60	118.13	1261.17	-76.60	118.19	1261.17	-211.28	397.55	3994.40
			TQ	-28.98	-58.90	-2.86	-28.98	-58.90	-138.44	-28.98	-58.90	-138.44	-28.98	-58.90	-272.53
			M3	-28.98	-58.90	-2.86	-32.25	-53.12	-153.47	-32.25	-53.12	-153.47	-32.25	-53.12	-302.70

BAGO RIVER BRIDGE

BLOCK [ No.1 : MAIN GIRDER ][ BEAM MEMBER FORCE ]

MEMBER				4001			4002			4003						
NODE				4001			4002			4003						
				SHEAR	TORQUE	MOMENT	SHEAR	TORQUE	MOMENT	SHEAR	TORQUE	MOMENT				
NAME	TITLE			S2 (kN)	TQ (kN·m)	M3 (kN·m)	S2 (kN)	TQ (kN·m)	M3 (kN·m)	S2 (kN)	TQ (kN·m)	M3 (kN·m)				
71	3-LANES (case)	TANDEM-LOAD	MAX	S2	613.42	26.88	1.31	503.74	230.78	2367.95	503.74	230.88	2367.94	409.91	386.69	3833.27
			TQ	252.34	516.97	25.13	252.34	516.97	1205.67	252.34	517.02	1205.65	252.34	517.02	2373.28	
			M3	252.34	516.97	25.13	503.74	230.78	2367.95	503.74	230.88	2367.94	409.91	386.69	3833.27	
		MIN	S2	-21.98	-35.70	-1.74	-94.51	182.53	2114.02	-94.51	182.62	2114.01	-189.51	352.98	3665.07	
		TQ	-19.40	-40.32	-1.96	-19.40	-40.32	-92.73	-19.40	-40.33	-92.72	-19.40	-40.33	-182.50		
		M3	-19.40	-40.32	-1.96	-21.98	-35.70	-104.57	-21.98	-35.70	-104.57	-21.98	-35.70	-206.28		
	DISPERSION-L	MAX	S2	531.38	808.41	39.29	433.96	790.54	2068.70	433.96	790.63	2068.67	355.00	741.36	3339.57	
		TQ	511.63	815.39	39.63	404.96	815.39	2183.38	404.96	815.48	2183.36	299.84	815.48	3813.57		
		M3	511.63	815.39	39.63	424.71	808.41	2275.44	424.71	808.50	2275.40	319.59	808.50	3996.99		
		MIN	S2	-38.07	-59.72	-2.90	-47.33	-41.85	25.70	-47.33	-41.85	25.70	-73.49	7.42	300.21	
		TQ	-18.32	-66.70	-3.24	-18.32	-66.70	-88.97	-18.33	-66.70	-88.98	-18.33	-66.70	-173.79		
		M3	-18.32	-66.70	-3.24	-38.07	-59.72	-181.03	-38.07	-59.73	-181.03	-38.07	-59.73	-357.21		
72	4-LANES	TRUCK-LOAD	MAX	S2	800.95	63.34	3.08	686.88	278.35	3227.08	686.88	278.49	3227.07	588.60	435.53	5498.49
			TQ	309.37	668.16	32.48	309.37	668.16	1479.86	309.37	668.23	1479.84	309.37	668.23	2911.39	
			M3	309.37	668.16	32.48	686.88	278.35	3227.08	686.88	278.49	3227.07	588.60	435.53	5498.49	
		MIN	S2	-41.79	-49.10	-2.39	-78.14	107.71	1134.57	-78.14	107.76	1134.57	-183.93	300.75	2650.69	
		TQ	44.83	-146.32	-7.11	44.83	-146.32	202.64	44.83	-146.31	202.64	44.83	-146.31	410.10		
		M3	44.83	-146.32	-7.11	-41.79	-49.10	-197.89	-41.79	-49.11	-197.89	-41.79	-49.11	-391.25		
	TANDEM-LOAD	MAX	S2	581.75	-35.76	-1.74	499.99	121.75	2345.08	499.99	121.85	2345.07	427.77	251.23	3992.92	
		TQ	218.94	456.46	22.19	218.94	456.46	1046.51	218.94	456.50	1046.49	218.94	456.50	2059.60		
		M3	218.94	456.46	22.19	499.92	129.88	2345.18	499.92	129.98	2345.17	427.77	251.23	3992.93		
		MIN	S2	-28.48	-32.98	-1.60	-86.50	136.55	1456.86	-86.50	136.61	1456.86	-161.05	268.20	2482.13	
		TQ	32.54	-101.15	-4.92	32.54	-101.15	147.30	32.54	-101.14	147.31	32.54	-101.14	297.86		
		M3	32.54	-101.15	-4.92	-28.48	-32.98	-134.84	-28.48	-32.99	-134.84	-28.48	-32.99	-266.62		

BAGO RIVER BRIDGE

BLOCK [ No.1 : MAIN GIRDER ][ BEAM MEMBER FORCE ]

MEMBER				4001			4002			4003							
NODE				4001			4002			4003							
				SHEAR	TORQUE	MOMENT	SHEAR	TORQUE	MOMENT	SHEAR	TORQUE	MOMENT					
NAME	TITLE			S2 (kN)	TQ (kN·m)	M3 (kN·m)	S2 (kN)	TQ (kN·m)	M3 (kN·m)	S2 (kN)	TQ (kN·m)	M3 (kN·m)					
72	4-LANES	DISPERSION-LMAX	S2	564.72	699.05	33.98	475.03	683.21	2273.88	475.03	683.31	2273.85	401.44	639.35	3834.89		
			TQ	486.13	753.54	36.63	392.57	753.54	2091.81	392.59	753.63	2091.86	299.55	753.63	3693.02		
			M3	486.13	753.54	36.63	466.85	699.05	2446.74	466.85	699.15	2446.71	370.01	699.15	4382.54		
	MIN	S2	-38.56	-49.14	-2.39	-46.38	-34.00	-5.71	-46.38	-34.00	-5.71	-68.71	8.16	207.43			
		TQ	51.25	-119.64	-5.82	45.95	-119.64	221.48	45.93	-119.63	221.40	41.24	-119.63	422.82			
		M3	51.25	-119.64	-5.82	-38.56	-49.14	-182.78	-38.56	-49.15	-182.78	-38.56	-49.15	-361.19			
	73	6-LANES	TRUCK-LOAD	MAX	S2	803.48	-461.20	-22.42	696.33	-268.09	3244.74	696.33	-267.95	3244.75	607.89	-133.34	5650.33
				TQ	275.72	658.63	32.01	275.72	658.63	1321.96	275.72	658.68	1321.93	275.72	658.68	2597.76	
				M3	275.72	658.63	32.01	696.33	-268.09	3244.74	696.33	-267.95	3244.75	607.89	-133.34	5650.34	
MIN			S2	-57.16	23.49	1.14	-89.53	168.60	1001.97	-89.53	168.64	1001.96	-189.17	351.72	2432.55		
TQ			196.12	-681.12	-33.11	196.12	-681.12	884.44	196.12	-681.08	884.47	123.58	-681.08	1633.12			
M3			196.12	-681.12	-33.11	-57.15	22.95	-266.27	-57.15	22.94	-266.27	-57.16	23.48	-530.74			
TANDEM-LOAD		MAX	S2	583.36	-384.83	-18.71	505.76	-237.90	2354.61	505.76	-237.80	2354.62	439.05	-124.45	4079.65		
		TQ	196.17	449.79	21.86	196.17	449.79	939.62	196.17	449.83	939.60	196.17	449.83	1847.32			
		M3	196.17	449.79	21.86	505.76	-237.90	2354.61	505.76	-237.80	2354.62	439.05	-124.45	4079.65			
		MIN	S2	-38.92	16.19	0.79	-92.60	175.12	1359.92	-92.60	175.18	1359.91	-162.25	298.89	2313.10		
		TQ	133.87	-468.17	-22.76	133.87	-468.17	603.56	133.87	-468.14	603.58	79.58	-468.14	1189.42			
		M3	133.87	-468.17	-22.76	-38.92	16.19	-181.31	-38.92	16.19	-181.31	-38.92	16.19	-361.42			
		DISPERSION-LMAX	S2	629.58	44.36	2.16	547.18	29.20	2577.70	547.18	29.31	2577.70	480.72	-12.49	4535.68		
			TQ	413.33	760.80	36.98	327.79	760.80	1770.28	327.81	760.87	1770.33	243.24	760.87	3091.45		
			M3	413.33	760.80	36.98	539.12	49.98	2736.17	539.12	50.09	2736.17	449.97	47.14	5024.48		
MIN	S2	-66.18	-10.96	-0.53	-73.48	3.10	-149.39	-73.48	3.10	-149.39	-94.18	41.98	-105.73				
TQ	164.39	-761.12	-37.00	157.90	-761.12	717.08	157.89	-761.09	717.01	151.96	-761.09	1433.74					
M3	164.39	-761.12	-37.00	-66.10	-24.27	-310.44	-66.10	-24.27	-310.44	-66.16	-17.36	-616.49					



BAGO RIVER BRIDGE

BLOCK [ No.1 : MAIN GIRDER ][ BEAM MEMBER FORCE ]

MEMBER			4001			4002			4002			4003			
NODE			4001			4002			4002			4003			
NAME TITLE			SHEAR	TORQUE	MOMENT	SHEAR	TORQUE	MOMENT	SHEAR	TORQUE	MOMENT	SHEAR	TORQUE	MOMENT	
			S2 (kN)	TQ (kN·m)	M3 (kN·m)	S2 (kN)	TQ (kN·m)	M3 (kN·m)	S2 (kN)	TQ (kN·m)	M3 (kN·m)	S2 (kN)	TQ (kN·m)	M3 (kN·m)	
124	SUM TOTAL	D+1LANE (caseMAX	S2	2136.50	-1223.06	-59.45	1812.39	-1223.06	9179.11	1812.39	-1222.68	9179.16	1496.06	-1222.68	16837.42
			TQ	2068.59	-417.57	-20.30	1744.48	-417.57	8900.55	1744.48	-417.20	8900.57	1428.15	-417.20	16244.59
			M3	2068.59	-417.57	-20.30	1812.17	-1189.80	9179.67	1812.17	-1189.43	9179.72	1496.03	-1215.00	16837.59
		MIN	S2	2066.84	-464.23	-22.57	1742.73	-464.23	8890.08	1742.73	-463.85	8890.10	1426.39	-463.85	16226.02
			TQ	2133.23	-1286.69	-62.54	1809.13	-1286.69	9160.72	1809.13	-1286.31	9160.78	1492.79	-1286.31	16803.91
			M3	2133.23	-1286.69	-62.54	1742.82	-480.55	8889.70	1742.82	-480.16	8889.72	1426.42	-471.88	16225.84
		D+1LANE (caseMAX	S2	2206.85	-947.27	-46.05	1882.75	-947.27	9521.67	1882.75	-946.88	9521.71	1566.41	-946.88	17505.52
			TQ	2065.79	-467.85	-22.74	1741.68	-467.85	8885.01	1741.68	-467.48	8885.03	1425.35	-467.48	16216.10
			M3	2065.79	-467.85	-22.74	1882.75	-947.27	9521.67	1882.75	-946.88	9521.71	1566.41	-946.88	17505.52
		MIN	S2	2065.15	-468.82	-22.79	1741.05	-468.82	8881.99	1741.05	-468.44	8882.01	1424.71	-468.44	16210.14
			TQ	2206.85	-947.27	-46.05	1882.75	-947.27	9521.67	1882.75	-946.88	9521.71	1566.41	-946.88	17505.52
			M3	2206.85	-947.27	-46.05	1741.05	-468.82	8881.99	1741.05	-468.44	8882.01	1424.71	-468.44	16210.14
		D+1LANE (caseMAX	S2	2274.87	-701.45	-34.10	1950.31	-701.45	9850.77	1950.31	-701.04	9850.80	1633.50	-701.04	18146.16
			TQ	2075.74	-502.62	-24.43	1751.64	-502.62	8929.87	1751.64	-502.24	8929.93	1435.31	-502.24	16307.08
			M3	2075.74	-502.62	-24.43	1950.31	-701.45	9850.77	1950.31	-701.04	9850.80	1633.50	-701.04	18146.16
		MIN	S2	2063.08	-506.00	-24.60	1738.97	-506.00	8870.46	1738.97	-505.63	8870.48	1422.63	-505.63	16188.99
			TQ	2256.81	-713.98	-34.71	1932.25	-713.98	9765.67	1932.24	-713.57	9765.66	1615.44	-713.57	17977.42
			M3	2256.81	-713.98	-34.71	1738.97	-506.00	8870.46	1738.97	-505.63	8870.48	1422.63	-505.63	16188.99
		D+1LANE (caseMAX	S2	2778.24	76.42	3.71	2309.77	229.91	11576.71	2309.77	230.39	11576.70	1879.03	309.00	20475.65
			TQ	2507.07	411.99	20.02	2125.49	411.99	10857.93	2125.49	412.44	10857.92	1752.23	412.44	19833.32
			M3	2507.07	411.99	20.02	2303.84	240.96	11684.03	2303.84	241.45	11684.02	1856.33	350.47	20799.02
		MIN	S2	2058.67	-584.92	-28.43	1692.66	-448.07	9915.50	1692.66	-447.65	9915.52	1273.48	-263.92	18569.38
			TQ	2065.98	-588.63	-28.61	1741.88	-588.63	8880.05	1741.88	-588.26	8880.06	1425.54	-588.26	16212.02
			M3	2065.98	-588.63	-28.61	1734.57	-584.92	8846.03	1734.57	-584.55	8846.06	1418.23	-584.55	16144.21

BAGO RIVER BRIDGE

BLOCK [ No.1 : MAIN GIRDER ][ BEAM MEMBER FORCE ]

MEMBER			4001			4002			4003						
NODE			4001			4002			4003						
NAME TITLE			SHEAR	TORQUE	MOMENT	SHEAR	TORQUE	MOMENT	SHEAR	TORQUE	MOMENT				
			S2 (kN)	TQ (kN·m)	M3 (kN·m)	S2 (kN)	TQ (kN·m)	M3 (kN·m)	S2 (kN)	TQ (kN·m)	M3 (kN·m)				
124	SUM TOTAL	D+2LANES (casMAX	S2	2195.14	-1603.55	-77.95	1871.03	-1603.55	9434.96	1871.03	-1603.15	9435.03	1554.70	-1603.15	17364.63
			TQ	2054.32	-374.18	-18.19	1730.22	-374.18	8835.92	1730.22	-373.81	8835.93	1413.88	-373.81	16113.95
			M3	2054.32	-374.18	-18.19	1870.85	-1575.83	9435.43	1870.85	-1575.45	9435.50	1554.68	-1596.76	17364.78
		MIN	S2	2052.29	-415.04	-20.18	1728.19	-415.04	8824.43	1728.19	-414.67	8824.45	1411.85	-414.67	16093.07
			TQ	2192.21	-1659.52	-80.67	1868.11	-1659.52	9418.55	1868.11	-1659.12	9418.62	1551.77	-1659.12	17334.68
			M3	2192.21	-1659.52	-80.67	1728.26	-428.64	8824.11	1728.26	-428.26	8824.13	1411.87	-421.36	16092.92
		D+2LANES (casMAX	S2	2253.77	-1373.73	-66.77	1929.66	-1373.73	9720.42	1929.66	-1373.32	9720.48	1613.33	-1373.32	17921.38
			TQ	2051.99	-416.08	-20.23	1727.89	-416.08	8822.97	1727.89	-415.71	8822.98	1411.55	-415.71	16090.20
			M3	2051.99	-416.08	-20.23	1929.66	-1373.73	9720.42	1929.66	-1373.32	9720.48	1613.33	-1373.32	17921.38
		MIN	S2	2050.89	-418.87	-20.36	1726.79	-418.87	8817.69	1726.79	-418.50	8817.71	1410.45	-418.50	16079.84
			TQ	2253.56	-1376.67	-66.92	1929.46	-1376.67	9719.33	1929.46	-1376.26	9719.39	1613.12	-1376.26	17919.35
			M3	2253.56	-1376.67	-66.92	1726.79	-418.87	8817.69	1726.79	-418.50	8817.71	1410.45	-418.50	16079.84
		D+2LANES (casMAX	S2	2458.28	-629.87	-30.62	2124.64	-629.90	10689.60	2124.64	-629.45	10689.63	1798.58	-629.65	19760.35
			TQ	2209.88	-383.96	-18.66	1882.72	-383.96	9556.14	1882.73	-383.56	9556.25	1562.58	-383.56	17531.57
			M3	2209.88	-383.96	-18.66	2124.63	-629.87	10691.32	2124.63	-629.42	10691.35	1798.56	-629.42	19772.15
		MIN	S2	2045.12	-521.53	-25.35	1721.02	-521.50	8787.43	1721.02	-521.13	8787.45	1404.65	-520.93	16032.98
			TQ	2354.04	-714.39	-34.73	2023.45	-714.39	10206.59	2023.43	-713.96	10206.53	1628.20	-713.96	18672.93
			M3	2354.04	-714.39	-34.73	1721.02	-521.53	8785.71	1721.02	-521.16	8785.73	1404.68	-521.16	16021.18
		D+2LANES (casMAX	S2	3116.74	308.48	14.99	2589.50	519.41	12899.44	2589.50	519.95	12899.42	2109.98	629.85	22640.42
			TQ	2732.62	781.38	37.98	2325.07	781.38	11870.13	2325.07	781.88	11870.11	1926.24	781.88	21709.60
			M3	2732.62	781.38	37.98	2581.48	534.56	13057.73	2581.48	535.11	13057.71	2079.27	686.78	23129.03
		MIN	S2	2040.16	-610.92	-29.70	1663.69	-424.52	10331.10	1663.69	-424.09	10331.12	1207.60	-170.54	19643.27
			TQ	2054.26	-617.94	-30.04	1730.15	-617.94	8823.76	1730.15	-617.57	8823.78	1413.81	-617.57	16101.47
			M3	2054.26	-617.94	-30.04	1716.06	-610.92	8758.17	1716.06	-610.56	8758.19	1399.72	-610.56	15970.69

BAGO RIVER BRIDGE

BLOCK [ No.1 : MAIN GIRDER ][ BEAM MEMBER FORCE ]

MEMBER				4001			4002			4003						
NODE				4001			4002			4003						
NAME TITLE				SHEAR	TORQUE	MOMENT	SHEAR	TORQUE	MOMENT	SHEAR	TORQUE	MOMENT				
				S2 (kN)	TQ (kN·m)	M3 (kN·m)	S2 (kN)	TQ (kN·m)	M3 (kN·m)	S2 (kN)	TQ (kN·m)	M3 (kN·m)				
124	SUM TOTAL	D+3LANES (casMAX	S2	2263.12	-1747.04	-84.92	1939.01	-1747.04	9746.03	1939.01	-1746.63	9746.10	1622.68	-1746.63	17990.27	
			TQ	2043.51	-362.49	-17.62	1719.40	-362.49	8785.88	1719.40	-362.12	8785.89	1403.06	-362.12	16013.85	
			M3	2043.51	-362.49	-17.62	1938.85	-1723.48	9746.43	1938.86	-1723.08	9746.50	1622.66	-1741.19	17990.39	
		MIN	S2	2041.33	-397.90	-19.34	1717.22	-397.90	8773.98	1717.22	-397.53	8773.99	1400.89	-397.53	15991.88	
			TQ	2260.63	-1794.61	-87.23	1936.53	-1794.61	9732.08	1936.53	-1794.21	9732.15	1620.19	-1794.21	17964.81	
			M3	2260.63	-1794.61	-87.23	1717.29	-409.46	8773.70	1717.29	-409.08	8773.72	1400.90	-403.22	15991.75	
		D+3LANES (casMAX	S2	2674.85	-439.83	-21.38	2312.71	-407.55	11577.19	2312.71	-407.06	11577.21	1958.26	-381.53	21246.48	
			TQ	2380.61	-113.93	-5.54	2035.69	-113.93	10326.69	2035.70	-113.50	10326.78	1697.59	-113.50	18968.57	
			M3	2380.61	-113.93	-5.54	2311.86	-405.56	11617.62	2311.86	-405.07	11617.64	1954.72	-373.46	21396.80	
		MIN	S2	2031.76	-551.04	-26.79	1706.80	-549.06	8762.17	1706.80	-548.69	8762.19	1375.12	-480.28	16982.78	
			TQ	2300.08	-717.01	-34.85	1970.47	-717.01	9956.27	1970.45	-716.60	9956.21	1587.05	-716.60	18202.70	
			M3	2300.08	-717.01	-34.85	1707.65	-551.04	8721.74	1707.65	-550.68	8721.76	1391.31	-550.68	15895.35	
		D+3LANES (casMAX	S2	3244.55	328.33	15.96	2709.17	540.08	13460.36	2709.17	540.65	13460.34	2219.90	653.82	23664.41	
			TQ	2831.95	823.23	40.01	2417.18	823.23	12319.81	2417.18	823.74	12319.78	2011.49	823.74	22569.44	
			M3	2831.95	823.23	40.01	2701.31	555.27	13636.08	2701.31	555.84	13636.06	2189.79	710.89	24223.22	
		MIN	S2	2028.47	-609.87	-29.65	1658.80	-449.12	10081.67	1658.80	-448.70	10081.69	1205.75	-169.36	20073.24	
			TQ	2048.04	-620.72	-30.17	1723.93	-620.72	8794.52	1723.93	-620.35	8794.54	1407.59	-620.35	16043.45	
			M3	2048.04	-620.72	-30.17	1704.36	-609.87	8703.50	1704.36	-609.51	8703.52	1388.03	-609.51	15861.90	
		D+4LANES	MAX	S2	2975.93	-18.41	-0.90	2519.39	111.06	12563.45	2519.39	111.58	12563.44	2091.33	185.09	22489.52
			TQ	2605.32	410.15	19.93	2220.41	410.15	11309.42	2220.41	410.62	11309.45	1843.60	410.62	20715.69	
			M3	2605.32	410.15	19.93	2514.07	121.35	12675.81	2514.07	121.88	12675.80	2070.90	223.96	22845.49	
		MIN	S2	2036.02	-577.82	-28.09	1683.20	-466.05	9721.58	1683.20	-465.64	9721.60	1283.59	-312.79	18280.60	
			TQ	2150.70	-686.83	-33.39	1823.15	-686.83	9263.50	1823.14	-686.44	9263.47	1503.75	-686.44	16964.22	
			M3	2150.70	-686.83	-33.39	1711.92	-577.82	8740.39	1711.92	-577.45	8740.42	1395.58	-577.45	15933.74	

BAGO RIVER BRIDGE

BLOCK [ No.1 : MAIN GIRDER ][ BEAM MEMBER FORCE ]

MEMBER					4001			4002			4003					
NODE					4001			4002			4003					
					SHEAR	TORQUE	MOMENT	SHEAR	TORQUE	MOMENT	SHEAR	TORQUE	MOMENT			
NAME TITLE					S2 (kN)	TQ (kN·m)	M3 (kN·m)	S2 (kN)	TQ (kN·m)	M3 (kN·m)	S2 (kN)	TQ (kN·m)	M3 (kN·m)			
124	SUM TOTAL	D+6LANES	MAX	S2	3019.74	-784.91	-38.15	2572.42	-669.24	12772.41	2572.42	-668.70	12772.44	2155.40	-608.38	23043.73
				TQ	2536.13	408.66	19.86	2156.42	408.66	10997.78	2156.43	409.13	10997.82	1785.13	409.13	20120.81
				M3	2536.13	408.66	19.86	2567.19	-655.73	12875.41	2567.19	-655.20	12875.44	2135.41	-569.62	23361.46
			MIN	S2	2008.08	-505.82	-24.59	1658.19	-402.36	9542.00	1658.19	-401.96	9542.02	1263.62	-257.68	17935.26
				TQ	2322.57	-1451.42	-70.55	1994.26	-1451.42	10028.81	1994.24	-1451.00	10028.81	1626.91	-1451.00	18416.28
				M3	2322.57	-1451.42	-70.55	1684.02	-514.82	8612.96	1684.02	-514.45	8612.99	1367.65	-509.61	15677.13
	SUM TOTAL		MAX		3244.55	823.23	40.01	2709.17	823.23	13636.08	2709.17	823.74	13636.06	2219.90	823.74	24223.22
			MIN		2008.08	-1794.61	-87.23	1658.19	-1794.61	8612.96	1658.19	-1794.21	8612.99	1205.75	-1794.21	15677.13
300	DEAD LOAD	TOTAL			2088.24	-513.96	-24.98	1764.14	-513.96	8987.82	1764.14	-513.59	8987.85	1447.80	-513.59	16422.83
301	LIVE LOAD	1-LANE(case1MAX	S2		48.25	-709.10	-34.47	48.25	-709.10	191.28	48.25	-709.09	191.31	48.25	-709.09	414.59
			TQ		-19.66	96.39	4.69	-19.66	96.39	-87.27	-19.66	96.39	-87.28	-19.66	96.39	-178.23
			M3		-19.66	96.39	4.69	48.03	-675.84	191.85	48.03	-675.84	191.88	48.23	-701.41	414.77
			MIN	S2	-21.41	49.74	2.42	-21.41	49.74	-97.74	-21.41	49.73	-97.74	-21.41	49.73	-196.81
				TQ	44.98	-772.73	-37.56	44.98	-772.73	172.90	44.98	-772.72	172.93	44.98	-772.72	381.09
				M3	44.98	-772.73	-37.56	-21.32	33.42	-98.13	-21.32	33.43	-98.13	-21.39	41.71	-196.99
		1-LANE(case2MAX	S2		118.61	-433.31	-21.06	118.61	-433.31	533.84	118.61	-433.29	533.86	118.61	-433.29	1082.69
			TQ		-22.46	46.11	2.24	-22.46	46.11	-102.81	-22.46	46.11	-102.82	-22.46	46.11	-206.72
			M3		-22.46	46.11	2.24	118.61	-433.31	533.84	118.61	-433.29	533.86	118.61	-433.29	1082.69
			MIN	S2	-23.09	45.15	2.19	-23.09	45.15	-105.84	-23.09	45.14	-105.84	-23.09	45.14	-212.68
				TQ	118.61	-433.31	-21.06	118.61	-433.31	533.84	118.61	-433.29	533.86	118.61	-433.29	1082.69
				M3	118.61	-433.31	-21.06	-23.09	45.15	-105.84	-23.09	45.14	-105.84	-23.09	45.14	-212.68
		1-LANE(case3MAX	S2		186.63	-187.49	-9.11	186.17	-187.49	862.95	186.17	-187.46	862.95	185.70	-187.46	1723.33
			TQ		-12.50	11.35	0.55	-12.50	11.35	-57.95	-12.50	11.35	-57.92	-12.50	11.35	-115.75
			M3		-12.50	11.35	0.55	186.17	-187.49	862.95	186.17	-187.46	862.95	185.70	-187.46	1723.33
			MIN	S2	-25.17	7.96	0.39	-25.17	7.96	-117.37	-25.17	7.95	-117.37	-25.17	7.95	-233.83
				TQ	168.57	-200.01	-9.72	168.11	-200.01	777.84	168.10	-199.98	777.82	167.63	-199.98	1554.59
				M3	168.57	-200.01	-9.72	-25.17	7.96	-117.37	-25.17	7.95	-117.37	-25.17	7.95	-233.83

BAGO RIVER BRIDGE

BLOCK [ No.1 : MAIN GIRDER ][ BEAM MEMBER FORCE ]

MEMBER			4001			4002			4002			4003			
NODE			4001			4002			4002			4003			
NAME TITLE			SHEAR	TORQUE	MOMENT	SHEAR	TORQUE	MOMENT	SHEAR	TORQUE	MOMENT	SHEAR	TORQUE	MOMENT	
			S2 (kN)	TQ (kN·m)	M3 (kN·m)	S2 (kN)	TQ (kN·m)	M3 (kN·m)	S2 (kN)	TQ (kN·m)	M3 (kN·m)	S2 (kN)	TQ (kN·m)	M3 (kN·m)	
301	LIVE LOAD	1-LANE (case4MAX	S2	689.99	590.38	28.70	545.63	743.87	2588.88	545.63	743.98	2588.85	431.23	822.59	4052.83
			TQ	418.83	925.95	45.01	361.35	925.95	1870.11	361.35	926.03	1870.08	304.43	926.03	3410.49
			M3	418.83	925.95	45.01	539.70	754.92	2696.20	539.70	755.03	2696.17	408.52	864.06	4376.19
			MIN S2	-29.57	-70.96	-3.45	-71.48	65.90	927.67	-71.48	65.94	927.67	-174.32	249.67	2146.55
			TQ	-22.26	-74.67	-3.63	-22.26	-74.67	-107.78	-22.26	-74.67	-107.78	-22.26	-74.67	-210.80
			M3	-22.26	-74.67	-3.63	-29.57	-70.96	-141.79	-29.57	-70.96	-141.79	-29.57	-70.96	-278.62
		2-LANES (caseMAX	S2	106.89	-1089.59	-52.96	106.89	-1089.59	447.13	106.89	-1089.57	447.18	106.89	-1089.57	941.80
			TQ	-33.92	139.78	6.79	-33.92	139.78	-151.91	-33.92	139.78	-151.91	-33.92	139.78	-308.88
			M3	-33.92	139.78	6.79	106.71	-1061.87	447.61	106.71	-1061.86	447.65	106.88	-1083.17	941.95
			MIN S2	-35.95	98.92	4.81	-35.95	98.92	-163.39	-35.95	98.91	-163.40	-35.95	98.91	-329.76
			TQ	103.97	-1145.55	-55.68	103.97	-1145.55	430.72	103.97	-1145.54	430.77	103.97	-1145.54	911.85
			M3	103.97	-1145.55	-55.68	-35.88	85.32	-163.71	-35.88	85.33	-163.72	-35.93	92.23	-329.91
		2-LANES (caseMAX	S2	165.52	-859.76	-41.79	165.52	-859.76	732.60	165.52	-859.73	732.64	165.52	-859.73	1498.55
			TQ	-36.25	97.88	4.76	-36.25	97.88	-164.86	-36.25	97.87	-164.86	-36.25	97.87	-332.62
			M3	-36.25	97.88	4.76	165.52	-859.76	732.60	165.52	-859.73	732.64	165.52	-859.73	1498.55
			MIN S2	-37.35	95.10	4.62	-37.35	95.10	-170.14	-37.35	95.09	-170.14	-37.35	95.09	-342.99
			TQ	165.32	-862.70	-41.93	165.32	-862.70	731.51	165.32	-862.67	731.54	165.32	-862.67	1496.52
			M3	165.32	-862.70	-41.93	-37.35	95.10	-170.14	-37.35	95.09	-170.14	-37.35	95.09	-342.99
		2-LANES (caseMAX	S2	370.04	-115.90	-5.63	360.50	-115.93	1701.78	360.50	-115.86	1701.78	350.78	-116.06	3337.52
			TQ	121.64	130.01	6.32	118.58	130.01	568.31	118.59	130.03	568.40	114.78	130.03	1108.74
			M3	121.64	130.01	6.32	360.49	-115.90	1703.49	360.49	-115.83	1703.50	350.75	-115.83	3349.32
MIN S2	-43.12		-7.57	-0.37	-43.12	-7.54	-200.40	-43.12	-7.54	-200.40	-43.15	-7.34	-389.85		
TQ	265.79		-200.43	-9.74	259.31	-200.43	1218.77	259.29	-200.38	1218.68	180.40	-200.38	2250.11		
M3	265.79		-200.43	-9.74	-43.12	-7.57	-202.11	-43.12	-7.58	-202.11	-43.12	-7.58	-401.65		

BAGO RIVER BRIDGE

BLOCK [ No.1 : MAIN GIRDER ] [ BEAM MEMBER FORCE ]

MEMBER			4001			4002			4002			4003				
NODE			4001			4002			4002			4003				
NAME TITLE			SHEAR	TORQUE	MOMENT	SHEAR	TORQUE	MOMENT	SHEAR	TORQUE	MOMENT	SHEAR	TORQUE	MOMENT		
			S2 (kN)	TQ (kN·m)	M3 (kN·m)	S2 (kN)	TQ (kN·m)	M3 (kN·m)	S2 (kN)	TQ (kN·m)	M3 (kN·m)	S2 (kN)	TQ (kN·m)	M3 (kN·m)		
301	LIVE LOAD	2-LANES (caseMAX	S2	1028.49	822.45	39.98	825.36	1033.37	3911.62	825.36	1033.53	3911.57	662.18	1143.43	6217.59	
			TQ	644.38	1295.35	62.96	560.93	1295.35	2882.31	560.93	1295.47	2882.26	478.43	1295.47	5286.77	
			M3	644.38	1295.35	62.96	817.34	1048.52	4069.91	817.34	1048.69	4069.87	631.46	1200.36	6706.21	
			MIN	S2	-48.08	-96.96	-4.71	-100.45	89.44	1343.28	-100.45	89.50	1343.27	-240.20	343.05	3220.44
			TQ	-33.99	-103.98	-5.05	-33.99	-103.98	-164.07	-33.99	-103.98	-164.07	-33.99	-103.98	-321.35	
			M3	-33.99	-103.98	-5.05	-48.08	-96.96	-229.66	-48.08	-96.97	-229.65	-48.08	-96.97	-452.14	
		3-LANES (caseMAX	S2	174.87	-1233.08	-59.94	174.87	-1233.08	758.20	174.87	-1233.04	758.25	174.87	-1233.04	1567.44	
			TQ	-44.74	151.48	7.36	-44.74	151.48	-201.95	-44.74	151.47	-201.96	-44.74	151.47	-408.98	
			M3	-44.74	151.48	7.36	174.71	-1209.52	758.60	174.71	-1209.50	758.65	174.86	-1227.61	1567.56	
			MIN	S2	-46.92	116.06	5.64	-46.92	116.06	-213.85	-46.92	116.05	-213.85	-46.92	116.05	-430.94
			TQ	172.39	-1280.65	-62.25	172.39	-1280.65	744.25	172.39	-1280.62	744.31	172.39	-1280.62	1541.98	
			M3	172.39	-1280.65	-62.25	-46.85	104.50	-214.12	-46.85	104.50	-214.13	-46.90	110.37	-431.07	
		3-LANES (caseMAX	S2	586.60	74.14	3.60	548.57	106.41	2589.37	548.57	106.52	2589.37	510.46	132.06	4823.66	
			TQ	292.37	400.03	19.44	271.55	400.03	1338.87	271.56	400.09	1338.94	249.79	400.09	2545.74	
			M3	292.37	400.03	19.44	547.72	108.40	2629.79	547.72	108.51	2629.79	506.91	140.13	4973.98	
			MIN	S2	-56.49	-37.08	-1.80	-57.34	-35.09	-225.66	-57.34	-35.10	-225.66	-72.69	33.30	559.96
			TQ	211.83	-203.05	-9.87	206.33	-203.05	968.44	206.31	-203.01	968.37	139.25	-203.01	1779.87	
			M3	211.83	-203.05	-9.87	-56.49	-37.08	-266.08	-56.49	-37.09	-266.08	-56.49	-37.09	-527.47	
		3-LANES (caseMAX	S2	1156.31	842.29	40.94	945.03	1054.04	4472.53	945.03	1054.23	4472.49	772.09	1167.40	7241.58	
			TQ	743.71	1337.19	65.00	653.04	1337.19	3331.98	653.04	1337.33	3331.94	563.68	1337.33	6146.61	
			M3	743.71	1337.19	65.00	937.17	1069.23	4648.26	937.17	1069.43	4648.21	741.99	1224.48	7800.40	
MIN	S2		-59.78	-95.91	-4.66	-105.34	64.84	1093.84	-105.34	64.89	1093.84	-242.06	344.23	3650.42		
TQ	-40.21		-106.76	-5.19	-40.21	-106.76	-193.30	-40.21	-106.76	-193.31	-40.21	-106.76	-379.37			
M3	-40.21		-106.76	-5.19	-59.78	-95.91	-284.33	-59.78	-95.92	-284.32	-59.78	-95.92	-560.93			

BAGO RIVER BRIDGE

BLOCK [ No.1 : MAIN GIRDER ][ BEAM MEMBER FORCE ]

MEMBER					4001			4002			4003					
NODE					4001			4002			4003					
NAME TITLE					SHEAR	TORQUE	MOMENT	SHEAR	TORQUE	MOMENT	SHEAR	TORQUE	MOMENT			
					S2 (kN)	TQ (kN·m)	M3 (kN·m)	S2 (kN)	TQ (kN·m)	M3 (kN·m)	S2 (kN)	TQ (kN·m)	M3 (kN·m)			
301	LIVE LOAD	4-LANES	MAX	S2	887.68	495.55	24.09	755.25	625.02	3575.62	755.25	625.17	3575.59	643.52	698.68	6066.70
				TQ	517.08	924.11	44.92	456.26	924.11	2321.59	456.27	924.21	2321.60	395.80	924.21	4292.87
				M3	517.08	924.11	44.92	749.93	635.31	3687.99	749.93	635.47	3687.96	623.09	737.55	6422.67
			MIN	S2	-52.22	-63.86	-3.10	-80.94	47.91	733.76	-80.94	47.94	733.76	-164.22	200.79	1857.78
				TQ	62.45	-172.87	-8.40	59.01	-172.87	275.67	59.00	-172.86	275.63	55.95	-172.86	541.40
				M3	62.45	-172.87	-8.40	-52.22	-63.86	-247.43	-52.22	-63.87	-247.43	-52.22	-63.87	-489.09
		6-LANES	MAX	S2	931.49	-270.94	-13.17	808.28	-155.28	3784.59	808.28	-155.12	3784.59	707.60	-94.79	6620.91
				TQ	447.88	922.63	44.85	392.28	922.63	2009.96	392.29	922.71	2009.97	337.33	922.71	3697.99
				M3	447.88	922.63	44.85	803.05	-141.77	3887.59	803.05	-141.61	3887.60	687.61	-56.03	6938.63
			MIN	S2	-80.17	8.15	0.40	-105.95	111.61	554.18	-105.95	111.63	554.17	-184.18	255.90	1512.43
				TQ	234.33	-937.45	-45.57	230.12	-937.45	1040.99	230.10	-937.41	1040.96	179.10	-937.41	1993.46
				M3	234.33	-937.45	-45.57	-80.12	-0.86	-374.86	-80.12	-0.87	-374.86	-80.15	3.98	-745.69
		LIVE LOAD	MAX	1156.31	1337.19	65.00	945.03	1337.19	4648.26	945.03	1337.33	4648.21	772.09	1337.33	7800.40	
			MIN	-80.17	-1280.65	-62.25	-105.95	-1280.65	-374.86	-105.95	-1280.62	-374.86	-242.06	-1280.62	-745.69	
		303	SUM TOTAL	TOTAL	MAX	3244.55	823.23	40.01	2709.17	823.23	13636.08	2709.17	823.74	13636.06	2219.90	823.74
MIN	2008.08				-1794.61	-87.23	1658.19	-1794.61	8612.96	1658.19	-1794.21	8612.99	1205.75	-1794.21	15677.13	

BAGO RIVER BRIDGE

BLOCK [ No.1 : MAIN GIRDER ] [ BEAM MEMBER FORCE ]

MEMBER NODE	4003	4004			4004			4005			SHEAR	TORQUE	MOMENT	
		SHEAR	TORQUE	MOMENT	SHEAR	TORQUE	MOMENT	SHEAR	TORQUE	MOMENT				
NAME TITLE	S2 (kN)	TQ (kN·m)	M3 (kN·m)	S2 (kN)	TQ (kN·m)	M3 (kN·m)	S2 (kN)	TQ (kN·m)	M3 (kN·m)	S2 (kN)	TQ (kN·m)	M3 (kN·m)		
1 PAVEMENT	292.51	-53.57	3267.52	224.80	-53.57	4489.21	224.80	-32.36	4489.41	158.04	-32.36	5393.59		
3 RAILING	7.97	1.68	81.76	5.01	1.68	112.64	5.01	2.22	112.63	2.04	2.22	129.48		
5 CURB	78.94	16.67	809.41	49.63	16.67	1115.11	49.63	21.93	1115.02	20.16	21.93	1281.86		
7 DECK WEIGHT	450.17	-115.04	5004.82	347.07	-115.04	6888.23	347.07	-82.50	6888.70	245.24	-82.50	8288.20		
8 GIRDER WEIGH	473.22	-449.54	5098.47	384.94	-449.54	7124.76	384.94	-415.88	7126.81	296.67	-415.88	8736.22		
10 MEDIAN STRIP	63.09	-148.07	699.81	63.09	-148.07	997.72	63.09	-143.36	998.41	63.09	-143.36	1296.33		
21 ADITIONAL WE	126.05	-32.21	1401.35	97.18	-32.21	1928.70	97.18	-23.10	1928.84	68.67	-23.10	2320.69		
31 MEDIAN RAILI	4.89	-11.77	54.68	4.89	-11.77	77.75	4.89	-11.40	77.81	4.89	-11.40	100.89		
51 SUPPORT WEIG	-0.00	0.00	0.00	-0.00	0.00	0.00	-0.00	0.00	0.00	-0.00	0.00	0.00		
52 NOSE WEIGHT	0.46	3.35	-7.98	0.46	3.35	-5.83	0.46	3.32	-5.85	0.46	3.32	-3.70		
61 1-LANE(case1TRUCK-LOAD	MAX	S2	20.88	-293.75	145.25	20.88	-293.75	243.84	20.88	-292.60	245.22	20.88	-292.60	343.81
		TQ	-8.49	47.03	-64.30	-8.49	47.03	-104.41	-8.49	46.53	-104.63	-8.49	46.53	-144.74
		M3	20.55	-301.78	145.95	20.88	-293.75	243.84	20.88	-292.60	245.22	20.88	-292.60	343.81
	MIN	S2	-9.04	44.55	-70.00	-9.04	44.55	-112.69	-9.04	44.02	-112.89	-9.04	44.02	-155.58
		TQ	20.15	-304.11	143.79	20.15	-304.11	238.96	20.15	-302.98	240.40	20.15	-302.98	335.57
		M3	-9.02	43.33	-70.18	-9.03	43.69	-112.82	-9.03	43.16	-113.02	-9.03	43.16	-155.67
	TANDEM-LOAD MAX	S2	14.24	-202.25	99.95	14.24	-202.25	167.20	14.24	-201.45	168.15	14.24	-201.45	235.41
		TQ	-5.87	32.02	-44.56	-5.87	32.02	-72.28	-5.87	31.68	-72.43	-5.87	31.68	-100.15
		M3	14.15	-204.49	100.15	14.24	-202.25	167.20	14.24	-201.45	168.15	14.24	-201.45	235.41
	MIN	S2	-6.15	30.63	-47.54	-6.15	30.63	-76.59	-6.15	30.27	-76.74	-6.15	30.27	-105.78
		TQ	13.53	-207.54	97.75	13.53	-207.54	161.65	13.53	-206.78	162.63	13.53	-206.78	226.54
		M3	-6.12	29.02	-47.73	-6.12	29.02	-76.64	-6.12	28.66	-76.77	-6.15	30.27	-105.78
	DISPERSION-LMAX	S2	32.77	-361.81	190.09	32.77	-361.81	344.84	32.77	-360.17	346.55	32.77	-360.17	501.30
		TQ	-10.79	53.11	-83.56	-10.79	53.11	-134.50	-10.79	52.47	-134.75	-10.79	52.47	-185.69
		M3	29.99	-322.17	199.64	31.93	-349.76	346.31	31.95	-348.46	347.96	32.77	-360.17	501.30
	MIN	S2	-10.79	53.11	-83.56	-10.79	53.11	-134.50	-10.79	52.47	-134.75	-10.79	52.47	-185.69
		TQ	32.77	-361.81	190.09	32.77	-361.81	344.84	32.77	-360.17	346.55	32.77	-360.17	501.30
		M3	-8.01	13.47	-93.12	-9.94	41.06	-135.97	-9.97	40.76	-136.16	-10.79	52.47	-185.69



BAGO RIVER BRIDGE

BLOCK [ No.1 : MAIN GIRDER ][ BEAM MEMBER FORCE ]

MEMBER				4003			4004			4005					
NODE				4003			4004			4005					
				SHEAR	TORQUE	MOMENT	SHEAR	TORQUE	MOMENT	SHEAR	TORQUE	MOMENT			
NAME	TITLE			S2 (kN)	TQ (kN·m)	M3 (kN·m)	S2 (kN)	TQ (kN·m)	M3 (kN·m)	S2 (kN)	TQ (kN·m)	M3 (kN·m)			
62	1-LANE (case2TRUCK-LOAD	MAX	S2	41.36	-177.87	382.51	41.36	-177.87	577.82	41.36	-175.14	578.66	41.36	-175.14	773.97
			TQ	-9.00	22.99	-75.80	-9.00	22.99	-118.28	-9.00	22.43	-118.39	-9.00	22.43	-160.88
			M3	37.71	-163.06	407.98	40.02	-172.99	593.49	40.02	-170.18	594.30	40.70	-173.03	785.58
		MIN	S2	-9.51	22.07	-80.77	-9.51	22.07	-125.68	-9.51	21.47	-125.78	-9.51	21.47	-170.69
			TQ	41.36	-177.87	382.51	41.36	-177.87	577.82	41.36	-175.14	578.66	41.36	-175.14	773.97
			M3	-9.51	22.07	-80.77	-9.51	22.07	-125.68	-9.51	21.47	-125.78	-9.51	21.47	-170.69
		TANDEM-LOAD MAX	S2	28.32	-121.86	263.91	28.32	-121.86	397.64	28.32	-119.98	398.21	28.32	-119.98	531.94
			TQ	-6.21	15.67	-52.40	-6.21	15.67	-81.73	-6.21	15.29	-81.81	-6.21	15.29	-111.15
			M3	26.34	-114.20	278.78	26.99	-116.97	405.25	26.99	-115.06	405.79	28.19	-119.59	535.15
		MIN	S2	-6.48	15.15	-54.96	-6.48	15.15	-85.54	-6.48	14.75	-85.62	-6.48	14.75	-116.20
			TQ	28.32	-121.86	263.91	28.32	-121.86	397.64	28.32	-119.98	398.21	28.32	-119.98	531.94
			M3	-6.48	15.15	-54.96	-6.48	15.15	-85.54	-6.48	14.75	-85.62	-6.48	14.75	-116.20
		DISPERSION-LMAX	S2	51.20	-194.88	495.34	51.20	-194.88	737.14	51.20	-191.39	738.05	51.20	-191.39	979.85
			TQ	-11.31	26.27	-96.08	-11.31	26.27	-149.51	-11.31	25.57	-149.63	-11.31	25.57	-203.06
			M3	51.20	-194.88	495.34	51.20	-194.88	737.14	51.20	-191.39	738.05	51.20	-191.39	979.85
MIN	S2	-11.31	26.27	-96.08	-11.31	26.27	-149.51	-11.31	25.57	-149.63	-11.31	25.57	-203.06		
	TQ	51.20	-194.88	495.34	51.20	-194.88	737.14	51.20	-191.39	738.05	51.20	-191.39	979.85		
	M3	-11.31	26.27	-96.08	-11.31	26.27	-149.51	-11.31	25.57	-149.63	-11.31	25.57	-203.06		
63	1-LANE (case3TRUCK-LOAD	MAX	S2	62.00	-84.86	615.40	62.00	-84.86	908.20	62.00	-80.57	908.59	62.00	-80.57	1201.38
			TQ	8.33	8.47	403.88	8.33	8.47	443.23	8.33	10.57	443.18	8.33	10.57	482.53
			M3	48.54	-64.21	692.13	59.00	-85.22	949.63	59.00	-80.74	950.02	59.63	-81.60	1230.39
		MIN	S2	-9.87	4.94	-89.01	-9.87	4.94	-135.64	-9.87	4.29	-135.66	-9.87	4.29	-182.28
			TQ	61.78	-86.39	633.21	61.78	-86.39	924.95	61.78	-82.02	925.35	61.78	-82.02	1217.09
			M3	-9.87	4.94	-89.01	-9.87	4.94	-135.64	-9.87	4.29	-135.66	-9.87	4.29	-182.28

BAGO RIVER BRIDGE

BLOCK [ No.1 : MAIN GIRDER ][ BEAM MEMBER FORCE ]

MEMBER		4003			4004			4004			4005						
NODE		4003			4004			4004			4005						
		SHEAR	TORQUE	MOMENT	SHEAR	TORQUE	MOMENT	SHEAR	TORQUE	MOMENT	SHEAR	TORQUE	MOMENT				
NAME	TITLE	S2 (kN)	TQ (kN·m)	M3 (kN·m)	S2 (kN)	TQ (kN·m)	M3 (kN·m)	S2 (kN)	TQ (kN·m)	M3 (kN·m)	S2 (kN)	TQ (kN·m)	M3 (kN·m)				
63	1-LANE (case3TANDEM-LOAD	MAX	S2	42.46	-61.22	438.31	42.46	-61.22	638.83	42.46	-58.20	639.11	42.46	-58.20	839.62		
			TQ	3.95	8.34	247.25	3.95	8.34	265.89	3.95	9.59	265.85	3.95	9.59	284.48		
			M3	35.76	-50.69	472.52	37.97	-55.31	648.67	37.97	-52.24	648.93	41.86	-58.08	843.34		
		MIN	S2	-6.73	3.35	-60.65	-6.73	3.35	-92.41	-6.73	2.91	-92.43	-6.73	2.91	-124.19		
			TQ	42.46	-61.22	438.31	42.46	-61.22	638.83	42.46	-58.20	639.11	42.46	-58.20	839.62		
			M3	-6.73	3.35	-60.65	-6.73	3.35	-92.41	-6.73	2.91	-92.43	-6.73	2.91	-124.19		
			DISPERSION-LMAX	S2	64.89	-59.58	745.69	64.48	-59.58	1051.18	64.48	-54.61	1051.44	64.06	-54.61	1354.98	
			TQ	-5.06	9.30	15.38	-5.26	9.30	-9.22	-4.01	9.31	13.94	-4.01	9.31	-4.99		
			M3	64.89	-59.58	745.69	64.48	-59.58	1051.18	64.48	-54.61	1051.44	64.06	-54.61	1354.98		
		MIN	S2	-11.72	5.77	-105.66	-11.72	5.77	-161.00	-11.72	5.01	-161.03	-11.72	5.01	-216.37		
			TQ	58.23	-63.11	624.65	58.03	-63.11	899.40	56.77	-58.91	876.48	56.35	-58.91	1143.61		
			M3	-11.72	5.77	-105.66	-11.72	5.77	-161.00	-11.72	5.01	-161.03	-11.72	5.01	-216.37		
		64	1-LANE (case4TRUCK-LOAD	MAX	S2	276.43	154.71	2097.50	217.92	249.79	2695.36	217.92	262.52	2694.15	167.46	332.92	2929.02
					TQ	108.11	357.32	967.67	108.11	357.32	1478.20	108.11	364.30	1476.49	108.11	364.30	1987.03
					M3	276.43	154.71	2097.50	217.92	249.79	2695.36	217.92	262.52	2694.15	136.07	316.61	2949.01
MIN	S2			-70.43	60.23	1637.54	-128.46	137.61	2382.28	-128.46	148.87	2381.61	-188.54	245.88	2721.91		
	TQ			-9.32	-35.35	-95.51	-9.32	-35.35	-139.52	-9.32	-36.01	-139.35	-9.32	-36.01	-183.35		
	M3			-10.64	-32.67	-106.81	-10.64	-32.67	-157.05	-10.64	-33.41	-156.89	-10.64	-33.41	-207.12		
	TANDEM-LOAD			MAX	S2	206.65	72.91	1576.28	165.45	139.80	2023.03	165.45	149.35	2022.34	127.22	210.70	2199.35
	TQ			75.69	244.99	673.90	75.69	244.99	1031.31	75.69	249.86	1030.14	75.69	249.86	1387.56		
	M3			206.65	72.91	1576.28	165.45	139.80	2023.03	165.45	149.35	2022.35	127.22	210.70	2199.35		
MIN	S2			-65.06	59.07	1510.92	-106.57	122.76	1978.39	-106.57	132.11	1977.79	-146.83	197.87	2169.70		
	TQ			-6.51	-24.21	-66.59	-6.51	-24.21	-97.33	-6.51	-24.67	-97.22	-6.51	-24.67	-127.96		
	M3			-7.26	-21.84	-72.73	-7.26	-21.84	-107.00	-7.26	-22.34	-106.90	-7.26	-22.34	-141.16		

BAGO RIVER BRIDGE

BLOCK [ No.1 : MAIN GIRDER ][ BEAM MEMBER FORCE ]

MEMBER		4003			4004			4004			4005						
NODE		4003			4004			4004			4005						
		SHEAR	TORQUE	MOMENT	SHEAR	TORQUE	MOMENT	SHEAR	TORQUE	MOMENT	SHEAR	TORQUE	MOMENT				
NAME	TITLE	S2 (kN)	TQ (kN·m)	M3 (kN·m)	S2 (kN)	TQ (kN·m)	M3 (kN·m)	S2 (kN)	TQ (kN·m)	M3 (kN·m)	S2 (kN)	TQ (kN·m)	M3 (kN·m)				
64	1-LANE (case4DISPERSION-LMAX	S2	148.38	347.96	1269.22	115.49	331.13	1565.66	115.49	338.52	1564.08	89.55	308.66	1667.03			
		TQ	130.65	359.28	1481.12	82.13	359.28	1983.57	82.41	368.66	1985.84	33.78	368.66	2260.24			
		M3	136.86	357.32	1537.43	88.34	357.32	2069.20	88.34	367.09	2067.49	39.70	367.09	2369.85			
		MIN	S2	-24.09	-27.18	142.59	-39.72	-10.35	318.58	-39.72	-8.85	318.62	-62.41	21.02	458.69		
		TQ	-6.36	-38.50	-69.30	-6.36	-38.50	-99.33	-6.65	-38.98	-103.14	-6.65	-38.98	-134.52			
		M3	-12.57	-36.54	-125.61	-12.57	-36.54	-184.96	-12.57	-37.42	-184.78	-12.57	-37.42	-244.13			
		65	2-LANES (caseTRUCK-LOAD	MAX	S2	50.95	-534.89	399.31	50.95	-534.89	639.94	50.95	-531.86	642.46	50.95	-531.86	883.09
				TQ	-17.24	82.09	-134.31	-17.24	82.09	-215.71	-17.24	81.07	-216.09	-17.24	81.07	-297.49	
				M3	50.36	-541.85	402.18	50.68	-533.82	640.81	50.68	-530.79	643.33	50.90	-531.76	883.37	
MIN	S2			-18.31	77.89	-145.37	-18.31	77.89	-231.84	-18.31	76.79	-232.21	-18.31	76.79	-318.69		
TQ	50.23			-545.25	397.86	50.23	-545.25	635.07	50.23	-542.24	637.64	50.23	-542.24	874.85			
M3	-18.28			76.05	-145.60	-18.30	76.79	-231.99	-18.30	75.70	-232.35	-18.30	75.93	-318.78			
TANDEM-LOAD	MAX			S2	34.80	-366.57	271.91	34.80	-366.57	436.23	34.80	-364.51	437.96	34.80	-364.51	602.28	
TQ	-11.91			55.91	-93.02	-11.91	55.91	-149.26	-11.91	55.20	-149.52	-11.91	55.20	-205.76			
M3	34.35			-367.66	275.44	34.44	-365.42	437.87	34.44	-363.34	439.59	34.80	-364.51	602.28			
MIN	S2	-12.46	53.55	-98.78	-12.46	53.55	-157.64	-12.46	52.80	-157.89	-12.46	52.80	-216.75				
TQ	34.09	-371.87	269.71	34.09	-371.87	430.68	34.09	-369.83	432.44	34.09	-369.83	593.41					
M3	-12.43	51.93	-98.97	-12.43	51.93	-157.69	-12.43	51.19	-157.93	-12.46	52.80	-216.75					
DISPERSION-LMAX	S2	74.81	-641.11	530.63	74.81	-641.11	883.92	74.81	-636.93	886.94	74.81	-636.93	1240.23				
TQ	-21.84	92.83	-173.37	-21.84	92.83	-276.49	-21.84	91.53	-276.93	-21.84	91.53	-380.05					
M3	72.03	-601.47	540.18	73.97	-629.06	885.39	73.99	-625.21	888.35	74.81	-636.93	1240.23					
MIN	S2	-21.84	92.83	-173.37	-21.84	92.83	-276.49	-21.84	91.53	-276.93	-21.84	91.53	-380.05				
TQ	74.81	-641.11	530.63	74.81	-641.11	883.92	74.81	-636.93	886.94	74.81	-636.93	1240.23					
M3	-19.06	53.19	-182.92	-20.99	80.78	-277.96	-21.02	79.81	-278.34	-21.84	91.53	-380.05					

BAGO RIVER BRIDGE

BLOCK [ No.1 : MAIN GIRDER ][ BEAM MEMBER FORCE ]

MEMBER				4003			4004			4005						
NODE				4003			4004			4005						
				SHEAR	TORQUE	MOMENT	SHEAR	TORQUE	MOMENT	SHEAR	TORQUE	MOMENT				
NAME	TITLE			S2 (kN)	TQ (kN·m)	M3 (kN·m)	S2 (kN)	TQ (kN·m)	M3 (kN·m)	S2 (kN)	TQ (kN·m)	M3 (kN·m)				
66	2-LANES (caseTRUCK-LOAD	MAX	S2	71.44	-419.01	636.58	71.44	-419.01	973.93	71.44	-414.40	975.90	71.44	-414.40	1313.26	
			TQ	-17.74	58.05	-145.81	-17.74	58.05	-229.59	-17.74	56.97	-229.86	-17.74	56.97	-313.64	
			M3	67.51	-403.13	664.21	69.82	-413.05	990.47	69.82	-408.37	992.41	70.73	-412.20	1325.15	
			MIN	S2	-18.78	55.40	-156.13	-18.78	55.40	-244.84	-18.78	54.25	-245.10	-18.78	54.25	-333.80
				TQ	71.44	-419.01	636.58	71.44	-419.01	973.93	71.44	-414.40	975.90	71.44	-414.40	1313.26
				M3	-18.77	54.78	-156.19	-18.78	55.17	-244.85	-18.78	54.02	-245.11	-18.78	54.25	-333.80
		TANDEM-LOAD	MAX	S2	48.87	-286.18	435.88	48.87	-286.18	666.67	48.87	-283.03	668.02	48.87	-283.03	898.81
				TQ	-12.25	39.56	-100.86	-12.25	39.56	-158.72	-12.25	38.81	-158.90	-12.25	38.81	-216.76
				M3	46.54	-277.37	454.08	47.18	-280.14	675.92	47.18	-276.95	677.23	48.74	-282.64	902.02
			MIN	S2	-12.79	38.07	-106.20	-12.79	38.07	-166.60	-12.79	37.28	-166.77	-12.79	37.28	-227.17
				TQ	48.87	-286.18	435.88	48.87	-286.18	666.67	48.87	-283.03	668.01	48.87	-283.03	898.81
				M3	-12.79	38.07	-106.20	-12.79	38.07	-166.60	-12.79	37.28	-166.77	-12.79	37.28	-227.17
		DISPERSION-LMAX	MAX	S2	93.24	-474.18	835.88	93.24	-474.18	1276.22	93.24	-468.15	1278.45	93.24	-468.15	1718.78
				TQ	-22.36	66.00	-185.88	-22.36	66.00	-291.50	-22.36	64.62	-291.81	-22.36	64.62	-397.42
				M3	93.24	-474.18	835.88	93.24	-474.18	1276.22	93.24	-468.15	1278.45	93.24	-468.15	1718.78
			MIN	S2	-22.36	66.00	-185.88	-22.36	66.00	-291.50	-22.36	64.62	-291.81	-22.36	64.62	-397.42
				TQ	93.24	-474.18	835.88	93.24	-474.18	1276.22	93.24	-468.15	1278.45	93.24	-468.15	1718.78
				M3	-22.36	66.00	-185.88	-22.36	66.00	-291.50	-22.36	64.62	-291.81	-22.36	64.62	-397.42
67	2-LANES (caseTRUCK-LOAD	MAX	S2	146.63	-76.44	1489.37	146.63	-76.44	2181.82	146.63	-66.13	2182.15	146.24	-65.62	2844.76	
			TQ	51.58	62.81	805.49	51.58	62.81	1049.09	51.58	67.76	1048.78	51.58	67.76	1292.38	
			M3	126.57	-39.58	1664.35	142.24	-73.11	2274.45	142.24	-62.37	2274.77	143.87	-66.65	2873.76	
			MIN	S2	-19.99	-1.66	-183.60	-19.99	-1.66	-278.02	-19.99	-2.97	-278.00	-19.99	-2.97	-372.42
				TQ	53.17	-95.06	551.94	53.17	-95.06	803.04	53.17	-91.26	803.48	53.17	-91.26	1054.59
				M3	-19.99	-1.66	-183.60	-19.99	-1.66	-278.02	-19.99	-2.97	-278.00	-19.99	-2.97	-372.42

BAGO RIVER BRIDGE

BLOCK [ No.1 : MAIN GIRDER ][ BEAM MEMBER FORCE ]

MEMBER				4003			4004			4005					
NODE				4003			4004			4004			4005		
				SHEAR	TORQUE	MOMENT	SHEAR	TORQUE	MOMENT	SHEAR	TORQUE	MOMENT	SHEAR	TORQUE	MOMENT
NAME	TITLE			S2 (kN)	TQ (kN·m)	M3 (kN·m)	S2 (kN)	TQ (kN·m)	M3 (kN·m)	S2 (kN)	TQ (kN·m)	M3 (kN·m)	S2 (kN)	TQ (kN·m)	M3 (kN·m)
67	2-LANES (caseTANDEM-LOAD	MAX	S2	100.52	-57.47	1043.21	100.52	-57.47	1517.91	100.52	-50.30	1518.16	100.52	-50.30	1992.86
			TQ	34.30	45.66	528.63	34.30	45.66	690.63	34.30	48.92	690.40	34.30	48.92	852.40
			M3	86.59	-29.38	1135.96	93.04	-43.80	1563.60	93.04	-36.41	1563.79	99.92	-50.18	1996.57
		MIN	S2	-13.62	-1.26	-125.14	-13.62	-1.26	-189.48	-13.62	-2.15	-189.47	-13.62	-2.15	-253.81
			TQ	37.02	-67.15	386.80	37.02	-67.15	561.64	37.02	-64.50	561.95	37.02	-64.50	736.78
			M3	-13.62	-1.26	-125.14	-13.62	-1.26	-189.48	-13.62	-2.15	-189.47	-13.62	-2.15	-253.81
		DISPERSION-LMAX	S2	147.65	-13.59	1585.59	138.51	-16.13	2166.35	138.51	-5.89	2166.40	129.19	-8.23	2694.06
			TQ	56.75	66.18	760.65	46.86	66.18	1005.22	50.56	71.08	1066.91	41.98	71.08	1285.08
			M3	146.40	-9.39	1687.85	136.21	-9.39	2355.43	136.21	1.74	2355.44	125.78	1.74	2974.33
		MIN	S2	-24.97	1.96	-115.56	-26.01	4.49	-140.72	-26.01	3.83	-140.73	-27.13	6.16	-161.49
			TQ	65.93	-77.81	709.39	65.64	-77.81	1020.41	61.93	-73.14	958.75	60.08	-73.14	1247.49
			M3	-23.71	-2.25	-217.81	-23.71	-2.25	-329.79	-23.71	-3.81	-329.78	-23.71	-3.81	-441.76
68	2-LANES (caseTRUCK-LOAD	MAX	S2	486.49	265.22	3818.91	389.61	417.12	4920.04	389.61	440.36	4918.02	305.60	552.99	5404.71
			TQ	203.27	593.88	1828.23	203.27	593.88	2788.13	203.27	607.05	2785.30	203.27	607.05	3745.20
			M3	486.49	265.22	3818.92	389.61	417.12	4920.05	389.61	440.36	4918.03	250.62	526.68	5436.63
		MIN	S2	-120.00	109.36	2964.83	-212.64	232.66	4261.37	-212.64	252.78	4260.22	-313.09	413.65	5017.38
			TQ	-18.36	-58.16	-184.88	-18.36	-58.16	-271.59	-18.36	-59.44	-271.31	-18.36	-59.44	-358.01
			M3	-21.01	-53.23	-207.74	-21.01	-53.23	-306.97	-21.01	-54.68	-306.71	-21.01	-54.68	-405.94
		TANDEM-LOAD MAX	S2	361.68	128.63	2850.23	293.34	235.79	3668.89	293.34	253.11	3667.73	230.26	350.38	4032.99
			TQ	142.18	406.78	1272.92	142.18	406.78	1944.33	142.18	415.96	1942.39	142.18	415.96	2613.80
			M3	361.68	128.63	2850.23	293.34	235.78	3668.89	293.34	253.11	3667.74	230.26	350.38	4033.00
		MIN	S2	-110.48	105.83	2728.95	-178.07	208.63	3585.64	-178.07	225.57	3584.62	-242.83	329.90	3977.73
			TQ	-12.83	-39.80	-128.96	-12.83	-39.80	-189.54	-12.83	-40.70	-189.35	-12.83	-40.70	-249.94
			M3	-14.34	-35.54	-141.52	-14.34	-35.54	-209.23	-14.34	-36.53	-209.06	-14.34	-36.53	-276.76

BAGO RIVER BRIDGE

BLOCK [ No.1 : MAIN GIRDER ][ BEAM MEMBER FORCE ]

MEMBER		4003			4004			4004			4005						
NODE		4003			4004			4004			4005						
		SHEAR	TORQUE	MOMENT	SHEAR	TORQUE	MOMENT	SHEAR	TORQUE	MOMENT	SHEAR	TORQUE	MOMENT				
NAME	TITLE	S2 (kN)	TQ (kN·m)	M3 (kN·m)	S2 (kN)	TQ (kN·m)	M3 (kN·m)	S2 (kN)	TQ (kN·m)	M3 (kN·m)	S2 (kN)	TQ (kN·m)	M3 (kN·m)				
68	2-LANES (caseDISPERSION-LMAX	S2	273.91	580.58	2381.19	216.07	551.55	2948.44	216.07	565.47	2945.80	169.72	515.30	3163.54			
		TQ	240.89	603.30	2747.30	156.79	603.30	3686.10	157.15	620.72	3688.29	73.13	620.72	4231.84			
		M3	254.22	597.79	2867.79	170.11	597.79	3869.54	170.11	616.06	3866.67	86.09	616.06	4471.44			
		MIN	S2	-44.55	-42.10	241.85	-70.81	-13.07	558.95	-70.81	-10.43	559.00	-108.49	39.74	828.64		
		TQ	-11.53	-64.82	-124.25	-11.53	-64.82	-178.71	-11.90	-65.68	-183.48	-11.90	-65.68	-239.66			
		M3	-24.86	-59.31	-244.75	-24.86	-59.31	-362.14	-24.86	-61.02	-361.86	-24.86	-61.02	-479.26			
		69	3-LANES (caseTRUCK-LOAD	MAX	S2	92.31	-712.76	781.82	92.31	-712.76	1217.77	92.31	-707.00	1221.12	92.31	-707.00	1657.06
				TQ	-26.23	105.08	-210.11	-26.23	105.08	-333.99	-26.23	103.50	-334.49	-26.23	103.50	-458.37	
				M3	88.06	-704.91	810.16	90.70	-706.81	1234.30	90.70	-700.97	1237.63	91.61	-704.80	1668.95	
MIN	S2			-27.82	99.95	-226.13	-27.82	99.95	-357.52	-27.82	98.26	-357.99	-27.82	98.26	-489.38		
TQ	91.59			-723.12	780.37	91.59	-723.12	1212.90	91.59	-717.38	1216.30	91.59	-717.38	1648.83			
M3	-27.79			98.12	-226.37	-27.81	98.86	-357.67	-27.81	97.17	-358.13	-27.81	97.40	-489.47			
TANDEM-LOAD	MAX			S2	63.11	-488.43	535.83	63.11	-488.43	833.87	63.11	-484.48	836.17	63.11	-484.48	1134.21	
TQ	-18.12			71.58	-145.42	-18.12	71.58	-231.00	-18.12	70.49	-231.33	-18.12	70.49	-316.91			
M3	60.69			-481.86	554.22	61.42	-482.39	843.12	61.42	-478.40	845.39	62.98	-484.10	1137.43			
MIN	S2	-18.94	68.70	-153.75	-18.94	68.70	-243.19	-18.94	67.55	-243.51	-18.94	67.55	-332.95				
TQ	62.40	-493.73	533.62	62.40	-493.73	828.32	62.40	-489.81	830.65	62.40	-489.81	1125.35					
M3	-18.91	67.08	-153.93	-18.91	67.08	-243.23	-18.91	65.93	-243.55	-18.94	67.55	-332.95					
DISPERSION-LMAX	S2	126.01	-835.99	1025.97	126.01	-835.99	1621.06	126.01	-828.32	1624.99	126.01	-828.32	2220.08				
TQ	-33.15	119.11	-269.45	-33.15	119.11	-426.00	-33.15	117.09	-426.56	-33.15	117.09	-583.11					
M3	123.23	-796.35	1035.53	125.17	-823.94	1622.53	125.19	-816.61	1626.40	126.01	-828.32	2220.08					
MIN	S2	-33.15	119.11	-269.45	-33.15	119.11	-426.00	-33.15	117.09	-426.56	-33.15	117.09	-583.11				
TQ	126.01	-835.99	1025.97	126.01	-835.99	1621.06	126.01	-828.32	1624.99	126.01	-828.32	2220.08					
M3	-30.37	79.47	-279.00	-32.31	107.06	-427.47	-32.33	105.38	-427.97	-33.15	117.09	-583.11					

BAGO RIVER BRIDGE

BLOCK [ No.1 : MAIN GIRDER ][ BEAM MEMBER FORCE ]

MEMBER				4003			4004			4005					
NODE				4003			4004			4005					
				SHEAR	TORQUE	MOMENT	SHEAR	TORQUE	MOMENT	SHEAR	TORQUE	MOMENT			
NAME	TITLE			S2 (kN)	TQ (kN·m)	M3 (kN·m)	S2 (kN)	TQ (kN·m)	M3 (kN·m)	S2 (kN)	TQ (kN·m)	M3 (kN·m)			
70	3-LANES (caseTRUCK-LOAD	MAX	S2	291.10	-7.72	2838.13	276.16	18.04	3977.87	276.16	36.83	3977.74	259.85	62.15	4942.01
			TQ	122.84	219.74	1468.37	122.84	219.74	2048.48	122.84	229.41	2047.42	122.84	229.41	2627.52
			M3	271.04	29.14	3013.12	271.77	21.36	4070.51	271.77	40.59	4070.37	257.48	61.12	4971.01
		MIN	S2	-47.64	35.94	817.44	-65.68	59.67	1200.73	-65.68	65.34	1200.44	-86.80	94.66	1539.80
			TQ	44.17	-116.25	463.35	44.17	-116.25	671.93	44.17	-113.08	672.47	44.17	-113.08	881.05
			M3	-30.34	-21.01	-283.94	-30.34	-21.01	-427.23	-30.34	-23.03	-427.12	-30.36	-21.84	-570.47
		TANDEM-LOAD MAX	S2	202.98	-18.98	2009.05	193.17	-2.17	2810.09	193.17	11.10	2810.06	182.76	28.61	3511.89
			TQ	84.08	152.77	990.31	84.08	152.77	1387.36	84.08	159.32	1386.63	84.08	159.32	1783.68
			M3	189.05	9.11	2101.81	185.70	11.51	2855.78	185.70	25.00	2855.70	182.16	28.73	3515.60
		MIN	S2	-38.78	32.84	790.82	-51.78	49.61	1064.90	-51.78	54.64	1064.65	-65.20	72.39	1238.58
			TQ	30.73	-81.66	324.97	30.73	-81.66	470.07	30.73	-79.44	470.45	30.73	-79.44	615.55
			M3	-20.69	-14.17	-193.54	-20.69	-14.17	-291.24	-20.69	-15.55	-291.17	-20.69	-15.21	-388.88
		DISPERSION-LMAX	S2	253.40	147.80	2571.23	227.20	137.58	3411.27	227.20	153.69	3410.58	202.55	139.65	4072.15
			TQ	151.72	235.77	1854.78	119.03	235.77	2494.36	123.03	247.70	2559.30	91.10	247.70	3064.92
			M3	247.59	158.24	2838.35	214.60	158.24	3930.29	214.60	176.80	3929.50	180.82	176.80	4863.82
MIN	S2	-41.80	-13.63	-69.35	-48.58	-3.41	12.63	-48.58	-3.35	12.64	-57.71	10.69	115.46		
	TQ	59.88	-101.60	647.10	59.58	-101.60	929.53	55.59	-97.36	863.92	53.73	-97.36	1122.68		
	M3	-35.98	-24.07	-336.47	-35.98	-24.07	-506.40	-35.98	-26.46	-506.28	-35.98	-26.46	-676.21		
71	3-LANES (caseTRUCK-LOAD	MAX	S2	630.15	331.60	5163.97	515.02	502.05	6673.72	515.02	533.57	6671.28	414.38	660.24	7426.75
			TQ	279.97	710.61	2533.57	279.97	710.61	3855.70	279.97	728.82	3852.30	279.97	728.82	5174.44
			M3	630.15	331.60	5163.98	515.03	502.05	6673.73	515.03	533.57	6671.29	343.66	630.22	7462.56
		MIN	S2	-148.69	147.37	3981.52	-258.88	294.65	5784.19	-258.88	321.97	5782.74	-372.64	501.95	6843.03
			TQ	-26.60	-68.46	-263.34	-26.60	-68.46	-388.97	-27.00	-70.32	-394.14	-27.00	-70.32	-521.64
			M3	-31.16	-60.91	-302.86	-31.16	-60.91	-449.99	-31.16	-63.04	-449.69	-31.16	-63.04	-596.83

BAGO RIVER BRIDGE

BLOCK [ No.1 : MAIN GIRDER ][ BEAM MEMBER FORCE ]

MEMBER				4003			4004			4005							
NODE				4003			4004			4004							
				SHEAR	TORQUE	MOMENT	SHEAR	TORQUE	MOMENT	SHEAR	TORQUE	MOMENT					
NAME	TITLE			S2 (kN)	TQ (kN·m)	M3 (kN·m)	S2 (kN)	TQ (kN·m)	M3 (kN·m)	S2 (kN)	TQ (kN·m)	M3 (kN·m)					
71	3-LANES (case)	TANDEM-LOAD	MAX	S2	465.09	167.15	3821.81	383.66	287.98	4937.54	383.66	311.30	4936.12	309.13	419.03	5500.88	
				TQ	192.25	486.51	1734.30	192.25	486.51	2642.20	192.25	498.99	2639.87	192.25	498.99	3547.77	
				M3	465.09	167.14	3821.82	383.66	287.98	4937.54	383.66	311.30	4936.12	309.13	419.03	5500.88	
			MIN	S2	-136.25	140.28	3654.04	-214.50	257.59	4821.68	-214.50	280.37	4820.41	-287.99	396.08	5424.04	
				TQ	-18.29	-46.89	-181.03	-18.29	-46.89	-267.42	-18.29	-48.16	-267.20	-18.29	-48.16	-353.59	
				M3	-21.25	-40.90	-206.38	-21.25	-40.90	-306.73	-21.25	-42.35	-306.54	-21.25	-42.35	-406.89	
		DISPERSION-LMAX		S2	376.46	697.47	3334.97	301.65	660.88	4147.29	301.65	680.46	4144.12	240.48	619.54	4488.53	
				TQ	330.48	732.04	3796.68	223.78	732.04	5104.90	224.35	756.16	5109.36	118.25	756.16	5917.80	
					M3	351.96	721.01	3990.16	245.25	721.01	5399.78	245.25	746.50	5396.32	139.14	746.50	6303.44
				MIN	S2	-61.38	-44.74	297.82	-93.28	-8.14	720.98	-93.28	-4.74	721.01	-138.21	56.19	1109.58
					TQ	-15.41	-79.30	-163.88	-15.41	-79.30	-236.63	-15.98	-80.44	-244.23	-15.98	-80.44	-319.69
					M3	-36.88	-68.27	-357.37	-36.88	-68.27	-531.51	-36.88	-70.78	-531.18	-36.88	-70.78	-705.33
72	4-LANES	TRUCK-LOAD	MAX	S2	624.24	210.93	5397.82	533.72	348.10	7146.14	533.72	381.85	7144.42	451.69	489.46	8250.73	
				TQ	253.36	643.74	2711.80	253.36	643.74	3908.25	253.36	662.20	3905.17	253.36	662.20	5101.62	
				M3	610.83	233.95	5487.47	529.17	351.70	7197.45	529.17	385.70	7195.71	398.07	463.50	8317.26	
			MIN	S2	-135.43	139.98	3547.96	-229.43	265.55	5277.86	-229.43	290.48	5276.55	-322.04	432.71	6295.48	
				TQ	36.55	-144.53	381.49	36.55	-144.53	554.07	36.55	-141.91	554.75	36.55	-141.91	727.33	
				M3	-41.00	-54.83	-391.31	-41.00	-54.83	-584.95	-41.00	-57.59	-584.68	-41.02	-56.33	-778.32	
		TANDEM-LOAD		MAX	S2	453.24	93.52	3944.68	389.95	189.35	5216.87	389.95	213.99	5215.92	330.63	301.86	6026.55
				TQ	170.29	442.08	1806.56	170.29	442.08	2610.72	179.36	454.79	2722.48	179.36	454.79	3569.49	
					M3	438.59	124.16	3985.97	386.02	194.83	5233.60	386.02	219.55	5232.62	330.16	301.92	6032.44
				MIN	S2	-121.58	130.15	3274.32	-185.86	223.71	4354.88	-185.86	244.28	4353.78	-247.37	337.61	4963.23
					TQ	25.43	-101.05	268.03	25.43	-101.05	388.12	25.43	-99.21	388.60	25.43	-99.21	508.69
					M3	-27.96	-36.78	-266.65	-27.96	-36.78	-398.69	-27.96	-38.66	-398.51	-27.97	-38.31	-530.55



BAGO RIVER BRIDGE

BLOCK [ No.1 : MAIN GIRDER ][ BEAM MEMBER FORCE ]

MEMBER				4003			4004			4005								
NODE				4003			4004			4004			4005					
				SHEAR	TORQUE	MOMENT	SHEAR	TORQUE	MOMENT	SHEAR	TORQUE	MOMENT	SHEAR	TORQUE	MOMENT			
NAME	TITLE			S2 (kN)	TQ (kN·m)	M3 (kN·m)	S2 (kN)	TQ (kN·m)	M3 (kN·m)	S2 (kN)	TQ (kN·m)	M3 (kN·m)	S2 (kN)	TQ (kN·m)	M3 (kN·m)			
72	4-LANES	DISPERSION-LMAX	S2	400.37	613.17	3751.26	330.32	579.22	4740.07	330.32	601.61	4737.28	272.13	545.71	5301.32			
			TQ	319.65	686.15	3764.41	221.22	686.15	5040.78	223.14	710.03	5071.55	125.96	710.03	5895.37			
			M3	378.15	637.10	4377.11	279.43	637.10	5929.40	279.43	665.10	5926.33	180.84	665.10	7012.74			
		MIN	S2	-59.54	-32.34	266.85	-87.75	0.84	660.30	-87.75	3.96	660.29	-127.44	58.38	1036.20			
			TQ	27.05	-117.71	329.52	26.85	-117.71	457.04	23.93	-115.67	409.25	23.07	-115.67	520.78			
			M3	-37.71	-55.28	-361.27	-37.71	-55.28	-539.36	-37.71	-57.83	-539.09	-37.71	-57.83	-717.18			
		73	6-LANES	TRUCK-LOAD	MAX	S2	634.63	-376.80	5443.51	552.31	-249.22	7402.30	552.31	-214.25	7403.39	479.77	-119.70	8793.82
					TQ	199.51	640.09	2272.27	155.66	640.09	3042.58	157.13	654.53	3058.54	157.13	654.53	3800.59	
					M3	614.65	-279.87	5643.42	545.10	-194.97	7510.06	545.10	-159.49	7510.90	424.82	-98.52	8850.71	
MIN	S2			-143.62	186.11	2423.92	-224.13	293.54	3479.67	-224.13	309.98	3478.25	-307.22	441.63	3997.92			
	TQ			171.43	-693.46	1626.29	171.43	-693.46	2435.86	84.31	-683.86	1147.54	84.31	-683.86	1545.69			
	M3			-59.00	35.40	-530.19	-59.04	37.01	-808.87	-59.04	33.19	-809.04	-59.04	33.19	-1087.83			
TANDEM-LOAD	MAX			S2	458.57	-302.45	3931.20	400.63	-212.66	5331.09	400.63	-187.47	5332.04	346.95	-105.81	6336.87		
	TQ			131.76	440.29	1624.87	104.76	440.29	2119.56	104.76	450.29	2117.46	104.76	450.29	2612.16			
	M3			446.46	-244.40	4074.11	396.61	-181.32	5423.34	396.61	-155.70	5424.13	345.86	-87.14	6386.34			
MIN	S2			-122.88	155.30	2305.58	-180.53	241.88	2993.11	-180.53	256.02	2991.94	-235.71	343.39	3275.72			
	TQ			115.96	-474.50	1110.39	115.96	-474.50	1658.02	56.55	-466.86	792.48	56.55	-466.86	1059.52			
	M3			-40.19	24.58	-361.04	-40.20	24.88	-550.84	-40.20	22.28	-550.96	-40.23	23.83	-740.93			
DISPERSION-LMAX	MAX			S2	484.22	-70.19	4454.73	420.32	-100.55	5946.90	420.32	-72.45	5947.31	368.14	-123.37	7071.82		
				TQ	258.80	718.05	3159.77	168.24	718.05	4168.00	171.69	737.87	4219.06	82.61	737.87	4818.63		
				M3	462.96	-39.79	5019.80	373.22	-48.86	6994.90	373.22	-15.81	6995.05	283.13	-15.83	8544.70		
	MIN	S2	-87.59	60.29	-15.91	-113.40	90.84	194.59	-113.40	91.76	194.16	-149.57	141.22	365.39				
		TQ	148.60	-791.76	1329.41	148.31	-791.76	2030.83	144.37	-782.31	1969.32	142.52	-782.31	2647.36				
		M3	-64.61	-0.90	-615.66	-66.55	26.68	-925.82	-66.57	22.65	-925.93	-67.39	34.34	-1242.77				

BAGO RIVER BRIDGE

BLOCK [ No.1 : MAIN GIRDER ][ BEAM MEMBER FORCE ]

MEMBER			4003			4004			4004			4005			
NODE			4003			4004			4004			4005			
NAME TITLE			SHEAR	TORQUE	MOMENT	SHEAR	TORQUE	MOMENT	SHEAR	TORQUE	MOMENT	SHEAR	TORQUE	MOMENT	
			S2 (kN)	TQ (kN·m)	M3 (kN·m)	S2 (kN)	TQ (kN·m)	M3 (kN·m)	S2 (kN)	TQ (kN·m)	M3 (kN·m)	S2 (kN)	TQ (kN·m)	M3 (kN·m)	
124	SUM TOTAL	D+1LANE (caseMAX	S2	1561.66	-1575.17	16812.25	1241.45	-1575.17	23434.71	1241.45	-1464.45	23441.89	923.62	-1464.45	28557.68
			TQ	1474.15	-668.34	16232.41	1153.94	-668.34	22441.61	1153.94	-562.32	22444.52	836.11	-562.32	27147.05
			M3	1557.94	-1537.23	16824.55	1240.44	-1560.71	23436.48	1240.46	-1450.39	23443.59	923.62	-1464.45	28557.68
		MIN	S2	1473.50	-671.31	16225.56	1153.28	-671.31	22431.68	1153.28	-565.34	22434.60	835.46	-565.34	27134.03
			TQ	1560.80	-1587.60	16810.50	1240.58	-1587.60	23428.87	1240.58	-1476.91	23436.11	922.75	-1476.91	28547.80
			M3	1476.86	-720.34	16213.89	1154.30	-686.80	22429.76	1154.27	-580.43	22432.75	835.47	-566.37	27133.92
		D+1LANE (caseMAX	S2	1608.36	-1235.80	17463.27	1288.14	-1235.80	24306.26	1288.14	-1120.96	24311.82	970.32	-1120.96	29648.14
			TQ	1472.92	-729.38	16203.59	1152.70	-729.38	22406.95	1152.70	-623.53	22410.14	834.87	-623.53	27106.82
			M3	1603.98	-1218.03	17493.83	1286.54	-1229.93	24325.06	1286.54	-1115.01	24330.59	969.53	-1118.44	29662.07
		MIN	S2	1472.30	-730.49	16197.63	1152.08	-730.49	22398.08	1152.08	-624.67	22401.28	834.26	-624.67	27095.05
			TQ	1608.36	-1235.80	17463.27	1288.14	-1235.80	24306.26	1288.14	-1120.96	24311.82	970.32	-1120.96	29648.14
			M3	1472.30	-730.49	16197.63	1152.08	-730.49	22398.08	1152.08	-624.67	22401.28	834.26	-624.67	27095.05
		D+1LANE (caseMAX	S2	1649.56	-961.82	18043.15	1328.85	-961.82	25079.55	1328.85	-843.34	25083.81	1010.53	-843.34	30611.20
			TQ	1501.22	-767.17	16912.95	1180.76	-767.17	23249.11	1182.26	-657.27	23280.32	864.44	-657.27	28116.60
			M3	1633.40	-937.05	18135.22	1325.24	-962.26	25129.27	1325.24	-843.54	25133.54	1007.68	-844.58	30646.00
		MIN	S2	1471.38	-775.65	16176.23	1151.16	-775.65	22372.34	1151.16	-669.96	22375.75	833.34	-669.96	27065.17
			TQ	1641.30	-967.90	17919.27	1320.83	-967.90	24917.52	1319.33	-850.24	24893.96	1001.01	-850.24	30376.38
			M3	1471.38	-775.65	16176.23	1151.16	-775.65	22372.34	1151.16	-669.96	22375.75	833.34	-669.96	27065.17
		D+1LANE (caseMAX	S2	2007.06	-185.29	20449.91	1577.16	-91.39	27841.52	1577.16	40.13	27841.65	1167.66	88.77	33058.81
			TQ	1783.80	71.43	19348.38	1405.35	71.43	26882.42	1405.70	198.43	26886.58	1029.51	198.43	32640.28
			M3	1993.23	-174.06	20771.75	1544.58	-59.96	28445.78	1544.58	74.41	28445.74	1070.17	139.32	33926.18
		MIN	S2	1383.86	-748.84	18546.00	975.26	-635.78	25969.34	975.26	-513.10	25972.05	558.11	-360.84	31360.26
			TQ	1478.48	-877.12	16212.06	1158.26	-877.12	22441.69	1157.91	-771.11	22440.79	840.09	-771.11	27162.11
			M3	1469.44	-871.55	16130.93	1149.23	-871.55	22317.90	1149.23	-766.12	22321.76	831.40	-766.12	27002.05

BAGO RIVER BRIDGE

BLOCK [ No.1 : MAIN GIRDER ][ BEAM MEMBER FORCE ]

MEMBER			4003			4004			4004			4005			
NODE			4003			4004			4004			4005			
NAME TITLE			SHEAR	TORQUE	MOMENT	SHEAR	TORQUE	MOMENT	SHEAR	TORQUE	MOMENT	SHEAR	TORQUE	MOMENT	
			S2 (kN)	TQ (kN·m)	M3 (kN·m)	S2 (kN)	TQ (kN·m)	M3 (kN·m)	S2 (kN)	TQ (kN·m)	M3 (kN·m)	S2 (kN)	TQ (kN·m)	M3 (kN·m)	
124	SUM TOTAL	D+2LANES (casMAX	S2	1623.06	-1964.49	17339.78	1302.84	-1964.49	24252.17	1302.84	-1849.91	24261.17	985.01	-1849.91	29666.88
			TQ	1458.22	-613.57	16102.16	1138.00	-613.57	22236.10	1138.00	-508.53	22238.75	820.17	-508.53	26866.01
			M3	1619.68	-1931.81	17352.21	1301.72	-1951.38	24254.51	1301.74	-1837.12	24263.45	984.96	-1849.81	29667.16
		MIN	S2	1457.14	-617.78	16091.11	1136.92	-617.78	22219.97	1136.92	-512.81	22222.64	819.10	-512.81	26844.82
			TQ	1622.33	-1974.85	17338.33	1302.11	-1974.85	24247.29	1302.11	-1860.29	24256.35	984.29	-1860.29	29658.64
			M3	1459.95	-659.25	16081.32	1137.78	-630.92	22218.35	1137.75	-525.61	22221.08	819.11	-513.67	26844.73
		D+2LANES (casMAX	S2	1661.97	-1681.68	17882.30	1341.75	-1681.68	24978.45	1341.75	-1563.67	24986.12	1023.93	-1563.67	30575.59
			TQ	1457.18	-664.45	16078.14	1136.97	-664.45	22207.21	1136.97	-559.54	22210.11	819.14	-559.54	26832.50
			M3	1658.04	-1665.81	17909.94	1340.14	-1675.73	24994.99	1340.14	-1557.64	25002.63	1023.22	-1561.47	30587.48
		MIN	S2	1456.14	-667.09	16067.82	1135.92	-667.09	22191.96	1135.92	-562.25	22194.87	818.10	-562.25	26812.33
			TQ	1661.97	-1681.68	17882.30	1341.75	-1681.68	24978.45	1341.75	-1563.67	24986.12	1023.93	-1563.67	30575.59
			M3	1456.15	-667.71	16067.77	1135.93	-667.32	22191.95	1135.93	-562.49	22194.86	818.10	-562.25	26812.33
		D+2LANES (casMAX	S2	1791.57	-878.53	19484.80	1462.21	-881.06	27076.46	1462.21	-753.14	27080.32	1134.68	-754.97	33082.38
			TQ	1605.62	-659.51	17975.98	1275.51	-659.51	24782.61	1279.22	-542.28	24847.47	952.81	-542.28	30121.02
			M3	1770.26	-837.46	19762.03	1455.52	-871.00	27358.18	1455.52	-741.75	27361.99	1128.90	-746.03	33391.65
		MIN	S2	1452.33	-788.19	16110.69	1131.06	-785.66	22309.57	1131.06	-680.27	22313.03	812.13	-677.93	27009.64
			TQ	1616.40	-961.37	17671.16	1295.88	-961.37	24551.76	1292.18	-845.53	24494.01	972.50	-845.53	29845.64
			M3	1453.58	-792.40	16008.43	1133.36	-792.40	22120.49	1133.36	-687.90	22123.99	815.54	-687.90	26729.37
		D+2LANES (casMAX	S2	2257.69	57.30	22609.94	1782.75	180.18	30596.79	1782.75	324.71	30595.60	1334.57	387.16	36111.80
			TQ	1941.45	408.69	20985.37	1537.12	408.69	29202.54	1537.49	546.64	29205.36	1135.64	546.64	35520.59
			M3	2238.00	74.51	23096.55	1736.79	226.41	31517.89	1736.79	375.29	31516.47	1195.96	461.62	37451.62
		MIN	S2	1332.73	-721.24	19616.53	893.61	-568.91	27548.62	893.61	-438.77	27551.00	437.67	-227.73	33389.57
			TQ	1467.40	-911.48	16100.70	1147.18	-911.48	22278.00	1146.81	-806.24	22276.98	828.99	-806.24	26945.88
			M3	1451.42	-901.04	15957.35	1131.20	-901.04	22059.19	1131.20	-796.82	22063.20	813.37	-796.82	26658.35

BAGO RIVER BRIDGE

BLOCK [ No.1 : MAIN GIRDER ][ BEAM MEMBER FORCE ]

MEMBER			4003			4004			4004			4005				
NODE			4003			4004			4004			4005				
NAME TITLE			SHEAR	TORQUE	MOMENT	SHEAR	TORQUE	MOMENT	SHEAR	TORQUE	MOMENT	SHEAR	TORQUE	MOMENT		
			S2 (kN)	TQ (kN·m)	M3 (kN·m)	S2 (kN)	TQ (kN·m)	M3 (kN·m)	S2 (kN)	TQ (kN·m)	M3 (kN·m)	S2 (kN)	TQ (kN·m)	M3 (kN·m)		
124	SUM TOTAL	D+3LANES (casMAX	S2	1682.87	-2104.93	17946.47	1362.65	-2104.93	25141.30	1362.65	-1986.14	25150.97	1044.83	-1986.14	30839.13	
			TQ	1446.81	-597.94	16002.22	1126.59	-597.94	22082.31	1126.59	-493.62	22084.88	808.77	-493.62	26658.29	
			M3	1676.89	-2064.57	17978.67	1360.56	-2089.63	25156.61	1360.58	-1971.06	25166.20	1044.23	-1984.27	30849.23	
		MIN	S2	1445.46	-602.29	15988.60	1125.24	-602.29	22062.31	1125.24	-498.07	22064.91	807.42	-498.07	26631.94	
			TQ	1682.25	-2113.74	17945.23	1362.03	-2113.74	25137.16	1362.03	-1994.97	25146.87	1044.21	-1994.97	30832.12	
			M3	1447.85	-637.55	15980.28	1125.97	-613.47	22060.93	1125.95	-508.96	22063.58	807.43	-498.80	26631.86	
		D+3LANES (casMAX	S2	1960.11	-669.43	21007.80	1604.93	-656.22	29009.07	1604.93	-519.18	29011.85	1252.29	-509.59	35205.58	
			TQ	1730.67	-401.32	19234.52	1382.66	-401.32	26589.72	1386.06	-275.57	26647.48	1041.10	-275.57	32382.13	
			M3	1938.12	-629.22	21383.58	1590.49	-635.84	29528.99	1590.49	-496.34	29531.66	1231.81	-478.89	35903.16	
		MIN	S2	1421.26	-769.53	17045.72	1079.95	-740.67	23759.66	1079.95	-628.43	23762.89	736.41	-591.58	28950.52	
			TQ	1585.73	-973.67	17353.73	1265.26	-973.67	24089.54	1261.86	-859.99	24037.71	942.46	-859.99	29246.73	
			M3	1440.91	-826.81	15882.49	1120.69	-826.81	21934.72	1120.69	-723.19	21938.38	802.85	-722.18	26483.88	
		D+3LANES (casMAX	S2	2352.91	86.22	23633.94	1871.24	199.99	31926.16	1871.24	350.81	31924.86	1415.88	406.69	37671.54	
			TQ	2016.18	437.76	21790.55	1605.26	437.76	30344.82	1605.74	581.11	30349.19	1197.73	581.11	36971.96	
			M3	2332.08	106.22	24190.86	1823.30	251.10	32990.79	1823.30	406.94	32989.23	1269.63	489.10	39244.65	
		MIN	S2	1318.73	-701.26	20047.28	877.74	-544.97	28257.70	877.74	-411.48	28259.96	425.03	-206.70	34303.28	
			TQ	1461.58	-914.09	16046.70	1141.36	-914.09	22196.54	1140.54	-809.26	22189.17	822.71	-809.26	26828.43	
			M3	1439.46	-898.30	15848.65	1119.24	-898.30	21894.03	1119.24	-794.87	21898.03	801.42	-794.87	26436.72	
		D+4LANES	MAX	S2	2163.29	-252.83	22356.74	1738.70	-185.74	30454.34	1738.70	-41.87	30454.88	1329.73	-8.27	36352.38
			TQ	1869.74	75.93	20619.38	1485.55	75.93	28545.17	1486.80	210.83	28566.64	1105.80	210.83	34691.60	
			M3	2140.13	-222.32	22821.82	1702.66	-145.78	31260.75	1702.66	1.89	31261.10	1235.54	52.47	37508.06	
		MIN	S2	1370.56	-718.53	18889.47	970.91	-615.34	26588.10	970.91	-489.74	26590.71	567.09	-361.92	32309.15	
			TQ	1538.63	-958.95	16872.00	1218.28	-958.95	23385.52	1216.38	-848.55	23358.37	898.00	-848.55	28354.83	
			M3	1446.12	-860.07	15920.66	1125.91	-860.07	21997.50	1125.91	-756.14	22001.32	808.07	-755.32	26571.48	

BAGO RIVER BRIDGE

BLOCK [ No.1 : MAIN GIRDER ][ BEAM MEMBER FORCE ]

MEMBER					4003			4004			4005					
NODE					4003			4004			4005					
					SHEAR	TORQUE	MOMENT	SHEAR	TORQUE	MOMENT	SHEAR	TORQUE	MOMENT			
NAME TITLE					S2 (kN)	TQ (kN·m)	M3 (kN·m)	S2 (kN)	TQ (kN·m)	M3 (kN·m)	S2 (kN)	TQ (kN·m)	M3 (kN·m)			
124	SUM TOTAL	D+6LANES	MAX	S2	2224.54	-1079.04	22843.69	1809.28	-1015.84	31405.28	1809.28	-867.48	31409.73	1410.38	-839.12	37856.22
				TQ	1795.19	94.30	19940.67	1387.61	94.30	27415.18	1390.81	223.93	27462.21	1015.08	223.93	33146.05
				M3	2197.73	-996.27	23340.93	1773.98	-946.98	32156.53	1773.98	-795.07	32160.64	1319.41	-755.45	38850.57
			MIN	S2	1347.00	-628.33	17975.04	957.68	-538.65	25116.57	957.68	-419.99	25118.83	562.33	-302.27	30379.71
				TQ	1705.31	-1753.89	18331.05	1384.90	-1753.89	25631.65	1325.72	-1634.13	24757.73	1006.69	-1634.13	30269.04
				M3	1416.94	-766.07	15665.04	1095.44	-747.10	21600.75	1095.43	-644.83	21604.04	777.07	-637.23	26028.67
	SUM TOTAL		MAX		2352.91	437.76	24190.86	1871.24	437.76	32990.79	1871.24	581.11	32989.23	1415.88	581.11	39244.65
			MIN		1318.73	-2113.74	15665.04	877.74	-2113.74	21600.75	877.74	-1994.97	21604.04	425.03	-1994.97	26028.67
300	DEAD LOAD	TOTAL			1497.29	-788.50	16409.84	1177.07	-788.50	22728.30	1177.07	-681.12	22731.77	859.25	-681.12	27543.56
301	LIVE LOAD	1-LANE(case1MAX	S2		64.38	-786.67	402.41	64.38	-786.67	706.41	64.38	-783.33	710.12	64.38	-783.33	1014.13
			TQ		-23.14	120.16	-177.43	-23.14	120.16	-286.69	-23.14	118.80	-287.25	-23.14	118.80	-396.51
			M3		60.65	-748.74	414.71	63.37	-772.21	708.17	63.39	-769.27	711.81	64.38	-783.33	1014.13
			MIN	S2	-23.79	117.19	-184.27	-23.79	117.19	-296.62	-23.79	115.79	-297.17	-23.79	115.79	-409.52
				TQ	63.51	-799.10	400.66	63.51	-799.10	700.57	63.51	-795.79	704.33	63.51	-795.79	1004.24
				M3	-20.43	68.16	-195.95	-22.77	101.70	-298.55	-22.80	100.69	-299.02	-23.78	114.75	-409.63
		1-LANE(case2MAX	S2		111.07	-447.30	1053.43	111.07	-447.30	1577.96	111.07	-439.84	1580.05	111.07	-439.84	2104.58
			TQ		-24.37	59.11	-206.25	-24.37	59.11	-321.35	-24.37	57.59	-321.63	-24.37	57.59	-436.73
			M3		106.69	-429.53	1083.99	109.47	-441.44	1596.76	109.47	-433.89	1598.82	110.29	-437.31	2118.52
			MIN	S2	-24.99	58.01	-212.21	-24.99	58.01	-330.23	-24.99	56.45	-330.50	-24.99	56.45	-448.51
				TQ	111.07	-447.30	1053.43	111.07	-447.30	1577.96	111.07	-439.84	1580.05	111.07	-439.84	2104.58
				M3	-24.99	58.01	-212.21	-24.99	58.01	-330.23	-24.99	56.45	-330.50	-24.99	56.45	-448.51
		1-LANE(case3MAX	S2		152.27	-173.33	1633.31	151.78	-173.33	2351.25	151.78	-162.22	2352.04	151.28	-162.22	3067.64
			TQ		3.93	21.33	503.11	3.69	21.33	520.81	5.19	23.85	548.55	5.19	23.85	573.05
			M3		136.11	-148.55	1725.38	148.17	-173.76	2400.97	148.17	-162.42	2401.76	148.44	-163.45	3102.44
			MIN	S2	-25.91	12.84	-233.61	-25.91	12.84	-355.96	-25.91	11.16	-356.02	-25.91	11.16	-478.38
				TQ	144.01	-179.40	1509.43	143.76	-179.40	2189.22	142.26	-169.12	2162.19	141.76	-169.12	2832.83
				M3	-25.91	12.84	-233.61	-25.91	12.84	-355.96	-25.91	11.16	-356.02	-25.91	11.16	-478.38

BAGO RIVER BRIDGE

BLOCK [ No.1 : MAIN GIRDER ][ BEAM MEMBER FORCE ]

MEMBER			4003			4004			4004			4005			
NODE			4003			4004			4004			4005			
NAME TITLE			SHEAR	TORQUE	MOMENT	SHEAR	TORQUE	MOMENT	SHEAR	TORQUE	MOMENT	SHEAR	TORQUE	MOMENT	
			S2 (kN)	TQ (kN·m)	M3 (kN·m)	S2 (kN)	TQ (kN·m)	M3 (kN·m)	S2 (kN)	TQ (kN·m)	M3 (kN·m)	S2 (kN)	TQ (kN·m)	M3 (kN·m)	
301	LIVE LOAD	1-LANE (case4MAX	S2	509.77	603.20	4040.07	400.09	697.10	5113.22	400.09	721.25	5109.87	308.41	769.89	5515.26
			TQ	286.51	859.93	2938.54	228.28	859.93	4154.12	228.63	879.55	4154.80	170.27	879.55	5096.72
			M3	495.94	614.44	4361.91	367.51	728.53	5717.48	367.51	755.53	5713.97	210.92	820.44	6382.63
			MIN S2	-113.43	39.66	2136.16	-201.81	152.72	3241.03	-201.81	168.02	3240.28	-301.14	320.28	3816.71
			TQ	-18.81	-88.63	-197.78	-18.81	-88.63	-286.61	-19.16	-89.99	-290.98	-19.16	-89.99	-381.45
			M3	-27.85	-83.06	-278.91	-27.85	-83.06	-410.41	-27.85	-84.99	-410.01	-27.85	-84.99	-541.51
		2-LANES (caseMAX	S2	125.77	-1176.00	929.94	125.77	-1176.00	1523.86	125.77	-1168.79	1529.40	125.77	-1168.79	2123.32
			TQ	-39.07	174.92	-307.68	-39.07	174.92	-492.20	-39.07	172.60	-493.02	-39.07	172.60	-677.54
			M3	122.39	-1143.32	942.37	124.65	-1162.88	1526.20	124.67	-1156.00	1531.68	125.72	-1168.69	2123.60
			MIN S2	-40.15	170.72	-318.73	-40.15	170.72	-508.34	-40.15	168.32	-509.14	-40.15	168.32	-698.74
			TQ	125.04	-1186.36	928.49	125.04	-1186.36	1518.99	125.04	-1179.17	1524.58	125.04	-1179.17	2115.09
			M3	-37.34	129.24	-328.52	-39.30	157.58	-509.95	-39.32	155.51	-510.69	-40.14	167.46	-698.83
		2-LANES (caseMAX	S2	164.68	-893.19	1472.46	164.68	-893.19	2250.15	164.68	-882.55	2254.35	164.68	-882.55	3032.04
			TQ	-40.10	124.05	-331.70	-40.10	124.05	-521.09	-40.10	121.59	-521.67	-40.10	121.59	-711.06
			M3	160.76	-877.31	1500.10	163.07	-887.23	2266.69	163.07	-876.52	2270.85	163.98	-880.35	3043.93
			MIN S2	-41.15	121.40	-342.02	-41.15	121.40	-536.34	-41.15	118.87	-536.90	-41.15	118.87	-731.22
			TQ	164.68	-893.19	1472.46	164.68	-893.19	2250.15	164.68	-882.55	2254.35	164.68	-882.55	3032.04
			M3	-41.14	120.78	-342.07	-41.14	121.17	-536.35	-41.14	118.64	-536.92	-41.15	118.87	-731.22
		2-LANES (caseMAX	S2	294.28	-90.03	3074.96	285.14	-92.56	4348.16	285.14	-72.02	4348.55	275.43	-73.84	5538.83
			TQ	108.33	128.99	1566.14	98.44	128.99	2054.31	102.15	138.84	2115.69	93.56	138.84	2577.46
			M3	272.97	-48.96	3352.19	278.45	-82.50	4629.88	278.45	-60.63	4630.22	269.65	-64.91	5848.10
			MIN S2	-44.96	0.30	-299.15	-46.01	2.83	-418.73	-46.01	0.86	-418.74	-47.12	3.19	-533.92
			TQ	119.11	-172.87	1261.32	118.81	-172.87	1823.46	115.11	-164.40	1762.24	113.26	-164.40	2302.09
			M3	-43.71	-3.91	-401.41	-43.71	-3.91	-607.81	-43.71	-6.78	-607.78	-43.71	-6.78	-814.19

BAGO RIVER BRIDGE

BLOCK [ No.1 : MAIN GIRDER ] [ BEAM MEMBER FORCE ]

MEMBER				4003			4004			4005					
NODE				4003			4004			4004			4005		
NAME TITLE				SHEAR	TORQUE	MOMENT	SHEAR	TORQUE	MOMENT	SHEAR	TORQUE	MOMENT	SHEAR	TORQUE	MOMENT
				S2 (kN)	TQ (kN·m)	M3 (kN·m)	S2 (kN)	TQ (kN·m)	M3 (kN·m)	S2 (kN)	TQ (kN·m)	M3 (kN·m)	S2 (kN)	TQ (kN·m)	M3 (kN·m)
301	LIVE LOAD	2-LANES (caseMAX	S2	760.40	845.80	6200.10	605.68	968.67	7868.49	605.68	1005.83	7863.82	475.32	1068.29	8568.25
			TQ	444.16	1197.18	4575.53	360.05	1197.18	6474.24	360.42	1227.77	6473.58	276.40	1227.77	7977.04
			M3	740.71	863.01	6686.71	559.72	1014.90	8789.59	559.72	1056.41	8784.70	336.72	1142.74	9908.07
			MIN S2	-164.56	67.26	3206.69	-283.46	219.58	4820.31	-283.46	242.35	4819.22	-421.58	453.39	5846.01
			TQ	-29.89	-122.98	-309.14	-29.89	-122.98	-450.30	-30.26	-125.12	-454.79	-30.26	-125.12	-597.68
			M3	-45.87	-112.54	-452.49	-45.87	-112.54	-669.11	-45.87	-115.70	-668.58	-45.87	-115.70	-885.20
		3-LANES (caseMAX	S2	185.58	-1316.44	1536.63	185.58	-1316.44	2413.00	185.58	-1305.02	2419.20	185.58	-1305.02	3295.57
			TQ	-50.48	190.56	-407.62	-50.48	190.56	-645.99	-50.48	187.50	-646.89	-50.48	187.50	-885.26
			M3	179.60	-1276.07	1568.84	183.49	-1301.13	2428.31	183.51	-1289.94	2434.43	184.98	-1303.15	3305.68
			MIN S2	-51.83	186.20	-421.24	-51.83	186.20	-666.00	-51.83	183.05	-666.87	-51.83	183.05	-911.62
			TQ	184.96	-1325.24	1535.39	184.96	-1325.24	2408.86	184.96	-1313.85	2415.10	184.96	-1313.85	3288.57
			M3	-49.44	150.94	-429.56	-51.10	175.03	-667.37	-51.12	172.17	-668.19	-51.82	182.32	-911.70
		3-LANES (caseMAX	S2	462.82	119.07	4597.96	427.86	132.27	6280.77	427.86	161.94	6280.08	393.04	171.53	7662.03
			TQ	233.38	387.18	2824.68	205.59	387.18	3861.41	208.99	405.55	3915.71	181.85	405.55	4838.58
			M3	440.83	159.27	4973.74	413.42	152.65	6800.69	413.42	184.78	6799.89	372.56	202.23	8359.60
			MIN S2	-76.03	18.96	635.88	-97.12	47.82	1031.35	-97.12	52.69	1031.12	-122.84	89.54	1406.97
			TQ	88.44	-185.17	943.89	88.19	-185.17	1361.24	84.79	-178.87	1305.93	83.22	-178.87	1703.17
			M3	-56.38	-38.31	-527.35	-56.38	-38.31	-793.58	-56.38	-42.06	-793.39	-56.40	-41.05	-1059.68
		3-LANES (caseMAX	S2	855.62	874.71	7224.10	694.17	988.49	9197.86	694.17	1031.93	9193.09	556.63	1087.81	10127.98
			TQ	518.89	1226.25	5380.71	428.18	1226.25	7616.52	428.67	1262.23	7617.41	338.48	1262.23	9428.40
			M3	834.79	894.72	7781.02	646.23	1039.60	10262.49	646.23	1088.06	10257.46	410.38	1170.22	11701.09
			MIN S2	-178.56	87.24	3637.44	-299.34	243.53	5529.40	-299.34	269.64	5528.19	-434.22	474.42	6759.72
			TQ	-35.71	-125.60	-363.14	-35.71	-125.60	-531.76	-36.53	-128.14	-542.61	-36.53	-128.14	-715.13
			M3	-57.83	-109.81	-561.19	-57.83	-109.81	-834.27	-57.83	-113.75	-833.75	-57.83	-113.75	-1106.83

BAGO RIVER BRIDGE

BLOCK [ No.1 : MAIN GIRDER ][ BEAM MEMBER FORCE ]

MEMBER					4003			4004			4005					
NODE					4003			4004			4005					
NAME TITLE					SHEAR	TORQUE	MOMENT	SHEAR	TORQUE	MOMENT	SHEAR	TORQUE	MOMENT			
					S2 (kN)	TQ (kN·m)	M3 (kN·m)	S2 (kN)	TQ (kN·m)	M3 (kN·m)	S2 (kN)	TQ (kN·m)	M3 (kN·m)			
301	LIVE LOAD	4-LANES	MAX	S2	666.00	535.66	5946.90	561.63	602.76	7726.04	561.63	639.25	7723.11	470.48	672.86	8808.83
				TQ	372.45	864.43	4209.54	308.48	864.43	5816.87	309.73	891.95	5834.87	246.56	891.95	7148.05
				M3	642.84	566.18	6411.98	525.59	642.72	8532.45	525.59	683.02	8529.33	376.30	733.59	9964.50
		MIN	S2	-126.73	69.96	2479.63	-206.16	173.15	3859.80	-206.16	191.39	3858.94	-292.16	319.21	4765.59	
			TQ	41.34	-170.46	462.16	41.21	-170.46	657.22	39.31	-167.42	626.60	38.75	-167.42	811.27	
			M3	-51.17	-71.57	-489.18	-51.17	-71.57	-730.80	-51.17	-75.02	-730.45	-51.18	-74.20	-972.08	
	6-LANES	MAX	S2	727.25	-290.54	6433.85	632.21	-227.35	8676.98	632.21	-186.36	8677.95	551.14	-158.00	10312.67	
			TQ	297.90	882.80	3530.83	210.53	882.80	4686.88	213.73	905.06	4730.44	155.83	905.06	5602.49	
			M3	700.44	-207.78	6931.09	596.91	-158.49	9428.22	596.91	-113.95	9428.87	460.17	-74.33	11307.02	
		MIN	S2	-150.29	160.17	1565.20	-219.40	249.85	2388.27	-219.40	261.13	2387.06	-296.91	378.85	2836.15	
			TQ	208.02	-965.39	1921.21	207.83	-965.39	2903.35	148.64	-953.01	2025.96	147.44	-953.01	2725.49	
			M3	-80.34	22.43	-744.80	-81.63	41.40	-1127.55	-81.64	36.30	-1127.73	-82.18	43.89	-1514.89	
	LIVE LOAD	MAX		855.62	1226.25	7781.02	694.17	1226.25	10262.49	694.17	1262.23	10257.46	556.63	1262.23	11701.09	
		MIN		-178.56	-1325.24	-744.80	-299.34	-1325.24	-1127.55	-299.34	-1313.85	-1127.73	-434.22	-1313.85	-1514.89	
	303	SUM TOTAL	TOTAL	MAX	2352.91	437.76	24190.86	1871.24	437.76	32990.79	1871.24	581.11	32989.23	1415.88	581.11	39244.65
MIN				1318.73	-2113.74	15665.04	877.74	-2113.74	21600.75	877.74	-1994.97	21604.04	425.03	-1994.97	26028.67	



BAGO RIVER BRIDGE

BLOCK [ No.1 : MAIN GIRDER ] [ BEAM MEMBER FORCE ]

NAME	TITLE	MEMBER NODE	4005			4006			4006			4007			
			SHEAR	TORQUE	MOMENT	SHEAR	TORQUE	MOMENT	SHEAR	TORQUE	MOMENT	SHEAR	TORQUE	MOMENT	
			S2 (kN)	TQ (kN·m)	M3 (kN·m)	S2 (kN)	TQ (kN·m)	M3 (kN·m)	S2 (kN)	TQ (kN·m)	M3 (kN·m)	S2 (kN)	TQ (kN·m)	M3 (kN·m)	
1	PAVEMENT		161.56	-53.76	5391.80	95.70	-53.76	5999.43	95.70	-25.42	5999.62	30.69	-25.42	6298.25	
3	RAILING		5.09	-0.72	129.33	2.10	-0.72	146.52	2.10	-0.03	146.52	-0.91	-0.03	149.53	
5	CURB		50.44	-7.13	1280.33	20.81	-7.13	1450.52	20.81	-0.28	1450.53	-8.97	-0.28	1480.37	
7	DECK WEIGHT		250.56	-103.35	8286.08	149.93	-103.35	9232.59	149.93	-59.74	9232.97	50.44	-59.74	9706.93	
8	GIRDER WEIGH		272.56	-303.91	8740.93	184.28	-303.91	9819.62	184.28	-257.52	9820.95	96.00	-257.52	10482.74	
10	MEDIAN STRIP		34.21	-85.61	1299.06	34.21	-85.61	1460.62	34.21	-78.71	1461.01	34.21	-78.71	1622.56	
21	ADITIONAL WE		70.16	-28.94	2320.10	41.98	-28.94	2585.13	41.98	-16.73	2585.23	14.12	-16.73	2717.94	
31	MEDIAN RAILI		2.55	-6.73	101.11	2.55	-6.73	113.17	2.55	-6.19	113.20	2.55	-6.19	125.26	
51	SUPPORT WEIG		-0.00	0.00	0.00	-0.00	0.00	0.00	-0.00	0.00	0.00	-0.00	0.00	-0.00	
52	NOSE WEIGHT		0.26	1.35	-3.79	0.26	1.35	-2.56	0.26	1.33	-2.57	0.26	1.33	-1.34	
61	1-LANE(case1TRUCK-LOAD	MAX	S2	16.48	-113.44	182.60	16.48	-113.44	260.40	16.48	-112.21	260.94	16.48	-112.21	338.74
			TQ	-8.42	46.79	-144.92	-8.42	46.79	-184.67	-8.42	45.92	-184.89	-8.42	45.92	-224.65
			M3	11.55	-214.08	348.27	11.55	-214.08	402.83	11.55	-212.18	403.84	11.64	-212.64	458.57
		MIN	S2	-8.97	44.30	-155.75	-8.97	44.30	-198.08	-8.97	43.36	-198.29	-8.97	43.36	-240.63
			TQ	11.85	-215.29	344.95	11.85	-215.29	400.92	11.85	-213.39	401.93	11.85	-213.39	457.90
			M3	-8.96	43.44	-155.83	-8.96	43.44	-198.13	-8.96	42.50	-198.34	-8.96	43.03	-240.67
		TANDEM-LOAD MAX	S2	11.37	-80.89	129.31	11.37	-80.89	183.01	11.37	-80.03	183.39	11.37	-80.03	237.09
			TQ	-5.82	31.86	-100.27	-5.82	31.86	-127.75	-5.82	31.26	-127.90	-5.82	31.26	-155.37
			M3	7.63	-145.23	238.57	7.63	-145.23	274.61	7.63	-143.93	275.30	8.15	-145.71	311.38
		MIN	S2	-6.10	30.46	-105.90	-6.10	30.46	-134.71	-6.10	29.83	-134.85	-6.10	29.83	-163.66
			TQ	8.15	-147.00	233.68	8.15	-147.00	272.18	8.15	-145.71	272.88	8.15	-145.71	311.38
			M3	-6.10	30.46	-105.90	-6.10	30.46	-134.71	-6.10	29.83	-134.85	-6.10	29.83	-163.66
		DISPERSION-LMAX	S2	27.27	-249.33	507.35	27.27	-249.33	636.12	27.27	-246.32	637.29	27.27	-246.32	766.06
			TQ	-10.69	52.76	-185.89	-10.69	52.76	-236.38	-10.69	51.65	-236.63	-10.69	51.65	-287.12
			M3	27.27	-249.33	507.35	27.27	-249.33	636.12	27.27	-246.32	637.29	27.27	-246.32	766.06
		MIN	S2	-10.69	52.76	-185.89	-10.69	52.76	-236.38	-10.69	51.65	-236.63	-10.69	51.65	-287.12
			TQ	27.27	-249.33	507.35	27.27	-249.33	636.12	27.27	-246.32	637.29	27.27	-246.32	766.06
			M3	-10.69	52.76	-185.89	-10.69	52.76	-236.38	-10.69	51.65	-236.63	-10.69	51.65	-287.12

BAGO RIVER BRIDGE

BLOCK [ No.1 : MAIN GIRDER ][ BEAM MEMBER FORCE ]

MEMBER				4005			4006			4007					
NODE				4005			4006			4007					
				SHEAR	TORQUE	MOMENT	SHEAR	TORQUE	MOMENT	SHEAR	TORQUE	MOMENT			
NAME	TITLE			S2 (kN)	TQ (kN·m)	M3 (kN·m)	S2 (kN)	TQ (kN·m)	M3 (kN·m)	S2 (kN)	TQ (kN·m)	M3 (kN·m)			
62	1-LANE (case2TRUCK-LOAD	MAX	S2	29.17	-133.82	650.42	29.17	-133.82	788.17	29.17	-130.10	788.79	29.17	-130.10	926.54
			TQ	-8.94	22.69	-160.94	-8.94	22.69	-203.15	-8.94	21.73	-203.25	-8.94	21.73	-245.45
			M3	19.84	-94.51	789.40	23.82	-114.07	889.57	23.82	-109.87	890.10	25.15	-115.99	1004.58
		MIN	S2	-9.45	21.73	-170.75	-9.45	21.73	-215.36	-9.45	20.72	-215.46	-9.45	20.72	-260.07
			TQ	29.17	-133.82	650.42	29.17	-133.82	788.17	29.17	-130.10	788.79	29.17	-130.10	926.54
			M3	-9.45	21.73	-170.75	-9.45	21.73	-215.36	-9.45	20.72	-215.46	-9.45	20.72	-260.07
		TANDEM-LOAD MAX	S2	20.05	-92.19	452.11	20.05	-92.19	546.77	20.05	-89.61	547.20	20.05	-89.61	641.86
			TQ	-6.17	15.46	-111.19	-6.17	15.46	-140.33	-6.17	14.80	-140.40	-6.17	14.80	-169.54
			M3	14.68	-70.83	537.57	15.62	-75.45	607.97	15.62	-72.57	608.31	18.08	-83.26	683.84
		MIN	S2	-6.43	14.93	-116.24	-6.43	14.93	-146.61	-6.43	14.23	-146.68	-6.43	14.23	-177.06
			TQ	20.05	-92.19	452.11	20.05	-92.19	546.77	20.05	-89.61	547.20	20.05	-89.61	641.86
			M3	-6.43	14.93	-116.24	-6.43	14.93	-146.61	-6.43	14.23	-146.68	-6.43	14.23	-177.06
		DISPERSION-LMAX	S2	33.88	-128.55	929.29	33.88	-128.55	1089.30	33.88	-123.40	1089.90	33.88	-123.40	1249.91
			TQ	-11.46	26.80	-142.08	-11.46	26.80	-196.19	-11.44	25.90	-184.05	-11.44	25.90	-238.08
			M3	33.66	-127.66	983.12	33.66	-127.66	1142.08	33.66	-122.26	1142.67	33.66	-122.26	1301.63
MIN	S2	-11.46	26.78	-149.30	-11.46	26.78	-203.44	-11.46	25.82	-203.56	-11.46	25.82	-257.70		
	TQ	33.88	-128.56	922.06	33.88	-128.56	1082.06	33.86	-123.48	1070.39	33.86	-123.48	1230.30		
	M3	-11.24	25.90	-203.13	-11.24	25.90	-256.21	-11.24	24.68	-256.33	-11.24	24.68	-309.42		
63	1-LANE (case3TRUCK-LOAD	MAX	S2	45.81	-72.13	966.13	45.81	-72.13	1182.45	45.81	-66.54	1182.78	45.81	-66.54	1399.11
			TQ	-12.10	44.02	927.54	-12.10	44.02	870.41	-12.10	48.13	870.19	-12.10	48.13	813.06
			M3	12.36	-3.17	1233.68	30.63	-47.18	1340.12	30.63	-40.85	1340.33	38.86	-59.39	1503.29
		MIN	S2	-12.49	43.41	844.49	-12.49	43.41	785.53	-12.49	47.12	785.31	-12.49	47.12	726.35
			TQ	45.37	-73.25	1006.68	45.37	-73.25	1220.94	45.37	-67.48	1221.28	45.37	-67.48	1435.54
			M3	-9.82	4.54	-182.26	-9.82	4.54	-228.61	-9.82	3.46	-228.63	-9.82	3.46	-274.98

BAGO RIVER BRIDGE

BLOCK [ No.1 : MAIN GIRDER ][ BEAM MEMBER FORCE ]

MEMBER		4005			4006			4006			4007						
NODE		4005			4006			4006			4007						
		SHEAR	TORQUE	MOMENT	SHEAR	TORQUE	MOMENT	SHEAR	TORQUE	MOMENT	SHEAR	TORQUE	MOMENT				
NAME	TITLE	S2 (kN)	TQ (kN·m)	M3 (kN·m)	S2 (kN)	TQ (kN·m)	M3 (kN·m)	S2 (kN)	TQ (kN·m)	M3 (kN·m)	S2 (kN)	TQ (kN·m)	M3 (kN·m)				
63	1-LANE (case3TANDEM-LOAD	MAX	S2	31.30	-52.28	700.47	31.30	-52.28	848.28	31.30	-48.28	848.52	31.30	-48.28	996.32		
			TQ	-8.84	32.36	672.54	-8.84	32.36	630.82	-8.84	35.34	630.66	-8.84	35.34	588.94		
			M3	10.77	-8.22	845.44	23.76	-39.71	915.44	23.76	-35.38	915.61	26.15	-40.56	1033.33		
		MIN	S2	-8.84	32.36	672.54	-8.84	32.36	630.82	-8.84	35.34	630.66	-8.84	35.34	588.94		
			TQ	31.30	-52.28	700.47	31.30	-52.28	848.28	31.30	-48.28	848.52	31.30	-48.28	996.33		
			M3	-6.69	3.08	-124.17	-6.69	3.08	-155.75	-6.69	2.34	-155.77	-6.69	2.34	-187.34		
		DISPERSION-LMAX	S2	42.20	-45.84	1036.10	41.85	-46.32	1210.92	41.85	-40.60	1211.12	41.41	-40.60	1407.73		
			TQ	-12.35	21.96	251.38	-12.78	21.96	192.07	-11.20	22.99	242.32	-11.20	22.99	189.42		
			M3	38.05	-31.02	1355.92	37.63	-31.02	1534.63	37.63	-23.77	1534.76	37.19	-23.77	1711.43		
		MIN	S2	-15.80	20.15	103.48	-15.88	20.63	52.33	-15.88	20.87	52.24	-15.88	20.87	-22.74		
			TQ	38.75	-47.65	888.21	38.75	-47.65	1071.19	37.17	-42.71	1021.04	36.74	-42.71	1195.57		
			M3	-11.66	5.33	-216.33	-11.66	5.33	-271.38	-11.66	4.05	-271.40	-11.66	4.05	-326.44		
		64	1-LANE (case4TRUCK-LOAD	MAX	S2	241.98	81.51	2916.75	186.99	170.39	3196.89	186.99	185.49	3196.05	138.66	251.70	3163.14
					TQ	99.29	270.40	1465.38	99.29	270.40	1934.26	99.29	279.54	1932.96	99.29	279.54	2401.84
					M3	212.61	58.34	2936.54	157.33	146.67	3237.92	157.33	161.96	3237.19	106.46	236.52	3215.86
MIN	S2			-114.48	-1.09	2710.27	-165.89	66.01	3068.81	-165.89	80.51	3068.46	-222.04	170.09	3099.13		
	TQ			-9.27	-35.91	-183.14	-9.27	-35.91	-226.92	-9.91	-36.99	-241.51	-9.91	-36.99	-288.29		
	M3			-10.59	-33.23	-206.92	-10.59	-33.23	-256.92	-10.59	-34.45	-256.76	-10.59	-34.45	-306.77		
TANDEM-LOAD	MAX			S2	181.95	25.80	2190.48	143.75	87.40	2407.99	143.75	98.77	2407.55	107.15	156.75	2393.26	
	TQ			62.76	186.29	948.41	62.76	186.29	1244.80	62.76	192.17	1243.91	62.76	192.17	1540.29		
	M3			181.95	25.80	2190.48	143.75	87.40	2407.99	143.75	98.77	2407.55	107.15	156.75	2393.27		
MIN	S2			-92.14	13.58	2160.92	-130.20	71.47	2389.66	-130.20	82.76	2389.30	-168.58	144.66	2384.14		
	TQ			-36.10	-25.28	892.00	-36.10	-25.28	721.50	-6.66	-25.35	-162.41	-6.66	-25.35	-193.84		
	M3			-7.22	-22.21	-141.03	-7.22	-22.21	-175.14	-7.22	-23.04	-175.03	-7.22	-23.04	-209.15		

BAGO RIVER BRIDGE

BLOCK [ No.1 : MAIN GIRDER ][ BEAM MEMBER FORCE ]

MEMBER			4005			4006			4006			4007				
NODE			4005			4006			4006			4007				
NAME TITLE			SHEAR	TORQUE	MOMENT	SHEAR	TORQUE	MOMENT	SHEAR	TORQUE	MOMENT	SHEAR	TORQUE	MOMENT		
			S2 (kN)	TQ (kN·m)	M3 (kN·m)	S2 (kN)	TQ (kN·m)	M3 (kN·m)	S2 (kN)	TQ (kN·m)	M3 (kN·m)	S2 (kN)	TQ (kN·m)	M3 (kN·m)		
64	1-LANE (case4DISPERSION-LMAX	S2	115.96	223.11	1661.80	87.11	214.75	1726.85	87.11	222.90	1725.82	64.79	201.97	1651.90		
		TQ	102.39	225.62	1728.32	53.64	225.62	2096.79	52.15	235.62	2151.30	3.29	235.62	2282.24		
		M3	86.95	214.20	2361.50	38.20	214.20	2657.04	38.20	226.75	2656.00	-10.66	226.75	2721.05		
	MIN	S2	-41.52	-46.14	455.79	-61.42	-37.78	627.23	-61.42	-34.82	627.40	-87.96	-13.88	707.33		
		TQ	-27.95	-48.65	389.28	-27.95	-48.65	257.30	-26.46	-47.53	201.92	-26.46	-47.53	76.99		
		M3	-12.50	-37.23	-243.90	-12.50	-37.23	-302.95	-12.50	-38.66	-302.77	-12.50	-38.66	-361.82		
	65	2-LANES (caseTRUCK-LOAD	MAX	S2	36.78	-288.21	664.91	36.78	-288.21	838.58	36.78	-284.24	839.93	36.78	-284.24	1013.61
			TQ	-17.10	81.59	-297.80	-17.10	81.59	-378.53	-17.10	79.80	-378.91	-17.10	79.80	-459.64	
			M3	29.30	-368.67	892.26	29.47	-370.71	1031.07	29.47	-365.84	1032.81	30.62	-376.78	1173.40	
MIN		S2	-18.17	77.34	-318.97	-18.17	77.34	-404.77	-18.17	75.43	-405.14	-18.17	75.43	-490.94		
		TQ	32.06	-390.30	841.18	32.06	-390.30	992.57	32.13	-385.61	985.74	32.13	-385.61	1137.45		
		M3	-18.16	76.48	-319.05	-18.16	76.48	-404.82	-18.16	74.57	-405.18	-18.17	75.10	-490.98		
TANDEM-LOAD		MAX	S2	25.25	-199.85	450.75	25.25	-199.85	570.00	25.25	-197.16	570.94	25.25	-197.16	690.19	
		TQ	-11.81	55.56	-205.97	-11.81	55.56	-261.75	-11.81	54.33	-262.01	-11.81	54.33	-317.79		
		M3	19.07	-243.40	608.64	19.99	-254.60	702.70	19.99	-251.28	703.89	20.81	-255.98	798.68		
MIN	S2	-12.37	53.18	-216.94	-12.37	53.18	-275.35	-12.37	51.88	-275.59	-12.37	51.88	-333.99			
	TQ	21.83	-266.38	580.04	21.83	-266.38	683.13	21.83	-263.15	684.38	21.83	-263.15	787.47			
	M3	-12.37	53.18	-216.94	-12.37	53.18	-275.35	-12.37	51.88	-275.59	-12.37	51.88	-333.99			
DISPERSION-LMAX	S2	57.82	-438.34	1250.97	57.82	-438.34	1524.01	57.82	-431.13	1526.06	57.82	-431.13	1799.10			
	TQ	-21.66	92.13	-380.38	-21.66	92.13	-482.66	-21.66	89.85	-483.09	-21.66	89.85	-585.37			
	M3	57.82	-438.34	1250.97	57.82	-438.34	1524.01	57.82	-431.13	1526.06	57.82	-431.13	1799.10			
MIN	S2	-21.66	92.13	-380.38	-21.66	92.13	-482.66	-21.66	89.85	-483.09	-21.66	89.85	-585.37			
	TQ	57.82	-438.34	1250.97	57.82	-438.34	1524.01	57.82	-431.13	1526.06	57.82	-431.13	1799.10			
	M3	-21.66	92.13	-380.38	-21.66	92.13	-482.66	-21.66	89.85	-483.09	-21.66	89.85	-585.37			

BAGO RIVER BRIDGE

BLOCK [ No.1 : MAIN GIRDER ][ BEAM MEMBER FORCE ]

MEMBER				4005			4006			4007						
NODE				4005			4006			4007						
				SHEAR	TORQUE	MOMENT	SHEAR	TORQUE	MOMENT	SHEAR	TORQUE	MOMENT				
NAME	TITLE			S2 (kN)	TQ (kN·m)	M3 (kN·m)	S2 (kN)	TQ (kN·m)	M3 (kN·m)	S2 (kN)	TQ (kN·m)	M3 (kN·m)				
66	2-LANES (caseTRUCK-LOAD	MAX	S2	49.47	-308.59	1132.73	49.47	-308.59	1366.34	49.47	-302.13	1367.78	49.47	-302.13	1601.40	
			TQ	-17.61	57.49	-313.82	-17.61	57.49	-397.00	-17.61	55.61	-397.27	-17.61	55.61	-480.44	
			M3	37.59	-249.09	1333.38	41.73	-270.70	1517.81	41.73	-263.53	1519.07	44.13	-280.12	1719.41	
			MIN	S2	-18.65	54.78	-333.97	-18.65	54.78	-422.05	-18.65	52.79	-422.30	-18.65	52.79	-510.38
				TQ	49.38	-308.83	1146.64	49.38	-308.83	1379.81	49.44	-302.31	1372.60	49.44	-302.31	1606.09
				M3	-18.65	54.78	-333.97	-18.65	54.78	-422.05	-18.65	52.79	-422.30	-18.65	52.79	-510.38
		TANDEM-LOAD	MAX	S2	33.93	-211.15	773.55	33.93	-211.15	933.77	33.93	-206.73	934.75	33.93	-206.73	1094.97
				TQ	-12.16	39.16	-216.89	-12.16	39.16	-274.33	-12.16	37.87	-274.51	-12.16	37.87	-331.96
				M3	26.12	-169.01	907.64	27.98	-184.82	1036.05	27.98	-179.92	1036.91	30.73	-193.53	1171.14
			MIN	S2	-12.70	37.64	-227.28	-12.70	37.64	-287.25	-12.70	36.28	-287.43	-12.70	36.28	-347.39
				TQ	33.72	-211.58	798.48	33.72	-211.58	957.72	33.72	-207.05	958.71	33.72	-207.05	1117.95
				M3	-12.70	37.64	-227.28	-12.70	37.64	-287.25	-12.70	36.28	-287.43	-12.70	36.28	-347.39
		DISPERSION-LMAX	MAX	S2	64.43	-317.56	1672.90	64.43	-317.56	1977.19	64.43	-308.21	1978.67	64.43	-308.21	2282.96
				TQ	-22.43	66.16	-336.57	-22.43	66.16	-442.47	-22.41	64.10	-430.51	-22.41	64.10	-536.33
				M3	64.21	-316.67	1726.73	64.21	-316.67	2029.97	64.21	-307.08	2031.44	64.21	-307.08	2334.68
			MIN	S2	-22.43	66.15	-343.79	-22.43	66.15	-449.72	-22.43	64.03	-450.02	-22.43	64.03	-555.95
				TQ	64.43	-317.57	1665.68	64.43	-317.57	1969.95	64.41	-308.29	1959.16	64.41	-308.29	2263.34
				M3	-22.21	65.26	-397.62	-22.21	65.26	-502.49	-22.21	62.89	-502.80	-22.21	62.89	-607.67
67	2-LANES (caseTRUCK-LOAD	MAX	S2	110.85	-69.56	2330.40	110.85	-69.56	2853.87	110.85	-56.08	2854.17	110.70	-56.64	3321.34	
			TQ	-43.84	85.14	2377.48	-43.84	85.14	2170.45	-43.84	95.39	2170.03	-43.84	95.39	1963.00	
			M3	69.41	24.02	2877.15	83.05	-34.38	3133.58	83.05	-19.58	3133.71	94.33	-48.93	3440.86	
			MIN	S2	-44.48	84.35	2330.12	-44.96	82.81	2226.73	-44.96	93.33	2226.32	-44.96	93.33	2014.01
				TQ	36.81	-82.28	844.27	36.81	-82.28	1018.10	36.68	-77.47	1015.51	36.68	-77.47	1188.74
				M3	-19.88	-2.50	-372.32	-19.88	-2.50	-466.20	-19.88	-4.71	-466.18	-19.88	-4.71	-560.07

BAGO RIVER BRIDGE

BLOCK [ No.1 : MAIN GIRDER ][ BEAM MEMBER FORCE ]

MEMBER		4005			4006			4006			4007						
NODE		4005			4006			4006			4007						
		SHEAR	TORQUE	MOMENT	SHEAR	TORQUE	MOMENT	SHEAR	TORQUE	MOMENT	SHEAR	TORQUE	MOMENT				
NAME	TITLE	S2 (kN)	TQ (kN·m)	M3 (kN·m)	S2 (kN)	TQ (kN·m)	M3 (kN·m)	S2 (kN)	TQ (kN·m)	M3 (kN·m)	S2 (kN)	TQ (kN·m)	M3 (kN·m)				
67	2-LANES (caseTANDEM-LOAD	MAX	S2	75.99	-52.21	1648.69	75.99	-52.21	2007.57	75.99	-42.72	2007.80	75.99	-42.72	2366.68		
			TQ	-30.48	61.62	1611.35	-30.48	61.62	1467.40	-30.48	68.55	1467.10	-30.48	68.55	1323.15		
			M3	47.18	17.05	1999.11	64.86	-29.08	2178.66	64.86	-18.79	2178.78	70.85	-35.01	2403.68		
		MIN	S2	-31.54	59.83	1803.65	-31.54	59.83	1654.69	-31.54	67.65	1654.39	-31.54	67.65	1505.44		
			TQ	25.89	-58.45	597.68	25.89	-58.45	719.92	25.22	-55.10	704.66	25.22	-55.10	823.78		
			M3	-13.55	-1.83	-253.73	-13.55	-1.83	-317.71	-13.55	-3.33	-317.69	-13.55	-3.33	-381.67		
			DISPERSION-LMAX	S2	101.11	-20.32	2241.05	94.17	-24.20	2468.83	94.17	-12.54	2468.91	86.44	-14.74	2692.52	
				TQ	19.41	66.98	1516.16	8.73	66.98	1582.91	13.24	74.77	1710.99	3.75	74.77	1750.41	
				M3	87.18	7.58	2973.96	76.50	7.58	3360.73	76.50	23.46	3360.66	65.57	23.46	3696.40	
			MIN	S2	-37.52	24.72	291.29	-41.26	28.59	338.88	-41.26	30.19	338.74	-44.46	32.40	339.48	
				TQ	44.18	-62.59	1016.17	44.18	-62.59	1224.79	39.67	-57.11	1096.66	38.23	-57.11	1281.59	
				M3	-23.59	-3.19	-441.63	-23.59	-3.19	-553.03	-23.59	-5.81	-553.01	-23.59	-5.81	-664.40	
		68	2-LANES (caseTRUCK-LOAD	MAX	S2	418.69	143.26	5384.54	329.13	281.63	5885.38	329.13	309.42	5883.98	249.98	413.06	5865.90
					TQ	171.03	443.45	2632.30	171.03	443.45	3439.96	171.03	459.69	3437.82	171.03	459.69	4245.48
					M3	366.67	106.84	5416.18	276.65	244.55	5955.64	276.65	272.68	5954.42	193.84	389.08	5959.64
MIN	S2			-200.52	12.12	4998.28	-284.10	118.89	5647.99	-284.10	145.57	5647.37	-373.38	285.33	5749.99		
	TQ			-18.27	-59.19	-357.65	-18.27	-59.19	-443.93	-18.90	-61.29	-458.41	-18.90	-61.29	-547.67		
	M3			-20.91	-54.30	-405.59	-20.93	-52.98	-504.41	-20.93	-55.37	-504.15	-20.93	-55.37	-603.00		
	TANDEM-LOAD			MAX	S2	313.00	51.32	4018.51	250.67	147.13	4405.17	250.67	167.94	4404.42	191.31	257.74	4409.99
				TQ	113.20	305.14	1764.86	113.20	305.14	2299.46	113.20	316.00	2297.99	113.20	316.00	2832.59	
				M3	313.00	51.32	4018.51	250.67	147.13	4405.17	250.67	167.94	4404.43	191.31	257.74	4409.99	
	MIN			S2	-160.12	31.96	3963.40	-221.00	122.39	4371.39	-221.00	143.04	4370.76	-281.60	238.85	4393.61	
				TQ	-42.39	-41.19	770.12	-42.39	-41.19	569.92	-12.94	-41.98	-313.91	-12.94	-41.98	-375.04	
				M3	-14.27	-36.26	-276.52	-14.27	-35.90	-343.93	-14.27	-37.52	-343.75	-14.27	-37.52	-411.16	

BAGO RIVER BRIDGE

BLOCK [ No.1 : MAIN GIRDER ][ BEAM MEMBER FORCE ]

MEMBER			4005			4006			4006			4007				
NODE			4005			4006			4006			4007				
NAME TITLE			SHEAR	TORQUE	MOMENT	SHEAR	TORQUE	MOMENT	SHEAR	TORQUE	MOMENT	SHEAR	TORQUE	MOMENT		
			S2 (kN)	TQ (kN·m)	M3 (kN·m)	S2 (kN)	TQ (kN·m)	M3 (kN·m)	S2 (kN)	TQ (kN·m)	M3 (kN·m)	S2 (kN)	TQ (kN·m)	M3 (kN·m)		
68	2-LANES (caseDISPERSION-LMAX	S2	211.16	367.66	3154.54	161.29	352.71	3277.02	161.29	368.18	3275.31	122.04	333.17	3152.47		
		TQ	179.97	375.23	3374.50	96.03	375.23	4026.00	92.21	394.51	4139.53	8.36	394.51	4376.81		
		M3	159.63	357.14	4457.22	75.70	357.14	5012.68	75.70	380.82	5010.94	-8.15	380.82	5170.24		
		MIN	S2	-76.27	-71.12	823.83	-110.33	-56.17	1140.00	-110.33	-50.79	1140.25	-154.92	-15.77	1305.58	
		TQ	-45.07	-78.69	603.86	-45.07	-78.69	391.01	-41.25	-77.11	276.03	-41.25	-77.11	81.24		
		M3	-24.74	-60.60	-478.86	-24.74	-60.60	-595.67	-24.74	-63.42	-595.38	-24.74	-63.42	-712.18		
		MAX	S2	65.95	-422.03	1315.32	65.95	-422.03	1626.75	65.95	-414.34	1628.72	65.95	-414.34	1940.14	
		TQ	-26.03	104.28	-458.74	-26.03	104.28	-581.67	-26.03	101.53	-582.16	-26.03	101.53	-705.10		
		M3	49.14	-463.18	1681.66	53.29	-484.78	1920.64	53.29	-475.71	1922.90	55.78	-492.77	2177.98		
69	3-LANES (caseTRUCK-LOAD	MIN	S2	-27.62	99.08	-489.72	-27.62	99.08	-620.13	-27.62	96.15	-620.59	-27.62	96.15	-751.01	
		TQ	61.23	-524.12	1491.59	61.23	-524.12	1780.73	61.30	-515.71	1774.52	61.30	-515.71	2063.99		
		M3	-27.61	98.22	-489.80	-27.61	98.22	-620.18	-27.61	95.28	-620.64	-27.61	95.82	-751.05		
		TANDEM-LOAD	MAX	S2	45.30	-292.04	902.86	45.30	-292.04	1116.77	45.30	-286.76	1118.14	45.30	-286.76	1332.06
		TQ	-17.98	71.03	-317.15	-17.98	71.03	-402.08	-17.98	69.13	-402.41	-17.98	69.13	-487.33		
		M3	33.75	-314.24	1146.21	35.61	-330.05	1310.66	35.61	-323.86	1312.21	38.88	-339.24	1482.52		
		MIN	S2	-18.80	68.11	-333.18	-18.80	68.11	-421.96	-18.80	66.11	-422.28	-18.80	66.11	-511.05	
		TQ	41.87	-358.58	1032.16	41.87	-358.58	1229.90	41.87	-352.76	1231.58	41.87	-352.76	1429.33		
		M3	-18.80	68.11	-333.18	-18.80	68.11	-421.96	-18.80	66.11	-422.28	-18.80	66.11	-511.05		
		DISPERSION-LMAX	S2	91.70	-566.88	2180.26	91.70	-566.88	2613.31	91.70	-554.53	2615.96	91.70	-554.53	3049.01	
		TQ	-33.12	118.93	-522.46	-33.12	118.93	-678.85	-33.10	115.75	-667.14	-33.10	115.75	-823.45		
		M3	91.48	-566.00	2234.09	91.48	-566.00	2666.09	91.48	-553.40	2668.73	91.48	-553.40	3100.73		
		MIN	S2	-33.12	118.92	-529.68	-33.12	118.92	-686.09	-33.12	115.67	-686.65	-33.12	115.67	-843.06	
		TQ	91.70	-566.90	2173.04	91.70	-566.90	2606.07	91.68	-554.61	2596.45	91.68	-554.61	3029.40		
		M3	-32.90	118.03	-583.51	-32.90	118.03	-738.87	-32.90	114.54	-739.42	-32.90	114.54	-894.79		

BAGO RIVER BRIDGE

BLOCK [ No.1 : MAIN GIRDER ][ BEAM MEMBER FORCE ]

MEMBER				4005			4006			4007					
NODE				4005			4006			4007					
				SHEAR	TORQUE	MOMENT	SHEAR	TORQUE	MOMENT	SHEAR	TORQUE	MOMENT			
NAME	TITLE			S2 (kN)	TQ (kN·m)	M3 (kN·m)	S2 (kN)	TQ (kN·m)	M3 (kN·m)	S2 (kN)	TQ (kN·m)	M3 (kN·m)			
70	3-LANES (caseTRUCK-LOAD	MAX	S2	233.23	-22.74	4423.36	218.77	-1.61	5154.79	218.77	22.74	5154.74	202.98	43.56	5704.51
			TQ	16.11	204.29	3395.10	16.11	204.29	3471.17	16.11	220.69	3470.17	16.11	220.69	3546.23
			M3	191.79	70.85	4970.11	173.52	27.15	5447.81	173.52	52.88	5447.62	168.90	45.48	5851.07
		MIN	S2	-104.97	111.03	4238.64	-123.88	125.70	4402.45	-123.88	146.49	4401.80	-141.32	166.00	4284.64
			TQ	27.85	-103.93	670.87	27.85	-103.93	802.37	27.72	-100.15	799.89	27.72	-100.15	930.80
			M3	-30.20	-21.16	-570.22	-30.20	-21.16	-712.84	-30.20	-24.53	-712.73	-30.20	-24.53	-855.34
		TANDEM-LOAD MAX	S2	163.31	-26.68	3164.90	153.94	-13.92	3681.70	153.94	3.47	3681.73	143.68	18.59	4113.66
			TQ	8.21	143.55	2272.57	8.21	143.55	2311.33	8.21	154.46	2310.63	8.21	154.46	2349.40
			M3	134.49	42.58	3515.31	142.81	9.20	3852.80	142.81	27.40	3852.71	138.53	26.30	4150.66
		MIN	S2	-78.43	82.52	3293.30	-90.88	94.49	3310.67	-90.88	110.13	3310.19	-104.09	125.17	3242.31
			TQ	19.62	-73.28	476.55	19.62	-73.28	569.20	18.96	-70.64	554.01	18.96	-70.64	643.54
			M3	-20.58	-14.75	-388.71	-20.58	-14.75	-485.90	-20.58	-17.05	-485.83	-20.58	-17.05	-583.02
		DISPERSION-LMAX	S2	180.93	84.12	3616.41	159.52	75.08	3904.79	159.52	93.52	3904.39	138.99	82.39	4103.32
			TQ	77.88	178.98	3262.26	43.30	178.98	3549.03	47.69	196.12	3708.92	13.75	196.12	3853.62
			M3	150.70	117.80	4859.63	116.12	117.80	5490.29	116.12	143.73	5489.67	80.75	143.73	5955.18
MIN	S2	-66.03	8.07	567.31	-79.19	17.11	740.54	-79.19	20.61	740.45	-94.04	31.74	837.97		
	TQ	37.02	-86.79	921.46	37.02	-86.79	1096.29	32.64	-81.99	935.91	31.21	-81.99	1087.67		
	M3	-35.80	-25.61	-675.92	-35.80	-25.61	-844.97	-35.80	-29.60	-844.84	-35.80	-29.60	-1013.89		
71	3-LANES (caseTRUCK-LOAD	MAX	S2	530.10	185.34	7403.05	426.41	333.77	8065.09	426.41	371.86	8063.43	333.92	484.14	8107.90
			TQ	227.26	520.39	3604.82	227.26	520.39	4678.02	227.26	542.48	4675.51	227.26	542.48	5748.72
			M3	462.17	145.57	7438.60	357.92	293.69	8152.81	357.92	332.20	8151.34	262.11	457.68	8230.97
		MIN	S2	-256.95	38.53	6820.66	-354.60	158.58	7737.12	-354.60	195.13	7736.28	-453.96	345.65	7952.19
			TQ	-26.87	-69.86	-521.18	-26.87	-69.86	-648.06	-27.50	-72.93	-662.49	-27.50	-72.93	-792.36
			M3	-31.00	-62.43	-596.38	-31.02	-61.12	-742.85	-31.02	-64.63	-742.56	-31.02	-64.63	-889.05



BAGO RIVER BRIDGE

BLOCK [ No.1 : MAIN GIRDER ][ BEAM MEMBER FORCE ]

MEMBER				4005			4006			4007						
NODE				4005			4006			4007						
NAME TITLE				SHEAR	TORQUE	MOMENT	SHEAR	TORQUE	MOMENT	SHEAR	TORQUE	MOMENT				
				S2 (kN)	TQ (kN·m)	M3 (kN·m)	S2 (kN)	TQ (kN·m)	M3 (kN·m)	S2 (kN)	TQ (kN·m)	M3 (kN·m)				
71	3-LANES (case)	TANDEM-LOAD	MAX	S2	393.16	76.59	5484.03	320.75	179.20	5991.48	320.75	207.50	5990.57	252.48	302.96	6050.11
			TQ	149.63	357.96	2396.58	149.63	357.96	3103.21	149.63	372.62	3101.49	149.63	372.62	3808.12	
			M3	393.16	76.59	5484.04	320.75	179.20	5991.49	320.75	207.50	5990.58	252.48	302.96	6050.12	
		MIN	S2	-203.92	55.13	5407.38	-272.39	152.75	5945.10	-272.39	180.83	5944.31	-339.06	282.57	6028.36	
		TQ	-47.83	-48.52	666.53	-47.83	-48.52	440.65	-18.38	-49.91	-443.15	-18.38	-49.91	-529.97		
		M3	-21.15	-41.93	-406.59	-21.15	-41.56	-506.47	-21.15	-43.96	-506.27	-21.15	-43.96	-606.16		
	DISPERSION-LMAX	S2	285.49	433.38	4477.22	222.46	413.61	4649.50	222.46	435.57	4647.49	171.70	393.35	4500.89		
		TQ	231.66	452.00	5017.12	126.16	452.00	5861.51	121.84	480.00	6001.26	16.94	480.00	6328.45		
		M3	217.95	428.57	6285.87	112.45	428.57	7065.49	112.45	461.94	7063.39	7.54	461.94	7346.20		
		MIN	S2	-104.23	-74.89	1103.82	-146.70	-55.12	1537.91	-146.70	-47.86	1538.15	-200.85	-5.64	1794.30	
		TQ	-50.40	-93.51	563.92	-50.40	-93.51	325.89	-46.09	-92.29	184.39	-46.09	-92.29	-33.26		
		M3	-36.69	-70.08	-704.82	-36.69	-70.08	-878.09	-36.69	-74.23	-877.74	-36.69	-74.23	-1051.01		
72	4-LANES	TRUCK-LOAD	MAX	S2	518.87	102.50	7980.62	436.46	220.29	8847.87	436.46	262.09	8846.73	360.18	356.64	9183.14
			TQ	189.31	511.65	4192.82	189.31	511.65	5086.83	196.92	536.02	5243.30	196.92	536.02	6173.23	
			M3	437.90	136.42	8300.25	358.21	215.65	9097.26	358.21	258.63	9096.14	288.30	340.37	9408.74	
		MIN	S2	-244.90	97.98	7331.62	-324.25	188.85	8054.95	-324.25	226.90	8053.97	-405.60	344.38	8260.76	
		TQ	19.77	-135.95	500.67	19.77	-135.95	594.03	19.14	-133.16	579.89	19.14	-133.16	670.26		
		M3	-40.81	-55.47	-777.87	-40.81	-55.47	-970.60	-40.81	-60.06	-970.32	-40.81	-60.06	-1163.06		
	TANDEM-LOAD	MAX	S2	378.66	27.94	5861.62	321.83	107.53	6507.03	321.83	138.26	6506.45	266.86	215.51	6773.14	
		TQ	126.98	354.00	2899.44	126.98	354.00	3499.08	128.67	370.58	3533.83	128.67	370.58	4141.48		
		M3	359.26	70.72	6020.51	314.87	119.60	6583.26	314.87	150.70	6582.62	262.16	222.91	6819.20		
		MIN	S2	-191.52	92.79	5769.00	-248.74	168.37	6243.34	-248.74	197.86	6242.48	-305.46	279.12	6333.89	
		TQ	14.00	-95.20	357.93	14.00	-95.20	424.06	13.16	-93.23	404.87	13.16	-93.23	467.04		
		M3	-27.82	-37.72	-530.24	-27.82	-37.72	-661.63	-27.82	-40.85	-661.44	-27.82	-40.85	-792.83		

BAGO RIVER BRIDGE

BLOCK [ No.1 : MAIN GIRDER ][ BEAM MEMBER FORCE ]

MEMBER				4005			4006			4007							
NODE				4005			4006			4007							
				SHEAR	TORQUE	MOMENT	SHEAR	TORQUE	MOMENT	SHEAR	TORQUE	MOMENT					
NAME	TITLE			S2 (kN)	TQ (kN·m)	M3 (kN·m)	S2 (kN)	TQ (kN·m)	M3 (kN·m)	S2 (kN)	TQ (kN·m)	M3 (kN·m)					
72	4-LANES	DISPERSION-LMAX	S2	289.25	378.22	4913.14	230.20	358.83	5127.99	230.20	383.05	5126.24	181.66	343.76	5053.98		
			TQ	208.87	450.01	5327.20	110.41	450.01	6080.72	108.64	479.23	6286.88	11.25	479.23	6569.18		
			M3	221.09	395.58	6997.37	122.63	395.58	7808.59	122.63	432.46	7806.63	24.28	432.46	8153.16		
	MIN	S2	-105.62	-40.27	1363.27	-144.89	-20.54	1814.57	-144.89	-11.97	1814.64	-194.24	26.39	2060.29			
		TQ	-21.91	-116.28	1083.16	-21.91	-116.28	979.70	-20.87	-112.08	788.13	-21.78	-112.08	688.02			
		M3	-37.52	-57.04	-716.73	-37.52	-57.04	-893.93	-37.52	-61.27	-893.65	-37.52	-61.27	-1070.84			
	73	6-LANES	TRUCK-LOAD	MAX	S2	515.38	-250.65	7949.64	439.68	-136.42	9075.65	439.68	-93.55	9076.19	371.89	-6.38	9749.78
				TQ	105.90	534.98	4350.13	105.90	534.98	4850.24	108.98	557.95	4907.29	108.98	557.95	5421.95	
				M3	415.95	-139.55	8847.75	358.87	-151.03	9729.92	358.87	-105.07	9730.52	301.64	-54.66	10211.74	
MIN		S2	-237.10	146.92	5610.75	-308.95	235.47	5960.70	-308.95	263.63	5959.52	-379.90	371.37	5752.35			
		TQ	105.08	-541.19	2314.39	105.08	-541.19	2810.61	100.89	-528.21	2719.12	100.89	-528.21	3195.59			
		M3	-58.68	34.62	-1087.71	-58.69	35.13	-1364.83	-58.69	28.68	-1364.98	-58.69	28.68	-1642.12			
TANDEM-LOAD		MAX	S2	375.07	-214.79	5707.84	322.51	-136.19	6519.47	322.51	-105.39	6520.04	272.26	-31.08	7002.35		
		TQ	62.98	368.85	2775.67	62.98	368.85	3073.10	71.35	384.22	3350.60	71.35	384.22	3687.56			
		M3	339.94	-125.80	6383.92	302.19	-95.83	6991.51	302.19	-62.80	6991.89	263.39	-53.09	7323.86			
MIN		S2	-183.73	123.77	4309.63	-235.42	198.09	4507.22	-235.42	219.38	4506.23	-286.78	298.37	4370.95			
		TQ	44.03	-375.76	2673.36	44.03	-375.76	2881.27	73.26	-365.96	2007.70	73.26	-365.96	2353.65			
		M3	-39.98	24.81	-740.85	-39.98	24.81	-929.68	-39.98	20.42	-929.78	-39.98	20.42	-1118.61			
DISPERSION-LMAX		S2	355.02	-100.19	6513.83	301.33	-117.71	7151.72	301.33	-83.93	7152.19	257.76	-119.59	7571.47			
		TQ	156.90	506.68	4328.98	67.27	506.68	4858.18	68.09	530.19	5093.46	-20.10	530.19	5205.56			
		M3	290.63	-71.11	8540.84	201.00	-71.12	9701.54	201.00	-25.30	9701.78	111.83	-25.30	10440.29			
MIN	S2	-129.49	51.53	728.34	-165.28	69.27	974.68	-165.28	73.88	974.34	-209.92	108.55	1056.55				
	TQ	74.57	-581.63	3118.71	74.57	-581.63	3470.86	74.17	-565.78	3226.12	72.73	-565.78	3573.99				
	M3	-66.98	35.95	-1242.61	-66.98	35.95	-1558.93	-66.98	28.59	-1559.08	-66.98	28.59	-1875.39				

BAGO RIVER BRIDGE

BLOCK [ No.1 : MAIN GIRDER ][ BEAM MEMBER FORCE ]

MEMBER			4005			4006			4006			4007			
NODE			4005			4006			4006			4007			
NAME TITLE			SHEAR	TORQUE	MOMENT	SHEAR	TORQUE	MOMENT	SHEAR	TORQUE	MOMENT	SHEAR	TORQUE	MOMENT	
			S2 (kN)	TQ (kN·m)	M3 (kN·m)	S2 (kN)	TQ (kN·m)	M3 (kN·m)	S2 (kN)	TQ (kN·m)	M3 (kN·m)	S2 (kN)	TQ (kN·m)	M3 (kN·m)	
124	SUM TOTAL	D+1LANE (caseMAX	S2	899.88	-1024.13	28372.89	584.32	-1024.13	31880.86	584.32	-873.52	31885.34	270.89	-873.52	33908.01
			TQ	824.45	-469.34	27147.98	508.89	-469.34	30299.77	508.89	-326.20	30301.64	195.47	-326.20	31968.12
			M3	893.97	-1144.90	28571.70	578.41	-1144.90	32051.77	578.41	-993.48	32056.82	265.09	-994.03	34051.80
		MIN	S2	823.80	-472.33	27134.99	508.24	-472.33	30283.67	508.24	-329.27	30285.57	194.81	-329.27	31948.95
			TQ	894.33	-1146.35	28567.71	578.77	-1146.35	32049.47	578.77	-994.94	32054.53	265.34	-994.94	34050.99
			M3	823.81	-473.37	27134.88	508.25	-473.37	30283.61	508.25	-330.31	30285.51	194.81	-329.66	31948.90
		D+1LANE (caseMAX	S2	923.05	-903.65	29440.59	607.49	-903.65	33057.99	607.49	-747.48	33061.89	294.07	-747.48	35193.99
			TQ	822.91	-529.42	27181.32	507.35	-529.42	30325.82	507.37	-386.13	30342.71	193.95	-386.13	32002.01
			M3	911.59	-855.41	29671.96	600.80	-878.88	33243.00	600.80	-721.84	33246.79	288.98	-729.18	35349.70
		MIN	S2	822.29	-530.59	27160.89	506.73	-530.59	30302.48	506.73	-387.44	30304.65	193.31	-387.44	31960.94
			TQ	923.05	-903.67	29431.92	607.49	-903.67	33049.30	607.46	-747.57	33038.48	294.04	-747.57	35170.45
			M3	822.56	-531.65	27096.29	507.00	-531.65	30239.15	507.00	-388.80	30241.32	193.58	-388.80	31898.87
		D+1LANE (caseMAX	S2	952.99	-730.37	29947.62	637.01	-730.94	33677.08	637.01	-571.85	33680.15	323.07	-571.85	35950.45
			TQ	818.05	-509.63	28959.65	501.98	-509.63	32080.00	503.87	-357.94	32142.48	190.44	-357.94	33785.23
			M3	907.88	-629.84	30652.46	613.74	-682.65	34254.73	613.74	-520.82	34257.57	309.67	-543.08	36439.90
		MIN	S2	813.45	-512.54	28682.51	497.79	-511.97	31810.46	497.79	-361.69	31812.53	184.37	-361.69	33426.58
			TQ	948.33	-733.89	29818.81	632.77	-733.89	33555.58	630.88	-575.51	33498.25	316.93	-575.51	35739.58
			M3	821.62	-576.96	27066.64	506.06	-576.96	30205.05	506.06	-434.27	30207.44	192.64	-434.27	31860.54
		D+1LANE (caseMAX	S2	1276.91	-223.26	33039.21	860.74	-126.64	36713.52	860.74	46.80	36713.71	462.55	101.11	38360.29
			TQ	1089.40	6.42	31377.38	715.34	6.42	35642.29	713.55	174.91	35708.58	341.49	174.91	38203.15
			M3	1206.85	-261.76	33902.59	766.47	-155.76	37878.98	766.47	23.18	37879.29	333.36	112.64	39706.55
		MIN	S2	660.19	-645.48	31344.23	259.06	-554.93	35240.28	259.06	-388.45	35242.51	-153.60	-255.83	37150.00
			TQ	802.72	-690.28	27792.31	487.16	-690.28	30841.48	488.19	-544.71	30759.96	174.77	-544.71	32328.69
			M3	819.67	-673.36	27003.97	504.11	-673.36	30133.18	504.11	-531.01	30136.03	190.69	-531.01	31779.94

BAGO RIVER BRIDGE

BLOCK [ No.1 : MAIN GIRDER ][ BEAM MEMBER FORCE ]

MEMBER				4005			4006			4007					
NODE				4005			4006			4007					
NAME TITLE				SHEAR	TORQUE	MOMENT	SHEAR	TORQUE	MOMENT	SHEAR	TORQUE	MOMENT			
				S2 (kN)	TQ (kN·m)	M3 (kN·m)	S2 (kN)	TQ (kN·m)	M3 (kN·m)	S2 (kN)	TQ (kN·m)	M3 (kN·m)			
124	SUM TOTAL	D+2LANES (casMAX	S2	941.98	-1315.35	29460.83	626.42	-1315.35	33167.62	626.42	-1158.66	33173.47	313.00	-1158.66	35394.96
			TQ	808.63	-415.08	26866.77	493.07	-415.08	29943.84	493.07	-273.63	29945.47	179.65	-273.63	31537.24
			M3	934.50	-1395.81	29688.18	619.11	-1397.85	33360.11	619.11	-1240.25	33366.34	306.84	-1251.19	35554.76
		MIN	S2	807.56	-419.33	26845.60	492.00	-419.33	29917.60	492.00	-278.00	29919.24	178.57	-278.00	31505.94
			TQ	937.26	-1417.44	29637.10	621.70	-1417.44	33321.61	621.77	-1260.02	33319.27	308.35	-1260.02	35518.80
			M3	807.56	-420.19	26845.51	492.00	-420.19	29917.55	492.00	-278.86	29919.20	178.57	-278.32	31505.90
		D+2LANES (casMAX	S2	961.29	-1214.95	30350.58	645.73	-1214.95	34148.56	645.73	-1053.62	34153.92	332.31	-1053.62	36466.61
			TQ	807.35	-465.15	26894.55	491.79	-465.15	29965.56	491.80	-323.57	29979.69	178.38	-323.57	31565.47
			M3	949.18	-1154.57	30605.06	637.77	-1176.17	34352.81	637.77	-1013.88	34357.98	326.75	-1030.48	36636.34
		MIN	S2	806.30	-467.87	26867.18	490.75	-467.87	29933.27	490.75	-326.47	29935.14	177.32	-326.47	31515.92
			TQ	961.19	-1215.21	30357.27	645.63	-1215.21	34154.80	645.68	-1053.88	34139.23	332.26	-1053.88	36451.69
			M3	806.53	-468.76	26813.35	490.97	-468.76	29880.49	490.97	-327.61	29882.37	177.54	-327.61	31464.20
		D+2LANES (casMAX	S2	1059.34	-678.69	32116.39	736.84	-682.57	36127.73	736.84	-511.90	36130.55	415.55	-514.66	38596.11
			TQ	822.96	-436.69	31438.59	496.72	-436.69	34558.39	501.23	-273.12	34688.49	178.31	-273.12	36295.66
			M3	1003.97	-557.20	33396.05	691.38	-615.60	37299.34	691.38	-439.40	37301.83	378.30	-468.75	39719.51
		MIN	S2	765.38	-479.74	30166.35	445.61	-477.41	33370.64	445.61	-319.76	33372.52	128.98	-317.56	34935.74
			TQ	928.37	-733.68	29405.39	612.81	-733.68	33047.93	608.18	-577.87	32919.64	293.32	-577.87	35052.59
			M3	803.92	-594.50	26731.00	488.36	-594.50	29785.80	488.36	-453.79	29788.28	174.93	-453.79	31357.78
		D+2LANES (casMAX	S2	1477.24	-77.89	36084.02	1022.25	45.53	39967.43	1022.25	234.33	39966.77	590.42	302.96	41600.61
			TQ	1198.38	229.87	33551.75	798.89	229.87	38270.99	795.06	410.91	38384.82	397.79	410.91	41204.54
			M3	1373.69	-124.82	37418.35	884.17	12.89	41773.36	884.17	210.22	41772.83	404.09	326.61	43712.12
		MIN	S2	570.60	-647.80	33367.05	137.40	-526.08	37593.02	137.40	-348.49	37595.08	-309.90	-173.72	39637.82
			TQ	784.04	-726.69	27791.16	468.48	-726.69	30752.12	471.67	-581.68	30625.10	158.25	-581.68	32115.82
			M3	801.74	-703.71	26660.50	486.16	-702.39	29704.95	486.16	-562.06	29707.94	172.74	-562.06	31267.06

BAGO RIVER BRIDGE

BLOCK [ No.1 : MAIN GIRDER ][ BEAM MEMBER FORCE ]

MEMBER				4005			4006			4007						
NODE				4005			4006			4006			4007			
NAME TITLE				SHEAR	TORQUE	MOMENT	SHEAR	TORQUE	MOMENT	SHEAR	TORQUE	MOMENT	SHEAR	TORQUE	MOMENT	
				S2 (kN)	TQ (kN·m)	M3 (kN·m)	S2 (kN)	TQ (kN·m)	M3 (kN·m)	S2 (kN)	TQ (kN·m)	M3 (kN·m)	S2 (kN)	TQ (kN·m)	M3 (kN·m)	
124	SUM TOTAL	D+3LANES (casMAX	S2	981.39	-1429.38	30516.19	665.83	-1429.38	34409.08	665.83	-1266.82	34415.45	352.40	-1266.82	36823.03	
			TQ	797.11	-399.08	26710.93	481.55	-399.08	29733.58	481.56	-258.59	29745.56	168.14	-258.59	31282.98	
			M3	966.91	-1463.60	30873.33	654.88	-1481.97	34703.75	654.88	-1318.02	34710.36	343.57	-1332.52	37069.16	
		MIN	S2	795.76	-403.51	26678.46	480.20	-403.51	29694.74	480.20	-263.23	29696.31	166.77	-263.23	31227.29	
			TQ	977.37	-1516.17	30659.88	661.81	-1516.17	34533.81	661.86	-1353.05	34522.80	348.43	-1353.05	36911.63	
			M3	795.95	-405.00	26632.63	480.39	-405.00	29649.83	480.39	-264.93	29651.42	166.96	-264.48	31183.29	
		D+3LANES (casMAX	S2	1199.42	-536.63	34378.75	853.37	-526.36	38505.67	853.37	-344.46	38507.73	509.08	-336.22	40918.90	
			TQ	927.27	-263.03	33203.70	582.32	-263.03	36772.20	586.05	-88.99	36909.69	243.78	-88.99	38872.12	
			M3	1138.50	-428.46	35900.23	778.02	-465.61	40102.42	778.02	-276.16	40104.17	430.61	-282.45	42617.56	
		MIN	S2	702.03	-487.58	31630.01	359.21	-467.42	35176.57	359.21	-301.24	35178.38	18.34	-275.20	36936.47	
			TQ	902.52	-750.92	28898.42	586.96	-750.92	32418.89	583.13	-598.10	32282.90	268.49	-598.10	34297.94	
			M3	791.29	-628.56	26485.73	475.73	-628.56	29480.90	475.73	-489.29	29483.54	162.30	-489.29	30993.40	
		D+3LANES (casMAX	S2	1540.64	-62.89	37643.17	1083.36	46.47	41612.43	1083.36	243.04	41611.75	648.18	302.58	43299.72	
			TQ	1237.47	237.72	34873.59	832.23	237.72	39763.64	828.56	425.83	39882.72	425.97	425.83	42847.84	
			M3	1425.48	-100.79	39210.74	931.64	25.12	43740.59	931.64	231.74	43739.98	447.61	338.40	45822.84	
		MIN	S2	540.39	-619.72	34280.76	105.72	-500.86	38688.80	105.72	-318.10	38690.74	-338.18	-154.28	40866.77	
			TQ	781.70	-727.67	27581.28	466.14	-727.67	30531.19	469.28	-583.72	30401.08	155.85	-583.72	31880.48	
			M3	789.85	-701.44	26438.92	474.27	-700.33	29427.23	474.27	-561.31	29430.21	160.85	-561.31	30933.20	
		D+4LANES	MAX	S2	1372.66	-276.34	35925.89	965.15	-212.37	39889.34	965.15	-23.94	39889.90	570.60	11.98	41836.38
			TQ	1106.21	36.27	33732.96	726.65	36.27	38063.94	730.44	216.64	38302.09	353.71	216.64	40864.82	
			M3	1275.73	-243.01	37488.40	844.37	-191.50	41793.83	844.37	5.93	41794.27	421.58	59.06	43997.49	
		MIN	S2	619.55	-551.29	33196.63	226.88	-479.40	37220.22	226.88	-303.58	37222.07	-171.49	-202.28	39290.93	
			TQ	846.00	-752.75	28574.43	530.44	-752.75	31827.96	530.70	-602.68	31696.68	216.69	-602.68	33465.13	
			M3	796.47	-661.94	26573.46	480.91	-661.94	29593.09	480.91	-522.14	29595.89	167.48	-522.14	31130.22	

BAGO RIVER BRIDGE

BLOCK [ No.1 : MAIN GIRDER ][ BEAM MEMBER FORCE ]

MEMBER					4005			4006			4007					
NODE					4005			4006			4006					
					SHEAR	TORQUE	MOMENT	SHEAR	TORQUE	MOMENT	SHEAR	TORQUE	MOMENT			
NAME	TITLE				S2 (kN)	TQ (kN·m)	M3 (kN·m)	S2 (kN)	TQ (kN·m)	M3 (kN·m)	S2 (kN)	TQ (kN·m)	M3 (kN·m)			
124	SUM TOTAL	D+6LANES	MAX	S2	1413.15	-816.85	36946.21	1013.48	-753.99	41352.82	1013.48	-558.64	41355.92	627.67	-525.16	43841.06
				TQ	1018.21	88.28	33186.37	644.39	88.28	37115.51	646.93	264.01	37307.96	276.18	264.01	39490.14
				M3	1306.66	-725.73	38847.53	895.74	-733.21	43435.48	895.74	-528.02	43438.46	487.16	-495.26	46006.07
			MIN	S2	609.10	-459.81	31665.36	223.58	-390.72	35313.03	223.58	-223.90	35314.48	-164.98	-131.33	37008.04
				TQ	964.16	-1318.64	31076.46	648.60	-1318.64	34887.99	645.62	-1154.38	34671.87	331.26	-1154.38	36982.47
				M3	765.71	-542.94	26030.24	450.14	-542.60	28904.59	450.14	-406.05	28906.83	136.72	-406.05	30295.87
			SUM TOTAL	MAX	1540.64	237.72	39210.74	1083.36	237.72	43740.59	1083.36	425.83	43739.98	648.18	425.83	46006.07
				MIN	540.39	-1516.17	26030.24	105.72	-1516.17	28904.59	105.72	-1353.05	28906.83	-338.18	-1353.05	30295.87
			300	DEAD LOAD	TOTAL		847.39	-588.81	27544.95	531.83	-588.81	30805.03	531.83	-443.28	30807.47	218.40
301	LIVE LOAD	1-LANE (case1MAX	S2	52.49	-435.32	827.94	52.49	-435.32	1075.83	52.49	-430.24	1077.87	52.49	-430.24	1325.76	
			TQ	-22.93	119.46	-396.96	-22.93	119.46	-505.27	-22.93	117.08	-505.82	-22.93	117.08	-614.13	
			M3	46.58	-556.09	1026.76	46.58	-556.09	1246.74	46.58	-550.20	1249.35	46.69	-550.75	1469.55	
			MIN	S2	-23.59	116.47	-409.96	-23.59	116.47	-521.36	-23.59	114.01	-521.90	-23.59	114.01	-633.30
				TQ	46.94	-557.54	1022.76	46.94	-557.54	1244.44	46.94	-551.66	1247.06	46.94	-551.66	1468.74
				M3	-23.58	115.44	-410.06	-23.58	115.44	-521.42	-23.58	112.98	-521.96	-23.59	113.62	-633.34
		1-LANE (case2MAX	S2	75.66	-314.84	1895.64	75.66	-314.84	2252.96	75.66	-304.20	2254.42	75.66	-304.20	2611.74	
			TQ	-24.48	59.38	-363.63	-24.48	59.38	-479.21	-24.45	57.15	-464.76	-24.45	57.15	-580.24	
			M3	64.20	-266.60	2127.02	68.97	-290.08	2437.97	68.97	-278.56	2439.32	70.58	-285.90	2767.45	
			MIN	S2	-25.09	58.22	-384.06	-25.09	58.22	-502.55	-25.09	55.85	-502.82	-25.09	55.85	-621.31
				TQ	75.66	-314.86	1886.98	75.66	-314.86	2244.27	75.64	-304.29	2231.01	75.64	-304.29	2588.20
				M3	-24.82	57.16	-448.66	-24.82	57.16	-565.89	-24.82	54.48	-566.15	-24.82	54.48	-683.38
		1-LANE (case3MAX	S2	105.61	-141.56	2402.67	105.19	-142.14	2872.05	105.19	-128.57	2872.69	104.66	-128.57	3368.20	
			TQ	-29.33	79.18	1414.70	-29.85	79.18	1274.97	-27.96	85.34	1335.01	-27.96	85.34	1202.98	
			M3	60.50	-41.03	3107.51	81.91	-93.84	3449.70	81.91	-77.54	3450.11	91.26	-99.80	3857.66	
			MIN	S2	-33.94	76.27	1137.57	-34.04	76.84	1005.43	-34.04	81.59	1005.06	-34.04	81.59	844.33
				TQ	100.94	-145.08	2273.86	100.94	-145.08	2750.55	99.05	-132.23	2690.78	98.53	-132.23	3157.33
				M3	-25.77	11.84	-478.31	-25.77	11.84	-599.98	-25.77	9.01	-600.03	-25.77	9.01	-721.71

BAGO RIVER BRIDGE

BLOCK [ No.1 : MAIN GIRDER ][ BEAM MEMBER FORCE ]

MEMBER			4005			4006			4006			4007			
NODE			4005			4006			4006			4007			
NAME TITLE			SHEAR	TORQUE	MOMENT	SHEAR	TORQUE	MOMENT	SHEAR	TORQUE	MOMENT	SHEAR	TORQUE	MOMENT	
			S2 (kN)	TQ (kN·m)	M3 (kN·m)	S2 (kN)	TQ (kN·m)	M3 (kN·m)	S2 (kN)	TQ (kN·m)	M3 (kN·m)	S2 (kN)	TQ (kN·m)	M3 (kN·m)	
301	LIVE LOAD	1-LANE (case4MAX	S2	429.53	365.54	5494.26	328.92	462.17	5908.49	328.92	490.08	5906.24	244.15	544.40	5778.05
			TQ	242.02	595.23	3832.44	183.52	595.23	4837.26	181.72	618.19	4901.11	123.09	618.19	5620.90
			M3	359.47	327.05	6357.64	234.64	433.05	7073.95	234.64	466.46	7071.82	114.96	555.92	7124.30
			MIN S2	-187.20	-56.68	3799.28	-272.77	33.88	4435.25	-272.77	54.83	4435.04	-372.01	187.45	4567.75
			TQ	-44.66	-101.47	247.37	-44.66	-101.47	36.45	-43.63	-101.43	-47.51	-43.63	-101.43	-253.56
			M3	-27.71	-84.56	-540.98	-27.71	-84.56	-671.85	-27.71	-87.73	-671.44	-27.71	-87.73	-802.31
		2-LANES (caseMAX	S2	94.59	-726.54	1915.88	94.59	-726.54	2362.59	94.59	-715.38	2366.00	94.59	-715.38	2812.71
			TQ	-38.75	173.72	-678.17	-38.75	173.72	-861.19	-38.75	169.65	-862.00	-38.75	169.65	-1045.01
			M3	87.11	-807.00	2143.23	87.29	-809.05	2555.08	87.29	-796.97	2558.87	88.44	-807.91	2972.51
			MIN S2	-39.83	169.48	-699.35	-39.83	169.48	-887.43	-39.83	165.28	-888.22	-39.83	165.28	-1076.31
			TQ	89.87	-828.64	2092.15	89.87	-828.64	2516.58	89.94	-816.74	2511.80	89.94	-816.74	2936.56
			M3	-39.82	168.61	-699.43	-39.82	168.61	-887.48	-39.82	164.42	-888.27	-39.83	164.96	-1076.35
		2-LANES (caseMAX	S2	113.90	-626.14	2805.63	113.90	-626.14	3343.53	113.90	-610.34	3346.45	113.90	-610.34	3884.36
			TQ	-40.04	123.65	-650.39	-40.04	123.65	-839.47	-40.02	119.72	-827.78	-40.02	119.72	-1016.78
			M3	101.80	-565.76	3060.12	105.94	-587.37	3547.77	105.94	-570.60	3550.51	108.34	-587.20	4054.09
			MIN S2	-41.08	120.93	-677.76	-41.08	120.93	-871.76	-41.08	116.81	-872.32	-41.08	116.81	-1066.33
			TQ	113.81	-626.40	2812.33	113.81	-626.40	3349.77	113.86	-610.60	3331.76	113.86	-610.60	3869.44
			M3	-40.86	120.04	-731.59	-40.86	120.04	-924.54	-40.86	115.68	-925.10	-40.86	115.68	-1118.05
		2-LANES (caseMAX	S2	211.96	-89.89	4571.44	205.02	-93.76	5322.70	205.02	-68.62	5323.08	197.15	-71.38	6013.86
			TQ	-24.43	152.12	3893.65	-35.11	152.12	3753.36	-30.60	170.16	3881.02	-40.09	170.16	3713.41
			M3	156.59	31.61	5851.11	159.55	-26.79	6494.31	159.55	3.88	6494.36	159.90	-25.47	7137.26
			MIN S2	-82.00	109.06	2621.41	-86.21	111.40	2565.61	-86.21	123.52	2565.06	-89.42	125.72	2353.49
			TQ	80.99	-144.87	1860.44	80.99	-144.87	2242.90	76.35	-134.59	2112.17	74.92	-134.59	2470.34
			M3	-43.47	-5.70	-813.95	-43.47	-5.70	-1019.23	-43.47	-10.51	-1019.19	-43.47	-10.51	-1224.47

BAGO RIVER BRIDGE

BLOCK [ No.1 : MAIN GIRDER ][ BEAM MEMBER FORCE ]

MEMBER			4005			4006			4006			4007			
NODE			4005			4006			4006			4007			
NAME TITLE			SHEAR	TORQUE	MOMENT	SHEAR	TORQUE	MOMENT	SHEAR	TORQUE	MOMENT	SHEAR	TORQUE	MOMENT	
			S2 (kN)	TQ (kN·m)	M3 (kN·m)	S2 (kN)	TQ (kN·m)	M3 (kN·m)	S2 (kN)	TQ (kN·m)	M3 (kN·m)	S2 (kN)	TQ (kN·m)	M3 (kN·m)	
301	LIVE LOAD	2-LANES (caseMAX	S2	629.85	510.92	8539.08	490.42	634.33	9162.40	490.42	677.61	9159.30	372.02	746.24	9018.36
			TQ	350.99	818.67	6006.80	267.06	818.67	7465.96	263.24	854.20	7577.35	179.39	854.20	8622.29
			M3	526.30	463.98	9873.40	352.35	601.69	10968.33	352.35	653.50	10965.36	185.69	769.89	11129.87
			MIN S2	-276.78	-59.00	5822.11	-394.43	62.72	6787.99	-394.43	94.79	6787.62	-528.30	269.56	7055.57
			TQ	-63.34	-137.88	246.21	-63.34	-137.88	-52.91	-60.15	-138.40	-182.37	-60.15	-138.40	-466.43
			M3	-45.65	-114.90	-884.45	-45.67	-113.59	-1100.08	-45.67	-118.78	-1099.53	-45.67	-118.78	-1315.18
		3-LANES (caseMAX	S2	134.00	-840.58	2971.24	134.00	-840.58	3604.05	134.00	-823.54	3607.98	134.00	-823.54	4240.78
			TQ	-50.28	189.73	-834.02	-50.28	189.73	-1071.45	-50.26	184.69	-1061.91	-50.26	184.69	-1299.27
			M3	119.52	-874.80	3328.38	123.05	-893.16	3898.72	123.05	-874.74	3902.89	125.17	-889.24	4486.91
			MIN S2	-51.63	185.29	-866.49	-51.63	185.29	-1110.29	-51.63	180.05	-1111.16	-51.63	180.05	-1354.96
			TQ	129.99	-927.37	3114.94	129.99	-927.37	3728.78	130.03	-909.77	3715.33	130.03	-909.77	4329.38
			M3	-51.43	183.81	-912.31	-51.43	183.81	-1155.20	-51.43	178.35	-1156.05	-51.44	178.80	-1398.96
		3-LANES (caseMAX	S2	352.04	52.17	6833.80	321.54	62.44	7700.64	321.54	98.82	7700.26	290.68	107.06	8336.66
			TQ	79.89	325.78	5658.76	50.50	325.78	5967.17	54.22	354.29	6102.22	25.38	354.29	6289.87
			M3	291.11	160.35	8355.28	246.20	123.20	9297.39	246.20	167.12	9296.70	212.21	160.83	10035.31
			MIN S2	-145.35	101.23	4085.06	-172.61	121.39	4371.54	-172.61	142.04	4370.91	-200.06	168.08	4354.22
			TQ	55.14	-162.11	1353.48	55.14	-162.11	1613.86	51.31	-154.82	1475.43	50.09	-154.82	1715.69
			M3	-56.10	-39.76	-1059.22	-56.10	-39.76	-1324.13	-56.10	-46.01	-1323.93	-56.10	-46.01	-1588.85
		3-LANES (caseMAX	S2	693.25	525.91	10098.23	551.54	635.27	10807.40	551.54	686.32	10804.28	429.78	745.87	10717.47
			TQ	390.08	826.53	7328.65	300.41	826.53	8958.61	296.74	869.11	9075.25	207.57	869.11	10265.59
			M3	578.10	488.02	11665.80	399.81	613.92	12935.56	399.81	675.02	12932.51	229.20	781.68	13240.59
			MIN S2	-307.00	-30.91	6735.81	-426.11	87.94	7883.77	-426.11	125.18	7883.27	-556.58	289.00	8284.52
			TQ	-65.68	-138.87	36.33	-65.68	-138.87	-273.84	-62.55	-140.44	-406.39	-62.55	-140.44	-701.77
			M3	-57.54	-112.64	-1106.03	-57.55	-111.52	-1377.80	-57.55	-118.03	-1377.26	-57.55	-118.03	-1649.05



BAGO RIVER BRIDGE

BLOCK [ No.1 : MAIN GIRDER ][ BEAM MEMBER FORCE ]

MEMBER					4005			4006			4007					
NODE					4005			4006			4006					
NAME TITLE					SHEAR	TORQUE	MOMENT	SHEAR	TORQUE	MOMENT	SHEAR	TORQUE	MOMENT			
					S2 (kN)	TQ (kN·m)	M3 (kN·m)	S2 (kN)	TQ (kN·m)	M3 (kN·m)	S2 (kN)	TQ (kN·m)	M3 (kN·m)			
301	LIVE LOAD	4-LANES	MAX	S2	525.28	312.47	8380.94	433.33	376.43	9084.31	433.33	419.34	9082.43	352.20	455.26	9254.13
				TQ	258.82	625.08	6188.01	194.82	625.08	7258.91	198.61	659.92	7494.62	135.31	659.92	8282.57
				M3	428.34	345.80	9943.45	312.54	397.30	10988.80	312.54	449.21	10986.80	203.18	502.34	11415.24
			MIN	S2	-227.84	37.52	5651.68	-304.94	109.40	6415.19	-304.94	139.71	6414.60	-389.89	241.00	6708.68
				TQ	-1.39	-163.95	1029.49	-1.39	-163.95	1022.93	-1.12	-159.40	889.21	-1.72	-159.40	882.88
				M3	-50.92	-73.13	-971.49	-50.92	-73.13	-1211.94	-50.92	-78.86	-1211.58	-50.92	-78.86	-1452.03
		6-LANES	MAX	S2	565.76	-228.05	9401.26	481.65	-165.19	10547.79	481.65	-115.36	10548.45	409.27	-81.88	11258.81
				TQ	170.82	677.08	5641.42	112.56	677.08	6310.48	115.10	707.29	6500.49	57.78	707.29	6907.89
				M3	459.28	-136.93	11302.58	363.91	-144.40	12630.45	363.91	-84.73	12630.99	268.76	-51.97	13423.82
			MIN	S2	-238.28	128.99	4120.41	-308.25	198.08	4507.99	-308.25	219.38	4507.01	-383.39	311.95	4425.79
				TQ	116.77	-729.84	3531.52	116.77	-729.84	4082.96	113.79	-711.10	3864.40	112.86	-711.10	4400.22
				M3	-81.68	45.87	-1514.71	-81.68	46.20	-1900.44	-81.68	37.23	-1900.64	-81.68	37.23	-2286.38
		LIVE LOAD	MAX		693.25	826.53	11665.80	551.54	826.53	12935.56	551.54	869.11	12932.51	429.78	869.11	13423.82
			MIN		-307.00	-927.37	-1514.71	-426.11	-927.37	-1900.44	-426.11	-909.77	-1900.64	-556.58	-909.77	-2286.38
		303	SUM TOTAL	TOTAL	MAX	1540.64	237.72	39210.74	1083.36	237.72	43740.59	1083.36	425.83	43739.98	648.18	425.83
MIN	540.39				-1516.17	26030.24	105.72	-1516.17	28904.59	105.72	-1353.05	28906.83	-338.18	-1353.05	30295.87	

BAGO RIVER BRIDGE

BLOCK [ No.1 : MAIN GIRDER ] [ BEAM MEMBER FORCE ]

MEMBER NODE	4007	4008			4008			4009						
		SHEAR	TORQUE	MOMENT	SHEAR	TORQUE	MOMENT	SHEAR	TORQUE	MOMENT				
NAME TITLE	S2 (kN)	TQ (kN·m)	M3 (kN·m)	S2 (kN)	TQ (kN·m)	M3 (kN·m)	S2 (kN)	TQ (kN·m)	M3 (kN·m)	S2 (kN)	TQ (kN·m)	M3 (kN·m)		
1 PAVEMENT	35.05	-45.99	6296.50	-29.15	-45.99	6310.62	-29.15	-16.18	6310.77	-92.58	-16.18	6023.52		
3 RAILING	2.37	-1.59	149.45	-0.65	-1.59	153.69	-0.65	-0.87	153.70	-3.69	-0.87	143.62		
5 CURB	23.49	-15.79	1479.55	-6.45	-15.79	1521.56	-6.45	-8.60	1521.62	-36.54	-8.60	1421.80		
7 DECK WEIGHT	56.28	-74.44	9704.93	-42.14	-74.44	9739.13	-42.14	-28.43	9739.37	-139.55	-28.43	9311.15		
8 GIRDER WEIGH	62.55	-107.26	10487.45	-25.73	-107.26	10574.39	-25.73	-57.30	10574.78	-114.02	-57.30	10244.79		
10 MEDIAN STRIP	1.09	-18.37	1624.80	1.09	-18.37	1629.94	1.09	-10.67	1630.00	1.09	-10.67	1635.14		
21 ADITIONAL WE	15.76	-20.84	2717.38	-11.80	-20.84	2726.96	-11.80	-7.96	2727.02	-39.07	-7.96	2607.12		
31 MEDIAN RAILI	-0.12	-1.33	125.44	-0.12	-1.33	124.89	-0.12	-0.74	124.90	-0.12	-0.74	124.35		
51 SUPPORT WEIG	-0.00	-0.00	-0.00	-0.00	-0.00	-0.00	-0.00	-0.00	-0.00	-0.00	-0.00	-0.00		
52 NOSE WEIGHT	0.09	0.90	-1.36	0.09	0.90	-0.92	0.09	0.90	-0.92	0.09	0.90	-0.48		
61 1-LANE(case1TRUCK-LOAD	MAX	S2	7.33	7.87	387.01	7.33	7.87	421.62	7.33	9.86	421.58	7.33	9.86	456.20
		TQ	-7.28	41.53	-224.99	-7.28	41.53	-259.38	-7.28	40.30	-259.58	-7.28	40.30	-293.97
		M3	0.50	-78.11	464.31	1.90	-61.83	468.51	1.90	-59.62	468.80	4.93	-33.39	486.33
	MIN	S2	-7.90	38.53	-240.94	-7.90	38.53	-278.24	-7.90	37.22	-278.42	-7.90	37.22	-315.72
		TQ	1.41	-110.31	407.60	1.41	-110.31	414.26	1.41	-108.35	414.78	1.41	-108.35	421.43
		M3	-7.89	39.01	-240.97	-7.89	39.01	-278.24	-7.89	37.70	-278.43	-7.90	37.22	-315.72
	TANDEM-LOAD MAX	S2	5.18	3.33	266.99	5.18	3.33	291.44	5.18	4.71	291.42	5.18	4.71	315.87
		TQ	-5.05	28.29	-155.60	-5.05	28.29	-179.43	-5.05	27.44	-179.56	-5.05	27.44	-203.39
		M3	0.47	-48.78	315.37	0.82	-44.85	317.94	0.82	-43.35	318.15	4.26	-14.90	330.65
	MIN	S2	-5.37	25.58	-163.47	-5.37	25.58	-188.82	-5.37	24.69	-188.94	-5.37	24.69	-214.28
		TQ	1.17	-76.18	271.46	1.17	-76.18	276.99	1.17	-74.87	277.35	1.17	-74.87	282.87
		M3	-5.36	27.03	-163.87	-5.36	27.03	-189.18	-5.36	26.14	-189.31	-5.36	26.14	-214.62
DISPERSION-LMAX	S2	12.92	-67.14	701.32	12.92	-67.14	762.34	12.92	-63.54	762.65	12.92	-63.54	823.67	
	TQ	-7.09	58.74	-136.45	-7.09	58.74	-169.93	-7.03	57.94	-166.07	-7.03	57.94	-199.28	
	M3	12.68	-82.64	772.94	12.68	-82.64	832.81	12.68	-78.71	833.19	12.68	-78.71	893.06	
MIN	S2	-9.63	31.17	-215.86	-9.63	31.17	-261.34	-9.63	29.94	-261.48	-9.63	29.94	-306.96	
	TQ	10.38	-94.71	621.91	10.38	-94.71	670.93	10.32	-91.55	667.24	10.32	-91.55	715.99	
	M3	-9.39	46.67	-287.49	-9.39	46.67	-331.81	-9.39	45.10	-332.03	-9.39	45.10	-376.35	

BAGO RIVER BRIDGE

BLOCK [ No.1 : MAIN GIRDER ][ BEAM MEMBER FORCE ]

MEMBER				4007			4008			4009					
NODE				4007			4008			4008			4009		
				SHEAR	TORQUE	MOMENT	SHEAR	TORQUE	MOMENT	SHEAR	TORQUE	MOMENT	SHEAR	TORQUE	MOMENT
NAME	TITLE			S2 (kN)	TQ (kN·m)	M3 (kN·m)	S2 (kN)	TQ (kN·m)	M3 (kN·m)	S2 (kN)	TQ (kN·m)	M3 (kN·m)	S2 (kN)	TQ (kN·m)	M3 (kN·m)
62	1-LANE (case2TRUCK-LOAD	MAX	S2	16.55	-82.08	658.32	16.55	-82.08	736.49	16.55	-78.60	736.87	16.55	-78.60	815.05
			TQ	-13.39	44.00	725.11	-13.39	44.00	661.87	-13.45	47.26	709.35	-13.45	47.26	645.85
			M3	-1.43	-10.76	1008.71	3.35	-34.40	1009.55	3.35	-29.63	1009.71	5.86	-41.38	1030.25
		MIN	S2	-13.45	43.90	773.08	-13.45	43.90	709.57	-13.45	47.26	709.35	-13.45	47.26	645.85
			TQ	16.47	-83.19	697.56	16.47	-83.19	775.33	16.47	-79.53	775.71	16.47	-79.53	853.48
			M3	-8.86	18.99	-260.18	-8.86	18.99	-302.02	-8.86	17.56	-302.11	-8.86	17.56	-343.95
		TANDEM-LOAD MAX	S2	11.37	-57.85	489.74	11.37	-57.85	543.44	11.37	-55.28	543.71	11.37	-55.28	597.42
			TQ	-9.40	30.70	547.41	-9.40	30.70	503.01	-9.40	33.08	502.86	-9.40	33.08	458.46
			M3	0.29	-13.66	686.60	1.44	-19.36	689.31	1.44	-16.10	689.39	4.87	-32.76	702.72
		MIN	S2	-9.40	30.70	547.41	-9.40	30.70	503.01	-9.40	33.08	502.86	-9.40	33.08	458.46
			TQ	11.37	-57.85	489.74	11.37	-57.85	543.44	11.37	-55.28	543.71	11.37	-55.28	597.42
			M3	-6.03	13.05	-177.14	-6.03	13.05	-205.62	-6.03	12.07	-205.68	-6.03	12.07	-234.16
		DISPERSION-LMAX	S2	17.65	-62.66	783.00	17.65	-62.66	866.35	17.65	-58.57	866.63	17.65	-58.57	949.98
			TQ	-17.35	43.85	149.96	-17.35	43.85	68.02	-17.38	44.21	81.53	-17.38	44.21	-0.55
			M3	10.77	-42.06	1304.85	10.77	-42.06	1355.70	10.77	-35.66	1355.88	10.77	-35.66	1406.73
MIN	S2	-17.43	43.28	212.30	-17.43	43.28	129.97	-17.43	43.90	129.77	-17.43	43.90	47.44		
	TQ	17.57	-63.23	845.34	17.57	-63.23	928.30	17.60	-58.88	914.87	17.60	-58.88	997.98		
	M3	-10.55	22.68	-309.55	-10.55	22.68	-359.38	-10.55	20.99	-359.48	-10.55	20.99	-409.31		
63	1-LANE (case3TRUCK-LOAD	MAX	S2	31.21	-62.36	1028.86	31.21	-62.36	1176.25	31.21	-56.80	1176.53	31.21	-56.80	1323.92
			TQ	-32.08	55.01	1273.26	-32.08	55.01	1121.78	-32.08	60.30	1121.51	-32.08	60.30	970.03
			M3	-12.82	21.34	1506.19	6.86	-23.26	1469.71	6.86	-16.32	1469.80	12.76	-31.29	1513.88
		MIN	S2	-32.08	55.01	1273.26	-32.08	55.01	1121.78	-32.08	60.30	1121.51	-32.08	60.30	970.03
			TQ	30.58	-63.61	1087.74	30.58	-63.61	1232.17	30.58	-57.79	1232.46	30.58	-57.79	1376.89
			M3	-9.60	3.49	-274.94	-9.60	3.49	-320.29	-9.60	1.98	-320.31	-9.60	1.98	-365.66

BAGO RIVER BRIDGE

BLOCK [ No.1 : MAIN GIRDER ][ BEAM MEMBER FORCE ]

MEMBER		4007			4008			4008			4009						
NODE		4007			4008			4008			4009						
		SHEAR	TORQUE	MOMENT	SHEAR	TORQUE	MOMENT	SHEAR	TORQUE	MOMENT	SHEAR	TORQUE	MOMENT				
NAME	TITLE	S2 (kN)	TQ (kN·m)	M3 (kN·m)	S2 (kN)	TQ (kN·m)	M3 (kN·m)	S2 (kN)	TQ (kN·m)	M3 (kN·m)	S2 (kN)	TQ (kN·m)	M3 (kN·m)				
63	1-LANE (case3TANDEM-LOAD	MAX	S2	21.49	-40.69	657.62	21.49	-40.69	759.10	21.49	-37.11	759.29	21.49	-37.11	860.77		
			TQ	-22.03	38.91	937.96	-22.03	38.91	833.95	-22.03	42.85	833.75	-22.03	42.85	729.74		
			M3	-11.72	22.26	1035.58	2.32	-10.22	1008.68	2.32	-5.45	1008.71	11.78	-29.00	1043.47		
		MIN	S2	-22.03	37.05	822.60	-22.03	37.05	718.55	-22.03	40.45	718.37	-22.03	40.45	614.33		
			TQ	21.26	-45.88	762.69	21.26	-45.88	863.10	21.26	-41.81	863.31	21.26	-41.81	963.72		
			M3	-6.54	2.36	-187.32	-6.54	2.36	-218.22	-6.54	1.33	-218.23	-6.54	1.33	-249.13		
			DISPERSION-LMAX	S2	25.98	-36.68	942.53	25.95	-36.73	1051.45	25.95	-31.76	1051.62	25.56	-31.60	1151.02	
			TQ	-26.09	31.11	486.80	-26.54	31.11	362.53	-24.70	33.04	445.10	-24.70	33.04	328.46		
			M3	9.41	-10.11	1711.72	8.96	-10.11	1755.12	8.96	-1.82	1755.15	8.51	-1.82	1796.41		
		MIN	S2	-27.99	30.80	442.79	-28.40	30.85	323.32	-28.40	32.37	323.17	-28.48	32.21	211.09		
			TQ	24.08	-36.99	898.52	24.08	-36.99	1012.25	22.24	-32.43	929.69	21.78	-32.43	1033.64		
			M3	-11.42	4.22	-326.40	-11.42	4.22	-380.34	-11.42	2.43	-380.36	-11.42	2.43	-434.31		
		64	1-LANE (case4TRUCK-LOAD	MAX	S2	221.22	-20.49	3151.64	165.91	69.51	3230.31	165.91	84.76	3229.94	117.19	152.31	3009.41
					TQ	61.76	172.45	1216.09	61.76	172.45	1507.73	78.14	180.89	1805.39	78.14	180.89	2174.39
					M3	191.54	-43.65	3204.13	136.14	45.41	3299.00	136.14	60.99	3298.75	-26.85	92.60	3105.12
MIN	S2			-138.24	-102.01	3088.02	-188.64	-35.99	3223.09	-188.64	-20.76	3223.22	-244.99	69.25	3047.97		
	TQ			-95.89	-130.49	2213.25	-95.89	-130.49	1760.44	-76.85	-122.98	1442.27	-76.85	-122.98	1079.38		
	M3			-11.19	-30.62	-306.42	-11.19	-30.62	-359.24	-11.19	-32.31	-359.09	-11.19	-32.31	-411.92		
	TANDEM-LOAD			MAX	S2	167.93	-43.40	2384.92	129.70	18.45	2460.71	129.70	30.07	2460.60	92.62	89.16	2313.67
	TQ			43.90	120.06	858.79	43.90	120.06	1066.12	48.48	125.46	1148.84	48.48	125.46	1377.76		
	M3			167.93	-43.40	2384.93	129.70	18.45	2460.71	129.70	30.07	2460.60	-41.50	76.83	2319.27		
MIN	S2			-107.62	-55.44	2375.86	-145.48	2.32	2459.73	-145.48	13.94	2459.69	-184.30	76.83	2319.27		
	TQ			-60.14	-91.48	1400.21	-60.14	-91.48	1116.20	-54.83	-86.43	1027.66	-54.83	-86.43	768.74		
	M3			-7.62	-20.47	-208.91	-7.62	-20.47	-244.90	-7.62	-21.63	-244.80	-7.62	-21.63	-280.80		

BAGO RIVER BRIDGE

BLOCK [ No.1 : MAIN GIRDER ] [ BEAM MEMBER FORCE ]

MEMBER		4007			4008			4008			4009						
NODE		4007			4008			4008			4009						
		SHEAR	TORQUE	MOMENT	SHEAR	TORQUE	MOMENT	SHEAR	TORQUE	MOMENT	SHEAR	TORQUE	MOMENT				
NAME	TITLE	S2 (kN)	TQ (kN·m)	M3 (kN·m)	S2 (kN)	TQ (kN·m)	M3 (kN·m)	S2 (kN)	TQ (kN·m)	M3 (kN·m)	S2 (kN)	TQ (kN·m)	M3 (kN·m)				
64	1-LANE (case4DISPERSION-LMAX	S2	93.89	106.78	1647.24	67.45	110.31	1590.91	67.45	117.83	1590.37	47.58	108.63	1430.24			
		TQ	61.91	111.49	1114.00	61.91	111.49	1406.37	51.21	118.74	1656.81	2.12	118.74	1782.79			
		M3	47.85	41.55	2712.86	-1.13	41.55	2823.23	-1.13	54.89	2823.00	-50.21	54.89	2701.83			
		MIN	S2	-59.19	-99.69	704.20	-81.73	-103.23	808.80	-81.73	-99.40	809.28	-110.94	-90.21	786.14		
		TQ	-27.21	-104.40	1237.43	-76.18	-104.40	993.34	-65.48	-100.32	742.84	-65.48	-100.32	433.59			
		M3	-13.15	-34.47	-361.42	-13.15	-34.47	-423.52	-13.15	-36.47	-423.35	-13.15	-36.47	-485.45			
		65	2-LANES (caseTRUCK-LOAD	MAX	S2	16.47	-85.85	854.62	16.47	-85.85	932.41	16.47	-81.44	932.81	16.47	-81.44	1010.59
				TQ	-11.08	78.09	290.92	-11.08	78.09	238.59	-11.08	79.21	238.21	-11.08	79.21	185.88	
				M3	3.37	-121.33	1184.12	4.77	-105.05	1201.88	4.77	-99.37	1202.36	8.22	-80.79	1233.64	
MIN	S2			-16.27	67.50	-491.42	-16.27	67.50	-568.26	-16.27	64.81	-568.58	-16.27	64.81	-645.42		
TQ	10.19			-207.53	944.89	10.19	-207.53	993.02	10.19	-202.84	993.98	10.19	-202.84	1042.11			
M3	-16.26			68.19	-491.50	-16.26	68.19	-568.31	-16.26	65.50	-568.62	-16.27	65.02	-645.46			
TANDEM-LOAD	MAX			S2	11.49	-62.27	597.06	11.49	-62.27	651.35	11.49	-59.19	651.63	11.49	-59.19	705.92	
TQ	-7.85			54.33	182.41	-7.85	54.33	145.35	-7.85	55.02	145.10	-7.85	55.02	108.04			
M3	2.28			-74.74	806.13	2.63	-70.82	817.25	2.63	-66.96	817.57	6.07	-38.51	838.62			
MIN	S2	-11.06	45.64	-333.95	-11.06	45.64	-386.19	-11.06	43.82	-386.40	-11.06	43.82	-438.64				
TQ	7.41	-142.74	618.42	7.41	-142.74	653.43	7.41	-139.65	654.10	7.41	-139.65	689.11					
M3	-11.05	47.09	-334.35	-11.05	47.09	-386.55	-11.05	45.27	-386.77	-11.05	45.27	-438.97					
DISPERSION-LMAX	S2	26.47	-144.68	1492.91	26.47	-144.68	1617.90	26.47	-137.04	1618.56	26.47	-137.04	1743.55				
TQ	-18.74	109.88	-147.64	-18.74	109.88	-236.12	-18.66	108.79	-223.88	-18.66	108.79	-312.01					
M3	24.44	-145.14	1811.05	24.44	-145.14	1926.46	24.44	-136.04	1927.12	24.44	-136.04	2042.53					
MIN	S2	-21.38	80.94	-267.85	-21.38	80.94	-368.83	-21.38	79.20	-369.21	-21.38	79.20	-470.19				
TQ	23.82	-173.62	1372.70	23.82	-173.62	1485.18	23.75	-166.63	1473.23	23.75	-166.63	1585.37					
M3	-19.35	81.39	-585.99	-19.35	81.39	-677.39	-19.35	78.19	-677.77	-19.35	78.19	-769.17					

BAGO RIVER BRIDGE

BLOCK [ No.1 : MAIN GIRDER ][ BEAM MEMBER FORCE ]

MEMBER				4007			4008			4009							
NODE				4007			4008			4008			4009				
NAME TITLE				SHEAR	TORQUE	MOMENT	SHEAR	TORQUE	MOMENT	SHEAR	TORQUE	MOMENT	SHEAR	TORQUE	MOMENT		
				S2 (kN)	TQ (kN·m)	M3 (kN·m)	S2 (kN)	TQ (kN·m)	M3 (kN·m)	S2 (kN)	TQ (kN·m)	M3 (kN·m)	S2 (kN)	TQ (kN·m)	M3 (kN·m)		
66	2-LANES (case	TRUCK-LOAD	MAX	S2	25.70	-175.79	1125.93	25.70	-175.79	1247.28	25.70	-169.90	1248.09	25.70	-169.90	1369.44	
				TQ	-17.19	80.56	1241.01	-17.19	80.56	1159.84	-17.25	86.17	1207.14	-17.25	86.17	1125.71	
				M3	1.44	-53.98	1728.52	6.22	-77.62	1742.93	6.22	-69.39	1743.27	9.15	-88.78	1777.57	
			MIN	S2	-21.82	72.87	522.60	-21.82	72.87	419.55	-21.82	74.85	419.20	-21.82	74.85	316.15	
				TQ	25.25	-180.41	1234.84	25.25	-180.41	1354.09	25.25	-174.01	1354.92	25.25	-174.01	1474.16	
				M3	-17.23	48.16	-510.70	-17.23	48.16	-592.08	-17.23	45.37	-592.30	-17.23	45.37	-673.69	
			TANDEM-LOAD	MAX	S2	17.69	-123.45	819.81	17.69	-123.45	903.35	17.69	-119.18	903.92	17.69	-119.18	987.46
					TQ	-12.20	56.75	885.42	-12.20	56.75	827.80	-12.20	60.66	827.52	-12.20	60.66	769.89
					M3	2.10	-39.63	1177.35	3.26	-45.32	1188.62	3.26	-39.71	1188.82	6.68	-56.37	1210.70
				MIN	S2	-15.10	50.76	376.93	-15.10	50.76	305.64	-15.10	52.21	305.40	-15.10	52.21	234.11
					TQ	17.62	-124.40	836.69	17.62	-124.40	919.89	17.62	-120.06	920.46	17.62	-120.06	1003.66
					M3	-11.73	33.10	-347.61	-11.73	33.10	-402.99	-11.73	31.20	-403.14	-11.73	31.20	-458.51
			DISPERSION-LMAX	S2	31.19	-140.21	1574.59	31.19	-140.21	1721.90	31.19	-132.07	1722.55	31.19	-132.07	1869.85	
					TQ	-29.00	94.99	138.77	-29.00	94.99	1.83	-29.01	95.05	23.73	-29.01	95.05	-113.29
					M3	22.53	-104.56	2342.96	22.53	-104.56	2449.34	22.53	-92.99	2449.81	22.53	-92.99	2556.19
		MIN	S2	-29.19	93.05	160.31	-29.19	93.05	22.48	-29.19	93.16	22.04	-29.19	93.16	-115.79		
			TQ	31.00	-142.15	1596.14	31.00	-142.15	1742.55	31.02	-133.97	1720.86	31.02	-133.97	1867.35		
			M3	-20.52	57.41	-608.05	-20.52	57.41	-704.96	-20.52	54.08	-705.22	-20.52	54.08	-802.13		
67	2-LANES (case	TRUCK-LOAD	MAX	S2	80.00	-78.32	2529.90	80.00	-78.32	2907.70	80.00	-64.59	2908.04	79.97	-65.00	3208.52	
				TQ	-85.53	76.50	3109.55	-85.53	76.50	2705.63	-85.53	89.28	2705.24	-85.53	89.28	2301.32	
				M3	16.10	32.58	3443.39	42.10	-29.96	3399.42	42.10	-13.90	3399.52	18.28	-34.09	3443.46	
			MIN	S2	-85.75	76.18	3137.93	-86.08	74.20	2817.32	-86.08	87.51	2816.94	-86.08	87.51	2410.41	
				TQ	79.34	-79.63	2511.76	79.34	-79.63	2886.45	21.79	-67.73	944.30	21.79	-67.73	1047.18	
				M3	-19.71	-3.47	-559.90	-19.71	-3.47	-652.96	-19.71	-6.55	-652.94	-19.71	-6.55	-746.00	

BAGO RIVER BRIDGE

BLOCK [ No.1 : MAIN GIRDER ][ BEAM MEMBER FORCE ]

MEMBER		4007			4008			4008			4009						
NODE		4007			4008			4008			4009						
		SHEAR	TORQUE	MOMENT	SHEAR	TORQUE	MOMENT	SHEAR	TORQUE	MOMENT	SHEAR	TORQUE	MOMENT				
NAME	TITLE	S2 (kN)	TQ (kN·m)	M3 (kN·m)	S2 (kN)	TQ (kN·m)	M3 (kN·m)	S2 (kN)	TQ (kN·m)	M3 (kN·m)	S2 (kN)	TQ (kN·m)	M3 (kN·m)				
67	2-LANES (caseTANDEM-LOAD	MAX	S2	55.16	-53.24	1707.10	55.16	-53.24	1967.59	55.16	-43.95	1967.82	55.16	-43.95	2228.31		
			TQ	-58.40	54.78	2147.17	-58.40	54.78	1871.38	-58.40	63.62	1871.10	-58.40	63.62	1595.32		
			M3	12.94	33.56	2405.86	32.00	-12.93	2374.71	32.00	-1.71	2374.74	13.06	-34.45	2413.93		
		MIN	S2	-59.28	50.57	2184.67	-59.28	50.57	1904.72	-59.28	59.57	1904.46	-59.28	59.57	1624.52		
			TQ	54.93	-58.43	1812.18	54.93	-58.43	2071.59	54.93	-48.65	2071.85	22.88	-48.65	2331.26		
			M3	-13.43	-2.48	-381.55	-13.43	-2.48	-444.98	-13.43	-4.58	-444.96	-13.43	-4.58	-508.39		
			DISPERSION-LMAX	S2	66.82	-34.88	2199.29	62.19	-35.94	2252.10	62.19	-25.30	2252.25	56.38	-24.99	2271.18	
			TQ	-25.26	49.83	1687.87	-36.43	49.83	1542.51	-31.53	57.86	1841.43	-38.78	57.86	1673.64		
			M3	27.24	-0.68	3694.76	16.07	-0.68	3797.31	16.07	17.26	3797.27	4.66	17.26	3846.49		
			MIN	S2	-62.99	30.08	831.28	-69.54	31.15	770.43	-69.54	34.79	770.28	-75.14	34.47	689.99	
			TQ	29.08	-54.62	1342.70	29.08	-54.62	1480.02	24.19	-48.38	1181.10	20.03	-48.38	1287.53		
			M3	-23.42	-4.11	-664.19	-23.42	-4.11	-774.77	-23.42	-7.77	-774.74	-23.42	-7.77	-885.32		
		68	2-LANES (caseTRUCK-LOAD	MAX	S2	375.11	-31.22	5846.98	286.40	108.08	5957.30	286.40	136.22	5956.72	207.77	241.66	5581.11
					TQ	114.39	275.85	2338.83	114.39	275.85	2879.01	130.77	290.76	3176.18	130.77	290.76	3793.72
					M3	322.71	-67.37	5940.38	153.57	39.17	6079.95	153.57	67.89	6079.69	-41.91	148.36	5759.54
MIN	S2			-245.76	-159.57	5731.67	-326.55	-55.43	5949.30	-326.55	-27.32	5949.50	-414.80	112.08	5659.86		
	TQ			-160.69	-210.23	3837.45	-160.69	-210.23	3078.61	-141.65	-196.49	2760.80	-141.65	-196.49	2091.88		
	M3			-21.84	-49.05	-602.40	-21.84	-49.05	-705.53	-21.84	-52.38	-705.29	-21.84	-52.38	-808.42		
	TANDEM-LOAD			MAX	S2	283.10	-66.73	4396.36	221.66	28.81	4508.35	221.66	50.11	4508.16	162.46	141.14	4261.69
	TQ			81.26	191.61	1651.31	81.26	191.61	2035.06	85.83	201.59	2117.43	85.83	201.59	2522.77		
	M3			283.10	-66.73	4396.36	126.70	20.05	4508.42	126.70	41.34	4508.27	-66.63	121.93	4273.21		
	MIN			S2	-189.44	-85.65	4380.07	-249.12	3.92	4507.43	-249.12	25.21	4507.36	-309.51	121.93	4273.21	
	TQ			-106.35	-147.18	2557.34	-106.35	-147.18	2055.11	-101.04	-137.70	1966.82	-101.04	-137.70	1489.68		
	M3			-14.89	-33.23	-410.76	-14.89	-33.23	-481.07	-14.89	-35.50	-480.91	-14.89	-35.50	-551.22		

BAGO RIVER BRIDGE

BLOCK [ No.1 : MAIN GIRDER ][ BEAM MEMBER FORCE ]

MEMBER NODE	4007	4008			4008			4009							
		SHEAR	TORQUE	MOMENT	SHEAR	TORQUE	MOMENT	SHEAR	TORQUE	MOMENT					
		S2 (kN)	TQ (kN·m)	M3 (kN·m)	S2 (kN)	TQ (kN·m)	M3 (kN·m)	S2 (kN)	TQ (kN·m)	M3 (kN·m)					
68	2-LANES (caseDISPERSION-LMAX	S2	167.55	169.71	3144.47	122.76	175.12	3028.94	122.76	189.42	3028.08	88.50	174.62	2736.54	
		TQ	110.45	178.79	2096.78	110.45	178.79	2618.36	91.53	192.40	3056.17	7.86	192.40	3290.66	
		M3	83.59	64.37	5156.18	-0.17	64.37	5352.98	-0.17	89.66	5352.61	-83.84	89.66	5154.07	
	MIN	S2	-109.70	-161.66	1300.20	-148.67	-167.07	1490.98	-148.67	-160.02	1491.75	-198.08	-145.22	1463.19	
		TQ	-52.60	-170.74	2347.90	-136.36	-170.74	1901.55	-117.44	-163.00	1463.66	-117.44	-163.00	909.06	
		M3	-25.74	-56.32	-711.50	-25.74	-56.32	-833.06	-25.74	-60.25	-832.79	-25.74	-60.25	-954.35	
69	3-LANES (caseTRUCK-LOAD	MAX	S2	33.03	-167.93	1512.94	33.03	-167.93	1668.90	33.03	-160.04	1669.68	33.03	-160.04	1825.64
		TQ	-24.47	122.09	1016.02	-24.47	122.09	900.46	-24.53	126.47	947.57	-24.53	126.47	831.73	
		M3	1.94	-132.09	2192.83	8.13	-139.45	2211.43	8.13	-129.01	2212.07	14.08	-122.17	2263.89	
		MIN	S2	-29.72	111.40	281.66	-29.72	111.40	141.30	-29.72	112.07	140.78	-29.72	112.07	0.42
		TQ	26.66	-290.72	1642.45	26.66	-290.72	1768.34	26.66	-282.36	1769.70	26.66	-282.36	1895.60	
		M3	-25.13	87.18	-751.68	-25.13	87.18	-870.33	-25.13	83.06	-870.73	-25.13	82.58	-989.41	
	TANDEM-LOAD	MAX	S2	22.87	-120.12	1086.80	22.87	-120.12	1194.79	22.87	-114.47	1195.35	22.87	-114.47	1303.34
		TQ	-17.25	85.03	729.82	-17.25	85.03	648.37	-17.25	88.09	647.96	-17.25	88.09	566.50	
		M3	2.57	-88.41	1492.72	4.07	-90.18	1506.55	4.07	-83.06	1506.96	10.94	-71.27	1541.34	
		MIN	S2	-20.46	76.35	213.46	-20.46	76.35	116.83	-20.46	76.90	116.46	-20.46	76.90	19.83
		TQ	18.79	-200.59	1108.16	18.79	-200.59	1196.88	18.79	-194.93	1197.81	18.79	-194.93	1286.53	
		M3	-17.09	60.14	-511.49	-17.09	60.14	-592.17	-17.09	57.34	-592.45	-17.09	57.34	-673.13	
	DISPERSION-LMAX	S2	44.12	-207.35	2275.91	44.12	-207.35	2484.24	44.12	-195.61	2485.19	44.12	-195.61	2693.53	
		TQ	-36.09	153.73	2.32	-36.09	153.73	-168.10	-36.05	153.00	-142.34	-36.05	153.00	-312.57	
		M3	35.21	-187.20	3115.90	35.21	-187.20	3282.15	35.21	-171.70	3283.00	35.21	-171.70	3449.26	
		MIN	S2	-38.82	124.22	-55.55	-38.82	124.22	-238.86	-38.82	123.09	-239.44	-38.82	123.09	-422.75
		TQ	41.39	-236.85	2218.04	41.39	-236.85	2413.48	41.34	-225.51	2388.10	41.34	-225.51	2583.34	
		M3	-29.91	104.08	-895.54	-29.91	104.08	-1036.77	-29.91	99.18	-1037.25	-29.91	99.18	-1178.48	



BAGO RIVER BRIDGE

BLOCK [ No.1 : MAIN GIRDER ][ BEAM MEMBER FORCE ]

MEMBER				4007			4008			4008			4009		
NODE				4007			4008			4008			4009		
NAME TITLE				SHEAR	TORQUE	MOMENT	SHEAR	TORQUE	MOMENT	SHEAR	TORQUE	MOMENT	SHEAR	TORQUE	MOMENT
				S2 (kN)	TQ (kN·m)	M3 (kN·m)	S2 (kN)	TQ (kN·m)	M3 (kN·m)	S2 (kN)	TQ (kN·m)	M3 (kN·m)	S2 (kN)	TQ (kN·m)	M3 (kN·m)
70	3-LANES (caseTRUCK-LOAD	MAX	S2	187.33	-81.20	4908.49	171.89	-57.82	5318.07	171.89	-32.70	5318.28	155.38	-10.29	5531.39
			TQ	-42.63	149.41	4083.38	-42.63	149.41	3882.08	-42.63	167.75	3881.33	-42.63	167.75	3680.02
			M3	105.43	23.82	5849.03	115.80	-16.49	5848.02	115.80	11.14	5848.03	11.98	0.02	5824.26
		MIN	S2	-168.70	51.90	5404.34	-189.30	67.20	5203.84	-189.30	91.78	5203.47	-209.17	114.78	4752.65
			TQ	25.05	-114.96	3978.32	25.05	-114.96	4096.61	-27.64	-97.76	2045.22	-27.64	-97.76	1914.68
			M3	-30.31	-20.91	-854.94	-30.31	-20.91	-998.08	-30.31	-25.63	-997.97	-30.31	-25.63	-1141.12
	TANDEM-LOAD	MAX	S2	132.59	-62.04	3450.97	122.59	-47.89	3746.79	122.59	-30.19	3746.98	111.62	-13.61	3961.60
			TQ	-31.24	105.30	2770.73	-31.24	105.30	2623.23	-31.24	117.69	2622.70	-31.24	117.69	2475.19
			M3	90.37	24.77	4149.74	99.43	-7.58	4153.91	99.43	12.04	4153.90	-2.03	-8.17	4149.80
		MIN	S2	-122.33	38.88	3918.48	-135.28	51.89	3680.28	-135.28	69.27	3679.99	-149.15	85.85	3360.40
			TQ	16.25	-83.02	2856.67	16.25	-83.02	2933.39	24.58	-69.52	2747.51	-7.47	-69.52	2863.57
			M3	-20.66	-14.55	-582.75	-20.66	-14.55	-680.33	-20.66	-17.77	-680.26	-20.66	-17.77	-777.85
	DISPERSION-LMAX	MAX	S2	128.01	10.95	3607.53	110.66	10.55	3606.76	110.66	27.59	3606.67	93.91	24.47	3516.20
			TQ	19.49	97.51	2708.22	4.39	97.51	2768.03	1.79	112.09	3319.81	-30.98	112.09	3249.50
			M3	57.27	27.55	5949.26	21.11	27.55	6134.98	21.11	56.53	6134.78	-15.83	56.53	6147.90
		MIN	S2	-106.71	-8.50	1328.32	-125.52	-8.09	1344.96	-125.52	-1.74	1344.98	-145.71	1.38	1278.72
			TQ	1.81	-95.06	2227.64	-19.25	-95.06	2183.68	-16.65	-86.24	1631.84	-20.81	-86.24	1545.42
			M3	-35.97	-25.09	-1013.41	-35.97	-25.09	-1183.26	-35.97	-30.68	-1183.13	-35.97	-30.68	-1352.98
71	3-LANES (caseTRUCK-LOAD	MAX	S2	461.62	-32.12	8085.67	361.44	115.81	8180.57	361.44	154.45	8179.93	271.70	268.10	7714.71
			TQ	146.77	312.93	3119.39	146.77	312.93	3812.52	163.15	332.25	4109.49	163.15	332.25	4879.98
			M3	393.48	-71.11	8208.39	159.71	39.02	8345.96	159.71	78.45	8345.68	-45.16	167.23	7962.89
		MIN	S2	-322.52	-172.72	7930.57	-413.68	-58.38	8178.23	-413.68	-19.75	8178.41	-509.38	128.39	7835.28
			TQ	-207.70	-241.24	5117.32	-207.70	-241.24	4136.48	-179.47	-223.21	3607.33	-179.47	-223.21	2759.79
			M3	-31.99	-56.99	-888.31	-31.99	-56.99	-1039.38	-31.99	-61.90	-1039.09	-31.99	-61.90	-1190.16

BAGO RIVER BRIDGE

BLOCK [ No.1 : MAIN GIRDER ][ BEAM MEMBER FORCE ]

MEMBER				4007			4008			4009								
NODE				4007			4008			4008								
NAME TITLE				SHEAR	TORQUE	MOMENT	SHEAR	TORQUE	MOMENT	SHEAR	TORQUE	MOMENT						
				S2 (kN)	TQ (kN·m)	M3 (kN·m)	S2 (kN)	TQ (kN·m)	M3 (kN·m)	S2 (kN)	TQ (kN·m)	M3 (kN·m)						
71	3-LANES (case)	TANDEM-LOAD	MAX	S2	345.52	-69.97	6034.24	275.87	31.11	6142.84	275.87	60.12	6142.62	209.51	155.93	5843.99		
				TQ	104.35	217.38	2205.30	104.35	217.38	2698.07	108.92	230.49	2780.31	108.92	230.49	3294.67		
				M3	345.52	-69.97	6034.24	123.70	20.91	6144.03	123.70	49.93	6143.87	-75.39	135.31	5861.76		
			MIN	S2	-245.45	-90.65	6012.57	-310.91	4.78	6143.04	-310.91	33.80	6142.95	-375.61	135.31	5861.76		
				TQ	-136.30	-169.16	3370.08	-136.30	-169.16	2726.40	-128.43	-156.70	2579.20	-128.43	-156.70	1972.72		
				M3	-21.81	-38.76	-605.65	-21.81	-38.76	-708.65	-21.81	-42.10	-708.46	-21.81	-42.10	-811.45		
		DISPERSION-LMAX	S2	220.89	188.67	4490.89	165.88	194.26	4313.28	165.88	214.64	4312.32	122.73	197.79	3918.28			
			TQ	144.00	202.77	3046.10	135.70	202.77	3709.68	112.69	222.36	4434.34	9.27	222.36	4721.44			
			M3	107.16	68.38	7328.60	2.85	68.38	7587.84	2.85	104.23	7587.44	-100.87	104.23	7355.50			
		MIN	S2	-151.50	-185.82	1787.55	-200.80	-191.42	2046.03	-200.80	-181.75	2046.91	-261.36	-164.91	2030.64			
			TQ	-74.61	-199.93	3232.34	-170.62	-199.93	2649.64	-147.61	-189.47	1924.89	-147.91	-189.47	1227.48			
			M3	-37.77	-65.54	-1050.15	-37.77	-65.54	-1228.53	-37.77	-71.34	-1228.20	-37.77	-71.34	-1406.58			
		72	4-LANES	TRUCK-LOAD	MAX	S2	443.35	-90.51	8552.16	362.22	36.20	9023.70	362.22	78.82	9023.43	287.00	175.69	8780.87
						TQ	96.03	335.98	4086.52	96.03	335.98	4539.99	122.63	359.69	5157.73	122.63	359.69	5736.82
						M3	337.61	-33.87	9392.04	275.30	40.48	9482.11	275.30	85.27	9481.82	-23.33	113.75	9206.38
MIN	S2				-328.18	-83.17	8803.60	-409.72	7.81	8951.24	-409.72	50.10	8951.11	-492.46	176.54	8283.29		
	TQ				-132.96	-260.75	4618.28	-132.96	-260.75	3990.40	-114.32	-242.85	3671.40	-114.32	-242.85	3131.51		
	M3				-41.54	-52.50	-1162.29	-41.54	-52.50	-1358.48	-41.54	-58.92	-1358.22	-41.54	-58.92	-1554.40		
TANDEM-LOAD	MAX			S2	326.92	-103.62	6070.25	271.30	-17.03	6467.79	271.30	13.52	6467.80	216.75	96.88	6478.32		
	TQ			72.40	234.34	2991.27	72.40	234.34	3333.19	78.42	250.56	3456.97	78.42	250.56	3827.28			
	M3			295.06	-32.33	6807.77	253.01	15.97	6884.52	253.01	48.49	6884.37	-53.07	86.91	6688.15			
MIN	S2			-248.45	-33.04	6679.82	-304.33	47.26	6540.14	-304.33	78.15	6539.84	-360.84	166.73	6007.60			
	TQ			-87.18	-183.79	3103.77	-87.18	-183.79	2692.05	-81.95	-171.34	2604.69	-81.95	-171.34	2217.70			
	M3			-28.32	-35.70	-792.31	-28.32	-35.70	-926.05	-28.32	-40.08	-925.87	-28.32	-40.08	-1059.60			

BAGO RIVER BRIDGE

BLOCK [ No.1 : MAIN GIRDER ][ BEAM MEMBER FORCE ]

MEMBER			4007			4008			4008			4009					
NODE			4007			4008			4008			4009					
NAME TITLE			SHEAR	TORQUE	MOMENT	SHEAR	TORQUE	MOMENT	SHEAR	TORQUE	MOMENT	SHEAR	TORQUE	MOMENT			
			S2 (kN)	TQ (kN·m)	M3 (kN·m)	S2 (kN)	TQ (kN·m)	M3 (kN·m)	S2 (kN)	TQ (kN·m)	M3 (kN·m)	S2 (kN)	TQ (kN·m)	M3 (kN·m)			
72	4-LANES	DISPERSION-LMAX	S2	210.50	152.29	4606.66	159.45	156.65	4378.47	159.45	177.33	4377.68	118.17	162.05	3962.36		
			TQ	98.31	224.40	3869.91	84.95	224.40	4303.87	66.74	246.68	4987.72	-28.29	246.68	5076.16		
			M3	84.03	73.62	8136.80	-14.20	73.62	8301.33	-14.20	112.84	8300.89	-112.32	112.84	8001.84		
	MIN	S2	-164.98	-132.16	2487.40	-211.98	-136.71	2671.76	-211.98	-124.09	2672.38	-268.67	-109.32	2632.78			
		TQ	-54.28	-203.97	3442.91	-139.64	-203.97	2982.52	-119.46	-191.94	2252.27	-122.90	-191.94	1681.99			
		M3	-38.33	-53.69	-1070.09	-38.33	-53.69	-1251.11	-38.33	-59.60	-1250.84	-38.33	-59.60	-1431.86			
	73	6-LANES	TRUCK-LOAD	MAX	S2	418.96	-213.65	8811.83	344.23	-98.43	9301.47	344.23	-54.49	9301.83	277.08	34.35	9371.10
				TQ	12.43	401.93	5504.67	12.43	401.93	5563.39	29.82	429.50	5887.77	29.82	429.50	6028.58	
				M3	296.30	-73.25	10209.49	219.49	-27.82	10282.95	219.49	20.76	10282.97	-8.75	11.82	10079.90	
MIN		S2	-313.33	22.41	8638.89	-388.03	114.44	8520.95	-388.03	154.69	8520.31	-462.69	269.91	7839.55			
		TQ	-75.94	-494.69	6955.74	-75.94	-494.69	6597.13	-53.48	-464.78	6195.31	-53.48	-464.78	5942.75			
		M3	-57.22	27.95	-1641.98	-57.22	27.95	-1912.21	-57.22	18.92	-1912.32	-57.22	18.92	-2182.54			
TANDEM-LOAD		MAX	S2	309.83	-186.63	6301.44	258.19	-108.16	6674.64	258.19	-76.62	6675.07	208.24	-1.18	6741.06		
		TQ	6.94	279.68	3653.35	6.94	279.68	3686.10	18.58	297.73	4017.83	18.58	297.73	4105.57			
		M3	258.59	-66.68	7322.30	201.61	-37.90	7383.32	201.61	-3.03	7383.42	-38.29	14.56	7227.32			
MIN		S2	-237.50	40.62	6398.77	-288.03	114.27	6206.38	-288.03	143.59	6205.77	-339.03	223.43	5703.49			
		TQ	-48.54	-344.74	4732.26	-48.54	-344.74	4503.02	-34.37	-324.21	4224.56	-34.37	-324.21	4062.25			
		M3	-38.97	19.84	-1118.52	-38.97	19.84	-1302.55	-38.97	13.69	-1302.63	-38.97	13.69	-1486.66			
DISPERSION-LMAX	S2	246.11	-39.78	6586.69	200.02	-36.03	6632.73	200.02	-4.70	6632.82	163.09	-18.78	6552.98				
	TQ	47.61	334.58	3415.77	37.80	334.58	3621.02	26.12	353.63	4332.83	-58.18	353.63	4254.88				
	M3	121.35	-86.63	10436.34	32.64	-86.62	10799.80	32.64	-35.61	10800.10	-55.61	-35.60	10745.71				
MIN	S2	-188.89	-29.50	2117.50	-231.13	-33.99	2072.47	-231.13	-24.20	2072.61	-282.11	-11.03	1851.92				
	TQ	2.60	-396.05	5281.00	-75.62	-396.05	5108.13	-58.15	-373.66	4469.54	-61.73	-373.66	4187.80				
	M3	-65.39	28.13	-1875.21	-65.40	28.12	-2184.03	-65.40	17.80	-2184.14	-65.40	17.80	-2492.96				

BAGO RIVER BRIDGE

BLOCK [ No.1 : MAIN GIRDER ][ BEAM MEMBER FORCE ]

MEMBER				4007			4008			4009					
NODE				4007			4008			4009					
NAME TITLE				SHEAR	TORQUE	MOMENT	SHEAR	TORQUE	MOMENT	SHEAR	TORQUE	MOMENT			
				S2 (kN)	TQ (kN·m)	M3 (kN·m)	S2 (kN)	TQ (kN·m)	M3 (kN·m)	S2 (kN)	TQ (kN·m)	M3 (kN·m)			
124	SUM TOTAL	D+1LANE (caseMAX	S2	220.86	-355.83	33890.13	-90.55	-355.83	34201.01	-90.55	-194.27	34202.31	-400.09	-194.27	33046.85
			TQ	179.31	-164.38	32150.42	-132.10	-164.38	32265.08	-132.03	-11.95	32270.46	-441.57	-11.95	30919.10
			M3	212.38	-477.60	34068.85	-97.36	-458.07	34341.84	-97.36	-295.84	34343.62	-403.26	-264.36	33166.27
		MIN	S2	175.53	-201.06	32035.98	-135.89	-201.06	32132.76	-135.89	-49.27	32133.35	-445.42	-49.27	30763.78
			TQ	210.71	-530.72	33819.56	-100.71	-530.72	34082.48	-100.78	-369.73	34079.65	-410.31	-369.73	32875.91
			M3	175.83	-181.88	31949.99	-135.59	-181.88	32048.19	-135.59	-30.49	32048.69	-445.13	-31.07	30680.51
		D+1LANE (caseMAX	S2	237.60	-458.39	34313.73	-73.81	-458.39	34703.66	-73.81	-294.45	34705.44	-383.34	-294.45	33629.03
			TQ	159.67	-179.28	33634.22	-151.75	-179.28	33656.13	-151.85	-20.09	33730.30	-461.38	-20.09	32285.35
			M3	207.77	-348.09	35360.42	-97.91	-376.46	35618.56	-97.91	-208.20	35619.94	-404.44	-222.29	34435.37
		MIN	S2	159.50	-180.08	33766.59	-151.91	-180.08	33787.71	-151.91	-20.47	33788.18	-461.44	-20.47	32342.95
			TQ	237.40	-460.41	34435.62	-74.01	-460.41	34824.61	-73.98	-295.94	34809.93	-383.51	-295.94	33732.75
			M3	173.27	-234.69	31900.47	-138.15	-234.69	31986.58	-138.15	-83.59	31987.33	-447.68	-83.59	30607.09
		D+1LANE (caseMAX	S2	265.19	-403.56	34949.82	-46.27	-403.61	35453.50	-46.27	-236.13	35455.01	-356.26	-235.93	34480.92
			TQ	126.75	-181.37	34696.22	-185.20	-181.37	34561.43	-182.99	-17.84	34661.16	-492.52	-17.84	33069.19
			M3	192.47	-271.23	36445.63	-95.87	-324.75	36650.05	-95.87	-151.62	36651.18	-398.87	-169.58	35483.36
		MIN	S2	124.47	-181.74	34643.41	-187.43	-181.68	34514.38	-187.43	-18.64	34514.85	-497.05	-18.84	32928.35
			TQ	262.16	-405.43	34967.66	-49.26	-405.43	35473.56	-51.47	-238.11	35375.81	-361.55	-238.11	34403.64
			M3	171.33	-275.45	31862.54	-140.09	-275.45	31939.49	-140.09	-124.57	31940.43	-449.62	-124.57	30551.04
		D+1LANE (caseMAX	S2	574.69	-181.16	38342.79	165.18	-68.92	38565.72	165.18	113.26	38565.61	-226.66	183.28	36838.57
			TQ	344.96	56.02	35380.25	33.54	56.02	36277.17	40.36	229.71	36935.88	-328.08	229.71	36259.61
			M3	483.83	-287.22	39684.54	47.16	-180.35	40126.94	47.16	9.21	40127.34	-516.86	47.14	38479.34
		MIN	S2	-40.36	-526.74	37134.81	-439.30	-451.76	37618.52	-439.30	-274.05	37620.23	-851.51	-155.00	36111.94
			TQ	48.85	-566.57	36724.97	-321.34	-566.57	36084.79	-285.65	-397.81	35403.37	-595.18	-397.81	33326.56
			M3	167.36	-362.80	31782.74	-144.06	-362.80	31840.94	-144.06	-212.39	31842.30	-453.59	-212.39	30434.16

BAGO RIVER BRIDGE

BLOCK [ No.1 : MAIN GIRDER ] [ BEAM MEMBER FORCE ]

MEMBER				4007			4008			4009					
NODE				4007			4008			4008			4009		
NAME TITLE				SHEAR	TORQUE	MOMENT	SHEAR	TORQUE	MOMENT	SHEAR	TORQUE	MOMENT	SHEAR	TORQUE	MOMENT
				S2 (kN)	TQ (kN·m)	M3 (kN·m)	S2 (kN)	TQ (kN·m)	M3 (kN·m)	S2 (kN)	TQ (kN·m)	M3 (kN·m)	S2 (kN)	TQ (kN·m)	M3 (kN·m)
124	SUM TOTAL	D+2LANES (casMAX	S2	239.50	-515.23	34931.68	-71.92	-515.23	35330.56	-71.92	-348.33	35332.60	-381.45	-348.33	34265.14
			TQ	166.74	-96.74	32727.42	-144.67	-96.74	32782.72	-144.60	58.15	32795.57	-454.13	58.15	31384.87
			M3	224.37	-551.17	35579.32	-85.64	-534.89	35908.59	-85.64	-365.26	35910.72	-391.73	-346.68	34787.17
		MIN	S2	158.90	-136.26	31824.88	-152.51	-136.26	31843.16	-152.51	14.16	31843.45	-462.05	14.16	30395.38
			TQ	230.57	-665.85	34901.74	-80.85	-665.85	35258.45	-80.92	-499.32	35248.45	-390.45	-499.32	34138.48
			M3	160.94	-135.12	31506.66	-150.48	-135.12	31534.56	-150.48	13.84	31534.84	-460.01	13.36	30096.37
		D+2LANES (casMAX	S2	253.45	-600.70	35284.67	-57.97	-600.70	35749.44	-57.97	-431.82	35751.87	-367.50	-431.82	34750.29
			TQ	150.37	-109.15	33963.93	-161.04	-109.15	33941.93	-161.11	51.37	34012.11	-470.65	51.37	32523.42
			M3	220.53	-443.24	36655.63	-86.10	-466.88	36972.52	-86.10	-292.23	36974.32	-392.71	-311.62	35844.76
		MIN	S2	145.55	-118.78	33267.06	-165.86	-118.78	33222.28	-165.86	38.16	33222.47	-475.40	38.16	31711.36
			TQ	252.81	-607.26	35415.13	-58.60	-607.26	35876.89	-58.59	-437.83	35857.02	-368.12	-437.83	34852.52
			M3	158.81	-179.13	31465.39	-152.61	-179.13	31483.21	-152.61	-30.41	31483.71	-462.14	-30.41	30035.19
		D+2LANES (casMAX	S2	343.38	-397.90	37313.34	27.34	-398.97	37940.06	27.34	-219.74	37941.52	-288.04	-219.84	36990.70
			TQ	85.77	-158.38	37381.56	-236.81	-158.38	37028.40	-231.92	17.29	37327.90	-548.71	17.29	35485.97
			M3	239.90	-252.81	39722.30	-56.69	-315.35	39976.98	-56.69	-126.50	39978.03	-401.45	-146.68	38800.95
		MIN	S2	47.82	-178.44	36553.36	-270.48	-179.35	36368.01	-270.48	-7.55	36368.45	-585.61	-7.87	34611.40
			TQ	304.98	-418.95	36438.61	-6.43	-418.95	37146.73	-68.88	-245.96	34906.63	-382.58	-245.96	33845.71
			M3	153.44	-292.29	31360.05	-157.98	-292.29	31352.52	-157.98	-144.18	31353.55	-467.51	-144.18	29879.68
		D+2LANES (casMAX	S2	739.22	-146.22	41575.60	294.31	-1.50	41766.50	294.31	195.80	41766.04	-128.12	286.43	39828.65
			TQ	421.40	169.94	37019.75	109.98	169.94	38277.63	107.44	353.31	39013.58	-285.76	353.31	38595.38
			M3	602.86	-287.70	43680.70	38.55	-181.16	44213.18	38.55	27.69	44213.54	-550.14	108.16	42424.61
		MIN	S2	-158.90	-605.93	39616.02	-590.08	-507.20	40220.54	-590.08	-317.19	40222.48	-1037.27	-162.99	38634.05
			TQ	-16.72	-665.67	38769.50	-411.90	-665.67	37760.42	-373.94	-489.34	37005.70	-683.48	-489.34	34511.94
			M3	148.98	-390.07	31270.24	-162.44	-390.07	31241.66	-162.44	-242.49	31243.15	-471.97	-242.49	29748.23

BAGO RIVER BRIDGE

BLOCK [ No.1 : MAIN GIRDER ][ BEAM MEMBER FORCE ]

MEMBER				4007			4008			4009						
NODE				4007			4008			4009						
NAME TITLE				SHEAR	TORQUE	MOMENT	SHEAR	TORQUE	MOMENT	SHEAR	TORQUE	MOMENT				
				S2 (kN)	TQ (kN·m)	M3 (kN·m)	S2 (kN)	TQ (kN·m)	M3 (kN·m)	S2 (kN)	TQ (kN·m)	M3 (kN·m)				
124	SUM TOTAL	D+3LANES (casMAX	S2	262.13	-603.68	35804.67	-49.29	-603.68	36310.43	-49.29	-432.15	36312.88	-358.82	-432.15	35352.29	
			TQ	145.09	-50.26	33449.74	-166.33	-50.26	33402.76	-166.34	107.70	33465.67	-475.88	107.70	31952.29	
			M3	228.14	-556.10	37096.57	-78.02	-562.36	37449.81	-78.02	-385.45	37452.04	-382.50	-379.63	36367.18	
		MIN	S2	138.30	-84.42	32776.34	-173.11	-84.42	32697.33	-173.11	70.04	32697.37	-482.64	70.04	31152.02	
			TQ	254.40	-733.14	35865.56	-57.02	-733.14	36334.81	-57.05	-561.54	36315.36	-366.58	-561.54	35318.10	
			M3	149.78	-122.14	31184.01	-161.63	-122.14	31159.22	-161.63	25.06	31159.45	-471.17	24.65	29668.30	
		D+3LANES (casMAX	S2	464.60	-344.41	39822.76	125.32	-324.89	40366.36	125.32	-134.20	40367.44	-212.49	-117.80	39201.45	
			TQ	176.89	-74.82	38357.00	-147.36	-74.82	38432.85	-149.56	108.01	38902.20	-486.96	108.01	37401.10	
			M3	334.85	-241.04	42612.69	1.52	-275.30	42965.80	1.52	-72.34	42966.62	-427.65	-81.78	41687.33	
		MIN	S2	-37.54	-247.81	38306.91	-382.45	-234.46	38346.74	-382.45	-53.32	38347.42	-726.03	-31.12	36637.66	
			TQ	219.39	-463.21	37859.21	-109.93	-463.21	38118.51	-152.51	-286.25	35906.74	-465.57	-286.25	34452.08	
			M3	140.22	-323.81	30996.05	-171.19	-323.81	30926.11	-171.19	-177.71	30927.30	-480.73	-177.71	29391.02	
		D+3LANES (casMAX	S2	776.69	-151.63	43274.22	333.37	-21.14	43400.03	333.37	183.87	43399.65	-89.12	266.16	41399.04	
			TQ	443.72	153.64	37824.81	125.24	153.64	39174.12	119.61	341.57	40043.49	-277.82	341.57	39672.21	
			M3	622.11	-287.02	45790.58	23.32	-193.41	46323.99	23.32	25.42	46324.39	-548.51	100.88	44531.63	
		MIN	S2	-206.36	-589.47	40844.55	-637.16	-497.03	41470.88	-637.16	-301.12	41472.76	-1079.52	-160.89	39897.04	
			TQ	-43.41	-659.69	39681.36	-436.42	-659.69	38548.46	-392.87	-480.63	37483.63	-702.66	-480.63	34900.18	
			M3	137.26	-388.85	30936.45	-174.15	-388.85	30852.54	-174.15	-243.11	30854.03	-483.68	-243.11	29303.78	
		D+4LANES	MAX	S2	621.56	-244.54	41137.38	224.23	-159.35	41491.67	224.23	36.65	41491.96	-161.03	89.68	39794.10
			TQ	322.88	79.54	37755.82	2.78	79.54	38528.76	8.23	264.29	39375.77	-363.07	264.29	38539.43	
			M3	470.62	-258.86	43977.89	54.86	-210.53	44339.50	54.86	-1.08	44340.00	-512.56	17.43	42696.35	
		MIN	S2	-124.00	-424.67	39923.30	-518.96	-368.49	40335.21	-518.96	-177.95	40336.50	-919.12	-86.16	38606.44	
			TQ	74.86	-586.77	37823.92	-292.04	-586.77	37312.65	-266.82	-412.47	36631.62	-578.59	-412.47	34639.78	
			M3	144.64	-353.73	31133.10	-166.78	-353.73	31084.02	-166.78	-206.89	31085.35	-476.31	-206.89	29569.93	

BAGO RIVER BRIDGE

BLOCK [ No.1 : MAIN GIRDER ][ BEAM MEMBER FORCE ]

MEMBER					4007			4008			4009		
NODE					4007			4008			4008		
					SHEAR	TORQUE	MOMENT	SHEAR	TORQUE	MOMENT	SHEAR	TORQUE	MOMENT
NAME	TITLE				S2 (kN)	TQ (kN·m)	M3 (kN·m)	S2 (kN)	TQ (kN·m)	M3 (kN·m)	S2 (kN)	TQ (kN·m)	M3 (kN·m)
124	SUM TOTAL	D+6LANES	MAX	S2	628.85	-449.43	42593.19	238.90	-372.10	43137.48	238.90	-168.32	43138.76
				TQ	235.59	194.03	38382.44	-82.20	194.03	38750.12	-78.50	379.19	39424.63
				M3	468.03	-388.62	46003.94	49.03	-359.09	46484.04	49.03	-139.50	46485.22
			MIN	S2	-129.89	-289.31	39575.80	-517.31	-232.41	39665.98	-517.31	-45.04	39666.64
				TQ	148.89	-863.68	40538.03	-213.37	-863.68	40388.68	-187.42	-674.84	39713.39
				M3	116.86	-248.25	30297.98	-194.56	-248.26	30117.70	-194.56	-105.98	30118.54
	SUM TOTAL		MAX		776.69	194.03	46003.94	333.37	194.03	46484.04	333.37	379.19	46485.22
			MIN		-206.36	-863.68	30297.98	-637.16	-863.68	30117.70	-637.16	-674.84	30118.54
300	DEAD LOAD	TOTAL			196.56	-284.70	32584.15	-114.86	-284.70	32780.26	-114.86	-129.85	32781.23
301	LIVE LOAD	1-LANE(case1MAX	S2		24.30	-71.13	1305.99	24.30	-71.13	1420.76	24.30	-64.42	1421.08
			TQ		-17.25	120.32	-433.73	-17.25	120.32	-515.17	-17.18	117.90	-510.78
			M3		15.82	-192.90	1484.70	17.50	-173.37	1561.59	17.50	-165.99	1562.39
			MIN	S2	-21.03	83.64	-548.16	-21.03	83.64	-647.50	-21.03	80.58	-647.89
				TQ	14.15	-246.02	1235.41	14.15	-246.02	1302.23	14.08	-239.88	1298.41
				M3	-20.73	102.82	-634.15	-20.73	102.82	-732.07	-20.73	99.36	-732.54
		1-LANE(case2MAX	S2		41.04	-173.69	1729.58	41.04	-173.69	1923.41	41.04	-164.60	1924.20
			TQ		-36.89	105.42	1050.08	-36.89	105.42	875.87	-37.00	109.76	949.06
			M3		11.21	-63.39	2776.27	16.94	-91.76	2838.30	16.94	-78.35	2838.70
			MIN	S2	-37.06	104.62	1182.45	-37.06	104.62	1007.45	-37.06	109.38	1006.94
				TQ	40.84	-175.71	1851.48	40.84	-175.71	2044.35	40.88	-166.09	2028.69
				M3	-23.29	50.01	-683.67	-23.29	50.01	-793.68	-23.29	46.26	-793.91
		1-LANE(case3MAX	S2		68.63	-118.85	2365.67	68.59	-118.91	2673.25	68.59	-106.28	2673.78
			TQ		-69.81	103.34	2112.08	-70.34	103.34	1781.17	-68.13	112.01	1879.93
			M3		-4.09	13.47	3861.49	18.98	-40.05	3869.79	18.98	-21.77	3869.94
			MIN	S2	-72.09	102.96	2059.27	-72.58	103.02	1734.12	-72.58	111.21	1733.62
				TQ	65.60	-120.73	2383.52	65.60	-120.73	2693.31	63.39	-108.26	2594.58
				M3	-25.23	9.25	-721.61	-25.23	9.25	-840.77	-25.23	5.28	-840.80

BAGO RIVER BRIDGE

BLOCK [ No.1 : MAIN GIRDER ][ BEAM MEMBER FORCE ]

MEMBER			4007			4008			4008			4009				
NODE			4007			4008			4008			4009				
NAME TITLE			SHEAR	TORQUE	MOMENT	SHEAR	TORQUE	MOMENT	SHEAR	TORQUE	MOMENT	SHEAR	TORQUE	MOMENT		
			S2 (kN)	TQ (kN·m)	M3 (kN·m)	S2 (kN)	TQ (kN·m)	M3 (kN·m)	S2 (kN)	TQ (kN·m)	M3 (kN·m)	S2 (kN)	TQ (kN·m)	M3 (kN·m)		
301	LIVE LOAD	1-LANE (case4MAX	S2	378.13	103.55	5758.65	280.03	215.78	5785.46	280.03	243.11	5784.38	197.73	313.13	5327.57	
			TQ	148.40	340.73	2796.11	148.40	340.73	3496.91	155.22	359.56	4154.64	96.31	359.56	4748.61	
			M3	287.27	-2.52	7100.39	162.02	104.35	7346.68	162.02	139.06	7346.11	-92.47	176.99	6968.33	
			MIN	S2	-236.92	-242.03	4550.66	-324.44	-167.06	4838.26	-324.44	-144.20	4839.00	-427.12	-25.15	4600.93
			TQ	-147.71	-281.87	4140.82	-206.48	-281.87	3304.54	-170.80	-267.96	2622.13	-170.80	-267.96	1815.56	
			M3	-29.20	-78.10	-801.41	-29.20	-78.10	-939.32	-29.20	-82.53	-938.94	-29.20	-82.53	-1076.84	
		2-LANES (caseMAX	S2	42.94	-230.53	2347.53	42.94	-230.53	2550.31	42.94	-218.48	2551.37	42.94	-218.48	2754.14	
			TQ	-29.82	187.96	143.28	-29.82	187.96	2.47	-29.74	188.01	14.34	-29.74	188.01	-126.13	
			M3	27.81	-266.47	2995.17	29.21	-250.19	3128.34	29.21	-235.41	3129.49	32.66	-216.83	3276.17	
			MIN	S2	-37.66	148.44	-759.26	-37.66	148.44	-937.10	-37.66	144.01	-937.79	-37.66	144.01	-1115.62
			TQ	34.01	-381.15	2317.59	34.01	-381.15	2478.20	33.94	-369.47	2467.22	33.94	-369.47	2627.48	
			M3	-35.62	149.58	-1077.49	-35.62	149.58	-1245.70	-35.62	143.69	-1246.39	-35.63	143.21	-1414.63	
		2-LANES (caseMAX	S2	56.89	-316.00	2700.53	56.89	-316.00	2969.18	56.89	-301.97	2970.64	56.89	-301.97	3239.29	
			TQ	-46.19	175.55	1379.78	-46.19	175.55	1161.67	-46.26	181.22	1230.87	-46.26	181.22	1012.42	
			M3	23.97	-158.54	4071.48	28.75	-182.18	4192.27	28.75	-162.38	4193.08	31.68	-181.77	4333.76	
			MIN	S2	-51.01	165.92	682.91	-51.01	165.92	442.03	-51.01	168.01	441.24	-51.01	168.01	200.36
			TQ	56.25	-322.55	2830.98	56.25	-322.55	3096.64	56.27	-307.98	3075.78	56.27	-307.98	3341.52	
			M3	-37.75	105.57	-1118.75	-37.75	105.57	-1297.04	-37.75	99.44	-1297.53	-37.75	99.44	-1475.82	
		2-LANES (caseMAX	S2	146.82	-113.20	4729.19	142.19	-114.27	5159.80	142.19	-89.89	5160.28	136.35	-89.99	5479.70	
			TQ	-110.79	126.32	4797.42	-121.96	126.32	4248.14	-117.06	147.14	4546.67	-124.32	147.14	3974.97	
			M3	43.34	31.90	7138.15	58.17	-30.64	7196.73	58.17	3.35	7196.79	22.94	-16.83	7289.95	
			MIN	S2	-148.74	106.26	3969.21	-155.62	105.35	3587.75	-155.62	122.30	3587.22	-161.22	121.98	3100.40
			TQ	108.42	-134.25	3854.47	108.42	-134.25	4366.48	45.97	-116.11	2125.40	41.81	-116.11	2334.71	
			M3	-43.12	-7.58	-1224.10	-43.12	-7.58	-1427.74	-43.12	-14.33	-1427.68	-43.12	-14.33	-1631.32	



BAGO RIVER BRIDGE

BLOCK [ No.1 : MAIN GIRDER ][ BEAM MEMBER FORCE ]

MEMBER			4007			4008			4008			4009			
NODE			4007			4008			4008			4009			
NAME TITLE			SHEAR	TORQUE	MOMENT	SHEAR	TORQUE	MOMENT	SHEAR	TORQUE	MOMENT	SHEAR	TORQUE	MOMENT	
			S2 (kN)	TQ (kN·m)	M3 (kN·m)	S2 (kN)	TQ (kN·m)	M3 (kN·m)	S2 (kN)	TQ (kN·m)	M3 (kN·m)	S2 (kN)	TQ (kN·m)	M3 (kN·m)	
301	LIVE LOAD	2-LANES (caseMAX	S2	542.66	138.49	8991.45	409.17	283.20	8986.24	409.17	325.65	8984.80	296.27	416.28	8317.65
			TQ	224.84	454.64	4435.61	224.84	454.64	5497.38	222.30	483.16	6232.34	138.63	483.16	7084.38
			M3	406.30	-3.00	11096.56	153.41	103.54	11432.93	153.41	157.55	11432.31	-125.75	238.01	10913.61
			MIN S2	-355.46	-321.23	7031.87	-475.22	-222.49	7440.28	-475.22	-187.34	7441.25	-612.88	-33.14	7123.05
			TQ	-213.28	-380.97	6185.35	-297.05	-380.97	4980.16	-259.09	-359.49	4224.46	-259.09	-359.49	3000.94
			M3	-47.58	-105.37	-1313.91	-47.58	-105.37	-1538.60	-47.58	-112.64	-1538.08	-47.58	-112.64	-1762.77
		3-LANES (caseMAX	S2	65.57	-318.98	3220.52	65.57	-318.98	3530.17	65.57	-302.30	3531.64	65.57	-302.30	3841.29
			TQ	-51.47	234.44	865.59	-51.47	234.44	622.51	-51.49	237.55	684.44	-51.49	237.55	441.29
			M3	31.58	-271.40	4512.42	36.83	-277.66	4669.55	36.83	-255.60	4670.81	41.89	-249.78	4856.18
			MIN S2	-58.26	200.28	192.19	-58.26	200.28	-82.92	-58.26	199.89	-83.87	-58.26	199.89	-358.98
			TQ	57.84	-448.43	3281.42	57.84	-448.43	3554.55	57.80	-431.69	3534.13	57.80	-431.69	3807.10
			M3	-46.78	162.57	-1400.13	-46.78	162.57	-1621.03	-46.78	154.91	-1621.78	-46.78	154.50	-1842.71
		3-LANES (caseMAX	S2	268.04	-59.71	7238.62	240.17	-40.18	7586.10	240.17	-4.35	7586.21	211.90	12.05	7690.45
			TQ	-19.67	209.89	5772.86	-32.50	209.89	5652.59	-34.71	237.86	6120.97	-62.57	237.86	5890.09
			M3	138.29	43.66	10028.55	116.37	9.40	10185.55	116.37	57.52	10185.39	-3.26	48.07	10176.33
			MIN S2	-234.10	36.89	5722.76	-267.60	50.24	5566.48	-267.60	76.53	5566.18	-301.64	98.73	5126.66
			TQ	22.83	-178.51	5275.06	4.93	-178.51	5338.25	-37.65	-156.40	3125.50	-41.19	-156.40	2941.08
			M3	-56.34	-39.10	-1588.10	-56.34	-39.10	-1854.14	-56.34	-47.86	-1853.94	-56.34	-47.86	-2119.98
		3-LANES (caseMAX	S2	580.13	133.07	10690.07	448.22	263.56	10619.78	448.22	313.72	10618.41	335.26	396.01	9888.04
			TQ	247.16	438.34	5240.67	240.10	438.34	6393.87	234.46	471.42	7262.25	146.56	471.42	8161.20
			M3	425.55	-2.32	13206.43	138.17	91.29	13543.73	138.17	155.27	13543.15	-124.12	230.73	13020.63
			MIN S2	-402.92	-304.77	8260.40	-522.30	-212.33	8690.62	-522.30	-171.27	8691.53	-655.13	-31.04	8386.04
			TQ	-239.97	-374.99	7097.22	-321.57	-374.99	5768.20	-278.02	-350.78	4702.39	-278.27	-350.78	3389.18
			M3	-59.30	-104.15	-1647.70	-59.30	-104.15	-1927.72	-59.30	-113.26	-1927.20	-59.30	-113.26	-2207.23

BAGO RIVER BRIDGE

BLOCK [ No.1 : MAIN GIRDER ][ BEAM MEMBER FORCE ]

MEMBER					4007			4008			4009					
NODE					4007			4008			4008					
NAME TITLE					SHEAR	TORQUE	MOMENT	SHEAR	TORQUE	MOMENT	SHEAR	TORQUE	MOMENT			
					S2 (kN)	TQ (kN·m)	M3 (kN·m)	S2 (kN)	TQ (kN·m)	M3 (kN·m)	S2 (kN)	TQ (kN·m)	M3 (kN·m)			
301	LIVE LOAD	4-LANES	MAX	S2	425.00	40.16	8553.23	339.08	125.35	8711.41	339.08	166.50	8710.72	263.36	219.53	8283.10
				TQ	126.32	364.25	5171.68	117.63	364.25	5748.51	123.09	394.14	6594.54	61.32	394.14	7028.43
			M3	274.06	25.84	11393.74	169.71	74.17	11559.24	169.71	128.77	11558.76	-88.17	147.28	11185.34	
		MIN	S2	-320.56	-139.97	7339.15	-404.11	-83.79	7554.96	-404.11	-48.10	7555.27	-494.73	43.69	7095.44	
			TQ	-121.70	-302.06	5239.77	-177.18	-302.06	4532.40	-151.96	-282.62	3850.38	-154.20	-282.62	3128.77	
			M3	-51.92	-69.02	-1451.04	-51.92	-69.02	-1696.23	-51.92	-77.04	-1695.89	-51.92	-77.04	-1941.07	
	6-LANES	MAX	S2	432.29	-164.73	10009.04	353.76	-87.40	10357.23	353.76	-38.47	10357.52	286.11	10.12	10350.65	
			TQ	39.03	478.74	5798.29	32.65	478.74	5969.87	36.36	509.04	6643.39	-18.44	509.04	6684.25	
		M3	271.47	-103.92	13419.79	163.89	-74.39	13703.79	163.89	-9.65	13703.99	-41.84	-15.46	13536.65		
		MIN	S2	-326.45	-4.61	6991.65	-402.46	52.29	6885.73	-402.46	84.81	6885.40	-484.12	168.28	6299.46	
			TQ	-47.67	-578.98	7953.88	-98.51	-578.98	7608.42	-72.56	-544.99	6932.15	-74.89	-544.99	6584.86	
			M3	-79.70	36.45	-2286.17	-79.70	36.45	-2662.55	-79.70	23.87	-2662.70	-79.70	23.87	-3039.08	
	LIVE LOAD	MAX	580.13	478.74	13419.79	448.22	478.74	13703.79	448.22	509.04	13703.99	335.26	509.04	13536.65		
		MIN	-402.92	-578.98	-2286.17	-522.30	-578.98	-2662.55	-522.30	-544.99	-2662.70	-655.13	-544.99	-3039.08		
303	SUM TOTAL	TOTAL	MAX	776.69	194.03	46003.94	333.37	194.03	46484.04	333.37	379.19	46485.22	-89.12	379.19	45047.65	
			MIN	-206.36	-863.68	30297.98	-637.16	-863.68	30117.70	-637.16	-674.84	30118.54	-1079.52	-674.84	28471.92	

BAGO RIVER BRIDGE

BLOCK [ No.1 : MAIN GIRDER ][ BEAM MEMBER FORCE ]

MEMBER NODE	4009	4010			4010			4010			4011			
		SHEAR	TORQUE	MOMENT	SHEAR	TORQUE	MOMENT	SHEAR	TORQUE	MOMENT	SHEAR	TORQUE	MOMENT	
NAME TITLE	S2 (kN)	TQ (kN·m)	M3 (kN·m)	S2 (kN)	TQ (kN·m)	M3 (kN·m)	S2 (kN)	TQ (kN·m)	M3 (kN·m)	S2 (kN)	TQ (kN·m)	M3 (kN·m)		
1 PAVEMENT	-85.90	-36.46	6021.99	-148.61	-36.46	5468.44	-148.61	-10.63	5468.55	-210.66	-10.63	4620.39		
3 RAILING	-0.31	-1.77	143.57	-3.36	-1.77	135.07	-3.36	-1.13	135.08	-6.43	-1.13	112.11		
5 CURB	-3.03	-17.51	1421.34	-33.27	-17.51	1337.22	-33.27	-11.19	1337.29	-63.66	-11.19	1109.92		
7 DECK WEIGHT	-130.19	-42.45	9309.35	-226.64	-42.45	8467.54	-226.64	-2.45	8467.65	-322.22	-2.45	7172.36		
8 GIRDER WEIGH	-145.45	89.02	10248.03	-233.74	89.02	9352.68	-233.74	133.20	9352.15	-322.03	133.20	8039.85		
10 MEDIAN STRIP	-32.18	44.00	1636.65	-32.18	44.00	1484.68	-32.18	51.01	1484.46	-32.18	51.01	1332.49		
21 ADITIONAL WE	-36.45	-11.89	2606.62	-63.46	-11.89	2370.91	-63.46	-0.69	2370.94	-90.22	-0.69	2008.26		
31 MEDIAN RAILI	-2.79	3.64	124.47	-2.79	3.64	111.31	-2.79	4.17	111.29	-2.79	4.17	98.12		
51 SUPPORT WEIG	-0.00	-0.00	-0.00	-0.00	-0.00	-0.00	-0.00	-0.00	-0.00	-0.00	-0.00	-0.00		
52 NOSE WEIGHT	0.04	0.71	-0.49	0.04	0.71	-0.32	0.04	0.71	-0.32	0.04	0.71	-0.16		
61 1-LANE(case1TRUCK-LOAD	MAX	S2	3.55	-3.55	156.54	3.55	-3.55	173.32	3.55	-2.73	173.33	3.55	-2.73	190.11
		TQ	-7.57	138.04	460.12	-7.57	138.04	424.36	-7.57	140.04	423.71	-7.57	140.04	387.96
		M3	-5.04	123.00	491.33	-5.04	123.00	467.55	-5.04	125.21	466.97	-4.97	123.34	443.50
	MIN	S2	-9.99	17.11	425.82	-9.99	17.11	378.67	-9.99	18.90	378.58	-9.99	18.90	331.43
		TQ	-3.51	-22.63	230.32	-3.51	-22.63	213.73	-3.51	-21.62	213.83	-3.51	-21.62	197.24
		M3	-5.16	26.71	-316.18	-5.16	26.71	-340.53	-5.16	25.10	-340.65	-5.16	25.10	-365.01
	TANDEM-LOAD MAX	S2	2.41	-2.42	106.40	2.41	-2.42	117.79	2.41	-1.87	117.81	2.41	-1.87	129.20
		TQ	-4.98	95.09	318.65	-4.98	95.09	295.13	-4.98	96.48	294.68	-4.98	96.48	271.16
		M3	-3.59	89.48	333.95	-3.15	80.23	317.75	-3.15	81.73	317.36	-3.15	81.73	302.48
	MIN	S2	-6.93	7.87	285.79	-6.93	7.87	253.04	-6.93	9.06	253.00	-6.93	9.06	220.25
		TQ	-3.28	-16.18	186.17	-3.28	-16.18	170.67	-3.28	-15.38	170.75	-3.28	-15.38	155.25
		M3	-3.44	18.76	-214.94	-3.54	17.73	-231.32	-3.54	16.63	-231.40	-3.54	16.63	-248.14
	DISPERSION-LMAX	S2	6.01	-5.80	269.94	6.01	-5.80	298.31	6.01	-4.39	298.33	6.01	-4.39	326.70
		TQ	-14.94	145.17	135.46	-14.94	145.17	64.92	-15.04	145.48	67.74	-15.04	145.48	-3.30
		M3	-5.03	98.56	898.87	-5.03	98.56	875.13	-5.03	102.69	874.65	-5.03	102.69	850.91
	MIN	S2	-17.04	136.24	252.01	-17.04	136.24	171.52	-17.04	137.04	170.88	-17.04	137.04	90.39
		TQ	3.90	-14.74	386.49	3.90	-14.74	404.91	4.01	-12.83	401.47	4.01	-12.83	420.39
		M3	-6.01	31.88	-376.92	-6.01	31.88	-405.30	-6.01	29.97	-405.44	-6.01	29.97	-433.82

BAGO RIVER BRIDGE

BLOCK [ No.1 : MAIN GIRDER ][ BEAM MEMBER FORCE ]

MEMBER				4009			4010			4010			4011		
NODE				4009			4010			4010			4011		
				SHEAR	TORQUE	MOMENT	SHEAR	TORQUE	MOMENT	SHEAR	TORQUE	MOMENT	SHEAR	TORQUE	MOMENT
NAME	TITLE			S2 (kN)	TQ (kN·m)	M3 (kN·m)	S2 (kN)	TQ (kN·m)	M3 (kN·m)	S2 (kN)	TQ (kN·m)	M3 (kN·m)	S2 (kN)	TQ (kN·m)	M3 (kN·m)
62	1-LANE (case2TRUCK-LOAD	MAX	S2	6.04	-36.95	483.26	6.04	-36.95	511.77	6.04	-34.53	511.94	6.04	-34.53	540.45
			TQ	-29.19	94.73	922.34	-29.19	94.73	784.51	-29.19	98.44	784.06	-29.19	98.44	646.23
			M3	-22.32	67.77	1033.71	-18.09	49.36	938.74	-18.09	53.80	938.49	-10.38	19.11	866.23
		MIN	S2	-29.19	94.73	922.34	-29.19	94.73	784.51	-29.19	98.44	784.06	-29.19	98.44	646.23
			TQ	5.70	-38.30	547.38	5.70	-38.30	574.30	5.70	-35.59	574.47	5.70	-35.59	601.39
			M3	-7.34	12.58	-344.14	-7.34	12.58	-378.79	-7.34	10.79	-378.85	-7.34	10.79	-413.50
		TANDEM-LOAD MAX	S2	4.30	-24.86	306.22	4.30	-24.86	326.51	4.30	-23.32	326.62	4.30	-23.32	346.91
			TQ	-20.09	65.24	641.54	-20.09	65.24	546.66	-20.09	67.83	546.35	-20.09	67.83	451.47
			M3	-14.49	43.64	705.17	-13.31	38.51	639.67	-13.31	41.53	639.48	-8.03	17.32	592.10
		MIN	S2	-20.09	65.24	641.54	-20.09	65.24	546.66	-20.09	67.83	546.35	-20.09	67.83	451.47
			TQ	4.02	-27.39	391.25	4.02	-27.39	410.22	4.02	-25.46	410.34	4.02	-25.46	429.31
			M3	-4.99	8.65	-234.28	-4.99	8.65	-257.84	-4.99	7.44	-257.87	-4.99	7.44	-281.43
		DISPERSION-LMAX	S2	8.77	-19.84	502.09	8.77	-19.84	543.49	8.77	-17.27	543.58	8.77	-17.27	584.97
			TQ	-30.62	83.08	392.23	-30.62	83.08	247.62	-30.69	84.27	256.23	-30.69	84.27	111.30
			M3	-13.54	46.08	1409.25	-13.54	46.08	1345.31	-13.54	52.43	1345.07	-13.54	52.43	1281.13
MIN	S2	-31.06	81.14	497.63	-31.06	81.14	350.95	-31.06	82.80	350.56	-31.06	82.80	203.87		
	TQ	8.33	-21.78	607.49	8.33	-21.78	646.82	8.39	-18.74	637.91	8.39	-18.74	677.55		
	M3	-8.76	15.23	-409.52	-8.76	15.23	-450.87	-8.76	13.10	-450.94	-8.76	13.10	-492.29		
63	1-LANE (case3TRUCK-LOAD	MAX	S2	18.32	-54.91	854.56	18.32	-54.91	941.08	18.32	-50.46	941.33	18.32	-50.46	1027.85
			TQ	-50.33	58.83	1382.06	-50.33	58.83	1144.37	-49.85	64.29	1189.53	-49.85	64.29	954.13
			M3	-41.01	47.23	1516.26	-23.58	11.56	1361.52	-23.58	17.99	1361.45	-2.00	-26.61	1293.90
		MIN	S2	-50.33	58.83	1382.06	-50.33	58.83	1144.37	-50.33	64.24	1144.08	-50.33	64.24	906.40
			TQ	14.18	-56.88	1076.41	14.18	-56.88	1143.40	17.59	-51.91	1008.65	17.59	-51.91	1091.72
			M3	-9.04	1.33	-365.63	-9.04	1.33	-408.33	-9.04	-0.60	-408.33	-9.04	-0.60	-451.04

BAGO RIVER BRIDGE

BLOCK [ No.1 : MAIN GIRDER ][ BEAM MEMBER FORCE ]

MEMBER		4009			4010			4010			4011				
NODE		4009			4010			4010			4011				
		SHEAR	TORQUE	MOMENT	SHEAR	TORQUE	MOMENT	SHEAR	TORQUE	MOMENT	SHEAR	TORQUE	MOMENT		
NAME	TITLE	S2 (kN)	TQ (kN·m)	M3 (kN·m)	S2 (kN)	TQ (kN·m)	M3 (kN·m)	S2 (kN)	TQ (kN·m)	M3 (kN·m)	S2 (kN)	TQ (kN·m)	M3 (kN·m)		
63	1-LANE (case3TANDEM-LOAD	MAX	S2	12.72	-35.01	531.27	12.72	-35.01	591.32	12.72	-32.22	591.48	12.72	-32.22	651.52
			TQ	-34.43	41.77	992.27	-34.43	41.77	829.67	-34.43	45.69	829.47	-34.43	45.69	666.87
			M3	-27.48	31.87	1045.35	-13.40	1.90	931.68	-13.40	6.30	931.67	2.14	-26.14	890.50
		MIN	S2	-34.43	41.77	992.27	-34.43	41.77	829.67	-34.43	45.69	829.47	-34.43	45.69	666.87
			TQ	11.62	-41.72	699.19	11.62	-41.72	754.05	12.57	-38.28	716.57	12.57	-38.28	775.92
			M3	-6.16	0.90	-249.11	-6.16	0.90	-278.21	-6.16	-0.42	-278.21	-6.16	-0.42	-307.31
	DISPERSION-LMAX	S2	14.77	-26.26	720.10	14.77	-26.26	789.83	14.77	-22.53	789.95	14.65	-21.99	836.20	
		TQ	-41.24	35.58	651.26	-41.55	35.58	455.59	-38.36	38.11	623.11	-38.36	38.11	441.96	
		M3	-19.33	5.52	1796.37	-19.79	5.52	1704.00	-19.79	13.57	1703.96	-20.27	13.57	1609.37	
		MIN	S2	-44.90	33.85	642.00	-45.37	33.85	428.88	-45.37	35.88	428.71	-45.73	35.34	236.83
			TQ	11.11	-27.99	710.84	10.95	-27.99	763.12	7.76	-24.76	595.55	7.28	-24.76	631.07
			M3	-10.81	2.07	-434.26	-10.81	2.07	-485.30	-10.81	-0.22	-485.30	-10.81	-0.22	-536.33
64	1-LANE (case4TRUCK-LOAD	MAX	S2	203.74	-120.93	2999.60	146.18	-23.77	2916.58	146.18	-9.99	2916.66	95.75	63.54	2535.71
			TQ	41.46	87.86	895.76	41.46	87.86	1091.54	56.87	94.40	1397.13	56.87	94.40	1665.71
			M3	63.65	-191.42	3095.24	10.25	-112.23	3049.49	10.25	-97.83	3049.99	-47.63	-1.45	2687.69
		MIN	S2	-156.41	-207.47	3038.44	-207.69	-137.55	3001.11	-207.69	-123.37	3001.72	-264.92	-28.82	2636.67
			TQ	-114.79	-236.88	2271.09	-114.79	-236.88	1729.01	-96.62	-229.26	1472.52	-96.62	-229.26	1016.23
			M3	-12.71	-23.66	-411.43	-12.71	-23.66	-471.45	-12.71	-25.89	-471.33	-12.71	-25.89	-531.35
	TANDEM-LOAD	MAX	S2	156.78	-113.57	2306.50	117.13	-47.24	2270.72	117.13	-36.51	2270.91	78.33	27.87	2008.48
			TQ	29.82	62.90	642.37	29.82	62.90	783.19	34.12	66.98	868.28	34.12	66.98	1029.42
			M3	22.94	-126.32	2312.14	-15.78	-64.65	2282.99	-15.78	-53.87	2283.27	-56.07	14.42	2025.53
		MIN	S2	-119.86	-126.32	2312.14	-158.89	-64.65	2282.99	-158.89	-53.87	2283.27	-199.49	14.42	2025.53
			TQ	-73.06	-163.45	1451.83	-73.06	-163.45	1106.82	-67.99	-158.37	1035.70	-67.99	-158.37	714.64
			M3	-8.64	-15.82	-280.47	-8.64	-15.82	-321.26	-8.64	-17.33	-321.18	-8.64	-17.33	-361.97

BAGO RIVER BRIDGE

BLOCK [ No.1 : MAIN GIRDER ][ BEAM MEMBER FORCE ]

MEMBER NODE	4009	4010			4010			4010			4011				
		SHEAR	TORQUE	MOMENT	SHEAR	TORQUE	MOMENT	SHEAR	TORQUE	MOMENT	SHEAR	TORQUE	MOMENT		
		S2 (kN)	TQ (kN·m)	M3 (kN·m)	S2 (kN)	TQ (kN·m)	M3 (kN·m)	S2 (kN)	TQ (kN·m)	M3 (kN·m)	S2 (kN)	TQ (kN·m)	M3 (kN·m)		
64	1-LANE (case4DISPERSION-LMAX	S2	75.66	21.57	1426.75	51.23	36.90	1310.74	51.23	43.09	1310.55	33.64	45.00	1120.40	
		TQ	31.73	40.68	683.22	31.73	40.68	833.08	41.56	45.52	1121.82	16.93	45.52	1289.04	
		M3	11.75	-131.51	2695.27	-37.45	-131.51	2634.62	-37.45	-119.06	2635.22	-86.75	-119.06	2341.99	
	MIN	S2	-78.71	-180.20	783.61	-103.47	-195.53	769.11	-103.47	-191.90	770.03	-135.19	-193.80	597.09	
		TQ	-34.78	-199.32	1527.15	-83.98	-199.32	1246.77	-93.80	-194.32	958.76	-118.47	-194.32	428.44	
		M3	-14.80	-27.12	-484.90	-14.80	-27.12	-554.77	-14.80	-29.74	-554.64	-14.80	-29.74	-624.51	
65	2-LANES (caseTRUCK-LOAD	MAX	S2	7.19	-6.51	313.91	7.19	-6.51	347.86	7.19	-4.87	347.88	7.19	-4.87	381.83
		TQ	-25.27	255.32	1140.03	-25.27	255.32	1020.69	-25.27	260.14	1019.47	-25.27	260.14	900.13	
		M3	-18.29	208.26	1242.93	-18.04	205.73	1157.29	-18.04	211.20	1156.31	-16.57	192.17	1076.32	
	MIN	S2	-27.69	134.39	1105.74	-27.69	134.39	974.99	-27.69	138.99	974.35	-27.69	138.99	843.60	
		TQ	-3.67	-52.15	628.31	-3.67	-52.15	610.96	-3.67	-49.26	611.20	-3.67	-49.26	593.84	
		M3	-11.37	46.66	-646.24	-11.39	46.51	-699.97	-11.39	43.20	-700.18	-11.41	42.95	-753.97	
	TANDEM-LOAD	MAX	S2	4.88	-4.42	213.23	4.88	-4.42	236.29	4.88	-3.31	236.30	4.88	-3.31	259.36
		TQ	-17.18	175.59	773.24	-17.18	175.59	692.09	-17.18	178.85	691.25	-17.18	178.85	610.10	
		M3	-13.39	155.61	844.78	-11.56	133.49	787.75	-11.56	137.21	787.11	-11.17	132.42	733.88	
	MIN	S2	-19.14	88.36	740.38	-19.14	88.36	650.00	-19.14	91.43	649.57	-19.14	91.43	559.19	
		TQ	-3.04	-37.18	440.88	-3.04	-37.18	426.54	-3.04	-35.16	426.71	-3.04	-35.16	412.36	
		M3	-7.65	32.48	-439.52	-7.76	31.45	-475.79	-7.76	29.20	-475.94	-7.76	29.20	-512.57	
	DISPERSION-LMAX	S2	12.57	-18.07	614.62	12.57	-18.07	673.97	12.57	-14.89	674.05	12.57	-14.89	733.40	
		TQ	-37.34	258.82	418.91	-37.34	258.82	242.57	-37.56	259.99	255.52	-37.56	259.99	78.16	
		M3	-14.33	170.98	2052.51	-14.33	170.98	1984.84	-14.33	180.35	1984.01	-14.33	180.35	1916.34	
	MIN	S2	-40.29	244.55	667.75	-40.29	244.55	477.49	-40.29	246.81	476.33	-40.29	246.81	286.06	
		TQ	9.62	-32.33	863.46	9.62	-32.33	908.89	9.83	-28.07	894.86	9.83	-28.07	941.30	
		M3	-13.39	55.50	-770.13	-13.39	55.50	-833.38	-13.39	51.56	-833.63	-13.39	51.56	-896.88	

BAGO RIVER BRIDGE

BLOCK [ No.1 : MAIN GIRDER ][ BEAM MEMBER FORCE ]

MEMBER				4009			4010			4011						
NODE				4009			4010			4010			4011			
				SHEAR	TORQUE	MOMENT	SHEAR	TORQUE	MOMENT	SHEAR	TORQUE	MOMENT	SHEAR	TORQUE	MOMENT	
NAME	TITLE			S2 (kN)	TQ (kN·m)	M3 (kN·m)	S2 (kN)	TQ (kN·m)	M3 (kN·m)	S2 (kN)	TQ (kN·m)	M3 (kN·m)	S2 (kN)	TQ (kN·m)	M3 (kN·m)	
66	2-LANES (caseTRUCK-LOAD	MAX	S2	9.67	-39.91	640.63	9.67	-39.91	686.31	9.67	-36.67	686.49	9.67	-36.67	732.16	
			TQ	-46.89	212.02	1602.25	-46.89	212.02	1380.84	-46.89	218.54	1379.82	-46.89	218.54	1158.40	
			M3	-35.58	153.02	1785.31	-31.09	132.10	1628.48	-31.09	139.79	1627.84	-21.99	87.94	1499.05	
			MIN	S2	-46.89	212.02	1602.25	-46.89	212.02	1380.84	-46.89	218.54	1379.82	-46.89	218.54	1158.40
				TQ	5.54	-67.83	945.37	5.54	-67.83	971.53	5.54	-63.24	971.84	5.54	-63.24	998.00
				M3	-13.55	32.53	-674.20	-13.57	32.38	-738.23	-13.57	28.89	-738.38	-13.59	28.64	-802.47
		TANDEM-LOAD	MAX	S2	6.77	-26.86	413.05	6.77	-26.86	445.00	6.77	-24.76	445.12	6.77	-24.76	477.07
				TQ	-32.30	145.74	1096.14	-32.30	145.74	943.62	-32.30	150.20	942.92	-32.30	150.20	790.41
				M3	-24.28	109.78	1216.00	-21.71	91.77	1109.68	-21.71	97.01	1109.23	-16.04	68.01	1023.50
			MIN	S2	-32.30	145.74	1096.14	-32.30	145.74	943.62	-32.30	150.20	942.92	-32.30	150.20	790.41
				TQ	4.26	-48.39	645.96	4.26	-48.39	666.08	4.26	-45.24	666.30	4.26	-45.24	686.42
				M3	-9.20	22.38	-458.86	-9.20	22.38	-502.31	-9.20	20.00	-502.41	-9.20	20.00	-545.86
		DISPERSION-LMAX	MAX	S2	15.33	-32.11	846.77	15.33	-32.11	919.15	15.33	-27.77	919.29	15.33	-27.77	991.67
				TQ	-53.03	196.73	675.68	-53.03	196.73	425.26	-53.20	198.78	444.01	-53.20	198.78	192.76
				M3	-22.84	118.50	2562.88	-22.84	118.50	2455.02	-22.84	130.10	2454.43	-22.84	130.10	2346.57
			MIN	S2	-54.31	189.46	913.38	-54.31	189.46	656.91	-54.31	192.56	656.01	-54.31	192.56	399.55
				TQ	14.05	-39.38	1084.46	14.05	-39.38	1150.80	14.22	-33.99	1131.29	14.22	-33.99	1198.46
				M3	-16.14	38.85	-802.74	-16.14	38.85	-878.96	-16.14	34.70	-879.13	-16.14	34.70	-955.35
67	2-LANES (caseTRUCK-LOAD	MAX	S2	52.40	-90.70	2115.38	52.40	-90.70	2362.82	52.40	-79.54	2363.22	52.40	-79.54	2610.67	
			TQ	-43.40	60.43	1597.87	-43.40	60.43	1392.91	-42.48	67.10	1453.45	-42.48	67.10	1252.85	
			M3	-61.81	40.02	3445.40	-40.64	-7.51	3157.62	-40.64	7.41	3157.62	-13.15	-52.13	2964.15	
			MIN	S2	-123.43	53.10	3287.16	-123.76	51.63	2771.34	-123.76	64.72	2771.07	-123.76	64.72	2186.61
				TQ	48.25	-93.30	2429.94	48.25	-93.30	2657.80	51.66	-81.18	2523.20	-2.71	-81.18	2722.56
				M3	-19.23	-4.97	-745.80	-19.23	-4.97	-836.60	-19.23	-8.92	-836.56	-19.23	-8.92	-927.36

BAGO RIVER BRIDGE

BLOCK [ No.1 : MAIN GIRDER ][ BEAM MEMBER FORCE ]

MEMBER		4009			4010			4010			4011						
NODE		4009			4010			4010			4011						
		SHEAR	TORQUE	MOMENT	SHEAR	TORQUE	MOMENT	SHEAR	TORQUE	MOMENT	SHEAR	TORQUE	MOMENT				
NAME	TITLE	S2 (kN)	TQ (kN·m)	M3 (kN·m)	S2 (kN)	TQ (kN·m)	M3 (kN·m)	S2 (kN)	TQ (kN·m)	M3 (kN·m)	S2 (kN)	TQ (kN·m)	M3 (kN·m)				
67	2-LANES (caseTANDEM-LOAD	MAX	S2	36.44	-61.74	1486.79	36.44	-61.74	1658.88	36.44	-53.90	1659.15	36.44	-53.90	1831.24		
			TQ	-30.60	43.14	1112.88	-30.60	43.14	968.35	-27.50	47.86	1076.43	-27.50	47.86	946.58		
			M3	-45.88	27.74	2415.66	-27.87	-13.54	2205.33	-27.87	-3.12	2205.37	-7.88	-46.78	2081.22		
		MIN	S2	-84.88	37.64	2362.58	-84.88	37.64	1961.73	-84.88	46.90	1961.53	-84.88	46.90	1560.68		
			TQ	35.34	-68.44	1654.71	35.34	-68.44	1821.62	36.29	-59.96	1784.24	2.96	-59.96	1955.64		
			M3	-13.11	-3.47	-508.25	-13.11	-3.47	-570.17	-13.11	-6.16	-570.15	-13.11	-6.16	-632.06		
			DISPERSION-LMAX	S2	41.26	-41.51	1805.18	38.34	-39.56	1796.44	38.34	-31.07	1796.61	34.56	-27.68	1730.74	
			TQ	-48.57	39.22	1047.35	-49.78	39.22	813.92	-44.99	44.01	1287.76	-44.99	44.01	1075.29		
			M3	-32.18	-21.13	3844.59	-43.83	-21.13	3665.39	-43.83	-3.81	3665.44	-55.71	-3.81	3430.68		
			MIN	S2	-96.37	15.17	1154.34	-105.10	13.22	875.59	-105.10	17.35	875.52	-113.20	13.97	598.33	
			TQ	-6.55	-65.56	1912.18	-16.99	-65.56	1858.11	-21.77	-57.73	1384.37	-33.65	-57.73	1253.79		
			M3	-22.93	-5.21	-885.06	-22.93	-5.21	-993.35	-22.93	-9.90	-993.32	-22.93	-9.90	-1101.61		
		68	2-LANES (caseTRUCK-LOAD	MAX	S2	337.65	-201.85	5565.11	246.69	-51.41	5361.10	246.69	-26.08	5361.28	166.43	89.05	4683.98
					TQ	75.76	132.63	1731.52	75.76	132.63	2089.30	91.18	143.89	2394.66	91.18	143.89	2825.24
					M3	94.32	-312.55	5743.41	9.22	-188.33	5607.09	9.22	-161.84	5607.92	-81.21	-12.86	4966.98
MIN	S2			-281.01	-338.35	5644.24	-362.26	-227.83	5525.58	-362.26	-201.72	5526.60	-451.44	-54.23	4892.25		
	TQ			-198.53	-391.73	4019.69	-198.53	-391.73	3082.15	-180.36	-377.72	2826.37	-180.36	-377.72	1974.62		
	M3			-24.14	-38.36	-807.61	-24.23	-39.24	-921.93	-24.23	-43.60	-921.73	-24.23	-43.60	-1036.14		
	TANDEM-LOAD			MAX	S2	258.42	-185.59	4250.05	195.60	-83.12	4144.24	195.60	-63.54	4144.59	134.58	35.63	3681.87
	TQ			54.51	94.70	1241.52	54.51	94.70	1498.96	58.82	102.17	1583.90	58.82	102.17	1861.65		
	M3			29.88	-205.67	4261.64	-31.13	-110.00	4168.20	-31.13	-90.31	4168.68	-93.69	14.66	3714.61		
	MIN			S2	-212.99	-205.67	4261.64	-273.76	-110.00	4168.20	-273.76	-90.31	4168.68	-336.08	14.66	3714.61	
	TQ			-131.90	-269.88	2680.66	-131.90	-269.88	2057.78	-126.83	-260.32	1987.14	-126.83	-260.32	1388.21		
	M3			-16.45	-25.98	-550.67	-16.47	-26.22	-628.44	-16.47	-29.19	-628.30	-16.47	-29.19	-706.10		



BAGO RIVER BRIDGE

BLOCK [ No.1 : MAIN GIRDER ][ BEAM MEMBER FORCE ]

MEMBER			4009			4010			4010			4011					
NODE			4009			4010			4010			4011					
			SHEAR	TORQUE	MOMENT	SHEAR	TORQUE	MOMENT	SHEAR	TORQUE	MOMENT	SHEAR	TORQUE	MOMENT			
NAME	TITLE		S2 (kN)	TQ (kN·m)	M3 (kN·m)	S2 (kN)	TQ (kN·m)	M3 (kN·m)	S2 (kN)	TQ (kN·m)	M3 (kN·m)	S2 (kN)	TQ (kN·m)	M3 (kN·m)			
68	2-LANES (caseDISPERSION-LMAX	S2	131.65	26.52	2730.61	91.19	51.97	2497.36	91.19	63.76	2497.09	61.54	67.98	2146.44			
		TQ	52.63	60.47	1182.92	52.63	60.47	1431.44	68.61	68.53	1964.90	42.21	68.53	2257.78			
		M3	12.91	-229.05	5142.79	-70.68	-229.05	5006.20	-70.68	-205.40	5007.22	-154.19	-205.40	4476.08			
		MIN	S2	-147.04	-300.26	1458.76	-190.17	-325.71	1421.77	-190.17	-318.99	1423.30	-244.03	-323.20	1109.16		
		TQ	-68.01	-334.21	3006.45	-151.61	-334.21	2487.70	-167.59	-323.76	1955.48	-224.70	-323.76	997.81			
		M3	-28.30	-44.69	-953.42	-28.30	-44.69	-1087.06	-28.30	-49.82	-1086.84	-28.30	-49.82	-1220.48			
		69	3-LANES (caseTRUCK-LOAD	MAX	S2	13.23	-43.46	797.17	13.23	-43.46	859.63	13.23	-39.40	859.82	13.23	-39.40	922.28
				TQ	-54.46	350.06	2062.37	-54.46	350.06	1805.20	-54.46	358.58	1803.53	-54.46	358.58	1546.36	
				M3	-40.61	276.02	2276.64	-36.13	255.10	2096.03	-36.13	265.00	2094.80	-26.96	211.28	1942.54	
MIN	S2			-56.87	229.12	2028.08	-56.87	229.12	1759.50	-56.87	237.43	1758.40	-56.87	237.43	1489.83		
TQ	2.03			-90.45	1175.69	2.03	-90.45	1185.26	2.03	-84.85	1185.67	2.03	-84.85	1195.24			
M3	-18.71			59.24	-990.37	-18.72	59.09	-1078.76	-18.72	53.99	-1079.03	-18.75	53.74	-1167.48			
TANDEM-LOAD	MAX			S2	9.18	-29.29	519.44	9.18	-29.29	562.79	9.18	-26.63	562.93	9.18	-26.63	606.28	
TQ	-37.28			240.83	1414.78	-37.28	240.83	1238.75	-37.28	246.68	1237.60	-37.28	246.68	1061.57			
M3	-27.87			199.25	1549.95	-24.86	172.00	1427.42	-24.86	178.74	1426.59	-19.20	149.74	1325.98			
MIN	S2	-39.23	153.61	1381.92	-39.23	153.61	1196.66	-39.23	159.26	1195.92	-39.23	159.26	1010.66				
TQ	0.98	-64.57	832.13	0.98	-64.57	836.76	0.98	-60.62	837.05	0.98	-60.62	841.67					
M3	-12.64	41.13	-673.80	-12.74	40.10	-733.63	-12.74	36.64	-733.81	-12.74	36.64	-794.00					
DISPERSION-LMAX	S2	21.33	-37.91	1116.72	21.33	-37.91	1217.46	21.33	-32.16	1217.62	21.33	-32.16	1318.37				
TQ	-67.97	341.90	811.15	-67.97	341.90	490.19	-68.25	344.27	511.75	-68.25	344.27	189.46					
M3	-27.87	217.06	3461.76	-27.87	217.06	3330.15	-27.87	232.79	3329.08	-27.87	232.79	3197.47					
MIN	S2	-71.35	325.70	1165.38	-71.35	325.70	828.44	-71.35	329.61	826.89	-71.35	329.61	489.94				
TQ	17.95	-54.11	1470.95	17.95	-54.11	1555.71	18.23	-46.82	1532.76	18.23	-46.82	1618.85					
M3	-22.15	70.73	-1179.66	-22.15	70.73	-1284.25	-22.15	64.66	-1284.57	-22.15	64.66	-1389.17					

BAGO RIVER BRIDGE

BLOCK [ No.1 : MAIN GIRDER ][ BEAM MEMBER FORCE ]

MEMBER				4009			4010			4011					
NODE				4009			4010			4010			4011		
				SHEAR	TORQUE	MOMENT	SHEAR	TORQUE	MOMENT	SHEAR	TORQUE	MOMENT	SHEAR	TORQUE	MOMENT
NAME	TITLE			S2 (kN)	TQ (kN·m)	M3 (kN·m)	S2 (kN)	TQ (kN·m)	M3 (kN·m)	S2 (kN)	TQ (kN·m)	M3 (kN·m)	S2 (kN)	TQ (kN·m)	M3 (kN·m)
70	3-LANES (caseTRUCK-LOAD	MAX	S2	146.84	-148.21	4434.09	129.56	-119.32	4566.16	129.56	-97.75	4566.67	111.58	-70.63	4581.49
			TQ	-16.86	90.75	2297.73	-16.86	90.75	2218.10	-14.78	101.34	2310.17	-14.78	101.34	2240.38
			M3	-49.66	-37.45	5822.15	-46.46	-62.64	5446.17	-46.46	-36.91	5446.41	-38.38	-67.61	5043.31
		MIN	S2	-228.37	-29.19	5625.45	-247.03	-12.87	4993.72	-247.03	10.72	4993.73	-270.24	41.00	4244.12
			TQ	-26.10	-187.81	4047.88	-26.10	-187.81	3924.62	-22.69	-169.71	3790.45	-77.06	-169.71	3638.68
			M3	-30.55	-18.94	-1140.60	-30.62	-19.74	-1284.98	-30.62	-25.81	-1284.87	-30.62	-25.81	-1429.49
		TANDEM-LOAD MAX	S2	105.75	-109.28	3217.21	94.49	-91.45	3322.64	94.49	-75.75	3323.04	82.25	-55.49	3346.14
			TQ	-14.48	64.67	1547.33	-14.48	64.67	1478.96	-11.37	71.80	1586.94	-11.37	71.80	1533.25
			M3	-48.28	-23.36	4148.70	-42.78	-48.27	3876.85	-42.78	-29.96	3877.04	-36.36	-53.21	3608.48
		MIN	S2	-162.07	-13.46	4095.62	-176.09	2.91	3633.25	-176.09	20.07	3633.20	-191.15	40.47	3087.95
			TQ	-16.84	-133.40	2790.99	-16.84	-133.40	2711.44	-15.89	-120.71	2674.36	-49.23	-120.71	2599.31
			M3	-20.85	-13.13	-777.49	-20.87	-13.35	-875.97	-20.87	-17.49	-875.90	-20.87	-17.49	-974.45
		DISPERSION-LMAX	S2	87.42	-40.00	3048.25	73.26	-30.94	2928.05	73.26	-17.10	2928.16	60.24	-11.26	2720.32
			TQ	-30.61	52.47	1545.89	-31.82	52.47	1397.28	-21.46	60.69	2089.41	-21.46	60.69	1988.09
			M3	-34.38	-81.94	6142.29	-72.08	-81.94	5891.54	-72.08	-54.11	5891.86	-110.53	-54.11	5461.29
MIN	S2	-158.15	-64.01	1741.68	-181.69	-73.07	1439.48	-181.69	-66.27	1439.81	-207.12	-72.12	1045.42		
	TQ	-40.12	-156.48	3244.05	-76.62	-156.48	2970.25	-86.98	-144.07	2278.56	-125.43	-144.07	1777.65		
	M3	-36.35	-22.07	-1352.35	-36.35	-22.07	-1524.01	-36.35	-29.27	-1523.89	-36.35	-29.27	-1695.55		
71	3-LANES (caseTRUCK-LOAD	MAX	S2	401.69	-242.67	7696.13	301.49	-82.85	7333.10	301.49	-48.21	7333.41	212.02	76.57	6444.40
			TQ	89.97	140.07	2153.22	89.97	140.07	2578.09	106.14	153.75	2908.06	106.14	153.75	3409.30
			M3	92.05	-363.40	7944.12	-3.06	-228.34	7672.39	-3.06	-192.10	7673.39	-100.71	-34.29	6837.50
		MIN	S2	-373.77	-392.66	7817.02	-463.66	-270.89	7573.00	-463.66	-235.12	7574.20	-558.23	-78.49	6750.77
			TQ	-255.65	-467.73	5263.67	-255.65	-467.73	4056.40	-237.48	-449.11	3800.97	-237.48	-449.11	2679.49
			M3	-34.43	-45.38	-1189.16	-34.52	-46.26	-1352.08	-34.52	-52.65	-1351.84	-34.52	-52.65	-1514.85

BAGO RIVER BRIDGE

BLOCK [ No.1 : MAIN GIRDER ][ BEAM MEMBER FORCE ]

MEMBER				4009			4010			4011								
NODE				4009			4010			4010			4011					
				SHEAR	TORQUE	MOMENT	SHEAR	TORQUE	MOMENT	SHEAR	TORQUE	MOMENT	SHEAR	TORQUE	MOMENT			
NAME	TITLE			S2 (kN)	TQ (kN·m)	M3 (kN·m)	S2 (kN)	TQ (kN·m)	M3 (kN·m)	S2 (kN)	TQ (kN·m)	M3 (kN·m)	S2 (kN)	TQ (kN·m)	M3 (kN·m)			
71	3-LANES (case)	TANDEM-LOAD	MAX	S2	304.90	-216.04	5830.61	235.40	-107.64	5620.51	235.40	-81.09	5620.96	168.76	23.31	5020.10		
				TQ	62.98	100.07	1495.88	62.98	100.07	1793.30	71.54	109.31	2016.21	71.54	109.31	2354.06		
				M3	20.82	-238.06	5848.43	-46.05	-136.05	5655.56	-46.05	-109.33	5656.14	-112.84	0.71	5067.16		
			MIN	S2	-279.40	-238.06	5848.43	-344.59	-136.05	5655.56	-344.59	-109.33	5656.14	-409.74	0.71	5067.16		
				TQ	-172.19	-322.27	3558.52	-172.19	-322.27	2745.37	-167.12	-309.45	2674.97	-167.12	-309.45	1885.77		
				M3	-23.47	-30.84	-810.77	-23.50	-31.09	-921.71	-23.50	-35.44	-921.55	-23.50	-35.44	-1032.51		
			DISPERSION-LMAX	S2	167.86	14.83	3910.96	119.83	45.13	3559.27	119.83	61.95	3559.01	83.68	68.86	3077.67		
				TQ	58.68	63.69	1351.58	58.68	63.69	1628.68	76.88	72.86	2242.82	50.48	72.86	2574.77		
				M3	3.43	-292.52	7341.34	-99.71	-292.52	7113.52	-99.71	-258.92	7114.82	-202.27	-258.92	6401.28		
			MIN	S2	-204.94	-360.02	2024.96	-260.05	-390.33	1957.52	-260.05	-381.08	1959.34	-326.46	-387.99	1535.84		
				TQ	-95.76	-408.89	4584.33	-198.89	-408.89	3888.10	-217.10	-391.99	3275.53	-293.26	-391.99	2038.75		
				M3	-40.51	-52.68	-1405.43	-40.51	-52.68	-1596.73	-40.51	-60.22	-1596.47	-40.51	-60.22	-1787.77		
		72	4-LANES	TRUCK-LOAD	MAX	S2	378.13	-276.76	8007.38	294.47	-138.52	7981.53	294.47	-100.81	7982.10	217.95	8.29	7283.12
						TQ	26.15	182.58	3310.13	26.15	182.58	3433.63	47.56	200.33	3912.50	47.56	200.33	4137.10
						M3	31.25	-271.69	9192.24	-32.00	-195.60	8762.87	-31.99	-154.21	8763.69	-93.96	-65.99	7929.05
	MIN			S2	-404.03	-285.42	8928.75	-480.49	-188.89	8374.12	-480.49	-149.33	8374.92	-567.99	-8.93	7264.25		
				TQ	-227.50	-460.94	6120.85	-227.50	-460.94	5046.49	-206.48	-437.95	4654.51	-206.48	-437.95	3679.43		
				M3	-43.37	-43.32	-1553.39	-43.45	-44.17	-1758.41	-43.45	-52.47	-1758.19	-43.45	-52.47	-1963.36		
	TANDEM-LOAD			MAX	S2	284.04	-238.83	5848.48	226.64	-144.97	5935.22	226.64	-116.93	5935.84	170.09	-24.95	5627.40	
				TQ	25.06	130.39	2458.33	25.06	130.39	2576.70	29.30	142.86	2660.74	29.30	142.86	2799.11		
				M3	-16.68	-177.26	6678.35	-59.10	-123.50	6370.51	-59.10	-93.40	6371.02	-100.94	-33.03	5792.71		
	MIN			S2	-297.42	-168.18	6620.38	-354.62	-81.13	6135.57	-354.62	-52.15	6135.89	-413.36	44.90	5269.07		
				TQ	-148.04	-320.01	4035.91	-148.04	-320.01	3336.80	-142.17	-304.48	3228.30	-142.17	-304.48	2556.89		
				M3	-29.56	-29.44	-1058.91	-29.58	-29.68	-1198.57	-29.58	-35.34	-1198.42	-29.58	-35.34	-1338.12		

BAGO RIVER BRIDGE

BLOCK [ No.1 : MAIN GIRDER ][ BEAM MEMBER FORCE ]

MEMBER				4009			4010			4010			4011					
NODE				4009			4010			4010			4011					
				SHEAR	TORQUE	MOMENT	SHEAR	TORQUE	MOMENT	SHEAR	TORQUE	MOMENT	SHEAR	TORQUE	MOMENT			
NAME	TITLE			S2 (kN)	TQ (kN·m)	M3 (kN·m)	S2 (kN)	TQ (kN·m)	M3 (kN·m)	S2 (kN)	TQ (kN·m)	M3 (kN·m)	S2 (kN)	TQ (kN·m)	M3 (kN·m)			
72	4-LANES	DISPERSION-LMAX	S2	149.31	-10.55	3538.84	104.85	17.53	3136.48	104.85	32.35	3136.36	70.55	40.30	2568.84			
			TQ	6.99	95.78	1991.78	6.13	95.78	2021.95	13.85	106.24	2383.85	-10.78	106.24	2420.23			
			M3	-45.47	-262.36	7988.22	-143.49	-262.36	7541.72	-143.49	-226.73	7542.88	-241.40	-226.73	6633.79			
		MIN	S2	-235.55	-295.28	3040.83	-288.80	-323.79	2801.57	-288.80	-310.55	2803.07	-352.32	-318.50	2261.27			
			TQ	-95.94	-396.69	4726.56	-193.26	-396.69	4044.02	-201.35	-378.52	3658.91	-273.47	-378.52	2506.97			
			M3	-40.37	-43.65	-1430.85	-40.37	-43.65	-1621.48	-40.37	-51.31	-1621.26	-40.37	-51.31	-1811.90			
		73	6-LANES	TRUCK-LOAD	MAX	S2	342.06	-272.94	7249.67	265.59	-147.58	7240.75	265.59	-113.38	7241.37	197.20	-15.69	6826.73
					TQ	-69.40	442.39	5857.22	-69.40	442.39	5529.49	-53.10	469.72	5862.26	-53.10	469.72	5611.50	
					M3	-16.00	-6.43	10077.66	-66.36	33.93	9498.46	-66.36	78.80	9498.20	-111.06	124.75	8612.20	
MIN	S2			-404.72	14.43	9595.15	-474.25	107.05	8785.49	-474.25	148.55	8784.89	-550.42	272.75	7541.28			
	TQ			-151.65	-498.84	6447.35	-151.65	-498.84	5731.19	-133.77	-472.48	5478.34	-133.77	-472.48	4846.64			
	M3			-53.37	12.67	-2182.48	-53.40	12.34	-2434.66	-53.40	0.84	-2434.69	-53.47	0.01	-2687.06			
TANDEM-LOAD	MAX			S2	258.14	-230.51	5407.31	205.43	-145.69	5437.02	205.43	-120.00	5437.65	154.08	-37.25	5164.13		
	TQ			-14.81	310.09	3930.65	-40.52	310.09	3754.94	-36.29	328.15	3838.11	-36.29	328.15	3666.75			
	M3			-43.95	4.76	7225.78	-81.54	42.68	6818.39	-81.54	74.88	6818.11	-109.94	94.99	6204.49			
MIN	S2			-296.62	36.01	6909.08	-347.97	115.31	6332.78	-347.97	145.22	6332.17	-400.46	232.45	5449.30			
	TQ			-102.96	-346.74	4487.56	-102.96	-346.74	4001.34	-88.75	-328.55	3714.29	-88.75	-328.55	3295.16			
	M3			-36.30	9.23	-1486.63	-36.39	8.24	-1658.05	-36.39	0.41	-1658.07	-36.41	0.21	-1829.97			
DISPERSION-LMAX	S2			170.09	-43.81	4885.55	130.43	-18.75	4696.50	130.43	3.44	4696.54	99.88	10.00	4380.35			
	TQ			-52.90	361.33	2563.44	-54.11	361.33	2309.57	-38.92	374.13	3090.01	-63.55	374.13	2877.17			
	M3			-45.15	-90.63	10742.43	-132.96	-90.61	10321.73	-132.96	-41.85	10322.05	-220.33	-41.83	9487.72			
MIN	S2	-279.02	-33.12	3469.41	-326.03	-58.91	2878.90	-326.03	-45.31	2879.14	-382.62	-52.24	2061.01					
	TQ	-61.94	-416.25	5951.47	-148.66	-416.25	5455.22	-162.57	-392.21	4726.61	-225.21	-392.21	3781.60					
	M3	-61.21	11.55	-2492.84	-61.21	11.55	-2781.91	-61.21	-1.59	-2781.93	-61.21	-1.59	-3071.00					

BAGO RIVER BRIDGE

BLOCK [ No.1 : MAIN GIRDER ][ BEAM MEMBER FORCE ]

MEMBER			4009			4010			4010			4011			
NODE			4009			4010			4010			4011			
NAME TITLE			SHEAR	TORQUE	MOMENT	SHEAR	TORQUE	MOMENT	SHEAR	TORQUE	MOMENT	SHEAR	TORQUE	MOMENT	
			S2 (kN)	TQ (kN·m)	M3 (kN·m)	S2 (kN)	TQ (kN·m)	M3 (kN·m)	S2 (kN)	TQ (kN·m)	M3 (kN·m)	S2 (kN)	TQ (kN·m)	M3 (kN·m)	
124	SUM TOTAL	D+1LANE (caseMAX	S2	-424.78	16.08	32023.30	-732.55	16.08	29293.49	-732.55	154.45	29293.08	-1038.69	154.45	25113.54
			TQ	-463.26	367.15	32226.22	-771.03	367.15	29314.67	-771.16	505.63	29316.81	-1077.29	505.63	24954.94
			M3	-448.33	293.16	33179.77	-756.10	293.16	30338.75	-756.10	436.47	30337.02	-1062.15	434.23	26046.65
		MIN	S2	-468.68	211.31	32324.93	-776.46	211.31	29387.76	-776.46	350.13	29386.43	-1082.59	350.13	24999.54
			TQ	-435.78	-17.54	32251.69	-743.56	-17.54	29469.90	-743.43	121.66	29465.45	-1049.57	121.66	25234.52
			M3	-449.65	97.61	30679.81	-757.42	97.61	27832.54	-757.42	229.08	27831.77	-1063.56	229.08	23534.77
		D+1LANE (caseMAX	S2	-418.49	-40.85	32693.95	-726.26	-40.85	29993.84	-726.26	100.84	29993.70	-1032.39	100.84	25843.86
			TQ	-508.02	240.68	33089.01	-815.79	240.68	29966.09	-815.87	382.26	29975.42	-1122.01	382.26	25402.39
			M3	-479.28	163.91	34443.08	-781.98	141.83	31468.38	-781.98	290.47	31467.36	-1078.87	248.85	27070.19
		MIN	S2	-508.55	238.35	33215.49	-816.32	238.35	30090.08	-816.32	380.49	30088.62	-1122.45	380.49	25513.49
			TQ	-419.42	-44.80	32897.36	-727.19	-44.80	30192.87	-727.11	97.80	30181.94	-1033.24	97.80	26028.09
			M3	-455.56	60.67	30607.13	-763.34	60.67	27731.93	-763.34	191.67	27731.34	-1069.47	191.67	23406.41
		D+1LANE (caseMAX	S2	-396.55	-70.11	33401.13	-704.32	-70.11	30804.63	-704.32	75.41	30804.61	-1010.59	76.06	26730.22
			TQ	-546.14	140.60	33951.51	-854.29	140.60	30647.48	-849.87	285.88	30902.25	-1156.00	285.88	26168.67
			M3	-508.66	90.59	35486.67	-796.07	47.79	32406.16	-796.07	200.87	32405.58	-1076.88	147.35	27977.29
		MIN	S2	-550.53	138.52	33940.39	-858.86	138.52	30615.43	-858.86	283.14	30614.43	-1165.43	282.50	25865.24
			TQ	-405.90	-74.55	33656.23	-713.86	-74.55	31015.35	-713.60	70.99	30652.12	-1020.31	70.99	26560.72
			M3	-460.07	31.38	30551.66	-767.84	31.38	27655.18	-767.84	162.02	27654.72	-1073.98	162.02	23308.52
		D+1LANE (caseMAX	S2	-100.97	-91.94	36823.15	-507.13	43.06	33800.32	-507.13	202.72	33799.74	-894.89	293.24	28880.70
			TQ	-348.42	181.54	33406.30	-656.19	181.54	31037.07	-625.90	330.89	31749.81	-961.60	330.89	28039.06
			M3	-345.78	-360.22	38460.14	-776.66	-265.20	35548.47	-776.66	-97.27	35549.32	-1211.41	18.38	30528.98
		MIN	S2	-718.40	-437.91	36097.99	-1117.42	-372.41	33251.79	-1117.42	-215.33	33253.18	-1530.28	-104.14	28373.87
			TQ	-615.73	-496.14	36069.40	-982.54	-496.14	32298.47	-972.53	-345.30	31644.61	-1308.27	-345.30	26226.97
			M3	-469.25	-33.64	30435.92	-777.03	-33.64	27496.07	-777.03	96.24	27495.92	-1083.16	96.24	23106.34

BAGO RIVER BRIDGE

BLOCK [ No.1 : MAIN GIRDER ][ BEAM MEMBER FORCE ]

MEMBER			4009			4010			4010			4011			
NODE			4009			4010			4010			4011			
NAME TITLE			SHEAR	TORQUE	MOMENT	SHEAR	TORQUE	MOMENT	SHEAR	TORQUE	MOMENT	SHEAR	TORQUE	MOMENT	
			S2 (kN)	TQ (kN·m)	M3 (kN·m)	S2 (kN)	TQ (kN·m)	M3 (kN·m)	S2 (kN)	TQ (kN·m)	M3 (kN·m)	S2 (kN)	TQ (kN·m)	M3 (kN·m)	
124	SUM TOTAL	D+2LANES (casMAX	S2	-416.49	2.71	32440.06	-724.27	2.71	29749.36	-724.27	143.24	29749.01	-1030.40	143.24	25608.59
			TQ	-498.86	541.43	33070.47	-806.64	541.43	29990.79	-806.85	683.13	30002.07	-1112.99	683.13	25471.65
			M3	-468.87	406.53	34806.96	-776.39	404.01	31869.67	-776.39	554.55	31867.40	-1081.06	535.52	27486.02
		MIN	S2	-504.23	406.24	33285.02	-812.00	406.24	30180.01	-812.00	548.80	30177.76	-1118.13	548.80	25623.02
			TQ	-430.30	-57.19	33003.30	-738.08	-57.19	30247.38	-737.86	85.67	30233.14	-1044.00	85.67	26028.51
			M3	-461.01	129.46	30095.15	-768.80	129.30	27194.18	-768.80	257.76	27193.27	-1074.96	257.51	22842.51
		D+2LANES (casMAX	S2	-411.25	-44.72	32998.93	-719.02	-44.72	30332.99	-719.02	98.56	30332.86	-1025.16	98.56	26217.19
			TQ	-536.16	436.04	33789.46	-843.94	436.04	30533.63	-844.11	580.32	30550.91	-1150.25	580.32	25844.52
			M3	-494.67	298.82	35859.72	-797.96	277.90	32811.03	-797.96	432.89	32809.35	-1094.99	381.04	28338.97
		MIN	S2	-537.44	428.77	34027.15	-845.22	428.77	30765.28	-845.22	574.10	30762.91	-1151.35	574.10	26051.31
			TQ	-416.66	-79.91	33541.36	-724.44	-79.91	30849.86	-724.26	65.78	30830.21	-1030.39	65.78	26689.81
			M3	-465.94	98.67	30034.59	-773.73	98.52	27110.34	-773.73	226.58	27109.58	-1079.89	226.33	22735.54
		D+2LANES (casMAX	S2	-342.59	-104.91	35432.08	-653.28	-102.96	32886.80	-653.28	52.39	32886.91	-963.20	55.77	28834.77
			TQ	-528.22	126.95	34156.75	-837.20	126.95	30934.36	-831.49	274.11	31468.29	-1137.63	274.11	26821.49
			M3	-530.24	46.19	38801.51	-828.49	-1.34	35550.54	-828.49	166.60	35550.15	-1119.01	107.06	30888.20
		MIN	S2	-656.05	95.56	35953.03	-972.89	92.14	32374.46	-972.89	245.07	32373.66	-1287.12	241.69	27278.30
			TQ	-394.54	-131.57	35853.64	-712.76	-131.57	33243.44	-714.13	24.09	32634.65	-1086.51	24.09	28469.71
			M3	-478.41	17.11	29880.66	-786.18	17.11	26897.58	-786.18	144.17	26897.20	-1092.31	144.17	22464.39
		D+2LANES (casMAX	S2	33.05	-148.04	39807.25	-406.14	27.86	36585.99	-406.14	200.68	36585.45	-822.18	320.03	31323.78
			TQ	-307.86	220.40	34425.96	-615.64	220.40	32248.26	-584.24	375.42	33086.65	-916.77	375.42	29576.38
			M3	-329.02	-514.31	42397.72	-805.48	-390.09	39340.82	-805.48	-204.25	39342.22	-1285.55	-55.27	33936.42
		MIN	S2	-864.30	-611.32	38614.53	-1296.45	-526.24	35674.89	-1296.45	-357.71	35676.98	-1745.63	-214.43	30494.77
			TQ	-702.79	-698.64	38537.67	-1094.16	-698.64	34297.38	-1091.98	-538.47	33508.93	-1455.22	-538.47	27465.79
			M3	-488.69	-55.75	29750.50	-796.55	-56.63	26718.54	-796.55	69.58	26718.51	-1102.68	69.58	22236.74

BAGO RIVER BRIDGE

BLOCK [ No.1 : MAIN GIRDER ][ BEAM MEMBER FORCE ]

MEMBER			4009			4010			4010			4011				
NODE			4009			4010			4010			4011				
NAME TITLE			SHEAR	TORQUE	MOMENT	SHEAR	TORQUE	MOMENT	SHEAR	TORQUE	MOMENT	SHEAR	TORQUE	MOMENT		
			S2 (kN)	TQ (kN·m)	M3 (kN·m)	S2 (kN)	TQ (kN·m)	M3 (kN·m)	S2 (kN)	TQ (kN·m)	M3 (kN·m)	S2 (kN)	TQ (kN·m)	M3 (kN·m)		
124	SUM TOTAL	D+3LANES (casMAX	S2	-406.88	-41.87	33138.33	-714.65	-41.87	30493.05	-714.65	102.18	30492.91	-1020.78	102.18	26397.91	
			TQ	-540.31	615.46	33954.01	-848.08	615.46	30678.61	-848.32	760.42	30695.07	-1154.46	760.42	25968.80	
			M3	-494.46	446.42	36389.16	-798.42	428.63	33339.78	-798.42	586.11	33337.39	-1096.76	540.45	28862.38	
		MIN	S2	-545.24	498.89	34225.97	-853.01	498.89	30927.28	-853.01	644.98	30924.58	-1159.15	644.98	26176.16	
			TQ	-419.27	-95.59	33761.17	-727.04	-95.59	31057.35	-726.81	51.08	31037.75	-1032.94	51.08	26885.33	
			M3	-470.98	137.77	29667.00	-778.76	137.64	26718.97	-778.76	263.85	26718.02	-1084.92	263.64	22320.21	
		D+3LANES (casMAX	S2	-237.13	-132.69	37871.51	-571.63	-100.42	35097.60	-571.63	65.38	35097.68	-904.11	93.39	30699.90	
			TQ	-476.60	149.03	34778.60	-785.40	149.03	31800.60	-774.82	300.73	32466.72	-1080.96	300.73	28087.56	
			M3	-507.69	-74.19	41681.29	-844.79	-95.60	38364.58	-844.79	85.63	38364.61	-1176.73	59.54	33422.27	
		MIN	S2	-764.79	-51.93	37773.58	-1108.43	-45.76	34195.76	-1108.43	115.78	34195.59	-1455.91	136.55	28989.47	
			TQ	-492.54	-265.35	37709.66	-831.33	-265.35	34588.17	-837.24	-103.71	33885.74	-1222.27	-103.71	29097.24	
			M3	-493.12	-7.57	29392.52	-800.95	-8.24	26339.89	-800.95	116.18	26339.64	-1107.08	116.18	21837.08	
		D+3LANES (casMAX	S2	47.87	-166.37	41377.55	-385.90	-4.76	37986.05	-385.90	174.68	37985.65	-798.81	286.61	32587.12	
			TQ	-309.90	200.50	34490.60	-617.67	200.50	32303.28	-588.45	355.61	33105.33	-917.03	355.61	29579.82	
			M3	-355.09	-530.24	44504.16	-831.37	-415.44	41295.55	-831.37	-220.36	41297.05	-1307.69	-86.22	35746.32	
		MIN	S2	-928.16	-612.49	39877.20	-1359.18	-534.74	36828.47	-1359.18	-360.77	36830.59	-1802.14	-233.51	31536.98	
			TQ	-734.94	-717.83	39882.33	-1130.38	-717.83	35480.36	-1130.41	-551.94	34742.11	-1501.29	-551.94	28503.86	
			M3	-499.95	-56.05	29306.13	-807.80	-56.80	26221.04	-807.80	67.06	26221.02	-1113.93	67.06	21686.13	
		D+4LANES	MAX	S2	-93.41	-159.45	39016.57	-484.47	-51.34	35954.24	-484.47	118.50	35954.08	-862.63	194.58	30897.13
			TQ	-414.71	208.23	34957.77	-723.04	208.23	32273.66	-704.10	362.27	32819.71	-1026.25	362.27	28755.63	
			M3	-445.49	-319.83	42678.82	-858.08	-270.38	39325.51	-858.08	-84.61	39326.35	-1268.14	-27.27	33959.20	
		MIN	S2	-851.98	-350.16	39291.75	-1244.06	-305.94	35991.73	-1244.06	-135.92	35992.77	-1648.36	-49.83	30684.95	
			TQ	-646.48	-530.16	38562.35	-1017.51	-530.16	34636.36	-1009.11	-367.70	34130.80	-1362.12	-367.70	28514.52	
			M3	-490.68	-29.23	29571.77	-798.50	-29.78	26530.60	-798.50	95.54	26530.44	-1104.64	95.54	22039.44	

BAGO RIVER BRIDGE

BLOCK [ No.1 : MAIN GIRDER ][ BEAM MEMBER FORCE ]

MEMBER				4009			4010			4010			4011			
NODE				4009			4010			4010			4011			
NAME TITLE				SHEAR	TORQUE	MOMENT	SHEAR	TORQUE	MOMENT	SHEAR	TORQUE	MOMENT	SHEAR	TORQUE	MOMENT	
				S2 (kN)	TQ (kN·m)	M3 (kN·m)	S2 (kN)	TQ (kN·m)	M3 (kN·m)	S2 (kN)	TQ (kN·m)	M3 (kN·m)	S2 (kN)	TQ (kN·m)	M3 (kN·m)	
124	SUM TOTAL	D+6LANES	MAX	S2	-103.35	-178.59	39399.42	-486.61	-80.82	36486.74	-486.61	91.54	36486.72	-857.05	159.30	31777.96
				TQ	-515.74	549.71	36984.96	-824.30	549.71	33822.92	-803.84	711.50	34546.05	-1125.98	711.50	30010.99
				M3	-476.00	-35.79	45044.59	-873.58	-9.54	41610.66	-873.58	187.02	41610.24	-1265.56	216.90	36258.30
			MIN	S2	-880.68	15.14	40003.49	-1264.21	58.59	36309.39	-1264.21	230.11	36308.70	-1656.64	306.33	30734.85
				TQ	-575.08	-567.51	39570.75	-939.22	-567.51	35998.70	-936.64	-399.05	35360.30	-1283.49	-399.05	30101.72
				M3	-510.72	43.04	28472.56	-818.52	42.82	25336.77	-818.52	162.51	25336.28	-1124.70	161.97	20750.62
	SUM TOTAL		MAX		47.87	615.46	45044.59	-385.90	615.46	41610.66	-385.90	760.42	41610.24	-798.81	760.42	36258.30
			MIN		-928.16	-717.83	28472.56	-1359.18	-717.83	25336.77	-1359.18	-551.94	25336.28	-1802.14	-551.94	20750.62
300	DEAD LOAD	TOTAL			-436.25	27.30	31511.52	-744.02	27.30	28727.53	-744.02	163.00	28727.08	-1050.16	163.00	24493.36
301	LIVE LOAD	1-LANE(case1MAX	S2		11.47	-11.22	511.78	11.47	-11.22	565.95	11.47	-8.54	566.00	11.47	-8.54	620.18
			TQ		-27.01	339.86	714.70	-27.01	339.86	587.14	-27.14	342.63	589.73	-27.14	342.63	461.58
			M3		-12.08	265.87	1668.24	-12.08	265.87	1611.22	-12.08	273.48	1609.94	-11.99	271.23	1553.29
			MIN	S2	-32.43	184.01	813.40	-32.43	184.01	660.23	-32.43	187.13	659.35	-32.43	187.13	506.18
				TQ	0.47	-44.83	740.17	0.47	-44.83	742.37	0.59	-41.34	738.37	0.59	-41.34	741.16
				M3	-13.40	70.31	-831.72	-13.40	70.31	-894.99	-13.40	66.08	-895.31	-13.40	66.08	-958.59
		1-LANE(case2MAX	S2		17.76	-68.14	1182.43	17.76	-68.14	1266.31	17.76	-62.16	1266.62	17.76	-62.16	1350.50
			TQ		-71.77	213.38	1577.49	-71.77	213.38	1238.56	-71.85	219.26	1248.34	-71.85	219.26	909.03
			M3		-43.03	136.61	2931.55	-37.96	114.53	2740.85	-37.96	127.48	2740.28	-28.71	85.85	2576.83
			MIN	S2	-72.30	211.05	1703.96	-72.30	211.05	1362.55	-72.30	217.49	1361.54	-72.30	217.49	1020.13
				TQ	16.83	-72.10	1385.84	16.83	-72.10	1465.34	16.91	-65.20	1454.85	16.91	-65.20	1534.73
				M3	-19.31	33.37	-904.39	-19.31	33.37	-995.60	-19.31	28.67	-995.74	-19.31	28.67	-1086.95
		1-LANE(case3MAX	S2		39.70	-97.40	1889.60	39.70	-97.40	2077.10	39.70	-87.59	2077.53	39.57	-86.94	2236.86
			TQ		-109.89	113.30	2439.98	-110.26	113.30	1919.95	-105.85	122.88	2175.17	-105.85	122.88	1675.31
			M3		-72.41	63.30	3975.15	-52.05	20.49	3678.63	-52.05	37.87	3678.49	-26.73	-15.65	3483.93
			MIN	S2	-114.28	111.22	2428.87	-114.84	111.22	1887.90	-114.84	120.14	1887.35	-115.27	119.50	1371.88
				TQ	30.35	-101.85	2144.70	30.17	-101.85	2287.82	30.42	-92.01	1925.04	29.85	-92.01	2067.36
				M3	-23.82	4.08	-959.87	-23.82	4.08	-1072.35	-23.82	-0.98	-1072.36	-23.82	-0.98	-1184.84



BAGO RIVER BRIDGE

BLOCK [ No.1 : MAIN GIRDER ][ BEAM MEMBER FORCE ]

MEMBER			4009			4010			4010			4011			
NODE			4009			4010			4010			4011			
NAME TITLE			SHEAR	TORQUE	MOMENT	SHEAR	TORQUE	MOMENT	SHEAR	TORQUE	MOMENT	SHEAR	TORQUE	MOMENT	
			S2 (kN)	TQ (kN·m)	M3 (kN·m)	S2 (kN)	TQ (kN·m)	M3 (kN·m)	S2 (kN)	TQ (kN·m)	M3 (kN·m)	S2 (kN)	TQ (kN·m)	M3 (kN·m)	
301	LIVE LOAD	1-LANE (case4MAX	S2	335.28	-119.24	5311.63	236.89	15.76	5072.79	236.89	39.73	5072.66	155.26	130.24	4387.34
			TQ	87.83	154.25	1894.77	87.83	154.25	2309.54	118.12	167.89	3022.73	88.56	167.89	3545.70
			M3	90.47	-387.52	6948.61	-32.64	-292.49	6820.94	-32.64	-260.27	6822.24	-161.26	-144.62	6035.62
			MIN S2	-282.15	-465.21	4586.46	-373.39	-399.70	4524.26	-373.39	-378.33	4526.10	-480.13	-267.14	3880.51
			TQ	-179.49	-523.43	4557.88	-238.52	-523.43	3570.94	-228.51	-508.30	2917.53	-258.12	-508.30	1733.61
			M3	-33.00	-60.94	-1075.60	-33.00	-60.94	-1231.46	-33.00	-66.76	-1231.16	-33.00	-66.76	-1387.02
		2-LANES (caseMAX	S2	19.76	-24.58	928.53	19.76	-24.58	1021.83	19.76	-19.76	1021.93	19.76	-19.76	1115.23
			TQ	-62.61	514.14	1558.94	-62.61	514.14	1263.26	-62.83	520.13	1274.99	-62.83	520.13	978.29
			M3	-32.62	379.24	3295.44	-32.37	376.71	3142.14	-32.37	391.55	3140.32	-30.90	372.52	2992.66
			MIN S2	-67.98	378.94	1773.49	-67.98	378.94	1452.48	-67.98	385.80	1450.68	-67.98	385.80	1129.66
			TQ	5.95	-84.48	1491.77	5.95	-84.48	1519.85	6.16	-77.33	1506.06	6.16	-77.33	1535.15
			M3	-24.76	102.16	-1416.37	-24.78	102.01	-1533.35	-24.78	94.76	-1533.82	-24.80	94.51	-1650.85
		2-LANES (caseMAX	S2	25.00	-72.02	1487.40	25.00	-72.02	1605.46	25.00	-64.43	1605.78	25.00	-64.43	1723.83
			TQ	-99.91	408.75	2277.94	-99.91	408.75	1806.10	-100.09	417.32	1823.83	-100.09	417.32	1351.16
			M3	-58.42	271.53	4348.19	-53.93	250.60	4083.50	-53.93	269.89	4082.27	-44.83	218.04	3845.61
			MIN S2	-101.19	401.48	2515.63	-101.19	401.48	2037.75	-101.19	411.10	2035.83	-101.19	411.10	1557.95
			TQ	19.59	-107.20	2029.83	19.59	-107.20	2122.33	19.76	-97.22	2103.13	19.76	-97.22	2196.45
			M3	-29.69	71.38	-1476.93	-29.71	71.23	-1617.19	-29.71	63.59	-1617.51	-29.73	63.33	-1757.82
		2-LANES (caseMAX	S2	93.66	-132.21	3920.56	90.74	-130.26	4159.26	90.74	-110.61	4159.83	86.96	-107.22	4341.41
			TQ	-91.97	99.66	2645.22	-93.18	99.66	2206.83	-87.47	111.11	2741.21	-87.47	111.11	2328.13
			M3	-93.99	18.89	7289.99	-84.47	-28.63	6823.01	-84.47	3.60	6823.07	-68.86	-55.94	6394.84
			MIN S2	-219.80	68.27	4441.50	-228.87	64.85	3646.93	-228.87	82.07	3646.58	-236.96	78.69	2784.94
			TQ	41.71	-158.87	4342.12	31.27	-158.87	4515.91	29.89	-138.91	3907.57	-36.36	-138.91	3976.35
			M3	-42.16	-10.18	-1630.86	-42.16	-10.18	-1829.95	-42.16	-18.83	-1829.88	-42.16	-18.83	-2028.97

BAGO RIVER BRIDGE

BLOCK [ No.1 : MAIN GIRDER ][ BEAM MEMBER FORCE ]

MEMBER			4009			4010			4010			4011				
NODE			4009			4010			4010			4011				
NAME TITLE			SHEAR	TORQUE	MOMENT	SHEAR	TORQUE	MOMENT	SHEAR	TORQUE	MOMENT	SHEAR	TORQUE	MOMENT		
			S2 (kN)	TQ (kN·m)	M3 (kN·m)	S2 (kN)	TQ (kN·m)	M3 (kN·m)	S2 (kN)	TQ (kN·m)	M3 (kN·m)	S2 (kN)	TQ (kN·m)	M3 (kN·m)		
301	LIVE LOAD	2-LANES (caseMAX	S2	469.30	-175.33	8295.73	337.88	0.56	7858.46	337.88	37.68	7858.37	227.97	157.03	6830.42	
			TQ	128.39	193.10	2914.43	128.39	193.10	3520.73	159.79	212.42	4359.57	133.39	212.42	5083.02	
			M3	107.23	-541.61	10886.20	-61.46	-417.39	10613.29	-61.46	-367.25	10615.14	-235.40	-218.27	9443.06	
			MIN	S2	-428.05	-638.61	7103.00	-552.43	-553.53	6947.36	-552.43	-520.71	6949.89	-695.47	-377.43	6001.41
			TQ	-266.54	-725.93	7026.14	-350.14	-725.93	5569.85	-347.95	-701.47	4781.85	-405.06	-701.47	2972.43	
			M3	-52.44	-83.04	-1761.02	-52.53	-83.93	-2008.99	-52.53	-93.42	-2008.57	-52.53	-93.42	-2256.62	
		3-LANES (caseMAX	S2	29.37	-69.16	1626.80	29.37	-69.16	1765.52	29.37	-60.82	1765.83	29.37	-60.82	1904.55	
			TQ	-104.06	588.16	2442.49	-104.06	588.16	1951.08	-104.30	597.42	1967.98	-104.30	597.42	1475.44	
			M3	-58.21	419.12	4877.64	-54.40	401.33	4612.25	-54.40	423.12	4610.30	-46.60	377.46	4369.01	
			MIN	S2	-108.99	471.60	2714.44	-108.99	471.60	2199.75	-108.99	481.98	2197.50	-108.99	481.98	1682.80
			TQ	16.98	-122.88	2249.64	16.98	-122.88	2329.82	17.22	-111.92	2310.67	17.22	-111.92	2391.97	
			M3	-34.73	110.47	-1844.53	-34.74	110.35	-2008.56	-34.74	100.86	-2009.06	-34.76	100.64	-2173.15	
		3-LANES (caseMAX	S2	199.12	-159.98	6359.99	172.40	-127.72	6370.07	172.40	-97.62	6370.60	146.05	-69.61	6206.54	
			TQ	-40.35	121.74	3267.08	-41.38	121.74	3073.07	-30.80	137.73	3739.64	-30.80	137.73	3594.20	
			M3	-71.44	-101.48	10169.77	-100.76	-122.89	9637.05	-100.76	-77.37	9637.53	-126.58	-103.46	8928.91	
			MIN	S2	-328.54	-79.22	6262.06	-364.41	-73.05	5468.22	-364.41	-47.22	5468.51	-405.75	-26.45	4496.11
			TQ	-56.29	-292.65	6198.14	-87.31	-292.65	5860.64	-93.22	-266.71	5158.66	-172.12	-266.71	4603.88	
			M3	-56.87	-34.86	-2119.01	-56.93	-35.54	-2387.64	-56.93	-46.82	-2387.45	-56.93	-46.82	-2656.28	
		3-LANES (caseMAX	S2	484.12	-193.66	9866.03	358.12	-32.06	9258.52	358.12	11.68	9258.56	251.35	123.61	8093.76	
			TQ	126.35	173.20	2979.08	126.35	173.20	3575.75	155.57	192.62	4378.25	133.13	192.62	5086.46	
			M3	81.16	-557.53	12992.64	-87.35	-442.73	12568.02	-87.35	-383.36	12569.97	-257.53	-249.22	11252.96	
MIN	S2		-491.91	-639.78	8365.68	-615.16	-562.04	8100.94	-615.16	-523.77	8103.51	-751.99	-396.51	7043.62		
TQ	-298.69		-745.12	8370.80	-386.36	-745.12	6752.83	-386.39	-714.94	6015.02	-451.13	-714.94	4010.50			
M3	-63.70		-83.35	-2205.40	-63.77	-84.10	-2506.49	-63.77	-95.94	-2506.06	-63.77	-95.94	-2807.23			

BAGO RIVER BRIDGE

BLOCK [ No.1 : MAIN GIRDER ][ BEAM MEMBER FORCE ]

MEMBER				4009			4010			4010			4011			
NODE				4009			4010			4010			4011			
NAME TITLE				SHEAR	TORQUE	MOMENT	SHEAR	TORQUE	MOMENT	SHEAR	TORQUE	MOMENT	SHEAR	TORQUE	MOMENT	
				S2 (kN)	TQ (kN·m)	M3 (kN·m)	S2 (kN)	TQ (kN·m)	M3 (kN·m)	S2 (kN)	TQ (kN·m)	M3 (kN·m)	S2 (kN)	TQ (kN·m)	M3 (kN·m)	
301	LIVE LOAD	4-LANES	MAX	S2	342.84	-186.75	7505.04	259.56	-78.64	7226.71	259.56	-44.50	7227.00	187.52	31.58	6403.77
				TQ	21.54	180.93	3446.24	20.98	180.93	3546.13	39.92	199.27	4092.63	23.91	199.27	4262.27
				M3	-9.24	-347.13	11167.30	-114.06	-297.68	10597.98	-114.06	-247.61	10599.27	-217.98	-190.27	9465.84
		MIN	S2	-415.73	-377.46	7780.22	-500.04	-333.24	7264.20	-500.04	-298.92	7265.69	-598.20	-212.83	6191.59	
			TQ	-210.23	-557.46	7050.82	-273.49	-557.46	5908.83	-265.09	-530.70	5403.72	-311.96	-530.70	4021.16	
			M3	-54.43	-56.53	-1939.75	-54.48	-57.08	-2196.93	-54.48	-67.46	-2196.64	-54.48	-67.46	-2453.92	
	6-LANES	MAX	S2	332.90	-205.89	7887.89	257.41	-108.12	7759.21	257.41	-71.46	7759.64	193.10	-3.70	7284.60	
			TQ	-79.49	522.42	5473.43	-80.28	522.42	5095.39	-59.81	548.50	5818.97	-75.82	548.50	5517.63	
			M3	-39.75	-63.09	13533.06	-129.56	-36.84	12883.13	-129.56	24.02	12883.16	-215.40	53.90	11764.94	
		MIN	S2	-444.43	-12.15	8491.96	-520.18	31.30	7581.85	-520.18	67.11	7581.62	-606.48	143.33	6241.49	
			TQ	-138.83	-594.81	8059.23	-195.20	-594.81	7271.17	-192.62	-562.05	6633.22	-233.34	-562.05	5608.36	
			M3	-74.47	15.74	-3038.96	-74.50	15.53	-3390.76	-74.50	-0.49	-3390.80	-74.54	-1.03	-3742.74	
	LIVE LOAD	MAX		484.12	588.16	13533.06	358.12	588.16	12883.13	358.12	597.42	12883.16	251.35	597.42	11764.94	
		MIN		-491.91	-745.12	-3038.96	-615.16	-745.12	-3390.76	-615.16	-714.94	-3390.80	-751.99	-714.94	-3742.74	
	303	SUM TOTAL	TOTAL	MAX		47.87	615.46	45044.59	-385.90	615.46	41610.66	-385.90	760.42	41610.24	-798.81	760.42
MIN					-928.16	-717.83	28472.56	-1359.18	-717.83	25336.77	-1359.18	-551.94	25336.28	-1802.14	-551.94	20750.62

BAGO RIVER BRIDGE

BLOCK [ No.1 : MAIN GIRDER ][ BEAM MEMBER FORCE ]

MEMBER NODE	4011	4012			4013			4012	4012			4013				
		SHEAR	TORQUE	MOMENT	SHEAR	TORQUE	MOMENT		SHEAR	TORQUE	MOMENT	SHEAR	TORQUE	MOMENT		
NAME TITLE	S2 (kN)	TQ (kN·m)	M3 (kN·m)	S2 (kN)	TQ (kN·m)	M3 (kN·m)	S2 (kN)	TQ (kN·m)	M3 (kN·m)	S2 (kN)	TQ (kN·m)	M3 (kN·m)	S2 (kN)	TQ (kN·m)	M3 (kN·m)	
1 PAVEMENT	-202.80	-24.94	4619.40	-264.22	-24.94	3516.83	-264.22	-8.33	3516.90	-325.07	-8.33	2125.62				
3 RAILING	-2.94	-2.23	112.07	-6.03	-2.23	91.04	-6.03	-1.80	91.05	-9.12	-1.80	55.42				
5 CURB	-29.12	-22.05	1109.53	-59.65	-22.05	901.33	-59.65	-17.79	901.42	-90.33	-17.79	548.61				
7 DECK WEIGHT	-310.31	-11.06	7171.14	-405.06	-11.06	5482.67	-405.06	14.84	5482.66	-499.04	14.84	3348.50				
8 GIRDER WEIGH	-344.87	252.60	8041.35	-433.17	252.60	6204.22	-433.17	281.90	6202.96	-521.46	281.90	3948.86				
10 MEDIAN STRIP	-63.52	98.32	1333.35	-63.52	98.32	1033.39	-63.52	103.20	1032.91	-63.52	103.20	732.95				
21 ADITIONAL WE	-86.89	-3.10	2007.92	-113.42	-3.10	1535.15	-113.42	4.16	1535.14	-139.73	4.16	937.58				
31 MEDIAN RAILI	-5.28	7.86	98.19	-5.28	7.86	73.27	-5.28	8.20	73.23	-5.28	8.20	48.31				
51 SUPPORT WEIG	-0.00	-0.00	-0.00	-0.00	-0.00	-0.00	-0.00	-0.00	-0.00	-0.00	-0.00	-0.00				
52 NOSE WEIGHT	0.03	0.60	-0.16	0.03	0.60	-0.03	0.03	0.60	-0.03	0.03	0.60	0.10				
61 1-LANE(case1TRUCK-LOAD	MAX	S2	3.37	-3.86	-227.66	3.37	-3.86	-211.74	3.37	-4.86	-211.72	3.37	-4.86	-195.80		
		TQ	-17.51	239.97	446.03	-17.51	239.97	363.33	-17.51	241.68	362.19	-17.51	241.68	279.49		
		M3	-17.51	239.97	446.03	-16.16	239.08	366.30	-16.16	240.80	365.16	-15.30	237.60	290.83		
	MIN	S2	-18.80	224.74	421.11	-18.80	224.74	332.35	-18.80	226.30	331.28	-18.80	226.30	242.51		
		TQ	3.00	-4.90	-148.56	3.00	-4.90	-134.41	3.00	-5.54	-134.38	3.00	-5.54	-120.22		
		M3	1.28	-1.71	-365.80	1.21	-1.71	-360.04	1.21	-3.41	-360.03	1.21	-3.41	-354.31		
	TANDEM-LOAD MAX	S2	2.31	-3.06	-132.00	2.31	-3.06	-121.10	2.31	-3.64	-121.08	2.31	-3.64	-110.17		
		TQ	-11.67	164.05	304.29	-11.67	164.05	249.19	-11.67	165.22	248.41	-11.67	165.22	193.31		
		M3	-11.67	164.05	304.29	-11.29	163.80	250.02	-11.29	164.98	249.24	-10.01	160.65	199.15		
	MIN	S2	-12.85	149.11	279.90	-12.85	149.11	219.23	-12.85	150.14	218.52	-12.85	150.14	157.86		
		TQ	1.81	-3.58	-72.94	1.81	-3.58	-64.40	1.81	-3.88	-64.39	1.81	-3.88	-55.85		
		M3	0.74	-1.17	-248.67	0.74	-1.17	-245.18	0.74	-2.33	-245.17	0.74	-2.33	-241.68		
	DISPERSION-LMAX	S2	5.99	0.05	28.74	5.99	0.05	57.04	5.99	0.32	57.04	5.99	0.32	85.34		
		TQ	-19.49	262.89	854.66	-19.49	262.89	762.61	-19.49	266.49	761.36	-19.49	266.49	669.30		
		M3	-19.49	262.89	854.66	-19.49	262.89	762.61	-19.49	266.49	761.36	-19.49	266.49	669.30		
	MIN	S2	-23.66	259.21	391.11	-23.66	259.21	279.38	-23.66	260.52	278.16	-23.66	260.52	166.43		
		TQ	1.83	-3.64	-434.81	1.83	-3.64	-426.18	1.83	-5.65	-426.16	1.83	-5.65	-417.53		
		M3	1.83	-3.64	-434.81	1.83	-3.64	-426.18	1.83	-5.65	-426.16	1.83	-5.65	-417.53		

BAGO RIVER BRIDGE

BLOCK [ No.1 : MAIN GIRDER ][ BEAM MEMBER FORCE ]

MEMBER				4011			4012			4013					
NODE				4011			4012			4013					
				SHEAR	TORQUE	MOMENT	SHEAR	TORQUE	MOMENT	SHEAR	TORQUE	MOMENT			
NAME	TITLE			S2 (kN)	TQ (kN·m)	M3 (kN·m)	S2 (kN)	TQ (kN·m)	M3 (kN·m)	S2 (kN)	TQ (kN·m)	M3 (kN·m)			
62	1-LANE (case2TRUCK-LOAD	MAX	S2	2.73	1.79	193.12	2.73	1.79	206.02	2.73	2.76	206.01	2.73	2.76	218.90
			TQ	-42.98	138.45	823.91	-42.98	138.45	620.96	-42.98	141.38	620.30	-42.98	141.38	417.34
			M3	-37.80	120.91	868.79	-35.32	111.43	693.68	-35.32	114.70	693.14	-27.29	82.09	544.05
		MIN	S2	-42.98	138.45	823.91	-42.98	138.45	620.96	-42.98	141.38	620.30	-42.98	141.38	417.34
			TQ	-0.97	-4.03	215.81	-0.97	-4.03	211.25	-3.82	-5.14	-424.47	-3.82	-5.14	-442.52
			M3	-3.68	-3.02	-413.87	-3.68	-3.02	-431.26	-3.68	-5.05	-431.24	-3.71	-5.08	-448.73
		TANDEM-LOAD MAX	S2	1.85	1.21	131.08	1.85	1.21	139.84	1.85	1.87	139.84	1.85	1.87	148.60
			TQ	-29.42	94.83	569.15	-29.42	94.83	430.20	-29.42	96.86	429.75	-29.42	96.86	290.80
			M3	-26.62	85.80	593.80	-23.24	73.27	474.00	-23.24	75.51	473.65	-17.43	50.96	372.34
		MIN	S2	-29.42	94.83	569.15	-29.42	94.83	430.20	-29.42	96.86	429.75	-29.42	96.86	290.80
			TQ	-1.17	-3.15	199.42	-1.17	-3.15	193.87	-2.60	-3.51	-290.60	-2.60	-3.51	-302.87
			M3	-2.48	-2.04	-281.68	-2.48	-2.04	-293.40	-2.48	-3.42	-293.39	-2.48	-3.42	-305.11
		DISPERSION-LMAX	S2	4.62	2.59	336.00	4.62	2.59	357.84	4.62	4.28	357.82	4.62	4.28	379.66
			TQ	-36.94	131.41	1180.62	-36.94	131.41	1006.19	-36.92	136.24	1034.36	-36.92	136.24	860.03
			M3	-37.04	129.97	1282.82	-37.04	129.97	1107.91	-37.04	135.20	1107.29	-37.04	135.20	932.39
MIN	S2	-46.07	124.42	454.10	-46.07	124.42	236.55	-46.07	125.53	235.96	-46.07	125.53	18.40		
	TQ	-4.51	-4.40	-390.52	-4.51	-4.40	-411.80	-4.53	-6.42	-440.58	-4.53	-6.42	-461.97		
	M3	-4.41	-2.96	-492.72	-4.41	-2.96	-513.53	-4.41	-5.39	-513.51	-4.41	-5.39	-534.32		
63	1-LANE (case3TRUCK-LOAD	MAX	S2	5.75	-36.95	486.71	5.75	-36.95	513.85	5.75	-34.52	514.02	5.75	-34.52	541.16
			TQ	-67.27	60.68	1244.08	-67.27	60.68	926.38	-67.27	65.06	926.08	-67.27	65.06	608.38
			M3	-58.38	51.94	1295.99	-49.73	33.23	1032.76	-49.73	38.11	1032.59	-22.82	-9.21	863.38
		MIN	S2	-67.67	60.21	1213.54	-67.67	60.21	893.96	-67.67	64.44	893.66	-67.67	64.44	574.08
			TQ	0.83	-43.82	745.77	0.83	-43.82	749.67	0.83	-40.28	749.87	0.83	-40.28	753.77
			M3	-7.58	-4.22	-451.07	-7.58	-4.22	-486.89	-7.58	-6.52	-486.86	-7.58	-6.52	-522.68

BAGO RIVER BRIDGE

BLOCK [ No.1 : MAIN GIRDER ][ BEAM MEMBER FORCE ]

MEMBER		4011			4012			4012			4013						
NODE		4011			4012			4012			4013						
		SHEAR	TORQUE	MOMENT	SHEAR	TORQUE	MOMENT	SHEAR	TORQUE	MOMENT	SHEAR	TORQUE	MOMENT				
NAME	TITLE	S2 (kN)	TQ (kN·m)	M3 (kN·m)	S2 (kN)	TQ (kN·m)	M3 (kN·m)	S2 (kN)	TQ (kN·m)	M3 (kN·m)	S2 (kN)	TQ (kN·m)	M3 (kN·m)				
63	1-LANE (case3TANDEM-LOAD	MAX	S2	4.30	-23.24	296.03	4.30	-23.24	316.34	4.30	-21.75	316.44	4.30	-21.75	336.76		
			TQ	-46.33	43.38	864.09	-46.33	43.38	645.29	-46.33	46.43	645.08	-46.33	46.43	426.28		
			M3	-39.36	35.56	892.18	-37.54	30.34	706.53	-37.54	33.68	706.38	-7.40	-20.87	591.48		
		MIN	S2	-46.33	43.38	864.09	-46.33	43.38	645.29	-46.33	46.43	645.08	-46.33	46.43	426.28		
			TQ	2.63	-32.17	471.03	2.63	-32.17	483.45	2.63	-29.89	483.60	2.63	-29.89	496.01		
			M3	-5.17	-2.87	-307.33	-5.17	-2.87	-331.75	-5.17	-4.43	-331.73	-5.17	-4.43	-356.15		
			DISPERSION-LMAX	S2	6.87	-7.69	480.06	6.87	-7.69	512.52	6.87	-5.27	512.55	6.87	-5.27	545.01	
				TQ	-46.91	41.61	1188.83	-47.19	41.61	966.40	-47.81	46.30	1013.53	-47.81	46.30	787.76	
				M3	-49.05	25.06	1609.39	-49.53	25.06	1376.64	-49.53	31.56	1376.50	-50.02	31.56	1141.44	
			MIN	S2	-65.04	29.24	592.99	-65.52	29.24	284.71	-65.52	30.59	284.57	-66.02	30.59	-26.02	
				TQ	-11.25	-20.05	-115.79	-11.46	-20.05	-169.17	-10.84	-20.98	-216.41	-11.34	-20.98	-268.76	
				M3	-9.12	-3.50	-536.35	-9.12	-3.50	-579.41	-9.12	-6.24	-579.39	-9.12	-6.24	-622.45	
64	1-LANE (case4TRUCK-LOAD	MAX	S2	182.54	-195.53	2528.01	122.08	-89.16	2297.39	122.08	-78.30	2297.79	70.43	0.42	1789.01		
			TQ	33.92	25.71	645.21	33.92	25.71	805.38	33.92	29.52	805.25	33.92	29.52	965.43		
			M3	43.49	-272.34	2679.95	-12.03	-185.97	2468.47	-12.03	-174.31	2469.32	-72.78	-68.93	1947.70		
		MIN	S2	-176.28	-290.93	2629.30	-230.23	-213.66	2437.21	-230.23	-202.15	2438.20	-288.69	-101.50	1889.72		
			TQ	-117.87	-322.68	1681.95	-117.87	-322.68	1125.33	-117.87	-317.36	1126.85	-117.87	-317.36	570.23		
			M3	-16.05	-7.62	-530.65	-16.05	-7.62	-606.44	-16.05	-10.49	-606.39	-16.05	-10.49	-682.18		
			TANDEM-LOAD	MAX	S2	143.45	-167.18	2002.76	101.68	-94.34	1859.96	101.68	-85.55	1860.38	60.91	-14.93	1496.28
				TQ	18.98	19.99	383.23	18.98	19.99	472.87	18.98	22.22	472.77	18.98	22.22	562.40	
				M3	9.32	-181.05	2019.86	-31.28	-113.48	1880.42	-31.28	-104.59	1880.94	-73.81	-29.38	1516.01	
			MIN	S2	-134.10	-181.05	2019.86	-174.99	-113.48	1880.42	-174.99	-104.59	1880.94	-217.80	-29.38	1516.01	
				TQ	-82.26	-221.47	1178.23	-82.26	-221.47	789.77	-82.26	-217.74	790.81	-82.26	-217.74	402.35	
				M3	-10.86	-5.09	-361.50	-10.86	-5.09	-412.78	-10.86	-7.04	-412.75	-10.86	-7.04	-464.03	

BAGO RIVER BRIDGE

BLOCK [ No.1 : MAIN GIRDER ][ BEAM MEMBER FORCE ]

MEMBER			4011			4012			4012			4013					
NODE			4011			4012			4012			4013					
NAME TITLE			SHEAR	TORQUE	MOMENT	SHEAR	TORQUE	MOMENT	SHEAR	TORQUE	MOMENT	SHEAR	TORQUE	MOMENT			
			S2 (kN)	TQ (kN·m)	M3 (kN·m)	S2 (kN)	TQ (kN·m)	M3 (kN·m)	S2 (kN)	TQ (kN·m)	M3 (kN·m)	S2 (kN)	TQ (kN·m)	M3 (kN·m)			
64	1-LANE (case4DISPERSION-LMAX	S2	58.20	-26.19	1118.09	36.19	-2.04	985.72	36.19	2.62	985.71	21.41	12.51	809.93			
		TQ	15.94	10.53	522.29	15.94	10.53	597.56	16.48	13.39	609.97	16.48	13.39	687.80			
		M3	-29.24	-279.68	2337.86	-78.64	-279.68	2083.18	-78.64	-269.84	2084.47	-128.15	-269.84	1596.24			
		MIN	S2	-105.89	-263.75	596.01	-133.29	-287.90	386.56	-133.29	-286.07	387.92	-168.01	-295.96	-11.67		
		TQ	-63.63	-300.46	1191.82	-113.04	-300.46	774.72	-113.58	-296.84	763.66	-163.08	-296.84	110.45			
		M3	-18.45	-10.25	-623.75	-18.45	-10.25	-710.90	-18.45	-13.61	-710.84	-18.45	-13.61	-797.99			
		65	2-LANES (caseTRUCK-LOAD	MAX	S2	5.89	-2.14	-36.22	5.89	-2.14	-8.39	5.89	-2.18	-8.38	5.89	-2.18	19.46
				TQ	-46.94	429.77	1067.18	-46.94	429.77	845.52	-46.94	433.76	843.48	-46.94	433.76	621.82	
				M3	-45.09	422.05	1081.52	-42.66	414.81	874.45	-42.66	418.94	872.48	-39.39	399.41	680.69	
MIN	S2			-48.39	412.97	1018.95	-48.39	412.97	790.41	-48.39	416.70	788.45	-48.39	416.70	559.91		
TQ	1.41			-7.35	-526.74	1.41	-7.35	-520.07	1.52	-9.82	-525.55	1.52	-9.82	-518.37			
M3	0.05			-4.08	-755.35	-0.02	-4.09	-755.38	-0.02	-7.65	-755.36	-0.06	-7.67	-755.57			
TANDEM-LOAD	MAX			S2	4.02	-1.89	-1.89	4.02	-1.89	17.11	4.02	-1.81	17.12	4.02	-1.81	36.11	
TQ	-31.87			293.73	723.58	-31.87	293.73	573.06	-31.87	296.44	571.67	-31.87	296.44	421.15			
M3	-30.85			290.26	737.45	-28.87	281.41	596.46	-28.87	284.22	595.13	-25.19	261.90	464.73			
MIN	S2	-33.10	278.36	692.68	-33.10	278.36	536.37	-33.10	280.89	535.05	-33.10	280.89	378.73				
TQ	0.69	-5.25	-327.85	0.69	-5.25	-324.58	0.83	-6.80	-331.94	0.83	-6.80	-328.01					
M3	0.03	-2.74	-513.50	-0.18	-2.81	-513.89	-0.18	-5.23	-513.87	-0.18	-5.23	-514.71					
DISPERSION-LMAX	S2	10.61	2.13	248.86	10.61	2.13	298.97	10.61	3.55	298.96	10.61	3.55	349.08				
TQ	-47.83	459.82	1922.61	-47.83	459.82	1696.73	-47.83	467.83	1694.76	-47.83	467.83	1468.88					
M3	-47.83	459.82	1922.83	-47.83	459.82	1696.95	-47.83	467.83	1694.76	-47.83	467.83	1468.88					
MIN	S2	-57.90	450.86	775.38	-57.90	450.86	501.93	-57.90	453.23	499.80	-57.90	453.23	226.35				
TQ	0.54	-6.82	-898.37	0.54	-6.82	-895.82	0.54	-11.06	-896.00	0.54	-11.06	-893.45					
M3	0.54	-6.82	-898.59	0.54	-6.82	-896.04	0.54	-11.06	-896.00	0.54	-11.06	-893.45					

BAGO RIVER BRIDGE

BLOCK [ No.1 : MAIN GIRDER ][ BEAM MEMBER FORCE ]

MEMBER				4011			4012			4013					
NODE				4011			4012			4012			4013		
				SHEAR	TORQUE	MOMENT	SHEAR	TORQUE	MOMENT	SHEAR	TORQUE	MOMENT	SHEAR	TORQUE	MOMENT
NAME	TITLE			S2 (kN)	TQ (kN·m)	M3 (kN·m)	S2 (kN)	TQ (kN·m)	M3 (kN·m)	S2 (kN)	TQ (kN·m)	M3 (kN·m)	S2 (kN)	TQ (kN·m)	M3 (kN·m)
66	2-LANES (caseTRUCK-LOAD	MAX	S2	5.25	3.51	384.56	5.25	3.51	409.37	5.25	5.45	409.35	5.25	5.45	434.16
			TQ	-72.40	328.25	1445.06	-72.40	328.25	1103.15	-72.40	333.46	1101.59	-72.40	333.46	759.67
			M3	-65.38	302.99	1504.27	-61.81	287.16	1201.83	-61.81	292.84	1200.46	-51.38	243.89	933.91
		MIN	S2	-72.57	326.69	1421.75	-72.57	326.69	1079.02	-72.57	331.78	1077.46	-72.57	331.78	734.73
			TQ	-2.55	-6.47	-162.37	-2.55	-6.47	-174.41	-5.30	-9.43	-815.64	-5.30	-9.43	-840.66
			M3	-4.91	-5.39	-803.42	-4.91	-5.39	-826.61	-4.91	-9.30	-826.57	-4.98	-9.33	-849.99
		TANDEM-LOAD MAX	S2	3.57	2.39	261.20	3.57	2.39	278.05	3.57	3.70	278.03	3.57	3.70	294.88
			TQ	-49.63	224.51	988.44	-49.63	224.51	754.07	-49.63	228.07	753.00	-49.63	228.07	518.63
			M3	-45.80	212.02	1026.96	-40.82	190.88	820.45	-40.82	194.76	819.54	-32.61	152.21	637.91
		MIN	S2	-49.68	224.08	981.93	-49.68	224.08	747.34	-49.68	227.60	746.27	-49.68	227.60	511.67
			TQ	-2.29	-4.82	-55.50	-2.29	-4.82	-66.31	-3.57	-6.43	-558.16	-3.57	-6.43	-575.04
			M3	-3.19	-3.61	-546.52	-3.40	-3.68	-562.11	-3.40	-6.33	-562.09	-3.40	-6.33	-578.14
		DISPERSION-LMAX	S2	9.25	4.68	556.11	9.25	4.68	599.77	9.25	7.51	599.74	9.25	7.51	643.40
			TQ	-65.27	328.34	2248.57	-65.27	328.34	1940.31	-65.25	337.58	1967.76	-65.25	337.58	1659.60
			M3	-65.37	326.90	2350.98	-65.37	326.90	2042.25	-65.37	336.54	2040.69	-65.37	336.54	1731.96
MIN	S2	-80.31	316.07	838.38	-80.31	316.07	459.10	-80.31	318.24	457.60	-80.31	318.24	78.32		
	TQ	-5.79	-7.59	-854.08	-5.79	-7.59	-881.44	-5.82	-11.83	-910.42	-5.82	-11.83	-937.88		
	M3	-5.69	-6.15	-956.49	-5.69	-6.15	-983.38	-5.69	-10.79	-983.34	-5.69	-10.79	-1010.24		
67	2-LANES (caseTRUCK-LOAD	MAX	S2	23.66	-80.12	1370.63	23.66	-80.12	1482.36	23.66	-73.12	1482.72	23.66	-73.12	1594.45
			TQ	-64.00	62.62	1440.45	-64.00	62.62	1138.21	-64.00	68.00	1137.90	-64.00	68.00	835.66
			M3	-96.98	22.75	2966.02	-84.79	-3.27	2438.31	-84.79	8.25	2438.30	-51.87	-48.80	2022.01
		MIN	S2	-160.55	31.40	2873.56	-160.99	31.03	2169.60	-160.99	41.28	2169.42	-160.99	41.28	1409.14
			TQ	-57.37	-90.79	1602.88	-57.37	-90.79	1331.98	-57.37	-84.49	1332.39	-57.37	-84.49	1061.49
			M3	-17.78	-9.38	-927.20	-17.78	-9.38	-1011.18	-17.78	-14.16	-1011.12	-17.90	-14.11	-1095.41



BAGO RIVER BRIDGE

BLOCK [ No.1 : MAIN GIRDER ][ BEAM MEMBER FORCE ]

MEMBER		4011			4012			4012			4013						
NODE		4011			4012			4012			4013						
		SHEAR	TORQUE	MOMENT	SHEAR	TORQUE	MOMENT	SHEAR	TORQUE	MOMENT	SHEAR	TORQUE	MOMENT				
NAME	TITLE	S2 (kN)	TQ (kN·m)	M3 (kN·m)	S2 (kN)	TQ (kN·m)	M3 (kN·m)	S2 (kN)	TQ (kN·m)	M3 (kN·m)	S2 (kN)	TQ (kN·m)	M3 (kN·m)				
67	2-LANES (caseTANDEM-LOAD	MAX	S2	17.02	-56.38	1001.84	17.02	-56.38	1082.23	17.02	-51.27	1082.48	17.02	-51.27	1162.87		
			TQ	-44.11	44.69	997.06	-44.11	44.69	788.76	-44.12	48.42	788.77	-44.12	48.42	580.44		
			M3	-70.07	17.00	2082.89	-64.30	3.58	1712.09	-64.30	11.66	1712.05	-29.64	-50.27	1432.57		
			MIN	S2	-110.38	24.82	2054.80	-110.38	24.82	1533.54	-110.38	32.06	1533.41	-110.38	32.06	1012.16	
			TQ	14.79	-65.46	1237.76	14.79	-65.46	1307.59	-38.11	-60.35	893.11	-38.11	-60.35	713.14		
			M3	-12.14	-6.40	-631.95	-12.14	-6.40	-689.30	-12.14	-9.65	-689.27	-12.18	-9.64	-746.70		
			DISPERSION-LMAX	S2	21.14	-23.39	1281.52	19.57	-19.97	1254.32	19.57	-14.05	1254.40	17.69	-9.96	1203.65	
			TQ	-47.22	45.77	1598.62	-47.81	45.77	1373.66	-49.92	52.47	1457.60	-49.92	52.47	1221.84		
			M3	-94.74	-29.56	3429.52	-106.84	-29.56	2953.81	-106.84	-15.61	2953.92	-119.16	-15.61	2420.52		
			MIN	S2	-137.18	-14.96	1046.62	-147.72	-18.37	497.50	-147.72	-16.02	497.58	-158.16	-20.12	-85.68	
			TQ	-68.82	-84.12	729.53	-80.34	-84.12	378.16	-78.22	-82.54	294.38	-90.55	-82.54	-103.87		
			M3	-21.31	-8.79	-1101.38	-21.31	-8.79	-1201.99	-21.31	-14.46	-1201.94	-21.31	-14.46	-1302.56		
		68	2-LANES (caseTRUCK-LOAD	MAX	S2	294.08	-326.01	4671.61	199.77	-160.29	4183.49	199.77	-140.52	4184.20	118.65	-15.89	3266.81
					TQ	46.39	32.15	969.27	46.39	32.15	1188.32	50.08	37.79	1288.89	50.08	37.79	1525.37
					M3	53.46	-447.43	4954.52	-34.03	-311.09	4501.02	-34.03	-289.83	4502.44	-127.82	-125.88	3565.03
	MIN			S2	-319.79	-476.91	4880.32	-403.90	-354.57	4451.64	-403.90	-333.53	4453.26	-493.63	-176.34	3473.87	
	TQ			-215.52	-537.22	3109.35	-215.52	-537.22	2091.56	-215.52	-527.34	2094.07	-215.52	-527.34	1076.27		
	M3			-29.36	-14.05	-1034.98	-29.36	-14.05	-1173.65	-29.36	-19.60	-1173.57	-29.36	-19.60	-1312.23		
	TANDEM-LOAD			MAX	S2	230.11	-274.72	3672.74	164.82	-161.64	3361.37	164.82	-145.76	3362.10	101.52	-36.05	2710.25
	TQ			30.95	25.25	687.93	30.95	25.25	834.08	30.95	29.19	833.96	30.95	29.19	980.11		
	M3			2.42	-296.71	3705.55	-60.78	-191.35	3400.63	-60.78	-175.28	3401.50	-126.04	-58.84	2748.41		
	MIN			S2	-239.97	-296.71	3705.55	-302.93	-191.35	3400.63	-302.93	-175.28	3401.50	-367.97	-58.84	2748.41	
	TQ			-154.32	-367.97	2246.61	-154.32	-367.97	1517.86	-154.32	-360.79	1519.58	-154.32	-360.79	790.83		
	M3			-19.88	-9.43	-705.32	-19.88	-9.43	-799.20	-19.88	-13.20	-799.15	-19.88	-13.20	-893.02		

BAGO RIVER BRIDGE

BLOCK [ No.1 : MAIN GIRDER ][ BEAM MEMBER FORCE ]

MEMBER		4011			4012			4012			4013						
NODE		4011			4012			4012			4013						
		SHEAR	TORQUE	MOMENT	SHEAR	TORQUE	MOMENT	SHEAR	TORQUE	MOMENT	SHEAR	TORQUE	MOMENT				
NAME	TITLE	S2 (kN)	TQ (kN·m)	M3 (kN·m)	S2 (kN)	TQ (kN·m)	M3 (kN·m)	S2 (kN)	TQ (kN·m)	M3 (kN·m)	S2 (kN)	TQ (kN·m)	M3 (kN·m)				
68	2-LANES (caseDISPERSION-LMAX	S2	97.70	-49.10	2142.63	62.26	-8.97	1876.35	62.26	-0.11	1876.37	38.09	17.51	1552.22			
		TQ	25.35	15.47	947.36	25.35	15.47	1067.09	26.79	20.60	1104.09	26.79	20.60	1230.59			
		M3	-66.37	-476.35	4469.05	-149.80	-476.35	3958.44	-149.80	-457.65	3960.65	-233.15	-457.65	3056.25			
		MIN	S2	-197.95	-445.42	1107.20	-245.95	-485.55	702.89	-245.95	-482.22	705.17	-305.12	-499.84	-35.08		
		TQ	-125.60	-509.99	2302.47	-209.03	-509.99	1512.15	-210.47	-502.93	1477.45	-293.82	-502.93	286.56			
		M3	-33.88	-18.17	-1219.21	-33.88	-18.17	-1379.21	-33.88	-24.68	-1379.11	-33.88	-24.68	-1539.10			
		69	3-LANES (caseTRUCK-LOAD	MAX	S2	8.62	-0.35	156.90	8.62	-0.35	197.63	8.62	0.58	197.63	8.62	0.58	238.36
				TQ	-89.91	568.22	1891.09	-89.91	568.22	1466.48	-89.91	575.14	1463.78	-89.91	575.14	1039.16	
				M3	-82.90	542.96	1950.30	-77.98	526.24	1568.13	-77.98	533.64	1565.62	-66.68	481.49	1224.74	
MIN	S2			-91.37	551.42	1842.86	-91.37	551.42	1411.36	-91.37	558.08	1408.74	-91.37	558.08	977.25		
TQ	0.45			-11.38	-310.93	0.45	-11.38	-308.81	-2.30	-14.96	-950.02	-2.30	-14.96	-960.89			
M3	-3.63			-7.10	-1169.22	-3.70	-7.10	-1186.65	-3.70	-12.71	-1186.60	-3.76	-12.74	-1204.30			
TANDEM-LOAD	MAX			S2	5.88	-0.68	129.20	5.88	-0.68	156.95	5.88	0.06	156.95	5.88	0.06	184.71	
TQ	-61.30			388.56	1292.74	-61.30	388.56	1003.26	-61.30	393.29	1001.42	-61.30	393.29	711.95			
M3	-57.47			376.06	1331.25	-52.11	354.68	1070.47	-52.11	359.73	1068.78	-42.62	312.86	837.07			
MIN	S2	-62.52	373.18	1261.83	-62.52	373.18	966.57	-62.52	377.75	964.80	-62.52	377.75	669.53				
TQ	-0.48	-8.40	-128.44	-0.48	-8.40	-130.71	-1.77	-10.31	-622.55	-1.77	-10.31	-630.88					
M3	-2.45	-4.78	-795.19	-2.66	-4.85	-807.29	-2.66	-8.66	-807.26	-2.66	-8.66	-819.83					
DISPERSION-LMAX	S2	15.24	4.73	584.86	15.24	4.73	656.81	15.24	7.83	656.78	15.24	7.83	728.74				
TQ	-84.77	591.23	3103.23	-84.77	591.23	2702.92	-84.75	604.07	2729.12	-84.75	604.07	2328.91					
M3	-84.87	589.79	3205.64	-84.87	589.79	2804.86	-84.87	603.04	2802.04	-84.87	603.04	2401.26					
MIN	S2	-103.97	575.28	1229.48	-103.97	575.28	738.48	-103.97	578.76	735.76	-103.97	578.76	244.75				
TQ	-3.97	-11.22	-1288.89	-3.97	-11.22	-1307.63	-3.99	-17.48	-1336.58	-3.99	-17.48	-1355.41					
M3	-3.87	-9.78	-1391.30	-3.87	-9.78	-1409.57	-3.87	-16.44	-1409.51	-3.87	-16.44	-1427.77					

BAGO RIVER BRIDGE

BLOCK [ No.1 : MAIN GIRDER ][ BEAM MEMBER FORCE ]

MEMBER				4011			4012			4013						
NODE				4011			4012			4012			4013			
				SHEAR	TORQUE	MOMENT	SHEAR	TORQUE	MOMENT	SHEAR	TORQUE	MOMENT	SHEAR	TORQUE	MOMENT	
NAME TITLE				S2 (kN)	TQ (kN·m)	M3 (kN·m)	S2 (kN)	TQ (kN·m)	M3 (kN·m)	S2 (kN)	TQ (kN·m)	M3 (kN·m)	S2 (kN)	TQ (kN·m)	M3 (kN·m)	
70	3-LANES (case	TRUCK-LOAD	MAX	S2	102.97	-180.55	3338.16	83.27	-143.25	3200.79	83.27	-128.12	3201.44	63.82	-95.03	2959.47
			TQ	-53.19	64.85	1740.42	-53.19	64.85	1489.25	-52.48	71.89	1510.67	-52.48	71.89	1262.85	
			M3	-102.08	-103.67	5041.94	-109.92	-100.56	4280.34	-109.92	-80.34	4280.76	-98.72	-100.29	3511.50	
		MIN	S2	-287.20	-101.26	4927.94	-309.41	-75.85	3995.72	-309.41	-56.98	3996.04	-333.17	-20.54	2885.86	
		TQ	-152.07	-239.31	3036.97	-152.07	-239.31	2318.81	-152.07	-228.36	2319.91	-152.07	-228.36	1601.75		
		M3	-30.83	-15.69	-1428.90	-30.83	-15.69	-1574.47	-30.83	-23.13	-1574.38	-30.94	-23.08	-1720.25		
	TANDEM-LOAD	MAX	S2	76.90	-135.69	2514.42	63.93	-112.18	2432.62	63.93	-100.69	2433.13	50.05	-74.61	2271.40	
		TQ	-38.27	46.79	1163.56	-38.27	46.79	982.81	-38.28	51.44	982.81	-38.28	51.44	802.03		
		M3	-84.57	-66.95	3607.86	-92.84	-58.77	3077.94	-92.84	-44.23	3078.19	-73.46	-79.57	2557.35		
		MIN	S2	-202.66	-59.13	3579.77	-218.15	-37.52	2899.40	-218.15	-23.83	2899.54	-234.80	2.76	2136.94	
		TQ	-51.18	-167.03	2240.56	-51.18	-167.03	1998.86	-104.08	-158.65	1584.86	-104.08	-158.65	1093.36		
		M3	-20.99	-10.66	-974.05	-20.99	-10.66	-1073.16	-20.99	-15.73	-1073.09	-21.02	-15.72	-1172.29		
	DISPERSION-LMAX	S2	53.42	-43.64	2269.89	42.34	-27.99	2114.38	42.34	-18.00	2114.49	33.27	-7.10	1930.40		
		TQ	-39.15	49.89	1987.07	-39.74	49.89	1800.20	-41.20	58.66	1904.31	-41.20	58.66	1709.77		
		M3	-132.48	-167.61	5457.69	-171.66	-167.61	4740.17	-171.66	-145.22	4740.91	-211.54	-145.22	3836.68		
MIN		S2	-222.42	-140.39	1492.99	-250.53	-156.04	758.46	-250.53	-152.45	759.19	-281.34	-163.35	-133.45		
TQ		-129.85	-233.92	1775.80	-168.45	-233.92	1072.64	-166.99	-229.11	969.36	-206.88	-229.11	87.17			
M3		-36.53	-16.41	-1694.82	-36.53	-16.41	-1867.33	-36.53	-25.23	-1867.23	-36.53	-25.23	-2039.74			
71	3-LANES (case	TRUCK-LOAD	MAX	S2	334.58	-391.35	6430.40	233.03	-213.31	5657.85	233.03	-186.58	5658.79	144.63	-48.91	4432.99
			TQ	49.44	34.03	1164.36	49.44	34.03	1397.84	53.13	40.66	1498.40	53.13	40.66	1749.31	
			M3	29.94	-525.27	6823.34	-65.96	-375.40	6097.21	-65.96	-346.60	6098.92	-165.06	-170.92	4851.59	
	MIN	S2	-429.54	-559.03	6737.11	-520.95	-422.78	6042.86	-520.95	-394.23	6044.79	-614.35	-225.12	4756.31		
	TQ	-287.42	-649.05	4162.34	-287.42	-649.05	2805.04	-287.42	-635.79	2808.07	-287.42	-635.79	1450.77			
	M3	-39.81	-19.32	-1513.48	-39.95	-19.29	-1701.63	-39.95	-27.33	-1701.52	-39.95	-27.33	-1890.17			

BAGO RIVER BRIDGE

BLOCK [ No.1 : MAIN GIRDER ][ BEAM MEMBER FORCE ]

MEMBER				4011			4012			4013								
NODE				4011			4012			4013								
				SHEAR	TORQUE	MOMENT	SHEAR	TORQUE	MOMENT	SHEAR	TORQUE	MOMENT						
NAME	TITLE			S2 (kN)	TQ (kN·m)	M3 (kN·m)	S2 (kN)	TQ (kN·m)	M3 (kN·m)	S2 (kN)	TQ (kN·m)	M3 (kN·m)						
71	3-LANES (case)	TANDEM-LOAD	MAX	S2	259.99	-322.59	5009.88	189.41	-201.89	4504.18	189.41	-180.62	4505.08	121.83	-63.35	3641.83		
				TQ	33.02	26.52	820.32	33.02	26.52	976.25	33.02	31.13	976.11	33.02	31.13	1132.05		
				M3	-20.69	-346.97	5056.98	-88.49	-233.64	4560.57	-88.49	-212.09	4561.62	-156.70	-88.38	3697.13		
			MIN	S2	-317.60	-346.97	5056.98	-383.81	-233.64	4560.57	-383.81	-212.09	4561.62	-450.50	-88.38	3697.13		
				TQ	-207.11	-444.18	3031.41	-207.11	-444.18	2053.35	-200.54	-434.74	1970.44	-200.54	-434.74	1023.38		
				M3	-27.02	-13.02	-1031.59	-27.06	-13.02	-1159.25	-27.06	-18.49	-1159.18	-27.06	-18.49	-1286.98		
			DISPERSION-L	MAX	S2	118.39	-68.69	3073.17	78.17	-20.80	2671.46	78.17	-8.18	2671.53	50.02	14.98	2226.59	
					TQ	30.22	18.73	1263.56	30.22	18.73	1406.29	31.95	25.50	1455.70	31.95	25.50	1606.60	
					M3	-111.45	-589.74	6392.61	-213.47	-589.74	5624.91	-213.47	-563.16	5627.64	-314.95	-563.16	4379.45	
				MIN	S2	-276.12	-544.79	1533.19	-337.91	-592.68	948.70	-337.91	-588.19	951.49	-411.25	-611.35	-70.27	
					TQ	-187.95	-632.21	3342.81	-289.96	-632.21	2213.87	-291.69	-621.87	2167.32	-393.18	-621.87	549.72	
					M3	-46.27	-23.74	-1786.24	-46.27	-23.74	-2004.75	-46.27	-33.21	-2004.62	-46.27	-33.21	-2223.13	
		72	4-LANES	TRUCK-LOAD	MAX	S2	306.13	-395.92	6302.77	218.89	-241.22	5951.85	218.89	-213.10	5952.92	141.61	-89.74	4852.36
						TQ	-25.77	85.23	2118.83	-25.77	85.23	1997.11	-22.98	94.90	2118.04	-22.98	94.90	2009.52
						M3	-45.02	-423.30	7918.53	-115.93	-318.16	6933.52	-115.93	-285.41	6934.95	-179.41	-175.75	5584.47
	MIN			S2	-480.64	-444.19	7761.87	-561.54	-329.78	6715.12	-561.54	-298.05	6716.60	-651.30	-144.19	5075.56		
				TQ	-282.93	-621.75	4914.85	-282.93	-621.75	3578.71	-277.52	-605.04	3511.81	-277.52	-605.04	2201.23		
				M3	-47.13	-23.42	-1962.05	-47.13	-23.42	-2184.63	-47.13	-33.74	-2184.49	-47.25	-33.70	-2407.57		
	TANDEM-LOAD			MAX	S2	236.93	-317.41	4674.33	176.84	-212.61	4460.77	176.84	-191.54	4461.72	117.76	-87.57	3862.76	
					TQ	-19.40	63.45	1465.80	-19.40	63.45	1374.16	-19.40	69.94	1373.85	-19.40	69.94	1282.21	
					M3	-68.45	-278.66	5785.37	-126.20	-188.31	5104.82	-126.20	-164.20	5105.65	-155.09	-109.84	4178.06	
				MIN	S2	-349.70	-271.70	5753.49	-409.55	-174.02	4936.79	-409.55	-150.70	4937.56	-471.81	-41.57	3756.71	
					TQ	-192.47	-427.94	3337.74	-192.47	-427.94	2428.84	-192.47	-416.47	2430.83	-192.47	-416.47	1521.93	
					M3	-32.02	-15.82	-1337.24	-32.02	-15.82	-1488.45	-32.02	-22.85	-1488.36	-32.05	-22.84	-1639.71	

BAGO RIVER BRIDGE

BLOCK [ No.1 : MAIN GIRDER ][ BEAM MEMBER FORCE ]

MEMBER				4011			4012			4013							
NODE				4011			4012			4013							
				SHEAR	TORQUE	MOMENT	SHEAR	TORQUE	MOMENT	SHEAR	TORQUE	MOMENT					
NAME	TITLE			S2 (kN)	TQ (kN·m)	M3 (kN·m)	S2 (kN)	TQ (kN·m)	M3 (kN·m)	S2 (kN)	TQ (kN·m)	M3 (kN·m)					
72	4-LANES	DISPERSION-LMAX	S2	97.97	-87.82	2176.80	60.54	-43.14	1738.59	60.54	-34.93	1738.77	34.03	-12.45	1234.75		
			TQ	-40.85	47.17	1139.39	-41.15	47.17	945.50	-41.64	51.92	1057.10	-41.64	51.92	860.46		
			M3	-184.17	-546.19	6625.24	-281.99	-546.19	5524.25	-281.99	-520.09	5526.77	-378.05	-494.16	3967.00		
	MIN	S2	-327.22	-479.39	2667.98	-387.19	-524.57	1778.89	-387.19	-516.16	1781.34	-458.23	-538.68	505.68			
		TQ	-194.38	-606.01	3791.32	-291.63	-606.01	2644.02	-291.98	-593.78	2540.82	-389.71	-593.78	930.93			
		M3	-44.42	-21.42	-1810.59	-44.42	-21.42	-2020.35	-44.42	-30.96	-2020.22	-44.42	-30.96	-2229.98			
	73	6-LANES	TRUCK-LOAD	MAX	S2	274.17	-333.68	5246.25	194.91	-193.81	4837.70	194.91	-170.95	4838.56	125.89	-63.73	4067.35
				TQ	-151.58	542.22	4533.70	-151.58	542.22	3817.89	-151.58	560.25	3815.29	-151.58	560.25	3099.48	
				M3	-122.63	68.43	8608.95	-181.05	135.04	7371.23	-181.05	169.86	7370.51	-215.31	211.97	5887.12	
MIN		S2	-499.07	54.01	8428.72	-570.43	157.22	7046.23	-570.43	190.50	7045.41	-646.16	322.99	5200.52			
		TQ	-197.75	-552.45	3753.20	-197.75	-552.45	2819.35	-197.70	-539.14	2817.62	-215.92	-539.14	1883.99			
		M3	-43.90	-26.20	-2687.40	-44.02	-26.24	-2895.04	-44.02	-39.91	-2894.88	-44.02	-39.91	-3102.74			
TANDEM-LOAD		MAX	S2	212.50	-275.21	4076.42	157.73	-180.42	3819.92	157.73	-162.37	3820.73	104.49	-69.55	3277.74		
		TQ	-107.74	374.96	3032.70	-107.74	374.96	2523.90	-107.74	386.88	2522.10	-107.74	386.88	2013.30			
		M3	-116.99	60.16	6202.22	-152.26	113.35	5355.74	-152.26	138.65	5355.15	-175.38	169.23	4333.67			
MIN		S2	-360.14	64.40	6051.89	-413.32	152.82	5096.07	-413.32	176.89	5095.29	-468.06	274.98	3845.88			
		TQ	-137.02	-381.13	2737.56	-137.02	-381.13	2090.47	-133.32	-371.33	1944.48	-133.32	-371.33	1314.90			
		M3	-29.86	-17.70	-1830.20	-29.86	-17.70	-1971.20	-29.86	-27.01	-1971.10	-30.02	-27.09	-2112.67			
DISPERSION-LMAX		S2	116.19	-61.90	3367.18	82.87	-22.49	3135.02	82.87	-7.68	3135.09	59.44	12.05	2834.15			
		TQ	-90.07	523.95	4592.15	-90.66	523.95	4164.81	-91.64	543.98	4301.58	-91.64	543.98	3868.83			
		M3	-216.56	-56.02	9486.20	-303.50	-56.02	8258.07	-303.50	-17.01	8258.24	-386.88	29.79	6625.48			
MIN	S2	-385.74	-20.79	3053.59	-437.59	-61.07	1766.71	-437.59	-52.72	1766.98	-499.96	-71.74	155.08				
	TQ	-186.88	-558.86	1999.52	-273.26	-558.86	913.44	-272.87	-554.84	790.44	-359.41	-554.84	-702.66				
	M3	-50.54	-30.62	-3071.35	-50.54	-30.62	-3310.01	-50.54	-46.25	-3309.83	-50.54	-46.25	-3548.49				

BAGO RIVER BRIDGE

BLOCK [ No.1 : MAIN GIRDER ][ BEAM MEMBER FORCE ]

MEMBER			4011			4012			4012			4013			
NODE			4011			4012			4012			4013			
NAME TITLE			SHEAR	TORQUE	MOMENT	SHEAR	TORQUE	MOMENT	SHEAR	TORQUE	MOMENT	SHEAR	TORQUE	MOMENT	
			S2 (kN)	TQ (kN·m)	M3 (kN·m)	S2 (kN)	TQ (kN·m)	M3 (kN·m)	S2 (kN)	TQ (kN·m)	M3 (kN·m)	S2 (kN)	TQ (kN·m)	M3 (kN·m)	
124	SUM TOTAL	D+1LANE (caseMAX	S2	-1034.46	291.42	24254.09	-1339.07	291.42	18652.22	-1339.07	379.53	18650.64	-1642.29	379.53	11613.38
			TQ	-1090.10	899.43	26053.62	-1394.72	899.43	20188.98	-1394.72	994.79	20184.51	-1697.93	994.79	12884.49
			M3	-1090.10	899.43	26053.62	-1393.10	898.36	20192.55	-1393.10	993.74	20188.08	-1695.28	989.90	12898.10
		MIN	S2	-1096.64	876.73	25467.45	-1401.26	876.73	19571.94	-1401.26	969.18	19567.58	-1704.47	969.18	12236.67
			TQ	-1039.90	285.75	23792.74	-1344.52	285.75	18165.15	-1344.52	371.56	18163.60	-1647.73	371.56	11100.63
			M3	-1041.97	289.59	23532.05	-1346.66	289.58	17894.39	-1346.66	374.11	17892.82	-1649.88	374.11	10819.72
		D+1LANE (caseMAX	S2	-1036.87	301.26	25127.73	-1341.48	301.26	19514.49	-1341.48	393.44	19512.85	-1644.70	393.44	12464.21
			TQ	-1141.59	619.84	26898.23	-1446.21	619.84	20790.43	-1446.18	718.13	20821.84	-1749.40	718.13	13278.78
			M3	-1135.50	597.06	27074.71	-1437.14	585.68	20999.77	-1437.14	684.88	20996.77	-1730.72	645.74	13517.66
		MIN	S2	-1152.55	611.44	26026.41	-1457.16	611.44	19866.86	-1457.16	705.29	19863.75	-1760.38	705.29	12268.82
			TQ	-1052.26	285.89	24283.13	-1356.88	285.89	18597.20	-1360.33	371.11	17798.19	-1663.54	371.11	10660.56
			M3	-1055.40	288.83	23404.88	-1360.02	288.83	17704.11	-1360.02	372.46	17702.55	-1663.26	372.43	10566.27
		D+1LANE (caseMAX	S2	-1030.55	242.44	25652.90	-1335.16	242.44	20069.50	-1335.16	337.24	20068.13	-1638.38	337.24	13049.35
			TQ	-1182.72	418.75	27412.28	-1487.67	418.75	21109.20	-1488.41	518.61	21163.78	-1791.62	518.61	13421.31
			M3	-1174.61	388.39	27979.24	-1469.42	365.94	21729.14	-1469.42	468.58	21727.17	-1740.94	411.81	14151.72
		MIN	S2	-1204.95	403.35	26660.61	-1510.15	403.35	20252.26	-1510.15	499.01	20250.13	-1813.95	499.01	12403.61
			TQ	-1058.21	219.36	25248.77	-1363.07	219.36	19534.46	-1362.33	311.48	19476.41	-1666.14	311.48	12327.95
			M3	-1065.74	286.74	23307.89	-1370.35	286.74	17558.31	-1370.35	369.68	17556.76	-1673.57	369.68	10371.78
		D+1LANE (caseMAX	S2	-756.80	29.94	28868.11	-1160.39	186.57	22777.59	-1160.39	294.16	22776.45	-1543.31	400.50	14864.66
			TQ	-985.87	339.49	25893.78	-1290.48	339.49	20521.39	-1289.83	436.47	20534.52	-1593.05	436.47	13729.81
			M3	-1028.59	-366.43	30514.15	-1459.12	-262.79	24299.84	-1459.12	-148.00	24300.81	-1894.64	-21.54	15998.67
		MIN	S2	-1384.31	-369.62	28363.17	-1786.53	-305.87	22226.39	-1786.53	-200.87	22227.59	-2201.56	-91.97	13999.59
			TQ	-1263.49	-451.77	27941.31	-1627.39	-451.77	21117.92	-1628.04	-352.05	21104.86	-1990.66	-352.05	12562.75
			M3	-1087.10	274.55	23107.51	-1391.71	274.55	17257.06	-1391.71	356.07	17255.57	-1694.93	356.07	9969.74

BAGO RIVER BRIDGE

BLOCK [ No.1 : MAIN GIRDER ][ BEAM MEMBER FORCE ]

MEMBER			4011			4012			4012			4013			
NODE			4011			4012			4012			4013			
NAME TITLE			SHEAR	TORQUE	MOMENT	SHEAR	TORQUE	MOMENT	SHEAR	TORQUE	MOMENT	SHEAR	TORQUE	MOMENT	
			S2 (kN)	TQ (kN·m)	M3 (kN·m)	S2 (kN)	TQ (kN·m)	M3 (kN·m)	S2 (kN)	TQ (kN·m)	M3 (kN·m)	S2 (kN)	TQ (kN·m)	M3 (kN·m)	
124	SUM TOTAL	D+2LANES (casMAX	S2	-1029.19	296.00	24705.43	-1333.80	296.00	19128.45	-1333.80	386.35	19126.84	-1637.02	386.35	12114.47
			TQ	-1140.46	1185.59	27482.58	-1445.08	1185.59	21380.11	-1445.08	1286.58	21374.49	-1748.29	1286.58	13836.63
			M3	-1138.62	1177.87	27497.13	-1440.80	1170.63	21409.26	-1440.80	1271.75	21403.49	-1740.75	1252.22	13895.50
		MIN	S2	-1151.99	1159.84	26287.12	-1456.61	1159.84	20130.20	-1456.61	1254.92	20124.50	-1759.82	1254.92	12532.19
			TQ	-1043.74	281.83	23067.68	-1348.36	281.83	17421.97	-1348.25	364.11	17414.70	-1651.46	364.11	10334.12
			M3	-1045.11	285.10	22838.85	-1349.79	285.09	17186.44	-1349.79	366.27	17184.90	-1653.04	366.26	10096.92
		D+2LANES (casMAX	S2	-1031.20	304.20	25433.46	-1335.81	304.20	19847.00	-1335.81	397.95	19845.35	-1639.03	397.95	12823.50
			TQ	-1183.37	952.60	28186.42	-1487.99	952.60	21881.32	-1487.97	1056.02	21905.60	-1791.18	1056.02	14165.21
			M3	-1176.45	925.89	28348.04	-1477.50	910.07	22081.94	-1477.50	1014.37	22077.40	-1770.28	965.42	14411.81
		MIN	S2	-1198.58	938.76	26752.91	-1503.20	938.76	20375.97	-1503.20	1035.00	20371.31	-1806.41	1035.00	12558.99
			TQ	-1054.04	281.94	23476.34	-1358.65	281.94	17782.01	-1361.42	363.73	17110.19	-1664.64	363.73	9967.39
			M3	-1056.30	284.46	22732.88	-1360.91	284.46	17027.87	-1360.91	364.90	17026.34	-1664.19	364.86	9885.71
		D+2LANES (casMAX	S2	-1000.90	192.48	27144.94	-1307.08	195.90	21574.54	-1307.08	297.82	21573.38	-1612.17	301.91	14544.03
			TQ	-1156.91	404.39	27531.86	-1462.12	404.39	21349.73	-1464.24	505.45	21431.75	-1767.45	505.45	13803.43
			M3	-1237.41	289.19	30888.33	-1541.94	263.17	24229.99	-1541.94	377.63	24228.47	-1824.56	320.58	16188.47
		MIN	S2	-1343.42	312.45	28412.97	-1659.02	308.66	21504.95	-1659.02	410.24	21503.25	-1972.68	406.15	13069.39
			TQ	-1171.88	121.10	26825.20	-1488.02	121.10	20548.00	-1485.90	217.95	20463.02	-1801.44	217.95	12703.55
			M3	-1084.78	277.83	22464.21	-1389.40	277.83	16624.69	-1389.40	356.36	16623.19	-1692.73	356.41	9347.97
		D+2LANES (casMAX	S2	-653.91	-79.11	31307.03	-1088.28	126.74	24897.70	-1088.28	244.35	24896.82	-1496.78	386.60	16564.97
			TQ	-973.95	343.62	26409.41	-1278.57	343.62	21093.27	-1273.45	443.38	21229.23	-1576.66	443.38	14501.90
			M3	-1058.60	-627.78	33916.35	-1534.14	-491.45	27297.32	-1534.14	-362.49	27299.34	-2014.49	-198.55	18367.21
		MIN	S2	-1563.44	-626.33	30480.31	-2000.15	-544.12	23992.38	-2000.15	-430.77	23994.69	-2452.28	-291.20	15184.73
			TQ	-1386.82	-751.21	29904.61	-1774.87	-751.21	22441.56	-1776.30	-645.28	22407.77	-2162.87	-645.28	13108.77
			M3	-1108.94	263.78	22238.59	-1413.55	263.78	16285.01	-1413.55	340.70	16283.58	-1716.77	340.70	8894.60

BAGO RIVER BRIDGE

BLOCK [ No.1 : MAIN GIRDER ][ BEAM MEMBER FORCE ]

MEMBER			4011			4012			4013							
NODE			4011			4012			4013							
NAME TITLE			SHEAR	TORQUE	MOMENT	SHEAR	TORQUE	MOMENT	SHEAR	TORQUE	MOMENT	SHEAR	TORQUE	MOMENT		
			S2 (kN)	TQ (kN·m)	M3 (kN·m)	S2 (kN)	TQ (kN·m)	M3 (kN·m)	S2 (kN)	TQ (kN·m)	M3 (kN·m)	S2 (kN)	TQ (kN·m)	M3 (kN·m)		
124	SUM TOTAL	D+3LANES (casMAX	S2	-1025.41	299.72	25123.28	-1330.03	299.72	19564.14	-1330.03	392.14	19562.50	-1633.24	392.14	12567.97	
			TQ	-1194.17	1281.54	28737.96	-1498.79	1281.54	22381.85	-1498.77	1387.31	22400.21	-1801.99	1387.31	14608.79	
			M3	-1188.29	1258.84	28875.34	-1488.73	1244.63	22554.90	-1488.73	1351.16	22548.77	-1782.34	1306.84	14828.04	
		MIN	S2	-1211.74	1253.70	27104.28	-1516.35	1253.70	20665.23	-1516.35	1351.31	20659.08	-1819.57	1351.31	12784.64	
			TQ	-1048.69	276.79	23132.94	-1353.30	276.79	17463.89	-1355.66	357.41	16892.64	-1658.87	357.41	9777.08	
			M3	-1052.07	281.65	22316.34	-1356.74	281.65	16631.08	-1356.74	360.21	16629.56	-1660.01	360.18	9508.68	
		D+3LANES (casMAX	S2	-912.77	105.44	29259.63	-1243.54	150.45	23355.76	-1243.54	260.78	23354.79	-1571.00	298.18	15902.32	
			TQ	-1124.18	393.53	27661.15	-1429.30	393.53	21633.89	-1429.93	495.95	21738.99	-1733.15	495.95	14272.66	
			M3	-1245.07	65.41	33417.47	-1589.65	68.06	26505.29	-1589.65	193.26	26504.67	-1917.25	176.30	17991.89	
		MIN	S2	-1478.87	90.60	29950.57	-1826.25	98.89	22878.91	-1826.25	206.97	22878.19	-2175.86	228.68	14085.48	
			TQ	-1285.33	-106.25	28583.64	-1622.75	-106.25	21720.59	-1621.52	-3.86	21632.14	-1958.63	-3.86	13181.52	
			M3	-1102.95	268.71	21837.63	-1407.56	268.71	15912.33	-1407.56	343.88	15910.88	-1710.87	343.92	8549.94	
		D+3LANES (casMAX	S2	-660.67	-95.04	32570.82	-1085.79	97.01	25917.77	-1085.79	219.44	25917.03	-1488.07	356.15	17406.58	
			TQ	-977.98	340.85	26556.52	-1282.59	340.85	21221.38	-1277.99	441.22	21347.24	-1581.20	441.22	14598.46	
			M3	-1114.98	-651.76	35726.35	-1587.83	-524.37	28801.67	-1587.83	-388.30	28803.82	-2061.54	-238.98	19592.32	
		MIN	S2	-1645.50	-642.24	31522.55	-2080.34	-567.14	24780.68	-2080.34	-450.07	24783.09	-2525.28	-326.01	15729.07	
			TQ	-1449.75	-793.07	30872.16	-1841.08	-793.07	23103.93	-1842.55	-684.02	23065.33	-2232.03	-684.02	13446.35	
			M3	-1118.86	259.40	21688.02	-1423.59	259.42	15687.43	-1423.59	333.53	15686.03	-1726.81	333.53	8249.63	
		D+4LANES	MAX	S2	-783.03	-18.43	30004.51	-1168.68	111.17	23836.64	-1168.68	223.77	23835.85	-1539.36	318.56	15702.56
			TQ	-1089.00	382.06	26610.63	-1393.81	382.06	20750.56	-1392.31	480.42	20900.10	-1695.53	480.42	13611.42	
			M3	-1194.67	-334.17	33946.24	-1608.95	-265.83	26935.41	-1608.95	-138.58	26936.37	-2015.88	-50.45	17954.40	
		MIN	S2	-1570.81	-304.33	31272.19	-1966.98	-259.32	24358.96	-1966.98	-144.25	24359.92	-2374.72	-58.88	15373.74	
			TQ	-1355.95	-502.04	30151.80	-1723.78	-502.04	22882.64	-1720.49	-394.25	22770.46	-2087.22	-394.25	13781.84	
			M3	-1105.20	266.85	22040.57	-1409.82	266.85	16104.63	-1409.82	342.93	16103.19	-1713.11	342.95	8731.53	



BAGO RIVER BRIDGE

BLOCK [ No.1 : MAIN GIRDER ][ BEAM MEMBER FORCE ]

MEMBER				4011			4012			4013						
NODE				4011			4012			4013						
				SHEAR	TORQUE	MOMENT	SHEAR	TORQUE	MOMENT	SHEAR	TORQUE	MOMENT				
NAME	TITLE			S2 (kN)	TQ (kN·m)	M3 (kN·m)	S2 (kN)	TQ (kN·m)	M3 (kN·m)	S2 (kN)	TQ (kN·m)	M3 (kN·m)				
124	SUM TOTAL	D+6LANES	MAX	S2	-791.96	38.88	30091.51	-1169.76	155.41	24020.13	-1169.76	268.87	24019.13	-1533.06	351.39	16231.91
				TQ	-1202.77	989.01	30424.59	-1507.76	989.01	24026.62	-1508.40	1102.74	24112.21	-1811.61	1102.74	16275.34
				M3	-1266.17	304.07	36254.63	-1665.27	347.37	28996.90	-1665.27	484.34	28994.94	-2044.95	542.13	19879.13
			MIN	S2	-1620.82	317.60	31956.29	-2005.52	358.50	24566.28	-2005.52	474.54	24564.31	-2398.50	548.30	15227.07
				TQ	-1295.70	-426.35	28232.06	-1656.47	-426.35	21264.17	-1656.18	-326.10	21181.49	-2027.48	-326.10	12513.80
				M3	-1107.08	259.07	20749.60	-1411.77	259.04	14804.58	-1411.77	328.98	14803.19	-1714.98	328.98	7422.63
	SUM TOTAL		MAX		-653.91	1281.54	36254.63	-1085.79	1281.54	28996.90	-1085.79	1387.31	28994.94	-1488.07	1387.31	19879.13
			MIN		-1645.50	-793.07	20749.60	-2080.34	-793.07	14804.58	-2080.34	-684.02	14803.19	-2525.28	-684.02	7422.63
300	DEAD LOAD	TOTAL			-1045.69	296.00	24492.79	-1350.31	296.00	18837.86	-1350.31	384.99	18836.25	-1653.52	384.99	11745.94
301	LIVE LOAD	1-LANE(case1MAX	S2		11.24	-4.58	-238.70	11.24	-4.58	-185.64	11.24	-5.46	-185.61	11.24	-5.46	-132.55
			TQ		-44.41	603.43	1560.83	-44.41	603.43	1351.12	-44.41	609.80	1348.26	-44.41	609.80	1138.55
			M3		-44.41	603.43	1560.83	-42.79	602.36	1354.69	-42.79	608.75	1351.83	-41.76	604.91	1152.16
			MIN	S2	-50.95	580.73	974.67	-50.95	580.73	734.08	-50.95	584.19	731.33	-50.95	584.19	490.74
				TQ	5.79	-10.25	-700.05	5.79	-10.25	-672.71	5.79	-13.43	-672.65	5.79	-13.43	-645.31
				M3	3.73	-6.41	-960.74	3.65	-6.42	-943.47	3.65	-10.88	-943.43	3.65	-10.88	-926.21
		1-LANE(case2MAX	S2		8.83	5.26	634.94	8.83	5.26	676.63	8.83	8.45	676.59	8.83	8.45	718.28
			TQ		-95.90	323.83	2405.44	-95.90	323.83	1952.57	-95.87	333.14	1985.59	-95.87	333.14	1532.84
			M3		-89.81	301.06	2581.92	-86.83	289.68	2161.91	-86.83	299.89	2160.52	-77.19	260.75	1771.73
			MIN	S2	-106.85	315.44	1533.62	-106.85	315.44	1029.00	-106.85	320.30	1027.50	-106.85	320.30	522.89
				TQ	-6.57	-10.11	-209.66	-6.57	-10.11	-240.66	-10.02	-13.87	-1038.06	-10.02	-13.87	-1085.38
				M3	-9.71	-7.17	-1087.91	-9.71	-7.17	-1133.75	-9.71	-12.53	-1133.71	-9.73	-12.55	-1179.67
		1-LANE(case3MAX	S2		15.15	-53.56	1160.12	15.15	-53.56	1231.64	15.15	-47.74	1231.88	15.15	-47.74	1303.41
			TQ		-137.02	122.74	2919.49	-137.36	122.74	2271.34	-138.10	133.62	2327.53	-138.10	133.62	1675.37
			M3		-128.92	92.39	3486.46	-119.11	69.94	2891.28	-119.11	83.60	2890.91	-87.42	26.82	2405.79
			MIN	S2	-159.25	107.35	2167.83	-159.84	107.35	1414.40	-159.84	114.03	1413.88	-160.43	114.03	657.68
				TQ	-12.51	-76.64	755.98	-12.76	-76.64	696.60	-12.02	-73.50	640.16	-12.61	-73.50	582.01
				M3	-20.04	-9.26	-1184.90	-20.04	-9.26	-1279.55	-20.04	-15.30	-1279.50	-20.04	-15.30	-1374.15

BAGO RIVER BRIDGE

BLOCK [ No.1 : MAIN GIRDER ][ BEAM MEMBER FORCE ]

MEMBER			4011			4012			4012			4013				
NODE			4011			4012			4012			4013				
NAME TITLE			SHEAR	TORQUE	MOMENT	SHEAR	TORQUE	MOMENT	SHEAR	TORQUE	MOMENT	SHEAR	TORQUE	MOMENT		
			S2 (kN)	TQ (kN·m)	M3 (kN·m)	S2 (kN)	TQ (kN·m)	M3 (kN·m)	S2 (kN)	TQ (kN·m)	M3 (kN·m)	S2 (kN)	TQ (kN·m)	M3 (kN·m)		
301	LIVE LOAD	1-LANE (case4MAX	S2	288.89	-266.06	4375.32	189.92	-109.44	3939.73	189.92	-90.82	3940.20	110.21	15.51	3118.73	
			TQ	59.83	43.49	1401.00	59.83	43.49	1683.53	60.48	51.49	1698.27	60.48	51.49	1983.87	
			M3	17.10	-662.43	6021.36	-108.81	-558.79	5461.98	-108.81	-532.98	5464.56	-241.12	-406.53	4252.73	
			MIN	S2	-338.61	-665.62	3870.38	-436.22	-601.87	3388.53	-436.22	-585.86	3391.34	-548.04	-476.95	2253.65
			TQ	-217.79	-747.77	3448.52	-277.08	-747.77	2280.06	-277.73	-737.04	2268.61	-337.14	-737.04	816.82	
			M3	-41.40	-21.45	-1385.28	-41.40	-21.45	-1580.80	-41.40	-28.92	-1580.68	-41.40	-28.92	-1776.19	
		2-LANES (caseMAX	S2	16.51	-0.00	212.64	16.51	-0.00	290.59	16.51	1.37	290.59	16.51	1.37	368.54	
			TQ	-94.77	889.59	2989.79	-94.77	889.59	2542.25	-94.77	901.59	2538.24	-94.77	901.59	2090.70	
			M3	-92.92	881.87	3004.34	-90.49	874.63	2571.40	-90.49	886.77	2567.24	-87.22	867.24	2149.56	
			MIN	S2	-106.30	863.83	1794.33	-106.30	863.83	1292.34	-106.30	869.93	1288.25	-106.30	869.93	786.26
			TQ	1.95	-14.18	-1425.11	1.95	-14.18	-1415.89	2.06	-20.88	-1421.55	2.06	-20.88	-1411.82	
			M3	0.59	-10.90	-1653.94	0.52	-10.91	-1651.42	0.52	-18.71	-1651.35	0.48	-18.73	-1649.01	
		2-LANES (caseMAX	S2	14.50	8.19	940.67	14.50	8.19	1009.14	14.50	12.96	1009.09	14.50	12.96	1077.56	
			TQ	-137.68	656.59	3693.63	-137.68	656.59	3043.46	-137.66	671.04	3069.34	-137.66	671.04	2419.27	
			M3	-130.76	629.89	3855.25	-127.19	614.06	3244.08	-127.19	629.38	3241.14	-116.75	580.44	2665.87	
			MIN	S2	-152.89	642.76	2260.12	-152.89	642.76	1538.11	-152.89	650.02	1535.06	-152.89	650.02	813.05
			TQ	-8.34	-14.06	-1016.45	-8.34	-14.06	-1055.85	-11.11	-21.25	-1726.06	-11.11	-21.25	-1778.54	
			M3	-10.60	-11.54	-1759.91	-10.60	-11.54	-1809.99	-10.60	-20.09	-1809.92	-10.67	-20.12	-1860.23	
		2-LANES (caseMAX	S2	44.80	-103.52	2652.15	43.23	-100.10	2736.68	43.23	-87.17	2737.13	41.35	-83.08	2798.10	
			TQ	-111.22	108.39	3039.07	-111.81	108.39	2511.86	-113.93	120.46	2595.50	-113.93	120.46	2057.49	
			M3	-191.71	-6.81	6395.55	-191.63	-32.83	5392.13	-191.63	-7.36	5392.22	-171.04	-64.41	4442.53	
			MIN	S2	-297.73	16.45	3920.19	-308.71	12.65	2667.09	-308.71	25.25	2667.00	-319.16	21.16	1323.46
			TQ	-126.19	-174.90	2332.41	-137.71	-174.90	1710.14	-135.59	-167.04	1626.77	-147.91	-167.04	957.62	
			M3	-39.09	-18.17	-2028.58	-39.09	-18.17	-2213.17	-39.09	-28.62	-2213.06	-39.20	-28.57	-2397.97	

BAGO RIVER BRIDGE

BLOCK [ No.1 : MAIN GIRDER ][ BEAM MEMBER FORCE ]

MEMBER			4011			4012			4012			4013				
NODE			4011			4012			4012			4013				
NAME TITLE			SHEAR	TORQUE	MOMENT	SHEAR	TORQUE	MOMENT	SHEAR	TORQUE	MOMENT	SHEAR	TORQUE	MOMENT		
			S2 (kN)	TQ (kN·m)	M3 (kN·m)	S2 (kN)	TQ (kN·m)	M3 (kN·m)	S2 (kN)	TQ (kN·m)	M3 (kN·m)	S2 (kN)	TQ (kN·m)	M3 (kN·m)		
301	LIVE LOAD	2-LANES (caseMAX	S2	391.78	-375.11	6814.24	262.03	-169.26	6059.84	262.03	-140.63	6060.57	156.75	1.62	4819.03	
			TQ	71.74	47.61	1916.62	71.74	47.61	2255.41	76.86	58.39	2392.98	76.86	58.39	2755.96	
			M3	-12.91	-923.78	9423.57	-183.83	-787.45	8459.46	-183.83	-747.48	8463.08	-360.97	-583.53	6621.28	
			MIN	S2	-517.74	-922.33	5987.52	-649.84	-840.12	5154.52	-649.84	-815.76	5158.43	-798.76	-676.19	3438.79
			TQ	-341.13	-1047.21	5411.82	-424.56	-1047.21	3603.70	-425.99	-1030.27	3571.52	-509.34	-1030.27	1362.83	
			M3	-63.24	-32.22	-2254.20	-63.24	-32.22	-2552.86	-63.24	-44.28	-2552.67	-63.24	-44.28	-2851.33	
		3-LANES (caseMAX	S2	20.28	3.72	630.49	20.28	3.72	726.28	20.28	7.15	726.25	20.28	7.15	822.04	
			TQ	-148.48	985.53	4245.17	-148.48	985.53	3543.99	-148.46	1002.33	3563.96	-148.46	1002.33	2862.86	
			M3	-142.60	962.84	4382.55	-138.42	948.63	3717.04	-138.42	966.18	3712.52	-128.82	921.85	3082.10	
			MIN	S2	-166.04	957.70	2611.49	-166.04	957.70	1827.37	-166.04	966.32	1822.82	-166.04	966.32	1038.70
			TQ	-2.99	-19.21	-1359.85	-2.99	-19.21	-1373.97	-5.35	-27.57	-1943.61	-5.35	-27.57	-1968.86	
			M3	-6.38	-14.35	-2176.45	-6.43	-14.36	-2206.78	-6.43	-24.78	-2206.69	-6.49	-24.81	-2237.26	
		3-LANES (caseMAX	S2	132.93	-190.56	4766.84	106.77	-145.55	4517.90	106.77	-124.21	4518.54	82.53	-86.81	4156.39	
			TQ	-78.49	97.53	3168.37	-78.99	97.53	2796.03	-79.62	110.97	2902.73	-79.62	110.97	2526.72	
			M3	-199.37	-230.59	8924.69	-239.34	-227.95	7667.43	-239.34	-191.72	7668.42	-263.72	-208.69	6245.96	
			MIN	S2	-433.18	-205.40	5457.78	-475.94	-197.11	4041.05	-475.94	-178.02	4041.94	-522.33	-156.31	2339.54
			TQ	-239.64	-402.25	4090.85	-272.44	-402.25	2882.73	-271.21	-388.85	2795.88	-305.11	-388.85	1435.58	
			M3	-57.25	-27.29	-2655.16	-57.25	-27.29	-2925.53	-57.25	-41.11	-2925.37	-57.35	-41.07	-3196.00	
		3-LANES (caseMAX	S2	385.03	-391.04	8078.03	264.52	-198.99	7079.91	264.52	-165.55	7080.77	165.46	-28.84	5660.64	
			TQ	67.72	44.85	2063.73	67.72	44.85	2383.52	72.32	56.23	2510.98	72.32	56.23	2852.52	
			M3	-69.29	-947.76	11233.56	-237.52	-820.37	9963.81	-237.52	-773.29	9967.57	-408.01	-623.97	7846.38	
			MIN	S2	-599.81	-938.24	7029.76	-730.03	-863.14	5942.82	-730.03	-835.06	5946.83	-871.76	-711.00	3983.13
			TQ	-404.06	-1089.07	6379.37	-490.77	-1089.07	4266.07	-492.24	-1069.01	4229.08	-578.50	-1069.01	1700.42	
			M3	-73.17	-36.60	-2804.76	-73.28	-36.58	-3150.43	-73.28	-51.46	-3150.22	-73.28	-51.46	-3496.30	

BAGO RIVER BRIDGE

BLOCK [ No.1 : MAIN GIRDER ][ BEAM MEMBER FORCE ]

MEMBER					4011			4012			4013					
NODE					4011			4012			4013					
					SHEAR	TORQUE	MOMENT	SHEAR	TORQUE	MOMENT	SHEAR	TORQUE	MOMENT			
NAME	TITLE				S2 (kN)	TQ (kN·m)	M3 (kN·m)	S2 (kN)	TQ (kN·m)	M3 (kN·m)	S2 (kN)	TQ (kN·m)	M3 (kN·m)			
301	LIVE LOAD	4-LANES	MAX	S2	262.66	-314.43	5511.72	181.63	-184.83	4998.78	181.63	-161.22	4999.60	114.17	-66.43	3956.62
				TQ	-43.31	86.05	2117.84	-43.50	86.05	1912.70	-42.00	95.44	2063.84	-42.00	95.44	1865.48
				M3	-148.97	-630.17	9453.45	-258.64	-561.83	8097.55	-258.64	-523.57	8100.11	-362.35	-435.44	6208.46
			MIN	S2	-525.11	-600.33	6779.40	-616.67	-555.33	5521.10	-616.67	-529.24	5523.66	-721.20	-443.87	3627.81
				TQ	-310.25	-798.04	5659.01	-373.47	-798.04	4044.77	-370.18	-779.23	3934.21	-433.70	-779.23	2035.91
				M3	-59.51	-29.15	-2452.21	-59.51	-29.15	-2733.23	-59.51	-42.06	-2733.06	-59.59	-42.03	-3014.41
		6-LANES	MAX	S2	253.73	-257.13	5598.73	180.55	-140.60	5182.27	180.55	-116.11	5182.88	120.46	-33.59	4485.98
				TQ	-157.07	693.01	5931.80	-157.45	693.01	5188.76	-158.09	717.75	5275.96	-158.09	717.75	4529.40
				M3	-220.48	8.07	11761.85	-314.96	51.37	10159.04	-314.96	99.36	10158.69	-391.42	157.14	8133.19
			MIN	S2	-575.13	21.60	7463.50	-655.21	62.50	5728.41	-655.21	89.56	5728.06	-744.98	163.31	3481.14
				TQ	-250.01	-722.35	3739.27	-306.16	-722.35	2426.31	-305.87	-711.09	2345.24	-373.96	-711.09	767.86
				M3	-61.38	-36.93	-3743.19	-61.46	-36.96	-4033.28	-61.46	-56.01	-4033.06	-61.46	-56.01	-4323.30
		LIVE LOAD	MAX		391.78	985.53	11761.85	264.52	985.53	10159.04	264.52	1002.33	10158.69	165.46	1002.33	8133.19
			MIN		-599.81	-1089.07	-3743.19	-730.03	-1089.07	-4033.28	-730.03	-1069.01	-4033.06	-871.76	-1069.01	-4323.30
303	SUM TOTAL	TOTAL	MAX	-653.91	1281.54	36254.63	-1085.79	1281.54	28996.90	-1085.79	1387.31	28994.94	-1488.07	1387.31	19879.13	
			MIN	-1645.50	-793.07	20749.60	-2080.34	-793.07	14804.58	-2080.34	-684.02	14803.19	-2525.28	-684.02	7422.63	

BAGO RIVER BRIDGE

BLOCK [ No.1 : MAIN GIRDER ] [ BEAM MEMBER FORCE ]

NAME	TITLE	MEMBER NODE	4013			4014			4014			4015			
			SHEAR	TORQUE	MOMENT	SHEAR	TORQUE	MOMENT	SHEAR	TORQUE	MOMENT	SHEAR	TORQUE	MOMENT	
			S2 (kN)	TQ (kN·m)	M3 (kN·m)	S2 (kN)	TQ (kN·m)	M3 (kN·m)	S2 (kN)	TQ (kN·m)	M3 (kN·m)	S2 (kN)	TQ (kN·m)	M3 (kN·m)	
1	PAVEMENT		-308.93	-41.58	2124.64	-369.24	-41.58	523.48	-369.24	-39.11	523.67	-429.05	-39.11	-1361.14	
3	RAILING		-5.60	-4.27	55.36	-8.71	-4.27	21.71	-8.71	-4.17	21.73	-11.83	-4.17	-26.65	
5	CURB		-55.40	-42.27	548.07	-86.20	-42.27	214.95	-86.20	-41.25	215.14	-117.14	-41.25	-263.85	
7	DECK WEIGHT		-472.27	-34.54	3346.89	-565.56	-34.54	896.93	-565.56	-30.31	897.08	-658.20	-30.31	-1991.94	
8	GIRDER WEIGH		-509.11	266.21	3946.69	-597.41	266.21	1333.94	-597.41	272.51	1332.67	-685.71	272.51	-1697.07	
10	MEDIAN STRIP		-84.33	117.31	732.70	-84.33	117.31	334.45	-84.33	118.89	333.89	-84.33	118.89	-64.37	
21	ADITIONAL WE		-132.24	-9.67	937.13	-158.36	-9.67	251.14	-158.36	-8.49	251.18	-184.30	-8.49	-557.74	
31	MEDIAN RAILI		-6.97	9.37	48.29	-6.97	9.37	15.36	-6.97	9.44	15.31	-6.97	9.44	-17.62	
51	SUPPORT WEIG		-0.00	-0.00	-0.00	-0.00	-0.00	-0.00	-0.00	-0.00	-0.00	-0.00	-0.00	-0.00	
52	NOSE WEIGHT		0.04	0.50	0.09	0.04	0.50	0.28	0.04	0.50	0.28	0.04	0.50	0.46	
61	1-LANE(case1TRUCK-LOAD	MAX	S2	12.56	-54.73	-297.69	12.56	-54.73	-238.36	12.56	-55.86	-238.10	12.56	-55.86	-178.76
			TQ	-17.19	288.70	283.85	-17.19	288.70	202.66	-17.19	289.66	201.29	-17.19	289.66	120.10
			M3	-19.56	283.60	290.73	1.87	5.76	220.93	1.87	6.80	220.90	1.87	6.80	229.71
		MIN	S2	-20.50	266.20	278.88	-20.50	266.20	182.08	-20.50	267.06	180.82	-20.50	267.06	84.02
			TQ	12.56	-54.73	-297.69	12.56	-54.73	-238.36	12.56	-55.86	-238.10	12.56	-55.86	-178.76
			M3	10.23	-48.90	-355.30	9.16	-45.66	-310.88	9.16	-47.13	-310.67	8.72	-45.71	-269.15
		TANDEM-LOAD MAX	S2	8.63	-37.32	-197.69	8.63	-37.32	-156.93	8.63	-38.06	-156.75	8.63	-38.06	-115.99
			TQ	-11.05	196.48	190.30	-11.05	196.48	138.12	-11.05	197.13	137.19	-11.05	197.13	85.02
			M3	-13.18	194.61	199.15	1.26	3.94	150.08	1.26	4.65	150.06	1.26	4.65	156.01
		MIN	S2	-14.03	183.92	192.94	-14.03	183.92	126.67	-14.03	184.52	125.80	-14.03	184.52	59.53
			TQ	8.63	-37.32	-197.69	8.63	-37.32	-156.93	8.63	-38.06	-156.75	8.63	-38.06	-115.99
			M3	6.76	-32.69	-242.34	6.51	-31.93	-211.48	6.51	-32.93	-211.33	5.71	-30.39	-183.84
		DISPERSION-LMAX	S2	15.16	-48.08	-62.29	15.16	-48.08	9.30	15.16	-48.03	9.53	15.16	-48.03	81.12
			TQ	-18.03	342.43	669.71	-18.03	342.43	584.57	-18.03	345.18	582.95	-18.03	345.18	497.81
			M3	-18.03	342.43	669.71	-18.03	342.43	584.57	-18.03	345.18	582.95	-17.89	342.94	497.89
		MIN	S2	-20.96	328.78	313.25	-20.96	328.78	214.25	-20.96	329.79	212.69	-20.96	329.79	113.68
			TQ	12.22	-61.72	-418.75	12.22	-61.72	-361.02	12.22	-63.43	-360.73	12.22	-63.43	-303.01
			M3	12.22	-61.72	-418.75	12.22	-61.72	-361.02	12.22	-63.43	-360.73	12.09	-61.18	-303.09

BAGO RIVER BRIDGE

BLOCK [ No.1 : MAIN GIRDER ][ BEAM MEMBER FORCE ]

MEMBER				4013			4014			4015					
NODE				4013			4014			4014			4015		
				SHEAR	TORQUE	MOMENT	SHEAR	TORQUE	MOMENT	SHEAR	TORQUE	MOMENT	SHEAR	TORQUE	MOMENT
NAME	TITLE			S2 (kN)	TQ (kN·m)	M3 (kN·m)	S2 (kN)	TQ (kN·m)	M3 (kN·m)	S2 (kN)	TQ (kN·m)	M3 (kN·m)	S2 (kN)	TQ (kN·m)	M3 (kN·m)
62	1-LANE (case2TRUCK-LOAD	MAX	S2	2.82	3.25	218.40	2.82	3.25	231.73	2.82	4.34	231.71	2.82	4.34	245.05
			TQ	-49.87	151.75	515.57	-49.87	151.75	280.06	-49.87	153.08	279.34	-49.87	153.08	43.84
			M3	-46.65	144.14	545.03	-42.05	130.77	334.23	-42.05	132.35	333.61	2.82	4.39	245.46
		MIN	S2	-49.87	151.75	515.57	-49.87	151.75	280.06	-49.87	153.08	279.34	-49.87	153.08	43.84
			TQ	0.60	-22.47	-418.59	0.60	-22.47	-415.77	0.10	-24.47	-435.70	0.10	-24.47	-435.22
			M3	-0.68	-21.32	-449.03	-0.79	-21.06	-452.74	-0.79	-23.20	-452.64	-0.85	-23.03	-456.62
		TANDEM-LOAD MAX	S2	1.92	2.21	148.44	1.92	2.21	157.50	1.92	2.96	157.49	1.92	2.96	166.54
			TQ	-33.89	103.51	364.15	-33.89	103.51	204.10	-33.89	104.48	203.61	-33.89	104.48	43.57
			M3	-31.30	97.22	373.12	-26.07	81.27	228.09	-26.07	82.34	227.71	1.92	2.97	166.65
		MIN	S2	-33.95	102.96	341.85	-33.95	102.96	181.53	-33.95	103.82	181.04	-33.95	103.82	20.72
			TQ	0.29	-15.36	-289.59	0.29	-15.36	-288.21	0.15	-16.73	-293.72	0.15	-16.73	-292.99
			M3	-0.35	-14.77	-305.32	-0.66	-13.99	-307.82	-0.66	-15.44	-307.75	-0.66	-15.44	-310.86
		DISPERSION-LMAX	S2	5.95	-6.23	180.06	5.95	-6.23	208.15	5.95	-5.25	208.18	5.95	-5.25	236.27
			TQ	-49.06	169.70	932.43	-49.06	169.70	700.75	-49.06	173.01	699.95	-49.06	173.01	468.27
			M3	-49.06	169.70	932.43	-49.06	169.70	700.75	-49.06	173.01	699.95	-23.62	96.16	506.21
MIN	S2	-55.46	151.00	217.69	-55.46	151.00	-44.23	-55.46	150.79	-44.94	-55.46	150.79	-306.85		
	TQ	-0.46	-24.93	-534.68	-0.46	-24.93	-536.83	-0.46	-27.47	-536.71	-0.46	-27.47	-538.86		
	M3	-0.46	-24.93	-534.68	-0.46	-24.93	-536.83	-0.46	-27.47	-536.71	-25.89	49.38	-576.80		
63	1-LANE (case3TRUCK-LOAD	MAX	S2	3.57	1.30	223.53	3.57	1.30	240.40	3.57	2.44	240.40	3.57	2.44	257.27
			TQ	-77.32	52.29	863.26	-77.32	52.29	498.14	-77.32	54.64	497.89	-77.32	54.64	132.76
			M3	-74.86	51.62	864.72	-61.08	33.27	528.21	-61.08	35.76	528.04	-32.01	-0.71	313.31
		MIN	S2	-81.03	50.54	807.63	-81.03	50.54	424.99	-81.03	52.54	424.75	-81.03	52.54	42.11
			TQ	-7.62	-19.04	317.66	-7.62	-19.04	281.69	-7.62	-17.71	281.77	-9.18	-17.71	245.80
			M3	-9.37	0.47	-522.42	-9.37	0.47	-566.68	-9.37	-2.21	-566.68	-9.37	-2.21	-610.94

BAGO RIVER BRIDGE

BLOCK [ No.1 : MAIN GIRDER ][ BEAM MEMBER FORCE ]

MEMBER		4013			4014			4014			4015						
NODE		4013			4014			4014			4015						
		SHEAR	TORQUE	MOMENT	SHEAR	TORQUE	MOMENT	SHEAR	TORQUE	MOMENT	SHEAR	TORQUE	MOMENT				
NAME	TITLE	S2 (kN)	TQ (kN·m)	M3 (kN·m)	S2 (kN)	TQ (kN·m)	M3 (kN·m)	S2 (kN)	TQ (kN·m)	M3 (kN·m)	S2 (kN)	TQ (kN·m)	M3 (kN·m)				
63	1-LANE (case3TANDEM-LOAD	MAX	S2	2.42	0.87	151.53	2.42	0.87	162.98	2.42	1.64	162.97	2.42	1.64	174.42		
			TQ	-54.52	37.84	590.24	-54.52	37.84	332.76	-54.52	39.41	332.58	-54.52	39.41	75.09		
			M3	-47.65	33.16	592.75	-45.57	29.09	365.46	-45.57	30.82	365.32	-13.04	-11.37	223.67		
		MIN	S2	-55.42	37.73	580.99	-55.42	37.73	319.28	-55.42	39.23	319.10	-55.42	39.23	57.39		
			TQ	-8.51	-15.13	294.24	-8.51	-15.13	254.03	-8.51	-13.93	254.10	-9.70	-13.93	213.90		
			M3	-6.39	0.34	-355.98	-6.39	0.34	-386.16	-6.39	-1.48	-386.16	-6.39	-1.48	-416.34		
			DISPERSION-LMAX	S2	6.12	1.89	380.16	6.12	1.89	409.05	6.12	3.83	409.03	6.12	3.83	437.92	
			TQ	-63.26	40.63	578.94	-63.56	40.63	279.25	-61.94	42.30	424.26	-61.94	42.30	131.73		
			M3	-71.66	29.49	1141.11	-71.69	29.64	801.55	-71.70	33.42	801.40	-24.59	17.36	570.81		
		MIN	S2	-88.45	30.10	138.80	-88.95	30.10	-280.07	-88.95	28.78	-280.21	-89.46	28.78	-701.47		
			TQ	-19.07	-8.63	-59.98	-19.27	-8.63	-150.27	-20.89	-9.69	-295.44	-21.40	-9.69	-395.29		
			M3	-10.67	2.51	-622.14	-11.14	2.36	-672.57	-11.14	-0.82	-672.58	-58.76	15.25	-834.36		
		64	1-LANE (case4TRUCK-LOAD	MAX	S2	157.26	-239.56	1783.27	94.52	-130.98	1462.67	94.52	-124.07	1463.27	42.67	-44.24	894.78
					TQ	-29.73	49.88	-662.29	-29.73	49.88	-802.68	-29.73	46.09	-802.91	-29.73	46.09	-943.30
					M3	19.26	-318.24	1942.06	-38.35	-229.65	1601.21	-38.35	-222.09	1602.28	-101.20	-114.65	984.62
MIN	S2			-199.95	-338.44	1884.52	-253.50	-263.41	1529.35	-253.50	-256.18	1530.58	-320.63	-142.28	945.23		
	TQ			-143.75	-367.85	1070.02	-143.75	-367.85	391.18	-143.75	-366.00	392.91	-143.75	-366.00	-285.93		
	M3			-28.86	48.07	-680.70	-28.99	48.35	-817.45	-28.99	44.49	-817.67	-29.30	45.15	-955.32		
	TANDEM-LOAD MAX			S2	127.31	-198.15	1491.96	83.43	-122.70	1274.79	83.43	-116.68	1275.35	41.69	-45.67	861.56	
	TQ			-20.22	33.93	-438.39	-20.22	33.93	-533.88	-20.22	31.41	-534.04	-20.22	31.41	-629.53		
	M3			-7.05	-212.40	1511.76	-49.65	-142.26	1290.12	-49.65	-136.16	1290.78	-93.52	-60.09	868.41		
MIN	S2			-151.04	-212.40	1511.76	-193.91	-142.26	1290.12	-193.91	-136.16	1290.78	-238.04	-60.09	868.41		
	TQ			-99.64	-251.84	753.09	-99.64	-251.84	282.57	-99.64	-250.50	283.76	-99.64	-250.50	-186.77		
	M3			-19.44	32.31	-463.04	-20.06	33.68	-555.50	-20.06	31.06	-555.66	-20.06	31.06	-650.38		

BAGO RIVER BRIDGE

BLOCK [ No.1 : MAIN GIRDER ][ BEAM MEMBER FORCE ]

MEMBER NODE	4013	4014						4015								
		4013			4014			4014			4015					
		SHEAR	TORQUE	MOMENT	SHEAR	TORQUE	MOMENT	SHEAR	TORQUE	MOMENT	SHEAR	TORQUE	MOMENT			
NAME TITLE	S2 (kN)	TQ (kN·m)	M3 (kN·m)	S2 (kN)	TQ (kN·m)	M3 (kN·m)	S2 (kN)	TQ (kN·m)	M3 (kN·m)	S2 (kN)	TQ (kN·m)	M3 (kN·m)				
64	1-LANE (case4DISPERSION-LMAX	S2	45.19	-55.07	808.22	26.10	-25.78	715.63	26.10	-22.40	715.75	14.54	-7.19	605.73		
		TQ	-33.55	52.36	-796.31	-33.55	52.36	-954.77	-29.62	48.27	-728.99	-29.62	48.27	-868.84		
		M3	-75.85	-392.07	1594.51	-92.31	-268.67	1157.99	-92.53	-263.98	1159.25	-66.75	-69.13	772.19		
	MIN	S2	-154.60	-284.64	-10.01	-185.11	-313.93	-551.18	-185.11	-316.53	-549.69	-223.25	-331.74	-1307.89		
		TQ	-75.85	-392.07	1594.51	-125.46	-392.07	1119.22	-129.39	-387.20	895.04	-179.09	-387.20	166.68		
		M3	-33.55	52.36	-796.31	-66.70	-71.04	-993.54	-66.48	-74.95	-993.20	-141.96	-269.80	-1474.36		
	65	2-LANES (caseTRUCK-LOAD	MAX	S2	19.64	-92.35	-610.61	19.64	-92.35	-517.85	19.64	-94.80	-517.40	19.64	-94.80	-424.64
			TQ	-50.18	508.64	666.12	-50.18	508.64	429.13	-50.18	510.66	426.72	-50.18	510.66	189.73	
			M3	-51.46	502.70	681.10	-27.11	214.41	466.99	-27.11	216.62	465.97	4.18	12.48	467.10	
MIN		S2	-53.67	484.41	652.86	-53.67	484.41	399.42	-53.67	486.29	397.13	-53.67	486.29	143.70		
		TQ	19.21	-93.23	-659.70	19.21	-93.23	-569.00	19.21	-95.91	-568.55	19.21	-95.91	-477.85		
		M3	14.94	-83.82	-757.19	13.87	-80.58	-690.54	13.87	-83.84	-690.15	12.81	-80.51	-629.06		
TANDEM-LOAD		MAX	S2	13.50	-62.24	-391.41	13.50	-62.24	-327.66	13.50	-63.79	-327.37	13.50	-63.79	-263.62	
		TQ	-33.48	346.75	453.29	-33.48	346.75	295.19	-33.48	348.14	293.55	-33.48	348.14	135.46		
		M3	-34.11	341.59	465.27	-19.06	148.62	318.22	-19.06	150.13	317.51	2.84	8.48	317.28		
MIN		S2	-36.65	331.56	444.19	-36.65	331.56	271.13	-36.65	332.84	269.56	-36.65	332.84	96.51		
		TQ	13.36	-63.50	-431.02	13.36	-63.50	-367.93	13.01	-65.30	-389.94	13.01	-65.30	-328.50		
		M3	9.82	-56.04	-515.80	9.57	-55.29	-470.48	9.57	-57.51	-470.21	8.60	-54.43	-429.02		
DISPERSION-LMAX		S2	24.97	-81.82	-144.48	24.97	-81.82	-26.56	24.97	-81.94	-26.18	24.97	-81.94	91.74		
		TQ	-51.59	599.50	1469.52	-51.59	599.50	1225.90	-51.59	605.29	1223.05	-51.59	605.29	979.43		
		M3	-51.59	599.50	1469.52	-51.59	599.50	1225.90	-51.59	605.29	1223.05	-42.53	551.88	986.41		
MIN	S2	-58.38	576.29	718.55	-58.38	576.29	442.87	-58.38	578.38	440.14	-58.38	578.38	164.45			
	TQ	18.18	-105.03	-895.45	18.18	-105.03	-809.60	18.18	-108.85	-809.09	18.18	-108.85	-723.24			
	M3	18.18	-105.03	-895.45	18.18	-105.03	-809.60	18.18	-108.85	-809.09	9.12	-55.44	-730.21			



BAGO RIVER BRIDGE

BLOCK [ No.1 : MAIN GIRDER ][ BEAM MEMBER FORCE ]

MEMBER				4013			4014			4015					
NODE				4013			4014			4014			4015		
				SHEAR	TORQUE	MOMENT	SHEAR	TORQUE	MOMENT	SHEAR	TORQUE	MOMENT	SHEAR	TORQUE	MOMENT
NAME	TITLE			S2 (kN)	TQ (kN·m)	M3 (kN·m)	S2 (kN)	TQ (kN·m)	M3 (kN·m)	S2 (kN)	TQ (kN·m)	M3 (kN·m)	S2 (kN)	TQ (kN·m)	M3 (kN·m)
66	2-LANES (caseTRUCK-LOAD	MAX	S2	9.90	-34.37	-94.52	9.90	-34.37	-47.75	9.90	-34.60	-47.59	9.90	-34.60	-0.82
			TQ	-82.86	371.69	897.84	-82.86	371.69	506.54	-82.86	374.08	504.78	-82.86	374.08	113.47
			M3	-78.55	363.24	935.39	-71.03	339.43	580.28	-71.03	342.17	578.67	5.13	10.07	482.85
		MIN	S2	-83.04	369.96	889.54	-83.04	369.96	497.41	-83.04	372.31	495.66	-83.04	372.31	103.53
			TQ	7.24	-60.97	-780.59	7.24	-60.97	-746.41	6.74	-64.53	-766.15	6.74	-64.53	-734.31
			M3	4.03	-56.24	-850.92	3.92	-55.98	-832.40	3.92	-59.91	-832.12	3.24	-57.83	-816.53
		TANDEM-LOAD MAX	S2	6.78	-22.71	-45.27	6.78	-22.71	-13.23	6.78	-22.77	-13.13	6.78	-22.77	18.91
			TQ	-56.32	253.78	627.14	-56.32	253.78	361.18	-56.32	255.48	359.97	-56.32	255.48	94.01
			M3	-52.22	244.20	639.23	-46.39	225.95	396.23	-46.39	227.82	395.16	3.50	6.80	327.93
		MIN	S2	-56.56	250.61	593.10	-56.56	250.61	325.99	-56.56	252.14	324.80	-56.56	252.14	57.69
			TQ	5.02	-41.54	-522.92	5.02	-41.54	-499.21	4.53	-43.96	-526.91	4.53	-43.96	-505.50
			M3	2.71	-38.13	-578.78	2.40	-37.34	-566.82	2.40	-40.02	-566.63	2.23	-39.49	-556.03
		DISPERSION-LMAX	S2	15.76	-39.97	97.86	15.76	-39.97	172.29	15.76	-39.16	172.47	15.76	-39.16	246.90
			TQ	-82.62	426.78	1732.24	-82.62	426.78	1342.08	-82.62	433.11	1340.05	-82.62	433.11	949.89
			M3	-82.62	426.78	1732.24	-82.62	426.78	1342.08	-82.62	433.11	1340.05	-48.26	305.10	994.72
		MIN	S2	-92.88	398.51	622.99	-92.88	398.51	184.39	-92.88	399.37	182.51	-92.88	399.37	-256.09
			TQ	5.50	-68.24	-1011.39	5.50	-68.24	-985.40	5.50	-72.90	-985.07	5.50	-72.90	-959.09
			M3	5.50	-68.24	-1011.39	5.50	-68.24	-985.40	5.50	-72.90	-985.07	-28.86	55.12	-1003.92
67	2-LANES (caseTRUCK-LOAD	MAX	S2	8.45	-31.00	598.59	8.45	-31.00	638.48	8.45	-27.99	638.62	8.45	-27.99	678.51
			TQ	-91.49	69.93	366.25	-91.49	69.93	-65.81	-90.93	69.69	-42.13	-90.93	69.69	-471.55
			M3	-128.96	4.00	2023.21	-111.33	-13.49	1331.66	-111.33	-7.20	1331.71	-75.96	-42.22	808.62
		MIN	S2	-191.35	1.32	1958.52	-191.82	2.91	1108.14	-191.82	8.15	1108.12	-191.82	8.15	202.25
			TQ	-90.21	-90.99	923.09	-90.21	-90.99	497.06	-90.21	-88.64	497.49	-91.78	-88.64	71.46
			M3	-24.94	16.47	-1094.50	-24.94	16.47	-1212.31	-24.94	10.74	-1212.37	-24.94	10.74	-1330.17

BAGO RIVER BRIDGE

BLOCK [ No.1 : MAIN GIRDER ][ BEAM MEMBER FORCE ]

MEMBER		4013			4014			4014			4015						
NODE		4013			4014			4014			4015						
		SHEAR	TORQUE	MOMENT	SHEAR	TORQUE	MOMENT	SHEAR	TORQUE	MOMENT	SHEAR	TORQUE	MOMENT				
NAME	TITLE	S2 (kN)	TQ (kN·m)	M3 (kN·m)	S2 (kN)	TQ (kN·m)	M3 (kN·m)	S2 (kN)	TQ (kN·m)	M3 (kN·m)	S2 (kN)	TQ (kN·m)	M3 (kN·m)				
67	2-LANES (caseTANDEM-LOAD	MAX	S2	6.14	-28.09	502.22	6.14	-28.09	531.20	6.14	-25.58	531.33	6.14	-25.58	560.32		
			TQ	-63.61	49.84	274.26	-63.61	49.84	-26.14	-63.61	49.71	-26.37	-63.61	49.71	-326.77		
			M3	-88.93	2.43	1433.85	-82.66	-3.57	962.05	-82.66	0.97	962.05	-45.47	-40.46	618.86		
		MIN	S2	-131.25	7.00	1422.08	-131.25	7.00	802.27	-131.25	10.79	802.23	-131.25	10.79	182.41		
			TQ	-63.04	-64.38	683.72	-63.04	-64.38	386.03	-63.04	-62.55	386.33	-64.23	-62.55	88.63		
			M3	-16.96	11.04	-746.09	-16.96	11.04	-826.17	-16.96	7.14	-826.21	-16.96	7.14	-906.29		
		DISPERSION-LMAX	S2	15.52	-10.21	922.87	14.79	-6.71	935.36	14.79	-2.29	935.39	14.07	1.06	949.61		
			TQ	-79.51	60.31	117.35	-79.89	60.31	-259.33	-76.30	59.91	41.03	-76.30	59.91	-319.29		
			M3	-146.62	-54.38	2419.42	-151.01	-44.55	1700.60	-151.07	-36.59	1700.80	-59.17	-3.08	1201.17		
		MIN	S2	-190.80	-22.41	195.05	-202.60	-25.91	-674.53	-202.60	-29.10	-674.40	-214.60	-32.44	-1605.37		
			TQ	-95.77	-92.93	1000.56	-107.92	-92.93	520.17	-111.51	-91.29	219.96	-124.24	-91.29	-336.46		
			M3	-28.66	21.76	-1301.50	-36.80	11.94	-1439.77	-36.74	5.20	-1439.81	-141.36	-28.31	-1856.92		
		68	2-LANES (caseTRUCK-LOAD	MAX	S2	245.57	-397.35	3257.72	149.06	-225.13	2601.72	149.06	-212.83	2602.76	68.80	-82.48	1582.35
					TQ	-52.54	84.32	-1259.03	-52.54	84.32	-1507.13	-52.54	77.20	-1507.51	-52.54	77.20	-1755.62
					M3	7.28	-523.52	3556.05	-82.26	-381.66	2861.84	-82.26	-368.14	2863.61	-178.03	-197.77	1756.36
MIN	S2			-362.77	-556.61	3465.54	-447.47	-432.21	2771.05	-447.47	-419.12	2773.06	-547.27	-242.13	1691.04		
	TQ			-263.48	-614.77	1965.63	-263.48	-614.77	721.34	-263.48	-611.36	724.24	-263.48	-611.36	-520.05		
	M3			-51.40	80.87	-1309.67	-51.53	81.15	-1552.84	-51.53	73.82	-1553.20	-51.92	74.70	-1797.56		
TANDEM-LOAD	MAX			S2	198.34	-325.67	2703.43	130.70	-206.81	2252.86	130.70	-196.17	2253.82	66.79	-83.29	1515.34	
	TQ			-35.72	57.47	-840.22	-35.72	57.47	-1008.92	-35.72	52.70	-1009.18	-35.72	52.70	-1177.88		
	M3			-28.56	-348.57	2741.69	-94.00	-237.69	2283.17	-94.00	-226.90	2284.27	-160.50	-106.73	1530.41		
MIN	S2			-270.49	-348.57	2741.69	-335.71	-237.69	2283.17	-335.71	-226.90	2284.27	-402.01	-106.73	1530.41		
	TQ			-186.35	-419.85	1438.51	-186.35	-419.85	558.50	-177.21	-417.22	473.20	-177.21	-417.22	-363.65		
	M3			-34.65	54.31	-891.30	-35.27	55.69	-1055.59	-35.27	50.70	-1055.85	-35.27	50.70	-1222.40		

BAGO RIVER BRIDGE

BLOCK [ No.1 : MAIN GIRDER ][ BEAM MEMBER FORCE ]

MEMBER		4013			4014			4014			4015					
NODE		4013			4014			4014			4015					
		SHEAR	TORQUE	MOMENT	SHEAR	TORQUE	MOMENT	SHEAR	TORQUE	MOMENT	SHEAR	TORQUE	MOMENT			
NAME	TITLE	S2 (kN)	TQ (kN·m)	M3 (kN·m)	S2 (kN)	TQ (kN·m)	M3 (kN·m)	S2 (kN)	TQ (kN·m)	M3 (kN·m)	S2 (kN)	TQ (kN·m)	M3 (kN·m)			
68	2-LANES (caseDISPERSION-LMAX	S2	73.72	-92.50	1549.42	43.92	-43.99	1362.54	43.92	-37.56	1362.74	25.69	-11.47	1166.18		
		TQ	-56.17	88.99	-1337.51	-56.17	88.99	-1602.76	-49.69	82.30	-1228.09	-49.69	82.30	-1462.73		
		M3	-153.18	-663.57	3053.30	-179.17	-466.84	2195.04	-179.62	-457.90	2197.22	-122.21	-123.41	1472.99		
		MIN	S2	-286.52	-482.41	-32.31	-340.00	-530.92	-1047.16	-340.00	-535.86	-1044.64	-404.97	-561.94	-2442.91	
		TQ	-156.63	-663.91	2854.62	-239.91	-663.91	1918.14	-246.39	-655.72	1546.19	-329.60	-655.72	186.00		
		M3	-59.62	88.65	-1536.19	-116.91	-108.07	-1879.66	-116.46	-115.51	-1879.13	-257.07	-450.00	-2749.72		
		MAX	S2	22.47	-89.10	-392.22	22.47	-89.10	-286.11	22.47	-90.45	-285.69	22.47	-90.45	-179.59	
		TQ	-100.05	660.39	1181.69	-100.05	660.39	709.20	-100.05	663.74	706.07	-100.05	663.74	233.58		
		M3	-98.10	646.84	1226.13	-69.16	345.19	801.21	-69.16	348.97	799.57	7.00	16.87	712.56		
69	3-LANES (caseTRUCK-LOAD	MIN	S2	-103.53	636.16	1168.42	-103.53	636.16	679.49	-103.53	639.36	676.48	-103.53	639.36	187.54	
		TQ	19.80	-115.70	-1078.29	19.80	-115.70	-984.77	19.31	-120.38	-1004.25	19.31	-120.38	-913.07		
		M3	14.26	-105.14	-1206.22	13.08	-101.64	-1143.28	13.08	-107.04	-1142.79	11.96	-103.54	-1085.68		
		TANDEM-LOAD	MAX	S2	15.42	-60.03	-242.96	15.42	-60.03	-170.17	15.42	-60.83	-169.88	15.42	-60.83	-97.08
		TQ	-67.37	450.26	817.44	-67.37	450.26	499.30	-67.37	452.61	497.17	-67.37	452.61	179.03		
		M3	-65.41	438.81	838.39	-45.13	229.89	546.31	-45.13	232.47	545.22	4.75	11.45	483.94		
		MIN	S2	-70.59	434.52	786.04	-70.59	434.52	452.66	-70.59	436.66	450.60	-70.59	436.66	117.23	
		TQ	13.65	-78.86	-720.61	13.65	-78.86	-656.14	13.17	-82.03	-683.67	13.17	-82.03	-621.49		
		M3	9.47	-70.82	-821.12	8.91	-69.27	-778.30	8.91	-72.95	-777.96	7.94	-69.87	-739.88		
		DISPERSION-LMAX	S2	30.92	-88.05	35.58	30.92	-88.05	181.59	30.92	-87.19	182.00	30.92	-87.19	328.01	
		TQ	-100.65	769.20	2401.95	-100.65	769.20	1926.65	-100.65	778.30	1923.00	-100.65	778.30	1447.70		
		M3	-100.65	769.20	2401.95	-100.65	769.20	1926.65	-100.65	778.30	1923.00	-66.15	648.03	1492.62		
		MIN	S2	-113.84	727.29	936.24	-113.84	727.29	398.64	-113.84	729.17	395.20	-113.84	729.17	-142.41	
		TQ	17.72	-129.96	-1430.13	17.72	-129.96	-1346.43	17.72	-136.32	-1345.80	17.72	-136.32	-1262.09		
		M3	17.72	-129.96	-1430.13	17.72	-129.96	-1346.43	17.72	-136.32	-1345.80	-16.77	-6.06	-1307.01		

BAGO RIVER BRIDGE

BLOCK [ No.1 : MAIN GIRDER ] [ BEAM MEMBER FORCE ]

MEMBER				4013			4014			4015						
NODE				4013			4014			4014			4015			
				SHEAR	TORQUE	MOMENT	SHEAR	TORQUE	MOMENT	SHEAR	TORQUE	MOMENT	SHEAR	TORQUE	MOMENT	
NAME TITLE				S2 (kN)	TQ (kN·m)	M3 (kN·m)	S2 (kN)	TQ (kN·m)	M3 (kN·m)	S2 (kN)	TQ (kN·m)	M3 (kN·m)	S2 (kN)	TQ (kN·m)	M3 (kN·m)	
70	3-LANES (case)	TRUCK-LOAD	MAX	S2	72.09	-159.33	1961.10	50.26	-113.16	1674.20	50.26	-105.25	1674.72	29.90	-64.44	1307.47
				TQ	-113.64	102.57	-236.19	-113.64	102.57	-772.85	-112.92	99.05	-736.54	-112.92	99.05	-1269.81
				M3	-151.85	-156.56	3510.26	-156.07	-137.83	2476.22	-156.07	-126.13	2476.84	-144.33	-115.18	1517.32
			MIN	S2	-340.04	-166.90	3432.91	-363.75	-133.25	2236.83	-363.75	-122.68	2237.44	-389.36	-77.51	888.60
				TQ	-206.41	-277.75	1852.43	-206.41	-277.75	877.69	-206.41	-273.61	878.99	-207.97	-273.61	-95.75
				M3	-46.85	47.74	-1718.31	-46.85	47.74	-1939.54	-46.85	38.58	-1939.74	-46.91	38.78	-2161.05
		TANDEM-LOAD	MAX	S2	56.21	-129.27	1608.92	41.53	-99.45	1411.64	41.53	-92.78	1412.10	26.45	-60.85	1154.07
				TQ	-78.54	72.12	-123.15	-78.54	72.12	-494.06	-78.54	69.79	-494.40	-78.54	69.79	-865.31
				M3	-115.76	-104.52	2556.84	-125.06	-83.06	1855.79	-125.06	-74.29	1856.16	-104.45	-82.98	1220.55
		MIN	S2	-238.68	-99.96	2545.08	-255.58	-72.48	1696.01	-255.58	-64.47	1696.34	-273.41	-31.73	784.11	
			TQ	-143.52	-191.89	1336.62	-143.52	-191.89	658.86	-143.52	-188.77	659.76	-144.71	-188.77	-18.00	
			M3	-31.75	32.05	-1170.97	-31.75	32.05	-1320.93	-31.75	25.81	-1321.07	-31.75	25.81	-1471.03	
		DISPERSION-LMAX	MAX	S2	39.66	-44.62	1648.66	31.23	-25.52	1573.85	31.23	-18.09	1573.96	25.39	-5.27	1515.00
				TQ	-105.01	95.66	-618.63	-105.39	95.66	-1115.75	-97.86	91.63	-589.54	-97.86	91.63	-1051.68
				M3	-220.08	-259.39	3834.28	-235.43	-210.57	2714.37	-235.67	-198.24	2715.33	-109.10	-52.90	1899.95
MIN	S2	-313.91	-157.66	148.14	-346.03	-176.75	-1167.35	-346.03	-182.27	-1166.50	-381.39	-195.08	-2690.92			
	TQ	-169.24	-297.93	2415.43	-209.41	-297.93	1522.25	-216.94	-291.99	996.99	-258.14	-291.99	-124.24			
	M3	-54.16	57.11	-2037.49	-79.37	8.30	-2307.87	-79.13	-2.12	-2307.88	-246.90	-147.46	-3075.87			
71	3-LANES (case)	TRUCK-LOAD	MAX	S2	264.86	-473.30	4422.93	163.59	-282.35	3416.72	163.59	-266.21	3418.02	78.36	-114.68	2062.31
				TQ	-67.63	103.81	-1762.83	-67.63	103.81	-2082.19	-67.10	94.02	-2058.86	-67.10	94.02	-2375.74
				M3	-35.92	-615.86	4841.58	-131.69	-456.07	3781.47	-131.69	-438.20	3783.58	-230.46	-249.43	2314.81
			MIN	S2	-488.36	-654.19	4746.93	-578.49	-512.03	3685.96	-578.49	-494.61	3688.34	-679.84	-300.11	2230.14
				TQ	-353.01	-747.49	2589.55	-353.01	-747.49	922.47	-353.01	-743.13	925.99	-353.01	-743.13	-741.11
				M3	-67.60	98.40	-1886.92	-67.73	98.68	-2206.62	-67.73	88.25	-2207.06	-68.12	89.13	-2527.95

BAGO RIVER BRIDGE

BLOCK [ No.1 : MAIN GIRDER ][ BEAM MEMBER FORCE ]

MEMBER		4013			4014			4014			4015							
NODE		4013			4014			4014			4015							
		SHEAR	TORQUE	MOMENT	SHEAR	TORQUE	MOMENT	SHEAR	TORQUE	MOMENT	SHEAR	TORQUE	MOMENT					
NAME	TITLE	S2 (kN)	TQ (kN·m)	M3 (kN·m)	S2 (kN)	TQ (kN·m)	M3 (kN·m)	S2 (kN)	TQ (kN·m)	M3 (kN·m)	S2 (kN)	TQ (kN·m)	M3 (kN·m)					
71	3-LANES (case)	TANDEM-LOAD	MAX	S2	213.08	-382.53	3634.35	141.82	-252.31	2934.16	141.82	-238.45	2935.32	75.29	-112.86	1961.28		
				TQ	-45.48	70.74	-1160.95	-45.48	70.74	-1375.71	-45.48	64.24	-1376.03	-45.48	64.24	-1590.78		
				M3	-64.53	-408.49	3689.74	-133.04	-286.29	2979.09	-133.04	-272.22	2980.41	-200.92	-139.93	1985.91		
			MIN	S2	-358.33	-408.49	3689.74	-425.38	-286.29	2979.09	-425.38	-272.22	2980.41	-491.89	-139.93	1985.91		
			TQ	-245.42	-510.27	1838.49	-245.42	-510.27	679.53	-236.28	-507.07	594.65	-236.28	-507.07	-521.15			
			M3	-45.63	66.02	-1284.79	-46.25	67.39	-1500.93	-46.25	60.30	-1501.24	-46.25	60.30	-1719.63			
			DISPERSION-LMAX	S2	85.77	-110.31	2182.43	53.47	-53.90	1928.67	53.47	-44.79	1928.91	33.42	-12.85	1681.12		
				TQ	-68.85	111.21	-1655.80	-68.85	111.21	-1980.95	-61.98	102.79	-1583.49	-61.98	102.79	-1876.18		
				M3	-232.01	-814.09	4375.81	-260.31	-583.35	3114.01	-260.86	-570.27	3116.73	-162.43	-151.92	2104.47		
			MIN	S2	-395.95	-594.92	-26.05	-464.62	-651.33	-1475.97	-464.62	-658.29	-1472.88	-545.06	-690.24	-3404.42		
			TQ	-241.33	-816.45	3812.17	-342.30	-816.45	2433.65	-349.17	-805.88	2039.52	-449.66	-805.88	152.88			
			M3	-78.17	108.86	-2219.43	-150.84	-121.88	-2661.30	-150.29	-132.81	-2660.70	-349.21	-551.16	-3827.78			
		72	4-LANES	TRUCK-LOAD	MAX	S2	240.34	-421.28	3675.53	149.81	-257.79	3057.43	149.81	-243.35	3058.61	73.10	-112.68	1996.27
						TQ	-145.47	149.57	-879.25	-145.47	149.57	-1566.23	-144.92	142.24	-1542.99	-144.92	142.24	-2227.39
						M3	-123.15	-518.29	5576.75	-195.43	-394.89	4188.70	-195.43	-375.10	4190.51	-253.75	-240.46	2562.79
	MIN			S2	-556.82	-550.66	5474.03	-638.27	-427.42	3987.18	-638.27	-408.59	3989.15	-729.70	-245.14	1951.93		
	TQ			-351.75	-699.55	2878.22	-351.75	-699.55	1217.09	-351.75	-693.80	1220.38	-354.46	-693.80	-440.75			
	M3			-76.33	97.32	-2404.11	-76.46	97.60	-2765.01	-76.46	84.54	-2765.44	-76.84	85.40	-3127.40			
	TANDEM-LOAD			MAX	S2	193.38	-342.41	3007.26	130.27	-230.34	2586.29	130.27	-218.12	2587.35	69.90	-110.22	1893.73	
				TQ	-100.29	103.96	-557.41	-100.29	103.96	-1031.01	-100.29	99.09	-1031.48	-100.29	99.09	-1505.08		
				M3	-118.19	-345.06	4172.67	-177.56	-241.62	3238.76	-177.56	-226.32	3239.87	-205.48	-147.47	2146.96		
	MIN			S2	-401.19	-341.29	4157.81	-463.77	-235.77	3090.31	-463.77	-221.17	3091.39	-527.90	-106.68	1711.08		
	TQ			-247.69	-480.30	2112.26	-247.69	-480.30	942.54	-247.69	-475.84	944.80	-249.75	-475.84	-224.93			
	M3			-51.60	65.35	-1637.37	-52.21	66.71	-1881.64	-52.21	57.82	-1881.93	-52.21	57.82	-2128.51			

BAGO RIVER BRIDGE

BLOCK [ No.1 : MAIN GIRDER ][ BEAM MEMBER FORCE ]

MEMBER				4013			4014			4015							
NODE				4013			4014			4014			4015				
				SHEAR	TORQUE	MOMENT	SHEAR	TORQUE	MOMENT	SHEAR	TORQUE	MOMENT	SHEAR	TORQUE	MOMENT		
NAME	TITLE			S2 (kN)	TQ (kN·m)	M3 (kN·m)	S2 (kN)	TQ (kN·m)	M3 (kN·m)	S2 (kN)	TQ (kN·m)	M3 (kN·m)	S2 (kN)	TQ (kN·m)	M3 (kN·m)		
72	4-LANES	DISPERSION-LMAX	S2	61.49	-104.14	978.85	30.95	-50.98	649.87	30.95	-47.91	650.11	11.89	-17.62	321.89		
			TQ	-132.00	130.69	-1474.81	-132.30	130.69	-2099.10	-131.81	120.99	-2005.62	-131.81	120.99	-2628.09		
			M3	-328.48	-727.03	3963.54	-360.81	-519.18	2245.15	-361.42	-510.33	2247.58	-212.24	-137.39	879.72		
	MIN	S2	-464.76	-548.95	770.34	-531.43	-602.56	-1041.39	-531.43	-607.47	-1038.53	-609.73	-637.89	-3307.30			
		TQ	-279.34	-774.77	3265.44	-376.61	-774.77	1716.65	-376.95	-766.88	1624.95	-474.52	-766.88	-385.78			
		M3	-72.20	95.12	-2226.67	-140.79	-113.37	-2633.15	-140.39	-124.67	-2632.58	-386.73	-514.31	-3865.05			
	73	6-LANES	TRUCK-LOAD	MAX	S2	233.23	-431.68	2965.30	152.25	-283.26	2416.85	152.25	-271.84	2418.16	84.15	-156.61	1571.19
				TQ	-181.29	660.11	-171.83	-181.29	660.11	-1027.96	-179.31	655.59	-946.41	-179.31	655.59	-1793.18	
				M3	-202.96	80.85	5882.40	-238.67	-87.81	4281.02	-238.67	-67.58	4281.38	-191.12	-192.62	2763.24	
MIN			S2	-570.49	12.83	5650.90	-645.72	125.21	3913.45	-645.72	143.70	3912.82	-726.35	289.64	1773.47		
TQ			-303.54	-693.30	1139.17	-303.54	-693.30	-294.29	-300.68	-694.70	-307.00	-300.68	-694.70	-1726.97			
M3			-53.80	-5.26	-3101.38	-54.88	-2.13	-3359.51	-54.88	-18.00	-3359.46	-56.38	-13.26	-3621.82			
TANDEM-LOAD		MAX	S2	184.98	-341.74	2460.57	128.32	-240.14	2081.40	128.32	-230.30	2082.51	74.64	-132.53	1468.64		
		TQ	-121.98	450.75	-77.09	-121.98	450.75	-653.16	-121.43	447.75	-631.66	-121.43	447.75	-1205.11			
		M3	-167.53	68.57	4330.03	-186.49	-48.93	3240.45	-186.49	-33.62	3240.65	-162.60	-111.81	2214.28			
		MIN	S2	-410.55	46.44	4219.22	-465.53	141.28	3015.83	-465.53	155.52	3015.13	-521.24	259.02	1570.17		
		TQ	-206.75	-473.79	780.22	-206.75	-473.79	-196.13	-207.02	-474.72	-203.42	-207.02	-474.72	-1181.08			
		M3	-36.71	-3.18	-2111.74	-37.55	-1.10	-2286.52	-37.55	-11.90	-2286.49	-38.47	-8.85	-2466.51			
DISPERSION-LMAX	S2	101.88	-164.69	2040.37	74.59	-118.24	1989.73	74.59	-108.84	1990.26	57.69	-82.68	1934.05				
	TQ	-198.46	748.16	971.27	-198.84	748.16	32.85	-192.65	749.36	475.92	-192.65	749.36	-433.86				
	M3	-351.50	-69.52	6622.31	-378.23	143.09	4823.64	-378.66	164.68	4822.91	-214.24	416.80	3384.15				
	MIN	S2	-519.43	41.35	1028.62	-576.30	-6.91	-1096.04	-576.30	-12.09	-1096.00	-644.17	-38.21	-3619.18			
	TQ	-222.74	-806.66	2145.52	-308.50	-806.66	891.32	-315.67	-803.54	409.54	-401.46	-803.54	-1283.91				
	M3	-62.34	-4.90	-3546.90	-124.99	-197.34	-3901.68	-124.57	-214.57	-3900.71	-372.62	-447.55	-5037.33				

BAGO RIVER BRIDGE

BLOCK [ No.1 : MAIN GIRDER ][ BEAM MEMBER FORCE ]

MEMBER			4013			4014			4014			4015			
NODE			4013			4014			4014			4015			
NAME TITLE			SHEAR	TORQUE	MOMENT	SHEAR	TORQUE	MOMENT	SHEAR	TORQUE	MOMENT	SHEAR	TORQUE	MOMENT	
			S2 (kN)	TQ (kN·m)	M3 (kN·m)	S2 (kN)	TQ (kN·m)	M3 (kN·m)	S2 (kN)	TQ (kN·m)	M3 (kN·m)	S2 (kN)	TQ (kN·m)	M3 (kN·m)	
124	SUM TOTAL	D+1LANE (caseMAX	S2	-1541.54	137.68	11307.88	-1843.47	137.68	3317.36	-1843.47	153.35	3316.67	-2144.22	153.35	-6097.10
			TQ	-1617.07	1018.41	12884.13	-1919.00	1018.41	4536.90	-1919.00	1039.83	4532.04	-2219.76	1039.83	-5238.43
			M3	-1619.91	1012.28	12892.39	-1896.13	678.88	4558.83	-1896.13	700.40	4555.57	-2196.72	697.70	-5106.80
		MIN	S2	-1624.56	975.03	12450.41	-1926.49	975.03	4067.81	-1926.49	994.24	4063.16	-2227.25	994.24	-5742.68
			TQ	-1545.06	121.31	10880.13	-1846.99	121.31	2872.97	-1846.99	134.88	2872.36	-2147.75	134.88	-6558.05
			M3	-1547.86	128.30	10811.00	-1851.08	132.19	2785.93	-1851.08	145.35	2785.28	-2152.52	149.76	-6666.62
		D+1LANE (caseMAX	S2	-1564.28	257.47	12218.00	-1866.21	257.47	4120.08	-1866.21	276.93	4118.82	-2166.96	276.93	-5402.34
			TQ	-1693.52	646.79	13477.45	-1995.45	646.79	4769.21	-1995.45	669.32	4766.10	-2296.20	669.32	-5365.39
			M3	-1689.65	637.65	13512.81	-1986.07	621.62	4834.20	-1986.07	644.45	4831.21	-2202.46	398.68	-5077.92
		MIN	S2	-1701.20	624.36	12619.76	-2003.13	624.36	3875.23	-2003.13	642.65	3872.24	-2303.89	642.65	-6295.54
			TQ	-1574.64	204.17	10595.93	-1876.57	204.17	2449.10	-1877.16	215.70	2424.06	-2177.92	215.70	-7148.82
			M3	-1576.17	205.55	10559.40	-1878.23	205.86	2404.74	-1878.23	217.22	2403.74	-2209.58	309.65	-7220.03
		D+1LANE (caseMAX	S2	-1563.18	264.88	12464.29	-1865.11	264.88	4371.57	-1865.11	285.53	4370.27	-2165.86	285.53	-5145.71
			TQ	-1743.50	372.55	13470.50	-2045.79	372.55	4525.09	-2043.85	394.35	4697.53	-2344.60	394.35	-5662.53
			M3	-1750.64	358.38	14146.85	-2036.06	336.54	5187.93	-2036.06	361.04	5186.28	-2245.41	298.00	-4918.99
		MIN	S2	-1778.18	357.82	12875.57	-2080.71	357.82	3766.13	-2080.71	375.60	3764.39	-2382.07	375.60	-6771.16
			TQ	-1606.83	227.84	12049.08	-1909.00	227.84	3749.92	-1910.95	245.13	3574.55	-2214.19	245.13	-6159.32
			M3	-1598.86	264.62	10366.38	-1901.36	264.44	2105.12	-1901.35	274.38	2103.84	-2259.25	293.66	-7714.29
		D+1LANE (caseMAX	S2	-1331.86	-92.50	14849.65	-1731.99	72.94	6206.19	-1731.99	102.25	6205.77	-2108.83	216.30	-4179.31
			TQ	-1650.75	383.74	9989.54	-1952.68	383.74	1483.28	-1947.95	391.24	1752.67	-2248.70	391.24	-8154.50
			M3	-1642.72	-591.32	15983.74	-2033.53	-336.93	6903.26	-2033.79	-305.26	6904.78	-2379.03	57.48	-3871.75
		MIN	S2	-2000.27	-486.64	13989.26	-2403.07	-431.75	4766.02	-2403.07	-409.23	4768.01	-2830.14	-290.81	-6415.13
			TQ	-1838.33	-650.86	14937.30	-2199.78	-650.86	5404.70	-2204.51	-625.82	5136.49	-2564.90	-625.82	-6123.03
			M3	-1649.71	381.57	9967.45	-1991.57	233.82	1419.04	-1991.30	241.46	1417.92	-2383.01	8.44	-8895.53

BAGO RIVER BRIDGE

BLOCK [ No.1 : MAIN GIRDER ][ BEAM MEMBER FORCE ]

MEMBER			4013			4014			4014			4015			
NODE			4013			4014			4014			4015			
NAME TITLE			SHEAR	TORQUE	MOMENT	SHEAR	TORQUE	MOMENT	SHEAR	TORQUE	MOMENT	SHEAR	TORQUE	MOMENT	
			S2 (kN)	TQ (kN·m)	M3 (kN·m)	S2 (kN)	TQ (kN·m)	M3 (kN·m)	S2 (kN)	TQ (kN·m)	M3 (kN·m)	S2 (kN)	TQ (kN·m)	M3 (kN·m)	
124	SUM TOTAL	D+2LANES (casMAX	S2	-1530.19	86.88	10984.76	-1832.12	86.88	3047.82	-1832.12	101.28	3047.37	-2132.88	101.28	-6312.82
			TQ	-1676.58	1369.20	13875.50	-1978.51	1369.20	5247.25	-1978.51	1393.97	5240.73	-2279.26	1393.97	-4810.76
			M3	-1677.86	1363.26	13890.47	-1955.43	1074.97	5285.11	-1955.43	1099.92	5279.97	-2215.84	842.38	-4526.42
		MIN	S2	-1686.85	1321.75	13111.27	-1988.78	1321.75	4434.51	-1988.78	1342.68	4428.22	-2289.54	1342.68	-5671.78
			TQ	-1537.42	62.79	10184.71	-1839.35	62.79	2213.63	-1839.35	73.25	2213.31	-2140.10	73.25	-7181.01
			M3	-1541.69	72.20	10087.22	-1844.69	75.44	2092.09	-1844.69	85.32	2091.71	-2155.56	142.06	-7339.20
		D+2LANES (casMAX	S2	-1549.15	186.71	11743.20	-1851.07	186.71	3716.76	-1851.07	204.26	3715.83	-2151.83	204.26	-5733.85
			TQ	-1740.29	1059.52	14369.94	-2042.21	1059.52	5440.84	-2042.21	1085.21	5435.78	-2342.97	1085.21	-4916.56
			M3	-1735.97	1051.07	14407.49	-2030.38	1027.26	5514.59	-2030.38	1053.29	5509.67	-2220.61	593.19	-4502.35
		MIN	S2	-1750.72	1029.52	13252.39	-2052.65	1029.52	4274.03	-2052.65	1049.70	4269.12	-2353.40	1049.70	-6132.49
			TQ	-1562.07	131.84	9947.88	-1864.00	131.84	1860.41	-1864.49	140.60	1839.73	-2165.25	140.60	-7673.32
			M3	-1565.28	136.57	9877.55	-1867.31	136.83	1774.43	-1867.31	145.21	1773.76	-2203.11	275.31	-7800.38
		D+2LANES (casMAX	S2	-1550.84	219.84	13261.32	-1853.50	223.34	5166.07	-1853.50	247.74	5164.96	-2154.98	251.09	-4351.80
			TQ	-1745.81	391.29	12223.46	-2048.12	391.29	3267.08	-2043.97	407.62	3589.85	-2344.72	407.62	-6770.77
			M3	-1850.39	210.67	16182.48	-2139.08	203.01	6624.49	-2139.14	234.23	6623.45	-2312.63	232.72	-3970.14
		MIN	S2	-1956.95	239.96	13893.42	-2271.16	238.05	4025.84	-2271.16	257.07	4024.67	-2583.92	253.72	-7383.04
			TQ	-1760.79	77.14	13663.50	-2074.87	77.14	4609.46	-2078.46	98.08	4308.40	-2393.51	98.08	-6244.93
			M3	-1628.41	299.28	9343.85	-1938.48	289.46	940.15	-1938.42	293.96	938.77	-2343.80	260.45	-9167.02
		D+2LANES (casMAX	S2	-1255.52	-228.80	16547.00	-1683.75	-8.07	7556.49	-1683.75	27.63	7556.44	-2083.00	184.07	-3231.40
			TQ	-1683.51	434.36	9143.31	-1985.44	434.36	482.33	-1978.96	437.52	855.34	-2279.71	437.52	-9198.28
			M3	-1720.71	-926.04	18349.21	-2138.16	-587.45	8649.11	-2138.61	-548.02	8651.79	-2477.74	-43.16	-2750.58
		MIN	S2	-2224.09	-777.97	15173.08	-2664.21	-702.08	5316.11	-2664.21	-676.96	5319.37	-3129.73	-526.06	-6731.80
			TQ	-1994.92	-1017.63	16560.11	-2380.13	-1017.63	6231.71	-2386.61	-989.06	5861.38	-2770.57	-989.06	-6313.97
			M3	-1685.82	430.58	8893.99	-2045.17	234.13	159.73	-2044.72	236.32	158.62	-2486.48	-97.29	-10527.21



BAGO RIVER BRIDGE

BLOCK [ No.1 : MAIN GIRDER ][ BEAM MEMBER FORCE ]

MEMBER			4013			4014			4014			4015				
NODE			4013			4014			4014			4015				
NAME TITLE			SHEAR	TORQUE	MOMENT	SHEAR	TORQUE	MOMENT	SHEAR	TORQUE	MOMENT	SHEAR	TORQUE	MOMENT		
			S2 (kN)	TQ (kN·m)	M3 (kN·m)	S2 (kN)	TQ (kN·m)	M3 (kN·m)	S2 (kN)	TQ (kN·m)	M3 (kN·m)	S2 (kN)	TQ (kN·m)	M3 (kN·m)		
124	SUM TOTAL	D+3LANES (casMAX	S2	-1529.43	110.47	11436.71	-1831.36	110.47	3503.38	-1831.36	127.02	3502.82	-2132.11	127.02	-5853.76	
			TQ	-1745.40	1476.21	14785.95	-2047.33	1476.21	5832.70	-2047.33	1503.75	5825.66	-2348.08	1503.75	-4550.84	
			M3	-1743.75	1464.69	14823.72	-2021.07	1208.28	5910.91	-2021.07	1236.19	5905.14	-2227.77	843.19	-4105.52	
		MIN	S2	-1759.58	1419.99	13528.82	-2061.50	1419.99	4508.63	-2061.50	1441.27	4501.88	-2362.26	1441.27	-5941.56	
			TQ	-1542.91	52.24	9607.70	-1844.84	52.24	1610.71	-1845.26	59.82	1593.41	-2146.01	59.82	-7828.82	
			M3	-1547.62	61.21	9498.96	-1850.55	64.19	1475.97	-1850.55	71.16	1475.65	-2181.58	184.86	-8013.72	
		D+3LANES (casMAX	S2	-1479.82	87.70	14808.16	-1807.47	143.17	6353.07	-1807.47	173.18	6352.32	-2130.49	218.76	-3580.82	
			TQ	-1760.66	429.54	11013.26	-2062.91	429.54	1986.91	-2055.90	440.10	2463.79	-2356.66	440.10	-7953.19	
			M3	-1890.95	-92.50	17982.72	-2209.52	-35.09	8004.22	-2209.72	2.30	8004.30	-2392.91	135.15	-3075.25	
		MIN	S2	-2130.66	-14.82	14783.75	-2480.05	-2.45	4501.28	-2480.05	18.81	4501.25	-2832.62	46.31	-7511.90	
			TQ	-1894.10	-228.29	15367.54	-2230.18	-228.29	5632.17	-2236.58	-202.73	5185.53	-2573.69	-202.73	-6166.92	
			M3	-1660.67	350.18	8547.43	-1984.02	308.69	-18.07	-1983.82	309.01	-19.53	-2427.23	185.64	-10431.31	
		D+3LANES (casMAX	S2	-1276.77	-235.02	17354.41	-1692.24	-24.77	8135.81	-1692.24	13.67	8135.84	-2082.47	169.62	-2798.02	
			TQ	-1690.82	443.82	8834.03	-1992.74	443.82	138.56	-1986.45	445.31	494.95	-2287.21	445.31	-9594.06	
			M3	-1802.54	-954.40	19574.64	-2209.93	-622.46	9453.38	-2210.40	-579.18	9456.22	-2511.44	-63.13	-2223.54	
		MIN	S2	-2326.48	-800.69	15752.60	-2763.38	-727.81	5470.72	-2763.38	-701.95	5474.09	-3218.66	-563.77	-6978.07	
			TQ	-2080.00	-1068.30	17181.32	-2467.75	-1068.30	6444.92	-2473.60	-1038.64	6111.64	-2859.76	-1038.64	-6479.92	
			M3	-1698.72	437.22	8249.46	-2062.53	241.33	-545.51	-2062.06	240.14	-546.65	-2532.23	-114.71	-11382.29	
		D+4LANES	MAX	S2	-1378.62	-80.47	14765.20	-1759.25	60.35	6001.97	-1759.25	88.70	6001.62	-2122.25	193.33	-4473.12
			TQ	-1755.16	443.22	10209.72	-2057.29	443.22	1209.76	-2056.61	449.12	1284.36	-2357.37	449.12	-9135.99	
			M3	-1868.37	-548.40	17941.05	-2238.29	-333.09	7774.23	-2238.69	-297.52	7775.72	-2480.38	32.42	-3742.29	
		MIN	S2	-2238.84	-453.70	15798.70	-2637.04	-408.44	5506.99	-2637.04	-382.42	5508.86	-3048.12	-295.95	-6860.91	
			TQ	-1985.02	-697.26	15733.23	-2350.17	-697.26	5499.16	-2350.39	-671.42	5440.41	-2716.32	-671.42	-6517.17	
			M3	-1671.36	386.13	8729.85	-2017.95	250.80	83.42	-2017.69	251.93	82.23	-2478.82	-0.77	-10525.02	

BAGO RIVER BRIDGE

BLOCK [ No.1 : MAIN GIRDER ][ BEAM MEMBER FORCE ]

MEMBER					4013			4014			4015					
NODE					4013			4014			4015					
					SHEAR	TORQUE	MOMENT	SHEAR	TORQUE	MOMENT	SHEAR	TORQUE	MOMENT			
NAME TITLE					S2 (kN)	TQ (kN·m)	M3 (kN·m)	S2 (kN)	TQ (kN·m)	M3 (kN·m)	S2 (kN)	TQ (kN·m)	M3 (kN·m)			
124	SUM TOTAL	D+6LANES	MAX	S2	-1356.99	-126.59	14993.54	-1729.29	0.07	6456.50	-1729.29	30.57	6456.43	-2085.30	122.48	-3701.52
				TQ	-1821.64	1176.43	12259.50	-2123.82	1176.43	2945.40	-2118.51	1191.23	3285.13	-2419.26	1191.23	-7427.50
				M3	-1935.21	268.41	19867.92	-2277.72	296.98	9510.25	-2278.00	341.13	9508.74	-2440.98	423.74	-1984.12
			MIN	S2	-2283.26	296.27	16081.54	-2671.05	337.95	5423.54	-2671.05	363.56	5421.89	-3068.33	441.45	-7179.64
				TQ	-1916.89	-713.92	13874.91	-2274.56	-713.92	3980.29	-2277.37	-695.84	3657.60	-2633.88	-695.84	-7937.00
				M3	-1650.30	254.45	7418.47	-1993.66	131.39	-1127.55	-1993.38	126.84	-1128.16	-2456.34	-21.51	-11608.37
	SUM TOTAL		MAX		-1255.52	1476.21	19867.92	-1683.75	1476.21	9510.25	-1683.75	1503.75	9508.74	-2082.47	1503.75	-1984.12
			MIN		-2326.48	-1068.30	7418.47	-2763.38	-1068.30	-1127.55	-2763.38	-1038.64	-1128.16	-3218.66	-1038.64	-11608.37
300	DEAD LOAD	TOTAL			-1574.81	261.05	11739.86	-1876.74	261.05	3592.22	-1876.74	278.02	3590.95	-2177.49	278.02	-5979.93
301	LIVE LOAD	1-LANE(case1MAX	S2		33.27	-123.37	-431.97	33.27	-123.37	-274.87	33.27	-124.67	-274.28	33.27	-124.67	-117.17
			TQ		-42.26	757.36	1144.27	-42.26	757.36	944.68	-42.26	761.81	941.09	-42.26	761.81	741.50
			M3		-45.10	751.23	1152.53	-19.40	417.82	966.61	-19.40	422.39	964.62	-19.23	419.69	873.13
			MIN	S2	-49.76	713.98	710.55	-49.76	713.98	475.59	-49.76	716.22	472.21	-49.76	716.22	237.24
				TQ	29.74	-139.74	-859.73	29.74	-139.74	-719.26	29.74	-143.14	-718.59	29.74	-143.14	-578.12
				M3	26.94	-132.75	-928.85	25.66	-128.86	-806.29	25.66	-132.67	-805.67	24.97	-128.26	-686.69
		1-LANE(case2MAX	S2		10.53	-3.58	478.15	10.53	-3.58	527.86	10.53	-1.09	527.87	10.53	-1.09	577.58
			TQ		-118.71	385.74	1737.59	-118.71	385.74	1176.98	-118.71	391.30	1175.15	-118.71	391.30	614.54
			M3		-114.84	376.60	1772.95	-109.33	360.57	1241.98	-109.33	366.43	1240.26	-24.97	120.66	902.00
			MIN	S2	-126.40	363.30	879.90	-126.40	363.30	283.01	-126.40	364.64	281.29	-126.40	364.64	-315.61
				TQ	0.17	-56.88	-1143.93	0.17	-56.88	-1143.12	-0.43	-62.32	-1166.89	-0.43	-62.32	-1168.90
				M3	-1.36	-55.50	-1180.46	-1.49	-55.19	-1187.49	-1.49	-60.80	-1187.21	-32.09	31.63	-1240.10
		1-LANE(case3MAX	S2		11.63	3.83	724.43	11.63	3.83	779.34	11.63	7.51	779.31	11.63	7.51	834.22
			TQ		-168.69	111.50	1730.65	-169.06	111.50	932.86	-167.11	116.33	1106.58	-167.11	116.33	317.40
			M3		-175.83	97.33	2406.99	-159.32	75.49	1595.71	-159.33	83.02	1595.33	-67.92	19.98	1060.94
			MIN	S2	-203.37	96.77	1135.71	-203.97	96.77	173.90	-203.97	97.59	173.44	-204.58	97.59	-791.24
				TQ	-32.03	-33.21	309.22	-32.27	-33.21	157.70	-34.21	-32.88	-16.40	-36.70	-32.88	-179.39
				M3	-24.05	3.57	-1373.48	-24.62	3.39	-1487.11	-24.61	-3.63	-1487.11	-81.76	15.65	-1734.36

BAGO RIVER BRIDGE

BLOCK [ No.1 : MAIN GIRDER ] [ BEAM MEMBER FORCE ]

MEMBER			4013			4014			4014			4015				
NODE			4013			4014			4014			4015				
NAME TITLE			SHEAR	TORQUE	MOMENT	SHEAR	TORQUE	MOMENT	SHEAR	TORQUE	MOMENT	SHEAR	TORQUE	MOMENT		
			S2 (kN)	TQ (kN·m)	M3 (kN·m)	S2 (kN)	TQ (kN·m)	M3 (kN·m)	S2 (kN)	TQ (kN·m)	M3 (kN·m)	S2 (kN)	TQ (kN·m)	M3 (kN·m)		
301	LIVE LOAD	1-LANE (case4MAX	S2	242.95	-353.55	3109.79	144.74	-188.11	2613.96	144.74	-175.76	2614.82	68.66	-61.72	1800.62	
			TQ	-75.94	122.69	-1750.32	-75.94	122.69	-2108.94	-71.21	113.23	-1838.28	-71.21	113.23	-2174.58	
			M3	-67.92	-852.37	4243.88	-156.79	-597.98	3311.04	-157.06	-583.28	3313.83	-201.54	-220.53	2108.18	
			MIN	S2	-425.47	-747.70	2249.40	-526.34	-692.80	1173.80	-526.34	-687.25	1177.06	-652.65	-568.83	-435.20
			TQ	-263.52	-911.91	3197.44	-323.04	-911.91	1812.48	-327.77	-903.84	1545.54	-387.40	-903.84	-143.10	
			M3	-74.90	120.52	-1772.41	-114.83	-27.23	-2173.19	-114.56	-36.55	-2173.04	-205.52	-269.57	-2915.61	
		2-LANES (caseMAX	S2	44.61	-174.17	-755.10	44.61	-174.17	-544.41	44.61	-176.74	-543.58	44.61	-176.74	-332.89	
			TQ	-101.77	1108.14	2135.64	-101.77	1108.14	1655.03	-101.77	1115.95	1649.78	-101.77	1115.95	1169.16	
			M3	-103.05	1102.21	2150.62	-78.70	813.92	1692.88	-78.70	821.91	1689.02	-38.35	564.36	1453.51	
			MIN	S2	-112.04	1060.70	1371.41	-112.04	1060.70	842.29	-112.04	1064.67	837.27	-112.04	1064.67	308.15
			TQ	37.39	-198.26	-1555.15	37.39	-198.26	-1378.59	37.39	-204.77	-1377.64	37.39	-204.77	-1201.09	
			M3	33.12	-188.85	-1652.64	32.05	-185.61	-1500.14	32.05	-192.69	-1499.24	21.93	-135.95	-1359.28	
		2-LANES (caseMAX	S2	25.66	-74.35	3.34	25.66	-74.35	124.53	25.66	-73.76	124.88	25.66	-73.76	246.07	
			TQ	-165.48	798.47	2630.08	-165.48	798.47	1848.62	-165.48	807.19	1844.83	-165.48	807.19	1063.36	
			M3	-161.17	790.02	2667.63	-153.64	766.20	1922.36	-153.64	775.28	1918.72	-43.12	315.17	1477.57	
			MIN	S2	-175.91	768.47	1512.54	-175.91	768.47	681.81	-175.91	771.68	678.17	-175.91	771.68	-152.56
			TQ	12.74	-129.21	-1791.98	12.74	-129.21	-1731.81	12.24	-137.42	-1751.22	12.24	-137.42	-1693.40	
			M3	9.53	-124.48	-1862.31	9.42	-124.22	-1817.80	9.42	-132.80	-1817.19	-25.62	-2.71	-1820.45	
		2-LANES (caseMAX	S2	23.97	-41.21	1521.46	23.24	-37.71	1573.85	23.24	-30.27	1574.01	22.52	-26.93	1628.12	
			TQ	-171.00	130.24	483.61	-171.38	130.24	-325.14	-167.23	129.60	-1.11	-167.23	129.60	-790.84	
			M3	-275.58	-50.38	4442.62	-262.35	-58.04	3032.26	-262.41	-43.79	3032.50	-135.13	-45.30	2009.79	
			MIN	S2	-382.14	-21.09	2153.57	-394.42	-23.00	433.61	-394.42	-20.95	433.72	-406.43	-24.29	-1403.11
			TQ	-185.98	-183.92	1923.65	-198.13	-183.92	1017.23	-201.72	-179.93	717.44	-216.02	-179.93	-265.00	
			M3	-53.61	38.23	-2396.01	-61.74	28.41	-2652.08	-61.68	15.94	-2652.18	-166.31	-17.57	-3187.09	

BAGO RIVER BRIDGE

BLOCK [ No.1 : MAIN GIRDER ][ BEAM MEMBER FORCE ]

MEMBER			4013			4014			4014			4015				
NODE			4013			4014			4014			4015				
NAME TITLE			SHEAR	TORQUE	MOMENT	SHEAR	TORQUE	MOMENT	SHEAR	TORQUE	MOMENT	SHEAR	TORQUE	MOMENT		
			S2 (kN)	TQ (kN·m)	M3 (kN·m)	S2 (kN)	TQ (kN·m)	M3 (kN·m)	S2 (kN)	TQ (kN·m)	M3 (kN·m)	S2 (kN)	TQ (kN·m)	M3 (kN·m)		
301	LIVE LOAD	2-LANES (caseMAX	S2	319.28	-489.85	4807.14	192.98	-269.12	3964.27	192.98	-250.39	3965.49	94.49	-93.95	2748.53	
			TQ	-108.70	173.31	-2596.55	-108.70	173.31	-3109.89	-102.22	159.50	-2735.61	-102.22	159.50	-3218.35	
			M3	-145.90	-1187.09	6609.35	-261.42	-848.50	5056.88	-261.88	-826.04	5060.84	-300.25	-321.18	3229.35	
			MIN	S2	-649.29	-1039.02	3433.22	-787.47	-963.13	1723.88	-787.47	-954.98	1728.41	-952.24	-804.07	-751.87
			TQ	-420.12	-1278.68	4820.25	-503.39	-1278.68	2639.48	-509.87	-1267.08	2270.42	-593.08	-1267.08	-334.05	
			M3	-111.02	169.52	-2845.86	-168.44	-26.92	-3432.49	-167.98	-41.70	-3432.33	-308.99	-375.31	-4547.28	
		3-LANES (caseMAX	S2	45.38	-150.58	-303.14	45.38	-150.58	-88.85	45.38	-151.00	-88.13	45.38	-151.00	126.16	
			TQ	-170.59	1215.16	3046.09	-170.59	1215.16	2240.47	-170.59	1225.73	2234.71	-170.59	1225.73	1429.09	
			M3	-168.94	1203.64	3083.86	-144.34	947.23	2318.69	-144.34	958.18	2314.19	-50.28	565.17	1874.40	
			MIN	S2	-184.77	1158.93	1788.96	-184.77	1158.93	916.41	-184.77	1163.25	910.92	-184.77	1163.25	38.37
			TQ	31.90	-208.81	-2132.15	31.90	-208.81	-1981.51	31.48	-218.20	-1997.54	31.48	-218.20	-1848.89	
			M3	27.19	-199.84	-2240.90	26.18	-196.86	-2116.25	26.18	-206.85	-2115.30	-4.09	-93.16	-2033.79	
		3-LANES (caseMAX	S2	94.99	-173.35	3068.30	69.27	-117.88	2760.85	69.27	-104.84	2761.37	47.00	-59.26	2399.10	
			TQ	-185.85	168.49	-726.60	-186.18	168.49	-1605.31	-179.17	162.08	-1127.16	-179.17	162.08	-1973.27	
			M3	-316.14	-353.55	6242.86	-332.78	-296.15	4412.00	-332.98	-275.72	4413.35	-215.42	-142.87	2904.67	
			MIN	S2	-555.85	-275.88	3043.89	-603.32	-263.50	909.06	-603.32	-259.20	910.29	-655.13	-231.71	-1531.97
			TQ	-319.29	-489.34	3627.68	-353.44	-489.34	2039.95	-359.84	-480.75	1594.58	-396.19	-480.75	-186.99	
			M3	-85.86	89.12	-3192.42	-107.28	47.63	-3610.29	-107.08	30.99	-3610.48	-249.74	-92.38	-4451.38	
		3-LANES (caseMAX	S2	298.03	-496.07	5614.55	184.50	-285.82	4543.59	184.50	-264.35	4544.89	95.02	-108.40	3181.91	
			TQ	-116.01	182.77	-2905.83	-116.01	182.77	-3453.67	-109.72	167.30	-3096.00	-109.72	167.30	-3614.13	
			M3	-227.74	-1215.45	7834.78	-333.19	-883.51	5861.15	-333.66	-857.20	5865.27	-333.95	-341.15	3756.39	
			MIN	S2	-751.67	-1061.74	4012.74	-886.64	-988.86	1878.49	-886.64	-979.97	1883.14	-1041.17	-841.79	-998.14
			TQ	-505.19	-1329.35	5441.47	-591.02	-1329.35	2852.70	-596.86	-1316.66	2520.68	-682.27	-1316.66	-500.00	
			M3	-123.91	176.16	-3490.40	-185.79	-19.72	-4137.73	-185.32	-37.88	-4137.60	-354.73	-392.72	-5402.36	

BAGO RIVER BRIDGE

BLOCK [ No.1 : MAIN GIRDER ][ BEAM MEMBER FORCE ]

MEMBER					4013			4014			4015					
NODE					4013			4014			4014			4015		
					SHEAR	TORQUE	MOMENT	SHEAR	TORQUE	MOMENT	SHEAR	TORQUE	MOMENT	SHEAR	TORQUE	MOMENT
NAME TITLE					S2 (kN)	TQ (kN·m)	M3 (kN·m)	S2 (kN)	TQ (kN·m)	M3 (kN·m)	S2 (kN)	TQ (kN·m)	M3 (kN·m)	S2 (kN)	TQ (kN·m)	M3 (kN·m)
301	LIVE LOAD	4-LANES	MAX	S2	196.19	-341.52	3025.34	117.49	-200.70	2409.74	117.49	-189.32	2410.67	55.24	-84.69	1506.80
				TQ	-180.36	182.17	-1530.14	-180.55	182.17	-2382.47	-179.88	171.10	-2306.60	-179.88	171.10	-3156.06
				M3	-293.56	-809.45	6201.19	-361.56	-594.15	4182.00	-361.96	-575.53	4184.76	-302.89	-245.60	2237.63
			MIN	S2	-664.03	-714.75	4058.84	-760.31	-669.49	1914.76	-760.31	-660.44	1917.90	-870.63	-573.97	-880.99
				TQ	-410.21	-958.31	3993.38	-473.44	-958.31	1906.93	-473.65	-949.44	1849.46	-538.83	-949.44	-537.25
				M3	-96.55	125.08	-3010.00	-141.21	-10.25	-3508.80	-140.95	-26.09	-3508.72	-301.33	-278.79	-4545.09
		6-LANES	MAX	S2	217.82	-387.64	3253.68	147.45	-260.98	2864.28	147.45	-247.44	2865.48	92.19	-155.54	2278.41
				TQ	-246.84	915.37	519.64	-247.08	915.37	-646.82	-241.77	913.21	-305.82	-241.77	913.21	-1447.57
				M3	-360.40	7.36	8128.06	-400.98	35.93	5918.03	-401.27	63.11	5917.79	-263.49	145.72	3995.81
			MIN	S2	-708.45	35.22	4341.69	-794.32	76.90	1831.32	-794.32	85.55	1830.93	-890.84	163.43	-1199.71
				TQ	-342.08	-974.97	2135.05	-397.83	-974.97	388.07	-400.63	-973.85	66.65	-456.39	-973.85	-1957.07
				M3	-75.49	-6.61	-4321.39	-116.92	-129.66	-4719.77	-116.65	-151.17	-4719.11	-278.85	-299.53	-5628.45
		LIVE LOAD	MAX		319.28	1215.16	8128.06	192.98	1215.16	5918.03	192.98	1225.73	5917.79	95.02	1225.73	3995.81
			MIN		-751.67	-1329.35	-4321.39	-886.64	-1329.35	-4719.77	-886.64	-1316.66	-4719.11	-1041.17	-1316.66	-5628.45
		303	SUM TOTAL	TOTAL	MAX	-1255.52	1476.21	19867.92	-1683.75	1476.21	9510.25	-1683.75	1503.75	9508.74	-2082.47	1503.75
MIN	-2326.48				-1068.30	7418.47	-2763.38	-1068.30	-1127.55	-2763.38	-1038.64	-1128.16	-3218.66	-1038.64	-11608.37	

BAGO RIVER BRIDGE

BLOCK [ No.1 : MAIN GIRDER ][ BEAM MEMBER FORCE ]

MEMBER NODE	4015	4016			4017			4016	4016			4017			
		SHEAR	TORQUE	MOMENT	SHEAR	TORQUE	MOMENT		SHEAR	TORQUE	MOMENT	SHEAR	TORQUE	MOMENT	
		S2 (kN)	TQ (kN·m)	M3 (kN·m)	S2 (kN)	TQ (kN·m)	M3 (kN·m)		S2 (kN)	TQ (kN·m)	M3 (kN·m)	S2 (kN)	TQ (kN·m)	M3 (kN·m)	
1	PAVEMENT	-433.56	-2.53	-1360.13	-491.68	-2.53	-3498.72	-491.68	-18.66	-3498.67	-549.03	-18.66	-5891.92		
3	RAILING	-10.42	-3.22	-26.61	-13.49	-3.22	-81.77	-13.49	-3.60	-81.75	-16.51	-3.60	-150.69		
5	CURB	-103.13	-31.92	-263.45	-133.53	-31.92	-809.48	-133.53	-35.65	-809.32	-163.49	-35.65	-1491.79		
7	DECK WEIGHT	-661.62	16.38	-1990.72	-751.75	16.38	-5257.26	-751.75	-7.86	-5257.28	-840.67	-7.86	-8919.06		
8	GIRDER WEIGH	-674.88	238.88	-1698.81	-761.32	238.88	-5018.60	-761.32	215.73	-5019.65	-847.32	215.73	-8718.85		
10	MEDIAN STRIP	-89.18	96.24	-65.34	-89.18	96.24	-477.62	-89.18	94.03	-478.06	-89.18	94.03	-888.20		
21	ADITIONAL WE	-185.25	4.59	-557.40	-210.49	4.59	-1472.03	-210.49	-2.20	-1472.04	-235.39	-2.20	-2497.34		
31	MEDIAN RAILI	-7.43	7.77	-17.70	-7.43	7.77	-52.06	-7.43	7.53	-52.10	-7.43	7.53	-86.29		
51	SUPPORT WEIG	-0.00	-0.00	-0.00	-0.00	-0.00	-0.00	-0.00	-0.00	-0.00	-0.00	-0.00	-0.00		
52	NOSE WEIGHT	0.06	0.40	0.46	0.06	0.40	0.73	0.06	0.40	0.73	0.06	0.40	1.00		
61	1-LANE(case1TRUCK-LOAD	MAX	S2	30.05	-154.12	-222.06	30.05	-154.12	-83.16	30.05	-154.50	-82.44	30.05	-154.50	55.74
			TQ	-8.05	285.99	127.67	-8.05	285.99	90.46	-8.05	286.40	89.14	-8.05	286.40	52.12
			M3	1.62	11.72	229.75	1.62	11.72	237.22	1.62	12.81	237.16	1.66	12.57	244.65
		MIN	S2	-13.30	236.87	82.19	-13.30	236.87	20.70	-13.30	236.97	19.61	-13.30	236.97	-41.56
			TQ	30.05	-154.12	-222.06	30.05	-154.12	-83.16	30.05	-154.50	-82.44	30.05	-154.50	55.74
			M3	24.23	-130.03	-270.50	18.27	-102.83	-174.93	18.27	-103.63	-174.45	13.14	-78.15	-104.45
		TANDEM-LOAD MAX	S2	20.67	-105.50	-146.94	20.67	-105.50	-51.39	20.67	-105.74	-50.91	20.67	-105.74	44.14
			TQ	-5.10	195.17	88.20	-5.10	195.17	64.63	-5.10	195.46	63.73	-5.10	195.46	40.28
			M3	1.08	8.04	156.03	1.08	8.04	161.02	1.08	8.78	160.98	1.08	8.78	165.95
		MIN	S2	-9.15	164.09	58.28	-9.15	164.09	16.00	-9.15	164.17	15.24	-9.15	164.17	-26.82
			TQ	20.67	-105.50	-146.94	20.67	-105.50	-51.39	20.67	-105.74	-50.91	20.67	-105.74	44.14
			M3	16.00	-86.35	-184.74	12.82	-71.88	-119.41	12.82	-72.43	-119.07	8.44	-50.64	-71.92
		DISPERSION-LMAX	S2	35.28	-67.13	57.88	35.28	-67.13	220.97	35.28	-66.11	221.27	35.28	-66.11	383.52
			TQ	-6.34	350.21	496.24	-6.34	350.21	466.91	-6.34	352.36	465.29	-6.34	352.36	436.11
			M3	-6.50	347.38	496.33	2.55	260.74	480.97	2.70	261.17	479.77	18.97	119.13	532.33
		MIN	S2	-11.93	249.11	133.70	-11.93	249.11	78.54	-11.93	249.47	77.39	-11.93	249.47	22.51
			TQ	29.69	-168.23	-304.66	29.69	-168.23	-167.41	29.69	-169.00	-166.63	29.69	-169.00	-30.08
			M3	29.85	-165.40	-304.75	20.80	-78.76	-181.47	20.65	-77.81	-181.11	4.38	64.23	-126.30

BAGO RIVER BRIDGE

BLOCK [ No.1 : MAIN GIRDER ][ BEAM MEMBER FORCE ]

MEMBER				4015			4016			4017					
NODE				4015			4016			4016			4017		
				SHEAR	TORQUE	MOMENT	SHEAR	TORQUE	MOMENT	SHEAR	TORQUE	MOMENT	SHEAR	TORQUE	MOMENT
NAME	TITLE			S2 (kN)	TQ (kN·m)	M3 (kN·m)	S2 (kN)	TQ (kN·m)	M3 (kN·m)	S2 (kN)	TQ (kN·m)	M3 (kN·m)	S2 (kN)	TQ (kN·m)	M3 (kN·m)
62	1-LANE (case2TRUCK-LOAD	MAX	S2	11.22	-59.84	-270.46	11.22	-59.84	-218.60	11.22	-60.84	-218.32	11.22	-60.84	-166.72
			TQ	-48.97	143.87	130.67	-48.97	143.87	-95.73	-48.97	143.43	-96.39	-48.97	143.43	-321.62
			M3	3.70	3.65	245.40	3.70	3.65	262.50	3.70	4.86	262.48	3.70	4.86	279.50
		MIN	S2	-49.71	142.38	89.80	-49.71	142.38	-140.03	-49.71	141.74	-140.69	-49.71	141.74	-369.33
			TQ	9.87	-64.98	-358.12	9.87	-64.98	-312.48	9.87	-66.43	-312.18	9.87	-66.43	-266.78
			M3	4.00	-54.21	-457.06	3.11	-50.39	-439.68	3.11	-52.41	-439.45	2.96	-51.72	-425.18
		TANDEM-LOAD MAX	S2	7.75	-38.01	-154.76	7.75	-38.01	-118.91	7.75	-38.56	-118.73	7.75	-38.56	-83.07
			TQ	-33.79	98.28	84.31	-33.79	98.28	-71.88	-33.79	97.95	-72.33	-33.79	97.95	-227.72
			M3	2.52	2.44	166.61	2.52	2.44	178.26	2.52	3.27	178.25	2.52	3.27	189.83
		MIN	S2	-33.99	98.13	76.60	-33.99	98.13	-80.54	-33.99	97.75	-80.99	-33.99	97.75	-237.33
			TQ	6.45	-44.45	-252.56	6.45	-44.45	-222.75	6.45	-45.48	-222.54	6.45	-45.48	-192.89
			M3	2.49	-36.02	-311.15	2.24	-34.95	-299.94	2.24	-36.33	-299.78	2.24	-36.33	-289.46
		DISPERSION-LMAX	S2	13.50	-52.26	27.00	13.50	-52.26	89.41	13.50	-51.85	89.65	13.50	-51.85	151.73
			TQ	-49.53	173.29	467.42	-49.53	173.29	238.43	-49.53	174.39	237.63	-49.53	174.39	9.82
			M3	-26.53	108.46	505.96	0.18	29.30	449.08	0.23	31.18	448.94	6.10	8.87	470.47
MIN	S2	-56.34	157.22	-99.03	-56.34	157.22	-359.51	-56.34	155.56	-360.23	-56.34	155.56	-619.37		
	TQ	6.69	-68.34	-539.45	6.69	-68.34	-508.53	6.69	-70.68	-508.21	6.69	-70.68	-477.45		
	M3	-16.31	-3.51	-577.99	-43.02	75.65	-719.18	-43.07	72.53	-719.52	-48.94	94.84	-938.10		
63	1-LANE (case3TRUCK-LOAD	MAX	S2	6.08	-11.45	-236.41	6.08	-11.45	-208.29	6.08	-12.41	-208.23	6.08	-12.41	-180.26
			TQ	-76.68	61.68	314.46	-78.24	61.68	-47.26	-78.24	61.46	-47.55	-78.24	61.46	-407.40
			M3	-76.68	61.68	314.46	5.36	-2.81	282.18	5.36	-1.50	282.19	5.36	-1.50	306.83
		MIN	S2	-88.73	40.42	173.10	-88.73	40.42	-237.10	-88.73	39.33	-237.29	-88.73	39.33	-645.38
			TQ	5.76	-11.78	-282.62	5.76	-11.78	-255.97	5.76	-12.96	-255.91	5.76	-12.96	-229.40
			M3	-14.17	14.72	-610.55	-14.17	14.72	-676.03	-14.17	11.60	-676.09	-14.17	11.60	-741.24

BAGO RIVER BRIDGE

BLOCK [ No.1 : MAIN GIRDER ][ BEAM MEMBER FORCE ]

MEMBER		4015			4016			4016			4017					
NODE		4015			4016			4016			4017					
		SHEAR	TORQUE	MOMENT	SHEAR	TORQUE	MOMENT	SHEAR	TORQUE	MOMENT	SHEAR	TORQUE	MOMENT			
NAME	TITLE	S2 (kN)	TQ (kN·m)	M3 (kN·m)	S2 (kN)	TQ (kN·m)	M3 (kN·m)	S2 (kN)	TQ (kN·m)	M3 (kN·m)	S2 (kN)	TQ (kN·m)	M3 (kN·m)			
63	1-LANE (case3TANDEM-LOAD	MAX	S2	5.74	-9.17	-143.00	5.74	-9.17	-116.48	5.74	-9.71	-116.44	5.74	-9.71	-90.06	
			TQ	-46.89	42.89	224.72	-48.08	42.89	2.44	-48.08	42.90	2.24	-48.08	42.90	-218.90	
			M3	-46.89	42.89	224.72	3.63	-1.86	191.39	3.63	-0.98	191.40	3.63	-0.98	208.07	
		MIN	S2	-60.89	29.30	131.40	-60.89	29.30	-150.11	-60.89	28.60	-150.24	-60.89	28.60	-430.30	
			TQ	5.74	-9.17	-143.00	5.74	-9.17	-116.48	5.74	-9.71	-116.44	5.74	-9.71	-90.06	
			M3	-9.64	10.01	-416.07	-9.64	10.01	-460.64	-9.64	7.88	-460.69	-9.64	7.88	-505.03	
		DISPERSION-LMAX	S2	10.67	-8.69	367.56	10.67	-8.69	416.88	10.67	-6.77	416.91	10.67	-6.77	465.97	
			TQ	-85.90	55.66	-478.80	-86.40	55.66	-877.07	-83.27	51.79	-778.27	-83.79	51.79	-1162.43	
			M3	-38.31	23.30	570.78	1.50	2.07	486.90	1.50	4.32	486.88	9.23	-3.21	521.49	
		MIN	S2	-108.94	50.12	-631.08	-109.45	50.12	-1135.89	-109.45	44.88	-1136.11	-109.96	44.88	-1640.66	
			TQ	-12.38	-14.23	215.29	-12.38	-14.23	158.06	-15.51	-13.67	59.08	-15.51	-13.67	-12.26	
			M3	-59.96	18.13	-834.30	-100.28	39.36	-1205.91	-100.28	33.80	-1206.08	-108.52	41.32	-1696.18	
64	1-LANE (case4TRUCK-LOAD	MAX	S2	97.04	-194.71	892.05	28.60	-59.32	356.30	28.60	-57.68	356.57	7.72	-10.94	341.72	
			TQ	-63.17	192.67	-888.81	-63.17	192.67	-1180.84	-63.17	187.22	-1181.72	-63.17	187.22	-1472.25	
			M3	-33.10	-293.11	981.68	-98.59	-185.42	442.00	-98.59	-183.38	442.85	7.62	-10.21	343.88	
		MIN	S2	-252.93	-315.63	942.52	-314.68	-222.14	387.73	-314.68	-220.35	388.75	-380.75	-95.81	-507.20	
			TQ	-186.00	-362.09	97.22	-186.00	-362.09	-762.66	-186.00	-365.60	-760.98	-186.00	-365.60	-1616.43	
			M3	-59.78	184.09	-952.80	-59.78	184.09	-1229.19	-59.78	178.42	-1230.02	-161.82	-357.01	-1633.18	
		TANDEM-LOAD	MAX	S2	89.72	-176.21	859.22	40.01	-85.35	506.97	40.01	-83.01	507.35	5.25	-7.50	231.32
			TQ	-42.94	131.68	-616.69	-42.94	131.68	-815.19	-42.94	127.92	-815.79	-42.94	127.92	-1013.27	
			M3	-43.48	-193.97	866.08	-92.15	-109.81	512.69	-92.15	-107.45	513.19	5.19	-7.01	233.51	
		MIN	S2	-188.00	-193.97	866.08	-236.91	-109.81	512.69	-236.91	-107.45	513.19	-283.75	-12.47	-70.03	
			TQ	-128.32	-247.58	86.38	-128.32	-247.58	-506.84	-128.32	-249.91	-505.70	-128.32	-249.91	-1095.86	
			M3	-41.02	126.56	-648.66	-41.02	126.56	-838.28	-41.02	122.69	-838.85	-111.57	-244.75	-1112.10	



BAGO RIVER BRIDGE

BLOCK [ No.1 : MAIN GIRDER ][ BEAM MEMBER FORCE ]

MEMBER		4015			4016			4016			4017					
NODE		4015			4016			4016			4017					
		SHEAR	TORQUE	MOMENT	SHEAR	TORQUE	MOMENT	SHEAR	TORQUE	MOMENT	SHEAR	TORQUE	MOMENT			
NAME	TITLE	S2 (kN)	TQ (kN·m)	M3 (kN·m)	S2 (kN)	TQ (kN·m)	M3 (kN·m)	S2 (kN)	TQ (kN·m)	M3 (kN·m)	S2 (kN)	TQ (kN·m)	M3 (kN·m)			
64	1-LANE (case4DISPERSION-LMAX	S2	28.98	-53.02	604.84	17.00	-28.92	573.68	17.00	-26.28	573.81	13.14	-18.28	585.35		
		TQ	-69.96	206.86	-1110.57	-69.96	206.86	-1434.00	-69.96	200.25	-1434.94	-69.96	200.25	-1756.69		
		M3	-36.36	-152.36	770.87	-19.75	-53.02	626.21	-19.75	-50.13	626.45	13.14	-18.28	585.35		
		MIN	S2	-247.97	-170.04	-1303.16	-284.72	-194.13	-2397.00	-284.72	-205.19	-2396.08	-329.40	-213.19	-3750.48	
		TQ	-149.03	-429.92	412.26	-197.76	-429.92	-389.32	-197.76	-431.71	-387.33	-246.30	-431.71	-1408.44		
		M3	-182.63	-70.70	-1469.18	-247.97	-170.04	-2449.53	-247.97	-181.34	-2448.72	-329.40	-213.19	-3750.48		
		MAX	S2	49.29	-263.15	-508.60	49.29	-263.15	-280.73	49.29	-264.44	-279.51	49.29	-264.44	-52.82	
		TQ	-35.44	500.29	235.00	-35.44	500.29	71.17	-35.44	500.61	68.86	-35.44	500.61	-94.12		
		M3	4.21	19.65	467.14	4.28	19.33	486.93	4.28	21.58	486.84	4.33	21.33	506.60		
65	2-LANES (caseTRUCK-LOAD	MIN	S2	-42.00	447.59	166.49	-42.00	447.59	-27.69	-42.00	447.46	-29.76	-42.00	447.46	-222.93	
		TQ	49.17	-263.74	-527.07	49.17	-263.74	-299.75	49.17	-265.12	-298.53	49.17	-265.12	-72.39		
		M3	38.62	-223.28	-631.33	31.71	-191.86	-472.20	31.71	-194.04	-471.31	24.15	-156.82	-347.83		
		TANDEM-LOAD	MAX	S2	33.88	-179.75	-336.22	33.88	-179.75	-179.59	33.88	-180.58	-178.76	33.88	-180.58	-22.94
		TQ	-24.09	341.18	159.02	-24.09	341.18	47.64	-24.09	341.40	46.07	-24.09	341.40	-64.74		
		M3	2.86	13.35	317.30	2.88	13.26	330.62	2.88	14.79	330.56	2.88	14.79	343.81		
		MIN	S2	-28.75	306.33	112.28	-28.75	306.33	-20.64	-28.75	306.23	-22.06	-28.75	306.23	-154.30	
		TQ	33.63	-180.19	-360.19	33.63	-180.19	-204.70	33.63	-181.14	-203.87	33.63	-181.14	-49.19		
		M3	26.05	-150.94	-430.54	21.62	-130.91	-322.50	21.62	-132.39	-321.90	15.59	-102.47	-238.01		
		DISPERSION-LMAX	S2	57.84	-171.96	30.83	57.84	-171.96	298.22	57.84	-170.58	299.01	57.84	-170.58	565.03	
		TQ	-33.84	612.80	976.65	-33.84	612.80	820.19	-33.84	616.57	817.35	-33.84	616.57	661.70		
		M3	-26.62	565.29	984.03	-0.27	357.31	918.57	-0.01	358.85	916.92	23.60	149.00	975.68		
		MIN	S2	-43.59	497.82	219.80	-43.59	497.82	18.28	-43.59	497.90	15.98	-43.59	497.90	-184.49	
		TQ	48.09	-286.94	-726.03	48.09	-286.94	-503.68	48.09	-289.26	-502.35	48.09	-289.26	-281.16		
		M3	40.87	-239.43	-733.41	14.52	-31.44	-602.06	14.26	-31.53	-601.92	-9.35	178.32	-595.14		

BAGO RIVER BRIDGE

BLOCK [ No.1 : MAIN GIRDER ][ BEAM MEMBER FORCE ]

MEMBER				4015			4016			4017					
NODE				4015			4016			4016			4017		
				SHEAR	TORQUE	MOMENT	SHEAR	TORQUE	MOMENT	SHEAR	TORQUE	MOMENT	SHEAR	TORQUE	MOMENT
NAME	TITLE			S2 (kN)	TQ (kN·m)	M3 (kN·m)	S2 (kN)	TQ (kN·m)	M3 (kN·m)	S2 (kN)	TQ (kN·m)	M3 (kN·m)	S2 (kN)	TQ (kN·m)	M3 (kN·m)
66	2-LANES (caseTRUCK-LOAD	MAX	S2	30.46	-168.87	-557.00	30.46	-168.87	-416.17	30.46	-170.78	-415.39	30.46	-170.78	-275.29
			TQ	-76.36	358.17	238.01	-76.36	358.17	-115.01	-76.36	357.64	-116.67	-76.36	357.64	-467.87
			M3	6.30	11.58	482.78	6.37	11.26	512.22	6.37	13.63	512.16	6.37	13.63	541.45
		MIN	S2	-78.42	353.10	174.09	-78.42	353.10	-188.43	-78.42	352.23	-190.05	-78.42	352.23	-550.70
			TQ	29.00	-174.60	-663.14	29.00	-174.60	-529.08	29.00	-177.04	-528.27	29.00	-177.04	-394.91
			M3	18.39	-147.47	-817.88	16.55	-139.42	-736.96	16.55	-142.82	-736.31	13.97	-130.39	-668.57
		TANDEM-LOAD MAX	S2	20.97	-112.26	-344.05	20.97	-112.26	-247.11	20.97	-113.40	-246.59	20.97	-113.40	-150.15
			TQ	-52.78	244.29	155.13	-52.78	244.29	-88.87	-52.78	243.88	-90.00	-52.78	243.88	-332.74
			M3	4.30	7.76	327.88	4.32	7.67	347.86	4.32	9.27	347.82	4.32	9.27	367.69
		MIN	S2	-53.60	240.36	130.61	-53.60	240.36	-117.18	-53.60	239.82	-118.29	-53.60	239.82	-364.81
			TQ	19.41	-119.14	-465.81	19.41	-119.14	-376.06	19.41	-120.87	-375.51	19.41	-120.87	-286.22
			M3	12.54	-100.61	-556.95	11.04	-93.98	-503.04	11.04	-96.30	-502.60	9.40	-88.16	-455.55
		DISPERSION-LMAX	S2	36.06	-157.09	-0.05	36.06	-157.09	166.67	36.06	-156.32	167.39	36.06	-156.32	333.25
			TQ	-77.03	435.89	947.83	-77.03	435.89	591.70	-77.03	438.61	589.69	-77.03	438.61	235.40
			M3	-46.65	326.37	993.65	-2.64	125.87	886.68	-2.48	128.86	886.09	10.73	38.73	913.82
MIN	S2	-88.00	405.93	-12.93	-88.00	405.93	-419.77	-88.00	403.98	-421.63	-88.00	403.98	-826.37		
	TQ	25.09	-187.05	-960.81	25.09	-187.05	-844.80	25.09	-190.94	-843.93	25.09	-190.94	-728.53		
	M3	-5.29	-77.53	-1006.64	-49.30	122.97	-1139.78	-49.46	118.81	-1140.34	-62.67	208.94	-1406.94		
67	2-LANES (caseTRUCK-LOAD	MAX	S2	12.61	-19.03	26.95	12.61	-19.03	85.26	12.61	-18.64	85.35	12.61	-18.64	143.36
			TQ	-104.31	128.23	-399.21	-105.88	128.23	-888.68	-105.88	124.13	-889.27	-105.88	124.13	-1376.21
			M3	-143.92	31.83	810.14	11.84	-10.02	577.56	11.84	-7.35	577.60	11.85	-7.39	632.10
		MIN	S2	-214.93	4.85	654.82	-214.93	5.35	-333.79	-214.93	3.81	-333.81	-214.93	3.81	-1322.32
			TQ	-91.32	-91.55	-370.49	-91.32	-91.55	-792.66	-91.32	-95.20	-792.23	-91.32	-95.20	-1212.22
			M3	-41.92	80.92	-1328.76	-41.92	80.92	-1522.55	-41.92	73.90	-1522.91	-117.74	-69.92	-1725.21

BAGO RIVER BRIDGE

BLOCK [ No.1 : MAIN GIRDER ][ BEAM MEMBER FORCE ]

MEMBER		4015			4016			4016			4017						
NODE		4015			4016			4016			4017						
		SHEAR	TORQUE	MOMENT	SHEAR	TORQUE	MOMENT	SHEAR	TORQUE	MOMENT	SHEAR	TORQUE	MOMENT				
NAME	TITLE	S2 (kN)	TQ (kN·m)	M3 (kN·m)	S2 (kN)	TQ (kN·m)	M3 (kN·m)	S2 (kN)	TQ (kN·m)	M3 (kN·m)	S2 (kN)	TQ (kN·m)	M3 (kN·m)				
67	2-LANES (caseTANDEM-LOAD	MAX	S2	10.16	-14.45	33.90	10.16	-14.45	80.89	10.16	-14.08	80.96	10.16	-14.08	127.70		
			TQ	-65.72	88.39	-259.45	-66.91	88.39	-568.76	-66.91	85.77	-569.16	-66.91	85.77	-876.87		
			M3	-96.91	25.77	620.24	8.04	-6.84	391.79	8.04	-5.03	391.82	8.04	-5.03	428.81		
		MIN	S2	-146.87	1.80	422.06	-146.87	1.80	-256.91	-146.87	0.62	-256.92	-146.87	0.62	-932.39		
			TQ	-61.27	-63.83	-195.66	-61.27	-63.83	-478.92	-61.27	-66.04	-478.62	-61.27	-66.04	-760.43		
			M3	-28.53	54.85	-905.34	-28.53	54.85	-1037.24	-28.53	50.06	-1037.48	-78.46	-48.25	-1175.72		
		DISPERSION-LMAX	S2	22.09	-23.17	827.27	21.96	-21.96	915.83	21.96	-17.74	915.92	21.91	-17.33	1012.17		
			TQ	-121.44	129.16	-1294.30	-123.91	129.16	-1861.34	-120.75	120.74	-1762.08	-123.50	120.74	-2323.71		
			M3	-77.02	-13.61	1200.86	-1.78	-13.51	1019.47	-1.78	-8.81	1019.52	20.40	-13.90	1074.65		
		MIN	S2	-254.64	41.68	-1481.88	-267.15	40.47	-2674.53	-267.15	28.13	-2674.69	-279.89	27.72	-3927.85		
			TQ	-111.11	-110.65	639.70	-121.28	-110.65	102.64	-124.44	-110.35	3.31	-134.48	-110.35	-591.97		
			M3	-155.53	32.11	-1855.47	-243.41	32.01	-2778.17	-243.41	19.20	-2778.29	-278.38	24.29	-3990.33		
		68	2-LANES (caseTRUCK-LOAD	MAX	S2	145.31	-310.91	1578.26	42.46	-94.17	599.19	42.46	-91.40	599.61	14.25	-17.17	665.33
					TQ	-108.44	324.51	-1699.28	-108.44	324.51	-2200.60	-108.44	314.36	-2202.07	-108.44	314.36	-2700.81
					M3	-81.49	-472.12	1751.92	-180.75	-295.87	748.49	-180.75	-292.41	749.85	14.11	-16.10	669.14
MIN	S2			-451.00	-510.17	1686.94	-544.77	-354.71	658.99	-544.77	-351.66	660.62	-642.33	-152.52	-874.89		
	TQ			-335.94	-603.06	131.12	-335.94	-603.06	-1421.96	-335.94	-609.61	-1419.16	-335.94	-609.61	-2964.22		
	M3			-103.78	310.38	-1793.27	-104.29	312.33	-2274.14	-104.29	301.84	-2275.56	-296.68	-598.83	-2998.27		
TANDEM-LOAD	MAX			S2	134.42	-281.68	1511.82	59.76	-135.76	856.25	59.76	-131.81	856.87	9.67	-11.87	449.08	
	TQ			-73.79	221.78	-1163.78	-73.79	221.78	-1504.92	-73.79	214.83	-1505.93	-73.79	214.83	-1845.31		
	M3			-89.88	-310.92	1526.89	-162.85	-174.85	866.16	-162.85	-170.85	866.95	9.61	-11.06	454.24		
MIN	S2			-331.39	-310.92	1526.89	-404.17	-174.85	866.16	-404.17	-170.85	866.95	-473.16	-19.77	-119.75		
	TQ			-227.40	-411.88	76.85	-227.40	-411.88	-974.42	-227.40	-416.37	-972.51	-227.40	-416.37	-2018.35		
	M3			-70.49	210.79	-1219.49	-71.49	214.63	-1549.74	-71.49	207.48	-1550.71	-207.74	-411.01	-2039.04		

BAGO RIVER BRIDGE

BLOCK [ No.1 : MAIN GIRDER ][ BEAM MEMBER FORCE ]

MEMBER			4015			4016			4016			4017				
NODE			4015			4016			4016			4017				
			SHEAR	TORQUE	MOMENT	SHEAR	TORQUE	MOMENT	SHEAR	TORQUE	MOMENT	SHEAR	TORQUE	MOMENT		
NAME	TITLE		S2 (kN)	TQ (kN·m)	M3 (kN·m)	S2 (kN)	TQ (kN·m)	M3 (kN·m)	S2 (kN)	TQ (kN·m)	M3 (kN·m)	S2 (kN)	TQ (kN·m)	M3 (kN·m)		
68	2-LANES (caseDISPERSION-LMAX	S2	48.06	-85.43	1164.72	30.11	-46.95	1109.65	30.11	-41.83	1109.85	24.35	-29.11	1139.19		
		TQ	-120.85	349.07	-2094.75	-120.85	349.07	-2653.45	-120.85	336.83	-2655.03	-120.85	336.83	-3210.85		
		M3	-76.59	-257.91	1470.88	-33.33	-85.43	1198.65	-33.33	-79.90	1199.03	24.35	-29.11	1139.19		
		MIN	S2	-450.71	-287.93	-2434.86	-514.15	-326.41	-4429.49	-514.15	-346.84	-4427.94	-589.32	-359.56	-6869.65	
		TQ	-281.79	-722.44	824.61	-363.18	-722.44	-666.40	-363.18	-725.50	-663.06	-444.12	-725.50	-2519.62		
		M3	-326.05	-115.45	-2741.02	-450.71	-287.93	-4518.49	-450.71	-308.77	-4517.11	-589.32	-359.56	-6869.65		
		MAX	S2	60.51	-322.99	-779.06	60.51	-322.99	-499.33	60.51	-325.29	-497.83	60.51	-325.29	-219.54	
		TQ	-84.41	644.16	365.68	-84.41	644.16	-24.55	-84.41	644.04	-27.53	-84.41	644.04	-415.75		
		M3	7.91	23.30	712.53	7.98	22.98	749.43	7.98	26.44	749.32	8.03	26.19	786.10		
69	3-LANES (caseTRUCK-LOAD	MIN	S2	-91.72	589.97	256.28	-91.72	589.97	-167.72	-91.72	589.19	-170.44	-91.72	589.19	-592.26	
		TQ	59.04	-328.72	-885.19	59.04	-328.72	-612.24	59.04	-331.55	-610.71	59.04	-331.55	-339.16		
		M3	42.62	-277.49	-1088.38	34.81	-242.25	-911.88	34.81	-246.45	-910.76	27.12	-208.54	-773.01		
		TANDEM-LOAD	MAX	S2	41.64	-217.77	-490.99	41.64	-217.77	-298.50	41.64	-219.14	-297.50	41.64	-219.14	-106.01
		TQ	-57.88	439.46	243.33	-57.88	439.46	-24.24	-57.88	439.34	-26.27	-57.88	439.34	-292.45		
		M3	5.38	15.79	483.92	5.40	15.71	508.88	5.40	18.05	508.80	5.40	18.05	533.64		
		MIN	S2	-62.75	404.45	188.89	-62.75	404.45	-101.19	-62.75	403.98	-103.05	-62.75	403.98	-391.63	
		TQ	40.08	-224.64	-612.75	40.08	-224.64	-427.46	40.08	-226.61	-426.42	40.08	-226.61	-242.08		
		M3	28.54	-186.96	-741.69	23.87	-165.86	-622.44	23.87	-168.72	-621.67	17.84	-138.80	-527.47		
		DISPERSION-LMAX	S2	71.34	-224.22	57.83	71.34	-224.22	387.63	71.34	-222.43	388.66	71.34	-222.43	716.77	
		TQ	-83.38	786.09	1444.07	-83.38	786.09	1058.61	-83.38	790.97	1054.98	-83.38	790.97	671.51		
		M3	-53.15	673.75	1489.98	-0.09	386.61	1367.65	0.22	390.03	1365.86	29.70	157.86	1446.15		
		MIN	S2	-99.93	655.04	120.77	-99.93	655.04	-341.23	-99.93	653.46	-344.25	-99.93	653.46	-803.86	
		TQ	54.78	-355.27	-1265.47	54.78	-355.27	-1012.21	54.78	-359.94	-1010.56	54.78	-359.94	-758.61		
		M3	24.56	-242.93	-1311.39	-28.50	44.21	-1321.25	-28.81	41.00	-1321.44	-58.29	273.17	-1533.24		

BAGO RIVER BRIDGE

BLOCK [ No.1 : MAIN GIRDER ][ BEAM MEMBER FORCE ]

MEMBER NODE	4015	4016			4016			4017			4017				
		SHEAR	TORQUE	MOMENT	SHEAR	TORQUE	MOMENT	SHEAR	TORQUE	MOMENT	SHEAR	TORQUE	MOMENT		
		S2 (kN)	TQ (kN·m)	M3 (kN·m)	S2 (kN)	TQ (kN·m)	M3 (kN·m)	S2 (kN)	TQ (kN·m)	M3 (kN·m)	S2 (kN)	TQ (kN·m)	M3 (kN·m)		
70	3-LANES (caseTRUCK-LOAD	MAX	S2	47.23	-113.33	654.92	22.61	-47.40	298.35	22.61	-46.03	298.57	20.34	-29.58	485.08
			TQ	-147.68	253.01	-1209.26	-149.24	253.01	-1899.22	-149.24	244.25	-1900.37	-149.24	244.25	-2586.77
			M3	-195.89	-112.09	1517.76	19.46	-21.65	886.34	19.46	-17.56	886.43	19.47	-17.61	975.98
		MIN	S2	-396.05	-151.28	1340.16	-422.04	-101.93	-92.16	-422.04	-102.36	-91.69	-447.98	-42.55	-1653.35
			TQ	-230.81	-283.62	-317.07	-230.81	-283.62	-1384.12	-230.81	-290.01	-1382.80	-230.81	-290.01	-2444.35
			M3	-84.42	201.70	-2157.94	-84.68	202.74	-2548.24	-84.68	190.98	-2549.15	-243.16	-261.60	-2970.88
	TANDEM-LOAD	MAX	S2	41.89	-99.56	626.82	24.76	-55.99	390.11	24.76	-54.19	390.36	15.41	-21.58	359.02
			TQ	-95.13	173.48	-796.80	-96.32	173.48	-1242.09	-96.32	167.75	-1242.88	-96.32	167.75	-1685.88
			M3	-144.01	-68.35	1221.10	-56.98	-60.15	704.76	-56.98	-56.90	705.03	13.23	-12.04	662.32
		MIN	S2	-277.15	-92.32	1022.92	-296.22	-51.51	56.05	-296.22	-51.25	56.29	-315.12	-5.38	-976.99
			TQ	-153.53	-194.75	-188.98	-153.53	-194.75	-898.74	-153.53	-198.90	-897.83	-153.53	-198.90	-1603.93
			M3	-57.06	135.59	-1468.93	-57.89	138.84	-1735.25	-57.89	130.84	-1735.87	-168.02	-180.70	-2022.91
	DISPERSION-LMAX	S2	40.91	-59.46	1392.07	36.49	-46.55	1470.26	36.49	-39.77	1470.46	35.02	-35.47	1597.02	
		TQ	-170.67	266.39	-2269.35	-173.15	266.39	-3064.02	-169.99	252.43	-2965.37	-172.73	252.43	-3753.46	
		M3	-114.99	-111.71	1898.90	-11.24	-49.79	1606.18	-11.24	-42.38	1606.39	33.51	-32.04	1659.50	
		MIN	S2	-443.18	-18.20	-2564.62	-479.68	-31.10	-4596.62	-479.68	-52.30	-4596.43	-519.54	-56.60	-6855.90
			TQ	-231.59	-344.05	1096.80	-270.04	-344.05	-62.34	-273.20	-344.51	-160.59	-311.79	-344.51	-1505.42
			M3	-287.28	34.05	-3071.44	-431.95	-27.86	-4732.53	-431.95	-49.69	-4732.35	-518.03	-60.03	-6918.38
71	3-LANES (caseTRUCK-LOAD	MAX	S2	150.67	-313.78	1835.39	47.83	-97.03	881.12	47.83	-92.97	881.56	19.62	-18.73	971.96
			TQ	-137.23	397.08	-2409.40	-137.23	397.08	-3043.82	-137.23	383.04	-3045.62	-137.23	383.04	-3676.77
			M3	-145.15	-537.06	2310.30	-175.39	-298.67	1030.67	-175.39	-293.92	1032.04	19.47	-17.61	975.98
		MIN	S2	-594.01	-584.43	2225.94	-689.72	-400.89	786.51	-689.72	-397.26	788.35	-787.28	-198.12	-1413.81
			TQ	-442.01	-732.80	4.35	-442.01	-732.80	-2039.07	-442.01	-742.20	-2035.67	-442.01	-742.20	-4068.56
			M3	-132.99	381.97	-2522.57	-133.51	383.92	-3138.49	-133.51	369.44	-3140.23	-402.74	-731.42	-4102.60

BAGO RIVER BRIDGE

BLOCK [ No.1 : MAIN GIRDER ][ BEAM MEMBER FORCE ]

MEMBER				4015			4016			4017								
NODE				4015			4016			4016			4017					
				SHEAR	TORQUE	MOMENT	SHEAR	TORQUE	MOMENT	SHEAR	TORQUE	MOMENT	SHEAR	TORQUE	MOMENT			
NAME	TITLE			S2 (kN)	TQ (kN·m)	M3 (kN·m)	S2 (kN)	TQ (kN·m)	M3 (kN·m)	S2 (kN)	TQ (kN·m)	M3 (kN·m)	S2 (kN)	TQ (kN·m)	M3 (kN·m)			
71	3-LANES (case)	TANDEM-LOAD	MAX	S2	138.07	-283.65	1686.15	63.40	-137.73	1047.42	63.40	-132.90	1048.05	13.32	-12.96	657.02		
				TQ	-93.61	271.42	-1651.93	-93.61	271.42	-2084.68	-93.61	261.80	-2085.91	-93.61	261.80	-2516.43		
				M3	-139.21	-350.87	1982.38	-212.08	-195.13	1060.32	-212.08	-190.23	1061.21	13.23	-12.04	662.32		
			MIN	S2	-430.17	-350.87	1982.38	-503.15	-209.56	912.43	-503.15	-205.35	913.39	-572.13	-54.26	-528.50		
				TQ	-300.53	-500.42	-1.63	-300.53	-500.42	-1390.98	-300.53	-506.83	-1388.66	-300.53	-506.83	-2770.85		
				M3	-90.31	259.13	-1715.98	-91.32	262.96	-2137.90	-91.32	253.10	-2139.09	-280.88	-501.47	-2791.53		
		DISPERSION-LMAX	S2	58.27	-95.51	1640.93	39.61	-53.55	1597.78	39.61	-46.18	1598.01	33.63	-32.40	1659.40			
			TQ	-152.78	426.51	-2949.87	-153.04	426.51	-3656.54	-152.43	409.68	-3618.77	-153.21	409.68	-4321.48			
			M3	-117.25	-305.19	2102.08	-40.74	-97.10	1717.03	-40.74	-89.18	1717.46	33.62	-32.46	1661.34			
			MIN	S2	-609.16	-355.06	-3356.00	-688.42	-397.01	-6086.37	-688.42	-425.08	-6084.47	-779.53	-438.87	-9353.45		
				TQ	-398.11	-877.07	1234.80	-495.78	-877.07	-832.04	-496.38	-880.94	-867.69	-592.69	-880.94	-3372.58		
				M3	-433.64	-145.37	-3817.15	-608.07	-353.46	-6205.61	-608.07	-382.08	-6203.92	-779.52	-438.80	-9355.40		
		72	4-LANES	TRUCK-LOAD	MAX	S2	144.36	-310.73	1311.23	46.41	-101.70	373.58	46.41	-99.98	374.04	5.88	-11.75	-183.60
						TQ	-212.79	448.18	-2090.14	-215.49	448.18	-3086.37	-215.49	433.94	-3088.40	-215.49	433.94	-4079.49
						M3	-226.36	-438.97	2559.91	-284.85	-266.74	917.49	-284.85	-262.50	918.71	0.00	0.00	0.00
MIN	S2				-663.20	-504.00	2318.93	-756.89	-347.84	370.97	-756.89	-346.12	372.57	-852.92	-150.69	-2128.05		
	TQ				-425.55	-688.23	-246.90	-425.55	-688.23	-2214.24	-425.55	-698.44	-2211.04	-425.55	-698.44	-4168.23		
	M3				-145.64	391.10	-3121.70	-146.11	392.93	-3795.68	-146.11	375.42	-3797.45	-476.37	-667.52	-4723.60		
TANDEM-LOAD	MAX			S2	133.54	-280.22	1337.98	62.78	-140.05	718.11	62.78	-136.74	718.74	5.60	-9.27	-92.31		
				TQ	-139.51	307.46	-1416.21	-141.56	307.46	-2070.63	-141.56	297.90	-2072.03	-141.56	297.90	-2723.08		
				M3	-187.19	-284.01	2144.85	-231.40	-157.07	1053.41	-231.40	-152.21	1054.12	0.00	0.00	0.00		
	MIN			S2	-477.25	-298.98	2046.35	-547.63	-168.46	690.73	-547.63	-165.28	691.50	-614.99	-19.31	-973.33		
				TQ	-287.59	-471.38	-122.63	-287.59	-471.38	-1452.16	-287.59	-478.08	-1449.97	-287.59	-478.08	-2772.65		
				M3	-98.98	265.53	-2124.64	-99.93	269.15	-2585.94	-99.93	257.22	-2587.15	-326.56	-459.99	-3213.86		

BAGO RIVER BRIDGE

BLOCK [ No.1 : MAIN GIRDER ][ BEAM MEMBER FORCE ]

MEMBER				4015			4016			4017							
NODE				4015			4016			4016			4017				
				SHEAR	TORQUE	MOMENT	SHEAR	TORQUE	MOMENT	SHEAR	TORQUE	MOMENT	SHEAR	TORQUE	MOMENT		
NAME	TITLE			S2 (kN)	TQ (kN·m)	M3 (kN·m)	S2 (kN)	TQ (kN·m)	M3 (kN·m)	S2 (kN)	TQ (kN·m)	M3 (kN·m)	S2 (kN)	TQ (kN·m)	M3 (kN·m)		
72	4-LANES	DISPERSION-LMAX	S2	25.15	-56.83	202.31	7.25	-16.76	20.97	7.25	-16.66	21.05	1.49	-3.43	-61.36		
			TQ	-211.38	409.64	-2656.66	-213.52	409.64	-3638.75	-211.37	392.95	-3594.98	-213.80	392.95	-4572.69		
			M3	-200.34	-226.00	878.60	-80.65	-47.88	212.96	-80.65	-46.89	213.18	0.00	0.00	0.00		
	MIN	S2	-682.03	-343.91	-3182.78	-759.29	-384.27	-6259.94	-759.29	-413.14	-6258.11	-848.41	-426.48	-9852.94			
		TQ	-455.91	-801.99	-344.73	-549.28	-801.99	-2668.52	-551.45	-814.39	-2710.39	-644.05	-814.39	-5459.73			
		M3	-457.76	-171.42	-3855.78	-671.31	-352.88	-6448.38	-671.31	-382.62	-6446.69	-847.00	-429.56	-9910.79			
	73	6-LANES	TRUCK-LOAD	MAX	S2	179.08	-544.71	990.13	93.40	-355.18	327.63	93.40	-353.67	329.27	72.37	-290.67	716.68
				TQ	-234.80	897.14	-1891.08	-234.80	897.14	-2976.59	-234.80	883.40	-2980.69	-234.80	883.40	-4060.60	
				M3	-154.76	-370.88	2760.49	-77.76	-168.32	1761.80	-77.76	-160.19	1762.56	27.51	8.58	1762.10	
MIN		S2	-655.34	18.14	2110.71	-735.15	157.59	59.30	-735.15	157.87	58.57	-817.80	336.00	-2387.77			
		TQ	-342.34	-868.50	-989.44	-342.34	-868.50	-2572.08	-342.28	-880.41	-2591.84	-342.28	-880.41	-4166.05			
		M3	-89.67	103.36	-3619.19	-96.48	133.39	-4048.78	-96.48	114.71	-4049.35	-414.72	-668.55	-4786.14			
TANDEM-LOAD		MAX	S2	151.96	-427.89	1143.28	89.96	-300.33	699.90	89.96	-297.10	701.28	49.80	-193.39	557.45		
		TQ	-156.90	612.90	-1255.24	-156.90	612.90	-1980.59	-156.90	603.75	-1983.40	-156.90	603.75	-2705.01			
		M3	-136.98	-239.68	2212.17	-142.99	-139.22	1488.97	-142.99	-132.35	1489.59	18.64	6.00	1196.01			
MIN		S2	-467.89	61.39	1836.05	-528.63	180.74	464.70	-528.63	182.88	463.86	-586.12	314.58	-1165.26			
		TQ	-233.63	-593.52	-655.02	-233.63	-593.52	-1735.12	-233.62	-601.53	-1739.00	-233.62	-601.53	-2813.45			
		M3	-61.37	71.46	-2464.70	-66.57	94.44	-2757.83	-66.57	81.72	-2758.23	-281.63	-461.36	-3258.19			
DISPERSION-LMAX		S2	116.81	-259.96	1623.26	100.66	-224.37	1901.81	100.66	-215.60	1902.83	95.47	-203.85	2263.70			
		TQ	-274.43	1049.95	-1478.94	-276.90	1049.95	-2753.28	-273.87	1037.39	-2667.07	-276.61	1037.39	-3932.92			
		M3	-181.59	317.76	3380.04	-35.30	256.68	2859.05	-35.07	267.55	2857.84	59.81	113.92	2899.90			
MIN	S2	-708.12	235.67	-3255.66	-774.32	198.16	-6454.99	-774.32	168.38	-6455.83	-851.73	156.01	-10102.73				
	TQ	-319.71	-1053.66	-116.74	-400.90	-1053.66	-1782.62	-403.22	-1062.04	-1872.59	-483.48	-1062.04	-3911.77				
	M3	-413.07	-285.53	-5031.71	-642.27	-222.73	-7461.49	-642.50	-255.10	-7460.39	-817.88	-130.66	-10803.00				

BAGO RIVER BRIDGE

BLOCK [ No.1 : MAIN GIRDER ][ BEAM MEMBER FORCE ]

MEMBER			4015			4016			4016			4017			
NODE			4015			4016			4016			4017			
NAME TITLE			SHEAR	TORQUE	MOMENT	SHEAR	TORQUE	MOMENT	SHEAR	TORQUE	MOMENT	SHEAR	TORQUE	MOMENT	
			S2 (kN)	TQ (kN·m)	M3 (kN·m)	S2 (kN)	TQ (kN·m)	M3 (kN·m)	S2 (kN)	TQ (kN·m)	M3 (kN·m)	S2 (kN)	TQ (kN·m)	M3 (kN·m)	
124	SUM TOTAL	D+1LANE (caseMAX	S2	-2087.03	61.08	-6176.73	-2380.42	61.08	-16501.43	-2380.42	-15.03	-16501.54	-2670.57	-15.03	-28116.02
			TQ	-2182.69	1090.02	-5231.02	-2476.08	1090.02	-15997.96	-2476.08	1016.22	-16002.82	-2766.23	1016.22	-28057.25
			M3	-2171.28	757.51	-5108.41	-2453.81	653.53	-15804.98	-2453.63	578.49	-15807.82	-2724.20	407.74	-27710.76
		MIN	S2	-2195.69	909.77	-5720.65	-2489.08	909.77	-16547.72	-2489.08	833.43	-16551.74	-2779.24	833.43	-28665.99
			TQ	-2093.73	-60.23	-6611.78	-2387.12	-60.23	-16967.48	-2387.12	-138.49	-16967.02	-2677.28	-138.49	-28612.34
			M3	-2100.52	-27.93	-6670.02	-2411.93	108.69	-17094.48	-2412.11	31.97	-17094.80	-2727.94	233.00	-28920.03
		D+1LANE (caseMAX	S2	-2135.75	192.07	-6271.86	-2429.15	192.07	-16821.83	-2429.15	114.48	-16822.54	-2719.30	114.48	-28661.12
			TQ	-2283.62	707.19	-5262.00	-2577.01	707.19	-16495.56	-2577.01	631.09	-16498.65	-2867.17	631.09	-29017.30
			M3	-2192.81	461.12	-5078.09	-2454.15	366.13	-15812.91	-2454.09	292.95	-15814.43	-2737.20	266.18	-27743.18
		MIN	S2	-2292.68	686.11	-5990.79	-2586.08	686.11	-17266.26	-2586.08	606.46	-17269.24	-2876.23	606.46	-29829.57
			TQ	-2145.54	166.60	-7056.80	-2438.93	166.60	-17652.02	-2438.93	85.18	-17652.60	-2729.09	85.18	-29536.21
			M3	-2180.18	257.32	-7221.76	-2506.71	356.91	-18057.44	-2506.77	273.85	-18058.90	-2804.13	301.46	-30279.08
		D+1LANE (caseMAX	S2	-2145.31	302.42	-5822.33	-2438.71	302.42	-16416.50	-2438.71	226.70	-16417.72	-2728.86	226.70	-28300.27
			TQ	-2360.50	467.40	-6176.92	-2656.38	467.40	-17776.00	-2652.63	385.61	-17659.12	-2943.39	385.61	-30526.94
			M3	-2303.40	428.56	-4917.42	-2450.58	325.71	-15743.91	-2450.58	253.08	-15745.24	-2731.46	244.06	-27649.14
		MIN	S2	-2402.62	435.24	-6529.29	-2696.62	435.24	-18314.40	-2696.62	350.76	-18316.21	-2987.39	350.76	-31386.38
			TQ	-2173.35	295.37	-6060.51	-2466.74	295.37	-16784.30	-2470.50	217.75	-16904.33	-2760.65	217.75	-28933.12
			M3	-2254.37	366.01	-7713.53	-2596.14	391.49	-18925.14	-2596.14	304.19	-18926.74	-2896.19	313.22	-31568.04
		D+1LANE (caseMAX	S2	-2014.18	29.31	-4183.44	-2404.09	220.69	-15550.83	-2404.09	148.96	-15551.68	-2723.92	214.65	-27530.65
			TQ	-2325.17	806.02	-8378.97	-2618.56	806.02	-19804.61	-2618.56	714.67	-19808.12	-2908.71	714.67	-32517.87
			M3	-2248.76	-207.97	-3876.66	-2600.81	40.46	-15384.95	-2600.81	-30.50	-15384.98	-2724.05	215.52	-27528.06
		MIN	S2	-2766.50	-256.22	-6412.48	-3178.08	-172.94	-19077.93	-3178.08	-260.94	-19076.93	-3601.15	-121.09	-33752.35
			TQ	-2567.45	-623.82	-5368.34	-2919.32	-623.82	-18049.18	-2919.32	-707.07	-18046.12	-3267.72	-707.07	-32272.98
			M3	-2456.31	462.65	-8886.10	-2828.11	343.44	-21081.27	-2828.11	246.20	-21082.63	-3338.43	-434.54	-35103.52



BAGO RIVER BRIDGE

BLOCK [ No.1 : MAIN GIRDER ][ BEAM MEMBER FORCE ]

MEMBER			4015			4016			4016			4017			
NODE			4015			4016			4016			4017			
NAME TITLE			SHEAR	TORQUE	MOMENT	SHEAR	TORQUE	MOMENT	SHEAR	TORQUE	MOMENT	SHEAR	TORQUE	MOMENT	
			S2 (kN)	TQ (kN·m)	M3 (kN·m)	S2 (kN)	TQ (kN·m)	M3 (kN·m)	S2 (kN)	TQ (kN·m)	M3 (kN·m)	S2 (kN)	TQ (kN·m)	M3 (kN·m)	
124	SUM TOTAL	D+2LANES (casMAX	S2	-2058.28	-108.52	-6457.49	-2351.68	-108.52	-16649.31	-2351.68	-185.32	-16648.63	-2641.83	-185.32	-28130.92
			TQ	-2234.70	1439.67	-4768.06	-2528.09	1439.67	-15775.45	-2528.09	1366.89	-15781.92	-2818.24	1366.89	-28075.56
			M3	-2187.82	911.53	-4528.55	-2454.79	703.22	-15261.30	-2454.53	630.14	-15264.38	-2721.03	420.04	-27160.85
		MIN	S2	-2251.01	1272.00	-5593.43	-2544.40	1272.00	-16676.22	-2544.40	1195.06	-16681.91	-2834.55	1195.06	-29050.56
			TQ	-2068.15	-224.09	-7232.81	-2361.54	-224.09	-17470.24	-2361.54	-304.67	-17469.02	-2651.69	-304.67	-28996.68
			M3	-2085.92	-136.12	-7344.44	-2412.58	103.29	-17741.07	-2412.84	24.14	-17741.36	-2734.16	271.21	-29586.10
		D+2LANES (casMAX	S2	-2098.89	0.63	-6536.77	-2392.28	0.63	-16916.31	-2392.28	-77.39	-16916.13	-2682.43	-77.39	-28585.17
			TQ	-2318.81	1120.65	-4793.88	-2612.20	1120.65	-16190.12	-2612.20	1045.96	-16195.11	-2902.35	1045.96	-28875.60
			M3	-2205.77	664.54	-4503.28	-2455.08	463.72	-15267.91	-2454.92	392.19	-15269.88	-2731.86	302.06	-27187.87
		MIN	S2	-2331.83	1085.61	-5818.55	-2625.22	1085.61	-17275.00	-2625.22	1005.92	-17279.82	-2915.38	1005.92	-30020.21
			TQ	-2111.32	-35.06	-7603.66	-2404.72	-35.06	-18040.69	-2404.72	-118.28	-18040.34	-2694.87	-118.28	-29766.57
			M3	-2152.31	101.59	-7804.23	-2491.56	310.13	-18543.54	-2491.72	225.70	-18544.78	-2797.65	328.25	-30718.64
		D+2LANES (casMAX	S2	-2130.71	284.38	-5125.49	-2424.23	285.59	-15665.72	-2424.23	213.33	-15666.87	-2714.43	213.74	-27487.61
			TQ	-2391.16	583.97	-7673.23	-2688.59	583.97	-19416.83	-2685.43	494.58	-19319.48	-2978.33	494.58	-32343.05
			M3	-2386.35	344.81	-3968.71	-2448.75	303.06	-15069.78	-2448.75	233.55	-15071.01	-2716.71	228.41	-26936.38
		MIN	S2	-2634.98	373.11	-6806.77	-2940.89	372.40	-19675.12	-2940.89	281.65	-19676.63	-3243.78	281.24	-33893.30
			TQ	-2367.84	124.39	-5710.50	-2671.41	124.39	-17356.82	-2674.57	44.16	-17457.05	-2974.76	44.16	-30447.32
			M3	-2362.86	439.62	-9163.94	-2744.13	439.52	-20967.53	-2744.13	342.80	-20969.33	-3145.08	204.08	-34358.67
		D+2LANES (casMAX	S2	-1972.05	-69.75	-3236.74	-2386.23	185.47	-14957.97	-2386.23	116.48	-14958.67	-2710.35	203.43	-26838.62
			TQ	-2394.71	1000.18	-9773.74	-2688.10	1000.18	-21520.86	-2688.10	900.90	-21525.24	-2978.25	900.90	-34554.80
			M3	-2323.49	-403.45	-2756.91	-2672.89	-54.71	-14719.67	-2672.89	-122.60	-14719.26	-2710.49	204.49	-26834.81
		MIN	S2	-3067.12	-471.52	-6727.64	-3517.73	-354.53	-20437.30	-3517.73	-448.80	-20435.45	-3980.61	-262.37	-36387.68
			TQ	-2783.15	-998.91	-5023.98	-3157.93	-998.91	-18755.16	-3157.93	-1085.41	-18750.35	-3529.02	-1085.41	-34126.97
			M3	-2595.25	521.51	-10514.01	-3013.81	350.98	-23459.44	-3013.81	242.77	-23460.81	-3634.96	-708.68	-38511.05

BAGO RIVER BRIDGE

BLOCK [ No.1 : MAIN GIRDER ][ BEAM MEMBER FORCE ]

MEMBER			4015			4016			4016			4017				
NODE			4015			4016			4016			4017				
NAME TITLE			SHEAR	TORQUE	MOMENT	SHEAR	TORQUE	MOMENT	SHEAR	TORQUE	MOMENT	SHEAR	TORQUE	MOMENT		
			S2 (kN)	TQ (kN·m)	M3 (kN·m)	S2 (kN)	TQ (kN·m)	M3 (kN·m)	S2 (kN)	TQ (kN·m)	M3 (kN·m)	S2 (kN)	TQ (kN·m)	M3 (kN·m)		
124	SUM TOTAL	D+3LANES (casMAX	S2	-2053.34	-138.54	-6592.76	-2346.74	-138.54	-16761.75	-2346.74	-215.85	-16760.93	-2636.89	-215.85	-28220.49	
			TQ	-2308.03	1542.30	-4441.43	-2601.43	1542.30	-15787.85	-2601.43	1469.46	-15794.80	-2891.58	1469.46	-28425.73	
			M3	-2203.87	919.08	-4107.57	-2452.10	674.74	-14867.28	-2451.84	603.71	-14870.23	-2716.89	406.15	-26745.72	
		MIN	S2	-2328.32	1384.85	-5659.22	-2621.71	1384.85	-17099.42	-2621.71	1305.96	-17105.62	-2911.86	1305.96	-29829.84	
			TQ	-2068.66	-254.81	-7807.78	-2362.06	-254.81	-18047.59	-2362.06	-338.05	-18046.22	-2652.21	-338.05	-29576.24	
			M3	-2108.31	-115.77	-8019.52	-2453.44	158.26	-18564.97	-2453.70	75.07	-18565.50	-2775.46	304.64	-30603.45	
		D+3LANES (casMAX	S2	-2090.50	179.72	-4239.77	-2408.57	246.72	-15163.48	-2408.57	176.78	-15164.46	-2701.91	194.42	-26873.35	
			TQ	-2436.01	768.08	-8936.53	-2732.84	768.08	-20885.56	-2730.15	671.89	-20804.02	-3022.64	671.89	-34032.33	
			M3	-2429.66	136.36	-3075.55	-2451.82	265.86	-14548.17	-2451.82	198.75	-14549.24	-2703.93	207.51	-26402.98	
		MIN	S2	-2878.76	182.53	-7020.50	-3225.26	213.51	-20652.27	-3225.26	118.25	-20653.03	-3571.35	165.43	-35876.00	
			TQ	-2558.46	-206.94	-5316.94	-2884.53	-206.94	-17896.29	-2887.22	-289.63	-17980.01	-3210.17	-289.63	-32000.44	
			M3	-2481.36	526.98	-10424.69	-2897.94	475.23	-22855.46	-2897.94	369.81	-22857.41	-3395.97	-23.68	-37049.00	
		D+3LANES (casMAX	S2	-1987.81	-21.31	-3024.84	-2384.49	198.59	-14559.74	-2384.49	131.43	-14560.50	-2703.70	206.25	-26406.48	
			TQ	-2411.92	1026.64	-10535.09	-2705.53	1026.64	-22362.11	-2705.02	923.52	-22332.86	-2995.83	923.52	-35441.64	
			M3	-2388.45	-389.33	-2229.19	-2642.52	-9.82	-14331.26	-2642.52	-75.93	-14331.06	-2703.83	207.15	-26401.42	
		MIN	S2	-3188.11	-471.98	-6940.26	-3630.23	-351.63	-21171.68	-3630.23	-449.28	-21169.83	-4080.74	-291.73	-37795.31	
			TQ	-2879.52	-1041.81	-4926.43	-3255.93	-1041.81	-19107.25	-3256.44	-1129.96	-19135.99	-3628.45	-1129.96	-34968.10	
			M3	-2647.05	527.70	-11368.48	-3089.15	352.48	-24609.30	-3089.15	238.96	-24610.66	-3753.88	-744.98	-40082.43	
		D+4LANES	MAX	S2	-2055.23	87.67	-4995.91	-2423.92	249.58	-16410.35	-2423.92	173.89	-16411.32	-2744.17	239.84	-28802.36
			TQ	-2441.12	884.17	-9065.13	-2737.67	884.17	-21038.13	-2736.27	787.19	-21012.33	-3028.00	787.19	-34267.05	
			M3	-2442.77	-105.65	-3744.68	-2696.38	122.09	-15932.01	-2696.38	48.60	-15932.40	-2748.96	249.71	-28643.13	
		MIN	S2	-3039.81	-224.55	-6541.21	-3444.32	-149.29	-20494.64	-3444.32	-243.82	-20493.73	-3854.82	-125.45	-36430.78	
			TQ	-2738.36	-642.06	-6364.27	-3092.45	-642.06	-19840.60	-3093.86	-733.63	-19867.07	-3444.20	-733.63	-34901.31	
			M3	-2557.63	469.38	-10515.08	-2990.13	352.62	-23325.45	-2990.13	245.03	-23326.82	-3609.15	-463.39	-38155.49	

BAGO RIVER BRIDGE

BLOCK [ No.1 : MAIN GIRDER ][ BEAM MEMBER FORCE ]

MEMBER					4015			4016			4017					
NODE					4015			4016			4016			4017		
					SHEAR	TORQUE	MOMENT	SHEAR	TORQUE	MOMENT	SHEAR	TORQUE	MOMENT	SHEAR	TORQUE	MOMENT
NAME TITLE					S2 (kN)	TQ (kN·m)	M3 (kN·m)	S2 (kN)	TQ (kN·m)	M3 (kN·m)	S2 (kN)	TQ (kN·m)	M3 (kN·m)	S2 (kN)	TQ (kN·m)	M3 (kN·m)
124	SUM TOTAL	D+6LANES	MAX	S2	-1973.09	-196.45	-4281.01	-2332.67	-50.13	-15217.67	-2332.67	-120.32	-15217.27	-2639.87	-71.73	-26705.89
				TQ	-2496.42	1592.20	-8170.23	-2791.42	1592.20	-20391.22	-2789.44	1498.23	-20339.18	-3081.38	1498.23	-33838.92
				M3	-2384.04	292.06	-1988.37	-2532.30	384.02	-13663.26	-2532.15	319.49	-13664.88	-2692.21	329.33	-25612.84
			MIN	S2	-3051.66	491.56	-6723.93	-3439.96	557.83	-20824.00	-3439.96	461.77	-20826.35	-3834.16	569.52	-36761.96
				TQ	-2595.74	-922.82	-6698.73	-2941.91	-922.82	-19497.36	-2943.38	-1012.89	-19570.01	-3285.70	-1012.89	-33893.71
				M3	-2492.19	208.18	-11602.80	-2938.99	268.52	-24148.48	-2939.14	158.46	-24149.46	-3550.14	-269.78	-38776.08
	SUM TOTAL		MAX		-1972.05	1592.20	-1988.37	-2332.67	1592.20	-13663.26	-2332.67	1498.23	-13664.88	-2636.89	1498.23	-25612.84
			MIN		-3188.11	-1041.81	-11602.80	-3630.23	-1041.81	-24609.30	-3630.23	-1129.96	-24610.66	-4080.74	-1129.96	-40082.43
300	DEAD LOAD	TOTAL			-2165.41	326.59	-5979.71	-2458.81	326.59	-16666.81	-2458.81	249.71	-16668.13	-2748.96	249.71	-28643.13
301	LIVE LOAD	1-LANE(case1MAX	S2		78.39	-265.51	-197.01	78.39	-265.51	165.37	78.39	-264.74	166.60	78.39	-264.74	527.11
			TQ		-17.27	763.43	748.69	-17.27	763.43	668.85	-17.27	766.51	665.32	-17.27	766.51	585.88
			M3		-5.86	430.92	871.30	5.00	326.95	861.83	5.18	328.78	860.31	24.76	158.04	932.37
			MIN	S2	-30.28	583.18	259.06	-30.28	583.18	119.09	-30.28	583.73	116.40	-30.28	583.73	-22.86
				TQ	71.68	-386.82	-632.07	71.68	-386.82	-300.68	71.68	-388.20	-298.89	71.68	-388.20	30.79
				M3	64.89	-354.51	-690.31	46.88	-217.90	-427.67	46.70	-217.73	-426.67	21.02	-16.71	-276.89
		1-LANE(case2MAX	S2		29.66	-134.52	-292.15	29.66	-134.52	-155.03	29.66	-135.23	-154.40	29.66	-135.23	-17.99
			TQ		-118.21	380.60	717.71	-118.21	380.60	171.24	-118.21	381.39	169.48	-118.21	381.39	-374.17
			M3		-27.40	134.53	901.63	4.65	39.54	853.90	4.71	43.25	853.71	11.76	16.47	899.96
			MIN	S2	-127.27	359.52	-11.08	-127.27	359.52	-599.45	-127.27	356.75	-601.10	-127.27	356.75	-1186.44
				TQ	19.87	-159.99	-1077.09	19.87	-159.99	-985.22	19.87	-164.53	-984.47	19.87	-164.53	-893.07
				M3	-14.77	-69.27	-1242.05	-47.90	30.32	-1390.64	-47.96	24.14	-1390.76	-55.18	51.75	-1635.94
		1-LANE(case3MAX	S2		20.10	-24.17	157.39	20.10	-24.17	250.31	20.10	-23.01	250.42	20.10	-23.01	342.86
			TQ		-195.09	140.81	-197.21	-197.58	140.81	-1109.20	-193.82	135.90	-990.99	-194.43	135.90	-1883.80
			M3		-137.99	101.97	1062.29	8.23	-0.88	922.90	8.23	3.38	922.89	17.50	-5.65	994.00
			MIN	S2	-237.21	108.65	-549.57	-237.82	108.65	-1647.59	-237.82	101.05	-1648.08	-238.43	101.05	-2743.24
				TQ	-7.94	-31.21	-80.80	-7.94	-31.21	-117.49	-11.70	-31.96	-236.20	-11.70	-31.96	-289.99
				M3	-88.95	39.43	-1733.81	-137.33	64.90	-2258.33	-137.33	54.48	-2258.61	-147.23	63.51	-2924.91

BAGO RIVER BRIDGE

BLOCK [ No.1 : MAIN GIRDER ][ BEAM MEMBER FORCE ]

MEMBER			4015			4016			4016			4017			
NODE			4015			4016			4016			4017			
NAME TITLE			SHEAR	TORQUE	MOMENT	SHEAR	TORQUE	MOMENT	SHEAR	TORQUE	MOMENT	SHEAR	TORQUE	MOMENT	
			S2 (kN)	TQ (kN·m)	M3 (kN·m)	S2 (kN)	TQ (kN·m)	M3 (kN·m)	S2 (kN)	TQ (kN·m)	M3 (kN·m)	S2 (kN)	TQ (kN·m)	M3 (kN·m)	
301	LIVE LOAD	1-LANE (case4MAX	S2	151.23	-297.27	1796.27	54.72	-105.89	1115.98	54.72	-100.74	1116.46	25.04	-35.06	1112.48
			TQ	-159.76	479.44	-2399.26	-159.76	479.44	-3137.81	-159.76	464.96	-3139.99	-159.76	464.96	-3874.73
			M3	-83.35	-534.56	2103.06	-142.00	-286.13	1281.85	-142.00	-280.21	1283.16	24.91	-34.19	1115.07
			MIN S2	-601.09	-582.81	-432.76	-719.27	-499.53	-2411.12	-719.27	-510.64	-2408.79	-852.19	-370.79	-5109.22
			TQ	-402.04	-950.41	611.37	-460.51	-950.41	-1382.38	-460.51	-956.78	-1377.98	-518.76	-956.78	-3629.84
			M3	-290.90	136.07	-2906.39	-369.31	16.86	-4414.46	-369.31	-3.50	-4414.49	-589.47	-684.24	-6460.39
		2-LANES (caseMAX	S2	107.13	-435.11	-477.77	107.13	-435.11	17.49	107.13	-435.02	19.50	107.13	-435.02	512.21
			TQ	-69.28	1113.09	1211.65	-69.28	1113.09	891.36	-69.28	1117.19	886.22	-69.28	1117.19	567.58
			M3	-22.40	584.94	1451.16	4.02	376.64	1405.50	4.27	380.43	1403.76	27.93	170.33	1482.28
			MIN S2	-85.59	945.41	386.28	-85.59	945.41	-9.41	-85.59	945.36	-13.77	-85.59	945.36	-407.42
			TQ	97.27	-550.68	-1253.10	97.27	-550.68	-803.43	97.27	-554.38	-800.89	97.27	-554.38	-353.54
			M3	79.49	-462.70	-1364.73	46.23	-223.30	-1074.26	45.97	-225.57	-1073.23	14.80	21.50	-942.97
		2-LANES (caseMAX	S2	66.53	-325.95	-557.05	66.53	-325.95	-249.51	66.53	-327.10	-248.00	66.53	-327.10	57.96
			TQ	-153.39	794.06	1185.84	-153.39	794.06	476.69	-153.39	796.25	473.02	-153.39	796.25	-232.47
			M3	-40.35	337.95	1476.44	3.73	137.13	1398.89	3.89	142.49	1398.25	17.10	52.36	1455.27
			MIN S2	-166.42	759.02	161.16	-166.42	759.02	-608.19	-166.42	756.21	-611.69	-166.42	756.21	-1377.08
			TQ	54.09	-361.65	-1623.94	54.09	-361.65	-1373.89	54.09	-367.98	-1372.20	54.09	-367.98	-1123.43
			M3	13.10	-225.00	-1824.51	-32.75	-16.45	-1876.74	-32.91	-24.01	-1876.64	-48.70	78.55	-2075.51
		2-LANES (caseMAX	S2	34.71	-42.20	854.22	34.57	-40.99	1001.09	34.57	-36.38	1001.27	34.53	-35.97	1155.53
			TQ	-225.75	257.38	-1693.52	-229.78	257.38	-2750.03	-226.63	244.87	-2651.35	-229.37	244.87	-3699.92
			M3	-220.94	18.23	2011.01	10.06	-23.53	1597.03	10.06	-16.16	1597.12	32.25	-21.29	1706.75
			MIN S2	-469.57	46.52	-827.06	-482.08	45.82	-3008.32	-482.08	31.94	-3008.50	-494.83	31.53	-5250.16
			TQ	-202.43	-202.20	269.21	-212.60	-202.20	-690.02	-215.76	-205.55	-788.92	-225.80	-205.55	-1804.19
			M3	-197.45	113.03	-3184.23	-285.33	112.93	-4300.72	-285.33	93.10	-4301.20	-396.12	-45.63	-5715.54

BAGO RIVER BRIDGE

BLOCK [ No.1 : MAIN GIRDER ][ BEAM MEMBER FORCE ]

MEMBER			4015			4016			4016			4017				
NODE			4015			4016			4016			4017				
NAME TITLE			SHEAR	TORQUE	MOMENT	SHEAR	TORQUE	MOMENT	SHEAR	TORQUE	MOMENT	SHEAR	TORQUE	MOMENT		
			S2 (kN)	TQ (kN·m)	M3 (kN·m)	S2 (kN)	TQ (kN·m)	M3 (kN·m)	S2 (kN)	TQ (kN·m)	M3 (kN·m)	S2 (kN)	TQ (kN·m)	M3 (kN·m)		
301	LIVE LOAD	2-LANES (caseMAX	S2	193.37	-396.34	2742.98	72.57	-141.12	1708.83	72.57	-133.23	1709.47	38.60	-46.28	1804.52	
			TQ	-229.29	673.59	-3794.03	-229.29	673.59	-4854.05	-229.29	651.19	-4857.11	-229.29	651.19	-5911.66	
			M3	-158.08	-730.03	3222.80	-214.08	-381.30	1947.13	-214.08	-372.31	1948.87	38.47	-45.22	1808.33	
			MIN	S2	-901.70	-798.11	-747.93	-1058.92	-681.12	-3770.50	-1058.92	-698.50	-3767.32	-1231.65	-512.08	-7744.54
			TQ	-617.74	-1325.49	955.73	-699.13	-1325.49	-2088.35	-699.13	-1335.11	-2082.22	-780.06	-1335.11	-5483.84	
			M3	-429.83	194.93	-4534.29	-555.00	24.40	-6792.63	-555.00	-6.93	-6792.67	-886.00	-958.39	-9867.92	
		3-LANES (caseMAX	S2	112.07	-465.13	-613.05	112.07	-465.13	-94.94	112.07	-465.56	-92.79	112.07	-465.56	422.64	
			TQ	-142.62	1215.71	1538.28	-142.62	1215.71	878.95	-142.62	1219.76	873.33	-142.62	1219.76	217.40	
			M3	-38.45	592.49	1872.14	6.71	348.15	1799.52	6.97	354.00	1797.90	32.07	156.45	1897.41	
			MIN	S2	-162.90	1058.26	320.49	-162.90	1058.26	-432.61	-162.90	1056.25	-437.49	-162.90	1056.25	-1186.71
			TQ	96.75	-581.40	-1828.07	96.75	-581.40	-1380.78	96.75	-587.76	-1378.09	96.75	-587.76	-933.11	
			M3	57.11	-442.36	-2039.81	5.36	-168.33	-1898.16	5.10	-174.63	-1897.37	-26.50	54.93	-1960.31	
		3-LANES (caseMAX	S2	74.92	-146.87	1739.95	50.23	-79.86	1503.32	50.23	-72.93	1503.68	47.05	-55.29	1769.78	
			TQ	-270.60	441.50	-2956.82	-274.03	441.50	-4218.75	-271.35	422.18	-4135.88	-273.68	422.18	-5389.20	
			M3	-264.25	-190.22	2904.16	6.99	-60.73	2118.64	6.99	-50.96	2118.90	45.03	-42.20	2240.16	
			MIN	S2	-713.35	-144.06	-1040.79	-766.46	-113.08	-3985.46	-766.46	-131.46	-3984.90	-822.39	-84.28	-7232.86
			TQ	-393.05	-533.52	662.78	-425.73	-533.52	-1229.49	-428.41	-539.33	-1311.88	-461.21	-539.33	-3357.31	
			M3	-315.95	200.39	-4444.97	-439.13	148.64	-6188.66	-439.13	120.10	-6189.28	-647.01	-273.39	-8405.87	
		3-LANES (caseMAX	S2	177.60	-347.89	2954.87	74.32	-128.00	2107.07	74.32	-118.28	2107.64	45.26	-43.46	2236.65	
			TQ	-246.51	700.05	-4555.37	-246.73	700.05	-5695.31	-246.21	673.81	-5664.73	-246.87	673.81	-6798.51	
			M3	-223.04	-715.92	3750.53	-183.72	-336.41	2335.55	-183.72	-325.63	2337.07	45.13	-42.56	2241.72	
			MIN	S2	-1022.70	-798.57	-960.55	-1171.42	-678.22	-4504.87	-1171.42	-698.99	-4501.70	-1331.79	-541.44	-9152.17
			TQ	-714.10	-1368.39	1053.28	-797.12	-1368.39	-2440.45	-797.63	-1379.67	-2467.86	-879.49	-1379.67	-6324.97	
			M3	-481.64	201.11	-5388.76	-630.34	25.89	-7942.49	-630.34	-10.74	-7942.53	-1004.92	-994.69	-11439.30	

BAGO RIVER BRIDGE

BLOCK [ No.1 : MAIN GIRDER ][ BEAM MEMBER FORCE ]

MEMBER					4015			4016			4017					
NODE					4015			4016			4016					
					SHEAR	TORQUE	MOMENT	SHEAR	TORQUE	MOMENT	SHEAR	TORQUE	MOMENT			
NAME TITLE					S2 (kN)	TQ (kN·m)	M3 (kN·m)	S2 (kN)	TQ (kN·m)	M3 (kN·m)	S2 (kN)	TQ (kN·m)	M3 (kN·m)			
301	LIVE LOAD	4-LANES	MAX	S2	110.19	-238.92	983.80	34.88	-77.00	256.46	34.88	-75.82	256.81	4.79	-9.86	-159.22
				TQ	-275.71	557.58	-3085.42	-278.86	557.58	-4371.33	-277.46	537.48	-4344.20	-279.04	537.48	-5623.92
				M3	-277.35	-432.23	2235.03	-237.57	-204.50	734.80	-237.57	-201.11	735.73	0.00	0.00	0.00
		MIN	S2	-874.40	-551.14	-561.50	-985.52	-475.87	-3827.84	-985.52	-493.52	-3825.60	-1105.86	-375.16	-7787.64	
			TQ	-572.95	-968.64	-384.56	-633.64	-968.64	-3173.79	-635.05	-983.34	-3198.93	-695.24	-983.34	-6258.18	
			M3	-392.21	142.80	-4535.36	-531.33	26.03	-6658.64	-531.33	-4.68	-6658.69	-860.19	-713.10	-9512.35	
	6-LANES	MAX	S2	192.33	-523.04	1698.70	126.14	-376.71	1449.14	126.14	-370.02	1450.86	109.09	-321.44	1937.24	
			TQ	-331.00	1265.61	-2190.51	-332.61	1265.61	-3724.41	-330.64	1248.52	-3671.05	-332.42	1248.52	-5195.79	
			M3	-218.63	-34.52	3991.34	-73.49	57.44	3003.55	-73.34	69.78	3003.26	56.75	79.62	3030.30	
		MIN	S2	-886.25	164.98	-744.22	-981.16	231.24	-4157.20	-981.16	212.06	-4158.22	-1085.20	319.81	-8118.83	
			TQ	-430.33	-1249.41	-719.02	-483.10	-1249.41	-2830.56	-484.58	-1262.59	-2901.88	-536.74	-1262.59	-5250.58	
			M3	-326.78	-118.41	-5623.09	-480.19	-58.07	-7481.67	-480.34	-91.25	-7481.33	-801.19	-519.49	-10132.94	
	LIVE LOAD	MAX		193.37	1265.61	3991.34	126.14	1265.61	3003.55	126.14	1248.52	3003.26	112.07	1248.52	3030.30	
		MIN		-1022.70	-1368.39	-5623.09	-1171.42	-1368.39	-7942.49	-1171.42	-1379.67	-7942.53	-1331.79	-1379.67	-11439.30	
	303	SUM TOTAL	TOTAL	MAX		-1972.05	1592.20	-1988.37	-2332.67	1592.20	-13663.26	-2332.67	1498.23	-13664.88	-2636.89	1498.23
MIN					-3188.11	-1041.81	-11602.80	-3630.23	-1041.81	-24609.30	-3630.23	-1129.96	-24610.66	-4080.74	-1129.96	-40082.43

BAGO RIVER BRIDGE

BLOCK [ No.1 : MAIN GIRDER ] [ BEAM MEMBER FORCE ]

MEMBER NODE	4017	4018			4018			4019			4018	4019			
		SHEAR	TORQUE	MOMENT	SHEAR	TORQUE	MOMENT	SHEAR	TORQUE	MOMENT		SHEAR	TORQUE	MOMENT	
NAME TITLE	S2 (kN)	TQ (kN·m)	M3 (kN·m)	S2 (kN)	TQ (kN·m)	M3 (kN·m)	S2 (kN)	TQ (kN·m)	M3 (kN·m)	S2 (kN)	TQ (kN·m)	M3 (kN·m)			
1 PAVEMENT	414.43	45.28	-5890.13	355.73	45.28	-4072.06	355.73	26.09	-4072.22	297.73	26.09	-2537.29			
3 RAILING	13.30	4.47	-150.51	10.10	4.47	-95.22	10.10	4.02	-95.24	6.95	4.02	-55.11			
5 CURB	131.66	44.28	-1490.05	100.01	44.28	-942.69	100.01	39.84	-942.88	68.83	39.84	-545.57			
7 DECK WEIGHT	628.91	71.46	-8916.76	537.60	71.46	-6162.88	537.60	42.42	-6163.15	447.40	42.42	-3849.23			
8 GIRDER WEIGH	598.96	48.04	-8722.04	510.68	48.04	-6102.48	510.68	19.29	-6102.64	422.84	19.29	-3909.99			
10 MEDIAN STRIP	40.78	-16.57	-890.54	40.78	-16.57	-697.99	40.78	-19.86	-697.91	40.78	-19.86	-506.33			
21 ADITIONAL WE	176.10	20.01	-2496.69	150.53	20.01	-1725.61	150.53	11.88	-1725.68	125.27	11.88	-1077.78			
31 MEDIAN RAILI	4.22	-1.53	-86.48	4.22	-1.53	-66.57	4.22	-1.84	-66.56	4.22	-1.84	-46.75			
51 SUPPORT WEIG	0.00	-0.00	-0.00	0.00	-0.00	-0.00	0.00	-0.00	-0.00	0.00	-0.00	-0.00			
52 NOSE WEIGHT	-0.06	0.21	1.00	-0.06	0.21	0.71	-0.06	0.21	0.71	-0.06	0.21	0.42			
61 1-LANE(case1TRUCK-LOAD	MAX	S2	11.86	-216.16	-78.64	11.86	-216.16	-22.62	11.86	-216.26	-21.61	11.86	-216.26	34.13	
		TQ	-31.70	161.11	77.34	-31.70	161.11	-72.33	-31.76	160.80	-62.91	-31.76	160.80	-212.09	
		M3	-15.89	24.99	244.79	-15.89	24.99	169.78	-15.89	25.79	169.66	-15.89	25.79	95.02	
	MIN	S2	-31.76	161.10	87.78	-31.76	161.10	-62.15	-31.76	160.80	-62.91	-31.76	160.80	-212.09	
		TQ	4.07	-270.01	37.67	4.07	-270.01	56.90	4.07	-269.74	58.17	4.07	-269.74	77.30	
		M3	10.64	-149.55	-105.35	-21.41	119.80	-150.52	-21.41	119.09	-151.08	-25.57	137.82	-263.50	
	TANDEM-LOAD	MAX	S2	8.15	-142.93	-57.31	8.15	-142.93	-18.84	8.15	-143.02	-18.16	8.15	-143.02	20.11
		TQ	-21.76	109.77	65.29	-21.76	109.77	-37.44	-21.76	109.60	-37.96	-21.76	109.60	-140.17	
		M3	-10.78	17.44	166.05	-10.78	17.44	115.13	-10.78	17.99	115.04	-10.76	17.16	64.45	
	MIN	S2	-21.76	109.77	65.29	-21.76	109.77	-37.44	-21.76	109.60	-37.96	-21.76	109.60	-140.17	
		TQ	3.57	-184.47	20.00	3.57	-184.47	36.88	3.57	-184.30	37.75	3.57	-184.30	54.54	
		M3	7.09	-97.01	-72.51	-13.87	78.24	-102.49	-13.87	77.76	-102.86	-17.72	95.14	-179.69	
	DISPERSION-LMAX	S2	10.47	-200.82	-75.68	10.47	-200.82	-26.26	10.47	-200.94	-25.31	10.47	-200.94	23.86	
		TQ	-60.44	236.08	432.34	-60.44	236.08	146.97	-60.44	236.76	145.85	-60.44	236.76	-138.08	
		M3	-49.72	17.94	529.95	-33.45	-98.39	331.60	-33.31	-98.45	332.06	-22.75	-178.86	204.49	
	MIN	S2	-63.88	147.07	476.57	-63.88	147.07	174.98	-63.88	147.89	174.29	-63.88	147.89	-125.77	
		TQ	7.03	-289.83	-31.46	7.03	-289.83	1.76	7.03	-289.81	3.12	7.03	-289.81	36.17	
		M3	-3.68	-71.69	-129.06	-19.96	44.64	-182.87	-20.10	45.40	-183.09	-30.66	125.81	-306.41	

BAGO RIVER BRIDGE

BLOCK [ No.1 : MAIN GIRDER ][ BEAM MEMBER FORCE ]

MEMBER				4017			4018			4018			4019		
NODE				4017			4018			4018			4019		
				SHEAR	TORQUE	MOMENT	SHEAR	TORQUE	MOMENT	SHEAR	TORQUE	MOMENT	SHEAR	TORQUE	MOMENT
NAME	TITLE			S2 (kN)	TQ (kN·m)	M3 (kN·m)	S2 (kN)	TQ (kN·m)	M3 (kN·m)	S2 (kN)	TQ (kN·m)	M3 (kN·m)	S2 (kN)	TQ (kN·m)	M3 (kN·m)
62	1-LANE (case2TRUCK-LOAD	MAX	S2	45.52	-123.86	-376.29	45.52	-123.86	-161.39	45.52	-124.62	-160.80	45.52	-124.62	53.01
			TQ	-7.87	73.77	-317.18	-7.87	73.77	-354.33	-7.87	72.10	-354.68	-7.87	72.10	-391.64
			M3	-17.86	10.32	279.55	-17.86	10.32	195.20	-17.86	11.24	195.15	33.74	-110.16	141.10
		MIN	S2	-17.86	10.32	279.55	-17.86	10.32	195.20	-17.86	11.24	195.15	-17.86	11.24	111.24
			TQ	44.53	-127.81	-315.63	44.53	-127.81	-105.39	44.53	-128.30	-104.79	44.53	-128.30	104.39
			M3	39.88	-100.83	-425.78	-3.42	65.71	-426.52	-3.42	63.70	-426.83	-4.20	66.54	-443.30
		TANDEM-LOAD MAX	S2	31.22	-85.41	-251.09	31.22	-85.41	-103.69	31.22	-85.89	-103.29	31.22	-85.89	43.37
			TQ	-4.91	50.14	-229.01	-4.91	50.14	-252.17	-5.99	48.99	-222.74	-5.99	48.99	-250.90
			M3	-12.13	6.94	189.86	-12.13	6.94	132.58	-12.13	7.57	132.55	24.49	-79.02	99.26
		MIN	S2	-12.13	6.94	189.86	-12.13	6.94	132.58	-12.13	7.57	132.55	-12.13	7.57	75.56
			TQ	30.24	-87.59	-206.83	30.24	-87.59	-64.05	30.24	-87.89	-63.63	30.24	-87.89	78.43
			M3	27.83	-70.83	-289.88	-2.43	45.17	-290.35	-2.43	43.80	-290.56	-2.64	44.59	-302.08
		DISPERSION-LMAX	S2	50.34	-120.20	-607.41	50.34	-120.20	-369.72	50.34	-121.94	-369.15	50.34	-121.94	-132.66
			TQ	-37.42	106.19	7.78	-37.42	106.19	-168.88	-37.42	105.40	-169.37	-37.42	105.40	-345.14
			M3	-30.09	18.69	470.56	-26.11	3.57	332.39	-26.03	4.85	332.37	-6.23	-53.05	254.87
MIN	S2	-37.92	93.76	137.00	-37.92	93.76	-42.05	-37.92	93.56	-42.50	-37.92	93.56	-220.64		
	TQ	49.83	-132.64	-478.19	49.83	-132.64	-242.90	49.83	-133.78	-242.27	49.83	-133.78	-8.17		
	M3	42.51	-45.13	-940.97	38.53	-30.01	-744.17	38.44	-33.24	-744.02	18.64	24.67	-608.17		
63	1-LANE (case3TRUCK-LOAD	MAX	S2	84.83	-31.71	-591.16	84.83	-31.71	-190.66	84.83	-32.61	-190.51	84.83	-32.61	207.97
			TQ	51.64	17.99	-667.50	51.64	17.99	-423.67	51.64	15.99	-423.75	51.64	15.99	-181.15
			M3	-19.40	-1.80	306.81	-19.40	-1.80	215.19	-19.40	-0.78	215.20	71.44	-50.95	306.05
		MIN	S2	-19.40	-1.80	306.81	-19.40	-1.80	215.19	-19.40	-0.78	215.20	-19.40	-0.78	124.04
			TQ	71.83	-50.81	-369.10	71.83	-50.81	-29.95	71.83	-50.95	-29.71	69.80	-50.95	306.05
			M3	16.01	0.70	-741.37	16.01	0.70	-665.79	16.01	-2.43	-665.79	15.86	-2.22	-591.05



BAGO RIVER BRIDGE

BLOCK [ No.1 : MAIN GIRDER ][ BEAM MEMBER FORCE ]

MEMBER		4017			4018			4018			4019				
NODE		4017			4018			4018			4019				
		SHEAR	TORQUE	MOMENT	SHEAR	TORQUE	MOMENT	SHEAR	TORQUE	MOMENT	SHEAR	TORQUE	MOMENT		
NAME	TITLE	S2 (kN)	TQ (kN·m)	M3 (kN·m)	S2 (kN)	TQ (kN·m)	M3 (kN·m)	S2 (kN)	TQ (kN·m)	M3 (kN·m)	S2 (kN)	TQ (kN·m)	M3 (kN·m)		
63	1-LANE (case3TANDEM-LOAD	MAX	S2	57.93	-18.21	-420.19	57.93	-18.21	-146.67	57.93	-18.90	-146.59	57.93	-18.90	125.55
			TQ	37.50	12.34	-471.46	37.50	12.34	-294.39	37.50	10.95	-294.45	37.50	10.95	-118.27
			M3	-13.16	-1.14	208.06	-13.16	-1.14	145.92	-13.16	-0.45	145.93	47.91	-37.44	222.88
		MIN	S2	-13.16	-1.14	208.06	-13.16	-1.14	145.92	-13.16	-0.45	145.93	-13.16	-0.45	84.11
			TQ	47.91	-37.43	-228.52	47.91	-37.43	-2.34	47.91	-37.44	-2.16	46.66	-37.44	222.88
			M3	48.61	7.18	-505.03	10.78	0.59	-452.70	10.78	-1.54	-452.70	10.78	-1.54	-402.04
	DISPERSION-LMAX	S2	102.97	-1.25	-1648.51	102.44	-1.25	-1163.61	102.44	-6.74	-1163.59	101.90	-6.74	-683.62	
		TQ	39.83	29.93	-874.04	39.83	29.93	-685.99	32.87	26.96	-574.58	32.87	26.96	-420.15	
		M3	-32.96	-4.30	521.44	-25.08	-11.27	373.30	-25.08	-9.51	373.35	7.62	-22.04	332.74	
		MIN	S2	-34.27	-0.31	473.05	-34.27	-0.31	311.23	-34.27	1.16	311.23	-34.27	1.16	150.24
			TQ	28.86	-31.50	-301.43	28.34	-31.50	-166.39	35.29	-32.54	-277.77	34.76	-32.54	-113.23
			M3	101.65	2.73	-1696.91	93.25	9.70	-1225.68	93.25	3.93	-1225.71	60.01	16.45	-866.12
64	1-LANE (case4TRUCK-LOAD	MAX	S2	382.23	84.69	-429.33	305.65	218.06	443.05	305.65	220.14	442.02	237.58	314.56	927.69
			TQ	185.86	355.36	-1469.97	185.86	355.36	-592.44	185.86	352.56	-594.11	185.86	352.56	278.99
			M3	-21.49	-18.38	343.74	280.98	183.19	486.34	280.98	185.48	485.47	209.26	293.05	971.55
		MIN	S2	-21.49	-18.38	343.74	-32.70	59.65	386.38	-32.70	61.47	386.10	-108.40	196.79	898.63
			TQ	73.54	-187.76	-1611.39	73.54	-187.76	-1264.19	73.54	-193.72	-1263.29	73.54	-193.72	-917.84
			M3	71.89	-183.41	-1628.25	71.89	-183.41	-1288.80	71.89	-189.48	-1287.92	70.82	-186.38	-952.66
	TANDEM-LOAD	MAX	S2	283.33	12.13	-65.57	231.89	107.30	542.54	231.89	109.86	542.03	178.73	194.42	861.57
			TQ	120.38	243.76	-1011.69	120.38	243.76	-443.31	120.38	241.67	-444.45	120.38	241.67	121.06
			M3	-14.59	-12.63	233.42	231.89	107.30	542.54	231.89	109.86	542.03	178.73	194.42	861.57
		MIN	S2	-14.59	-12.63	233.42	-44.62	83.31	534.45	-44.62	85.83	534.05	-99.47	177.03	858.07
			TQ	50.13	-128.16	-1092.41	50.13	-128.16	-855.72	50.13	-132.19	-855.10	50.13	-132.19	-619.60
			M3	49.14	-125.58	-1108.72	49.14	-125.58	-876.71	49.14	-129.71	-876.11	47.66	-125.32	-647.34

BAGO RIVER BRIDGE

BLOCK [ No.1 : MAIN GIRDER ][ BEAM MEMBER FORCE ]

MEMBER		4017			4018			4018			4019					
NODE		4017			4018			4018			4019					
		SHEAR	TORQUE	MOMENT	SHEAR	TORQUE	MOMENT	SHEAR	TORQUE	MOMENT	SHEAR	TORQUE	MOMENT			
NAME	TITLE	S2 (kN)	TQ (kN·m)	M3 (kN·m)	S2 (kN)	TQ (kN·m)	M3 (kN·m)	S2 (kN)	TQ (kN·m)	M3 (kN·m)	S2 (kN)	TQ (kN·m)	M3 (kN·m)			
64	1-LANE (case4DISPERSION-LMAX	S2	320.66	151.45	-3742.59	275.13	143.23	-2399.18	275.13	131.93	-2399.82	238.90	107.35	-1335.64		
		TQ	232.73	369.59	-1754.42	182.79	369.59	-773.45	182.79	365.94	-775.18	133.06	365.94	-33.29		
		M3	-36.55	-33.01	585.12	-4.73	-0.48	523.45	-4.73	1.98	523.45	6.46	101.36	543.79		
		MIN	S2	-36.55	-33.01	585.12	-40.95	-24.79	465.27	-40.95	-22.59	465.38	-54.46	1.98	384.45	
		TQ	51.38	-251.14	-1403.05	51.38	-251.14	-1160.46	51.38	-256.61	-1159.26	51.38	-256.61	-917.89		
		M3	320.66	151.45	-3742.59	238.90	118.93	-2457.36	238.90	107.35	-2457.89	177.98	7.98	-1494.97		
		MAX	S2	37.43	-403.71	-291.66	37.43	-403.71	-114.95	37.43	-404.25	-113.04	37.43	-404.25	62.78	
		TQ	-51.01	278.65	-55.34	-51.01	278.65	-296.20	-51.07	277.28	-287.32	-51.07	277.28	-527.23		
		M3	-32.76	42.75	506.84	-32.76	42.75	352.18	-32.76	44.41	351.97	-32.76	44.41	198.09		
65	2-LANES (caseTRUCK-LOAD	MIN	S2	-51.58	277.79	-11.86	-51.58	277.79	-255.39	-51.58	276.59	-256.69	-51.58	276.59	-498.99	
		TQ	27.84	-467.45	-120.98	27.84	-467.45	10.47	27.84	-467.39	12.67	27.84	-467.39	143.45		
		M3	33.80	-299.65	-349.62	-35.43	219.35	-430.79	-35.43	217.31	-431.81	-41.02	242.39	-614.53		
		TANDEM-LOAD	MAX	S2	25.58	-268.80	-206.47	25.58	-268.80	-85.68	25.58	-269.20	-84.41	25.58	-269.20	35.77
		TQ	-35.07	189.98	-19.64	-35.07	189.98	-185.23	-35.07	189.11	-186.12	-35.07	189.11	-350.88		
		M3	-22.24	29.60	343.97	-22.24	29.60	238.97	-22.24	30.73	238.82	-22.22	29.90	134.42		
		MIN	S2	-35.31	187.90	13.20	-35.31	187.90	-153.51	-35.31	187.17	-154.39	-35.31	187.17	-320.26	
		TQ	19.54	-319.39	-82.26	19.54	-319.39	9.98	19.54	-319.34	11.49	19.54	-319.34	103.27		
		M3	22.56	-196.06	-239.19	-23.61	146.94	-293.59	-23.61	145.55	-294.28	-28.82	168.64	-418.20		
		DISPERSION-LMAX	S2	38.46	-412.96	-327.82	38.46	-412.96	-146.24	38.46	-413.64	-144.29	38.46	-413.64	36.37	
		TQ	-109.58	407.59	655.02	-109.58	407.59	137.62	-109.58	408.23	135.69	-109.58	408.23	-379.09		
		M3	-80.19	53.63	973.24	-58.25	-116.98	644.51	-58.05	-116.25	645.06	-36.65	-280.32	424.80		
		MIN	S2	-113.02	318.56	699.24	-113.02	318.56	165.64	-113.02	319.33	164.14	-113.02	319.33	-366.78	
		TQ	35.03	-501.99	-283.59	35.03	-501.99	-118.22	35.03	-502.54	-115.85	35.03	-502.54	48.69		
		M3	5.63	-148.03	-601.82	-16.31	22.58	-625.12	-16.51	21.94	-625.22	-37.91	186.01	-755.21		

BAGO RIVER BRIDGE

BLOCK [ No.1 : MAIN GIRDER ][ BEAM MEMBER FORCE ]

MEMBER				4017			4018			4019					
NODE				4017			4018			4018			4019		
				SHEAR	TORQUE	MOMENT	SHEAR	TORQUE	MOMENT	SHEAR	TORQUE	MOMENT	SHEAR	TORQUE	MOMENT
NAME	TITLE			S2 (kN)	TQ (kN·m)	M3 (kN·m)	S2 (kN)	TQ (kN·m)	M3 (kN·m)	S2 (kN)	TQ (kN·m)	M3 (kN·m)	S2 (kN)	TQ (kN·m)	M3 (kN·m)
66	2-LANES (caseTRUCK-LOAD	MAX	S2	71.08	-311.42	-589.31	71.08	-311.42	-253.71	71.08	-312.61	-252.24	71.08	-312.61	81.66
			TQ	-27.18	191.30	-449.86	-27.18	191.30	-578.20	-27.18	188.58	-579.09	-27.18	188.58	-706.78
			M3	-34.73	28.08	541.59	-34.73	28.08	377.60	-34.73	29.85	377.47	16.87	-91.54	244.16
		MIN	S2	-37.69	127.02	179.90	-37.69	127.02	1.97	-37.69	127.03	1.37	-37.69	127.03	-175.66
			TQ	68.30	-325.24	-474.28	68.30	-325.24	-151.83	68.30	-325.96	-150.29	68.30	-325.96	170.54
			M3	63.05	-250.93	-670.05	-17.44	165.26	-706.79	-17.44	161.92	-707.56	-19.64	171.10	-794.34
		TANDEM-LOAD MAX	S2	48.65	-211.27	-400.25	48.65	-211.27	-170.53	48.65	-212.08	-169.54	48.65	-212.08	59.02
			TQ	-18.22	130.34	-313.93	-18.22	130.34	-399.96	-19.31	128.50	-370.91	-19.31	128.50	-461.61
			M3	-23.59	19.10	367.79	-23.59	19.10	256.42	-23.59	20.31	256.33	13.03	-66.28	169.23
		MIN	S2	-25.68	85.07	137.78	-25.68	85.07	16.52	-25.68	85.15	16.12	-25.68	85.15	-104.53
			TQ	46.21	-222.50	-309.10	46.21	-222.50	-90.95	46.21	-222.93	-89.90	46.21	-222.93	127.16
			M3	43.30	-169.89	-456.56	-12.16	113.86	-481.45	-12.16	111.60	-481.98	-13.74	118.10	-540.58
		DISPERSION-LMAX	S2	78.33	-332.34	-859.55	78.33	-332.34	-489.70	78.33	-334.64	-488.13	78.33	-334.64	-120.15
			TQ	-86.56	277.71	230.45	-86.56	277.71	-178.23	-86.56	276.86	-179.53	-86.56	276.86	-586.15
			M3	-60.56	54.38	913.85	-50.91	-15.02	645.31	-50.77	-12.94	645.37	-20.13	-154.51	475.17
MIN	S2	-87.07	265.24	359.68	-87.07	265.24	-51.40	-87.07	265.00	-52.65	-87.07	265.00	-461.64		
	TQ	77.83	-344.80	-730.32	77.83	-344.80	-362.87	77.83	-346.51	-361.25	77.83	-346.51	4.35		
	M3	51.83	-121.48	-1413.72	42.18	-52.07	-1186.41	42.04	-56.70	-1186.15	11.40	84.87	-1056.97		
67	2-LANES (caseTRUCK-LOAD	MAX	S2	208.50	10.43	-1208.79	208.50	10.43	-224.37	208.50	9.38	-224.42	208.30	16.47	691.26
			TQ	138.65	123.60	-1635.74	138.65	123.60	-981.10	145.60	119.08	-954.50	145.60	119.08	-270.52
			M3	-39.84	-11.95	631.99	-39.84	-11.95	443.87	-39.84	-9.86	443.92	183.34	-8.96	802.67
		MIN	S2	-39.84	-11.95	631.99	-39.84	-11.95	443.87	-39.84	-9.86	443.92	-39.84	-9.86	256.75
			TQ	102.47	-100.99	-1343.98	102.47	-100.99	-860.15	102.47	-105.04	-859.67	100.44	-105.04	-379.96
			M3	46.88	-49.09	-1724.30	46.88	-49.09	-1502.95	46.88	-56.17	-1502.70	46.54	-54.49	-1283.53

BAGO RIVER BRIDGE

BLOCK [ No.1 : MAIN GIRDER ][ BEAM MEMBER FORCE ]

MEMBER		4017			4018			4018			4019						
NODE		4017			4018			4018			4019						
		SHEAR	TORQUE	MOMENT	SHEAR	TORQUE	MOMENT	SHEAR	TORQUE	MOMENT	SHEAR	TORQUE	MOMENT				
NAME	TITLE	S2 (kN)	TQ (kN·m)	M3 (kN·m)	S2 (kN)	TQ (kN·m)	M3 (kN·m)	S2 (kN)	TQ (kN·m)	M3 (kN·m)	S2 (kN)	TQ (kN·m)	M3 (kN·m)				
67	2-LANES (caseTANDEM-LOAD	MAX	S2	142.63	6.17	-817.19	142.63	6.17	-143.77	142.63	5.49	-143.79	142.63	5.49	526.23		
			TQ	97.72	84.79	-1133.15	97.72	84.79	-671.75	99.66	81.65	-664.56	99.66	81.65	-196.39		
			M3	-27.03	-8.13	428.73	66.54	9.23	308.92	66.54	10.68	308.87	132.61	-13.05	623.56		
		MIN	S2	-27.03	-8.13	428.73	-27.03	-8.13	301.12	-27.03	-6.71	301.15	-27.03	-6.71	174.18		
			TQ	68.75	-71.80	-889.87	68.75	-71.80	-565.28	68.75	-74.46	-564.94	67.50	-74.46	-241.99		
			M3	69.65	-26.49	-1175.00	31.82	-33.08	-1023.33	31.82	-37.90	-1023.16	31.77	-37.49	-873.83		
			DISPERSION-LMAX	S2	266.07	53.67	-3935.61	252.98	53.08	-2716.96	252.98	40.28	-2717.18	239.99	38.36	-1579.46	
				TQ	162.26	139.76	-1981.78	151.44	139.76	-1241.06	144.56	134.18	-1129.16	133.23	134.18	-476.43	
				M3	-67.70	-22.87	1074.45	-45.31	-26.46	795.77	-45.31	-22.71	795.88	16.08	-9.86	731.81	
			MIN	S2	-69.07	-18.91	1020.60	-69.17	-18.32	701.12	-69.17	-15.02	701.20	-69.50	-13.10	395.81	
				TQ	34.74	-105.00	-933.24	32.36	-105.00	-774.78	39.25	-108.92	-886.82	37.26	-108.92	-707.21	
				M3	264.70	57.62	-3989.47	229.11	61.22	-2811.61	229.11	47.97	-2811.87	154.42	35.12	-1915.45	
		68	2-LANES (caseTRUCK-LOAD	MAX	S2	642.59	134.39	-739.26	526.61	347.30	742.94	526.61	350.80	741.29	422.25	505.66	1649.98
					TQ	319.44	586.88	-2710.13	319.44	586.88	-1201.92	319.44	581.22	-1204.67	319.44	581.22	295.92
					M3	-41.93	-28.53	668.93	482.58	291.07	818.02	482.58	294.92	816.64	373.34	469.62	1723.71
MIN	S2			-41.93	-28.53	668.93	-53.14	49.49	615.06	-53.14	52.39	614.82	-160.54	309.86	1559.24		
	TQ			128.62	-317.91	-2951.60	128.62	-317.91	-2344.32	128.62	-328.95	-2342.80	128.62	-328.95	-1738.58		
	M3			126.59	-311.09	-2990.03	126.47	-310.65	-2392.40	126.47	-321.92	-2390.91	125.39	-318.82	-1799.29		
	TANDEM-LOAD			MAX	S2	472.23	19.23	-112.17	394.26	170.23	911.87	394.26	174.53	911.05	313.99	310.17	1510.20
				TQ	216.87	401.44	-1842.79	216.87	401.44	-818.86	216.87	397.58	-820.74	216.87	397.58	198.01	
				M3	-28.46	-19.62	454.10	394.26	170.23	911.87	394.26	174.53	911.06	313.99	310.17	1510.20	
	MIN			S2	-28.46	-19.62	454.10	-66.89	132.05	898.13	-66.89	136.28	897.50	-148.65	281.79	1501.60	
				TQ	87.67	-216.59	-2012.64	87.67	-216.59	-1598.70	87.67	-224.12	-1597.67	87.67	-224.12	-1185.82	
				M3	86.64	-213.64	-2033.39	86.02	-211.35	-1626.56	86.02	-219.01	-1625.54	84.54	-214.62	-1223.54	

BAGO RIVER BRIDGE

BLOCK [ No.1 : MAIN GIRDER ][ BEAM MEMBER FORCE ]

MEMBER		4017			4018			4018			4019					
NODE		4017			4018			4018			4019					
		SHEAR	TORQUE	MOMENT	SHEAR	TORQUE	MOMENT	SHEAR	TORQUE	MOMENT	SHEAR	TORQUE	MOMENT			
NAME	TITLE	S2 (kN)	TQ (kN·m)	M3 (kN·m)	S2 (kN)	TQ (kN·m)	M3 (kN·m)	S2 (kN)	TQ (kN·m)	M3 (kN·m)	S2 (kN)	TQ (kN·m)	M3 (kN·m)			
68	2-LANES (caseDISPERSION-LMAX	S2	571.44	242.71	-6856.53	495.06	229.68	-4443.12	495.06	208.75	-4444.15	432.74	169.63	-2509.02		
		TQ	416.96	614.03	-3207.15	333.98	614.03	-1434.49	333.98	607.27	-1437.36	251.44	607.27	-62.44		
		M3	-71.33	-51.84	1138.81	-15.61	-0.15	988.52	-15.61	4.50	988.51	11.96	166.31	1012.22		
		MIN	S2	-71.33	-51.84	1138.81	-77.93	-38.81	890.65	-77.93	-34.61	890.82	-98.15	4.50	721.22	
		TQ	83.15	-423.16	-2510.58	83.15	-423.16	-2117.99	83.15	-433.13	-2115.97	83.15	-433.13	-1725.36		
		M3	571.44	242.71	-6856.53	432.74	191.02	-4541.00	432.74	169.63	-4541.85	322.63	7.82	-2800.02		
		MAX	S2	82.94	-527.57	-667.95	82.94	-527.57	-276.33	82.94	-528.87	-273.85	82.94	-528.87	115.79	
		TQ	-58.88	352.41	-372.52	-58.88	352.41	-650.53	-58.94	349.38	-642.00	-58.94	349.38	-918.87		
		M3	-50.62	53.07	786.39	-50.62	53.07	547.38	-50.62	55.65	547.12	0.98	-65.75	339.19		
69	3-LANES (caseTRUCK-LOAD	MIN	S2	-69.44	288.11	267.68	-69.44	288.11	-60.18	-69.44	287.83	-61.54	-69.44	287.83	-387.75	
		TQ	72.37	-595.26	-436.61	72.37	-595.26	-94.93	72.37	-595.70	-92.12	72.37	-595.70	247.84		
		M3	73.68	-400.48	-775.41	-38.85	285.06	-857.31	-38.85	281.02	-858.64	-45.21	308.92	-1057.83		
		TANDEM-LOAD	MAX	S2	56.80	-354.20	-457.56	56.80	-354.20	-189.37	56.80	-355.09	-187.70	56.80	-355.09	79.13
		TQ	-39.98	240.12	-248.64	-39.98	240.12	-437.40	-41.07	238.09	-408.86	-41.07	238.09	-601.78		
		M3	-34.37	36.55	533.84	-34.37	36.55	371.55	-34.37	38.30	371.37	2.27	-49.12	233.68		
		MIN	S2	-47.44	194.85	203.07	-47.44	194.85	-20.92	-47.44	194.74	-21.84	-47.44	194.74	-244.70	
		TQ	49.78	-406.97	-289.10	49.78	-406.97	-54.06	49.78	-407.22	-52.15	49.78	-407.22	181.70		
		M3	50.38	-266.90	-529.07	-26.04	192.11	-583.95	-26.04	189.36	-584.85	-31.46	213.23	-720.27		
		DISPERSION-LMAX	S2	88.80	-533.16	-935.23	88.80	-533.16	-515.96	88.80	-535.58	-513.44	88.80	-535.58	-96.29	
		TQ	-147.00	513.78	662.79	-147.00	513.78	-31.26	-147.00	513.63	-33.68	-147.00	513.63	-724.23		
		M3	-110.28	72.32	1443.80	-84.36	-113.41	976.91	-84.08	-111.40	977.44	-42.88	-333.37	679.67		
		MIN	S2	-150.94	412.31	836.24	-150.94	412.31	123.58	-150.94	412.89	121.64	-150.94	412.89	-587.42	
		TQ	84.86	-634.63	-761.78	84.86	-634.63	-361.12	84.86	-636.32	-358.12	84.86	-636.32	40.52		
		M3	48.14	-193.16	-1542.78	22.22	-7.43	-1369.28	21.94	-11.30	-1369.24	-19.26	210.68	-1363.38		

BAGO RIVER BRIDGE

BLOCK [ No.1 : MAIN GIRDER ] [ BEAM MEMBER FORCE ]

MEMBER				4017			4018			4019					
NODE				4017			4018			4018			4019		
				SHEAR	TORQUE	MOMENT	SHEAR	TORQUE	MOMENT	SHEAR	TORQUE	MOMENT	SHEAR	TORQUE	MOMENT
NAME	TITLE			S2 (kN)	TQ (kN·m)	M3 (kN·m)	S2 (kN)	TQ (kN·m)	M3 (kN·m)	S2 (kN)	TQ (kN·m)	M3 (kN·m)	S2 (kN)	TQ (kN·m)	M3 (kN·m)
70	3-LANES (caseTRUCK-LOAD	MAX	S2	443.63	53.73	-1496.66	414.21	124.58	47.97	414.21	124.80	47.38	384.74	188.99	1380.42
			TQ	267.63	341.38	-2848.71	267.63	341.38	-1585.12	274.57	334.00	-1559.54	274.57	334.00	-269.70
			M3	-61.33	-30.33	975.74	147.31	82.78	746.26	147.31	86.29	745.86	340.44	149.49	1519.15
		MIN	S2	-61.33	-30.33	975.74	-61.33	-30.33	686.16	-61.33	-27.09	686.29	-82.82	89.63	882.41
			TQ	149.91	-208.05	-2553.14	149.91	-208.05	-1845.36	150.20	-216.77	-1859.48	148.17	-216.77	-1155.56
			M3	94.13	-152.49	-2967.37	94.13	-152.49	-2522.92	94.13	-164.37	-2522.18	93.66	-162.16	-2081.43
	TANDEM-LOAD	MAX	S2	310.94	12.30	-860.19	291.87	60.88	192.53	291.87	61.79	192.24	270.81	108.54	1139.94
			TQ	182.59	233.30	-1963.08	182.59	233.30	-1100.97	184.53	228.13	-1094.47	184.53	228.13	-227.61
			M3	-41.62	-20.76	662.15	215.77	63.94	645.22	215.77	66.98	644.91	260.78	90.00	1237.27
		MIN	S2	-41.62	-20.76	662.15	-45.03	34.01	632.15	-45.03	36.99	631.99	-67.83	86.00	782.09
			TQ	100.97	-144.89	-1707.28	100.97	-144.89	-1230.56	100.97	-150.68	-1229.87	99.72	-150.68	-755.55
			M3	102.14	-98.39	-2020.41	63.64	-102.20	-1715.91	63.64	-110.29	-1715.41	63.59	-109.87	-1416.61
	DISPERSION-LMAX	MAX	S2	499.25	168.74	-6859.42	458.36	164.00	-4641.98	458.36	142.13	-4642.70	421.11	127.43	-2690.35
			TQ	339.45	374.49	-3410.16	299.07	374.49	-1902.39	292.18	365.79	-1791.59	251.08	365.79	-515.11
			M3	-104.22	-55.61	1659.07	-59.33	-42.45	1276.80	-59.33	-36.43	1276.99	20.48	34.74	1204.57
		MIN	S2	-105.59	-51.66	1605.22	-107.46	-46.92	1145.90	-107.46	-41.52	1146.11	-113.31	-26.82	741.29
			TQ	54.21	-257.41	-1844.05	51.83	-257.41	-1593.69	58.71	-265.18	-1705.01	56.72	-265.18	-1433.96
			M3	497.88	172.69	-6913.27	410.23	159.53	-4772.88	410.23	137.04	-4773.58	287.32	65.87	-3153.63
71	3-LANES (caseTRUCK-LOAD	MAX	S2	781.06	149.13	-929.90	662.83	387.82	899.22	662.83	392.05	897.38	553.96	573.32	2166.45
			TQ	415.24	703.16	-3708.50	415.24	703.16	-1747.96	415.24	694.91	-1751.25	415.24	694.91	199.39
			M3	-61.33	-30.33	975.74	463.18	289.28	1033.21	463.18	294.14	1031.84	492.21	529.72	2256.08
		MIN	S2	-61.33	-30.33	975.74	-72.55	47.70	830.26	-72.55	51.61	830.02	-179.94	309.08	1683.28
			TQ	166.92	-392.14	-4052.05	166.92	-392.14	-3263.96	166.92	-407.51	-3262.07	166.92	-407.51	-2477.96
			M3	164.77	-384.23	-4092.58	164.65	-383.79	-3314.70	164.65	-399.40	-3312.85	163.57	-396.31	-2541.88

BAGO RIVER BRIDGE

BLOCK [ No.1 : MAIN GIRDER ][ BEAM MEMBER FORCE ]

MEMBER				4017			4018			4019								
NODE				4017			4018			4018			4019					
NAME TITLE				SHEAR	TORQUE	MOMENT	SHEAR	TORQUE	MOMENT	SHEAR	TORQUE	MOMENT	SHEAR	TORQUE	MOMENT			
				S2 (kN)	TQ (kN·m)	M3 (kN·m)	S2 (kN)	TQ (kN·m)	M3 (kN·m)	S2 (kN)	TQ (kN·m)	M3 (kN·m)	S2 (kN)	TQ (kN·m)	M3 (kN·m)			
71	3-LANES (case)	TANDEM-LOAD	MAX	S2	566.71	21.29	-139.84	487.09	188.81	1107.91	487.09	194.03	1107.01	405.77	347.26	1945.82		
				TQ	280.19	480.76	-2521.91	280.19	480.76	-1199.03	280.19	475.10	-1201.28	280.19	475.10	114.92		
				M3	-41.62	-20.76	662.15	487.09	188.81	1107.92	487.09	194.03	1107.02	405.77	347.26	1945.83		
			MIN	S2	-41.62	-20.76	662.15	-80.05	130.92	1044.05	-80.05	135.83	1043.42	-161.81	281.34	1585.70		
				TQ	113.53	-267.12	-2753.25	113.53	-267.12	-2217.25	113.53	-277.56	-2215.96	113.53	-277.56	-1682.67		
				M3	112.69	-263.67	-2784.67	112.08	-261.38	-2254.80	112.08	-272.00	-2253.55	110.59	-267.61	-1729.13		
			DISPERSION-LMAX	S2	752.13	273.73	-9339.21	659.88	259.57	-6122.68	659.88	230.73	-6123.83	582.54	188.18	-3483.45		
				TQ	544.39	733.41	-4247.01	445.88	733.41	-1909.71	441.83	724.51	-1867.01	343.91	724.51	-21.77		
				M3	-104.33	-56.41	1660.90	-32.69	1.06	1395.04	-32.69	7.64	1395.02	22.40	200.74	1406.67		
			MIN	S2	-104.33	-56.43	1660.42	-111.20	-42.27	1268.11	-111.20	-36.29	1268.30	-132.22	6.25	974.05		
				TQ	103.42	-516.10	-3431.78	102.79	-516.10	-2944.85	106.84	-530.08	-2988.52	106.41	-530.08	-2487.63		
				M3	752.13	273.72	-9339.69	581.36	216.24	-6249.60	581.36	186.80	-6250.55	427.93	-6.30	-3916.07		
		72	4-LANES	TRUCK-LOAD	MAX	S2	842.70	149.95	-1957.92	731.72	358.51	503.85	731.72	360.88	502.16	630.02	521.34	2337.77
						TQ	466.61	707.90	-4362.66	466.61	707.90	-2159.59	466.61	697.72	-2162.90	466.61	697.72	29.05
						M3	0.00	0.00	0.00	634.71	271.09	996.20	634.71	275.78	994.91	556.52	459.82	2525.29
	MIN			S2	-5.32	13.39	-178.88	-52.42	105.33	429.75	-52.42	107.35	429.25	-162.75	318.56	1334.91		
				TQ	231.10	-414.97	-4286.90	231.10	-414.97	-3195.77	231.10	-430.02	-3193.78	228.20	-430.02	-2110.65		
				M3	173.45	-360.22	-4714.53	173.27	-358.91	-3895.90	173.27	-377.26	-3894.16	171.91	-373.40	-3083.47		
	TANDEM-LOAD			MAX	S2	607.53	30.71	-942.15	533.29	178.09	750.99	533.29	181.62	750.14	456.04	315.10	2032.27	
					TQ	306.14	484.23	-2992.79	306.14	484.23	-1547.38	315.90	477.08	-1483.89	315.90	477.08	0.07	
					M3	0.00	0.00	0.00	499.70	156.29	1107.54	499.70	161.51	1106.79	446.34	296.50	2132.45	
	MIN			S2	-5.27	9.92	-89.11	-70.02	138.67	767.84	-70.02	142.28	767.18	-149.73	285.15	1345.04		
				TQ	156.09	-285.75	-2870.36	156.09	-285.75	-2133.39	156.09	-295.80	-2132.02	154.33	-295.80	-1398.76		
				M3	118.45	-246.89	-3207.65	117.77	-244.05	-2650.06	117.77	-256.53	-2648.88	116.29	-252.11	-2097.61		

BAGO RIVER BRIDGE

BLOCK [ No.1 : MAIN GIRDER ][ BEAM MEMBER FORCE ]

MEMBER				4017			4018			4018			4019					
NODE				4017			4018			4018			4019					
				SHEAR	TORQUE	MOMENT	SHEAR	TORQUE	MOMENT	SHEAR	TORQUE	MOMENT	SHEAR	TORQUE	MOMENT			
NAME	TITLE			S2 (kN)	TQ (kN·m)	M3 (kN·m)	S2 (kN)	TQ (kN·m)	M3 (kN·m)	S2 (kN)	TQ (kN·m)	M3 (kN·m)	S2 (kN)	TQ (kN·m)	M3 (kN·m)			
72	4-LANES	DISPERSION-LMAX	S2	777.48	162.75	-9849.28	686.92	148.96	-6504.85	686.92	118.32	-6505.48	610.75	76.79	-3725.61			
			TQ	526.32	633.54	-4316.40	431.15	633.54	-2056.24	428.92	623.99	-1998.24	333.86	623.99	-206.68			
			M3	0.00	0.00	0.00	78.68	48.93	229.67	78.68	50.01	229.43	167.70	226.72	844.50			
		MIN	S2	-1.34	3.94	-52.37	-8.01	17.64	38.06	-8.01	17.82	37.98	-28.46	59.12	221.13			
			TQ	253.33	-464.91	-5704.82	251.17	-464.91	-4513.83	253.40	-486.31	-4572.65	251.60	-486.31	-3386.59			
			M3	776.24	166.15	-9897.17	600.28	117.22	-6691.66	600.28	85.70	-6692.14	414.52	-91.82	-4344.96			
		73	6-LANES	TRUCK-LOAD	MAX	S2	795.14	-324.92	-2194.35	697.74	-137.46	160.79	697.74	-136.70	161.43	608.88	2.61	2035.58
					TQ	314.76	889.44	-3978.71	314.76	889.44	-2492.60	334.26	878.27	-2370.95	334.26	878.27	-800.75	
					M3	-111.96	22.72	1762.15	374.41	305.11	1508.55	374.41	312.21	1507.09	463.19	364.77	2430.62	
MIN	S2			-127.05	156.77	1591.42	-135.96	230.94	1118.39	-135.96	236.21	1117.29	-217.72	454.99	1564.68			
	TQ			241.49	-838.89	-4292.83	241.49	-838.89	-3152.67	241.49	-853.73	-3148.68	241.49	-853.73	-2014.27			
	M3			191.83	-559.02	-4780.61	123.39	-90.65	-4175.95	123.39	-110.32	-4175.48	115.98	-80.51	-3600.76			
TANDEM-LOAD	MAX			S2	571.59	-282.76	-1120.32	506.25	-150.59	497.71	506.25	-148.24	498.42	438.77	-28.17	1762.64		
	TQ			211.41	608.95	-2694.87	211.41	608.95	-1696.72	216.85	601.11	-1664.46	216.85	601.11	-645.78			
	M3			-75.99	15.76	1196.04	313.24	183.43	1347.72	313.24	189.78	1346.84	395.67	127.33	2000.85			
MIN	S2			-86.44	106.69	1085.91	-115.21	200.40	1038.25	-115.21	205.29	1037.29	-182.89	374.57	1485.93			
	TQ			165.24	-574.38	-2911.11	165.24	-574.38	-2130.94	165.24	-584.41	-2128.21	165.24	-584.41	-1351.98			
	M3			131.35	-392.13	-3254.49	83.61	-59.39	-2843.51	83.61	-72.78	-2843.20	81.29	-64.81	-2454.36			
DISPERSION-LMAX	S2			801.42	-195.27	-10240.59	722.99	-208.02	-6743.39	722.99	-239.78	-6742.34	658.31	-277.98	-3735.13			
	TQ			363.72	1077.14	-3635.58	281.27	1077.14	-2113.05	275.07	1067.43	-2010.63	192.84	1067.43	-911.59			
	M3			-200.07	9.72	2897.27	-110.18	-104.42	2197.86	-109.91	-96.40	2198.33	1.17	-129.89	1976.92			
MIN	S2	-232.90	274.52	2417.16	-238.88	286.60	1401.46	-238.88	293.20	1400.09	-257.20	329.51	467.07					
	TQ	208.60	-1005.11	-4191.11	206.22	-1005.11	-3211.80	212.85	-1020.46	-3307.55	210.86	-1020.46	-2312.43					
	M3	769.89	66.32	-10797.88	599.60	152.74	-7597.90	599.38	118.87	-7598.55	409.28	130.35	-5259.61					



BAGO RIVER BRIDGE

BLOCK [ No.1 : MAIN GIRDER ][ BEAM MEMBER FORCE ]

MEMBER			4017			4018			4018			4019			
NODE			4017			4018			4018			4019			
NAME TITLE			SHEAR	TORQUE	MOMENT	SHEAR	TORQUE	MOMENT	SHEAR	TORQUE	MOMENT	SHEAR	TORQUE	MOMENT	
			S2 (kN)	TQ (kN·m)	M3 (kN·m)	S2 (kN)	TQ (kN·m)	M3 (kN·m)	S2 (kN)	TQ (kN·m)	M3 (kN·m)	S2 (kN)	TQ (kN·m)	M3 (kN·m)	
124	SUM TOTAL	D+1LANE (caseMAX	S2	2035.09	-284.73	-28827.39	1736.38	-284.73	-19923.44	1736.38	-378.58	-19921.88	1440.76	-378.58	-12458.04
			TQ	1897.72	692.27	-28030.59	1599.01	692.27	-19775.22	1598.94	599.14	-19766.04	1303.33	599.14	-12947.83
			M3	1929.56	267.16	-27712.52	1650.38	127.57	-19263.13	1650.55	34.87	-19263.51	1367.60	-61.62	-12168.21
		MIN	S2	1893.53	585.45	-27964.98	1594.82	585.45	-19729.38	1594.82	492.49	-19731.92	1299.21	492.49	-12933.06
			TQ	2021.62	-456.16	-28634.75	1722.91	-456.16	-19794.39	1722.91	-549.41	-19792.03	1427.29	-549.41	-12391.47
			M3	2016.64	-49.84	-28923.50	1659.93	412.97	-20264.85	1659.77	319.45	-20266.58	1346.49	438.42	-13211.51
		D+1LANE (caseMAX	S2	2123.32	-77.23	-29822.64	1824.61	-77.23	-20502.11	1824.61	-173.81	-20501.52	1528.99	-173.81	-12623.21
			TQ	1953.95	431.60	-29013.49	1655.24	431.60	-20492.63	1655.24	335.05	-20494.44	1359.62	335.05	-13411.75
			M3	1950.75	250.46	-27742.08	1656.82	232.31	-19231.66	1656.92	141.37	-19232.54	1446.98	-73.79	-12052.47
		MIN	S2	1941.35	340.54	-28142.35	1642.64	340.54	-19681.00	1642.64	247.82	-19682.39	1347.02	247.82	-12658.91
			TQ	2121.53	-96.89	-29594.79	1822.82	-96.89	-20282.73	1822.82	-192.44	-20282.05	1527.20	-192.44	-12412.17
			M3	2107.17	40.49	-30282.30	1751.71	258.49	-21269.61	1751.61	158.62	-21270.59	1431.30	231.51	-13789.40
		D+1LANE (caseMAX	S2	2233.64	176.09	-31329.81	1934.30	176.09	-21489.90	1934.30	74.85	-21490.49	1638.04	74.85	-13098.41
			TQ	2118.06	273.14	-30492.05	1819.35	273.14	-21196.36	1811.00	173.60	-21063.57	1515.39	173.60	-13249.18
			M3	1945.46	208.33	-27648.31	1656.20	199.97	-19158.58	1656.20	109.71	-19159.31	1508.84	34.48	-11761.08
		MIN	S2	1943.88	213.12	-27706.38	1645.17	213.12	-19233.07	1645.17	122.51	-19233.86	1349.55	122.51	-12198.49
			TQ	2129.13	116.88	-29446.84	1829.79	116.88	-20100.38	1838.13	21.87	-20234.55	1539.43	21.87	-12296.25
			M3	2149.49	219.77	-31568.14	1840.69	228.13	-22134.54	1840.69	123.86	-22135.37	1505.01	139.14	-14276.23
		D+1LANE (caseMAX	S2	2851.76	499.02	-33648.51	2406.51	649.19	-22212.13	2406.51	544.54	-22214.94	1985.74	628.36	-13017.16
			TQ	2510.60	1085.58	-32511.48	2151.96	1085.58	-21503.84	2151.96	984.27	-21508.72	1796.66	984.27	-12232.79
			M3	1938.64	153.98	-27527.57	2041.09	434.89	-18653.03	2041.09	347.01	-18654.87	1672.83	595.35	-10709.22
		MIN	S2	1938.64	153.98	-27527.57	1621.19	257.48	-18842.79	1621.19	168.71	-18843.80	1218.54	360.59	-10987.92
			TQ	2158.19	-311.04	-32259.54	1859.48	-311.04	-22774.36	1859.48	-418.33	-22772.64	1563.87	-418.33	-14730.51
			M3	2479.36	177.30	-35087.22	2082.54	138.27	-24360.17	2082.54	23.51	-24360.55	1712.53	-92.02	-15464.78

BAGO RIVER BRIDGE

BLOCK [ No.1 : MAIN GIRDER ][ BEAM MEMBER FORCE ]

MEMBER			4017			4018			4018			4019			
NODE			4017			4018			4018			4019			
NAME TITLE			SHEAR	TORQUE	MOMENT	SHEAR	TORQUE	MOMENT	SHEAR	TORQUE	MOMENT	SHEAR	TORQUE	MOMENT	
			S2 (kN)	TQ (kN·m)	M3 (kN·m)	S2 (kN)	TQ (kN·m)	M3 (kN·m)	S2 (kN)	TQ (kN·m)	M3 (kN·m)	S2 (kN)	TQ (kN·m)	M3 (kN·m)	
124	SUM TOTAL	D+2LANES (casMAX	S2	2084.18	-601.02	-29261.69	1785.47	-601.02	-20125.97	1785.47	-695.83	-20122.91	1489.85	-695.83	-12428.47
			TQ	1847.69	901.88	-28042.53	1548.98	901.88	-20023.36	1548.93	807.57	-20017.20	1253.31	807.57	-13433.95
			M3	1895.34	312.02	-27162.13	1618.57	141.41	-18868.09	1618.78	50.22	-18868.54	1344.55	-113.85	-11904.73
		MIN	S2	1843.70	812.00	-27954.82	1544.99	812.00	-19954.53	1544.99	717.98	-19958.13	1249.37	717.98	-13393.39
			TQ	2071.16	-753.79	-29046.78	1772.45	-753.79	-19972.53	1772.45	-847.87	-19968.76	1476.83	-847.87	-12335.49
			M3	2047.73	-232.04	-29593.65	1657.84	457.57	-20920.68	1657.64	361.31	-20922.61	1335.04	550.46	-13897.36
		D+2LANES (casMAX	S2	2157.71	-428.11	-30091.06	1859.00	-428.11	-20608.19	1859.00	-525.19	-20605.95	1563.38	-525.19	-12566.12
			TQ	1894.55	684.65	-28861.61	1595.84	684.65	-20621.20	1595.84	587.50	-20624.20	1300.23	587.50	-13820.55
			M3	1913.00	298.10	-27186.76	1623.93	228.70	-18841.87	1624.08	138.97	-18842.73	1410.70	-124.00	-11808.29
		MIN	S2	1883.54	607.91	-28102.63	1584.83	607.91	-19914.21	1584.83	514.08	-19916.85	1289.21	514.08	-13164.93
			TQ	2154.41	-454.40	-29846.81	1855.70	-454.40	-20379.48	1855.70	-550.40	-20377.11	1560.09	-550.40	-12352.74
			M3	2123.17	-156.76	-30725.98	1734.32	328.83	-21757.98	1734.18	227.29	-21759.29	1405.72	378.03	-14378.93
		D+2LANES (casMAX	S2	2482.86	279.75	-33786.61	2171.06	279.16	-22806.11	2171.06	171.72	-22807.17	1862.25	176.89	-13415.83
			TQ	2309.21	479.01	-32259.72	1999.68	479.01	-22086.94	1999.74	375.31	-21949.23	1692.80	375.31	-13274.58
			M3	1900.75	180.83	-26935.76	1624.43	177.24	-18625.14	1624.43	89.49	-18625.77	1613.38	103.24	-10993.15
		MIN	S2	1899.38	184.78	-26989.61	1600.57	185.37	-18719.79	1600.57	97.18	-18720.45	1304.62	99.10	-11875.06
			TQ	2145.51	9.65	-30919.42	1844.42	9.65	-21499.71	1851.31	-91.90	-21612.07	1551.66	-91.90	-13614.80
			M3	2319.88	224.18	-34355.97	1985.58	227.77	-24179.34	1985.58	113.86	-24180.14	1614.92	102.69	-15726.61
		D+2LANES (casMAX	S2	3222.32	592.75	-36238.00	2731.25	792.62	-23564.96	2731.25	681.60	-23568.44	2268.95	797.35	-13386.67
			TQ	2744.69	1416.56	-34559.48	2363.00	1416.56	-22501.19	2363.00	1310.54	-22507.61	1984.84	1310.54	-12294.15
			M3	1895.03	135.27	-26834.47	2176.56	506.57	-18058.23	2176.56	421.49	-18060.42	1799.26	757.99	-9791.70
		MIN	S2	1895.03	135.27	-26834.47	1578.51	226.33	-18359.07	1578.51	139.84	-18359.93	1155.28	436.43	-10247.17
			TQ	2220.06	-525.43	-34104.38	1921.36	-525.43	-24327.08	1921.36	-640.02	-24324.34	1625.74	-640.02	-15991.57
			M3	2706.32	147.27	-38488.77	2268.79	96.02	-26798.18	2268.79	-30.23	-26798.34	1861.99	-188.93	-17126.93

BAGO RIVER BRIDGE

BLOCK [ No.1 : MAIN GIRDER ][ BEAM MEMBER FORCE ]

MEMBER			4017			4018			4018			4019				
NODE			4017			4018			4018			4019				
NAME TITLE			SHEAR	TORQUE	MOMENT	SHEAR	TORQUE	MOMENT	SHEAR	TORQUE	MOMENT	SHEAR	TORQUE	MOMENT		
			S2 (kN)	TQ (kN·m)	M3 (kN·m)	S2 (kN)	TQ (kN·m)	M3 (kN·m)	S2 (kN)	TQ (kN·m)	M3 (kN·m)	S2 (kN)	TQ (kN·m)	M3 (kN·m)		
124	SUM TOTAL	D+3LANES (casMAX	S2	2154.28	-685.98	-30004.91	1855.57	-685.98	-20538.23	1855.57	-782.72	-20534.77	1559.95	-782.72	-12511.05	
			TQ	1833.29	951.91	-28395.47	1534.58	951.91	-20444.30	1534.54	855.62	-20439.90	1238.92	855.62	-13924.26	
			M3	1871.52	322.22	-26746.55	1594.85	164.35	-18569.14	1595.09	74.67	-18569.70	1378.35	-217.19	-11661.60	
		MIN	S2	1820.97	811.01	-27703.87	1522.26	811.01	-19810.89	1522.26	717.67	-19814.49	1226.64	717.67	-13356.52	
			TQ	2141.94	-829.75	-29660.84	1843.23	-829.75	-20252.42	1843.23	-925.15	-20248.28	1547.61	-925.15	-12282.53	
			M3	2111.85	-288.95	-30612.67	1695.44	451.63	-21757.38	1695.20	351.32	-21759.27	1359.16	563.72	-14585.65	
		D+3LANES (casMAX	S2	2809.74	404.74	-35744.87	2451.27	460.94	-23769.68	2451.27	348.96	-23771.59	2098.94	391.02	-13641.07	
			TQ	2524.31	824.13	-33962.24	2191.27	824.13	-22829.16	2191.33	716.88	-22714.03	1860.77	716.88	-13194.71	
			M3	1867.57	142.60	-26402.62	1784.36	249.93	-18145.17	1784.36	164.44	-18146.15	1720.74	278.66	-10212.46	
		MIN	S2	1866.41	145.96	-26448.39	1566.11	149.98	-18307.53	1566.11	63.73	-18308.04	1247.26	175.45	-11147.48	
			TQ	2181.79	-179.99	-32379.81	1881.06	-179.99	-22787.97	1887.16	-287.60	-22895.39	1588.12	-287.60	-14728.71	
			M3	2511.51	232.82	-37040.75	2138.29	221.63	-26066.21	2138.29	98.83	-26066.97	1737.80	40.21	-16977.43	
		D+3LANES (casMAX	S2	3311.51	575.08	-37370.95	2833.88	765.93	-24304.72	2833.88	651.42	-24308.06	2379.99	769.34	-13647.07	
			TQ	2823.98	1436.72	-35404.39	2441.54	1436.72	-22973.80	2438.09	1328.57	-22941.10	2059.25	1328.57	-12376.65	
			M3	1867.48	141.91	-26401.06	2075.50	462.44	-17800.76	2075.50	378.57	-17802.74	1851.38	742.96	-9414.29	
		MIN	S2	1867.48	141.90	-26401.47	1553.39	220.26	-18081.17	1553.39	135.08	-18082.00	1148.63	390.09	-10268.89	
			TQ	2238.08	-556.36	-35003.46	1938.83	-556.36	-25142.27	1942.28	-674.89	-25178.58	1646.30	-674.89	-16748.37	
			M3	2787.66	121.71	-40059.64	2343.69	73.23	-27994.43	2343.69	-58.65	-27994.47	1916.74	-220.16	-18016.88	
		D+4LANES	MAX	S2	3061.41	418.90	-36316.89	2631.70	545.50	-23765.42	2631.70	433.54	-23767.73	2220.47	510.85	-13429.72
			TQ	2653.69	1087.58	-34283.59	2293.13	1087.58	-22605.07	2291.68	981.17	-22570.31	1934.27	981.17	-12643.08	
			M3	2008.29	215.64	-28642.20	2173.29	423.66	-19067.96	2173.29	333.82	-19069.75	1884.70	568.31	-10337.26	
		MIN	S2	2003.96	226.91	-28792.52	1670.30	295.57	-19560.70	1670.30	203.42	-19561.87	1289.68	367.55	-11516.20	
			TQ	2323.17	-356.27	-35136.82	2023.06	-356.27	-24876.02	2024.51	-473.55	-24913.75	1725.84	-473.55	-16100.83	
			M3	2625.59	89.50	-38139.81	2212.39	58.55	-26746.69	2212.39	-67.46	-26746.67	1795.14	-180.33	-17356.11	

BAGO RIVER BRIDGE

BLOCK [ No.1 : MAIN GIRDER ][ BEAM MEMBER FORCE ]

MEMBER				4017			4018			4018			4019			
NODE				4017			4018			4018			4019			
NAME TITLE				SHEAR	TORQUE	MOMENT	SHEAR	TORQUE	MOMENT	SHEAR	TORQUE	MOMENT	SHEAR	TORQUE	MOMENT	
				S2 (kN)	TQ (kN·m)	M3 (kN·m)	S2 (kN)	TQ (kN·m)	M3 (kN·m)	S2 (kN)	TQ (kN·m)	M3 (kN·m)	S2 (kN)	TQ (kN·m)	M3 (kN·m)	
124	SUM TOTAL	D+6LANES	MAX	S2	3046.06	-122.48	-36724.92	2633.06	-8.91	-24143.47	2633.06	-122.65	-24143.16	2237.64	-56.93	-13632.33
				TQ	2449.30	1493.92	-33591.49	2097.00	1493.92	-22858.45	2105.65	1386.76	-22713.61	1756.58	1386.76	-13640.65
				M3	1805.48	236.73	-25613.58	1881.33	346.09	-17455.62	1881.51	262.34	-17457.05	1715.80	274.74	-9662.72
			MIN	S2	1774.33	495.98	-26036.62	1465.94	552.04	-18226.88	1465.94	466.17	-18229.28	1105.27	631.99	-11206.99
				TQ	2300.85	-982.96	-34156.77	2000.59	-982.96	-24001.68	2004.90	-1096.17	-24062.12	1707.99	-1096.17	-15339.98
				M3	2633.41	-104.61	-38768.22	2179.52	256.00	-27517.78	2179.38	127.61	-27518.69	1755.38	154.46	-18286.86
			SUM TOTAL	MAX	3311.51	1493.92	-25613.58	2833.88	1493.92	-17455.62	2833.88	1386.76	-17457.05	2379.99	1386.76	-9414.29
				MIN	1774.33	-982.96	-40059.64	1465.94	-982.96	-27994.43	1465.94	-1096.17	-27994.47	1105.27	-1096.17	-18286.86
300	DEAD LOAD	TOTAL		S2	2008.29	215.64	-28642.20	1709.58	215.64	-19864.78	1709.58	122.06	-19865.57	1413.96	122.06	-12527.63
301	LIVE LOAD	1-LANE(case1MAX	S2	26.80	-500.37	-185.19	26.80	-500.37	-58.66	26.80	-500.64	-56.30	26.80	-500.64	69.59	
			TQ	-110.57	476.62	611.62	-110.57	476.62	89.56	-110.64	477.08	99.53	-110.64	477.08	-420.21	
			M3	-78.73	51.51	929.69	-59.20	-88.07	601.65	-59.03	-87.19	602.06	-46.36	-183.68	359.42	
			MIN	S2	-114.76	369.80	677.22	-114.76	369.80	135.40	-114.76	370.43	133.65	-114.76	370.43	-405.44
				TQ	13.33	-671.80	7.46	13.33	-671.80	70.38	13.33	-671.47	73.55	13.33	-671.47	136.16
				M3	8.34	-265.48	-281.30	-49.65	197.33	-400.07	-49.81	197.39	-401.00	-67.48	316.36	-683.88
		1-LANE(case2MAX	S2	115.03	-292.87	-1180.43	115.03	-292.87	-637.33	115.03	-295.87	-635.94	115.03	-295.87	-95.58	
			TQ	-54.34	215.95	-371.29	-54.34	215.95	-627.85	-54.34	212.99	-628.86	-54.34	212.99	-884.13	
			M3	-57.54	34.81	900.12	-52.77	16.67	633.12	-52.67	19.31	633.03	33.02	-195.85	475.16	
			MIN	S2	-66.94	124.89	499.85	-66.94	124.89	183.78	-66.94	125.76	183.19	-66.94	125.76	-131.29
				TQ	113.23	-312.53	-952.58	113.23	-312.53	-417.95	113.23	-314.50	-416.47	113.23	-314.50	115.46
				M3	98.87	-175.16	-1640.10	42.12	42.84	-1404.83	42.03	36.56	-1405.02	17.34	109.45	-1261.77
		1-LANE(case3MAX	S2	225.35	-39.56	-2687.61	224.72	-39.56	-1625.12	224.72	-47.21	-1624.91	224.08	-47.21	-570.79	
			TQ	109.77	57.50	-1849.84	109.77	57.50	-1331.58	101.42	51.54	-1197.99	101.42	51.54	-721.55	
			M3	-62.84	-7.32	993.90	-53.38	-15.68	706.19	-53.38	-12.35	706.26	94.88	-87.58	766.55	
			MIN	S2	-64.41	-2.53	935.83	-64.41	-2.53	631.71	-64.41	0.45	631.72	-64.41	0.45	329.14
				TQ	120.84	-98.76	-804.64	120.20	-98.76	-235.60	128.55	-100.19	-368.98	125.47	-100.19	231.38
				M3	141.19	4.12	-2925.93	131.11	12.49	-2269.76	131.11	1.79	-2269.79	91.04	17.08	-1748.60

BAGO RIVER BRIDGE

BLOCK [ No.1 : MAIN GIRDER ] [ BEAM MEMBER FORCE ]

MEMBER			4017			4018			4018			4019			
NODE			4017			4018			4018			4019			
NAME TITLE			SHEAR	TORQUE	MOMENT	SHEAR	TORQUE	MOMENT	SHEAR	TORQUE	MOMENT	SHEAR	TORQUE	MOMENT	
			S2 (kN)	TQ (kN·m)	M3 (kN·m)	S2 (kN)	TQ (kN·m)	M3 (kN·m)	S2 (kN)	TQ (kN·m)	M3 (kN·m)	S2 (kN)	TQ (kN·m)	M3 (kN·m)	
301	LIVE LOAD	1-LANE (case4MAX	S2	843.47	283.37	-5006.30	696.93	433.55	-2347.35	696.93	422.48	-2349.36	571.78	506.30	-489.53
			TQ	502.30	869.94	-3869.27	442.38	869.94	-1639.06	442.38	862.21	-1643.14	382.70	862.21	294.84
			M3	-69.65	-61.66	1114.63	331.51	219.25	1211.75	331.51	224.95	1210.70	258.86	473.29	1818.40
			MIN S2	-69.65	-61.66	1114.63	-88.39	41.83	1021.99	-88.39	46.65	1021.78	-195.43	238.53	1539.70
			TQ	149.90	-526.69	-3617.33	149.90	-526.69	-2909.58	149.90	-540.39	-2907.06	149.90	-540.39	-2202.88
			M3	471.07	-38.35	-6445.01	372.95	-77.37	-4495.39	372.95	-98.55	-4494.97	298.56	-214.08	-2937.15
		2-LANES (caseMAX	S2	75.89	-816.67	-619.48	75.89	-816.67	-261.19	75.89	-817.89	-257.34	75.89	-817.89	99.15
			TQ	-160.60	686.23	599.68	-160.60	686.23	-158.58	-160.65	685.51	-151.63	-160.65	685.51	-906.32
			M3	-112.95	96.38	1480.08	-91.01	-74.23	996.69	-90.81	-71.84	997.03	-69.41	-235.92	622.89
			MIN S2	-164.60	596.35	687.38	-164.60	596.35	-89.75	-164.60	595.92	-92.56	-164.60	595.92	-865.76
			TQ	62.87	-969.44	-404.57	62.87	-969.44	-107.75	62.87	-969.94	-103.19	62.87	-969.94	192.14
			M3	39.43	-447.68	-951.44	-51.74	241.92	-1055.90	-51.94	239.25	-1057.04	-78.92	428.40	-1369.73
		2-LANES (caseMAX	S2	149.41	-643.75	-1448.86	149.41	-643.75	-743.41	149.41	-647.25	-740.37	149.41	-647.25	-38.49
			TQ	-113.74	469.01	-219.41	-113.74	469.01	-756.42	-113.74	465.44	-758.62	-113.74	465.44	-1292.92
			M3	-95.29	82.46	1455.44	-85.65	13.05	1022.91	-85.50	16.91	1022.84	-3.26	-246.06	719.34
			MIN S2	-124.75	392.26	539.58	-124.75	392.26	-49.43	-124.75	392.02	-51.28	-124.75	392.02	-637.31
			TQ	146.12	-670.04	-1204.61	146.12	-670.04	-514.70	146.12	-672.46	-511.54	146.12	-672.46	174.89
			M3	114.87	-372.41	-2083.78	24.74	113.19	-1893.20	24.59	105.23	-1893.71	-8.24	255.97	-1851.31
		2-LANES (caseMAX	S2	474.57	64.11	-5144.40	461.48	63.52	-2941.33	461.48	49.66	-2941.60	448.29	54.83	-888.20
			TQ	300.91	263.36	-3617.52	290.10	263.36	-2222.16	290.16	253.25	-2083.66	278.83	253.25	-746.96
			M3	-107.54	-34.81	1706.45	-85.15	-38.41	1239.64	-85.15	-32.57	1239.81	199.41	-18.82	1534.48
			MIN S2	-108.91	-30.86	1652.59	-109.01	-30.27	1144.99	-109.01	-24.88	1145.12	-109.34	-22.96	652.56
			TQ	137.22	-206.00	-2277.22	134.84	-206.00	-1634.93	141.73	-213.96	-1746.49	137.70	-213.96	-1087.17
			M3	311.59	8.53	-5713.77	276.00	12.12	-4314.56	276.00	-8.20	-4314.57	200.96	-19.37	-3198.98

BAGO RIVER BRIDGE

BLOCK [ No.1 : MAIN GIRDER ][ BEAM MEMBER FORCE ]

MEMBER			4017			4018			4018			4019			
NODE			4017			4018			4018			4019			
NAME TITLE			SHEAR	TORQUE	MOMENT	SHEAR	TORQUE	MOMENT	SHEAR	TORQUE	MOMENT	SHEAR	TORQUE	MOMENT	
			S2 (kN)	TQ (kN·m)	M3 (kN·m)	S2 (kN)	TQ (kN·m)	M3 (kN·m)	S2 (kN)	TQ (kN·m)	M3 (kN·m)	S2 (kN)	TQ (kN·m)	M3 (kN·m)	
301	LIVE LOAD	2-LANES (caseMAX	S2	1214.03	377.10	-7595.79	1021.67	576.98	-3700.18	1021.67	559.54	-3702.86	854.98	675.29	-859.04
			TQ	736.40	1200.91	-5917.27	653.41	1200.91	-2636.41	653.41	1188.48	-2642.04	570.88	1188.48	233.48
			M3	-113.26	-80.37	1807.74	466.97	290.92	1806.55	466.97	299.43	1805.16	385.30	635.93	2735.93
			MIN S2	-113.26	-80.37	1807.74	-131.08	10.68	1505.71	-131.08	17.78	1505.65	-258.68	314.37	2280.46
			TQ	211.77	-741.07	-5462.18	211.77	-741.07	-4462.31	211.77	-762.09	-4458.76	211.77	-762.09	-3463.94
			M3	698.03	-68.38	-9846.56	559.20	-119.63	-6933.40	559.20	-152.29	-6932.76	448.03	-310.99	-4599.30
		3-LANES (caseMAX	S2	145.98	-901.62	-1362.70	145.98	-901.62	-673.45	145.98	-904.78	-669.20	145.98	-904.78	16.57
			TQ	-175.00	736.26	246.73	-175.00	736.26	-579.52	-175.05	733.55	-574.33	-175.05	733.55	-1396.63
			M3	-136.77	106.58	1895.65	-114.73	-51.29	1295.64	-114.49	-47.39	1295.88	-35.61	-339.25	866.03
			MIN S2	-187.33	595.36	938.34	-187.33	595.36	53.89	-187.33	595.61	51.08	-187.33	595.61	-828.90
			TQ	133.64	-1045.40	-1018.63	133.64	-1045.40	-387.64	133.64	-1047.21	-382.71	133.64	-1047.21	245.10
			M3	103.55	-504.60	-1970.46	-14.14	235.98	-1892.60	-14.38	229.26	-1893.70	-54.80	441.66	-2058.03
		3-LANES (caseMAX	S2	801.45	189.10	-7102.66	741.69	245.30	-3904.91	741.69	226.90	-3906.02	684.97	268.96	-1113.45
			TQ	516.01	608.48	-5320.04	481.69	608.48	-2964.39	481.74	594.82	-2848.46	446.80	594.82	-667.09
			M3	-140.72	-73.05	2239.59	74.78	34.28	1719.60	74.78	42.38	1719.42	306.78	156.59	2315.16
			MIN S2	-141.89	-69.69	2193.81	-143.48	-65.66	1557.25	-143.48	-58.33	1557.54	-166.71	53.39	1380.14
			TQ	173.50	-395.64	-3737.61	171.48	-395.64	-2923.19	177.58	-409.66	-3029.81	174.16	-409.66	-2201.09
			M3	503.21	17.17	-8398.55	428.71	5.99	-6201.43	428.71	-23.23	-6201.39	323.84	-81.85	-4449.81
		3-LANES (caseMAX	S2	1303.21	359.43	-8728.75	1124.30	550.28	-4439.94	1124.30	529.36	-4442.48	966.02	647.28	-1119.44
			TQ	815.68	1221.08	-6762.19	731.96	1221.08	-3109.02	728.51	1206.51	-3075.52	645.28	1206.51	150.98
			M3	-140.81	-73.73	2241.15	365.92	246.79	2064.02	365.92	256.51	2062.83	437.42	620.89	3113.34
			MIN S2	-140.81	-73.74	2240.74	-156.19	4.62	1783.61	-156.19	13.02	1783.57	-265.33	268.03	2258.73
			TQ	229.79	-772.01	-6361.26	229.25	-772.01	-5277.49	232.70	-796.95	-5313.00	232.33	-796.95	-4220.75
			M3	779.37	-93.93	-11417.43	634.10	-142.42	-8129.65	634.10	-180.72	-8128.89	502.77	-342.22	-5489.25

BAGO RIVER BRIDGE

BLOCK [ No.1 : MAIN GIRDER ][ BEAM MEMBER FORCE ]

MEMBER				4017			4018			4018			4019			
NODE				4017			4018			4018			4019			
NAME TITLE				SHEAR	TORQUE	MOMENT	SHEAR	TORQUE	MOMENT	SHEAR	TORQUE	MOMENT	SHEAR	TORQUE	MOMENT	
				S2 (kN)	TQ (kN·m)	M3 (kN·m)	S2 (kN)	TQ (kN·m)	M3 (kN·m)	S2 (kN)	TQ (kN·m)	M3 (kN·m)	S2 (kN)	TQ (kN·m)	M3 (kN·m)	
301	LIVE LOAD	4-LANES	MAX	S2	1053.11	203.25	-7674.69	922.12	329.86	-3900.64	922.12	311.48	-3902.16	806.50	388.79	-902.09
			TQ	645.40	871.94	-5641.39	583.55	871.94	-2740.29	582.10	859.11	-2704.74	520.31	859.11	-115.46	
			M3	0.00	0.00	0.00	463.71	208.01	796.82	463.71	211.76	795.83	470.74	446.25	2190.36	
		MIN	S2	-4.33	11.27	-150.31	-39.28	79.93	304.08	-39.28	81.36	303.70	-124.28	245.49	1011.43	
		TQ	314.88	-571.92	-6494.62	313.47	-571.92	-5011.24	314.92	-595.62	-5048.18	311.88	-595.62	-3573.20		
		M3	617.30	-126.14	-9497.61	502.81	-157.10	-6881.91	502.81	-189.52	-6881.10	381.18	-302.39	-4828.48		
	LIVE LOAD	6-LANES	MAX	S2	1037.77	-338.12	-8082.71	923.47	-224.56	-4278.69	923.47	-244.71	-4277.59	823.67	-178.99	-1104.71
			TQ	441.01	1278.28	-4949.29	387.42	1278.28	-2993.67	396.06	1264.70	-2848.03	342.61	1264.70	-1113.02	
			M3	-202.81	21.08	3028.62	171.75	130.44	2409.16	171.92	140.28	2408.53	301.84	152.68	2864.90	
		MIN	S2	-233.97	280.34	2605.58	-243.64	336.40	1637.90	-243.64	344.11	1636.30	-308.70	509.93	1320.64	
		TQ	292.56	-1198.60	-5514.57	291.01	-1198.60	-4136.90	295.32	-1218.23	-4196.55	294.02	-1218.23	-2812.36		
		M3	625.12	-320.26	-10126.02	469.94	40.36	-7653.00	469.80	5.55	-7653.12	341.42	32.40	-5759.24		
LIVE LOAD	MAX			1303.21	1278.28	3028.62	1124.30	1278.28	2409.16	1124.30	1264.70	2408.53	966.02	1264.70	3113.34	
	MIN			-233.97	-1198.60	-11417.43	-243.64	-1198.60	-8129.65	-243.64	-1218.23	-8128.89	-308.70	-1218.23	-5759.24	
303	SUM TOTAL	TOTAL	MAX		3311.51	1493.92	-25613.58	2833.88	1493.92	-17455.62	2833.88	1386.76	-17457.05	2379.99	1386.76	-9414.29
			MIN		1774.33	-982.96	-40059.64	1465.94	-982.96	-27994.43	1465.94	-1096.17	-27994.47	1105.27	-1096.17	-18286.86

BAGO RIVER BRIDGE

BLOCK [ No.1 : MAIN GIRDER ][ BEAM MEMBER FORCE ]

MEMBER NODE	4019	4020			4020			4021			4021				
		SHEAR	TORQUE	MOMENT	SHEAR	TORQUE	MOMENT	SHEAR	TORQUE	MOMENT	SHEAR	TORQUE	MOMENT		
		S2 (kN)	TQ (kN·m)	M3 (kN·m)	S2 (kN)	TQ (kN·m)	M3 (kN·m)	S2 (kN)	TQ (kN·m)	M3 (kN·m)	S2 (kN)	TQ (kN·m)	M3 (kN·m)		
1	PAVEMENT	279.53	80.30	-2536.67	220.90	80.30	-1342.52	220.90	73.89	-1342.89	162.50	73.89	-427.99		
3	RAILING	8.11	4.99	-55.11	4.90	4.99	-23.99	4.90	4.88	-24.02	1.69	4.88	-8.24		
5	CURB	80.30	49.45	-545.62	48.54	49.45	-237.55	48.54	48.31	-237.78	16.70	48.31	-81.58		
7	DECK WEIGHT	423.85	112.49	-3848.43	332.59	112.49	-2043.20	332.59	102.74	-2043.71	241.64	102.74	-673.29		
8	GIRDER WEIGH	418.91	-20.32	-3910.27	329.68	-20.32	-2124.07	329.68	-30.46	-2123.95	240.44	-30.46	-763.61		
10	MEDIAN STRIP	34.86	-46.34	-506.49	34.86	-46.34	-340.13	34.86	-47.96	-339.90	34.86	-47.96	-173.54		
21	ADITIONAL WE	118.68	31.50	-1077.56	93.13	31.50	-572.10	93.13	28.77	-572.24	67.66	28.77	-188.52		
31	MEDIAN RAILI	3.69	-3.88	-46.76	3.69	-3.88	-29.16	3.69	-4.02	-29.14	3.69	-4.02	-11.54		
51	SUPPORT WEIG	0.00	-0.00	-0.00	0.00	-0.00	-0.00	0.00	-0.00	-0.00	0.00	-0.00	-0.00		
52	NOSE WEIGHT	-0.03	0.06	0.42	-0.03	0.06	0.29	-0.03	0.06	0.29	-0.03	0.06	0.16		
61	1-LANE(case1TRUCK-LOAD	MAX	S2	16.87	-219.37	21.33	16.87	-219.37	101.84	16.87	-218.88	102.88	16.87	-218.88	183.39
			TQ	-9.75	47.56	-172.29	-9.75	47.56	-218.80	-9.75	46.51	-219.02	-9.75	46.51	-265.53
			M3	-15.95	28.16	94.92	13.43	-258.44	129.35	13.43	-257.82	130.58	14.67	-254.31	198.85
		MIN	S2	-15.97	28.71	94.83	-15.97	28.71	18.62	-15.97	28.80	18.48	-15.97	28.80	-57.73
			TQ	11.09	-259.22	74.84	11.09	-259.22	127.78	11.09	-258.61	129.02	11.09	-258.61	181.95
			M3	-5.41	38.66	-265.20	-6.12	40.86	-293.30	-6.12	39.46	-293.49	-6.58	40.74	-323.98
		TANDEM-LOAD MAX	S2	11.61	-153.01	16.83	11.61	-153.01	72.23	11.61	-152.66	72.96	11.61	-152.66	128.36
			TQ	-6.74	32.37	-111.55	-6.74	32.37	-143.72	-6.74	31.68	-143.87	-6.74	31.68	-176.04
			M3	-10.79	18.70	64.38	8.74	-177.15	89.17	8.74	-176.72	90.01	10.49	-171.90	137.44
		MIN	S2	-10.84	19.68	64.31	-10.84	19.68	12.56	-10.84	19.74	12.47	-10.84	19.74	-39.29
			TQ	8.08	-177.37	50.16	8.08	-177.37	88.73	8.08	-176.94	89.58	8.08	-176.94	128.15
			M3	-3.79	26.68	-180.87	-3.98	27.29	-199.58	-3.98	26.34	-199.71	-4.60	28.03	-220.58
		DISPERSION-LMAX	S2	16.44	-266.81	34.44	16.44	-266.81	112.90	16.44	-266.26	114.17	16.44	-266.26	192.64
			TQ	-36.12	110.99	-140.55	-36.12	110.99	-312.92	-36.12	109.49	-313.45	-36.12	109.49	-485.82
			M3	-16.81	-162.15	205.52	-10.11	-226.18	144.80	-10.07	-225.94	145.87	16.35	-279.41	195.06
		MIN	S2	-36.21	96.65	-137.36	-36.21	96.65	-310.16	-36.21	95.17	-310.62	-36.21	95.17	-483.42
			TQ	16.35	-281.14	37.63	16.35	-281.14	115.66	16.35	-280.59	117.00	16.35	-280.59	195.04
			M3	-2.95	-8.01	-308.45	-9.65	56.03	-342.05	-9.70	54.85	-342.32	-36.12	108.32	-485.84



BAGO RIVER BRIDGE

BLOCK [ No.1 : MAIN GIRDER ][ BEAM MEMBER FORCE ]

MEMBER				4019			4020			4021					
NODE				4019			4020			4020			4021		
				SHEAR	TORQUE	MOMENT	SHEAR	TORQUE	MOMENT	SHEAR	TORQUE	MOMENT	SHEAR	TORQUE	MOMENT
NAME	TITLE			S2 (kN)	TQ (kN·m)	M3 (kN·m)	S2 (kN)	TQ (kN·m)	M3 (kN·m)	S2 (kN)	TQ (kN·m)	M3 (kN·m)	S2 (kN)	TQ (kN·m)	M3 (kN·m)
62	1-LANE (case2TRUCK-LOAD	MAX	S2	41.96	-120.72	-0.39	41.96	-120.72	199.84	41.96	-119.77	200.41	41.96	-119.77	400.64
			TQ	4.19	19.54	-428.16	4.19	19.54	-408.15	3.94	17.60	-401.19	3.94	17.60	-382.37
			M3	19.77	-56.53	142.19	34.04	-104.28	267.69	34.04	-103.00	268.19	36.68	-110.51	437.43
		MIN	S2	-17.16	10.51	111.17	-17.16	10.51	29.29	-17.16	10.65	29.24	-17.16	10.65	-52.64
			TQ	41.12	-121.17	32.22	41.12	-121.17	228.47	41.12	-120.07	229.04	41.12	-120.07	425.29
			M3	4.89	18.98	-444.10	4.89	18.98	-420.75	4.89	16.97	-420.83	4.89	16.97	-397.47
		TANDEM-LOAD MAX	S2	28.75	-83.19	5.09	28.75	-83.19	142.27	28.75	-82.51	142.67	28.75	-82.51	279.85
			TQ	2.59	13.29	-282.46	2.59	13.29	-270.12	2.59	12.00	-270.18	2.59	12.00	-257.84
			M3	14.59	-42.37	100.03	22.36	-69.21	185.74	22.36	-68.32	186.07	25.90	-78.03	300.68
		MIN	S2	-11.65	7.06	75.51	-11.65	7.06	19.92	-11.65	7.16	19.89	-11.65	7.16	-35.71
			TQ	28.51	-83.31	14.19	28.51	-83.31	150.26	28.51	-82.59	150.66	28.51	-82.59	286.73
			M3	3.40	12.79	-302.61	3.40	12.79	-286.41	3.40	11.42	-286.46	3.40	11.42	-270.25
		DISPERSION-LMAX	S2	49.16	-98.22	-504.64	49.16	-98.22	-270.05	49.16	-99.51	-269.58	49.16	-99.51	-34.99
			TQ	-23.66	42.42	-346.29	-23.66	42.42	-459.21	-23.66	40.23	-459.41	-23.66	40.23	-572.33
			M3	-11.76	-32.44	255.33	10.32	-90.84	251.94	10.37	-89.76	252.37	43.61	-117.51	409.41
MIN	S2	-29.21	22.17	150.98	-29.21	22.17	11.58	-29.21	22.22	11.47	-29.21	22.22	-127.92		
	TQ	43.61	-118.47	-7.37	43.61	-118.47	200.74	43.61	-117.51	201.30	43.61	-117.51	409.41		
	M3	31.71	-43.61	-608.99	9.63	14.79	-510.42	9.58	12.47	-510.48	-23.66	40.23	-572.33		
63	1-LANE (case3TRUCK-LOAD	MAX	S2	70.88	-18.80	13.02	70.88	-18.80	351.29	70.88	-17.12	351.37	70.88	-17.12	689.64
			TQ	9.53	23.86	278.16	7.49	23.86	315.62	7.49	25.37	315.50	7.49	25.37	351.25
			M3	21.64	18.57	307.02	52.18	-11.22	470.47	52.18	-8.98	470.52	64.72	-20.80	750.76
		MIN	S2	-18.07	-4.01	123.99	-18.07	-4.01	37.74	-18.07	-3.83	37.76	-18.07	-3.83	-48.50
			TQ	68.29	-24.28	95.99	68.29	-24.28	421.88	68.29	-22.26	421.99	66.62	-22.26	747.88
			M3	14.29	-0.09	-590.97	14.29	-0.09	-522.80	14.29	-2.59	-522.80	14.29	-2.59	-454.63

BAGO RIVER BRIDGE

BLOCK [ No.1 : MAIN GIRDER ][ BEAM MEMBER FORCE ]

MEMBER		4019			4020			4020			4021				
NODE		4019			4020			4020			4021				
		SHEAR	TORQUE	MOMENT	SHEAR	TORQUE	MOMENT	SHEAR	TORQUE	MOMENT	SHEAR	TORQUE	MOMENT		
NAME	TITLE	S2 (kN)	TQ (kN·m)	M3 (kN·m)	S2 (kN)	TQ (kN·m)	M3 (kN·m)	S2 (kN)	TQ (kN·m)	M3 (kN·m)	S2 (kN)	TQ (kN·m)	M3 (kN·m)		
63	1-LANE (case3TANDEM-LOAD	MAX	S2	49.16	-15.96	19.61	49.16	-15.96	254.19	49.16	-14.74	254.27	49.16	-14.74	488.85
			TQ	6.50	19.46	215.58	5.25	19.46	240.64	5.25	20.60	240.55	5.25	20.60	265.60
			M3	10.77	17.98	223.64	28.19	0.06	324.82	28.19	1.61	324.81	44.06	-15.95	524.71
		MIN	S2	-12.26	-2.65	84.08	-12.26	-2.65	25.57	-12.26	-2.53	25.58	-12.26	-2.53	-32.93
			TQ	44.06	-17.45	104.06	44.06	-17.45	314.34	48.65	-16.13	271.43	48.65	-16.13	503.62
			M3	9.73	-0.11	-401.99	9.73	-0.11	-355.58	9.73	-1.81	-355.57	9.73	-1.81	-309.16
	DISPERSION-LMAX	S2	81.25	10.42	-755.78	80.71	10.42	-369.32	80.71	8.66	-369.36	80.16	8.66	14.48	
		TQ	42.76	25.52	-347.36	42.21	25.52	-144.61	39.65	25.12	-24.68	39.11	25.12	163.24	
		M3	-9.10	-7.82	332.97	19.73	-3.54	357.55	19.72	-1.84	357.56	63.17	15.13	580.36	
		MIN	S2	-30.72	-7.07	222.55	-30.72	-7.07	75.94	-30.72	-6.71	75.97	-30.72	-6.71	-70.63
			TQ	7.78	-22.18	-185.87	7.78	-22.18	-148.76	10.34	-23.18	-268.71	10.32	-23.18	-219.40
			M3	59.63	11.17	-866.20	30.25	6.89	-650.92	30.26	3.79	-650.95	-13.74	-13.19	-636.52
64	1-LANE (case4TRUCK-LOAD	MAX	S2	308.77	138.07	924.23	236.24	250.35	1446.42	236.24	257.26	1445.21	174.21	337.49	1632.47
			TQ	133.01	359.46	-228.05	133.01	359.46	406.72	133.01	361.40	405.00	133.01	361.40	1039.77
			M3	281.71	110.18	968.12	209.83	221.36	1491.19	209.83	228.48	1490.12	143.73	320.33	1669.60
		MIN	S2	-49.17	41.24	895.96	-104.97	115.74	1354.24	-104.97	122.21	1353.67	-177.50	234.60	1530.38
			TQ	38.07	-46.33	-947.68	38.07	-46.33	-766.02	38.07	-49.99	-765.79	38.07	-49.99	-584.12
			M3	37.88	-46.05	-950.20	37.88	-46.05	-769.42	37.88	-49.72	-769.19	37.88	-49.72	-588.41
	TANDEM-LOAD	MAX	S2	232.51	56.67	859.10	182.67	134.54	1221.37	182.67	140.37	1220.72	133.40	214.69	1330.34
			TQ	83.36	245.03	-186.39	83.36	245.03	211.44	83.36	246.04	210.27	83.36	246.04	608.10
			M3	232.51	56.67	859.11	182.67	134.54	1221.38	182.67	140.37	1220.72	133.40	214.69	1330.35
		MIN	S2	-47.53	42.51	855.72	-95.32	114.45	1214.06	-95.32	120.24	1213.50	-146.67	200.13	1321.14
			TQ	25.93	-31.64	-643.56	25.93	-31.64	-519.81	25.93	-34.12	-519.65	25.93	-34.12	-395.89
			M3	25.64	-31.14	-645.69	25.64	-31.14	-523.35	25.64	-33.64	-523.19	25.64	-33.64	-400.85

BAGO RIVER BRIDGE

BLOCK [ No.1 : MAIN GIRDER ] [ BEAM MEMBER FORCE ]

MEMBER		4019			4020			4020			4021						
NODE		4019			4020			4020			4021						
		SHEAR	TORQUE	MOMENT	SHEAR	TORQUE	MOMENT	SHEAR	TORQUE	MOMENT	SHEAR	TORQUE	MOMENT				
NAME	TITLE	S2 (kN)	TQ (kN·m)	M3 (kN·m)	S2 (kN)	TQ (kN·m)	M3 (kN·m)	S2 (kN)	TQ (kN·m)	M3 (kN·m)	S2 (kN)	TQ (kN·m)	M3 (kN·m)				
64	1-LANE (case4DISPERSION-LMAX	S2	204.58	282.05	-1334.17	167.33	267.15	-650.12	167.33	264.05	-651.39	138.87	234.41	-165.19			
		TQ	150.73	341.71	-35.28	100.15	341.71	563.36	100.15	344.39	561.72	49.51	344.39	918.84			
		M3	36.42	25.75	542.46	33.45	163.30	713.11	33.20	165.75	712.33	49.51	344.39	918.84			
		MIN	S2	-40.52	-36.75	384.00	-53.86	-21.85	362.19	-53.86	-20.12	362.29	-76.04	9.51	296.80		
		TQ	13.33	-96.41	-914.89	13.33	-96.41	-851.30	13.33	-100.47	-850.83	13.33	-100.47	-787.23			
		M3	127.64	219.55	-1492.63	80.03	82.00	-1001.05	80.27	78.18	-1001.43	13.33	-100.47	-787.23			
		65	2-LANES (caseTRUCK-LOAD	MAX	S2	44.08	-403.55	24.57	44.08	-403.55	234.93	44.08	-402.42	236.86	44.08	-402.42	447.22
				TQ	-12.89	80.87	-465.04	-12.89	80.87	-526.55	-12.89	78.36	-526.93	-12.89	78.36	-588.44	
				M3	-32.50	47.61	197.90	35.69	-437.92	302.84	35.69	-436.47	304.92	40.31	-443.61	485.44	
MIN	S2			-32.52	48.17	197.81	-32.52	48.17	42.62	-32.52	48.37	42.39	-32.52	48.37	-112.80		
TQ	37.36			-449.82	107.61	37.36	-449.82	285.91	37.36	-448.45	288.05	37.36	-448.45	466.36			
M3	-5.94			68.28	-617.52	-6.86	71.13	-649.03	-6.86	68.03	-649.36	-7.82	70.53	-683.87			
TANDEM-LOAD	MAX	S2	30.13	-275.90	13.01	30.13	-275.90	156.82	30.13	-275.14	158.14	30.13	-275.14	301.95			
	TQ	-8.76	55.05	-316.58	-8.76	55.05	-358.37	-8.76	53.34	-358.62	-8.76	53.34	-400.41				
	M3	-22.03	32.03	134.29	23.31	-297.66	208.26	23.31	-296.67	209.68	27.71	-300.97	334.27				
	MIN	S2	-22.09	33.01	134.22	-22.09	33.01	28.81	-22.09	33.15	28.65	-22.09	33.15	-76.75			
	TQ	26.40	-307.13	66.37	26.40	-307.13	192.34	26.40	-306.21	193.80	26.40	-306.21	319.77				
	M3	-4.37	47.48	-420.28	-4.57	48.10	-441.76	-4.57	45.99	-441.99	-5.32	48.02	-465.75				
	DISPERSION-LMAX	S2	47.18	-455.92	-128.82	47.18	-455.92	96.31	47.18	-455.46	98.49	47.18	-455.46	323.62			
		TQ	-66.07	187.65	-383.39	-66.07	187.65	-698.70	-66.07	184.32	-699.59	-66.07	184.32	-1014.90			
		M3	-30.03	-240.68	426.55	-8.44	-389.00	340.60	-8.37	-387.91	342.45	46.37	-479.51	496.20			
MIN		S2	-66.88	161.58	-203.28	-66.88	161.58	-522.43	-66.88	159.09	-523.19	-66.88	159.09	-842.34			
TQ		46.37	-482.00	51.29	46.37	-482.00	272.58	46.37	-480.69	274.88	46.37	-480.69	496.18				
M3		10.33	-53.67	-758.65	-11.26	94.65	-766.71	-11.33	91.53	-767.16	-66.07	183.14	-1014.92				

BAGO RIVER BRIDGE

BLOCK [ No.1 : MAIN GIRDER ][ BEAM MEMBER FORCE ]

MEMBER				4019			4020			4021					
NODE				4019			4020			4020			4021		
				SHEAR	TORQUE	MOMENT	SHEAR	TORQUE	MOMENT	SHEAR	TORQUE	MOMENT	SHEAR	TORQUE	MOMENT
NAME	TITLE			S2 (kN)	TQ (kN·m)	M3 (kN·m)	S2 (kN)	TQ (kN·m)	M3 (kN·m)	S2 (kN)	TQ (kN·m)	M3 (kN·m)	S2 (kN)	TQ (kN·m)	M3 (kN·m)
66	2-LANES (caseTRUCK-LOAD	MAX	S2	69.17	-304.90	2.85	69.17	-304.90	332.94	69.17	-303.31	334.39	69.17	-303.31	664.47
			TQ	1.05	52.85	-720.91	1.05	52.85	-715.90	0.80	49.44	-709.10	0.80	49.44	-705.28
			M3	3.22	-37.08	245.17	56.30	-283.76	441.18	56.30	-281.65	442.53	62.31	-299.81	724.02
		MIN	S2	-33.71	29.97	214.15	-33.71	29.97	53.29	-33.71	30.22	53.14	-33.71	30.22	-107.71
			TQ	67.39	-311.77	64.98	67.39	-311.77	386.60	67.39	-309.92	388.08	67.39	-309.92	709.70
			M3	4.36	48.60	-796.42	4.15	49.25	-776.47	4.15	45.54	-776.70	3.66	46.76	-757.36
		TANDEM-LOAD MAX	S2	47.27	-206.08	1.27	47.27	-206.08	226.87	47.27	-204.99	227.85	47.27	-204.99	453.44
			TQ	0.57	35.97	-487.50	0.57	35.97	-484.76	0.57	33.66	-484.93	0.57	33.66	-482.20
			M3	3.35	-29.04	169.93	36.94	-189.73	304.83	36.94	-188.27	305.73	43.13	-207.10	497.51
		MIN	S2	-22.89	20.39	145.42	-22.89	20.39	36.17	-22.89	20.57	36.07	-22.89	20.57	-73.17
			TQ	46.83	-213.08	30.40	46.83	-213.08	253.87	46.83	-211.86	254.89	46.83	-211.86	478.36
			M3	2.82	33.59	-542.02	2.82	33.59	-528.58	2.82	31.07	-528.74	2.68	31.41	-515.43
		DISPERSION-LMAX	S2	79.89	-287.34	-667.90	79.89	-287.34	-286.64	79.89	-288.71	-285.27	79.89	-288.71	95.99
			TQ	-53.62	119.08	-589.13	-53.62	119.08	-844.99	-53.62	115.05	-845.55	-53.62	115.05	-1101.42
			M3	-24.98	-110.97	476.36	11.99	-253.66	447.75	12.06	-251.73	448.95	73.63	-317.61	710.56
MIN	S2	-59.88	87.10	85.06	-59.88	87.10	-200.69	-59.88	86.14	-201.10	-59.88	86.14	-486.85		
	TQ	73.63	-319.32	6.28	73.63	-319.32	357.66	73.63	-317.61	359.18	73.63	-317.61	710.56		
	M3	44.99	-89.27	-1059.20	8.02	53.41	-935.08	7.95	49.16	-935.32	-53.62	115.05	-1101.42		
67	2-LANES (caseTRUCK-LOAD	MAX	S2	173.09	47.46	249.41	173.09	47.46	1075.41	173.09	52.59	1075.17	170.61	64.08	1705.83
			TQ	80.46	131.74	63.26	78.42	131.74	439.21	78.42	133.84	438.58	78.42	133.84	812.81
			M3	109.20	68.95	803.50	142.21	50.47	1226.17	142.21	56.33	1225.91	153.83	56.46	1779.59
		MIN	S2	-36.76	-17.77	256.56	-36.76	-17.77	81.14	-36.76	-17.38	81.22	-36.76	-17.38	-94.20
			TQ	52.71	-41.13	209.00	52.71	-41.13	460.53	52.71	-40.56	460.53	84.66	-40.56	344.12
			M3	35.10	-13.06	-1282.74	35.10	-13.06	-1115.24	35.10	-18.38	-1115.16	35.10	-18.38	-947.66

BAGO RIVER BRIDGE

BLOCK [ No.1 : MAIN GIRDER ][ BEAM MEMBER FORCE ]

MEMBER		4019			4020			4020			4021						
NODE		4019			4020			4020			4021						
		SHEAR	TORQUE	MOMENT	SHEAR	TORQUE	MOMENT	SHEAR	TORQUE	MOMENT	SHEAR	TORQUE	MOMENT				
NAME	TITLE	S2 (kN)	TQ (kN·m)	M3 (kN·m)	S2 (kN)	TQ (kN·m)	M3 (kN·m)	S2 (kN)	TQ (kN·m)	M3 (kN·m)	S2 (kN)	TQ (kN·m)	M3 (kN·m)				
67	2-LANES (caseTANDEM-LOAD	MAX	S2	119.21	29.55	149.23	119.21	29.55	718.12	119.21	32.98	717.97	118.91	35.08	1250.22		
			TQ	55.83	93.35	72.43	54.58	93.35	332.89	54.58	94.94	332.45	54.58	94.94	592.91		
			M3	77.10	51.71	624.28	96.96	40.72	896.25	96.96	45.00	896.05	113.82	33.88	1286.08		
		MIN	S2	-24.93	-12.33	174.14	-24.93	-12.33	55.16	-24.93	-12.07	55.22	-24.93	-12.07	-63.76		
			TQ	33.24	-28.92	182.48	33.24	-28.92	341.09	60.68	-28.63	-53.86	60.68	-28.63	235.70		
			M3	23.94	-9.05	-873.30	23.94	-9.05	-759.04	23.94	-12.67	-758.99	23.94	-12.67	-644.73		
			DISPERSION-LMAX	S2	197.21	105.04	-1702.95	185.11	99.88	-861.34	185.11	95.77	-861.81	173.19	89.69	-86.74	
			TQ	131.88	142.98	-382.38	118.22	142.98	214.52	115.66	144.29	333.89	101.90	144.29	853.11		
			M3	-6.73	-4.57	731.87	43.92	47.08	820.54	43.83	50.84	820.31	125.96	134.30	1270.23		
		MIN	S2	-64.16	-26.85	519.84	-65.71	-21.69	280.73	-65.71	-20.35	280.83	-67.57	-14.27	42.80		
			TQ	1.18	-64.79	-800.74	1.18	-64.79	-795.13	3.74	-68.87	-914.86	3.72	-68.87	-897.05		
			M3	139.79	82.76	-1914.99	75.48	31.11	-1401.15	75.57	24.58	-1401.28	-20.34	-58.88	-1314.17		
		68	2-LANES (caseTRUCK-LOAD	MAX	S2	520.52	237.08	1644.58	409.65	413.61	2565.05	409.65	425.85	2563.04	313.26	553.70	2974.21
					TQ	243.80	593.59	-397.56	243.80	593.59	765.88	243.80	597.24	763.04	243.80	597.24	1926.48
					M3	473.39	192.45	1718.38	363.55	367.76	2638.74	363.55	380.35	2636.96	261.61	525.82	3037.20
MIN	S2			-79.18	77.78	1555.16	-168.09	204.28	2419.85	-168.09	215.82	2418.85	-278.08	393.08	2812.46		
	TQ			68.83	-79.56	-1770.46	68.83	-79.56	-1442.01	69.11	-86.46	-1457.64	69.11	-86.46	-1127.85		
	M3			68.89	-78.96	-1795.07	68.89	-78.96	-1466.30	68.89	-85.96	-1465.91	68.52	-85.20	-1138.46		
	TANDEM-LOAD			MAX	S2	388.19	102.68	1506.39	312.14	225.15	2139.20	312.14	235.36	2138.10	236.80	351.62	2392.58
	TQ			155.29	405.61	-321.32	155.29	405.61	419.74	155.29	407.61	417.80	155.29	407.61	1158.86		
	M3			388.19	102.68	1506.40	312.14	225.15	2139.20	312.14	235.36	2138.10	236.80	351.62	2392.59		
MIN	S2			-76.97	79.63	1497.98	-149.48	193.68	2124.40	-149.48	203.81	2123.45	-227.06	328.52	2374.76		
	TQ			46.97	-54.30	-1208.56	46.97	-54.30	-984.42	47.05	-59.00	-988.63	47.05	-59.00	-764.11		
	M3			46.67	-53.38	-1220.70	46.67	-53.38	-997.99	46.67	-58.15	-997.72	46.56	-57.94	-775.38		

BAGO RIVER BRIDGE

BLOCK [ No.1 : MAIN GIRDER ][ BEAM MEMBER FORCE ]

MEMBER NODE	4019	4020			4020			4021			4021				
		SHEAR	TORQUE	MOMENT	SHEAR	TORQUE	MOMENT	SHEAR	TORQUE	MOMENT	SHEAR	TORQUE	MOMENT		
		S2 (kN)	TQ (kN·m)	M3 (kN·m)	S2 (kN)	TQ (kN·m)	M3 (kN·m)	S2 (kN)	TQ (kN·m)	M3 (kN·m)	S2 (kN)	TQ (kN·m)	M3 (kN·m)		
68	2-LANES (caseDISPERSION-LMAX	S2	368.96	469.02	-2506.43	306.27	443.21	-1248.50	306.27	437.24	-1250.60	256.98	388.13	-337.03	
		TQ	272.32	573.99	-65.67	188.52	573.99	1033.85	188.52	578.92	1031.10	104.76	578.92	1730.83	
		M3	54.85	47.71	1010.09	62.69	285.30	1303.62	62.33	290.22	1302.25	104.76	578.92	1730.83	
	MIN	S2	-77.24	-56.63	720.49	-98.36	-30.82	654.62	-98.36	-27.69	654.76	-132.83	21.42	533.47	
		TQ	19.39	-161.61	-1720.27	19.39	-161.61	-1627.73	19.39	-169.37	-1626.94	19.39	-169.37	-1534.39	
		M3	236.87	364.68	-2796.02	145.22	127.09	-1897.50	145.58	119.33	-1898.09	19.39	-169.37	-1534.39	
69	3-LANES (caseTRUCK-LOAD	MAX	S2	86.04	-524.27	24.18	86.04	-524.27	434.77	86.04	-522.18	437.27	86.04	-522.18	847.86
		TQ	-8.70	100.41	-893.20	-8.70	100.41	-934.69	-8.95	95.95	-928.12	-8.95	95.95	-970.81	
		M3	-12.73	-8.92	340.09	69.73	-542.20	570.53	69.73	-539.47	573.11	76.99	-554.12	922.87	
	MIN	S2	-49.68	58.68	308.97	-49.68	58.68	71.91	-49.68	59.02	71.63	-49.68	59.02	-165.44	
		TQ	78.49	-570.99	139.83	78.49	-570.99	514.38	78.49	-568.53	517.10	78.49	-568.53	891.65	
		M3	-1.05	87.26	-1061.62	-1.97	90.11	-1069.77	-1.97	85.00	-1070.19	-2.92	87.50	-1081.34	
	TANDEM-LOAD	MAX	S2	58.88	-359.08	18.11	58.88	-359.08	299.10	58.88	-357.65	300.81	58.88	-357.65	581.80
		TQ	-6.17	68.34	-599.05	-6.17	68.34	-628.48	-6.17	65.34	-628.80	-6.17	65.34	-658.24	
		M3	-7.44	-10.34	234.32	45.67	-366.87	394.00	45.67	-364.99	395.75	53.62	-379.01	634.95	
	MIN	S2	-33.74	40.08	209.73	-33.74	40.08	48.73	-33.74	40.31	48.54	-33.74	40.31	-112.46	
		TQ	54.91	-390.44	80.56	54.91	-390.44	342.60	54.91	-388.80	344.46	54.91	-388.80	606.51	
		M3	-0.97	60.27	-722.89	-1.17	60.88	-728.17	-1.17	57.41	-728.45	-1.92	59.44	-736.01	
	DISPERSION-LMAX	S2	96.33	-554.15	-633.47	96.33	-554.15	-173.74	96.33	-554.97	-171.09	96.33	-554.97	288.63	
		TQ	-89.74	230.07	-729.68	-89.74	230.07	-1157.91	-89.74	224.54	-1159.00	-89.74	224.54	-1587.23	
		M3	-41.79	-273.12	681.88	1.88	-479.84	592.54	1.99	-477.67	594.83	89.98	-597.03	905.61	
	MIN	S2	-96.09	183.75	-52.30	-96.09	183.75	-510.85	-96.09	181.31	-511.72	-96.09	181.31	-970.27	
		TQ	89.98	-600.47	43.91	89.98	-600.47	473.32	89.98	-598.20	476.18	89.98	-598.20	905.59	
		M3	42.04	-97.28	-1367.65	-1.63	109.44	-1277.13	-1.75	104.01	-1277.64	-89.74	223.37	-1587.25	

BAGO RIVER BRIDGE

BLOCK [ No.1 : MAIN GIRDER ][ BEAM MEMBER FORCE ]

MEMBER				4019			4020			4021					
NODE				4019			4020			4020			4021		
				SHEAR	TORQUE	MOMENT	SHEAR	TORQUE	MOMENT	SHEAR	TORQUE	MOMENT	SHEAR	TORQUE	MOMENT
NAME	TITLE			S2 (kN)	TQ (kN·m)	M3 (kN·m)	S2 (kN)	TQ (kN·m)	M3 (kN·m)	S2 (kN)	TQ (kN·m)	M3 (kN·m)	S2 (kN)	TQ (kN·m)	M3 (kN·m)
70	3-LANES (caseTRUCK-LOAD	MAX	S2	369.83	141.01	936.86	338.03	199.66	2149.30	338.03	209.92	2148.33	305.54	266.54	3013.18
			TQ	177.71	354.39	-163.47	175.67	354.39	676.55	175.67	357.61	674.85	175.67	357.61	1513.16
			M3	286.83	147.18	1518.32	288.39	187.08	2326.03	288.39	198.18	2325.11	268.81	248.55	3110.87
		MIN	S2	-63.83	18.37	881.03	-93.14	66.10	1097.72	-93.14	71.34	1097.39	-125.44	128.17	1128.63
			TQ	36.38	-69.15	332.17	36.38	-69.15	505.76	114.06	-71.54	-709.50	112.39	-71.54	-165.17
			M3	62.95	-39.93	-2079.21	62.95	-39.93	-1778.79	62.95	-48.42	-1778.58	62.50	-47.36	-1478.89
		TANDEM-LOAD MAX	S2	262.39	73.92	761.77	241.20	114.12	1593.20	241.20	121.72	1592.64	218.66	162.65	2279.78
			TQ	123.39	246.00	-75.48	122.15	246.00	507.43	122.15	248.42	506.25	122.15	248.42	1089.17
			M3	220.28	96.08	1236.83	218.96	125.29	1771.34	218.96	133.74	1770.72	213.57	161.44	2315.64
		MIN	S2	-51.37	23.90	780.96	-73.19	61.88	922.00	-73.19	66.28	921.69	-97.08	107.41	956.74
			TQ	21.90	-48.01	267.83	21.90	-48.01	372.33	79.25	-49.73	-477.68	79.25	-49.73	-99.48
			M3	42.81	-27.11	-1415.11	42.81	-27.11	-1210.81	42.81	-32.89	-1210.66	42.68	-32.59	-1006.57
		DISPERSION-LMAX	S2	353.54	294.86	-2813.12	317.83	279.37	-1423.25	317.83	272.57	-1424.57	286.11	248.34	-241.44
			TQ	250.26	370.08	-422.20	206.05	370.08	666.94	203.49	373.55	785.22	158.93	373.55	1650.27
			M3	8.74	-1.10	1203.95	71.78	145.78	1404.21	71.58	151.98	1403.50	182.99	363.57	2067.39
MIN	S2	-101.42	-63.47	865.11	-109.91	-47.98	573.31	-109.91	-45.24	573.53	-122.77	-21.01	276.56		
	TQ	1.87	-138.69	-1525.81	1.87	-138.69	-1516.89	4.43	-146.22	-1636.26	4.42	-146.22	-1615.14		
	M3	243.39	232.49	-3151.95	136.14	85.61	-2254.16	136.34	75.35	-2254.54	-19.65	-136.23	-2032.26		
71	3-LANES (caseTRUCK-LOAD	MAX	S2	635.20	297.13	2160.62	520.16	489.87	3355.42	520.16	505.88	3353.04	417.10	648.65	4024.84
			TQ	315.63	710.68	-619.21	315.63	710.68	887.04	322.94	714.96	952.98	322.94	714.96	2494.12
			M3	575.01	246.87	2250.37	461.12	439.25	3442.20	461.12	455.67	3440.07	353.62	616.48	4102.39
		MIN	S2	-97.26	73.77	1679.15	-186.16	200.27	2457.59	-186.16	212.00	2456.60	-298.12	469.85	3806.83
			TQ	91.79	-99.80	-2463.06	91.79	-99.80	-2025.03	92.62	-109.55	-2057.71	92.62	-109.55	-1615.70
			M3	92.95	-98.26	-2536.62	92.95	-98.26	-2093.05	92.95	-108.25	-2092.56	92.57	-107.49	-1650.31

BAGO RIVER BRIDGE

BLOCK [ No.1 : MAIN GIRDER ][ BEAM MEMBER FORCE ]

MEMBER				4019			4020			4021						
NODE				4019			4020			4021						
				SHEAR	TORQUE	MOMENT	SHEAR	TORQUE	MOMENT	SHEAR	TORQUE	MOMENT				
NAME	TITLE			S2 (kN)	TQ (kN·m)	M3 (kN·m)	S2 (kN)	TQ (kN·m)	M3 (kN·m)	S2 (kN)	TQ (kN·m)	M3 (kN·m)				
71	3-LANES (case)	TANDEM-LOAD	MAX	S2	467.03	138.05	1941.79	388.38	271.86	2753.39	388.38	285.00	2752.06	310.20	410.82	3186.65
			TQ	205.24	485.91	-469.14	205.24	485.91	510.31	207.28	488.36	527.33	207.28	488.36	1516.52	
			M3	467.03	138.05	1941.80	388.38	271.86	2753.40	388.38	285.00	2752.07	310.20	410.82	3186.65	
		MIN	S2	-89.23	76.98	1582.06	-162.45	237.67	2730.94	-162.45	250.70	2729.77	-241.15	385.14	3160.80	
		TQ	62.44	-68.07	-1674.04	62.44	-68.07	-1376.07	63.20	-74.68	-1401.95	63.20	-74.68	-1100.34		
		M3	63.07	-66.59	-1725.58	63.07	-66.59	-1424.60	63.07	-73.39	-1424.26	62.97	-73.18	-1123.65		
	DISPERSION-LMAX	S2	492.98	560.75	-3516.18	416.75	528.47	-1787.67	416.75	519.93	-1790.17	354.64	462.94	-480.10		
		TQ	363.52	696.66	-83.49	263.93	696.66	1413.38	263.58	703.40	1410.73	164.27	703.40	2431.39		
		M3	61.11	71.31	1404.24	88.13	359.96	1773.27	87.69	366.97	1771.53	165.77	703.37	2435.57		
		MIN	S2	-110.15	-59.54	1009.34	-133.51	-27.26	869.87	-133.51	-23.11	869.99	-170.71	33.88	674.43	
		TQ	19.32	-195.45	-2423.36	19.32	-195.45	-2331.18	19.66	-206.58	-2330.92	19.66	-206.58	-2237.07		
		M3	321.73	429.90	-3911.08	195.12	141.25	-2691.06	195.56	129.86	-2691.71	18.17	-206.54	-2241.25		
72	4-LANES	TRUCK-LOAD	MAX	S2	689.95	283.35	1941.26	581.81	459.88	3657.16	581.81	477.33	3654.92	483.64	617.31	4677.98
			TQ	312.23	723.16	-394.16	309.37	723.16	1084.51	321.30	728.70	1202.40	321.30	728.70	2735.68	
			M3	581.73	261.56	2520.81	505.47	418.09	3862.88	505.47	436.53	3860.84	415.41	581.84	4816.11	
		MIN	S2	-89.93	123.17	2088.76	-177.22	261.19	3127.37	-177.22	276.11	3126.08	-287.09	458.00	3575.04	
		TQ	155.82	-117.27	-2268.71	155.82	-117.27	-1525.11	156.04	-124.56	-1531.03	153.86	-124.56	-786.37		
		M3	104.03	-92.17	-3078.47	104.03	-92.17	-2582.02	104.03	-104.49	-2581.55	103.62	-103.62	-2086.21		
	TANDEM-LOAD	MAX	S2	503.02	135.58	1637.68	429.47	255.84	2844.28	429.47	269.42	2843.02	355.46	386.40	3640.31	
		TQ	207.77	497.65	-263.04	206.01	497.65	720.06	209.34	501.18	751.54	209.34	501.18	1750.53		
		M3	464.51	154.59	2129.38	408.70	265.77	3033.63	408.70	280.25	3032.33	350.50	385.17	3677.79		
		MIN	S2	-85.53	123.11	2008.72	-156.96	238.26	2636.71	-156.96	250.85	2635.55	-233.37	373.71	2842.25	
		TQ	103.00	-80.89	-1481.02	103.00	-80.89	-989.48	108.78	-85.87	-1070.38	108.78	-85.87	-551.25		
		M3	70.62	-62.49	-2094.24	70.62	-62.49	-1757.21	70.62	-70.87	-1756.89	70.51	-70.63	-1420.18		



BAGO RIVER BRIDGE

BLOCK [ No.1 : MAIN GIRDER ] [ BEAM MEMBER FORCE ]

MEMBER				4019			4020			4021							
NODE				4019			4020			4021							
				SHEAR	TORQUE	MOMENT	SHEAR	TORQUE	MOMENT	SHEAR	TORQUE	MOMENT					
NAME	TITLE			S2 (kN)	TQ (kN·m)	M3 (kN·m)	S2 (kN)	TQ (kN·m)	M3 (kN·m)	S2 (kN)	TQ (kN·m)	M3 (kN·m)					
72	4-LANES	DISPERSION-LMAX	S2	511.20	422.39	-3837.01	435.76	390.92	-2006.79	435.76	381.33	-2008.63	374.06	325.48	-592.60		
			TQ	350.70	568.75	-56.95	252.39	568.75	1381.93	250.09	575.64	1499.35	151.83	575.64	2458.25		
			M3	176.05	147.14	842.52	233.64	437.20	1832.77	233.19	444.49	1830.66	171.78	565.76	2854.85		
	MIN	S2	-14.73	19.35	340.36	-37.51	50.81	646.40	-37.51	53.89	646.15	-73.92	109.62	898.48			
		TQ	148.97	-126.91	-3535.37	148.97	-126.91	-2824.44	151.11	-140.67	-2940.96	151.09	-140.67	-2219.87			
		M3	320.37	293.75	-4340.09	164.59	2.91	-3195.67	165.04	-10.89	-3195.65	128.02	-131.39	-2555.03			
	73	6-LANES	TRUCK-LOAD	MAX	S2	664.32	-200.27	1646.93	569.88	-45.92	3415.36	569.88	-29.62	3415.54	486.55	83.47	4749.69
				TQ	256.63	684.83	-1081.55	256.63	684.83	143.14	256.01	685.53	160.48	256.01	685.53	1382.21	
				M3	467.23	240.90	2427.41	481.30	-84.28	3777.52	481.30	-66.24	3777.88	423.82	29.29	4918.73	
MIN		S2	-137.43	129.17	1874.08	-213.98	241.33	2357.93	-213.98	252.58	2356.75	-308.61	409.47	2466.01			
		TQ	171.28	-579.04	-1898.08	171.28	-579.04	-1080.70	175.18	-584.54	-1191.44	175.18	-584.54	-355.44			
		M3	91.62	-11.02	-3599.41	90.67	-8.17	-3165.30	90.67	-23.28	-3165.23	89.79	-21.00	-2735.29			
TANDEM-LOAD		MAX	S2	482.13	-190.09	1438.09	417.55	-83.12	2651.03	417.55	-70.46	2651.40	353.21	31.01	3545.47		
		TQ	169.48	467.63	-749.59	169.48	467.63	59.20	169.31	467.92	62.72	169.31	467.92	870.68			
		M3	394.46	75.25	1999.56	387.12	-75.79	2912.74	387.12	-61.89	2913.07	344.44	11.52	3683.70			
MIN		S2	-114.46	113.53	1691.50	-176.26	213.63	2056.99	-176.26	223.45	2055.94	-242.39	332.05	2105.58			
		TQ	118.11	-397.24	-1308.37	118.11	-397.24	-744.73	118.85	-400.87	-764.43	118.85	-400.87	-197.26			
		M3	63.31	-10.46	-2453.32	61.78	-5.91	-2153.91	61.78	-16.19	-2153.86	61.07	-14.28	-1861.46			
DISPERSION-LMAX		S2	569.43	49.37	-4283.13	504.75	23.00	-2075.88	504.75	13.09	-2075.97	453.11	-35.67	-217.79			
		TQ	260.63	815.51	-856.09	175.28	815.51	183.96	172.01	816.68	301.69	86.85	816.68	919.27			
		M3	19.27	-175.88	1976.94	102.99	-90.15	2284.10	102.89	-80.05	2284.50	264.45	118.52	3303.05			
MIN	S2	-190.17	102.55	961.71	-210.09	129.43	374.32	-210.09	131.21	373.70	-242.08	179.13	-267.23				
	TQ	118.87	-694.09	-2354.00	118.87	-694.09	-1786.72	121.38	-702.90	-1901.40	121.37	-702.90	-1322.18				
	M3	363.75	273.84	-5258.37	194.04	201.93	-3943.09	194.31	185.11	-3944.01	-54.57	-0.95	-3758.48				

BAGO RIVER BRIDGE

BLOCK [ No.1 : MAIN GIRDER ] [ BEAM MEMBER FORCE ]

MEMBER			4019			4020			4021						
NODE			4019			4020			4020			4021			
NAME TITLE			SHEAR	TORQUE	MOMENT	SHEAR	TORQUE	MOMENT	SHEAR	TORQUE	MOMENT	SHEAR	TORQUE	MOMENT	
			S2 (kN)	TQ (kN·m)	M3 (kN·m)	S2 (kN)	TQ (kN·m)	M3 (kN·m)	S2 (kN)	TQ (kN·m)	M3 (kN·m)	S2 (kN)	TQ (kN·m)	M3 (kN·m)	
124	SUM TOTAL	D+1LANE (caseMAX	S2	1407.88	-375.16	-12459.58	1108.23	-375.16	-6454.74	1108.23	-405.97	-6452.88	809.13	-405.97	-1876.92
			TQ	1312.87	398.51	-12901.90	1013.21	398.51	-7350.49	1013.21	363.41	-7352.31	714.11	363.41	-3229.77
			M3	1328.60	47.46	-12165.96	1072.23	-373.30	-6383.45	1072.29	-404.31	-6381.60	806.38	-464.27	-1855.47
		MIN	S2	1305.29	358.68	-12577.53	1005.64	358.68	-7062.27	1005.64	324.97	-7063.90	706.54	324.97	-2977.53
			TQ	1400.84	-440.20	-12391.52	1101.18	-440.20	-6420.29	1101.18	-470.84	-6418.12	802.08	-470.84	-1875.77
			M3	1357.87	245.02	-13214.87	1049.33	324.51	-7474.85	1049.28	289.37	-7476.32	717.91	355.08	-3299.93
		D+1LANE (caseMAX	S2	1477.25	-54.49	-13132.53	1177.59	-54.49	-6796.68	1177.59	-86.93	-6796.34	878.49	-86.93	-1889.38
			TQ	1344.55	282.59	-13455.84	1044.89	282.59	-7753.26	1044.59	245.59	-7746.07	745.49	245.59	-3473.80
			M3	1377.52	101.47	-12049.47	1121.48	-25.90	-6088.87	1121.54	-55.12	-6088.67	865.50	-97.43	-1311.95
		MIN	S2	1312.27	247.46	-12211.92	1012.61	247.46	-6663.38	1012.61	215.65	-6664.49	713.51	215.65	-2544.83
			TQ	1469.59	-79.32	-12496.67	1169.93	-79.32	-6197.38	1169.93	-108.91	-6196.93	870.83	-108.91	-1326.51
			M3	1411.83	178.69	-13790.21	1085.68	248.77	-7829.82	1085.62	211.54	-7830.92	746.63	244.84	-3491.92
		D+1LANE (caseMAX	S2	1550.47	198.19	-13417.80	1250.16	198.19	-6734.06	1250.16	166.04	-6734.93	950.40	166.04	-1483.21
			TQ	1430.66	267.51	-12609.53	1127.89	267.51	-6507.22	1124.82	236.79	-6364.36	825.07	236.79	-1710.76
			M3	1382.95	221.15	-11758.49	1154.55	190.53	-5718.81	1154.54	163.22	-5719.65	922.62	169.40	-730.80
		MIN	S2	1309.35	194.95	-12110.65	1009.70	194.95	-6576.01	1009.70	163.56	-6576.87	710.60	163.56	-2471.11
			TQ	1459.19	152.50	-12634.35	1159.53	152.50	-6384.68	1162.60	121.67	-6529.41	861.48	121.67	-1693.98
			M3	1456.61	221.53	-14275.10	1121.70	216.40	-8120.90	1121.71	177.64	-8121.84	769.81	157.27	-3637.53
		D+1LANE (caseMAX	S2	1983.92	712.38	-13018.41	1552.54	829.25	-5756.87	1552.54	801.76	-5760.76	1144.85	862.48	-567.43
			TQ	1708.40	1049.65	-12842.48	1348.04	1049.65	-5548.33	1348.04	1023.16	-5553.28	988.18	1023.16	22.17
			M3	1749.66	371.36	-10713.80	1360.18	669.84	-4067.26	1359.89	649.27	-4070.41	1001.04	973.87	777.96
		MIN	S2	1260.28	213.64	-10990.54	877.65	320.91	-4652.71	877.65	298.70	-4654.19	464.91	469.13	-135.54
			TQ	1429.58	36.95	-14761.58	1129.92	36.95	-8653.20	1129.92	-4.35	-8653.28	830.82	-4.35	-3973.78
			M3	1566.53	416.45	-15457.88	1209.74	251.39	-8836.98	1210.04	210.35	-8838.09	830.60	-4.03	-3978.92

BAGO RIVER BRIDGE

BLOCK [ No.1 : MAIN GIRDER ] [ BEAM MEMBER FORCE ]

MEMBER			4019			4020			4021						
NODE			4019			4020			4020			4021			
NAME TITLE			SHEAR	TORQUE	MOMENT	SHEAR	TORQUE	MOMENT	SHEAR	TORQUE	MOMENT	SHEAR	TORQUE	MOMENT	
			S2 (kN)	TQ (kN·m)	M3 (kN·m)	S2 (kN)	TQ (kN·m)	M3 (kN·m)	S2 (kN)	TQ (kN·m)	M3 (kN·m)	S2 (kN)	TQ (kN·m)	M3 (kN·m)	
124	SUM TOTAL	D+2LANES (casMAX	S2	1459.17	-651.22	-12630.75	1159.51	-651.22	-6381.18	1159.51	-681.68	-6378.00	860.41	-681.68	-1557.31
			TQ	1288.94	476.77	-13374.91	989.29	476.77	-7937.67	989.29	438.88	-7939.86	690.19	438.88	-3931.50
			M3	1305.38	15.18	-11902.03	1095.50	-618.67	-6068.99	1095.57	-648.17	-6065.97	855.83	-746.92	-1346.52
		MIN	S2	1268.51	418.00	-12531.96	968.85	418.00	-7192.23	968.85	383.66	-7194.15	669.75	383.66	-3283.30
			TQ	1451.64	-723.57	-12367.60	1151.99	-723.57	-6153.93	1151.99	-752.94	-6150.41	852.89	-752.94	-1365.62
			M3	1372.30	222.86	-13902.66	1050.13	374.03	-8128.17	1050.06	335.76	-8129.86	695.26	429.87	-4026.95
		D+2LANES (casMAX	S2	1516.97	-384.00	-13191.54	1217.31	-384.00	-6666.13	1217.31	-415.81	-6664.22	918.21	-415.81	-1567.69
			TQ	1315.34	380.18	-13836.52	1015.69	380.18	-8273.31	1015.43	340.69	-8267.99	716.33	340.69	-4134.85
			M3	1346.15	60.19	-11804.96	1136.54	-329.17	-5823.50	1136.61	-357.18	-5821.86	905.09	-441.22	-893.58
		MIN	S2	1274.32	325.31	-12227.28	974.67	325.31	-6859.83	974.67	292.56	-6861.30	675.56	292.56	-2922.72
			TQ	1508.93	-422.85	-12455.23	1209.28	-422.85	-5968.17	1209.28	-451.33	-5966.08	910.17	-451.33	-907.90
			M3	1417.26	167.58	-14382.11	1080.42	310.91	-8423.97	1080.35	270.90	-8425.36	719.19	338.01	-4186.94
		D+2LANES (casMAX	S2	1738.21	360.75	-13980.03	1426.45	355.59	-6498.35	1426.45	324.56	-6499.97	1112.94	329.97	-709.07
			TQ	1580.25	482.97	-12845.61	1264.89	482.97	-6058.70	1262.33	454.33	-5940.88	949.47	454.33	-662.24
			M3	1470.37	272.63	-10991.12	1254.38	305.80	-4665.71	1254.29	283.36	-4667.12	1048.94	366.96	721.66
		MIN	S2	1266.99	163.62	-11750.09	965.78	168.78	-6350.56	965.78	138.47	-6351.29	664.82	144.55	-2379.56
			TQ	1421.79	102.33	-13118.22	1122.13	102.33	-7047.02	1158.32	66.77	-7696.07	857.53	66.77	-2881.08
			M3	1542.80	277.95	-15724.22	1178.83	226.30	-9228.82	1178.92	182.40	-9229.79	783.91	98.94	-4589.99
		D+2LANES (casMAX	S2	2257.39	914.34	-13388.34	1784.17	1065.07	-5395.88	1784.17	1039.30	-5400.90	1339.39	1118.03	309.03
			TQ	1884.03	1375.83	-12989.72	1500.57	1375.83	-4912.70	1500.57	1352.36	-4919.21	1117.71	1352.36	1329.15
			M3	1896.15	448.40	-9798.02	1494.49	861.30	-2770.06	1494.13	846.77	-2774.14	1135.52	1280.94	2439.87
		MIN	S2	1211.48	229.39	-10250.83	801.81	381.70	-3637.95	801.81	364.33	-3639.73	358.24	590.70	1017.77
			TQ	1456.13	-32.92	-16017.21	1156.47	-32.92	-9782.16	1156.75	-79.63	-9797.92	857.65	-79.63	-4990.40
			M3	1673.67	493.97	-17117.59	1282.37	256.38	-10076.22	1282.73	209.57	-10077.34	857.06	-78.37	-5001.01

BAGO RIVER BRIDGE

BLOCK [ No.1 : MAIN GIRDER ][ BEAM MEMBER FORCE ]

MEMBER				4019			4020			4021						
NODE				4019			4020			4021						
				SHEAR	TORQUE	MOMENT	SHEAR	TORQUE	MOMENT	SHEAR	TORQUE	MOMENT				
NAME TITLE				S2 (kN)	TQ (kN·m)	M3 (kN·m)	S2 (kN)	TQ (kN·m)	M3 (kN·m)	S2 (kN)	TQ (kN·m)	M3 (kN·m)				
124	SUM TOTAL	D+3LANES (casMAX	S2	1522.93	-708.41	-13044.38	1223.27	-708.41	-6490.55	1223.27	-739.38	-6487.09	924.17	-739.38	-1362.14	
			TQ	1284.24	489.15	-13905.93	984.58	489.15	-8491.14	984.37	448.62	-8487.39	685.27	448.62	-4502.49	
			M3	1321.57	-31.49	-11657.81	1129.12	-660.48	-5723.82	1129.21	-688.36	-5720.60	911.08	-802.28	-773.95	
		MIN	S2	1244.01	414.31	-12308.32	944.35	414.31	-7085.52	944.35	380.48	-7087.42	645.25	380.48	-3293.51	
			TQ	1511.11	-787.50	-12370.31	1211.45	-787.50	-5872.88	1211.45	-815.52	-5869.05	912.35	-815.52	-800.50	
			M3	1402.75	199.73	-14591.37	1065.19	377.86	-8707.29	1065.10	336.86	-8709.00	690.39	440.44	-4596.46	
		D+3LANES (casMAX	S2	1982.77	578.74	-14121.30	1625.73	615.42	-6095.28	1625.73	586.32	-6098.15	1272.05	613.85	27.82	
			TQ	1731.68	824.05	-13024.31	1392.71	824.05	-5570.46	1390.53	797.69	-5472.28	1053.55	797.69	360.76	
			M3	1619.14	332.41	-10212.56	1374.39	491.17	-3541.72	1374.22	473.83	-3544.03	1153.18	696.50	2073.36	
		MIN	S2	1227.45	169.91	-11042.27	895.66	223.66	-5292.05	895.66	198.39	-5293.06	558.17	267.29	-1133.74	
			TQ	1400.42	31.58	-13541.08	1100.76	31.58	-7571.88	1168.97	-8.90	-8707.24	868.44	-8.90	-3841.42	
			M3	1628.30	371.93	-16972.98	1237.48	247.08	-10140.43	1237.65	199.10	-10141.49	805.57	20.15	-5312.64	
		D+3LANES (casMAX	S2	2326.86	937.45	-13678.72	1864.63	1073.83	-5379.84	1864.63	1048.14	-5384.90	1425.13	1121.05	684.87	
			TQ	1945.19	1404.49	-13123.78	1560.88	1404.49	-4757.07	1566.80	1381.81	-4704.19	1183.28	1381.81	1858.53	
			M3	1908.61	478.70	-9420.07	1535.11	887.57	-2279.28	1534.74	875.44	-2283.49	1210.63	1298.07	3229.11	
		MIN	S2	1191.61	220.34	-10241.27	796.53	355.30	-3884.08	796.53	336.75	-3885.74	370.65	604.37	1480.91	
			TQ	1462.35	-42.72	-16679.94	1162.69	-42.72	-10415.20	1163.69	-92.51	-10443.68	864.59	-92.51	-5603.02	
			M3	1720.38	490.14	-18007.04	1313.11	244.79	-10778.92	1313.48	194.56	-10779.97	863.28	-90.73	-5635.98	
		D+4LANES	MAX	S2	2148.66	666.98	-13758.72	1729.68	761.26	-5639.68	1729.68	734.33	-5643.25	1326.66	789.01	327.34
			TQ	1798.81	1047.99	-12819.71	1433.39	1047.99	-5109.24	1439.65	1024.02	-4957.20	1076.68	1024.02	1047.90	
			M3	1860.46	473.90	-10340.33	1548.67	764.19	-3010.25	1548.38	748.86	-3013.87	1150.82	922.14	2657.97	
		MIN	S2	1299.88	300.88	-10947.56	928.67	411.04	-4259.48	928.67	390.70	-4261.39	534.49	545.16	579.63	
			TQ	1566.02	49.53	-16299.14	1266.37	49.53	-9539.63	1267.90	3.80	-9620.14	967.37	3.80	-4282.21	
			M3	1643.77	339.27	-17348.56	1242.85	150.23	-10467.92	1243.15	101.20	-10468.52	919.72	23.45	-5344.97	

BAGO RIVER BRIDGE

BLOCK [ No.1 : MAIN GIRDER ][ BEAM MEMBER FORCE ]

MEMBER				4019			4020			4021						
NODE				4019			4020			4021						
				SHEAR	TORQUE	MOMENT	SHEAR	TORQUE	MOMENT	SHEAR	TORQUE	MOMENT				
NAME	TITLE			S2 (kN)	TQ (kN·m)	M3 (kN·m)	S2 (kN)	TQ (kN·m)	M3 (kN·m)	S2 (kN)	TQ (kN·m)	M3 (kN·m)				
124	SUM TOTAL	D+6LANES	MAX	S2	2169.85	110.16	-14240.02	1766.76	193.34	-5841.77	1766.76	165.46	-5842.62	1379.93	207.27	617.58
				TQ	1704.13	1183.47	-13785.95	1348.99	1183.47	-6499.81	1346.47	1152.63	-6412.93	992.01	1152.63	-832.20
				M3	1684.13	250.51	-9663.67	1448.04	94.87	-2772.38	1447.97	81.11	-2772.80	1216.53	272.27	3016.00
			MIN	S2	1154.97	358.87	-10683.23	792.60	449.24	-4936.46	792.60	425.67	-4938.55	411.21	558.79	-898.95
				TQ	1556.51	-619.29	-15290.34	1256.85	-619.29	-8576.25	1261.01	-660.63	-8723.69	961.91	-660.63	-3418.60
				M3	1663.90	379.08	-18284.04	1253.31	334.19	-11332.88	1253.49	281.39	-11334.35	792.04	161.93	-6549.11
	SUM TOTAL		MAX		2326.86	1404.49	-9420.07	1864.63	1404.49	-2279.28	1864.63	1381.81	-2283.49	1425.13	1381.81	3229.11
			MIN		1154.97	-787.50	-18284.04	792.60	-787.50	-11332.88	792.60	-815.52	-11334.35	358.24	-815.52	-6549.11
300	DEAD LOAD	TOTAL			1367.91	208.25	-12526.49	1068.25	208.25	-6712.43	1068.25	176.20	-6713.34	769.15	176.20	-2328.16
301	LIVE LOAD	1-LANE(case1MAX	S2		39.98	-583.41	66.91	39.98	-583.41	257.69	39.98	-582.17	260.47	39.98	-582.17	451.24
			TQ		-55.04	190.26	-375.41	-55.04	190.26	-638.06	-55.04	187.21	-638.96	-55.04	187.21	-901.62
			M3		-39.31	-160.79	360.53	3.98	-581.54	328.97	4.03	-580.51	331.74	37.23	-640.47	472.69
			MIN	S2	-62.61	150.44	-51.04	-62.61	150.44	-349.85	-62.61	148.77	-350.56	-62.61	148.77	-649.37
				TQ	32.93	-648.44	134.97	32.93	-648.44	292.13	32.93	-647.04	295.23	32.93	-647.04	452.39
				M3	-10.03	36.78	-688.38	-18.92	116.26	-762.42	-18.97	113.17	-762.97	-51.24	178.87	-971.77
		1-LANE(case2MAX	S2		109.34	-262.73	-606.04	109.34	-262.73	-84.26	109.34	-263.13	-83.00	109.34	-263.13	438.78
			TQ		-23.36	74.34	-929.35	-23.36	74.34	-1040.83	-23.66	69.39	-1032.72	-23.66	69.39	-1145.64
			M3		9.61	-106.77	477.02	53.23	-234.15	623.56	53.29	-231.32	624.67	96.35	-273.63	1016.21
			MIN	S2	-55.64	39.22	314.57	-55.64	39.22	49.04	-55.64	39.45	48.85	-55.64	39.45	-216.68
				TQ	101.68	-287.57	29.82	101.68	-287.57	515.05	101.68	-285.11	516.42	101.68	-285.11	1001.65
				M3	43.92	-29.56	-1263.72	17.43	40.52	-1117.39	17.37	35.34	-1117.57	-22.52	68.64	-1163.76
		1-LANE(case3MAX	S2		182.57	-10.06	-891.31	181.91	-10.06	-21.63	181.91	-10.16	-21.59	181.25	-10.16	844.94
			TQ		62.75	59.26	-83.04	59.64	59.26	205.21	56.57	60.59	348.99	55.92	60.59	617.39
			M3		15.05	12.90	768.00	86.30	-17.72	993.62	86.29	-12.98	993.69	153.47	-6.80	1597.35
			MIN	S2	-58.55	-13.30	415.84	-58.55	-13.30	136.41	-58.55	-12.65	136.48	-58.55	-12.65	-142.95
				TQ	91.28	-55.74	-107.86	91.28	-55.74	327.74	94.35	-54.53	183.94	92.33	-54.53	634.18
				M3	88.70	13.29	-1748.61	53.45	8.16	-1408.47	53.46	1.44	-1408.49	0.66	-18.93	-1309.38

BAGO RIVER BRIDGE

BLOCK [ No.1 : MAIN GIRDER ][ BEAM MEMBER FORCE ]

MEMBER			4019			4020			4020			4021				
NODE			4019			4020			4020			4021				
NAME TITLE			SHEAR	TORQUE	MOMENT	SHEAR	TORQUE	MOMENT	SHEAR	TORQUE	MOMENT	SHEAR	TORQUE	MOMENT		
			S2 (kN)	TQ (kN·m)	M3 (kN·m)	S2 (kN)	TQ (kN·m)	M3 (kN·m)	S2 (kN)	TQ (kN·m)	M3 (kN·m)	S2 (kN)	TQ (kN·m)	M3 (kN·m)		
301	LIVE LOAD	1-LANE (case4MAX	S2	616.02	504.14	-491.93	484.29	621.01	955.55	484.29	625.56	952.58	375.70	686.28	1760.73	
			TQ	340.49	841.41	-315.99	279.79	841.41	1164.10	279.79	846.96	1160.07	219.03	846.96	2350.33	
			M3	381.75	163.11	1812.69	291.93	461.60	2645.16	291.64	473.07	2642.93	231.89	797.67	3106.12	
			MIN	S2	-107.63	5.39	1535.95	-190.60	112.67	2059.71	-190.60	122.50	2059.15	-304.24	292.93	2192.62
			TQ	61.67	-171.29	-2235.09	61.67	-171.29	-1940.78	61.67	-180.55	-1939.94	61.67	-180.55	-1645.62	
			M3	198.62	208.20	-2931.39	141.49	43.14	-2124.56	141.78	34.15	-2124.74	61.45	-180.23	-1650.77	
		2-LANES (caseMAX	S2	91.26	-859.47	-104.26	91.26	-859.47	331.24	91.26	-857.88	335.34	91.26	-857.88	770.84	
			TQ	-78.96	268.53	-848.42	-78.96	268.53	-1225.25	-78.96	262.68	-1226.52	-78.96	262.68	-1603.34	
			M3	-62.53	-193.06	624.46	27.25	-826.91	643.43	27.32	-824.37	647.38	86.68	-923.12	981.64	
			MIN	S2	-99.40	209.75	-5.47	-99.40	209.75	-479.81	-99.40	207.46	-480.80	-99.40	207.46	-955.14
			TQ	83.74	-931.82	158.89	83.74	-931.82	558.49	83.74	-929.14	562.94	83.74	-929.14	962.54	
			M3	4.39	14.61	-1376.17	-18.12	165.78	-1415.74	-18.19	159.56	-1416.52	-73.89	253.67	-1698.79	
		2-LANES (caseMAX	S2	149.06	-592.24	-665.05	149.06	-592.24	46.29	149.06	-592.01	49.12	149.06	-592.01	760.46	
			TQ	-52.57	171.93	-1310.03	-52.57	171.93	-1560.89	-52.82	164.49	-1554.65	-52.82	164.49	-1806.70	
			M3	-21.76	-148.05	721.53	68.29	-537.42	888.93	68.36	-533.38	891.48	135.94	-617.43	1434.57	
			MIN	S2	-93.59	117.06	299.21	-93.59	117.06	-147.40	-93.59	116.36	-147.96	-93.59	116.36	-594.56
			TQ	141.02	-631.09	71.26	141.02	-631.09	744.26	141.02	-627.53	747.26	141.02	-627.53	1420.25	
			M3	49.35	-40.67	-1855.62	12.17	102.66	-1711.55	12.10	94.70	-1712.02	-49.96	161.81	-1858.78	
		2-LANES (caseMAX	S2	370.30	152.50	-1453.54	358.20	147.34	214.07	358.20	148.36	213.37	343.79	153.77	1619.08	
			TQ	212.34	274.72	-319.12	196.64	274.72	653.73	194.08	278.13	772.46	180.32	278.13	1665.92	
			M3	102.46	64.39	1535.37	186.13	97.56	2046.71	186.04	107.16	2046.22	279.79	190.76	3049.81	
			MIN	S2	-100.92	-44.62	776.40	-102.47	-39.46	361.87	-102.47	-37.73	362.05	-104.33	-31.65	-51.40
			TQ	53.88	-105.91	-591.73	53.88	-105.91	-334.60	90.07	-109.43	-982.72	88.38	-109.43	-552.93	
			M3	174.89	69.70	-3197.73	110.58	18.06	-2516.39	110.67	6.20	-2516.45	14.76	-77.26	-2261.83	

BAGO RIVER BRIDGE

BLOCK [ No.1 : MAIN GIRDER ][ BEAM MEMBER FORCE ]

MEMBER			4019			4020			4020			4021			
NODE			4019			4020			4020			4021			
NAME TITLE			SHEAR	TORQUE	MOMENT	SHEAR	TORQUE	MOMENT	SHEAR	TORQUE	MOMENT	SHEAR	TORQUE	MOMENT	
			S2 (kN)	TQ (kN·m)	M3 (kN·m)	S2 (kN)	TQ (kN·m)	M3 (kN·m)	S2 (kN)	TQ (kN·m)	M3 (kN·m)	S2 (kN)	TQ (kN·m)	M3 (kN·m)	
301	LIVE LOAD	2-LANES (caseMAX	S2	889.48	706.10	-861.85	715.92	856.82	1316.55	715.92	863.09	1312.45	570.24	941.83	2637.18
			TQ	516.12	1167.58	-463.23	432.32	1167.58	1799.73	432.32	1176.16	1794.14	348.56	1176.16	3657.31
			M3	528.24	240.15	2728.47	426.24	653.06	3942.37	425.88	670.57	3939.21	366.37	1104.74	4768.03
			MIN S2	-156.42	21.15	2275.66	-266.44	173.46	3074.47	-266.44	188.13	3073.61	-410.91	414.50	3345.93
			TQ	88.22	-241.16	-3490.72	88.22	-241.16	-3069.73	88.50	-255.83	-3084.57	88.50	-255.83	-2662.24
			M3	305.76	285.72	-4591.10	214.12	48.13	-3363.80	214.48	33.37	-3363.99	87.91	-254.57	-2672.85
		3-LANES (caseMAX	S2	155.02	-916.65	-517.89	155.02	-916.65	221.88	155.02	-915.58	226.25	155.02	-915.58	966.02
			TQ	-83.67	280.91	-1379.44	-83.67	280.91	-1778.72	-83.88	272.42	-1774.05	-83.88	272.42	-2174.34
			M3	-46.34	-239.73	868.68	60.86	-868.73	988.61	60.96	-864.57	992.74	141.93	-978.48	1554.21
			MIN S2	-123.90	206.06	218.17	-123.90	206.06	-373.10	-123.90	204.28	-374.08	-123.90	204.28	-965.35
			TQ	143.20	-995.74	156.18	143.20	-995.74	839.55	143.20	-991.72	844.29	143.20	-991.72	1527.66
			M3	34.84	-8.52	-2064.88	-3.06	169.62	-1994.87	-3.16	160.66	-1995.65	-78.76	264.24	-2268.30
		3-LANES (caseMAX	S2	614.86	370.49	-1594.82	557.48	407.18	617.14	557.48	410.12	615.19	502.90	437.65	2355.98
			TQ	363.77	615.80	-497.82	324.46	615.80	1141.97	322.28	621.49	1241.06	284.40	621.49	2688.92
			M3	251.23	124.17	2313.93	306.14	282.93	3170.70	305.97	297.63	3169.32	384.03	520.30	4401.51
			MIN S2	-140.46	-38.33	1484.22	-172.59	15.41	1420.37	-172.59	22.19	1420.28	-210.98	91.09	1194.41
			TQ	32.51	-176.67	-1014.59	32.51	-176.67	-859.46	100.72	-185.10	-1993.90	99.29	-185.10	-1513.27
			M3	260.39	163.68	-4446.49	169.23	38.83	-3428.00	169.40	22.90	-3428.15	36.42	-156.05	-2984.48
		3-LANES (caseMAX	S2	958.96	729.20	-1152.23	796.38	865.59	1332.59	796.38	871.94	1328.44	655.98	944.85	3013.02
			TQ	577.28	1196.24	-597.29	492.63	1196.24	1955.36	498.55	1205.61	2009.16	414.13	1205.61	4186.69
			M3	540.70	270.45	3106.42	466.86	679.32	4433.15	466.48	699.24	4429.86	441.48	1121.87	5557.26
			MIN S2	-176.29	12.09	2285.22	-271.72	147.05	2828.34	-271.72	160.55	2827.61	-398.50	428.17	3809.06
			TQ	94.44	-250.97	-4153.45	94.44	-250.97	-3702.78	95.44	-268.71	-3730.33	95.44	-268.71	-3274.86
			M3	352.48	281.89	-5480.55	244.86	36.54	-4066.50	245.23	18.36	-4066.63	94.13	-266.93	-3307.82

BAGO RIVER BRIDGE

BLOCK [ No.1 : MAIN GIRDER ][ BEAM MEMBER FORCE ]

MEMBER					4019			4020			4021					
NODE					4019			4020			4021					
					SHEAR	TORQUE	MOMENT	SHEAR	TORQUE	MOMENT	SHEAR	TORQUE	MOMENT			
NAME	TITLE				S2 (kN)	TQ (kN·m)	M3 (kN·m)	S2 (kN)	TQ (kN·m)	M3 (kN·m)	S2 (kN)	TQ (kN·m)	M3 (kN·m)			
301	LIVE LOAD	4-LANES	MAX	S2	780.75	458.73	-1232.23	661.43	553.01	1072.74	661.43	558.13	1070.09	557.51	612.81	2655.50
				TQ	430.90	839.75	-293.22	365.14	839.75	1603.19	371.40	847.82	1756.14	307.53	847.82	3376.06
				M3	492.56	265.65	2186.16	480.42	555.94	3702.17	480.13	572.66	3699.48	381.67	745.94	4986.12
			MIN	S2	-68.02	92.63	1578.93	-139.58	202.80	2452.95	-139.58	214.50	2451.95	-234.66	368.96	2907.79
				TQ	198.12	-158.71	-3772.65	198.12	-158.71	-2827.21	199.65	-172.40	-2906.80	198.22	-172.40	-1954.06
				M3	275.86	131.03	-4822.07	174.60	-58.02	-3755.50	174.89	-75.00	-3755.18	150.57	-152.75	-3016.81
		6-LANES	MAX	S2	801.94	-98.09	-1713.53	698.51	-14.90	870.66	698.51	-10.74	870.72	610.78	31.07	2945.74
				TQ	336.22	975.22	-1259.46	280.74	975.22	212.62	278.22	976.43	300.41	222.86	976.43	1495.96
				M3	316.23	42.26	2862.82	379.79	-113.37	3940.05	379.72	-95.09	3940.54	447.38	96.07	5344.16
			MIN	S2	-212.94	150.62	1843.26	-275.65	240.99	1775.96	-275.65	249.47	1774.79	-357.94	382.59	1429.20
				TQ	188.60	-827.53	-2763.85	188.60	-827.53	-1863.82	192.76	-836.83	-2010.34	192.76	-836.83	-1090.45
				M3	295.99	170.83	-5757.55	185.06	125.94	-4620.45	185.24	105.19	-4621.00	22.89	-14.27	-4220.95
		LIVE LOAD	MAX		958.96	1196.24	3106.42	796.38	1196.24	4433.15	796.38	1205.61	4429.86	655.98	1205.61	5557.26
			MIN		-212.94	-995.74	-5757.55	-275.65	-995.74	-4620.45	-275.65	-991.72	-4621.00	-410.91	-991.72	-4220.95
		303	SUM TOTAL	TOTAL	MAX	2326.86	1404.49	-9420.07	1864.63	1404.49	-2279.28	1864.63	1381.81	-2283.49	1425.13	1381.81
MIN	1154.97				-787.50	-18284.04	792.60	-787.50	-11332.88	792.60	-815.52	-11334.35	358.24	-815.52	-6549.11	



BAGO RIVER BRIDGE

BLOCK [ No.1 : MAIN GIRDER ] [ BEAM MEMBER FORCE ]

MEMBER NODE	4021	4022			4023									
		SHEAR	TORQUE	MOMENT	SHEAR	TORQUE	MOMENT							
NAME TITLE	S2 (kN)	TQ (kN·m)	M3 (kN·m)	S2 (kN)	TQ (kN·m)	M3 (kN·m)	S2 (kN)	TQ (kN·m)	M3 (kN·m)	S2 (kN)	TQ (kN·m)	M3 (kN·m)		
1 PAVEMENT	163.21	77.72	-428.30	105.01	77.72	211.76	105.01	78.73	211.38	46.97	78.73	574.05		
3 RAILING	5.19	2.87	-8.28	1.96	2.87	8.82	1.96	2.91	8.81	-1.26	2.91	10.51		
5 CURB	51.33	28.42	-81.94	19.43	28.42	87.35	19.43	28.84	87.21	-12.51	28.84	104.06		
7 DECK WEIGHT	246.03	106.79	-673.72	155.33	106.79	284.16	155.33	108.14	283.65	64.83	108.14	809.14		
8 GIRDER WEIGH	234.12	-15.24	-763.33	144.89	-15.24	141.02	144.89	-14.56	141.10	55.65	-14.56	619.59		
10 MEDIAN STRIP	11.24	-32.17	-173.20	11.24	-32.17	-119.57	11.24	-32.74	-119.42	11.24	-32.74	-65.79		
21 ADITIONAL WE	68.89	29.90	-188.64	43.49	29.90	79.56	43.49	30.28	79.42	18.15	30.28	226.56		
31 MEDIAN RAILI	1.74	-2.64	-11.51	1.74	-2.64	-3.22	1.74	-2.66	-3.21	1.74	-2.66	5.08		
51 SUPPORT WEIG	0.00	0.00	-0.00	0.00	0.00	-0.00	0.00	0.00	-0.00	0.00	0.00	-0.00		
52 NOSE WEIGHT	-0.01	-0.01	0.16	-0.01	-0.01	0.10	-0.01	-0.01	0.10	-0.01	-0.01	0.05		
61 1-LANE(case1TRUCK-LOAD	MAX	S2	14.59	-169.09	147.75	14.59	-169.09	217.37	14.59	-168.05	218.18	14.59	-168.05	287.80
		TQ	-13.26	34.90	-52.61	-13.26	34.90	-115.89	-13.26	34.34	-116.05	-13.26	34.34	-179.33
		M3	9.38	-191.99	200.47	11.52	-197.81	252.75	11.52	-196.60	253.69	13.27	-192.58	312.22
	MIN	S2	-15.74	29.13	-57.86	-15.74	29.13	-132.99	-15.74	28.49	-133.13	-15.74	28.49	-208.27
		TQ	11.52	-197.81	197.78	11.52	-197.81	252.75	11.52	-196.60	253.69	11.52	-196.60	308.67
		M3	2.88	-5.06	-324.47	2.88	-5.06	-310.70	2.88	-6.55	-310.67	2.61	-6.83	-297.94
	TANDEM-LOAD MAX	S2	9.98	-123.26	110.44	9.98	-123.26	158.08	9.98	-122.51	158.67	9.98	-122.51	206.32
		TQ	-8.84	23.78	-35.28	-8.84	23.78	-77.49	-8.84	23.41	-77.60	-8.84	23.41	-119.80
		M3	6.55	-132.98	138.52	8.39	-134.95	172.51	8.39	-134.13	173.16	8.80	-133.02	213.79
	MIN	S2	-10.70	19.98	-39.38	-10.70	19.98	-90.42	-10.70	19.55	-90.51	-10.70	19.55	-141.55
		TQ	8.39	-134.95	132.48	8.39	-134.95	172.51	8.39	-134.13	173.16	8.39	-134.13	213.19
		M3	1.93	-3.50	-220.91	1.93	-3.50	-211.72	1.93	-4.51	-211.70	1.85	-4.59	-202.80
	DISPERSION-LMAX	S2	20.95	-204.84	-140.70	20.95	-204.84	-40.74	20.95	-205.04	-39.76	20.95	-205.04	60.21
		TQ	-26.78	54.91	-108.02	-26.78	54.91	-235.81	-26.75	53.79	-233.86	-26.75	53.79	-361.49
		M3	17.79	-199.62	196.93	17.85	-199.95	282.11	17.85	-198.60	283.07	17.85	-198.60	368.27
	MIN	S2	-27.01	54.24	-149.11	-27.01	54.24	-278.02	-27.01	52.91	-278.27	-27.01	52.91	-407.18
		TQ	20.71	-205.51	-181.79	20.71	-205.51	-82.94	20.68	-205.91	-84.17	20.68	-205.91	14.52
		M3	-23.86	49.02	-486.74	-23.92	49.34	-600.87	-23.92	46.48	-601.09	-23.92	46.48	-715.24

BAGO RIVER BRIDGE

BLOCK [ No.1 : MAIN GIRDER ][ BEAM MEMBER FORCE ]

MEMBER				4021			4022			4023					
NODE				4021			4022			4023					
				SHEAR	TORQUE	MOMENT	SHEAR	TORQUE	MOMENT	SHEAR	TORQUE	MOMENT			
NAME	TITLE			S2 (kN)	TQ (kN·m)	M3 (kN·m)	S2 (kN)	TQ (kN·m)	M3 (kN·m)	S2 (kN)	TQ (kN·m)	M3 (kN·m)			
62	1-LANE (case2TRUCK-LOAD	MAX	S2	33.21	-94.75	277.81	33.21	-94.75	436.28	33.21	-92.67	436.72	33.21	-92.67	595.19
			TQ	-13.24	10.61	-43.44	-13.24	10.61	-106.60	-13.24	10.10	-106.65	-13.24	10.10	-169.81
			M3	14.70	-36.91	438.43	22.86	-67.45	535.31	22.86	-64.90	535.63	28.82	-84.87	662.63
		MIN	S2	-16.50	9.32	-52.70	-16.50	9.32	-131.45	-16.50	8.69	-131.49	-16.50	8.69	-210.25
			TQ	32.89	-96.42	318.14	32.89	-96.42	475.10	32.89	-94.15	475.56	32.89	-94.15	632.52
			M3	7.71	-0.64	-397.65	7.71	-0.64	-360.86	7.71	-2.36	-360.85	7.70	-2.39	-324.09
		TANDEM-LOAD MAX	S2	22.91	-65.82	195.65	22.91	-65.82	304.95	22.91	-64.37	305.27	22.91	-64.37	414.57
			TQ	-9.22	7.22	-30.20	-9.22	7.22	-74.19	-1.11	7.09	161.20	-1.11	7.09	155.89
			M3	11.00	-28.92	301.37	16.63	-50.43	366.68	16.63	-48.68	366.92	20.85	-61.60	451.38
		MIN	S2	-11.20	6.25	-35.75	-11.20	6.25	-89.21	-11.20	5.82	-89.24	-11.20	5.82	-142.70
			TQ	22.82	-66.29	206.90	22.82	-66.29	315.79	22.82	-64.78	316.10	22.82	-64.78	424.99
			M3	5.26	-0.39	-270.38	5.26	-0.39	-245.28	5.26	-1.56	-245.27	5.26	-1.56	-220.17
		DISPERSION-LMAX	S2	38.93	-79.86	-124.06	38.93	-79.86	61.72	38.93	-79.57	62.10	38.93	-79.57	247.88
			TQ	-25.35	20.00	-139.52	-25.35	20.00	-260.50	-28.09	19.19	-136.16	-28.09	19.19	-270.20
			M3	29.22	-76.26	410.24	29.22	-76.26	549.68	29.22	-73.63	550.03	29.22	-73.63	689.47
MIN	S2	-28.31	19.43	-38.36	-28.31	19.43	-173.46	-28.31	18.60	-173.55	-28.31	18.60	-308.65		
	TQ	35.97	-80.43	-22.90	35.97	-80.43	148.76	38.71	-80.16	24.71	38.71	-80.16	209.43		
	M3	-18.60	15.83	-572.66	-18.60	15.83	-661.42	-18.60	12.67	-661.48	-18.60	12.67	-750.24		
63	1-LANE (case3TRUCK-LOAD	MAX	S2	54.88	-17.28	430.35	54.88	-17.28	692.23	54.88	-13.97	692.30	54.88	-13.97	954.18
			TQ	-7.54	45.10	693.36	-9.21	45.10	649.41	-9.21	48.20	649.18	-9.21	48.20	605.23
			M3	7.78	32.35	751.19	31.20	1.68	838.91	31.20	5.69	838.89	49.38	-15.60	1036.19
		MIN	S2	-17.08	-6.48	-48.49	-17.08	-6.48	-129.99	-17.08	-7.10	-129.96	-17.08	-7.10	-211.45
			TQ	53.48	-21.54	509.97	53.48	-21.54	765.18	53.48	-17.89	765.27	53.48	-17.89	1020.48
			M3	11.60	3.03	-454.56	11.60	3.03	-399.18	11.60	1.12	-399.19	11.60	1.14	-343.84

BAGO RIVER BRIDGE

BLOCK [ No.1 : MAIN GIRDER ][ BEAM MEMBER FORCE ]

MEMBER		4021			4022			4022			4023						
NODE		4021			4022			4022			4023						
		SHEAR	TORQUE	MOMENT	SHEAR	TORQUE	MOMENT	SHEAR	TORQUE	MOMENT	SHEAR	TORQUE	MOMENT				
NAME	TITLE	S2 (kN)	TQ (kN·m)	M3 (kN·m)	S2 (kN)	TQ (kN·m)	M3 (kN·m)	S2 (kN)	TQ (kN·m)	M3 (kN·m)	S2 (kN)	TQ (kN·m)	M3 (kN·m)				
63	1-LANE (case3TANDEM-LOAD	MAX	S2	38.38	-14.86	304.89	38.38	-14.86	488.03	38.38	-12.53	488.10	38.38	-12.53	671.25		
			TQ	-8.68	32.05	449.03	-8.68	32.05	407.61	-8.68	33.99	407.45	-8.68	33.99	366.02		
			M3	1.48	28.06	525.06	18.43	5.20	576.99	18.43	7.96	576.96	33.77	-12.27	720.65		
		MIN	S2	-11.59	-4.32	-32.93	-11.59	-4.32	-88.22	-11.59	-4.74	-88.20	-11.59	-4.74	-143.48		
			TQ	37.99	-16.05	327.11	37.99	-16.05	508.39	37.99	-13.63	508.46	37.99	-13.63	689.75		
			M3	7.90	2.06	-309.11	7.90	2.06	-271.43	7.90	0.76	-271.43	7.90	0.76	-233.75		
			DISPERSION-LMAX	S2	55.74	10.20	-169.75	55.26	9.56	83.31	55.26	9.96	83.26	54.70	9.96	345.62	
				TQ	30.94	31.47	-75.82	30.38	31.47	70.49	30.41	31.96	143.04	29.85	31.96	286.84	
				M3	37.52	20.88	580.30	36.96	20.88	758.03	36.96	24.50	757.92	36.40	24.50	932.98	
			MIN	S2	-32.91	0.37	113.65	-32.98	1.01	-31.76	-32.98	0.86	-31.77	-32.98	0.86	-189.14	
				TQ	-8.10	-20.90	19.72	-8.10	-20.90	-18.95	-8.13	-21.14	-91.54	-8.13	-21.14	-130.35	
				M3	-14.68	-10.31	-636.41	-14.68	-10.31	-706.48	-14.68	-13.68	-706.43	-14.68	-13.68	-776.50	
		64	1-LANE (case4TRUCK-LOAD	MAX	S2	277.08	85.10	1629.08	202.18	199.61	2001.74	202.18	209.16	2000.76	139.43	288.45	2004.38
					TQ	98.84	305.14	443.19	98.84	305.14	914.86	98.84	309.50	913.39	98.84	309.50	1385.05
					M3	250.68	56.71	1666.21	176.19	170.31	2047.65	176.19	180.08	2046.81	108.94	271.78	2047.88
MIN	S2			-76.34	-14.53	1527.51	-136.92	62.51	1903.49	-136.92	71.59	1903.17	-215.44	191.80	1962.65		
	TQ			-40.18	-36.18	875.68	-40.18	-36.18	683.93	-40.18	-32.92	684.10	-40.18	-32.92	492.35		
	M3			20.95	13.38	-587.72	20.79	12.88	-488.38	20.79	10.55	-488.44	20.79	10.55	-389.24		
	TANDEM-LOAD MAX			S2	212.05	19.65	1327.94	160.04	100.15	1601.15	160.04	107.79	1600.66	109.80	182.26	1590.01	
				TQ	76.22	208.57	356.17	76.22	208.57	719.91	76.22	212.00	718.91	76.22	212.00	1082.64	
				M3	212.05	19.65	1327.95	160.04	100.15	1601.16	160.04	107.79	1600.66	109.80	182.26	1590.01	
	MIN			S2	-68.09	5.14	1318.81	-118.03	79.64	1592.93	-118.03	87.24	1592.54	-170.54	167.85	1584.02	
				TQ	-35.58	-25.61	757.01	-35.58	-25.61	587.21	-21.18	-23.78	378.57	-21.18	-23.78	277.50	
				M3	14.23	8.97	-400.38	14.19	8.83	-332.63	14.19	7.24	-332.67	14.19	7.24	-264.96	

BAGO RIVER BRIDGE

BLOCK [ No.1 : MAIN GIRDER ][ BEAM MEMBER FORCE ]

MEMBER			4021			4022			4023								
NODE			4021			4022			4023								
			SHEAR	TORQUE	MOMENT	SHEAR	TORQUE	MOMENT	SHEAR	TORQUE	MOMENT	SHEAR	TORQUE	MOMENT			
NAME	TITLE		S2 (kN)	TQ (kN·m)	M3 (kN·m)	S2 (kN)	TQ (kN·m)	M3 (kN·m)	S2 (kN)	TQ (kN·m)	M3 (kN·m)	S2 (kN)	TQ (kN·m)	M3 (kN·m)			
64	1-LANE (case4DISPERSION-LMAX	S2	142.82	258.01	-166.14	109.29	249.36	157.87	109.29	250.12	156.67	84.84	226.12	319.29			
		TQ	139.94	258.18	-108.24	89.26	258.18	438.65	87.08	260.35	468.34	36.37	260.35	762.92			
		M3	100.06	230.67	916.39	49.38	230.67	1272.96	49.38	236.75	1271.85	-1.34	236.75	1386.49			
		MIN	S2	-47.67	-60.49	296.27	-64.82	-51.85	305.42	-64.82	-50.39	305.67	-91.08	-26.40	234.28		
		TQ	-44.78	-60.67	238.36	-44.78	-60.67	24.64	-42.61	-60.62	-5.99	-42.61	-60.62	-209.35			
		M3	-4.91	-33.16	-786.26	-4.91	-33.16	-809.67	-4.91	-37.02	-809.51	-4.91	-37.02	-832.92			
		65	2-LANES (caseTRUCK-LOAD	MAX	S2	36.92	-309.95	349.28	36.92	-309.95	525.49	36.92	-307.44	526.97	36.92	-307.44	703.18
				TQ	-26.99	57.67	-102.09	-26.99	57.67	-230.92	-26.02	56.58	-223.60	-26.02	56.58	-347.76	
				M3	26.22	-314.60	488.41	29.44	-329.05	622.63	29.44	-326.08	624.20	33.33	-333.46	773.87	
MIN	S2			-31.86	48.96	-113.35	-31.86	48.96	-265.42	-31.86	47.69	-265.65	-31.86	47.69	-417.71		
TQ	33.45			-345.28	438.85	33.45	-345.28	598.47	33.45	-342.42	600.12	33.45	-342.42	759.74			
M3	8.04			-8.08	-684.71	8.04	-8.08	-646.33	8.04	-11.16	-646.29	7.77	-11.45	-608.95			
TANDEM-LOAD	MAX			S2	25.35	-221.09	252.20	25.35	-221.09	373.16	25.35	-219.31	374.21	25.35	-219.31	495.17	
TQ	-18.01			39.30	-68.43	-18.01	39.30	-154.38	-17.74	38.57	-152.45	-17.74	38.57	-237.10			
M3	17.48			-213.76	336.28	20.90	-227.34	424.69	20.90	-225.31	425.77	21.82	-227.03	527.65			
MIN	S2	-21.64	33.26	-77.00	-21.64	33.26	-180.29	-21.64	32.40	-180.44	-21.64	32.40	-283.73				
TQ	23.24	-236.13	301.03	23.24	-236.13	411.93	23.24	-234.16	413.05	23.24	-234.16	523.95					
M3	5.48	-5.50	-466.32	5.48	-5.50	-440.18	5.48	-7.60	-440.15	5.40	-7.68	-414.29					
DISPERSION-LMAX	S2	50.57	-346.98	-269.38	50.57	-346.98	-28.07	50.57	-347.11	-26.41	50.57	-347.11	214.90				
TQ	-53.99	91.05	-198.02	-53.99	91.05	-455.68	-53.95	88.88	-452.26	-53.95	88.88	-709.70					
M3	41.42	-338.17	499.43	41.48	-338.50	697.35	41.48	-335.17	698.96	41.48	-335.17	896.90					
MIN	S2	-54.26	90.32	-247.64	-54.26	90.32	-506.56	-54.26	87.90	-506.99	-54.26	87.90	-765.91				
TQ	50.30	-347.71	-319.00	50.30	-347.71	-78.95	50.26	-348.10	-81.14	50.26	-348.10	158.69					
M3	-45.11	81.51	-1016.44	-45.17	81.83	-1231.98	-45.17	75.95	-1232.36	-45.17	75.95	-1447.91					

BAGO RIVER BRIDGE

BLOCK [ No.1 : MAIN GIRDER ][ BEAM MEMBER FORCE ]

MEMBER				4021			4022			4023					
NODE				4021			4022			4023					
				SHEAR	TORQUE	MOMENT	SHEAR	TORQUE	MOMENT	SHEAR	TORQUE	MOMENT			
NAME	TITLE			S2 (kN)	TQ (kN·m)	M3 (kN·m)	S2 (kN)	TQ (kN·m)	M3 (kN·m)	S2 (kN)	TQ (kN·m)	M3 (kN·m)			
66	2-LANES (caseTRUCK-LOAD	MAX	S2	55.54	-235.61	479.35	55.54	-235.61	744.40	55.54	-232.05	745.51	55.54	-232.05	1010.56
			TQ	-26.97	33.38	-92.92	-26.97	33.38	-221.63	-25.99	32.34	-214.20	-25.99	32.34	-338.23
			M3	31.53	-159.52	726.37	40.78	-198.70	905.19	40.78	-194.37	906.13	48.88	-225.75	1124.28
		MIN	S2	-32.62	29.15	-108.20	-32.62	29.15	-263.87	-32.62	27.89	-264.01	-32.62	27.89	-419.69
			TQ	54.82	-243.89	559.21	54.82	-243.89	820.82	54.82	-239.97	821.98	54.82	-239.97	1083.59
			M3	12.87	-3.66	-757.89	12.87	-3.66	-696.49	12.87	-6.98	-696.47	12.85	-7.01	-635.10
		TANDEM-LOAD MAX	S2	38.27	-163.65	337.41	38.27	-163.65	520.03	38.27	-161.16	520.81	38.27	-161.16	703.43
			TQ	-18.39	22.74	-63.34	-18.39	22.74	-151.09	-10.01	22.25	86.35	-10.01	22.25	38.60
			M3	21.93	-109.71	499.13	29.14	-142.81	618.86	29.14	-139.86	619.54	33.87	-155.60	765.24
		MIN	S2	-22.15	19.53	-73.37	-22.15	19.53	-179.08	-22.15	18.68	-179.17	-22.15	18.68	-284.88
			TQ	37.67	-167.47	375.45	37.67	-167.47	555.21	37.67	-164.81	556.00	37.67	-164.81	735.76
			M3	8.81	-2.39	-515.79	8.81	-2.39	-473.73	8.81	-4.65	-473.71	8.81	-4.65	-431.66
		DISPERSION-LMAX	S2	68.55	-222.00	-252.74	68.55	-222.00	74.39	68.55	-221.64	75.45	68.55	-221.64	402.58
			TQ	-52.57	56.14	-229.52	-52.57	56.14	-480.38	-55.29	54.29	-354.56	-55.29	54.29	-618.41
			M3	52.84	-214.81	712.74	52.84	-214.81	964.92	52.84	-210.20	965.93	52.84	-210.20	1218.11
MIN	S2	-55.55	55.51	-136.89	-55.55	55.51	-402.01	-55.55	53.59	-402.27	-55.55	53.59	-667.38		
	TQ	65.56	-222.64	-160.11	65.56	-222.64	152.76	68.28	-222.34	27.74	68.28	-222.34	353.60		
	M3	-39.85	48.32	-1102.37	-39.85	48.32	-1292.53	-39.85	42.15	-1292.75	-39.85	42.15	-1482.91		
67	2-LANES (caseTRUCK-LOAD	MAX	S2	136.91	36.09	1258.30	136.54	38.54	1846.82	136.54	47.35	1846.62	133.19	55.97	2283.15
			TQ	42.02	133.43	917.87	40.36	133.43	1110.46	47.12	138.94	1199.33	47.12	138.94	1424.19
			M3	76.73	78.96	1779.39	101.02	54.45	2029.39	101.02	64.13	2029.10	117.15	51.29	2383.79
		MIN	S2	-45.87	31.05	908.34	-48.55	40.13	964.01	-48.55	44.73	963.81	-48.91	47.32	820.69
			TQ	39.03	-41.60	474.39	39.03	-41.60	660.64	38.07	-38.46	653.37	38.07	-38.46	835.03
			M3	25.84	8.82	-947.35	25.84	8.82	-824.04	25.84	4.88	-824.07	25.83	4.90	-700.78

BAGO RIVER BRIDGE

BLOCK [ No.1 : MAIN GIRDER ] [ BEAM MEMBER FORCE ]

MEMBER		4021			4022			4023									
NODE		4021			4022			4023									
		SHEAR	TORQUE	MOMENT	SHEAR	TORQUE	MOMENT	SHEAR	TORQUE	MOMENT	SHEAR	TORQUE	MOMENT				
NAME	TITLE	S2 (kN)	TQ (kN·m)	M3 (kN·m)	S2 (kN)	TQ (kN·m)	M3 (kN·m)	S2 (kN)	TQ (kN·m)	M3 (kN·m)	S2 (kN)	TQ (kN·m)	M3 (kN·m)				
67	2-LANES (caseTANDEM-LOAD	MAX	S2	94.32	23.12	792.13	94.32	23.12	1242.23	94.32	29.04	1242.11	93.84	30.60	1651.94		
			TQ	26.08	92.96	608.65	26.08	92.96	733.11	27.97	96.52	757.64	27.97	96.52	891.11		
			M3	55.60	59.65	1286.04	73.79	40.10	1445.28	73.79	47.00	1445.07	89.23	30.86	1701.34		
		MIN	S2	-33.11	25.68	719.60	-33.49	27.26	613.96	-33.49	30.19	613.82	-33.49	30.19	454.00		
			TQ	27.94	-29.73	302.27	27.94	-29.73	435.62	27.67	-27.66	433.67	27.67	-27.66	565.74		
			M3	17.60	6.02	-644.52	17.60	6.02	-560.52	17.60	3.34	-560.54	17.60	3.34	-476.54		
		DISPERSION-LMAX	S2	135.84	97.49	-331.33	125.80	91.12	135.66	125.80	91.76	135.22	115.66	85.29	568.34		
			TQ	102.66	127.70	25.05	88.77	127.70	481.88	88.36	130.18	566.03	74.42	130.18	954.46		
			M3	92.21	110.79	1269.37	78.33	110.79	1676.35	78.33	118.79	1675.81	64.38	118.79	2016.34		
		MIN	S2	-70.47	-22.08	287.02	-74.31	-15.71	98.95	-74.31	-15.24	99.02	-78.12	-8.76	-121.63		
			TQ	-37.28	-52.30	-69.36	-37.28	-52.30	-247.27	-36.87	-53.65	-331.78	-36.87	-53.65	-507.75		
			M3	-26.84	-35.39	-1313.67	-26.84	-35.39	-1441.74	-26.84	-42.27	-1441.56	-26.84	-42.27	-1569.63		
		68	2-LANES (caseTRUCK-LOAD	MAX	S2	461.45	152.91	2968.73	347.08	330.29	3611.88	347.08	347.53	3610.26	249.69	472.40	3686.34
					TQ	181.28	502.23	857.78	181.28	502.23	1722.89	181.28	510.44	1720.47	181.28	510.44	2585.57
					M3	415.53	108.48	3031.73	301.80	284.59	3688.41	301.80	302.20	3687.01	198.17	445.64	3761.66
MIN	S2			-131.55	-3.55	2807.78	-224.22	117.98	3436.49	-224.22	134.39	3435.89	-343.16	320.36	3605.62		
	TQ			-54.63	-56.24	840.10	-54.63	-56.24	579.39	-55.59	-53.49	572.19	-55.59	-53.49	306.90		
	M3			39.11	23.41	-1137.27	38.95	22.91	-951.27	38.95	18.37	-951.37	38.95	18.37	-765.52		
TANDEM-LOAD	MAX			S2	349.66	44.88	2388.73	270.40	169.28	2854.46	270.40	182.91	2853.62	193.67	298.10	2889.25	
	TQ			129.01	343.77	613.29	129.01	343.77	1228.96	129.01	349.64	1227.31	129.01	349.64	1842.98		
	M3			349.66	44.88	2388.73	270.40	169.28	2854.47	270.40	182.91	2853.63	193.67	298.10	2889.26		
MIN	S2			-114.25	21.96	2371.02	-190.18	137.61	2838.67	-190.18	151.15	2837.98	-269.67	275.47	2877.70		
	TQ			-45.63	-39.29	732.18	-45.63	-39.29	514.43	-31.50	-37.81	303.78	-31.50	-37.81	153.48		
	M3			26.62	15.84	-774.57	26.57	15.70	-647.73	26.57	12.61	-647.80	26.57	12.61	-520.99		

BAGO RIVER BRIDGE

BLOCK [ No.1 : MAIN GIRDER ][ BEAM MEMBER FORCE ]

MEMBER		4021			4022			4023									
NODE		4021			4022			4023									
		SHEAR	TORQUE	MOMENT	SHEAR	TORQUE	MOMENT	SHEAR	TORQUE	MOMENT	SHEAR	TORQUE	MOMENT				
NAME	TITLE	S2 (kN)	TQ (kN·m)	M3 (kN·m)	S2 (kN)	TQ (kN·m)	M3 (kN·m)	S2 (kN)	TQ (kN·m)	M3 (kN·m)	S2 (kN)	TQ (kN·m)	M3 (kN·m)				
68	2-LANES (caseDISPERSION-LMAX	S2	256.41	432.14	-338.57	200.66	416.25	259.22	200.66	417.48	257.23	158.75	377.55	578.03			
		TQ	247.39	433.92	-135.89	163.66	433.92	844.85	160.57	438.07	891.14	76.88	438.07	1457.67			
		M3	178.39	390.71	1726.72	94.67	390.71	2378.21	94.67	402.06	2376.32	10.97	402.06	2628.34			
		MIN	S2	-90.29	-93.58	532.56	-118.26	-77.68	527.70	-118.26	-75.16	528.07	-160.05	-35.24	400.73		
		TQ	-81.26	-95.36	329.88	-81.26	-95.36	-57.93	-78.18	-95.75	-105.85	-78.18	-95.75	-478.91			
		M3	-12.27	-52.15	-1532.73	-12.27	-52.15	-1591.29	-12.27	-59.74	-1591.02	-12.27	-59.74	-1649.59			
		69	3-LANES (caseTRUCK-LOAD	MAX	S2	70.13	-404.70	627.09	70.13	-404.70	961.77	70.13	-400.11	963.69	70.13	-400.11	1298.36
				TQ	-40.23	68.27	-145.53	-40.23	68.27	-337.52	-39.25	66.68	-330.25	-39.25	66.68	-517.57	
				M3	40.91	-351.51	926.84	52.30	-396.51	1157.95	52.30	-390.97	1159.83	62.15	-418.33	1436.50	
MIN	S2			-48.37	58.28	-166.05	-48.37	58.28	-396.87	-48.37	56.38	-397.14	-48.37	56.38	-627.95		
TQ	66.34			-441.70	756.99	66.34	-441.70	1073.58	66.34	-436.57	1075.67	66.34	-436.57	1392.26			
M3	15.75			-8.72	-1082.36	15.75	-8.72	-1007.19	15.75	-13.53	-1007.14	15.46	-13.84	-933.04			
TANDEM-LOAD	MAX			S2	48.25	-286.91	447.84	48.25	-286.91	678.11	48.25	-283.67	679.47	48.25	-283.67	909.74	
TQ	-27.23			46.52	-98.62	-27.23	46.52	-228.57	-18.85	45.66	8.75	-18.85	45.66	-81.21			
M3	28.48			-242.68	637.66	37.53	-277.76	791.37	37.53	-273.98	792.69	42.67	-288.62	979.03			
MIN	S2	-32.85	39.51	-112.75	-32.85	39.51	-269.50	-32.85	38.22	-269.68	-32.85	38.22	-426.43				
TQ	46.06	-302.42	507.93	46.06	-302.42	727.72	46.06	-298.94	729.15	46.06	-298.94	948.94					
M3	10.74	-5.89	-736.70	10.74	-5.89	-685.45	10.74	-9.16	-685.42	10.66	-9.24	-634.46					
DISPERSION-LMAX	S2	89.50	-426.84	-393.44	89.50	-426.84	33.66	89.50	-426.68	35.69	89.50	-426.68	462.79				
TQ	-79.34	111.05	-337.54	-79.34	111.05	-716.19	-82.04	108.08	-588.41	-82.04	108.08	-979.90					
M3	70.63	-414.43	909.66	70.70	-414.76	1247.03	70.70	-408.80	1249.00	70.70	-408.80	1586.37					
MIN	S2	-82.57	109.75	-286.00	-82.57	109.75	-680.02	-82.57	106.50	-680.54	-82.57	106.50	-1074.56				
TQ	86.27	-428.15	-341.90	86.27	-428.15	69.82	88.97	-428.26	-56.43	88.97	-428.26	368.12					
M3	-63.70	97.34	-1589.10	-63.77	97.66	-1893.40	-63.77	88.62	-1893.84	-63.77	88.62	-2198.15					

BAGO RIVER BRIDGE

BLOCK [ No.1 : MAIN GIRDER ][ BEAM MEMBER FORCE ]

MEMBER				4021			4022			4023					
NODE				4021			4022			4023					
				SHEAR	TORQUE	MOMENT	SHEAR	TORQUE	MOMENT	SHEAR	TORQUE	MOMENT			
NAME	TITLE			S2 (kN)	TQ (kN·m)	M3 (kN·m)	S2 (kN)	TQ (kN·m)	M3 (kN·m)	S2 (kN)	TQ (kN·m)	M3 (kN·m)			
70	3-LANES (caseTRUCK-LOAD	MAX	S2	310.50	102.26	2563.71	275.52	162.48	3416.38	275.52	178.79	3415.57	240.72	230.40	3934.99
			TQ	123.31	321.31	1331.52	121.64	321.31	1912.02	128.41	330.64	1999.99	128.41	330.64	2612.76
			M3	231.56	130.43	3108.75	221.45	163.18	3627.28	221.45	180.49	3626.46	204.64	216.08	4065.97
		MIN	S2	-97.05	44.11	2129.53	-130.20	95.00	2454.78	-130.20	106.72	2454.30	-166.84	168.11	2417.33
			TQ	24.09	-73.83	441.93	24.09	-73.83	556.92	22.18	-71.20	542.41	22.18	-71.20	648.26
			M3	42.70	17.45	-1478.16	42.70	17.45	-1274.38	42.70	11.37	-1274.45	42.70	11.38	-1070.68
		TANDEM-LOAD MAX	S2	222.90	49.09	1820.35	199.38	89.01	2458.45	199.38	100.75	2458.00	175.23	140.15	2923.47
			TQ	78.23	222.05	865.41	78.23	222.05	1238.73	80.11	228.02	1262.63	80.11	228.02	1644.96
			M3	184.18	85.63	2314.26	178.85	105.99	2661.50	178.85	118.70	2660.97	170.63	140.41	2972.87
		MIN	S2	-76.57	43.99	1738.81	-100.66	82.93	1822.07	-100.66	91.62	1821.66	-125.71	132.01	1719.66
			TQ	17.57	-51.71	279.57	17.57	-51.71	363.40	17.03	-49.99	359.49	17.03	-49.99	440.77
			M3	29.11	11.94	-1006.07	29.11	11.94	-867.14	29.11	7.80	-867.19	29.11	7.80	-728.26
		DISPERSION-LMAX	S2	245.29	268.75	-486.69	214.34	255.27	244.66	214.34	256.43	243.44	187.46	234.84	829.54
			TQ	205.26	301.01	36.48	160.35	301.01	909.03	158.89	305.57	1012.77	113.77	305.57	1663.43
			M3	168.71	271.40	2064.94	123.80	271.40	2763.05	123.80	284.58	2761.72	78.67	284.58	3244.90
MIN	S2	-113.10	-71.98	520.52	-127.06	-58.50	313.00	-127.06	-57.00	313.28	-145.30	-35.41	36.08		
	TQ	-73.07	-104.24	-2.65	-73.07	-104.24	-351.37	-71.61	-106.14	-456.06	-71.62	-106.14	-797.81		
	M3	-36.52	-74.63	-2031.11	-36.52	-74.63	-2205.39	-36.52	-85.15	-2205.01	-36.52	-85.15	-2379.29		
71	3-LANES (caseTRUCK-LOAD	MAX	S2	553.04	203.53	4018.56	434.65	392.14	4829.95	434.65	415.19	4828.02	330.73	551.87	5045.46
			TQ	238.21	598.05	1139.42	238.21	598.05	2276.20	238.21	608.91	2273.32	238.21	608.91	3410.10
			M3	494.52	155.39	4096.15	376.81	342.90	4921.81	376.81	366.39	4920.11	267.69	521.59	5140.91
		MIN	S2	-163.34	30.77	3801.45	-261.36	165.67	4594.84	-261.36	187.60	4594.00	-383.04	385.31	4919.53
			TQ	-68.60	-64.09	801.39	-68.60	-64.09	474.03	-70.53	-61.86	459.36	-70.53	-61.86	122.80
			M3	54.64	30.60	-1648.79	54.48	30.10	-1388.68	54.48	23.47	-1388.81	54.48	23.47	-1128.84



BAGO RIVER BRIDGE

BLOCK [ No.1 : MAIN GIRDER ][ BEAM MEMBER FORCE ]

MEMBER				4021			4022			4023								
NODE				4021			4022			4023								
				SHEAR	TORQUE	MOMENT	SHEAR	TORQUE	MOMENT	SHEAR	TORQUE	MOMENT						
NAME	TITLE			S2 (kN)	TQ (kN·m)	M3 (kN·m)	S2 (kN)	TQ (kN·m)	M3 (kN·m)	S2 (kN)	TQ (kN·m)	M3 (kN·m)						
71	3-LANES (case)	TANDEM-LOAD	MAX	S2	412.83	75.73	3182.28	331.05	207.41	3759.85	331.05	225.36	3758.82	251.59	347.51	3897.67		
			TQ	166.02	409.88	788.65	166.02	409.88	1580.94	166.02	417.42	1578.96	166.02	417.42	2371.25			
			M3	412.83	75.73	3182.29	331.05	207.41	3759.86	331.05	225.36	3758.82	251.60	347.51	3897.67			
			MIN	S2	-138.50	50.48	3156.56	-216.43	173.89	3737.13	-216.43	191.73	3736.26	-297.40	322.86	3880.95		
			TQ	-55.34	-44.65	705.21	-55.34	-44.65	441.09	-41.48	-43.52	228.38	-41.48	-43.52	30.42			
			M3	37.20	20.75	-1122.62	37.15	20.61	-945.29	37.15	16.10	-945.38	37.15	16.10	-768.10			
		DISPERSION-LMAX	S2	340.65	522.30	-517.25	274.04	500.53	303.89	274.04	501.98	301.50	221.72	454.42	784.18			
			TQ	323.19	531.63	-60.90	224.11	531.63	1244.81	220.68	537.70	1299.15	121.78	537.70	2116.14			
			M3	234.93	480.04	2430.59	135.86	480.04	3315.13	135.86	495.86	3312.80	36.96	495.86	3725.01			
			MIN	S2	-127.83	-99.12	708.70	-160.30	-77.35	666.57	-160.30	-74.17	666.93	-206.86	-26.60	490.95		
			TQ	-110.37	-108.44	252.34	-110.37	-108.44	-274.35	-106.93	-109.88	-330.72	-106.93	-109.88	-841.01			
			M3	-22.11	-56.86	-2239.15	-22.11	-56.86	-2344.67	-22.11	-68.05	-2344.37	-22.11	-68.05	-2449.88			
		72	4-LANES	TRUCK-LOAD	MAX	S2	595.96	185.28	4410.78	483.04	368.15	5477.80	483.04	394.29	5475.98	382.72	528.05	5967.91
					TQ	229.95	633.79	1836.34	227.77	633.79	2923.29	227.77	647.74	2920.23	227.77	647.74	4007.18	
					M3	491.61	187.71	4810.46	402.54	338.94	5716.47	402.54	366.22	5714.79	315.30	496.60	6144.96	
MIN	S2				-172.41	71.16	4274.96	-268.87	204.04	5026.30	-268.87	228.03	5025.27	-382.53	412.73	5251.96		
TQ	-5.30				-65.56	1865.53	-5.30	-65.56	1840.25	2.48	-56.90	1665.59	2.48	-56.90	1677.44			
M3	64.96				32.22	-2084.71	64.80	31.73	-1775.43	64.80	23.25	-1775.56	64.79	23.27	-1466.37			
TANDEM-LOAD	MAX			S2	441.17	62.30	3450.84	363.60	189.51	4207.08	363.60	209.59	4206.13	287.32	328.51	4539.27		
	TQ			156.58	435.52	1239.85	156.58	435.52	1987.08	156.58	445.00	1984.98	156.58	445.00	2732.22			
	M3			404.67	104.79	3673.90	343.88	209.35	4298.38	343.88	229.87	4297.33	282.80	328.72	4589.93			
	MIN			S2	-144.85	82.80	3539.98	-220.24	201.95	4070.49	-220.24	221.37	4069.48	-299.02	348.76	4180.10		
	TQ			2.96	-48.26	1164.00	2.96	-48.26	1178.11	6.26	-42.86	1093.28	6.26	-42.86	1123.16			
	M3			44.22	21.86	-1419.15	44.18	21.72	-1208.31	44.18	15.95	-1208.40	44.18	15.95	-997.57			

BAGO RIVER BRIDGE

BLOCK [ No.1 : MAIN GIRDER ][ BEAM MEMBER FORCE ]

MEMBER				4021			4022			4023							
NODE				4021			4022			4023							
				SHEAR	TORQUE	MOMENT	SHEAR	TORQUE	MOMENT	SHEAR	TORQUE	MOMENT					
NAME	TITLE			S2 (kN)	TQ (kN·m)	M3 (kN·m)	S2 (kN)	TQ (kN·m)	M3 (kN·m)	S2 (kN)	TQ (kN·m)	M3 (kN·m)					
72	4-LANES	DISPERSION-LMAX	S2	339.75	368.24	-832.06	273.55	345.89	-21.30	273.55	345.78	-22.95	221.22	298.96	471.81		
			TQ	298.39	399.61	-256.35	200.96	399.61	936.03	197.48	404.34	1054.75	99.26	404.34	1762.72		
			M3	216.91	338.12	2850.48	118.73	339.01	3651.37	118.73	356.43	3649.71	20.52	356.43	3981.90		
	MIN	S2	-42.72	10.01	1129.06	-74.73	32.46	1503.93	-74.73	39.64	1503.76	-120.53	86.40	1726.07			
		TQ	-1.49	-21.30	558.88	-1.49	-21.30	551.78	2.28	-18.94	420.82	2.27	-18.94	431.67			
		M3	80.05	39.30	-2553.14	80.05	39.30	-2171.13	80.05	28.94	-2171.29	80.05	28.94	-1789.28			
	73	6-LANES	TRUCK-LOAD	MAX	S2	568.70	-190.03	4138.84	470.88	-36.27	5452.37	470.88	-10.24	5452.48	386.45	99.38	6277.15
				TQ	141.64	580.14	1970.64	116.75	580.14	2548.62	117.73	592.32	2553.41	117.73	592.32	3115.21	
				M3	446.87	-122.56	4917.35	386.93	-47.13	5878.54	386.93	-19.06	5878.70	320.48	71.68	6502.02	
MIN		S2	-187.80	108.85	3315.51	-269.15	217.56	3603.13	-269.15	234.76	3602.05	-367.40	390.21	3424.73			
		TQ	12.51	-442.52	1633.26	12.51	-442.52	1692.96	34.38	-435.34	889.04	34.38	-435.34	1053.11			
		M3	70.59	21.54	-2734.78	70.43	21.06	-2398.60	70.43	9.61	-2398.67	70.17	9.33	-2063.69			
TANDEM-LOAD		MAX	S2	418.44	-184.79	3148.10	350.81	-77.22	4070.47	350.81	-57.79	4070.80	285.07	42.08	4626.08		
		TQ	104.39	400.54	1473.19	89.20	400.54	1898.86	89.47	409.61	1899.04	89.47	409.61	2326.01			
		M3	359.63	-105.49	3682.69	324.69	-56.66	4342.12	324.69	-35.93	4342.34	275.30	38.18	4770.37			
MIN		S2	-150.71	96.34	2657.98	-215.70	196.60	2867.12	-215.70	210.28	2866.15	-283.67	317.80	2710.34			
		TQ	15.08	-305.13	1007.82	15.08	-305.13	1079.81	14.54	-299.98	1077.07	14.54	-299.98	1146.48			
		M3	48.04	14.63	-1861.12	47.99	14.49	-1632.07	47.99	6.70	-1632.12	47.92	6.62	-1403.41			
DISPERSION-LMAX		S2	411.44	118.27	-973.47	354.42	99.96	314.97	354.42	101.46	314.49	310.41	61.11	1346.29			
		TQ	223.29	586.94	-508.14	143.02	586.94	371.53	138.11	589.37	590.29	53.18	589.37	1046.68			
		M3	285.64	71.92	3302.02	202.40	100.14	4467.60	202.40	121.34	4467.07	117.67	126.31	5231.03			
MIN	S2	-195.89	17.25	476.12	-223.63	36.55	39.12	-223.63	36.74	38.94	-263.45	76.95	-539.97				
	TQ	-10.43	-473.25	56.16	-10.43	-473.25	6.37	-5.41	-473.75	-200.82	-5.41	-473.75	-226.66				
	M3	-72.39	43.41	-3758.01	-72.54	42.68	-4104.00	-72.53	23.09	-4104.15	-72.70	18.62	-4450.71				

BAGO RIVER BRIDGE

BLOCK [ No.1 : MAIN GIRDER ][ BEAM MEMBER FORCE ]

MEMBER			4021			4022			4023						
NODE			4021			4022			4023						
NAME TITLE			SHEAR	TORQUE	MOMENT	SHEAR	TORQUE	MOMENT	SHEAR	TORQUE	MOMENT	SHEAR	TORQUE	MOMENT	
			S2 (kN)	TQ (kN·m)	M3 (kN·m)	S2 (kN)	TQ (kN·m)	M3 (kN·m)	S2 (kN)	TQ (kN·m)	M3 (kN·m)	S2 (kN)	TQ (kN·m)	M3 (kN·m)	
124	SUM TOTAL	D+1LANE (caseMAX	S2	824.37	-253.08	-2320.31	525.73	-253.08	901.95	525.73	-248.77	903.15	227.43	-248.77	2700.85
			TQ	733.68	303.41	-2521.52	435.04	303.41	267.95	435.08	304.69	269.15	136.78	304.69	1634.25
			M3	814.34	-274.29	-1851.88	518.33	-281.66	1331.83	518.33	-275.30	1333.16	222.14	-270.48	3099.82
		MIN	S2	730.42	295.69	-2577.12	431.77	295.69	196.77	431.77	296.62	195.36	133.48	296.62	1544.70
			TQ	820.41	-288.34	-2309.58	521.76	-288.34	893.76	521.72	-284.08	892.47	223.43	-284.08	2671.07
			M3	756.56	248.39	-3302.21	457.84	248.78	-403.89	457.84	246.85	-405.08	159.22	246.51	1067.43
		D+1LANE (caseMAX	S2	868.29	-13.89	-2144.26	569.65	-13.89	1287.58	569.65	-7.74	1287.63	271.35	-7.74	3294.92
			TQ	735.43	232.38	-2548.32	436.78	232.38	249.46	433.49	234.09	397.68	135.20	234.09	1755.23
			M3	834.43	59.84	-1310.36	545.58	23.19	1991.97	545.58	32.70	1991.84	254.44	8.73	3905.77
		MIN	S2	727.96	230.15	-2438.04	429.31	230.15	324.09	429.31	231.69	322.99	131.01	231.69	1660.56
			TQ	864.37	-16.57	-1974.48	565.72	-16.57	1438.62	569.00	-10.23	1289.36	270.71	-10.23	3293.58
			M3	768.66	213.87	-3493.14	470.02	213.87	-536.75	470.02	211.31	-537.76	171.70	211.27	994.04
		D+1LANE (caseMAX	S2	914.47	187.15	-2016.05	615.24	186.38	1620.63	615.24	194.12	1619.72	316.27	194.12	3843.00
			TQ	809.80	287.53	-1587.72	508.49	287.53	1553.86	508.52	295.12	1639.71	209.56	295.12	3353.72
			M3	836.09	259.53	-730.97	564.88	222.72	2606.31	564.88	235.16	2605.22	287.73	209.62	4646.25
		MIN	S2	721.75	188.31	-2250.58	423.02	189.08	495.88	423.02	191.45	494.98	124.72	191.45	1802.54
			TQ	836.18	144.71	-1693.13	537.53	144.71	1585.46	537.50	152.10	1497.52	239.20	152.10	3351.39
			M3	778.03	186.91	-3637.92	479.39	186.91	-636.81	479.39	183.87	-637.70	181.08	183.88	938.83
		D+1LANE (caseMAX	S2	1285.61	607.38	-573.24	856.84	734.42	3281.51	856.84	750.07	3277.97	453.91	816.43	5071.65
			TQ	1068.26	871.63	-1926.82	708.79	871.63	2314.19	706.18	882.76	2347.11	347.03	882.76	4860.80
			M3	1202.61	540.50	770.35	753.76	676.82	4674.72	753.76	699.13	4671.44	313.91	809.16	6404.48
		MIN	S2	632.92	105.62	-140.23	241.00	208.43	3340.68	241.00	224.38	3339.65	-183.04	397.41	4919.55
			TQ	679.77	79.42	-991.92	381.12	79.42	1540.27	383.73	86.69	1502.76	85.44	86.69	2622.84
			M3	800.98	171.91	-3977.54	502.14	171.31	-867.68	502.14	167.17	-868.49	203.84	167.17	816.65

BAGO RIVER BRIDGE

BLOCK [ No.1 : MAIN GIRDER ][ BEAM MEMBER FORCE ]

MEMBER			4021			4022			4023						
NODE			4021			4022			4023						
			SHEAR	TORQUE	MOMENT	SHEAR	TORQUE	MOMENT	SHEAR	TORQUE	MOMENT				
NAME	TITLE		S2 (kN)	TQ (kN·m)	M3 (kN·m)	S2 (kN)	TQ (kN·m)	M3 (kN·m)	S2 (kN)	TQ (kN·m)	M3 (kN·m)				
124	SUM TOTAL	D+2LANES (casMAX	S2	869.22	-461.29	-2248.86	570.57	-461.29	1187.41	570.57	-455.61	1189.60	272.28	-455.61	3201.32
			TQ	700.74	344.36	-2628.88	402.10	344.36	3.39	403.12	344.40	13.18	104.82	344.40	1225.78
			M3	849.36	-457.12	-1340.93	554.00	-471.91	2009.97	554.00	-462.31	2012.20	259.60	-469.69	3954.01
		MIN	S2	695.61	334.92	-2689.76	396.96	334.92	-81.99	396.96	334.53	-83.59	98.67	334.53	1099.62
			TQ	865.48	-497.35	-2208.91	566.83	-497.35	1209.51	566.79	-491.58	1208.02	268.49	-491.58	3201.67
			M3	744.67	269.07	-4029.91	445.96	269.40	-1188.33	445.96	263.73	-1189.60	147.38	263.44	226.38
		D+2LANES (casMAX	S2	905.82	-261.96	-2102.15	607.17	-261.96	1508.77	607.17	-254.76	1510.01	308.88	-254.76	3696.38
			TQ	702.19	285.17	-2651.21	403.55	285.17	-12.02	401.80	285.57	120.29	103.50	285.57	1326.60
			M3	866.10	-178.68	-889.66	576.70	-217.86	2560.09	576.70	-205.64	2561.11	286.51	-237.01	4625.63
		MIN	S2	693.55	280.30	-2573.85	394.91	280.30	24.10	394.91	280.42	22.77	96.61	280.42	1196.17
			TQ	902.11	-270.88	-1929.66	603.46	-270.88	1663.57	606.19	-263.37	1538.76	307.89	-263.37	3720.44
			M3	754.75	240.31	-4189.03	456.10	240.31	-1299.04	456.10	234.10	-1300.17	157.79	234.07	165.23
		D+2LANES (casMAX	S2	1054.49	329.22	-1401.79	745.42	325.30	2672.47	745.42	338.06	2670.89	433.64	340.20	5134.73
			TQ	926.41	456.78	-1385.84	612.21	456.78	2282.33	618.56	468.05	2454.40	306.33	468.05	4661.89
			M3	950.68	385.40	720.00	662.43	360.89	4395.73	662.43	381.87	4393.95	366.32	369.02	6683.38
		MIN	S2	665.40	204.61	-1133.40	360.22	220.06	1752.94	360.22	228.43	1751.87	57.76	237.49	2982.30
			TQ	783.47	101.75	-1923.73	484.83	101.75	1103.35	484.27	106.82	1010.63	185.98	106.82	2610.52
			M3	780.73	169.08	-4589.78	482.08	169.08	-1575.79	482.08	161.55	-1576.58	183.78	161.57	12.83
		D+2LANES (casMAX	S2	1499.59	780.70	301.39	1030.82	942.19	4561.08	1030.82	963.95	4556.53	593.22	1048.89	6547.61
			TQ	1210.40	1131.80	-1606.87	828.03	1131.80	3257.72	824.94	1147.45	3300.66	442.94	1147.45	6326.48
			M3	1375.66	694.84	2429.69	879.56	870.95	6756.61	879.56	903.19	6752.37	393.93	1046.63	8673.24
		MIN	S2	559.89	98.52	1011.58	140.60	235.95	4654.18	140.60	258.16	4653.00	-318.43	484.06	6289.59
			TQ	645.83	44.05	-1158.79	347.19	44.05	1211.45	349.32	49.70	1155.39	51.02	49.70	2111.23
			M3	808.57	166.91	-4998.76	509.76	166.41	-1852.58	509.76	157.56	-1853.35	211.46	157.56	-131.87

BAGO RIVER BRIDGE

BLOCK [ No.1 : MAIN GIRDER ][ BEAM MEMBER FORCE ]

MEMBER				4021			4022			4023						
NODE				4021			4022			4023						
NAME TITLE				SHEAR	TORQUE	MOMENT	SHEAR	TORQUE	MOMENT	SHEAR	TORQUE	MOMENT				
				S2 (kN)	TQ (kN·m)	M3 (kN·m)	S2 (kN)	TQ (kN·m)	M3 (kN·m)	S2 (kN)	TQ (kN·m)	M3 (kN·m)				
124	SUM TOTAL	D+3LANES (casMAX	S2	917.41	-511.17	-2130.16	618.77	-511.17	1536.10	618.77	-503.83	1538.52	320.47	-503.83	3780.22	
			TQ	680.09	348.07	-2739.38	381.44	348.07	-205.66	379.99	347.48	-91.82	81.69	347.48	1010.39	
			M3	876.54	-455.40	-767.74	587.63	-493.93	2734.22	587.63	-480.87	2736.54	297.71	-504.12	4852.68	
		MIN	S2	670.44	338.47	-2713.01	371.79	338.47	-225.37	371.79	337.39	-226.99	73.49	337.39	836.10	
			TQ	911.45	-543.72	-1975.94	612.80	-543.72	1661.87	615.09	-536.16	1555.40	316.80	-536.16	3779.57	
			M3	740.97	270.97	-4599.51	442.27	271.25	-1775.52	442.27	262.77	-1776.79	143.73	262.50	-378.27	
		D+3LANES (casMAX	S2	1254.16	511.00	-563.30	899.46	550.73	3801.87	899.46	568.87	3799.20	548.74	594.39	6333.08	
			TQ	1061.02	724.62	-1165.96	722.78	724.62	3087.88	727.28	739.72	3249.89	390.63	739.72	5918.00	
			M3	1121.96	537.20	2068.87	776.54	565.04	6121.77	776.54	594.25	6119.00	425.61	624.50	8497.48	
		MIN	S2	603.10	171.96	-76.22	264.41	226.67	3042.60	264.41	241.20	3041.48	-80.54	311.74	4368.64	
			TQ	740.10	44.29	-1955.37	441.45	44.29	864.70	441.06	48.19	762.44	142.77	48.19	2156.12	
			M3	786.99	147.05	-5311.64	488.34	147.05	-2267.81	488.34	136.22	-2268.49	190.04	136.23	-649.23	
		D+3LANES (casMAX	S2	1541.37	812.60	647.34	1085.47	954.42	5053.75	1085.47	978.53	5049.13	654.36	1054.28	7238.43	
			TQ	1258.92	1155.87	-1412.02	876.06	1155.87	3682.85	873.14	1173.55	3725.64	490.78	1173.55	6980.54	
			M3	1401.77	735.76	3218.97	918.85	895.15	7691.38	918.85	931.86	7687.02	443.74	1063.77	9819.27	
		MIN	S2	534.23	137.55	1504.86	124.68	270.72	5162.19	124.68	295.36	5160.84	-316.63	503.84	6882.15	
			TQ	629.61	48.99	-1433.09	330.96	48.99	859.71	332.24	52.96	798.39	33.95	52.96	1672.76	
			M3	809.38	173.32	-5633.52	510.59	172.90	-2483.36	510.59	161.04	-2484.16	212.30	161.04	-758.67	
		D+4LANES	MAX	S2	1389.94	555.44	-2.59	974.87	659.77	4236.71	974.87	679.99	4233.51	577.35	736.50	6469.06
			TQ	1125.15	867.36	-1301.77	761.76	867.36	3198.54	759.49	882.79	3272.78	397.36	882.79	6033.67	
			M3	1242.27	537.44	2650.85	821.91	636.31	6779.08	821.91	668.67	6775.96	403.07	753.41	8865.70	
		MIN	S2	641.89	248.41	1183.85	259.74	349.37	4934.64	259.74	372.92	4932.91	-142.20	523.38	6818.96	
			TQ	777.32	139.19	-752.90	478.67	139.19	2244.80	486.18	149.64	2045.21	187.88	149.64	3654.17	
			M3	875.98	242.13	-5343.37	577.23	241.82	-1875.28	577.23	232.86	-1876.41	278.93	232.87	167.07	

BAGO RIVER BRIDGE

BLOCK [ No.1 : MAIN GIRDER ][ BEAM MEMBER FORCE ]

MEMBER					4021			4022			4023					
NODE					4021			4022			4023					
					SHEAR	TORQUE	MOMENT	SHEAR	TORQUE	MOMENT	SHEAR	TORQUE	MOMENT			
NAME TITLE					S2 (kN)	TQ (kN·m)	M3 (kN·m)	S2 (kN)	TQ (kN·m)	M3 (kN·m)	S2 (kN)	TQ (kN·m)	M3 (kN·m)			
124	SUM TOTAL	D+6LANES	MAX	S2	1418.82	149.00	-271.28	1019.53	237.04	4438.75	1019.53	258.23	4437.57	637.74	303.26	7238.48
				TQ	1018.93	954.25	-1378.14	651.93	954.25	2588.08	649.37	967.04	2732.44	295.88	967.04	4988.47
				M3	1257.86	162.73	3013.83	866.15	230.10	7414.98	866.15	265.41	7413.79	469.59	327.63	9909.72
			MIN	S2	532.34	277.61	135.80	162.77	360.82	3057.44	162.77	375.41	3055.69	-225.27	502.60	4158.34
				TQ	783.08	-399.60	-1230.64	484.43	-399.60	1794.55	501.91	-391.97	1136.38	203.61	-391.97	2820.43
				M3	780.56	237.87	-6549.08	481.72	237.08	-3536.70	481.72	220.19	-3537.79	183.14	217.10	-1951.12
	SUM TOTAL		MAX		1541.37	1155.87	3218.97	1085.47	1155.87	7691.38	1085.47	1173.55	7687.02	654.36	1173.55	9909.72
			MIN		532.34	-543.72	-6549.08	124.68	-543.72	-3536.70	124.68	-536.16	-3537.79	-318.43	-536.16	-1951.12
300	DEAD LOAD	TOTAL			781.73	195.65	-2328.76	483.08	195.65	689.99	483.08	198.94	689.04	184.79	198.94	2283.24
301	LIVE LOAD	1-LANE(case1MAX	S2		42.64	-448.72	8.45	42.64	-448.72	211.96	42.64	-447.71	214.10	42.64	-447.71	417.61
			TQ		-48.05	107.76	-192.76	-48.05	107.76	-422.04	-48.01	105.76	-419.89	-48.01	105.76	-648.99
			M3		32.61	-469.94	476.88	35.25	-477.31	641.84	35.25	-474.24	644.11	37.35	-469.42	816.58
			MIN	S2	-51.31	100.04	-248.36	-51.31	100.04	-493.21	-51.31	97.68	-493.68	-51.31	97.68	-738.54
				TQ	38.68	-483.99	19.18	38.68	-483.99	203.77	38.64	-483.02	203.43	38.64	-483.02	387.83
				M3	-25.17	52.74	-973.44	-25.24	53.14	-1093.88	-25.24	47.92	-1094.12	-25.57	47.57	-1215.81
		1-LANE(case2MAX	S2		86.56	-209.54	184.50	86.56	-209.54	597.60	86.56	-206.68	598.59	86.56	-206.68	1011.68
			TQ		-46.30	36.73	-219.55	-46.30	36.73	-440.52	-49.59	35.15	-291.37	-49.59	35.15	-528.01
			M3		52.70	-135.80	1018.40	62.50	-172.45	1301.99	62.50	-166.24	1302.79	69.65	-190.21	1622.53
			MIN	S2	-53.77	34.50	-109.28	-53.77	34.50	-365.90	-53.77	32.75	-366.06	-53.77	32.75	-622.68
				TQ	82.64	-212.22	354.29	82.64	-212.22	748.64	85.92	-209.17	600.31	85.92	-209.17	1010.34
				M3	-13.07	18.22	-1164.38	-13.07	18.22	-1226.73	-13.07	12.37	-1226.81	-13.08	12.33	-1289.20
		1-LANE(case3MAX	S2		132.74	-8.49	312.71	132.16	-9.26	930.64	132.16	-4.82	930.68	131.49	-4.82	1559.76
			TQ		28.07	91.89	741.05	25.40	91.89	863.88	25.44	96.19	950.66	24.77	96.19	1070.48
			M3		54.36	63.88	1597.79	81.79	27.07	1916.32	81.79	36.22	1916.17	102.95	10.68	2363.01
			MIN	S2	-59.98	-7.33	78.19	-60.06	-6.56	-194.10	-60.06	-7.49	-194.07	-60.06	-7.49	-480.70
				TQ	54.45	-50.93	635.63	54.45	-50.93	895.48	54.41	-46.84	808.47	54.41	-46.84	1068.15
				M3	-3.70	-8.74	-1309.16	-3.70	-8.74	-1326.80	-3.70	-15.07	-1326.74	-3.71	-15.05	-1344.41

BAGO RIVER BRIDGE

BLOCK [ No.1 : MAIN GIRDER ][ BEAM MEMBER FORCE ]

MEMBER			4021			4022			4023							
NODE			4021			4022			4023							
			SHEAR	TORQUE	MOMENT	SHEAR	TORQUE	MOMENT	SHEAR	TORQUE	MOMENT					
NAME	TITLE		S2 (kN)	TQ (kN·m)	M3 (kN·m)	S2 (kN)	TQ (kN·m)	M3 (kN·m)	S2 (kN)	TQ (kN·m)	M3 (kN·m)					
301	LIVE LOAD	1-LANE (case4MAX	S2	503.88	411.73	1755.52	373.76	538.77	2591.52	373.76	551.14	2588.92	269.12	617.49	2788.41	
			TQ	286.53	675.99	401.95	225.71	675.99	1624.21	223.10	683.82	1658.07	162.25	683.82	2577.56	
			M3	420.88	344.86	3099.11	270.67	481.18	3984.74	270.67	500.19	3982.39	129.12	610.23	4121.24	
			MIN	S2	-148.81	-90.03	2188.54	-242.08	12.79	2650.70	-242.08	25.44	2650.61	-367.83	198.48	2636.31
			TQ	-101.96	-116.22	1336.85	-101.96	-116.22	850.28	-99.35	-112.25	813.72	-99.35	-112.25	339.60	
			M3	19.25	-23.74	-1648.78	19.06	-24.34	-1557.67	19.06	-31.77	-1557.53	19.06	-31.77	-1466.59	
		2-LANES (caseMAX	S2	87.49	-656.93	79.91	87.49	-656.93	497.43	87.49	-654.55	500.56	87.49	-654.55	918.08	
			TQ	-80.99	148.71	-300.12	-80.99	148.71	-686.60	-79.96	145.47	-675.86	-79.96	145.47	-1057.46	
			M3	67.63	-652.77	987.83	70.91	-667.55	1319.99	70.91	-661.25	1323.16	74.81	-668.62	1670.77	
			MIN	S2	-86.12	139.28	-360.99	-86.12	139.28	-771.98	-86.12	135.59	-772.63	-86.12	135.59	-1183.62
			TQ	83.75	-692.99	119.85	83.75	-692.99	519.53	83.71	-690.52	518.98	83.71	-690.52	918.43	
			M3	-37.06	73.43	-1701.15	-37.13	73.75	-1878.31	-37.13	64.79	-1878.64	-37.40	64.50	-2056.86	
		2-LANES (caseMAX	S2	124.09	-457.61	226.61	124.09	-457.61	818.79	124.09	-453.70	820.96	124.09	-453.70	1413.14	
			TQ	-79.54	89.52	-322.45	-79.54	89.52	-702.00	-81.28	86.63	-568.75	-81.28	86.63	-956.64	
			M3	84.37	-374.33	1439.10	93.62	-413.51	1870.11	93.62	-404.57	1872.06	101.72	-435.95	2342.39	
			MIN	S2	-88.18	84.66	-245.09	-88.18	84.66	-665.88	-88.18	81.48	-666.28	-88.18	81.48	-1087.07
			TQ	120.38	-466.52	399.10	120.38	-466.52	973.58	123.11	-462.31	849.72	123.11	-462.31	1437.20	
			M3	-26.98	44.66	-1860.26	-26.98	44.66	-1989.03	-26.98	35.16	-1989.22	-27.00	35.14	-2118.01	
		2-LANES (caseMAX	S2	272.76	133.58	926.98	262.34	129.66	1982.48	262.34	139.12	1981.84	248.85	141.26	2851.49	
			TQ	144.68	261.14	942.93	129.13	261.14	1592.34	135.48	269.12	1765.36	121.54	269.12	2378.65	
			M3	168.95	189.75	3048.76	179.34	165.24	3705.74	179.34	182.93	3704.91	181.54	170.08	4400.14	
			MIN	S2	-116.33	8.97	1195.37	-122.86	24.42	1062.96	-122.86	29.49	1062.83	-127.03	38.56	699.06
			TQ	1.74	-93.90	405.04	1.74	-93.90	413.36	1.19	-92.11	321.59	1.19	-92.11	327.28	
			M3	-1.00	-26.57	-2261.02	-1.00	-26.57	-2265.78	-1.00	-37.38	-2265.63	-1.00	-37.37	-2270.41	

BAGO RIVER BRIDGE

BLOCK [ No.1 : MAIN GIRDER ][ BEAM MEMBER FORCE ]

MEMBER			4021			4022			4023							
NODE			4021			4022			4023							
			SHEAR	TORQUE	MOMENT	SHEAR	TORQUE	MOMENT	SHEAR	TORQUE	MOMENT					
NAME	TITLE		S2 (kN)	TQ (kN·m)	M3 (kN·m)	S2 (kN)	TQ (kN·m)	M3 (kN·m)	S2 (kN)	TQ (kN·m)	M3 (kN·m)					
301	LIVE LOAD	2-LANES (caseMAX	S2	717.86	585.05	2630.16	547.74	746.54	3871.10	547.74	765.01	3867.49	408.43	849.95	4264.37	
			TQ	428.67	936.15	721.90	344.94	936.15	2567.74	341.85	948.51	2611.61	258.16	948.51	4043.24	
			M3	593.93	499.19	4758.45	396.47	675.30	6066.62	396.47	704.25	6063.33	209.15	847.70	6390.00	
			MIN	S2	-221.84	-97.13	3340.34	-342.48	40.30	3964.20	-342.48	59.22	3963.96	-503.21	285.12	4006.35
			TQ	-135.90	-151.60	1169.98	-135.90	-151.60	521.46	-133.77	-149.24	466.35	-133.77	-149.24	-172.01	
			M3	26.84	-28.74	-2669.99	26.67	-29.24	-2542.57	26.67	-41.37	-2542.40	26.67	-41.37	-2415.11	
		3-LANES (caseMAX	S2	135.68	-706.81	198.61	135.68	-706.81	846.11	135.68	-702.77	849.48	135.68	-702.77	1496.98	
			TQ	-101.64	152.43	-410.61	-101.64	152.43	-895.65	-103.09	148.55	-780.86	-103.09	148.55	-1272.85	
			M3	94.81	-651.05	1561.03	104.55	-689.58	2044.23	104.55	-679.81	2047.50	112.92	-703.06	2569.44	
			MIN	S2	-111.29	142.82	-384.25	-111.29	142.82	-915.36	-111.29	138.45	-916.03	-111.29	138.45	-1447.14
			TQ	129.72	-739.37	352.83	129.72	-739.37	971.88	132.01	-735.10	866.35	132.01	-735.10	1496.33	
			M3	-40.76	75.32	-2270.74	-40.81	75.60	-2465.50	-40.81	63.83	-2465.84	-41.06	63.56	-2661.51	
		3-LANES (caseMAX	S2	472.43	315.36	1765.47	416.38	355.09	3111.89	416.38	369.94	3110.16	363.95	395.45	4049.84	
			TQ	279.29	528.97	1162.80	239.69	528.97	2397.89	244.20	540.78	2560.85	205.85	540.78	3634.76	
			M3	340.23	341.55	4397.63	293.46	369.39	5431.78	293.46	395.31	5429.96	240.82	425.56	6214.24	
			MIN	S2	-178.63	-23.69	2252.54	-218.67	31.03	2352.61	-218.67	42.26	2352.44	-265.32	112.80	2085.40
			TQ	-41.63	-151.36	373.39	-41.63	-151.36	174.72	-42.02	-150.74	73.40	-42.02	-150.74	-127.12	
			M3	5.26	-48.60	-2982.88	5.26	-48.60	-2957.80	5.26	-62.72	-2957.53	5.25	-62.71	-2932.47	
		3-LANES (caseMAX	S2	759.64	616.96	2976.11	602.38	758.77	4363.76	602.38	779.59	4360.09	469.57	855.34	4955.19	
			TQ	477.19	960.23	916.74	392.97	960.23	2992.86	390.05	974.62	3036.60	306.00	974.62	4697.30	
			M3	620.04	540.12	5547.73	435.77	699.51	7001.40	435.77	732.92	6997.98	258.96	864.83	7536.03	
MIN	S2		-247.50	-58.10	3833.62	-358.41	75.07	4472.20	-358.41	96.42	4471.79	-501.42	304.90	4598.91		
TQ	-152.12		-146.65	895.67	-152.12	-146.65	169.73	-150.84	-145.98	109.35	-150.84	-145.98	-610.48			
M3	27.65		-22.33	-3304.75	27.51	-22.75	-3173.34	27.51	-37.90	-3173.20	27.51	-37.90	-3041.91			



BAGO RIVER BRIDGE

BLOCK [ No.1 : MAIN GIRDER ][ BEAM MEMBER FORCE ]

MEMBER					4021			4022			4023					
NODE					4021			4022			4023					
					SHEAR	TORQUE	MOMENT	SHEAR	TORQUE	MOMENT	SHEAR	TORQUE	MOMENT			
NAME TITLE					S2 (kN)	TQ (kN·m)	M3 (kN·m)	S2 (kN)	TQ (kN·m)	M3 (kN·m)	S2 (kN)	TQ (kN·m)	M3 (kN·m)			
301	LIVE LOAD	4-LANES	MAX	S2	608.21	359.79	2326.17	491.78	464.12	3546.72	491.78	481.05	3544.47	392.56	537.56	4185.82
				TQ	343.42	671.71	1026.99	278.68	671.71	2508.56	276.41	683.85	2583.73	212.57	683.85	3750.43
				M3	460.54	341.79	4979.61	338.83	440.67	6089.09	338.83	469.73	6086.92	218.29	554.47	6582.46
		MIN	S2	-139.84	52.76	3512.62	-223.34	153.72	4244.65	-223.34	173.98	4243.87	-326.99	324.44	4535.92	
			TQ	-4.41	-56.46	1575.87	-4.41	-56.46	1554.82	3.09	-49.30	1356.16	3.09	-49.30	1370.93	
			M3	94.25	46.49	-3014.60	94.15	46.17	-2565.26	94.15	33.92	-2565.45	94.15	33.93	-2116.17	
	6-LANES	MAX	S2	637.09	-46.64	2057.49	536.45	41.40	3748.77	536.45	59.29	3748.53	452.96	104.32	4955.24	
			TQ	237.20	758.60	950.63	168.85	758.60	1898.09	166.29	768.10	2043.40	111.09	768.10	2705.23	
			M3	476.13	-32.91	5342.59	383.07	34.46	6724.99	383.07	66.48	6724.75	284.80	128.69	7626.48	
		MIN	S2	-249.39	81.96	2464.57	-320.31	165.17	2367.46	-320.31	176.47	2366.64	-410.05	303.66	1875.10	
			TQ	1.35	-595.25	1098.12	1.35	-595.25	1104.56	18.83	-590.91	447.34	18.83	-590.91	537.19	
			M3	-1.17	42.22	-4220.32	-1.37	41.43	-4226.69	-1.37	21.25	-4226.84	-1.64	18.16	-4234.36	
	LIVE LOAD	MAX		759.64	960.23	5547.73	602.38	960.23	7001.40	602.38	974.62	6997.98	469.57	974.62	7626.48	
		MIN		-249.39	-739.37	-4220.32	-358.41	-739.37	-4226.69	-358.41	-735.10	-4226.84	-503.21	-735.10	-4234.36	
303	SUM TOTAL	TOTAL	MAX		1541.37	1155.87	3218.97	1085.47	1155.87	7691.38	1085.47	1173.55	7687.02	654.36	1173.55	9909.72
			MIN		532.34	-543.72	-6549.08	124.68	-543.72	-3536.70	124.68	-536.16	-3537.79	-318.43	-536.16	-1951.12

BAGO RIVER BRIDGE

BLOCK [ No.1 : MAIN GIRDER ] [ BEAM MEMBER FORCE ]

MEMBER NODE	4023	4024			4024			4025						
		SHEAR	TORQUE	MOMENT	SHEAR	TORQUE	MOMENT	SHEAR	TORQUE	MOMENT				
NAME TITLE	S2 (kN)	TQ (kN·m)	M3 (kN·m)	S2 (kN)	TQ (kN·m)	M3 (kN·m)	S2 (kN)	TQ (kN·m)	M3 (kN·m)	S2 (kN)	TQ (kN·m)	M3 (kN·m)		
1 PAVEMENT	66.32	38.14	573.55	8.39	38.14	751.84	8.39	41.72	751.65	-49.48	41.72	653.61		
3 RAILING	2.90	1.04	10.49	-0.33	1.04	16.67	-0.33	1.12	16.66	-3.56	1.12	7.40		
5 CURB	28.75	10.32	103.87	-3.23	10.32	165.00	-3.23	11.11	164.95	-35.23	11.11	73.29		
7 DECK WEIGHT	96.33	51.68	808.44	5.97	51.68	1052.65	5.97	56.70	1052.39	-84.30	56.70	865.56		
8 GIRDER WEIGH	62.54	-8.70	619.66	-26.70	-8.70	705.17	-26.70	-5.33	705.20	-115.94	-5.33	364.85		
10 MEDIAN STRIP	-15.12	-14.48	-65.58	-15.12	-14.48	-137.74	-15.12	-15.14	-137.67	-15.12	-15.14	-209.83		
21 ADITIONAL WE	26.97	14.47	226.36	1.67	14.47	294.74	1.67	15.88	294.67	-23.60	15.88	242.36		
31 MEDIAN RAILI	-0.39	-1.11	5.09	-0.39	-1.11	3.24	-0.39	-1.09	3.24	-0.39	-1.09	1.39		
51 SUPPORT WEIG	0.00	0.00	-0.00	0.00	0.00	-0.00	0.00	0.00	-0.00	0.00	0.00	-0.00		
52 NOSE WEIGHT	-0.00	-0.04	0.05	-0.00	-0.04	0.03	-0.00	-0.04	0.03	-0.00	-0.04	0.01		
61 1-LANE(case1TRUCK-LOAD	MAX	S2	10.57	2.72	232.37	10.57	2.72	282.82	10.57	4.07	282.80	10.57	4.07	333.25
		TQ	5.90	34.57	189.97	5.90	34.57	218.12	5.90	35.61	217.95	5.90	35.61	246.10
		M3	3.61	-97.21	313.39	3.61	-97.21	330.64	3.61	-95.63	331.10	3.73	-97.39	348.90
	MIN	S2	-15.45	25.45	-208.41	-15.45	25.45	-282.15	-15.45	24.11	-282.27	-15.45	24.11	-356.01
		TQ	5.60	-108.45	288.76	5.60	-108.45	315.48	5.60	-106.95	316.00	5.60	-106.95	342.72
		M3	6.89	-26.58	-297.96	-15.43	26.60	-282.41	-15.43	25.25	-282.53	-15.43	25.25	-356.16
	TANDEM-LOAD MAX	S2	7.34	7.35	153.90	7.34	7.35	188.93	7.34	8.25	188.89	7.34	8.25	223.92
		TQ	3.52	24.77	126.55	3.52	24.77	143.37	3.52	25.46	143.25	3.52	25.46	160.07
		M3	2.14	-64.51	214.61	2.14	-64.51	224.82	2.14	-63.44	225.12	2.83	-71.41	237.89
	MIN	S2	-10.49	17.47	-141.65	-10.49	17.47	-191.73	-10.49	16.56	-191.81	-10.49	16.56	-241.90
		TQ	4.27	-74.40	189.99	4.27	-74.40	210.36	4.27	-73.40	210.71	4.27	-73.40	231.07
		M3	4.71	-17.83	-202.81	-10.49	17.79	-191.80	-10.49	16.87	-191.89	-10.49	16.87	-241.94
	DISPERSION-LMAX	S2	18.39	-97.33	-1.88	18.39	-97.33	85.89	18.39	-96.92	86.36	18.39	-96.92	174.14
		TQ	-22.93	63.23	-253.01	-22.93	63.23	-362.42	-22.87	61.50	-360.30	-22.87	61.50	-469.42
		M3	10.17	-64.69	369.57	10.17	-64.69	418.10	10.17	-62.69	418.41	10.17	-62.69	466.94
	MIN	S2	-26.05	47.61	-344.07	-26.05	47.61	-468.36	-26.05	45.37	-468.59	-26.05	45.37	-592.88
		TQ	15.28	-112.96	-92.95	15.28	-112.96	-20.05	15.21	-113.06	-21.92	15.21	-113.06	50.68
		M3	-17.82	14.96	-715.53	-17.82	14.96	-800.57	-17.82	11.14	-800.64	-17.82	11.14	-885.68

BAGO RIVER BRIDGE

BLOCK [ No.1 : MAIN GIRDER ][ BEAM MEMBER FORCE ]

MEMBER				4023			4024			4025					
NODE				4023			4024			4024			4025		
				SHEAR	TORQUE	MOMENT	SHEAR	TORQUE	MOMENT	SHEAR	TORQUE	MOMENT	SHEAR	TORQUE	MOMENT
NAME	TITLE			S2 (kN)	TQ (kN·m)	M3 (kN·m)	S2 (kN)	TQ (kN·m)	M3 (kN·m)	S2 (kN)	TQ (kN·m)	M3 (kN·m)	S2 (kN)	TQ (kN·m)	M3 (kN·m)
62	1-LANE (case2TRUCK-LOAD	MAX	S2	22.99	-59.22	421.27	22.99	-59.22	530.96	22.99	-56.68	531.24	22.99	-56.68	640.93
			TQ	-8.01	36.90	541.99	-8.01	36.90	503.75	-8.01	39.31	503.57	-8.01	39.31	465.33
			M3	4.78	-0.32	663.25	10.48	-22.29	699.61	10.48	-18.95	699.71	17.50	-44.13	762.94
		MIN	S2	-16.47	6.74	-210.29	-16.47	6.74	-288.87	-16.47	5.36	-288.90	-16.47	5.36	-367.48
			TQ	22.82	-60.88	478.31	22.82	-60.88	587.19	22.82	-58.07	587.47	22.82	-58.07	696.36
			M3	9.02	-10.41	-324.09	-16.47	6.74	-288.87	-16.47	5.36	-288.90	-16.47	5.36	-367.48
		TANDEM-LOAD MAX	S2	16.01	-41.69	296.41	16.01	-41.69	372.82	16.01	-39.91	373.01	16.01	-39.91	449.42
			TQ	-6.03	26.07	357.13	-6.03	26.07	328.35	-6.03	27.64	328.22	-6.03	27.64	299.43
			M3	4.80	-6.18	451.81	6.15	-11.41	477.47	6.15	-9.13	477.52	11.31	-28.77	523.07
		MIN	S2	-11.18	4.50	-142.73	-11.18	4.50	-196.08	-11.18	3.56	-196.10	-11.18	3.56	-249.45
			TQ	15.96	-42.15	312.33	15.96	-42.15	388.51	15.96	-40.29	388.70	15.96	-40.29	464.89
			M3	6.13	-6.93	-220.17	-11.18	4.50	-196.08	-11.18	3.56	-196.10	-11.18	3.56	-249.45
		DISPERSION-LMAX	S2	27.19	-50.98	38.06	27.19	-50.98	167.80	27.19	-50.17	168.04	27.19	-50.17	297.79
			TQ	-31.63	30.85	-47.97	-31.63	30.85	-198.92	-31.55	29.93	-188.41	-31.55	29.93	-338.98
			M3	12.20	-20.69	689.95	12.20	-20.69	748.15	12.20	-17.11	748.24	12.20	-17.11	806.44
MIN	S2	-31.85	29.93	-98.42	-31.85	29.93	-250.41	-31.85	28.73	-250.55	-31.85	28.73	-402.54		
	TQ	26.97	-51.90	-12.39	26.97	-51.90	116.31	26.89	-51.37	105.90	26.89	-51.37	234.23		
	M3	-16.86	-0.37	-750.32	-16.86	-0.37	-830.76	-16.86	-4.33	-830.75	-16.86	-4.33	-911.19		
63	1-LANE (case3TRUCK-LOAD	MAX	S2	41.28	-21.84	640.39	41.28	-21.84	837.37	41.28	-17.85	837.47	41.28	-17.85	1034.45
			TQ	-23.19	42.22	978.99	-23.19	42.22	868.31	-23.19	46.36	868.10	-23.19	46.36	757.41
			M3	-5.73	28.34	1036.36	17.55	-2.75	1038.23	17.55	2.21	1038.23	35.75	-19.28	1145.18
		MIN	S2	-24.97	38.59	876.71	-24.97	38.59	757.57	-24.97	42.21	757.37	-24.97	42.21	638.23
			TQ	39.86	-26.08	738.03	39.86	-26.08	928.26	39.86	-21.64	928.37	39.86	-21.64	1118.61
			M3	10.64	2.11	-343.83	-17.24	-8.19	-293.71	-17.24	-9.59	-293.66	-17.24	-9.59	-375.96

BAGO RIVER BRIDGE

BLOCK [ No.1 : MAIN GIRDER ][ BEAM MEMBER FORCE ]

MEMBER		4023			4024			4024			4025						
NODE		4023			4024			4024			4025						
		SHEAR	TORQUE	MOMENT	SHEAR	TORQUE	MOMENT	SHEAR	TORQUE	MOMENT	SHEAR	TORQUE	MOMENT				
NAME	TITLE	S2 (kN)	TQ (kN·m)	M3 (kN·m)	S2 (kN)	TQ (kN·m)	M3 (kN·m)	S2 (kN)	TQ (kN·m)	M3 (kN·m)	S2 (kN)	TQ (kN·m)	M3 (kN·m)				
63	1-LANE (case3TANDEM-LOAD	MAX	S2	29.17	-17.93	451.05	29.17	-17.93	590.27	29.17	-15.11	590.35	29.17	-15.11	729.57		
			TQ	-17.52	30.18	654.29	-17.52	30.18	570.67	-17.52	32.91	570.52	-17.52	32.91	486.90		
			M3	-7.66	25.35	720.79	9.18	2.19	715.13	9.18	5.61	715.11	24.54	-14.76	798.02		
		MIN	S2	-18.02	29.17	625.75	-18.02	29.17	539.76	-18.02	31.75	539.62	-18.02	31.75	453.64		
			TQ	28.78	-19.11	478.30	28.78	-19.11	615.64	28.78	-16.17	615.72	28.78	-16.17	753.05		
			M3	7.24	1.47	-233.75	-11.70	-5.49	-199.29	-11.70	-6.44	-199.26	-11.70	-6.44	-255.09		
			DISPERSION-LMAX	S2	38.60	-0.21	83.03	38.38	-0.72	242.27	38.38	0.44	242.27	37.83	0.39	419.44	
				TQ	7.53	24.13	324.26	6.97	24.13	358.86	6.19	26.09	465.94	5.80	26.09	494.37	
				M3	14.05	13.31	932.81	13.49	13.31	998.51	13.49	18.08	998.44	12.92	18.08	1061.46	
			MIN	S2	-40.79	0.26	73.37	-41.12	0.77	-97.63	-41.12	0.30	-97.63	-41.13	0.36	-289.23	
				TQ	-9.71	-24.07	-167.86	-9.71	-24.07	-214.22	-8.94	-25.35	-321.30	-9.11	-25.35	-364.16	
				M3	-16.23	-13.26	-776.42	-16.23	-13.26	-853.87	-16.23	-17.33	-853.80	-16.23	-17.33	-931.25	
		64	1-LANE (case4TRUCK-LOAD	MAX	S2	255.21	-0.24	2002.16	179.82	113.58	2241.12	179.82	124.28	2240.55	117.34	202.73	2108.21
					TQ	77.54	215.70	720.51	77.54	215.70	1090.57	77.54	220.90	1089.53	77.54	220.90	1459.58
					M3	228.97	-28.31	2045.71	153.81	84.43	2295.39	153.81	95.39	2294.96	86.66	186.55	2160.04
MIN	S2			-99.84	-95.97	1960.90	-160.86	-20.00	2196.89	-160.86	-9.51	2196.96	-238.14	107.04	2100.18		
	TQ			-59.90	-117.10	1273.66	-59.90	-117.10	987.78	-59.90	-112.39	988.33	-59.90	-112.39	702.45		
	M3			14.44	32.40	-389.22	14.44	32.40	-320.30	14.44	30.87	-320.45	-18.28	-29.62	-387.20		
	TANDEM-LOAD			MAX	S2	197.50	-37.85	1588.49	144.93	42.05	1772.77	144.93	50.51	1772.55	94.59	124.58	1669.01
				TQ	61.53	149.72	556.60	61.53	149.72	850.22	61.53	153.78	849.49	61.53	153.78	1143.11	
				M3	197.50	-37.85	1588.50	144.93	42.05	1772.77	144.93	50.51	1772.55	94.59	124.58	1669.01	
	MIN			S2	-82.86	-52.12	1582.58	-133.34	21.66	1769.30	-133.34	30.11	1769.18	-185.97	110.24	1667.79	
				TQ	-49.56	-81.49	1028.37	-49.56	-81.49	791.87	-49.56	-77.71	792.25	-49.56	-77.71	555.76	
				M3	9.84	22.22	-264.95	9.84	22.22	-217.97	9.84	21.18	-218.08	-12.39	-19.74	-262.53	

BAGO RIVER BRIDGE

BLOCK [ No.1 : MAIN GIRDER ][ BEAM MEMBER FORCE ]

MEMBER			4023			4024			4024			4025					
NODE			4023			4024			4024			4025					
			SHEAR	TORQUE	MOMENT	SHEAR	TORQUE	MOMENT	SHEAR	TORQUE	MOMENT	SHEAR	TORQUE	MOMENT			
NAME	TITLE		S2 (kN)	TQ (kN·m)	M3 (kN·m)	S2 (kN)	TQ (kN·m)	M3 (kN·m)	S2 (kN)	TQ (kN·m)	M3 (kN·m)	S2 (kN)	TQ (kN·m)	M3 (kN·m)			
64	1-LANE (case4DISPERSION-LMAX	S2	111.33	171.56	318.06	80.37	172.97	459.76	80.37	175.16	458.93	58.56	161.17	467.54			
		TQ	94.70	174.00	185.52	69.33	174.00	607.18	69.33	176.89	606.34	18.58	176.89	816.11			
		M3	65.75	78.08	1384.89	15.01	78.08	1577.60	15.01	85.61	1577.20	-35.75	85.61	1527.73			
		MIN	S2	-59.02	-104.16	234.19	-78.80	-105.57	221.05	-78.80	-104.52	221.55	-107.74	-90.53	99.33		
		TQ	-42.39	-106.60	366.72	-67.76	-106.60	73.63	-67.76	-106.25	74.14	-67.76	-106.25	-249.24			
		M3	-13.44	-10.68	-832.65	-13.44	-10.68	-896.79	-13.44	-14.96	-896.72	-13.44	-14.96	-960.86			
		65	2-LANES (caseTRUCK-LOAD	MAX	S2	24.75	-81.27	568.99	24.75	-81.27	687.09	24.75	-77.99	687.47	24.75	-77.99	805.58
				TQ	4.63	70.35	507.44	4.63	70.35	529.54	4.63	72.88	529.20	4.63	72.88	551.30	
				M3	11.81	-135.80	775.98	12.30	-143.50	833.36	12.30	-139.52	834.04	13.54	-156.61	894.83	
MIN	S2	-31.40	42.12	-417.94	-31.40	42.12	-567.79	-31.40	39.41	-567.98	-31.40	39.41	-717.83				
TQ	19.54	-193.46	650.16	19.54	-193.46	743.42	19.54	-189.91	744.34	19.54	-189.91	837.61					
M3	14.84	-45.07	-608.97	-31.38	43.27	-568.05	-31.38	40.56	-568.25	-31.38	40.56	-717.99					
TANDEM-LOAD	MAX	S2	17.13	-49.74	374.34	17.13	-49.74	456.11	17.13	-47.57	456.34	17.13	-47.57	538.10			
TQ	3.18	49.75	366.39	3.18	49.75	381.56	3.18	51.58	381.32	3.18	51.58	396.48					
M3	7.48	-85.05	529.11	8.07	-99.84	567.09	8.07	-97.13	567.56	9.07	-109.38	609.05					
MIN	S2	-21.33	28.62	-283.89	-21.33	28.62	-385.68	-21.33	26.78	-385.81	-21.33	26.78	-487.59				
TQ	13.76	-133.23	443.21	13.76	-133.23	508.86	13.76	-130.80	509.49	13.76	-130.80	575.14					
M3	10.14	-30.22	-414.30	-21.32	28.94	-385.75	-21.32	27.10	-385.88	-21.32	27.10	-487.64					
DISPERSION-LMAX	S2	40.04	-174.17	56.52	40.04	-174.17	247.62	40.04	-172.99	248.45	40.04	-172.99	439.55				
TQ	-49.78	110.33	-414.86	-49.78	110.33	-652.44	-49.66	107.24	-645.29	-49.66	107.24	-882.28					
M3	21.38	-107.48	899.10	21.38	-107.48	1001.12	21.38	-102.70	1001.62	21.38	-102.70	1103.63					
MIN	S2	-53.82	88.91	-605.80	-53.82	88.91	-862.64	-53.82	84.79	-863.05	-53.82	84.79	-1119.89				
TQ	36.01	-195.59	-134.41	36.01	-195.59	37.42	35.89	-195.43	30.68	35.89	-195.43	201.94					
M3	-35.15	22.22	-1448.38	-35.15	22.22	-1616.14	-35.15	14.50	-1616.22	-35.15	14.50	-1783.98					

BAGO RIVER BRIDGE

BLOCK [ No.1 : MAIN GIRDER ][ BEAM MEMBER FORCE ]

MEMBER				4023			4024			4025						
NODE				4023			4024			4024			4025			
				SHEAR	TORQUE	MOMENT	SHEAR	TORQUE	MOMENT	SHEAR	TORQUE	MOMENT	SHEAR	TORQUE	MOMENT	
NAME	TITLE			S2 (kN)	TQ (kN·m)	M3 (kN·m)	S2 (kN)	TQ (kN·m)	M3 (kN·m)	S2 (kN)	TQ (kN·m)	M3 (kN·m)	S2 (kN)	TQ (kN·m)	M3 (kN·m)	
66	2-LANES (caseTRUCK-LOAD	MAX	S2	37.16	-143.21	757.88	37.16	-143.21	935.24	37.16	-138.74	935.91	37.16	-138.74	1113.26	
			TQ	-9.28	72.68	859.46	-9.28	72.68	815.17	-9.28	76.57	814.81	-9.28	76.57	770.53	
			M3	12.98	-38.90	1125.85	19.16	-68.58	1202.34	19.16	-62.84	1202.65	27.31	-103.35	1308.87	
			MIN	S2	-32.41	23.41	-419.82	-32.41	23.41	-574.51	-32.41	20.66	-574.61	-32.41	20.66	-729.30
				TQ	36.76	-145.89	839.70	36.76	-145.89	1015.13	36.76	-141.04	1015.82	36.76	-141.04	1191.24
				M3	16.97	-28.89	-635.11	-32.41	23.41	-574.51	-32.41	20.66	-574.61	-32.41	20.66	-729.30
		TANDEM-LOAD	MAX	S2	25.80	-98.78	516.85	25.80	-98.78	639.99	25.80	-95.72	640.46	25.80	-95.72	763.60
				TQ	-6.38	51.05	596.98	-6.38	51.05	566.54	-6.38	53.76	566.29	-6.38	53.76	535.85
				M3	10.14	-26.72	766.32	12.08	-46.74	819.75	12.08	-42.82	819.97	17.55	-66.75	894.23
			MIN	S2	-22.01	15.64	-284.97	-22.01	15.64	-390.02	-22.01	13.78	-390.09	-22.01	13.78	-495.15
				TQ	25.45	-100.98	565.54	25.45	-100.98	687.01	25.45	-97.70	687.49	25.45	-97.70	808.96
				M3	11.56	-19.32	-431.67	-22.01	15.64	-390.02	-22.01	13.78	-390.09	-22.01	13.78	-495.15
		DISPERSION-LMAX	MAX	S2	48.84	-127.82	96.46	48.84	-127.82	329.53	48.84	-126.24	330.13	48.84	-126.24	563.20
				TQ	-58.49	77.96	-209.83	-58.49	77.96	-488.94	-58.35	75.66	-473.39	-58.35	75.66	-751.84
				M3	23.40	-63.48	1219.48	23.40	-63.48	1331.16	23.40	-57.12	1331.45	23.40	-57.12	1443.13
			MIN	S2	-59.62	71.23	-360.15	-59.62	71.23	-644.69	-59.62	68.15	-645.02	-59.62	68.15	-929.56
				TQ	47.70	-134.54	-53.86	47.70	-134.54	173.78	47.56	-133.75	158.51	47.56	-133.75	385.49
				M3	-34.19	6.89	-1483.17	-34.19	6.89	-1646.32	-34.19	-0.97	-1646.34	-34.19	-0.97	-1809.49
67	2-LANES (caseTRUCK-LOAD	MAX	S2	107.14	1.04	1760.94	106.69	3.38	2199.19	106.69	13.88	2199.14	103.33	22.09	2466.86	
			TQ	17.41	97.70	1446.74	17.41	97.70	1529.82	17.41	105.00	1529.34	17.41	105.00	1612.42	
			M3	47.50	45.08	2383.47	71.10	19.57	2446.40	71.10	31.25	2446.28	87.16	17.75	2604.48	
			MIN	S2	-69.67	47.23	2158.81	-73.11	55.33	2092.61	-73.11	65.32	2092.32	-73.59	67.62	1825.45
				TQ	24.12	-46.80	552.68	24.12	-46.80	667.78	24.12	-43.62	668.00	24.12	-43.62	783.10
				M3	22.37	12.86	-700.76	-5.51	2.56	-594.64	-5.51	-0.28	-594.65	-35.01	-29.22	-757.53

BAGO RIVER BRIDGE

BLOCK [ No.1 : MAIN GIRDER ][ BEAM MEMBER FORCE ]

MEMBER		4023			4024			4024			4025					
NODE		4023			4024			4024			4025					
		SHEAR	TORQUE	MOMENT	SHEAR	TORQUE	MOMENT	SHEAR	TORQUE	MOMENT	SHEAR	TORQUE	MOMENT			
NAME	TITLE	S2 (kN)	TQ (kN·m)	M3 (kN·m)	S2 (kN)	TQ (kN·m)	M3 (kN·m)	S2 (kN)	TQ (kN·m)	M3 (kN·m)	S2 (kN)	TQ (kN·m)	M3 (kN·m)			
67	2-LANES (caseTANDEM-LOAD	MAX	S2	74.06	-0.69	1128.02	74.06	-0.69	1481.43	74.06	6.38	1481.42	73.57	7.86	1789.61	
			TQ	8.52	68.77	951.50	8.52	68.77	992.14	8.52	73.51	991.80	8.52	73.51	1032.43	
			M3	36.00	36.71	1701.17	53.61	16.49	1734.67	53.61	24.77	1734.57	68.94	8.21	1858.06	
			MIN	S2	-50.70	39.15	1600.67	-51.18	40.53	1407.96	-51.18	47.25	1407.75	-51.18	47.25	1163.50
			TQ	18.24	-33.23	354.36	18.24	-33.23	441.39	18.24	-31.12	441.54	18.24	-31.12	528.58	
			M3	15.22	8.86	-476.53	-3.71	1.91	-403.96	-3.71	-0.02	-403.96	-23.74	-19.53	-513.90	
		DISPERSION-LMAX	S2	96.90	52.60	283.08	89.00	49.93	523.88	89.00	52.43	523.64	80.65	48.84	741.53	
			TQ	59.07	79.30	696.13	45.07	79.30	944.64	43.46	84.16	1091.96	29.60	84.16	1266.08	
			M3	41.66	49.78	2015.54	27.67	49.78	2180.98	27.67	60.19	2180.71	13.64	60.19	2279.27	
			MIN	S2	-87.27	-36.25	163.09	-93.36	-33.58	-65.13	-93.36	-33.89	-64.97	-99.04	-30.30	-337.16
			TQ	-49.44	-62.95	-249.95	-49.44	-62.95	-485.88	-47.82	-65.63	-633.28	-47.99	-65.63	-861.70	
			M3	-32.03	-33.43	-1569.36	-32.03	-33.43	-1722.22	-32.03	-41.65	-1722.04	-32.03	-41.65	-1874.89	
68	2-LANES (caseTRUCK-LOAD	MAX	S2	419.58	8.51	3682.72	304.84	184.40	4073.44	304.84	203.84	4072.51	208.14	327.19	3892.12	
			TQ	143.22	349.63	1403.75	143.22	349.63	2087.20	143.22	359.59	2085.51	143.22	359.59	2768.97	
			M3	374.00	-35.20	3758.12	259.59	139.02	4166.01	259.59	158.90	4165.30	156.40	301.34	3984.05	
			MIN	S2	-173.53	-142.06	3602.73	-267.86	-22.26	3993.00	-267.86	-3.20	3993.06	-385.16	176.92	3877.57
			TQ	-106.59	-180.60	2363.16	-106.59	-180.60	1854.51	-106.59	-171.75	1855.35	-106.59	-171.75	1346.69	
			M3	27.80	56.12	-765.49	27.80	56.12	-632.83	27.80	53.10	-633.09	-36.04	-49.25	-768.77	
		TANDEM-LOAD	MAX	S2	321.58	-52.24	2886.80	241.73	70.79	3184.78	241.73	85.99	3184.41	165.10	200.39	3045.83
			TQ	101.42	241.98	975.89	101.42	241.98	1459.86	101.42	248.95	1458.69	101.42	248.95	1942.67	
			M3	321.58	-52.24	2886.80	241.73	70.79	3184.79	241.73	85.99	3184.42	165.10	200.39	3045.83	
			MIN	S2	-141.79	-74.63	2875.35	-218.52	39.39	3178.07	-218.52	54.56	3177.85	-298.20	177.90	3043.60
			TQ	-78.21	-126.12	1705.41	-78.21	-126.12	1332.17	-78.21	-119.76	1332.76	-78.21	-119.76	959.53	
			M3	18.94	38.47	-520.97	18.94	38.47	-430.59	18.94	36.42	-430.77	-24.43	-32.83	-521.34	

BAGO RIVER BRIDGE

BLOCK [ No.1 : MAIN GIRDER ][ BEAM MEMBER FORCE ]

MEMBER		4023			4024			4024			4025					
NODE		4023			4024			4024			4025					
		SHEAR	TORQUE	MOMENT	SHEAR	TORQUE	MOMENT	SHEAR	TORQUE	MOMENT	SHEAR	TORQUE	MOMENT			
NAME	TITLE	S2 (kN)	TQ (kN·m)	M3 (kN·m)	S2 (kN)	TQ (kN·m)	M3 (kN·m)	S2 (kN)	TQ (kN·m)	M3 (kN·m)	S2 (kN)	TQ (kN·m)	M3 (kN·m)			
68	2-LANES (caseDISPERSION-LMAX	S2	197.43	285.38	575.96	146.62	286.50	831.02	146.62	290.46	829.64	109.70	267.48	861.20		
		TQ	170.45	288.61	336.28	128.35	288.61	1098.81	126.95	293.91	1123.50	43.29	293.91	1529.69		
		M3	113.06	132.59	2625.62	29.38	132.59	2965.46	29.38	146.74	2964.79	-54.29	146.74	2905.34		
		MIN	S2	-111.65	-167.43	400.52	-144.52	-168.54	355.10	-144.52	-166.85	355.90	-191.27	-143.86	134.70	
		TQ	-84.67	-170.65	640.20	-126.25	-170.65	87.31	-124.86	-170.29	62.04	-124.86	-170.29	-533.79		
		M3	-27.28	-14.63	-1649.14	-27.28	-14.63	-1779.34	-27.28	-23.12	-1779.25	-27.28	-23.12	-1909.45		
		MAX	S2	47.73	-140.49	990.26	47.73	-140.49	1218.05	47.73	-134.67	1218.71	47.73	-134.67	1446.51	
		TQ	-3.38	107.25	1049.43	-3.38	107.25	1033.29	-3.38	112.19	1032.77	-3.38	112.19	1016.63		
		M3	16.60	-136.12	1439.23	22.78	-165.79	1532.97	22.78	-158.47	1533.75	31.04	-200.73	1657.77		
69	3-LANES (caseTRUCK-LOAD	MIN	S2	-47.87	48.86	-628.23	-47.87	48.86	-856.66	-47.87	44.77	-856.88	-47.87	44.77	-1085.31	
		TQ	42.36	-254.34	1128.46	42.36	-254.34	1330.61	42.36	-247.98	1331.81	42.36	-247.98	1533.96		
		M3	23.86	-55.47	-933.06	-47.84	50.00	-856.92	-47.84	45.91	-857.15	-47.84	45.91	-1085.46		
		TANDEM-LOAD	MAX	S2	33.14	-91.43	670.75	33.14	-91.43	828.92	33.14	-87.47	829.35	33.14	-87.47	987.52
		TQ	-2.85	75.82	723.53	-2.85	75.82	709.90	-2.85	79.21	709.53	-2.85	79.21	695.91		
		M3	12.28	-91.23	980.93	14.22	-111.25	1044.57	14.22	-106.26	1045.09	20.38	-138.16	1132.12		
		MIN	S2	-32.51	33.12	-426.62	-32.51	33.12	-581.76	-32.51	30.34	-581.91	-32.51	30.34	-737.04	
		TQ	29.72	-175.38	755.53	29.72	-175.38	897.37	29.72	-171.10	898.20	29.72	-171.10	1040.03		
		M3	16.27	-37.15	-634.48	-32.50	33.43	-581.83	-32.50	30.66	-581.98	-32.50	30.66	-737.09		
		DISPERSION-LMAX	S2	67.23	-225.15	94.58	67.23	-225.15	415.42	67.23	-223.16	416.49	67.23	-223.16	737.34	
		TQ	-81.41	141.19	-462.84	-81.41	141.19	-851.36	-81.21	137.17	-833.70	-81.21	137.17	-1221.26		
		M3	33.57	-128.16	1589.06	33.57	-128.16	1749.27	33.57	-119.81	1749.86	33.57	-119.81	1910.07		
		MIN	S2	-85.67	118.84	-704.22	-85.67	118.84	-1113.05	-85.67	113.52	-1113.61	-85.67	113.52	-1522.43	
		TQ	62.98	-247.50	-146.81	62.98	-247.50	153.73	62.78	-246.80	136.58	62.78	-246.80	436.17		
		M3	-52.01	21.85	-2198.70	-52.01	21.85	-2446.90	-52.01	10.17	-2446.97	-52.01	10.17	-2695.17		



BAGO RIVER BRIDGE

BLOCK [ No.1 : MAIN GIRDER ][ BEAM MEMBER FORCE ]

MEMBER				4023			4024			4025					
NODE				4023			4024			4024			4025		
				SHEAR	TORQUE	MOMENT	SHEAR	TORQUE	MOMENT	SHEAR	TORQUE	MOMENT	SHEAR	TORQUE	MOMENT
NAME TITLE				S2 (kN)	TQ (kN·m)	M3 (kN·m)	S2 (kN)	TQ (kN·m)	M3 (kN·m)	S2 (kN)	TQ (kN·m)	M3 (kN·m)	S2 (kN)	TQ (kN·m)	M3 (kN·m)
70	3-LANES (caseTRUCK-LOAD	MAX	S2	263.09	10.78	3411.46	226.96	70.60	3996.05	226.96	89.67	3995.66	191.94	140.27	4223.92
			TQ	80.02	227.27	2105.12	80.02	227.27	2486.96	80.02	239.14	2485.85	80.02	239.14	2867.70
			M3	184.74	40.34	4064.35	172.74	71.67	4279.88	172.74	92.10	4279.49	155.50	126.54	4400.25
		MIN	S2	-140.05	5.62	3754.40	-176.03	56.12	3865.14	-176.03	74.57	3864.82	-211.91	133.00	3562.64
			TQ	-21.39	-104.09	1627.23	-21.39	-104.09	1525.16	-21.39	-96.81	1525.64	-21.39	-96.81	1423.57
			M3	35.19	32.30	-1070.65	7.31	22.00	-903.35	7.31	17.69	-903.45	-53.29	-58.84	-1144.73
	TANDEM-LOAD	MAX	S2	191.15	-12.82	2398.66	166.63	26.90	2861.80	166.63	40.56	2861.64	142.05	79.59	3141.92
			TQ	48.08	158.27	1369.73	48.08	158.27	1599.19	48.08	165.90	1598.41	48.08	165.90	1827.86
			M3	153.10	24.58	2971.81	146.19	44.08	3115.04	146.19	58.95	3114.80	137.42	79.94	3210.37
		MIN	S2	-107.33	19.53	2865.48	-132.10	57.94	2784.83	-132.10	71.23	2784.52	-157.20	111.33	2514.73
			TQ	-9.76	-73.58	1022.91	-9.76	-73.58	976.33	-9.76	-68.92	976.67	-9.76	-68.92	930.10
			M3	23.96	22.23	-728.24	5.02	15.28	-613.98	5.02	12.34	-614.05	-36.13	-39.26	-776.43
	DISPERSION-LMAX	MAX	S2	180.52	163.16	543.45	153.78	160.03	894.24	153.78	164.30	893.47	130.91	152.14	1134.37
			TQ	133.60	190.50	860.84	102.55	190.50	1441.35	99.53	197.80	1614.21	54.30	197.80	1981.09
			M3	87.78	109.70	3242.98	42.48	109.70	3553.85	42.48	126.67	3553.29	-2.92	126.67	3647.71
		MIN	S2	-140.16	-113.76	320.78	-158.73	-110.63	54.52	-158.73	-110.37	55.05	-181.26	-98.21	-317.77
			TQ	-93.24	-141.10	3.39	-107.49	-141.10	-492.59	-104.48	-143.87	-665.69	-104.65	-143.87	-1164.48
			M3	-47.43	-60.30	-2378.75	-47.43	-60.30	-2605.09	-47.43	-72.74	-2604.77	-47.43	-72.74	-2831.10
71	3-LANES (caseTRUCK-LOAD	MAX	S2	493.03	26.39	5041.26	375.01	212.54	5496.46	375.01	238.78	5495.39	272.40	373.41	5351.41
			TQ	188.34	404.41	1929.88	188.34	404.41	2828.67	188.34	417.91	2826.70	188.34	417.91	3725.49
			M3	435.02	-20.63	5136.80	317.28	163.81	5611.38	317.28	190.59	5610.53	209.19	344.38	5471.63
		MIN	S2	-220.79	-138.67	4916.14	-320.98	-6.69	5394.70	-320.98	19.06	5394.67	-440.94	209.36	5325.00
			TQ	-125.85	-197.98	2867.93	-125.85	-197.98	2267.34	-125.85	-187.16	2268.26	-125.85	-187.16	1667.66
			M3	40.07	71.15	-1128.79	40.07	71.15	-937.59	40.07	66.68	-937.92	-53.29	-58.84	-1144.73

BAGO RIVER BRIDGE

BLOCK [ No.1 : MAIN GIRDER ][ BEAM MEMBER FORCE ]

MEMBER				4023			4024			4025								
NODE				4023			4024			4024			4025					
				SHEAR	TORQUE	MOMENT	SHEAR	TORQUE	MOMENT	SHEAR	TORQUE	MOMENT	SHEAR	TORQUE	MOMENT			
NAME	TITLE			S2 (kN)	TQ (kN·m)	M3 (kN·m)	S2 (kN)	TQ (kN·m)	M3 (kN·m)	S2 (kN)	TQ (kN·m)	M3 (kN·m)	S2 (kN)	TQ (kN·m)	M3 (kN·m)			
71	3-LANES (case)	TANDEM-LOAD	MAX	S2	372.23	-43.13	3894.84	290.38	86.23	4235.97	290.38	106.45	4235.51	211.51	227.45	4130.39		
				TQ	133.36	280.55	1347.54	133.36	280.55	1983.94	133.36	290.02	1982.58	133.36	290.02	2618.98		
				M3	372.23	-43.14	3894.85	290.38	86.23	4235.98	290.38	106.45	4235.52	211.51	227.45	4130.40		
			MIN	S2	-176.79	-67.55	3878.24	-255.54	53.16	4226.23	-255.54	73.33	4225.93	-336.69	202.97	4127.36		
				TQ	-92.23	-138.82	2071.96	-92.23	-138.82	1631.83	-92.23	-131.03	1632.47	-92.23	-131.03	1192.34		
				M3	27.29	48.75	-768.07	27.29	48.75	-637.84	27.29	45.71	-638.07	-36.13	-39.26	-776.43		
			DISPERSION-L	MAX	S2	258.22	341.46	773.50	198.70	340.58	1113.48	198.70	345.89	1111.84	153.40	318.92	1180.71	
					TQ	226.33	346.21	675.13	169.15	346.21	1668.31	166.55	354.30	1720.30	67.88	354.30	2279.62	
					M3	141.87	163.63	3721.64	43.11	163.63	4162.89	43.11	183.50	4162.07	-55.57	183.50	4132.27	
				MIN	S2	-157.89	-189.61	498.79	-197.12	-188.73	401.88	-197.12	-186.81	402.78	-250.50	-159.84	105.92	
					TQ	-126.00	-194.36	597.16	-167.58	-194.36	-152.96	-164.98	-195.22	-205.68	-164.98	-195.22	-993.00	
					M3	-41.53	-11.78	-2449.34	-41.53	-11.78	-2647.54	-41.53	-24.42	-2647.45	-41.53	-24.42	-2845.64	
		72	4-LANES	TRUCK-LOAD	MAX	S2	524.97	6.10	5648.43	411.06	187.10	6295.14	411.06	217.15	6294.18	311.33	348.95	6357.46
						TQ	188.20	431.99	3187.07	188.20	431.99	4085.17	192.03	451.65	4129.30	192.03	451.65	5045.71
						M3	420.97	10.09	6141.11	330.45	158.50	6611.34	330.45	190.06	6610.50	243.53	318.80	6588.13
	MIN			S2	-241.20	-96.13	5732.04	-339.36	31.51	6087.60	-339.36	60.57	6087.38	-449.72	236.32	5861.71		
				TQ	-84.96	-217.56	3596.05	-84.96	-217.56	3190.59	-84.96	-202.32	3191.59	-84.96	-202.32	2786.13		
				M3	50.17	69.01	-1466.32	50.17	69.01	-1226.87	50.17	63.15	-1227.19	50.17	63.12	-987.77		
	TANDEM-LOAD			MAX	S2	393.64	-58.16	4315.23	314.91	67.37	4791.59	314.91	90.25	4791.21	238.51	208.11	4833.81	
					TQ	117.31	306.71	2030.57	117.31	306.71	2590.42	117.31	319.07	2588.92	117.31	319.07	3148.77	
					M3	357.10	-15.32	4587.30	295.08	87.26	4918.33	295.08	110.73	4917.86	233.96	208.39	4903.32	
				MIN	S2	-192.34	-35.37	4474.39	-268.89	81.73	4731.33	-268.89	104.31	4730.89	-347.84	230.45	4553.95	
					TQ	-62.78	-153.31	2543.62	-62.78	-153.31	2244.01	-62.78	-142.59	2244.71	-62.78	-142.59	1945.11	
					M3	34.17	47.35	-997.54	34.17	47.35	-834.49	34.17	43.36	-834.71	34.17	43.36	-671.66	

BAGO RIVER BRIDGE

BLOCK [ No.1 : MAIN GIRDER ][ BEAM MEMBER FORCE ]

MEMBER			4023			4024			4024			4025					
NODE			4023			4024			4024			4025					
			SHEAR	TORQUE	MOMENT	SHEAR	TORQUE	MOMENT	SHEAR	TORQUE	MOMENT	SHEAR	TORQUE	MOMENT			
NAME	TITLE		S2 (kN)	TQ (kN·m)	M3 (kN·m)	S2 (kN)	TQ (kN·m)	M3 (kN·m)	S2 (kN)	TQ (kN·m)	M3 (kN·m)	S2 (kN)	TQ (kN·m)	M3 (kN·m)			
72	4-LANES	DISPERSION-LMAX	S2	234.72	196.25	189.91	175.69	194.69	397.08	175.69	196.58	396.14	130.23	169.84	355.26		
			TQ	177.02	224.06	363.65	120.43	224.06	1121.57	116.24	229.79	1278.44	18.22	229.79	1599.04		
			M3	94.46	36.77	3979.23	-3.73	36.77	4195.67	-3.73	56.80	4195.44	-101.92	56.80	3943.33		
	MIN	S2	-78.73	-71.78	2001.19	-117.89	-70.23	2304.23	-117.89	-59.23	2304.54	-170.57	-32.52	2389.57			
		TQ	-19.61	-99.60	1783.02	-60.70	-99.60	1542.37	-56.83	-92.61	1385.41	-57.00	-92.61	1114.01			
		M3	61.53	87.68	-1789.21	61.53	87.68	-1495.56	61.53	80.53	-1495.97	61.53	80.53	-1202.32			
	73	6-LANES	TRUCK-LOAD	MAX	S2	486.05	-101.91	5541.18	387.82	50.43	6407.68	387.82	81.01	6407.37	302.74	183.28	6701.21
				TQ	107.12	456.16	3798.12	90.89	456.16	4231.88	90.89	476.35	4229.66	90.89	476.35	4663.42	
				M3	360.36	-76.34	6501.11	297.37	-11.51	6971.84	297.37	21.77	6971.82	235.26	92.30	7078.65	
MIN		S2	-241.12	-45.11	3919.25	-325.27	62.57	3929.47	-325.27	81.33	3929.13	-424.59	235.44	3440.02			
		TQ	-54.13	-391.18	3144.93	-54.13	-391.18	2886.63	-54.88	-377.41	2875.31	-54.88	-377.41	2613.39			
		M3	64.04	16.04	-2063.67	-9.49	105.23	-1785.01	-9.49	96.71	-1785.49	-101.14	-12.99	-2230.29			
TANDEM-LOAD		MAX	S2	363.63	-130.14	4107.07	295.41	-23.87	4734.14	295.41	-1.28	4734.20	229.74	97.83	4987.65		
		TQ	80.69	320.01	2703.17	68.38	320.01	3029.50	68.00	334.47	3032.01	68.00	334.47	3356.52			
		M3	302.71	-73.72	4769.77	259.76	-26.85	5094.86	259.76	-2.53	5094.93	216.19	53.01	5171.01			
MIN	S2	-187.12	-9.41	3057.40	-252.87	89.30	3060.08	-252.87	103.90	3059.61	-321.00	210.49	2688.39				
	TQ	-3.71	-273.79	3070.38	-3.71	-273.79	3052.67	-46.05	-262.11	2120.50	-46.05	-262.11	1900.75				
	M3	43.61	11.71	-1403.39	-6.38	71.35	-1213.12	-6.38	65.56	-1213.44	-68.63	-8.71	-1513.58				
DISPERSION-LMAX	S2	307.73	118.12	769.33	256.74	117.13	1467.98	256.74	124.14	1467.40	218.20	100.88	1974.92				
	TQ	117.63	446.97	369.05	73.20	446.97	861.31	68.17	451.50	1034.41	-16.45	451.50	1157.59				
	M3	158.25	49.75	5230.08	73.41	49.85	5782.82	73.41	77.45	5782.52	-11.39	77.45	5930.48				
MIN	S2	-230.54	-50.83	31.43	-264.20	-50.08	-500.18	-264.20	-52.46	-499.93	-309.80	-29.40	-1210.31				
	TQ	-42.93	-391.43	549.27	-79.26	-391.43	214.40	-76.89	-390.84	34.05	-77.07	-390.84	-333.11				
	M3	-82.17	18.22	-4450.70	-82.21	17.25	-4842.94	-82.21	-5.87	-4842.96	-82.22	-6.18	-5235.31				

BAGO RIVER BRIDGE

BLOCK [ No.1 : MAIN GIRDER ][ BEAM MEMBER FORCE ]

MEMBER			4023			4024			4024			4025			
NODE			4023			4024			4024			4025			
NAME TITLE			SHEAR	TORQUE	MOMENT	SHEAR	TORQUE	MOMENT	SHEAR	TORQUE	MOMENT	SHEAR	TORQUE	MOMENT	
			S2 (kN)	TQ (kN·m)	M3 (kN·m)	S2 (kN)	TQ (kN·m)	M3 (kN·m)	S2 (kN)	TQ (kN·m)	M3 (kN·m)	S2 (kN)	TQ (kN·m)	M3 (kN·m)	
124	SUM TOTAL	D+1LANE (caseMAX	S2	303.06	-22.21	2558.53	5.02	-22.21	3294.05	5.02	-6.49	3294.12	-292.87	-6.49	2607.50
			TQ	247.87	208.68	2206.30	-50.17	208.68	2678.43	-50.10	221.48	2680.31	-347.99	221.48	1730.66
			M3	284.85	-102.95	3101.49	-13.19	-102.95	3750.09	-13.19	-85.05	3750.54	-310.94	-87.16	2977.66
		MIN	S2	218.51	178.99	1618.97	-79.53	178.99	1950.98	-79.53	188.31	1950.10	-377.42	188.31	859.98
			TQ	293.36	-174.37	2516.91	-4.68	-174.37	3206.12	-4.76	-159.07	3204.02	-302.65	-159.07	2470.72
			M3	255.19	77.38	1065.76	-69.64	141.19	1552.02	-69.64	148.60	1551.33	-367.53	148.60	508.43
		D+1LANE (caseMAX	S2	328.52	-40.91	2833.13	30.47	-40.91	3690.12	30.47	-23.29	3690.27	-267.42	-23.29	3125.11
			TQ	220.74	172.63	2874.76	-77.31	172.63	3217.40	-77.21	188.02	3229.32	-375.10	188.02	2150.26
			M3	288.68	66.12	3905.79	-2.53	39.75	4588.91	-2.53	61.66	4588.67	-292.00	31.45	3881.90
		MIN	S2	210.33	135.32	1911.49	-87.71	135.32	2204.46	-87.71	145.84	2203.79	-385.60	145.84	1074.62
			TQ	328.05	-44.01	2841.04	30.01	-44.01	3695.79	29.91	-26.40	3683.18	-267.98	-26.40	3115.35
			M3	258.90	78.40	992.64	-69.72	98.97	1508.04	-69.72	106.17	1507.55	-367.61	106.17	464.24
		D+1LANE (caseMAX	S2	364.16	64.87	3150.04	65.85	64.25	4147.17	65.85	84.05	4146.82	-232.70	83.99	3743.30
			TQ	249.51	170.94	3845.84	-49.20	170.94	4324.20	-50.13	191.88	4451.98	-348.49	191.88	3500.78
			M3	278.29	141.30	4644.94	7.51	104.00	5295.69	7.51	129.28	5295.13	-269.21	103.49	4646.61
		MIN	S2	189.40	137.95	3422.03	-109.04	138.56	3643.52	-109.04	155.95	3642.82	-406.95	156.01	2417.45
			TQ	304.49	31.15	2966.13	6.44	31.15	3708.45	7.37	48.55	3579.62	-290.72	48.55	2903.98
			M3	261.60	77.94	937.64	-69.91	65.59	1474.51	-69.91	72.63	1474.18	-367.79	72.63	429.99
		D+1LANE (caseMAX	S2	708.15	296.91	5066.20	282.49	435.19	6092.65	282.49	464.26	6090.51	-116.55	541.62	5089.54
			TQ	475.00	558.96	3369.18	146.52	558.96	4888.90	146.52	582.29	4886.17	-212.28	582.29	4729.47
			M3	621.97	151.05	6398.66	172.85	286.34	7499.18	172.85	322.13	7497.73	-266.52	431.52	6423.97
		MIN	S2	77.68	-148.84	4916.04	-317.33	-59.36	5753.12	-317.33	-31.90	5753.34	-742.68	124.75	4638.05
			TQ	145.55	-177.12	4250.40	-182.94	-177.12	4125.29	-182.94	-157.42	4126.09	-480.83	-157.42	2542.50
			M3	269.51	117.39	815.70	-28.53	117.39	1391.09	-28.53	124.03	1390.52	-365.69	51.44	380.96

BAGO RIVER BRIDGE

BLOCK [ No.1 : MAIN GIRDER ][ BEAM MEMBER FORCE ]

MEMBER			4023			4024			4024			4025			
NODE			4023			4024			4024			4025			
NAME TITLE			SHEAR	TORQUE	MOMENT	SHEAR	TORQUE	MOMENT	SHEAR	TORQUE	MOMENT	SHEAR	TORQUE	MOMENT	
			S2 (kN)	TQ (kN·m)	M3 (kN·m)	S2 (kN)	TQ (kN·m)	M3 (kN·m)	S2 (kN)	TQ (kN·m)	M3 (kN·m)	S2 (kN)	TQ (kN·m)	M3 (kN·m)	
124	SUM TOTAL	D+2LANES (casMAX	S2	333.10	-164.12	2907.44	35.06	-164.12	3786.31	35.06	-146.04	3787.05	-262.83	-146.04	3243.77
			TQ	223.15	272.01	2374.52	-74.89	272.01	2728.69	-74.77	285.05	2735.04	-372.66	285.05	1667.66
			M3	301.50	-151.95	3957.02	3.94	-159.65	4686.08	3.94	-137.28	4686.79	-292.70	-154.37	3997.10
		MIN	S2	183.09	222.36	1258.20	-114.96	222.36	1421.17	-114.96	229.14	1420.09	-412.85	229.14	160.92
			TQ	323.86	-297.73	2797.68	25.82	-297.73	3632.45	25.69	-280.41	3626.15	-272.19	-280.41	3038.19
			M3	248.00	68.48	224.59	-96.27	156.81	667.41	-96.27	160.00	666.66	-394.15	160.00	-503.32
		D+2LANES (casMAX	S2	354.31	-179.70	3136.28	56.27	-179.70	4116.36	56.27	-160.05	4117.17	-241.62	-160.05	3675.11
			TQ	200.54	241.96	2931.57	-97.50	241.96	3177.83	-97.37	257.17	3192.55	-395.25	257.17	2017.33
			M3	304.69	-11.06	4627.27	12.83	-40.73	5385.10	12.83	-15.03	5385.23	-276.92	-55.53	4750.64
		MIN	S2	176.27	185.96	1501.97	-121.77	185.96	1632.40	-121.77	193.75	1631.50	-419.66	193.75	339.79
			TQ	352.77	-189.10	3067.78	54.73	-189.10	4040.50	54.59	-169.85	4025.45	-243.30	-169.85	3575.37
			M3	251.09	69.33	163.66	-96.34	121.62	630.77	-96.34	124.63	630.18	-394.23	124.63	-540.14
		D+2LANES (casMAX	S2	472.35	144.97	4325.96	165.96	144.63	5574.67	165.96	171.24	5573.91	-143.64	175.86	5207.04
			TQ	344.79	268.33	4424.80	32.75	268.33	5326.06	31.13	294.10	5472.42	-280.62	294.10	4877.14
			M3	357.47	186.19	6680.95	69.03	160.68	7478.98	69.03	196.38	7478.13	-226.83	182.88	6882.39
		MIN	S2	111.37	102.30	4603.84	-196.21	113.08	4879.08	-196.21	136.37	4878.48	-500.25	142.26	3486.94
			TQ	242.99	-18.43	2584.67	-55.05	-18.43	3033.50	-53.44	-4.31	2885.85	-351.50	-4.31	1920.05
			M3	258.65	70.75	11.81	-67.28	60.45	534.73	-67.28	63.01	534.44	-394.66	34.06	-633.78
		D+2LANES (casMAX	S2	885.32	385.22	6540.62	421.72	562.22	7756.05	421.72	599.24	7753.28	-9.78	699.61	6751.95
			TQ	581.97	729.56	4021.97	241.83	729.56	6037.61	240.43	758.43	6060.14	-141.12	758.43	6297.30
			M3	755.36	188.71	8665.68	259.23	362.93	9983.07	259.23	410.58	9981.22	-225.51	553.02	8888.04
		MIN	S2	-16.87	-218.16	6285.20	-442.12	-99.48	7199.69	-442.12	-65.11	7200.09	-904.06	138.00	6010.91
			TQ	77.05	-259.93	5285.29	-262.57	-259.93	4793.41	-261.18	-237.11	4768.52	-559.07	-237.11	2811.55
			M3	268.82	132.82	-132.69	-29.22	132.82	439.43	-29.22	134.91	438.79	-390.95	32.57	-679.58

BAGO RIVER BRIDGE

BLOCK [ No.1 : MAIN GIRDER ][ BEAM MEMBER FORCE ]

MEMBER				4023			4024			4025						
NODE				4023			4024			4024			4025			
NAME TITLE				SHEAR	TORQUE	MOMENT	SHEAR	TORQUE	MOMENT	SHEAR	TORQUE	MOMENT	SHEAR	TORQUE	MOMENT	
				S2 (kN)	TQ (kN·m)	M3 (kN·m)	S2 (kN)	TQ (kN·m)	M3 (kN·m)	S2 (kN)	TQ (kN·m)	M3 (kN·m)	S2 (kN)	TQ (kN·m)	M3 (kN·m)	
124	SUM TOTAL	D+3LANES (casMAX	S2	366.03	-219.46	3204.05	67.99	-219.46	4240.05	67.99	-199.22	4241.05	-229.90	-199.22	3854.91	
			TQ	196.23	302.50	2780.54	-101.81	302.50	3006.24	-101.64	316.88	3020.34	-399.53	316.88	1824.70	
			M3	310.95	-133.31	4855.99	18.16	-158.54	5641.50	18.16	-131.61	5642.20	-272.70	-167.53	5031.31	
		MIN	S2	154.80	233.86	1149.36	-143.24	233.86	1177.35	-143.24	239.48	1176.22	-441.13	239.48	-217.94	
			TQ	357.84	-335.24	3116.35	59.80	-335.24	4113.29	59.63	-315.63	4099.26	-238.26	-315.63	3673.25	
			M3	244.38	62.75	-380.06	-114.61	152.40	43.36	-114.61	152.61	42.63	-412.50	152.61	-1214.89	
		D+3LANES (casMAX	S2	645.37	239.17	5643.61	293.90	287.36	7008.34	293.90	320.81	7006.89	-53.21	353.48	6553.19	
			TQ	449.88	446.43	4803.00	125.44	446.43	6190.67	122.88	476.33	6336.18	-213.46	476.33	6120.11	
			M3	499.95	218.86	8493.17	153.20	245.49	9510.27	153.20	290.89	9508.99	-197.93	320.16	8839.41	
		MIN	S2	30.13	-0.59	5745.84	-314.28	44.99	6183.31	-314.28	74.51	6183.02	-661.82	134.51	4756.78	
			TQ	170.87	-117.09	3667.97	-139.28	-117.09	3729.28	-136.72	-99.64	3582.08	-434.76	-99.64	2218.87	
			M3	257.91	67.52	-650.05	-63.84	58.77	-130.58	-63.84	58.14	-130.86	-413.23	-6.90	-1380.82	
		D+3LANES (casMAX	S2	906.87	403.99	7224.49	457.91	561.47	8470.04	457.91	601.90	8467.27	34.30	693.42	7550.94	
			TQ	620.78	729.36	4496.20	274.13	729.36	6674.03	271.92	761.32	6716.08	-109.84	761.32	7102.99	
			M3	758.66	212.88	9811.61	276.59	369.65	11159.73	276.59	422.92	11157.84	-197.05	553.63	10161.96	
		MIN	S2	-53.57	-187.71	6884.63	-470.12	-74.78	7778.69	-470.12	-37.65	7778.96	-915.35	147.02	6614.93	
			TQ	54.23	-242.17	5227.27	-279.15	-242.17	4648.82	-276.94	-220.08	4604.31	-574.83	-220.08	2572.11	
			M3	267.06	141.79	-759.48	-30.98	141.79	-195.76	-30.98	140.86	-196.44	-408.22	34.17	-1393.17	
		D+4LANES	MAX	S2	762.10	222.85	6076.86	351.66	339.49	7201.54	351.66	373.86	7199.84	-40.61	442.15	6361.91
			TQ	505.70	517.76	4589.91	170.87	517.76	6235.98	170.64	547.88	6366.16	-190.96	547.88	6317.73	
			M3	603.34	121.79	8860.15	182.63	218.25	9876.15	182.63	265.39	9874.99	-235.58	349.08	8844.09	
		MIN	S2	60.35	-17.82	7308.54	-326.95	66.16	8306.29	-326.95	105.81	8305.88	-730.81	237.40	7361.97	
			TQ	200.33	-114.82	5778.34	-124.42	-114.82	5928.02	-121.90	-86.77	5826.18	-419.90	-86.77	4533.73	
			M3	340.92	193.17	165.85	42.87	193.17	1082.01	42.87	198.33	1081.08	-255.02	198.31	575.09	

BAGO RIVER BRIDGE

BLOCK [ No.1 : MAIN GIRDER ] [ BEAM MEMBER FORCE ]

MEMBER					4023			4024			4025		
NODE					4023			4024			4024		
					SHEAR	TORQUE	MOMENT	SHEAR	TORQUE	MOMENT	SHEAR	TORQUE	MOMENT
NAME	TITLE				S2 (kN)	TQ (kN·m)	M3 (kN·m)	S2 (kN)	TQ (kN·m)	M3 (kN·m)	S2 (kN)	TQ (kN·m)	M3 (kN·m)
124	SUM TOTAL	D+6LANES	MAX	S2	784.26	101.86	6383.77	389.23	200.24	7970.78	389.23	238.28	7969.73
				TQ	414.40	678.36	4990.60	76.93	678.36	6162.17	73.66	708.04	6272.77
				M3	605.40	74.04	9907.22	211.27	116.24	11142.13	211.27	169.43	11141.45
			MIN	S2	-38.27	28.96	4849.88	-412.90	99.45	5080.64	-412.90	123.70	5080.11
				TQ	205.22	-417.37	4683.17	-116.43	-417.37	4867.26	-115.39	-394.42	4742.21
				M3	256.52	113.60	-1952.40	-89.34	170.94	-1456.57	-89.34	163.98	-1457.36
	SUM TOTAL		MAX		906.87	729.56	9907.22	457.91	729.56	11159.73	457.91	761.32	11157.84
			MIN		-53.57	-417.37	-1952.40	-470.12	-417.37	-1456.57	-470.12	-394.42	-1457.36
300	DEAD LOAD	TOTAL			268.31	91.32	2281.94	-29.74	91.32	2851.60	-29.74	104.94	2851.13
301	LIVE LOAD	1-LANE(case1MAX	S2		34.76	-113.54	276.59	34.76	-113.54	442.45	34.76	-111.42	442.99
			TQ		-20.44	117.36	-75.64	-20.44	117.36	-173.16	-20.36	116.54	-170.82
			M3		16.54	-194.28	819.55	16.54	-194.28	898.49	16.54	-189.99	899.41
			MIN	S2	-49.80	87.67	-662.97	-49.80	87.67	-900.62	-49.80	83.37	-901.02
				TQ	25.05	-265.69	234.97	25.05	-265.69	354.52	24.98	-264.00	352.89
				M3	-13.12	-13.95	-1216.18	-39.90	49.87	-1299.58	-39.90	43.67	-1299.80
		1-LANE(case2MAX	S2		60.21	-132.23	551.20	60.21	-132.23	838.52	60.21	-128.23	839.14
			TQ		-47.57	81.31	592.82	-47.57	81.31	365.80	-47.48	83.08	378.19
			M3		20.37	-25.20	1623.85	27.21	-51.57	1737.31	27.21	-43.28	1737.54
			MIN	S2	-57.98	43.99	-370.45	-57.98	43.99	-647.14	-57.98	40.90	-647.34
				TQ	59.74	-135.33	559.10	59.74	-135.33	844.20	59.65	-131.33	832.05
				M3	-9.41	-12.93	-1289.29	-39.99	7.64	-1343.56	-39.99	1.23	-1343.58
		1-LANE(case3MAX	S2		95.86	-26.46	868.10	95.59	-27.07	1295.58	95.59	-20.89	1295.69
			TQ		-18.80	79.61	1563.90	-19.47	79.61	1472.60	-20.40	86.94	1600.85
			M3		9.98	49.98	2363.01	37.25	12.68	2444.09	37.25	24.35	2444.00
			MIN	S2	-78.90	46.62	1140.09	-79.31	47.23	791.92	-79.31	51.01	791.69
				TQ	36.18	-60.18	684.20	36.18	-60.18	856.85	37.11	-56.39	728.49
				M3	-6.71	-13.38	-1344.30	-40.17	-25.74	-1377.09	-40.17	-32.31	-1376.95

BAGO RIVER BRIDGE

BLOCK [ No.1 : MAIN GIRDER ][ BEAM MEMBER FORCE ]

MEMBER			4023			4024			4024			4025			
NODE			4023			4024			4024			4025			
			SHEAR	TORQUE	MOMENT	SHEAR	TORQUE	MOMENT	SHEAR	TORQUE	MOMENT	SHEAR	TORQUE	MOMENT	
NAME TITLE			S2 (kN)	TQ (kN·m)	M3 (kN·m)	S2 (kN)	TQ (kN·m)	M3 (kN·m)	S2 (kN)	TQ (kN·m)	M3 (kN·m)	S2 (kN)	TQ (kN·m)	M3 (kN·m)	
301	LIVE LOAD	1-LANE (case4MAX	S2	439.84	205.58	2784.26	312.22	343.86	3241.06	312.22	359.33	3239.38	211.07	436.68	3090.90
			TQ	206.69	467.63	1087.24	176.25	467.63	2037.30	176.25	477.35	2035.04	115.35	477.35	2730.83
			M3	353.67	59.73	4116.72	202.59	195.01	4647.59	202.59	217.20	4646.60	61.10	326.59	4425.33
			MIN S2	-190.63	-240.16	2634.10	-287.59	-150.69	2901.52	-287.59	-136.83	2902.21	-415.06	19.81	2639.41
			TQ	-122.75	-268.44	1968.46	-153.20	-268.44	1273.69	-153.20	-262.36	1274.96	-153.20	-262.36	543.86
			M3	1.20	26.07	-1466.24	1.20	26.07	-1460.50	1.20	19.10	-1460.61	-38.07	-53.49	-1617.68
		2-LANES (caseMAX	S2	64.79	-255.44	625.50	64.79	-255.44	934.71	64.79	-250.98	935.92	64.79	-250.98	1245.12
			TQ	-45.15	180.68	92.58	-45.15	180.68	-122.90	-45.03	180.12	-116.09	-45.03	180.12	-330.99
			M3	33.19	-243.28	1675.09	33.68	-250.98	1834.48	33.68	-242.22	1835.66	34.92	-259.31	1998.46
			MIN S2	-85.22	131.03	-1023.74	-85.22	131.03	-1430.43	-85.22	124.20	-1431.04	-85.22	124.20	-1837.72
			TQ	55.55	-389.06	515.74	55.55	-389.06	780.85	55.43	-385.34	775.02	55.43	-385.34	1039.54
			M3	-20.31	-22.85	-2057.35	-66.53	65.49	-2184.18	-66.53	55.06	-2184.47	-66.53	55.06	-2501.96
		2-LANES (caseMAX	S2	86.00	-271.02	854.34	86.00	-271.02	1264.76	86.00	-264.98	1266.04	86.00	-264.98	1676.47
			TQ	-67.77	150.64	649.63	-67.77	150.64	326.23	-67.63	152.23	341.42	-67.63	152.23	18.68
			M3	36.38	-102.38	2345.33	42.57	-132.06	2533.50	42.57	-119.96	2534.10	50.71	-160.47	2752.00
			MIN S2	-92.04	94.64	-779.97	-92.04	94.64	-1219.19	-92.04	88.82	-1219.63	-92.04	88.82	-1658.86
			TQ	84.46	-280.43	785.84	84.46	-280.43	1188.91	84.32	-274.79	1174.32	84.32	-274.79	1576.73
			M3	-17.22	-22.00	-2118.28	-66.60	30.30	-2220.83	-66.60	19.70	-2220.95	-66.60	19.70	-2538.79
		2-LANES (caseMAX	S2	204.04	53.64	2044.02	195.69	53.31	2723.07	195.69	66.31	2722.78	183.98	70.93	3208.40
			TQ	76.48	177.00	2142.87	62.48	177.00	2474.46	60.87	189.17	2621.29	47.01	189.17	2878.50
			M3	89.17	94.86	4399.01	98.77	69.35	4627.38	98.77	91.44	4627.00	100.79	77.95	4883.75
			MIN S2	-156.94	10.98	2321.91	-166.47	21.76	2027.48	-166.47	31.44	2027.35	-172.63	37.32	1488.30
			TQ	-25.32	-109.76	302.73	-25.32	-109.76	181.90	-23.70	-109.24	34.72	-23.87	-109.24	-78.59
			M3	-9.66	-20.58	-2270.13	-37.54	-30.87	-2316.86	-37.54	-41.93	-2316.69	-67.04	-70.88	-2632.42



BAGO RIVER BRIDGE

BLOCK [ No.1 : MAIN GIRDER ][ BEAM MEMBER FORCE ]

MEMBER			4023			4024			4024			4025				
NODE			4023			4024			4024			4025				
			SHEAR	TORQUE	MOMENT	SHEAR	TORQUE	MOMENT	SHEAR	TORQUE	MOMENT	SHEAR	TORQUE	MOMENT		
NAME	TITLE		S2 (kN)	TQ (kN·m)	M3 (kN·m)	S2 (kN)	TQ (kN·m)	M3 (kN·m)	S2 (kN)	TQ (kN·m)	M3 (kN·m)	S2 (kN)	TQ (kN·m)	M3 (kN·m)		
301	LIVE LOAD	2-LANES (caseMAX	S2	617.01	293.90	4258.68	451.46	470.90	4904.45	451.46	494.31	4902.15	317.84	594.67	4753.31	
			TQ	313.66	638.24	1740.03	271.56	638.24	3186.02	270.17	653.50	3209.01	186.50	653.50	4298.65	
			M3	487.05	97.38	6383.74	288.97	271.60	7131.47	288.97	305.64	7130.09	102.11	448.08	6889.40	
			MIN	S2	-285.18	-309.49	4003.26	-412.38	-190.81	4348.10	-412.38	-170.05	4348.96	-576.43	33.06	4012.27
			TQ	-191.26	-351.26	3003.36	-232.84	-351.26	1941.81	-231.44	-342.04	1917.39	-231.44	-342.04	812.90	
			M3	0.51	41.49	-2414.62	0.51	41.49	-2412.17	0.51	29.98	-2412.34	-63.33	-72.37	-2678.22	
		3-LANES (caseMAX	S2	97.72	-310.79	922.11	97.72	-310.79	1388.46	97.72	-304.16	1389.92	97.72	-304.16	1856.27	
			TQ	-72.08	211.17	498.60	-72.08	211.17	154.64	-71.91	211.95	169.21	-71.91	211.95	-173.94	
			M3	42.64	-224.64	2574.05	47.90	-249.86	2789.91	47.90	-236.54	2791.07	54.92	-272.46	3032.67	
			MIN	S2	-113.51	142.54	-1132.58	-113.51	142.54	-1674.25	-113.51	134.55	-1674.91	-113.51	134.55	-2216.58
			TQ	89.54	-426.56	834.41	89.54	-426.56	1261.69	89.37	-420.57	1248.14	89.37	-420.57	1674.61	
			M3	-23.93	-28.58	-2662.00	-84.87	61.08	-2808.24	-84.87	47.67	-2808.50	-84.87	47.67	-3213.54	
		3-LANES (caseMAX	S2	377.07	147.85	3361.67	323.64	196.03	4156.74	323.64	215.87	4155.76	274.42	248.55	4554.54	
			TQ	181.57	355.11	2521.06	155.18	355.11	3339.07	152.62	371.39	3485.05	114.17	371.39	4121.47	
			M3	231.64	127.54	6211.23	182.94	154.17	6658.67	182.94	185.95	6657.86	129.69	215.23	6840.76	
			MIN	S2	-238.18	-91.92	3463.90	-284.54	-46.33	3331.71	-284.54	-30.43	3331.89	-334.19	29.57	2758.14
			TQ	-97.44	-208.41	1386.03	-109.55	-208.41	877.69	-106.99	-204.57	730.95	-107.13	-204.57	220.22	
			M3	-10.40	-23.80	-2931.99	-34.10	-32.56	-2982.17	-34.10	-46.79	-2981.98	-85.61	-111.84	-3379.46	
		3-LANES (caseMAX	S2	638.57	312.67	4942.55	487.65	470.15	5618.45	487.65	496.96	5616.14	361.93	588.48	5552.30	
			TQ	352.47	638.03	2214.26	303.87	638.03	3822.43	301.66	656.38	3864.95	217.78	656.38	5104.34	
			M3	490.35	121.55	7529.67	306.33	278.32	8308.13	306.33	317.98	8306.71	130.58	448.70	8163.32	
			MIN	S2	-321.88	-279.03	4602.69	-440.39	-166.11	4927.10	-440.39	-142.58	4927.83	-587.73	42.09	4616.29
			TQ	-214.07	-333.49	2945.33	-249.42	-333.49	1797.22	-247.21	-325.02	1753.19	-247.21	-325.02	573.47	
			M3	-1.25	50.47	-3041.42	-1.25	50.47	-3047.36	-1.25	35.92	-3047.56	-80.60	-70.77	-3391.82	

BAGO RIVER BRIDGE

BLOCK [ No.1 : MAIN GIRDER ][ BEAM MEMBER FORCE ]

MEMBER					4023			4024			4025					
NODE					4023			4024			4024			4025		
NAME TITLE					SHEAR	TORQUE	MOMENT	SHEAR	TORQUE	MOMENT	SHEAR	TORQUE	MOMENT	SHEAR	TORQUE	MOMENT
					S2 (kN)	TQ (kN·m)	M3 (kN·m)	S2 (kN)	TQ (kN·m)	M3 (kN·m)	S2 (kN)	TQ (kN·m)	M3 (kN·m)	S2 (kN)	TQ (kN·m)	M3 (kN·m)
301	LIVE LOAD	4-LANES	MAX	S2	493.79	131.53	3794.92	381.39	248.16	4349.94	381.39	268.92	4348.71	287.01	337.22	4363.27
				TQ	237.39	426.43	2307.97	200.60	426.43	3384.38	200.37	442.94	3515.03	136.66	442.94	4319.09
				M3	335.03	30.46	6578.22	212.37	126.92	7024.55	212.37	160.46	7023.87	92.05	244.14	6845.45
		MIN	S2	-207.95	-109.14	5026.60	-297.21	-25.17	5454.69	-297.21	0.87	5454.75	-403.19	132.47	5363.33	
			TQ	-67.98	-206.15	3496.40	-94.68	-206.15	3076.43	-92.17	-191.71	2975.05	-92.28	-191.71	2535.09	
			M3	72.61	101.85	-2116.09	72.61	101.85	-1769.59	72.61	93.40	-1770.05	72.61	93.38	-1423.56	
	6-LANES	MAX	S2	515.96	10.54	4101.83	418.97	108.91	5119.18	418.97	133.35	5118.60	338.61	184.71	5639.49	
			TQ	146.09	587.03	2708.66	106.66	587.03	3310.57	103.39	603.10	3421.64	48.39	603.10	3783.66	
			M3	337.09	-17.28	7625.28	241.01	24.92	8290.53	241.01	64.49	8290.32	145.52	110.34	8455.94	
		MIN	S2	-306.58	-62.36	2567.94	-383.16	8.12	2229.04	-383.16	18.76	2228.98	-477.35	133.93	1449.31	
			TQ	-63.09	-508.70	2401.23	-86.70	-508.70	2015.67	-85.66	-499.36	1891.08	-85.77	-499.36	1482.19	
			M3	-11.79	22.27	-4234.34	-59.60	79.61	-4308.16	-59.60	59.05	-4308.49	-119.18	-12.46	-4852.64	
	LIVE LOAD	MAX		638.57	638.24	7625.28	487.65	638.24	8308.13	487.65	656.38	8306.71	361.93	656.38	8455.94	
		MIN		-321.88	-508.70	-4234.34	-440.39	-508.70	-4308.16	-440.39	-499.36	-4308.49	-587.73	-499.36	-4852.64	
	303	SUM TOTAL	TOTAL	MAX	906.87	729.56	9907.22	457.91	729.56	11159.73	457.91	761.32	11157.84	34.30	761.32	10454.58
MIN				-53.57	-417.37	-1952.40	-470.12	-417.37	-1456.57	-470.12	-394.42	-1457.36	-915.35	-394.42	-2854.00	

BAGO RIVER BRIDGE

BLOCK [ No.1 : MAIN GIRDER ][ BEAM MEMBER FORCE ]

MEMBER NODE	4025	4026			4026			4027							
		SHEAR	TORQUE	MOMENT	SHEAR	TORQUE	MOMENT	SHEAR	TORQUE	MOMENT	SHEAR	TORQUE	MOMENT		
		S2 (kN)	TQ (kN·m)	M3 (kN·m)	S2 (kN)	TQ (kN·m)	M3 (kN·m)	S2 (kN)	TQ (kN·m)	M3 (kN·m)	S2 (kN)	TQ (kN·m)	M3 (kN·m)		
1	PAVEMENT	-28.10	-3.89	653.46	-85.96	-3.89	381.23	-85.96	-11.48	381.08	-145.00	-11.48	-180.03		
3	RAILING	0.59	-0.49	7.40	-2.64	-0.49	2.51	-2.64	-0.54	2.50	-6.09	-0.54	-18.57		
5	CURB	5.87	-4.84	73.26	-26.17	-4.84	24.83	-26.17	-5.33	24.73	-60.30	-5.33	-183.85		
7	DECK WEIGHT	-50.52	-6.46	865.37	-140.78	-6.46	408.81	-140.78	-14.60	408.60	-233.33	-14.60	-499.88		
8	GIRDER WEIGH	-112.38	1.94	364.86	-201.64	1.94	-384.59	-201.64	9.60	-384.47	-292.54	9.60	-1585.70		
10	MEDIAN STRIP	-43.00	1.44	-209.77	-43.00	1.44	-415.05	-43.00	9.71	-414.94	-43.00	9.71	-624.00		
21	ADITIONAL WE	-14.14	-1.81	242.30	-39.42	-1.81	114.47	-39.42	-4.09	114.41	-65.33	-4.09	-139.97		
31	MEDIAN RAILI	-2.59	0.45	1.39	-2.59	0.45	-10.97	-2.59	0.66	-10.96	-2.59	0.66	-23.54		
51	SUPPORT WEIG	0.00	0.00	-0.00	0.00	0.00	-0.00	0.00	0.00	-0.00	0.00	0.00	-0.00		
52	NOSE WEIGHT	-0.00	-0.04	0.01	-0.00	-0.04	-0.01	-0.00	-0.04	-0.01	-0.00	-0.04	-0.02		
61	1-LANE(case1TRUCK-LOAD	MAX	S2	8.03	-33.68	-230.28	8.03	-33.68	-191.95	8.03	-29.85	-192.59	8.03	-29.85	-153.55
			TQ	2.77	121.23	333.10	2.77	121.23	346.34	2.40	114.36	344.97	2.40	114.36	356.63
			M3	1.35	39.34	349.20	6.69	96.76	373.85	6.69	89.29	375.71	6.69	89.29	408.24
		MIN	S2	-14.90	12.58	-355.20	-14.90	12.58	-426.31	-14.90	21.07	-425.98	-14.90	21.07	-498.41
			TQ	7.15	-37.22	-214.07	7.15	-37.22	-179.93	7.15	-33.63	-180.64	7.15	-33.63	-145.87
			M3	-14.80	13.80	-356.27	-14.89	12.97	-427.20	-14.89	21.48	-426.86	-14.89	21.48	-499.26
		TANDEM-LOAD MAX	S2	5.47	-23.16	-157.19	5.47	-23.16	-131.07	5.47	-20.55	-131.51	5.47	-20.55	-104.90
			TQ	1.17	83.13	223.80	1.17	83.13	229.40	1.17	78.55	231.01	1.17	78.55	236.72
			M3	-0.32	17.53	238.13	4.76	69.18	254.59	4.76	64.10	255.92	4.76	64.10	279.05
		MIN	S2	-10.10	8.94	-241.96	-10.10	8.94	-290.20	-10.10	14.72	-289.96	-10.10	14.72	-339.08
			TQ	4.97	-25.37	-148.15	4.97	-25.37	-124.43	4.97	-22.88	-124.91	4.97	-22.88	-100.74
			M3	-10.08	9.17	-242.01	-10.10	8.94	-290.20	-10.10	14.72	-289.96	-10.10	14.72	-339.08
		DISPERSION-LMAX	S2	12.99	4.50	-8.59	12.99	4.50	53.43	12.99	3.44	53.51	12.99	3.44	116.68
			TQ	-23.36	117.98	-255.22	-23.36	117.98	-366.73	-23.29	125.39	-375.11	-23.29	125.39	-488.35
			M3	1.53	82.53	467.07	1.53	82.53	474.39	1.53	73.07	475.94	1.53	73.07	483.40
		MIN	S2	-26.49	59.30	-410.04	-26.49	59.30	-536.48	-26.49	69.98	-535.19	-26.49	69.98	-663.98
			TQ	9.86	-54.18	-163.41	9.86	-54.18	-116.32	9.80	-51.97	-106.57	9.80	-51.97	-58.94
			M3	-15.03	-18.73	-885.70	-15.03	-18.73	-957.44	-15.03	0.35	-957.62	-15.03	0.35	-1030.69

BAGO RIVER BRIDGE

BLOCK [ No.1 : MAIN GIRDER ][ BEAM MEMBER FORCE ]

MEMBER				4025			4026			4027					
NODE				4025			4026			4026			4027		
				SHEAR	TORQUE	MOMENT	SHEAR	TORQUE	MOMENT	SHEAR	TORQUE	MOMENT	SHEAR	TORQUE	MOMENT
NAME	TITLE			S2 (kN)	TQ (kN·m)	M3 (kN·m)	S2 (kN)	TQ (kN·m)	M3 (kN·m)	S2 (kN)	TQ (kN·m)	M3 (kN·m)	S2 (kN)	TQ (kN·m)	M3 (kN·m)
62	1-LANE (case2TRUCK-LOAD	MAX	S2	13.52	-23.71	480.61	13.52	-23.71	545.14	13.52	-34.57	544.56	13.52	-34.57	610.28
			TQ	-16.62	75.46	686.84	-16.62	75.46	607.50	-16.62	63.34	608.89	-16.62	63.34	528.09
			M3	-6.14	47.34	763.05	-3.16	36.44	738.89	-3.16	21.71	739.47	2.50	-0.30	741.33
		MIN	S2	-17.29	73.64	628.92	-17.29	73.64	546.38	-17.29	62.74	547.74	-17.29	62.74	463.66
			TQ	13.52	-23.71	480.61	13.52	-23.71	545.14	13.52	-34.57	544.56	13.52	-34.57	610.28
			M3	-17.07	-0.81	-367.49	-17.07	-0.81	-448.97	-17.07	8.13	-448.89	-17.07	8.13	-531.87
		TANDEM-LOAD MAX	S2	9.62	-17.11	310.04	9.62	-17.11	355.95	9.62	-24.20	355.54	9.62	-24.20	402.30
			TQ	-11.85	52.05	457.70	-11.85	52.05	401.15	-11.85	44.05	402.11	-11.85	44.05	344.52
			M3	-5.26	36.74	523.13	-1.15	20.93	505.11	-1.15	10.87	505.42	4.19	-9.93	505.29
		MIN	S2	-12.03	51.54	441.54	-12.03	51.54	384.09	-12.03	43.88	385.04	-12.03	43.88	326.54
			TQ	9.62	-17.11	310.04	9.62	-17.11	355.95	9.62	-24.20	355.54	9.62	-24.20	402.30
			M3	-11.59	-0.60	-249.46	-11.59	-0.60	-304.80	-11.59	5.47	-304.75	-11.59	5.47	-361.11
		DISPERSION-LMAX	S2	18.32	-28.72	27.95	18.32	-28.72	115.37	18.32	-31.01	114.78	18.32	-31.01	203.82
			TQ	-22.34	53.36	308.83	-22.34	53.36	202.20	-39.80	56.56	-289.29	-39.80	56.56	-482.78
			M3	-4.08	40.83	806.45	-4.08	40.83	786.98	-4.08	25.15	787.64	-4.08	25.15	767.80
MIN	S2	-39.85	49.84	-132.64	-39.85	49.84	-322.87	-39.85	56.27	-321.82	-39.85	56.27	-515.56		
	TQ	0.80	-32.23	-413.53	0.80	-32.23	-409.70	18.26	-31.30	82.25	18.26	-31.30	171.03		
	M3	-17.46	-19.71	-911.15	-17.46	-19.71	-994.48	-17.46	0.11	-994.68	-17.46	0.11	-1079.54		
63	1-LANE (case3TRUCK-LOAD	MAX	S2	29.34	-22.58	656.51	29.34	-22.58	796.58	29.34	-38.45	795.97	29.34	-38.45	938.62
			TQ	-33.30	42.85	1124.12	-35.00	42.85	957.06	-35.77	24.07	942.94	-35.77	24.07	769.03
			M3	-18.15	29.97	1145.21	-11.10	19.73	1066.51	-11.10	-1.52	1066.69	12.49	-32.08	1097.70
		MIN	S2	-37.47	38.42	1024.44	-37.47	38.42	845.60	-37.47	21.56	846.20	-37.47	21.56	664.05
			TQ	28.04	-25.70	774.09	28.04	-25.70	907.96	27.33	-43.94	924.43	25.61	-43.94	1057.28
			M3	-18.77	-11.79	-375.91	-18.77	-11.79	-465.50	-18.77	-2.51	-465.65	-18.77	-2.51	-556.90

BAGO RIVER BRIDGE

BLOCK [ No.1 : MAIN GIRDER ] [ BEAM MEMBER FORCE ]

MEMBER		4025			4026			4026			4027				
NODE		4025			4026			4026			4027				
		SHEAR	TORQUE	MOMENT	SHEAR	TORQUE	MOMENT	SHEAR	TORQUE	MOMENT	SHEAR	TORQUE	MOMENT		
NAME	TITLE	S2 (kN)	TQ (kN·m)	M3 (kN·m)	S2 (kN)	TQ (kN·m)	M3 (kN·m)	S2 (kN)	TQ (kN·m)	M3 (kN·m)	S2 (kN)	TQ (kN·m)	M3 (kN·m)		
63	1-LANE (case3TANDEM-LOAD	MAX	S2	21.15	-18.13	465.90	21.15	-18.13	566.86	21.15	-29.41	566.39	21.15	-29.41	669.21
			TQ	-26.06	30.45	748.14	-26.06	30.45	623.72	-26.06	18.02	624.20	-26.06	18.02	497.49
			M3	-16.14	26.43	798.04	-4.59	9.33	735.78	-4.59	-5.33	735.82	12.45	-27.83	764.36
		MIN	S2	-26.54	29.22	723.41	-26.54	29.22	596.74	-26.54	17.32	597.21	-26.54	17.32	468.20
			TQ	20.79	-19.00	498.72	20.79	-19.00	597.94	20.79	-30.90	597.45	20.79	-30.90	698.51
			M3	-12.73	-7.95	-255.05	-12.73	-7.95	-315.82	-12.73	-1.66	-315.91	-12.73	-1.66	-377.79
	DISPERSION-LMAX	S2	26.84	-7.87	114.52	26.81	-7.94	234.40	26.81	-12.61	234.20	26.39	-12.10	342.15	
		TQ	-10.83	19.46	531.00	-11.39	19.46	477.96	-7.47	12.67	139.40	-7.47	12.67	103.06	
		M3	-7.58	8.99	1061.38	-8.14	8.99	1023.85	-8.14	-11.40	1023.83	-8.71	-11.40	982.87	
		MIN	S2	-53.86	-4.83	15.70	-54.40	-4.76	-234.50	-54.40	-0.09	-234.55	-54.54	-0.60	-477.97
			TQ	-16.19	-32.16	-400.78	-16.19	-32.16	-478.06	-20.11	-25.36	-139.76	-20.67	-25.36	-238.88
			M3	-19.44	-21.69	-931.16	-19.44	-21.69	-1023.95	-19.44	-1.29	-1024.18	-19.44	-1.29	-1118.69
64	1-LANE (case4TRUCK-LOAD	MAX	S2	234.65	-71.96	2107.55	160.00	39.21	2222.50	160.00	-5.07	2222.84	97.21	78.49	1961.82
			TQ	67.91	117.18	801.51	67.91	117.18	1125.65	58.34	96.49	1002.73	58.34	96.49	1286.34
			M3	208.26	-100.36	2159.47	34.84	-59.73	2287.16	34.84	-105.28	2285.52	-40.88	8.94	2032.64
		MIN	S2	-120.62	-173.72	2099.97	-182.29	-90.59	2215.16	-182.29	-134.70	2212.92	-257.52	-22.60	1959.60
			TQ	-80.13	-198.50	1441.19	-80.13	-198.50	1058.69	-80.13	-219.55	1054.52	-80.13	-219.55	664.96
			M3	-21.04	-26.50	-387.07	-21.04	-26.50	-487.52	-21.07	-17.06	-487.95	-21.08	-17.16	-590.40
	TANDEM-LOAD	MAX	S2	183.46	-87.82	1668.65	131.07	-4.08	1768.22	131.07	-39.30	1767.79	80.79	41.57	1579.77
			TQ	47.95	84.11	567.03	47.95	84.11	795.93	47.95	68.24	797.45	47.95	68.24	1030.58
			M3	183.46	-87.82	1668.65	-1.65	-24.13	1768.82	-1.65	-59.35	1767.99	-54.39	26.84	1583.10
		MIN	S2	-97.06	-103.23	1667.50	-147.44	-24.13	1768.82	-147.44	-59.35	1767.99	-200.46	26.84	1583.10
			TQ	-63.50	-135.93	1132.88	-63.50	-135.93	829.79	-63.50	-152.43	826.92	-63.50	-152.43	518.23
			M3	-14.24	-17.72	-262.44	-14.31	-18.37	-330.72	-14.31	-11.78	-331.02	-14.31	-11.78	-400.61

BAGO RIVER BRIDGE

BLOCK [ No.1 : MAIN GIRDER ][ BEAM MEMBER FORCE ]

MEMBER		4025			4026			4026			4027					
NODE		4025			4026			4026			4027					
		SHEAR	TORQUE	MOMENT	SHEAR	TORQUE	MOMENT	SHEAR	TORQUE	MOMENT	SHEAR	TORQUE	MOMENT			
NAME	TITLE	S2 (kN)	TQ (kN·m)	M3 (kN·m)	S2 (kN)	TQ (kN·m)	M3 (kN·m)	S2 (kN)	TQ (kN·m)	M3 (kN·m)	S2 (kN)	TQ (kN·m)	M3 (kN·m)			
64	1-LANE (case4DISPERSION-LMAX	S2	91.28	90.47	466.88	62.75	100.22	511.79	62.75	90.00	513.68	42.98	91.12	449.14		
		TQ	62.75	100.22	212.24	62.75	100.22	511.79	51.69	92.51	363.30	25.81	92.51	583.18		
		M3	33.84	-68.79	1527.49	-16.93	-68.79	1567.86	-16.93	-100.01	1566.17	-68.75	-100.01	1357.92		
		MIN	S2	-78.02	-162.55	99.81	-100.27	-172.30	-2.99	-100.27	-172.21	-6.42	-132.31	-173.32	-250.19	
		TQ	-49.49	-172.30	354.45	-100.27	-172.30	-2.99	-89.20	-174.71	143.96	-115.14	-174.71	-384.24		
		M3	-20.58	-3.29	-960.80	-20.58	-3.29	-1059.05	-20.58	17.81	-1058.91	-20.58	17.81	-1158.98		
		MAX	S2	16.69	-59.01	-465.19	16.69	-59.01	-385.53	16.69	-51.32	-386.62	16.69	-51.32	-305.48	
		TQ	-3.95	219.79	817.69	-3.95	219.79	798.84	-4.32	203.88	799.34	-4.32	203.88	778.32		
		M3	1.51	98.30	895.27	7.36	147.88	921.15	7.01	134.27	923.92	7.48	126.35	959.98		
65	2-LANES (caseTRUCK-LOAD	MIN	S2	-30.87	18.55	-716.60	-30.87	18.55	-863.97	-30.87	35.75	-863.43	-30.87	35.75	-1013.53	
		TQ	15.01	-64.00	-431.92	15.01	-64.00	-360.26	13.58	-65.19	168.28	13.58	-65.19	234.31		
		M3	-30.74	20.30	-718.15	-30.83	19.47	-865.14	-30.83	36.70	-864.58	-30.83	36.70	-1014.46		
		TANDEM-LOAD	MAX	S2	11.37	-40.17	-316.80	11.37	-40.17	-262.54	11.37	-34.94	-263.29	11.37	-34.94	-208.03
		TQ	-3.28	151.17	561.19	-3.28	151.17	545.56	-3.28	140.27	548.46	-3.28	140.27	532.53		
		M3	-0.23	61.51	609.37	5.45	98.10	626.58	4.85	100.66	628.42	5.45	85.60	654.89		
		MIN	S2	-20.95	13.08	-487.56	-20.95	13.08	-587.57	-20.95	24.78	-587.20	-20.95	24.78	-689.05	
		TQ	10.42	-43.62	-298.88	10.42	-43.62	-249.13	9.33	-45.20	141.27	9.33	-45.20	186.64		
		M3	-20.91	13.46	-487.74	-20.94	13.23	-587.65	-20.94	24.93	-587.27	-20.94	24.93	-689.07		
		DISPERSION-LMAX	S2	27.00	-26.47	25.95	27.00	-26.47	154.83	27.00	-29.55	154.27	27.00	-29.55	285.54	
		TQ	-54.44	202.86	-402.40	-54.44	202.86	-662.26	-54.49	216.38	-695.15	-54.49	216.38	-960.08		
		M3	0.24	144.26	1103.84	0.24	144.26	1104.99	0.24	122.22	1107.65	0.24	122.22	1108.82		
		MIN	S2	-58.03	132.78	-706.09	-58.03	132.78	-983.09	-58.03	152.34	-980.25	-58.03	152.34	-1262.36	
		TQ	23.41	-96.54	-277.74	23.41	-96.54	-165.99	23.46	-93.59	-130.82	23.46	-93.59	-16.74		
		M3	-31.27	-37.95	-1783.98	-31.27	-37.95	-1933.25	-31.27	0.57	-1933.62	-31.27	0.57	-2085.64		

BAGO RIVER BRIDGE

BLOCK [ No.1 : MAIN GIRDER ][ BEAM MEMBER FORCE ]

MEMBER				4025			4026			4027						
NODE				4025			4026			4027						
				SHEAR	TORQUE	MOMENT	SHEAR	TORQUE	MOMENT	SHEAR	TORQUE	MOMENT				
NAME	TITLE			S2 (kN)	TQ (kN·m)	M3 (kN·m)	S2 (kN)	TQ (kN·m)	M3 (kN·m)	S2 (kN)	TQ (kN·m)	M3 (kN·m)				
66	2-LANES (caseTRUCK-LOAD	MAX	S2	22.18	-49.04	245.70	22.18	-49.04	351.57	22.18	-56.04	350.52	22.18	-56.04	458.34	
			TQ	-23.34	174.01	1171.42	-23.34	174.01	1060.00	-23.34	152.86	1063.26	-23.34	152.86	949.78	
			M3	-5.97	106.31	1309.11	-2.50	87.57	1286.19	-2.85	66.70	1287.69	3.28	36.77	1293.07	
			MIN	S2	-33.27	79.61	267.52	-33.27	79.61	108.72	-33.27	77.43	110.28	-33.27	77.43	-51.46
				TQ	21.38	-50.49	262.76	21.38	-50.49	364.81	19.95	-66.13	893.47	19.95	-66.13	990.45
				M3	-33.00	5.69	-729.37	-33.00	5.69	-886.91	-33.00	23.35	-886.62	-33.00	23.35	-1047.07
		TANDEM-LOAD	MAX	S2	15.51	-34.12	150.43	15.51	-34.12	224.48	15.51	-38.59	223.76	15.51	-38.59	299.17
				TQ	-16.30	120.09	795.09	-16.30	120.09	717.31	-16.30	105.77	719.56	-16.30	105.77	640.34
				M3	-5.17	80.71	894.37	-0.46	49.85	877.10	-1.06	47.43	877.92	4.88	11.57	881.14
			MIN	S2	-22.88	55.68	195.94	-22.88	55.68	86.72	-22.88	53.94	87.81	-22.88	53.94	-23.43
				TQ	15.07	-35.36	159.31	15.07	-35.36	231.25	13.98	-46.52	621.72	13.98	-46.52	689.68
				M3	-22.43	3.68	-495.20	-22.43	3.68	-602.26	-22.43	15.68	-602.06	-22.43	15.68	-711.10
		DISPERSION-LMAX	MAX	S2	32.32	-59.69	62.49	32.32	-59.69	216.77	32.32	-64.00	215.54	32.32	-64.00	372.67
				TQ	-53.42	138.23	161.65	-53.42	138.23	-93.34	-71.00	147.55	-609.34	-71.00	147.55	-954.50
				M3	-5.37	102.56	1443.22	-5.37	102.56	1417.58	-5.37	74.30	1419.34	-5.37	74.30	1393.22
			MIN	S2	-71.39	123.32	-428.70	-71.39	123.32	-769.48	-71.39	138.63	-766.87	-71.39	138.63	-1113.94
				TQ	14.35	-74.60	-527.86	14.35	-74.60	-459.37	31.93	-72.92	58.01	31.93	-72.92	213.23
				M3	-33.70	-38.92	-1809.43	-33.70	-38.92	-1970.29	-33.70	0.33	-1970.67	-33.70	0.33	-2134.49
67	2-LANES (caseTRUCK-LOAD	MAX	S2	80.81	-22.01	1854.75	80.47	-20.14	2158.91	80.47	-63.14	2158.08	77.50	-51.93	2282.68	
			TQ	-6.16	66.31	1564.82	-7.85	66.31	1527.33	-25.46	38.68	763.18	-25.46	38.68	639.40	
			M3	20.23	24.02	2604.38	-11.53	16.87	2492.46	-11.53	-32.79	2492.30	12.66	-56.77	2487.42	
			MIN	S2	-97.49	22.00	2443.43	-100.82	32.46	2220.48	-100.82	-11.78	2220.69	-101.33	-9.94	1806.09
				TQ	-4.63	-66.12	1466.54	-4.63	-66.12	1444.44	-11.74	-96.56	1573.34	-13.46	-96.56	1516.26
				M3	-38.68	-30.95	-757.39	-38.68	-30.95	-942.01	-38.68	-12.18	-942.44	-38.68	-12.18	-1130.48

BAGO RIVER BRIDGE

BLOCK [ No.1 : MAIN GIRDER ][ BEAM MEMBER FORCE ]

MEMBER		4025			4026			4026			4027						
NODE		4025			4026			4026			4027						
		SHEAR	TORQUE	MOMENT	SHEAR	TORQUE	MOMENT	SHEAR	TORQUE	MOMENT	SHEAR	TORQUE	MOMENT				
NAME	TITLE	S2 (kN)	TQ (kN·m)	M3 (kN·m)	S2 (kN)	TQ (kN·m)	M3 (kN·m)	S2 (kN)	TQ (kN·m)	M3 (kN·m)	S2 (kN)	TQ (kN·m)	M3 (kN·m)				
67	2-LANES (caseTANDEM-LOAD	MAX	S2	56.47	-16.52	1185.61	56.47	-16.52	1455.19	56.47	-45.51	1454.57	56.07	-43.46	1679.25		
			TQ	-9.12	47.03	1023.18	-9.12	47.03	979.66	-19.31	27.97	507.03	-19.31	27.97	413.14		
			M3	17.48	22.08	1858.00	-8.91	8.47	1769.10	-8.91	-26.77	1768.91	8.74	-43.93	1777.49		
		MIN	S2	-69.64	23.03	1782.51	-70.08	24.87	1495.02	-70.08	-4.92	1495.22	-70.08	-4.92	1154.50		
			TQ	-2.44	-47.28	990.75	-2.44	-47.28	979.10	-4.22	-67.20	1009.59	-4.22	-67.20	989.06		
			M3	-26.21	-20.78	-513.81	-26.21	-20.78	-638.93	-26.21	-8.05	-639.22	-26.25	-8.47	-766.67		
			DISPERSION-LMAX	S2	70.10	14.44	432.38	64.14	14.83	558.53	64.14	3.70	558.72	57.57	7.45	649.47	
			TQ	20.53	43.81	699.08	16.71	43.81	788.06	15.87	35.02	121.34	15.87	35.02	198.49		
			M3	-4.85	-4.64	2279.05	-18.90	-4.64	2222.38	-18.90	-48.91	2221.84	-33.14	-48.91	2095.42		
			MIN	S2	-114.99	-62.86	-28.02	-123.07	-63.25	-401.96	-123.07	-55.23	-403.14	-130.74	-58.98	-814.96	
			TQ	-65.41	-92.23	-294.72	-75.64	-92.23	-631.49	-74.80	-86.55	34.24	-89.04	-86.55	-363.98		
			M3	-40.04	-43.78	-1874.69	-40.04	-43.78	-2065.80	-40.04	-2.62	-2066.27	-40.04	-2.62	-2260.91		
		68	2-LANES (caseTRUCK-LOAD	MAX	S2	380.79	-111.18	3891.06	267.26	59.98	4043.38	267.26	-20.58	4043.77	170.05	110.20	3616.60
					TQ	116.20	181.05	1485.89	116.20	181.05	2040.54	104.63	142.24	1885.49	104.63	142.24	2394.17
					M3	335.00	-155.47	3983.13	52.64	-92.18	4160.59	52.64	-175.04	4157.93	-62.28	0.88	3750.95
MIN	S2			-212.29	-271.86	3877.20	-308.13	-139.17	4047.23	-308.13	-219.77	4043.65	-420.98	-47.68	3628.86		
	TQ			-144.38	-316.99	2695.63	-144.38	-316.99	2006.44	-146.47	-356.97	2030.04	-146.47	-356.97	1317.96		
	M3			-40.95	-45.66	-768.55	-40.95	-45.66	-964.03	-40.98	-26.72	-964.75	-40.99	-26.83	-1163.98		
	TANDEM-LOAD			MAX	S2	295.02	-135.59	3045.24	215.72	-6.25	3182.55	215.72	-69.64	3181.80	139.09	55.69	2880.22
	TQ			86.66	129.26	1102.27	86.66	129.26	1515.93	76.48	100.28	1350.06	76.48	100.28	1721.85		
	M3			295.02	-135.59	3045.25	-4.59	-37.08	3184.63	-4.59	-100.50	3183.26	-84.12	32.65	2887.82		
	MIN			S2	-168.23	-159.91	3043.12	-244.71	-37.08	3184.63	-244.71	-100.50	3183.26	-324.02	32.65	2887.82	
	TQ			-104.01	-218.13	1925.12	-104.01	-218.13	1428.65	-104.01	-246.54	1424.02	-104.01	-246.54	918.38		
	M3			-27.72	-30.55	-521.19	-27.80	-31.21	-653.84	-27.80	-18.18	-654.33	-27.83	-18.59	-789.49		



BAGO RIVER BRIDGE

BLOCK [ No.1 : MAIN GIRDER ][ BEAM MEMBER FORCE ]

MEMBER			4025			4026			4026			4027			
NODE			4025			4026			4026			4027			
NAME TITLE			SHEAR	TORQUE	MOMENT	SHEAR	TORQUE	MOMENT	SHEAR	TORQUE	MOMENT	SHEAR	TORQUE	MOMENT	
			S2 (kN)	TQ (kN·m)	M3 (kN·m)	S2 (kN)	TQ (kN·m)	M3 (kN·m)	S2 (kN)	TQ (kN·m)	M3 (kN·m)	S2 (kN)	TQ (kN·m)	M3 (kN·m)	
68	2-LANES (caseDISPERSION-LMAX	S2	159.22	147.97	860.10	113.00	163.01	929.52	113.00	144.46	932.58	80.07	147.74	825.52	
		TQ	113.00	163.01	390.12	113.00	163.01	929.52	92.01	149.30	611.57	56.93	149.30	1016.26	
		M3	52.25	-114.73	2904.93	-31.43	-114.73	2954.60	-31.43	-173.56	2951.73	-116.53	-173.56	2591.87	
	MIN	S2	-146.99	-268.87	135.48	-184.45	-283.91	-75.29	-184.45	-282.36	-80.93	-236.61	-285.64	-528.28	
		TQ	-100.77	-283.91	605.46	-184.45	-283.91	-75.29	-163.46	-287.20	240.08	-213.47	-287.20	-719.02	
		M3	-40.02	-6.17	-1909.35	-40.02	-6.17	-2100.37	-40.02	35.67	-2100.08	-40.02	35.67	-2294.62	
	69	3-LANES (caseTRUCK-LOAD	MAX S2	30.21	-82.72	15.42	30.21	-82.72	159.61	30.21	-85.89	157.93	30.21	-85.89	304.79
			TQ	-20.57	295.25	1504.53	-20.57	295.25	1406.34	-20.94	267.22	1408.23	-20.94	267.22	1306.41
			M3	-4.63	145.64	1658.32	4.19	184.32	1660.04	3.84	155.99	1663.39	9.98	126.06	1701.31
MIN		S2	-48.17	92.19	-87.67	-48.17	92.19	-317.59	-48.17	98.49	-315.70	-48.17	98.49	-549.86	
		TQ	28.53	-87.71	48.69	28.53	-87.71	184.88	27.10	-99.76	712.83	27.10	-99.76	844.58	
		M3	-47.81	19.49	-1085.64	-47.90	18.66	-1314.11	-47.90	44.83	-1313.48	-47.90	44.83	-1546.33	
TANDEM-LOAD		MAX S2	20.98	-57.28	-6.76	20.98	-57.28	93.41	20.98	-59.13	92.25	20.98	-59.13	194.27	
		TQ	-15.12	203.22	1018.89	-15.12	203.22	946.71	-15.12	184.32	950.57	-15.12	184.32	877.05	
		M3	-5.49	98.24	1132.50	4.30	119.03	1131.69	3.70	111.53	1133.84	9.64	75.67	1160.19	
MIN	S2	-32.99	64.62	-46.03	-32.99	64.62	-203.48	-32.99	68.66	-202.15	-32.99	68.66	-362.51		
	TQ	20.04	-60.73	11.16	20.04	-60.73	106.83	18.95	-69.40	496.81	18.95	-69.40	588.94		
	M3	-32.51	12.85	-737.20	-32.53	12.62	-892.45	-32.53	30.40	-892.02	-32.53	30.40	-1050.18		
DISPERSION-LMAX	S2	45.32	-55.19	53.90	45.32	-55.19	270.20	45.32	-60.56	269.05	45.32	-60.56	489.35		
	TQ	-76.78	256.21	-93.57	-76.78	256.21	-460.07	-94.29	272.94	-984.45	-94.29	272.94	-1442.86		
	M3	-3.84	185.09	1910.29	-3.84	185.09	1891.97	-3.84	147.36	1895.28	-3.84	147.36	1876.62		
MIN	S2	-97.88	182.62	-838.74	-97.88	182.62	-1305.96	-97.88	208.60	-1302.06	-97.88	208.60	-1777.91		
	TQ	24.21	-128.78	-691.27	24.21	-128.78	-575.69	41.73	-124.89	-48.56	41.73	-124.89	154.29		
	M3	-48.73	-57.65	-2695.13	-48.73	-57.65	-2927.73	-48.73	0.68	-2928.29	-48.73	0.68	-3165.18		

BAGO RIVER BRIDGE

BLOCK [ No.1 : MAIN GIRDER ][ BEAM MEMBER FORCE ]

MEMBER				4025			4026			4027					
NODE				4025			4026			4027					
				SHEAR	TORQUE	MOMENT	SHEAR	TORQUE	MOMENT	SHEAR	TORQUE	MOMENT			
NAME	TITLE			S2 (kN)	TQ (kN·m)	M3 (kN·m)	S2 (kN)	TQ (kN·m)	M3 (kN·m)	S2 (kN)	TQ (kN·m)	M3 (kN·m)			
70	3-LANES (caseTRUCK-LOAD	MAX	S2	219.65	-58.34	3611.41	184.09	0.53	3952.06	184.09	-78.19	3951.29	150.03	-18.64	3933.91
			TQ	43.16	136.90	2253.32	41.47	136.90	2451.25	21.90	91.43	1655.84	21.90	91.43	1762.32
			M3	140.16	-27.26	4399.81	4.99	-13.15	4332.33	4.99	-99.44	4331.21	-6.52	-64.68	4190.71
		MIN	S2	-186.03	-70.31	4180.46	-221.85	-12.74	4019.41	-221.85	-92.80	4018.36	-260.07	-32.83	3472.85
			TQ	-67.70	-177.17	2708.47	-67.70	-177.17	2385.33	-76.83	-226.39	2541.70	-78.55	-226.39	2168.21
			M3	-59.72	-57.45	-1144.46	-59.72	-57.45	-1429.53	-59.75	-29.24	-1430.40	-59.76	-29.34	-1720.88
		TANDEM-LOAD MAX	S2	162.00	-60.94	2537.70	137.38	-18.40	2840.92	137.38	-74.99	2839.99	113.47	-30.05	2968.63
			TQ	20.17	95.80	1442.33	20.17	95.80	1538.60	9.97	65.60	1066.83	9.97	65.60	1115.30
			M3	123.01	-22.33	3210.09	-11.96	-3.55	3155.51	-11.96	-66.40	3154.81	-19.61	-39.03	3068.85
		MIN	S2	-138.63	-29.70	3133.56	-163.18	12.85	2881.43	-163.18	-44.55	2881.12	-189.85	-0.02	2445.85
			TQ	-42.27	-124.41	1775.91	-42.27	-124.41	1574.14	-44.05	-156.16	1602.98	-44.05	-156.16	1388.82
			M3	-40.45	-38.50	-776.24	-40.53	-39.16	-969.65	-40.53	-19.83	-970.24	-40.56	-20.25	-1167.28
		DISPERSION-LMAX	S2	136.70	69.71	824.80	113.95	75.03	976.66	113.95	55.56	977.96	94.66	61.51	1029.69
			TQ	70.34	104.00	879.45	66.52	104.00	1206.19	55.87	89.22	368.22	47.63	89.22	629.79
			M3	13.30	-41.35	3647.28	-32.15	-41.35	3602.30	-32.15	-113.10	3600.76	-78.47	-113.10	3332.10
MIN	S2	-185.19	-177.29	-8.28	-207.89	-182.61	-500.06	-207.89	-172.61	-503.60	-234.92	-178.56	-1124.38		
	TQ	-118.82	-211.58	-62.93	-160.46	-211.58	-729.59	-149.81	-206.27	106.14	-187.89	-206.27	-724.48		
	M3	-61.79	-66.23	-2830.76	-61.79	-66.23	-3125.70	-61.79	-3.95	-3126.40	-61.79	-3.95	-3426.79		
71	3-LANES (caseTRUCK-LOAD	MAX	S2	438.37	-117.59	5350.18	321.93	62.12	5463.47	321.93	-46.72	5463.62	218.50	95.16	4964.01
			TQ	126.87	196.58	1253.53	126.87	196.58	1859.14	115.66	161.43	1697.64	115.66	161.43	2259.94
			M3	380.19	-165.27	5470.56	53.47	-97.47	5620.10	53.47	-209.40	5617.04	-64.33	-23.98	5155.60
		MIN	S2	-274.78	-294.82	5324.54	-376.22	-147.96	5476.85	-376.22	-257.03	5472.81	-490.21	-76.54	4981.90
			TQ	-177.58	-363.87	3392.79	-177.58	-363.87	2545.14	-187.37	-416.65	2702.79	-187.37	-416.65	1791.86
			M3	-59.72	-57.45	-1144.46	-59.72	-57.45	-1429.53	-59.75	-29.24	-1430.40	-59.76	-29.34	-1720.88

BAGO RIVER BRIDGE

BLOCK [ No.1 : MAIN GIRDER ][ BEAM MEMBER FORCE ]

MEMBER		4025			4026			4026			4027				
NODE		4025			4026			4026			4027				
		SHEAR	TORQUE	MOMENT	SHEAR	TORQUE	MOMENT	SHEAR	TORQUE	MOMENT	SHEAR	TORQUE	MOMENT		
NAME	TITLE	S2 (kN)	TQ (kN·m)	M3 (kN·m)	S2 (kN)	TQ (kN·m)	M3 (kN·m)	S2 (kN)	TQ (kN·m)	M3 (kN·m)	S2 (kN)	TQ (kN·m)	M3 (kN·m)		
71	3-LANES (caseTANDEM-LOAD	MAX	S2	334.67	-143.31	4129.72	253.98	-6.55	4243.16	253.98	-91.07	4242.19	174.90	42.36	3901.27
			TQ	94.02	139.83	941.85	94.02	139.83	1390.65	83.94	113.35	1223.11	83.94	113.35	1631.18
			M3	334.67	-143.31	4129.72	-8.81	-38.87	4247.33	-8.81	-123.46	4245.72	-89.21	17.46	3914.31
		MIN	S2	-213.50	-170.03	4126.80	-291.81	-38.87	4247.33	-291.81	-123.46	4245.72	-371.19	11.23	3769.27
			TQ	-127.60	-250.93	2420.46	-127.60	-250.93	1811.38	-129.43	-287.53	1837.97	-129.43	-287.53	1208.75
			M3	-40.45	-38.50	-776.24	-40.53	-39.16	-969.65	-40.53	-19.83	-970.24	-40.56	-20.25	-1167.28
	DISPERSION-LMAX	S2	203.81	172.54	1179.40	150.75	188.42	1253.09	150.75	163.42	1256.59	111.22	169.90	1128.84	
		TQ	144.79	189.80	508.05	141.97	189.80	1192.58	110.62	175.34	470.35	75.54	175.34	965.53	
		M3	55.21	-137.58	4131.74	-43.45	-137.58	4159.80	-43.45	-220.42	4156.24	-143.40	-220.42	3701.50	
		MIN	S2	-206.89	-318.78	106.81	-252.49	-334.65	-217.06	-252.49	-330.26	-223.68	-312.92	-336.74	-834.06
			TQ	-147.87	-336.03	778.16	-243.71	-336.03	-156.55	-212.36	-342.19	562.55	-277.23	-342.19	-670.74
			M3	-58.29	-8.65	-2845.53	-58.29	-8.65	-3123.78	-58.29	53.57	-3123.33	-58.29	53.57	-3406.72
72	4-LANES TRUCK-LOAD	MAX	S2	441.25	-118.00	6003.45	307.46	32.87	5987.32	307.46	-86.41	5986.79	45.60	85.65	-547.11
			TQ	44.23	120.99	1216.86	42.18	120.99	1418.19	-2.15	109.09	401.96	-2.15	109.09	391.48
			M3	354.75	-131.28	6587.10	40.99	-75.21	6652.03	40.99	-207.70	6649.21	-481.08	-99.92	6022.92
		MIN	S2	-304.93	-254.09	6248.85	-405.92	-110.57	6249.73	-405.92	-235.04	6246.29	-520.57	-61.20	5410.02
			TQ	-165.99	-366.52	3907.81	-165.99	-366.52	3115.46	-174.09	-435.64	3620.35	-178.05	-435.64	2765.05
			M3	45.60	70.27	-988.06	45.59	70.15	-770.40	45.59	85.48	-768.85	45.50	84.24	-547.47
	TANDEM-LOAD	MAX	S2	341.78	-147.89	4538.80	263.62	-20.08	4911.65	263.62	-117.91	4910.27	34.95	28.20	491.23
			TQ	135.71	119.03	2271.58	135.71	119.03	2919.38	-2.90	75.83	250.62	-2.90	75.83	236.53
			M3	312.08	-113.33	4902.68	-13.53	-28.59	4952.68	-13.53	-127.24	4951.12	-355.51	-11.37	4665.00
		MIN	S2	-237.72	-136.78	4824.12	-313.81	-13.40	4672.38	-313.81	-106.47	4671.18	-393.31	25.47	4037.68
			TQ	-113.12	-259.43	3048.79	-113.12	-259.43	2508.80	-114.92	-309.83	2534.89	-117.86	-309.83	1974.29
			M3	31.04	48.32	-671.86	31.03	48.30	-523.72	31.03	58.72	-522.65	30.94	57.58	-371.78

BAGO RIVER BRIDGE

BLOCK [ No.1 : MAIN GIRDER ][ BEAM MEMBER FORCE ]

MEMBER				4025			4026			4026			4027				
NODE				4025			4026			4026			4027				
				SHEAR	TORQUE	MOMENT	SHEAR	TORQUE	MOMENT	SHEAR	TORQUE	MOMENT	SHEAR	TORQUE	MOMENT		
NAME	TITLE			S2 (kN)	TQ (kN·m)	M3 (kN·m)	S2 (kN)	TQ (kN·m)	M3 (kN·m)	S2 (kN)	TQ (kN·m)	M3 (kN·m)	S2 (kN)	TQ (kN·m)	M3 (kN·m)		
72	4-LANES	DISPERSION-LMAX	S2	148.72	80.52	49.80	96.30	96.01	-144.54	96.30	98.87	-142.60	56.65	105.91	-553.96		
			TQ	68.01	116.56	89.00	64.29	116.56	404.88	51.67	118.71	-359.32	16.83	118.71	-150.44		
			M3	-33.72	-206.66	3943.32	-131.92	-206.66	3547.99	-131.92	-277.30	3543.17	-231.46	-275.00	2659.54		
		MIN	S2	-126.72	-196.96	2692.63	-172.47	-212.53	2755.96	-172.47	-267.38	2751.18	-232.51	-274.46	2551.50		
			TQ	-44.67	-233.26	2628.02	-139.16	-233.26	2189.15	-126.49	-287.00	2946.02	-191.38	-287.00	2130.75		
			M3	55.75	90.15	-1202.69	55.43	84.79	-937.09	55.42	103.25	-935.22	55.34	102.04	-666.15		
		73	6-LANES	TRUCK-LOAD MAX	S2	411.43	-191.38	4619.93	314.34	-43.16	5076.57	314.34	-144.28	5074.71	230.20	-28.87	5038.38
					TQ	49.83	452.23	4451.83	33.76	452.23	4612.95	67.67	371.00	3037.99	67.67	371.00	3366.98
					M3	286.56	10.91	7078.27	5.57	93.25	7100.65	5.57	-48.21	7101.10	-29.09	34.97	6765.18
MIN	S2			-302.71	-145.21	5084.68	-386.71	-27.10	4739.09	-386.71	-121.50	4737.61	-485.82	31.92	3897.45		
	TQ			-59.60	-385.16	3920.67	-59.60	-385.16	3636.20	-69.46	-460.02	3855.47	-85.05	-460.02	3517.77		
	M3			-107.54	-38.01	-2230.19	-107.63	-38.89	-2743.79	-107.63	15.77	-2744.02	-107.67	15.40	-3267.42		
TANDEM-LOAD MAX	S2			311.91	-183.56	3522.55	244.21	-71.49	3868.46	244.21	-148.54	3866.27	178.65	-39.33	3842.00		
	TQ			33.28	317.96	3077.05	21.08	317.96	3177.70	54.83	258.92	2250.60	54.83	258.92	2517.18		
	M3			250.93	-14.24	5170.81	-24.36	81.18	5199.93	-24.36	-22.42	5200.51	-52.08	53.40	4952.61		
MIN	S2	-228.34	-76.20	3791.45	-293.82	30.56	3562.29	-293.82	-40.40	3562.19	-361.70	75.19	2953.75				
	TQ	-34.36	-266.97	2570.09	-34.36	-266.97	2406.07	-53.36	-321.32	2783.73	-65.18	-321.32	2524.34				
	M3	-72.97	-25.73	-1513.52	-73.07	-26.60	-1862.20	-73.07	10.50	-1862.36	-73.07	10.50	-2217.60				
DISPERSION-LMAX	S2	232.83	111.59	1132.19	187.49	125.10	1469.10	187.49	95.81	1471.30	153.61	100.88	1661.20				
	TQ	41.19	401.92	696.04	38.55	401.92	886.33	3.96	401.01	-451.07	-25.98	401.01	-468.15				
	M3	35.80	33.51	5930.14	-48.99	33.51	5898.67	-48.99	-83.99	5898.17	-133.67	-67.29	5452.89				
MIN	S2	-292.52	-114.06	-342.34	-331.47	-128.44	-1199.30	-331.47	-104.52	-1201.62	-383.31	-110.45	-2267.37				
	TQ	-102.60	-412.71	123.12	-183.57	-412.71	-560.00	-148.14	-418.75	792.52	-204.33	-418.75	-100.68				
	M3	-95.68	-51.52	-5235.21	-96.56	-65.97	-5693.27	-96.65	46.07	-5693.47	-97.03	40.50	-6164.93				

BAGO RIVER BRIDGE

BLOCK [ No.1 : MAIN GIRDER ][ BEAM MEMBER FORCE ]

MEMBER			4025			4026			4026			4027			
NODE			4025			4026			4026			4027			
NAME TITLE			SHEAR	TORQUE	MOMENT	SHEAR	TORQUE	MOMENT	SHEAR	TORQUE	MOMENT	SHEAR	TORQUE	MOMENT	
			S2 (kN)	TQ (kN·m)	M3 (kN·m)	S2 (kN)	TQ (kN·m)	M3 (kN·m)	S2 (kN)	TQ (kN·m)	M3 (kN·m)	S2 (kN)	TQ (kN·m)	M3 (kN·m)	
124	SUM TOTAL	D+1LANE (caseMAX	S2	-219.04	-48.71	1711.63	-516.98	-48.71	-44.98	-516.98	-47.80	-45.95	-822.96	-47.80	-3299.80
			TQ	-268.98	273.36	2091.74	-566.92	273.36	96.77	-567.28	271.59	84.77	-873.27	271.59	-3413.62
			M3	-240.82	132.55	2977.81	-532.34	201.45	1139.13	-532.34	178.72	1142.92	-838.32	178.72	-2185.59
		MIN	S2	-293.94	72.55	1080.00	-591.88	72.55	-1034.12	-591.88	93.14	-1032.46	-897.86	93.14	-4650.42
			TQ	-223.85	-123.38	1545.30	-521.79	-123.38	-234.27	-521.87	-118.83	-223.71	-827.85	-118.83	-3501.33
			M3	-280.07	-19.61	507.92	-578.12	-20.61	-1540.33	-578.12	10.08	-1540.43	-884.10	10.08	-5091.50
		D+1LANE (caseMAX	S2	-206.07	-76.62	2608.55	-504.01	-76.62	913.85	-504.01	-94.80	912.14	-809.99	-94.80	-2278.65
			TQ	-291.02	140.89	3193.08	-588.96	140.89	1092.88	-609.91	127.77	504.45	-915.90	127.77	-3201.18
			M3	-256.54	92.11	3881.68	-550.90	79.03	1952.28	-550.90	40.12	1953.47	-850.09	13.71	-1444.60
		MIN	S2	-312.84	134.48	2593.81	-610.78	134.48	389.44	-610.78	126.70	392.05	-916.77	126.70	-3317.83
			TQ	-227.09	-80.83	2078.78	-525.03	-80.83	283.77	-504.07	-95.16	873.12	-810.06	-95.16	-2317.99
			M3	-285.70	-38.32	463.90	-583.64	-38.32	-1610.90	-583.64	-6.22	-1611.34	-889.62	-6.22	-5189.26
		D+1LANE (caseMAX	S2	-176.85	-50.24	2923.52	-474.82	-50.32	1358.41	-474.82	-77.37	1357.14	-781.31	-76.76	-1718.63
			TQ	-297.23	61.07	3984.42	-597.88	61.07	1843.25	-594.11	27.97	1419.75	-900.09	27.97	-2209.05
			M3	-275.14	33.06	4646.18	-565.30	20.77	2629.67	-565.30	-31.62	2629.57	-843.66	-68.29	-758.87
		MIN	S2	-353.87	26.60	3246.44	-652.44	26.69	854.56	-652.44	9.66	854.92	-958.60	9.05	-3032.25
			TQ	-230.04	-83.13	2446.25	-527.98	-83.13	637.12	-533.55	-99.27	1062.55	-842.28	-99.27	-2273.47
			M3	-290.12	-53.88	429.79	-588.06	-53.88	-1666.11	-588.06	-20.68	-1666.85	-894.04	-20.68	-5266.26
		D+1LANE (caseMAX	S2	146.84	8.51	5087.60	-274.90	153.62	3402.38	-274.90	85.81	3404.76	-679.96	187.41	-362.41
			TQ	-87.48	247.18	3214.78	-385.42	247.18	2086.16	-410.18	210.69	1760.18	-747.22	210.69	-1012.13
			M3	46.25	-216.68	6422.64	-520.72	-167.92	4747.26	-520.72	-262.45	4742.97	-979.75	-125.39	813.11
		MIN	S2	-482.64	-417.22	4638.02	-881.27	-329.16	2775.85	-881.27	-384.39	2768.74	-1315.99	-251.21	-1204.28
			TQ	-399.82	-458.66	4153.04	-758.69	-458.66	1388.08	-745.41	-489.22	1559.12	-1082.52	-489.22	-2918.69
			M3	-294.22	-49.44	380.83	-592.16	-49.44	-1734.65	-592.19	-15.21	-1735.30	-898.19	-15.33	-5354.81

BAGO RIVER BRIDGE

BLOCK [ No.1 : MAIN GIRDER ][ BEAM MEMBER FORCE ]

MEMBER			4025			4026			4026			4027			
NODE			4025			4026			4026			4027			
NAME TITLE			SHEAR	TORQUE	MOMENT	SHEAR	TORQUE	MOMENT	SHEAR	TORQUE	MOMENT	SHEAR	TORQUE	MOMENT	
			S2 (kN)	TQ (kN·m)	M3 (kN·m)	S2 (kN)	TQ (kN·m)	M3 (kN·m)	S2 (kN)	TQ (kN·m)	M3 (kN·m)	S2 (kN)	TQ (kN·m)	M3 (kN·m)	
124	SUM TOTAL	D+2LANES (casMAX	S2	-200.58	-99.17	1559.03	-498.52	-99.17	-109.46	-498.52	-96.97	-111.41	-804.50	-96.97	-3275.51
			TQ	-302.66	408.95	2413.57	-600.60	408.95	257.81	-601.03	404.15	225.13	-907.01	404.15	-3437.31
			M3	-242.51	228.86	3997.39	-534.61	278.45	2147.38	-534.96	240.38	2152.51	-840.47	232.46	-1186.76
		MIN	S2	-333.17	137.63	575.59	-631.11	137.63	-1725.82	-631.11	171.98	-1722.74	-937.10	171.98	-5531.44
			TQ	-205.85	-174.24	1288.61	-503.79	-174.24	-405.02	-505.16	-174.89	158.40	-811.14	-174.89	-3037.99
			M3	-306.28	-31.35	-503.85	-604.31	-32.18	-2677.15	-604.31	21.16	-2677.26	-910.29	21.16	-6355.66
		D+2LANES (casMAX	S2	-189.77	-122.43	2306.46	-487.71	-122.43	689.57	-487.71	-136.14	687.00	-793.69	-136.14	-2424.55
			TQ	-321.03	298.55	3331.35	-618.97	298.55	1087.90	-636.55	284.31	574.86	-942.53	284.31	-3260.28
			M3	-255.62	195.17	4750.61	-550.08	176.43	2825.00	-550.43	124.89	2827.97	-850.28	94.96	-569.27
		MIN	S2	-348.93	189.24	1837.10	-646.87	189.24	-539.52	-646.87	199.95	-535.64	-952.85	199.95	-4420.95
			TQ	-208.54	-138.79	1733.18	-506.48	-138.79	26.68	-490.33	-155.16	1072.42	-796.31	-155.16	-2051.87
			M3	-310.97	-46.93	-540.53	-608.91	-46.93	-2735.96	-608.91	7.58	-2736.35	-914.89	7.58	-6437.12
		D+2LANES (casMAX	S2	-93.36	-21.27	4285.41	-397.60	-19.00	2838.68	-397.60	-75.55	2837.74	-713.13	-60.59	-323.41
			TQ	-229.90	96.42	4262.18	-533.35	96.42	2436.63	-551.80	57.60	1005.45	-857.78	57.60	-2417.67
			M3	-228.89	5.68	6881.71	-572.64	-1.47	4836.08	-572.64	-97.80	4835.09	-868.67	-121.79	1327.28
		MIN	S2	-456.74	-54.55	4413.68	-766.10	-44.49	1939.76	-766.10	-83.12	1938.49	-1080.26	-85.03	-2264.43
			TQ	-314.32	-172.05	3170.10	-622.48	-172.05	934.18	-628.75	-199.22	1728.52	-950.70	-199.22	-2103.28
			M3	-322.99	-88.43	-633.80	-620.92	-88.43	-2886.58	-620.92	-30.91	-2887.77	-926.91	-30.91	-6646.95
		D+2LANES (casMAX	S2	295.74	23.09	6749.43	-161.94	209.29	5094.13	-161.94	107.77	5097.29	-598.08	241.84	1186.56
			TQ	-15.07	330.36	3874.29	-313.01	330.36	3091.30	-345.57	275.43	2618.01	-686.63	275.43	154.88
			M3	142.98	-283.90	8886.33	-521.00	-220.61	7236.43	-521.00	-364.71	7230.60	-1027.00	-188.79	3087.26
		MIN	S2	-603.56	-554.43	6010.96	-1034.79	-436.79	4093.18	-1034.79	-518.23	4083.67	-1505.78	-349.43	-154.98
			TQ	-489.42	-614.60	5299.37	-871.04	-614.60	2052.39	-852.14	-660.28	2391.07	-1208.14	-660.28	-2656.61
			M3	-325.24	-65.53	-679.62	-623.18	-65.53	-2943.16	-623.21	-7.17	-2943.88	-929.20	-7.27	-6714.16

BAGO RIVER BRIDGE

BLOCK [ No.1 : MAIN GIRDER ] [ BEAM MEMBER FORCE ]

MEMBER			4025			4026			4026			4027				
NODE			4025			4026			4026			4027				
NAME TITLE			SHEAR	TORQUE	MOMENT	SHEAR	TORQUE	MOMENT	SHEAR	TORQUE	MOMENT	SHEAR	TORQUE	MOMENT		
			S2 (kN)	TQ (kN·m)	M3 (kN·m)	S2 (kN)	TQ (kN·m)	M3 (kN·m)	S2 (kN)	TQ (kN·m)	M3 (kN·m)	S2 (kN)	TQ (kN·m)	M3 (kN·m)		
124	SUM TOTAL	D+3LANES (casMAX	S2	-180.08	-130.92	2057.20	-478.01	-130.92	486.58	-478.01	-140.59	483.88	-784.00	-140.59	-2580.54	
			TQ	-327.02	455.05	3197.59	-624.96	455.05	925.57	-640.16	443.03	481.16	-946.14	443.03	-3371.53	
			M3	-251.47	267.43	5031.59	-541.91	300.30	3140.45	-542.20	241.74	3145.81	-842.98	216.30	-214.32	
		MIN	S2	-368.41	219.89	1210.83	-666.35	219.89	-1258.78	-666.35	244.92	-1254.15	-972.33	244.92	-5234.17	
			TQ	-199.44	-197.71	1452.09	-497.38	-197.71	-210.95	-483.71	-207.06	685.57	-789.69	-207.06	-2406.51	
			M3	-326.32	-46.14	-1215.38	-624.34	-46.84	-3484.32	-624.34	22.57	-3484.56	-930.32	22.57	-7260.35	
		D+3LANES (casMAX	S2	58.63	-4.03	5769.05	-288.87	50.53	4310.65	-288.87	-35.34	4310.81	-640.21	20.33	963.51	
			TQ	-147.80	191.07	4661.12	-450.42	191.07	3230.07	-476.11	137.44	1841.40	-789.09	137.44	-1222.27	
			M3	-113.83	-72.02	8838.30	-565.30	-60.02	6865.68	-565.30	-196.77	6863.12	-920.44	-167.22	3138.83	
		MIN	S2	-559.80	-224.16	5544.63	-907.49	-179.74	3112.68	-907.49	-241.71	3108.48	-1268.93	-195.80	-1259.36	
			TQ	-402.81	-344.14	4246.99	-736.14	-344.14	1528.62	-734.85	-383.87	2371.61	-1074.67	-383.87	-2028.39	
			M3	-347.55	-118.83	-1380.66	-645.49	-118.83	-3750.71	-645.52	-44.32	-3752.34	-951.51	-44.41	-7631.08	
		D+3LANES (casMAX	S2	301.59	33.01	7548.42	-140.43	199.26	5830.31	-140.43	83.08	5833.12	-567.93	209.19	1923.37	
			TQ	-13.36	314.72	3495.62	-313.69	314.72	2715.20	-349.87	270.14	1963.74	-685.67	270.14	-513.91	
			M3	125.82	-271.12	10160.23	-533.69	-213.49	8434.15	-533.69	-381.46	8428.23	-1024.76	-223.85	4272.97	
		MIN	S2	-653.69	-535.26	6614.93	-1076.61	-423.92	4592.05	-1076.61	-515.30	4582.70	-1530.85	-367.40	270.11	
			TQ	-520.90	-608.61	5543.58	-900.31	-608.61	2151.53	-881.99	-661.12	2896.48	-1243.11	-661.12	-2302.61	
			M3	-344.58	-69.88	-1393.21	-642.52	-69.88	-3749.08	-642.54	4.58	-3749.73	-948.53	4.49	-7614.02	
		D+4LANES	MAX	S2	139.21	-38.06	5932.89	-279.76	70.07	3919.05	-279.76	-8.01	3919.67	-781.73	108.40	-3971.25
			TQ	-171.32	140.71	2847.09	-473.00	140.71	1306.23	-510.02	131.96	148.65	-838.65	131.96	-3098.88	
			M3	-35.60	-233.36	8843.05	-601.32	-196.91	6751.25	-601.32	-331.36	6745.99	-1311.34	-259.81	2388.05	
		MIN	S2	-524.85	-306.88	7810.24	-918.16	-223.71	5974.93	-918.16	-342.68	5969.29	-1337.69	-234.29	1919.43	
			TQ	-381.20	-403.55	6246.57	-740.56	-403.55	3569.24	-737.59	-485.83	4389.08	-1088.32	-485.83	-73.29	
			M3	-178.39	90.57	574.29	-476.54	87.01	-988.63	-476.55	106.56	-986.71	-782.65	104.97	-4044.41	

BAGO RIVER BRIDGE

BLOCK [ No.1 : MAIN GIRDER ] [ BEAM MEMBER FORCE ]

MEMBER					4025			4026			4027					
NODE					4025			4026			4027					
					SHEAR	TORQUE	MOMENT	SHEAR	TORQUE	MOMENT	SHEAR	TORQUE	MOMENT			
NAME	TITLE				S2 (kN)	TQ (kN·m)	M3 (kN·m)	S2 (kN)	TQ (kN·m)	M3 (kN·m)	S2 (kN)	TQ (kN·m)	M3 (kN·m)			
124	SUM TOTAL	D+6LANES	MAX	S2	174.50	-65.56	5737.16	-216.02	39.56	4375.92	-216.02	-47.61	4375.84	-598.72	30.70	1099.17
				TQ	-185.11	541.50	5344.39	-495.21	541.50	3695.78	-495.65	485.69	1802.44	-821.09	485.69	-1371.32
				M3	-34.73	15.18	10453.75	-570.43	68.70	8570.79	-570.43	-102.04	8570.46	-953.99	-37.12	4686.19
		MIN	S2	-631.17	-182.22	5080.80	-1009.02	-114.80	2422.10	-1009.02	-163.02	2419.34	-1413.13	-67.16	-2196.01	
			TQ	-349.70	-532.31	4626.74	-700.27	-532.31	2120.77	-683.65	-587.31	3142.14	-1036.29	-587.31	-1034.45	
			M3	-376.36	-71.89	-2854.23	-674.93	-81.85	-5362.85	-674.99	24.09	-5363.43	-981.24	20.23	-9386.58	
		SUM TOTAL	MAX		301.59	541.50	10453.75	-140.43	541.50	8570.79	-140.43	485.69	8570.46	-567.93	485.69	4686.19
			MIN		-653.69	-614.60	-2854.23	-1076.61	-614.60	-5362.85	-1076.61	-661.12	-5363.43	-1530.85	-661.12	-9386.58
	300	DEAD LOAD	TOTAL		-244.27	-13.70	1998.28	-542.21	-13.70	121.24	-542.21	-16.11	120.94	-848.19	-16.11	-3255.56
	301	LIVE LOAD	1-LANE(case1MAX	S2	25.23	-35.01	-286.65	25.23	-35.01	-166.22	25.23	-31.69	-166.89	25.23	-31.69	-44.24
				TQ	-24.71	287.06	93.47	-24.71	287.06	-24.47	-25.07	287.70	-36.17	-25.07	287.70	-158.07
				M3	3.45	146.24	979.53	9.87	215.15	1017.89	9.87	194.83	1021.98	9.87	194.83	1069.97
MIN			S2	-49.67	86.25	-918.28	-49.67	86.25	-1155.35	-49.67	109.25	-1153.41	-49.67	109.25	-1394.86	
			TQ	20.42	-109.68	-452.97	20.42	-109.68	-355.50	20.34	-102.72	-344.65	20.34	-102.72	-245.77	
			M3	-35.80	-5.92	-1490.35	-35.91	-6.91	-1661.57	-35.91	26.19	-1661.38	-35.91	26.19	-1835.95	
		1-LANE(case2MAX	S2	38.20	-62.92	610.27	38.20	-62.92	792.61	38.20	-78.70	791.20	38.20	-78.70	976.91	
		TQ	-46.75	154.58	1194.80	-46.75	154.58	971.64	-67.70	143.88	383.51	-67.70	143.88	54.37		
		M3	-12.27	105.81	1883.40	-8.69	92.72	1831.04	-8.69	56.23	1832.52	-1.90	29.82	1810.95		
MIN		S2	-68.57	148.18	595.54	-68.57	148.18	268.21	-68.57	142.81	271.10	-68.57	142.81	-62.27		
		TQ	17.18	-67.14	80.50	17.18	-67.14	162.53	38.14	-79.05	752.17	38.14	-79.05	937.57		
		M3	-41.43	-24.62	-1534.37	-41.43	-24.62	-1732.14	-41.43	9.89	-1732.28	-41.43	9.89	-1933.70		
		1-LANE(case3MAX	S2	67.42	-36.54	925.24	67.39	-36.63	1237.17	67.39	-61.26	1236.20	66.88	-60.65	1536.93	
		TQ	-52.96	74.77	1986.14	-55.67	74.77	1722.02	-51.90	44.08	1298.81	-51.90	44.08	1046.51		
		M3	-30.87	46.76	2647.91	-23.09	34.46	2508.44	-23.09	-15.51	2508.63	4.53	-52.18	2496.68		
MIN		S2	-109.60	40.30	1248.16	-110.24	40.39	733.32	-110.24	25.77	733.98	-110.41	25.16	223.30		
		TQ	14.23	-69.44	447.98	14.23	-69.44	515.88	8.66	-83.17	941.61	5.92	-83.17	982.08		
		M3	-45.85	-40.18	-1568.49	-45.85	-40.18	-1787.35	-45.85	-4.57	-1787.79	-45.85	-4.57	-2010.70		



BAGO RIVER BRIDGE

BLOCK [ No.1 : MAIN GIRDER ][ BEAM MEMBER FORCE ]

MEMBER			4025			4026			4026			4027			
NODE			4025			4026			4026			4027			
NAME TITLE			SHEAR	TORQUE	MOMENT	SHEAR	TORQUE	MOMENT	SHEAR	TORQUE	MOMENT	SHEAR	TORQUE	MOMENT	
			S2 (kN)	TQ (kN·m)	M3 (kN·m)	S2 (kN)	TQ (kN·m)	M3 (kN·m)	S2 (kN)	TQ (kN·m)	M3 (kN·m)	S2 (kN)	TQ (kN·m)	M3 (kN·m)	
301	LIVE LOAD	1-LANE (case4MAX	S2	391.11	22.21	3089.32	267.30	167.31	3281.14	267.30	101.92	3283.82	168.23	203.52	2893.15
			TQ	156.79	260.88	1216.50	156.79	260.88	1964.93	132.03	226.80	1639.24	100.98	226.80	2243.43
			M3	290.52	-202.98	4424.36	21.49	-154.22	4626.02	21.49	-246.34	4622.03	-131.56	-109.29	4068.67
			MIN S2	-238.37	-403.52	2639.74	-339.07	-315.47	2654.61	-339.07	-368.28	2647.80	-467.80	-235.10	2051.28
			TQ	-155.55	-444.96	2154.77	-216.48	-444.96	1266.84	-203.20	-473.11	1438.18	-234.33	-473.11	336.86
			M3	-49.95	-35.75	-1617.45	-49.95	-35.75	-1855.89	-49.98	0.90	-1856.24	-50.00	0.78	-2099.25
		2-LANES (caseMAX	S2	43.69	-85.48	-439.24	43.69	-85.48	-230.69	43.69	-80.86	-232.35	43.69	-80.86	-19.95
			TQ	-58.39	422.64	415.29	-58.39	422.64	136.57	-58.82	420.26	104.19	-58.82	420.26	-181.75
			M3	1.76	242.56	1999.11	7.60	292.14	2026.14	7.25	256.49	2031.57	7.72	248.57	2068.80
			MIN S2	-88.90	151.33	-1422.69	-88.90	151.33	-1847.06	-88.90	188.09	-1843.68	-88.90	188.09	-2275.88
			TQ	38.42	-160.54	-709.66	38.42	-160.54	-526.26	37.05	-158.78	37.46	37.05	-158.78	217.57
			M3	-62.01	-17.65	-2502.12	-62.10	-18.48	-2798.39	-62.10	37.27	-2798.20	-62.10	37.27	-3100.10
		2-LANES (caseMAX	S2	54.50	-108.73	308.19	54.50	-108.73	568.34	54.50	-120.03	566.06	54.50	-120.03	831.01
			TQ	-76.76	312.25	1333.07	-76.76	312.25	966.66	-94.34	300.42	453.92	-94.34	300.42	-4.72
			M3	-11.35	208.86	2752.33	-7.87	190.12	2703.76	-8.22	141.00	2707.02	-2.09	111.06	2686.29
			MIN S2	-104.66	202.93	-161.18	-104.66	202.93	-660.76	-104.66	216.06	-656.59	-104.66	216.06	-1165.39
			TQ	35.73	-125.09	-265.10	35.73	-125.09	-94.56	51.88	-139.05	951.48	51.88	-139.05	1203.69
			M3	-66.70	-33.23	-2538.81	-66.70	-33.23	-2857.20	-66.70	23.69	-2857.29	-66.70	23.69	-3181.56
		2-LANES (caseMAX	S2	150.91	-7.58	2287.13	144.61	-5.31	2717.44	144.61	-59.44	2716.80	135.06	-44.48	2932.15
			TQ	14.37	110.12	2263.90	8.85	110.12	2315.39	-9.59	73.71	884.51	-9.59	73.71	837.88
			M3	15.38	19.38	4883.43	-30.43	12.23	4714.84	-30.43	-81.69	4714.15	-20.48	-105.68	4582.84
MIN S2	-212.47		-40.86	2415.40	-223.90	-30.79	1818.52	-223.90	-67.01	1817.55	-232.07	-68.92	991.13		
TQ	-70.04		-158.35	1171.82	-80.27	-158.35	812.94	-86.54	-183.12	1607.58	-102.51	-183.12	1152.28		
M3	-78.72		-74.73	-2632.08	-78.72	-74.73	-3007.82	-78.72	-14.81	-3008.71	-78.72	-14.81	-3391.39		

BAGO RIVER BRIDGE

BLOCK [ No.1 : MAIN GIRDER ][ BEAM MEMBER FORCE ]

MEMBER			4025			4026			4026			4027				
NODE			4025			4026			4026			4027				
NAME TITLE			SHEAR	TORQUE	MOMENT	SHEAR	TORQUE	MOMENT	SHEAR	TORQUE	MOMENT	SHEAR	TORQUE	MOMENT		
			S2 (kN)	TQ (kN·m)	M3 (kN·m)	S2 (kN)	TQ (kN·m)	M3 (kN·m)	S2 (kN)	TQ (kN·m)	M3 (kN·m)	S2 (kN)	TQ (kN·m)	M3 (kN·m)		
301	LIVE LOAD	2-LANES (caseMAX	S2	540.01	36.79	4751.15	380.27	222.99	4972.90	380.27	123.88	4976.35	250.12	257.94	4442.12	
			TQ	229.20	344.06	1876.01	229.20	344.06	2970.06	196.64	291.54	2497.07	161.56	291.54	3410.43	
			M3	387.25	-270.20	6888.06	21.20	-206.91	7115.19	21.20	-348.60	7109.66	-178.81	-172.68	6342.82	
			MIN	S2	-359.29	-540.74	4012.69	-492.58	-423.09	3971.94	-492.58	-502.12	3962.73	-657.59	-333.32	3100.58
			TQ	-245.15	-600.90	3301.09	-328.83	-600.90	1931.15	-309.93	-644.17	2270.12	-359.95	-644.17	598.95	
			M3	-80.97	-51.83	-2677.90	-80.97	-51.83	-3064.40	-81.00	8.94	-3064.83	-81.01	8.84	-3458.61	
		3-LANES (caseMAX	S2	64.19	-117.22	58.92	64.19	-117.22	365.34	64.19	-124.48	362.94	64.19	-124.48	675.02	
			TQ	-82.75	468.74	1199.31	-82.75	468.74	804.33	-97.95	459.14	360.21	-97.95	459.14	-115.98	
			M3	-7.20	281.12	3033.32	0.30	314.00	3019.21	0.01	257.85	3024.87	5.22	232.41	3041.24	
			MIN	S2	-124.14	233.59	-787.45	-124.14	233.59	-1380.02	-124.14	261.03	-1375.09	-124.14	261.03	-1978.61
			TQ	44.83	-184.02	-546.19	44.83	-184.02	-332.19	58.50	-190.95	564.63	58.50	-190.95	849.04	
			M3	-82.05	-32.44	-3213.65	-82.13	-33.15	-3605.56	-82.13	38.68	-3605.51	-82.13	38.68	-4004.79	
		3-LANES (caseMAX	S2	302.90	9.67	3770.78	253.34	64.23	4189.42	253.34	-19.24	4189.86	207.98	36.44	4219.06	
			TQ	96.47	204.77	2662.85	91.79	204.77	3108.83	66.10	153.55	1720.46	59.10	153.55	2033.29	
			M3	130.44	-58.32	6840.03	-23.09	-46.32	6744.44	-23.09	-180.66	6742.18	-72.24	-151.11	6394.38	
			MIN	S2	-315.53	-210.47	3546.36	-365.28	-166.04	2991.44	-365.28	-225.60	2987.54	-420.74	-179.69	1996.20
			TQ	-158.54	-330.44	2248.71	-193.93	-330.44	1407.38	-192.64	-367.76	2250.66	-226.47	-367.76	1227.17	
			M3	-103.28	-105.13	-3378.94	-103.28	-105.13	-3871.95	-103.31	-28.21	-3873.28	-103.31	-28.30	-4375.52	
		3-LANES (caseMAX	S2	545.86	46.71	5550.14	401.78	212.96	5709.07	401.78	99.19	5712.18	280.26	225.30	5178.92	
			TQ	230.91	328.42	1497.35	228.52	328.42	2593.96	192.34	286.25	1842.79	162.52	286.25	2741.64	
			M3	370.10	-257.42	8161.96	8.52	-199.80	8312.92	8.52	-365.35	8307.29	-176.57	-207.74	7528.53	
MIN	S2		-409.42	-521.56	4616.65	-534.41	-410.22	4470.82	-534.41	-499.19	4461.76	-682.66	-351.29	3525.67		
TQ	-276.63		-594.92	3545.31	-358.10	-594.92	2030.30	-339.78	-645.01	2775.54	-394.91	-645.01	952.95			
M3	-100.31		-56.19	-3391.49	-100.31	-56.19	-3870.32	-100.33	20.69	-3870.67	-100.34	20.60	-4358.46			

BAGO RIVER BRIDGE

BLOCK [ No.1 : MAIN GIRDER ][ BEAM MEMBER FORCE ]

MEMBER				4025			4026			4026			4027			
NODE				4025			4026			4026			4027			
NAME TITLE				SHEAR	TORQUE	MOMENT	SHEAR	TORQUE	MOMENT	SHEAR	TORQUE	MOMENT	SHEAR	TORQUE	MOMENT	
				S2 (kN)	TQ (kN·m)	M3 (kN·m)	S2 (kN)	TQ (kN·m)	M3 (kN·m)	S2 (kN)	TQ (kN·m)	M3 (kN·m)	S2 (kN)	TQ (kN·m)	M3 (kN·m)	
301	LIVE LOAD	4-LANES	MAX	S2	383.48	-24.36	3934.61	262.44	83.77	3797.81	262.44	8.10	3798.72	66.46	124.51	-715.69
			TQ	72.96	154.41	848.81	69.20	154.41	1184.99	32.19	148.07	27.71	9.54	148.07	156.68	
			M3	208.67	-219.66	6844.78	-59.11	-183.22	6630.01	-59.11	-315.25	6625.05	-463.15	-243.70	5643.60	
		MIN	S2	-280.58	-293.18	5811.96	-375.95	-210.01	5853.70	-375.95	-326.57	5848.35	-489.50	-218.18	5174.99	
		TQ	-136.93	-389.85	4248.29	-198.35	-389.85	3448.00	-195.38	-469.72	4268.14	-240.13	-469.72	3182.27		
		M3	65.88	104.27	-1423.98	65.67	100.71	-1109.87	65.66	122.67	-1107.65	65.55	121.08	-788.85		
	6-LANES	MAX	S2	418.77	-51.86	3738.88	326.19	53.26	4254.69	326.19	-31.50	4254.90	249.48	46.81	4354.73	
		TQ	59.16	555.20	3346.11	47.00	555.20	3574.54	46.56	501.80	1681.50	27.10	501.80	1884.24		
		M3	209.54	28.87	8455.47	-28.22	82.40	8449.56	-28.22	-85.93	8449.52	-105.80	-21.01	7941.74		
		MIN	S2	-386.90	-168.53	3082.52	-466.82	-101.10	2300.87	-466.82	-146.91	2298.40	-564.93	-51.05	1059.55	
		TQ	-105.42	-518.62	2628.47	-158.06	-518.62	1999.53	-141.44	-571.20	3021.20	-188.10	-571.20	2221.11		
		M3	-132.09	-58.19	-4852.51	-132.72	-68.16	-5484.09	-132.78	40.20	-5484.37	-133.05	36.34	-6131.03		
	LIVE LOAD	MAX		545.86	555.20	8455.47	401.78	555.20	8449.56	401.78	501.80	8449.52	280.26	501.80	7941.74	
		MIN		-409.42	-600.90	-4852.51	-534.41	-600.90	-5484.09	-534.41	-645.01	-5484.37	-682.66	-645.01	-6131.03	
303	SUM TOTAL	TOTAL	MAX		301.59	541.50	10453.75	-140.43	541.50	8570.79	-140.43	485.69	8570.46	-567.93	485.69	4686.19
			MIN		-653.69	-614.60	-2854.23	-1076.61	-614.60	-5362.85	-1076.61	-661.12	-5363.43	-1530.85	-661.12	-9386.58

BAGO RIVER BRIDGE

BLOCK [ No.1 : MAIN GIRDER ][ BEAM MEMBER FORCE ]

MEMBER NODE	4027	4028			4028			4028			4029				
		SHEAR	TORQUE	MOMENT	SHEAR	TORQUE	MOMENT	SHEAR	TORQUE	MOMENT	SHEAR	TORQUE	MOMENT		
NAME TITLE	S2 (kN)	TQ (kN·m)	M3 (kN·m)	S2 (kN)	TQ (kN·m)	M3 (kN·m)	S2 (kN)	TQ (kN·m)	M3 (kN·m)	S2 (kN)	TQ (kN·m)	M3 (kN·m)			
1 PAVEMENT	-135.02	-22.58	-181.54	-191.90	-22.58	-963.80	-191.90	-24.91	-963.75	-247.50	-24.91	-2015.47			
3 RAILING	-2.15	-1.38	-18.68	-5.43	-1.38	-36.50	-5.43	-1.46	-36.50	-8.77	-1.46	-70.15			
5 CURB	-21.30	-13.62	-184.91	-53.80	-13.62	-361.34	-53.80	-14.50	-361.30	-86.80	-14.50	-694.53			
7 DECK WEIGHT	-217.06	-17.84	-501.61	-306.11	-17.84	-1752.52	-306.11	-22.07	-1752.47	-393.53	-22.07	-3426.11			
8 GIRDER WEIGH	-309.79	117.99	-1581.48	-399.26	117.99	-3279.02	-399.26	110.08	-3279.29	-488.75	110.08	-5405.66			
10 MEDIAN STRIP	-74.21	57.36	-621.76	-74.21	57.36	-977.11	-74.21	55.01	-977.24	-74.21	55.01	-1332.65			
21 ADITIONAL WE	-60.78	-4.99	-140.45	-85.71	-4.99	-490.71	-85.71	-6.18	-490.69	-110.19	-6.18	-959.31			
31 MEDIAN RAILI	-5.05	3.76	-23.37	-5.05	3.76	-47.53	-5.05	3.65	-47.54	-5.05	3.65	-71.71			
51 SUPPORT WEIG	-0.00	0.00	-0.00	-0.00	0.00	-0.00	-0.00	0.00	-0.00	-0.00	0.00	-0.00			
52 NOSE WEIGHT	-0.00	-0.05	-0.02	-0.00	-0.05	-0.03	-0.00	-0.05	-0.03	-0.00	-0.05	-0.04			
61 1-LANE(case1TRUCK-LOAD	MAX	S2	8.97	-30.95	-156.99	8.97	-30.95	-114.04	8.97	-31.23	-113.97	8.97	-31.23	-71.02	
		TQ	-2.52	191.87	419.28	-2.52	191.87	407.21	-2.52	192.85	406.75	-2.52	192.85	394.67	
		M3	-2.52	191.87	419.28	-1.07	190.12	411.87	-1.07	191.11	411.41	1.41	181.81	415.89	
	MIN	S2	-12.85	17.71	-493.06	-12.85	17.71	-554.59	-12.85	16.38	-554.63	-12.85	16.38	-616.16	
		TQ	8.00	-33.55	-146.54	8.00	-33.55	-108.25	8.00	-33.81	-108.17	8.00	-33.81	-69.87	
		M3	-12.70	18.06	-499.30	-12.70	18.06	-560.12	-12.70	16.71	-560.16	-12.70	16.71	-620.99	
	TANDEM-LOAD	MAX	S2	6.11	-20.74	-106.54	6.11	-20.74	-77.29	6.11	-20.92	-77.24	6.11	-20.92	-47.99
		TQ	-2.25	131.39	286.57	-2.25	131.39	275.82	-2.25	132.06	275.50	-2.25	132.06	264.75	
		M3	-2.25	131.39	286.57	-0.15	129.19	282.09	-0.15	129.87	281.78	0.45	127.82	283.66	
	MIN	S2	-8.72	12.08	-335.80	-8.72	12.08	-377.57	-8.72	11.16	-377.60	-8.72	11.16	-419.37	
		TQ	5.61	-22.81	-101.99	5.61	-22.81	-75.13	5.61	-22.99	-75.08	5.61	-22.99	-48.21	
		M3	-8.59	12.28	-339.11	-8.59	12.28	-380.25	-8.59	11.36	-380.28	-8.59	11.36	-421.43	
	DISPERSION-LMAX	S2	12.02	12.73	-84.84	12.02	12.73	-27.30	12.02	12.66	-27.33	12.02	12.66	30.21	
		TQ	-25.98	219.69	-345.52	-25.98	219.69	-469.94	-25.98	218.55	-470.07	-25.98	218.55	-594.51	
		M3	-5.68	189.76	494.64	-5.68	189.76	467.43	-5.68	190.89	466.97	-5.68	190.89	439.76	
	MIN	S2	-27.11	167.69	-453.53	-27.11	167.69	-583.36	-27.11	166.29	-583.76	-27.11	166.29	-713.62	
		TQ	10.88	-39.26	-192.84	10.88	-39.26	-140.72	10.89	-39.60	-141.03	10.89	-39.60	-88.90	
		M3	-9.42	-9.34	-1033.01	-9.42	-9.34	-1078.09	-9.42	-11.94	-1078.07	-9.42	-11.94	-1123.16	

BAGO RIVER BRIDGE

BLOCK [ No.1 : MAIN GIRDER ][ BEAM MEMBER FORCE ]

MEMBER				4027			4028			4028			4029		
NODE				4027			4028			4028			4029		
				SHEAR	TORQUE	MOMENT	SHEAR	TORQUE	MOMENT	SHEAR	TORQUE	MOMENT	SHEAR	TORQUE	MOMENT
NAME	TITLE			S2 (kN)	TQ (kN·m)	M3 (kN·m)	S2 (kN)	TQ (kN·m)	M3 (kN·m)	S2 (kN)	TQ (kN·m)	M3 (kN·m)	S2 (kN)	TQ (kN·m)	M3 (kN·m)
62	1-LANE (case2TRUCK-LOAD	MAX	S2	10.04	-10.73	-149.32	10.04	-10.73	-101.27	10.04	-10.98	-101.24	10.04	-10.98	-53.18
			TQ	-28.82	82.13	666.95	-28.82	82.13	528.97	-28.82	83.41	528.77	-28.82	83.41	390.77
			M3	-23.20	68.05	746.65	-16.50	45.81	648.67	-16.50	47.38	648.56	-7.81	16.26	578.89
		MIN	S2	-28.82	82.13	666.95	-28.82	82.13	528.97	-28.82	83.41	528.77	-28.82	83.41	390.77
			TQ	4.55	-19.15	347.42	4.55	-19.15	369.18	4.55	-18.26	369.23	4.55	-18.26	391.00
			M3	-17.33	17.83	-531.81	-17.33	17.83	-614.80	-17.33	16.35	-614.84	-17.33	16.35	-697.83
		TANDEM-LOAD MAX	S2	6.82	-7.18	-101.35	6.82	-7.18	-68.70	6.82	-7.35	-68.68	6.82	-7.35	-36.02
			TQ	-19.89	56.72	464.81	-19.89	56.72	369.59	-19.89	57.61	369.45	-19.89	57.61	274.21
			M3	-13.75	40.41	508.69	-12.41	35.87	444.29	-12.41	36.94	444.20	-6.30	14.57	398.70
		MIN	S2	-19.89	56.72	464.81	-19.89	56.72	369.59	-19.89	57.61	369.45	-19.89	57.61	274.21
			TQ	2.76	-13.81	283.86	2.76	-13.81	297.07	2.76	-13.09	297.10	2.76	-13.09	310.31
			M3	-11.78	12.10	-361.07	-11.78	12.10	-417.47	-11.78	11.09	-417.50	-11.78	11.09	-473.91
		DISPERSION-LMAX	S2	13.70	-19.91	-70.39	13.70	-19.91	-4.78	13.70	-19.92	-4.73	13.70	-19.92	60.88
			TQ	-52.56	97.14	-278.70	-52.56	97.14	-530.36	-52.59	95.87	-526.31	-52.59	95.87	-778.17
			M3	-22.21	59.72	772.36	-22.21	59.72	666.02	-22.21	61.32	665.88	-22.21	61.32	559.52
MIN	S2	-52.74	96.63	-237.62	-52.74	96.63	-490.16	-52.74	95.45	-490.39	-52.74	95.45	-742.97		
	TQ	13.52	-20.42	-29.31	13.52	-20.42	35.42	13.55	-20.34	31.19	13.55	-20.34	96.09		
	M3	-16.83	17.01	-1080.37	-16.83	17.01	-1160.96	-16.83	14.21	-1161.00	-16.83	14.21	-1241.61		
63	1-LANE (case3TRUCK-LOAD	MAX	S2	16.29	-53.79	493.76	16.29	-53.79	571.78	16.29	-52.41	571.90	16.29	-52.41	649.93
			TQ	-20.99	17.61	-556.76	-20.99	17.61	-657.25	-20.99	16.03	-657.29	-20.99	16.03	-757.79
			M3	-46.83	-7.56	1099.51	-26.67	-30.44	917.28	-26.67	-28.23	917.35	-1.34	-56.41	854.88
		MIN	S2	-54.73	-5.24	1005.70	-54.73	-5.24	743.63	-54.73	-3.45	743.64	-54.73	-3.45	481.52
			TQ	11.23	-65.23	718.23	11.23	-65.23	771.99	11.23	-63.36	772.14	8.89	-63.36	824.03
			M3	-20.99	17.61	-556.76	-20.99	17.61	-657.26	-20.99	16.02	-657.30	-20.99	16.02	-757.83

BAGO RIVER BRIDGE

BLOCK [ No.1 : MAIN GIRDER ][ BEAM MEMBER FORCE ]

MEMBER		4027			4028			4028			4029				
NODE		4027			4028			4028			4029				
		SHEAR	TORQUE	MOMENT	SHEAR	TORQUE	MOMENT	SHEAR	TORQUE	MOMENT	SHEAR	TORQUE	MOMENT		
NAME	TITLE	S2 (kN)	TQ (kN·m)	M3 (kN·m)	S2 (kN)	TQ (kN·m)	M3 (kN·m)	S2 (kN)	TQ (kN·m)	M3 (kN·m)	S2 (kN)	TQ (kN·m)	M3 (kN·m)		
63	1-LANE (case3TANDEM-LOAD	MAX	S2	12.40	-40.88	358.57	12.40	-40.88	417.94	12.40	-39.87	418.03	12.40	-39.87	477.41
			TQ	-14.22	11.95	-377.70	-14.22	11.95	-445.81	-14.22	10.87	-445.84	-14.22	10.87	-513.95
			M3	-31.92	-4.02	765.76	-14.88	-25.15	632.23	-14.88	-23.63	632.29	3.38	-44.16	598.28
		MIN	S2	-38.37	-1.16	708.45	-38.37	-1.16	524.70	-38.37	0.10	524.70	-38.37	0.10	340.93
			TQ	7.81	-47.43	514.81	7.81	-47.43	552.18	7.81	-46.10	552.29	6.36	-46.10	589.67
			M3	-14.22	11.95	-377.70	-14.22	11.95	-445.81	-14.22	10.87	-445.84	-14.22	10.87	-513.95
	DISPERSION-LMAX	S2	18.83	-15.96	50.94	18.83	-15.96	141.09	18.83	-15.62	141.13	18.69	-14.43	214.59	
		TQ	-32.14	37.94	-941.60	-32.14	37.94	-1095.50	-33.32	35.31	-1079.86	-33.32	35.31	-1239.44	
		M3	-33.37	-41.76	982.19	-33.95	-41.76	821.06	-33.95	-39.78	821.16	-34.57	-39.78	657.12	
		MIN	S2	-74.94	10.37	-187.16	-75.53	10.37	-547.36	-75.53	9.05	-547.39	-76.00	7.86	-893.81
			TQ	-23.97	-43.53	805.37	-24.56	-43.53	689.23	-23.38	-41.89	673.60	-23.99	-41.89	560.22
			M3	-22.75	36.16	-1118.42	-22.75	36.16	-1227.33	-22.75	33.20	-1227.41	-22.75	33.20	-1336.35
64	1-LANE (case4TRUCK-LOAD	MAX	S2	205.21	-237.35	1950.04	131.46	-115.60	1909.92	131.46	-110.99	1910.19	71.98	-23.22	1532.20
			TQ	12.28	43.84	-119.99	12.28	43.84	-61.19	12.28	43.69	-61.29	12.28	43.69	-2.47
			M3	72.63	-316.34	2017.12	4.77	-224.50	1984.71	4.77	-219.71	1985.24	39.80	-42.51	1585.37
		MIN	S2	-148.54	-332.58	1943.37	-215.21	-254.00	1931.37	-215.21	-249.34	1931.98	-292.18	-129.16	1533.20
			TQ	-117.30	-342.53	1477.86	-117.30	-342.53	916.19	-117.30	-340.32	917.01	-117.30	-340.32	355.24
			M3	-25.98	17.27	-590.16	-25.98	17.27	-714.55	-25.98	15.54	-714.59	-25.98	15.54	-839.00
	TANDEM-LOAD	MAX	S2	163.18	-200.91	1569.97	111.40	-115.21	1558.03	111.40	-111.45	1558.30	62.51	-31.33	1280.48
			TQ	8.45	29.84	-82.90	8.45	29.84	-42.44	8.45	29.73	-42.52	8.45	29.73	-2.05
			M3	28.25	-215.00	1572.64	-22.44	-136.88	1561.01	-22.44	-133.11	1561.34	62.51	-31.33	1280.49
		MIN	S2	-117.82	-215.00	1572.64	-169.44	-136.88	1561.01	-169.44	-133.11	1561.34	-222.83	-47.05	1279.96
			TQ	-82.02	-237.55	1039.55	-82.02	-237.55	646.83	-82.02	-235.99	647.40	-82.02	-235.99	254.61
			M3	-17.66	11.70	-400.45	-17.66	11.70	-485.02	-17.66	10.53	-485.05	-17.66	10.53	-569.64

BAGO RIVER BRIDGE

BLOCK [ No.1 : MAIN GIRDER ][ BEAM MEMBER FORCE ]

MEMBER		4027			4028			4028			4029						
NODE		4027			4028			4028			4029						
		SHEAR	TORQUE	MOMENT	SHEAR	TORQUE	MOMENT	SHEAR	TORQUE	MOMENT	SHEAR	TORQUE	MOMENT				
NAME	TITLE	S2 (kN)	TQ (kN·m)	M3 (kN·m)	S2 (kN)	TQ (kN·m)	M3 (kN·m)	S2 (kN)	TQ (kN·m)	M3 (kN·m)	S2 (kN)	TQ (kN·m)	M3 (kN·m)				
64	1-LANE (case4DISPERSION-LMAX	S2	72.75	6.89	449.19	47.65	36.39	440.61	47.65	37.45	440.52	31.54	51.30	358.81			
		TQ	-22.48	82.46	-1058.43	-22.48	82.46	-1166.08	-21.64	79.66	-1150.67	-21.64	79.66	-1254.30			
		M3	-7.23	-278.07	1344.87	-58.38	-278.07	1187.97	-58.38	-275.21	1188.63	-95.96	-206.08	796.31			
		MIN	S2	-108.83	-204.83	-260.71	-134.89	-234.33	-547.22	-134.89	-235.65	-546.65	-170.30	-249.50	-1005.89		
		TQ	-13.60	-280.40	1246.91	-64.76	-280.40	1059.48	-65.60	-277.86	1044.54	-117.11	-277.86	607.22			
		M3	-28.86	80.14	-1156.39	-28.86	80.14	-1294.57	-28.86	77.01	-1294.76	-42.79	7.89	-1443.39			
		65	2-LANES (caseTRUCK-LOAD	MAX	S2	18.47	-51.82	-310.16	18.47	-51.82	-221.72	18.47	-52.35	-221.60	18.47	-52.35	-133.14
				TQ	-17.93	329.94	952.57	-17.93	329.94	866.71	-17.93	332.03	865.91	-17.93	332.03	780.03	
				M3	-14.28	319.70	979.13	-10.54	305.87	921.49	-10.54	308.09	920.75	-6.78	289.04	884.57	
MIN	S2			-29.07	149.76	-13.50	-29.07	149.76	-152.69	-29.07	149.39	-153.05	-29.07	149.39	-292.25		
TQ	16.59			-56.29	-289.32	16.59	-56.29	-209.89	16.59	-56.79	-209.75	16.59	-56.79	-130.31			
M3	-27.60			36.03	-1014.49	-27.73	35.97	-1147.19	-27.73	33.21	-1147.27	-27.73	33.21	-1280.08			
TANDEM-LOAD	MAX			S2	12.57	-34.71	-210.50	12.57	-34.71	-150.30	12.57	-35.07	-150.22	12.57	-35.07	-90.01	
TQ	-13.17			225.55	641.48	-13.17	225.55	578.44	-13.17	226.95	577.89	-13.17	226.95	514.84			
M3	-9.73			216.97	667.90	-7.00	211.40	629.29	-7.00	212.91	628.78	-4.53	197.77	605.01			
MIN	S2	-19.80	105.33	10.27	-19.80	105.33	-84.55	-19.80	105.13	-84.81	-19.80	105.13	-179.65				
TQ	11.16	-38.26	-195.05	11.16	-38.26	-141.62	11.62	-38.60	-145.66	11.62	-38.60	-89.99					
M3	-18.74	24.48	-689.09	-18.78	24.46	-779.00	-18.78	22.58	-779.06	-18.78	22.58	-869.01					
DISPERSION-LMAX	S2	23.79	-14.44	-234.23	23.79	-14.44	-120.34	23.79	-14.73	-120.30	23.79	-14.73	-6.39				
TQ	-64.89	375.92	-612.31	-64.89	375.92	-923.03	-64.89	373.69	-921.58	-64.89	373.69	-1232.34					
M3	-19.70	314.88	1127.99	-19.70	314.88	1033.64	-19.70	317.37	1032.88	-19.70	317.37	938.52					
MIN	S2	-66.03	323.88	-727.30	-66.03	323.88	-1043.48	-66.03	321.37	-1044.26	-66.03	321.37	-1360.49				
TQ	22.65	-66.48	-349.23	22.65	-66.48	-240.79	22.64	-67.06	-242.98	22.64	-67.06	-134.53					
M3	-22.54	-5.44	-2089.52	-22.54	-5.44	-2197.46	-22.54	-10.74	-2197.44	-22.54	-10.74	-2305.39					

BAGO RIVER BRIDGE

BLOCK [ No.1 : MAIN GIRDER ][ BEAM MEMBER FORCE ]

MEMBER				4027			4028			4028			4029				
NODE				4027			4028			4028			4029				
NAME TITLE				SHEAR	TORQUE	MOMENT	SHEAR	TORQUE	MOMENT	SHEAR	TORQUE	MOMENT	SHEAR	TORQUE	MOMENT		
				S2 (kN)	TQ (kN·m)	M3 (kN·m)	S2 (kN)	TQ (kN·m)	M3 (kN·m)	S2 (kN)	TQ (kN·m)	M3 (kN·m)	S2 (kN)	TQ (kN·m)	M3 (kN·m)		
66	2-LANES (case	TRUCK-LOAD	MAX	S2	19.54	-31.60	-302.49	19.54	-31.60	-208.95	19.54	-32.10	-208.87	19.54	-32.10	-115.31	
				TQ	-44.23	220.20	1200.24	-44.23	220.20	988.47	-44.23	222.58	987.93	-44.23	222.58	776.12	
				M3	-34.95	195.88	1306.50	-25.97	161.56	1158.29	-25.97	164.36	1157.90	-16.00	123.49	1047.56	
			MIN	S2	-45.04	214.18	1146.51	-45.04	214.18	930.87	-45.04	216.43	930.35	-45.04	216.43	714.68	
				TQ	13.14	-41.88	204.63	13.14	-41.88	267.54	13.14	-41.24	267.64	13.14	-41.24	330.57	
				M3	-32.23	35.81	-1047.00	-32.36	35.75	-1201.87	-32.36	32.85	-1201.95	-32.36	32.85	-1356.92	
			TANDEM-LOAD	MAX	S2	13.28	-21.15	-205.31	13.28	-21.15	-141.70	13.28	-21.49	-141.65	13.28	-21.49	-78.04
				TQ	-30.81	150.87	819.72	-30.81	150.87	672.21	-30.81	152.49	671.84	-30.81	152.49	524.30	
				M3	-21.24	125.99	890.01	-19.26	118.08	791.48	-19.26	119.99	791.20	-11.27	84.52	720.05	
				MIN	S2	-30.97	149.97	810.88	-30.97	149.97	662.60	-30.97	151.57	662.24	-30.97	151.57	513.94
					TQ	8.31	-29.26	190.80	8.31	-29.26	230.58	8.77	-28.70	226.52	8.77	-28.70	268.53
					M3	-21.93	24.30	-711.05	-21.97	24.28	-816.23	-21.97	22.31	-816.28	-21.97	22.31	-921.49
			DISPERSION-LMAX	S2	25.47	-47.08	-219.78	25.47	-47.08	-97.82	25.47	-47.32	-97.70	25.47	-47.32	24.29	
				TQ	-91.47	253.38	-545.48	-91.47	253.38	-983.45	-91.50	251.01	-977.82	-91.50	251.01	-1416.01	
				M3	-36.23	184.84	1405.71	-36.23	184.84	1232.24	-36.23	187.81	1231.79	-36.23	187.81	1058.28	
		MIN	S2	-91.66	252.82	-511.39	-91.66	252.82	-950.27	-91.66	250.53	-950.88	-91.66	250.53	-1389.84		
			TQ	25.28	-47.64	-185.69	25.28	-47.64	-64.64	25.31	-47.80	-70.77	25.31	-47.80	50.45		
			M3	-29.96	20.90	-2136.88	-29.96	20.90	-2280.33	-29.96	15.40	-2280.37	-29.96	15.40	-2423.84		
67	2-LANES (case	TRUCK-LOAD	MAX	S2	51.66	-132.58	1487.59	51.66	-132.58	1734.95	51.66	-128.39	1735.27	49.00	-110.53	1691.79	
				TQ	-44.40	35.07	-1130.07	-44.40	35.07	-1342.67	-10.25	32.17	-734.99	-10.25	32.17	-784.09	
				M3	-65.72	-104.86	2486.10	-45.98	-121.02	2160.22	-45.98	-115.80	2160.50	-20.48	-132.40	1954.47	
			MIN	S2	-136.38	-104.30	2369.30	-140.89	-98.33	1967.15	-140.89	-93.58	1967.38	-143.60	-83.83	1561.42	
				TQ	-51.59	-171.53	1627.19	-51.59	-171.53	1380.19	-51.59	-168.20	1380.60	-53.93	-168.20	1131.68	
				M3	-44.42	35.07	-1130.16	-44.47	35.05	-1342.92	-44.47	31.81	-1343.00	-44.48	31.80	-1555.99	



BAGO RIVER BRIDGE

BLOCK [ No.1 : MAIN GIRDER ][ BEAM MEMBER FORCE ]

MEMBER		4027			4028			4028			4029						
NODE		4027			4028			4028			4029						
		SHEAR	TORQUE	MOMENT	SHEAR	TORQUE	MOMENT	SHEAR	TORQUE	MOMENT	SHEAR	TORQUE	MOMENT				
NAME	TITLE	S2 (kN)	TQ (kN·m)	M3 (kN·m)	S2 (kN)	TQ (kN·m)	M3 (kN·m)	S2 (kN)	TQ (kN·m)	M3 (kN·m)	S2 (kN)	TQ (kN·m)	M3 (kN·m)				
67	2-LANES (caseTANDEM-LOAD	MAX	S2	37.28	-93.29	989.86	37.28	-93.29	1168.35	37.28	-90.47	1168.57	36.93	-87.20	1292.62		
			TQ	-30.07	23.80	-766.44	-30.07	23.80	-910.42	-6.77	21.84	-500.09	-6.77	21.84	-532.49		
			M3	-50.66	-69.02	1776.94	-32.67	-86.37	1543.02	-32.67	-82.65	1543.23	-14.48	-94.76	1418.59		
		MIN	S2	-96.30	-66.17	1719.63	-97.29	-62.38	1435.49	-97.29	-58.92	1435.64	-99.52	-50.50	1161.24		
			TQ	-36.22	-120.23	1155.40	-36.22	-120.23	981.95	-36.22	-117.86	982.23	-37.67	-117.86	808.75		
			M3	-30.18	23.76	-766.45	-30.18	23.76	-910.96	-30.18	21.57	-911.01	-30.18	21.57	-1055.54		
			DISPERSION-LMAX	S2	49.94	-31.16	336.28	46.01	-21.15	415.36	46.01	-20.15	415.41	41.60	-9.47	453.46	
				TQ	-58.44	86.30	-2082.86	-58.44	86.30	-2362.68	-59.62	80.62	-2347.16	-59.62	80.62	-2632.67	
				M3	-60.65	-157.50	2090.19	-75.27	-157.50	1764.97	-75.27	-153.24	1765.34	-90.64	-153.24	1368.31	
			MIN	S2	-159.64	-41.82	-505.77	-170.33	-51.83	-1144.91	-170.33	-54.59	-1144.78	-181.29	-65.27	-1814.73	
				TQ	-51.26	-159.28	1913.37	-65.88	-159.28	1633.14	-64.70	-155.35	1617.79	-80.07	-155.35	1271.40	
				M3	-49.04	84.52	-2259.68	-49.04	84.52	-2494.51	-49.04	78.51	-2494.71	-49.04	78.51	-2729.58	
		68	2-LANES (caseTRUCK-LOAD	MAX	S2	323.79	-402.23	3597.41	212.11	-213.56	3442.37	212.11	-205.26	3442.87	121.97	-66.77	2789.61
					TQ	23.95	76.26	-244.17	23.95	76.26	-129.49	23.95	75.94	-129.67	23.95	75.94	-14.96
					M3	100.01	-526.25	3725.93	-4.24	-382.21	3589.24	-4.24	-373.55	3590.16	-4.48	-130.16	2904.29
MIN	S2			-264.57	-552.19	3602.68	-363.42	-430.86	3480.38	-363.42	-422.46	3481.41	-475.29	-233.87	2819.78		
	TQ			-207.10	-570.37	2686.34	-207.10	-570.37	1694.71	-207.10	-566.28	1696.08	-207.10	-566.28	704.28		
	M3			-49.41	34.72	-1163.56	-49.45	34.70	-1400.21	-49.45	31.33	-1400.29	-49.47	31.32	-1637.16		
	TANDEM-LOAD			MAX	S2	256.16	-334.67	2864.47	177.11	-201.65	2777.61	177.11	-194.95	2778.09	104.03	-71.64	2303.81
				TQ	16.49	51.92	-168.71	16.49	51.92	-89.76	16.49	51.71	-89.88	16.49	51.71	-10.92	
				M3	33.51	-356.88	2871.05	-42.70	-235.10	2786.36	-42.70	-228.38	2786.92	18.58	-80.59	2307.83	
	MIN			S2	-206.39	-356.88	2871.05	-281.86	-235.10	2786.36	-281.86	-228.38	2786.92	-357.07	-96.31	2307.31	
				TQ	-149.83	-394.40	1974.67	-149.83	-394.40	1257.26	-149.83	-391.36	1258.21	-149.83	-391.36	540.67	
				M3	-33.62	23.52	-789.20	-33.62	23.52	-950.17	-33.62	21.23	-950.23	-33.62	21.23	-1111.23	

BAGO RIVER BRIDGE

BLOCK [ No.1 : MAIN GIRDER ][ BEAM MEMBER FORCE ]

MEMBER			4027			4028			4028			4029					
NODE			4027			4028			4028			4029					
			SHEAR	TORQUE	MOMENT	SHEAR	TORQUE	MOMENT	SHEAR	TORQUE	MOMENT	SHEAR	TORQUE	MOMENT			
NAME	TITLE		S2 (kN)	TQ (kN·m)	M3 (kN·m)	S2 (kN)	TQ (kN·m)	M3 (kN·m)	S2 (kN)	TQ (kN·m)	M3 (kN·m)	S2 (kN)	TQ (kN·m)	M3 (kN·m)			
68	2-LANES (caseDISPERSION-LMAX	S2	123.79	4.40	825.37	84.25	54.17	792.25	84.25	56.08	792.12	58.37	81.49	652.93			
		TQ	-47.69	150.72	-2189.54	-47.69	150.72	-2417.90	-46.72	144.91	-2399.67	-46.72	144.91	-2623.39			
		M3	-25.87	-479.84	2569.79	-109.53	-479.84	2245.11	-109.53	-474.42	2246.26	-175.99	-392.71	1533.48			
		MIN	S2	-203.87	-335.84	-545.70	-247.99	-385.61	-1096.85	-247.99	-388.26	-1095.92	-305.37	-413.67	-1940.54		
		TQ	-32.39	-482.17	2469.21	-116.05	-482.17	2113.30	-117.03	-477.09	2095.87	-200.29	-477.09	1335.78			
		M3	-54.22	148.39	-2290.12	-54.22	148.39	-2549.71	-54.22	142.24	-2550.06	-71.01	60.53	-2821.09			
		69	3-LANES (caseTRUCK-LOAD	MAX	S2	28.51	-62.55	-459.48	28.51	-62.55	-322.99	28.51	-63.33	-322.84	28.51	-63.33	-186.33
				TQ	-46.75	412.07	1619.52	-46.75	412.07	1395.68	-46.75	415.43	1394.68	-46.75	415.43	1170.80	
				M3	-37.47	387.75	1725.78	-27.04	351.68	1570.16	-27.04	355.47	1569.31	-14.59	305.30	1463.45	
MIN	S2			-57.88	231.90	653.45	-57.88	231.90	376.29	-57.88	232.80	375.73	-57.88	232.80	98.51		
TQ	21.13			-75.43	58.10	21.13	-75.43	159.30	21.13	-75.05	159.48	21.13	-75.05	260.69			
M3	-44.93			53.87	-1546.30	-45.06	53.81	-1761.99	-45.06	49.56	-1762.11	-45.06	49.56	-1977.91			
TANDEM-LOAD	MAX			S2	19.39	-41.89	-311.85	19.39	-41.89	-219.00	19.39	-42.42	-218.89	19.39	-42.42	-126.02	
TQ	-33.05			282.27	1106.29	-33.05	282.27	948.02	-33.05	284.55	947.34	-33.05	284.55	789.05			
M3	-23.48			257.38	1176.58	-19.41	247.27	1073.58	-19.41	249.86	1072.98	-10.83	212.34	1003.71			
MIN	S2	-39.69	162.05	475.08	-39.69	162.05	285.03	-39.69	162.74	284.64	-39.69	162.74	94.57				
TQ	13.92	-52.07	88.81	13.92	-52.07	155.45	14.38	-51.69	151.44	14.38	-51.69	220.32					
M3	-30.52	36.58	-1050.16	-30.56	36.56	-1196.48	-30.56	33.67	-1196.56	-30.56	33.67	-1342.92					
DISPERSION-LMAX	S2	37.49	-34.35	-304.62	37.49	-34.35	-125.12	37.49	-34.65	-125.03	37.49	-34.65	54.50				
TQ	-117.45	473.06	-891.01	-117.45	473.06	-1453.39	-117.48	469.56	-1447.89	-117.48	469.56	-2010.52					
M3	-41.91	374.59	1900.35	-41.91	374.59	1699.67	-41.91	378.69	1698.76	-41.91	378.69	1498.04					
MIN	S2	-118.77	420.52	-964.92	-118.77	420.52	-1533.63	-118.77	416.81	-1534.64	-118.77	416.81	-2103.46				
TQ	36.17	-86.90	-378.53	36.17	-86.90	-205.36	36.20	-87.40	-211.79	36.20	-87.40	-38.44					
M3	-39.37	11.57	-3169.89	-39.37	11.57	-3358.42	-39.37	3.47	-3358.44	-39.37	3.47	-3547.00					

BAGO RIVER BRIDGE

BLOCK [ No.1 : MAIN GIRDER ][ BEAM MEMBER FORCE ]

MEMBER NODE	4027	4028			4028			4028			4029				
		SHEAR	TORQUE	MOMENT	SHEAR	TORQUE	MOMENT	SHEAR	TORQUE	MOMENT	SHEAR	TORQUE	MOMENT		
		S2 (kN)	TQ (kN·m)	M3 (kN·m)	S2 (kN)	TQ (kN·m)	M3 (kN·m)	S2 (kN)	TQ (kN·m)	M3 (kN·m)	S2 (kN)	TQ (kN·m)	M3 (kN·m)		
70	3-LANES (caseTRUCK-LOAD	MAX	S2	170.42	-296.30	3131.46	137.69	-230.60	3307.27	137.69	-222.62	3307.82	103.70	-148.32	3008.50
			TQ	-33.05	62.83	-1255.00	-33.05	62.83	-1413.25	1.10	59.76	-805.64	1.10	59.76	-800.38
			M3	-39.29	-308.65	4180.23	-51.50	-278.37	3783.42	-51.50	-269.24	3784.08	-65.18	-219.55	3318.72
		MIN	S2	-251.30	-315.90	4026.56	-290.43	-274.14	3523.17	-290.43	-265.64	3523.83	-341.55	-188.66	2888.01
			TQ	-146.86	-389.99	2943.80	-146.86	-389.99	2240.63	-139.98	-384.64	2157.22	-142.32	-384.64	1484.98
			M3	-70.40	52.34	-1720.33	-70.45	52.32	-2057.47	-70.45	47.35	-2057.59	-70.46	47.34	-2395.00
	TANDEM-LOAD	MAX	S2	127.73	-224.44	2273.46	106.49	-181.62	2413.80	106.49	-175.80	2414.24	82.45	-125.54	2364.99
			TQ	-22.62	42.66	-847.71	-22.62	42.66	-956.03	0.68	40.60	-545.74	0.68	40.60	-542.47
			M3	-46.39	-207.16	3062.19	-52.62	-186.25	2789.48	-52.62	-179.52	2789.93	-63.23	-143.14	2491.54
		MIN	S2	-183.45	-204.30	3004.88	-213.21	-162.26	2681.95	-213.21	-155.79	2682.34	-249.26	-98.88	2234.19
			TQ	-102.85	-270.36	2081.83	-102.85	-270.36	1589.35	-102.85	-266.52	1589.99	-104.30	-266.52	1097.43
			M3	-47.84	35.47	-1166.90	-47.84	35.47	-1395.98	-47.84	32.10	-1396.06	-47.84	32.10	-1625.18
	DISPERSION-LMAX	S2	102.64	-37.94	716.08	84.21	-7.65	778.25	84.21	-5.77	778.27	69.23	16.69	756.82	
		TQ	-86.30	147.05	-3214.26	-86.30	147.05	-3627.47	-87.09	138.32	-3603.73	-87.09	138.32	-4020.80	
		M3	-76.51	-349.72	3318.30	-123.87	-349.72	2839.39	-123.87	-342.87	2840.22	-171.83	-335.11	2129.32	
		MIN	S2	-258.00	-166.94	-821.71	-286.92	-197.24	-1740.35	-286.92	-201.44	-1739.87	-321.72	-223.90	-2807.42
			TQ	-69.06	-351.93	3108.62	-116.42	-351.93	2665.37	-115.63	-345.53	2642.14	-165.40	-345.53	1970.20
			M3	-78.85	144.84	-3423.93	-78.85	144.84	-3801.48	-78.85	135.67	-3801.82	-80.65	127.91	-4179.92
71	3-LANES (caseTRUCK-LOAD	MAX	S2	355.69	-494.57	4941.79	241.98	-292.79	4564.23	241.98	-281.78	4564.92	149.94	-130.62	3771.90
			TQ	35.39	97.35	-377.61	35.39	97.35	-208.17	35.39	96.85	-208.40	35.39	96.85	-38.93
			M3	82.07	-629.69	5127.11	-27.01	-473.17	4813.21	-27.01	-461.56	4814.34	-23.16	-206.68	3958.23
		MIN	S2	-348.13	-658.67	4982.62	-448.20	-526.56	4667.66	-448.20	-515.29	4668.91	-560.06	-326.71	3601.28
			TQ	-270.88	-685.56	3599.84	-270.88	-685.56	2302.82	-270.88	-680.00	2304.47	-270.88	-680.00	1007.22
			M3	-70.40	52.34	-1720.33	-70.45	52.32	-2057.47	-70.45	47.35	-2057.59	-70.46	47.34	-2394.99

BAGO RIVER BRIDGE

BLOCK [ No.1 : MAIN GIRDER ][ BEAM MEMBER FORCE ]

MEMBER				4027			4028			4029								
NODE				4027			4028			4028			4029					
NAME TITLE				SHEAR	TORQUE	MOMENT	SHEAR	TORQUE	MOMENT	SHEAR	TORQUE	MOMENT	SHEAR	TORQUE	MOMENT			
				S2 (kN)	TQ (kN·m)	M3 (kN·m)	S2 (kN)	TQ (kN·m)	M3 (kN·m)	S2 (kN)	TQ (kN·m)	M3 (kN·m)	S2 (kN)	TQ (kN·m)	M3 (kN·m)			
71	3-LANES (case)	TANDEM-LOAD	MAX	S2	278.93	-401.26	3883.46	197.87	-254.88	3497.44	197.87	-246.44	3498.04	124.56	-120.93	3069.93		
				TQ	24.22	66.29	-258.84	24.22	66.29	-142.86	24.22	65.95	-143.02	24.22	65.95	-27.02		
				M3	15.76	-425.62	3895.37	-60.78	-294.68	3675.99	-60.78	-285.81	3676.69	5.56	-132.08	3082.49		
			MIN	S2	-265.73	-425.62	3895.37	-341.20	-301.69	3565.93	-341.20	-293.08	3566.65	-416.41	-161.02	2802.87		
				TQ	-194.53	-473.34	2618.45	-194.53	-473.34	1687.01	-194.53	-469.27	1688.15	-194.53	-469.27	756.55		
				M3	-47.84	35.47	-1166.90	-47.84	35.47	-1395.98	-47.84	32.10	-1396.06	-47.84	32.10	-1625.18		
		DISPERSION-LMAX	S2	153.22	-6.23	1105.28	109.82	53.45	1054.44	109.82	55.99	1054.31	80.47	90.63	882.33			
			TQ	-69.51	206.89	-3300.39	-69.51	206.89	-3633.21	-68.53	198.14	-3615.11	-68.53	198.14	-3943.31			
			M3	-55.95	-604.99	3674.42	-153.42	-604.99	3171.49	-153.42	-597.34	3172.94	-231.97	-515.63	2220.05			
		MIN	S2	-285.21	-394.20	-831.83	-339.27	-453.88	-1647.97	-339.27	-457.86	-1646.87	-405.27	-492.49	-2803.29			
			TQ	-62.47	-607.32	3573.84	-159.94	-607.32	3039.68	-160.92	-600.01	3022.55	-256.27	-600.01	2022.35			
			M3	-76.03	204.56	-3400.97	-76.03	204.56	-3765.02	-76.03	195.47	-3765.51	-92.83	113.77	-4141.01			
		72	4-LANES	TRUCK-LOAD	MAX	S2	47.20	93.66	-543.50	47.20	93.66	-317.50	47.20	92.89	-317.73	47.20	92.89	-91.69
						TQ	45.35	97.57	-513.82	45.35	97.57	-296.69	45.35	96.85	-296.92	45.35	96.85	-79.75
						M3	-397.44	-656.55	5995.24	-397.44	-656.55	4092.20	-397.44	-646.67	4093.77	-397.44	-646.67	2190.41
MIN	S2				-399.07	-657.98	5920.33	-399.07	-657.98	4009.52	-399.07	-648.31	4011.10	-399.07	-648.31	2099.96		
	TQ				-304.00	-698.27	4100.11	-304.00	-698.27	2644.50	-304.00	-691.89	2646.18	-304.00	-691.89	1190.31		
	M3				47.11	92.20	-543.93	47.08	91.83	-318.44	47.08	91.07	-318.66	9.95	-76.68	-108.74		
TANDEM-LOAD	MAX			S2	32.12	64.20	-369.29	32.12	64.20	-215.52	32.12	63.68	-215.67	32.12	63.68	-61.86		
				TQ	31.10	66.42	-352.92	31.10	66.42	-204.01	31.10	65.93	-204.17	31.10	65.93	-55.24		
				M3	-297.49	-425.76	4647.69	-297.49	-425.76	3223.27	-297.49	-417.99	3224.28	-297.49	-417.99	1799.61		
MIN	S2			-302.65	-423.18	4590.28	-302.65	-423.18	3141.11	-302.65	-415.60	3142.13	-302.65	-415.60	1692.71			
	TQ			-217.78	-482.14	2971.02	-217.78	-482.14	1928.26	-217.78	-477.49	1929.41	-217.78	-477.49	886.47			
	M3			31.96	62.18	-369.37	31.92	61.70	-216.49	31.92	61.17	-216.64	8.04	-46.07	-74.99			

BAGO RIVER BRIDGE

BLOCK [ No.1 : MAIN GIRDER ][ BEAM MEMBER FORCE ]

MEMBER				4027			4028			4028			4029					
NODE				4027			4028			4028			4029					
				SHEAR	TORQUE	MOMENT	SHEAR	TORQUE	MOMENT	SHEAR	TORQUE	MOMENT	SHEAR	TORQUE	MOMENT			
NAME	TITLE			S2 (kN)	TQ (kN·m)	M3 (kN·m)	S2 (kN)	TQ (kN·m)	M3 (kN·m)	S2 (kN)	TQ (kN·m)	M3 (kN·m)	S2 (kN)	TQ (kN·m)	M3 (kN·m)			
72	4-LANES	DISPERSION-LMAX	S2	57.64	118.69	-658.94	57.64	118.69	-382.96	57.64	117.77	-383.24	57.64	117.77	-107.21			
			TQ	49.29	120.41	-501.73	49.29	120.41	-265.71	48.49	119.78	-255.22	48.49	119.78	-23.02			
			M3	-198.81	-489.32	2638.25	-198.64	-487.51	1686.66	-198.64	-483.44	1687.84	-182.18	-403.56	747.95			
		MIN	S2	-198.98	-491.94	2637.81	-198.98	-491.94	1685.07	-198.98	-487.87	1686.25	-198.98	-487.87	733.34			
			TQ	-190.64	-493.46	2483.21	-190.64	-493.46	1570.41	-189.56	-489.68	1558.39	-189.56	-489.68	650.58			
			M3	57.29	111.75	-661.87	57.29	111.75	-387.53	57.29	110.81	-387.80	41.25	32.37	-124.45			
		73	6-LANES	TRUCK-LOAD	MAX	S2	334.19	-483.55	3659.88	239.29	-318.88	3712.29	239.29	-309.92	3713.05	161.45	-186.04	3338.03
					TQ	-60.37	436.41	1030.47	-60.37	436.41	741.42	-60.37	438.20	740.37	-60.37	438.20	451.27	
					M3	-12.88	-205.15	6764.02	-75.34	-122.47	6188.82	-75.34	-107.53	6189.09	-20.49	40.83	5329.66	
MIN	S2			-390.24	-379.10	5461.13	-471.69	-277.69	4601.76	-471.69	-266.59	4602.42	-569.91	-99.34	3351.00			
	TQ			-160.25	-671.13	3625.45	-160.25	-671.13	2858.17	-160.25	-664.23	2859.78	-175.66	-664.23	2077.92			
	M3			-115.36	106.21	-3266.83	-115.48	106.15	-3819.58	-115.48	96.93	-3819.83	-115.53	96.91	-4373.02			
TANDEM-LOAD	MAX			S2	259.26	-380.55	2842.74	192.32	-265.25	2901.02	192.32	-258.25	2901.65	130.03	-149.96	2631.49		
	TQ			-41.10	298.82	750.08	-41.10	298.82	553.27	-41.10	300.15	552.55	-41.10	300.15	355.71			
	M3			-42.78	-132.44	4952.49	-86.70	-59.11	4551.08	-86.70	-48.13	4551.21	12.66	33.54	3964.78			
MIN	S2			-290.11	-238.76	4114.00	-354.80	-133.24	3548.23	-354.80	-124.68	3548.55	-419.37	-9.30	2647.84			
	TQ			-115.35	-466.06	2606.63	-115.35	-466.06	2054.30	-115.35	-461.11	2055.42	-124.53	-461.11	1502.99			
	M3			-78.28	72.08	-2217.20	-78.41	72.03	-2592.53	-78.41	65.78	-2592.69	-78.41	65.78	-2968.21			
DISPERSION-LMAX				S2	S2	177.71	-20.88	706.61	140.19	29.81	896.41	140.19	31.97	896.33	114.61	61.02	976.59	
					TQ	-167.31	599.59	-4035.12	-167.31	599.59	-4836.23	-167.66	587.96	-4801.34	-167.66	587.96	-5604.27	
					M3	-108.90	-238.01	5448.70	-190.85	-214.53	4730.05	-190.86	-203.14	4730.55	-255.96	-117.11	3634.88	
		MIN	S2	-392.57	5.35	-1324.18	-438.33	-44.83	-2771.04	-438.33	-51.51	-2770.92	-495.85	-80.68	-4479.63			
			TQ	-43.83	-620.93	3334.39	-128.03	-620.93	2922.52	-127.90	-613.91	2898.48	-211.17	-613.91	2086.17			
			M3	-104.98	193.60	-6164.37	-105.06	193.56	-6667.27	-105.06	177.47	-6667.72	-118.87	108.96	-7180.89			

BAGO RIVER BRIDGE

BLOCK [ No.1 : MAIN GIRDER ][ BEAM MEMBER FORCE ]

MEMBER			4027			4028			4028			4029			
NODE			4027			4028			4028			4029			
NAME TITLE			SHEAR	TORQUE	MOMENT	SHEAR	TORQUE	MOMENT	SHEAR	TORQUE	MOMENT	SHEAR	TORQUE	MOMENT	
			S2 (kN)	TQ (kN·m)	M3 (kN·m)	S2 (kN)	TQ (kN·m)	M3 (kN·m)	S2 (kN)	TQ (kN·m)	M3 (kN·m)	S2 (kN)	TQ (kN·m)	M3 (kN·m)	
124	SUM TOTAL	D+1LANE (caseMAX	S2	-800.17	96.79	-3544.01	-1096.30	96.79	-8078.17	-1096.30	77.30	-8078.38	-1389.62	77.30	-14024.60
			TQ	-859.55	612.53	-3165.31	-1155.69	612.53	-7983.83	-1155.69	593.26	-7984.80	-1449.00	593.26	-14215.44
			M3	-835.19	576.61	-2157.11	-1129.58	574.51	-6853.39	-1129.58	557.97	-6854.76	-1419.93	546.81	-12948.85
		MIN	S2	-873.30	341.14	-4389.73	-1169.44	341.14	-9274.09	-1169.44	318.77	-9274.89	-1462.75	318.77	-15571.37
			TQ	-802.69	31.28	-3661.08	-1098.83	31.28	-8207.32	-1098.82	11.47	-8207.85	-1392.14	11.47	-14166.16
			M3	-851.89	129.12	-5092.59	-1148.02	129.12	-9874.41	-1148.02	105.30	-9874.69	-1441.34	105.30	-16068.62
		D+1LANE (caseMAX	S2	-796.86	81.89	-3517.47	-1093.00	81.89	-8035.82	-1093.00	62.50	-8035.99	-1386.31	62.50	-13966.40
			TQ	-923.00	333.79	-2787.92	-1219.13	333.79	-7910.22	-1219.17	314.71	-7905.86	-1512.49	314.71	-14440.52
			M3	-879.83	271.97	-1431.01	-1167.93	245.29	-6330.93	-1167.93	230.01	-6331.50	-1450.82	192.68	-12609.55
		MIN	S2	-923.22	333.17	-2738.63	-1219.35	333.17	-7861.98	-1219.35	314.20	-7862.76	-1512.67	314.20	-14398.28
			TQ	-803.67	71.18	-2872.09	-1099.81	71.18	-7423.03	-1099.76	53.26	-7428.32	-1393.08	53.26	-13391.13
			M3	-866.34	160.47	-5188.44	-1162.48	160.47	-10039.46	-1162.48	136.24	-10039.82	-1455.79	136.24	-16302.96
		D+1LANE (caseMAX	S2	-783.20	34.96	-2600.18	-1079.34	34.96	-7053.12	-1079.34	17.94	-7053.18	-1372.82	19.36	-12938.21
			TQ	-889.10	185.32	-5051.86	-1185.24	185.32	-10011.85	-1186.65	161.18	-9993.40	-1479.97	161.18	-16372.31
			M3	-921.58	59.48	-755.78	-1194.23	32.02	-5822.55	-1194.23	17.97	-5822.61	-1457.88	-15.85	-12161.24
		MIN	S2	-980.96	124.81	-2271.58	-1277.79	124.81	-7673.04	-1277.79	106.29	-7673.32	-1571.68	104.87	-14470.39
			TQ	-840.64	-11.85	-1425.50	-1137.48	-11.85	-6155.10	-1136.06	-26.73	-6173.93	-1432.92	-26.73	-12314.54
			M3	-877.83	183.19	-5264.04	-1173.97	183.19	-10170.06	-1173.97	158.65	-10170.47	-1467.28	158.65	-16488.65
		D+1LANE (caseMAX	S2	-491.80	-157.89	-374.74	-906.55	23.60	-5087.92	-906.55	11.33	-5087.96	-1290.57	133.27	-11706.43
			TQ	-837.59	270.21	-4667.93	-1133.72	270.21	-9381.27	-1132.71	247.60	-9363.17	-1426.03	247.60	-15483.77
			M3	-746.87	-594.64	780.56	-1185.82	-484.43	-4101.35	-1185.82	-494.33	-4100.17	-1482.20	-198.73	-11117.62
		MIN	S2	-1134.20	-526.24	-1234.63	-1541.60	-467.34	-6247.57	-1541.60	-482.41	-6246.42	-1969.77	-354.82	-13342.86
			TQ	-982.43	-628.86	15.91	-1339.96	-628.86	-5537.76	-1340.97	-642.24	-5554.95	-1696.10	-642.24	-12820.68
			M3	-891.15	235.54	-5349.69	-1187.29	235.54	-10319.50	-1187.29	210.64	-10320.04	-1497.32	127.69	-16714.50

BAGO RIVER BRIDGE

BLOCK [ No.1 : MAIN GIRDER ][ BEAM MEMBER FORCE ]

MEMBER			4027			4028			4028			4029			
NODE			4027			4028			4028			4029			
NAME TITLE			SHEAR	TORQUE	MOMENT	SHEAR	TORQUE	MOMENT	SHEAR	TORQUE	MOMENT	SHEAR	TORQUE	MOMENT	
			S2 (kN)	TQ (kN·m)	M3 (kN·m)	S2 (kN)	TQ (kN·m)	M3 (kN·m)	S2 (kN)	TQ (kN·m)	M3 (kN·m)	S2 (kN)	TQ (kN·m)	M3 (kN·m)	
124	SUM TOTAL	D+2LANES (casMAX	S2	-783.09	52.39	-3798.22	-1079.23	52.39	-8250.62	-1079.23	32.49	-8250.72	-1372.54	32.49	-14115.17
			TQ	-908.17	824.51	-2913.56	-1204.31	824.51	-7964.88	-1204.31	805.30	-7964.49	-1497.62	805.30	-14427.95
			M3	-859.33	753.24	-1146.70	-1151.73	739.40	-5953.42	-1151.73	725.04	-5955.19	-1441.29	705.98	-12152.55
		MIN	S2	-920.45	592.30	-3994.63	-1216.58	592.30	-9104.72	-1216.58	570.34	-9106.12	-1509.90	570.34	-15628.38
			TQ	-786.11	-4.11	-3892.37	-1082.25	-4.11	-8359.23	-1082.25	-24.28	-8361.55	-1375.56	-24.28	-14240.48
			M3	-875.49	149.25	-6357.83	-1171.76	149.19	-11253.21	-1171.76	122.04	-11253.53	-1465.07	122.04	-17561.11
		D+2LANES (casMAX	S2	-780.34	39.98	-3776.10	-1076.47	39.98	-8215.32	-1076.47	20.16	-8215.39	-1369.79	20.16	-14066.66
			TQ	-961.04	592.23	-2599.07	-1257.18	592.23	-7903.54	-1257.21	573.17	-7898.71	-1550.52	573.17	-14615.52
			M3	-896.53	499.37	-541.62	-1183.69	465.06	-5518.03	-1183.69	451.74	-5519.14	-1467.03	410.88	-11869.80
		MIN	S2	-962.04	585.66	-2618.70	-1258.18	585.66	-7927.96	-1258.18	566.53	-7929.35	-1551.49	566.53	-14650.80
			TQ	-786.93	29.14	-3234.88	-1083.06	29.14	-7705.65	-1083.03	10.54	-7711.94	-1376.35	10.54	-13594.62
			M3	-887.53	175.37	-6437.71	-1183.80	175.31	-11390.75	-1183.80	147.83	-11391.14	-1477.12	147.83	-17756.40
		D+2LANES (casMAX	S2	-723.75	-45.08	-1429.95	-1023.81	-35.08	-5758.24	-1023.81	-48.97	-5758.14	-1324.20	-20.42	-11830.39
			TQ	-928.19	240.02	-6466.76	-1224.32	240.02	-11613.91	-1191.35	212.37	-10990.97	-1484.67	212.37	-17392.40
			M3	-951.72	-143.71	1322.47	-1242.73	-159.86	-3983.37	-1242.73	-169.47	-3982.98	-1525.92	-186.06	-10652.86
		MIN	S2	-1121.36	-27.46	-1390.29	-1432.70	-31.50	-7086.31	-1432.70	-48.60	-7086.22	-1739.69	-49.53	-14228.95
			TQ	-928.19	-212.15	286.74	-1238.95	-212.15	-4895.23	-1237.77	-223.98	-4910.43	-1548.79	-223.98	-11572.55
			M3	-918.81	238.25	-6643.67	-1214.99	238.23	-11745.99	-1214.99	209.89	-11746.53	-1508.32	209.88	-18261.21
		D+2LANES (casMAX	S2	-377.76	-279.18	1168.96	-825.13	-40.74	-3673.94	-825.13	-49.60	-3673.83	-1234.46	114.29	-10533.10
			TQ	-849.09	345.63	-5687.53	-1145.22	345.63	-10455.94	-1144.25	320.43	-10438.15	-1437.56	320.43	-16614.00
			M3	-751.20	-887.43	3041.90	-1235.26	-743.39	-2074.20	-1235.26	-748.39	-2072.40	-1595.27	-423.30	-9537.87
		MIN	S2	-1293.79	-769.38	-196.84	-1732.89	-697.81	-5525.03	-1732.89	-711.14	-5523.33	-2195.46	-547.96	-13096.40
			TQ	-1064.83	-933.88	1901.73	-1444.64	-933.88	-4100.55	-1445.61	-943.79	-4116.88	-1822.19	-943.79	-11935.58
			M3	-928.98	301.77	-6707.50	-1225.15	301.75	-11858.48	-1225.15	273.14	-11859.18	-1535.28	191.43	-18433.90

BAGO RIVER BRIDGE

BLOCK [ No.1 : MAIN GIRDER ][ BEAM MEMBER FORCE ]

MEMBER			4027			4028			4028			4029				
NODE			4027			4028			4028			4029				
NAME TITLE			SHEAR	TORQUE	MOMENT	SHEAR	TORQUE	MOMENT	SHEAR	TORQUE	MOMENT	SHEAR	TORQUE	MOMENT		
			S2 (kN)	TQ (kN·m)	M3 (kN·m)	S2 (kN)	TQ (kN·m)	M3 (kN·m)	S2 (kN)	TQ (kN·m)	M3 (kN·m)	S2 (kN)	TQ (kN·m)	M3 (kN·m)		
124	SUM TOTAL	D+3LANES (casMAX	S2	-769.25	36.29	-3903.31	-1065.39	36.29	-8289.45	-1065.39	16.29	-8289.51	-1358.70	16.29	-14087.69	
			TQ	-964.92	871.02	-2634.59	-1261.05	871.02	-7957.61	-1261.08	851.82	-7954.05	-1554.40	851.82	-14689.40	
			M3	-892.82	766.65	-171.61	-1180.09	735.99	-5129.20	-1180.09	723.61	-5130.96	-1462.83	680.97	-11458.37	
		MIN	S2	-975.51	673.21	-3518.57	-1271.64	673.21	-8892.30	-1271.64	651.75	-8893.90	-1564.96	651.75	-15679.84	
			TQ	-776.64	-19.33	-3526.19	-1072.78	-19.33	-7947.71	-1072.75	-38.51	-7953.29	-1366.07	-38.51	-13786.73	
			M3	-897.00	174.28	-7262.59	-1193.25	174.23	-12260.90	-1193.25	144.65	-12261.29	-1486.57	144.65	-18671.81	
		D+3LANES (casMAX	S2	-593.25	-165.45	16.58	-932.88	-83.85	-4435.86	-932.88	-94.56	-4435.64	-1267.81	-12.31	-10775.12	
			TQ	-926.79	297.05	-7052.70	-1222.93	297.05	-12193.17	-1194.57	267.95	-11656.79	-1487.89	267.95	-18073.64	
			M3	-923.77	-440.96	3119.92	-1270.54	-415.22	-2279.17	-1270.54	-420.72	-2278.16	-1616.26	-371.89	-9344.80	
		MIN	S2	-1258.25	-291.77	-529.71	-1612.23	-282.01	-6393.16	-1612.23	-297.44	-6392.46	-1978.57	-251.10	-13907.14	
			TQ	-1008.87	-511.98	1890.74	-1345.27	-511.98	-3738.45	-1338.75	-521.07	-3829.37	-1676.36	-521.07	-11038.74	
			M3	-952.21	286.25	-7626.45	-1248.38	286.24	-12888.67	-1248.38	255.14	-12889.32	-1543.24	248.54	-19564.32	
		D+3LANES (casMAX	S2	-392.77	-307.02	1886.19	-822.46	-84.78	-3132.68	-822.46	-92.34	-3132.47	-1218.95	65.58	-10019.54	
			TQ	-854.35	377.26	-6380.12	-1150.49	377.26	-11173.73	-1149.66	350.32	-11158.80	-1442.97	350.32	-17360.54	
			M3	-803.15	-930.82	4227.47	-1274.85	-797.78	-1121.56	-1274.85	-800.49	-1119.63	-1631.66	-514.39	-8724.10	
		MIN	S2	-1363.69	-776.29	274.35	-1790.83	-714.72	-5341.83	-1790.83	-727.60	-5340.09	-2235.33	-596.75	-13297.35	
			TQ	-1108.70	-980.29	2843.81	-1487.68	-980.29	-3367.43	-1488.51	-988.43	-3380.86	-1862.88	-988.43	-11400.51	
			M3	-949.81	337.01	-7606.93	-1245.99	337.00	-12857.68	-1245.99	305.98	-12858.45	-1553.59	236.52	-19531.24	
		D+4LANES	MAX	S2	-757.20	256.68	-4035.41	-1053.34	256.68	-8363.85	-1053.34	236.50	-8364.45	-1346.65	236.50	-14104.92
			TQ	-763.83	260.34	-3913.92	-1059.97	260.34	-8274.11	-1060.49	240.39	-8267.71	-1353.81	240.39	-14042.44	
			M3	-1212.91	-626.16	2357.94	-1508.94	-624.98	-4152.29	-1508.94	-635.00	-4150.77	-1791.55	-583.08	-12065.71	
		MIN	S2	-1214.08	-628.79	2308.97	-1510.21	-628.79	-4207.07	-1510.21	-638.94	-4205.54	-1803.53	-638.94	-12133.99	
			TQ	-1146.86	-655.97	1025.34	-1443.00	-655.97	-5168.87	-1442.30	-668.45	-5175.85	-1735.61	-668.45	-12779.06	
			M3	-757.48	251.22	-4037.60	-1053.64	250.98	-8367.44	-1053.64	230.79	-8368.02	-1381.52	70.77	-14127.21	



BAGO RIVER BRIDGE

BLOCK [ No.1 : MAIN GIRDER ][ BEAM MEMBER FORCE ]

MEMBER				4027			4028			4028			4029			
NODE				4027			4028			4028			4029			
NAME TITLE				SHEAR	TORQUE	MOMENT	SHEAR	TORQUE	MOMENT	SHEAR	TORQUE	MOMENT	SHEAR	TORQUE	MOMENT	
				S2 (kN)	TQ (kN·m)	M3 (kN·m)	S2 (kN)	TQ (kN·m)	M3 (kN·m)	S2 (kN)	TQ (kN·m)	M3 (kN·m)	S2 (kN)	TQ (kN·m)	M3 (kN·m)	
124	SUM TOTAL	D+6LANES	MAX	S2	-492.61	-209.22	-415.61	-874.82	-69.24	-4912.91	-874.82	-81.10	-4912.72	-1235.36	18.31	-11171.14
				TQ	-973.34	792.06	-5206.85	-1269.47	792.06	-10570.18	-1269.70	766.58	-10548.45	-1563.02	766.58	-17325.09
				M3	-904.50	-169.40	4684.45	-1294.51	-100.39	-811.29	-1294.51	-102.36	-811.05	-1594.49	49.99	-8148.68
			MIN	S2	-1334.17	-124.29	-564.81	-1713.00	-90.98	-6718.58	-1713.00	-107.19	-6718.35	-2107.54	-17.43	-14709.25
				TQ	-958.00	-721.18	1270.07	-1308.86	-721.18	-4151.11	-1308.77	-731.21	-4165.95	-1666.24	-731.21	-11268.98
				M3	-968.57	313.53	-9384.11	-1264.83	313.46	-14725.01	-1264.83	277.94	-14725.73	-1567.15	233.39	-21485.68
	SUM TOTAL		MAX		-377.76	871.02	4684.45	-822.46	871.02	-811.29	-822.46	851.82	-811.05	-1218.95	851.82	-8148.68
			MIN		-1363.69	-980.29	-9384.11	-1790.83	-980.29	-14725.01	-1790.83	-988.43	-14725.73	-2235.33	-988.43	-21485.68
300	DEAD LOAD	TOTAL			-825.35	118.66	-3253.82	-1121.48	118.66	-7908.56	-1121.48	99.58	-7908.82	-1414.80	99.58	-13975.64
301	LIVE LOAD	1-LANE(case1MAX	S2		25.18	-21.87	-290.19	25.18	-21.87	-169.61	25.18	-22.28	-169.56	25.18	-22.28	-48.97
			TQ		-34.21	493.87	88.51	-34.21	493.87	-75.27	-34.21	493.69	-75.98	-34.21	493.69	-239.80
			M3		-9.84	457.96	1096.71	-8.10	455.85	1055.16	-8.10	458.40	1054.06	-5.13	447.23	1026.78
			MIN	S2	-47.96	222.49	-1135.91	-47.96	222.49	-1365.53	-47.96	219.19	-1366.07	-47.96	219.19	-1595.73
				TQ	22.66	-87.38	-407.25	22.66	-87.38	-298.77	22.66	-88.10	-299.03	22.66	-88.10	-190.52
				M3	-26.54	10.47	-1838.77	-26.54	10.47	-1965.85	-26.54	5.72	-1965.87	-26.54	5.72	-2092.98
		1-LANE(case2MAX	S2		28.48	-36.77	-263.65	28.48	-36.77	-127.26	28.48	-37.07	-127.17	28.48	-37.07	9.24
			TQ		-97.65	215.13	465.90	-97.65	215.13	-1.66	-97.69	215.13	2.96	-97.69	215.13	-464.89
			M3		-54.48	153.32	1822.81	-46.45	126.63	1577.63	-46.45	130.44	1577.32	-36.02	93.10	1366.09
			MIN	S2	-97.87	214.52	515.20	-97.87	214.52	46.58	-97.87	214.63	46.06	-97.87	214.63	-422.64
				TQ	21.68	-47.48	381.73	21.68	-47.48	485.53	21.72	-46.31	480.50	21.72	-46.31	584.51
				M3	-40.99	41.81	-1934.62	-40.99	41.81	-2130.91	-40.99	36.67	-2131.00	-40.99	36.67	-2327.33
		1-LANE(case3MAX	S2		42.15	-83.70	653.64	42.15	-83.70	855.44	42.15	-81.64	855.64	41.98	-80.21	1037.43
			TQ		-63.75	66.66	-1798.03	-63.75	66.66	-2103.30	-65.17	61.61	-2084.58	-65.17	61.61	-2396.67
			M3		-96.23	-59.18	2498.04	-72.75	-86.64	2086.01	-72.75	-81.60	2086.21	-43.09	-115.42	1814.40
			MIN	S2	-155.61	6.15	982.24	-156.31	6.15	235.52	-156.31	6.72	235.50	-156.88	5.29	-494.75
				TQ	-15.29	-130.51	1828.33	-16.00	-130.51	1753.46	-14.58	-126.30	1734.89	-18.13	-126.30	1661.10
				M3	-52.48	64.53	-2010.22	-52.49	64.53	-2261.50	-52.49	59.07	-2261.65	-52.49	59.07	-2513.01

BAGO RIVER BRIDGE

BLOCK [ No.1 : MAIN GIRDER ][ BEAM MEMBER FORCE ]

MEMBER			4027			4028			4028			4029				
NODE			4027			4028			4028			4029				
NAME TITLE			SHEAR	TORQUE	MOMENT	SHEAR	TORQUE	MOMENT	SHEAR	TORQUE	MOMENT	SHEAR	TORQUE	MOMENT		
			S2 (kN)	TQ (kN·m)	M3 (kN·m)	S2 (kN)	TQ (kN·m)	M3 (kN·m)	S2 (kN)	TQ (kN·m)	M3 (kN·m)	S2 (kN)	TQ (kN·m)	M3 (kN·m)		
301	LIVE LOAD	1-LANE (case4MAX	S2	333.55	-276.54	2879.08	214.93	-95.05	2820.64	214.93	-88.25	2820.86	124.23	33.70	2269.21	
			TQ	-12.24	151.55	-1414.11	-12.24	151.55	-1472.72	-11.23	148.02	-1454.35	-11.23	148.02	-1508.13	
			M3	78.48	-713.29	4034.39	-64.34	-603.09	3807.21	-64.34	-593.90	3808.65	-67.40	-298.31	2858.02	
			MIN	S2	-308.85	-644.90	2019.19	-420.11	-585.99	1660.99	-420.11	-581.98	1662.40	-554.97	-454.40	632.78
			TQ	-157.09	-747.52	3269.73	-218.48	-747.52	2370.80	-219.49	-741.82	2353.87	-281.30	-741.82	1154.95	
			M3	-65.80	116.88	-2095.86	-65.80	116.88	-2410.95	-65.80	111.07	-2411.22	-82.52	28.12	-2738.87	
		2-LANES (caseMAX	S2	42.26	-66.26	-544.40	42.26	-66.26	-342.06	42.26	-67.09	-341.90	42.26	-67.09	-139.53	
			TQ	-82.83	705.86	340.26	-82.83	705.86	-56.32	-82.82	705.72	-55.67	-82.82	705.72	-452.32	
			M3	-33.98	634.58	2107.12	-30.24	620.75	1955.14	-30.24	625.46	1953.63	-26.49	606.41	1823.08	
			MIN	S2	-95.10	473.65	-740.80	-95.10	473.65	-1196.16	-95.10	470.76	-1197.30	-95.10	470.76	-1652.74
			TQ	39.24	-122.77	-638.54	39.24	-122.77	-450.67	39.23	-123.86	-452.73	39.23	-123.86	-264.84	
			M3	-50.14	30.60	-3104.01	-50.27	30.54	-3344.65	-50.27	22.47	-3344.71	-50.27	22.47	-3585.48	
		2-LANES (caseMAX	S2	45.01	-78.68	-522.28	45.01	-78.68	-306.76	45.01	-79.42	-306.57	45.01	-79.42	-91.02	
			TQ	-135.70	473.57	654.75	-135.70	473.57	5.01	-135.73	473.59	10.11	-135.73	473.59	-639.89	
			M3	-71.18	380.72	2712.21	-62.20	346.40	2390.53	-62.20	352.17	2389.68	-52.23	311.30	2105.84	
			MIN	S2	-136.70	467.00	635.12	-136.70	467.00	-19.40	-136.70	466.96	-20.53	-136.70	466.96	-675.16
			TQ	38.42	-89.52	18.94	38.42	-89.52	202.91	38.45	-89.04	196.88	38.45	-89.04	381.02	
			M3	-62.18	56.72	-3183.88	-62.32	56.66	-3482.19	-62.32	48.26	-3482.32	-62.32	48.26	-3780.76	
		2-LANES (caseMAX	S2	101.60	-163.74	1823.87	97.67	-153.73	2150.32	97.67	-148.54	2150.68	90.60	-120.00	2145.25	
			TQ	-102.84	121.37	-3212.94	-102.84	121.37	-3705.35	-69.87	112.79	-3082.15	-69.87	112.79	-3416.76	
			M3	-126.38	-262.37	4576.29	-121.25	-278.52	3925.18	-121.25	-269.05	3925.84	-111.12	-285.64	3322.78	
			MIN	S2	-296.01	-146.12	1863.53	-311.22	-150.16	822.24	-311.22	-148.18	822.60	-324.89	-149.10	-253.31
			TQ	-102.84	-330.81	3540.56	-117.46	-330.81	3013.33	-116.28	-323.56	2998.39	-133.99	-323.56	2403.09	
			M3	-93.46	119.59	-3389.85	-93.51	119.57	-3837.43	-93.51	110.31	-3837.71	-93.53	110.30	-4285.57	

BAGO RIVER BRIDGE

BLOCK [ No.1 : MAIN GIRDER ][ BEAM MEMBER FORCE ]

MEMBER			4027			4028			4028			4029				
NODE			4027			4028			4028			4029				
NAME TITLE			SHEAR	TORQUE	MOMENT	SHEAR	TORQUE	MOMENT	SHEAR	TORQUE	MOMENT	SHEAR	TORQUE	MOMENT		
			S2 (kN)	TQ (kN·m)	M3 (kN·m)	S2 (kN)	TQ (kN·m)	M3 (kN·m)	S2 (kN)	TQ (kN·m)	M3 (kN·m)	S2 (kN)	TQ (kN·m)	M3 (kN·m)		
301	LIVE LOAD	2-LANES (caseMAX	S2	447.58	-397.83	4422.78	296.35	-159.39	4234.62	296.35	-149.18	4234.99	180.34	14.72	3442.53	
			TQ	-23.74	226.98	-2433.71	-23.74	226.98	-2547.39	-22.77	220.85	-2529.33	-22.77	220.85	-2638.36	
			M3	74.15	-1006.08	6295.73	-113.78	-862.05	5834.35	-113.78	-847.97	5836.42	-180.47	-522.87	4437.77	
			MIN	S2	-468.44	-888.04	3056.98	-611.41	-816.47	2383.53	-611.41	-810.71	2385.49	-780.66	-647.54	879.24
			TQ	-239.49	-1052.53	5155.55	-323.15	-1052.53	3808.01	-324.13	-1043.36	3791.94	-407.39	-1043.36	2040.06	
			M3	-103.63	183.11	-3453.68	-103.67	183.10	-3949.93	-103.67	173.57	-3950.36	-120.48	91.85	-4458.26	
		3-LANES (caseMAX	S2	56.10	-82.37	-649.49	56.10	-82.37	-380.89	56.10	-83.29	-380.69	56.10	-83.29	-112.05	
			TQ	-139.57	752.36	619.24	-139.57	752.36	-49.05	-139.60	752.25	-45.23	-139.60	752.25	-713.76	
			M3	-67.48	647.99	3082.21	-58.61	617.33	2779.36	-58.61	624.04	2777.86	-48.03	581.40	2517.27	
			MIN	S2	-150.16	554.55	-264.75	-150.16	554.55	-983.75	-150.16	552.17	-985.08	-150.16	552.17	-1704.20
			TQ	48.71	-137.98	-272.37	48.71	-137.98	-39.16	48.73	-138.08	-44.47	48.73	-138.08	188.91	
			M3	-71.66	55.62	-4008.76	-71.77	55.57	-4352.35	-71.77	45.07	-4352.47	-71.77	45.07	-4696.18	
		3-LANES (caseMAX	S2	232.10	-284.10	3270.41	188.61	-202.51	3472.70	188.61	-194.13	3473.18	146.99	-111.88	3200.52	
			TQ	-101.45	178.40	-3798.87	-101.45	178.40	-4284.61	-73.09	168.37	-3747.97	-73.09	168.37	-4098.00	
			M3	-98.43	-559.62	6373.74	-149.06	-533.88	5629.39	-149.06	-520.29	5630.66	-201.46	-471.47	4630.84	
			MIN	S2	-432.91	-410.42	2724.12	-490.75	-400.67	1515.40	-490.75	-397.01	1516.36	-563.77	-350.67	68.50
			TQ	-183.53	-630.63	5144.56	-223.78	-630.63	4170.10	-217.27	-620.64	4079.45	-261.56	-620.64	2936.90	
			M3	-126.86	167.60	-4372.62	-126.90	167.58	-4980.11	-126.90	155.56	-4980.50	-128.45	148.96	-5588.68	
		3-LANES (caseMAX	S2	432.58	-425.68	5140.01	299.03	-203.44	4775.87	299.03	-191.92	4776.35	195.85	-34.00	3956.10	
			TQ	-29.00	258.60	-3126.30	-29.00	258.60	-3265.17	-28.17	250.74	-3249.98	-28.17	250.74	-3384.91	
			M3	22.20	-1049.48	7481.30	-153.37	-916.44	6787.00	-153.37	-900.06	6789.19	-216.87	-613.97	5251.54	
			MIN	S2	-538.34	-894.95	3528.17	-669.34	-833.37	2566.73	-669.34	-827.18	2568.73	-820.54	-696.32	678.29
			TQ	-283.35	-1098.94	6097.63	-366.20	-1098.94	4541.12	-367.03	-1088.00	4527.96	-448.08	-1088.00	2575.13	
			M3	-124.47	218.36	-4353.11	-124.51	218.34	-4949.12	-124.51	206.40	-4949.63	-138.80	136.94	-5555.61	

BAGO RIVER BRIDGE

BLOCK [ No.1 : MAIN GIRDER ][ BEAM MEMBER FORCE ]

MEMBER					4027			4028			4029					
NODE					4027			4028			4028					
NAME TITLE					SHEAR	TORQUE	MOMENT	SHEAR	TORQUE	MOMENT	SHEAR	TORQUE	MOMENT			
					S2 (kN)	TQ (kN·m)	M3 (kN·m)	S2 (kN)	TQ (kN·m)	M3 (kN·m)	S2 (kN)	TQ (kN·m)	M3 (kN·m)			
301	LIVE LOAD	4-LANES	MAX	S2	68.15	138.03	-781.59	68.15	138.03	-455.30	68.15	136.93	-455.63	68.15	136.93	-129.28
				TQ	61.51	141.69	-660.10	61.51	141.69	-365.56	60.99	140.81	-358.89	60.99	140.81	-66.80
				M3	-387.56	-744.81	5611.77	-387.46	-743.64	3756.26	-387.46	-734.57	3758.05	-376.75	-682.65	1909.93
		MIN	S2	-388.73	-747.45	5562.79	-388.73	-747.45	3701.48	-388.73	-738.52	3703.28	-388.73	-738.52	1841.64	
			TQ	-321.51	-774.62	4279.16	-321.51	-774.62	2739.69	-320.81	-768.02	2732.97	-320.81	-768.02	1196.58	
			M3	67.87	132.57	-783.77	67.84	132.33	-458.88	67.84	131.22	-459.20	33.28	-28.80	-151.57	
	LIVE LOAD	6-LANES	MAX	S2	332.74	-327.88	2838.22	246.67	-187.90	2995.65	246.67	-180.67	2996.10	179.44	-81.26	2804.50
				TQ	-147.99	673.40	-1953.02	-147.99	673.40	-2661.62	-148.22	667.01	-2639.63	-148.22	667.01	-3349.45
				M3	-79.15	-288.06	7938.27	-173.03	-219.05	7097.26	-173.03	-201.94	7097.77	-179.69	-49.59	5826.95
		MIN	S2	-508.83	-242.94	2689.02	-591.51	-209.64	1189.97	-591.51	-206.77	1190.47	-692.74	-117.01	-733.61	
			TQ	-132.65	-839.84	4523.90	-187.38	-839.84	3757.45	-187.29	-830.79	3742.87	-251.44	-830.79	2706.66	
			M3	-143.22	194.87	-6130.29	-143.35	194.81	-6816.46	-143.35	178.36	-6816.91	-152.36	133.81	-7510.04	
	LIVE LOAD	MAX			447.58	752.36	7938.27	299.03	752.36	7097.26	299.03	752.25	7097.77	195.85	752.25	5826.95
		MIN			-538.34	-1098.94	-6130.29	-669.34	-1098.94	-6816.46	-669.34	-1088.00	-6816.91	-820.54	-1088.00	-7510.04
303	SUM TOTAL	TOTAL	MAX		-377.76	871.02	4684.45	-822.46	871.02	-811.29	-822.46	851.82	-811.05	-1218.95	851.82	-8148.68
			MIN		-1363.69	-980.29	-9384.11	-1790.83	-980.29	-14725.01	-1790.83	-988.43	-14725.73	-2235.33	-988.43	-21485.68

BAGO RIVER BRIDGE

BLOCK [ No.1 : MAIN GIRDER ][ BEAM MEMBER FORCE ]

MEMBER NODE	4029	4030			4030			4031						
		SHEAR	TORQUE	MOMENT	SHEAR	TORQUE	MOMENT	SHEAR	TORQUE	MOMENT				
NAME TITLE	S2 (kN)	TQ (kN·m)	M3 (kN·m)	S2 (kN)	TQ (kN·m)	M3 (kN·m)	S2 (kN)	TQ (kN·m)	M3 (kN·m)	S2 (kN)	TQ (kN·m)	M3 (kN·m)		
1 PAVEMENT	-251.01	-9.26	-2014.20	-305.35	-9.26	-3346.17	-305.35	-17.33	-3346.14	-358.46	-17.33	-4935.70		
3 RAILING	-5.14	-2.97	-70.23	-8.53	-2.97	-102.62	-8.53	-3.22	-102.61	-11.98	-3.22	-151.37		
5 CURB	-50.92	-29.39	-695.27	-84.45	-29.39	-1015.95	-84.45	-31.84	-1015.87	-118.57	-31.84	-1498.55		
7 DECK WEIGHT	-398.56	7.55	-3423.83	-484.40	7.55	-5536.73	-484.40	-5.81	-5536.73	-568.70	-5.81	-8057.48		
8 GIRDER WEIGH	-534.23	219.42	-5398.76	-623.74	219.42	-8172.01	-623.74	199.70	-8172.52	-713.26	199.70	-11375.08		
10 MEDIAN STRIP	-110.60	95.37	-1330.24	-110.60	95.37	-1860.00	-110.60	90.88	-1860.23	-110.60	90.88	-2390.09		
21 ADITIONAL WE	-111.60	2.11	-958.67	-135.63	2.11	-1550.29	-135.63	-1.63	-1550.29	-159.24	-1.63	-2256.09		
31 MEDIAN RAILI	-7.85	6.86	-71.53	-7.85	6.86	-109.13	-7.85	6.60	-109.15	-7.85	6.60	-146.76		
51 SUPPORT WEIG	-0.00	0.00	-0.00	-0.00	0.00	-0.00	-0.00	0.00	-0.00	-0.00	0.00	-0.00		
52 NOSE WEIGHT	-0.00	-0.05	-0.04	-0.00	-0.05	-0.05	-0.00	-0.05	-0.05	-0.00	-0.05	-0.06		
61 1-LANE(case1TRUCK-LOAD	MAX	S2	9.71	-33.87	-71.09	9.71	-33.87	-24.56	9.71	-33.93	-24.48	9.71	-33.93	22.06
		TQ	-11.02	273.02	420.38	-11.02	273.02	367.60	-11.02	273.91	366.94	-11.02	273.91	314.16
		M3	-11.49	272.52	420.72	-8.10	271.53	371.84	-8.10	272.42	371.18	-3.24	255.14	339.15
	MIN	S2	-15.47	237.72	370.85	-15.47	237.72	296.76	-15.47	238.44	296.19	-15.47	238.44	222.09
		TQ	2.38	-37.44	-368.00	2.38	-37.44	-356.60	2.23	-38.31	-365.84	2.23	-38.31	-355.14
		M3	-6.96	-23.87	-623.31	-7.28	-22.78	-657.68	-7.28	-24.37	-657.62	-7.28	-24.37	-692.51
	TANDEM-LOAD MAX	S2	6.61	-22.72	-48.04	6.61	-22.72	-16.35	6.61	-22.76	-16.30	6.61	-22.76	15.39
		TQ	-7.01	186.78	286.77	-7.01	186.78	253.17	-7.01	187.39	252.72	-7.01	187.39	219.12
		M3	-7.01	186.78	286.77	-6.20	186.36	254.35	-6.20	186.97	253.90	-2.65	177.60	233.92
	MIN	S2	-10.67	165.46	259.11	-10.67	165.46	208.02	-10.67	165.96	207.62	-10.67	165.96	156.52
		TQ	1.36	-25.46	-267.75	1.36	-25.46	-261.25	1.36	-26.09	-261.19	1.36	-26.09	-254.69
		M3	-4.63	-16.49	-423.02	-5.05	-15.08	-446.28	-5.05	-16.15	-446.24	-5.05	-16.15	-470.42
	DISPERSION-LMAX	S2	13.87	-13.71	-179.33	13.87	-13.71	-112.89	13.87	-13.99	-112.86	13.87	-13.99	-46.41
		TQ	-12.27	294.85	445.31	-12.27	294.85	386.52	-12.27	295.79	385.81	-12.27	295.79	327.01
		M3	-12.27	294.85	445.31	-12.27	294.85	386.52	-12.27	295.79	385.81	-1.20	257.51	352.59
	MIN	S2	-23.64	216.04	-503.04	-23.64	216.04	-616.26	-23.64	214.56	-616.78	-23.64	214.56	-730.02
		TQ	2.51	-92.52	-1127.68	2.51	-92.52	-1115.67	2.51	-95.21	-1115.44	2.51	-95.21	-1103.43
		M3	2.51	-92.52	-1127.68	2.51	-92.52	-1115.67	2.51	-95.21	-1115.44	-8.57	-56.94	-1129.02

BAGO RIVER BRIDGE

BLOCK [ No.1 : MAIN GIRDER ][ BEAM MEMBER FORCE ]

MEMBER				4029			4030			4031					
NODE				4029			4030			4031					
				SHEAR	TORQUE	MOMENT	SHEAR	TORQUE	MOMENT	SHEAR	TORQUE	MOMENT			
NAME	TITLE			S2 (kN)	TQ (kN·m)	M3 (kN·m)	S2 (kN)	TQ (kN·m)	M3 (kN·m)	S2 (kN)	TQ (kN·m)	M3 (kN·m)			
62	1-LANE (case2TRUCK-LOAD	MAX	S2	10.78	-14.04	-53.40	10.78	-14.04	-1.78	10.78	-14.04	-1.74	10.78	-14.04	49.89
			TQ	-41.58	117.78	544.14	-41.58	117.78	344.98	-41.58	118.61	344.70	-41.58	118.61	145.51
			M3	-35.15	103.05	583.83	-32.01	94.02	419.18	-32.01	95.03	418.95	-22.18	63.89	289.88
		MIN	S2	-41.60	117.43	526.88	-41.60	117.43	327.65	-41.60	118.22	327.36	-41.60	118.22	128.09
			TQ	9.97	-14.79	-51.35	9.97	-14.79	-3.59	9.97	-14.80	-3.56	9.97	-14.80	44.21
			M3	-17.56	4.99	-698.44	-17.56	4.99	-782.56	-17.56	3.10	-782.57	-17.69	3.53	-867.23
		TANDEM-LOAD MAX	S2	7.32	-9.38	-36.11	7.32	-9.38	-1.03	7.32	-9.38	-1.01	7.32	-9.38	34.08
			TQ	-28.53	80.82	379.00	-28.53	80.82	242.33	-28.53	81.41	242.13	-28.53	81.41	105.43
			M3	-25.08	73.53	402.05	-20.83	61.75	288.74	-20.83	62.44	288.59	-13.64	38.53	201.71
		MIN	S2	-28.53	80.82	379.00	-28.53	80.82	242.33	-28.53	81.41	242.13	-28.53	81.41	105.43
			TQ	6.90	-10.07	-35.37	6.90	-10.07	-2.31	6.90	-10.08	-2.29	6.90	-10.08	30.78
			M3	-11.96	3.49	-474.32	-11.96	3.49	-531.62	-11.96	2.21	-531.62	-12.00	2.33	-589.08
		DISPERSION-LMAX	S2	13.10	-17.67	-65.18	13.10	-17.67	-2.44	13.10	-17.68	-2.40	13.10	-17.68	60.35
			TQ	-65.45	124.98	-412.08	-65.45	124.98	-725.59	-62.60	123.37	-588.01	-62.60	123.37	-887.89
			M3	-40.89	116.15	562.50	-36.14	111.60	367.62	-36.11	112.45	367.35	-17.05	72.18	246.34
MIN	S2	-69.57	123.06	-615.24	-69.57	123.06	-948.48	-69.57	120.78	-948.78	-69.57	120.78	-1282.08		
	TQ	8.98	-19.58	-268.34	8.98	-19.58	-225.34	6.12	-20.27	-363.17	6.12	-20.27	-333.83		
	M3	-15.58	-10.75	-1242.92	-20.33	-6.20	-1318.55	-20.37	-9.35	-1318.53	-39.42	30.92	-1468.07		
63	1-LANE (case3TRUCK-LOAD	MAX	S2	11.59	1.27	-39.71	11.59	1.27	15.79	11.59	1.31	15.79	11.59	1.31	71.31
			TQ	-25.53	28.67	-729.33	-25.53	28.67	-851.60	-25.53	26.61	-851.66	-25.53	26.61	-973.95
			M3	-64.49	2.99	858.36	-49.33	-10.15	578.34	-49.33	-8.75	578.37	-21.27	-33.12	433.16
		MIN	S2	-73.45	1.01	782.41	-73.45	1.01	430.59	-73.45	2.05	430.59	-73.45	2.05	78.71
			TQ	-1.47	-38.90	403.14	-1.47	-38.90	396.09	-1.47	-37.95	396.18	-4.08	-37.95	387.05
			M3	-26.01	28.01	-757.06	-26.01	28.01	-881.63	-26.01	25.88	-881.70	-26.01	25.88	-1006.29

BAGO RIVER BRIDGE

BLOCK [ No.1 : MAIN GIRDER ][ BEAM MEMBER FORCE ]

MEMBER		4029			4030			4030			4031						
NODE		4029			4030			4030			4031						
		SHEAR	TORQUE	MOMENT	SHEAR	TORQUE	MOMENT	SHEAR	TORQUE	MOMENT	SHEAR	TORQUE	MOMENT				
NAME	TITLE	S2 (kN)	TQ (kN·m)	M3 (kN·m)	S2 (kN)	TQ (kN·m)	M3 (kN·m)	S2 (kN)	TQ (kN·m)	M3 (kN·m)	S2 (kN)	TQ (kN·m)	M3 (kN·m)				
63	1-LANE (case3TANDEM-LOAD	MAX	S2	7.88	0.91	-26.94	7.88	0.91	10.79	7.88	0.94	10.79	7.88	0.94	48.53		
			TQ	-17.43	19.47	-499.10	-17.43	19.47	-582.58	-17.43	18.06	-582.62	-17.43	18.06	-666.12		
			M3	-43.86	3.67	601.09	-24.63	-15.14	401.10	-24.63	-14.17	401.13	-5.07	-30.00	312.70		
		MIN	S2	-51.23	3.69	556.02	-51.23	3.69	310.64	-51.23	4.44	310.63	-51.23	4.44	65.20		
			TQ	-0.44	-31.13	304.08	-0.44	-31.13	301.96	-0.44	-30.40	302.04	-2.05	-30.40	299.92		
			M3	-17.60	18.85	-513.44	-17.60	18.85	-597.72	-17.60	17.41	-597.76	-17.69	17.77	-682.48		
		DISPERSION-LMAX	S2	14.70	-3.70	-6.19	14.70	-3.70	64.20	14.70	-3.54	64.21	14.69	-3.47	133.87		
			TQ	-55.25	58.47	-1115.25	-55.25	58.47	-1379.89	-55.77	55.15	-1375.80	-55.77	55.15	-1642.97		
			M3	-61.20	-28.93	657.76	-39.04	-20.40	390.54	-39.05	-19.46	390.59	-10.74	-8.14	269.59		
		MIN	S2	-106.52	27.49	-671.15	-107.17	27.49	-1182.88	-107.17	24.63	-1182.94	-107.85	24.56	-1697.21		
			TQ	-36.58	-34.68	437.92	-37.22	-34.68	261.21	-36.71	-34.06	257.07	-37.39	-34.06	79.63		
			M3	-30.63	52.72	-1335.09	-53.43	44.19	-1509.22	-53.42	40.55	-1509.32	-82.42	29.23	-1832.93		
		64	1-LANE (case4TRUCK-LOAD	MAX	S2	181.34	-261.70	1518.11	103.95	-138.06	1365.03	103.95	-134.77	1365.35	43.77	-46.15	852.39
					TQ	-37.43	63.21	-780.25	-37.43	63.21	-959.53	-37.43	60.89	-959.68	-37.43	60.89	-1138.99
					M3	155.23	-292.82	1570.63	-22.26	-248.43	1427.50	-22.26	-244.99	1428.09	10.91	-66.39	902.98
MIN	S2			-176.19	-371.54	1519.14	-244.75	-280.27	1370.79	-244.75	-276.97	1371.46	-325.99	-153.29	840.39		
	TQ			-129.96	-403.73	847.47	-129.96	-403.73	224.97	-129.96	-403.19	225.95	-129.96	-403.19	-396.65		
	M3			-37.54	59.47	-836.35	-37.95	60.97	-1016.22	-37.95	58.51	-1016.36	-37.95	58.51	-1198.18		
TANDEM-LOAD	MAX			S2	148.58	-218.47	1269.44	93.33	-130.26	1188.99	93.33	-127.40	1189.30	43.10	-47.61	818.79	
	TQ			-25.56	42.96	-536.15	-25.56	42.96	-658.59	-25.56	41.37	-658.69	-25.56	41.37	-781.15		
	M3			148.58	-218.47	1269.45	-41.95	-152.24	1189.39	-41.95	-149.37	1189.75	43.10	-47.61	818.79		
MIN	S2			-135.73	-234.84	1268.92	-191.12	-152.24	1189.39	-191.12	-149.37	1189.75	-246.88	-63.30	816.12		
	TQ			-83.47	-276.59	505.44	-83.47	-276.59	105.61	-83.47	-276.34	106.28	-83.47	-276.34	-293.61		
	M3			-25.57	40.64	-567.82	-25.68	41.06	-690.30	-25.68	39.39	-690.40	-25.68	39.39	-813.43		

BAGO RIVER BRIDGE

BLOCK [ No.1 : MAIN GIRDER ][ BEAM MEMBER FORCE ]

MEMBER			4029			4030			4030			4031					
NODE			4029			4030			4030			4031					
			SHEAR	TORQUE	MOMENT	SHEAR	TORQUE	MOMENT	SHEAR	TORQUE	MOMENT	SHEAR	TORQUE	MOMENT			
NAME	TITLE		S2 (kN)	TQ (kN·m)	M3 (kN·m)	S2 (kN)	TQ (kN·m)	M3 (kN·m)	S2 (kN)	TQ (kN·m)	M3 (kN·m)	S2 (kN)	TQ (kN·m)	M3 (kN·m)			
64	1-LANE (case4DISPERSION-LMAX	S2	58.38	-9.63	355.07	36.06	22.75	342.21	36.06	23.58	342.15	23.21	40.25	284.92			
		TQ	-48.55	149.42	-1428.72	-48.55	149.42	-1661.28	-48.55	145.41	-1661.63	-48.55	145.41	-1894.23			
		M3	-36.64	-321.51	790.02	-39.15	-131.21	630.86	-39.21	-129.90	631.18	-45.84	-8.40	416.62			
		MIN	S2	-157.66	-226.67	-1003.81	-187.24	-259.06	-1590.57	-187.24	-262.89	-1589.94	-226.72	-279.56	-2382.05		
		TQ	-50.73	-385.72	779.98	-102.63	-385.72	412.92	-102.63	-384.72	413.85	-154.95	-384.72	-202.90			
		M3	-62.64	85.21	-1438.76	-112.03	-105.09	-1879.22	-111.97	-109.41	-1878.96	-157.66	-230.92	-2513.75			
		65	2-LANES (caseTRUCK-LOAD	MAX	S2	19.96	-57.81	-133.32	19.96	-57.81	-37.71	19.96	-57.90	-37.57	19.96	-57.90	58.05
				TQ	-35.88	469.05	888.61	-35.88	469.05	716.73	-35.88	470.77	715.60	-35.88	470.77	543.69	
				M3	-35.28	466.63	894.14	-28.24	452.87	741.52	-28.24	454.65	740.43	-19.14	415.27	622.59	
MIN	S2			-41.41	429.26	805.26	-41.41	429.26	606.92	-41.41	430.72	605.88	-41.41	430.72	407.51		
TQ	11.75			-62.97	-428.85	11.75	-62.97	-372.57	11.60	-63.88	-381.75	11.60	-63.88	-326.16			
M3	-19.28			-33.10	-1283.85	-19.60	-32.01	-1377.24	-19.60	-35.33	-1377.16	-19.73	-34.83	-1471.24			
TANDEM-LOAD	MAX			S2	13.58	-38.78	-90.13	13.58	-38.78	-25.06	13.58	-38.84	-24.97	13.58	-38.84	40.11	
TQ	-24.34			320.80	603.71	-24.34	320.80	487.14	-24.34	321.98	486.37	-24.34	321.98	369.78			
M3	-22.95			318.72	611.52	-18.84	306.02	506.76	-18.84	307.24	506.02	-14.42	293.31	427.68			
MIN	S2	-28.38	294.63	548.93	-28.38	294.63	412.99	-28.38	295.62	412.28	-28.38	295.62	276.31				
TQ	7.85	-42.85	-309.59	7.85	-42.85	-271.98	7.85	-43.50	-271.88	7.85	-43.50	-234.26					
M3	-12.95	-22.93	-871.60	-13.36	-21.51	-934.67	-13.36	-23.77	-934.62	-13.36	-23.77	-998.63					
DISPERSION-LMAX	S2	26.42	-46.43	-281.59	26.42	-46.43	-155.06	26.42	-46.80	-154.95	26.42	-46.80	-28.40				
TQ	-39.45	501.49	925.61	-39.45	501.49	736.67	-38.92	503.31	760.74	-38.92	503.31	574.29					
M3	-38.92	501.47	948.37	-38.92	501.47	761.95	-38.92	503.31	760.74	-14.89	432.29	642.58					
MIN	S2	-69.31	403.81	-1082.87	-69.31	403.81	-1414.83	-69.31	400.39	-1415.80	-69.31	400.39	-1747.83				
TQ	-3.44	-144.11	-2290.07	-3.44	-144.11	-2306.57	-3.97	-149.72	-2331.49	-3.97	-149.72	-2350.52					
M3	-3.97	-144.09	-2312.83	-3.97	-144.09	-2331.85	-3.97	-149.72	-2331.49	-28.00	-78.70	-2418.81					



BAGO RIVER BRIDGE

BLOCK [ No.1 : MAIN GIRDER ][ BEAM MEMBER FORCE ]

MEMBER				4029			4030			4031					
NODE				4029			4030			4031					
				SHEAR	TORQUE	MOMENT	SHEAR	TORQUE	MOMENT	SHEAR	TORQUE	MOMENT			
NAME	TITLE			S2 (kN)	TQ (kN·m)	M3 (kN·m)	S2 (kN)	TQ (kN·m)	M3 (kN·m)	S2 (kN)	TQ (kN·m)	M3 (kN·m)			
66	2-LANES (caseTRUCK-LOAD	MAX	S2	21.02	-37.98	-115.63	21.02	-37.98	-14.93	21.02	-38.01	-14.84	21.02	-38.01	85.88
			TQ	-66.44	313.80	1012.37	-66.44	313.80	694.11	-66.44	315.48	693.35	-66.44	315.48	375.04
			M3	-58.94	297.15	1057.25	-52.15	275.36	788.87	-52.15	277.26	788.20	-38.09	224.02	573.32
		MIN	S2	-67.54	308.96	961.29	-67.54	308.96	637.80	-67.54	310.50	637.06	-67.54	310.50	313.51
			TQ	19.34	-40.32	-112.21	19.34	-40.32	-19.56	19.34	-40.37	-19.46	19.34	-40.37	73.20
			M3	-29.89	-4.24	-1358.97	-29.89	-4.24	-1502.12	-29.89	-7.86	-1502.11	-30.14	-6.93	-1645.96
		TANDEM-LOAD MAX	S2	14.29	-25.44	-78.20	14.29	-25.44	-9.74	14.29	-25.46	-9.68	14.29	-25.46	58.80
			TQ	-45.86	214.85	695.95	-45.86	214.85	476.30	-45.86	215.99	475.78	-45.86	215.99	256.10
			M3	-41.01	205.47	726.81	-33.47	181.41	541.15	-33.47	182.71	540.71	-25.41	154.24	395.47
		MIN	S2	-46.25	209.99	668.82	-46.25	209.99	447.30	-46.25	211.07	446.79	-46.25	211.07	225.22
			TQ	13.40	-27.46	-77.21	13.40	-27.46	-13.04	13.40	-27.49	-12.97	13.40	-27.49	51.21
			M3	-20.28	-2.94	-922.89	-20.28	-2.94	-1020.01	-20.28	-5.41	-1020.00	-20.31	-5.28	-1117.29
		DISPERSION-LMAX	S2	25.64	-50.38	-167.44	25.64	-50.38	-44.61	25.64	-50.49	-44.49	25.64	-50.49	78.36
			TQ	-92.62	331.61	68.22	-92.62	331.61	-375.43	-89.24	330.90	-213.07	-89.24	330.90	-640.61
			M3	-67.54	322.77	1065.56	-62.79	318.22	743.06	-62.75	319.97	742.29	-30.74	246.97	536.33
MIN	S2	-115.24	310.83	-1195.07	-115.24	310.83	-1747.06	-115.24	306.61	-1747.80	-115.24	306.61	-2299.89		
	TQ	3.03	-71.17	-1430.73	3.03	-71.17	-1416.23	-0.36	-74.78	-1579.22	-0.36	-74.78	-1580.92		
	M3	-22.06	-62.32	-2428.07	-26.81	-57.78	-2534.73	-26.84	-63.85	-2534.58	-58.86	9.15	-2757.86		
67	2-LANES (caseTRUCK-LOAD	MAX	S2	32.63	-78.80	717.89	32.19	-74.23	810.56	32.19	-72.27	810.74	27.36	-43.46	597.32
			TQ	-57.09	74.50	-1490.33	-57.09	74.50	-1763.77	-57.09	70.25	-1763.94	-57.09	70.25	-2037.43
			M3	-100.45	-105.20	1956.10	-87.11	-103.80	1431.09	-87.11	-100.34	1431.34	-61.30	-104.21	1032.20
		MIN	S2	-178.50	-111.02	1860.49	-184.91	-97.58	1265.23	-184.91	-94.52	1265.47	-190.61	-76.08	659.96
			TQ	-80.53	-169.45	961.66	-80.53	-169.45	575.93	-80.53	-168.06	576.33	-83.14	-168.06	188.45
			M3	-57.80	71.86	-1553.51	-57.80	71.86	-1830.38	-57.80	67.45	-1830.55	-57.80	67.45	-2107.47

BAGO RIVER BRIDGE

BLOCK [ No.1 : MAIN GIRDER ][ BEAM MEMBER FORCE ]

MEMBER		4029			4030			4030			4031						
NODE		4029			4030			4030			4031						
		SHEAR	TORQUE	MOMENT	SHEAR	TORQUE	MOMENT	SHEAR	TORQUE	MOMENT	SHEAR	TORQUE	MOMENT				
NAME	TITLE	S2 (kN)	TQ (kN·m)	M3 (kN·m)	S2 (kN)	TQ (kN·m)	M3 (kN·m)	S2 (kN)	TQ (kN·m)	M3 (kN·m)	S2 (kN)	TQ (kN·m)	M3 (kN·m)				
67	2-LANES (caseTANDEM-LOAD	MAX	S2	22.47	-46.32	375.61	22.47	-46.32	483.23	22.47	-45.15	483.34	21.71	-40.23	528.51		
			TQ	-38.77	50.63	-1011.79	-38.77	50.63	-1197.51	-38.77	47.74	-1197.63	-38.77	47.74	-1383.39		
			M3	-74.79	-67.79	1420.19	-55.71	-77.67	1054.07	-55.71	-75.13	1054.25	-38.15	-76.09	800.33		
		MIN	S2	-125.44	-67.77	1375.13	-127.98	-58.85	963.61	-127.98	-56.52	963.75	-132.65	-41.65	552.83		
			TQ	-52.26	-120.30	653.68	-52.26	-120.30	403.36	-52.26	-119.33	403.65	-53.87	-119.33	153.28		
			M3	-39.23	48.79	-1053.85	-39.23	48.79	-1241.73	-39.23	45.79	-1241.85	-39.32	46.16	-1430.18		
		DISPERSION-LMAX	S2	37.62	-15.03	189.70	34.80	-5.64	263.63	34.80	-5.01	263.64	32.18	3.61	326.06		
			TQ	-95.25	150.00	-2505.70	-95.25	150.00	-2961.93	-95.77	142.86	-2958.07	-95.77	142.86	-3416.87		
			M3	-120.90	-172.12	1367.38	-78.00	-100.30	848.78	-78.03	-98.32	849.02	-32.23	-32.87	581.46		
		MIN	S2	-229.16	-12.84	-1547.85	-242.53	-22.22	-2577.67	-242.53	-28.44	-2577.61	-257.02	-37.05	-3675.78		
			TQ	-96.28	-177.87	1147.54	-112.48	-177.87	647.89	-111.96	-176.31	644.10	-129.07	-176.31	67.15		
			M3	-70.63	144.25	-2725.54	-129.73	72.44	-3162.82	-129.69	64.88	-3162.99	-192.61	-0.58	-3931.18		
		68	2-LANES (caseTRUCK-LOAD	MAX	S2	271.05	-429.71	2768.17	157.92	-239.20	2388.35	157.92	-233.44	2388.92	69.65	-91.68	1496.29
					TQ	-68.99	109.05	-1541.25	-68.99	109.05	-1871.70	-68.99	104.53	-1871.96	-68.99	104.53	-2202.47
					M3	156.43	-513.58	2881.79	-55.31	-409.24	2519.79	-55.31	-403.16	2520.77	-54.55	-158.50	1610.34
MIN	S2			-314.06	-605.52	2798.23	-412.93	-459.04	2430.41	-412.93	-453.17	2431.51	-524.09	-262.80	1516.30		
	TQ			-229.09	-670.59	1476.05	-229.09	-670.59	378.74	-229.09	-669.67	380.35	-229.09	-669.67	-717.15		
	M3			-69.33	103.32	-1632.80	-69.75	104.82	-1964.97	-69.75	100.08	-1965.22	-69.75	100.08	-2299.36		
TANDEM-LOAD	MAX			S2	221.48	-354.30	2287.14	140.04	-218.79	2058.44	140.04	-213.82	2058.96	67.68	-91.20	1423.17	
	TQ			-46.91	74.11	-1048.84	-46.91	74.11	-1273.52	-46.91	71.04	-1273.70	-46.91	71.04	-1498.41		
	M3			136.92	-364.08	2291.14	-77.81	-252.44	2064.06	-77.81	-247.46	2064.66	-13.99	-100.46	1427.63		
MIN	S2			-237.70	-380.46	2290.61	-315.25	-252.44	2064.06	-315.25	-247.46	2064.66	-389.96	-116.15	1424.96		
	TQ			-152.47	-460.50	953.62	-152.47	-460.50	223.29	-152.47	-459.96	224.40	-152.47	-459.96	-506.05		
	M3			-47.20	70.58	-1108.24	-47.31	70.99	-1334.31	-47.31	67.77	-1334.48	-47.31	67.77	-1561.13		

BAGO RIVER BRIDGE

BLOCK [ No.1 : MAIN GIRDER ][ BEAM MEMBER FORCE ]

MEMBER			4029			4030			4030			4031					
NODE			4029			4030			4030			4031					
NAME TITLE			SHEAR	TORQUE	MOMENT	SHEAR	TORQUE	MOMENT	SHEAR	TORQUE	MOMENT	SHEAR	TORQUE	MOMENT			
			S2 (kN)	TQ (kN·m)	M3 (kN·m)	S2 (kN)	TQ (kN·m)	M3 (kN·m)	S2 (kN)	TQ (kN·m)	M3 (kN·m)	S2 (kN)	TQ (kN·m)	M3 (kN·m)			
68	2-LANES (caseDISPERSION-LMAX	S2	95.84	-15.95	646.95	62.56	37.00	608.62	62.56	38.47	608.53	43.10	67.26	520.74			
		TQ	-87.76	260.89	-2802.71	-87.76	260.89	-3223.06	-87.76	253.11	-3223.68	-87.76	253.11	-3644.11			
		M3	-92.00	-574.79	1523.68	-77.27	-236.20	1155.91	-77.38	-233.78	1156.48	-76.89	-23.56	772.19			
		MIN	S2	-292.54	-373.42	-1936.91	-342.37	-426.37	-3039.70	-342.37	-433.70	-3038.66	-405.69	-462.49	-4489.57		
		TQ	-108.94	-650.26	1512.74	-192.05	-650.26	791.98	-192.05	-648.34	793.55	-274.83	-648.34	-324.72			
		M3	-104.70	185.43	-2813.65	-202.54	-153.17	-3586.99	-202.42	-161.45	-3586.61	-285.70	-371.67	-4741.02			
		69	3-LANES (caseTRUCK-LOAD	MAX	S2	30.74	-71.85	-186.72	30.74	-71.85	-39.49	30.74	-71.94	-39.32	30.74	-71.94	107.94
				TQ	-77.46	586.83	1432.75	-77.46	586.83	1061.71	-77.46	589.39	1060.29	-77.46	589.39	689.19	
				M3	-70.43	569.68	1477.97	-60.25	546.88	1160.70	-60.25	549.68	1159.38	-41.32	479.16	912.47	
MIN	S2			-83.00	546.69	1332.15	-83.00	546.69	934.57	-83.00	548.94	933.25	-83.00	548.94	535.60		
TQ	21.72			-77.76	-480.20	21.72	-77.76	-376.16	21.58	-78.68	-385.30	21.58	-78.68	-281.95			
M3	-36.84			-28.11	-1982.28	-37.17	-27.02	-2159.81	-37.17	-32.23	-2159.73	-37.42	-31.30	-2338.47			
TANDEM-LOAD	MAX			S2	20.91	-48.16	-126.24	20.91	-48.16	-26.09	20.91	-48.22	-25.98	20.91	-48.22	74.19	
TQ	-52.87			401.62	982.71	-52.87	401.62	729.47	-52.87	403.38	728.50	-52.87	403.38	475.21			
M3	-48.02			392.25	1013.57	-39.67	367.77	795.50	-39.67	369.68	794.61	-28.07	331.84	629.39			
MIN	S2	-56.92	375.45	927.93	-56.92	375.45	655.32	-56.92	377.03	654.41	-56.92	377.03	381.75				
TQ	14.75	-52.92	-344.96	14.75	-52.92	-274.29	14.75	-53.58	-274.16	14.75	-53.58	-203.48					
M3	-24.91	-19.43	-1345.91	-25.32	-18.02	-1466.29	-25.32	-21.56	-1466.24	-25.36	-21.44	-1587.71					
DISPERSION-LMAX	S2	39.51	-64.10	-346.77	39.51	-64.10	-157.50	39.51	-64.48	-157.35	39.51	-64.48	31.95				
TQ	-104.90	626.46	513.53	-104.90	626.46	11.08	-101.52	626.68	172.73	-101.52	626.68	-313.60					
M3	-79.81	617.62	1510.87	-75.06	613.07	1129.58	-75.03	615.76	1128.09	-31.94	504.48	888.92					
MIN	S2	-138.88	526.87	-1698.11	-138.88	526.87	-2363.32	-138.88	521.17	-2364.58	-138.88	521.17	-3029.90				
TQ	5.53	-163.69	-2558.41	5.53	-163.69	-2531.90	2.15	-169.99	-2694.66	2.15	-169.99	-2684.35					
M3	-19.55	-154.85	-3555.75	-24.30	-150.30	-3650.40	-24.34	-159.07	-3650.02	-67.43	-47.79	-3886.88					

BAGO RIVER BRIDGE

BLOCK [ No.1 : MAIN GIRDER ][ BEAM MEMBER FORCE ]

MEMBER				4029			4030			4031					
NODE				4029			4030			4030			4031		
				SHEAR	TORQUE	MOMENT	SHEAR	TORQUE	MOMENT	SHEAR	TORQUE	MOMENT	SHEAR	TORQUE	MOMENT
NAME	TITLE			S2 (kN)	TQ (kN·m)	M3 (kN·m)	S2 (kN)	TQ (kN·m)	M3 (kN·m)	S2 (kN)	TQ (kN·m)	M3 (kN·m)	S2 (kN)	TQ (kN·m)	M3 (kN·m)
70	3-LANES (caseTRUCK-LOAD	MAX	S2	143.49	-267.61	2025.68	102.76	-186.66	1947.07	102.76	-181.96	1947.52	61.03	-88.85	1331.80
			TQ	-94.52	137.71	-2270.58	-94.52	137.71	-2723.30	-94.52	131.14	-2723.62	-94.52	131.14	-3176.41
			M3	-88.32	-344.12	3311.50	-114.09	-285.06	2619.08	-114.09	-278.74	2619.76	-136.33	-205.82	1817.30
		MIN	S2	-321.88	-360.59	3178.69	-372.95	-297.65	2411.08	-372.95	-291.84	2411.79	-435.66	-197.98	1405.70
			TQ	-191.87	-434.03	1778.71	-191.87	-434.03	859.68	-191.87	-431.96	860.73	-194.48	-431.96	-60.54
			M3	-95.34	131.33	-2389.86	-95.76	132.83	-2846.60	-95.76	125.96	-2846.91	-95.76	125.96	-3305.65
	TANDEM-LOAD	MAX	S2	110.09	-198.10	1441.29	83.47	-147.45	1450.60	83.47	-143.95	1450.95	54.07	-85.42	1222.90
			TQ	-64.34	93.58	-1547.94	-64.34	93.58	-1856.10	-64.34	89.10	-1856.32	-64.34	89.10	-2164.53
			M3	-81.77	-228.47	2486.54	-92.87	-192.25	2021.77	-92.87	-187.37	2022.23	-110.57	-132.63	1495.25
		MIN	S2	-233.41	-228.45	2441.48	-271.71	-173.42	1931.31	-271.71	-168.76	1931.72	-317.86	-98.19	1247.76
			TQ	-124.33	-300.73	1154.26	-124.33	-300.73	558.75	-124.33	-299.38	559.47	-125.94	-299.38	-36.14
			M3	-64.79	89.43	-1621.67	-64.91	89.85	-1932.03	-64.91	85.18	-1932.25	-65.00	85.55	-2243.61
	DISPERSION-LMAX	MAX	S2	80.90	-32.36	490.41	64.41	0.39	546.00	64.41	1.70	546.00	53.00	23.99	567.44
			TQ	-144.61	279.57	-3951.26	-144.61	279.57	-4643.93	-145.13	268.37	-4640.37	-145.13	268.37	-5335.65
			M3	-171.39	-429.70	2124.32	-116.66	-219.56	1401.70	-116.75	-216.41	1402.23	-68.87	-57.22	947.86
		MIN	S2	-374.04	-130.30	-2537.61	-409.98	-163.05	-4121.70	-409.98	-173.00	-4121.29	-453.96	-195.29	-5929.57
			TQ	-148.53	-442.24	1904.05	-200.95	-442.24	1068.23	-200.43	-439.67	1065.07	-255.83	-439.67	-26.49
			M3	-121.75	267.03	-4171.53	-228.90	56.89	-4977.40	-228.81	45.11	-4977.52	-332.09	-114.08	-6310.00
71	3-LANES (caseTRUCK-LOAD	MAX	S2	283.45	-412.74	2742.57	170.32	-222.23	2422.14	170.32	-216.39	2422.67	82.05	-74.63	1589.45
			TQ	-94.52	137.71	-2270.58	-94.52	137.71	-2723.29	-94.52	131.14	-2723.62	-94.52	131.14	-3176.41
			M3	109.57	-603.59	3934.98	-99.12	-482.48	3276.44	-99.12	-474.57	3277.60	-84.94	-220.02	2131.26
		MIN	S2	-413.57	-701.96	3836.92	-512.45	-555.47	2992.43	-512.45	-548.25	2993.76	-623.61	-357.88	1601.80
			TQ	-308.93	-809.52	2032.11	-308.93	-809.52	552.37	-308.93	-808.19	554.32	-308.93	-808.19	-925.68
			M3	-95.34	131.33	-2389.86	-95.76	132.83	-2846.60	-95.76	125.96	-2846.91	-95.76	125.96	-3305.65

BAGO RIVER BRIDGE

BLOCK [ No.1 : MAIN GIRDER ][ BEAM MEMBER FORCE ]

MEMBER				4029			4030			4031						
NODE				4029			4030			4031						
				SHEAR	TORQUE	MOMENT	SHEAR	TORQUE	MOMENT	SHEAR	TORQUE	MOMENT				
NAME	TITLE			S2 (kN)	TQ (kN·m)	M3 (kN·m)	S2 (kN)	TQ (kN·m)	M3 (kN·m)	S2 (kN)	TQ (kN·m)	M3 (kN·m)				
71	3-LANES (case)	TANDEM-LOAD	MAX	S2	229.92	-342.69	2269.81	148.47	-207.18	2081.50	148.47	-202.15	2081.99	76.12	-79.54	1486.61
				TQ	-64.34	93.58	-1547.94	-64.34	93.58	-1856.10	-64.34	89.10	-1856.32	-64.34	89.10	-2164.53
				M3	101.31	-420.47	3065.52	-107.58	-300.61	2623.94	-107.58	-294.28	2624.65	-31.74	-142.87	1829.10
		MIN	S2	-305.93	-436.84	3065.00	-383.47	-308.83	2511.68	-383.47	-302.77	2512.41	-458.18	-171.46	1545.88	
			TQ	-204.87	-556.12	1300.99	-204.87	-556.12	319.70	-204.87	-555.35	321.04	-204.87	-555.35	-660.42	
			M3	-64.79	89.43	-1621.67	-64.91	89.85	-1932.03	-64.91	85.18	-1932.25	-65.00	85.55	-2243.61	
		DISPERSION-LMAX		S2	114.64	-12.80	781.85	80.15	45.66	768.43	80.15	47.51	768.32	59.70	81.16	707.72
				TQ	-117.59	333.82	-4121.42	-117.59	333.82	-4684.64	-117.59	322.52	-4685.43	-117.59	322.52	-5248.76
				M3	-157.60	-717.92	2209.26	-115.62	-303.42	1585.26	-115.76	-300.03	1585.98	-91.56	-35.83	1074.43
		MIN	S2	-406.76	-446.76	-2704.94	-465.88	-505.22	-4315.61	-465.88	-515.63	-4314.38	-536.95	-549.28	-6321.64	
			TQ	-174.54	-793.39	2198.33	-268.15	-793.39	1137.47	-268.15	-790.64	1139.38	-359.67	-790.64	-365.16	
			M3	-134.52	258.36	-4132.35	-270.12	-156.14	-5132.43	-269.98	-168.09	-5132.04	-385.69	-432.29	-6688.35	
72	4-LANES	TRUCK-LOAD	MAX	S2	50.15	78.63	-92.73	50.15	78.63	147.50	50.15	78.98	147.31	50.15	78.98	387.58
				TQ	46.22	83.38	-73.63	46.22	83.38	147.75	46.22	83.74	147.54	46.22	83.74	368.96
				M3	-343.35	-802.08	2182.57	-211.90	-333.77	610.32	-211.90	-332.30	611.12	50.04	81.02	389.08
		MIN	S2	-343.35	-802.08	2182.57	-343.35	-802.08	537.99	-343.35	-800.78	539.92	-343.35	-800.78	-1104.95	
			TQ	-326.22	-811.82	1933.08	-326.22	-811.82	370.54	-325.31	-810.92	366.13	-325.31	-810.92	-1192.31	
			M3	11.40	-80.62	-108.77	-147.38	-493.86	-431.20	-147.38	-494.90	-430.00	-248.00	-717.05	-1361.00	
		TANDEM-LOAD	MAX	S2	34.12	53.98	-62.58	34.12	53.98	100.87	34.12	54.22	100.74	34.12	54.22	264.22
				TQ	30.94	56.68	-48.38	30.94	56.68	99.84	30.94	56.92	99.71	30.94	56.92	247.95
				M3	-254.44	-553.50	1792.45	-254.44	-553.50	573.73	-254.44	-552.11	575.06	34.10	54.74	264.63
		MIN	S2	-254.44	-553.50	1792.45	-254.44	-553.50	573.73	-254.44	-552.11	575.06	-254.44	-552.11	-643.87	
			TQ	-230.96	-566.25	1434.42	-230.96	-566.25	328.15	-230.96	-565.46	329.51	-230.96	-565.46	-776.95	
			M3	9.00	-48.92	-75.04	-101.48	-340.84	-297.95	-101.48	-341.55	-297.13	-164.63	-482.78	-932.18	

BAGO RIVER BRIDGE

BLOCK [ No.1 : MAIN GIRDER ][ BEAM MEMBER FORCE ]

MEMBER				4029			4030			4031							
NODE				4029			4030			4031							
				SHEAR	TORQUE	MOMENT	SHEAR	TORQUE	MOMENT	SHEAR	TORQUE	MOMENT					
NAME	TITLE			S2 (kN)	TQ (kN·m)	M3 (kN·m)	S2 (kN)	TQ (kN·m)	M3 (kN·m)	S2 (kN)	TQ (kN·m)	M3 (kN·m)					
72	4-LANES	DISPERSION-LMAX	S2	61.23	100.35	-108.49	61.23	100.35	184.79	61.23	100.80	184.54	61.23	100.80	477.87		
			TQ	49.60	102.45	-33.59	49.60	102.45	203.98	49.52	102.95	204.23	49.52	102.95	441.48		
			M3	-169.78	-432.40	747.24	-12.40	-19.15	309.95	-12.55	-18.84	310.00	60.21	101.16	478.13		
	MIN	S2	-186.46	-510.67	733.08	-186.46	-510.67	-160.02	-186.46	-511.06	-158.79	-186.46	-511.06	-1052.05			
		TQ	-173.63	-513.04	656.04	-173.63	-513.04	-175.61	-173.55	-513.46	-174.88	-173.55	-513.46	-1006.32			
		M3	44.71	20.96	-125.27	-113.42	-390.62	-283.47	-113.28	-390.87	-282.53	-185.48	-511.40	-1052.29			
	73	6-LANES	TRUCK-LOAD	MAX	S2	280.23	-442.83	2459.96	183.96	-274.49	2270.52	183.96	-269.01	2271.17	107.36	-139.80	1638.89
				TQ	-188.53	633.94	-689.87	-188.53	633.94	-1592.93	-188.53	630.10	-1594.45	-188.53	630.10	-2497.66	
				M3	-16.29	-4.48	5326.31	-168.91	47.56	4241.16	-168.91	57.79	4241.03	-105.21	210.22	2939.63	
MIN		S2	-483.30	-133.04	4991.78	-569.23	-3.58	3721.58	-569.23	5.40	3721.58	-664.99	173.33	1982.19			
		TQ	-264.05	-752.91	1433.87	-264.05	-752.91	169.11	-264.19	-752.51	161.81	-264.19	-752.51	-1103.86			
		M3	-132.15	103.10	-4372.26	-132.52	104.35	-5006.40	-132.52	92.27	-5006.64	-132.96	93.89	-5643.41			
TANDEM-LOAD		MAX	S2	222.03	-354.90	2050.49	153.04	-236.22	1946.63	153.04	-231.53	1947.19	91.20	-122.18	1496.58		
		TQ	-128.30	433.92	-459.29	-128.30	433.92	-1073.83	-128.30	431.32	-1074.87	-128.30	431.32	-1689.53			
		M3	17.39	-8.18	3961.70	-163.04	61.47	3243.67	-163.04	69.29	3243.51	-42.31	147.00	2344.79			
MIN		S2	-352.35	-53.81	3783.19	-418.94	58.31	2927.73	-418.94	65.37	2927.58	-483.37	181.65	1720.67			
		TQ	-174.37	-515.93	877.03	-174.37	-515.93	41.81	-174.37	-515.83	43.05	-174.37	-515.83	-792.31			
		M3	-89.72	70.05	-2967.69	-90.12	71.43	-3398.34	-90.12	63.23	-3398.51	-90.23	63.64	-3830.78			
DISPERSION-LMAX	S2	145.85	-50.60	352.80	114.94	0.29	567.02	114.94	1.66	567.01	96.55	31.03	727.80				
	TQ	-213.79	844.52	-3399.51	-213.79	844.52	-4423.55	-210.93	834.05	-4258.20	-210.93	834.05	-5268.70				
	M3	-242.69	-90.66	3636.28	-187.42	251.05	2593.54	-187.50	256.95	2592.92	-108.44	411.74	1879.71				
MIN	S2	-532.69	40.66	-3895.74	-583.21	-11.71	-6155.33	-583.21	-26.56	-6155.29	-645.96	-55.46	-8762.16				
	TQ	-171.11	-847.16	-202.31	-253.49	-847.16	-1219.61	-256.17	-850.28	-1367.36	-337.69	-850.28	-2790.27				
	M3	-139.99	100.40	-7180.70	-279.09	-247.88	-8169.84	-278.97	-267.17	-8169.22	-435.55	-406.52	-9876.11				

BAGO RIVER BRIDGE

BLOCK [ No.1 : MAIN GIRDER ][ BEAM MEMBER FORCE ]

MEMBER			4029			4030			4031						
NODE			4029			4030			4031						
NAME TITLE			SHEAR	TORQUE	MOMENT	SHEAR	TORQUE	MOMENT	SHEAR	TORQUE	MOMENT	SHEAR	TORQUE	MOMENT	
			S2 (kN)	TQ (kN·m)	M3 (kN·m)	S2 (kN)	TQ (kN·m)	M3 (kN·m)	S2 (kN)	TQ (kN·m)	M3 (kN·m)	S2 (kN)	TQ (kN·m)	M3 (kN·m)	
124	SUM TOTAL	D+1LANE (caseMAX	S2	-1441.61	232.54	-14263.27	-1732.25	232.54	-21857.90	-1732.25	179.81	-21858.39	-2020.36	179.81	-30840.40
			TQ	-1497.87	971.09	-12923.94	-1788.50	971.09	-20788.01	-1788.50	920.93	-20790.29	-2076.61	920.93	-30041.78
			M3	-1498.44	970.49	-12923.53	-1785.00	969.30	-20782.93	-1785.00	919.15	-20785.21	-2053.98	852.48	-29981.08
		MIN	S2	-1516.84	834.16	-14121.39	-1807.47	834.16	-22076.35	-1807.47	780.90	-22078.30	-2095.58	780.90	-31420.69
			TQ	-1464.05	133.69	-15757.58	-1754.68	133.69	-23459.68	-1754.86	77.08	-23471.13	-2042.97	77.08	-32561.46
			M3	-1475.25	149.96	-16063.95	-1766.28	151.27	-23820.98	-1766.28	93.80	-23821.27	-2067.68	139.74	-32997.02
		D+1LANE (caseMAX	S2	-1441.26	251.59	-14105.07	-1731.89	251.59	-21698.02	-1731.89	199.24	-21698.56	-2020.00	199.24	-30678.88
			TQ	-1598.35	580.95	-13804.30	-1888.98	580.95	-22149.68	-1885.56	527.69	-21985.57	-2173.67	527.69	-31702.04
			M3	-1561.16	552.68	-12587.17	-1842.33	536.38	-20748.79	-1842.29	486.27	-20750.02	-2095.73	400.59	-30167.70
		MIN	S2	-1603.32	578.23	-14068.79	-1893.95	578.23	-22437.96	-1893.95	524.10	-22439.29	-2182.06	524.10	-32195.96
			TQ	-1447.18	248.39	-14346.39	-1737.81	248.39	-21967.67	-1741.23	195.22	-22133.66	-2029.34	195.22	-31158.72
			M3	-1509.69	282.72	-16292.39	-1806.02	288.18	-24214.29	-1806.06	229.80	-24214.91	-2117.19	278.64	-33613.54
		D+1LANE (caseMAX	S2	-1438.37	286.72	-14017.84	-1729.01	286.72	-21596.96	-1729.01	234.62	-21597.59	-2017.12	234.71	-30564.96
			TQ	-1566.84	394.21	-16176.27	-1857.48	394.21	-24370.73	-1858.10	335.42	-24366.55	-2146.21	335.42	-33951.47
			M3	-1620.74	258.51	-12143.43	-1866.59	252.99	-20530.29	-1866.60	203.45	-20530.84	-2087.07	187.78	-29967.87
		MIN	S2	-1685.88	323.84	-13829.26	-1977.29	323.84	-22595.70	-1977.29	269.32	-22596.41	-2266.22	269.23	-32753.37
			TQ	-1515.57	201.33	-12953.50	-1806.98	201.33	-20904.20	-1806.36	150.90	-20909.69	-2098.42	150.90	-30251.15
			M3	-1537.88	386.52	-16473.35	-1855.87	376.28	-24561.97	-1855.86	317.03	-24562.81	-2178.77	303.44	-34218.23
		D+1LANE (caseMAX	S2	-1182.26	-35.96	-11714.95	-1592.54	151.26	-19644.28	-1592.54	103.87	-19644.58	-1968.28	230.22	-29446.41
			TQ	-1573.09	544.79	-16613.53	-1863.72	544.79	-24837.92	-1863.72	484.87	-24839.16	-2151.83	484.87	-34451.04
			M3	-1327.61	-447.56	-11129.99	-1834.24	-165.94	-19222.92	-1834.31	-212.56	-19222.47	-2090.58	147.55	-29227.65
		MIN	S2	-1870.54	-428.22	-13344.37	-2278.94	-357.56	-21956.69	-2278.94	-410.53	-21955.76	-2711.91	-282.12	-32661.16
			TQ	-1686.75	-657.71	-12009.83	-2039.65	-657.71	-20927.49	-2039.65	-708.19	-20925.84	-2390.55	-708.19	-31530.63
			M3	-1590.13	463.25	-16692.90	-1940.52	236.69	-25167.48	-1940.46	176.22	-25167.98	-2283.39	30.42	-35265.49

BAGO RIVER BRIDGE

BLOCK [ No.1 : MAIN GIRDER ][ BEAM MEMBER FORCE ]

MEMBER			4029	4030			4030			4031					
NODE			4029	4030			4030			4031					
			SHEAR	TORQUE	MOMENT	SHEAR	TORQUE	MOMENT	SHEAR	TORQUE	MOMENT	SHEAR	TORQUE	MOMENT	
NAME	TITLE		S2 (kN)	TQ (kN·m)	M3 (kN·m)	S2 (kN)	TQ (kN·m)	M3 (kN·m)	S2 (kN)	TQ (kN·m)	M3 (kN·m)	S2 (kN)	TQ (kN·m)	M3 (kN·m)	
124	SUM TOTAL	D+2LANES (casMAX	S2	-1423.54	185.40	-14377.67	-1714.17	185.40	-21885.73	-1714.17	132.60	-21886.11	-2002.28	132.60	-30781.53
			TQ	-1545.25	1260.17	-12148.54	-1835.88	1260.17	-20239.55	-1835.35	1211.39	-20217.25	-2123.46	1211.39	-29693.20
			M3	-1544.12	1257.74	-12120.25	-1827.71	1243.98	-20189.48	-1827.71	1195.27	-20192.42	-2082.69	1084.87	-29546.01
		MIN	S2	-1580.63	1122.70	-14240.38	-1871.26	1122.70	-22500.87	-1871.26	1068.41	-22503.51	-2159.37	1068.41	-32151.49
			TQ	-1461.61	82.56	-16681.69	-1752.24	82.56	-24372.09	-1752.91	23.70	-24406.83	-2041.02	23.70	-33487.85
			M3	-1493.16	112.45	-17559.44	-1784.12	113.54	-25402.05	-1784.12	52.25	-25402.25	-2096.40	123.77	-34701.22
		D+2LANES (casMAX	S2	-1423.25	201.28	-14245.84	-1713.88	201.28	-21752.50	-1713.88	148.80	-21752.92	-2001.99	148.80	-30646.93
			TQ	-1628.98	935.05	-12882.18	-1919.62	935.05	-21374.28	-1916.23	883.68	-21213.31	-2204.34	883.68	-31076.75
			M3	-1596.39	909.56	-11839.95	-1875.49	883.21	-20161.03	-1875.45	834.53	-20163.10	-2117.48	708.29	-29701.53
		MIN	S2	-1652.69	909.43	-14196.54	-1943.32	909.43	-22802.21	-1943.32	854.42	-22804.34	-2231.43	854.42	-32797.55
			TQ	-1447.55	178.15	-15505.70	-1738.18	178.15	-23128.75	-1741.56	122.15	-23292.27	-2029.67	122.15	-32318.90
			M3	-1521.86	223.08	-17749.81	-1817.24	227.62	-25729.81	-1817.28	165.59	-25730.28	-2137.66	239.52	-35214.99
		D+2LANES (casMAX	S2	-1399.66	195.81	-13055.19	-1693.55	209.76	-20618.76	-1693.55	160.02	-20619.21	-1989.11	197.45	-29887.79
			TQ	-1622.25	514.15	-17958.79	-1912.88	514.15	-26418.65	-1913.40	450.41	-26415.60	-2201.51	450.41	-36265.47
			M3	-1691.27	12.33	-10639.29	-1925.65	85.54	-19413.08	-1925.69	38.64	-19413.23	-2142.19	100.22	-29197.52
		MIN	S2	-1877.58	165.78	-13650.12	-2187.99	169.84	-23005.39	-2187.99	114.34	-23005.73	-2496.29	124.17	-33826.99
			TQ	-1646.73	-57.68	-11853.57	-1953.56	-57.68	-20469.13	-1953.04	-107.07	-20473.16	-2260.87	-107.07	-30555.57
			M3	-1598.35	505.76	-18241.81	-1948.08	433.94	-26686.16	-1948.05	369.63	-26687.13	-2299.07	304.17	-36849.83
		D+2LANES (casMAX	S2	-1103.03	-156.01	-10547.65	-1540.07	87.44	-18695.99	-1540.07	42.34	-18696.14	-1935.91	212.88	-28794.14
			TQ	-1626.66	659.58	-18306.72	-1917.30	659.58	-26787.72	-1917.30	594.95	-26789.23	-2205.41	594.95	-36657.75
			M3	-1405.49	-798.73	-9557.30	-1893.13	-355.80	-18017.26	-1893.24	-399.64	-18016.34	-2180.10	55.24	-28428.65
		MIN	S2	-2076.51	-689.30	-13101.45	-2515.85	-595.77	-22302.24	-2515.85	-649.57	-22300.74	-2978.44	-487.99	-33784.44
			TQ	-1807.95	-1031.21	-10973.97	-2181.68	-1031.21	-20522.23	-2181.68	-1080.71	-20519.69	-2552.58	-1080.71	-31853.05
			M3	-1643.94	578.39	-18409.21	-2032.83	241.29	-27244.91	-2032.72	175.93	-27245.42	-2404.10	-34.29	-37851.56



BAGO RIVER BRIDGE

BLOCK [ No.1 : MAIN GIRDER ][ BEAM MEMBER FORCE ]

MEMBER			4029			4030			4030			4031				
NODE			4029			4030			4030			4031				
NAME TITLE			SHEAR	TORQUE	MOMENT	SHEAR	TORQUE	MOMENT	SHEAR	TORQUE	MOMENT	SHEAR	TORQUE	MOMENT		
			S2 (kN)	TQ (kN·m)	M3 (kN·m)	S2 (kN)	TQ (kN·m)	M3 (kN·m)	S2 (kN)	TQ (kN·m)	M3 (kN·m)	S2 (kN)	TQ (kN·m)	M3 (kN·m)		
124	SUM TOTAL	D+3LANES (casMAX	S2	-1410.20	174.09	-14416.23	-1700.83	174.09	-21860.40	-1700.83	121.35	-21860.76	-1988.94	121.35	-30692.27	
			TQ	-1624.92	1320.94	-12308.43	-1915.55	1320.94	-20781.08	-1912.68	1270.96	-20645.52	-2200.79	1270.96	-30491.92	
			M3	-1597.62	1298.84	-11422.25	-1875.56	1275.60	-19746.22	-1875.53	1227.93	-19749.24	-2110.93	1073.40	-29279.99	
		MIN	S2	-1658.52	1202.16	-14273.83	-1949.15	1202.16	-22907.39	-1949.15	1146.89	-22910.22	-2237.26	1146.89	-32931.33	
			TQ	-1446.75	84.41	-16545.59	-1737.38	84.41	-24164.81	-1740.38	25.93	-24311.56	-2028.49	25.93	-33332.53	
			M3	-1517.85	134.12	-18670.09	-1812.80	138.92	-26631.63	-1812.83	74.70	-26631.88	-2137.78	170.08	-36102.72	
		D+3LANES (casMAX	S2	-1279.19	34.66	-11824.09	-1618.44	131.31	-19573.84	-1618.44	84.08	-19574.10	-1951.74	182.18	-29196.82	
			TQ	-1673.17	644.33	-19251.33	-1963.81	644.33	-27955.09	-1964.25	576.89	-27952.98	-2252.36	576.89	-38046.43	
			M3	-1690.67	-368.11	-9342.31	-1956.68	-139.29	-18275.29	-1956.76	-183.57	-18274.90	-2223.08	13.72	-28460.78	
		MIN	S2	-2061.45	-127.63	-13417.85	-2426.03	-101.96	-23146.98	-2426.03	-157.81	-23146.67	-2804.83	-96.98	-34656.47	
			TQ	-1759.25	-455.19	-10832.42	-2094.44	-455.19	-20054.23	-2094.00	-503.58	-20056.66	-2431.42	-503.58	-30885.15	
			M3	-1654.44	628.25	-19539.95	-2036.51	450.90	-28343.36	-2036.43	382.72	-28344.36	-2412.33	247.40	-38984.47	
		D+3LANES (casMAX	S2	-1131.54	-72.07	-10967.01	-1547.65	139.55	-18980.96	-1547.65	93.76	-18981.25	-1928.17	242.85	-28858.58	
			TQ	-1650.20	690.45	-19395.96	-1940.83	690.45	-27989.70	-1940.83	622.92	-27991.28	-2228.94	622.92	-37972.57	
			M3	-1510.74	-833.65	-8740.16	-1943.07	-378.38	-17560.51	-1943.19	-421.11	-17559.55	-2198.69	19.83	-28086.34	
		MIN	S2	-2167.20	-686.78	-13000.59	-2592.13	-611.95	-22817.66	-2592.13	-667.00	-22816.12	-3035.13	-533.78	-34823.04	
			TQ	-1880.86	-1072.83	-10366.90	-2251.07	-1072.83	-20256.60	-2251.07	-1121.70	-20253.95	-2616.97	-1121.70	-31908.39	
			M3	-1665.30	620.88	-19506.65	-2071.54	269.83	-28475.13	-2071.42	201.49	-28475.70	-2457.88	-23.08	-39306.07	
		D+4LANES	MAX	S2	-1397.52	405.98	-14093.56	-1688.15	405.98	-21476.97	-1688.15	354.16	-21477.89	-1976.26	354.16	-30248.63
			TQ	-1407.63	410.43	-14032.46	-1698.27	410.43	-21464.34	-1698.32	358.65	-21464.93	-1986.43	358.65	-30284.39	
			M3	-1803.45	-512.78	-12058.39	-1906.35	60.24	-21094.78	-1906.44	9.06	-21094.86	-1977.00	355.72	-30247.49	
		MIN	S2	-1814.29	-563.65	-12067.59	-2104.92	-563.65	-21447.28	-2104.92	-615.39	-21445.86	-2393.03	-615.39	-32213.23	
			TQ	-1794.81	-571.52	-12279.84	-2085.45	-571.52	-21566.25	-2084.81	-623.55	-21569.28	-2372.91	-623.55	-32240.28	
			M3	-1433.44	250.86	-14114.90	-1930.07	-285.27	-22157.49	-1929.97	-338.44	-22156.73	-2330.42	-561.19	-32379.82	

BAGO RIVER BRIDGE

BLOCK [ No.1 : MAIN GIRDER ] [ BEAM MEMBER FORCE ]

MEMBER				4029			4030			4030			4031			
NODE				4029			4030			4030			4031			
NAME TITLE				SHEAR	TORQUE	MOMENT	SHEAR	TORQUE	MOMENT	SHEAR	TORQUE	MOMENT	SHEAR	TORQUE	MOMENT	
				S2 (kN)	TQ (kN·m)	M3 (kN·m)	S2 (kN)	TQ (kN·m)	M3 (kN·m)	S2 (kN)	TQ (kN·m)	M3 (kN·m)	S2 (kN)	TQ (kN·m)	M3 (kN·m)	
124	SUM TOTAL	D+6LANES	MAX	S2	-1192.97	-31.09	-12134.47	-1566.26	111.41	-19848.56	-1566.26	63.53	-19848.77	-1916.12	166.60	-29272.82
				TQ	-1731.43	1250.64	-16620.87	-2022.06	1250.64	-25603.67	-2020.20	1188.99	-25497.81	-2308.31	1188.99	-35859.31
				M3	-1638.25	227.80	-8137.09	-1992.17	483.73	-17250.40	-1992.21	441.88	-17251.52	-2187.53	641.57	-27678.61
			MIN	S2	-2130.31	229.59	-13250.34	-2509.63	279.70	-23274.89	-2509.63	223.55	-23275.50	-2900.77	313.92	-35218.15
				TQ	-1752.77	-750.40	-13162.25	-2096.95	-750.40	-22375.78	-2098.79	-804.51	-22477.20	-2439.88	-804.51	-33342.36
				M3	-1646.80	421.92	-21472.20	-2028.09	196.34	-30257.51	-2028.02	123.62	-30257.90	-2418.19	34.09	-40898.87
	SUM TOTAL		MAX		-1103.03	1320.94	-8137.09	-1540.07	1320.94	-17250.40	-1540.07	1270.96	-17251.52	-1916.12	1270.96	-27678.61
			MIN		-2167.20	-1072.83	-21472.20	-2592.13	-1072.83	-30257.51	-2592.13	-1121.70	-30257.90	-3035.13	-1121.70	-40898.87
300	DEAD LOAD	TOTAL			-1469.91	289.64	-13962.77	-1760.55	289.64	-21692.95	-1760.55	237.30	-21693.59	-2048.66	237.30	-30811.18
301	LIVE LOAD	1-LANE (case1MAX	S2		28.30	-57.10	-300.50	28.30	-57.10	-164.94	28.30	-57.50	-164.80	28.30	-57.50	-29.22
			TQ		-27.95	681.45	1038.83	-27.95	681.45	904.95	-27.95	683.63	903.30	-27.95	683.63	769.40
			M3		-28.52	680.85	1039.24	-24.45	679.66	910.03	-24.45	681.85	908.38	-5.32	615.18	830.09
			MIN	S2	-46.93	544.52	-158.63	-46.93	544.52	-383.39	-46.93	543.59	-384.71	-46.93	543.59	-609.51
				TQ	5.86	-155.95	-1794.81	5.86	-155.95	-1766.73	5.69	-160.23	-1777.54	5.69	-160.23	-1750.29
				M3	-5.34	-139.68	-2101.19	-5.73	-138.36	-2128.02	-5.73	-143.50	-2127.68	-19.02	-97.57	-2185.84
		1-LANE (case2MAX	S2		28.65	-38.05	-142.31	28.65	-38.05	-5.06	28.65	-38.06	-4.97	28.65	-38.06	132.30
			TQ		-128.44	291.31	158.46	-128.44	291.31	-456.73	-125.01	290.38	-291.98	-125.01	290.38	-890.86
			M3		-91.25	263.04	1375.60	-81.78	246.74	944.16	-81.74	248.97	943.57	-47.08	163.29	643.47
			MIN	S2	-133.40	288.59	-106.02	-133.40	288.59	-745.00	-133.40	286.80	-745.70	-133.40	286.80	-1384.78
				TQ	22.74	-41.25	-383.63	22.74	-41.25	-274.72	19.31	-42.08	-440.07	19.31	-42.08	-347.55
				M3	-39.78	-6.92	-2329.62	-45.48	-1.46	-2521.33	-45.52	-7.50	-2521.32	-68.53	41.34	-2802.36
		1-LANE (case3MAX	S2		31.54	-2.91	-55.08	31.54	-2.91	96.00	31.54	-2.68	96.00	31.54	-2.60	246.22
			TQ		-96.93	104.57	-2213.50	-96.93	104.57	-2677.78	-97.55	98.11	-2672.96	-97.55	98.11	-3140.30
			M3		-150.82	-31.13	1819.34	-106.05	-36.65	1162.66	-106.06	-33.85	1162.75	-38.41	-49.52	843.30
			MIN	S2	-215.97	34.20	133.51	-216.74	34.20	-902.74	-216.74	32.02	-902.82	-217.56	31.93	-1942.19
				TQ	-45.66	-88.30	1009.27	-46.44	-88.30	788.76	-45.81	-86.41	783.90	-49.77	-86.41	560.02
				M3	-67.96	96.88	-2510.58	-95.33	86.64	-2869.02	-95.32	79.73	-2869.22	-130.11	66.14	-3407.06

BAGO RIVER BRIDGE

BLOCK [ No.1 : MAIN GIRDER ][ BEAM MEMBER FORCE ]

MEMBER			4029			4030			4030			4031				
NODE			4029			4030			4030			4031				
NAME TITLE			SHEAR	TORQUE	MOMENT	SHEAR	TORQUE	MOMENT	SHEAR	TORQUE	MOMENT	SHEAR	TORQUE	MOMENT		
			S2 (kN)	TQ (kN·m)	M3 (kN·m)	S2 (kN)	TQ (kN·m)	M3 (kN·m)	S2 (kN)	TQ (kN·m)	M3 (kN·m)	S2 (kN)	TQ (kN·m)	M3 (kN·m)		
301	LIVE LOAD	1-LANE (case4MAX	S2	287.66	-325.60	2247.82	168.01	-138.37	2048.68	168.01	-133.43	2049.01	80.38	-7.08	1364.77	
			TQ	-103.18	255.15	-2650.76	-103.18	255.15	-3144.97	-103.18	247.56	-3145.57	-103.18	247.56	-3639.86	
			M3	142.30	-737.20	2832.78	-73.69	-455.57	2470.03	-73.76	-449.87	2471.12	-41.93	-89.75	1583.52	
			MIN	S2	-400.62	-717.86	618.40	-518.39	-647.20	-263.73	-518.39	-647.83	-262.17	-663.25	-519.43	-1849.98
			TQ	-216.83	-947.34	1952.94	-279.11	-947.34	765.47	-279.11	-945.49	767.75	-341.90	-945.49	-719.46	
			M3	-120.21	173.61	-2730.13	-179.98	-52.95	-3474.53	-179.91	-61.08	-3474.39	-234.74	-206.88	-4454.31	
		2-LANES (caseMAX	S2	46.37	-104.24	-414.90	46.37	-104.24	-192.77	46.37	-104.70	-192.52	46.37	-104.70	29.64	
			TQ	-75.33	970.53	1814.23	-75.33	970.53	1453.40	-74.80	974.08	1476.34	-74.80	974.08	1117.98	
			M3	-74.20	968.10	1842.51	-67.16	954.34	1503.48	-67.16	957.96	1501.17	-34.03	847.56	1265.17	
			MIN	S2	-110.71	833.06	-277.61	-110.71	833.06	-807.91	-110.71	831.11	-809.92	-110.71	831.11	-1340.32
			TQ	8.31	-207.08	-2718.92	8.31	-207.08	-2679.14	7.63	-213.60	-2713.24	7.63	-213.60	-2676.68	
			M3	-23.25	-177.19	-3596.68	-23.58	-176.10	-3709.09	-23.58	-185.05	-3708.66	-47.74	-113.54	-3890.05	
		2-LANES (caseMAX	S2	46.67	-88.36	-283.07	46.67	-88.36	-59.54	46.67	-88.50	-59.33	46.67	-88.50	164.24	
			TQ	-159.07	645.42	1080.59	-159.07	645.42	318.68	-155.69	646.38	480.28	-155.69	646.38	-265.57	
			M3	-126.47	619.92	2122.81	-114.94	593.58	1531.92	-114.91	597.23	1530.49	-68.83	470.99	1109.65	
			MIN	S2	-182.78	619.79	-233.77	-182.78	619.79	-1109.25	-182.78	617.11	-1110.74	-182.78	617.11	-1986.38
			TQ	22.37	-111.49	-1542.93	22.37	-111.49	-1435.80	18.99	-115.15	-1598.68	18.99	-115.15	-1507.72	
			M3	-51.95	-66.56	-3787.04	-56.70	-62.01	-4036.85	-56.73	-71.71	-4036.69	-89.00	2.22	-4403.82	
		2-LANES (caseMAX	S2	70.26	-93.83	907.58	66.99	-79.87	1074.19	66.99	-77.28	1074.38	59.54	-39.86	923.38	
			TQ	-152.34	224.51	-3996.02	-152.34	224.51	-4725.70	-152.86	213.11	-4722.01	-152.86	213.11	-5454.29	
			M3	-221.35	-277.31	3323.48	-165.10	-204.10	2279.87	-165.14	-198.67	2280.36	-93.53	-137.08	1613.66	
			MIN	S2	-407.66	-123.85	312.64	-427.44	-119.80	-1312.43	-427.44	-122.96	-1312.14	-447.64	-113.13	-3015.82
			TQ	-176.82	-347.32	2109.20	-193.01	-347.32	1223.82	-192.49	-344.37	1220.43	-212.22	-344.37	255.60	
			M3	-128.43	216.12	-4279.04	-187.54	144.30	-4993.20	-187.50	132.33	-4993.53	-250.42	66.87	-6038.65	

BAGO RIVER BRIDGE

BLOCK [ No.1 : MAIN GIRDER ][ BEAM MEMBER FORCE ]

MEMBER			4029			4030			4030			4031				
NODE			4029			4030			4030			4031				
			SHEAR	TORQUE	MOMENT	SHEAR	TORQUE	MOMENT	SHEAR	TORQUE	MOMENT	SHEAR	TORQUE	MOMENT		
NAME TITLE			S2 (kN)	TQ (kN·m)	M3 (kN·m)	S2 (kN)	TQ (kN·m)	M3 (kN·m)	S2 (kN)	TQ (kN·m)	M3 (kN·m)	S2 (kN)	TQ (kN·m)	M3 (kN·m)		
301	LIVE LOAD	2-LANES (caseMAX	S2	366.89	-445.65	3415.11	220.48	-202.20	2996.97	220.48	-194.97	2997.45	112.75	-24.42	2017.03	
			TQ	-156.75	369.94	-4343.96	-156.75	369.94	-5094.76	-156.75	357.65	-5095.64	-156.75	357.65	-5846.58	
			M3	64.43	-1088.37	4405.47	-132.58	-645.44	3675.70	-132.69	-636.94	3677.25	-131.45	-182.06	2382.53	
			MIN	S2	-606.59	-978.94	861.32	-755.30	-885.41	-609.29	-755.30	-886.88	-607.15	-929.78	-725.29	-2973.27
			TQ	-338.03	-1320.84	2988.80	-421.14	-1320.84	1170.72	-421.14	-1318.02	1173.90	-503.92	-1318.02	-1041.87	
			M3	-174.03	288.75	-4446.44	-272.28	-48.35	-5551.96	-272.17	-61.37	-5551.83	-355.45	-271.59	-7040.38	
		3-LANES (caseMAX	S2	59.71	-115.55	-453.47	59.71	-115.55	-167.44	59.71	-115.96	-167.17	59.71	-115.96	118.91	
			TQ	-155.01	1031.30	1654.34	-155.01	1031.30	911.88	-152.13	1033.66	1048.07	-152.13	1033.66	319.25	
			M3	-127.71	1009.20	2540.52	-115.02	985.96	1946.74	-114.99	990.62	1944.35	-62.27	836.09	1531.18	
			MIN	S2	-188.60	912.52	-311.07	-188.60	912.52	-1214.44	-188.60	909.59	-1216.63	-188.60	909.59	-2120.16
			TQ	23.17	-205.23	-2582.82	23.17	-205.23	-2471.86	20.17	-211.37	-2617.97	20.17	-211.37	-2521.35	
			M3	-47.94	-155.52	-4707.33	-52.25	-150.72	-4938.67	-52.28	-162.60	-4938.29	-89.12	-67.23	-5291.55	
		3-LANES (caseMAX	S2	190.73	-254.98	2138.67	142.10	-158.33	2119.11	142.10	-153.22	2119.49	96.92	-55.13	1614.35	
			TQ	-203.26	354.69	-5288.56	-203.26	354.69	-6262.14	-203.70	339.59	-6259.39	-203.70	339.59	-7235.25	
			M3	-220.76	-657.75	4620.45	-196.13	-428.93	3417.66	-196.21	-420.87	3418.69	-174.42	-223.58	2350.39	
			MIN	S2	-591.53	-417.26	544.91	-665.49	-391.60	-1454.02	-665.49	-395.11	-1453.07	-756.18	-334.28	-3845.29
			TQ	-289.34	-744.83	3130.35	-333.90	-744.83	1638.73	-333.46	-740.88	1636.93	-382.76	-740.88	-73.97	
			M3	-184.53	338.61	-5577.18	-275.96	161.27	-6650.40	-275.88	145.42	-6650.77	-363.67	10.10	-8173.30	
		3-LANES (caseMAX	S2	338.38	-361.71	2995.76	212.90	-150.09	2711.99	212.90	-143.54	2712.34	120.49	5.55	1952.60	
			TQ	-180.29	400.81	-5433.19	-180.29	400.81	-6296.75	-180.29	385.61	-6297.69	-180.29	385.61	-7161.39	
			M3	-40.83	-1123.29	5222.61	-182.52	-668.02	4132.44	-182.64	-658.41	4134.04	-150.03	-217.48	2724.84	
			MIN	S2	-697.29	-976.41	962.18	-831.58	-901.59	-1124.71	-831.58	-904.30	-1122.53	-986.48	-771.09	-4011.86
			TQ	-410.95	-1362.47	3595.87	-490.52	-1362.47	1436.36	-490.52	-1359.00	1439.64	-568.31	-1359.00	-1097.22	
			M3	-195.39	331.24	-5543.88	-311.00	-19.81	-6782.18	-310.88	-35.81	-6782.11	-409.23	-260.38	-8494.90	

BAGO RIVER BRIDGE

BLOCK [ No.1 : MAIN GIRDER ][ BEAM MEMBER FORCE ]

MEMBER					4029			4030			4031					
NODE					4029			4030			4030			4031		
NAME TITLE					SHEAR	TORQUE	MOMENT	SHEAR	TORQUE	MOMENT	SHEAR	TORQUE	MOMENT	SHEAR	TORQUE	MOMENT
					S2 (kN)	TQ (kN·m)	M3 (kN·m)	S2 (kN)	TQ (kN·m)	M3 (kN·m)	S2 (kN)	TQ (kN·m)	M3 (kN·m)	S2 (kN)	TQ (kN·m)	M3 (kN·m)
301	LIVE LOAD	4-LANES	MAX	S2	72.40	116.34	-130.79	72.40	116.34	215.99	72.40	116.86	215.70	72.40	116.86	562.54
				TQ	62.28	120.79	-69.69	62.28	120.79	228.62	62.23	121.35	228.66	62.23	121.35	526.79
				M3	-333.53	-802.42	1904.38	-145.80	-229.40	598.17	-145.90	-228.24	598.73	71.66	118.41	563.69
		MIN	S2	-344.37	-853.29	1895.18	-344.37	-853.29	245.68	-344.37	-852.70	247.73	-344.37	-852.70	-1402.05	
			TQ	-324.90	-861.16	1682.92	-324.90	-861.16	126.70	-324.26	-860.85	124.31	-324.26	-860.85	-1429.11	
			M3	36.47	-38.78	-152.13	-169.52	-574.91	-464.53	-169.42	-575.75	-463.14	-281.76	-798.49	-1568.64	
	6-LANES	MAX	S2	276.95	-320.73	1828.30	194.28	-178.23	1844.40	194.28	-173.78	1844.82	132.54	-70.70	1538.35	
			TQ	-261.51	961.00	-2658.10	-261.51	961.00	-3910.71	-259.65	951.69	-3804.22	-259.65	951.69	-5048.14	
			M3	-168.33	-61.83	5825.68	-231.62	194.10	4442.55	-231.67	204.58	4442.07	-138.87	404.27	3132.57	
		MIN	S2	-660.39	-60.05	712.42	-749.08	-9.94	-1581.94	-749.08	-13.76	-1581.91	-852.12	76.62	-4406.98	
			TQ	-282.85	-1040.04	800.51	-336.40	-1040.04	-682.83	-338.24	-1041.81	-783.61	-391.22	-1041.81	-2531.19	
			M3	-176.89	132.28	-7509.43	-267.55	-93.30	-8564.56	-267.47	-113.68	-8564.31	-369.53	-203.21	-10087.69	
	LIVE LOAD	MAX		366.89	1031.30	5825.68	220.48	1031.30	4442.55	220.48	1033.66	4442.07	132.54	1033.66	3132.57	
		MIN		-697.29	-1362.47	-7509.43	-831.58	-1362.47	-8564.56	-831.58	-1359.00	-8564.31	-986.48	-1359.00	-10087.69	
	303	SUM TOTAL	TOTAL	MAX	-1103.03	1320.94	-8137.09	-1540.07	1320.94	-17250.40	-1540.07	1270.96	-17251.52	-1916.12	1270.96	-27678.61
MIN				-2167.20	-1072.83	-21472.20	-2592.13	-1072.83	-30257.51	-2592.13	-1121.70	-30257.90	-3035.13	-1121.70	-40898.87	

BAGO RIVER BRIDGE

BLOCK [ No.1 : MAIN GIRDER ][ BEAM MEMBER FORCE ]

MEMBER NODE	4031	4032			4033			4032	4033			4032	4033			
		SHEAR	TORQUE	MOMENT	SHEAR	TORQUE	MOMENT		SHEAR	TORQUE	MOMENT		SHEAR	TORQUE	MOMENT	
		S2 (kN)	TQ (kN·m)	M3 (kN·m)	S2 (kN)	TQ (kN·m)	M3 (kN·m)		S2 (kN)	TQ (kN·m)	M3 (kN·m)		S2 (kN)	TQ (kN·m)	M3 (kN·m)	
1	PAVEMENT	-355.67	-18.12	-4935.01	-406.77	-18.12	-6732.57	-406.77	-33.97	-6732.51	-455.46	-33.97	-8729.39			
3	RAILING	-9.38	-4.13	-151.39	-12.84	-4.13	-203.44	-12.84	-4.61	-203.43	-16.15	-4.61	-270.36			
5	CURB	-92.90	-40.87	-1498.78	-127.14	-40.87	-2014.08	-127.14	-45.61	-2013.97	-159.93	-45.61	-2676.59			
7	DECK WEIGHT	-561.88	-9.76	-8056.57	-643.44	-9.76	-10897.23	-643.44	-35.40	-10897.18	-721.20	-35.40	-14056.91			
8	GIRDER WEIGH	-717.06	193.91	-11374.31	-805.19	193.91	-14964.27	-805.19	158.70	-14964.68	-891.75	158.70	-18894.93			
10	MEDIAN STRIP	-126.71	90.71	-2389.98	-126.71	90.71	-2987.62	-126.71	83.67	-2987.82	-126.71	83.67	-3574.75			
21	ADITIONAL WE	-157.33	-2.73	-2255.84	-180.16	-2.73	-3051.23	-180.16	-9.91	-3051.21	-201.94	-9.91	-3935.94			
31	MEDIAN RAILI	-9.25	6.96	-146.73	-9.25	6.96	-190.35	-9.25	6.52	-190.36	-9.25	6.52	-233.19			
51	SUPPORT WEIG	-0.00	0.00	-0.00	-0.00	0.00	-0.00	-0.00	0.00	-0.00	-0.00	0.00	-0.00			
52	NOSE WEIGHT	-0.00	-0.04	-0.06	-0.00	-0.04	-0.08	-0.00	-0.04	-0.08	-0.00	-0.04	-0.10			
61	1-LANE(case1TRUCK-LOAD	MAX	S2	25.78	-151.38	-462.38	25.78	-151.38	-340.78	25.78	-152.18	-340.42	25.78	-152.18	-221.00	
			TQ	-7.43	298.75	340.98	-7.43	298.75	305.95	-7.43	299.47	305.25	-7.43	299.47	270.85	
			M3	-7.43	298.75	340.98	-5.10	295.41	310.93	-5.10	296.14	310.24	1.43	272.32	309.14	
		MIN	S2	-13.94	257.27	270.54	-13.94	257.27	204.79	-13.94	257.75	204.18	-13.94	257.75	139.60	
			TQ	25.51	-152.32	-517.13	25.51	-152.32	-396.83	25.51	-153.26	-396.47	25.51	-153.26	-278.32	
			M3	15.35	-121.83	-697.90	13.17	-112.35	-631.88	13.17	-113.84	-631.62	11.96	-108.00	-572.37	
		TANDEM-LOAD	MAX	S2	17.71	-103.64	-326.29	17.71	-103.64	-242.77	17.71	-104.21	-242.53	17.71	-104.21	-160.50
			TQ	-5.99	204.30	234.98	-5.99	204.30	206.72	-5.99	204.79	206.24	-5.99	204.79	178.49	
			M3	-5.99	204.30	234.98	-2.70	200.66	214.39	-2.70	201.16	213.92	1.96	182.16	214.11	
		MIN	S2	-9.60	178.38	189.69	-9.60	178.38	144.40	-9.60	178.72	143.98	-9.60	178.72	99.51	
			TQ	17.63	-103.90	-341.57	17.63	-103.90	-258.41	17.63	-104.51	-258.17	17.63	-104.51	-176.49	
			M3	10.09	-81.33	-474.03	8.61	-74.79	-429.10	8.61	-75.80	-428.93	8.28	-74.17	-389.52	
		DISPERSION-LMAX	MAX	S2	44.98	-191.59	-1031.67	44.98	-191.59	-819.53	44.98	-193.52	-819.08	44.98	-193.52	-610.74
			TQ	-8.88	324.76	327.90	-8.88	324.76	286.03	-8.88	325.43	285.26	-8.88	325.43	244.13	
			M3	1.90	288.65	353.71	2.65	283.33	365.07	2.65	284.16	364.41	4.23	266.06	379.55	
MIN	S2	-11.94	243.48	246.41	-11.94	243.48	190.11	-11.94	243.93	189.53	-11.94	243.93	134.24			
	TQ	41.92	-272.86	-1113.16	41.92	-272.86	-915.45	41.92	-275.02	-914.80	41.92	-275.02	-720.63			
	M3	31.14	-236.75	-1138.97	30.39	-231.43	-994.50	30.39	-233.75	-993.95	28.81	-215.64	-856.05			

BAGO RIVER BRIDGE

BLOCK [ No.1 : MAIN GIRDER ][ BEAM MEMBER FORCE ]

MEMBER				4031			4032			4033					
NODE				4031			4032			4033					
				SHEAR	TORQUE	MOMENT	SHEAR	TORQUE	MOMENT	SHEAR	TORQUE	MOMENT			
NAME	TITLE			S2 (kN)	TQ (kN·m)	M3 (kN·m)	S2 (kN)	TQ (kN·m)	M3 (kN·m)	S2 (kN)	TQ (kN·m)	M3 (kN·m)			
62	1-LANE(case2TRUCK-LOAD	MAX	S2	11.18	-14.72	49.96	11.18	-14.72	102.70	11.18	-14.48	102.73	11.18	-14.48	154.52
			TQ	-51.05	132.39	254.10	-51.05	132.39	13.33	-51.05	132.42	13.02	-51.05	132.42	-223.44
			M3	-45.29	123.39	293.07	-34.20	99.61	105.54	-34.20	99.86	105.31	11.18	-14.48	154.52
		MIN	S2	-51.10	132.32	248.16	-51.10	132.32	7.17	-51.10	132.33	6.85	-51.10	132.33	-229.82
			TQ	1.65	-43.77	-553.93	1.65	-43.77	-546.15	1.65	-45.05	-546.04	1.65	-45.05	-538.40
			M3	-9.52	-30.98	-869.08	-9.52	-30.98	-913.99	-9.52	-33.13	-913.92	-9.52	-33.13	-958.02
		TANDEM-LOAD MAX	S2	7.60	-9.91	34.07	7.60	-9.91	69.92	7.60	-9.74	69.95	7.60	-9.74	105.16
			TQ	-34.96	90.00	162.34	-34.96	90.00	-2.55	-34.50	90.06	27.24	-34.50	90.06	-132.58
			M3	-30.18	83.34	204.14	-21.82	65.11	76.83	-21.82	65.29	76.67	7.60	-9.74	105.16
		MIN	S2	-34.96	90.00	162.34	-34.96	90.00	-2.55	-34.96	90.00	-2.76	-34.96	90.00	-164.69
			TQ	2.39	-29.82	-334.73	2.39	-29.82	-323.45	0.32	-30.60	-398.53	0.32	-30.60	-397.04
			M3	-6.40	-21.30	-590.35	-6.40	-21.30	-620.55	-6.40	-22.76	-620.50	-6.40	-22.76	-650.16
		DISPERSION-LMAX	S2	15.84	-37.56	-114.97	15.84	-37.56	-40.25	15.84	-37.66	-40.16	15.84	-37.66	33.22
			TQ	-53.18	145.09	171.75	-53.18	145.09	-79.07	-53.18	144.90	-79.42	-53.18	144.90	-325.74
			M3	-28.74	100.07	247.73	-4.94	37.58	166.93	-4.90	37.88	166.84	11.43	-8.82	190.01
MIN	S2	-67.01	99.33	-1109.19	-67.01	99.33	-1425.27	-67.01	95.98	-1425.50	-67.01	95.98	-1735.92		
	TQ	2.00	-83.32	-1395.90	2.00	-83.32	-1386.45	2.00	-86.58	-1386.25	2.00	-86.58	-1376.96		
	M3	-22.43	-38.30	-1471.89	-46.24	24.19	-1632.45	-46.27	20.44	-1632.50	-62.60	67.14	-1892.71		
63	1-LANE(case3TRUCK-LOAD	MAX	S2	12.52	-1.62	71.13	12.52	-1.62	130.20	12.52	-1.31	130.20	12.52	-1.31	188.21
			TQ	-28.19	45.38	-920.84	-28.19	45.38	-1053.78	-28.19	42.90	-1053.89	-28.19	42.90	-1184.45
			M3	-88.15	33.59	436.97	12.52	-1.59	130.22	12.52	-1.29	130.22	12.52	-1.29	188.24
		MIN	S2	-96.02	18.42	333.94	-96.02	18.42	-118.97	-96.02	18.14	-119.01	-96.02	18.14	-563.81
			TQ	-63.43	-19.66	-97.81	-63.43	-19.66	-396.99	-63.43	-20.59	-396.95	-63.43	-20.59	-690.78
			M3	-29.42	41.79	-1005.31	-29.55	42.43	-1144.46	-29.55	39.74	-1144.56	-29.55	39.74	-1281.42

BAGO RIVER BRIDGE

BLOCK [ No.1 : MAIN GIRDER ][ BEAM MEMBER FORCE ]

MEMBER		4031			4032			4032			4033						
NODE		4031			4032			4032			4033						
		SHEAR	TORQUE	MOMENT	SHEAR	TORQUE	MOMENT	SHEAR	TORQUE	MOMENT	SHEAR	TORQUE	MOMENT				
NAME	TITLE	S2 (kN)	TQ (kN·m)	M3 (kN·m)	S2 (kN)	TQ (kN·m)	M3 (kN·m)	S2 (kN)	TQ (kN·m)	M3 (kN·m)	S2 (kN)	TQ (kN·m)	M3 (kN·m)				
63	1-LANE (case3TANDEM-LOAD	MAX	S2	8.52	-1.06	48.41	8.52	-1.06	88.57	8.52	-0.85	88.57	8.52	-0.85	128.02		
			TQ	-19.39	30.92	-634.05	-19.39	30.92	-725.52	-19.39	29.21	-725.59	-19.39	29.21	-815.42		
			M3	-55.46	26.11	315.92	8.52	-1.06	88.57	8.52	-0.85	88.57	8.52	-0.85	128.02		
			MIN	S2	-66.47	19.50	277.75	-66.47	19.50	-35.76	-66.47	19.41	-35.80	-66.47	19.41	-343.69	
				TQ	-44.02	-13.67	-62.74	-44.02	-13.67	-270.35	-44.02	-14.30	-270.32	-44.02	-14.30	-474.20	
				M3	-20.10	29.03	-681.78	-20.10	29.03	-776.57	-20.10	27.21	-776.64	-20.10	27.21	-869.73	
			DISPERSION-LMAX	S2	15.66	-1.62	57.75	15.66	-1.62	131.60	15.66	-1.31	131.61	15.66	-1.31	204.13	
				TQ	-89.96	90.82	-1543.51	-90.65	90.82	-1969.42	-89.54	86.20	-1958.26	-90.26	86.20	-2374.64	
				M3	-35.50	8.55	270.53	-1.51	6.12	180.22	-1.50	6.55	180.20	15.23	-1.61	228.89	
				MIN	S2	-139.74	70.61	-1618.19	-140.46	70.61	-2278.94	-140.46	65.24	-2279.10	-141.21	65.24	-2931.41
					TQ	-34.12	-21.83	-16.93	-34.15	-21.83	-177.92	-35.26	-22.27	-189.24	-35.29	-22.27	-352.64
					M3	-88.59	60.44	-1830.97	-123.29	62.86	-2327.55	-123.30	57.39	-2327.70	-140.79	65.54	-2956.17
		64	1-LANE (case4TRUCK-LOAD	MAX	S2	121.59	-197.19	843.79	36.47	-60.46	377.91	36.47	-59.57	378.05	15.70	30.49	268.63
					TQ	-59.84	160.86	-1107.76	-59.84	160.86	-1390.03	-59.84	157.59	-1390.40	-59.84	157.59	-1667.61
					M3	97.55	-231.82	893.60	-84.95	-185.12	458.60	-84.95	-184.04	459.03	15.70	31.46	269.60
	MIN			S2	-231.81	-318.34	831.25	-308.94	-220.47	408.70	-308.94	-219.51	409.22	-395.25	-86.75	-449.50	
				TQ	-153.48	-368.10	-166.93	-153.48	-368.10	-890.83	-153.48	-370.19	-889.96	-153.48	-370.19	-1600.89	
				M3	-58.47	148.76	-1193.02	-58.61	149.39	-1469.02	-58.61	145.93	-1469.37	-59.06	148.10	-1742.21	
	TANDEM-LOAD			MAX	S2	111.75	-178.06	811.37	49.65	-84.87	529.57	49.65	-83.62	529.76	10.70	20.92	183.16
					TQ	-40.55	109.54	-744.66	-40.55	109.54	-935.93	-40.55	107.34	-936.19	-40.55	107.34	-1124.03
					M3	111.75	-178.06	811.37	-86.46	-109.27	534.36	-86.46	-108.01	534.62	10.70	21.20	183.43
				MIN	S2	-175.69	-195.86	808.62	-238.30	-109.27	534.36	-238.30	-108.01	534.62	-295.61	-12.47	-69.26
					TQ	-111.19	-250.78	-31.27	-111.19	-250.78	-555.73	-111.19	-252.09	-555.14	-111.19	-252.09	-1070.19
					M3	-39.43	99.84	-809.97	-39.43	99.84	-995.94	-39.43	97.49	-996.17	-40.24	101.32	-1182.54



BAGO RIVER BRIDGE

BLOCK [ No.1 : MAIN GIRDER ][ BEAM MEMBER FORCE ]

MEMBER			4031			4032			4032			4033				
NODE			4031			4032			4032			4033				
			SHEAR	TORQUE	MOMENT	SHEAR	TORQUE	MOMENT	SHEAR	TORQUE	MOMENT	SHEAR	TORQUE	MOMENT		
NAME	TITLE		S2 (kN)	TQ (kN·m)	M3 (kN·m)	S2 (kN)	TQ (kN·m)	M3 (kN·m)	S2 (kN)	TQ (kN·m)	M3 (kN·m)	S2 (kN)	TQ (kN·m)	M3 (kN·m)		
64	1-LANE (case4DISPERSION-LMAX	S2	39.18	4.12	282.73	23.97	28.84	290.79	23.97	29.53	290.73	19.15	37.64	328.03		
		TQ	-84.47	295.28	-1885.79	-84.47	295.28	-2284.19	-84.47	289.90	-2284.88	-84.47	289.90	-2676.14		
		M3	-10.54	-75.97	412.74	-12.80	4.12	345.21	-12.80	4.93	345.20	19.15	37.64	328.03		
		MIN	S2	-251.69	-107.38	-2371.25	-288.46	-132.10	-3503.98	-288.46	-140.35	-3503.66	-335.12	-148.46	-4884.89	
		TQ	-128.05	-398.53	-202.73	-180.02	-398.53	-928.99	-180.02	-400.72	-928.05	-231.50	-400.72	-1880.71		
		M3	-201.97	-27.28	-2501.26	-251.69	-107.38	-3558.39	-251.69	-115.75	-3558.13	-335.12	-148.46	-4884.89		
		MAX	S2	38.88	-244.43	-914.30	38.88	-244.43	-730.89	38.88	-246.15	-730.32	38.88	-246.15	-550.20	
		TQ	-35.91	513.85	611.16	-35.91	513.85	441.79	-35.91	514.89	440.58	-35.91	514.89	274.25		
		M3	-33.04	507.66	626.76	-25.85	484.96	486.12	-25.85	486.10	484.98	11.70	250.09	442.03		
65	2-LANES (caseTRUCK-LOAD	MIN	S2	-42.90	468.66	516.02	-42.90	468.66	313.66	-42.90	469.40	312.55	-42.90	469.40	113.81	
		TQ	37.55	-249.69	-1085.93	37.55	-249.69	-908.80	37.55	-251.83	-908.21	37.55	-251.83	-734.25		
		M3	18.31	-198.34	-1480.25	15.99	-188.27	-1400.69	15.99	-191.57	-1400.24	13.95	-181.88	-1330.71		
		TANDEM-LOAD	MAX	S2	26.72	-164.47	-594.51	26.72	-164.47	-468.49	26.72	-165.57	-468.11	26.72	-165.57	-344.35
		TQ	-24.88	350.69	427.71	-24.88	350.69	310.36	-24.88	351.42	309.54	-24.88	351.42	194.30		
		M3	-24.36	349.48	430.11	-17.79	334.18	335.08	-17.79	334.96	334.29	8.97	166.89	304.62		
		MIN	S2	-29.42	323.49	361.86	-29.42	323.49	223.12	-29.42	324.01	222.36	-29.42	324.01	86.10	
		TQ	25.64	-170.24	-740.48	25.64	-170.24	-619.56	25.64	-171.70	-619.15	25.64	-171.70	-500.39		
		M3	12.55	-135.10	-1004.77	10.33	-125.45	-951.26	10.33	-127.69	-950.97	9.76	-124.98	-904.38		
		DISPERSION-LMAX	S2	68.41	-343.02	-1895.09	68.41	-343.02	-1572.42	68.41	-346.72	-1571.60	68.41	-346.72	-1254.71	
		TQ	-39.34	560.99	576.29	-39.34	560.99	390.72	-39.34	561.91	389.40	-39.34	561.91	207.16		
		M3	-15.59	493.18	644.94	-6.73	439.91	589.21	-6.69	441.00	588.17	7.11	339.88	589.25		
		MIN	S2	-43.59	452.63	104.38	-43.59	452.63	-101.21	-43.59	452.39	-102.28	-43.59	452.39	-304.19	
		TQ	64.17	-451.38	-2367.00	64.17	-451.38	-2064.35	64.17	-456.24	-2063.28	64.17	-456.24	-1766.06		
		M3	40.41	-383.57	-2435.65	31.55	-330.30	-2262.84	31.51	-335.33	-2262.05	17.71	-234.21	-2148.14		

BAGO RIVER BRIDGE

BLOCK [ No.1 : MAIN GIRDER ][ BEAM MEMBER FORCE ]

MEMBER				4031			4032			4033						
NODE				4031			4032			4033						
				SHEAR	TORQUE	MOMENT	SHEAR	TORQUE	MOMENT	SHEAR	TORQUE	MOMENT				
NAME	TITLE			S2 (kN)	TQ (kN·m)	M3 (kN·m)	S2 (kN)	TQ (kN·m)	M3 (kN·m)	S2 (kN)	TQ (kN·m)	M3 (kN·m)				
66	2-LANES (caseTRUCK-LOAD	MAX	S2	24.28	-107.78	-401.96	24.28	-107.78	-287.42	24.28	-108.46	-287.16	24.28	-108.46	-174.68	
			TQ	-79.53	347.49	524.28	-79.53	347.49	149.17	-79.53	347.84	148.36	-79.53	347.84	-220.03	
			M3	-70.90	332.29	578.86	-54.95	289.16	280.73	-54.95	289.82	280.05	21.45	-36.71	287.42	
			MIN	S2	-80.06	343.71	493.64	-80.06	343.71	116.04	-80.06	343.98	115.23	-80.06	343.98	-255.61
				TQ	13.70	-141.13	-1122.73	13.70	-141.13	-1058.12	13.70	-143.62	-1057.79	13.70	-143.62	-994.33
				M3	-6.56	-107.49	-1651.44	-6.70	-106.90	-1682.80	-6.70	-110.86	-1682.55	-7.53	-107.02	-1716.36
		TANDEM-LOAD	MAX	S2	16.61	-70.74	-234.14	16.61	-70.74	-155.80	16.61	-71.10	-155.63	16.61	-71.10	-78.69
				TQ	-53.84	236.39	355.06	-53.84	236.39	101.10	-53.39	236.69	130.54	-53.39	236.69	-116.77
				M3	-48.55	228.51	399.27	-36.91	198.63	197.51	-36.91	199.09	197.04	14.61	-25.02	195.67
			MIN	S2	-54.77	235.11	334.51	-54.77	235.11	76.17	-54.77	235.29	75.62	-54.77	235.29	-178.10
				TQ	10.40	-96.16	-733.64	10.40	-96.16	-684.60	8.33	-97.79	-759.52	8.33	-97.79	-720.94
				M3	-3.95	-75.07	-1121.09	-4.69	-71.96	-1142.71	-4.69	-74.65	-1142.54	-4.92	-73.58	-1165.02
		DISPERSION-LMAX	MAX	S2	39.28	-188.99	-978.40	39.28	-188.99	-793.14	39.28	-190.86	-792.69	39.28	-190.86	-610.75
				TQ	-83.64	381.32	420.14	-83.64	381.32	25.63	-83.64	381.38	24.73	-83.64	381.38	-362.71
				M3	-46.23	304.60	538.96	-14.32	194.16	391.07	-14.24	194.72	390.61	14.31	65.00	399.71
			MIN	S2	-98.67	308.47	-1251.21	-98.67	308.47	-1716.59	-98.67	304.43	-1717.31	-98.67	304.43	-2174.35
				TQ	24.25	-261.84	-2649.74	24.25	-261.84	-2535.35	24.25	-267.80	-2534.72	24.25	-267.80	-2422.38
				M3	-13.16	-185.11	-2768.57	-45.07	-74.67	-2900.79	-45.15	-81.14	-2900.60	-73.70	48.57	-3184.81
67	2-LANES (caseTRUCK-LOAD	MAX	S2	25.96	5.81	156.78	25.96	5.81	279.22	25.96	6.47	279.21	25.96	6.47	399.46	
			TQ	-72.16	148.18	-1942.72	-72.16	148.18	-2283.07	-71.71	142.86	-2260.10	-71.71	142.86	-2592.26	
			M3	-151.52	-41.57	1035.87	-52.84	-47.36	341.87	-52.84	-46.56	341.98	25.96	6.49	399.48	
			MIN	S2	-236.56	-64.46	915.03	-243.96	-36.63	74.07	-243.96	-36.46	74.15	-250.55	-3.43	-757.67
				TQ	-161.58	-144.28	-186.73	-161.58	-144.28	-948.87	-161.58	-146.51	-948.53	-161.58	-146.51	-1697.01
				M3	-72.82	134.84	-2103.50	-73.62	138.65	-2448.68	-73.62	132.89	-2449.00	-73.62	132.89	-2790.02

BAGO RIVER BRIDGE

BLOCK [ No.1 : MAIN GIRDER ][ BEAM MEMBER FORCE ]

MEMBER		4031			4032			4032			4033						
NODE		4031			4032			4032			4033						
		SHEAR	TORQUE	MOMENT	SHEAR	TORQUE	MOMENT	SHEAR	TORQUE	MOMENT	SHEAR	TORQUE	MOMENT				
NAME	TITLE	S2 (kN)	TQ (kN·m)	M3 (kN·m)	S2 (kN)	TQ (kN·m)	M3 (kN·m)	S2 (kN)	TQ (kN·m)	M3 (kN·m)	S2 (kN)	TQ (kN·m)	M3 (kN·m)				
67	2-LANES (caseTANDEM-LOAD	MAX	S2	17.66	4.09	106.78	17.66	4.09	190.07	17.66	4.53	190.06	17.66	4.53	271.86		
			TQ	-48.81	100.90	-1305.54	-48.81	100.90	-1535.78	-48.81	97.29	-1536.01	-48.81	97.29	-1762.13		
			M3	-105.72	-21.72	803.49	-41.96	-28.84	315.43	-41.96	-28.10	315.50	17.66	4.53	271.86		
		MIN	S2	-165.06	-28.34	765.32	-168.23	-8.29	191.11	-168.23	-7.84	191.12	-173.52	16.26	-371.83		
			TQ	-114.73	-98.70	-84.42	-114.73	-98.70	-625.56	-114.73	-100.17	-625.32	-114.73	-100.17	-1156.76		
			M3	-49.69	92.77	-1427.44	-49.88	93.65	-1662.17	-49.88	89.74	-1662.39	-49.88	89.74	-1893.42		
			DISPERSION-LMAX	S2	33.66	1.27	209.09	32.47	5.77	327.07	32.47	6.54	327.06	32.00	8.20	461.16	
			TQ	-148.34	264.21	-3312.50	-149.02	264.21	-4013.73	-147.91	254.78	-4002.98	-148.64	254.78	-4689.76		
			M3	-64.07	-25.47	581.88	-5.98	5.76	409.24	-5.99	6.71	409.22	31.58	7.91	485.92		
			MIN	S2	-321.30	109.28	-3550.07	-337.97	104.79	-5066.40	-337.97	92.86	-5066.63	-356.32	91.20	-6658.87	
			TQ	-139.31	-153.65	-28.48	-156.48	-153.65	-725.59	-157.59	-155.37	-736.60	-175.68	-155.37	-1507.95		
			M3	-223.58	136.02	-3922.86	-299.52	104.80	-5148.57	-299.51	92.70	-5148.80	-355.89	91.50	-6683.63		
		68	2-LANES (caseTRUCK-LOAD	MAX	S2	163.68	-298.37	1484.54	51.26	-39.50	555.04	51.26	-38.19	555.13	30.50	51.87	514.23
					TQ	-103.82	263.67	-2129.64	-103.82	263.67	-2619.31	-103.37	257.55	-2596.62	-103.37	257.55	-3075.42
					M3	54.25	-392.17	1597.20	-158.97	-279.70	749.12	-158.97	-277.94	749.77	30.45	53.49	515.22
MIN	S2			-407.53	-494.43	1503.54	-511.45	-334.90	667.97	-511.45	-333.33	668.75	-619.61	-129.92	-726.90		
	TQ			-271.73	-609.12	-369.60	-271.73	-609.12	-1651.27	-271.73	-613.00	-1649.83	-271.73	-613.00	-2908.53		
	M3			-101.87	241.81	-2291.21	-102.69	245.61	-2773.23	-102.69	239.08	-2773.80	-103.14	241.25	-3250.81		
	TANDEM-LOAD			MAX	S2	151.13	-270.39	1413.00	65.83	-126.99	849.44	65.83	-124.99	849.74	20.77	35.59	350.48
	TQ			-69.97	179.52	-1416.16	-69.97	179.52	-1746.19	-69.97	175.41	-1746.61	-69.97	175.41	-2070.73		
	M3			70.47	-281.41	1417.37	-148.96	-164.01	859.53	-148.96	-161.99	859.92	20.76	36.04	350.76		
	MIN			S2	-302.95	-299.21	1414.62	-384.26	-164.01	859.53	-384.26	-161.99	859.92	-453.40	-18.57	-110.40	
	TQ			-193.88	-414.84	-144.58	-193.88	-414.84	-1059.05	-193.88	-417.33	-1058.07	-193.88	-417.33	-1956.16		
	M3			-69.02	163.57	-1555.63	-69.21	164.45	-1881.54	-69.21	160.02	-1881.92	-70.02	163.85	-2206.24		

BAGO RIVER BRIDGE

BLOCK [ No.1 : MAIN GIRDER ][ BEAM MEMBER FORCE ]

MEMBER		4031			4032			4032			4033						
NODE		4031			4032			4032			4033						
		SHEAR	TORQUE	MOMENT	SHEAR	TORQUE	MOMENT	SHEAR	TORQUE	MOMENT	SHEAR	TORQUE	MOMENT				
NAME	TITLE	S2 (kN)	TQ (kN·m)	M3 (kN·m)	S2 (kN)	TQ (kN·m)	M3 (kN·m)	S2 (kN)	TQ (kN·m)	M3 (kN·m)	S2 (kN)	TQ (kN·m)	M3 (kN·m)				
68	2-LANES (caseDISPERSION-LMAX	S2	63.96	13.70	515.61	43.55	50.94	537.37	43.55	52.20	537.24	37.19	64.21	628.08			
		TQ	-142.25	487.96	-3630.85	-142.25	487.96	-4301.79	-142.25	477.84	-4302.92	-142.25	477.84	-4961.85			
		M3	-31.43	-122.97	766.48	-17.19	13.53	627.74	-17.19	15.01	627.71	37.19	64.21	628.08			
		MIN	S2	-452.61	-182.02	-4470.04	-513.33	-219.25	-6516.24	-513.33	-234.59	-6515.71	-586.35	-246.60	-8966.35		
		TQ	-246.40	-656.28	-323.58	-327.54	-656.28	-1677.09	-327.54	-660.23	-1675.54	-406.91	-660.23	-3376.42			
		M3	-357.22	-45.35	-4720.90	-452.60	-181.85	-6606.62	-452.60	-197.40	-6606.17	-586.35	-246.60	-8966.35			
		69	3-LANES (caseTRUCK-LOAD	MAX	S2	50.07	-259.16	-864.34	50.07	-259.16	-628.20	50.07	-260.63	-627.59	50.07	-260.63	-395.68
				TQ	-86.95	646.24	865.26	-86.95	646.24	455.12	-86.95	647.31	453.60	-86.95	647.31	50.82	
				M3	-78.33	631.05	919.84	-60.05	584.57	591.66	-60.05	585.96	590.28	22.88	235.61	596.56	
MIN	S2			-94.00	600.98	764.18	-94.00	600.98	320.82	-94.00	601.74	319.41	-94.00	601.74	-116.01		
TQ	39.20			-293.46	-1639.86	39.20	-293.46	-1454.95	39.20	-296.88	-1454.25	39.20	-296.88	-1272.65			
M3	8.79			-229.32	-2349.34	6.47	-219.25	-2314.68	6.47	-224.70	-2314.16	4.43	-215.01	-2288.74			
TANDEM-LOAD	MAX			S2	34.32	-174.37	-560.44	34.32	-174.37	-398.57	34.32	-175.31	-398.16	34.32	-175.31	-239.19	
TQ	-59.84			440.69	590.04	-59.84	440.69	307.82	-59.38	441.48	336.78	-59.38	441.48	61.72			
M3	-54.54			432.82	634.25	-39.61	399.29	411.90	-39.61	400.25	410.96	16.57	157.14	409.78			
MIN	S2	-64.37	413.50	524.20	-64.37	413.50	220.57	-64.37	414.01	219.60	-64.37	414.01	-78.59				
TQ	28.03	-200.06	-1075.21	28.03	-200.06	-943.01	25.96	-202.30	-1017.68	25.96	-202.30	-897.43					
M3	6.14	-156.40	-1595.12	3.93	-146.75	-1571.81	3.93	-150.45	-1571.46	3.36	-147.75	-1554.54					
DISPERSION-LMAX	S2	84.25	-380.58	-2010.06	84.25	-380.58	-1612.67	84.25	-384.37	-1611.77	84.25	-384.37	-1221.49				
TQ	-92.52	706.07	748.04	-92.52	706.07	311.65	-92.52	706.81	309.99	-92.52	706.81	-118.58					
M3	-44.33	593.24	892.67	-11.67	477.48	756.14	-11.59	478.88	755.01	18.54	331.06	779.26					
MIN	S2	-110.60	551.96	-1004.80	-110.60	551.96	-1526.48	-110.60	548.36	-1527.77	-110.60	548.36	-2040.11				
TQ	66.17	-534.70	-3762.90	66.17	-534.70	-3450.80	66.17	-542.82	-3449.53	66.17	-542.82	-3143.02					
M3	17.98	-421.87	-3907.53	-14.68	-306.11	-3895.28	-14.76	-314.89	-3894.55	-44.89	-167.07	-4040.85					

BAGO RIVER BRIDGE

BLOCK [ No.1 : MAIN GIRDER ][ BEAM MEMBER FORCE ]

MEMBER				4031			4032			4033					
NODE				4031			4032			4033					
				SHEAR	TORQUE	MOMENT	SHEAR	TORQUE	MOMENT	SHEAR	TORQUE	MOMENT			
NAME	TITLE			S2 (kN)	TQ (kN·m)	M3 (kN·m)	S2 (kN)	TQ (kN·m)	M3 (kN·m)	S2 (kN)	TQ (kN·m)	M3 (kN·m)			
70	3-LANES (caseTRUCK-LOAD	MAX	S2	103.81	-138.70	885.62	50.19	-39.27	580.61	50.19	-37.90	580.70	40.31	23.36	633.72
			TQ	-132.00	309.04	-3050.48	-132.00	309.04	-3673.10	-131.55	300.45	-3650.50	-131.55	300.45	-4259.86
			M3	-176.33	-252.00	1814.91	-129.10	-183.69	721.64	-129.10	-181.99	722.07	40.27	24.19	634.08
		MIN	S2	-433.18	-289.57	1655.09	-498.31	-197.71	416.52	-498.31	-196.73	416.98	-576.02	-68.44	-1123.31
			TQ	-302.55	-397.56	-167.48	-302.55	-397.56	-1594.51	-302.55	-401.31	-1593.57	-302.55	-401.31	-2995.04
			M3	-131.29	283.60	-3296.52	-132.23	288.04	-3917.70	-132.23	278.82	-3918.37	-132.68	280.99	-4532.23
	TANDEM-LOAD	MAX	S2	87.69	-124.60	796.44	51.56	-60.65	620.81	51.56	-59.19	620.95	27.43	16.18	431.53
		TQ	-89.37	210.44	-2050.20	-89.37	210.44	-2471.71	-89.37	204.62	-2472.20	-89.37	204.62	-2886.16	
		M3	-139.94	-162.07	1493.69	-116.39	-111.15	751.48	-116.39	-109.38	751.74	27.42	16.40	431.63	
	MIN	S2	-312.08	-168.69	1455.52	-362.34	-90.60	627.15	-362.34	-89.12	627.36	-418.39	6.76	-428.02	
		TQ	-212.22	-271.82	-52.44	-212.22	-271.82	-1053.40	-212.22	-274.30	-1052.75	-212.22	-274.30	-2035.78	
		M3	-89.12	192.60	-2237.41	-89.31	193.48	-2658.11	-89.31	187.23	-2658.56	-90.12	191.06	-3075.96	
	DISPERSION-LMAX	S2	64.37	-3.25	448.97	53.33	19.50	574.06	53.33	20.85	574.01	49.46	28.85	746.35	
		TQ	-233.41	540.31	-5222.74	-234.09	540.31	-6325.23	-232.99	525.43	-6315.12	-233.71	525.43	-7395.96	
		M3	-80.96	-94.67	945.73	-15.19	1.23	700.83	-15.20	2.87	700.82	49.04	28.55	771.11	
MIN	S2	-551.97	117.27	-5793.71	-598.71	94.52	-8353.40	-598.71	74.86	-8353.60	-655.52	66.86	-11190.91		
	TQ	-254.19	-426.29	-122.00	-311.28	-426.29	-1454.11	-312.39	-429.73	-1464.47	-372.35	-429.73	-3048.59		
	M3	-406.64	208.69	-6290.48	-530.19	112.78	-8480.17	-530.17	92.84	-8480.42	-655.09	67.16	-11215.67		
71	3-LANES (caseTRUCK-LOAD	MAX	S2	177.56	-286.48	1577.36	65.15	-27.60	713.34	65.15	-25.92	713.40	44.38	64.14	736.82
			TQ	-132.00	309.04	-3050.48	-132.00	309.04	-3673.10	-131.55	300.45	-3650.50	-131.55	300.45	-4259.86
			M3	-27.30	-417.46	2120.26	-145.08	-267.80	907.42	-145.08	-265.66	908.04	44.34	65.76	737.80
		MIN	S2	-528.46	-556.10	1873.97	-632.38	-396.57	468.04	-632.38	-395.47	468.97	-740.54	-192.06	-1486.82
			TQ	-361.25	-735.94	-542.18	-361.25	-735.94	-2246.06	-361.25	-741.22	-2244.32	-361.25	-741.22	-3917.69
			M3	-131.29	283.60	-3296.52	-132.23	288.04	-3917.70	-132.23	278.82	-3918.37	-132.68	280.99	-4532.23

BAGO RIVER BRIDGE

BLOCK [ No.1 : MAIN GIRDER ][ BEAM MEMBER FORCE ]

MEMBER		4031			4032			4032			4033							
NODE		4031			4032			4032			4033							
		SHEAR	TORQUE	MOMENT	SHEAR	TORQUE	MOMENT	SHEAR	TORQUE	MOMENT	SHEAR	TORQUE	MOMENT					
NAME	TITLE	S2 (kN)	TQ (kN·m)	M3 (kN·m)	S2 (kN)	TQ (kN·m)	M3 (kN·m)	S2 (kN)	TQ (kN·m)	M3 (kN·m)	S2 (kN)	TQ (kN·m)	M3 (kN·m)					
71	3-LANES (caseTANDEM-LOAD	MAX	S2	160.58	-262.23	1476.20	75.28	-118.83	957.20	75.28	-116.58	957.48	30.22	44.00	501.97			
			TQ	-89.37	210.44	-2050.20	-89.37	210.44	-2471.71	-89.37	204.62	-2472.20	-89.37	204.62	-2886.16			
			M3	13.18	-292.25	1820.69	-187.79	-165.57	983.54	-187.79	-163.25	983.93	30.20	44.45	502.25			
		MIN	S2	-387.06	-335.73	1701.52	-468.37	-200.53	749.71	-468.37	-198.76	750.18	-537.52	-55.35	-609.75			
			TQ	-255.96	-502.44	-255.53	-255.96	-502.44	-1462.82	-255.96	-505.88	-1461.63	-255.96	-505.88	-2647.29			
			M3	-89.12	192.60	-2237.41	-89.31	193.48	-2658.11	-89.31	187.23	-2658.56	-90.12	191.06	-3075.96			
			DISPERSION-LMAX	S2	81.18	28.97	611.35	60.76	66.42	712.10	60.76	68.10	711.94	54.40	80.10	882.50		
				TQ	-182.82	580.94	-5180.93	-183.50	580.94	-6044.81	-183.55	566.71	-6045.35	-184.27	566.71	-6897.20		
				M3	-62.56	-132.08	1068.89	-19.67	27.11	850.26	-19.69	29.10	850.20	54.12	79.67	900.00		
			MIN	S2	-609.86	-223.97	-6207.83	-677.50	-261.42	-9010.56	-677.50	-282.62	-9009.92	-755.88	-294.63	-12234.09		
				TQ	-345.87	-775.94	-415.54	-433.24	-775.94	-2253.66	-433.20	-781.24	-2252.63	-517.20	-781.24	-4454.39		
				M3	-466.12	-62.92	-6665.37	-597.08	-222.11	-9148.73	-597.06	-243.63	-9148.18	-755.60	-294.19	-12251.60		
		72	4-LANES	TRUCK-LOAD	MAX	S2	56.46	56.84	386.08	56.46	56.84	652.38	56.46	58.38	652.25	56.46	58.38	913.78
						TQ	47.41	62.50	339.27	47.41	62.50	562.91	47.41	63.83	562.76	47.41	63.83	782.38
						M3	56.40	58.64	387.56	56.42	58.52	653.65	56.42	60.06	653.51	56.42	60.06	914.85
	MIN			S2	-367.31	-701.05	-1097.21	-367.31	-701.05	-2829.68	-367.31	-707.71	-2828.03	-367.31	-707.71	-4529.46		
				TQ	-361.57	-701.67	-1135.43	-361.57	-701.67	-2840.83	-361.57	-708.35	-2839.17	-361.57	-708.35	-4514.02		
				M3	-277.64	-594.94	-1352.15	-350.71	-695.65	-2844.33	-350.71	-702.34	-2842.69	-367.31	-707.71	-4529.46		
	TANDEM-LOAD			MAX	S2	38.43	39.09	263.20	38.43	39.09	444.46	38.43	40.14	444.37	38.43	40.14	622.38	
				TQ	30.51	42.63	220.80	30.51	42.63	364.73	32.09	43.49	381.13	32.09	43.49	529.75		
				M3	38.42	39.55	263.60	38.42	39.55	444.81	38.42	40.60	444.71	38.42	40.60	622.68		
	MIN			S2	-268.07	-494.57	-639.18	-268.07	-494.57	-1903.57	-268.07	-499.05	-1902.40	-268.07	-499.05	-3144.13		
				TQ	-261.55	-496.33	-690.26	-261.55	-496.33	-1923.91	-261.55	-500.85	-1922.74	-261.55	-500.85	-3134.29		
				M3	-185.07	-399.61	-926.17	-241.07	-481.04	-1940.97	-241.07	-485.60	-1939.83	-268.07	-499.05	-3144.13		

BAGO RIVER BRIDGE

BLOCK [ No.1 : MAIN GIRDER ][ BEAM MEMBER FORCE ]

MEMBER				4031			4032			4033							
NODE				4031			4032			4033							
				SHEAR	TORQUE	MOMENT	SHEAR	TORQUE	MOMENT	SHEAR	TORQUE	MOMENT					
NAME	TITLE			S2 (kN)	TQ (kN·m)	M3 (kN·m)	S2 (kN)	TQ (kN·m)	M3 (kN·m)	S2 (kN)	TQ (kN·m)	M3 (kN·m)					
72	4-LANES	DISPERSION-LMAX	S2	69.06	73.20	476.00	69.06	73.20	801.75	69.06	75.09	801.57	69.06	75.09	1121.49		
			TQ	49.77	77.35	402.88	49.77	77.35	637.65	50.76	78.86	646.54	50.76	78.86	881.64		
			M3	67.99	73.47	476.25	69.06	73.20	801.75	69.06	75.09	801.57	69.06	75.09	1121.49		
		MIN	S2	-208.69	-425.37	-1045.81	-208.69	-425.37	-2030.14	-208.69	-430.15	-2029.13	-208.69	-430.15	-2995.82		
			TQ	-188.11	-430.09	-963.37	-188.11	-430.09	-1850.64	-189.09	-434.46	-1858.69	-189.09	-434.46	-2734.60		
			M3	-207.66	-425.62	-1046.04	-208.69	-425.37	-2030.14	-208.69	-430.15	-2029.13	-208.69	-430.15	-2995.82		
		73	6-LANES	TRUCK-LOAD MAX	S2	200.36	-504.33	664.65	111.50	-278.90	75.80	111.50	-278.72	76.45	92.11	-190.92	328.72
					TQ	-236.17	856.03	-2149.65	-236.17	856.03	-3263.56	-234.17	848.36	-3243.45	-234.17	848.36	-4328.18
					M3	-140.20	233.74	2940.06	-158.10	186.89	1406.16	-158.10	190.19	1405.72	65.66	295.65	1317.07
MIN	S2			-611.67	72.08	2551.38	-701.57	216.54	671.21	-701.57	218.12	670.70	-794.15	400.78	-1662.67		
	TQ			-297.73	-898.93	-2173.42	-297.73	-898.93	-3577.69	-294.91	-907.37	-3591.08	-294.91	-907.37	-4957.12		
	M3			-121.77	51.39	-5645.27	-125.20	66.45	-6228.59	-125.20	51.79	-6228.72	-127.79	64.30	-6813.80		
TANDEM-LOAD MAX	S2			170.14	-403.45	835.11	100.10	-232.13	323.55	100.10	-231.37	324.10	63.04	-129.62	231.31		
	TQ			-159.35	585.91	-1392.40	-159.35	585.91	-2144.01	-159.35	580.86	-2145.38	-159.35	580.86	-2883.53		
	M3			-63.42	151.89	2344.39	-143.60	152.47	1284.26	-143.60	155.50	1283.89	45.66	198.00	900.17		
MIN	S2	-441.72	89.61	2177.64	-511.14	210.76	896.47	-511.14	212.87	895.97	-570.37	341.65	-720.11				
	TQ	-205.90	-614.58	-1394.66	-205.90	-614.58	-2365.83	-205.90	-620.15	-2364.37	-205.90	-620.15	-3318.14				
	M3	-82.61	34.63	-3832.05	-85.14	45.87	-4227.08	-85.14	35.92	-4227.18	-86.48	42.32	-4625.89				
DISPERSION-LMAX	S2	160.08	-313.65	-1261.81	141.26	-279.22	-766.04	141.26	-281.02	-765.38	135.35	-269.88	-213.86				
	TQ	-280.85	1152.82	-4081.29	-281.53	1152.82	-5407.53	-280.98	1140.09	-5404.74	-281.71	1140.09	-6707.91				
	M3	-107.13	409.60	1878.35	-23.07	451.28	1544.03	-23.02	454.59	1542.97	74.91	377.92	1649.39				
MIN	S2	-700.87	271.59	-6845.76	-760.76	236.70	-10084.10	-760.76	212.97	-10084.63	-832.01	201.72	-13685.81				
	TQ	-256.29	-1177.80	-3858.15	-335.02	-1177.80	-5253.11	-336.01	-1190.17	-5261.07	-412.64	-1190.17	-6995.28				
	M3	-433.44	-402.54	-9873.57	-599.86	-436.13	-12284.80	-599.91	-464.72	-12283.74	-775.67	-381.80	-15454.30				

BAGO RIVER BRIDGE

BLOCK [ No.1 : MAIN GIRDER ][ BEAM MEMBER FORCE ]

MEMBER			4031			4032			4033						
NODE			4031			4032			4033						
			SHEAR	TORQUE	MOMENT	SHEAR	TORQUE	MOMENT	SHEAR	TORQUE	MOMENT				
NAME	TITLE		S2 (kN)	TQ (kN·m)	M3 (kN·m)	S2 (kN)	TQ (kN·m)	M3 (kN·m)	S2 (kN)	TQ (kN·m)	M3 (kN·m)				
124	SUM TOTAL	D+1LANE (caseMAX	S2	-1945.28	-195.63	-32601.53	-2226.60	-195.63	-42433.23	-2226.60	-295.49	-42432.65	-2497.48	-295.49	-53370.26
			TQ	-2049.75	964.14	-30006.02	-2331.07	964.14	-40330.49	-2331.07	869.23	-40332.64	-2601.96	869.23	-51754.19
			M3	-2036.82	920.81	-29975.05	-2314.44	910.41	-40229.65	-2314.44	815.70	-40231.68	-2575.61	765.40	-51545.74
		MIN	S2	-2061.24	816.83	-30188.33	-2342.56	816.83	-40566.99	-2342.56	721.36	-40568.79	-2613.45	721.36	-52043.56
			TQ	-1949.28	-294.29	-32765.02	-2230.60	-294.29	-42615.59	-2230.60	-394.58	-42614.78	-2501.48	-394.58	-53570.91
			M3	-1974.40	-214.37	-33012.92	-2259.24	-196.61	-42992.51	-2259.24	-297.76	-42991.93	-2533.46	-269.02	-54086.27
		D+1LANE (caseMAX	S2	-1997.76	153.19	-30886.69	-2279.08	153.19	-40965.92	-2279.08	56.78	-40966.17	-2549.96	56.78	-52146.87
			TQ	-2155.26	548.90	-30297.66	-2436.58	548.90	-41119.75	-2436.58	452.13	-41120.93	-2707.46	452.13	-53031.18
			M3	-2119.02	484.07	-30159.71	-2358.48	380.55	-40713.89	-2358.44	284.63	-40714.67	-2555.26	91.38	-51958.72
		MIN	S2	-2171.92	493.91	-31841.90	-2453.24	493.91	-42742.58	-2453.24	393.32	-42743.62	-2724.12	393.32	-54731.06
			TQ	-2025.80	63.42	-33148.48	-2307.12	63.42	-43359.97	-2307.12	-38.62	-43360.00	-2578.01	-38.62	-54670.60
			M3	-2068.53	132.79	-33617.84	-2378.42	207.78	-44096.58	-2378.46	104.11	-44096.95	-2668.94	160.15	-55793.05
		D+1LANE (caseMAX	S2	-1996.37	212.04	-30654.02	-2277.69	212.04	-40726.70	-2277.69	116.20	-40727.08	-2548.57	116.20	-51901.35
			TQ	-2171.96	379.37	-33765.89	-2454.11	379.37	-44668.69	-2452.78	274.26	-44655.82	-2724.53	274.26	-56643.07
			M3	-2178.56	266.49	-29959.68	-2298.29	221.37	-40668.33	-2298.28	125.65	-40668.74	-2549.09	115.87	-51871.61
		MIN	S2	-2313.11	322.77	-32349.77	-2595.28	322.77	-43918.34	-2595.28	219.41	-43918.98	-2867.08	219.41	-56566.43
			TQ	-2147.25	166.13	-30946.36	-2428.61	166.13	-41730.75	-2429.94	67.91	-41744.67	-2700.86	67.91	-53624.26
			M3	-2171.79	338.60	-34212.20	-2494.91	342.28	-45207.28	-2494.92	235.89	-45207.96	-2786.79	245.68	-57457.28
		D+1LANE (caseMAX	S2	-1837.26	-15.76	-29456.86	-2238.98	177.99	-40238.41	-2238.98	83.29	-40238.72	-2540.57	201.10	-51656.17
			TQ	-2203.36	763.29	-34400.94	-2484.68	763.29	-45449.91	-2484.68	656.33	-45451.59	-2755.57	656.33	-57584.66
			M3	-1925.78	-153.43	-29241.07	-2428.80	-1.26	-40076.29	-2428.80	-95.58	-40076.18	-2540.57	202.27	-51655.01
		MIN	S2	-2610.38	-294.93	-32656.67	-3028.38	-207.15	-44755.18	-3028.38	-312.48	-44754.57	-3458.83	-162.91	-58773.43
			TQ	-2368.02	-704.03	-31252.27	-2711.71	-704.03	-43224.64	-2711.71	-805.75	-43222.86	-3044.37	-805.75	-56550.09
			M3	-2342.72	361.70	-35241.81	-2683.87	266.34	-47073.75	-2683.87	155.56	-47074.24	-3055.41	118.91	-60324.69



BAGO RIVER BRIDGE

BLOCK [ No.1 : MAIN GIRDER ][ BEAM MEMBER FORCE ]

MEMBER			4031			4032			4033						
NODE			4031			4032			4033						
			SHEAR	TORQUE	MOMENT	SHEAR	TORQUE	MOMENT	SHEAR	TORQUE	MOMENT				
NAME	TITLE		S2 (kN)	TQ (kN·m)	M3 (kN·m)	S2 (kN)	TQ (kN·m)	M3 (kN·m)	S2 (kN)	TQ (kN·m)	M3 (kN·m)				
124	SUM TOTAL	D+2LANES (casMAX	S2	-1922.89	-371.52	-33618.06	-2204.21	-371.52	-43344.17	-2204.21	-473.53	-43343.17	-2475.09	-473.53	-54177.07
			TQ	-2105.44	1290.77	-29621.23	-2386.76	1290.77	-40208.34	-2386.76	1196.14	-40211.26	-2657.64	1196.14	-51890.75
			M3	-2078.81	1216.77	-29536.97	-2344.08	1140.79	-39965.53	-2344.04	1046.44	-39968.10	-2563.58	709.32	-51340.89
		MIN	S2	-2116.68	1137.22	-30188.27	-2398.00	1137.22	-40828.41	-2398.00	1041.13	-40830.97	-2668.88	1041.13	-52562.54
			TQ	-1928.47	-485.14	-34261.60	-2209.79	-485.14	-44014.00	-2209.79	-588.72	-44012.74	-2480.67	-588.72	-54872.47
			M3	-1971.47	-365.98	-34724.58	-2263.96	-302.64	-44704.38	-2264.01	-407.55	-44703.55	-2550.73	-296.75	-55851.02
		D+2LANES (casMAX	S2	-1966.62	-80.84	-32189.03	-2247.94	-80.84	-42121.41	-2247.94	-179.97	-42121.10	-2518.83	-179.97	-53157.59
			TQ	-2193.36	944.73	-29864.26	-2474.68	944.73	-40866.06	-2474.68	848.56	-40868.17	-2745.56	848.56	-52954.91
			M3	-2147.32	852.82	-29690.85	-2380.78	699.24	-40369.06	-2380.70	603.88	-40370.60	-2546.63	147.64	-51685.04
		MIN	S2	-2208.91	868.11	-31566.24	-2490.23	868.11	-42641.41	-2490.23	767.76	-42643.33	-2761.12	767.76	-54802.12
			TQ	-1992.23	-187.04	-34581.14	-2273.56	-187.04	-44634.32	-2273.56	-292.08	-44633.76	-2544.44	-292.08	-55788.88
			M3	-2049.91	-76.68	-35228.68	-2363.28	34.35	-45624.45	-2363.36	-72.66	-45624.40	-2663.62	60.90	-57273.33
		D+2LANES (casMAX	S2	-1970.57	223.01	-30442.80	-2253.08	227.51	-40434.56	-2253.08	132.36	-40434.98	-2524.43	134.02	-51511.55
			TQ	-2250.68	628.32	-36063.89	-2532.69	628.32	-47337.66	-2531.13	516.98	-47304.33	-2802.74	516.98	-59654.18
			M3	-2245.77	148.89	-29190.93	-2370.33	174.32	-40289.75	-2370.34	79.49	-40290.05	-2524.86	133.74	-51486.77
		MIN	S2	-2588.05	260.76	-33443.72	-2893.44	284.08	-46033.19	-2893.44	175.75	-46033.73	-3189.26	207.11	-59788.70
			TQ	-2331.08	-82.00	-31023.89	-2629.57	-82.00	-42715.32	-2630.68	-182.54	-42726.37	-2919.66	-182.54	-55577.12
			M3	-2326.58	486.79	-36835.04	-2684.65	459.38	-48638.10	-2684.64	344.93	-48639.05	-3011.91	343.73	-61845.81
		D+2LANES (casMAX	S2	-1802.55	-68.74	-28808.52	-2216.70	227.37	-39948.45	-2216.70	133.35	-39948.87	-2514.70	235.43	-51229.85
			TQ	-2276.25	967.56	-36569.16	-2557.58	967.56	-47961.96	-2557.12	854.73	-47940.79	-2828.01	854.73	-60409.43
			M3	-2007.37	-299.21	-28444.99	-2487.66	-50.24	-39663.99	-2487.66	-143.58	-39663.77	-2514.74	237.05	-51228.87
		MIN	S2	-2890.33	-460.52	-33775.17	-3336.29	-338.23	-46889.13	-3336.29	-448.57	-46888.20	-3788.36	-257.17	-62065.42
			TQ	-2548.32	-1049.47	-31501.85	-2910.78	-1049.47	-44369.21	-2910.78	-1153.88	-44366.62	-3261.03	-1153.88	-58657.12
			M3	-2489.27	412.40	-37820.79	-2866.79	279.69	-50420.71	-2866.79	161.03	-50421.23	-3271.88	114.00	-64589.33

BAGO RIVER BRIDGE

BLOCK [ No.1 : MAIN GIRDER ] [ BEAM MEMBER FORCE ]

MEMBER			4031			4032			4032			4033				
NODE			4031			4032			4032			4033				
NAME TITLE			SHEAR	TORQUE	MOMENT	SHEAR	TORQUE	MOMENT	SHEAR	TORQUE	MOMENT	SHEAR	TORQUE	MOMENT		
			S2 (kN)	TQ (kN·m)	M3 (kN·m)	S2 (kN)	TQ (kN·m)	M3 (kN·m)	S2 (kN)	TQ (kN·m)	M3 (kN·m)	S2 (kN)	TQ (kN·m)	M3 (kN·m)		
124	SUM TOTAL	D+3LANES (casMAX	S2	-1916.01	-327.85	-33251.91	-2197.34	-327.85	-42945.59	-2197.34	-428.91	-42944.70	-2468.22	-428.91	-53746.76	
			TQ	-2182.74	1365.40	-29437.38	-2464.06	1365.40	-40389.10	-2464.06	1270.34	-40392.20	-2734.95	1270.34	-52429.76	
			M3	-2134.44	1256.57	-29268.04	-2372.47	1118.67	-39895.23	-2372.40	1024.46	-39897.75	-2547.18	601.02	-51202.72	
		MIN	S2	-2204.10	1195.93	-31013.20	-2485.42	1195.93	-42065.66	-2485.42	1096.93	-42068.36	-2756.30	1096.93	-54204.87	
			TQ	-1940.62	-488.00	-35401.02	-2221.94	-488.00	-45210.74	-2221.94	-594.40	-45209.46	-2492.82	-594.40	-56125.48	
			M3	-2007.43	-337.58	-36127.02	-2318.49	-230.63	-46319.33	-2318.56	-339.31	-46318.66	-2616.78	-205.43	-57752.32	
		D+3LANES (casMAX	S2	-1887.23	95.27	-29674.27	-2223.51	199.12	-40059.39	-2223.51	104.85	-40059.75	-2506.09	163.72	-51199.10	
			TQ	-2340.79	937.88	-37840.91	-2622.69	937.88	-49539.43	-2621.36	821.34	-49512.03	-2892.86	821.34	-62279.62	
			M3	-2248.88	-78.74	-28462.12	-2434.16	60.84	-39831.76	-2434.17	-32.91	-39831.79	-2506.48	164.17	-51177.76	
		MIN	S2	-2867.56	69.47	-34326.51	-3243.97	128.21	-47787.21	-3243.97	15.75	-47787.37	-3629.20	118.00	-62839.25	
			TQ	-2503.42	-484.35	-31054.73	-2833.27	-484.35	-43632.19	-2834.21	-587.04	-43640.59	-3156.06	-587.04	-57509.25	
			M3	-2487.42	634.37	-38957.62	-2874.56	556.63	-51579.05	-2874.55	435.25	-51580.21	-3252.00	415.27	-65757.88	
		D+3LANES (casMAX	S2	-1810.25	-2.95	-28948.27	-2204.49	248.93	-39829.23	-2204.49	155.19	-39829.71	-2498.42	241.96	-50995.75	
			TQ	-2297.78	972.41	-37805.38	-2579.69	972.41	-49301.07	-2579.34	856.43	-49282.73	-2850.84	856.43	-61855.67	
			M3	-2106.57	-251.18	-28097.90	-2451.54	11.34	-39546.83	-2451.57	-81.74	-39546.74	-2498.70	242.96	-50980.03	
		MIN	S2	-2997.76	-447.13	-34492.45	-3424.91	-343.37	-48302.00	-3424.91	-457.04	-48301.06	-3854.35	-294.35	-64034.94	
			TQ	-2631.24	-1069.17	-31622.74	-2986.83	-1069.17	-44865.62	-2986.79	-1174.75	-44863.66	-3329.08	-1174.75	-59488.43	
			M3	-2537.98	403.51	-39276.28	-2931.42	271.97	-52147.32	-2931.40	149.26	-52147.82	-3337.43	108.12	-66638.42	
		D+4LANES	MAX	S2	-1948.59	300.46	-30248.33	-2229.92	300.46	-40095.67	-2229.92	206.10	-40096.27	-2500.80	206.10	-51049.24
			TQ	-1967.01	306.83	-30326.27	-2248.33	306.83	-40260.49	-2247.70	212.09	-40255.21	-2518.58	212.09	-51290.55	
			M3	-1949.33	301.80	-30247.20	-2229.94	301.55	-40094.84	-2229.94	207.19	-40095.44	-2500.83	207.19	-51048.54	
		MIN	S2	-2404.59	-516.25	-32201.63	-2685.91	-516.25	-44199.74	-2685.91	-620.27	-44198.40	-2956.79	-620.27	-57263.60	
			TQ	-2387.48	-519.72	-32172.90	-2668.80	-519.72	-44090.31	-2669.44	-623.48	-44094.86	-2940.32	-623.48	-57083.77	
			M3	-2345.63	-447.44	-32367.50	-2675.12	-512.74	-44209.26	-2675.12	-616.77	-44207.93	-2956.79	-620.27	-57263.60	

BAGO RIVER BRIDGE

BLOCK [ No.1 : MAIN GIRDER ][ BEAM MEMBER FORCE ]

MEMBER					4031			4032			4033					
NODE					4031			4032			4033					
					SHEAR	TORQUE	MOMENT	SHEAR	TORQUE	MOMENT	SHEAR	TORQUE	MOMENT			
NAME TITLE					S2 (kN)	TQ (kN·m)	M3 (kN·m)	S2 (kN)	TQ (kN·m)	M3 (kN·m)	S2 (kN)	TQ (kN·m)	M3 (kN·m)			
124	SUM TOTAL	D+6LANES	MAX	S2	-1795.90	-315.76	-31196.82	-2147.21	-146.85	-41489.51	-2147.21	-244.49	-41489.05	-2434.54	-180.18	-52297.51
				TQ	-2366.24	1521.68	-34858.79	-2648.01	1521.68	-46677.07	-2646.36	1411.84	-46662.57	-2917.71	1411.84	-59545.62
				M3	-2190.95	634.10	-27676.71	-2429.27	630.74	-39123.23	-2429.24	538.45	-39124.60	-2491.02	557.17	-50443.97
			MIN	S2	-2883.34	439.31	-33600.02	-3262.03	510.54	-47159.24	-3262.03	399.55	-47160.31	-3639.40	510.97	-62348.68
				TQ	-2390.30	-1133.95	-34729.20	-2722.80	-1133.95	-46780.88	-2721.60	-1244.06	-46795.14	-3042.30	-1244.06	-60141.22
				M3	-2391.07	-12.32	-40895.92	-2782.79	-24.36	-53074.56	-2782.82	-149.06	-53074.35	-3169.65	-87.03	-66846.44
	SUM TOTAL		MAX		-1795.90	1521.68	-27676.71	-2147.21	1521.68	-39123.23	-2147.21	1411.84	-39124.60	-2434.54	1411.84	-50443.97
			MIN		-2997.76	-1133.95	-40895.92	-3424.91	-1133.95	-53074.56	-3424.91	-1244.06	-53074.35	-3854.35	-1244.06	-66846.44
300	DEAD LOAD	TOTAL			-2030.19	215.93	-30808.67	-2311.51	215.93	-41040.86	-2311.51	119.34	-41041.25	-2582.39	119.34	-52372.17
301	LIVE LOAD	1-LANE(case1MAX	S2		84.91	-411.56	-1792.85	84.91	-411.56	-1392.37	84.91	-414.83	-1391.40	84.91	-414.83	-998.09
			TQ		-19.57	748.22	802.65	-19.57	748.22	710.37	-19.57	749.89	708.61	-19.57	749.89	617.98
			M3		-6.63	704.88	833.62	-2.94	694.48	811.21	-2.93	696.36	809.57	6.79	646.05	826.43
			MIN	S2	-31.05	600.90	620.34	-31.05	600.90	473.87	-31.05	602.02	472.45	-31.05	602.02	328.61
				TQ	80.91	-510.22	-1956.35	80.91	-510.22	-1574.73	80.91	-513.93	-1573.53	80.91	-513.93	-1198.74
				M3	55.79	-430.30	-2204.25	52.27	-412.54	-1951.65	52.27	-417.10	-1950.68	48.93	-388.37	-1714.10
		1-LANE(case2MAX	S2		32.43	-62.74	-78.01	32.43	-62.74	74.94	32.43	-62.56	75.08	32.43	-62.56	225.29
			TQ		-125.07	332.98	511.02	-125.07	332.98	-78.89	-125.07	332.79	-79.68	-125.07	332.79	-659.02
			M3		-88.84	268.14	648.97	-46.97	164.62	326.96	-46.93	165.29	326.58	27.13	-27.96	413.44
			MIN	S2	-141.73	277.98	-1033.23	-141.73	277.98	-1701.72	-141.73	273.97	-1702.37	-141.73	273.97	-2358.89
				TQ	4.39	-152.50	-2339.80	4.39	-152.50	-2319.11	4.39	-157.96	-2318.75	4.39	-157.96	-2298.43
				M3	-38.34	-83.14	-2809.17	-66.91	-8.15	-3055.73	-66.95	-15.24	-3055.70	-86.55	40.81	-3420.88
		1-LANE(case3MAX	S2		33.82	-3.88	154.65	33.82	-3.88	314.16	33.82	-3.14	314.17	33.82	-3.14	470.82
			TQ		-141.78	163.44	-2957.22	-142.60	163.44	-3627.84	-141.27	154.92	-3614.57	-142.14	154.92	-4270.91
			M3		-148.38	50.56	849.00	13.22	5.44	372.53	13.23	6.31	372.51	33.31	-3.47	500.56
			MIN	S2	-282.92	106.84	-1541.09	-283.78	106.84	-2877.49	-283.78	100.07	-2877.73	-284.69	100.07	-4194.26
				TQ	-117.07	-49.79	-137.68	-117.10	-49.79	-689.90	-118.43	-51.43	-703.42	-118.47	-51.43	-1252.10
				M3	-141.60	122.67	-3403.53	-183.41	126.35	-4166.42	-183.42	116.55	-4166.71	-204.40	126.34	-5085.12

BAGO RIVER BRIDGE

BLOCK [ No.1 : MAIN GIRDER ][ BEAM MEMBER FORCE ]

MEMBER			4031			4032			4032			4033			
NODE			4031			4032			4032			4033			
NAME TITLE			SHEAR	TORQUE	MOMENT	SHEAR	TORQUE	MOMENT	SHEAR	TORQUE	MOMENT	SHEAR	TORQUE	MOMENT	
			S2 (kN)	TQ (kN·m)	M3 (kN·m)	S2 (kN)	TQ (kN·m)	M3 (kN·m)	S2 (kN)	TQ (kN·m)	M3 (kN·m)	S2 (kN)	TQ (kN·m)	M3 (kN·m)	
301	LIVE LOAD	1-LANE (case4MAX	S2	192.92	-231.69	1351.82	72.52	-37.94	802.45	72.52	-36.05	802.53	41.82	81.76	715.99
			TQ	-173.17	547.36	-3592.26	-173.17	547.36	-4409.06	-173.17	536.98	-4410.34	-173.17	536.98	-5212.50
			M3	104.41	-369.36	1567.61	-117.30	-217.19	964.56	-117.30	-214.92	965.07	41.82	82.92	717.16
			MIN S2	-580.20	-510.86	-1848.00	-716.88	-423.08	-3714.33	-716.88	-431.82	-3713.32	-876.44	-282.25	-6401.26
			TQ	-337.83	-919.95	-443.59	-400.20	-919.95	-2183.78	-400.20	-925.09	-2181.61	-461.98	-925.09	-4177.92
			M3	-312.53	145.77	-4433.13	-372.36	50.41	-6032.89	-372.36	36.21	-6032.99	-473.02	-0.43	-7952.52
		2-LANES (caseMAX	S2	107.30	-587.45	-2809.39	107.30	-587.45	-2303.31	107.30	-592.87	-2301.92	107.30	-592.87	-1804.91
			TQ	-75.25	1074.84	1187.45	-75.25	1074.84	832.52	-75.25	1076.79	829.99	-75.25	1076.79	481.42
			M3	-48.63	1000.84	1271.70	-32.58	924.87	1075.33	-32.53	927.10	1073.15	18.81	589.98	1031.28
			MIN S2	-86.49	921.29	620.40	-86.49	921.29	212.44	-86.49	921.79	210.28	-86.49	921.79	-190.37
			TQ	101.72	-701.07	-3452.93	101.72	-701.07	-2973.15	101.72	-708.06	-2971.49	101.72	-708.06	-2500.31
			M3	58.72	-581.90	-3915.90	47.54	-518.57	-3663.53	47.50	-526.89	-3662.30	31.67	-416.09	-3478.85
		2-LANES (caseMAX	S2	63.56	-296.77	-1380.35	63.56	-296.77	-1080.55	63.56	-299.31	-1079.85	63.56	-299.31	-785.42
			TQ	-163.17	728.80	944.42	-163.17	728.80	174.80	-163.17	729.21	173.08	-163.17	729.21	-582.75
			M3	-117.13	636.89	1117.82	-69.27	483.32	671.79	-69.20	484.54	670.65	35.77	28.29	687.13
			MIN S2	-178.73	652.19	-757.57	-178.73	652.19	-1600.55	-178.73	648.42	-1602.08	-178.73	648.42	-2429.96
			TQ	37.95	-402.97	-3772.47	37.95	-402.97	-3593.47	37.95	-411.42	-3592.51	37.95	-411.42	-3416.72
			M3	-19.72	-292.61	-4420.00	-51.78	-181.57	-4583.59	-51.85	-192.00	-4583.15	-81.23	-58.45	-4901.17
		2-LANES (caseMAX	S2	59.62	7.09	365.87	58.43	11.59	606.29	58.43	13.01	606.27	57.96	14.68	860.61
			TQ	-220.50	412.40	-5255.22	-221.18	412.40	-6296.80	-219.62	397.64	-6263.08	-220.34	397.64	-7282.02
			M3	-215.59	-67.04	1617.75	-58.82	-41.61	751.11	-58.84	-39.85	751.20	57.54	14.40	885.40
			MIN S2	-557.87	44.83	-2635.04	-581.93	68.15	-4992.33	-581.93	56.41	-4992.48	-606.87	87.77	-7416.53
			TQ	-300.90	-297.93	-215.21	-318.06	-297.93	-1674.46	-319.17	-301.88	-1685.12	-337.26	-301.88	-3204.96
			M3	-296.39	270.87	-6026.36	-373.14	243.45	-7597.25	-373.13	225.59	-7597.80	-429.51	224.39	-9473.65

BAGO RIVER BRIDGE

BLOCK [ No.1 : MAIN GIRDER ] [ BEAM MEMBER FORCE ]

MEMBER			4031			4032			4033							
NODE			4031			4032			4033							
			SHEAR	TORQUE	MOMENT	SHEAR	TORQUE	MOMENT	SHEAR	TORQUE	MOMENT					
NAME	TITLE		S2 (kN)	TQ (kN·m)	M3 (kN·m)	S2 (kN)	TQ (kN·m)	M3 (kN·m)	S2 (kN)	TQ (kN·m)	M3 (kN·m)					
301	LIVE LOAD	2-LANES (caseMAX	S2	227.64	-284.67	2000.16	94.81	11.44	1092.41	94.81	14.01	1092.38	67.69	116.08	1142.31	
			TQ	-246.07	751.63	-5760.49	-246.07	751.63	-6921.10	-245.62	735.39	-6899.54	-245.62	735.39	-8037.26	
			M3	22.82	-515.14	2363.68	-176.15	-266.17	1376.86	-176.15	-262.93	1377.48	67.65	117.70	1143.30	
			MIN	S2	-860.14	-676.45	-2966.49	-1024.79	-554.16	-5848.27	-1024.79	-567.92	-5846.95	-1205.97	-376.52	-9693.25
			TQ	-518.13	-1265.40	-693.18	-599.27	-1265.40	-3328.35	-599.27	-1273.23	-3325.37	-678.64	-1273.23	-6284.96	
			M3	-459.09	196.47	-7012.12	-555.28	63.76	-9379.85	-555.28	41.69	-9379.98	-689.49	-5.34	-12217.16	
		3-LANES (caseMAX	S2	114.17	-543.78	-2443.24	114.17	-543.78	-1904.73	114.17	-548.26	-1903.45	114.17	-548.26	-1374.59	
			TQ	-152.55	1149.47	1371.30	-152.55	1149.47	651.76	-152.55	1151.00	649.05	-152.55	1151.00	-57.60	
			M3	-104.26	1040.65	1540.63	-60.96	902.74	1145.63	-60.89	905.11	1143.50	35.21	481.67	1169.44	
			MIN	S2	-173.91	980.00	-204.53	-173.91	980.00	-1024.81	-173.91	977.58	-1027.11	-173.91	977.58	-1832.70
			TQ	89.57	-703.93	-4592.35	89.57	-703.93	-4169.88	89.57	-713.74	-4168.21	89.57	-713.74	-3753.32	
			M3	22.75	-553.51	-5318.34	-6.98	-446.56	-5278.47	-7.05	-458.65	-5277.41	-34.39	-324.77	-5380.15	
		3-LANES (caseMAX	S2	142.95	-120.66	1134.41	88.00	-16.80	981.47	88.00	-14.49	981.50	76.30	44.38	1173.06	
			TQ	-310.60	721.95	-7032.24	-311.18	721.95	-8498.58	-309.86	702.00	-8470.78	-310.47	702.00	-9907.45	
			M3	-218.69	-294.67	2346.55	-122.65	-155.09	1209.10	-122.66	-152.26	1209.46	75.91	44.83	1194.41	
			MIN	S2	-837.38	-146.46	-3517.83	-932.47	-87.71	-6746.35	-932.47	-103.59	-6746.12	-1046.80	-1.34	-10467.08
			TQ	-473.23	-700.28	-246.05	-521.76	-700.28	-2591.33	-522.70	-706.38	-2599.34	-573.67	-706.38	-5137.09	
			M3	-457.24	418.44	-8148.95	-563.06	340.70	-10538.19	-563.04	315.91	-10538.96	-669.61	295.93	-13385.71	
		3-LANES (caseMAX	S2	219.93	-218.88	1860.40	107.02	33.00	1211.62	107.02	35.85	1211.54	83.97	122.61	1376.42	
			TQ	-267.60	756.48	-6996.70	-268.18	756.48	-8260.22	-267.84	737.09	-8241.48	-268.45	737.09	-9483.51	
			M3	-76.38	-467.11	2710.77	-140.04	-204.58	1494.03	-140.06	-201.08	1494.51	83.69	123.62	1392.13	
MIN	S2		-967.57	-663.06	-3683.78	-1113.40	-559.29	-7261.14	-1113.40	-576.38	-7259.81	-1271.96	-413.69	-11662.78		
TQ	-601.05		-1285.09	-814.06	-675.32	-1285.09	-3824.76	-675.28	-1294.09	-3822.41	-746.69	-1294.09	-7116.27			
M3	-507.80		187.58	-8467.60	-619.92	56.04	-11106.46	-619.89	29.91	-11106.57	-755.04	-11.23	-14266.25			

BAGO RIVER BRIDGE

BLOCK [ No.1 : MAIN GIRDER ][ BEAM MEMBER FORCE ]

MEMBER					4031			4032			4033					
NODE					4031			4032			4033					
					SHEAR	TORQUE	MOMENT	SHEAR	TORQUE	MOMENT	SHEAR	TORQUE	MOMENT			
NAME TITLE					S2 (kN)	TQ (kN·m)	M3 (kN·m)	S2 (kN)	TQ (kN·m)	M3 (kN·m)	S2 (kN)	TQ (kN·m)	M3 (kN·m)			
301	LIVE LOAD	4-LANES	MAX	S2	81.59	84.53	560.35	81.59	84.53	945.18	81.59	86.75	944.98	81.59	86.75	1322.93
			TQ	63.17	90.90	482.40	63.17	90.90	780.36	63.81	92.74	786.04	63.81	92.74	1081.61	
			M3	80.85	85.87	561.47	81.56	85.62	946.01	81.56	87.85	945.81	81.56	87.85	1323.62	
		MIN	S2	-374.40	-732.18	-1392.96	-374.40	-732.18	-3158.88	-374.40	-739.61	-3157.15	-374.40	-739.61	-4891.44	
		TQ	-357.30	-735.65	-1364.22	-357.30	-735.65	-3049.46	-357.93	-742.83	-3053.61	-357.93	-742.83	-4711.61		
		M3	-315.44	-663.37	-1558.82	-363.61	-728.66	-3168.41	-363.61	-736.12	-3166.68	-374.40	-739.61	-4891.44		
	6-LANES	MAX	S2	234.29	-531.69	-388.15	164.29	-362.77	-448.66	164.29	-363.83	-447.80	147.85	-299.52	74.66	
		TQ	-336.06	1305.75	-4050.11	-336.51	1305.75	-5636.21	-334.85	1292.50	-5621.32	-335.32	1292.50	-7173.46		
		M3	-160.77	418.17	3131.97	-117.76	414.81	1917.63	-117.73	419.11	1916.65	91.37	437.82	1928.20		
		MIN	S2	-853.15	223.38	-2791.35	-950.52	294.61	-6118.38	-950.52	280.21	-6119.06	-1057.00	391.63	-9976.51	
		TQ	-360.11	-1349.87	-3920.52	-411.29	-1349.87	-5740.02	-410.10	-1363.40	-5753.89	-459.90	-1363.40	-7769.06		
		M3	-360.88	-228.25	-10087.24	-471.29	-240.29	-12033.70	-471.32	-268.40	-12033.10	-587.25	-206.37	-14474.27		
LIVE LOAD	MAX		234.29	1305.75	3131.97	164.29	1305.75	1917.63	164.29	1292.50	1916.65	147.85	1292.50	1928.20		
	MIN		-967.57	-1349.87	-10087.24	-1113.40	-1349.87	-12033.70	-1113.40	-1363.40	-12033.10	-1271.96	-1363.40	-14474.27		
303	SUM TOTAL	TOTAL	MAX		-1795.90	1521.68	-27676.71	-2147.21	1521.68	-39123.23	-2147.21	1411.84	-39124.60	-2434.54	1411.84	-50443.97
			MIN		-2997.76	-1133.95	-40895.92	-3424.91	-1133.95	-53074.56	-3424.91	-1244.06	-53074.35	-3854.35	-1244.06	-66846.44

BAGO RIVER BRIDGE

BLOCK [ No.1 : MAIN GIRDER ][ BEAM MEMBER FORCE ]

MEMBER NODE	4033	4034			4034			4035						
		SHEAR	TORQUE	MOMENT	SHEAR	TORQUE	MOMENT	SHEAR	TORQUE	MOMENT				
NAME TITLE	S2 (kN)	TQ (kN·m)	M3 (kN·m)	S2 (kN)	TQ (kN·m)	M3 (kN·m)	S2 (kN)	TQ (kN·m)	M3 (kN·m)	S2 (kN)	TQ (kN·m)	M3 (kN·m)		
1 PAVEMENT	564.55	-22.66	-8727.05	517.11	-22.66	-6277.59	517.11	-36.83	-6277.52	471.97	-36.83	-4078.96		
3 RAILING	20.64	1.61	-269.86	17.02	1.61	-184.35	17.02	1.20	-184.35	13.53	1.20	-116.09		
5 CURB	204.38	15.95	-2671.64	168.47	15.95	-1825.05	168.47	11.83	-1825.08	133.97	11.83	-1149.32		
7 DECK WEIGHT	908.96	-24.47	-14053.70	831.96	-24.47	-10110.64	831.96	-47.30	-10110.56	758.60	-47.30	-6573.99		
8 GIRDER WEIGH	1209.00	30.54	-18901.28	1124.37	30.54	-13617.47	1124.37	-0.21	-13617.50	1041.32	-0.21	-8805.00		
10 MEDIAN STRIP	199.48	6.73	-3579.84	199.48	6.73	-2676.39	199.48	0.69	-2676.40	199.48	0.69	-1789.83		
21 ADITIONAL WE	254.51	-6.85	-3935.04	232.95	-6.85	-2830.98	232.95	-13.24	-2830.96	212.41	-13.24	-1840.72		
31 MEDIAN RAILI	13.36	0.56	-233.59	13.36	0.56	-173.08	13.36	0.17	-173.08	13.36	0.17	-113.69		
51 SUPPORT WEIG	0.00	0.00	-0.00	0.00	0.00	-0.00	0.00	0.00	-0.00	0.00	0.00	-0.00		
52 NOSE WEIGHT	0.01	-0.02	-0.09	0.01	-0.02	-0.06	0.01	-0.02	-0.06	0.01	-0.02	-0.03		
61 1-LANE(case1TRUCK-LOAD	MAX	S2	24.81	-284.57	-530.67	24.81	-284.57	-418.29	24.81	-285.51	-417.64	24.81	-285.51	-307.36
		TQ	-50.05	173.69	277.16	-50.05	173.69	50.48	-50.05	173.81	50.09	-50.05	173.81	-172.35
		M3	-48.15	170.46	301.19	2.17	-18.39	122.72	2.17	-18.11	122.76	2.37	-18.77	132.69
	MIN	S2	-50.05	173.69	277.16	-50.05	173.69	50.48	-50.05	173.81	50.09	-50.05	173.81	-172.35
		TQ	20.70	-313.44	-378.87	20.70	-313.44	-285.11	20.70	-314.08	-284.40	20.70	-314.08	-192.39
		M3	23.22	-234.02	-581.02	22.82	-228.23	-476.12	22.82	-229.30	-475.60	21.65	-215.87	-375.05
	TANDEM-LOAD MAX	S2	16.88	-190.66	-365.94	16.88	-190.66	-289.50	16.88	-191.32	-289.07	16.88	-191.32	-214.06
		TQ	-34.35	118.73	195.01	-34.35	118.73	39.44	-34.35	118.81	39.17	-34.35	118.81	-113.50
		M3	-32.59	115.50	208.90	1.51	-12.63	83.54	1.51	-12.44	83.57	1.57	-12.62	90.36
	MIN	S2	-34.35	118.73	195.01	-34.35	118.73	39.44	-34.35	118.81	39.17	-34.35	118.81	-113.50
		TQ	13.78	-213.83	-247.28	13.78	-213.83	-184.87	13.78	-214.24	-184.39	13.78	-214.24	-123.14
		M3	15.95	-160.69	-395.46	15.95	-160.69	-323.21	15.95	-161.42	-322.85	14.91	-148.52	-255.21
DISPERSION-LMAX	S2	37.98	-462.88	-725.61	37.98	-462.88	-553.61	37.98	-464.13	-552.57	37.98	-464.13	-383.79	
	TQ	-51.91	195.21	234.05	-51.91	195.21	-1.02	-51.91	195.21	-1.47	-51.91	195.21	-232.15	
	M3	-45.71	158.91	371.40	-24.67	81.77	201.84	-24.61	82.01	201.66	1.77	-15.68	162.23	
MIN	S2	-52.83	156.10	223.58	-52.83	156.10	-15.67	-52.83	156.06	-16.02	-52.83	156.06	-250.80	
	TQ	37.05	-502.00	-736.08	37.05	-502.00	-568.26	37.05	-503.28	-567.13	37.05	-503.28	-402.44	
	M3	30.86	-465.70	-873.43	9.82	-388.56	-771.13	9.76	-390.08	-770.25	-16.62	-292.39	-796.82	

BAGO RIVER BRIDGE

BLOCK [ No.1 : MAIN GIRDER ][ BEAM MEMBER FORCE ]

MEMBER				4033			4034			4035					
NODE				4033			4034			4034			4035		
				SHEAR	TORQUE	MOMENT	SHEAR	TORQUE	MOMENT	SHEAR	TORQUE	MOMENT	SHEAR	TORQUE	MOMENT
NAME	TITLE			S2 (kN)	TQ (kN·m)	M3 (kN·m)	S2 (kN)	TQ (kN·m)	M3 (kN·m)	S2 (kN)	TQ (kN·m)	M3 (kN·m)	S2 (kN)	TQ (kN·m)	M3 (kN·m)
62	1-LANE (case2TRUCK-LOAD	MAX	S2	65.37	-103.50	-771.70	65.37	-103.50	-475.64	65.37	-104.57	-475.41	65.37	-104.57	-184.87
			TQ	-15.38	74.00	-234.26	-15.38	74.00	-303.91	-15.38	73.31	-304.08	-15.38	73.31	-372.44
			M3	-0.79	-10.40	154.82	-0.79	-10.40	151.24	-0.79	-10.06	151.26	-0.79	-10.06	147.74
		MIN	S2	-18.86	63.72	-85.25	-18.86	63.72	-170.67	-18.86	63.33	-170.82	-18.86	63.33	-254.64
			TQ	61.06	-109.52	-556.95	61.06	-109.52	-280.43	61.06	-110.15	-280.18	61.06	-110.15	-8.81
			M3	56.40	-80.41	-961.16	53.05	-74.28	-713.07	53.05	-75.89	-712.90	49.32	-70.29	-484.63
		TANDEM-LOAD MAX	S2	44.63	-70.96	-512.84	44.63	-70.96	-310.70	44.63	-71.66	-310.54	44.63	-71.66	-112.19
			TQ	-10.11	50.44	-167.69	-10.11	50.44	-213.48	-10.11	49.96	-213.59	-10.11	49.96	-258.53
			M3	-0.55	-7.02	105.36	-0.55	-7.02	102.85	-0.55	-6.78	102.86	-0.55	-6.78	100.40
		MIN	S2	-12.99	45.02	-67.18	-12.99	45.02	-126.03	-12.99	44.73	-126.13	-12.99	44.73	-183.88
			TQ	42.73	-74.74	-400.05	42.73	-74.74	-206.52	42.73	-75.21	-206.35	42.73	-75.21	-16.44
			M3	38.61	-55.18	-652.31	36.36	-51.11	-484.18	36.36	-52.20	-484.06	33.93	-48.03	-329.34
		DISPERSION-LMAX	S2	101.53	-164.67	-1551.58	101.53	-164.67	-1091.77	101.53	-167.14	-1091.39	101.53	-167.14	-640.17
			TQ	-16.66	85.48	-330.26	-16.66	85.48	-405.71	-16.66	84.57	-405.90	-16.66	84.57	-479.94
			M3	-2.92	-6.70	190.18	-0.86	-12.95	183.33	-0.86	-12.54	183.36	13.60	-41.13	204.98
MIN	S2	-17.61	74.51	-161.57	-17.61	74.51	-241.33	-17.61	73.96	-241.50	-17.61	73.96	-319.77		
	TQ	100.57	-175.65	-1382.89	100.57	-175.65	-927.39	100.57	-177.74	-926.99	100.57	-177.74	-480.00		
	M3	86.83	-83.46	-1903.33	84.78	-77.21	-1516.43	84.78	-80.64	-1516.25	70.32	-52.05	-1164.92		
63	1-LANE (case3TRUCK-LOAD	MAX	S2	111.51	32.04	-902.17	111.51	32.04	-397.13	111.51	31.14	-397.20	111.51	31.14	98.40
			TQ	94.11	72.17	-1241.42	94.11	72.17	-815.21	94.11	70.33	-815.37	94.11	70.33	-397.11
			M3	-3.22	-3.77	188.03	-3.22	-3.77	173.46	-3.22	-3.38	173.47	99.36	-3.58	306.35
		MIN	S2	-8.52	2.69	-161.28	-8.52	2.69	-199.89	-8.52	2.24	-199.89	-8.52	2.24	-237.78
			TQ	67.50	-11.73	-318.13	66.92	-11.73	-14.86	66.92	-11.77	-14.83	61.75	-11.77	271.86
			M3	85.36	68.81	-1279.23	78.47	63.95	-905.76	78.47	61.90	-905.90	69.56	57.68	-572.16



BAGO RIVER BRIDGE

BLOCK [ No.1 : MAIN GIRDER ][ BEAM MEMBER FORCE ]

MEMBER		4033			4034			4034			4035				
NODE		4033			4034			4034			4035				
		SHEAR	TORQUE	MOMENT	SHEAR	TORQUE	MOMENT	SHEAR	TORQUE	MOMENT	SHEAR	TORQUE	MOMENT		
NAME	TITLE	S2 (kN)	TQ (kN·m)	M3 (kN·m)	S2 (kN)	TQ (kN·m)	M3 (kN·m)	S2 (kN)	TQ (kN·m)	M3 (kN·m)	S2 (kN)	TQ (kN·m)	M3 (kN·m)		
63	1-LANE (case3TANDEM-LOAD	MAX	S2	77.51	11.15	-549.68	77.51	11.15	-198.62	77.51	10.70	-198.65	77.51	10.70	145.85
			TQ	62.82	49.03	-851.23	62.82	49.03	-566.71	65.32	47.76	-530.27	65.32	47.76	-239.95
			M3	-2.19	-2.55	127.88	-2.19	-2.55	117.95	-2.19	-2.28	117.96	67.72	-7.49	240.92
		MIN	S2	-8.33	2.62	-72.68	-8.33	2.62	-110.42	-8.33	2.37	-110.42	-8.33	2.37	-147.45
			TQ	61.83	-9.39	-313.95	61.83	-9.39	-33.93	61.83	-9.47	-33.91	57.81	-9.47	238.61
			M3	58.44	47.12	-868.22	54.86	44.56	-614.45	54.86	43.17	-614.55	47.73	39.11	-388.89
	DISPERSION-LMAX	S2	176.94	104.72	-2903.75	176.18	104.72	-2104.09	176.18	99.97	-2104.32	175.36	99.97	-1323.08	
		TQ	147.41	117.55	-2410.61	146.80	117.55	-1744.35	146.11	113.64	-1720.57	145.35	113.64	-1072.80	
		M3	-3.91	-4.61	228.65	0.73	-5.39	213.61	0.74	-4.91	213.62	32.09	-2.86	291.40	
		MIN	S2	-5.94	-3.33	179.46	-5.94	-3.33	152.54	-5.94	-2.98	152.55	-5.94	-2.98	126.14
			TQ	23.59	-16.15	-313.69	23.43	-16.15	-207.20	24.12	-16.65	-231.20	24.07	-16.65	-124.14
			M3	174.90	106.01	-2952.94	169.50	106.79	-2165.16	169.50	101.90	-2165.39	137.33	99.85	-1488.34
64	1-LANE (case4TRUCK-LOAD	MAX	S2	383.96	77.57	-420.55	285.32	194.61	348.52	285.32	195.40	348.08	209.74	274.43	651.02
			TQ	155.90	309.44	-1586.02	155.90	309.44	-879.94	155.90	307.45	-880.64	155.90	307.45	-187.75
			M3	-9.19	12.71	268.14	179.13	83.91	401.91	179.13	84.82	401.72	82.39	199.01	717.56
		MIN	S2	-9.23	12.96	266.81	-42.12	50.01	345.92	-42.12	50.79	345.81	-140.77	168.30	682.28
			TQ	80.52	-167.72	-1590.15	80.52	-167.72	-1225.47	80.52	-170.49	-1225.09	80.52	-170.49	-867.21
			M3	128.55	290.90	-1732.07	79.43	-166.11	-1244.01	79.43	-168.92	-1243.63	78.58	-167.20	-893.96
	TANDEM-LOAD	MAX	S2	293.91	11.06	-64.94	225.47	94.72	497.40	225.47	95.84	497.19	159.57	170.92	674.31
			TQ	103.47	209.80	-1099.75	103.47	209.80	-631.12	109.18	208.40	-541.94	109.18	208.40	-56.71
			M3	-6.23	8.54	182.44	92.43	72.50	497.43	92.43	73.62	497.27	21.55	155.21	680.11
		MIN	S2	-6.28	8.89	181.00	-59.07	72.50	497.43	-59.07	73.62	497.27	-131.84	155.21	680.11
			TQ	54.59	-114.10	-1087.16	54.59	-114.10	-839.94	54.59	-115.99	-839.68	54.59	-115.99	-597.08
			M3	88.03	198.98	-1175.60	53.11	-111.21	-845.88	53.11	-113.12	-845.63	53.11	-113.12	-609.59

BAGO RIVER BRIDGE

BLOCK [ No.1 : MAIN GIRDER ][ BEAM MEMBER FORCE ]

MEMBER		4033			4034			4034			4035						
NODE		4033			4034			4034			4035						
		SHEAR	TORQUE	MOMENT	SHEAR	TORQUE	MOMENT	SHEAR	TORQUE	MOMENT	SHEAR	TORQUE	MOMENT				
NAME	TITLE	S2 (kN)	TQ (kN·m)	M3 (kN·m)	S2 (kN)	TQ (kN·m)	M3 (kN·m)	S2 (kN)	TQ (kN·m)	M3 (kN·m)	S2 (kN)	TQ (kN·m)	M3 (kN·m)				
64	1-LANE (case4DISPERSION-LMAX	S2	389.94	306.51	-4851.26	344.68	299.44	-3248.76	344.68	292.11	-3249.43	311.48	271.30	-1913.69			
		TQ	285.46	507.09	-2660.86	234.44	507.09	-1483.11	234.44	503.74	-1484.25	183.86	503.74	-554.40			
		M3	-11.10	15.12	326.28	16.34	42.88	373.13	16.34	43.72	373.03	10.94	111.35	430.21			
		MIN	S2	-11.10	15.12	326.28	-16.85	22.19	324.48	-16.85	22.92	324.43	-34.24	43.72	333.58		
		TQ	93.39	-185.47	-1864.11	93.39	-185.47	-1441.17	93.39	-188.72	-1440.75	93.39	-188.72	-1025.70			
		M3	389.94	306.51	-4851.26	311.48	278.75	-3297.41	311.48	271.30	-3298.03	266.31	203.68	-2010.32			
		65	2-LANES (caseTRUCK-LOAD	MAX	S2	67.59	-483.42	-1216.68	67.59	-483.42	-910.56	67.59	-485.47	-909.46	67.59	-485.47	-609.06
				TQ	-82.36	297.73	285.52	-82.36	297.73	-87.50	-82.89	297.54	-64.24	-82.89	297.54	-432.64	
				M3	-47.48	156.20	434.68	2.97	-33.12	259.37	2.97	-32.54	259.44	3.17	-33.19	272.90	
MIN	S2			-82.90	297.40	316.43	-82.90	297.40	-59.04	-82.90	297.27	-59.71	-82.90	297.27	-428.16		
TQ	62.18			-522.16	-936.18	62.18	-522.16	-654.59	62.18	-523.64	-653.41	62.18	-523.64	-377.08			
M3	61.88			-397.98	-1345.50	60.63	-387.45	-1067.49	60.63	-389.86	-1066.61	56.90	-363.95	-804.30			
TANDEM-LOAD	MAX			S2	45.97	-326.67	-825.41	45.97	-326.67	-617.21	45.97	-328.07	-616.47	45.97	-328.07	-412.16	
TQ	-56.57			203.50	206.07	-56.57	203.50	-50.15	-56.72	203.39	-43.93	-56.72	203.39	-296.02			
M3	-32.12			105.71	299.82	2.02	-22.55	176.64	2.02	-22.15	176.69	2.08	-22.34	185.74			
MIN	S2	-56.72	203.49	213.42	-56.72	203.49	-43.47	-56.72	203.39	-43.93	-56.72	203.39	-296.02				
TQ	41.24	-355.78	-594.57	41.24	-355.78	-407.79	41.24	-356.70	-406.98	41.24	-356.70	-223.69					
M3	42.41	-273.40	-914.54	41.32	-266.70	-725.34	41.32	-268.34	-724.74	38.44	-247.30	-546.78					
DISPERSION-LMAX	S2	106.18	-801.16	-1806.97	106.18	-801.16	-1326.09	106.18	-804.16	-1324.27	106.18	-804.16	-852.37				
TQ	-86.56	335.95	189.71	-86.56	335.95	-202.31	-86.56	335.50	-203.07	-86.56	335.50	-587.77					
M3	-61.28	203.67	579.06	-26.60	76.00	369.55	-26.52	76.54	369.38	5.36	-46.83	334.76					
MIN	S2	-87.52	294.78	204.41	-87.52	294.78	-191.94	-87.52	294.35	-192.61	-87.52	294.35	-581.56				
TQ	105.22	-842.33	-1792.27	105.22	-842.33	-1315.72	105.22	-845.30	-1313.81	105.22	-845.30	-846.16					
M3	79.94	-710.05	-2181.62	45.27	-582.38	-1887.58	45.19	-586.34	-1886.26	13.31	-462.97	-1768.69					

BAGO RIVER BRIDGE

BLOCK [ No.1 : MAIN GIRDER ][ BEAM MEMBER FORCE ]

MEMBER				4033			4034			4035					
NODE				4033			4034			4034			4035		
				SHEAR	TORQUE	MOMENT	SHEAR	TORQUE	MOMENT	SHEAR	TORQUE	MOMENT	SHEAR	TORQUE	MOMENT
NAME	TITLE			S2 (kN)	TQ (kN·m)	M3 (kN·m)	S2 (kN)	TQ (kN·m)	M3 (kN·m)	S2 (kN)	TQ (kN·m)	M3 (kN·m)	S2 (kN)	TQ (kN·m)	M3 (kN·m)
66	2-LANES (caseTRUCK-LOAD	MAX	S2	108.15	-302.35	-1457.71	108.15	-302.35	-967.91	108.15	-304.53	-967.23	108.15	-304.53	-486.57
			TQ	-47.69	198.04	-225.90	-47.69	198.04	-441.90	-48.22	197.04	-418.41	-48.22	197.04	-632.73
			M3	-0.13	-24.66	288.31	0.00	-25.14	287.88	0.00	-24.49	287.94	0.00	-24.49	287.95
		MIN	S2	-51.71	187.42	-45.98	-51.71	187.42	-280.20	-51.71	186.79	-280.62	-51.71	186.79	-510.45
			TQ	102.53	-318.24	-1114.26	102.53	-318.24	-649.91	102.53	-319.71	-649.19	102.53	-319.71	-193.51
			M3	95.06	-244.37	-1725.63	90.86	-233.51	-1304.44	90.86	-236.45	-1303.91	84.56	-218.37	-913.87
		TANDEM-LOAD MAX	S2	73.72	-206.97	-972.31	73.72	-206.97	-638.42	73.72	-208.41	-637.95	73.72	-208.41	-310.29
			TQ	-32.33	135.21	-156.64	-32.33	135.21	-303.07	-32.48	134.53	-296.69	-32.48	134.53	-441.04
			M3	-0.08	-16.81	196.28	-0.05	-16.94	195.95	-0.05	-16.50	195.98	-0.05	-16.50	195.78
		MIN	S2	-35.36	129.78	-48.78	-35.36	129.78	-208.94	-35.36	129.31	-209.23	-35.36	129.31	-366.40
			TQ	70.19	-216.69	-747.34	70.19	-216.69	-429.44	70.19	-217.66	-428.95	70.19	-217.66	-116.99
			M3	65.07	-167.89	-1171.39	61.73	-157.12	-886.31	61.73	-159.12	-885.95	57.46	-146.80	-620.91
		DISPERSION-LMAX	S2	169.73	-502.95	-2632.95	169.73	-502.95	-1864.24	169.73	-507.16	-1863.10	169.73	-507.16	-1108.75
			TQ	-51.31	226.22	-374.61	-51.31	226.22	-607.00	-51.31	224.85	-607.51	-51.31	224.85	-835.56
			M3	-18.48	38.06	397.83	-2.79	-18.73	351.04	-2.77	-18.01	351.08	17.18	-72.29	377.51
MIN	S2	-52.30	213.19	-180.73	-52.30	213.19	-417.60	-52.30	212.25	-418.08	-52.30	212.25	-650.53		
	TQ	168.74	-515.98	-2439.07	168.74	-515.98	-1674.85	168.74	-519.77	-1673.68	168.74	-519.77	-923.72		
	M3	135.92	-327.82	-3211.51	120.22	-271.03	-2632.88	120.20	-276.90	-2632.26	100.25	-222.63	-2136.79		
67	2-LANES (caseTRUCK-LOAD	MAX	S2	272.83	92.34	-1415.23	271.86	107.10	-291.69	271.86	106.44	-291.93	265.09	153.74	549.56
			TQ	215.47	259.85	-2674.63	215.47	259.85	-1698.80	215.47	256.01	-1699.38	215.47	256.01	-741.78
			M3	-8.10	-2.99	398.72	-8.10	-2.99	362.05	-8.10	-2.17	362.06	184.56	73.36	790.11
		MIN	S2	-13.46	3.79	48.39	-13.46	3.79	-12.58	-13.46	3.76	-12.59	-19.64	64.49	213.83
			TQ	103.01	-72.01	-1274.97	102.43	-72.01	-810.88	102.43	-73.84	-810.71	97.26	-73.84	-366.20
			M3	192.28	246.86	-2781.72	174.27	225.79	-1943.87	174.27	221.40	-1944.38	105.93	-1.22	-1246.41

BAGO RIVER BRIDGE

BLOCK [ No.1 : MAIN GIRDER ][ BEAM MEMBER FORCE ]

MEMBER		4033			4034			4034			4035						
NODE		4033			4034			4034			4035						
		SHEAR	TORQUE	MOMENT	SHEAR	TORQUE	MOMENT	SHEAR	TORQUE	MOMENT	SHEAR	TORQUE	MOMENT				
NAME	TITLE	S2 (kN)	TQ (kN·m)	M3 (kN·m)	S2 (kN)	TQ (kN·m)	M3 (kN·m)	S2 (kN)	TQ (kN·m)	M3 (kN·m)	S2 (kN)	TQ (kN·m)	M3 (kN·m)				
67	2-LANES (caseTANDEM-LOAD	MAX	S2	187.20	44.22	-852.55	187.20	44.22	-4.75	187.20	44.21	-4.85	185.37	79.03	574.80		
			TQ	143.96	176.64	-1834.06	143.96	176.64	-1182.10	146.46	173.99	-1145.95	146.46	173.99	-495.05		
			M3	-5.53	-1.97	271.34	51.31	21.89	314.84	51.31	22.60	314.79	117.02	51.83	670.04		
		MIN	S2	-11.69	3.52	68.15	-11.69	3.52	15.21	-11.69	3.55	15.20	-19.82	61.69	281.66		
			TQ	85.88	-50.63	-959.20	85.88	-50.63	-570.27	85.88	-51.92	-570.16	81.86	-51.92	-190.76		
			M3	129.96	166.77	-1887.82	120.55	155.59	-1319.91	120.55	152.61	-1320.26	72.36	-0.37	-848.13		
			DISPERSION-LMAX	S2	436.85	335.46	-6611.77	418.30	333.71	-4689.52	418.30	323.12	-4690.26	400.38	317.23	-2911.67	
				TQ	363.52	412.54	-4812.93	344.46	412.54	-3209.12	343.30	405.34	-3166.52	323.02	405.34	-1685.07	
				M3	-9.85	-3.63	484.99	12.49	5.47	479.24	12.49	6.55	479.23	59.75	41.34	641.13	
			MIN	S2	-11.94	-2.63	431.53	-12.61	-0.88	390.78	-12.61	0.00	390.78	-15.01	5.90	370.81	
				TQ	61.39	-79.71	-1367.31	61.24	-79.71	-1089.61	62.40	-82.22	-1132.96	62.34	-82.22	-855.79	
				M3	434.76	336.47	-6665.23	393.20	327.37	-4777.97	393.20	316.58	-4778.70	325.62	281.78	-3181.99	
		68	2-LANES (caseTRUCK-LOAD	MAX	S2	597.11	114.07	-701.64	467.37	285.95	503.50	467.37	287.08	502.85	368.72	408.02	1127.52
					TQ	277.26	497.12	-3019.22	277.26	497.12	-1763.54	277.26	493.14	-1764.66	277.26	493.14	-532.43
					M3	-16.56	20.34	512.68	171.76	91.54	613.05	171.76	92.92	612.85	163.86	292.41	1233.58
MIN	S2			-16.69	21.12	509.50	-51.43	72.69	515.26	-51.43	73.86	515.10	-171.21	246.56	1165.95		
	TQ			138.19	-279.21	-2885.47	138.19	-279.21	-2259.61	138.19	-284.32	-2258.97	138.19	-284.32	-1644.80		
	M3			235.47	468.95	-3234.57	136.89	-276.83	-2283.86	136.89	-281.99	-2283.23	136.04	-280.27	-1678.15		
	TANDEM-LOAD			MAX	S2	449.85	16.30	-106.81	357.72	139.07	751.64	357.72	140.76	751.32	273.62	250.75	1133.87
				TQ	184.61	337.42	-2082.58	184.61	337.42	-1246.51	190.31	334.63	-1157.62	190.31	334.63	-311.80	
				M3	-11.26	13.78	349.04	153.72	106.54	754.38	153.72	108.24	754.14	66.74	227.07	1141.21	
	MIN			S2	-11.36	14.50	345.48	-73.52	106.54	754.38	-73.52	108.24	754.14	-158.99	227.07	1141.21	
				TQ	93.82	-190.06	-1966.23	93.82	-190.06	-1541.33	93.82	-193.54	-1540.90	93.82	-193.54	-1123.95	
				M3	159.55	318.63	-2195.20	92.20	-186.46	-1555.33	92.20	-189.97	-1554.90	92.20	-189.97	-1145.15	

BAGO RIVER BRIDGE

BLOCK [ No.1 : MAIN GIRDER ][ BEAM MEMBER FORCE ]

MEMBER		4033			4034			4034			4035					
NODE		4033			4034			4034			4035					
		SHEAR	TORQUE	MOMENT	SHEAR	TORQUE	MOMENT	SHEAR	TORQUE	MOMENT	SHEAR	TORQUE	MOMENT			
NAME	TITLE	S2 (kN)	TQ (kN·m)	M3 (kN·m)	S2 (kN)	TQ (kN·m)	M3 (kN·m)	S2 (kN)	TQ (kN·m)	M3 (kN·m)	S2 (kN)	TQ (kN·m)	M3 (kN·m)			
68	2-LANES (caseDISPERSION-LMAX	S2	684.05	483.46	-8912.18	614.33	473.32	-6059.81	614.33	459.63	-6060.87	560.71	430.23	-3631.07		
		TQ	505.95	814.92	-4938.06	428.96	814.92	-2820.94	428.96	808.55	-2822.77	353.78	808.55	-1083.56		
		M3	-20.16	24.68	625.01	26.56	65.48	678.97	26.56	67.01	678.82	32.39	169.00	802.25		
		MIN	S2	-20.16	24.68	625.01	-27.43	34.82	605.05	-27.43	36.19	604.97	-48.99	65.59	616.30	
		TQ	157.94	-306.78	-3349.11	157.94	-306.78	-2633.83	157.94	-312.73	-2633.13	157.94	-312.73	-1931.21		
		M3	684.05	483.46	-8912.18	560.33	442.66	-6133.74	560.33	428.81	-6134.72	479.33	326.82	-3817.01		
		MAX	S2	132.96	-586.91	-1988.38	132.96	-586.91	-1386.20	132.96	-590.04	-1384.87	132.96	-590.04	-793.94	
		TQ	-97.74	371.73	51.26	-97.74	371.73	-391.42	-98.27	370.85	-368.32	-98.27	370.85	-805.08		
		M3	-48.27	145.80	589.50	2.18	-43.52	410.60	2.18	-42.60	410.70	2.38	-43.25	420.65		
69	3-LANES (caseTRUCK-LOAD	MIN	S2	-101.77	361.12	231.18	-101.77	361.12	-229.71	-101.77	360.60	-230.53	-101.77	360.60	-682.80	
		TQ	123.23	-631.68	-1493.13	123.23	-631.68	-935.02	123.23	-633.79	-933.59	123.23	-633.79	-385.90		
		M3	118.28	-478.39	-2306.66	113.68	-461.73	-1780.56	113.68	-465.75	-1779.51	106.21	-434.24	-1288.92		
		TANDEM-LOAD	MAX	S2	90.60	-397.63	-1338.25	90.60	-397.63	-927.92	90.60	-399.72	-927.02	90.60	-399.72	-524.35
		TQ	-66.68	253.94	38.38	-66.68	253.94	-263.63	-66.83	253.35	-257.52	-66.83	253.35	-554.55		
		M3	-32.68	98.69	405.17	1.46	-29.57	279.49	1.46	-28.94	279.56	1.52	-29.12	286.14		
		MIN	S2	-69.72	248.51	146.23	-69.72	248.51	-169.50	-69.72	248.12	-170.06	-69.72	248.12	-479.90	
		TQ	83.97	-430.52	-994.62	83.97	-430.52	-614.31	83.97	-431.90	-613.34	83.97	-431.90	-240.13		
		M3	81.02	-328.58	-1566.85	77.68	-317.81	-1209.52	77.68	-320.54	-1208.80	72.37	-295.33	-876.13		
		DISPERSION-LMAX	S2	207.71	-965.84	-3358.55	207.71	-965.84	-2417.85	207.71	-971.29	-2415.67	207.71	-971.29	-1492.54	
		TQ	-103.22	421.44	-140.56	-103.22	421.44	-608.02	-103.22	420.06	-608.97	-103.22	420.06	-1067.70		
		M3	-64.19	196.97	769.24	-27.47	63.04	552.88	-27.38	64.00	552.74	18.95	-87.96	539.74		
		MIN	S2	-105.13	369.29	42.84	-105.13	369.29	-433.27	-105.13	368.31	-434.11	-105.13	368.31	-901.33	
		TQ	205.80	-1017.98	-3175.15	205.80	-1017.98	-2243.11	205.80	-1023.04	-2240.80	205.80	-1023.04	-1326.17		
		M3	166.78	-793.52	-4084.95	130.05	-659.59	-3404.01	129.96	-666.98	-3402.51	83.63	-515.02	-2933.61		

BAGO RIVER BRIDGE

BLOCK [ No.1 : MAIN GIRDER ] [ BEAM MEMBER FORCE ]

MEMBER				4033			4034			4035					
NODE				4033			4034			4034			4035		
				SHEAR	TORQUE	MOMENT	SHEAR	TORQUE	MOMENT	SHEAR	TORQUE	MOMENT	SHEAR	TORQUE	MOMENT
NAME	TITLE			S2 (kN)	TQ (kN·m)	M3 (kN·m)	S2 (kN)	TQ (kN·m)	M3 (kN·m)	S2 (kN)	TQ (kN·m)	M3 (kN·m)	S2 (kN)	TQ (kN·m)	M3 (kN·m)
70	3-LANES (caseTRUCK-LOAD	MAX	S2	603.98	161.35	-1805.44	535.35	285.65	6.09	535.35	285.66	5.45	469.36	417.25	1174.47
			TQ	371.37	569.29	-4260.65	371.37	569.29	-2578.75	371.37	563.46	-2580.02	371.37	563.46	-929.54
			M3	-14.76	2.81	632.39	153.95	71.05	713.14	153.95	72.66	712.97	270.83	255.77	1474.37
		MIN	S2	-20.16	9.83	280.48	-47.84	47.52	291.30	-47.84	48.18	291.20	-140.86	216.53	863.04
			TQ	162.98	-190.00	-2562.43	162.40	-190.00	-1826.75	162.40	-194.12	-1826.31	157.23	-194.12	-1115.27
			M3	320.83	537.76	-4513.79	291.02	495.42	-3119.57	291.02	488.38	-3120.68	163.41	-114.25	-2030.42
	TANDEM-LOAD	MAX	S2	433.16	53.87	-911.97	390.08	127.70	432.09	390.08	128.67	431.81	338.74	238.47	1218.31
			TQ	247.43	386.45	-2933.81	247.43	386.45	-1813.22	255.64	382.40	-1687.89	255.64	382.40	-551.76
			M3	-10.04	1.88	430.48	136.00	84.74	751.95	136.00	86.44	751.76	142.72	194.47	1317.99
		MIN	S2	-16.25	7.70	225.50	-59.58	66.37	452.32	-59.58	67.39	452.17	-135.95	204.33	929.62
			TQ	126.75	-131.36	-1831.00	126.75	-131.36	-1256.97	126.75	-134.20	-1256.67	122.73	-134.20	-695.62
			M3	217.99	365.75	-3063.42	198.54	336.12	-2117.68	198.54	331.34	-2118.44	111.03	-76.11	-1381.39
	DISPERSION-LMAX	MAX	S2	792.44	695.59	-11115.56	735.18	687.86	-7721.10	735.18	670.42	-7722.63	686.64	645.86	-4715.00
			TQ	642.45	906.48	-7503.37	580.17	906.48	-4732.83	579.01	895.84	-4691.34	513.31	895.84	-2262.12
			M3	-17.83	2.94	769.09	30.62	36.59	812.07	30.62	38.42	811.98	77.06	139.31	1048.99
		MIN	S2	-19.93	3.95	715.62	-25.11	11.68	680.40	-25.11	13.21	680.37	-42.32	37.77	684.31
			TQ	130.06	-206.94	-2896.56	129.90	-206.94	-2307.87	131.07	-212.20	-2350.93	131.01	-212.20	-1768.57
			M3	790.34	696.59	-11169.02	679.46	662.94	-7852.77	679.46	645.21	-7854.25	567.26	544.33	-5079.68
71	3-LANES (caseTRUCK-LOAD	MAX	S2	709.49	140.94	-1549.07	579.74	312.81	164.99	579.74	313.18	164.28	481.09	434.12	1288.37
			TQ	371.37	569.29	-4260.65	371.37	569.29	-2578.75	371.37	563.46	-2580.02	371.37	563.46	-929.54
			M3	-22.27	23.38	734.54	166.06	94.58	809.09	166.06	96.41	808.87	266.68	297.63	1562.13
		MIN	S2	-22.43	24.36	730.40	-57.16	75.93	710.21	-57.16	77.54	710.04	-176.94	250.24	1335.42
			TQ	174.55	-336.26	-3886.32	174.55	-336.26	-3095.78	174.55	-343.25	-3095.01	174.55	-343.25	-2319.23
			M3	320.83	537.76	-4513.79	215.36	-212.88	-3189.62	215.36	-220.09	-3189.13	172.49	-338.63	-2354.52

BAGO RIVER BRIDGE

BLOCK [ No.1 : MAIN GIRDER ][ BEAM MEMBER FORCE ]

MEMBER				4033			4034			4035								
NODE				4033			4034			4034			4035					
				SHEAR	TORQUE	MOMENT	SHEAR	TORQUE	MOMENT	SHEAR	TORQUE	MOMENT	SHEAR	TORQUE	MOMENT			
NAME	TITLE			S2 (kN)	TQ (kN·m)	M3 (kN·m)	S2 (kN)	TQ (kN·m)	M3 (kN·m)	S2 (kN)	TQ (kN·m)	M3 (kN·m)	S2 (kN)	TQ (kN·m)	M3 (kN·m)			
71	3-LANES (case)	TANDEM-LOAD	MAX	S2	527.98	29.48	-660.88	435.86	152.25	551.44	435.86	153.49	551.09	351.75	263.47	1280.90		
				TQ	247.43	386.45	-2933.81	247.43	386.45	-1813.22	255.64	382.40	-1687.89	255.64	382.40	-551.76		
				M3	-15.15	15.88	500.03	149.83	108.64	887.77	149.83	110.64	887.52	139.20	227.47	1405.20		
			MIN	S2	-15.26	16.65	496.21	-77.41	108.69	887.46	-77.41	110.69	887.21	-162.89	229.53	1256.96		
				TQ	118.88	-229.36	-2652.74	118.88	-229.36	-2114.35	118.88	-234.14	-2113.82	118.88	-234.14	-1585.48		
				M3	217.99	365.75	-3063.42	147.05	-141.90	-2169.77	147.05	-146.79	-2169.45	117.28	-230.41	-1607.23		
			DISPERSION-LMAX	S2	886.79	536.39	-12167.64	813.29	526.24	-8406.21	813.29	507.26	-8407.38	757.05	477.86	-5099.64		
				TQ	649.94	930.96	-6757.81	569.33	930.96	-3997.33	569.13	921.93	-3998.30	491.39	921.93	-1642.28		
				M3	-27.20	28.65	896.02	26.19	69.81	925.35	26.19	71.90	925.19	61.08	177.65	1114.95		
				MIN	S2	-28.06	28.07	874.03	-35.33	38.22	818.30	-35.33	40.07	818.21	-56.89	69.46	794.44	
					TQ	208.78	-366.50	-4535.79	208.63	-366.50	-3590.58	208.82	-374.60	-3590.87	208.77	-374.60	-2662.93	
					M3	885.92	535.81	-12189.63	751.76	494.65	-8513.26	751.76	475.43	-8514.36	639.09	369.68	-5420.16	
		72	4-LANES	TRUCK-LOAD	MAX	S2	180.23	-314.63	-4499.02	180.23	-314.63	-3682.78	180.23	-322.94	-3682.06	180.23	-322.94	-2881.07
						TQ	-13.08	24.69	305.52	-13.08	24.69	246.26	-15.60	25.38	349.78	-15.60	25.38	280.43
						M3	-24.76	17.74	911.54	-24.66	17.36	799.74	-24.66	19.16	799.70	-24.51	18.65	690.53
	MIN			S2	-24.86	18.49	907.34	-24.86	18.49	794.75	-24.86	20.28	794.71	-24.86	20.28	684.22		
				TQ	160.88	-314.96	-3604.89	160.88	-314.96	-2876.26	180.23	-322.94	-3682.06	180.23	-322.94	-2881.07		
				M3	180.23	-314.63	-4499.02	180.23	-314.63	-3682.78	180.23	-322.94	-3682.06	180.23	-322.94	-2881.07		
	TANDEM-LOAD			MAX	S2	126.51	-223.83	-3122.81	126.51	-223.83	-2549.84	126.51	-229.59	-2549.33	126.51	-229.59	-1987.06	
				TQ	-8.86	16.92	204.62	-8.86	16.92	164.49	-10.40	17.39	227.67	-10.40	17.39	181.43		
				M3	-16.82	11.92	620.43	-16.79	11.82	544.37	-16.79	13.05	544.34	-16.75	12.90	469.85		
				MIN	S2	-16.92	12.64	616.81	-16.92	12.64	540.19	-16.92	13.86	540.16	-16.92	13.86	464.96	
					TQ	126.51	-223.83	-3122.81	126.51	-223.83	-2549.84	126.51	-229.59	-2549.33	126.51	-229.59	-1987.06	
					M3	126.51	-223.83	-3122.81	126.51	-223.83	-2549.84	126.51	-229.59	-2549.33	126.51	-229.59	-1987.06	

BAGO RIVER BRIDGE

BLOCK [ No.1 : MAIN GIRDER ][ BEAM MEMBER FORCE ]

MEMBER				4033			4034			4035							
NODE				4033			4034			4034			4035				
				SHEAR	TORQUE	MOMENT	SHEAR	TORQUE	MOMENT	SHEAR	TORQUE	MOMENT	SHEAR	TORQUE	MOMENT		
NAME	TITLE			S2 (kN)	TQ (kN·m)	M3 (kN·m)	S2 (kN)	TQ (kN·m)	M3 (kN·m)	S2 (kN)	TQ (kN·m)	M3 (kN·m)	S2 (kN)	TQ (kN·m)	M3 (kN·m)		
72	4-LANES	DISPERSION-LMAX	S2	113.47	-185.99	-2976.90	113.47	-185.99	-2463.01	113.47	-191.55	-2462.59	113.47	-191.55	-1958.29		
			TQ	-21.71	30.34	626.93	-21.71	30.34	528.62	-22.52	31.57	562.15	-22.52	31.57	462.05		
			M3	-30.56	22.54	1117.38	-30.56	22.54	978.98	-30.56	24.75	978.93	-30.56	24.75	843.12		
		MIN	S2	-30.56	22.54	1117.38	-30.56	22.54	978.98	-30.56	24.75	978.93	-30.56	24.75	843.12		
			TQ	104.31	-194.33	-2466.66	104.31	-194.33	-1994.23	105.16	-198.87	-2028.57	105.16	-198.87	-1561.22		
			M3	113.47	-185.99	-2976.91	113.47	-185.99	-2463.02	113.47	-191.55	-2462.59	113.47	-191.55	-1958.29		
		73	6-LANES	TRUCK-LOAD MAX	S2	799.56	-437.31	-3493.88	689.78	-278.60	-1252.62	689.78	-281.42	-1251.99	605.12	-164.58	478.96
					TQ	277.83	848.28	-4288.62	277.83	848.28	-3030.35	278.26	841.45	-3008.97	278.26	841.45	-1772.30
					M3	-69.44	165.81	1306.90	163.89	48.93	1210.22	163.89	51.66	1210.11	258.69	217.94	1905.10
MIN	S2			-113.29	326.85	499.40	-144.39	362.60	97.98	-144.39	362.82	97.16	-243.98	533.70	247.39		
	TQ			287.12	-876.66	-5137.00	287.12	-876.66	-3836.64	287.12	-885.32	-3834.65	287.12	-885.32	-2558.57		
	M3			437.89	56.05	-6813.40	366.00	-394.59	-4961.22	366.00	-405.79	-4960.32	262.40	-681.54	-3551.60		
TANDEM-LOAD MAX	S2			581.78	-357.25	-1991.01	504.13	-245.05	-432.06	504.13	-246.02	-431.51	433.02	-142.87	715.75		
	TQ			185.39	577.37	-2960.00	185.39	577.37	-2120.37	185.39	572.59	-2121.67	185.39	572.59	-1297.73		
	M3			-47.08	112.26	893.44	143.00	71.49	1114.68	143.00	74.01	1114.52	135.70	170.64	1611.08		
MIN	S2	-80.75	227.69	367.08	-132.64	312.10	408.94	-132.64	313.02	408.23	-206.42	423.37	495.79				
	TQ	193.09	-599.55	-3417.26	193.09	-599.55	-2542.79	193.09	-605.29	-2541.43	193.09	-605.29	-1683.28				
	M3	298.50	35.17	-4625.72	248.15	-271.11	-3370.16	248.15	-278.72	-3369.54	178.43	-463.41	-2419.88				
DISPERSION-LMAX	S2	1025.98	-348.24	-14748.78	958.32	-357.64	-10337.08	958.32	-380.98	-10336.24	906.55	-408.41	-6359.28				
	TQ	522.53	1234.79	-6787.23	448.00	1234.79	-4589.73	446.84	1224.47	-4548.99	374.11	1224.47	-2725.06				
	M3	-85.83	205.74	1636.30	-3.94	129.51	1451.65	-3.86	132.52	1451.36	75.38	83.29	1613.01				
MIN	S2	-119.84	329.07	1035.08	-126.67	338.54	558.92	-126.67	339.81	558.16	-147.08	367.50	120.22				
	TQ	378.84	-1272.46	-6966.14	378.69	-1272.46	-5250.73	379.42	-1284.34	-5273.31	379.37	-1284.34	-3587.19				
	M3	989.06	-192.78	-15437.72	834.91	-126.75	-11330.88	834.85	-152.11	-11330.57	689.43	-141.37	-7944.19				



BAGO RIVER BRIDGE

BLOCK [ No.1 : MAIN GIRDER ][ BEAM MEMBER FORCE ]

MEMBER			4033			4034			4034			4035			
NODE			4033			4034			4034			4035			
			SHEAR	TORQUE	MOMENT	SHEAR	TORQUE	MOMENT	SHEAR	TORQUE	MOMENT	SHEAR	TORQUE	MOMENT	
NAME TITLE			S2 (kN)	TQ (kN·m)	M3 (kN·m)	S2 (kN)	TQ (kN·m)	M3 (kN·m)	S2 (kN)	TQ (kN·m)	M3 (kN·m)	S2 (kN)	TQ (kN·m)	M3 (kN·m)	
124	SUM TOTAL	D+1LANE (caseMAX	S2	3450.24	-895.54	-53879.63	3180.07	-895.54	-38861.90	3180.07	-983.29	-38859.77	2920.00	-983.29	-25297.03
			TQ	3252.55	444.08	-51758.65	2982.38	444.08	-37636.26	2982.38	359.10	-37637.17	2722.30	359.10	-24953.04
			M3	3262.27	396.65	-51564.99	3077.72	77.46	-37306.14	3077.80	-7.04	-37306.22	2849.62	-125.05	-24113.74
		MIN	S2	3251.44	397.15	-51771.22	2981.27	397.15	-37653.84	2981.27	312.12	-37654.64	2721.20	312.12	-24975.43
			TQ	3444.20	-977.12	-53710.04	3174.03	-977.12	-38719.66	3174.03	-1064.55	-38717.35	2913.96	-1064.55	-25181.44
			M3	3439.79	-838.27	-54117.45	3143.89	-738.74	-39192.31	3143.82	-826.98	-39190.54	2850.69	-693.64	-25873.90
		D+1LANE (caseMAX	S2	3575.17	-320.40	-55160.04	3305.00	-320.40	-39576.50	3305.00	-409.77	-39575.68	3044.93	-409.77	-25457.69
			TQ	3336.45	192.78	-53049.52	3066.28	192.78	-38547.16	3066.28	105.73	-38547.50	2806.20	105.73	-25490.49
			M3	3370.44	-19.12	-51958.10	3102.74	-26.63	-37294.13	3102.74	-110.84	-37293.97	2860.01	-145.15	-24044.37
		MIN	S2	3331.13	167.27	-52668.28	3060.96	167.27	-38190.02	3060.96	81.03	-38190.30	2800.88	81.03	-25156.94
			TQ	3568.85	-340.80	-54699.91	3298.68	-340.80	-39144.99	3298.68	-429.19	-39144.12	3038.61	-429.19	-25054.23
			M3	3546.78	-195.25	-55809.49	3270.11	-180.40	-40371.01	3270.11	-271.56	-40370.50	2988.22	-230.53	-26447.10
		D+1LANE (caseMAX	S2	3721.04	165.51	-56939.21	3449.95	165.51	-40697.07	3449.95	73.61	-40697.34	3188.90	73.61	-25937.26
			TQ	3664.71	229.05	-56754.54	3393.81	229.05	-40767.07	3392.99	137.03	-40738.64	3132.00	137.03	-26231.54
			M3	3366.35	-8.67	-51872.09	3101.74	-9.60	-37231.12	3101.75	-93.67	-37231.01	3002.38	-91.46	-23750.35
		MIN	S2	3357.53	0.63	-52350.29	3087.36	0.63	-37752.43	3087.36	-84.62	-37752.33	2827.29	-84.62	-24601.61
			TQ	3484.20	-32.07	-53130.29	3213.15	-32.07	-37962.08	3213.98	-117.82	-37990.76	2947.63	-117.82	-24290.38
			M3	3687.21	211.17	-57450.70	3402.29	206.28	-41380.71	3402.28	112.84	-41381.07	3092.92	105.31	-26940.25
		D+1LANE (caseMAX	S2	4303.58	462.29	-58698.26	3860.73	594.26	-41175.91	3860.73	501.28	-41177.14	3470.12	571.15	-25982.84
			TQ	3904.53	981.24	-57468.36	3573.14	981.24	-40531.27	3573.14	889.71	-40533.39	3252.37	889.71	-25358.23
			M3	3350.55	34.80	-51658.79	3339.29	153.55	-36765.56	3339.29	70.53	-36765.82	2956.64	288.70	-23090.31
		MIN	S2	3350.51	35.10	-51660.39	3033.96	88.03	-36891.13	3033.96	4.73	-36891.23	2634.63	170.70	-23248.61
			TQ	3583.59	-422.43	-56517.22	3313.42	-422.43	-40895.58	3313.42	-514.77	-40894.52	3053.34	-514.77	-26739.14
			M3	3997.09	718.28	-60272.09	3573.82	136.56	-43145.31	3573.82	39.13	-43145.51	3258.51	-39.95	-27952.78

BAGO RIVER BRIDGE

BLOCK [ No.1 : MAIN GIRDER ][ BEAM MEMBER FORCE ]

MEMBER			4033			4034			4034			4035			
NODE			4033			4034			4034			4035			
NAME TITLE			SHEAR	TORQUE	MOMENT	SHEAR	TORQUE	MOMENT	SHEAR	TORQUE	MOMENT	SHEAR	TORQUE	MOMENT	
			S2 (kN)	TQ (kN·m)	M3 (kN·m)	S2 (kN)	TQ (kN·m)	M3 (kN·m)	S2 (kN)	TQ (kN·m)	M3 (kN·m)	S2 (kN)	TQ (kN·m)	M3 (kN·m)	
124	SUM TOTAL	D+2LANES (casMAX	S2	3548.67	-1283.19	-55395.75	3278.50	-1283.19	-39932.26	3278.50	-1373.35	-39929.26	3018.42	-1373.35	-25929.08
			TQ	3205.97	635.08	-51896.88	2935.80	635.08	-37985.43	2935.27	549.31	-37962.83	2675.20	549.31	-25488.05
			M3	3266.13	361.27	-51358.36	3081.09	44.27	-37066.70	3081.17	-39.72	-37066.70	2853.18	-163.75	-23859.98
		MIN	S2	3204.47	593.58	-51851.26	2934.30	593.58	-37946.59	2934.30	507.89	-37947.84	2674.23	507.89	-25477.37
			TQ	3542.29	-1363.10	-55100.55	3272.12	-1363.10	-39665.92	3272.12	-1452.66	-39662.74	3012.05	-1452.66	-25690.89
			M3	3516.71	-1106.64	-55899.22	3210.62	-968.43	-40650.68	3210.54	-1059.92	-40648.39	2914.86	-910.64	-27040.63
		D+2LANES (casMAX	S2	3652.78	-803.90	-56462.76	3382.61	-803.90	-40527.76	3382.61	-895.42	-40525.85	3122.53	-895.42	-26062.97
			TQ	3275.89	425.66	-52972.60	3005.72	425.66	-38744.51	3005.19	338.18	-38721.44	2745.12	338.18	-25935.93
			M3	3356.28	14.79	-51685.95	3101.93	-42.47	-37056.69	3101.95	-126.22	-37056.50	2861.84	-180.49	-23802.18
		MIN	S2	3270.88	402.01	-52598.82	3000.71	402.01	-38393.41	3000.71	315.32	-38394.22	2740.63	315.32	-25628.63
			TQ	3646.17	-832.83	-55925.43	3376.00	-832.83	-40020.37	3376.00	-923.20	-40018.38	3115.92	-923.20	-25584.88
			M3	3605.87	-570.79	-57309.25	3315.81	-503.14	-41632.93	3315.79	-597.07	-41631.69	3029.46	-524.72	-27518.30
		D+2LANES (casMAX	S2	4084.58	429.20	-60399.10	3794.89	442.21	-42676.82	3794.89	345.84	-42677.71	3510.13	387.25	-26829.75
			TQ	3953.88	673.79	-59859.66	3664.65	673.79	-42603.53	3663.48	577.63	-42561.42	3383.14	577.63	-26894.50
			M3	3356.95	-5.22	-51488.39	3109.12	3.88	-36854.32	3109.12	-79.35	-36854.23	3088.96	30.98	-23036.41
		MIN	S2	3349.49	2.56	-51892.18	3078.65	4.31	-37317.41	3078.65	-79.95	-37317.32	2810.00	-13.34	-23883.00
			TQ	3539.29	-150.33	-55014.37	3268.39	-150.33	-39596.11	3269.55	-239.79	-39639.19	3004.26	-239.79	-25689.63
			M3	4001.94	584.73	-61819.06	3672.20	554.55	-44417.46	3672.19	454.25	-44418.60	3276.20	196.84	-28896.04
		D+2LANES (casMAX	S2	4656.06	598.93	-61985.91	4186.42	760.66	-43251.93	4186.42	662.99	-43253.54	3774.08	754.54	-26971.19
			TQ	4158.10	1313.44	-60329.38	3810.94	1313.44	-42280.09	3810.94	1217.96	-42282.95	3475.69	1217.96	-26083.63
			M3	3338.17	46.41	-51234.42	3303.05	158.41	-36403.59	3303.05	76.21	-36403.85	3040.90	377.68	-22431.82
		MIN	S2	3338.04	47.20	-51237.59	3025.86	108.91	-36575.30	3025.86	26.33	-36575.45	2624.46	228.42	-22685.39
			TQ	3671.02	-584.60	-58606.68	3400.85	-584.60	-42589.05	3400.85	-680.76	-42587.62	3140.78	-680.76	-28043.65
			M3	4294.42	953.81	-64518.85	3801.95	167.23	-46113.21	3801.95	63.10	-46113.47	3460.02	-37.17	-29962.81

BAGO RIVER BRIDGE

BLOCK [ No.1 : MAIN GIRDER ][ BEAM MEMBER FORCE ]

MEMBER		4033			4034			4034			4035					
NODE		4033			4034			4034			4035					
		SHEAR	TORQUE	MOMENT	SHEAR	TORQUE	MOMENT	SHEAR	TORQUE	MOMENT	SHEAR	TORQUE	MOMENT			
NAME TITLE		S2 (kN)	TQ (kN·m)	M3 (kN·m)	S2 (kN)	TQ (kN·m)	M3 (kN·m)	S2 (kN)	TQ (kN·m)	M3 (kN·m)	S2 (kN)	TQ (kN·m)	M3 (kN·m)			
124	SUM TOTAL	D+3LANES (casMAX	S2	3664.47	-1318.44	-56917.00	3394.30	-1318.44	-40929.06	3394.30	-1410.86	-40925.98	3134.22	-1410.86	-26411.15	
			TQ	3204.08	675.59	-52448.00	2933.91	675.59	-38545.13	2933.46	588.55	-38526.22	2673.38	588.55	-26059.51	
			M3	3279.30	292.75	-51217.17	3083.23	17.99	-36876.65	3083.30	-65.53	-36876.60	2862.78	-195.25	-23651.32	
		MIN	S2	3199.03	622.24	-52139.18	2928.86	622.24	-38259.15	2928.86	535.85	-38260.46	2668.79	535.85	-25814.16	
			TQ	3654.57	-1400.82	-56340.15	3384.40	-1400.82	-40397.02	3384.40	-1492.03	-40393.75	3124.33	-1492.03	-25922.90	
			M3	3617.19	-1079.73	-57804.96	3311.89	-951.73	-42102.50	3311.82	-1046.54	-42100.24	3006.02	-890.59	-28056.80	
		D+3LANES (casMAX	S2	4561.85	729.80	-63354.95	4184.67	828.88	-44253.37	4184.67	728.95	-44255.13	3827.25	819.92	-27477.10	
			TQ	4236.64	1255.80	-62371.52	3913.53	1255.80	-43910.45	3912.55	1156.68	-43876.18	3596.63	1156.68	-27180.55	
			M3	3347.19	6.29	-51180.84	3261.60	92.89	-36399.19	3261.60	10.70	-36399.31	3140.36	252.09	-22322.79	
		MIN	S2	3340.83	13.11	-51525.41	3042.72	51.72	-36869.67	3042.72	-31.54	-36869.69	2688.95	132.44	-23152.40	
			TQ	3623.97	-336.00	-57012.24	3353.18	-336.00	-41210.04	3354.17	-429.10	-41246.17	3089.66	-429.10	-26918.91	
			M3	4319.40	1050.60	-65702.49	3929.63	986.01	-47022.10	3929.63	879.83	-47024.21	3465.71	281.85	-30511.23	
		D+3LANES (casMAX	S2	4731.73	577.12	-64031.31	4288.80	714.59	-44700.65	4288.80	613.65	-44702.15	3897.07	691.47	-27707.23	
			TQ	4243.01	1276.61	-61737.79	3904.32	1276.61	-43285.28	3904.15	1178.86	-43287.09	3578.00	1178.86	-26653.69	
			M3	3332.85	45.62	-50986.12	3268.13	141.13	-36221.34	3268.13	59.34	-36221.57	3123.24	320.26	-22192.13	
		MIN	S2	3331.98	45.97	-51008.33	3026.11	98.43	-36396.38	3026.11	16.24	-36396.51	2645.90	188.02	-22657.27	
			TQ	3700.73	-595.94	-59530.90	3430.43	-595.94	-43379.02	3430.60	-693.90	-43378.52	3170.48	-693.90	-28702.48	
			M3	4400.63	913.93	-66570.01	3926.78	240.90	-47643.06	3926.78	133.32	-47643.48	3534.49	-57.33	-31076.12	
		D+4LANES	MAX	S2	3565.80	-324.00	-57231.45	3295.63	-324.00	-41690.38	3295.63	-418.14	-41689.54	3035.55	-418.14	-27613.23
			TQ	3352.28	37.17	-51766.01	3082.11	37.17	-37191.94	3079.94	-46.70	-37102.77	2819.87	-46.70	-23985.03	
			M3	3338.94	27.58	-51053.30	3068.83	27.33	-36539.45	3068.83	-55.18	-36539.41	2808.85	-55.51	-23470.77	
		MIN	S2	3338.87	28.07	-51056.03	3068.70	28.07	-36542.68	3068.70	-54.45	-36542.65	2808.63	-54.45	-23474.87	
			TQ	3547.27	-329.64	-56318.61	3277.10	-329.64	-40861.43	3290.22	-422.90	-41407.43	3030.15	-422.90	-27355.13	
			M3	3565.80	-324.00	-57231.45	3295.63	-324.00	-41690.38	3295.63	-418.14	-41689.54	3035.55	-418.14	-27613.23	

BAGO RIVER BRIDGE

BLOCK [ No.1 : MAIN GIRDER ] [ BEAM MEMBER FORCE ]

MEMBER					4033			4034			4035						
NODE					4033			4034			4035						
					SHEAR	TORQUE	MOMENT	SHEAR	TORQUE	MOMENT	SHEAR	TORQUE	MOMENT				
NAME TITLE					S2 (kN)	TQ (kN·m)	M3 (kN·m)	S2 (kN)	TQ (kN·m)	M3 (kN·m)	S2 (kN)	TQ (kN·m)	M3 (kN·m)				
124	SUM TOTAL	D+6LANES	MAX	S2	4561.50	-509.20	-64229.83	4175.99	-412.16	-45228.92	4175.99	-514.29	-45227.87	3827.24	-456.17	-28289.85	
				TQ	3895.13	1355.40	-59571.41	3576.51	1355.40	-42648.67	3576.04	1259.13	-42608.19	3268.69	1259.13	-27390.93	
	M3			3273.97	242.90	-50459.03	3208.69	117.38	-35965.39	3208.75	36.00	-35965.57	3061.80	112.08	-22180.87		
	MIN		S2	3223.35	427.74	-51374.69	2928.53	457.14	-37268.63	2928.53	372.98	-37269.56	2590.46	502.06	-24228.70		
			TQ	3807.77	-1395.53	-60239.14	3537.50	-1395.53	-43602.40	3537.98	-1494.00	-43615.69	3277.87	-1494.00	-28462.39		
			M3	4302.41	-87.47	-66835.33	3885.31	-337.47	-48285.48	3885.27	-446.36	-48284.59	3463.34	-618.61	-31939.91		
	SUM TOTAL	MAX	4731.73	1355.40	-50459.03	4288.80	1355.40	-35965.39	4288.80	1259.13	-35965.57	3897.07	1259.13	-22180.87			
		MIN	3199.03	-1400.82	-66835.33	2928.53	-1400.82	-48285.48	2928.53	-1494.00	-48284.59	2590.46	-1494.00	-31939.91			
	300	DEAD LOAD	TOTAL			3374.89	1.40	-52372.10	3104.72	1.40	-37695.61	3104.72	-83.72	-37695.52	2844.65	-83.72	-24467.64
	301	LIVE LOAD	1-LANE (case1MAX	S2	S2	75.35	-896.94	-1507.53	75.35	-896.94	-1166.28	75.35	-899.57	-1164.25	75.35	-899.57	-829.38
TQ					-122.35	442.69	613.45	-122.35	442.69	59.35	-122.35	442.82	58.35	-122.35	442.82	-485.40	
M3					-112.63	395.25	807.11	-27.00	76.06	389.48	-26.93	76.68	389.30	4.97	-41.33	353.91	
MIN				S2	-123.45	395.75	600.88	-123.45	395.75	41.78	-123.45	395.84	40.88	-123.45	395.84	-507.78	
				TQ	69.31	-978.52	-1337.94	69.31	-978.52	-1024.05	69.31	-980.83	-1021.83	69.31	-980.83	-713.80	
				M3	64.90	-839.67	-1745.35	39.17	-740.14	-1496.70	39.09	-743.26	-1495.02	6.04	-609.92	-1406.25	
1-LANE (case2MAX			S2	S2	200.28	-321.80	-2787.94	200.28	-321.80	-1880.89	200.28	-326.05	-1880.16	200.28	-326.05	-990.05	
				TQ	-38.45	191.38	-677.42	-38.45	191.38	-851.55	-38.45	189.45	-851.98	-38.45	189.45	-1022.85	
				M3	-4.45	-20.52	414.00	-1.99	-28.02	401.48	-1.99	-27.12	401.55	15.36	-61.42	423.27	
			MIN	S2	-43.77	165.87	-296.18	-43.77	165.87	-494.40	-43.77	164.75	-494.78	-43.77	164.75	-689.30	
				TQ	193.96	-342.20	-2327.81	193.96	-342.20	-1449.38	193.96	-345.47	-1448.60	193.96	-345.47	-586.58	
				M3	171.88	-196.65	-3437.39	165.39	-181.80	-2675.40	165.39	-187.84	-2674.98	143.56	-146.80	-1979.46	
1-LANE (case3MAX			S2	S2	346.14	164.11	-4567.11	345.23	164.11	-3001.46	345.23	157.33	-3001.82	344.25	157.33	-1469.61	
				TQ	289.82	227.66	-4382.44	289.09	227.66	-3071.46	288.27	220.75	-3043.12	287.35	220.75	-1763.89	
				M3	-8.55	-10.06	500.01	-2.98	-11.00	464.49	-2.98	-9.95	464.51	157.73	-7.74	717.30	
			MIN	S2	-17.36	-0.77	21.81	-17.36	-0.77	-56.81	-17.36	-0.90	-56.81	-17.36	-0.90	-133.96	
				TQ	109.30	-33.46	-758.19	108.43	-33.46	-266.47	109.25	-34.10	-295.24	102.98	-34.10	177.27	
				M3	312.32	209.77	-5078.60	297.57	204.88	-3685.10	297.56	196.56	-3685.55	248.27	189.03	-2472.61	

BAGO RIVER BRIDGE

BLOCK [ No.1 : MAIN GIRDER ][ BEAM MEMBER FORCE ]

MEMBER			4033			4034			4034			4035			
NODE			4033			4034			4034			4035			
			SHEAR	TORQUE	MOMENT	SHEAR	TORQUE	MOMENT	SHEAR	TORQUE	MOMENT	SHEAR	TORQUE	MOMENT	
NAME TITLE			S2 (kN)	TQ (kN·m)	M3 (kN·m)	S2 (kN)	TQ (kN·m)	M3 (kN·m)	S2 (kN)	TQ (kN·m)	M3 (kN·m)	S2 (kN)	TQ (kN·m)	M3 (kN·m)	
301	LIVE LOAD	1-LANE (case4MAX	S2	928.68	460.90	-6326.16	756.01	592.87	-3480.29	756.01	585.01	-3481.62	625.47	654.87	-1515.20
			TQ	529.64	979.84	-5096.26	468.41	979.84	-2835.66	468.41	973.43	-2837.87	407.71	973.43	-890.58
			M3	-24.35	33.41	713.31	234.57	152.15	930.05	234.57	154.25	929.70	111.99	372.43	1377.33
			MIN S2	-24.39	33.70	711.71	-70.76	86.63	804.49	-70.76	88.45	804.29	-210.02	254.42	1219.03
			TQ	208.69	-423.83	-4145.12	208.69	-423.83	-3199.96	208.69	-431.05	-3199.00	208.69	-431.05	-2271.50
			M3	622.19	716.88	-7899.99	469.09	135.16	-5449.70	469.09	122.86	-5449.99	413.86	43.77	-3485.14
		2-LANES (caseMAX	S2	173.77	-1284.58	-3023.65	173.77	-1284.58	-2236.65	173.77	-1289.63	-2233.74	173.77	-1289.63	-1461.43
			TQ	-168.92	633.69	475.23	-168.92	633.69	-289.81	-169.45	633.03	-267.31	-169.45	633.03	-1020.41
			M3	-108.76	359.87	1013.74	-23.64	42.88	628.92	-23.55	44.00	628.82	8.53	-80.03	607.66
			MIN S2	-170.42	592.18	520.84	-170.42	592.18	-250.98	-170.42	591.61	-252.32	-170.42	591.61	-1009.72
			TQ	167.40	-1364.49	-2728.45	167.40	-1364.49	-1970.31	167.40	-1368.94	-1967.22	167.40	-1368.94	-1223.25
			M3	141.82	-1108.04	-3527.11	105.90	-969.83	-2955.07	105.82	-976.20	-2952.87	70.20	-826.92	-2572.98
		2-LANES (caseMAX	S2	277.88	-805.30	-4090.66	277.88	-805.30	-2832.15	277.88	-811.69	-2830.33	277.88	-811.69	-1595.32
			TQ	-99.01	424.26	-600.50	-99.01	424.26	-1048.90	-99.53	421.90	-1025.92	-99.53	421.90	-1468.28
			M3	-18.61	13.39	686.15	-2.79	-43.86	638.92	-2.77	-42.50	639.02	17.19	-96.77	665.46
			MIN S2	-104.02	400.61	-226.72	-104.02	400.61	-697.80	-104.02	399.04	-698.70	-104.02	399.04	-1160.98
			TQ	271.27	-834.23	-3553.33	271.27	-834.23	-2324.75	271.27	-839.47	-2322.87	271.27	-839.47	-1117.23
			M3	230.97	-572.18	-4937.14	211.09	-504.54	-3937.32	211.07	-513.35	-3936.17	184.81	-440.99	-3050.66
		2-LANES (caseMAX	S2	709.69	427.80	-8027.00	690.16	440.81	-4981.21	690.16	429.57	-4982.19	665.48	470.97	-2362.11
			TQ	578.98	672.39	-7487.56	559.92	672.39	-4907.92	558.76	661.35	-4865.90	538.49	661.35	-2426.86
			M3	-17.95	-6.62	883.72	4.39	2.48	841.29	4.40	4.38	841.29	244.31	114.70	1431.23
			MIN S2	-25.40	1.16	479.92	-26.07	2.91	378.20	-26.07	3.77	378.20	-34.65	70.38	584.64
			TQ	164.40	-151.72	-2642.27	163.67	-151.72	-1900.49	164.83	-156.06	-1943.67	159.60	-156.06	-1221.99
			M3	627.04	583.33	-9446.96	567.47	553.15	-6721.85	567.47	537.98	-6723.08	431.54	280.57	-4428.39

BAGO RIVER BRIDGE

BLOCK [ No.1 : MAIN GIRDER ][ BEAM MEMBER FORCE ]

MEMBER			4033			4034			4034			4035				
NODE			4033			4034			4034			4035				
NAME TITLE			SHEAR	TORQUE	MOMENT	SHEAR	TORQUE	MOMENT	SHEAR	TORQUE	MOMENT	SHEAR	TORQUE	MOMENT		
			S2 (kN)	TQ (kN·m)	M3 (kN·m)	S2 (kN)	TQ (kN·m)	M3 (kN·m)	S2 (kN)	TQ (kN·m)	M3 (kN·m)	S2 (kN)	TQ (kN·m)	M3 (kN·m)		
301	LIVE LOAD	2-LANES (caseMAX	S2	1281.17	597.53	-9613.81	1081.70	759.26	-5556.32	1081.70	746.71	-5558.02	929.43	838.26	-2503.55	
			TQ	783.21	1312.04	-7957.28	706.22	1312.04	-4584.48	706.22	1301.68	-4587.43	631.04	1301.68	-1615.99	
			M3	-36.73	45.02	1137.69	198.32	157.01	1292.03	198.32	159.93	1291.67	196.25	461.40	2035.82	
			MIN	S2	-36.86	45.80	1134.51	-78.86	107.52	1120.31	-78.86	110.05	1120.07	-220.19	312.14	1782.25
			TQ	296.13	-585.99	-6234.58	296.13	-585.99	-4893.43	296.13	-597.04	-4892.10	296.13	-597.04	-3576.01	
			M3	919.52	952.41	-12146.74	697.22	165.83	-8417.60	697.22	146.83	-8417.95	615.37	46.55	-5495.17	
		3-LANES (caseMAX	S2	289.57	-1319.84	-4544.89	289.57	-1319.84	-3233.45	289.57	-1327.14	-3230.46	289.57	-1327.14	-1943.51	
			TQ	-170.82	674.19	-75.90	-170.82	674.19	-849.52	-171.27	672.28	-830.70	-171.27	672.28	-1591.86	
			M3	-95.60	291.36	1154.93	-21.50	16.59	818.96	-21.43	18.19	818.92	18.13	-111.53	816.33	
			MIN	S2	-175.86	620.84	232.92	-175.86	620.84	-563.54	-175.86	619.57	-564.94	-175.86	619.57	-1346.52
			TQ	279.68	-1402.21	-3968.04	279.68	-1402.21	-2701.41	279.68	-1408.31	-2698.23	279.68	-1408.31	-1455.25	
			M3	242.30	-1081.12	-5432.86	207.17	-953.12	-4406.88	207.10	-962.82	-4404.72	161.37	-806.87	-3589.15	
		3-LANES (caseMAX	S2	1186.95	728.40	-10982.85	1079.95	827.48	-6557.76	1079.95	812.67	-6559.61	982.60	903.65	-3009.45	
			TQ	861.75	1254.40	-9999.42	808.81	1254.40	-6214.84	807.82	1240.40	-6180.66	751.97	1240.40	-2712.91	
			M3	-27.71	4.89	1191.26	156.88	91.49	1296.42	156.88	94.42	1296.21	295.70	335.82	2144.86	
			MIN	S2	-34.07	11.71	846.69	-62.00	50.32	825.95	-62.00	52.19	825.83	-155.70	216.16	1315.25
			TQ	249.08	-337.40	-4640.14	248.46	-337.40	-3514.43	249.45	-345.38	-3550.65	245.01	-345.38	-2451.27	
			M3	944.50	1049.20	-13330.39	824.90	984.61	-9326.49	824.90	963.55	-9328.69	621.06	365.57	-6043.59	
		3-LANES (caseMAX	S2	1356.83	575.73	-11659.20	1184.07	713.19	-7005.04	1184.07	697.37	-7006.63	1052.42	775.19	-3239.58	
			TQ	868.11	1275.21	-9365.69	799.59	1275.21	-5589.67	799.42	1262.58	-5591.57	733.35	1262.58	-2186.04	
			M3	-42.04	44.22	1385.98	163.41	139.73	1474.27	163.41	143.06	1473.95	278.59	403.98	2275.52	
MIN	S2		-42.92	44.57	1363.77	-78.62	97.03	1299.23	-78.62	99.96	1299.01	-198.75	271.74	1810.38		
TQ	325.84		-597.34	-7158.80	325.70	-597.34	-5683.40	325.87	-610.17	-5683.00	325.83	-610.17	-4234.83			
M3	1025.74		912.54	-14197.91	822.06	239.50	-9947.45	822.06	217.04	-9947.96	689.84	26.39	-6608.47			

BAGO RIVER BRIDGE

BLOCK [ No.1 : MAIN GIRDER ][ BEAM MEMBER FORCE ]

MEMBER					4033			4034			4035					
NODE					4033			4034			4035					
					SHEAR	TORQUE	MOMENT	SHEAR	TORQUE	MOMENT	SHEAR	TORQUE	MOMENT			
NAME	TITLE				S2 (kN)	TQ (kN·m)	M3 (kN·m)	S2 (kN)	TQ (kN·m)	M3 (kN·m)	S2 (kN)	TQ (kN·m)	M3 (kN·m)			
301	LIVE LOAD	4-LANES	MAX	S2	190.90	-325.40	-4859.35	190.90	-325.40	-3994.77	190.90	-334.42	-3994.02	190.90	-334.42	-3145.59
				TQ	-22.61	35.77	606.09	-22.61	35.77	503.67	-24.78	37.02	592.75	-24.78	37.02	482.61
				M3	-35.96	26.18	1318.80	-35.89	25.93	1156.17	-35.89	28.54	1156.11	-35.80	28.21	996.87
			MIN	S2	-36.02	26.67	1316.07	-36.02	26.67	1152.93	-36.02	29.27	1152.87	-36.02	29.27	992.77
				TQ	172.38	-331.04	-3946.51	172.38	-331.04	-3165.82	185.50	-339.18	-3711.91	185.50	-339.18	-2887.49
				M3	190.90	-325.40	-4859.35	190.90	-325.40	-3994.77	190.90	-334.42	-3994.02	190.90	-334.42	-3145.59
		6-LANES	MAX	S2	1186.60	-510.60	-11857.73	1071.26	-413.56	-7533.31	1071.26	-430.57	-7532.35	982.59	-372.45	-3822.21
				TQ	520.23	1354.00	-7199.31	471.79	1354.00	-4953.06	471.31	1342.85	-4912.67	424.04	1342.85	-2923.28
				M3	-100.92	241.50	1913.08	103.97	115.98	1730.22	104.02	119.72	1729.95	217.15	195.80	2286.77
			MIN	S2	-151.54	426.34	997.41	-176.19	455.74	426.99	-176.19	456.71	425.96	-254.19	585.78	238.95
				TQ	432.88	-1396.93	-7867.04	432.78	-1396.93	-5906.79	433.25	-1410.28	-5920.17	433.22	-1410.28	-3994.74
				M3	927.52	-88.87	-14463.23	780.59	-338.87	-10589.87	780.55	-362.64	-10589.08	618.69	-534.89	-7472.26
		LIVE LOAD	MAX	1356.83	1354.00	1913.08	1184.07	1354.00	1730.22	1184.07	1342.85	1729.95	1052.42	1342.85	2286.77	
			MIN	-175.86	-1402.21	-14463.23	-176.19	-1402.21	-10589.87	-176.19	-1410.28	-10589.08	-254.19	-1410.28	-7472.26	
		303	SUM TOTAL	TOTAL	MAX	4731.73	1355.40	-50459.03	4288.80	1355.40	-35965.39	4288.80	1259.13	-35965.57	3897.07	1259.13
MIN	3199.03				-1400.82	-66835.33	2928.53	-1400.82	-48285.48	2928.53	-1494.00	-48284.59	2590.46	-1494.00	-31939.91	

BAGO RIVER BRIDGE

BLOCK [ No.1 : MAIN GIRDER ][ BEAM MEMBER FORCE ]

MEMBER NODE	4035	4036			4037			4036	4036			4037	4037			
		SHEAR	TORQUE	MOMENT	SHEAR	TORQUE	MOMENT		SHEAR	TORQUE	MOMENT		SHEAR	TORQUE	MOMENT	
NAME TITLE	S2 (kN)	TQ (kN·m)	M3 (kN·m)	S2 (kN)	TQ (kN·m)	M3 (kN·m)	S2 (kN)	TQ (kN·m)	M3 (kN·m)	S2 (kN)	TQ (kN·m)	M3 (kN·m)	S2 (kN)	TQ (kN·m)	M3 (kN·m)	
1 PAVEMENT	453.40	1.99	-4076.33	406.73	1.99	-2056.56	406.73	-112.12	-2053.50	362.01	-112.12	-285.37	362.01	-112.12	-285.37	
3 RAILING	15.43	1.25	-116.08	11.65	1.25	-52.11	11.65	-1.65	-52.10	8.04	-1.65	-6.67	8.04	-1.65	-6.67	
5 CURB	152.72	12.33	-1149.18	115.29	12.33	-515.92	115.29	-16.32	-515.81	79.56	-16.32	-66.01	79.56	-16.32	-66.01	
7 DECK WEIGHT	733.20	6.26	-6570.25	656.82	6.26	-3305.10	656.82	-177.14	-3300.35	583.67	-177.14	-446.73	583.67	-177.14	-446.73	
8 GIRDER WEIGH	1006.83	9.52	-8803.40	919.16	9.52	-4282.42	919.16	-228.12	-4276.35	833.18	-228.12	-247.00	833.18	-228.12	-247.00	
10 MEDIAN STRIP	181.98	-1.02	-1789.70	181.98	-1.02	-935.34	181.98	-52.91	-933.84	181.98	-52.91	-96.94	181.98	-52.91	-96.94	
21 ADITIONAL WE	205.30	1.75	-1839.67	183.91	1.75	-925.43	183.91	-49.60	-924.10	163.43	-49.60	-125.08	163.43	-49.60	-125.08	
31 MEDIAN RAILI	12.07	-0.18	-113.69	12.07	-0.18	-57.01	12.07	-3.34	-56.91	12.07	-3.34	-1.38	12.07	-3.34	-1.38	
51 SUPPORT WEIG	0.00	0.00	-0.00	0.00	0.00	-0.00	0.00	-0.00	-0.00	0.00	-0.00	-0.00	0.00	-0.00	-0.00	
52 NOSE WEIGHT	0.00	-0.01	-0.03	0.00	-0.01	-0.02	0.00	-0.01	-0.02	0.00	-0.01	-0.00	0.00	-0.01	-0.00	
61 1-LANE(case1TRUCK-LOAD	MAX	S2	43.32	-337.76	-332.61	43.32	-337.76	-129.25	43.32	-344.41	-110.31	43.32	-344.41	88.89	-344.41	88.89
		TQ	-15.09	66.70	-154.68	-15.09	66.70	-225.54	-15.58	54.55	-183.75	-15.58	54.55	-255.39	-15.58	54.55
		M3	-0.88	-10.56	133.15	-0.88	-10.56	129.01	-0.88	-3.38	129.40	36.93	-357.90	150.34	-357.90	150.34
	MIN	S2	-15.58	64.66	-107.30	-15.58	64.66	-180.44	-15.58	54.55	-183.75	-15.58	54.55	-255.39	-15.58	54.55
		TQ	39.95	-359.39	-245.21	39.95	-359.39	-57.67	41.03	-362.29	-47.18	41.03	-362.29	141.52	-362.29	141.52
		M3	37.50	-270.20	-377.38	-11.38	60.44	-275.43	-11.38	45.06	-278.36	-12.39	47.83	-332.74	-12.39	47.83
	TANDEM-LOAD MAX	S2	29.56	-231.58	-222.18	29.56	-231.58	-83.38	29.56	-235.85	-70.41	29.56	-235.85	65.56	-235.85	65.56
		TQ	-10.15	45.44	-111.02	-10.15	45.44	-158.68	-10.63	37.24	-131.68	-10.63	37.24	-180.56	-10.63	37.24
		M3	-0.62	-7.13	90.67	-0.62	-7.13	87.78	-0.62	-2.25	88.04	25.88	-245.18	103.62	-245.18	103.62
	MIN	S2	-10.63	44.49	-79.50	-10.63	44.49	-129.41	-10.63	37.24	-131.68	-10.63	37.24	-180.56	-10.63	37.24
		TQ	26.72	-244.82	-159.53	26.72	-244.82	-34.09	26.72	-246.33	-20.45	26.72	-246.33	102.43	-246.33	102.43
		M3	25.79	-185.87	-256.81	-7.91	41.63	-187.65	-7.91	31.15	-189.67	-8.19	31.92	-226.63	-8.19	31.92
	DISPERSION-LMAX	S2	65.55	-546.64	-554.32	65.55	-546.64	-246.57	65.55	-559.48	-215.86	65.55	-559.48	85.61	-559.48	85.61
		TQ	-15.63	78.80	-238.71	-15.63	78.80	-312.10	-15.63	61.36	-315.99	-15.63	61.36	-387.89	-15.63	61.36
		M3	-1.81	-9.61	162.61	4.24	-56.18	162.00	7.07	-74.97	165.55	39.75	-373.97	278.21	-373.97	278.21
	MIN	S2	-16.66	66.99	-88.53	-16.66	66.99	-166.74	-16.66	57.64	-170.20	-16.66	57.64	-246.81	-16.66	57.64
		TQ	64.53	-558.45	-404.14	64.53	-558.45	-101.20	64.53	-563.20	-70.06	64.53	-563.20	226.69	-563.20	226.69
		M3	50.70	-470.05	-805.46	44.65	-423.47	-575.31	41.82	-426.88	-551.60	9.15	-127.88	-439.41	-127.88	-439.41



BAGO RIVER BRIDGE

BLOCK [ No.1 : MAIN GIRDER ][ BEAM MEMBER FORCE ]

MEMBER				4035			4036			4037						
NODE				4035			4036			4036			4037			
NAME TITLE				SHEAR	TORQUE	MOMENT	SHEAR	TORQUE	MOMENT	SHEAR	TORQUE	MOMENT	SHEAR	TORQUE	MOMENT	
				S2 (kN)	TQ (kN·m)	M3 (kN·m)	S2 (kN)	TQ (kN·m)	M3 (kN·m)	S2 (kN)	TQ (kN·m)	M3 (kN·m)	S2 (kN)	TQ (kN·m)	M3 (kN·m)	
62	1-LANE (case2TRUCK-LOAD	MAX	S2	66.49	-119.95	-310.37	66.49	-119.95	1.77	66.49	-119.67	8.42	66.49	-119.67	314.17	
			TQ	1.20	36.21	-402.76	1.20	36.21	-397.11	0.98	14.25	-390.80	0.98	14.25	-386.30	
			M3	-2.08	-8.03	147.85	40.09	-82.76	214.02	40.09	-70.76	218.28	54.74	-102.67	440.68	
			MIN	S2	-2.09	-7.89	146.67	-2.09	-7.89	136.88	-2.09	-0.28	137.10	-2.09	-0.28	127.51
				TQ	64.94	-124.58	-216.32	64.94	-124.58	88.58	66.38	-119.94	33.19	66.38	-119.94	338.48
				M3	52.18	-85.25	-485.19	1.65	35.83	-403.63	1.65	13.38	-405.00	1.57	13.56	-397.50
		TANDEM-LOAD MAX	S2	45.33	-83.51	-184.39	45.33	-83.51	28.41	45.33	-81.80	33.00	45.33	-81.80	241.46	
			TQ	0.90	24.69	-276.54	0.90	24.69	-272.33	0.59	9.77	-263.55	0.59	9.77	-260.82	
			M3	-1.42	-5.43	100.47	25.02	-51.13	150.68	25.02	-42.69	153.28	36.16	-68.58	305.54	
			MIN	S2	-1.42	-5.39	100.14	-1.42	-5.39	93.47	-1.42	-0.20	93.62	-1.42	-0.20	87.09
				TQ	42.89	-85.26	-112.73	42.89	-85.26	88.65	45.33	-81.80	33.00	45.33	-81.80	241.46
				M3	35.86	-58.25	-329.73	1.21	24.13	-274.27	1.21	8.88	-275.19	0.98	9.41	-270.42
		DISPERSION-LMAX	S2	99.88	-147.48	-1029.54	99.88	-147.48	-560.65	99.88	-178.37	-551.60	99.88	-178.37	-92.29	
			TQ	1.62	41.52	-482.22	1.62	41.52	-474.60	1.05	15.38	-418.67	1.05	15.38	-413.85	
			M3	5.25	-23.89	205.98	25.98	-65.58	274.40	25.98	-50.25	277.62	61.76	-115.75	477.07	
			MIN	S2	-3.30	2.98	67.22	-3.30	2.98	51.72	-3.30	5.85	51.48	-3.30	5.85	36.29
				TQ	94.95	-186.02	-480.09	94.95	-186.02	-34.33	95.53	-187.89	-81.45	95.53	-187.89	357.85
				M3	91.32	-120.61	-1168.29	70.59	-78.92	-783.32	70.59	-122.26	-777.74	34.81	-56.77	-533.07
63	1-LANE (case3TRUCK-LOAD	MAX	S2	95.84	49.84	-244.03	95.84	49.84	205.90	95.84	61.18	202.81	95.84	61.18	643.55	
			TQ	76.13	83.51	-512.61	76.13	83.51	-155.19	81.57	77.78	-75.43	81.57	77.78	299.69	
			M3	22.70	29.74	308.07	61.09	24.82	443.17	61.09	49.37	441.11	90.07	48.96	773.27	
		MIN	S2	-3.00	-6.07	159.02	-3.00	-6.07	144.93	-3.00	1.98	145.04	-3.00	1.98	131.24	
			TQ	-2.99	-6.08	158.92	-2.99	-6.08	144.86	10.14	-17.33	-352.33	10.14	-17.33	-305.71	
			M3	61.41	76.81	-571.22	12.53	14.91	-505.68	12.53	-13.18	-505.73	12.53	-13.18	-448.10	

BAGO RIVER BRIDGE

BLOCK [ No.1 : MAIN GIRDER ][ BEAM MEMBER FORCE ]

MEMBER		4035			4036			4036			4037						
NODE		4035			4036			4036			4037						
		SHEAR	TORQUE	MOMENT	SHEAR	TORQUE	MOMENT	SHEAR	TORQUE	MOMENT	SHEAR	TORQUE	MOMENT				
NAME	TITLE	S2 (kN)	TQ (kN·m)	M3 (kN·m)	S2 (kN)	TQ (kN·m)	M3 (kN·m)	S2 (kN)	TQ (kN·m)	M3 (kN·m)	S2 (kN)	TQ (kN·m)	M3 (kN·m)				
63	1-LANE (case3TANDEM-LOAD	MAX	S2	67.35	29.68	-153.30	67.35	29.68	162.89	67.35	38.67	160.99	67.35	38.67	470.73		
			TQ	52.12	57.04	-343.37	52.12	57.04	-98.68	55.68	53.61	-42.76	55.68	53.61	213.29		
			M3	8.63	22.64	242.50	36.40	17.57	317.07	36.40	35.14	315.60	62.44	30.30	556.00		
		MIN	S2	-3.91	11.34	135.28	-3.91	11.34	116.93	-3.91	17.81	116.12	-3.91	17.81	98.14		
			TQ	-2.03	-4.13	107.84	-2.03	-4.13	98.31	6.29	-12.00	-210.08	6.29	-12.00	-181.14		
			M3	42.17	52.07	-388.25	8.57	10.08	-344.66	8.57	-9.06	-344.68	8.57	-9.06	-305.29		
			DISPERSION-LMAX	S2	137.71	145.18	-1426.88	136.79	145.03	-784.06	136.79	101.30	-790.90	135.82	101.30	-164.03	
			TQ	131.07	150.01	-1327.19	130.14	150.01	-713.96	116.79	127.60	18.51	115.82	127.60	553.40		
			M3	7.45	3.09	291.68	34.59	17.49	388.83	34.59	39.04	387.26	73.17	77.26	633.83		
		MIN	S2	-4.39	-3.94	232.19	-4.39	-3.79	213.20	-4.39	8.04	213.08	-4.39	8.04	192.88		
			TQ	2.25	-8.78	132.51	2.25	-8.78	143.10	15.61	-18.25	-596.32	15.61	-18.25	-524.55		
			M3	125.87	138.15	-1486.37	97.81	123.75	-959.69	97.81	70.31	-965.07	58.26	32.09	-604.98		
		64	1-LANE (case4TRUCK-LOAD	MAX	S2	322.82	96.88	640.95	222.27	220.60	1127.79	222.27	282.84	1113.81	147.98	355.11	1168.94
					TQ	116.84	363.16	-389.83	116.84	363.16	158.70	117.76	372.14	155.63	117.76	372.14	697.19
					M3	193.60	28.51	708.02	111.87	105.69	1183.63	111.87	171.20	1175.94	115.94	339.54	1192.77
MIN	S2			-40.28	15.45	673.75	-115.75	76.15	1133.54	-115.75	138.93	1127.57	-218.51	259.46	1125.98		
	TQ			35.60	-28.83	-880.93	35.60	-28.83	-713.82	35.61	-68.42	-712.88	35.61	-68.42	-549.14		
	M3			35.55	-28.45	-886.15	35.55	-28.45	-719.24	35.55	-68.31	-716.55	34.94	-66.98	-553.32		
	TANDEM-LOAD			MAX	S2	251.74	29.79	666.39	182.74	101.95	1019.79	182.74	158.38	1012.56	114.27	228.88	992.53
	TQ			77.39	247.11	-288.06	77.39	247.11	75.25	83.29	255.05	172.63	83.29	255.05	555.64		
	M3			111.50	18.62	672.47	45.97	79.25	1021.34	45.97	135.80	1015.37	114.27	228.88	992.54		
MIN	S2			-41.89	18.62	672.47	-109.72	79.25	1021.34	-109.72	135.80	1015.37	-184.23	214.92	986.33		
	TQ			24.22	-19.76	-597.72	24.22	-19.76	-484.01	24.22	-46.58	-482.17	24.22	-46.58	-370.78		
	M3			24.18	-19.28	-604.31	24.18	-19.28	-490.80	24.18	-46.48	-488.98	24.01	-46.11	-377.87		

BAGO RIVER BRIDGE

BLOCK [ No.1 : MAIN GIRDER ][ BEAM MEMBER FORCE ]

MEMBER		4035			4036			4036			4037						
NODE		4035			4036			4036			4037						
		SHEAR	TORQUE	MOMENT	SHEAR	TORQUE	MOMENT	SHEAR	TORQUE	MOMENT	SHEAR	TORQUE	MOMENT				
NAME	TITLE	S2 (kN)	TQ (kN·m)	M3 (kN·m)	S2 (kN)	TQ (kN·m)	M3 (kN·m)	S2 (kN)	TQ (kN·m)	M3 (kN·m)	S2 (kN)	TQ (kN·m)	M3 (kN·m)				
64	1-LANE (case4DISPERSION-LMAX	S2	243.95	493.67	-1902.35	204.27	484.14	-1024.78	204.27	426.53	-1050.06	177.58	394.53	-370.37			
		TQ	197.24	524.20	-757.80	143.11	524.20	41.61	137.30	533.77	188.27	83.78	533.77	696.64			
		M3	53.92	34.33	425.84	38.16	137.51	641.36	38.16	172.89	632.74	32.89	341.94	786.57			
		MIN	S2	-12.45	0.46	331.16	-26.90	9.98	413.81	-26.90	32.93	412.62	-53.74	64.93	425.57		
		TQ	34.25	-30.07	-813.39	34.25	-30.07	-652.58	40.07	-74.31	-825.72	40.07	-74.31	-641.44			
		M3	177.58	459.79	-1997.03	139.21	356.61	-1252.33	139.21	286.57	-1270.19	90.96	117.52	-731.38			
		65	2-LANES (caseTRUCK-LOAD	MAX	S2	96.50	-574.15	-657.46	96.50	-574.15	-204.41	96.50	-584.61	-172.24	96.50	-584.61	271.55
				TQ	-21.83	117.88	-440.63	-21.83	117.88	-543.12	-23.10	88.67	-468.67	-23.10	88.67	-574.88	
				M3	-2.36	-19.85	273.65	-2.36	-19.85	262.55	-2.36	-5.25	263.25	77.40	-562.61	419.84	
MIN	S2			-23.43	110.42	-301.49	-23.43	110.42	-411.50	-23.43	87.42	-416.99	-23.43	87.42	-524.75		
TQ	91.91			-599.17	-509.32	91.91	-599.17	-77.81	94.00	-603.43	-88.43	94.00	-603.43	343.85			
M3	82.45			-454.01	-808.11	-16.73	109.82	-613.40	-16.73	75.62	-618.55	-17.85	78.67	-697.61			
TANDEM-LOAD	MAX			S2	65.69	-391.09	-450.01	65.69	-391.09	-141.61	65.69	-398.35	-119.69	65.69	-398.35	182.40	
TQ	-14.85			80.30	-302.35	-14.85	80.30	-372.06	-15.84	60.50	-320.75	-15.84	60.50	-393.59			
M3	-1.63			-13.42	186.24	-1.63	-13.42	178.57	-1.63	-3.49	179.04	54.44	-389.60	289.26			
MIN	S2	-16.03	75.12	-204.53	-16.03	75.12	-279.80	-16.03	59.48	-283.54	-16.03	59.48	-357.27				
TQ	62.45	-408.02	-347.75	62.45	-408.02	-54.55	62.73	-410.59	-41.44	62.73	-410.59	247.05					
M3	55.83	-308.55	-549.38	-11.41	74.88	-418.14	-11.41	51.56	-421.65	-11.69	52.33	-474.69					
DISPERSION-LMAX	S2	147.22	-907.25	-1181.83	147.22	-907.25	-490.68	147.22	-933.08	-439.58	147.22	-933.08	237.44				
TQ	-22.70	138.80	-598.84	-22.70	138.80	-705.41	-22.70	99.45	-712.03	-22.70	99.45	-816.43					
M3	-1.26	-29.06	335.85	23.01	-166.62	372.72	26.83	-179.47	382.28	89.89	-613.67	654.90					
MIN	S2	-25.49	114.33	-265.68	-25.49	114.33	-385.33	-25.49	92.77	-391.08	-25.49	92.77	-508.30				
TQ	144.43	-931.72	-848.67	144.43	-931.72	-170.60	144.43	-939.75	-118.64	144.43	-939.75	545.57					
M3	122.99	-763.87	-1783.36	98.72	-626.30	-1248.74	94.90	-660.83	-1212.95	31.84	-226.64	-925.76					

BAGO RIVER BRIDGE

BLOCK [ No.1 : MAIN GIRDER ][ BEAM MEMBER FORCE ]

MEMBER				4035			4036			4037					
NODE				4035			4036			4036			4037		
				SHEAR	TORQUE	MOMENT	SHEAR	TORQUE	MOMENT	SHEAR	TORQUE	MOMENT	SHEAR	TORQUE	MOMENT
NAME	TITLE			S2 (kN)	TQ (kN·m)	M3 (kN·m)	S2 (kN)	TQ (kN·m)	M3 (kN·m)	S2 (kN)	TQ (kN·m)	M3 (kN·m)	S2 (kN)	TQ (kN·m)	M3 (kN·m)
66	2-LANES (caseTRUCK-LOAD	MAX	S2	119.67	-356.34	-635.22	119.67	-356.34	-73.40	119.67	-359.86	-53.51	119.67	-359.86	496.83
			TQ	-5.53	87.39	-688.72	-5.53	87.39	-714.70	-6.54	48.38	-675.72	-6.54	48.38	-705.79
			M3	-3.56	-17.32	288.35	38.61	-92.06	347.56	38.61	-72.63	352.13	95.21	-307.38	710.17
		MIN	S2	-9.94	37.87	-47.52	-9.94	37.87	-94.19	-9.94	32.59	-96.15	-9.94	32.59	-141.86
			TQ	116.91	-364.35	-480.43	116.91	-364.35	68.45	119.35	-361.08	-8.06	119.35	-361.08	540.81
			M3	97.13	-269.06	-915.93	-3.70	85.22	-741.60	-3.70	43.94	-745.19	-3.90	44.40	-762.37
		TANDEM-LOAD MAX	S2	81.45	-243.02	-412.22	81.45	-243.02	-29.81	81.45	-244.30	-16.28	81.45	-244.30	358.30
			TQ	-3.80	59.55	-467.87	-3.80	59.55	-485.72	-4.61	33.04	-452.63	-4.61	33.04	-473.85
			M3	-2.44	-11.72	196.04	24.00	-57.42	241.47	24.00	-43.93	244.28	64.73	-213.00	491.18
		MIN	S2	-6.82	25.24	-24.89	-6.82	25.24	-56.93	-6.82	22.04	-58.24	-6.82	22.04	-89.62
			TQ	78.63	-248.46	-300.95	78.63	-248.46	68.18	81.34	-246.05	12.01	81.34	-246.05	386.07
			M3	65.90	-180.93	-622.30	-2.28	57.38	-504.76	-2.28	29.29	-507.17	-2.51	29.82	-518.48
		DISPERSION-LMAX	S2	181.54	-508.09	-1657.05	181.54	-508.09	-804.76	181.54	-551.97	-775.33	181.54	-551.97	59.54
			TQ	-5.44	101.52	-842.35	-5.44	101.52	-867.91	-6.02	53.46	-814.70	-6.02	53.46	-842.39
			M3	5.80	-43.34	379.22	44.75	-176.02	485.12	45.73	-154.76	494.35	111.90	-355.45	853.76
MIN	S2	-12.13	50.32	-109.93	-12.13	50.32	-166.88	-12.13	40.99	-169.41	-12.13	40.99	-225.20		
	TQ	174.85	-559.29	-924.62	174.85	-559.29	-103.73	175.43	-564.44	-130.03	175.43	-564.44	676.73		
	M3	163.61	-414.43	-2146.19	124.66	-281.75	-1456.76	123.67	-356.22	-1439.09	57.51	-155.53	-1019.42		
67	2-LANES (caseTRUCK-LOAD	MAX	S2	243.83	116.82	203.85	232.79	168.98	951.60	232.79	221.52	940.76	217.18	256.83	1608.41
			TQ	168.06	300.68	-1027.75	168.06	300.68	-238.72	181.92	294.23	-38.44	181.92	294.23	798.17
			M3	100.46	63.80	789.33	182.29	128.68	1215.64	182.29	195.93	1206.63	194.91	236.02	1758.75
		MIN	S2	-21.33	19.87	608.52	-38.49	51.20	872.14	-38.49	99.51	867.96	-57.99	152.07	1057.75
			TQ	9.97	-14.41	-203.07	9.97	-14.41	-156.28	30.21	-50.79	-891.81	30.21	-50.79	-752.87
			M3	81.71	76.65	-1242.14	32.83	14.74	-1081.31	32.83	-45.28	-1080.46	32.41	-44.05	-930.57

BAGO RIVER BRIDGE

BLOCK [ No.1 : MAIN GIRDER ][ BEAM MEMBER FORCE ]

MEMBER		4035			4036			4036			4037						
NODE		4035			4036			4036			4037						
		SHEAR	TORQUE	MOMENT	SHEAR	TORQUE	MOMENT	SHEAR	TORQUE	MOMENT	SHEAR	TORQUE	MOMENT				
NAME	TITLE	S2 (kN)	TQ (kN·m)	M3 (kN·m)	S2 (kN)	TQ (kN·m)	M3 (kN·m)	S2 (kN)	TQ (kN·m)	M3 (kN·m)	S2 (kN)	TQ (kN·m)	M3 (kN·m)				
67	2-LANES (caseTANDEM-LOAD	MAX	S2	169.94	60.55	273.45	165.36	89.63	788.08	165.36	133.22	781.90	154.37	162.87	1236.84		
			TQ	115.08	205.18	-685.99	115.08	205.18	-145.69	124.50	201.25	-4.09	124.50	201.25	568.45		
			M3	52.20	47.90	669.63	134.41	77.52	942.26	134.41	129.68	936.51	149.46	154.49	1322.11		
		MIN	S2	-21.12	36.61	562.41	-34.01	61.98	739.46	-34.01	102.91	734.88	-47.76	135.46	858.79		
			TQ	7.56	-10.04	-162.27	7.56	-10.04	-126.77	19.89	-34.81	-572.68	19.89	-34.81	-481.21		
			M3	55.91	52.26	-845.25	22.31	10.27	-737.13	22.31	-30.64	-736.57	22.19	-30.30	-634.27		
			DISPERSION-LMAX	S2	319.90	469.46	-3041.55	301.21	462.51	-1681.13	301.21	368.51	-1704.20	284.23	352.26	-469.68	
				TQ	298.72	482.38	-2520.13	275.66	482.38	-1170.74	245.71	455.99	108.25	221.77	455.99	1183.51	
				M3	34.16	21.91	639.93	72.58	93.37	889.39	72.58	142.57	882.84	132.11	284.52	1347.26	
			MIN	S2	-11.79	-5.53	507.69	-16.15	1.42	540.74	-16.15	31.43	539.83	-23.12	47.68	561.47	
				TQ	9.39	-18.45	-13.73	9.39	-18.45	30.36	39.34	-56.05	-1272.62	39.34	-56.05	-1091.72	
				M3	273.96	442.02	-3173.79	212.47	370.56	-2029.78	212.47	257.37	-2047.21	129.00	115.42	-1255.47	
		68	2-LANES (caseTRUCK-LOAD	MAX	S2	486.54	163.90	1113.57	361.11	340.44	1882.32	361.11	444.36	1860.53	269.33	550.76	2133.80
					TQ	208.77	580.33	-904.98	208.77	580.33	75.17	218.11	588.58	192.62	218.11	588.58	1195.67
					M3	284.29	60.94	1220.55	234.42	210.15	1967.77	178.21	285.32	1953.90	220.41	526.85	2178.37
MIN	S2			-61.58	39.63	1154.33	-155.33	133.38	1882.18	-155.33	237.61	1871.87	-275.55	410.64	2053.35		
	TQ			62.76	-43.79	-1625.30	62.76	-43.79	-1330.64	63.51	-118.70	-1354.28	63.51	-118.70	-1062.21		
	M3			63.48	-42.77	-1664.78	63.48	-42.77	-1366.73	63.48	-118.54	-1362.25	62.53	-116.34	-1072.05		
	TANDEM-LOAD			MAX	S2	371.80	60.10	1123.10	283.07	162.74	1655.88	283.07	254.37	1644.30	201.29	353.07	1758.64
				TQ	140.35	395.25	-630.68	140.35	395.25	28.24	152.11	402.70	211.30	152.11	402.70	910.81	
				M3	163.50	42.96	1130.84	146.30	140.04	1657.43	81.44	222.39	1647.34	201.29	353.07	1758.65	
	MIN			S2	-62.23	42.96	1130.84	-142.45	130.64	1657.14	-142.45	222.39	1647.34	-228.40	332.78	1747.09	
				TQ	42.19	-29.95	-1086.04	42.19	-29.95	-887.97	43.26	-80.81	-923.34	43.26	-80.81	-724.40	
				M3	43.22	-28.97	-1136.09	43.22	-28.97	-933.19	43.22	-80.70	-930.15	42.95	-80.09	-731.89	

BAGO RIVER BRIDGE

BLOCK [ No.1 : MAIN GIRDER ][ BEAM MEMBER FORCE ]

MEMBER		4035			4036			4036			4037						
NODE		4035			4036			4036			4037						
		SHEAR	TORQUE	MOMENT	SHEAR	TORQUE	MOMENT	SHEAR	TORQUE	MOMENT	SHEAR	TORQUE	MOMENT				
NAME	TITLE	S2 (kN)	TQ (kN·m)	M3 (kN·m)	S2 (kN)	TQ (kN·m)	M3 (kN·m)	S2 (kN)	TQ (kN·m)	M3 (kN·m)	S2 (kN)	TQ (kN·m)	M3 (kN·m)				
68	2-LANES (caseDISPERSION-LMAX	S2	436.09	804.15	-3625.18	376.78	787.61	-1995.41	376.78	675.68	-2036.04	333.86	627.08	-714.61			
		TQ	354.61	852.66	-1515.00	275.83	852.66	-35.39	264.06	865.38	293.57	187.12	865.38	1330.83			
		M3	80.97	55.52	795.77	73.99	215.76	1157.63	73.99	279.66	1143.87	89.22	552.44	1504.08			
		MIN	S2	-21.53	1.01	625.95	-41.00	17.54	757.26	-41.00	59.53	755.12	-75.02	108.13	800.77		
		TQ	59.95	-47.51	-1484.22	59.95	-47.51	-1202.76	71.72	-130.16	-1574.50	71.72	-130.16	-1244.66			
		M3	333.59	749.63	-3795.00	261.79	589.39	-2395.78	261.79	455.55	-2424.80	169.61	182.77	-1417.92			
		69	3-LANES (caseTRUCK-LOAD	MAX	S2	162.99	-694.10	-967.83	162.99	-694.10	-202.65	162.99	-704.27	-163.82	162.99	-704.27	585.72
				TQ	-20.63	154.09	-843.39	-20.63	154.09	-940.23	-22.12	102.93	-859.47	-22.12	102.93	-961.18	
				M3	-4.44	-27.88	421.51	37.73	-102.61	476.57	37.73	-76.01	481.53	132.14	-665.28	860.51	
MIN	S2			-25.52	102.53	-154.82	-25.52	102.53	-274.63	-25.52	87.14	-279.89	-25.52	87.14	-397.25		
TQ	156.86			-723.74	-725.64	156.86	-723.74	10.77	160.38	-723.37	-55.24	160.38	-723.37	682.33			
M3	134.63			-539.26	-1293.30	-15.08	145.66	-1017.03	-15.08	89.00	-1023.55	-16.28	92.23	-1095.10			
TANDEM-LOAD	MAX			S2	111.02	-474.60	-634.40	111.02	-474.60	-113.20	111.02	-480.15	-86.69	111.02	-480.15	423.86	
TQ	-13.95			104.99	-578.89	-13.95	104.99	-644.39	-15.24	70.27	-584.30	-15.24	70.27	-654.41			
M3	-3.06			-18.85	286.72	23.38	-64.55	329.24	23.38	-46.18	332.32	90.60	-458.18	594.80			
MIN	S2	-17.45	69.73	-104.39	-17.45	69.73	-186.33	-17.45	59.28	-189.92	-17.45	59.28	-270.19				
TQ	105.35	-493.28	-460.48	105.35	-493.28	34.09	108.06	-492.39	-8.44	108.06	-492.39	488.50					
M3	91.69	-366.80	-879.11	-10.20	99.01	-692.41	-10.20	60.44	-696.84	-10.71	61.75	-745.11					
DISPERSION-LMAX	S2	247.09	-1054.74	-2211.37	247.09	-1054.74	-1051.33	247.09	-1111.45	-991.18	247.09	-1111.45	145.15				
TQ	-21.08	180.32	-1081.06	-21.08	180.32	-1180.01	-21.65	114.82	-1130.70	-21.65	114.82	-1230.28					
M3	3.99	-52.95	541.83	48.99	-232.20	647.12	52.81	-229.73	659.89	151.65	-729.42	1131.97					
MIN	S2	-28.79	117.32	-198.45	-28.79	117.32	-333.61	-28.79	98.62	-339.61	-28.79	98.62	-472.01				
TQ	239.38	-1117.74	-1328.76	239.38	-1117.74	-204.93	239.96	-1127.65	-200.09	239.96	-1127.65	903.42					
M3	214.32	-884.47	-2951.65	169.31	-705.22	-2032.06	165.49	-783.10	-1990.69	66.65	-283.41	-1458.83					

BAGO RIVER BRIDGE

BLOCK [ No.1 : MAIN GIRDER ][ BEAM MEMBER FORCE ]

MEMBER				4035			4036			4037					
NODE				4035			4036			4037					
				SHEAR	TORQUE	MOMENT	SHEAR	TORQUE	MOMENT	SHEAR	TORQUE	MOMENT			
NAME	TITLE			S2 (kN)	TQ (kN·m)	M3 (kN·m)	S2 (kN)	TQ (kN·m)	M3 (kN·m)	S2 (kN)	TQ (kN·m)	M3 (kN·m)			
70	3-LANES (caseTRUCK-LOAD	MAX	S2	550.85	213.76	819.30	453.44	388.52	2072.64	453.44	502.93	2047.89	365.16	611.95	2777.35
			TQ	284.90	663.84	-1417.58	284.90	663.84	-80.02	299.68	666.37	117.19	299.68	666.37	1495.36
			M3	281.18	93.92	1465.07	380.96	314.76	2383.64	380.96	446.53	2362.50	311.16	575.37	2951.77
		MIN	S2	-58.56	37.06	1250.19	-149.97	127.25	1983.02	-149.97	237.09	1972.91	-274.69	410.72	2184.55
			TQ	36.82	-31.69	-905.46	36.82	-31.69	-732.57	58.35	-102.03	-1518.98	58.35	-102.03	-1250.66
			M3	109.63	62.36	-2020.59	60.75	0.45	-1728.69	60.75	-95.47	-1726.05	60.33	-94.24	-1447.75
	TANDEM-LOAD	MAX	S2	404.18	90.91	909.72	345.82	190.67	1797.36	345.82	290.10	1784.01	268.64	391.75	2229.37
		TQ	192.47	452.29	-974.05	192.47	452.29	-70.44	207.78	456.31	168.54	207.78	456.31	1124.09	
		M3	155.29	67.44	1310.69	314.87	178.56	1951.54	314.87	286.57	1938.63	263.73	383.37	2314.65	
	MIN	S2	-59.87	56.14	1203.47	-141.07	140.46	1747.32	-141.07	237.20	1736.83	-231.71	350.21	1845.34	
		TQ	26.16	-21.88	-651.75	26.16	-21.88	-528.93	39.10	-69.76	-1004.29	39.10	-69.76	-824.46	
		M3	74.79	42.87	-1374.77	41.19	0.88	-1178.02	41.19	-64.48	-1176.25	41.07	-64.14	-987.13	
	DISPERSION-LMAX	S2	554.08	977.14	-4835.98	497.58	960.81	-2632.72	497.58	813.24	-2681.97	453.93	764.99	-804.05	
		TQ	496.10	1006.90	-3339.05	421.52	1006.90	-1182.36	385.46	986.77	281.12	308.12	986.77	1876.43	
		M3	87.86	53.94	1044.04	113.15	228.58	1515.33	113.15	312.31	1500.31	167.60	623.57	2130.09	
MIN	S2	-22.55	-7.21	819.31	-40.63	9.11	939.07	-40.63	61.21	937.12	-74.32	109.46	983.28		
	TQ	35.43	-36.98	-677.62	35.43	-36.98	-511.29	71.49	-112.32	-2025.98	71.49	-112.32	-1697.20		
	M3	443.67	915.98	-5060.71	343.80	741.35	-3208.98	343.80	562.15	-3245.17	212.01	250.88	-1950.86		
71	3-LANES (caseTRUCK-LOAD	MAX	S2	582.37	213.73	869.54	456.95	390.27	2088.21	456.95	505.54	2063.34	365.16	611.95	2777.35
			TQ	284.90	663.84	-1417.58	284.90	663.84	-80.02	299.68	666.37	117.19	299.68	666.37	1495.36
			M3	314.28	92.72	1550.45	296.18	236.04	2418.93	239.97	336.20	2402.92	310.31	576.03	2951.99
		MIN	S2	-66.27	65.04	1449.57	-160.02	158.79	2155.41	-160.02	278.14	2143.28	-280.24	451.17	2303.20
			TQ	73.38	-50.98	-1946.32	73.38	-50.98	-1601.80	83.71	-150.84	-1924.18	83.71	-150.84	-1539.21
			M3	83.72	-42.43	-2337.83	83.72	-42.43	-1944.79	83.72	-150.28	-1939.44	82.76	-148.07	-1556.18

BAGO RIVER BRIDGE

BLOCK [ No.1 : MAIN GIRDER ] [ BEAM MEMBER FORCE ]

MEMBER				4035			4036			4037								
NODE				4035			4036			4036			4037					
				SHEAR	TORQUE	MOMENT	SHEAR	TORQUE	MOMENT	SHEAR	TORQUE	MOMENT	SHEAR	TORQUE	MOMENT			
NAME	TITLE			S2 (kN)	TQ (kN·m)	M3 (kN·m)	S2 (kN)	TQ (kN·m)	M3 (kN·m)	S2 (kN)	TQ (kN·m)	M3 (kN·m)	S2 (kN)	TQ (kN·m)	M3 (kN·m)			
71	3-LANES (case)	TANDEM-LOAD	MAX	S2	439.15	89.79	969.80	350.42	192.43	1818.77	350.42	293.05	1805.30	268.64	391.75	2229.37		
				TQ	192.47	452.29	-974.05	192.47	452.29	-70.44	207.78	456.31	168.54	207.78	456.31	1124.09		
				M3	180.43	67.24	1396.05	183.93	158.61	1981.37	119.07	258.90	1969.74	263.73	383.37	2314.65		
			MIN	S2	-67.34	58.28	1316.49	-147.56	145.97	1818.81	-147.56	246.66	1807.91	-233.51	357.05	1884.16		
				TQ	47.93	-35.38	-1252.59	47.93	-35.38	-1027.55	57.16	-102.77	-1316.71	57.16	-102.77	-1053.83		
				M3	57.10	-28.92	-1595.88	57.10	-28.92	-1327.81	57.10	-102.56	-1324.16	56.83	-101.94	-1062.07		
			DISPERSION-L	MAX	S2	582.45	934.75	-5164.67	521.50	917.66	-2858.38	521.50	757.64	-2904.89	477.49	709.04	-920.53	
					TQ	484.85	990.92	-2663.30	404.37	990.92	-576.74	379.11	997.24	325.79	301.07	997.24	1889.51	
					M3	87.46	62.14	1108.31	106.83	236.77	1560.38	106.83	322.99	1544.83	160.53	633.99	2143.19	
				MIN	S2	-27.46	0.20	879.18	-46.99	17.29	988.76	-46.99	72.13	986.27	-81.01	120.73	1004.38	
					TQ	70.14	-55.97	-1622.19	70.14	-55.97	-1292.88	95.40	-167.47	-2244.41	95.40	-167.47	-1805.66	
					M3	467.54	872.81	-5393.81	367.68	698.18	-3430.00	367.68	506.78	-3463.45	235.95	195.78	-2059.34	
		72	4-LANES	TRUCK-LOAD	MAX	S2	93.41	-22.35	-2864.12	93.41	-22.35	-2425.59	93.41	-156.91	-2420.61	93.41	-156.91	-1991.04
						TQ	22.47	19.35	-935.14	22.47	19.35	-829.64	-16.32	19.52	597.40	-16.32	19.52	522.34
						M3	-16.41	-14.84	688.64	-16.40	-14.85	611.61	-16.40	19.11	611.50	-16.40	19.11	536.06
	MIN			S2	-16.47	-14.34	685.90	-16.47	-14.34	608.56	-16.47	19.45	608.42	-16.47	19.45	532.67		
				TQ	54.63	-49.30	-1313.78	54.63	-49.30	-1057.30	93.41	-156.91	-2420.61	93.41	-156.91	-1991.04		
				M3	93.41	-22.35	-2864.12	93.41	-22.35	-2425.59	93.41	-156.91	-2420.61	93.41	-156.91	-1991.04		
	TANDEM-LOAD			MAX	S2	65.14	-17.79	-1975.12	65.14	-17.79	-1669.30	65.14	-110.39	-1665.74	65.14	-110.39	-1366.16	
					TQ	15.78	13.26	-653.56	15.78	13.26	-579.46	-11.12	13.30	406.98	-11.12	13.30	355.84	
					M3	-11.19	-10.02	468.55	-11.19	-10.02	416.04	-11.19	13.08	415.95	-11.19	13.08	364.51	
				MIN	S2	-11.20	-9.90	467.87	-11.20	-9.90	415.27	-11.20	13.16	415.18	-11.20	13.16	363.66	
					TQ	38.27	-35.31	-911.10	38.27	-35.31	-731.46	65.14	-110.39	-1665.74	65.14	-110.39	-1366.16	
					M3	65.14	-17.79	-1975.12	65.14	-17.79	-1669.30	65.14	-110.39	-1665.74	65.14	-110.39	-1366.16	



BAGO RIVER BRIDGE

BLOCK [ No.1 : MAIN GIRDER ][ BEAM MEMBER FORCE ]

MEMBER				4035			4036			4037							
NODE				4035			4036			4036			4037				
				SHEAR	TORQUE	MOMENT	SHEAR	TORQUE	MOMENT	SHEAR	TORQUE	MOMENT	SHEAR	TORQUE	MOMENT		
NAME	TITLE			S2 (kN)	TQ (kN·m)	M3 (kN·m)	S2 (kN)	TQ (kN·m)	M3 (kN·m)	S2 (kN)	TQ (kN·m)	M3 (kN·m)	S2 (kN)	TQ (kN·m)	M3 (kN·m)		
72	4-LANES	DISPERSION-LMAX	S2	60.63	-5.68	-1947.81	60.63	-5.68	-1663.15	60.63	-97.96	-1660.28	60.63	-97.96	-1381.43		
			TQ	18.39	15.10	-757.34	18.39	15.10	-671.02	-20.23	23.97	745.56	-20.23	23.97	652.51		
			M3	-20.23	-17.44	840.73	-20.23	-17.44	745.74	-20.23	23.97	745.56	-20.23	23.97	652.51		
		MIN	S2	-20.23	-17.44	840.73	-20.23	-17.44	745.74	-20.23	23.97	745.56	-20.23	23.97	652.51		
			TQ	22.41	-38.70	-358.19	22.41	-38.70	-252.96	60.63	-97.96	-1660.28	60.63	-97.96	-1381.43		
			M3	60.63	-5.68	-1947.81	60.63	-5.68	-1663.15	60.63	-97.96	-1660.28	60.63	-97.96	-1381.43		
		73	6-LANES	TRUCK-LOAD MAX	S2	714.36	-474.69	-96.13	606.08	-310.16	1862.14	606.08	-206.36	1876.48	524.44	-105.96	3373.72
					TQ	267.35	751.99	-2364.10	267.35	751.99	-1108.94	276.64	697.83	-887.03	276.64	697.83	385.17
					M3	276.49	58.97	1895.98	319.20	122.38	2816.53	319.20	278.48	2805.40	443.31	-97.45	3800.70
MIN	S2			-84.26	129.03	1138.17	-168.09	217.59	1711.22	-168.09	312.21	1696.51	-274.72	473.89	1792.17		
	TQ			215.29	-724.13	-2010.43	215.29	-724.13	-999.69	240.83	-809.51	-1830.94	240.83	-809.51	-723.39		
	M3			212.80	-522.59	-3541.21	69.27	101.51	-2967.27	69.27	-63.29	-2968.33	67.28	-58.18	-2654.18		
TANDEM-LOAD MAX	S2			522.86	-374.74	316.30	447.30	-279.50	1665.48	447.30	-186.66	1678.43	375.50	-94.54	2644.20		
	TQ			181.53	512.39	-1614.31	181.53	512.39	-762.07	194.62	477.33	-442.21	194.62	477.33	452.83		
	M3			152.99	45.83	1603.91	192.70	88.21	2232.88	192.70	211.97	2224.55	351.35	-81.06	2884.53		
MIN	S2	-77.28	116.44	1140.79	-148.42	197.97	1552.02	-148.42	283.78	1538.64	-224.61	386.62	1578.56				
	TQ	153.11	-494.82	-1614.26	153.11	-494.82	-895.44	162.21	-551.04	-1194.78	162.21	-551.04	-448.80				
	M3	144.94	-355.59	-2412.83	47.13	69.41	-2023.58	47.13	-42.98	-2024.31	46.21	-40.66	-1808.76				
DISPERSION-LMAX	S2	780.47	-57.49	-7108.22	722.97	-73.23	-3844.67	722.97	-286.45	-3834.68	681.63	-332.07	-896.42				
	TQ	445.63	1095.07	-3854.73	369.41	1095.07	-1941.97	332.94	1033.72	-458.76	258.47	1033.72	900.91				
	M3	84.35	6.35	1608.67	147.64	0.99	2135.55	151.14	85.48	2133.08	294.52	-72.27	3145.63				
MIN	S2	-53.13	99.49	763.05	-71.74	115.54	738.30	-71.74	156.32	730.76	-104.37	202.80	624.41				
	TQ	281.54	-1096.86	-2514.85	281.54	-1096.86	-1193.06	315.54	-1206.61	-2563.99	315.54	-1206.61	-1112.87				
	M3	644.48	13.01	-7934.83	507.73	4.87	-5208.88	504.26	-250.61	-5202.01	285.66	-80.09	-3372.70				

BAGO RIVER BRIDGE

BLOCK [ No.1 : MAIN GIRDER ] [ BEAM MEMBER FORCE ]

MEMBER			4035			4036			4036			4037			
NODE			4035			4036			4036			4037			
NAME TITLE			SHEAR	TORQUE	MOMENT	SHEAR	TORQUE	MOMENT	SHEAR	TORQUE	MOMENT	SHEAR	TORQUE	MOMENT	
			S2 (kN)	TQ (kN·m)	M3 (kN·m)	S2 (kN)	TQ (kN·m)	M3 (kN·m)	S2 (kN)	TQ (kN·m)	M3 (kN·m)	S2 (kN)	TQ (kN·m)	M3 (kN·m)	
124	SUM TOTAL	D+1LANE (caseMAX	S2	2891.58	-1029.40	-25522.64	2618.25	-1029.40	-12580.88	2618.25	-1725.89	-12504.38	2354.58	-1725.89	-1065.78
			TQ	2724.07	206.49	-24930.39	2450.73	206.49	-12775.07	2450.15	-502.13	-12712.67	2186.49	-502.13	-2047.12
			M3	2757.71	7.70	-24103.41	2491.63	-48.19	-11780.68	2495.04	-735.24	-11759.05	2315.95	-1519.46	-760.93
		MIN	S2	2722.26	189.87	-24693.31	2448.92	189.87	-12546.51	2448.92	-506.59	-12537.71	2185.26	-506.59	-1877.82
			TQ	2886.31	-1069.52	-25237.55	2612.97	-1069.52	-12320.55	2614.28	-1751.81	-12253.66	2350.61	-1751.81	-833.33
			M3	2866.78	-856.40	-25877.72	2527.54	-403.76	-13150.79	2524.14	-1099.40	-13108.93	2220.05	-737.27	-2201.76
		D+1LANE (caseMAX	S2	2960.58	-289.03	-26066.21	2687.24	-289.03	-12800.56	2687.24	-998.86	-12764.80	2423.57	-998.86	-1008.92
			TQ	2764.34	125.16	-25520.30	2491.00	125.16	-13175.94	2490.04	-605.66	-13084.35	2226.38	-605.66	-2235.36
			M3	2764.75	-6.42	-24033.73	2566.90	-146.12	-11543.80	2566.90	-786.44	-11517.91	2363.75	-903.32	-173.89
		MIN	S2	2754.48	26.01	-24201.65	2481.14	26.01	-11903.58	2481.14	-634.53	-11886.69	2217.47	-634.53	-1078.63
			TQ	2952.81	-340.82	-25294.02	2679.48	-340.82	-12064.79	2681.90	-1010.61	-12170.90	2418.23	-1010.61	-439.59
			M3	2933.15	-215.14	-26442.51	2574.29	-19.81	-13554.25	2574.29	-771.87	-13532.27	2267.60	-693.07	-2391.86
		D+1LANE (caseMAX	S2	3041.19	265.91	-26463.42	2766.76	265.73	-12823.69	2766.76	-446.23	-12818.68	2501.93	-446.23	-699.76
			TQ	3009.58	312.12	-26666.09	2735.13	312.12	-13172.88	2725.63	-394.76	-12181.28	2460.81	-394.76	-251.47
			M3	2797.12	71.29	-23738.62	2602.42	82.65	-11131.50	2602.42	-535.13	-11118.94	2419.83	-489.76	413.35
		MIN	S2	2752.08	19.88	-23988.86	2478.73	20.06	-11700.14	2478.73	-629.19	-11683.23	2215.07	-629.19	-886.24
			TQ	2760.05	14.06	-24108.61	2486.72	14.06	-11784.35	2518.50	-683.92	-13251.37	2254.83	-683.92	-2271.50
			M3	2985.68	289.84	-26927.43	2620.01	198.28	-13888.34	2620.01	-572.66	-13877.94	2308.89	-618.53	-2538.88
		D+1LANE (caseMAX	S2	3441.07	740.55	-25972.00	2999.46	877.58	-12006.29	2999.46	210.03	-12036.48	2614.62	258.36	-316.90
			TQ	3137.84	1096.71	-25835.48	2799.55	1096.71	-11889.52	2793.67	445.88	-11700.29	2465.78	445.88	397.41
			M3	3057.97	107.30	-23097.68	2667.64	323.73	-9939.91	2667.64	-228.31	-9942.56	2402.53	176.56	1100.03
		MIN	S2	2697.67	50.98	-23252.44	2316.42	135.25	-10273.08	2316.42	-434.99	-10264.76	1897.25	-251.95	586.67
			TQ	2844.76	-38.80	-26491.51	2571.42	-38.80	-13769.58	2578.42	-812.49	-13959.30	2314.75	-812.49	-2703.88
			M3	3016.71	549.49	-27918.15	2697.32	425.68	-14495.78	2697.32	-379.31	-14497.07	2375.02	-580.58	-2816.83

BAGO RIVER BRIDGE

BLOCK [ No.1 : MAIN GIRDER ][ BEAM MEMBER FORCE ]

MEMBER			4035			4036			4036			4037			
NODE			4035			4036			4036			4037			
NAME TITLE			SHEAR	TORQUE	MOMENT	SHEAR	TORQUE	MOMENT	SHEAR	TORQUE	MOMENT	SHEAR	TORQUE	MOMENT	
			S2 (kN)	TQ (kN·m)	M3 (kN·m)	S2 (kN)	TQ (kN·m)	M3 (kN·m)	S2 (kN)	TQ (kN·m)	M3 (kN·m)	S2 (kN)	TQ (kN·m)	M3 (kN·m)	
124	SUM TOTAL	D+2LANES (casMAX	S2	3004.66	-1449.51	-26297.61	2731.32	-1449.51	-12824.99	2731.32	-2158.90	-12724.80	2467.66	-2158.90	-766.20
			TQ	2716.41	288.57	-25497.79	2443.07	288.57	-13378.44	2441.81	-453.10	-13293.68	2178.14	-453.10	-2666.49
			M3	2757.32	-17.01	-23848.82	2508.25	-154.58	-11494.62	2512.07	-825.94	-11467.45	2391.22	-1817.49	-200.45
		MIN	S2	2712.02	256.64	-25025.49	2438.69	256.64	-12926.73	2438.69	-461.02	-12921.06	2175.02	-461.02	-2308.23
			TQ	2997.29	-1499.00	-25816.32	2723.95	-1499.00	-12378.31	2726.03	-2184.40	-12320.05	2462.37	-2184.40	-385.76
			M3	2966.38	-1185.99	-27049.79	2569.59	-484.59	-13992.04	2565.78	-1226.43	-13944.48	2237.93	-789.18	-2898.55
		D+2LANES (casMAX	S2	3062.15	-832.54	-26750.59	2788.81	-832.54	-13008.05	2788.81	-1553.04	-12941.82	2525.15	-1553.04	-718.81
			TQ	2749.97	220.80	-25989.39	2476.63	220.80	-13712.50	2475.05	-539.38	-13603.41	2211.38	-539.38	-2823.36
			M3	2763.18	-28.77	-23790.75	2570.97	-236.19	-11297.21	2571.95	-868.60	-11266.50	2431.05	-1304.05	288.75
		MIN	S2	2738.87	120.09	-24615.77	2465.54	120.09	-12390.96	2465.54	-567.64	-12378.54	2201.87	-567.64	-1642.24
			TQ	3052.71	-891.75	-25863.37	2779.37	-891.75	-12165.18	2782.38	-1566.73	-12251.08	2518.72	-1566.73	-57.64
			M3	3021.69	-651.60	-27520.45	2608.56	-164.64	-14328.26	2607.57	-953.50	-14297.25	2277.55	-752.35	-3056.97
		D+2LANES (casMAX	S2	3324.68	618.17	-27296.03	3021.60	663.38	-12859.42	3021.60	-51.18	-12876.42	2725.35	-32.13	-136.45
			TQ	3227.73	814.95	-28006.21	2931.33	814.95	-13539.37	2915.24	109.00	-12043.17	2627.63	109.00	706.50
			M3	2895.56	117.59	-23029.06	2742.48	253.93	-10024.86	2742.48	-302.71	-10023.51	2550.96	-120.68	1830.83
		MIN	S2	2727.82	46.23	-23342.12	2432.97	84.51	-10717.01	2432.97	-510.28	-10705.19	2142.83	-441.46	344.04
			TQ	2780.30	-0.97	-24675.13	2506.96	-0.97	-12255.82	2557.16	-748.06	-14277.41	2293.49	-748.06	-3119.77
			M3	3116.61	550.56	-28874.26	2732.91	417.20	-15240.99	2732.91	-429.13	-15240.66	2385.35	-569.85	-3461.22
		D+2LANES (casMAX	S2	3683.57	999.94	-26969.94	3225.50	1159.94	-12242.99	3225.50	478.82	-12288.49	2827.12	536.63	144.01
			TQ	3324.33	1464.88	-26878.30	2972.21	1464.88	-12090.12	2969.78	812.74	-11626.79	2629.17	812.74	1251.32
			M3	3126.21	148.36	-22442.00	2796.01	457.80	-9004.50	2739.80	-76.24	-9015.21	2533.57	438.07	2407.27
		MIN	S2	2677.83	72.52	-22678.04	2291.27	182.81	-9490.47	2291.27	-344.07	-9485.99	1873.37	-122.45	1578.94
			TQ	2883.66	-59.41	-27567.85	2610.32	-59.41	-14663.30	2622.84	-890.08	-15041.75	2359.17	-890.08	-3582.06
			M3	3158.02	738.75	-29918.10	2812.88	578.51	-15892.41	2812.88	-304.21	-15900.03	2456.08	-574.78	-3765.15

BAGO RIVER BRIDGE

BLOCK [ No.1 : MAIN GIRDER ] [ BEAM MEMBER FORCE ]

MEMBER			4035			4036			4036			4037				
NODE			4035			4036			4036			4037				
NAME TITLE			SHEAR	TORQUE	MOMENT	SHEAR	TORQUE	MOMENT	SHEAR	TORQUE	MOMENT	SHEAR	TORQUE	MOMENT		
			S2 (kN)	TQ (kN·m)	M3 (kN·m)	S2 (kN)	TQ (kN·m)	M3 (kN·m)	S2 (kN)	TQ (kN·m)	M3 (kN·m)	S2 (kN)	TQ (kN·m)	M3 (kN·m)		
124	SUM TOTAL	D+3LANES (casMAX	S2	3109.51	-1454.62	-27160.64	2836.17	-1454.62	-13195.78	2836.17	-2184.58	-13094.73	2572.51	-2184.58	-653.94	
			TQ	2725.49	316.14	-26094.11	2452.16	316.14	-13932.10	2450.40	-456.13	-13804.62	2186.74	-456.13	-3137.92	
			M3	2760.55	-36.81	-23639.49	2561.32	-252.70	-11174.76	2564.56	-901.09	-11142.77	2465.16	-1826.71	418.43	
		MIN	S2	2714.78	218.76	-24758.61	2441.44	218.76	-12646.90	2441.44	-483.32	-12639.56	2177.78	-483.32	-2014.05	
			TQ	3097.74	-1533.37	-26204.57	2824.41	-1533.37	-12294.93	2827.89	-2214.58	-12330.02	2564.23	-2214.58	72.70	
			M3	3057.55	-1178.28	-28066.54	2618.70	-443.74	-14721.63	2615.46	-1231.20	-14675.08	2266.76	-803.72	-3446.02	
		D+3LANES (casMAX	S2	3700.13	1044.15	-27872.50	3295.98	1178.82	-12605.97	3295.98	477.53	-12651.96	2920.17	529.18	402.12	
			TQ	3424.79	1452.02	-28501.46	3088.07	1452.02	-13202.92	3069.97	763.95	-11774.41	2740.57	763.95	1590.84	
			M3	3074.63	157.57	-22325.58	2907.60	493.72	-8815.78	2907.60	3.80	-8829.59	2630.89	377.88	3044.40	
		MIN	S2	2692.00	57.26	-22699.25	2325.59	147.80	-9646.12	2325.59	-387.66	-9639.46	1927.29	-199.07	1417.47	
			TQ	2822.36	-26.48	-25803.94	2549.02	-26.48	-13187.18	2597.97	-823.41	-15126.20	2334.30	-823.41	-3780.87	
			M3	3231.24	863.48	-30477.43	2831.48	662.42	-16326.91	2831.48	-244.54	-16338.51	2455.43	-508.07	-4164.00	
		D+3LANES (casMAX	S2	3751.04	1008.10	-28109.19	3319.29	1143.63	-12784.54	3319.29	432.49	-12828.30	2940.20	481.62	303.11	
			TQ	3415.24	1438.44	-27927.08	3073.49	1438.44	-12688.15	3064.57	772.85	-11736.44	2734.58	772.85	1601.95	
			M3	3102.42	163.52	-22198.38	2830.16	433.78	-8747.49	2782.38	-80.91	-8757.39	2624.15	387.30	3055.72	
		MIN	S2	2681.28	87.34	-22478.89	2311.65	181.56	-9457.36	2311.65	-343.49	-9452.86	1916.88	-155.11	1536.25	
			TQ	2882.94	-59.02	-27491.55	2609.60	-59.02	-14590.38	2639.85	-911.78	-15656.28	2376.19	-911.78	-4118.32	
			M3	3229.51	737.72	-31030.21	2871.29	589.28	-16698.47	2871.29	-338.19	-16705.44	2494.85	-600.66	-4348.38	
		D+4LANES	MAX	S2	2861.07	13.67	-27586.08	2587.73	13.67	-14787.58	2587.73	-806.88	-14765.56	2324.07	-806.88	-3467.29
			TQ	2787.50	54.28	-25558.43	2514.16	54.28	-13105.33	2463.84	-612.95	-11240.06	2200.18	-612.95	-511.53	
			M3	2737.13	10.91	-23464.23	2463.79	10.90	-11247.62	2463.79	-613.22	-11230.90	2200.13	-613.22	-502.62	
		MIN	S2	2737.08	11.23	-23466.01	2463.75	11.23	-11249.60	2463.75	-613.00	-11232.89	2200.08	-613.00	-504.82	
			TQ	2811.02	-25.31	-25545.11	2537.69	-25.31	-12981.57	2587.73	-806.88	-14765.56	2324.07	-806.88	-3467.29	
			M3	2861.07	13.67	-27586.08	2587.73	13.67	-14787.58	2587.73	-806.88	-14765.56	2324.07	-806.88	-3467.29	

BAGO RIVER BRIDGE

BLOCK [ No.1 : MAIN GIRDER ][ BEAM MEMBER FORCE ]

MEMBER					4035			4036			4037							
NODE					4035			4036			4037							
					SHEAR	TORQUE	MOMENT	SHEAR	TORQUE	MOMENT	SHEAR	TORQUE	MOMENT					
NAME	TITLE				S2 (kN)	TQ (kN·m)	M3 (kN·m)	S2 (kN)	TQ (kN·m)	M3 (kN·m)	S2 (kN)	TQ (kN·m)	M3 (kN·m)					
124	SUM TOTAL	D+6LANES	MAX	S2	3732.58	-314.03	-29141.15	3351.49	-217.32	-13418.54	3351.49	-961.54	-13385.81	3007.88	-925.94	335.07		
				TQ	3224.38	1232.48	-28500.57	2901.50	1232.48	-14112.99	2883.83	484.29	-12987.75	2571.76	484.29	-439.23		
				M3	2995.48	74.35	-22180.30	2791.05	112.08	-8911.05	2793.33	-404.65	-8902.97	2703.53	-751.54	3239.93		
			MIN	S2	2671.64	180.43	-23222.53	2331.71	248.42	-10537.71	2331.71	-336.67	-10535.26	1977.53	-201.37	295.60		
				TQ	3083.88	-1151.75	-27399.75	2810.55	-1151.75	-13555.18	2849.25	-1951.70	-14969.69	2585.58	-1951.70	-2468.75		
				M3	3318.18	-299.33	-31917.75	2862.65	101.04	-17444.40	2860.40	-845.25	-17423.70	2453.35	-731.10	-5192.65		
		SUM TOTAL	MAX		3751.04	1464.88	-22180.30	3351.49	1464.88	-8747.49	3351.49	812.74	-8757.39	3007.88	812.74	3239.93		
			MIN		2671.64	-1533.37	-31917.75	2291.27	-1533.37	-17444.40	2291.27	-2214.58	-17423.70	1873.37	-2214.58	-5192.65		
		300	DEAD LOAD	TOTAL			2760.94	31.89	-24458.32	2487.61	31.89	-12129.90	2487.61	-641.22	-12112.98	2223.94	-641.22	-1275.18
		301	LIVE LOAD	1-LANE (case1MAX	S2	S2	130.64	-1061.29	-1064.32	130.64	-1061.29	-450.98	130.64	-1084.68	-391.40	130.64	-1084.68	209.40
TQ	-36.87					174.60	-472.06	-36.87	174.60	-645.17	-37.46	139.09	-599.69	-37.46	139.09	-771.94		
M3	-3.23					-24.19	354.91	4.03	-80.08	349.21	7.43	-94.02	353.93	92.01	-878.24	514.25		
MIN	S2				-38.69	157.98	-234.99	-38.69	157.98	-416.61	-38.69	134.62	-424.73	-38.69	134.62	-602.64		
	TQ				125.37	-1101.41	-779.23	125.37	-1101.41	-190.65	126.67	-1110.59	-140.68	126.67	-1110.59	441.85		
	M3				105.84	-888.29	-1419.40	39.93	-435.65	-1020.89	36.53	-458.18	-995.95	-3.89	-96.05	-926.58		
1-LANE (case2MAX	S2			S2	199.63	-320.92	-1607.89	199.63	-320.92	-670.66	199.63	-357.64	-651.82	199.63	-357.64	266.26		
				TQ	3.39	93.27	-1061.98	3.39	93.27	-1046.04	2.43	35.55	-971.37	2.43	35.55	-960.18		
				M3	3.80	-38.31	424.60	79.29	-178.01	586.10	79.29	-145.22	595.08	139.80	-262.10	1101.29		
	MIN			S2	-6.47	-5.88	256.68	-6.47	-5.88	226.32	-6.47	6.68	226.29	-6.47	6.68	196.55		
				TQ	191.87	-372.71	-835.69	191.87	-372.71	65.11	194.29	-369.40	-57.92	194.29	-369.40	835.60		
				M3	172.21	-247.03	-1984.18	86.69	-51.70	-1424.35	86.69	-130.66	-1419.28	43.66	-51.86	-1116.68		
1-LANE (case3MAX	S2			S2	280.25	234.02	-2005.09	279.15	233.84	-693.79	279.15	194.98	-705.70	277.99	194.98	575.42		
				TQ	248.63	280.23	-2207.76	247.53	280.23	-1042.98	238.03	246.46	-68.30	236.87	246.46	1023.71		
				M3	36.18	39.40	719.71	114.81	50.76	998.40	114.81	106.08	994.04	195.88	151.46	1688.53		
	MIN			S2	-8.87	-12.01	469.46	-8.87	-11.83	429.76	-8.87	12.03	429.75	-8.87	12.03	388.94		
				TQ	-0.89	-17.83	349.72	-0.89	-17.83	345.55	30.89	-42.70	-1138.38	30.89	-42.70	-996.31		
				M3	224.74	257.95	-2469.10	132.41	166.39	-1758.44	132.41	68.56	-1764.96	84.95	22.69	-1263.70		

BAGO RIVER BRIDGE

BLOCK [ No.1 : MAIN GIRDER ][ BEAM MEMBER FORCE ]

MEMBER			4035			4036			4036			4037			
NODE			4035			4036			4036			4037			
NAME TITLE			SHEAR	TORQUE	MOMENT	SHEAR	TORQUE	MOMENT	SHEAR	TORQUE	MOMENT	SHEAR	TORQUE	MOMENT	
			S2 (kN)	TQ (kN·m)	M3 (kN·m)	S2 (kN)	TQ (kN·m)	M3 (kN·m)	S2 (kN)	TQ (kN·m)	M3 (kN·m)	S2 (kN)	TQ (kN·m)	M3 (kN·m)	
301	LIVE LOAD	1-LANE (case4MAX	S2	680.13	708.66	-1513.68	511.85	845.69	123.61	511.85	851.24	76.50	390.68	899.57	958.28
			TQ	376.90	1064.82	-1377.16	311.94	1064.82	240.37	306.07	1087.10	412.69	241.84	1087.10	1672.59
			M3	297.02	75.41	1360.64	180.03	291.84	2189.99	180.03	412.91	2170.42	178.59	817.78	2375.22
			MIN S2	-63.27	19.09	1205.89	-171.19	103.36	1856.82	-171.19	206.23	1848.22	-326.69	389.27	1861.85
			TQ	83.82	-70.69	-2033.19	83.82	-70.69	-1639.68	90.81	-171.28	-1846.32	90.81	-171.28	-1428.70
			M3	255.76	517.60	-3459.82	209.71	393.79	-2365.88	209.71	261.91	-2384.09	151.08	60.64	-1541.64
		2-LANES (caseMAX	S2	243.72	-1481.40	-1839.29	243.72	-1481.40	-695.09	243.72	-1517.69	-611.82	243.72	-1517.69	508.99
			TQ	-44.53	256.68	-1039.47	-44.53	256.68	-1248.54	-45.80	188.12	-1180.69	-45.80	188.12	-1391.31
			M3	-3.63	-48.90	609.50	20.65	-186.47	635.28	24.46	-184.72	645.53	167.28	-1176.28	1074.74
			MIN S2	-48.92	224.75	-567.17	-48.92	224.75	-796.84	-48.92	180.19	-808.08	-48.92	180.19	-1033.05
			TQ	236.34	-1530.89	-1357.99	236.34	-1530.89	-248.41	238.43	-1543.18	-207.07	238.43	-1543.18	889.42
			M3	205.44	-1217.88	-2591.47	81.99	-516.48	-1862.14	78.17	-585.22	-1831.50	13.99	-147.96	-1623.37
		2-LANES (caseMAX	S2	301.21	-864.43	-2292.26	301.21	-864.43	-878.15	301.21	-911.83	-828.84	301.21	-911.83	556.37
			TQ	-10.98	188.91	-1531.07	-10.98	188.91	-1582.60	-12.56	101.84	-1490.43	-12.56	101.84	-1548.17
			M3	2.23	-60.66	667.58	83.36	-268.08	832.68	84.35	-227.39	846.48	207.11	-662.83	1563.94
			MIN S2	-22.07	88.20	-157.45	-22.07	88.20	-261.06	-22.07	73.58	-265.56	-22.07	73.58	-367.05
			TQ	291.76	-923.64	-1405.05	291.76	-923.64	-35.28	294.78	-925.52	-138.10	294.78	-925.52	1217.54
			M3	260.75	-683.49	-3062.12	120.95	-196.53	-2198.36	119.97	-312.28	-2184.27	53.61	-111.13	-1781.78
		2-LANES (caseMAX	S2	563.73	586.28	-2837.70	534.00	631.49	-729.53	534.00	590.03	-763.44	501.41	609.09	1138.73
			TQ	466.79	783.06	-3547.88	443.72	783.06	-1409.47	427.63	750.22	69.81	403.69	750.22	1981.69
			M3	134.62	85.70	1429.26	254.87	222.04	2105.04	254.87	338.50	2089.47	327.02	520.54	3106.01
			MIN S2	-33.12	14.34	1116.21	-54.64	52.62	1412.89	-54.64	130.94	1407.79	-81.11	199.75	1619.22
			TQ	19.36	-32.86	-216.81	19.36	-32.86	-125.92	69.55	-106.84	-2164.43	69.55	-106.84	-1844.58
			M3	355.67	518.67	-4415.94	245.30	385.31	-3111.09	245.30	212.09	-3127.68	161.41	71.37	-2186.04

BAGO RIVER BRIDGE

BLOCK [ No.1 : MAIN GIRDER ][ BEAM MEMBER FORCE ]

MEMBER			4035			4036			4036			4037				
NODE			4035			4036			4036			4037				
NAME TITLE			SHEAR	TORQUE	MOMENT	SHEAR	TORQUE	MOMENT	SHEAR	TORQUE	MOMENT	SHEAR	TORQUE	MOMENT		
			S2 (kN)	TQ (kN·m)	M3 (kN·m)	S2 (kN)	TQ (kN·m)	M3 (kN·m)	S2 (kN)	TQ (kN·m)	M3 (kN·m)	S2 (kN)	TQ (kN·m)	M3 (kN·m)		
301	LIVE LOAD	2-LANES (caseMAX	S2	922.63	968.05	-2511.61	737.90	1128.05	-113.09	737.90	1120.04	-175.51	603.18	1177.84	1419.19	
			TQ	563.38	1432.99	-2419.98	484.60	1432.99	39.78	482.17	1453.96	486.19	405.23	1453.96	2526.50	
			M3	365.27	116.47	2016.32	308.41	425.91	3125.40	252.20	564.98	3097.77	309.63	1079.29	3682.46	
			MIN	S2	-83.11	40.63	1780.29	-196.33	150.92	2639.43	-196.33	297.15	2626.99	-350.57	518.77	2854.12
			TQ	122.72	-91.30	-3109.53	122.72	-91.30	-2533.40	135.23	-248.86	-2928.77	135.23	-248.86	-2306.87	
			M3	397.07	706.86	-5459.78	325.28	546.62	-3762.52	325.28	337.01	-3787.05	232.14	66.43	-2489.97	
		3-LANES (caseMAX	S2	348.57	-1486.51	-2702.32	348.57	-1486.51	-1065.88	348.57	-1543.36	-981.75	348.57	-1543.36	621.24	
			TQ	-35.45	284.25	-1635.78	-35.45	284.25	-1802.20	-37.20	185.09	-1691.64	-37.20	185.09	-1862.74	
			M3	-0.39	-68.70	818.83	73.71	-284.59	955.14	76.96	-259.88	970.21	241.22	-1185.49	1693.61	
			MIN	S2	-46.16	186.87	-300.28	-46.16	186.87	-517.00	-46.16	157.90	-526.58	-46.16	157.90	-738.87
			TQ	336.80	-1565.26	-1746.24	336.80	-1565.26	-165.03	340.29	-1573.36	-217.03	340.29	-1573.36	1347.89	
			M3	296.60	-1210.17	-3608.21	131.10	-475.63	-2591.73	127.85	-589.98	-2562.10	42.81	-162.50	-2170.84	
		3-LANES (caseMAX	S2	939.19	1012.26	-3414.18	808.37	1146.93	-476.07	808.37	1118.74	-538.98	696.23	1170.40	1677.31	
			TQ	663.85	1420.13	-4043.14	600.46	1420.13	-1073.02	582.37	1405.17	338.57	516.63	1405.17	2866.03	
			M3	313.68	125.68	2132.74	419.99	461.83	3314.12	419.99	645.01	3283.39	406.95	1019.10	4319.59	
			MIN	S2	-68.94	25.37	1759.07	-162.02	115.91	2483.78	-162.02	253.55	2473.52	-296.65	442.15	2692.65
			TQ	61.42	-58.37	-1345.62	61.42	-58.37	-1057.28	110.36	-182.20	-3013.22	110.36	-182.20	-2505.69	
			M3	470.30	831.59	-6019.11	343.87	630.53	-4197.01	343.87	396.68	-4225.53	231.49	133.14	-2888.82	
		3-LANES (caseMAX	S2	990.10	976.21	-3650.86	831.69	1111.74	-654.64	831.69	1073.70	-715.32	716.25	1122.84	1578.29	
			TQ	654.29	1406.55	-3468.76	585.88	1406.55	-558.25	576.97	1414.06	376.54	510.64	1414.06	2877.14	
			M3	341.48	131.63	2259.94	342.56	401.89	3382.41	294.78	560.31	3355.59	400.21	1028.52	4330.90	
			MIN	S2	-79.67	55.45	1979.43	-175.96	149.67	2672.54	-175.96	297.73	2660.12	-307.06	486.11	2811.44
			TQ	122.00	-90.91	-3033.23	122.00	-90.91	-2460.48	152.25	-270.56	-3543.30	152.25	-270.56	-2843.14	
			M3	468.57	705.83	-6571.89	383.69	557.39	-4568.57	383.69	303.03	-4592.46	270.91	40.55	-3073.20	

BAGO RIVER BRIDGE

BLOCK [ No.1 : MAIN GIRDER ][ BEAM MEMBER FORCE ]

MEMBER					4035			4036			4037					
NODE					4035			4036			4037					
					SHEAR	TORQUE	MOMENT	SHEAR	TORQUE	MOMENT	SHEAR	TORQUE	MOMENT			
NAME	TITLE				S2 (kN)	TQ (kN·m)	M3 (kN·m)	S2 (kN)	TQ (kN·m)	M3 (kN·m)	S2 (kN)	TQ (kN·m)	M3 (kN·m)			
301	LIVE LOAD	4-LANES	MAX	S2	100.13	-18.22	-3127.76	100.13	-18.22	-2657.68	100.13	-165.66	-2652.58	100.13	-165.66	-2192.11
				TQ	26.56	22.39	-1100.11	26.56	22.39	-975.43	-23.76	28.27	872.93	-23.76	28.27	763.65
				M3	-23.82	-20.98	994.09	-23.81	-20.99	882.28	-23.81	28.00	882.09	-23.81	28.00	772.57
			MIN	S2	-23.86	-20.66	992.31	-23.86	-20.66	880.30	-23.86	28.22	880.09	-23.86	28.22	770.36
				TQ	50.08	-57.20	-1086.78	50.08	-57.20	-851.67	100.13	-165.66	-2652.58	100.13	-165.66	-2192.11
				M3	100.13	-18.22	-3127.76	100.13	-18.22	-2657.68	100.13	-165.66	-2652.58	100.13	-165.66	-2192.11
		6-LANES	MAX	S2	971.64	-345.92	-4682.82	863.88	-249.21	-1288.65	863.88	-320.33	-1272.83	783.94	-284.72	1610.25
				TQ	463.44	1200.59	-4042.24	413.90	1200.59	-1983.09	396.22	1125.51	-874.76	347.82	1125.51	835.95
				M3	234.54	42.46	2278.02	303.45	80.19	3218.85	305.72	236.57	3210.01	479.59	-110.32	4515.12
			MIN	S2	-89.30	148.54	1235.79	-155.89	216.53	1592.19	-155.89	304.55	1577.72	-246.41	439.85	1570.78
				TQ	322.94	-1183.64	-2941.43	322.94	-1183.64	-1425.28	361.64	-1310.48	-2856.71	361.64	-1310.48	-1193.57
				M3	557.24	-331.22	-7459.42	375.05	69.15	-5314.50	372.79	-204.04	-5310.72	229.41	-89.88	-3917.47
		LIVE LOAD	MAX	990.10	1432.99	2278.02	863.88	1432.99	3382.41	863.88	1453.96	3355.59	783.94	1453.96	4515.12	
			MIN	-89.30	-1565.26	-7459.42	-196.33	-1565.26	-5314.50	-196.33	-1573.36	-5310.72	-350.57	-1573.36	-3917.47	
303	SUM TOTAL	TOTAL	MAX	3751.04	1464.88	-22180.30	3351.49	1464.88	-8747.49	3351.49	812.74	-8757.39	3007.88	812.74	3239.93	
			MIN	2671.64	-1533.37	-31917.75	2291.27	-1533.37	-17444.40	2291.27	-2214.58	-17423.70	1873.37	-2214.58	-5192.65	



BAGO RIVER BRIDGE

BLOCK [ No.1 : MAIN GIRDER ] [ BEAM MEMBER FORCE ]

MEMBER NODE	4037	4038			4038			4038			4039			
		SHEAR	TORQUE	MOMENT	SHEAR	TORQUE	MOMENT	SHEAR	TORQUE	MOMENT	SHEAR	TORQUE	MOMENT	
NAME TITLE	S2 (kN)	TQ (kN·m)	M3 (kN·m)	S2 (kN)	TQ (kN·m)	M3 (kN·m)	S2 (kN)	TQ (kN·m)	M3 (kN·m)	S2 (kN)	TQ (kN·m)	M3 (kN·m)		
1 PAVEMENT	358.41	-64.66	-282.95	312.44	-64.66	1287.90	312.44	-61.63	1288.04	266.48	-61.63	2643.62		
3 RAILING	13.20	-1.85	-6.63	9.33	-1.85	46.13	9.33	-1.74	46.14	5.47	-1.74	80.79		
5 CURB	130.69	-18.31	-65.64	92.40	-18.31	456.72	92.40	-17.24	456.76	54.11	-17.24	799.82		
7 DECK WEIGHT	583.39	-105.62	-442.91	507.71	-105.62	2111.98	507.71	-100.66	2112.23	432.03	-100.66	4312.68		
8 GIRDER WEIGH	801.39	-153.61	-242.14	713.82	-153.61	3305.82	713.82	-145.85	3306.18	626.24	-145.85	6444.01		
10 MEDIAN STRIP	146.16	-32.86	-95.81	146.16	-32.86	588.67	146.16	-31.47	588.74	146.16	-31.47	1273.22		
21 ADITIONAL WE	163.35	-29.57	-124.01	142.16	-29.57	591.36	142.16	-28.18	591.42	120.97	-28.18	1207.55		
31 MEDIAN RAILI	9.33	-2.06	-1.31	9.33	-2.06	42.39	9.33	-1.96	42.40	9.33	-1.96	86.10		
51 SUPPORT WEIG	0.00	0.00	-0.00	0.00	0.00	-0.00	0.00	0.00	-0.00	0.00	0.00	-0.00		
52 NOSE WEIGHT	0.00	-0.00	-0.00	0.00	-0.00	-0.00	0.00	-0.00	-0.00	0.00	-0.00	0.00		
61 1-LANE(case1TRUCK-LOAD	MAX	S2	42.79	-320.14	46.00	42.79	-320.14	246.41	42.79	-319.56	247.16	42.79	-319.56	447.56
		TQ	-3.73	6.02	-319.16	-3.73	6.02	-336.61	-3.78	5.23	-334.50	-3.78	5.23	-352.18
		M3	29.91	-271.69	157.90	34.36	-308.62	308.41	34.36	-307.90	309.14	38.92	-326.93	484.72
	MIN	S2	-4.29	5.66	-234.94	-4.29	5.66	-255.05	-4.29	5.06	-255.07	-4.29	5.06	-275.18
		TQ	41.06	-330.31	96.26	41.06	-330.31	288.53	41.06	-329.63	289.31	41.06	-329.63	481.58
		M3	-3.10	5.89	-333.65	-3.15	5.91	-348.20	-3.15	5.09	-348.21	-3.24	5.12	-362.99
	TANDEM-LOAD MAX	S2	29.10	-221.62	42.85	29.10	-221.62	179.13	29.10	-221.20	179.65	29.10	-221.20	315.93
		TQ	-2.62	4.08	-213.21	-2.62	4.08	-225.49	-2.62	3.55	-225.50	-2.62	3.55	-237.78
		M3	20.57	-190.86	108.81	23.94	-214.24	210.94	23.94	-213.75	211.45	27.03	-223.91	330.72
	MIN	S2	-2.94	3.79	-153.42	-2.94	3.79	-167.20	-2.94	3.40	-167.21	-2.94	3.40	-180.98
		TQ	27.62	-225.13	70.60	27.62	-225.13	199.96	27.62	-224.66	200.49	27.62	-224.66	329.85
		M3	-2.04	3.98	-227.24	-2.04	3.98	-236.77	-2.04	3.42	-236.78	-2.30	3.51	-246.89
	DISPERSION-LMAX	S2	65.60	-477.66	86.24	65.60	-477.66	393.46	65.60	-476.73	394.58	65.60	-476.73	701.81
		TQ	-4.14	7.67	-389.07	-4.14	7.67	-408.44	-4.14	6.71	-408.45	-4.14	6.71	-427.82
		M3	39.08	-287.33	286.17	64.95	-479.54	542.83	64.95	-478.27	543.96	64.95	-478.27	848.13
	MIN	S2	-4.79	5.79	-236.65	-4.79	5.79	-259.06	-4.79	5.18	-259.08	-4.79	5.18	-281.49
		TQ	64.95	-479.54	238.66	64.95	-479.54	542.83	64.95	-478.27	543.96	64.95	-478.27	848.13
		M3	21.74	-184.54	-436.58	-4.14	7.67	-408.44	-4.14	6.71	-408.45	-4.14	6.71	-427.82

BAGO RIVER BRIDGE

BLOCK [ No.1 : MAIN GIRDER ][ BEAM MEMBER FORCE ]

MEMBER				4037			4038			4039					
NODE				4037			4038			4038			4039		
				SHEAR	TORQUE	MOMENT	SHEAR	TORQUE	MOMENT	SHEAR	TORQUE	MOMENT	SHEAR	TORQUE	MOMENT
NAME	TITLE			S2 (kN)	TQ (kN·m)	M3 (kN·m)	S2 (kN)	TQ (kN·m)	M3 (kN·m)	S2 (kN)	TQ (kN·m)	M3 (kN·m)	S2 (kN)	TQ (kN·m)	M3 (kN·m)
62	1-LANE (case2TRUCK-LOAD	MAX	S2	62.34	-114.93	172.90	62.34	-114.93	464.83	62.34	-113.83	465.10	62.34	-113.83	757.03
			TQ	1.42	4.94	-397.60	1.42	4.94	-390.94	1.79	5.11	310.62	1.79	5.11	319.01
			M3	22.84	-30.63	442.71	45.68	-83.52	604.22	45.68	-82.10	604.42	56.72	-106.24	848.13
		MIN	S2	-0.94	-1.44	128.71	-0.94	-1.44	124.32	-0.94	-1.15	124.32	-0.94	-1.15	119.93
			TQ	62.21	-115.98	222.24	62.21	-115.98	513.56	62.21	-114.77	513.84	62.21	-114.77	805.16
			M3	1.40	4.94	-397.69	1.39	4.94	-391.17	1.39	4.02	-391.18	1.39	4.02	-384.69
		TANDEM-LOAD MAX	S2	42.73	-78.66	124.93	42.73	-78.66	325.04	42.73	-77.90	325.22	42.73	-77.90	525.33
			TQ	0.28	3.52	190.85	0.28	3.52	192.16	0.28	3.97	192.15	0.28	3.97	193.45
			M3	12.83	-14.02	306.89	33.55	-63.21	414.01	33.55	-62.24	414.16	35.82	-67.29	578.79
		MIN	S2	-0.64	-0.98	87.41	-0.64	-0.98	84.42	-0.64	-0.78	84.43	-0.64	-0.78	81.44
			TQ	42.69	-78.95	138.70	42.69	-78.95	338.64	42.69	-78.16	338.82	42.69	-78.16	538.76
			M3	0.93	3.36	-270.56	0.93	3.36	-266.21	0.93	2.74	-266.22	0.93	2.74	-261.87
		DISPERSION-LMAX	S2	82.43	-151.93	-218.86	82.43	-151.93	167.16	82.43	-151.54	167.52	82.43	-151.54	553.54
			TQ	1.92	6.88	-383.97	1.92	6.88	-374.99	1.96	6.01	-367.30	1.96	6.01	-358.13
			M3	46.79	-86.30	479.43	79.36	-158.04	788.42	79.36	-156.18	788.79	79.36	-156.18	1160.45
MIN	S2	-1.35	-0.64	166.56	-1.35	-0.64	160.22	-1.35	-0.26	160.22	-1.35	-0.26	153.88		
	TQ	79.16	-159.46	331.67	79.16	-159.46	702.37	79.12	-157.82	695.04	79.12	-157.82	1065.56		
	M3	34.28	-66.27	-531.73	1.71	5.46	-461.04	1.71	4.38	-461.05	1.71	4.38	-453.03		
63	1-LANE (case3TRUCK-LOAD	MAX	S2	89.53	36.01	386.39	89.53	36.01	805.70	89.53	37.90	805.61	89.53	37.90	1224.91
			TQ	69.08	67.99	85.77	69.08	67.99	409.28	69.08	68.96	409.12	69.08	68.96	732.62
			M3	15.89	41.61	772.07	55.95	33.34	904.43	55.95	35.46	904.35	84.33	34.64	1244.38
		MIN	S2	-13.32	27.81	567.12	-13.32	27.81	504.75	-13.32	29.00	504.69	-13.32	29.00	442.32
			TQ	-1.23	-1.36	131.21	-1.23	-1.36	125.46	-1.23	-1.06	125.46	-1.23	-1.06	119.70
			M3	4.92	4.25	-447.75	4.92	4.25	-424.69	4.92	3.25	-424.70	4.92	3.25	-401.65

BAGO RIVER BRIDGE

BLOCK [ No.1 : MAIN GIRDER ][ BEAM MEMBER FORCE ]

MEMBER		4037			4038			4038			4039						
NODE		4037			4038			4038			4039						
		SHEAR	TORQUE	MOMENT	SHEAR	TORQUE	MOMENT	SHEAR	TORQUE	MOMENT	SHEAR	TORQUE	MOMENT				
NAME	TITLE	S2 (kN)	TQ (kN·m)	M3 (kN·m)	S2 (kN)	TQ (kN·m)	M3 (kN·m)	S2 (kN)	TQ (kN·m)	M3 (kN·m)	S2 (kN)	TQ (kN·m)	M3 (kN·m)				
63	1-LANE (case3TANDEM-LOAD	MAX	S2	62.80	25.55	236.79	62.80	25.55	530.88	62.80	26.80	530.82	62.80	26.80	824.92		
			TQ	48.88	46.05	79.22	48.88	46.05	308.14	48.88	46.77	308.03	48.88	46.77	536.95		
			M3	3.62	31.04	555.23	33.21	23.78	625.33	33.21	25.25	625.27	58.96	20.32	874.87		
		MIN	S2	-11.28	21.91	425.73	-11.28	21.91	372.90	-11.28	22.79	372.85	-11.28	22.79	320.02		
			TQ	-0.84	-0.92	89.17	-0.84	-0.92	85.25	-0.84	-0.72	85.25	-0.84	-0.72	81.33		
			M3	3.36	2.89	-305.05	3.36	2.89	-289.30	3.36	2.21	-289.31	3.36	2.21	-273.56		
			DISPERSION-LMAX	S2	102.44	105.80	-324.70	101.54	105.09	141.50	101.54	105.42	141.25	100.56	105.42	614.48	
			TQ	95.51	115.02	-130.36	94.53	115.02	314.63	94.84	115.77	326.67	93.86	115.77	768.52		
			M3	51.16	49.50	632.08	90.05	108.62	978.41	90.05	110.92	978.15	89.07	110.92	1397.58		
		MIN	S2	-5.48	7.32	351.19	-5.55	8.03	336.82	-5.55	8.82	336.80	-5.55	8.82	310.81		
			TQ	1.46	-1.90	156.85	1.46	-1.90	163.69	1.15	-1.53	151.39	1.15	-1.53	156.78		
			M3	45.81	63.61	-605.58	5.94	4.50	-500.09	5.94	3.32	-500.09	5.94	3.32	-472.29		
		64	1-LANE (case4TRUCK-LOAD	MAX	S2	321.29	112.01	1161.34	213.91	231.56	1690.95	213.91	235.53	1690.40	136.39	315.00	1741.17
					TQ	104.22	332.50	301.65	104.22	332.50	789.71	104.22	334.35	788.93	104.22	334.35	1276.99
					M3	298.94	82.15	1185.53	192.13	201.14	1723.45	192.13	205.19	1722.97	104.64	298.05	1756.26
MIN	S2			-44.41	10.04	1120.46	-121.96	91.77	1613.95	-121.96	95.56	1613.73	-229.22	215.38	1643.30		
	TQ			-15.44	-11.88	592.30	-15.44	-11.88	520.01	-14.56	-10.67	495.86	-14.56	-10.67	427.66		
	M3			12.10	3.08	-551.85	12.10	3.08	-495.19	12.10	1.92	-495.19	12.10	1.92	-438.53		
	TANDEM-LOAD MAX			S2	254.27	34.66	987.63	177.51	120.49	1381.50	177.51	123.74	1381.21	106.85	201.38	1372.36	
	TQ			75.08	226.68	250.37	75.08	226.68	601.97	75.08	228.09	601.44	75.08	228.09	953.04		
	M3			254.27	34.66	987.64	177.51	120.49	1381.50	177.51	123.74	1381.21	106.85	201.38	1372.36		
MIN	S2			-44.15	19.47	981.73	-115.62	98.49	1370.15	-115.62	101.71	1369.91	-191.65	186.57	1357.61		
	TQ			-8.15	-8.58	332.48	-8.15	-8.58	294.32	-8.15	-7.89	294.34	-8.15	-7.89	256.17		
	M3			8.31	2.09	-376.86	8.31	2.09	-337.95	8.31	1.30	-337.96	8.31	1.30	-299.06		

BAGO RIVER BRIDGE

BLOCK [ No.1 : MAIN GIRDER ][ BEAM MEMBER FORCE ]

MEMBER		4037			4038			4038			4039						
NODE		4037			4038			4038			4039						
		SHEAR	TORQUE	MOMENT	SHEAR	TORQUE	MOMENT	SHEAR	TORQUE	MOMENT	SHEAR	TORQUE	MOMENT				
NAME	TITLE	S2 (kN)	TQ (kN·m)	M3 (kN·m)	S2 (kN)	TQ (kN·m)	M3 (kN·m)	S2 (kN)	TQ (kN·m)	M3 (kN·m)	S2 (kN)	TQ (kN·m)	M3 (kN·m)				
64	1-LANE (case4DISPERSION-LMAX	S2	182.39	438.58	-378.83	142.91	426.93	148.50	142.91	427.28	147.49	116.79	400.13	488.03			
		TQ	178.04	440.09	-272.34	123.33	440.09	433.34	123.12	441.12	437.76	68.41	441.12	886.25			
		M3	112.95	221.32	779.20	102.99	431.46	1295.56	102.99	434.51	1294.54	48.28	434.51	1648.76			
		MIN	S2	-10.87	-2.92	424.16	-26.10	8.72	571.98	-26.10	10.07	571.96	-54.69	37.21	650.37		
		TQ	-6.52	-4.44	317.67	-6.52	-4.44	287.14	-6.31	-3.77	281.70	-6.31	-3.77	252.15			
		M3	58.57	214.34	-733.87	13.82	4.19	-575.08	13.82	2.84	-575.09	13.82	2.84	-510.36			
		65	2-LANES (caseTRUCK-LOAD	MAX	S2	93.63	-541.87	147.23	93.63	-541.87	585.71	93.63	-540.49	586.98	93.63	-540.49	1025.46
				TQ	-4.68	11.46	-683.91	-4.68	11.46	-705.84	-4.73	9.80	-703.74	-4.73	9.80	-725.91	
				M3	58.28	-375.43	431.63	74.33	-488.41	747.23	74.33	-486.65	748.38	85.07	-534.02	1124.85	
MIN	S2			-6.11	9.66	-465.87	-6.11	9.66	-494.50	-6.11	8.50	-494.52	-6.11	8.50	-523.15		
TQ	91.71			-552.82	229.67	91.71	-552.82	659.15	91.71	-551.27	660.45	91.71	-551.27	1089.93			
M3	-3.97			11.31	-699.08	-4.02	11.33	-717.69	-4.02	9.64	-717.72	-4.20	9.70	-736.72			
TANDEM-LOAD	MAX			S2	63.80	-373.02	117.11	63.80	-373.02	415.90	63.80	-372.04	416.78	63.80	-372.04	715.57	
TQ	-3.31			7.79	-461.11	-3.31	7.79	-476.60	-3.31	6.67	-476.62	-3.31	6.67	-492.11			
M3	40.77			-267.61	297.43	50.15	-333.00	510.99	50.15	-331.80	511.77	57.77	-363.19	767.10			
MIN	S2	-4.20	6.64	-319.65	-4.20	6.64	-339.34	-4.20	5.84	-339.35	-4.20	5.84	-359.04				
TQ	62.27	-376.75	153.85	62.27	-376.75	445.47	62.27	-375.70	446.35	62.27	-375.70	737.98					
M3	-2.56	7.64	-475.67	-2.72	7.68	-487.88	-2.72	6.54	-487.90	-2.98	6.63	-501.21					
DISPERSION-LMAX	S2	138.85	-793.28	150.75	138.85	-793.28	801.00	138.85	-791.39	802.86	138.85	-791.39	1453.10				
TQ	-5.32	14.17	-817.60	-5.32	14.17	-842.54	-5.32	12.19	-842.09	-5.32	12.19	-867.01					
M3	81.82	-470.31	667.90	137.18	-798.45	1207.94	137.18	-795.61	1209.82	137.18	-795.61	1852.26					
MIN	S2	-6.99	9.00	-403.55	-6.99	9.00	-436.30	-6.99	7.97	-436.32	-6.99	7.97	-469.08				
TQ	137.18	-798.45	564.80	137.18	-798.45	1207.23	137.17	-795.61	1208.63	137.17	-795.61	1851.03					
M3	50.03	-313.97	-920.70	-5.33	14.17	-843.25	-5.33	12.18	-843.28	-5.33	12.18	-868.23					

BAGO RIVER BRIDGE

BLOCK [ No.1 : MAIN GIRDER ][ BEAM MEMBER FORCE ]

MEMBER				4037			4038			4039					
NODE				4037			4038			4038			4039		
				SHEAR	TORQUE	MOMENT	SHEAR	TORQUE	MOMENT	SHEAR	TORQUE	MOMENT	SHEAR	TORQUE	MOMENT
NAME	TITLE			S2 (kN)	TQ (kN·m)	M3 (kN·m)	S2 (kN)	TQ (kN·m)	M3 (kN·m)	S2 (kN)	TQ (kN·m)	M3 (kN·m)	S2 (kN)	TQ (kN·m)	M3 (kN·m)
66	2-LANES (caseTRUCK-LOAD	MAX	S2	113.17	-336.66	274.13	113.17	-336.66	804.13	113.17	-334.77	804.92	113.17	-334.77	1334.93
			TQ	0.46	10.38	-762.35	0.46	10.38	-760.18	0.83	9.68	-58.62	0.83	9.68	-54.73
			M3	51.22	-134.37	716.44	85.65	-263.31	1043.04	85.65	-260.86	1043.66	102.86	-313.33	1488.27
		MIN	S2	-2.76	2.56	-102.22	-2.76	2.56	-115.13	-2.76	2.29	-115.13	-2.76	2.29	-128.04
			TQ	112.86	-338.48	355.65	112.86	-338.48	884.18	112.86	-336.40	884.98	112.86	-336.40	1413.51
			M3	0.53	10.36	-763.12	0.52	10.36	-760.67	0.52	8.57	-760.69	0.43	8.59	-758.43
		TANDEM-LOAD MAX	S2	77.43	-230.06	199.19	77.43	-230.06	561.81	77.43	-228.74	562.35	77.43	-228.74	924.96
			TQ	-0.41	7.22	-57.04	-0.41	7.22	-58.95	-0.41	7.09	-58.97	-0.41	7.09	-60.88
			M3	33.03	-90.77	495.51	59.75	-181.97	714.06	59.75	-180.29	714.48	66.56	-206.58	1015.17
		MIN	S2	-1.90	1.87	-78.81	-1.90	1.87	-87.71	-1.90	1.67	-87.72	-1.90	1.67	-96.62
			TQ	77.34	-230.57	221.94	77.34	-230.57	584.15	77.34	-229.20	584.69	77.34	-229.20	946.89
			M3	0.40	7.02	-518.99	0.24	7.07	-517.32	0.24	5.85	-517.33	0.24	5.85	-516.20
		DISPERSION-LMAX	S2	155.67	-467.55	-154.34	155.67	-467.55	574.70	155.67	-466.20	575.80	155.67	-466.20	1304.84
			TQ	0.73	13.38	-812.50	0.73	13.38	-809.09	0.77	11.49	-800.94	0.77	11.49	-797.32
			M3	89.53	-269.29	861.16	151.59	-476.94	1453.53	151.59	-473.52	1454.65	151.59	-473.52	2164.58
MIN	S2	-3.56	2.57	-0.35	-3.56	2.57	-17.02	-3.56	2.53	-17.03	-3.56	2.53	-33.70		
	TQ	151.38	-478.36	657.82	151.38	-478.36	1366.77	151.34	-475.16	1359.71	151.34	-475.16	2068.46		
	M3	62.58	-195.70	-1015.85	0.52	11.96	-895.85	0.52	9.85	-895.88	0.52	9.85	-893.44		
67	2-LANES (caseTRUCK-LOAD	MAX	S2	239.21	115.36	1346.99	220.06	163.96	2070.63	220.06	168.82	2070.24	201.96	206.71	2713.61
			TQ	154.00	260.18	254.40	154.00	260.18	975.61	154.00	262.47	974.99	154.00	262.47	1696.20
			M3	149.54	108.02	1753.46	170.71	148.13	2185.12	170.71	153.27	2184.77	180.50	194.23	2746.69
		MIN	S2	-41.26	59.78	1490.35	-57.88	98.20	1701.92	-57.88	102.20	1701.68	-76.83	150.93	1851.26
			TQ	-2.65	-2.66	263.92	-2.65	-2.66	251.50	-2.65	-2.07	251.51	-2.65	-2.07	239.08
			M3	12.20	8.09	-929.49	12.20	8.09	-872.35	12.20	6.04	-872.37	12.20	6.04	-815.23

BAGO RIVER BRIDGE

BLOCK [ No.1 : MAIN GIRDER ][ BEAM MEMBER FORCE ]

MEMBER		4037			4038			4038			4039						
NODE		4037			4038			4038			4039						
		SHEAR	TORQUE	MOMENT	SHEAR	TORQUE	MOMENT	SHEAR	TORQUE	MOMENT	SHEAR	TORQUE	MOMENT				
NAME	TITLE	S2 (kN)	TQ (kN·m)	M3 (kN·m)	S2 (kN)	TQ (kN·m)	M3 (kN·m)	S2 (kN)	TQ (kN·m)	M3 (kN·m)	S2 (kN)	TQ (kN·m)	M3 (kN·m)				
67	2-LANES (caseTANDEM-LOAD	MAX	S2	170.36	62.97	1000.17	157.34	97.00	1496.40	157.34	100.51	1496.17	144.34	132.45	1940.37		
			TQ	104.33	176.64	174.16	104.33	176.64	662.74	109.66	178.23	737.04	109.66	178.23	1250.60		
			M3	111.18	68.46	1318.62	127.74	95.22	1590.85	127.74	98.96	1590.62	140.50	125.97	1990.33		
		MIN	S2	-34.78	52.35	1183.79	-47.41	84.62	1328.48	-47.41	87.74	1328.27	-60.57	121.54	1423.80		
			TQ	-1.80	-1.80	179.15	-1.80	-1.80	170.72	-1.80	-1.40	170.73	-1.80	-1.40	162.30		
			M3	8.35	5.50	-633.53	8.35	5.50	-594.44	8.35	4.10	-594.45	8.35	4.10	-555.36		
			DISPERSION-LMAX	S2	239.50	376.46	-656.48	220.60	367.05	251.00	220.60	367.64	250.13	204.09	353.77	1073.92	
			TQ	226.37	391.48	-246.58	201.92	391.48	756.29	202.05	393.27	775.11	177.59	393.27	1664.07		
			M3	129.05	185.33	1340.98	186.76	379.12	2109.28	186.76	384.07	2108.38	162.30	384.07	2925.75		
		MIN	S2	-13.70	11.49	739.67	-19.25	20.90	832.40	-19.25	22.85	832.35	-27.20	36.72	894.24		
			TQ	-0.57	-3.53	329.77	-0.57	-3.53	327.11	-0.70	-2.78	307.38	-0.70	-2.78	304.08		
			M3	96.76	202.62	-1257.80	14.58	8.83	-1025.88	14.58	6.42	-1025.90	14.58	6.42	-957.60		
		68	2-LANES (caseTRUCK-LOAD	MAX	S2	470.96	191.36	2121.94	344.43	359.51	2955.89	344.43	366.45	2955.03	248.82	483.80	3229.87
					TQ	189.14	524.68	470.28	189.14	524.68	1356.04	189.14	527.87	1354.81	189.14	527.87	2240.57
					M3	432.59	148.47	2167.04	306.88	315.94	3004.14	306.88	323.00	3003.39	200.81	457.64	3258.57
MIN	S2			-72.34	41.42	2044.53	-166.53	162.08	2811.23	-166.53	168.68	2810.84	-292.73	337.31	3052.24		
	TQ			-17.16	-13.10	727.21	-17.16	-13.10	646.87	-16.28	-11.59	622.62	-16.28	-11.59	546.38		
	M3			21.84	6.54	-1069.47	21.84	6.54	-967.17	21.84	4.27	-967.18	21.84	4.27	-864.88		
	TANDEM-LOAD			MAX	S2	361.83	72.08	1751.02	272.04	191.94	2347.02	272.04	197.45	2346.56	188.39	307.03	2487.81
	TQ			130.52	357.27	345.31	130.52	357.27	956.57	135.86	359.55	1030.45	135.86	359.55	1666.69		
	M3			361.83	72.08	1751.02	272.04	191.93	2347.02	272.04	197.45	2346.56	188.39	307.03	2487.81		
MIN	S2			-67.65	49.83	1739.90	-151.75	161.21	2325.73	-151.75	166.67	2325.34	-240.94	285.32	2461.39		
	TQ			-9.31	-9.40	423.90	-9.31	-9.40	380.30	-9.31	-8.51	380.32	-9.31	-8.51	336.72		
	M3			14.99	4.44	-730.12	14.99	4.44	-659.90	14.99	2.89	-659.91	14.99	2.89	-589.70		

BAGO RIVER BRIDGE

BLOCK [ No.1 : MAIN GIRDER ][ BEAM MEMBER FORCE ]

MEMBER		4037			4038			4038			4039						
NODE		4037			4038			4038			4039						
		SHEAR	TORQUE	MOMENT	SHEAR	TORQUE	MOMENT	SHEAR	TORQUE	MOMENT	SHEAR	TORQUE	MOMENT				
NAME	TITLE	S2 (kN)	TQ (kN·m)	M3 (kN·m)	S2 (kN)	TQ (kN·m)	M3 (kN·m)	S2 (kN)	TQ (kN·m)	M3 (kN·m)	S2 (kN)	TQ (kN·m)	M3 (kN·m)				
68	2-LANES (caseDISPERSION-LMAX	S2	321.96	709.05	-746.28	264.48	688.70	234.08	264.48	689.25	232.46	222.83	648.24	935.33			
		TQ	311.77	715.94	-438.73	233.59	715.94	838.26	233.25	717.92	846.41	155.07	717.92	1755.69			
		M3	190.43	356.71	1492.12	199.30	701.50	2428.56	199.30	707.21	2426.90	121.11	707.21	3177.16			
		MIN	S2	-19.49	0.81	816.65	-40.20	21.16	1069.69	-40.20	23.68	1069.64	-76.74	64.69	1234.03		
		TQ	-9.31	-6.08	509.10	-9.31	-6.08	465.52	-8.97	-5.00	455.69	-8.97	-5.00	413.67			
		M3	112.04	353.16	-1421.76	24.98	8.36	-1124.78	24.98	5.72	-1124.80	24.98	5.72	-1007.81			
		69	3-LANES (caseTRUCK-LOAD	MAX	S2	155.97	-656.80	320.13	155.97	-656.80	1050.54	155.97	-654.32	1052.08	155.97	-654.32	1782.49
				TQ	-3.26	16.40	-1081.51	-3.26	16.40	-1096.79	-2.94	14.91	-393.12	-2.94	14.91	-406.91	
				M3	81.12	-406.06	874.33	120.01	-571.93	1351.45	120.01	-568.76	1352.79	141.78	-640.26	1972.99	
MIN	S2			-7.05	8.22	-337.16	-7.05	8.22	-370.18	-7.05	7.35	-370.20	-7.05	7.35	-403.22		
TQ	153.92			-668.79	451.91	153.92	-668.79	1172.72	153.92	-666.03	1174.29	153.92	-666.03	1895.09			
M3	-2.57			16.25	-1096.77	-2.64	16.27	-1108.86	-2.64	13.66	-1108.90	-2.82	13.72	-1121.41			
TANDEM-LOAD	MAX			S2	106.53	-451.68	242.05	106.53	-451.68	740.94	106.53	-449.94	742.00	106.53	-449.94	1240.89	
TQ	-3.03			11.31	-270.25	-3.03	11.31	-284.44	-3.03	10.64	-284.47	-3.03	10.64	-298.66			
M3	53.60			-281.63	604.32	83.69	-396.21	925.00	83.69	-394.04	925.93	93.59	-430.49	1345.89			
MIN	S2	-4.84	5.67	-232.24	-4.84	5.67	-254.91	-4.84	5.07	-254.93	-4.84	5.07	-277.60				
TQ	104.96	-455.71	292.55	104.96	-455.71	784.11	104.96	-453.86	785.17	104.96	-453.86	1276.73					
M3	-1.63	11.00	-746.22	-1.79	11.05	-754.09	-1.79	9.27	-754.11	-2.06	9.37	-763.08					
DISPERSION-LMAX	S2	221.28	-945.21	-68.11	221.28	-945.21	968.16	221.28	-942.93	970.38	221.28	-942.93	2006.64				
TQ	-3.41	21.05	-1201.57	-3.41	21.05	-1217.52	-3.36	18.20	-1209.39	-3.36	18.20	-1225.14					
M3	128.61	-556.61	1147.33	216.54	-956.48	1996.36	216.54	-951.79	1998.61	216.54	-951.79	3012.71					
MIN	S2	-8.35	8.36	-236.99	-8.35	8.36	-276.08	-8.35	7.71	-276.10	-8.35	7.71	-315.20				
TQ	216.33	-957.91	896.47	216.33	-957.91	1909.60	216.29	-953.42	1903.67	216.29	-953.42	2916.59					
M3	84.32	-380.24	-1452.43	-3.62	19.63	-1304.29	-3.62	16.56	-1304.33	-3.62	16.56	-1321.26					

BAGO RIVER BRIDGE

BLOCK [ No.1 : MAIN GIRDER ] [ BEAM MEMBER FORCE ]

MEMBER				4037			4038			4039					
NODE				4037			4038			4038			4039		
				SHEAR	TORQUE	MOMENT	SHEAR	TORQUE	MOMENT	SHEAR	TORQUE	MOMENT	SHEAR	TORQUE	MOMENT
NAME	TITLE			S2 (kN)	TQ (kN·m)	M3 (kN·m)	S2 (kN)	TQ (kN·m)	M3 (kN·m)	S2 (kN)	TQ (kN·m)	M3 (kN·m)	S2 (kN)	TQ (kN·m)	M3 (kN·m)
70	3-LANES (caseTRUCK-LOAD	MAX	S2	560.50	227.37	2508.33	433.96	395.52	3761.58	433.96	404.35	3760.64	338.35	521.70	4454.78
			TQ	258.22	592.68	556.05	258.22	592.68	1765.32	258.22	596.82	1763.92	258.22	596.82	2973.19
			M3	448.45	190.29	2939.24	362.83	349.28	3908.57	362.83	358.46	3907.74	285.14	492.27	4502.95
		MIN	S2	-85.78	70.51	2611.65	-179.87	190.08	3315.99	-179.87	197.87	3315.53	-306.05	366.31	3494.56
			TQ	-18.08	-13.06	853.24	-18.08	-13.06	768.58	-18.08	-11.25	768.61	-18.08	-11.25	683.95
			M3	22.04	11.52	-1445.55	21.83	11.57	-1343.22	21.83	8.41	-1343.24	21.83	8.41	-1241.00
		TANDEM-LOAD MAX	S2	424.63	97.63	1987.81	334.84	217.49	2877.90	334.84	224.25	2877.38	251.19	333.83	3312.73
			TQ	179.41	403.32	424.53	179.41	403.32	1264.71	184.74	406.32	1338.48	184.74	406.32	2203.64
			M3	365.45	103.12	2306.26	305.25	215.71	2972.35	305.25	222.70	2971.83	247.34	327.35	3362.69
		MIN	S2	-78.96	71.92	2165.75	-163.03	183.11	2698.63	-163.03	189.46	2698.19	-252.22	308.11	2781.41
			TQ	-15.50	-9.50	685.92	-15.50	-9.50	613.35	-15.50	-8.06	613.37	-15.50	-8.06	540.81
			M3	15.01	7.85	-985.63	14.95	7.86	-915.58	14.95	5.71	-915.60	14.95	5.71	-845.58
		DISPERSION-LMAX	S2	419.42	815.37	-999.68	361.03	794.31	423.52	361.03	795.30	421.66	318.41	754.29	1574.38
			TQ	401.85	831.92	-480.41	322.68	831.92	1216.14	322.58	834.81	1240.48	243.41	834.81	2565.77
			M3	242.45	407.35	2116.50	290.18	811.19	3403.17	290.18	819.18	3401.26	211.01	819.18	4574.83
MIN	S2	-24.18	9.00	1160.13	-44.96	30.06	1402.51	-44.96	33.35	1402.43	-81.50	74.37	1544.54		
	TQ	-6.61	-7.56	640.86	-6.61	-7.56	609.90	-6.50	-6.15	583.61	-6.50	-6.15	553.15		
	M3	152.79	417.01	-1956.05	25.89	13.18	-1577.14	25.89	9.47	-1577.16	25.89	9.47	-1455.90		
71	3-LANES (caseTRUCK-LOAD	MAX	S2	560.50	227.37	2508.33	433.96	395.51	3761.58	433.96	404.35	3760.64	338.35	521.70	4454.78
			TQ	258.22	592.67	556.05	258.22	592.67	1765.32	258.22	596.82	1763.92	258.22	596.82	2973.19
			M3	448.46	190.07	2939.45	362.83	349.28	3908.57	362.83	358.46	3907.74	285.14	492.27	4502.95
		MIN	S2	-85.95	68.91	2616.56	-180.14	189.57	3319.52	-180.14	197.37	3319.07	-306.34	366.00	3496.73
			TQ	-18.68	-14.37	860.66	-18.68	-14.37	773.18	-17.80	-12.56	748.94	-17.80	-12.56	665.56
			M3	29.24	10.37	-1552.87	29.24	10.37	-1415.95	29.24	7.04	-1415.97	29.24	7.04	-1279.05



BAGO RIVER BRIDGE

BLOCK [ No.1 : MAIN GIRDER ][ BEAM MEMBER FORCE ]

MEMBER		4037			4038			4038			4039							
NODE		4037			4038			4038			4039							
		SHEAR	TORQUE	MOMENT	SHEAR	TORQUE	MOMENT	SHEAR	TORQUE	MOMENT	SHEAR	TORQUE	MOMENT					
NAME	TITLE	S2 (kN)	TQ (kN·m)	M3 (kN·m)	S2 (kN)	TQ (kN·m)	M3 (kN·m)	S2 (kN)	TQ (kN·m)	M3 (kN·m)	S2 (kN)	TQ (kN·m)	M3 (kN·m)					
71	3-LANES (caseTANDEM-LOAD	MAX	S2	424.63	97.63	1987.81	334.84	217.49	2877.90	334.84	224.25	2877.38	251.19	333.83	3312.73			
			TQ	179.41	403.32	424.53	179.41	403.32	1264.71	184.74	406.32	1338.48	184.74	406.32	2203.64			
			M3	365.45	103.12	2306.26	305.25	215.71	2972.35	305.25	222.70	2971.83	247.34	327.35	3362.69			
		MIN	S2	-79.10	71.61	2168.34	-163.20	182.98	2700.52	-163.20	189.33	2700.09	-252.39	307.98	2782.50			
			TQ	-10.35	-10.27	514.68	-10.35	-10.27	466.20	-10.34	-9.17	465.97	-10.34	-9.17	417.54			
			M3	20.06	7.04	-1059.79	20.06	7.04	-965.85	20.06	4.77	-965.86	20.06	4.77	-871.92			
			DISPERSION-LMAX	S2	426.96	814.48	-1107.03	368.58	793.42	351.50	368.58	794.25	349.63	325.95	753.23	1537.69		
				TQ	409.75	830.57	-608.69	330.58	830.57	1124.83	330.51	833.24	1146.23	251.35	833.24	2508.70		
				M3	241.05	406.31	2129.38	288.81	810.19	3409.62	288.81	818.20	3407.71	209.64	818.20	4574.88		
			MIN	S2	-25.51	8.23	1173.03	-46.29	29.29	1409.17	-46.29	32.60	1409.10	-82.83	73.62	1544.98		
				TQ	-8.29	-7.86	674.68	-8.29	-7.86	635.84	-8.23	-6.39	612.50	-8.23	-6.39	573.97		
				M3	160.40	416.40	-2063.39	33.48	12.52	-1648.95	33.48	8.65	-1648.97	33.48	8.65	-1492.21		
		72	4-LANES	TRUCK-LOAD	MAX	S2	33.55	14.66	-1987.46	33.55	14.66	-1830.34	33.55	10.36	-1830.37	33.55	10.36	-1673.25
						TQ	33.55	14.66	-1987.46	33.55	14.66	-1830.34	33.55	10.36	-1830.37	33.55	10.36	-1673.25
						M3	-6.32	-5.02	535.56	-6.31	-5.02	505.99	-6.31	-3.83	506.00	-6.31	-3.83	476.43
MIN	S2			-6.33	-4.98	533.65	-6.33	-4.98	503.99	-6.33	-3.80	504.00	-6.33	-3.80	474.34			
	TQ			-6.28	-5.02	535.07	-6.28	-5.02	505.64	-6.28	-3.84	505.55	-6.28	-3.84	476.15			
	M3			33.55	14.66	-1987.46	33.55	14.66	-1830.34	33.55	10.36	-1830.37	33.55	10.36	-1673.25			
TANDEM-LOAD	MAX			S2	23.34	9.94	-1363.65	23.34	9.94	-1254.34	23.34	6.99	-1254.36	23.34	6.99	-1145.05		
				TQ	22.86	9.98	-1351.22	22.86	9.98	-1244.14	22.54	7.05	-1238.95	22.54	7.05	-1133.37		
				M3	-4.30	-3.41	364.18	-4.30	-3.41	344.02	-4.30	-2.60	344.02	-4.30	-2.60	323.87		
MIN	S2			-4.31	-3.40	363.65	-4.31	-3.40	343.47	-4.31	-2.59	343.48	-4.31	-2.59	323.30			
	TQ			-4.25	-3.41	362.92	-4.25	-3.41	343.02	-4.25	-2.61	343.03	-4.25	-2.61	323.13			
	M3			23.34	9.94	-1363.65	23.34	9.94	-1254.34	23.34	6.99	-1254.36	23.34	6.99	-1145.05			

BAGO RIVER BRIDGE

BLOCK [ No.1 : MAIN GIRDER ][ BEAM MEMBER FORCE ]

MEMBER				4037			4038			4039								
NODE				4037			4038			4038			4039					
				SHEAR	TORQUE	MOMENT	SHEAR	TORQUE	MOMENT	SHEAR	TORQUE	MOMENT	SHEAR	TORQUE	MOMENT			
NAME	TITLE			S2 (kN)	TQ (kN·m)	M3 (kN·m)	S2 (kN)	TQ (kN·m)	M3 (kN·m)	S2 (kN)	TQ (kN·m)	M3 (kN·m)	S2 (kN)	TQ (kN·m)	M3 (kN·m)			
72	4-LANES	DISPERSION-LMAX	S2	21.99	10.65	-1379.17	21.99	10.65	-1276.17	21.99	7.65	-1276.19	21.99	7.65	-1173.19			
			TQ	21.86	10.68	-1377.35	21.86	10.68	-1274.97	21.86	7.68	-1274.99	21.86	7.68	-1172.61			
			M3	-7.77	-6.08	651.89	-7.75	-6.08	615.52	-7.75	-4.64	615.53	-7.67	-4.66	579.49			
		MIN	S2	-7.77	-6.08	651.89	-7.77	-6.08	615.50	-7.77	-4.63	615.51	-7.77	-4.63	579.12			
			TQ	-7.64	-6.11	651.01	-7.64	-6.11	615.22	-7.64	-4.67	615.23	-7.64	-4.67	579.45			
			M3	21.99	10.65	-1379.17	21.99	10.65	-1276.17	21.99	7.65	-1276.19	21.99	7.65	-1173.19			
		73	6-LANES	TRUCK-LOAD	MAX	S2	688.18	-415.67	2872.21	576.36	-259.35	4819.87	576.36	-248.03	4820.46	490.65	-137.61	6275.46
					TQ	246.42	564.73	140.51	246.42	564.73	1294.51	246.29	567.78	1298.67	246.29	567.78	2452.08	
					M3	498.45	-201.31	3802.14	473.20	-219.77	5202.67	474.87	-210.53	5203.17	428.16	-154.42	6460.26	
MIN	S2			-87.80	84.55	2277.45	-171.84	197.91	2922.50	-171.84	204.77	2922.03	-283.33	361.54	3108.54			
	TQ			140.68	-641.92	1323.05	140.68	-641.92	1981.86	141.55	-637.32	1959.33	141.55	-637.32	2622.20			
	M3			26.94	26.44	-2652.48	26.84	26.47	-2526.40	26.84	20.53	-2526.46	26.73	20.57	-2400.81			
TANDEM-LOAD	MAX			S2	506.87	-339.76	2213.08	427.71	-228.54	3570.87	427.71	-220.14	3571.40	353.66	-118.18	4532.89		
	TQ			168.96	385.21	150.50	168.96	385.21	941.77	171.55	387.45	989.02	171.55	387.45	1792.42			
	M3			391.67	-168.60	2885.78	376.43	-177.12	3835.73	376.43	-168.11	3836.13	337.88	-108.83	4683.37			
MIN	S2			-78.81	82.28	2000.17	-153.11	185.85	2485.82	-153.11	191.69	2485.37	-231.82	301.83	2579.80			
	TQ			97.69	-438.37	854.40	97.69	-438.37	1311.88	97.69	-435.28	1312.71	97.69	-435.28	1770.22			
	M3			18.47	17.96	-1807.58	18.47	17.96	-1721.08	18.47	13.92	-1721.11	18.22	14.00	-1635.22			
DISPERSION-LMAX				MAX	S2	608.19	-86.41	-1300.43	552.50	-106.04	1038.68	552.50	-103.60	1038.93	512.35	-142.27	3124.76	
					TQ	379.48	795.54	-1696.91	303.79	795.54	-97.00	303.85	795.34	-71.04	228.16	795.34	1174.68	
					M3	349.49	-134.52	3146.72	469.85	-114.93	5144.31	469.81	-104.21	5144.57	394.70	-88.72	7169.51	
				MIN	S2	-32.40	15.29	986.92	-52.33	35.22	1172.05	-52.33	37.98	1171.97	-87.42	77.27	1264.15	
					TQ	192.85	-899.81	1510.78	192.85	-899.81	2413.92	192.89	-894.17	2383.58	192.89	-894.17	3286.90	
					M3	226.66	52.78	-3370.54	30.61	29.97	-2846.18	30.61	23.28	-2846.24	30.61	23.28	-2702.88	

BAGO RIVER BRIDGE

BLOCK [ No.1 : MAIN GIRDER ][ BEAM MEMBER FORCE ]

MEMBER		4037			4038			4038			4039				
NODE		4037			4038			4038			4039				
		SHEAR	TORQUE	MOMENT	SHEAR	TORQUE	MOMENT	SHEAR	TORQUE	MOMENT	SHEAR	TORQUE	MOMENT		
NAME TITLE		S2 (kN)	TQ (kN·m)	M3 (kN·m)	S2 (kN)	TQ (kN·m)	M3 (kN·m)	S2 (kN)	TQ (kN·m)	M3 (kN·m)	S2 (kN)	TQ (kN·m)	M3 (kN·m)		
124	SUM TOTAL	D+1LANE (caseMAX	S2	2335.99	-1365.90	-1102.72	2063.42	-1365.90	9198.81	2063.42	-1344.28	9201.99	1790.85	-1344.28	18227.03
			TQ	2196.49	-392.12	-2111.28	1923.92	-392.12	7536.91	1923.86	-374.41	7540.37	1651.28	-374.41	15911.79
			M3	2288.71	-1079.37	-728.52	2052.52	-1354.35	9452.46	2052.52	-1332.13	9455.62	1785.42	-1354.97	18447.21
		MIN	S2	2195.02	-394.82	-1827.31	1922.45	-394.82	7814.03	1922.45	-376.46	7814.94	1649.88	-376.46	16179.79
			TQ	2333.13	-1380.37	-859.50	2060.56	-1380.37	9428.61	2060.56	-1358.21	9431.83	1787.99	-1358.21	18443.45
			M3	2228.28	-622.93	-2185.68	1924.60	-392.25	7523.01	1924.60	-374.57	7523.91	1651.92	-374.53	15898.82
		D+1LANE (caseMAX	S2	2379.64	-728.78	-1316.56	2107.07	-728.78	9189.36	2107.07	-707.18	9191.05	1834.50	-707.18	18420.48
			TQ	2209.93	-394.36	-2199.30	1937.36	-394.36	7511.86	1937.85	-375.39	8363.89	1665.27	-375.39	16800.84
			M3	2289.48	-548.87	-154.85	2083.41	-698.42	10102.14	2083.41	-674.68	10103.75	1824.07	-703.64	19258.10
		MIN	S2	2203.17	-411.04	-907.09	1930.60	-411.04	8772.41	1930.60	-390.43	8773.36	1658.03	-390.43	17176.37
			TQ	2375.56	-739.07	-596.71	2102.98	-739.07	9890.09	2102.94	-715.84	9882.56	1830.37	-715.84	19092.65
			M3	2248.74	-482.15	-2376.71	1937.07	-396.07	7408.32	1937.07	-378.66	7409.23	1664.49	-378.66	15842.53
		D+1LANE (caseMAX	S2	2436.30	-238.38	-1187.38	2162.64	-239.24	9567.61	2162.64	-216.75	9568.14	1888.89	-216.75	19055.06
			TQ	2403.43	-188.93	-1314.91	2129.68	-188.93	9299.66	2130.05	-167.06	9314.84	1856.30	-167.06	18649.15
			M3	2286.38	-299.21	423.57	2108.55	-238.20	10690.37	2108.55	-213.08	10690.90	1868.86	-214.07	20018.14
		MIN	S2	2183.37	-366.39	-159.43	1910.71	-365.54	9440.85	1910.71	-343.35	9441.69	1638.14	-343.35	17751.55
			TQ	2206.20	-412.46	-915.73	1933.63	-412.46	8777.94	1933.26	-391.84	8764.12	1660.68	-391.84	17179.57
			M3	2266.80	-327.12	-2525.40	1946.38	-398.06	7321.24	1946.38	-380.85	7322.15	1673.81	-380.85	15799.07
		D+1LANE (caseMAX	S2	2810.33	252.15	-322.39	2361.52	381.63	10638.31	2361.52	406.63	10637.38	1964.60	469.42	19522.83
			TQ	2544.63	518.56	-1226.23	2206.41	518.56	9898.63	2206.16	541.83	9903.93	1867.94	541.83	19443.69
			M3	2700.18	-44.39	1096.27	2287.49	350.58	12053.77	2287.49	378.91	12052.92	1844.28	490.33	20933.81
		MIN	S2	2139.59	-400.01	592.14	1755.68	-287.95	11054.09	1755.68	-261.98	11054.74	1320.09	-85.62	19600.19
			TQ	2179.58	-428.13	-169.44	1907.00	-428.13	9399.56	1908.30	-406.07	9364.98	1635.73	-406.07	17663.55
			M3	2290.73	-147.65	-2804.27	1964.45	-399.82	7146.65	1964.45	-383.03	7147.57	1691.88	-383.03	15709.12

BAGO RIVER BRIDGE

BLOCK [ No.1 : MAIN GIRDER ][ BEAM MEMBER FORCE ]

MEMBER			4037			4038			4038			4039			
NODE			4037			4038			4038			4039			
NAME TITLE			SHEAR	TORQUE	MOMENT	SHEAR	TORQUE	MOMENT	SHEAR	TORQUE	MOMENT	SHEAR	TORQUE	MOMENT	
			S2 (kN)	TQ (kN·m)	M3 (kN·m)	S2 (kN)	TQ (kN·m)	M3 (kN·m)	S2 (kN)	TQ (kN·m)	M3 (kN·m)	S2 (kN)	TQ (kN·m)	M3 (kN·m)	
124	SUM TOTAL	D+2LANES (casMAX	S2	2438.40	-1743.70	-963.42	2165.83	-1743.70	9817.67	2165.83	-1720.62	9821.74	1893.25	-1720.62	19326.35
			TQ	2195.91	-382.93	-2762.91	1923.34	-382.93	6882.59	1923.29	-366.75	6886.07	1650.72	-366.75	15254.87
			M3	2346.02	-1254.29	-161.87	2144.86	-1695.40	10386.14	2144.86	-1670.99	10390.10	1883.03	-1718.36	19824.90
		MIN	S2	2192.81	-389.89	-2130.82	1920.24	-389.89	7500.17	1920.24	-372.27	7501.06	1647.67	-372.27	15855.56
			TQ	2434.81	-1759.81	-466.93	2162.24	-1759.81	10297.35	2162.23	-1735.61	10300.98	1889.66	-1735.61	19788.76
			M3	2251.99	-711.21	-2881.18	1924.00	-383.06	6870.03	1924.00	-366.91	6870.91	1651.25	-366.86	15242.83
		D+2LANES (casMAX	S2	2474.77	-1212.76	-1141.62	2202.20	-1212.76	9809.80	2202.20	-1189.70	9812.62	1929.62	-1189.70	19487.55
			TQ	2207.11	-384.79	-2836.26	1934.54	-384.79	6861.71	1934.95	-367.57	7572.34	1662.38	-367.57	15995.74
			M3	2346.67	-812.21	316.19	2170.59	-1148.80	10927.54	2170.59	-1123.12	10930.21	1915.23	-1175.59	20500.64
		MIN	S2	2199.60	-403.41	-1363.97	1927.03	-403.41	8298.82	1927.03	-383.91	8299.75	1654.46	-383.91	16686.04
			TQ	2470.16	-1225.39	-247.94	2197.59	-1225.39	10681.92	2197.55	-1200.30	10676.59	1924.98	-1200.30	20329.76
			M3	2269.03	-593.89	-3040.37	1934.39	-386.23	6774.45	1934.39	-370.31	6775.34	1661.72	-370.29	15195.92
		D+2LANES (casMAX	S2	2684.63	83.27	-570.90	2374.01	122.46	10752.59	2374.01	147.73	10752.28	2066.83	171.74	20635.32
			TQ	2586.30	243.11	-1253.58	2289.27	243.11	10162.87	2289.40	267.01	10182.01	1992.37	267.01	20208.05
			M3	2484.51	-115.20	1833.04	2290.82	118.70	12725.37	2290.82	148.61	12725.06	2003.59	189.56	22520.23
		MIN	S2	2150.97	-337.28	968.61	1856.22	-289.45	10965.29	1856.22	-263.68	10965.94	1556.75	-201.08	19593.29
			TQ	2202.70	-414.73	-667.71	1930.13	-414.73	9009.58	1929.99	-393.58	8990.79	1657.42	-393.58	17390.96
			M3	2314.88	-197.83	-3448.69	1960.13	-391.62	6532.74	1960.13	-376.27	6533.64	1687.56	-376.27	15074.96
		D+2LANES (casMAX	S2	2998.84	491.86	114.25	2542.26	639.66	11620.94	2542.26	666.97	11619.40	2132.43	743.30	21012.98
			TQ	2706.83	832.08	-1229.86	2356.07	832.08	10625.27	2355.74	857.06	10633.13	2004.98	857.06	20844.04
			M3	2828.94	96.63	2397.76	2439.53	608.89	13863.67	2439.53	641.47	13862.20	1982.70	776.11	23283.52
		MIN	S2	2114.09	-366.32	1599.77	1726.62	-225.31	12311.89	1726.62	-196.38	12312.39	1291.30	13.27	21134.06
			TQ	2179.46	-427.72	-25.10	1906.89	-427.72	9543.36	1908.10	-405.32	9510.21	1635.52	-405.32	17807.84
			M3	2339.80	-48.85	-3752.63	1980.17	-393.65	6339.02	1980.17	-378.75	6339.93	1707.60	-378.75	14975.10

BAGO RIVER BRIDGE

BLOCK [ No.1 : MAIN GIRDER ][ BEAM MEMBER FORCE ]

MEMBER			4037			4038			4038			4039				
NODE			4037			4038			4038			4039				
NAME TITLE			SHEAR	TORQUE	MOMENT	SHEAR	TORQUE	MOMENT	SHEAR	TORQUE	MOMENT	SHEAR	TORQUE	MOMENT		
			S2 (kN)	TQ (kN·m)	M3 (kN·m)	S2 (kN)	TQ (kN·m)	M3 (kN·m)	S2 (kN)	TQ (kN·m)	M3 (kN·m)	S2 (kN)	TQ (kN·m)	M3 (kN·m)		
124	SUM TOTAL	D+3LANES (casMAX	S2	2526.58	-1770.25	-1047.18	2254.00	-1770.25	10146.86	2254.00	-1746.40	10150.99	1981.43	-1746.40	20068.55	
			TQ	2200.25	-376.72	-3202.02	1927.68	-376.72	6463.81	1927.99	-360.60	7069.77	1655.42	-360.60	15460.55	
			M3	2384.20	-1226.82	457.01	2219.42	-1707.70	11276.61	2219.42	-1681.20	11280.60	1965.35	-1741.98	21085.63	
		MIN	S2	2192.83	-394.46	-1749.43	1920.26	-394.46	7881.64	1920.26	-375.94	7882.55	1647.69	-375.94	16237.14	
			TQ	2520.63	-1791.24	-115.28	2248.06	-1791.24	11050.94	2248.02	-1765.28	11048.17	1975.45	-1765.28	20937.72	
			M3	2275.40	-717.94	-3428.22	1928.03	-378.04	6379.79	1928.03	-363.04	6380.66	1655.31	-363.00	14771.51	
		D+3LANES (casMAX	S2	3038.85	477.78	20.95	2609.10	602.80	11988.31	2609.10	630.97	11986.86	2219.02	695.86	21972.58	
			TQ	2766.98	802.36	-1197.11	2427.11	802.36	10965.21	2427.02	828.15	10985.65	2087.16	828.15	21555.91	
			M3	2793.19	99.45	3035.98	2488.41	577.84	14645.95	2488.41	612.26	14644.55	2082.51	726.00	24563.90	
		MIN	S2	2112.46	-340.97	1944.61	1742.24	-221.44	12441.69	1742.24	-192.20	12442.18	1331.36	-14.16	21131.03	
			TQ	2184.94	-426.07	8.58	1912.36	-426.07	9602.68	1912.45	-403.53	9581.29	1639.88	-403.53	17899.33	
			M3	2354.53	-44.30	-4152.76	1973.92	-387.51	5948.67	1973.92	-373.53	5949.56	1701.34	-373.53	14555.43	
		D+3LANES (casMAX	S2	3045.26	477.02	-70.30	2615.51	602.05	11927.09	2615.51	630.07	11925.64	2225.43	694.96	21941.39	
			TQ	2773.69	801.21	-1306.15	2433.83	801.21	10887.60	2433.77	826.82	10905.54	2093.91	826.82	21507.40	
			M3	2792.01	98.37	3047.10	2487.25	577.00	14651.43	2487.25	611.42	14650.04	2081.35	725.16	24563.94	
		MIN	S2	2111.18	-342.97	1959.74	1740.89	-222.51	12450.36	1740.89	-193.25	12450.85	1329.98	-15.06	21133.24	
			TQ	2182.99	-427.44	43.64	1910.42	-427.44	9628.64	1911.22	-404.85	9589.13	1638.65	-404.85	17901.39	
			M3	2367.11	-45.79	-4335.22	1986.65	-389.09	5825.81	1986.65	-375.40	5826.70	1714.08	-375.40	14492.22	
		D+4LANES	MAX	S2	2242.02	-392.10	-3449.71	1969.45	-392.10	6411.74	1969.45	-377.03	6412.64	1696.88	-377.03	14997.60
			TQ	2241.94	-392.08	-3448.53	1969.37	-392.08	6412.52	1969.37	-377.01	6413.42	1696.79	-377.01	14997.98	
			M3	2196.76	-415.76	-489.56	1924.21	-415.77	9159.95	1924.21	-394.24	9160.90	1651.69	-394.26	17534.14	
		MIN	S2	2196.75	-415.74	-490.80	1924.18	-415.74	9158.64	1924.18	-394.21	9159.59	1651.61	-394.21	17532.54	
			TQ	2196.87	-415.79	-490.46	1924.30	-415.79	9159.53	1924.30	-394.26	9160.42	1651.73	-394.26	17533.92	
			M3	2242.02	-392.10	-3449.71	1969.45	-392.10	6411.74	1969.45	-377.03	6412.64	1696.88	-377.03	14997.60	

BAGO RIVER BRIDGE

BLOCK [ No.1 : MAIN GIRDER ][ BEAM MEMBER FORCE ]

MEMBER				4037			4038			4038			4039			
NODE				4037			4038			4038			4039			
NAME TITLE				SHEAR	TORQUE	MOMENT	SHEAR	TORQUE	MOMENT	SHEAR	TORQUE	MOMENT	SHEAR	TORQUE	MOMENT	
				S2 (kN)	TQ (kN·m)	M3 (kN·m)	S2 (kN)	TQ (kN·m)	M3 (kN·m)	S2 (kN)	TQ (kN·m)	M3 (kN·m)	S2 (kN)	TQ (kN·m)	M3 (kN·m)	
124	SUM TOTAL	D+6LANES	MAX	S2	3048.56	-734.90	-239.75	2667.11	-646.06	12239.03	2667.11	-617.29	12240.51	2312.73	-570.66	22957.93
				TQ	2612.75	475.63	-2273.06	2290.98	475.63	9209.35	2290.94	497.29	9229.86	1969.17	497.29	19205.18
				M3	2757.08	-626.84	3255.35	2546.33	-626.10	15156.51	2547.39	-593.32	15157.94	2195.64	-546.77	25707.14
			MIN	S2	2127.80	-343.65	860.44	1787.64	-257.01	11092.43	1787.64	-230.95	11093.00	1419.79	-103.51	19690.03
				TQ	2422.71	-1410.68	580.58	2150.14	-1410.68	11288.22	2150.73	-1384.20	11254.80	1878.16	-1384.20	20688.71
				M3	2370.76	-357.06	-5176.37	1970.70	-371.86	4938.79	1970.70	-360.26	4939.65	1698.05	-360.24	13530.39
	SUM TOTAL		MAX		3048.56	832.08	3255.35	2667.11	832.08	15156.51	2667.11	857.06	15157.94	2312.73	857.06	25707.14
			MIN		2111.18	-1791.24	-5176.37	1726.62	-1791.24	4938.79	1726.62	-1765.28	4939.65	1291.30	-1765.28	13530.39
300	DEAD LOAD	TOTAL			2205.92	-408.55	-1261.41	1933.35	-408.55	8430.97	1933.35	-388.73	8431.91	1660.78	-388.73	16847.79
301	LIVE LOAD	1-LANE(case1MAX	S2		130.07	-957.36	158.69	130.07	-957.36	767.84	130.07	-955.55	770.09	130.07	-955.55	1379.24
			TQ		-9.43	16.42	-849.88	-9.43	16.42	-894.06	-9.49	14.33	-891.54	-9.49	14.33	-935.99
			M3		82.79	-670.82	532.88	119.17	-945.80	1021.49	119.17	-943.39	1023.71	124.65	-966.24	1599.42
			MIN	S2	-10.90	13.73	-565.91	-10.90	13.73	-616.94	-10.90	12.28	-616.97	-10.90	12.28	-668.00
				TQ	127.21	-971.83	401.91	127.21	-971.83	997.64	127.21	-969.48	999.92	127.21	-969.48	1595.66
				M3	22.36	-214.39	-924.28	-8.75	16.30	-907.96	-8.75	14.16	-907.99	-8.86	14.20	-948.97
		1-LANE(case2MAX	S2		173.72	-320.23	-55.15	173.72	-320.23	758.39	173.72	-318.45	759.15	173.72	-318.45	1572.69
			TQ		4.01	14.19	-937.89	4.01	14.19	-919.11	4.50	13.34	-68.01	4.50	13.34	-46.95
			M3		83.56	-140.32	1106.56	150.06	-289.87	1671.17	150.06	-285.95	1671.85	163.29	-314.90	2410.31
			MIN	S2	-2.75	-2.49	354.32	-2.75	-2.49	341.45	-2.75	-1.69	341.45	-2.75	-1.69	328.58
				TQ	169.64	-330.52	664.69	169.64	-330.52	1459.12	169.59	-327.10	1450.65	169.59	-327.10	2244.86
				M3	42.82	-73.60	-1115.31	3.72	12.48	-1022.65	3.72	10.08	-1022.68	3.72	10.08	-1005.26
		1-LANE(case3MAX	S2		230.38	170.16	74.03	229.29	169.31	1136.64	229.29	171.98	1136.24	228.11	171.98	2207.27
			TQ		197.51	219.62	-53.50	196.33	219.62	868.69	196.70	221.67	882.94	195.53	221.67	1801.36
			M3		80.46	109.34	1684.97	175.20	170.35	2259.40	175.20	175.66	2258.99	208.09	174.67	3170.35
			MIN	S2	-22.55	42.16	1101.98	-22.64	43.01	1009.89	-22.64	45.39	1009.78	-22.64	45.39	903.76
				TQ	0.28	-3.91	345.67	0.28	-3.91	346.97	-0.09	-3.11	332.21	-0.09	-3.11	331.78
				M3	60.88	81.43	-1263.99	13.03	10.49	-1109.73	13.03	7.89	-1109.76	13.03	7.89	-1048.72

BAGO RIVER BRIDGE

BLOCK [ No.1 : MAIN GIRDER ][ BEAM MEMBER FORCE ]

MEMBER			4037			4038			4038			4039			
NODE			4037			4038			4038			4039			
NAME TITLE			SHEAR	TORQUE	MOMENT	SHEAR	TORQUE	MOMENT	SHEAR	TORQUE	MOMENT	SHEAR	TORQUE	MOMENT	
			S2 (kN)	TQ (kN·m)	M3 (kN·m)	S2 (kN)	TQ (kN·m)	M3 (kN·m)	S2 (kN)	TQ (kN·m)	M3 (kN·m)	S2 (kN)	TQ (kN·m)	M3 (kN·m)	
301	LIVE LOAD	1-LANE (case4MAX	S2	604.41	660.70	939.02	428.18	790.18	2207.34	428.18	795.37	2205.48	303.82	858.15	2675.04
			TQ	338.71	927.11	35.17	273.06	927.11	1467.66	272.81	930.56	1472.02	207.16	930.56	2595.90
			M3	494.26	364.16	2357.68	354.14	759.13	3622.80	354.14	767.64	3621.01	183.51	879.06	4086.02
			MIN S2	-66.33	8.53	1853.55	-177.67	120.60	2623.12	-177.67	126.76	2622.83	-340.69	303.11	2752.40
			TQ	-26.35	-19.59	1091.97	-26.35	-19.59	968.59	-25.05	-17.33	933.07	-25.05	-17.33	815.76
			M3	84.81	260.90	-1542.86	31.10	8.73	-1284.32	31.10	5.71	-1284.34	31.10	5.71	-1138.67
		2-LANES (caseMAX	S2	232.48	-1335.15	297.98	232.48	-1335.15	1386.70	232.48	-1331.89	1389.84	232.48	-1331.89	2478.56
			TQ	-10.01	25.62	-1501.51	-10.01	25.62	-1548.38	-10.06	21.99	-1545.83	-10.06	21.99	-1592.92
			M3	140.10	-845.74	1099.53	211.51	-1286.85	1955.18	211.51	-1282.26	1958.19	222.25	-1329.63	2977.11
			MIN S2	-13.11	18.65	-869.42	-13.11	18.65	-930.80	-13.11	16.47	-930.84	-13.11	16.47	-992.23
			TQ	228.89	-1351.26	794.48	228.89	-1351.26	1866.38	228.88	-1346.87	1869.08	228.88	-1346.87	2940.97
			M3	46.07	-302.66	-1619.78	-9.35	25.49	-1560.94	-9.35	21.82	-1561.00	-9.53	21.88	-1604.96
		2-LANES (caseMAX	S2	268.85	-804.21	119.78	268.85	-804.21	1378.83	268.85	-800.97	1380.72	268.85	-800.97	2639.76
			TQ	1.19	23.76	-1574.85	1.19	23.76	-1569.26	1.60	21.17	-859.56	1.60	21.17	-852.05
			M3	140.75	-403.66	1577.59	237.24	-740.25	2496.57	237.24	-734.38	2498.30	254.45	-786.85	3652.85
			MIN S2	-6.32	5.13	-102.56	-6.32	5.13	-132.15	-6.32	4.82	-132.16	-6.32	4.82	-161.74
			TQ	264.24	-816.84	1013.47	264.24	-816.84	2250.95	264.20	-811.56	2244.69	264.20	-811.56	3481.97
			M3	63.11	-185.34	-1778.97	1.04	22.31	-1656.52	1.04	18.42	-1656.57	0.95	18.44	-1651.87
		2-LANES (caseMAX	S2	478.71	491.82	690.51	440.66	531.01	2321.62	440.66	536.46	2320.37	406.05	560.48	3787.53
			TQ	380.38	651.66	7.82	355.92	651.66	1731.90	356.05	655.74	1750.10	331.59	655.74	3360.26
			M3	278.59	293.35	3094.44	357.47	527.25	4294.40	357.47	537.34	4293.15	342.81	578.30	5672.44
MIN S2	-54.95		71.27	2230.02	-77.13	119.10	2534.32	-77.13	125.05	2534.03	-104.03	187.65	2745.50		
TQ	-3.22		-6.19	593.69	-3.22	-6.19	578.61	-3.36	-4.85	558.88	-3.36	-4.85	543.17		
M3	108.96		210.72	-2187.28	26.79	16.92	-1898.23	26.79	12.46	-1898.27	26.79	12.46	-1772.83		

BAGO RIVER BRIDGE

BLOCK [ No.1 : MAIN GIRDER ][ BEAM MEMBER FORCE ]

MEMBER			4037			4038			4038			4039				
NODE			4037			4038			4038			4039				
NAME TITLE			SHEAR	TORQUE	MOMENT	SHEAR	TORQUE	MOMENT	SHEAR	TORQUE	MOMENT	SHEAR	TORQUE	MOMENT		
			S2 (kN)	TQ (kN·m)	M3 (kN·m)	S2 (kN)	TQ (kN·m)	M3 (kN·m)	S2 (kN)	TQ (kN·m)	M3 (kN·m)	S2 (kN)	TQ (kN·m)	M3 (kN·m)		
301	LIVE LOAD	2-LANES (caseMAX	S2	792.92	900.41	1375.66	608.91	1048.21	3189.97	608.91	1055.70	3187.50	471.65	1132.04	4165.19	
			TQ	500.91	1240.63	31.54	422.72	1240.63	2194.30	422.39	1245.79	2201.22	344.20	1245.79	3996.25	
			M3	623.02	505.18	3659.16	506.18	1017.44	5432.70	506.18	1030.21	5430.29	321.92	1164.84	6435.73	
			MIN	S2	-91.83	42.23	2861.17	-206.73	183.24	3880.92	-206.73	192.36	3880.48	-369.47	402.00	4286.27
			TQ	-26.46	-19.18	1236.31	-26.46	-19.18	1112.39	-25.25	-16.59	1078.31	-25.25	-16.59	960.05	
			M3	133.88	359.69	-2491.23	46.83	14.90	-2091.95	46.83	9.98	-2091.98	46.83	9.98	-1872.69	
		3-LANES (caseMAX	S2	320.66	-1361.70	214.22	320.66	-1361.70	1715.89	320.66	-1357.67	1719.09	320.66	-1357.67	3220.76	
			TQ	-5.67	31.83	-1940.62	-5.67	31.83	-1967.16	-5.36	28.14	-1362.13	-5.36	28.14	-1387.24	
			M3	178.28	-818.27	1718.42	286.07	-1299.15	2845.64	286.07	-1292.46	2848.69	304.58	-1353.24	4237.85	
			MIN	S2	-13.09	14.09	-488.03	-13.09	14.09	-549.32	-13.09	12.80	-549.36	-13.09	12.80	-610.65
			TQ	314.71	-1382.69	1146.13	314.71	-1382.69	2619.97	314.68	-1376.54	2616.26	314.68	-1376.54	4089.93	
			M3	69.48	-309.40	-2166.82	-5.32	30.51	-2051.18	-5.32	25.69	-2051.24	-5.47	25.74	-2076.28	
		3-LANES (caseMAX	S2	832.93	886.33	1282.35	675.75	1011.35	3557.34	675.75	1019.71	3554.95	558.24	1084.59	5124.79	
			TQ	561.06	1210.91	64.30	493.77	1210.91	2534.24	493.67	1216.89	2553.74	426.38	1216.89	4708.12	
			M3	587.27	508.00	4297.38	555.06	986.39	6214.98	555.06	1000.99	6212.65	421.73	1114.73	7716.11	
			MIN	S2	-93.46	67.58	3206.01	-191.10	187.11	4010.72	-191.10	196.54	4010.27	-329.42	374.58	4283.24
			TQ	-20.98	-17.52	1269.98	-20.98	-17.52	1171.71	-20.89	-14.79	1149.39	-20.89	-14.79	1051.54	
			M3	148.60	364.25	-2891.36	40.57	21.04	-2482.30	40.57	15.20	-2482.34	40.57	15.20	-2292.36	
		3-LANES (caseMAX	S2	839.34	885.57	1191.10	682.16	1010.60	3496.12	682.16	1018.81	3493.73	564.66	1083.69	5093.60	
			TQ	567.77	1209.76	-44.74	500.48	1209.76	2456.63	500.42	1215.55	2473.63	433.13	1215.55	4659.61	
			M3	586.08	506.92	4308.51	553.90	985.54	6220.46	553.90	1000.16	6218.13	420.57	1113.90	7716.15	
			MIN	S2	-94.74	65.57	3221.15	-192.46	186.04	4019.39	-192.46	195.48	4018.94	-330.79	373.68	4285.45
			TQ	-22.93	-18.89	1305.04	-22.93	-18.89	1197.67	-22.13	-16.11	1157.23	-22.13	-16.11	1053.60	
			M3	161.19	362.76	-3073.82	53.30	19.46	-2605.16	53.30	13.34	-2605.20	53.30	13.34	-2355.57	



BAGO RIVER BRIDGE

BLOCK [ No.1 : MAIN GIRDER ][ BEAM MEMBER FORCE ]

MEMBER					4037			4038			4039					
NODE					4037			4038			4038			4039		
NAME TITLE					SHEAR	TORQUE	MOMENT	SHEAR	TORQUE	MOMENT	SHEAR	TORQUE	MOMENT	SHEAR	TORQUE	MOMENT
					S2 (kN)	TQ (kN·m)	M3 (kN·m)	S2 (kN)	TQ (kN·m)	M3 (kN·m)	S2 (kN)	TQ (kN·m)	M3 (kN·m)	S2 (kN)	TQ (kN·m)	M3 (kN·m)
301	LIVE LOAD	4-LANES	MAX	S2	36.10	16.45	-2188.31	36.10	16.45	-2019.23	36.10	11.71	-2019.27	36.10	11.71	-1850.19
				TQ	36.02	16.47	-2187.13	36.02	16.47	-2018.45	36.02	11.73	-2018.49	36.02	11.73	-1849.81
			M3	-9.16	-7.21	771.85	-9.14	-7.22	728.98	-9.14	-5.50	729.00	-9.09	-5.52	686.35	
		MIN	S2	-9.17	-7.19	770.60	-9.17	-7.19	727.67	-9.17	-5.48	727.68	-9.17	-5.48	684.75	
			TQ	-9.05	-7.24	770.95	-9.05	-7.24	728.56	-9.05	-5.53	728.51	-9.05	-5.53	686.13	
			M3	36.10	16.45	-2188.31	36.10	16.45	-2019.23	36.10	11.71	-2019.27	36.10	11.71	-1850.19	
	6-LANES	MAX	S2	842.64	-326.35	1021.66	733.76	-237.51	3808.06	733.76	-228.56	3808.61	651.95	-181.92	6110.14	
			TQ	406.83	884.18	-1011.66	357.63	884.18	778.38	357.59	886.03	797.96	308.39	886.03	2357.39	
		M3	551.16	-218.29	4516.76	612.98	-217.55	6725.54	614.05	-204.58	6726.03	534.86	-158.04	8859.35		
		MIN	S2	-78.12	64.90	2121.84	-145.71	151.53	2661.46	-145.71	157.79	2661.10	-240.99	285.23	2842.24	
			TQ	216.79	-1002.13	1841.99	216.79	-1002.13	2857.25	217.38	-995.47	2822.89	217.38	-995.47	3840.92	
			M3	164.84	51.49	-3914.96	37.35	36.68	-3492.18	37.35	28.48	-3492.25	37.27	28.50	-3317.40	
	LIVE LOAD	MAX		842.64	1240.63	4516.76	733.76	1240.63	6725.54	733.76	1245.79	6726.03	651.95	1245.79	8859.35	
		MIN		-94.74	-1382.69	-3914.96	-206.73	-1382.69	-3492.18	-206.73	-1376.54	-3492.25	-369.47	-1376.54	-3317.40	
303	SUM TOTAL	TOTAL	MAX	3048.56	832.08	3255.35	2667.11	832.08	15156.51	2667.11	857.06	15157.94	2312.73	857.06	25707.14	
			MIN	2111.18	-1791.24	-5176.37	1726.62	-1791.24	4938.79	1726.62	-1765.28	4939.65	1291.30	-1765.28	13530.39	

BAGO RIVER BRIDGE

BLOCK [ No.1 : MAIN GIRDER ][ BEAM MEMBER FORCE ]

MEMBER NODE	4039	4040			4040			4041						
		SHEAR	TORQUE	MOMENT	SHEAR	TORQUE	MOMENT	SHEAR	TORQUE	MOMENT	SHEAR	TORQUE	MOMENT	
NAME TITLE	S2 (kN)	TQ (kN·m)	M3 (kN·m)	S2 (kN)	TQ (kN·m)	M3 (kN·m)	S2 (kN)	TQ (kN·m)	M3 (kN·m)	S2 (kN)	TQ (kN·m)	M3 (kN·m)		
1 PAVEMENT	257.62	-27.36	2643.73	211.65	-27.36	3742.57	211.65	-18.57	3742.62	165.69	-18.57	4626.19		
3 RAILING	10.19	-0.92	80.79	6.32	-0.92	119.44	6.32	-0.64	119.44	2.45	-0.64	139.97		
5 CURB	100.84	-9.15	799.85	62.55	-9.15	1182.44	62.55	-6.38	1182.46	24.26	-6.38	1385.75		
7 DECK WEIGHT	421.94	-46.55	4312.86	346.26	-46.55	6111.64	346.26	-32.19	6111.73	270.57	-32.19	7556.08		
8 GIRDER WEIGH	569.63	-76.34	6444.27	482.06	-76.34	8906.89	482.06	-55.41	8907.04	394.49	-55.41	10959.53		
10 MEDIAN STRIP	106.57	-18.50	1273.27	106.57	-18.50	1772.36	106.57	-14.34	1772.40	106.57	-14.34	2271.48		
21 ADITIONAL WE	118.14	-13.03	1207.60	96.95	-13.03	1711.26	96.95	-9.01	1711.29	75.76	-9.01	2115.70		
31 MEDIAN RAILI	6.31	-1.09	86.10	6.31	-1.09	115.63	6.31	-0.82	115.63	6.31	-0.82	145.16		
51 SUPPORT WEIG	0.00	-0.00	-0.00	0.00	-0.00	-0.00	0.00	-0.00	-0.00	0.00	-0.00	-0.00		
52 NOSE WEIGHT	0.00	0.00	0.00	0.00	0.00	0.00	0.00	0.00	0.00	0.00	0.00	0.01		
61 1-LANE(case1TRUCK-LOAD	MAX	S2	35.22	-278.60	352.89	35.22	-278.60	517.83	35.22	-277.39	518.48	35.22	-277.39	683.41
		TQ	2.86	18.84	231.61	2.86	18.84	244.99	2.86	19.41	244.94	2.86	19.41	258.32
		M3	22.37	-222.90	485.36	26.47	-260.69	599.66	26.47	-259.28	600.27	30.91	-279.29	735.57
	MIN	S2	-1.82	1.25	120.19	-1.82	1.25	111.66	-1.82	1.51	111.66	-1.82	1.51	103.13
		TQ	33.97	-285.12	404.20	33.97	-285.12	563.28	33.97	-283.79	563.94	33.97	-283.79	723.02
		M3	4.07	-15.82	-362.98	4.05	-15.95	-343.94	4.05	-16.76	-343.90	4.05	-16.76	-324.94
	TANDEM-LOAD MAX	S2	23.99	-187.03	229.17	23.99	-187.03	341.52	23.99	-186.23	341.96	23.99	-186.23	454.31
		TQ	2.99	13.87	185.98	2.99	13.87	200.00	2.99	14.34	199.96	2.99	14.34	213.98
		M3	15.38	-157.76	331.17	18.52	-181.84	407.91	18.52	-180.88	408.33	21.61	-191.64	500.58
	MIN	S2	-1.24	0.83	81.65	-1.24	0.83	75.85	-1.24	1.01	75.84	-1.24	1.01	70.04
		TQ	22.25	-193.73	290.09	22.25	-193.73	394.29	22.25	-192.80	394.74	22.25	-192.80	498.95
		M3	2.74	-10.98	-246.88	2.74	-10.98	-234.05	2.74	-11.53	-234.02	2.74	-11.53	-221.19
	DISPERSION-LMAX	S2	53.70	-374.74	267.17	53.70	-374.74	518.68	53.70	-373.52	519.56	53.70	-373.52	771.07
		TQ	-0.66	7.84	245.68	-0.66	7.84	242.59	-0.61	8.41	244.37	-0.61	8.41	241.51
		M3	46.74	-353.57	849.11	46.74	-353.57	1067.98	46.74	-351.06	1068.81	46.74	-351.06	1287.68
	MIN	S2	-2.23	2.21	154.13	-2.23	2.21	143.68	-2.23	2.55	143.67	-2.23	2.55	133.22
		TQ	52.13	-380.37	175.62	52.13	-380.37	419.77	52.08	-379.38	418.86	52.08	-379.38	662.78
		M3	4.74	-18.96	-427.81	4.74	-18.96	-405.62	4.74	-19.91	-405.58	4.74	-19.91	-383.39

BAGO RIVER BRIDGE

BLOCK [ No.1 : MAIN GIRDER ][ BEAM MEMBER FORCE ]

MEMBER				4039			4040			4041					
NODE				4039			4040			4041					
				SHEAR	TORQUE	MOMENT	SHEAR	TORQUE	MOMENT	SHEAR	TORQUE	MOMENT			
NAME	TITLE			S2 (kN)	TQ (kN·m)	M3 (kN·m)	S2 (kN)	TQ (kN·m)	M3 (kN·m)	S2 (kN)	TQ (kN·m)	M3 (kN·m)			
62	1-LANE (case2TRUCK-LOAD	MAX	S2	49.21	-98.54	576.11	49.21	-98.54	806.55	49.21	-96.64	806.78	49.21	-96.64	1037.22
			TQ	-5.81	20.27	670.20	-5.81	20.27	642.97	-5.81	21.78	642.93	-5.81	21.78	615.70
			M3	15.37	-22.51	848.29	32.10	-64.99	955.70	32.10	-62.74	955.85	42.67	-87.20	1132.48
		MIN	S2	-6.78	18.58	554.59	-6.78	18.58	522.82	-6.78	19.81	522.78	-6.78	19.81	491.01
			TQ	48.61	-99.04	632.11	48.61	-99.04	859.76	48.61	-97.02	859.99	48.61	-97.02	1087.65
			M3	5.71	-5.02	-384.69	5.71	-5.02	-357.95	5.71	-5.86	-357.94	5.71	-5.86	-331.20
		TANDEM-LOAD MAX	S2	33.74	-67.60	399.92	33.74	-67.60	557.94	33.74	-66.29	558.10	33.74	-66.29	716.12
			TQ	-4.80	14.07	427.08	-4.80	14.07	404.60	-3.12	15.17	490.10	-3.12	15.17	475.48
			M3	5.19	-1.82	578.87	24.10	-50.48	651.79	24.10	-48.94	651.91	26.26	-54.04	771.61
		MIN	S2	-5.00	13.61	398.58	-5.00	13.61	375.15	-5.00	14.50	375.12	-5.00	14.50	351.70
			TQ	33.58	-67.74	415.55	33.58	-67.74	572.79	33.58	-66.39	572.95	33.58	-66.39	730.19
			M3	3.88	-3.46	-261.87	3.88	-3.46	-243.69	3.88	-4.03	-243.68	3.88	-4.03	-225.50
		DISPERSION-LMAX	S2	62.62	-126.73	306.50	62.62	-126.73	599.78	62.62	-125.32	600.07	62.62	-125.32	893.35
			TQ	-4.85	8.86	463.78	-4.85	8.86	441.06	-4.80	9.91	446.98	-4.80	9.91	424.51
			M3	50.76	-112.56	1160.77	50.76	-112.56	1398.49	50.76	-109.27	1398.75	50.76	-109.27	1636.47
		MIN	S2	-5.14	8.18	401.24	-5.14	8.18	377.17	-5.14	9.06	377.15	-5.14	9.06	353.07
			TQ	62.33	-127.42	243.97	62.33	-127.42	535.88	62.28	-126.17	530.23	62.28	-126.17	821.90
			M3	6.72	-5.99	-453.03	6.72	-5.99	-421.55	6.72	-6.98	-421.53	6.72	-6.98	-390.05
63	1-LANE (case3TRUCK-LOAD	MAX	S2	71.04	31.15	869.44	71.04	31.15	1202.14	71.04	33.97	1202.07	71.04	33.97	1534.77
			TQ	47.13	71.85	427.75	47.13	71.85	648.47	47.13	73.38	648.30	47.13	73.38	869.02
			M3	0.11	37.58	1244.30	38.36	29.14	1306.25	38.36	32.21	1306.18	65.81	30.90	1556.32
		MIN	S2	-26.14	33.03	1151.34	-26.14	33.03	1028.92	-26.14	35.45	1028.84	-26.14	35.45	906.43
			TQ	-7.42	-3.56	361.73	-7.42	-3.56	326.96	-7.42	-2.80	326.97	-7.42	-2.80	292.21
			M3	6.97	3.27	-401.66	6.97	3.27	-369.00	6.97	2.40	-369.00	6.97	2.40	-336.35

BAGO RIVER BRIDGE

BLOCK [ No.1 : MAIN GIRDER ][ BEAM MEMBER FORCE ]

MEMBER		4039			4040			4040			4041						
NODE		4039			4040			4040			4041						
		SHEAR	TORQUE	MOMENT	SHEAR	TORQUE	MOMENT	SHEAR	TORQUE	MOMENT	SHEAR	TORQUE	MOMENT				
NAME	TITLE	S2 (kN)	TQ (kN·m)	M3 (kN·m)	S2 (kN)	TQ (kN·m)	M3 (kN·m)	S2 (kN)	TQ (kN·m)	M3 (kN·m)	S2 (kN)	TQ (kN·m)	M3 (kN·m)				
63	1-LANE (case3TANDEM-LOAD	MAX	S2	50.29	22.14	563.58	50.29	22.14	799.11	50.29	24.02	799.06	50.29	24.02	1034.59		
			TQ	31.22	48.95	279.15	31.22	48.95	425.36	31.22	49.95	425.24	31.22	49.95	571.45		
			M3	-6.92	28.51	874.82	21.58	20.96	898.43	21.58	23.07	898.38	46.18	17.91	1085.50		
		MIN	S2	-20.07	21.23	762.48	-20.07	21.23	668.49	-20.07	22.81	668.44	-20.07	22.81	574.45		
			TQ	-4.37	-2.61	217.39	-4.37	-2.61	196.92	-4.37	-2.14	196.93	-4.37	-2.14	176.47		
			M3	4.75	2.25	-273.56	4.75	2.25	-251.31	4.75	1.66	-251.31	4.75	1.66	-229.05		
			DISPERSION-LMAX	S2	75.49	90.37	310.39	74.87	89.40	634.56	74.87	90.89	634.35	73.89	90.82	980.72	
				TQ	65.79	99.18	653.85	64.81	99.18	959.65	64.13	101.49	1035.65	63.15	101.49	1333.67	
				M3	54.92	93.54	1397.34	53.94	93.54	1652.23	53.94	97.42	1652.01	52.96	97.42	1902.31	
			MIN	S2	-12.34	7.09	614.65	-12.71	8.05	583.89	-12.71	9.42	583.87	-12.71	9.50	526.33	
				TQ	-2.65	-1.73	271.19	-2.65	-1.73	258.80	-1.96	-1.17	182.58	-1.96	-1.17	173.38	
				M3	8.23	3.91	-472.29	8.23	3.91	-433.78	8.23	2.89	-433.78	8.23	2.89	-395.26	
		64	1-LANE (case4TRUCK-LOAD	MAX	S2	298.62	74.87	1740.71	190.59	198.24	2168.90	190.59	203.34	2168.43	113.32	284.61	2094.93
					TQ	81.34	301.96	849.92	81.34	301.96	1230.84	81.34	304.86	1230.12	81.34	304.86	1611.04
					M3	276.89	43.79	1755.86	168.94	166.89	2202.10	168.94	172.07	2201.71	81.50	267.27	2114.91
MIN	S2			-63.42	-31.86	1643.09	-144.18	53.83	2083.18	-144.18	58.73	2083.05	-252.39	182.49	2012.87		
	TQ			-29.94	-53.62	1042.51	-29.94	-53.62	902.28	-29.94	-51.50	902.41	-29.94	-51.50	762.18		
	M3			9.59	20.21	-438.56	9.59	20.21	-393.67	9.59	19.28	-393.71	9.59	19.28	-348.82		
	TANDEM-LOAD MAX			S2	239.37	7.96	1372.11	161.59	97.16	1709.41	161.59	101.18	1709.18	91.23	180.46	1618.36	
				TQ	59.45	205.83	629.02	59.45	205.83	907.45	59.45	207.96	906.96	59.45	207.96	1185.38	
				M3	239.37	7.96	1372.11	161.59	97.16	1709.42	161.59	101.18	1709.18	91.23	180.46	1618.36	
	MIN			S2	-58.48	-8.06	1357.40	-131.42	74.48	1697.01	-131.42	78.46	1696.83	-207.32	165.32	1606.20	
				TQ	-24.34	-38.57	828.38	-24.34	-38.57	714.37	-24.34	-36.89	714.46	-24.34	-36.89	600.46	
				M3	6.55	13.92	-299.08	6.55	13.92	-268.38	6.55	13.29	-268.42	6.55	13.29	-237.73	

BAGO RIVER BRIDGE

BLOCK [ No. 1 : MAIN GIRDER ][ BEAM MEMBER FORCE ]

MEMBER		4039			4040			4040			4041						
NODE		4039			4040			4040			4041						
		SHEAR	TORQUE	MOMENT	SHEAR	TORQUE	MOMENT	SHEAR	TORQUE	MOMENT	SHEAR	TORQUE	MOMENT				
NAME	TITLE	S2 (kN)	TQ (kN·m)	M3 (kN·m)	S2 (kN)	TQ (kN·m)	M3 (kN·m)	S2 (kN)	TQ (kN·m)	M3 (kN·m)	S2 (kN)	TQ (kN·m)	M3 (kN·m)				
64	1-LANE (case4DISPERSION-LMAX	S2	142.24	380.11	487.12	105.44	372.90	770.27	105.44	374.71	769.39	82.08	351.40	890.54			
		TQ	142.19	380.11	488.28	87.48	380.11	1026.08	87.12	382.53	1032.98	32.42	382.53	1312.89			
		M3	112.18	332.09	1647.86	57.47	332.09	2045.10	57.47	336.89	2044.32	2.76	336.89	2185.36			
		MIN	S2	-18.95	-24.77	650.35	-36.86	-17.56	816.45	-36.86	-15.64	816.49	-68.22	7.67	888.39		
		TQ	-18.91	-24.77	649.19	-18.91	-24.77	560.64	-18.55	-23.47	552.90	-18.55	-23.47	466.04			
		M3	11.11	23.25	-510.39	11.11	23.25	-458.38	11.11	22.17	-458.43	11.11	22.17	-406.42			
		65	2-LANES (caseTRUCK-LOAD	MAX	S2	75.89	-470.20	809.25	75.89	-470.20	1164.68	75.89	-467.46	1165.78	75.89	-467.46	1521.20
				TQ	2.61	36.75	632.48	2.61	36.75	644.71	2.61	38.27	644.62	2.61	38.27	656.85	
				M3	45.29	-325.49	1125.86	55.73	-406.90	1359.43	55.73	-403.71	1360.38	66.18	-452.75	1644.65	
MIN	S2			-3.70	2.02	240.26	-3.70	2.02	222.95	-3.70	2.55	222.95	-3.70	2.55	205.64		
TQ	74.64			-476.71	860.56	74.64	-476.71	1210.13	74.64	-473.86	1211.24	74.64	-473.86	1560.82			
M3	8.94			-26.32	-736.71	8.93	-26.45	-694.83	8.93	-28.08	-694.77	8.93	-28.08	-652.96			
TANDEM-LOAD	MAX			S2	51.78	-317.56	546.06	51.78	-317.56	788.53	51.78	-315.70	789.28	51.78	-315.70	1031.75	
TQ	2.34			26.92	443.74	2.34	26.92	454.68	2.34	27.99	454.62	2.34	27.99	465.56			
M3	30.15			-221.14	767.79	37.48	-277.68	925.30	37.48	-275.51	925.95	44.94	-307.95	1119.27			
MIN	S2	-2.51	1.35	163.20	-2.51	1.35	151.43	-2.51	1.71	151.42	-2.51	1.71	139.65				
TQ	50.04	-324.26	606.97	50.04	-324.26	841.30	50.04	-322.28	842.06	50.04	-322.28	1076.38					
M3	6.05	-18.21	-501.20	6.05	-18.21	-472.88	6.05	-19.32	-472.83	6.05	-19.32	-444.51					
DISPERSION-LMAX	S2	110.96	-625.88	596.20	110.96	-625.88	1115.83	110.96	-623.26	1117.30	110.96	-623.26	1636.93				
TQ	-2.89	15.68	564.41	-2.89	15.68	550.88	-2.79	16.98	556.51	-2.79	16.98	543.44					
M3	95.48	-586.61	1853.88	95.48	-586.61	2301.05	95.48	-581.20	2302.42	95.48	-581.20	2749.58					
MIN	S2	-5.01	7.82	389.47	-5.01	7.82	366.01	-5.01	8.68	366.00	-5.01	8.68	342.54				
TQ	108.84	-633.74	421.26	108.84	-633.74	930.97	108.74	-631.56	926.78	108.74	-631.56	1436.04					
M3	10.47	-31.45	-868.21	10.47	-31.45	-819.20	10.47	-33.37	-819.12	10.47	-33.37	-770.11					

BAGO RIVER BRIDGE

BLOCK [ No.1 : MAIN GIRDER ][ BEAM MEMBER FORCE ]

MEMBER				4039			4040			4040			4041			
NODE				4039			4040			4040			4041			
				SHEAR	TORQUE	MOMENT	SHEAR	TORQUE	MOMENT	SHEAR	TORQUE	MOMENT	SHEAR	TORQUE	MOMENT	
NAME	TITLE			S2 (kN)	TQ (kN·m)	M3 (kN·m)	S2 (kN)	TQ (kN·m)	M3 (kN·m)	S2 (kN)	TQ (kN·m)	M3 (kN·m)	S2 (kN)	TQ (kN·m)	M3 (kN·m)	
66	2-LANES (caseTRUCK-LOAD	MAX	S2	89.88	-290.13	1032.46	89.88	-290.13	1453.40	89.88	-286.71	1454.08	89.88	-286.71	1875.02	
			TQ	-6.06	38.18	1071.07	-6.06	38.18	1042.70	-6.06	40.63	1042.60	-6.06	40.63	1014.23	
			M3	38.29	-125.10	1488.78	61.36	-211.20	1715.48	61.36	-207.17	1715.97	77.93	-260.66	2041.56	
			MIN	S2	-8.66	19.35	674.66	-8.66	19.35	634.11	-8.66	20.84	634.06	-8.66	20.84	593.51
				TQ	89.29	-290.63	1088.47	89.29	-290.63	1506.62	89.29	-287.09	1507.29	89.29	-287.09	1925.44
				M3	10.59	-15.52	-758.42	10.59	-15.52	-708.84	10.59	-17.19	-708.80	10.59	-17.19	-659.23
		TANDEM-LOAD	MAX	S2	61.53	-198.13	716.80	61.53	-198.13	1004.95	61.53	-195.77	1005.41	61.53	-195.77	1293.56
				TQ	-5.46	27.13	684.85	-5.46	27.13	659.29	-3.78	28.82	744.75	-3.78	28.82	727.05
				M3	19.96	-65.20	1015.49	43.06	-146.32	1169.18	43.06	-143.57	1169.52	49.59	-170.35	1390.30
			MIN	S2	-6.28	14.13	480.12	-6.28	14.13	450.73	-6.28	15.19	450.70	-6.28	15.19	421.31
				TQ	61.36	-198.27	732.43	61.36	-198.27	1019.80	61.36	-195.87	1020.26	61.36	-195.87	1307.63
				M3	7.19	-10.69	-516.19	7.19	-10.69	-482.52	7.19	-11.82	-482.49	7.19	-11.82	-448.82
		DISPERSION-LMAX	MAX	S2	119.88	-377.88	635.53	119.88	-377.88	1196.93	119.88	-375.06	1197.81	119.88	-375.06	1759.22
				TQ	-7.08	16.70	782.50	-7.08	16.70	749.35	-6.98	18.48	759.13	-6.98	18.48	726.44
				M3	99.51	-345.60	2165.54	99.51	-345.60	2631.56	99.51	-339.42	2632.36	99.51	-339.42	3098.38
			MIN	S2	-7.92	13.79	636.58	-7.92	13.79	599.50	-7.92	15.20	599.47	-7.92	15.20	562.39
				TQ	119.04	-380.79	489.61	119.04	-380.79	1047.08	118.94	-378.34	1038.16	118.94	-378.34	1595.17
				M3	12.45	-18.49	-893.43	12.45	-18.49	-835.12	12.45	-20.45	-835.08	12.45	-20.45	-776.77
67	2-LANES (caseTRUCK-LOAD	MAX	S2	201.26	90.26	2357.87	180.91	140.15	2906.05	180.91	146.98	2905.71	162.54	185.34	3354.62	
			TQ	106.76	248.96	1007.82	106.76	248.96	1507.78	106.76	252.50	1507.19	106.76	252.50	2007.14	
			M3	114.94	83.14	2746.36	132.70	124.69	3026.42	132.70	131.80	3026.12	141.04	172.95	3393.02	
			MIN	S2	-70.42	42.00	2560.13	-89.68	82.74	2659.89	-89.68	88.99	2659.69	-110.16	139.25	2658.41
				TQ	-24.68	-22.84	1023.18	-24.68	-22.84	907.59	-24.03	-20.72	889.97	-24.03	-20.72	777.44
				M3	14.80	12.09	-815.25	14.80	12.09	-745.94	14.80	10.34	-745.96	14.80	10.34	-676.65

BAGO RIVER BRIDGE

BLOCK [ No.1 : MAIN GIRDER ][ BEAM MEMBER FORCE ]

MEMBER		4039			4040			4040			4041						
NODE		4039			4040			4040			4041						
		SHEAR	TORQUE	MOMENT	SHEAR	TORQUE	MOMENT	SHEAR	TORQUE	MOMENT	SHEAR	TORQUE	MOMENT				
NAME	TITLE	S2 (kN)	TQ (kN·m)	M3 (kN·m)	S2 (kN)	TQ (kN·m)	M3 (kN·m)	S2 (kN)	TQ (kN·m)	M3 (kN·m)	S2 (kN)	TQ (kN·m)	M3 (kN·m)				
67	2-LANES (caseTANDEM-LOAD	MAX	S2	145.17	45.30	1678.88	131.10	80.52	2064.46	131.10	85.37	2064.26	117.52	117.82	2377.41		
			TQ	72.36	169.49	682.90	72.36	169.49	1021.78	72.36	171.89	1021.38	72.36	171.89	1360.26		
			M3	87.96	51.68	1990.12	102.39	79.34	2163.79	102.39	84.42	2163.59	113.41	111.71	2428.33		
		MIN	S2	-55.79	36.97	1866.13	-69.70	70.65	1923.39	-69.70	75.17	1923.22	-83.61	109.62	1907.54		
			TQ	-14.25	-16.13	610.89	-14.25	-16.13	544.14	-14.25	-14.86	544.18	-14.25	-14.86	477.44		
			M3	10.09	8.32	-555.37	10.09	8.32	-508.10	10.09	7.13	-508.12	10.09	7.13	-460.85		
			DISPERSION-LMAX	S2	179.55	321.83	748.02	163.23	314.51	1305.94	163.23	317.57	1305.20	149.02	304.71	1802.34	
				TQ	164.91	332.33	1249.93	140.45	332.33	1964.96	139.46	337.01	2049.32	115.00	337.01	2645.16	
				M3	134.19	307.30	2924.93	109.73	307.30	3496.08	109.73	315.51	3495.35	85.27	315.51	3951.95	
			MIN	S2	-27.93	-0.09	1219.29	-36.07	7.23	1314.18	-36.07	10.32	1314.16	-46.31	23.18	1355.29	
				TQ	-13.29	-10.59	717.39	-13.29	-10.59	655.16	-12.30	-9.11	570.04	-12.30	-9.11	512.46	
				M3	17.44	14.44	-957.62	17.44	14.44	-875.96	17.44	12.38	-875.99	17.44	12.38	-794.33	
		68	2-LANES (caseTRUCK-LOAD	MAX	S2	428.84	133.98	3229.14	300.45	307.24	3872.81	300.45	316.34	3872.07	204.82	435.97	3914.77
					TQ	140.96	479.04	1429.98	140.96	479.04	2090.13	140.96	483.95	2089.00	140.96	483.95	2749.14
					M3	391.71	89.35	3257.92	263.28	262.44	3922.27	263.28	271.66	3921.64	156.72	409.32	3951.62
MIN	S2			-107.70	-22.90	3051.87	-207.73	103.54	3714.15	-207.73	112.27	3713.90	-336.41	286.29	3764.85		
	TQ			-46.62	-73.27	1684.32	-46.62	-73.27	1466.00	-46.62	-69.83	1466.17	-46.62	-69.83	1247.85		
	M3			18.31	34.85	-864.93	18.31	34.85	-779.16	18.31	33.02	-779.24	18.31	33.02	-693.48		
	TANDEM-LOAD			MAX	S2	334.25	31.12	2487.41	242.40	155.55	2974.76	242.40	162.54	2974.39	158.45	274.26	2961.18
				TQ	100.59	326.35	1032.77	100.59	326.35	1503.86	100.59	329.88	1503.09	100.59	329.88	1974.18	
				M3	334.25	31.12	2487.42	242.40	155.55	2974.77	242.40	162.54	2974.39	158.45	274.26	2961.19	
	MIN			S2	-94.21	7.67	2461.05	-181.05	123.89	2951.91	-181.05	130.83	2951.61	-270.86	252.13	2939.28	
				TQ	-34.28	-52.41	1222.70	-34.28	-52.41	1062.17	-34.28	-49.91	1062.29	-34.28	-49.91	901.75	
				M3	12.52	24.01	-589.73	12.52	24.01	-531.12	12.52	22.76	-531.17	12.52	22.76	-472.56	

BAGO RIVER BRIDGE

BLOCK [ No.1 : MAIN GIRDER ][ BEAM MEMBER FORCE ]

MEMBER		4039			4040			4040			4041						
NODE		4039			4040			4040			4041						
		SHEAR	TORQUE	MOMENT	SHEAR	TORQUE	MOMENT	SHEAR	TORQUE	MOMENT	SHEAR	TORQUE	MOMENT				
NAME	TITLE	S2 (kN)	TQ (kN·m)	M3 (kN·m)	S2 (kN)	TQ (kN·m)	M3 (kN·m)	S2 (kN)	TQ (kN·m)	M3 (kN·m)	S2 (kN)	TQ (kN·m)	M3 (kN·m)				
68	2-LANES (caseDISPERSION-LMAX	S2	247.22	617.66	912.60	194.72	604.09	1433.78	194.72	607.46	1432.36	158.12	571.36	1708.56			
		TQ	242.23	619.35	1072.20	164.04	619.35	2023.52	163.37	624.12	2038.77	85.19	624.12	2620.79			
		M3	191.29	544.49	3175.69	113.10	544.49	3888.45	113.10	553.62	3887.16	34.92	553.62	4233.76			
		MIN	S2	-34.69	-33.28	1255.24	-60.38	-19.71	1546.25	-60.38	-16.08	1546.29	-101.97	20.02	1716.13		
		TQ	-29.71	-34.97	1095.63	-29.71	-34.97	956.51	-29.04	-32.74	939.88	-29.04	-32.74	803.91			
		M3	21.23	39.89	-1007.86	21.23	39.89	-908.42	21.23	37.76	-908.51	21.23	37.76	-809.07			
		69	3-LANES (caseTRUCK-LOAD	MAX	S2	125.10	-568.73	1385.36	125.10	-568.73	1971.23	125.10	-564.10	1972.56	125.10	-564.10	2558.43
				TQ	-3.20	57.02	1302.68	-3.20	57.02	1287.68	-3.20	60.04	1287.54	-3.20	60.04	1272.55	
				M3	60.66	-348.00	1974.15	87.83	-471.89	2315.14	87.83	-466.45	2316.24	108.85	-539.95	2777.13	
MIN	S2			-10.48	20.60	794.85	-10.48	20.60	745.77	-10.48	22.35	745.72	-10.48	22.35	696.64		
TQ	123.26			-575.75	1492.66	123.26	-575.75	2069.89	123.26	-570.88	2071.24	123.26	-570.88	2648.47			
M3	14.65			-31.34	-1121.39	14.64	-31.47	-1052.78	14.64	-33.94	-1052.70	14.64	-33.94	-984.16			
TANDEM-LOAD	MAX			S2	85.52	-385.16	945.98	85.52	-385.16	1346.47	85.52	-381.99	1347.37	85.52	-381.99	1747.87	
TQ	-2.46			41.00	870.82	-2.46	41.00	859.28	-0.79	43.16	944.71	-0.79	43.16	941.03			
M3	35.34			-222.96	1346.66	61.58	-328.16	1577.09	61.58	-324.45	1577.86	71.20	-361.99	1890.88			
MIN	S2	-7.51	14.96	561.77	-7.51	14.96	526.58	-7.51	16.20	526.54	-7.51	16.20	491.35				
TQ	83.61	-392.00	1022.52	83.61	-392.00	1414.09	83.61	-388.67	1415.01	83.61	-388.67	1806.58					
M3	9.93	-21.67	-763.07	9.93	-21.67	-716.57	9.93	-23.35	-716.51	9.93	-23.35	-670.01					
DISPERSION-LMAX	S2	173.58	-752.61	902.70	173.58	-752.61	1715.61	173.58	-748.58	1717.37	173.58	-748.58	2530.28				
TQ	-7.74	24.55	1028.18	-7.74	24.55	991.94	-7.59	26.89	1003.50	-7.59	26.89	967.95					
M3	146.24	-699.17	3014.65	146.24	-699.17	3699.54	146.24	-690.48	3701.17	146.24	-690.48	4386.05					
MIN	S2	-10.15	16.00	790.71	-10.15	16.00	743.18	-10.15	17.74	743.14	-10.15	17.74	695.61				
TQ	171.17	-761.16	665.23	171.17	-761.16	1466.85	171.02	-757.73	1457.02	171.02	-757.73	2257.94					
M3	17.19	-37.44	-1321.24	17.19	-37.44	-1240.75	17.19	-40.36	-1240.65	17.19	-40.36	-1160.16					



BAGO RIVER BRIDGE

BLOCK [ No.1 : MAIN GIRDER ][ BEAM MEMBER FORCE ]

MEMBER				4039			4040			4041						
NODE				4039			4040			4041						
				SHEAR	TORQUE	MOMENT	SHEAR	TORQUE	MOMENT	SHEAR	TORQUE	MOMENT				
NAME	TITLE			S2 (kN)	TQ (kN·m)	M3 (kN·m)	S2 (kN)	TQ (kN·m)	M3 (kN·m)	S2 (kN)	TQ (kN·m)	M3 (kN·m)				
70	3-LANES (caseTRUCK-LOAD	MAX	S2	499.88	165.13	4098.58	371.50	338.39	5074.95	371.50	350.32	5074.14	275.87	469.95	5449.58	
			TQ	188.11	550.93	1857.94	188.11	550.93	2738.88	188.11	557.37	2737.58	188.11	557.37	3618.52	
			M3	391.83	126.92	4502.22	301.64	291.58	5228.53	301.64	303.87	5227.83	222.53	440.22	5507.93	
			MIN	S2	-133.84	10.13	4203.21	-233.87	136.57	4743.07	-233.87	147.72	4742.74	-362.55	321.74	4671.28
				TQ	-54.62	-76.41	2065.70	-54.62	-76.41	1809.91	-53.97	-72.18	1792.41	-53.97	-72.18	1539.67
				M3	23.49	26.47	-1241.04	23.49	26.47	-1131.04	23.49	23.82	-1131.10	23.49	23.82	-1021.11
		TANDEM-LOAD	MAX	S2	384.55	53.26	3050.99	292.69	177.69	3773.87	292.69	186.55	3773.44	208.75	298.28	3995.77
				TQ	131.82	375.32	1311.94	131.82	375.32	1929.26	131.82	379.85	1928.37	131.82	379.85	2545.68
				M3	327.33	59.63	3362.23	263.98	176.50	3873.20	263.98	185.60	3872.78	204.63	292.18	4046.69
			MIN	S2	-114.28	28.91	3223.53	-201.12	145.13	3620.40	-201.12	153.63	3620.05	-290.93	274.93	3513.74
				TQ	-38.60	-54.71	1439.27	-38.60	-54.71	1258.52	-38.60	-51.75	1258.64	-38.60	-51.75	1077.89
				M3	16.03	18.22	-845.60	16.03	18.22	-770.55	16.03	16.41	-770.59	16.03	16.41	-695.54
		DISPERSION-LMAX	MAX	S2	320.91	695.99	1247.58	267.79	681.45	2084.54	267.79	686.35	2082.93	230.22	650.18	2697.10
				TQ	306.23	706.49	1750.65	227.06	706.49	2999.37	225.71	713.61	3090.64	146.54	713.61	3962.28
				M3	246.55	640.87	4573.11	167.39	640.87	5542.38	167.39	653.90	5540.86	88.22	653.90	6139.37
			MIN	S2	-46.73	-23.55	1869.58	-72.78	-9.01	2131.29	-72.78	-4.00	2131.30	-114.37	32.17	2245.04
				TQ	-32.04	-34.05	1366.52	-32.04	-34.05	1216.45	-30.69	-31.26	1123.59	-30.69	-31.26	979.86
				M3	27.63	31.57	-1455.95	27.63	31.57	-1326.55	27.63	28.45	-1326.62	27.63	28.45	-1197.23
71	3-LANES (caseTRUCK-LOAD	MAX	S2	499.88	165.13	4098.58	371.50	338.39	5074.95	371.50	350.32	5074.14	275.87	469.95	5449.54	
			TQ	188.09	550.85	1857.72	188.09	550.85	2738.58	188.09	557.28	2737.28	188.09	557.28	3618.14	
			M3	391.83	126.92	4502.22	301.64	291.58	5228.52	301.64	303.87	5227.82	222.53	440.22	5507.93	
			MIN	S2	-133.84	10.13	4203.21	-233.87	136.57	4743.07	-233.87	147.72	4742.74	-362.55	321.74	4671.28
				TQ	-54.19	-77.79	2048.24	-54.19	-77.79	1794.47	-54.19	-73.58	1794.64	-54.19	-73.58	1540.87
				M3	26.18	43.94	-1279.11	26.18	43.94	-1156.50	26.18	41.23	-1156.60	26.18	41.23	-1033.99

BAGO RIVER BRIDGE

BLOCK [ No.1 : MAIN GIRDER ][ BEAM MEMBER FORCE ]

MEMBER		4039			4040			4040			4041				
NODE		4039			4040			4040			4041				
		SHEAR	TORQUE	MOMENT	SHEAR	TORQUE	MOMENT	SHEAR	TORQUE	MOMENT	SHEAR	TORQUE	MOMENT		
NAME	TITLE	S2 (kN)	TQ (kN·m)	M3 (kN·m)	S2 (kN)	TQ (kN·m)	M3 (kN·m)	S2 (kN)	TQ (kN·m)	M3 (kN·m)	S2 (kN)	TQ (kN·m)	M3 (kN·m)		
71	3-LANES (caseTANDEM-LOAD	MAX	S2	384.55	53.26	3050.99	292.69	177.69	3773.87	292.69	186.55	3773.44	208.75	298.28	3995.77
			TQ	131.81	375.27	1311.91	131.81	375.27	1929.21	131.81	379.80	1928.32	131.81	379.80	2545.62
			M3	327.33	59.63	3362.23	263.98	176.50	3873.20	263.98	185.60	3872.78	204.63	292.18	4046.69
		MIN	S2	-114.28	28.91	3223.53	-201.12	145.13	3620.40	-201.12	153.63	3620.05	-290.93	274.93	3513.74
			TQ	-38.78	-55.86	1442.07	-38.78	-55.86	1260.46	-38.78	-52.89	1260.59	-38.78	-52.89	1078.99
			M3	17.89	30.28	-871.96	17.89	30.28	-788.20	17.89	28.43	-788.27	17.89	28.43	-704.51
	DISPERSION-LMAX	S2	323.62	714.12	1210.86	270.51	699.59	2060.53	270.51	704.43	2058.88	232.94	668.25	2685.77	
		TQ	309.03	724.60	1709.25	229.86	724.60	2971.10	229.56	731.63	3004.44	150.39	731.63	3894.12	
		M3	246.05	636.72	4573.17	166.89	636.72	5540.09	166.89	649.74	5538.58	87.72	649.74	6134.76	
		MIN	S2	-47.19	-27.47	1870.03	-73.24	-12.93	2129.56	-73.24	-7.93	2129.59	-114.84	28.24	2241.16
			TQ	-32.60	-37.95	1371.64	-32.60	-37.95	1218.99	-32.29	-35.13	1184.03	-32.29	-35.13	1032.81
			M3	30.38	49.93	-1492.27	30.38	49.93	-1350.00	30.38	46.76	-1350.11	30.38	46.76	-1207.83
72	4-LANES TRUCK-LOAD	MAX	S2	32.87	45.88	-1673.32	32.87	45.88	-1519.37	32.87	42.31	-1519.47	32.87	42.31	-1365.52
			TQ	32.87	45.88	-1673.32	32.87	45.88	-1519.37	32.87	42.31	-1519.47	32.87	42.31	-1365.52
			M3	-8.42	-5.12	476.44	-8.42	-5.11	437.03	-8.42	-4.09	437.04	-8.41	-4.07	397.64
		MIN	S2	-8.42	-5.13	476.43	-8.42	-5.13	437.01	-8.42	-4.10	437.02	-8.42	-4.10	397.61
			TQ	-8.15	-5.28	459.15	-8.15	-5.28	420.98	-7.96	-4.30	410.51	-7.96	-4.30	373.22
			M3	32.87	45.88	-1673.32	32.87	45.88	-1519.37	32.87	42.31	-1519.47	32.87	42.31	-1365.52
	TANDEM-LOAD	MAX	S2	22.61	32.34	-1145.10	22.61	32.34	-1039.22	22.61	29.89	-1039.29	22.61	29.89	-933.41
			TQ	22.61	32.34	-1145.10	22.61	32.34	-1039.22	22.61	29.89	-1039.29	22.61	29.89	-933.41
			M3	-5.72	-3.51	323.88	-5.72	-3.51	297.07	-5.72	-2.81	297.07	-5.72	-2.81	270.27
		MIN	S2	-5.72	-3.51	323.87	-5.72	-3.51	297.07	-5.72	-2.81	297.07	-5.72	-2.81	270.26
			TQ	-5.58	-3.60	314.43	-5.58	-3.60	288.30	-5.50	-2.92	284.04	-5.50	-2.92	258.26
			M3	22.61	32.34	-1145.10	22.61	32.34	-1039.22	22.61	29.89	-1039.29	22.61	29.89	-933.41

BAGO RIVER BRIDGE

BLOCK [ No.1 : MAIN GIRDER ][ BEAM MEMBER FORCE ]

MEMBER				4039			4040			4041							
NODE				4039			4040			4041							
				SHEAR	TORQUE	MOMENT	SHEAR	TORQUE	MOMENT	SHEAR	TORQUE	MOMENT					
NAME	TITLE			S2 (kN)	TQ (kN·m)	M3 (kN·m)	S2 (kN)	TQ (kN·m)	M3 (kN·m)	S2 (kN)	TQ (kN·m)	M3 (kN·m)					
72	4-LANES	DISPERSION-LMAX	S2	22.60	28.39	-1173.23	22.60	28.39	-1067.39	22.60	25.88	-1067.45	22.60	25.88	-961.61		
			TQ	22.60	28.39	-1173.23	22.60	28.39	-1067.39	21.82	25.90	-1024.31	21.82	25.90	-922.10		
			M3	-10.23	-6.20	579.50	-10.23	-6.18	531.59	-10.23	-4.93	531.60	-10.23	-4.89	483.70		
		MIN	S2	-10.26	-6.46	579.13	-10.26	-6.46	531.10	-10.26	-5.21	531.11	-10.26	-5.21	483.07		
			TQ	-10.26	-6.46	579.13	-10.26	-6.46	531.10	-9.72	-5.23	501.06	-9.72	-5.23	455.56		
			M3	22.60	28.39	-1173.23	22.60	28.39	-1067.39	22.60	25.88	-1067.45	22.60	25.88	-961.61		
		73	6-LANES	TRUCK-LOAD MAX	S2	596.75	-378.73	5407.18	482.98	-217.72	6933.20	482.98	-201.42	6933.69	397.17	-88.95	7925.84
					TQ	180.23	560.61	3202.18	180.23	560.61	4046.23	181.82	570.14	4075.60	181.82	570.14	4927.08
					M3	422.91	-208.56	6460.68	376.29	-176.43	7484.63	376.29	-158.84	7485.02	331.26	-102.52	8267.59
MIN	S2			-139.28	52.48	5215.84	-229.05	171.42	5678.97	-229.05	184.76	5678.56	-343.10	346.53	5598.60		
	TQ			75.94	-610.18	3482.18	75.94	-610.18	3837.84	75.94	-601.16	3839.26	75.94	-601.16	4194.92		
	M3			40.92	13.28	-2400.85	40.91	13.15	-2209.21	40.91	7.96	-2209.24	40.91	7.96	-2017.66		
TANDEM-LOAD MAX	S2			445.83	-314.17	3945.41	364.60	-198.74	5036.88	364.60	-186.91	5037.33	290.11	-82.99	5687.53		
	TQ			129.64	384.96	2329.86	129.64	384.96	2936.99	129.64	391.87	2936.08	129.64	391.87	3543.22		
	M3			335.41	-152.95	4683.68	312.95	-148.50	5387.14	312.95	-135.84	5387.48	272.62	-75.93	5910.69		
MIN	S2			-116.91	59.40	3919.15	-193.92	167.48	4254.53	-193.92	177.47	4254.13	-273.39	290.04	4145.88		
	TQ			47.83	-418.51	2497.86	47.83	-418.51	2721.85	47.83	-412.12	2722.83	47.83	-412.12	2946.82		
	M3			27.88	9.08	-1635.25	27.88	9.08	-1504.69	27.88	5.54	-1504.71	27.88	5.54	-1374.16		
DISPERSION-LMAX	S2			465.73	-6.71	1900.94	414.94	-20.20	3456.56	414.94	-12.07	3456.60	379.43	-46.23	4803.03		
	TQ			283.05	694.46	2323.37	209.96	694.46	3480.84	208.77	702.73	3583.40	133.08	702.73	4383.84		
	M3			364.03	-29.01	7169.64	288.36	-29.90	8697.28	288.36	-9.47	8697.32	212.69	-9.85	9870.59		
MIN	S2	-54.98	-11.28	2564.10	-79.87	2.27	2756.45	-79.87	8.74	2756.44	-119.81	43.44	2818.02				
	TQ	123.51	-738.06	2152.32	123.51	-738.06	2730.74	124.68	-731.73	2630.15	124.68	-731.73	3214.03				
	M3	46.24	16.41	-2702.92	46.24	16.41	-2486.38	46.24	10.57	-2486.41	46.23	10.54	-2269.88				

BAGO RIVER BRIDGE

BLOCK [ No.1 : MAIN GIRDER ] [ BEAM MEMBER FORCE ]

MEMBER			4039			4040			4040			4041			
NODE			4039			4040			4040			4041			
NAME TITLE			SHEAR	TORQUE	MOMENT	SHEAR	TORQUE	MOMENT	SHEAR	TORQUE	MOMENT	SHEAR	TORQUE	MOMENT	
			S2 (kN)	TQ (kN·m)	M3 (kN·m)	S2 (kN)	TQ (kN·m)	M3 (kN·m)	S2 (kN)	TQ (kN·m)	M3 (kN·m)	S2 (kN)	TQ (kN·m)	M3 (kN·m)	
124	SUM TOTAL	D+1LANE (caseMAX	S2	1697.95	-976.98	17592.56	1425.38	-976.98	24906.04	1425.38	-918.45	24908.26	1152.81	-918.45	30945.25
			TQ	1593.88	-160.95	17421.22	1321.31	-160.95	24247.32	1321.37	-103.97	24249.79	1048.79	-103.97	29799.68
			M3	1674.17	-884.73	18449.84	1406.51	-930.08	25663.39	1406.51	-869.77	25665.51	1139.27	-893.78	31627.77
		MIN	S2	1586.38	-188.82	17177.66	1313.81	-188.82	23968.64	1313.81	-132.49	23969.02	1041.24	-132.49	29483.50
			TQ	1694.56	-991.55	17544.26	1421.99	-991.55	24841.88	1421.93	-933.17	24841.98	1149.36	-933.17	30862.84
			M3	1601.81	-234.70	15899.54	1329.21	-234.85	22762.76	1329.21	-181.36	22763.24	1056.64	-181.36	28349.89
		D+1LANE (caseMAX	S2	1725.44	-463.29	17907.60	1452.87	-463.29	25349.82	1452.87	-403.72	25350.84	1180.30	-403.72	31516.57
			TQ	1578.44	-158.01	18209.25	1305.87	-158.01	24963.07	1305.94	-99.34	24970.51	1033.36	-99.34	30448.13
			M3	1670.60	-355.05	19259.34	1418.10	-406.02	26487.26	1418.10	-343.78	26488.14	1158.21	-373.13	32522.62
		MIN	S2	1576.93	-160.86	17995.47	1304.36	-160.86	24742.21	1304.36	-102.72	24742.52	1031.79	-102.72	30212.78
			TQ	1724.38	-464.72	17899.76	1451.81	-464.72	25337.01	1451.74	-405.18	25330.89	1179.17	-405.18	31491.35
			M3	1606.16	-206.19	15843.21	1333.59	-206.19	22726.83	1333.59	-152.78	22727.25	1061.02	-152.78	28334.38
		D+1LANE (caseMAX	S2	1767.08	-47.15	18264.27	1493.77	-48.31	25866.28	1493.77	12.48	25866.32	1220.02	12.39	32218.48
			TQ	1726.74	12.27	18146.40	1453.00	12.27	25591.98	1452.18	72.48	25683.36	1178.43	72.48	31843.11
			M3	1657.28	-35.63	20018.44	1429.43	-45.76	27212.41	1429.43	18.19	27212.44	1188.62	16.62	33350.24
		MIN	S2	1545.06	-144.82	18967.66	1272.06	-143.67	25597.61	1272.06	-83.51	25597.88	999.48	-83.42	30919.19
			TQ	1579.16	-199.32	17607.98	1306.59	-199.32	24365.15	1307.41	-142.12	24274.07	1034.83	-142.12	29758.58
			M3	1609.48	-184.35	15799.73	1336.91	-184.35	22698.90	1336.91	-131.00	22699.27	1064.34	-131.00	28321.95
		D+1LANE (caseMAX	S2	2120.27	353.01	19521.87	1673.90	492.40	27189.24	1673.90	556.29	27188.00	1280.59	625.85	32782.44
			TQ	1859.48	625.52	18454.31	1521.26	625.52	26370.53	1520.83	687.50	26378.34	1182.60	687.50	32708.60
			M3	2058.13	258.08	20932.93	1590.36	405.81	28758.88	1590.36	473.39	28757.85	1147.21	587.64	34360.20
		MIN	S2	1492.40	-260.93	19600.60	1101.41	-149.44	27141.79	1101.41	-85.66	27142.07	661.37	90.83	32681.40
			TQ	1532.62	-287.04	18878.51	1260.05	-287.04	25417.74	1260.48	-227.31	25408.99	987.91	-227.31	30673.75
			M3	1616.07	-140.82	15709.74	1343.50	-140.82	22639.77	1343.50	-87.62	22640.04	1070.93	-87.62	28293.59

BAGO RIVER BRIDGE

BLOCK [ No.1 : MAIN GIRDER ][ BEAM MEMBER FORCE ]

MEMBER			4039			4040			4040			4041			
NODE			4039			4040			4040			4041			
NAME TITLE			SHEAR	TORQUE	MOMENT	SHEAR	TORQUE	MOMENT	SHEAR	TORQUE	MOMENT	SHEAR	TORQUE	MOMENT	
			S2 (kN)	TQ (kN·m)	M3 (kN·m)	S2 (kN)	TQ (kN·m)	M3 (kN·m)	S2 (kN)	TQ (kN·m)	M3 (kN·m)	S2 (kN)	TQ (kN·m)	M3 (kN·m)	
124	SUM TOTAL	D+2LANES (casMAX	S2	1778.10	-1289.05	18253.93	1505.52	-1289.05	25942.74	1505.52	-1228.08	25945.70	1232.95	-1228.08	32358.02
			TQ	1590.97	-140.53	18045.36	1318.39	-140.53	24857.82	1318.49	-82.11	24863.75	1045.92	-82.11	30400.17
			M3	1732.02	-1105.07	19828.22	1469.88	-1186.48	27322.71	1469.88	-1122.27	27325.42	1207.76	-1171.31	33594.12
		MIN	S2	1582.54	-183.12	17478.21	1309.97	-183.12	24251.20	1309.97	-126.13	24251.56	1037.39	-126.13	29748.06
			TQ	1774.73	-1303.42	18130.29	1502.15	-1303.42	25803.32	1502.06	-1242.78	25800.64	1229.49	-1242.78	32196.74
			M3	1610.65	-250.73	15243.56	1338.06	-250.86	22148.20	1338.06	-198.81	22148.73	1065.49	-198.81	27776.81
		D+2LANES (casMAX	S2	1801.00	-860.97	18516.46	1528.43	-860.97	26312.56	1528.43	-799.14	26314.51	1255.86	-799.14	32834.12
			TQ	1578.11	-138.08	18702.05	1305.53	-138.08	25454.28	1305.63	-78.25	25464.35	1033.06	-78.25	30940.55
			M3	1729.04	-663.67	20502.80	1479.54	-749.77	28009.27	1479.54	-683.94	28010.95	1223.54	-737.43	34339.82
		MIN	S2	1574.67	-159.82	18159.72	1302.09	-159.82	24895.84	1302.09	-101.32	24896.15	1029.52	-101.32	30355.79
			TQ	1799.57	-864.39	18426.54	1527.00	-864.39	26215.93	1526.90	-802.79	26208.07	1254.33	-802.79	32720.50
			M3	1614.28	-226.97	15196.62	1341.71	-226.97	22118.26	1341.71	-174.99	22118.74	1069.14	-174.99	27763.89
		D+2LANES (casMAX	S2	1972.06	219.12	19954.36	1662.81	261.69	27874.22	1662.81	327.19	27873.53	1357.66	352.69	34356.84
			TQ	1862.91	388.32	19106.22	1565.88	388.32	27134.97	1564.89	452.15	27219.12	1267.86	452.15	33852.19
			M3	1840.37	197.47	22519.77	1561.10	239.02	30184.73	1561.10	309.96	30184.09	1272.41	351.10	36544.86
		MIN	S2	1492.89	-151.06	20627.89	1192.92	-103.00	27636.30	1192.92	-38.05	27636.47	889.63	25.07	33213.59
			TQ	1553.27	-226.39	18589.04	1280.70	-226.39	25224.99	1282.35	-167.20	25122.64	1009.77	-167.20	30489.79
			M3	1623.48	-166.44	15075.60	1350.91	-166.44	22040.34	1350.91	-114.64	22040.67	1078.34	-114.64	27728.91
		D+2LANES (casMAX	S2	2267.30	558.68	20990.21	1813.84	718.37	28968.82	1813.84	786.44	28967.05	1409.04	869.97	34823.21
			TQ	1974.44	905.42	19350.66	1623.68	905.42	27775.88	1623.01	970.71	27790.38	1272.25	970.71	34569.81
			M3	2174.24	440.87	23282.09	1695.05	613.96	31472.95	1695.05	687.92	31471.42	1237.74	825.58	37385.26
		MIN	S2	1448.85	-249.15	21155.58	1050.56	-109.14	28922.63	1050.56	-41.17	28922.81	607.72	168.95	34680.87
			TQ	1514.92	-301.20	19628.42	1242.35	-301.20	26084.74	1243.02	-239.92	26068.67	970.45	-239.92	31251.64
			M3	1630.79	-118.22	14975.69	1358.22	-118.22	21974.65	1358.22	-66.58	21974.86	1085.65	-66.58	27697.33

BAGO RIVER BRIDGE

BLOCK [ No.1 : MAIN GIRDER ][ BEAM MEMBER FORCE ]

MEMBER		4039			4040			4040			4041					
NODE		4039			4040			4040			4041					
NAME TITLE		SHEAR	TORQUE	MOMENT	SHEAR	TORQUE	MOMENT	SHEAR	TORQUE	MOMENT	SHEAR	TORQUE	MOMENT			
		S2 (kN)	TQ (kN·m)	M3 (kN·m)	S2 (kN)	TQ (kN·m)	M3 (kN·m)	S2 (kN)	TQ (kN·m)	M3 (kN·m)	S2 (kN)	TQ (kN·m)	M3 (kN·m)			
124	SUM TOTAL	D+3LANES (casMAX	S2	1845.12	-1316.11	18793.32	1572.55	-1316.11	26796.04	1572.55	-1253.14	26799.06	1299.98	-1253.14	33525.29	
			TQ	1581.94	-123.64	18829.71	1309.37	-123.64	25599.91	1309.50	-63.47	25610.00	1036.92	-63.47	31104.30	
			M3	1767.12	-1083.06	21088.95	1517.63	-1188.37	28774.70	1517.63	-1120.75	28777.41	1262.93	-1183.22	35288.59	
		MIN	S2	1573.71	-161.86	18196.20	1301.14	-161.86	24927.84	1301.14	-103.28	24928.15	1028.56	-103.28	30383.30	
			TQ	1841.51	-1329.34	18682.68	1568.94	-1329.34	26668.46	1568.81	-1266.68	26661.63	1296.24	-1266.68	33370.33	
			M3	1618.31	-251.43	14772.23	1345.72	-251.54	21712.73	1345.72	-200.52	21713.26	1073.15	-200.52	27377.21	
		D+3LANES (casMAX	S2	2288.92	538.98	21392.71	1862.07	673.90	29747.80	1862.07	743.80	29746.13	1476.28	814.74	36124.57	
			TQ	2011.43	875.84	19915.77	1671.56	875.84	28539.74	1670.41	942.97	28616.60	1330.55	942.97	35643.56	
			M3	2133.87	459.66	24562.51	1717.34	599.62	32817.50	1717.34	676.74	32816.00	1310.24	792.64	39100.09	
		MIN	S2	1437.76	-204.37	22010.35	1058.02	-84.54	29505.44	1058.02	-15.20	29505.55	640.72	163.46	35078.76	
			TQ	1517.58	-286.86	19765.86	1245.01	-286.86	26234.64	1246.71	-225.28	26141.22	974.14	-225.28	31341.49	
			M3	1634.69	-143.63	14556.04	1362.12	-143.63	21573.27	1362.12	-92.94	21573.55	1089.55	-92.94	27314.30	
		D+3LANES (casMAX	S2	2291.23	554.40	21361.50	1864.37	689.31	29727.39	1864.37	759.17	29725.69	1478.58	830.11	36114.90	
			TQ	2013.80	891.17	19880.40	1673.93	891.17	28515.46	1673.67	958.21	28543.08	1333.81	958.21	35585.30	
			M3	2133.44	456.13	24562.55	1716.91	596.09	32815.55	1716.91	673.20	32814.06	1309.82	789.10	39096.17	
		MIN	S2	1437.36	-207.70	22010.73	1057.63	-87.87	29503.97	1057.63	-18.54	29504.09	640.32	160.13	35075.46	
			TQ	1517.48	-291.35	19755.37	1244.90	-291.35	26223.67	1245.16	-229.76	26194.49	972.59	-229.76	31387.51	
			M3	1639.32	-113.17	14492.80	1366.75	-113.17	21531.71	1366.75	-62.57	21531.92	1094.18	-62.57	27294.34	
		D+4LANES	MAX	S2	1627.30	-144.69	14998.21	1354.73	-144.69	21980.84	1354.73	-93.04	21981.12	1082.16	-93.04	27687.25
			TQ	1627.30	-144.69	14998.21	1354.73	-144.69	21980.84	1354.23	-93.03	22009.16	1081.65	-93.03	27712.93	
			M3	1579.12	-200.33	17534.83	1306.55	-200.31	24291.83	1306.55	-143.22	24292.23	1033.98	-143.19	29772.75	
		MIN	S2	1579.10	-200.50	17534.59	1306.53	-200.50	24291.50	1306.53	-143.41	24291.90	1033.96	-143.41	29772.32	
			TQ	1579.28	-200.60	17523.36	1306.71	-200.60	24281.08	1307.18	-143.55	24255.14	1034.61	-143.55	29738.59	
			M3	1627.30	-144.69	14998.21	1354.73	-144.69	21980.84	1354.73	-93.04	21981.12	1082.16	-93.04	27687.25	

BAGO RIVER BRIDGE

BLOCK [ No.1 : MAIN GIRDER ][ BEAM MEMBER FORCE ]

MEMBER					4039			4040			4041						
NODE					4039			4040			4041						
					SHEAR	TORQUE	MOMENT	SHEAR	TORQUE	MOMENT	SHEAR	TORQUE	MOMENT				
NAME	TITLE				S2 (kN)	TQ (kN·m)	M3 (kN·m)	S2 (kN)	TQ (kN·m)	M3 (kN·m)	S2 (kN)	TQ (kN·m)	M3 (kN·m)				
124	SUM TOTAL	D+6LANES	MAX	S2	2281.85	-443.50	21598.75	1902.31	-347.61	30415.58	1902.31	-276.13	30416.31	1550.89	-225.23	37473.65	
				TQ	1892.38	622.83	20440.08	1572.30	622.83	28554.82	1572.55	690.00	28640.97	1250.78	690.00	35251.98	
				M3	2102.76	-347.38	25708.19	1750.69	-327.08	34180.47	1750.69	-246.76	34181.14	1399.67	-210.40	40989.70	
			MIN	S2	1464.98	-166.19	21905.44	1117.87	-80.07	29145.26	1117.87	-11.58	29145.36	745.21	116.12	34670.68	
				TQ	1720.89	-1069.32	20510.90	1448.32	-1069.32	27931.81	1449.07	-1003.73	27867.74	1176.50	-1003.73	34015.70	
				M3	1647.90	-173.67	13531.02	1375.32	-173.75	20610.09	1375.32	-125.32	20610.44	1102.74	-125.34	26412.98	
	SUM TOTAL	MAX		2291.23	905.42	25708.19	1902.31	905.42	34180.47	1902.31	970.71	34181.14	1550.89	970.71	40989.70		
		MIN		1437.36	-1329.34	13531.02	1050.56	-1329.34	20610.09	1050.56	-1266.68	20610.44	607.72	-1266.68	26412.98		
	300	DEAD LOAD	TOTAL		1591.24	-192.97	16848.47	1318.67	-192.97	23662.23	1318.67	-137.36	23662.62	1046.10	-137.36	29199.88	
	301	LIVE LOAD	1-LANE(case1MAX	S2	S2	106.71	-784.01	744.08	106.71	-784.01	1243.81	106.71	-781.08	1245.65	106.71	-781.08	1745.37
					TQ	2.64	32.01	572.75	2.64	32.01	585.09	2.69	33.39	587.17	2.69	33.39	599.79
					M3	82.93	-691.76	1601.37	87.84	-737.12	2001.16	87.84	-732.41	2002.89	93.18	-756.42	2427.89
MIN				S2	-4.86	4.15	329.19	-4.86	4.15	306.41	-4.86	4.87	306.40	-4.86	4.87	283.62	
				TQ	103.32	-798.58	695.79	103.32	-798.58	1179.65	103.26	-795.81	1179.37	103.26	-795.81	1662.96	
				M3	10.56	-41.73	-948.94	10.54	-41.89	-899.47	10.54	-44.00	-899.37	10.54	-44.00	-849.99	
1-LANE(case2MAX		S2	S2	134.20	-270.32	1059.13	134.20	-270.32	1687.59	134.20	-266.35	1688.22	134.20	-266.35	2316.69		
			TQ	-12.80	34.96	1360.78	-12.80	34.96	1300.84	-12.74	38.02	1307.89	-12.74	38.02	1248.25		
			M3	79.36	-162.08	2410.87	99.43	-213.06	2825.03	99.43	-206.42	2825.52	112.11	-235.77	3322.74		
		MIN	S2	-14.31	32.10	1147.00	-14.31	32.10	1079.98	-14.31	34.64	1079.91	-14.31	34.64	1012.89		
			TQ	133.13	-271.75	1051.29	133.13	-271.75	1674.78	133.07	-267.82	1668.27	133.07	-267.82	2291.47		
			M3	14.92	-13.22	-1005.26	14.92	-13.22	-935.40	14.92	-15.42	-935.36	14.92	-15.42	-865.50		
1-LANE(case3MAX		S2	S2	175.84	145.82	1415.80	175.10	144.66	2204.05	175.10	149.84	2203.70	173.92	149.75	3018.60		
			TQ	135.50	205.24	1297.93	134.33	205.24	1929.75	133.51	209.84	2020.74	132.33	209.84	2643.23		
			M3	66.04	157.34	3169.96	110.76	147.21	3550.18	110.76	155.55	3549.83	142.52	153.98	4150.36		
		MIN	S2	-46.18	48.14	2119.18	-46.62	49.30	1935.38	-46.62	53.85	1935.26	-46.62	53.94	1719.30		
			TQ	-12.08	-6.35	759.51	-12.08	-6.35	702.92	-11.27	-4.76	611.46	-11.27	-4.76	558.70		
			M3	18.24	8.62	-1048.74	18.24	8.62	-963.33	18.24	6.36	-963.34	18.24	6.36	-877.93		

BAGO RIVER BRIDGE

BLOCK [ No.1 : MAIN GIRDER ][ BEAM MEMBER FORCE ]

MEMBER			4039			4040			4040			4041			
NODE			4039			4040			4040			4041			
NAME TITLE			SHEAR	TORQUE	MOMENT	SHEAR	TORQUE	MOMENT	SHEAR	TORQUE	MOMENT	SHEAR	TORQUE	MOMENT	
			S2 (kN)	TQ (kN·m)	M3 (kN·m)	S2 (kN)	TQ (kN·m)	M3 (kN·m)	S2 (kN)	TQ (kN·m)	M3 (kN·m)	S2 (kN)	TQ (kN·m)	M3 (kN·m)	
301	LIVE LOAD	1-LANE (case4MAX	S2	529.03	545.98	2673.39	355.23	685.37	3527.01	355.23	693.65	3525.39	234.49	763.21	3582.56
			TQ	268.24	818.49	1605.84	202.59	818.49	2708.30	202.15	824.86	2715.72	136.51	824.86	3508.72
			M3	466.88	451.05	4084.46	271.69	598.78	5096.65	271.69	610.75	5095.23	101.11	725.00	5160.32
			MIN S2	-98.85	-67.97	2752.13	-217.26	43.53	3479.56	-217.26	51.70	3479.45	-384.73	228.19	3481.52
			TQ	-58.62	-94.07	2030.04	-58.62	-94.07	1755.51	-58.19	-89.95	1746.37	-58.19	-89.95	1473.87
			M3	24.83	52.15	-1138.74	24.83	52.15	-1022.45	24.83	49.74	-1022.57	24.83	49.74	-906.29
		2-LANES (caseMAX	S2	186.85	-1096.08	1405.45	186.85	-1096.08	2280.51	186.85	-1090.72	2283.08	186.85	-1090.72	3158.14
			TQ	-0.28	52.43	1196.88	-0.28	52.43	1195.59	-0.18	55.25	1201.13	-0.18	55.25	1200.29
			M3	140.77	-912.10	2979.75	151.21	-993.52	3660.48	151.21	-984.91	3662.80	161.66	-1033.95	4394.24
			MIN S2	-8.70	9.84	629.73	-8.70	9.84	588.97	-8.70	11.23	588.94	-8.70	11.23	548.18
			TQ	183.48	-1110.45	1281.82	183.48	-1110.45	2141.09	183.39	-1105.42	2138.03	183.39	-1105.42	2996.85
			M3	19.41	-57.77	-1604.92	19.39	-57.89	-1514.03	19.39	-61.45	-1513.89	19.39	-61.45	-1423.07
		2-LANES (caseMAX	S2	209.76	-668.01	1667.99	209.76	-668.01	2650.33	209.76	-661.78	2651.89	209.76	-661.78	3634.23
			TQ	-13.14	54.88	1853.57	-13.14	54.88	1792.05	-13.04	59.11	1801.73	-13.04	59.11	1740.67
			M3	137.80	-470.70	3654.33	160.87	-556.80	4347.04	160.87	-546.58	4348.33	177.44	-600.07	5139.94
			MIN S2	-16.58	33.14	1311.24	-16.58	33.14	1233.62	-16.58	36.04	1233.53	-16.58	36.04	1155.91
			TQ	208.33	-671.42	1578.07	208.33	-671.42	2553.70	208.23	-665.43	2545.45	208.23	-665.43	3520.61
			M3	23.04	-34.01	-1651.85	23.04	-34.01	-1543.97	23.04	-37.63	-1543.88	23.04	-37.63	-1435.99
		2-LANES (caseMAX	S2	380.82	412.09	3105.89	344.14	454.66	4211.99	344.14	464.55	4210.91	311.56	490.05	5156.95
			TQ	271.67	581.29	2257.75	247.21	581.29	3472.74	246.22	589.51	3556.50	221.76	589.51	4652.30
			M3	249.12	390.44	5671.30	242.43	431.99	6522.50	242.43	447.32	6521.47	226.31	488.46	7344.98
			MIN S2	-98.35	41.91	3779.42	-125.75	89.97	3974.07	-125.75	99.31	3973.85	-156.47	162.43	4013.70
			TQ	-37.97	-33.43	1740.57	-37.97	-33.43	1562.76	-36.33	-29.84	1460.02	-36.33	-29.84	1289.90
			M3	32.24	26.53	-1772.87	32.24	26.53	-1621.89	32.24	22.72	-1621.95	32.24	22.72	-1470.97



BAGO RIVER BRIDGE

BLOCK [ No.1 : MAIN GIRDER ][ BEAM MEMBER FORCE ]

MEMBER			4039			4040			4040			4041				
NODE			4039			4040			4040			4041				
NAME TITLE			SHEAR	TORQUE	MOMENT	SHEAR	TORQUE	MOMENT	SHEAR	TORQUE	MOMENT	SHEAR	TORQUE	MOMENT		
			S2 (kN)	TQ (kN·m)	M3 (kN·m)	S2 (kN)	TQ (kN·m)	M3 (kN·m)	S2 (kN)	TQ (kN·m)	M3 (kN·m)	S2 (kN)	TQ (kN·m)	M3 (kN·m)		
301	LIVE LOAD	2-LANES (caseMAX	S2	676.06	751.64	4141.74	495.17	911.33	5306.59	495.17	923.80	5304.43	362.94	1007.33	5623.33	
			TQ	383.19	1098.39	2502.18	305.01	1098.39	4113.65	304.34	1108.07	4127.77	226.15	1108.07	5369.93	
			M3	583.00	633.83	6433.62	376.38	806.93	7810.72	376.38	825.28	7808.80	191.64	962.94	8185.37	
			MIN	S2	-142.40	-56.18	4307.11	-268.11	83.83	5260.40	-268.11	96.19	5260.19	-438.38	306.31	5480.99
				TQ	-76.32	-108.24	2779.95	-76.32	-108.24	2422.51	-75.65	-102.56	2406.05	-75.65	-102.56	2051.76
				M3	39.55	74.75	-1872.79	39.55	74.75	-1687.58	39.55	70.78	-1687.75	39.55	70.78	-1502.55
		3-LANES (caseMAX	S2	253.88	-1123.14	1944.85	253.88	-1123.14	3133.81	253.88	-1115.78	3136.44	253.88	-1115.78	4325.40	
			TQ	-9.30	69.33	1981.23	-9.30	69.33	1937.68	-9.17	73.89	1947.39	-9.17	73.89	1904.42	
			M3	175.87	-890.09	4240.48	198.96	-995.41	5112.47	198.96	-983.39	5114.80	216.83	-1045.86	6088.70	
			MIN	S2	-17.54	31.11	1347.73	-17.54	31.11	1265.61	-17.54	34.08	1265.54	-17.54	34.08	1183.42
				TQ	250.26	-1136.37	1834.21	250.26	-1136.37	3006.23	250.14	-1129.32	2999.02	250.14	-1129.32	4170.45
				M3	27.06	-58.47	-2076.24	27.05	-58.57	-1949.50	27.05	-63.16	-1949.36	27.05	-63.16	-1822.68
		3-LANES (caseMAX	S2	697.68	731.95	4544.24	543.40	866.87	6085.57	543.40	881.17	6083.51	430.18	952.10	6924.68	
			TQ	420.18	1068.81	3067.30	352.89	1068.81	4877.51	351.74	1080.33	4953.98	284.45	1080.33	6443.68	
			M3	542.62	652.63	7714.03	398.67	792.59	9155.27	398.67	814.10	9153.38	264.14	930.00	9900.21	
			MIN	S2	-153.49	-11.40	5161.88	-260.65	108.43	5843.21	-260.65	122.16	5842.93	-405.38	300.82	5878.88
				TQ	-73.66	-93.89	2917.38	-73.66	-93.89	2572.41	-71.96	-87.92	2478.60	-71.96	-87.92	2141.60
				M3	43.45	49.33	-2292.44	43.45	49.33	-2088.96	43.45	44.43	-2089.07	43.45	44.43	-1885.59
		3-LANES (caseMAX	S2	699.98	747.36	4513.02	545.70	882.28	6065.16	545.70	896.53	6063.07	432.48	967.47	6915.02	
			TQ	422.55	1084.14	3031.93	355.26	1084.14	4853.23	355.00	1095.57	4880.46	287.71	1095.57	6385.42	
			M3	542.20	649.10	7714.08	398.24	789.06	9153.32	398.24	810.56	9151.44	263.72	926.46	9896.29	
			MIN	S2	-153.88	-14.73	5162.26	-261.04	105.09	5841.74	-261.04	118.82	5841.48	-405.78	297.49	5875.57
				TQ	-73.77	-98.38	2906.90	-73.77	-98.38	2561.44	-73.51	-92.40	2531.87	-73.51	-92.40	2187.63
				M3	48.08	79.79	-2355.68	48.08	79.79	-2130.52	48.08	74.79	-2130.70	48.08	74.79	-1905.54

BAGO RIVER BRIDGE

BLOCK [ No.1 : MAIN GIRDER ][ BEAM MEMBER FORCE ]

MEMBER					4039			4040			4041					
NODE					4039			4040			4040					
NAME TITLE					SHEAR	TORQUE	MOMENT	SHEAR	TORQUE	MOMENT	SHEAR	TORQUE	MOMENT			
					S2 (kN)	TQ (kN·m)	M3 (kN·m)	S2 (kN)	TQ (kN·m)	M3 (kN·m)	S2 (kN)	TQ (kN·m)	M3 (kN·m)			
301	LIVE LOAD	4-LANES	MAX	S2	36.06	48.27	-1850.26	36.06	48.27	-1681.39	36.06	44.32	-1681.50	36.06	44.32	-1512.63
				TQ	36.06	48.27	-1850.26	36.06	48.27	-1681.39	35.55	44.33	-1653.46	35.55	44.33	-1486.95
				M3	-12.12	-7.36	686.36	-12.12	-7.34	629.60	-12.12	-5.86	629.62	-12.11	-5.83	572.87
		MIN	S2	-12.14	-7.53	686.12	-12.14	-7.53	629.27	-12.14	-6.05	629.29	-12.14	-6.05	572.44	
			TQ	-11.97	-7.63	674.89	-11.97	-7.63	618.85	-11.49	-6.19	592.52	-11.49	-6.19	538.70	
			M3	36.06	48.27	-1850.26	36.06	48.27	-1681.39	36.06	44.32	-1681.50	36.06	44.32	-1512.63	
	LIVE LOAD	6-LANES	MAX	S2	690.61	-250.54	4750.27	583.64	-154.64	6753.35	583.64	-138.77	6753.69	504.79	-87.87	8273.76
				TQ	301.13	815.80	3591.60	253.63	815.80	4892.60	253.88	827.36	4978.35	204.68	827.36	6052.10
				M3	511.51	-154.41	8859.71	432.02	-134.11	10518.24	432.02	-109.40	10518.53	353.57	-73.04	11789.82
		MIN	S2	-126.27	26.78	5056.96	-200.80	112.90	5483.03	-200.80	125.78	5482.75	-300.89	253.48	5470.80	
			TQ	129.65	-876.36	3662.43	129.65	-876.36	4269.58	130.40	-866.37	4205.12	130.40	-866.37	4815.81	
			M3	56.65	19.30	-3317.45	56.64	19.22	-3052.14	56.64	12.04	-3052.17	56.64	12.02	-2786.90	
LIVE LOAD	MAX			699.98	1098.39	8859.71	583.64	1098.39	10518.24	583.64	1108.07	10518.53	504.79	1108.07	11789.82	
	MIN			-153.88	-1136.37	-3317.45	-268.11	-1136.37	-3052.14	-268.11	-1129.32	-3052.17	-438.38	-1129.32	-2786.90	
303	SUM TOTAL	TOTAL	MAX		2291.23	905.42	25708.19	1902.31	905.42	34180.47	1902.31	970.71	34181.14	1550.89	970.71	40989.70
			MIN		1437.36	-1329.34	13531.02	1050.56	-1329.34	20610.09	1050.56	-1266.68	20610.44	607.72	-1266.68	26412.98

BAGO RIVER BRIDGE

BLOCK [ No.1 : MAIN GIRDER ] [ BEAM MEMBER FORCE ]

MEMBER NODE	4041	4042			4043			4042	4043			4042	4043			
		SHEAR	TORQUE	MOMENT	SHEAR	TORQUE	MOMENT		SHEAR	TORQUE	MOMENT		SHEAR	TORQUE	MOMENT	
NAME TITLE	S2 (kN)	TQ (kN·m)	M3 (kN·m)	S2 (kN)	TQ (kN·m)	M3 (kN·m)	S2 (kN)	TQ (kN·m)	M3 (kN·m)	S2 (kN)	TQ (kN·m)	M3 (kN·m)	S2 (kN)	TQ (kN·m)	M3 (kN·m)	
1 PAVEMENT	182.49	-25.86	4626.24	136.52	-25.86	5373.22	136.52	-9.21	5373.27	91.34	-9.21	5898.18				
3 RAILING	7.88	-0.73	139.98	4.02	-0.73	167.84	4.02	-0.21	167.84	0.24	-0.21	177.66				
5 CURB	78.05	-7.22	1385.77	39.76	-7.22	1661.64	39.76	-2.07	1661.65	2.42	-2.07	1758.83				
7 DECK WEIGHT	302.01	-45.15	7556.17	226.33	-45.15	8793.30	226.33	-17.89	8793.40	152.03	-17.89	9665.00				
8 GIRDER WEIGH	398.30	-79.76	10959.69	310.72	-79.76	12619.90	310.72	-40.65	12620.08	224.57	-40.65	13853.19				
10 MEDIAN STRIP	78.99	-22.63	2271.53	78.99	-22.63	2641.43	78.99	-14.44	2641.48	78.99	-14.44	3005.39				
21 ADITIONAL WE	84.56	-12.64	2115.73	63.37	-12.64	2462.13	63.37	-5.01	2462.15	42.57	-5.01	2706.20				
31 MEDIAN RAILI	4.09	-1.28	145.16	4.09	-1.28	164.31	4.09	-0.77	164.31	4.09	-0.77	183.14				
51 SUPPORT WEIG	0.00	-0.00	-0.00	0.00	-0.00	-0.00	0.00	-0.00	-0.00	0.00	-0.00	-0.00				
52 NOSE WEIGHT	-0.00	0.00	0.01	-0.00	0.00	0.01	-0.00	0.00	0.01	-0.00	0.00	0.01				
61 1-LANE(case1TRUCK-LOAD	MAX	S2	26.88	-224.25	544.77	26.88	-224.25	670.66	26.88	-222.17	671.35	26.88	-222.17	795.19		
		TQ	0.11	72.39	509.56	0.11	72.39	510.05	0.11	73.97	509.83	0.11	73.97	510.32		
		M3	15.32	-163.54	736.09	17.24	-189.08	810.99	17.24	-186.57	811.57	21.14	-215.61	895.05		
	MIN	S2	-3.01	48.58	293.09	-3.01	48.58	278.99	-3.01	49.45	278.83	-3.01	49.45	264.96		
		TQ	25.54	-231.39	623.29	25.54	-231.39	742.88	25.54	-229.08	743.59	25.54	-229.08	861.25		
		M3	5.22	-22.63	-324.89	5.22	-22.63	-300.46	5.22	-23.56	-300.39	5.22	-23.56	-276.36		
	TANDEM-LOAD MAX	S2	18.37	-150.99	359.70	18.37	-150.99	445.71	18.37	-149.60	446.18	18.37	-149.60	530.79		
		TQ	0.41	50.78	358.34	0.41	50.78	360.24	0.41	51.89	360.08	0.41	51.89	361.95		
		M3	10.52	-117.27	500.94	11.06	-124.40	551.09	11.06	-122.69	551.48	13.77	-145.01	608.99		
	MIN	S2	-2.26	35.73	213.92	-2.26	35.73	203.36	-2.26	36.36	203.25	-2.26	36.36	192.85		
		TQ	17.96	-157.55	409.91	17.96	-157.55	494.01	17.96	-156.02	494.50	17.96	-156.02	577.24		
		M3	3.55	-15.58	-221.16	3.55	-15.58	-204.55	3.55	-16.22	-204.50	3.55	-16.22	-188.16		
	DISPERSION-LMAX	S2	38.39	-256.49	629.56	38.39	-256.49	809.36	38.39	-253.98	810.15	38.39	-253.98	987.05		
		TQ	-1.02	41.74	468.79	-1.02	41.74	464.02	-1.02	43.17	463.89	-1.02	43.17	459.19		
		M3	28.91	-204.14	1288.33	28.91	-204.14	1423.72	28.91	-199.73	1424.35	28.91	-199.73	1557.55		
MIN	S2	-3.34	25.35	275.44	-3.34	25.35	259.81	-3.34	26.16	259.73	-3.34	26.16	244.35			
	TQ	36.08	-272.87	436.20	36.08	-272.87	605.15	36.08	-271.00	605.99	36.08	-271.00	772.20			
	M3	6.15	-27.00	-383.34	6.15	-27.00	-354.55	6.15	-28.10	-354.47	6.15	-28.10	-326.15			

BAGO RIVER BRIDGE

BLOCK [ No.1 : MAIN GIRDER ][ BEAM MEMBER FORCE ]

MEMBER				4041			4042			4043						
NODE				4041			4042			4043						
				SHEAR	TORQUE	MOMENT	SHEAR	TORQUE	MOMENT	SHEAR	TORQUE	MOMENT				
NAME	TITLE			S2 (kN)	TQ (kN·m)	M3 (kN·m)	S2 (kN)	TQ (kN·m)	M3 (kN·m)	S2 (kN)	TQ (kN·m)	M3 (kN·m)				
62	1-LANE (case2TRUCK-LOAD	MAX	S2	40.49	-87.90	832.06	40.49	-87.90	1021.67	40.49	-84.74	1021.94	40.49	-84.74	1208.48	
			TQ	-11.54	33.39	950.91	-11.54	33.39	896.85	-11.54	36.17	896.74	-11.54	36.17	843.55	
			M3	9.05	-10.80	1132.59	23.21	-48.86	1202.69	23.21	-45.14	1202.83	31.65	-66.42	1331.68	
			MIN	S2	-12.34	32.54	848.37	-12.34	32.54	790.58	-12.34	34.99	790.47	-12.34	34.99	733.61
				TQ	40.49	-87.90	832.06	40.49	-87.90	1021.67	40.49	-84.74	1021.94	40.49	-84.74	1208.48
				M3	5.67	-6.93	-331.19	5.67	-6.93	-304.64	5.67	-7.88	-304.61	5.67	-7.88	-278.49
		TANDEM-LOAD	MAX	S2	27.85	-60.11	575.92	27.85	-60.11	706.35	27.85	-57.92	706.53	27.85	-57.92	834.85
				TQ	-8.58	23.27	627.41	-8.58	23.27	587.25	-8.58	25.09	587.17	-8.58	25.09	547.66
				M3	1.34	5.68	771.67	18.69	-41.58	817.86	18.69	-39.05	817.98	20.70	-44.06	908.75
			MIN	S2	-8.80	23.03	598.80	-8.80	23.03	557.59	-8.80	24.76	557.52	-8.80	24.76	516.98
				TQ	27.85	-60.11	575.92	27.85	-60.11	706.35	27.85	-57.92	706.53	27.85	-57.92	834.85
				M3	3.86	-4.78	-225.49	3.86	-4.78	-207.42	3.86	-5.42	-207.40	3.86	-5.42	-189.62
		DISPERSION-LMAX	MAX	S2	46.47	-100.39	595.72	46.47	-100.39	813.35	46.47	-97.87	813.66	46.47	-97.87	1027.76
				TQ	-8.54	19.50	710.72	-8.54	19.50	670.72	-8.54	21.60	683.78	-8.54	21.60	644.44
				M3	30.98	-73.19	1636.68	30.98	-73.19	1781.78	30.98	-67.67	1782.00	30.98	-67.67	1924.75
			MIN	S2	-8.81	18.97	650.93	-8.81	18.97	609.67	-8.81	20.86	609.61	-8.81	20.86	569.02
				TQ	46.20	-100.91	535.93	46.20	-100.91	752.30	46.20	-98.61	739.49	46.20	-98.61	952.34
				M3	6.68	-8.22	-390.03	6.68	-8.22	-358.76	6.68	-9.34	-358.74	6.68	-9.34	-327.97
63	1-LANE (case3TRUCK-LOAD	MAX	S2	62.47	12.05	1167.80	62.47	12.05	1460.35	62.47	16.58	1460.31	62.47	16.58	1748.12	
			TQ	38.08	62.12	646.04	38.08	62.12	824.36	38.08	64.67	824.17	38.08	64.67	999.60	
			M3	-6.34	16.78	1556.26	30.59	7.85	1577.89	30.59	12.74	1577.86	57.28	12.47	1773.87	
			MIN	S2	-32.34	13.35	1470.81	-32.34	13.35	1319.37	-32.34	17.44	1319.33	-32.34	17.44	1170.34
				TQ	-13.96	-19.91	680.05	-13.96	-19.91	614.69	-13.96	-18.00	614.75	-13.96	-18.00	550.46
				M3	6.02	4.97	-336.35	6.02	4.97	-308.16	6.02	4.01	-308.18	6.02	4.01	-280.44

BAGO RIVER BRIDGE

BLOCK [ No.1 : MAIN GIRDER ][ BEAM MEMBER FORCE ]

MEMBER		4041			4042			4042			4043						
NODE		4041			4042			4042			4043						
		SHEAR	TORQUE	MOMENT	SHEAR	TORQUE	MOMENT	SHEAR	TORQUE	MOMENT	SHEAR	TORQUE	MOMENT				
NAME	TITLE	S2 (kN)	TQ (kN·m)	M3 (kN·m)	S2 (kN)	TQ (kN·m)	M3 (kN·m)	S2 (kN)	TQ (kN·m)	M3 (kN·m)	S2 (kN)	TQ (kN·m)	M3 (kN·m)				
63	1-LANE (case3TANDEM-LOAD	MAX	S2	44.55	9.38	764.53	44.55	9.38	973.17	44.55	12.40	973.14	44.55	12.40	1178.40		
			TQ	24.68	42.28	417.46	24.68	42.28	533.05	27.66	44.09	601.00	27.66	44.09	728.44		
			M3	-10.93	14.41	1085.46	16.47	6.55	1083.68	16.47	9.91	1083.65	40.22	4.87	1232.84		
		MIN	S2	-24.37	8.18	981.16	-24.37	8.18	867.02	-24.37	10.86	866.99	-24.37	10.86	754.70		
			TQ	-11.08	-14.13	530.53	-11.08	-14.13	478.64	-11.08	-12.65	478.68	-11.08	-12.65	427.63		
			M3	4.10	3.42	-229.06	4.10	3.42	-209.86	4.10	2.77	-209.87	4.10	2.77	-190.98		
			DISPERSION-LMAX	S2	58.04	63.81	655.46	57.57	63.39	889.04	57.57	66.15	888.84	56.62	66.02	1144.18	
			TQ	46.63	68.06	872.56	45.65	68.06	1088.64	46.50	71.54	1159.64	45.53	71.54	1371.65		
			M3	33.78	51.06	1902.14	32.80	51.06	2058.05	32.80	57.44	2057.88	31.83	57.44	2206.77		
		MIN	S2	-17.18	-6.72	851.40	-17.68	-6.31	806.89	-17.68	-3.81	806.91	-17.71	-3.68	733.07		
			TQ	-5.77	-10.97	634.31	-5.77	-10.97	607.29	-6.62	-9.20	536.11	-6.62	-9.20	505.60		
			M3	7.08	6.03	-395.27	7.08	6.03	-362.12	7.08	4.90	-362.14	7.08	4.90	-329.52		
		64	1-LANE (case4TRUCK-LOAD	MAX	S2	290.17	9.95	2094.58	182.22	134.10	2463.90	182.22	141.74	2463.48	105.52	225.74	2333.87
					TQ	63.36	249.28	1027.28	63.36	249.28	1323.99	71.43	253.79	1471.82	71.43	253.79	1800.92
					M3	268.36	-21.06	2114.62	160.63	102.03	2503.07	160.63	109.79	2502.74	74.09	206.63	2361.53
MIN	S2			-72.51	-95.79	2012.77	-152.63	-11.12	2400.82	-152.63	-3.68	2400.85	-258.67	117.91	2280.83		
	TQ			-38.65	-117.27	1407.88	-38.65	-117.27	1226.87	-38.65	-113.46	1227.23	-38.65	-113.46	1049.15		
	M3			6.77	29.23	-348.88	6.77	29.23	-317.18	6.77	28.25	-317.27	6.77	28.25	-286.09		
	TANDEM-LOAD			MAX	S2	233.40	-35.74	1618.19	156.22	52.80	1916.68	156.22	58.74	1916.51	86.54	137.87	1790.97
	TQ			43.69	170.29	713.56	43.69	170.29	918.19	45.95	173.24	959.13	45.95	173.24	1170.82		
	M3			233.40	-35.74	1618.19	156.22	52.80	1916.69	156.22	58.74	1916.52	86.54	137.87	1790.98		
MIN	S2			-64.59	-51.55	1606.07	-136.81	30.07	1907.64	-136.81	35.98	1907.54	-211.74	121.88	1783.12		
	TQ			-30.61	-81.53	1081.36	-30.61	-81.53	938.02	-30.61	-78.63	938.26	-30.61	-78.63	797.24		
	M3			4.62	20.13	-237.77	4.62	20.13	-216.14	4.62	19.46	-216.20	4.62	19.46	-194.93		

BAGO RIVER BRIDGE

BLOCK [ No.1 : MAIN GIRDER ][ BEAM MEMBER FORCE ]

MEMBER		4041			4042			4042			4043						
NODE		4041			4042			4042			4043						
		SHEAR	TORQUE	MOMENT	SHEAR	TORQUE	MOMENT	SHEAR	TORQUE	MOMENT	SHEAR	TORQUE	MOMENT				
NAME	TITLE	S2 (kN)	TQ (kN·m)	M3 (kN·m)	S2 (kN)	TQ (kN·m)	M3 (kN·m)	S2 (kN)	TQ (kN·m)	M3 (kN·m)	S2 (kN)	TQ (kN·m)	M3 (kN·m)				
64	1-LANE (case4DISPERSION-LMAX	S2	120.70	287.10	889.79	84.89	287.60	1034.56	84.89	290.80	1033.67	62.82	275.29	1029.29			
		TQ	101.10	289.29	753.20	73.75	289.29	1194.66	73.75	292.99	1193.75	20.07	292.99	1409.94			
		M3	88.51	182.78	2184.75	33.80	182.78	2471.16	33.80	190.44	2470.58	-19.88	190.44	2502.73			
		MIN	S2	-24.31	-70.79	888.47	-43.22	-71.28	1066.98	-43.22	-67.98	1067.19	-74.82	-52.47	1139.99		
		TQ	-4.72	-72.97	1025.06	-32.07	-72.97	906.88	-32.07	-70.16	907.11	-32.07	-70.16	759.34			
		M3	7.87	33.54	-406.49	7.87	33.54	-369.62	7.87	32.39	-369.72	7.87	32.39	-333.44			
		65	2-LANES (caseTRUCK-LOAD	MAX	S2	59.00	-384.22	1231.20	59.00	-384.22	1507.48	59.00	-379.54	1508.67	59.00	-379.54	1780.48
				TQ	-4.89	124.70	1184.07	-4.89	124.70	1161.18	-4.89	128.30	1160.78	-4.89	128.30	1138.26	
				M3	31.43	-230.88	1645.46	35.49	-274.04	1801.84	35.49	-268.45	1802.68	44.92	-335.57	1989.80	
MIN	S2			-8.90	98.73	846.21	-8.90	98.73	804.53	-8.90	101.22	804.22	-8.90	101.22	763.21		
TQ	57.65			-391.36	1309.71	57.65	-391.36	1579.71	57.65	-386.46	1580.91	57.65	-386.46	1846.53			
M3	10.66			-37.42	-652.88	10.66	-37.42	-602.97	10.66	-39.29	-602.85	10.66	-39.29	-553.75			
TANDEM-LOAD	MAX			S2	40.33	-260.27	835.02	40.33	-260.27	1023.91	40.33	-257.09	1024.71	40.33	-257.09	1210.54	
TQ	-3.46			87.37	801.49	-3.46	87.37	785.29	-3.46	89.81	785.02	-3.46	89.81	769.08			
M3	20.80			-156.96	1119.81	23.99	-188.80	1225.65	23.99	-185.00	1226.23	30.70	-231.33	1354.11			
MIN	S2	-6.33	72.10	634.36	-6.33	72.10	604.70	-6.33	73.98	604.47	-6.33	73.98	575.30				
TQ	39.93	-266.83	885.23	39.93	-266.83	1072.21	39.93	-263.51	1073.04	39.93	-263.51	1256.99					
M3	7.25	-25.77	-444.46	7.25	-25.77	-410.51	7.25	-27.04	-410.42	7.25	-27.04	-377.03					
DISPERSION-LMAX	S2	79.89	-440.24	1266.59	79.89	-440.24	1640.73	79.89	-435.15	1642.08	79.89	-435.15	2010.16				
TQ	-5.44	73.04	1044.41	-5.44	73.04	1018.94	-5.35	76.21	1026.25	-5.35	76.21	1001.61					
M3	58.87	-342.96	2750.67	58.87	-342.96	3026.38	58.87	-333.58	3027.43	58.87	-333.58	3298.68					
MIN	S2	-8.46	52.66	714.06	-8.46	52.66	674.45	-8.46	54.75	674.28	-8.46	54.75	635.31				
TQ	76.87	-460.62	936.25	76.87	-460.62	1296.23	76.78	-456.62	1290.12	76.78	-456.62	1643.86					
M3	12.56	-44.63	-770.02	12.56	-44.63	-711.21	12.56	-46.83	-711.07	12.56	-46.83	-653.21					

BAGO RIVER BRIDGE

BLOCK [ No.1 : MAIN GIRDER ][ BEAM MEMBER FORCE ]

MEMBER				4041			4042			4043					
NODE				4041			4042			4042			4043		
				SHEAR	TORQUE	MOMENT	SHEAR	TORQUE	MOMENT	SHEAR	TORQUE	MOMENT	SHEAR	TORQUE	MOMENT
NAME	TITLE			S2 (kN)	TQ (kN·m)	M3 (kN·m)	S2 (kN)	TQ (kN·m)	M3 (kN·m)	S2 (kN)	TQ (kN·m)	M3 (kN·m)	S2 (kN)	TQ (kN·m)	M3 (kN·m)
66	2-LANES (caseTRUCK-LOAD	MAX	S2	72.60	-247.87	1518.49	72.60	-247.87	1858.50	72.60	-242.11	1859.26	72.60	-242.11	2193.77
			TQ	-16.54	85.70	1625.43	-16.54	85.70	1547.97	-16.54	90.50	1547.70	-16.54	90.50	1471.49
			M3	25.16	-78.14	2041.96	41.47	-133.82	2193.54	41.47	-127.02	2193.94	55.44	-186.38	2426.43
		MIN	S2	-18.23	82.68	1401.50	-18.23	82.68	1316.12	-18.23	86.76	1315.86	-18.23	86.76	1231.86
			TQ	72.60	-247.87	1518.49	72.60	-247.87	1858.50	72.60	-242.11	1859.26	72.60	-242.11	2193.76
			M3	11.11	-21.73	-659.18	11.11	-21.73	-607.14	11.11	-23.61	-607.07	11.11	-23.61	-555.88
		TANDEM-LOAD MAX	S2	49.82	-169.39	1051.25	49.82	-169.39	1284.55	49.82	-165.41	1285.07	49.82	-165.41	1514.60
			TQ	-12.44	59.87	1070.56	-12.44	59.87	1012.30	-12.44	63.00	1012.11	-12.44	63.00	954.79
			M3	11.62	-34.01	1390.54	31.63	-105.99	1492.41	31.63	-101.36	1492.73	37.64	-130.38	1653.87
		MIN	S2	-12.88	59.41	1019.23	-12.88	59.41	958.94	-12.88	62.38	958.75	-12.88	62.38	899.43
			TQ	49.82	-169.39	1051.25	49.82	-169.39	1284.55	49.82	-165.41	1285.07	49.82	-165.41	1514.60
			M3	7.56	-14.97	-448.79	7.56	-14.97	-413.38	7.56	-16.25	-413.33	7.56	-16.25	-378.49
		DISPERSION-LMAX	S2	87.97	-284.14	1232.76	87.97	-284.14	1644.71	87.97	-279.04	1645.58	87.97	-279.04	2050.86
			TQ	-12.96	50.80	1286.33	-12.96	50.80	1225.65	-12.87	54.63	1246.13	-12.87	54.63	1186.85
			M3	60.95	-212.01	3099.02	60.95	-212.01	3384.44	60.95	-201.52	3385.08	60.95	-201.52	3665.88
MIN	S2	-13.93	46.28	1089.55	-13.93	46.28	1024.31	-13.93	49.45	1024.17	-13.93	49.45	959.99		
	TQ	86.99	-288.66	1035.97	86.99	-288.66	1443.38	86.90	-284.22	1423.61	86.90	-284.22	1824.00		
	M3	13.09	-25.85	-776.71	13.09	-25.85	-715.42	13.09	-28.07	-715.34	13.09	-28.07	-655.03		
67	2-LANES (caseTRUCK-LOAD	MAX	S2	185.27	28.16	2987.45	164.37	78.06	3447.44	164.37	88.74	3447.18	145.72	129.41	3793.88
			TQ	88.15	210.87	1477.20	88.15	210.87	1890.01	88.15	216.72	1889.35	88.15	216.72	2295.46
			M3	101.10	19.58	3392.80	117.11	60.01	3585.44	117.11	71.12	3585.24	124.38	114.78	3842.41
		MIN	S2	-84.07	-19.38	3222.71	-103.29	20.22	3249.31	-103.29	30.29	3249.23	-124.00	79.48	3171.54
			TQ	-38.46	-79.28	1674.09	-38.46	-79.28	1493.98	-38.46	-74.65	1494.22	-38.46	-74.65	1317.03
			M3	12.28	17.89	-676.68	12.28	17.89	-619.16	12.28	15.97	-619.21	12.28	15.97	-562.62

BAGO RIVER BRIDGE

BLOCK [ No.1 : MAIN GIRDER ][ BEAM MEMBER FORCE ]

MEMBER		4041			4042			4042			4043						
NODE		4041			4042			4042			4043						
		SHEAR	TORQUE	MOMENT	SHEAR	TORQUE	MOMENT	SHEAR	TORQUE	MOMENT	SHEAR	TORQUE	MOMENT				
NAME	TITLE	S2 (kN)	TQ (kN·m)	M3 (kN·m)	S2 (kN)	TQ (kN·m)	M3 (kN·m)	S2 (kN)	TQ (kN·m)	M3 (kN·m)	S2 (kN)	TQ (kN·m)	M3 (kN·m)				
67	2-LANES (caseTANDEM-LOAD	MAX	S2	134.59	3.71	2107.26	120.15	38.31	2434.90	120.15	45.85	2434.77	106.32	78.26	2680.28		
			TQ	59.43	143.84	994.73	59.43	143.84	1273.05	62.41	147.95	1340.68	62.41	147.95	1628.20		
			M3	79.11	8.74	2428.19	92.07	35.48	2545.41	92.07	43.37	2545.29	101.99	70.74	2734.72		
		MIN	S2	-64.96	-4.70	2314.16	-79.11	28.22	2320.55	-79.11	35.41	2320.45	-93.29	69.30	2250.21		
			TQ	-30.69	-55.06	1299.58	-30.69	-55.06	1155.85	-25.69	-51.62	1024.26	-25.69	-51.62	905.91		
			M3	8.37	12.31	-460.88	8.37	12.31	-421.69	8.37	11.00	-421.72	8.37	11.00	-383.17		
			DISPERSION-LMAX	S2	142.90	233.44	1471.86	127.59	231.77	1813.86	127.59	237.39	1813.14	114.45	229.31	2098.22	
				TQ	125.38	238.04	1633.54	109.44	238.04	2193.35	109.37	244.98	2290.16	85.19	244.98	2738.34	
				M3	90.69	168.95	3951.38	66.23	168.95	4318.83	66.23	182.33	4318.28	42.05	182.33	4567.72	
			MIN	S2	-37.78	-43.02	1685.16	-46.92	-41.35	1778.18	-46.92	-35.83	1778.30	-57.97	-27.76	1809.13	
				TQ	-20.26	-47.61	1523.48	-28.78	-47.61	1398.69	-28.71	-43.43	1301.27	-28.71	-43.43	1169.01	
				M3	14.43	21.47	-794.37	14.43	21.47	-726.79	14.43	19.22	-726.85	14.43	19.22	-660.37	
		68	2-LANES (caseTRUCK-LOAD	MAX	S2	412.97	26.05	3914.23	284.12	200.11	4450.99	284.12	213.90	4450.35	188.77	338.55	4379.62
					TQ	113.43	397.99	1858.43	113.43	397.99	2389.61	121.50	405.79	2536.98	121.50	405.79	3096.75
					M3	375.80	-18.25	3951.16	247.15	154.20	4510.62	247.15	168.17	4510.12	141.19	308.93	4430.07
MIN	S2			-124.24	-128.51	3764.67	-223.58	-4.26	4330.75	-223.58	9.16	4330.75	-350.34	179.94	4282.04		
	TQ			-63.16	-176.64	2401.93	-63.16	-176.64	2106.16	-63.16	-170.11	2106.70	-63.16	-170.11	1815.73		
	M3			13.29	50.50	-693.58	13.29	50.50	-631.34	13.29	48.54	-631.50	13.29	48.54	-570.27		
	TANDEM-LOAD			MAX	S2	323.44	-41.41	2960.91	231.82	81.73	3378.41	231.82	92.20	3378.14	148.30	203.74	3292.85
				TQ	78.44	271.83	1290.83	78.44	271.83	1658.16	80.69	277.08	1698.79	80.69	277.08	2070.55	
				M3	323.44	-41.41	2960.92	231.82	81.73	3378.42	231.82	92.20	3378.15	148.30	203.74	3292.86	
	MIN			S2	-105.17	-64.42	2939.06	-191.55	50.11	3361.17	-191.55	60.53	3361.00	-280.66	180.32	3278.63	
				TQ	-50.22	-122.46	1850.41	-50.22	-122.46	1615.23	-45.22	-117.60	1483.84	-45.22	-117.60	1275.52	
				M3	9.06	34.79	-472.63	9.06	34.79	-430.18	9.06	33.45	-430.29	9.06	33.45	-388.53	



BAGO RIVER BRIDGE

BLOCK [ No.1 : MAIN GIRDER ][ BEAM MEMBER FORCE ]

MEMBER		4041			4042			4042			4043						
NODE		4041			4042			4042			4043						
		SHEAR	TORQUE	MOMENT	SHEAR	TORQUE	MOMENT	SHEAR	TORQUE	MOMENT	SHEAR	TORQUE	MOMENT				
NAME	TITLE	S2 (kN)	TQ (kN·m)	M3 (kN·m)	S2 (kN)	TQ (kN·m)	M3 (kN·m)	S2 (kN)	TQ (kN·m)	M3 (kN·m)	S2 (kN)	TQ (kN·m)	M3 (kN·m)				
68	2-LANES (caseDISPERSION-LMAX	S2	205.80	465.42	1702.58	155.16	464.66	1956.95	155.16	470.72	1955.50	120.90	447.27	1982.04			
		TQ	180.10	467.95	1510.57	137.79	467.95	2296.93	136.87	475.11	2321.81	59.98	475.11	2775.33			
		M3	145.40	298.81	4232.76	67.21	298.81	4730.60	67.21	313.46	4729.65	-9.67	313.46	4862.26			
		MIN	S2	-44.92	-108.91	1721.00	-72.47	-108.15	2036.95	-72.47	-101.84	2037.28	-115.10	-78.38	2214.66		
		TQ	-19.22	-111.45	1913.01	-55.10	-111.45	1696.97	-54.18	-106.23	1670.97	-54.18	-106.23	1421.36			
		M3	15.48	57.70	-809.18	15.48	57.70	-736.70	15.48	55.42	-736.87	15.48	55.42	-665.57			
		69	3-LANES (caseTRUCK-LOAD	MAX	S2	99.48	-472.12	2063.26	99.48	-472.12	2529.16	99.48	-464.28	2530.61	99.48	-464.28	2988.96
				TQ	-16.43	158.09	2134.99	-16.43	158.09	2058.02	-16.43	164.47	2057.52	-16.43	164.47	1981.81	
				M3	40.47	-241.68	2778.05	58.71	-322.90	3004.53	58.71	-313.59	3005.52	76.57	-401.99	3321.48	
MIN	S2			-21.24	131.26	1694.59	-21.24	131.26	1595.11	-21.24	136.21	1594.69	-21.24	136.21	1496.82		
TQ	98.14			-479.26	2141.77	98.14	-479.26	2601.38	98.14	-471.20	2602.85	98.14	-471.20	3055.01			
M3	16.33			-44.36	-984.07	16.33	-44.36	-907.61	16.33	-47.17	-907.46	16.33	-47.17	-832.24			
TANDEM-LOAD	MAX			S2	68.18	-320.37	1410.95	68.18	-320.37	1730.26	68.18	-315.01	1731.25	68.18	-315.01	2045.39	
TQ	-12.04			110.64	1428.90	-12.04	110.64	1372.54	-12.04	114.90	1372.19	-12.04	114.90	1316.74			
M3	22.14			-151.28	1891.48	42.68	-230.38	2043.51	42.68	-224.05	2044.21	51.41	-275.39	2262.86			
MIN	S2	-15.13	95.14	1233.15	-15.13	95.14	1162.29	-15.13	98.74	1161.99	-15.13	98.74	1092.28				
TQ	67.78	-326.94	1461.16	67.78	-326.94	1778.56	67.78	-321.43	1779.57	67.78	-321.43	2091.84					
M3	11.11	-30.55	-669.95	11.11	-30.55	-617.93	11.11	-32.46	-617.83	11.11	-32.46	-566.65					
DISPERSION-LMAX	S2	126.36	-540.63	1862.31	126.36	-540.63	2454.07	126.36	-533.02	2455.74	126.36	-533.02	3037.91				
TQ	-13.98	92.54	1755.13	-13.98	92.54	1689.67	-13.98	97.81	1710.02	-13.98	97.81	1646.05					
M3	89.86	-416.15	4387.35	89.86	-416.15	4808.17	89.86	-401.25	4809.43	89.86	-401.25	5223.43					
MIN	S2	-17.27	71.63	1364.99	-17.27	71.63	1284.12	-17.27	75.61	1283.89	-17.27	75.61	1204.33				
TQ	123.07	-561.54	1472.18	123.07	-561.54	2048.53	122.98	-555.22	2029.61	122.98	-555.22	2596.20					
M3	19.23	-52.85	-1160.05	19.23	-52.85	-1069.97	19.23	-56.17	-1069.80	19.23	-56.17	-981.19					

BAGO RIVER BRIDGE

BLOCK [ No.1 : MAIN GIRDER ][ BEAM MEMBER FORCE ]

MEMBER				4041			4042			4043					
NODE				4041			4042			4042			4043		
				SHEAR	TORQUE	MOMENT	SHEAR	TORQUE	MOMENT	SHEAR	TORQUE	MOMENT	SHEAR	TORQUE	MOMENT
NAME	TITLE			S2 (kN)	TQ (kN·m)	M3 (kN·m)	S2 (kN)	TQ (kN·m)	M3 (kN·m)	S2 (kN)	TQ (kN·m)	M3 (kN·m)	S2 (kN)	TQ (kN·m)	M3 (kN·m)
70	3-LANES (caseTRUCK-LOAD	MAX	S2	475.46	38.09	5082.07	346.70	212.04	5912.17	346.70	230.37	5911.48	251.38	355.03	6129.77
			TQ	151.50	460.19	2504.43	151.50	460.19	3213.93	159.56	470.55	3360.86	159.56	470.55	4095.99
			M3	369.46	-1.48	5507.42	277.81	161.97	6089.01	277.81	180.84	6088.48	198.58	321.31	6205.77
		MIN	S2	-156.58	-115.16	5235.48	-255.92	9.09	5650.13	-255.92	26.60	5650.08	-382.76	197.48	5452.92
			TQ	-77.11	-196.55	3081.98	-77.11	-196.55	2720.86	-77.11	-188.12	2721.45	-77.11	-188.12	2366.18
			M3	18.79	38.78	-1021.18	18.79	38.78	-933.18	18.79	35.88	-933.29	18.79	35.88	-846.71
	TANDEM-LOAD	MAX	S2	367.99	-32.03	3725.44	276.39	91.09	4351.69	276.39	104.58	4351.39	192.88	216.11	4471.61
			TQ	103.12	314.16	1708.31	103.12	314.16	2191.25	108.35	321.22	2299.75	108.35	321.22	2798.95
			M3	312.51	-27.00	4046.38	248.31	88.26	4462.20	248.31	102.09	4461.91	188.55	208.59	4526.05
		MIN	S2	-129.55	-56.25	3920.22	-215.92	58.29	4228.19	-215.92	71.40	4227.99	-305.05	191.20	4033.43
			TQ	-61.30	-136.60	2380.94	-61.30	-136.60	2093.86	-61.30	-130.25	1962.52	-56.30	-130.25	1703.15
			M3	12.81	26.69	-695.60	12.81	26.69	-635.62	12.81	24.72	-635.70	12.81	24.72	-576.69
	DISPERSION-LMAX	MAX	S2	263.40	511.94	2365.89	212.29	510.76	2851.78	212.29	519.60	2850.19	177.05	495.98	3129.47
			TQ	226.29	518.72	2390.98	183.00	518.72	3391.36	182.93	529.37	3487.30	104.98	529.37	4150.70
			M3	179.28	353.66	6138.19	100.11	353.66	6792.41	100.11	374.71	6791.28	22.16	374.71	7073.13
		MIN	S2	-62.07	-111.99	2574.98	-90.12	-110.81	2846.58	-90.12	-101.99	2846.91	-132.83	-78.37	2951.08
			TQ	-24.96	-118.77	2549.89	-60.83	-118.77	2307.01	-60.76	-111.77	2209.80	-60.76	-111.77	1929.85
			M3	22.05	46.29	-1197.32	22.05	46.29	-1094.04	22.05	42.90	-1094.18	22.05	42.90	-992.58
71	3-LANES (caseTRUCK-LOAD	MAX	S2	475.44	38.09	5082.02	346.59	212.14	5911.32	346.59	230.46	5910.64	251.24	355.12	6127.71
			TQ	151.50	460.07	2504.45	151.50	460.07	3213.96	159.57	470.43	3361.13	159.57	470.43	4096.33
			M3	369.46	-1.48	5507.42	277.74	162.04	6088.51	277.74	180.91	6087.98	198.47	321.39	6203.92
		MIN	S2	-156.58	-115.16	5235.48	-255.92	9.09	5650.13	-255.92	26.60	5650.07	-382.67	197.38	5452.37
			TQ	-77.11	-196.61	3082.03	-77.11	-196.61	2720.89	-77.11	-188.17	2721.49	-77.11	-188.17	2366.21
			M3	19.56	63.81	-1034.11	19.56	63.81	-942.49	19.56	60.89	-942.68	19.56	60.89	-852.54

BAGO RIVER BRIDGE

BLOCK [ No.1 : MAIN GIRDER ][ BEAM MEMBER FORCE ]

MEMBER				4041			4042			4043								
NODE				4041			4042			4043								
				SHEAR	TORQUE	MOMENT	SHEAR	TORQUE	MOMENT	SHEAR	TORQUE	MOMENT						
NAME	TITLE			S2 (kN)	TQ (kN·m)	M3 (kN·m)	S2 (kN)	TQ (kN·m)	M3 (kN·m)	S2 (kN)	TQ (kN·m)	M3 (kN·m)						
71	3-LANES (case)	TANDEM-LOAD	MAX	S2	367.99	-32.04	3725.43	276.37	91.10	4351.57	276.37	104.58	4351.26	192.85	216.13	4471.23		
				TQ	103.12	314.08	1708.28	103.12	314.08	2191.21	108.35	321.14	2299.77	108.35	321.14	2798.98		
				M3	312.51	-27.00	4046.38	248.29	88.28	4462.09	248.29	102.11	4461.80	188.52	208.61	4525.69		
			MIN	S2	-129.55	-56.25	3920.22	-215.92	58.29	4228.19	-215.92	71.40	4227.99	-305.03	191.18	4033.33		
				TQ	-61.30	-136.60	2380.94	-61.30	-136.60	2093.86	-56.30	-130.25	1962.52	-56.30	-130.25	1703.15		
				M3	13.34	43.96	-704.59	13.34	43.96	-642.12	13.34	41.97	-642.25	13.34	41.97	-580.78		
			DISPERSION-L	MAX	S2	264.09	537.96	2354.51	212.98	536.78	2843.64	212.98	545.59	2841.96	177.77	522.01	3124.99	
					TQ	226.98	544.74	2379.55	183.69	544.74	3383.15	183.66	555.37	3477.06	105.79	555.37	4143.91	
					M3	179.16	348.01	6133.58	99.99	348.01	6787.24	99.99	369.05	6786.13	22.13	369.05	7067.53	
				MIN	S2	-62.12	-117.46	2571.10	-90.18	-116.28	2842.45	-90.18	-107.47	2842.80	-132.83	-83.89	2946.25	
					TQ	-25.01	-124.24	2546.06	-60.88	-124.24	2302.94	-60.85	-117.25	2207.70	-60.85	-117.25	1927.33	
					M3	22.81	72.49	-1207.97	22.81	72.49	-1101.16	22.81	69.08	-1101.38	22.81	69.08	-996.29	
		72	4-LANES	TRUCK-LOAD	MAX	S2	25.46	66.85	-1365.64	25.46	66.85	-1246.42	25.46	62.99	-1246.62	25.46	62.99	-1129.33
						TQ	25.46	66.85	-1365.64	25.46	66.85	-1246.42	25.46	62.99	-1246.62	25.46	62.99	-1129.33
						M3	-7.15	-7.62	397.65	-7.15	-7.62	364.14	-7.15	-6.49	364.17	-7.15	-6.49	331.20
	MIN			S2	-7.16	-7.65	397.64	-7.16	-7.65	364.13	-7.16	-6.52	364.15	-7.16	-6.52	331.19		
				TQ	-6.90	-7.87	382.83	-6.90	-7.87	350.52	-6.81	-6.78	345.85	-6.81	-6.78	314.47		
				M3	25.46	66.85	-1365.64	25.46	66.85	-1246.42	25.46	62.99	-1246.62	25.46	62.99	-1129.33		
	TANDEM-LOAD			MAX	S2	17.43	47.10	-933.51	17.43	47.10	-851.87	17.43	44.46	-852.01	17.43	44.46	-771.69	
					TQ	17.43	47.10	-933.51	17.43	47.10	-851.87	17.43	44.46	-852.01	17.43	44.46	-771.69	
					M3	-4.86	-5.24	270.28	-4.86	-5.24	247.50	-4.86	-4.48	247.51	-4.86	-4.48	225.10	
				MIN	S2	-4.86	-5.25	270.27	-4.86	-5.25	247.49	-4.86	-4.48	247.51	-4.86	-4.48	225.10	
					TQ	-4.72	-5.36	262.19	-4.72	-5.36	240.06	-4.67	-4.62	237.44	-4.67	-4.62	215.91	
					M3	17.43	47.10	-933.51	17.43	47.10	-851.87	17.43	44.46	-852.01	17.43	44.46	-771.69	

BAGO RIVER BRIDGE

BLOCK [ No.1 : MAIN GIRDER ][ BEAM MEMBER FORCE ]

MEMBER			4041			4042			4042			4043					
NODE			4041			4042			4042			4043					
NAME TITLE			SHEAR	TORQUE	MOMENT	SHEAR	TORQUE	MOMENT	SHEAR	TORQUE	MOMENT	SHEAR	TORQUE	MOMENT			
			S2 (kN)	TQ (kN·m)	M3 (kN·m)	S2 (kN)	TQ (kN·m)	M3 (kN·m)	S2 (kN)	TQ (kN·m)	M3 (kN·m)	S2 (kN)	TQ (kN·m)	M3 (kN·m)			
72	4-LANES	DISPERSION-LMAX	S2	17.81	41.47	-961.69	17.81	41.47	-878.31	17.81	38.74	-878.43	17.81	38.74	-796.40		
			TQ	17.81	41.47	-961.69	17.81	41.47	-878.31	17.80	38.74	-878.35	17.80	38.74	-796.32		
			M3	-8.70	-9.18	483.72	-8.70	-9.18	442.97	-8.70	-7.81	443.00	-8.70	-7.80	402.91		
	MIN	S2	-8.70	-9.35	483.60	-8.70	-9.35	442.84	-8.70	-7.98	442.87	-8.70	-7.98	402.77			
		TQ	-8.70	-9.64	483.09	-8.70	-9.64	442.34	-8.66	-8.27	440.50	-8.66	-8.27	400.58			
		M3	17.81	41.46	-961.69	17.80	41.43	-878.31	17.80	38.71	-878.43	17.80	38.63	-796.41			
	73	6-LANES	TRUCK-LOAD	MAX	S2	547.48	-402.84	7075.91	433.10	-241.24	8339.36	433.10	-215.40	8340.07	347.43	-98.71	9048.47
				TQ	130.00	562.76	4690.30	130.00	562.76	5299.11	139.76	579.59	5484.95	139.76	579.59	6128.85	
				M3	379.83	-217.88	8267.97	324.10	-161.82	9036.14	324.10	-133.82	9036.60	273.02	-75.09	9512.67	
MIN		S2	-173.45	24.68	6907.08	-262.64	141.42	7191.48	-262.64	163.71	7191.00	-375.11	322.38	6931.36			
		TQ	26.59	-626.08	5335.07	26.59	-626.08	5459.60	27.00	-609.17	5445.33	27.00	-609.17	5569.74			
		M3	35.91	20.44	-2017.69	35.91	20.44	-1849.54	35.91	14.71	-1849.60	35.91	14.71	-1684.17			
TANDEM-LOAD		MAX	S2	412.53	-330.27	5084.52	331.36	-216.12	6001.17	331.36	-197.52	6001.81	257.14	-93.88	6464.56		
		TQ	91.65	387.08	3297.83	91.65	387.08	3727.03	93.90	398.74	3767.17	93.90	398.74	4199.77			
		M3	307.56	-168.22	5910.98	269.07	-121.82	6444.40	269.07	-101.85	6444.75	235.84	-69.41	6762.97			
MIN		S2	-140.13	42.72	5110.80	-216.83	149.14	5320.28	-216.83	165.63	5319.79	-295.79	276.74	5085.61			
		TQ	14.24	-429.56	3780.32	14.24	-429.56	3846.99	16.76	-417.88	3750.14	16.76	-417.88	3827.35			
		M3	24.46	14.09	-1374.18	24.46	14.09	-1259.64	24.46	10.19	-1259.68	24.46	10.19	-1146.99			
DISPERSION-LMAX		S2	364.47	22.43	3837.81	315.54	21.47	4841.72	315.54	36.47	4841.63	282.22	14.11	5644.62			
		TQ	201.11	587.73	3642.30	159.55	587.73	4526.78	159.52	601.93	4638.77	85.09	601.93	5202.33			
		M3	247.74	-45.42	9870.66	172.06	-45.75	10853.64	172.06	-12.15	10853.73	97.63	-12.31	11475.06			
MIN	S2	-75.88	-44.55	3773.64	-102.63	-43.60	3942.41	-102.63	-31.38	3942.52	-143.57	-8.75	3967.38				
	TQ	86.00	-629.93	3960.79	51.70	-629.93	4243.08	51.76	-616.95	4134.90	51.76	-616.95	4373.36				
	M3	40.44	25.22	-2269.92	40.43	24.85	-2080.54	40.43	18.42	-2080.60	40.40	17.19	-1894.37				

BAGO RIVER BRIDGE

BLOCK [ No.1 : MAIN GIRDER ] [ BEAM MEMBER FORCE ]

MEMBER		4041			4042			4042			4043				
NODE		4041			4042			4042			4043				
		SHEAR	TORQUE	MOMENT	SHEAR	TORQUE	MOMENT	SHEAR	TORQUE	MOMENT	SHEAR	TORQUE	MOMENT		
NAME TITLE		S2 (kN)	TQ (kN·m)	M3 (kN·m)	S2 (kN)	TQ (kN·m)	M3 (kN·m)	S2 (kN)	TQ (kN·m)	M3 (kN·m)	S2 (kN)	TQ (kN·m)	M3 (kN·m)		
124	SUM TOTAL	D+1LANE (caseMAX	S2	1214.69	-772.15	30609.47	942.12	-772.15	35659.79	942.12	-661.63	35662.01	674.58	-661.63	39386.29
			TQ	1135.27	-58.31	30374.29	862.70	-58.31	35052.65	862.70	50.33	35052.66	595.16	50.33	38411.01
			M3	1189.44	-636.48	31629.57	919.17	-667.13	36565.42	919.17	-553.80	36567.31	656.31	-588.66	40190.72
	MIN	S2	1128.74	-106.54	29882.50	856.17	-106.54	34530.31	856.17	0.47	34530.48	588.63	0.47	37858.77	
		TQ	1210.30	-800.38	30471.66	937.73	-800.38	35501.40	937.73	-690.35	35503.71	670.19	-690.35	39207.74	
		M3	1150.00	-254.81	28350.40	877.42	-254.81	33097.74	877.42	-152.24	33098.37	609.89	-152.24	36524.58	
	D+1LANE (caseMAX	S2	1240.71	-421.21	30913.62	968.14	-421.21	36085.79	968.14	-309.37	36086.92	700.60	-309.37	39931.08	
		TQ	1112.26	-131.80	31194.23	839.69	-131.80	35764.84	839.69	-20.93	35780.82	572.15	-20.93	39033.19	
		M3	1184.40	-296.05	32523.41	928.83	-341.73	37465.13	928.83	-225.62	37466.01	671.41	-251.16	41155.32	
	MIN	S2	1110.98	-133.45	30999.44	838.41	-133.45	35564.06	838.41	-23.23	35564.31	570.87	-23.23	38810.76	
		TQ	1240.39	-421.84	30841.87	967.82	-421.84	36012.53	967.81	-310.26	35997.92	700.27	-310.26	39840.58	
		M3	1151.18	-213.45	28334.81	878.61	-213.45	33087.68	878.61	-110.91	33088.19	611.07	-110.91	36519.84	
	D+1LANE (caseMAX	S2	1280.98	-104.23	31388.19	1007.83	-104.73	36703.03	1007.83	9.02	36703.18	739.15	8.87	40718.35	
		TQ	1238.01	-39.05	31022.59	964.26	-39.05	36179.36	965.29	73.20	36264.77	696.58	73.20	40093.10	
		M3	1169.29	-113.86	33350.36	939.86	-124.58	38246.89	939.86	-6.04	38247.09	703.18	-6.36	42024.36	
	MIN	S2	1076.94	-187.31	31986.94	803.76	-186.81	36435.28	803.76	-73.89	36435.68	536.20	-73.74	39531.69	
		TQ	1112.69	-232.32	30777.50	840.12	-232.32	35350.15	839.10	-122.89	35265.24	571.56	-122.89	38514.86	
		M3	1152.08	-182.07	28322.32	879.51	-182.07	33079.42	879.51	-79.55	33079.83	611.97	-79.55	36515.64	
	D+1LANE (caseMAX	S2	1629.40	161.20	32781.52	1184.33	310.78	38081.92	1184.33	428.80	38080.78	798.26	510.99	41283.39	
		TQ	1333.72	451.02	31336.85	1028.32	451.02	36906.14	1038.01	565.88	37082.90	706.05	565.88	41100.63	
		M3	1564.60	-1.20	34359.51	1097.11	146.51	39852.83	1097.11	270.02	39852.19	661.31	386.23	43084.71	
	MIN	S2	1020.18	-395.15	32681.76	628.77	-294.15	38045.12	628.77	-176.24	38045.85	196.06	-11.72	41352.59	
		TQ	1084.32	-423.54	32119.80	778.92	-423.54	36444.27	778.92	-310.60	36445.41	511.38	-310.60	39417.79	
		M3	1153.93	-119.94	28293.83	881.36	-119.94	33059.61	881.36	-17.48	33059.82	613.82	-17.48	36504.16	

BAGO RIVER BRIDGE

BLOCK [ No.1 : MAIN GIRDER ][ BEAM MEMBER FORCE ]

MEMBER			4041			4042			4042			4043			
NODE			4041			4042			4042			4043			
NAME TITLE			SHEAR	TORQUE	MOMENT	SHEAR	TORQUE	MOMENT	SHEAR	TORQUE	MOMENT	SHEAR	TORQUE	MOMENT	
			S2 (kN)	TQ (kN·m)	M3 (kN·m)	S2 (kN)	TQ (kN·m)	M3 (kN·m)	S2 (kN)	TQ (kN·m)	M3 (kN·m)	S2 (kN)	TQ (kN·m)	M3 (kN·m)	
124	SUM TOTAL	D+2LANES (casMAX	S2	1275.25	-1019.72	31698.06	1002.68	-1019.72	37031.97	1002.68	-904.95	37034.95	735.14	-904.95	41038.23
			TQ	1126.04	2.48	31428.75	853.46	2.48	36063.88	853.55	114.26	36071.23	586.01	114.26	39387.46
			M3	1226.66	-769.10	33596.40	958.16	-812.26	38711.99	958.16	-692.28	38714.32	700.05	-759.39	42536.07
		MIN	S2	1119.00	-43.88	30760.55	846.43	-43.88	35362.74	846.43	65.72	35362.70	578.89	65.72	38646.12
			TQ	1270.88	-1047.24	31446.23	998.31	-1047.24	36759.70	998.22	-933.33	36755.23	730.68	-933.33	40737.99
			M3	1159.58	-277.31	27777.37	887.01	-277.31	32569.58	887.01	-176.37	32570.28	619.47	-176.37	36040.64
		D+2LANES (casMAX	S2	1296.93	-727.27	31951.52	1024.36	-727.27	37386.97	1024.36	-611.40	37389.05	756.82	-611.40	41492.23
			TQ	1106.86	-58.76	32112.04	834.29	-58.76	36657.38	834.38	54.88	36678.04	566.84	54.88	39905.94
			M3	1222.47	-485.41	34341.26	966.21	-541.09	39461.75	966.21	-418.79	39463.23	712.63	-478.15	43339.91
		MIN	S2	1104.20	-66.30	31691.33	831.63	-66.30	36224.20	831.63	45.96	36224.23	564.09	45.96	39439.44
			TQ	1295.96	-731.80	31754.74	1023.39	-731.80	37185.64	1023.30	-616.59	37167.08	755.76	-616.59	41265.36
			M3	1160.56	-242.84	27764.38	887.99	-242.84	32561.20	887.99	-141.93	32561.80	620.45	-141.93	36036.68
		D+2LANES (casMAX	S2	1464.53	66.34	33659.58	1155.74	114.56	39145.07	1155.74	235.88	39144.52	856.41	268.46	43139.70
			TQ	1349.88	253.64	32311.02	1061.37	253.64	37967.11	1061.31	371.45	38063.71	769.58	371.45	42281.40
			M3	1328.16	-6.73	36544.46	1047.14	33.70	41788.03	1047.14	163.21	41787.73	762.68	206.87	45657.73
		MIN	S2	1014.51	-257.66	34108.15	713.58	-216.39	38911.24	713.58	-95.80	38911.73	414.28	-38.53	42228.27
			TQ	1077.65	-322.16	32397.85	796.55	-322.16	36776.44	796.62	-208.33	36679.70	529.08	-208.33	39733.64
			M3	1163.07	-155.90	27729.23	890.50	-155.90	32537.82	890.50	-55.06	32538.14	622.96	-55.06	36024.61
		D+2LANES (casMAX	S2	1755.13	296.21	34817.08	1303.08	469.50	40291.70	1303.08	594.37	40290.05	905.93	695.57	43609.25
			TQ	1429.89	670.68	32569.27	1115.00	670.68	38570.31	1122.15	790.65	38743.00	777.73	790.65	43119.68
			M3	1657.56	85.29	37384.19	1178.16	257.74	43124.99	1178.16	391.39	43123.98	727.77	532.14	46539.93
		MIN	S2	967.20	-432.69	34685.95	567.73	-307.67	40251.47	567.73	-182.93	40252.23	130.82	11.31	43744.29
			TQ	1053.98	-483.35	33515.21	745.54	-483.35	37686.90	746.46	-366.59	37661.87	478.92	-366.59	40484.68
			M3	1165.13	-87.06	27697.51	892.56	-87.06	32515.72	892.56	13.71	32515.83	625.02	13.71	36011.76

BAGO RIVER BRIDGE

BLOCK [ No.1 : MAIN GIRDER ][ BEAM MEMBER FORCE ]

MEMBER			4041			4042			4042			4043				
NODE			4041			4042			4042			4043				
NAME TITLE			SHEAR	TORQUE	MOMENT	SHEAR	TORQUE	MOMENT	SHEAR	TORQUE	MOMENT	SHEAR	TORQUE	MOMENT		
			S2 (kN)	TQ (kN·m)	M3 (kN·m)	S2 (kN)	TQ (kN·m)	M3 (kN·m)	S2 (kN)	TQ (kN·m)	M3 (kN·m)	S2 (kN)	TQ (kN·m)	M3 (kN·m)		
124	SUM TOTAL	D+3LANES (casMAX	S2	1328.33	-1056.10	32537.01	1055.76	-1056.10	38119.51	1055.76	-937.95	38122.60	788.22	-937.95	42370.44	
			TQ	1110.51	17.77	32506.87	837.94	17.77	37069.30	838.02	132.69	37086.62	570.48	132.69	40331.27	
			M3	1247.14	-754.42	35290.87	990.07	-823.45	40524.56	990.07	-697.86	40526.91	737.72	-773.00	44510.77	
		MIN	S2	1103.63	-22.80	31800.91	831.06	-22.80	36331.11	831.06	89.79	36331.00	563.52	89.79	39543.58	
			TQ	1324.39	-1079.94	32272.13	1051.82	-1079.94	37836.19	1051.74	-962.71	37821.80	784.20	-962.71	42051.13	
			M3	1166.59	-277.89	27377.77	894.02	-277.89	32202.82	894.02	-178.09	32203.53	626.48	-178.09	35706.19	
		D+3LANES (casMAX	S2	1764.39	272.26	35531.04	1338.93	419.12	41333.12	1338.93	547.22	41331.62	960.42	633.11	45117.95	
			TQ	1457.48	636.81	33361.38	1148.12	636.81	39498.26	1154.90	759.69	39705.14	821.11	759.69	44257.28	
			M3	1602.79	104.09	39099.04	1185.03	243.02	44832.97	1185.03	381.96	44832.00	783.88	501.36	48534.66	
		MIN	S2	950.51	-388.34	35839.17	569.65	-281.72	41105.97	569.65	-154.33	41106.65	158.00	10.99	44391.00	
			TQ	1049.60	-463.28	33987.36	746.54	-463.28	38157.45	746.60	-345.15	38075.77	479.06	-345.15	40899.23	
			M3	1171.08	-122.96	27314.55	898.51	-122.96	32160.63	898.51	-23.29	32160.85	630.97	-23.29	35684.20	
		D+3LANES (casMAX	S2	1764.97	294.38	35521.32	1339.43	441.32	41325.48	1339.43	569.40	41323.91	960.91	655.31	45112.39	
			TQ	1458.07	658.83	33351.68	1148.70	658.83	39491.31	1155.54	781.68	39696.67	821.81	781.68	44251.80	
			M3	1602.69	99.29	39095.12	1184.87	238.29	44828.15	1184.87	377.21	44827.20	783.76	496.62	48528.33	
		MIN	S2	950.46	-392.99	35835.87	569.61	-286.37	41102.45	569.61	-158.99	41103.14	158.08	6.22	44386.43	
			TQ	1049.56	-467.98	33984.15	746.49	-467.98	38154.02	746.52	-349.86	38074.02	478.98	-349.86	40897.11	
			M3	1172.38	-79.41	27294.51	899.81	-79.41	32146.67	899.81	20.22	32146.76	632.27	20.22	35676.09	
		D+4LANES	MAX	S2	1164.48	-124.86	27687.51	891.91	-124.86	32502.69	891.91	-24.13	32502.92	624.37	-24.13	35995.87
			TQ	1164.48	-124.86	27687.51	891.91	-124.86	32502.69	891.91	-24.13	32502.97	624.37	-24.13	35995.92	
			M3	1126.06	-206.18	29773.16	853.48	-206.18	34408.39	853.48	-99.54	34408.86	585.94	-99.54	37724.77	
		MIN	S2	1126.05	-206.31	29773.08	853.48	-206.31	34408.29	853.48	-99.67	34408.77	585.94	-99.67	37724.67	
			TQ	1126.22	-206.64	29763.12	853.65	-206.64	34399.12	853.73	-100.03	34395.33	586.19	-100.03	37712.39	
			M3	1164.48	-124.86	27687.51	891.91	-124.88	32502.69	891.91	-24.15	32502.92	624.37	-24.20	35995.87	

BAGO RIVER BRIDGE

BLOCK [ No.1 : MAIN GIRDER ] [ BEAM MEMBER FORCE ]

MEMBER				4041			4042			4043							
NODE				4041			4042			4042			4043				
				SHEAR	TORQUE	MOMENT	SHEAR	TORQUE	MOMENT	SHEAR	TORQUE	MOMENT	SHEAR	TORQUE	MOMENT		
NAME	TITLE			S2 (kN)	TQ (kN·m)	M3 (kN·m)	S2 (kN)	TQ (kN·m)	M3 (kN·m)	S2 (kN)	TQ (kN·m)	M3 (kN·m)	S2 (kN)	TQ (kN·m)	M3 (kN·m)		
124	SUM TOTAL	D+6LANES	MAX	S2	1729.13	-442.53	36294.20	1350.41	-338.12	42451.47	1350.41	-206.55	42452.31	1005.52	-145.24	46798.11	
			TQ	1351.58	552.55	34616.46	1052.00	552.55	40270.59	1058.32	677.74	40464.62	742.40	677.74	44612.86		
			M3	1544.29	-366.41	40990.38	1186.29	-330.19	46812.12	1186.29	-185.13	46812.92	837.17	-147.06	50889.62		
			MIN	S2	974.30	-208.17	36142.75	626.36	-131.68	41120.79	626.36	-4.24	41121.00	259.10	113.61	44331.77	
			TQ	1209.55	-1011.67	35242.59	914.68	-1011.67	40190.51	914.98	-887.23	40111.35	647.44	-887.23	43710.61		
			M3	1185.99	-165.58	26413.33	913.41	-165.82	31329.21	913.41	-68.72	31329.57	645.85	-69.52	34921.54		
			SUM TOTAL	MAX		1764.97	670.68	40990.38	1350.41	670.68	46812.12	1350.41	790.65	46812.92	1005.52	790.65	50889.62
				MIN		950.46	-1079.94	26413.33	567.73	-1079.94	31329.21	567.73	-962.71	31329.57	130.82	-962.71	34921.54
		300	DEAD LOAD	TOTAL		1136.36	-195.26	29200.27	863.79	-195.26	33883.76	863.79	-90.25	33884.21	596.25	-90.25	37247.60
		301	LIVE LOAD	1-LANE (case1MAX	S2	78.33	-576.88	1409.20	78.33	-576.88	1776.03	78.33	-571.38	1777.81	78.33	-571.38	2138.69
TQ	-1.09				136.95	1174.02	-1.09	136.95	1168.89	-1.09	140.58	1168.46	-1.09	140.58	1163.41		
M3	53.07				-441.21	2429.30	55.38	-471.86	2681.66	55.38	-463.55	2683.11	60.06	-498.41	2943.12		
MIN	S2				-7.62	88.72	682.23	-7.62	88.72	646.55	-7.62	90.72	646.27	-7.62	90.72	611.17	
TQ	73.94				-605.11	1271.39	73.94	-605.11	1617.64	73.94	-600.10	1619.50	73.94	-600.10	1960.14		
M3	13.63				-59.55	-849.87	13.63	-59.55	-786.02	13.63	-61.99	-785.83	13.63	-61.99	-723.01		
	1-LANE (case2MAX			S2	104.35	-225.95	1713.34	104.35	-225.95	2202.03	104.35	-219.12	2202.72	104.35	-219.12	2683.49	
TQ	-24.10			63.47	1993.96	-24.10	63.47	1881.08	-24.10	69.32	1896.62	-24.10	69.32	1785.59			
M3	48.04			-100.79	3323.13	65.04	-146.47	3581.37	65.04	-135.37	3581.80	75.16	-160.91	3907.72			
MIN	S2			-25.38	61.81	1799.16	-25.38	61.81	1680.30	-25.38	67.02	1680.10	-25.38	67.02	1563.17		
TQ	104.03			-226.58	1641.59	104.03	-226.58	2128.77	104.02	-220.01	2113.72	104.02	-220.01	2592.98			
M3	14.82			-18.19	-865.46	14.82	-18.19	-796.08	14.82	-20.66	-796.02	14.82	-20.66	-727.76			
	1-LANE (case3MAX			S2	144.62	91.03	2187.92	144.04	90.53	2819.27	144.04	99.27	2818.98	142.90	99.12	3470.76	
TQ	101.65			156.21	1822.31	100.47	156.21	2295.60	101.50	163.45	2380.57	100.33	163.45	2845.51			
M3	32.93			81.40	4150.08	76.07	70.69	4363.13	76.07	84.21	4362.89	106.93	83.89	4776.76			
MIN	S2			-59.42	7.96	2786.66	-60.03	8.45	2551.52	-60.03	16.36	2551.48	-60.05	16.51	2284.09		
TQ	-23.67			-37.05	1577.23	-23.67	-37.05	1466.38	-24.69	-32.64	1381.03	-24.69	-32.64	1267.26			
M3	15.72			13.19	-877.96	15.72	13.19	-804.34	15.72	10.70	-804.38	15.72	10.70	-731.96			



BAGO RIVER BRIDGE

BLOCK [ No.1 : MAIN GIRDER ][ BEAM MEMBER FORCE ]

MEMBER			4041			4042			4042			4043				
NODE			4041			4042			4042			4043				
NAME TITLE			SHEAR	TORQUE	MOMENT	SHEAR	TORQUE	MOMENT	SHEAR	TORQUE	MOMENT	SHEAR	TORQUE	MOMENT		
			S2 (kN)	TQ (kN·m)	M3 (kN·m)	S2 (kN)	TQ (kN·m)	M3 (kN·m)	S2 (kN)	TQ (kN·m)	M3 (kN·m)	S2 (kN)	TQ (kN·m)	M3 (kN·m)		
301	LIVE LOAD	1-LANE (case4MAX	S2	493.04	356.46	3581.24	320.54	506.04	4198.16	320.54	519.05	4196.57	202.01	601.24	4035.80	
			TQ	197.35	646.28	2136.57	164.53	646.28	3022.38	174.22	656.13	3198.69	109.80	656.13	3853.04	
			M3	428.24	194.06	5159.24	233.32	341.77	5969.07	233.32	360.27	5967.98	65.06	476.48	5837.11	
			MIN	S2	-116.18	-199.89	3481.48	-235.02	-98.89	4161.36	-235.02	-85.99	4161.65	-400.19	78.53	4104.99
			TQ	-52.04	-228.28	2919.53	-84.87	-228.28	2560.51	-84.87	-220.35	2561.20	-84.87	-220.35	2170.19	
			M3	17.57	75.32	-906.44	17.57	75.32	-824.16	17.57	72.77	-824.39	17.57	72.77	-743.44	
		2-LANES (caseMAX	S2	138.89	-824.46	2497.79	138.89	-824.46	3148.21	138.89	-814.70	3150.75	138.89	-814.70	3790.63	
			TQ	-10.33	197.74	2228.48	-10.33	197.74	2180.12	-10.24	204.51	2187.03	-10.24	204.51	2139.86	
			M3	90.30	-573.84	4396.13	94.37	-616.99	4828.23	94.37	-602.03	4830.11	103.79	-669.14	5288.48	
			MIN	S2	-17.36	151.38	1560.27	-17.36	151.38	1478.98	-17.36	155.97	1478.50	-17.36	155.97	1398.52
			TQ	134.52	-851.98	2245.96	134.52	-851.98	2875.94	134.43	-843.08	2871.03	134.43	-843.08	3490.39	
			M3	23.22	-82.05	-1422.90	23.22	-82.05	-1314.18	23.22	-86.12	-1313.92	23.22	-86.12	-1206.96	
		2-LANES (caseMAX	S2	160.57	-532.01	2751.24	160.57	-532.01	3503.21	160.57	-521.15	3504.84	160.57	-521.15	4244.63	
			TQ	-29.50	136.50	2911.76	-29.50	136.50	2773.62	-29.41	145.13	2793.83	-29.41	145.13	2658.34	
			M3	86.10	-290.15	5140.99	102.42	-345.83	5577.98	102.42	-328.54	5579.03	116.38	-387.90	6092.31	
			MIN	S2	-32.16	128.96	2491.05	-32.16	128.96	2340.43	-32.16	136.21	2340.02	-32.16	136.21	2191.85
			TQ	159.60	-536.54	2554.46	159.60	-536.54	3301.88	159.51	-526.34	3282.87	159.51	-526.34	4017.76	
			M3	24.20	-47.58	-1435.89	24.20	-47.58	-1322.56	24.20	-51.68	-1322.41	24.20	-51.68	-1210.91	
		2-LANES (caseMAX	S2	328.17	261.60	4459.31	291.95	309.82	5261.30	291.95	326.13	5260.32	260.16	358.72	5892.10	
			TQ	213.52	448.90	3110.74	197.58	448.90	4083.35	197.52	461.70	4179.50	173.33	461.70	5033.80	
			M3	191.79	188.53	7344.18	183.35	228.96	7904.27	183.35	253.46	7903.52	166.43	297.12	8410.13	
			MIN	S2	-121.85	-62.39	4907.87	-150.21	-21.13	5027.48	-150.21	-5.55	5027.52	-181.97	51.72	4980.67
			TQ	-58.71	-126.90	3197.57	-67.24	-126.90	2892.68	-67.17	-118.08	2795.50	-67.17	-118.08	2486.04	
			M3	26.71	39.36	-1471.05	26.71	39.36	-1345.95	26.71	35.19	-1346.06	26.71	35.19	-1222.99	

BAGO RIVER BRIDGE

BLOCK [ No.1 : MAIN GIRDER ][ BEAM MEMBER FORCE ]

MEMBER			4041			4042			4042			4043			
NODE			4041			4042			4042			4043			
NAME TITLE			SHEAR	TORQUE	MOMENT	SHEAR	TORQUE	MOMENT	SHEAR	TORQUE	MOMENT	SHEAR	TORQUE	MOMENT	
			S2 (kN)	TQ (kN·m)	M3 (kN·m)	S2 (kN)	TQ (kN·m)	M3 (kN·m)	S2 (kN)	TQ (kN·m)	M3 (kN·m)	S2 (kN)	TQ (kN·m)	M3 (kN·m)	
301	LIVE LOAD	2-LANES (caseMAX	S2	618.77	491.48	5616.80	439.29	664.76	6407.94	439.29	684.62	6405.85	309.67	785.82	6361.65
			TQ	293.53	865.94	3369.00	251.21	865.94	4686.55	258.36	880.90	4858.79	181.48	880.90	5872.08
			M3	521.20	280.55	8183.91	314.37	453.00	9241.23	314.37	481.64	9239.78	131.52	622.39	9292.33
			MIN S2	-169.16	-237.43	5485.67	-296.06	-112.41	6367.71	-296.06	-92.68	6368.02	-465.44	101.56	6496.69
			TQ	-82.38	-288.09	4314.93	-118.25	-288.09	3803.14	-117.33	-276.34	3777.67	-117.33	-276.34	3237.09
			M3	28.77	108.21	-1502.76	28.77	108.21	-1368.04	28.77	103.96	-1368.37	28.77	103.96	-1235.83
		3-LANES (caseMAX	S2	191.97	-860.84	3336.74	191.97	-860.84	4235.75	191.97	-847.70	4238.40	191.97	-847.70	5122.84
			TQ	-25.85	213.03	3306.59	-25.85	213.03	3185.54	-25.77	222.94	3202.41	-25.77	222.94	3083.68
			M3	110.78	-559.16	6090.59	126.28	-628.19	6640.79	126.28	-607.61	6642.71	141.47	-682.75	7263.18
			MIN S2	-32.73	172.46	2600.64	-32.73	172.46	2447.34	-32.73	180.04	2446.80	-32.73	180.04	2295.98
			TQ	188.03	-884.68	3071.86	188.03	-884.68	3952.42	187.95	-872.46	3937.59	187.95	-872.46	4803.53
			M3	30.23	-82.63	-1822.50	30.23	-82.63	-1680.94	30.23	-87.84	-1680.68	30.23	-87.84	-1541.41
		3-LANES (caseMAX	S2	628.03	467.52	6330.77	475.14	614.39	7449.36	475.14	637.47	7447.42	364.16	723.36	7870.35
			TQ	321.12	832.08	4161.10	284.33	832.08	5614.50	291.11	849.94	5820.93	224.86	849.94	7009.68
			M3	466.43	299.36	9898.77	321.24	438.28	10949.21	321.24	472.21	10947.80	187.63	591.61	11287.06
			MIN S2	-185.85	-193.08	6638.89	-294.14	-86.46	7222.21	-294.14	-64.08	7222.44	-438.25	101.24	7143.40
			TQ	-86.76	-268.02	4787.09	-117.25	-268.02	4273.68	-117.19	-254.90	4191.57	-117.19	-254.90	3651.63
			M3	34.72	72.31	-1885.72	34.72	72.31	-1723.14	34.72	66.97	-1723.35	34.72	66.97	-1563.40
		3-LANES (caseMAX	S2	628.60	489.64	6321.05	475.64	636.59	7441.72	475.64	659.65	7439.71	364.66	745.56	7864.80
			TQ	321.71	854.09	4151.40	284.91	854.09	5607.55	291.75	871.93	5812.46	225.56	871.93	7004.21
			M3	466.33	294.56	9894.85	321.08	433.55	10944.39	321.08	467.46	10943.00	187.51	586.87	11280.73
			MIN S2	-185.90	-197.73	6635.60	-294.18	-91.11	7218.69	-294.18	-68.74	7218.94	-438.18	96.47	7138.83
			TQ	-86.80	-272.72	4783.88	-117.30	-272.72	4270.25	-117.27	-259.61	4189.81	-117.27	-259.61	3649.51
			M3	36.02	115.85	-1905.77	36.02	115.85	-1737.10	36.02	110.47	-1737.45	36.02	110.47	-1571.51

BAGO RIVER BRIDGE

BLOCK [ No. 1 : MAIN GIRDER ] [ BEAM MEMBER FORCE ]

MEMBER					4041			4042			4043					
NODE					4041			4042			4043					
					SHEAR	TORQUE	MOMENT	SHEAR	TORQUE	MOMENT	SHEAR	TORQUE	MOMENT			
NAME	TITLE				S2 (kN)	TQ (kN·m)	M3 (kN·m)	S2 (kN)	TQ (kN·m)	M3 (kN·m)	S2 (kN)	TQ (kN·m)	M3 (kN·m)			
301	LIVE LOAD	4-LANES	MAX	S2	28.12	70.41	-1512.77	28.12	70.41	-1381.07	28.12	66.13	-1381.28	28.12	66.13	-1251.72
				TQ	28.12	70.41	-1512.77	28.12	70.41	-1381.07	28.12	66.13	-1381.23	28.12	66.13	-1251.67
				M3	-10.31	-10.92	572.89	-10.31	-10.92	524.62	-10.31	-9.29	524.65	-10.31	-9.29	477.17
		MIN	S2	-10.31	-11.05	572.80	-10.31	-11.05	524.53	-10.31	-9.42	524.56	-10.31	-9.42	477.07	
			TQ	-10.14	-11.38	562.85	-10.14	-11.38	515.36	-10.06	-9.78	511.13	-10.06	-9.78	464.79	
			M3	28.12	70.40	-1512.77	28.12	70.38	-1381.07	28.12	66.10	-1381.28	28.12	66.05	-1251.73	
		6-LANES	MAX	S2	592.77	-247.26	7093.92	486.62	-142.86	8567.70	486.62	-116.30	8568.11	409.27	-54.99	9550.51
				TQ	215.22	747.82	5416.19	188.21	747.82	6386.82	194.53	767.99	6580.42	146.15	767.99	7365.27
				M3	407.92	-171.15	11790.11	322.50	-134.92	12928.36	322.50	-94.88	12928.72	240.92	-56.81	13642.03
			MIN	S2	-162.06	-12.91	6942.47	-237.43	63.58	7237.02	-237.43	86.01	7236.79	-337.15	203.86	7084.18
				TQ	73.19	-816.40	6042.31	50.89	-816.40	6306.75	51.19	-796.98	6227.15	51.19	-796.98	6463.01
				M3	49.63	29.68	-2786.95	49.62	29.44	-2554.55	49.62	21.53	-2554.63	49.60	20.73	-2326.05
	LIVE LOAD	MAX		628.60	865.94	11790.11	486.62	865.94	12928.36	486.62	880.90	12928.72	409.27	880.90	13642.03	
		MIN		-185.90	-884.68	-2786.95	-296.06	-884.68	-2554.55	-296.06	-872.46	-2554.63	-465.44	-872.46	-2326.05	
303	SUM TOTAL	TOTAL	MAX		1764.97	670.68	40990.38	1350.41	670.68	46812.12	1350.41	790.65	46812.92	1005.52	790.65	50889.62
			MIN		950.46	-1079.94	26413.33	567.73	-1079.94	31329.21	567.73	-962.71	31329.57	130.82	-962.71	34921.54

BAGO RIVER BRIDGE

BLOCK [ No.1 : MAIN GIRDER ] [ BEAM MEMBER FORCE ]

MEMBER NODE	4043	4044			4044			4045						
		SHEAR	TORQUE	MOMENT	SHEAR	TORQUE	MOMENT	SHEAR	TORQUE	MOMENT				
NAME TITLE	S2 (kN)	TQ (kN·m)	M3 (kN·m)	S2 (kN)	TQ (kN·m)	M3 (kN·m)	S2 (kN)	TQ (kN·m)	M3 (kN·m)	S2 (kN)	TQ (kN·m)	M3 (kN·m)		
1 PAVEMENT	118.01	32.12	5897.65	72.81	32.12	6337.49	72.81	120.97	6336.42	27.19	120.97	6568.99		
3 RAILING	5.96	1.52	177.64	2.19	1.52	196.43	2.19	4.27	196.39	-1.64	4.27	197.67		
5 CURB	59.04	15.02	1758.62	21.67	15.02	1944.66	21.67	42.28	1944.25	-16.21	42.28	1956.94		
7 DECK WEIGHT	199.15	48.73	9664.20	124.81	48.73	10410.94	124.81	194.69	10409.23	49.74	194.69	10815.20		
8 GIRDER WEIGH	250.31	51.15	13852.41	164.10	51.15	14807.67	164.10	258.74	14805.49	77.14	258.74	15366.59		
10 MEDIAN STRIP	54.95	-1.70	3005.40	54.95	-1.70	3258.75	54.95	43.99	3258.45	54.95	43.99	3514.09		
21 ADITIONAL WE	55.76	13.65	2705.98	34.95	13.65	2915.06	34.95	54.51	2914.59	13.93	54.51	3028.26		
31 MEDIAN RAILI	2.14	0.21	183.14	2.14	0.21	192.99	2.14	2.92	192.96	2.14	2.92	202.90		
51 SUPPORT WEIG	0.00	-0.00	-0.00	0.00	-0.00	-0.00	0.00	-0.00	-0.00	0.00	-0.00	-0.00		
52 NOSE WEIGHT	-0.00	0.00	0.01	-0.00	0.00	0.00	-0.00	0.00	0.00	-0.00	0.00	0.00		
61 1-LANE(case1TRUCK-LOAD	MAX	S2	16.77	-148.58	611.44	16.77	-148.58	688.75	16.77	-138.91	690.76	16.77	-138.91	768.77
		TQ	-3.83	139.98	719.11	-3.83	139.98	701.45	-3.83	149.80	699.42	-3.83	149.80	681.61
		M3	6.80	-65.86	898.56	6.80	-65.86	929.91	6.80	-52.82	930.75	6.80	-52.82	962.39
	MIN	S2	-7.03	113.27	508.35	-7.03	113.27	475.94	-7.03	119.93	474.30	-7.03	119.93	441.60
		TQ	15.66	-154.20	712.95	15.66	-154.20	785.16	15.66	-143.18	787.25	15.66	-143.18	860.11
		M3	5.01	-27.67	-275.79	5.01	-27.67	-252.68	5.01	-31.21	-252.27	5.01	-31.21	-228.95
	TANDEM-LOAD MAX	S2	11.53	-99.99	401.35	11.53	-99.99	454.50	11.53	-93.61	455.85	11.53	-93.61	509.48
		TQ	-2.22	96.43	499.26	-2.22	96.43	489.01	-2.22	103.27	487.61	-2.22	103.27	477.27
		M3	4.32	-39.04	611.31	4.32	-39.04	631.22	4.32	-30.18	631.71	4.32	-30.18	651.80
	MIN	S2	-5.00	80.29	360.56	-5.00	80.29	337.52	-5.00	85.02	336.36	-5.00	85.02	313.12
		TQ	11.09	-105.58	471.77	11.09	-105.58	522.92	11.09	-98.24	524.35	11.09	-98.24	575.95
		M3	3.41	-19.03	-187.77	3.41	-19.03	-172.03	3.41	-21.44	-171.75	3.41	-21.44	-155.88
	DISPERSION-LMAX	S2	22.20	-129.84	758.90	22.20	-129.84	861.23	22.20	-117.75	862.96	22.20	-117.75	966.21
		TQ	-3.46	111.28	809.91	-3.46	111.28	793.96	-3.28	122.43	815.72	-3.28	122.43	800.47
		M3	10.40	-17.13	1560.40	10.40	-17.13	1608.35	10.40	5.42	1608.44	10.40	5.42	1656.82
	MIN	S2	-5.88	79.72	476.03	-5.88	79.72	448.92	-5.88	86.00	447.76	-5.88	86.00	420.41
		TQ	19.78	-161.40	425.02	19.78	-161.40	516.19	19.60	-154.18	495.00	19.60	-154.18	586.16
		M3	5.92	-32.99	-325.47	5.92	-32.99	-298.20	5.92	-37.17	-297.71	5.92	-37.17	-270.19

BAGO RIVER BRIDGE

BLOCK [ No.1 : MAIN GIRDER ][ BEAM MEMBER FORCE ]

MEMBER				4043			4044			4045						
NODE				4043			4044			4044			4045			
				SHEAR	TORQUE	MOMENT	SHEAR	TORQUE	MOMENT	SHEAR	TORQUE	MOMENT	SHEAR	TORQUE	MOMENT	
NAME	TITLE			S2 (kN)	TQ (kN·m)	M3 (kN·m)	S2 (kN)	TQ (kN·m)	M3 (kN·m)	S2 (kN)	TQ (kN·m)	M3 (kN·m)	S2 (kN)	TQ (kN·m)	M3 (kN·m)	
62	1-LANE (case2TRUCK-LOAD	MAX	S2	31.29	-62.74	959.43	31.29	-62.74	1103.69	31.29	-47.26	1104.46	31.29	-47.26	1250.02	
			TQ	-16.32	58.17	1178.59	-16.32	58.17	1103.34	-16.06	73.75	1115.63	-16.06	73.75	1040.93	
			M3	-0.76	26.01	1332.33	12.03	-10.35	1354.53	12.03	8.64	1354.55	16.51	-4.33	1424.48	
			MIN	S2	-17.14	57.00	1083.48	-17.14	57.00	1004.49	-17.14	71.08	1003.59	-17.14	71.08	923.88
				TQ	31.15	-62.85	920.66	31.15	-62.85	1064.28	31.03	-47.98	1053.18	31.03	-47.98	1197.54
				M3	5.07	-10.42	-278.28	5.07	-10.42	-254.91	5.07	-13.99	-254.73	5.07	-13.99	-231.15
		TANDEM-LOAD	MAX	S2	21.60	-43.03	665.69	21.60	-43.03	765.26	21.60	-32.29	765.79	21.60	-32.29	866.26
				TQ	-11.78	40.01	783.63	-11.78	40.01	729.31	-9.99	50.54	805.14	-9.99	50.54	758.64
				M3	-2.48	23.67	909.12	6.58	-2.17	924.22	6.58	10.79	924.16	13.11	-8.93	974.61
			MIN	S2	-12.01	39.68	757.09	-12.01	39.68	701.72	-12.01	49.52	701.09	-12.01	49.52	645.23
				TQ	21.60	-43.03	665.69	21.60	-43.03	765.26	21.03	-32.85	696.59	21.03	-32.85	794.40
				M3	3.45	-7.15	-189.48	3.45	-7.15	-173.56	3.45	-9.59	-173.45	3.45	-9.59	-157.39
		DISPERSION-LMAX	MAX	S2	31.93	-64.54	667.03	31.93	-64.54	814.25	31.93	-53.12	815.07	31.93	-53.12	963.61
				TQ	-13.08	45.03	1036.76	-13.08	45.03	976.47	-12.36	59.38	1059.55	-12.36	59.38	1002.07
				M3	12.57	-8.57	1925.64	12.57	-8.57	1983.61	12.57	19.24	1983.54	12.57	19.24	2042.02
			MIN	S2	-13.39	43.65	930.89	-13.39	43.65	869.17	-13.39	55.83	868.47	-13.39	55.83	806.19
				TQ	31.62	-65.92	561.16	31.62	-65.92	706.94	30.90	-56.67	623.99	30.90	-56.67	767.73
				M3	5.97	-12.32	-327.72	5.97	-12.32	-300.19	5.97	-16.53	-299.99	5.97	-16.53	-272.22
63	1-LANE (case3TRUCK-LOAD	MAX	S2	56.26	6.89	1346.27	56.26	6.89	1605.63	56.26	29.40	1605.38	56.26	29.40	1867.08	
			TQ	31.93	51.82	739.37	31.93	51.82	886.57	36.26	65.31	996.42	36.26	65.31	1165.07	
			M3	-11.54	10.26	1773.49	24.45	2.16	1754.01	24.45	26.75	1753.81	51.04	25.94	1902.90	
		MIN	S2	-36.98	6.15	1703.77	-36.98	6.15	1533.30	-36.98	27.64	1533.06	-36.98	27.64	1361.05	
			TQ	-18.95	-30.78	925.61	-18.95	-30.78	838.22	-15.85	-19.62	721.13	-15.85	-19.62	647.40	
			M3	5.12	2.66	-280.50	5.12	2.66	-256.90	5.12	-0.94	-256.91	5.12	-0.94	-233.10	

BAGO RIVER BRIDGE

BLOCK [ No.1 : MAIN GIRDER ][ BEAM MEMBER FORCE ]

MEMBER		4043			4044			4044			4045						
NODE		4043			4044			4044			4045						
		SHEAR	TORQUE	MOMENT	SHEAR	TORQUE	MOMENT	SHEAR	TORQUE	MOMENT	SHEAR	TORQUE	MOMENT				
NAME	TITLE	S2 (kN)	TQ (kN·m)	M3 (kN·m)	S2 (kN)	TQ (kN·m)	M3 (kN·m)	S2 (kN)	TQ (kN·m)	M3 (kN·m)	S2 (kN)	TQ (kN·m)	M3 (kN·m)				
63	1-LANE (case3TANDEM-LOAD	MAX	S2	40.39	5.93	882.49	40.39	5.93	1068.71	40.39	20.91	1068.52	40.39	20.91	1256.42		
			TQ	22.34	35.72	517.48	22.34	35.72	620.47	23.55	44.71	650.79	23.55	44.71	760.33		
			M3	-14.16	9.96	1232.60	12.24	2.54	1204.76	12.24	19.43	1204.61	35.97	14.42	1324.05		
		MIN	S2	-27.45	3.15	1141.36	-27.45	3.15	1014.80	-27.45	17.38	1014.66	-27.45	17.38	886.96		
			TQ	-12.05	-21.21	596.60	-12.05	-21.21	541.05	-11.18	-13.79	508.52	-11.18	-13.79	456.50		
			M3	3.49	1.85	-191.02	3.49	1.85	-174.94	3.49	-0.61	-174.95	3.49	-0.61	-158.74		
			DISPERSION-LMAX	S2	45.15	41.44	732.13	44.79	41.35	897.79	44.79	53.94	897.12	43.88	53.65	1087.39	
			TQ	31.63	45.11	1064.27	30.79	45.11	1208.31	28.38	66.56	1730.37	27.41	66.56	1860.12		
			M3	16.99	21.82	2205.63	16.01	21.82	2281.70	16.01	53.81	2281.17	15.04	53.81	2353.39		
		MIN	S2	-22.15	-16.28	1143.90	-22.77	-16.20	1082.05	-22.77	-1.02	1082.18	-22.82	-0.73	992.10		
			TQ	-8.63	-19.95	811.77	-8.76	-19.95	771.53	-6.35	-13.65	248.93	-6.35	-13.65	219.37		
			M3	6.02	3.34	-329.59	6.02	3.34	-301.86	6.02	-0.89	-301.88	6.02	-0.89	-273.90		
		64	1-LANE (case4TRUCK-LOAD	MAX	S2	285.34	-38.64	2330.82	180.06	83.34	2651.66	180.06	120.50	2650.23	101.85	201.23	2469.24
					TQ	65.65	201.31	1272.61	65.65	201.31	1575.25	67.03	223.62	1597.32	67.03	223.62	1909.11
					M3	263.25	-69.84	2358.99	158.38	51.13	2698.86	158.38	88.96	2697.88	70.60	183.63	2508.61
MIN	S2			-78.38	-143.72	2280.13	-156.02	-62.08	2616.76	-156.02	-25.38	2617.37	-262.24	98.44	2458.99		
	TQ			-45.19	-167.93	1698.88	-45.19	-167.93	1490.52	-43.98	-147.29	1465.77	-43.98	-147.29	1261.20		
	M3			5.25	29.29	-286.70	5.25	29.29	-262.49	5.25	25.61	-262.88	5.25	25.61	-238.45		
	TANDEM-LOAD			MAX	S2	229.65	-67.47	1789.43	154.65	16.89	2052.19	154.65	45.66	2051.75	84.44	123.13	1896.09
	TQ			41.90	137.38	831.87	41.90	137.38	1025.02	50.49	152.60	1175.74	50.49	152.60	1410.61		
	M3			229.66	-67.47	1789.43	154.65	16.89	2052.19	154.65	45.65	2051.75	84.44	123.13	1896.10		
MIN	S2			-68.50	-83.03	1781.92	-138.60	-5.84	2047.02	-138.60	22.86	2046.90	-213.85	107.96	1894.48		
	TQ			-27.37	-114.44	1070.47	-27.37	-114.44	944.28	-27.37	-101.19	945.79	-27.37	-101.19	818.46		
	M3			3.58	20.20	-195.35	3.58	20.20	-178.86	3.58	17.69	-179.12	3.58	17.69	-162.48		

BAGO RIVER BRIDGE

BLOCK [ No.1 : MAIN GIRDER ][ BEAM MEMBER FORCE ]

MEMBER			4043			4044			4044			4045					
NODE			4043			4044			4044			4045					
			SHEAR	TORQUE	MOMENT	SHEAR	TORQUE	MOMENT	SHEAR	TORQUE	MOMENT	SHEAR	TORQUE	MOMENT			
NAME	TITLE		S2 (kN)	TQ (kN·m)	M3 (kN·m)	S2 (kN)	TQ (kN·m)	M3 (kN·m)	S2 (kN)	TQ (kN·m)	M3 (kN·m)	S2 (kN)	TQ (kN·m)	M3 (kN·m)			
64	1-LANE (case4DISPERSION-LMAX	S2	107.99	197.67	1023.77	73.22	203.97	1083.92	73.22	219.14	1080.95	51.23	205.75	1000.25			
		TQ	73.22	203.97	746.35	73.22	203.97	1083.92	61.99	220.17	1251.97	7.63	220.17	1414.67			
		M3	72.48	40.61	2499.54	18.60	40.61	2709.87	18.60	78.60	2709.03	-35.76	78.60	2669.89			
		MIN	S2	-29.39	-123.52	1141.63	-48.51	-129.81	1320.02	-48.51	-111.30	1321.71	-80.87	-97.90	1391.73		
		TQ	5.38	-129.81	1419.05	-48.51	-129.81	1320.02	-37.27	-112.32	1150.69	-37.27	-112.32	977.31			
		M3	6.12	33.54	-334.14	6.12	33.54	-305.93	6.12	29.25	-306.37	6.12	29.25	-277.91			
		65	2-LANES (caseTRUCK-LOAD	MAX	S2	39.30	-257.73	1400.96	39.30	-257.73	1582.12	39.30	-235.53	1585.58	39.30	-235.53	1768.39
				TQ	-13.26	238.43	1615.64	-13.26	238.43	1554.51	-13.26	260.20	1551.01	-13.26	260.20	1489.33	
				M3	13.01	-51.20	1994.81	15.67	-80.10	2063.88	16.01	-54.88	2064.81	20.21	-93.12	2144.74	
MIN	S2			-17.30	208.90	1288.55	-17.30	208.90	1208.80	-17.30	225.83	1205.75	-17.30	225.83	1125.28		
TQ	38.19			-263.36	1502.46	38.19	-263.36	1678.54	38.13	-240.10	1648.99	38.13	-240.10	1826.34			
M3	10.05			-46.72	-552.79	10.05	-46.72	-506.44	10.05	-53.82	-505.73	10.05	-53.82	-458.97			
TANDEM-LOAD	MAX			S2	26.99	-174.77	950.21	26.99	-174.77	1074.66	26.99	-159.69	1077.01	26.99	-159.69	1202.58	
TQ	-9.06			164.15	1093.95	-9.06	164.15	1052.18	-9.06	178.89	1049.77	-9.06	178.89	1007.63			
M3	9.09			-34.79	1357.57	9.83	-42.85	1401.99	9.83	-23.19	1402.46	12.71	-53.84	1455.92			
MIN	S2	-12.03	147.68	933.61	-12.03	147.68	878.13	-12.03	159.98	875.98	-12.03	159.98	820.00				
TQ	26.56	-180.36	1020.64	26.56	-180.36	1143.08	26.56	-164.32	1145.50	26.56	-164.32	1269.05					
M3	6.84	-32.13	-376.36	6.84	-32.13	-344.81	6.84	-36.96	-344.33	6.84	-36.96	-312.49					
DISPERSION-LMAX	S2	48.41	-237.91	1456.71	48.41	-237.91	1679.89	48.41	-214.33	1683.06	48.41	-214.33	1908.24				
TQ	-11.48	190.62	1731.72	-11.48	190.62	1678.77	-10.79	214.44	1766.61	-10.79	214.44	1716.40					
M3	21.87	-30.47	3303.41	21.87	-30.47	3404.22	21.87	17.26	3404.31	21.87	17.26	3506.03					
MIN	S2	-14.68	151.78	1194.63	-14.68	151.78	1126.93	-14.68	167.56	1124.70	-14.68	167.56	1056.39				
TQ	45.21	-276.75	919.62	45.21	-276.75	1128.05	44.52	-261.21	1041.14	44.52	-261.21	1248.23					
M3	11.86	-55.66	-652.07	11.86	-55.66	-597.40	11.86	-64.03	-596.56	11.86	-64.03	-541.40					

BAGO RIVER BRIDGE

BLOCK [ No.1 : MAIN GIRDER ][ BEAM MEMBER FORCE ]

MEMBER				4043			4044			4045					
NODE				4043			4044			4044			4045		
				SHEAR	TORQUE	MOMENT	SHEAR	TORQUE	MOMENT	SHEAR	TORQUE	MOMENT	SHEAR	TORQUE	MOMENT
NAME	TITLE			S2 (kN)	TQ (kN·m)	M3 (kN·m)	S2 (kN)	TQ (kN·m)	M3 (kN·m)	S2 (kN)	TQ (kN·m)	M3 (kN·m)	S2 (kN)	TQ (kN·m)	M3 (kN·m)
66	2-LANES (caseTRUCK-LOAD	MAX	S2	53.82	-171.89	1748.94	53.82	-171.89	1997.06	53.82	-143.88	1999.28	53.82	-143.88	2249.63
			TQ	-25.75	156.61	2075.12	-25.75	156.61	1956.39	-25.49	184.15	1967.22	-25.49	184.15	1848.64
			M3	5.45	40.67	2428.58	20.90	-24.58	2488.49	21.23	6.59	2488.60	29.92	-44.62	2606.82
		MIN	S2	-27.40	152.64	1863.68	-27.40	152.64	1737.35	-27.40	176.98	1735.04	-27.40	176.98	1607.56
			TQ	53.68	-172.00	1710.17	53.68	-172.00	1957.66	53.50	-144.91	1914.92	53.50	-144.91	2163.77
			M3	10.11	-29.47	-555.28	10.11	-29.47	-508.67	10.11	-36.60	-508.20	10.11	-36.60	-461.17
		TANDEM-LOAD MAX	S2	37.06	-117.80	1214.55	37.06	-117.80	1385.43	37.06	-98.37	1386.94	37.06	-98.37	1559.36
			TQ	-18.62	107.73	1378.31	-18.62	107.73	1292.47	-16.83	126.16	1367.30	-16.83	126.16	1289.01
			M3	2.28	27.92	1655.38	12.09	-5.98	1694.99	12.09	17.78	1694.91	21.50	-32.58	1778.73
		MIN	S2	-19.05	107.07	1330.13	-19.05	107.07	1242.33	-19.05	124.48	1240.71	-19.05	124.48	1152.11
			TQ	37.06	-117.80	1214.55	37.06	-117.80	1385.42	36.49	-98.92	1317.74	36.49	-98.92	1487.50
			M3	6.88	-20.26	-378.08	6.88	-20.26	-346.34	6.88	-25.11	-346.02	6.88	-25.11	-314.00
		DISPERSION-LMAX	S2	58.15	-172.61	1364.84	58.15	-172.61	1632.91	58.15	-149.70	1635.16	58.15	-149.70	1905.64
			TQ	-21.10	124.37	1958.57	-21.10	124.37	1861.28	-19.87	151.39	2010.44	-19.87	151.39	1918.00
			M3	24.04	-21.90	3668.65	24.04	-21.90	3779.47	24.04	31.09	3779.41	24.04	31.09	3891.23
MIN	S2	-22.19	115.71	1649.49	-22.19	115.71	1547.18	-22.19	137.39	1545.40	-22.19	137.39	1442.17		
	TQ	57.05	-181.27	1055.77	57.05	-181.27	1318.80	55.82	-163.70	1170.13	55.82	-163.70	1429.81		
	M3	11.91	-35.00	-654.31	11.91	-35.00	-599.39	11.91	-43.40	-598.84	11.91	-43.40	-543.42		
67	2-LANES (caseTRUCK-LOAD	MAX	S2	174.18	-4.79	3390.39	153.45	44.71	3770.21	153.45	97.56	3769.21	134.30	135.84	4040.16
			TQ	74.97	169.46	1659.56	74.97	169.46	2005.19	85.41	200.30	2247.32	85.41	200.30	2644.64
			M3	90.98	-14.89	3840.64	106.33	26.06	3946.33	106.33	81.38	3945.58	113.07	122.85	4107.83
		MIN	S2	-93.92	-54.35	3704.44	-112.64	-15.60	3667.86	-112.64	35.83	3667.72	-133.48	86.18	3523.26
			TQ	-48.48	-121.97	2173.35	-48.48	-121.97	1949.87	-40.11	-95.61	1685.65	-40.11	-95.61	1499.05
			M3	10.28	14.05	-562.92	10.28	14.05	-515.53	10.28	6.82	-515.68	10.28	6.82	-467.86



BAGO RIVER BRIDGE

BLOCK [ No.1 : MAIN GIRDER ][ BEAM MEMBER FORCE ]

MEMBER		4043			4044			4044			4045						
NODE		4043			4044			4044			4045						
		SHEAR	TORQUE	MOMENT	SHEAR	TORQUE	MOMENT	SHEAR	TORQUE	MOMENT	SHEAR	TORQUE	MOMENT				
NAME	TITLE	S2 (kN)	TQ (kN·m)	M3 (kN·m)	S2 (kN)	TQ (kN·m)	M3 (kN·m)	S2 (kN)	TQ (kN·m)	M3 (kN·m)	S2 (kN)	TQ (kN·m)	M3 (kN·m)				
67	2-LANES (caseTANDEM-LOAD	MAX	S2	127.08	-18.07	2383.52	112.89	14.95	2658.24	112.89	52.22	2657.77	98.81	83.77	2855.60		
			TQ	52.42	116.49	1159.22	52.42	116.49	1400.87	55.33	136.88	1467.39	55.33	136.88	1724.78		
			M3	72.53	-14.04	2733.64	84.74	11.56	2794.30	84.74	50.74	2793.86	94.39	77.28	2923.23		
		MIN	S2	-71.43	-27.97	2636.18	-85.31	3.24	2599.94	-85.31	39.69	2599.64	-99.69	73.25	2484.53		
			TQ	-30.61	-83.83	1400.35	-30.61	-83.83	1259.22	-28.28	-66.44	1186.11	-28.28	-66.44	1054.56		
			M3	7.00	9.71	-383.37	7.00	9.71	-351.10	7.00	4.78	-351.20	7.00	4.78	-318.63		
			DISPERSION-LMAX	S2	117.22	154.14	1682.41	102.75	156.12	1871.17	102.75	182.34	1868.80	90.12	174.45	2014.38	
				TQ	90.14	159.90	1790.63	88.34	159.90	2203.29	77.73	197.45	2991.99	53.38	197.45	3296.94	
				M3	57.51	53.38	4564.40	33.32	53.38	4773.77	33.32	120.30	4772.55	8.97	120.30	4870.90	
			MIN	S2	-47.64	-83.74	2221.27	-57.37	-85.72	2297.49	-57.37	-53.50	2298.47	-69.09	-45.61	2307.37	
				TQ	-20.56	-89.50	2113.05	-42.96	-89.50	1965.37	-32.35	-68.61	1175.28	-32.35	-68.61	1024.80	
				M3	12.07	17.02	-660.73	12.07	17.02	-605.10	12.07	8.54	-605.28	12.07	8.54	-549.15	
		68	2-LANES (caseTRUCK-LOAD	MAX	S2	403.24	-50.33	4374.92	277.23	121.14	4816.11	277.23	188.65	4813.94	179.88	307.62	4642.19
					TQ	108.69	318.91	2192.79	108.69	318.91	2693.85	116.18	358.57	2848.20	116.18	358.57	3388.65
					M3	365.75	-94.99	4426.13	240.24	75.02	4891.05	240.24	143.58	4889.52	132.62	280.50	4713.41
MIN	S2			-135.32	-204.21	4280.80	-231.67	-83.82	4751.26	-231.67	-17.20	4751.97	-358.69	156.96	4621.09		
	TQ			-74.72	-259.13	2946.63	-74.72	-259.13	2602.17	-68.24	-223.28	2430.29	-68.24	-223.28	2112.85		
	M3			10.46	49.85	-571.31	10.46	49.85	-523.10	10.46	42.51	-523.75	10.46	42.51	-475.11		
	TANDEM-LOAD			MAX	S2	316.34	-91.47	3290.46	227.13	25.91	3641.63	227.13	76.96	3640.91	142.84	185.96	3495.15
				TQ	71.97	218.13	1473.61	71.97	218.13	1805.41	82.27	244.75	1992.33	82.27	244.75	2375.04	
				M3	316.34	-91.47	3290.46	227.13	25.91	3641.63	227.13	76.96	3640.91	142.84	185.96	3495.15	
	MIN			S2	-112.48	-114.16	3276.75	-196.44	-5.75	3632.07	-196.44	45.17	3631.80	-286.02	163.81	3491.92	
				TQ	-45.94	-177.06	1874.22	-45.94	-177.06	1662.44	-44.47	-153.84	1623.38	-44.47	-153.84	1416.52	
				M3	7.12	34.38	-389.24	7.12	34.38	-356.40	7.12	29.38	-356.84	7.12	29.38	-323.70	

BAGO RIVER BRIDGE

BLOCK [ No.1 : MAIN GIRDER ] [ BEAM MEMBER FORCE ]

MEMBER		4043			4044			4044			4045						
NODE		4043			4044			4044			4045						
		SHEAR	TORQUE	MOMENT	SHEAR	TORQUE	MOMENT	SHEAR	TORQUE	MOMENT	SHEAR	TORQUE	MOMENT				
NAME	TITLE	S2 (kN)	TQ (kN·m)	M3 (kN·m)	S2 (kN)	TQ (kN·m)	M3 (kN·m)	S2 (kN)	TQ (kN·m)	M3 (kN·m)	S2 (kN)	TQ (kN·m)	M3 (kN·m)				
68	2-LANES (caseDISPERSION-LMAX	S2	180.08	319.92	1972.55	131.21	328.29	2055.94	131.21	357.08	2051.14	97.51	336.08	1925.91			
		TQ	131.76	328.30	1471.24	130.80	328.30	2077.56	112.95	360.08	2432.35	35.23	360.08	2777.78			
		M3	113.02	70.12	4856.94	35.92	70.12	5200.64	35.92	143.02	5199.14	-41.80	143.02	5186.23			
		MIN	S2	-54.86	-193.00	2217.64	-83.09	-201.37	2534.20	-83.09	-165.82	2536.77	-127.11	-144.82	2705.85		
		TQ	-6.53	-201.38	2718.95	-82.68	-201.38	2512.58	-64.83	-168.82	2155.56	-64.83	-168.82	1853.98			
		M3	12.20	56.80	-666.75	12.20	56.80	-610.50	12.20	48.24	-611.23	12.20	48.24	-554.47			
		69	3-LANES (caseTRUCK-LOAD	MAX	S2	70.59	-320.47	2360.39	70.59	-320.47	2685.81	70.59	-282.79	2690.04	70.59	-282.79	3018.40
				TQ	-29.58	296.59	2794.23	-29.58	296.59	2657.84	-29.32	333.95	2666.64	-29.32	333.95	2530.25	
				M3	12.25	-25.19	3327.14	27.70	-90.44	3418.41	28.04	-46.23	3419.35	36.72	-97.44	3569.21	
MIN	S2			-34.43	265.91	2372.03	-34.43	265.91	2213.28	-34.43	296.91	2209.34	-34.43	296.91	2049.16		
TQ	69.35			-326.21	2423.12	69.35	-326.21	2742.82	69.16	-288.09	2702.17	69.16	-288.09	3023.88			
M3	15.12			-57.14	-831.06	15.12	-57.14	-761.34	15.12	-67.81	-760.47	15.12	-67.81	-690.12			
TANDEM-LOAD	MAX			S2	48.59	-217.80	1615.90	48.59	-217.80	1839.92	48.59	-191.98	1842.80	48.59	-191.98	2068.84	
TQ	-20.84			204.16	1877.57	-20.84	204.16	1781.48	-19.05	229.43	1854.91	-19.05	229.43	1766.27			
M3	6.60			-11.11	2266.69	16.41	-45.02	2326.21	16.41	-12.40	2326.62	25.82	-62.77	2430.53			
MIN	S2	-24.04	187.36	1690.69	-24.04	187.36	1579.85	-24.04	209.49	1577.07	-24.04	209.49	1465.23				
TQ	48.16	-223.39	1686.32	48.16	-223.39	1908.34	47.59	-197.16	1842.09	47.59	-197.16	2063.45					
M3	10.30	-39.28	-565.84	10.30	-39.28	-518.37	10.30	-46.55	-517.77	10.30	-46.55	-469.87					
DISPERSION-LMAX	S2	80.34	-302.45	2123.74	80.34	-302.45	2494.13	80.34	-267.45	2498.13	80.34	-267.45	2871.86				
TQ	-24.56	235.65	2768.48	-24.56	235.65	2655.25	-23.15	273.82	2826.16	-23.15	273.82	2718.47					
M3	34.44	-39.03	5229.06	34.44	-39.03	5387.83	34.44	36.51	5387.85	34.44	36.51	5548.05					
MIN	S2	-28.07	195.43	2125.52	-28.07	195.43	1996.10	-28.07	223.39	1993.17	-28.07	223.39	1862.58				
TQ	76.83	-342.67	1480.79	76.83	-342.67	1834.99	75.42	-317.88	1665.13	75.42	-317.88	2015.97					
M3	17.83	-67.99	-979.79	17.83	-67.99	-897.59	17.83	-80.56	-896.55	17.83	-80.56	-813.62					

BAGO RIVER BRIDGE

BLOCK [ No.1 : MAIN GIRDER ][ BEAM MEMBER FORCE ]

MEMBER				4043			4044			4045					
NODE				4043			4044			4044			4045		
				SHEAR	TORQUE	MOMENT	SHEAR	TORQUE	MOMENT	SHEAR	TORQUE	MOMENT	SHEAR	TORQUE	MOMENT
NAME TITLE				S2 (kN)	TQ (kN·m)	M3 (kN·m)	S2 (kN)	TQ (kN·m)	M3 (kN·m)	S2 (kN)	TQ (kN·m)	M3 (kN·m)	S2 (kN)	TQ (kN·m)	M3 (kN·m)
70	3-LANES (caseTRUCK-LOAD	MAX	S2	459.89	-43.85	5723.23	333.68	127.88	6423.21	333.68	217.92	6420.79	236.16	337.11	6509.46
			TQ	140.62	370.81	2932.21	140.62	370.81	3580.50	152.44	423.96	3844.64	152.44	423.96	4553.75
			M3	354.49	-85.02	6201.46	264.80	77.11	6646.89	264.80	170.29	6645.15	183.64	306.56	6616.74
		MIN	S2	-172.34	-198.03	5985.12	-268.98	-77.34	6287.26	-268.98	10.81	6287.73	-396.01	184.91	5983.65
			TQ	-93.67	-289.91	3872.23	-93.67	-289.91	3440.39	-84.09	-242.91	3151.42	-84.09	-242.91	2760.26
			M3	15.48	34.18	-847.43	15.48	34.18	-776.04	15.48	23.30	-776.45	15.48	23.30	-704.42
	TANDEM-LOAD	MAX	S2	356.80	-85.61	4173.31	267.59	31.80	4710.75	267.59	97.84	4709.84	183.26	206.93	4751.82
			TQ	94.31	253.89	1991.11	94.31	253.89	2425.92	105.82	289.52	2643.16	105.82	289.52	3135.42
			M3	302.24	-81.58	4523.43	239.44	28.42	4846.81	239.44	96.36	4845.94	178.83	200.43	4819.45
		MIN	S2	-139.94	-111.00	4418.20	-223.98	-2.53	4647.50	-223.98	62.62	4647.08	-313.62	181.26	4379.34
			TQ	-57.99	-198.27	2470.82	-57.99	-198.27	2203.50	-55.65	-167.63	2131.90	-55.65	-167.63	1873.02
			M3	10.55	23.59	-577.19	10.55	23.59	-528.57	10.55	16.17	-528.85	10.55	16.17	-479.79
	DISPERSION-LMAX	MAX	S2	225.29	342.22	2708.33	175.86	350.50	2955.22	175.86	391.90	2950.01	141.22	370.49	3013.74
			TQ	163.24	354.28	2537.65	161.44	354.28	3287.34	139.03	408.08	4265.80	60.13	408.08	4731.07
			M3	130.07	95.95	7066.59	51.62	95.95	7486.41	51.62	200.89	7484.32	-27.28	200.89	7542.99
		MIN	S2	-77.07	-205.28	3364.81	-106.08	-213.56	3621.43	-106.08	-162.77	3624.07	-150.35	-141.36	3703.44
			TQ	-15.02	-217.34	3535.49	-91.67	-217.34	3289.31	-69.26	-178.96	2308.29	-69.26	-178.96	1986.12
			M3	18.15	40.99	-993.44	18.15	40.99	-909.76	18.15	28.23	-910.24	18.15	28.23	-825.81
71	3-LANES (caseTRUCK-LOAD	MAX	S2	459.49	-43.47	5721.15	333.48	128.00	6421.67	333.48	218.01	6419.24	236.13	336.99	6509.15
			TQ	140.61	370.71	2932.15	140.61	370.71	3580.40	152.44	423.85	3844.60	152.44	423.85	4553.69
			M3	354.21	-84.73	6199.60	264.68	77.17	6644.97	264.68	170.32	6643.24	183.65	306.41	6616.18
		MIN	S2	-172.30	-198.06	5984.57	-268.65	-77.67	6284.55	-268.65	10.44	6285.03	-395.67	184.60	5982.13
			TQ	-93.67	-289.91	3872.23	-93.67	-289.91	3440.39	-84.09	-242.90	3151.42	-84.09	-242.90	2760.26
			M3	15.62	61.66	-853.83	15.62	61.66	-781.82	15.62	50.69	-782.61	15.62	50.69	-709.95

BAGO RIVER BRIDGE

BLOCK [ No.1 : MAIN GIRDER ][ BEAM MEMBER FORCE ]

MEMBER		4043			4044			4044			4045						
NODE		4043			4044			4044			4045						
		SHEAR	TORQUE	MOMENT	SHEAR	TORQUE	MOMENT	SHEAR	TORQUE	MOMENT	SHEAR	TORQUE	MOMENT				
NAME	TITLE	S2 (kN)	TQ (kN·m)	M3 (kN·m)	S2 (kN)	TQ (kN·m)	M3 (kN·m)	S2 (kN)	TQ (kN·m)	M3 (kN·m)	S2 (kN)	TQ (kN·m)	M3 (kN·m)				
71	3-LANES (case)	TANDEM-LOAD MAX	S2	356.73	-85.57	4172.92	267.52	31.81	4710.29	267.52	97.85	4709.38	183.23	206.85	4751.50		
			TQ	94.31	253.83	1991.08	94.31	253.83	2425.87	105.82	289.44	2643.11	105.82	289.44	3135.35		
			M3	302.18	-81.51	4523.06	239.36	28.44	4846.33	239.36	96.38	4845.45	178.80	200.36	4819.09		
		MIN	S2	-139.94	-111.01	4418.10	-223.90	-2.60	4646.88	-223.90	62.55	4646.46	-313.47	181.18	4378.88		
			TQ	-57.99	-198.27	2470.82	-57.99	-198.27	2203.50	-55.65	-167.63	2131.90	-55.65	-167.63	1873.02		
			M3	10.64	42.54	-581.67	10.64	42.54	-532.62	10.64	35.07	-533.16	10.64	35.07	-483.66		
		DISPERSION-LMAX	S2	225.26	370.96	2703.25	176.03	379.24	2952.46	176.03	420.59	2946.85	141.41	399.31	3012.10		
			TQ	165.84	382.62	2400.58	164.05	382.62	3162.26	146.20	432.92	3918.25	67.51	432.92	4416.10		
			M3	130.03	89.89	7061.11	51.95	89.89	7480.97	51.95	194.76	7478.98	-26.74	194.76	7538.38		
		MIN	S2	-76.99	-211.31	3360.11	-105.83	-219.59	3614.90	-105.83	-168.88	3617.63	-149.91	-147.60	3696.68		
			TQ	-17.57	-222.96	3662.78	-93.85	-222.96	3405.10	-76.00	-181.21	2646.23	-76.00	-181.21	2292.68		
			M3	18.25	69.76	-997.75	18.25	69.76	-913.61	18.25	56.95	-914.50	18.25	56.95	-829.61		
		72	4-LANES	TRUCK-LOAD MAX	S2	20.67	62.24	-1130.63	20.67	62.24	-1035.34	20.67	47.71	-1036.12	20.67	47.71	-939.97
					TQ	20.67	62.24	-1130.63	20.67	62.24	-1035.34	14.03	49.87	-702.91	14.03	49.87	-637.65
					M3	-6.05	-5.06	331.31	-6.05	-5.06	303.43	-6.05	-0.81	303.47	-6.05	-0.81	275.34
MIN	S2			-6.05	-5.06	331.31	-6.05	-5.06	303.43	-6.05	-0.81	303.47	-6.05	-0.81	275.34		
	TQ			-4.90	-5.58	268.50	-4.90	-5.58	245.90	1.10	-4.33	-55.55	1.10	-4.33	-50.41		
	M3			20.67	62.24	-1130.63	20.67	62.24	-1035.34	20.67	47.71	-1036.12	20.67	47.71	-939.97		
TANDEM-LOAD MAX	S2			14.13	44.09	-772.61	14.13	44.09	-707.49	14.13	34.16	-708.04	14.13	34.16	-642.33		
	TQ			14.13	44.09	-772.61	14.13	44.09	-707.49	9.60	35.51	-480.75	9.60	35.51	-436.11		
	M3			-4.11	-3.51	225.17	-4.11	-3.51	206.22	-4.11	-0.62	206.25	-4.11	-0.62	187.13		
MIN	S2			-4.11	-3.51	225.17	-4.11	-3.51	206.22	-4.11	-0.62	206.25	-4.11	-0.62	187.13		
	TQ			-3.29	-3.80	180.45	-3.29	-3.80	165.26	0.76	-2.97	-38.02	0.76	-2.97	-34.51		
	M3			14.13	44.09	-772.61	14.13	44.09	-707.49	14.13	34.16	-708.04	14.13	34.16	-642.33		

BAGO RIVER BRIDGE

BLOCK [ No.1 : MAIN GIRDER ][ BEAM MEMBER FORCE ]

MEMBER			4043			4044			4044			4045					
NODE			4043			4044			4044			4045					
			SHEAR	TORQUE	MOMENT	SHEAR	TORQUE	MOMENT	SHEAR	TORQUE	MOMENT	SHEAR	TORQUE	MOMENT			
NAME	TITLE		S2 (kN)	TQ (kN·m)	M3 (kN·m)	S2 (kN)	TQ (kN·m)	M3 (kN·m)	S2 (kN)	TQ (kN·m)	M3 (kN·m)	S2 (kN)	TQ (kN·m)	M3 (kN·m)			
72	4-LANES	DISPERSION-LMAX	S2	14.57	37.58	-797.19	14.57	37.58	-730.02	14.57	27.34	-730.48	14.57	27.34	-662.71		
			TQ	12.51	37.97	-684.53	12.51	37.97	-626.84	8.53	30.59	-427.24	8.53	30.59	-387.57		
			M3	-7.36	-6.06	403.04	-7.36	-6.06	369.12	-7.36	-0.88	369.17	-7.36	-0.88	334.95		
		MIN	S2	-7.36	-6.06	403.04	-7.36	-6.06	369.12	-7.36	-0.89	369.17	-7.36	-0.89	334.95		
			TQ	-5.47	-6.86	299.82	-5.47	-6.86	274.58	-1.40	-4.44	70.27	-1.40	-4.44	63.75		
			M3	14.57	37.54	-797.19	14.57	37.53	-730.02	14.57	27.31	-730.48	14.57	27.31	-662.71		
		73	6-LANES	TRUCK-LOAD MAX	S2	502.23	-333.08	8009.64	389.78	-175.19	8998.72	389.78	-49.02	9000.29	302.65	60.00	9450.15
					TQ	105.21	609.21	5781.31	105.21	609.21	6266.36	118.35	699.33	6594.32	118.35	699.33	7144.84
					M3	335.11	-70.61	9513.63	277.54	7.94	10004.26	277.68	117.98	10003.45	226.21	172.65	10167.80
MIN	S2			-202.55	77.34	8338.63	-288.48	190.55	8445.54	-288.48	308.93	8442.04	-397.86	469.49	8007.93		
	TQ			-17.73	-564.19	6434.77	-17.73	-564.19	6353.04	-6.96	-478.52	6007.49	-6.96	-478.52	5975.11		
	M3			30.73	5.61	-1684.31	30.73	5.61	-1542.63	30.73	-16.01	-1542.55	30.73	-16.01	-1399.59		
TANDEM-LOAD MAX	S2			381.73	-281.56	5733.51	301.94	-172.99	6462.85	301.94	-82.37	6464.64	226.98	17.08	6756.86		
	TQ			70.60	418.55	3971.81	70.60	418.55	4297.31	81.94	479.76	4509.78	81.94	479.76	4890.93		
	M3			281.34	-75.58	6764.08	239.49	-9.42	7109.80	239.53	81.82	7109.31	201.56	120.14	7218.37		
MIN	S2			-159.51	80.11	6067.53	-233.39	180.84	6154.13	-233.39	267.10	6150.99	-309.16	375.53	5795.39		
	TQ			-6.03	-387.00	4255.47	-6.03	-387.00	4227.69	-0.98	-329.31	4003.86	-0.98	-329.31	3999.29		
	M3			20.93	4.01	-1147.09	20.93	4.01	-1050.60	20.93	-10.72	-1050.55	20.93	-10.72	-953.19		
DISPERSION-LMAX	S2			284.27	83.80	4354.83	237.16	91.77	4922.48	237.16	160.77	4920.71	204.55	140.83	5327.19		
	TQ			129.62	569.39	4736.50	127.82	569.39	5331.17	110.89	651.89	6349.21	36.02	651.89	6691.46		
	M3			149.16	52.14	11474.03	74.65	54.10	11990.26	74.65	221.91	11988.32	-0.22	222.25	12161.99		
MIN	S2	-100.22	-17.93	5243.39	-127.66	-25.92	5348.10	-127.66	49.06	5347.94	-169.75	69.33	5297.06				
	TQ	53.24	-517.82	4843.46	-19.85	-517.82	4919.44	-0.90	-456.95	3846.28	-0.90	-456.95	3842.08				
	M3	34.57	7.40	-1894.55	34.57	7.28	-1735.18	34.57	-16.78	-1735.11	34.57	-16.82	-1574.31				

BAGO RIVER BRIDGE

BLOCK [ No.1 : MAIN GIRDER ][ BEAM MEMBER FORCE ]

MEMBER			4043			4044			4044			4045			
NODE			4043			4044			4044			4045			
NAME TITLE			SHEAR	TORQUE	MOMENT	SHEAR	TORQUE	MOMENT	SHEAR	TORQUE	MOMENT	SHEAR	TORQUE	MOMENT	
			S2 (kN)	TQ (kN·m)	M3 (kN·m)	S2 (kN)	TQ (kN·m)	M3 (kN·m)	S2 (kN)	TQ (kN·m)	M3 (kN·m)	S2 (kN)	TQ (kN·m)	M3 (kN·m)	
124	SUM TOTAL	D+1LANE (caseMAX	S2	792.08	-173.39	38889.44	524.36	-173.39	41923.96	524.36	414.38	41922.27	253.99	414.38	43732.62
			TQ	736.58	462.22	39079.85	468.86	462.22	41858.49	469.08	1049.04	41875.97	198.70	1049.04	43429.13
			M3	765.97	61.12	40195.78	498.25	61.12	43109.91	498.25	665.49	43104.82	227.87	665.49	44793.69
		MIN	S2	729.83	392.29	38426.28	462.12	392.29	41173.82	462.12	969.49	41164.28	191.74	969.49	42685.05
			TQ	787.85	-218.02	38610.59	520.13	-218.02	41625.61	519.92	365.54	41596.50	249.54	365.54	43386.16
			M3	758.44	87.92	36523.52	490.72	87.92	39402.93	490.72	640.32	39397.83	220.34	640.32	41051.67
		D+1LANE (caseMAX	S2	821.19	7.97	39196.79	553.47	7.97	42365.51	553.47	601.92	42361.23	283.10	601.92	44306.99
			TQ	710.04	284.55	39903.45	442.33	284.55	42559.76	443.51	882.12	42668.01	173.13	882.12	44102.23
			M3	759.50	181.64	41154.60	507.13	138.01	44069.76	507.13	755.83	44063.50	242.13	740.27	45810.44
		MIN	S2	708.70	281.49	39662.28	440.98	281.49	42312.37	440.98	874.66	42304.27	170.60	874.66	43726.72
			TQ	820.65	6.18	39023.22	552.94	6.18	42189.46	551.93	596.79	42070.40	281.55	596.79	44008.97
			M3	758.57	133.42	36517.83	490.86	133.42	39397.87	490.86	685.74	39392.13	220.48	685.74	41046.59
		D+1LANE (caseMAX	S2	867.02	218.70	39739.12	598.87	218.60	43068.09	598.87	822.37	43060.79	327.39	822.02	45195.99
			TQ	821.59	277.03	39409.41	552.87	277.03	42577.84	555.17	880.62	43329.94	283.62	880.62	45280.87
			M3	751.86	199.21	42019.97	526.16	189.48	44906.85	526.16	819.03	44899.78	286.53	818.06	46758.18
		MIN	S2	674.37	148.55	40662.25	405.91	148.65	43202.41	405.91	754.31	43196.08	135.47	754.66	44474.42
			TQ	712.22	99.83	39329.88	444.35	99.83	41995.69	450.96	682.45	41221.87	180.59	682.45	42690.76
			M3	758.68	167.91	36512.92	490.97	167.91	39393.47	490.97	720.17	39387.25	220.59	720.17	41042.24
		D+1LANE (caseMAX	S2	1217.31	351.55	41270.54	781.54	505.47	44546.69	781.54	1129.95	44535.22	390.92	1210.74	45814.03
			TQ	911.97	647.04	39667.79	644.25	647.04	43254.99	632.42	1254.91	43476.96	296.81	1254.91	45639.18
			M3	1148.20	125.63	43075.27	689.99	270.80	46554.46	689.99	923.44	46546.09	249.04	1037.04	47864.83
		MIN	S2	616.00	-159.98	41351.14	232.18	-69.56	44788.12	232.18	558.35	44784.69	-204.51	723.02	46271.49
			TQ	697.54	-196.59	40986.54	365.17	-196.59	43436.64	380.11	410.83	43197.54	109.73	410.83	44336.85
			M3	758.97	236.11	36500.02	491.25	236.11	39381.88	491.25	788.20	39374.70	220.87	788.20	41031.00

BAGO RIVER BRIDGE

BLOCK [ No.1 : MAIN GIRDER ][ BEAM MEMBER FORCE ]

MEMBER			4043			4044			4044			4045			
NODE			4043			4044			4044			4045			
NAME TITLE			SHEAR	TORQUE	MOMENT	SHEAR	TORQUE	MOMENT	SHEAR	TORQUE	MOMENT	SHEAR	TORQUE	MOMENT	
			S2 (kN)	TQ (kN·m)	M3 (kN·m)	S2 (kN)	TQ (kN·m)	M3 (kN·m)	S2 (kN)	TQ (kN·m)	M3 (kN·m)	S2 (kN)	TQ (kN·m)	M3 (kN·m)	
124	SUM TOTAL	D+2LANES (casMAX	S2	833.03	-334.93	40102.70	565.31	-334.93	43326.00	565.31	272.51	43326.44	294.94	272.51	45327.27
			TQ	720.58	589.76	40592.39	452.86	589.76	43297.27	453.55	1197.00	43375.42	183.18	1197.00	44856.36
			M3	780.20	79.04	42543.25	515.15	50.15	45532.08	515.48	684.75	45526.92	249.31	646.52	47301.40
		MIN	S2	713.34	521.39	39728.21	445.62	521.39	42399.72	445.62	1115.76	42388.25	175.25	1115.76	43832.31
			TQ	828.73	-379.40	39667.12	561.01	-379.40	42870.57	560.25	221.06	42747.93	289.87	221.06	44725.21
			M3	767.24	58.32	36040.18	499.52	58.32	38960.15	499.52	604.52	38955.51	229.14	604.52	40650.27
		D+2LANES (casMAX	S2	857.29	-183.79	40358.82	589.57	-183.79	43693.96	589.57	428.79	43692.24	319.20	428.79	45805.91
			TQ	698.47	441.69	41278.72	430.75	441.69	43881.66	432.25	1057.91	44035.45	161.87	1057.91	45417.28
			M3	774.81	179.48	43342.26	522.55	114.22	46331.96	522.88	760.04	46325.81	261.19	708.83	48148.69
		MIN	S2	695.73	429.06	40758.21	428.01	429.06	43348.51	428.01	1036.74	43338.24	157.63	1036.74	44700.37
			TQ	856.06	-192.56	40010.97	588.34	-192.56	43340.45	586.93	413.76	43142.85	316.55	413.76	45244.22
			M3	767.35	96.24	36035.44	499.63	96.24	38955.93	499.63	642.37	38950.76	229.25	642.37	40646.05
		D+2LANES (casMAX	S2	1036.72	310.06	42317.83	733.81	361.54	45705.37	733.81	1002.27	45695.81	431.65	1032.66	47705.17
			TQ	910.43	490.07	40695.22	640.92	490.07	44272.47	640.75	1120.12	45297.11	346.02	1120.12	47592.22
			M3	893.81	199.20	45650.07	617.25	240.15	48784.08	617.25	924.06	48775.92	329.27	965.52	50629.36
		MIN	S2	603.76	22.62	43170.74	307.59	59.39	46029.35	307.59	704.69	46023.99	4.66	762.93	47481.26
			TQ	676.29	-50.76	41531.43	386.17	-50.76	43979.23	405.15	558.15	42918.72	134.77	558.15	44174.49
			M3	767.67	191.78	36021.39	499.95	191.78	38943.36	499.95	737.73	38936.84	229.58	737.73	40633.63
		D+2LANES (casMAX	S2	1328.65	430.30	43592.50	886.05	610.13	46936.05	886.05	1268.09	46922.88	484.62	1366.08	48218.74
			TQ	985.77	807.92	40909.05	717.09	807.92	44835.40	706.74	1441.01	45338.34	358.64	1441.01	47817.06
			M3	1224.10	135.83	46528.10	753.76	305.85	50155.68	753.76	1008.97	50146.46	298.05	1145.89	51550.28
		MIN	S2	555.14	-236.51	43743.47	162.85	-124.48	47349.44	162.85	539.35	47346.53	-278.57	734.50	48977.58
			TQ	664.07	-299.80	42910.61	320.21	-299.80	45178.74	344.54	330.27	44643.65	74.16	330.27	45617.47
			M3	767.98	267.36	36006.97	500.27	267.36	38930.39	500.27	813.11	38922.82	229.89	813.11	40621.06

BAGO RIVER BRIDGE

BLOCK [ No.1 : MAIN GIRDER ][ BEAM MEMBER FORCE ]

MEMBER				4043			4044			4045						
NODE				4043			4044			4045						
				SHEAR	TORQUE	MOMENT	SHEAR	TORQUE	MOMENT	SHEAR	TORQUE	MOMENT				
NAME	TITLE			S2 (kN)	TQ (kN·m)	M3 (kN·m)	S2 (kN)	TQ (kN·m)	M3 (kN·m)	S2 (kN)	TQ (kN·m)	M3 (kN·m)				
124	SUM TOTAL	D+3LANES	casMAX	S2	873.61	-368.77	41056.54	605.90	-368.77	44466.94	605.90	254.67	44467.74	335.52	254.67	46657.36
				TQ	699.30	613.12	41973.33	431.58	613.12	44580.12	433.01	1238.97	44726.68	162.63	1238.97	46112.05
				M3	785.01	106.12	44517.79	530.43	50.65	47549.29	530.71	714.10	47543.92	267.72	670.57	49400.31
			MIN	S2	692.19	552.84	41067.95	424.48	552.84	43641.97	424.48	1164.63	43629.93	154.10	1164.63	44975.62
				TQ	869.57	-407.84	40563.36	601.86	-407.84	43955.13	600.50	207.30	43770.01	330.12	207.30	45934.51
				M3	773.33	54.35	35705.81	505.62	54.35	38653.89	505.62	596.25	38649.33	235.24	596.25	40372.46
		D+3LANES	casMAX	S2	1327.73	414.32	44411.86	910.72	567.33	48035.66	910.72	1240.71	48022.98	528.00	1323.83	49745.36
				TQ	1003.61	777.03	41894.42	734.36	777.03	45901.65	725.36	1429.60	46951.67	387.91	1429.60	49542.74
				M3	1157.20	170.00	48522.87	746.57	307.81	52077.29	746.57	1037.87	52067.86	340.13	1153.70	53686.41
			MIN	S2	533.32	-182.10	45192.47	158.81	-86.56	48486.37	158.81	593.21	48482.82	-257.18	759.38	49884.67
				TQ	652.93	-270.45	43541.60	320.07	-270.45	45784.24	347.26	363.79	44698.55	76.89	363.79	45685.05
				M3	773.91	224.61	35680.29	506.20	224.61	38631.06	506.20	766.17	38624.11	235.82	766.17	40349.94
		D+3LANES	casMAX	S2	1327.37	439.08	44405.78	910.69	591.86	48031.99	910.69	1265.19	48018.98	528.14	1348.23	49743.70
				TQ	1005.81	801.03	41777.85	736.57	801.03	45795.26	731.45	1450.63	46656.22	394.18	1450.63	49274.96
				M3	1156.92	165.09	48516.64	746.74	302.71	52071.04	746.74	1032.69	52061.68	340.61	1148.37	53682.01
			MIN	S2	533.43	-187.26	45188.01	159.30	-91.96	48478.53	159.30	587.69	48475.05	-256.51	753.82	49877.63
				TQ	650.77	-275.23	43649.79	318.22	-275.23	45882.65	341.53	361.87	44985.80	71.15	361.87	45945.63
				M3	774.11	272.42	35671.19	506.40	272.42	38622.87	506.40	813.86	38615.26	236.02	813.86	40342.01
		D+4LANES	MAX	S2	768.23	225.59	35991.95	500.51	225.59	38916.50	500.51	771.16	38909.51	230.14	771.16	40608.90
				TQ	766.89	225.84	36065.17	499.18	225.84	38983.57	492.27	774.67	39323.20	221.89	774.67	40984.25
				M3	736.61	153.48	37722.36	468.89	153.48	40501.15	468.89	721.27	40495.01	198.52	721.27	42047.32
			MIN	S2	736.61	153.48	37722.36	468.89	153.48	40501.15	468.89	721.27	40495.01	198.52	721.27	42047.32
				TQ	738.58	152.62	37614.44	470.86	152.62	40402.30	477.41	716.67	40067.37	207.04	716.67	41659.31
				M3	768.23	225.56	35991.95	500.51	225.56	38916.50	500.51	771.14	38909.51	230.14	771.14	40608.90



BAGO RIVER BRIDGE

BLOCK [ No.1 : MAIN GIRDER ][ BEAM MEMBER FORCE ]

MEMBER					4043			4044			4045		
NODE					4043			4044			4045		
					SHEAR	TORQUE	MOMENT	SHEAR	TORQUE	MOMENT	SHEAR	TORQUE	MOMENT
NAME	TITLE				S2 (kN)	TQ (kN·m)	M3 (kN·m)	S2 (kN)	TQ (kN·m)	M3 (kN·m)	S2 (kN)	TQ (kN·m)	M3 (kN·m)
124	SUM TOTAL	D+6LANES	MAX	S2	1256.55	-1.33	45281.93	885.11	106.49	49112.77	885.11	795.01	49106.45
				TQ	897.96	926.80	44081.61	629.08	926.80	47602.38	626.61	1600.66	48471.09
				M3	1060.09	148.70	50887.01	706.53	201.03	54360.42	706.62	943.29	54352.45
			MIN	S2	548.52	199.33	46073.34	207.11	267.72	49029.86	207.11	955.07	49021.29
				TQ	768.40	-542.60	44575.88	453.18	-542.60	47391.10	472.50	114.31	46462.74
				M3	787.77	169.17	34918.78	520.05	169.09	37933.42	520.05	701.06	37927.32
	SUM TOTAL	MAX			1328.65	926.80	50887.01	910.72	926.80	54360.42	910.72	1600.66	54352.45
		MIN			533.32	-542.60	34918.78	158.81	-542.60	37933.42	158.81	114.31	37927.32
300	DEAD LOAD	TOTAL			745.32	160.71	37245.03	477.61	160.71	40063.99	477.61	722.37	40057.80
301	LIVE LOAD	1-LANE (case1MAX	S2		46.76	-334.10	1644.41	46.76	-334.10	1859.97	46.76	-307.99	1864.47
			TQ		-8.75	301.51	1834.82	-8.75	301.51	1794.50	-8.53	326.67	1818.18
			M3		20.64	-99.59	2950.75	20.64	-99.59	3045.92	20.64	-56.88	3047.02
			MIN	S2	-15.49	231.58	1181.25	-15.49	231.58	1109.83	-15.49	247.12	1106.48
				TQ	42.53	-378.73	1365.56	42.53	-378.73	1561.62	42.31	-356.83	1538.70
				M3	13.11	-72.79	-721.51	13.11	-72.79	-661.06	13.11	-82.05	-659.97
		1-LANE (case2MAX	S2		75.87	-152.73	1951.76	75.87	-152.73	2301.52	75.87	-120.45	2303.44
			TQ		-35.28	123.84	2658.42	-35.28	123.84	2495.77	-34.10	159.76	2610.21
			M3		14.18	20.93	3909.57	29.52	-22.70	4005.77	29.52	33.46	4005.70
			MIN	S2	-36.63	120.79	2417.25	-36.63	120.79	2248.39	-36.63	152.29	2246.47
				TQ	75.33	-154.52	1778.19	75.33	-154.52	2125.47	74.32	-125.58	2012.60
				M3	13.25	-27.29	-727.20	13.25	-27.29	-666.12	13.25	-36.62	-665.67
		1-LANE (case3MAX	S2		121.69	57.99	2494.09	121.26	57.89	3004.10	121.26	100.00	3003.00
			TQ		76.27	116.33	2164.38	75.26	116.33	2513.85	77.57	158.25	3272.14
			M3		6.54	38.50	4774.94	48.56	28.77	4842.86	48.56	96.67	4841.98
			MIN	S2	-70.95	-12.16	3417.22	-71.69	-12.06	3138.42	-71.69	31.94	3138.28
				TQ	-33.10	-60.88	2084.84	-33.26	-60.88	1931.70	-26.64	-39.92	1164.07
				M3	13.36	7.20	-732.11	13.36	7.20	-670.51	13.36	-2.20	-670.55

BAGO RIVER BRIDGE

BLOCK [ No.1 : MAIN GIRDER ][ BEAM MEMBER FORCE ]

MEMBER			4043			4044			4044			4045			
NODE			4043			4044			4044			4045			
NAME TITLE			SHEAR	TORQUE	MOMENT	SHEAR	TORQUE	MOMENT	SHEAR	TORQUE	MOMENT	SHEAR	TORQUE	MOMENT	
			S2 (kN)	TQ (kN·m)	M3 (kN·m)	S2 (kN)	TQ (kN·m)	M3 (kN·m)	S2 (kN)	TQ (kN·m)	M3 (kN·m)	S2 (kN)	TQ (kN·m)	M3 (kN·m)	
301	LIVE LOAD	1-LANE (case4MAX	S2	471.99	190.84	4025.51	303.93	344.77	4482.70	303.93	407.58	4477.42	183.69	488.37	4163.40
			TQ	166.64	486.33	2422.76	166.64	486.33	3191.01	154.82	532.54	3419.16	89.58	532.54	3988.54
			M3	402.87	-35.08	5830.24	212.38	110.09	6490.47	212.38	201.07	6488.29	41.81	314.67	6214.20
			MIN S2	-129.33	-320.69	4106.11	-245.43	-230.27	4724.13	-245.43	-164.02	4726.89	-411.74	0.65	4620.86
			TQ	-47.78	-357.30	3741.51	-112.44	-357.30	3372.65	-97.50	-311.54	3139.74	-97.50	-311.54	2686.21
			M3	13.64	75.40	-745.01	13.64	75.40	-682.11	13.64	65.83	-683.10	13.64	65.83	-619.64
		2-LANES (caseMAX	S2	87.71	-495.64	2857.67	87.71	-495.64	3262.01	87.71	-449.86	3268.64	87.71	-449.86	3676.63
			TQ	-24.75	429.05	3347.36	-24.75	429.05	3233.28	-24.05	474.63	3317.62	-24.05	474.63	3205.73
			M3	34.88	-81.66	5298.22	37.54	-110.56	5468.09	37.87	-37.61	5469.12	42.08	-75.85	5650.77
			MIN S2	-31.98	360.68	2483.18	-31.98	360.68	2335.73	-31.98	393.39	2330.45	-31.98	393.39	2181.67
			TQ	83.40	-540.11	2422.09	83.40	-540.11	2806.58	82.64	-501.31	2690.13	82.64	-501.31	3074.57
			M3	21.91	-102.39	-1204.85	21.91	-102.39	-1103.84	21.91	-117.85	-1102.29	21.91	-117.85	-1000.36
		2-LANES (caseMAX	S2	111.97	-344.50	3113.79	111.97	-344.50	3629.97	111.97	-293.58	3634.44	111.97	-293.58	4155.28
			TQ	-46.86	280.98	4033.69	-46.86	280.98	3817.67	-45.36	335.54	3977.65	-45.36	335.54	3766.64
			M3	29.49	18.77	6097.23	44.94	-46.48	6267.97	45.27	37.67	6268.01	53.96	-13.54	6498.06
			MIN S2	-49.60	268.35	3513.18	-49.60	268.35	3284.53	-49.60	314.37	3280.44	-49.60	314.37	3049.73
			TQ	110.74	-353.27	2765.94	110.74	-353.27	3276.46	109.32	-308.61	3085.05	109.32	-308.61	3593.58
			M3	22.02	-64.47	-1209.59	22.02	-64.47	-1108.06	22.02	-80.00	-1107.04	22.02	-80.00	-1004.59
		2-LANES (caseMAX	S2	291.40	149.35	5072.80	256.21	200.83	5641.39	256.21	279.90	5638.02	224.42	310.29	6054.53
			TQ	165.11	329.36	3450.19	163.31	329.36	4208.48	163.14	397.75	5239.31	138.79	397.75	5941.58
			M3	148.49	38.49	8405.04	139.64	79.44	8720.10	139.64	201.69	8718.13	122.04	243.15	8978.73
			MIN S2	-141.56	-138.08	5925.71	-170.02	-101.32	5965.36	-170.02	-17.68	5966.19	-202.57	40.56	5830.63
			TQ	-69.04	-211.47	4286.40	-91.44	-211.47	3915.24	-72.46	-164.22	2860.92	-72.46	-164.22	2523.86
			M3	22.35	31.07	-1223.64	22.35	31.07	-1120.63	22.35	15.36	-1120.96	22.35	15.36	-1017.01

BAGO RIVER BRIDGE

BLOCK [ No.1 : MAIN GIRDER ][ BEAM MEMBER FORCE ]

MEMBER			4043			4044			4044			4045			
NODE			4043			4044			4044			4045			
NAME TITLE			SHEAR	TORQUE	MOMENT	SHEAR	TORQUE	MOMENT	SHEAR	TORQUE	MOMENT	SHEAR	TORQUE	MOMENT	
			S2 (kN)	TQ (kN·m)	M3 (kN·m)	S2 (kN)	TQ (kN·m)	M3 (kN·m)	S2 (kN)	TQ (kN·m)	M3 (kN·m)	S2 (kN)	TQ (kN·m)	M3 (kN·m)	
301	LIVE LOAD	2-LANES (caseMAX	S2	583.32	269.60	6347.47	408.44	449.42	6872.06	408.44	545.72	6865.08	277.39	643.71	6568.10
			TQ	240.44	647.21	3664.02	239.49	647.21	4771.41	229.13	718.64	5280.55	151.41	718.64	6166.43
			M3	478.77	-24.88	9283.07	276.16	145.14	10091.69	276.16	286.60	10088.66	90.82	423.52	9899.64
			MIN S2	-190.18	-397.21	6498.44	-314.76	-285.19	7285.45	-314.76	-183.02	7288.73	-485.80	12.13	7326.94
			TQ	-81.25	-460.51	5665.58	-157.40	-460.51	5114.75	-133.07	-392.10	4585.85	-133.07	-392.10	3966.83
			M3	22.66	106.65	-1238.06	22.66	106.65	-1133.60	22.66	90.74	-1134.98	22.66	90.74	-1029.58
		3-LANES (caseMAX	S2	128.29	-529.48	3811.51	128.29	-529.48	4402.95	128.29	-467.70	4409.94	128.29	-467.70	5006.72
			TQ	-46.02	452.41	4728.30	-46.02	452.41	4516.13	-44.60	516.60	4668.88	-44.60	516.60	4461.41
			M3	39.69	-54.59	7272.76	52.82	-110.06	7485.30	53.10	-8.27	7486.12	60.49	-51.80	7749.68
			MIN S2	-53.13	392.13	3822.92	-53.13	392.13	3577.98	-53.13	442.26	3572.13	-53.13	442.26	3324.98
			TQ	124.25	-568.55	3318.32	124.25	-568.55	3891.14	122.89	-515.07	3712.21	122.89	-515.07	4283.87
			M3	28.01	-106.36	-1539.23	28.01	-106.36	-1410.10	28.01	-126.12	-1408.47	28.01	-126.12	-1278.17
		3-LANES (caseMAX	S2	582.40	253.62	7166.82	433.11	406.62	7971.67	433.11	518.34	7965.18	320.77	601.46	8094.72
			TQ	258.28	616.32	4649.39	256.75	616.32	5837.66	247.75	707.23	6893.87	180.68	707.23	7892.10
			M3	411.87	9.29	11277.84	268.96	147.10	12013.30	268.96	315.50	12010.06	132.90	431.33	12035.77
			MIN S2	-212.00	-342.81	7947.44	-318.80	-247.27	8422.39	-318.80	-129.16	8425.02	-464.41	37.01	8234.03
			TQ	-92.39	-431.16	6296.56	-157.54	-431.16	5720.25	-130.34	-358.58	4640.75	-130.34	-358.58	4034.42
			M3	28.59	63.90	-1564.74	28.59	63.90	-1432.93	28.59	43.80	-1433.69	28.59	43.80	-1300.69
		3-LANES (caseMAX	S2	582.04	278.37	7160.75	433.09	431.15	7968.00	433.09	542.82	7961.18	320.91	625.86	8093.06
			TQ	260.49	640.33	4532.82	258.96	640.33	5731.27	253.84	728.26	6598.42	186.95	728.26	7624.32
			M3	411.60	4.39	11271.61	269.13	142.00	12007.05	269.13	310.32	12003.88	133.37	426.00	12031.38
			MIN S2	-211.90	-347.96	7942.98	-318.31	-252.67	8414.54	-318.31	-134.68	8417.26	-463.74	31.45	8226.99
			TQ	-94.55	-435.94	6404.76	-159.39	-435.94	5818.66	-136.08	-360.50	4928.00	-136.08	-360.50	4295.00
			M3	28.79	111.71	-1573.84	28.79	111.71	-1441.12	28.79	91.49	-1442.54	28.79	91.49	-1308.63

BAGO RIVER BRIDGE

BLOCK [ No.1 : MAIN GIRDER ][ BEAM MEMBER FORCE ]

MEMBER					4043			4044			4045					
NODE					4043			4044			4045					
NAME TITLE					SHEAR	TORQUE	MOMENT	SHEAR	TORQUE	MOMENT	SHEAR	TORQUE	MOMENT			
					S2 (kN)	TQ (kN·m)	M3 (kN·m)	S2 (kN)	TQ (kN·m)	M3 (kN·m)	S2 (kN)	TQ (kN·m)	M3 (kN·m)			
301	LIVE LOAD	4-LANES	MAX	S2	22.90	64.88	-1253.08	22.90	64.88	-1147.49	22.90	48.79	-1148.29	22.90	48.79	-1041.74
				TQ	21.57	65.14	-1179.86	21.57	65.14	-1080.42	14.66	52.30	-734.60	14.66	52.30	-666.39
				M3	-8.71	-7.23	477.33	-8.71	-7.23	437.16	-8.71	-1.10	437.22	-8.71	-1.10	396.68
			MIN	S2	-8.71	-7.23	477.33	-8.71	-7.23	437.16	-8.71	-1.10	437.22	-8.71	-1.10	396.68
				TQ	-6.74	-8.09	369.41	-6.74	-8.09	338.31	-0.19	-5.70	9.57	-0.19	-5.70	8.67
				M3	22.90	64.85	-1253.09	22.90	64.85	-1147.49	22.90	48.77	-1148.29	22.90	48.77	-1041.74
		6-LANES	MAX	S2	511.23	-162.04	8036.90	407.51	-54.22	9048.78	407.51	72.64	9048.65	329.68	130.53	9605.28
				TQ	152.64	766.09	6836.57	151.47	766.09	7538.39	149.00	878.29	8413.30	100.34	878.29	8993.59
				M3	314.77	-12.01	13641.98	228.93	40.32	14296.44	229.01	220.92	14294.65	146.89	256.68	14514.36
			MIN	S2	-196.80	38.62	8828.31	-270.49	107.01	8965.87	-270.49	232.70	8963.49	-368.94	350.23	8648.24
				TQ	23.08	-703.30	7330.85	-24.43	-703.30	7327.12	-5.11	-608.06	6404.95	-5.11	-608.06	6381.17
				M3	42.45	8.46	-2326.25	42.45	8.38	-2130.57	42.45	-21.31	-2130.48	42.45	-21.34	-1933.04
		LIVE LOAD	MAX		583.32	766.09	13641.98	433.11	766.09	14296.44	433.11	878.29	14294.65	329.68	878.29	14514.36
			MIN		-212.00	-703.30	-2326.25	-318.80	-703.30	-2130.57	-318.80	-608.06	-2130.48	-485.80	-608.06	-1933.04
		303	SUM TOTAL	TOTAL	MAX		1328.65	926.80	50887.01	910.72	926.80	54360.42	910.72	1600.66	54352.45	536.91
MIN					533.32	-542.60	34918.78	158.81	-542.60	37933.42	158.81	114.31	37927.32	-278.57	114.31	39717.60

BAGO RIVER BRIDGE

BLOCK [ No.1 : MAIN GIRDER ] [ BEAM MEMBER FORCE ]

MEMBER NODE	4045	4046			4046			4047						
		SHEAR	TORQUE	MOMENT	SHEAR	TORQUE	MOMENT	SHEAR	TORQUE	MOMENT	SHEAR	TORQUE	MOMENT	
NAME TITLE	S2 (kN)	TQ (kN·m)	M3 (kN·m)	S2 (kN)	TQ (kN·m)	M3 (kN·m)	S2 (kN)	TQ (kN·m)	M3 (kN·m)	S2 (kN)	TQ (kN·m)	M3 (kN·m)		
1 PAVEMENT	42.88	110.18	6568.71	-3.21	110.18	6661.88	-3.21	110.18	6661.88	-49.29	110.18	6538.58		
3 RAILING	3.77	4.21	197.66	-0.12	4.21	206.23	-0.12	4.21	206.23	-4.00	4.21	196.55		
5 CURB	37.28	41.63	1956.84	-1.17	41.63	2041.65	-1.17	41.63	2041.65	-39.62	41.63	1945.86		
7 DECK WEIGHT	77.22	176.12	10814.74	1.32	176.12	10999.22	1.32	176.12	10999.22	-74.57	176.12	10827.20		
8 GIRDER WEIGH	76.55	231.44	15365.98	-11.27	231.44	15519.33	-11.27	231.44	15519.33	-99.07	231.44	15260.19		
10 MEDIAN STRIP	19.87	33.06	3513.98	19.87	33.06	3607.30	19.87	33.06	3607.30	19.87	33.06	3700.61		
21 ADITIONAL WE	21.62	49.31	3028.13	0.37	49.31	3079.78	0.37	49.31	3079.78	-20.88	49.31	3031.62		
31 MEDIAN RAILI	-0.16	2.44	202.90	-0.16	2.44	202.15	-0.16	2.44	202.15	-0.16	2.44	201.40		
51 SUPPORT WEIG	0.00	-0.00	-0.00	0.00	-0.00	-0.00	0.00	-0.00	-0.00	0.00	-0.00	0.00		
52 NOSE WEIGHT	-0.00	0.00	0.00	-0.00	0.00	0.00	-0.00	0.00	0.00	-0.00	0.00	0.00		
61 1-LANE(case1TRUCK-LOAD	MAX	S2	5.75	-69.71	512.70	5.75	-69.71	539.72	5.75	-69.71	539.72	5.75	-69.71	566.74
		TQ	-11.34	210.52	870.10	-11.34	210.52	816.84	-11.34	210.52	816.84	-11.34	210.52	763.58
		M3	-2.75	111.59	962.50	-2.75	111.59	949.59	-2.75	111.59	949.59	-2.75	111.59	936.68
	MIN	S2	-13.61	197.29	749.91	-13.61	197.29	685.96	-13.61	197.29	685.96	-13.61	197.29	622.01
		TQ	4.38	-73.11	650.17	4.38	-73.11	670.74	4.38	-73.11	670.74	4.38	-73.11	691.30
		M3	5.22	-30.80	-228.88	5.22	-30.80	-204.36	5.22	-30.80	-204.36	5.22	-30.80	-179.84
	TANDEM-LOAD MAX	S2	4.10	-46.88	330.19	4.10	-46.88	349.45	4.10	-46.88	349.45	4.10	-46.88	368.71
		TQ	-7.38	144.09	599.85	-7.38	144.09	565.18	-7.38	144.09	565.18	-7.38	144.09	530.52
		M3	-1.64	81.63	651.87	-1.64	81.63	644.14	-1.64	81.63	644.14	-1.64	81.63	636.42
	MIN	S2	-9.40	132.08	496.19	-9.40	132.08	452.05	-9.40	132.08	452.05	-9.40	132.08	407.91
		TQ	3.45	-51.00	425.39	3.45	-51.00	441.62	3.45	-51.00	441.62	3.45	-51.00	457.84
		M3	3.55	-21.16	-155.83	3.55	-21.16	-139.13	3.55	-21.16	-139.13	3.55	-21.16	-122.43
	DISPERSION-LMAX	S2	8.89	-72.31	48.94	8.89	-72.31	90.73	8.89	-72.31	90.73	8.89	-72.31	132.50
		TQ	-14.00	214.94	1187.21	-14.00	214.94	1121.43	-14.00	214.94	1121.43	-14.00	214.94	1055.66
		M3	-11.76	172.98	1656.80	-11.76	172.98	1601.56	-11.76	172.98	1601.56	-11.76	172.98	1546.32
	MIN	S2	-14.49	208.59	1337.75	-14.49	208.59	1269.67	-14.49	208.59	1269.67	-14.49	208.59	1201.60
		TQ	8.40	-78.65	199.48	8.40	-78.65	238.96	8.40	-78.65	238.96	8.40	-78.65	278.44
		M3	6.16	-36.69	-270.11	6.16	-36.69	-241.16	6.16	-36.69	-241.16	6.16	-36.69	-212.22

BAGO RIVER BRIDGE

BLOCK [ No.1 : MAIN GIRDER ] [ BEAM MEMBER FORCE ]

MEMBER				4045			4046			4047					
NODE				4045			4046			4046			4047		
				SHEAR	TORQUE	MOMENT	SHEAR	TORQUE	MOMENT	SHEAR	TORQUE	MOMENT	SHEAR	TORQUE	MOMENT
NAME	TITLE			S2 (kN)	TQ (kN·m)	M3 (kN·m)	S2 (kN)	TQ (kN·m)	M3 (kN·m)	S2 (kN)	TQ (kN·m)	M3 (kN·m)	S2 (kN)	TQ (kN·m)	M3 (kN·m)
62	1-LANE (case2TRUCK-LOAD	MAX	S2	19.51	-32.93	941.96	19.51	-32.93	1033.62	19.51	-32.93	1033.62	19.51	-32.93	1125.25
			TQ	-24.22	89.22	1324.71	-24.22	89.22	1210.92	-24.22	89.22	1210.92	-24.22	89.22	1097.14
			M3	-16.39	75.80	1424.48	-5.93	47.04	1381.42	-5.93	47.04	1381.42	2.33	20.27	1377.33
		MIN	S2	-24.86	87.73	1243.21	-24.86	87.73	1126.43	-24.86	87.73	1126.43	-24.86	87.73	1009.67
			TQ	19.41	-33.54	879.12	19.41	-33.54	970.29	19.41	-33.54	970.29	19.41	-33.54	1061.44
			M3	5.14	-13.45	-231.12	5.14	-13.45	-206.97	5.14	-13.45	-206.97	5.14	-13.45	-182.83
		TANDEM-LOAD MAX	S2	13.55	-22.69	658.26	13.55	-22.69	721.92	13.55	-22.69	721.92	13.55	-22.69	785.57
			TQ	-17.08	61.02	885.61	-17.08	61.02	805.39	-17.08	61.02	805.39	-17.08	61.02	725.17
			M3	-10.32	50.65	974.63	-2.50	27.42	941.09	-2.50	27.42	941.09	5.31	1.29	937.52
		MIN	S2	-17.25	60.60	862.87	-17.25	60.60	781.81	-17.25	60.60	781.81	-17.25	60.60	700.77
			TQ	13.21	-23.08	574.75	13.21	-23.08	636.82	13.21	-23.08	636.82	13.21	-23.08	698.89
			M3	3.50	-9.22	-157.37	3.50	-9.22	-140.92	3.50	-9.22	-140.92	3.50	-9.22	-124.48
		DISPERSION-LMAX	S2	18.73	-35.80	485.91	18.73	-35.80	573.89	18.73	-35.80	573.89	18.73	-35.80	661.87
			TQ	-21.92	85.39	1414.02	-21.92	85.39	1311.04	-21.92	85.39	1311.04	-21.92	85.39	1208.07
			M3	-9.70	64.27	2041.98	-9.70	64.27	1996.43	-9.70	64.27	1996.43	-9.70	64.27	1950.89
MIN	S2	-22.37	84.17	1283.89	-22.37	84.17	1178.79	-22.37	84.17	1178.79	-22.37	84.17	1073.71		
	TQ	18.28	-37.02	355.77	18.28	-37.02	441.65	18.28	-37.02	441.65	18.28	-37.02	527.51		
	M3	6.05	-15.89	-272.18	6.05	-15.89	-243.74	6.05	-15.89	-243.74	6.05	-15.89	-215.31		
63	1-LANE (case3TRUCK-LOAD	MAX	S2	46.17	-0.24	1396.84	46.17	-0.24	1613.74	46.17	-0.24	1613.74	46.17	-0.24	1830.61
			TQ	26.17	36.84	762.33	26.17	36.84	885.26	26.17	36.84	885.26	26.17	36.84	1008.16
			M3	-20.66	8.60	1902.83	-11.30	6.21	1815.09	-11.30	6.21	1815.09	24.12	-3.63	1895.48
		MIN	S2	-45.18	6.13	1852.65	-45.18	6.13	1640.41	-45.18	6.13	1640.41	-45.18	6.13	1428.20
			TQ	-23.19	-33.33	1004.58	-23.19	-33.33	895.62	-23.19	-33.33	895.62	-23.19	-33.33	786.68
			M3	5.09	-0.30	-233.09	5.09	-0.30	-209.20	5.09	-0.30	-209.20	5.09	-0.30	-185.32

BAGO RIVER BRIDGE

BLOCK [ No.1 : MAIN GIRDER ][ BEAM MEMBER FORCE ]

MEMBER		4045			4046			4046			4047						
NODE		4045			4046			4046			4047						
		SHEAR	TORQUE	MOMENT	SHEAR	TORQUE	MOMENT	SHEAR	TORQUE	MOMENT	SHEAR	TORQUE	MOMENT				
NAME	TITLE	S2 (kN)	TQ (kN·m)	M3 (kN·m)	S2 (kN)	TQ (kN·m)	M3 (kN·m)	S2 (kN)	TQ (kN·m)	M3 (kN·m)	S2 (kN)	TQ (kN·m)	M3 (kN·m)				
63	1-LANE (case3TANDEM-LOAD	MAX	S2	33.56	0.74	912.09	33.56	0.74	1069.74	33.56	0.74	1069.74	33.56	0.74	1227.37		
			TQ	16.68	25.50	492.06	16.68	25.50	570.44	16.68	25.50	570.44	16.68	25.50	648.80		
			M3	-20.22	8.94	1324.01	-3.19	2.64	1249.18	-3.19	2.64	1249.18	22.79	-5.59	1317.56		
		MIN	S2	-32.78	3.47	1243.37	-32.78	3.47	1089.40	-32.78	3.47	1089.40	-32.78	3.47	935.45		
			TQ	-16.24	-23.02	702.30	-16.24	-23.02	626.03	-16.24	-23.02	626.03	-16.24	-23.02	549.77		
			M3	3.46	-0.17	-158.73	3.46	-0.17	-142.47	3.46	-0.17	-142.47	3.46	-0.17	-126.20		
			DISPERSION-LMAX	S2	32.85	19.24	651.38	32.66	19.36	773.32	32.66	19.36	773.32	31.85	19.41	894.69	
			TQ	11.98	26.61	1007.21	11.94	26.61	1063.36	11.94	26.61	1063.36	11.90	26.61	1119.41		
			M3	-4.35	-1.54	2353.26	-5.33	-1.54	2330.51	-5.33	-1.54	2330.51	-6.31	-1.54	2303.16		
		MIN	S2	-31.23	-20.91	1427.99	-32.02	-21.03	1311.36	-32.02	-21.03	1311.36	-32.19	-21.09	1190.70		
			TQ	-10.36	-28.28	1072.16	-11.30	-28.28	1021.32	-11.30	-28.28	1021.32	-12.24	-28.28	965.98		
			M3	5.97	-0.14	-273.90	5.97	-0.14	-245.83	5.97	-0.14	-245.83	5.97	-0.14	-217.77		
		64	1-LANE (case4TRUCK-LOAD	MAX	S2	277.57	-81.51	2468.79	171.45	39.30	2714.03	171.45	39.30	2714.03	92.57	122.98	2444.81
					TQ	57.51	145.96	1300.27	57.51	145.96	1570.46	57.51	145.96	1570.46	57.51	145.96	1840.60
					M3	255.11	-111.58	2508.19	62.06	-70.74	2780.89	62.06	-70.74	2780.89	-43.55	49.41	2518.04
MIN	S2			-87.53	-184.19	2458.76	-166.01	-101.52	2727.84	-166.01	-101.52	2727.84	-272.07	19.18	2485.70		
	TQ			-53.77	-206.70	1891.67	-53.77	-206.70	1639.10	-53.77	-206.70	1639.10	-53.77	-206.70	1386.55		
	M3			5.01	26.46	-238.51	5.01	26.46	-214.99	5.01	26.46	-214.99	5.01	26.46	-191.48		
	TANDEM-LOAD			MAX	S2	223.83	-96.39	1895.82	148.63	-10.18	2108.51	148.63	-10.18	2108.51	78.22	69.87	1893.99
	TQ			44.15	99.98	963.61	44.15	99.98	1171.03	44.15	99.98	1171.03	44.15	99.98	1378.42		
	M3			223.83	-96.39	1895.82	11.48	-32.26	2110.46	11.48	-32.26	2110.46	-63.77	54.37	1899.85		
MIN	S2			-74.58	-111.69	1894.23	-144.88	-32.26	2110.46	-144.88	-32.26	2110.46	-220.13	54.37	1899.85		
	TQ			-41.27	-140.65	1402.11	-41.27	-140.65	1208.23	-41.27	-140.65	1208.23	-41.27	-140.65	1014.37		
	M3			3.41	18.27	-162.52	3.41	18.27	-146.50	3.41	18.27	-146.50	3.41	18.27	-130.49		

BAGO RIVER BRIDGE

BLOCK [ No.1 : MAIN GIRDER ][ BEAM MEMBER FORCE ]

MEMBER		4045			4046			4046			4047						
NODE		4045			4046			4046			4047						
		SHEAR	TORQUE	MOMENT	SHEAR	TORQUE	MOMENT	SHEAR	TORQUE	MOMENT	SHEAR	TORQUE	MOMENT				
NAME	TITLE	S2 (kN)	TQ (kN·m)	M3 (kN·m)	S2 (kN)	TQ (kN·m)	M3 (kN·m)	S2 (kN)	TQ (kN·m)	M3 (kN·m)	S2 (kN)	TQ (kN·m)	M3 (kN·m)				
64	1-LANE (case4DISPERSION-LMAX	S2	95.51	116.32	999.79	61.18	127.55	988.66	61.18	127.55	988.66	40.06	123.62	847.18			
		TQ	58.04	127.56	663.86	58.04	127.56	936.50	58.04	127.56	936.51	10.11	127.56	1105.61			
		M3	51.94	-93.74	2669.71	-2.95	-93.74	2785.69	-2.95	-93.74	2785.69	-57.83	-93.74	2643.83			
		MIN	S2	-37.73	-179.83	1391.94	-58.29	-191.06	1546.49	-58.29	-191.06	1546.49	-92.06	-187.13	1573.53		
		TQ	-0.26	-191.07	1727.87	-55.15	-191.07	1598.64	-55.15	-191.07	1598.64	-62.10	-191.07	1315.10			
		M3	5.84	30.23	-277.98	5.84	30.23	-250.55	5.84	30.23	-250.55	5.84	30.23	-223.12			
		65	2-LANES (caseTRUCK-LOAD	MAX	S2	16.92	-124.20	1208.49	16.92	-124.20	1287.98	16.92	-124.20	1287.98	16.92	-124.20	1367.47
				TQ	-28.52	359.38	1920.62	-28.52	359.38	1786.63	-28.52	359.38	1786.63	-28.52	359.38	1652.65	
				M3	-8.24	197.81	2144.94	-7.00	186.08	2107.67	-7.00	186.08	2107.67	-4.41	154.84	2078.14	
MIN	S2			-31.21	344.78	1733.15	-31.21	344.78	1586.52	-31.21	344.78	1586.52	-31.21	344.78	1439.91		
TQ	15.55			-127.59	1345.96	15.55	-127.59	1419.00	15.55	-127.59	1419.00	15.55	-127.59	1492.03			
M3	10.40			-52.93	-458.85	10.40	-52.93	-410.00	10.40	-52.93	-410.00	10.40	-52.93	-361.16			
TANDEM-LOAD	MAX			S2	11.81	-84.25	849.33	11.81	-84.25	904.83	11.81	-84.25	904.83	11.81	-84.25	960.32	
TQ	-19.39			245.91	1301.21	-19.39	245.91	1210.13	-19.39	245.91	1210.13	-19.39	245.91	1119.07			
M3	-5.74			146.24	1456.04	-3.82	124.23	1430.84	-3.82	124.23	1430.84	-3.19	116.57	1413.42			
MIN	S2	-21.52	233.51	1178.78	-21.52	233.51	1077.68	-21.52	233.51	1077.68	-21.52	233.51	976.60				
TQ	11.17	-88.37	944.53	11.17	-88.37	997.00	11.17	-88.37	997.00	11.17	-88.37	1049.45					
M3	7.08	-36.36	-312.40	7.08	-36.36	-279.13	7.08	-36.36	-279.13	7.08	-36.36	-245.87					
DISPERSION-LMAX	S2	21.93	-130.77	387.86	21.93	-130.77	490.90	21.93	-130.77	490.90	21.93	-130.77	593.92				
TQ	-31.61	365.68	2496.19	-31.61	365.68	2347.70	-31.61	365.68	2347.70	-31.61	365.68	2199.22					
M3	-22.51	290.88	3505.98	-22.51	290.88	3400.22	-22.51	290.88	3400.22	-22.51	290.88	3294.48					
MIN	S2	-32.18	358.66	2576.87	-32.18	358.66	2425.71	-32.18	358.66	2425.71	-32.18	358.66	2274.57				
TQ	21.37	-137.79	468.53	21.37	-137.79	568.91	21.37	-137.79	568.91	21.37	-137.79	669.28					
M3	12.27	-63.00	-541.25	12.27	-63.00	-483.61	12.27	-63.00	-483.61	12.27	-63.00	-425.98					



BAGO RIVER BRIDGE

BLOCK [ No.1 : MAIN GIRDER ][ BEAM MEMBER FORCE ]

MEMBER				4045			4046			4047					
NODE				4045			4046			4046			4047		
				SHEAR	TORQUE	MOMENT	SHEAR	TORQUE	MOMENT	SHEAR	TORQUE	MOMENT	SHEAR	TORQUE	MOMENT
NAME	TITLE			S2 (kN)	TQ (kN·m)	M3 (kN·m)	S2 (kN)	TQ (kN·m)	M3 (kN·m)	S2 (kN)	TQ (kN·m)	M3 (kN·m)	S2 (kN)	TQ (kN·m)	M3 (kN·m)
66	2-LANES (caseTRUCK-LOAD	MAX	S2	30.68	-87.42	1637.76	30.68	-87.42	1781.88	30.68	-87.42	1781.88	30.68	-87.42	1925.98
			TQ	-41.41	238.07	2375.24	-41.41	238.07	2180.71	-41.41	238.07	2180.71	-41.41	238.07	1986.20
			M3	-21.88	162.03	2606.92	-10.19	121.53	2539.50	-10.19	121.53	2539.50	0.67	63.52	2518.79
		MIN	S2	-42.46	235.22	2226.45	-42.46	235.22	2026.99	-42.46	235.23	2026.99	-42.46	235.23	1827.57
			TQ	30.58	-88.02	1574.91	30.58	-88.02	1718.55	30.58	-88.02	1718.55	30.58	-88.02	1862.17
			M3	10.32	-35.59	-461.09	10.32	-35.59	-412.61	10.32	-35.59	-412.61	10.32	-35.59	-364.14
		TANDEM-LOAD MAX	S2	21.27	-60.06	1177.40	21.27	-60.06	1277.30	21.27	-60.06	1277.30	21.27	-60.06	1377.18
			TQ	-29.09	162.83	1586.98	-29.09	162.83	1450.34	-29.09	162.83	1450.34	-29.09	162.83	1313.72
			M3	-14.41	115.27	1778.80	-4.67	70.02	1727.79	-4.67	70.02	1727.79	3.77	36.22	1714.51
		MIN	S2	-29.38	162.04	1545.45	-29.38	162.04	1407.44	-29.38	162.04	1407.44	-29.38	162.04	1269.45
			TQ	20.93	-60.44	1093.89	20.93	-60.44	1192.20	20.93	-60.44	1192.20	20.93	-60.44	1290.50
			M3	7.03	-24.42	-313.94	7.03	-24.42	-280.93	7.03	-24.42	-280.93	7.03	-24.42	-247.92
		DISPERSION-LMAX	S2	31.77	-94.27	824.83	31.77	-94.27	974.07	31.77	-94.27	974.07	31.77	-94.27	1123.29
			TQ	-39.53	236.14	2723.00	-39.53	236.14	2537.30	-39.53	236.14	2537.30	-39.53	236.14	2351.63
			M3	-20.45	182.17	3891.15	-20.45	182.17	3795.09	-20.45	182.17	3795.09	-20.45	182.17	3699.05
MIN	S2	-40.06	234.24	2523.00	-40.06	234.24	2334.83	-40.06	234.24	2334.83	-40.06	234.24	2146.69		
	TQ	31.24	-96.16	624.83	31.24	-96.16	771.60	31.24	-96.16	771.60	31.24	-96.16	918.35		
	M3	12.16	-42.20	-543.32	12.16	-42.20	-486.19	12.16	-42.20	-486.19	12.16	-42.20	-429.07		
67	2-LANES (caseTRUCK-LOAD	MAX	S2	155.20	-34.46	3569.68	133.83	13.00	3831.77	133.83	13.00	3831.77	114.36	51.74	3973.91
			TQ	65.50	118.25	1757.71	65.50	118.25	2065.43	65.50	118.25	2065.43	65.50	118.25	2373.11
			M3	73.09	-38.28	4107.55	7.54	-23.88	4077.51	7.54	-23.88	4077.51	21.61	13.61	4100.54
		MIN	S2	-110.57	-74.68	4014.73	-129.94	-36.79	3870.05	-129.94	-36.79	3870.05	-151.32	10.57	3607.20
			TQ	-55.39	-144.80	2294.54	-55.39	-144.80	2034.32	-55.39	-144.80	2034.32	-55.39	-144.80	1774.14
			M3	10.14	8.17	-467.87	10.14	8.17	-420.22	10.14	8.17	-420.22	10.14	8.17	-372.58

BAGO RIVER BRIDGE

BLOCK [ No.1 : MAIN GIRDER ][ BEAM MEMBER FORCE ]

MEMBER		4045			4046			4046			4047						
NODE		4045			4046			4046			4047						
		SHEAR	TORQUE	MOMENT	SHEAR	TORQUE	MOMENT	SHEAR	TORQUE	MOMENT	SHEAR	TORQUE	MOMENT				
NAME	TITLE	S2 (kN)	TQ (kN·m)	M3 (kN·m)	S2 (kN)	TQ (kN·m)	M3 (kN·m)	S2 (kN)	TQ (kN·m)	M3 (kN·m)	S2 (kN)	TQ (kN·m)	M3 (kN·m)				
67	2-LANES (caseTANDEM-LOAD	MAX	S2	114.37	-38.22	2511.13	99.71	-5.19	2708.21	99.71	-5.19	2708.21	85.30	26.66	2819.23		
			TQ	41.81	81.50	1137.65	41.81	81.50	1334.09	41.81	81.50	1334.09	41.81	81.50	1530.50		
			M3	60.59	-30.02	2923.05	-0.32	-11.77	2889.28	-0.32	-11.77	2889.28	10.95	13.32	2914.54		
		MIN	S2	-82.60	-42.34	2840.81	-96.93	-10.94	2729.50	-96.93	-10.94	2729.50	-111.66	22.38	2532.42		
			TQ	-38.77	-99.60	1602.35	-38.77	-99.60	1420.20	-38.77	-99.60	1420.20	-38.77	-99.60	1238.07		
			M3	6.91	5.70	-318.64	6.91	5.70	-286.20	6.91	5.70	-286.20	6.91	5.70	-253.75		
			DISPERSION-LMAX	S2	91.93	79.87	1578.10	78.51	84.67	1652.89	78.51	84.67	1652.89	67.05	83.59	1671.34	
			TQ	50.80	92.41	1620.40	50.77	92.41	1858.93	50.77	92.41	1858.93	38.95	92.41	2083.51		
			M3	15.11	-49.24	4870.62	-9.41	-49.24	4884.01	-9.41	-49.24	4884.01	-33.92	-49.24	4782.26		
		MIN	S2	-64.92	-118.98	2743.35	-76.01	-123.78	2737.86	-76.01	-123.78	2737.86	-89.06	-122.70	2673.56		
			TQ	-23.79	-131.52	2701.05	-48.27	-131.52	2531.82	-48.27	-131.52	2531.82	-60.97	-131.52	2261.39		
			M3	11.90	10.12	-549.17	11.90	10.12	-493.26	11.90	10.12	-493.26	11.90	10.12	-437.36		
		68	2-LANES (caseTRUCK-LOAD	MAX	S2	386.53	-115.71	4641.50	259.07	52.52	4931.83	259.07	52.52	4931.83	160.75	174.93	4587.97
					TQ	96.85	227.34	2295.63	96.85	227.34	2750.61	96.85	227.34	2750.61	96.85	227.34	3205.52
					M3	348.79	-158.43	4712.77	80.88	-100.82	5043.08	80.88	-100.82	5043.08	-46.03	66.64	4722.96
MIN	S2			-152.91	-264.97	4620.73	-250.73	-144.42	4957.26	-250.73	-144.42	4957.26	-378.13	23.61	4664.56		
	TQ			-85.96	-318.17	3181.63	-85.96	-318.17	2777.80	-85.96	-318.17	2777.80	-85.96	-318.17	2374.02		
	M3			10.04	44.13	-475.20	10.04	44.13	-428.05	10.04	44.13	-428.05	10.04	44.13	-380.90		
	TANDEM-LOAD			MAX	S2	304.58	-135.32	3494.72	214.75	-16.11	3746.76	214.75	-16.11	3746.76	129.95	95.78	3485.72
	TQ			69.28	155.97	1609.20	69.28	155.97	1934.67	69.28	155.97	1934.67	69.28	155.97	2260.09		
	M3			304.58	-135.32	3494.73	14.36	-46.65	3750.35	14.36	-46.65	3750.35	-75.59	73.26	3496.69		
MIN	S2			-124.39	-157.47	3491.55	-209.00	-46.65	3750.35	-209.00	-46.65	3750.35	-298.95	73.26	3496.69		
	TQ			-63.81	-217.23	2302.16	-63.81	-217.23	2002.40	-63.81	-217.23	2002.40	-63.81	-217.23	1702.68		
	M3			6.84	30.49	-323.77	6.84	30.49	-291.66	6.84	30.49	-291.66	6.84	30.49	-259.55		

BAGO RIVER BRIDGE

BLOCK [ No.1 : MAIN GIRDER ][ BEAM MEMBER FORCE ]

MEMBER		4045			4046			4046			4047						
NODE		4045			4046			4046			4047						
		SHEAR	TORQUE	MOMENT	SHEAR	TORQUE	MOMENT	SHEAR	TORQUE	MOMENT	SHEAR	TORQUE	MOMENT				
NAME	TITLE	S2 (kN)	TQ (kN·m)	M3 (kN·m)	S2 (kN)	TQ (kN·m)	M3 (kN·m)	S2 (kN)	TQ (kN·m)	M3 (kN·m)	S2 (kN)	TQ (kN·m)	M3 (kN·m)				
68	2-LANES (caseDISPERSION-LMAX	S2	154.53	186.56	1925.16	106.98	202.48	1866.65	106.98	202.48	1866.65	75.22	197.41	1622.08			
		TQ	98.19	202.65	1212.62	98.19	202.65	1673.90	98.19	202.65	1673.90	38.51	202.65	2017.81			
		M3	71.42	-143.51	5185.90	-6.99	-143.51	5338.17	-6.99	-143.51	5338.17	-85.38	-143.51	5122.13			
		MIN	S2	-71.38	-279.95	2706.17	-102.24	-295.87	2972.02	-102.24	-295.87	2972.02	-148.88	-290.80	3055.62		
		TQ	-15.04	-296.04	3418.71	-93.45	-296.04	3164.78	-93.45	-296.04	3164.77	-112.17	-296.04	2659.89			
		M3	11.72	50.12	-554.58	11.72	50.12	-499.50	11.72	50.12	-499.50	11.72	50.12	-444.43			
		69	3-LANES (caseTRUCK-LOAD	MAX	S2	36.43	-157.13	2150.45	36.43	-157.13	2321.60	36.43	-157.13	2321.60	36.43	-157.13	2492.72
				TQ	-52.75	448.60	3245.34	-52.75	448.60	2997.54	-52.75	448.60	2997.54	-52.75	448.60	2749.78	
				M3	-24.63	273.61	3569.42	-12.94	233.12	3489.09	-12.94	233.12	3489.09	-2.08	175.10	3455.47	
MIN	S2			-56.07	432.51	2976.35	-56.07	432.51	2712.95	-56.07	432.51	2712.95	-56.07	432.51	2449.58		
TQ	34.95			-161.13	2225.08	34.95	-161.13	2389.29	34.95	-161.13	2389.29	34.95	-161.13	2553.47			
M3	15.54			-66.38	-689.97	15.54	-66.38	-616.97	15.54	-66.38	-616.97	15.54	-66.38	-543.99			
TANDEM-LOAD	MAX			S2	25.36	-106.94	1507.59	25.36	-106.94	1626.75	25.36	-106.94	1626.75	25.36	-106.94	1745.89	
TQ	-36.47			306.93	2186.83	-36.47	306.93	2015.52	-36.47	306.93	2015.52	-36.47	306.93	1844.24			
M3	-16.06			196.90	2430.66	-6.32	151.65	2371.93	-6.32	151.65	2371.93	2.12	117.85	2350.93			
MIN	S2	-38.77	294.12	2041.64	-38.77	294.12	1859.49	-38.77	294.12	1859.49	-38.77	294.12	1677.36				
TQ	24.38	-111.44	1519.28	24.38	-111.44	1633.82	24.38	-111.44	1633.82	24.38	-111.44	1748.34					
M3	10.58	-45.58	-469.77	10.58	-45.58	-420.06	10.58	-45.58	-420.06	10.58	-45.58	-370.35					
DISPERSION-LMAX	S2	40.66	-166.57	873.77	40.66	-166.57	1064.79	40.66	-166.57	1064.79	40.66	-166.57	1255.79				
TQ	-53.53	451.07	3910.22	-53.53	451.07	3658.73	-53.53	451.07	3658.73	-53.53	451.07	3407.29					
M3	-32.21	355.15	5547.96	-32.21	355.15	5396.65	-32.21	355.15	5396.65	-32.21	355.15	5245.37					
MIN	S2	-54.55	442.83	3860.75	-54.55	442.83	3604.50	-54.55	442.83	3604.50	-54.55	442.83	3348.29				
TQ	39.65	-174.81	824.31	39.65	-174.81	1010.56	39.65	-174.81	1010.56	39.65	-174.81	1196.79					
M3	18.32	-78.89	-813.44	18.32	-78.89	-727.36	18.32	-78.89	-727.36	18.32	-78.89	-641.29					

BAGO RIVER BRIDGE

BLOCK [ No.1 : MAIN GIRDER ][ BEAM MEMBER FORCE ]

MEMBER				4045			4046			4047					
NODE				4045			4046			4046			4047		
				SHEAR	TORQUE	MOMENT	SHEAR	TORQUE	MOMENT	SHEAR	TORQUE	MOMENT	SHEAR	TORQUE	MOMENT
NAME	TITLE			S2 (kN)	TQ (kN·m)	M3 (kN·m)	S2 (kN)	TQ (kN·m)	M3 (kN·m)	S2 (kN)	TQ (kN·m)	M3 (kN·m)	S2 (kN)	TQ (kN·m)	M3 (kN·m)
70	3-LANES (caseTRUCK-LOAD	MAX	S2	432.83	-115.97	6038.53	305.30	52.32	6545.91	305.30	52.32	6545.91	206.94	174.76	6418.75
			TQ	123.02	264.24	3057.96	123.02	264.24	3635.87	123.02	264.24	3635.87	123.02	264.24	4213.70
			M3	328.25	-149.86	6616.04	69.62	-94.65	6858.54	69.62	-94.65	6858.54	-21.95	63.03	6618.64
		MIN	S2	-198.19	-258.84	6474.90	-295.99	-138.34	6598.17	-295.99	-138.34	6598.17	-423.44	29.73	6092.96
			TQ	-109.20	-351.52	4187.37	-109.20	-351.52	3674.36	-109.20	-351.52	3674.36	-109.20	-351.52	3161.42
			M3	15.18	25.42	-704.47	15.18	25.42	-633.18	15.18	25.42	-633.18	15.18	25.42	-561.90
	TANDEM-LOAD	MAX	S2	338.26	-134.63	4407.07	248.38	-15.37	4816.90	248.38	-15.37	4816.90	163.53	96.56	4713.34
			TQ	85.97	181.51	2101.28	85.97	181.51	2505.14	85.97	181.51	2505.14	85.97	181.51	2908.94
			M3	284.48	-126.43	4818.99	11.17	-44.04	4999.94	11.17	-44.04	4999.94	-52.84	67.70	4814.51
		MIN	S2	-157.20	-154.04	4735.38	-241.85	-43.21	4840.15	-241.85	-43.21	4840.15	-331.85	76.76	4432.40
			TQ	-80.05	-240.26	3004.66	-80.05	-240.26	2628.59	-80.05	-240.26	2628.59	-80.05	-240.26	2252.58
			M3	10.33	17.62	-479.83	10.33	17.62	-431.28	10.33	17.62	-431.28	10.33	17.62	-382.74
	DISPERSION-LMAX	MAX	S2	187.23	186.64	2577.03	139.57	202.59	2640.67	139.57	202.59	2640.67	107.06	197.49	2518.08
			TQ	108.60	210.35	2289.80	108.57	210.35	2799.87	108.57	210.35	2799.87	48.80	210.35	3193.82
			M3	66.65	-141.11	7542.53	-12.76	-141.11	7671.49	-12.76	-141.11	7671.49	-92.16	-141.11	7427.44
		MIN	S2	-102.80	-297.02	4139.64	-134.54	-312.97	4288.50	-134.54	-312.97	4288.50	-181.44	-307.87	4250.56
			TQ	-24.17	-320.73	4426.86	-103.55	-320.73	4129.30	-103.55	-320.73	4129.29	-123.17	-320.73	3574.82
			M3	17.78	30.73	-825.87	17.78	30.73	-742.32	17.78	30.73	-742.32	17.78	30.73	-658.79
71	3-LANES (caseTRUCK-LOAD	MAX	S2	432.69	-115.96	6038.30	305.23	52.26	6545.50	305.23	52.26	6545.50	206.91	174.67	6418.46
			TQ	123.02	264.17	3057.95	123.02	264.17	3635.85	123.02	264.17	3635.85	123.02	264.17	4213.66
			M3	328.10	-149.81	6615.48	69.57	-94.59	6858.00	69.57	-94.59	6858.00	-21.91	63.00	6618.31
		MIN	S2	-198.09	-258.82	6473.29	-295.91	-138.27	6597.61	-295.91	-138.27	6597.61	-423.31	29.76	6092.73
			TQ	-109.16	-351.50	4186.21	-109.16	-351.50	3673.42	-109.16	-351.50	3673.42	-109.16	-351.50	3160.70
			M3	15.09	53.03	-710.07	15.09	53.03	-639.16	15.09	53.03	-639.16	15.09	53.03	-568.27

BAGO RIVER BRIDGE

BLOCK [ No.1 : MAIN GIRDER ][ BEAM MEMBER FORCE ]

MEMBER		4045			4046			4046			4047							
NODE		4045			4046			4046			4047							
		SHEAR	TORQUE	MOMENT	SHEAR	TORQUE	MOMENT	SHEAR	TORQUE	MOMENT	SHEAR	TORQUE	MOMENT					
NAME	TITLE	S2 (kN)	TQ (kN·m)	M3 (kN·m)	S2 (kN)	TQ (kN·m)	M3 (kN·m)	S2 (kN)	TQ (kN·m)	M3 (kN·m)	S2 (kN)	TQ (kN·m)	M3 (kN·m)					
71	3-LANES (caseTANDEM-LOAD	MAX	S2	338.13	-134.60	4406.79	248.30	-15.38	4816.46	248.30	-15.38	4816.46	163.50	96.50	4713.02			
			TQ	85.97	181.46	2101.25	85.97	181.46	2505.09	85.97	181.46	2505.09	85.97	181.46	2908.88			
			M3	284.33	-126.37	4818.63	11.16	-44.01	4999.40	11.16	-44.01	4999.40	-52.79	67.67	4814.14			
		MIN	S2	-157.17	-153.99	4734.88	-241.78	-43.18	4839.73	-241.78	-43.18	4839.73	-331.72	76.74	4432.13			
			TQ	-80.04	-240.25	3004.45	-80.04	-240.25	2628.42	-80.04	-240.25	2628.42	-80.04	-240.25	2252.45			
			M3	10.28	36.67	-483.74	10.28	36.67	-435.45	10.28	36.67	-435.45	10.28	36.67	-387.18			
			DISPERSION-LMAX	S2	187.32	215.47	2575.14	139.59	231.50	2638.47	139.59	231.50	2638.47	107.02	226.49	2515.15		
				TQ	114.89	236.22	2000.57	114.86	236.22	2540.18	114.86	236.22	2540.18	55.13	236.22	2962.32		
				M3	67.11	-147.11	7537.93	-12.28	-147.11	7667.63	-12.28	-147.11	7667.63	-91.66	-147.11	7424.42		
			MIN	S2	-102.56	-302.91	4133.06	-134.22	-318.95	4282.36	-134.22	-318.95	4282.36	-181.02	-313.93	4245.40		
				TQ	-30.13	-323.67	4707.64	-109.48	-323.67	4380.65	-109.48	-323.67	4380.65	-129.13	-323.67	3798.22		
				M3	17.65	59.66	-829.73	17.65	59.66	-746.80	17.65	59.66	-746.80	17.65	59.66	-663.88		
		72	4-LANES	TRUCK-LOAD	MAX	S2	20.13	50.67	-940.07	20.13	50.67	-845.52	20.13	50.67	-845.52	20.13	50.67	-750.98
						TQ	13.52	52.00	-637.76	13.52	52.00	-574.22	13.52	52.00	-574.22	13.52	52.00	-510.70
						M3	-5.99	-1.58	275.34	-5.99	-1.58	247.18	-5.99	-1.58	247.18	-5.99	-1.58	219.03
	MIN			S2	-5.99	-1.55	275.33	-5.99	-1.55	247.18	-5.99	-1.55	247.18	-5.99	-1.55	219.03		
				TQ	0.31	-4.25	-12.78	0.31	-4.25	-11.32	0.31	-4.25	-11.32	0.31	-4.25	-9.86		
				M3	20.13	50.67	-940.07	20.13	50.67	-845.52	20.13	50.67	-845.52	20.13	50.67	-750.98		
TANDEM-LOAD	MAX			S2	13.74	36.19	-642.41	13.74	36.19	-577.85	13.74	36.19	-577.85	13.74	36.19	-513.30		
				TQ	9.24	36.98	-436.19	9.24	36.98	-392.79	9.24	36.98	-392.79	9.24	36.98	-349.39		
				M3	-4.07	-1.15	187.13	-4.07	-1.15	168.00	-4.07	-1.15	168.00	-4.07	-1.15	148.87		
	MIN			S2	-4.07	-1.15	187.13	-4.07	-1.15	168.00	-4.07	-1.15	168.00	-4.07	-1.15	148.87		
				TQ	0.35	-2.92	-15.08	0.35	-2.92	-13.44	0.35	-2.92	-13.44	0.35	-2.92	-11.79		
				M3	13.74	36.19	-642.41	13.74	36.19	-577.85	13.74	36.19	-577.85	13.74	36.19	-513.30		

BAGO RIVER BRIDGE

BLOCK [ No.1 : MAIN GIRDER ][ BEAM MEMBER FORCE ]

MEMBER			4045			4046			4046			4047					
NODE			4045			4046			4046			4047					
NAME TITLE			SHEAR	TORQUE	MOMENT	SHEAR	TORQUE	MOMENT	SHEAR	TORQUE	MOMENT	SHEAR	TORQUE	MOMENT			
			S2 (kN)	TQ (kN·m)	M3 (kN·m)	S2 (kN)	TQ (kN·m)	M3 (kN·m)	S2 (kN)	TQ (kN·m)	M3 (kN·m)	S2 (kN)	TQ (kN·m)	M3 (kN·m)			
72	4-LANES	DISPERSION-LMAX	S2	14.24	29.00	-662.73	14.24	29.00	-595.84	14.24	29.00	-595.84	14.24	29.00	-528.96		
			TQ	8.87	31.93	-417.48	8.87	31.93	-375.82	8.87	31.93	-375.82	8.87	31.93	-334.16		
			M3	-7.29	-1.82	334.95	-7.29	-1.82	300.69	-7.29	-1.82	300.69	-7.29	-1.83	266.45		
	MIN	S2	-7.29	-1.82	334.88	-7.29	-1.82	300.63	-7.29	-1.82	300.63	-7.29	-1.82	266.39			
		TQ	-2.07	-4.69	96.48	-2.07	-4.69	86.76	-2.07	-4.69	86.76	-2.07	-4.69	77.04			
		M3	14.24	29.35	-662.76	14.24	29.39	-595.89	14.24	29.39	-595.89	14.24	29.43	-529.02			
	73	6-LANES	TRUCK-LOAD	MAX	S2	434.68	-243.58	8134.47	323.13	-91.41	8762.48	323.13	-91.41	8762.48	238.14	19.29	8850.26
				TQ	63.54	657.16	6357.17	63.54	657.16	6655.67	63.54	657.16	6655.67	63.54	657.16	6954.12	
				M3	271.51	115.68	10167.39	45.24	137.93	10271.16	45.24	137.93	10271.16	-10.62	213.75	10044.00	
MIN		S2	-249.17	173.36	9347.58	-333.50	286.39	9160.30	-333.50	286.39	9160.30	-439.07	438.66	8429.58			
		TQ	-64.90	-465.63	6558.05	-64.90	-465.63	6253.18	-64.90	-465.63	6253.18	-64.90	-465.63	5948.36			
		M3	30.61	-12.24	-1399.56	30.61	-12.24	-1255.74	30.61	-12.24	-1255.74	30.61	-12.24	-1111.95			
TANDEM-LOAD		MAX	S2	335.08	-220.43	5846.22	255.36	-111.89	6329.69	255.36	-111.89	6329.69	182.73	-11.80	6379.29		
		TQ	4.80	451.70	5162.38	4.80	451.70	5184.94	4.80	451.70	5184.94	4.80	451.70	5207.51			
		M3	237.08	74.83	7218.08	2.42	107.97	7290.12	2.42	107.97	7290.12	-36.76	172.01	7119.60			
MIN		S2	-190.56	142.64	6703.50	-261.97	244.36	6581.75	-261.97	244.36	6581.75	-335.43	351.69	6025.19			
		TQ	-39.75	-319.75	4353.14	-39.75	-319.75	4166.40	-39.75	-319.75	4166.40	-39.75	-319.75	3979.68			
		M3	20.85	-8.15	-953.16	20.85	-8.15	-855.23	20.85	-8.15	-855.23	20.85	-8.15	-757.31			
DISPERSION-LMAX		S2	211.53	41.89	3072.44	166.21	57.11	3298.17	166.21	57.11	3298.17	135.88	52.30	3372.56			
		TQ	53.09	637.45	5525.48	53.06	637.45	5774.78	53.06	637.45	5774.78	-4.33	637.45	5909.40			
		M3	27.98	186.49	12161.46	-47.07	186.83	12117.37	-47.07	186.83	12117.37	-121.73	186.82	11721.59			
MIN	S2	-149.43	122.47	7577.91	-179.13	107.27	7451.09	-179.13	107.27	7451.09	-223.27	112.00	7162.76				
	TQ	10.77	-460.74	5025.53	-64.31	-460.74	4900.45	-64.31	-460.74	4900.45	-82.04	-460.74	4536.95				
	M3	34.43	-12.52	-1574.27	34.42	-11.94	-1412.55	34.42	-11.94	-1412.55	34.42	-11.40	-1250.89				

BAGO RIVER BRIDGE

BLOCK [ No.1 : MAIN GIRDER ][ BEAM MEMBER FORCE ]

MEMBER			4045			4046			4046			4047			
NODE			4045			4046			4046			4047			
NAME TITLE			SHEAR	TORQUE	MOMENT	SHEAR	TORQUE	MOMENT	SHEAR	TORQUE	MOMENT	SHEAR	TORQUE	MOMENT	
			S2 (kN)	TQ (kN·m)	M3 (kN·m)	S2 (kN)	TQ (kN·m)	M3 (kN·m)	S2 (kN)	TQ (kN·m)	M3 (kN·m)	S2 (kN)	TQ (kN·m)	M3 (kN·m)	
124	SUM TOTAL	D+1LANE (caseMAX	S2	296.60	477.96	42322.90	23.21	477.96	43074.09	23.21	477.96	43074.09	-250.15	477.96	42541.11
			TQ	248.62	1158.94	44117.71	-24.78	1158.94	44643.47	-24.78	1158.94	44643.47	-298.13	1158.94	43885.10
			M3	261.61	989.86	44792.10	-11.78	989.86	45378.93	-11.78	989.86	45378.93	-285.14	989.86	44681.61
		MIN	S2	245.30	1135.44	44154.12	-28.10	1135.44	44664.30	-28.10	1135.44	44664.30	-301.45	1135.44	43890.34
			TQ	294.37	466.28	42668.51	20.97	466.28	43409.19	20.97	466.28	43409.19	-252.39	466.28	42865.70
			M3	292.68	567.40	41050.14	19.29	567.40	41782.93	19.29	567.40	41782.93	-254.07	567.40	41231.54
		D+1LANE (caseMAX	S2	324.91	565.91	43362.38	51.52	565.91	44246.56	51.52	565.91	44246.56	-221.84	565.91	43846.56
			TQ	223.65	857.92	44935.42	-49.74	857.92	45343.90	-49.74	857.92	45343.90	-323.10	857.92	44468.26
			M3	247.73	816.46	45808.68	-13.12	816.46	46370.97	-13.12	816.46	46370.97	-276.57	816.46	45695.87
		MIN	S2	222.35	854.67	44681.44	-51.04	854.67	45083.82	-51.04	854.67	45083.82	-324.40	854.67	44202.07
			TQ	324.25	563.71	43130.80	50.85	563.71	44011.87	50.85	563.71	44011.87	-222.50	563.71	43608.75
			M3	292.46	613.17	41044.97	19.06	613.17	41776.69	19.06	613.17	41776.69	-254.29	613.17	41224.24
		D+1LANE (caseMAX	S2	373.85	671.19	44106.79	100.23	671.33	45182.03	100.23	671.33	45182.03	-174.10	671.40	44972.38
			TQ	324.80	724.53	43772.38	51.36	724.53	44655.89	51.36	724.53	44655.89	-222.05	724.53	44255.10
			M3	249.01	656.86	46756.25	-14.33	653.99	47292.28	-14.33	653.99	47292.28	-246.36	642.19	46740.38
		MIN	S2	187.34	630.64	45585.71	-87.01	630.50	45859.68	-87.01	630.50	45859.68	-360.56	630.44	44844.69
			TQ	238.77	574.45	44141.02	-35.77	574.45	44617.88	-35.77	574.46	44617.88	-310.24	574.46	43805.20
			M3	292.30	647.85	41040.54	18.90	647.85	41771.51	18.90	647.86	41771.51	-254.45	647.86	41218.31
		D+1LANE (caseMAX	S2	726.72	690.15	45811.23	284.78	848.60	46760.78	284.78	848.61	46760.78	-108.57	944.31	45652.40
			TQ	417.68	976.61	44005.89	144.29	976.61	45325.90	144.29	976.61	45325.91	-186.58	976.61	45237.47
			M3	647.49	402.00	47862.41	76.56	451.00	48997.45	76.56	451.00	48997.45	-389.38	595.19	47896.26
		MIN	S2	128.71	211.57	46269.77	-263.53	297.28	47446.74	-263.53	297.28	47446.74	-704.68	446.84	46573.10
			TQ	214.20	171.05	45992.38	-125.07	171.05	46202.84	-125.07	171.06	46202.83	-406.77	171.06	44944.00
			M3	292.04	716.41	41029.15	18.64	716.41	41758.90	18.64	716.41	41758.90	-254.71	716.41	41204.49

BAGO RIVER BRIDGE

BLOCK [ No.1 : MAIN GIRDER ] [ BEAM MEMBER FORCE ]

MEMBER			4045			4046			4046			4047			
NODE			4045			4046			4046			4047			
NAME TITLE			SHEAR	TORQUE	MOMENT	SHEAR	TORQUE	MOMENT	SHEAR	TORQUE	MOMENT	SHEAR	TORQUE	MOMENT	
			S2 (kN)	TQ (kN·m)	M3 (kN·m)	S2 (kN)	TQ (kN·m)	M3 (kN·m)	S2 (kN)	TQ (kN·m)	M3 (kN·m)	S2 (kN)	TQ (kN·m)	M3 (kN·m)	
124	SUM TOTAL	D+2LANES (casMAX	S2	317.88	393.41	43245.28	44.49	393.41	44096.44	44.49	393.41	44096.44	-228.87	393.41	43663.41
			TQ	218.89	1373.44	46065.75	-54.50	1373.44	46451.87	-54.50	1373.44	46451.87	-327.86	1373.44	45553.88
			M3	248.27	1137.08	47299.85	-23.89	1125.35	47825.44	-23.89	1125.35	47825.44	-294.64	1094.11	47074.63
		MIN	S2	215.64	1351.83	45958.94	-57.76	1351.83	46329.78	-57.76	1351.83	46329.78	-331.11	1351.83	45416.49
			TQ	315.94	383.00	43463.43	42.55	383.00	44305.47	42.55	383.00	44305.47	-230.81	383.00	43863.32
			M3	301.69	532.45	40648.83	28.30	532.45	41423.94	28.30	532.46	41423.94	-245.06	532.46	40914.88
		D+2LANES (casMAX	S2	341.47	466.70	44111.51	68.08	466.70	45073.50	68.08	466.70	45073.50	-205.28	466.70	44751.28
			TQ	198.09	1122.60	46747.17	-75.31	1122.60	47035.56	-75.31	1122.60	47035.56	-348.66	1122.60	46039.85
			M3	236.70	992.58	48147.00	-25.01	952.09	48652.14	-25.01	952.09	48652.14	-287.50	894.08	47919.85
		MIN	S2	196.51	1117.85	46398.38	-76.88	1117.85	46679.38	-76.88	1117.85	46679.38	-350.24	1117.85	45676.27
			TQ	340.84	464.20	43848.67	67.45	464.20	44807.70	67.45	464.20	44807.70	-205.91	464.20	44482.53
			M3	301.51	570.60	40644.52	28.11	570.60	41418.75	28.11	570.60	41418.75	-245.25	570.60	40908.80
		D+2LANES (casMAX	S2	526.16	693.80	46796.71	217.97	746.05	47802.21	217.97	746.05	47802.21	-86.31	783.71	47347.26
			TQ	395.33	859.05	45027.03	121.90	859.05	46241.91	121.90	859.05	46241.91	-163.27	859.05	46158.64
			M3	367.22	560.87	50627.09	3.76	575.27	51279.07	3.76	575.27	51279.07	-280.03	612.76	50584.81
		MIN	S2	103.54	454.72	48407.01	-200.33	487.81	48925.47	-200.33	487.81	48925.47	-508.10	536.25	47982.77
			TQ	199.84	372.06	46644.52	-98.03	372.06	46883.70	-98.03	372.06	46883.70	-384.09	372.06	45737.55
			M3	301.07	666.68	40631.89	27.68	666.68	41404.07	27.68	666.68	41404.07	-245.68	666.68	40892.08
		D+2LANES (casMAX	S2	820.08	719.23	48215.58	371.68	903.38	49116.04	371.68	903.38	49116.04	-31.76	1020.72	47912.06
			TQ	474.07	1078.38	45157.18	200.67	1078.38	46742.06	200.67	1078.38	46742.06	-132.37	1078.38	46925.34
			M3	699.25	346.44	51547.60	79.52	404.06	52698.80	79.52	404.06	52698.80	-399.14	571.51	51547.10
		MIN	S2	54.74	103.47	48975.83	-347.35	208.10	50246.83	-347.35	208.10	50246.83	-794.74	381.19	49422.20
			TQ	178.02	34.17	48249.27	-173.79	34.17	48260.13	-173.79	34.17	48260.12	-465.86	34.17	46735.92
			M3	300.79	742.64	40619.16	27.39	742.64	41390.00	27.39	742.64	41390.00	-245.96	742.64	40876.68



BAGO RIVER BRIDGE

BLOCK [ No.1 : MAIN GIRDER ] [ BEAM MEMBER FORCE ]

MEMBER			4045			4046			4046			4047				
NODE			4045			4046			4046			4047				
NAME TITLE			SHEAR	TORQUE	MOMENT	SHEAR	TORQUE	MOMENT	SHEAR	TORQUE	MOMENT	SHEAR	TORQUE	MOMENT		
			S2 (kN)	TQ (kN·m)	M3 (kN·m)	S2 (kN)	TQ (kN·m)	M3 (kN·m)	S2 (kN)	TQ (kN·m)	M3 (kN·m)	S2 (kN)	TQ (kN·m)	M3 (kN·m)		
124	SUM TOTAL	D+3LANES (casMAX	S2	344.56	373.24	44219.52	71.16	373.24	45195.99	71.16	373.24	45195.99	-202.20	373.24	44888.25	
			TQ	188.69	1413.11	47731.15	-84.71	1413.11	47975.39	-84.71	1413.11	47975.39	-358.06	1413.11	46935.52	
			M3	230.71	1182.83	49398.70	-32.74	1148.41	49870.43	-32.74	1148.41	49870.43	-296.87	1099.10	49097.72	
		MIN	S2	185.00	1392.43	47460.47	-88.39	1392.43	47687.38	-88.39	1392.43	47687.38	-361.75	1392.43	46630.20	
			TQ	342.44	362.83	44240.91	69.04	362.83	45207.42	69.04	362.84	45207.42	-204.31	362.84	44889.73	
			M3	307.81	524.90	40371.04	34.41	524.90	41174.87	34.41	524.90	41174.87	-238.94	524.90	40694.53	
		D+3LANES (casMAX	S2	806.08	708.45	48972.15	383.77	865.06	50126.15	383.77	865.06	50126.15	-0.82	964.79	49298.32	
			TQ	475.90	1051.78	46194.53	202.48	1051.78	47787.93	202.48	1051.78	47787.94	-121.68	1051.78	47998.41	
			M3	614.69	401.06	53683.72	53.96	447.99	54668.08	53.96	447.99	54668.08	-364.71	582.01	53641.17	
		MIN	S2	23.18	175.90	50671.29	-360.32	264.77	51571.22	-360.32	264.77	51571.22	-781.87	411.97	50494.00	
			TQ	165.66	76.97	48971.03	-175.21	76.97	48950.66	-175.21	76.98	48950.66	-465.25	76.98	47427.82	
			M3	307.04	696.11	40348.14	33.65	696.11	41148.37	33.65	696.12	41148.37	-239.71	696.12	40664.42	
		D+3LANES (casMAX	S2	806.04	732.96	48970.36	383.73	889.59	50123.92	383.73	889.59	50123.92	-0.88	989.37	49295.58	
			TQ	481.25	1073.72	45948.67	207.82	1073.72	47567.17	207.82	1073.72	47567.17	-116.30	1073.72	47801.59	
			M3	614.95	396.00	53679.33	54.32	442.94	54664.33	54.32	442.94	54664.33	-364.26	576.90	53638.33	
		MIN	S2	23.47	170.91	50664.33	-359.98	259.75	51565.53	-359.98	259.75	51565.53	-781.40	406.83	50489.42	
			TQ	160.63	74.49	49208.70	-180.21	74.49	49163.51	-180.22	74.49	49163.51	-470.27	74.49	47617.10	
			M3	306.86	744.17	40340.10	33.47	744.17	41139.49	33.47	744.17	41139.49	-239.89	744.17	40654.69	
		D+4LANES	MAX	S2	301.36	700.17	40607.11	27.97	700.17	41380.67	27.97	700.17	41380.67	-245.39	700.17	40870.05
			TQ	293.58	702.94	40963.03	20.19	702.94	41700.02	20.19	702.94	41700.02	-253.17	702.94	41152.85	
			M3	270.39	646.17	42045.62	-3.00	646.17	42673.67	-3.00	646.17	42673.67	-276.36	646.17	42017.58	
		MIN	S2	270.39	646.19	42045.57	-3.00	646.19	42673.63	-3.00	646.19	42673.63	-276.36	646.19	42017.54	
			TQ	277.88	642.57	41703.33	4.49	642.57	42366.59	4.49	642.57	42366.59	-268.87	642.57	41745.67	
			M3	301.36	700.40	40607.09	27.97	700.42	41380.64	27.97	700.43	41380.64	-245.39	700.45	40870.01	

BAGO RIVER BRIDGE

BLOCK [ No.1 : MAIN GIRDER ] [ BEAM MEMBER FORCE ]

MEMBER					4045			4046			4047		
NODE					4045			4046			4046		
					SHEAR	TORQUE	MOMENT	SHEAR	TORQUE	MOMENT	SHEAR	TORQUE	MOMENT
NAME	TITLE				S2 (kN)	TQ (kN·m)	M3 (kN·m)	S2 (kN)	TQ (kN·m)	M3 (kN·m)	S2 (kN)	TQ (kN·m)	M3 (kN·m)
124	SUM TOTAL	D+6LANES	MAX	S2	699.06	517.28	48933.42	323.71	626.09	50156.97	323.71	626.09	50156.97
				TQ	354.84	1489.88	49372.66	81.42	1489.88	50397.34	81.42	1489.88	50397.35
				M3	473.70	844.79	56162.69	4.44	859.48	56870.10	4.44	859.48	56870.10
			MIN	S2	19.93	840.67	52650.50	-327.58	904.26	53114.96	-327.58	904.26	53114.96
				TQ	243.84	46.24	49178.26	-78.35	46.24	49567.42	-78.35	46.24	49567.41
				M3	321.30	632.28	39715.95	47.90	632.67	40583.16	47.90	632.67	40583.16
	SUM TOTAL		MAX		820.08	1489.88	56162.69	383.77	1489.88	56870.10	383.77	1489.88	56870.10
			MIN		19.93	34.17	39715.95	-360.32	34.17	40583.16	-360.32	34.17	40583.16
300	DEAD LOAD	TOTAL			279.03	648.38	41648.93	5.63	648.38	42317.55	5.63	648.38	42317.55
301	LIVE LOAD	1-LANE(case1MAX	S2		17.58	-170.42	673.97	17.58	-170.42	756.54	17.58	-170.42	756.54
			TQ		-30.41	510.55	2468.78	-30.41	510.55	2325.92	-30.41	510.55	2325.92
			M3		-17.41	341.47	3143.17	-17.41	341.47	3061.38	-17.41	341.47	3061.38
			MIN	S2	-33.73	487.06	2505.19	-33.73	487.06	2346.75	-33.73	487.06	2346.75
				TQ	15.34	-182.10	1019.58	15.34	-182.10	1091.64	15.34	-182.10	1091.64
				M3	13.66	-80.98	-598.79	13.66	-80.98	-534.63	13.66	-80.98	-534.63
		1-LANE(case2MAX	S2		45.89	-82.47	1713.45	45.89	-82.47	1929.01	45.89	-82.47	1929.01
			TQ		-55.37	209.54	3286.49	-55.37	209.54	3026.35	-55.37	209.54	3026.35
			M3		-31.30	168.08	4159.75	-18.75	133.56	4053.42	-18.75	133.56	4053.42
			MIN	S2	-56.67	206.28	3032.51	-56.67	206.28	2766.27	-56.67	206.28	2766.27
				TQ	45.22	-84.67	1481.87	45.22	-84.67	1694.32	45.22	-84.67	1694.32
				M3	13.43	-35.21	-603.96	13.43	-35.21	-540.86	13.43	-35.21	-540.86
		1-LANE(case3MAX	S2		94.82	22.81	2457.86	94.59	22.95	2864.48	94.59	22.95	2864.48
			TQ		45.77	76.14	2123.45	45.73	76.14	2338.34	45.73	76.14	2338.34
			M3		-30.02	8.48	5107.32	-19.96	5.61	4974.73	-19.96	5.61	4974.73
			MIN	S2	-91.69	-17.74	3936.78	-92.64	-17.88	3542.13	-92.64	-17.88	3542.13
				TQ	-40.26	-73.93	2492.08	-41.40	-73.93	2300.33	-41.40	-73.93	2300.33
				M3	13.27	-0.53	-608.39	13.27	-0.53	-546.04	13.27	-0.53	-546.04

BAGO RIVER BRIDGE

BLOCK [ No.1 : MAIN GIRDER ][ BEAM MEMBER FORCE ]

MEMBER			4045			4046			4046			4047				
NODE			4045			4046			4046			4047				
NAME TITLE			SHEAR	TORQUE	MOMENT	SHEAR	TORQUE	MOMENT	SHEAR	TORQUE	MOMENT	SHEAR	TORQUE	MOMENT		
			S2 (kN)	TQ (kN·m)	M3 (kN·m)	S2 (kN)	TQ (kN·m)	M3 (kN·m)	S2 (kN)	TQ (kN·m)	M3 (kN·m)	S2 (kN)	TQ (kN·m)	M3 (kN·m)		
301	LIVE LOAD	1-LANE (case4MAX	S2	447.69	41.77	4162.30	279.15	200.22	4443.23	279.15	200.22	4443.23	159.15	295.93	3950.39	
			TQ	138.66	328.23	2356.96	138.66	328.23	3008.35	138.66	328.23	3008.35	81.15	328.23	3535.46	
			M3	368.46	-246.39	6213.48	70.93	-197.38	6679.89	70.93	-197.38	6679.89	-121.66	-53.20	6194.25	
			MIN	S2	-150.31	-436.82	4620.84	-269.16	-351.11	5129.19	-269.16	-351.11	5129.19	-436.95	-201.55	4871.08
			TQ	-64.83	-477.33	4343.45	-130.70	-477.33	3885.29	-130.70	-477.33	3885.28	-139.04	-477.33	3241.98	
			M3	13.01	68.03	-619.78	13.01	68.03	-558.65	13.01	68.03	-558.65	13.01	68.03	-497.52	
		2-LANES (caseMAX	S2	38.86	-254.97	1596.35	38.86	-254.97	1778.88	38.86	-254.97	1778.88	38.86	-254.97	1961.39	
			TQ	-60.13	725.06	4416.82	-60.13	725.06	4134.32	-60.13	725.06	4134.32	-60.13	725.06	3851.87	
			M3	-30.76	488.70	5650.92	-29.52	476.96	5507.89	-29.52	476.96	5507.89	-26.92	445.72	5372.62	
			MIN	S2	-63.39	703.44	4310.01	-63.39	703.44	4012.23	-63.39	703.44	4012.23	-63.39	703.44	3714.48
			TQ	36.92	-265.38	1814.50	36.92	-265.38	1987.91	36.92	-265.38	1987.91	36.92	-265.38	2161.31	
			M3	22.67	-115.93	-1000.10	22.67	-115.93	-893.61	22.67	-115.93	-893.61	22.67	-115.93	-787.14	
		2-LANES (caseMAX	S2	62.45	-181.68	2462.58	62.45	-181.68	2755.95	62.45	-181.68	2755.95	62.45	-181.68	3049.27	
			TQ	-80.94	474.21	5098.24	-80.94	474.21	4718.01	-80.94	474.21	4718.01	-80.94	474.21	4337.83	
			M3	-42.33	344.20	6498.07	-30.64	303.71	6334.59	-30.64	303.71	6334.59	-19.78	245.69	6217.83	
			MIN	S2	-82.51	469.46	4749.45	-82.51	469.46	4361.83	-82.51	469.46	4361.83	-82.51	469.46	3974.26
			TQ	61.82	-184.19	2199.74	61.82	-184.19	2490.15	61.82	-184.19	2490.15	61.82	-184.19	2780.52	
			M3	22.48	-77.79	-1004.41	22.48	-77.79	-898.81	22.48	-77.79	-898.81	22.48	-77.79	-793.21	
		2-LANES (caseMAX	S2	247.13	45.42	5147.78	212.34	97.67	5484.65	212.34	97.67	5484.65	181.41	135.33	5645.25	
			TQ	116.30	210.66	3378.10	116.27	210.66	3924.36	116.27	210.66	3924.36	104.46	210.66	4456.63	
			M3	88.20	-87.52	8978.16	-1.87	-73.12	8961.52	-1.87	-73.12	8961.52	-12.30	-35.62	8882.80	
			MIN	S2	-175.48	-193.66	6758.08	-205.96	-160.57	6607.91	-205.96	-160.57	6607.91	-240.38	-112.13	6280.76
			TQ	-79.18	-276.32	4995.59	-103.66	-276.32	4566.15	-103.66	-276.32	4566.14	-116.36	-276.32	4035.54	
			M3	22.04	18.29	-1017.04	22.04	18.29	-913.48	22.04	18.29	-913.48	22.04	18.29	-809.94	

BAGO RIVER BRIDGE

BLOCK [ No.1 : MAIN GIRDER ][ BEAM MEMBER FORCE ]

MEMBER			4045			4046			4046			4047			
NODE			4045			4046			4046			4047			
NAME TITLE			SHEAR	TORQUE	MOMENT	SHEAR	TORQUE	MOMENT	SHEAR	TORQUE	MOMENT	SHEAR	TORQUE	MOMENT	
			S2 (kN)	TQ (kN·m)	M3 (kN·m)	S2 (kN)	TQ (kN·m)	M3 (kN·m)	S2 (kN)	TQ (kN·m)	M3 (kN·m)	S2 (kN)	TQ (kN·m)	M3 (kN·m)	
301	LIVE LOAD	2-LANES (caseMAX	S2	541.05	70.85	6566.65	366.05	255.00	6798.49	366.05	255.00	6798.49	235.97	372.34	6210.05
			TQ	195.04	429.99	3508.25	195.04	429.99	4424.50	195.04	429.99	4424.51	135.36	429.99	5223.33
			M3	420.22	-301.94	9898.67	73.89	-244.33	10381.25	73.89	-244.33	10381.25	-131.42	-76.87	9845.09
			MIN S2	-224.29	-544.92	7326.90	-352.98	-440.29	7929.28	-352.98	-440.29	7929.28	-527.01	-267.19	7720.18
			TQ	-101.01	-614.21	6600.34	-179.42	-614.21	5942.57	-179.42	-614.21	5942.57	-198.13	-614.21	5033.91
			M3	21.76	94.26	-1029.77	21.76	94.26	-927.55	21.76	94.26	-927.55	21.76	94.26	-825.34
		3-LANES (caseMAX	S2	65.53	-275.15	2570.59	65.53	-275.15	2878.44	65.53	-275.15	2878.44	65.53	-275.15	3186.24
			TQ	-90.34	764.72	6082.22	-90.34	764.72	5657.84	-90.34	764.72	5657.84	-90.34	764.72	5233.51
			M3	-48.31	534.45	7749.77	-38.37	500.03	7552.88	-38.37	500.03	7552.88	-29.14	450.72	7395.71
			MIN S2	-94.03	744.04	5811.54	-94.03	744.04	5369.83	-94.03	744.04	5369.83	-94.03	744.04	4928.19
			TQ	63.41	-285.55	2591.98	63.41	-285.55	2889.87	63.41	-285.55	2889.87	63.41	-285.55	3187.72
			M3	28.78	-123.48	-1277.89	28.78	-123.48	-1142.68	28.78	-123.48	-1142.68	28.78	-123.48	-1007.49
		3-LANES (caseMAX	S2	527.06	60.07	7323.22	378.14	216.67	7808.59	378.14	216.67	7808.59	266.90	316.41	7596.31
			TQ	196.88	403.40	4545.60	196.85	403.40	5470.38	196.85	403.40	5470.39	146.05	403.40	6296.39
			M3	335.66	-247.33	12034.79	48.33	-200.40	12350.53	48.33	-200.40	12350.53	-96.99	-66.37	11939.16
			MIN S2	-255.85	-472.48	9022.36	-365.95	-383.61	9253.67	-365.95	-383.61	9253.67	-514.15	-236.42	8791.99
			TQ	-113.37	-571.41	7322.10	-180.84	-571.41	6633.11	-180.84	-571.41	6633.10	-197.52	-571.41	5725.81
			M3	28.02	47.73	-1300.79	28.02	47.73	-1169.18	28.02	47.73	-1169.18	28.02	47.73	-1037.59
		3-LANES (caseMAX	S2	527.01	84.58	7321.43	378.10	241.20	7806.37	378.10	241.20	7806.37	266.84	340.99	7593.57
			TQ	202.22	425.33	4299.74	202.19	425.33	5249.62	202.19	425.33	5249.62	151.42	425.33	6099.58
			M3	335.92	-252.38	12030.40	48.69	-205.44	12346.78	48.69	-205.44	12346.78	-96.53	-71.49	11936.32
			MIN S2	-255.55	-477.47	9015.40	-365.61	-388.64	9247.98	-365.61	-388.64	9247.98	-513.68	-241.55	8787.41
			TQ	-118.39	-573.89	7559.77	-185.85	-573.89	6845.96	-185.85	-573.89	6845.96	-202.54	-573.89	5915.08
			M3	27.84	95.79	-1308.83	27.84	95.79	-1178.06	27.84	95.79	-1178.06	27.84	95.79	-1047.32

BAGO RIVER BRIDGE

BLOCK [ No.1 : MAIN GIRDER ][ BEAM MEMBER FORCE ]

MEMBER					4045			4046			4047					
NODE					4045			4046			4046			4047		
NAME TITLE					SHEAR	TORQUE	MOMENT	SHEAR	TORQUE	MOMENT	SHEAR	TORQUE	MOMENT	SHEAR	TORQUE	MOMENT
					S2 (kN)	TQ (kN·m)	M3 (kN·m)	S2 (kN)	TQ (kN·m)	M3 (kN·m)	S2 (kN)	TQ (kN·m)	M3 (kN·m)	S2 (kN)	TQ (kN·m)	M3 (kN·m)
301	LIVE LOAD	4-LANES	MAX	S2	22.34	51.78	-1041.82	22.34	51.78	-936.89	22.34	51.78	-936.89	22.34	51.78	-831.97
				TQ	14.55	54.55	-685.90	14.55	54.55	-617.53	14.55	54.55	-617.53	14.55	54.55	-549.16
				M3	-8.63	-2.21	396.69	-8.63	-2.21	356.12	-8.63	-2.21	356.12	-8.63	-2.21	315.56
			MIN	S2	-8.63	-2.19	396.64	-8.63	-2.19	356.08	-8.63	-2.19	356.08	-8.63	-2.19	315.52
				TQ	-1.14	-5.82	54.40	-1.14	-5.82	49.03	-1.14	-5.82	49.03	-1.14	-5.82	43.66
				M3	22.34	52.01	-1041.84	22.34	52.04	-936.91	22.34	52.04	-936.91	22.34	52.07	-832.00
		6-LANES	MAX	S2	420.04	-131.10	7284.49	318.08	-22.30	7839.42	318.08	-22.30	7839.42	243.11	46.54	7944.84
				TQ	75.81	841.50	7723.73	75.79	841.50	8079.79	75.79	841.50	8079.80	38.49	841.50	8361.29
				M3	194.67	196.41	14513.75	-1.19	211.09	14552.54	-1.19	211.09	14552.54	-86.02	260.37	14147.63
			MIN	S2	-259.09	192.29	11001.57	-333.21	255.88	10797.40	-333.21	255.88	10797.40	-430.53	357.93	10135.02
				TQ	-35.18	-602.15	7529.33	-83.98	-602.15	7249.86	-83.98	-602.15	7249.86	-95.51	-602.15	6815.45
				M3	42.27	-16.10	-1932.98	42.27	-15.72	-1734.39	42.27	-15.72	-1734.39	42.27	-15.37	-1535.85
		LIVE LOAD	MAX		541.05	841.50	14513.75	378.14	841.50	14552.54	378.14	841.50	14552.54	266.90	841.50	14147.63
			MIN		-259.09	-614.21	-1932.98	-365.95	-614.21	-1734.39	-365.95	-614.21	-1734.39	-527.01	-614.21	-1535.85
		303	SUM TOTAL	TOTAL	MAX	820.08	1489.88	56162.69	383.77	1489.88	56870.10	383.77	1489.88	56870.10	-0.82	1489.88
MIN	19.93				34.17	39715.95	-360.32	34.17	40583.16	-360.32	34.17	40583.16	-794.74	34.17	40166.16	

BAGO RIVER BRIDGE

BLOCK [ No.1 : MAIN GIRDER ] [ BEAM MEMBER FORCE ]

MEMBER NODE	4047	4048			4048			4048			4049			
		SHEAR	TORQUE	MOMENT	SHEAR	TORQUE	MOMENT	SHEAR	TORQUE	MOMENT	SHEAR	TORQUE	MOMENT	
NAME TITLE	S2 (kN)	TQ (kN·m)	M3 (kN·m)	S2 (kN)	TQ (kN·m)	M3 (kN·m)	S2 (kN)	TQ (kN·m)	M3 (kN·m)	S2 (kN)	TQ (kN·m)	M3 (kN·m)		
1 PAVEMENT	-37.77	116.55	6538.58	-83.84	116.55	6253.02	-83.84	116.55	6253.02	-129.91	116.55	5751.13		
3 RAILING	1.33	4.33	196.55	-2.56	4.33	193.67	-2.56	4.33	193.67	-6.44	4.33	172.55		
5 CURB	13.14	42.89	1945.86	-25.30	42.89	1917.30	-25.30	42.89	1917.30	-63.74	42.89	1708.25		
7 DECK WEIGHT	-56.58	186.57	10827.20	-132.46	186.57	10383.28	-132.46	186.57	10383.28	-208.33	186.57	9583.13		
8 GIRDER WEIGH	-109.86	246.75	15260.19	-197.65	246.75	14538.10	-197.65	246.75	14538.10	-285.44	246.75	13403.84		
10 MEDIAN STRIP	-26.49	36.96	3700.61	-26.49	36.96	3576.20	-26.49	36.96	3576.20	-26.49	36.96	3451.80		
21 ADITIONAL WE	-15.84	52.24	3031.62	-37.09	52.24	2907.32	-37.09	52.24	2907.32	-58.33	52.24	2683.28		
31 MEDIAN RAILI	-2.60	2.66	201.40	-2.60	2.66	189.17	-2.60	2.66	189.17	-2.60	2.66	176.95		
51 SUPPORT WEIG	0.00	-0.00	0.00	0.00	-0.00	0.00	0.00	-0.00	0.00	0.00	-0.00	0.00		
52 NOSE WEIGHT	-0.00	0.00	0.00	-0.00	0.00	0.00	-0.00	0.00	0.00	-0.00	0.00	0.00		
61 1-LANE(case1TRUCK-LOAD	MAX	S2	5.40	-30.86	-179.84	5.40	-30.86	-154.46	5.40	-30.86	-154.46	5.40	-30.86	-129.09
		TQ	-20.72	271.81	903.42	-20.72	271.81	806.11	-20.72	271.81	806.11	-20.72	271.81	708.81
		M3	-16.46	250.46	936.68	-15.68	239.87	861.30	-15.68	239.87	861.30	-14.74	218.37	787.71
	MIN	S2	-21.89	263.00	827.57	-21.89	263.00	724.74	-21.89	263.00	724.74	-21.89	263.00	621.93
		TQ	5.09	-32.29	-168.50	5.09	-32.29	-144.57	5.09	-32.29	-144.57	5.09	-32.29	-120.65
		M3	5.40	-30.86	-179.84	5.40	-30.86	-154.46	5.40	-30.86	-154.46	5.40	-30.86	-129.09
	TANDEM-LOAD MAX	S2	3.68	-21.21	-122.43	3.68	-21.21	-105.14	3.68	-21.21	-105.14	3.68	-21.21	-87.86
		TQ	-13.71	185.04	621.70	-13.71	185.04	557.29	-13.71	185.04	557.29	-13.71	185.04	492.88
		M3	-11.35	174.25	636.42	-10.26	159.52	584.88	-10.26	159.52	584.88	-10.00	153.52	536.70
	MIN	S2	-14.94	183.12	587.06	-14.94	183.12	516.91	-14.94	183.12	516.91	-14.94	183.12	446.77
		TQ	3.52	-22.03	-116.62	3.52	-22.03	-100.08	3.52	-22.03	-100.08	3.52	-22.03	-83.53
		M3	3.68	-21.21	-122.43	3.68	-21.21	-105.14	3.68	-21.21	-105.14	3.68	-21.21	-87.86
	DISPERSION-LMAX	S2	6.38	-36.77	-212.22	6.38	-36.77	-182.26	6.38	-36.77	-182.26	6.38	-36.77	-152.30
		TQ	-32.00	339.16	1435.17	-32.00	339.16	1284.88	-32.00	339.16	1284.88	-32.00	339.16	1134.59
		M3	-33.12	336.06	1546.32	-33.12	336.06	1390.75	-33.12	336.06	1390.75	-33.12	336.06	1235.20
	MIN	S2	-33.12	336.06	1546.32	-33.12	336.06	1390.75	-33.12	336.06	1390.75	-33.12	336.06	1235.20
		TQ	5.26	-39.86	-101.08	5.26	-39.86	-76.38	5.26	-39.86	-76.38	5.26	-39.86	-51.69
		M3	6.38	-36.77	-212.22	6.38	-36.77	-182.26	6.38	-36.77	-182.26	6.38	-36.77	-152.30

BAGO RIVER BRIDGE

BLOCK [ No.1 : MAIN GIRDER ][ BEAM MEMBER FORCE ]

MEMBER				4047			4048			4048			4049		
NODE				4047			4048			4048			4049		
				SHEAR	TORQUE	MOMENT	SHEAR	TORQUE	MOMENT	SHEAR	TORQUE	MOMENT	SHEAR	TORQUE	MOMENT
NAME	TITLE			S2 (kN)	TQ (kN·m)	M3 (kN·m)	S2 (kN)	TQ (kN·m)	M3 (kN·m)	S2 (kN)	TQ (kN·m)	M3 (kN·m)	S2 (kN)	TQ (kN·m)	M3 (kN·m)
62	1-LANE (case2TRUCK-LOAD	MAX	S2	7.95	-14.73	693.45	7.95	-14.73	730.81	7.95	-14.73	730.81	7.95	-14.73	768.16
			TQ	-33.52	110.00	1335.14	-33.52	110.00	1177.73	-33.52	110.00	1177.73	-33.52	110.00	1020.34
			M3	-28.54	102.26	1377.33	-20.66	80.16	1258.74	-20.66	80.16	1258.74	-16.90	67.87	1171.27
		MIN	S2	-34.34	107.94	1270.53	-34.34	107.94	1109.24	-34.34	107.94	1109.24	-34.34	107.94	947.97
			TQ	7.94	-14.77	675.96	7.94	-14.77	713.25	7.94	-14.77	713.25	7.94	-14.77	750.54
			M3	5.33	-13.49	-182.83	5.33	-13.49	-157.82	5.33	-13.49	-157.82	5.33	-13.49	-132.81
		TANDEM-LOAD MAX	S2	5.54	-10.42	432.90	5.54	-10.42	458.94	5.54	-10.42	458.94	5.54	-10.42	484.96
			TQ	-23.54	74.99	893.89	-23.54	74.99	783.35	-23.54	74.99	783.35	-23.54	74.99	672.82
			M3	-17.11	64.77	937.52	-15.51	60.13	858.76	-15.51	60.13	858.76	-10.09	41.55	800.63
		MIN	S2	-23.70	74.43	877.67	-23.70	74.43	766.35	-23.70	74.43	766.35	-23.70	74.43	655.04
			TQ	5.54	-10.42	432.90	5.54	-10.42	458.94	5.54	-10.42	458.94	5.54	-10.42	484.96
			M3	3.63	-9.25	-124.48	3.63	-9.25	-107.45	3.63	-9.25	-107.45	3.63	-9.25	-90.42
		DISPERSION-LMAX	S2	9.83	-21.89	153.16	9.83	-21.89	199.32	9.83	-21.89	199.32	9.83	-21.89	245.47
			TQ	-36.07	122.31	1614.43	-36.07	122.31	1445.04	-36.07	122.31	1445.04	-36.07	122.31	1275.67
			M3	-32.60	116.21	1950.89	-32.60	116.21	1797.78	-32.60	116.21	1797.78	-32.60	116.21	1644.68
MIN	S2	-36.16	122.16	1582.42	-36.16	122.16	1412.60	-36.16	122.16	1412.60	-36.16	122.16	1242.81		
	TQ	9.74	-22.05	121.14	9.74	-22.05	166.88	9.74	-22.05	166.88	9.74	-22.05	212.62		
	M3	6.27	-15.94	-215.31	6.27	-15.94	-185.85	6.27	-15.94	-185.85	6.27	-15.94	-156.40		
63	1-LANE (case3TRUCK-LOAD	MAX	S2	34.72	-25.95	1282.45	34.72	-25.95	1445.50	34.72	-25.95	1445.50	34.72	-25.95	1608.54
			TQ	14.97	12.11	518.96	14.97	12.11	589.27	14.97	12.11	589.27	14.97	12.11	659.57
			M3	-48.30	-14.05	1895.48	-22.66	-17.88	1725.37	-22.66	-17.88	1725.37	12.52	-28.81	1712.42
		MIN	S2	-56.15	-16.49	1864.80	-56.15	-16.49	1601.11	-56.15	-16.49	1601.11	-56.15	-16.49	1337.45
			TQ	-36.31	-46.27	1221.73	-36.31	-46.27	1051.21	-36.31	-46.27	1051.21	-36.31	-46.27	880.71
			M3	5.27	-0.33	-185.32	5.27	-0.33	-160.55	5.27	-0.33	-160.55	5.27	-0.33	-135.79

BAGO RIVER BRIDGE

BLOCK [ No.1 : MAIN GIRDER ][ BEAM MEMBER FORCE ]

MEMBER		4047			4048			4048			4049						
NODE		4047			4048			4048			4049						
		SHEAR	TORQUE	MOMENT	SHEAR	TORQUE	MOMENT	SHEAR	TORQUE	MOMENT	SHEAR	TORQUE	MOMENT				
NAME	TITLE	S2 (kN)	TQ (kN·m)	M3 (kN·m)	S2 (kN)	TQ (kN·m)	M3 (kN·m)	S2 (kN)	TQ (kN·m)	M3 (kN·m)	S2 (kN)	TQ (kN·m)	M3 (kN·m)				
63	1-LANE (case3TANDEM-LOAD	MAX	S2	25.88	-16.78	829.61	25.88	-16.78	951.13	25.88	-16.78	951.13	25.88	-16.78	1072.64		
			TQ	9.11	8.73	322.09	9.11	8.73	364.90	9.11	8.73	364.90	9.11	8.73	407.69		
			M3	-33.94	-6.63	1317.56	-10.96	-13.81	1183.73	-10.96	-13.81	1183.73	14.88	-22.85	1188.60		
			MIN	S2	-40.19	-11.86	1256.31	-40.19	-11.86	1067.57	-40.19	-11.86	1067.57	-40.19	-11.86	878.84	
			TQ	-23.66	-31.45	801.74	-23.66	-31.45	690.62	-23.66	-31.45	690.62	-23.66	-31.45	579.50		
			M3	3.59	-0.18	-126.20	3.59	-0.18	-109.34	3.59	-0.18	-109.34	3.59	-0.18	-92.48		
			DISPERSION-LMAX	S2	22.33	-3.90	419.15	22.27	-3.56	507.94	22.27	-3.56	507.94	21.68	-2.69	568.24	
			TQ	2.76	7.32	342.40	2.76	7.32	355.37	2.76	7.32	355.38	2.76	7.32	368.35		
			M3	-28.29	-49.09	2303.16	-29.27	-49.09	2167.99	-29.27	-49.09	2167.99	-30.25	-49.09	2028.24		
			MIN	S2	-44.43	-45.35	1666.24	-45.35	-45.69	1471.37	-45.35	-45.69	1471.37	-45.74	-46.56	1300.41	
			TQ	-24.86	-56.57	1742.99	-25.84	-56.57	1623.94	-25.84	-56.57	1623.94	-26.82	-56.57	1500.30		
			M3	6.19	-0.16	-217.77	6.19	-0.16	-188.68	6.19	-0.16	-188.68	6.19	-0.16	-159.59		
		64	1-LANE (case4TRUCK-LOAD	MAX	S2	266.19	-152.39	2444.81	159.61	-29.27	2590.21	159.61	-29.27	2590.21	80.00	56.59	2215.06
					TQ	44.78	79.92	1145.54	44.78	79.92	1355.85	44.78	79.92	1355.85	44.78	79.92	1566.13
					M3	138.76	-238.02	2518.04	50.69	-141.50	2699.63	50.69	-141.50	2699.63	-55.43	-18.94	2334.42
	MIN			S2	-98.80	-255.57	2485.70	-177.29	-172.72	2659.81	-177.29	-172.72	2659.81	-283.76	-49.84	2316.77	
	TQ			-64.43	-275.74	1948.10	-64.43	-275.74	1645.51	-64.43	-275.74	1645.51	-64.43	-275.74	1342.97		
	M3			5.20	26.47	-191.48	5.20	26.47	-167.08	5.20	26.47	-167.08	5.20	26.47	-142.67		
	TANDEM-LOAD			MAX	S2	216.19	-145.03	1893.99	140.91	-57.52	2040.18	140.91	-57.52	2040.18	69.91	24.51	1754.28
	TQ			35.39	55.60	872.92	35.39	55.60	1039.10	35.39	55.60	1039.10	35.39	55.60	1205.27		
	M3			74.15	-160.42	1899.85	3.84	-80.03	2050.16	3.84	-80.03	2050.16	-71.92	8.58	1769.08		
	MIN			S2	-82.22	-160.42	1899.85	-152.53	-80.03	2050.16	-152.53	-80.03	2050.16	-228.29	8.58	1769.08	
	TQ			-48.59	-188.92	1429.94	-48.59	-188.92	1201.72	-48.59	-188.92	1201.72	-48.59	-188.92	973.52		
	M3			3.54	18.28	-130.49	3.54	18.28	-113.87	3.54	18.28	-113.87	3.54	18.28	-97.25		



BAGO RIVER BRIDGE

BLOCK [ No.1 : MAIN GIRDER ][ BEAM MEMBER FORCE ]

MEMBER			4047			4048			4048			4049					
NODE			4047			4048			4048			4049					
			SHEAR	TORQUE	MOMENT	SHEAR	TORQUE	MOMENT	SHEAR	TORQUE	MOMENT	SHEAR	TORQUE	MOMENT			
NAME	TITLE		S2 (kN)	TQ (kN·m)	M3 (kN·m)	S2 (kN)	TQ (kN·m)	M3 (kN·m)	S2 (kN)	TQ (kN·m)	M3 (kN·m)	S2 (kN)	TQ (kN·m)	M3 (kN·m)			
64	1-LANE (case4DISPERSION-LMAX	S2	82.50	43.98	847.18	49.53	63.67	783.62	49.53	63.67	783.62	29.81	67.92	608.12			
		TQ	33.17	68.00	365.97	33.17	68.00	521.73	33.17	68.00	521.73	21.66	68.00	663.96			
		M3	26.59	-253.77	2643.83	-28.28	-253.77	2640.73	-28.28	-253.77	2640.73	-83.15	-253.77	2379.94			
		MIN	S2	-49.85	-267.50	1573.53	-71.75	-287.20	1662.46	-71.75	-287.20	1662.46	-106.90	-291.44	1605.63		
		TQ	-0.51	-291.52	2054.74	-55.39	-291.52	1924.34	-55.39	-291.52	1924.34	-98.75	-291.52	1549.78			
		M3	6.06	30.25	-223.12	6.06	30.25	-194.66	6.06	30.25	-194.66	6.06	30.25	-166.20			
		65	2-LANES (caseTRUCK-LOAD	MAX	S2	10.77	-53.05	-361.16	10.77	-53.05	-310.58	10.77	-53.05	-310.58	10.77	-53.05	-260.02
				TQ	-47.42	461.25	1984.54	-47.42	461.25	1761.84	-47.42	461.25	1761.84	-47.42	461.25	1539.16	
				M3	-37.02	413.47	2078.14	-34.67	391.72	1908.48	-34.67	391.72	1908.48	-31.26	347.88	1750.43	
MIN	S2			-48.69	451.27	1858.57	-48.69	451.27	1629.88	-48.69	451.27	1629.88	-48.69	451.27	1401.22		
TQ	10.15			-55.32	-338.59	10.15	-55.32	-290.93	10.15	-55.32	-290.93	10.15	-55.32	-243.28			
M3	10.77			-53.05	-361.16	10.77	-53.05	-310.58	10.77	-53.05	-310.58	10.77	-53.05	-260.02			
TANDEM-LOAD	MAX			S2	7.33	-36.45	-245.87	7.33	-36.45	-211.43	7.33	-36.45	-211.43	7.33	-36.45	-176.99	
TQ	-32.11			314.04	1347.82	-32.11	314.04	1197.04	-32.11	314.04	1197.04	-32.11	314.04	1046.28			
M3	-25.88			289.23	1413.42	-22.47	259.49	1296.85	-22.47	259.49	1296.85	-21.52	247.26	1192.66			
MIN	S2	-33.35	311.80	1299.20	-33.35	311.80	1142.55	-33.35	311.80	1142.55	-33.35	311.80	985.92				
TQ	7.02	-37.76	-234.30	7.02	-37.76	-201.35	7.02	-37.76	-201.35	7.02	-37.76	-168.39					
M3	7.33	-36.45	-245.87	7.33	-36.45	-211.43	7.33	-36.45	-211.43	7.33	-36.45	-176.99					
DISPERSION-LMAX	S2	13.23	-66.70	-300.05	13.23	-66.70	-237.94	13.23	-66.70	-237.94	13.23	-66.70	-175.83				
TQ	-65.26	569.17	2993.86	-65.26	569.17	2687.35	-65.26	569.17	2687.35	-65.26	569.17	2380.88					
M3	-66.02	561.56	3294.48	-66.02	561.56	2984.42	-66.02	561.56	2984.42	-66.02	561.56	2674.40					
MIN	S2	-66.54	565.12	3168.55	-66.54	565.12	2856.05	-66.54	565.12	2856.05	-66.54	565.12	2543.59				
TQ	11.95	-70.74	-125.37	11.95	-70.74	-69.24	11.95	-70.74	-69.24	11.95	-70.74	-13.12					
M3	12.71	-63.14	-425.98	12.71	-63.14	-366.31	12.71	-63.14	-366.31	12.71	-63.14	-306.64					

BAGO RIVER BRIDGE

BLOCK [ No.1 : MAIN GIRDER ][ BEAM MEMBER FORCE ]

MEMBER				4047			4048			4048			4049		
NODE				4047			4048			4048			4049		
				SHEAR	TORQUE	MOMENT	SHEAR	TORQUE	MOMENT	SHEAR	TORQUE	MOMENT	SHEAR	TORQUE	MOMENT
NAME	TITLE			S2 (kN)	TQ (kN·m)	M3 (kN·m)	S2 (kN)	TQ (kN·m)	M3 (kN·m)	S2 (kN)	TQ (kN·m)	M3 (kN·m)	S2 (kN)	TQ (kN·m)	M3 (kN·m)
66	2-LANES (caseTRUCK-LOAD	MAX	S2	13.32	-36.92	512.14	13.32	-36.92	574.69	13.32	-36.92	574.69	13.32	-36.92	637.23
			TQ	-60.22	299.44	2416.27	-60.22	299.44	2133.47	-60.22	299.44	2133.47	-60.22	299.44	1850.69
			M3	-49.10	265.27	2518.79	-39.65	232.01	2305.92	-39.65	232.01	2305.92	-33.41	197.38	2133.99
		MIN	S2	-61.14	296.22	2301.52	-61.14	296.22	2014.38	-61.14	296.22	2014.38	-61.14	296.22	1727.27
			TQ	12.99	-37.80	505.87	12.99	-37.80	566.89	12.99	-37.80	566.89	12.99	-37.80	627.90
			M3	10.69	-35.68	-364.14	10.69	-35.68	-313.94	10.69	-35.68	-313.94	10.69	-35.68	-263.74
		TANDEM-LOAD MAX	S2	9.20	-25.66	309.46	9.20	-25.66	352.65	9.20	-25.66	352.65	9.20	-25.66	395.84
			TQ	-41.93	204.00	1620.02	-41.93	204.00	1423.10	-41.93	204.00	1423.10	-41.93	204.00	1226.21
			M3	-31.63	179.74	1714.51	-27.72	160.10	1570.72	-27.72	160.10	1570.72	-21.61	135.29	1456.59
		MIN	S2	-42.12	203.11	1589.80	-42.12	203.11	1391.98	-42.12	203.11	1391.98	-42.12	203.11	1194.19
			TQ	9.04	-26.15	315.23	9.04	-26.15	357.67	9.04	-26.15	357.67	9.04	-26.15	400.10
			M3	7.28	-24.48	-247.92	7.28	-24.48	-213.73	7.28	-24.48	-213.73	7.28	-24.48	-179.55
		DISPERSION-LMAX	S2	16.67	-51.82	65.33	16.67	-51.82	143.64	16.67	-51.82	143.64	16.67	-51.82	221.94
			TQ	-69.33	352.32	3173.12	-69.33	352.32	2847.52	-69.33	352.32	2847.52	-69.33	352.32	2521.95
			M3	-65.50	341.71	3699.05	-65.50	341.71	3391.45	-65.50	341.71	3391.45	-65.50	341.71	3083.89
		MIN	S2	-69.57	351.22	3204.65	-69.57	351.22	2877.91	-69.57	351.22	2877.91	-69.57	351.22	2551.20
			TQ	16.43	-52.93	96.86	16.43	-52.93	174.03	16.43	-52.93	174.03	16.43	-52.93	251.19
			M3	12.60	-42.31	-429.07	12.60	-42.31	-369.90	12.60	-42.31	-369.90	12.60	-42.31	-310.74
67	2-LANES (caseTRUCK-LOAD	MAX	S2	132.46	-107.47	3425.75	110.59	-59.83	3538.57	110.59	-59.83	3538.57	90.82	-20.61	3527.31
			TQ	42.60	47.27	1313.56	42.60	47.27	1513.61	42.60	47.27	1513.61	42.60	47.27	1713.63
			M3	-20.30	-132.41	4100.54	-15.15	-95.28	3901.66	-15.15	-95.28	3901.66	-1.82	-58.66	3733.33
		MIN	S2	-132.46	-143.87	4043.80	-152.12	-106.68	3756.80	-152.12	-106.68	3756.80	-174.00	-59.24	3345.43
			TQ	-84.95	-197.44	2769.50	-84.95	-197.44	2370.55	-84.95	-197.44	2370.55	-84.95	-197.44	1971.64
			M3	10.52	8.13	-372.58	10.52	8.13	-323.18	10.52	8.13	-323.18	10.52	8.13	-273.79

BAGO RIVER BRIDGE

BLOCK [ No.1 : MAIN GIRDER ][ BEAM MEMBER FORCE ]

MEMBER		4047			4048			4048			4049						
NODE		4047			4048			4048			4049						
		SHEAR	TORQUE	MOMENT	SHEAR	TORQUE	MOMENT	SHEAR	TORQUE	MOMENT	SHEAR	TORQUE	MOMENT				
NAME	TITLE	S2 (kN)	TQ (kN·m)	M3 (kN·m)	S2 (kN)	TQ (kN·m)	M3 (kN·m)	S2 (kN)	TQ (kN·m)	M3 (kN·m)	S2 (kN)	TQ (kN·m)	M3 (kN·m)				
67	2-LANES (caseTANDEM-LOAD	MAX	S2	99.21	-87.74	2421.47	84.22	-54.75	2518.90	84.22	-54.75	2518.90	69.43	-22.58	2526.32		
			TQ	26.35	33.44	826.48	26.35	33.44	950.24	26.35	33.44	950.24	26.35	33.44	1073.99		
			M3	-24.17	-84.36	2914.54	-15.80	-60.30	2760.46	-15.80	-60.30	2760.46	-5.09	-35.76	2655.08		
			MIN	S2	-97.45	-89.59	2853.29	-112.06	-58.34	2644.30	-112.06	-58.34	2644.30	-127.19	-24.77	2345.33	
			TQ	-59.84	-134.47	1931.08	-59.84	-134.47	1650.03	-59.84	-134.47	1650.03	-59.84	-134.47	1369.02		
			M3	7.16	5.68	-253.75	7.16	5.68	-220.12	7.16	5.68	-220.12	7.16	5.68	-186.48		
			DISPERSION-LMAX	S2	68.99	7.08	1195.81	57.04	17.73	1188.41	57.04	17.73	1188.41	47.20	23.06	1114.67	
			TQ	23.78	34.07	616.54	23.78	34.07	728.24	23.78	34.07	728.24	23.78	34.07	839.92		
			M3	-33.46	-200.55	4782.26	-57.97	-200.55	4567.55	-57.97	-200.55	4567.55	-82.48	-200.55	4237.78		
			MIN	S2	-90.11	-197.55	3149.10	-102.67	-208.20	2999.74	-102.67	-208.20	2999.74	-117.34	-213.53	2801.68	
			TQ	-44.91	-224.54	3728.36	-69.41	-224.54	3459.92	-69.41	-224.54	3459.92	-93.92	-224.54	3076.43		
			M3	12.34	10.09	-437.36	12.34	10.09	-379.39	12.34	10.09	-379.39	12.34	10.09	-321.44		
		68	2-LANES (caseTRUCK-LOAD	MAX	S2	363.85	-233.87	4587.97	235.45	-63.15	4683.05	235.45	-63.15	4683.05	136.09	61.91	4133.70
					TQ	72.40	115.07	1940.12	72.40	115.07	2280.17	72.40	115.07	2280.17	72.40	115.07	2620.17
					M3	166.71	-356.33	4722.96	58.18	-218.87	4875.69	58.18	-218.87	4875.69	-69.75	-48.79	4355.19
	MIN			S2	-175.10	-382.90	4664.56	-273.22	-262.87	4815.28	-273.22	-262.87	4815.28	-401.54	-92.59	4324.62	
	TQ			-113.07	-426.87	3495.84	-113.07	-426.87	2964.83	-113.07	-426.87	2964.83	-113.07	-426.87	2433.88		
	M3			10.42	44.15	-380.90	10.42	44.15	-331.98	10.42	44.15	-331.98	10.42	44.15	-283.06		
	TANDEM-LOAD			MAX	S2	289.46	-215.96	3485.72	199.21	-95.49	3607.74	199.21	-95.49	3607.74	113.46	18.69	3207.83
	TQ			52.62	80.30	1377.30	52.62	80.30	1624.44	52.62	80.30	1624.44	52.62	80.30	1871.54		
	M3			83.89	-238.12	3496.69	-1.01	-126.50	3626.68	-1.01	-126.50	3626.68	-91.87	-4.35	3235.43		
	MIN			S2	-139.47	-238.12	3496.69	-224.36	-126.50	3626.68	-224.36	-126.50	3626.68	-315.23	-4.35	3235.43	
	TQ			-84.78	-291.90	2559.25	-84.78	-291.90	2161.11	-84.78	-291.90	2161.11	-84.78	-291.90	1763.02		
	M3			7.09	30.50	-259.55	7.09	30.50	-226.23	7.09	30.50	-226.23	7.09	30.50	-192.92		

BAGO RIVER BRIDGE

BLOCK [ No.1 : MAIN GIRDER ][ BEAM MEMBER FORCE ]

MEMBER			4047			4048			4048			4049					
NODE			4047			4048			4048			4049					
			SHEAR	TORQUE	MOMENT	SHEAR	TORQUE	MOMENT	SHEAR	TORQUE	MOMENT	SHEAR	TORQUE	MOMENT			
NAME	TITLE		S2 (kN)	TQ (kN·m)	M3 (kN·m)	S2 (kN)	TQ (kN·m)	M3 (kN·m)	S2 (kN)	TQ (kN·m)	M3 (kN·m)	S2 (kN)	TQ (kN·m)	M3 (kN·m)			
68	2-LANES (caseDISPERSION-LMAX	S2	129.11	64.60	1622.08	84.25	94.60	1462.12	84.25	94.60	1462.12	55.28	103.30	1152.40			
		TQ	55.58	104.06	587.80	55.58	104.06	848.82	55.58	104.06	848.82	44.07	104.06	1096.30			
		M3	21.44	-407.28	5122.13	-56.95	-407.28	5039.63	-56.95	-407.28	5039.63	-135.32	-407.28	4589.05			
		MIN	S2	-95.50	-421.74	3055.62	-129.03	-451.74	3190.22	-129.03	-451.74	3190.22	-178.44	-460.45	3106.49		
		TQ	-21.97	-461.20	4089.90	-100.36	-461.20	3803.52	-100.36	-461.20	3803.52	-167.23	-461.20	3162.60			
		M3	12.17	50.14	-444.43	12.17	50.14	-387.29	12.17	50.14	-387.29	12.17	50.14	-330.15			
		69	3-LANES (caseTRUCK-LOAD	MAX	S2	18.72	-67.79	332.29	18.72	-67.79	420.22	18.72	-67.79	420.22	18.72	-67.79	508.14
				TQ	-80.94	571.25	3319.69	-80.94	571.25	2939.57	-80.94	571.25	2939.57	-80.94	571.25	2559.50	
				M3	-65.56	515.73	3455.47	-55.33	471.88	3167.22	-55.33	471.88	3167.22	-48.16	415.76	2921.70	
MIN	S2			-83.04	559.21	3129.09	-83.04	559.21	2739.12	-83.04	559.21	2739.12	-83.04	559.21	2349.19		
TQ	18.09			-70.09	337.37	18.09	-70.09	422.32	18.09	-70.09	422.32	18.09	-70.09	507.25			
M3	16.09			-66.54	-543.99	16.09	-66.54	-468.40	16.09	-66.54	-468.40	16.09	-66.54	-392.83			
TANDEM-LOAD	MAX			S2	12.88	-46.87	187.04	12.88	-46.87	247.51	12.88	-46.87	247.51	12.88	-46.87	307.98	
TQ	-55.64			389.04	2241.72	-55.64	389.04	1980.39	-55.64	389.04	1980.39	-55.64	389.04	1719.10			
M3	-42.99			354.00	2350.93	-37.99	319.62	2155.61	-37.99	319.62	2155.61	-31.61	288.81	1993.29			
MIN	S2	-57.06	386.23	2176.86	-57.06	386.23	1908.90	-57.06	386.23	1908.90	-57.06	386.23	1640.96				
TQ	12.56	-48.18	198.60	12.56	-48.18	257.59	12.56	-48.18	257.59	12.56	-48.18	316.57					
M3	10.96	-45.69	-370.35	10.96	-45.69	-318.88	10.96	-45.69	-318.88	10.96	-45.69	-267.41					
DISPERSION-LMAX	S2	23.05	-88.59	-146.89	23.05	-88.59	-38.62	23.05	-88.59	-38.62	23.05	-88.59	69.64				
TQ	-101.33	691.48	4608.30	-101.33	691.48	4132.39	-101.33	691.48	4132.39	-101.33	691.48	3656.55					
M3	-98.62	677.77	5245.37	-98.62	677.77	4782.20	-98.62	677.77	4782.20	-98.62	677.77	4319.09					
MIN	S2	-102.70	687.28	4750.97	-102.70	687.28	4268.65	-102.70	687.28	4268.65	-102.70	687.28	3786.40				
TQ	21.69	-92.79	-4.22	21.69	-92.79	97.65	21.69	-92.79	97.65	21.69	-92.79	199.50					
M3	18.98	-79.08	-641.29	18.98	-79.08	-552.16	18.98	-79.08	-552.16	18.98	-79.08	-463.04					

BAGO RIVER BRIDGE

BLOCK [ No.1 : MAIN GIRDER ][ BEAM MEMBER FORCE ]

MEMBER				4047			4048			4048			4049		
NODE				4047			4048			4048			4049		
				SHEAR	TORQUE	MOMENT	SHEAR	TORQUE	MOMENT	SHEAR	TORQUE	MOMENT	SHEAR	TORQUE	MOMENT
NAME	TITLE			S2 (kN)	TQ (kN·m)	M3 (kN·m)	S2 (kN)	TQ (kN·m)	M3 (kN·m)	S2 (kN)	TQ (kN·m)	M3 (kN·m)	S2 (kN)	TQ (kN·m)	M3 (kN·m)
70	3-LANES (caseTRUCK-LOAD	MAX	S2	398.70	-259.87	5870.59	270.22	-89.08	6128.87	270.22	-89.08	6128.87	170.83	36.00	5742.37
			TQ	87.38	127.21	2459.07	87.38	127.21	2869.43	87.38	127.21	2869.43	87.38	127.21	3279.73
			M3	118.51	-370.49	6618.64	35.57	-236.82	6601.42	35.57	-236.82	6601.42	-57.25	-77.60	6067.80
		MIN	S2	-231.26	-399.50	6529.56	-329.43	-279.45	6416.73	-329.43	-279.45	6416.73	-457.82	-109.10	5662.25
			TQ	-149.38	-473.24	4717.69	-149.38	-473.24	4016.14	-149.38	-473.24	4016.14	-149.38	-473.24	3314.67
			M3	15.74	25.39	-561.90	15.74	25.39	-487.98	15.74	25.39	-487.98	15.74	25.39	-414.07
	TANDEM-LOAD	MAX	S2	315.46	-232.80	4315.58	225.16	-112.28	4559.27	225.16	-112.28	4559.27	139.35	1.94	4280.71
			TQ	61.74	89.06	1699.41	61.74	89.06	1989.36	61.74	89.06	1989.36	61.74	89.06	2279.28
			M3	50.01	-244.82	4814.51	-11.95	-140.34	4810.81	-11.95	-140.34	4810.81	-77.03	-27.18	4424.28
		MIN	S2	-179.68	-250.05	4753.26	-264.62	-138.38	4694.65	-264.62	-138.38	4694.65	-355.54	-16.19	4114.52
			TQ	-108.44	-323.43	3361.05	-108.44	-323.43	2851.78	-108.44	-323.43	2851.78	-108.44	-323.43	2342.56
			M3	10.72	17.60	-382.74	10.72	17.60	-332.40	10.72	17.60	-332.40	10.72	17.60	-282.07
	DISPERSION-LMAX	MAX	S2	151.31	41.55	2042.55	106.46	71.81	1971.64	106.46	71.81	1971.64	76.97	81.30	1722.89
			TQ	56.90	92.40	989.07	56.90	92.40	1256.29	56.90	92.40	1256.29	44.98	92.40	1509.48
			M3	-7.25	-452.48	7427.44	-86.64	-452.48	7209.26	-86.64	-452.48	7209.26	-166.00	-452.48	6618.31
		MIN	S2	-140.12	-463.34	4726.10	-174.65	-493.60	4665.45	-174.65	-493.60	4665.45	-224.53	-503.08	4409.88
			TQ	-45.71	-514.18	5779.57	-125.09	-514.18	5380.80	-125.09	-514.18	5380.80	-192.53	-514.18	4623.28
			M3	18.45	30.70	-658.79	18.45	30.70	-572.16	18.45	30.70	-572.16	18.45	30.70	-485.55
71	3-LANES (caseTRUCK-LOAD	MAX	S2	398.56	-259.84	5870.38	270.15	-89.11	6128.48	270.15	-89.11	6128.48	170.80	35.94	5742.11
			TQ	87.37	127.17	2459.08	87.37	127.17	2869.43	87.37	127.17	2869.43	87.37	127.17	3279.72
			M3	118.39	-370.35	6618.31	35.52	-236.73	6600.89	35.52	-236.73	6600.89	-57.22	-77.60	6067.48
		MIN	S2	-231.24	-399.34	6529.24	-329.36	-279.32	6416.30	-329.36	-279.32	6416.30	-457.68	-109.03	5662.01
			TQ	-149.38	-473.13	4717.56	-149.38	-473.13	4016.03	-149.38	-473.13	4016.03	-149.38	-473.13	3314.59
			M3	15.66	53.04	-568.27	15.66	53.04	-494.71	15.66	53.04	-494.71	15.66	53.04	-421.17

BAGO RIVER BRIDGE

BLOCK [ No.1 : MAIN GIRDER ][ BEAM MEMBER FORCE ]

MEMBER				4047			4048			4048			4049					
NODE				4047			4048			4048			4049					
				SHEAR	TORQUE	MOMENT	SHEAR	TORQUE	MOMENT	SHEAR	TORQUE	MOMENT	SHEAR	TORQUE	MOMENT			
NAME	TITLE			S2 (kN)	TQ (kN·m)	M3 (kN·m)	S2 (kN)	TQ (kN·m)	M3 (kN·m)	S2 (kN)	TQ (kN·m)	M3 (kN·m)	S2 (kN)	TQ (kN·m)	M3 (kN·m)			
71	3-LANES (case)	TANDEM-LOAD	MAX	S2	315.33	-232.74	4315.30	225.08	-112.28	4558.82	225.08	-112.28	4558.82	139.33	1.91	4280.40		
				TQ	61.74	89.03	1699.39	61.74	89.03	1989.33	61.74	89.03	1989.33	61.74	89.03	2279.23		
				M3	49.94	-244.72	4814.14	-11.96	-140.30	4810.27	-11.96	-140.30	4810.27	-76.98	-27.19	4423.91		
			MIN	S2	-179.65	-249.94	4752.94	-264.55	-138.32	4694.20	-264.55	-138.32	4694.20	-355.41	-16.17	4114.24		
				TQ	-108.44	-323.36	3360.99	-108.44	-323.36	2851.72	-108.44	-323.36	2851.72	-108.44	-323.36	2342.52		
				M3	10.67	36.67	-387.18	10.67	36.67	-337.09	10.67	36.67	-337.09	10.67	36.67	-287.00		
			DISPERSION-L	MAX	S2	151.39	70.39	2039.39	106.47	100.73	1968.11	106.47	100.73	1968.11	76.92	110.30	1718.57	
					TQ	63.24	118.33	755.59	63.24	118.33	1052.58	63.24	118.33	1052.58	51.73	118.33	1336.03	
					M3	-6.81	-458.41	7424.42	-86.17	-458.41	7206.94	-86.17	-458.41	7206.94	-165.53	-458.41	6616.81	
				MIN	S2	-139.88	-469.14	4721.16	-174.33	-499.48	4660.99	-174.33	-499.48	4660.99	-224.13	-509.05	4406.41	
					TQ	-51.73	-517.08	6004.95	-131.09	-517.08	5576.52	-131.09	-517.08	5576.51	-198.94	-517.08	4788.96	
					M3	18.32	59.67	-663.88	18.32	59.67	-577.85	18.32	59.67	-577.85	18.32	59.67	-491.83	
		72	4-LANES	TRUCK-LOAD	MAX	S2	20.88	50.65	-750.98	20.88	50.65	-652.92	20.88	50.65	-652.92	20.88	50.65	-554.88
						TQ	14.03	52.02	-510.70	14.03	52.02	-444.79	14.03	52.02	-444.79	14.03	52.02	-378.89
						M3	-6.21	-1.55	219.03	-6.21	-1.57	189.85	-6.21	-1.57	189.85	-6.21	-1.57	160.67
	MIN			S2	-6.21	-1.53	219.03	-6.21	-1.53	189.84	-6.21	-1.53	189.84	-6.21	-1.53	160.66		
				TQ	0.68	-4.26	-22.58	0.68	-4.26	-19.38	0.68	-4.26	-19.38	0.68	-4.26	-16.17		
				M3	20.88	50.65	-750.98	20.88	50.65	-652.92	20.88	50.65	-652.92	20.88	50.65	-554.88		
	TANDEM-LOAD			MAX	S2	14.26	36.18	-513.30	14.26	36.18	-446.35	14.26	36.18	-446.35	14.26	36.18	-379.40	
					TQ	9.59	36.99	-349.39	9.59	36.99	-304.36	9.59	36.99	-304.36	9.59	36.99	-259.34	
					M3	-4.22	-1.13	148.87	-4.22	-1.13	129.04	-4.22	-1.13	129.04	-4.22	-1.13	109.21	
				MIN	S2	-4.22	-1.13	148.87	-4.22	-1.13	129.04	-4.22	-1.13	129.04	-4.22	-1.13	109.21	
					TQ	0.46	-2.93	-15.34	0.46	-2.93	-13.16	0.46	-2.93	-13.16	0.46	-2.93	-10.98	
					M3	14.26	36.18	-513.30	14.26	36.18	-446.35	14.26	36.18	-446.35	14.26	36.18	-379.40	

BAGO RIVER BRIDGE

BLOCK [ No.1 : MAIN GIRDER ][ BEAM MEMBER FORCE ]

MEMBER				4047			4048			4048			4049					
NODE				4047			4048			4048			4049					
				SHEAR	TORQUE	MOMENT	SHEAR	TORQUE	MOMENT	SHEAR	TORQUE	MOMENT	SHEAR	TORQUE	MOMENT			
NAME	TITLE			S2 (kN)	TQ (kN·m)	M3 (kN·m)	S2 (kN)	TQ (kN·m)	M3 (kN·m)	S2 (kN)	TQ (kN·m)	M3 (kN·m)	S2 (kN)	TQ (kN·m)	M3 (kN·m)			
72	4-LANES	DISPERSION-LMAX	S2	14.77	28.97	-528.96	14.77	28.97	-459.60	14.77	28.97	-459.60	14.77	28.97	-390.24			
			TQ	9.18	31.93	-333.29	9.18	31.93	-290.19	9.18	31.93	-290.19	9.18	31.93	-247.09			
			M3	-7.56	-1.80	266.45	-7.56	-1.80	230.94	-7.56	-1.80	230.94	-7.56	-1.82	195.44			
		MIN	S2	-7.56	-1.79	266.39	-7.56	-1.79	230.89	-7.56	-1.79	230.89	-7.56	-1.79	195.40			
			TQ	-2.12	-4.69	76.06	-2.12	-4.69	66.11	-2.12	-4.69	66.11	-2.12	-4.69	56.16			
			M3	14.77	29.41	-529.02	14.77	29.42	-459.66	14.77	29.42	-459.66	14.77	29.42	-390.32			
		73	6-LANES	TRUCK-LOAD	MAX	S2	372.48	-291.23	6130.92	264.21	-139.98	6408.29	264.21	-139.98	6408.29	180.66	-28.46	6149.71
					TQ	-67.48	644.34	6978.78	-67.48	644.34	6661.86	-67.48	644.34	6661.86	-67.48	644.34	6344.99	
					M3	23.04	156.47	10044.00	-38.54	238.87	9664.25	-38.54	238.87	9664.25	-89.09	292.04	8937.59	
MIN	S2			-308.17	169.31	9592.38	-390.50	279.80	9035.08	-390.50	279.80	9035.08	-493.92	428.17	7916.17			
	TQ			-119.41	-493.51	5053.18	-119.41	-493.51	4492.38	-119.41	-493.51	4492.38	-119.41	-493.51	3931.65			
	M3			31.74	-12.40	-1111.95	31.74	-12.40	-962.91	31.74	-12.40	-962.91	31.74	-12.40	-813.88			
TANDEM-LOAD	MAX			S2	291.19	-252.32	4509.11	214.34	-145.05	4754.24	214.34	-145.05	4754.24	143.10	-44.78	4569.10		
	TQ			-40.24	443.56	4915.94	-40.24	443.56	4726.94	-40.24	443.56	4726.94	-40.24	443.56	4537.96			
	M3			-11.72	121.25	7119.60	-55.89	178.14	6858.01	-55.89	178.14	6858.01	-94.36	237.27	6345.00			
MIN	S2			-229.96	144.50	6854.26	-299.59	244.69	6479.26	-299.59	244.69	6479.26	-372.03	335.82	5540.94			
	TQ			-83.04	-337.80	3444.42	-83.04	-337.80	3054.45	-83.04	-337.80	3054.45	-83.04	-337.80	2664.52			
	M3			21.61	-8.25	-757.31	21.61	-8.25	-655.80	21.61	-8.25	-655.80	21.61	-8.25	-554.32			
DISPERSION-LMAX	S2			161.30	-22.64	1653.74	119.16	5.80	1678.44	119.16	5.80	1678.44	91.86	14.08	1570.25			
	TQ			-38.41	753.51	4956.82	-38.41	753.51	4776.45	-38.41	753.51	4776.45	-49.91	753.51	4582.59			
	M3			-101.42	182.12	11721.59	-175.65	182.11	11071.60	-175.65	182.11	11071.60	-249.46	182.04	10074.09			
MIN	S2	-228.47	188.10	8873.55	-260.20	160.16	8330.54	-260.20	160.16	8330.54	-306.56	151.45	7623.44					
	TQ	-24.41	-568.62	5513.67	-98.65	-568.62	5225.33	-98.65	-568.62	5225.33	-161.39	-568.62	4602.41					
	M3	35.68	-11.57	-1250.89	35.68	-11.42	-1083.33	35.68	-11.42	-1083.33	35.68	-11.42	-915.79					

BAGO RIVER BRIDGE

BLOCK [ No.1 : MAIN GIRDER ][ BEAM MEMBER FORCE ]

MEMBER		4047			4048			4048			4049				
NODE		4047			4048			4048			4049				
		SHEAR	TORQUE	MOMENT	SHEAR	TORQUE	MOMENT	SHEAR	TORQUE	MOMENT	SHEAR	TORQUE	MOMENT		
NAME TITLE		S2 (kN)	TQ (kN·m)	M3 (kN·m)	S2 (kN)	TQ (kN·m)	M3 (kN·m)	S2 (kN)	TQ (kN·m)	M3 (kN·m)	S2 (kN)	TQ (kN·m)	M3 (kN·m)		
124	SUM TOTAL	D+1LANE (caseMAX	S2	-220.54	607.79	41231.54	-493.85	607.79	39553.99	-493.85	607.79	39553.99	-767.14	607.79	36593.26
			TQ	-297.94	1422.11	44508.32	-571.26	1422.11	42467.23	-571.26	1422.11	42467.23	-844.55	1422.11	39143.00
			M3	-294.18	1392.78	44681.61	-566.56	1380.07	42660.52	-566.56	1380.07	42660.52	-838.72	1354.27	39358.41
		MIN	S2	-300.70	1407.82	44550.68	-574.02	1407.82	42496.65	-574.02	1407.82	42496.65	-847.30	1407.82	39159.47
			TQ	-222.25	602.36	41378.53	-495.57	602.36	39692.91	-495.57	602.36	39692.91	-768.86	602.36	36724.11
			M3	-220.54	607.79	41231.54	-493.85	607.79	39553.99	-493.85	607.79	39553.99	-767.14	607.79	36593.26
		D+1LANE (caseMAX	S2	-213.34	645.00	42717.94	-486.66	645.00	41074.21	-486.66	645.00	41074.21	-759.94	645.00	38147.28
			TQ	-318.18	967.72	45241.51	-591.50	967.72	43105.38	-591.50	967.72	43105.38	-864.78	967.72	39686.13
			M3	-308.05	951.11	45695.87	-571.91	924.60	43625.88	-571.91	924.60	43625.88	-840.68	909.85	40310.07
		MIN	S2	-319.28	965.06	45125.54	-592.59	965.06	42984.27	-592.59	965.06	42984.27	-865.88	965.06	39559.86
			TQ	-213.46	644.77	42658.54	-486.78	644.77	41014.22	-486.78	644.77	41014.22	-760.07	644.77	38086.71
			M3	-220.76	653.63	41224.24	-494.08	653.63	39545.65	-494.08	653.63	39545.65	-767.36	653.63	36583.87
		D+1LANE (caseMAX	S2	-166.22	653.12	43743.94	-439.60	653.53	42302.20	-439.60	653.53	42302.20	-713.60	654.58	39543.05
			TQ	-213.40	712.25	42735.65	-486.72	712.25	41091.63	-486.72	712.25	41091.63	-760.00	712.25	38164.42
			M3	-326.58	613.18	46740.38	-570.31	608.59	44630.09	-570.31	608.59	44630.09	-802.56	595.47	41419.71
		MIN	S2	-355.37	614.74	45939.26	-629.79	614.33	43645.03	-629.79	614.33	43645.03	-903.55	613.29	40096.34
			TQ	-308.08	565.54	45259.67	-582.57	565.54	43168.23	-582.57	565.54	43168.23	-857.03	565.54	39788.13
			M3	-220.92	688.36	41218.31	-494.23	688.36	39538.98	-494.23	688.36	39538.98	-767.52	688.36	36576.46
		D+1LANE (caseMAX	S2	183.75	558.86	45652.40	-257.03	730.24	44006.64	-257.03	730.24	44006.64	-649.51	838.35	40318.73
			TQ	-141.14	866.44	43515.82	-414.46	866.44	42211.15	-414.46	866.44	42211.15	-701.55	866.44	39607.03
			M3	-36.25	98.79	47896.26	-481.10	214.62	46366.49	-481.10	214.62	46366.49	-947.58	361.70	42588.15
		MIN	S2	-413.05	61.26	46573.10	-806.84	137.05	45144.77	-806.84	137.05	45144.77	-1250.07	279.41	41637.79
			TQ	-312.61	8.24	46505.42	-651.78	8.24	44241.88	-651.78	8.24	44241.88	-977.09	8.24	40402.22
			M3	-221.17	757.01	41204.49	-494.49	757.01	39523.97	-494.49	757.01	39523.97	-767.77	757.01	36560.27



BAGO RIVER BRIDGE

BLOCK [ No.1 : MAIN GIRDER ][ BEAM MEMBER FORCE ]

MEMBER			4047			4048			4048			4049			
NODE			4047			4048			4048			4049			
NAME TITLE			SHEAR	TORQUE	MOMENT	SHEAR	TORQUE	MOMENT	SHEAR	TORQUE	MOMENT	SHEAR	TORQUE	MOMENT	
			S2 (kN)	TQ (kN·m)	M3 (kN·m)	S2 (kN)	TQ (kN·m)	M3 (kN·m)	S2 (kN)	TQ (kN·m)	M3 (kN·m)	S2 (kN)	TQ (kN·m)	M3 (kN·m)	
124	SUM TOTAL	D+2LANES (casMAX	S2	-210.68	569.19	41040.80	-484.00	569.19	39409.54	-484.00	569.19	39409.54	-757.29	569.19	36495.08
			TQ	-347.36	1719.36	46680.42	-620.68	1719.36	44407.25	-620.68	1719.36	44407.25	-893.96	1719.36	40850.96
			M3	-337.72	1663.97	47074.63	-608.69	1642.22	44850.96	-608.69	1642.22	44850.96	-878.56	1598.39	41355.76
		MIN	S2	-349.91	1705.34	46729.13	-623.23	1705.34	44443.99	-623.23	1705.34	44443.99	-896.51	1705.34	40875.73
			TQ	-212.58	562.88	41238.05	-485.90	562.88	39597.88	-485.90	562.88	39597.88	-759.18	562.88	36674.52
			M3	-211.20	572.75	40914.88	-484.52	572.75	39281.17	-484.52	572.75	39281.17	-757.81	572.75	36364.26
		D+2LANES (casMAX	S2	-204.68	600.20	42279.48	-478.00	600.20	40676.38	-478.00	600.20	40676.38	-751.29	600.20	37790.09
			TQ	-364.22	1340.70	47291.41	-637.54	1340.70	44939.04	-637.54	1340.70	44939.04	-910.83	1340.70	41303.57
			M3	-349.28	1295.92	47919.85	-613.14	1262.66	45655.43	-613.14	1262.66	45655.43	-880.19	1228.04	42148.80
		MIN	S2	-365.39	1336.38	47208.18	-638.71	1336.38	44850.34	-638.71	1336.38	44850.34	-911.99	1336.38	41209.39
			TQ	-205.25	598.22	42304.73	-478.57	598.22	40698.97	-478.57	598.22	40698.97	-751.86	598.22	37810.01
			M3	-211.39	610.95	40908.80	-484.71	610.95	39274.21	-484.71	610.95	39274.21	-757.99	610.95	36356.44
		D+2LANES (casMAX	S2	-33.23	588.56	46323.57	-340.36	646.84	44685.04	-340.36	646.84	44685.04	-643.26	691.40	41572.89
			TQ	-168.30	770.29	43632.12	-441.62	770.29	42199.90	-441.62	770.29	42199.90	-714.90	770.29	39484.47
			M3	-288.44	355.98	50584.81	-581.12	393.12	48427.27	-581.12	393.12	48427.27	-865.57	429.74	44902.04
		MIN	S2	-457.25	347.53	48894.91	-762.79	374.07	46714.59	-762.79	374.07	46714.59	-1072.62	416.18	43078.03
			TQ	-364.53	266.97	48199.88	-662.36	266.97	45788.52	-662.36	266.97	45788.52	-960.15	266.97	41978.99
			M3	-211.82	707.17	40892.08	-485.13	707.17	39255.48	-485.13	707.17	39255.48	-758.42	707.17	36335.70
		D+2LANES (casMAX	S2	258.28	519.68	47912.06	-188.30	720.39	46103.23	-188.30	720.39	46103.23	-589.90	854.16	42217.02
			TQ	-106.69	908.07	44229.94	-380.01	908.07	43087.04	-380.01	908.07	43087.04	-664.81	908.07	40647.39
			M3	-46.53	-74.67	51547.10	-506.76	62.79	49873.38	-506.76	62.79	49873.38	-986.35	232.88	45875.16
		MIN	S2	-505.27	-115.70	49422.20	-910.24	-25.66	47963.55	-910.24	-25.66	47963.55	-1361.26	135.91	44362.03
			TQ	-369.71	-199.13	49287.75	-721.42	-199.13	46726.41	-721.42	-199.12	46726.41	-1061.57	-199.12	42527.41
			M3	-212.09	783.24	40876.68	-485.41	783.24	39238.79	-485.41	783.24	39238.79	-758.70	783.24	36317.70

BAGO RIVER BRIDGE

BLOCK [ No.1 : MAIN GIRDER ][ BEAM MEMBER FORCE ]

MEMBER			4047			4048			4048			4049				
NODE			4047			4048			4048			4049				
NAME TITLE			SHEAR	TORQUE	MOMENT	SHEAR	TORQUE	MOMENT	SHEAR	TORQUE	MOMENT	SHEAR	TORQUE	MOMENT		
			S2 (kN)	TQ (kN·m)	M3 (kN·m)	S2 (kN)	TQ (kN·m)	M3 (kN·m)	S2 (kN)	TQ (kN·m)	M3 (kN·m)	S2 (kN)	TQ (kN·m)	M3 (kN·m)		
124	SUM TOTAL	D+3LANES (casMAX	S2	-199.17	556.03	41859.60	-472.48	556.03	40282.42	-472.48	556.03	40282.42	-745.77	556.03	37422.04	
			TQ	-389.61	1762.26	48440.80	-662.92	1762.26	45969.23	-662.92	1762.27	45969.23	-936.21	1762.27	42214.56	
			M3	-374.23	1703.42	49097.72	-638.86	1666.15	46715.06	-638.86	1666.15	46715.06	-906.04	1618.44	43085.59	
		MIN	S2	-392.55	1748.47	48400.06	-665.87	1748.47	45914.66	-665.87	1748.47	45914.66	-939.15	1748.47	42146.18	
			TQ	-200.86	550.50	41985.19	-474.18	550.50	40400.02	-474.18	550.50	40400.02	-747.47	550.50	37531.66	
			M3	-204.86	565.16	40694.53	-478.18	565.16	39090.58	-478.18	565.16	39090.58	-751.47	565.16	36203.43	
		D+3LANES (casMAX	S2	232.83	503.38	48428.18	-187.82	674.26	46843.49	-187.82	674.26	46843.49	-570.65	788.65	43276.39	
			TQ	-112.04	875.61	44632.93	-385.36	875.61	43464.92	-385.36	875.61	43464.92	-668.78	875.61	41001.75	
			M3	-140.11	-10.58	53641.17	-551.40	103.04	51697.13	-551.40	103.04	51697.13	-971.05	238.38	47714.11	
		MIN	S2	-550.35	-44.47	51269.32	-936.46	31.86	49377.91	-936.46	31.86	49377.91	-1361.28	168.59	45492.23	
			TQ	-400.50	-150.36	50624.68	-741.29	-150.36	47945.46	-741.29	-150.36	47945.45	-1071.91	-150.36	43678.19	
			M3	-205.62	736.62	40664.42	-478.94	736.62	39056.93	-478.94	736.62	39056.93	-752.22	736.62	36166.25	
		D+3LANES (casMAX	S2	232.78	527.92	48425.32	-187.86	698.82	46840.16	-187.86	698.82	46840.16	-570.71	813.26	43272.50	
			TQ	-106.66	897.62	44434.48	-379.98	897.62	43291.76	-379.98	897.62	43291.76	-663.04	897.62	40854.31	
			M3	-139.84	-15.50	53638.33	-551.05	98.08	51694.72	-551.05	98.08	51694.72	-970.62	233.34	47712.57	
		MIN	S2	-550.13	-49.26	51264.85	-936.13	26.97	49373.75	-936.13	26.98	49373.75	-1360.82	163.58	45489.08	
			TQ	-405.61	-152.73	50816.15	-746.39	-152.73	48111.72	-746.39	-152.73	48111.72	-1077.35	-152.73	43818.93	
			M3	-205.79	784.74	40654.69	-479.11	784.74	39046.38	-479.11	784.74	39046.38	-752.40	784.74	36154.87	
		D+4LANES	MAX	S2	-211.50	740.70	40870.05	-484.82	740.70	39234.92	-484.82	740.70	39234.92	-758.11	740.70	36316.60
			TQ	-219.59	743.51	41153.42	-492.91	743.51	39480.32	-492.91	743.51	39480.32	-766.19	743.51	36524.04	
			M3	-243.63	686.77	42017.58	-516.95	686.76	40231.57	-516.95	686.76	40231.57	-790.23	686.75	37162.40	
		MIN	S2	-243.63	686.79	42017.54	-516.95	686.79	40231.54	-516.95	686.79	40231.54	-790.23	686.79	37162.36	
			TQ	-235.61	683.13	41736.78	-508.93	683.13	39988.43	-508.93	683.13	39988.43	-782.21	683.13	36956.91	
			M3	-211.51	740.99	40870.01	-484.82	740.99	39234.87	-484.82	740.99	39234.87	-758.11	740.99	36316.54	

BAGO RIVER BRIDGE

BLOCK [ No.1 : MAIN GIRDER ][ BEAM MEMBER FORCE ]

MEMBER					4047			4048			4048			4049		
NODE					4047			4048			4048			4049		
					SHEAR	TORQUE	MOMENT	SHEAR	TORQUE	MOMENT	SHEAR	TORQUE	MOMENT	SHEAR	TORQUE	MOMENT
NAME TITLE					S2 (kN)	TQ (kN·m)	M3 (kN·m)	S2 (kN)	TQ (kN·m)	M3 (kN·m)	S2 (kN)	TQ (kN·m)	M3 (kN·m)	S2 (kN)	TQ (kN·m)	M3 (kN·m)
124	SUM TOTAL	D+6LANES	MAX	S2	112.28	484.93	46762.04	-258.80	601.73	45214.43	-258.80	601.73	45214.43	-604.14	679.60	41948.89
				TQ	-303.50	1597.55	49460.15	-576.82	1597.55	47392.96	-576.82	1597.55	47392.96	-857.59	1597.55	44033.85
				M3	-285.62	909.03	55849.64	-647.22	962.58	53436.36	-647.22	962.59	53436.36	-1001.34	997.09	49288.51
			MIN	S2	-583.49	921.27	53704.87	-930.95	974.92	51245.71	-930.95	974.92	51245.71	-1301.59	1065.70	47031.67
				TQ	-328.16	-1.44	48570.46	-649.73	-1.44	46274.57	-649.73	-1.44	46274.57	-963.80	-1.44	42478.06
				M3	-190.86	673.37	40166.16	-464.18	673.46	38628.00	-464.18	673.46	38628.00	-737.46	673.46	35806.64
	SUM TOTAL		MAX		258.28	1762.26	55849.64	-187.82	1762.26	53436.36	-187.82	1762.27	53436.36	-570.65	1762.27	49288.51
			MIN		-583.49	-199.13	40166.16	-936.46	-199.13	38628.00	-936.46	-199.12	38628.00	-1361.28	-199.12	35806.64
300	DEAD LOAD	TOTAL			-234.68	688.95	41702.01	-507.99	688.95	39958.06	-507.99	688.95	39958.06	-781.28	688.95	36930.92
301	LIVE LOAD	1-LANE(case1MAX	S2		14.14	-81.16	-470.48	14.14	-81.16	-404.07	14.14	-81.16	-404.07	14.14	-81.16	-337.66
			TQ		-63.27	733.16	2806.31	-63.27	733.16	2509.18	-63.27	733.16	2509.18	-63.27	733.16	2212.08
			M3		-59.50	703.83	2979.60	-58.57	691.12	2702.46	-58.57	691.12	2702.46	-57.44	665.32	2427.49
			MIN	S2	-66.02	718.87	2848.67	-66.02	718.87	2538.59	-66.02	718.87	2538.59	-66.02	718.87	2228.55
				TQ	12.42	-86.59	-323.49	12.42	-86.59	-265.14	12.42	-86.59	-265.14	12.42	-86.59	-206.81
				M3	14.14	-81.16	-470.48	14.14	-81.16	-404.07	14.14	-81.16	-404.07	14.14	-81.16	-337.66
		1-LANE(case2MAX	S2		21.34	-43.94	1015.93	21.34	-43.94	1116.15	21.34	-43.94	1116.15	21.34	-43.94	1216.36
			TQ		-83.50	278.77	3539.49	-83.50	278.77	3147.33	-83.50	278.77	3147.33	-83.50	278.77	2755.21
			M3		-73.37	262.17	3993.86	-63.92	235.65	3667.82	-63.92	235.65	3667.82	-59.40	220.90	3379.15
			MIN	S2	-84.60	276.12	3423.53	-84.60	276.12	3026.21	-84.60	276.12	3026.21	-84.60	276.12	2628.94
				TQ	21.21	-44.18	956.53	21.21	-44.18	1056.16	21.21	-44.18	1056.16	21.21	-44.18	1155.78
				M3	13.92	-35.32	-477.77	13.92	-35.32	-412.41	13.92	-35.32	-412.41	13.92	-35.32	-347.05
		1-LANE(case3MAX	S2		68.46	-35.82	2041.93	68.39	-35.41	2344.14	68.39	-35.41	2344.14	67.68	-34.37	2612.13
			TQ		21.28	23.31	1033.64	21.28	23.31	1133.57	21.28	23.31	1133.57	21.28	23.31	1233.50
			M3		-91.90	-75.77	5038.37	-62.31	-80.36	4672.04	-62.31	-80.36	4672.04	-21.28	-93.48	4488.79
			MIN	S2	-120.69	-74.21	4237.24	-121.80	-74.62	3686.97	-121.80	-74.62	3686.97	-122.27	-75.66	3165.42
				TQ	-73.40	-123.40	3557.66	-74.58	-123.40	3210.17	-74.58	-123.40	3210.17	-75.75	-123.40	2857.21
				M3	13.76	-0.59	-483.70	13.76	-0.59	-419.08	13.76	-0.59	-419.08	13.76	-0.59	-354.46

BAGO RIVER BRIDGE

BLOCK [ No.1 : MAIN GIRDER ][ BEAM MEMBER FORCE ]

MEMBER			4047			4048			4048			4049			
NODE			4047			4048			4048			4049			
NAME TITLE			SHEAR	TORQUE	MOMENT	SHEAR	TORQUE	MOMENT	SHEAR	TORQUE	MOMENT	SHEAR	TORQUE	MOMENT	
			S2 (kN)	TQ (kN·m)	M3 (kN·m)	S2 (kN)	TQ (kN·m)	M3 (kN·m)	S2 (kN)	TQ (kN·m)	M3 (kN·m)	S2 (kN)	TQ (kN·m)	M3 (kN·m)	
301	LIVE LOAD	1-LANE (case4MAX	S2	418.43	-130.09	3950.39	250.97	41.29	4048.59	250.97	41.29	4048.59	131.77	149.40	3387.81
			TQ	93.54	177.50	1813.81	93.54	177.50	2253.09	93.54	177.50	2253.09	79.73	177.50	2676.11
			M3	198.42	-590.15	6194.25	26.89	-474.32	6408.43	26.89	-474.32	6408.43	-166.30	-327.25	5657.23
			MIN S2	-178.38	-627.69	4871.08	-298.84	-551.89	5186.72	-298.84	-551.89	5186.72	-468.79	-409.54	4706.87
			TQ	-77.93	-680.70	4803.41	-143.78	-680.70	4283.83	-143.78	-680.70	4283.83	-195.81	-680.70	3471.30
			M3	13.51	68.07	-497.52	13.51	68.07	-434.08	13.51	68.07	-434.08	13.51	68.07	-370.65
		2-LANES (caseMAX	S2	23.99	-119.76	-661.21	23.99	-119.76	-548.52	23.99	-119.76	-548.52	23.99	-119.76	-435.85
			TQ	-112.68	1030.42	4978.41	-112.68	1030.42	4449.19	-112.68	1030.42	4449.19	-112.68	1030.42	3920.04
			M3	-103.04	975.03	5372.62	-100.69	953.28	4892.90	-100.69	953.28	4892.90	-97.28	909.44	4424.83
			MIN S2	-115.23	1016.40	5027.12	-115.23	1016.40	4485.93	-115.23	1016.40	4485.93	-115.23	1016.40	3944.81
			TQ	22.10	-126.07	-463.96	22.10	-126.07	-360.17	22.10	-126.07	-360.17	22.10	-126.07	-256.40
			M3	23.47	-116.19	-787.14	23.47	-116.19	-676.89	23.47	-116.19	-676.89	23.47	-116.19	-566.66
		2-LANES (caseMAX	S2	29.99	-88.75	577.46	29.99	-88.75	718.33	29.99	-88.75	718.33	29.99	-88.75	859.17
			TQ	-129.55	651.76	5589.39	-129.55	651.76	4980.98	-129.55	651.76	4980.98	-129.55	651.76	4372.65
			M3	-114.60	606.97	6217.83	-105.15	573.71	5697.37	-105.15	573.71	5697.37	-98.91	539.09	5217.88
			MIN S2	-130.71	647.43	5506.17	-130.71	647.43	4892.28	-130.71	647.43	4892.28	-130.71	647.43	4278.47
			TQ	29.43	-90.73	602.72	29.43	-90.73	740.91	29.43	-90.73	740.91	29.43	-90.73	879.09
			M3	23.29	-78.00	-793.21	23.29	-78.00	-683.84	23.29	-78.00	-683.84	23.29	-78.00	-574.48
		2-LANES (caseMAX	S2	201.45	-100.38	4621.55	167.63	-42.10	4726.98	167.63	-42.10	4726.98	138.02	2.45	4641.97
			TQ	66.38	81.34	1930.10	66.38	81.34	2241.85	66.38	81.34	2241.85	66.38	81.34	2553.55
			M3	-53.77	-332.97	8882.80	-73.12	-295.83	8469.21	-73.12	-295.83	8469.21	-84.29	-259.21	7971.11
			MIN S2	-222.57	-341.42	7192.90	-254.79	-314.88	6756.54	-254.79	-314.88	6756.54	-291.34	-272.77	6147.11
			TQ	-129.85	-421.98	6497.86	-154.36	-421.98	5830.46	-154.36	-421.98	5830.46	-178.87	-421.98	5048.07
			M3	22.86	18.22	-809.94	22.86	18.22	-702.57	22.86	18.22	-702.57	22.86	18.22	-595.22

BAGO RIVER BRIDGE

BLOCK [ No.1 : MAIN GIRDER ] [ BEAM MEMBER FORCE ]

MEMBER			4047			4048			4048			4049				
NODE			4047			4048			4048			4049				
NAME TITLE			SHEAR	TORQUE	MOMENT	SHEAR	TORQUE	MOMENT	SHEAR	TORQUE	MOMENT	SHEAR	TORQUE	MOMENT		
			S2 (kN)	TQ (kN·m)	M3 (kN·m)	S2 (kN)	TQ (kN·m)	M3 (kN·m)	S2 (kN)	TQ (kN·m)	M3 (kN·m)	S2 (kN)	TQ (kN·m)	M3 (kN·m)		
301	LIVE LOAD	2-LANES (caseMAX	S2	492.95	-169.27	6210.05	319.69	31.45	6145.18	319.69	31.45	6145.18	191.38	165.21	5286.10	
			TQ	127.98	219.12	2527.93	127.98	219.12	3128.99	127.98	219.12	3128.99	116.47	219.12	3716.46	
			M3	188.15	-763.62	9845.09	1.24	-626.16	9915.32	1.24	-626.16	9915.32	-205.07	-456.07	8944.24	
			MIN	S2	-270.60	-804.64	7720.18	-402.25	-714.61	8005.50	-402.25	-714.61	8005.50	-579.98	-553.03	7431.11
			TQ	-135.04	-888.07	7585.74	-213.42	-888.07	6768.35	-213.42	-888.07	6768.35	-280.29	-888.07	5596.49	
			M3	22.58	94.29	-825.34	22.58	94.29	-719.27	22.58	94.29	-719.27	22.58	94.29	-613.22	
		3-LANES (caseMAX	S2	35.51	-132.92	157.59	35.51	-132.92	324.37	35.51	-132.92	324.37	35.51	-132.92	491.12	
			TQ	-154.93	1073.32	6738.79	-154.93	1073.32	6011.17	-154.93	1073.32	6011.17	-154.93	1073.32	5283.64	
			M3	-139.56	1014.47	7395.71	-130.86	977.20	6757.01	-130.86	977.20	6757.01	-124.76	929.50	6154.67	
			MIN	S2	-157.87	1059.52	6698.05	-157.87	1059.52	5956.61	-157.87	1059.52	5956.61	-157.87	1059.52	5215.25
			TQ	33.81	-138.45	283.18	33.81	-138.45	441.97	33.81	-138.45	441.97	33.81	-138.45	600.74	
			M3	29.81	-123.78	-1007.49	29.81	-123.78	-867.48	29.81	-123.78	-867.48	29.81	-123.78	-727.49	
		3-LANES (caseMAX	S2	467.51	-185.57	6726.17	320.18	-14.68	6885.43	320.18	-14.68	6885.43	210.63	99.71	6345.47	
			TQ	122.63	186.67	2930.92	122.63	186.67	3506.86	122.63	186.67	3506.86	112.50	186.67	4070.83	
			M3	94.57	-699.53	11939.16	-43.40	-585.90	11739.08	-43.40	-585.90	11739.08	-189.77	-450.57	10783.19	
			MIN	S2	-315.67	-733.42	9567.31	-428.47	-657.09	9419.85	-428.47	-657.09	9419.85	-580.00	-520.36	8561.31
			TQ	-165.82	-839.31	8922.67	-233.30	-839.31	7987.40	-233.30	-839.31	7987.40	-290.63	-839.31	6747.26	
			M3	29.06	47.67	-1037.59	29.06	47.67	-901.12	29.06	47.67	-901.12	29.06	47.67	-764.67	
		3-LANES (caseMAX	S2	467.46	-161.02	6723.31	320.14	9.87	6882.10	320.14	9.87	6882.10	210.57	124.31	6341.58	
			TQ	128.02	208.68	2732.47	128.02	208.68	3333.71	128.02	208.68	3333.71	118.24	208.68	3923.39	
			M3	94.84	-704.44	11936.32	-43.06	-590.87	11736.66	-43.06	-590.87	11736.66	-189.34	-455.61	10781.65	
			MIN	S2	-315.45	-738.21	9562.84	-428.14	-661.97	9415.69	-428.14	-661.97	9415.69	-579.54	-525.37	8558.16
			TQ	-170.94	-841.68	9114.14	-238.40	-841.68	8153.66	-238.40	-841.68	8153.66	-296.07	-841.68	6888.01	
			M3	28.88	95.80	-1047.32	28.88	95.80	-911.68	28.88	95.80	-911.68	28.88	95.80	-776.05	

BAGO RIVER BRIDGE

BLOCK [ No.1 : MAIN GIRDER ][ BEAM MEMBER FORCE ]

MEMBER					4047			4048			4049					
NODE					4047			4048			4048			4049		
NAME TITLE					SHEAR	TORQUE	MOMENT	SHEAR	TORQUE	MOMENT	SHEAR	TORQUE	MOMENT	SHEAR	TORQUE	MOMENT
					S2 (kN)	TQ (kN·m)	M3 (kN·m)	S2 (kN)	TQ (kN·m)	M3 (kN·m)	S2 (kN)	TQ (kN·m)	M3 (kN·m)	S2 (kN)	TQ (kN·m)	M3 (kN·m)
301	LIVE LOAD	4-LANES	MAX	S2	23.17	51.76	-831.97	23.17	51.76	-723.14	23.17	51.76	-723.14	23.17	51.76	-614.33
				TQ	15.09	54.57	-548.59	15.09	54.57	-477.74	15.09	54.57	-477.73	15.09	54.57	-406.89
				M3	-8.95	-2.18	315.56	-8.95	-2.19	273.52	-8.95	-2.19	273.52	-8.95	-2.20	231.47
			MIN	S2	-8.95	-2.16	315.52	-8.95	-2.16	273.48	-8.95	-2.16	273.48	-8.95	-2.16	231.44
				TQ	-0.93	-5.82	34.76	-0.93	-5.82	30.38	-0.93	-5.82	30.38	-0.93	-5.82	25.99
				M3	23.17	52.04	-832.00	23.17	52.05	-723.18	23.17	52.05	-723.18	23.17	52.05	-614.38
		6-LANES	MAX	S2	346.96	-204.02	5060.03	249.19	-87.21	5256.38	249.19	-87.21	5256.38	177.14	-9.35	5017.97
				TQ	-68.83	908.61	7758.14	-68.83	908.61	7434.90	-68.83	908.61	7434.90	-76.31	908.61	7102.93
				M3	-50.95	220.09	14147.63	-139.22	273.64	13478.30	-139.22	273.64	13478.30	-220.06	308.15	12357.59
			MIN	S2	-348.82	232.32	12002.85	-422.95	285.97	11287.66	-422.95	285.97	11287.66	-520.31	376.75	10100.75
				TQ	-93.48	-690.39	6868.45	-141.74	-690.39	6316.51	-141.74	-690.39	6316.51	-182.52	-690.39	5547.14
				M3	43.82	-15.58	-1535.85	43.82	-15.48	-1330.05	43.82	-15.48	-1330.05	43.82	-15.48	-1124.28
		LIVE LOAD	MAX		492.95	1073.32	14147.63	320.18	1073.32	13478.30	320.18	1073.32	13478.30	210.63	1073.32	12357.59
			MIN		-348.82	-888.07	-1535.85	-428.47	-888.07	-1330.05	-428.47	-888.07	-1330.05	-580.00	-888.07	-1124.28
		303	SUM TOTAL	TOTAL	MAX	258.28	1762.26	55849.64	-187.82	1762.26	53436.36	-187.82	1762.27	53436.36	-570.65	1762.27
MIN	-583.49				-199.13	40166.16	-936.46	-199.13	38628.00	-936.46	-199.12	38628.00	-1361.28	-199.12	35806.64	

BAGO RIVER BRIDGE

BLOCK [ No.1 : MAIN GIRDER ] [ BEAM MEMBER FORCE ]

MEMBER NODE	4049	4050			4050			4051			4051	4051	4051		
		SHEAR	TORQUE	MOMENT	SHEAR	TORQUE	MOMENT	SHEAR	TORQUE	MOMENT					
NAME TITLE	S2 (kN)	TQ (kN·m)	M3 (kN·m)	S2 (kN)	TQ (kN·m)	M3 (kN·m)	S2 (kN)	TQ (kN·m)	M3 (kN·m)	S2 (kN)	TQ (kN·m)	M3 (kN·m)			
1 PAVEMENT	-95.98	104.10	5751.13	-142.05	104.10	5192.32	-142.05	104.10	5192.32	-188.11	104.10	4417.30			
3 RAILING	-0.38	3.46	172.55	-4.26	3.46	161.65	-4.26	3.46	161.65	-8.14	3.46	132.53			
5 CURB	-3.77	34.25	1708.25	-42.20	34.25	1600.33	-42.20	34.25	1600.33	-80.63	34.25	1312.00			
7 DECK WEIGHT	-155.72	166.75	9583.13	-231.58	166.75	8673.86	-231.58	166.75	8673.86	-307.44	166.75	7408.54			
8 GIRDER WEIGH	-244.46	221.64	13403.84	-332.23	221.64	12049.97	-332.23	221.64	12049.97	-420.00	221.64	10284.16			
10 MEDIAN STRIP	-68.72	37.42	3451.80	-68.72	37.42	3129.11	-68.72	37.42	3129.11	-68.72	37.42	2806.46			
21 ADITIONAL WE	-43.60	46.69	2683.28	-64.84	46.69	2428.68	-64.84	46.69	2428.68	-86.08	46.69	2074.39			
31 MEDIAN RAILI	-4.39	2.55	176.95	-4.39	2.55	156.33	-4.39	2.55	156.33	-4.39	2.55	135.71			
51 SUPPORT WEIG	0.00	-0.00	0.00	0.00	-0.00	0.00	0.00	-0.00	0.00	0.00	-0.00	0.00			
52 NOSE WEIGHT	-0.00	0.00	0.00	-0.00	0.00	0.00	-0.00	0.00	0.00	-0.00	0.00	0.00			
61 1-LANE(case1TRUCK-LOAD	MAX	S2	5.03	-30.38	-129.09	5.03	-30.38	-105.46	5.03	-30.38	-105.46	5.03	-30.38	-81.84	
		TQ	-26.03	330.32	787.66	-26.03	330.32	665.45	-26.03	330.32	665.45	-26.03	330.32	543.26	
		M3	-24.53	327.04	787.71	-24.30	326.07	672.70	-24.30	326.07	672.70	-23.63	322.02	561.32	
	MIN	S2	-27.44	321.19	751.93	-27.44	321.19	623.10	-27.44	321.19	623.10	-27.44	321.19	494.29	
		TQ	4.74	-31.82	-120.65	4.74	-31.82	-98.39	4.74	-31.82	-98.39	4.74	-31.82	-76.14	
		M3	5.03	-30.38	-129.09	5.03	-30.38	-105.46	5.03	-30.38	-105.46	5.03	-30.17	-81.84	
	TANDEM-LOAD	MAX	S2	3.43	-20.88	-87.86	3.43	-20.88	-71.77	3.43	-20.88	-71.77	3.43	-20.88	-55.68
		TQ	-17.40	224.90	536.69	-17.40	224.90	454.97	-17.40	224.90	454.97	-17.40	224.90	373.26	
		M3	-16.99	223.98	536.70	-16.99	223.98	456.94	-16.99	223.98	456.94	-15.60	217.48	383.37	
	MIN	S2	-18.69	215.30	502.55	-18.69	215.30	414.80	-18.69	215.30	414.80	-18.69	215.30	327.05	
		TQ	3.28	-21.71	-83.53	3.28	-21.71	-68.14	3.28	-21.71	-68.14	3.28	-21.71	-52.75	
		M3	3.43	-20.88	-87.86	3.43	-20.88	-71.77	3.43	-20.88	-71.77	3.43	-20.88	-55.68	
	DISPERSION-LMAX	S2	5.94	-36.19	-152.30	5.94	-36.19	-124.40	5.94	-36.19	-124.40	5.94	-36.19	-96.51	
		TQ	-43.81	478.43	1235.20	-43.81	478.43	1029.50	-43.81	478.43	1029.50	-43.81	478.43	823.82	
		M3	-43.81	478.43	1235.20	-43.81	478.43	1029.50	-43.81	478.43	1029.50	-43.81	478.43	823.82	
	MIN	S2	-43.81	478.43	1235.20	-43.81	478.43	1029.50	-43.81	478.43	1029.50	-43.81	478.43	823.82	
		TQ	5.94	-36.19	-152.30	5.94	-36.19	-124.40	5.94	-36.19	-124.40	5.94	-36.19	-96.51	
		M3	5.94	-36.19	-152.30	5.94	-36.19	-124.40	5.94	-36.19	-124.40	5.94	-36.19	-96.51	

BAGO RIVER BRIDGE

BLOCK [ No.1 : MAIN GIRDER ][ BEAM MEMBER FORCE ]

MEMBER				4049			4050			4051					
NODE				4049			4050			4050			4051		
				SHEAR	TORQUE	MOMENT	SHEAR	TORQUE	MOMENT	SHEAR	TORQUE	MOMENT	SHEAR	TORQUE	MOMENT
NAME	TITLE			S2 (kN)	TQ (kN·m)	M3 (kN·m)	S2 (kN)	TQ (kN·m)	M3 (kN·m)	S2 (kN)	TQ (kN·m)	M3 (kN·m)	S2 (kN)	TQ (kN·m)	M3 (kN·m)
62	1-LANE (case2TRUCK-LOAD	MAX	S2	4.98	-13.09	-132.81	4.98	-13.09	-109.42	4.98	-13.09	-109.42	4.98	-13.09	-86.03
			TQ	-39.15	130.94	1161.72	-39.15	130.94	977.87	-39.15	130.94	977.87	-39.15	130.94	794.05
			M3	-37.91	129.65	1171.27	-34.02	122.34	1007.93	-34.02	122.34	1007.93	-26.58	99.43	865.05
		MIN	S2	-39.90	129.13	1129.24	-39.90	129.13	941.90	-39.90	129.13	941.90	-39.90	129.13	754.58
			TQ	4.87	-13.42	-129.67	4.87	-13.42	-106.80	4.87	-13.42	-106.80	4.87	-13.42	-83.93
			M3	4.98	-13.09	-132.81	4.98	-13.09	-109.42	4.98	-13.09	-109.42	4.98	-13.09	-86.03
		TANDEM-LOAD MAX	S2	3.39	-8.98	-90.42	3.39	-8.98	-74.49	3.39	-8.98	-74.49	3.39	-8.98	-58.56
			TQ	-27.19	89.36	785.90	-27.19	89.36	658.23	-27.19	89.36	658.23	-27.19	89.36	530.57
			M3	-25.53	88.70	800.63	-20.90	78.05	685.27	-20.90	78.05	685.27	-19.40	73.26	589.50
		MIN	S2	-27.40	88.86	776.84	-27.40	88.86	648.19	-27.40	88.86	648.19	-27.40	88.86	519.56
			TQ	3.29	-9.15	-87.63	3.29	-9.15	-72.17	3.29	-9.15	-72.17	3.29	-9.15	-56.71
			M3	3.39	-8.98	-90.42	3.39	-8.98	-74.49	3.39	-8.98	-74.49	3.39	-8.98	-58.56
		DISPERSION-LMAX	S2	6.36	-15.78	-70.51	6.36	-15.78	-40.66	6.36	-15.78	-40.66	6.36	-15.78	-10.82
			TQ	-47.89	163.54	1584.94	-47.89	163.54	1360.06	-47.89	163.54	1360.06	-47.89	163.54	1135.20
			M3	-47.45	163.15	1644.68	-47.45	163.15	1421.89	-47.45	163.15	1421.89	-47.45	163.15	1199.12
MIN	S2	-47.94	163.46	1558.79	-47.94	163.46	1333.70	-47.94	163.46	1333.70	-47.94	163.46	1108.64		
	TQ	6.31	-15.87	-96.66	6.31	-15.87	-67.02	6.31	-15.87	-67.02	6.31	-15.87	-37.38		
	M3	5.87	-15.47	-156.40	5.87	-15.47	-128.85	5.87	-15.47	-128.85	5.87	-15.47	-101.30		
63	1-LANE (case3TRUCK-LOAD	MAX	S2	26.93	-53.13	977.66	26.93	-53.13	1104.08	26.93	-53.13	1104.08	26.93	-53.13	1230.50
			TQ	2.99	1.71	-82.47	2.99	1.71	-68.44	2.99	1.71	-68.44	2.99	1.71	-54.41
			M3	-55.58	-41.95	1712.42	-39.49	-43.94	1473.93	-39.49	-43.94	1473.93	-4.32	-55.55	1382.20
		MIN	S2	-63.36	-44.40	1696.81	-63.36	-44.40	1399.32	-63.36	-44.40	1399.32	-63.36	-44.40	1101.86
			TQ	-46.22	-71.86	1226.52	-46.22	-71.86	1009.52	-46.22	-71.86	1009.52	-46.22	-71.86	792.55
			M3	4.95	0.00	-135.79	4.95	0.00	-112.55	4.95	0.00	-112.55	4.95	0.00	-89.31



BAGO RIVER BRIDGE

BLOCK [ No.1 : MAIN GIRDER ] [ BEAM MEMBER FORCE ]

MEMBER		4049			4050			4050			4051					
NODE		4049			4050			4050			4051					
		SHEAR	TORQUE	MOMENT	SHEAR	TORQUE	MOMENT	SHEAR	TORQUE	MOMENT	SHEAR	TORQUE	MOMENT			
NAME	TITLE	S2 (kN)	TQ (kN·m)	M3 (kN·m)	S2 (kN)	TQ (kN·m)	M3 (kN·m)	S2 (kN)	TQ (kN·m)	M3 (kN·m)	S2 (kN)	TQ (kN·m)	M3 (kN·m)			
63	1-LANE (case3TANDEM-LOAD	MAX	S2	20.71	-35.16	617.92	20.71	-35.16	715.16	20.71	-35.16	715.16	20.71	-35.16	812.39	
			TQ	1.92	1.22	-53.11	1.92	1.22	-44.08	1.92	1.22	-44.08	1.92	1.22	-35.05	
			M3	-38.87	-25.48	1188.60	-37.22	-25.77	1005.56	-37.22	-25.77	1005.56	9.69	-42.06	957.13	
		MIN	S2	-45.02	-30.78	1147.45	-45.02	-30.78	936.08	-45.02	-30.78	936.08	-45.02	-30.78	724.74	
			TQ	-31.97	-49.67	847.89	-31.97	-49.67	697.76	-31.97	-49.67	697.76	-31.97	-49.67	547.64	
			M3	3.37	0.04	-92.48	3.37	0.04	-76.65	3.37	0.04	-76.65	3.37	0.04	-60.83	
		DISPERSION-LMAX	S2	15.40	-17.63	214.01	15.39	-17.36	280.45	15.39	-17.36	280.45	14.98	-15.79	318.55	
			TQ	0.70	2.65	-19.67	0.70	2.65	-16.39	0.70	2.65	-16.39	0.70	2.65	-13.10	
			M3	-46.56	-98.96	2028.24	-47.54	-98.96	1807.32	-47.54	-98.96	1807.32	-48.52	-98.96	1581.82	
		MIN	S2	-56.15	-81.11	1654.63	-57.11	-81.38	1394.58	-57.11	-81.38	1394.58	-57.68	-82.95	1158.29	
			TQ	-41.44	-101.39	1888.32	-42.43	-101.39	1691.42	-42.43	-101.39	1691.42	-43.41	-101.39	1489.94	
			M3	5.82	0.22	-159.59	5.82	0.22	-132.29	5.82	0.22	-132.29	5.82	0.22	-104.99	
64	1-LANE (case4TRUCK-LOAD	MAX	S2	258.29	-222.33	2215.06	149.85	-94.12	2269.74	149.85	-94.12	2269.74	68.25	-3.71	1790.50	
			TQ	4.62	27.80	-134.84	4.62	27.80	-113.17	4.62	27.80	-113.17	4.62	27.80	-91.49	
			M3	131.50	-310.50	2334.42	42.72	-211.11	2428.14	42.72	-211.11	2428.14	-87.07	-115.58	1962.86	
		MIN	S2	-105.98	-328.48	2316.77	-184.87	-243.48	2404.15	-184.87	-243.48	2404.15	-283.56	-127.11	1913.80	
			TQ	-71.77	-348.70	1827.30	-71.77	-348.70	1490.33	-71.77	-348.70	1490.33	-71.77	-348.70	1153.39	
			M3	4.91	26.67	-142.67	4.91	26.67	-119.60	4.91	26.67	-119.60	4.91	26.67	-96.53	
		TANDEM-LOAD	MAX	S2	211.31	-193.85	1754.28	135.15	-103.39	1839.85	135.15	-103.39	1839.85	62.32	-17.12	1483.37
			TQ	3.19	18.98	-93.23	3.19	18.98	-78.23	3.19	18.98	-78.23	3.19	18.98	-63.23	
			M3	69.34	-209.64	1769.08	-1.57	-126.83	1859.25	-1.57	-126.83	1859.25	-79.14	-33.89	1508.33	
		MIN	S2	-87.02	-209.64	1769.08	-157.93	-126.83	1859.25	-157.93	-126.83	1859.25	-235.51	-33.89	1508.33	
			TQ	-53.53	-238.44	1333.92	-53.53	-238.44	1082.59	-53.53	-238.44	1082.59	-53.53	-238.44	831.28	
			M3	3.35	18.41	-97.25	3.35	18.41	-81.54	3.35	18.41	-81.54	3.35	18.41	-65.82	

BAGO RIVER BRIDGE

BLOCK [ No. 1 : MAIN GIRDER ][ BEAM MEMBER FORCE ]

MEMBER		4049			4050			4050			4051						
NODE		4049			4050			4050			4051						
		SHEAR	TORQUE	MOMENT	SHEAR	TORQUE	MOMENT	SHEAR	TORQUE	MOMENT	SHEAR	TORQUE	MOMENT				
NAME	TITLE	S2 (kN)	TQ (kN·m)	M3 (kN·m)	S2 (kN)	TQ (kN·m)	M3 (kN·m)	S2 (kN)	TQ (kN·m)	M3 (kN·m)	S2 (kN)	TQ (kN·m)	M3 (kN·m)				
64	1-LANE (case4DISPERSION-LMAX	S2	71.70	-4.91	608.12	39.64	23.16	524.89	39.64	23.16	524.89	21.05	35.15	345.80			
		TQ	15.23	36.33	55.52	15.23	36.33	127.01	15.23	36.33	127.01	15.23	36.33	198.49			
		M3	5.27	-409.81	2379.94	-49.59	-409.81	2276.70	-49.59	-409.81	2276.70	-104.45	-409.81	1915.90			
		MIN	S2	-60.71	-374.42	1605.63	-83.50	-402.49	1612.52	-83.50	-402.49	1612.52	-119.77	-414.48	1457.71		
		TQ	-4.23	-415.66	2158.22	-59.09	-415.66	2010.40	-59.09	-415.66	2010.40	-113.94	-415.66	1605.02			
		M3	5.73	30.48	-166.20	5.73	30.48	-139.29	5.73	30.48	-139.29	5.73	30.48	-112.39			
		65	2-LANES (caseTRUCK-LOAD	MAX	S2	10.04	-52.13	-260.02	10.04	-52.13	-212.88	10.04	-52.13	-212.88	10.04	-52.13	-165.75
				TQ	-58.29	559.81	1735.99	-58.29	559.81	1462.30	-58.29	559.81	1462.30	-58.29	559.81	1188.64	
				M3	-54.61	549.81	1750.43	-53.09	542.76	1495.96	-53.09	542.76	1495.96	-49.85	524.54	1254.86	
MIN	S2			-59.92	549.02	1673.46	-59.92	549.02	1392.12	-59.92	549.02	1392.12	-59.92	549.02	1110.81		
TQ	9.45			-54.42	-243.28	9.45	-54.42	-198.89	9.45	-54.42	-198.89	9.45	-54.42	-154.51			
M3	10.04			-52.13	-260.02	10.04	-52.13	-212.88	10.04	-52.13	-212.88	10.04	-51.92	-165.76			
TANDEM-LOAD	MAX			S2	6.84	-35.81	-176.99	6.84	-35.81	-144.89	6.84	-35.81	-144.89	6.84	-35.81	-112.79	
TQ	-39.56			381.17	1177.24	-39.56	381.17	991.52	-39.56	381.17	991.52	-39.56	381.17	805.81			
M3	-37.98			377.60	1192.66	-36.05	369.71	1017.00	-36.05	369.71	1017.00	-33.95	359.25	855.45			
MIN	S2	-40.90	371.10	1135.63	-40.90	371.10	943.58	-40.90	371.10	943.58	-40.90	371.10	751.55				
TQ	6.54	-37.14	-168.39	6.54	-37.14	-137.70	6.54	-37.14	-137.70	6.54	-37.14	-107.00					
M3	6.84	-35.81	-176.99	6.84	-35.81	-144.89	6.84	-35.81	-144.89	6.84	-35.81	-112.79					
DISPERSION-LMAX	S2	11.84	-62.04	-306.64	11.84	-62.04	-251.02	11.84	-62.04	-251.02	11.84	-62.04	-195.41				
TQ	-89.55	799.12	2674.40	-89.55	799.12	2253.96	-89.55	799.12	2253.96	-89.55	799.12	1833.56					
M3	-89.55	799.12	2674.40	-89.55	799.12	2253.96	-89.55	799.12	2253.96	-89.55	799.12	1833.56					
MIN	S2	-89.55	799.12	2674.40	-89.55	799.12	2253.96	-89.55	799.12	2253.96	-89.55	799.12	1833.56				
TQ	11.84	-62.04	-306.64	11.84	-62.04	-251.02	11.84	-62.04	-251.02	11.84	-62.04	-195.41					
M3	11.84	-62.04	-306.64	11.84	-62.04	-251.02	11.84	-62.04	-251.02	11.84	-62.04	-195.41					

BAGO RIVER BRIDGE

BLOCK [ No.1 : MAIN GIRDER ][ BEAM MEMBER FORCE ]

MEMBER		4049			4050			4050			4051				
NODE		4049			4050			4050			4051				
		SHEAR	TORQUE	MOMENT	SHEAR	TORQUE	MOMENT	SHEAR	TORQUE	MOMENT	SHEAR	TORQUE	MOMENT		
NAME	TITLE	S2 (kN)	TQ (kN·m)	M3 (kN·m)	S2 (kN)	TQ (kN·m)	M3 (kN·m)	S2 (kN)	TQ (kN·m)	M3 (kN·m)	S2 (kN)	TQ (kN·m)	M3 (kN·m)		
66	2-LANES (caseTRUCK-LOAD	MAX	S2	9.99	-34.84	-263.74	9.99	-34.84	-216.84	9.99	-34.84	-216.84	9.99	-34.84	-169.94
			TQ	-71.42	360.43	2110.05	-71.42	360.43	1774.72	-71.42	360.43	1774.72	-71.42	360.43	1439.43
			M3	-67.99	352.41	2133.99	-62.81	339.03	1831.19	-62.81	339.03	1831.19	-52.81	301.96	1558.58
		MIN	S2	-72.38	356.97	2050.77	-72.38	356.97	1710.92	-72.38	356.97	1710.92	-72.38	356.97	1371.11
			TQ	9.58	-36.02	-252.30	9.58	-36.02	-207.30	9.58	-36.02	-207.30	9.58	-36.02	-162.30
			M3	9.99	-34.84	-263.74	9.99	-34.84	-216.84	9.99	-34.84	-216.84	9.99	-34.84	-169.94
	TANDEM-LOAD	MAX	S2	6.80	-23.91	-179.55	6.80	-23.91	-147.61	6.80	-23.91	-147.61	6.80	-23.91	-115.67
			TQ	-49.34	245.63	1426.46	-49.34	245.63	1194.78	-49.34	245.63	1194.78	-49.34	245.63	963.12
			M3	-46.52	242.32	1456.59	-39.96	223.77	1245.32	-39.96	223.77	1245.32	-37.75	215.03	1061.59
		MIN	S2	-49.61	244.67	1409.92	-49.61	244.67	1176.98	-49.61	244.67	1176.98	-49.61	244.67	944.06
			TQ	6.55	-24.58	-172.49	6.55	-24.58	-141.72	6.55	-24.58	-141.72	6.55	-24.58	-110.96
			M3	6.80	-23.91	-179.55	6.80	-23.91	-147.61	6.80	-23.91	-147.61	6.80	-23.91	-115.67
	DISPERSION-LMAX	S2	12.26	-41.63	-224.85	12.26	-41.63	-167.28	12.26	-41.63	-167.28	12.26	-41.63	-109.72	
		TQ	-93.63	484.23	3024.15	-93.63	484.23	2584.52	-93.63	484.23	2584.52	-93.63	484.23	2144.94	
		M3	-93.19	483.84	3083.89	-93.19	483.84	2646.35	-93.19	483.84	2646.35	-93.19	483.84	2208.86	
		MIN	S2	-93.67	484.15	2998.00	-93.67	484.15	2558.16	-93.67	484.15	2558.16	-93.67	484.15	2118.37
			TQ	12.22	-41.72	-251.00	12.22	-41.72	-193.64	12.22	-41.72	-193.64	12.22	-41.72	-136.29
			M3	11.77	-41.32	-310.74	11.77	-41.32	-255.47	11.77	-41.32	-255.47	11.77	-41.32	-200.20
67	2-LANES (caseTRUCK-LOAD	MAX	S2	116.90	-183.43	2896.43	94.00	-133.74	2889.48	94.00	-133.74	2889.48	73.32	-92.08	2750.53
			TQ	7.12	12.12	-198.87	7.12	12.12	-165.45	7.12	12.12	-165.45	7.12	12.12	-132.02
			M3	-34.81	-210.13	3733.33	-39.83	-170.00	3385.27	-39.83	-170.00	3385.27	-42.43	-145.47	3051.80
		MIN	S2	-146.81	-221.78	3704.79	-166.94	-183.71	3303.88	-166.94	-183.71	3303.88	-189.83	-134.31	2771.47
			TQ	-102.28	-272.49	2688.75	-102.28	-272.49	2208.51	-102.28	-272.49	2208.51	-102.28	-272.49	1728.31
			M3	9.89	8.75	-273.79	9.89	8.75	-227.37	9.89	8.75	-227.37	9.89	8.75	-180.95

BAGO RIVER BRIDGE

BLOCK [ No.1 : MAIN GIRDER ][ BEAM MEMBER FORCE ]

MEMBER		4049			4050			4050			4051						
NODE		4049			4050			4050			4051						
		SHEAR	TORQUE	MOMENT	SHEAR	TORQUE	MOMENT	SHEAR	TORQUE	MOMENT	SHEAR	TORQUE	MOMENT				
NAME	TITLE	S2 (kN)	TQ (kN·m)	M3 (kN·m)	S2 (kN)	TQ (kN·m)	M3 (kN·m)	S2 (kN)	TQ (kN·m)	M3 (kN·m)	S2 (kN)	TQ (kN·m)	M3 (kN·m)				
67	2-LANES (caseTANDEM-LOAD	MAX	S2	89.12	-139.73	2071.60	73.45	-105.59	2089.46	73.45	-105.59	2089.46	57.90	-71.70	2011.71		
			TQ	4.82	8.33	-134.71	4.82	8.33	-112.08	4.82	8.33	-112.08	4.82	8.33	-89.44		
			M3	-33.93	-136.97	2655.08	-47.48	-105.06	2396.94	-47.48	-105.06	2396.94	-16.49	-86.11	2177.76		
		MIN	S2	-107.11	-142.27	2613.93	-122.30	-110.07	2327.46	-122.30	-110.07	2327.46	-138.23	-74.83	1945.37		
			TQ	-73.17	-186.50	1907.07	-73.17	-186.50	1563.53	-73.17	-186.50	1563.53	-73.17	-186.50	1220.03		
			M3	6.73	6.10	-186.48	6.73	6.10	-154.87	6.73	6.10	-154.87	6.73	6.10	-123.26		
			DISPERSION-LMAX	S2	52.56	-40.21	759.36	41.56	-23.86	716.52	41.56	-23.86	716.52	32.94	-12.24	621.10	
			TQ	6.72	13.72	-111.85	6.72	13.72	-80.29	6.72	13.72	-80.29	6.72	13.72	-48.74		
			M3	-71.55	-353.08	4237.78	-96.05	-353.08	3844.31	-96.05	-353.08	3844.31	-120.55	-353.08	3335.86		
		MIN	S2	-112.50	-302.06	3156.98	-126.01	-318.41	2860.83	-126.01	-318.41	2860.83	-141.89	-330.03	2502.25		
			TQ	-66.67	-355.99	4028.19	-91.17	-355.99	3657.64	-91.17	-355.99	3657.64	-115.67	-355.99	3172.10		
			M3	11.60	10.81	-321.44	11.60	10.81	-266.97	11.60	10.81	-266.97	11.60	10.81	-212.50		
		68	2-LANES (caseTRUCK-LOAD	MAX	S2	348.19	-352.60	4133.70	216.89	-174.73	4054.92	216.89	-174.73	4054.92	114.63	-42.68	3310.41
					TQ	9.43	46.37	-272.38	9.43	46.37	-228.10	9.43	46.37	-228.10	9.43	46.37	-183.83
					M3	152.23	-478.61	4355.19	42.37	-337.13	4339.25	42.37	-337.13	4339.25	-125.16	-205.48	3632.33
MIN	S2			-189.42	-505.78	4324.62	-288.42	-382.74	4308.49	-288.42	-382.74	4308.49	-407.98	-221.39	3559.29		
	TQ			-127.83	-549.26	3289.49	-127.83	-549.26	2689.28	-127.83	-549.26	2689.28	-127.83	-549.26	2089.12		
	M3			9.84	44.59	-283.06	9.84	44.59	-236.87	9.84	44.59	-236.87	9.84	44.59	-190.67		
	TANDEM-LOAD			MAX	S2	279.66	-298.38	3207.83	187.85	-173.80	3213.94	187.85	-173.80	3213.94	99.51	-53.66	2682.57
	TQ			6.45	31.63	-186.23	6.45	31.63	-155.95	6.45	31.63	-155.95	6.45	31.63	-125.68		
	M3			74.26	-321.10	3235.43	-11.83	-206.10	3250.42	-11.83	-206.10	3250.42	-105.30	-77.96	2728.83		
MIN	S2			-149.10	-321.10	3235.43	-235.19	-206.10	3250.42	-235.19	-206.10	3250.42	-328.66	-77.96	2728.83		
	TQ			-94.72	-375.23	2393.07	-94.72	-375.23	1948.34	-94.72	-375.23	1948.34	-94.72	-375.23	1503.64		
	M3			6.70	30.80	-192.92	6.70	30.80	-161.45	6.70	30.80	-161.45	6.70	30.80	-129.99		

BAGO RIVER BRIDGE

BLOCK [ No.1 : MAIN GIRDER ][ BEAM MEMBER FORCE ]

MEMBER		4049			4050			4050			4051						
NODE		4049			4050			4050			4051						
		SHEAR	TORQUE	MOMENT	SHEAR	TORQUE	MOMENT	SHEAR	TORQUE	MOMENT	SHEAR	TORQUE	MOMENT				
NAME	TITLE	S2 (kN)	TQ (kN·m)	M3 (kN·m)	S2 (kN)	TQ (kN·m)	M3 (kN·m)	S2 (kN)	TQ (kN·m)	M3 (kN·m)	S2 (kN)	TQ (kN·m)	M3 (kN·m)				
68	2-LANES (caseDISPERSION-LMAX	S2	108.82	-17.90	1151.28	65.78	26.25	958.68	65.78	26.25	958.68	38.99	48.28	645.98			
		TQ	22.42	56.74	-71.78	22.42	56.74	33.51	22.42	56.74	33.51	22.42	56.74	138.79			
		M3	-19.70	-665.95	4589.05	-98.07	-665.95	4313.40	-98.07	-665.95	4313.40	-176.43	-665.95	3669.84			
		MIN	S2	-117.03	-597.39	3107.62	-152.36	-641.54	3078.51	-152.36	-641.54	3078.51	-203.93	-663.57	2801.60		
		TQ	-30.64	-672.03	4330.68	-109.00	-672.03	4003.68	-109.00	-672.03	4003.68	-187.36	-672.03	3308.79			
		M3	11.49	50.66	-330.15	11.49	50.66	-276.20	11.49	50.66	-276.20	11.49	50.66	-222.26			
		69	3-LANES (caseTRUCK-LOAD	MAX	S2	15.02	-65.22	-392.83	15.02	-65.22	-322.30	15.02	-65.22	-322.30	15.02	-65.22	-251.78
				TQ	-97.44	690.76	2897.71	-97.44	690.76	2440.17	-97.44	690.76	2440.17	-97.44	690.76	1982.69	
				M3	-92.52	679.46	2921.70	-87.11	665.10	2503.89	-87.11	665.10	2503.89	-76.44	623.98	2119.91	
MIN	S2			-99.82	678.15	2802.70	-99.82	678.15	2334.02	-99.82	678.15	2334.02	-99.82	678.15	1865.40		
TQ	14.32			-67.84	-372.95	14.32	-67.84	-305.69	14.32	-67.84	-305.69	14.32	-67.84	-238.44			
M3	15.02			-65.22	-392.83	15.02	-65.22	-322.30	15.02	-65.22	-322.30	15.02	-65.02	-251.79			
TANDEM-LOAD	MAX			S2	10.23	-44.79	-267.41	10.23	-44.79	-219.38	10.23	-44.79	-219.38	10.23	-44.79	-171.35	
TQ	-66.75			470.53	1963.15	-66.75	470.53	1649.75	-66.75	470.53	1649.75	-66.75	470.53	1336.38			
M3	-63.50			466.30	1993.29	-56.95	447.76	1702.26	-56.95	447.76	1702.26	-53.35	432.51	1444.96			
MIN	S2	-68.30	459.96	1912.47	-68.30	459.96	1591.77	-68.30	459.96	1591.77	-68.30	459.96	1271.11				
TQ	9.83	-46.28	-256.02	9.83	-46.28	-209.86	9.83	-46.28	-209.86	9.83	-46.28	-163.71					
M3	10.23	-44.79	-267.41	10.23	-44.79	-219.38	10.23	-44.79	-219.38	10.23	-44.79	-171.35					
DISPERSION-LMAX	S2	18.20	-77.83	-377.15	18.20	-77.83	-291.69	18.20	-77.83	-291.69	18.20	-77.83	-206.23				
TQ	-137.44	962.67	4259.35	-137.44	962.67	3614.02	-137.44	962.67	3614.02	-137.44	962.67	2968.76					
M3	-136.99	962.27	4319.09	-136.99	962.27	3675.85	-136.99	962.27	3675.85	-136.99	962.27	3032.68					
MIN	S2	-137.48	962.58	4233.20	-137.48	962.58	3587.66	-137.48	962.58	3587.66	-137.48	962.58	2942.19				
TQ	18.16	-77.91	-403.30	18.16	-77.91	-318.05	18.16	-77.91	-318.05	18.16	-77.91	-232.80					
M3	17.71	-77.52	-463.04	17.71	-77.52	-379.87	17.71	-77.52	-379.87	17.71	-77.52	-296.72					

BAGO RIVER BRIDGE

BLOCK [ No.1 : MAIN GIRDER ][ BEAM MEMBER FORCE ]

MEMBER				4049			4050			4051					
NODE				4049			4050			4051					
				SHEAR	TORQUE	MOMENT	SHEAR	TORQUE	MOMENT	SHEAR	TORQUE	MOMENT			
NAME	TITLE			S2 (kN)	TQ (kN·m)	M3 (kN·m)	S2 (kN)	TQ (kN·m)	M3 (kN·m)	S2 (kN)	TQ (kN·m)	M3 (kN·m)			
70	3-LANES (caseTRUCK-LOAD	MAX	S2	375.25	-405.78	5111.50	243.87	-227.85	5159.28	243.87	-227.85	5159.28	141.56	-95.77	4540.80
			TQ	39.14	33.64	588.39	39.14	33.64	772.17	39.14	33.64	772.17	39.14	33.64	955.94
			M3	96.75	-520.69	6067.80	2.92	-381.16	5813.52	2.92	-381.16	5813.52	-129.50	-261.08	5014.70
		MIN	S2	-252.79	-550.32	6021.61	-351.83	-427.25	5708.14	-351.83	-427.25	5708.14	-473.47	-261.43	4685.45
			TQ	-174.05	-621.25	4516.06	-174.05	-621.25	3698.85	-174.05	-621.25	3698.85	-174.05	-621.25	2881.72
			M3	14.81	26.25	-414.07	14.81	26.25	-344.52	14.81	26.25	-344.52	14.81	26.25	-274.98
		TANDEM-LOAD MAX	S2	300.49	-333.61	3825.99	208.63	-208.99	3929.49	208.63	-208.99	3929.49	120.24	-88.80	3495.18
			TQ	31.81	24.10	511.61	31.81	24.10	660.99	31.81	24.10	660.99	31.81	24.10	810.35
			M3	35.44	-346.66	4424.28	-49.04	-231.91	4256.37	-49.04	-231.91	4256.37	-95.65	-120.01	3686.20
		MIN	S2	-194.14	-351.96	4383.13	-280.27	-236.92	4186.90	-280.27	-236.92	4186.90	-373.80	-108.73	3453.81
			TQ	-126.69	-424.99	3241.02	-126.69	-424.99	2646.15	-126.69	-424.99	2646.15	-126.69	-424.99	2051.33
			M3	10.09	18.19	-282.07	10.09	18.19	-234.71	10.09	18.19	-234.71	10.09	18.19	-187.35
		DISPERSION-LMAX	S2	124.07	-54.54	1367.59	81.08	-10.20	1241.53	81.08	-10.20	1241.53	53.95	13.32	967.48
			TQ	21.95	40.45	-52.69	21.95	40.45	50.38	21.95	40.45	50.38	21.95	40.45	153.44
			M3	-66.64	-761.07	6618.31	-146.00	-761.07	6121.28	-146.00	-761.07	6121.28	-225.35	-761.07	5251.68
MIN	S2	-173.35	-674.84	4765.18	-209.72	-719.18	4475.71	-209.72	-719.18	4475.71	-261.94	-742.69	3961.65		
	TQ	-71.23	-769.83	6185.46	-150.59	-769.83	5666.86	-150.59	-769.83	5666.86	-229.94	-769.83	4775.69		
	M3	17.36	31.70	-485.55	17.36	31.70	-404.04	17.36	31.70	-404.04	17.36	31.70	-322.55		
71	3-LANES (caseTRUCK-LOAD	MAX	S2	375.11	-405.72	5111.32	243.81	-227.86	5158.93	243.81	-227.86	5158.93	141.55	-95.80	4540.80
			TQ	14.28	55.74	-408.10	14.28	55.74	-341.06	14.28	55.74	-341.06	14.28	55.74	-274.03
			M3	96.63	-520.51	6067.48	2.87	-381.03	5813.02	2.87	-381.03	5813.02	-129.47	-261.02	5014.41
		MIN	S2	-252.77	-550.13	6021.30	-351.77	-427.09	5707.72	-351.77	-427.09	5707.72	-471.33	-265.74	4661.10
			TQ	-174.05	-621.07	4515.97	-174.05	-621.07	3698.76	-174.05	-621.07	3698.76	-174.05	-621.07	2881.64
			M3	14.77	53.76	-421.17	14.77	53.76	-351.80	14.77	53.76	-351.80	14.77	53.76	-282.43

BAGO RIVER BRIDGE

BLOCK [ No.1 : MAIN GIRDER ][ BEAM MEMBER FORCE ]

MEMBER		4049			4050			4050			4051						
NODE		4049			4050			4050			4051						
		SHEAR	TORQUE	MOMENT	SHEAR	TORQUE	MOMENT	SHEAR	TORQUE	MOMENT	SHEAR	TORQUE	MOMENT				
NAME	TITLE	S2 (kN)	TQ (kN·m)	M3 (kN·m)	S2 (kN)	TQ (kN·m)	M3 (kN·m)	S2 (kN)	TQ (kN·m)	M3 (kN·m)	S2 (kN)	TQ (kN·m)	M3 (kN·m)				
71	3-LANES (case)	TANDEM-LOAD MAX	S2	300.36	-333.54	3825.73	208.56	-208.96	3929.06	208.56	-208.96	3929.06	120.21	-88.82	3494.90		
			TQ	9.80	38.05	-280.03	9.80	38.05	-234.02	9.80	38.05	-234.02	9.80	38.05	-188.02		
			M3	35.37	-346.54	4423.91	-49.04	-231.84	4255.89	-49.04	-231.84	4255.89	-95.60	-120.01	3685.86		
		MIN	S2	-194.11	-351.83	4382.81	-280.20	-236.84	4186.45	-280.20	-236.84	4186.45	-373.67	-108.69	3453.54		
			TQ	-126.69	-424.87	3240.93	-126.69	-424.87	2646.07	-126.69	-424.87	2646.07	-126.69	-424.87	2051.26		
			M3	10.06	37.16	-287.00	10.06	37.16	-239.75	10.06	37.16	-239.75	10.06	37.16	-192.51		
		DISPERSION-LMAX	S2	124.19	-25.88	1363.11	81.13	18.54	1236.85	81.13	18.54	1236.85	53.94	42.14	962.20		
			TQ	27.69	66.63	-218.88	27.69	66.63	-88.85	27.69	66.63	-88.85	27.69	66.63	41.15		
			M3	-66.23	-766.92	6616.81	-145.57	-766.92	6120.41	-145.57	-766.92	6120.41	-224.91	-766.92	5251.53		
		MIN	S2	-173.14	-680.51	4761.87	-209.43	-724.93	4472.85	-209.43	-724.93	4472.85	-261.57	-748.53	3959.75		
			TQ	-76.64	-773.02	6343.86	-155.98	-773.02	5798.56	-155.98	-773.02	5798.56	-235.32	-773.02	4880.80		
			M3	17.28	60.52	-491.83	17.28	60.52	-410.70	17.28	60.52	-410.70	17.28	60.52	-329.58		
		72	4-LANES	TRUCK-LOAD MAX	S2	19.67	51.71	-554.88	19.67	51.71	-462.51	19.67	51.71	-462.51	19.67	51.71	-370.16
					TQ	13.26	52.64	-379.34	13.26	52.64	-317.07	13.26	52.64	-317.07	13.26	52.64	-254.80
					M3	-5.84	-1.95	160.67	-5.84	-1.96	133.27	-5.84	-1.96	133.27	-5.84	-1.96	105.87
MIN	S2			-5.84	-1.91	160.66	-5.84	-1.91	133.26	-5.84	-1.91	133.26	-5.84	-1.91	105.86		
	TQ			0.04	-4.22	0.16	0.04	-4.22	0.34	0.04	-4.22	0.34	0.04	-4.22	0.53		
	M3			19.67	51.71	-554.88	19.67	51.71	-462.51	19.67	51.71	-462.51	19.67	51.71	-370.16		
TANDEM-LOAD MAX	S2			13.43	36.90	-379.40	13.43	36.90	-316.32	13.43	36.90	-316.32	13.43	36.90	-253.26		
	TQ			9.06	37.41	-259.46	9.06	37.41	-216.94	9.06	37.41	-216.94	9.06	37.41	-174.42		
	M3			-3.97	-1.39	109.21	-3.97	-1.39	90.59	-3.97	-1.39	90.59	-3.97	-1.39	71.97		
MIN	S2			-3.97	-1.39	109.21	-3.97	-1.39	90.59	-3.97	-1.39	90.59	-3.97	-1.39	71.97		
	TQ			0.34	-2.89	-8.38	0.34	-2.89	-6.80	0.34	-2.89	-6.80	0.34	-2.89	-5.22		
	M3			13.43	36.90	-379.40	13.43	36.90	-316.32	13.43	36.90	-316.32	13.43	36.90	-253.26		

BAGO RIVER BRIDGE

BLOCK [ No.1 : MAIN GIRDER ] [ BEAM MEMBER FORCE ]

MEMBER				4049			4050			4051								
NODE				4049			4050			4050			4051					
				SHEAR	TORQUE	MOMENT	SHEAR	TORQUE	MOMENT	SHEAR	TORQUE	MOMENT	SHEAR	TORQUE	MOMENT			
NAME	TITLE			S2 (kN)	TQ (kN·m)	M3 (kN·m)	S2 (kN)	TQ (kN·m)	M3 (kN·m)	S2 (kN)	TQ (kN·m)	M3 (kN·m)	S2 (kN)	TQ (kN·m)	M3 (kN·m)			
72	4-LANES	DISPERSION-LMAX	S2	13.91	29.76	-390.24	13.91	29.76	-324.95	13.91	29.76	-324.95	13.91	29.76	-259.67			
			TQ	9.02	32.36	-256.96	9.02	32.36	-214.62	9.02	32.36	-214.62	9.02	32.36	-172.27			
			M3	-7.10	-2.28	195.44	-7.10	-2.31	162.11	-7.10	-2.31	162.11	-7.10	-2.33	128.78			
		MIN	S2	-7.10	-2.25	195.44	-7.10	-2.25	162.10	-7.10	-2.25	162.10	-7.10	-2.25	128.77			
			TQ	-2.38	-4.81	66.60	-2.38	-4.81	55.44	-2.38	-4.81	55.44	-2.38	-4.81	44.29			
			M3	13.90	30.20	-390.32	13.90	30.20	-325.04	13.90	30.20	-325.04	13.90	30.20	-259.76			
		73	6-LANES	TRUCK-LOAD	MAX	S2	334.26	-409.75	5092.38	226.70	-254.87	5115.62	226.70	-254.87	5115.62	142.97	-138.52	4599.37
					TQ	-88.87	680.53	2605.55	-88.87	680.53	2188.29	-88.87	680.53	2188.29	-88.87	680.53	1771.07	
					M3	-29.42	169.46	8937.59	-103.05	277.99	8182.71	-103.05	277.99	8182.71	-189.26	308.37	7052.84	
MIN	S2			-345.56	141.59	8727.44	-426.46	253.37	7885.10	-426.46	253.37	7885.10	-521.23	371.97	6292.07			
	TQ			-154.66	-615.88	4017.70	-154.66	-615.88	3291.52	-154.66	-615.88	3291.52	-154.66	-615.88	2565.41			
	M3			29.78	-10.36	-813.88	29.78	-10.36	-674.05	29.78	-10.36	-674.05	29.78	-10.16	-534.25			
TANDEM-LOAD	MAX			S2	265.04	-333.82	3832.10	189.07	-224.86	3906.00	189.07	-224.86	3906.00	117.82	-121.15	3549.20		
	TQ			-60.04	463.68	1784.12	-60.04	463.68	1502.23	-60.04	463.68	1502.23	-60.04	463.68	1220.37			
	M3			-48.73	129.77	6345.00	-108.35	209.27	5840.04	-108.35	209.27	5840.04	-128.18	252.90	5040.06			
MIN	S2			-254.65	125.87	6226.35	-323.27	227.35	5656.07	-323.27	227.35	5656.07	-397.29	316.96	4517.47			
	TQ			-68.24	-422.08	2754.84	-68.24	-422.08	2434.41	-68.24	-422.08	2434.41	-68.24	-422.08	2114.02			
	M3			20.28	-6.86	-554.32	20.28	-6.86	-459.09	20.28	-6.86	-459.09	20.28	-6.86	-363.88			
DISPERSION-LMAX	S2			131.02	-97.78	828.34	91.11	-56.71	788.24	91.11	-56.71	788.24	66.21	-35.79	628.88			
	TQ			-102.04	953.43	3707.74	-102.04	953.43	3228.62	-102.04	953.43	3228.62	-102.04	953.43	2749.55			
	M3			-190.33	145.37	10074.09	-263.72	145.27	9008.73	-263.72	145.27	9008.73	-336.68	145.13	7599.88			
MIN	S2	-289.51	232.83	8367.24	-322.31	192.92	7461.92	-322.31	192.92	7461.92	-370.21	171.84	6367.36					
	TQ	-54.47	-789.67	5395.50	-127.86	-789.67	4968.04	-127.86	-789.67	4968.04	-195.57	-789.67	4203.20					
	M3	33.48	-9.14	-915.79	33.48	-9.14	-758.58	33.48	-9.14	-758.58	33.48	-9.14	-601.39					



BAGO RIVER BRIDGE

BLOCK [ No.1 : MAIN GIRDER ][ BEAM MEMBER FORCE ]

MEMBER			4049			4050			4050			4051			
NODE			4049			4050			4050			4051			
NAME TITLE			SHEAR	TORQUE	MOMENT	SHEAR	TORQUE	MOMENT	SHEAR	TORQUE	MOMENT	SHEAR	TORQUE	MOMENT	
			S2 (kN)	TQ (kN·m)	M3 (kN·m)	S2 (kN)	TQ (kN·m)	M3 (kN·m)	S2 (kN)	TQ (kN·m)	M3 (kN·m)	S2 (kN)	TQ (kN·m)	M3 (kN·m)	
124	SUM TOTAL	D+1LANE (caseMAX	S2	-603.86	536.97	36593.26	-877.12	536.97	33116.41	-877.12	536.97	33116.41	-1150.34	536.97	28357.08
			TQ	-700.83	1587.36	39358.35	-974.09	1587.36	35426.19	-974.09	1587.36	35426.19	-1247.32	1587.36	30211.58
			M3	-699.04	1583.43	39358.41	-972.01	1582.26	35434.89	-972.01	1582.26	35434.89	-1244.43	1577.39	30233.27
		MIN	S2	-702.52	1576.40	39315.48	-975.78	1576.40	35375.37	-975.78	1576.40	35375.37	-1249.01	1576.40	30152.82
			TQ	-604.21	535.24	36603.39	-877.47	535.24	33124.89	-877.47	535.24	33124.89	-1150.69	535.24	28363.91
			M3	-603.86	536.97	36593.26	-877.12	536.97	33116.41	-877.12	536.97	33116.41	-1150.35	537.22	28357.07
		D+1LANE (caseMAX	S2	-603.42	582.20	36686.94	-876.68	582.20	33212.15	-876.68	582.20	33212.15	-1149.90	582.20	28454.88
			TQ	-721.49	970.24	40226.92	-994.74	970.24	36197.77	-994.74	970.24	36197.77	-1267.97	970.24	30886.20
			M3	-719.46	968.21	40310.07	-988.05	959.44	36308.03	-988.05	959.44	36308.03	-1252.35	931.95	31048.10
		MIN	S2	-722.43	967.97	40156.56	-995.69	967.97	36122.97	-995.69	967.97	36122.97	-1268.92	967.97	30806.96
			TQ	-603.61	581.72	36659.33	-876.86	581.72	33183.67	-876.86	581.71	33183.67	-1150.09	581.71	28425.52
			M3	-604.01	582.57	36583.87	-877.26	582.57	33106.33	-877.26	582.57	33106.33	-1150.49	582.57	28346.30
		D+1LANE (caseMAX	S2	-566.24	531.95	38360.93	-839.51	532.27	35053.69	-839.51	532.27	35053.69	-1113.23	534.16	30429.95
			TQ	-612.60	622.09	36808.35	-885.86	622.09	33290.45	-885.86	622.09	33290.45	-1159.09	622.09	28490.07
			M3	-739.60	447.76	41419.71	-994.72	445.38	37329.75	-994.72	445.38	37329.75	-1226.92	431.44	32127.92
		MIN	S2	-760.43	466.25	40952.65	-1034.85	465.92	36744.93	-1034.85	465.92	36744.93	-1308.76	464.03	31283.27
			TQ	-722.22	408.96	40668.73	-996.65	408.96	36633.38	-996.65	408.96	36633.38	-1271.06	408.96	31310.08
			M3	-604.11	617.13	36576.46	-877.37	617.13	33098.44	-877.37	617.13	33098.44	-1150.59	617.13	28337.94
		D+1LANE (caseMAX	S2	-221.04	344.16	40318.73	-662.90	531.70	36745.80	-662.90	531.70	36745.80	-1056.34	654.59	31134.65
			TQ	-593.22	693.81	36835.73	-866.47	693.81	33408.86	-866.47	693.81	33408.86	-1139.70	693.81	28699.49
			M3	-452.90	-247.52	42588.15	-898.53	-128.25	39038.05	-898.53	-128.25	39038.05	-1393.33	-13.61	33225.60
		MIN	S2	-817.05	-226.62	41637.79	-1212.33	-158.31	38212.25	-1212.33	-158.31	38212.25	-1647.51	-33.06	32616.90
			TQ	-708.22	-300.37	41713.55	-1047.31	-300.37	37593.12	-1047.31	-300.37	37593.12	-1386.36	-300.37	31881.18
			M3	-604.25	685.44	36560.27	-877.51	685.44	33081.58	-877.51	685.44	33081.58	-1150.74	685.44	28320.40

BAGO RIVER BRIDGE

BLOCK [ No.1 : MAIN GIRDER ][ BEAM MEMBER FORCE ]

MEMBER			4049			4050			4051						
NODE			4049			4050			4051						
NAME TITLE			SHEAR	TORQUE	MOMENT	SHEAR	TORQUE	MOMENT	SHEAR	TORQUE	MOMENT	SHEAR	TORQUE	MOMENT	
			S2 (kN)	TQ (kN·m)	M3 (kN·m)	S2 (kN)	TQ (kN·m)	M3 (kN·m)	S2 (kN)	TQ (kN·m)	M3 (kN·m)	S2 (kN)	TQ (kN·m)	M3 (kN·m)	
124	SUM TOTAL	D+2LANES (casMAX	S2	-595.14	502.69	36364.26	-868.40	502.69	32928.34	-868.40	502.69	32928.34	-1141.63	502.69	28209.93
			TQ	-764.86	1975.79	41341.31	-1038.12	1975.79	37108.50	-1038.12	1975.79	37108.50	-1311.35	1975.79	31593.28
			M3	-761.18	1965.79	41355.76	-1032.92	1958.74	37142.17	-1032.92	1958.74	37142.17	-1302.91	1940.52	31659.51
		MIN	S2	-766.49	1965.00	41278.78	-1039.75	1965.00	37038.33	-1039.75	1965.00	37038.33	-1312.97	1965.00	31515.46
			TQ	-595.73	500.39	36381.00	-868.98	500.39	32942.33	-868.98	500.39	32942.33	-1142.21	500.39	28221.17
			M3	-595.14	502.69	36364.26	-868.40	502.69	32928.34	-868.40	502.69	32928.34	-1141.63	502.89	28209.92
		D+2LANES (casMAX	S2	-594.78	540.38	36442.33	-868.03	540.38	33008.12	-868.03	540.38	33008.12	-1141.26	540.38	28291.43
			TQ	-782.07	1461.52	42065.11	-1055.33	1461.52	37751.49	-1055.33	1461.52	37751.49	-1328.56	1461.52	32155.46
			M3	-778.20	1453.11	42148.80	-1046.28	1439.73	37869.78	-1046.28	1439.73	37869.78	-1309.51	1402.65	32338.53
		MIN	S2	-783.08	1457.97	41979.69	-1056.34	1457.97	37661.33	-1056.34	1457.97	37661.33	-1329.56	1457.97	32060.57
			TQ	-595.23	539.12	36427.61	-868.48	539.12	32991.30	-868.48	539.12	32991.30	-1141.71	539.12	28272.50
			M3	-595.27	540.69	36356.44	-868.52	540.69	32919.94	-868.52	540.69	32919.94	-1141.75	540.69	28200.94
		D+2LANES (casMAX	S2	-447.57	393.21	40586.71	-754.73	459.26	36998.24	-754.73	459.26	36998.24	-1057.25	512.53	31942.73
			TQ	-603.19	642.69	36620.20	-876.44	642.69	33146.51	-876.44	642.69	33146.51	-1149.67	642.69	28390.33
			M3	-723.38	53.65	44902.04	-1026.16	93.77	40621.83	-1026.16	93.77	40621.83	-1326.49	118.31	34958.76
		MIN	S2	-876.35	93.02	43792.69	-1183.23	114.73	39556.96	-1183.23	114.73	39556.96	-1495.23	152.51	33844.81
			TQ	-785.98	-11.62	43647.87	-1083.73	-11.62	39258.39	-1083.73	-11.62	39258.39	-1381.46	-11.62	33471.50
			M3	-595.54	636.42	36335.70	-868.80	636.42	32897.91	-868.80	636.41	32897.91	-1142.02	636.41	28177.64
		D+2LANES (casMAX	S2	-160.02	246.36	42215.90	-607.62	468.38	38405.85	-607.62	468.38	38405.85	-1009.88	622.46	32527.49
			TQ	-585.17	719.97	36586.76	-858.43	719.97	33197.65	-858.43	719.97	33197.65	-1131.66	719.97	28526.06
			M3	-484.50	-527.70	45875.16	-945.98	-386.22	42044.89	-945.98	-386.23	42044.89	-1465.10	-254.57	35873.26
		MIN	S2	-923.48	-486.32	44363.15	-1331.06	-407.42	40779.25	-1331.06	-407.42	40779.25	-1775.43	-268.11	34931.98
			TQ	-775.49	-604.44	44551.09	-1127.12	-604.44	40085.21	-1127.12	-604.44	40085.21	-1478.70	-604.44	33969.01
			M3	-595.70	712.10	36317.70	-868.95	712.10	32879.18	-868.95	712.10	32879.18	-1142.18	712.10	28158.16

BAGO RIVER BRIDGE

BLOCK [ No.1 : MAIN GIRDER ][ BEAM MEMBER FORCE ]

MEMBER			4049			4050			4050			4051				
NODE			4049			4050			4050			4051				
NAME TITLE			SHEAR	TORQUE	MOMENT	SHEAR	TORQUE	MOMENT	SHEAR	TORQUE	MOMENT	SHEAR	TORQUE	MOMENT		
			S2 (kN)	TQ (kN·m)	M3 (kN·m)	S2 (kN)	TQ (kN·m)	M3 (kN·m)	S2 (kN)	TQ (kN·m)	M3 (kN·m)	S2 (kN)	TQ (kN·m)	M3 (kN·m)		
124	SUM TOTAL	D+3LANES (casMAX	S2	-588.79	495.27	36276.44	-862.04	495.27	32870.36	-862.04	495.27	32870.36	-1135.27	495.27	28181.78	
			TQ	-816.68	2022.26	43014.42	-1089.93	2022.26	38538.31	-1089.93	2022.26	38538.31	-1363.16	2022.26	32779.82	
			M3	-812.11	2012.33	43085.59	-1080.77	2000.12	38645.02	-1080.77	2000.12	38645.02	-1344.93	1965.17	32950.79	
		MIN	S2	-818.73	2011.48	42911.43	-1091.99	2011.48	38425.68	-1091.99	2011.48	38425.68	-1365.22	2011.48	32657.54	
			TQ	-589.42	492.97	36271.11	-862.67	492.97	32862.07	-862.67	492.97	32862.07	-1135.90	492.97	28170.54	
			M3	-589.20	495.53	36203.43	-862.46	495.53	32795.40	-862.46	495.53	32795.40	-1135.69	495.70	28104.87	
		D+3LANES (casMAX	S2	-192.61	225.59	42438.14	-614.08	414.52	38832.94	-614.08	414.52	38832.94	-997.32	546.78	33253.14	
			TQ	-565.10	679.84	37386.26	-838.35	679.84	34091.42	-838.35	679.84	34091.42	-1111.58	679.84	29514.07	
			M3	-591.43	-472.64	47714.11	-1011.90	-354.04	43536.83	-1011.90	-354.04	43536.83	-1465.13	-251.97	37297.52	
		MIN	S2	-979.25	-424.53	46099.69	-1367.60	-357.61	42048.52	-1367.60	-357.61	42048.52	-1788.61	-236.65	35921.13	
			TQ	-825.52	-565.56	46027.22	-1166.23	-565.56	41353.10	-1166.23	-565.56	41353.10	-1506.90	-565.56	35079.89	
			M3	-589.68	666.11	36166.25	-862.94	666.11	32755.97	-862.94	666.11	32755.97	-1136.17	666.11	28063.19	
		D+3LANES (casMAX	S2	-192.62	249.99	42434.19	-614.09	438.94	38828.67	-614.09	438.93	38828.67	-997.34	571.24	33248.65	
			TQ	-581.35	720.87	36398.00	-854.61	720.87	33026.82	-854.61	720.87	33026.82	-1127.84	720.87	28373.15	
			M3	-591.19	-477.46	47712.57	-1011.58	-358.90	43535.66	-1011.58	-358.90	43535.66	-1464.73	-256.89	37297.14	
		MIN	S2	-979.05	-429.19	46096.62	-1367.30	-362.36	42045.73	-1367.30	-362.36	42045.73	-1786.48	-245.28	35898.81	
			TQ	-830.11	-568.12	46161.77	-1170.81	-568.12	41464.97	-1170.81	-568.12	41464.97	-1511.47	-568.12	35169.16	
			M3	-589.78	713.99	36154.87	-863.04	713.99	32744.12	-863.04	713.99	32744.12	-1136.27	713.99	28050.88	
		D+4LANES	MAX	S2	-595.20	669.81	36316.59	-868.46	669.81	32880.39	-868.46	669.81	32880.39	-1141.69	669.81	28161.70
			TQ	-602.55	672.11	36517.33	-875.80	672.11	33046.65	-875.80	672.11	33046.65	-1149.03	672.11	28293.49	
			M3	-625.44	614.11	37162.40	-898.69	614.08	33584.24	-898.69	614.08	33584.24	-1171.92	614.06	28723.61	
		MIN	S2	-625.44	614.15	37162.39	-898.69	614.15	33584.23	-898.69	614.15	33584.23	-1171.92	614.15	28723.60	
			TQ	-618.55	610.98	36974.31	-891.80	610.98	33428.51	-891.80	610.98	33428.51	-1165.03	610.98	28600.22	
			M3	-595.20	670.10	36316.54	-868.46	670.10	32880.34	-868.46	670.10	32880.34	-1141.69	670.10	28161.64	

BAGO RIVER BRIDGE

BLOCK [ No.1 : MAIN GIRDER ][ BEAM MEMBER FORCE ]

MEMBER					4049			4050			4051		
NODE					4049			4050			4050		
					SHEAR	TORQUE	MOMENT	SHEAR	TORQUE	MOMENT	SHEAR	TORQUE	MOMENT
NAME	TITLE				S2 (kN)	TQ (kN·m)	M3 (kN·m)	S2 (kN)	TQ (kN·m)	M3 (kN·m)	S2 (kN)	TQ (kN·m)	M3 (kN·m)
124	SUM TOTAL	D+6LANES	MAX	S2	-314.60	286.97	40779.38	-683.71	414.33	37229.76	-683.71	414.33	37229.76
				TQ	-741.12	1678.93	41034.56	-1014.37	1678.93	36913.24	-1014.37	1678.93	36913.24
				M3	-759.87	821.50	49288.51	-1128.68	891.98	44566.68	-1128.68	891.98	44566.68
			MIN	S2	-1029.82	860.23	48042.46	-1376.98	906.94	43367.80	-1376.98	906.94	43367.81
				TQ	-752.96	-296.75	43049.50	-1073.92	-296.75	38760.96	-1073.92	-296.75	38760.96
				M3	-575.91	604.18	35806.64	-849.16	604.18	32461.03	-849.16	604.18	32461.03
	SUM TOTAL		MAX		-160.02	2022.26	49288.51	-607.62	2022.26	44566.68	-607.62	2022.26	44566.68
			MIN		-1029.82	-604.44	35806.64	-1376.98	-604.44	32461.03	-1376.98	-604.44	32461.03
300	DEAD LOAD	TOTAL			-617.03	616.86	36930.92	-890.28	616.86	33392.25	-890.28	616.86	33392.25
301	LIVE LOAD	1-LANE(case1MAX	S2		13.17	-79.88	-337.66	13.17	-79.88	-275.84	13.17	-79.88	-275.84
			TQ		-83.80	970.51	2427.43	-83.80	970.51	2033.94	-83.80	970.51	2033.94
			M3		-82.01	966.57	2427.49	-81.73	965.40	2042.64	-81.73	965.40	2042.64
			MIN	S2	-85.50	959.54	2384.56	-85.50	959.54	1983.12	-85.50	959.54	1983.12
				TQ	12.82	-81.61	-327.53	12.82	-81.61	-267.35	12.82	-81.61	-267.35
				M3	13.17	-79.88	-337.66	13.17	-79.88	-275.84	13.17	-79.88	-275.84
		1-LANE(case2MAX	S2		13.61	-34.65	-243.99	13.61	-34.65	-180.10	13.61	-34.65	-180.10
			TQ		-104.46	353.38	3296.00	-104.46	353.38	2805.52	-104.46	353.38	2805.52
			M3		-102.43	351.35	3379.15	-97.76	342.58	2915.78	-97.76	342.58	2915.78
			MIN	S2	-105.41	351.11	3225.64	-105.41	351.11	2730.73	-105.41	351.11	2730.73
				TQ	13.42	-35.14	-271.59	13.42	-35.14	-208.58	13.42	-35.14	-208.58
				M3	13.02	-34.28	-347.05	13.02	-34.28	-285.92	13.02	-34.28	-285.92
		1-LANE(case3MAX	S2		50.79	-84.91	1430.01	50.77	-84.58	1661.44	50.77	-84.58	1661.44
			TQ		4.42	5.24	-122.57	4.42	5.24	-101.79	4.42	5.24	-101.79
			M3		-122.57	-169.10	4488.79	-104.44	-171.48	3937.50	-104.44	-171.48	3937.50
			MIN	S2	-143.40	-150.61	4021.73	-144.56	-150.94	3352.68	-144.56	-150.94	3352.68
				TQ	-105.19	-207.90	3737.81	-106.37	-207.90	3241.13	-106.37	-207.90	3241.13
				M3	12.92	0.27	-354.46	12.92	0.27	-293.81	12.92	0.27	-293.81

BAGO RIVER BRIDGE

BLOCK [ No.1 : MAIN GIRDER ][ BEAM MEMBER FORCE ]

MEMBER			4049			4050			4050			4051			
NODE			4049			4050			4050			4051			
NAME TITLE			SHEAR	TORQUE	MOMENT	SHEAR	TORQUE	MOMENT	SHEAR	TORQUE	MOMENT	SHEAR	TORQUE	MOMENT	
			S2 (kN)	TQ (kN·m)	M3 (kN·m)	S2 (kN)	TQ (kN·m)	M3 (kN·m)	S2 (kN)	TQ (kN·m)	M3 (kN·m)	S2 (kN)	TQ (kN·m)	M3 (kN·m)	
301	LIVE LOAD	1-LANE (case4MAX	S2	395.99	-272.69	3387.81	227.39	-85.15	3353.55	227.39	-85.15	3353.55	107.17	37.74	2563.56
			TQ	23.81	76.96	-95.19	23.81	76.96	16.61	23.81	76.96	16.61	23.81	76.96	128.40
			M3	164.12	-864.37	5657.23	-8.25	-745.10	5645.81	-8.25	-745.10	5645.81	-229.82	-630.47	4654.50
			MIN S2	-200.02	-843.47	4706.87	-322.05	-775.16	4820.00	-322.05	-775.17	4820.00	-484.00	-649.91	4045.81
			TQ	-91.20	-917.23	4782.62	-157.03	-917.23	4200.87	-157.03	-917.23	4200.87	-222.85	-917.23	3310.09
			M3	12.77	68.58	-370.65	12.77	68.58	-310.67	12.77	68.58	-310.67	12.77	68.58	-250.70
		2-LANES (caseMAX	S2	21.88	-114.17	-566.66	21.88	-114.17	-463.91	21.88	-114.17	-463.91	21.88	-114.17	-361.17
			TQ	-147.83	1358.94	4410.39	-147.83	1358.94	3716.26	-147.83	1358.94	3716.26	-147.83	1358.94	3022.19
			M3	-144.15	1348.94	4424.83	-142.64	1341.89	3749.92	-142.64	1341.89	3749.92	-139.40	1323.67	3088.41
			MIN S2	-149.46	1348.14	4347.86	-149.46	1348.14	3646.08	-149.46	1348.14	3646.08	-149.46	1348.14	2944.37
			TQ	21.30	-116.47	-549.92	21.30	-116.47	-449.92	21.30	-116.47	-449.92	21.30	-116.47	-349.93
			M3	21.88	-114.17	-566.66	21.88	-114.17	-463.91	21.88	-114.17	-463.91	21.88	-113.96	-361.17
		2-LANES (caseMAX	S2	22.25	-76.48	-488.59	22.25	-76.48	-384.12	22.25	-76.48	-384.12	22.25	-76.48	-279.66
			TQ	-165.05	844.67	5134.19	-165.05	844.67	4359.24	-165.05	844.67	4359.24	-165.05	844.67	3584.37
			M3	-161.17	836.26	5217.88	-156.00	822.87	4477.54	-156.00	822.87	4477.54	-146.00	785.80	3767.44
			MIN S2	-166.05	841.12	5048.77	-166.05	841.12	4269.08	-166.05	841.12	4269.08	-166.05	841.12	3489.48
			TQ	21.80	-77.74	-503.31	21.80	-77.74	-400.94	21.80	-77.74	-400.94	21.80	-77.74	-298.59
			M3	21.76	-76.17	-574.48	21.76	-76.17	-472.31	21.76	-76.17	-472.31	21.76	-76.17	-370.15
		2-LANES (caseMAX	S2	169.46	-223.65	3655.79	135.56	-157.60	3605.99	135.56	-157.60	3605.99	106.26	-104.33	3371.64
			TQ	13.84	25.84	-310.72	13.84	25.84	-245.74	13.84	25.84	-245.74	13.84	25.84	-180.76
			M3	-106.35	-563.21	7971.11	-135.88	-523.08	7229.58	-135.88	-523.08	7229.58	-162.98	-498.55	6387.66
MIN S2	-259.32		-523.84	6861.77	-292.95	-502.12	6164.71	-292.95	-502.12	6164.71	-331.72	-464.34	5273.72		
TQ	-168.95		-628.48	6716.94	-193.45	-628.48	5866.14	-193.45	-628.48	5866.14	-217.95	-628.48	4900.40		
M3	21.49		19.56	-595.22	21.49	19.56	-494.33	21.49	19.56	-494.33	21.49	19.56	-393.45		

BAGO RIVER BRIDGE

BLOCK [ No.1 : MAIN GIRDER ][ BEAM MEMBER FORCE ]

MEMBER			4049			4050			4050			4051				
NODE			4049			4050			4050			4051				
NAME TITLE			SHEAR	TORQUE	MOMENT	SHEAR	TORQUE	MOMENT	SHEAR	TORQUE	MOMENT	SHEAR	TORQUE	MOMENT		
			S2 (kN)	TQ (kN·m)	M3 (kN·m)	S2 (kN)	TQ (kN·m)	M3 (kN·m)	S2 (kN)	TQ (kN·m)	M3 (kN·m)	S2 (kN)	TQ (kN·m)	M3 (kN·m)		
301	LIVE LOAD	2-LANES (caseMAX	S2	457.01	-370.49	5284.98	282.67	-148.48	5013.60	282.67	-148.48	5013.60	153.63	5.60	3956.40	
			TQ	31.86	103.11	-344.17	31.86	103.11	-194.59	31.86	103.11	-194.59	31.86	103.11	-45.04	
			M3	132.53	-1144.56	8944.24	-55.70	-1003.08	8652.65	-55.70	-1003.08	8652.65	-301.59	-871.43	7302.17	
			MIN	S2	-306.45	-1103.18	7432.23	-440.78	-1024.28	7387.00	-440.78	-1024.28	7387.00	-611.91	-884.96	6360.89
			TQ	-158.47	-1221.29	7620.17	-236.83	-1221.29	6692.96	-236.83	-1221.29	6692.96	-315.19	-1221.29	5397.91	
			M3	21.33	95.25	-613.22	21.33	95.25	-513.07	21.33	95.25	-513.07	21.33	95.25	-412.93	
		3-LANES (caseMAX	S2	28.24	-121.59	-654.48	28.24	-121.59	-521.89	28.24	-121.59	-521.89	28.24	-121.59	-389.31	
			TQ	-199.65	1405.41	6083.50	-199.65	1405.41	5146.07	-199.65	1405.41	5146.07	-199.65	1405.41	4208.73	
			M3	-195.08	1395.47	6154.67	-190.49	1383.27	5252.78	-190.49	1383.27	5252.78	-181.42	1348.31	4379.70	
			MIN	S2	-201.71	1394.62	5980.51	-201.71	1394.62	5033.43	-201.71	1394.62	5033.43	-201.71	1394.62	4086.45
			TQ	27.61	-123.89	-659.81	27.61	-123.89	-530.18	27.61	-123.89	-530.18	27.61	-123.89	-400.55	
			M3	27.82	-121.33	-727.49	27.82	-121.33	-596.85	27.82	-121.33	-596.85	27.82	-121.15	-466.23	
		3-LANES (caseMAX	S2	424.42	-391.27	5507.22	276.21	-202.34	5440.69	276.21	-202.34	5440.69	166.19	-70.08	4682.04	
			TQ	51.93	62.98	455.34	51.93	62.98	699.17	51.93	62.98	699.17	51.93	62.98	942.98	
			M3	25.59	-1089.50	10783.19	-121.62	-970.90	10144.58	-121.62	-970.90	10144.58	-301.62	-868.83	8726.42	
			MIN	S2	-362.22	-1041.39	9168.77	-477.32	-974.46	8656.27	-477.32	-974.46	8656.27	-625.10	-853.51	7350.04
			TQ	-208.49	-1182.41	9096.29	-275.94	-1182.41	7960.85	-275.94	-1182.41	7960.85	-343.39	-1182.41	6508.80	
			M3	27.34	49.26	-764.67	27.34	49.26	-636.28	27.34	49.26	-636.28	27.34	49.26	-507.90	
		3-LANES (caseMAX	S2	424.40	-366.86	5503.27	276.20	-177.92	5436.42	276.20	-177.92	5436.42	166.17	-45.62	4677.56	
			TQ	35.67	104.01	-532.93	35.67	104.01	-365.43	35.67	104.01	-365.43	35.67	104.01	-197.95	
			M3	25.84	-1094.32	10781.65	-121.30	-975.76	10143.41	-121.30	-975.76	10143.41	-301.22	-873.74	8726.05	
MIN	S2		-362.02	-1046.05	9165.69	-477.02	-979.22	8653.49	-477.02	-979.22	8653.49	-622.97	-862.13	7327.72		
TQ	-213.08		-1184.97	9230.85	-280.53	-1184.97	8072.72	-280.53	-1184.97	8072.72	-347.96	-1184.97	6598.07			
M3	27.24		97.14	-776.05	27.24	97.14	-648.12	27.24	97.14	-648.12	27.24	97.14	-520.21			

BAGO RIVER BRIDGE

BLOCK [ No.1 : MAIN GIRDER ][ BEAM MEMBER FORCE ]

MEMBER					4049			4050			4051					
NODE					4049			4050			4050			4051		
NAME TITLE					SHEAR	TORQUE	MOMENT	SHEAR	TORQUE	MOMENT	SHEAR	TORQUE	MOMENT	SHEAR	TORQUE	MOMENT
					S2 (kN)	TQ (kN·m)	M3 (kN·m)	S2 (kN)	TQ (kN·m)	M3 (kN·m)	S2 (kN)	TQ (kN·m)	M3 (kN·m)	S2 (kN)	TQ (kN·m)	M3 (kN·m)
301	LIVE LOAD	4-LANES	MAX	S2	21.82	52.95	-614.33	21.82	52.95	-511.85	21.82	52.95	-511.85	21.82	52.95	-409.39
				TQ	14.48	55.25	-413.59	14.48	55.25	-345.59	14.48	55.25	-345.59	14.48	55.25	-277.60
				M3	-8.41	-2.75	231.47	-8.41	-2.77	192.00	-8.41	-2.77	192.00	-8.41	-2.79	152.52
			MIN	S2	-8.41	-2.71	231.47	-8.41	-2.71	191.99	-8.41	-2.71	191.99	-8.41	-2.71	152.51
				TQ	-1.52	-5.87	43.39	-1.52	-5.87	36.26	-1.52	-5.87	36.26	-1.52	-5.87	29.13
				M3	21.82	53.24	-614.38	21.82	53.24	-511.91	21.82	53.24	-511.91	21.82	53.24	-409.45
		6-LANES	MAX	S2	302.43	-329.89	3848.46	206.57	-202.52	3837.51	206.57	-202.52	3837.51	135.97	-113.30	3398.36
				TQ	-124.09	1062.07	4103.64	-124.09	1062.07	3520.99	-124.09	1062.07	3520.99	-124.09	1062.07	2938.40
				M3	-142.84	204.64	12357.59	-238.40	275.12	11174.44	-238.40	275.12	11174.44	-341.87	294.77	9524.27
			MIN	S2	-412.79	243.37	11111.54	-486.70	290.09	9975.56	-486.70	290.09	9975.56	-579.43	353.48	8228.63
				TQ	-135.94	-913.61	6118.58	-183.64	-913.61	5368.71	-183.64	-913.61	5368.71	-227.65	-913.61	4399.59
				M3	41.12	-12.67	-1124.28	41.12	-12.67	-931.21	41.12	-12.67	-931.21	41.12	-12.54	-738.17
		LIVE LOAD	MAX		457.01	1405.41	12357.59	282.67	1405.41	11174.44	282.67	1405.41	11174.44	166.19	1405.41	9524.27
			MIN		-412.79	-1221.29	-1124.28	-486.70	-1221.29	-931.21	-486.70	-1221.29	-931.21	-625.10	-1221.29	-738.17
303	SUM TOTAL	TOTAL	MAX		-160.02	2022.26	49288.51	-607.62	2022.26	44566.68	-607.62	2022.26	44566.68	-997.32	2022.26	38095.36
			MIN		-1029.82	-604.44	35806.64	-1376.98	-604.44	32461.03	-1376.98	-604.44	32461.03	-1788.61	-604.44	27832.93

BAGO RIVER BRIDGE

BLOCK [ No.1 : MAIN GIRDER ] [ BEAM MEMBER FORCE ]

MEMBER NODE	4051	4052			4053			4052	4053			4052	4053			
		SHEAR	TORQUE	MOMENT	SHEAR	TORQUE	MOMENT		SHEAR	TORQUE	MOMENT		SHEAR	TORQUE	MOMENT	
NAME TITLE	S2 (kN)	TQ (kN·m)	M3 (kN·m)	S2 (kN)	TQ (kN·m)	M3 (kN·m)	S2 (kN)	TQ (kN·m)	M3 (kN·m)	S2 (kN)	TQ (kN·m)	M3 (kN·m)	S2 (kN)	TQ (kN·m)	M3 (kN·m)	
1 PAVEMENT	-141.17	66.43	4417.30	-187.22	66.43	3646.50	-187.22	50.23	3646.76	-233.96	50.23	2644.61				
3 RAILING	-1.56	0.69	132.53	-5.44	0.69	116.09	-5.44	0.18	116.09	-9.40	0.18	80.77				
5 CURB	-15.44	6.88	1312.00	-53.87	6.88	1149.32	-53.87	1.77	1149.34	-93.10	1.77	799.65				
7 DECK WEIGHT	-235.46	107.02	7408.54	-311.31	107.02	6125.14	-311.31	79.80	6125.55	-388.35	79.80	4460.80				
8 GIRDER WEIGH	-349.88	147.13	10284.16	-437.64	147.13	8435.66	-437.64	109.65	8436.23	-526.61	109.65	6141.91				
10 MEDIAN STRIP	-111.98	40.81	2806.46	-111.98	40.81	2280.77	-111.98	30.68	2280.92	-111.98	30.68	1748.02				
21 ADITIONAL WE	-65.93	29.97	2074.39	-87.17	29.97	1715.04	-87.17	22.35	1715.15	-108.74	22.35	1249.02				
31 MEDIAN RAILI	-5.85	2.33	135.71	-5.85	2.33	108.23	-5.85	1.85	108.24	-5.85	1.85	80.38				
51 SUPPORT WEIG	0.00	-0.00	0.00	0.00	-0.00	0.00	0.00	-0.00	0.00	0.00	-0.00	0.00				
52 NOSE WEIGHT	-0.00	0.00	0.00	-0.00	0.00	0.00	-0.00	0.00	0.00	-0.00	0.00	0.00				
61 1-LANE(case1TRUCK-LOAD	MAX	S2	4.42	-28.71	-81.84	4.42	-28.71	-61.11	4.42	-28.44	-61.23	4.42	-28.44	-40.22		
		TQ	-28.65	375.16	558.98	-28.65	375.16	424.47	-28.65	373.27	426.13	-28.65	373.27	289.78		
		M3	-29.61	371.02	561.32	-28.83	375.01	424.79	-28.83	373.12	426.45	-28.10	372.98	290.40		
		MIN	S2	-29.77	366.61	557.36	-29.77	366.61	417.60	-29.77	364.75	419.22	-29.77	364.75	277.54	
			TQ	4.14	-30.12	-76.14	4.14	-30.12	-56.69	4.14	-29.87	-56.82	4.14	-29.87	-37.11	
			M3	4.41	-28.51	-81.84	4.41	-28.18	-61.12	4.41	-27.91	-61.25	4.41	-27.91	-40.26	
		TANDEM-LOAD	MAX	S2	3.01	-19.73	-55.68	3.01	-19.73	-41.57	3.01	-19.55	-41.65	3.01	-19.55	-27.35
				TQ	-18.80	254.81	374.89	-18.80	254.81	286.66	-18.80	253.53	287.79	-18.80	253.53	198.35
				M3	-20.13	253.50	383.37	-19.91	254.61	289.55	-19.91	253.32	290.68	-18.80	253.53	198.35
			MIN	S2	-20.30	247.19	377.20	-20.30	247.19	281.91	-20.30	245.94	283.00	-20.30	245.94	186.41
				TQ	2.87	-20.54	-52.75	2.87	-20.54	-39.29	2.87	-20.37	-39.38	2.87	-20.37	-25.74
				M3	3.01	-19.73	-55.68	3.01	-19.73	-41.57	3.01	-19.55	-41.65	2.99	-18.55	-27.35
		DISPERSION-LMAX	S2	5.21	-34.21	-96.51	5.21	-34.21	-72.05	5.21	-33.89	-72.20	5.21	-33.89	-47.40	
				TQ	-45.37	571.30	823.82	-45.37	571.30	610.82	-45.37	568.58	613.35	-45.37	568.58	397.43
				M3	-45.37	571.30	823.82	-45.37	571.30	610.82	-45.37	568.58	613.35	-45.29	567.47	397.47
			MIN	S2	-45.37	571.30	823.82	-45.37	571.30	610.82	-45.37	568.58	613.35	-45.37	568.58	397.43
				TQ	5.21	-34.21	-96.51	5.21	-34.21	-72.05	5.21	-33.89	-72.20	5.21	-33.89	-47.40
				M3	5.21	-34.21	-96.51	5.21	-34.21	-72.05	5.21	-33.89	-72.20	5.13	-32.78	-47.43



BAGO RIVER BRIDGE

BLOCK [ No.1 : MAIN GIRDER ][ BEAM MEMBER FORCE ]

MEMBER				4051			4052			4053					
NODE				4051			4052			4053					
				SHEAR	TORQUE	MOMENT	SHEAR	TORQUE	MOMENT	SHEAR	TORQUE	MOMENT			
NAME	TITLE			S2 (kN)	TQ (kN·m)	M3 (kN·m)	S2 (kN)	TQ (kN·m)	M3 (kN·m)	S2 (kN)	TQ (kN·m)	M3 (kN·m)			
62	1-LANE (case2TRUCK-LOAD	MAX	S2	4.46	-12.09	-86.03	4.46	-12.09	-65.09	4.46	-11.80	-65.14	4.46	-11.80	-43.91
			TQ	-41.93	146.22	865.05	-41.93	146.22	668.23	-41.93	143.25	668.88	-41.93	143.25	469.36
			M3	-41.93	146.22	865.05	-40.65	144.57	669.66	-40.65	141.59	670.29	-36.83	133.58	484.64
		MIN	S2	-42.84	143.53	848.21	-42.84	143.53	647.08	-42.84	140.66	647.72	-42.84	140.66	443.84
			TQ	4.36	-12.41	-83.93	4.36	-12.41	-63.47	4.36	-12.13	-63.52	4.36	-12.13	-42.79
			M3	4.46	-12.09	-86.03	4.46	-12.09	-65.09	4.46	-11.80	-65.14	4.46	-11.80	-43.91
		TANDEM-LOAD MAX	S2	3.04	-8.29	-58.56	3.04	-8.29	-44.31	3.04	-8.09	-44.34	3.04	-8.09	-29.89
			TQ	-29.05	99.85	589.50	-29.05	99.85	453.13	-29.05	97.84	453.57	-29.05	97.84	315.32
			M3	-29.05	99.85	589.50	-27.36	98.68	456.93	-27.36	96.65	457.37	-22.86	85.34	329.70
		MIN	S2	-29.30	99.49	587.14	-29.30	99.49	449.60	-29.30	97.49	450.04	-29.30	97.49	310.62
			TQ	2.95	-8.46	-56.71	2.95	-8.46	-42.88	2.95	-8.27	-42.92	2.95	-8.27	-28.90
			M3	3.04	-8.29	-58.56	3.04	-8.29	-44.31	3.04	-8.09	-44.34	3.04	-8.09	-29.89
		DISPERSION-LMAX	S2	5.25	-14.29	-101.30	5.25	-14.29	-76.64	5.25	-13.95	-76.70	5.25	-13.95	-51.71
			TQ	-56.89	198.27	1199.12	-56.89	198.27	932.07	-56.88	194.13	932.40	-56.88	194.13	661.70
			M3	-56.89	198.27	1199.12	-56.89	198.27	932.07	-56.89	194.13	932.94	-56.89	194.13	662.23
MIN	S2	-56.89	198.27	1199.12	-56.89	198.27	932.07	-56.89	194.13	932.94	-56.89	194.13	662.23		
	TQ	5.25	-14.29	-101.30	5.25	-14.29	-76.64	5.25	-13.95	-76.16	5.25	-13.95	-51.17		
	M3	5.25	-14.29	-101.30	5.25	-14.29	-76.64	5.25	-13.95	-76.70	5.25	-13.95	-51.71		
63	1-LANE (case3TRUCK-LOAD	MAX	S2	15.72	-59.19	491.36	15.72	-59.19	565.17	15.72	-61.70	564.90	15.72	-61.70	639.73
			TQ	2.98	1.95	-59.54	2.98	1.95	-45.54	2.98	2.16	-45.53	2.98	2.16	-31.33
			M3	-65.66	-71.91	1382.20	-51.68	-69.07	1082.57	-51.68	-73.88	1082.25	-17.52	-80.13	901.07
		MIN	S2	-69.04	-73.05	1377.47	-69.04	-73.05	1053.37	-69.04	-77.73	1053.03	-69.04	-77.73	724.49
			TQ	-51.70	-101.60	1015.86	-51.70	-101.60	773.15	-51.70	-105.04	772.69	-51.70	-105.04	526.65
			M3	4.50	0.51	-89.31	4.50	0.51	-68.19	4.50	0.81	-68.18	4.50	0.81	-46.77

BAGO RIVER BRIDGE

BLOCK [ No.1 : MAIN GIRDER ][ BEAM MEMBER FORCE ]

MEMBER		4051			4052			4052			4053					
NODE		4051			4052			4052			4053					
		SHEAR	TORQUE	MOMENT	SHEAR	TORQUE	MOMENT	SHEAR	TORQUE	MOMENT	SHEAR	TORQUE	MOMENT			
NAME	TITLE	S2 (kN)	TQ (kN·m)	M3 (kN·m)	S2 (kN)	TQ (kN·m)	M3 (kN·m)	S2 (kN)	TQ (kN·m)	M3 (kN·m)	S2 (kN)	TQ (kN·m)	M3 (kN·m)			
63	1-LANE (case3TANDEM-LOAD	MAX	S2	12.74	-38.21	281.58	12.74	-38.21	341.40	12.74	-39.72	341.23	12.74	-39.72	401.87	
			TQ	1.75	1.37	-35.05	1.75	1.37	-26.82	1.75	1.49	-26.81	1.75	1.49	-18.46	
			M3	-42.98	-44.15	957.13	-41.45	-43.94	747.11	-41.45	-47.26	746.91	-16.63	-53.77	621.69	
		MIN	S2	-48.71	-50.55	935.90	-48.71	-50.55	707.24	-48.71	-53.69	707.01	-48.71	-53.69	475.21	
			TQ	-35.69	-69.86	700.74	-35.69	-69.86	533.21	-35.69	-72.23	532.90	-35.69	-72.23	363.08	
			M3	3.06	0.38	-60.83	3.06	0.38	-46.44	3.06	0.59	-46.44	3.06	0.59	-31.86	
		DISPERSION-LMAX	S2	8.86	-15.49	41.04	8.86	-15.41	81.72	8.86	-15.77	81.65	8.61	-13.74	102.35	
			TQ	1.24	2.66	-25.19	1.24	2.66	-19.35	1.46	2.76	-22.57	1.46	2.76	-15.63	
			M3	-63.67	-140.71	1581.82	-64.65	-140.71	1280.63	-64.65	-146.40	1280.00	-65.63	-146.40	970.01	
		MIN	S2	-67.24	-124.41	1435.79	-68.22	-124.49	1118.75	-68.22	-129.46	1118.19	-68.96	-131.49	812.66	
			TQ	-59.62	-142.56	1502.02	-60.60	-142.56	1219.82	-60.82	-147.99	1222.40	-61.80	-147.99	930.64	
			M3	5.29	0.81	-104.99	5.29	0.81	-80.17	5.29	1.16	-80.16	5.29	1.16	-55.00	
64	1-LANE (case4TRUCK-LOAD	MAX	S2	251.74	-278.99	1790.50	139.19	-142.17	1742.69	139.19	-149.91	1742.04	50.06	-43.54	1077.66	
			TQ	4.51	27.22	-94.85	4.51	27.22	-73.67	4.51	27.55	-73.55	4.51	27.55	-52.08	
			M3	94.84	-390.52	1962.86	35.97	-267.14	1967.57	35.97	-275.88	1966.36	-98.26	-171.59	1394.97	
		MIN	S2	-107.12	-394.28	1913.80	-181.85	-312.31	1906.22	-181.85	-320.78	1904.81	-292.69	-186.24	1348.19	
			TQ	-77.88	-411.25	1536.20	-77.88	-411.25	1170.57	-77.88	-416.44	1168.73	-77.88	-416.44	798.10	
			M3	4.61	26.15	-96.53	4.61	26.15	-74.90	4.61	26.49	-74.79	4.61	26.49	-52.87	
		TANDEM-LOAD	MAX	S2	207.82	-234.74	1483.37	129.83	-139.05	1509.45	129.83	-145.75	1508.81	52.11	-48.66	1044.80
			TQ	3.05	18.58	-64.17	3.05	18.58	-49.85	3.05	18.80	-49.77	3.05	18.80	-35.25	
			M3	66.00	-251.30	1508.33	-6.22	-163.92	1540.75	-6.22	-170.77	1540.00	-88.26	-67.89	1091.07	
		MIN	S2	-90.37	-251.30	1508.33	-162.59	-163.92	1540.75	-162.59	-170.77	1540.00	-244.62	-67.89	1091.07	
			TQ	-57.38	-280.87	1117.77	-57.38	-280.87	848.40	-57.38	-284.64	847.14	-57.38	-284.64	574.08	
			M3	3.14	18.05	-65.82	3.14	18.05	-51.09	3.14	18.28	-51.00	3.14	18.28	-36.07	

BAGO RIVER BRIDGE

BLOCK [ No.1 : MAIN GIRDER ][ BEAM MEMBER FORCE ]

MEMBER			4051			4052			4052			4053					
NODE			4051			4052			4052			4053					
			SHEAR	TORQUE	MOMENT	SHEAR	TORQUE	MOMENT	SHEAR	TORQUE	MOMENT	SHEAR	TORQUE	MOMENT			
NAME	TITLE		S2 (kN)	TQ (kN·m)	M3 (kN·m)	S2 (kN)	TQ (kN·m)	M3 (kN·m)	S2 (kN)	TQ (kN·m)	M3 (kN·m)	S2 (kN)	TQ (kN·m)	M3 (kN·m)			
64	1-LANE (case4DISPERSION-LMAX	S2	61.81	-28.43	345.80	30.46	6.47	269.27	30.46	5.28	269.30	12.90	24.23	111.95			
		TQ	5.63	29.94	-106.84	5.63	29.94	-80.40	5.53	30.31	-82.83	5.53	30.31	-56.50			
		M3	-15.93	-544.32	1915.90	-70.78	-544.32	1713.16	-70.78	-551.92	1710.72	-126.38	-551.92	1242.18			
		MIN	S2	-72.37	-485.98	1457.71	-95.87	-520.89	1356.70	-95.87	-526.91	1354.38	-133.91	-545.86	1068.73		
		TQ	-16.19	-544.36	1910.35	-71.04	-544.36	1706.38	-70.94	-551.94	1706.51	-126.54	-551.94	1237.18			
		M3	5.37	29.90	-112.39	5.37	29.90	-87.18	5.37	30.29	-87.05	5.37	30.29	-61.50			
		65	2-LANES (caseTRUCK-LOAD	MAX	S2	8.85	-49.12	-165.75	8.85	-49.12	-124.19	8.85	-48.57	-124.41	8.85	-48.57	-82.28
				TQ	-63.40	634.56	1252.52	-63.40	634.56	954.88	-63.40	630.31	957.69	-63.40	630.31	655.98	
				M3	-64.36	630.42	1254.86	-63.45	634.20	955.56	-63.45	629.95	958.37	-60.44	621.95	661.33	
MIN	S2			-64.93	625.07	1245.45	-64.93	625.07	940.65	-64.93	620.88	943.42	-64.93	620.88	634.44		
TQ	8.31			-51.39	-154.51	8.31	-51.39	-115.50	8.31	-50.88	-115.73	8.31	-50.88	-76.19			
M3	8.85			-48.92	-165.76	8.85	-48.46	-124.21	8.85	-48.04	-124.42	8.85	-47.91	-82.33			
TANDEM-LOAD	MAX			S2	6.03	-33.75	-112.79	6.03	-33.75	-84.49	6.03	-33.38	-84.64	6.03	-33.38	-55.96	
TQ	-42.65			431.49	846.98	-42.65	431.49	646.74	-42.65	428.61	648.65	-42.65	428.61	445.66			
M3	-43.99			430.18	855.45	-42.93	429.55	650.72	-42.93	426.66	652.63	-41.33	425.09	451.14			
MIN	S2	-44.27	423.61	847.76	-44.27	423.61	639.93	-44.27	420.76	641.81	-44.27	420.76	431.13				
TQ	5.75	-35.06	-107.00	5.75	-35.06	-80.02	5.75	-34.70	-80.17	5.75	-34.70	-52.81					
M3	6.03	-33.75	-112.79	6.03	-33.75	-84.49	6.03	-33.38	-84.64	6.01	-32.38	-55.96					
DISPERSION-LMAX	S2	10.44	-58.47	-195.41	10.44	-58.47	-146.39	10.44	-57.82	-146.65	10.44	-57.82	-96.95				
TQ	-96.70	957.43	1833.56	-96.70	957.43	1379.59	-96.70	951.29	1383.83	-96.70	951.29	923.65					
M3	-96.70	957.43	1833.56	-96.70	957.43	1379.59	-96.70	951.29	1383.83	-96.62	950.18	923.69					
MIN	S2	-96.70	957.43	1833.56	-96.70	957.43	1379.59	-96.70	951.29	1383.83	-96.70	951.29	923.65				
TQ	10.44	-58.47	-195.41	10.44	-58.47	-146.39	10.44	-57.82	-146.65	10.44	-57.82	-96.95					
M3	10.44	-58.47	-195.41	10.44	-58.47	-146.39	10.44	-57.82	-146.65	10.36	-56.71	-96.98					

BAGO RIVER BRIDGE

BLOCK [ No.1 : MAIN GIRDER ][ BEAM MEMBER FORCE ]

MEMBER				4051			4052			4053						
NODE				4051			4052			4053						
				SHEAR	TORQUE	MOMENT	SHEAR	TORQUE	MOMENT	SHEAR	TORQUE	MOMENT				
NAME	TITLE			S2 (kN)	TQ (kN·m)	M3 (kN·m)	S2 (kN)	TQ (kN·m)	M3 (kN·m)	S2 (kN)	TQ (kN·m)	M3 (kN·m)				
66	2-LANES (caseTRUCK-LOAD	MAX	S2	8.90	-32.50	-169.94	8.90	-32.50	-128.17	8.90	-31.93	-128.32	8.90	-31.93	-85.97	
			TQ	-76.67	405.62	1558.58	-76.67	405.62	1198.64	-76.67	400.29	1200.43	-76.67	400.29	835.57	
			M3	-76.67	405.62	1558.58	-75.28	403.76	1200.43	-75.28	398.42	1202.22	-69.18	382.55	855.57	
			MIN	S2	-78.00	401.99	1536.29	-78.00	401.99	1170.13	-78.00	396.79	1171.91	-78.00	396.79	800.73
				TQ	8.52	-33.67	-162.30	8.52	-33.67	-122.29	8.52	-33.13	-122.43	8.52	-33.13	-81.87
				M3	8.90	-32.50	-169.94	8.90	-32.37	-128.17	8.90	-31.93	-128.32	8.90	-31.80	-85.98
		TANDEM-LOAD MAX	S2	6.06	-22.31	-115.67	6.06	-22.31	-87.23	6.06	-21.92	-87.33	6.06	-21.92	-58.50	
			TQ	-52.91	276.53	1061.59	-52.91	276.53	813.20	-52.91	272.92	814.42	-52.91	272.92	562.64	
			M3	-52.91	276.53	1061.59	-50.38	273.63	818.10	-50.38	269.99	819.31	-45.40	256.90	582.49	
			MIN	S2	-53.27	275.91	1057.71	-53.27	275.91	807.63	-53.27	272.32	808.85	-53.27	272.32	555.34
				TQ	5.83	-22.97	-110.96	5.83	-22.97	-83.61	5.83	-22.60	-83.71	5.83	-22.60	-55.98
				M3	6.06	-22.31	-115.67	6.06	-22.31	-87.23	6.06	-21.92	-87.33	6.06	-21.92	-58.50
		DISPERSION-LMAX	S2	10.49	-38.55	-200.20	10.49	-38.55	-150.98	10.49	-37.88	-151.15	10.49	-37.88	-101.25	
			TQ	-108.21	584.40	2208.86	-108.21	584.40	1700.85	-108.21	576.84	1702.89	-108.21	576.84	1187.93	
			M3	-108.21	584.40	2208.86	-108.21	584.40	1700.85	-108.21	576.84	1703.43	-108.21	576.84	1188.46	
			MIN	S2	-108.21	584.40	2208.86	-108.21	584.40	1700.85	-108.21	576.84	1703.43	-108.21	576.84	1188.46
				TQ	10.49	-38.55	-200.20	10.49	-38.55	-150.98	10.48	-37.88	-150.61	10.48	-37.88	-100.72
				M3	10.49	-38.55	-200.20	10.49	-38.55	-150.98	10.49	-37.88	-151.15	10.49	-37.88	-101.25
67	2-LANES (caseTRUCK-LOAD	MAX	S2	98.92	-229.72	2011.39	73.35	-172.46	1855.89	73.35	-180.70	1855.10	47.60	-123.82	1510.26	
			TQ	6.79	12.39	-137.15	6.79	12.39	-105.26	6.79	12.86	-105.20	6.79	12.86	-72.87	
			M3	-66.35	-294.14	3051.80	-73.32	-249.73	2569.32	-73.32	-261.14	2568.19	-64.50	-210.13	2045.67	
		MIN	S2	-158.09	-295.28	3047.07	-177.03	-258.16	2517.67	-177.03	-269.35	2516.50	-201.90	-213.54	1849.95	
			TQ	-113.87	-348.19	2240.19	-113.87	-348.19	1705.63	-116.98	-355.86	1742.84	-116.98	-355.86	1186.15	
			M3	9.03	9.43	-180.95	9.03	9.43	-138.55	9.03	10.04	-138.51	9.03	10.04	-95.52	

BAGO RIVER BRIDGE

BLOCK [ No.1 : MAIN GIRDER ][ BEAM MEMBER FORCE ]

MEMBER		4051			4052			4052			4053						
NODE		4051			4052			4052			4053						
		SHEAR	TORQUE	MOMENT	SHEAR	TORQUE	MOMENT	SHEAR	TORQUE	MOMENT	SHEAR	TORQUE	MOMENT				
NAME	TITLE	S2 (kN)	TQ (kN·m)	M3 (kN·m)	S2 (kN)	TQ (kN·m)	M3 (kN·m)	S2 (kN)	TQ (kN·m)	M3 (kN·m)	S2 (kN)	TQ (kN·m)	M3 (kN·m)				
67	2-LANES (caseTANDEM-LOAD	MAX	S2	77.17	-171.97	1480.90	60.29	-133.84	1404.79	60.29	-140.08	1404.18	42.20	-97.80	1202.96		
			TQ	4.43	8.50	-89.44	4.43	8.50	-68.66	4.43	8.81	-68.63	4.43	8.81	-47.56		
			M3	-41.86	-185.48	2177.76	-56.49	-149.65	1838.26	-56.49	-157.82	1837.58	-49.73	-121.77	1461.79		
		MIN	S2	-114.62	-191.89	2156.53	-130.78	-156.26	1798.39	-130.78	-164.25	1797.68	-148.83	-121.70	1315.32		
			TQ	-80.92	-237.78	1584.19	-80.92	-237.78	1204.32	-80.92	-243.13	1203.25	-80.92	-243.13	818.18		
			M3	6.15	6.55	-123.26	6.15	6.55	-94.39	6.15	6.97	-94.36	6.15	6.97	-65.08		
			DISPERSION-LMAX	S2	36.96	-49.38	339.85	26.74	-28.61	281.66	26.74	-29.86	281.53	19.28	-12.93	191.66	
			TQ	5.75	13.56	-116.61	5.75	13.56	-89.64	6.15	13.97	-95.65	6.15	13.97	-66.40		
			M3	-108.08	-481.52	3335.86	-132.58	-481.52	2770.99	-132.58	-493.83	2768.82	-157.31	-493.83	2079.08		
		MIN	S2	-134.44	-420.56	2783.51	-148.71	-441.34	2326.60	-148.71	-451.67	2324.62	-165.98	-468.60	1775.20		
			TQ	-103.22	-483.51	3239.97	-127.72	-483.51	2697.90	-128.12	-495.51	2701.80	-152.85	-495.51	2033.25		
			M3	10.60	11.58	-212.50	10.60	11.58	-162.73	10.60	12.30	-162.67	10.60	12.30	-112.22		
		68	2-LANES (caseTRUCK-LOAD	MAX	S2	334.87	-449.46	3310.41	196.78	-255.42	3033.24	196.78	-268.89	3032.08	81.94	-105.66	1948.18
					TQ	8.98	45.58	-187.18	8.98	45.58	-145.01	8.98	46.22	-144.80	8.98	46.22	-102.05
					M3	94.11	-612.67	3632.33	14.31	-447.74	3454.11	14.31	-463.08	3452.09	-145.22	-301.58	2539.53
MIN	S2			-194.67	-618.93	3559.29	-289.81	-497.37	3370.33	-289.81	-512.34	3368.08	-425.52	-322.03	2473.60		
	TQ			-140.05	-657.77	2760.48	-140.05	-657.77	2103.02	-143.16	-667.20	2138.84	-143.16	-667.20	1457.56		
	M3			9.18	43.89	-190.67	9.18	43.89	-147.59	9.18	44.55	-147.39	9.18	44.55	-103.72		
	TANDEM-LOAD MAX			S2	272.19	-368.45	2682.57	177.34	-234.66	2572.65	177.34	-246.09	2571.58	81.56	-106.74	1845.86	
	TQ			6.07	31.09	-126.61	6.07	31.09	-98.10	6.07	31.52	-97.96	6.07	31.52	-69.05		
	M3			67.09	-392.59	2728.83	-21.26	-269.61	2631.70	-21.26	-281.30	2630.48	-121.36	-135.89	1931.16		
MIN	S2			-156.27	-392.59	2728.83	-244.62	-269.61	2631.70	-244.62	-281.30	2630.48	-344.73	-135.89	1931.16		
	TQ			-102.61	-448.75	2001.19	-102.61	-448.75	1519.48	-102.61	-455.49	1517.47	-102.61	-455.49	1029.15		
	M3			6.25	30.31	-129.99	6.25	30.31	-100.64	6.25	30.75	-100.50	6.25	30.75	-70.75		

BAGO RIVER BRIDGE

BLOCK [ No.1 : MAIN GIRDER ][ BEAM MEMBER FORCE ]

MEMBER		4051			4052			4052			4053					
NODE		4051			4052			4052			4053					
		SHEAR	TORQUE	MOMENT	SHEAR	TORQUE	MOMENT	SHEAR	TORQUE	MOMENT	SHEAR	TORQUE	MOMENT			
NAME	TITLE	S2 (kN)	TQ (kN·m)	M3 (kN·m)	S2 (kN)	TQ (kN·m)	M3 (kN·m)	S2 (kN)	TQ (kN·m)	M3 (kN·m)	S2 (kN)	TQ (kN·m)	M3 (kN·m)			
68	2-LANES (caseDISPERSION-LMAX	S2	89.92	-53.09	642.19	48.36	2.51	466.96	48.36	0.43	466.97	23.59	34.28	199.18		
		TQ	10.97	49.94	-216.71	10.97	49.94	-165.20	10.87	50.68	-167.54	10.87	50.68	-115.79		
		M3	-60.33	-887.04	3669.84	-138.68	-887.04	3203.50	-138.68	-901.27	3199.53	-218.02	-901.27	2351.37		
		MIN S2	-139.54	-784.05	2805.39	-176.33	-839.65	2564.56	-176.33	-851.03	2560.80	-230.89	-884.89	2031.40		
		TQ	-60.59	-887.08	3664.30	-138.94	-887.08	3196.72	-138.84	-901.28	3195.31	-218.18	-901.28	2346.37		
		M3	10.71	49.90	-222.26	10.71	49.90	-171.98	10.71	50.66	-171.76	10.71	50.66	-120.79		
		69	3-LANES (caseTRUCK-LOAD	MAX S2	13.31	-61.21	-251.78	13.31	-61.21	-189.28	13.31	-60.36	-189.55	13.31	-60.36	-126.19
				TQ	-105.33	780.78	2117.57	-105.33	780.78	1623.11	-105.33	773.56	1626.57	-105.33	773.56	1125.34
				M3	-106.29	776.64	2119.91	-104.10	778.77	1625.22	-104.10	771.54	1628.66	-97.28	755.53	1145.97
MIN S2	-107.77			768.60	2093.66	-107.77	768.60	1587.73	-107.77	761.54	1591.13	-107.77	761.54	1078.28		
TQ	12.67			-63.80	-238.44	12.67	-63.80	-178.97	12.67	-63.00	-179.26	12.67	-63.00	-118.98		
M3	13.31			-61.01	-251.79	13.31	-60.54	-189.30	13.31	-59.83	-189.56	13.31	-59.70	-126.24		
TANDEM-LOAD	MAX	S2	9.06	-42.04	-171.35	9.06	-42.04	-128.80	9.06	-41.47	-128.98	9.06	-41.47	-85.85		
		TQ	-71.71	531.34	1436.48	-71.71	531.34	1099.86	-71.71	526.45	1102.21	-71.71	526.45	760.98		
		M3	-73.04	530.03	1444.96	-70.29	528.24	1107.66	-70.29	523.31	1109.99	-64.19	510.43	780.83		
		MIN S2	-73.57	523.10	1434.91	-73.57	523.10	1089.54	-73.57	518.26	1091.85	-73.57	518.26	741.75		
		TQ	8.69	-43.52	-163.71	8.69	-43.52	-122.90	8.69	-42.97	-123.09	8.69	-42.97	-81.71		
		M3	9.06	-42.04	-171.35	9.06	-42.04	-128.80	9.06	-41.47	-128.98	9.05	-40.47	-85.85		
		DISPERSION-LMAX	MIN	S2	15.70	-72.76	-296.72	15.70	-72.76	-223.03	15.70	-71.77	-223.35	15.70	-71.77	-148.65
				TQ	-153.59	1155.70	3032.68	-153.59	1155.70	2311.67	-153.59	1145.42	2316.24	-153.59	1145.42	1585.36
				M3	-153.59	1155.70	3032.68	-153.59	1155.70	2311.67	-153.59	1145.42	2316.78	-153.50	1144.31	1585.93
S2	-153.59			1155.70	3032.68	-153.59	1155.70	2311.67	-153.59	1145.42	2316.78	-153.59	1145.42	1585.89		
TQ	15.70			-72.76	-296.72	15.70	-72.76	-223.03	15.70	-71.77	-222.81	15.70	-71.77	-148.12		
M3	15.70			-72.76	-296.72	15.70	-72.76	-223.03	15.70	-71.77	-223.35	15.61	-70.66	-148.69		

BAGO RIVER BRIDGE

BLOCK [ No.1 : MAIN GIRDER ][ BEAM MEMBER FORCE ]

MEMBER				4051			4052			4053					
NODE				4051			4052			4053					
				SHEAR	TORQUE	MOMENT	SHEAR	TORQUE	MOMENT	SHEAR	TORQUE	MOMENT			
NAME	TITLE			S2 (kN)	TQ (kN·m)	M3 (kN·m)	S2 (kN)	TQ (kN·m)	M3 (kN·m)	S2 (kN)	TQ (kN·m)	M3 (kN·m)			
70	3-LANES (caseTRUCK-LOAD	MAX	S2	350.67	-508.67	3801.66	212.28	-314.31	3596.07	212.28	-330.28	3594.64	97.56	-167.25	2586.10
			TQ	10.95	31.69	-223.36	10.95	31.69	-171.96	10.95	32.45	-171.82	10.95	32.45	-119.72
			M3	28.54	-684.74	5014.70	-37.37	-516.86	4536.52	-37.37	-537.02	4534.18	-162.50	-382.11	3439.61
		MIN	S2	-265.23	-689.62	4961.05	-358.92	-570.52	4424.16	-358.92	-590.17	4421.59	-494.86	-399.52	3199.15
			TQ	-191.75	-759.51	3776.40	-191.75	-759.51	2876.22	-194.87	-772.38	2911.59	-194.87	-772.38	1984.26
			M3	13.60	26.76	-274.98	13.60	26.76	-211.13	13.60	27.70	-211.01	13.60	27.70	-146.28
		TANDEM-LOAD MAX	S2	285.06	-406.75	2964.38	190.10	-272.85	2913.99	190.10	-285.79	2912.75	94.29	-146.44	2247.44
			TQ	7.21	21.70	-147.21	7.21	21.70	-113.38	7.21	22.20	-113.28	7.21	22.20	-78.98
			M3	24.18	-436.84	3686.20	-62.71	-313.61	3379.19	-62.71	-328.62	3377.76	-137.96	-189.73	2552.69
		MIN	S2	-204.99	-443.24	3664.98	-293.40	-320.22	3339.32	-293.40	-335.05	3337.86	-393.42	-189.65	2406.22
			TQ	-138.30	-518.70	2702.00	-138.30	-518.70	2052.74	-138.30	-527.82	2050.42	-138.30	-527.82	1392.27
			M3	9.26	18.52	-187.35	9.26	18.52	-143.86	9.26	19.16	-143.78	9.26	19.16	-99.69
		DISPERSION-LMAX	S2	98.50	-86.78	686.23	57.00	-31.18	551.13	57.00	-33.63	550.99	32.11	2.10	305.01
			TQ	11.35	34.29	-221.11	11.35	34.29	-167.82	11.65	35.05	-176.30	11.65	35.05	-120.84
			M3	-124.37	-1024.04	5251.68	-203.71	-1024.04	4483.63	-203.71	-1043.95	4479.04	-283.75	-1043.95	3320.62
MIN	S2	-206.92	-905.00	4242.91	-244.76	-960.60	3684.81	-244.76	-976.97	3680.51	-299.92	-1012.69	2843.95		
	TQ	-119.78	-1026.07	5150.25	-199.12	-1026.07	4403.76	-199.42	-1045.64	4407.80	-279.46	-1045.64	3269.80		
	M3	15.95	32.26	-322.55	15.95	32.26	-247.69	15.95	33.36	-247.54	15.95	33.36	-171.66		
71	3-LANES (caseTRUCK-LOAD	MAX	S2	350.59	-508.65	3801.77	212.50	-314.61	3598.41	212.50	-330.59	3596.97	97.66	-167.36	2587.89
			TQ	13.44	55.08	-277.39	13.44	55.08	-214.30	13.44	56.04	-214.05	13.44	56.04	-150.10
			M3	28.43	-684.52	5014.41	-37.35	-516.77	4536.54	-37.35	-536.92	4534.19	-162.71	-381.68	3440.55
		MIN	S2	-263.70	-691.92	4936.64	-358.84	-570.36	4423.61	-358.84	-590.01	4421.04	-494.55	-399.70	3198.05
			TQ	-191.75	-759.31	3776.30	-191.75	-759.31	2876.14	-194.86	-772.18	2911.50	-194.86	-772.18	1984.19
			M3	13.71	53.22	-282.43	13.71	53.22	-218.06	13.71	54.18	-217.82	13.71	54.18	-152.57

BAGO RIVER BRIDGE

BLOCK [ No.1 : MAIN GIRDER ][ BEAM MEMBER FORCE ]

MEMBER		4051			4052			4052			4053							
NODE		4051			4052			4052			4053							
		SHEAR	TORQUE	MOMENT	SHEAR	TORQUE	MOMENT	SHEAR	TORQUE	MOMENT	SHEAR	TORQUE	MOMENT					
NAME	TITLE	S2 (kN)	TQ (kN·m)	M3 (kN·m)	S2 (kN)	TQ (kN·m)	M3 (kN·m)	S2 (kN)	TQ (kN·m)	M3 (kN·m)	S2 (kN)	TQ (kN·m)	M3 (kN·m)					
71	3-LANES (caseTANDEM-LOAD	MAX	S2	284.93	-406.66	2964.15	190.08	-272.87	2914.05	190.08	-285.81	2912.81	94.31	-146.46	2247.73			
			TQ	9.15	37.60	-188.95	9.15	37.60	-145.98	9.15	38.25	-145.81	9.15	38.25	-102.26			
			M3	24.11	-436.70	3685.86	-62.71	-313.52	3378.73	-62.71	-328.53	3377.30	-137.97	-189.64	2552.80			
		MIN	S2	-204.97	-443.10	3664.67	-293.33	-320.12	3338.89	-293.33	-334.95	3337.44	-393.43	-189.54	2406.34			
			TQ	-138.30	-518.56	2701.90	-138.30	-518.56	2052.67	-138.30	-527.68	2050.34	-138.30	-527.68	1392.21			
			M3	9.34	36.77	-192.51	9.34	36.77	-148.66	9.34	37.43	-148.50	9.34	37.43	-104.04			
			DISPERSION-LMAX	S2	98.81	-59.30	680.82	57.25	-3.63	546.42	57.25	-6.06	546.40	32.22	29.82	299.47		
			TQ	16.28	60.02	-323.95	16.28	60.02	-247.51	16.19	61.12	-249.88	16.19	61.12	-172.85			
			M3	-123.97	-1029.66	5251.53	-203.30	-1029.66	4484.12	-203.30	-1049.58	4479.50	-283.62	-1049.58	3321.49			
			MIN	S2	-206.76	-910.38	4241.13	-244.53	-966.06	3683.34	-244.53	-982.41	3679.01	-299.82	-1018.29	2844.16		
			TQ	-124.23	-1029.70	5245.90	-203.56	-1029.70	4477.27	-203.46	-1049.59	4475.29	-283.78	-1049.59	3316.49			
			M3	16.02	59.98	-329.58	16.02	59.98	-254.37	16.02	61.11	-254.10	16.02	61.11	-177.85			
		72	4-LANES	TRUCK-LOAD	MAX	S2	18.15	51.74	-370.16	18.15	51.74	-284.95	18.15	53.01	-284.72	18.15	53.01	-198.34
						TQ	12.33	51.99	-254.80	12.33	51.99	-196.92	18.15	53.01	-284.72	18.15	53.01	-198.34
						M3	-5.32	-2.48	105.87	-5.32	-2.49	80.92	-5.32	-2.85	80.91	-5.32	-2.85	55.61
MIN	S2			-5.32	-2.45	105.87	-5.32	-2.45	80.92	-5.32	-2.81	80.90	-5.32	-2.81	55.61			
	TQ			-0.68	-4.09	14.38	-0.68	-4.09	11.16	-1.29	-4.16	20.37	-1.29	-4.16	14.21			
	M3			18.15	51.74	-370.16	18.15	51.74	-284.95	18.15	53.01	-284.72	18.15	53.01	-198.34			
TANDEM-LOAD	MAX			S2	12.40	36.86	-253.26	12.40	36.86	-195.02	12.40	37.73	-194.86	12.40	37.73	-135.83		
				TQ	8.43	36.91	-174.42	8.43	36.91	-134.86	12.40	37.73	-194.86	12.40	37.73	-135.83		
				M3	-3.61	-1.74	71.97	-3.61	-1.74	55.01	-3.61	-1.98	55.00	-3.61	-1.99	37.81		
MIN	S2			-3.61	-1.74	71.97	-3.61	-1.74	55.01	-3.61	-1.98	55.00	-3.61	-1.98	37.81			
	TQ			-0.63	-2.80	13.07	-0.63	-2.80	10.11	-0.73	-2.85	11.66	-0.73	-2.85	8.16			
	M3			12.40	36.86	-253.26	12.40	36.86	-195.02	12.40	37.73	-194.86	12.40	37.73	-135.83			



BAGO RIVER BRIDGE

BLOCK [ No.1 : MAIN GIRDER ][ BEAM MEMBER FORCE ]

MEMBER			4051			4052			4052			4053					
NODE			4051			4052			4052			4053					
NAME TITLE			SHEAR	TORQUE	MOMENT	SHEAR	TORQUE	MOMENT	SHEAR	TORQUE	MOMENT	SHEAR	TORQUE	MOMENT			
			S2 (kN)	TQ (kN·m)	M3 (kN·m)	S2 (kN)	TQ (kN·m)	M3 (kN·m)	S2 (kN)	TQ (kN·m)	M3 (kN·m)	S2 (kN)	TQ (kN·m)	M3 (kN·m)			
72	4-LANES	DISPERSION-LMAX	S2	12.80	30.38	-259.75	12.80	30.38	-199.67	12.80	31.27	-199.54	12.80	31.27	-138.64		
			TQ	8.92	32.08	-183.21	8.92	32.08	-141.34	9.25	32.72	-146.15	9.25	32.72	-102.14		
			M3	-6.47	-2.97	128.78	-6.47	-2.99	98.42	-6.47	-3.43	98.41	-6.46	-3.53	67.64		
	MIN	S2	-6.47	-2.89	128.77	-6.47	-2.89	98.41	-6.47	-3.33	98.40	-6.47	-3.33	67.63			
		TQ	-2.73	-4.90	55.14	-2.73	-4.90	42.31	-3.05	-5.10	47.14	-3.05	-5.10	32.62			
		M3	12.80	30.47	-259.76	12.80	30.47	-199.69	12.80	31.35	-199.55	12.80	31.35	-138.65			
	73	6-LANES	TRUCK-LOAD	MAX	S2	302.15	-505.41	3419.49	191.81	-337.46	3183.63	191.81	-351.61	3182.10	98.73	-205.61	2291.64
				TQ	-99.01	749.56	1968.49	-99.01	749.56	1503.69	-99.01	742.87	1507.01	-99.01	742.87	1035.84	
				M3	-110.23	113.30	7052.84	-166.50	260.60	6007.82	-166.50	233.90	6008.91	-238.06	322.73	4482.48	
MIN			S2	-364.36	92.54	6916.80	-449.38	213.54	5892.93	-449.38	187.36	5893.82	-546.91	316.92	4080.77		
TQ			-173.23	-727.75	3417.68	-173.23	-727.75	2604.47	-173.23	-739.32	2601.21	-173.23	-739.32	1776.86			
M3			27.02	-6.74	-534.25	27.01	-6.41	-407.43	27.01	-4.60	-407.45	27.01	-4.50	-278.92			
TANDEM-LOAD		MAX	S2	243.17	-397.68	2677.45	166.77	-281.92	2589.80	166.77	-293.43	2588.52	91.24	-173.13	2013.86		
		TQ	-66.68	510.12	1341.31	-66.68	510.12	1028.28	-66.68	505.55	1030.54	-66.68	505.55	713.22			
		M3	-70.37	103.95	5040.06	-140.05	210.08	4337.69	-140.05	190.80	4338.58	-182.46	282.97	3236.45			
		MIN	S2	-269.96	92.19	4994.46	-339.54	182.19	4193.87	-339.54	163.55	4194.64	-417.89	262.95	2892.97		
		TQ	-119.64	-496.89	2352.90	-119.64	-496.89	1791.27	-119.64	-504.84	1789.04	-119.64	-504.84	1219.71			
		M3	18.40	-4.54	-363.88	18.40	-4.54	-277.50	18.40	-3.30	-277.52	18.40	-3.30	-189.96			
		DISPERSION-LMAX	S2	105.40	-113.01	296.62	67.31	-62.26	246.34	67.31	-63.36	246.06	44.60	-31.89	105.41		
			TQ	-125.85	1118.19	2474.60	-125.85	1118.19	1883.82	-125.78	1109.82	1883.21	-125.78	1109.82	1284.64		
			M3	-256.72	71.31	7599.88	-329.27	71.15	6224.96	-329.27	43.50	6225.21	-402.35	43.15	4484.76		
MIN	S2	-332.89	175.46	6742.15	-366.36	126.61	5529.68	-366.36	102.04	5530.19	-416.50	70.59	4073.73				
	TQ	-98.81	-1014.22	4458.90	-171.36	-1014.22	3825.27	-171.76	-1031.22	3827.48	-244.84	-1031.22	2836.58				
	M3	30.39	-5.38	-601.39	30.39	-5.38	-458.74	30.39	-3.34	-458.76	30.30	-2.23	-314.18				

BAGO RIVER BRIDGE

BLOCK [ No.1 : MAIN GIRDER ][ BEAM MEMBER FORCE ]

MEMBER			4051			4052			4052			4053			
NODE			4051			4052			4052			4053			
NAME TITLE			SHEAR	TORQUE	MOMENT	SHEAR	TORQUE	MOMENT	SHEAR	TORQUE	MOMENT	SHEAR	TORQUE	MOMENT	
			S2 (kN)	TQ (kN·m)	M3 (kN·m)	S2 (kN)	TQ (kN·m)	M3 (kN·m)	S2 (kN)	TQ (kN·m)	M3 (kN·m)	S2 (kN)	TQ (kN·m)	M3 (kN·m)	
124	SUM TOTAL	D+1LANE (caseMAX	S2	-915.73	325.77	28357.08	-1188.93	325.77	23416.96	-1188.93	221.72	23418.18	-1466.45	221.72	17100.04
			TQ	-1016.11	1537.02	30230.46	-1289.32	1537.02	24819.09	-1289.32	1426.73	24825.67	-1566.83	1426.73	18029.83
			M3	-1017.27	1532.06	30233.27	-1289.53	1536.84	24819.47	-1289.53	1426.55	24826.05	-1566.06	1425.05	18030.62
		MIN	S2	-1017.46	1526.77	30228.52	-1290.66	1526.77	24810.84	-1290.66	1416.51	24817.38	-1568.17	1416.51	18015.15
			TQ	-916.06	324.07	28363.91	-1189.26	324.07	23422.26	-1189.26	219.99	23423.47	-1466.77	219.99	17103.77
			M3	-915.73	326.00	28357.07	-1188.94	326.40	23416.94	-1188.94	222.35	23418.16	-1466.55	223.69	17099.94
		D+1LANE (caseMAX	S2	-915.62	369.62	28346.30	-1188.83	369.62	23406.67	-1188.83	265.61	23408.08	-1466.34	265.61	17090.43
			TQ	-1045.85	814.66	31048.10	-1319.06	814.66	25497.11	-1319.06	701.36	25499.83	-1596.57	701.36	18562.46
			M3	-1045.85	814.66	31048.10	-1317.53	812.67	25498.82	-1317.53	699.37	25502.17	-1590.46	689.75	18581.43
		MIN	S2	-1046.96	811.43	31027.89	-1320.16	811.43	25471.73	-1320.16	698.25	25475.08	-1597.67	698.25	18532.46
			TQ	-915.75	369.23	28348.82	-1188.95	369.23	23408.61	-1188.95	265.22	23410.67	-1466.47	265.22	17092.43
			M3	-915.62	369.62	28346.30	-1188.83	369.62	23406.67	-1188.83	265.61	23408.08	-1466.34	265.61	17090.43
		D+1LANE (caseMAX	S2	-897.78	311.65	29209.97	-1170.98	311.75	24353.01	-1170.98	203.54	24354.15	-1448.80	205.97	18095.68
			TQ	-922.21	406.81	28469.42	-1195.41	406.81	23498.88	-1195.16	302.40	23496.58	-1472.67	302.40	17148.83
			M3	-1082.48	146.12	32127.92	-1340.07	149.53	26412.59	-1340.07	32.17	26412.99	-1577.78	24.67	19450.48
		MIN	S2	-1090.82	164.31	31947.01	-1365.20	164.22	26183.29	-1365.20	47.88	26183.76	-1643.59	45.45	19049.76
			TQ	-1060.87	108.27	31592.56	-1335.25	108.27	25968.31	-1335.51	-7.12	25972.41	-1614.20	-7.12	18953.93
			M3	-915.54	402.84	28337.94	-1188.74	402.84	23398.72	-1188.74	298.88	23400.28	-1466.25	298.88	17083.05
		D+1LANE (caseMAX	S2	-551.02	32.36	31134.65	-996.91	238.44	25991.10	-996.91	122.95	25991.91	-1402.45	273.34	18632.72
			TQ	-915.11	469.87	28329.06	-1188.31	469.87	23391.86	-1188.43	365.94	23390.64	-1465.95	365.94	17074.88
			M3	-832.58	-720.53	33225.60	-1242.25	-572.48	27993.62	-1242.25	-696.86	27990.80	-1747.56	-571.71	20369.76
		MIN	S2	-1142.67	-655.04	32616.90	-1533.74	-598.57	27492.25	-1533.74	-720.72	27489.32	-1989.92	-582.02	20105.48
			TQ	-1040.17	-745.46	32706.96	-1379.19	-745.46	27029.08	-1379.07	-865.55	27028.58	-1723.31	-865.55	19647.51
			M3	-915.31	468.54	28320.40	-1188.51	468.54	23382.24	-1188.51	364.64	23384.09	-1466.03	364.64	17067.94

BAGO RIVER BRIDGE

BLOCK [ No.1 : MAIN GIRDER ][ BEAM MEMBER FORCE ]

MEMBER			4051			4052			4053			4052			
NODE			4051			4052			4052			4053			
NAME TITLE			SHEAR	TORQUE	MOMENT	SHEAR	TORQUE	MOMENT	SHEAR	TORQUE	MOMENT	SHEAR	TORQUE	MOMENT	
			S2 (kN)	TQ (kN·m)	M3 (kN·m)	S2 (kN)	TQ (kN·m)	M3 (kN·m)	S2 (kN)	TQ (kN·m)	M3 (kN·m)	S2 (kN)	TQ (kN·m)	M3 (kN·m)	
124	SUM TOTAL	D+2LANES (casMAX	S2	-907.98	293.68	28209.93	-1181.19	293.68	23306.17	-1181.19	190.12	23307.24	-1458.70	190.12	17025.95
			TQ	-1087.38	1993.26	31657.17	-1360.59	1993.26	25911.22	-1360.59	1878.11	25919.82	-1638.10	1878.11	18784.81
			M3	-1088.35	1989.12	31659.51	-1360.64	1992.91	25911.90	-1360.64	1877.75	25920.50	-1635.06	1868.65	18790.20
		MIN	S2	-1088.91	1983.77	31650.10	-1362.11	1983.77	25896.98	-1362.11	1868.68	25905.54	-1639.63	1868.68	18763.27
			TQ	-908.53	291.41	28221.17	-1181.73	291.41	23314.85	-1181.73	187.81	23315.92	-1459.25	187.81	17032.04
			M3	-907.99	293.87	28209.92	-1181.19	294.34	23306.15	-1181.19	190.65	23307.22	-1458.79	191.89	17025.87
		D+2LANES (casMAX	S2	-907.90	330.22	28200.94	-1181.10	330.22	23297.59	-1181.10	226.70	23298.83	-1458.62	226.70	17017.95
			TQ	-1112.17	1391.29	32338.53	-1385.37	1391.29	26476.23	-1385.37	1273.64	26481.61	-1662.89	1273.64	19228.67
			M3	-1112.17	1391.29	32338.53	-1383.97	1389.43	26478.02	-1383.97	1271.77	26483.94	-1655.39	1255.90	19249.21
		MIN	S2	-1113.49	1387.66	32316.24	-1386.70	1387.66	26447.72	-1386.70	1270.13	26453.63	-1664.21	1270.13	19194.37
			TQ	-908.27	329.04	28208.59	-1181.47	329.04	23303.48	-1181.48	225.50	23305.25	-1458.99	225.50	17022.59
			M3	-907.90	330.22	28200.94	-1181.10	330.35	23297.59	-1181.10	226.70	23298.83	-1458.62	226.83	17017.94
		D+2LANES (casMAX	S2	-791.40	122.17	30922.34	-1100.40	200.21	25714.29	-1100.40	85.95	25714.92	-1411.12	159.76	18907.10
			TQ	-914.74	427.22	28317.33	-1187.94	427.22	23381.85	-1187.54	323.34	23377.44	-1465.06	323.34	17065.91
			M3	-1101.71	-374.40	34958.76	-1406.38	-329.98	28917.05	-1406.38	-458.46	28915.30	-1699.81	-407.46	21329.92
		MIN	S2	-1219.81	-314.57	34401.67	-1526.22	-298.24	28421.02	-1526.22	-424.51	28419.41	-1845.88	-385.63	20830.33
			TQ	-1144.37	-430.43	34051.25	-1442.07	-430.43	27980.27	-1445.59	-554.86	28022.93	-1747.83	-554.86	20424.58
			M3	-907.65	422.27	28177.64	-1180.85	422.27	23275.47	-1180.85	318.85	23277.11	-1458.36	318.85	16997.44
		D+2LANES (casMAX	S2	-502.49	-101.29	32523.70	-955.34	148.36	27076.95	-955.34	28.05	27077.34	-1372.47	225.14	19352.54
			TQ	-907.32	496.78	28167.20	-1180.53	496.78	23266.54	-1180.63	393.41	23265.95	-1458.14	393.41	16987.34
			M3	-893.50	-1098.44	35873.26	-1324.85	-933.52	30234.36	-1324.85	-1067.84	30229.91	-1841.23	-906.34	22096.08
		MIN	S2	-1261.49	-1001.71	34935.77	-1666.62	-935.75	29511.63	-1666.62	-1066.87	29507.18	-2134.41	-910.41	21710.18
			TQ	-1127.92	-1143.58	34995.87	-1479.48	-1143.58	28876.48	-1482.49	-1271.98	28912.45	-1839.34	-1271.98	21009.11
			M3	-907.39	495.06	28158.16	-1180.60	495.06	23257.17	-1180.60	391.72	23259.14	-1458.11	391.72	16980.67

BAGO RIVER BRIDGE

BLOCK [ No.1 : MAIN GIRDER ][ BEAM MEMBER FORCE ]

MEMBER			4051			4052			4053			4052				
NODE			4051			4052			4052			4053				
NAME TITLE			SHEAR	TORQUE	MOMENT	SHEAR	TORQUE	MOMENT	SHEAR	TORQUE	MOMENT	SHEAR	TORQUE	MOMENT		
			S2 (kN)	TQ (kN·m)	M3 (kN·m)	S2 (kN)	TQ (kN·m)	M3 (kN·m)	S2 (kN)	TQ (kN·m)	M3 (kN·m)	S2 (kN)	TQ (kN·m)	M3 (kN·m)		
124	SUM TOTAL	D+3LANES (casMAX	S2	-902.62	287.40	28104.87	-1175.83	287.40	23226.28	-1175.83	184.19	23227.33	-1453.34	184.19	16971.56	
			TQ	-1147.36	2047.28	32948.80	-1420.56	2047.28	26921.31	-1420.56	1927.64	26929.68	-1698.07	1927.64	19509.27	
			M3	-1148.18	2043.76	32950.79	-1419.52	2045.57	26923.10	-1419.52	1925.93	26931.92	-1691.16	1911.37	19527.29	
		MIN	S2	-1149.44	2036.93	32928.48	-1422.64	2036.93	26891.23	-1422.64	1917.42	26900.02	-1700.15	1917.42	19469.72	
			TQ	-903.17	285.19	28116.21	-1176.38	285.19	23235.04	-1176.38	181.95	23236.54	-1453.89	181.95	16978.15	
			M3	-902.62	287.56	28104.87	-1175.83	287.96	23226.27	-1175.83	184.64	23227.32	-1453.42	185.70	16971.49	
		D+3LANES (casMAX	S2	-545.49	-104.86	32385.80	-971.59	107.61	27101.87	-971.59	-12.81	27102.08	-1367.78	156.13	19662.62	
			TQ	-908.32	457.34	28193.29	-1181.53	457.34	23287.93	-1181.27	353.88	23282.39	-1458.79	353.88	17000.70	
			M3	-1008.74	-1051.20	37297.52	-1405.40	-908.50	31243.87	-1405.40	-1047.32	31239.52	-1857.31	-915.64	22951.37	
		MIN	S2	-1328.61	-954.17	36394.46	-1713.62	-900.19	30469.37	-1713.62	-1035.56	30465.07	-2153.56	-903.87	22341.82	
			TQ	-1192.08	-1116.47	36158.75	-1532.73	-1116.47	29764.73	-1535.63	-1248.81	29799.77	-1881.18	-1248.81	21671.13	
			M3	-902.17	451.43	28063.19	-1175.37	451.43	23186.75	-1175.37	348.41	23188.52	-1452.88	348.41	16934.93	
		D+3LANES (casMAX	S2	-545.29	-81.50	32381.30	-971.20	130.77	27099.84	-971.20	10.35	27100.16	-1367.60	179.60	19659.44	
			TQ	-902.02	499.10	28059.96	-1175.22	499.10	23184.20	-1175.30	396.09	23183.95	-1452.82	396.09	16930.67	
			M3	-1008.49	-1055.79	37297.14	-1405.03	-913.20	31244.30	-1405.03	-1052.02	31239.94	-1857.38	-920.06	22952.91	
		MIN	S2	-1327.17	-960.69	36372.19	-1713.34	-904.69	30467.65	-1713.34	-1040.05	30463.33	-2153.21	-908.78	22341.06	
			TQ	-1195.87	-1119.39	36239.96	-1536.50	-1119.39	29827.14	-1539.06	-1252.00	29857.06	-1884.85	-1252.00	21710.76	
			M3	-902.01	497.48	28050.88	-1175.21	497.48	23175.18	-1175.21	394.50	23177.16	-1452.72	394.50	16924.32	
		D+4LANES	MAX	S2	-907.16	454.65	28161.65	-1180.37	454.65	23261.74	-1180.37	351.29	23263.53	-1457.88	351.29	16986.14
			TQ	-913.47	455.91	28286.38	-1186.67	455.91	23356.87	-1182.68	352.23	23298.23	-1460.19	352.23	17009.87	
			M3	-934.94	397.73	28723.61	-1208.14	397.70	23693.32	-1208.14	292.42	23694.85	-1485.65	292.36	17285.30	
		MIN	S2	-934.94	397.79	28723.61	-1208.14	397.79	23693.31	-1208.14	292.51	23694.84	-1485.66	292.51	17285.28	
			TQ	-929.50	395.42	28616.28	-1202.70	395.42	23611.50	-1203.31	290.49	23622.18	-1480.82	290.49	17235.62	
			M3	-907.16	454.70	28161.64	-1180.37	454.70	23261.73	-1180.37	351.34	23263.52	-1457.88	351.34	16986.13	

BAGO RIVER BRIDGE

BLOCK [ No.1 : MAIN GIRDER ][ BEAM MEMBER FORCE ]

MEMBER					4051			4052			4053					
NODE					4051			4052			4053					
					SHEAR	TORQUE	MOMENT	SHEAR	TORQUE	MOMENT	SHEAR	TORQUE	MOMENT			
NAME TITLE					S2 (kN)	TQ (kN·m)	M3 (kN·m)	S2 (kN)	TQ (kN·m)	M3 (kN·m)	S2 (kN)	TQ (kN·m)	M3 (kN·m)			
124	SUM TOTAL	D+6LANES	MAX	S2	-662.38	-0.71	30986.56	-1032.05	141.45	25806.22	-1032.05	26.78	25806.60	-1384.84	142.13	18763.26
				TQ	-1073.44	1615.30	31459.11	-1346.64	1615.30	25778.63	-1346.60	1500.76	25781.94	-1624.12	1500.76	18713.49
				M3	-1165.80	521.26	38095.36	-1522.74	616.90	31528.04	-1522.74	476.81	31530.48	-1894.26	534.33	23033.88
			MIN	S2	-1380.50	575.47	37449.41	-1730.72	622.37	31001.44	-1730.72	484.62	31003.90	-2104.22	548.39	22505.61
				TQ	-1104.11	-731.01	33690.87	-1424.47	-731.01	27756.07	-1424.73	-854.34	27756.94	-1749.74	-854.34	20203.92
				M3	-889.97	393.39	27832.93	-1163.17	393.60	23013.74	-1163.17	291.34	23015.26	-1440.75	292.13	16819.67
	SUM TOTAL		MAX		-502.49	2047.28	38095.36	-955.34	2047.28	31528.04	-955.34	1927.64	31530.48	-1367.60	1927.64	23033.88
			MIN		-1380.50	-1143.58	27832.93	-1730.72	-1143.58	23013.74	-1730.72	-1271.98	23015.26	-2153.56	-1271.98	16819.67
300	DEAD LOAD	TOTAL			-927.28	401.27	28571.09	-1200.48	401.27	23576.74	-1200.48	296.51	23578.29	-1478.00	296.51	17205.18
301	LIVE LOAD	1-LANE(case1MAX	S2		11.55	-75.50	-214.02	11.55	-75.50	-159.78	11.55	-74.79	-160.12	11.55	-74.79	-105.14
			TQ		-88.83	1135.75	1659.37	-88.83	1135.75	1242.35	-88.83	1130.22	1247.38	-88.83	1130.22	824.65
			M3		-89.99	1130.79	1662.17	-89.04	1135.57	1242.72	-89.04	1130.04	1247.76	-88.07	1128.54	825.44
			MIN	S2	-90.17	1125.50	1657.42	-90.17	1125.50	1234.10	-90.17	1120.00	1239.09	-90.17	1120.00	809.97
				TQ	11.22	-77.20	-207.18	11.22	-77.20	-154.48	11.22	-76.51	-154.83	11.22	-76.51	-101.41
				M3	11.55	-75.26	-214.03	11.55	-74.86	-159.81	11.55	-74.15	-160.14	11.44	-72.82	-105.24
		1-LANE(case2MAX	S2		11.66	-31.65	-224.79	11.66	-31.65	-170.07	11.66	-30.89	-170.21	11.66	-30.89	-114.74
			TQ		-118.57	413.39	2477.00	-118.57	413.39	1920.37	-118.57	404.85	1921.54	-118.57	404.85	1357.28
			M3		-118.57	413.39	2477.00	-117.05	411.40	1922.07	-117.05	402.86	1923.88	-112.46	393.24	1376.26
			MIN	S2	-119.67	410.16	2456.80	-119.67	410.16	1894.99	-119.67	401.74	1896.79	-119.67	401.74	1327.29
				TQ	11.53	-32.04	-222.28	11.53	-32.04	-168.13	11.53	-31.29	-167.63	11.53	-31.29	-112.75
				M3	11.66	-31.65	-224.79	11.66	-31.65	-170.07	11.66	-30.89	-170.21	11.66	-30.89	-114.74
		1-LANE(case3MAX	S2		29.50	-89.62	638.88	29.50	-89.52	776.27	29.50	-92.97	775.86	29.20	-90.54	890.50
			TQ		5.07	5.54	-101.68	5.07	5.54	-77.86	5.33	5.90	-81.71	5.33	5.90	-56.35
			M3		-155.19	-255.15	3556.83	-139.59	-251.74	2835.84	-139.59	-264.34	2834.70	-99.78	-271.83	2245.30
			MIN	S2	-163.54	-236.96	3375.91	-164.71	-237.05	2606.55	-164.71	-248.63	2605.47	-165.60	-251.06	1844.58
				TQ	-133.59	-293.00	3021.47	-134.77	-293.00	2391.56	-135.02	-303.63	2394.11	-136.21	-303.63	1748.75
				M3	11.74	1.58	-233.16	11.74	1.58	-178.02	11.74	2.37	-178.01	11.74	2.37	-122.12

BAGO RIVER BRIDGE

BLOCK [ No.1 : MAIN GIRDER ][ BEAM MEMBER FORCE ]

MEMBER			4051			4052			4052			4053			
NODE			4051			4052			4052			4053			
NAME TITLE			SHEAR	TORQUE	MOMENT	SHEAR	TORQUE	MOMENT	SHEAR	TORQUE	MOMENT	SHEAR	TORQUE	MOMENT	
			S2 (kN)	TQ (kN·m)	M3 (kN·m)	S2 (kN)	TQ (kN·m)	M3 (kN·m)	S2 (kN)	TQ (kN·m)	M3 (kN·m)	S2 (kN)	TQ (kN·m)	M3 (kN·m)	
301	LIVE LOAD	1-LANE (case4MAX	S2	376.26	-368.90	2563.56	203.58	-162.83	2414.36	203.58	-173.56	2413.61	75.55	-23.17	1427.54
			TQ	12.17	68.60	-242.03	12.17	68.60	-184.89	12.05	69.43	-187.66	12.05	69.43	-130.30
			M3	94.70	-1121.80	4654.50	-41.76	-973.75	4416.88	-41.76	-993.37	4412.51	-269.56	-868.22	3164.58
			MIN S2	-215.39	-1056.31	4045.81	-333.26	-999.84	3915.50	-333.26	-1017.23	3911.02	-511.92	-878.53	2900.30
			TQ	-112.89	-1146.72	4135.86	-178.71	-1146.72	3452.34	-178.59	-1162.06	3450.29	-245.31	-1162.06	2442.34
			M3	11.97	67.27	-250.70	11.97	67.27	-194.50	11.97	68.14	-194.20	11.97	68.14	-137.24
		2-LANES (caseMAX	S2	19.30	-107.59	-361.17	19.30	-107.59	-270.58	19.30	-106.39	-271.05	19.30	-106.39	-179.22
			TQ	-160.10	1591.99	3086.07	-160.10	1591.99	2334.48	-160.10	1581.60	2341.53	-160.10	1581.60	1579.63
			M3	-161.06	1587.86	3088.41	-160.15	1591.64	2335.16	-160.15	1581.25	2342.21	-157.06	1572.14	1585.02
			MIN S2	-161.63	1582.50	3079.01	-161.63	1582.50	2320.24	-161.63	1572.18	2327.25	-161.63	1572.18	1558.09
			TQ	18.75	-109.86	-349.93	18.75	-109.86	-261.89	18.75	-108.70	-262.38	18.75	-108.70	-173.14
			M3	19.30	-107.40	-361.17	19.29	-106.93	-270.60	19.29	-105.86	-271.07	19.20	-104.62	-179.31
		2-LANES (caseMAX	S2	19.38	-71.05	-370.15	19.38	-71.05	-279.15	19.38	-69.81	-279.47	19.38	-69.81	-187.23
			TQ	-184.89	990.02	3767.44	-184.89	990.02	2899.49	-184.89	977.13	2903.32	-184.89	977.13	2023.49
			M3	-184.89	990.02	3767.44	-183.49	988.16	2901.28	-183.49	975.26	2905.64	-177.39	959.39	2044.03
			MIN S2	-186.21	986.39	3745.15	-186.21	986.39	2870.98	-186.21	973.62	2875.34	-186.21	973.62	1989.19
			TQ	19.01	-72.22	-362.51	19.01	-72.22	-273.27	19.01	-71.01	-273.05	19.01	-71.01	-182.59
			M3	19.38	-71.05	-370.15	19.38	-70.92	-279.15	19.38	-69.81	-279.47	19.38	-69.68	-187.23
		2-LANES (caseMAX	S2	135.88	-279.10	2351.24	100.09	-201.06	2137.55	100.09	-210.56	2136.63	66.88	-136.75	1701.92
			TQ	12.54	25.95	-253.76	12.54	25.95	-194.90	12.94	26.83	-200.86	12.94	26.83	-139.27
			M3	-174.43	-775.66	6387.66	-205.90	-731.25	5340.31	-205.90	-754.97	5337.01	-221.81	-703.97	4124.74
			MIN S2	-292.53	-715.84	5830.58	-325.74	-699.50	4844.28	-325.74	-721.02	4841.12	-367.88	-682.14	3625.15
			TQ	-217.09	-831.70	5480.16	-241.59	-831.70	4403.53	-245.10	-851.37	4444.64	-269.83	-851.37	3219.40
			M3	19.64	21.00	-393.45	19.64	21.00	-301.28	19.64	22.34	-301.18	19.64	22.34	-207.74

BAGO RIVER BRIDGE

BLOCK [ No.1 : MAIN GIRDER ][ BEAM MEMBER FORCE ]

MEMBER			4051			4052			4052			4053				
NODE			4051			4052			4052			4053				
NAME TITLE			SHEAR	TORQUE	MOMENT	SHEAR	TORQUE	MOMENT	SHEAR	TORQUE	MOMENT	SHEAR	TORQUE	MOMENT		
			S2 (kN)	TQ (kN·m)	M3 (kN·m)	S2 (kN)	TQ (kN·m)	M3 (kN·m)	S2 (kN)	TQ (kN·m)	M3 (kN·m)	S2 (kN)	TQ (kN·m)	M3 (kN·m)		
301	LIVE LOAD	2-LANES (caseMAX	S2	424.79	-502.56	3952.61	245.14	-252.91	3500.21	245.14	-268.46	3499.05	105.53	-71.37	2147.36	
			TQ	19.96	95.52	-403.90	19.96	95.52	-310.20	19.86	96.90	-312.34	19.86	96.90	-217.84	
			M3	33.78	-1499.71	7302.17	-124.37	-1334.78	6657.62	-124.37	-1364.35	6651.62	-363.23	-1202.84	4890.90	
			MIN	S2	-334.21	-1402.98	6364.68	-466.14	-1337.02	5934.89	-466.14	-1363.38	5928.89	-656.41	-1206.92	4505.00
				TQ	-200.64	-1544.85	6424.78	-278.99	-1544.85	5299.74	-282.01	-1568.49	5334.16	-361.34	-1568.49	3803.94
				M3	19.89	93.79	-412.93	19.89	93.79	-319.57	19.89	95.21	-319.15	19.89	95.21	-224.51
		3-LANES (caseMAX	S2	24.66	-113.87	-466.22	24.66	-113.87	-350.46	24.66	-112.31	-350.96	24.66	-112.31	-233.62	
			TQ	-220.08	1646.01	4377.71	-220.08	1646.01	3344.56	-220.08	1631.13	3351.38	-220.08	1631.13	2304.09	
			M3	-220.89	1642.50	4379.70	-219.04	1644.30	3346.35	-219.04	1629.42	3353.63	-213.16	1614.87	2322.11	
			MIN	S2	-222.15	1635.66	4357.39	-222.15	1635.66	3314.49	-222.15	1620.92	3321.72	-222.15	1620.92	2264.54
				TQ	24.11	-116.07	-454.88	24.11	-116.07	-341.70	24.11	-114.56	-341.76	24.11	-114.56	-227.03
				M3	24.66	-113.70	-466.23	24.65	-113.31	-350.48	24.65	-111.86	-350.98	24.58	-110.81	-233.69
		3-LANES (caseMAX	S2	381.79	-506.13	3814.71	228.89	-293.66	3525.13	228.89	-309.32	3523.79	110.22	-140.37	2457.44	
			TQ	18.96	56.08	-377.80	18.96	56.08	-288.82	19.21	57.37	-295.91	19.21	57.37	-204.48	
			M3	-81.46	-1452.46	8726.42	-204.92	-1309.77	7667.13	-204.92	-1343.82	7661.23	-379.31	-1212.15	5746.19	
			MIN	S2	-401.33	-1355.43	7823.37	-513.13	-1301.45	6892.63	-513.13	-1332.06	6886.78	-675.56	-1200.38	5136.64
				TQ	-264.80	-1517.74	7587.65	-332.24	-1517.74	6187.99	-335.14	-1545.32	6221.48	-403.18	-1545.32	4465.95
				M3	25.12	50.17	-507.90	25.12	50.17	-390.00	25.12	51.90	-389.77	25.12	51.90	-270.25
		3-LANES (caseMAX	S2	381.99	-482.76	3810.20	229.29	-270.50	3523.10	229.29	-286.15	3521.86	110.40	-116.91	2454.26	
			TQ	25.26	97.84	-511.13	25.26	97.84	-392.54	25.18	99.58	-394.34	25.18	99.58	-274.51	
			M3	-81.21	-1457.06	8726.05	-204.55	-1314.47	7667.56	-204.55	-1348.52	7661.64	-379.39	-1216.57	5747.73	
			MIN	S2	-399.89	-1361.96	7801.10	-512.86	-1305.95	6890.91	-512.86	-1336.56	6885.04	-675.22	-1205.29	5135.88
				TQ	-268.59	-1520.66	7668.87	-336.01	-1520.66	6250.39	-338.58	-1548.50	6278.77	-406.85	-1548.50	4505.58
				M3	25.27	96.21	-520.21	25.27	96.21	-401.56	25.27	98.00	-401.13	25.27	98.00	-280.86

BAGO RIVER BRIDGE

BLOCK [ No.1 : MAIN GIRDER ][ BEAM MEMBER FORCE ]

MEMBER					4051			4052			4053					
NODE					4051			4052			4053					
					SHEAR	TORQUE	MOMENT	SHEAR	TORQUE	MOMENT	SHEAR	TORQUE	MOMENT			
NAME TITLE					S2 (kN)	TQ (kN·m)	M3 (kN·m)	S2 (kN)	TQ (kN·m)	M3 (kN·m)	S2 (kN)	TQ (kN·m)	M3 (kN·m)			
301	LIVE LOAD	4-LANES	MAX	S2	20.12	53.38	-409.44	20.12	53.38	-315.00	20.12	54.78	-314.76	20.12	54.78	-219.03
				TQ	13.81	54.64	-284.71	13.81	54.64	-219.87	17.81	55.72	-280.06	17.81	55.72	-195.31
				M3	-7.66	-3.54	152.52	-7.66	-3.57	116.57	-7.66	-4.08	116.56	-7.66	-4.15	80.12
			MIN	S2	-7.66	-3.47	152.51	-7.66	-3.47	116.56	-7.66	-3.99	116.55	-7.66	-3.99	80.11
				TQ	-2.22	-5.85	45.18	-2.22	-5.85	34.76	-2.83	-6.02	43.88	-2.83	-6.02	30.44
				M3	20.12	53.44	-409.45	20.12	53.44	-315.01	20.12	54.84	-314.77	20.12	54.84	-219.04
		6-LANES	MAX	S2	264.90	-401.98	2415.47	168.43	-259.82	2229.48	168.43	-269.73	2228.30	93.16	-154.37	1558.08
				TQ	-146.16	1214.04	2888.01	-146.16	1214.04	2201.88	-146.12	1204.25	2203.64	-146.12	1204.25	1508.31
				M3	-238.52	120.00	9524.27	-322.25	215.64	7951.30	-322.25	180.31	7952.18	-416.26	237.82	5828.71
			MIN	S2	-453.22	174.20	8878.31	-530.23	221.10	7424.70	-530.23	188.11	7425.61	-626.22	251.88	5300.43
				TQ	-176.83	-1132.28	5119.78	-223.98	-1132.28	4179.33	-224.24	-1150.85	4178.65	-271.74	-1150.85	2998.74
				M3	37.31	-7.88	-738.17	37.31	-7.67	-563.01	37.31	-5.16	-563.04	37.25	-4.38	-385.51
		LIVE LOAD	MAX		424.79	1646.01	9524.27	245.14	1646.01	7951.30	245.14	1631.13	7952.18	110.40	1631.13	5828.71
			MIN		-453.22	-1544.85	-738.17	-530.23	-1544.85	-563.01	-530.23	-1568.49	-563.04	-675.56	-1568.49	-385.51
		303	SUM TOTAL	TOTAL	MAX		-502.49	2047.28	38095.36	-955.34	2047.28	31528.04	-955.34	1927.64	31530.48	-1367.60
MIN					-1380.50	-1143.58	27832.93	-1730.72	-1143.58	23013.74	-1730.72	-1271.98	23015.26	-2153.56	-1271.98	16819.67



BAGO RIVER BRIDGE

BLOCK [ No.1 : MAIN GIRDER ] [ BEAM MEMBER FORCE ]

MEMBER NODE	4053	4054			4054			4054			4055			
		SHEAR	TORQUE	MOMENT	SHEAR	TORQUE	MOMENT	SHEAR	TORQUE	MOMENT	SHEAR	TORQUE	MOMENT	
NAME TITLE	S2 (kN)	TQ (kN·m)	M3 (kN·m)	S2 (kN)	TQ (kN·m)	M3 (kN·m)	S2 (kN)	TQ (kN·m)	M3 (kN·m)	S2 (kN)	TQ (kN·m)	M3 (kN·m)		
1 PAVEMENT	-238.84	45.95	2645.22	-284.47	45.95	1429.17	-284.47	53.52	1428.91	-330.12	53.52	0.00		
3 RAILING	-4.84	-3.30	80.75	-8.69	-3.30	49.32	-8.69	-3.04	49.33	-12.53	-3.04	-0.00		
5 CURB	-47.93	-32.67	799.46	-86.00	-32.67	488.24	-86.00	-30.08	488.41	-124.07	-30.08	-0.00		
7 DECK WEIGHT	-404.68	79.67	4461.81	-479.82	79.67	2406.41	-479.82	92.42	2405.95	-555.00	92.42	0.00		
8 GIRDER WEIGH	-573.74	125.92	6143.39	-660.65	125.92	3274.91	-660.65	143.27	3274.20	-747.61	143.27	0.00		
10 MEDIAN STRIP	-188.03	83.91	1748.72	-188.03	83.91	874.82	-188.03	88.55	874.36	-188.03	88.55	0.00		
21 ADITIONAL WE	-113.31	22.31	1249.31	-134.35	22.31	673.79	-134.35	25.88	673.67	-155.40	25.88	0.00		
31 MEDIAN RAILI	-8.65	3.61	80.42	-8.65	3.61	40.23	-8.65	3.82	40.21	-8.65	3.82	0.00		
51 SUPPORT WEIG	-0.00	-0.00	0.00	-0.00	-0.00	0.00	-0.00	-0.00	0.00	-0.00	-0.00	0.00		
52 NOSE WEIGHT	-0.00	0.00	0.00	-0.00	0.00	0.00	-0.00	0.00	0.00	-0.00	0.00	0.00		
61 1-LANE(case1TRUCK-LOAD	MAX	S2	4.35	-26.68	-40.62	4.35	-26.68	-20.39	4.35	-26.79	-20.25	4.35	-26.79	-0.00
		TQ	-30.69	402.49	287.48	-30.69	402.49	144.84	-30.69	403.25	142.71	-30.69	403.25	0.00
		M3	-31.55	393.16	295.43	-31.55	393.16	148.79	-31.55	393.94	146.71	-30.69	403.25	0.00
	MIN	S2	-31.55	393.16	295.43	-31.55	393.16	148.79	-31.55	393.94	146.71	-31.55	393.94	0.00
		TQ	4.02	-28.52	-37.49	4.02	-28.52	-18.83	4.02	-28.62	-18.68	4.02	-28.62	-0.00
		M3	4.35	-26.68	-40.62	4.35	-26.68	-20.39	4.35	-26.79	-20.25	4.02	-28.62	-0.00
	TANDEM-LOAD MAX	S2	2.96	-18.68	-27.60	2.96	-18.68	-13.85	2.96	-18.76	-13.75	2.96	-18.76	-0.00
		TQ	-20.77	274.28	194.56	-20.77	274.28	98.03	-20.77	274.80	96.58	-20.77	274.80	0.00
		M3	-21.55	268.87	201.77	-21.55	268.87	101.62	-21.55	269.40	100.20	-20.77	274.80	0.00
	MIN	S2	-21.55	268.87	201.77	-21.55	268.87	101.62	-21.55	269.40	100.20	-21.55	269.40	0.00
		TQ	2.79	-19.45	-26.00	2.79	-19.45	-13.06	2.79	-19.52	-12.95	2.79	-19.52	-0.00
		M3	2.96	-18.68	-27.60	2.96	-18.68	-13.85	2.96	-18.76	-13.75	2.79	-19.52	-0.00
	DISPERSION-LMAX	S2	5.13	-31.20	-47.86	5.13	-31.20	-24.02	5.13	-31.32	-23.85	5.13	-31.32	-0.00
		TQ	-43.23	607.13	405.14	-43.23	607.13	204.23	-43.23	608.20	201.01	-43.23	608.20	0.00
		M3	-43.23	606.10	405.16	-43.23	606.26	204.24	-43.23	607.01	201.02	-43.23	608.20	0.00
	MIN	S2	-43.23	605.93	405.16	-43.23	605.93	204.24	-43.23	607.01	201.02	-43.23	607.01	0.00
		TQ	5.13	-32.39	-47.84	5.13	-32.39	-24.01	5.13	-32.52	-23.84	5.13	-32.52	-0.00
		M3	5.13	-31.36	-47.86	5.13	-31.53	-24.02	5.13	-31.32	-23.85	5.13	-32.52	-0.00

BAGO RIVER BRIDGE

BLOCK [ No.1 : MAIN GIRDER ][ BEAM MEMBER FORCE ]

MEMBER				4053			4054			4054			4055		
NODE				4053			4054			4054			4055		
				SHEAR	TORQUE	MOMENT	SHEAR	TORQUE	MOMENT	SHEAR	TORQUE	MOMENT	SHEAR	TORQUE	MOMENT
NAME	TITLE			S2 (kN)	TQ (kN·m)	M3 (kN·m)	S2 (kN)	TQ (kN·m)	M3 (kN·m)	S2 (kN)	TQ (kN·m)	M3 (kN·m)	S2 (kN)	TQ (kN·m)	M3 (kN·m)
62	1-LANE (case2TRUCK-LOAD	MAX	S2	4.73	-11.46	-44.07	4.73	-11.46	-22.07	4.73	-11.57	-22.01	4.73	-11.57	-0.00
			TQ	-50.73	161.17	472.56	-50.73	161.17	236.77	-50.73	162.42	235.91	-50.73	162.42	0.00
			M3	-52.24	160.03	486.55	-52.24	160.03	243.77	-52.24	161.32	242.91	-50.73	162.42	0.00
		MIN	S2	-52.24	160.03	486.55	-52.24	160.03	243.77	-52.24	161.32	242.91	-52.24	161.32	0.00
			TQ	4.61	-11.76	-42.94	4.61	-11.76	-21.51	4.61	-11.88	-21.45	4.61	-11.88	-0.00
			M3	4.73	-11.46	-44.07	4.73	-11.46	-22.07	4.73	-11.57	-22.01	4.61	-11.88	-0.00
		TANDEM-LOAD MAX	S2	3.22	-7.86	-29.99	3.22	-7.86	-15.02	3.22	-7.94	-14.98	3.22	-7.94	-0.00
			TQ	-35.17	110.32	327.56	-35.17	110.32	164.11	-35.17	111.19	163.53	-35.17	111.19	0.00
			M3	-35.53	110.28	330.97	-35.53	110.28	165.82	-35.53	111.16	165.23	-35.17	111.19	0.00
		MIN	S2	-35.53	110.28	330.97	-35.53	110.28	165.82	-35.53	111.16	165.23	-35.53	111.16	0.00
			TQ	3.12	-8.02	-29.01	3.12	-8.02	-14.53	3.12	-8.10	-14.49	3.12	-8.10	-0.00
			M3	3.22	-7.86	-29.99	3.22	-7.86	-15.02	3.22	-7.94	-14.98	3.12	-8.10	-0.00
		DISPERSION-LMAX	S2	5.57	-13.54	-51.89	5.57	-13.54	-25.99	5.57	-13.68	-25.91	5.57	-13.68	-0.00
			TQ	-71.39	225.08	664.97	-71.39	225.08	333.17	-71.39	226.85	331.97	-71.39	226.85	0.00
			M3	-71.39	225.08	664.97	-71.39	225.08	333.17	-71.39	226.85	331.97	-71.39	226.85	0.00
MIN	S2	-71.39	225.08	664.97	-71.39	225.08	333.17	-71.39	226.85	331.97	-71.39	226.85	0.00		
	TQ	5.57	-13.54	-51.89	5.57	-13.54	-25.99	5.57	-13.68	-25.91	5.57	-13.68	-0.00		
	M3	5.57	-13.54	-51.89	5.57	-13.54	-25.99	5.57	-13.68	-25.91	5.57	-13.68	-0.00		
63	1-LANE (case3TRUCK-LOAD	MAX	S2	5.03	0.46	-46.76	5.03	0.46	-23.39	5.03	0.34	-23.39	5.03	0.34	0.00
			TQ	3.37	1.83	-31.30	3.37	1.83	-15.65	3.08	1.76	-14.32	3.08	1.76	0.00
			M3	-96.85	-65.57	900.09	-96.85	-65.57	449.99	-96.85	-63.19	450.33	3.08	1.76	0.00
		MIN	S2	-96.85	-65.57	900.09	-96.85	-65.57	449.99	-96.85	-63.19	450.33	-96.85	-63.19	-0.00
			TQ	-68.93	-120.06	640.22	-68.93	-120.06	319.88	-68.93	-118.36	320.51	-68.93	-118.36	-0.00
			M3	5.03	0.46	-46.76	5.03	0.46	-23.39	5.03	0.34	-23.39	-68.93	-118.36	-0.00

BAGO RIVER BRIDGE

BLOCK [ No.1 : MAIN GIRDER ][ BEAM MEMBER FORCE ]

MEMBER		4053			4054			4054			4055				
NODE		4053			4054			4054			4055				
		SHEAR	TORQUE	MOMENT	SHEAR	TORQUE	MOMENT	SHEAR	TORQUE	MOMENT	SHEAR	TORQUE	MOMENT		
NAME	TITLE	S2 (kN)	TQ (kN·m)	M3 (kN·m)	S2 (kN)	TQ (kN·m)	M3 (kN·m)	S2 (kN)	TQ (kN·m)	M3 (kN·m)	S2 (kN)	TQ (kN·m)	M3 (kN·m)		
63	1-LANE (case3TANDEM-LOAD	MAX	S2	3.43	0.35	-31.85	3.43	0.35	-15.93	3.43	0.26	-15.93	3.43	0.26	0.00
			TQ	1.98	1.29	-18.44	1.98	1.29	-9.22	1.98	1.24	-9.23	1.98	1.24	0.00
			M3	-66.82	-49.11	621.00	-66.82	-49.11	310.45	-66.82	-47.47	310.71	1.98	1.24	0.00
		MIN	S2	-66.82	-49.11	621.00	-66.82	-49.11	310.45	-66.82	-47.47	310.71	-66.82	-47.47	-0.00
			TQ	-49.32	-81.70	458.16	-49.32	-81.70	228.93	-45.03	-80.52	209.40	-45.03	-80.52	-0.00
			M3	3.43	0.35	-31.85	3.43	0.35	-15.93	3.43	0.26	-15.93	-45.03	-80.52	-0.00
	DISPERSION-LMAX	MAX	S2	5.91	0.74	-54.99	5.91	0.74	-27.50	5.91	0.59	-27.50	5.91	0.59	0.00
			TQ	0.50	2.56	-4.62	0.50	2.56	-2.30	0.06	2.55	-0.28	0.06	2.55	0.00
			M3	-103.23	-145.20	968.08	-104.20	-145.20	486.04	-104.20	-142.62	486.80	0.06	2.55	0.00
		MIN	S2	-103.23	-145.20	968.08	-104.20	-145.20	486.04	-104.20	-142.62	486.80	-105.17	-142.62	-0.00
			TQ	-97.82	-147.02	917.71	-98.79	-147.02	460.84	-98.35	-144.58	459.58	-99.32	-144.58	-0.00
			M3	5.91	0.74	-54.99	5.91	0.74	-27.50	5.91	0.59	-27.50	-99.32	-144.58	-0.00
64	1-LANE (case4TRUCK-LOAD	MAX	S2	204.52	-276.39	1075.72	77.87	-106.64	667.88	77.87	-103.10	668.44	5.66	24.59	0.00
			TQ	5.58	25.74	-51.73	5.58	25.74	-25.80	5.58	25.60	-25.94	5.58	25.60	0.00
			M3	56.24	-408.42	1391.31	-26.29	-308.75	1079.03	-26.29	-303.03	1080.65	5.58	25.60	0.00
		MIN	S2	-144.83	-413.53	1344.39	-224.22	-319.32	1040.93	-224.22	-313.80	1042.61	-366.57	-126.36	-0.00
			TQ	-111.52	-437.74	1034.51	-111.52	-437.74	516.23	-111.52	-434.99	518.55	-111.52	-434.99	-0.00
			M3	5.66	24.73	-52.53	5.66	24.73	-26.21	5.66	24.59	-26.34	-111.52	-434.99	-0.00
	TANDEM-LOAD	MAX	S2	180.18	-242.20	1043.02	95.70	-131.06	820.80	95.70	-126.71	821.49	3.86	16.97	0.00
			TQ	3.78	17.57	-35.01	3.78	17.57	-17.46	3.78	17.48	-17.56	3.78	17.48	0.00
			M3	39.08	-260.89	1089.04	-36.03	-164.11	893.76	-36.03	-159.37	894.61	3.78	17.48	0.00
		MIN	S2	-117.28	-260.89	1089.04	-192.39	-164.11	893.76	-192.39	-159.37	894.61	-298.54	-18.77	-0.00
			TQ	-72.74	-297.45	674.77	-72.74	-297.45	336.69	-72.74	-295.66	338.26	-72.74	-295.66	-0.00
			M3	3.86	17.07	-35.83	3.86	17.07	-17.88	3.86	16.97	-17.97	-72.74	-295.66	-0.00

BAGO RIVER BRIDGE

BLOCK [ No.1 : MAIN GIRDER ][ BEAM MEMBER FORCE ]

MEMBER		4053			4054			4054			4055						
NODE		4053			4054			4054			4055						
		SHEAR	TORQUE	MOMENT	SHEAR	TORQUE	MOMENT	SHEAR	TORQUE	MOMENT	SHEAR	TORQUE	MOMENT				
NAME	TITLE	S2 (kN)	TQ (kN·m)	M3 (kN·m)	S2 (kN)	TQ (kN·m)	M3 (kN·m)	S2 (kN)	TQ (kN·m)	M3 (kN·m)	S2 (kN)	TQ (kN·m)	M3 (kN·m)				
64	1-LANE (case4DISPERSION-LMAX	S2	42.16	-20.00	112.01	16.14	15.20	51.41	16.14	15.47	51.33	6.59	28.11	0.00			
		TQ	6.59	28.27	-61.11	6.59	28.27	-30.49	6.59	28.11	-30.64	6.59	28.11	0.00			
		M3	-78.91	-630.42	1234.44	-133.10	-630.42	741.95	-133.10	-626.48	745.28	6.59	28.11	0.00			
		MIN	S2	-114.48	-582.15	1061.32	-142.65	-617.34	660.05	-142.65	-613.84	663.31	-187.45	-626.48	-0.00		
		TQ	-78.91	-630.42	1234.44	-133.10	-630.42	741.95	-133.10	-626.48	745.28	-187.45	-626.48	-0.00			
		M3	6.59	28.27	-61.11	6.59	28.27	-30.49	6.59	28.11	-30.64	-187.45	-626.48	-0.00			
		65	2-LANES (caseTRUCK-LOAD	MAX	S2	8.89	-45.89	-82.95	8.89	-45.89	-41.61	8.89	-46.11	-41.36	8.89	-46.11	-0.00
				TQ	-70.76	681.90	661.52	-70.76	681.90	332.65	-70.76	683.66	329.04	-70.76	683.66	0.00	
				M3	-71.66	672.33	669.80	-71.66	672.33	336.77	-71.66	674.10	333.21	-70.76	683.66	0.00	
MIN	S2			-71.66	672.33	669.80	-71.66	672.33	336.77	-71.66	674.10	333.21	-71.66	674.10	0.00		
TQ	8.24			-48.66	-76.85	8.24	-48.66	-38.56	8.24	-48.87	-38.30	8.24	-48.87	-0.00			
M3	8.89			-45.89	-82.95	8.89	-45.89	-41.61	8.89	-46.11	-41.36	8.24	-48.87	-0.00			
TANDEM-LOAD	MAX			S2	6.05	-31.96	-56.39	6.05	-31.96	-28.29	6.05	-32.11	-28.12	6.05	-32.11	-0.00	
TQ	-47.80			464.54	446.91	-47.80	464.54	224.75	-47.80	465.73	222.28	-47.80	465.73	0.00			
M3	-48.88			458.10	456.92	-48.88	458.10	229.73	-48.88	459.31	227.30	-47.80	465.73	0.00			
MIN	S2	-48.88	458.10	456.92	-48.88	458.10	229.73	-48.88	459.31	227.30	-48.88	459.31	0.00				
TQ	5.71	-33.20	-53.26	5.71	-33.20	-26.72	5.71	-33.34	-26.55	5.71	-33.34	-0.00					
M3	6.05	-31.96	-56.39	6.05	-31.96	-28.29	6.05	-32.11	-28.12	5.71	-33.34	-0.00					
DISPERSION-LMAX	S2	10.48	-54.18	-97.72	10.48	-54.18	-49.01	10.48	-54.44	-48.73	10.48	-54.44	-0.00				
TQ	-100.15	1026.12	936.61	-100.15	1026.12	471.15	-100.15	1028.60	465.70	-100.15	1028.60	0.00					
M3	-100.15	1025.09	936.63	-100.15	1025.26	471.15	-100.15	1027.41	465.72	-100.15	1028.60	0.00					
MIN	S2	-100.15	1024.93	936.63	-100.15	1024.93	471.15	-100.15	1027.41	465.72	-100.15	1027.41	0.00				
TQ	10.48	-55.38	-97.69	10.48	-55.38	-49.01	10.48	-55.64	-48.71	10.48	-55.64	-0.00					
M3	10.48	-54.34	-97.72	10.48	-54.51	-49.02	10.48	-54.44	-48.73	10.48	-55.64	-0.00					

BAGO RIVER BRIDGE

BLOCK [ No.1 : MAIN GIRDER ][ BEAM MEMBER FORCE ]

MEMBER				4053			4054			4055					
NODE				4053			4054			4055					
				SHEAR	TORQUE	MOMENT	SHEAR	TORQUE	MOMENT	SHEAR	TORQUE	MOMENT			
NAME	TITLE			S2 (kN)	TQ (kN·m)	M3 (kN·m)	S2 (kN)	TQ (kN·m)	M3 (kN·m)	S2 (kN)	TQ (kN·m)	M3 (kN·m)			
66	2-LANES (caseTRUCK-LOAD	MAX	S2	9.27	-30.67	-86.39	9.27	-30.67	-43.29	9.27	-30.90	-43.13	9.27	-30.90	-0.00
			TQ	-90.80	440.58	846.60	-90.80	440.58	424.58	-90.80	442.82	422.24	-90.80	442.82	0.00
			M3	-92.35	439.20	860.93	-92.35	439.20	431.74	-92.35	441.48	429.41	-90.80	442.82	0.00
		MIN	S2	-92.35	439.20	860.93	-92.35	439.20	431.74	-92.35	441.48	429.41	-92.35	441.48	0.00
			TQ	8.83	-31.90	-82.30	8.83	-31.90	-41.24	8.83	-32.12	-41.07	8.83	-32.12	-0.00
			M3	9.27	-30.67	-86.39	9.27	-30.67	-43.29	9.27	-30.90	-43.13	8.83	-32.12	-0.00
		TANDEM-LOAD MAX	S2	6.31	-21.14	-58.78	6.31	-21.14	-29.46	6.31	-21.29	-29.34	6.31	-21.29	-0.00
			TQ	-62.20	300.58	579.91	-62.20	300.58	290.83	-62.20	302.12	289.23	-62.20	302.12	0.00
			M3	-62.87	299.51	586.11	-62.87	299.51	293.93	-62.87	301.06	292.34	-62.20	302.12	0.00
		MIN	S2	-62.87	299.51	586.11	-62.87	299.51	293.93	-62.87	301.06	292.34	-62.87	301.06	0.00
			TQ	6.04	-21.77	-56.27	6.04	-21.77	-28.20	6.04	-21.92	-28.08	6.04	-21.92	-0.00
			M3	6.31	-21.14	-58.78	6.31	-21.14	-29.46	6.31	-21.29	-29.34	6.04	-21.92	-0.00
		DISPERSION-LMAX	S2	10.92	-36.53	-101.74	10.92	-36.53	-50.98	10.92	-36.80	-50.79	10.92	-36.80	-0.00
			TQ	-128.31	644.08	1196.43	-128.31	644.08	600.08	-128.31	647.25	596.66	-128.31	647.25	0.00
			M3	-128.31	644.08	1196.43	-128.31	644.08	600.08	-128.31	647.25	596.66	-128.31	647.25	0.00
MIN	S2	-128.31	644.08	1196.43	-128.31	644.08	600.08	-128.31	647.25	596.66	-128.31	647.25	0.00		
	TQ	10.92	-36.53	-101.74	10.92	-36.53	-50.98	10.92	-36.80	-50.79	10.92	-36.80	-0.00		
	M3	10.92	-36.53	-101.74	10.92	-36.53	-50.98	10.92	-36.80	-50.79	10.92	-36.80	-0.00		
67	2-LANES (caseTRUCK-LOAD	MAX	S2	48.86	-139.88	822.49	20.97	-51.80	343.86	20.97	-49.98	344.12	10.27	8.62	0.00
			TQ	7.83	11.69	-72.71	7.83	11.69	-36.33	7.54	11.50	-35.05	7.54	11.50	0.00
			M3	-131.50	-288.76	2042.42	-156.39	-224.00	1136.77	-156.39	-217.97	1137.94	7.54	11.50	0.00
		MIN	S2	-217.77	-293.14	2023.21	-242.64	-230.14	1127.09	-242.64	-224.16	1128.29	-272.47	-133.47	-0.00
			TQ	-156.59	-390.53	1453.88	-156.59	-390.53	726.10	-156.59	-386.68	728.16	-156.59	-386.68	-0.00
			M3	10.27	8.88	-95.40	10.27	8.88	-47.69	10.27	8.62	-47.73	-156.59	-386.68	-0.00

BAGO RIVER BRIDGE

BLOCK [ No.1 : MAIN GIRDER ][ BEAM MEMBER FORCE ]

MEMBER				4053			4054			4055					
NODE				4053			4054			4055					
				SHEAR	TORQUE	MOMENT	SHEAR	TORQUE	MOMENT	SHEAR	TORQUE	MOMENT			
NAME	TITLE			S2 (kN)	TQ (kN·m)	M3 (kN·m)	S2 (kN)	TQ (kN·m)	M3 (kN·m)	S2 (kN)	TQ (kN·m)	M3 (kN·m)			
67	2-LANES (caseTANDEM-LOAD	MAX	S2	42.70	-124.28	768.07	23.02	-63.88	435.40	23.02	-61.57	435.73	6.99	6.00	0.00
			TQ	5.11	8.02	-47.45	5.11	8.02	-23.71	5.11	7.90	-23.75	5.11	7.90	0.00
			M3	-90.10	-185.63	1459.80	-108.84	-130.40	817.04	-108.84	-126.07	817.72	5.11	7.90	0.00
		MIN	S2	-157.11	-185.63	1459.80	-175.85	-130.40	817.04	-175.85	-126.07	817.72	-197.94	-56.63	-0.00
			TQ	-106.90	-266.16	992.47	-106.90	-266.16	495.66	-102.60	-263.56	477.11	-102.60	-263.56	-0.00
			M3	6.99	6.17	-64.99	6.99	6.17	-32.49	6.99	6.00	-32.52	-102.60	-263.56	-0.00
	DISPERSION-LMAX	MAX	S2	20.35	-9.90	2.77	14.24	5.44	-18.52	14.24	5.34	-18.55	12.06	10.61	0.00
			TQ	5.72	12.85	-53.15	5.72	12.85	-26.55	5.20	12.72	-24.16	5.20	12.72	0.00
			M3	-198.94	-526.83	2072.36	-223.18	-526.83	1091.44	-223.18	-521.04	1094.22	5.19	12.72	0.00
		MIN	S2	-207.23	-506.02	1957.52	-225.36	-521.36	1053.95	-225.36	-515.77	1056.69	-247.45	-521.04	-0.00
			TQ	-192.60	-528.77	2013.44	-216.85	-528.77	1061.97	-216.32	-523.14	1062.31	-240.59	-523.14	-0.00
			M3	12.06	10.91	-112.07	12.06	10.91	-56.02	12.06	10.61	-56.08	-240.58	-523.14	-0.00
68	2-LANES (caseTRUCK-LOAD	MAX	S2	248.34	-416.73	1944.95	93.82	-158.90	1035.12	93.82	-153.42	1035.95	11.12	41.22	0.00
			TQ	10.94	43.09	-101.46	10.94	43.09	-50.63	10.94	42.82	-50.86	10.94	42.82	0.00
			M3	21.58	-631.55	2533.60	-85.83	-467.16	1765.79	-85.83	-457.79	1768.24	10.94	42.82	0.00
		MIN	S2	-265.75	-641.04	2467.47	-372.09	-477.72	1727.70	-372.09	-468.56	1730.20	-542.20	-196.64	-0.00
			TQ	-199.18	-708.14	1848.13	-199.18	-708.14	922.44	-199.18	-703.24	926.18	-199.18	-703.24	-0.00
			M3	11.12	41.49	-103.15	11.12	41.49	-51.48	11.12	41.22	-51.70	-199.18	-703.24	-0.00
	TANDEM-LOAD	MAX	S2	219.43	-366.82	1842.92	115.30	-195.29	1272.13	115.30	-188.54	1273.15	7.58	28.46	0.00
			TQ	7.40	29.39	-68.65	7.40	29.39	-34.26	7.40	29.21	-34.41	7.40	29.21	0.00
			M3	15.79	-397.39	1927.82	-78.06	-245.39	1400.35	-78.06	-237.97	1401.63	7.40	29.21	0.00
		MIN	S2	-207.57	-397.39	1927.82	-301.43	-245.39	1400.35	-301.43	-237.97	1401.63	-429.65	-27.93	-0.00
			TQ	-130.31	-481.86	1209.05	-130.31	-481.86	603.41	-130.31	-478.66	605.95	-130.31	-478.66	-0.00
			M3	7.58	28.65	-70.35	7.58	28.65	-35.11	7.58	28.46	-35.26	-130.31	-478.66	-0.00

BAGO RIVER BRIDGE

BLOCK [ No.1 : MAIN GIRDER ][ BEAM MEMBER FORCE ]

MEMBER			4053			4054			4054			4055				
NODE			4053			4054			4054			4055				
NAME TITLE			SHEAR	TORQUE	MOMENT	SHEAR	TORQUE	MOMENT	SHEAR	TORQUE	MOMENT	SHEAR	TORQUE	MOMENT		
			S2 (kN)	TQ (kN·m)	M3 (kN·m)	S2 (kN)	TQ (kN·m)	M3 (kN·m)	S2 (kN)	TQ (kN·m)	M3 (kN·m)	S2 (kN)	TQ (kN·m)	M3 (kN·m)		
68	2-LANES (caseDISPERSION-LMAX	S2	56.81	-21.91	167.81	24.68	28.63	59.44	24.68	28.94	59.29	12.95	46.85	0.00		
		TQ	12.95	47.17	-120.14	12.95	47.17	-59.96	12.95	46.85	-60.21	12.95	46.85	0.00		
		M3	-174.62	-1013.84	2338.83	-252.09	-1013.84	1347.40	-252.09	-1006.69	1352.75	12.95	46.85	0.00		
	MIN	S2	-218.49	-944.77	2050.87	-263.82	-995.30	1228.00	-263.82	-988.78	1233.26	-329.74	-1006.69	-0.00		
		TQ	-174.62	-1013.84	2338.83	-252.09	-1013.84	1347.40	-252.09	-1006.69	1352.75	-329.74	-1006.69	-0.00		
		M3	12.95	47.17	-120.14	12.95	47.17	-59.96	12.95	46.85	-60.21	-329.74	-1006.69	-0.00		
	69	3-LANES (caseTRUCK-LOAD	MAX	S2	13.63	-57.35	-127.01	13.63	-57.35	-63.68	13.63	-57.69	-63.37	13.63	-57.69	-0.00
			TQ	-121.49	843.07	1134.08	-121.49	843.07	569.42	-121.49	846.08	564.95	-121.49	846.08	0.00	
			M3	-123.90	832.36	1156.36	-123.90	832.36	580.54	-123.90	835.42	576.12	-121.49	846.08	0.00	
MIN		S2	-123.90	832.36	1156.36	-123.90	832.36	580.54	-123.90	835.42	576.12	-123.90	835.42	0.00		
		TQ	12.85	-60.43	-119.79	12.85	-60.43	-60.07	12.85	-60.74	-59.75	12.85	-60.74	-0.00		
		M3	13.63	-57.35	-127.01	13.63	-57.35	-63.68	13.63	-57.69	-63.37	12.85	-60.74	-0.00		
TANDEM-LOAD		MAX	S2	9.27	-39.82	-86.38	9.27	-39.82	-43.31	9.27	-40.05	-43.10	9.27	-40.05	-0.00	
		TQ	-82.97	574.87	774.47	-82.97	574.87	388.86	-82.97	576.92	385.81	-82.97	576.92	0.00		
		M3	-84.42	568.38	787.89	-84.42	568.38	395.55	-84.42	570.47	392.54	-82.97	576.92	0.00		
MIN	S2	-84.42	568.38	787.89	-84.42	568.38	395.55	-84.42	570.47	392.54	-84.42	570.47	0.00			
	TQ	8.82	-41.22	-82.27	8.82	-41.22	-41.25	8.82	-41.44	-41.04	8.82	-41.44	-0.00			
	M3	9.27	-39.82	-86.38	9.27	-39.82	-43.31	9.27	-40.05	-43.10	8.82	-41.44	-0.00			
DISPERSION-LMAX	S2	16.05	-67.72	-149.60	16.05	-67.72	-75.00	16.05	-68.12	-74.64	16.05	-68.12	-0.00			
	TQ	-171.54	1251.21	1601.57	-171.54	1251.21	804.31	-171.54	1255.45	797.67	-171.54	1255.45	0.00			
	M3	-171.55	1250.17	1601.59	-171.55	1250.34	804.32	-171.55	1254.25	797.69	-171.54	1255.45	0.00			
MIN	S2	-171.55	1250.01	1601.59	-171.55	1250.01	804.32	-171.55	1254.25	797.69	-171.55	1254.25	0.00			
	TQ	16.05	-68.92	-149.58	16.05	-68.92	-74.99	16.05	-69.32	-74.63	16.05	-69.32	-0.00			
	M3	16.05	-67.89	-149.60	16.05	-68.05	-75.00	16.05	-68.12	-74.64	16.05	-69.32	-0.00			

BAGO RIVER BRIDGE

BLOCK [ No.1 : MAIN GIRDER ][ BEAM MEMBER FORCE ]

MEMBER				4053			4054			4055						
NODE				4053			4054			4055						
				SHEAR	TORQUE	MOMENT	SHEAR	TORQUE	MOMENT	SHEAR	TORQUE	MOMENT				
NAME TITLE				S2 (kN)	TQ (kN·m)	M3 (kN·m)	S2 (kN)	TQ (kN·m)	M3 (kN·m)	S2 (kN)	TQ (kN·m)	M3 (kN·m)				
70	3-LANES (case	TRUCK-LOAD	MAX	S2	253.14	-415.96	1896.38	98.84	-158.44	1011.74	98.84	-153.08	1012.56	15.71	24.87	0.00
				TQ	12.85	29.93	-119.31	12.85	29.93	-59.59	12.56	29.62	-58.41	12.56	29.62	0.00
				M3	-75.14	-697.34	3432.70	-182.45	-533.05	2214.74	-182.45	-521.30	2217.54	12.56	29.62	0.00
		MIN	S2	-362.71	-706.61	3368.62	-467.02	-549.26	2168.77	-467.02	-537.76	2171.65	-639.01	-259.88	-0.00	
			TQ	-268.11	-828.35	2488.44	-268.11	-828.35	1242.36	-268.11	-821.75	1246.73	-268.11	-821.75	-0.00	
			M3	15.71	25.26	-145.93	15.71	25.26	-72.92	15.71	24.87	-73.05	-268.11	-821.75	-0.00	
		TANDEM-LOAD	MAX	S2	222.85	-366.44	1810.78	118.72	-194.94	1256.20	118.72	-188.28	1257.22	10.71	17.22	0.00
			TQ	8.48	20.50	-78.70	8.48	20.50	-39.30	8.48	20.29	-39.41	8.48	20.29	0.00	
			M3	-50.99	-446.56	2548.66	-144.84	-294.56	1710.62	-144.84	-285.49	1712.16	8.48	20.29	0.00	
			MIN	S2	-274.37	-446.56	2548.66	-368.21	-294.56	1710.62	-368.21	-285.49	1712.16	-496.47	-75.40	-0.00
			TQ	-179.64	-563.66	1667.26	-179.64	-563.66	832.36	-175.35	-559.27	815.38	-175.35	-559.27	-0.00	
			M3	10.71	17.48	-99.45	10.71	17.48	-49.69	10.71	17.22	-49.78	-175.35	-559.27	-0.00	
		DISPERSION-LMAX	S2	62.17	-38.46	116.07	30.16	11.91	33.84	30.16	12.09	33.77	18.43	30.00	0.00	
			TQ	12.10	32.40	-112.32	12.10	32.40	-56.09	11.57	32.11	-53.79	11.57	32.11	0.00	
			M3	-277.98	-1155.40	3306.19	-356.19	-1155.40	1832.96	-356.19	-1145.67	1839.06	11.57	32.11	0.00	
		MIN	S2	-321.71	-1086.49	3018.89	-367.91	-1136.86	1713.56	-367.91	-1127.76	1719.56	-434.81	-1145.67	-0.00	
		TQ	-271.64	-1157.34	3247.27	-349.85	-1157.34	1803.49	-349.32	-1147.78	1807.13	-427.94	-1147.78	-0.00		
		M3	18.43	30.45	-171.24	18.43	30.45	-85.56	18.43	30.00	-85.72	-427.94	-1147.78	-0.00		
71	3-LANES (case	TRUCK-LOAD	MAX	S2	253.59	-407.93	1896.22	99.06	-150.10	1010.78	99.06	-144.74	1011.56	16.36	49.89	0.00
				TQ	16.10	52.06	-149.38	16.10	52.06	-74.57	16.10	51.67	-74.85	16.10	51.67	0.00
				M3	-75.26	-697.08	3433.64	-182.67	-532.69	2215.76	-182.67	-520.94	2218.55	16.10	51.67	0.00
		MIN	S2	-362.59	-706.57	3367.51	-468.93	-543.25	2177.66	-468.93	-531.70	2180.51	-639.04	-259.78	-0.00	
			TQ	-268.10	-828.13	2488.32	-268.10	-828.13	1242.30	-268.10	-821.54	1246.67	-268.10	-821.54	-0.00	
			M3	16.36	50.29	-151.88	16.36	50.29	-75.83	16.36	49.89	-76.09	-268.10	-821.54	-0.00	



BAGO RIVER BRIDGE

BLOCK [ No.1 : MAIN GIRDER ][ BEAM MEMBER FORCE ]

MEMBER		4053			4054			4054			4055							
NODE		4053			4054			4054			4055							
		SHEAR	TORQUE	MOMENT	SHEAR	TORQUE	MOMENT	SHEAR	TORQUE	MOMENT	SHEAR	TORQUE	MOMENT					
NAME	TITLE	S2 (kN)	TQ (kN·m)	M3 (kN·m)	S2 (kN)	TQ (kN·m)	M3 (kN·m)	S2 (kN)	TQ (kN·m)	M3 (kN·m)	S2 (kN)	TQ (kN·m)	M3 (kN·m)					
71	3-LANES (caseTANDEM-LOAD	MAX	S2	223.01	-360.72	1809.71	118.87	-189.18	1255.54	118.87	-182.53	1256.52	11.16	34.48	0.00			
			TQ	10.97	35.54	-101.77	10.97	35.54	-50.80	10.97	35.27	-50.99	10.97	35.27	0.00			
			M3	-51.02	-446.46	2548.77	-144.87	-294.47	1710.78	-144.87	-285.40	1712.31	10.97	35.27	0.00			
		MIN	S2	-274.39	-446.46	2548.77	-368.24	-294.47	1710.78	-368.24	-285.40	1712.31	-496.47	-75.36	-0.00			
			TQ	-179.63	-563.52	1667.18	-179.63	-563.52	832.32	-175.34	-559.13	815.35	-175.34	-559.13	-0.00			
			M3	11.16	34.75	-103.56	11.16	34.75	-51.70	11.16	34.48	-51.89	-175.34	-559.13	-0.00			
			DISPERSION-LMAX	S2	62.94	-12.40	110.88	30.80	38.14	30.99	30.80	38.30	30.79	19.08	56.21	0.00		
			TQ	18.14	56.72	-168.38	18.14	56.72	-84.06	17.76	56.28	-82.58	17.76	56.28	0.00			
			M3	-277.87	-1160.85	3306.99	-356.30	-1160.85	1833.48	-356.30	-1151.11	1839.60	17.76	56.28	0.00			
		MIN	S2	-321.73	-1091.77	3019.03	-368.03	-1142.30	1714.07	-368.03	-1133.20	1720.10	-434.92	-1151.11	-0.00			
			TQ	-276.93	-1160.89	3298.29	-355.37	-1160.89	1829.13	-354.98	-1151.19	1833.47	-433.60	-1151.19	-0.00			
			M3	19.08	56.68	-177.07	19.08	56.68	-88.41	19.08	56.21	-88.71	-433.60	-1151.19	-0.00			
		72	4-LANES	TRUCK-LOAD	MAX	S2	21.29	48.88	-197.66	21.29	48.88	-98.73	21.29	48.36	-98.99	21.29	48.36	0.00
						TQ	14.80	49.14	-137.33	14.80	49.14	-68.55	14.80	48.77	-68.81	14.80	48.77	0.00
						M3	-5.98	-2.33	55.58	-5.98	-2.33	27.79	-5.98	-2.19	27.80	14.80	48.77	0.00
MIN	S2			-5.98	-2.33	55.58	-5.98	-2.33	27.79	-5.98	-2.19	27.80	-5.98	-2.19	-0.00			
	TQ			-0.85	-3.87	7.84	-0.85	-3.87	3.91	-0.63	-3.85	2.93	-0.63	-3.85	-0.00			
	M3			21.29	48.88	-197.66	21.29	48.88	-98.73	21.29	48.36	-98.99	-2.64	-3.11	-0.00			
TANDEM-LOAD	MAX			S2	14.58	34.82	-135.35	14.58	34.82	-67.60	14.58	34.47	-67.78	14.58	34.47	0.00		
				TQ	10.14	34.88	-94.11	10.14	34.88	-46.98	10.14	34.63	-47.16	10.14	34.63	0.00		
				M3	-4.06	-1.63	37.78	-4.06	-1.63	18.89	-4.06	-1.53	18.90	11.15	34.17	0.00		
MIN	S2			-4.06	-1.63	37.78	-4.06	-1.63	18.89	-4.06	-1.53	18.90	-4.06	-1.53	-0.00			
	TQ			-0.42	-2.65	3.90	-0.42	-2.65	1.94	-0.42	-2.64	1.96	-0.42	-2.64	-0.00			
	M3			14.58	34.82	-135.35	14.58	34.82	-67.60	14.58	34.47	-67.78	-1.81	-2.13	-0.00			

BAGO RIVER BRIDGE

BLOCK [ No.1 : MAIN GIRDER ][ BEAM MEMBER FORCE ]

MEMBER				4053			4054			4055							
NODE				4053			4054			4055							
				SHEAR	TORQUE	MOMENT	SHEAR	TORQUE	MOMENT	SHEAR	TORQUE	MOMENT					
NAME	TITLE			S2 (kN)	TQ (kN·m)	M3 (kN·m)	S2 (kN)	TQ (kN·m)	M3 (kN·m)	S2 (kN)	TQ (kN·m)	M3 (kN·m)					
72	4-LANES	DISPERSION-LMAX	S2	14.89	28.77	-138.26	14.89	28.77	-69.07	14.89	28.40	-69.22	14.89	28.40	0.00		
			TQ	10.57	30.31	-98.09	10.57	30.31	-48.98	10.41	30.06	-48.40	10.41	30.06	0.00		
			M3	-7.27	-2.87	67.60	-7.27	-2.86	33.80	-7.27	-2.70	33.82	10.41	30.06	0.00		
		MIN	S2	-7.27	-2.88	67.60	-7.27	-2.88	33.80	-7.27	-2.70	33.82	-7.27	-2.70	-0.00		
			TQ	-3.12	-4.63	28.98	-3.12	-4.63	14.48	-2.96	-4.55	13.77	-2.96	-4.55	-0.00		
			M3	14.89	28.77	-138.26	14.89	28.77	-69.07	14.89	28.40	-69.22	-1.65	-4.27	-0.00		
		73	6-LANES	TRUCK-LOAD MAX	S2	219.62	-298.94	837.38	98.65	-133.87	537.15	98.65	-131.02	537.85	30.00	-6.84	-0.00
					TQ	-117.49	795.61	1096.60	-117.49	795.61	550.56	-181.43	799.76	843.66	-181.43	799.76	0.00
					M3	-230.50	159.15	4485.73	-317.19	312.75	2645.35	-317.19	326.76	2643.65	-181.43	799.76	0.00
MIN	S2			-476.31	149.65	4429.32	-568.41	307.97	2644.78	-568.41	321.99	2643.11	-685.92	497.12	0.00		
	TQ			-232.22	-778.38	2154.97	-232.22	-778.38	1075.71	-232.22	-772.66	1079.82	-232.22	-772.66	-0.00		
	M3			30.00	-6.10	-278.98	30.00	-6.19	-139.54	30.00	-6.84	-139.51	-232.22	-772.66	-0.00		
TANDEM-LOAD MAX	S2			188.63	-256.55	874.77	107.89	-148.33	722.29	107.89	-144.50	723.07	20.43	-4.88	-0.00		
	TQ			-120.16	543.70	1120.06	-120.16	543.70	561.62	-120.21	546.67	558.97	-120.21	546.67	0.00		
	M3			-157.25	139.32	3239.30	-230.75	276.86	1961.08	-230.75	287.25	1959.58	-120.21	546.67	0.00		
MIN	S2			-348.32	139.32	3239.30	-421.42	276.86	1961.08	-421.42	287.25	1959.58	-522.71	423.74	0.00		
	TQ			-159.48	-529.60	1480.02	-159.48	-529.60	738.80	-159.27	-525.68	740.58	-159.27	-525.68	-0.00		
	M3			20.43	-4.38	-190.01	20.43	-4.38	-95.04	20.43	-4.88	-95.02	-159.27	-525.68	-0.00		
DISPERSION-LMAX	S2			S2	73.84	-66.19	-58.34	44.50	-20.72	-50.03	44.50	-20.98	-49.92	33.79	-4.87	-0.00	
				TQ	-139.75	1197.25	1305.68	-139.75	1197.25	656.19	-140.16	1200.72	651.75	-140.16	1200.72	0.00	
				M3	-411.22	33.62	4485.23	-482.36	33.65	2408.86	-482.36	46.36	2408.65	-140.17	1200.72	0.00	
	MIN	S2	-453.96	94.58	4254.70	-493.81	50.02	2305.27	-493.81	62.23	2304.98	-553.62	46.36	0.00			
		TQ	-232.76	-1127.31	2819.85	-303.90	-1127.31	1572.87	-303.37	-1118.96	1576.35	-374.63	-1118.96	-0.00			
		M3	33.79	-4.20	-314.22	33.79	-4.36	-157.16	33.79	-4.87	-157.14	-374.62	-1118.96	-0.00			

BAGO RIVER BRIDGE

BLOCK [ No.1 : MAIN GIRDER ][ BEAM MEMBER FORCE ]

MEMBER			4053			4054			4054			4055			
NODE			4053			4054			4054			4055			
NAME TITLE			SHEAR	TORQUE	MOMENT	SHEAR	TORQUE	MOMENT	SHEAR	TORQUE	MOMENT	SHEAR	TORQUE	MOMENT	
			S2 (kN)	TQ (kN·m)	M3 (kN·m)	S2 (kN)	TQ (kN·m)	M3 (kN·m)	S2 (kN)	TQ (kN·m)	M3 (kN·m)	S2 (kN)	TQ (kN·m)	M3 (kN·m)	
124	SUM TOTAL	D+1LANE (caseMAX	S2	-1568.65	255.94	17102.91	-1839.28	255.94	9183.60	-1839.28	304.61	9182.12	-2110.02	304.61	0.00
			TQ	-1668.74	1536.94	18040.22	-1939.36	1536.94	9655.78	-1939.36	1588.09	9647.50	-2210.10	1588.09	0.00
			M3	-1669.77	1524.50	18049.79	-1940.39	1524.70	9660.53	-1940.39	1575.48	9652.31	-2210.10	1588.09	0.00
		MIN	S2	-1669.77	1524.30	18049.79	-1940.39	1524.30	9660.53	-1940.39	1575.48	9652.31	-2211.14	1575.48	0.00
			TQ	-1569.06	252.29	17106.69	-1839.68	252.29	9185.48	-1839.68	300.97	9184.02	-2110.43	300.97	0.00
			M3	-1568.65	255.74	17102.91	-1839.28	255.54	9183.60	-1839.28	304.61	9182.12	-2110.43	300.97	0.00
		D+1LANE (caseMAX	S2	-1567.67	295.39	17093.94	-1838.29	295.39	9179.22	-1838.29	344.04	9177.53	-2109.04	344.04	0.00
			TQ	-1726.58	788.90	18574.12	-1997.21	788.90	9920.81	-1997.21	841.46	9916.49	-2267.95	841.46	0.00
			M3	-1728.39	787.54	18590.91	-1999.01	787.54	9929.21	-1999.01	840.15	9924.90	-2267.95	841.46	0.00
		MIN	S2	-1728.39	787.54	18590.91	-1999.01	787.54	9929.21	-1999.01	840.15	9924.90	-2269.76	840.15	0.00
			TQ	-1567.81	295.03	17095.29	-1838.43	295.03	9179.89	-1838.43	343.67	9178.20	-2109.18	343.67	0.00
			M3	-1567.67	295.39	17093.94	-1838.29	295.39	9179.22	-1838.29	344.04	9177.53	-2109.18	343.67	0.00
		D+1LANE (caseMAX	S2	-1566.90	326.83	17086.99	-1837.52	326.83	9175.83	-1837.52	375.46	9173.97	-2108.27	375.46	0.00
			TQ	-1575.40	330.67	17165.99	-1846.02	330.67	9215.35	-1846.89	379.51	9217.52	-2117.64	379.51	0.00
			M3	-1820.13	72.46	19450.90	-2091.92	72.46	10360.13	-2091.92	127.37	10359.60	-2117.64	379.51	0.00
		MIN	S2	-1820.13	72.46	19450.90	-2091.92	72.46	10360.13	-2091.92	127.37	10359.60	-2363.83	127.37	0.00
			TQ	-1780.13	4.90	19078.60	-2051.91	4.90	10173.75	-2051.39	58.81	10171.14	-2323.30	58.81	0.00
			M3	-1566.90	326.83	17086.99	-1837.52	326.83	9175.83	-1837.52	375.46	9173.97	-2323.29	58.81	0.00
		D+1LANE (caseMAX	S2	-1284.02	-30.28	18634.36	-1737.85	215.66	10100.04	-1737.85	269.18	10098.75	-2106.70	437.58	0.00
			TQ	-1565.43	390.21	17073.68	-1836.05	390.21	9169.34	-1836.05	438.80	9167.14	-2106.80	438.80	0.00
			M3	-1607.24	-921.21	20359.99	-2041.92	-801.61	11422.06	-2041.92	-741.07	11426.15	-2106.80	438.80	0.00
		MIN	S2	-1891.21	-869.42	20095.94	-2290.89	-798.60	11278.07	-2290.89	-738.81	11282.14	-2786.23	-529.06	-0.00
			TQ	-1808.54	-956.39	19931.83	-2144.19	-956.39	10746.71	-2144.19	-899.42	10751.63	-2480.16	-899.42	-0.00
			M3	-1565.33	389.00	17072.72	-1835.95	389.00	9168.85	-1835.95	437.58	9166.66	-2480.16	-899.42	-0.00

BAGO RIVER BRIDGE

BLOCK [ No.1 : MAIN GIRDER ][ BEAM MEMBER FORCE ]

MEMBER			4053			4054			4054			4055			
NODE			4053			4054			4054			4055			
NAME TITLE			SHEAR	TORQUE	MOMENT	SHEAR	TORQUE	MOMENT	SHEAR	TORQUE	MOMENT	SHEAR	TORQUE	MOMENT	
			S2 (kN)	TQ (kN·m)	M3 (kN·m)	S2 (kN)	TQ (kN·m)	M3 (kN·m)	S2 (kN)	TQ (kN·m)	M3 (kN·m)	S2 (kN)	TQ (kN·m)	M3 (kN·m)	
124	SUM TOTAL	D+2LANES (casMAX	S2	-1560.66	225.32	17028.43	-1831.28	225.32	9146.27	-1831.28	273.79	9144.95	-2102.03	273.79	0.00
			TQ	-1750.95	2033.42	18807.21	-2021.57	2033.42	10040.69	-2021.57	2086.60	10029.77	-2292.31	2086.60	0.00
			M3	-1751.85	2022.81	18815.52	-2022.47	2022.98	10044.82	-2022.47	2075.85	10033.95	-2292.31	2086.60	0.00
		MIN	S2	-1751.85	2022.65	18815.52	-2022.47	2022.65	10044.82	-2022.47	2075.85	10033.95	-2293.21	2075.85	0.00
			TQ	-1561.32	221.35	17034.55	-1831.94	221.35	9149.32	-1831.94	269.84	9148.02	-2102.69	269.84	0.00
			M3	-1560.66	225.16	17028.43	-1831.28	224.99	9146.27	-1831.28	273.79	9144.95	-2102.69	269.84	0.00
		D+2LANES (casMAX	S2	-1559.84	258.20	17020.95	-1830.46	258.20	9142.62	-1830.46	306.65	9141.12	-2101.21	306.65	0.00
			TQ	-1799.15	1410.05	19252.13	-2069.77	1410.05	10261.55	-2069.77	1464.42	10253.94	-2340.52	1464.42	0.00
			M3	-1800.69	1408.67	19266.45	-2071.32	1408.67	10268.72	-2071.32	1463.07	10261.11	-2340.52	1464.42	0.00
		MIN	S2	-1800.69	1408.67	19266.45	-2071.32	1408.67	10268.72	-2071.32	1463.07	10261.11	-2342.06	1463.07	0.00
			TQ	-1560.28	256.97	17025.05	-1830.90	256.97	9144.66	-1830.90	305.43	9143.17	-2101.65	305.43	0.00
			M3	-1559.84	258.20	17020.95	-1830.46	258.20	9142.62	-1830.46	306.65	9141.12	-2101.65	305.43	0.00
		D+2LANES (casMAX	S2	-1510.82	175.61	18034.35	-1815.44	279.03	9562.22	-1815.44	329.71	9560.61	-2099.08	393.58	0.00
			TQ	-1566.48	349.94	17083.23	-1837.11	349.94	9174.01	-1837.92	398.56	9175.82	-2108.67	398.56	0.00
			M3	-1910.47	-490.19	21323.87	-2230.23	-425.43	11465.10	-2230.23	-364.66	11467.19	-2108.67	398.56	0.00
		MIN	S2	-2005.04	-473.77	21189.82	-2318.66	-426.10	11417.92	-2318.66	-365.59	11420.02	-2641.32	-280.16	-0.00
			TQ	-1929.23	-593.91	20676.41	-2224.10	-593.91	11024.96	-2223.57	-535.48	11025.50	-2518.58	-535.48	-0.00
			M3	-1557.71	345.18	17001.63	-1828.33	345.18	9133.18	-1828.33	393.58	9131.23	-2518.58	-535.48	-0.00
		D+2LANES (casMAX	S2	-1274.88	-113.24	19321.85	-1732.16	195.12	10331.45	-1732.16	249.87	10330.27	-2097.34	462.41	0.00
			TQ	-1556.15	415.65	16987.49	-1826.77	415.65	9126.30	-1826.77	464.01	9123.97	-2097.52	464.01	0.00
			M3	-1733.08	-1320.00	22081.51	-2188.58	-1155.61	12350.08	-2188.58	-1090.14	12356.03	-2097.52	464.01	0.00
		MIN	S2	-2064.27	-1260.41	21727.43	-2486.56	-1147.63	12192.58	-2486.56	-1082.99	12198.49	-2993.34	-828.98	-0.00
			TQ	-1953.83	-1396.59	21396.05	-2301.92	-1396.59	11506.73	-2301.92	-1335.59	11513.97	-2650.32	-1335.59	-0.00
			M3	-1555.97	414.06	16985.79	-1826.59	414.06	9125.45	-1826.59	462.41	9123.12	-2650.32	-1335.59	-0.00

BAGO RIVER BRIDGE

BLOCK [ No.1 : MAIN GIRDER ][ BEAM MEMBER FORCE ]

MEMBER			4053			4054			4054			4055				
NODE			4053			4054			4054			4055				
NAME TITLE			SHEAR	TORQUE	MOMENT	SHEAR	TORQUE	MOMENT	SHEAR	TORQUE	MOMENT	SHEAR	TORQUE	MOMENT		
			S2 (kN)	TQ (kN·m)	M3 (kN·m)	S2 (kN)	TQ (kN·m)	M3 (kN·m)	S2 (kN)	TQ (kN·m)	M3 (kN·m)	S2 (kN)	TQ (kN·m)	M3 (kN·m)		
124	SUM TOTAL	D+3LANES (casMAX	S2	-1554.81	219.08	16973.96	-1825.43	219.08	9119.01	-1825.43	267.41	9117.73	-2096.17	267.41	0.00	
			TQ	-1829.12	2105.53	19534.39	-2099.74	2105.53	10404.57	-2099.74	2160.64	10393.26	-2370.48	2160.64	0.00	
			M3	-1831.16	2095.55	19553.35	-2101.78	2095.69	10414.02	-2101.78	2150.57	10402.77	-2370.48	2160.64	0.00	
		MIN	S2	-1831.16	2095.41	19553.34	-2101.78	2095.41	10414.02	-2101.78	2150.57	10402.77	-2372.53	2150.57	0.00	
			TQ	-1555.47	215.45	16980.12	-1826.09	215.45	9122.08	-1826.09	263.79	9120.81	-2096.84	263.79	0.00	
			M3	-1554.81	218.94	16973.96	-1825.43	218.80	9119.01	-1825.43	267.41	9117.73	-2096.84	263.79	0.00	
		D+3LANES (casMAX	S2	-1312.02	-60.86	18919.67	-1741.00	200.84	10125.63	-1741.00	254.50	10124.42	-2092.38	420.98	0.00	
			TQ	-1558.83	378.38	17012.20	-1829.45	378.38	9138.56	-1830.15	426.81	9139.67	-2100.89	426.81	0.00	
			M3	-1880.18	-1249.43	22937.14	-2308.50	-1109.79	12677.44	-2308.50	-1042.58	12683.14	-2100.89	426.81	0.00	
		MIN	S2	-2161.80	-1198.74	22638.47	-2560.35	-1107.80	12536.86	-2560.35	-1041.35	12542.56	-3034.14	-820.37	-0.00	
			TQ	-2038.83	-1362.44	22084.45	-2375.93	-1362.44	11825.86	-2375.47	-1299.75	11830.81	-2713.05	-1299.75	-0.00	
			M3	-1551.01	372.75	16939.49	-1821.63	372.75	9102.18	-1821.63	420.98	9100.08	-2713.05	-1299.75	-0.00	
		D+3LANES (casMAX	S2	-1310.98	-31.88	18915.13	-1740.27	230.22	10122.39	-1740.27	283.87	10121.03	-2091.28	464.53	0.00	
			TQ	-1550.93	417.86	16938.99	-1821.55	417.86	9102.05	-1821.88	466.10	9101.22	-2092.63	466.10	0.00	
			M3	-1880.19	-1253.84	22938.62	-2308.78	-1114.11	12678.74	-2308.78	-1046.90	12684.46	-2092.63	466.10	0.00	
		MIN	S2	-2161.71	-1203.19	22637.65	-2562.07	-1107.33	12544.87	-2562.07	-1040.83	12550.56	-3034.27	-824.92	-0.00	
			TQ	-2043.31	-1365.27	22127.70	-2380.60	-1365.27	11847.60	-2380.28	-1302.47	11853.15	-2717.85	-1302.47	-0.00	
			M3	-1549.91	416.32	16929.48	-1820.53	416.32	9097.29	-1820.53	464.53	9094.95	-2717.85	-1302.47	-0.00	
		D+4LANES	MAX	S2	-1556.52	375.87	16990.74	-1827.14	375.87	9127.82	-1827.14	424.24	9125.70	-2097.89	424.24	0.00
			TQ	-1563.55	377.04	17056.06	-1834.17	377.04	9160.49	-1834.27	425.58	9158.85	-2105.02	425.58	0.00	
			M3	-1588.65	322.01	17289.15	-1859.27	322.02	9276.92	-1859.27	371.17	9275.09	-2105.02	425.58	0.00	
		MIN	S2	-1588.65	322.00	17289.15	-1859.27	322.00	9276.92	-1859.27	371.17	9275.09	-2130.02	371.17	0.00	
			TQ	-1582.61	319.87	17233.02	-1853.23	319.87	9248.84	-1852.99	368.88	9245.89	-2123.74	368.88	0.00	
			M3	-1556.52	375.87	16990.74	-1827.14	375.87	9127.82	-1827.14	424.24	9125.70	-2124.20	369.55	0.00	

BAGO RIVER BRIDGE

BLOCK [ No.1 : MAIN GIRDER ][ BEAM MEMBER FORCE ]

MEMBER					4053			4054			4055					
NODE					4053			4054			4055					
					SHEAR	TORQUE	MOMENT	SHEAR	TORQUE	MOMENT	SHEAR	TORQUE	MOMENT			
NAME TITLE					S2 (kN)	TQ (kN·m)	M3 (kN·m)	S2 (kN)	TQ (kN·m)	M3 (kN·m)	S2 (kN)	TQ (kN·m)	M3 (kN·m)			
124	SUM TOTAL	D+6LANES	MAX	S2	-1389.29	88.06	17715.46	-1757.61	224.91	9553.52	-1757.61	275.54	9552.19	-2079.94	366.74	0.00
				TQ	-1747.24	1620.75	18770.57	-2017.86	1620.75	10021.27	-2059.69	1674.66	10207.05	-2330.44	1674.66	0.00
				M3	-1997.15	450.69	23040.21	-2370.36	550.55	12522.12	-2370.36	616.88	12519.03	-2330.45	1674.66	0.00
			MIN	S2	-2184.71	484.14	22853.70	-2541.10	558.09	12454.42	-2541.10	624.09	12451.29	-2927.10	727.61	0.00
				TQ	-1882.27	-913.30	20442.72	-2199.13	-913.30	10958.46	-2198.79	-855.21	10961.55	-2515.86	-855.21	-0.00
				M3	-1538.57	318.70	16823.51	-1809.19	318.53	9044.03	-1809.19	366.74	9042.21	-2515.85	-855.21	-0.00
	SUM TOTAL		MAX		-1274.88	2105.53	23040.21	-1732.16	2105.53	12678.74	-1732.16	2160.64	12684.46	-2079.94	2160.64	0.00
			MIN		-2184.71	-1396.59	16823.51	-2562.07	-1396.59	9044.03	-2562.07	-1335.59	9042.21	-3034.27	-1335.59	-0.00
300	DEAD LOAD	TOTAL			-1580.03	325.39	17209.09	-1850.66	325.39	9236.89	-1850.66	374.34	9235.03	-2121.40	374.34	0.00
301	LIVE LOAD	1-LANE(case1MAX	S2		11.38	-69.46	-106.17	11.38	-69.46	-53.29	11.38	-69.74	-52.92	11.38	-69.74	-0.00
			TQ		-88.70	1211.54	831.13	-88.70	1211.54	418.89	-88.70	1213.75	412.46	-88.70	1213.75	0.00
			M3		-89.74	1199.11	840.70	-89.74	1199.31	423.64	-89.74	1201.14	417.28	-88.70	1213.75	0.00
			MIN	S2	-89.74	1198.91	840.70	-89.74	1198.91	423.64	-89.74	1201.14	417.28	-89.74	1201.14	0.00
				TQ	10.97	-73.10	-102.40	10.97	-73.10	-51.41	10.97	-73.37	-51.02	10.97	-73.37	-0.00
				M3	11.38	-69.65	-106.18	11.38	-69.85	-53.29	11.38	-69.74	-52.92	10.97	-73.37	-0.00
		1-LANE(case2MAX	S2		12.37	-30.00	-115.14	12.37	-30.00	-57.67	12.37	-30.31	-57.51	12.37	-30.31	-0.00
			TQ		-146.55	463.50	1365.03	-146.55	463.50	683.93	-146.55	467.12	681.46	-146.55	467.12	0.00
			M3		-148.36	462.14	1381.82	-148.36	462.14	692.32	-148.36	465.80	689.86	-146.55	467.12	0.00
			MIN	S2	-148.36	462.14	1381.82	-148.36	462.14	692.32	-148.36	465.80	689.86	-148.36	465.80	0.00
				TQ	12.22	-30.37	-113.80	12.22	-30.37	-56.99	12.22	-30.67	-56.83	12.22	-30.67	-0.00
				M3	12.37	-30.00	-115.14	12.37	-30.00	-57.67	12.37	-30.31	-57.51	12.22	-30.67	-0.00
		1-LANE(case3MAX	S2		13.13	1.44	-122.10	13.13	1.44	-61.06	13.13	1.12	-61.07	13.13	1.12	0.00
			TQ		4.64	5.27	-43.10	4.64	5.27	-21.54	3.77	5.17	-17.51	3.77	5.17	0.00
			M3		-240.10	-252.93	2241.81	-241.26	-252.93	1123.24	-241.26	-246.97	1124.56	3.76	5.17	0.00
			MIN	S2	-240.10	-252.93	2241.81	-241.26	-252.93	1123.24	-241.26	-246.97	1124.56	-242.42	-246.97	-0.00
				TQ	-200.09	-320.49	1869.51	-201.26	-320.49	936.86	-200.73	-315.53	936.10	-201.89	-315.53	-0.00
				M3	13.13	1.44	-122.10	13.13	1.44	-61.06	13.13	1.12	-61.07	-201.89	-315.53	-0.00

BAGO RIVER BRIDGE

BLOCK [ No.1 : MAIN GIRDER ][ BEAM MEMBER FORCE ]

MEMBER			4053			4054			4054			4055				
NODE			4053			4054			4054			4055				
			SHEAR	TORQUE	MOMENT	SHEAR	TORQUE	MOMENT	SHEAR	TORQUE	MOMENT	SHEAR	TORQUE	MOMENT		
NAME TITLE			S2 (kN)	TQ (kN·m)	M3 (kN·m)	S2 (kN)	TQ (kN·m)	M3 (kN·m)	S2 (kN)	TQ (kN·m)	M3 (kN·m)	S2 (kN)	TQ (kN·m)	M3 (kN·m)		
301	LIVE LOAD	1-LANE (case4MAX	S2	296.01	-355.67	1425.27	112.81	-109.74	863.15	112.81	-105.16	863.72	14.70	63.24	0.00	
			TQ	14.60	64.81	-135.41	14.60	64.81	-67.55	14.60	64.46	-67.89	14.60	64.46	0.00	
			M3	-27.21	-1246.60	3150.91	-191.27	-1127.01	2185.17	-191.27	-1115.41	2191.12	14.60	64.46	0.00	
			MIN	S2	-311.17	-1194.81	2886.85	-440.24	-1123.99	2041.18	-440.24	-1113.16	2047.11	-664.83	-903.40	-0.00
			TQ	-228.51	-1281.79	2722.74	-293.54	-1281.79	1509.82	-293.54	-1273.77	1516.59	-358.76	-1273.77	-0.00	
			M3	14.70	63.60	-136.37	14.70	63.60	-68.03	14.70	63.24	-68.37	-358.76	-1273.77	-0.00	
		2-LANES (caseMAX	S2	19.37	-100.07	-180.66	19.37	-100.07	-90.62	19.37	-100.55	-90.09	19.37	-100.55	-0.00	
			TQ	-170.91	1708.02	1598.13	-170.91	1708.02	803.80	-170.91	1712.26	794.74	-170.91	1712.26	0.00	
			M3	-171.81	1697.42	1606.43	-171.81	1697.58	807.93	-171.81	1701.51	798.92	-170.91	1712.26	0.00	
			MIN	S2	-171.81	1697.25	1606.43	-171.81	1697.25	807.93	-171.81	1701.51	798.92	-171.81	1701.51	0.00
			TQ	18.71	-104.04	-174.54	18.71	-104.04	-87.57	18.71	-104.50	-87.02	18.71	-104.50	-0.00	
			M3	19.37	-100.24	-180.66	19.37	-100.40	-90.62	19.37	-100.55	-90.09	18.71	-104.50	-0.00	
		2-LANES (caseMAX	S2	20.20	-67.19	-188.14	20.20	-67.19	-94.27	20.20	-67.69	-93.91	20.20	-67.69	-0.00	
			TQ	-219.12	1084.66	2043.04	-219.12	1084.66	1024.67	-219.12	1090.07	1018.90	-219.12	1090.07	0.00	
			M3	-220.66	1083.28	2057.37	-220.66	1083.28	1031.83	-220.66	1088.73	1026.07	-219.12	1090.07	0.00	
			MIN	S2	-220.66	1083.28	2057.37	-220.66	1083.28	1031.83	-220.66	1088.73	1026.07	-220.66	1088.73	0.00
			TQ	19.76	-68.43	-184.04	19.76	-68.43	-92.23	19.76	-68.92	-91.86	19.76	-68.92	-0.00	
			M3	20.20	-67.19	-188.14	20.20	-67.19	-94.27	20.20	-67.69	-93.91	19.76	-68.92	-0.00	
		2-LANES (caseMAX	S2	69.22	-149.78	825.26	35.21	-46.36	325.34	35.21	-44.64	325.58	22.32	19.23	0.00	
			TQ	13.55	24.54	-125.86	13.55	24.54	-62.88	12.73	24.22	-59.21	12.73	24.22	0.00	
			M3	-330.43	-815.59	4114.79	-379.57	-750.82	2228.21	-379.57	-739.00	2232.16	12.73	24.22	0.00	
MIN	S2		-425.00	-799.16	3980.74	-468.01	-751.50	2181.03	-468.01	-739.93	2184.99	-519.92	-654.50	-0.00		
TQ	-349.19		-919.30	3467.32	-373.44	-919.30	1788.07	-372.91	-909.82	1790.46	-397.18	-909.82	-0.00			
M3	22.32		19.78	-207.46	22.32	19.78	-103.71	22.32	19.23	-103.81	-397.18	-909.82	-0.00			

BAGO RIVER BRIDGE

BLOCK [ No.1 : MAIN GIRDER ][ BEAM MEMBER FORCE ]

MEMBER			4053			4054			4054			4055				
NODE			4053			4054			4054			4055				
NAME TITLE			SHEAR	TORQUE	MOMENT	SHEAR	TORQUE	MOMENT	SHEAR	TORQUE	MOMENT	SHEAR	TORQUE	MOMENT		
			S2 (kN)	TQ (kN·m)	M3 (kN·m)	S2 (kN)	TQ (kN·m)	M3 (kN·m)	S2 (kN)	TQ (kN·m)	M3 (kN·m)	S2 (kN)	TQ (kN·m)	M3 (kN·m)		
301	LIVE LOAD	2-LANES (caseMAX	S2	305.15	-438.64	2112.76	118.49	-130.28	1094.56	118.49	-124.48	1095.23	24.07	88.07	0.00	
			TQ	23.89	90.26	-221.60	23.89	90.26	-110.59	23.89	89.67	-111.07	23.89	89.67	0.00	
			M3	-153.05	-1645.39	4872.43	-337.92	-1481.00	3113.19	-337.92	-1464.48	3121.00	23.89	89.67	0.00	
			MIN	S2	-484.24	-1585.81	4518.34	-635.91	-1473.02	2955.70	-635.91	-1457.34	2963.46	-871.94	-1203.33	-0.00
				TQ	-373.80	-1721.98	4186.96	-451.27	-1721.98	2269.84	-451.27	-1709.93	2278.93	-528.92	-1709.93	-0.00
				M3	24.07	88.66	-223.30	24.07	88.66	-111.44	24.07	88.07	-111.91	-528.92	-1709.93	-0.00
		3-LANES (caseMAX	S2	25.23	-106.31	-235.12	25.23	-106.31	-117.87	25.23	-106.94	-117.31	25.23	-106.94	-0.00	
			TQ	-249.08	1780.14	2325.30	-249.08	1780.14	1167.68	-249.08	1786.30	1158.23	-249.08	1786.30	0.00	
			M3	-251.13	1770.15	2344.26	-251.13	1770.29	1177.13	-251.13	1776.23	1167.73	-249.08	1786.30	0.00	
			MIN	S2	-251.13	1770.01	2344.26	-251.13	1770.01	1177.13	-251.13	1776.23	1167.73	-251.13	1776.23	0.00
				TQ	24.56	-109.94	-228.96	24.56	-109.94	-114.80	24.56	-110.55	-114.22	24.56	-110.55	-0.00
				M3	25.23	-106.45	-235.12	25.23	-106.59	-117.87	25.23	-106.94	-117.31	24.56	-110.55	-0.00
		3-LANES (caseMAX	S2	268.02	-386.26	1710.58	109.66	-124.55	888.74	109.66	-119.84	889.39	29.02	46.64	0.00	
			TQ	21.21	52.98	-196.88	21.21	52.98	-98.33	20.51	52.47	-95.37	20.51	52.47	0.00	
			M3	-300.15	-1574.83	5728.06	-457.84	-1435.18	3440.55	-457.84	-1416.93	3448.11	20.51	52.47	0.00	
			MIN	S2	-581.76	-1524.14	5429.38	-709.69	-1433.20	3299.98	-709.69	-1415.69	3307.53	-912.74	-1194.72	-0.00
				TQ	-458.79	-1687.84	4875.36	-525.27	-1687.84	2588.97	-524.82	-1674.10	2595.78	-591.65	-1674.10	-0.00
				M3	29.02	47.36	-269.59	29.02	47.36	-134.71	29.02	46.64	-134.96	-591.64	-1674.10	-0.00
		3-LANES (caseMAX	S2	269.05	-357.28	1706.04	110.39	-95.17	885.50	110.39	-90.48	885.99	30.12	90.19	0.00	
			TQ	29.10	92.47	-270.10	29.10	92.47	-134.84	28.78	91.76	-133.81	28.78	91.76	0.00	
			M3	-300.16	-1579.24	5729.54	-458.13	-1439.51	3441.85	-458.13	-1421.24	3449.43	28.78	91.76	0.00	
			MIN	S2	-581.68	-1528.59	5428.56	-711.41	-1432.72	3307.98	-711.41	-1415.17	3315.52	-912.87	-1199.26	-0.00
				TQ	-463.28	-1690.67	4918.62	-529.95	-1690.67	2610.71	-529.62	-1676.81	2618.12	-596.45	-1676.81	-0.00
				M3	30.12	90.93	-279.61	30.12	90.93	-139.60	30.12	90.19	-140.08	-596.45	-1676.81	-0.00



BAGO RIVER BRIDGE

BLOCK [ No.1 : MAIN GIRDER ][ BEAM MEMBER FORCE ]

MEMBER				4053			4054			4054			4055			
NODE				4053			4054			4054			4055			
NAME TITLE				SHEAR	TORQUE	MOMENT	SHEAR	TORQUE	MOMENT	SHEAR	TORQUE	MOMENT	SHEAR	TORQUE	MOMENT	
				S2 (kN)	TQ (kN·m)	M3 (kN·m)	S2 (kN)	TQ (kN·m)	M3 (kN·m)	S2 (kN)	TQ (kN·m)	M3 (kN·m)	S2 (kN)	TQ (kN·m)	M3 (kN·m)	
301	LIVE LOAD	4-LANES	MAX	S2	23.51	50.47	-218.35	23.51	50.47	-109.07	23.51	49.89	-109.33	23.51	49.89	0.00
				TQ	16.49	51.64	-153.02	16.49	51.64	-76.40	16.38	51.24	-76.19	16.38	51.24	0.00
				M3	-8.61	-3.38	80.07	-8.61	-3.37	40.04	-8.61	-3.18	40.05	16.38	51.24	0.00
		MIN	S2	-8.61	-3.39	80.07	-8.61	-3.39	40.04	-8.61	-3.18	40.05	-8.61	-3.18	-0.00	
			TQ	-2.58	-5.52	23.93	-2.58	-5.52	11.96	-2.33	-5.46	10.85	-2.33	-5.46	-0.00	
			M3	23.51	50.47	-218.35	23.51	50.47	-109.07	23.51	49.89	-109.33	-2.79	-4.79	-0.00	
	6-LANES	MAX	S2	190.75	-237.33	506.37	93.05	-100.48	316.63	93.05	-98.80	317.16	41.47	-7.61	-0.00	
			TQ	-167.21	1295.36	1561.49	-167.21	1295.36	784.38	-209.04	1300.31	972.02	-209.04	1300.31	0.00	
			M3	-417.12	125.30	5831.12	-519.71	225.16	3285.23	-519.71	242.53	3283.99	-209.04	1300.31	0.00	
		MIN	S2	-604.67	158.75	5644.61	-690.44	232.69	3217.54	-690.44	249.74	3216.26	-805.70	353.27	0.00	
			TQ	-302.24	-1238.69	3233.63	-348.48	-1238.69	1721.58	-348.13	-1229.56	1726.51	-394.45	-1229.56	-0.00	
			M3	41.47	-6.69	-385.58	41.47	-6.86	-192.86	41.47	-7.61	-192.82	-394.45	-1229.56	-0.00	
	LIVE LOAD	MAX		305.15	1780.14	5831.12	118.49	1780.14	3441.85	118.49	1786.30	3449.43	41.47	1786.30	0.00	
		MIN		-604.67	-1721.98	-385.58	-711.41	-1721.98	-192.86	-711.41	-1709.93	-192.82	-912.87	-1709.93	-0.00	
303	SUM TOTAL	TOTAL	MAX		-1274.88	2105.53	23040.21	-1732.16	2105.53	12678.74	-1732.16	2160.64	12684.46	-2079.94	2160.64	0.00
			MIN		-2184.71	-1396.59	16823.51	-2562.07	-1396.59	9044.03	-2562.07	-1335.59	9042.21	-3034.27	-1335.59	-0.00

BAGO RIVER BRIDGE

BLOCK [ No.2 : CROSS BEAM ][ BEAM MEMBER FORCE ]

MEMBER NODE	1001001 1001	2001						1001003 1003							
		SHEAR			TORQUE			SHEAR			TORQUE				
		S2 (kN)	TQ (kN·m)	M3 (kN·m)	S2 (kN)	TQ (kN·m)	M3 (kN·m)	S2 (kN)	TQ (kN·m)	M3 (kN·m)	S2 (kN)	TQ (kN·m)	M3 (kN·m)		
1	PAVEMENT	-5.14	0.00	14.33	-5.14	0.00	-7.15	-25.67	0.00	5.42	-25.67	0.00	-101.82		
3	RAILING	2.80	0.00	-6.48	2.80	0.00	5.23	-5.89	0.00	3.78	-5.89	0.00	-20.81		
5	CURB	27.76	0.00	-64.11	27.76	0.00	51.82	-58.26	0.00	37.38	-58.26	0.00	-205.98		
7	DECK WEIGHT	12.50	0.00	-24.85	12.50	0.00	27.39	-46.42	0.00	18.93	-46.42	0.00	-174.96		
8	GIRDER WEIGH	164.86	0.00	-373.77	164.86	0.00	314.85	-35.41	0.00	74.25	-35.41	0.00	-73.65		
10	MEDIAN STRIP	35.77	0.00	-80.59	35.77	0.00	68.84	23.45	0.00	-0.53	23.45	0.00	97.43		
21	ADITIONAL WE	3.50	0.00	-6.96	3.50	0.00	7.67	-13.00	0.00	5.30	-13.00	0.00	-48.99		
31	MEDIAN RAILI	2.83	0.00	-6.37	2.83	0.00	5.44	1.91	0.00	-0.05	1.91	0.00	7.91		
51	SUPPORT WEIG	-0.00	0.00	0.00	-0.00	0.00	-0.00	-0.00	0.00	-0.00	-0.00	0.00	-0.00		
52	NOSE WEIGHT	3.27	0.00	-0.42	3.27	0.00	13.24	-0.04	0.00	-0.18	-0.04	0.00	-0.36		
61	1-LANE(case1TRUCK-LOAD	MAX	S2	180.40	0.00	-414.14	180.40	0.00	339.39	0.33	0.00	1.43	0.33	0.00	2.82
			TQ	0.00	0.00	0.00	0.00	0.00	0.00	0.00	0.00	0.00	0.00	0.00	0.00
			M3	-18.16	0.00	41.53	180.40	0.00	339.39	-190.30	0.00	254.53	0.31	0.00	3.03
		MIN	S2	-18.16	0.00	41.53	-18.16	0.00	-34.35	-190.30	0.00	254.53	-190.30	0.00	-540.35
			TQ	0.00	0.00	0.00	0.00	0.00	0.00	0.00	0.00	0.00	0.00	0.00	0.00
			M3	180.40	0.00	-414.14	-18.16	0.00	-34.35	-0.97	0.00	-6.39	-190.30	0.00	-540.35
		TANDEM-LOAD MAX	S2	122.77	0.00	-281.64	122.77	0.00	231.16	0.23	0.00	0.99	0.23	0.00	1.94
			TQ	0.00	0.00	0.00	0.00	0.00	0.00	0.00	0.00	0.00	0.00	0.00	0.00
			M3	-12.36	0.00	28.26	122.77	0.00	231.16	-145.71	0.00	194.81	0.21	0.00	2.06
		MIN	S2	-12.36	0.00	28.26	-12.36	0.00	-23.38	-145.71	0.00	194.81	-145.71	0.00	-413.83
			TQ	0.00	0.00	0.00	0.00	0.00	0.00	0.00	0.00	0.00	0.00	0.00	0.00
			M3	122.77	0.00	-281.64	-12.36	0.00	-23.38	-0.79	0.00	-4.37	-145.71	0.00	-413.83
		DISPERSION-LMAX	S2	204.92	0.00	-469.94	204.92	0.00	386.02	0.39	0.00	1.91	0.39	0.00	3.55
			TQ	0.00	0.00	0.00	0.00	0.00	0.00	0.00	0.00	0.00	0.00	0.00	0.00
			M3	-20.42	0.00	46.67	204.92	0.00	386.02	-72.06	0.00	97.13	0.39	0.00	3.55
		MIN	S2	-20.42	0.00	46.67	-20.42	0.00	-38.62	-74.01	0.00	90.78	-74.01	0.00	-218.36
			TQ	0.00	0.00	0.00	0.00	0.00	0.00	0.00	0.00	0.00	0.00	0.00	0.00
			M3	204.92	0.00	-469.94	-20.42	0.00	-38.62	-1.56	0.00	-4.45	-74.01	0.00	-218.36

BAGO RIVER BRIDGE

BLOCK [ No.2 : CROSS BEAM ][ BEAM MEMBER FORCE ]

MEMBER				1001001			1001003			1001003			2003			
NODE				1001			2001			1003			2003			
NAME TITLE				SHEAR	TORQUE	MOMENT	SHEAR	TORQUE	MOMENT	SHEAR	TORQUE	MOMENT	SHEAR	TORQUE	MOMENT	
				S2 (kN)	TQ (kN·m)	M3 (kN·m)	S2 (kN)	TQ (kN·m)	M3 (kN·m)	S2 (kN)	TQ (kN·m)	M3 (kN·m)	S2 (kN)	TQ (kN·m)	M3 (kN·m)	
62	1-LANE (case2TRUCK-LOAD	MAX	S2	67.24	0.00	-153.41	67.24	0.00	127.45	84.47	0.00	-20.29	84.47	0.00	332.55	
			TQ	0.00	0.00	0.00	0.00	0.00	0.00	0.00	0.00	0.00	0.00	0.00	0.00	0.00
			M3	-8.49	0.00	19.36	67.24	0.00	127.45	-4.89	0.00	49.46	84.47	0.00	0.00	332.55
		MIN	S2	-8.49	0.00	19.36	-8.49	0.00	-16.09	-10.83	0.00	38.60	-10.83	0.00	0.00	-6.64
			TQ	0.00	0.00	0.00	0.00	0.00	0.00	0.00	0.00	0.00	0.00	0.00	0.00	0.00
			M3	67.24	0.00	-153.41	-8.49	0.00	-16.09	78.85	0.00	-21.95	-2.44	0.00	0.00	-7.59
		TANDEM-LOAD MAX	S2	45.87	0.00	-104.62	45.87	0.00	86.96	65.30	0.00	-16.18	65.30	0.00	0.00	256.58
			TQ	0.00	0.00	0.00	0.00	0.00	0.00	0.00	0.00	0.00	0.00	0.00	0.00	0.00
			M3	-5.78	0.00	13.19	45.87	0.00	86.96	0.94	0.00	35.19	65.30	0.00	0.00	256.58
		MIN	S2	-5.78	0.00	13.19	-5.78	0.00	-10.96	-8.96	0.00	32.30	-8.96	0.00	0.00	-5.11
			TQ	0.00	0.00	0.00	0.00	0.00	0.00	0.00	0.00	0.00	0.00	0.00	0.00	0.00
			M3	45.87	0.00	-104.62	-5.78	0.00	-10.96	51.07	0.00	-16.55	-1.91	0.00	0.00	-5.26
		DISPERSION-LMAX	S2	73.99	0.00	-169.00	73.99	0.00	140.06	27.23	0.00	0.99	27.23	0.00	0.00	114.71
			TQ	0.00	0.00	0.00	0.00	0.00	0.00	0.00	0.00	0.00	0.00	0.00	0.00	0.00
			M3	-9.62	0.00	21.93	73.99	0.00	140.06	4.45	0.00	21.61	26.39	0.00	0.00	116.85
MIN	S2	-9.62	0.00	21.93	-9.62	0.00	-18.24	-4.81	0.00	14.52	-4.81	0.00	0.00	-5.57		
	TQ	0.00	0.00	0.00	0.00	0.00	0.00	0.00	0.00	0.00	0.00	0.00	0.00	0.00		
	M3	73.99	0.00	-169.00	-9.62	0.00	-18.24	17.97	0.00	-6.10	-3.98	0.00	0.00	-7.71		
63	1-LANE (case3TRUCK-LOAD	MAX	S2	2.36	0.00	-4.61	2.36	0.00	5.26	33.77	0.00	-77.56	33.77	0.00	63.50	
			TQ	0.00	0.00	0.00	0.00	0.00	0.00	0.00	0.00	0.00	0.00	0.00	0.00	
			M3	-25.84	0.00	60.75	2.36	0.00	5.26	-1.49	0.00	22.79	27.63	0.00	0.00	71.56
		MIN	S2	-25.89	0.00	60.66	-25.89	0.00	-47.47	-4.01	0.00	17.55	-4.01	0.00	0.00	0.79
			TQ	0.00	0.00	0.00	0.00	0.00	0.00	0.00	0.00	0.00	0.00	0.00	0.00	0.00
			M3	2.36	0.00	-4.63	-25.89	0.00	-47.47	30.94	0.00	-78.68	-2.68	0.00	0.00	-4.69

BAGO RIVER BRIDGE

BLOCK [ No.2 : CROSS BEAM ][ BEAM MEMBER FORCE ]

MEMBER NODE	1001001 1001	2001						1001003 1003						2003		
		SHEAR	TORQUE	MOMENT	SHEAR	TORQUE	MOMENT	SHEAR	TORQUE	MOMENT	SHEAR	TORQUE	MOMENT			
		S2 (kN)	TQ (kN·m)	M3 (kN·m)	S2 (kN)	TQ (kN·m)	M3 (kN·m)	S2 (kN)	TQ (kN·m)	M3 (kN·m)	S2 (kN)	TQ (kN·m)	M3 (kN·m)			
63	1-LANE (case3TANDEM-LOAD	MAX	S2	1.64	0.00	-3.27	1.64	0.00	3.57	24.54	0.00	-60.38	24.54	0.00	42.11	
			TQ	0.00	0.00	0.00	0.00	0.00	0.00	0.00	0.00	0.00	0.00	0.00	0.00	
			M3	-18.67	0.00	43.57	1.62	0.00	3.70	-0.97	0.00	16.50	20.92	0.00	50.25	
		MIN	S2	-18.67	0.00	43.57	-18.67	0.00	-34.39	-2.77	0.00	14.02	-2.77	0.00	2.44	
			TQ	0.00	0.00	0.00	0.00	0.00	0.00	0.00	0.00	0.00	0.00	0.00	0.00	
			M3	1.64	0.00	-3.27	-18.67	0.00	-34.39	23.75	0.00	-60.69	-1.69	0.00	-3.25	
	DISPERSION-LMAX		S2	6.47	0.00	-14.32	6.47	0.00	12.69	14.51	0.00	-24.54	14.51	0.00	36.05	
			TQ	0.00	0.00	0.00	0.00	0.00	0.00	0.00	0.00	0.00	0.00	0.00	0.00	
			M3	-16.27	0.00	38.42	6.46	0.00	12.70	-1.38	0.00	11.79	12.95	0.00	38.79	
		MIN	S2	-16.27	0.00	38.41	-16.27	0.00	-29.55	-2.59	0.00	9.14	-2.59	0.00	-1.69	
			TQ	0.00	0.00	0.00	0.00	0.00	0.00	0.00	0.00	0.00	0.00	0.00	0.00	
			M3	6.46	0.00	-14.33	-16.26	0.00	-29.57	13.30	0.00	-27.19	-1.03	0.00	-4.43	
64	1-LANE (case4TRUCK-LOAD	MAX	S2	14.94	0.00	-34.28	14.94	0.00	28.11	2.77	0.00	-35.27	2.77	0.00	-23.70	
			TQ	0.00	0.00	0.00	0.00	0.00	0.00	0.00	0.00	0.00	0.00	0.00	0.00	
			M3	-148.35	0.00	339.55	14.94	0.00	28.11	-1.22	0.00	7.39	-1.21	0.00	2.30	
		MIN	S2	-148.35	0.00	339.55	-148.35	0.00	-280.09	-7.32	0.00	-56.31	-7.32	0.00	-86.90	
			TQ	0.00	0.00	0.00	0.00	0.00	0.00	0.00	0.00	0.00	0.00	0.00	0.00	
			M3	14.94	0.00	-34.28	-148.35	0.00	-280.09	-3.74	0.00	-69.24	-6.84	0.00	-90.51	
	TANDEM-LOAD	MAX	S2	10.23	0.00	-23.48	10.23	0.00	19.26	2.01	0.00	-29.44	2.01	0.00	-21.05	
			TQ	0.00	0.00	0.00	0.00	0.00	0.00	0.00	0.00	0.00	0.00	0.00	0.00	
			M3	-101.12	0.00	231.44	10.23	0.00	19.26	-0.85	0.00	5.16	-0.85	0.00	1.60	
		MIN	S2	-101.12	0.00	231.44	-101.12	0.00	-190.92	-5.49	0.00	-36.79	-5.49	0.00	-59.73	
			TQ	0.00	0.00	0.00	0.00	0.00	0.00	0.00	0.00	0.00	0.00	0.00	0.00	
			M3	10.23	0.00	-23.48	-101.12	0.00	-190.92	-2.01	0.00	-48.23	-4.55	0.00	-63.55	

BAGO RIVER BRIDGE

BLOCK [ No.2 : CROSS BEAM ][ BEAM MEMBER FORCE ]

MEMBER		1001001						1001003								
NODE		1001			2001			1003			2003					
NAME TITLE		SHEAR	TORQUE	MOMENT	SHEAR	TORQUE	MOMENT	SHEAR	TORQUE	MOMENT	SHEAR	TORQUE	MOMENT			
		S2 (kN)	TQ (kN·m)	M3 (kN·m)	S2 (kN)	TQ (kN·m)	M3 (kN·m)	S2 (kN)	TQ (kN·m)	M3 (kN·m)	S2 (kN)	TQ (kN·m)	M3 (kN·m)			
64	1-LANE (case4DISPERSION-LMAX	S2	15.98	0.00	-36.65	15.98	0.00	30.10	1.82	0.00	-20.10	1.82	0.00	-12.48		
		TQ	0.00	0.00	0.00	0.00	0.00	0.00	0.00	0.00	0.00	0.00	0.00	0.00		
		M3	-163.01	0.00	373.61	15.98	0.00	30.10	-1.02	0.00	4.26	-0.00	0.00	1.45		
		MIN S2	-163.01	0.00	373.61	-163.01	0.00	-307.27	-3.66	0.00	-22.09	-3.66	0.00	-37.36		
		TQ	0.00	0.00	0.00	0.00	0.00	0.00	0.00	0.00	0.00	0.00	0.00	0.00		
		M3	15.98	0.00	-36.65	-163.01	0.00	-307.27	-0.81	0.00	-46.45	-1.83	0.00	-51.29		
		65	2-LANES (caseTRUCK-LOAD	MAX S2	299.35	0.00	-687.10	299.35	0.00	563.30	0.72	0.00	2.33	0.72	0.00	5.35
				TQ	0.00	0.00	0.00	0.00	0.00	0.00	0.00	0.00	0.00	0.00	0.00	0.00
				M3	-31.51	0.00	72.02	299.35	0.00	563.30	-217.78	0.00	364.07	0.68	0.00	5.63
MIN S2	-31.51	0.00	72.02	-31.51	0.00	-59.61	-218.34	0.00	363.53	-218.34	0.00	-548.48				
TQ	0.00	0.00	0.00	0.00	0.00	0.00	0.00	0.00	0.00	0.00	0.00	0.00	0.00			
M3	299.35	0.00	-687.10	-31.51	0.00	-59.61	-1.81	0.00	-9.87	-209.39	0.00	-568.06				
TANDEM-LOAD MAX S2	203.79	0.00	-467.54	203.79	0.00	383.68	0.49	0.00	1.59	0.49	0.00	0.00	3.64			
TQ	0.00	0.00	0.00	0.00	0.00	0.00	0.00	0.00	0.00	0.00	0.00	0.00	0.00			
M3	-21.45	0.00	49.02	203.79	0.00	383.68	-164.98	0.00	274.22	0.45	0.00	0.00	3.83			
MIN S2	-21.45	0.00	49.02	-21.45	0.00	-40.57	-165.01	0.00	267.46	-165.01	0.00	-421.77				
TQ	0.00	0.00	0.00	0.00	0.00	0.00	0.00	0.00	0.00	0.00	0.00	0.00	0.00			
M3	203.79	0.00	-467.54	-21.45	0.00	-40.57	-1.30	0.00	-6.79	-160.95	0.00	-433.36				
DISPERSION-LMAX S2	342.61	0.00	-785.41	342.61	0.00	645.67	3.81	0.00	9.42	3.81	0.00	25.34				
TQ	0.00	0.00	0.00	0.00	0.00	0.00	0.00	0.00	0.00	0.00	0.00	0.00				
M3	-35.45	0.00	81.01	342.61	0.00	645.67	-87.65	0.00	150.12	2.83	0.00	28.25				
MIN S2	-35.45	0.00	81.01	-35.45	0.00	-67.08	-93.72	0.00	134.37	-93.72	0.00	-257.12				
TQ	0.00	0.00	0.00	0.00	0.00	0.00	0.00	0.00	0.00	0.00	0.00	0.00				
M3	342.61	0.00	-785.41	-35.45	0.00	-67.08	-2.26	0.00	-6.34	-92.75	0.00	-260.03				

BAGO RIVER BRIDGE

BLOCK [ No.2 : CROSS BEAM ][ BEAM MEMBER FORCE ]

MEMBER				1001001						1001003						
NODE				1001			2001			1003			2003			
NAME TITLE				SHEAR	TORQUE	MOMENT	SHEAR	TORQUE	MOMENT	SHEAR	TORQUE	MOMENT	SHEAR	TORQUE	MOMENT	
				S2 (kN)	TQ (kN·m)	M3 (kN·m)	S2 (kN)	TQ (kN·m)	M3 (kN·m)	S2 (kN)	TQ (kN·m)	M3 (kN·m)	S2 (kN)	TQ (kN·m)	M3 (kN·m)	
66	2-LANES (caseTRUCK-LOAD	MAX	S2	186.19	0.00	-426.37	186.19	0.00	351.36	84.86	0.00	-19.39	84.86	0.00	335.08	
			TQ	0.00	0.00	0.00	0.00	0.00	0.00	0.00	0.00	0.00	0.00	0.00	0.00	0.00
			M3	-21.84	0.00	49.86	186.19	0.00	351.36	-32.37	0.00	159.00	84.85	0.00	0.00	335.15
		MIN	S2	-21.84	0.00	49.86	-21.84	0.00	-41.35	-38.87	0.00	147.59	-38.87	0.00	0.00	-14.78
			TQ	0.00	0.00	0.00	0.00	0.00	0.00	0.00	0.00	0.00	0.00	0.00	0.00	0.00
			M3	186.19	0.00	-426.37	-21.84	0.00	-41.35	78.01	0.00	-25.44	-21.53	0.00	0.00	-35.30
		TANDEM-LOAD MAX	S2	126.88	0.00	-290.53	126.88	0.00	239.47	65.57	0.00	-15.58	65.57	0.00	0.00	258.29
			TQ	0.00	0.00	0.00	0.00	0.00	0.00	0.00	0.00	0.00	0.00	0.00	0.00	0.00
			M3	-14.87	0.00	33.94	126.88	0.00	239.47	-18.33	0.00	114.61	65.55	0.00	0.00	258.35
		MIN	S2	-14.87	0.00	33.94	-14.87	0.00	-28.15	-28.25	0.00	104.95	-28.25	0.00	0.00	-13.04
			TQ	0.00	0.00	0.00	0.00	0.00	0.00	0.00	0.00	0.00	0.00	0.00	0.00	0.00
			M3	126.88	0.00	-290.53	-14.87	0.00	-28.15	50.57	0.00	-18.97	-17.15	0.00	0.00	-24.78
		DISPERSION-LMAX	S2	211.68	0.00	-484.47	211.68	0.00	399.71	30.64	0.00	8.51	30.64	0.00	0.00	136.50
			TQ	0.00	0.00	0.00	0.00	0.00	0.00	0.00	0.00	0.00	0.00	0.00	0.00	0.00
			M3	-24.65	0.00	56.26	211.68	0.00	399.71	-11.15	0.00	74.61	28.83	0.00	0.00	141.56
MIN	S2	-24.65	0.00	56.26	-24.65	0.00	-46.69	-24.52	0.00	58.11	-24.52	0.00	0.00	-44.33		
	TQ	0.00	0.00	0.00	0.00	0.00	0.00	0.00	0.00	0.00	0.00	0.00	0.00	0.00		
	M3	211.68	0.00	-484.47	-24.65	0.00	-46.69	17.27	0.00	-7.99	-22.71	0.00	0.00	-49.38		
67	2-LANES (caseTRUCK-LOAD	MAX	S2	6.53	0.00	-14.23	6.53	0.00	13.06	52.72	0.00	-156.06	52.72	0.00	64.14	
			TQ	0.00	0.00	0.00	0.00	0.00	0.00	0.00	0.00	0.00	0.00	0.00	0.00	
			M3	-78.17	0.00	182.70	6.53	0.00	13.06	-3.86	0.00	33.42	39.92	0.00	0.00	106.36
		MIN	S2	-78.22	0.00	182.61	-78.22	0.00	-144.11	-6.76	0.00	27.78	-6.76	0.00	0.00	-0.45
			TQ	0.00	0.00	0.00	0.00	0.00	0.00	0.00	0.00	0.00	0.00	0.00	0.00	0.00
			M3	6.53	0.00	-14.26	-78.22	0.00	-144.11	48.93	0.00	-162.24	10.13	0.00	0.00	-24.51

BAGO RIVER BRIDGE

BLOCK [ No.2 : CROSS BEAM ][ BEAM MEMBER FORCE ]

MEMBER NODE	1001001 1001	2001						1001003 1003						2003		
		SHEAR	TORQUE	MOMENT	SHEAR	TORQUE	MOMENT	SHEAR	TORQUE	MOMENT	SHEAR	TORQUE	MOMENT			
		S2 (kN)	TQ (kN·m)	M3 (kN·m)	S2 (kN)	TQ (kN·m)	M3 (kN·m)	S2 (kN)	TQ (kN·m)	M3 (kN·m)	S2 (kN)	TQ (kN·m)	M3 (kN·m)			
67	2-LANES (caseTANDEM-LOAD	MAX	S2	4.49	0.00	-9.85	4.49	0.00	8.90	38.08	0.00	-112.23	38.08	0.00	46.82	
			TQ	0.00	0.00	0.00	0.00	0.00	0.00	0.00	0.00	0.00	0.00	0.00	0.00	
			M3	-54.73	0.00	127.52	4.47	0.00	9.03	-2.74	0.00	24.30	31.86	0.00	76.57	
		MIN	S2	-54.73	0.00	127.52	-54.73	0.00	-101.09	-4.72	0.00	20.66	-4.72	0.00	0.93	
			TQ	0.00	0.00	0.00	0.00	0.00	0.00	0.00	0.00	0.00	0.00	0.00	0.00	
			M3	4.49	0.00	-9.85	-54.73	0.00	-101.09	35.92	0.00	-123.39	5.84	0.00	-18.14	
	DISPERSION-LMAX		S2	11.51	0.00	-25.91	11.51	0.00	22.17	23.92	0.00	-56.73	23.92	0.00	43.20	
			TQ	0.00	0.00	0.00	0.00	0.00	0.00	0.00	0.00	0.00	0.00	0.00	0.00	
			M3	-71.03	0.00	165.42	11.51	0.00	22.18	-3.08	0.00	18.90	18.50	0.00	51.30	
		MIN	S2	-71.03	0.00	165.41	-71.03	0.00	-131.30	-4.65	0.00	15.55	-4.65	0.00	-3.86	
			TQ	0.00	0.00	0.00	0.00	0.00	0.00	0.00	0.00	0.00	0.00	0.00	0.00	
			M3	11.51	0.00	-25.92	-71.03	0.00	-131.31	22.36	0.00	-60.08	0.78	0.00	-11.96	
68	2-LANES (caseTRUCK-LOAD	MAX	S2	24.80	0.00	-56.95	24.80	0.00	46.66	6.80	0.00	-87.72	6.80	0.00	-59.31	
			TQ	0.00	0.00	0.00	0.00	0.00	0.00	0.00	0.00	0.00	0.00	0.00	0.00	
			M3	-259.31	0.00	594.26	24.80	0.00	46.66	-2.50	0.00	13.31	-0.62	0.00	3.02	
		MIN	S2	-259.31	0.00	594.26	-259.31	0.00	-488.89	-8.63	0.00	-50.74	-8.63	0.00	-86.80	
			TQ	0.00	0.00	0.00	0.00	0.00	0.00	0.00	0.00	0.00	0.00	0.00	0.00	
			M3	24.80	0.00	-56.95	-259.31	0.00	-488.89	-1.91	0.00	-136.61	-5.72	0.00	-151.10	
	TANDEM-LOAD	MAX	S2	16.99	0.00	-39.00	16.99	0.00	31.96	4.94	0.00	-67.26	4.94	0.00	-46.61	
			TQ	0.00	0.00	0.00	0.00	0.00	0.00	0.00	0.00	0.00	0.00	0.00	0.00	
			M3	-176.84	0.00	405.27	16.99	0.00	31.96	-1.76	0.00	9.28	-1.67	0.00	2.09	
		MIN	S2	-176.84	0.00	405.27	-176.84	0.00	-333.39	-6.41	0.00	-32.76	-6.41	0.00	-59.52	
			TQ	0.00	0.00	0.00	0.00	0.00	0.00	0.00	0.00	0.00	0.00	0.00	0.00	
			M3	16.99	0.00	-39.00	-176.84	0.00	-333.39	-0.43	0.00	-95.24	-4.18	0.00	-107.37	

BAGO RIVER BRIDGE

BLOCK [ No.2 : CROSS BEAM ][ BEAM MEMBER FORCE ]

MEMBER		1001001						1001003									
NODE		1001			2001			1003			2003						
		SHEAR	TORQUE	MOMENT	SHEAR	TORQUE	MOMENT	SHEAR	TORQUE	MOMENT	SHEAR	TORQUE	MOMENT				
NAME	TITLE	S2 (kN)	TQ (kN·m)	M3 (kN·m)	S2 (kN)	TQ (kN·m)	M3 (kN·m)	S2 (kN)	TQ (kN·m)	M3 (kN·m)	S2 (kN)	TQ (kN·m)	M3 (kN·m)				
68	2-LANES (caseDISPERSION-LMAX	S2	26.95	0.00	-61.82	26.95	0.00	50.76	4.43	0.00	-51.80	4.43	0.00	-33.28			
		TQ	0.00	0.00	0.00	0.00	0.00	0.00	0.00	0.00	0.00	0.00	0.00	0.00			
		M3	-285.05	0.00	653.87	26.95	0.00	50.76	-2.18	0.00	7.99	0.25	0.00	2.52			
		MIN	S2	-285.05	0.00	653.87	-285.05	0.00	-536.79	-5.09	0.00	-26.18	-5.09	0.00	-47.46		
		TQ	0.00	0.00	0.00	0.00	0.00	0.00	0.00	0.00	0.00	0.00	0.00	0.00			
		M3	26.95	0.00	-61.83	-285.05	0.00	-536.79	1.52	0.00	-85.97	-0.91	0.00	-83.26			
		69	3-LANES (caseTRUCK-LOAD	MAX	S2	366.59	0.00	-840.51	366.59	0.00	690.75	85.19	0.00	-17.96	85.19	0.00	337.90
				TQ	0.00	0.00	0.00	0.00	0.00	0.00	0.00	0.00	0.00	0.00	0.00	0.00	
				M3	-40.00	0.00	91.38	366.59	0.00	690.75	-222.67	0.00	413.53	85.16	0.00	338.18	
MIN	S2	-40.00	0.00	91.38	-40.00	0.00	-75.70	-229.17	0.00	402.12	-229.17	0.00	-555.12				
TQ	0.00	0.00	0.00	0.00	0.00	0.00	0.00	0.00	0.00	0.00	0.00	0.00	0.00				
M3	366.59	0.00	-840.51	-40.00	0.00	-75.70	77.04	0.00	-31.83	-211.83	0.00	-575.65					
TANDEM-LOAD	MAX	S2	249.65	0.00	-572.17	249.65	0.00	470.63	65.79	0.00	-14.59	65.79	0.00	260.23			
TQ	0.00	0.00	0.00	0.00	0.00	0.00	0.00	0.00	0.00	0.00	0.00	0.00	0.00				
M3	-27.23	0.00	62.21	249.65	0.00	470.63	-164.04	0.00	309.41	65.76	0.00	260.41					
MIN	S2	-27.23	0.00	62.21	-27.23	0.00	-51.53	-173.96	0.00	299.76	-173.96	0.00	-426.88				
TQ	0.00	0.00	0.00	0.00	0.00	0.00	0.00	0.00	0.00	0.00	0.00	0.00	0.00				
M3	249.65	0.00	-572.17	-27.23	0.00	-51.53	49.78	0.00	-23.34	-162.87	0.00	-438.61					
DISPERSION-LMAX	S2	416.60	0.00	-954.41	416.60	0.00	785.73	31.04	0.00	10.41	31.04	0.00	140.05				
TQ	0.00	0.00	0.00	0.00	0.00	0.00	0.00	0.00	0.00	0.00	0.00	0.00	0.00				
M3	-45.07	0.00	102.94	416.60	0.00	785.73	-83.21	0.00	171.74	29.23	0.00	145.10					
MIN	S2	-45.07	0.00	102.94	-45.07	0.00	-85.32	-98.53	0.00	148.89	-98.53	0.00	-262.69				
TQ	0.00	0.00	0.00	0.00	0.00	0.00	0.00	0.00	0.00	0.00	0.00	0.00	0.00				
M3	416.60	0.00	-954.41	-45.07	0.00	-85.32	15.71	0.00	-12.44	-96.72	0.00	-267.74					



BAGO RIVER BRIDGE

BLOCK [ No.2 : CROSS BEAM ][ BEAM MEMBER FORCE ]

MEMBER				1001001			1001003			1001003			2003			
NODE				1001			2001			1003			2003			
NAME TITLE				SHEAR	TORQUE	MOMENT	SHEAR	TORQUE	MOMENT	SHEAR	TORQUE	MOMENT	SHEAR	TORQUE	MOMENT	
				S2 (kN)	TQ (kN·m)	M3 (kN·m)	S2 (kN)	TQ (kN·m)	M3 (kN·m)	S2 (kN)	TQ (kN·m)	M3 (kN·m)	S2 (kN)	TQ (kN·m)	M3 (kN·m)	
70	3-LANES (caseTRUCK-LOAD	MAX	S2	15.76	0.00	-35.44	15.76	0.00	30.40	63.38	0.00	-218.32	63.38	0.00	46.41	
			TQ	0.00	0.00	0.00	0.00	0.00	0.00	0.00	0.00	0.00	0.00	0.00	0.00	0.00
			M3	-161.07	0.00	373.72	15.76	0.00	30.40	-5.23	0.00	38.85	40.54	0.00	107.10	
		MIN	S2	-161.12	0.00	373.63	-161.12	0.00	-299.36	-8.25	0.00	32.27	-8.25	0.00	-2.18	
			TQ	0.00	0.00	0.00	0.00	0.00	0.00	0.00	0.00	0.00	0.00	0.00	0.00	0.00
			M3	15.76	0.00	-35.46	-161.12	0.00	-299.36	58.47	0.00	-236.79	17.74	0.00	-61.31	
		TANDEM-LOAD MAX	S2	10.81	0.00	-24.38	10.81	0.00	20.78	45.61	0.00	-158.63	45.61	0.00	31.88	
			TQ	0.00	0.00	0.00	0.00	0.00	0.00	0.00	0.00	0.00	0.00	0.00	0.00	0.00
			M3	-111.24	0.00	257.77	10.80	0.00	20.91	-3.69	0.00	28.07	32.28	0.00	77.08	
		MIN	S2	-111.24	0.00	257.77	-111.24	0.00	-206.89	-5.75	0.00	23.96	-5.75	0.00	-0.05	
			TQ	0.00	0.00	0.00	0.00	0.00	0.00	0.00	0.00	0.00	0.00	0.00	0.00	0.00
			M3	10.81	0.00	-24.38	-111.24	0.00	-206.89	42.24	0.00	-177.52	11.62	0.00	-46.46	
		DISPERSION-LMAX	S2	21.57	0.00	-49.00	21.57	0.00	41.10	29.75	0.00	-92.79	29.75	0.00	31.46	
			TQ	0.00	0.00	0.00	0.00	0.00	0.00	0.00	0.00	0.00	0.00	0.00	0.00	0.00
			M3	-166.96	0.00	386.24	21.56	0.00	41.11	-4.50	0.00	22.98	19.95	0.00	53.12	
MIN	S2	-166.97	0.00	386.23	-166.97	0.00	-311.18	-6.12	0.00	19.38	-6.12	0.00	-6.17			
	TQ	0.00	0.00	0.00	0.00	0.00	0.00	0.00	0.00	0.00	0.00	0.00	0.00	0.00		
	M3	21.57	0.00	-49.01	-166.96	0.00	-311.20	28.13	0.00	-96.39	3.68	0.00	-27.83			
71	3-LANES (caseTRUCK-LOAD	MAX	S2	29.63	0.00	-68.06	29.63	0.00	55.69	18.06	0.00	-149.27	18.06	0.00	-73.82	
			TQ	0.00	0.00	0.00	0.00	0.00	0.00	0.00	0.00	0.00	0.00	0.00	0.00	
			M3	-335.97	0.00	771.32	29.63	0.00	55.69	-4.34	0.00	18.57	7.44	0.00	8.09	
		MIN	S2	-335.97	0.00	771.32	-335.97	0.00	-632.01	-10.57	0.00	-45.81	-10.57	0.00	-89.97	
			TQ	0.00	0.00	0.00	0.00	0.00	0.00	0.00	0.00	0.00	0.00	0.00	0.00	0.00
			M3	29.63	0.00	-68.06	-335.97	0.00	-632.01	7.67	0.00	-210.91	1.61	0.00	-188.42	

BAGO RIVER BRIDGE

BLOCK [ No.2 : CROSS BEAM ][ BEAM MEMBER FORCE ]

MEMBER NODE	1001001 1001	2001			1001003 1003			2003								
		SHEAR	TORQUE	MOMENT	SHEAR	TORQUE	MOMENT	SHEAR	TORQUE	MOMENT						
		S2 (kN)	TQ (kN·m)	M3 (kN·m)	S2 (kN)	TQ (kN·m)	M3 (kN·m)	S2 (kN)	TQ (kN·m)	M3 (kN·m)						
71	3-LANES (case)	TANDEM-LOAD	MAX	S2	20.27	0.00	-46.57	20.27	0.00	38.11	12.85	0.00	-113.57	12.85	0.00	-59.89
				TQ	0.00	0.00	0.00	0.00	0.00	0.00	0.00	0.00	0.00	0.00	0.00	0.00
				M3	-229.29	0.00	526.45	20.27	0.00	38.11	-3.00	0.00	12.87	3.28	0.00	6.89
			MIN	S2	-229.29	0.00	526.45	-229.29	0.00	-431.30	-7.74	0.00	-29.28	-7.74	0.00	-61.61
				TQ	0.00	0.00	0.00	0.00	0.00	0.00	0.00	0.00	0.00	0.00	0.00	0.00
				M3	20.27	0.00	-46.57	-229.29	0.00	-431.30	5.79	0.00	-149.16	1.42	0.00	-136.12
		DISPERSION-L	MAX	S2	33.10	0.00	-75.92	33.10	0.00	62.32	10.29	0.00	-85.33	10.29	0.00	-42.34
				TQ	0.00	0.00	0.00	0.00	0.00	0.00	0.00	0.00	0.00	0.00	0.00	0.00
				M3	-366.17	0.00	840.87	33.10	0.00	62.32	-3.82	0.00	12.31	2.40	0.00	5.71
			MIN	S2	-366.17	0.00	840.87	-366.17	0.00	-688.63	-6.78	0.00	-22.00	-6.78	0.00	-50.32
				TQ	0.00	0.00	0.00	0.00	0.00	0.00	0.00	0.00	0.00	0.00	0.00	0.00
				M3	33.10	0.00	-75.92	-366.17	0.00	-688.64	7.34	0.00	-119.65	1.11	0.00	-98.37
72	4-LANES	TRUCK-LOAD	MAX	S2	29.03	0.00	-66.16	29.03	0.00	55.10	55.82	0.00	-232.77	55.82	0.00	0.40
				TQ	0.00	0.00	0.00	0.00	0.00	0.00	0.00	0.00	0.00	0.00	0.00	0.00
				M3	-337.05	0.00	776.08	29.03	0.00	55.10	-6.11	0.00	42.68	33.16	0.00	91.07
			MIN	S2	-337.05	0.00	776.08	-337.05	0.00	-631.78	-14.56	0.00	-26.88	-14.56	0.00	-87.70
				TQ	0.00	0.00	0.00	0.00	0.00	0.00	0.00	0.00	0.00	0.00	0.00	0.00
				M3	28.90	0.00	-66.40	-337.05	0.00	-631.78	44.18	0.00	-299.00	7.28	0.00	-169.82
		TANDEM-LOAD	MAX	S2	19.88	0.00	-45.25	19.88	0.00	37.81	40.08	0.00	-174.54	40.08	0.00	-7.12
				TQ	0.00	0.00	0.00	0.00	0.00	0.00	0.00	0.00	0.00	0.00	0.00	0.00
				M3	-231.60	0.00	532.97	19.88	0.00	37.81	-4.03	0.00	30.39	23.28	0.00	65.10
			MIN	S2	-231.60	0.00	532.97	-231.60	0.00	-434.41	-10.52	0.00	-17.91	-10.52	0.00	-61.85
				TQ	0.00	0.00	0.00	0.00	0.00	0.00	0.00	0.00	0.00	0.00	0.00	0.00
				M3	19.78	0.00	-45.45	-231.60	0.00	-434.41	30.02	0.00	-218.95	5.88	0.00	-123.14

BAGO RIVER BRIDGE

BLOCK [ No.2 : CROSS BEAM ][ BEAM MEMBER FORCE ]

MEMBER				1001001						1001003							
NODE				1001			2001			1003			2003				
				SHEAR	TORQUE	MOMENT	SHEAR	TORQUE	MOMENT	SHEAR	TORQUE	MOMENT	SHEAR	TORQUE	MOMENT		
NAME	TITLE			S2 (kN)	TQ (kN·m)	M3 (kN·m)	S2 (kN)	TQ (kN·m)	M3 (kN·m)	S2 (kN)	TQ (kN·m)	M3 (kN·m)	S2 (kN)	TQ (kN·m)	M3 (kN·m)		
72	4-LANES	DISPERSION-LMAX	S2	31.00	0.00	-70.77	31.00	0.00	58.70	28.71	0.00	-116.44	28.71	0.00	3.50		
			TQ	0.00	0.00	0.00	0.00	0.00	0.00	0.00	0.00	0.00	0.00	0.00	0.00	0.00	
			M3	-368.36	0.00	847.56	30.99	0.00	58.71	-3.82	0.00	24.19	17.73	0.00	50.06		
		MIN	S2	-368.36	0.00	847.55	-368.36	0.00	-691.09	-8.02	0.00	-8.74	-8.02	0.00	-42.25		
			TQ	0.00	0.00	0.00	0.00	0.00	0.00	0.00	0.00	0.00	0.00	0.00	0.00		
			M3	30.99	0.00	-70.78	-368.36	0.00	-691.10	22.41	0.00	-148.90	3.12	0.00	-90.35		
		73	6-LANES	TRUCK-LOAD MAX	S2	322.05	0.00	-737.82	322.05	0.00	607.38	148.38	0.00	-207.06	148.38	0.00	412.74
					TQ	0.00	0.00	0.00	0.00	0.00	0.00	0.00	0.00	0.00	0.00	0.00	0.00
					M3	-326.53	0.00	751.33	322.01	0.00	607.40	-181.22	0.00	362.12	130.32	0.00	483.36
MIN	S2			-326.53	0.00	751.33	-326.53	0.00	-612.60	-209.91	0.00	268.55	-209.91	0.00	-608.26		
	TQ			0.00	0.00	0.00	0.00	0.00	0.00	0.00	0.00	0.00	0.00	0.00	0.00		
	M3			322.05	0.00	-737.82	-326.53	0.00	-612.60	67.74	0.00	-295.77	-183.53	0.00	-685.32		
TANDEM-LOAD MAX	S2			219.43	0.00	-502.47	219.43	0.00	414.09	112.33	0.00	-154.92	112.33	0.00	314.27		
	TQ			0.00	0.00	0.00	0.00	0.00	0.00	0.00	0.00	0.00	0.00	0.00	0.00		
	M3			-224.38	0.00	516.22	219.43	0.00	414.09	-144.98	0.00	271.15	101.68	0.00	366.49		
MIN	S2	-224.38	0.00	516.22	-224.38	0.00	-421.00	-160.88	0.00	208.52	-160.88	0.00	-463.48				
	TQ	0.00	0.00	0.00	0.00	0.00	0.00	0.00	0.00	0.00	0.00	0.00	0.00				
	M3	219.43	0.00	-502.47	-224.38	0.00	-421.00	85.66	0.00	-217.38	-143.64	0.00	-519.16				
DISPERSION-LMAX	S2	367.94	0.00	-842.65	367.94	0.00	694.22	58.67	0.00	-103.21	58.67	0.00	141.84				
	TQ	0.00	0.00	0.00	0.00	0.00	0.00	0.00	0.00	0.00	0.00	0.00	0.00				
	M3	-368.20	0.00	846.33	367.93	0.00	694.23	-75.23	0.00	165.32	46.98	0.00	185.34				
MIN	S2	-368.21	0.00	846.32	-368.21	0.00	-691.68	-92.30	0.00	114.39	-92.30	0.00	-271.14				
	TQ	0.00	0.00	0.00	0.00	0.00	0.00	0.00	0.00	0.00	0.00	0.00	0.00				
	M3	367.93	0.00	-842.66	-368.20	0.00	-691.69	40.45	0.00	-150.14	-80.79	0.00	-320.83				

BAGO RIVER BRIDGE

BLOCK [ No.2 : CROSS BEAM ][ BEAM MEMBER FORCE ]

MEMBER			1001001			2001			1001003			2003			
NODE			1001			2001			1003			2003			
NAME TITLE			SHEAR	TORQUE	MOMENT	SHEAR	TORQUE	MOMENT	SHEAR	TORQUE	MOMENT	SHEAR	TORQUE	MOMENT	
			S2 (kN)	TQ (kN·m)	M3 (kN·m)	S2 (kN)	TQ (kN·m)	M3 (kN·m)	S2 (kN)	TQ (kN·m)	M3 (kN·m)	S2 (kN)	TQ (kN·m)	M3 (kN·m)	
124	SUM TOTAL	D+1LANE (caseMAX	S2	710.54	0.00	-1610.10	710.54	0.00	1357.84	-158.45	0.00	148.29	-158.45	0.00	-513.57
			TQ	248.16	0.00	-549.21	248.16	0.00	487.34	-159.32	0.00	144.29	-159.32	0.00	-521.21
			M3	201.85	0.00	-443.37	710.54	0.00	1357.84	-474.15	0.00	566.28	-158.48	0.00	-513.32
		MIN	S2	201.85	0.00	-443.37	201.85	0.00	399.78	-476.49	0.00	558.66	-476.49	0.00	-1431.66
			TQ	248.16	0.00	-549.21	248.16	0.00	487.34	-159.32	0.00	144.29	-159.32	0.00	-521.21
			M3	710.54	0.00	-1610.10	201.85	0.00	399.78	-162.36	0.00	131.29	-476.49	0.00	-1431.66
		D+1LANE (caseMAX	S2	417.63	0.00	-936.10	417.63	0.00	808.36	-25.29	0.00	121.13	-25.29	0.00	15.50
			TQ	248.16	0.00	-549.21	248.16	0.00	487.34	-159.32	0.00	144.29	-159.32	0.00	-521.21
			M3	226.43	0.00	-499.66	417.63	0.00	808.36	-159.85	0.00	229.58	-26.29	0.00	18.08
		MIN	S2	226.43	0.00	-499.66	226.43	0.00	446.15	-178.09	0.00	208.03	-178.09	0.00	-535.86
			TQ	248.16	0.00	-549.21	248.16	0.00	487.34	-159.32	0.00	144.29	-159.32	0.00	-521.21
			M3	417.63	0.00	-936.10	226.43	0.00	446.15	-43.15	0.00	110.62	-167.02	0.00	-539.57
		D+1LANE (caseMAX	S2	258.75	0.00	-571.92	258.75	0.00	508.88	-101.39	0.00	21.77	-101.39	0.00	-401.74
			TQ	248.16	0.00	-549.21	248.16	0.00	487.34	-159.32	0.00	144.29	-159.32	0.00	-521.21
			M3	197.63	0.00	-430.20	258.74	0.00	508.90	-162.77	0.00	185.78	-110.63	0.00	-388.78
		MIN	S2	197.57	0.00	-430.32	197.57	0.00	394.91	-167.25	0.00	176.31	-167.25	0.00	-522.29
			TQ	248.16	0.00	-549.21	248.16	0.00	487.34	-159.32	0.00	144.29	-159.32	0.00	-521.21
			M3	258.74	0.00	-571.96	197.57	0.00	394.90	-106.25	0.00	17.24	-163.77	0.00	-532.14
		D+1LANE (caseMAX	S2	285.26	0.00	-634.33	285.26	0.00	557.19	-153.81	0.00	77.85	-153.81	0.00	-564.61
			TQ	248.16	0.00	-549.21	248.16	0.00	487.34	-159.32	0.00	144.29	-159.32	0.00	-521.21
			M3	-125.47	0.00	306.59	285.26	0.00	557.19	-162.01	0.00	158.27	-160.78	0.00	-516.70
		MIN	S2	-125.47	0.00	306.59	-125.47	0.00	-217.49	-172.50	0.00	50.21	-172.50	0.00	-670.31
			TQ	248.16	0.00	-549.21	248.16	0.00	487.34	-159.32	0.00	144.29	-159.32	0.00	-521.21
			M3	285.26	0.00	-634.33	-125.47	0.00	-217.49	-164.79	0.00	5.46	-169.73	0.00	-691.37

BAGO RIVER BRIDGE

BLOCK [ No.2 : CROSS BEAM ][ BEAM MEMBER FORCE ]

MEMBER			1001001						1001003						
NODE			1001			2001			1003			2003			
NAME TITLE			SHEAR	TORQUE	MOMENT	SHEAR	TORQUE	MOMENT	SHEAR	TORQUE	MOMENT	SHEAR	TORQUE	MOMENT	
			S2 (kN)	TQ (kN·m)	M3 (kN·m)	S2 (kN)	TQ (kN·m)	M3 (kN·m)	S2 (kN)	TQ (kN·m)	M3 (kN·m)	S2 (kN)	TQ (kN·m)	M3 (kN·m)	
124	SUM TOTAL	D+2LANES (casMAX	S2	890.12	0.00	-2021.72	890.12	0.00	1696.31	-154.79	0.00	156.04	-154.79	0.00	-490.52
			TQ	248.16	0.00	-549.21	248.16	0.00	487.34	-159.32	0.00	144.29	-159.32	0.00	-521.21
			M3	181.19	0.00	-396.18	890.12	0.00	1696.31	-464.76	0.00	658.49	-155.81	0.00	-487.33
		MIN	S2	181.19	0.00	-396.18	181.19	0.00	360.65	-471.39	0.00	642.18	-471.39	0.00	-1326.80
			TQ	248.16	0.00	-549.21	248.16	0.00	487.34	-159.32	0.00	144.29	-159.32	0.00	-521.21
			M3	890.12	0.00	-2021.72	181.19	0.00	360.65	-163.39	0.00	128.08	-461.46	0.00	-1349.30
		D+2LANES (casMAX	S2	646.03	0.00	-1460.05	646.03	0.00	1238.40	-43.82	0.00	133.41	-43.82	0.00	-49.62
			TQ	248.16	0.00	-549.21	248.16	0.00	487.34	-159.32	0.00	144.29	-159.32	0.00	-521.21
			M3	201.67	0.00	-443.09	646.03	0.00	1238.40	-202.84	0.00	377.90	-45.64	0.00	-44.50
		MIN	S2	201.67	0.00	-443.09	201.67	0.00	399.30	-222.72	0.00	349.99	-222.72	0.00	-580.31
			TQ	248.16	0.00	-549.21	248.16	0.00	487.34	-159.32	0.00	144.29	-159.32	0.00	-521.21
			M3	646.03	0.00	-1460.05	201.67	0.00	399.30	-64.04	0.00	110.86	-203.57	0.00	-605.89
		D+2LANES (casMAX	S2	266.20	0.00	-589.36	266.20	0.00	522.57	-82.68	0.00	-68.50	-82.68	0.00	-413.87
			TQ	248.16	0.00	-549.21	248.16	0.00	487.34	-159.32	0.00	144.29	-159.32	0.00	-521.21
			M3	98.95	0.00	-201.09	266.20	0.00	522.59	-166.27	0.00	196.61	-100.90	0.00	-363.54
		MIN	S2	98.90	0.00	-201.19	98.90	0.00	211.93	-170.73	0.00	187.62	-170.73	0.00	-525.52
			TQ	248.16	0.00	-549.21	248.16	0.00	487.34	-159.32	0.00	144.29	-159.32	0.00	-521.21
			M3	266.20	0.00	-589.39	98.91	0.00	211.92	-88.04	0.00	-78.03	-148.41	0.00	-557.68
		D+2LANES (casMAX	S2	299.91	0.00	-667.98	299.91	0.00	584.76	-148.09	0.00	4.77	-148.09	0.00	-613.80
			TQ	248.16	0.00	-549.21	248.16	0.00	487.34	-159.32	0.00	144.29	-159.32	0.00	-521.21
			M3	-296.21	0.00	698.92	299.91	0.00	584.76	-164.00	0.00	165.59	-159.69	0.00	-515.67
		MIN	S2	-296.21	0.00	698.92	-296.21	0.00	-538.34	-173.05	0.00	67.37	-173.05	0.00	-655.46
			TQ	248.16	0.00	-549.21	248.16	0.00	487.34	-159.32	0.00	144.29	-159.32	0.00	-521.21
			M3	299.91	0.00	-667.98	-296.21	0.00	-538.34	-159.71	0.00	-78.29	-165.95	0.00	-755.56

BAGO RIVER BRIDGE

BLOCK [ No.2 : CROSS BEAM ][ BEAM MEMBER FORCE ]

MEMBER			1001001			2001			1001003			2003				
NODE			1001			2001			1003			2003				
NAME TITLE			SHEAR	TORQUE	MOMENT	SHEAR	TORQUE	MOMENT	SHEAR	TORQUE	MOMENT	SHEAR	TORQUE	MOMENT		
			S2 (kN)	TQ (kN·m)	M3 (kN·m)	S2 (kN)	TQ (kN·m)	M3 (kN·m)	S2 (kN)	TQ (kN·m)	M3 (kN·m)	S2 (kN)	TQ (kN·m)	M3 (kN·m)		
124	SUM TOTAL	D+3LANES (casMAX	S2	913.87	0.00	-2074.89	913.87	0.00	1742.35	-60.53	0.00	137.87	-60.53	0.00	-114.95	
			TQ	248.16	0.00	-549.21	248.16	0.00	487.34	-159.32	0.00	144.29	-159.32	0.00	-521.21	
			M3	175.85	0.00	-384.03	913.87	0.00	1742.35	-419.31	0.00	641.77	-62.10	0.00	-110.42	
		MIN	S2	175.85	0.00	-384.03	175.85	0.00	350.48	-437.87	0.00	612.65	-437.87	0.00	-1216.34	
			TQ	248.16	0.00	-549.21	248.16	0.00	487.34	-159.32	0.00	144.29	-159.32	0.00	-521.21	
			M3	913.87	0.00	-2074.89	175.85	0.00	350.48	-80.49	0.00	106.66	-421.60	0.00	-1238.09	
		D+3LANES (casMAX	S2	279.89	0.00	-620.98	279.89	0.00	548.11	-80.17	0.00	-120.16	-80.17	0.00	-455.02	
			TQ	248.16	0.00	-549.21	248.16	0.00	487.34	-159.32	0.00	144.29	-159.32	0.00	-521.21	
			M3	-30.67	0.00	96.76	279.88	0.00	548.12	-167.59	0.00	196.85	-107.91	0.00	-385.02	
		MIN	S2	-30.72	0.00	96.67	-30.72	0.00	-31.62	-171.53	0.00	188.19	-171.53	0.00	-528.30	
			TQ	248.16	0.00	-549.21	248.16	0.00	487.34	-159.32	0.00	144.29	-159.32	0.00	-521.21	
			M3	279.88	0.00	-621.01	-30.71	0.00	-31.63	-85.72	0.00	-138.92	-141.11	0.00	-596.98	
		D+3LANES (casMAX	S2	301.47	0.00	-671.60	301.47	0.00	587.65	-135.22	0.00	-55.12	-135.22	0.00	-619.94	
			TQ	248.16	0.00	-549.21	248.16	0.00	487.34	-159.32	0.00	144.29	-159.32	0.00	-521.21	
			M3	-348.66	0.00	821.15	301.47	0.00	587.65	-166.26	0.00	170.53	-150.96	0.00	-509.48	
		MIN	S2	-348.66	0.00	821.15	-348.66	0.00	-635.21	-174.07	0.00	86.65	-174.07	0.00	-640.45	
			TQ	248.16	0.00	-549.21	248.16	0.00	487.34	-159.32	0.00	144.29	-159.32	0.00	-521.21	
			M3	301.47	0.00	-671.60	-348.66	0.00	-635.21	-146.57	0.00	-136.68	-157.01	0.00	-764.98	
		D+4LANES	MAX	S2	287.17	0.00	-638.21	287.17	0.00	561.31	-104.37	0.00	-82.70	-104.37	0.00	-518.67
			TQ	248.16	0.00	-549.21	248.16	0.00	487.34	-159.32	0.00	144.29	-159.32	0.00	-521.21	
			M3	-210.36	0.00	506.16	287.17	0.00	561.32	-165.78	0.00	187.75	-126.24	0.00	-429.47	
		MIN	S2	-210.36	0.00	506.15	-210.36	0.00	-372.52	-174.00	0.00	121.13	-174.00	0.00	-605.67	
			TQ	248.16	0.00	-549.21	248.16	0.00	487.34	-159.32	0.00	144.29	-159.32	0.00	-521.21	
			M3	287.09	0.00	-638.37	-210.36	0.00	-372.53	-116.04	0.00	-146.85	-152.56	0.00	-690.32	

BAGO RIVER BRIDGE

BLOCK [ No.2 : CROSS BEAM ][ BEAM MEMBER FORCE ]

MEMBER				1001001			2001			1001003			2003			
NODE				1001			2001			1003			2003			
NAME TITLE				SHEAR	TORQUE	MOMENT	SHEAR	TORQUE	MOMENT	SHEAR	TORQUE	MOMENT	SHEAR	TORQUE	MOMENT	
				S2 (kN)	TQ (kN·m)	M3 (kN·m)	S2 (kN)	TQ (kN·m)	M3 (kN·m)	S2 (kN)	TQ (kN·m)	M3 (kN·m)	S2 (kN)	TQ (kN·m)	M3 (kN·m)	
124	SUM TOTAL	D+6LANES	MAX	S2	696.65	0.00	-1576.51	696.65	0.00	1333.38	-24.74	0.00	-57.38	-24.74	0.00	-160.72
				TQ	248.16	0.00	-549.21	248.16	0.00	487.34	-159.32	0.00	144.29	-159.32	0.00	-521.21
				M3	-203.42	0.00	489.27	696.62	0.00	1333.40	-326.02	0.00	487.12	-44.08	0.00	-86.55
			MIN	S2	-203.43	0.00	489.26	-203.43	0.00	-360.44	-355.76	0.00	393.20	-355.76	0.00	-1092.82
				TQ	248.16	0.00	-549.21	248.16	0.00	487.34	-159.32	0.00	144.29	-159.32	0.00	-521.21
				M3	696.64	0.00	-1576.52	-203.42	0.00	-360.45	-89.00	0.00	-145.55	-331.13	0.00	-1175.20
	SUM TOTAL		MAX		913.87	0.00	821.15	913.87	0.00	1742.35	-24.74	0.00	658.49	-24.74	0.00	18.08
			MIN		-348.66	0.00	-2074.89	-348.66	0.00	-635.21	-476.49	0.00	-146.85	-476.49	0.00	-1431.66
300	DEAD LOAD	TOTAL			248.16	0.00	-549.21	248.16	0.00	487.34	-159.32	0.00	144.29	-159.32	0.00	-521.21
301	LIVE LOAD	1-LANE(case1MAX	S2	462.39	0.00	-1060.89	462.39	0.00	870.50	0.87	0.00	4.00	0.87	0.00	7.64	
			TQ	0.00	0.00	0.00	0.00	0.00	0.00	0.00	0.00	0.00	0.00	0.00	0.00	
			M3	-46.30	0.00	105.84	462.39	0.00	870.50	-314.83	0.00	422.00	0.84	0.00	7.89	
			MIN	S2	-46.30	0.00	105.84	-46.30	0.00	-87.56	-317.17	0.00	414.37	-317.17	0.00	-910.45
				TQ	0.00	0.00	0.00	0.00	0.00	0.00	0.00	0.00	0.00	0.00	0.00	0.00
				M3	462.39	0.00	-1060.89	-46.30	0.00	-87.56	-3.04	0.00	-13.00	-317.17	0.00	-910.45
		1-LANE(case2MAX	S2	169.48	0.00	-386.89	169.48	0.00	321.02	134.04	0.00	-23.16	134.04	0.00	536.71	
			TQ	0.00	0.00	0.00	0.00	0.00	0.00	0.00	0.00	0.00	0.00	0.00	0.00	
			M3	-21.72	0.00	49.55	169.48	0.00	321.02	-0.53	0.00	85.29	133.04	0.00	539.28	
			MIN	S2	-21.72	0.00	49.55	-21.72	0.00	-41.19	-18.77	0.00	63.74	-18.77	0.00	-14.65
				TQ	0.00	0.00	0.00	0.00	0.00	0.00	0.00	0.00	0.00	0.00	0.00	0.00
				M3	169.48	0.00	-386.89	-21.72	0.00	-41.19	116.18	0.00	-33.67	-7.70	0.00	-18.36
		1-LANE(case3MAX	S2	10.60	0.00	-22.72	10.60	0.00	21.54	57.93	0.00	-122.52	57.93	0.00	119.46	
			TQ	0.00	0.00	0.00	0.00	0.00	0.00	0.00	0.00	0.00	0.00	0.00	0.00	
			M3	-50.53	0.00	119.00	10.59	0.00	21.55	-3.45	0.00	41.50	48.69	0.00	132.42	
			MIN	S2	-50.59	0.00	118.88	-50.59	0.00	-92.43	-7.93	0.00	32.03	-7.93	0.00	-1.08
				TQ	0.00	0.00	0.00	0.00	0.00	0.00	0.00	0.00	0.00	0.00	0.00	0.00
				M3	10.59	0.00	-22.75	-50.58	0.00	-92.45	53.08	0.00	-127.04	-4.45	0.00	-10.94

BAGO RIVER BRIDGE

BLOCK [ No.2 : CROSS BEAM ][ BEAM MEMBER FORCE ]

MEMBER			1001001						1001003							
NODE			1001			2001			1003			2003				
NAME TITLE			SHEAR	TORQUE	MOMENT	SHEAR	TORQUE	MOMENT	SHEAR	TORQUE	MOMENT	SHEAR	TORQUE	MOMENT		
			S2 (kN)	TQ (kN·m)	M3 (kN·m)	S2 (kN)	TQ (kN·m)	M3 (kN·m)	S2 (kN)	TQ (kN·m)	M3 (kN·m)	S2 (kN)	TQ (kN·m)	M3 (kN·m)		
301	LIVE LOAD	1-LANE (case4MAX	S2	37.10	0.00	-85.12	37.10	0.00	69.85	5.51	0.00	-66.44	5.51	0.00	-43.41	
			TQ	0.00	0.00	0.00	0.00	0.00	0.00	0.00	0.00	0.00	0.00	0.00	0.00	0.00
			M3	-373.62	0.00	855.79	37.10	0.00	69.85	-2.68	0.00	13.98	-1.46	0.00	0.00	4.51
			MIN S2	-373.62	0.00	855.79	-373.62	0.00	-704.83	-13.17	0.00	-94.08	-13.17	0.00	0.00	-149.11
			TQ	0.00	0.00	0.00	0.00	0.00	0.00	0.00	0.00	0.00	0.00	0.00	0.00	0.00
			M3	37.10	0.00	-85.12	-373.62	0.00	-704.83	-5.47	0.00	-138.83	-10.41	0.00	0.00	-170.16
		2-LANES (caseMAX	S2	641.96	0.00	-1472.51	641.96	0.00	1208.97	4.53	0.00	11.75	4.53	0.00	0.00	30.69
			TQ	0.00	0.00	0.00	0.00	0.00	0.00	0.00	0.00	0.00	0.00	0.00	0.00	0.00
			M3	-66.97	0.00	153.03	641.96	0.00	1208.97	-305.43	0.00	514.20	3.52	0.00	0.00	33.88
			MIN S2	-66.97	0.00	153.03	-66.97	0.00	-126.69	-312.06	0.00	497.89	-312.06	0.00	0.00	-805.60
			TQ	0.00	0.00	0.00	0.00	0.00	0.00	0.00	0.00	0.00	0.00	0.00	0.00	0.00
			M3	641.96	0.00	-1472.51	-66.97	0.00	-126.69	-4.07	0.00	-16.21	-302.14	0.00	0.00	-828.09
		2-LANES (caseMAX	S2	397.87	0.00	-910.85	397.87	0.00	751.06	115.50	0.00	-10.88	115.50	0.00	0.00	471.58
			TQ	0.00	0.00	0.00	0.00	0.00	0.00	0.00	0.00	0.00	0.00	0.00	0.00	0.00
			M3	-46.48	0.00	106.12	397.87	0.00	751.06	-43.52	0.00	233.61	113.68	0.00	0.00	476.70
			MIN S2	-46.48	0.00	106.12	-46.48	0.00	-88.04	-63.40	0.00	205.70	-63.40	0.00	0.00	-59.10
			TQ	0.00	0.00	0.00	0.00	0.00	0.00	0.00	0.00	0.00	0.00	0.00	0.00	0.00
			M3	397.87	0.00	-910.85	-46.48	0.00	-88.04	95.28	0.00	-33.43	-44.25	0.00	0.00	-84.68
		2-LANES (caseMAX	S2	18.05	0.00	-40.15	18.05	0.00	35.23	76.64	0.00	-212.79	76.64	0.00	0.00	107.34
			TQ	0.00	0.00	0.00	0.00	0.00	0.00	0.00	0.00	0.00	0.00	0.00	0.00	0.00
			M3	-149.20	0.00	348.12	18.04	0.00	35.25	-6.95	0.00	52.32	58.42	0.00	0.00	157.66
MIN S2	-149.25		0.00	348.02	-149.25	0.00	-275.41	-11.40	0.00	43.33	-11.40	0.00	0.00	-4.31		
TQ	0.00		0.00	0.00	0.00	0.00	0.00	0.00	0.00	0.00	0.00	0.00	0.00	0.00		
M3	18.04		0.00	-40.18	-149.25	0.00	-275.43	71.29	0.00	-222.32	10.91	0.00	0.00	-36.47		



BAGO RIVER BRIDGE

BLOCK [ No.2 : CROSS BEAM ][ BEAM MEMBER FORCE ]

MEMBER			1001001						1001003							
NODE			1001			2001			1003			2003				
NAME TITLE			SHEAR	TORQUE	MOMENT	SHEAR	TORQUE	MOMENT	SHEAR	TORQUE	MOMENT	SHEAR	TORQUE	MOMENT		
			S2 (kN)	TQ (kN·m)	M3 (kN·m)	S2 (kN)	TQ (kN·m)	M3 (kN·m)	S2 (kN)	TQ (kN·m)	M3 (kN·m)	S2 (kN)	TQ (kN·m)	M3 (kN·m)		
301	LIVE LOAD	2-LANES (caseMAX	S2	51.76	0.00	-118.77	51.76	0.00	97.42	11.23	0.00	-139.52	11.23	0.00	-92.59	
			TQ	0.00	0.00	0.00	0.00	0.00	0.00	0.00	0.00	0.00	0.00	0.00	0.00	
			M3	-544.36	0.00	1248.13	51.76	0.00	97.42	-4.68	0.00	21.31	-0.37	0.00	0.00	5.53
			MIN S2	-544.36	0.00	1248.13	-544.36	0.00	-1025.68	-13.73	0.00	-76.91	-13.73	0.00	0.00	-134.26
			TQ	0.00	0.00	0.00	0.00	0.00	0.00	0.00	0.00	0.00	0.00	0.00	0.00	0.00
			M3	51.76	0.00	-118.77	-544.36	0.00	-1025.68	-0.39	0.00	-222.58	-6.63	0.00	0.00	-234.36
		3-LANES (caseMAX	S2	665.71	0.00	-1525.68	665.71	0.00	1255.01	98.80	0.00	-6.42	98.80	0.00	0.00	406.25
			TQ	0.00	0.00	0.00	0.00	0.00	0.00	0.00	0.00	0.00	0.00	0.00	0.00	0.00
			M3	-72.31	0.00	165.17	665.71	0.00	1255.01	-259.99	0.00	497.48	97.23	0.00	0.00	410.79
			MIN S2	-72.31	0.00	165.17	-72.31	0.00	-136.86	-278.55	0.00	468.36	-278.55	0.00	0.00	-695.14
			TQ	0.00	0.00	0.00	0.00	0.00	0.00	0.00	0.00	0.00	0.00	0.00	0.00	0.00
			M3	665.71	0.00	-1525.68	-72.31	0.00	-136.86	78.84	0.00	-37.63	-262.27	0.00	0.00	-716.88
		3-LANES (caseMAX	S2	31.73	0.00	-71.78	31.73	0.00	60.77	79.16	0.00	-264.45	79.16	0.00	0.00	66.19
			TQ	0.00	0.00	0.00	0.00	0.00	0.00	0.00	0.00	0.00	0.00	0.00	0.00	0.00
			M3	-278.83	0.00	645.97	31.73	0.00	60.78	-8.27	0.00	52.56	51.41	0.00	0.00	136.19
			MIN S2	-278.87	0.00	645.88	-278.87	0.00	-518.96	-12.21	0.00	43.91	-12.21	0.00	0.00	-7.10
			TQ	0.00	0.00	0.00	0.00	0.00	0.00	0.00	0.00	0.00	0.00	0.00	0.00	0.00
			M3	31.73	0.00	-71.80	-278.87	0.00	-518.98	73.61	0.00	-283.21	18.21	0.00	0.00	-75.77
		3-LANES (caseMAX	S2	53.32	0.00	-122.39	53.32	0.00	100.31	24.10	0.00	-199.41	24.10	0.00	0.00	-98.73
			TQ	0.00	0.00	0.00	0.00	0.00	0.00	0.00	0.00	0.00	0.00	0.00	0.00	0.00
			M3	-596.82	0.00	1370.36	53.32	0.00	100.31	-6.94	0.00	26.25	8.37	0.00	0.00	11.72
MIN S2	-596.82		0.00	1370.36	-596.82	0.00	-1122.55	-14.75	0.00	-57.64	-14.75	0.00	0.00	-119.25		
TQ	0.00		0.00	0.00	0.00	0.00	0.00	0.00	0.00	0.00	0.00	0.00	0.00	0.00		
M3	53.32		0.00	-122.39	-596.82	0.00	-1122.55	12.75	0.00	-280.97	2.31	0.00	0.00	-243.77		

BAGO RIVER BRIDGE

BLOCK [ No.2 : CROSS BEAM ][ BEAM MEMBER FORCE ]

MEMBER					1001001			1001003			1001003			2003		
NODE					1001			2001			1003			2003		
NAME TITLE					SHEAR	TORQUE	MOMENT	SHEAR	TORQUE	MOMENT	SHEAR	TORQUE	MOMENT	SHEAR	TORQUE	MOMENT
					S2 (kN)	TQ (kN·m)	M3 (kN·m)	S2 (kN)	TQ (kN·m)	M3 (kN·m)	S2 (kN)	TQ (kN·m)	M3 (kN·m)	S2 (kN)	TQ (kN·m)	M3 (kN·m)
301	LIVE LOAD	4-LANES	MAX	S2	39.02	0.00	-89.00	39.02	0.00	73.97	54.95	0.00	-226.99	54.95	0.00	2.54
				TQ	0.00	0.00	0.00	0.00	0.00	0.00	0.00	0.00	0.00	0.00	0.00	0.00
				M3	-458.51	0.00	1055.37	39.01	0.00	73.98	-6.45	0.00	43.47	33.08	0.00	91.74
			MIN	S2	-458.52	0.00	1055.36	-458.52	0.00	-859.86	-14.68	0.00	-23.15	-14.68	0.00	-84.47
				TQ	0.00	0.00	0.00	0.00	0.00	0.00	0.00	0.00	0.00	0.00	0.00	0.00
				M3	38.93	0.00	-89.17	-458.51	0.00	-859.87	43.29	0.00	-291.14	6.76	0.00	-169.11
		6-LANES	MAX	S2	448.49	0.00	-1027.30	448.49	0.00	846.04	134.58	0.00	-201.67	134.58	0.00	360.48
				TQ	0.00	0.00	0.00	0.00	0.00	0.00	0.00	0.00	0.00	0.00	0.00	0.00
				M3	-451.58	0.00	1038.48	448.46	0.00	846.06	-166.69	0.00	342.83	115.25	0.00	434.65
			MIN	S2	-451.58	0.00	1038.47	-451.58	0.00	-847.78	-196.44	0.00	248.91	-196.44	0.00	-571.61
				TQ	0.00	0.00	0.00	0.00	0.00	0.00	0.00	0.00	0.00	0.00	0.00	0.00
				M3	448.49	0.00	-1027.31	-451.58	0.00	-847.79	70.32	0.00	-289.84	-171.81	0.00	-654.00
		LIVE LOAD	MAX		665.71	0.00	1370.36	665.71	0.00	1255.01	134.58	0.00	514.20	134.58	0.00	539.28
			MIN		-596.82	0.00	-1525.68	-596.82	0.00	-1122.55	-317.17	0.00	-291.14	-317.17	0.00	-910.45
303	SUM TOTAL	TOTAL	MAX		913.87	0.00	821.15	913.87	0.00	1742.35	-24.74	0.00	658.49	-24.74	0.00	18.08
			MIN		-348.66	0.00	-2074.89	-348.66	0.00	-635.21	-476.49	0.00	-146.85	-476.49	0.00	-1431.66

BAGO RIVER BRIDGE

BLOCK [ No.2 : CROSS BEAM ][ BEAM MEMBER FORCE ]

MEMBER NODE	1001005 1005	2005			1001007 1007			2007							
		SHEAR S2 (kN)	TORQUE TQ (kN·m)	MOMENT M3 (kN·m)	SHEAR S2 (kN)	TORQUE TQ (kN·m)	MOMENT M3 (kN·m)	SHEAR S2 (kN)	TORQUE TQ (kN·m)	MOMENT M3 (kN·m)					
1 PAVEMENT	6.03	0.00	-42.42	6.03	0.00	-17.22	-7.83	0.00	-23.39	-7.83	0.00	-56.11			
3 RAILING	-5.73	0.00	1.31	-5.73	0.00	-22.60	-5.99	0.00	0.43	-5.99	0.00	-24.60			
5 CURB	-56.69	0.00	13.00	-56.69	0.00	-223.78	-59.34	0.00	4.28	-59.34	0.00	-243.57			
7 DECK WEIGHT	1.73	0.00	-49.75	1.73	0.00	-42.52	-20.45	0.00	-19.19	-20.45	0.00	-104.60			
8 GIRDER WEIGH	15.64	0.00	64.16	15.64	0.00	129.49	-15.83	0.00	121.32	-15.83	0.00	55.19			
10 MEDIAN STRIP	35.17	0.00	16.63	35.17	0.00	163.54	28.38	0.00	38.71	28.38	0.00	157.25			
21 ADITIONAL WE	0.48	0.00	-13.93	0.48	0.00	-11.91	-5.73	0.00	-5.37	-5.73	0.00	-29.29			
31 MEDIAN RAILI	2.84	0.00	1.34	2.84	0.00	13.18	2.30	0.00	3.09	2.30	0.00	12.69			
51 SUPPORT WEIG	0.00	0.00	0.00	0.00	0.00	0.00	-0.00	0.00	0.00	-0.00	0.00	-0.00			
52 NOSE WEIGHT	0.16	0.00	-0.01	0.16	0.00	0.66	0.06	0.00	0.46	0.06	0.00	0.71			
61 1-LANE(case1TRUCK-LOAD	MAX	S2	0.57	0.00	6.99	0.57	0.00	9.36	0.96	0.00	-5.93	0.96	0.00	-1.92	
		TQ	0.00	0.00	0.00	0.00	0.00	0.00	0.00	0.00	0.00	0.00	0.00	0.00	
		M3	-184.70	0.00	279.98	-0.41	0.00	13.95	-192.31	0.00	296.69	-2.65	0.00	4.25	
	MIN	S2	-185.69	0.00	279.15	-185.69	0.00	-496.49	-192.53	0.00	296.25	-192.53	0.00	-507.97	
		TQ	0.00	0.00	0.00	0.00	0.00	0.00	0.00	0.00	0.00	0.00	0.00	0.00	
		M3	-0.35	0.00	-1.45	-185.69	0.00	-496.49	0.96	0.00	-5.93	-192.53	0.00	-507.97	
	TANDEM-LOAD	MAX	S2	0.41	0.00	5.03	0.41	0.00	6.76	0.66	0.00	-4.05	0.66	0.00	-1.31
		TQ	0.00	0.00	0.00	0.00	0.00	0.00	0.00	0.00	0.00	0.00	0.00	0.00	
		M3	-140.84	0.00	210.33	-2.61	0.00	9.76	-145.64	0.00	221.30	-1.47	0.00	3.17	
	MIN	S2	-141.12	0.00	210.10	-141.12	0.00	-379.35	-145.71	0.00	221.18	-145.71	0.00	-387.43	
		TQ	0.00	0.00	0.00	0.00	0.00	0.00	0.00	0.00	0.00	0.00	0.00	0.00	
		M3	-0.24	0.00	-0.98	-141.12	0.00	-379.35	0.66	0.00	-4.05	-145.71	0.00	-387.43	
DISPERSION-LMAX	S2	0.51	0.00	3.82	0.51	0.00	5.94	1.09	0.00	-6.76	1.09	0.00	-2.23		
	TQ	0.00	0.00	0.00	0.00	0.00	0.00	0.00	0.00	0.00	0.00	0.00	0.00		
	M3	-75.17	0.00	135.35	-0.96	0.00	11.56	-86.24	0.00	159.35	-2.14	0.00	2.41		
MIN	S2	-76.11	0.00	129.90	-76.11	0.00	-188.01	-86.24	0.00	159.35	-86.24	0.00	-200.88		
	TQ	0.00	0.00	0.00	0.00	0.00	0.00	0.00	0.00	0.00	0.00	0.00	0.00		
	M3	-0.43	0.00	-1.63	-74.64	0.00	-193.64	1.09	0.00	-6.76	-83.01	0.00	-205.52		

BAGO RIVER BRIDGE

BLOCK [ No.2 : CROSS BEAM ][ BEAM MEMBER FORCE ]

MEMBER				1001005						1001007						
NODE				1005			2005			1007			2007			
NAME TITLE				SHEAR	TORQUE	MOMENT	SHEAR	TORQUE	MOMENT	SHEAR	TORQUE	MOMENT	SHEAR	TORQUE	MOMENT	
				S2 (kN)	TQ (kN·m)	M3 (kN·m)	S2 (kN)	TQ (kN·m)	M3 (kN·m)	S2 (kN)	TQ (kN·m)	M3 (kN·m)	S2 (kN)	TQ (kN·m)	M3 (kN·m)	
62	1-LANE (case2TRUCK-LOAD	MAX	S2	86.17	0.00	14.04	86.17	0.00	373.99	79.06	0.00	29.97	79.06	0.00	360.21	
			TQ	0.00	0.00	0.00	0.00	0.00	0.00	0.00	0.00	0.00	0.00	0.00	0.00	0.00
			M3	0.83	0.00	62.58	86.17	0.00	373.99	-3.66	0.00	70.09	79.06	0.00	0.00	360.21
		MIN	S2	-6.17	0.00	49.76	-6.17	0.00	23.98	-10.11	0.00	55.37	-10.11	0.00	0.00	13.14
			TQ	0.00	0.00	0.00	0.00	0.00	0.00	0.00	0.00	0.00	0.00	0.00	0.00	0.00
			M3	-0.33	0.00	-0.69	-0.34	0.00	-2.12	0.52	0.00	-3.35	0.51	0.00	0.00	-1.19
		TANDEM-LOAD MAX	S2	67.16	0.00	3.96	67.16	0.00	284.47	62.34	0.00	14.15	62.34	0.00	0.00	274.54
			TQ	0.00	0.00	0.00	0.00	0.00	0.00	0.00	0.00	0.00	0.00	0.00	0.00	0.00
			M3	5.24	0.00	44.60	67.16	0.00	284.47	2.09	0.00	50.23	62.34	0.00	0.00	274.54
		MIN	S2	-5.59	0.00	40.64	-5.59	0.00	17.28	-8.55	0.00	45.13	-8.55	0.00	0.00	9.42
			TQ	0.00	0.00	0.00	0.00	0.00	0.00	0.00	0.00	0.00	0.00	0.00	0.00	0.00
			M3	-0.23	0.00	-0.47	-0.24	0.00	-1.44	0.35	0.00	-2.28	0.35	0.00	0.00	-0.81
		DISPERSION-LMAX	S2	30.05	0.00	22.18	30.05	0.00	147.70	26.86	0.00	21.58	26.86	0.00	0.00	133.76
			TQ	0.00	0.00	0.00	0.00	0.00	0.00	0.00	0.00	0.00	0.00	0.00	0.00	0.00
			M3	22.96	0.00	44.88	28.23	0.00	161.48	19.39	0.00	66.28	20.51	0.00	0.00	151.90
MIN	S2	-2.43	0.00	21.39	-2.43	0.00	11.26	-5.74	0.00	40.74	-5.74	0.00	0.00	16.75		
	TQ	0.00	0.00	0.00	0.00	0.00	0.00	0.00	0.00	0.00	0.00	0.00	0.00	0.00		
	M3	4.67	0.00	-1.31	-0.60	0.00	-2.51	1.72	0.00	-3.96	0.60	0.00	0.00	-1.39		
63	1-LANE (case3TRUCK-LOAD	MAX	S2	43.33	0.00	-68.50	43.33	0.00	112.49	38.38	0.00	-56.59	38.38	0.00	103.70	
			TQ	0.00	0.00	0.00	0.00	0.00	0.00	0.00	0.00	0.00	0.00	0.00	0.00	
			M3	3.09	0.00	18.48	43.33	0.00	112.49	5.37	0.00	22.23	38.38	0.00	0.00	103.70
		MIN	S2	-0.33	0.00	-0.12	-0.33	0.00	-1.52	-1.78	0.00	14.39	-1.78	0.00	0.00	6.95
			TQ	0.00	0.00	0.00	0.00	0.00	0.00	0.00	0.00	0.00	0.00	0.00	0.00	0.00
			M3	43.33	0.00	-68.50	-0.33	0.00	-1.52	38.24	0.00	-56.96	0.18	0.00	0.00	-0.65

BAGO RIVER BRIDGE

BLOCK [ No.2 : CROSS BEAM ][ BEAM MEMBER FORCE ]

MEMBER NODE	1001005 1005	2005			1001007 1007			2007							
		SHEAR	TORQUE	MOMENT	SHEAR	TORQUE	MOMENT	SHEAR	TORQUE	MOMENT					
		S2 (kN)	TQ (kN·m)	M3 (kN·m)	S2 (kN)	TQ (kN·m)	M3 (kN·m)	S2 (kN)	TQ (kN·m)	M3 (kN·m)					
63	1-LANE (case3TANDEM-LOAD	MAX	S2	30.84	0.00	-52.11	30.84	0.00	76.71	27.51	0.00	-44.38	27.51	0.00	70.53
			TQ	0.00	0.00	0.00	0.00	0.00	0.00	0.00	0.00	0.00	0.00	0.00	0.00
			M3	2.20	0.00	13.56	30.84	0.00	76.71	2.27	0.00	16.23	27.51	0.00	70.53
		MIN	S2	-0.27	0.00	6.46	-0.27	0.00	5.33	-1.26	0.00	11.92	-1.26	0.00	6.64
			TQ	0.00	0.00	0.00	0.00	0.00	0.00	0.00	0.00	0.00	0.00	0.00	0.00
			M3	30.84	0.00	-52.11	-0.23	0.00	-1.03	27.47	0.00	-44.49	0.12	0.00	-0.44
	DISPERSION-LMAX		S2	24.62	0.00	-20.00	24.62	0.00	82.85	21.33	0.00	-11.39	21.33	0.00	77.70
			TQ	0.00	0.00	0.00	0.00	0.00	0.00	0.00	0.00	0.00	0.00	0.00	0.00
			M3	3.20	0.00	8.64	24.56	0.00	85.20	3.76	0.00	17.95	20.28	0.00	82.98
		MIN	S2	-0.46	0.00	2.50	-0.46	0.00	0.56	-0.82	0.00	7.96	-0.82	0.00	4.53
			TQ	0.00	0.00	0.00	0.00	0.00	0.00	0.00	0.00	0.00	0.00	0.00	0.00
			M3	20.96	0.00	-26.15	-0.39	0.00	-1.79	16.75	0.00	-21.38	0.22	0.00	-0.75
64	1-LANE (case4TRUCK-LOAD	MAX	S2	9.44	0.00	-95.93	9.44	0.00	-56.52	10.77	0.00	-96.93	10.77	0.00	-51.93
			TQ	0.00	0.00	0.00	0.00	0.00	0.00	0.00	0.00	0.00	0.00	0.00	0.00
			M3	-0.28	0.00	1.13	0.14	0.00	0.63	-0.62	0.00	3.18	-0.61	0.00	0.61
		MIN	S2	-0.31	0.00	0.99	-0.31	0.00	-0.30	-0.62	0.00	3.18	-0.62	0.00	0.61
			TQ	0.00	0.00	0.00	0.00	0.00	0.00	0.00	0.00	0.00	0.00	0.00	0.00
			M3	2.75	0.00	-139.34	1.92	0.00	-130.36	5.13	0.00	-154.80	5.13	0.00	-133.38
	TANDEM-LOAD	MAX	S2	6.63	0.00	-61.80	6.63	0.00	-34.11	7.49	0.00	-62.03	7.49	0.00	-30.75
			TQ	0.00	0.00	0.00	0.00	0.00	0.00	0.00	0.00	0.00	0.00	0.00	0.00
			M3	-0.19	0.00	0.77	0.10	0.00	0.43	-0.42	0.00	2.18	-0.42	0.00	0.42
		MIN	S2	-0.21	0.00	0.69	-0.21	0.00	-0.20	-0.42	0.00	2.18	-0.42	0.00	0.42
			TQ	0.00	0.00	0.00	0.00	0.00	0.00	0.00	0.00	0.00	0.00	0.00	0.00
			M3	2.12	0.00	-95.36	0.88	0.00	-90.37	3.27	0.00	-105.72	3.27	0.00	-92.07

BAGO RIVER BRIDGE

BLOCK [ No.2 : CROSS BEAM ][ BEAM MEMBER FORCE ]

MEMBER NODE	1001005 1005	2005						1001007 1007							
		SHEAR		TORQUE		MOMENT		SHEAR		TORQUE		MOMENT			
		S2 (kN)	TQ (kN·m)	M3 (kN·m)	S2 (kN)	TQ (kN·m)	M3 (kN·m)	S2 (kN)	TQ (kN·m)	M3 (kN·m)	S2 (kN)	TQ (kN·m)	M3 (kN·m)		
64	1-LANE (case4DISPERSION-LMAX	S2	6.83	0.00	-99.60	6.83	0.00	-71.08	11.08	0.00	-152.39	11.08	0.00	-106.10	
		TQ	0.00	0.00	0.00	0.00	0.00	0.00	0.00	0.00	0.00	0.00	0.00	0.00	
		M3	-0.18	0.00	1.22	0.17	0.00	1.11	-0.70	0.00	3.84	-0.68	0.00	0.92	
	MIN	S2	-0.68	0.00	-20.82	-0.68	0.00	-23.66	-0.70	0.00	3.83	-0.70	0.00	0.91	
		TQ	0.00	0.00	0.00	0.00	0.00	0.00	0.00	0.00	0.00	0.00	0.00	0.00	
		M3	6.32	0.00	-121.64	5.98	0.00	-95.85	11.08	0.00	-152.39	11.07	0.00	-106.11	
65	2-LANES (caseTRUCK-LOAD	MAX	S2	0.90	0.00	11.88	0.90	0.00	15.63	1.70	0.00	-10.56	1.70	0.00	-3.46
		TQ	0.00	0.00	0.00	0.00	0.00	0.00	0.00	0.00	0.00	0.00	0.00	0.00	
		M3	-207.88	0.00	416.09	-23.58	0.00	53.27	-222.52	0.00	447.90	-32.87	0.00	29.26	
	MIN	S2	-208.86	0.00	415.26	-208.86	0.00	-457.16	-222.75	0.00	447.46	-222.75	0.00	-482.96	
		TQ	0.00	0.00	0.00	0.00	0.00	0.00	0.00	0.00	0.00	0.00	0.00	0.00	
		M3	-0.69	0.00	-2.51	-186.04	0.00	-499.01	1.70	0.00	-10.56	-191.80	0.00	-509.52	
	TANDEM-LOAD	MAX	S2	0.65	0.00	7.93	0.65	0.00	10.64	1.16	0.00	-7.21	1.16	0.00	-2.36
		TQ	0.00	0.00	0.00	0.00	0.00	0.00	0.00	0.00	0.00	0.00	0.00	0.00	
		M3	-156.96	0.00	307.32	-18.74	0.00	39.41	-166.60	0.00	328.63	-22.43	0.00	22.97	
	MIN	S2	-157.24	0.00	307.09	-157.24	0.00	-349.70	-166.66	0.00	328.51	-166.66	0.00	-367.63	
		TQ	0.00	0.00	0.00	0.00	0.00	0.00	0.00	0.00	0.00	0.00	0.00	0.00	
		M3	-0.47	0.00	-1.71	-141.35	0.00	-381.06	1.16	0.00	-7.21	-145.20	0.00	-388.49	
	DISPERSION-LMAX	S2	4.07	0.00	18.83	4.07	0.00	35.83	4.22	0.00	-0.97	4.22	0.00	16.65	
		TQ	0.00	0.00	0.00	0.00	0.00	0.00	0.00	0.00	0.00	0.00	0.00	0.00	
		M3	-89.63	0.00	224.49	-2.88	0.00	58.47	-110.07	0.00	271.92	-9.07	0.00	37.61	
	MIN	S2	-94.56	0.00	202.83	-94.56	0.00	-192.14	-112.36	0.00	260.78	-112.36	0.00	-208.53	
		TQ	0.00	0.00	0.00	0.00	0.00	0.00	0.00	0.00	0.00	0.00	0.00	0.00	
		M3	-0.85	0.00	-2.83	-87.61	0.00	-214.78	1.93	0.00	-12.11	-99.07	0.00	-229.49	

BAGO RIVER BRIDGE

BLOCK [ No.2 : CROSS BEAM ][ BEAM MEMBER FORCE ]

MEMBER				1001005						1001007						
NODE				1005			2005			1007			2007			
NAME TITLE				SHEAR	TORQUE	MOMENT	SHEAR	TORQUE	MOMENT	SHEAR	TORQUE	MOMENT	SHEAR	TORQUE	MOMENT	
				S2 (kN)	TQ (kN·m)	M3 (kN·m)	S2 (kN)	TQ (kN·m)	M3 (kN·m)	S2 (kN)	TQ (kN·m)	M3 (kN·m)	S2 (kN)	TQ (kN·m)	M3 (kN·m)	
66	2-LANES (caseTRUCK-LOAD	MAX	S2	86.51	0.00	18.93	86.51	0.00	380.26	79.80	0.00	25.33	79.80	0.00	358.67	
			TQ	0.00	0.00	0.00	0.00	0.00	0.00	0.00	0.00	0.00	0.00	0.00	0.00	0.00
			M3	-22.34	0.00	198.70	63.00	0.00	413.31	-33.88	0.00	221.30	48.85	0.00	385.22	
		MIN	S2	-29.35	0.00	185.88	-29.35	0.00	63.30	-40.33	0.00	206.59	-40.33	0.00	38.15	
			TQ	0.00	0.00	0.00	0.00	0.00	0.00	0.00	0.00	0.00	0.00	0.00	0.00	0.00
			M3	-0.67	0.00	-1.76	-0.70	0.00	-4.63	1.26	0.00	-7.98	1.25	0.00	-2.74	
		TANDEM-LOAD MAX	S2	67.39	0.00	6.85	67.39	0.00	288.35	62.84	0.00	10.98	62.84	0.00	273.48	
			TQ	0.00	0.00	0.00	0.00	0.00	0.00	0.00	0.00	0.00	0.00	0.00	0.00	0.00
			M3	-10.89	0.00	141.59	51.04	0.00	314.12	-18.87	0.00	157.56	41.38	0.00	294.34	
		MIN	S2	-21.71	0.00	137.63	-21.71	0.00	46.93	-29.50	0.00	152.46	-29.50	0.00	29.23	
			TQ	0.00	0.00	0.00	0.00	0.00	0.00	0.00	0.00	0.00	0.00	0.00	0.00	0.00
			M3	-0.46	0.00	-1.20	-0.47	0.00	-3.15	0.86	0.00	-5.45	0.86	0.00	-1.86	
		DISPERSION-LMAX	S2	33.61	0.00	37.19	33.61	0.00	177.59	29.99	0.00	27.38	29.99	0.00	152.64	
			TQ	0.00	0.00	0.00	0.00	0.00	0.00	0.00	0.00	0.00	0.00	0.00	0.00	0.00
			M3	8.49	0.00	134.03	26.32	0.00	208.39	-4.43	0.00	178.84	13.59	0.00	187.10	
MIN	S2	-20.87	0.00	94.32	-20.87	0.00	7.13	-31.86	0.00	142.16	-31.86	0.00	9.10			
	TQ	0.00	0.00	0.00	0.00	0.00	0.00	0.00	0.00	0.00	0.00	0.00	0.00	0.00		
	M3	4.25	0.00	-2.52	-13.58	0.00	-23.66	2.56	0.00	-9.30	-15.46	0.00	-25.36			
67	2-LANES (caseTRUCK-LOAD	MAX	S2	71.12	0.00	-160.57	71.12	0.00	136.52	63.13	0.00	-144.56	63.13	0.00	119.11	
			TQ	0.00	0.00	0.00	0.00	0.00	0.00	0.00	0.00	0.00	0.00	0.00	0.00	
			M3	2.82	0.00	18.78	64.08	0.00	161.17	7.58	0.00	25.29	57.24	0.00	149.20	
		MIN	S2	-0.66	0.00	0.12	-0.66	0.00	-2.64	-1.86	0.00	14.61	-1.86	0.00	6.83	
			TQ	0.00	0.00	0.00	0.00	0.00	0.00	0.00	0.00	0.00	0.00	0.00	0.00	0.00
			M3	71.10	0.00	-161.98	-0.66	0.00	-2.65	62.89	0.00	-147.00	0.24	0.00	-1.00	

BAGO RIVER BRIDGE

BLOCK [ No.2 : CROSS BEAM ][ BEAM MEMBER FORCE ]

MEMBER		1001005			2005			1001007			2007						
NODE		1005			2005			1007			2007						
NAME TITLE		SHEAR	TORQUE	MOMENT	SHEAR	TORQUE	MOMENT	SHEAR	TORQUE	MOMENT	SHEAR	TORQUE	MOMENT				
		S2 (kN)	TQ (kN·m)	M3 (kN·m)	S2 (kN)	TQ (kN·m)	M3 (kN·m)	S2 (kN)	TQ (kN·m)	M3 (kN·m)	S2 (kN)	TQ (kN·m)	M3 (kN·m)				
67	2-LANES (caseTANDEM-LOAD	MAX	S2	49.76	0.00	-110.53	49.76	0.00	97.32	44.29	0.00	-99.77	44.29	0.00	85.25		
			TQ	0.00	0.00	0.00	0.00	0.00	0.00	0.00	0.00	0.00	0.00	0.00	0.00	0.00	
			M3	2.03	0.00	13.77	46.61	0.00	114.14	3.04	0.00	19.04	41.66	0.00	104.17		
		MIN	S2	-0.49	0.00	6.63	-0.49	0.00	4.57	-1.32	0.00	12.09	-1.32	0.00	6.57		
			TQ	0.00	0.00	0.00	0.00	0.00	0.00	0.00	0.00	0.00	0.00	0.00	0.00	0.00	
			M3	49.64	0.00	-120.41	-0.45	0.00	-1.81	44.20	0.00	-110.19	0.17	0.00	-0.72		
			DISPERSION-LMAX	S2	44.83	0.00	-68.52	44.83	0.00	118.74	39.64	0.00	-56.70	39.64	0.00	108.86	
				TQ	0.00	0.00	0.00	0.00	0.00	0.00	0.00	0.00	0.00	0.00	0.00	0.00	
				M3	3.38	0.00	9.56	44.11	0.00	121.23	4.28	0.00	20.94	36.91	0.00	115.63	
			MIN	S2	-0.85	0.00	2.79	-0.85	0.00	-0.76	-1.08	0.00	9.54	-1.08	0.00	5.05	
				TQ	0.00	0.00	0.00	0.00	0.00	0.00	0.00	0.00	0.00	0.00	0.00	0.00	
				M3	40.60	0.00	-75.29	-0.13	0.00	-3.25	34.29	0.00	-68.11	1.65	0.00	-1.72	
		68	2-LANES (caseTRUCK-LOAD	MAX	S2	21.68	0.00	-202.65	21.68	0.00	-112.08	24.08	0.00	-212.93	24.08	0.00	-112.34
					TQ	0.00	0.00	0.00	0.00	0.00	0.00	0.00	0.00	0.00	0.00	0.00	0.00
					M3	-0.55	0.00	1.87	0.29	0.00	1.30	-0.98	0.00	4.98	-0.69	0.00	0.90
MIN	S2			-0.63	0.00	1.63	-0.63	0.00	-1.00	-0.98	0.00	4.97	-0.98	0.00	0.87		
	TQ			0.00	0.00	0.00	0.00	0.00	0.00	0.00	0.00	0.00	0.00	0.00	0.00		
	M3			13.65	0.00	-261.77	12.81	0.00	-207.29	17.41	0.00	-285.80	17.41	0.00	-213.09		
	TANDEM-LOAD MAX			S2	15.19	0.00	-131.94	15.19	0.00	-68.51	16.70	0.00	-134.20	16.70	0.00	-64.44	
				TQ	0.00	0.00	0.00	0.00	0.00	0.00	0.00	0.00	0.00	0.00	0.00	0.00	
				M3	-0.38	0.00	1.28	0.20	0.00	0.88	-0.67	0.00	3.42	-0.47	0.00	0.62	
	MIN			S2	-0.43	0.00	1.13	-0.43	0.00	-0.66	-0.67	0.00	3.42	-0.67	0.00	0.61	
				TQ	0.00	0.00	0.00	0.00	0.00	0.00	0.00	0.00	0.00	0.00	0.00	0.00	
				M3	9.24	0.00	-180.35	8.00	0.00	-145.62	11.47	0.00	-196.73	11.47	0.00	-148.80	



BAGO RIVER BRIDGE

BLOCK [ No.2 : CROSS BEAM ][ BEAM MEMBER FORCE ]

MEMBER		1001005						1001007							
NODE		1005			2005			1007			2007				
NAME TITLE		SHEAR	TORQUE	MOMENT	SHEAR	TORQUE	MOMENT	SHEAR	TORQUE	MOMENT	SHEAR	TORQUE	MOMENT		
		S2 (kN)	TQ (kN·m)	M3 (kN·m)	S2 (kN)	TQ (kN·m)	M3 (kN·m)	S2 (kN)	TQ (kN·m)	M3 (kN·m)	S2 (kN)	TQ (kN·m)	M3 (kN·m)		
68	2-LANES (caseDISPERSION-LMAX	S2	17.94	0.00	-194.19	17.94	0.00	-119.24	24.65	0.00	-264.79	24.65	0.00	-161.83	
		TQ	0.00	0.00	0.00	0.00	0.00	0.00	0.00	0.00	0.00	0.00	0.00	0.00	
		M3	-0.32	0.00	2.06	0.41	0.00	2.23	-1.16	0.00	6.35	-1.07	0.00	1.56	
	MIN	S2	-1.06	0.00	-20.07	-1.06	0.00	-24.48	-1.16	0.00	6.34	-1.16	0.00	1.48	
		TQ	0.00	0.00	0.00	0.00	0.00	0.00	0.00	0.00	0.00	0.00	0.00	0.00	
		M3	17.20	0.00	-216.32	16.48	0.00	-145.95	24.65	0.00	-264.80	24.56	0.00	-161.91	
	69	3-LANES (caseTRUCK-LOAD	MAX S2	87.07	0.00	25.92	87.07	0.00	389.62	80.76	0.00	19.41	80.76	0.00	356.75
			TQ	0.00	0.00	0.00	0.00	0.00	0.00	0.00	0.00	0.00	0.00	0.00	0.00
			M3	-207.04	0.00	478.68	62.59	0.00	427.25	-226.19	0.00	517.99	46.20	0.00	389.47
MIN		S2	-215.04	0.00	465.02	-215.04	0.00	-433.19	-232.86	0.00	502.84	-232.86	0.00	-469.82	
		TQ	0.00	0.00	0.00	0.00	0.00	0.00	0.00	0.00	0.00	0.00	0.00	0.00	
		M3	-1.01	0.00	-3.20	-186.39	0.00	-501.12	2.22	0.00	-13.91	-191.28	0.00	-510.71	
TANDEM-LOAD		MAX S2	67.81	0.00	11.89	67.81	0.00	295.11	63.50	0.00	6.94	63.50	0.00	272.17	
		TQ	0.00	0.00	0.00	0.00	0.00	0.00	0.00	0.00	0.00	0.00	0.00	0.00	
		M3	-151.73	0.00	351.92	48.42	0.00	323.89	-164.51	0.00	378.86	39.91	0.00	297.51	
MIN	S2	-162.83	0.00	347.72	-162.83	0.00	-332.41	-175.21	0.00	373.64	-175.21	0.00	-358.20		
	TQ	0.00	0.00	0.00	0.00	0.00	0.00	0.00	0.00	0.00	0.00	0.00	0.00		
	M3	-0.70	0.00	-2.18	-141.59	0.00	-382.50	1.51	0.00	-9.49	-144.85	0.00	-389.30		
DISPERSION-LMAX	S2	34.12	0.00	41.00	34.12	0.00	183.53	31.07	0.00	20.61	31.07	0.00	150.41		
	TQ	0.00	0.00	0.00	0.00	0.00	0.00	0.00	0.00	0.00	0.00	0.00	0.00		
	M3	-66.68	0.00	269.37	25.35	0.00	219.95	-90.67	0.00	338.19	11.44	0.00	189.51		
MIN	S2	-96.98	0.00	224.22	-96.98	0.00	-180.88	-118.10	0.00	301.52	-118.10	0.00	-191.78		
	TQ	0.00	0.00	0.00	0.00	0.00	0.00	0.00	0.00	0.00	0.00	0.00	0.00		
	M3	3.81	0.00	-4.15	-88.21	0.00	-217.30	3.65	0.00	-16.06	-98.47	0.00	-230.88		

BAGO RIVER BRIDGE

BLOCK [ No.2 : CROSS BEAM ][ BEAM MEMBER FORCE ]

MEMBER				1001005						1001007							
NODE				1005			2005			1007			2007				
NAME TITLE				SHEAR	TORQUE	MOMENT	SHEAR	TORQUE	MOMENT	SHEAR	TORQUE	MOMENT	SHEAR	TORQUE	MOMENT		
				S2 (kN)	TQ (kN·m)	M3 (kN·m)	S2 (kN)	TQ (kN·m)	M3 (kN·m)	S2 (kN)	TQ (kN·m)	M3 (kN·m)	S2 (kN)	TQ (kN·m)	M3 (kN·m)		
70	3-LANES (case	TRUCK-LOAD	MAX	S2	89.64	0.00	-266.60	89.64	0.00	107.81	80.75	0.00	-256.73	80.75	0.00	80.57	
				TQ	0.00	0.00	0.00	0.00	0.00	0.00	0.00	0.00	0.00	0.00	0.00	0.00	0.00
				M3	2.55	0.00	19.47	75.85	0.00	169.62	7.25	0.00	26.90	57.18	0.00	149.46	
			MIN	S2	-0.98	0.00	0.72	-0.98	0.00	-3.38	-2.20	0.00	16.21	-2.20	0.00	7.04	
				TQ	0.00	0.00	0.00	0.00	0.00	0.00	0.00	0.00	0.00	0.00	0.00	0.00	
				M3	89.58	0.00	-271.12	17.83	0.00	-34.58	80.43	0.00	-261.01	17.78	0.00	-41.75	
			TANDEM-LOAD	MAX	S2	62.33	0.00	-178.40	62.33	0.00	81.96	56.32	0.00	-172.58	56.32	0.00	62.67
					TQ	0.00	0.00	0.00	0.00	0.00	0.00	0.00	0.00	0.00	0.00	0.00	0.00
					M3	1.84	0.00	14.24	53.97	0.00	121.64	2.81	0.00	20.15	49.06	0.00	105.29
			MIN	S2	-0.71	0.00	7.04	-0.71	0.00	4.07	-1.55	0.00	13.20	-1.55	0.00	6.73	
				TQ	0.00	0.00	0.00	0.00	0.00	0.00	0.00	0.00	0.00	0.00	0.00	0.00	
				M3	62.12	0.00	-197.69	12.03	0.00	-26.98	56.00	0.00	-190.64	11.97	0.00	-31.88	
			DISPERSION-LMAX	MAX	S2	60.42	0.00	-144.19	60.42	0.00	108.20	55.37	0.00	-141.50	55.37	0.00	89.79
					TQ	0.00	0.00	0.00	0.00	0.00	0.00	0.00	0.00	0.00	0.00	0.00	0.00
					M3	3.20	0.00	10.32	48.84	0.00	125.73	3.87	0.00	23.14	39.58	0.00	118.08
MIN	S2	-1.23	0.00	3.51	-1.23	0.00	-1.61	-1.49	0.00	11.73	-1.49	0.00	5.53				
	TQ	0.00	0.00	0.00	0.00	0.00	0.00	0.00	0.00	0.00	0.00	0.00	0.00				
	M3	56.00	0.00	-150.99	10.35	0.00	-19.14	50.02	0.00	-152.90	14.31	0.00	-22.77				
71	3-LANES (case	TRUCK-LOAD	MAX	S2	41.61	0.00	-308.13	41.61	0.00	-134.34	43.79	0.00	-318.59	43.79	0.00	-135.69	
				TQ	0.00	0.00	0.00	0.00	0.00	0.00	0.00	0.00	0.00	0.00	0.00		
				M3	-0.82	0.00	2.22	15.31	0.00	12.17	-1.08	0.00	5.71	13.84	0.00	12.12	
			MIN	S2	-0.95	0.00	1.90	-0.95	0.00	-2.09	-1.10	0.00	5.38	-1.10	0.00	0.79	
				TQ	0.00	0.00	0.00	0.00	0.00	0.00	0.00	0.00	0.00	0.00	0.00	0.00	
				M3	33.51	0.00	-368.27	32.31	0.00	-231.64	36.83	0.00	-393.00	36.83	0.00	-239.14	

BAGO RIVER BRIDGE

BLOCK [ No.2 : CROSS BEAM ][ BEAM MEMBER FORCE ]

MEMBER		1001005						1001007								
NODE		1005			2005			1007			2007					
		SHEAR	TORQUE	MOMENT	SHEAR	TORQUE	MOMENT	SHEAR	TORQUE	MOMENT	SHEAR	TORQUE	MOMENT			
NAME	TITLE	S2 (kN)	TQ (kN·m)	M3 (kN·m)	S2 (kN)	TQ (kN·m)	M3 (kN·m)	S2 (kN)	TQ (kN·m)	M3 (kN·m)	S2 (kN)	TQ (kN·m)	M3 (kN·m)			
71	3-LANES (caseTANDEM-LOAD	MAX	S2	28.87	0.00	-200.55	28.87	0.00	-79.95	30.20	0.00	-202.48	30.20	0.00	-76.35	
			TQ	0.00	0.00	0.00	0.00	0.00	0.00	0.00	0.00	0.00	0.00	0.00	0.00	
			M3	-0.55	0.00	1.52	9.76	0.00	9.49	-0.74	0.00	3.92	8.74	0.00	9.51	
		MIN	S2	-0.65	0.00	1.31	-0.65	0.00	-1.40	-0.76	0.00	3.72	-0.76	0.00	0.57	
			TQ	0.00	0.00	0.00	0.00	0.00	0.00	0.00	0.00	0.00	0.00	0.00	0.00	
			M3	22.60	0.00	-256.29	21.26	0.00	-165.98	24.62	0.00	-273.03	24.62	0.00	-170.19	
	DISPERSION-LMAX		S2	33.66	0.00	-261.67	33.66	0.00	-121.06	40.73	0.00	-337.33	40.73	0.00	-167.21	
			TQ	0.00	0.00	0.00	0.00	0.00	0.00	0.00	0.00	0.00	0.00	0.00	0.00	
			M3	-0.43	0.00	2.53	7.46	0.00	9.61	-1.40	0.00	7.86	5.12	0.00	7.95	
		MIN	S2	-1.44	0.00	-19.75	-1.44	0.00	-25.77	-1.42	0.00	7.78	-1.42	0.00	1.87	
			TQ	0.00	0.00	0.00	0.00	0.00	0.00	0.00	0.00	0.00	0.00	0.00	0.00	
			M3	32.66	0.00	-283.95	24.76	0.00	-156.43	40.71	0.00	-337.40	34.20	0.00	-173.28	
72	4-LANES	TRUCK-LOAD	MAX	S2	89.45	0.00	-368.21	89.45	0.00	5.42	84.88	0.00	-366.74	84.88	0.00	-12.20
			TQ	0.00	0.00	0.00	0.00	0.00	0.00	0.00	0.00	0.00	0.00	0.00	0.00	
			M3	2.48	0.00	19.17	58.74	0.00	131.52	4.89	0.00	24.60	51.12	0.00	123.04	
		MIN	S2	-1.29	0.00	1.74	-1.29	0.00	-3.64	-2.75	0.00	18.97	-2.75	0.00	7.47	
			TQ	0.00	0.00	0.00	0.00	0.00	0.00	0.00	0.00	0.00	0.00	0.00	0.00	
			M3	82.64	0.00	-426.21	15.52	0.00	-189.96	79.30	0.00	-434.74	42.77	0.00	-196.82	
	TANDEM-LOAD	MAX	S2	62.09	0.00	-250.73	62.09	0.00	8.60	58.98	0.00	-247.13	58.98	0.00	-0.76	
			TQ	0.00	0.00	0.00	0.00	0.00	0.00	0.00	0.00	0.00	0.00	0.00	0.00	
			M3	1.81	0.00	13.99	40.47	0.00	92.58	1.89	0.00	18.11	35.97	0.00	85.54	
		MIN	S2	-0.88	0.00	7.39	-0.88	0.00	3.69	-1.92	0.00	14.99	-1.92	0.00	6.99	
			TQ	0.00	0.00	0.00	0.00	0.00	0.00	0.00	0.00	0.00	0.00	0.00	0.00	
			M3	57.31	0.00	-302.38	26.85	0.00	-134.68	54.65	0.00	-308.36	28.64	0.00	-142.77	

BAGO RIVER BRIDGE

BLOCK [ No.2 : CROSS BEAM ][ BEAM MEMBER FORCE ]

MEMBER			1001005						1001007								
NODE			1005			2005			1007			2007					
NAME TITLE			SHEAR	TORQUE	MOMENT	SHEAR	TORQUE	MOMENT	SHEAR	TORQUE	MOMENT	SHEAR	TORQUE	MOMENT			
			S2 (kN)	TQ (kN·m)	M3 (kN·m)	S2 (kN)	TQ (kN·m)	M3 (kN·m)	S2 (kN)	TQ (kN·m)	M3 (kN·m)	S2 (kN)	TQ (kN·m)	M3 (kN·m)			
72	4-LANES	DISPERSION-LMAX	S2	64.70	0.00	-274.04	64.70	0.00	-3.78	66.54	0.00	-316.89	66.54	0.00	-38.95		
			TQ	0.00	0.00	0.00	0.00	0.00	0.00	0.00	0.00	0.00	0.00	0.00	0.00		
			M3	2.24	0.00	10.65	42.10	0.00	110.59	3.31	0.00	21.84	35.11	0.00	107.24		
		MIN	S2	-1.55	0.00	-17.55	-1.55	0.00	-24.04	-1.61	0.00	11.30	-1.61	0.00	0.00	4.59	
			TQ	0.00	0.00	0.00	0.00	0.00	0.00	0.00	0.00	0.00	0.00	0.00	0.00	0.00	
			M3	56.91	0.00	-301.37	20.81	0.00	-140.60	59.17	0.00	-342.16	29.78	0.00	-156.75		
		73	6-LANES	TRUCK-LOAD MAX	S2	184.04	0.00	-281.76	184.04	0.00	486.98	159.94	0.00	-245.42	159.94	0.00	422.64
					TQ	0.00	0.00	0.00	0.00	0.00	0.00	0.00	0.00	0.00	0.00	0.00	0.00
					M3	-158.78	0.00	392.87	146.81	0.00	609.11	-168.46	0.00	430.21	120.08	0.00	555.49
MIN	S2			-186.05	0.00	330.41	-186.05	0.00	-446.71	-200.62	0.00	392.64	-200.62	0.00	-445.35		
	TQ			0.00	0.00	0.00	0.00	0.00	0.00	0.00	0.00	0.00	0.00	0.00	0.00		
	M3			106.52	0.00	-387.97	-158.67	0.00	-643.94	104.77	0.00	-391.33	-160.19	0.00	-659.82		
TANDEM-LOAD MAX	S2			136.86	0.00	-205.60	136.86	0.00	366.07	119.61	0.00	-175.56	119.61	0.00	324.05		
	TQ			0.00	0.00	0.00	0.00	0.00	0.00	0.00	0.00	0.00	0.00	0.00	0.00		
	M3			-128.77	0.00	290.59	112.32	0.00	455.56	-141.32	0.00	315.30	95.72	0.00	418.61		
MIN	S2	-142.46	0.00	257.23	-142.46	0.00	-337.83	-152.58	0.00	292.28	-152.58	0.00	-345.06				
	TQ	0.00	0.00	0.00	0.00	0.00	0.00	0.00	0.00	0.00	0.00	0.00	0.00				
	M3	76.48	0.00	-277.39	-122.52	0.00	-482.33	75.24	0.00	-280.33	-123.21	0.00	-492.84				
DISPERSION-LMAX	S2	96.20	0.00	-210.34	96.20	0.00	191.48	92.35	0.00	-248.51	92.35	0.00	137.25				
	TQ	0.00	0.00	0.00	0.00	0.00	0.00	0.00	0.00	0.00	0.00	0.00	0.00				
	M3	-60.42	0.00	227.40	71.46	0.00	317.36	-79.14	0.00	296.44	50.79	0.00	291.06				
MIN	S2	-84.90	0.00	161.88	-84.90	0.00	-192.75	-102.30	0.00	257.18	-102.30	0.00	-170.13				
	TQ	0.00	0.00	0.00	0.00	0.00	0.00	0.00	0.00	0.00	0.00	0.00	0.00				
	M3	56.49	0.00	-274.05	-57.66	0.00	-328.62	56.61	0.00	-319.83	-57.49	0.00	-353.28				

BAGO RIVER BRIDGE

BLOCK [ No.2 : CROSS BEAM ][ BEAM MEMBER FORCE ]

MEMBER			1001005			2005			1001007			2007			
NODE			1005			1007			1007			2007			
NAME TITLE			SHEAR	TORQUE	MOMENT	SHEAR	TORQUE	MOMENT	SHEAR	TORQUE	MOMENT	SHEAR	TORQUE	MOMENT	
			S2 (kN)	TQ (kN·m)	M3 (kN·m)	S2 (kN)	TQ (kN·m)	M3 (kN·m)	S2 (kN)	TQ (kN·m)	M3 (kN·m)	S2 (kN)	TQ (kN·m)	M3 (kN·m)	
124	SUM TOTAL	D+1LANE (caseMAX	S2	0.93	0.00	3.31	0.93	0.00	7.19	-81.97	0.00	105.11	-81.97	0.00	-237.30
			TQ	-0.36	0.00	-9.67	-0.36	0.00	-11.16	-84.43	0.00	120.33	-84.43	0.00	-232.32
			M3	-312.20	0.00	488.72	-2.01	0.00	19.45	-418.69	0.00	667.58	-90.18	0.00	-224.33
		MIN	S2	-314.52	0.00	481.19	-314.52	0.00	-832.56	-418.96	0.00	667.06	-418.96	0.00	-1082.94
			TQ	-0.36	0.00	-9.67	-0.36	0.00	-11.16	-84.43	0.00	120.33	-84.43	0.00	-232.32
			M3	-1.29	0.00	-13.35	-312.75	0.00	-839.31	-81.97	0.00	105.11	-415.09	0.00	-1088.51
		D+1LANE (caseMAX	S2	139.11	0.00	33.80	139.11	0.00	614.87	42.68	0.00	182.19	42.68	0.00	360.45
			TQ	-0.36	0.00	-9.67	-0.36	0.00	-11.16	-84.43	0.00	120.33	-84.43	0.00	-232.32
			M3	28.19	0.00	119.30	136.92	0.00	631.40	-65.55	0.00	283.97	35.06	0.00	382.22
		MIN	S2	-10.68	0.00	75.72	-10.68	0.00	31.13	-103.45	0.00	235.67	-103.45	0.00	-196.46
			TQ	-0.36	0.00	-9.67	-0.36	0.00	-11.16	-84.43	0.00	120.33	-84.43	0.00	-232.32
			M3	4.85	0.00	-12.06	-1.49	0.00	-16.72	-81.74	0.00	111.57	-83.09	0.00	-235.41
		D+1LANE (caseMAX	S2	81.19	0.00	-115.88	81.19	0.00	223.25	-12.78	0.00	38.76	-12.78	0.00	-14.64
			TQ	-0.36	0.00	-9.67	-0.36	0.00	-11.16	-84.43	0.00	120.33	-84.43	0.00	-232.32
			M3	7.19	0.00	22.88	81.11	0.00	226.07	-73.48	0.00	168.54	-14.04	0.00	-8.30
		MIN	S2	-1.31	0.00	-6.81	-1.31	0.00	-12.30	-87.55	0.00	147.15	-87.55	0.00	-218.54
			TQ	-0.36	0.00	-9.67	-0.36	0.00	-11.16	-84.43	0.00	120.33	-84.43	0.00	-232.32
			M3	76.79	0.00	-123.25	-1.23	0.00	-15.13	-18.44	0.00	26.33	-83.95	0.00	-234.01
		D+1LANE (caseMAX	S2	19.16	0.00	-244.30	19.16	0.00	-164.28	-58.20	0.00	-178.86	-58.20	0.00	-421.96
			TQ	-0.36	0.00	-9.67	-0.36	0.00	-11.16	-84.43	0.00	120.33	-84.43	0.00	-232.32
			M3	-0.91	0.00	-6.85	0.02	0.00	-9.07	-86.01	0.00	128.76	-85.98	0.00	-230.49
		MIN	S2	-1.54	0.00	-33.46	-1.54	0.00	-39.91	-86.01	0.00	128.75	-86.01	0.00	-230.50
			TQ	-0.36	0.00	-9.67	-0.36	0.00	-11.16	-84.43	0.00	120.33	-84.43	0.00	-232.32
			M3	10.54	0.00	-322.83	9.12	0.00	-282.60	-64.97	0.00	-248.30	-65.00	0.00	-519.71

BAGO RIVER BRIDGE

BLOCK [ No.2 : CROSS BEAM ][ BEAM MEMBER FORCE ]

MEMBER			1001005			2005			1001007			2007			
NODE			1005			1007			1007			2007			
NAME TITLE			SHEAR	TORQUE	MOMENT	SHEAR	TORQUE	MOMENT	SHEAR	TORQUE	MOMENT	SHEAR	TORQUE	MOMENT	
			S2 (kN)	TQ (kN·m)	M3 (kN·m)	S2 (kN)	TQ (kN·m)	M3 (kN·m)	S2 (kN)	TQ (kN·m)	M3 (kN·m)	S2 (kN)	TQ (kN·m)	M3 (kN·m)	
124	SUM TOTAL	D+2LANES (casMAX	S2	4.61	0.00	21.04	4.61	0.00	40.30	-78.51	0.00	108.80	-78.51	0.00	-219.14
			TQ	-0.36	0.00	-9.67	-0.36	0.00	-11.16	-84.43	0.00	120.33	-84.43	0.00	-232.32
			M3	-297.87	0.00	630.92	-26.82	0.00	100.58	-417.02	0.00	840.15	-126.36	0.00	-165.46
		MIN	S2	-303.78	0.00	608.43	-303.78	0.00	-660.47	-419.53	0.00	828.57	-419.53	0.00	-923.82
			TQ	-0.36	0.00	-9.67	-0.36	0.00	-11.16	-84.43	0.00	120.33	-84.43	0.00	-232.32
			M3	-1.90	0.00	-15.01	-274.01	0.00	-724.95	-80.80	0.00	97.66	-375.30	0.00	-971.34
		D+2LANES (casMAX	S2	119.76	0.00	46.45	119.76	0.00	546.70	25.36	0.00	173.04	25.36	0.00	278.99
			TQ	-0.36	0.00	-9.67	-0.36	0.00	-11.16	-84.43	0.00	120.33	-84.43	0.00	-232.32
			M3	-14.20	0.00	323.06	88.96	0.00	610.54	-122.74	0.00	520.48	-21.99	0.00	339.99
		MIN	S2	-50.58	0.00	270.53	-50.58	0.00	59.27	-156.61	0.00	469.09	-156.61	0.00	-185.08
			TQ	-0.36	0.00	-9.67	-0.36	0.00	-11.16	-84.43	0.00	120.33	-84.43	0.00	-232.32
			M3	3.22	0.00	-13.94	-14.63	0.00	-39.46	-80.61	0.00	103.05	-98.63	0.00	-260.42
		D+2LANES (casMAX	S2	115.60	0.00	-238.75	115.60	0.00	244.10	18.33	0.00	-80.94	18.33	0.00	-4.35
			TQ	-0.36	0.00	-9.67	-0.36	0.00	-11.16	-84.43	0.00	120.33	-84.43	0.00	-232.32
			M3	5.84	0.00	18.67	107.84	0.00	271.24	-72.57	0.00	166.57	9.72	0.00	32.51
		MIN	S2	-1.87	0.00	-6.76	-1.87	0.00	-14.56	-87.37	0.00	144.49	-87.37	0.00	-220.45
			TQ	-0.36	0.00	-9.67	-0.36	0.00	-11.16	-84.43	0.00	120.33	-84.43	0.00	-232.32
			M3	111.34	0.00	-246.93	-1.15	0.00	-17.06	12.75	0.00	-94.78	-82.54	0.00	-235.04
		D+2LANES (casMAX	S2	39.27	0.00	-406.51	39.27	0.00	-242.48	-35.70	0.00	-357.39	-35.70	0.00	-506.49
			TQ	-0.36	0.00	-9.67	-0.36	0.00	-11.16	-84.43	0.00	120.33	-84.43	0.00	-232.32
			M3	-1.23	0.00	-5.74	0.34	0.00	-7.63	-86.57	0.00	131.67	-86.20	0.00	-229.86
		MIN	S2	-2.04	0.00	-28.11	-2.04	0.00	-36.64	-86.57	0.00	131.64	-86.57	0.00	-229.98
			TQ	-0.36	0.00	-9.67	-0.36	0.00	-11.16	-84.43	0.00	120.33	-84.43	0.00	-232.32
			M3	30.49	0.00	-487.75	28.94	0.00	-364.40	-42.37	0.00	-430.27	-42.46	0.00	-607.33

BAGO RIVER BRIDGE

BLOCK [ No.2 : CROSS BEAM ][ BEAM MEMBER FORCE ]

MEMBER			1001005			2005			1001007			2007				
NODE			1005			1007			1007			2007				
NAME TITLE			SHEAR	TORQUE	MOMENT	SHEAR	TORQUE	MOMENT	SHEAR	TORQUE	MOMENT	SHEAR	TORQUE	MOMENT		
			S2 (kN)	TQ (kN·m)	M3 (kN·m)	S2 (kN)	TQ (kN·m)	M3 (kN·m)	S2 (kN)	TQ (kN·m)	M3 (kN·m)	S2 (kN)	TQ (kN·m)	M3 (kN·m)		
124	SUM TOTAL	D+3LANES (casMAX	S2	102.66	0.00	47.22	102.66	0.00	476.02	10.63	0.00	154.35	10.63	0.00	198.77	
			TQ	-0.36	0.00	-9.67	-0.36	0.00	-11.16	-84.43	0.00	120.33	-84.43	0.00	-232.32	
			M3	-233.02	0.00	626.18	74.39	0.00	538.96	-353.76	0.00	848.09	-35.43	0.00	259.81	
		MIN	S2	-265.58	0.00	576.19	-265.58	0.00	-533.12	-382.74	0.00	804.04	-382.74	0.00	-794.69	
			TQ	-0.36	0.00	-9.67	-0.36	0.00	-11.16	-84.43	0.00	120.33	-84.43	0.00	-232.32	
			M3	2.02	0.00	-15.91	-233.77	0.00	-621.82	-79.44	0.00	94.86	-330.72	0.00	-862.67	
		D+3LANES (casMAX	S2	127.19	0.00	-358.84	127.19	0.00	172.45	31.27	0.00	-218.16	31.27	0.00	-87.52	
			TQ	-0.36	0.00	-9.67	-0.36	0.00	-11.16	-84.43	0.00	120.33	-84.43	0.00	-232.32	
			M3	4.52	0.00	15.66	105.64	0.00	239.89	-74.98	0.00	162.87	-2.19	0.00	-4.91	
		MIN	S2	-2.23	0.00	-6.07	-2.23	0.00	-15.40	-87.56	0.00	144.09	-87.56	0.00	-221.65	
			TQ	-0.36	0.00	-9.67	-0.36	0.00	-11.16	-84.43	0.00	120.33	-84.43	0.00	-232.32	
			M3	123.39	0.00	-368.46	23.59	0.00	-56.82	26.45	0.00	-231.49	-57.16	0.00	-287.16	
		D+3LANES (casMAX	S2	63.62	0.00	-494.00	63.62	0.00	-228.24	-12.59	0.00	-437.19	-12.59	0.00	-489.79	
			TQ	-0.36	0.00	-9.67	-0.36	0.00	-11.16	-84.43	0.00	120.33	-84.43	0.00	-232.32	
			M3	-1.43	0.00	-5.63	19.00	0.00	7.35	-86.54	0.00	131.87	-68.32	0.00	-215.27	
		MIN	S2	-2.39	0.00	-24.84	-2.39	0.00	-34.84	-86.57	0.00	131.52	-86.57	0.00	-230.06	
			TQ	-0.36	0.00	-9.67	-0.36	0.00	-11.16	-84.43	0.00	120.33	-84.43	0.00	-232.32	
			M3	55.89	0.00	-564.05	48.16	0.00	-341.02	-18.51	0.00	-500.50	-24.05	0.00	-582.88	
		D+4LANES	MAX	S2	99.84	0.00	-427.12	99.84	0.00	-10.09	13.99	0.00	-324.02	13.99	0.00	-265.57
			TQ	-0.36	0.00	-9.67	-0.36	0.00	-11.16	-84.43	0.00	120.33	-84.43	0.00	-232.32	
			M3	2.71	0.00	9.72	65.19	0.00	146.21	-79.10	0.00	150.52	-28.38	0.00	-82.64	
		MIN	S2	-2.21	0.00	-19.94	-2.21	0.00	-29.15	-87.26	0.00	140.00	-87.26	0.00	-224.49	
			TQ	-0.36	0.00	-9.67	-0.36	0.00	-11.16	-84.43	0.00	120.33	-84.43	0.00	-232.32	
			M3	90.35	0.00	-482.59	23.26	0.00	-226.02	5.58	0.00	-384.65	-37.27	0.00	-462.15	

BAGO RIVER BRIDGE

BLOCK [ No.2 : CROSS BEAM ][ BEAM MEMBER FORCE ]

MEMBER					1001005			2005			1001007			2007		
NODE					1005			1007			1007			2007		
NAME TITLE					SHEAR	TORQUE	MOMENT	SHEAR	TORQUE	MOMENT	SHEAR	TORQUE	MOMENT	SHEAR	TORQUE	MOMENT
					S2 (kN)	TQ (kN·m)	M3 (kN·m)	S2 (kN)	TQ (kN·m)	M3 (kN·m)	S2 (kN)	TQ (kN·m)	M3 (kN·m)	S2 (kN)	TQ (kN·m)	M3 (kN·m)
124	SUM TOTAL	D+6LANES	MAX	S2	181.80	0.00	-329.53	181.80	0.00	429.84	79.56	0.00	-200.72	79.56	0.00	131.61
				TQ	-0.36	0.00	-9.67	-0.36	0.00	-11.16	-84.43	0.00	120.33	-84.43	0.00	-232.32
				M3	-142.84	0.00	393.51	141.52	0.00	591.05	-245.37	0.00	592.65	26.64	0.00	317.94
			MIN	S2	-176.47	0.00	310.32	-176.47	0.00	-426.81	-281.33	0.00	542.71	-281.33	0.00	-632.38
				TQ	-0.36	0.00	-9.67	-0.36	0.00	-11.16	-84.43	0.00	120.33	-84.43	0.00	-232.32
				M3	105.59	0.00	-439.97	-140.97	0.00	-643.32	20.47	0.00	-341.92	-225.92	0.00	-890.83
	SUM TOTAL		MAX		181.80	0.00	630.92	181.80	0.00	631.40	79.56	0.00	848.09	79.56	0.00	382.22
			MIN		-314.52	0.00	-564.05	-314.52	0.00	-839.31	-419.53	0.00	-500.50	-419.53	0.00	-1088.51
300	DEAD LOAD	TOTAL			-0.36	0.00	-9.67	-0.36	0.00	-11.16	-84.43	0.00	120.33	-84.43	0.00	-232.32
301	LIVE LOAD	1-LANE(case1MAX	S2		1.29	0.00	12.97	1.29	0.00	18.35	2.45	0.00	-15.23	2.45	0.00	-4.98
			TQ		0.00	0.00	0.00	0.00	0.00	0.00	0.00	0.00	0.00	0.00	0.00	0.00
			M3		-311.85	0.00	498.39	-1.65	0.00	30.61	-334.26	0.00	547.25	-5.75	0.00	8.00
			MIN	S2	-314.16	0.00	490.86	-314.16	0.00	-821.40	-334.53	0.00	546.72	-334.53	0.00	-850.62
				TQ	0.00	0.00	0.00	0.00	0.00	0.00	0.00	0.00	0.00	0.00	0.00	0.00
				M3	-0.94	0.00	-3.69	-312.40	0.00	-828.15	2.45	0.00	-15.23	-330.66	0.00	-856.19
		1-LANE(case2MAX	S2		139.47	0.00	43.46	139.47	0.00	626.03	127.10	0.00	61.86	127.10	0.00	592.77
			TQ		0.00	0.00	0.00	0.00	0.00	0.00	0.00	0.00	0.00	0.00	0.00	0.00
			M3		28.55	0.00	128.96	137.28	0.00	642.56	18.88	0.00	163.64	119.49	0.00	614.54
			MIN	S2	-10.32	0.00	85.38	-10.32	0.00	42.29	-19.03	0.00	115.34	-19.03	0.00	35.87
				TQ	0.00	0.00	0.00	0.00	0.00	0.00	0.00	0.00	0.00	0.00	0.00	0.00
				M3	5.21	0.00	-2.40	-1.14	0.00	-5.56	2.68	0.00	-8.76	1.34	0.00	-3.09
		1-LANE(case3MAX	S2		81.55	0.00	-106.21	81.55	0.00	234.41	71.64	0.00	-81.57	71.64	0.00	217.68
			TQ		0.00	0.00	0.00	0.00	0.00	0.00	0.00	0.00	0.00	0.00	0.00	0.00
			M3		7.55	0.00	32.55	81.46	0.00	237.23	10.95	0.00	48.21	70.39	0.00	224.02
			MIN	S2	-0.96	0.00	2.85	-0.96	0.00	-1.14	-3.12	0.00	26.82	-3.12	0.00	13.78
				TQ	0.00	0.00	0.00	0.00	0.00	0.00	0.00	0.00	0.00	0.00	0.00	0.00
				M3	77.15	0.00	-113.58	-0.87	0.00	-3.97	65.98	0.00	-94.01	0.48	0.00	-1.69



BAGO RIVER BRIDGE

BLOCK [ No.2 : CROSS BEAM ][ BEAM MEMBER FORCE ]

MEMBER			1001005						1001007							
NODE			1005			2005			1007			2007				
NAME TITLE			SHEAR	TORQUE	MOMENT	SHEAR	TORQUE	MOMENT	SHEAR	TORQUE	MOMENT	SHEAR	TORQUE	MOMENT		
			S2 (kN)	TQ (kN·m)	M3 (kN·m)	S2 (kN)	TQ (kN·m)	M3 (kN·m)	S2 (kN)	TQ (kN·m)	M3 (kN·m)	S2 (kN)	TQ (kN·m)	M3 (kN·m)		
301	LIVE LOAD	1-LANE (case4MAX	S2	19.51	0.00	-234.63	19.51	0.00	-153.12	26.23	0.00	-299.19	26.23	0.00	-189.64	
			TQ	0.00	0.00	0.00	0.00	0.00	0.00	0.00	0.00	0.00	0.00	0.00	0.00	0.00
			M3	-0.55	0.00	2.82	0.37	0.00	2.09	-1.58	0.00	8.43	-1.56	0.00	0.00	1.84
			MIN S2	-1.19	0.00	-23.79	-1.19	0.00	-28.75	-1.58	0.00	8.42	-1.58	0.00	0.00	1.82
			TQ	0.00	0.00	0.00	0.00	0.00	0.00	0.00	0.00	0.00	0.00	0.00	0.00	0.00
			M3	10.89	0.00	-313.17	9.48	0.00	-271.45	19.45	0.00	-368.63	19.43	0.00	0.00	-287.39
		2-LANES (caseMAX	S2	4.97	0.00	30.70	4.97	0.00	51.46	5.92	0.00	-11.53	5.92	0.00	0.00	13.19
			TQ	0.00	0.00	0.00	0.00	0.00	0.00	0.00	0.00	0.00	0.00	0.00	0.00	0.00
			M3	-297.51	0.00	640.58	-26.46	0.00	111.74	-332.59	0.00	719.82	-41.93	0.00	0.00	66.87
			MIN S2	-303.42	0.00	618.09	-303.42	0.00	-649.31	-335.11	0.00	708.24	-335.11	0.00	0.00	-691.50
			TQ	0.00	0.00	0.00	0.00	0.00	0.00	0.00	0.00	0.00	0.00	0.00	0.00	0.00
			M3	-1.54	0.00	-5.35	-273.66	0.00	-713.79	3.63	0.00	-22.67	-290.87	0.00	0.00	-739.01
		2-LANES (caseMAX	S2	120.12	0.00	56.11	120.12	0.00	557.86	109.79	0.00	52.71	109.79	0.00	0.00	511.31
			TQ	0.00	0.00	0.00	0.00	0.00	0.00	0.00	0.00	0.00	0.00	0.00	0.00	0.00
			M3	-13.85	0.00	332.73	89.32	0.00	621.69	-38.31	0.00	400.14	62.43	0.00	0.00	572.32
			MIN S2	-50.22	0.00	280.20	-50.22	0.00	70.43	-72.18	0.00	348.75	-72.18	0.00	0.00	47.24
			TQ	0.00	0.00	0.00	0.00	0.00	0.00	0.00	0.00	0.00	0.00	0.00	0.00	0.00
			M3	3.58	0.00	-4.27	-14.27	0.00	-28.30	3.82	0.00	-17.28	-14.20	0.00	0.00	-28.10
		2-LANES (caseMAX	S2	115.95	0.00	-229.09	115.95	0.00	255.25	102.76	0.00	-201.27	102.76	0.00	0.00	227.97
			TQ	0.00	0.00	0.00	0.00	0.00	0.00	0.00	0.00	0.00	0.00	0.00	0.00	0.00
			M3	6.20	0.00	28.34	108.20	0.00	282.40	11.86	0.00	46.24	94.15	0.00	0.00	264.83
MIN S2	-1.51		0.00	2.91	-1.51	0.00	-3.40	-2.94	0.00	24.16	-2.94	0.00	0.00	11.87		
TQ	0.00		0.00	0.00	0.00	0.00	0.00	0.00	0.00	0.00	0.00	0.00	0.00	0.00		
M3	111.70		0.00	-237.26	-0.79	0.00	-5.90	97.18	0.00	-215.11	1.89	0.00	0.00	-2.72		

BAGO RIVER BRIDGE

BLOCK [ No.2 : CROSS BEAM ][ BEAM MEMBER FORCE ]

MEMBER			1001005						1001007						
NODE			1005			2005			1007			2007			
NAME TITLE			SHEAR	TORQUE	MOMENT	SHEAR	TORQUE	MOMENT	SHEAR	TORQUE	MOMENT	SHEAR	TORQUE	MOMENT	
			S2 (kN)	TQ (kN·m)	M3 (kN·m)	S2 (kN)	TQ (kN·m)	M3 (kN·m)	S2 (kN)	TQ (kN·m)	M3 (kN·m)	S2 (kN)	TQ (kN·m)	M3 (kN·m)	
301	LIVE LOAD	2-LANES (caseMAX	S2	39.63	0.00	-396.84	39.63	0.00	-231.32	48.73	0.00	-477.73	48.73	0.00	-274.17
			TQ	0.00	0.00	0.00	0.00	0.00	0.00	0.00	0.00	0.00	0.00	0.00	0.00
			M3	-0.87	0.00	3.93	0.70	0.00	3.53	-2.14	0.00	11.33	-1.77	0.00	2.46
			MIN S2	-1.68	0.00	-18.44	-1.68	0.00	-25.48	-2.15	0.00	11.31	-2.15	0.00	2.34
			TQ	0.00	0.00	0.00	0.00	0.00	0.00	0.00	0.00	0.00	0.00	0.00	0.00
			M3	30.85	0.00	-478.09	29.29	0.00	-353.24	42.05	0.00	-550.60	41.97	0.00	-375.00
		3-LANES (caseMAX	S2	103.02	0.00	56.88	103.02	0.00	487.18	95.06	0.00	34.02	95.06	0.00	431.09
			TQ	0.00	0.00	0.00	0.00	0.00	0.00	0.00	0.00	0.00	0.00	0.00	0.00
			M3	-232.66	0.00	635.84	74.75	0.00	550.12	-269.33	0.00	727.76	49.00	0.00	492.13
			MIN S2	-265.22	0.00	585.86	-265.22	0.00	-521.96	-298.32	0.00	683.70	-298.32	0.00	-562.37
			TQ	0.00	0.00	0.00	0.00	0.00	0.00	0.00	0.00	0.00	0.00	0.00	0.00
			M3	2.38	0.00	-6.25	-233.41	0.00	-610.66	4.99	0.00	-25.47	-246.29	0.00	-630.35
		3-LANES (caseMAX	S2	127.55	0.00	-349.17	127.55	0.00	183.61	115.70	0.00	-338.49	115.70	0.00	144.80
			TQ	0.00	0.00	0.00	0.00	0.00	0.00	0.00	0.00	0.00	0.00	0.00	0.00
			M3	4.88	0.00	25.32	105.99	0.00	251.05	9.45	0.00	42.53	82.24	0.00	227.41
			MIN S2	-1.87	0.00	3.59	-1.87	0.00	-4.24	-3.13	0.00	23.76	-3.13	0.00	10.68
			TQ	0.00	0.00	0.00	0.00	0.00	0.00	0.00	0.00	0.00	0.00	0.00	0.00
			M3	123.75	0.00	-358.79	23.95	0.00	-45.66	110.88	0.00	-351.83	27.27	0.00	-54.84
		3-LANES (caseMAX	S2	63.98	0.00	-484.33	63.98	0.00	-217.08	71.84	0.00	-557.53	71.84	0.00	-257.46
			TQ	0.00	0.00	0.00	0.00	0.00	0.00	0.00	0.00	0.00	0.00	0.00	0.00
			M3	-1.07	0.00	4.04	19.36	0.00	18.51	-2.11	0.00	11.53	16.11	0.00	17.05
MIN S2	-2.04		0.00	-15.17	-2.04	0.00	-23.68	-2.14	0.00	11.19	-2.14	0.00	2.26		
TQ	0.00		0.00	0.00	0.00	0.00	0.00	0.00	0.00	0.00	0.00	0.00	0.00		
M3	56.24		0.00	-554.39	48.51	0.00	-329.86	65.92	0.00	-620.84	60.38	0.00	-350.56		

BAGO RIVER BRIDGE

BLOCK [ No.2 : CROSS BEAM ][ BEAM MEMBER FORCE ]

MEMBER				1001005			2005			1001007			2007				
NODE				1005			1007			1007			2007				
NAME TITLE				SHEAR	TORQUE	MOMENT	SHEAR	TORQUE	MOMENT	SHEAR	TORQUE	MOMENT	SHEAR	TORQUE	MOMENT		
				S2 (kN)	TQ (kN·m)	M3 (kN·m)	S2 (kN)	TQ (kN·m)	M3 (kN·m)	S2 (kN)	TQ (kN·m)	M3 (kN·m)	S2 (kN)	TQ (kN·m)	M3 (kN·m)		
301	LIVE LOAD	4-LANES	MAX	S2	100.20	0.00	-417.46	100.20	0.00	1.07	98.42	0.00	-444.36	98.42	0.00	-33.25	
				TQ	0.00	0.00	0.00	0.00	0.00	0.00	0.00	0.00	0.00	0.00	0.00	0.00	0.00
				M3	3.07	0.00	19.38	65.55	0.00	157.37	5.33	0.00	30.18	56.05	0.00	0.00	149.69
		MIN	S2	-1.85	0.00	-10.27	-1.85	0.00	-17.99	-2.83	0.00	19.67	-2.83	0.00	0.00	7.84	
			TQ	0.00	0.00	0.00	0.00	0.00	0.00	0.00	0.00	0.00	0.00	0.00	0.00	0.00	
			M3	90.71	0.00	-472.93	23.61	0.00	-214.87	90.01	0.00	-504.98	47.15	0.00	0.00	-229.82	
	6-LANES	MAX	S2	182.16	0.00	-319.87	182.16	0.00	441.00	163.99	0.00	-321.05	163.99	0.00	0.00	363.93	
			TQ	0.00	0.00	0.00	0.00	0.00	0.00	0.00	0.00	0.00	0.00	0.00	0.00	0.00	
			M3	-142.48	0.00	403.17	141.88	0.00	602.21	-160.94	0.00	472.32	111.06	0.00	0.00	550.26	
		MIN	S2	-176.12	0.00	319.98	-176.12	0.00	-415.65	-196.90	0.00	422.38	-196.90	0.00	0.00	-400.06	
			TQ	0.00	0.00	0.00	0.00	0.00	0.00	0.00	0.00	0.00	0.00	0.00	0.00	0.00	
			M3	105.95	0.00	-430.31	-140.62	0.00	-632.16	104.89	0.00	-462.25	-141.49	0.00	0.00	-658.51	
LIVE LOAD	MAX		182.16	0.00	640.58	182.16	0.00	642.56	163.99	0.00	727.76	163.99	0.00	0.00	614.54		
	MIN		-314.16	0.00	-554.39	-314.16	0.00	-828.15	-335.11	0.00	-620.84	-335.11	0.00	0.00	-856.19		
303	SUM TOTAL	TOTAL	MAX		181.80	0.00	630.92	181.80	0.00	631.40	79.56	0.00	848.09	79.56	0.00	382.22	
			MIN		-314.52	0.00	-564.05	-314.52	0.00	-839.31	-419.53	0.00	-500.50	-419.53	0.00	0.00	-1088.51

BAGO RIVER BRIDGE

BLOCK [ No.2 : CROSS BEAM ][ BEAM MEMBER FORCE ]

MEMBER NODE	1001009 1009	2009			1001011 1011			2011							
		SHEAR S2 (kN)	TORQUE TQ (kN·m)	MOMENT M3 (kN·m)	SHEAR S2 (kN)	TORQUE TQ (kN·m)	MOMENT M3 (kN·m)	SHEAR S2 (kN)	TORQUE TQ (kN·m)	MOMENT M3 (kN·m)					
1 PAVEMENT	-4.36	0.00	-28.97	-4.36	0.00	-47.18	-4.38	0.00	-36.56	-4.38	0.00	-54.84			
3 RAILING	-5.82	0.00	-0.12	-5.82	0.00	-24.45	-5.79	0.00	0.01	-5.79	0.00	-24.16			
5 CURB	-57.66	0.00	-1.16	-57.66	0.00	-242.01	-57.29	0.00	0.13	-57.29	0.00	-239.15			
7 DECK WEIGHT	-14.75	0.00	-28.78	-14.75	0.00	-90.41	-13.64	0.00	-44.09	-13.64	0.00	-101.05			
8 GIRDER WEIGH	-6.90	0.00	105.01	-6.90	0.00	76.19	3.31	0.00	53.48	3.31	0.00	67.32			
10 MEDIAN STRIP	29.53	0.00	38.18	29.53	0.00	161.51	32.84	0.00	21.51	32.84	0.00	158.67			
21 ADITIONAL WE	-4.13	0.00	-8.06	-4.13	0.00	-25.31	-3.82	0.00	-12.34	-3.82	0.00	-28.29			
31 MEDIAN RAILI	2.38	0.00	3.04	2.38	0.00	12.99	2.60	0.00	1.77	2.60	0.00	12.63			
51 SUPPORT WEIG	-0.00	0.00	0.00	-0.00	0.00	-0.00	-0.00	0.00	0.00	-0.00	0.00	-0.00			
52 NOSE WEIGHT	-0.03	0.00	0.39	-0.03	0.00	0.25	-0.02	0.00	0.17	-0.02	0.00	0.08			
61 1-LANE(case1TRUCK-LOAD	MAX	S2	1.38	0.00	-10.85	1.38	0.00	-5.06	1.15	0.00	-15.10	1.15	0.00	-10.30	
		TQ	0.00	0.00	0.00	0.00	0.00	0.00	0.00	0.00	0.00	0.00	0.00	0.00	
		M3	-190.97	0.00	295.07	-2.62	0.00	4.57	-187.39	0.00	280.24	-1.20	0.00	9.93	
	MIN	S2	-191.15	0.00	294.29	-191.15	0.00	-504.13	-187.39	0.00	280.24	-187.39	0.00	-502.50	
		TQ	0.00	0.00	0.00	0.00	0.00	0.00	0.00	0.00	0.00	0.00	0.00	0.00	
		M3	1.38	0.00	-10.86	-191.15	0.00	-504.13	1.01	0.00	-18.27	-187.39	0.00	-502.50	
	TANDEM-LOAD	MAX	S2	0.94	0.00	-7.42	0.94	0.00	-3.48	0.79	0.00	-10.79	0.79	0.00	-7.52
		TQ	0.00	0.00	0.00	0.00	0.00	0.00	0.00	0.00	0.00	0.00	0.00	0.00	
		M3	-144.76	0.00	220.16	-1.95	0.00	3.48	-142.58	0.00	210.89	-0.89	0.00	6.95	
	MIN	S2	-144.81	0.00	219.94	-144.81	0.00	-384.95	-142.58	0.00	210.89	-142.58	0.00	-384.66	
		TQ	0.00	0.00	0.00	0.00	0.00	0.00	0.00	0.00	0.00	0.00	0.00	0.00	
		M3	0.94	0.00	-7.42	-144.81	0.00	-384.95	0.67	0.00	-12.47	-142.58	0.00	-384.66	
	DISPERSION-LMAX	S2	1.46	0.00	-12.11	1.46	0.00	-6.00	2.29	0.00	-13.96	2.29	0.00	-4.38	
		TQ	0.00	0.00	0.00	0.00	0.00	0.00	0.00	0.00	0.00	0.00	0.00	0.00	
		M3	-84.41	0.00	159.75	-4.20	0.00	5.13	-76.03	0.00	138.88	-0.80	0.00	14.69	
	MIN	S2	-84.41	0.00	159.74	-84.41	0.00	-192.83	-77.55	0.00	133.33	-77.55	0.00	-190.61	
		TQ	0.00	0.00	0.00	0.00	0.00	0.00	0.00	0.00	0.00	0.00	0.00	0.00	
		M3	1.46	0.00	-12.12	-78.74	0.00	-203.96	0.76	0.00	-19.51	-74.46	0.00	-209.68	

BAGO RIVER BRIDGE

BLOCK [ No.2 : CROSS BEAM ][ BEAM MEMBER FORCE ]

MEMBER				1001009			2009			1001011			2011			
NODE				1009			1011			2011						
NAME TITLE				SHEAR	TORQUE	MOMENT	SHEAR	TORQUE	MOMENT	SHEAR	TORQUE	MOMENT	SHEAR	TORQUE	MOMENT	
				S2 (kN)	TQ (kN·m)	M3 (kN·m)	S2 (kN)	TQ (kN·m)	M3 (kN·m)	S2 (kN)	TQ (kN·m)	M3 (kN·m)	S2 (kN)	TQ (kN·m)	M3 (kN·m)	
62	1-LANE (case2TRUCK-LOAD	MAX	S2	80.42	0.00	27.32	80.42	0.00	363.23	84.15	0.00	17.00	84.15	0.00	368.48	
			TQ	0.00	0.00	0.00	0.00	0.00	0.00	0.00	0.00	0.00	0.00	0.00	0.00	0.00
			M3	-2.71	0.00	71.14	80.42	0.00	363.23	-0.68	0.00	62.96	84.15	0.00	0.00	368.48
		MIN	S2	-9.32	0.00	57.24	-9.32	0.00	18.29	-7.47	0.00	50.09	-7.47	0.00	0.00	18.88
			TQ	0.00	0.00	0.00	0.00	0.00	0.00	0.00	0.00	0.00	0.00	0.00	0.00	0.00
			M3	0.45	0.00	-5.54	0.40	0.00	-3.74	-0.77	0.00	-6.94	-1.23	0.00	0.00	-11.16
		TANDEM-LOAD MAX	S2	63.24	0.00	12.50	63.24	0.00	276.64	65.75	0.00	5.78	65.75	0.00	0.00	280.40
			TQ	0.00	0.00	0.00	0.00	0.00	0.00	0.00	0.00	0.00	0.00	0.00	0.00	0.00
			M3	2.77	0.00	50.63	63.24	0.00	276.64	4.11	0.00	44.94	65.75	0.00	0.00	280.40
		MIN	S2	-7.94	0.00	46.21	-7.94	0.00	13.04	-6.49	0.00	40.78	-6.49	0.00	0.00	13.65
			TQ	0.00	0.00	0.00	0.00	0.00	0.00	0.00	0.00	0.00	0.00	0.00	0.00	0.00
			M3	0.30	0.00	-3.77	0.27	0.00	-2.55	-0.43	0.00	-4.77	-0.87	0.00	0.00	-7.58
		DISPERSION-LMAX	S2	27.44	0.00	20.79	27.44	0.00	135.40	30.54	0.00	22.32	30.54	0.00	0.00	149.87
			TQ	0.00	0.00	0.00	0.00	0.00	0.00	0.00	0.00	0.00	0.00	0.00	0.00	0.00
			M3	20.34	0.00	67.31	21.86	0.00	158.55	21.98	0.00	51.49	27.45	0.00	0.00	165.46
MIN	S2	-5.11	0.00	40.04	-5.11	0.00	18.71	-4.68	0.00	21.63	-4.68	0.00	0.00	2.09		
	TQ	0.00	0.00	0.00	0.00	0.00	0.00	0.00	0.00	0.00	0.00	0.00	0.00	0.00		
	M3	1.99	0.00	-6.48	0.47	0.00	-4.44	3.88	0.00	-7.54	-1.59	0.00	0.00	-13.50		
63	1-LANE (case3TRUCK-LOAD	MAX	S2	39.37	0.00	-58.95	39.37	0.00	105.48	41.70	0.00	-66.51	41.70	0.00	107.67	
			TQ	0.00	0.00	0.00	0.00	0.00	0.00	0.00	0.00	0.00	0.00	0.00	0.00	
			M3	1.52	0.00	23.96	39.37	0.00	105.48	1.62	0.00	20.30	41.70	0.00	0.00	107.67
		MIN	S2	-1.57	0.00	16.88	-1.57	0.00	10.32	-2.86	0.00	3.37	-2.86	0.00	0.00	-8.58
			TQ	0.00	0.00	0.00	0.00	0.00	0.00	0.00	0.00	0.00	0.00	0.00	0.00	0.00
			M3	39.34	0.00	-59.35	-0.33	0.00	-2.71	41.70	0.00	-66.51	-2.85	0.00	0.00	-8.58

BAGO RIVER BRIDGE

BLOCK [ No.2 : CROSS BEAM ][ BEAM MEMBER FORCE ]

MEMBER		1001009						1001011									
NODE		1009			2009			1011			2011						
		SHEAR	TORQUE	MOMENT	SHEAR	TORQUE	MOMENT	SHEAR	TORQUE	MOMENT	SHEAR	TORQUE	MOMENT				
NAME	TITLE	S2 (kN)	TQ (kN·m)	M3 (kN·m)	S2 (kN)	TQ (kN·m)	M3 (kN·m)	S2 (kN)	TQ (kN·m)	M3 (kN·m)	S2 (kN)	TQ (kN·m)	M3 (kN·m)				
63	1-LANE (case3TANDEM-LOAD	MAX	S2	28.24	0.00	-46.04	28.24	0.00	71.93	29.78	0.00	-51.03	29.78	0.00	73.36		
			TQ	0.00	0.00	0.00	0.00	0.00	0.00	0.00	0.00	0.00	0.00	0.00	0.00		
			M3	1.14	0.00	17.33	28.24	0.00	71.93	1.20	0.00	14.74	29.78	0.00	73.36		
		MIN	S2	-1.16	0.00	10.43	-1.16	0.00	5.58	-1.95	0.00	2.30	-1.95	0.00	-5.85		
			TQ	0.00	0.00	0.00	0.00	0.00	0.00	0.00	0.00	0.00	0.00	0.00	0.00		
			M3	28.24	0.00	-46.15	-0.23	0.00	-1.84	29.78	0.00	-51.03	-1.95	0.00	-5.85		
			DISPERSION-LMAX	S2	21.92	0.00	-10.00	21.92	0.00	81.56	25.41	0.00	-18.49	25.41	0.00	87.65	
				TQ	0.00	0.00	0.00	0.00	0.00	0.00	0.00	0.00	0.00	0.00	0.00	0.00	
				M3	3.97	0.00	19.55	21.22	0.00	87.42	0.39	0.00	15.97	24.87	0.00	90.26	
			MIN	S2	-1.04	0.00	6.96	-1.04	0.00	2.63	-3.94	0.00	8.37	-3.94	0.00	-8.10	
				TQ	0.00	0.00	0.00	0.00	0.00	0.00	0.00	0.00	0.00	0.00	0.00	0.00	
				M3	16.92	0.00	-22.59	-0.34	0.00	-3.23	21.08	0.00	-26.10	-3.40	0.00	-10.71	
		64	1-LANE (case4TRUCK-LOAD	MAX	S2	10.66	0.00	-108.02	10.66	0.00	-63.50	8.46	0.00	-101.22	8.46	0.00	-65.89
					TQ	0.00	0.00	0.00	0.00	0.00	0.00	0.00	0.00	0.00	0.00	0.00	0.00
					M3	-2.01	0.00	8.43	0.18	0.00	1.13	-6.13	0.00	24.92	1.32	0.00	3.57
MIN	S2			-2.01	0.00	8.26	-2.01	0.00	-0.15	-6.36	0.00	24.62	-6.36	0.00	-1.93		
	TQ			0.00	0.00	0.00	0.00	0.00	0.00	0.00	0.00	0.00	0.00	0.00	0.00		
	M3			5.88	0.00	-156.80	5.81	0.00	-132.55	3.11	0.00	-149.45	3.11	0.00	-136.45		
	TANDEM-LOAD MAX			S2	7.41	0.00	-69.91	7.41	0.00	-38.96	5.93	0.00	-65.36	5.93	0.00	-40.59	
				TQ	0.00	0.00	0.00	0.00	0.00	0.00	0.00	0.00	0.00	0.00	0.00	0.00	
				M3	-1.35	0.00	5.74	0.12	0.00	0.77	-4.23	0.00	17.01	0.90	0.00	2.42	
	MIN			S2	-1.38	0.00	5.68	-1.38	0.00	-0.07	-4.33	0.00	16.62	-4.33	0.00	-1.47	
				TQ	0.00	0.00	0.00	0.00	0.00	0.00	0.00	0.00	0.00	0.00	0.00	0.00	
				M3	3.64	0.00	-106.69	3.64	0.00	-91.50	1.78	0.00	-101.82	1.78	0.00	-94.40	

BAGO RIVER BRIDGE

BLOCK [ No.2 : CROSS BEAM ][ BEAM MEMBER FORCE ]

MEMBER		1001009						1001011						
NODE		1009			2009			1011			2011			
		SHEAR	TORQUE	MOMENT	SHEAR	TORQUE	MOMENT	SHEAR	TORQUE	MOMENT	SHEAR	TORQUE	MOMENT	
NAME	TITLE	S2 (kN)	TQ (kN·m)	M3 (kN·m)	S2 (kN)	TQ (kN·m)	M3 (kN·m)	S2 (kN)	TQ (kN·m)	M3 (kN·m)	S2 (kN)	TQ (kN·m)	M3 (kN·m)	
64	1-LANE (case4DISPERSION-LMAX	S2	13.38	0.00	-160.55	13.38	0.00	-104.64	11.69	0.00	-145.38	11.69	0.00	-96.55
		TQ	0.00	0.00	0.00	0.00	0.00	0.00	0.00	0.00	0.00	0.00	0.00	0.00
		M3	-1.95	0.00	9.12	-0.32	0.00	2.01	-7.30	0.00	27.30	0.86	0.00	6.43
		MIN S2	-2.22	0.00	8.58	-2.22	0.00	-0.69	-7.33	0.00	21.62	-7.33	0.00	-9.01
		TQ	0.00	0.00	0.00	0.00	0.00	0.00	0.00	0.00	0.00	0.00	0.00	0.00
		M3	13.11	0.00	-161.10	11.49	0.00	-107.34	11.66	0.00	-151.06	3.50	0.00	-111.99
65	2-LANES (caseTRUCK-LOAD	MAX S2	2.31	0.00	-19.01	2.31	0.00	-9.35	2.10	0.00	-14.78	2.10	0.00	-6.03
		TQ	0.00	0.00	0.00	0.00	0.00	0.00	0.00	0.00	0.00	0.00	0.00	0.00
		M3	-219.93	0.00	444.60	-31.57	0.00	33.15	-212.60	0.00	417.75	-26.05	0.00	42.45
		MIN S2	-220.11	0.00	443.82	-220.11	0.00	-475.56	-212.60	0.00	417.75	-212.60	0.00	-470.26
		TQ	0.00	0.00	0.00	0.00	0.00	0.00	0.00	0.00	0.00	0.00	0.00	0.00
		M3	2.31	0.00	-19.09	-190.27	0.00	-508.57	1.08	0.00	-30.79	-187.58	0.00	-515.28
	TANDEM-LOAD	MAX S2	1.58	0.00	-12.97	1.58	0.00	-6.38	1.43	0.00	-10.57	1.43	0.00	-4.61
		TQ	0.00	0.00	0.00	0.00	0.00	0.00	0.00	0.00	0.00	0.00	0.00	0.00
		M3	-164.85	0.00	326.20	-22.03	0.00	25.64	-160.20	0.00	309.10	-18.41	0.00	31.63
		MIN S2	-164.90	0.00	325.98	-164.90	0.00	-362.79	-160.20	0.00	309.10	-160.20	0.00	-360.06
		TQ	0.00	0.00	0.00	0.00	0.00	0.00	0.00	0.00	0.00	0.00	0.00	0.00
		M3	1.57	0.00	-13.03	-144.20	0.00	-387.97	0.74	0.00	-21.02	-142.75	0.00	-393.35
	DISPERSION-LMAX	S2	4.89	0.00	-8.54	4.89	0.00	11.87	6.94	0.00	-6.49	6.94	0.00	22.50
		TQ	0.00	0.00	0.00	0.00	0.00	0.00	0.00	0.00	0.00	0.00	0.00	0.00
		M3	-106.63	0.00	273.10	-11.31	0.00	46.37	-91.31	0.00	233.49	-2.90	0.00	64.83
		MIN S2	-109.08	0.00	260.24	-109.08	0.00	-195.41	-97.87	0.00	207.22	-97.87	0.00	-201.59
		TQ	0.00	0.00	0.00	0.00	0.00	0.00	0.00	0.00	0.00	0.00	0.00	0.00
		M3	2.43	0.00	-21.40	-92.88	0.00	-229.91	0.38	0.00	-32.76	-88.03	0.00	-243.92

BAGO RIVER BRIDGE

BLOCK [ No.2 : CROSS BEAM ][ BEAM MEMBER FORCE ]

MEMBER				1001009						1001011							
NODE				1009			2009			1011			2011				
NAME TITLE				SHEAR	TORQUE	MOMENT	SHEAR	TORQUE	MOMENT	SHEAR	TORQUE	MOMENT	SHEAR	TORQUE	MOMENT		
				S2 (kN)	TQ (kN·m)	M3 (kN·m)	S2 (kN)	TQ (kN·m)	M3 (kN·m)	S2 (kN)	TQ (kN·m)	M3 (kN·m)	S2 (kN)	TQ (kN·m)	M3 (kN·m)		
66	2-LANES (caseTRUCK-LOAD	MAX	S2	81.35	0.00	19.15	81.35	0.00	358.94	85.09	0.00	17.31	85.09	0.00	372.75		
			TQ	0.00	0.00	0.00	0.00	0.00	0.00	0.00	0.00	0.00	0.00	0.00	0.00	0.00	
			M3	-31.67	0.00	220.67	51.46	0.00	391.81	-25.88	0.00	200.47	59.29	0.00	0.00	0.00	401.00
		MIN	S2	-38.28	0.00	206.77	-38.28	0.00	46.87	-32.68	0.00	187.61	-32.68	0.00	0.00	0.00	51.12
			TQ	0.00	0.00	0.00	0.00	0.00	0.00	0.00	0.00	0.00	0.00	0.00	0.00	0.00	0.00
			M3	1.37	0.00	-13.77	1.28	0.00	-8.18	-0.71	0.00	-19.45	-1.42	0.00	0.00	0.00	-23.94
		TANDEM-LOAD MAX	S2	63.87	0.00	6.95	63.87	0.00	273.74	66.39	0.00	6.00	66.39	0.00	0.00	0.00	283.30
			TQ	0.00	0.00	0.00	0.00	0.00	0.00	0.00	0.00	0.00	0.00	0.00	0.00	0.00	0.00
			M3	-17.31	0.00	156.68	43.15	0.00	298.80	-13.51	0.00	143.15	48.22	0.00	0.00	0.00	305.08
		MIN	S2	-28.02	0.00	152.25	-28.02	0.00	35.20	-24.12	0.00	138.99	-24.12	0.00	0.00	0.00	38.25
			TQ	0.00	0.00	0.00	0.00	0.00	0.00	0.00	0.00	0.00	0.00	0.00	0.00	0.00	0.00
			M3	0.93	0.00	-9.38	0.88	0.00	-5.56	-0.36	0.00	-13.32	-1.04	0.00	0.00	0.00	-16.28
		DISPERSION-LMAX	S2	30.86	0.00	24.36	30.86	0.00	153.27	35.19	0.00	29.79	35.19	0.00	0.00	0.00	176.76
			TQ	0.00	0.00	0.00	0.00	0.00	0.00	0.00	0.00	0.00	0.00	0.00	0.00	0.00	0.00
			M3	-1.88	0.00	180.66	14.75	0.00	199.79	6.69	0.00	146.10	25.35	0.00	0.00	0.00	215.61
MIN	S2	-29.79	0.00	140.54	-29.79	0.00	16.13	-25.00	0.00	95.53	-25.00	0.00	0.00	0.00	-8.89		
	TQ	0.00	0.00	0.00	0.00	0.00	0.00	0.00	0.00	0.00	0.00	0.00	0.00	0.00	0.00		
	M3	2.96	0.00	-15.76	-13.68	0.00	-30.40	3.50	0.00	-20.78	-15.16	0.00	0.00	0.00	-47.74		
67	2-LANES (caseTRUCK-LOAD	MAX	S2	64.84	0.00	-150.07	64.84	0.00	120.78	67.90	0.00	-161.77	67.90	0.00	121.86		
			TQ	0.00	0.00	0.00	0.00	0.00	0.00	0.00	0.00	0.00	0.00	0.00	0.00		
			M3	1.86	0.00	26.44	58.86	0.00	148.44	-2.31	0.00	30.08	61.89	0.00	0.00	149.64	
		MIN	S2	-2.41	0.00	18.44	-2.41	0.00	8.39	-6.81	0.00	13.08	-6.81	0.00	0.00	-15.35	
			TQ	0.00	0.00	0.00	0.00	0.00	0.00	0.00	0.00	0.00	0.00	0.00	0.00	0.00	
			M3	64.67	0.00	-151.94	-1.12	0.00	-4.75	67.87	0.00	-163.10	-6.70	0.00	0.00	-15.47	



BAGO RIVER BRIDGE

BLOCK [ No.2 : CROSS BEAM ][ BEAM MEMBER FORCE ]

MEMBER		1001009			2009			1001011			2011						
NODE		1009			2009			1011			2011						
		SHEAR	TORQUE	MOMENT	SHEAR	TORQUE	MOMENT	SHEAR	TORQUE	MOMENT	SHEAR	TORQUE	MOMENT				
NAME	TITLE	S2 (kN)	TQ (kN·m)	M3 (kN·m)	S2 (kN)	TQ (kN·m)	M3 (kN·m)	S2 (kN)	TQ (kN·m)	M3 (kN·m)	S2 (kN)	TQ (kN·m)	M3 (kN·m)				
67	2-LANES (caseTANDEM-LOAD	MAX	S2	45.52	0.00	-103.82	45.52	0.00	86.33	47.63	0.00	-111.89	47.63	0.00	87.06		
			TQ	0.00	0.00	0.00	0.00	0.00	0.00	0.00	0.00	0.00	0.00	0.00	0.00	0.00	
			M3	1.63	0.00	19.22	42.80	0.00	103.80	-1.47	0.00	21.43	44.85	0.00	104.85		
		MIN	S2	-1.73	0.00	11.52	-1.73	0.00	4.28	-4.63	0.00	8.87	-4.63	0.00	-10.48		
			TQ	0.00	0.00	0.00	0.00	0.00	0.00	0.00	0.00	0.00	0.00	0.00	0.00		
			M3	45.46	0.00	-113.67	-0.76	0.00	-3.24	47.50	0.00	-121.34	-4.55	0.00	-10.53		
			DISPERSION-LMAX	S2	41.13	0.00	-56.68	41.13	0.00	115.12	46.70	0.00	-72.05	46.70	0.00	123.01	
				TQ	0.00	0.00	0.00	0.00	0.00	0.00	0.00	0.00	0.00	0.00	0.00	0.00	
				M3	3.91	0.00	24.11	38.92	0.00	122.13	-3.95	0.00	27.80	44.36	0.00	126.81	
			MIN	S2	-2.05	0.00	9.42	-2.05	0.00	0.86	-8.69	0.00	19.47	-8.69	0.00	-16.84	
				TQ	0.00	0.00	0.00	0.00	0.00	0.00	0.00	0.00	0.00	0.00	0.00	0.00	
				M3	35.17	0.00	-71.36	0.16	0.00	-6.15	41.96	0.00	-80.39	-6.36	0.00	-20.64	
		68	2-LANES (caseTRUCK-LOAD	MAX	S2	24.59	0.00	-221.58	24.59	0.00	-118.88	21.93	0.00	-209.73	21.93	0.00	-118.11
					TQ	0.00	0.00	0.00	0.00	0.00	0.00	0.00	0.00	0.00	0.00	0.00	0.00
					M3	-3.43	0.00	13.70	0.32	0.00	2.32	-11.24	0.00	42.57	2.56	0.00	7.29
MIN	S2			-3.46	0.00	13.42	-3.46	0.00	-1.04	-11.55	0.00	41.83	-11.55	0.00	-6.41		
	TQ			0.00	0.00	0.00	0.00	0.00	0.00	0.00	0.00	0.00	0.00	0.00	0.00		
	M3			19.22	0.00	-289.01	19.14	0.00	-209.04	15.34	0.00	-277.42	15.34	0.00	-213.33		
	TANDEM-LOAD			MAX	S2	16.97	0.00	-139.66	16.97	0.00	-68.77	15.28	0.00	-131.09	15.28	0.00	-67.28
				TQ	0.00	0.00	0.00	0.00	0.00	0.00	0.00	0.00	0.00	0.00	0.00	0.00	
				M3	-2.30	0.00	9.33	0.22	0.00	1.57	-7.69	0.00	29.07	1.74	0.00	4.95	
	MIN			S2	-2.36	0.00	9.23	-2.36	0.00	-0.65	-7.87	0.00	28.43	-7.87	0.00	-4.46	
				TQ	0.00	0.00	0.00	0.00	0.00	0.00	0.00	0.00	0.00	0.00	0.00	0.00	
				M3	12.51	0.00	-198.32	12.51	0.00	-146.05	9.94	0.00	-190.88	9.94	0.00	-149.35	

BAGO RIVER BRIDGE

BLOCK [ No.2 : CROSS BEAM ][ BEAM MEMBER FORCE ]

MEMBER		1001009						1001011								
NODE		1009			2009			1011			2011					
		SHEAR	TORQUE	MOMENT	SHEAR	TORQUE	MOMENT	SHEAR	TORQUE	MOMENT	SHEAR	TORQUE	MOMENT			
NAME	TITLE	S2 (kN)	TQ (kN·m)	M3 (kN·m)	S2 (kN)	TQ (kN·m)	M3 (kN·m)	S2 (kN)	TQ (kN·m)	M3 (kN·m)	S2 (kN)	TQ (kN·m)	M3 (kN·m)			
68	2-LANES (caseDISPERSION-LMAX	S2	28.98	0.00	-277.33	28.98	0.00	-156.29	27.22	0.00	-257.85	27.22	0.00	-144.17		
		TQ	0.00	0.00	0.00	0.00	0.00	0.00	0.00	0.00	0.00	0.00	0.00	0.00		
		M3	-3.30	0.00	15.22	-0.14	0.00	4.00	-13.30	0.00	46.67	3.09	0.00	12.76		
		MIN	S2	-3.82	0.00	13.75	-3.82	0.00	-2.20	-13.33	0.00	40.99	-13.33	0.00	-14.68	
		TQ	0.00	0.00	0.00	0.00	0.00	0.00	0.00	0.00	0.00	0.00	0.00	0.00		
		M3	28.46	0.00	-278.80	25.29	0.00	-162.49	27.19	0.00	-263.53	10.79	0.00	-171.61		
		MAX	S2	82.73	0.00	8.31	82.73	0.00	353.88	86.24	0.00	2.22	86.24	0.00	362.45	
		TQ	0.00	0.00	0.00	0.00	0.00	0.00	0.00	0.00	0.00	0.00	0.00	0.00		
		M3	-222.64	0.00	515.75	48.85	0.00	396.38	-213.28	0.00	480.71	58.10	0.00	410.93		
69	3-LANES (caseTRUCK-LOAD	MIN	S2	-229.43	0.00	501.06	-229.43	0.00	-457.26	-220.07	0.00	467.85	-220.07	0.00	-451.38	
		TQ	0.00	0.00	0.00	0.00	0.00	0.00	0.00	0.00	0.00	0.00	0.00	0.00		
		M3	2.76	0.00	-24.64	-189.86	0.00	-512.32	0.31	0.00	-37.73	-188.81	0.00	-526.44		
		TANDEM-LOAD	MAX	S2	64.81	0.00	-0.47	64.81	0.00	270.26	67.17	0.00	-4.80	67.17	0.00	275.79
		TQ	0.00	0.00	0.00	0.00	0.00	0.00	0.00	0.00	0.00	0.00	0.00	0.00		
		M3	-162.08	0.00	376.83	41.20	0.00	302.28	-156.09	0.00	354.04	47.34	0.00	312.03		
		MIN	S2	-172.84	0.00	372.19	-172.84	0.00	-349.75	-166.70	0.00	349.88	-166.70	0.00	-346.41	
		TQ	0.00	0.00	0.00	0.00	0.00	0.00	0.00	0.00	0.00	0.00	0.00	0.00		
		M3	1.87	0.00	-16.80	-143.93	0.00	-390.51	0.31	0.00	-25.79	-143.62	0.00	-400.94		
		DISPERSION-LMAX	S2	32.33	0.00	12.25	32.33	0.00	147.27	37.48	0.00	15.83	37.48	0.00	172.38	
		TQ	0.00	0.00	0.00	0.00	0.00	0.00	0.00	0.00	0.00	0.00	0.00	0.00		
		M3	-86.29	0.00	340.41	10.55	0.00	204.92	-69.34	0.00	284.98	24.55	0.00	230.30		
		MIN	S2	-114.19	0.00	300.28	-114.19	0.00	-176.70	-102.55	0.00	228.86	-102.55	0.00	-199.50	
		TQ	0.00	0.00	0.00	0.00	0.00	0.00	0.00	0.00	0.00	0.00	0.00	0.00		
		M3	4.42	0.00	-27.88	-92.42	0.00	-234.35	4.26	0.00	-40.29	-89.62	0.00	-257.42		

BAGO RIVER BRIDGE

BLOCK [ No.2 : CROSS BEAM ][ BEAM MEMBER FORCE ]

MEMBER				1001009						1001011						
NODE				1009			2009			1011			2011			
NAME TITLE				SHEAR	TORQUE	MOMENT	SHEAR	TORQUE	MOMENT	SHEAR	TORQUE	MOMENT	SHEAR	TORQUE	MOMENT	
				S2 (kN)	TQ (kN·m)	M3 (kN·m)	S2 (kN)	TQ (kN·m)	M3 (kN·m)	S2 (kN)	TQ (kN·m)	M3 (kN·m)	S2 (kN)	TQ (kN·m)	M3 (kN·m)	
70	3-LANES (caseTRUCK-LOAD	MAX	S2	82.83	0.00	-266.26	82.83	0.00	79.73	84.81	0.00	-278.12	84.81	0.00	76.13	
			TQ	0.00	0.00	0.00	0.00	0.00	0.00	0.00	0.00	0.00	0.00	0.00	0.00	0.00
			M3	0.50	0.00	31.30	59.04	0.00	149.57	-7.34	0.00	46.89	63.21	0.00	153.20	
		MIN	S2	-3.79	0.00	23.17	-3.79	0.00	7.34	-11.88	0.00	29.59	-11.88	0.00	-20.03	
			TQ	0.00	0.00	0.00	0.00	0.00	0.00	0.00	0.00	0.00	0.00	0.00	0.00	0.00
			M3	82.61	0.00	-269.03	16.64	0.00	-47.42	84.73	0.00	-280.41	10.02	0.00	-62.88	
		TANDEM-LOAD MAX	S2	57.86	0.00	-179.94	57.86	0.00	61.74	59.22	0.00	-187.92	59.22	0.00	59.45	
			TQ	0.00	0.00	0.00	0.00	0.00	0.00	0.00	0.00	0.00	0.00	0.00	0.00	0.00
			M3	0.69	0.00	22.53	42.92	0.00	104.57	-4.83	0.00	32.88	45.74	0.00	107.27	
		MIN	S2	-2.68	0.00	14.82	-2.68	0.00	3.65	-8.09	0.00	20.19	-8.09	0.00	-13.61	
			TQ	0.00	0.00	0.00	0.00	0.00	0.00	0.00	0.00	0.00	0.00	0.00	0.00	0.00
			M3	57.48	0.00	-196.24	11.21	0.00	-35.74	58.79	0.00	-204.20	6.70	0.00	-46.40	
		DISPERSION-LMAX	S2	58.05	0.00	-146.40	58.05	0.00	96.07	63.95	0.00	-164.09	63.95	0.00	103.01	
			TQ	0.00	0.00	0.00	0.00	0.00	0.00	0.00	0.00	0.00	0.00	0.00	0.00	0.00
			M3	2.63	0.00	29.57	42.15	0.00	125.52	-9.85	0.00	46.55	48.98	0.00	134.04	
MIN	S2	-3.60	0.00	14.34	-3.60	0.00	-0.71	-14.59	0.00	38.22	-14.59	0.00	-22.73			
	TQ	0.00	0.00	0.00	0.00	0.00	0.00	0.00	0.00	0.00	0.00	0.00	0.00	0.00		
	M3	51.81	0.00	-161.63	12.30	0.00	-30.17	59.20	0.00	-172.42	0.37	0.00	-53.75			
71	3-LANES (caseTRUCK-LOAD	MAX	S2	45.60	0.00	-326.78	45.60	0.00	-136.31	43.90	0.00	-314.58	43.90	0.00	-131.21	
			TQ	0.00	0.00	0.00	0.00	0.00	0.00	0.00	0.00	0.00	0.00	0.00	0.00	
			M3	-4.28	0.00	15.81	15.33	0.00	20.21	-15.23	0.00	53.12	19.14	0.00	31.44	
		MIN	S2	-4.36	0.00	15.43	-4.36	0.00	-2.78	-15.61	0.00	52.24	-15.61	0.00	-12.96	
			TQ	0.00	0.00	0.00	0.00	0.00	0.00	0.00	0.00	0.00	0.00	0.00	0.00	0.00
			M3	40.09	0.00	-396.63	40.01	0.00	-229.49	36.70	0.00	-383.92	36.70	0.00	-230.64	

BAGO RIVER BRIDGE

BLOCK [ No.2 : CROSS BEAM ][ BEAM MEMBER FORCE ]

MEMBER				1001009						1001011						
NODE				1009			2009			1011			2011			
NAME TITLE				SHEAR	TORQUE	MOMENT	SHEAR	TORQUE	MOMENT	SHEAR	TORQUE	MOMENT	SHEAR	TORQUE	MOMENT	
				S2 (kN)	TQ (kN·m)	M3 (kN·m)	S2 (kN)	TQ (kN·m)	M3 (kN·m)	S2 (kN)	TQ (kN·m)	M3 (kN·m)	S2 (kN)	TQ (kN·m)	M3 (kN·m)	
71	3-LANES	caseTANDEM-LOAD	MAX	S2	31.28	0.00	-207.16	31.28	0.00	-76.49	30.43	0.00	-198.47	30.43	0.00	-71.37
				TQ	0.00	0.00	0.00	0.00	0.00	0.00	0.00	0.00	0.00	0.00	0.00	0.00
				M3	-2.89	0.00	10.78	9.68	0.00	14.95	-10.43	0.00	36.27	11.77	0.00	22.40
			MIN	S2	-2.98	0.00	10.57	-2.98	0.00	-1.86	-10.63	0.00	35.62	-10.63	0.00	-8.78
				TQ	0.00	0.00	0.00	0.00	0.00	0.00	0.00	0.00	0.00	0.00	0.00	0.00
				M3	26.63	0.00	-274.89	26.63	0.00	-163.64	24.49	0.00	-267.17	24.49	0.00	-164.87
		DISPERSION-LMAX		S2	46.78	0.00	-350.18	46.78	0.00	-154.77	46.61	0.00	-331.59	46.61	0.00	-136.90
				TQ	0.00	0.00	0.00	0.00	0.00	0.00	0.00	0.00	0.00	0.00	0.00	0.00
				M3	-4.01	0.00	18.45	8.76	0.00	14.95	-17.97	0.00	58.09	14.88	0.00	30.37
			MIN	S2	-4.80	0.00	15.52	-4.80	0.00	-4.55	-18.01	0.00	52.41	-18.01	0.00	-22.82
				TQ	0.00	0.00	0.00	0.00	0.00	0.00	0.00	0.00	0.00	0.00	0.00	0.00
				M3	45.99	0.00	-353.11	33.21	0.00	-174.26	46.57	0.00	-337.27	13.72	0.00	-190.09
72	4-LANES	TRUCK-LOAD	MAX	S2	87.51	0.00	-379.36	87.51	0.00	-13.81	88.28	0.00	-371.30	88.28	0.00	-2.54
				TQ	0.00	0.00	0.00	0.00	0.00	0.00	0.00	0.00	0.00	0.00	0.00	0.00
				M3	-2.30	0.00	36.95	52.50	0.00	128.19	-13.19	0.00	70.64	53.75	0.00	137.48
			MIN	S2	-5.68	0.00	30.38	-5.68	0.00	6.64	-18.35	0.00	54.90	-18.35	0.00	-21.75
				TQ	0.00	0.00	0.00	0.00	0.00	0.00	0.00	0.00	0.00	0.00	0.00	0.00
				M3	82.99	0.00	-442.35	20.16	0.00	-197.66	82.62	0.00	-441.01	10.79	0.00	-214.24
		TANDEM-LOAD	MAX	S2	60.88	0.00	-268.40	60.88	0.00	-14.09	61.57	0.00	-242.62	61.57	0.00	14.55
				TQ	0.00	0.00	0.00	0.00	0.00	0.00	0.00	0.00	0.00	0.00	0.00	0.00
				M3	-1.44	0.00	26.11	37.02	0.00	88.82	-8.93	0.00	49.07	38.62	0.00	96.22
			MIN	S2	-3.98	0.00	19.87	-3.98	0.00	3.24	-12.50	0.00	37.26	-12.50	0.00	-14.95
				TQ	0.00	0.00	0.00	0.00	0.00	0.00	0.00	0.00	0.00	0.00	0.00	0.00
				M3	57.16	0.00	-313.05	29.85	0.00	-141.16	56.85	0.00	-312.81	6.88	0.00	-150.40

BAGO RIVER BRIDGE

BLOCK [ No.2 : CROSS BEAM ][ BEAM MEMBER FORCE ]

MEMBER			1001009						1001011								
NODE			1009			2009			1011			2011					
NAME TITLE			SHEAR	TORQUE	MOMENT	SHEAR	TORQUE	MOMENT	SHEAR	TORQUE	MOMENT	SHEAR	TORQUE	MOMENT			
			S2 (kN)	TQ (kN·m)	M3 (kN·m)	S2 (kN)	TQ (kN·m)	M3 (kN·m)	S2 (kN)	TQ (kN·m)	M3 (kN·m)	S2 (kN)	TQ (kN·m)	M3 (kN·m)			
72	4-LANES	DISPERSION-LMAX	S2	71.13	0.00	-334.52	71.13	0.00	-37.39	67.13	0.00	-321.26	67.13	0.00	-40.85		
			TQ	0.00	0.00	0.00	0.00	0.00	0.00	0.00	0.00	0.00	0.00	0.00	0.00	0.00	
			M3	0.09	0.00	32.65	37.02	0.00	111.10	-13.26	0.00	63.94	38.23	0.00	0.00	109.13	
	MIN	S2	-4.97	0.00	21.23	-4.97	0.00	0.46	-17.79	0.00	50.26	-17.79	0.00	0.00	-24.06		
		TQ	0.00	0.00	0.00	0.00	0.00	0.00	0.00	0.00	0.00	0.00	0.00	0.00	0.00		
		M3	64.04	0.00	-358.62	29.31	0.00	-160.74	60.48	0.00	-340.85	11.25	0.00	0.00	-181.09		
	73	6-LANES	TRUCK-LOAD	MAX	S2	165.17	0.00	-272.45	165.17	0.00	417.45	171.17	0.00	-260.07	171.17	0.00	454.89
				TQ	0.00	0.00	0.00	0.00	0.00	0.00	0.00	0.00	0.00	0.00	0.00	0.00	0.00
				M3	-165.38	0.00	434.54	123.64	0.00	572.14	-171.75	0.00	430.76	136.33	0.00	0.00	596.21
MIN		S2	-199.77	0.00	384.84	-199.77	0.00	-449.60	-204.23	0.00	374.40	-204.23	0.00	0.00	-478.65		
		TQ	0.00	0.00	0.00	0.00	0.00	0.00	0.00	0.00	0.00	0.00	0.00	0.00	0.00		
		M3	111.04	0.00	-402.72	-157.95	0.00	-659.37	113.37	0.00	-412.82	-163.44	0.00	0.00	-681.77		
TANDEM-LOAD		MAX	S2	123.69	0.00	-196.02	123.69	0.00	320.64	127.73	0.00	-182.01	127.73	0.00	351.51		
		TQ	0.00	0.00	0.00	0.00	0.00	0.00	0.00	0.00	0.00	0.00	0.00	0.00	0.00		
		M3	-140.91	0.00	318.25	97.48	0.00	429.64	-142.94	0.00	316.04	105.90	0.00	0.00	447.46		
MIN	S2	-151.95	0.00	287.40	-151.95	0.00	-347.29	-155.10	0.00	277.55	-155.10	0.00	0.00	-370.31			
	TQ	0.00	0.00	0.00	0.00	0.00	0.00	0.00	0.00	0.00	0.00	0.00	0.00	0.00			
	M3	79.77	0.00	-287.78	-121.87	0.00	-492.61	81.35	0.00	-295.46	-125.92	0.00	0.00	-508.93			
DISPERSION-LMAX	S2	97.55	0.00	-264.06	97.55	0.00	143.42	104.11	0.00	-259.67	104.11	0.00	0.00	175.21			
	TQ	0.00	0.00	0.00	0.00	0.00	0.00	0.00	0.00	0.00	0.00	0.00	0.00	0.00			
	M3	-78.20	0.00	311.10	52.76	0.00	312.61	-79.88	0.00	299.19	70.50	0.00	0.00	344.14			
MIN	S2	-102.80	0.00	265.31	-102.80	0.00	-164.08	-107.87	0.00	238.55	-107.87	0.00	0.00	-212.03			
	TQ	0.00	0.00	0.00	0.00	0.00	0.00	0.00	0.00	0.00	0.00	0.00	0.00	0.00			
	M3	60.54	0.00	-342.57	-54.09	0.00	-360.96	63.03	0.00	-341.77	-70.65	0.00	0.00	-402.08			

BAGO RIVER BRIDGE

BLOCK [ No.2 : CROSS BEAM ][ BEAM MEMBER FORCE ]

MEMBER			1001009						1001011						
NODE			1009			2009			1011			2011			
NAME TITLE			SHEAR	TORQUE	MOMENT	SHEAR	TORQUE	MOMENT	SHEAR	TORQUE	MOMENT	SHEAR	TORQUE	MOMENT	
			S2 (kN)	TQ (kN·m)	M3 (kN·m)	S2 (kN)	TQ (kN·m)	M3 (kN·m)	S2 (kN)	TQ (kN·m)	M3 (kN·m)	S2 (kN)	TQ (kN·m)	M3 (kN·m)	
124	SUM TOTAL	D+1LANE (caseMAX	S2	-58.34	0.00	51.98	-58.34	0.00	-191.68	-42.05	0.00	-50.78	-42.05	0.00	-226.42
			TQ	-61.75	0.00	79.53	-61.75	0.00	-178.41	-46.18	0.00	-15.92	-46.18	0.00	-208.80
			M3	-392.21	0.00	625.32	-69.94	0.00	-166.77	-362.28	0.00	487.03	-48.58	0.00	-179.26
		MIN	S2	-392.42	0.00	624.37	-392.42	0.00	-1014.76	-364.11	0.00	480.36	-364.11	0.00	-1040.52
			TQ	-61.75	0.00	79.53	-61.75	0.00	-178.41	-46.18	0.00	-15.92	-46.18	0.00	-208.80
			M3	-58.34	0.00	51.95	-385.62	0.00	-1028.12	-44.04	0.00	-61.26	-360.40	0.00	-1063.41
		D+1LANE (caseMAX	S2	67.68	0.00	137.26	67.68	0.00	419.95	91.44	0.00	31.26	91.44	0.00	413.23
			TQ	-61.75	0.00	79.53	-61.75	0.00	-178.41	-46.18	0.00	-15.92	-46.18	0.00	-208.80
			M3	-40.59	0.00	245.67	60.99	0.00	447.72	-20.62	0.00	121.42	87.74	0.00	431.93
		MIN	S2	-79.07	0.00	196.27	-79.07	0.00	-134.01	-60.76	0.00	70.15	-60.76	0.00	-183.64
			TQ	-61.75	0.00	79.53	-61.75	0.00	-178.41	-46.18	0.00	-15.92	-46.18	0.00	-208.80
			M3	-58.83	0.00	65.11	-60.71	0.00	-188.23	-42.45	0.00	-33.29	-49.56	0.00	-238.40
		D+1LANE (caseMAX	S2	11.79	0.00	-3.20	11.79	0.00	46.04	34.36	0.00	-117.92	34.36	0.00	25.58
			TQ	-61.75	0.00	79.53	-61.75	0.00	-178.41	-46.18	0.00	-15.92	-46.18	0.00	-208.80
			M3	-55.16	0.00	131.75	10.95	0.00	53.07	-43.77	0.00	27.60	33.71	0.00	28.71
		MIN	S2	-64.88	0.00	108.13	-64.88	0.00	-162.86	-54.34	0.00	-1.84	-54.34	0.00	-228.82
			TQ	-61.75	0.00	79.53	-61.75	0.00	-178.41	-46.18	0.00	-15.92	-46.18	0.00	-208.80
			M3	5.76	0.00	-18.80	-62.56	0.00	-185.53	29.16	0.00	-127.05	-53.67	0.00	-231.95
		D+1LANE (caseMAX	S2	-32.90	0.00	-242.75	-32.90	0.00	-380.18	-22.00	0.00	-311.84	-22.00	0.00	-403.72
			TQ	-61.75	0.00	79.53	-61.75	0.00	-178.41	-46.18	0.00	-15.92	-46.18	0.00	-208.80
			M3	-66.49	0.00	100.59	-61.92	0.00	-174.65	-62.30	0.00	46.74	-43.56	0.00	-196.80
		MIN	S2	-66.83	0.00	99.73	-66.83	0.00	-179.42	-62.60	0.00	39.57	-62.60	0.00	-221.93
			TQ	-61.75	0.00	79.53	-61.75	0.00	-178.41	-46.18	0.00	-15.92	-46.18	0.00	-208.80
			M3	-38.96	0.00	-301.95	-41.00	0.00	-466.28	-28.45	0.00	-376.53	-38.25	0.00	-506.93

BAGO RIVER BRIDGE

BLOCK [ No.2 : CROSS BEAM ][ BEAM MEMBER FORCE ]

MEMBER			1001009			2009			1001011			2011			
NODE			1009			1011			1011			2011			
NAME TITLE			SHEAR	TORQUE	MOMENT	SHEAR	TORQUE	MOMENT	SHEAR	TORQUE	MOMENT	SHEAR	TORQUE	MOMENT	
			S2 (kN)	TQ (kN·m)	M3 (kN·m)	S2 (kN)	TQ (kN·m)	M3 (kN·m)	S2 (kN)	TQ (kN·m)	M3 (kN·m)	S2 (kN)	TQ (kN·m)	M3 (kN·m)	
124	SUM TOTAL	D+2LANES (casMAX	S2	-54.55	0.00	51.98	-54.55	0.00	-175.89	-37.14	0.00	-37.19	-37.14	0.00	-192.32
			TQ	-61.75	0.00	79.53	-61.75	0.00	-178.41	-46.18	0.00	-15.92	-46.18	0.00	-208.80
			M3	-388.31	0.00	797.23	-104.64	0.00	-98.89	-350.09	0.00	635.33	-75.13	0.00	-101.51
		MIN	S2	-390.94	0.00	783.59	-390.94	0.00	-849.38	-356.64	0.00	609.06	-356.64	0.00	-880.65
			TQ	-61.75	0.00	79.53	-61.75	0.00	-178.41	-46.18	0.00	-15.92	-46.18	0.00	-208.80
			M3	-57.01	0.00	39.03	-344.90	0.00	-916.90	-44.72	0.00	-79.46	-321.79	0.00	-968.00
		D+2LANES (casMAX	S2	50.46	0.00	123.04	50.46	0.00	333.80	74.10	0.00	31.18	74.10	0.00	340.71
			TQ	-61.75	0.00	79.53	-61.75	0.00	-178.41	-46.18	0.00	-15.92	-46.18	0.00	-208.80
			M3	-95.30	0.00	480.86	4.46	0.00	413.19	-65.37	0.00	330.65	38.47	0.00	407.82
		MIN	S2	-129.82	0.00	426.84	-129.82	0.00	-115.41	-103.85	0.00	267.21	-103.85	0.00	-166.58
			TQ	-61.75	0.00	79.53	-61.75	0.00	-178.41	-46.18	0.00	-15.92	-46.18	0.00	-208.80
			M3	-57.42	0.00	50.00	-74.15	0.00	-216.99	-43.39	0.00	-56.15	-62.76	0.00	-280.49
		D+2LANES (casMAX	S2	44.22	0.00	-127.21	44.22	0.00	57.50	68.43	0.00	-249.74	68.43	0.00	36.07
			TQ	-61.75	0.00	79.53	-61.75	0.00	-178.41	-46.18	0.00	-15.92	-46.18	0.00	-208.80
			M3	-55.98	0.00	130.08	36.02	0.00	92.16	-52.44	0.00	41.97	60.08	0.00	67.65
		MIN	S2	-66.21	0.00	107.39	-66.21	0.00	-169.16	-61.68	0.00	16.63	-61.68	0.00	-240.99
			TQ	-61.75	0.00	79.53	-61.75	0.00	-178.41	-46.18	0.00	-15.92	-46.18	0.00	-208.80
			M3	38.09	0.00	-143.77	-62.71	0.00	-189.32	63.65	0.00	-259.40	-59.24	0.00	-244.91
		D+2LANES (casMAX	S2	-8.19	0.00	-419.38	-8.19	0.00	-453.58	2.97	0.00	-483.50	2.97	0.00	-471.08
			TQ	-61.75	0.00	79.53	-61.75	0.00	-178.41	-46.18	0.00	-15.92	-46.18	0.00	-208.80
			M3	-68.48	0.00	108.45	-61.57	0.00	-172.09	-70.71	0.00	73.32	-40.52	0.00	-188.75
		MIN	S2	-69.04	0.00	106.70	-69.04	0.00	-181.66	-71.05	0.00	66.90	-71.05	0.00	-229.90
			TQ	-61.75	0.00	79.53	-61.75	0.00	-178.41	-46.18	0.00	-15.92	-46.18	0.00	-208.80
			M3	-14.08	0.00	-488.28	-17.32	0.00	-549.95	-3.65	0.00	-556.87	-20.04	0.00	-593.74

BAGO RIVER BRIDGE

BLOCK [ No.2 : CROSS BEAM ][ BEAM MEMBER FORCE ]

MEMBER			1001009						1001011							
NODE			1009			2009			1011			2011				
NAME TITLE			SHEAR	TORQUE	MOMENT	SHEAR	TORQUE	MOMENT	SHEAR	TORQUE	MOMENT	SHEAR	TORQUE	MOMENT		
			S2 (kN)	TQ (kN·m)	M3 (kN·m)	S2 (kN)	TQ (kN·m)	M3 (kN·m)	S2 (kN)	TQ (kN·m)	M3 (kN·m)	S2 (kN)	TQ (kN·m)	M3 (kN·m)		
124	SUM TOTAL	D+3LANES (casMAX	S2	36.05	0.00	97.00	36.05	0.00	247.57	58.99	0.00	-0.58	58.99	0.00	245.81	
			TQ	-61.75	0.00	79.53	-61.75	0.00	-178.41	-46.18	0.00	-15.92	-46.18	0.00	-208.80	
			M3	-324.34	0.00	807.26	-11.27	0.00	332.70	-286.40	0.00	634.92	24.07	0.00	336.24	
		MIN	S2	-353.83	0.00	760.67	-353.83	0.00	-717.28	-320.40	0.00	576.28	-320.40	0.00	-762.05	
			TQ	-61.75	0.00	79.53	-61.75	0.00	-178.41	-46.18	0.00	-15.92	-46.18	0.00	-208.80	
			M3	-55.65	0.00	34.89	-301.69	0.00	-813.08	-42.29	0.00	-82.24	-282.85	0.00	-875.08	
		D+3LANES (casMAX	S2	57.99	0.00	-271.23	57.99	0.00	-28.98	80.27	0.00	-391.80	80.27	0.00	-56.53	
			TQ	-61.75	0.00	79.53	-61.75	0.00	-178.41	-46.18	0.00	-15.92	-46.18	0.00	-208.80	
			M3	-59.09	0.00	131.28	24.26	0.00	55.42	-60.78	0.00	63.51	49.18	0.00	35.36	
		MIN	S2	-68.04	0.00	111.42	-68.04	0.00	-172.78	-68.68	0.00	41.72	-68.68	0.00	-245.14	
			TQ	-61.75	0.00	79.53	-61.75	0.00	-178.41	-46.18	0.00	-15.92	-46.18	0.00	-208.80	
			M3	52.50	0.00	-286.53	-37.15	0.00	-244.36	76.17	0.00	-400.83	-37.34	0.00	-307.94	
		D+3LANES (casMAX	S2	16.77	0.00	-495.88	16.77	0.00	-425.82	30.76	0.00	-565.16	30.76	0.00	-436.69	
			TQ	-61.75	0.00	79.53	-61.75	0.00	-178.41	-46.18	0.00	-15.92	-46.18	0.00	-208.80	
			M3	-68.80	0.00	108.65	-41.27	0.00	-148.53	-74.40	0.00	78.61	-17.26	0.00	-156.26	
		MIN	S2	-69.54	0.00	105.83	-69.54	0.00	-184.64	-74.75	0.00	73.03	-74.75	0.00	-239.21	
			TQ	-61.75	0.00	79.53	-61.75	0.00	-178.41	-46.18	0.00	-15.92	-46.18	0.00	-208.80	
			M3	11.41	0.00	-557.75	0.49	0.00	-521.60	24.60	0.00	-628.94	-3.32	0.00	-566.42	
		D+4LANES	MAX	S2	41.37	0.00	-384.49	41.37	0.00	-211.70	54.84	0.00	-466.08	54.84	0.00	-237.00
			TQ	-61.75	0.00	79.53	-61.75	0.00	-178.41	-46.18	0.00	-15.92	-46.18	0.00	-208.80	
			M3	-63.18	0.00	124.77	-3.56	0.00	-22.88	-63.37	0.00	71.55	13.61	0.00	-48.50	
		MIN	S2	-68.68	0.00	113.08	-68.68	0.00	-173.80	-69.67	0.00	52.43	-69.67	0.00	-238.57	
			TQ	-61.75	0.00	79.53	-61.75	0.00	-178.41	-46.18	0.00	-15.92	-46.18	0.00	-208.80	
			M3	33.82	0.00	-441.10	-29.60	0.00	-411.38	46.84	0.00	-524.13	-31.85	0.00	-465.76	



BAGO RIVER BRIDGE

BLOCK [ No.2 : CROSS BEAM ][ BEAM MEMBER FORCE ]

MEMBER					1001009						1001011					
NODE					1009			2009			1011			2011		
NAME TITLE					SHEAR	TORQUE	MOMENT	SHEAR	TORQUE	MOMENT	SHEAR	TORQUE	MOMENT	SHEAR	TORQUE	MOMENT
					S2 (kN)	TQ (kN·m)	M3 (kN·m)	S2 (kN)	TQ (kN·m)	M3 (kN·m)	S2 (kN)	TQ (kN·m)	M3 (kN·m)	S2 (kN)	TQ (kN·m)	M3 (kN·m)
124	SUM TOTAL	D+6LANES	MAX	S2	109.02	0.00	-269.20	109.02	0.00	186.16	132.75	0.00	-353.75	132.75	0.00	200.76
				TQ	-61.75	0.00	79.53	-61.75	0.00	-178.41	-46.18	0.00	-15.92	-46.18	0.00	-208.80
				M3	-220.08	0.00	564.19	52.90	0.00	396.68	-209.74	0.00	458.55	88.26	0.00	402.43
			MIN	S2	-258.42	0.00	502.13	-258.42	0.00	-577.30	-249.04	0.00	382.49	-249.04	0.00	-657.74
				TQ	-61.75	0.00	79.53	-61.75	0.00	-178.41	-46.18	0.00	-15.92	-46.18	0.00	-208.80
				M3	49.77	0.00	-404.91	-199.58	0.00	-841.63	68.49	0.00	-506.40	-198.34	0.00	-913.30
	SUM TOTAL		MAX		109.02	0.00	807.26	109.02	0.00	447.72	132.75	0.00	635.33	132.75	0.00	431.93
			MIN		-392.42	0.00	-557.75	-392.42	0.00	-1028.12	-364.11	0.00	-628.94	-364.11	0.00	-1063.41
300	DEAD LOAD	TOTAL			-61.75	0.00	79.53	-61.75	0.00	-178.41	-46.18	0.00	-15.92	-46.18	0.00	-208.80
301	LIVE LOAD	1-LANE(case1MAX	S2		3.42	0.00	-27.55	3.42	0.00	-13.27	4.13	0.00	-34.86	4.13	0.00	-17.62
			TQ		0.00	0.00	0.00	0.00	0.00	0.00	0.00	0.00	0.00	0.00	0.00	0.00
			M3		-330.46	0.00	545.79	-8.18	0.00	11.64	-316.10	0.00	502.95	-2.40	0.00	29.54
			MIN	S2	-330.67	0.00	544.84	-330.67	0.00	-836.35	-317.93	0.00	496.28	-317.93	0.00	-831.72
				TQ	0.00	0.00	0.00	0.00	0.00	0.00	0.00	0.00	0.00	0.00	0.00	0.00
				M3	3.42	0.00	-27.58	-323.87	0.00	-849.71	2.14	0.00	-45.34	-314.22	0.00	-854.61
		1-LANE(case2MAX	S2		129.43	0.00	57.73	129.43	0.00	598.36	137.62	0.00	47.18	137.62	0.00	622.02
			TQ		0.00	0.00	0.00	0.00	0.00	0.00	0.00	0.00	0.00	0.00	0.00	0.00
			M3		21.16	0.00	166.14	122.74	0.00	626.13	25.56	0.00	137.34	133.91	0.00	640.73
			MIN	S2	-17.32	0.00	116.74	-17.32	0.00	44.40	-14.58	0.00	86.07	-14.58	0.00	25.16
				TQ	0.00	0.00	0.00	0.00	0.00	0.00	0.00	0.00	0.00	0.00	0.00	0.00
				M3	2.93	0.00	-14.42	1.04	0.00	-9.82	3.73	0.00	-17.37	-3.38	0.00	-29.60
		1-LANE(case3MAX	S2		73.54	0.00	-82.73	73.54	0.00	224.45	80.53	0.00	-102.00	80.53	0.00	234.38
			TQ		0.00	0.00	0.00	0.00	0.00	0.00	0.00	0.00	0.00	0.00	0.00	0.00
			M3		6.59	0.00	52.22	72.71	0.00	231.48	2.41	0.00	43.52	79.88	0.00	237.51
			MIN	S2	-3.13	0.00	28.60	-3.13	0.00	15.55	-8.16	0.00	14.08	-8.16	0.00	-20.02
				TQ	0.00	0.00	0.00	0.00	0.00	0.00	0.00	0.00	0.00	0.00	0.00	0.00
				M3	67.51	0.00	-98.33	-0.81	0.00	-7.12	75.34	0.00	-111.13	-7.50	0.00	-23.15

BAGO RIVER BRIDGE

BLOCK [ No.2 : CROSS BEAM ][ BEAM MEMBER FORCE ]

MEMBER			1001009						1001011								
NODE			1009			2009			1011			2011					
NAME TITLE			SHEAR	TORQUE	MOMENT	SHEAR	TORQUE	MOMENT	SHEAR	TORQUE	MOMENT	SHEAR	TORQUE	MOMENT			
			S2 (kN)	TQ (kN·m)	M3 (kN·m)	S2 (kN)	TQ (kN·m)	M3 (kN·m)	S2 (kN)	TQ (kN·m)	M3 (kN·m)	S2 (kN)	TQ (kN·m)	M3 (kN·m)			
301	LIVE LOAD	1-LANE (case4MAX	S2	28.85	0.00	-322.28	28.85	0.00	-201.77	24.18	0.00	-295.92	24.18	0.00	-194.92		
			TQ	0.00	0.00	0.00	0.00	0.00	0.00	0.00	0.00	0.00	0.00	0.00	0.00	0.00	
			M3	-4.74	0.00	21.06	-0.17	0.00	3.76	-16.12	0.00	62.66	2.61	0.00	0.00	12.00	
			MIN	S2	-5.08	0.00	20.20	-5.08	0.00	-1.00	-16.43	0.00	55.49	-16.43	0.00	0.00	-13.13
			TQ	0.00	0.00	0.00	0.00	0.00	0.00	0.00	0.00	0.00	0.00	0.00	0.00	0.00	
			M3	22.79	0.00	-381.49	20.75	0.00	-287.87	17.73	0.00	-360.61	7.93	0.00	0.00	-298.13	
		2-LANES (caseMAX	S2	7.20	0.00	-27.55	7.20	0.00	2.52	9.04	0.00	-21.27	9.04	0.00	0.00	16.48	
			TQ	0.00	0.00	0.00	0.00	0.00	0.00	0.00	0.00	0.00	0.00	0.00	0.00	0.00	
			M3	-326.56	0.00	717.70	-42.89	0.00	79.53	-303.91	0.00	651.25	-28.95	0.00	0.00	107.28	
			MIN	S2	-329.19	0.00	704.06	-329.19	0.00	-670.97	-310.47	0.00	624.98	-310.47	0.00	0.00	-671.85
			TQ	0.00	0.00	0.00	0.00	0.00	0.00	0.00	0.00	0.00	0.00	0.00	0.00	0.00	
			M3	4.74	0.00	-40.50	-283.15	0.00	-738.49	1.46	0.00	-63.54	-275.62	0.00	0.00	-759.20	
		2-LANES (caseMAX	S2	112.21	0.00	43.51	112.21	0.00	512.21	120.28	0.00	47.10	120.28	0.00	0.00	549.51	
			TQ	0.00	0.00	0.00	0.00	0.00	0.00	0.00	0.00	0.00	0.00	0.00	0.00	0.00	
			M3	-33.55	0.00	401.33	66.22	0.00	591.60	-19.19	0.00	346.57	84.64	0.00	0.00	616.61	
			MIN	S2	-68.07	0.00	347.31	-68.07	0.00	63.00	-57.68	0.00	283.13	-57.68	0.00	0.00	42.22
			TQ	0.00	0.00	0.00	0.00	0.00	0.00	0.00	0.00	0.00	0.00	0.00	0.00	0.00	
			M3	4.33	0.00	-29.53	-12.39	0.00	-38.58	2.79	0.00	-40.23	-16.58	0.00	0.00	-71.69	
		2-LANES (caseMAX	S2	105.97	0.00	-206.74	105.97	0.00	235.91	114.60	0.00	-233.82	114.60	0.00	0.00	244.87	
			TQ	0.00	0.00	0.00	0.00	0.00	0.00	0.00	0.00	0.00	0.00	0.00	0.00	0.00	
			M3	5.77	0.00	50.55	97.78	0.00	270.58	-6.26	0.00	57.89	106.25	0.00	0.00	276.45	
MIN	S2		-4.45	0.00	27.86	-4.45	0.00	9.25	-15.50	0.00	32.55	-15.50	0.00	0.00	-32.19		
TQ	0.00		0.00	0.00	0.00	0.00	0.00	0.00	0.00	0.00	0.00	0.00	0.00	0.00			
M3	99.84		0.00	-223.30	-0.96	0.00	-10.90	109.83	0.00	-243.48	-13.06	0.00	0.00	-36.12			

BAGO RIVER BRIDGE

BLOCK [ No.2 : CROSS BEAM ][ BEAM MEMBER FORCE ]

MEMBER			1001009						1001011								
NODE			1009			2009			1011			2011					
NAME TITLE			SHEAR	TORQUE	MOMENT	SHEAR	TORQUE	MOMENT	SHEAR	TORQUE	MOMENT	SHEAR	TORQUE	MOMENT			
			S2 (kN)	TQ (kN·m)	M3 (kN·m)	S2 (kN)	TQ (kN·m)	M3 (kN·m)	S2 (kN)	TQ (kN·m)	M3 (kN·m)	S2 (kN)	TQ (kN·m)	M3 (kN·m)			
301	LIVE LOAD	2-LANES (caseMAX	S2	53.57	0.00	-498.91	53.57	0.00	-275.16	49.15	0.00	-467.58	49.15	0.00	-262.28		
			TQ	0.00	0.00	0.00	0.00	0.00	0.00	0.00	0.00	0.00	0.00	0.00	0.00		
			M3	-6.73	0.00	28.92	0.19	0.00	6.32	-24.54	0.00	89.24	5.66	0.00	0.00	20.05	
			MIN	S2	-7.28	0.00	27.17	-7.28	0.00	-3.25	-24.88	0.00	82.82	-24.88	0.00	0.00	-21.10
			TQ	0.00	0.00	0.00	0.00	0.00	0.00	0.00	0.00	0.00	0.00	0.00	0.00	0.00	
			M3	47.67	0.00	-567.81	44.44	0.00	-371.54	42.53	0.00	-540.95	26.14	0.00	0.00	-384.94	
		3-LANES (caseMAX	S2	97.80	0.00	17.47	97.80	0.00	425.98	105.16	0.00	15.34	105.16	0.00	0.00	454.61	
			TQ	0.00	0.00	0.00	0.00	0.00	0.00	0.00	0.00	0.00	0.00	0.00	0.00	0.00	
			M3	-262.59	0.00	727.73	50.49	0.00	511.11	-240.22	0.00	650.84	70.25	0.00	0.00	545.04	
			MIN	S2	-292.08	0.00	681.14	-292.08	0.00	-538.87	-274.23	0.00	592.20	-274.23	0.00	0.00	-553.25
			TQ	0.00	0.00	0.00	0.00	0.00	0.00	0.00	0.00	0.00	0.00	0.00	0.00	0.00	
			M3	6.10	0.00	-44.64	-239.94	0.00	-634.67	3.88	0.00	-66.32	-236.67	0.00	0.00	-666.28	
		3-LANES (caseMAX	S2	119.75	0.00	-350.76	119.75	0.00	149.43	126.44	0.00	-375.88	126.44	0.00	0.00	152.27	
			TQ	0.00	0.00	0.00	0.00	0.00	0.00	0.00	0.00	0.00	0.00	0.00	0.00	0.00	
			M3	2.66	0.00	51.74	86.01	0.00	233.83	-14.61	0.00	79.43	95.36	0.00	0.00	244.15	
			MIN	S2	-6.29	0.00	31.89	-6.29	0.00	5.63	-22.50	0.00	57.64	-22.50	0.00	0.00	-36.35
			TQ	0.00	0.00	0.00	0.00	0.00	0.00	0.00	0.00	0.00	0.00	0.00	0.00	0.00	
			M3	114.26	0.00	-366.06	24.60	0.00	-65.95	122.35	0.00	-384.91	8.84	0.00	0.00	-99.14	
		3-LANES (caseMAX	S2	78.53	0.00	-575.41	78.53	0.00	-247.41	76.93	0.00	-549.24	76.93	0.00	0.00	-227.90	
			TQ	0.00	0.00	0.00	0.00	0.00	0.00	0.00	0.00	0.00	0.00	0.00	0.00	0.00	
			M3	-7.05	0.00	29.12	20.48	0.00	29.88	-28.22	0.00	94.53	28.91	0.00	0.00	52.54	
MIN	S2		-7.79	0.00	26.30	-7.79	0.00	-6.23	-28.57	0.00	88.95	-28.57	0.00	0.00	-30.41		
TQ	0.00		0.00	0.00	0.00	0.00	0.00	0.00	0.00	0.00	0.00	0.00	0.00	0.00			
M3	73.16		0.00	-637.28	62.24	0.00	-343.19	70.78	0.00	-613.02	42.86	0.00	0.00	-357.62			

BAGO RIVER BRIDGE

BLOCK [ No.2 : CROSS BEAM ][ BEAM MEMBER FORCE ]

MEMBER				1001009			2009			1001011			2011				
NODE				1009			1011			2011							
NAME TITLE				SHEAR	TORQUE	MOMENT	SHEAR	TORQUE	MOMENT	SHEAR	TORQUE	MOMENT	SHEAR	TORQUE	MOMENT		
				S2 (kN)	TQ (kN·m)	M3 (kN·m)	S2 (kN)	TQ (kN·m)	M3 (kN·m)	S2 (kN)	TQ (kN·m)	M3 (kN·m)	S2 (kN)	TQ (kN·m)	M3 (kN·m)		
301	LIVE LOAD	4-LANES	MAX	S2	103.12	0.00	-464.02	103.12	0.00	-33.28	101.02	0.00	-450.16	101.02	0.00	-28.21	
				TQ	0.00	0.00	0.00	0.00	0.00	0.00	0.00	0.00	0.00	0.00	0.00	0.00	0.00
				M3	-1.43	0.00	45.24	58.19	0.00	155.53	-17.19	0.00	87.47	59.79	0.00	0.00	160.30
			MIN	S2	-6.93	0.00	33.55	-6.93	0.00	4.61	-23.49	0.00	68.35	-23.49	0.00	0.00	-29.77
				TQ	0.00	0.00	0.00	0.00	0.00	0.00	0.00	0.00	0.00	0.00	0.00	0.00	0.00
				M3	95.57	0.00	-520.63	32.15	0.00	-232.96	93.02	0.00	-508.21	14.32	0.00	0.00	-256.96
			6-LANES	MAX	S2	170.77	0.00	-348.73	170.77	0.00	364.57	178.93	0.00	-337.83	178.93	0.00	409.56
					TQ	0.00	0.00	0.00	0.00	0.00	0.00	0.00	0.00	0.00	0.00	0.00	0.00
					M3	-158.32	0.00	484.66	114.66	0.00	575.09	-163.56	0.00	474.47	134.44	0.00	611.23
				MIN	S2	-196.67	0.00	422.60	-196.67	0.00	-398.89	-202.86	0.00	398.41	-202.86	0.00	-448.94
					TQ	0.00	0.00	0.00	0.00	0.00	0.00	0.00	0.00	0.00	0.00	0.00	0.00
					M3	111.53	0.00	-484.44	-137.82	0.00	-663.22	114.66	0.00	-490.48	-152.16	0.00	-704.50
				LIVE LOAD	MAX	170.77	0.00	727.73	170.77	0.00	626.13	178.93	0.00	651.25	178.93	0.00	640.73
					MIN	-330.67	0.00	-637.28	-330.67	0.00	-849.71	-317.93	0.00	-613.02	-317.93	0.00	-854.61
		303	SUM TOTAL	TOTAL	MAX	109.02	0.00	807.26	109.02	0.00	447.72	132.75	0.00	635.33	132.75	0.00	431.93
			MIN	-392.42	0.00	-557.75	-392.42	0.00	-1028.12	-364.11	0.00	-628.94	-364.11	0.00	-1063.41		

BAGO RIVER BRIDGE

BLOCK [ No.2 : CROSS BEAM ][ BEAM MEMBER FORCE ]

MEMBER		1001013						1001015							
NODE		1013			2013			1015			2015				
		SHEAR	TORQUE	MOMENT	SHEAR	TORQUE	MOMENT	SHEAR	TORQUE	MOMENT	SHEAR	TORQUE	MOMENT		
NAME	TITLE	S2 (kN)	TQ (kN·m)	M3 (kN·m)	S2 (kN)	TQ (kN·m)	M3 (kN·m)	S2 (kN)	TQ (kN·m)	M3 (kN·m)	S2 (kN)	TQ (kN·m)	M3 (kN·m)		
1	PAVEMENT	-33.34	0.00	4.74	-33.34	0.00	-134.52	-15.73	0.00	9.20	-15.73	0.00	-56.51		
3	RAILING	-6.45	0.00	2.04	-6.45	0.00	-24.89	-3.84	0.00	1.25	-3.84	0.00	-14.79		
5	CURB	-63.81	0.00	20.16	-63.81	0.00	-246.38	-38.02	0.00	12.42	-38.02	0.00	-146.38		
7	DECK WEIGHT	-58.17	0.00	13.62	-58.17	0.00	-229.34	-25.82	0.00	9.39	-25.82	0.00	-98.47		
8	GIRDER WEIGH	-42.17	0.00	47.60	-42.17	0.00	-128.56	15.13	0.00	-51.77	15.13	0.00	11.42		
10	MEDIAN STRIP	25.44	0.00	2.62	25.44	0.00	108.87	25.17	0.00	-23.39	25.17	0.00	81.73		
21	ADITIONAL WE	-16.29	0.00	3.81	-16.29	0.00	-64.22	-7.23	0.00	2.63	-7.23	0.00	-27.57		
31	MEDIAN RAILI	2.06	0.00	0.20	2.06	0.00	8.82	2.12	0.00	-1.97	2.12	0.00	6.89		
51	SUPPORT WEIG	-0.00	0.00	0.00	-0.00	0.00	0.00	-0.00	0.00	0.00	-0.00	0.00	0.00		
52	NOSE WEIGHT	-0.00	0.00	0.01	-0.00	0.00	-0.01	0.02	0.00	-0.05	0.02	0.00	0.03		
61	1-LANE(case1TRUCK-LOAD	MAX	S2	7.03	0.00	-38.60	7.03	0.00	-9.24	40.60	0.00	-88.24	40.60	0.00	81.35
			TQ	0.00	0.00	0.00	0.00	0.00	0.00	0.00	0.00	0.00	0.00	0.00	0.00
			M3	-191.74	0.00	253.42	-0.65	0.00	0.87	-166.63	0.00	202.00	40.60	0.00	81.35
		MIN	S2	-192.60	0.00	252.81	-192.60	0.00	-551.66	-166.63	0.00	202.00	-166.63	0.00	-494.01
			TQ	0.00	0.00	0.00	0.00	0.00	0.00	0.00	0.00	0.00	0.00	0.00	0.00
			M3	6.80	0.00	-39.99	-192.60	0.00	-551.66	32.03	0.00	-103.04	-166.63	0.00	-494.01
		TANDEM-LOAD MAX	S2	4.81	0.00	-25.34	4.81	0.00	-5.27	29.24	0.00	-54.18	29.24	0.00	67.97
			TQ	0.00	0.00	0.00	0.00	0.00	0.00	0.00	0.00	0.00	0.00	0.00	0.00
			M3	-146.80	0.00	193.29	-0.44	0.00	0.60	-128.82	0.00	157.22	29.24	0.00	67.97
		MIN	S2	-147.04	0.00	193.12	-147.04	0.00	-421.06	-128.82	0.00	157.22	-128.82	0.00	-380.86
			TQ	0.00	0.00	0.00	0.00	0.00	0.00	0.00	0.00	0.00	0.00	0.00	0.00
			M3	4.54	0.00	-27.20	-147.04	0.00	-421.06	21.62	0.00	-70.08	-128.82	0.00	-380.86
DISPERSION-LMAX	S2	7.30	0.00	-43.53	7.30	0.00	-13.02	50.27	0.00	-146.82	50.27	0.00	63.14		
	TQ	0.00	0.00	0.00	0.00	0.00	0.00	0.00	0.00	0.00	0.00	0.00	0.00		
	M3	-79.42	0.00	109.04	-1.11	0.00	1.17	-62.91	0.00	82.99	50.27	0.00	63.14		
MIN	S2	-80.96	0.00	103.77	-80.96	0.00	-234.42	-63.02	0.00	82.28	-63.02	0.00	-180.96		
	TQ	0.00	0.00	0.00	0.00	0.00	0.00	0.00	0.00	0.00	0.00	0.00	0.00		
	M3	5.76	0.00	-48.80	-72.55	0.00	-248.61	50.15	0.00	-147.54	-63.02	0.00	-180.96		

BAGO RIVER BRIDGE

BLOCK [ No.2 : CROSS BEAM ][ BEAM MEMBER FORCE ]

MEMBER				1001013						1001015						
NODE				1013			2013			1015			2015			
NAME TITLE				SHEAR	TORQUE	MOMENT	SHEAR	TORQUE	MOMENT	SHEAR	TORQUE	MOMENT	SHEAR	TORQUE	MOMENT	
				S2 (kN)	TQ (kN·m)	M3 (kN·m)	S2 (kN)	TQ (kN·m)	M3 (kN·m)	S2 (kN)	TQ (kN·m)	M3 (kN·m)	S2 (kN)	TQ (kN·m)	M3 (kN·m)	
62	1-LANE (case2TRUCK-LOAD	MAX	S2	77.41	0.00	8.58	77.41	0.00	331.94	77.20	0.00	-17.11	77.20	0.00	305.37	
			TQ	0.00	0.00	0.00	0.00	0.00	0.00	0.00	0.00	0.00	0.00	0.00	0.00	0.00
			M3	-5.49	0.00	51.92	77.41	0.00	331.94	1.87	0.00	29.48	77.20	0.00	305.37	
		MIN	S2	-11.23	0.00	38.22	-11.23	0.00	-8.68	-6.31	0.00	-9.77	-6.31	0.00	-36.13	
			TQ	0.00	0.00	0.00	0.00	0.00	0.00	0.00	0.00	0.00	0.00	0.00	0.00	
			M3	2.52	0.00	-16.15	-2.53	0.00	-9.60	11.50	0.00	-35.63	-6.31	0.00	-36.13	
		TANDEM-LOAD MAX	S2	61.11	0.00	0.79	61.11	0.00	256.06	60.56	0.00	-17.71	60.56	0.00	235.25	
			TQ	0.00	0.00	0.00	0.00	0.00	0.00	0.00	0.00	0.00	0.00	0.00	0.00	
			M3	0.47	0.00	37.93	61.11	0.00	256.06	5.23	0.00	21.83	60.56	0.00	235.25	
		MIN	S2	-9.30	0.00	32.72	-9.30	0.00	-6.14	-7.50	0.00	-3.79	-7.50	0.00	-35.11	
			TQ	0.00	0.00	0.00	0.00	0.00	0.00	0.00	0.00	0.00	0.00	0.00	0.00	
			M3	1.71	0.00	-11.05	-1.82	0.00	-6.74	7.77	0.00	-24.37	-7.50	0.00	-35.11	
		DISPERSION-LMAX	S2	28.85	0.00	-4.27	28.85	0.00	116.23	40.73	0.00	-45.94	40.73	0.00	124.20	
			TQ	0.00	0.00	0.00	0.00	0.00	0.00	0.00	0.00	0.00	0.00	0.00	0.00	
			M3	14.83	0.00	33.53	24.80	0.00	124.74	0.98	0.00	15.18	39.94	0.00	126.70	
MIN	S2	-5.41	0.00	18.37	-5.41	0.00	-4.20	-6.09	0.00	8.93	-6.09	0.00	-16.50			
	TQ	0.00	0.00	0.00	0.00	0.00	0.00	0.00	0.00	0.00	0.00	0.00	0.00			
	M3	8.61	0.00	-19.43	-1.35	0.00	-12.72	33.66	0.00	-52.19	-5.29	0.00	-19.00			
63	1-LANE (case3TRUCK-LOAD	MAX	S2	34.32	0.00	-63.03	34.32	0.00	80.34	23.21	0.00	-56.86	23.21	0.00	40.10	
			TQ	0.00	0.00	0.00	0.00	0.00	0.00	0.00	0.00	0.00	0.00	0.00		
			M3	0.22	0.00	22.51	33.84	0.00	80.95	-9.46	0.00	22.13	17.29	0.00	49.35	
		MIN	S2	-4.84	0.00	15.72	-4.84	0.00	-4.50	-9.46	0.00	22.13	-9.46	0.00	-17.37	
			TQ	0.00	0.00	0.00	0.00	0.00	0.00	0.00	0.00	0.00	0.00	0.00	0.00	
			M3	34.32	0.00	-63.03	-3.43	0.00	-8.15	23.05	0.00	-60.06	-9.35	0.00	-17.51	

BAGO RIVER BRIDGE

BLOCK [ No.2 : CROSS BEAM ][ BEAM MEMBER FORCE ]

MEMBER		1001013						1001015								
NODE		1013			2013			1015			2015					
		SHEAR	TORQUE	MOMENT	SHEAR	TORQUE	MOMENT	SHEAR	TORQUE	MOMENT	SHEAR	TORQUE	MOMENT			
NAME	TITLE	S2 (kN)	TQ (kN·m)	M3 (kN·m)	S2 (kN)	TQ (kN·m)	M3 (kN·m)	S2 (kN)	TQ (kN·m)	M3 (kN·m)	S2 (kN)	TQ (kN·m)	M3 (kN·m)			
63	1-LANE (case3TANDEM-LOAD	MAX	S2	24.73	0.00	-48.21	24.73	0.00	55.10	16.54	0.00	-46.68	16.54	0.00	22.42	
			TQ	0.00	0.00	0.00	0.00	0.00	0.00	0.00	0.00	0.00	0.00	0.00	0.00	
			M3	-1.08	0.00	16.26	24.60	0.00	55.27	-6.96	0.00	15.66	10.66	0.00	35.38	
		MIN	S2	-3.42	0.00	12.84	-3.42	0.00	-1.46	-6.96	0.00	15.66	-6.96	0.00	-13.43	
			TQ	0.00	0.00	0.00	0.00	0.00	0.00	0.00	0.00	0.00	0.00	0.00	0.00	
			M3	24.73	0.00	-48.21	-1.55	0.00	-6.53	16.54	0.00	-46.68	-6.93	0.00	-13.47	
		DISPERSION-LMAX	S2	17.33	0.00	-20.62	17.33	0.00	51.77	11.16	0.00	-17.05	11.16	0.00	29.55	
			TQ	0.00	0.00	0.00	0.00	0.00	0.00	0.00	0.00	0.00	0.00	0.00	0.00	
			M3	-1.74	0.00	14.78	16.39	0.00	55.41	-4.16	0.00	22.37	9.26	0.00	35.89	
		MIN	S2	-3.61	0.00	10.90	-3.61	0.00	-4.17	-6.80	0.00	17.01	-6.80	0.00	-11.41	
			TQ	0.00	0.00	0.00	0.00	0.00	0.00	0.00	0.00	0.00	0.00	0.00	0.00	
			M3	15.46	0.00	-24.50	-2.67	0.00	-7.82	8.52	0.00	-22.41	-4.91	0.00	-17.75	
64	1-LANE (case4TRUCK-LOAD	MAX	S2	1.44	0.00	-46.52	1.44	0.00	-40.52	0.85	0.00	-5.82	0.85	0.00	-2.27	
			TQ	0.00	0.00	0.00	0.00	0.00	0.00	0.00	0.00	0.00	0.00	0.00	0.00	
			M3	-6.31	0.00	46.15	-5.19	0.00	20.76	-20.29	0.00	97.36	-8.53	0.00	32.04	
		MIN	S2	-7.28	0.00	-102.08	-7.28	0.00	-132.51	-21.28	0.00	96.49	-21.28	0.00	7.60	
			TQ	0.00	0.00	0.00	0.00	0.00	0.00	0.00	0.00	0.00	0.00	0.00	0.00	
			M3	-6.77	0.00	-105.91	-7.15	0.00	-135.53	-12.97	0.00	-51.56	-13.07	0.00	-106.13	
		TANDEM-LOAD	MAX	S2	1.16	0.00	-33.98	1.16	0.00	-29.15	0.59	0.00	-4.10	0.59	0.00	-1.65
			TQ	0.00	0.00	0.00	0.00	0.00	0.00	0.00	0.00	0.00	0.00	0.00	0.00	
			M3	-4.39	0.00	31.57	-3.05	0.00	14.21	-14.21	0.00	66.68	-4.86	0.00	23.37	
		MIN	S2	-5.37	0.00	-71.18	-5.37	0.00	-93.62	-14.52	0.00	64.89	-14.52	0.00	4.25	
			TQ	0.00	0.00	0.00	0.00	0.00	0.00	0.00	0.00	0.00	0.00	0.00	0.00	
			M3	-4.30	0.00	-72.40	-5.34	0.00	-94.46	-9.26	0.00	-35.79	-9.26	0.00	-74.48	

BAGO RIVER BRIDGE

BLOCK [ No.2 : CROSS BEAM ][ BEAM MEMBER FORCE ]

MEMBER NODE	1001013 1013	2013						1001015 1015						2015		
		SHEAR	TORQUE	MOMENT	SHEAR	TORQUE	MOMENT	SHEAR	TORQUE	MOMENT	SHEAR	TORQUE	MOMENT			
		S2 (kN)	TQ (kN·m)	M3 (kN·m)	S2 (kN)	TQ (kN·m)	M3 (kN·m)	S2 (kN)	TQ (kN·m)	M3 (kN·m)	S2 (kN)	TQ (kN·m)	M3 (kN·m)			
64	1-LANE (case4DISPERSION-LMAX	S2	0.95	0.00	-24.35	0.95	0.00	-20.39	0.56	0.00	-5.69	0.56	0.00	-3.34		
		TQ	0.00	0.00	0.00	0.00	0.00	0.00	0.00	0.00	0.00	0.00	0.00	0.00		
		M3	-7.38	0.00	51.45	-6.76	0.00	21.44	-27.33	0.00	117.20	-20.57	0.00	17.31		
	MIN	S2	-10.68	0.00	-9.04	-10.68	0.00	-53.64	-35.58	0.00	86.43	-35.58	0.00	-62.20		
		TQ	0.00	0.00	0.00	0.00	0.00	0.00	0.00	0.00	0.00	0.00	0.00	0.00		
		M3	-2.35	0.00	-84.85	-2.97	0.00	-95.48	-7.69	0.00	-36.46	-14.45	0.00	-82.85		
65	2-LANES (caseTRUCK-LOAD	MAX	S2	11.71	0.00	-66.71	11.71	0.00	-17.79	61.47	0.00	-156.59	61.47	0.00	100.19	
		TQ	0.00	0.00	0.00	0.00	0.00	0.00	0.00	0.00	0.00	0.00	0.00	0.00		
		M3	-223.09	0.00	373.69	-1.09	0.00	1.33	-185.53	0.00	281.35	61.02	0.00	100.35		
	MIN	S2	-223.94	0.00	373.08	-223.94	0.00	-562.31	-185.53	0.00	281.35	-185.53	0.00	-493.61		
		TQ	0.00	0.00	0.00	0.00	0.00	0.00	0.00	0.00	0.00	0.00	0.00	0.00		
		M3	11.46	0.00	-68.12	-211.41	0.00	-579.21	52.91	0.00	-171.39	-169.66	0.00	-500.42		
	TANDEM-LOAD	MAX	S2	8.00	0.00	-44.52	8.00	0.00	-11.10	43.46	0.00	-100.82	43.46	0.00	80.72	
		TQ	0.00	0.00	0.00	0.00	0.00	0.00	0.00	0.00	0.00	0.00	0.00	0.00		
		M3	-168.97	0.00	280.44	-0.72	0.00	0.91	-142.70	0.00	215.95	42.84	0.00	80.85		
	MIN	S2	-169.21	0.00	280.27	-169.21	0.00	-426.51	-142.70	0.00	215.95	-142.70	0.00	-380.12		
		TQ	0.00	0.00	0.00	0.00	0.00	0.00	0.00	0.00	0.00	0.00	0.00	0.00		
		M3	7.73	0.00	-46.37	-162.22	0.00	-440.43	35.84	0.00	-116.71	-130.88	0.00	-385.21		
	DISPERSION-LMAX	S2	14.85	0.00	-66.21	14.85	0.00	-4.20	84.48	0.00	-235.08	84.48	0.00	117.82		
		TQ	0.00	0.00	0.00	0.00	0.00	0.00	0.00	0.00	0.00	0.00	0.00	0.00		
		M3	-99.80	0.00	178.17	-1.24	0.00	23.84	-75.44	0.00	124.35	83.45	0.00	120.62		
	MIN	S2	-104.32	0.00	162.41	-104.32	0.00	-273.32	-78.84	0.00	117.88	-78.84	0.00	-211.44		
		TQ	0.00	0.00	0.00	0.00	0.00	0.00	0.00	0.00	0.00	0.00	0.00	0.00		
		M3	10.33	0.00	-81.97	-88.23	0.00	-301.36	81.08	0.00	-241.55	-77.81	0.00	-214.24		



BAGO RIVER BRIDGE

BLOCK [ No.2 : CROSS BEAM ][ BEAM MEMBER FORCE ]

MEMBER				1001013						1001015						
NODE				1013			2013			1015			2015			
NAME TITLE				SHEAR	TORQUE	MOMENT	SHEAR	TORQUE	MOMENT	SHEAR	TORQUE	MOMENT	SHEAR	TORQUE	MOMENT	
				S2 (kN)	TQ (kN·m)	M3 (kN·m)	S2 (kN)	TQ (kN·m)	M3 (kN·m)	S2 (kN)	TQ (kN·m)	M3 (kN·m)	S2 (kN)	TQ (kN·m)	M3 (kN·m)	
66	2-LANES (caseTRUCK-LOAD	MAX	S2	82.10	0.00	-19.53	82.10	0.00	323.39	98.08	0.00	-85.47	98.08	0.00	324.21	
			TQ	0.00	0.00	0.00	0.00	0.00	0.00	0.00	0.00	0.00	0.00	0.00	0.00	0.00
			M3	-36.83	0.00	172.19	76.97	0.00	332.40	-17.03	0.00	108.83	97.63	0.00	0.00	324.37
		MIN	S2	-42.57	0.00	158.49	-42.57	0.00	-19.32	-25.21	0.00	69.58	-25.21	0.00	0.00	-35.73
			TQ	0.00	0.00	0.00	0.00	0.00	0.00	0.00	0.00	0.00	0.00	0.00	0.00	0.00
			M3	7.18	0.00	-44.28	-21.34	0.00	-37.15	32.37	0.00	-103.98	-9.34	0.00	0.00	-42.55
		TANDEM-LOAD MAX	S2	64.31	0.00	-18.38	64.31	0.00	250.22	74.78	0.00	-64.35	74.78	0.00	0.00	248.01
			TQ	0.00	0.00	0.00	0.00	0.00	0.00	0.00	0.00	0.00	0.00	0.00	0.00	0.00
			M3	-21.70	0.00	125.08	60.83	0.00	256.37	-8.65	0.00	80.57	74.16	0.00	0.00	248.13
		MIN	S2	-31.47	0.00	119.87	-31.47	0.00	-11.60	-21.38	0.00	54.95	-21.38	0.00	0.00	-34.37
			TQ	0.00	0.00	0.00	0.00	0.00	0.00	0.00	0.00	0.00	0.00	0.00	0.00	0.00
			M3	4.90	0.00	-30.22	-17.01	0.00	-26.11	21.99	0.00	-71.00	-9.56	0.00	0.00	-39.46
		DISPERSION-LMAX	S2	36.39	0.00	-26.95	36.39	0.00	125.05	74.95	0.00	-134.20	74.95	0.00	0.00	178.88
			TQ	0.00	0.00	0.00	0.00	0.00	0.00	0.00	0.00	0.00	0.00	0.00	0.00	0.00
			M3	-5.55	0.00	102.66	24.67	0.00	147.41	-11.54	0.00	56.54	73.12	0.00	0.00	184.18
MIN	S2	-28.76	0.00	77.02	-28.76	0.00	-43.11	-21.91	0.00	44.53	-21.91	0.00	0.00	-46.97		
	TQ	0.00	0.00	0.00	0.00	0.00	0.00	0.00	0.00	0.00	0.00	0.00	0.00	0.00		
	M3	13.18	0.00	-52.60	-17.04	0.00	-65.47	64.59	0.00	-146.20	-20.08	0.00	0.00	-52.27		
67	2-LANES (caseTRUCK-LOAD	MAX	S2	52.12	0.00	-143.86	52.12	0.00	73.84	31.62	0.00	-99.25	31.62	0.00	32.82	
			TQ	0.00	0.00	0.00	0.00	0.00	0.00	0.00	0.00	0.00	0.00	0.00	0.00	
			M3	-2.23	0.00	38.95	43.61	0.00	104.64	-20.00	0.00	64.00	22.58	0.00	0.00	62.22
		MIN	S2	-8.67	0.00	24.25	-8.67	0.00	-11.98	-20.62	0.00	63.13	-20.62	0.00	0.00	-22.98
			TQ	0.00	0.00	0.00	0.00	0.00	0.00	0.00	0.00	0.00	0.00	0.00	0.00	0.00
			M3	52.08	0.00	-145.09	-7.00	0.00	-16.39	29.40	0.00	-122.23	-4.63	0.00	0.00	-55.14

BAGO RIVER BRIDGE

BLOCK [ No.2 : CROSS BEAM ][ BEAM MEMBER FORCE ]

MEMBER NODE	1001013 1013	2013			1001015 1015			2015							
		SHEAR	TORQUE	MOMENT	SHEAR	TORQUE	MOMENT	SHEAR	TORQUE	MOMENT					
		S2 (kN)	TQ (kN·m)	M3 (kN·m)	S2 (kN)	TQ (kN·m)	M3 (kN·m)	S2 (kN)	TQ (kN·m)	M3 (kN·m)					
67	2-LANES (caseTANDEM-LOAD	MAX	S2	36.90	0.00	-99.62	36.90	0.00	54.53	22.56	0.00	-66.02	22.56	0.00	28.22
			TQ	0.00	0.00	0.00	0.00	0.00	0.00	0.00	0.00	0.00	0.00	0.00	0.00
			M3	-2.73	0.00	27.48	33.61	0.00	73.73	-14.67	0.00	44.35	13.67	0.00	45.50
		MIN	S2	-6.08	0.00	18.40	-6.08	0.00	-7.01	-14.77	0.00	44.13	-14.77	0.00	-17.56
			TQ	0.00	0.00	0.00	0.00	0.00	0.00	0.00	0.00	0.00	0.00	0.00	0.00
			M3	36.70	0.00	-108.51	10.42	0.00	-16.83	20.40	0.00	-93.11	-3.53	0.00	-44.31
	DISPERSION-LMAX		S2	28.86	0.00	-60.92	28.86	0.00	59.61	14.60	0.00	-40.54	14.60	0.00	20.45
			TQ	0.00	0.00	0.00	0.00	0.00	0.00	0.00	0.00	0.00	0.00	0.00	0.00
			M3	-6.58	0.00	37.82	22.00	0.00	74.85	-15.91	0.00	74.70	3.90	0.00	47.12
		MIN	S2	-8.67	0.00	33.48	-8.67	0.00	-2.74	-19.66	0.00	65.20	-19.66	0.00	-16.92
			TQ	0.00	0.00	0.00	0.00	0.00	0.00	0.00	0.00	0.00	0.00	0.00	0.00
			M3	26.76	0.00	-65.26	-1.81	0.00	-17.98	10.85	0.00	-50.05	-8.96	0.00	-43.59
68	2-LANES (caseTRUCK-LOAD	MAX	S2	5.88	0.00	-112.24	5.88	0.00	-87.66	1.11	0.00	-8.53	1.11	0.00	-3.90
			TQ	0.00	0.00	0.00	0.00	0.00	0.00	0.00	0.00	0.00	0.00	0.00	0.00
			M3	-10.93	0.00	78.18	-9.74	0.00	33.61	-35.04	0.00	167.60	-14.75	0.00	47.84
		MIN	S2	-11.90	0.00	-70.05	-11.90	0.00	-119.75	-36.09	0.00	165.81	-36.09	0.00	15.08
			TQ	0.00	0.00	0.00	0.00	0.00	0.00	0.00	0.00	0.00	0.00	0.00	0.00
			M3	-3.60	0.00	-201.20	-3.98	0.00	-217.59	-17.24	0.00	-104.98	-17.34	0.00	-177.38
	TANDEM-LOAD	MAX	S2	4.49	0.00	-75.08	4.49	0.00	-56.31	0.77	0.00	-6.12	0.77	0.00	-2.88
			TQ	0.00	0.00	0.00	0.00	0.00	0.00	0.00	0.00	0.00	0.00	0.00	0.00
			M3	-7.54	0.00	53.47	-6.18	0.00	22.97	-24.36	0.00	114.50	-7.43	0.00	34.34
		MIN	S2	-8.53	0.00	-49.27	-8.53	0.00	-84.89	-24.67	0.00	112.45	-24.67	0.00	9.40
			TQ	0.00	0.00	0.00	0.00	0.00	0.00	0.00	0.00	0.00	0.00	0.00	0.00
			M3	-2.40	0.00	-139.46	-3.43	0.00	-153.57	-12.19	0.00	-72.88	-12.19	0.00	-123.82

BAGO RIVER BRIDGE

BLOCK [ No.2 : CROSS BEAM ][ BEAM MEMBER FORCE ]

MEMBER NODE	1001013 1013	2013						1001015 1015						2015		
		SHEAR	TORQUE	MOMENT	SHEAR	TORQUE	MOMENT	SHEAR	TORQUE	MOMENT	SHEAR	TORQUE	MOMENT			
		S2 (kN)	TQ (kN·m)	M3 (kN·m)	S2 (kN)	TQ (kN·m)	M3 (kN·m)	S2 (kN)	TQ (kN·m)	M3 (kN·m)	S2 (kN)	TQ (kN·m)	M3 (kN·m)			
68	2-LANES (caseDISPERSION-LMAX	S2	4.29	0.00	-81.54	4.29	0.00	-63.63	0.67	0.00	-7.89	0.67	0.00	-5.10		
		TQ	0.00	0.00	0.00	0.00	0.00	0.00	0.00	0.00	0.00	0.00	0.00	0.00		
		M3	-13.08	0.00	87.65	-11.68	0.00	35.46	-47.79	0.00	203.19	-35.61	0.00	29.66		
	MIN	S2	-16.77	0.00	19.60	-16.77	0.00	-50.44	-60.05	0.00	144.92	-60.05	0.00	-105.92		
		TQ	0.00	0.00	0.00	0.00	0.00	0.00	0.00	0.00	0.00	0.00	0.00	0.00		
		M3	0.60	0.00	-149.58	-0.80	0.00	-149.53	-11.60	0.00	-66.16	-23.78	0.00	-140.68		
69	3-LANES (caseTRUCK-LOAD	MAX	S2	89.13	0.00	-58.13	89.13	0.00	314.15	138.68	0.00	-173.70	138.68	0.00	405.56	
		TQ	0.00	0.00	0.00	0.00	0.00	0.00	0.00	0.00	0.00	0.00	0.00	0.00		
		M3	-228.58	0.00	425.62	76.32	0.00	333.27	-183.66	0.00	310.83	138.23	0.00	405.71		
	MIN	S2	-235.17	0.00	411.30	-235.17	0.00	-570.99	-191.84	0.00	271.58	-191.84	0.00	-529.74		
		TQ	0.00	0.00	0.00	0.00	0.00	0.00	0.00	0.00	0.00	0.00	0.00	0.00		
		M3	13.98	0.00	-84.27	-213.94	0.00	-588.81	64.40	0.00	-207.02	-175.97	0.00	-536.55		
	TANDEM-LOAD	MAX	S2	69.11	0.00	-43.72	69.11	0.00	244.96	104.02	0.00	-118.53	104.02	0.00	315.97	
		TQ	0.00	0.00	0.00	0.00	0.00	0.00	0.00	0.00	0.00	0.00	0.00	0.00		
		M3	-168.50	0.00	318.37	60.39	0.00	256.97	-137.47	0.00	237.78	103.40	0.00	316.10		
	MIN	S2	-178.51	0.00	312.98	-178.51	0.00	-432.65	-150.20	0.00	212.16	-150.20	0.00	-415.23		
		TQ	0.00	0.00	0.00	0.00	0.00	0.00	0.00	0.00	0.00	0.00	0.00	0.00		
		M3	9.43	0.00	-57.41	-164.04	0.00	-447.17	43.61	0.00	-141.08	-138.38	0.00	-420.32		
	DISPERSION-LMAX	S2	43.69	0.00	-70.48	43.69	0.00	112.03	125.22	0.00	-281.02	125.22	0.00	242.02		
		TQ	0.00	0.00	0.00	0.00	0.00	0.00	0.00	0.00	0.00	0.00	0.00	0.00		
		M3	-84.96	0.00	211.70	23.56	0.00	148.58	-74.45	0.00	139.53	123.39	0.00	247.32		
	MIN	S2	-109.72	0.00	180.78	-109.72	0.00	-277.53	-84.93	0.00	126.81	-84.93	0.00	-227.93		
		TQ	0.00	0.00	0.00	0.00	0.00	0.00	0.00	0.00	0.00	0.00	0.00	0.00		
		M3	18.94	0.00	-101.40	-89.59	0.00	-314.08	114.74	0.00	-293.74	-83.10	0.00	-233.24		

BAGO RIVER BRIDGE

BLOCK [ No.2 : CROSS BEAM ][ BEAM MEMBER FORCE ]

MEMBER				1001013						1001015								
NODE				1013			2013			1015			2015					
NAME TITLE				SHEAR	TORQUE	MOMENT	SHEAR	TORQUE	MOMENT	SHEAR	TORQUE	MOMENT	SHEAR	TORQUE	MOMENT			
				S2 (kN)	TQ (kN·m)	M3 (kN·m)	S2 (kN)	TQ (kN·m)	M3 (kN·m)	S2 (kN)	TQ (kN·m)	M3 (kN·m)	S2 (kN)	TQ (kN·m)	M3 (kN·m)			
70	3-LANES (case	TRUCK-LOAD	MAX	S2	59.61	0.00	-219.18	59.61	0.00	29.79	32.43	0.00	-105.41	32.43	0.00	30.04		
				TQ	0.00	0.00	0.00	0.00	0.00	0.00	0.00	0.00	0.00	0.00	0.00	0.00	0.00	
				M3	-6.62	0.00	69.31	39.22	0.00	116.66	-34.18	0.00	131.19	16.01	0.00	0.00	75.39	
			MIN	S2	-13.06	0.00	54.61	-13.06	0.00	0.04	-34.80	0.00	130.32	-34.80	0.00	0.00	-15.04	
				TQ	0.00	0.00	0.00	0.00	0.00	0.00	0.00	0.00	0.00	0.00	0.00	0.00	0.00	
				M3	59.28	0.00	-236.23	0.19	0.00	-77.47	27.84	0.00	-177.24	-6.19	0.00	0.00	-116.67	
			TANDEM-LOAD	MAX	S2	42.05	0.00	-154.86	42.05	0.00	20.80	23.13	0.00	-70.18	23.13	0.00	0.00	26.43
				TQ	0.00	0.00	0.00	0.00	0.00	0.00	0.00	0.00	0.00	0.00	0.00	0.00	0.00	
				M3	-5.73	0.00	48.22	30.61	0.00	81.94	-24.38	0.00	90.11	10.81	0.00	0.00	54.90	
			MIN	S2	-9.08	0.00	39.14	-9.08	0.00	1.20	-24.48	0.00	89.89	-24.48	0.00	0.00	-12.36	
				TQ	0.00	0.00	0.00	0.00	0.00	0.00	0.00	0.00	0.00	0.00	0.00	0.00	0.00	
				M3	41.37	0.00	-173.58	15.08	0.00	-62.41	19.01	0.00	-132.19	-4.93	0.00	0.00	-89.24	
			DISPERSION-LMAX	S2	34.64	0.00	-117.38	34.64	0.00	27.32	15.38	0.00	-53.79	15.38	0.00	0.00	10.47	
				TQ	0.00	0.00	0.00	0.00	0.00	0.00	0.00	0.00	0.00	0.00	0.00	0.00	0.00	
				M3	-12.58	0.00	72.99	17.40	0.00	88.21	-35.19	0.00	156.77	-11.05	0.00	0.00	58.39	
MIN	S2	-15.00	0.00	67.31	-15.00	0.00	4.67	-40.54	0.00	127.66	-40.54	0.00	0.00	-41.70				
	TQ	0.00	0.00	0.00	0.00	0.00	0.00	0.00	0.00	0.00	0.00	0.00	0.00	0.00				
	M3	32.22	0.00	-123.06	2.25	0.00	-56.22	10.03	0.00	-82.90	-14.11	0.00	0.00	-89.62				
71	3-LANES (case	TRUCK-LOAD	MAX	S2	19.89	0.00	-192.61	19.89	0.00	-109.53	6.33	0.00	-52.49	6.33	0.00	-26.04		
				TQ	0.00	0.00	0.00	0.00	0.00	0.00	0.00	0.00	0.00	0.00	0.00	0.00		
				M3	-13.61	0.00	96.20	-0.48	0.00	44.50	-45.91	0.00	212.41	-20.78	0.00	0.00	55.87	
			MIN	S2	-14.85	0.00	-57.63	-14.85	0.00	-119.67	-47.21	0.00	209.19	-47.21	0.00	0.00	12.01	
				TQ	0.00	0.00	0.00	0.00	0.00	0.00	0.00	0.00	0.00	0.00	0.00	0.00	0.00	
				M3	10.31	0.00	-286.35	9.51	0.00	-246.17	-13.35	0.00	-164.96	-13.45	0.00	0.00	-221.11	

BAGO RIVER BRIDGE

BLOCK [ No.2 : CROSS BEAM ][ BEAM MEMBER FORCE ]

MEMBER NODE	1001013 1013	2013			1001015 1015			2015								
		SHEAR	TORQUE	MOMENT	SHEAR	TORQUE	MOMENT	SHEAR	TORQUE	MOMENT						
		S2 (kN)	TQ (kN·m)	M3 (kN·m)	S2 (kN)	TQ (kN·m)	M3 (kN·m)	S2 (kN)	TQ (kN·m)	M3 (kN·m)						
71	3-LANES (case)	TANDEM-LOAD	MAX	S2	14.25	0.00	-128.52	14.25	0.00	-69.00	4.53	0.00	-27.98	4.53	0.00	-9.08
				TQ	0.00	0.00	0.00	0.00	0.00	0.00	0.00	0.00	0.00	0.00	0.00	0.00
				M3	-9.41	0.00	65.72	-0.96	0.00	31.18	-32.17	0.00	145.09	-11.82	0.00	39.81
			MIN	S2	-10.56	0.00	-40.15	-10.56	0.00	-84.26	-32.51	0.00	142.69	-32.51	0.00	6.91
				TQ	0.00	0.00	0.00	0.00	0.00	0.00	0.00	0.00	0.00	0.00	0.00	0.00
				M3	6.86	0.00	-201.45	5.71	0.00	-177.32	-9.89	0.00	-117.17	-9.89	0.00	-158.49
		DISPERSION-L	MAX	S2	13.36	0.00	-125.63	13.36	0.00	-69.82	2.68	0.00	-30.02	2.68	0.00	-18.82
				TQ	0.00	0.00	0.00	0.00	0.00	0.00	0.00	0.00	0.00	0.00	0.00	0.00
				M3	-17.61	0.00	109.29	-10.68	0.00	46.74	-62.23	0.00	259.05	-42.53	0.00	38.70
			MIN	S2	-21.60	0.00	40.06	-21.60	0.00	-50.16	-75.76	0.00	198.86	-75.76	0.00	-117.57
				TQ	0.00	0.00	0.00	0.00	0.00	0.00	0.00	0.00	0.00	0.00	0.00	0.00
				M3	9.38	0.00	-194.86	2.44	0.00	-166.72	-10.85	0.00	-90.21	-30.55	0.00	-175.09
72	4-LANES	TRUCK-LOAD	MAX	S2	56.62	0.00	-263.52	56.62	0.00	-27.00	29.56	0.00	-100.31	29.56	0.00	23.15
				TQ	0.00	0.00	0.00	0.00	0.00	0.00	0.00	0.00	0.00	0.00	0.00	0.00
				M3	-16.04	0.00	115.79	32.89	0.00	125.09	-54.87	0.00	231.52	-3.68	0.00	101.61
			MIN	S2	-19.56	0.00	-49.08	-19.56	0.00	-130.77	-56.37	0.00	229.58	-56.37	0.00	-5.88
				TQ	0.00	0.00	0.00	0.00	0.00	0.00	0.00	0.00	0.00	0.00	0.00	0.00
				M3	48.07	0.00	-346.51	10.61	0.00	-230.66	11.65	0.00	-227.22	-21.28	0.00	-228.72
		TANDEM-LOAD	MAX	S2	40.28	0.00	-174.45	40.28	0.00	-6.19	21.02	0.00	-67.17	21.02	0.00	20.63
				TQ	0.00	0.00	0.00	0.00	0.00	0.00	0.00	0.00	0.00	0.00	0.00	0.00
				M3	-10.98	0.00	80.07	23.60	0.00	87.13	-38.87	0.00	158.79	5.31	0.00	73.42
			MIN	S2	-13.90	0.00	-33.03	-13.90	0.00	-91.10	-39.25	0.00	156.75	-39.25	0.00	-7.19
				TQ	0.00	0.00	0.00	0.00	0.00	0.00	0.00	0.00	0.00	0.00	0.00	0.00
				M3	32.83	0.00	-248.22	7.24	0.00	-168.60	7.86	0.00	-166.05	-15.45	0.00	-166.51

BAGO RIVER BRIDGE

BLOCK [ No.2 : CROSS BEAM ][ BEAM MEMBER FORCE ]

MEMBER			1001013						1001015									
NODE			1013			2013			1015			2015						
			SHEAR	TORQUE	MOMENT	SHEAR	TORQUE	MOMENT	SHEAR	TORQUE	MOMENT	SHEAR	TORQUE	MOMENT				
NAME	TITLE		S2 (kN)	TQ (kN·m)	M3 (kN·m)	S2 (kN)	TQ (kN·m)	M3 (kN·m)	S2 (kN)	TQ (kN·m)	M3 (kN·m)	S2 (kN)	TQ (kN·m)	M3 (kN·m)				
72	4-LANES	DISPERSION-LMAX	S2	32.91	0.00	-138.11	32.91	0.00	-0.63	13.86	0.00	-44.11	13.86	0.00	13.79			
			TQ	0.00	0.00	0.00	0.00	0.00	0.00	0.00	0.00	0.00	0.00	0.00	0.00	0.00		
			M3	-17.65	0.00	108.95	11.56	0.00	100.78	-56.76	0.00	242.51	-25.35	0.00	0.00	66.90		
		MIN	S2	-23.28	0.00	40.13	-23.28	0.00	-57.13	-68.85	0.00	188.77	-68.85	0.00	0.00	-98.82		
			TQ	0.00	0.00	0.00	0.00	0.00	0.00	0.00	0.00	0.00	0.00	0.00	0.00	0.00		
			M3	25.62	0.00	-206.23	-1.66	0.00	-159.42	1.18	0.00	-96.41	-29.46	0.00	0.00	-151.24		
		73	6-LANES	TRUCK-LOAD MAX	S2	139.66	0.00	-204.09	139.66	0.00	379.28	152.34	0.00	-194.37	152.34	0.00	441.93	
					TQ	0.00	0.00	0.00	0.00	0.00	0.00	0.00	0.00	0.00	0.00	0.00	0.00	0.00
					M3	-185.40	0.00	427.07	104.48	0.00	521.80	-185.64	0.00	436.75	132.02	0.00	0.00	549.82
MIN	S2			-216.28	0.00	243.78	-216.28	0.00	-659.62	-213.55	0.00	393.52	-213.55	0.00	0.00	-498.46		
	TQ			0.00	0.00	0.00	0.00	0.00	0.00	0.00	0.00	0.00	0.00	0.00	0.00	0.00		
	M3			91.56	0.00	-366.87	-201.48	0.00	-744.60	94.41	0.00	-370.69	-170.30	0.00	0.00	-706.68		
TANDEM-LOAD MAX	S2			106.05	0.00	-147.79	106.05	0.00	295.17	115.79	0.00	-117.43	115.79	0.00	0.00	366.24		
	TQ			0.00	0.00	0.00	0.00	0.00	0.00	0.00	0.00	0.00	0.00	0.00	0.00	0.00		
	M3			-151.67	0.00	315.73	83.69	0.00	397.02	-148.65	0.00	320.85	106.05	0.00	0.00	424.61		
MIN	S2	-164.77	0.00	191.58	-164.77	0.00	-496.66	-163.79	0.00	298.55	-163.79	0.00	0.00	-385.62				
	TQ	0.00	0.00	0.00	0.00	0.00	0.00	0.00	0.00	0.00	0.00	0.00	0.00	0.00				
	M3	66.13	0.00	-263.53	-154.73	0.00	-558.43	69.33	0.00	-265.69	-135.15	0.00	0.00	-547.11				
DISPERSION-LMAX	S2	72.57	0.00	-180.98	72.57	0.00	122.16	124.21	0.00	-282.63	124.21	0.00	0.00	236.22				
	TQ	0.00	0.00	0.00	0.00	0.00	0.00	0.00	0.00	0.00	0.00	0.00	0.00	0.00				
	M3	-95.87	0.00	289.80	34.98	0.00	249.08	-122.79	0.00	364.31	85.50	0.00	0.00	296.45				
MIN	S2	-118.42	0.00	197.42	-118.42	0.00	-297.22	-145.87	0.00	294.99	-145.87	0.00	0.00	-314.29				
	TQ	0.00	0.00	0.00	0.00	0.00	0.00	0.00	0.00	0.00	0.00	0.00	0.00	0.00				
	M3	38.86	0.00	-272.56	-79.64	0.00	-425.91	100.65	0.00	-346.40	-103.88	0.00	0.00	-372.87				

BAGO RIVER BRIDGE

BLOCK [ No.2 : CROSS BEAM ][ BEAM MEMBER FORCE ]

MEMBER			1001013						1001015						
NODE			1013			2013			1015			2015			
NAME TITLE			SHEAR	TORQUE	MOMENT	SHEAR	TORQUE	MOMENT	SHEAR	TORQUE	MOMENT	SHEAR	TORQUE	MOMENT	
			S2 (kN)	TQ (kN·m)	M3 (kN·m)	S2 (kN)	TQ (kN·m)	M3 (kN·m)	S2 (kN)	TQ (kN·m)	M3 (kN·m)	S2 (kN)	TQ (kN·m)	M3 (kN·m)	
124	SUM TOTAL	D+1LANE (caseMAX	S2	-175.53	0.00	-3.77	-175.53	0.00	-736.94	60.83	0.00	-324.34	60.83	0.00	-70.25
			TQ	-192.73	0.00	94.79	-192.73	0.00	-710.23	-48.21	0.00	-42.28	-48.21	0.00	-243.63
			M3	-518.12	0.00	529.75	-194.84	0.00	-707.78	-323.65	0.00	299.71	60.83	0.00	-70.25
		MIN	S2	-521.00	0.00	522.68	-521.00	0.00	-1653.52	-323.78	0.00	298.85	-323.78	0.00	-1053.59
			TQ	-192.73	0.00	94.79	-192.73	0.00	-710.23	-48.21	0.00	-42.28	-48.21	0.00	-243.63
			M3	-177.66	0.00	-11.76	-510.90	0.00	-1670.55	50.41	0.00	-342.97	-323.78	0.00	-1053.59
		D+1LANE (caseMAX	S2	-65.21	0.00	99.96	-65.21	0.00	-172.43	93.32	0.00	-117.95	93.32	0.00	271.85
			TQ	-192.73	0.00	94.79	-192.73	0.00	-710.23	-48.21	0.00	-42.28	-48.21	0.00	-243.63
			M3	-181.51	0.00	197.34	-70.07	0.00	-162.21	-44.78	0.00	11.31	92.36	0.00	274.85
		MIN	S2	-212.69	0.00	162.70	-212.69	0.00	-725.69	-63.08	0.00	-43.28	-63.08	0.00	-306.79
			TQ	-192.73	0.00	94.79	-192.73	0.00	-710.23	-48.21	0.00	-42.28	-48.21	0.00	-243.63
			M3	-179.37	0.00	52.09	-197.38	0.00	-737.01	5.99	0.00	-147.66	-62.13	0.00	-309.79
		D+1LANE (caseMAX	S2	-130.74	0.00	-5.59	-130.74	0.00	-551.70	-6.96	0.00	-130.97	-6.96	0.00	-160.05
			TQ	-192.73	0.00	94.79	-192.73	0.00	-710.23	-48.21	0.00	-42.28	-48.21	0.00	-243.63
			M3	-194.54	0.00	139.53	-132.45	0.00	-546.59	-64.55	0.00	11.13	-16.34	0.00	-141.35
		MIN	S2	-202.86	0.00	126.73	-202.86	0.00	-720.63	-67.72	0.00	4.70	-67.72	0.00	-278.17
			TQ	-192.73	0.00	94.79	-192.73	0.00	-710.23	-48.21	0.00	-42.28	-48.21	0.00	-243.63
			M3	-132.99	0.00	-10.25	-200.04	0.00	-729.38	-10.33	0.00	-141.24	-65.31	0.00	-285.94
		D+1LANE (caseMAX	S2	-189.86	0.00	9.74	-189.86	0.00	-783.32	-46.51	0.00	-56.09	-46.51	0.00	-250.36
			TQ	-192.73	0.00	94.79	-192.73	0.00	-710.23	-48.21	0.00	-42.28	-48.21	0.00	-243.63
			M3	-209.16	0.00	211.92	-207.07	0.00	-659.59	-105.35	0.00	215.20	-83.13	0.00	-184.41
		MIN	S2	-214.28	0.00	-38.56	-214.28	0.00	-933.60	-116.44	0.00	177.23	-116.44	0.00	-309.16
			TQ	-192.73	0.00	94.79	-192.73	0.00	-710.23	-48.21	0.00	-42.28	-48.21	0.00	-243.63
			M3	-203.67	0.00	-134.12	-204.87	0.00	-987.43	-73.00	0.00	-147.90	-81.23	0.00	-470.41

BAGO RIVER BRIDGE

BLOCK [ No.2 : CROSS BEAM ][ BEAM MEMBER FORCE ]

MEMBER			1001013						1001015						
NODE			1013			2013			1015			2015			
NAME TITLE			SHEAR	TORQUE	MOMENT	SHEAR	TORQUE	MOMENT	SHEAR	TORQUE	MOMENT	SHEAR	TORQUE	MOMENT	
			S2 (kN)	TQ (kN·m)	M3 (kN·m)	S2 (kN)	TQ (kN·m)	M3 (kN·m)	S2 (kN)	TQ (kN·m)	M3 (kN·m)	S2 (kN)	TQ (kN·m)	M3 (kN·m)	
124	SUM TOTAL	D+2LANES (casMAX	S2	-166.17	0.00	-38.13	-166.17	0.00	-732.22	97.75	0.00	-433.94	97.75	0.00	-25.62
			TQ	-192.73	0.00	94.79	-192.73	0.00	-710.23	-48.21	0.00	-42.28	-48.21	0.00	-243.63
			M3	-515.61	0.00	646.65	-195.06	0.00	-685.06	-309.17	0.00	363.42	96.27	0.00	-22.67
		MIN	S2	-520.98	0.00	630.28	-520.98	0.00	-1545.85	-312.57	0.00	356.95	-312.57	0.00	-948.68
			TQ	-192.73	0.00	94.79	-192.73	0.00	-710.23	-48.21	0.00	-42.28	-48.21	0.00	-243.63
			M3	-170.94	0.00	-55.29	-492.37	0.00	-1590.79	85.78	0.00	-455.21	-295.67	0.00	-958.30
		D+2LANES (casMAX	S2	-74.24	0.00	48.31	-74.24	0.00	-261.79	124.83	0.00	-261.94	124.83	0.00	259.46
			TQ	-192.73	0.00	94.79	-192.73	0.00	-710.23	-48.21	0.00	-42.28	-48.21	0.00	-243.63
			M3	-235.10	0.00	369.64	-91.08	0.00	-230.42	-76.78	0.00	123.09	122.55	0.00	264.92
		MIN	S2	-264.05	0.00	330.30	-264.05	0.00	-772.66	-95.32	0.00	71.83	-95.32	0.00	-326.34
			TQ	-192.73	0.00	94.79	-192.73	0.00	-710.23	-48.21	0.00	-42.28	-48.21	0.00	-243.63
			M3	-172.37	0.00	-2.08	-231.11	0.00	-812.84	48.76	0.00	-292.46	-77.62	0.00	-338.46
		D+2LANES (casMAX	S2	-111.75	0.00	-109.99	-111.75	0.00	-576.78	-1.99	0.00	-182.07	-1.99	0.00	-190.37
			TQ	-192.73	0.00	94.79	-192.73	0.00	-710.23	-48.21	0.00	-42.28	-48.21	0.00	-243.63
			M3	-201.53	0.00	171.56	-127.12	0.00	-530.74	-84.11	0.00	96.43	-21.73	0.00	-134.30
		MIN	S2	-210.07	0.00	152.52	-210.07	0.00	-724.94	-88.48	0.00	86.05	-88.48	0.00	-283.53
			TQ	-192.73	0.00	94.79	-192.73	0.00	-710.23	-48.21	0.00	-42.28	-48.21	0.00	-243.63
			M3	-113.88	0.00	-115.56	-201.54	0.00	-744.60	-7.96	0.00	-214.56	-61.79	0.00	-342.36
		D+2LANES (casMAX	S2	-182.56	0.00	-98.99	-182.56	0.00	-861.52	-46.43	0.00	-58.70	-46.43	0.00	-252.64
			TQ	-192.73	0.00	94.79	-192.73	0.00	-710.23	-48.21	0.00	-42.28	-48.21	0.00	-243.63
			M3	-216.73	0.00	260.62	-214.15	0.00	-641.16	-131.04	0.00	328.51	-98.56	0.00	-166.14
		MIN	S2	-221.39	0.00	44.34	-221.39	0.00	-880.41	-144.35	0.00	268.46	-144.35	0.00	-334.48
			TQ	-192.73	0.00	94.79	-192.73	0.00	-710.23	-48.21	0.00	-42.28	-48.21	0.00	-243.63
			M3	-195.73	0.00	-256.00	-197.51	0.00	-1077.34	-77.04	0.00	-213.42	-89.32	0.00	-561.69



BAGO RIVER BRIDGE

BLOCK [ No.2 : CROSS BEAM ][ BEAM MEMBER FORCE ]

MEMBER			1001013						1001015							
NODE			1013			2013			1015			2015				
NAME TITLE			SHEAR	TORQUE	MOMENT	SHEAR	TORQUE	MOMENT	SHEAR	TORQUE	MOMENT	SHEAR	TORQUE	MOMENT		
			S2 (kN)	TQ (kN·m)	M3 (kN·m)	S2 (kN)	TQ (kN·m)	M3 (kN·m)	S2 (kN)	TQ (kN·m)	M3 (kN·m)	S2 (kN)	TQ (kN·m)	M3 (kN·m)		
124	SUM TOTAL	D+3LANES (casMAX	S2	-79.83	0.00	-14.53	-79.83	0.00	-347.98	176.11	0.00	-428.79	176.11	0.00	306.81	
			TQ	-192.73	0.00	94.79	-192.73	0.00	-710.23	-48.21	0.00	-42.28	-48.21	0.00	-243.63	
			M3	-459.24	0.00	636.51	-107.83	0.00	-300.65	-267.60	0.00	340.53	174.17	0.00	311.45	
		MIN	S2	-485.88	0.00	598.06	-485.88	0.00	-1431.46	-283.46	0.00	296.35	-283.46	0.00	-887.65	
			TQ	-192.73	0.00	94.79	-192.73	0.00	-710.23	-48.21	0.00	-42.28	-48.21	0.00	-243.63	
			M3	-164.75	0.00	-63.03	-450.72	0.00	-1477.68	104.07	0.00	-467.92	-268.41	0.00	-897.95	
		D+3LANES (casMAX	S2	-112.62	0.00	-191.29	-112.62	0.00	-661.68	-7.57	0.00	-177.60	-7.57	0.00	-209.20	
			TQ	-192.73	0.00	94.79	-192.73	0.00	-710.23	-48.21	0.00	-42.28	-48.21	0.00	-243.63	
			M3	-209.04	0.00	215.75	-144.60	0.00	-536.09	-107.17	0.00	202.49	-43.99	0.00	-129.92	
		MIN	S2	-216.58	0.00	198.43	-216.58	0.00	-706.22	-112.25	0.00	177.00	-112.25	0.00	-291.86	
			TQ	-192.73	0.00	94.79	-192.73	0.00	-710.23	-48.21	0.00	-42.28	-48.21	0.00	-243.63	
			M3	-114.95	0.00	-210.60	-190.65	0.00	-823.87	-16.02	0.00	-263.40	-65.46	0.00	-418.98	
		D+3LANES (casMAX	S2	-164.46	0.00	-175.72	-164.46	0.00	-862.67	-40.55	0.00	-112.41	-40.55	0.00	-281.77	
			TQ	-192.73	0.00	94.79	-192.73	0.00	-710.23	-48.21	0.00	-42.28	-48.21	0.00	-243.63	
			M3	-219.27	0.00	269.45	-202.21	0.00	-632.67	-140.12	0.00	358.46	-102.02	0.00	-163.24	
		MIN	S2	-223.71	0.00	79.85	-223.71	0.00	-854.59	-152.72	0.00	304.56	-152.72	0.00	-333.36	
			TQ	-192.73	0.00	94.79	-192.73	0.00	-710.23	-48.21	0.00	-42.28	-48.21	0.00	-243.63	
			M3	-175.99	0.00	-314.24	-182.57	0.00	-1061.19	-68.77	0.00	-259.17	-85.60	0.00	-580.40	
		D+4LANES	MAX	S2	-134.53	0.00	-166.27	-134.53	0.00	-728.19	-19.98	0.00	-136.15	-19.98	0.00	-219.62
			TQ	-192.73	0.00	94.79	-192.73	0.00	-710.23	-48.21	0.00	-42.28	-48.21	0.00	-243.63	
			M3	-214.62	0.00	240.87	-163.83	0.00	-563.41	-120.76	0.00	265.84	-67.07	0.00	-134.11	
		MIN	S2	-220.57	0.00	88.97	-220.57	0.00	-832.36	-129.60	0.00	229.65	-129.60	0.00	-311.69	
			TQ	-192.73	0.00	94.79	-192.73	0.00	-710.23	-48.21	0.00	-42.28	-48.21	0.00	-243.63	
			M3	-144.83	0.00	-264.49	-186.91	0.00	-963.78	-39.87	0.00	-252.63	-81.19	0.00	-490.61	

BAGO RIVER BRIDGE

BLOCK [ No.2 : CROSS BEAM ][ BEAM MEMBER FORCE ]

MEMBER				1001013			2013			1001015			2015			
NODE				1013			1015			1015			2015			
NAME TITLE				SHEAR	TORQUE	MOMENT	SHEAR	TORQUE	MOMENT	SHEAR	TORQUE	MOMENT	SHEAR	TORQUE	MOMENT	
				S2 (kN)	TQ (kN·m)	M3 (kN·m)	S2 (kN)	TQ (kN·m)	M3 (kN·m)	S2 (kN)	TQ (kN·m)	M3 (kN·m)	S2 (kN)	TQ (kN·m)	M3 (kN·m)	
124	SUM TOTAL	D+6LANES	MAX	S2	-54.77	0.00	-155.51	-54.77	0.00	-384.29	131.55	0.00	-352.33	131.55	0.00	197.16
				TQ	-192.73	0.00	94.79	-192.73	0.00	-710.23	-48.21	0.00	-42.28	-48.21	0.00	-243.63
				M3	-375.55	0.00	560.76	-102.08	0.00	-209.16	-248.69	0.00	478.40	93.18	0.00	306.44
			MIN	S2	-410.28	0.00	381.57	-410.28	0.00	-1332.17	-281.82	0.00	405.26	-281.82	0.00	-771.92
				TQ	-192.73	0.00	94.79	-192.73	0.00	-710.23	-48.21	0.00	-42.28	-48.21	0.00	-243.63
				M3	-107.95	0.00	-320.84	-375.45	0.00	-1471.06	78.58	0.00	-508.39	-226.43	0.00	-945.34
	SUM TOTAL		MAX		-54.77	0.00	646.65	-54.77	0.00	-162.21	176.11	0.00	478.40	176.11	0.00	311.45
			MIN		-521.00	0.00	-320.84	-521.00	0.00	-1670.55	-323.78	0.00	-508.39	-323.78	0.00	-1053.59
300	DEAD LOAD	TOTAL			-192.73	0.00	94.79	-192.73	0.00	-710.23	-48.21	0.00	-42.28	-48.21	0.00	-243.63
301	LIVE LOAD	1-LANE(case1MAX	S2		17.20	0.00	-98.56	17.20	0.00	-26.71	109.04	0.00	-282.06	109.04	0.00	173.38
			TQ		0.00	0.00	0.00	0.00	0.00	0.00	0.00	0.00	0.00	0.00	0.00	0.00
			M3		-325.40	0.00	434.96	-2.12	0.00	2.45	-275.44	0.00	341.99	109.04	0.00	173.38
			MIN	S2	-328.27	0.00	427.89	-328.27	0.00	-943.30	-275.58	0.00	341.13	-275.58	0.00	-809.96
				TQ	0.00	0.00	0.00	0.00	0.00	0.00	0.00	0.00	0.00	0.00	0.00	0.00
				M3	15.07	0.00	-106.55	-318.17	0.00	-960.33	98.62	0.00	-300.69	-275.58	0.00	-809.96
		1-LANE(case2MAX	S2		127.51	0.00	5.17	127.51	0.00	537.80	141.52	0.00	-75.67	141.52	0.00	515.48
			TQ		0.00	0.00	0.00	0.00	0.00	0.00	0.00	0.00	0.00	0.00	0.00	0.00
			M3		11.21	0.00	102.55	122.65	0.00	548.02	3.43	0.00	53.59	140.57	0.00	518.48
			MIN	S2	-19.96	0.00	67.91	-19.96	0.00	-15.46	-14.88	0.00	-1.01	-14.88	0.00	-63.15
				TQ	0.00	0.00	0.00	0.00	0.00	0.00	0.00	0.00	0.00	0.00	0.00	0.00
				M3	13.36	0.00	-42.70	-4.66	0.00	-26.78	54.19	0.00	-105.38	-13.92	0.00	-66.15
		1-LANE(case3MAX	S2		61.98	0.00	-100.38	61.98	0.00	158.53	41.24	0.00	-88.69	41.24	0.00	83.58
			TQ		0.00	0.00	0.00	0.00	0.00	0.00	0.00	0.00	0.00	0.00	0.00	0.00
			M3		-1.82	0.00	44.74	60.27	0.00	163.63	-16.35	0.00	53.41	31.86	0.00	102.28
			MIN	S2	-10.14	0.00	31.94	-10.14	0.00	-10.40	-19.51	0.00	46.98	-19.51	0.00	-34.53
				TQ	0.00	0.00	0.00	0.00	0.00	0.00	0.00	0.00	0.00	0.00	0.00	0.00
				M3	59.74	0.00	-105.04	-7.32	0.00	-19.16	37.88	0.00	-98.96	-17.11	0.00	-42.31

BAGO RIVER BRIDGE

BLOCK [ No.2 : CROSS BEAM ][ BEAM MEMBER FORCE ]

MEMBER			1001013						1001015						
NODE			1013			2013			1015			2015			
NAME TITLE			SHEAR	TORQUE	MOMENT	SHEAR	TORQUE	MOMENT	SHEAR	TORQUE	MOMENT	SHEAR	TORQUE	MOMENT	
			S2 (kN)	TQ (kN·m)	M3 (kN·m)	S2 (kN)	TQ (kN·m)	M3 (kN·m)	S2 (kN)	TQ (kN·m)	M3 (kN·m)	S2 (kN)	TQ (kN·m)	M3 (kN·m)	
301	LIVE LOAD	1-LANE (case4MAX	S2	2.86	0.00	-85.05	2.86	0.00	-73.09	1.70	0.00	-13.81	1.70	0.00	-6.73
			TQ	0.00	0.00	0.00	0.00	0.00	0.00	0.00	0.00	0.00	0.00	0.00	0.00
			M3	-16.43	0.00	117.13	-14.34	0.00	50.64	-57.14	0.00	257.48	-34.92	0.00	59.23
			MIN S2	-21.55	0.00	-133.35	-21.55	0.00	-223.38	-68.24	0.00	219.50	-68.24	0.00	-65.52
			TQ	0.00	0.00	0.00	0.00	0.00	0.00	0.00	0.00	0.00	0.00	0.00	0.00
			M3	-10.94	0.00	-228.91	-12.14	0.00	-277.21	-24.80	0.00	-105.62	-33.02	0.00	-226.78
		2-LANES (caseMAX	S2	26.56	0.00	-132.92	26.56	0.00	-21.99	145.96	0.00	-391.66	145.96	0.00	218.01
			TQ	0.00	0.00	0.00	0.00	0.00	0.00	0.00	0.00	0.00	0.00	0.00	0.00
			M3	-322.89	0.00	551.86	-2.33	0.00	25.17	-260.96	0.00	405.70	144.48	0.00	220.97
			MIN S2	-328.26	0.00	535.49	-328.26	0.00	-835.63	-264.37	0.00	399.23	-264.37	0.00	-705.04
			TQ	0.00	0.00	0.00	0.00	0.00	0.00	0.00	0.00	0.00	0.00	0.00	0.00
			M3	21.79	0.00	-150.08	-299.65	0.00	-880.56	133.99	0.00	-412.94	-247.46	0.00	-714.66
		2-LANES (caseMAX	S2	118.48	0.00	-46.48	118.48	0.00	448.43	173.03	0.00	-219.66	173.03	0.00	503.10
			TQ	0.00	0.00	0.00	0.00	0.00	0.00	0.00	0.00	0.00	0.00	0.00	0.00
			M3	-42.38	0.00	274.85	101.64	0.00	479.81	-28.57	0.00	165.36	170.75	0.00	508.55
			MIN S2	-71.33	0.00	235.51	-71.33	0.00	-62.43	-47.12	0.00	114.11	-47.12	0.00	-82.70
			TQ	0.00	0.00	0.00	0.00	0.00	0.00	0.00	0.00	0.00	0.00	0.00	0.00
			M3	20.36	0.00	-96.87	-38.38	0.00	-102.61	96.96	0.00	-250.18	-29.41	0.00	-94.82
		2-LANES (caseMAX	S2	80.97	0.00	-204.78	80.97	0.00	133.45	46.22	0.00	-139.79	46.22	0.00	53.26
			TQ	0.00	0.00	0.00	0.00	0.00	0.00	0.00	0.00	0.00	0.00	0.00	0.00
			M3	-8.80	0.00	76.77	65.61	0.00	179.49	-35.91	0.00	138.71	26.48	0.00	109.34
MIN S2	-17.34		0.00	57.73	-17.34	0.00	-14.71	-40.27	0.00	128.33	-40.27	0.00	-39.90		
TQ	0.00		0.00	0.00	0.00	0.00	0.00	0.00	0.00	0.00	0.00	0.00	0.00		
M3	78.84		0.00	-210.35	-8.81	0.00	-34.37	40.25	0.00	-172.28	-13.59	0.00	-98.73		

BAGO RIVER BRIDGE

BLOCK [ No.2 : CROSS BEAM ][ BEAM MEMBER FORCE ]

MEMBER			1001013						1001015								
NODE			1013			2013			1015			2015					
NAME TITLE			SHEAR	TORQUE	MOMENT	SHEAR	TORQUE	MOMENT	SHEAR	TORQUE	MOMENT	SHEAR	TORQUE	MOMENT			
			S2 (kN)	TQ (kN·m)	M3 (kN·m)	S2 (kN)	TQ (kN·m)	M3 (kN·m)	S2 (kN)	TQ (kN·m)	M3 (kN·m)	S2 (kN)	TQ (kN·m)	M3 (kN·m)			
301	LIVE LOAD	2-LANES (caseMAX	S2	10.17	0.00	-193.78	10.17	0.00	-151.29	1.78	0.00	-16.42	1.78	0.00	-9.00		
			TQ	0.00	0.00	0.00	0.00	0.00	0.00	0.00	0.00	0.00	0.00	0.00	0.00		
			M3	-24.01	0.00	165.83	-21.42	0.00	69.07	-82.83	0.00	370.79	-50.35	0.00	0.00	77.50	
			MIN	S2	-28.67	0.00	-50.45	-28.67	0.00	-170.18	-96.14	0.00	310.74	-96.14	0.00	0.00	-90.84
			TQ	0.00	0.00	0.00	0.00	0.00	0.00	0.00	0.00	0.00	0.00	0.00	0.00	0.00	
			M3	-3.01	0.00	-350.79	-4.79	0.00	-367.11	-28.83	0.00	-171.14	-41.12	0.00	0.00	-318.06	
		3-LANES (caseMAX	S2	112.90	0.00	-109.32	112.90	0.00	362.25	224.31	0.00	-386.51	224.31	0.00	0.00	550.44	
			TQ	0.00	0.00	0.00	0.00	0.00	0.00	0.00	0.00	0.00	0.00	0.00	0.00	0.00	
			M3	-266.51	0.00	541.72	84.90	0.00	409.57	-219.39	0.00	382.80	222.37	0.00	0.00	555.08	
			MIN	S2	-293.16	0.00	503.27	-293.16	0.00	-721.24	-235.25	0.00	338.63	-235.25	0.00	0.00	-644.02
			TQ	0.00	0.00	0.00	0.00	0.00	0.00	0.00	0.00	0.00	0.00	0.00	0.00	0.00	
			M3	27.98	0.00	-157.82	-258.00	0.00	-767.45	152.27	0.00	-425.64	-220.20	0.00	0.00	-654.32	
		3-LANES (caseMAX	S2	80.11	0.00	-286.08	80.11	0.00	48.55	40.64	0.00	-135.32	40.64	0.00	0.00	34.43	
			TQ	0.00	0.00	0.00	0.00	0.00	0.00	0.00	0.00	0.00	0.00	0.00	0.00	0.00	
			M3	-16.32	0.00	120.96	48.13	0.00	174.14	-58.97	0.00	244.77	4.21	0.00	0.00	113.71	
			MIN	S2	-23.85	0.00	103.64	-23.85	0.00	4.00	-64.04	0.00	219.28	-64.04	0.00	0.00	-48.23
			TQ	0.00	0.00	0.00	0.00	0.00	0.00	0.00	0.00	0.00	0.00	0.00	0.00	0.00	
			M3	77.77	0.00	-305.39	2.07	0.00	-113.64	32.19	0.00	-221.13	-17.25	0.00	0.00	-175.35	
		3-LANES (caseMAX	S2	28.27	0.00	-270.51	28.27	0.00	-152.44	7.66	0.00	-70.13	7.66	0.00	0.00	-38.14	
			TQ	0.00	0.00	0.00	0.00	0.00	0.00	0.00	0.00	0.00	0.00	0.00	0.00	0.00	
			M3	-26.54	0.00	174.66	-9.48	0.00	77.55	-91.92	0.00	400.74	-53.81	0.00	0.00	80.39	
MIN	S2		-30.98	0.00	-14.94	-30.98	0.00	-144.36	-104.52	0.00	346.84	-104.52	0.00	0.00	-89.73		
TQ	0.00		0.00	0.00	0.00	0.00	0.00	0.00	0.00	0.00	0.00	0.00	0.00	0.00			
M3	16.73		0.00	-409.03	10.16	0.00	-350.96	-20.57	0.00	-216.89	-37.40	0.00	0.00	-336.77			

BAGO RIVER BRIDGE

BLOCK [ No.2 : CROSS BEAM ][ BEAM MEMBER FORCE ]

MEMBER					1001013						1001015						
NODE					1013			2013			1015			2015			
NAME TITLE					SHEAR	TORQUE	MOMENT	SHEAR	TORQUE	MOMENT	SHEAR	TORQUE	MOMENT	SHEAR	TORQUE	MOMENT	
					S2 (kN)	TQ (kN·m)	M3 (kN·m)	S2 (kN)	TQ (kN·m)	M3 (kN·m)	S2 (kN)	TQ (kN·m)	M3 (kN·m)	S2 (kN)	TQ (kN·m)	M3 (kN·m)	
301	LIVE LOAD	4-LANES	MAX	S2	58.20	0.00	-261.06	58.20	0.00	-17.96	28.22	0.00	-93.88	28.22	0.00	24.01	
				TQ	0.00	0.00	0.00	0.00	0.00	0.00	0.00	0.00	0.00	0.00	0.00	0.00	0.00
				M3	-21.90	0.00	146.08	28.90	0.00	146.82	-72.56	0.00	308.12	-18.87	0.00	109.53	
		MIN	S2	-27.85	0.00	-5.82	-27.85	0.00	-122.13	-81.40	0.00	271.93	-81.40	0.00	-68.05		
			TQ	0.00	0.00	0.00	0.00	0.00	0.00	0.00	0.00	0.00	0.00	0.00	0.00		
			M3	47.90	0.00	-359.29	5.82	0.00	-253.55	8.34	0.00	-210.36	-32.98	0.00	-246.97		
	6-LANES	MAX	S2	137.95	0.00	-250.30	137.95	0.00	325.93	179.76	0.00	-310.05	179.76	0.00	440.80		
			TQ	0.00	0.00	0.00	0.00	0.00	0.00	0.00	0.00	0.00	0.00	0.00	0.00		
			M3	-182.83	0.00	465.96	90.65	0.00	501.07	-200.48	0.00	520.68	141.38	0.00	550.08		
		MIN	S2	-217.55	0.00	286.78	-217.55	0.00	-621.94	-233.62	0.00	447.54	-233.62	0.00	-528.28		
			TQ	0.00	0.00	0.00	0.00	0.00	0.00	0.00	0.00	0.00	0.00	0.00	0.00		
			M3	84.77	0.00	-415.63	-182.73	0.00	-760.83	126.79	0.00	-466.11	-178.22	0.00	-701.71		
	LIVE LOAD	MAX	137.95	0.00	551.86	137.95	0.00	548.02	224.31	0.00	520.68	224.31	0.00	555.08			
		MIN	-328.27	0.00	-415.63	-328.27	0.00	-960.33	-275.58	0.00	-466.11	-275.58	0.00	-809.96			
	303	SUM TOTAL	TOTAL	MAX	-54.77	0.00	646.65	-54.77	0.00	-162.21	176.11	0.00	478.40	176.11	0.00	311.45	
MIN				-521.00	0.00	-320.84	-521.00	0.00	-1670.55	-323.78	0.00	-508.39	-323.78	0.00	-1053.59		

BAGO RIVER BRIDGE

BLOCK [ No.2 : CROSS BEAM ][ BEAM MEMBER FORCE ]

MEMBER NODE	1001017 1017	2017						1001019 1019						2019		
		SHEAR	TORQUE	MOMENT	SHEAR	TORQUE	MOMENT	SHEAR	TORQUE	MOMENT	SHEAR	TORQUE	MOMENT			
		S2 (kN)	TQ (kN·m)	M3 (kN·m)	S2 (kN)	TQ (kN·m)	M3 (kN·m)	S2 (kN)	TQ (kN·m)	M3 (kN·m)	S2 (kN)	TQ (kN·m)	M3 (kN·m)			
1	PAVEMENT	-27.53	0.00	61.13	-27.53	0.00	-53.85	-7.54	0.00	18.95	-7.54	0.00	-12.56			
3	RAILING	2.97	0.00	-6.85	2.97	0.00	5.57	-3.66	0.00	1.45	-3.66	0.00	-13.83			
5	CURB	29.43	0.00	-67.80	29.43	0.00	55.13	-36.22	0.00	14.37	-36.22	0.00	-136.92			
7	DECK WEIGHT	-26.41	0.00	57.87	-26.41	0.00	-52.42	-12.23	0.00	20.19	-12.23	0.00	-30.91			
8	GIRDER WEIGH	67.84	0.00	-154.92	67.84	0.00	128.45	38.54	0.00	-75.88	38.54	0.00	85.09			
10	MEDIAN STRIP	8.82	0.00	-19.61	8.82	0.00	17.21	30.54	0.00	-34.19	30.54	0.00	93.37			
21	ADITIONAL WE	-7.39	0.00	16.20	-7.39	0.00	-14.68	-3.43	0.00	5.65	-3.43	0.00	-8.65			
31	MEDIAN RAILI	0.66	0.00	-1.46	0.66	0.00	1.28	2.51	0.00	-2.75	2.51	0.00	7.71			
51	SUPPORT WEIG	-0.00	0.00	0.00	-0.00	0.00	-0.00	-0.00	0.00	0.00	-0.00	0.00	0.00			
52	NOSE WEIGHT	0.09	0.00	-0.21	0.09	0.00	0.18	0.03	0.00	-0.13	0.03	0.00	0.01			
61	1-LANE(case1TRUCK-LOAD	MAX	S2	84.41	0.00	-191.46	84.41	0.00	161.13	39.51	0.00	-88.42	39.51	0.00	76.63	
			TQ	0.00	0.00	0.00	0.00	0.00	0.00	0.00	0.00	0.00	0.00	0.00	0.00	
			M3	-5.32	0.00	12.14	84.41	0.00	161.13	-166.23	0.00	203.32	39.51	0.00	76.63	
		MIN	S2	-5.32	0.00	12.14	-5.32	0.00	-10.09	-166.23	0.00	203.32	-166.23	0.00	-491.00	
			TQ	0.00	0.00	0.00	0.00	0.00	0.00	0.00	0.00	0.00	0.00	0.00	0.00	
			M3	84.41	0.00	-191.46	-5.32	0.00	-10.09	30.83	0.00	-106.19	-166.23	0.00	-491.00	
		TANDEM-LOAD MAX	S2	58.65	0.00	-133.14	58.65	0.00	111.86	28.40	0.00	-53.77	28.40	0.00	64.87	
			TQ	0.00	0.00	0.00	0.00	0.00	0.00	0.00	0.00	0.00	0.00	0.00	0.00	
			M3	-3.61	0.00	8.25	58.65	0.00	111.86	-128.70	0.00	158.15	28.40	0.00	64.87	
		MIN	S2	-3.62	0.00	8.25	-3.62	0.00	-6.85	-128.70	0.00	158.15	-128.70	0.00	-379.43	
			TQ	0.00	0.00	0.00	0.00	0.00	0.00	0.00	0.00	0.00	0.00	0.00	0.00	
			M3	58.65	0.00	-133.14	-3.62	0.00	-6.85	21.03	0.00	-72.38	-128.70	0.00	-379.43	
		DISPERSION-LMAX	S2	171.38	0.00	-389.33	171.38	0.00	326.53	51.73	0.00	-156.64	51.73	0.00	59.46	
			TQ	0.00	0.00	0.00	0.00	0.00	0.00	0.00	0.00	0.00	0.00	0.00	0.00	
			M3	-7.80	0.00	17.82	171.38	0.00	326.53	-60.24	0.00	75.63	51.61	0.00	59.73	
		MIN	S2	-7.80	0.00	17.82	-7.80	0.00	-14.76	-60.24	0.00	75.63	-60.24	0.00	-175.98	
			TQ	0.00	0.00	0.00	0.00	0.00	0.00	0.00	0.00	0.00	0.00	0.00	0.00	
			M3	171.38	0.00	-389.33	-7.80	0.00	-14.76	51.73	0.00	-156.64	-60.11	0.00	-176.25	

BAGO RIVER BRIDGE

BLOCK [ No.2 : CROSS BEAM ][ BEAM MEMBER FORCE ]

MEMBER NODE	1001017 1017	2017			1001019 1019	2019									
		SHEAR	TORQUE	MOMENT		SHEAR	TORQUE	MOMENT							
		S2 (kN)	TQ (kN·m)	M3 (kN·m)		S2 (kN)	TQ (kN·m)	M3 (kN·m)							
62	1-LANE (case2TRUCK-LOAD	MAX	S2	26.12	0.00	-58.99	26.12	0.00	50.11	79.00	0.00	-16.84	79.00	0.00	313.13
			TQ	0.00	0.00	0.00	0.00	0.00	0.00	0.00	0.00	0.00	0.00	0.00	0.00
			M3	-4.45	0.00	10.75	26.12	0.00	50.11	4.95	0.00	28.27	79.00	0.00	313.13
		MIN	S2	-4.45	0.00	10.75	-4.45	0.00	-7.83	-6.46	0.00	-10.61	-6.46	0.00	-37.60
			TQ	0.00	0.00	0.00	0.00	0.00	0.00	0.00	0.00	0.00	0.00	0.00	0.00
			M3	26.12	0.00	-58.99	-4.45	0.00	-7.83	11.54	0.00	-40.58	-5.70	0.00	-37.69
	TANDEM-LOAD	MAX	S2	17.78	0.00	-40.15	17.78	0.00	34.12	61.64	0.00	-17.34	61.64	0.00	240.15
			TQ	0.00	0.00	0.00	0.00	0.00	0.00	0.00	0.00	0.00	0.00	0.00	0.00
			M3	-3.82	0.00	9.29	17.78	0.00	34.12	7.37	0.00	20.88	61.64	0.00	240.15
		MIN	S2	-3.82	0.00	9.29	-3.82	0.00	-6.67	-7.52	0.00	-4.29	-7.52	0.00	-35.69
			TQ	0.00	0.00	0.00	0.00	0.00	0.00	0.00	0.00	0.00	0.00	0.00	0.00
			M3	17.78	0.00	-40.15	-3.82	0.00	-6.67	7.95	0.00	-27.60	-7.52	0.00	-35.69
	DISPERSION-LMAX	S2	42.90	0.00	-96.95	42.90	0.00	82.25	42.63	0.00	-49.66	42.63	0.00	128.40	
			TQ	0.00	0.00	0.00	0.00	0.00	0.00	0.00	0.00	0.00	0.00	0.00	
			M3	-3.10	0.00	7.43	42.90	0.00	82.26	4.39	0.00	10.34	41.79	0.00	131.43
		MIN	S2	-3.11	0.00	7.43	-3.11	0.00	-5.55	-3.68	0.00	2.49	-3.68	0.00	-12.90
			TQ	0.00	0.00	0.00	0.00	0.00	0.00	0.00	0.00	0.00	0.00	0.00	0.00
			M3	42.90	0.00	-96.96	-3.10	0.00	-5.56	34.55	0.00	-57.51	-2.84	0.00	-15.93
63	1-LANE (case3TRUCK-LOAD	MAX	S2	2.62	0.00	-5.93	2.62	0.00	5.02	25.37	0.00	-57.92	25.37	0.00	48.07
			TQ	0.00	0.00	0.00	0.00	0.00	0.00	0.00	0.00	0.00	0.00	0.00	0.00
			M3	-24.78	0.00	55.77	2.62	0.00	5.02	-9.97	0.00	21.22	19.46	0.00	57.62
		MIN	S2	-24.78	0.00	55.77	-24.78	0.00	-47.73	-9.97	0.00	21.22	-9.97	0.00	-20.41
			TQ	0.00	0.00	0.00	0.00	0.00	0.00	0.00	0.00	0.00	0.00	0.00	0.00
			M3	2.62	0.00	-5.93	-24.61	0.00	-47.82	25.09	0.00	-61.01	-9.93	0.00	-21.25

BAGO RIVER BRIDGE

BLOCK [ No.2 : CROSS BEAM ][ BEAM MEMBER FORCE ]

MEMBER NODE	1001017 1017	2017			1001019 1019	2019									
		SHEAR	TORQUE	MOMENT		SHEAR	TORQUE	MOMENT							
		S2 (kN)	TQ (kN·m)	M3 (kN·m)		S2 (kN)	TQ (kN·m)	M3 (kN·m)							
NAME TITLE															
63 1-LANE (case3TANDEM-LOAD	MAX	S2	1.78	0.00	-4.03	1.78	0.00	3.41	17.91	0.00	-47.26	17.91	0.00	27.55	
		TQ	0.00	0.00	0.00	0.00	0.00	0.00	0.00	0.00	0.00	0.00	0.00	0.00	
		M3	-17.67	0.00	39.66	1.78	0.00	3.41	-7.36	0.00	15.03	12.14	0.00	40.96	
	MIN	S2	-17.67	0.00	39.66	-17.67	0.00	-34.15	-7.36	0.00	15.03	-7.36	0.00	-15.69	
		TQ	0.00	0.00	0.00	0.00	0.00	0.00	0.00	0.00	0.00	0.00	0.00	0.00	
		M3	1.78	0.00	-4.03	-17.62	0.00	-34.18	17.91	0.00	-47.26	-7.35	0.00	-15.92	
	DISPERSION-LMAX	S2	5.91	0.00	-13.36	5.91	0.00	11.32	12.74	0.00	-18.66	12.74	0.00	34.57	
		TQ	0.00	0.00	0.00	0.00	0.00	0.00	0.00	0.00	0.00	0.00	0.00	0.00	
		M3	-32.05	0.00	72.45	5.91	0.00	11.32	-3.08	0.00	20.87	10.90	0.00	40.19	
	MIN	S2	-32.05	0.00	72.45	-32.05	0.00	-61.43	-5.43	0.00	13.98	-5.43	0.00	-8.71	
		TQ	0.00	0.00	0.00	0.00	0.00	0.00	0.00	0.00	0.00	0.00	0.00	0.00	
		M3	5.91	0.00	-13.36	-32.05	0.00	-61.43	10.39	0.00	-25.54	-3.59	0.00	-14.32	
	64 1-LANE (case4TRUCK-LOAD	MAX	S2	7.05	0.00	-16.02	7.05	0.00	13.44	0.91	0.00	-4.57	0.91	0.00	-0.75
			TQ	0.00	0.00	0.00	0.00	0.00	0.00	0.00	0.00	0.00	0.00	0.00	0.00
			M3	-68.93	0.00	156.46	7.05	0.00	13.44	-21.29	0.00	101.10	-8.09	0.00	33.98
MIN		S2	-68.93	0.00	156.46	-68.93	0.00	-131.46	-21.93	0.00	99.31	-21.93	0.00	7.73	
		TQ	0.00	0.00	0.00	0.00	0.00	0.00	0.00	0.00	0.00	0.00	0.00	0.00	
		M3	7.05	0.00	-16.02	-68.93	0.00	-131.46	-12.06	0.00	-54.77	-12.06	0.00	-105.13	
TANDEM-LOAD MAX		S2	4.79	0.00	-10.88	4.79	0.00	9.13	0.62	0.00	-3.16	0.62	0.00	-0.55	
		TQ	0.00	0.00	0.00	0.00	0.00	0.00	0.00	0.00	0.00	0.00	0.00	0.00	
		M3	-47.19	0.00	107.10	4.79	0.00	9.13	-14.43	0.00	68.92	-4.57	0.00	24.58	
MIN		S2	-47.19	0.00	107.10	-47.19	0.00	-90.02	-14.97	0.00	68.01	-14.97	0.00	5.47	
		TQ	0.00	0.00	0.00	0.00	0.00	0.00	0.00	0.00	0.00	0.00	0.00	0.00	
		M3	4.79	0.00	-10.88	-47.19	0.00	-90.02	-8.75	0.00	-38.32	-8.75	0.00	-74.86	



BAGO RIVER BRIDGE

BLOCK [ No.2 : CROSS BEAM ][ BEAM MEMBER FORCE ]

MEMBER		1001017						1001019									
NODE		1017			2017			1019			2019						
		SHEAR	TORQUE	MOMENT	SHEAR	TORQUE	MOMENT	SHEAR	TORQUE	MOMENT	SHEAR	TORQUE	MOMENT				
NAME	TITLE	S2 (kN)	TQ (kN·m)	M3 (kN·m)	S2 (kN)	TQ (kN·m)	M3 (kN·m)	S2 (kN)	TQ (kN·m)	M3 (kN·m)	S2 (kN)	TQ (kN·m)	M3 (kN·m)				
64	1-LANE (case4DISPERSION-LMAX	S2	11.41	0.00	-25.90	11.41	0.00	21.75	1.09	0.00	-7.17	1.09	0.00	-2.63			
		TQ	0.00	0.00	0.00	0.00	0.00	0.00	0.00	0.00	0.00	0.00	0.00	0.00			
		M3	-140.64	0.00	318.07	11.41	0.00	21.75	-29.81	0.00	134.92	-23.61	0.00	18.21			
		MIN	S2	-140.64	0.00	318.07	-140.64	0.00	-269.38	-36.34	0.00	107.60	-36.34	0.00	-44.18		
		TQ	0.00	0.00	0.00	0.00	0.00	0.00	0.00	0.00	0.00	0.00	0.00	0.00			
		M3	11.41	0.00	-25.90	-140.64	0.00	-269.38	-5.44	0.00	-34.49	-11.65	0.00	-65.02			
		65	2-LANES (caseTRUCK-LOAD	MAX	S2	134.06	0.00	-303.89	134.06	0.00	256.08	59.89	0.00	-160.82	59.89	0.00	89.34
				TQ	0.00	0.00	0.00	0.00	0.00	0.00	0.00	0.00	0.00	0.00	0.00	0.00	
				M3	-8.44	0.00	19.27	134.06	0.00	256.08	-183.95	0.00	283.52	47.89	0.00	98.10	
MIN	S2			-8.44	0.00	19.27	-8.44	0.00	-15.99	-183.95	0.00	283.52	-183.95	0.00	-484.83		
TQ	0.00			0.00	0.00	0.00	0.00	0.00	0.00	0.00	0.00	0.00	0.00	0.00			
M3	134.06			0.00	-303.89	-8.44	0.00	-15.99	51.20	0.00	-178.59	-167.90	0.00	-495.40			
TANDEM-LOAD	MAX			S2	92.54	0.00	-209.89	92.54	0.00	176.66	42.23	0.00	-102.98	42.23	0.00	73.42	
TQ	0.00			0.00	0.00	0.00	0.00	0.00	0.00	0.00	0.00	0.00	0.00	0.00			
M3	-5.75			0.00	13.12	92.54	0.00	176.66	-141.94	0.00	217.60	34.42	0.00	79.70			
MIN	S2	-5.75	0.00	13.12	-5.75	0.00	-10.89	-141.94	0.00	217.60	-141.94	0.00	-375.29				
TQ	0.00	0.00	0.00	0.00	0.00	0.00	0.00	0.00	0.00	0.00	0.00	0.00					
M3	92.54	0.00	-209.89	-5.75	0.00	-10.89	34.85	0.00	-121.59	-129.83	0.00	-382.41					
DISPERSION-LMAX	S2	274.49	0.00	-622.95	274.49	0.00	523.58	87.32	0.00	-250.64	87.32	0.00	114.08				
TQ	0.00	0.00	0.00	0.00	0.00	0.00	0.00	0.00	0.00	0.00	0.00	0.00					
M3	-12.18	0.00	27.85	274.49	0.00	523.58	-69.29	0.00	110.75	86.21	0.00	117.62					
MIN	S2	-12.18	0.00	27.85	-12.18	0.00	-23.02	-72.99	0.00	103.60	-72.99	0.00	-201.29				
TQ	0.00	0.00	0.00	0.00	0.00	0.00	0.00	0.00	0.00	0.00	0.00	0.00					
M3	274.49	0.00	-622.95	-12.18	0.00	-23.02	83.62	0.00	-257.79	-71.89	0.00	-204.83					

BAGO RIVER BRIDGE

BLOCK [ No.2 : CROSS BEAM ][ BEAM MEMBER FORCE ]

MEMBER				1001017						1001019						
NODE				1017			2017			1019			2019			
				SHEAR	TORQUE	MOMENT	SHEAR	TORQUE	MOMENT	SHEAR	TORQUE	MOMENT	SHEAR	TORQUE	MOMENT	
NAME	TITLE			S2 (kN)	TQ (kN·m)	M3 (kN·m)	S2 (kN)	TQ (kN·m)	M3 (kN·m)	S2 (kN)	TQ (kN·m)	M3 (kN·m)	S2 (kN)	TQ (kN·m)	M3 (kN·m)	
66	2-LANES (caseTRUCK-LOAD	MAX	S2	75.77	0.00	-171.41	75.77	0.00	145.07	99.37	0.00	-89.24	99.37	0.00	325.84	
			TQ	0.00	0.00	0.00	0.00	0.00	0.00	0.00	0.00	0.00	0.00	0.00	0.00	0.00
			M3	-7.57	0.00	17.88	75.77	0.00	145.07	-12.77	0.00	108.46	87.37	0.00	334.60	
		MIN	S2	-7.57	0.00	17.88	-7.57	0.00	-13.73	-24.18	0.00	69.58	-24.18	0.00	-31.43	
			TQ	0.00	0.00	0.00	0.00	0.00	0.00	0.00	0.00	0.00	0.00	0.00	0.00	0.00
			M3	75.77	0.00	-171.41	-7.57	0.00	-13.73	31.92	0.00	-112.98	-7.38	0.00	-42.08	
		TANDEM-LOAD MAX	S2	51.67	0.00	-116.91	51.67	0.00	98.92	75.47	0.00	-66.55	75.47	0.00	248.69	
			TQ	0.00	0.00	0.00	0.00	0.00	0.00	0.00	0.00	0.00	0.00	0.00	0.00	0.00
			M3	-5.95	0.00	14.17	51.67	0.00	98.92	-5.87	0.00	80.33	67.66	0.00	254.98	
		MIN	S2	-5.95	0.00	14.17	-5.95	0.00	-10.70	-20.76	0.00	55.15	-20.76	0.00	-31.55	
			TQ	0.00	0.00	0.00	0.00	0.00	0.00	0.00	0.00	0.00	0.00	0.00	0.00	0.00
			M3	51.67	0.00	-116.91	-5.95	0.00	-10.70	21.77	0.00	-76.82	-8.65	0.00	-38.68	
		DISPERSION-LMAX	S2	146.01	0.00	-330.57	146.01	0.00	279.29	78.21	0.00	-143.66	78.21	0.00	183.03	
			TQ	0.00	0.00	0.00	0.00	0.00	0.00	0.00	0.00	0.00	0.00	0.00	0.00	0.00
			M3	-7.48	0.00	17.46	146.00	0.00	279.30	-4.66	0.00	45.46	76.39	0.00	189.32	
MIN	S2	-7.49	0.00	17.45	-7.49	0.00	-13.81	-16.44	0.00	30.46	-16.44	0.00	-38.22			
	TQ	0.00	0.00	0.00	0.00	0.00	0.00	0.00	0.00	0.00	0.00	0.00	0.00	0.00		
	M3	146.00	0.00	-330.58	-7.48	0.00	-13.82	66.43	0.00	-158.66	-14.62	0.00	-44.52			
67	2-LANES (caseTRUCK-LOAD	MAX	S2	7.45	0.00	-16.89	7.45	0.00	14.24	35.21	0.00	-101.98	35.21	0.00	45.08	
			TQ	0.00	0.00	0.00	0.00	0.00	0.00	0.00	0.00	0.00	0.00	0.00	0.00	
			M3	-60.39	0.00	136.83	7.45	0.00	14.24	-20.94	0.00	60.43	26.02	0.00	74.72	
		MIN	S2	-60.39	0.00	136.74	-60.39	0.00	-115.51	-21.43	0.00	60.35	-21.43	0.00	-29.18	
			TQ	0.00	0.00	0.00	0.00	0.00	0.00	0.00	0.00	0.00	0.00	0.00	0.00	0.00
			M3	7.45	0.00	-16.89	-60.23	0.00	-115.60	32.73	0.00	-124.72	-4.14	0.00	-55.69	

BAGO RIVER BRIDGE

BLOCK [ No.2 : CROSS BEAM ][ BEAM MEMBER FORCE ]

MEMBER		1001017						1001019								
NODE		1017			2017			1019			2019					
NAME TITLE		SHEAR	TORQUE	MOMENT	SHEAR	TORQUE	MOMENT	SHEAR	TORQUE	MOMENT	SHEAR	TORQUE	MOMENT			
		S2 (kN)	TQ (kN·m)	M3 (kN·m)	S2 (kN)	TQ (kN·m)	M3 (kN·m)	S2 (kN)	TQ (kN·m)	M3 (kN·m)	S2 (kN)	TQ (kN·m)	M3 (kN·m)			
67	2-LANES (caseTANDEM-LOAD	MAX	S2	5.06	0.00	-11.47	5.06	0.00	9.67	24.88	0.00	-67.87	24.88	0.00	36.03	
			TQ	0.00	0.00	0.00	0.00	0.00	0.00	0.00	0.00	0.00	0.00	0.00	0.00	0.00
			M3	-42.08	0.00	95.16	5.06	0.00	9.67	-15.23	0.00	42.14	16.02	0.00	0.00	53.91
		MIN	S2	-42.08	0.00	95.16	-42.08	0.00	-80.62	-15.37	0.00	42.12	-15.37	0.00	0.00	-22.07
			TQ	0.00	0.00	0.00	0.00	0.00	0.00	0.00	0.00	0.00	0.00	0.00	0.00	0.00
			M3	5.06	0.00	-11.47	-42.04	0.00	-80.65	22.65	0.00	-94.62	-3.12	0.00	0.00	-44.23
		DISPERSION-LMAX	S2	13.86	0.00	-31.40	13.86	0.00	26.51	17.19	0.00	-45.26	17.19	0.00	0.00	26.53
			TQ	0.00	0.00	0.00	0.00	0.00	0.00	0.00	0.00	0.00	0.00	0.00	0.00	0.00
			M3	-98.86	0.00	223.49	13.86	0.00	26.51	-14.51	0.00	73.57	6.29	0.00	0.00	51.30
	MIN	S2	-98.86	0.00	223.49	-98.86	0.00	-189.46	-17.14	0.00	64.67	-17.14	0.00	0.00	-6.92	
		TQ	0.00	0.00	0.00	0.00	0.00	0.00	0.00	0.00	0.00	0.00	0.00	0.00	0.00	
		M3	13.86	0.00	-31.40	-98.86	0.00	-189.46	14.56	0.00	-54.15	-6.24	0.00	0.00	-31.69	
	68	2-LANES (caseTRUCK-LOAD	MAX	S2	11.88	0.00	-26.97	11.88	0.00	22.66	1.32	0.00	-7.17	1.32	0.00	-1.64
				TQ	0.00	0.00	0.00	0.00	0.00	0.00	0.00	0.00	0.00	0.00	0.00	0.00
				M3	-120.75	0.00	274.20	11.88	0.00	22.66	-36.90	0.00	174.73	-14.62	0.00	0.00
MIN			S2	-120.75	0.00	274.20	-120.75	0.00	-230.16	-37.62	0.00	172.57	-37.62	0.00	0.00	15.44
			TQ	0.00	0.00	0.00	0.00	0.00	0.00	0.00	0.00	0.00	0.00	0.00	0.00	
			M3	11.88	0.00	-26.97	-120.75	0.00	-230.16	-14.85	0.00	-111.17	-14.85	0.00	0.00	-173.18
TANDEM-LOAD			MAX	S2	8.07	0.00	-18.32	8.07	0.00	15.39	0.90	0.00	-5.01	0.90	0.00	-1.24
			TQ	0.00	0.00	0.00	0.00	0.00	0.00	0.00	0.00	0.00	0.00	0.00	0.00	0.00
			M3	-82.57	0.00	187.49	8.07	0.00	15.39	-25.04	0.00	119.13	-9.71	0.00	0.00	35.85
MIN		S2	-82.57	0.00	187.49	-82.57	0.00	-157.41	-25.65	0.00	117.59	-25.65	0.00	0.00	10.43	
		TQ	0.00	0.00	0.00	0.00	0.00	0.00	0.00	0.00	0.00	0.00	0.00	0.00	0.00	
		M3	8.07	0.00	-18.32	-82.57	0.00	-157.41	-10.49	0.00	-77.53	-10.99	0.00	0.00	-123.36	

BAGO RIVER BRIDGE

BLOCK [ No.2 : CROSS BEAM ][ BEAM MEMBER FORCE ]

MEMBER			1001017						1001019								
NODE			1017			2017			1019			2019					
			SHEAR	TORQUE	MOMENT	SHEAR	TORQUE	MOMENT	SHEAR	TORQUE	MOMENT	SHEAR	TORQUE	MOMENT			
NAME	TITLE		S2 (kN)	TQ (kN·m)	M3 (kN·m)	S2 (kN)	TQ (kN·m)	M3 (kN·m)	S2 (kN)	TQ (kN·m)	M3 (kN·m)	S2 (kN)	TQ (kN·m)	M3 (kN·m)			
68	2-LANES (caseDISPERSION-LMAX	S2	19.43	0.00	-44.09	19.43	0.00	37.07	1.56	0.00	-16.35	1.56	0.00	-9.82			
		TQ	0.00	0.00	0.00	0.00	0.00	0.00	0.00	0.00	0.00	0.00	0.00	0.00			
		M3	-249.74	0.00	564.72	19.43	0.00	37.07	-52.44	0.00	236.55	-41.91	0.00	29.77			
		MIN	S2	-249.74	0.00	564.72	-249.74	0.00	-478.42	-60.64	0.00	188.61	-60.64	0.00	-64.67		
		TQ	0.00	0.00	0.00	0.00	0.00	0.00	0.00	0.00	0.00	0.00	0.00	0.00			
		M3	19.43	0.00	-44.09	-249.74	0.00	-478.42	-6.63	0.00	-64.29	-17.17	0.00	-104.26			
		69	3-LANES (caseTRUCK-LOAD	MAX	S2	160.18	0.00	-362.88	160.18	0.00	306.19	138.89	0.00	-177.66	138.89	0.00	402.47
				TQ	0.00	0.00	0.00	0.00	0.00	0.00	0.00	0.00	0.00	0.00	0.00	0.00	
				M3	-12.89	0.00	30.02	160.18	0.00	306.19	-178.99	0.00	311.78	126.89	0.00	411.24	
MIN	S2			-12.89	0.00	30.02	-12.89	0.00	-23.82	-190.41	0.00	272.90	-190.41	0.00	-522.43		
TQ	0.00			0.00	0.00	0.00	0.00	0.00	0.00	0.00	0.00	0.00	0.00	0.00			
M3	160.18			0.00	-362.88	-12.89	0.00	-23.82	62.74	0.00	-219.17	-173.60	0.00	-533.09			
TANDEM-LOAD	MAX			S2	110.33	0.00	-250.05	110.33	0.00	210.78	103.87	0.00	-120.32	103.87	0.00	313.56	
TQ	0.00			0.00	0.00	0.00	0.00	0.00	0.00	0.00	0.00	0.00	0.00	0.00			
M3	-9.57			0.00	22.41	110.33	0.00	210.78	-134.57	0.00	238.48	96.06	0.00	319.85			
MIN	S2	-9.57	0.00	22.41	-9.57	0.00	-17.56	-149.46	0.00	213.31	-149.46	0.00	-410.98				
TQ	0.00	0.00	0.00	0.00	0.00	0.00	0.00	0.00	0.00	0.00	0.00	0.00					
M3	110.33	0.00	-250.05	-9.57	0.00	-17.56	42.80	0.00	-149.19	-137.35	0.00	-418.10					
DISPERSION-LMAX	S2	317.39	0.00	-719.90	317.39	0.00	605.82	129.95	0.00	-300.30	129.95	0.00	242.48				
TQ	0.00	0.00	0.00	0.00	0.00	0.00	0.00	0.00	0.00	0.00	0.00	0.00					
M3	-15.28	0.00	35.28	317.38	0.00	605.83	-64.90	0.00	121.09	128.00	0.00	249.05					
MIN	S2	-15.29	0.00	35.27	-15.29	0.00	-28.58	-76.68	0.00	106.09	-76.68	0.00	-214.20				
TQ	0.00	0.00	0.00	0.00	0.00	0.00	0.00	0.00	0.00	0.00	0.00	0.00					
M3	317.38	0.00	-719.91	-15.28	0.00	-28.59	118.17	0.00	-315.30	-74.74	0.00	-220.76					

BAGO RIVER BRIDGE

BLOCK [ No.2 : CROSS BEAM ][ BEAM MEMBER FORCE ]

MEMBER				1001017						1001019						
NODE				1017			2017			1019			2019			
				SHEAR	TORQUE	MOMENT	SHEAR	TORQUE	MOMENT	SHEAR	TORQUE	MOMENT	SHEAR	TORQUE	MOMENT	
NAME	TITLE			S2 (kN)	TQ (kN·m)	M3 (kN·m)	S2 (kN)	TQ (kN·m)	M3 (kN·m)	S2 (kN)	TQ (kN·m)	M3 (kN·m)	S2 (kN)	TQ (kN·m)	M3 (kN·m)	
70	3-LANES (caseTRUCK-LOAD	MAX	S2	14.50	0.00	-32.90	14.50	0.00	27.68	36.12	0.00	-106.53	36.12	0.00	44.32	
			TQ	0.00	0.00	0.00	0.00	0.00	0.00	0.00	0.00	0.00	0.00	0.00	0.00	0.00
			M3	-110.59	0.00	250.92	14.50	0.00	27.68	-34.19	0.00	122.99	19.27	0.00	86.36	
		MIN	S2	-110.59	0.00	250.82	-110.59	0.00	-211.11	-34.68	0.00	122.90	-34.68	0.00	-21.97	
			TQ	0.00	0.00	0.00	0.00	0.00	0.00	0.00	0.00	0.00	0.00	0.00	0.00	0.00
			M3	14.50	0.00	-32.90	-110.43	0.00	-211.20	31.39	0.00	-182.00	-5.48	0.00	-118.56	
		TANDEM-LOAD MAX	S2	9.85	0.00	-22.35	9.85	0.00	18.80	25.50	0.00	-71.03	25.50	0.00	35.48	
			TQ	0.00	0.00	0.00	0.00	0.00	0.00	0.00	0.00	0.00	0.00	0.00	0.00	0.00
			M3	-76.34	0.00	173.00	9.85	0.00	18.80	-24.23	0.00	84.75	13.03	0.00	62.54	
		MIN	S2	-76.34	0.00	173.00	-76.34	0.00	-145.85	-24.37	0.00	84.54	-24.37	0.00	-17.26	
			TQ	0.00	0.00	0.00	0.00	0.00	0.00	0.00	0.00	0.00	0.00	0.00	0.00	0.00
			M3	9.85	0.00	-22.35	-76.29	0.00	-145.88	21.37	0.00	-134.90	-4.40	0.00	-89.85	
		DISPERSION-LMAX	S2	25.21	0.00	-57.15	25.21	0.00	48.15	18.63	0.00	-62.13	18.63	0.00	15.68	
			TQ	0.00	0.00	0.00	0.00	0.00	0.00	0.00	0.00	0.00	0.00	0.00	0.00	0.00
			M3	-197.32	0.00	446.20	25.21	0.00	48.15	-33.61	0.00	158.68	-8.20	0.00	61.13	
MIN	S2	-197.32	0.00	446.20	-197.32	0.00	-378.02	-37.32	0.00	134.36	-37.32	0.00	-21.52			
	TQ	0.00	0.00	0.00	0.00	0.00	0.00	0.00	0.00	0.00	0.00	0.00	0.00	0.00		
	M3	25.21	0.00	-57.16	-197.32	0.00	-378.02	14.92	0.00	-86.45	-10.49	0.00	-66.97			
71	3-LANES (caseTRUCK-LOAD	MAX	S2	14.50	0.00	-32.90	14.50	0.00	27.68	9.79	0.00	-51.79	9.79	0.00	-10.90	
			TQ	0.00	0.00	0.00	0.00	0.00	0.00	0.00	0.00	0.00	0.00	0.00	0.00	
			M3	-157.71	0.00	358.32	14.50	0.00	27.68	-47.68	0.00	221.84	-8.89	0.00	62.19	
		MIN	S2	-157.71	0.00	358.32	-157.71	0.00	-300.44	-49.12	0.00	218.97	-49.12	0.00	13.81	
			TQ	0.00	0.00	0.00	0.00	0.00	0.00	0.00	0.00	0.00	0.00	0.00	0.00	0.00
			M3	14.50	0.00	-32.90	-157.71	0.00	-300.44	-8.61	0.00	-173.71	-10.24	0.00	-211.01	

BAGO RIVER BRIDGE

BLOCK [ No.2 : CROSS BEAM ][ BEAM MEMBER FORCE ]

MEMBER		1001017						1001019									
NODE		1017			2017			1019			2019						
		SHEAR	TORQUE	MOMENT	SHEAR	TORQUE	MOMENT	SHEAR	TORQUE	MOMENT	SHEAR	TORQUE	MOMENT				
NAME	TITLE	S2 (kN)	TQ (kN·m)	M3 (kN·m)	S2 (kN)	TQ (kN·m)	M3 (kN·m)	S2 (kN)	TQ (kN·m)	M3 (kN·m)	S2 (kN)	TQ (kN·m)	M3 (kN·m)				
71	3-LANES (caseTANDEM-LOAD	MAX	S2	9.85	0.00	-22.35	9.85	0.00	18.80	7.02	0.00	-26.57	7.02	0.00	2.76		
			TQ	0.00	0.00	0.00	0.00	0.00	0.00	0.00	0.00	0.00	0.00	0.00	0.00		
			M3	-107.78	0.00	244.80	9.85	0.00	18.80	-32.46	0.00	151.23	-6.32	0.00	45.59		
		MIN	S2	-107.78	0.00	244.80	-107.78	0.00	-205.40	-33.70	0.00	149.19	-33.70	0.00	8.42		
			TQ	0.00	0.00	0.00	0.00	0.00	0.00	0.00	0.00	0.00	0.00	0.00	0.00		
			M3	9.85	0.00	-22.35	-107.78	0.00	-205.40	-6.72	0.00	-123.73	-7.68	0.00	-154.20		
		DISPERSION-LMAX	S2	24.04	0.00	-54.51	24.04	0.00	45.89	5.06	0.00	-39.79	5.06	0.00	-18.64		
			TQ	0.00	0.00	0.00	0.00	0.00	0.00	0.00	0.00	0.00	0.00	0.00	0.00		
			M3	-327.21	0.00	739.77	24.04	0.00	45.89	-67.52	0.00	305.69	-52.00	0.00	39.96		
			MIN	S2	-327.21	0.00	739.77	-327.21	0.00	-626.99	-76.50	0.00	255.21	-76.50	0.00	-64.34	
				TQ	0.00	0.00	0.00	0.00	0.00	0.00	0.00	0.00	0.00	0.00	0.00		
				M3	24.04	0.00	-54.51	-327.21	0.00	-626.99	-3.92	0.00	-90.27	-19.44	0.00	-122.94	
	72	4-LANES	TRUCK-LOAD	MAX	S2	0.00	0.00	0.00	0.00	0.00	0.00	34.24	0.00	-102.42	34.24	0.00	40.62
					TQ	0.00	0.00	0.00	0.00	0.00	0.00	0.00	0.00	0.00	0.00	0.00	0.00
					M3	-181.04	0.00	410.80	0.00	0.00	0.00	-56.40	0.00	232.65	11.02	0.00	119.58
		MIN	S2	-181.04	0.00	410.80	-181.04	0.00	-345.38	-57.71	0.00	228.96	-57.71	0.00	-12.10		
			TQ	0.00	0.00	0.00	0.00	0.00	0.00	0.00	0.00	0.00	0.00	0.00	0.00		
			M3	0.00	0.00	0.00	-181.04	0.00	-345.38	17.59	0.00	-235.93	-18.84	0.00	-227.13		
		TANDEM-LOAD	MAX	S2	0.00	0.00	0.00	0.00	0.00	0.00	24.17	0.00	-68.35	24.17	0.00	32.62	
			TQ	0.00	0.00	0.00	0.00	0.00	0.00	0.00	0.00	0.00	0.00	0.00	0.00		
			M3	-124.52	0.00	282.35	0.00	0.00	0.00	-39.50	0.00	159.44	8.44	0.00	86.42		
			MIN	S2	-124.52	0.00	282.35	-124.52	0.00	-237.77	-40.14	0.00	157.95	-40.14	0.00	-9.71	
				TQ	0.00	0.00	0.00	0.00	0.00	0.00	0.00	0.00	0.00	0.00	0.00		
				M3	0.00	0.00	0.00	-124.52	0.00	-237.77	11.39	0.00	-172.17	-14.04	0.00	-166.70	

BAGO RIVER BRIDGE

BLOCK [ No.2 : CROSS BEAM ][ BEAM MEMBER FORCE ]

MEMBER			1001017						1001019								
NODE			1017			2017			1019			2019					
NAME TITLE			SHEAR	TORQUE	MOMENT	SHEAR	TORQUE	MOMENT	SHEAR	TORQUE	MOMENT	SHEAR	TORQUE	MOMENT			
			S2 (kN)	TQ (kN·m)	M3 (kN·m)	S2 (kN)	TQ (kN·m)	M3 (kN·m)	S2 (kN)	TQ (kN·m)	M3 (kN·m)	S2 (kN)	TQ (kN·m)	M3 (kN·m)			
72	4-LANES	DISPERSION-LMAX	S2	1.37	0.00	-3.08	1.37	0.00	2.62	16.89	0.00	-49.12	16.89	0.00	21.42		
			TQ	0.00	0.00	0.00	0.00	0.00	0.00	0.00	0.00	0.00	0.00	0.00	0.00	0.00	
			M3	-319.65	0.00	722.26	1.36	0.00	2.62	-62.83	0.00	294.91	-34.53	0.00	0.00	79.04	
	MIN	S2	-319.65	0.00	722.26	-319.65	0.00	-612.91	-72.70	0.00	244.00	-72.70	0.00	0.00	-59.69		
		TQ	0.00	0.00	0.00	0.00	0.00	0.00	0.00	0.00	0.00	0.00	0.00	0.00	0.00		
		M3	1.36	0.00	-3.08	-319.65	0.00	-612.91	6.80	0.00	-99.09	-19.21	0.00	0.00	-117.19		
	73	6-LANES	TRUCK-LOAD	MAX	S2	143.62	0.00	-325.36	143.62	0.00	274.54	162.48	0.00	-191.21	162.48	0.00	487.48
				TQ	0.00	0.00	0.00	0.00	0.00	0.00	0.00	0.00	0.00	0.00	0.00	0.00	0.00
				M3	-165.71	0.00	376.08	143.62	0.00	274.54	-179.73	0.00	442.88	138.81	0.00	0.00	580.90
MIN			S2	-165.71	0.00	376.08	-165.71	0.00	-316.08	-213.71	0.00	393.39	-213.71	0.00	0.00	-499.28	
TQ			0.00	0.00	0.00	0.00	0.00	0.00	0.00	0.00	0.00	0.00	0.00	0.00	0.00		
M3			143.62	0.00	-325.36	-165.71	0.00	-316.08	100.49	0.00	-382.76	-168.16	0.00	0.00	-698.17		
TANDEM-LOAD		MAX	S2	98.84	0.00	-224.02	98.84	0.00	188.86	122.86	0.00	-134.86	122.86	0.00	0.00	378.31	
		TQ	0.00	0.00	0.00	0.00	0.00	0.00	0.00	0.00	0.00	0.00	0.00	0.00	0.00		
		M3	-114.03	0.00	259.00	98.84	0.00	188.86	-131.97	0.00	323.53	110.72	0.00	0.00	446.47		
		MIN	S2	-114.15	0.00	258.75	-114.15	0.00	-218.03	-163.76	0.00	276.56	-163.76	0.00	0.00	-407.46	
		TQ	0.00	0.00	0.00	0.00	0.00	0.00	0.00	0.00	0.00	0.00	0.00	0.00	0.00		
		M3	98.84	0.00	-224.02	-114.15	0.00	-218.03	73.00	0.00	-274.31	-132.69	0.00	0.00	-541.49		
		DISPERSION-LMAX	S2	288.71	0.00	-654.96	288.71	0.00	551.00	129.66	0.00	-299.78	129.66	0.00	0.00	241.82	
			TQ	0.00	0.00	0.00	0.00	0.00	0.00	0.00	0.00	0.00	0.00	0.00	0.00	0.00	
			M3	-319.65	0.00	723.24	288.71	0.00	551.01	-118.30	0.00	385.62	82.87	0.00	0.00	305.15	
MIN	S2		-319.65	0.00	723.23	-319.65	0.00	-611.95	-139.20	0.00	322.49	-139.20	0.00	0.00	-258.97		
TQ	0.00		0.00	0.00	0.00	0.00	0.00	0.00	0.00	0.00	0.00	0.00	0.00	0.00			
M3	288.71		0.00	-654.97	-319.65	0.00	-611.96	108.01	0.00	-357.71	-87.79	0.00	0.00	-320.75			

BAGO RIVER BRIDGE

BLOCK [ No.2 : CROSS BEAM ][ BEAM MEMBER FORCE ]

MEMBER			1001017						1001019						
NODE			1017			2017			1019			2019			
NAME TITLE			SHEAR	TORQUE	MOMENT	SHEAR	TORQUE	MOMENT	SHEAR	TORQUE	MOMENT	SHEAR	TORQUE	MOMENT	
			S2 (kN)	TQ (kN·m)	M3 (kN·m)	S2 (kN)	TQ (kN·m)	M3 (kN·m)	S2 (kN)	TQ (kN·m)	M3 (kN·m)	S2 (kN)	TQ (kN·m)	M3 (kN·m)	
124	SUM TOTAL	D+1LANE (caseMAX	S2	355.43	0.00	-812.59	355.43	0.00	672.06	118.03	0.00	-346.40	118.03	0.00	146.63
			TQ	48.48	0.00	-115.63	48.48	0.00	86.87	8.54	0.00	-52.33	8.54	0.00	-16.68
			M3	32.73	0.00	-79.68	355.43	0.00	672.06	-263.22	0.00	282.42	117.89	0.00	146.95
		MIN	S2	32.73	0.00	-79.68	32.73	0.00	57.05	-263.22	0.00	282.42	-263.22	0.00	-817.05
			TQ	48.48	0.00	-115.63	48.48	0.00	86.87	8.54	0.00	-52.33	8.54	0.00	-16.68
			M3	355.43	0.00	-812.59	32.73	0.00	57.05	107.61	0.00	-367.72	-263.07	0.00	-817.38
		D+1LANE (caseMAX	S2	131.30	0.00	-302.76	131.30	0.00	245.70	154.49	0.00	-132.14	154.49	0.00	513.17
			TQ	48.48	0.00	-115.63	48.48	0.00	86.87	8.54	0.00	-52.33	8.54	0.00	-16.68
			M3	39.42	0.00	-93.82	131.30	0.00	245.71	19.75	0.00	-6.00	153.48	0.00	516.80
		MIN	S2	39.41	0.00	-93.83	39.41	0.00	70.81	-3.64	0.00	-62.08	-3.64	0.00	-77.29
			TQ	48.48	0.00	-115.63	48.48	0.00	86.87	8.54	0.00	-52.33	8.54	0.00	-16.68
			M3	131.30	0.00	-302.77	39.42	0.00	70.80	63.85	0.00	-170.04	-1.72	0.00	-81.02
		D+1LANE (caseMAX	S2	58.72	0.00	-138.78	58.72	0.00	106.48	54.28	0.00	-144.22	54.28	0.00	82.49
			TQ	48.48	0.00	-115.63	48.48	0.00	86.87	8.54	0.00	-52.33	8.54	0.00	-16.68
			M3	-19.71	0.00	38.23	58.72	0.00	106.48	-7.12	0.00	-1.82	44.97	0.00	100.69
		MIN	S2	-19.71	0.00	38.23	-19.71	0.00	-44.12	-9.94	0.00	-10.08	-9.94	0.00	-51.62
			TQ	48.48	0.00	-115.63	48.48	0.00	86.87	8.54	0.00	-52.33	8.54	0.00	-16.68
			M3	58.72	0.00	-138.78	-19.52	0.00	-44.23	51.11	0.00	-156.19	-7.69	0.00	-59.36
		D+1LANE (caseMAX	S2	70.63	0.00	-165.93	70.63	0.00	129.10	10.94	0.00	-66.42	10.94	0.00	-20.74
			TQ	48.48	0.00	-115.63	48.48	0.00	86.87	8.54	0.00	-52.33	8.54	0.00	-16.68
			M3	-203.00	0.00	453.80	70.63	0.00	129.10	-52.78	0.00	230.90	-29.50	0.00	45.95
		MIN	S2	-203.00	0.00	453.80	-203.00	0.00	-394.14	-61.38	0.00	195.96	-61.38	0.00	-60.42
			TQ	48.48	0.00	-115.63	48.48	0.00	86.87	8.54	0.00	-52.33	8.54	0.00	-16.68
			M3	70.63	0.00	-165.93	-203.00	0.00	-394.14	-12.47	0.00	-159.44	-19.91	0.00	-220.86



BAGO RIVER BRIDGE

BLOCK [ No.2 : CROSS BEAM ][ BEAM MEMBER FORCE ]

MEMBER			1001017						1001019						
NODE			1017			2017			1019			2019			
NAME TITLE			SHEAR	TORQUE	MOMENT	SHEAR	TORQUE	MOMENT	SHEAR	TORQUE	MOMENT	SHEAR	TORQUE	MOMENT	
			S2 (kN)	TQ (kN·m)	M3 (kN·m)	S2 (kN)	TQ (kN·m)	M3 (kN·m)	S2 (kN)	TQ (kN·m)	M3 (kN·m)	S2 (kN)	TQ (kN·m)	M3 (kN·m)	
124	SUM TOTAL	D+2LANES (casMAX	S2	457.03	0.00	-1042.48	457.03	0.00	866.53	155.74	0.00	-463.78	155.74	0.00	186.74
			TQ	48.48	0.00	-115.63	48.48	0.00	86.87	8.54	0.00	-52.33	8.54	0.00	-16.68
			M3	27.86	0.00	-68.51	457.03	0.00	866.53	-244.70	0.00	341.94	142.64	0.00	199.04
		MIN	S2	27.86	0.00	-68.51	27.86	0.00	47.85	-248.41	0.00	334.79	-248.41	0.00	-702.80
			TQ	48.48	0.00	-115.63	48.48	0.00	86.87	8.54	0.00	-52.33	8.54	0.00	-16.68
			M3	457.03	0.00	-1042.48	27.86	0.00	47.85	143.35	0.00	-488.70	-231.26	0.00	-716.91
		D+2LANES (casMAX	S2	270.25	0.00	-617.62	270.25	0.00	511.23	186.12	0.00	-285.23	186.12	0.00	492.19
			TQ	48.48	0.00	-115.63	48.48	0.00	86.87	8.54	0.00	-52.33	8.54	0.00	-16.68
			M3	33.43	0.00	-80.29	270.25	0.00	511.24	-8.90	0.00	101.59	172.30	0.00	507.25
		MIN	S2	33.43	0.00	-80.30	33.43	0.00	59.32	-32.09	0.00	47.71	-32.09	0.00	-86.33
			TQ	48.48	0.00	-115.63	48.48	0.00	86.87	8.54	0.00	-52.33	8.54	0.00	-16.68
			M3	270.25	0.00	-617.63	33.43	0.00	59.31	106.88	0.00	-323.98	-13.46	0.00	-103.28
		D+2LANES (casMAX	S2	69.80	0.00	-163.92	69.80	0.00	127.62	60.93	0.00	-199.56	60.93	0.00	54.93
			TQ	48.48	0.00	-115.63	48.48	0.00	86.87	8.54	0.00	-52.33	8.54	0.00	-16.68
			M3	-110.77	0.00	244.69	69.79	0.00	127.62	-26.92	0.00	81.67	40.85	0.00	109.34
		MIN	S2	-110.77	0.00	244.60	-110.77	0.00	-218.10	-30.04	0.00	72.69	-30.04	0.00	-52.77
			TQ	48.48	0.00	-115.63	48.48	0.00	86.87	8.54	0.00	-52.33	8.54	0.00	-16.68
			M3	69.79	0.00	-163.92	-110.61	0.00	-218.19	55.83	0.00	-231.20	-1.85	0.00	-104.06
		D+2LANES (casMAX	S2	79.79	0.00	-186.69	79.79	0.00	146.59	11.42	0.00	-75.84	11.42	0.00	-28.14
			TQ	48.48	0.00	-115.63	48.48	0.00	86.87	8.54	0.00	-52.33	8.54	0.00	-16.68
			M3	-322.00	0.00	723.29	79.79	0.00	146.59	-80.81	0.00	358.96	-47.99	0.00	63.29
		MIN	S2	-322.00	0.00	723.29	-322.00	0.00	-621.72	-89.72	0.00	308.86	-89.72	0.00	-65.91
			TQ	48.48	0.00	-115.63	48.48	0.00	86.87	8.54	0.00	-52.33	8.54	0.00	-16.68
			M3	79.79	0.00	-186.69	-322.00	0.00	-621.72	-12.94	0.00	-227.79	-23.48	0.00	-294.12

BAGO RIVER BRIDGE

BLOCK [ No.2 : CROSS BEAM ][ BEAM MEMBER FORCE ]

MEMBER			1001017						1001019							
NODE			1017			2017			1019			2019				
NAME TITLE			SHEAR	TORQUE	MOMENT	SHEAR	TORQUE	MOMENT	SHEAR	TORQUE	MOMENT	SHEAR	TORQUE	MOMENT		
			S2 (kN)	TQ (kN·m)	M3 (kN·m)	S2 (kN)	TQ (kN·m)	M3 (kN·m)	S2 (kN)	TQ (kN·m)	M3 (kN·m)	S2 (kN)	TQ (kN·m)	M3 (kN·m)		
124	SUM TOTAL	D+3LANES (casMAX	S2	454.41	0.00	-1036.00	454.41	0.00	862.08	237.04	0.00	-458.59	237.04	0.00	531.54	
			TQ	48.48	0.00	-115.63	48.48	0.00	86.87	8.54	0.00	-52.33	8.54	0.00	-16.68	
			M3	24.53	0.00	-60.13	454.41	0.00	862.09	-198.77	0.00	315.61	225.19	0.00	544.57	
		MIN	S2	24.53	0.00	-60.14	24.53	0.00	42.33	-218.49	0.00	269.82	-218.49	0.00	-642.81	
			TQ	48.48	0.00	-115.63	48.48	0.00	86.87	8.54	0.00	-52.33	8.54	0.00	-16.68	
			M3	454.41	0.00	-1036.00	24.53	0.00	42.32	162.31	0.00	-506.63	-202.55	0.00	-657.45	
		D+3LANES (casMAX	S2	82.24	0.00	-192.18	82.24	0.00	151.32	55.07	0.00	-195.69	55.07	0.00	34.32	
			TQ	48.48	0.00	-115.63	48.48	0.00	86.87	8.54	0.00	-52.33	8.54	0.00	-16.68	
			M3	-213.25	0.00	476.91	82.24	0.00	151.32	-49.10	0.00	187.09	17.94	0.00	108.69	
		MIN	S2	-213.25	0.00	476.83	-213.25	0.00	-413.89	-52.66	0.00	166.34	-52.66	0.00	-53.64	
			TQ	48.48	0.00	-115.63	48.48	0.00	86.87	8.54	0.00	-52.33	8.54	0.00	-16.68	
			M3	82.24	0.00	-192.18	-213.11	0.00	-413.97	47.90	0.00	-280.51	-5.04	0.00	-174.38	
		D+3LANES (casMAX	S2	81.24	0.00	-189.94	81.24	0.00	149.41	21.16	0.00	-130.17	21.16	0.00	-41.79	
			TQ	48.48	0.00	-115.63	48.48	0.00	86.87	8.54	0.00	-52.33	8.54	0.00	-16.68	
			M3	-363.70	0.00	817.74	81.24	0.00	149.41	-89.39	0.00	396.07	-43.22	0.00	70.15	
		MIN	S2	-363.70	0.00	817.74	-363.70	0.00	-701.45	-98.24	0.00	350.72	-98.24	0.00	-59.62	
			TQ	48.48	0.00	-115.63	48.48	0.00	86.87	8.54	0.00	-52.33	8.54	0.00	-16.68	
			M3	81.24	0.00	-189.94	-363.70	0.00	-701.45	-2.11	0.00	-276.70	-16.70	0.00	-300.54	
		D+4LANES	MAX	S2	49.37	0.00	-117.64	49.37	0.00	88.57	41.77	0.00	-150.82	41.77	0.00	23.65
			TQ	48.48	0.00	-115.63	48.48	0.00	86.87	8.54	0.00	-52.33	8.54	0.00	-16.68	
			M3	-276.96	0.00	620.86	49.37	0.00	88.57	-68.96	0.00	290.59	-6.75	0.00	112.43	
		MIN	S2	-276.96	0.00	620.86	-276.96	0.00	-536.02	-76.23	0.00	255.10	-76.23	0.00	-63.33	
			TQ	48.48	0.00	-115.63	48.48	0.00	86.87	8.54	0.00	-52.33	8.54	0.00	-16.68	
			M3	49.37	0.00	-117.64	-276.96	0.00	-536.02	24.39	0.00	-270.09	-16.20	0.00	-240.48	

BAGO RIVER BRIDGE

BLOCK [ No.2 : CROSS BEAM ][ BEAM MEMBER FORCE ]

MEMBER					1001017						1001019					
NODE					1017			2017			1019			2019		
NAME TITLE					SHEAR	TORQUE	MOMENT	SHEAR	TORQUE	MOMENT	SHEAR	TORQUE	MOMENT	SHEAR	TORQUE	MOMENT
					S2 (kN)	TQ (kN·m)	M3 (kN·m)	S2 (kN)	TQ (kN·m)	M3 (kN·m)	S2 (kN)	TQ (kN·m)	M3 (kN·m)	S2 (kN)	TQ (kN·m)	M3 (kN·m)
124	SUM TOTAL	D+6LANES	MAX	S2	329.50	0.00	-752.84	329.50	0.00	623.47	198.43	0.00	-371.47	198.43	0.00	457.37
				TQ	48.48	0.00	-115.63	48.48	0.00	86.87	8.54	0.00	-52.33	8.54	0.00	-16.68
				M3	-267.00	0.00	598.92	329.50	0.00	623.48	-185.18	0.00	486.20	152.63	0.00	559.26
			MIN	S2	-267.00	0.00	598.92	-267.00	0.00	-516.35	-220.86	0.00	412.99	-220.86	0.00	-509.54
				TQ	48.48	0.00	-115.63	48.48	0.00	86.87	8.54	0.00	-52.33	8.54	0.00	-16.68
				M3	329.50	0.00	-752.84	-267.00	0.00	-516.36	144.07	0.00	-533.63	-157.83	0.00	-678.97
	SUM TOTAL		MAX		457.03	0.00	817.74	457.03	0.00	866.53	237.04	0.00	486.20	237.04	0.00	559.26
			MIN		-363.70	0.00	-1042.48	-363.70	0.00	-701.45	-263.22	0.00	-533.63	-263.22	0.00	-817.38
300	DEAD LOAD	TOTAL			48.48	0.00	-115.63	48.48	0.00	86.87	8.54	0.00	-52.33	8.54	0.00	-16.68
301	LIVE LOAD	1-LANE(case1MAX	S2		306.95	0.00	-696.95	306.95	0.00	585.19	109.50	0.00	-294.07	109.50	0.00	163.31
			TQ		0.00	0.00	0.00	0.00	0.00	0.00	0.00	0.00	0.00	0.00	0.00	0.00
			M3		-15.75	0.00	35.95	306.95	0.00	585.19	-271.75	0.00	334.74	109.35	0.00	163.63
			MIN	S2	-15.75	0.00	35.95	-15.75	0.00	-29.82	-271.75	0.00	334.74	-271.75	0.00	-800.38
				TQ	0.00	0.00	0.00	0.00	0.00	0.00	0.00	0.00	0.00	0.00	0.00	0.00
				M3	306.95	0.00	-696.95	-15.75	0.00	-29.82	99.07	0.00	-315.39	-271.61	0.00	-800.70
		1-LANE(case2MAX	S2		82.82	0.00	-187.12	82.82	0.00	158.83	145.95	0.00	-79.81	145.95	0.00	529.84
			TQ		0.00	0.00	0.00	0.00	0.00	0.00	0.00	0.00	0.00	0.00	0.00	0.00
			M3		-9.06	0.00	21.82	82.82	0.00	158.84	11.22	0.00	46.32	144.94	0.00	533.48
			MIN	S2	-9.07	0.00	21.81	-9.07	0.00	-16.06	-12.18	0.00	-9.75	-12.18	0.00	-60.61
				TQ	0.00	0.00	0.00	0.00	0.00	0.00	0.00	0.00	0.00	0.00	0.00	0.00
				M3	82.82	0.00	-187.13	-9.06	0.00	-16.07	55.31	0.00	-117.72	-10.26	0.00	-64.34
		1-LANE(case3MAX	S2		10.24	0.00	-23.15	10.24	0.00	19.61	45.74	0.00	-91.90	45.74	0.00	99.17
			TQ		0.00	0.00	0.00	0.00	0.00	0.00	0.00	0.00	0.00	0.00	0.00	0.00
			M3		-68.19	0.00	153.86	10.24	0.00	19.61	-15.65	0.00	50.51	36.43	0.00	117.37
			MIN	S2	-68.19	0.00	153.86	-68.19	0.00	-130.99	-18.48	0.00	42.24	-18.48	0.00	-34.94
				TQ	0.00	0.00	0.00	0.00	0.00	0.00	0.00	0.00	0.00	0.00	0.00	0.00
				M3	10.24	0.00	-23.15	-68.00	0.00	-131.09	42.58	0.00	-103.86	-16.22	0.00	-42.69

BAGO RIVER BRIDGE

BLOCK [ No.2 : CROSS BEAM ][ BEAM MEMBER FORCE ]

MEMBER			1001017						1001019							
NODE			1017			2017			1019			2019				
NAME TITLE			SHEAR	TORQUE	MOMENT	SHEAR	TORQUE	MOMENT	SHEAR	TORQUE	MOMENT	SHEAR	TORQUE	MOMENT		
			S2 (kN)	TQ (kN·m)	M3 (kN·m)	S2 (kN)	TQ (kN·m)	M3 (kN·m)	S2 (kN)	TQ (kN·m)	M3 (kN·m)	S2 (kN)	TQ (kN·m)	M3 (kN·m)		
301	LIVE LOAD	1-LANE (case4MAX	S2	22.15	0.00	-50.30	22.15	0.00	42.24	2.40	0.00	-14.09	2.40	0.00	-4.06	
			TQ	0.00	0.00	0.00	0.00	0.00	0.00	0.00	0.00	0.00	0.00	0.00	0.00	
			M3	-251.48	0.00	569.44	22.15	0.00	42.24	-61.32	0.00	283.23	-38.04	0.00	0.00	62.62
			MIN S2	-251.48	0.00	569.44	-251.48	0.00	-481.00	-69.91	0.00	248.29	-69.91	0.00	0.00	-43.74
			TQ	0.00	0.00	0.00	0.00	0.00	0.00	0.00	0.00	0.00	0.00	0.00	0.00	0.00
			M3	22.15	0.00	-50.30	-251.48	0.00	-481.00	-21.00	0.00	-107.11	-28.44	0.00	0.00	-204.18
		2-LANES (caseMAX	S2	408.55	0.00	-926.84	408.55	0.00	779.66	147.20	0.00	-411.45	147.20	0.00	0.00	203.42
			TQ	0.00	0.00	0.00	0.00	0.00	0.00	0.00	0.00	0.00	0.00	0.00	0.00	0.00
			M3	-20.62	0.00	47.12	408.55	0.00	779.66	-253.24	0.00	394.27	134.10	0.00	0.00	215.72
			MIN S2	-20.62	0.00	47.12	-20.62	0.00	-39.01	-256.94	0.00	387.12	-256.94	0.00	0.00	-686.12
			TQ	0.00	0.00	0.00	0.00	0.00	0.00	0.00	0.00	0.00	0.00	0.00	0.00	0.00
			M3	408.55	0.00	-926.84	-20.62	0.00	-39.01	134.82	0.00	-436.38	-239.79	0.00	0.00	-700.23
		2-LANES (caseMAX	S2	221.77	0.00	-501.99	221.77	0.00	424.36	177.58	0.00	-232.90	177.58	0.00	0.00	508.87
			TQ	0.00	0.00	0.00	0.00	0.00	0.00	0.00	0.00	0.00	0.00	0.00	0.00	0.00
			M3	-15.05	0.00	35.34	221.77	0.00	424.37	-17.43	0.00	153.91	163.76	0.00	0.00	523.93
			MIN S2	-15.05	0.00	35.33	-15.05	0.00	-27.54	-40.62	0.00	100.04	-40.62	0.00	0.00	-69.65
			TQ	0.00	0.00	0.00	0.00	0.00	0.00	0.00	0.00	0.00	0.00	0.00	0.00	0.00
			M3	221.77	0.00	-502.00	-15.05	0.00	-27.55	98.35	0.00	-271.65	-22.00	0.00	0.00	-86.60
		2-LANES (caseMAX	S2	21.31	0.00	-48.28	21.31	0.00	40.75	52.39	0.00	-147.24	52.39	0.00	0.00	71.61
			TQ	0.00	0.00	0.00	0.00	0.00	0.00	0.00	0.00	0.00	0.00	0.00	0.00	0.00
			M3	-159.25	0.00	360.33	21.31	0.00	40.75	-35.46	0.00	133.99	32.32	0.00	0.00	126.02
MIN S2	-159.25		0.00	360.24	-159.25	0.00	-304.97	-38.57	0.00	125.02	-38.57	0.00	0.00	-36.09		
TQ	0.00		0.00	0.00	0.00	0.00	0.00	0.00	0.00	0.00	0.00	0.00	0.00	0.00		
M3	21.31		0.00	-48.28	-159.09	0.00	-305.06	47.29	0.00	-178.87	-10.39	0.00	0.00	-87.38		

BAGO RIVER BRIDGE

BLOCK [ No.2 : CROSS BEAM ][ BEAM MEMBER FORCE ]

MEMBER			1001017						1001019							
NODE			1017			2017			1019			2019				
NAME TITLE			SHEAR	TORQUE	MOMENT	SHEAR	TORQUE	MOMENT	SHEAR	TORQUE	MOMENT	SHEAR	TORQUE	MOMENT		
			S2 (kN)	TQ (kN·m)	M3 (kN·m)	S2 (kN)	TQ (kN·m)	M3 (kN·m)	S2 (kN)	TQ (kN·m)	M3 (kN·m)	S2 (kN)	TQ (kN·m)	M3 (kN·m)		
301	LIVE LOAD	2-LANES (caseMAX	S2	31.31	0.00	-71.06	31.31	0.00	59.72	2.89	0.00	-23.52	2.89	0.00	-11.46	
			TQ	0.00	0.00	0.00	0.00	0.00	0.00	0.00	0.00	0.00	0.00	0.00	0.00	0.00
			M3	-370.48	0.00	838.92	31.31	0.00	59.72	-89.35	0.00	411.29	-56.53	0.00	0.00	79.97
			MIN S2	-370.48	0.00	838.92	-370.48	0.00	-708.59	-98.26	0.00	361.18	-98.26	0.00	0.00	-49.23
			TQ	0.00	0.00	0.00	0.00	0.00	0.00	0.00	0.00	0.00	0.00	0.00	0.00	0.00
			M3	31.31	0.00	-71.06	-370.48	0.00	-708.59	-21.48	0.00	-175.46	-32.01	0.00	0.00	-277.44
		3-LANES (caseMAX	S2	405.93	0.00	-920.36	405.93	0.00	775.21	228.51	0.00	-406.27	228.51	0.00	0.00	548.21
			TQ	0.00	0.00	0.00	0.00	0.00	0.00	0.00	0.00	0.00	0.00	0.00	0.00	0.00
			M3	-23.95	0.00	55.50	405.93	0.00	775.22	-207.31	0.00	367.94	216.66	0.00	0.00	561.24
			MIN S2	-23.95	0.00	55.50	-23.95	0.00	-44.54	-227.02	0.00	322.14	-227.02	0.00	0.00	-626.14
			TQ	0.00	0.00	0.00	0.00	0.00	0.00	0.00	0.00	0.00	0.00	0.00	0.00	0.00
			M3	405.93	0.00	-920.37	-23.95	0.00	-44.54	153.77	0.00	-454.30	-211.09	0.00	0.00	-640.77
		3-LANES (caseMAX	S2	33.76	0.00	-76.55	33.76	0.00	64.45	46.53	0.00	-143.36	46.53	0.00	0.00	51.00
			TQ	0.00	0.00	0.00	0.00	0.00	0.00	0.00	0.00	0.00	0.00	0.00	0.00	0.00
			M3	-261.73	0.00	592.55	33.76	0.00	64.45	-57.64	0.00	239.41	9.41	0.00	0.00	125.37
			MIN S2	-261.73	0.00	592.47	-261.73	0.00	-500.76	-61.20	0.00	218.67	-61.20	0.00	0.00	-36.96
			TQ	0.00	0.00	0.00	0.00	0.00	0.00	0.00	0.00	0.00	0.00	0.00	0.00	0.00
			M3	33.76	0.00	-76.55	-261.59	0.00	-500.84	39.37	0.00	-228.18	-13.58	0.00	0.00	-157.70
		3-LANES (caseMAX	S2	32.76	0.00	-74.30	32.76	0.00	62.54	12.63	0.00	-77.85	12.63	0.00	0.00	-25.11
			TQ	0.00	0.00	0.00	0.00	0.00	0.00	0.00	0.00	0.00	0.00	0.00	0.00	0.00
			M3	-412.18	0.00	933.37	32.76	0.00	62.54	-97.92	0.00	448.40	-51.76	0.00	0.00	86.83
MIN S2	-412.18		0.00	933.37	-412.18	0.00	-788.32	-106.78	0.00	403.05	-106.78	0.00	0.00	-42.95		
TQ	0.00		0.00	0.00	0.00	0.00	0.00	0.00	0.00	0.00	0.00	0.00	0.00	0.00		
M3	32.76		0.00	-74.30	-412.18	0.00	-788.32	-10.65	0.00	-224.38	-25.23	0.00	0.00	-283.86		

BAGO RIVER BRIDGE

BLOCK [ No.2 : CROSS BEAM ][ BEAM MEMBER FORCE ]

MEMBER					1001017			1001019			1001019						
NODE					1017			2017			1019			2019			
NAME TITLE					SHEAR	TORQUE	MOMENT	SHEAR	TORQUE	MOMENT	SHEAR	TORQUE	MOMENT	SHEAR	TORQUE	MOMENT	
					S2 (kN)	TQ (kN·m)	M3 (kN·m)	S2 (kN)	TQ (kN·m)	M3 (kN·m)	S2 (kN)	TQ (kN·m)	M3 (kN·m)	S2 (kN)	TQ (kN·m)	M3 (kN·m)	
301	LIVE LOAD	4-LANES	MAX	S2	0.89	0.00	-2.00	0.89	0.00	1.70	33.24	0.00	-98.50	33.24	0.00	40.33	
				TQ	0.00	0.00	0.00	0.00	0.00	0.00	0.00	0.00	0.00	0.00	0.00	0.00	0.00
				M3	-325.44	0.00	736.49	0.89	0.00	1.70	-77.50	0.00	342.92	-15.29	0.00	129.11	
			MIN	S2	-325.44	0.00	736.49	-325.44	0.00	-622.89	-84.77	0.00	307.42	-84.77	0.00	-46.66	
				TQ	0.00	0.00	0.00	0.00	0.00	0.00	0.00	0.00	0.00	0.00	0.00	0.00	
				M3	0.89	0.00	-2.00	-325.44	0.00	-622.89	15.86	0.00	-217.76	-24.73	0.00	-223.81	
		6-LANES	MAX	S2	281.02	0.00	-637.21	281.02	0.00	536.60	189.89	0.00	-319.14	189.89	0.00	474.04	
				TQ	0.00	0.00	0.00	0.00	0.00	0.00	0.00	0.00	0.00	0.00	0.00	0.00	
				M3	-315.48	0.00	714.56	281.02	0.00	536.61	-193.72	0.00	538.52	144.10	0.00	575.94	
			MIN	S2	-315.48	0.00	714.55	-315.48	0.00	-603.22	-229.40	0.00	465.32	-229.40	0.00	-492.86	
				TQ	0.00	0.00	0.00	0.00	0.00	0.00	0.00	0.00	0.00	0.00	0.00	0.00	
				M3	281.02	0.00	-637.21	-315.48	0.00	-603.23	135.53	0.00	-481.30	-166.36	0.00	-662.30	
		LIVE LOAD	MAX	S2	408.55	0.00	933.37	408.55	0.00	779.66	228.51	0.00	538.52	228.51	0.00	575.94	
				TQ	0.00	0.00	0.00	0.00	0.00	0.00	0.00	0.00	0.00	0.00	0.00	0.00	
				M3	-412.18	0.00	-926.84	-412.18	0.00	-788.32	-271.75	0.00	-481.30	-271.75	0.00	-800.70	
303	SUM TOTAL	TOTAL	MAX	457.03	0.00	817.74	457.03	0.00	866.53	237.04	0.00	486.20	237.04	0.00	559.26		
			TQ	0.00	0.00	0.00	0.00	0.00	0.00	0.00	0.00	0.00	0.00	0.00	0.00		
			M3	-363.70	0.00	-1042.48	-363.70	0.00	-701.45	-263.22	0.00	-533.63	-263.22	0.00	-817.38		

BAGO RIVER BRIDGE

BLOCK [ No.2 : CROSS BEAM ][ BEAM MEMBER FORCE ]

MEMBER		1001021						1001023								
NODE		1021			2021			1023			2023					
		SHEAR	TORQUE	MOMENT	SHEAR	TORQUE	MOMENT	SHEAR	TORQUE	MOMENT	SHEAR	TORQUE	MOMENT			
NAME	TITLE	S2 (kN)	TQ (kN·m)	M3 (kN·m)	S2 (kN)	TQ (kN·m)	M3 (kN·m)	S2 (kN)	TQ (kN·m)	M3 (kN·m)	S2 (kN)	TQ (kN·m)	M3 (kN·m)			
1	PAVEMENT	-18.22	0.00	7.08	-18.22	0.00	-69.02	-20.19	0.00	-14.74	-20.19	0.00	-99.05			
3	RAILING	-6.12	0.00	2.10	-6.12	0.00	-23.44	-6.16	0.00	0.40	-6.16	0.00	-25.31			
5	CURB	-60.54	0.00	20.80	-60.54	0.00	-232.07	-60.95	0.00	4.00	-60.95	0.00	-250.58			
7	DECK WEIGHT	-34.34	0.00	14.26	-34.34	0.00	-129.18	-38.17	0.00	-14.86	-38.17	0.00	-174.28			
8	GIRDER WEIGH	-9.31	0.00	21.87	-9.31	0.00	-17.01	-21.79	0.00	44.78	-21.79	0.00	-46.25			
10	MEDIAN STRIP	31.32	0.00	-6.51	31.32	0.00	124.30	28.19	0.00	14.13	28.19	0.00	131.86			
21	ADITIONAL WE	-9.62	0.00	3.99	-9.62	0.00	-36.17	-10.69	0.00	-4.16	-10.69	0.00	-48.80			
31	MEDIAN RAILI	2.55	0.00	-0.50	2.55	0.00	10.13	2.28	0.00	1.11	2.28	0.00	10.62			
51	SUPPORT WEIG	-0.00	0.00	0.00	-0.00	0.00	0.00	-0.00	0.00	0.00	-0.00	0.00	0.00			
52	NOSE WEIGHT	0.01	0.00	-0.05	0.01	0.00	-0.02	0.00	0.00	-0.03	0.00	0.00	-0.01			
61	1-LANE(case1TRUCK-LOAD	MAX	S2	7.67	0.00	-39.37	7.67	0.00	-7.35	3.42	0.00	-17.82	3.42	0.00	-3.52	
			TQ	0.00	0.00	0.00	0.00	0.00	0.00	0.00	0.00	0.00	0.00	0.00	0.00	
			M3	-194.93	0.00	255.41	1.57	0.00	1.78	-200.59	0.00	279.38	-0.55	0.00	0.96	
		MIN	S2	-194.93	0.00	255.41	-194.93	0.00	-558.82	-200.59	0.00	279.38	-200.59	0.00	-558.48	
			TQ	0.00	0.00	0.00	0.00	0.00	0.00	0.00	0.00	0.00	0.00	0.00	0.00	
			M3	7.60	0.00	-41.13	-194.93	0.00	-558.82	3.42	0.00	-17.84	-200.43	0.00	-558.59	
		TANDEM-LOAD	MAX	S2	5.22	0.00	-27.29	5.22	0.00	-5.48	2.34	0.00	-12.19	2.34	0.00	-2.42
			TQ	0.00	0.00	0.00	0.00	0.00	0.00	0.00	0.00	0.00	0.00	0.00	0.00	
			M3	-148.93	0.00	194.15	1.15	0.00	1.45	-152.76	0.00	210.54	-0.49	0.00	0.83	
		MIN	S2	-148.93	0.00	194.15	-148.93	0.00	-427.93	-152.76	0.00	210.54	-152.76	0.00	-427.55	
			TQ	0.00	0.00	0.00	0.00	0.00	0.00	0.00	0.00	0.00	0.00	0.00	0.00	
			M3	5.13	0.00	-28.05	-148.93	0.00	-427.93	2.34	0.00	-12.20	-152.72	0.00	-427.58	
		DISPERSION-LMAX	S2	9.55	0.00	-49.79	9.55	0.00	-9.91	4.52	0.00	-21.89	4.52	0.00	-3.02	
			TQ	0.00	0.00	0.00	0.00	0.00	0.00	0.00	0.00	0.00	0.00	0.00	0.00	
			M3	-79.06	0.00	107.85	0.62	0.00	0.68	-84.20	0.00	130.84	0.25	0.00	0.90	
		MIN	S2	-79.09	0.00	107.79	-79.09	0.00	-222.57	-84.20	0.00	130.84	-84.20	0.00	-220.86	
			TQ	0.00	0.00	0.00	0.00	0.00	0.00	0.00	0.00	0.00	0.00	0.00	0.00	
			M3	9.51	0.00	-49.85	-70.16	0.00	-233.16	4.52	0.00	-21.89	-79.93	0.00	-224.78	

BAGO RIVER BRIDGE

BLOCK [ No.2 : CROSS BEAM ][ BEAM MEMBER FORCE ]

MEMBER				1001021						1001023						
NODE				1021			2021			1023			2023			
				SHEAR	TORQUE	MOMENT	SHEAR	TORQUE	MOMENT	SHEAR	TORQUE	MOMENT	SHEAR	TORQUE	MOMENT	
NAME	TITLE			S2 (kN)	TQ (kN·m)	M3 (kN·m)	S2 (kN)	TQ (kN·m)	M3 (kN·m)	S2 (kN)	TQ (kN·m)	M3 (kN·m)	S2 (kN)	TQ (kN·m)	M3 (kN·m)	
62	1-LANE (case2TRUCK-LOAD	MAX	S2	76.98	0.00	10.46	76.98	0.00	331.99	74.86	0.00	21.30	74.86	0.00	334.00	
			TQ	0.00	0.00	0.00	0.00	0.00	0.00	0.00	0.00	0.00	0.00	0.00	0.00	0.00
			M3	-0.82	0.00	46.00	76.90	0.00	333.18	3.60	0.00	52.03	74.86	0.00	334.00	
		MIN	S2	-6.51	0.00	32.79	-6.51	0.00	5.58	-8.32	0.00	37.33	-8.32	0.00	2.57	
			TQ	0.00	0.00	0.00	0.00	0.00	0.00	0.00	0.00	0.00	0.00	0.00	0.00	
			M3	3.20	0.00	-16.67	2.90	0.00	-4.14	1.34	0.00	-6.65	0.79	0.00	-1.70	
		TANDEM-LOAD MAX	S2	60.49	0.00	2.45	60.49	0.00	255.13	59.03	0.00	9.51	59.03	0.00	256.07	
			TQ	0.00	0.00	0.00	0.00	0.00	0.00	0.00	0.00	0.00	0.00	0.00	0.00	
			M3	3.52	0.00	33.89	60.47	0.00	255.46	2.14	0.00	38.21	59.03	0.00	256.07	
		MIN	S2	-6.07	0.00	28.62	-6.07	0.00	3.27	-7.35	0.00	32.03	-7.35	0.00	1.31	
			TQ	0.00	0.00	0.00	0.00	0.00	0.00	0.00	0.00	0.00	0.00	0.00	0.00	
			M3	2.15	0.00	-11.36	1.88	0.00	-3.10	0.90	0.00	-4.52	0.37	0.00	-1.25	
		DISPERSION-LMAX	S2	30.85	0.00	-5.01	30.85	0.00	123.87	26.82	0.00	12.51	26.82	0.00	124.55	
			TQ	0.00	0.00	0.00	0.00	0.00	0.00	0.00	0.00	0.00	0.00	0.00	0.00	
			M3	18.49	0.00	29.74	25.86	0.00	131.72	18.37	0.00	44.24	22.46	0.00	132.75	
MIN	S2	-2.64	0.00	13.57	-2.64	0.00	2.55	-4.09	0.00	24.03	-4.09	0.00	6.95			
	TQ	0.00	0.00	0.00	0.00	0.00	0.00	0.00	0.00	0.00	0.00	0.00	0.00			
	M3	9.72	0.00	-21.17	2.36	0.00	-5.30	4.37	0.00	-7.70	0.27	0.00	-1.25			
63	1-LANE (case3TRUCK-LOAD	MAX	S2	34.86	0.00	-63.66	34.86	0.00	81.93	35.21	0.00	-66.48	35.21	0.00	80.59	
			TQ	0.00	0.00	0.00	0.00	0.00	0.00	0.00	0.00	0.00	0.00	0.00		
			M3	0.97	0.00	13.16	34.39	0.00	82.00	4.22	0.00	8.32	35.21	0.00	80.59	
		MIN	S2	-1.65	0.00	0.08	-1.65	0.00	-6.83	-1.03	0.00	4.47	-1.03	0.00	0.15	
			TQ	0.00	0.00	0.00	0.00	0.00	0.00	0.00	0.00	0.00	0.00	0.00	0.00	
			M3	34.79	0.00	-64.72	-1.65	0.00	-6.83	35.20	0.00	-66.71	-0.55	0.00	-1.13	



BAGO RIVER BRIDGE

BLOCK [ No.2 : CROSS BEAM ][ BEAM MEMBER FORCE ]

MEMBER		1001021			1001023			1001023			2023				
NODE		1021			2021			1023			2023				
		SHEAR	TORQUE	MOMENT	SHEAR	TORQUE	MOMENT	SHEAR	TORQUE	MOMENT	SHEAR	TORQUE	MOMENT		
NAME	TITLE	S2 (kN)	TQ (kN·m)	M3 (kN·m)	S2 (kN)	TQ (kN·m)	M3 (kN·m)	S2 (kN)	TQ (kN·m)	M3 (kN·m)	S2 (kN)	TQ (kN·m)	M3 (kN·m)		
63	1-LANE (case3TANDEM-LOAD	MAX	S2	25.07	0.00	-49.06	25.07	0.00	55.66	25.32	0.00	-50.94	25.32	0.00	54.84
			TQ	0.00	0.00	0.00	0.00	0.00	0.00	0.00	0.00	0.00	0.00	0.00	0.00
			M3	0.63	0.00	9.76	22.12	0.00	55.83	1.65	0.00	6.50	25.32	0.00	54.84
		MIN	S2	-1.37	0.00	-0.11	-1.37	0.00	-5.85	-0.83	0.00	4.24	-0.83	0.00	0.79
			TQ	0.00	0.00	0.00	0.00	0.00	0.00	0.00	0.00	0.00	0.00	0.00	0.00
			M3	25.05	0.00	-49.36	-1.37	0.00	-5.85	25.32	0.00	-51.00	-0.29	0.00	-0.81
	DISPERSION-LMAX		S2	19.20	0.00	-21.07	19.20	0.00	59.11	19.28	0.00	-22.30	19.28	0.00	58.22
			TQ	0.00	0.00	0.00	0.00	0.00	0.00	0.00	0.00	0.00	0.00	0.00	0.00
			M3	1.20	0.00	9.83	18.80	0.00	62.63	1.28	0.00	10.77	18.59	0.00	62.28
		MIN	S2	-1.15	0.00	3.58	-1.15	0.00	-1.20	-0.81	0.00	7.00	-0.81	0.00	3.62
			TQ	0.00	0.00	0.00	0.00	0.00	0.00	0.00	0.00	0.00	0.00	0.00	0.00
			M3	16.86	0.00	-27.32	-0.75	0.00	-4.71	17.19	0.00	-26.07	-0.12	0.00	-0.43
64	1-LANE (case4TRUCK-LOAD	MAX	S2	6.37	0.00	-62.05	6.37	0.00	-35.44	9.71	0.00	-85.43	9.71	0.00	-44.86
			TQ	0.00	0.00	0.00	0.00	0.00	0.00	0.00	0.00	0.00	0.00	0.00	0.00
			M3	-6.59	0.00	51.41	-6.05	0.00	24.44	-4.37	0.00	26.03	-4.37	0.00	7.78
		MIN	S2	-6.66	0.00	51.35	-6.66	0.00	23.52	-4.37	0.00	26.02	-4.37	0.00	7.76
			TQ	0.00	0.00	0.00	0.00	0.00	0.00	0.00	0.00	0.00	0.00	0.00	0.00
			M3	-4.53	0.00	-121.65	-5.28	0.00	-143.37	0.32	0.00	-158.07	0.32	0.00	-156.75
	TANDEM-LOAD	MAX	S2	4.61	0.00	-37.88	4.61	0.00	-18.63	6.80	0.00	-53.40	6.80	0.00	-25.02
			TQ	0.00	0.00	0.00	0.00	0.00	0.00	0.00	0.00	0.00	0.00	0.00	0.00
			M3	-4.48	0.00	35.04	-4.07	0.00	16.70	-2.97	0.00	17.73	-2.97	0.00	5.31
		MIN	S2	-4.55	0.00	34.81	-4.55	0.00	15.82	-2.97	0.00	17.73	-2.97	0.00	5.31
			TQ	0.00	0.00	0.00	0.00	0.00	0.00	0.00	0.00	0.00	0.00	0.00	0.00
			M3	-2.50	0.00	-83.34	-4.32	0.00	-100.97	-0.46	0.00	-108.29	-0.46	0.00	-110.19

BAGO RIVER BRIDGE

BLOCK [ No.2 : CROSS BEAM ][ BEAM MEMBER FORCE ]

MEMBER NODE	1001021 1021	1001023 2021						1001023 1023						2023		
		SHEAR		TORQUE		MOMENT		SHEAR		TORQUE		MOMENT		SHEAR	TORQUE	MOMENT
		S2 (kN)	TQ (kN·m)	M3 (kN·m)	S2 (kN)	TQ (kN·m)	M3 (kN·m)	S2 (kN)	TQ (kN·m)	M3 (kN·m)	S2 (kN)	TQ (kN·m)	M3 (kN·m)	S2 (kN)	TQ (kN·m)	M3 (kN·m)
64	1-LANE (case4DISPERSION-LMAX	S2	2.91	0.00	-39.17	2.91	0.00	-27.01	8.11	0.00	-117.80	8.11	0.00	-83.94		
		TQ	0.00	0.00	0.00	0.00	0.00	0.00	0.00	0.00	0.00	0.00	0.00	0.00		
		M3	-7.66	0.00	62.05	-7.42	0.00	30.35	-5.67	0.00	34.77	-5.67	0.00	11.09		
	MIN	S2	-9.90	0.00	8.87	-9.90	0.00	-32.46	-5.96	0.00	12.54	-5.96	0.00	-12.34		
		TQ	0.00	0.00	0.00	0.00	0.00	0.00	0.00	0.00	0.00	0.00	0.00	0.00		
		M3	0.67	0.00	-92.35	0.44	0.00	-89.82	7.82	0.00	-140.04	7.82	0.00	-107.36		
65	2-LANES (caseTRUCK-LOAD	MAX	S2	13.10	0.00	-68.37	13.10	0.00	-13.67	5.82	0.00	-30.02	5.82	0.00	-5.72	
		TQ	0.00	0.00	0.00	0.00	0.00	0.00	0.00	0.00	0.00	0.00	0.00	0.00		
		M3	-227.21	0.00	377.58	1.25	0.00	5.18	-236.75	0.00	418.53	-3.25	0.00	2.56		
	MIN	S2	-227.21	0.00	377.58	-227.21	0.00	-571.46	-236.75	0.00	418.53	-236.75	0.00	-570.38		
		TQ	0.00	0.00	0.00	0.00	0.00	0.00	0.00	0.00	0.00	0.00	0.00	0.00		
		M3	13.02	0.00	-70.12	-226.42	0.00	-571.95	5.81	0.00	-30.05	-236.59	0.00	-570.48		
	TANDEM-LOAD	MAX	S2	8.92	0.00	-47.04	8.92	0.00	-9.80	3.97	0.00	-20.49	3.97	0.00	-3.90	
		TQ	0.00	0.00	0.00	0.00	0.00	0.00	0.00	0.00	0.00	0.00	0.00	0.00		
		M3	-172.25	0.00	282.81	0.93	0.00	3.99	-178.73	0.00	310.89	-2.36	0.00	2.14		
	MIN	S2	-172.25	0.00	282.81	-172.25	0.00	-436.67	-178.73	0.00	310.89	-178.73	0.00	-435.65		
		TQ	0.00	0.00	0.00	0.00	0.00	0.00	0.00	0.00	0.00	0.00	0.00	0.00		
		M3	8.82	0.00	-47.80	-168.90	0.00	-436.98	3.97	0.00	-20.50	-178.68	0.00	-435.68		
	DISPERSION-LMAX	S2	18.88	0.00	-76.34	18.88	0.00	2.53	9.50	0.00	-27.60	9.50	0.00	12.06		
		TQ	0.00	0.00	0.00	0.00	0.00	0.00	0.00	0.00	0.00	0.00	0.00	0.00		
		M3	-97.38	0.00	175.04	1.07	0.00	25.26	-106.61	0.00	217.81	-1.60	0.00	25.67		
	MIN	S2	-99.69	0.00	166.41	-99.69	0.00	-250.01	-108.53	0.00	209.02	-108.53	0.00	-244.30		
		TQ	0.00	0.00	0.00	0.00	0.00	0.00	0.00	0.00	0.00	0.00	0.00	0.00		
		M3	16.58	0.00	-84.97	-81.87	0.00	-272.74	7.58	0.00	-36.40	-97.43	0.00	-257.91		

BAGO RIVER BRIDGE

BLOCK [ No.2 : CROSS BEAM ][ BEAM MEMBER FORCE ]

MEMBER				1001021						1001023						
NODE				1021			2021			1023			2023			
NAME TITLE				SHEAR	TORQUE	MOMENT	SHEAR	TORQUE	MOMENT	SHEAR	TORQUE	MOMENT	SHEAR	TORQUE	MOMENT	
				S2 (kN)	TQ (kN·m)	M3 (kN·m)	S2 (kN)	TQ (kN·m)	M3 (kN·m)	S2 (kN)	TQ (kN·m)	M3 (kN·m)	S2 (kN)	TQ (kN·m)	M3 (kN·m)	
66	2-LANES (caseTRUCK-LOAD	MAX	S2	82.41	0.00	-18.54	82.41	0.00	325.67	77.26	0.00	9.09	77.26	0.00	331.80	
			TQ	0.00	0.00	0.00	0.00	0.00	0.00	0.00	0.00	0.00	0.00	0.00	0.00	0.00
			M3	-33.09	0.00	168.17	76.58	0.00	336.57	-32.56	0.00	191.17	72.16	0.00	0.00	335.60
		MIN	S2	-38.79	0.00	154.96	-38.79	0.00	-7.06	-44.48	0.00	176.47	-44.48	0.00	0.00	-9.33
			TQ	0.00	0.00	0.00	0.00	0.00	0.00	0.00	0.00	0.00	0.00	0.00	0.00	0.00
			M3	8.62	0.00	-45.67	-28.58	0.00	-17.27	3.74	0.00	-18.86	-35.37	0.00	0.00	-13.59
		TANDEM-LOAD MAX	S2	64.19	0.00	-17.30	64.19	0.00	250.81	60.66	0.00	1.21	60.66	0.00	0.00	254.59
			TQ	0.00	0.00	0.00	0.00	0.00	0.00	0.00	0.00	0.00	0.00	0.00	0.00	0.00
			M3	-19.80	0.00	122.55	60.25	0.00	258.01	-23.82	0.00	138.56	57.15	0.00	0.00	257.38
		MIN	S2	-29.39	0.00	117.28	-29.39	0.00	-5.46	-33.32	0.00	132.39	-33.32	0.00	0.00	-6.78
			TQ	0.00	0.00	0.00	0.00	0.00	0.00	0.00	0.00	0.00	0.00	0.00	0.00	0.00
			M3	5.84	0.00	-31.10	-18.09	0.00	-12.15	2.53	0.00	-12.82	-25.59	0.00	0.00	-9.35
		DISPERSION-LMAX	S2	40.19	0.00	-31.56	40.19	0.00	136.32	31.80	0.00	6.80	31.80	0.00	0.00	139.63
			TQ	0.00	0.00	0.00	0.00	0.00	0.00	0.00	0.00	0.00	0.00	0.00	0.00	0.00
			M3	0.16	0.00	96.92	26.30	0.00	156.30	-4.04	0.00	131.21	20.62	0.00	0.00	157.52
MIN	S2	-23.24	0.00	72.19	-23.24	0.00	-24.89	-28.42	0.00	102.21	-28.42	0.00	0.00	-16.49		
	TQ	0.00	0.00	0.00	0.00	0.00	0.00	0.00	0.00	0.00	0.00	0.00	0.00	0.00		
	M3	16.78	0.00	-56.29	-9.35	0.00	-44.87	7.43	0.00	-22.20	-17.24	0.00	0.00	-34.37		
67	2-LANES (caseTRUCK-LOAD	MAX	S2	53.07	0.00	-150.75	53.07	0.00	70.92	55.36	0.00	-167.09	55.36	0.00	64.15	
			TQ	0.00	0.00	0.00	0.00	0.00	0.00	0.00	0.00	0.00	0.00	0.00	0.00	
			M3	-0.92	0.00	29.89	47.49	0.00	106.95	2.76	0.00	17.78	49.12	0.00	0.00	101.35
		MIN	S2	-4.37	0.00	10.58	-4.37	0.00	-7.66	-2.50	0.00	13.89	-2.50	0.00	0.00	3.43
			TQ	0.00	0.00	0.00	0.00	0.00	0.00	0.00	0.00	0.00	0.00	0.00	0.00	0.00
			M3	52.94	0.00	-153.24	16.27	0.00	-19.97	55.32	0.00	-168.75	19.56	0.00	0.00	-19.16

BAGO RIVER BRIDGE

BLOCK [ No.2 : CROSS BEAM ][ BEAM MEMBER FORCE ]

MEMBER NODE	1001021 1021	2021			1001023 1023			2023							
		SHEAR	TORQUE	MOMENT	SHEAR	TORQUE	MOMENT	SHEAR	TORQUE	MOMENT					
		S2 (kN)	TQ (kN·m)	M3 (kN·m)	S2 (kN)	TQ (kN·m)	M3 (kN·m)	S2 (kN)	TQ (kN·m)	M3 (kN·m)					
67	2-LANES (caseTANDEM-LOAD	MAX	S2	37.58	0.00	-104.44	37.58	0.00	52.53	39.06	0.00	-115.48	39.06	0.00	47.67
			TQ	0.00	0.00	0.00	0.00	0.00	0.00	0.00	0.00	0.00	0.00	0.00	0.00
			M3	-0.63	0.00	21.18	33.07	0.00	73.76	0.65	0.00	12.96	36.97	0.00	69.84
		MIN	S2	-3.28	0.00	5.69	-3.28	0.00	-8.02	-1.83	0.00	10.70	-1.83	0.00	3.05
			TQ	0.00	0.00	0.00	0.00	0.00	0.00	0.00	0.00	0.00	0.00	0.00	0.00
			M3	37.22	0.00	-113.98	10.73	0.00	-19.79	38.85	0.00	-124.82	13.23	0.00	-18.13
	DISPERSION-LMAX		S2	32.04	0.00	-66.06	32.04	0.00	67.76	34.81	0.00	-82.23	34.81	0.00	63.19
			TQ	0.00	0.00	0.00	0.00	0.00	0.00	0.00	0.00	0.00	0.00	0.00	0.00
			M3	-1.07	0.00	30.94	25.71	0.00	87.41	-0.64	0.00	24.40	26.11	0.00	79.79
		MIN	S2	-3.70	0.00	22.19	-3.70	0.00	6.76	-2.76	0.00	20.56	-2.76	0.00	9.02
			TQ	0.00	0.00	0.00	0.00	0.00	0.00	0.00	0.00	0.00	0.00	0.00	0.00
			M3	29.41	0.00	-74.80	2.63	0.00	-12.90	32.69	0.00	-86.07	5.94	0.00	-7.58
68	2-LANES (caseTRUCK-LOAD	MAX	S2	14.98	0.00	-132.26	14.98	0.00	-69.68	21.24	0.00	-193.14	21.24	0.00	-104.43
			TQ	0.00	0.00	0.00	0.00	0.00	0.00	0.00	0.00	0.00	0.00	0.00	0.00
			M3	-11.27	0.00	88.39	-10.73	0.00	41.86	-7.53	0.00	45.14	-7.53	0.00	13.68
		MIN	S2	-11.34	0.00	88.32	-11.34	0.00	40.95	-7.54	0.00	45.14	-7.54	0.00	13.65
			TQ	0.00	0.00	0.00	0.00	0.00	0.00	0.00	0.00	0.00	0.00	0.00	0.00
			M3	1.24	0.00	-227.46	0.50	0.00	-225.04	10.09	0.00	-289.37	10.09	0.00	-247.24
	TANDEM-LOAD	MAX	S2	10.79	0.00	-88.82	10.79	0.00	-43.76	15.01	0.00	-123.30	15.01	0.00	-60.60
			TQ	0.00	0.00	0.00	0.00	0.00	0.00	0.00	0.00	0.00	0.00	0.00	0.00
			M3	-7.67	0.00	60.18	-7.26	0.00	28.54	-5.13	0.00	30.73	-5.13	0.00	9.31
		MIN	S2	-7.73	0.00	59.94	-7.73	0.00	27.66	-5.13	0.00	30.73	-5.13	0.00	9.31
			TQ	0.00	0.00	0.00	0.00	0.00	0.00	0.00	0.00	0.00	0.00	0.00	0.00
			M3	0.94	0.00	-157.62	-0.88	0.00	-160.84	5.76	0.00	-200.12	5.76	0.00	-176.05

BAGO RIVER BRIDGE

BLOCK [ No.2 : CROSS BEAM ][ BEAM MEMBER FORCE ]

MEMBER		1001021						1001023									
NODE		1021			2021			1023			2023						
		SHEAR	TORQUE	MOMENT	SHEAR	TORQUE	MOMENT	SHEAR	TORQUE	MOMENT	SHEAR	TORQUE	MOMENT				
NAME	TITLE	S2 (kN)	TQ (kN·m)	M3 (kN·m)	S2 (kN)	TQ (kN·m)	M3 (kN·m)	S2 (kN)	TQ (kN·m)	M3 (kN·m)	S2 (kN)	TQ (kN·m)	M3 (kN·m)				
68	2-LANES (caseDISPERSION-LMAX	S2	9.22	0.00	-106.18	9.22	0.00	-67.67	19.48	0.00	-219.26	19.48	0.00	-137.88			
		TQ	0.00	0.00	0.00	0.00	0.00	0.00	0.00	0.00	0.00	0.00	0.00	0.00			
		M3	-13.23	0.00	107.45	-12.70	0.00	52.71	-9.76	0.00	60.58	-9.76	0.00	19.80			
		MIN	S2	-15.64	0.00	51.16	-15.64	0.00	-14.16	-10.05	0.00	38.34	-10.05	0.00	-3.63		
		TQ	0.00	0.00	0.00	0.00	0.00	0.00	0.00	0.00	0.00	0.00	0.00	0.00			
		M3	6.81	0.00	-162.47	6.28	0.00	-134.54	19.20	0.00	-241.49	19.20	0.00	-161.30			
		69	3-LANES (caseTRUCK-LOAD	MAX	S2	90.07	0.00	-57.91	90.07	0.00	318.32	80.68	0.00	-8.73	80.68	0.00	328.28
				TQ	0.00	0.00	0.00	0.00	0.00	0.00	0.00	0.00	0.00	0.00	0.00	0.00	
				M3	-228.02	0.00	423.59	78.15	0.00	338.36	-233.15	0.00	470.55	71.61	0.00	336.56	
MIN	S2			-233.72	0.00	410.37	-233.72	0.00	-565.88	-245.07	0.00	455.86	-245.07	0.00	-567.81		
TQ	0.00			0.00	0.00	0.00	0.00	0.00	0.00	0.00	0.00	0.00	0.00	0.00			
M3	16.22			0.00	-86.80	-223.52	0.00	-576.09	7.16	0.00	-36.70	-235.79	0.00	-572.18			
TANDEM-LOAD	MAX			S2	69.41	0.00	-44.59	69.41	0.00	245.33	63.00	0.00	-10.98	63.00	0.00	252.17	
TQ	0.00			0.00	0.00	0.00	0.00	0.00	0.00	0.00	0.00	0.00	0.00	0.00	0.00		
M3	-168.73			0.00	316.70	61.40	0.00	259.46	-176.58	0.00	349.10	56.66	0.00	258.21			
MIN	S2	-178.32	0.00	311.43	-178.32	0.00	-433.40	-186.08	0.00	342.92	-186.08	0.00	-434.33				
TQ	0.00	0.00	0.00	0.00	0.00	0.00	0.00	0.00	0.00	0.00	0.00	0.00	0.00				
M3	10.97	0.00	-59.16	-167.02	0.00	-440.08	4.87	0.00	-25.02	-178.31	0.00	-436.93					
DISPERSION-LMAX	S2	49.74	0.00	-81.35	49.74	0.00	126.40	36.32	0.00	-15.09	36.32	0.00	136.61				
TQ	0.00	0.00	0.00	0.00	0.00	0.00	0.00	0.00	0.00	0.00	0.00	0.00	0.00				
M3	-78.89	0.00	204.77	26.92	0.00	156.98	-88.24	0.00	262.05	20.87	0.00	158.42					
MIN	S2	-102.33	0.00	179.98	-102.33	0.00	-247.46	-112.62	0.00	233.04	-112.62	0.00	-237.35				
TQ	0.00	0.00	0.00	0.00	0.00	0.00	0.00	0.00	0.00	0.00	0.00	0.00	0.00				
M3	26.30	0.00	-106.14	-79.52	0.00	-278.04	11.94	0.00	-44.10	-97.16	0.00	-259.16					

BAGO RIVER BRIDGE

BLOCK [ No.2 : CROSS BEAM ][ BEAM MEMBER FORCE ]

MEMBER				1001021						1001023							
NODE				1021			2021			1023			2023				
NAME TITLE				SHEAR	TORQUE	MOMENT	SHEAR	TORQUE	MOMENT	SHEAR	TORQUE	MOMENT	SHEAR	TORQUE	MOMENT		
				S2 (kN)	TQ (kN·m)	M3 (kN·m)	S2 (kN)	TQ (kN·m)	M3 (kN·m)	S2 (kN)	TQ (kN·m)	M3 (kN·m)	S2 (kN)	TQ (kN·m)	M3 (kN·m)		
70	3-LANES (case	TRUCK-LOAD	MAX	S2	62.20	0.00	-218.14	62.20	0.00	41.69	67.45	0.00	-271.76	67.45	0.00	9.96	
				TQ	0.00	0.00	0.00	0.00	0.00	0.00	0.00	0.00	0.00	0.00	0.00	0.00	0.00
				M3	-4.82	0.00	61.04	43.62	0.00	121.89	0.08	0.00	34.09	46.44	0.00	106.48	
			MIN	S2	-8.27	0.00	41.73	-8.27	0.00	7.20	-5.18	0.00	30.20	-5.18	0.00	8.56	
				TQ	0.00	0.00	0.00	0.00	0.00	0.00	0.00	0.00	0.00	0.00	0.00	0.00	
				M3	60.03	0.00	-257.25	23.36	0.00	-94.36	65.97	0.00	-297.56	30.22	0.00	-103.44	
			TANDEM-LOAD	MAX	S2	44.18	0.00	-153.39	44.18	0.00	31.14	47.62	0.00	-183.20	47.62	0.00	15.72
				TQ	0.00	0.00	0.00	0.00	0.00	0.00	0.00	0.00	0.00	0.00	0.00	0.00	
				M3	-3.29	0.00	42.44	30.46	0.00	83.93	-1.17	0.00	24.05	35.15	0.00	73.34	
			MIN	S2	-5.95	0.00	26.94	-5.95	0.00	2.08	-3.65	0.00	21.78	-3.65	0.00	6.53	
				TQ	0.00	0.00	0.00	0.00	0.00	0.00	0.00	0.00	0.00	0.00	0.00	0.00	
				M3	41.61	0.00	-187.23	15.12	0.00	-74.70	45.70	0.00	-215.10	20.08	0.00	-79.79	
			DISPERSION-LMAX	S2	39.21	0.00	-133.55	39.21	0.00	30.24	46.77	0.00	-180.84	46.77	0.00	14.54	
				TQ	0.00	0.00	0.00	0.00	0.00	0.00	0.00	0.00	0.00	0.00	0.00	0.00	
				M3	-5.48	0.00	67.90	21.82	0.00	106.27	-4.18	0.00	46.99	22.59	0.00	87.61	
MIN	S2	-8.16	0.00	57.74	-8.16	0.00	23.65	-6.30	0.00	43.15	-6.30	0.00	16.84				
	TQ	0.00	0.00	0.00	0.00	0.00	0.00	0.00	0.00	0.00	0.00	0.00	0.00				
	M3	36.53	0.00	-143.71	9.23	0.00	-52.38	44.65	0.00	-184.68	17.89	0.00	-56.23				
71	3-LANES (case	TRUCK-LOAD	MAX	S2	31.93	0.00	-217.67	31.93	0.00	-84.32	40.52	0.00	-296.28	40.52	0.00	-127.04	
				TQ	0.00	0.00	0.00	0.00	0.00	0.00	0.00	0.00	0.00	0.00	0.00		
				M3	-13.91	0.00	111.14	1.36	0.00	62.34	-9.51	0.00	57.52	5.25	0.00	28.00	
			MIN	S2	-14.17	0.00	106.59	-14.17	0.00	47.41	-9.52	0.00	57.51	-9.52	0.00	17.76	
				TQ	0.00	0.00	0.00	0.00	0.00	0.00	0.00	0.00	0.00	0.00	0.00	0.00	
				M3	18.08	0.00	-317.78	16.97	0.00	-245.96	29.31	0.00	-393.92	29.19	0.00	-271.51	

BAGO RIVER BRIDGE

BLOCK [ No.2 : CROSS BEAM ][ BEAM MEMBER FORCE ]

MEMBER NODE	1001021 1021	2021			1001023 1023	2023										
		SHEAR	TORQUE	MOMENT		SHEAR	TORQUE	MOMENT								
		S2 (kN)	TQ (kN·m)	M3 (kN·m)		S2 (kN)	TQ (kN·m)	M3 (kN·m)								
71	3-LANES (case)	TANDEM-LOAD	MAX	S2	22.52	0.00	-145.64	22.52	0.00	-51.58	28.20	0.00	-189.62	28.20	0.00	-71.81
				TQ	0.00	0.00	0.00	0.00	0.00	0.00	0.00	0.00	0.00	0.00	0.00	0.00
				M3	-9.47	0.00	75.68	0.25	0.00	43.54	-6.47	0.00	39.16	2.78	0.00	20.07
			MIN	S2	-9.67	0.00	71.15	-9.67	0.00	30.76	-6.47	0.00	39.16	-6.47	0.00	12.11
				TQ	0.00	0.00	0.00	0.00	0.00	0.00	0.00	0.00	0.00	0.00	0.00	0.00
				M3	12.17	0.00	-223.28	10.25	0.00	-179.87	18.66	0.00	-275.50	18.62	0.00	-197.58
		DISPERSION-L	MAX	S2	21.25	0.00	-152.82	21.25	0.00	-64.04	34.46	0.00	-282.00	34.46	0.00	-138.06
				TQ	0.00	0.00	0.00	0.00	0.00	0.00	0.00	0.00	0.00	0.00	0.00	0.00
				M3	-16.69	0.00	136.86	-8.81	0.00	77.38	-12.28	0.00	77.42	-4.53	0.00	35.08
			MIN	S2	-19.53	0.00	78.68	-19.53	0.00	-2.92	-12.59	0.00	55.09	-12.59	0.00	2.51
				TQ	0.00	0.00	0.00	0.00	0.00	0.00	0.00	0.00	0.00	0.00	0.00	0.00
				M3	18.41	0.00	-210.99	10.53	0.00	-144.34	34.16	0.00	-304.33	26.40	0.00	-170.63
72	4-LANES	TRUCK-LOAD	MAX	S2	67.45	0.00	-282.86	67.45	0.00	-1.14	76.18	0.00	-369.65	76.18	0.00	-51.46
				TQ	0.00	0.00	0.00	0.00	0.00	0.00	0.00	0.00	0.00	0.00	0.00	0.00
				M3	-12.08	0.00	117.45	36.68	0.00	144.13	-4.65	0.00	62.23	41.41	0.00	110.69
			MIN	S2	-15.40	0.00	97.48	-15.40	0.00	33.16	-9.33	0.00	57.74	-9.33	0.00	18.75
				TQ	0.00	0.00	0.00	0.00	0.00	0.00	0.00	0.00	0.00	0.00	0.00	0.00
				M3	54.00	0.00	-380.96	16.82	0.00	-244.18	65.28	0.00	-458.31	30.41	0.00	-264.66
		TANDEM-LOAD	MAX	S2	47.97	0.00	-193.20	47.97	0.00	7.15	53.80	0.00	-238.89	53.80	0.00	-14.19
				TQ	0.00	0.00	0.00	0.00	0.00	0.00	0.00	0.00	0.00	0.00	0.00	0.00
				M3	-8.23	0.00	80.80	22.57	0.00	99.15	-4.40	0.00	43.24	28.21	0.00	76.06
			MIN	S2	-10.76	0.00	64.39	-10.76	0.00	19.46	-6.36	0.00	39.34	-6.36	0.00	12.79
				TQ	0.00	0.00	0.00	0.00	0.00	0.00	0.00	0.00	0.00	0.00	0.00	0.00
				M3	37.99	0.00	-271.75	9.92	0.00	-180.02	44.50	0.00	-325.08	19.48	0.00	-193.07

BAGO RIVER BRIDGE

BLOCK [ No.2 : CROSS BEAM ][ BEAM MEMBER FORCE ]

MEMBER			1001021						1001023								
NODE			1021			2021			1023			2023					
NAME TITLE			SHEAR	TORQUE	MOMENT	SHEAR	TORQUE	MOMENT	SHEAR	TORQUE	MOMENT	SHEAR	TORQUE	MOMENT			
			S2 (kN)	TQ (kN·m)	M3 (kN·m)	S2 (kN)	TQ (kN·m)	M3 (kN·m)	S2 (kN)	TQ (kN·m)	M3 (kN·m)	S2 (kN)	TQ (kN·m)	M3 (kN·m)			
72	4-LANES	DISPERSION-LMAX	S2	41.12	0.00	-170.21	41.12	0.00	1.54	50.10	0.00	-275.94	50.10	0.00	-66.69		
			TQ	0.00	0.00	0.00	0.00	0.00	0.00	0.00	0.00	0.00	0.00	0.00	0.00		
			M3	-14.38	0.00	136.20	12.20	0.00	135.89	-9.26	0.00	73.59	16.88	0.00	91.83		
	MIN	S2	-18.70	0.00	79.24	-18.70	0.00	1.13	-11.57	0.00	48.02	-11.57	0.00	-0.32			
		TQ	0.00	0.00	0.00	0.00	0.00	0.00	0.00	0.00	0.00	0.00	0.00	0.00			
		M3	36.20	0.00	-227.07	10.01	0.00	-134.13	47.32	0.00	-302.50	21.70	0.00	-160.18			
	73	6-LANES	TRUCK-LOAD	MAX	S2	152.24	0.00	-221.71	152.24	0.00	414.20	151.70	0.00	-234.16	151.70	0.00	399.50
				TQ	0.00	0.00	0.00	0.00	0.00	0.00	0.00	0.00	0.00	0.00	0.00	0.00	
				M3	-160.61	0.00	435.57	110.04	0.00	552.89	-168.10	0.00	431.20	107.70	0.00	524.91	
MIN		S2	-208.35	0.00	408.00	-208.35	0.00	-462.30	-212.82	0.00	404.25	-212.82	0.00	-484.71			
		TQ	0.00	0.00	0.00	0.00	0.00	0.00	0.00	0.00	0.00	0.00	0.00	0.00			
		M3	101.57	0.00	-391.25	-177.87	0.00	-738.71	103.78	0.00	-413.60	-185.34	0.00	-748.50			
TANDEM-LOAD		MAX	S2	114.90	0.00	-150.47	114.90	0.00	329.45	114.40	0.00	-154.79	114.40	0.00	323.07		
		TQ	0.00	0.00	0.00	0.00	0.00	0.00	0.00	0.00	0.00	0.00	0.00	0.00			
		M3	-131.67	0.00	318.45	87.02	0.00	417.78	-136.61	0.00	314.60	85.16	0.00	399.06			
MIN	S2	-159.15	0.00	288.66	-159.15	0.00	-376.12	-161.79	0.00	286.21	-161.79	0.00	-389.57				
	TQ	0.00	0.00	0.00	0.00	0.00	0.00	0.00	0.00	0.00	0.00	0.00	0.00				
	M3	74.60	0.00	-280.02	-145.39	0.00	-557.48	74.94	0.00	-296.17	-145.69	0.00	-564.18				
DISPERSION-LMAX	S2	82.74	0.00	-205.54	82.74	0.00	140.08	82.28	0.00	-257.63	82.28	0.00	86.03				
	TQ	0.00	0.00	0.00	0.00	0.00	0.00	0.00	0.00	0.00	0.00	0.00	0.00				
	M3	-87.94	0.00	302.86	38.90	0.00	285.96	-91.51	0.00	299.49	36.29	0.00	250.37				
MIN	S2	-108.87	0.00	220.96	-108.87	0.00	-233.80	-111.23	0.00	249.89	-111.23	0.00	-214.73				
	TQ	0.00	0.00	0.00	0.00	0.00	0.00	0.00	0.00	0.00	0.00	0.00	0.00				
	M3	50.79	0.00	-286.99	-64.93	0.00	-379.05	52.26	0.00	-316.10	-65.30	0.00	-383.87				



BAGO RIVER BRIDGE

BLOCK [ No.2 : CROSS BEAM ][ BEAM MEMBER FORCE ]

MEMBER			1001021			1001023			1001023			2023			
NODE			1021			2021			1023			2023			
NAME TITLE			SHEAR	TORQUE	MOMENT	SHEAR	TORQUE	MOMENT	SHEAR	TORQUE	MOMENT	SHEAR	TORQUE	MOMENT	
			S2 (kN)	TQ (kN·m)	M3 (kN·m)	S2 (kN)	TQ (kN·m)	M3 (kN·m)	S2 (kN)	TQ (kN·m)	M3 (kN·m)	S2 (kN)	TQ (kN·m)	M3 (kN·m)	
124	SUM TOTAL	D+1LANE (caseMAX	S2	-83.61	0.00	-43.97	-83.61	0.00	-393.20	-117.94	0.00	-17.03	-117.94	0.00	-509.64
			TQ	-104.26	0.00	63.03	-104.26	0.00	-372.48	-127.47	0.00	30.63	-127.47	0.00	-501.79
			M3	-433.05	0.00	498.95	-101.64	0.00	-369.53	-469.21	0.00	522.90	-127.83	0.00	-499.55
		MIN	S2	-433.09	0.00	498.88	-433.09	0.00	-1310.15	-469.21	0.00	522.90	-469.21	0.00	-1437.01
			TQ	-104.26	0.00	63.03	-104.26	0.00	-372.48	-127.47	0.00	30.63	-127.47	0.00	-501.79
			M3	-83.73	0.00	-46.14	-422.38	0.00	-1322.86	-117.94	0.00	-17.05	-463.89	0.00	-1441.84
		D+1LANE (caseMAX	S2	25.13	0.00	69.57	25.13	0.00	174.56	-5.44	0.00	71.20	-5.44	0.00	48.47
			TQ	-104.26	0.00	63.03	-104.26	0.00	-372.48	-127.47	0.00	30.63	-127.47	0.00	-501.79
			M3	-83.06	0.00	153.92	19.04	0.00	185.39	-101.10	0.00	146.15	-10.67	0.00	58.31
		MIN	S2	-115.25	0.00	118.66	-115.25	0.00	-362.73	-142.36	0.00	104.26	-142.36	0.00	-490.38
			TQ	-104.26	0.00	63.03	-104.26	0.00	-372.48	-127.47	0.00	30.63	-127.47	0.00	-501.79
			M3	-88.76	0.00	17.63	-97.96	0.00	-383.81	-120.61	0.00	13.42	-126.19	0.00	-505.33
		D+1LANE (caseMAX	S2	-39.40	0.00	-38.64	-39.40	0.00	-203.23	-62.08	0.00	-75.91	-62.08	0.00	-335.22
			TQ	-104.26	0.00	63.03	-104.26	0.00	-372.48	-127.47	0.00	30.63	-127.47	0.00	-501.79
			M3	-101.67	0.00	90.62	-40.44	0.00	-198.93	-120.87	0.00	53.55	-62.90	0.00	-330.35
		MIN	S2	-107.62	0.00	67.43	-107.62	0.00	-382.12	-129.68	0.00	44.40	-129.68	0.00	-497.26
			TQ	-104.26	0.00	63.03	-104.26	0.00	-372.48	-127.47	0.00	30.63	-127.47	0.00	-501.79
			M3	-42.29	0.00	-47.41	-107.15	0.00	-386.34	-64.60	0.00	-80.70	-128.28	0.00	-503.67
		D+1LANE (caseMAX	S2	-93.12	0.00	-58.44	-93.12	0.00	-447.42	-106.08	0.00	-213.25	-106.08	0.00	-656.35
			TQ	-104.26	0.00	63.03	-104.26	0.00	-372.48	-127.47	0.00	30.63	-127.47	0.00	-501.79
			M3	-121.36	0.00	199.18	-120.42	0.00	-306.73	-139.51	0.00	103.59	-139.51	0.00	-479.15
		MIN	S2	-124.13	0.00	135.29	-124.13	0.00	-383.21	-139.86	0.00	76.90	-139.86	0.00	-507.29
			TQ	-104.26	0.00	63.03	-104.26	0.00	-372.48	-127.47	0.00	30.63	-127.47	0.00	-501.79
			M3	-108.90	0.00	-193.77	-110.08	0.00	-652.31	-117.70	0.00	-327.10	-117.70	0.00	-818.73

BAGO RIVER BRIDGE

BLOCK [ No.2 : CROSS BEAM ][ BEAM MEMBER FORCE ]

MEMBER			1001021						1001023						
NODE			1021			2021			1023			2023			
NAME TITLE			SHEAR	TORQUE	MOMENT	SHEAR	TORQUE	MOMENT	SHEAR	TORQUE	MOMENT	SHEAR	TORQUE	MOMENT	
			S2 (kN)	TQ (kN·m)	M3 (kN·m)	S2 (kN)	TQ (kN·m)	M3 (kN·m)	S2 (kN)	TQ (kN·m)	M3 (kN·m)	S2 (kN)	TQ (kN·m)	M3 (kN·m)	
124	SUM TOTAL	D+2LANES (casMAX	S2	-72.29	0.00	-81.68	-72.29	0.00	-383.62	-112.15	0.00	-27.00	-112.15	0.00	-495.46
			TQ	-104.26	0.00	63.03	-104.26	0.00	-372.48	-127.47	0.00	30.63	-127.47	0.00	-501.79
			M3	-428.86	0.00	615.65	-101.95	0.00	-342.04	-470.82	0.00	666.97	-132.31	0.00	-473.56
		MIN	S2	-431.16	0.00	607.02	-431.16	0.00	-1193.95	-472.74	0.00	658.17	-472.74	0.00	-1316.47
			TQ	-104.26	0.00	63.03	-104.26	0.00	-372.48	-127.47	0.00	30.63	-127.47	0.00	-501.79
			M3	-74.66	0.00	-92.07	-412.56	0.00	-1217.17	-114.07	0.00	-35.82	-461.49	0.00	-1330.18
		D+2LANES (casMAX	S2	18.33	0.00	12.93	18.33	0.00	89.51	-18.41	0.00	46.53	-18.41	0.00	-30.36
			TQ	-104.26	0.00	63.03	-104.26	0.00	-372.48	-127.47	0.00	30.63	-127.47	0.00	-501.79
			M3	-137.19	0.00	328.13	-1.38	0.00	120.39	-164.07	0.00	353.01	-34.68	0.00	-8.68
		MIN	S2	-166.29	0.00	290.18	-166.29	0.00	-404.43	-200.36	0.00	309.31	-200.36	0.00	-527.61
			TQ	-104.26	0.00	63.03	-104.26	0.00	-372.48	-127.47	0.00	30.63	-127.47	0.00	-501.79
			M3	-78.86	0.00	-38.93	-142.20	0.00	-434.62	-116.30	0.00	-10.43	-180.07	0.00	-549.76
		D+2LANES (casMAX	S2	-19.16	0.00	-153.77	-19.16	0.00	-233.80	-37.29	0.00	-218.69	-37.29	0.00	-374.45
			TQ	-104.26	0.00	63.03	-104.26	0.00	-372.48	-127.47	0.00	30.63	-127.47	0.00	-501.79
			M3	-106.25	0.00	123.86	-31.06	0.00	-178.12	-125.35	0.00	72.82	-52.24	0.00	-320.65
		MIN	S2	-112.33	0.00	95.80	-112.33	0.00	-373.38	-132.73	0.00	65.08	-132.73	0.00	-489.35
			TQ	-104.26	0.00	63.03	-104.26	0.00	-372.48	-127.47	0.00	30.63	-127.47	0.00	-501.79
			M3	-21.91	0.00	-165.01	-85.37	0.00	-405.35	-39.46	0.00	-224.19	-101.97	0.00	-528.53
		D+2LANES (casMAX	S2	-80.06	0.00	-175.41	-80.06	0.00	-509.82	-86.74	0.00	-381.77	-86.74	0.00	-744.10
			TQ	-104.26	0.00	63.03	-104.26	0.00	-372.48	-127.47	0.00	30.63	-127.47	0.00	-501.79
			M3	-128.77	0.00	258.86	-127.69	0.00	-277.90	-144.76	0.00	136.35	-144.76	0.00	-468.32
		MIN	S2	-131.24	0.00	202.52	-131.24	0.00	-345.69	-145.05	0.00	114.11	-145.05	0.00	-491.77
			TQ	-104.26	0.00	63.03	-104.26	0.00	-372.48	-127.47	0.00	30.63	-127.47	0.00	-501.79
			M3	-96.21	0.00	-326.89	-97.49	0.00	-732.06	-98.18	0.00	-500.23	-98.18	0.00	-910.34

BAGO RIVER BRIDGE

BLOCK [ No.2 : CROSS BEAM ][ BEAM MEMBER FORCE ]

MEMBER			1001021			1001023			1001023			1001023				
NODE			1021			2021			1023			2023				
NAME TITLE			SHEAR	TORQUE	MOMENT	SHEAR	TORQUE	MOMENT	SHEAR	TORQUE	MOMENT	SHEAR	TORQUE	MOMENT		
			S2 (kN)	TQ (kN·m)	M3 (kN·m)	S2 (kN)	TQ (kN·m)	M3 (kN·m)	S2 (kN)	TQ (kN·m)	M3 (kN·m)	S2 (kN)	TQ (kN·m)	M3 (kN·m)		
124	SUM TOTAL	D+3LANES (casMAX	S2	14.57	0.00	-55.34	14.57	0.00	5.54	-28.02	0.00	10.38	-28.02	0.00	-106.64	
			TQ	-104.26	0.00	63.03	-104.26	0.00	-372.48	-127.47	0.00	30.63	-127.47	0.00	-501.79	
			M3	-365.15	0.00	597.14	-14.95	0.00	48.56	-400.65	0.00	653.34	-48.86	0.00	-81.06	
		MIN	S2	-389.91	0.00	564.83	-389.91	0.00	-1063.82	-431.50	0.00	616.20	-431.50	0.00	-1186.18	
			TQ	-104.26	0.00	63.03	-104.26	0.00	-372.48	-127.47	0.00	30.63	-127.47	0.00	-501.79	
			M3	-68.12	0.00	-100.96	-361.84	0.00	-1098.49	-111.23	0.00	-38.04	-410.48	0.00	-1208.43	
		D+3LANES (casMAX	S2	-18.06	0.00	-235.91	-18.06	0.00	-311.35	-30.38	0.00	-354.08	-30.38	0.00	-480.97	
			TQ	-104.26	0.00	63.03	-104.26	0.00	-372.48	-127.47	0.00	30.63	-127.47	0.00	-501.79	
			M3	-113.02	0.00	172.63	-48.64	0.00	-178.55	-130.94	0.00	99.55	-68.79	0.00	-336.81	
		MIN	S2	-118.23	0.00	147.58	-118.23	0.00	-346.26	-137.22	0.00	92.97	-137.22	0.00	-480.20	
			TQ	-104.26	0.00	63.03	-104.26	0.00	-372.48	-127.47	0.00	30.63	-127.47	0.00	-501.79	
			M3	-22.18	0.00	-277.78	-76.56	0.00	-497.21	-33.43	0.00	-379.27	-86.57	0.00	-637.52	
		D+3LANES (casMAX	S2	-59.06	0.00	-251.88	-59.06	0.00	-498.58	-63.73	0.00	-460.91	-63.73	0.00	-727.13	
			TQ	-104.26	0.00	63.03	-104.26	0.00	-372.48	-127.47	0.00	30.63	-127.47	0.00	-501.79	
			M3	-130.28	0.00	273.83	-110.60	0.00	-253.71	-145.99	0.00	145.33	-126.85	0.00	-448.18	
		MIN	S2	-132.91	0.00	220.51	-132.91	0.00	-334.66	-146.25	0.00	126.34	-146.25	0.00	-484.56	
			TQ	-104.26	0.00	63.03	-104.26	0.00	-372.48	-127.47	0.00	30.63	-127.47	0.00	-501.79	
			M3	-73.25	0.00	-386.42	-80.88	0.00	-704.24	-73.52	0.00	-562.88	-80.21	0.00	-877.61	
		D+4LANES	MAX	S2	-33.70	0.00	-231.46	-33.70	0.00	-372.21	-45.39	0.00	-389.00	-45.39	0.00	-578.59
			TQ	-104.26	0.00	63.03	-104.26	0.00	-372.48	-127.47	0.00	30.63	-127.47	0.00	-501.79	
			M3	-121.46	0.00	227.90	-72.49	0.00	-190.47	-136.51	0.00	118.92	-89.58	0.00	-370.16	
		MIN	S2	-126.43	0.00	177.90	-126.43	0.00	-350.19	-141.05	0.00	99.37	-141.05	0.00	-489.81	
			TQ	-104.26	0.00	63.03	-104.26	0.00	-372.48	-127.47	0.00	30.63	-127.47	0.00	-501.79	
			M3	-45.63	0.00	-332.19	-86.82	0.00	-618.39	-54.28	0.00	-463.89	-93.60	0.00	-777.94	

BAGO RIVER BRIDGE

BLOCK [ No.2 : CROSS BEAM ][ BEAM MEMBER FORCE ]

MEMBER					1001021						1001023					
NODE					1021			2021			1023			2023		
NAME TITLE					SHEAR	TORQUE	MOMENT	SHEAR	TORQUE	MOMENT	SHEAR	TORQUE	MOMENT	SHEAR	TORQUE	MOMENT
					S2 (kN)	TQ (kN·m)	M3 (kN·m)	S2 (kN)	TQ (kN·m)	M3 (kN·m)	S2 (kN)	TQ (kN·m)	M3 (kN·m)	S2 (kN)	TQ (kN·m)	M3 (kN·m)
124	SUM TOTAL	D+6LANES	MAX	S2	48.47	0.00	-214.68	48.47	0.00	-12.20	24.62	0.00	-289.03	24.62	0.00	-186.20
				TQ	-104.26	0.00	63.03	-104.26	0.00	-372.48	-127.47	0.00	30.63	-127.47	0.00	-501.79
				M3	-265.82	0.00	543.01	-7.46	0.00	172.77	-296.22	0.00	505.58	-33.88	0.00	2.14
			MIN	S2	-310.46	0.00	471.86	-310.46	0.00	-824.94	-338.10	0.00	455.82	-338.10	0.00	-956.43
				TQ	-104.26	0.00	63.03	-104.26	0.00	-372.48	-127.47	0.00	30.63	-127.47	0.00	-501.79
				M3	-5.23	0.00	-377.83	-262.08	0.00	-1099.02	-26.04	0.00	-443.67	-290.38	0.00	-1237.84
	SUM TOTAL		MAX		48.47	0.00	615.65	48.47	0.00	185.39	24.62	0.00	666.97	24.62	0.00	58.31
			MIN		-433.09	0.00	-386.42	-433.09	0.00	-1322.86	-472.74	0.00	-562.88	-472.74	0.00	-1441.84
300	DEAD LOAD	TOTAL			-104.26	0.00	63.03	-104.26	0.00	-372.48	-127.47	0.00	30.63	-127.47	0.00	-501.79
301	LIVE LOAD	1-LANE(case1MAX	S2		20.66	0.00	-107.00	20.66	0.00	-20.72	9.53	0.00	-47.66	9.53	0.00	-7.85
			TQ		0.00	0.00	0.00	0.00	0.00	0.00	0.00	0.00	0.00	0.00	0.00	0.00
			M3		-328.79	0.00	435.92	2.62	0.00	2.95	-341.75	0.00	492.27	-0.37	0.00	2.24
			MIN	S2	-328.83	0.00	435.85	-328.83	0.00	-937.67	-341.75	0.00	492.27	-341.75	0.00	-935.21
				TQ	0.00	0.00	0.00	0.00	0.00	0.00	0.00	0.00	0.00	0.00	0.00	0.00
				M3	20.53	0.00	-109.17	-318.12	0.00	-950.38	9.53	0.00	-47.68	-336.42	0.00	-940.04
		1-LANE(case2MAX	S2		129.40	0.00	6.54	129.40	0.00	547.04	122.02	0.00	40.57	122.02	0.00	550.26
			TQ		0.00	0.00	0.00	0.00	0.00	0.00	0.00	0.00	0.00	0.00	0.00	0.00
			M3		21.21	0.00	90.89	123.30	0.00	557.87	26.36	0.00	115.52	116.79	0.00	560.10
			MIN	S2	-10.98	0.00	55.63	-10.98	0.00	9.75	-14.89	0.00	73.63	-14.89	0.00	11.42
				TQ	0.00	0.00	0.00	0.00	0.00	0.00	0.00	0.00	0.00	0.00	0.00	0.00
				M3	15.50	0.00	-45.41	6.31	0.00	-11.33	6.85	0.00	-17.21	1.28	0.00	-3.54
		1-LANE(case3MAX	S2		64.86	0.00	-101.68	64.86	0.00	169.25	65.38	0.00	-106.54	65.38	0.00	166.57
			TQ		0.00	0.00	0.00	0.00	0.00	0.00	0.00	0.00	0.00	0.00	0.00	0.00
			M3		2.60	0.00	27.59	63.82	0.00	173.55	6.60	0.00	22.92	64.56	0.00	171.44
			MIN	S2	-3.36	0.00	4.39	-3.36	0.00	-9.64	-2.21	0.00	13.77	-2.21	0.00	4.53
				TQ	0.00	0.00	0.00	0.00	0.00	0.00	0.00	0.00	0.00	0.00	0.00	0.00
				M3	61.98	0.00	-110.45	-2.88	0.00	-13.86	62.87	0.00	-111.33	-0.81	0.00	-1.88

BAGO RIVER BRIDGE

BLOCK [ No.2 : CROSS BEAM ][ BEAM MEMBER FORCE ]

MEMBER			1001021						1001023								
NODE			1021			2021			1023			2023					
NAME TITLE			SHEAR	TORQUE	MOMENT	SHEAR	TORQUE	MOMENT	SHEAR	TORQUE	MOMENT	SHEAR	TORQUE	MOMENT			
			S2 (kN)	TQ (kN·m)	M3 (kN·m)	S2 (kN)	TQ (kN·m)	M3 (kN·m)	S2 (kN)	TQ (kN·m)	M3 (kN·m)	S2 (kN)	TQ (kN·m)	M3 (kN·m)			
301	LIVE LOAD	1-LANE (case4MAX	S2	11.14	0.00	-121.47	11.14	0.00	-74.94	21.38	0.00	-243.88	21.38	0.00	-154.56		
			TQ	0.00	0.00	0.00	0.00	0.00	0.00	0.00	0.00	0.00	0.00	0.00	0.00		
			M3	-17.10	0.00	136.14	-16.16	0.00	65.75	-12.04	0.00	72.96	-12.04	0.00	0.00	22.65	
			MIN	S2	-19.87	0.00	72.26	-19.87	0.00	-10.73	-12.39	0.00	46.27	-12.39	0.00	0.00	-5.50
			TQ	0.00	0.00	0.00	0.00	0.00	0.00	0.00	0.00	0.00	0.00	0.00	0.00	0.00	
			M3	-4.63	0.00	-256.80	-5.81	0.00	-279.83	9.77	0.00	-357.73	9.77	0.00	0.00	-316.94	
		2-LANES (caseMAX	S2	31.98	0.00	-144.71	31.98	0.00	-11.14	15.31	0.00	-57.63	15.31	0.00	0.00	6.34	
			TQ	0.00	0.00	0.00	0.00	0.00	0.00	0.00	0.00	0.00	0.00	0.00	0.00	0.00	
			M3	-324.59	0.00	552.62	2.32	0.00	30.44	-343.36	0.00	636.34	-4.85	0.00	0.00	28.23	
			MIN	S2	-326.90	0.00	543.99	-326.90	0.00	-821.47	-345.28	0.00	627.54	-345.28	0.00	0.00	-814.68
			TQ	0.00	0.00	0.00	0.00	0.00	0.00	0.00	0.00	0.00	0.00	0.00	0.00	0.00	
			M3	29.60	0.00	-155.10	-308.29	0.00	-844.69	13.39	0.00	-66.45	-334.02	0.00	0.00	-828.39	
		2-LANES (caseMAX	S2	122.60	0.00	-50.10	122.60	0.00	461.99	109.06	0.00	15.90	109.06	0.00	0.00	471.43	
			TQ	0.00	0.00	0.00	0.00	0.00	0.00	0.00	0.00	0.00	0.00	0.00	0.00	0.00	
			M3	-32.93	0.00	265.10	102.89	0.00	492.87	-36.60	0.00	322.38	92.78	0.00	0.00	493.11	
			MIN	S2	-62.03	0.00	227.15	-62.03	0.00	-31.95	-72.90	0.00	278.68	-72.90	0.00	0.00	-25.82
			TQ	0.00	0.00	0.00	0.00	0.00	0.00	0.00	0.00	0.00	0.00	0.00	0.00	0.00	
			M3	25.41	0.00	-101.96	-37.94	0.00	-62.14	11.16	0.00	-41.06	-52.60	0.00	0.00	-47.97	
		2-LANES (caseMAX	S2	85.10	0.00	-216.80	85.10	0.00	138.68	90.18	0.00	-249.32	90.18	0.00	0.00	127.34	
			TQ	0.00	0.00	0.00	0.00	0.00	0.00	0.00	0.00	0.00	0.00	0.00	0.00	0.00	
			M3	-1.99	0.00	60.83	73.20	0.00	194.36	2.12	0.00	42.19	75.23	0.00	0.00	181.14	
MIN	S2		-8.06	0.00	32.77	-8.06	0.00	-0.90	-5.27	0.00	34.45	-5.27	0.00	0.00	12.45		
TQ	0.00		0.00	0.00	0.00	0.00	0.00	0.00	0.00	0.00	0.00	0.00	0.00	0.00			
M3	82.35		0.00	-228.04	18.90	0.00	-32.87	88.01	0.00	-254.82	25.50	0.00	0.00	-26.74			

BAGO RIVER BRIDGE

BLOCK [ No.2 : CROSS BEAM ][ BEAM MEMBER FORCE ]

MEMBER			1001021						1001023							
NODE			1021			2021			1023			2023				
NAME TITLE			SHEAR	TORQUE	MOMENT	SHEAR	TORQUE	MOMENT	SHEAR	TORQUE	MOMENT	SHEAR	TORQUE	MOMENT		
			S2 (kN)	TQ (kN·m)	M3 (kN·m)	S2 (kN)	TQ (kN·m)	M3 (kN·m)	S2 (kN)	TQ (kN·m)	M3 (kN·m)	S2 (kN)	TQ (kN·m)	M3 (kN·m)		
301	LIVE LOAD	2-LANES (caseMAX	S2	24.20	0.00	-238.44	24.20	0.00	-137.34	40.72	0.00	-412.40	40.72	0.00	-242.30	
			TQ	0.00	0.00	0.00	0.00	0.00	0.00	0.00	0.00	0.00	0.00	0.00	0.00	
			M3	-24.50	0.00	195.83	-23.43	0.00	94.58	-17.30	0.00	105.72	-17.30	0.00	0.00	33.47
			MIN S2	-26.98	0.00	139.49	-26.98	0.00	26.79	-17.59	0.00	83.48	-17.59	0.00	0.00	10.02
			TQ	0.00	0.00	0.00	0.00	0.00	0.00	0.00	0.00	0.00	0.00	0.00	0.00	0.00
			M3	8.06	0.00	-389.92	6.78	0.00	-359.58	29.28	0.00	-530.86	29.28	0.00	0.00	-408.54
		3-LANES (caseMAX	S2	118.84	0.00	-118.37	118.84	0.00	378.02	99.45	0.00	-20.25	99.45	0.00	0.00	395.16
			TQ	0.00	0.00	0.00	0.00	0.00	0.00	0.00	0.00	0.00	0.00	0.00	0.00	0.00
			M3	-260.88	0.00	534.10	89.31	0.00	421.04	-273.18	0.00	622.71	78.61	0.00	0.00	420.73
			MIN S2	-285.64	0.00	501.80	-285.64	0.00	-691.34	-304.04	0.00	585.57	-304.04	0.00	0.00	-684.39
			TQ	0.00	0.00	0.00	0.00	0.00	0.00	0.00	0.00	0.00	0.00	0.00	0.00	0.00
			M3	36.14	0.00	-164.00	-257.58	0.00	-726.01	16.24	0.00	-68.67	-283.01	0.00	0.00	-706.64
		3-LANES (caseMAX	S2	86.20	0.00	-298.94	86.20	0.00	61.13	97.09	0.00	-384.71	97.09	0.00	0.00	20.82
			TQ	0.00	0.00	0.00	0.00	0.00	0.00	0.00	0.00	0.00	0.00	0.00	0.00	0.00
			M3	-8.76	0.00	109.60	55.62	0.00	193.93	-3.48	0.00	68.92	58.68	0.00	0.00	164.98
			MIN S2	-13.97	0.00	84.55	-13.97	0.00	26.22	-9.76	0.00	62.34	-9.76	0.00	0.00	21.59
			TQ	0.00	0.00	0.00	0.00	0.00	0.00	0.00	0.00	0.00	0.00	0.00	0.00	0.00
			M3	82.08	0.00	-340.81	27.71	0.00	-124.73	94.03	0.00	-409.90	40.89	0.00	0.00	-135.72
		3-LANES (caseMAX	S2	45.20	0.00	-314.91	45.20	0.00	-126.10	63.73	0.00	-491.54	63.73	0.00	0.00	-225.33
			TQ	0.00	0.00	0.00	0.00	0.00	0.00	0.00	0.00	0.00	0.00	0.00	0.00	0.00
			M3	-26.01	0.00	210.80	-6.34	0.00	118.77	-18.52	0.00	114.70	0.61	0.00	0.00	53.61
MIN S2	-28.65		0.00	157.47	-28.65	0.00	37.82	-18.79	0.00	95.71	-18.79	0.00	0.00	17.23		
TQ	0.00		0.00	0.00	0.00	0.00	0.00	0.00	0.00	0.00	0.00	0.00	0.00	0.00		
M3	31.01		0.00	-449.46	23.38	0.00	-331.76	53.95	0.00	-593.51	47.25	0.00	0.00	-375.82		

BAGO RIVER BRIDGE

BLOCK [ No.2 : CROSS BEAM ][ BEAM MEMBER FORCE ]

MEMBER					1001021						1001023						
NODE					1021			2021			1023			2023			
NAME TITLE					SHEAR	TORQUE	MOMENT	SHEAR	TORQUE	MOMENT	SHEAR	TORQUE	MOMENT	SHEAR	TORQUE	MOMENT	
					S2 (kN)	TQ (kN·m)	M3 (kN·m)	S2 (kN)	TQ (kN·m)	M3 (kN·m)	S2 (kN)	TQ (kN·m)	M3 (kN·m)	S2 (kN)	TQ (kN·m)	M3 (kN·m)	
301	LIVE LOAD	4-LANES	MAX	S2	70.57	0.00	-294.49	70.57	0.00	0.27	82.08	0.00	-419.63	82.08	0.00	-76.79	
				TQ	0.00	0.00	0.00	0.00	0.00	0.00	0.00	0.00	0.00	0.00	0.00	0.00	0.00
				M3	-17.20	0.00	164.87	31.77	0.00	182.01	-9.04	0.00	88.29	37.89	0.00	131.64	
			MIN	S2	-22.16	0.00	114.87	-22.16	0.00	22.29	-13.59	0.00	68.74	-13.59	0.00	11.98	
				TQ	0.00	0.00	0.00	0.00	0.00	0.00	0.00	0.00	0.00	0.00	0.00	0.00	
				M3	58.63	0.00	-395.22	17.44	0.00	-245.91	73.19	0.00	-494.52	33.87	0.00	-276.14	
		6-LANES	MAX	S2	152.74	0.00	-277.71	152.74	0.00	360.28	152.08	0.00	-319.66	152.08	0.00	315.59	
				TQ	0.00	0.00	0.00	0.00	0.00	0.00	0.00	0.00	0.00	0.00	0.00	0.00	
				M3	-161.56	0.00	479.98	96.81	0.00	545.25	-168.75	0.00	474.95	93.59	0.00	503.93	
			MIN	S2	-206.20	0.00	408.82	-206.20	0.00	-452.46	-210.64	0.00	425.19	-210.64	0.00	-454.64	
				TQ	0.00	0.00	0.00	0.00	0.00	0.00	0.00	0.00	0.00	0.00	0.00	0.00	
				M3	99.03	0.00	-440.86	-157.82	0.00	-726.54	101.43	0.00	-474.30	-162.92	0.00	-736.04	
		LIVE LOAD	MAX	152.74	0.00	552.62	152.74	0.00	557.87	152.08	0.00	636.34	152.08	0.00	560.10		
			MIN	-328.83	0.00	-449.46	-328.83	0.00	-950.38	-345.28	0.00	-593.51	-345.28	0.00	-940.04		
		303	SUM TOTAL	TOTAL	MAX	48.47	0.00	615.65	48.47	0.00	185.39	24.62	0.00	666.97	24.62	0.00	58.31
MIN	-433.09				0.00	-386.42	-433.09	0.00	-1322.86	-472.74	0.00	-562.88	-472.74	0.00	-1441.84		

BAGO RIVER BRIDGE

BLOCK [ No.2 : CROSS BEAM ][ BEAM MEMBER FORCE ]

MEMBER NODE	1001025 1025	2025			1001027 1027			2027								
		SHEAR	TORQUE	MOMENT	SHEAR	TORQUE	MOMENT	SHEAR	TORQUE	MOMENT						
		S2 (kN)	TQ (kN·m)	M3 (kN·m)	S2 (kN)	TQ (kN·m)	M3 (kN·m)	S2 (kN)	TQ (kN·m)	M3 (kN·m)						
1	PAVEMENT	-18.98	0.00	-24.75	-18.98	0.00	-104.04	-5.60	0.00	-34.65	-5.60	0.00	-58.05			
3	RAILING	-6.08	0.00	-0.15	-6.08	0.00	-25.54	-5.63	0.00	-0.26	-5.63	0.00	-23.79			
5	CURB	-60.16	0.00	-1.52	-60.16	0.00	-252.83	-55.77	0.00	-2.53	-55.77	0.00	-235.48			
7	DECK WEIGHT	-36.59	0.00	-28.17	-36.59	0.00	-181.01	-14.22	0.00	-45.63	-14.22	0.00	-105.02			
8	GIRDER WEIGH	-23.12	0.00	51.66	-23.12	0.00	-44.93	11.64	0.00	15.85	11.64	0.00	64.48			
10	MEDIAN STRIP	27.09	0.00	21.58	27.09	0.00	134.75	34.92	0.00	10.61	34.92	0.00	156.47			
21	ADITIONAL WE	-10.25	0.00	-7.89	-10.25	0.00	-50.68	-3.98	0.00	-12.78	-3.98	0.00	-29.41			
31	MEDIAN RAILI	2.18	0.00	1.63	2.18	0.00	10.75	2.64	0.00	0.95	2.64	0.00	11.98			
51	SUPPORT WEIG	-0.00	0.00	0.00	-0.00	0.00	0.00	0.00	0.00	0.00	0.00	0.00	0.00			
52	NOSE WEIGHT	0.00	0.00	-0.01	0.00	0.00	-0.00	0.00	0.00	-0.00	0.00	0.00	-0.00			
61	1-LANE(case1TRUCK-LOAD	MAX	S2	1.41	0.00	-6.85	1.41	0.00	-0.97	7.80	0.00	-19.72	7.80	0.00	12.86	
			TQ	0.00	0.00	0.00	0.00	0.00	0.00	0.00	0.00	0.00	0.00	0.00	0.00	
			M3	-202.33	0.00	285.62	1.03	0.00	1.47	-200.75	0.00	278.29	7.53	0.00	13.52	
		MIN	S2	-202.33	0.00	285.62	-202.33	0.00	-559.49	-200.99	0.00	277.94	-200.99	0.00	-561.59	
			TQ	0.00	0.00	0.00	0.00	0.00	0.00	0.00	0.00	0.00	0.00	0.00	0.00	
			M3	1.41	0.00	-6.85	-202.28	0.00	-559.59	7.69	0.00	-20.18	-200.99	0.00	-561.59	
		TANDEM-LOAD	MAX	S2	0.96	0.00	-4.67	0.96	0.00	-0.65	5.29	0.00	-13.29	5.29	0.00	8.81
			TQ	0.00	0.00	0.00	0.00	0.00	0.00	0.00	0.00	0.00	0.00	0.00	0.00	
			M3	-153.96	0.00	214.86	0.71	0.00	1.00	-152.96	0.00	209.81	5.08	0.00	9.18	
		MIN	S2	-153.96	0.00	214.86	-153.96	0.00	-428.25	-153.03	0.00	209.71	-153.03	0.00	-429.49	
			TQ	0.00	0.00	0.00	0.00	0.00	0.00	0.00	0.00	0.00	0.00	0.00	0.00	
			M3	0.96	0.00	-4.67	-153.95	0.00	-428.27	5.15	0.00	-13.73	-153.03	0.00	-429.49	
		DISPERSION-LMAX	S2	3.82	0.00	-14.87	3.82	0.00	1.08	13.31	0.00	-32.99	13.31	0.00	22.59	
			TQ	0.00	0.00	0.00	0.00	0.00	0.00	0.00	0.00	0.00	0.00	0.00	0.00	
			M3	-86.50	0.00	139.21	1.81	0.00	2.29	-85.69	0.00	132.62	11.93	0.00	24.77	
MIN	S2	-86.50	0.00	139.21	-86.50	0.00	-222.11	-85.70	0.00	132.30	-85.70	0.00	-225.66			
	TQ	0.00	0.00	0.00	0.00	0.00	0.00	0.00	0.00	0.00	0.00	0.00	0.00			
	M3	3.82	0.00	-14.87	-84.50	0.00	-223.33	13.30	0.00	-33.31	-84.32	0.00	-227.84			



BAGO RIVER BRIDGE

BLOCK [ No.2 : CROSS BEAM ][ BEAM MEMBER FORCE ]

MEMBER				1001025						1001027						
NODE				1025			2025			1027			2027			
NAME TITLE				SHEAR	TORQUE	MOMENT	SHEAR	TORQUE	MOMENT	SHEAR	TORQUE	MOMENT	SHEAR	TORQUE	MOMENT	
				S2 (kN)	TQ (kN·m)	M3 (kN·m)	S2 (kN)	TQ (kN·m)	M3 (kN·m)	S2 (kN)	TQ (kN·m)	M3 (kN·m)	S2 (kN)	TQ (kN·m)	M3 (kN·m)	
62	1-LANE (case2TRUCK-LOAD	MAX	S2	73.86	0.00	23.15	73.86	0.00	331.67	72.88	0.00	22.34	72.88	0.00	326.75	
			TQ	0.00	0.00	0.00	0.00	0.00	0.00	0.00	0.00	0.00	0.00	0.00	0.00	0.00
			M3	3.05	0.00	53.87	73.86	0.00	331.67	3.05	0.00	53.02	72.88	0.00	0.00	326.75
		MIN	S2	-8.67	0.00	39.08	-8.67	0.00	2.85	-9.91	0.00	34.17	-9.91	0.00	0.00	-7.24
			TQ	0.00	0.00	0.00	0.00	0.00	0.00	0.00	0.00	0.00	0.00	0.00	0.00	0.00
			M3	0.56	0.00	-2.34	-0.23	0.00	-0.06	4.49	0.00	-7.06	-9.91	0.00	0.00	-7.24
		TANDEM-LOAD MAX	S2	58.37	0.00	10.63	58.37	0.00	254.44	57.63	0.00	10.09	57.63	0.00	0.00	250.82
			TQ	0.00	0.00	0.00	0.00	0.00	0.00	0.00	0.00	0.00	0.00	0.00	0.00	0.00
			M3	1.75	0.00	39.46	58.37	0.00	254.44	1.74	0.00	38.84	57.63	0.00	0.00	250.82
		MIN	S2	-7.64	0.00	33.30	-7.64	0.00	1.38	-8.68	0.00	30.30	-8.68	0.00	0.00	-5.94
			TQ	0.00	0.00	0.00	0.00	0.00	0.00	0.00	0.00	0.00	0.00	0.00	0.00	0.00
			M3	0.38	0.00	-1.59	-7.56	0.00	-0.31	3.02	0.00	-4.79	-8.68	0.00	0.00	-5.94
		DISPERSION-LMAX	S2	26.12	0.00	17.55	26.12	0.00	126.64	32.36	0.00	6.12	32.36	0.00	0.00	141.27
			TQ	0.00	0.00	0.00	0.00	0.00	0.00	0.00	0.00	0.00	0.00	0.00	0.00	0.00
			M3	17.79	0.00	47.94	22.34	0.00	134.22	16.49	0.00	45.28	29.51	0.00	0.00	148.24
MIN	S2	-4.76	0.00	27.10	-4.76	0.00	7.21	-5.04	0.00	26.37	-5.04	0.00	0.00	5.32		
	TQ	0.00	0.00	0.00	0.00	0.00	0.00	0.00	0.00	0.00	0.00	0.00	0.00	0.00		
	M3	3.57	0.00	-3.29	-0.99	0.00	-0.36	10.82	0.00	-12.79	-2.19	0.00	0.00	-1.65		
63	1-LANE (case3TRUCK-LOAD	MAX	S2	35.04	0.00	-68.82	35.04	0.00	77.52	32.70	0.00	-64.97	32.70	0.00	71.62	
			TQ	0.00	0.00	0.00	0.00	0.00	0.00	0.00	0.00	0.00	0.00	0.00	0.00	
			M3	0.85	0.00	9.52	35.04	0.00	77.52	0.19	0.00	10.57	32.29	0.00	0.00	71.78
		MIN	S2	-1.13	0.00	5.97	-1.13	0.00	1.23	-1.60	0.00	6.80	-1.60	0.00	0.00	0.14
			TQ	0.00	0.00	0.00	0.00	0.00	0.00	0.00	0.00	0.00	0.00	0.00	0.00	0.00
			M3	34.97	0.00	-69.14	-0.49	0.00	-1.19	32.32	0.00	-65.03	-1.00	0.00	0.00	-1.18

BAGO RIVER BRIDGE

BLOCK [ No.2 : CROSS BEAM ][ BEAM MEMBER FORCE ]

MEMBER NODE	1001025 1025	2025			1001027 1027			2027							
		SHEAR	TORQUE	MOMENT	SHEAR	TORQUE	MOMENT	SHEAR	TORQUE	MOMENT					
		S2 (kN)	TQ (kN·m)	M3 (kN·m)	S2 (kN)	TQ (kN·m)	M3 (kN·m)	S2 (kN)	TQ (kN·m)	M3 (kN·m)					
63	1-LANE (case3TANDEM-LOAD	MAX	S2	25.20	0.00	-52.55	25.20	0.00	52.69	23.55	0.00	-49.83	23.55	0.00	48.52
			TQ	0.00	0.00	0.00	0.00	0.00	0.00	0.00	0.00	0.00	0.00	0.00	0.00
			M3	0.55	0.00	7.23	25.20	0.00	52.69	0.08	0.00	7.94	20.87	0.00	49.15
		MIN	S2	-0.90	0.00	5.36	-0.90	0.00	1.61	-1.23	0.00	5.93	-1.23	0.00	0.79
			TQ	0.00	0.00	0.00	0.00	0.00	0.00	0.00	0.00	0.00	0.00	0.00	0.00
			M3	25.18	0.00	-52.64	-0.40	0.00	-1.03	23.44	0.00	-49.84	-0.58	0.00	-0.85
	DISPERSION-LMAX		S2	19.02	0.00	-24.06	19.02	0.00	55.41	21.50	0.00	-18.00	21.50	0.00	71.81
			TQ	0.00	0.00	0.00	0.00	0.00	0.00	0.00	0.00	0.00	0.00	0.00	0.00
			M3	0.73	0.00	13.93	18.29	0.00	62.32	4.84	0.00	10.87	21.16	0.00	72.99
		MIN	S2	-0.96	0.00	10.55	-0.96	0.00	6.54	-0.72	0.00	3.69	-0.72	0.00	0.70
			TQ	0.00	0.00	0.00	0.00	0.00	0.00	0.00	0.00	0.00	0.00	0.00	0.00
			M3	17.33	0.00	-27.43	-0.23	0.00	-0.38	15.95	0.00	-25.18	-0.38	0.00	-0.48
64	1-LANE (case4TRUCK-LOAD	MAX	S2	10.34	0.00	-92.28	10.34	0.00	-49.09	7.77	0.00	-84.33	7.77	0.00	-51.89
			TQ	0.00	0.00	0.00	0.00	0.00	0.00	0.00	0.00	0.00	0.00	0.00	0.00
			M3	-1.87	0.00	10.25	-1.03	0.00	4.21	-1.27	0.00	16.62	-0.01	0.00	13.69
		MIN	S2	-1.87	0.00	10.22	-1.87	0.00	2.42	-2.40	0.00	-155.84	-2.40	0.00	-165.86
			TQ	0.00	0.00	0.00	0.00	0.00	0.00	0.00	0.00	0.00	0.00	0.00	0.00
			M3	1.73	0.00	-168.71	1.73	0.00	-161.48	-2.40	0.00	-155.84	-2.40	0.00	-165.86
	TANDEM-LOAD	MAX	S2	7.17	0.00	-55.29	7.17	0.00	-25.34	5.53	0.00	-52.56	5.53	0.00	-29.45
			TQ	0.00	0.00	0.00	0.00	0.00	0.00	0.00	0.00	0.00	0.00	0.00	0.00
			M3	-1.27	0.00	6.96	-0.71	0.00	2.86	-0.83	0.00	11.30	0.03	0.00	9.29
		MIN	S2	-1.27	0.00	6.96	-1.27	0.00	1.64	-2.30	0.00	-106.75	-2.30	0.00	-116.35
			TQ	0.00	0.00	0.00	0.00	0.00	0.00	0.00	0.00	0.00	0.00	0.00	0.00
			M3	0.59	0.00	-115.75	0.59	0.00	-113.30	-2.30	0.00	-106.75	-2.30	0.00	-116.35

BAGO RIVER BRIDGE

BLOCK [ No.2 : CROSS BEAM ][ BEAM MEMBER FORCE ]

MEMBER NODE	1001025 1025	2025			1001027 1027			2027							
		SHEAR	TORQUE	MOMENT	SHEAR	TORQUE	MOMENT	SHEAR	TORQUE	MOMENT					
		S2 (kN)	TQ (kN·m)	M3 (kN·m)	S2 (kN)	TQ (kN·m)	M3 (kN·m)	S2 (kN)	TQ (kN·m)	M3 (kN·m)					
64	1-LANE (case4DISPERSION-LMAX	S2	10.52	0.00	-142.85	10.52	0.00	-98.92	6.64	0.00	-85.59	6.64	0.00	-57.84	
		TQ	0.00	0.00	0.00	0.00	0.00	0.00	0.00	0.00	0.00	0.00	0.00	0.00	
		M3	-3.96	0.00	26.67	-3.96	0.00	10.14	-0.66	0.00	27.73	-0.66	0.00	24.99	
	MIN	S2	-4.06	0.00	14.12	-4.06	0.00	-2.83	-1.95	0.00	-21.79	-1.95	0.00	-29.93	
		TQ	0.00	0.00	0.00	0.00	0.00	0.00	0.00	0.00	0.00	0.00	0.00	0.00	
		M3	10.42	0.00	-155.41	10.42	0.00	-111.89	5.35	0.00	-135.12	5.35	0.00	-112.77	
65	2-LANES (caseTRUCK-LOAD	MAX	S2	2.39	0.00	-11.43	2.39	0.00	-1.44	14.09	0.00	-32.76	14.09	0.00	26.09
		TQ	0.00	0.00	0.00	0.00	0.00	0.00	0.00	0.00	0.00	0.00	0.00	0.00	
		M3	-239.81	0.00	428.70	1.79	0.00	3.39	-238.02	0.00	417.37	13.70	0.00	27.06	
	MIN	S2	-239.81	0.00	428.70	-239.81	0.00	-572.99	-238.71	0.00	416.81	-238.71	0.00	-580.26	
		TQ	0.00	0.00	0.00	0.00	0.00	0.00	0.00	0.00	0.00	0.00	0.00	0.00	
		M3	2.39	0.00	-11.44	-239.23	0.00	-573.33	13.75	0.00	-33.81	-229.12	0.00	-583.77	
	TANDEM-LOAD	MAX	S2	1.63	0.00	-7.78	1.63	0.00	-0.96	9.56	0.00	-22.20	9.56	0.00	17.75
		TQ	0.00	0.00	0.00	0.00	0.00	0.00	0.00	0.00	0.00	0.00	0.00	0.00	
		M3	-180.85	0.00	317.91	-1.29	0.00	2.46	-179.76	0.00	310.09	9.24	0.00	18.37	
	MIN	S2	-180.85	0.00	317.91	-180.85	0.00	-437.50	-179.95	0.00	309.94	-179.95	0.00	-441.72	
		TQ	0.00	0.00	0.00	0.00	0.00	0.00	0.00	0.00	0.00	0.00	0.00	0.00	
		M3	1.63	0.00	-7.79	-177.73	0.00	-437.64	9.24	0.00	-23.01	-170.77	0.00	-445.29	
	DISPERSION-LMAX	S2	8.23	0.00	-14.84	8.23	0.00	19.54	25.86	0.00	-47.92	25.86	0.00	60.09	
		TQ	0.00	0.00	0.00	0.00	0.00	0.00	0.00	0.00	0.00	0.00	0.00	0.00	
		M3	-110.69	0.00	232.10	0.90	0.00	28.80	-109.98	0.00	221.27	20.69	0.00	70.70	
	MIN	S2	-112.45	0.00	223.54	-112.45	0.00	-246.15	-111.68	0.00	212.88	-111.68	0.00	-253.62	
		TQ	0.00	0.00	0.00	0.00	0.00	0.00	0.00	0.00	0.00	0.00	0.00	0.00	
		M3	6.48	0.00	-23.41	-105.12	0.00	-255.41	24.15	0.00	-56.31	-106.52	0.00	-264.22	

BAGO RIVER BRIDGE

BLOCK [ No.2 : CROSS BEAM ][ BEAM MEMBER FORCE ]

MEMBER				1001025						1001027							
NODE				1025			2025			1027			2027				
NAME TITLE				SHEAR	TORQUE	MOMENT	SHEAR	TORQUE	MOMENT	SHEAR	TORQUE	MOMENT	SHEAR	TORQUE	MOMENT		
				S2 (kN)	TQ (kN·m)	M3 (kN·m)	S2 (kN)	TQ (kN·m)	M3 (kN·m)	S2 (kN)	TQ (kN·m)	M3 (kN·m)	S2 (kN)	TQ (kN·m)	M3 (kN·m)		
66	2-LANES (caseTRUCK-LOAD	MAX	S2	74.85	0.00	18.57	74.85	0.00	331.20	79.17	0.00	9.31	79.17	0.00	339.98		
			TQ	0.00	0.00	0.00	0.00	0.00	0.00	0.00	0.00	0.00	0.00	0.00	0.00	0.00	
			M3	-34.43	0.00	196.94	74.62	0.00	333.58	-34.23	0.00	192.09	79.04	0.00	0.00	0.00	340.30
		MIN	S2	-46.16	0.00	182.15	-46.16	0.00	-10.64	-47.63	0.00	173.04	-47.63	0.00	0.00	0.00	-25.91
			TQ	0.00	0.00	0.00	0.00	0.00	0.00	0.00	0.00	0.00	0.00	0.00	0.00	0.00	0.00
			M3	1.54	0.00	-6.93	-37.18	0.00	-13.80	10.55	0.00	-20.69	-38.04	0.00	0.00	0.00	-29.42
		TANDEM-LOAD MAX	S2	59.04	0.00	7.52	59.04	0.00	254.13	61.90	0.00	1.18	61.90	0.00	0.00	0.00	259.76
			TQ	0.00	0.00	0.00	0.00	0.00	0.00	0.00	0.00	0.00	0.00	0.00	0.00	0.00	0.00
			M3	-25.13	0.00	142.51	56.37	0.00	255.89	-25.06	0.00	139.12	61.79	0.00	0.00	0.00	260.02
		MIN	S2	-34.53	0.00	136.35	-34.53	0.00	-7.88	-35.60	0.00	130.52	-35.60	0.00	0.00	0.00	-18.17
			TQ	0.00	0.00	0.00	0.00	0.00	0.00	0.00	0.00	0.00	0.00	0.00	0.00	0.00	0.00
			M3	1.04	0.00	-4.72	-31.35	0.00	-9.67	7.11	0.00	-14.07	-26.42	0.00	0.00	0.00	-21.73
		DISPERSION-LMAX	S2	30.53	0.00	17.57	30.53	0.00	145.11	44.91	0.00	-8.81	44.91	0.00	0.00	0.00	178.77
			TQ	0.00	0.00	0.00	0.00	0.00	0.00	0.00	0.00	0.00	0.00	0.00	0.00	0.00	0.00
			M3	-6.40	0.00	140.83	21.44	0.00	160.72	-7.80	0.00	133.93	38.27	0.00	0.00	0.00	194.18
MIN	S2	-30.71	0.00	111.43	-30.71	0.00	-16.83	-31.02	0.00	106.96	-31.02	0.00	0.00	0.00	-22.63		
	TQ	0.00	0.00	0.00	0.00	0.00	0.00	0.00	0.00	0.00	0.00	0.00	0.00	0.00	0.00		
	M3	6.23	0.00	-11.83	-21.61	0.00	-32.44	21.68	0.00	-35.79	-24.38	0.00	0.00	0.00	-38.03		
67	2-LANES (caseTRUCK-LOAD	MAX	S2	55.54	0.00	-174.15	55.54	0.00	57.84	50.16	0.00	-163.83	50.16	0.00	45.67		
			TQ	0.00	0.00	0.00	0.00	0.00	0.00	0.00	0.00	0.00	0.00	0.00	0.00	0.00	
			M3	0.20	0.00	15.79	49.77	0.00	95.52	0.51	0.00	20.38	33.65	0.00	0.00	85.44	
		MIN	S2	-1.81	0.00	12.04	-1.81	0.00	4.50	-1.83	0.00	12.74	-1.83	0.00	0.00	5.11	
			TQ	0.00	0.00	0.00	0.00	0.00	0.00	0.00	0.00	0.00	0.00	0.00	0.00	0.00	
			M3	55.35	0.00	-176.30	19.88	0.00	-23.23	49.68	0.00	-165.42	16.02	0.00	0.00	-30.13	

BAGO RIVER BRIDGE

BLOCK [ No.2 : CROSS BEAM ][ BEAM MEMBER FORCE ]

MEMBER NODE	1001025 1025	2025			1001027 1027			2027							
		SHEAR	TORQUE	MOMENT	SHEAR	TORQUE	MOMENT	SHEAR	TORQUE	MOMENT					
		S2 (kN)	TQ (kN·m)	M3 (kN·m)	S2 (kN)	TQ (kN·m)	M3 (kN·m)	S2 (kN)	TQ (kN·m)	M3 (kN·m)					
67	2-LANES (caseTANDEM-LOAD	MAX	S2	39.18	0.00	-119.83	39.18	0.00	43.82	35.61	0.00	-113.10	35.61	0.00	35.65
			TQ	0.00	0.00	0.00	0.00	0.00	0.00	0.00	0.00	0.00	0.00	0.00	0.00
			M3	0.11	0.00	11.49	33.91	0.00	65.78	0.34	0.00	14.63	28.38	0.00	59.29
		MIN	S2	-1.35	0.00	9.53	-1.35	0.00	3.88	-1.42	0.00	10.44	-1.42	0.00	4.53
			TQ	0.00	0.00	0.00	0.00	0.00	0.00	0.00	0.00	0.00	0.00	0.00	0.00
			M3	38.92	0.00	-130.00	13.34	0.00	-21.01	35.04	0.00	-122.50	10.92	0.00	-25.37
	DISPERSION-LMAX		S2	35.06	0.00	-90.35	35.06	0.00	56.10	36.49	0.00	-64.20	36.49	0.00	88.22
			TQ	0.00	0.00	0.00	0.00	0.00	0.00	0.00	0.00	0.00	0.00	0.00	0.00
			M3	-0.99	0.00	29.00	25.10	0.00	79.93	6.80	0.00	26.47	28.76	0.00	103.56
		MIN	S2	-2.70	0.00	25.57	-2.70	0.00	14.30	-0.94	0.00	6.47	-0.94	0.00	2.54
			TQ	0.00	0.00	0.00	0.00	0.00	0.00	0.00	0.00	0.00	0.00	0.00	0.00
			M3	33.35	0.00	-93.79	7.26	0.00	-9.53	28.75	0.00	-84.19	6.79	0.00	-12.79
68	2-LANES (caseTRUCK-LOAD	MAX	S2	22.61	0.00	-205.33	22.61	0.00	-110.89	17.12	0.00	-173.60	17.12	0.00	-102.07
			TQ	0.00	0.00	0.00	0.00	0.00	0.00	0.00	0.00	0.00	0.00	0.00	0.00
			M3	-3.22	0.00	17.87	-1.62	0.00	7.88	-0.95	0.00	26.44	1.36	0.00	27.35
		MIN	S2	-3.22	0.00	17.85	-3.22	0.00	4.40	-2.84	0.00	-148.94	-2.84	0.00	-160.79
			TQ	0.00	0.00	0.00	0.00	0.00	0.00	0.00	0.00	0.00	0.00	0.00	0.00
			M3	12.41	0.00	-307.89	12.41	0.00	-256.04	4.85	0.00	-284.66	4.85	0.00	-264.41
	TANDEM-LOAD	MAX	S2	15.86	0.00	-128.61	15.86	0.00	-62.35	12.22	0.00	-116.66	12.22	0.00	-65.61
			TQ	0.00	0.00	0.00	0.00	0.00	0.00	0.00	0.00	0.00	0.00	0.00	0.00
			M3	-2.19	0.00	12.15	-1.10	0.00	5.35	-0.57	0.00	17.98	0.98	0.00	18.56
		MIN	S2	-2.19	0.00	12.15	-2.19	0.00	2.99	-2.62	0.00	-101.61	-2.62	0.00	-112.55
			TQ	0.00	0.00	0.00	0.00	0.00	0.00	0.00	0.00	0.00	0.00	0.00	0.00
			M3	7.48	0.00	-213.07	7.48	0.00	-181.81	2.18	0.00	-196.89	2.18	0.00	-187.78

BAGO RIVER BRIDGE

BLOCK [ No.2 : CROSS BEAM ][ BEAM MEMBER FORCE ]

MEMBER		1001025						1001027						
NODE		1025			2025			1027			2027			
		SHEAR	TORQUE	MOMENT	SHEAR	TORQUE	MOMENT	SHEAR	TORQUE	MOMENT	SHEAR	TORQUE	MOMENT	
NAME	TITLE	S2 (kN)	TQ (kN·m)	M3 (kN·m)	S2 (kN)	TQ (kN·m)	M3 (kN·m)	S2 (kN)	TQ (kN·m)	M3 (kN·m)	S2 (kN)	TQ (kN·m)	M3 (kN·m)	
68	2-LANES (caseDISPERSION-LMAX	S2	23.48	0.00	-254.10	23.48	0.00	-156.02	17.79	0.00	-169.74	17.79	0.00	-95.44
		TQ	0.00	0.00	0.00	0.00	0.00	0.00	0.00	0.00	0.00	0.00	0.00	0.00
		M3	-6.60	0.00	46.42	-6.60	0.00	18.86	1.22	0.00	44.31	1.22	0.00	49.42
		MIN S2	-6.70	0.00	33.86	-6.70	0.00	5.88	-2.16	0.00	-17.08	-2.16	0.00	-26.12
		TQ	0.00	0.00	0.00	0.00	0.00	0.00	0.00	0.00	0.00	0.00	0.00	0.00
		M3	23.38	0.00	-266.66	23.38	0.00	-168.99	14.40	0.00	-231.13	14.40	0.00	-170.98
69	3-LANES (caseTRUCK-LOAD	MAX S2	76.25	0.00	11.72	76.25	0.00	330.23	86.96	0.00	-10.41	86.96	0.00	352.84
		TQ	0.00	0.00	0.00	0.00	0.00	0.00	0.00	0.00	0.00	0.00	0.00	0.00
		M3	-236.76	0.00	482.57	75.65	0.00	335.05	-234.98	0.00	470.39	86.58	0.00	353.81
		MIN S2	-248.48	0.00	467.78	-248.48	0.00	-570.14	-248.62	0.00	450.98	-248.62	0.00	-587.50
		TQ	0.00	0.00	0.00	0.00	0.00	0.00	0.00	0.00	0.00	0.00	0.00	0.00
		M3	2.95	0.00	-13.78	-239.46	0.00	-573.39	18.25	0.00	-40.87	-239.03	0.00	-591.01
		TANDEM-LOAD MAX S2	60.00	0.00	2.85	60.00	0.00	253.48	67.20	0.00	-12.11	67.20	0.00	268.57
		TQ	0.00	0.00	0.00	0.00	0.00	0.00	0.00	0.00	0.00	0.00	0.00	0.00
		M3	-179.10	0.00	357.37	57.08	0.00	256.90	-178.02	0.00	348.93	66.87	0.00	269.20
		MIN S2	-188.49	0.00	351.21	-188.49	0.00	-436.12	-188.63	0.00	340.24	-188.63	0.00	-447.65
		TQ	0.00	0.00	0.00	0.00	0.00	0.00	0.00	0.00	0.00	0.00	0.00	0.00
		M3	2.01	0.00	-9.39	-185.30	0.00	-437.95	12.26	0.00	-27.80	-179.45	0.00	-451.22
DISPERSION-LMAX S2	34.35	0.00	2.70	34.35	0.00	146.19	58.22	0.00	-41.80	58.22	0.00	201.36		
TQ	0.00	0.00	0.00	0.00	0.00	0.00	0.00	0.00	0.00	0.00	0.00	0.00		
M3	-92.90	0.00	280.04	23.25	0.00	163.02	-93.48	0.00	266.55	50.20	0.00	218.94		
MIN S2	-117.21	0.00	250.64	-117.21	0.00	-238.94	-116.72	0.00	239.25	-116.72	0.00	-248.29		
TQ	0.00	0.00	0.00	0.00	0.00	0.00	0.00	0.00	0.00	0.00	0.00	0.00		
M3	10.04	0.00	-26.70	-106.11	0.00	-255.77	34.98	0.00	-69.10	-108.71	0.00	-265.87		

BAGO RIVER BRIDGE

BLOCK [ No.2 : CROSS BEAM ][ BEAM MEMBER FORCE ]

MEMBER				1001025			1001027										
NODE				1025			2025			1027			2027				
NAME TITLE				SHEAR	TORQUE	MOMENT	SHEAR	TORQUE	MOMENT	SHEAR	TORQUE	MOMENT	SHEAR	TORQUE	MOMENT		
				S2 (kN)	TQ (kN·m)	M3 (kN·m)	S2 (kN)	TQ (kN·m)	M3 (kN·m)	S2 (kN)	TQ (kN·m)	M3 (kN·m)	S2 (kN)	TQ (kN·m)	M3 (kN·m)		
70	3-LANES (case	TRUCK-LOAD	MAX	S2	68.37	0.00	-283.65	68.37	0.00	1.92	59.89	0.00	-249.83	59.89	0.00	0.33	
				TQ	0.00	0.00	0.00	0.00	0.00	0.00	0.00	0.00	0.00	0.00	0.00	0.00	0.00
				M3	-0.91	0.00	24.54	48.74	0.00	99.73	-0.76	0.00	37.00	33.65	0.00	99.13	
			MIN	S2	-2.95	0.00	18.60	-2.95	0.00	6.28	-3.46	0.00	27.52	-3.46	0.00	13.07	
				TQ	0.00	0.00	0.00	0.00	0.00	0.00	0.00	0.00	0.00	0.00	0.00	0.00	
				M3	66.78	0.00	-312.99	31.32	0.00	-112.17	57.41	0.00	-292.86	23.40	0.00	-125.87	
			TANDEM-LOAD	MAX	S2	48.24	0.00	-190.57	48.24	0.00	10.92	42.61	0.00	-174.95	42.61	0.00	3.05
					TQ	0.00	0.00	0.00	0.00	0.00	0.00	0.00	0.00	0.00	0.00	0.00	0.00
					M3	-0.65	0.00	17.43	33.21	0.00	68.64	-0.49	0.00	25.93	28.41	0.00	68.58
			MIN	S2	-2.13	0.00	13.98	-2.13	0.00	5.07	-2.54	0.00	20.84	-2.54	0.00	10.23	
				TQ	0.00	0.00	0.00	0.00	0.00	0.00	0.00	0.00	0.00	0.00	0.00	0.00	
				M3	46.34	0.00	-225.77	20.77	0.00	-85.77	39.86	0.00	-211.78	15.64	0.00	-94.67	
			DISPERSION-LMAX	MAX	S2	48.53	0.00	-200.88	48.53	0.00	1.85	46.11	0.00	-151.28	46.11	0.00	41.33
					TQ	0.00	0.00	0.00	0.00	0.00	0.00	0.00	0.00	0.00	0.00	0.00	0.00
					M3	-4.03	0.00	50.98	22.06	0.00	89.21	6.26	0.00	53.14	28.22	0.00	127.98
MIN	S2	-5.74	0.00	47.55	-5.74	0.00	23.59	-2.02	0.00	22.16	-2.02	0.00	13.73				
	TQ	0.00	0.00	0.00	0.00	0.00	0.00	0.00	0.00	0.00	0.00	0.00	0.00				
	M3	46.83	0.00	-204.31	20.74	0.00	-63.78	37.84	0.00	-182.27	15.88	0.00	-72.92				
71	3-LANES (case	TRUCK-LOAD	MAX	S2	42.35	0.00	-313.25	42.35	0.00	-136.34	34.16	0.00	-271.73	34.16	0.00	-129.03	
				TQ	0.00	0.00	0.00	0.00	0.00	0.00	0.00	0.00	0.00	0.00	0.00		
				M3	-4.06	0.00	22.93	11.84	0.00	21.75	0.96	0.00	29.47	13.08	0.00	45.00	
			MIN	S2	-4.07	0.00	22.90	-4.07	0.00	5.92	-3.08	0.00	-148.67	-3.08	0.00	-161.53	
				TQ	0.00	0.00	0.00	0.00	0.00	0.00	0.00	0.00	0.00	0.00	0.00	0.00	
				M3	32.04	0.00	-417.53	32.04	0.00	-283.70	21.74	0.00	-386.43	21.74	0.00	-295.64	

BAGO RIVER BRIDGE

BLOCK [ No.2 : CROSS BEAM ][ BEAM MEMBER FORCE ]

MEMBER NODE	1001025 1025	2025			1001027 1027			2027								
		SHEAR	TORQUE	MOMENT	SHEAR	TORQUE	MOMENT	SHEAR	TORQUE	MOMENT						
		S2 (kN)	TQ (kN·m)	M3 (kN·m)	S2 (kN)	TQ (kN·m)	M3 (kN·m)	S2 (kN)	TQ (kN·m)	M3 (kN·m)						
71	3-LANES (case)	TANDEM-LOAD	MAX	S2	29.34	0.00	-197.79	29.34	0.00	-75.23	23.95	0.00	-178.21	23.95	0.00	-78.17
				TQ	0.00	0.00	0.00	0.00	0.00	0.00	0.00	0.00	0.00	0.00	0.00	0.00
				M3	-2.77	0.00	15.59	7.31	0.00	16.51	0.77	0.00	20.06	7.62	0.00	31.71
			MIN	S2	-2.77	0.00	15.59	-2.77	0.00	4.03	-2.97	0.00	-101.36	-2.97	0.00	-113.78
				TQ	0.00	0.00	0.00	0.00	0.00	0.00	0.00	0.00	0.00	0.00	0.00	0.00
				M3	20.69	0.00	-291.97	20.69	0.00	-205.54	13.44	0.00	-270.41	13.44	0.00	-214.28
		DISPERSION-L	MAX	S2	39.05	0.00	-320.78	39.05	0.00	-157.66	35.05	0.00	-221.93	35.05	0.00	-75.51
				TQ	0.00	0.00	0.00	0.00	0.00	0.00	0.00	0.00	0.00	0.00	0.00	0.00
				M3	-7.94	0.00	59.30	-0.49	0.00	34.66	5.24	0.00	50.14	11.68	0.00	81.65
			MIN	S2	-8.07	0.00	46.28	-8.07	0.00	12.56	-2.29	0.00	-16.34	-2.29	0.00	-25.90
				TQ	0.00	0.00	0.00	0.00	0.00	0.00	0.00	0.00	0.00	0.00	0.00	0.00
				M3	38.92	0.00	-333.81	31.47	0.00	-179.76	27.53	0.00	-288.40	21.08	0.00	-183.06
72	4-LANES	TRUCK-LOAD	MAX	S2	77.85	0.00	-379.12	77.85	0.00	-53.94	65.48	0.00	-326.90	65.48	0.00	-53.39
				TQ	0.00	0.00	0.00	0.00	0.00	0.00	0.00	0.00	0.00	0.00	0.00	0.00
				M3	-2.93	0.00	30.93	45.94	0.00	96.67	0.10	0.00	13.94	42.98	0.00	84.67
			MIN	S2	-4.94	0.00	27.49	-4.94	0.00	6.87	-3.94	0.00	-134.51	-3.94	0.00	-150.95
				TQ	0.00	0.00	0.00	0.00	0.00	0.00	0.00	0.00	0.00	0.00	0.00	0.00
				M3	67.66	0.00	-484.35	32.30	0.00	-277.69	52.53	0.00	-435.22	20.30	0.00	-283.45
		TANDEM-LOAD	MAX	S2	54.80	0.00	-248.18	54.80	0.00	-19.28	47.65	0.00	-229.46	47.65	0.00	-30.41
				TQ	0.00	0.00	0.00	0.00	0.00	0.00	0.00	0.00	0.00	0.00	0.00	0.00
				M3	-2.02	0.00	21.78	28.71	0.00	66.56	0.03	0.00	10.23	28.16	0.00	59.19
			MIN	S2	-3.48	0.00	19.99	-3.48	0.00	5.44	-3.58	0.00	-102.20	-3.58	0.00	-117.14
				TQ	0.00	0.00	0.00	0.00	0.00	0.00	0.00	0.00	0.00	0.00	0.00	0.00
				M3	46.30	0.00	-343.18	20.98	0.00	-201.59	37.27	0.00	-319.44	13.24	0.00	-212.58



BAGO RIVER BRIDGE

BLOCK [ No.2 : CROSS BEAM ][ BEAM MEMBER FORCE ]

MEMBER			1001025						1001027								
NODE			1025			2025			1027			2027					
			SHEAR	TORQUE	MOMENT	SHEAR	TORQUE	MOMENT	SHEAR	TORQUE	MOMENT	SHEAR	TORQUE	MOMENT			
NAME	TITLE		S2 (kN)	TQ (kN·m)	M3 (kN·m)	S2 (kN)	TQ (kN·m)	M3 (kN·m)	S2 (kN)	TQ (kN·m)	M3 (kN·m)	S2 (kN)	TQ (kN·m)	M3 (kN·m)			
72	4-LANES	DISPERSION-LMAX	S2	45.55	0.00	-270.71	45.55	0.00	-80.45	24.64	0.00	-150.03	24.64	0.00	-47.12		
			TQ	0.00	0.00	0.00	0.00	0.00	0.00	0.00	0.00	0.00	0.00	0.00	0.00	0.00	
			M3	-4.17	0.00	31.95	17.83	0.00	60.91	0.29	0.00	9.03	11.64	0.00	0.00	35.05	
		MIN	S2	-5.24	0.00	17.60	-5.24	0.00	-4.27	-1.14	0.00	-13.43	-1.14	0.00	0.00	-18.20	
			TQ	0.00	0.00	0.00	0.00	0.00	0.00	0.00	0.00	0.00	0.00	0.00	0.00	0.00	
			M3	44.11	0.00	-285.84	22.53	0.00	-146.63	23.06	0.00	-172.78	11.87	0.00	0.00	-100.78	
		73	6-LANES	TRUCK-LOAD MAX	S2	149.41	0.00	-236.97	149.41	0.00	387.12	146.44	0.00	-222.01	146.44	0.00	389.67
					TQ	0.00	0.00	0.00	0.00	0.00	0.00	0.00	0.00	0.00	0.00	0.00	0.00
					M3	-165.00	0.00	412.69	113.13	0.00	515.01	-170.88	0.00	417.35	122.67	0.00	0.00
MIN	S2			-211.59	0.00	381.52	-211.59	0.00	-502.31	-215.04	0.00	207.74	-215.04	0.00	0.00	-690.48	
	TQ			0.00	0.00	0.00	0.00	0.00	0.00	0.00	0.00	0.00	0.00	0.00	0.00	0.00	
	M3			102.29	0.00	-417.80	-187.08	0.00	-759.11	105.36	0.00	-404.17	-198.05	0.00	0.00	-781.19	
TANDEM-LOAD MAX	S2			112.89	0.00	-168.35	112.89	0.00	303.19	110.97	0.00	-149.75	110.97	0.00	0.00	313.76	
	TQ			0.00	0.00	0.00	0.00	0.00	0.00	0.00	0.00	0.00	0.00	0.00	0.00	0.00	
	M3			-125.96	0.00	302.03	89.03	0.00	392.07	-139.63	0.00	305.80	93.22	0.00	0.00	406.17	
MIN	S2	-161.18	0.00	280.64	-161.18	0.00	-392.59	-164.10	0.00	162.62	-164.10	0.00	0.00	-522.84			
	TQ	0.00	0.00	0.00	0.00	0.00	0.00	0.00	0.00	0.00	0.00	0.00	0.00	0.00			
	M3	74.10	0.00	-299.30	-145.84	0.00	-571.35	76.18	0.00	-289.88	-154.60	0.00	0.00	-587.62			
DISPERSION-LMAX	S2	84.20	0.00	-276.46	84.20	0.00	75.24	101.85	0.00	-234.90	101.85	0.00	0.00	190.54			
	TQ	0.00	0.00	0.00	0.00	0.00	0.00	0.00	0.00	0.00	0.00	0.00	0.00	0.00			
	M3	-92.41	0.00	300.11	40.87	0.00	249.97	-81.67	0.00	282.95	74.23	0.00	0.00	335.94			
MIN	S2	-111.62	0.00	259.97	-111.62	0.00	-206.26	-106.91	0.00	193.34	-106.91	0.00	0.00	-253.23			
	TQ	0.00	0.00	0.00	0.00	0.00	0.00	0.00	0.00	0.00	0.00	0.00	0.00	0.00			
	M3	55.00	0.00	-329.83	-68.38	0.00	-389.39	66.75	0.00	-329.86	-79.91	0.00	0.00	-402.44			

BAGO RIVER BRIDGE

BLOCK [ No.2 : CROSS BEAM ][ BEAM MEMBER FORCE ]

MEMBER			1001025						1001027						
NODE			1025			2025			1027			2027			
NAME TITLE			SHEAR	TORQUE	MOMENT	SHEAR	TORQUE	MOMENT	SHEAR	TORQUE	MOMENT	SHEAR	TORQUE	MOMENT	
			S2 (kN)	TQ (kN·m)	M3 (kN·m)	S2 (kN)	TQ (kN·m)	M3 (kN·m)	S2 (kN)	TQ (kN·m)	M3 (kN·m)	S2 (kN)	TQ (kN·m)	M3 (kN·m)	
124	SUM TOTAL	D+1LANE (caseMAX	S2	-119.63	0.00	-13.69	-119.63	0.00	-513.40	-10.68	0.00	-131.69	-10.68	0.00	-176.28
			TQ	-125.91	0.00	12.38	-125.91	0.00	-513.53	-36.00	0.00	-68.44	-36.00	0.00	-218.82
			M3	-472.50	0.00	522.18	-122.50	0.00	-509.01	-379.72	0.00	424.65	-12.64	0.00	-172.88
		MIN	S2	-472.50	0.00	522.18	-472.50	0.00	-1451.45	-380.03	0.00	423.85	-380.03	0.00	-1163.52
			TQ	-125.91	0.00	12.38	-125.91	0.00	-513.53	-36.00	0.00	-68.44	-36.00	0.00	-218.82
			M3	-119.63	0.00	-13.69	-470.04	0.00	-1453.03	-10.81	0.00	-132.63	-378.38	0.00	-1166.14
		D+1LANE (caseMAX	S2	-5.93	0.00	61.22	-5.93	0.00	36.44	90.28	0.00	-34.29	90.28	0.00	342.80
			TQ	-125.91	0.00	12.38	-125.91	0.00	-513.53	-36.00	0.00	-68.44	-36.00	0.00	-218.82
			M3	-100.89	0.00	134.55	-10.46	0.00	45.53	-12.55	0.00	49.52	86.86	0.00	351.17
		MIN	S2	-142.03	0.00	91.80	-142.03	0.00	-501.45	-53.94	0.00	4.21	-53.94	0.00	-221.12
			TQ	-125.91	0.00	12.38	-125.91	0.00	-513.53	-36.00	0.00	-68.44	-36.00	0.00	-218.82
			M3	-120.96	0.00	5.62	-127.36	0.00	-514.03	-17.62	0.00	-92.26	-50.53	0.00	-229.48
		D+1LANE (caseMAX	S2	-61.03	0.00	-99.07	-61.03	0.00	-354.01	29.04	0.00	-168.01	29.04	0.00	-46.71
			TQ	-125.91	0.00	12.38	-125.91	0.00	-513.53	-36.00	0.00	-68.44	-36.00	0.00	-218.82
			M3	-124.02	0.00	40.52	-61.91	0.00	-345.71	-29.97	0.00	-42.71	28.13	0.00	-45.10
		MIN	S2	-128.42	0.00	32.21	-128.42	0.00	-504.21	-38.78	0.00	-55.85	-38.78	0.00	-217.82
			TQ	-125.91	0.00	12.38	-125.91	0.00	-513.53	-36.00	0.00	-68.44	-36.00	0.00	-218.82
			M3	-63.14	0.00	-103.50	-126.77	0.00	-515.41	21.92	0.00	-176.69	-37.65	0.00	-220.82
		D+1LANE (caseMAX	S2	-100.88	0.00	-269.78	-100.88	0.00	-691.14	-18.71	0.00	-272.35	-18.71	0.00	-350.50
			TQ	-125.91	0.00	12.38	-125.91	0.00	-513.53	-36.00	0.00	-68.44	-36.00	0.00	-218.82
			M3	-132.89	0.00	56.68	-131.89	0.00	-496.30	-38.32	0.00	-15.22	-36.79	0.00	-172.40
		MIN	S2	-133.02	0.00	41.59	-133.02	0.00	-514.02	-41.22	0.00	-281.60	-41.22	0.00	-453.77
			TQ	-125.91	0.00	12.38	-125.91	0.00	-513.53	-36.00	0.00	-68.44	-36.00	0.00	-218.82
			M3	-111.32	0.00	-376.57	-111.32	0.00	-841.57	-32.46	0.00	-417.59	-32.46	0.00	-553.18

BAGO RIVER BRIDGE

BLOCK [ No.2 : CROSS BEAM ][ BEAM MEMBER FORCE ]

MEMBER			1001025						1001027						
NODE			1025			2025			1027			2027			
NAME TITLE			SHEAR	TORQUE	MOMENT	SHEAR	TORQUE	MOMENT	SHEAR	TORQUE	MOMENT	SHEAR	TORQUE	MOMENT	
			S2 (kN)	TQ (kN·m)	M3 (kN·m)	S2 (kN)	TQ (kN·m)	M3 (kN·m)	S2 (kN)	TQ (kN·m)	M3 (kN·m)	S2 (kN)	TQ (kN·m)	M3 (kN·m)	
124	SUM TOTAL	D+2LANES (casMAX	S2	-115.28	0.00	-13.90	-115.28	0.00	-495.42	3.95	0.00	-149.12	3.95	0.00	-132.64
			TQ	-125.91	0.00	12.38	-125.91	0.00	-513.53	-36.00	0.00	-68.44	-36.00	0.00	-218.82
			M3	-476.41	0.00	673.18	-123.21	0.00	-481.34	-384.00	0.00	570.20	-1.61	0.00	-121.06
		MIN	S2	-478.16	0.00	664.61	-478.16	0.00	-1332.67	-386.39	0.00	561.25	-386.39	0.00	-1052.70
			TQ	-125.91	0.00	12.38	-125.91	0.00	-513.53	-36.00	0.00	-68.44	-36.00	0.00	-218.82
			M3	-117.03	0.00	-22.47	-470.25	0.00	-1342.27	1.91	0.00	-158.57	-371.64	0.00	-1066.81
		D+2LANES (casMAX	S2	-20.53	0.00	48.52	-20.53	0.00	-37.21	88.07	0.00	-67.95	88.07	0.00	299.93
			TQ	-125.91	0.00	12.38	-125.91	0.00	-513.53	-36.00	0.00	-68.44	-36.00	0.00	-218.82
			M3	-166.73	0.00	350.15	-29.85	0.00	-19.23	-78.03	0.00	257.59	81.31	0.00	315.65
		MIN	S2	-202.77	0.00	305.96	-202.77	0.00	-541.00	-114.66	0.00	211.56	-114.66	0.00	-267.36
			TQ	-125.91	0.00	12.38	-125.91	0.00	-513.53	-36.00	0.00	-68.44	-36.00	0.00	-218.82
			M3	-118.13	0.00	-6.38	-184.69	0.00	-559.77	-3.77	0.00	-124.92	-98.43	0.00	-286.27
		D+2LANES (casMAX	S2	-35.31	0.00	-252.12	-35.31	0.00	-399.59	50.64	0.00	-296.47	50.64	0.00	-84.93
			TQ	-125.91	0.00	12.38	-125.91	0.00	-513.53	-36.00	0.00	-68.44	-36.00	0.00	-218.82
			M3	-126.69	0.00	57.17	-51.04	0.00	-338.08	-28.70	0.00	-21.59	26.41	0.00	-29.83
		MIN	S2	-130.41	0.00	49.99	-130.41	0.00	-494.73	-38.77	0.00	-49.23	-38.77	0.00	-211.17
			TQ	-125.91	0.00	12.38	-125.91	0.00	-513.53	-36.00	0.00	-68.44	-36.00	0.00	-218.82
			M3	-37.20	0.00	-257.71	-98.76	0.00	-546.28	42.43	0.00	-318.05	-13.19	0.00	-261.74
		D+2LANES (casMAX	S2	-79.81	0.00	-447.06	-79.81	0.00	-780.44	-1.09	0.00	-411.77	-1.09	0.00	-416.33
			TQ	-125.91	0.00	12.38	-125.91	0.00	-513.53	-36.00	0.00	-68.44	-36.00	0.00	-218.82
			M3	-135.72	0.00	76.67	-134.12	0.00	-486.79	-35.73	0.00	2.30	-33.42	0.00	-142.05
		MIN	S2	-135.82	0.00	64.09	-135.82	0.00	-503.24	-41.00	0.00	-234.46	-41.00	0.00	-405.74
			TQ	-125.91	0.00	12.38	-125.91	0.00	-513.53	-36.00	0.00	-68.44	-36.00	0.00	-218.82
			M3	-90.11	0.00	-562.17	-90.11	0.00	-938.56	-16.76	0.00	-584.23	-16.76	0.00	-654.22

BAGO RIVER BRIDGE

BLOCK [ No.2 : CROSS BEAM ][ BEAM MEMBER FORCE ]

MEMBER			1001025			1001027										
NODE			1025			2025			1027			2027				
NAME TITLE			SHEAR	TORQUE	MOMENT	SHEAR	TORQUE	MOMENT	SHEAR	TORQUE	MOMENT	SHEAR	TORQUE	MOMENT		
			S2 (kN)	TQ (kN·m)	M3 (kN·m)	S2 (kN)	TQ (kN·m)	M3 (kN·m)	S2 (kN)	TQ (kN·m)	M3 (kN·m)	S2 (kN)	TQ (kN·m)	M3 (kN·m)		
124	SUM TOTAL	D+3LANES (casMAX	S2	-31.89	0.00	24.64	-31.89	0.00	-108.57	87.40	0.00	-112.82	87.40	0.00	252.25	
			TQ	-125.91	0.00	12.38	-125.91	0.00	-513.53	-36.00	0.00	-68.44	-36.00	0.00	-218.82	
			M3	-406.12	0.00	660.60	-41.84	0.00	-90.17	-315.19	0.00	557.96	80.26	0.00	268.02	
		MIN	S2	-436.74	0.00	623.03	-436.74	0.00	-1201.24	-346.54	0.00	518.26	-346.54	0.00	-929.24	
			TQ	-125.91	0.00	12.38	-125.91	0.00	-513.53	-36.00	0.00	-68.44	-36.00	0.00	-218.82	
			M3	-114.86	0.00	-22.03	-419.63	0.00	-1218.31	9.24	0.00	-161.92	-331.58	0.00	-947.17	
		D+3LANES (casMAX	S2	-26.54	0.00	-399.47	-26.54	0.00	-510.32	54.10	0.00	-409.39	54.10	0.00	-183.41	
			TQ	-125.91	0.00	12.38	-125.91	0.00	-513.53	-36.00	0.00	-68.44	-36.00	0.00	-218.82	
			M3	-130.11	0.00	76.57	-65.73	0.00	-352.92	-31.33	0.00	8.18	16.58	0.00	-25.78	
		MIN	S2	-133.29	0.00	68.60	-133.29	0.00	-488.14	-40.66	0.00	-26.22	-40.66	0.00	-196.04	
			TQ	-125.91	0.00	12.38	-125.91	0.00	-513.53	-36.00	0.00	-68.44	-36.00	0.00	-218.82	
			M3	-29.34	0.00	-427.33	-81.66	0.00	-663.08	44.96	0.00	-472.30	-2.62	0.00	-387.79	
		D+3LANES (casMAX	S2	-56.71	0.00	-526.55	-56.71	0.00	-763.43	22.83	0.00	-488.05	22.83	0.00	-392.68	
			TQ	-125.91	0.00	12.38	-125.91	0.00	-513.53	-36.00	0.00	-68.44	-36.00	0.00	-218.82	
			M3	-136.11	0.00	82.27	-116.26	0.00	-465.59	-30.74	0.00	-0.77	-14.96	0.00	-111.17	
		MIN	S2	-136.22	0.00	71.18	-136.22	0.00	-497.82	-40.57	0.00	-208.69	-40.57	0.00	-378.14	
			TQ	-125.91	0.00	12.38	-125.91	0.00	-513.53	-36.00	0.00	-68.44	-36.00	0.00	-218.82	
			M3	-65.59	0.00	-626.26	-71.92	0.00	-907.47	5.87	0.00	-642.05	0.39	0.00	-625.72	
		D+4LANES	MAX	S2	-45.69	0.00	-410.01	-45.69	0.00	-600.88	22.58	0.00	-378.45	22.58	0.00	-284.15
			TQ	-125.91	0.00	12.38	-125.91	0.00	-513.53	-36.00	0.00	-68.44	-36.00	0.00	-218.82	
			M3	-130.52	0.00	53.25	-84.45	0.00	-411.10	-35.74	0.00	-53.51	-0.50	0.00	-141.01	
		MIN	S2	-132.52	0.00	41.69	-132.52	0.00	-511.84	-39.30	0.00	-164.60	-39.30	0.00	-328.77	
			TQ	-125.91	0.00	12.38	-125.91	0.00	-513.53	-36.00	0.00	-68.44	-36.00	0.00	-218.82	
			M3	-53.26	0.00	-488.24	-90.26	0.00	-789.33	13.14	0.00	-463.64	-15.09	0.00	-468.57	

BAGO RIVER BRIDGE

BLOCK [ No.2 : CROSS BEAM ][ BEAM MEMBER FORCE ]

MEMBER				1001025			1001027									
NODE				1025			1027									
NAME TITLE				SHEAR	TORQUE	MOMENT	SHEAR	TORQUE	MOMENT	SHEAR	TORQUE	MOMENT	SHEAR	TORQUE	MOMENT	
				S2 (kN)	TQ (kN·m)	M3 (kN·m)	S2 (kN)	TQ (kN·m)	M3 (kN·m)	S2 (kN)	TQ (kN·m)	M3 (kN·m)	S2 (kN)	TQ (kN·m)	M3 (kN·m)	
124	SUM TOTAL	D+6LANES	MAX	S2	25.94	0.00	-321.35	25.94	0.00	-212.99	125.39	0.00	-365.43	125.39	0.00	158.31
				TQ	-125.91	0.00	12.38	-125.91	0.00	-513.53	-36.00	0.00	-68.44	-36.00	0.00	-218.82
				M3	-293.22	0.00	475.70	-25.81	0.00	-16.29	-200.16	0.00	386.76	91.98	0.00	348.95
			MIN	S2	-335.99	0.00	429.34	-335.99	0.00	-974.10	-245.27	0.00	192.26	-245.27	0.00	-832.23
				TQ	-125.91	0.00	12.38	-125.91	0.00	-513.53	-36.00	0.00	-68.44	-36.00	0.00	-218.82
				M3	-23.67	0.00	-473.58	-291.95	0.00	-1260.05	75.87	0.00	-545.56	-216.67	0.00	-988.18
	SUM TOTAL		MAX		25.94	0.00	673.18	25.94	0.00	45.53	125.39	0.00	570.20	125.39	0.00	351.17
			MIN		-478.16	0.00	-626.26	-478.16	0.00	-1453.03	-386.39	0.00	-642.05	-386.39	0.00	-1166.14
300	DEAD LOAD	TOTAL			-125.91	0.00	12.38	-125.91	0.00	-513.53	-36.00	0.00	-68.44	-36.00	0.00	-218.82
301	LIVE LOAD	1-LANE(case1MAX	S2		6.27	0.00	-26.07	6.27	0.00	0.12	25.33	0.00	-63.25	25.33	0.00	42.54
			TQ		0.00	0.00	0.00	0.00	0.00	0.00	0.00	0.00	0.00	0.00	0.00	0.00
			M3		-346.60	0.00	509.81	3.41	0.00	4.52	-343.72	0.00	493.09	23.36	0.00	45.94
			MIN	S2	-346.60	0.00	509.81	-346.60	0.00	-937.93	-344.02	0.00	492.29	-344.02	0.00	-944.70
				TQ	0.00	0.00	0.00	0.00	0.00	0.00	0.00	0.00	0.00	0.00	0.00	0.00
				M3	6.27	0.00	-26.07	-344.13	0.00	-939.50	25.19	0.00	-64.19	-342.38	0.00	-947.31
		1-LANE(case2MAX	S2		119.97	0.00	48.84	119.97	0.00	549.97	126.28	0.00	34.15	126.28	0.00	561.62
			TQ		0.00	0.00	0.00	0.00	0.00	0.00	0.00	0.00	0.00	0.00	0.00	0.00
			M3		25.01	0.00	122.17	115.44	0.00	559.06	23.45	0.00	117.96	122.86	0.00	569.99
			MIN	S2	-16.12	0.00	79.42	-16.12	0.00	12.08	-17.94	0.00	72.65	-17.94	0.00	-2.29
				TQ	0.00	0.00	0.00	0.00	0.00	0.00	0.00	0.00	0.00	0.00	0.00	0.00
				M3	4.95	0.00	-6.76	-1.46	0.00	-0.50	18.38	0.00	-23.82	-14.52	0.00	-10.66
		1-LANE(case3MAX	S2		64.87	0.00	-111.45	64.87	0.00	159.51	65.04	0.00	-99.57	65.04	0.00	172.11
			TQ		0.00	0.00	0.00	0.00	0.00	0.00	0.00	0.00	0.00	0.00	0.00	0.00
			M3		1.89	0.00	28.14	63.99	0.00	167.81	6.03	0.00	25.73	64.14	0.00	173.72
			MIN	S2	-2.52	0.00	19.83	-2.52	0.00	9.32	-2.77	0.00	12.59	-2.77	0.00	1.00
				TQ	0.00	0.00	0.00	0.00	0.00	0.00	0.00	0.00	0.00	0.00	0.00	0.00
				M3	62.77	0.00	-115.88	-0.87	0.00	-1.89	57.92	0.00	-108.25	-1.65	0.00	-2.00

BAGO RIVER BRIDGE

BLOCK [ No.2 : CROSS BEAM ][ BEAM MEMBER FORCE ]

MEMBER			1001025						1001027							
NODE			1025			2025			1027			2027				
NAME TITLE			SHEAR	TORQUE	MOMENT	SHEAR	TORQUE	MOMENT	SHEAR	TORQUE	MOMENT	SHEAR	TORQUE	MOMENT		
			S2 (kN)	TQ (kN·m)	M3 (kN·m)	S2 (kN)	TQ (kN·m)	M3 (kN·m)	S2 (kN)	TQ (kN·m)	M3 (kN·m)	S2 (kN)	TQ (kN·m)	M3 (kN·m)		
301	LIVE LOAD	1-LANE (case4MAX	S2	25.03	0.00	-282.16	25.03	0.00	-177.61	17.29	0.00	-203.91	17.29	0.00	-131.68	
			TQ	0.00	0.00	0.00	0.00	0.00	0.00	0.00	0.00	0.00	0.00	0.00	0.00	0.00
			M3	-6.99	0.00	44.30	-5.99	0.00	17.22	-2.31	0.00	53.22	-0.79	0.00	0.00	46.42
			MIN S2	-7.11	0.00	29.21	-7.11	0.00	-0.49	-5.22	0.00	-213.16	-5.22	0.00	0.00	-234.95
			TQ	0.00	0.00	0.00	0.00	0.00	0.00	0.00	0.00	0.00	0.00	0.00	0.00	0.00
			M3	14.58	0.00	-388.95	14.58	0.00	-328.05	3.54	0.00	-349.15	3.54	0.00	0.00	-334.35
		2-LANES (caseMAX	S2	10.63	0.00	-26.28	10.63	0.00	18.11	39.95	0.00	-80.68	39.95	0.00	0.00	86.18
			TQ	0.00	0.00	0.00	0.00	0.00	0.00	0.00	0.00	0.00	0.00	0.00	0.00	0.00
			M3	-350.50	0.00	660.80	2.69	0.00	32.19	-348.00	0.00	638.64	34.39	0.00	0.00	97.76
			MIN S2	-352.26	0.00	652.24	-352.26	0.00	-819.14	-350.39	0.00	629.69	-350.39	0.00	0.00	-833.88
			TQ	0.00	0.00	0.00	0.00	0.00	0.00	0.00	0.00	0.00	0.00	0.00	0.00	0.00
			M3	8.87	0.00	-34.85	-344.35	0.00	-828.74	37.91	0.00	-90.12	-335.64	0.00	0.00	-847.99
		2-LANES (caseMAX	S2	105.38	0.00	36.15	105.38	0.00	476.31	124.08	0.00	0.49	124.08	0.00	0.00	518.75
			TQ	0.00	0.00	0.00	0.00	0.00	0.00	0.00	0.00	0.00	0.00	0.00	0.00	0.00
			M3	-40.83	0.00	337.77	96.05	0.00	494.30	-42.03	0.00	326.03	117.31	0.00	0.00	534.47
			MIN S2	-76.86	0.00	293.58	-76.86	0.00	-27.47	-78.65	0.00	280.00	-78.65	0.00	0.00	-48.54
			TQ	0.00	0.00	0.00	0.00	0.00	0.00	0.00	0.00	0.00	0.00	0.00	0.00	0.00
			M3	7.77	0.00	-18.75	-58.78	0.00	-46.24	32.24	0.00	-56.48	-62.43	0.00	0.00	-67.45
		2-LANES (caseMAX	S2	90.60	0.00	-264.50	90.60	0.00	113.94	86.65	0.00	-228.03	86.65	0.00	0.00	133.89
			TQ	0.00	0.00	0.00	0.00	0.00	0.00	0.00	0.00	0.00	0.00	0.00	0.00	0.00
			M3	-0.79	0.00	44.79	74.87	0.00	175.45	7.31	0.00	46.85	62.41	0.00	0.00	189.00
MIN S2	-4.50		0.00	37.61	-4.50	0.00	18.80	-2.77	0.00	19.21	-2.77	0.00	0.00	7.65		
TQ	0.00		0.00	0.00	0.00	0.00	0.00	0.00	0.00	0.00	0.00	0.00	0.00	0.00		
M3	88.71		0.00	-270.08	27.15	0.00	-32.76	78.44	0.00	-249.61	22.81	0.00	0.00	-42.92		

BAGO RIVER BRIDGE

BLOCK [ No.2 : CROSS BEAM ][ BEAM MEMBER FORCE ]

MEMBER			1001025						1001027						
NODE			1025			2025			1027			2027			
NAME TITLE			SHEAR	TORQUE	MOMENT	SHEAR	TORQUE	MOMENT	SHEAR	TORQUE	MOMENT	SHEAR	TORQUE	MOMENT	
			S2 (kN)	TQ (kN·m)	M3 (kN·m)	S2 (kN)	TQ (kN·m)	M3 (kN·m)	S2 (kN)	TQ (kN·m)	M3 (kN·m)	S2 (kN)	TQ (kN·m)	M3 (kN·m)	
301	LIVE LOAD	2-LANES (caseMAX	S2	46.09	0.00	-459.43	46.09	0.00	-266.91	34.91	0.00	-343.33	34.91	0.00	-197.51
			TQ	0.00	0.00	0.00	0.00	0.00	0.00	0.00	0.00	0.00	0.00	0.00	0.00
			M3	-9.81	0.00	64.29	-8.22	0.00	26.74	0.27	0.00	70.74	2.58	0.00	76.77
			MIN S2	-9.92	0.00	51.71	-9.92	0.00	10.29	-5.00	0.00	-166.02	-5.00	0.00	-186.91
			TQ	0.00	0.00	0.00	0.00	0.00	0.00	0.00	0.00	0.00	0.00	0.00	0.00
			M3	35.79	0.00	-574.55	35.79	0.00	-425.04	19.25	0.00	-515.79	19.25	0.00	-435.39
		3-LANES (caseMAX	S2	94.01	0.00	12.26	94.01	0.00	404.95	123.40	0.00	-44.38	123.40	0.00	471.07
			TQ	0.00	0.00	0.00	0.00	0.00	0.00	0.00	0.00	0.00	0.00	0.00	0.00
			M3	-280.21	0.00	648.22	84.06	0.00	423.36	-279.19	0.00	626.40	116.26	0.00	486.84
			MIN S2	-310.84	0.00	610.65	-310.84	0.00	-687.72	-310.54	0.00	586.70	-310.54	0.00	-710.42
			TQ	0.00	0.00	0.00	0.00	0.00	0.00	0.00	0.00	0.00	0.00	0.00	0.00
			M3	11.05	0.00	-34.41	-293.73	0.00	-704.79	45.24	0.00	-93.48	-295.58	0.00	-728.35
		3-LANES (caseMAX	S2	99.37	0.00	-411.85	99.37	0.00	3.21	90.10	0.00	-340.95	90.10	0.00	35.41
			TQ	0.00	0.00	0.00	0.00	0.00	0.00	0.00	0.00	0.00	0.00	0.00	0.00
			M3	-4.20	0.00	64.20	60.18	0.00	160.60	4.67	0.00	76.62	52.59	0.00	193.04
			MIN S2	-7.38	0.00	56.22	-7.38	0.00	25.38	-4.66	0.00	42.22	-4.66	0.00	22.78
			TQ	0.00	0.00	0.00	0.00	0.00	0.00	0.00	0.00	0.00	0.00	0.00	0.00
			M3	96.57	0.00	-439.71	44.24	0.00	-149.56	80.96	0.00	-403.86	33.38	0.00	-168.97
		3-LANES (caseMAX	S2	69.19	0.00	-538.93	69.19	0.00	-249.90	58.83	0.00	-419.61	58.83	0.00	-173.86
			TQ	0.00	0.00	0.00	0.00	0.00	0.00	0.00	0.00	0.00	0.00	0.00	0.00
			M3	-10.20	0.00	69.90	9.65	0.00	47.94	5.26	0.00	67.67	21.05	0.00	107.65
MIN S2	-10.32		0.00	58.80	-10.32	0.00	15.71	-4.56	0.00	-140.25	-4.56	0.00	-159.32		
TQ	0.00		0.00	0.00	0.00	0.00	0.00	0.00	0.00	0.00	0.00	0.00	0.00		
M3	60.32		0.00	-638.64	53.98	0.00	-393.94	41.87	0.00	-573.61	36.39	0.00	-406.90		

BAGO RIVER BRIDGE

BLOCK [ No.2 : CROSS BEAM ][ BEAM MEMBER FORCE ]

MEMBER				1001025			1001027			1001027			2027				
NODE				1025			2025			1027			2027				
NAME TITLE				SHEAR	TORQUE	MOMENT	SHEAR	TORQUE	MOMENT	SHEAR	TORQUE	MOMENT	SHEAR	TORQUE	MOMENT		
				S2 (kN)	TQ (kN·m)	M3 (kN·m)	S2 (kN)	TQ (kN·m)	M3 (kN·m)	S2 (kN)	TQ (kN·m)	M3 (kN·m)	S2 (kN)	TQ (kN·m)	M3 (kN·m)		
301	LIVE LOAD	4-LANES	MAX	S2	80.21	0.00	-422.39	80.21	0.00	-87.35	58.58	0.00	-310.01	58.58	0.00	-65.33	
				TQ	0.00	0.00	0.00	0.00	0.00	0.00	0.00	0.00	0.00	0.00	0.00	0.00	0.00
				M3	-4.61	0.00	40.87	41.45	0.00	102.42	0.26	0.00	14.93	35.50	0.00	0.00	77.81
			MIN	S2	-6.61	0.00	29.31	-6.61	0.00	1.69	-3.30	0.00	-96.16	-3.30	0.00	0.00	-109.95
				TQ	0.00	0.00	0.00	0.00	0.00	0.00	0.00	0.00	0.00	0.00	0.00	0.00	0.00
				M3	72.65	0.00	-500.62	35.64	0.00	-275.81	49.14	0.00	-395.20	20.91	0.00	0.00	-249.75
			6-LANES	MAX	S2	151.85	0.00	-333.73	151.85	0.00	300.54	161.39	0.00	-296.99	161.39	0.00	377.13
				TQ	0.00	0.00	0.00	0.00	0.00	0.00	0.00	0.00	0.00	0.00	0.00	0.00	
				M3	-167.32	0.00	463.32	100.10	0.00	497.23	-164.16	0.00	455.20	127.99	0.00	0.00	567.77
		MIN		S2	-210.09	0.00	416.97	-210.09	0.00	-460.57	-209.27	0.00	260.70	-209.27	0.00	0.00	-613.41
				TQ	0.00	0.00	0.00	0.00	0.00	0.00	0.00	0.00	0.00	0.00	0.00	0.00	0.00
				M3	102.24	0.00	-485.96	-166.05	0.00	-746.52	111.87	0.00	-477.12	-180.67	0.00	0.00	-769.36
			LIVE LOAD	MAX		151.85	0.00	660.80	151.85	0.00	559.06	161.39	0.00	638.64	161.39	0.00	569.99
		MIN			-352.26	0.00	-638.64	-352.26	0.00	-939.50	-350.39	0.00	-573.61	-350.39	0.00	0.00	-947.31
303	SUM TOTAL	TOTAL	MAX		25.94	0.00	673.18	25.94	0.00	45.53	125.39	0.00	570.20	125.39	0.00	351.17	
			MIN		-478.16	0.00	-626.26	-478.16	0.00	-1453.03	-386.39	0.00	-642.05	-386.39	0.00	-1166.14	



BAGO RIVER BRIDGE

BLOCK [ No.2 : CROSS BEAM ][ BEAM MEMBER FORCE ]

MEMBER		1001029						1001031							
NODE		1029			2029			1031			2031				
		SHEAR	TORQUE	MOMENT	SHEAR	TORQUE	MOMENT	SHEAR	TORQUE	MOMENT	SHEAR	TORQUE	MOMENT		
NAME	TITLE	S2 (kN)	TQ (kN·m)	M3 (kN·m)	S2 (kN)	TQ (kN·m)	M3 (kN·m)	S2 (kN)	TQ (kN·m)	M3 (kN·m)	S2 (kN)	TQ (kN·m)	M3 (kN·m)		
1	PAVEMENT	10.48	0.00	-45.50	10.48	0.00	-1.73	-6.38	0.00	-8.87	-6.38	0.00	-35.53		
3	RAILING	-5.22	0.00	0.53	-5.22	0.00	-21.27	-3.70	0.00	0.97	-3.70	0.00	-14.47		
5	CURB	-51.65	0.00	5.22	-51.65	0.00	-210.53	-36.60	0.00	9.64	-36.60	0.00	-143.24		
7	DECK WEIGHT	11.55	0.00	-64.34	11.55	0.00	-16.08	-13.52	0.00	-11.21	-13.52	0.00	-67.69		
8	GIRDER WEIGH	50.81	0.00	-39.02	50.81	0.00	173.19	10.92	0.00	-13.48	10.92	0.00	32.14		
10	MEDIAN STRIP	41.92	0.00	-8.89	41.92	0.00	166.19	21.51	0.00	-6.02	21.51	0.00	83.83		
21	ADITIONAL WE	3.24	0.00	-18.01	3.24	0.00	-4.50	-3.79	0.00	-3.14	-3.79	0.00	-18.95		
31	MEDIAN RAILI	3.21	0.00	-0.58	3.21	0.00	12.82	1.84	0.00	-0.63	1.84	0.00	7.06		
51	SUPPORT WEIG	0.00	0.00	0.00	0.00	0.00	0.00	-0.00	0.00	0.00	-0.00	0.00	-0.00		
52	NOSE WEIGHT	-0.00	0.00	0.00	-0.00	0.00	-0.00	-0.00	0.00	0.01	-0.00	0.00	-0.00		
61	1-LANE(case1TRUCK-LOAD	MAX	S2	13.55	0.00	-47.39	13.55	0.00	9.20	35.44	0.00	-80.99	35.44	0.00	67.02
			TQ	0.00	0.00	0.00	0.00	0.00	0.00	0.00	0.00	0.00	0.00	0.00	0.00
			M3	-188.29	0.00	259.16	0.19	0.00	19.47	-148.63	0.00	186.42	35.44	0.00	67.02
		MIN	S2	-188.29	0.00	259.16	-188.29	0.00	-527.34	-148.63	0.00	186.42	-148.63	0.00	-434.40
			TQ	0.00	0.00	0.00	0.00	0.00	0.00	0.00	0.00	0.00	0.00	0.00	0.00
			M3	13.51	0.00	-47.48	-188.29	0.00	-527.34	30.19	0.00	-105.60	-148.63	0.00	-434.40
		TANDEM-LOAD MAX	S2	9.20	0.00	-32.10	9.20	0.00	6.33	24.59	0.00	-47.68	24.59	0.00	55.05
			TQ	0.00	0.00	0.00	0.00	0.00	0.00	0.00	0.00	0.00	0.00	0.00	0.00
			M3	-143.39	0.00	195.06	0.54	0.00	13.76	-114.57	0.00	144.26	24.59	0.00	55.05
		MIN	S2	-143.39	0.00	195.06	-143.39	0.00	-403.87	-114.57	0.00	144.26	-114.57	0.00	-334.30
			TQ	0.00	0.00	0.00	0.00	0.00	0.00	0.00	0.00	0.00	0.00	0.00	0.00
			M3	9.17	0.00	-32.33	-143.39	0.00	-403.87	20.72	0.00	-71.69	-114.57	0.00	-334.30
		DISPERSION-LMAX	S2	23.55	0.00	-69.07	23.55	0.00	29.29	63.30	0.00	-194.46	63.30	0.00	69.93
			TQ	0.00	0.00	0.00	0.00	0.00	0.00	0.00	0.00	0.00	0.00	0.00	0.00
			M3	-75.49	0.00	115.08	23.49	0.00	30.32	-52.43	0.00	67.60	63.30	0.00	69.93
		MIN	S2	-76.63	0.00	110.15	-76.63	0.00	-209.95	-52.43	0.00	67.60	-52.43	0.00	-151.39
			TQ	0.00	0.00	0.00	0.00	0.00	0.00	0.00	0.00	0.00	0.00	0.00	0.00
			M3	22.41	0.00	-74.00	-76.57	0.00	-210.98	63.30	0.00	-194.46	-52.43	0.00	-151.39

BAGO RIVER BRIDGE

BLOCK [ No.2 : CROSS BEAM ][ BEAM MEMBER FORCE ]

MEMBER				1001029						1001031						
NODE				1029			2029			1031			2031			
NAME TITLE				SHEAR	TORQUE	MOMENT	SHEAR	TORQUE	MOMENT	SHEAR	TORQUE	MOMENT	SHEAR	TORQUE	MOMENT	
				S2 (kN)	TQ (kN·m)	M3 (kN·m)	S2 (kN)	TQ (kN·m)	M3 (kN·m)	S2 (kN)	TQ (kN·m)	M3 (kN·m)	S2 (kN)	TQ (kN·m)	M3 (kN·m)	
62	1-LANE (case2TRUCK-LOAD	MAX	S2	80.37	0.00	7.57	80.37	0.00	343.29	86.47	0.00	-30.59	86.47	0.00	330.60	
			TQ	0.00	0.00	0.00	0.00	0.00	0.00	0.00	0.00	0.00	0.00	0.00	0.00	0.00
			M3	2.18	0.00	45.93	80.37	0.00	343.29	10.47	0.00	23.56	86.47	0.00	0.00	330.60
		MIN	S2	-4.18	0.00	33.99	-4.18	0.00	16.54	-8.87	0.00	-4.29	-8.87	0.00	0.00	-41.32
			TQ	0.00	0.00	0.00	0.00	0.00	0.00	0.00	0.00	0.00	0.00	0.00	0.00	0.00
			M3	5.97	0.00	-15.85	-0.86	0.00	-2.92	80.99	0.00	-34.24	-8.63	0.00	0.00	-42.51
		TANDEM-LOAD MAX	S2	62.76	0.00	-0.44	62.76	0.00	261.73	66.50	0.00	-27.32	66.50	0.00	0.00	250.46
			TQ	0.00	0.00	0.00	0.00	0.00	0.00	0.00	0.00	0.00	0.00	0.00	0.00	0.00
			M3	5.80	0.00	33.30	62.76	0.00	261.73	2.00	0.00	17.37	66.50	0.00	0.00	250.46
		MIN	S2	-4.35	0.00	29.25	-4.35	0.00	11.08	-8.88	0.00	-0.29	-8.88	0.00	0.00	-37.37
			TQ	0.00	0.00	0.00	0.00	0.00	0.00	0.00	0.00	0.00	0.00	0.00	0.00	0.00
			M3	4.12	0.00	-10.77	-0.59	0.00	-1.99	64.97	0.00	-28.33	-8.88	0.00	0.00	-37.37
		DISPERSION-LMAX	S2	39.84	0.00	-9.81	39.84	0.00	156.60	43.13	0.00	-48.05	43.13	0.00	0.00	132.11
			TQ	0.00	0.00	0.00	0.00	0.00	0.00	0.00	0.00	0.00	0.00	0.00	0.00	0.00
			M3	18.67	0.00	30.18	38.78	0.00	162.42	2.96	0.00	8.73	38.59	0.00	0.00	135.90
MIN	S2	-2.31	0.00	11.84	-2.31	0.00	2.18	-3.60	0.00	0.85	-3.60	0.00	0.00	-14.17		
	TQ	0.00	0.00	0.00	0.00	0.00	0.00	0.00	0.00	0.00	0.00	0.00	0.00	0.00		
	M3	18.85	0.00	-28.15	-1.25	0.00	-3.64	36.57	0.00	-55.92	0.94	0.00	0.00	-17.95		
63	1-LANE (case3TRUCK-LOAD	MAX	S2	36.49	0.00	-70.13	36.49	0.00	82.29	29.58	0.00	-63.25	29.58	0.00	60.30	
			TQ	0.00	0.00	0.00	0.00	0.00	0.00	0.00	0.00	0.00	0.00	0.00	0.00	
			M3	0.59	0.00	8.59	35.19	0.00	82.80	-12.69	0.00	31.73	24.16	0.00	0.00	69.83
		MIN	S2	-1.08	0.00	3.53	-1.08	0.00	-0.99	-13.64	0.00	30.89	-13.64	0.00	0.00	-26.07
			TQ	0.00	0.00	0.00	0.00	0.00	0.00	0.00	0.00	0.00	0.00	0.00	0.00	0.00
			M3	36.49	0.00	-70.13	-0.73	0.00	-2.42	28.98	0.00	-65.64	-13.64	0.00	0.00	-26.07

BAGO RIVER BRIDGE

BLOCK [ No.2 : CROSS BEAM ][ BEAM MEMBER FORCE ]

MEMBER		1001029						1001031									
NODE		1029			2029			1031			2031						
		SHEAR	TORQUE	MOMENT	SHEAR	TORQUE	MOMENT	SHEAR	TORQUE	MOMENT	SHEAR	TORQUE	MOMENT				
NAME	TITLE	S2 (kN)	TQ (kN·m)	M3 (kN·m)	S2 (kN)	TQ (kN·m)	M3 (kN·m)	S2 (kN)	TQ (kN·m)	M3 (kN·m)	S2 (kN)	TQ (kN·m)	M3 (kN·m)				
63	1-LANE (case3TANDEM-LOAD	MAX	S2	26.05	0.00	-53.17	26.05	0.00	55.66	20.64	0.00	-40.66	20.64	0.00	45.55		
			TQ	0.00	0.00	0.00	0.00	0.00	0.00	0.00	0.00	0.00	0.00	0.00	0.00		
			M3	0.36	0.00	5.90	23.73	0.00	57.17	-9.16	0.00	21.56	15.36	0.00	49.18		
		MIN	S2	-1.00	0.00	1.58	-1.00	0.00	-2.60	-9.36	0.00	20.40	-9.36	0.00	-18.71		
			TQ	0.00	0.00	0.00	0.00	0.00	0.00	0.00	0.00	0.00	0.00	0.00	0.00		
			M3	26.05	0.00	-53.17	-0.93	0.00	-2.71	20.44	0.00	-49.88	-9.36	0.00	-18.71		
			DISPERSION-LMAX	S2	22.62	0.00	-16.86	22.62	0.00	77.64	14.05	0.00	-18.99	14.05	0.00	39.70	
				TQ	0.00	0.00	0.00	0.00	0.00	0.00	0.00	0.00	0.00	0.00	0.00	0.00	
				M3	2.53	0.00	16.47	22.41	0.00	79.95	-17.71	0.00	58.61	13.08	0.00	41.63	
			MIN	S2	-1.32	0.00	4.44	-1.32	0.00	-1.07	-19.92	0.00	54.53	-19.92	0.00	-28.65	
				TQ	0.00	0.00	0.00	0.00	0.00	0.00	0.00	0.00	0.00	0.00	0.00	0.00	
				M3	18.77	0.00	-28.89	-1.10	0.00	-3.39	11.85	0.00	-23.07	-18.94	0.00	-30.58	
		64	1-LANE (case4TRUCK-LOAD	MAX	S2	8.73	0.00	-84.94	8.73	0.00	-48.47	1.35	0.00	-5.02	1.35	0.00	0.61
					TQ	0.00	0.00	0.00	0.00	0.00	0.00	0.00	0.00	0.00	0.00	0.00	0.00
					M3	-7.04	0.00	41.57	-5.08	0.00	14.37	-31.35	0.00	104.94	-8.90	0.00	15.05
MIN	S2			-7.17	0.00	40.95	-7.17	0.00	11.00	-31.35	0.00	104.94	-31.35	0.00	-26.01		
	TQ			0.00	0.00	0.00	0.00	0.00	0.00	0.00	0.00	0.00	0.00	0.00	0.00		
	M3			0.33	0.00	-135.93	-3.33	0.00	-146.79	-9.77	0.00	-61.07	-10.03	0.00	-102.74		
	TANDEM-LOAD			MAX	S2	6.27	0.00	-53.36	6.27	0.00	-27.17	0.92	0.00	-3.42	0.92	0.43	
				TQ	0.00	0.00	0.00	0.00	0.00	0.00	0.00	0.00	0.00	0.00	0.00	0.00	
				M3	-4.72	0.00	28.23	-3.51	0.00	9.75	-21.25	0.00	71.53	-3.16	0.00	11.97	
	MIN			S2	-4.89	0.00	28.04	-4.89	0.00	7.61	-21.30	0.00	71.02	-21.30	0.00	-17.97	
				TQ	0.00	0.00	0.00	0.00	0.00	0.00	0.00	0.00	0.00	0.00	0.00	0.00	
				M3	-0.56	0.00	-93.95	-2.96	0.00	-102.13	-5.90	0.00	-42.31	-7.41	0.00	-72.91	

BAGO RIVER BRIDGE

BLOCK [ No.2 : CROSS BEAM ][ BEAM MEMBER FORCE ]

MEMBER		1001029						1001031									
NODE		1029			2029			1031			2031						
		SHEAR	TORQUE	MOMENT	SHEAR	TORQUE	MOMENT	SHEAR	TORQUE	MOMENT	SHEAR	TORQUE	MOMENT				
NAME	TITLE	S2 (kN)	TQ (kN·m)	M3 (kN·m)	S2 (kN)	TQ (kN·m)	M3 (kN·m)	S2 (kN)	TQ (kN·m)	M3 (kN·m)	S2 (kN)	TQ (kN·m)	M3 (kN·m)				
64	1-LANE (case4DISPERSION-LMAX	S2	4.86	0.00	-64.94	4.86	0.00	-44.65	1.52	0.00	-5.91	1.52	0.00	0.43			
		TQ	0.00	0.00	0.00	0.00	0.00	0.00	0.00	0.00	0.00	0.00	0.00	0.00			
		M3	-9.75	0.00	65.18	-9.23	0.00	25.90	-51.73	0.00	175.17	-1.64	0.00	4.32			
		MIN	S2	-11.14	0.00	22.45	-11.14	0.00	-24.06	-57.21	0.00	143.21	-57.21	0.00	-95.76		
		TQ	0.00	0.00	0.00	0.00	0.00	0.00	0.00	0.00	0.00	0.00	0.00	0.00			
		M3	3.48	0.00	-107.66	2.95	0.00	-94.61	-3.97	0.00	-37.87	-54.05	0.00	-99.65			
		65	2-LANES (caseTRUCK-LOAD	MAX	S2	23.47	0.00	-78.56	23.47	0.00	19.50	53.07	0.00	-146.78	53.07	0.00	74.88
				TQ	0.00	0.00	0.00	0.00	0.00	0.00	0.00	0.00	0.00	0.00	0.00	0.00	
				M3	-215.57	0.00	380.57	0.16	0.00	36.41	-154.25	0.00	250.55	30.31	0.00	108.80	
MIN	S2			-215.57	0.00	380.57	-215.57	0.00	-519.85	-154.25	0.00	250.55	-154.25	0.00	-393.75		
TQ	0.00			0.00	0.00	0.00	0.00	0.00	0.00	0.00	0.00	0.00	0.00	0.00			
M3	23.36			0.00	-79.19	-199.94	0.00	-536.75	47.82	0.00	-171.39	-150.30	0.00	-438.13			
TANDEM-LOAD	MAX			S2	15.94	0.00	-53.36	15.94	0.00	13.24	36.58	0.00	-92.46	36.58	0.00	60.33	
TQ	0.00			0.00	0.00	0.00	0.00	0.00	0.00	0.00	0.00	0.00	0.00	0.00			
M3	-162.91			0.00	282.27	-0.15	0.00	25.48	-118.82	0.00	191.29	20.35	0.00	84.34			
MIN	S2	-162.91	0.00	282.27	-162.91	0.00	-398.19	-118.82	0.00	191.29	-118.82	0.00	-305.00				
TQ	0.00	0.00	0.00	0.00	0.00	0.00	0.00	0.00	0.00	0.00	0.00	0.00					
M3	15.84	0.00	-53.93	-154.09	0.00	-411.44	32.71	0.00	-116.47	-115.70	0.00	-336.83					
DISPERSION-LMAX	S2	44.06	0.00	-107.48	44.06	0.00	76.57	104.88	0.00	-303.89	104.88	0.00	134.19				
TQ	0.00	0.00	0.00	0.00	0.00	0.00	0.00	0.00	0.00	0.00	0.00	0.00					
M3	-90.88	0.00	186.10	41.12	0.00	87.10	-55.90	0.00	95.90	103.83	0.00	136.64					
MIN	S2	-95.52	0.00	168.77	-95.52	0.00	-230.22	-61.44	0.00	88.09	-61.44	0.00	-168.55				
TQ	0.00	0.00	0.00	0.00	0.00	0.00	0.00	0.00	0.00	0.00	0.00	0.00					
M3	39.42	0.00	-124.82	-92.57	0.00	-240.76	99.34	0.00	-311.70	-60.39	0.00	-171.00					

BAGO RIVER BRIDGE

BLOCK [ No.2 : CROSS BEAM ][ BEAM MEMBER FORCE ]

MEMBER				1001029						1001031						
NODE				1029			2029			1031			2031			
NAME TITLE				SHEAR	TORQUE	MOMENT	SHEAR	TORQUE	MOMENT	SHEAR	TORQUE	MOMENT	SHEAR	TORQUE	MOMENT	
				S2 (kN)	TQ (kN·m)	M3 (kN·m)	S2 (kN)	TQ (kN·m)	M3 (kN·m)	S2 (kN)	TQ (kN·m)	M3 (kN·m)	S2 (kN)	TQ (kN·m)	M3 (kN·m)	
66	2-LANES (caseTRUCK-LOAD	MAX	S2	90.30	0.00	-23.59	90.30	0.00	353.58	104.10	0.00	-96.38	104.10	0.00	338.46	
			TQ	0.00	0.00	0.00	0.00	0.00	0.00	0.00	0.00	0.00	0.00	0.00	0.00	0.00
			M3	-25.10	0.00	167.34	80.34	0.00	360.23	4.85	0.00	87.69	81.35	0.00	372.38	
		MIN	S2	-31.45	0.00	155.39	-31.45	0.00	24.03	-14.48	0.00	59.83	-14.48	0.00	-0.67	
			TQ	0.00	0.00	0.00	0.00	0.00	0.00	0.00	0.00	0.00	0.00	0.00	0.00	0.00
			M3	15.82	0.00	-47.56	-12.51	0.00	-12.33	98.62	0.00	-100.03	-10.30	0.00	-46.24	
		TANDEM-LOAD MAX	S2	69.51	0.00	-21.70	69.51	0.00	268.64	78.49	0.00	-72.10	78.49	0.00	255.75	
			TQ	0.00	0.00	0.00	0.00	0.00	0.00	0.00	0.00	0.00	0.00	0.00	0.00	0.00
			M3	-13.72	0.00	120.50	62.08	0.00	273.46	-2.25	0.00	64.40	62.26	0.00	279.76	
		MIN	S2	-23.87	0.00	116.45	-23.87	0.00	16.76	-13.12	0.00	46.74	-13.12	0.00	-8.07	
			TQ	0.00	0.00	0.00	0.00	0.00	0.00	0.00	0.00	0.00	0.00	0.00	0.00	0.00
			M3	10.79	0.00	-32.37	-11.29	0.00	-9.56	76.96	0.00	-73.12	-10.01	0.00	-39.91	
		DISPERSION-LMAX	S2	60.35	0.00	-48.22	60.35	0.00	203.88	84.71	0.00	-157.48	84.71	0.00	196.37	
			TQ	0.00	0.00	0.00	0.00	0.00	0.00	0.00	0.00	0.00	0.00	0.00	0.00	0.00
			M3	3.29	0.00	101.20	56.41	0.00	219.20	-0.51	0.00	37.02	79.12	0.00	202.61	
MIN	S2	-21.20	0.00	70.45	-21.20	0.00	-18.10	-12.61	0.00	21.34	-12.61	0.00	-31.32			
	TQ	0.00	0.00	0.00	0.00	0.00	0.00	0.00	0.00	0.00	0.00	0.00	0.00	0.00		
	M3	35.87	0.00	-78.97	-17.25	0.00	-33.42	72.62	0.00	-173.16	-7.02	0.00	-37.56			
67	2-LANES (caseTRUCK-LOAD	MAX	S2	56.14	0.00	-149.67	56.14	0.00	84.82	41.75	0.00	-108.05	41.75	0.00	66.32	
			TQ	0.00	0.00	0.00	0.00	0.00	0.00	0.00	0.00	0.00	0.00	0.00	0.00	
			M3	-2.72	0.00	33.60	50.87	0.00	105.00	-33.73	0.00	99.78	33.72	0.00	90.35	
		MIN	S2	-4.59	0.00	26.94	-4.59	0.00	7.75	-34.67	0.00	98.95	-34.67	0.00	-45.88	
			TQ	0.00	0.00	0.00	0.00	0.00	0.00	0.00	0.00	0.00	0.00	0.00	0.00	0.00
			M3	55.27	0.00	-167.90	17.05	0.00	-23.27	37.95	0.00	-131.04	-6.95	0.00	-56.24	

BAGO RIVER BRIDGE

BLOCK [ No.2 : CROSS BEAM ][ BEAM MEMBER FORCE ]

MEMBER		1001029						1001031									
NODE		1029			2029			1031			2031						
		SHEAR	TORQUE	MOMENT	SHEAR	TORQUE	MOMENT	SHEAR	TORQUE	MOMENT	SHEAR	TORQUE	MOMENT				
NAME	TITLE	S2 (kN)	TQ (kN·m)	M3 (kN·m)	S2 (kN)	TQ (kN·m)	M3 (kN·m)	S2 (kN)	TQ (kN·m)	M3 (kN·m)	S2 (kN)	TQ (kN·m)	M3 (kN·m)				
67	2-LANES (caseTANDEM-LOAD	MAX	S2	39.60	0.00	-112.31	39.60	0.00	53.11	29.46	0.00	-67.23	29.46	0.00	55.84		
			TQ	0.00	0.00	0.00	0.00	0.00	0.00	0.00	0.00	0.00	0.00	0.00	0.00	0.00	
			M3	-1.86	0.00	22.94	33.21	0.00	73.22	-23.49	0.00	67.95	21.36	0.00	64.73		
		MIN	S2	-3.40	0.00	17.22	-3.40	0.00	3.02	-23.69	0.00	66.78	-23.69	0.00	-32.16		
			TQ	0.00	0.00	0.00	0.00	0.00	0.00	0.00	0.00	0.00	0.00	0.00	0.00		
			M3	38.49	0.00	-123.46	11.23	0.00	-21.49	25.95	0.00	-97.35	-4.49	0.00	-43.78		
			DISPERSION-LMAX	S2	36.98	0.00	-71.53	36.98	0.00	82.94	19.62	0.00	-45.86	19.62	0.00	36.07	
				TQ	0.00	0.00	0.00	0.00	0.00	0.00	0.00	0.00	0.00	0.00	0.00	0.00	
				M3	-2.06	0.00	55.73	27.65	0.00	113.87	-52.36	0.00	174.04	14.79	0.00	48.90	
			MIN	S2	-5.93	0.00	42.54	-5.93	0.00	17.76	-54.85	0.00	168.92	-54.85	0.00	-60.21	
				TQ	0.00	0.00	0.00	0.00	0.00	0.00	0.00	0.00	0.00	0.00	0.00	0.00	
				M3	33.11	0.00	-84.71	3.40	0.00	-13.16	17.12	0.00	-50.99	-50.03	0.00	-73.04	
		68	2-LANES (caseTRUCK-LOAD	MAX	S2	19.68	0.00	-172.69	19.68	0.00	-90.48	4.20	0.00	-57.16	4.20	0.00	-39.60
					TQ	0.00	0.00	0.00	0.00	0.00	0.00	0.00	0.00	0.00	0.00	0.00	0.00
					M3	-10.35	0.00	66.58	-6.80	0.00	28.03	-52.38	0.00	172.99	-13.24	0.00	16.06
MIN	S2			-10.78	0.00	63.24	-10.78	0.00	18.20	-52.38	0.00	172.99	-52.38	0.00	-45.82		
	TQ			0.00	0.00	0.00	0.00	0.00	0.00	0.00	0.00	0.00	0.00	0.00	0.00		
	M3			9.26	0.00	-250.33	5.31	0.00	-224.77	-8.00	0.00	-122.71	-8.26	0.00	-157.01		
	TANDEM-LOAD MAX			S2	13.97	0.00	-116.22	13.97	0.00	-57.88	3.21	0.00	-37.06	3.21	0.00	-23.67	
				TQ	0.00	0.00	0.00	0.00	0.00	0.00	0.00	0.00	0.00	0.00	0.00	0.00	
				M3	-6.94	0.00	45.27	-4.60	0.00	19.01	-35.57	0.00	117.92	-6.78	0.00	14.19	
	MIN			S2	-7.36	0.00	43.58	-7.36	0.00	12.85	-35.63	0.00	117.40	-35.63	0.00	-31.42	
				TQ	0.00	0.00	0.00	0.00	0.00	0.00	0.00	0.00	0.00	0.00	0.00	0.00	
				M3	4.90	0.00	-173.13	2.51	0.00	-158.49	-4.46	0.00	-85.17	-6.62	0.00	-112.01	

BAGO RIVER BRIDGE

BLOCK [ No.2 : CROSS BEAM ][ BEAM MEMBER FORCE ]

MEMBER		1001029						1001031									
NODE		1029			2029			1031			2031						
		SHEAR	TORQUE	MOMENT	SHEAR	TORQUE	MOMENT	SHEAR	TORQUE	MOMENT	SHEAR	TORQUE	MOMENT				
NAME	TITLE	S2 (kN)	TQ (kN·m)	M3 (kN·m)	S2 (kN)	TQ (kN·m)	M3 (kN·m)	S2 (kN)	TQ (kN·m)	M3 (kN·m)	S2 (kN)	TQ (kN·m)	M3 (kN·m)				
68	2-LANES (caseDISPERSION-LMAX	S2	14.53	0.00	-144.65	14.53	0.00	-83.94	3.90	0.00	-29.64	3.90	0.00	-13.36			
		TQ	0.00	0.00	0.00	0.00	0.00	0.00	0.00	0.00	0.00	0.00	0.00	0.00			
		M3	-14.24	0.00	104.95	-12.51	0.00	49.23	-88.47	0.00	293.96	-2.05	0.00	4.83			
		MIN	S2	-15.63	0.00	61.07	-15.63	0.00	-4.24	-94.52	0.00	252.34	-94.52	0.00	-142.46		
		TQ	0.00	0.00	0.00	0.00	0.00	0.00	0.00	0.00	0.00	0.00	0.00	0.00			
		M3	13.14	0.00	-188.53	11.41	0.00	-137.41	-2.15	0.00	-71.26	-88.57	0.00	-160.66			
		69	3-LANES (caseTRUCK-LOAD	MAX	S2	103.85	0.00	-70.98	103.85	0.00	362.78	139.54	0.00	-177.37	139.54	0.00	405.48
				TQ	0.00	0.00	0.00	0.00	0.00	0.00	0.00	0.00	0.00	0.00	0.00	0.00	
				M3	-213.39	0.00	426.50	80.53	0.00	379.70	-143.78	0.00	274.11	116.78	0.00	439.40	
MIN	S2			-219.74	0.00	414.56	-219.74	0.00	-503.31	-163.11	0.00	246.26	-163.11	0.00	-435.07		
TQ	0.00			0.00	0.00	0.00	0.00	0.00	0.00	0.00	0.00	0.00	0.00	0.00			
M3	29.34			0.00	-95.04	-200.80	0.00	-539.67	128.81	0.00	-205.63	-158.93	0.00	-480.64			
TANDEM-LOAD	MAX			S2	78.71	0.00	-53.80	78.71	0.00	274.97	103.08	0.00	-119.78	103.08	0.00	310.79	
TQ	0.00			0.00	0.00	0.00	0.00	0.00	0.00	0.00	0.00	0.00	0.00	0.00			
M3	-157.11			0.00	315.56	62.62	0.00	287.22	-116.82	0.00	208.66	86.85	0.00	334.81			
MIN	S2	-167.26	0.00	311.52	-167.26	0.00	-387.11	-127.69	0.00	191.01	-127.69	0.00	-342.37				
TQ	0.00	0.00	0.00	0.00	0.00	0.00	0.00	0.00	0.00	0.00	0.00	0.00					
M3	19.96	0.00	-64.70	-154.67	0.00	-413.43	97.68	0.00	-144.80	-124.58	0.00	-374.20					
DISPERSION-LMAX	S2	83.90	0.00	-117.29	83.90	0.00	233.17	148.01	0.00	-351.94	148.01	0.00	266.30				
TQ	0.00	0.00	0.00	0.00	0.00	0.00	0.00	0.00	0.00	0.00	0.00	0.00					
M3	-72.21	0.00	216.28	79.90	0.00	249.53	-52.94	0.00	104.63	142.42	0.00	272.54					
MIN	S2	-97.83	0.00	180.60	-97.83	0.00	-228.04	-65.04	0.00	88.94	-65.04	0.00	-182.71				
TQ	0.00	0.00	0.00	0.00	0.00	0.00	0.00	0.00	0.00	0.00	0.00	0.00					
M3	58.28	0.00	-152.97	-93.83	0.00	-244.40	135.92	0.00	-367.62	-59.45	0.00	-188.95					

BAGO RIVER BRIDGE

BLOCK [ No.2 : CROSS BEAM ][ BEAM MEMBER FORCE ]

MEMBER				1001029						1001031						
NODE				1029			2029			1031			2031			
NAME TITLE				SHEAR	TORQUE	MOMENT	SHEAR	TORQUE	MOMENT	SHEAR	TORQUE	MOMENT	SHEAR	TORQUE	MOMENT	
				S2 (kN)	TQ (kN·m)	M3 (kN·m)	S2 (kN)	TQ (kN·m)	M3 (kN·m)	S2 (kN)	TQ (kN·m)	M3 (kN·m)	S2 (kN)	TQ (kN·m)	M3 (kN·m)	
70	3-LANES (caseTRUCK-LOAD	MAX	S2	67.27	0.00	-235.55	67.27	0.00	45.43	42.79	0.00	-146.19	42.79	0.00	32.53	
			TQ	0.00	0.00	0.00	0.00	0.00	0.00	0.00	0.00	0.00	0.00	0.00	0.00	0.00
			M3	-9.75	0.00	75.17	45.79	0.00	119.37	-65.08	0.00	204.72	26.53	0.00	102.29	
		MIN	S2	-11.72	0.00	67.69	-11.72	0.00	18.73	-66.02	0.00	203.88	-66.02	0.00	-71.88	
			TQ	0.00	0.00	0.00	0.00	0.00	0.00	0.00	0.00	0.00	0.00	0.00	0.00	0.00
			M3	62.09	0.00	-284.48	23.86	0.00	-111.38	35.70	0.00	-190.22	-9.41	0.00	-125.27	
		TANDEM-LOAD MAX	S2	47.53	0.00	-173.93	47.53	0.00	24.58	30.36	0.00	-99.64	30.36	0.00	27.16	
			TQ	0.00	0.00	0.00	0.00	0.00	0.00	0.00	0.00	0.00	0.00	0.00	0.00	0.00
			M3	-6.58	0.00	51.17	29.70	0.00	82.98	-44.74	0.00	139.48	17.79	0.00	74.32	
		MIN	S2	-8.28	0.00	45.22	-8.28	0.00	10.62	-44.99	0.00	137.80	-44.99	0.00	-50.13	
			TQ	0.00	0.00	0.00	0.00	0.00	0.00	0.00	0.00	0.00	0.00	0.00	0.00	0.00
			M3	42.51	0.00	-204.36	15.24	0.00	-85.61	24.58	0.00	-139.43	-6.83	0.00	-92.39	
		DISPERSION-LMAX	S2	45.17	0.00	-152.70	45.17	0.00	35.96	20.81	0.00	-59.73	20.81	0.00	27.18	
			TQ	0.00	0.00	0.00	0.00	0.00	0.00	0.00	0.00	0.00	0.00	0.00	0.00	0.00
			M3	-11.94	0.00	120.41	18.73	0.00	139.65	-102.32	0.00	345.16	12.10	0.00	51.94	
MIN	S2	-15.81	0.00	105.76	-15.81	0.00	39.71	-106.20	0.00	322.28	-106.20	0.00	-121.30			
	TQ	0.00	0.00	0.00	0.00	0.00	0.00	0.00	0.00	0.00	0.00	0.00	0.00	0.00		
	M3	41.29	0.00	-167.35	10.62	0.00	-63.98	16.93	0.00	-82.61	-97.49	0.00	-146.06			
71	3-LANES (caseTRUCK-LOAD	MAX	S2	40.33	0.00	-267.02	40.33	0.00	-98.55	19.56	0.00	-110.43	19.56	0.00	-28.74	
			TQ	0.00	0.00	0.00	0.00	0.00	0.00	0.00	0.00	0.00	0.00	0.00	0.00	
			M3	-9.75	0.00	75.17	6.92	0.00	54.63	-66.24	0.00	205.72	-1.86	0.00	43.56	
		MIN	S2	-12.27	0.00	68.75	-12.27	0.00	17.51	-66.24	0.00	205.72	-66.24	0.00	-70.95	
			TQ	0.00	0.00	0.00	0.00	0.00	0.00	0.00	0.00	0.00	0.00	0.00	0.00	0.00
			M3	29.88	0.00	-345.60	25.93	0.00	-233.95	5.36	0.00	-191.72	-22.12	0.00	-182.14	



BAGO RIVER BRIDGE

BLOCK [ No.2 : CROSS BEAM ][ BEAM MEMBER FORCE ]

MEMBER		1001029						1001031											
NODE		1029			2029			1031			2031								
NAME TITLE		SHEAR	TORQUE	MOMENT	SHEAR	TORQUE	MOMENT	SHEAR	TORQUE	MOMENT	SHEAR	TORQUE	MOMENT						
		S2 (kN)	TQ (kN·m)	M3 (kN·m)	S2 (kN)	TQ (kN·m)	M3 (kN·m)	S2 (kN)	TQ (kN·m)	M3 (kN·m)	S2 (kN)	TQ (kN·m)	M3 (kN·m)						
71	3-LANES (caseTANDEM-LOAD	MAX	S2	28.06	0.00	-178.13	28.06	0.00	-60.92	13.92	0.00	-78.30	13.92	0.00	-20.14				
			TQ	0.00	0.00	0.00	0.00	0.00	0.00	0.00	0.00	0.00	0.00	0.00	0.00	0.00			
			M3	-6.58	0.00	51.17	6.19	0.00	40.98	-45.11	0.00	140.16	3.08	0.00	0.00	35.09			
		MIN	S2	-8.66	0.00	46.71	-8.66	0.00	10.52	-45.17	0.00	139.65	-45.17	0.00	0.00	-49.02			
			TQ	0.00	0.00	0.00	0.00	0.00	0.00	0.00	0.00	0.00	0.00	0.00	0.00	0.00			
			M3	18.78	0.00	-241.71	16.39	0.00	-169.08	4.19	0.00	-136.23	-16.15	0.00	0.00	-129.61			
			DISPERSION-LMAX	S2	32.43	0.00	-189.13	32.43	0.00	-53.66	11.60	0.00	-58.71	11.60	0.00	0.00	-10.27		
				TQ	0.00	0.00	0.00	0.00	0.00	0.00	0.00	0.00	0.00	0.00	0.00	0.00	0.00		
				M3	-13.37	0.00	119.32	0.85	0.00	85.86	-109.27	0.00	355.83	2.01	0.00	0.00	14.43		
			MIN	S2	-16.90	0.00	65.97	-16.90	0.00	-4.61	-115.54	0.00	313.82	-115.54	0.00	0.00	-168.79		
				TQ	0.00	0.00	0.00	0.00	0.00	0.00	0.00	0.00	0.00	0.00	0.00	0.00	0.00		
				M3	28.90	0.00	-242.49	14.68	0.00	-144.13	5.32	0.00	-100.72	-105.95	0.00	0.00	-193.49		
		72	4-LANES	TRUCK-LOAD	MAX	S2	50.24	0.00	-212.07	50.24	0.00	-2.24	4.64	0.00	3.56	4.64	0.00	22.93	
						TQ	0.00	0.00	0.00	0.00	0.00	0.00	0.00	0.00	0.00	0.00	0.00	0.00	0.00
						M3	0.68	0.00	8.24	30.77	0.00	79.51	-12.67	0.00	57.24	3.65	0.00	0.00	24.29
MIN	S2			-2.31	0.00	2.32	-2.31	0.00	-7.34	-15.34	0.00	44.94	-15.34	0.00	0.00	-19.12			
	TQ			0.00	0.00	0.00	0.00	0.00	0.00	0.00	0.00	0.00	0.00	0.00	0.00	0.00			
	M3			43.21	0.00	-244.45	14.77	0.00	-128.30	-5.35	0.00	-18.79	-8.14	0.00	0.00	-48.18			
TANDEM-LOAD	MAX			S2	41.09	0.00	-164.42	41.09	0.00	7.20	4.19	0.00	5.32	4.19	0.00	0.00	22.83		
				TQ	0.00	0.00	0.00	0.00	0.00	0.00	0.00	0.00	0.00	0.00	0.00	0.00	0.00		
				M3	1.20	0.00	6.27	24.36	0.00	64.79	-7.81	0.00	40.30	3.93	0.00	0.00	23.12		
MIN	S2			-1.57	0.00	1.58	-1.57	0.00	-4.99	-10.56	0.00	30.78	-10.56	0.00	0.00	-13.31			
	TQ			0.00	0.00	0.00	0.00	0.00	0.00	0.00	0.00	0.00	0.00	0.00	0.00	0.00			
	M3			37.83	0.00	-198.47	9.86	0.00	-107.55	-4.19	0.00	-21.17	-4.38	0.00	0.00	-39.25			

BAGO RIVER BRIDGE

BLOCK [ No.2 : CROSS BEAM ][ BEAM MEMBER FORCE ]

MEMBER			1001029						1001031								
NODE			1029			2029			1031			2031					
NAME TITLE			SHEAR	TORQUE	MOMENT	SHEAR	TORQUE	MOMENT	SHEAR	TORQUE	MOMENT	SHEAR	TORQUE	MOMENT			
			S2 (kN)	TQ (kN·m)	M3 (kN·m)	S2 (kN)	TQ (kN·m)	M3 (kN·m)	S2 (kN)	TQ (kN·m)	M3 (kN·m)	S2 (kN)	TQ (kN·m)	M3 (kN·m)			
72	4-LANES	DISPERSION-LMAX	S2	16.87	0.00	-78.77	16.87	0.00	-8.30	3.43	0.00	-9.10	3.43	0.00	5.25		
			TQ	0.00	0.00	0.00	0.00	0.00	0.00	0.00	0.00	0.00	0.00	0.00	0.00	0.00	
			M3	-1.28	0.00	5.28	8.04	0.00	23.08	-10.19	0.00	35.88	1.51	0.00	0.00	8.80	
	MIN	S2	-2.81	0.00	2.84	-2.81	0.00	-8.90	-11.97	0.00	30.25	-11.97	0.00	0.00	-19.74		
		TQ	0.00	0.00	0.00	0.00	0.00	0.00	0.00	0.00	0.00	0.00	0.00	0.00	0.00		
		M3	15.35	0.00	-81.47	6.05	0.00	-40.48	1.63	0.00	-14.69	-10.03	0.00	0.00	-23.27		
	73	6-LANES	TRUCK-LOAD	MAX	S2	160.67	0.00	-251.67	160.67	0.00	419.43	173.37	0.00	-215.94	173.37	0.00	508.24
				TQ	0.00	0.00	0.00	0.00	0.00	0.00	0.00	0.00	0.00	0.00	0.00	0.00	0.00
				M3	-153.23	0.00	419.03	111.82	0.00	544.33	-168.56	0.00	418.06	150.35	0.00	0.00	561.47
MIN			S2	-198.25	0.00	359.86	-198.25	0.00	-468.22	-214.39	0.00	374.44	-214.39	0.00	0.00	-521.06	
TQ			0.00	0.00	0.00	0.00	0.00	0.00	0.00	0.00	0.00	0.00	0.00	0.00	0.00	0.00	
M3			130.80	0.00	-422.28	-171.23	0.00	-701.59	134.20	0.00	-400.16	-162.35	0.00	0.00	-625.36		
TANDEM-LOAD		MAX	S2	119.65	0.00	-170.08	119.65	0.00	329.71	127.63	0.00	-138.04	127.63	0.00	0.00	395.08	
		TQ	0.00	0.00	0.00	0.00	0.00	0.00	0.00	0.00	0.00	0.00	0.00	0.00	0.00		
		M3	-118.22	0.00	305.28	85.20	0.00	407.21	-127.29	0.00	304.53	109.99	0.00	0.00	426.67		
		MIN	S2	-151.07	0.00	272.12	-151.07	0.00	-358.88	-161.34	0.00	274.92	-161.34	0.00	0.00	-399.01	
		TQ	0.00	0.00	0.00	0.00	0.00	0.00	0.00	0.00	0.00	0.00	0.00	0.00	0.00		
		M3	95.47	0.00	-301.47	-136.55	0.00	-529.24	98.50	0.00	-285.07	-128.53	0.00	0.00	-480.84		
DISPERSION-LMAX	S2	123.98	0.00	-280.92	123.98	0.00	236.93	159.23	0.00	-384.67	159.23	0.00	0.00	280.46			
	TQ	0.00	0.00	0.00	0.00	0.00	0.00	0.00	0.00	0.00	0.00	0.00	0.00	0.00			
	M3	-81.53	0.00	304.37	91.97	0.00	371.81	-148.69	0.00	430.04	145.55	0.00	0.00	308.64			
	MIN	S2	-105.27	0.00	220.08	-105.27	0.00	-219.63	-168.23	0.00	374.33	-168.23	0.00	0.00	-328.36		
	TQ	0.00	0.00	0.00	0.00	0.00	0.00	0.00	0.00	0.00	0.00	0.00	0.00	0.00			
	M3	90.15	0.00	-368.25	-73.85	0.00	-356.14	137.95	0.00	-439.31	-154.19	0.00	0.00	-358.46			

BAGO RIVER BRIDGE

BLOCK [ No.2 : CROSS BEAM ][ BEAM MEMBER FORCE ]

MEMBER			1001029						1001031						
NODE			1029			2029			1031			2031			
NAME TITLE			SHEAR	TORQUE	MOMENT	SHEAR	TORQUE	MOMENT	SHEAR	TORQUE	MOMENT	SHEAR	TORQUE	MOMENT	
			S2 (kN)	TQ (kN·m)	M3 (kN·m)	S2 (kN)	TQ (kN·m)	M3 (kN·m)	S2 (kN)	TQ (kN·m)	M3 (kN·m)	S2 (kN)	TQ (kN·m)	M3 (kN·m)	
124	SUM TOTAL	D+1LANE (caseMAX	S2	108.84	0.00	-310.35	108.84	0.00	144.29	88.77	0.00	-363.29	88.77	0.00	7.50
			TQ	64.33	0.00	-170.60	64.33	0.00	98.09	-29.71	0.00	-32.74	-29.71	0.00	-156.85
			M3	-252.22	0.00	278.50	92.74	0.00	157.84	-270.98	0.00	272.09	88.77	0.00	7.50
		MIN	S2	-253.59	0.00	272.59	-253.59	0.00	-786.65	-270.98	0.00	272.09	-270.98	0.00	-859.80
			TQ	64.33	0.00	-170.60	64.33	0.00	98.09	-29.71	0.00	-32.74	-29.71	0.00	-156.85
			M3	107.43	0.00	-316.37	-253.52	0.00	-787.88	82.47	0.00	-392.82	-270.98	0.00	-859.80
		D+1LANE (caseMAX	S2	208.58	0.00	-173.28	208.58	0.00	697.96	125.81	0.00	-127.11	125.81	0.00	398.41
			TQ	64.33	0.00	-170.60	64.33	0.00	98.09	-29.71	0.00	-32.74	-29.71	0.00	-156.85
			M3	89.35	0.00	-79.26	207.31	0.00	704.94	-13.59	0.00	6.00	120.37	0.00	402.95
		MIN	S2	56.54	0.00	-115.61	56.54	0.00	120.56	-44.66	0.00	-36.87	-44.66	0.00	-223.43
			TQ	64.33	0.00	-170.60	64.33	0.00	98.09	-29.71	0.00	-32.74	-29.71	0.00	-156.85
			M3	94.11	0.00	-223.40	61.78	0.00	90.22	111.36	0.00	-140.94	-38.94	0.00	-229.40
		D+1LANE (caseMAX	S2	135.26	0.00	-274.98	135.26	0.00	290.01	22.65	0.00	-131.44	22.65	0.00	-36.84
			TQ	64.33	0.00	-170.60	64.33	0.00	98.09	-29.71	0.00	-32.74	-29.71	0.00	-156.85
			M3	68.08	0.00	-140.53	133.44	0.00	293.39	-66.20	0.00	75.67	14.98	0.00	-23.09
		MIN	S2	61.44	0.00	-161.03	61.44	0.00	95.62	-69.97	0.00	69.77	-69.97	0.00	-222.51
			TQ	64.33	0.00	-170.60	64.33	0.00	98.09	-29.71	0.00	-32.74	-29.71	0.00	-156.85
			M3	130.64	0.00	-289.42	62.12	0.00	91.13	19.28	0.00	-139.19	-68.81	0.00	-224.82
		D+1LANE (caseMAX	S2	80.63	0.00	-350.45	80.63	0.00	-13.64	-26.27	0.00	-45.86	-26.27	0.00	-155.59
			TQ	64.33	0.00	-170.60	64.33	0.00	98.09	-29.71	0.00	-32.74	-29.71	0.00	-156.85
			M3	44.18	0.00	-42.50	47.16	0.00	146.42	-129.40	0.00	303.39	-42.36	0.00	-133.60
		MIN	S2	42.36	0.00	-94.51	42.36	0.00	82.41	-135.98	0.00	265.04	-135.98	0.00	-302.96
			TQ	64.33	0.00	-170.60	64.33	0.00	98.09	-29.71	0.00	-32.74	-29.71	0.00	-156.85
			M3	68.90	0.00	-462.91	63.87	0.00	-191.59	-46.19	0.00	-151.47	-106.61	0.00	-399.71

BAGO RIVER BRIDGE

BLOCK [ No.2 : CROSS BEAM ][ BEAM MEMBER FORCE ]

MEMBER				1001029						1001031					
NODE				1029			2029			1031			2031		
NAME TITLE				SHEAR	TORQUE	MOMENT	SHEAR	TORQUE	MOMENT	SHEAR	TORQUE	MOMENT	SHEAR	TORQUE	MOMENT
				S2 (kN)	TQ (kN·m)	M3 (kN·m)	S2 (kN)	TQ (kN·m)	M3 (kN·m)	S2 (kN)	TQ (kN·m)	M3 (kN·m)	S2 (kN)	TQ (kN·m)	M3 (kN·m)
124	SUM TOTAL	D+2LANES (casMAX	S2	131.86	0.00	-356.64	131.86	0.00	194.16	128.23	0.00	-483.41	128.23	0.00	52.23
			TQ	64.33	0.00	-170.60	64.33	0.00	98.09	-29.71	0.00	-32.74	-29.71	0.00	-156.85
			M3	-242.12	0.00	396.07	105.60	0.00	221.61	-239.87	0.00	313.71	104.42	0.00	88.59
		MIN	S2	-246.76	0.00	378.74	-246.76	0.00	-651.98	-245.40	0.00	305.90	-245.40	0.00	-719.14
			TQ	64.33	0.00	-170.60	64.33	0.00	98.09	-29.71	0.00	-32.74	-29.71	0.00	-156.85
			M3	127.11	0.00	-374.61	-228.19	0.00	-679.41	117.45	0.00	-515.83	-240.39	0.00	-765.97
		D+2LANES (casMAX	S2	214.98	0.00	-242.41	214.98	0.00	655.55	159.10	0.00	-286.59	159.10	0.00	377.99
			TQ	64.33	0.00	-170.60	64.33	0.00	98.09	-29.71	0.00	-32.74	-29.71	0.00	-156.85
			M3	42.51	0.00	97.94	201.07	0.00	677.53	-25.37	0.00	91.97	130.76	0.00	418.14
		MIN	S2	11.68	0.00	55.25	11.68	0.00	104.03	-56.80	0.00	48.44	-56.80	0.00	-188.84
			TQ	64.33	0.00	-170.60	64.33	0.00	98.09	-29.71	0.00	-32.74	-29.71	0.00	-156.85
			M3	116.02	0.00	-297.13	34.56	0.00	52.34	141.52	0.00	-305.93	-47.03	0.00	-240.64
		D+2LANES (casMAX	S2	157.44	0.00	-391.79	157.44	0.00	265.85	31.65	0.00	-186.66	31.65	0.00	-54.45
			TQ	64.33	0.00	-170.60	64.33	0.00	98.09	-29.71	0.00	-32.74	-29.71	0.00	-156.85
			M3	59.55	0.00	-81.27	142.84	0.00	316.96	-115.80	0.00	241.08	18.80	0.00	-17.60
		MIN	S2	53.80	0.00	-101.11	53.80	0.00	123.61	-119.24	0.00	235.12	-119.24	0.00	-262.93
			TQ	64.33	0.00	-170.60	64.33	0.00	98.09	-29.71	0.00	-32.74	-29.71	0.00	-156.85
			M3	152.71	0.00	-423.21	84.77	0.00	61.67	25.36	0.00	-214.76	-86.69	0.00	-286.13
		D+2LANES (casMAX	S2	98.54	0.00	-487.93	98.54	0.00	-76.33	-21.61	0.00	-119.53	-21.61	0.00	-209.81
			TQ	64.33	0.00	-170.60	64.33	0.00	98.09	-29.71	0.00	-32.74	-29.71	0.00	-156.85
			M3	39.74	0.00	0.94	45.02	0.00	175.34	-170.57	0.00	434.21	-45.00	0.00	-135.95
		MIN	S2	37.91	0.00	-46.29	37.91	0.00	112.06	-176.61	0.00	392.59	-176.61	0.00	-345.13
			TQ	64.33	0.00	-170.60	64.33	0.00	98.09	-29.71	0.00	-32.74	-29.71	0.00	-156.85
			M3	86.73	0.00	-609.46	81.05	0.00	-264.09	-39.86	0.00	-226.71	-126.54	0.00	-474.51

BAGO RIVER BRIDGE

BLOCK [ No.2 : CROSS BEAM ][ BEAM MEMBER FORCE ]

MEMBER			1001029						1001031							
NODE			1029			2029			1031			2031				
NAME TITLE			SHEAR	TORQUE	MOMENT	SHEAR	TORQUE	MOMENT	SHEAR	TORQUE	MOMENT	SHEAR	TORQUE	MOMENT		
			S2 (kN)	TQ (kN·m)	M3 (kN·m)	S2 (kN)	TQ (kN·m)	M3 (kN·m)	S2 (kN)	TQ (kN·m)	M3 (kN·m)	S2 (kN)	TQ (kN·m)	M3 (kN·m)		
124	SUM TOTAL	D+3LANES (casMAX	S2	223.91	0.00	-330.63	223.91	0.00	604.65	214.70	0.00	-482.65	214.70	0.00	414.17	
			TQ	64.33	0.00	-170.60	64.33	0.00	98.09	-29.71	0.00	-32.74	-29.71	0.00	-156.85	
			M3	-178.43	0.00	375.77	200.69	0.00	632.93	-196.92	0.00	289.19	190.61	0.00	448.30	
		MIN	S2	-205.61	0.00	335.29	-205.61	0.00	-523.56	-223.64	0.00	252.18	-223.64	0.00	-681.96	
			TQ	64.33	0.00	-170.60	64.33	0.00	98.09	-29.71	0.00	-32.74	-29.71	0.00	-156.85	
			M3	138.80	0.00	-381.41	-186.11	0.00	-568.36	195.30	0.00	-520.01	-215.33	0.00	-726.00	
		D+3LANES (casMAX	S2	159.90	0.00	-500.61	159.90	0.00	167.28	24.34	0.00	-207.77	24.34	0.00	-106.09	
			TQ	64.33	0.00	-170.60	64.33	0.00	98.09	-29.71	0.00	-32.74	-29.71	0.00	-156.85	
			M3	45.89	0.00	-4.35	119.17	0.00	318.26	-172.00	0.00	434.66	3.12	0.00	-25.75	
		MIN	S2	40.92	0.00	-23.17	40.92	0.00	147.77	-176.10	0.00	414.50	-176.10	0.00	-321.05	
			TQ	64.33	0.00	-170.60	64.33	0.00	98.09	-29.71	0.00	-32.74	-29.71	0.00	-156.85	
			M3	152.20	0.00	-554.65	93.63	0.00	-50.96	15.02	0.00	-264.64	-120.58	0.00	-387.48	
		D+3LANES (casMAX	S2	126.18	0.00	-558.32	126.18	0.00	-31.29	-3.23	0.00	-176.51	-3.23	0.00	-190.00	
			TQ	64.33	0.00	-170.60	64.33	0.00	98.09	-29.71	0.00	-32.74	-29.71	0.00	-156.85	
			M3	44.67	0.00	-5.28	70.93	0.00	217.50	-178.89	0.00	444.58	-29.59	0.00	-107.55	
		MIN	S2	39.54	0.00	-56.09	39.54	0.00	109.06	-184.22	0.00	408.87	-184.22	0.00	-360.62	
			TQ	64.33	0.00	-170.60	64.33	0.00	98.09	-29.71	0.00	-32.74	-29.71	0.00	-156.85	
			M3	114.29	0.00	-670.47	98.84	0.00	-223.27	-20.63	0.00	-281.31	-138.57	0.00	-476.13	
		D+4LANES	MAX	S2	107.95	0.00	-359.65	107.95	0.00	91.24	-24.46	0.00	-36.34	-24.46	0.00	-138.53
			TQ	64.33	0.00	-170.60	64.33	0.00	98.09	-29.71	0.00	-32.74	-29.71	0.00	-156.85	
			M3	63.94	0.00	-161.81	89.55	0.00	164.78	-44.57	0.00	27.79	-26.36	0.00	-135.34	
		MIN	S2	61.00	0.00	-167.24	61.00	0.00	87.54	-47.46	0.00	16.14	-47.46	0.00	-182.10	
			TQ	64.33	0.00	-170.60	64.33	0.00	98.09	-29.71	0.00	-32.74	-29.71	0.00	-156.85	
			M3	102.39	0.00	-382.44	77.86	0.00	-11.61	-32.13	0.00	-54.50	-41.53	0.00	-203.29	

BAGO RIVER BRIDGE

BLOCK [ No.2 : CROSS BEAM ][ BEAM MEMBER FORCE ]

MEMBER					1001029						1001031					
NODE					1029			2029			1031			2031		
NAME TITLE					SHEAR	TORQUE	MOMENT	SHEAR	TORQUE	MOMENT	SHEAR	TORQUE	MOMENT	SHEAR	TORQUE	MOMENT
					S2 (kN)	TQ (kN·m)	M3 (kN·m)	S2 (kN)	TQ (kN·m)	M3 (kN·m)	S2 (kN)	TQ (kN·m)	M3 (kN·m)	S2 (kN)	TQ (kN·m)	M3 (kN·m)
124	SUM TOTAL	D+6LANES	MAX	S2	249.34	0.00	-516.78	249.34	0.00	524.73	186.48	0.00	-423.13	186.48	0.00	355.81
				TQ	64.33	0.00	-170.60	64.33	0.00	98.09	-29.71	0.00	-32.74	-29.71	0.00	-156.85
				M3	-88.27	0.00	299.61	196.79	0.00	693.58	-235.92	0.00	518.52	162.63	0.00	408.73
			MIN	S2	-132.96	0.00	206.36	-132.96	0.00	-349.01	-278.41	0.00	453.96	-278.41	0.00	-708.97
				TQ	64.33	0.00	-170.60	64.33	0.00	98.09	-29.71	0.00	-32.74	-29.71	0.00	-156.85
				M3	207.94	0.00	-684.44	-94.97	0.00	-589.43	147.18	0.00	-578.39	-235.47	0.00	-796.33
	SUM TOTAL		MAX		249.34	0.00	396.07	249.34	0.00	704.94	214.70	0.00	518.52	214.70	0.00	448.30
			MIN		-253.59	0.00	-684.44	-253.59	0.00	-787.88	-278.41	0.00	-578.39	-278.41	0.00	-859.80
300	DEAD LOAD	TOTAL			64.33	0.00	-170.60	64.33	0.00	98.09	-29.71	0.00	-32.74	-29.71	0.00	-156.85
301	LIVE LOAD	1-LANE(case1MAX	S2		44.52	0.00	-139.76	44.52	0.00	46.20	118.48	0.00	-330.55	118.48	0.00	164.34
			TQ		0.00	0.00	0.00	0.00	0.00	0.00	0.00	0.00	0.00	0.00	0.00	0.00
			M3		-316.54	0.00	449.10	28.41	0.00	59.75	-241.27	0.00	304.83	118.48	0.00	164.34
			MIN	S2	-317.91	0.00	443.18	-317.91	0.00	-884.74	-241.27	0.00	304.83	-241.27	0.00	-702.95
				TQ	0.00	0.00	0.00	0.00	0.00	0.00	0.00	0.00	0.00	0.00	0.00	0.00
				M3	43.10	0.00	-145.77	-317.84	0.00	-885.98	112.19	0.00	-360.08	-241.27	0.00	-702.95
		1-LANE(case2MAX	S2		144.25	0.00	-2.68	144.25	0.00	599.86	155.52	0.00	-94.37	155.52	0.00	555.25
			TQ		0.00	0.00	0.00	0.00	0.00	0.00	0.00	0.00	0.00	0.00	0.00	0.00
			M3		25.02	0.00	91.33	142.98	0.00	606.85	16.12	0.00	38.74	150.08	0.00	559.80
			MIN	S2	-7.79	0.00	54.99	-7.79	0.00	22.47	-14.95	0.00	-4.13	-14.95	0.00	-66.59
				TQ	0.00	0.00	0.00	0.00	0.00	0.00	0.00	0.00	0.00	0.00	0.00	0.00
				M3	29.79	0.00	-52.80	-2.54	0.00	-7.87	141.07	0.00	-108.20	-9.23	0.00	-72.56
		1-LANE(case3MAX	S2		70.94	0.00	-104.39	70.94	0.00	191.92	52.36	0.00	-98.70	52.36	0.00	120.01
			TQ		0.00	0.00	0.00	0.00	0.00	0.00	0.00	0.00	0.00	0.00	0.00	0.00
			M3		3.75	0.00	30.07	69.11	0.00	195.30	-36.49	0.00	108.40	44.69	0.00	133.75
			MIN	S2	-2.88	0.00	9.57	-2.88	0.00	-2.47	-40.26	0.00	102.51	-40.26	0.00	-65.66
				TQ	0.00	0.00	0.00	0.00	0.00	0.00	0.00	0.00	0.00	0.00	0.00	0.00
				M3	66.31	0.00	-118.82	-2.21	0.00	-6.97	48.99	0.00	-106.45	-39.10	0.00	-67.97

BAGO RIVER BRIDGE

BLOCK [ No.2 : CROSS BEAM ][ BEAM MEMBER FORCE ]

MEMBER			1001029						1001031								
NODE			1029			2029			1031			2031					
NAME TITLE			SHEAR	TORQUE	MOMENT	SHEAR	TORQUE	MOMENT	SHEAR	TORQUE	MOMENT	SHEAR	TORQUE	MOMENT			
			S2 (kN)	TQ (kN·m)	M3 (kN·m)	S2 (kN)	TQ (kN·m)	M3 (kN·m)	S2 (kN)	TQ (kN·m)	M3 (kN·m)	S2 (kN)	TQ (kN·m)	M3 (kN·m)			
301	LIVE LOAD	1-LANE (case4MAX	S2	16.31	0.00	-179.86	16.31	0.00	-111.73	3.44	0.00	-13.12	3.44	0.00	1.25		
			TQ	0.00	0.00	0.00	0.00	0.00	0.00	0.00	0.00	0.00	0.00	0.00	0.00		
			M3	-20.15	0.00	128.10	-17.17	0.00	48.33	-99.69	0.00	336.13	-12.65	0.00	0.00	23.24	
			MIN	S2	-21.97	0.00	76.09	-21.97	0.00	-15.68	-106.27	0.00	297.78	-106.27	0.00	0.00	-146.12
			TQ	0.00	0.00	0.00	0.00	0.00	0.00	0.00	0.00	0.00	0.00	0.00	0.00	0.00	
			M3	4.57	0.00	-292.31	-0.45	0.00	-289.69	-16.48	0.00	-118.73	-76.89	0.00	0.00	-242.86	
		2-LANES (caseMAX	S2	67.54	0.00	-186.04	67.54	0.00	96.07	157.95	0.00	-450.67	157.95	0.00	0.00	209.07	
			TQ	0.00	0.00	0.00	0.00	0.00	0.00	0.00	0.00	0.00	0.00	0.00	0.00	0.00	
			M3	-306.45	0.00	566.67	41.27	0.00	123.52	-210.15	0.00	346.45	134.14	0.00	0.00	245.44	
			MIN	S2	-311.09	0.00	549.34	-311.09	0.00	-750.07	-215.69	0.00	338.64	-215.69	0.00	0.00	-562.29
			TQ	0.00	0.00	0.00	0.00	0.00	0.00	0.00	0.00	0.00	0.00	0.00	0.00	0.00	
			M3	62.79	0.00	-204.01	-292.51	0.00	-777.50	147.16	0.00	-483.09	-210.68	0.00	0.00	-609.13	
		2-LANES (caseMAX	S2	150.65	0.00	-71.81	150.65	0.00	557.45	188.82	0.00	-253.85	188.82	0.00	0.00	534.83	
			TQ	0.00	0.00	0.00	0.00	0.00	0.00	0.00	0.00	0.00	0.00	0.00	0.00	0.00	
			M3	-21.81	0.00	268.53	136.75	0.00	579.43	4.34	0.00	124.71	160.47	0.00	0.00	574.98	
			MIN	S2	-52.65	0.00	225.84	-52.65	0.00	5.93	-27.09	0.00	81.17	-27.09	0.00	0.00	-31.99
			TQ	0.00	0.00	0.00	0.00	0.00	0.00	0.00	0.00	0.00	0.00	0.00	0.00	0.00	
			M3	51.69	0.00	-126.53	-29.76	0.00	-45.75	171.24	0.00	-273.19	-17.31	0.00	0.00	-83.80	
		2-LANES (caseMAX	S2	93.12	0.00	-221.20	93.12	0.00	167.76	61.36	0.00	-153.92	61.36	0.00	0.00	102.39	
			TQ	0.00	0.00	0.00	0.00	0.00	0.00	0.00	0.00	0.00	0.00	0.00	0.00	0.00	
			M3	-4.78	0.00	89.33	78.52	0.00	218.87	-86.08	0.00	273.82	48.51	0.00	0.00	139.25	
MIN	S2		-10.53	0.00	69.49	-10.53	0.00	25.51	-89.53	0.00	267.86	-89.53	0.00	0.00	-106.09		
TQ	0.00		0.00	0.00	0.00	0.00	0.00	0.00	0.00	0.00	0.00	0.00	0.00	0.00			
M3	88.39		0.00	-252.61	20.45	0.00	-36.43	55.07	0.00	-182.03	-56.98	0.00	0.00	-129.28			

BAGO RIVER BRIDGE

BLOCK [ No.2 : CROSS BEAM ][ BEAM MEMBER FORCE ]

MEMBER			1001029						1001031						
NODE			1029			2029			1031			2031			
NAME TITLE			SHEAR	TORQUE	MOMENT	SHEAR	TORQUE	MOMENT	SHEAR	TORQUE	MOMENT	SHEAR	TORQUE	MOMENT	
			S2 (kN)	TQ (kN·m)	M3 (kN·m)	S2 (kN)	TQ (kN·m)	M3 (kN·m)	S2 (kN)	TQ (kN·m)	M3 (kN·m)	S2 (kN)	TQ (kN·m)	M3 (kN·m)	
301	LIVE LOAD	2-LANES (caseMAX	S2	34.21	0.00	-317.33	34.21	0.00	-174.42	8.10	0.00	-86.79	8.10	0.00	-52.96
			TQ	0.00	0.00	0.00	0.00	0.00	0.00	0.00	0.00	0.00	0.00	0.00	0.00
			M3	-24.59	0.00	171.53	-19.31	0.00	77.25	-140.86	0.00	466.95	-15.29	0.00	20.89
			MIN S2	-26.42	0.00	124.31	-26.42	0.00	13.96	-146.90	0.00	425.33	-146.90	0.00	-188.28
			TQ	0.00	0.00	0.00	0.00	0.00	0.00	0.00	0.00	0.00	0.00	0.00	0.00
			M3	22.40	0.00	-438.86	16.72	0.00	-362.18	-10.15	0.00	-193.97	-96.83	0.00	-317.67
		3-LANES (caseMAX	S2	159.59	0.00	-160.03	159.59	0.00	506.56	244.42	0.00	-449.91	244.42	0.00	571.02
			TQ	0.00	0.00	0.00	0.00	0.00	0.00	0.00	0.00	0.00	0.00	0.00	0.00
			M3	-242.76	0.00	546.36	136.36	0.00	534.84	-167.21	0.00	321.93	220.32	0.00	605.15
			MIN S2	-269.94	0.00	505.89	-269.94	0.00	-621.65	-193.93	0.00	284.92	-193.93	0.00	-525.12
			TQ	0.00	0.00	0.00	0.00	0.00	0.00	0.00	0.00	0.00	0.00	0.00	0.00
			M3	74.47	0.00	-210.81	-250.44	0.00	-666.46	225.01	0.00	-487.27	-185.62	0.00	-569.15
		3-LANES (caseMAX	S2	95.57	0.00	-330.01	95.57	0.00	69.19	54.05	0.00	-175.03	54.05	0.00	50.76
			TQ	0.00	0.00	0.00	0.00	0.00	0.00	0.00	0.00	0.00	0.00	0.00	0.00
			M3	-18.44	0.00	166.24	54.85	0.00	220.17	-142.29	0.00	467.40	32.83	0.00	131.09
			MIN S2	-23.40	0.00	147.43	-23.40	0.00	49.67	-146.38	0.00	447.24	-146.38	0.00	-164.20
			TQ	0.00	0.00	0.00	0.00	0.00	0.00	0.00	0.00	0.00	0.00	0.00	0.00
			M3	87.87	0.00	-384.06	29.31	0.00	-149.05	44.73	0.00	-231.90	-90.87	0.00	-230.63
		3-LANES (caseMAX	S2	61.85	0.00	-387.73	61.85	0.00	-129.38	26.48	0.00	-143.77	26.48	0.00	-33.16
			TQ	0.00	0.00	0.00	0.00	0.00	0.00	0.00	0.00	0.00	0.00	0.00	0.00
			M3	-19.65	0.00	165.32	6.61	0.00	119.41	-149.18	0.00	477.32	0.13	0.00	49.29
			MIN S2	-24.79	0.00	114.51	-24.79	0.00	10.97	-154.51	0.00	441.61	-154.51	0.00	-203.77
			TQ	0.00	0.00	0.00	0.00	0.00	0.00	0.00	0.00	0.00	0.00	0.00	0.00
			M3	49.96	0.00	-499.88	34.52	0.00	-321.36	9.08	0.00	-248.57	-108.86	0.00	-319.29



BAGO RIVER BRIDGE

BLOCK [ No.2 : CROSS BEAM ][ BEAM MEMBER FORCE ]

MEMBER				1001029			1001031										
NODE				1029	2029		1031	2031									
NAME TITLE				SHEAR	TORQUE	MOMENT	SHEAR	TORQUE	MOMENT	SHEAR	TORQUE	MOMENT					
				S2 (kN)	TQ (kN·m)	M3 (kN·m)	S2 (kN)	TQ (kN·m)	M3 (kN·m)	S2 (kN)	TQ (kN·m)	M3 (kN·m)					
301	LIVE LOAD	4-LANES	MAX	S2	43.62	0.00	-189.05	43.62	0.00	-6.85	5.25	0.00	-3.60	5.25	0.00	18.32	
				TQ	0.00	0.00	0.00	0.00	0.00	0.00	0.00	0.00	0.00	0.00	0.00	0.00	0.00
				M3	-0.39	0.00	8.79	25.22	0.00	66.69	-14.86	0.00	60.53	3.35	0.00	0.00	21.51
		MIN	S2	-3.33	0.00	3.35	-3.33	0.00	-10.55	-17.75	0.00	48.88	-17.75	0.00	0.00	-25.26	
			TQ	0.00	0.00	0.00	0.00	0.00	0.00	0.00	0.00	0.00	0.00	0.00	0.00	0.00	
			M3	38.06	0.00	-211.85	13.53	0.00	-109.70	-2.41	0.00	-21.76	-11.81	0.00	0.00	-46.45	
	6-LANES	MAX	S2	185.02	0.00	-346.18	185.02	0.00	426.63	216.19	0.00	-390.39	216.19	0.00	512.65		
			TQ	0.00	0.00	0.00	0.00	0.00	0.00	0.00	0.00	0.00	0.00	0.00	0.00		
			M3	-152.59	0.00	470.21	132.47	0.00	595.49	-206.21	0.00	551.26	192.34	0.00	565.57		
		MIN	S2	-197.28	0.00	376.96	-197.28	0.00	-447.10	-248.70	0.00	486.70	-248.70	0.00	-552.12		
			TQ	0.00	0.00	0.00	0.00	0.00	0.00	0.00	0.00	0.00	0.00	0.00	0.00		
			M3	143.61	0.00	-513.85	-159.30	0.00	-687.52	176.89	0.00	-545.65	-205.75	0.00	-639.49		
LIVE LOAD	MAX		185.02	0.00	566.67	185.02	0.00	606.85	244.42	0.00	551.26	244.42	0.00	605.15			
	MIN		-317.91	0.00	-513.85	-317.91	0.00	-885.98	-248.70	0.00	-545.65	-248.70	0.00	-702.95			
303	SUM TOTAL	TOTAL	MAX		249.34	0.00	396.07	249.34	0.00	704.94	214.70	0.00	518.52	214.70	0.00	448.30	
			MIN		-253.59	0.00	-684.44	-253.59	0.00	-787.88	-278.41	0.00	-578.39	-278.41	0.00	-859.80	

BAGO RIVER BRIDGE

BLOCK [ No.2 : CROSS BEAM ][ BEAM MEMBER FORCE ]

MEMBER NODE	1001033 1033	2033			1001035 1035			2035							
		SHEAR	TORQUE	MOMENT	SHEAR	TORQUE	MOMENT	SHEAR	TORQUE	MOMENT					
		S2 (kN)	TQ (kN·m)	M3 (kN·m)	S2 (kN)	TQ (kN·m)	M3 (kN·m)	S2 (kN)	TQ (kN·m)	M3 (kN·m)					
1	PAVEMENT	-5.50	0.00	13.54	-5.50	0.00	-9.43	-11.53	0.00	43.37	-11.53	0.00	-4.79		
3	RAILING	2.92	0.00	-6.53	2.92	0.00	5.65	-3.30	0.00	2.00	-3.30	0.00	-11.79		
5	CURB	28.87	0.00	-64.67	28.87	0.00	55.91	-32.69	0.00	19.84	-32.69	0.00	-116.69		
7	DECK WEIGHT	-1.53	0.00	5.55	-1.53	0.00	-0.83	-19.14	0.00	63.35	-19.14	0.00	-16.61		
8	GIRDER WEIGH	14.66	0.00	-27.88	14.66	0.00	33.34	18.35	0.00	16.24	18.35	0.00	92.89		
10	MEDIAN STRIP	-9.10	0.00	21.78	-9.10	0.00	-16.22	22.56	0.00	-9.79	22.56	0.00	84.46		
21	ADITIONAL WE	-0.43	0.00	1.55	-0.43	0.00	-0.23	-5.36	0.00	17.74	-5.36	0.00	-4.65		
31	MEDIAN RAILI	-0.76	0.00	1.81	-0.76	0.00	-1.38	1.82	0.00	-0.94	1.82	0.00	6.64		
51	SUPPORT WEIG	0.00	0.00	-0.00	0.00	0.00	0.00	-0.00	0.00	-0.00	-0.00	0.00	-0.00		
52	NOSE WEIGHT	-0.01	0.00	0.02	-0.01	0.00	-0.02	-0.00	0.00	0.01	-0.00	0.00	-0.00		
61	1-LANE(case1TRUCK-LOAD	MAX	S2	82.70	0.00	-185.84	82.70	0.00	159.58	37.17	0.00	-83.83	37.17	0.00	71.41
			TQ	0.00	0.00	0.00	0.00	0.00	0.00	0.00	0.00	0.00	0.00	0.00	0.00
			M3	-6.23	0.00	13.82	82.70	0.00	159.58	-141.04	0.00	171.97	37.17	0.00	71.41
		MIN	S2	-6.23	0.00	13.82	-6.23	0.00	-12.21	-141.04	0.00	171.97	-141.04	0.00	-417.15
			TQ	0.00	0.00	0.00	0.00	0.00	0.00	0.00	0.00	0.00	0.00	0.00	0.00
			M3	82.70	0.00	-185.84	-6.23	0.00	-12.21	28.29	0.00	-103.56	-141.04	0.00	-417.15
		TANDEM-LOAD MAX	S2	56.43	0.00	-127.07	56.43	0.00	108.62	26.51	0.00	-50.55	26.51	0.00	60.20
			TQ	0.00	0.00	0.00	0.00	0.00	0.00	0.00	0.00	0.00	0.00	0.00	0.00
			M3	-4.24	0.00	9.39	56.43	0.00	108.62	-108.93	0.00	134.25	26.51	0.00	60.20
		MIN	S2	-4.24	0.00	9.39	-4.24	0.00	-8.30	-108.93	0.00	134.25	-108.93	0.00	-320.76
			TQ	0.00	0.00	0.00	0.00	0.00	0.00	0.00	0.00	0.00	0.00	0.00	0.00
			M3	56.43	0.00	-127.07	-4.24	0.00	-8.30	19.34	0.00	-70.64	-108.93	0.00	-320.76
		DISPERSION-LMAX	S2	205.02	0.00	-459.43	205.02	0.00	396.92	54.89	0.00	-182.09	54.89	0.00	47.19
			TQ	0.00	0.00	0.00	0.00	0.00	0.00	0.00	0.00	0.00	0.00	0.00	0.00
			M3	-7.29	0.00	16.17	205.02	0.00	396.92	-48.94	0.00	65.97	52.83	0.00	48.09
MIN	S2	-7.29	0.00	16.17	-7.29	0.00	-14.29	-49.40	0.00	65.91	-49.40	0.00	-140.41		
	TQ	0.00	0.00	0.00	0.00	0.00	0.00	0.00	0.00	0.00	0.00	0.00	0.00		
	M3	205.02	0.00	-459.43	-7.29	0.00	-14.29	54.44	0.00	-182.16	-47.34	0.00	-141.31		

BAGO RIVER BRIDGE

BLOCK [ No.2 : CROSS BEAM ][ BEAM MEMBER FORCE ]

MEMBER				1001033						1001035						
NODE				1033			2033			1035			2035			
				SHEAR	TORQUE	MOMENT	SHEAR	TORQUE	MOMENT	SHEAR	TORQUE	MOMENT	SHEAR	TORQUE	MOMENT	
NAME	TITLE			S2 (kN)	TQ (kN·m)	M3 (kN·m)	S2 (kN)	TQ (kN·m)	M3 (kN·m)	S2 (kN)	TQ (kN·m)	M3 (kN·m)	S2 (kN)	TQ (kN·m)	M3 (kN·m)	
62	1-LANE (case2TRUCK-LOAD	MAX	S2	20.37	0.00	-45.53	20.37	0.00	39.58	82.45	0.00	-31.44	82.45	0.00	312.95	
			TQ	0.00	0.00	0.00	0.00	0.00	0.00	0.00	0.00	0.00	0.00	0.00	0.00	0.00
			M3	-6.17	0.00	15.95	20.37	0.00	39.58	7.43	0.00	20.93	82.45	0.00	312.95	
		MIN	S2	-6.17	0.00	15.95	-6.17	0.00	-9.81	-10.64	0.00	-4.02	-10.64	0.00	-48.47	
			TQ	0.00	0.00	0.00	0.00	0.00	0.00	0.00	0.00	0.00	0.00	0.00	0.00	0.00
			M3	20.37	0.00	-45.53	-6.17	0.00	-9.81	76.61	0.00	-34.40	-10.42	0.00	-49.86	
		TANDEM-LOAD MAX	S2	13.87	0.00	-31.00	13.87	0.00	26.95	63.85	0.00	-27.96	63.85	0.00	238.73	
			TQ	0.00	0.00	0.00	0.00	0.00	0.00	0.00	0.00	0.00	0.00	0.00	0.00	0.00
			M3	-5.39	0.00	13.87	13.87	0.00	26.95	0.14	0.00	15.49	63.85	0.00	238.73	
		MIN	S2	-5.39	0.00	13.87	-5.39	0.00	-8.66	-10.31	0.00	0.16	-10.31	0.00	-42.90	
			TQ	0.00	0.00	0.00	0.00	0.00	0.00	0.00	0.00	0.00	0.00	0.00	0.00	0.00
			M3	13.87	0.00	-31.00	-5.39	0.00	-8.66	62.22	0.00	-28.78	-10.31	0.00	-42.90	
		DISPERSION-LMAX	S2	46.52	0.00	-103.01	46.52	0.00	91.29	39.15	0.00	-47.15	39.15	0.00	116.37	
			TQ	0.00	0.00	0.00	0.00	0.00	0.00	0.00	0.00	0.00	0.00	0.00	0.00	0.00
			M3	-5.75	0.00	13.97	46.49	0.00	91.34	2.15	0.00	8.52	32.88	0.00	123.12	
MIN	S2	-5.76	0.00	13.93	-5.76	0.00	-10.15	-3.04	0.00	1.83	-3.04	0.00	-10.89			
	TQ	0.00	0.00	0.00	0.00	0.00	0.00	0.00	0.00	0.00	0.00	0.00	0.00	0.00		
	M3	46.50	0.00	-103.06	-5.74	0.00	-10.20	33.95	0.00	-53.84	3.23	0.00	-17.63			
63	1-LANE (case3TRUCK-LOAD	MAX	S2	0.94	0.00	-2.10	0.94	0.00	1.81	26.49	0.00	-55.79	26.49	0.00	54.85	
			TQ	0.00	0.00	0.00	0.00	0.00	0.00	0.00	0.00	0.00	0.00	0.00	0.00	
			M3	-26.38	0.00	58.18	0.94	0.00	1.81	-14.46	0.00	29.14	22.78	0.00	58.58	
		MIN	S2	-26.38	0.00	58.18	-26.38	0.00	-51.99	-14.46	0.00	29.14	-14.46	0.00	-31.26	
			TQ	0.00	0.00	0.00	0.00	0.00	0.00	0.00	0.00	0.00	0.00	0.00	0.00	0.00
			M3	0.94	0.00	-2.10	-26.23	0.00	-52.05	26.25	0.00	-58.24	-14.46	0.00	-31.26	

BAGO RIVER BRIDGE

BLOCK [ No.2 : CROSS BEAM ][ BEAM MEMBER FORCE ]

MEMBER NODE	1001033 1033	2033			1001035 1035			2035							
		SHEAR	TORQUE	MOMENT	SHEAR	TORQUE	MOMENT	SHEAR	TORQUE	MOMENT					
		S2 (kN)	TQ (kN·m)	M3 (kN·m)	S2 (kN)	TQ (kN·m)	M3 (kN·m)	S2 (kN)	TQ (kN·m)	M3 (kN·m)					
63	1-LANE (case3TANDEM-LOAD	MAX	S2	0.64	0.00	-1.43	0.64	0.00	1.23	18.84	0.00	-44.74	18.84	0.00	33.96
			TQ	0.00	0.00	0.00	0.00	0.00	0.00	0.00	0.00	0.00	0.00	0.00	0.00
			M3	-18.43	0.00	40.15	0.64	0.00	1.23	-10.20	0.00	20.18	17.30	0.00	41.27
		MIN	S2	-18.43	0.00	40.15	-18.43	0.00	-36.85	-10.20	0.00	20.18	-10.20	0.00	-22.42
			TQ	0.00	0.00	0.00	0.00	0.00	0.00	0.00	0.00	0.00	0.00	0.00	0.00
			M3	0.64	0.00	-1.43	-18.43	0.00	-36.85	18.84	0.00	-44.74	-10.20	0.00	-22.42
	DISPERSION-LMAX		S2	1.09	0.00	-2.45	1.09	0.00	2.11	12.05	0.00	-19.61	12.05	0.00	30.70
			TQ	0.00	0.00	0.00	0.00	0.00	0.00	0.00	0.00	0.00	0.00	0.00	0.00
			M3	-55.12	0.00	123.07	1.09	0.00	2.11	-13.88	0.00	49.57	7.80	0.00	36.96
		MIN	S2	-55.12	0.00	123.07	-55.12	0.00	-107.16	-14.85	0.00	47.32	-14.85	0.00	-14.72
			TQ	0.00	0.00	0.00	0.00	0.00	0.00	0.00	0.00	0.00	0.00	0.00	0.00
			M3	1.09	0.00	-2.45	-55.12	0.00	-107.16	11.07	0.00	-21.86	-10.61	0.00	-20.98
64	1-LANE (case4TRUCK-LOAD	MAX	S2	8.16	0.00	-18.15	8.16	0.00	15.93	3.73	0.00	-12.57	3.73	0.00	3.01
			TQ	0.00	0.00	0.00	0.00	0.00	0.00	0.00	0.00	0.00	0.00	0.00	0.00
			M3	-71.72	0.00	161.87	8.16	0.00	15.93	-30.87	0.00	116.45	-7.04	0.00	25.71
		MIN	S2	-71.72	0.00	161.87	-71.72	0.00	-137.69	-31.01	0.00	114.40	-31.01	0.00	-15.13
			TQ	0.00	0.00	0.00	0.00	0.00	0.00	0.00	0.00	0.00	0.00	0.00	0.00
			M3	8.16	0.00	-18.15	-71.72	0.00	-137.69	-8.17	0.00	-46.17	-10.58	0.00	-88.91
	TANDEM-LOAD	MAX	S2	5.55	0.00	-12.35	5.55	0.00	10.85	2.54	0.00	-8.56	2.54	0.00	2.06
			TQ	0.00	0.00	0.00	0.00	0.00	0.00	0.00	0.00	0.00	0.00	0.00	0.00
			M3	-48.93	0.00	110.40	5.55	0.00	10.85	-21.29	0.00	79.30	-5.59	0.00	18.61
		MIN	S2	-48.93	0.00	110.40	-48.93	0.00	-93.97	-21.30	0.00	78.74	-21.30	0.00	-10.22
			TQ	0.00	0.00	0.00	0.00	0.00	0.00	0.00	0.00	0.00	0.00	0.00	0.00
			M3	5.55	0.00	-12.35	-48.93	0.00	-93.97	-6.50	0.00	-32.94	-7.12	0.00	-62.46

BAGO RIVER BRIDGE

BLOCK [ No.2 : CROSS BEAM ][ BEAM MEMBER FORCE ]

MEMBER NODE	1001033 1033	2033			1001035 1035	2035									
		SHEAR	TORQUE	MOMENT		SHEAR	TORQUE	MOMENT							
		S2 (kN)	TQ (kN·m)	M3 (kN·m)		S2 (kN)	TQ (kN·m)	M3 (kN·m)							
64	1-LANE (case4DISPERSION-LMAX	S2	9.65	0.00	-21.47	9.65	0.00	18.84	4.47	0.00	-15.34	4.47	0.00	3.34	
		TQ	0.00	0.00	0.00	0.00	0.00	0.00	0.00	0.00	0.00	0.00	0.00	0.00	
		M3	-173.13	0.00	388.42	9.65	0.00	18.84	-45.19	0.00	181.87	-4.26	0.00	12.63	
	MIN	S2	-173.13	0.00	388.42	-173.13	0.00	-334.75	-49.29	0.00	161.97	-49.29	0.00	-43.93	
		TQ	0.00	0.00	0.00	0.00	0.00	0.00	0.00	0.00	0.00	0.00	0.00	0.00	
		M3	9.65	0.00	-21.47	-173.13	0.00	-334.75	0.36	0.00	-35.24	-40.56	0.00	-53.22	
65	2-LANES (caseTRUCK-LOAD	MAX	S2	131.35	0.00	-294.94	131.35	0.00	253.69	53.48	0.00	-149.77	53.48	0.00	73.61
		TQ	0.00	0.00	0.00	0.00	0.00	0.00	0.00	0.00	0.00	0.00	0.00	0.00	
		M3	-10.45	0.00	23.17	131.35	0.00	253.69	-145.97	0.00	228.65	32.23	0.00	107.49	
	MIN	S2	-10.45	0.00	23.17	-10.45	0.00	-20.48	-145.97	0.00	228.65	-145.97	0.00	-381.08	
		TQ	0.00	0.00	0.00	0.00	0.00	0.00	0.00	0.00	0.00	0.00	0.00	0.00	
		M3	131.35	0.00	-294.94	-10.45	0.00	-20.48	44.59	0.00	-169.69	-136.65	0.00	-419.37	
	TANDEM-LOAD	MAX	S2	89.49	0.00	-201.26	89.49	0.00	172.55	37.64	0.00	-95.44	37.64	0.00	61.78
		TQ	0.00	0.00	0.00	0.00	0.00	0.00	0.00	0.00	0.00	0.00	0.00	0.00	
		M3	-7.10	0.00	15.75	89.49	0.00	172.55	-112.49	0.00	176.09	22.96	0.00	87.21	
	MIN	S2	-7.10	0.00	15.75	-7.10	0.00	-13.92	-112.49	0.00	176.09	-112.49	0.00	-293.76	
		TQ	0.00	0.00	0.00	0.00	0.00	0.00	0.00	0.00	0.00	0.00	0.00	0.00	
		M3	89.49	0.00	-201.26	-7.10	0.00	-13.92	30.38	0.00	-115.58	-105.17	0.00	-323.54	
	DISPERSION-LMAX	S2	326.12	0.00	-729.14	326.12	0.00	633.08	90.57	0.00	-285.71	90.57	0.00	92.61	
		TQ	0.00	0.00	0.00	0.00	0.00	0.00	0.00	0.00	0.00	0.00	0.00	0.00	
		M3	-12.21	0.00	27.07	326.12	0.00	633.08	-52.43	0.00	93.30	83.74	0.00	97.08	
	MIN	S2	-12.21	0.00	27.07	-12.21	0.00	-23.94	-57.39	0.00	86.94	-57.39	0.00	-152.79	
		TQ	0.00	0.00	0.00	0.00	0.00	0.00	0.00	0.00	0.00	0.00	0.00	0.00	
		M3	326.12	0.00	-729.15	-12.21	0.00	-23.94	85.61	0.00	-292.07	-50.56	0.00	-157.26	

BAGO RIVER BRIDGE

BLOCK [ No.2 : CROSS BEAM ][ BEAM MEMBER FORCE ]

MEMBER NODE	1001033 1033	2033			1001035 1035			2035							
		SHEAR	TORQUE	MOMENT	SHEAR	TORQUE	MOMENT	SHEAR	TORQUE	MOMENT					
		S2 (kN)	TQ (kN·m)	M3 (kN·m)	S2 (kN)	TQ (kN·m)	M3 (kN·m)	S2 (kN)	TQ (kN·m)	M3 (kN·m)					
66	2-LANES (caseTRUCK-LOAD	MAX	S2	69.02	0.00	-154.63	69.02	0.00	133.68	98.76	0.00	-97.38	98.76	0.00	315.14
			TQ	0.00	0.00	0.00	0.00	0.00	0.00	0.00	0.00	0.00	0.00	0.00	0.00
			M3	-10.39	0.00	25.30	69.02	0.00	133.68	2.50	0.00	77.61	77.52	0.00	349.02
		MIN	S2	-10.39	0.00	25.30	-10.39	0.00	-18.08	-15.58	0.00	52.66	-15.58	0.00	-12.39
			TQ	0.00	0.00	0.00	0.00	0.00	0.00	0.00	0.00	0.00	0.00	0.00	0.00
			M3	69.02	0.00	-154.63	-10.39	0.00	-18.08	92.92	0.00	-100.52	-6.03	0.00	-52.08
	TANDEM-LOAD	MAX	S2	46.94	0.00	-105.19	46.94	0.00	90.88	74.97	0.00	-72.85	74.97	0.00	240.31
			TQ	0.00	0.00	0.00	0.00	0.00	0.00	0.00	0.00	0.00	0.00	0.00	0.00
			M3	-8.26	0.00	20.22	46.94	0.00	90.88	-3.41	0.00	57.32	60.30	0.00	265.74
		MIN	S2	-8.26	0.00	20.22	-8.26	0.00	-14.28	-13.86	0.00	41.99	-13.86	0.00	-15.89
			TQ	0.00	0.00	0.00	0.00	0.00	0.00	0.00	0.00	0.00	0.00	0.00	0.00
			M3	46.94	0.00	-105.19	-8.26	0.00	-14.28	73.25	0.00	-73.72	-6.54	0.00	-45.67
	DISPERSION-LMAX		S2	167.63	0.00	-372.72	167.63	0.00	327.45	74.83	0.00	-150.77	74.83	0.00	161.79
			TQ	0.00	0.00	0.00	0.00	0.00	0.00	0.00	0.00	0.00	0.00	0.00	0.00
			M3	-10.67	0.00	24.88	167.60	0.00	327.50	-1.34	0.00	35.84	63.79	0.00	172.11
		MIN	S2	-10.69	0.00	24.84	-10.69	0.00	-19.80	-11.04	0.00	22.86	-11.04	0.00	-23.26
			TQ	0.00	0.00	0.00	0.00	0.00	0.00	0.00	0.00	0.00	0.00	0.00	0.00
			M3	167.61	0.00	-372.77	-10.66	0.00	-19.85	65.12	0.00	-163.75	-0.00	0.00	-33.58
67	2-LANES (caseTRUCK-LOAD	MAX	S2	3.98	0.00	-8.90	3.98	0.00	7.74	33.16	0.00	-98.21	33.16	0.00	40.28
			TQ	0.00	0.00	0.00	0.00	0.00	0.00	0.00	0.00	0.00	0.00	0.00	0.00
			M3	-73.29	0.00	164.14	3.98	0.00	7.74	-31.55	0.00	84.83	23.66	0.00	68.45
		MIN	S2	-73.30	0.00	164.13	-73.30	0.00	-142.04	-31.91	0.00	84.63	-31.91	0.00	-48.65
			TQ	0.00	0.00	0.00	0.00	0.00	0.00	0.00	0.00	0.00	0.00	0.00	0.00
			M3	3.98	0.00	-8.90	-73.15	0.00	-142.10	31.05	0.00	-113.19	-9.65	0.00	-66.13

BAGO RIVER BRIDGE

BLOCK [ No.2 : CROSS BEAM ][ BEAM MEMBER FORCE ]

MEMBER NODE	1001033 1033	2033			1001035 1035			2035							
		SHEAR	TORQUE	MOMENT	SHEAR	TORQUE	MOMENT	SHEAR	TORQUE	MOMENT					
		S2 (kN)	TQ (kN·m)	M3 (kN·m)	S2 (kN)	TQ (kN·m)	M3 (kN·m)	S2 (kN)	TQ (kN·m)	M3 (kN·m)					
67	2-LANES (caseTANDEM-LOAD	MAX	S2	2.71	0.00	-6.05	2.71	0.00	5.27	23.83	0.00	-66.46	23.83	0.00	33.06
			TQ	0.00	0.00	0.00	0.00	0.00	0.00	0.00	0.00	0.00	0.00	0.00	0.00
			M3	-50.31	0.00	112.19	2.71	0.00	5.27	-21.93	0.00	58.25	19.49	0.00	49.20
		MIN	S2	-50.31	0.00	112.19	-50.31	0.00	-97.98	-22.11	0.00	57.39	-22.11	0.00	-34.95
			TQ	0.00	0.00	0.00	0.00	0.00	0.00	0.00	0.00	0.00	0.00	0.00	0.00
			M3	2.71	0.00	-6.05	-50.31	0.00	-97.98	21.73	0.00	-84.83	-7.31	0.00	-50.44
	DISPERSION-LMAX		S2	4.60	0.00	-10.28	4.60	0.00	8.94	16.95	0.00	-44.16	16.95	0.00	26.62
			TQ	0.00	0.00	0.00	0.00	0.00	0.00	0.00	0.00	0.00	0.00	0.00	0.00
			M3	-163.04	0.00	364.66	4.60	0.00	8.94	-40.88	0.00	150.38	4.62	0.00	45.48
		MIN	S2	-163.04	0.00	364.66	-163.04	0.00	-316.36	-42.03	0.00	145.70	-42.03	0.00	-29.87
			TQ	0.00	0.00	0.00	0.00	0.00	0.00	0.00	0.00	0.00	0.00	0.00	0.00
			M3	4.60	0.00	-10.28	-163.04	0.00	-316.36	15.79	0.00	-48.84	-29.71	0.00	-48.73
68	2-LANES (caseTRUCK-LOAD	MAX	S2	14.20	0.00	-31.59	14.20	0.00	27.72	10.19	0.00	-49.25	10.19	0.00	-6.68
			TQ	0.00	0.00	0.00	0.00	0.00	0.00	0.00	0.00	0.00	0.00	0.00	0.00
			M3	-122.20	0.00	273.47	14.20	0.00	27.72	-54.12	0.00	201.06	-6.17	0.00	35.58
		MIN	S2	-122.20	0.00	273.47	-122.20	0.00	-236.95	-54.37	0.00	198.96	-54.37	0.00	-28.15
			TQ	0.00	0.00	0.00	0.00	0.00	0.00	0.00	0.00	0.00	0.00	0.00	0.00
			M3	14.20	0.00	-31.59	-122.20	0.00	-236.95	-4.70	0.00	-99.67	-7.11	0.00	-127.94
	TANDEM-LOAD	MAX	S2	9.67	0.00	-21.51	9.67	0.00	18.87	7.49	0.00	-30.27	7.49	0.00	1.00
			TQ	0.00	0.00	0.00	0.00	0.00	0.00	0.00	0.00	0.00	0.00	0.00	0.00
			M3	-83.54	0.00	186.90	9.67	0.00	18.87	-37.27	0.00	136.95	-3.41	0.00	26.55
		MIN	S2	-83.54	0.00	186.90	-83.54	0.00	-162.05	-37.28	0.00	136.39	-37.28	0.00	-19.34
			TQ	0.00	0.00	0.00	0.00	0.00	0.00	0.00	0.00	0.00	0.00	0.00	0.00
			M3	9.67	0.00	-21.51	-83.54	0.00	-162.05	-4.82	0.00	-71.60	-5.45	0.00	-94.11

BAGO RIVER BRIDGE

BLOCK [ No.2 : CROSS BEAM ][ BEAM MEMBER FORCE ]

MEMBER		1001033						1001035							
NODE		1033		2033		1035		2035							
		SHEAR	TORQUE	MOMENT	SHEAR	TORQUE	MOMENT	SHEAR	TORQUE	MOMENT	SHEAR	TORQUE	MOMENT		
NAME	TITLE	S2 (kN)	TQ (kN·m)	M3 (kN·m)	S2 (kN)	TQ (kN·m)	M3 (kN·m)	S2 (kN)	TQ (kN·m)	M3 (kN·m)	S2 (kN)	TQ (kN·m)	M3 (kN·m)		
68	2-LANES (caseDISPERSION-LMAX	S2	16.88	0.00	-37.56	16.88	0.00	32.95	10.46	0.00	-42.83	10.46	0.00	0.84	
		TQ	0.00	0.00	0.00	0.00	0.00	0.00	0.00	0.00	0.00	0.00	0.00	0.00	
		M3	-297.41	0.00	666.32	16.88	0.00	32.95	-79.04	0.00	314.55	-7.59	0.00	23.03	
	MIN	S2	-297.41	0.00	666.32	-297.41	0.00	-575.97	-83.43	0.00	290.25	-83.43	0.00	-58.24	
		TQ	0.00	0.00	0.00	0.00	0.00	0.00	0.00	0.00	0.00	0.00	0.00	0.00	
		M3	16.88	0.00	-37.56	-297.41	0.00	-575.97	6.06	0.00	-67.14	-65.38	0.00	-80.43	
69	3-LANES (caseTRUCK-LOAD	MAX	S2	151.72	0.00	-340.47	151.72	0.00	293.26	135.93	0.00	-181.21	135.93	0.00	386.56
		TQ	0.00	0.00	0.00	0.00	0.00	0.00	0.00	0.00	0.00	0.00	0.00	0.00	
		M3	-16.62	0.00	39.12	151.72	0.00	293.26	-138.54	0.00	249.58	114.68	0.00	420.43	
	MIN	S2	-16.62	0.00	39.12	-16.62	0.00	-30.29	-156.61	0.00	224.63	-156.61	0.00	-429.55	
		TQ	0.00	0.00	0.00	0.00	0.00	0.00	0.00	0.00	0.00	0.00	0.00	0.00	
		M3	151.72	0.00	-340.47	-16.62	0.00	-30.29	121.20	0.00	-204.08	-147.07	0.00	-469.23	
	TANDEM-LOAD	MAX	S2	103.37	0.00	-232.26	103.37	0.00	199.50	101.49	0.00	-123.40	101.49	0.00	300.51
		TQ	0.00	0.00	0.00	0.00	0.00	0.00	0.00	0.00	0.00	0.00	0.00	0.00	
		M3	-12.50	0.00	29.62	103.37	0.00	199.50	-112.34	0.00	191.58	86.81	0.00	325.94	
	MIN	S2	-12.50	0.00	29.62	-12.50	0.00	-22.58	-122.79	0.00	176.25	-122.79	0.00	-336.66	
		TQ	0.00	0.00	0.00	0.00	0.00	0.00	0.00	0.00	0.00	0.00	0.00	0.00	
		M3	103.37	0.00	-232.26	-12.50	0.00	-22.58	92.59	0.00	-144.36	-115.48	0.00	-366.43	
	DISPERSION-LMAX	S2	372.64	0.00	-832.16	372.64	0.00	724.37	129.72	0.00	-332.87	129.72	0.00	208.98	
		TQ	0.00	0.00	0.00	0.00	0.00	0.00	0.00	0.00	0.00	0.00	0.00	0.00	
		M3	-17.96	0.00	41.04	372.62	0.00	724.43	-50.27	0.00	101.81	116.62	0.00	220.20	
	MIN	S2	-17.98	0.00	41.00	-17.98	0.00	-34.09	-60.44	0.00	88.77	-60.44	0.00	-163.67	
		TQ	0.00	0.00	0.00	0.00	0.00	0.00	0.00	0.00	0.00	0.00	0.00	0.00	
		M3	372.62	0.00	-832.20	-17.95	0.00	-34.14	119.56	0.00	-345.91	-47.34	0.00	-174.89	



BAGO RIVER BRIDGE

BLOCK [ No.2 : CROSS BEAM ][ BEAM MEMBER FORCE ]

MEMBER				1001033			1001035									
NODE				1033			2033			1035			2035			
				SHEAR	TORQUE	MOMENT	SHEAR	TORQUE	MOMENT	SHEAR	TORQUE	MOMENT	SHEAR	TORQUE	MOMENT	
NAME	TITLE			S2 (kN)	TQ (kN·m)	M3 (kN·m)	S2 (kN)	TQ (kN·m)	M3 (kN·m)	S2 (kN)	TQ (kN·m)	M3 (kN·m)	S2 (kN)	TQ (kN·m)	M3 (kN·m)	
70	3-LANES (caseTRUCK-LOAD	MAX	S2	9.16	0.00	-20.41	9.16	0.00	17.84	35.70	0.00	-106.39	35.70	0.00	42.72	
			TQ	0.00	0.00	0.00	0.00	0.00	0.00	0.00	0.00	0.00	0.00	0.00	0.00	0.00
			M3	-145.01	0.00	326.01	9.16	0.00	17.84	-54.56	0.00	170.95	15.64	0.00	82.28	
		MIN	S2	-145.02	0.00	326.00	-145.02	0.00	-279.73	-55.28	0.00	170.21	-55.28	0.00	-60.69	
			TQ	0.00	0.00	0.00	0.00	0.00	0.00	0.00	0.00	0.00	0.00	0.00	0.00	0.00
			M3	9.16	0.00	-20.41	-144.87	0.00	-279.79	23.30	0.00	-159.67	-19.02	0.00	-151.62	
		TANDEM-LOAD MAX	S2	6.22	0.00	-13.88	6.22	0.00	12.12	25.56	0.00	-72.03	25.56	0.00	34.74	
			TQ	0.00	0.00	0.00	0.00	0.00	0.00	0.00	0.00	0.00	0.00	0.00	0.00	0.00
			M3	-99.24	0.00	222.59	6.22	0.00	12.12	-37.81	0.00	117.05	16.49	0.00	60.40	
		MIN	S2	-99.24	0.00	222.59	-99.24	0.00	-191.94	-38.09	0.00	116.04	-38.09	0.00	-43.06	
			TQ	0.00	0.00	0.00	0.00	0.00	0.00	0.00	0.00	0.00	0.00	0.00	0.00	0.00
			M3	6.22	0.00	-13.88	-99.24	0.00	-191.94	15.51	0.00	-117.84	-13.98	0.00	-111.29	
		DISPERSION-LMAX	S2	10.54	0.00	-23.50	10.54	0.00	20.52	19.95	0.00	-54.12	19.95	0.00	29.19	
			TQ	0.00	0.00	0.00	0.00	0.00	0.00	0.00	0.00	0.00	0.00	0.00	0.00	0.00
			M3	-319.87	0.00	716.90	10.54	0.00	20.52	-79.23	0.00	300.41	1.11	0.00	53.00	
MIN	S2	-319.87	0.00	716.90	-319.87	0.00	-619.19	-83.99	0.00	275.34	-83.99	0.00	-75.47			
	TQ	0.00	0.00	0.00	0.00	0.00	0.00	0.00	0.00	0.00	0.00	0.00	0.00	0.00		
	M3	10.54	0.00	-23.50	-319.87	0.00	-619.19	15.19	0.00	-79.19	-65.15	0.00	-99.28			
71	3-LANES (caseTRUCK-LOAD	MAX	S2	18.13	0.00	-40.35	18.13	0.00	35.39	34.27	0.00	-103.40	34.27	0.00	39.75	
			TQ	0.00	0.00	0.00	0.00	0.00	0.00	0.00	0.00	0.00	0.00	0.00	0.00	
			M3	-156.46	0.00	349.38	18.13	0.00	35.39	-70.04	0.00	253.90	14.15	0.00	91.61	
		MIN	S2	-156.52	0.00	349.35	-156.52	0.00	-304.45	-71.36	0.00	248.69	-71.36	0.00	-49.37	
			TQ	0.00	0.00	0.00	0.00	0.00	0.00	0.00	0.00	0.00	0.00	0.00	0.00	0.00
			M3	18.13	0.00	-40.35	-156.52	0.00	-304.45	18.55	0.00	-157.93	-23.70	0.00	-152.13	

BAGO RIVER BRIDGE

BLOCK [ No.2 : CROSS BEAM ][ BEAM MEMBER FORCE ]

MEMBER				1001033						1001035						
NODE				1033			2033			1035			2035			
NAME TITLE				SHEAR	TORQUE	MOMENT	SHEAR	TORQUE	MOMENT	SHEAR	TORQUE	MOMENT	SHEAR	TORQUE	MOMENT	
				S2 (kN)	TQ (kN·m)	M3 (kN·m)	S2 (kN)	TQ (kN·m)	M3 (kN·m)	S2 (kN)	TQ (kN·m)	M3 (kN·m)	S2 (kN)	TQ (kN·m)	M3 (kN·m)	
71	3-LANES (case)	TANDEM-LOAD	MAX	S2	12.35	0.00	-27.48	12.35	0.00	24.10	24.96	0.00	-66.32	24.96	0.00	37.92
			TQ	0.00	0.00	0.00	0.00	0.00	0.00	0.00	0.00	0.00	0.00	0.00	0.00	0.00
			M3	-106.88	0.00	238.66	12.35	0.00	24.10	-47.95	0.00	172.94	13.47	0.00	65.89	
		MIN	S2	-106.90	0.00	238.65	-106.90	0.00	-207.88	-49.05	0.00	169.20	-49.05	0.00	-35.69	
		TQ	0.00	0.00	0.00	0.00	0.00	0.00	0.00	0.00	0.00	0.00	0.00	0.00	0.00	
		M3	12.35	0.00	-27.48	-106.90	0.00	-207.88	11.24	0.00	-116.25	-17.15	0.00	-111.00		
	DISPERSION-LMAX	S2	21.69	0.00	-48.27	21.69	0.00	42.32	22.65	0.00	-68.08	22.65	0.00	26.52		
		TQ	0.00	0.00	0.00	0.00	0.00	0.00	0.00	0.00	0.00	0.00	0.00	0.00		
		M3	-371.20	0.00	830.42	21.69	0.00	42.32	-100.72	0.00	397.68	-0.00	0.00	55.85		
		MIN	S2	-371.20	0.00	830.42	-371.20	0.00	-720.07	-106.09	0.00	371.12	-106.09	0.00	-72.00	
		TQ	0.00	0.00	0.00	0.00	0.00	0.00	0.00	0.00	0.00	0.00	0.00	0.00		
		M3	21.69	0.00	-48.27	-371.20	0.00	-720.07	17.28	0.00	-94.64	-83.44	0.00	-101.34		
72	4-LANES	TRUCK-LOAD	MAX	S2	18.18	0.00	-40.49	18.18	0.00	35.46	9.22	0.00	-29.08	9.22	0.00	9.45
			TQ	0.00	0.00	0.00	0.00	0.00	0.00	0.00	0.00	0.00	0.00	0.00	0.00	
			M3	-161.39	0.00	357.37	18.18	0.00	35.46	-74.49	0.00	260.57	9.18	0.00	9.53	
		MIN	S2	-161.39	0.00	357.37	-161.39	0.00	-316.77	-74.49	0.00	260.57	-74.49	0.00	-50.59	
		TQ	0.00	0.00	0.00	0.00	0.00	0.00	0.00	0.00	0.00	0.00	0.00	0.00		
		M3	18.18	0.00	-40.49	-161.39	0.00	-316.77	9.22	0.00	-29.10	-72.43	0.00	-51.34		
	TANDEM-LOAD	MAX	S2	12.38	0.00	-27.56	12.38	0.00	24.14	6.29	0.00	-19.81	6.29	0.00	6.44	
		TQ	0.00	0.00	0.00	0.00	0.00	0.00	0.00	0.00	0.00	0.00	0.00	0.00		
		M3	-112.75	0.00	249.50	12.38	0.00	24.14	-52.29	0.00	183.63	6.21	0.00	6.48		
		MIN	S2	-112.75	0.00	249.50	-112.75	0.00	-221.47	-52.29	0.00	183.63	-52.29	0.00	-34.81	
		TQ	0.00	0.00	0.00	0.00	0.00	0.00	0.00	0.00	0.00	0.00	0.00	0.00		
		M3	12.38	0.00	-27.56	-112.75	0.00	-221.47	6.28	0.00	-19.83	-50.70	0.00	-36.16		

BAGO RIVER BRIDGE

BLOCK [ No.2 : CROSS BEAM ][ BEAM MEMBER FORCE ]

MEMBER			1001033						1001035									
NODE			1033			2033			1035			2035						
			SHEAR	TORQUE	MOMENT	SHEAR	TORQUE	MOMENT	SHEAR	TORQUE	MOMENT	SHEAR	TORQUE	MOMENT				
NAME	TITLE		S2 (kN)	TQ (kN·m)	M3 (kN·m)	S2 (kN)	TQ (kN·m)	M3 (kN·m)	S2 (kN)	TQ (kN·m)	M3 (kN·m)	S2 (kN)	TQ (kN·m)	M3 (kN·m)				
72	4-LANES	DISPERSION-LMAX	S2	22.13	0.00	-49.28	22.13	0.00	43.15	11.32	0.00	-35.56	11.32	0.00	11.71			
			TQ	0.00	0.00	0.00	0.00	0.00	0.00	0.00	0.00	0.00	0.00	0.00	0.00	0.00		
			M3	-102.65	0.00	227.78	22.13	0.00	43.15	-46.86	0.00	161.32	11.32	0.00	0.00	11.71		
		MIN	S2	-102.65	0.00	227.78	-102.65	0.00	-200.98	-46.86	0.00	161.32	-46.86	0.00	0.00	-34.42		
			TQ	0.00	0.00	0.00	0.00	0.00	0.00	0.00	0.00	0.00	0.00	0.00	0.00	0.00		
			M3	22.13	0.00	-49.28	-102.65	0.00	-200.98	11.32	0.00	-35.56	-46.86	0.00	0.00	-34.42		
		73	6-LANES	TRUCK-LOAD	MAX	S2	156.01	0.00	-349.70	156.01	0.00	301.94	172.03	0.00	-188.91	172.03	0.00	529.64
					TQ	0.00	0.00	0.00	0.00	0.00	0.00	0.00	0.00	0.00	0.00	0.00	0.00	0.00
					M3	-163.11	0.00	366.87	156.01	0.00	301.94	-178.63	0.00	446.38	157.89	0.00	0.00	571.51
MIN	S2			-163.18	0.00	364.91	-163.18	0.00	-316.71	-213.06	0.00	393.27	-213.06	0.00	0.00	-496.68		
	TQ			0.00	0.00	0.00	0.00	0.00	0.00	0.00	0.00	0.00	0.00	0.00	0.00	0.00		
	M3			156.01	0.00	-349.70	-163.18	0.00	-316.71	139.15	0.00	-352.54	-164.36	0.00	0.00	-608.65		
TANDEM-LOAD	MAX			S2	106.22	0.00	-238.36	106.22	0.00	205.31	128.32	0.00	-129.28	128.32	0.00	0.00	406.70	
	TQ			0.00	0.00	0.00	0.00	0.00	0.00	0.00	0.00	0.00	0.00	0.00	0.00	0.00		
	M3			-112.45	0.00	252.51	106.22	0.00	205.31	-139.86	0.00	324.39	117.02	0.00	0.00	438.63		
MIN	S2	-112.65	0.00	251.59	-112.65	0.00	-218.95	-159.82	0.00	271.93	-159.82	0.00	0.00	-395.62				
	TQ	0.00	0.00	0.00	0.00	0.00	0.00	0.00	0.00	0.00	0.00	0.00	0.00	0.00				
	M3	106.22	0.00	-238.36	-112.65	0.00	-218.95	103.90	0.00	-255.91	-128.24	0.00	0.00	-466.49				
DISPERSION-LMAX	S2	358.39	0.00	-800.49	358.39	0.00	696.50	143.43	0.00	-362.23	143.43	0.00	0.00	236.87				
	TQ	0.00	0.00	0.00	0.00	0.00	0.00	0.00	0.00	0.00	0.00	0.00	0.00	0.00				
	M3	-362.04	0.00	810.81	358.37	0.00	696.54	-142.33	0.00	460.77	112.02	0.00	0.00	274.52				
MIN	S2	-362.07	0.00	810.74	-362.07	0.00	-701.64	-157.67	0.00	421.64	-157.67	0.00	0.00	-236.93				
	TQ	0.00	0.00	0.00	0.00	0.00	0.00	0.00	0.00	0.00	0.00	0.00	0.00	0.00				
	M3	358.37	0.00	-800.52	-362.05	0.00	-701.69	128.62	0.00	-398.40	-124.76	0.00	0.00	-274.43				

BAGO RIVER BRIDGE

BLOCK [ No.2 : CROSS BEAM ][ BEAM MEMBER FORCE ]

MEMBER			1001033						1001035						
NODE			1033			2033			1035			2035			
NAME TITLE			SHEAR	TORQUE	MOMENT	SHEAR	TORQUE	MOMENT	SHEAR	TORQUE	MOMENT	SHEAR	TORQUE	MOMENT	
			S2 (kN)	TQ (kN·m)	M3 (kN·m)	S2 (kN)	TQ (kN·m)	M3 (kN·m)	S2 (kN)	TQ (kN·m)	M3 (kN·m)	S2 (kN)	TQ (kN·m)	M3 (kN·m)	
124	SUM TOTAL	D+1LANE (caseMAX	S2	374.37	0.00	-829.16	374.37	0.00	734.58	81.18	0.00	-167.28	81.18	0.00	171.79
			TQ	29.11	0.00	-54.83	29.11	0.00	66.77	-29.29	0.00	151.83	-29.29	0.00	29.47
			M3	12.89	0.00	-18.85	374.37	0.00	734.58	-257.27	0.00	437.36	78.70	0.00	172.87
		MIN	S2	12.89	0.00	-18.85	12.89	0.00	34.97	-257.81	0.00	437.28	-257.81	0.00	-639.61
			TQ	29.11	0.00	-54.83	29.11	0.00	66.77	-29.29	0.00	151.83	-29.29	0.00	29.47
			M3	374.37	0.00	-829.16	12.89	0.00	34.97	69.97	0.00	-191.04	-255.34	0.00	-640.69
		D+1LANE (caseMAX	S2	109.38	0.00	-233.08	109.38	0.00	223.82	116.62	0.00	57.51	116.62	0.00	544.65
			TQ	29.11	0.00	-54.83	29.11	0.00	66.77	-29.29	0.00	151.83	-29.29	0.00	29.47
			M3	14.82	0.00	-18.93	109.35	0.00	223.88	-17.79	0.00	187.16	109.10	0.00	552.74
		MIN	S2	14.80	0.00	-18.98	14.80	0.00	42.83	-45.72	0.00	149.20	-45.72	0.00	-41.76
			TQ	29.11	0.00	-54.83	29.11	0.00	66.77	-29.29	0.00	151.83	-29.29	0.00	29.47
			M3	109.36	0.00	-233.13	14.83	0.00	42.76	103.38	0.00	45.94	-37.92	0.00	-51.52
		D+1LANE (caseMAX	S2	31.55	0.00	-60.30	31.55	0.00	71.47	16.95	0.00	61.35	16.95	0.00	132.13
			TQ	29.11	0.00	-54.83	29.11	0.00	66.77	-29.29	0.00	151.83	-29.29	0.00	29.47
			M3	-68.68	0.00	162.67	31.55	0.00	71.47	-63.30	0.00	246.28	7.40	0.00	144.12
		MIN	S2	-68.68	0.00	162.67	-68.68	0.00	-124.21	-64.47	0.00	243.58	-64.47	0.00	-25.71
			TQ	29.11	0.00	-54.83	29.11	0.00	66.77	-29.29	0.00	151.83	-29.29	0.00	29.47
			M3	31.55	0.00	-60.30	-68.51	0.00	-124.28	15.49	0.00	55.70	-59.37	0.00	-33.22
		D+1LANE (caseMAX	S2	50.49	0.00	-102.38	50.49	0.00	108.50	-19.45	0.00	118.33	-19.45	0.00	37.09
			TQ	29.11	0.00	-54.83	29.11	0.00	66.77	-29.29	0.00	151.83	-29.29	0.00	29.47
			M3	-264.70	0.00	605.51	50.49	0.00	108.50	-120.56	0.00	509.81	-42.86	0.00	75.48
		MIN	S2	-264.70	0.00	605.51	-264.70	0.00	-500.16	-125.66	0.00	483.47	-125.66	0.00	-41.40
			TQ	29.11	0.00	-54.83	29.11	0.00	66.77	-29.29	0.00	151.83	-29.29	0.00	29.47
			M3	50.49	0.00	-102.38	-264.70	0.00	-500.16	-38.66	0.00	54.13	-90.66	0.00	-141.09

BAGO RIVER BRIDGE

BLOCK [ No.2 : CROSS BEAM ][ BEAM MEMBER FORCE ]

MEMBER			1001033						1001035						
NODE			1033			2033			1035			2035			
NAME TITLE			SHEAR	TORQUE	MOMENT	SHEAR	TORQUE	MOMENT	SHEAR	TORQUE	MOMENT	SHEAR	TORQUE	MOMENT	
			S2 (kN)	TQ (kN·m)	M3 (kN·m)	S2 (kN)	TQ (kN·m)	M3 (kN·m)	S2 (kN)	TQ (kN·m)	M3 (kN·m)	S2 (kN)	TQ (kN·m)	M3 (kN·m)	
124	SUM TOTAL	D+2LANES(casMAX	S2	486.58	0.00	-1078.92	486.58	0.00	953.54	114.76	0.00	-283.66	114.76	0.00	195.69
			TQ	29.11	0.00	-54.83	29.11	0.00	66.77	-29.29	0.00	151.83	-29.29	0.00	29.47
			M3	6.45	0.00	-4.60	486.58	0.00	953.54	-227.69	0.00	473.77	86.68	0.00	234.04
		MIN	S2	6.45	0.00	-4.60	6.45	0.00	22.35	-232.66	0.00	467.42	-232.66	0.00	-504.40
			TQ	29.11	0.00	-54.83	29.11	0.00	66.77	-29.29	0.00	151.83	-29.29	0.00	29.47
			M3	486.58	0.00	-1078.92	6.45	0.00	22.35	100.91	0.00	-309.93	-216.51	0.00	-547.17
		D+2LANES(casMAX	S2	265.76	0.00	-582.19	265.76	0.00	527.91	144.30	0.00	-96.33	144.30	0.00	506.40
			TQ	29.11	0.00	-54.83	29.11	0.00	66.77	-29.29	0.00	151.83	-29.29	0.00	29.47
			M3	8.06	0.00	-4.66	265.74	0.00	527.96	-28.13	0.00	265.27	112.01	0.00	550.60
		MIN	S2	8.04	0.00	-4.70	8.04	0.00	28.89	-55.91	0.00	227.35	-55.91	0.00	-6.19
			TQ	29.11	0.00	-54.83	29.11	0.00	66.77	-29.29	0.00	151.83	-29.29	0.00	29.47
			M3	265.74	0.00	-582.23	8.07	0.00	28.84	128.75	0.00	-112.45	-35.33	0.00	-56.19
		D+2LANES(casMAX	S2	37.70	0.00	-74.01	37.70	0.00	83.46	20.81	0.00	9.45	20.81	0.00	96.37
			TQ	29.11	0.00	-54.83	29.11	0.00	66.77	-29.29	0.00	151.83	-29.29	0.00	29.47
			M3	-207.22	0.00	473.96	37.70	0.00	83.46	-101.72	0.00	387.03	-1.01	0.00	143.39
		MIN	S2	-207.22	0.00	473.95	-207.22	0.00	-391.62	-103.23	0.00	382.15	-103.23	0.00	-49.06
			TQ	29.11	0.00	-54.83	29.11	0.00	66.77	-29.29	0.00	151.83	-29.29	0.00	29.47
			M3	37.70	0.00	-74.01	-207.08	0.00	-391.68	17.55	0.00	-10.21	-68.66	0.00	-85.39
		D+2LANES(casMAX	S2	60.19	0.00	-123.99	60.19	0.00	127.45	-8.65	0.00	59.74	-8.65	0.00	23.62
			TQ	29.11	0.00	-54.83	29.11	0.00	66.77	-29.29	0.00	151.83	-29.29	0.00	29.47
			M3	-390.50	0.00	884.95	60.19	0.00	127.45	-162.45	0.00	667.44	-43.05	0.00	88.08
		MIN	S2	-390.50	0.00	884.95	-390.50	0.00	-746.15	-167.09	0.00	641.03	-167.09	0.00	-56.92
			TQ	29.11	0.00	-54.83	29.11	0.00	66.77	-29.29	0.00	151.83	-29.29	0.00	29.47
			M3	60.19	0.00	-123.99	-390.50	0.00	-746.15	-27.93	0.00	-14.98	-101.79	0.00	-178.90

BAGO RIVER BRIDGE

BLOCK [ No.2 : CROSS BEAM ][ BEAM MEMBER FORCE ]

MEMBER			1001033						1001035							
NODE			1033			2033			1035			2035				
NAME TITLE			SHEAR	TORQUE	MOMENT	SHEAR	TORQUE	MOMENT	SHEAR	TORQUE	MOMENT	SHEAR	TORQUE	MOMENT		
			S2 (kN)	TQ (kN·m)	M3 (kN·m)	S2 (kN)	TQ (kN·m)	M3 (kN·m)	S2 (kN)	TQ (kN·m)	M3 (kN·m)	S2 (kN)	TQ (kN·m)	M3 (kN·m)		
124	SUM TOTAL	D+3LANES(casMAX	S2	474.82	0.00	-1051.57	474.82	0.00	931.77	196.51	0.00	-285.14	196.51	0.00	535.67	
			TQ	29.11	0.00	-54.83	29.11	0.00	66.77	-29.29	0.00	151.83	-29.29	0.00	29.47	
			M3	-0.27	0.00	13.30	474.80	0.00	931.81	-189.79	0.00	450.51	167.31	0.00	574.00	
		MIN	S2	-0.29	0.00	13.27	-0.29	0.00	12.05	-213.79	0.00	418.22	-213.79	0.00	-474.77	
			TQ	29.11	0.00	-54.83	29.11	0.00	66.77	-29.29	0.00	151.83	-29.29	0.00	29.47	
			M3	474.81	0.00	-1051.60	-0.27	0.00	12.00	175.35	0.00	-315.67	-194.54	0.00	-518.03	
		D+3LANES(casMAX	S2	45.86	0.00	-92.16	45.86	0.00	99.38	18.01	0.00	15.39	18.01	0.00	90.60	
			TQ	29.11	0.00	-54.83	29.11	0.00	66.77	-29.29	0.00	151.83	-29.29	0.00	29.47	
			M3	-366.03	0.00	831.63	45.86	0.00	99.38	-143.01	0.00	552.48	-15.05	0.00	144.45	
		MIN	S2	-366.04	0.00	831.62	-366.04	0.00	-697.31	-147.67	0.00	530.54	-147.67	0.00	-86.27	
			TQ	29.11	0.00	-54.83	29.11	0.00	66.77	-29.29	0.00	151.83	-29.29	0.00	29.47	
			M3	45.86	0.00	-92.16	-365.91	0.00	-697.37	3.42	0.00	-51.21	-100.84	0.00	-183.79	
		D+3LANES(casMAX	S2	62.96	0.00	-130.16	62.96	0.00	132.83	19.09	0.00	6.07	19.09	0.00	85.80	
			TQ	29.11	0.00	-54.83	29.11	0.00	66.77	-29.29	0.00	151.83	-29.29	0.00	29.47	
			M3	-419.39	0.00	948.00	62.96	0.00	132.83	-174.44	0.00	705.67	-17.27	0.00	154.81	
		MIN	S2	-419.45	0.00	947.97	-419.45	0.00	-804.07	-180.12	0.00	678.67	-180.12	0.00	-73.70	
			TQ	29.11	0.00	-54.83	29.11	0.00	66.77	-29.29	0.00	151.83	-29.29	0.00	29.47	
			M3	62.96	0.00	-130.16	-419.45	0.00	-804.07	1.16	0.00	-62.86	-120.36	0.00	-185.98	
		D+4LANES	MAX	S2	55.32	0.00	-113.18	55.32	0.00	117.87	-15.94	0.00	109.81	-15.94	0.00	43.22
			TQ	29.11	0.00	-54.83	29.11	0.00	66.77	-29.29	0.00	151.83	-29.29	0.00	29.47	
			M3	-142.51	0.00	325.51	55.32	0.00	117.87	-108.17	0.00	426.05	-15.97	0.00	43.28	
		MIN	S2	-142.51	0.00	325.51	-142.51	0.00	-269.77	-108.17	0.00	426.05	-108.17	0.00	-25.79	
			TQ	29.11	0.00	-54.83	29.11	0.00	66.77	-29.29	0.00	151.83	-29.29	0.00	29.47	
			M3	55.32	0.00	-113.18	-142.51	0.00	-269.77	-15.95	0.00	109.79	-106.84	0.00	-26.28	

BAGO RIVER BRIDGE

BLOCK [ No.2 : CROSS BEAM ][ BEAM MEMBER FORCE ]

MEMBER				1001033			1001035			1001035			2035			
NODE				1033			2033			1035			2035			
NAME TITLE				SHEAR	TORQUE	MOMENT	SHEAR	TORQUE	MOMENT	SHEAR	TORQUE	MOMENT	SHEAR	TORQUE	MOMENT	
				S2 (kN)	TQ (kN·m)	M3 (kN·m)	S2 (kN)	TQ (kN·m)	M3 (kN·m)	S2 (kN)	TQ (kN·m)	M3 (kN·m)	S2 (kN)	TQ (kN·m)	M3 (kN·m)	
124	SUM TOTAL	D+6LANES	MAX	S2	363.47	0.00	-802.46	363.47	0.00	715.76	175.75	0.00	-206.42	175.75	0.00	527.70
				TQ	29.11	0.00	-54.83	29.11	0.00	66.77	-29.29	0.00	151.83	-29.29	0.00	29.47
				M3	-312.24	0.00	710.66	363.46	0.00	715.79	-237.92	0.00	741.47	146.15	0.00	579.39
			MIN	S2	-312.30	0.00	709.34	-312.30	0.00	-595.16	-270.27	0.00	681.52	-270.27	0.00	-447.38
				TQ	29.11	0.00	-54.83	29.11	0.00	66.77	-29.29	0.00	151.83	-29.29	0.00	29.47
				M3	363.46	0.00	-802.48	-312.29	0.00	-595.19	144.76	0.00	-336.29	-217.22	0.00	-544.54
	SUM TOTAL		MAX		486.58	0.00	948.00	486.58	0.00	953.54	196.51	0.00	741.47	196.51	0.00	579.39
			MIN		-419.45	0.00	-1078.92	-419.45	0.00	-804.07	-270.27	0.00	-336.29	-270.27	0.00	-640.69
300	DEAD LOAD	TOTAL			29.11	0.00	-54.83	29.11	0.00	66.77	-29.29	0.00	151.83	-29.29	0.00	29.47
301	LIVE LOAD	1-LANE(case1MAX	S2		345.26	0.00	-774.33	345.26	0.00	667.81	110.47	0.00	-319.11	110.47	0.00	142.32
			TQ		0.00	0.00	0.00	0.00	0.00	0.00	0.00	0.00	0.00	0.00	0.00	0.00
			M3		-16.23	0.00	35.98	345.26	0.00	667.81	-227.97	0.00	285.53	108.00	0.00	143.40
			MIN	S2	-16.23	0.00	35.98	-16.23	0.00	-31.80	-228.52	0.00	285.46	-228.52	0.00	-669.08
				TQ	0.00	0.00	0.00	0.00	0.00	0.00	0.00	0.00	0.00	0.00	0.00	0.00
				M3	345.26	0.00	-774.33	-16.23	0.00	-31.80	99.27	0.00	-342.86	-226.05	0.00	-670.16
		1-LANE(case2MAX	S2		80.27	0.00	-178.25	80.27	0.00	157.05	145.92	0.00	-94.31	145.92	0.00	515.18
			TQ		0.00	0.00	0.00	0.00	0.00	0.00	0.00	0.00	0.00	0.00	0.00	0.00
			M3		-14.30	0.00	35.91	80.24	0.00	157.11	11.50	0.00	35.33	138.39	0.00	523.27
			MIN	S2	-14.32	0.00	35.86	-14.32	0.00	-23.95	-16.42	0.00	-2.62	-16.42	0.00	-71.23
				TQ	0.00	0.00	0.00	0.00	0.00	0.00	0.00	0.00	0.00	0.00	0.00	0.00
				M3	80.25	0.00	-178.30	-14.28	0.00	-24.01	132.67	0.00	-105.89	-8.63	0.00	-80.98
		1-LANE(case3MAX	S2		2.43	0.00	-5.47	2.43	0.00	4.70	46.24	0.00	-90.48	46.24	0.00	102.66
			TQ		0.00	0.00	0.00	0.00	0.00	0.00	0.00	0.00	0.00	0.00	0.00	0.00
			M3		-97.79	0.00	217.50	2.43	0.00	4.70	-34.00	0.00	94.45	36.69	0.00	114.65
			MIN	S2	-97.79	0.00	217.50	-97.79	0.00	-190.99	-35.18	0.00	91.76	-35.18	0.00	-55.18
				TQ	0.00	0.00	0.00	0.00	0.00	0.00	0.00	0.00	0.00	0.00	0.00	0.00
				M3	2.43	0.00	-5.47	-97.62	0.00	-191.06	44.78	0.00	-96.12	-30.08	0.00	-62.69

BAGO RIVER BRIDGE

BLOCK [ No.2 : CROSS BEAM ][ BEAM MEMBER FORCE ]

MEMBER			1001033						1001035							
NODE			1033			2033			1035			2035				
NAME TITLE			SHEAR	TORQUE	MOMENT	SHEAR	TORQUE	MOMENT	SHEAR	TORQUE	MOMENT	SHEAR	TORQUE	MOMENT		
			S2 (kN)	TQ (kN·m)	M3 (kN·m)	S2 (kN)	TQ (kN·m)	M3 (kN·m)	S2 (kN)	TQ (kN·m)	M3 (kN·m)	S2 (kN)	TQ (kN·m)	M3 (kN·m)		
301	LIVE LOAD	1-LANE (case4MAX	S2	21.37	0.00	-47.54	21.37	0.00	41.73	9.84	0.00	-33.49	9.84	0.00	7.62	
			TQ	0.00	0.00	0.00	0.00	0.00	0.00	0.00	0.00	0.00	0.00	0.00	0.00	0.00
			M3	-293.82	0.00	660.35	21.37	0.00	41.73	-91.26	0.00	357.99	-13.57	0.00	0.00	46.01
			MIN S2	-293.82	0.00	660.35	-293.82	0.00	-566.93	-96.36	0.00	331.65	-96.36	0.00	0.00	-70.87
			TQ	0.00	0.00	0.00	0.00	0.00	0.00	0.00	0.00	0.00	0.00	0.00	0.00	0.00
			M3	21.37	0.00	-47.54	-293.82	0.00	-566.93	-9.36	0.00	-97.69	-61.37	0.00	0.00	-170.56
		2-LANES (caseMAX	S2	457.47	0.00	-1024.09	457.47	0.00	886.77	144.05	0.00	-435.48	144.05	0.00	0.00	166.22
			TQ	0.00	0.00	0.00	0.00	0.00	0.00	0.00	0.00	0.00	0.00	0.00	0.00	0.00
			M3	-22.66	0.00	50.24	457.47	0.00	886.77	-198.40	0.00	321.95	115.98	0.00	0.00	204.57
			MIN S2	-22.66	0.00	50.24	-22.66	0.00	-44.43	-203.36	0.00	315.59	-203.36	0.00	0.00	-533.86
			TQ	0.00	0.00	0.00	0.00	0.00	0.00	0.00	0.00	0.00	0.00	0.00	0.00	0.00
			M3	457.47	0.00	-1024.09	-22.66	0.00	-44.43	130.20	0.00	-461.75	-187.21	0.00	0.00	-576.63
		2-LANES (caseMAX	S2	236.65	0.00	-527.35	236.65	0.00	461.13	173.59	0.00	-248.15	173.59	0.00	0.00	476.93
			TQ	0.00	0.00	0.00	0.00	0.00	0.00	0.00	0.00	0.00	0.00	0.00	0.00	0.00
			M3	-21.05	0.00	50.18	236.62	0.00	461.19	1.16	0.00	113.45	141.31	0.00	0.00	521.13
			MIN S2	-21.07	0.00	50.13	-21.07	0.00	-37.88	-26.62	0.00	75.52	-26.62	0.00	0.00	-35.66
			TQ	0.00	0.00	0.00	0.00	0.00	0.00	0.00	0.00	0.00	0.00	0.00	0.00	0.00
			M3	236.63	0.00	-527.39	-21.04	0.00	-37.93	158.04	0.00	-264.27	-6.03	0.00	0.00	-85.66
		2-LANES (caseMAX	S2	8.59	0.00	-19.18	8.59	0.00	16.68	50.10	0.00	-142.37	50.10	0.00	0.00	66.91
			TQ	0.00	0.00	0.00	0.00	0.00	0.00	0.00	0.00	0.00	0.00	0.00	0.00	0.00
			M3	-236.33	0.00	528.80	8.59	0.00	16.68	-72.43	0.00	235.20	28.28	0.00	0.00	113.93
			MIN S2	-236.34	0.00	528.79	-236.34	0.00	-458.39	-73.94	0.00	230.33	-73.94	0.00	0.00	-78.53
			TQ	0.00	0.00	0.00	0.00	0.00	0.00	0.00	0.00	0.00	0.00	0.00	0.00	0.00
			M3	8.59	0.00	-19.18	-236.19	0.00	-458.45	46.85	0.00	-162.03	-39.36	0.00	0.00	-114.86



BAGO RIVER BRIDGE

BLOCK [ No.2 : CROSS BEAM ][ BEAM MEMBER FORCE ]

MEMBER			1001033						1001035								
NODE			1033			2033			1035			2035					
NAME TITLE			SHEAR	TORQUE	MOMENT	SHEAR	TORQUE	MOMENT	SHEAR	TORQUE	MOMENT	SHEAR	TORQUE	MOMENT			
			S2 (kN)	TQ (kN·m)	M3 (kN·m)	S2 (kN)	TQ (kN·m)	M3 (kN·m)	S2 (kN)	TQ (kN·m)	M3 (kN·m)	S2 (kN)	TQ (kN·m)	M3 (kN·m)			
301	LIVE LOAD	2-LANES (caseMAX	S2	31.08	0.00	-69.15	31.08	0.00	60.67	20.65	0.00	-92.08	20.65	0.00	-5.85		
			TQ	0.00	0.00	0.00	0.00	0.00	0.00	0.00	0.00	0.00	0.00	0.00	0.00		
			M3	-419.61	0.00	939.79	31.08	0.00	60.67	-133.15	0.00	515.62	-13.76	0.00	0.00	58.61	
			MIN	S2	-419.61	0.00	939.79	-419.61	0.00	-812.92	-137.80	0.00	489.21	-137.80	0.00	0.00	-86.39
			TQ	0.00	0.00	0.00	0.00	0.00	0.00	0.00	0.00	0.00	0.00	0.00	0.00	0.00	
			M3	31.08	0.00	-69.15	-419.61	0.00	-812.92	1.36	0.00	-166.81	-72.50	0.00	0.00	-208.36	
		3-LANES (caseMAX	S2	445.71	0.00	-996.73	445.71	0.00	864.99	225.80	0.00	-436.96	225.80	0.00	0.00	506.21	
			TQ	0.00	0.00	0.00	0.00	0.00	0.00	0.00	0.00	0.00	0.00	0.00	0.00	0.00	
			M3	-29.39	0.00	68.14	445.68	0.00	865.04	-160.49	0.00	298.68	196.61	0.00	0.00	544.54	
			MIN	S2	-29.40	0.00	68.10	-29.40	0.00	-54.72	-184.49	0.00	266.39	-184.49	0.00	0.00	-504.24
			TQ	0.00	0.00	0.00	0.00	0.00	0.00	0.00	0.00	0.00	0.00	0.00	0.00	0.00	
			M3	445.69	0.00	-996.77	-29.38	0.00	-54.77	204.65	0.00	-467.49	-165.25	0.00	0.00	-547.50	
		3-LANES (caseMAX	S2	16.74	0.00	-37.33	16.74	0.00	32.60	47.30	0.00	-136.44	47.30	0.00	0.00	61.13	
			TQ	0.00	0.00	0.00	0.00	0.00	0.00	0.00	0.00	0.00	0.00	0.00	0.00	0.00	
			M3	-395.15	0.00	886.47	16.74	0.00	32.60	-113.72	0.00	400.66	14.24	0.00	0.00	114.99	
			MIN	S2	-395.15	0.00	886.46	-395.15	0.00	-764.09	-118.37	0.00	378.71	-118.37	0.00	0.00	-115.73
			TQ	0.00	0.00	0.00	0.00	0.00	0.00	0.00	0.00	0.00	0.00	0.00	0.00	0.00	
			M3	16.74	0.00	-37.33	-395.03	0.00	-764.14	32.72	0.00	-203.03	-71.55	0.00	0.00	-213.26	
		3-LANES (caseMAX	S2	33.85	0.00	-75.33	33.85	0.00	66.05	48.38	0.00	-145.76	48.38	0.00	0.00	56.33	
			TQ	0.00	0.00	0.00	0.00	0.00	0.00	0.00	0.00	0.00	0.00	0.00	0.00	0.00	
			M3	-448.50	0.00	1002.83	33.85	0.00	66.05	-145.15	0.00	553.84	12.02	0.00	0.00	125.34	
			MIN	S2	-448.56	0.00	1002.81	-448.56	0.00	-870.84	-150.83	0.00	526.85	-150.83	0.00	0.00	-103.17
			TQ	0.00	0.00	0.00	0.00	0.00	0.00	0.00	0.00	0.00	0.00	0.00	0.00	0.00	
			M3	33.85	0.00	-75.33	-448.56	0.00	-870.84	30.46	0.00	-214.68	-91.07	0.00	0.00	-215.45	

BAGO RIVER BRIDGE

BLOCK [ No.2 : CROSS BEAM ][ BEAM MEMBER FORCE ]

MEMBER					1001033						1001035						
NODE					1033			2033			1035			2035			
NAME TITLE					SHEAR	TORQUE	MOMENT	SHEAR	TORQUE	MOMENT	SHEAR	TORQUE	MOMENT	SHEAR	TORQUE	MOMENT	
					S2 (kN)	TQ (kN·m)	M3 (kN·m)	S2 (kN)	TQ (kN·m)	M3 (kN·m)	S2 (kN)	TQ (kN·m)	M3 (kN·m)	S2 (kN)	TQ (kN·m)	M3 (kN·m)	
301	LIVE LOAD	4-LANES	MAX	S2	26.20	0.00	-58.35	26.20	0.00	51.10	13.35	0.00	-42.01	13.35	0.00	13.76	
				TQ	0.00	0.00	0.00	0.00	0.00	0.00	0.00	0.00	0.00	0.00	0.00	0.00	0.00
				M3	-171.63	0.00	380.35	26.20	0.00	51.10	-78.88	0.00	274.22	13.32	0.00	13.81	
		MIN	S2	-171.63	0.00	380.35	-171.63	0.00	-336.54	-78.88	0.00	274.22	-78.88	0.00	-55.26		
			TQ	0.00	0.00	0.00	0.00	0.00	0.00	0.00	0.00	0.00	0.00	0.00	0.00		
			M3	26.20	0.00	-58.35	-171.63	0.00	-336.54	13.35	0.00	-42.03	-77.54	0.00	-55.75		
	6-LANES	MAX	S2	334.36	0.00	-747.62	334.36	0.00	648.99	205.05	0.00	-358.24	205.05	0.00	498.23		
			TQ	0.00	0.00	0.00	0.00	0.00	0.00	0.00	0.00	0.00	0.00	0.00	0.00		
			M3	-341.35	0.00	765.49	334.35	0.00	649.01	-208.63	0.00	589.65	175.44	0.00	549.92		
		MIN	S2	-341.42	0.00	764.17	-341.42	0.00	-661.93	-240.97	0.00	529.69	-240.97	0.00	-476.85		
			TQ	0.00	0.00	0.00	0.00	0.00	0.00	0.00	0.00	0.00	0.00	0.00	0.00		
			M3	334.35	0.00	-747.64	-341.40	0.00	-661.96	174.05	0.00	-488.11	-187.93	0.00	-574.01		
LIVE LOAD	MAX	457.47	0.00	1002.83	457.47	0.00	886.77	225.80	0.00	589.65	225.80	0.00	549.92				
	MIN	-448.56	0.00	-1024.09	-448.56	0.00	-870.84	-240.97	0.00	-488.11	-240.97	0.00	-670.16				
303	SUM TOTAL	TOTAL	MAX	486.58	0.00	948.00	486.58	0.00	953.54	196.51	0.00	741.47	196.51	0.00	579.39		
			MIN	-419.45	0.00	-1078.92	-419.45	0.00	-804.07	-270.27	0.00	-336.29	-270.27	0.00	-640.69		

BAGO RIVER BRIDGE

BLOCK [ No.2 : CROSS BEAM ][ BEAM MEMBER FORCE ]

MEMBER		1001037						1001039								
NODE		1037			2037			1039			2039					
		SHEAR	TORQUE	MOMENT	SHEAR	TORQUE	MOMENT	SHEAR	TORQUE	MOMENT	SHEAR	TORQUE	MOMENT			
NAME	TITLE	S2 (kN)	TQ (kN·m)	M3 (kN·m)	S2 (kN)	TQ (kN·m)	M3 (kN·m)	S2 (kN)	TQ (kN·m)	M3 (kN·m)	S2 (kN)	TQ (kN·m)	M3 (kN·m)			
1	PAVEMENT	-19.57	0.00	49.81	-19.57	0.00	-31.93	2.73	0.00	2.70	2.73	0.00	14.11			
3	RAILING	-5.78	0.00	2.92	-5.78	0.00	-21.22	-4.94	0.00	0.33	-4.94	0.00	-20.30			
5	CURB	-57.21	0.00	28.91	-57.21	0.00	-210.08	-48.91	0.00	3.26	-48.91	0.00	-201.02			
7	DECK WEIGHT	-35.44	0.00	78.68	-35.44	0.00	-69.34	0.77	0.00	3.25	0.77	0.00	6.48			
8	GIRDER WEIGH	-1.44	0.00	71.99	-1.44	0.00	65.96	50.08	0.00	-13.39	50.08	0.00	195.79			
10	MEDIAN STRIP	30.50	0.00	1.78	30.50	0.00	129.19	39.14	0.00	-4.91	39.14	0.00	158.59			
21	ADITIONAL WE	-9.92	0.00	22.03	-9.92	0.00	-19.42	0.22	0.00	0.91	0.22	0.00	1.82			
31	MEDIAN RAILI	2.45	0.00	-0.10	2.45	0.00	10.15	3.03	0.00	-0.46	3.03	0.00	12.19			
51	SUPPORT WEIG	0.00	0.00	-0.00	0.00	0.00	0.00	-0.00	0.00	0.00	-0.00	0.00	-0.00			
52	NOSE WEIGHT	-0.00	0.00	0.01	-0.00	0.00	0.00	-0.00	0.00	0.00	-0.00	0.00	0.00			
61	1-LANE(case1TRUCK-LOAD	MAX	S2	14.47	0.00	-52.81	14.47	0.00	7.65	6.71	0.00	-11.12	6.71	0.00	16.91	
			TQ	0.00	0.00	0.00	0.00	0.00	0.00	0.00	0.00	0.00	0.00	0.00	0.00	
			M3	-178.84	0.00	243.28	12.29	0.00	8.19	-171.59	0.00	251.84	4.79	0.00	21.69	
		MIN	S2	-178.84	0.00	243.28	-178.84	0.00	-503.76	-171.59	0.00	251.84	-171.59	0.00	-464.89	
			TQ	0.00	0.00	0.00	0.00	0.00	0.00	0.00	0.00	0.00	0.00	0.00	0.00	
			M3	14.47	0.00	-52.81	-178.84	0.00	-503.76	1.95	0.00	-16.18	-171.59	0.00	-464.89	
		TANDEM-LOAD	MAX	S2	9.86	0.00	-36.06	9.86	0.00	5.12	4.57	0.00	-6.99	4.57	0.00	12.11
			TQ	0.00	0.00	0.00	0.00	0.00	0.00	0.00	0.00	0.00	0.00	0.00	0.00	
			M3	-136.67	0.00	184.96	8.80	0.00	5.71	-130.87	0.00	189.87	3.05	0.00	15.63	
		MIN	S2	-136.67	0.00	184.96	-136.67	0.00	-385.91	-130.87	0.00	189.87	-130.87	0.00	-356.77	
			TQ	0.00	0.00	0.00	0.00	0.00	0.00	0.00	0.00	0.00	0.00	0.00	0.00	
			M3	9.86	0.00	-36.06	-136.67	0.00	-385.91	1.29	0.00	-11.00	-130.87	0.00	-356.77	
		DISPERSION-LMAX	MAX	S2	22.55	0.00	-75.40	22.55	0.00	18.81	9.18	0.00	-25.51	9.18	0.00	12.83
			TQ	0.00	0.00	0.00	0.00	0.00	0.00	0.00	0.00	0.00	0.00	0.00	0.00	
			M3	-76.51	0.00	109.99	22.51	0.00	18.88	-67.67	0.00	112.20	6.79	0.00	23.67	
MIN	S2	-76.52	0.00	109.96	-76.52	0.00	-209.65	-69.01	0.00	109.74	-69.01	0.00	-178.49			
	TQ	0.00	0.00	0.00	0.00	0.00	0.00	0.00	0.00	0.00	0.00	0.00	0.00			
	M3	22.55	0.00	-75.43	-76.47	0.00	-209.72	7.85	0.00	-27.97	-66.61	0.00	-189.33			

BAGO RIVER BRIDGE

BLOCK [ No.2 : CROSS BEAM ][ BEAM MEMBER FORCE ]

MEMBER				1001037						1001039						
NODE				1037			2037			1039			2039			
				SHEAR	TORQUE	MOMENT	SHEAR	TORQUE	MOMENT	SHEAR	TORQUE	MOMENT	SHEAR	TORQUE	MOMENT	
NAME	TITLE			S2 (kN)	TQ (kN·m)	M3 (kN·m)	S2 (kN)	TQ (kN·m)	M3 (kN·m)	S2 (kN)	TQ (kN·m)	M3 (kN·m)	S2 (kN)	TQ (kN·m)	M3 (kN·m)	
62	1-LANE (case2TRUCK-LOAD	MAX	S2	75.68	0.00	4.11	75.68	0.00	320.21	85.71	0.00	-3.75	85.71	0.00	354.28	
			TQ	0.00	0.00	0.00	0.00	0.00	0.00	0.00	0.00	0.00	0.00	0.00	0.00	0.00
			M3	-3.34	0.00	46.22	75.36	0.00	320.45	2.93	0.00	38.98	85.71	0.00	354.28	
		MIN	S2	-8.71	0.00	33.78	-8.71	0.00	-2.59	-4.72	0.00	27.49	-4.72	0.00	7.80	
			TQ	0.00	0.00	0.00	0.00	0.00	0.00	0.00	0.00	0.00	0.00	0.00	0.00	
			M3	7.07	0.00	-21.03	-1.43	0.00	-3.36	85.71	0.00	-3.75	-1.62	0.00	-9.18	
		TANDEM-LOAD MAX	S2	59.91	0.00	-2.76	59.91	0.00	247.48	66.90	0.00	-8.83	66.90	0.00	270.60	
			TQ	0.00	0.00	0.00	0.00	0.00	0.00	0.00	0.00	0.00	0.00	0.00	0.00	
			M3	1.77	0.00	33.77	59.82	0.00	247.54	6.92	0.00	28.36	66.90	0.00	270.60	
		MIN	S2	-7.56	0.00	29.23	-7.56	0.00	-2.35	-4.37	0.00	24.98	-4.37	0.00	6.71	
			TQ	0.00	0.00	0.00	0.00	0.00	0.00	0.00	0.00	0.00	0.00	0.00	0.00	
			M3	4.87	0.00	-14.32	-7.56	0.00	-2.35	66.90	0.00	-8.83	-1.09	0.00	-6.25	
		DISPERSION-LMAX	S2	36.03	0.00	-14.42	36.03	0.00	136.09	35.87	0.00	11.51	35.87	0.00	161.34	
			TQ	0.00	0.00	0.00	0.00	0.00	0.00	0.00	0.00	0.00	0.00	0.00	0.00	
			M3	13.48	0.00	31.52	34.62	0.00	139.94	16.83	0.00	27.85	34.77	0.00	166.96	
MIN	S2	-4.45	0.00	17.87	-4.45	0.00	-0.72	-2.97	0.00	7.10	-2.97	0.00	-5.31			
	TQ	0.00	0.00	0.00	0.00	0.00	0.00	0.00	0.00	0.00	0.00	0.00	0.00			
	M3	18.10	0.00	-28.08	-3.04	0.00	-4.56	16.07	0.00	-9.25	-1.86	0.00	-10.93			
63	1-LANE (case3TRUCK-LOAD	MAX	S2	31.21	0.00	-64.57	31.21	0.00	65.80	42.38	0.00	-83.94	42.38	0.00	93.07	
			TQ	0.00	0.00	0.00	0.00	0.00	0.00	0.00	0.00	0.00	0.00	0.00		
			M3	-3.09	0.00	14.50	31.21	0.00	65.80	-3.98	0.00	7.17	42.38	0.00	93.07	
		MIN	S2	-3.37	0.00	13.97	-3.37	0.00	-0.10	-3.99	0.00	7.17	-3.99	0.00	-9.49	
			TQ	0.00	0.00	0.00	0.00	0.00	0.00	0.00	0.00	0.00	0.00	0.00	0.00	
			M3	31.21	0.00	-64.57	-0.96	0.00	-3.46	42.30	0.00	-84.53	-3.98	0.00	-9.55	

BAGO RIVER BRIDGE

BLOCK [ No.2 : CROSS BEAM ][ BEAM MEMBER FORCE ]

MEMBER NODE	1001037 1037	2037			1001039 1039			2039							
		SHEAR	TORQUE	MOMENT	SHEAR	TORQUE	MOMENT	SHEAR	TORQUE	MOMENT					
		S2 (kN)	TQ (kN·m)	M3 (kN·m)	S2 (kN)	TQ (kN·m)	M3 (kN·m)	S2 (kN)	TQ (kN·m)	M3 (kN·m)					
63	1-LANE (case3TANDEM-LOAD	MAX	S2	22.75	0.00	-49.41	22.75	0.00	45.61	30.54	0.00	-63.10	30.54	0.00	64.47
			TQ	0.00	0.00	0.00	0.00	0.00	0.00	0.00	0.00	0.00	0.00	0.00	0.00
			M3	-2.40	0.00	9.94	22.75	0.00	45.61	-2.72	0.00	4.88	30.54	0.00	64.47
		MIN	S2	-2.47	0.00	9.85	-2.47	0.00	-0.46	-2.72	0.00	4.88	-2.72	0.00	-6.49
			TQ	0.00	0.00	0.00	0.00	0.00	0.00	0.00	0.00	0.00	0.00	0.00	0.00
			M3	22.75	0.00	-49.41	-0.94	0.00	-3.18	30.52	0.00	-63.26	-2.72	0.00	-6.51
	DISPERSION-LMAX		S2	17.33	0.00	-22.19	17.33	0.00	50.20	27.27	0.00	-36.39	27.27	0.00	77.53
			TQ	0.00	0.00	0.00	0.00	0.00	0.00	0.00	0.00	0.00	0.00	0.00	0.00
			M3	-2.54	0.00	21.71	14.37	0.00	54.31	-2.40	0.00	13.17	27.21	0.00	78.46
		MIN	S2	-4.37	0.00	17.43	-4.37	0.00	-0.82	-4.67	0.00	9.22	-4.67	0.00	-10.28
			TQ	0.00	0.00	0.00	0.00	0.00	0.00	0.00	0.00	0.00	0.00	0.00	0.00
			M3	15.50	0.00	-26.47	-1.41	0.00	-4.93	25.00	0.00	-40.35	-4.60	0.00	-11.22
64	1-LANE (case4TRUCK-LOAD	MAX	S2	3.22	0.00	-44.37	3.22	0.00	-30.90	14.41	0.00	-95.15	14.41	0.00	-34.97
			TQ	0.00	0.00	0.00	0.00	0.00	0.00	0.00	0.00	0.00	0.00	0.00	0.00
			M3	-9.04	0.00	54.00	-8.97	0.00	16.26	-9.01	0.00	27.48	5.61	0.00	11.71
		MIN	S2	-9.04	0.00	54.00	-9.04	0.00	16.25	-9.02	0.00	27.46	-9.02	0.00	-10.20
			TQ	0.00	0.00	0.00	0.00	0.00	0.00	0.00	0.00	0.00	0.00	0.00	0.00
			M3	-6.90	0.00	-109.43	-6.90	0.00	-138.24	6.83	0.00	-148.19	6.83	0.00	-119.68
	TANDEM-LOAD	MAX	S2	2.62	0.00	-34.22	2.62	0.00	-23.27	10.18	0.00	-60.11	10.18	0.00	-17.57
			TQ	0.00	0.00	0.00	0.00	0.00	0.00	0.00	0.00	0.00	0.00	0.00	0.00
			M3	-6.16	0.00	36.76	-6.14	0.00	11.03	-6.13	0.00	18.72	5.23	0.00	8.71
		MIN	S2	-6.16	0.00	36.76	-6.16	0.00	11.03	-6.13	0.00	18.72	-6.13	0.00	-6.87
			TQ	0.00	0.00	0.00	0.00	0.00	0.00	0.00	0.00	0.00	0.00	0.00	0.00
			M3	-5.68	0.00	-75.65	-5.68	0.00	-99.39	3.70	0.00	-101.98	3.70	0.00	-86.51

BAGO RIVER BRIDGE

BLOCK [ No.2 : CROSS BEAM ][ BEAM MEMBER FORCE ]

MEMBER NODE	1001037 1037	2037						1001039 1039	2039						
		SHEAR	TORQUE	MOMENT	SHEAR	TORQUE	MOMENT		SHEAR	TORQUE	MOMENT	SHEAR	TORQUE	MOMENT	
		S2 (kN)	TQ (kN·m)	M3 (kN·m)	S2 (kN)	TQ (kN·m)	M3 (kN·m)		S2 (kN)	TQ (kN·m)	M3 (kN·m)	S2 (kN)	TQ (kN·m)	M3 (kN·m)	
64	1-LANE (case4DISPERSION-LMAX	S2	1.40	0.00	-30.12	1.40	0.00	-24.28	16.22	0.00	-118.23	16.22	0.00	-50.48	
		TQ	0.00	0.00	0.00	0.00	0.00	0.00	0.00	0.00	0.00	0.00	0.00	0.00	
		M3	-15.55	0.00	85.09	-11.69	0.00	21.04	-11.69	0.00	40.53	4.00	0.00	10.68	
	MIN	S2	-18.09	0.00	39.78	-18.09	0.00	-35.80	-11.80	0.00	37.41	-11.80	0.00	-11.90	
		TQ	0.00	0.00	0.00	0.00	0.00	0.00	0.00	0.00	0.00	0.00	0.00	0.00	
		M3	-1.15	0.00	-75.43	-5.00	0.00	-81.12	16.11	0.00	-121.36	0.41	0.00	-73.06	
65	2-LANES (caseTRUCK-LOAD	MAX	S2	25.29	0.00	-89.64	25.29	0.00	16.01	11.98	0.00	-17.08	11.98	0.00	32.97
		TQ	0.00	0.00	0.00	0.00	0.00	0.00	0.00	0.00	0.00	0.00	0.00	0.00	
		M3	-205.00	0.00	355.98	22.62	0.00	16.97	-188.83	0.00	363.90	-11.63	0.00	63.70	
	MIN	S2	-205.00	0.00	355.98	-205.00	0.00	-500.29	-188.83	0.00	362.83	-188.83	0.00	-425.92	
		TQ	0.00	0.00	0.00	0.00	0.00	0.00	0.00	0.00	0.00	0.00	0.00	0.00	
		M3	25.25	0.00	-89.84	-193.65	0.00	-515.31	2.37	0.00	-25.96	-171.65	0.00	-473.83	
	TANDEM-LOAD	MAX	S2	17.24	0.00	-61.26	17.24	0.00	10.74	8.18	0.00	-10.92	8.18	0.00	23.24
		TQ	0.00	0.00	0.00	0.00	0.00	0.00	0.00	0.00	0.00	0.00	0.00	0.00	
		M3	-155.04	0.00	266.18	15.74	0.00	11.70	-142.79	0.00	270.19	-8.64	0.00	46.70	
	MIN	S2	-155.04	0.00	266.18	-155.04	0.00	-381.43	-142.79	0.00	270.19	-142.79	0.00	-326.25	
		TQ	0.00	0.00	0.00	0.00	0.00	0.00	0.00	0.00	0.00	0.00	0.00	0.00	
		M3	17.22	0.00	-61.32	-149.11	0.00	-394.65	1.61	0.00	-17.70	-130.89	0.00	-362.85	
	DISPERSION-LMAX	S2	41.46	0.00	-117.61	41.46	0.00	55.56	19.24	0.00	-24.11	19.24	0.00	56.27	
		TQ	0.00	0.00	0.00	0.00	0.00	0.00	0.00	0.00	0.00	0.00	0.00	0.00	
		M3	-94.80	0.00	178.20	39.56	0.00	60.64	-77.04	0.00	180.29	12.88	0.00	82.75	
	MIN	S2	-97.34	0.00	169.70	-97.34	0.00	-236.91	-83.60	0.00	159.51	-83.60	0.00	-189.68	
		TQ	0.00	0.00	0.00	0.00	0.00	0.00	0.00	0.00	0.00	0.00	0.00	0.00	
		M3	38.92	0.00	-126.10	-95.45	0.00	-241.99	12.68	0.00	-44.89	-77.24	0.00	-216.16	

BAGO RIVER BRIDGE

BLOCK [ No.2 : CROSS BEAM ][ BEAM MEMBER FORCE ]

MEMBER				1001037						1001039								
NODE				1037			2037			1039			2039					
NAME TITLE				SHEAR	TORQUE	MOMENT	SHEAR	TORQUE	MOMENT	SHEAR	TORQUE	MOMENT	SHEAR	TORQUE	MOMENT			
				S2 (kN)	TQ (kN·m)	M3 (kN·m)	S2 (kN)	TQ (kN·m)	M3 (kN·m)	S2 (kN)	TQ (kN·m)	M3 (kN·m)	S2 (kN)	TQ (kN·m)	M3 (kN·m)			
66	2-LANES (case	TRUCK-LOAD	MAX	S2	86.50	0.00	-32.72	86.50	0.00	328.57	90.98	0.00	-9.70	90.98	0.00	370.34		
				TQ	0.00	0.00	0.00	0.00	0.00	0.00	0.00	0.00	0.00	0.00	0.00	0.00	0.00	
				M3	-29.49	0.00	158.92	85.69	0.00	329.23	-14.31	0.00	151.04	69.29	0.00	0.00	0.00	396.29
			MIN	S2	-34.86	0.00	146.48	-34.86	0.00	0.88	-21.96	0.00	138.49	-21.96	0.00	0.00	0.00	46.76
				TQ	0.00	0.00	0.00	0.00	0.00	0.00	0.00	0.00	0.00	0.00	0.00	0.00	0.00	0.00
				M3	17.85	0.00	-58.06	-16.23	0.00	-14.91	86.13	0.00	-13.53	-1.68	0.00	0.00	0.00	-18.12
			TANDEM-LOAD	MAX	S2	67.29	0.00	-27.96	67.29	0.00	253.10	70.50	0.00	-12.76	70.50	0.00	0.00	281.73
				TQ	0.00	0.00	0.00	0.00	0.00	0.00	0.00	0.00	0.00	0.00	0.00	0.00	0.00	0.00
				M3	-16.60	0.00	114.99	66.77	0.00	253.53	-5.00	0.00	108.67	55.20	0.00	0.00	0.00	301.66
			MIN	S2	-25.93	0.00	110.45	-25.93	0.00	2.13	-16.29	0.00	105.29	-16.29	0.00	0.00	0.00	37.23
				TQ	0.00	0.00	0.00	0.00	0.00	0.00	0.00	0.00	0.00	0.00	0.00	0.00	0.00	0.00
				M3	12.23	0.00	-39.58	-20.00	0.00	-11.09	67.21	0.00	-15.53	-1.11	0.00	0.00	0.00	-12.33
			DISPERSION-LMAX	S2	54.94	0.00	-56.63	54.94	0.00	172.85	45.93	0.00	12.91	45.93	0.00	0.00	0.00	204.78
				TQ	0.00	0.00	0.00	0.00	0.00	0.00	0.00	0.00	0.00	0.00	0.00	0.00	0.00	0.00
				M3	-4.81	0.00	99.73	51.68	0.00	181.70	7.46	0.00	95.94	40.86	0.00	0.00	0.00	226.04
MIN	S2	-25.28	0.00	77.60	-25.28	0.00	-27.98	-17.56	0.00	56.86	-17.56	0.00	0.00	0.00	-16.49			
	TQ	0.00	0.00	0.00	0.00	0.00	0.00	0.00	0.00	0.00	0.00	0.00	0.00	0.00	0.00			
	M3	34.47	0.00	-78.75	-22.02	0.00	-36.83	20.91	0.00	-26.16	-12.49	0.00	0.00	0.00	-37.75			
67	2-LANES (case	TRUCK-LOAD	MAX	S2	41.49	0.00	-133.40	41.49	0.00	39.90	64.72	0.00	-201.69	64.72	0.00	68.64		
				TQ	0.00	0.00	0.00	0.00	0.00	0.00	0.00	0.00	0.00	0.00	0.00	0.00		
				M3	-5.38	0.00	35.59	29.77	0.00	78.78	-9.55	0.00	21.16	54.75	0.00	0.00	113.07	
			MIN	S2	-7.73	0.00	32.41	-7.73	0.00	0.10	-9.65	0.00	21.07	-9.65	0.00	0.00	-19.22	
				TQ	0.00	0.00	0.00	0.00	0.00	0.00	0.00	0.00	0.00	0.00	0.00	0.00	0.00	
				M3	40.87	0.00	-154.70	8.70	0.00	-53.22	64.54	0.00	-204.23	18.25	0.00	0.00	-36.36	

BAGO RIVER BRIDGE

BLOCK [ No.2 : CROSS BEAM ][ BEAM MEMBER FORCE ]

MEMBER		1001037						1001039							
NODE		1037			2037			1039			2039				
		SHEAR	TORQUE	MOMENT	SHEAR	TORQUE	MOMENT	SHEAR	TORQUE	MOMENT	SHEAR	TORQUE	MOMENT		
NAME	TITLE	S2 (kN)	TQ (kN·m)	M3 (kN·m)	S2 (kN)	TQ (kN·m)	M3 (kN·m)	S2 (kN)	TQ (kN·m)	M3 (kN·m)	S2 (kN)	TQ (kN·m)	M3 (kN·m)		
67	2-LANES (caseTANDEM-LOAD	MAX	S2	29.87	0.00	-101.30	29.87	0.00	23.48	45.79	0.00	-139.03	45.79	0.00	52.23
			TQ	0.00	0.00	0.00	0.00	0.00	0.00	0.00	0.00	0.00	0.00	0.00	0.00
			M3	-4.00	0.00	24.36	21.72	0.00	54.46	-6.54	0.00	14.43	40.87	0.00	79.16
		MIN	S2	-5.45	0.00	22.51	-5.45	0.00	-0.24	-6.57	0.00	14.43	-6.57	0.00	-13.00
			TQ	0.00	0.00	0.00	0.00	0.00	0.00	0.00	0.00	0.00	0.00	0.00	0.00
			M3	29.09	0.00	-114.54	5.40	0.00	-41.84	45.47	0.00	-148.44	12.23	0.00	-29.22
	DISPERSION-LMAX		S2	24.54	0.00	-67.14	24.54	0.00	35.36	48.74	0.00	-114.76	48.74	0.00	88.83
			TQ	0.00	0.00	0.00	0.00	0.00	0.00	0.00	0.00	0.00	0.00	0.00	0.00
			M3	-9.12	0.00	64.26	11.26	0.00	72.15	-9.18	0.00	35.84	40.85	0.00	102.72
		MIN	S2	-11.82	0.00	56.56	-11.82	0.00	7.18	-11.83	0.00	30.51	-11.83	0.00	-18.91
			TQ	0.00	0.00	0.00	0.00	0.00	0.00	0.00	0.00	0.00	0.00	0.00	0.00
			M3	21.84	0.00	-74.85	1.46	0.00	-29.60	46.09	0.00	-120.10	-3.94	0.00	-32.80
68	2-LANES (caseTRUCK-LOAD	MAX	S2	12.96	0.00	-133.20	12.96	0.00	-79.07	36.75	0.00	-212.91	36.75	0.00	-59.39
			TQ	0.00	0.00	0.00	0.00	0.00	0.00	0.00	0.00	0.00	0.00	0.00	0.00
			M3	-14.39	0.00	90.79	-14.24	0.00	30.79	-16.33	0.00	48.11	17.99	0.00	31.71
		MIN	S2	-14.43	0.00	90.57	-14.43	0.00	30.30	-16.35	0.00	48.06	-16.35	0.00	-20.23
			TQ	0.00	0.00	0.00	0.00	0.00	0.00	0.00	0.00	0.00	0.00	0.00	0.00
			M3	2.72	0.00	-199.62	2.72	0.00	-188.26	29.07	0.00	-267.89	29.07	0.00	-146.49
	TANDEM-LOAD	MAX	S2	9.39	0.00	-90.91	9.39	0.00	-51.67	25.43	0.00	-136.04	25.43	0.00	-29.81
			TQ	0.00	0.00	0.00	0.00	0.00	0.00	0.00	0.00	0.00	0.00	0.00	0.00
			M3	-9.82	0.00	61.82	-9.71	0.00	20.95	-11.13	0.00	32.75	15.56	0.00	23.40
		MIN	S2	-9.83	0.00	61.76	-9.83	0.00	20.70	-11.13	0.00	32.75	-11.13	0.00	-13.73
			TQ	0.00	0.00	0.00	0.00	0.00	0.00	0.00	0.00	0.00	0.00	0.00	0.00
			M3	0.65	0.00	-140.78	0.65	0.00	-138.05	18.66	0.00	-187.15	18.66	0.00	-109.22



BAGO RIVER BRIDGE

BLOCK [ No.2 : CROSS BEAM ][ BEAM MEMBER FORCE ]

MEMBER		1001037						1001039							
NODE		1037		2037		1039		2039							
		SHEAR	TORQUE	MOMENT	SHEAR	TORQUE	MOMENT	SHEAR	TORQUE	MOMENT	SHEAR	TORQUE	MOMENT		
NAME	TITLE	S2 (kN)	TQ (kN·m)	M3 (kN·m)	S2 (kN)	TQ (kN·m)	M3 (kN·m)	S2 (kN)	TQ (kN·m)	M3 (kN·m)	S2 (kN)	TQ (kN·m)	M3 (kN·m)		
68	2-LANES (caseDISPERSION-LMAX	S2	8.18	0.00	-79.31	8.18	0.00	-45.15	38.05	0.00	-198.52	38.05	0.00	-39.58	
		TQ	0.00	0.00	0.00	0.00	0.00	0.00	0.00	0.00	0.00	0.00	0.00	0.00	
		M3	-25.70	0.00	145.45	-19.05	0.00	40.72	-20.29	0.00	70.50	17.96	0.00	34.56	
	MIN	S2	-28.47	0.00	97.41	-28.47	0.00	-21.50	-20.77	0.00	65.99	-20.77	0.00	-20.78	
		TQ	0.00	0.00	0.00	0.00	0.00	0.00	0.00	0.00	0.00	0.00	0.00	0.00	
		M3	5.42	0.00	-127.35	-1.24	0.00	-107.37	37.56	0.00	-203.03	-0.68	0.00	-94.92	
69	3-LANES (caseTRUCK-LOAD	MAX	S2	100.97	0.00	-85.53	100.97	0.00	336.22	97.70	0.00	-20.82	97.70	0.00	387.25
		TQ	0.00	0.00	0.00	0.00	0.00	0.00	0.00	0.00	0.00	0.00	0.00	0.00	
		M3	-208.34	0.00	402.20	97.98	0.00	337.42	-185.90	0.00	402.88	74.09	0.00	417.98	
	MIN	S2	-213.70	0.00	389.76	-213.70	0.00	-502.88	-193.55	0.00	390.33	-193.55	0.00	-418.13	
		TQ	0.00	0.00	0.00	0.00	0.00	0.00	0.00	0.00	0.00	0.00	0.00	0.00	
		M3	32.32	0.00	-110.87	-195.07	0.00	-518.67	88.08	0.00	-29.71	-173.27	0.00	-483.01	
	TANDEM-LOAD	MAX	S2	77.15	0.00	-64.02	77.15	0.00	258.22	75.07	0.00	-19.75	75.07	0.00	293.84
		TQ	0.00	0.00	0.00	0.00	0.00	0.00	0.00	0.00	0.00	0.00	0.00	0.00	
		M3	-153.27	0.00	299.95	75.56	0.00	259.24	-135.87	0.00	298.54	58.26	0.00	317.29	
	MIN	S2	-162.60	0.00	295.41	-162.60	0.00	-383.78	-147.16	0.00	295.16	-147.16	0.00	-319.54	
		TQ	0.00	0.00	0.00	0.00	0.00	0.00	0.00	0.00	0.00	0.00	0.00	0.00	
		M3	22.09	0.00	-75.64	-156.67	0.00	-397.00	68.50	0.00	-26.53	-131.98	0.00	-369.10	
	DISPERSION-LMAX	S2	77.49	0.00	-132.03	77.49	0.00	191.66	55.11	0.00	-12.60	55.11	0.00	217.61	
		TQ	0.00	0.00	0.00	0.00	0.00	0.00	0.00	0.00	0.00	0.00	0.00	0.00	
		M3	-81.32	0.00	209.72	74.18	0.00	200.58	-60.21	0.00	208.14	47.65	0.00	249.71	
	MIN	S2	-101.79	0.00	187.57	-101.79	0.00	-237.63	-86.57	0.00	166.60	-86.57	0.00	-194.98	
		TQ	0.00	0.00	0.00	0.00	0.00	0.00	0.00	0.00	0.00	0.00	0.00	0.00	
		M3	57.02	0.00	-154.18	-98.49	0.00	-246.55	28.76	0.00	-54.14	-79.10	0.00	-227.08	

BAGO RIVER BRIDGE

BLOCK [ No.2 : CROSS BEAM ][ BEAM MEMBER FORCE ]

MEMBER				1001037						1001039							
NODE				1037			2037			1039			2039				
NAME TITLE				SHEAR	TORQUE	MOMENT	SHEAR	TORQUE	MOMENT	SHEAR	TORQUE	MOMENT	SHEAR	TORQUE	MOMENT		
				S2 (kN)	TQ (kN·m)	M3 (kN·m)	S2 (kN)	TQ (kN·m)	M3 (kN·m)	S2 (kN)	TQ (kN·m)	M3 (kN·m)	S2 (kN)	TQ (kN·m)	M3 (kN·m)		
70	3-LANES (case	TRUCK-LOAD	MAX	S2	44.71	0.00	-177.77	44.71	0.00	9.00	79.13	0.00	-296.85	79.13	0.00	33.67	
				TQ	0.00	0.00	0.00	0.00	0.00	0.00	0.00	0.00	0.00	0.00	0.00	0.00	0.00
				M3	-11.27	0.00	74.31	24.50	0.00	93.32	-16.88	0.00	42.20	60.37	0.00	124.78	
			MIN	S2	-14.75	0.00	-74.74	-14.75	0.00	-136.36	-17.01	0.00	41.93	-17.01	0.00	-29.12	
				TQ	0.00	0.00	0.00	0.00	0.00	0.00	0.00	0.00	0.00	0.00	0.00	0.00	
				M3	34.02	0.00	-264.08	1.85	0.00	-191.22	71.37	0.00	-352.42	25.08	0.00	-156.04	
			TANDEM-LOAD	MAX	S2	32.49	0.00	-135.52	32.49	0.00	0.20	55.97	0.00	-199.14	55.97	0.00	34.66
					TQ	0.00	0.00	0.00	0.00	0.00	0.00	0.00	0.00	0.00	0.00	0.00	0.00
					M3	-8.06	0.00	50.83	18.22	0.00	64.35	-11.55	0.00	28.75	46.10	0.00	87.87
			MIN	S2	-11.18	0.00	-52.51	-11.18	0.00	-99.20	-11.59	0.00	28.70	-11.59	0.00	-19.70	
				TQ	0.00	0.00	0.00	0.00	0.00	0.00	0.00	0.00	0.00	0.00	0.00	0.00	
				M3	23.40	0.00	-190.19	-0.29	0.00	-141.23	49.18	0.00	-250.41	15.94	0.00	-115.73	
			DISPERSION-LMAX	MAX	S2	25.89	0.00	-95.46	25.89	0.00	12.69	64.60	0.00	-231.12	64.60	0.00	38.72
					TQ	0.00	0.00	0.00	0.00	0.00	0.00	0.00	0.00	0.00	0.00	0.00	0.00
					M3	-21.07	0.00	131.56	3.18	0.00	90.46	-19.06	0.00	69.08	44.69	0.00	113.51
MIN	S2	-26.52	0.00	80.27	-26.52	0.00	-30.50	-21.83	0.00	60.62	-21.83	0.00	-30.54				
	TQ	0.00	0.00	0.00	0.00	0.00	0.00	0.00	0.00	0.00	0.00	0.00	0.00				
	M3	20.44	0.00	-146.75	-3.80	0.00	-108.27	61.84	0.00	-239.58	-1.92	0.00	-105.33				
71	3-LANES (case	TRUCK-LOAD	MAX	S2	43.94	0.00	-198.17	43.94	0.00	-14.65	79.13	0.00	-296.84	79.13	0.00	33.68	
				TQ	0.00	0.00	0.00	0.00	0.00	0.00	0.00	0.00	0.00	0.00	0.00		
				M3	-16.10	0.00	110.80	16.73	0.00	95.22	-21.98	0.00	61.97	60.36	0.00	124.78	
			MIN	S2	-17.80	0.00	104.55	-17.80	0.00	30.20	-22.01	0.00	61.87	-22.01	0.00	-30.06	
				TQ	0.00	0.00	0.00	0.00	0.00	0.00	0.00	0.00	0.00	0.00	0.00	0.00	
				M3	33.70	0.00	-264.58	2.24	0.00	-191.82	71.37	0.00	-352.42	23.41	0.00	-156.32	

BAGO RIVER BRIDGE

BLOCK [ No.2 : CROSS BEAM ][ BEAM MEMBER FORCE ]

MEMBER				1001037						1001039						
NODE				1037			2037			1039			2039			
NAME TITLE				SHEAR	TORQUE	MOMENT	SHEAR	TORQUE	MOMENT	SHEAR	TORQUE	MOMENT	SHEAR	TORQUE	MOMENT	
				S2 (kN)	TQ (kN·m)	M3 (kN·m)	S2 (kN)	TQ (kN·m)	M3 (kN·m)	S2 (kN)	TQ (kN·m)	M3 (kN·m)	S2 (kN)	TQ (kN·m)	M3 (kN·m)	
71	3-LANES	(caseTANDEM-LOAD	MAX	S2	32.09	0.00	-140.40	32.09	0.00	-6.36	55.97	0.00	-199.14	55.97	0.00	34.66
				TQ	0.00	0.00	0.00	0.00	0.00	0.00	0.00	0.00	0.00	0.00	0.00	0.00
				M3	-10.99	0.00	75.57	12.98	0.00	66.27	-15.00	0.00	42.26	46.10	0.00	87.87
			MIN	S2	-12.30	0.00	71.61	-12.30	0.00	20.24	-15.01	0.00	42.24	-15.01	0.00	-20.43
				TQ	0.00	0.00	0.00	0.00	0.00	0.00	0.00	0.00	0.00	0.00	0.00	0.00
				M3	23.35	0.00	-190.27	-0.84	0.00	-140.70	49.18	0.00	-250.41	14.78	0.00	-115.92
		DISPERSION-LMAX		S2	23.33	0.00	-103.19	23.33	0.00	-5.73	65.72	0.00	-236.58	65.72	0.00	37.93
				TQ	0.00	0.00	0.00	0.00	0.00	0.00	0.00	0.00	0.00	0.00	0.00	0.00
				M3	-30.01	0.00	183.02	-8.41	0.00	95.37	-24.53	0.00	90.66	45.56	0.00	113.01
			MIN	S2	-33.87	0.00	130.27	-33.87	0.00	-11.21	-27.21	0.00	82.36	-27.21	0.00	-31.31
				TQ	0.00	0.00	0.00	0.00	0.00	0.00	0.00	0.00	0.00	0.00	0.00	0.00
				M3	19.47	0.00	-155.95	-2.12	0.00	-112.31	63.04	0.00	-244.88	-7.05	0.00	-106.38
72	4-LANES	TRUCK-LOAD	MAX	S2	2.53	0.00	-1.25	2.53	0.00	9.32	5.09	0.00	-9.98	5.09	0.00	11.28
				TQ	0.00	0.00	0.00	0.00	0.00	0.00	0.00	0.00	0.00	0.00	0.00	0.00
				M3	-12.35	0.00	106.30	-12.35	0.00	54.72	-25.36	0.00	66.28	5.08	0.00	11.33
			MIN	S2	-15.31	0.00	103.56	-15.31	0.00	39.61	-25.36	0.00	66.28	-25.36	0.00	-39.67
				TQ	0.00	0.00	0.00	0.00	0.00	0.00	0.00	0.00	0.00	0.00	0.00	0.00
				M3	-0.23	0.00	-8.90	-1.59	0.00	-14.34	5.08	0.00	-10.00	-25.36	0.00	-39.67
		TANDEM-LOAD	MAX	S2	1.73	0.00	-0.55	1.73	0.00	6.70	3.46	0.00	-6.78	3.46	0.00	7.69
				TQ	0.00	0.00	0.00	0.00	0.00	0.00	0.00	0.00	0.00	0.00	0.00	0.00
				M3	-9.07	0.00	75.45	-9.01	0.00	37.60	-17.61	0.00	46.42	3.46	0.00	7.70
			MIN	S2	-11.03	0.00	73.41	-11.03	0.00	27.33	-17.61	0.00	46.42	-17.61	0.00	-27.14
				TQ	0.00	0.00	0.00	0.00	0.00	0.00	0.00	0.00	0.00	0.00	0.00	0.00
				M3	-0.14	0.00	-6.07	-1.06	0.00	-9.75	3.44	0.00	-6.80	-17.61	0.00	-27.14

BAGO RIVER BRIDGE

BLOCK [ No.2 : CROSS BEAM ][ BEAM MEMBER FORCE ]

MEMBER			1001037						1001039								
NODE			1037			2037			1039			2039					
			SHEAR	TORQUE	MOMENT	SHEAR	TORQUE	MOMENT	SHEAR	TORQUE	MOMENT	SHEAR	TORQUE	MOMENT			
NAME	TITLE		S2 (kN)	TQ (kN·m)	M3 (kN·m)	S2 (kN)	TQ (kN·m)	M3 (kN·m)	S2 (kN)	TQ (kN·m)	M3 (kN·m)	S2 (kN)	TQ (kN·m)	M3 (kN·m)			
72	4-LANES	DISPERSION-LMAX	S2	2.00	0.00	-1.68	2.00	0.00	6.70	6.24	0.00	-12.30	6.24	0.00	13.77		
			TQ	0.00	0.00	0.00	0.00	0.00	0.00	0.00	0.00	0.00	0.00	0.00	0.00	0.00	
			M3	-8.01	0.00	64.88	-6.21	0.00	37.77	-16.77	0.00	42.19	6.17	0.00	0.00	13.78	
		MIN	S2	-10.11	0.00	55.44	-10.11	0.00	13.22	-16.77	0.00	42.19	-16.77	0.00	0.00	-27.84	
			TQ	0.00	0.00	0.00	0.00	0.00	0.00	0.00	0.00	0.00	0.00	0.00	0.00	0.00	
			M3	-0.08	0.00	-11.05	-1.79	0.00	-17.47	6.24	0.00	-12.30	-16.77	0.00	0.00	-27.84	
		73	6-LANES	TRUCK-LOAD MAX	S2	149.72	0.00	-276.02	149.72	0.00	349.37	182.79	0.00	-313.51	182.79	0.00	449.98
					TQ	0.00	0.00	0.00	0.00	0.00	0.00	0.00	0.00	0.00	0.00	0.00	0.00
					M3	-195.16	0.00	473.68	105.26	0.00	506.52	-178.20	0.00	427.06	163.21	0.00	0.00
MIN	S2			-209.87	0.00	425.71	-209.87	0.00	-450.92	-196.77	0.00	374.73	-196.77	0.00	0.00	-447.19	
	TQ			0.00	0.00	0.00	0.00	0.00	0.00	0.00	0.00	0.00	0.00	0.00	0.00	0.00	
	M3			71.04	0.00	-348.05	-177.15	0.00	-669.55	165.84	0.00	-377.80	-141.54	0.00	0.00	-602.90	
TANDEM-LOAD MAX	S2			112.92	0.00	-199.32	112.92	0.00	272.33	135.36	0.00	-216.29	135.36	0.00	0.00	349.12	
	TQ			0.00	0.00	0.00	0.00	0.00	0.00	0.00	0.00	0.00	0.00	0.00	0.00	0.00	
	M3			-142.71	0.00	345.46	82.83	0.00	383.95	-138.18	0.00	312.23	123.40	0.00	0.00	468.18	
MIN	S2	-159.57	0.00	316.70	-159.57	0.00	-349.85	-148.71	0.00	286.32	-148.71	0.00	0.00	-334.82			
	TQ	0.00	0.00	0.00	0.00	0.00	0.00	0.00	0.00	0.00	0.00	0.00	0.00	0.00			
	M3	104.57	0.00	-250.52	-138.57	0.00	-509.79	122.54	0.00	-274.82	-110.84	0.00	0.00	-458.32			
DISPERSION-LMAX	S2	96.63	0.00	-206.61	96.63	0.00	196.99	117.04	0.00	-230.01	117.04	0.00	0.00	258.85			
	TQ	0.00	0.00	0.00	0.00	0.00	0.00	0.00	0.00	0.00	0.00	0.00	0.00	0.00			
	M3	-104.92	0.00	362.37	62.77	0.00	292.41	-83.35	0.00	282.57	91.45	0.00	0.00	356.26			
MIN	S2	-128.50	0.00	286.65	-128.50	0.00	-250.10	-109.88	0.00	236.14	-109.88	0.00	0.00	-222.84			
	TQ	0.00	0.00	0.00	0.00	0.00	0.00	0.00	0.00	0.00	0.00	0.00	0.00	0.00			
	M3	69.71	0.00	-280.88	-96.25	0.00	-345.76	87.72	0.00	-280.54	-84.30	0.00	0.00	-322.50			

BAGO RIVER BRIDGE

BLOCK [ No.2 : CROSS BEAM ][ BEAM MEMBER FORCE ]

MEMBER			1001037						1001039						
NODE			1037			2037			1039			2039			
NAME TITLE			SHEAR	TORQUE	MOMENT	SHEAR	TORQUE	MOMENT	SHEAR	TORQUE	MOMENT	SHEAR	TORQUE	MOMENT	
			S2 (kN)	TQ (kN·m)	M3 (kN·m)	S2 (kN)	TQ (kN·m)	M3 (kN·m)	S2 (kN)	TQ (kN·m)	M3 (kN·m)	S2 (kN)	TQ (kN·m)	M3 (kN·m)	
124	SUM TOTAL	D+1LANE (caseMAX	S2	-51.98	0.00	102.17	-51.98	0.00	-114.93	61.20	0.00	-52.27	61.20	0.00	203.35
			TQ	-96.41	0.00	256.02	-96.41	0.00	-146.68	42.13	0.00	-8.30	42.13	0.00	167.66
			M3	-402.83	0.00	679.94	-54.66	0.00	-114.20	-244.99	0.00	428.54	56.02	0.00	222.08
		MIN	S2	-402.84	0.00	679.91	-402.84	0.00	-1002.77	-246.59	0.00	425.59	-246.59	0.00	-604.40
			TQ	-96.41	0.00	256.02	-96.41	0.00	-146.68	42.13	0.00	-8.30	42.13	0.00	167.66
			M3	-51.99	0.00	102.14	-402.79	0.00	-1002.85	53.89	0.00	-61.28	-243.72	0.00	-617.41
		D+1LANE (caseMAX	S2	37.64	0.00	243.65	37.64	0.00	400.88	188.03	0.00	1.01	188.03	0.00	786.41
			TQ	-96.41	0.00	256.02	-96.41	0.00	-146.68	42.13	0.00	-8.30	42.13	0.00	167.66
			M3	-84.24	0.00	349.31	35.57	0.00	405.79	65.84	0.00	71.90	186.70	0.00	793.15
		MIN	S2	-112.20	0.00	318.00	-112.20	0.00	-150.65	32.90	0.00	33.20	32.90	0.00	170.65
			TQ	-96.41	0.00	256.02	-96.41	0.00	-146.68	42.13	0.00	-8.30	42.13	0.00	167.66
			M3	-66.20	0.00	197.10	-101.77	0.00	-156.19	164.27	0.00	-23.90	37.95	0.00	143.53
		D+1LANE (caseMAX	S2	-38.16	0.00	151.91	-38.16	0.00	-7.49	125.71	0.00	-152.70	125.71	0.00	372.37
			TQ	-96.41	0.00	256.02	-96.41	0.00	-146.68	42.13	0.00	-8.30	42.13	0.00	167.66
			M3	-103.17	0.00	299.47	-41.72	0.00	-2.56	34.47	0.00	16.11	125.63	0.00	373.49
		MIN	S2	-105.70	0.00	293.71	-105.70	0.00	-147.79	31.74	0.00	11.37	31.74	0.00	143.93
			TQ	-96.41	0.00	256.02	-96.41	0.00	-146.68	42.13	0.00	-8.30	42.13	0.00	167.66
			M3	-40.36	0.00	146.78	-99.25	0.00	-156.75	122.89	0.00	-158.16	31.82	0.00	142.73
		D+1LANE (caseMAX	S2	-90.87	0.00	166.65	-90.87	0.00	-212.91	78.88	0.00	-264.37	78.88	0.00	65.12
			TQ	-96.41	0.00	256.02	-96.41	0.00	-146.68	42.13	0.00	-8.30	42.13	0.00	167.66
			M3	-125.92	0.00	422.94	-121.21	0.00	-101.92	17.28	0.00	73.32	53.66	0.00	194.52
		MIN	S2	-128.97	0.00	368.56	-128.97	0.00	-170.14	17.14	0.00	69.54	17.14	0.00	141.14
			TQ	-96.41	0.00	256.02	-96.41	0.00	-146.68	42.13	0.00	-8.30	42.13	0.00	167.66
			M3	-106.06	0.00	34.19	-110.69	0.00	-409.92	69.64	0.00	-331.76	50.81	0.00	-63.62

BAGO RIVER BRIDGE

BLOCK [ No.2 : CROSS BEAM ][ BEAM MEMBER FORCE ]

MEMBER			1001037						1001039						
NODE			1037			2037			1039			2039			
NAME TITLE			SHEAR	TORQUE	MOMENT	SHEAR	TORQUE	MOMENT	SHEAR	TORQUE	MOMENT	SHEAR	TORQUE	MOMENT	
			S2 (kN)	TQ (kN·m)	M3 (kN·m)	S2 (kN)	TQ (kN·m)	M3 (kN·m)	S2 (kN)	TQ (kN·m)	M3 (kN·m)	S2 (kN)	TQ (kN·m)	M3 (kN·m)	
124	SUM TOTAL	D+2LANES (casMAX	S2	-29.66	0.00	48.78	-29.66	0.00	-75.11	73.35	0.00	-49.49	73.35	0.00	256.90
			TQ	-96.41	0.00	256.02	-96.41	0.00	-146.68	42.13	0.00	-8.30	42.13	0.00	167.66
			M3	-396.21	0.00	790.21	-34.23	0.00	-69.07	-223.74	0.00	535.89	43.38	0.00	314.11
		MIN	S2	-398.75	0.00	781.71	-398.75	0.00	-883.89	-230.30	0.00	514.04	-230.30	0.00	-447.94
			TQ	-96.41	0.00	256.02	-96.41	0.00	-146.68	42.13	0.00	-8.30	42.13	0.00	167.66
			M3	-32.25	0.00	40.08	-385.51	0.00	-903.98	57.18	0.00	-79.16	-206.77	0.00	-522.33
		D+2LANES (casMAX	S2	45.02	0.00	166.68	45.02	0.00	354.74	179.04	0.00	-5.09	179.04	0.00	742.78
			TQ	-96.41	0.00	256.02	-96.41	0.00	-146.68	42.13	0.00	-8.30	42.13	0.00	167.66
			M3	-130.71	0.00	514.68	40.96	0.00	364.25	35.28	0.00	238.68	152.28	0.00	789.99
		MIN	S2	-156.55	0.00	480.11	-156.55	0.00	-173.79	2.61	0.00	187.05	2.61	0.00	197.93
			TQ	-96.41	0.00	256.02	-96.41	0.00	-146.68	42.13	0.00	-8.30	42.13	0.00	167.66
			M3	-44.09	0.00	119.21	-134.66	0.00	-198.43	149.17	0.00	-48.00	27.95	0.00	111.79
		D+2LANES (casMAX	S2	-30.38	0.00	55.48	-30.38	0.00	-71.42	155.59	0.00	-324.76	155.59	0.00	325.13
			TQ	-96.41	0.00	256.02	-96.41	0.00	-146.68	42.13	0.00	-8.30	42.13	0.00	167.66
			M3	-110.91	0.00	355.88	-55.38	0.00	4.25	23.39	0.00	48.70	137.73	0.00	383.45
		MIN	S2	-115.96	0.00	344.99	-115.96	0.00	-139.40	20.65	0.00	43.28	20.65	0.00	129.53
			TQ	-96.41	0.00	256.02	-96.41	0.00	-146.68	42.13	0.00	-8.30	42.13	0.00	167.66
			M3	-33.69	0.00	26.48	-86.25	0.00	-229.51	152.76	0.00	-332.64	56.44	0.00	98.49
		D+2LANES (casMAX	S2	-75.27	0.00	43.51	-75.27	0.00	-270.91	116.93	0.00	-419.73	116.93	0.00	68.69
			TQ	-96.41	0.00	256.02	-96.41	0.00	-146.68	42.13	0.00	-8.30	42.13	0.00	167.66
			M3	-136.51	0.00	492.27	-129.71	0.00	-75.17	5.51	0.00	110.30	78.07	0.00	233.93
		MIN	S2	-139.31	0.00	444.01	-139.31	0.00	-137.88	5.00	0.00	105.75	5.00	0.00	126.64
			TQ	-96.41	0.00	256.02	-96.41	0.00	-146.68	42.13	0.00	-8.30	42.13	0.00	167.66
			M3	-88.27	0.00	-70.95	-94.93	0.00	-442.30	108.76	0.00	-479.23	70.51	0.00	-73.75

BAGO RIVER BRIDGE

BLOCK [ No.2 : CROSS BEAM ][ BEAM MEMBER FORCE ]

MEMBER			1001037						1001039							
NODE			1037			2037			1039			2039				
NAME TITLE			SHEAR	TORQUE	MOMENT	SHEAR	TORQUE	MOMENT	SHEAR	TORQUE	MOMENT	SHEAR	TORQUE	MOMENT		
			S2 (kN)	TQ (kN·m)	M3 (kN·m)	S2 (kN)	TQ (kN·m)	M3 (kN·m)	S2 (kN)	TQ (kN·m)	M3 (kN·m)	S2 (kN)	TQ (kN·m)	M3 (kN·m)		
124	SUM TOTAL	D+3LANES (casMAX	S2	55.28	0.00	71.10	55.28	0.00	302.02	172.01	0.00	-36.71	172.01	0.00	681.79	
			TQ	-96.41	0.00	256.02	-96.41	0.00	-146.68	42.13	0.00	-8.30	42.13	0.00	167.66	
			M3	-342.62	0.00	776.16	49.93	0.00	310.62	-167.07	0.00	511.07	145.60	0.00	735.20	
		MIN	S2	-364.58	0.00	746.75	-364.58	0.00	-776.12	-195.97	0.00	465.09	-195.97	0.00	-353.49	
			TQ	-96.41	0.00	256.02	-96.41	0.00	-146.68	42.13	0.00	-8.30	42.13	0.00	167.66	
			M3	-20.47	0.00	30.74	-345.94	0.00	-797.12	141.44	0.00	-79.57	-172.39	0.00	-435.92	
		D+3LANES (casMAX	S2	-36.40	0.00	23.78	-36.40	0.00	-128.25	164.30	0.00	-457.08	164.30	0.00	229.20	
			TQ	-96.41	0.00	256.02	-96.41	0.00	-146.68	42.13	0.00	-8.30	42.13	0.00	167.66	
			M3	-123.90	0.00	431.02	-72.89	0.00	9.53	11.58	0.00	86.28	131.43	0.00	370.21	
		MIN	S2	-131.49	0.00	260.73	-131.49	0.00	-288.51	9.12	0.00	78.87	9.12	0.00	116.94	
			TQ	-96.41	0.00	256.02	-96.41	0.00	-146.68	42.13	0.00	-8.30	42.13	0.00	167.66	
			M3	-50.11	0.00	-93.18	-98.07	0.00	-401.25	155.35	0.00	-511.51	61.82	0.00	-54.51	
		D+3LANES (casMAX	S2	-39.23	0.00	-0.13	-39.23	0.00	-164.01	165.25	0.00	-461.72	165.25	0.00	228.53	
			TQ	-96.41	0.00	256.02	-96.41	0.00	-146.68	42.13	0.00	-8.30	42.13	0.00	167.66	
			M3	-135.60	0.00	505.77	-89.34	0.00	15.32	2.59	0.00	121.43	132.16	0.00	369.78	
		MIN	S2	-140.33	0.00	455.62	-140.33	0.00	-130.54	0.29	0.00	114.29	0.29	0.00	115.50	
			TQ	-96.41	0.00	256.02	-96.41	0.00	-146.68	42.13	0.00	-8.30	42.13	0.00	167.66	
			M3	-51.22	0.00	-101.42	-96.31	0.00	-405.19	156.37	0.00	-516.02	56.03	0.00	-55.63	
		D+4LANES	MAX	S2	-93.46	0.00	254.12	-93.46	0.00	-136.27	49.49	0.00	-22.79	49.49	0.00	183.94
			TQ	-96.41	0.00	256.02	-96.41	0.00	-146.68	42.13	0.00	-8.30	42.13	0.00	167.66	
			M3	-109.64	0.00	367.29	-108.47	0.00	-86.57	14.74	0.00	62.20	49.44	0.00	183.97	
		MIN	S2	-112.93	0.00	359.38	-112.93	0.00	-112.34	14.74	0.00	62.20	14.74	0.00	123.77	
			TQ	-96.41	0.00	256.02	-96.41	0.00	-146.68	42.13	0.00	-8.30	42.13	0.00	167.66	
			M3	-96.61	0.00	243.06	-98.61	0.00	-167.35	49.48	0.00	-22.80	14.74	0.00	123.77	

BAGO RIVER BRIDGE

BLOCK [ No.2 : CROSS BEAM ][ BEAM MEMBER FORCE ]

MEMBER					1001037						1001039					
NODE					1037			2037			1039			2039		
NAME TITLE					SHEAR	TORQUE	MOMENT	SHEAR	TORQUE	MOMENT	SHEAR	TORQUE	MOMENT	SHEAR	TORQUE	MOMENT
					S2 (kN)	TQ (kN·m)	M3 (kN·m)	S2 (kN)	TQ (kN·m)	M3 (kN·m)	S2 (kN)	TQ (kN·m)	M3 (kN·m)	S2 (kN)	TQ (kN·m)	M3 (kN·m)
124	SUM TOTAL	D+6LANES	MAX	S2	63.72	0.00	-57.68	63.72	0.00	208.45	237.01	0.00	-361.60	237.01	0.00	628.40
				TQ	-96.41	0.00	256.02	-96.41	0.00	-146.68	42.13	0.00	-8.30	42.13	0.00	167.66
				M3	-291.46	0.00	799.46	12.81	0.00	372.63	-127.88	0.00	452.95	207.66	0.00	805.43
			MIN	S2	-316.35	0.00	719.06	-316.35	0.00	-602.34	-157.20	0.00	388.76	-157.20	0.00	-267.86
				TQ	-96.41	0.00	256.02	-96.41	0.00	-146.68	42.13	0.00	-8.30	42.13	0.00	167.66
				M3	-4.92	0.00	-152.78	-274.12	0.00	-806.63	206.94	0.00	-436.22	-104.67	0.00	-433.85
	SUM TOTAL		MAX		63.72	0.00	799.46	63.72	0.00	405.79	237.01	0.00	535.89	237.01	0.00	805.43
			MIN		-402.84	0.00	-152.78	-402.84	0.00	-1002.85	-246.59	0.00	-516.02	-246.59	0.00	-617.41
300	DEAD LOAD	TOTAL			-96.41	0.00	256.02	-96.41	0.00	-146.68	42.13	0.00	-8.30	42.13	0.00	167.66
301	LIVE LOAD	1-LANE(case1MAX	S2		44.43	0.00	-153.85	44.43	0.00	31.75	19.07	0.00	-43.96	19.07	0.00	35.69
			TQ		0.00	0.00	0.00	0.00	0.00	0.00	0.00	0.00	0.00	0.00	0.00	0.00
			M3		-306.42	0.00	423.92	41.75	0.00	32.48	-287.11	0.00	436.84	13.90	0.00	54.43
			MIN	S2	-306.43	0.00	423.89	-306.43	0.00	-856.08	-288.71	0.00	433.89	-288.71	0.00	-772.06
				TQ	0.00	0.00	0.00	0.00	0.00	0.00	0.00	0.00	0.00	0.00	0.00	0.00
				M3	44.42	0.00	-153.88	-306.38	0.00	-856.17	11.76	0.00	-52.98	-285.84	0.00	-785.07
		1-LANE(case2MAX	S2		134.05	0.00	-12.37	134.05	0.00	547.57	145.90	0.00	9.31	145.90	0.00	618.75
			TQ		0.00	0.00	0.00	0.00	0.00	0.00	0.00	0.00	0.00	0.00	0.00	0.00
			M3		12.17	0.00	93.29	131.98	0.00	552.47	23.71	0.00	80.20	144.58	0.00	625.49
			MIN	S2	-15.79	0.00	61.97	-15.79	0.00	-3.97	-9.22	0.00	41.51	-9.22	0.00	2.99
				TQ	0.00	0.00	0.00	0.00	0.00	0.00	0.00	0.00	0.00	0.00	0.00	0.00
				M3	30.21	0.00	-58.93	-5.36	0.00	-9.50	122.14	0.00	-15.59	-4.18	0.00	-24.13
		1-LANE(case3MAX	S2		58.25	0.00	-104.12	58.25	0.00	139.19	83.58	0.00	-144.40	83.58	0.00	204.71
			TQ		0.00	0.00	0.00	0.00	0.00	0.00	0.00	0.00	0.00	0.00	0.00	0.00
			M3		-6.75	0.00	43.45	54.69	0.00	144.12	-7.66	0.00	24.42	83.50	0.00	205.84
			MIN	S2	-9.29	0.00	37.68	-9.29	0.00	-1.11	-10.39	0.00	19.67	-10.39	0.00	-23.73
				TQ	0.00	0.00	0.00	0.00	0.00	0.00	0.00	0.00	0.00	0.00	0.00	0.00
				M3	56.05	0.00	-109.25	-2.84	0.00	-10.07	80.76	0.00	-149.85	-10.31	0.00	-24.93



BAGO RIVER BRIDGE

BLOCK [ No.2 : CROSS BEAM ][ BEAM MEMBER FORCE ]

MEMBER			1001037						1001039								
NODE			1037			2037			1039			2039					
NAME TITLE			SHEAR	TORQUE	MOMENT	SHEAR	TORQUE	MOMENT	SHEAR	TORQUE	MOMENT	SHEAR	TORQUE	MOMENT			
			S2 (kN)	TQ (kN·m)	M3 (kN·m)	S2 (kN)	TQ (kN·m)	M3 (kN·m)	S2 (kN)	TQ (kN·m)	M3 (kN·m)	S2 (kN)	TQ (kN·m)	M3 (kN·m)			
301	LIVE LOAD	1-LANE (case4MAX	S2	5.54	0.00	-89.38	5.54	0.00	-66.22	36.75	0.00	-256.07	36.75	0.00	-102.54		
			TQ	0.00	0.00	0.00	0.00	0.00	0.00	0.00	0.00	0.00	0.00	0.00	0.00		
			M3	-29.51	0.00	166.91	-24.80	0.00	44.76	-24.84	0.00	81.62	11.54	0.00	0.00	26.86	
			MIN	S2	-32.56	0.00	112.54	-32.56	0.00	-23.46	-24.99	0.00	77.85	-24.99	0.00	0.00	-26.52
			TQ	0.00	0.00	0.00	0.00	0.00	0.00	0.00	0.00	0.00	0.00	0.00	0.00	0.00	
			M3	-9.65	0.00	-221.84	-14.28	0.00	-263.23	27.52	0.00	-323.46	8.69	0.00	0.00	-231.28	
		2-LANES (caseMAX	S2	66.75	0.00	-207.25	66.75	0.00	71.58	31.22	0.00	-41.19	31.22	0.00	0.00	89.24	
			TQ	0.00	0.00	0.00	0.00	0.00	0.00	0.00	0.00	0.00	0.00	0.00	0.00	0.00	
			M3	-299.80	0.00	534.18	62.18	0.00	77.61	-265.87	0.00	544.19	1.26	0.00	0.00	146.45	
			MIN	S2	-302.34	0.00	525.68	-302.34	0.00	-737.20	-272.43	0.00	522.34	-272.43	0.00	0.00	-615.60
			TQ	0.00	0.00	0.00	0.00	0.00	0.00	0.00	0.00	0.00	0.00	0.00	0.00	0.00	
			M3	64.16	0.00	-215.94	-289.09	0.00	-757.30	15.05	0.00	-70.85	-248.89	0.00	0.00	-689.99	
		2-LANES (caseMAX	S2	141.43	0.00	-89.35	141.43	0.00	501.42	136.92	0.00	3.21	136.92	0.00	0.00	575.12	
			TQ	0.00	0.00	0.00	0.00	0.00	0.00	0.00	0.00	0.00	0.00	0.00	0.00	0.00	
			M3	-34.30	0.00	258.66	137.37	0.00	510.93	-6.85	0.00	246.99	110.16	0.00	0.00	622.34	
			MIN	S2	-60.14	0.00	224.09	-60.14	0.00	-27.11	-39.52	0.00	195.35	-39.52	0.00	0.00	30.27
			TQ	0.00	0.00	0.00	0.00	0.00	0.00	0.00	0.00	0.00	0.00	0.00	0.00	0.00	
			M3	52.32	0.00	-136.81	-38.25	0.00	-51.74	107.04	0.00	-39.70	-14.17	0.00	0.00	-55.87	
		2-LANES (caseMAX	S2	66.03	0.00	-200.55	66.03	0.00	75.26	113.46	0.00	-316.45	113.46	0.00	0.00	157.47	
			TQ	0.00	0.00	0.00	0.00	0.00	0.00	0.00	0.00	0.00	0.00	0.00	0.00	0.00	
			M3	-14.50	0.00	99.86	41.03	0.00	150.93	-18.74	0.00	57.00	95.60	0.00	0.00	215.79	
			MIN	S2	-19.55	0.00	88.97	-19.55	0.00	7.29	-21.48	0.00	51.58	-21.48	0.00	0.00	-38.13
			TQ	0.00	0.00	0.00	0.00	0.00	0.00	0.00	0.00	0.00	0.00	0.00	0.00	0.00	
			M3	62.72	0.00	-229.55	10.16	0.00	-82.83	110.63	0.00	-324.33	14.32	0.00	0.00	-69.17	

BAGO RIVER BRIDGE

BLOCK [ No.2 : CROSS BEAM ][ BEAM MEMBER FORCE ]

MEMBER			1001037						1001039								
NODE			1037			2037			1039			2039					
NAME TITLE			SHEAR	TORQUE	MOMENT	SHEAR	TORQUE	MOMENT	SHEAR	TORQUE	MOMENT	SHEAR	TORQUE	MOMENT			
			S2 (kN)	TQ (kN·m)	M3 (kN·m)	S2 (kN)	TQ (kN·m)	M3 (kN·m)	S2 (kN)	TQ (kN·m)	M3 (kN·m)	S2 (kN)	TQ (kN·m)	M3 (kN·m)			
301	LIVE LOAD	2-LANES (caseMAX	S2	21.14	0.00	-212.51	21.14	0.00	-124.22	74.80	0.00	-411.43	74.80	0.00	-98.97		
			TQ	0.00	0.00	0.00	0.00	0.00	0.00	0.00	0.00	0.00	0.00	0.00	0.00		
			M3	-40.10	0.00	236.25	-33.29	0.00	71.51	-36.61	0.00	118.61	35.94	0.00	0.00	66.27	
			MIN	S2	-42.90	0.00	187.98	-42.90	0.00	8.80	-37.12	0.00	114.05	-37.12	0.00	0.00	-41.01
			TQ	0.00	0.00	0.00	0.00	0.00	0.00	0.00	0.00	0.00	0.00	0.00	0.00	0.00	
			M3	8.14	0.00	-326.97	1.48	0.00	-295.62	66.63	0.00	-470.92	28.38	0.00	0.00	-241.41	
		3-LANES (caseMAX	S2	151.69	0.00	-184.92	151.69	0.00	448.70	129.89	0.00	-28.41	129.89	0.00	0.00	514.13	
			TQ	0.00	0.00	0.00	0.00	0.00	0.00	0.00	0.00	0.00	0.00	0.00	0.00	0.00	
			M3	-246.21	0.00	520.13	146.34	0.00	457.30	-209.19	0.00	519.37	103.48	0.00	0.00	567.54	
			MIN	S2	-268.17	0.00	490.73	-268.17	0.00	-629.43	-238.10	0.00	473.39	-238.10	0.00	0.00	-521.14
			TQ	0.00	0.00	0.00	0.00	0.00	0.00	0.00	0.00	0.00	0.00	0.00	0.00	0.00	
			M3	75.94	0.00	-225.29	-249.53	0.00	-650.44	99.31	0.00	-71.27	-214.52	0.00	0.00	-603.58	
		3-LANES (caseMAX	S2	60.01	0.00	-232.24	60.01	0.00	18.43	122.17	0.00	-448.78	122.17	0.00	0.00	61.54	
			TQ	0.00	0.00	0.00	0.00	0.00	0.00	0.00	0.00	0.00	0.00	0.00	0.00	0.00	
			M3	-27.49	0.00	175.00	23.53	0.00	156.22	-30.55	0.00	94.59	89.30	0.00	0.00	202.55	
			MIN	S2	-35.08	0.00	4.70	-35.08	0.00	-141.83	-33.01	0.00	87.17	-33.01	0.00	0.00	-50.71
			TQ	0.00	0.00	0.00	0.00	0.00	0.00	0.00	0.00	0.00	0.00	0.00	0.00	0.00	
			M3	46.30	0.00	-349.20	-1.66	0.00	-254.57	113.23	0.00	-503.20	19.69	0.00	0.00	-222.17	
		3-LANES (caseMAX	S2	57.18	0.00	-256.16	57.18	0.00	-17.32	123.12	0.00	-453.41	123.12	0.00	0.00	60.87	
			TQ	0.00	0.00	0.00	0.00	0.00	0.00	0.00	0.00	0.00	0.00	0.00	0.00	0.00	
			M3	-39.19	0.00	249.75	7.07	0.00	162.00	-39.54	0.00	129.74	90.04	0.00	0.00	202.12	
MIN	S2		-43.92	0.00	199.59	-43.92	0.00	16.14	-41.84	0.00	122.60	-41.84	0.00	0.00	-52.16		
TQ	0.00		0.00	0.00	0.00	0.00	0.00	0.00	0.00	0.00	0.00	0.00	0.00	0.00			
M3	45.19		0.00	-357.45	0.10	0.00	-258.51	114.24	0.00	-507.71	13.90	0.00	0.00	-223.29			

BAGO RIVER BRIDGE

BLOCK [ No.2 : CROSS BEAM ][ BEAM MEMBER FORCE ]

MEMBER				1001037			1001039			1001039			2039				
NODE				1037			2037			1039			2039				
NAME TITLE				SHEAR	TORQUE	MOMENT	SHEAR	TORQUE	MOMENT	SHEAR	TORQUE	MOMENT	SHEAR	TORQUE	MOMENT		
				S2 (kN)	TQ (kN·m)	M3 (kN·m)	S2 (kN)	TQ (kN·m)	M3 (kN·m)	S2 (kN)	TQ (kN·m)	M3 (kN·m)	S2 (kN)	TQ (kN·m)	M3 (kN·m)		
301	LIVE LOAD	4-LANES	MAX	S2	2.95	0.00	-1.91	2.95	0.00	10.41	7.36	0.00	-14.48	7.36	0.00	16.28	
				TQ	0.00	0.00	0.00	0.00	0.00	0.00	0.00	0.00	0.00	0.00	0.00	0.00	0.00
				M3	-13.23	0.00	111.27	-12.06	0.00	60.12	-27.39	0.00	70.50	7.31	0.00	0.00	16.32
		MIN	S2	-16.52	0.00	103.35	-16.52	0.00	34.34	-27.39	0.00	70.50	-27.39	0.00	0.00	-43.89	
			TQ	0.00	0.00	0.00	0.00	0.00	0.00	0.00	0.00	0.00	0.00	0.00	0.00	0.00	
			M3	-0.20	0.00	-12.97	-2.20	0.00	-20.67	7.36	0.00	-14.50	-27.39	0.00	0.00	-43.89	
		6-LANES	MAX	S2	160.13	0.00	-313.71	160.13	0.00	355.14	194.89	0.00	-353.29	194.89	0.00	460.74	
			TQ	0.00	0.00	0.00	0.00	0.00	0.00	0.00	0.00	0.00	0.00	0.00	0.00		
			M3	-195.05	0.00	543.43	109.22	0.00	519.31	-170.01	0.00	461.26	165.53	0.00	0.00	637.77	
		MIN	S2	-219.94	0.00	463.03	-219.94	0.00	-455.66	-199.33	0.00	397.07	-199.33	0.00	0.00	-435.52	
			TQ	0.00	0.00	0.00	0.00	0.00	0.00	0.00	0.00	0.00	0.00	0.00	0.00	0.00	
			M3	91.49	0.00	-408.81	-177.71	0.00	-659.95	164.81	0.00	-427.92	-146.80	0.00	0.00	-601.51	
	LIVE LOAD	MAX		160.13	0.00	543.43	160.13	0.00	552.47	194.89	0.00	544.19	194.89	0.00	637.77		
		MIN		-306.43	0.00	-408.81	-306.43	0.00	-856.17	-288.71	0.00	-507.71	-288.71	0.00	-785.07		
303	SUM TOTAL	TOTAL	MAX		63.72	0.00	799.46	63.72	0.00	405.79	237.01	0.00	535.89	237.01	0.00	805.43	
			MIN		-402.84	0.00	-152.78	-402.84	0.00	-1002.85	-246.59	0.00	-516.02	-246.59	0.00	-617.41	

BAGO RIVER BRIDGE

BLOCK [ No.2 : CROSS BEAM ][ BEAM MEMBER FORCE ]

MEMBER NODE	1001041 1041	2041			1001043 1043			2043							
		SHEAR	TORQUE	MOMENT	SHEAR	TORQUE	MOMENT	SHEAR	TORQUE	MOMENT					
		S2 (kN)	TQ (kN·m)	M3 (kN·m)	S2 (kN)	TQ (kN·m)	M3 (kN·m)	S2 (kN)	TQ (kN·m)	M3 (kN·m)					
1	PAVEMENT	-10.59	0.00	12.71	-10.59	0.00	-31.54	-21.41	0.00	24.12	-21.41	0.00	-65.31		
3	RAILING	-5.34	0.00	0.41	-5.34	0.00	-21.89	-5.66	0.00	0.55	-5.66	0.00	-23.10		
5	CURB	-52.84	0.00	4.03	-52.84	0.00	-216.69	-56.04	0.00	5.41	-56.04	0.00	-228.67		
7	DECK WEIGHT	-21.10	0.00	20.81	-21.10	0.00	-67.32	-38.53	0.00	40.45	-38.53	0.00	-120.47		
8	GIRDER WEIGH	14.34	0.00	24.83	14.34	0.00	84.74	-11.98	0.00	56.23	-11.98	0.00	6.17		
10	MEDIAN STRIP	32.20	0.00	6.16	32.20	0.00	140.64	27.61	0.00	17.08	27.61	0.00	132.38		
21	ADITIONAL WE	-5.91	0.00	5.83	-5.91	0.00	-18.85	-10.79	0.00	11.33	-10.79	0.00	-33.73		
31	MEDIAN RAILI	2.51	0.00	0.27	2.51	0.00	10.77	2.16	0.00	0.80	2.16	0.00	9.83		
51	SUPPORT WEIG	-0.00	0.00	0.00	-0.00	0.00	0.00	-0.00	0.00	0.00	-0.00	0.00	0.00		
52	NOSE WEIGHT	-0.00	0.00	0.00	-0.00	0.00	-0.00	-0.00	0.00	0.00	-0.00	0.00	0.00		
61	1-LANE(case1TRUCK-LOAD	MAX	S2	2.35	0.00	-8.44	2.35	0.00	1.36	1.19	0.00	-4.32	1.19	0.00	0.65
			TQ	0.00	0.00	0.00	0.00	0.00	0.00	0.00	0.00	0.00	0.00	0.00	0.00
			M3	-186.86	0.00	281.93	-0.23	0.00	10.54	-187.59	0.00	291.90	1.12	0.00	0.70
		MIN	S2	-186.86	0.00	281.93	-186.86	0.00	-498.59	-188.48	0.00	291.16	-188.48	0.00	-496.12
			TQ	0.00	0.00	0.00	0.00	0.00	0.00	0.00	0.00	0.00	0.00	0.00	0.00
			M3	2.35	0.00	-8.44	-186.86	0.00	-498.59	1.19	0.00	-4.33	-188.48	0.00	-496.12
		TANDEM-LOAD MAX	S2	1.60	0.00	-5.76	1.60	0.00	0.92	0.81	0.00	-2.96	0.81	0.00	0.42
			TQ	0.00	0.00	0.00	0.00	0.00	0.00	0.00	0.00	0.00	0.00	0.00	0.00
			M3	-141.07	0.00	210.51	0.08	0.00	7.23	-141.68	0.00	216.35	0.77	0.00	0.48
		MIN	S2	-141.07	0.00	210.51	-141.07	0.00	-378.74	-141.93	0.00	216.15	-141.93	0.00	-376.68
			TQ	0.00	0.00	0.00	0.00	0.00	0.00	0.00	0.00	0.00	0.00	0.00	0.00
			M3	1.60	0.00	-5.76	-141.07	0.00	-378.74	0.81	0.00	-2.96	-141.93	0.00	-376.68
		DISPERSION-LMAX	S2	3.52	0.00	-7.89	3.52	0.00	6.81	1.39	0.00	-5.00	1.39	0.00	0.81
			TQ	0.00	0.00	0.00	0.00	0.00	0.00	0.00	0.00	0.00	0.00	0.00	0.00
			M3	-83.86	0.00	152.61	2.03	0.00	10.48	-92.07	0.00	171.48	1.39	0.00	0.81
MIN	S2	-84.47	0.00	150.90	-84.47	0.00	-201.93	-92.07	0.00	171.48	-92.07	0.00	-213.07		
	TQ	0.00	0.00	0.00	0.00	0.00	0.00	0.00	0.00	0.00	0.00	0.00	0.00		
	M3	2.91	0.00	-9.60	-82.98	0.00	-205.60	1.39	0.00	-5.00	-92.07	0.00	-213.07		

BAGO RIVER BRIDGE

BLOCK [ No.2 : CROSS BEAM ][ BEAM MEMBER FORCE ]

MEMBER				1001041						1001043						
NODE				1041			2041			1043			2043			
				SHEAR	TORQUE	MOMENT	SHEAR	TORQUE	MOMENT	SHEAR	TORQUE	MOMENT	SHEAR	TORQUE	MOMENT	
NAME	TITLE			S2 (kN)	TQ (kN·m)	M3 (kN·m)	S2 (kN)	TQ (kN·m)	M3 (kN·m)	S2 (kN)	TQ (kN·m)	M3 (kN·m)	S2 (kN)	TQ (kN·m)	M3 (kN·m)	
62	1-LANE (case2TRUCK-LOAD	MAX	S2	74.91	0.00	10.47	74.91	0.00	323.37	70.94	0.00	15.92	70.94	0.00	312.23	
			TQ	0.00	0.00	0.00	0.00	0.00	0.00	0.00	0.00	0.00	0.00	0.00	0.00	0.00
			M3	-3.84	0.00	51.88	74.89	0.00	323.48	-1.69	0.00	59.33	70.84	0.00	312.67	
		MIN	S2	-9.78	0.00	38.23	-9.78	0.00	-2.62	-10.69	0.00	42.20	-10.69	0.00	-2.47	
			TQ	0.00	0.00	0.00	0.00	0.00	0.00	0.00	0.00	0.00	0.00	0.00	0.00	
			M3	0.96	0.00	-3.52	-9.78	0.00	-2.62	0.82	0.00	-2.39	-10.27	0.00	-2.64	
		TANDEM-LOAD MAX	S2	58.91	0.00	1.06	58.91	0.00	247.11	55.87	0.00	5.02	55.87	0.00	238.40	
			TQ	0.00	0.00	0.00	0.00	0.00	0.00	0.00	0.00	0.00	0.00	0.00	0.00	
			M3	1.85	0.00	37.62	58.90	0.00	247.14	3.51	0.00	41.89	55.85	0.00	238.52	
		MIN	S2	-8.45	0.00	33.19	-8.45	0.00	-2.12	-8.83	0.00	35.71	-8.83	0.00	-1.18	
			TQ	0.00	0.00	0.00	0.00	0.00	0.00	0.00	0.00	0.00	0.00	0.00	0.00	
			M3	0.65	0.00	-2.40	-8.45	0.00	-2.12	0.56	0.00	-1.63	-6.32	0.00	-2.58	
		DISPERSION-LMAX	S2	27.75	0.00	14.72	27.75	0.00	130.64	25.14	0.00	15.91	25.14	0.00	120.94	
			TQ	0.00	0.00	0.00	0.00	0.00	0.00	0.00	0.00	0.00	0.00	0.00	0.00	
			M3	15.96	0.00	46.29	25.09	0.00	139.71	12.49	0.00	56.67	20.79	0.00	129.40	
MIN	S2	-4.32	0.00	26.47	-4.32	0.00	8.44	-7.25	0.00	37.35	-7.25	0.00	7.05			
	TQ	0.00	0.00	0.00	0.00	0.00	0.00	0.00	0.00	0.00	0.00	0.00	0.00			
	M3	7.47	0.00	-5.10	-1.65	0.00	-0.62	5.40	0.00	-3.41	-2.90	0.00	-1.41			
63	1-LANE (case3TRUCK-LOAD	MAX	S2	36.93	0.00	-80.10	36.93	0.00	74.17	34.23	0.00	-77.49	34.23	0.00	65.51	
			TQ	0.00	0.00	0.00	0.00	0.00	0.00	0.00	0.00	0.00	0.00	0.00		
			M3	0.61	0.00	0.92	36.59	0.00	74.18	-0.84	0.00	0.69	33.95	0.00	65.53	
		MIN	S2	-0.17	0.00	0.77	-0.17	0.00	0.05	-0.84	0.00	0.69	-0.84	0.00	-2.82	
			TQ	0.00	0.00	0.00	0.00	0.00	0.00	0.00	0.00	0.00	0.00	0.00	0.00	
			M3	36.55	0.00	-80.15	-0.14	0.00	-0.22	34.23	0.00	-77.49	-0.84	0.00	-2.82	

BAGO RIVER BRIDGE

BLOCK [ No.2 : CROSS BEAM ][ BEAM MEMBER FORCE ]

MEMBER		1001041						1001043									
NODE		1041			2041			1043			2043						
		SHEAR	TORQUE	MOMENT	SHEAR	TORQUE	MOMENT	SHEAR	TORQUE	MOMENT	SHEAR	TORQUE	MOMENT				
NAME	TITLE	S2 (kN)	TQ (kN·m)	M3 (kN·m)	S2 (kN)	TQ (kN·m)	M3 (kN·m)	S2 (kN)	TQ (kN·m)	M3 (kN·m)	S2 (kN)	TQ (kN·m)	M3 (kN·m)				
63	1-LANE (case3TANDEM-LOAD	MAX	S2	26.47	0.00	-59.84	26.47	0.00	50.73	24.46	0.00	-57.43	24.46	0.00	44.74		
			TQ	0.00	0.00	0.00	0.00	0.00	0.00	0.00	0.00	0.00	0.00	0.00	0.00		
			M3	-0.18	0.00	0.75	26.47	0.00	50.73	-0.70	0.00	0.64	24.46	0.00	44.74		
		MIN	S2	-0.18	0.00	0.75	-0.18	0.00	-0.00	-0.70	0.00	0.64	-0.70	0.00	-2.27		
			TQ	0.00	0.00	0.00	0.00	0.00	0.00	0.00	0.00	0.00	0.00	0.00	0.00		
			M3	26.36	0.00	-59.86	-0.09	0.00	-0.15	24.46	0.00	-57.43	-0.70	0.00	-2.27		
		DISPERSION-LMAX	S2	22.61	0.00	-37.10	22.61	0.00	57.33	21.76	0.00	-39.11	21.76	0.00	51.76		
			TQ	0.00	0.00	0.00	0.00	0.00	0.00	0.00	0.00	0.00	0.00	0.00	0.00		
			M3	1.08	0.00	2.57	22.47	0.00	57.52	0.32	0.00	2.11	21.46	0.00	51.99		
		MIN	S2	-0.28	0.00	1.14	-0.28	0.00	-0.03	-0.53	0.00	1.09	-0.53	0.00	-1.12		
			TQ	0.00	0.00	0.00	0.00	0.00	0.00	0.00	0.00	0.00	0.00	0.00	0.00		
			M3	21.25	0.00	-38.52	-0.14	0.00	-0.22	20.91	0.00	-40.13	-0.24	0.00	-1.36		
		64	1-LANE (case4TRUCK-LOAD	MAX	S2	17.40	0.00	-94.02	17.40	0.00	-21.35	18.29	0.00	-101.62	18.29	0.00	-25.22
					TQ	0.00	0.00	0.00	0.00	0.00	0.00	0.00	0.00	0.00	0.00	0.00	0.00
					M3	-2.19	0.00	7.68	9.62	0.00	7.59	-0.08	0.00	2.07	9.18	0.00	9.41
MIN	S2			-2.19	0.00	7.68	-2.19	0.00	-1.44	-0.13	0.00	1.75	-0.13	0.00	1.22		
	TQ			0.00	0.00	0.00	0.00	0.00	0.00	0.00	0.00	0.00	0.00	0.00	0.00		
	M3			9.06	0.00	-158.83	9.06	0.00	-120.99	8.81	0.00	-160.76	8.51	0.00	-124.46		
TANDEM-LOAD MAX	S2			12.20	0.00	-68.03	12.20	0.00	-17.07	12.63	0.00	-75.13	12.63	0.00	-22.38		
	TQ			0.00	0.00	0.00	0.00	0.00	0.00	0.00	0.00	0.00	0.00	0.00	0.00		
	M3			-1.49	0.00	5.24	8.00	0.00	5.58	-0.06	0.00	1.41	6.58	0.00	6.70		
MIN	S2			-1.49	0.00	5.24	-1.49	0.00	-0.99	-0.09	0.00	1.17	-0.09	0.00	0.79		
	TQ			0.00	0.00	0.00	0.00	0.00	0.00	0.00	0.00	0.00	0.00	0.00	0.00		
	M3			5.34	0.00	-109.14	5.34	0.00	-86.83	5.22	0.00	-109.83	5.14	0.00	-88.15		

BAGO RIVER BRIDGE

BLOCK [ No.2 : CROSS BEAM ][ BEAM MEMBER FORCE ]

MEMBER		1001041						1001043									
NODE		1041			2041			1043			2043						
		SHEAR	TORQUE	MOMENT	SHEAR	TORQUE	MOMENT	SHEAR	TORQUE	MOMENT	SHEAR	TORQUE	MOMENT				
NAME	TITLE	S2 (kN)	TQ (kN·m)	M3 (kN·m)	S2 (kN)	TQ (kN·m)	M3 (kN·m)	S2 (kN)	TQ (kN·m)	M3 (kN·m)	S2 (kN)	TQ (kN·m)	M3 (kN·m)				
64	1-LANE (case4DISPERSION-LMAX	S2	20.11	0.00	-144.39	20.11	0.00	-60.38	21.10	0.00	-155.97	21.10	0.00	-67.84			
		TQ	0.00	0.00	0.00	0.00	0.00	0.00	0.00	0.00	0.00	0.00	0.00	0.00			
		M3	-2.38	0.00	8.71	6.38	0.00	4.83	-0.13	0.00	2.24	5.30	0.00	7.42			
		MIN	S2	-2.42	0.00	8.56	-2.42	0.00	-1.53	-0.21	0.00	1.38	-0.21	0.00	0.52		
		TQ	0.00	0.00	0.00	0.00	0.00	0.00	0.00	0.00	0.00	0.00	0.00	0.00			
		M3	20.07	0.00	-144.54	11.32	0.00	-66.74	21.02	0.00	-156.83	15.59	0.00	-74.74			
		65	2-LANES (caseTRUCK-LOAD	MAX	S2	4.00	0.00	-14.43	4.00	0.00	2.27	2.19	0.00	-7.67	2.19	0.00	1.48
				TQ	0.00	0.00	0.00	0.00	0.00	0.00	0.00	0.00	0.00	0.00	0.00	0.00	
				M3	-217.32	0.00	415.92	-1.69	0.00	21.43	-221.01	0.00	434.09	-32.30	0.00	3.32	
MIN	S2			-217.32	0.00	415.92	-217.32	0.00	-491.84	-221.97	0.00	432.33	-221.97	0.00	-494.86		
TQ	0.00			0.00	0.00	0.00	0.00	0.00	0.00	0.00	0.00	0.00	0.00	0.00			
M3	4.00			0.00	-14.43	-206.15	0.00	-510.54	2.19	0.00	-7.69	-209.09	0.00	-507.01			
TANDEM-LOAD	MAX			S2	2.73	0.00	-9.85	2.73	0.00	1.55	1.49	0.00	-5.23	1.49	0.00	1.00	
TQ	0.00			0.00	0.00	0.00	0.00	0.00	0.00	0.00	0.00	0.00	0.00	0.00	0.00		
M3	-162.32			0.00	305.92	-1.50	0.00	14.67	-165.12	0.00	316.83	-22.67	0.00	3.07			
MIN	S2	-162.32	0.00	305.92	-162.32	0.00	-372.11	-165.38	0.00	316.34	-165.38	0.00	-374.47				
TQ	0.00	0.00	0.00	0.00	0.00	0.00	0.00	0.00	0.00	0.00	0.00	0.00					
M3	2.73	0.00	-9.85	-156.69	0.00	-387.35	1.49	0.00	-5.25	-154.45	0.00	-384.52					
DISPERSION-LMAX	S2	8.37	0.00	-3.46	8.37	0.00	31.50	4.36	0.00	-0.14	4.36	0.00	18.09				
TQ	0.00	0.00	0.00	0.00	0.00	0.00	0.00	0.00	0.00	0.00	0.00	0.00					
M3	-105.64	0.00	251.45	2.05	0.00	46.98	-120.74	0.00	285.44	0.06	0.00	26.19					
MIN	S2	-109.08	0.00	238.46	-109.08	0.00	-217.16	-122.53	0.00	276.66	-122.53	0.00	-235.16				
TQ	0.00	0.00	0.00	0.00	0.00	0.00	0.00	0.00	0.00	0.00	0.00	0.00					
M3	4.93	0.00	-16.45	-102.76	0.00	-232.64	2.57	0.00	-8.91	-118.23	0.00	-243.26					

BAGO RIVER BRIDGE

BLOCK [ No.2 : CROSS BEAM ][ BEAM MEMBER FORCE ]

MEMBER				1001041						1001043						
NODE				1041			2041			1043			2043			
				SHEAR	TORQUE	MOMENT	SHEAR	TORQUE	MOMENT	SHEAR	TORQUE	MOMENT	SHEAR	TORQUE	MOMENT	
NAME	TITLE			S2 (kN)	TQ (kN·m)	M3 (kN·m)	S2 (kN)	TQ (kN·m)	M3 (kN·m)	S2 (kN)	TQ (kN·m)	M3 (kN·m)	S2 (kN)	TQ (kN·m)	M3 (kN·m)	
66	2-LANES (caseTRUCK-LOAD	MAX	S2	76.56	0.00	4.48	76.56	0.00	324.29	71.94	0.00	12.57	71.94	0.00	313.07	
			TQ	0.00	0.00	0.00	0.00	0.00	0.00	0.00	0.00	0.00	0.00	0.00	0.00	0.00
			M3	-34.31	0.00	185.87	73.43	0.00	334.36	-35.10	0.00	201.52	37.43	0.00	315.29	
		MIN	S2	-40.24	0.00	172.22	-40.24	0.00	4.13	-44.19	0.00	183.37	-44.19	0.00	-1.21	
			TQ	0.00	0.00	0.00	0.00	0.00	0.00	0.00	0.00	0.00	0.00	0.00	0.00	0.00
			M3	2.61	0.00	-9.51	-29.07	0.00	-14.56	1.81	0.00	-5.76	-30.88	0.00	-13.54	
		TANDEM-LOAD MAX	S2	60.03	0.00	-3.03	60.03	0.00	247.73	56.55	0.00	2.75	56.55	0.00	238.98	
			TQ	0.00	0.00	0.00	0.00	0.00	0.00	0.00	0.00	0.00	0.00	0.00	0.00	0.00
			M3	-19.41	0.00	133.03	57.32	0.00	254.57	-19.93	0.00	142.37	32.41	0.00	241.11	
		MIN	S2	-29.71	0.00	128.59	-29.71	0.00	4.51	-32.29	0.00	135.90	-32.29	0.00	1.02	
			TQ	0.00	0.00	0.00	0.00	0.00	0.00	0.00	0.00	0.00	0.00	0.00	0.00	0.00
			M3	1.78	0.00	-6.49	-24.07	0.00	-10.73	1.23	0.00	-3.92	-18.85	0.00	-10.42	
		DISPERSION-LMAX	S2	32.60	0.00	19.15	32.60	0.00	155.33	28.12	0.00	20.77	28.12	0.00	138.21	
			TQ	0.00	0.00	0.00	0.00	0.00	0.00	0.00	0.00	0.00	0.00	0.00	0.00	0.00
			M3	-5.81	0.00	145.12	25.11	0.00	176.20	-16.18	0.00	170.62	19.46	0.00	154.78	
MIN	S2	-28.93	0.00	114.03	-28.93	0.00	-6.79	-37.72	0.00	142.53	-37.72	0.00	-15.03			
	TQ	0.00	0.00	0.00	0.00	0.00	0.00	0.00	0.00	0.00	0.00	0.00	0.00	0.00		
	M3	9.49	0.00	-11.94	-21.43	0.00	-27.66	6.57	0.00	-7.32	-29.06	0.00	-31.60			
67	2-LANES (caseTRUCK-LOAD	MAX	S2	58.26	0.00	-182.16	58.26	0.00	61.19	54.55	0.00	-182.64	54.55	0.00	45.20	
			TQ	0.00	0.00	0.00	0.00	0.00	0.00	0.00	0.00	0.00	0.00	0.00	0.00	
			M3	-0.23	0.00	3.80	50.38	0.00	87.63	-0.70	0.00	1.07	45.37	0.00	76.22	
		MIN	S2	-1.01	0.00	3.65	-1.01	0.00	-0.57	-1.00	0.00	0.99	-1.00	0.00	-3.20	
			TQ	0.00	0.00	0.00	0.00	0.00	0.00	0.00	0.00	0.00	0.00	0.00	0.00	0.00
			M3	56.93	0.00	-202.82	20.25	0.00	-37.75	53.39	0.00	-199.70	17.86	0.00	-46.33	



BAGO RIVER BRIDGE

BLOCK [ No.2 : CROSS BEAM ][ BEAM MEMBER FORCE ]

MEMBER		1001041						1001043							
NODE		1041			2041			1043			2043				
		SHEAR	TORQUE	MOMENT	SHEAR	TORQUE	MOMENT	SHEAR	TORQUE	MOMENT	SHEAR	TORQUE	MOMENT		
NAME	TITLE	S2 (kN)	TQ (kN·m)	M3 (kN·m)	S2 (kN)	TQ (kN·m)	M3 (kN·m)	S2 (kN)	TQ (kN·m)	M3 (kN·m)	S2 (kN)	TQ (kN·m)	M3 (kN·m)		
67	2-LANES (caseTANDEM-LOAD	MAX	S2	41.00	0.00	-135.19	41.00	0.00	36.07	38.51	0.00	-120.98	38.51	0.00	39.86
			TQ	0.00	0.00	0.00	0.00	0.00	0.00	0.00	0.00	0.00	0.00	0.00	0.00
			M3	-0.75	0.00	2.72	37.58	0.00	60.59	-0.61	0.00	0.92	32.60	0.00	52.26
		MIN	S2	-0.75	0.00	2.72	-0.75	0.00	-0.43	-0.81	0.00	0.85	-0.81	0.00	-2.52
			TQ	0.00	0.00	0.00	0.00	0.00	0.00	0.00	0.00	0.00	0.00	0.00	0.00
			M3	40.01	0.00	-146.75	13.55	0.00	-30.04	37.08	0.00	-143.36	11.80	0.00	-35.83
	DISPERSION-LMAX		S2	43.74	0.00	-127.04	43.74	0.00	55.67	43.11	0.00	-136.09	43.11	0.00	43.98
			TQ	0.00	0.00	0.00	0.00	0.00	0.00	0.00	0.00	0.00	0.00	0.00	0.00
			M3	0.33	0.00	5.87	34.10	0.00	69.93	0.25	0.00	2.68	31.04	0.00	63.37
		MIN	S2	-1.16	0.00	4.15	-1.16	0.00	-0.71	-0.73	0.00	1.43	-0.73	0.00	-1.62
			TQ	0.00	0.00	0.00	0.00	0.00	0.00	0.00	0.00	0.00	0.00	0.00	0.00
			M3	42.25	0.00	-128.77	8.48	0.00	-14.96	42.13	0.00	-137.35	11.34	0.00	-21.02
68	2-LANES (caseTRUCK-LOAD	MAX	S2	38.72	0.00	-196.07	38.72	0.00	-34.34	38.61	0.00	-206.76	38.61	0.00	-45.50
			TQ	0.00	0.00	0.00	0.00	0.00	0.00	0.00	0.00	0.00	0.00	0.00	0.00
			M3	-3.66	0.00	12.83	23.41	0.00	21.04	0.03	0.00	3.13	20.59	0.00	20.11
		MIN	S2	-3.66	0.00	12.83	-3.66	0.00	-2.46	-0.26	0.00	1.92	-0.26	0.00	0.82
			TQ	0.00	0.00	0.00	0.00	0.00	0.00	0.00	0.00	0.00	0.00	0.00	0.00
			M3	29.44	0.00	-281.49	29.44	0.00	-158.52	27.96	0.00	-282.97	27.22	0.00	-167.97
	TANDEM-LOAD	MAX	S2	26.73	0.00	-143.38	26.73	0.00	-31.73	26.68	0.00	-138.68	26.68	0.00	-27.23
			TQ	0.00	0.00	0.00	0.00	0.00	0.00	0.00	0.00	0.00	0.00	0.00	0.00
			M3	-2.50	0.00	8.75	19.10	0.00	15.45	0.01	0.00	2.14	14.72	0.00	14.23
		MIN	S2	-2.50	0.00	8.75	-2.50	0.00	-1.68	-0.18	0.00	1.28	-0.18	0.00	0.52
			TQ	0.00	0.00	0.00	0.00	0.00	0.00	0.00	0.00	0.00	0.00	0.00	0.00
			M3	18.99	0.00	-196.03	18.99	0.00	-116.73	17.85	0.00	-195.77	17.64	0.00	-121.71

BAGO RIVER BRIDGE

BLOCK [ No.2 : CROSS BEAM ][ BEAM MEMBER FORCE ]

MEMBER NODE	1001041 1041	2041			1001043 1043			2043							
		SHEAR	TORQUE	MOMENT	SHEAR	TORQUE	MOMENT	SHEAR	TORQUE	MOMENT					
		S2 (kN)	TQ (kN·m)	M3 (kN·m)	S2 (kN)	TQ (kN·m)	M3 (kN·m)	S2 (kN)	TQ (kN·m)	M3 (kN·m)					
68	2-LANES (caseDISPERSION-LMAX	S2	41.44	0.00	-235.00	41.44	0.00	-61.91	42.27	0.00	-252.13	42.27	0.00	-75.57	
		TQ	0.00	0.00	0.00	0.00	0.00	0.00	0.00	0.00	0.00	0.00	0.00	0.00	
		M3	-3.85	0.00	14.62	18.20	0.00	17.35	-0.08	0.00	3.45	14.68	0.00	19.00	
	MIN	S2	-4.03	0.00	14.18	-4.03	0.00	-2.66	-0.37	0.00	1.69	-0.37	0.00	0.12	
		TQ	0.00	0.00	0.00	0.00	0.00	0.00	0.00	0.00	0.00	0.00	0.00	0.00	
		M3	41.26	0.00	-235.44	19.21	0.00	-81.91	41.98	0.00	-253.89	27.21	0.00	-94.44	
69	3-LANES (caseTRUCK-LOAD	MAX	S2	78.91	0.00	-3.96	78.91	0.00	325.64	73.13	0.00	8.25	73.13	0.00	313.72
		TQ	0.00	0.00	0.00	0.00	0.00	0.00	0.00	0.00	0.00	0.00	0.00	0.00	
		M3	-221.17	0.00	467.80	73.20	0.00	344.91	-222.70	0.00	493.42	38.54	0.00	315.99	
	MIN	S2	-227.10	0.00	454.15	-227.10	0.00	-494.46	-232.67	0.00	474.53	-232.67	0.00	-497.33	
		TQ	0.00	0.00	0.00	0.00	0.00	0.00	0.00	0.00	0.00	0.00	0.00	0.00	
		M3	4.96	0.00	-17.95	-215.93	0.00	-513.16	3.00	0.00	-10.09	-219.36	0.00	-509.65	
	TANDEM-LOAD	MAX	S2	61.63	0.00	-8.79	61.63	0.00	248.65	57.36	0.00	-0.21	57.36	0.00	239.40
		TQ	0.00	0.00	0.00	0.00	0.00	0.00	0.00	0.00	0.00	0.00	0.00	0.00	
		M3	-160.48	0.00	343.54	57.40	0.00	261.80	-161.61	0.00	358.72	33.18	0.00	241.59	
	MIN	S2	-170.78	0.00	339.11	-170.78	0.00	-374.23	-174.22	0.00	352.05	-174.22	0.00	-375.65	
		TQ	0.00	0.00	0.00	0.00	0.00	0.00	0.00	0.00	0.00	0.00	0.00	0.00	
		M3	3.38	0.00	-12.25	-165.14	0.00	-389.47	2.04	0.00	-6.88	-160.77	0.00	-387.10	
	DISPERSION-LMAX	S2	36.12	0.00	11.26	36.12	0.00	162.14	29.51	0.00	15.77	29.51	0.00	139.02	
		TQ	0.00	0.00	0.00	0.00	0.00	0.00	0.00	0.00	0.00	0.00	0.00	0.00	
		M3	-89.67	0.00	297.74	27.14	0.00	186.69	-108.24	0.00	342.11	20.85	0.00	155.59	
	MIN	S2	-113.40	0.00	264.93	-113.40	0.00	-208.72	-129.79	0.00	314.01	-129.79	0.00	-228.11	
		TQ	0.00	0.00	0.00	0.00	0.00	0.00	0.00	0.00	0.00	0.00	0.00	0.00	
		M3	12.40	0.00	-21.55	-104.41	0.00	-233.27	7.96	0.00	-12.32	-121.13	0.00	-244.67	

BAGO RIVER BRIDGE

BLOCK [ No.2 : CROSS BEAM ][ BEAM MEMBER FORCE ]

MEMBER				1001041						1001043						
NODE				1041			2041			1043			2043			
				SHEAR	TORQUE	MOMENT	SHEAR	TORQUE	MOMENT	SHEAR	TORQUE	MOMENT	SHEAR	TORQUE	MOMENT	
NAME	TITLE			S2 (kN)	TQ (kN·m)	M3 (kN·m)	S2 (kN)	TQ (kN·m)	M3 (kN·m)	S2 (kN)	TQ (kN·m)	M3 (kN·m)	S2 (kN)	TQ (kN·m)	M3 (kN·m)	
70	3-LANES (caseTRUCK-LOAD	MAX	S2	75.66	0.00	-276.21	75.66	0.00	39.82	72.84	0.00	-284.29	72.84	0.00	19.96	
			TQ	0.00	0.00	0.00	0.00	0.00	0.00	0.00	0.00	0.00	0.00	0.00	0.00	0.00
			M3	-1.78	0.00	9.24	60.00	0.00	95.21	-0.68	0.00	2.36	54.55	0.00	85.63	
		MIN	S2	-2.57	0.00	9.09	-2.57	0.00	-1.63	-1.15	0.00	1.21	-1.15	0.00	-3.60	
			TQ	0.00	0.00	0.00	0.00	0.00	0.00	0.00	0.00	0.00	0.00	0.00	0.00	
			M3	65.99	0.00	-361.64	29.30	0.00	-158.73	62.19	0.00	-360.48	26.37	0.00	-170.81	
		TANDEM-LOAD MAX	S2	53.20	0.00	-203.24	53.20	0.00	18.99	51.14	0.00	-196.13	51.14	0.00	17.48	
			TQ	0.00	0.00	0.00	0.00	0.00	0.00	0.00	0.00	0.00	0.00	0.00	0.00	
			M3	-1.82	0.00	6.44	45.58	0.00	66.17	-0.60	0.00	1.81	39.18	0.00	58.96	
		MIN	S2	-1.82	0.00	6.44	-1.82	0.00	-1.15	-0.91	0.00	1.00	-0.91	0.00	-2.79	
			TQ	0.00	0.00	0.00	0.00	0.00	0.00	0.00	0.00	0.00	0.00	0.00	0.00	
			M3	45.35	0.00	-255.88	18.89	0.00	-116.88	42.31	0.00	-253.20	16.94	0.00	-123.98	
		DISPERSION-LMAX	S2	63.67	0.00	-270.82	63.67	0.00	-4.85	64.35	0.00	-292.16	64.35	0.00	-23.39	
			TQ	0.00	0.00	0.00	0.00	0.00	0.00	0.00	0.00	0.00	0.00	0.00	0.00	
			M3	-1.30	0.00	11.94	40.28	0.00	74.65	0.26	0.00	4.04	36.56	0.00	70.60	
MIN	S2	-2.84	0.00	10.07	-2.84	0.00	-1.80	-0.92	0.00	2.02	-0.92	0.00	-1.83			
	TQ	0.00	0.00	0.00	0.00	0.00	0.00	0.00	0.00	0.00	0.00	0.00	0.00			
	M3	62.14	0.00	-272.69	20.55	0.00	-81.29	63.17	0.00	-294.19	26.87	0.00	-95.81			
71	3-LANES (caseTRUCK-LOAD	MAX	S2	75.65	0.00	-276.17	75.65	0.00	39.84	72.84	0.00	-284.24	72.84	0.00	20.01	
			TQ	0.00	0.00	0.00	0.00	0.00	0.00	0.00	0.00	0.00	0.00	0.00		
			M3	-4.44	0.00	15.48	60.00	0.00	95.22	-0.81	0.00	3.81	54.55	0.00	85.65	
		MIN	S2	-4.44	0.00	15.48	-4.44	0.00	-3.06	-1.10	0.00	2.60	-1.10	0.00	-2.00	
			TQ	0.00	0.00	0.00	0.00	0.00	0.00	0.00	0.00	0.00	0.00	0.00	0.00	
			M3	65.99	0.00	-361.64	28.67	0.00	-159.11	62.20	0.00	-360.46	26.38	0.00	-170.79	

BAGO RIVER BRIDGE

BLOCK [ No.2 : CROSS BEAM ][ BEAM MEMBER FORCE ]

MEMBER NODE	1001041 1041	2041			1001043 1043			2043								
		SHEAR	TORQUE	MOMENT	SHEAR	TORQUE	MOMENT	SHEAR	TORQUE	MOMENT						
		S2 (kN)	TQ (kN·m)	M3 (kN·m)	S2 (kN)	TQ (kN·m)	M3 (kN·m)	S2 (kN)	TQ (kN·m)	M3 (kN·m)						
71	3-LANES (case)	TANDEM-LOAD	MAX	S2	53.20	0.00	-203.22	53.20	0.00	19.00	51.14	0.00	-196.10	51.14	0.00	17.51
				TQ	0.00	0.00	0.00	0.00	0.00	0.00	0.00	0.00	0.00	0.00	0.00	0.00
				M3	-3.03	0.00	10.56	45.58	0.00	66.18	-0.68	0.00	2.78	39.18	0.00	58.97
			MIN	S2	-3.03	0.00	10.56	-3.03	0.00	-2.09	-0.88	0.00	1.93	-0.88	0.00	-1.74
				TQ	0.00	0.00	0.00	0.00	0.00	0.00	0.00	0.00	0.00	0.00	0.00	0.00
				M3	45.35	0.00	-255.88	18.45	0.00	-117.13	42.31	0.00	-253.19	16.94	0.00	-123.98
		DISPERSION-L	MAX	S2	64.07	0.00	-272.07	64.07	0.00	-4.46	63.82	0.00	-290.21	63.82	0.00	-23.62
				TQ	0.00	0.00	0.00	0.00	0.00	0.00	0.00	0.00	0.00	0.00	0.00	0.00
				M3	-3.37	0.00	19.17	40.77	0.00	74.95	0.42	0.00	5.47	35.94	0.00	71.19
			MIN	S2	-4.90	0.00	17.31	-4.90	0.00	-3.17	-0.86	0.00	2.55	-0.86	0.00	-1.02
				TQ	0.00	0.00	0.00	0.00	0.00	0.00	0.00	0.00	0.00	0.00	0.00	0.00
				M3	62.53	0.00	-273.93	18.39	0.00	-82.58	62.55	0.00	-293.13	27.03	0.00	-95.83
72	4-LANES	TRUCK-LOAD	MAX	S2	0.33	0.00	-1.14	0.33	0.00	0.24	1.20	0.00	0.29	1.20	0.00	5.30
				TQ	0.00	0.00	0.00	0.00	0.00	0.00	0.00	0.00	0.00	0.00	0.00	0.00
				M3	-4.18	0.00	14.56	0.28	0.00	0.29	-0.15	0.00	3.34	1.09	0.00	6.18
			MIN	S2	-4.19	0.00	14.47	-4.19	0.00	-3.04	-0.60	0.00	0.96	-0.60	0.00	-1.55
				TQ	0.00	0.00	0.00	0.00	0.00	0.00	0.00	0.00	0.00	0.00	0.00	0.00
				M3	0.33	0.00	-1.15	-4.19	0.00	-3.04	0.79	0.00	-1.23	-0.60	0.00	-1.56
		TANDEM-LOAD	MAX	S2	0.23	0.00	-0.78	0.23	0.00	0.16	0.82	0.00	0.13	0.82	0.00	3.54
				TQ	0.00	0.00	0.00	0.00	0.00	0.00	0.00	0.00	0.00	0.00	0.00	0.00
				M3	-2.96	0.00	10.34	0.19	0.00	0.20	-0.13	0.00	2.40	0.71	0.00	4.25
			MIN	S2	-2.98	0.00	10.31	-2.98	0.00	-2.15	-0.41	0.00	0.65	-0.41	0.00	-1.05
				TQ	0.00	0.00	0.00	0.00	0.00	0.00	0.00	0.00	0.00	0.00	0.00	0.00
				M3	0.22	0.00	-0.78	-2.98	0.00	-2.15	0.56	0.00	-0.84	-0.41	0.00	-1.06

BAGO RIVER BRIDGE

BLOCK [ No.2 : CROSS BEAM ][ BEAM MEMBER FORCE ]

MEMBER			1001041						1001043								
NODE			1041			2041			1043			2043					
NAME TITLE			SHEAR	TORQUE	MOMENT	SHEAR	TORQUE	MOMENT	SHEAR	TORQUE	MOMENT	SHEAR	TORQUE	MOMENT			
			S2 (kN)	TQ (kN·m)	M3 (kN·m)	S2 (kN)	TQ (kN·m)	M3 (kN·m)	S2 (kN)	TQ (kN·m)	M3 (kN·m)	S2 (kN)	TQ (kN·m)	M3 (kN·m)			
72	4-LANES	DISPERSION-LMAX	S2	0.40	0.00	-1.36	0.40	0.00	0.33	0.91	0.00	0.23	0.91	0.00	4.05		
			TQ	0.00	0.00	0.00	0.00	0.00	0.00	0.00	0.00	0.00	0.00	0.00	0.00	0.00	
			M3	-2.58	0.00	8.97	0.35	0.00	0.35	-0.45	0.00	2.56	0.90	0.00	0.00	4.24	
	MIN	S2	-2.58	0.00	8.96	-2.58	0.00	-1.83	-0.73	0.00	1.36	-0.73	0.00	0.00	-1.70		
		TQ	0.00	0.00	0.00	0.00	0.00	0.00	0.00	0.00	0.00	0.00	0.00	0.00	0.00		
		M3	0.40	0.00	-1.37	-2.53	0.00	-1.85	0.62	0.00	-0.96	-0.72	0.00	0.00	-1.90		
	73	6-LANES	TRUCK-LOAD	MAX	S2	159.39	0.00	-276.34	159.39	0.00	389.42	150.88	0.00	-271.43	150.88	0.00	358.81
				TQ	0.00	0.00	0.00	0.00	0.00	0.00	0.00	0.00	0.00	0.00	0.00	0.00	0.00
				M3	-195.33	0.00	449.82	129.70	0.00	519.69	-193.87	0.00	461.93	121.90	0.00	0.00	483.94
MIN			S2	-209.66	0.00	398.38	-209.66	0.00	-477.38	-211.06	0.00	406.01	-211.06	0.00	0.00	-475.58	
TQ			0.00	0.00	0.00	0.00	0.00	0.00	0.00	0.00	0.00	0.00	0.00	0.00	0.00		
M3			150.69	0.00	-361.37	-165.48	0.00	-630.82	72.16	0.00	-350.45	-173.11	0.00	0.00	-641.86		
TANDEM-LOAD		MAX	S2	118.62	0.00	-208.64	118.62	0.00	286.83	112.09	0.00	-191.04	112.09	0.00	0.00	277.18	
		TQ	0.00	0.00	0.00	0.00	0.00	0.00	0.00	0.00	0.00	0.00	0.00	0.00	0.00		
		M3	-149.93	0.00	328.17	101.30	0.00	390.49	-148.73	0.00	335.31	94.00	0.00	0.00	363.13		
		MIN	S2	-158.47	0.00	299.41	-158.47	0.00	-362.53	-158.85	0.00	304.56	-158.85	0.00	0.00	-358.94	
		TQ	0.00	0.00	0.00	0.00	0.00	0.00	0.00	0.00	0.00	0.00	0.00	0.00	0.00		
		M3	111.37	0.00	-262.59	-130.89	0.00	-478.35	103.99	0.00	-251.33	-135.14	0.00	0.00	-484.26		
		DISPERSION-LMAX	S2	96.12	0.00	-238.96	96.12	0.00	162.53	89.81	0.00	-251.92	89.81	0.00	0.00	123.20	
			TQ	0.00	0.00	0.00	0.00	0.00	0.00	0.00	0.00	0.00	0.00	0.00	0.00	0.00	
			M3	-89.58	0.00	298.46	65.79	0.00	257.43	-103.24	0.00	326.35	55.21	0.00	0.00	224.88	
MIN	S2		-112.88	0.00	266.64	-112.88	0.00	-204.84	-124.25	0.00	297.88	-124.25	0.00	0.00	-221.09		
TQ	0.00		0.00	0.00	0.00	0.00	0.00	0.00	0.00	0.00	0.00	0.00	0.00	0.00			
M3	70.33		0.00	-277.70	-82.22	0.00	-304.59	66.30	0.00	-287.48	-89.88	0.00	0.00	-327.54			

BAGO RIVER BRIDGE

BLOCK [ No.2 : CROSS BEAM ][ BEAM MEMBER FORCE ]

MEMBER			1001041						1001043						
NODE			1041			2041			1043			2043			
NAME TITLE			SHEAR	TORQUE	MOMENT	SHEAR	TORQUE	MOMENT	SHEAR	TORQUE	MOMENT	SHEAR	TORQUE	MOMENT	
			S2 (kN)	TQ (kN·m)	M3 (kN·m)	S2 (kN)	TQ (kN·m)	M3 (kN·m)	S2 (kN)	TQ (kN·m)	M3 (kN·m)	S2 (kN)	TQ (kN·m)	M3 (kN·m)	
124	SUM TOTAL	D+1LANE (caseMAX	S2	-39.69	0.00	55.45	-39.69	0.00	-110.33	-111.54	0.00	144.77	-111.54	0.00	-321.14
			TQ	-46.73	0.00	75.05	-46.73	0.00	-120.13	-114.64	0.00	155.95	-114.64	0.00	-322.89
			M3	-371.60	0.00	596.50	-44.57	0.00	-94.90	-450.23	0.00	712.01	-111.63	0.00	-321.07
		MIN	S2	-372.33	0.00	594.45	-372.33	0.00	-960.76	-451.29	0.00	711.12	-451.29	0.00	-1173.92
			TQ	-46.73	0.00	75.05	-46.73	0.00	-120.13	-114.64	0.00	155.95	-114.64	0.00	-322.89
			M3	-40.42	0.00	53.40	-370.53	0.00	-965.17	-111.54	0.00	144.75	-451.29	0.00	-1173.92
		D+1LANE (caseMAX	S2	76.47	0.00	105.27	76.47	0.00	424.68	0.66	0.00	194.14	0.66	0.00	196.92
			TQ	-46.73	0.00	75.05	-46.73	0.00	-120.13	-114.64	0.00	155.95	-114.64	0.00	-322.89
			M3	-32.18	0.00	192.85	73.25	0.00	435.69	-101.67	0.00	295.15	-4.69	0.00	207.59
		MIN	S2	-63.64	0.00	152.69	-63.64	0.00	-113.14	-136.17	0.00	251.41	-136.17	0.00	-317.39
			TQ	-46.73	0.00	75.05	-46.73	0.00	-120.13	-114.64	0.00	155.95	-114.64	0.00	-322.89
			M3	-36.61	0.00	64.71	-60.44	0.00	-124.02	-107.18	0.00	148.98	-130.43	0.00	-327.76
		D+1LANE (caseMAX	S2	24.72	0.00	-65.59	24.72	0.00	37.67	-47.45	0.00	16.03	-47.45	0.00	-182.16
			TQ	-46.73	0.00	75.05	-46.73	0.00	-120.13	-114.64	0.00	155.95	-114.64	0.00	-322.89
			M3	-44.70	0.00	79.23	24.14	0.00	37.91	-115.26	0.00	159.30	-48.14	0.00	-181.86
		MIN	S2	-47.27	0.00	77.34	-47.27	0.00	-120.10	-116.28	0.00	158.09	-116.28	0.00	-327.63
			TQ	-46.73	0.00	75.05	-46.73	0.00	-120.13	-114.64	0.00	155.95	-114.64	0.00	-322.89
			M3	22.63	0.00	-67.36	-47.06	0.00	-120.66	-48.47	0.00	14.81	-115.93	0.00	-327.90
		D+1LANE (caseMAX	S2	-1.72	0.00	-211.04	-1.72	0.00	-218.21	-67.37	0.00	-153.16	-67.37	0.00	-434.56
			TQ	-46.73	0.00	75.05	-46.73	0.00	-120.13	-114.64	0.00	155.95	-114.64	0.00	-322.89
			M3	-52.20	0.00	94.72	-27.53	0.00	-105.23	-114.89	0.00	161.11	-97.25	0.00	-302.69
		MIN	S2	-52.25	0.00	94.54	-52.25	0.00	-123.70	-115.04	0.00	159.71	-115.04	0.00	-320.81
			TQ	-46.73	0.00	75.05	-46.73	0.00	-120.13	-114.64	0.00	155.95	-114.64	0.00	-322.89
			M3	-11.77	0.00	-288.99	-22.27	0.00	-345.40	-78.84	0.00	-225.15	-85.72	0.00	-561.93

BAGO RIVER BRIDGE

BLOCK [ No.2 : CROSS BEAM ][ BEAM MEMBER FORCE ]

MEMBER			1001041			1001043			1001043			2043			
NODE			1041			2041			1043			2043			
NAME TITLE			SHEAR	TORQUE	MOMENT	SHEAR	TORQUE	MOMENT	SHEAR	TORQUE	MOMENT	SHEAR	TORQUE	MOMENT	
			S2 (kN)	TQ (kN·m)	M3 (kN·m)	S2 (kN)	TQ (kN·m)	M3 (kN·m)	S2 (kN)	TQ (kN·m)	M3 (kN·m)	S2 (kN)	TQ (kN·m)	M3 (kN·m)	
124	SUM TOTAL	D+2LANES(casMAX	S2	-34.36	0.00	57.16	-34.36	0.00	-86.36	-108.08	0.00	148.14	-108.08	0.00	-303.32
			TQ	-46.73	0.00	75.05	-46.73	0.00	-120.13	-114.64	0.00	155.95	-114.64	0.00	-322.89
			M3	-369.69	0.00	742.42	-46.37	0.00	-51.72	-456.38	0.00	875.47	-146.87	0.00	-293.38
		MIN	S2	-373.13	0.00	729.43	-373.13	0.00	-829.13	-459.14	0.00	864.94	-459.14	0.00	-1052.90
			TQ	-46.73	0.00	75.05	-46.73	0.00	-120.13	-114.64	0.00	155.95	-114.64	0.00	-322.89
			M3	-37.80	0.00	44.17	-355.64	0.00	-863.31	-109.88	0.00	139.35	-441.96	0.00	-1073.16
		D+2LANES(casMAX	S2	62.44	0.00	98.68	62.44	0.00	359.48	-14.58	0.00	189.29	-14.58	0.00	128.39
			TQ	-46.73	0.00	75.05	-46.73	0.00	-120.13	-114.64	0.00	155.95	-114.64	0.00	-322.89
			M3	-86.85	0.00	406.04	51.81	0.00	390.44	-165.92	0.00	528.09	-57.75	0.00	147.18
		MIN	S2	-115.89	0.00	361.30	-115.89	0.00	-122.79	-196.55	0.00	481.85	-196.55	0.00	-339.13
			TQ	-46.73	0.00	75.05	-46.73	0.00	-120.13	-114.64	0.00	155.95	-114.64	0.00	-322.89
			M3	-34.63	0.00	53.60	-97.23	0.00	-162.36	-106.25	0.00	142.87	-174.58	0.00	-368.02
		D+2LANES(casMAX	S2	55.28	0.00	-234.15	55.28	0.00	-3.27	-16.98	0.00	-162.78	-16.98	0.00	-233.71
			TQ	-46.73	0.00	75.05	-46.73	0.00	-120.13	-114.64	0.00	155.95	-114.64	0.00	-322.89
			M3	-46.62	0.00	84.72	37.75	0.00	37.43	-115.09	0.00	159.70	-38.23	0.00	-183.29
		MIN	S2	-48.90	0.00	82.84	-48.90	0.00	-121.41	-116.37	0.00	158.37	-116.37	0.00	-327.72
			TQ	-46.73	0.00	75.05	-46.73	0.00	-120.13	-114.64	0.00	155.95	-114.64	0.00	-322.89
			M3	52.46	0.00	-256.54	-18.00	0.00	-172.84	-19.12	0.00	-181.10	-85.44	0.00	-390.24
		D+2LANES(casMAX	S2	33.43	0.00	-356.03	33.43	0.00	-216.38	-33.76	0.00	-302.94	-33.76	0.00	-443.96
			TQ	-46.73	0.00	75.05	-46.73	0.00	-120.13	-114.64	0.00	155.95	-114.64	0.00	-322.89
			M3	-54.24	0.00	102.50	-5.11	0.00	-81.74	-114.68	0.00	162.53	-79.36	0.00	-283.78
		MIN	S2	-54.42	0.00	102.06	-54.42	0.00	-125.25	-115.27	0.00	159.56	-115.27	0.00	-321.94
			TQ	-46.73	0.00	75.05	-46.73	0.00	-120.13	-114.64	0.00	155.95	-114.64	0.00	-322.89
			M3	23.98	0.00	-441.89	1.92	0.00	-360.56	-44.70	0.00	-380.92	-60.21	0.00	-585.29

BAGO RIVER BRIDGE

BLOCK [ No.2 : CROSS BEAM ][ BEAM MEMBER FORCE ]

MEMBER			1001041			1001043			1001043			2043				
NODE			1041			2041			1043			2043				
NAME TITLE			SHEAR	TORQUE	MOMENT	SHEAR	TORQUE	MOMENT	SHEAR	TORQUE	MOMENT	SHEAR	TORQUE	MOMENT		
			S2 (kN)	TQ (kN·m)	M3 (kN·m)	S2 (kN)	TQ (kN·m)	M3 (kN·m)	S2 (kN)	TQ (kN·m)	M3 (kN·m)	S2 (kN)	TQ (kN·m)	M3 (kN·m)		
124	SUM TOTAL	D+3LANES (casMAX	S2	51.05	0.00	81.25	51.05	0.00	294.48	-27.39	0.00	176.37	-27.39	0.00	61.94	
			TQ	-46.73	0.00	75.05	-46.73	0.00	-120.13	-114.64	0.00	155.95	-114.64	0.00	-322.89	
			M3	-310.94	0.00	725.75	38.56	0.00	331.72	-395.94	0.00	866.15	-64.15	0.00	77.96	
		MIN	S2	-336.15	0.00	686.27	-336.15	0.00	-717.83	-422.72	0.00	826.21	-422.72	0.00	-939.50	
			TQ	-46.73	0.00	75.05	-46.73	0.00	-120.13	-114.64	0.00	155.95	-114.64	0.00	-322.89	
			M3	-31.97	0.00	41.48	-319.02	0.00	-754.59	-105.32	0.00	136.90	-404.05	0.00	-964.07	
		D+3LANES (casMAX	S2	71.71	0.00	-389.92	71.71	0.00	-90.41	1.97	0.00	-334.03	1.97	0.00	-325.80	
			TQ	-46.73	0.00	75.05	-46.73	0.00	-120.13	-114.64	0.00	155.95	-114.64	0.00	-322.89	
			M3	-49.35	0.00	93.05	38.52	0.00	24.25	-114.99	0.00	161.39	-37.20	0.00	-190.09	
		MIN	S2	-51.32	0.00	91.33	-51.32	0.00	-123.04	-116.40	0.00	158.69	-116.40	0.00	-327.50	
			TQ	-46.73	0.00	75.05	-46.73	0.00	-120.13	-114.64	0.00	155.95	-114.64	0.00	-322.89	
			M3	62.18	0.00	-464.13	-4.35	0.00	-324.15	-8.09	0.00	-400.51	-69.38	0.00	-549.52	
		D+3LANES (casMAX	S2	72.04	0.00	-390.95	72.04	0.00	-90.06	1.53	0.00	-332.34	1.53	0.00	-325.95	
			TQ	-46.73	0.00	75.05	-46.73	0.00	-120.13	-114.64	0.00	155.95	-114.64	0.00	-322.89	
			M3	-53.36	0.00	104.50	38.93	0.00	24.51	-114.97	0.00	163.84	-37.72	0.00	-189.58	
		MIN	S2	-54.67	0.00	102.92	-54.67	0.00	-125.42	-116.30	0.00	160.33	-116.30	0.00	-325.46	
			TQ	-46.73	0.00	75.05	-46.73	0.00	-120.13	-114.64	0.00	155.95	-114.64	0.00	-322.89	
			M3	62.52	0.00	-465.19	-6.72	0.00	-325.56	-8.60	0.00	-399.60	-69.24	0.00	-549.51	
		D+4LANES	MAX	S2	-46.25	0.00	73.42	-46.25	0.00	-119.76	-113.26	0.00	156.29	-113.26	0.00	-316.81
			TQ	-46.73	0.00	75.05	-46.73	0.00	-120.13	-114.64	0.00	155.95	-114.64	0.00	-322.89	
			M3	-51.12	0.00	90.34	-46.31	0.00	-119.71	-115.03	0.00	159.79	-113.34	0.00	-316.11	
		MIN	S2	-51.13	0.00	90.28	-51.13	0.00	-123.29	-115.50	0.00	157.46	-115.50	0.00	-325.00	
			TQ	-46.73	0.00	75.05	-46.73	0.00	-120.13	-114.64	0.00	155.95	-114.64	0.00	-322.89	
			M3	-46.25	0.00	73.41	-51.10	0.00	-123.31	-113.72	0.00	154.53	-115.49	0.00	-325.14	



BAGO RIVER BRIDGE

BLOCK [ No.2 : CROSS BEAM ][ BEAM MEMBER FORCE ]

MEMBER					1001041			1001043			1001043					
NODE					1041			2041			1043			2043		
NAME TITLE					SHEAR	TORQUE	MOMENT	SHEAR	TORQUE	MOMENT	SHEAR	TORQUE	MOMENT	SHEAR	TORQUE	MOMENT
					S2 (kN)	TQ (kN·m)	M3 (kN·m)	S2 (kN)	TQ (kN·m)	M3 (kN·m)	S2 (kN)	TQ (kN·m)	M3 (kN·m)	S2 (kN)	TQ (kN·m)	M3 (kN·m)
124	SUM TOTAL	D+6LANES	MAX	S2	119.35	0.00	-259.90	119.35	0.00	238.63	41.81	0.00	-184.23	41.81	0.00	-9.58
				TQ	-46.73	0.00	75.05	-46.73	0.00	-120.13	-114.64	0.00	155.95	-114.64	0.00	-322.89
				M3	-231.92	0.00	561.43	80.34	0.00	385.00	-307.76	0.00	668.33	0.48	0.00	137.85
			MIN	S2	-256.38	0.00	507.31	-256.38	0.00	-563.58	-332.59	0.00	613.48	-332.59	0.00	-775.73
				TQ	-46.73	0.00	75.05	-46.73	0.00	-120.13	-114.64	0.00	155.95	-114.64	0.00	-322.89
				M3	96.93	0.00	-340.35	-207.73	0.00	-728.15	-24.64	0.00	-258.71	-285.58	0.00	-953.00
	SUM TOTAL		MAX		119.35	0.00	742.42	119.35	0.00	435.69	41.81	0.00	875.47	41.81	0.00	207.59
			MIN		-373.13	0.00	-465.19	-373.13	0.00	-965.17	-459.14	0.00	-400.51	-459.14	0.00	-1173.92
300	DEAD LOAD	TOTAL			-46.73	0.00	75.05	-46.73	0.00	-120.13	-114.64	0.00	155.95	-114.64	0.00	-322.89
301	LIVE LOAD	1-LANE(case1MAX	S2		7.04	0.00	-19.60	7.04	0.00	9.80	3.10	0.00	-11.18	3.10	0.00	1.75
			TQ		0.00	0.00	0.00	0.00	0.00	0.00	0.00	0.00	0.00	0.00	0.00	0.00
			M3		-324.87	0.00	521.46	2.16	0.00	25.23	-335.59	0.00	556.06	3.01	0.00	1.81
			MIN	S2	-325.60	0.00	519.40	-325.60	0.00	-840.63	-336.65	0.00	555.17	-336.65	0.00	-851.03
				TQ	0.00	0.00	0.00	0.00	0.00	0.00	0.00	0.00	0.00	0.00	0.00	0.00
				M3	6.31	0.00	-21.65	-323.81	0.00	-845.04	3.09	0.00	-11.20	-336.65	0.00	-851.03
		1-LANE(case2MAX	S2		123.19	0.00	30.23	123.19	0.00	544.81	115.30	0.00	38.19	115.30	0.00	519.80
			TQ		0.00	0.00	0.00	0.00	0.00	0.00	0.00	0.00	0.00	0.00	0.00	0.00
			M3		14.54	0.00	117.80	119.97	0.00	555.82	12.96	0.00	139.20	109.95	0.00	530.48
			MIN	S2	-16.92	0.00	77.64	-16.92	0.00	6.99	-21.54	0.00	95.46	-21.54	0.00	5.50
				TQ	0.00	0.00	0.00	0.00	0.00	0.00	0.00	0.00	0.00	0.00	0.00	0.00
				M3	10.11	0.00	-10.34	-13.72	0.00	-3.89	7.46	0.00	-6.97	-15.80	0.00	-4.87
		1-LANE(case3MAX	S2		71.45	0.00	-140.64	71.45	0.00	157.80	67.19	0.00	-139.92	67.19	0.00	140.72
			TQ		0.00	0.00	0.00	0.00	0.00	0.00	0.00	0.00	0.00	0.00	0.00	0.00
			M3		2.03	0.00	4.18	70.87	0.00	158.04	-0.63	0.00	3.35	66.50	0.00	141.03
			MIN	S2	-0.54	0.00	2.29	-0.54	0.00	0.03	-1.65	0.00	2.13	-1.65	0.00	-4.74
				TQ	0.00	0.00	0.00	0.00	0.00	0.00	0.00	0.00	0.00	0.00	0.00	0.00
				M3	69.36	0.00	-142.41	-0.34	0.00	-0.53	66.17	0.00	-141.14	-1.30	0.00	-5.02

BAGO RIVER BRIDGE

BLOCK [ No.2 : CROSS BEAM ][ BEAM MEMBER FORCE ]

MEMBER			1001041						1001043							
NODE			1041			2041			1043			2043				
NAME TITLE			SHEAR	TORQUE	MOMENT	SHEAR	TORQUE	MOMENT	SHEAR	TORQUE	MOMENT	SHEAR	TORQUE	MOMENT		
			S2 (kN)	TQ (kN·m)	M3 (kN·m)	S2 (kN)	TQ (kN·m)	M3 (kN·m)	S2 (kN)	TQ (kN·m)	M3 (kN·m)	S2 (kN)	TQ (kN·m)	M3 (kN·m)		
301	LIVE LOAD	1-LANE (case4MAX	S2	45.01	0.00	-286.08	45.01	0.00	-98.08	47.27	0.00	-309.11	47.27	0.00	-111.67	
			TQ	0.00	0.00	0.00	0.00	0.00	0.00	0.00	0.00	0.00	0.00	0.00	0.00	0.00
			M3	-5.47	0.00	19.67	19.20	0.00	14.90	-0.25	0.00	5.16	17.38	0.00	0.00	20.19
			MIN S2	-5.52	0.00	19.50	-5.52	0.00	-3.57	-0.40	0.00	3.76	-0.40	0.00	0.00	2.08
			TQ	0.00	0.00	0.00	0.00	0.00	0.00	0.00	0.00	0.00	0.00	0.00	0.00	0.00
			M3	34.96	0.00	-364.03	24.45	0.00	-225.27	35.80	0.00	-381.10	28.92	0.00	0.00	-239.05
		2-LANES (caseMAX	S2	12.37	0.00	-17.89	12.37	0.00	33.77	6.55	0.00	-7.81	6.55	0.00	0.00	19.57
			TQ	0.00	0.00	0.00	0.00	0.00	0.00	0.00	0.00	0.00	0.00	0.00	0.00	0.00
			M3	-322.96	0.00	667.37	0.36	0.00	68.41	-341.74	0.00	719.52	-32.23	0.00	0.00	29.51
			MIN S2	-326.40	0.00	654.38	-326.40	0.00	-709.00	-344.51	0.00	708.99	-344.51	0.00	0.00	-730.01
			TQ	0.00	0.00	0.00	0.00	0.00	0.00	0.00	0.00	0.00	0.00	0.00	0.00	0.00
			M3	8.93	0.00	-30.88	-308.91	0.00	-743.18	4.75	0.00	-16.60	-327.32	0.00	0.00	-750.27
		2-LANES (caseMAX	S2	109.17	0.00	23.63	109.17	0.00	479.61	100.06	0.00	33.34	100.06	0.00	0.00	451.28
			TQ	0.00	0.00	0.00	0.00	0.00	0.00	0.00	0.00	0.00	0.00	0.00	0.00	0.00
			M3	-40.12	0.00	330.99	98.54	0.00	510.57	-51.28	0.00	372.14	56.89	0.00	0.00	470.07
			MIN S2	-69.17	0.00	286.25	-69.17	0.00	-2.66	-81.91	0.00	325.90	-81.91	0.00	0.00	-16.24
			TQ	0.00	0.00	0.00	0.00	0.00	0.00	0.00	0.00	0.00	0.00	0.00	0.00	0.00
			M3	12.10	0.00	-21.45	-50.50	0.00	-42.23	8.39	0.00	-13.08	-59.94	0.00	0.00	-45.14
		2-LANES (caseMAX	S2	102.00	0.00	-309.20	102.00	0.00	116.86	97.66	0.00	-318.74	97.66	0.00	0.00	89.18
			TQ	0.00	0.00	0.00	0.00	0.00	0.00	0.00	0.00	0.00	0.00	0.00	0.00	0.00
			M3	0.11	0.00	9.67	84.48	0.00	157.56	-0.45	0.00	3.75	76.41	0.00	0.00	139.60
			MIN S2	-2.17	0.00	7.80	-2.17	0.00	-1.28	-1.74	0.00	2.42	-1.74	0.00	0.00	-4.83
			TQ	0.00	0.00	0.00	0.00	0.00	0.00	0.00	0.00	0.00	0.00	0.00	0.00	0.00
			M3	99.18	0.00	-331.58	28.73	0.00	-52.71	95.52	0.00	-337.05	29.20	0.00	0.00	-67.35

BAGO RIVER BRIDGE

BLOCK [ No.2 : CROSS BEAM ][ BEAM MEMBER FORCE ]

MEMBER			1001041						1001043							
NODE			1041			2041			1043			2043				
NAME TITLE			SHEAR	TORQUE	MOMENT	SHEAR	TORQUE	MOMENT	SHEAR	TORQUE	MOMENT	SHEAR	TORQUE	MOMENT		
			S2 (kN)	TQ (kN·m)	M3 (kN·m)	S2 (kN)	TQ (kN·m)	M3 (kN·m)	S2 (kN)	TQ (kN·m)	M3 (kN·m)	S2 (kN)	TQ (kN·m)	M3 (kN·m)		
301	LIVE LOAD	2-LANES (caseMAX	S2	80.16	0.00	-431.07	80.16	0.00	-96.25	80.88	0.00	-458.89	80.88	0.00	-121.07	
			TQ	0.00	0.00	0.00	0.00	0.00	0.00	0.00	0.00	0.00	0.00	0.00	0.00	
			M3	-7.51	0.00	27.45	41.61	0.00	38.39	-0.05	0.00	6.58	35.27	0.00	39.11	
			MIN	S2	-7.69	0.00	27.01	-7.69	0.00	-5.12	-0.64	0.00	3.61	-0.64	0.00	0.94
			TQ	0.00	0.00	0.00	0.00	0.00	0.00	0.00	0.00	0.00	0.00	0.00	0.00	0.00
			M3	70.70	0.00	-516.93	48.65	0.00	-240.43	69.94	0.00	-536.87	54.43	0.00	-262.41	
		3-LANES (caseMAX	S2	97.78	0.00	6.20	97.78	0.00	414.61	87.24	0.00	20.42	87.24	0.00	384.83	
			TQ	0.00	0.00	0.00	0.00	0.00	0.00	0.00	0.00	0.00	0.00	0.00	0.00	
			M3	-264.22	0.00	650.71	85.29	0.00	451.85	-281.30	0.00	710.19	50.48	0.00	400.84	
			MIN	S2	-289.42	0.00	611.22	-289.42	0.00	-597.70	-308.09	0.00	670.26	-308.09	0.00	-616.62
			TQ	0.00	0.00	0.00	0.00	0.00	0.00	0.00	0.00	0.00	0.00	0.00	0.00	
			M3	14.75	0.00	-33.57	-272.29	0.00	-634.46	9.32	0.00	-19.05	-289.41	0.00	-641.18	
		3-LANES (caseMAX	S2	118.43	0.00	-464.97	118.43	0.00	29.72	116.61	0.00	-489.98	116.61	0.00	-2.91	
			TQ	0.00	0.00	0.00	0.00	0.00	0.00	0.00	0.00	0.00	0.00	0.00	0.00	
			M3	-2.62	0.00	18.00	85.24	0.00	144.38	-0.35	0.00	5.44	77.44	0.00	132.79	
			MIN	S2	-4.60	0.00	16.28	-4.60	0.00	-2.91	-1.76	0.00	2.74	-1.76	0.00	-4.61
			TQ	0.00	0.00	0.00	0.00	0.00	0.00	0.00	0.00	0.00	0.00	0.00	0.00	
			M3	108.91	0.00	-539.18	42.37	0.00	-204.02	106.55	0.00	-556.46	45.26	0.00	-226.63	
		3-LANES (caseMAX	S2	118.76	0.00	-466.00	118.76	0.00	30.07	116.17	0.00	-488.29	116.17	0.00	-3.06	
			TQ	0.00	0.00	0.00	0.00	0.00	0.00	0.00	0.00	0.00	0.00	0.00	0.00	
			M3	-6.63	0.00	29.45	85.65	0.00	144.64	-0.33	0.00	7.89	76.92	0.00	133.31	
MIN	S2		-7.94	0.00	27.87	-7.94	0.00	-5.29	-1.66	0.00	4.38	-1.66	0.00	-2.57		
TQ	0.00		0.00	0.00	0.00	0.00	0.00	0.00	0.00	0.00	0.00	0.00	0.00			
M3	109.25		0.00	-540.23	40.00	0.00	-205.43	106.04	0.00	-555.55	45.39	0.00	-226.63			

BAGO RIVER BRIDGE

BLOCK [ No.2 : CROSS BEAM ][ BEAM MEMBER FORCE ]

MEMBER					1001041			1001043			1001043						
NODE					1041			2041			2043						
NAME TITLE					SHEAR	TORQUE	MOMENT	SHEAR	TORQUE	MOMENT	SHEAR	TORQUE	MOMENT	SHEAR	TORQUE	MOMENT	
					S2 (kN)	TQ (kN·m)	M3 (kN·m)	S2 (kN)	TQ (kN·m)	M3 (kN·m)	S2 (kN)	TQ (kN·m)	M3 (kN·m)	S2 (kN)	TQ (kN·m)	M3 (kN·m)	
301	LIVE LOAD	4-LANES	MAX	S2	0.48	0.00	-1.62	0.48	0.00	0.37	1.37	0.00	0.34	1.37	0.00	6.08	
				TQ	0.00	0.00	0.00	0.00	0.00	0.00	0.00	0.00	0.00	0.00	0.00	0.00	0.00
				M3	-4.39	0.00	15.30	0.41	0.00	0.42	-0.39	0.00	3.84	1.29	0.00	6.77	
		MIN	S2	-4.40	0.00	15.23	-4.40	0.00	-3.16	-0.87	0.00	1.51	-0.87	0.00	-2.11		
			TQ	0.00	0.00	0.00	0.00	0.00	0.00	0.00	0.00	0.00	0.00	0.00	0.00		
			M3	0.47	0.00	-1.63	-4.37	0.00	-3.18	0.92	0.00	-1.42	-0.85	0.00	-2.25		
	6-LANES	MAX	S2	166.08	0.00	-334.94	166.08	0.00	358.76	156.45	0.00	-340.18	156.45	0.00	313.31		
			TQ	0.00	0.00	0.00	0.00	0.00	0.00	0.00	0.00	0.00	0.00	0.00	0.00		
			M3	-185.19	0.00	486.38	127.06	0.00	505.13	-193.12	0.00	512.38	115.12	0.00	460.74		
		MIN	S2	-209.65	0.00	432.26	-209.65	0.00	-443.45	-217.95	0.00	457.53	-217.95	0.00	-452.84		
			TQ	0.00	0.00	0.00	0.00	0.00	0.00	0.00	0.00	0.00	0.00	0.00	0.00		
			M3	143.66	0.00	-415.40	-161.01	0.00	-608.02	90.00	0.00	-414.66	-170.95	0.00	-630.11		
LIVE LOAD	MAX	166.08	0.00	667.37	166.08	0.00	555.82	156.45	0.00	719.52	156.45	0.00	530.48				
	MIN	-326.40	0.00	-540.23	-326.40	0.00	-845.04	-344.51	0.00	-556.46	-344.51	0.00	-851.03				
303	SUM TOTAL	TOTAL	MAX	119.35	0.00	742.42	119.35	0.00	435.69	41.81	0.00	875.47	41.81	0.00	207.59		
			MIN	-373.13	0.00	-465.19	-373.13	0.00	-965.17	-459.14	0.00	-400.51	-459.14	0.00	-1173.92		

BAGO RIVER BRIDGE

BLOCK [ No.2 : CROSS BEAM ][ BEAM MEMBER FORCE ]

MEMBER NODE	1001045 1045	2045			1001047 1047			2047							
		SHEAR S2 (kN)	TORQUE TQ (kN·m)	MOMENT M3 (kN·m)	SHEAR S2 (kN)	TORQUE TQ (kN·m)	MOMENT M3 (kN·m)	SHEAR S2 (kN)	TORQUE TQ (kN·m)	MOMENT M3 (kN·m)					
1	PAVEMENT	-18.77	0.00	40.64	-18.77	0.00	-37.77	-15.00	0.00	3.42	-15.00	0.00	-59.26		
3	RAILING	-5.52	0.00	1.03	-5.52	0.00	-22.02	-5.45	0.00	0.22	-5.45	0.00	-22.53		
5	CURB	-54.63	0.00	10.20	-54.63	0.00	-217.98	-53.91	0.00	2.15	-53.91	0.00	-223.03		
7	DECK WEIGHT	-32.51	0.00	67.55	-32.51	0.00	-68.23	-23.68	0.00	5.45	-23.68	0.00	-93.47		
8	GIRDER WEIGH	-6.19	0.00	96.80	-6.19	0.00	70.93	2.67	0.00	7.68	2.67	0.00	18.83		
10	MEDIAN STRIP	33.81	0.00	25.72	33.81	0.00	166.94	44.69	0.00	0.14	44.69	0.00	186.82		
21	ADITIONAL WE	-9.10	0.00	18.91	-9.10	0.00	-19.10	-6.63	0.00	1.53	-6.63	0.00	-26.17		
31	MEDIAN RAILI	2.22	0.00	1.35	2.22	0.00	10.62	2.34	0.00	0.05	2.34	0.00	9.83		
51	SUPPORT WEIG	-0.00	0.00	0.00	-0.00	0.00	0.00	-0.00	0.00	0.00	-0.00	0.00	0.00		
52	NOSE WEIGHT	-0.00	0.00	0.00	-0.00	0.00	-0.00	0.00	0.00	0.00	0.00	0.00	0.00		
61	1-LANE(case1TRUCK-LOAD	MAX	S2	0.39	0.00	-2.27	0.39	0.00	-0.66	0.00	0.00	0.20	0.00	0.00	0.22
			TQ	0.00	0.00	0.00	0.00	0.00	0.00	0.00	0.00	0.00	0.00	0.00	0.00
			M3	-184.69	0.00	300.94	-9.27	0.00	5.63	-182.74	0.00	286.93	-1.69	0.00	1.89
		MIN	S2	-184.95	0.00	300.36	-184.95	0.00	-472.16	-182.74	0.00	286.93	-182.74	0.00	-476.39
			TQ	0.00	0.00	0.00	0.00	0.00	0.00	0.00	0.00	0.00	0.00	0.00	0.00
			M3	0.38	0.00	-2.30	-184.95	0.00	-472.16	-0.02	0.00	-0.66	-182.74	0.00	-476.39
		TANDEM-LOAD MAX	S2	0.26	0.00	-1.54	0.26	0.00	-0.44	0.00	0.00	0.13	0.00	0.00	0.15
			TQ	0.00	0.00	0.00	0.00	0.00	0.00	0.00	0.00	0.00	0.00	0.00	0.00
			M3	-139.53	0.00	223.46	-7.04	0.00	4.00	-138.03	0.00	214.14	-5.33	0.00	1.73
		MIN	S2	-139.60	0.00	223.30	-139.60	0.00	-359.82	-138.03	0.00	214.14	-138.03	0.00	-362.43
			TQ	0.00	0.00	0.00	0.00	0.00	0.00	0.00	0.00	0.00	0.00	0.00	0.00
			M3	0.26	0.00	-1.57	-139.60	0.00	-359.82	-0.01	0.00	-0.45	-138.03	0.00	-362.43
		DISPERSION-LMAX	S2	0.45	0.00	-2.72	0.45	0.00	-0.85	0.01	0.00	0.27	0.01	0.00	0.30
			TQ	0.00	0.00	0.00	0.00	0.00	0.00	0.00	0.00	0.00	0.00	0.00	0.00
			M3	-89.21	0.00	181.16	-3.90	0.00	3.28	-85.52	0.00	161.98	-3.18	0.00	1.81
MIN	S2	-89.21	0.00	181.16	-89.21	0.00	-191.47	-85.55	0.00	160.93	-85.55	0.00	-196.41		
	TQ	0.00	0.00	0.00	0.00	0.00	0.00	0.00	0.00	0.00	0.00	0.00	0.00		
	M3	0.45	0.00	-2.72	-84.86	0.00	-195.60	-0.02	0.00	-0.78	-82.36	0.00	-197.92		

BAGO RIVER BRIDGE

BLOCK [ No.2 : CROSS BEAM ][ BEAM MEMBER FORCE ]

MEMBER		1001045			1001047			1001047			1001047					
NODE		1045			2045			1047			2047					
		SHEAR	TORQUE	MOMENT	SHEAR	TORQUE	MOMENT	SHEAR	TORQUE	MOMENT	SHEAR	TORQUE	MOMENT			
NAME	TITLE	S2 (kN)	TQ (kN·m)	M3 (kN·m)	S2 (kN)	TQ (kN·m)	M3 (kN·m)	S2 (kN)	TQ (kN·m)	M3 (kN·m)	S2 (kN)	TQ (kN·m)	M3 (kN·m)			
62	1-LANE (case2TRUCK-LOAD	MAX	S2	70.99	0.00	23.14	70.99	0.00	319.66	72.21	0.00	11.64	72.21	0.00	313.28	
			TQ	0.00	0.00	0.00	0.00	0.00	0.00	0.00	0.00	0.00	0.00	0.00	0.00	0.00
			M3	-0.32	0.00	65.61	70.99	0.00	319.66	1.29	0.00	57.97	72.21	0.00	313.28	
		MIN	S2	-9.30	0.00	46.91	-9.30	0.00	8.05	-7.49	0.00	40.27	-7.49	0.00	8.98	
			TQ	0.00	0.00	0.00	0.00	0.00	0.00	0.00	0.00	0.00	0.00	0.00	0.00	
			M3	0.22	0.00	-2.09	0.22	0.00	-1.17	-0.01	0.00	-0.64	-0.01	0.00	-0.70	
		TANDEM-LOAD	MAX	S2	55.62	0.00	9.52	55.62	0.00	241.85	56.32	0.00	1.45	56.32	0.00	236.69
			TQ	0.00	0.00	0.00	0.00	0.00	0.00	0.00	0.00	0.00	0.00	0.00	0.00	0.00
			M3	4.58	0.00	46.20	55.62	0.00	241.85	5.80	0.00	40.61	56.32	0.00	236.69	
		MIN	S2	-7.58	0.00	38.91	-7.58	0.00	7.26	-5.99	0.00	33.43	-5.99	0.00	8.42	
			TQ	0.00	0.00	0.00	0.00	0.00	0.00	0.00	0.00	0.00	0.00	0.00	0.00	
			M3	0.15	0.00	-1.42	0.15	0.00	-0.80	-0.01	0.00	-0.44	-0.01	0.00	-0.48	
		DISPERSION-LMAX	S2	24.70	0.00	20.80	24.70	0.00	123.98	25.39	0.00	18.85	25.39	0.00	124.90	
			TQ	0.00	0.00	0.00	0.00	0.00	0.00	0.00	0.00	0.00	0.00	0.00	0.00	
			M3	15.69	0.00	65.30	18.37	0.00	141.77	15.07	0.00	51.32	20.89	0.00	137.72	
MIN	S2	-6.07	0.00	41.78	-6.07	0.00	16.42	-4.52	0.00	30.86	-4.52	0.00	11.99			
	TQ	0.00	0.00	0.00	0.00	0.00	0.00	0.00	0.00	0.00	0.00	0.00	0.00			
	M3	2.94	0.00	-2.72	0.26	0.00	-1.38	5.80	0.00	-1.61	-0.02	0.00	-0.83			
63	1-LANE (case3TRUCK-LOAD	MAX	S2	32.48	0.00	-76.46	32.48	0.00	59.20	31.18	0.00	-87.74	31.18	0.00	42.48	
			TQ	0.00	0.00	0.00	0.00	0.00	0.00	0.00	0.00	0.00	0.00	0.00		
			M3	1.30	0.00	5.19	30.86	0.00	61.63	0.13	0.00	0.90	25.21	0.00	47.90	
		MIN	S2	-0.04	0.00	0.59	-0.04	0.00	0.43	-0.01	0.00	-0.63	-0.01	0.00	-0.68	
			TQ	0.00	0.00	0.00	0.00	0.00	0.00	0.00	0.00	0.00	0.00	0.00	0.00	
			M3	32.48	0.00	-76.46	0.10	0.00	-1.51	31.18	0.00	-87.74	-0.01	0.00	-0.68	

BAGO RIVER BRIDGE

BLOCK [ No.2 : CROSS BEAM ][ BEAM MEMBER FORCE ]

MEMBER NODE	1001045 1045	2045			1001047 1047			2047							
		SHEAR	TORQUE	MOMENT	SHEAR	TORQUE	MOMENT	SHEAR	TORQUE	MOMENT					
		S2 (kN)	TQ (kN·m)	M3 (kN·m)	S2 (kN)	TQ (kN·m)	M3 (kN·m)	S2 (kN)	TQ (kN·m)	M3 (kN·m)					
63	1-LANE (case3TANDEM-LOAD	MAX	S2	23.03	0.00	-56.12	23.03	0.00	40.06	21.93	0.00	-63.65	21.93	0.00	27.93
			TQ	0.00	0.00	0.00	0.00	0.00	0.00	0.00	0.00	0.00	0.00	0.00	0.00
			M3	0.39	0.00	3.78	20.71	0.00	42.90	0.53	0.00	0.65	14.56	0.00	33.10
		MIN	S2	-0.03	0.00	0.40	-0.03	0.00	0.29	-0.01	0.00	-0.43	-0.01	0.00	-0.46
			TQ	0.00	0.00	0.00	0.00	0.00	0.00	0.00	0.00	0.00	0.00	0.00	0.00
			M3	23.03	0.00	-56.12	0.07	0.00	-1.03	21.93	0.00	-63.65	-0.01	0.00	-0.46
	DISPERSION-LMAX		S2	21.61	0.00	-38.84	21.61	0.00	51.42	21.63	0.00	-48.07	21.63	0.00	42.29
			TQ	0.00	0.00	0.00	0.00	0.00	0.00	0.00	0.00	0.00	0.00	0.00	0.00
			M3	0.97	0.00	4.37	21.00	0.00	54.87	0.37	0.00	1.53	20.35	0.00	42.97
		MIN	S2	-0.10	0.00	2.04	-0.10	0.00	1.61	-0.02	0.00	-0.58	-0.02	0.00	-0.66
			TQ	0.00	0.00	0.00	0.00	0.00	0.00	0.00	0.00	0.00	0.00	0.00	0.00
			M3	20.53	0.00	-41.17	0.51	0.00	-1.85	21.25	0.00	-50.18	1.26	0.00	-1.33
64	1-LANE (case4TRUCK-LOAD	MAX	S2	16.63	0.00	-103.41	16.63	0.00	-33.97	15.81	0.00	-111.26	15.81	0.00	-45.24
			TQ	0.00	0.00	0.00	0.00	0.00	0.00	0.00	0.00	0.00	0.00	0.00	0.00
			M3	-0.01	0.00	0.54	8.11	0.00	9.80	0.07	0.00	0.25	8.05	0.00	3.65
		MIN	S2	-0.16	0.00	-1.42	-0.16	0.00	-2.08	-0.01	0.00	-0.60	-0.01	0.00	-0.63
			TQ	0.00	0.00	0.00	0.00	0.00	0.00	0.00	0.00	0.00	0.00	0.00	0.00
			M3	9.28	0.00	-157.89	9.18	0.00	-119.37	10.12	0.00	-158.32	10.05	0.00	-116.18
	TANDEM-LOAD	MAX	S2	11.52	0.00	-64.10	11.52	0.00	-15.96	10.96	0.00	-65.40	10.96	0.00	-19.63
			TQ	0.00	0.00	0.00	0.00	0.00	0.00	0.00	0.00	0.00	0.00	0.00	0.00
			M3	-0.01	0.00	0.36	6.98	0.00	7.36	0.03	0.00	0.19	6.83	0.00	2.57
		MIN	S2	-0.11	0.00	-0.95	-0.11	0.00	-1.40	-0.00	0.00	-0.41	-0.00	0.00	-0.43
			TQ	0.00	0.00	0.00	0.00	0.00	0.00	0.00	0.00	0.00	0.00	0.00	0.00
			M3	6.55	0.00	-107.75	5.72	0.00	-83.32	7.02	0.00	-107.94	6.49	0.00	-80.34

BAGO RIVER BRIDGE

BLOCK [ No.2 : CROSS BEAM ][ BEAM MEMBER FORCE ]

MEMBER		1001045						1001047									
NODE		1045			2045			1047			2047						
		SHEAR	TORQUE	MOMENT	SHEAR	TORQUE	MOMENT	SHEAR	TORQUE	MOMENT	SHEAR	TORQUE	MOMENT				
NAME	TITLE	S2 (kN)	TQ (kN·m)	M3 (kN·m)	S2 (kN)	TQ (kN·m)	M3 (kN·m)	S2 (kN)	TQ (kN·m)	M3 (kN·m)	S2 (kN)	TQ (kN·m)	M3 (kN·m)				
64	1-LANE (case4DISPERSION-LMAX	S2	21.32	0.00	-155.75	21.32	0.00	-66.69	19.87	0.00	-157.17	19.87	0.00	-74.19			
		TQ	0.00	0.00	0.00	0.00	0.00	0.00	0.00	0.00	0.00	0.00	0.00	0.00			
		M3	0.09	0.00	0.76	5.05	0.00	5.29	0.02	0.00	0.29	2.62	0.00	1.93			
		MIN	S2	-0.17	0.00	-1.27	-0.17	0.00	-1.99	-0.01	0.00	-0.71	-0.01	0.00	-0.75		
		TQ	0.00	0.00	0.00	0.00	0.00	0.00	0.00	0.00	0.00	0.00	0.00	0.00			
		M3	21.06	0.00	-157.78	16.09	0.00	-73.96	19.83	0.00	-158.18	17.24	0.00	-76.87			
		65	2-LANES (caseTRUCK-LOAD	MAX	S2	0.69	0.00	-4.44	0.69	0.00	-1.55	0.01	0.00	0.40	0.01	0.00	0.43
				TQ	0.00	0.00	0.00	0.00	0.00	0.00	0.00	0.00	0.00	0.00	0.00	0.00	
				M3	-216.99	0.00	450.19	-40.76	0.00	20.14	-213.55	0.00	422.99	-19.73	0.00	10.85	
MIN	S2			-217.49	0.00	449.25	-217.49	0.00	-459.19	-213.76	0.00	422.28	-213.76	0.00	-470.62		
TQ	0.00			0.00	0.00	0.00	0.00	0.00	0.00	0.00	0.00	0.00	0.00	0.00			
M3	0.68			0.00	-4.50	-203.86	0.00	-474.05	-0.03	0.00	-1.31	-200.14	0.00	-477.38			
TANDEM-LOAD	MAX			S2	0.47	0.00	-3.00	0.47	0.00	-1.04	0.01	0.00	0.27	0.01	0.00	0.29	
TQ	0.00			0.00	0.00	0.00	0.00	0.00	0.00	0.00	0.00	0.00	0.00	0.00	0.00		
M3	-162.33			0.00	329.18	-29.84	0.00	14.47	-159.94	0.00	310.71	-18.31	0.00	7.90			
MIN	S2	-162.47	0.00	328.91	-162.47	0.00	-349.73	-160.00	0.00	310.51	-160.00	0.00	-357.80				
TQ	0.00	0.00	0.00	0.00	0.00	0.00	0.00	0.00	0.00	0.00	0.00	0.00					
M3	0.46	0.00	-3.07	-151.33	0.00	-361.51	-0.02	0.00	-0.89	-152.10	0.00	-363.32					
DISPERSION-LMAX	S2	2.65	0.00	4.57	2.65	0.00	15.64	2.03	0.00	9.88	2.03	0.00	18.35				
TQ	0.00	0.00	0.00	0.00	0.00	0.00	0.00	0.00	0.00	0.00	0.00	0.00					
M3	-115.91	0.00	304.57	-12.70	0.00	37.30	-109.00	0.00	268.14	-10.12	0.00	33.16					
MIN	S2	-117.76	0.00	294.70	-117.76	0.00	-197.18	-111.06	0.00	256.72	-111.06	0.00	-207.20				
TQ	0.00	0.00	0.00	0.00	0.00	0.00	0.00	0.00	0.00	0.00	0.00	0.00					
M3	0.80	0.00	-5.31	-102.41	0.00	-218.84	-0.04	0.00	-1.55	-98.92	0.00	-222.02					



BAGO RIVER BRIDGE

BLOCK [ No.2 : CROSS BEAM ][ BEAM MEMBER FORCE ]

MEMBER				1001045						1001047						
NODE				1045			2045			1047			2047			
				SHEAR	TORQUE	MOMENT	SHEAR	TORQUE	MOMENT	SHEAR	TORQUE	MOMENT	SHEAR	TORQUE	MOMENT	
NAME	TITLE			S2 (kN)	TQ (kN·m)	M3 (kN·m)	S2 (kN)	TQ (kN·m)	M3 (kN·m)	S2 (kN)	TQ (kN·m)	M3 (kN·m)	S2 (kN)	TQ (kN·m)	M3 (kN·m)	
66	2-LANES (caseTRUCK-LOAD	MAX	S2	71.29	0.00	20.98	71.29	0.00	318.76	72.22	0.00	11.83	72.22	0.00	313.49	
			TQ	0.00	0.00	0.00	0.00	0.00	0.00	0.00	0.00	0.00	0.00	0.00	0.00	0.00
			M3	-32.61	0.00	214.86	39.50	0.00	334.16	-29.51	0.00	194.03	54.18	0.00	322.24	
		MIN	S2	-41.84	0.00	195.80	-41.84	0.00	21.02	-38.51	0.00	175.61	-38.51	0.00	14.75	
			TQ	0.00	0.00	0.00	0.00	0.00	0.00	0.00	0.00	0.00	0.00	0.00	0.00	
			M3	0.52	0.00	-4.29	-18.69	0.00	-3.05	-0.03	0.00	-1.30	-17.41	0.00	-1.70	
		TANDEM-LOAD MAX	S2	55.83	0.00	8.05	55.83	0.00	241.25	56.32	0.00	1.58	56.32	0.00	236.84	
			TQ	0.00	0.00	0.00	0.00	0.00	0.00	0.00	0.00	0.00	0.00	0.00	0.00	
			M3	-18.22	0.00	151.92	32.82	0.00	252.33	-16.11	0.00	137.18	43.34	0.00	242.87	
		MIN	S2	-30.45	0.00	144.52	-30.45	0.00	17.34	-27.95	0.00	129.80	-27.95	0.00	13.04	
			TQ	0.00	0.00	0.00	0.00	0.00	0.00	0.00	0.00	0.00	0.00	0.00	0.00	
			M3	0.36	0.00	-2.92	-11.58	0.00	-2.49	-0.02	0.00	-0.88	-14.07	0.00	-1.38	
		DISPERSION-LMAX	S2	26.90	0.00	28.09	26.90	0.00	140.47	27.41	0.00	28.45	27.41	0.00	142.95	
			TQ	0.00	0.00	0.00	0.00	0.00	0.00	0.00	0.00	0.00	0.00	0.00	0.00	
			M3	-11.01	0.00	188.71	9.57	0.00	175.79	-8.40	0.00	157.48	13.95	0.00	169.07	
MIN	S2	-34.62	0.00	155.31	-34.62	0.00	10.71	-30.03	0.00	126.65	-30.03	0.00	1.20			
	TQ	0.00	0.00	0.00	0.00	0.00	0.00	0.00	0.00	0.00	0.00	0.00	0.00			
	M3	3.30	0.00	-5.32	-17.29	0.00	-24.62	5.78	0.00	-2.38	-16.57	0.00	-24.92			
67	2-LANES (caseTRUCK-LOAD	MAX	S2	51.83	0.00	-183.68	51.83	0.00	32.81	50.35	0.00	-201.11	50.35	0.00	9.22	
			TQ	0.00	0.00	0.00	0.00	0.00	0.00	0.00	0.00	0.00	0.00	0.00		
			M3	1.62	0.00	6.26	42.53	0.00	74.02	0.19	0.00	1.32	36.77	0.00	53.65	
		MIN	S2	-0.07	0.00	1.16	-0.07	0.00	0.87	-0.02	0.00	-1.26	-0.02	0.00	-1.34	
			TQ	0.00	0.00	0.00	0.00	0.00	0.00	0.00	0.00	0.00	0.00	0.00	0.00	
			M3	50.88	0.00	-196.67	18.50	0.00	-44.87	49.35	0.00	-213.82	18.16	0.00	-50.86	

BAGO RIVER BRIDGE

BLOCK [ No.2 : CROSS BEAM ][ BEAM MEMBER FORCE ]

MEMBER		1001045						1001047									
NODE		1045			2045			1047			2047						
		SHEAR	TORQUE	MOMENT	SHEAR	TORQUE	MOMENT	SHEAR	TORQUE	MOMENT	SHEAR	TORQUE	MOMENT				
NAME	TITLE	S2 (kN)	TQ (kN·m)	M3 (kN·m)	S2 (kN)	TQ (kN·m)	M3 (kN·m)	S2 (kN)	TQ (kN·m)	M3 (kN·m)	S2 (kN)	TQ (kN·m)	M3 (kN·m)				
67	2-LANES (caseTANDEM-LOAD	MAX	S2	36.43	0.00	-122.29	36.43	0.00	29.89	35.23	0.00	-134.17	35.23	0.00	13.00		
			TQ	0.00	0.00	0.00	0.00	0.00	0.00	0.00	0.00	0.00	0.00	0.00	0.00		
			M3	0.62	0.00	4.58	30.40	0.00	52.03	0.57	0.00	0.96	24.11	0.00	37.18		
		MIN	S2	-0.05	0.00	0.79	-0.05	0.00	0.59	-0.01	0.00	-0.86	-0.01	0.00	-0.91		
			TQ	0.00	0.00	0.00	0.00	0.00	0.00	0.00	0.00	0.00	0.00	0.00	0.00		
			M3	35.15	0.00	-140.08	12.20	0.00	-34.33	33.90	0.00	-151.43	11.97	0.00	-38.22		
		DISPERSION-LMAX	S2	43.04	0.00	-135.93	43.04	0.00	43.83	42.40	0.00	-150.80	42.40	0.00	26.31		
			TQ	0.00	0.00	0.00	0.00	0.00	0.00	0.00	0.00	0.00	0.00	0.00	0.00		
			M3	1.11	0.00	5.48	31.75	0.00	66.58	0.41	0.00	1.91	28.19	0.00	48.90		
		MIN	S2	-0.15	0.00	2.21	-0.15	0.00	1.58	-0.03	0.00	-1.32	-0.03	0.00	-1.44		
			TQ	0.00	0.00	0.00	0.00	0.00	0.00	0.00	0.00	0.00	0.00	0.00	0.00		
			M3	41.78	0.00	-139.20	11.14	0.00	-21.17	41.96	0.00	-154.03	14.18	0.00	-24.03		
		68	2-LANES (caseTRUCK-LOAD	MAX	S2	35.98	0.00	-210.61	35.98	0.00	-60.32	34.99	0.00	-224.61	34.99	0.00	-78.47
					TQ	0.00	0.00	0.00	0.00	0.00	0.00	0.00	0.00	0.00	0.00	0.00	0.00
					M3	0.32	0.00	1.56	19.78	0.00	22.20	0.13	0.00	0.66	19.60	0.00	9.41
MIN	S2			-0.23	0.00	-2.83	-0.23	0.00	-3.79	-0.01	0.00	-1.22	-0.01	0.00	-1.28		
	TQ			0.00	0.00	0.00	0.00	0.00	0.00	0.00	0.00	0.00	0.00	0.00	0.00		
	M3			27.68	0.00	-278.09	27.58	0.00	-162.70	28.29	0.00	-284.38	28.23	0.00	-166.33		
TANDEM-LOAD MAX	S2			24.93	0.00	-130.25	24.93	0.00	-26.10	24.27	0.00	-135.91	24.27	0.00	-34.54		
	TQ			0.00	0.00	0.00	0.00	0.00	0.00	0.00	0.00	0.00	0.00	0.00	0.00		
	M3			0.23	0.00	1.14	16.67	0.00	16.49	0.07	0.00	0.49	16.38	0.00	6.65		
MIN	S2			-0.16	0.00	-1.94	-0.16	0.00	-2.60	-0.01	0.00	-0.83	-0.01	0.00	-0.87		
	TQ			0.00	0.00	0.00	0.00	0.00	0.00	0.00	0.00	0.00	0.00	0.00	0.00		
	M3			18.68	0.00	-191.70	17.85	0.00	-116.60	19.00	0.00	-195.71	18.47	0.00	-118.07		

BAGO RIVER BRIDGE

BLOCK [ No.2 : CROSS BEAM ][ BEAM MEMBER FORCE ]

MEMBER NODE	1001045 1045	2045			1001047 1047			2047							
		SHEAR	TORQUE	MOMENT	SHEAR	TORQUE	MOMENT	SHEAR	TORQUE	MOMENT					
		S2 (kN)	TQ (kN·m)	M3 (kN·m)	S2 (kN)	TQ (kN·m)	M3 (kN·m)	S2 (kN)	TQ (kN·m)	M3 (kN·m)					
68	2-LANES (caseDISPERSION-LMAX	S2	42.72	0.00	-251.40	42.72	0.00	-72.94	40.63	0.00	-259.89	40.63	0.00	-90.16	
		TQ	0.00	0.00	0.00	0.00	0.00	0.00	0.00	0.00	0.00	0.00	0.00	0.00	
		M3	0.25	0.00	1.82	15.83	0.00	17.04	0.07	0.00	0.67	10.46	0.00	7.86	
	MIN	S2	-0.26	0.00	-2.45	-0.26	0.00	-3.53	-0.02	0.00	-1.44	-0.02	0.00	-1.51	
		TQ	0.00	0.00	0.00	0.00	0.00	0.00	0.00	0.00	0.00	0.00	0.00	0.00	
		M3	42.22	0.00	-255.67	26.63	0.00	-93.52	40.55	0.00	-261.99	30.15	0.00	-99.53	
69	3-LANES (caseTRUCK-LOAD	MAX	S2	71.68	0.00	18.71	71.68	0.00	318.11	72.22	0.00	12.03	72.22	0.00	313.71
		TQ	0.00	0.00	0.00	0.00	0.00	0.00	0.00	0.00	0.00	0.00	0.00	0.00	
		M3	-217.31	0.00	515.80	30.23	0.00	339.79	-212.26	0.00	480.96	52.49	0.00	324.12	
	MIN	S2	-226.79	0.00	496.16	-226.79	0.00	-451.14	-221.26	0.00	462.54	-221.26	0.00	-461.64	
		TQ	0.00	0.00	0.00	0.00	0.00	0.00	0.00	0.00	0.00	0.00	0.00	0.00	
		M3	0.90	0.00	-6.59	-203.64	0.00	-475.22	-0.05	0.00	-1.96	-200.15	0.00	-478.09	
	TANDEM-LOAD	MAX	S2	56.09	0.00	6.51	56.09	0.00	240.81	56.32	0.00	1.72	56.32	0.00	236.98
		TQ	0.00	0.00	0.00	0.00	0.00	0.00	0.00	0.00	0.00	0.00	0.00	0.00	
		M3	-157.75	0.00	375.38	25.78	0.00	256.32	-154.14	0.00	351.32	38.01	0.00	244.60	
	MIN	S2	-170.05	0.00	367.82	-170.05	0.00	-342.48	-165.99	0.00	343.94	-165.99	0.00	-349.39	
		TQ	0.00	0.00	0.00	0.00	0.00	0.00	0.00	0.00	0.00	0.00	0.00	0.00	
		M3	0.61	0.00	-4.49	-151.19	0.00	-362.31	-0.03	0.00	-1.33	-152.11	0.00	-363.80	
	DISPERSION-LMAX	S2	27.35	0.00	25.37	27.35	0.00	139.62	27.42	0.00	28.73	27.42	0.00	143.24	
		TQ	0.00	0.00	0.00	0.00	0.00	0.00	0.00	0.00	0.00	0.00	0.00	0.00	
		M3	-100.22	0.00	369.87	5.67	0.00	179.07	-93.93	0.00	319.46	10.77	0.00	170.88	
	MIN	S2	-123.83	0.00	336.47	-123.83	0.00	-180.76	-115.58	0.00	287.57	-115.58	0.00	-195.21	
		TQ	0.00	0.00	0.00	0.00	0.00	0.00	0.00	0.00	0.00	0.00	0.00	0.00	
		M3	3.75	0.00	-8.03	-102.15	0.00	-220.21	5.76	0.00	-3.16	-98.93	0.00	-222.84	

BAGO RIVER BRIDGE

BLOCK [ No.2 : CROSS BEAM ][ BEAM MEMBER FORCE ]

MEMBER				1001045						1001047							
NODE				1045			2045			1047			2047				
NAME TITLE				SHEAR	TORQUE	MOMENT	SHEAR	TORQUE	MOMENT	SHEAR	TORQUE	MOMENT	SHEAR	TORQUE	MOMENT		
				S2 (kN)	TQ (kN·m)	M3 (kN·m)	S2 (kN)	TQ (kN·m)	M3 (kN·m)	S2 (kN)	TQ (kN·m)	M3 (kN·m)	S2 (kN)	TQ (kN·m)	M3 (kN·m)		
70	3-LANES (case	TRUCK-LOAD	MAX	S2	68.46	0.00	-287.11	68.46	0.00	-1.17	66.16	0.00	-312.40	66.16	0.00	-36.04	
				TQ	0.00	0.00	0.00	0.00	0.00	0.00	0.00	0.00	0.00	0.00	0.00	0.00	0.00
				M3	1.60	0.00	6.82	50.64	0.00	83.82	0.25	0.00	1.57	44.81	0.00	57.30	
			MIN	S2	-0.16	0.00	0.07	-0.16	0.00	-0.62	-0.03	0.00	-1.87	-0.03	0.00	-1.99	
				TQ	0.00	0.00	0.00	0.00	0.00	0.00	0.00	0.00	0.00	0.00	0.00	0.00	
				M3	60.15	0.00	-354.58	27.68	0.00	-164.28	59.46	0.00	-372.16	28.21	0.00	-167.07	
			TANDEM-LOAD	MAX	S2	47.96	0.00	-186.40	47.96	0.00	13.92	46.19	0.00	-199.58	46.19	0.00	-6.64
				TQ	0.00	0.00	0.00	0.00	0.00	0.00	0.00	0.00	0.00	0.00	0.00	0.00	
				M3	0.60	0.00	4.96	37.38	0.00	59.39	0.60	0.00	1.16	30.94	0.00	39.75	
			MIN	S2	-0.11	0.00	0.00	-0.11	0.00	-0.47	-0.02	0.00	-1.27	-0.02	0.00	-1.35	
				TQ	0.00	0.00	0.00	0.00	0.00	0.00	0.00	0.00	0.00	0.00	0.00	0.00	
				M3	41.70	0.00	-247.84	17.92	0.00	-117.67	40.92	0.00	-259.38	18.46	0.00	-118.57	
			DISPERSION-LMAX	MAX	S2	64.35	0.00	-292.04	64.35	0.00	-23.23	62.27	0.00	-308.00	62.27	0.00	-47.91
				TQ	0.00	0.00	0.00	0.00	0.00	0.00	0.00	0.00	0.00	0.00	0.00	0.00	
				M3	1.18	0.00	6.29	36.78	0.00	71.82	0.43	0.00	2.21	30.81	0.00	50.84	
MIN	S2	-0.25	0.00	1.14	-0.25	0.00	0.09	-0.04	0.00	-2.04	-0.04	0.00	-2.20				
	TQ	0.00	0.00	0.00	0.00	0.00	0.00	0.00	0.00	0.00	0.00	0.00	0.00				
	M3	62.92	0.00	-297.18	27.32	0.00	-94.97	61.80	0.00	-312.25	31.42	0.00	-100.95				
71	3-LANES (case	TRUCK-LOAD	MAX	S2	68.47	0.00	-287.05	68.47	0.00	-1.07	66.17	0.00	-312.33	66.17	0.00	-35.94	
				TQ	0.00	0.00	0.00	0.00	0.00	0.00	0.00	0.00	0.00	0.00	0.00		
				M3	1.63	0.00	6.76	50.65	0.00	83.86	0.26	0.00	1.55	44.82	0.00	57.34	
			MIN	S2	-0.26	0.00	-2.26	-0.26	0.00	-3.34	-0.02	0.00	-1.84	-0.02	0.00	-1.94	
				TQ	0.00	0.00	0.00	0.00	0.00	0.00	0.00	0.00	0.00	0.00	0.00	0.00	
				M3	60.17	0.00	-354.53	27.60	0.00	-164.45	59.47	0.00	-372.11	28.22	0.00	-167.00	

BAGO RIVER BRIDGE

BLOCK [ No.2 : CROSS BEAM ][ BEAM MEMBER FORCE ]

MEMBER NODE	1001045 1045	2045			1001047 1047			2047								
		SHEAR	TORQUE	MOMENT	SHEAR	TORQUE	MOMENT	SHEAR	TORQUE	MOMENT						
		S2 (kN)	TQ (kN·m)	M3 (kN·m)	S2 (kN)	TQ (kN·m)	M3 (kN·m)	S2 (kN)	TQ (kN·m)	M3 (kN·m)						
71	3-LANES (case)	TANDEM-LOAD	MAX	S2	47.97	0.00	-186.36	47.97	0.00	14.00	46.20	0.00	-199.54	46.20	0.00	-6.57
				TQ	0.00	0.00	0.00	0.00	0.00	0.00	0.00	0.00	0.00	0.00	0.00	0.00
				M3	0.62	0.00	4.92	37.38	0.00	59.41	0.60	0.00	1.14	30.94	0.00	39.77
			MIN	S2	-0.18	0.00	-1.55	-0.18	0.00	-2.29	-0.02	0.00	-1.26	-0.02	0.00	-1.32
				TQ	0.00	0.00	0.00	0.00	0.00	0.00	0.00	0.00	0.00	0.00	0.00	0.00
				M3	41.71	0.00	-247.81	17.87	0.00	-117.79	40.93	0.00	-259.35	18.46	0.00	-118.53
		DISPERSION-L	MAX	S2	64.25	0.00	-289.66	64.25	0.00	-21.29	62.27	0.00	-307.95	62.27	0.00	-47.85
				TQ	0.00	0.00	0.00	0.00	0.00	0.00	0.00	0.00	0.00	0.00	0.00	0.00
				M3	1.24	0.00	6.15	36.85	0.00	71.98	0.43	0.00	2.19	30.82	0.00	50.85
			MIN	S2	-0.35	0.00	-0.89	-0.35	0.00	-2.35	-0.03	0.00	-2.01	-0.03	0.00	-2.15
				TQ	0.00	0.00	0.00	0.00	0.00	0.00	0.00	0.00	0.00	0.00	0.00	0.00
				M3	62.66	0.00	-296.70	27.05	0.00	-95.61	61.80	0.00	-312.15	31.42	0.00	-100.85
72	4-LANES	TRUCK-LOAD	MAX	S2	0.14	0.00	-3.68	0.14	0.00	-3.10	0.01	0.00	0.75	0.01	0.00	0.80
				TQ	0.00	0.00	0.00	0.00	0.00	0.00	0.00	0.00	0.00	0.00	0.00	0.00
				M3	-0.10	0.00	2.26	-0.10	0.00	1.83	0.01	0.00	0.75	0.01	0.00	0.80
			MIN	S2	-0.26	0.00	-2.18	-0.26	0.00	-3.25	-0.04	0.00	-2.48	-0.04	0.00	-2.62
				TQ	0.00	0.00	0.00	0.00	0.00	0.00	0.00	0.00	0.00	0.00	0.00	0.00
				M3	-0.06	0.00	-7.10	-0.06	0.00	-7.35	-0.04	0.00	-2.49	-0.04	0.00	-2.63
		TANDEM-LOAD	MAX	S2	0.09	0.00	-2.44	0.09	0.00	-2.05	0.01	0.00	0.51	0.01	0.00	0.54
				TQ	0.00	0.00	0.00	0.00	0.00	0.00	0.00	0.00	0.00	0.00	0.00	0.00
				M3	-0.07	0.00	1.53	-0.07	0.00	1.24	0.01	0.00	0.51	0.01	0.00	0.54
			MIN	S2	-0.18	0.00	-1.48	-0.18	0.00	-2.25	-0.02	0.00	-1.69	-0.02	0.00	-1.79
				TQ	0.00	0.00	0.00	0.00	0.00	0.00	0.00	0.00	0.00	0.00	0.00	0.00
				M3	-0.05	0.00	-4.83	-0.06	0.00	-5.06	-0.02	0.00	-1.70	-0.02	0.00	-1.80

BAGO RIVER BRIDGE

BLOCK [ No.2 : CROSS BEAM ][ BEAM MEMBER FORCE ]

MEMBER			1001045						1001047									
NODE			1045			2045			1047			2047						
			SHEAR	TORQUE	MOMENT	SHEAR	TORQUE	MOMENT	SHEAR	TORQUE	MOMENT	SHEAR	TORQUE	MOMENT				
NAME	TITLE		S2 (kN)	TQ (kN·m)	M3 (kN·m)	S2 (kN)	TQ (kN·m)	M3 (kN·m)	S2 (kN)	TQ (kN·m)	M3 (kN·m)	S2 (kN)	TQ (kN·m)	M3 (kN·m)				
72	4-LANES	DISPERSION-LMAX	S2	0.11	0.00	-2.81	0.11	0.00	-2.36	0.02	0.00	0.91	0.02	0.00	0.97			
			TQ	0.00	0.00	0.00	0.00	0.00	0.00	0.00	0.00	0.00	0.00	0.00	0.00	0.00		
			M3	-0.13	0.00	2.74	-0.12	0.00	2.23	0.02	0.00	0.91	0.02	0.00	0.00	0.97		
		MIN	S2	-0.22	0.00	0.44	-0.22	0.00	-0.47	-0.03	0.00	-1.76	-0.03	0.00	0.00	-1.87		
			TQ	0.00	0.00	0.00	0.00	0.00	0.00	0.00	0.00	0.00	0.00	0.00	0.00	0.00		
			M3	0.02	0.00	-5.09	0.01	0.00	-5.03	-0.03	0.00	-1.76	-0.03	0.00	0.00	-1.87		
		73	6-LANES	TRUCK-LOAD MAX	S2	145.40	0.00	-265.93	145.40	0.00	341.41	143.94	0.00	-291.71	143.94	0.00	309.52	
					TQ	0.00	0.00	0.00	0.00	0.00	0.00	0.00	0.00	0.00	0.00	0.00	0.00	0.00
					M3	-186.19	0.00	481.49	110.38	0.00	514.12	-174.94	0.00	430.58	118.19	0.00	0.00	485.84
MIN	S2			-202.64	0.00	425.79	-202.64	0.00	-420.62	-194.02	0.00	380.80	-194.02	0.00	0.00	-429.61		
	TQ			0.00	0.00	0.00	0.00	0.00	0.00	0.00	0.00	0.00	0.00	0.00	0.00	0.00		
	M3			69.35	0.00	-338.01	-146.98	0.00	-597.61	137.70	0.00	-356.59	-143.67	0.00	0.00	-599.95		
TANDEM-LOAD MAX	S2			107.78	0.00	-173.91	107.78	0.00	276.27	106.76	0.00	-117.59	106.76	0.00	0.00	328.36		
	TQ			0.00	0.00	0.00	0.00	0.00	0.00	0.00	0.00	0.00	0.00	0.00	0.00	0.00		
	M3			-142.85	0.00	349.08	86.00	0.00	382.89	-134.00	0.00	313.91	92.34	0.00	0.00	362.30		
MIN	S2	-152.80	0.00	317.90	-152.80	0.00	-320.36	-146.21	0.00	289.85	-146.21	0.00	0.00	-320.85				
	TQ	0.00	0.00	0.00	0.00	0.00	0.00	0.00	0.00	0.00	0.00	0.00	0.00	0.00				
	M3	102.16	0.00	-238.61	-114.17	0.00	-450.11	101.64	0.00	-256.10	-111.47	0.00	0.00	-449.93				
DISPERSION-LMAX	S2	87.60	0.00	-238.14	87.60	0.00	127.75	85.28	0.00	-246.03	85.28	0.00	0.00	110.19				
	TQ	0.00	0.00	0.00	0.00	0.00	0.00	0.00	0.00	0.00	0.00	0.00	0.00	0.00				
	M3	-94.37	0.00	350.06	42.82	0.00	248.96	-89.16	0.00	296.71	41.90	0.00	0.00	220.82				
MIN	S2	-117.32	0.00	313.43	-117.32	0.00	-176.60	-108.36	0.00	263.85	-108.36	0.00	0.00	-188.78				
	TQ	0.00	0.00	0.00	0.00	0.00	0.00	0.00	0.00	0.00	0.00	0.00	0.00	0.00				
	M3	61.61	0.00	-284.14	-71.87	0.00	-302.75	62.08	0.00	-289.80	-64.65	0.00	0.00	-307.05				

BAGO RIVER BRIDGE

BLOCK [ No.2 : CROSS BEAM ][ BEAM MEMBER FORCE ]

MEMBER			1001045			2045			1001047			2047			
NODE			1045			1047			1047			2047			
NAME TITLE			SHEAR	TORQUE	MOMENT	SHEAR	TORQUE	MOMENT	SHEAR	TORQUE	MOMENT	SHEAR	TORQUE	MOMENT	
			S2 (kN)	TQ (kN·m)	M3 (kN·m)	S2 (kN)	TQ (kN·m)	M3 (kN·m)	S2 (kN)	TQ (kN·m)	M3 (kN·m)	S2 (kN)	TQ (kN·m)	M3 (kN·m)	
124	SUM TOTAL	D+1LANE (caseMAX	S2	-89.69	0.00	256.22	-89.69	0.00	-118.43	-54.96	0.00	21.20	-54.96	0.00	-208.36
			TQ	-90.69	0.00	262.21	-90.69	0.00	-116.62	-54.97	0.00	20.63	-54.97	0.00	-208.98
			M3	-419.38	0.00	840.73	-106.50	0.00	-105.93	-376.89	0.00	559.32	-60.82	0.00	-204.54
		MIN	S2	-419.68	0.00	840.03	-419.68	0.00	-912.98	-376.92	0.00	558.06	-376.92	0.00	-1016.33
			TQ	-90.69	0.00	262.21	-90.69	0.00	-116.62	-54.97	0.00	20.63	-54.97	0.00	-208.98
			M3	-89.70	0.00	256.19	-414.46	0.00	-917.93	-55.01	0.00	18.90	-373.10	0.00	-1018.15
		D+1LANE (caseMAX	S2	24.13	0.00	314.94	24.13	0.00	415.74	62.15	0.00	57.21	62.15	0.00	316.83
			TQ	-90.69	0.00	262.21	-90.69	0.00	-116.62	-54.97	0.00	20.63	-54.97	0.00	-208.98
			M3	-72.25	0.00	419.30	16.53	0.00	437.09	-35.33	0.00	151.77	56.75	0.00	332.21
		MIN	S2	-109.14	0.00	368.63	-109.14	0.00	-87.26	-69.38	0.00	105.98	-69.38	0.00	-183.81
			TQ	-90.69	0.00	262.21	-90.69	0.00	-116.62	-54.97	0.00	20.63	-54.97	0.00	-208.98
			M3	-86.90	0.00	256.43	-90.12	0.00	-119.67	-48.03	0.00	17.92	-55.00	0.00	-210.81
		D+1LANE (caseMAX	S2	-25.79	0.00	123.86	-25.79	0.00	16.12	8.40	0.00	-142.35	8.40	0.00	-107.26
			TQ	-90.69	0.00	262.21	-90.69	0.00	-116.62	-54.97	0.00	20.63	-54.97	0.00	-208.98
			M3	-87.96	0.00	273.68	-28.46	0.00	23.18	-54.37	0.00	23.54	-0.29	0.00	-99.94
		MIN	S2	-90.86	0.00	265.36	-90.86	0.00	-114.17	-55.00	0.00	19.17	-55.00	0.00	-210.58
			TQ	-90.69	0.00	262.21	-90.69	0.00	-116.62	-54.97	0.00	20.63	-54.97	0.00	-208.98
			M3	-27.09	0.00	121.06	-89.97	0.00	-120.64	7.94	0.00	-144.88	-53.47	0.00	-211.39
		D+1LANE (caseMAX	S2	-45.16	0.00	-48.78	-45.16	0.00	-237.41	-12.16	0.00	-301.49	-12.16	0.00	-352.29
			TQ	-90.69	0.00	262.21	-90.69	0.00	-116.62	-54.97	0.00	20.63	-54.97	0.00	-208.98
			M3	-90.60	0.00	263.77	-74.89	0.00	-98.51	-54.86	0.00	21.27	-42.17	0.00	-202.28
		MIN	S2	-91.09	0.00	258.98	-91.09	0.00	-121.50	-54.99	0.00	19.05	-54.99	0.00	-210.63
			TQ	-90.69	0.00	262.21	-90.69	0.00	-116.62	-54.97	0.00	20.63	-54.97	0.00	-208.98
			M3	-54.29	0.00	-116.59	-60.36	0.00	-348.62	-19.03	0.00	-359.17	-22.22	0.00	-440.63

BAGO RIVER BRIDGE

BLOCK [ No.2 : CROSS BEAM ][ BEAM MEMBER FORCE ]

MEMBER			1001045			1001047			1001045			1001047			
NODE			1045			2045			1047			2047			
NAME TITLE			SHEAR	TORQUE	MOMENT	SHEAR	TORQUE	MOMENT	SHEAR	TORQUE	MOMENT	SHEAR	TORQUE	MOMENT	
			S2 (kN)	TQ (kN·m)	M3 (kN·m)	S2 (kN)	TQ (kN·m)	M3 (kN·m)	S2 (kN)	TQ (kN·m)	M3 (kN·m)	S2 (kN)	TQ (kN·m)	M3 (kN·m)	
124	SUM TOTAL	D+2LANES(casMAX	S2	-87.35	0.00	262.34	-87.35	0.00	-102.53	-52.93	0.00	30.90	-52.93	0.00	-190.20
			TQ	-90.69	0.00	262.21	-90.69	0.00	-116.62	-54.97	0.00	20.63	-54.97	0.00	-208.98
			M3	-423.59	0.00	1016.98	-144.15	0.00	-59.18	-377.52	0.00	711.76	-84.82	0.00	-164.97
		MIN	S2	-425.94	0.00	1006.15	-425.94	0.00	-772.99	-379.80	0.00	699.62	-379.80	0.00	-886.80
			TQ	-90.69	0.00	262.21	-90.69	0.00	-116.62	-54.97	0.00	20.63	-54.97	0.00	-208.98
			M3	-89.22	0.00	252.40	-396.96	0.00	-809.50	-55.04	0.00	17.77	-354.03	0.00	-908.38
		D+2LANES(casMAX	S2	7.50	0.00	311.28	7.50	0.00	342.61	44.66	0.00	60.92	44.66	0.00	247.46
			TQ	-90.69	0.00	262.21	-90.69	0.00	-116.62	-54.97	0.00	20.63	-54.97	0.00	-208.98
			M3	-134.32	0.00	665.79	-41.62	0.00	393.34	-92.89	0.00	372.14	13.16	0.00	282.33
		MIN	S2	-167.16	0.00	613.32	-167.16	0.00	-84.89	-123.51	0.00	322.89	-123.51	0.00	-193.03
			TQ	-90.69	0.00	262.21	-90.69	0.00	-116.62	-54.97	0.00	20.63	-54.97	0.00	-208.98
			M3	-86.87	0.00	252.61	-126.67	0.00	-144.29	-49.22	0.00	16.95	-88.95	0.00	-235.60
		D+2LANES(casMAX	S2	4.17	0.00	-57.40	4.17	0.00	-39.98	37.78	0.00	-331.28	37.78	0.00	-173.45
			TQ	-90.69	0.00	262.21	-90.69	0.00	-116.62	-54.97	0.00	20.63	-54.97	0.00	-208.98
			M3	-87.96	0.00	273.94	-16.41	0.00	23.98	-54.37	0.00	23.86	9.99	0.00	-106.43
		MIN	S2	-90.92	0.00	265.58	-90.92	0.00	-114.17	-55.02	0.00	18.05	-55.02	0.00	-211.76
			TQ	-90.69	0.00	262.21	-90.69	0.00	-116.62	-54.97	0.00	20.63	-54.97	0.00	-208.98
			M3	1.96	0.00	-73.66	-61.06	0.00	-182.66	36.34	0.00	-347.22	-22.63	0.00	-283.87
		D+2LANES(casMAX	S2	-11.99	0.00	-199.80	-11.99	0.00	-249.89	20.65	0.00	-463.87	20.65	0.00	-377.60
			TQ	-90.69	0.00	262.21	-90.69	0.00	-116.62	-54.97	0.00	20.63	-54.97	0.00	-208.98
			M3	-90.12	0.00	265.60	-55.08	0.00	-77.38	-54.78	0.00	21.95	-24.90	0.00	-191.71
		MIN	S2	-91.18	0.00	256.93	-91.18	0.00	-123.95	-55.00	0.00	17.97	-55.00	0.00	-211.77
			TQ	-90.69	0.00	262.21	-90.69	0.00	-116.62	-54.97	0.00	20.63	-54.97	0.00	-208.98
			M3	-20.79	0.00	-271.55	-36.48	0.00	-372.84	13.87	0.00	-525.75	3.41	0.00	-474.84



BAGO RIVER BRIDGE

BLOCK [ No.2 : CROSS BEAM ][ BEAM MEMBER FORCE ]

MEMBER			1001045			1001047										
NODE			1045			1047										
NAME TITLE			SHEAR	TORQUE	MOMENT	SHEAR	TORQUE	MOMENT	SHEAR	TORQUE	MOMENT	SHEAR	TORQUE	MOMENT		
			S2 (kN)	TQ (kN·m)	M3 (kN·m)	S2 (kN)	TQ (kN·m)	M3 (kN·m)	S2 (kN)	TQ (kN·m)	M3 (kN·m)	S2 (kN)	TQ (kN·m)	M3 (kN·m)		
124	SUM TOTAL	D+3LANES (casMAX	S2	-6.52	0.00	299.67	-6.52	0.00	272.45	29.72	0.00	55.28	29.72	0.00	179.43	
			TQ	-90.69	0.00	262.21	-90.69	0.00	-116.62	-54.97	0.00	20.63	-54.97	0.00	-208.98	
			M3	-360.59	0.00	1015.03	-60.18	0.00	324.42	-315.22	0.00	700.99	-1.20	0.00	211.77	
		MIN	S2	-388.72	0.00	969.94	-388.72	0.00	-653.74	-341.28	0.00	658.23	-341.28	0.00	-767.30	
			TQ	-90.69	0.00	262.21	-90.69	0.00	-116.62	-54.97	0.00	20.63	-54.97	0.00	-208.98	
			M3	-86.75	0.00	249.78	-350.61	0.00	-707.74	-50.11	0.00	16.28	-309.19	0.00	-804.77	
		D+3LANES (casMAX	S2	22.19	0.00	-230.06	22.19	0.00	-137.36	54.19	0.00	-506.71	54.19	0.00	-280.34	
			TQ	-90.69	0.00	262.21	-90.69	0.00	-116.62	-54.97	0.00	20.63	-54.97	0.00	-208.98	
			M3	-88.33	0.00	273.35	-16.38	0.00	15.68	-54.38	0.00	23.85	9.31	0.00	-117.06	
		MIN	S2	-91.05	0.00	263.24	-91.05	0.00	-117.07	-55.03	0.00	17.31	-55.03	0.00	-212.54	
			TQ	-90.69	0.00	262.21	-90.69	0.00	-116.62	-54.97	0.00	20.63	-54.97	0.00	-208.98	
			M3	13.92	0.00	-291.79	-43.94	0.00	-336.98	48.10	0.00	-561.12	-4.29	0.00	-436.79	
		D+3LANES (casMAX	S2	22.11	0.00	-227.99	22.11	0.00	-135.62	54.20	0.00	-506.61	54.20	0.00	-280.20	
			TQ	-90.69	0.00	262.21	-90.69	0.00	-116.62	-54.97	0.00	20.63	-54.97	0.00	-208.98	
			M3	-88.26	0.00	273.18	-16.32	0.00	15.84	-54.38	0.00	23.81	9.32	0.00	-117.02	
		MIN	S2	-91.21	0.00	259.53	-91.21	0.00	-121.46	-55.02	0.00	17.35	-55.02	0.00	-212.46	
			TQ	-90.69	0.00	262.21	-90.69	0.00	-116.62	-54.97	0.00	20.63	-54.97	0.00	-208.98	
			M3	13.71	0.00	-291.34	-44.24	0.00	-337.67	48.12	0.00	-560.99	-4.28	0.00	-436.65	
		D+4LANES	MAX	S2	-90.53	0.00	258.00	-90.53	0.00	-120.17	-54.95	0.00	21.70	-54.95	0.00	-207.83
			TQ	-90.69	0.00	262.21	-90.69	0.00	-116.62	-54.97	0.00	20.63	-54.97	0.00	-208.98	
			M3	-90.84	0.00	265.46	-90.84	0.00	-113.98	-54.95	0.00	21.70	-54.95	0.00	-207.83	
		MIN	S2	-91.00	0.00	261.08	-91.00	0.00	-119.03	-55.01	0.00	17.87	-55.01	0.00	-211.90	
			TQ	-90.69	0.00	262.21	-90.69	0.00	-116.62	-54.97	0.00	20.63	-54.97	0.00	-208.98	
			M3	-90.72	0.00	254.29	-90.72	0.00	-124.66	-55.01	0.00	17.87	-55.01	0.00	-211.91	

BAGO RIVER BRIDGE

BLOCK [ No.2 : CROSS BEAM ][ BEAM MEMBER FORCE ]

MEMBER				1001045			1001047			1001047			2047			
NODE				1045			2045			1047			2047			
NAME TITLE				SHEAR	TORQUE	MOMENT	SHEAR	TORQUE	MOMENT	SHEAR	TORQUE	MOMENT	SHEAR	TORQUE	MOMENT	
				S2 (kN)	TQ (kN·m)	M3 (kN·m)	S2 (kN)	TQ (kN·m)	M3 (kN·m)	S2 (kN)	TQ (kN·m)	M3 (kN·m)	S2 (kN)	TQ (kN·m)	M3 (kN·m)	
124	SUM TOTAL	D+6LANES	MAX	S2	60.76	0.00	-65.44	60.76	0.00	188.33	94.02	0.00	-328.90	94.02	0.00	63.84
				TQ	-90.69	0.00	262.21	-90.69	0.00	-116.62	-54.97	0.00	20.63	-54.97	0.00	-208.98
				M3	-273.06	0.00	802.72	8.89	0.00	379.38	-226.64	0.00	493.37	49.09	0.00	250.34
			MIN	S2	-298.66	0.00	742.70	-298.66	0.00	-504.81	-251.52	0.00	439.65	-251.52	0.00	-610.94
				TQ	-90.69	0.00	262.21	-90.69	0.00	-116.62	-54.97	0.00	20.63	-54.97	0.00	-208.98
				M3	-5.57	0.00	-142.19	-232.95	0.00	-701.85	74.88	0.00	-399.53	-190.37	0.00	-798.53
	SUM TOTAL		MAX		60.76	0.00	1016.98	60.76	0.00	437.09	94.02	0.00	711.76	94.02	0.00	332.21
			MIN		-425.94	0.00	-291.79	-425.94	0.00	-917.93	-379.80	0.00	-561.12	-379.80	0.00	-1018.15
300	DEAD LOAD	TOTAL			-90.69	0.00	262.21	-90.69	0.00	-116.62	-54.97	0.00	20.63	-54.97	0.00	-208.98
301	LIVE LOAD	1-LANE(case1MAX	S2		1.00	0.00	-5.99	1.00	0.00	-1.81	0.01	0.00	0.57	0.01	0.00	0.62
			TQ		0.00	0.00	0.00	0.00	0.00	0.00	0.00	0.00	0.00	0.00	0.00	0.00
			M3		-328.68	0.00	578.52	-15.81	0.00	10.69	-321.92	0.00	538.69	-5.85	0.00	4.44
			MIN	S2	-328.99	0.00	577.82	-328.99	0.00	-796.36	-321.95	0.00	537.43	-321.95	0.00	-807.35
				TQ	0.00	0.00	0.00	0.00	0.00	0.00	0.00	0.00	0.00	0.00	0.00	0.00
				M3	0.99	0.00	-6.02	-323.77	0.00	-801.31	-0.04	0.00	-1.73	-318.13	0.00	-809.17
		1-LANE(case2MAX	S2		114.83	0.00	52.73	114.83	0.00	532.36	117.12	0.00	36.58	117.12	0.00	525.81
			TQ		0.00	0.00	0.00	0.00	0.00	0.00	0.00	0.00	0.00	0.00	0.00	0.00
			M3		18.44	0.00	157.09	107.23	0.00	553.71	19.64	0.00	131.15	111.72	0.00	541.19
			MIN	S2	-18.45	0.00	106.42	-18.45	0.00	29.36	-14.41	0.00	85.35	-14.41	0.00	25.16
				TQ	0.00	0.00	0.00	0.00	0.00	0.00	0.00	0.00	0.00	0.00	0.00	0.00
				M3	3.80	0.00	-5.78	0.58	0.00	-3.06	6.94	0.00	-2.70	-0.04	0.00	-1.83
		1-LANE(case3MAX	S2		64.90	0.00	-138.35	64.90	0.00	132.74	63.37	0.00	-162.98	63.37	0.00	101.72
			TQ		0.00	0.00	0.00	0.00	0.00	0.00	0.00	0.00	0.00	0.00	0.00	0.00
			M3		2.73	0.00	11.47	62.23	0.00	139.80	0.60	0.00	2.91	54.68	0.00	109.04
			MIN	S2	-0.17	0.00	3.15	-0.17	0.00	2.45	-0.04	0.00	-1.46	-0.04	0.00	-1.60
				TQ	0.00	0.00	0.00	0.00	0.00	0.00	0.00	0.00	0.00	0.00	0.00	0.00
				M3	63.61	0.00	-141.15	0.73	0.00	-4.02	62.91	0.00	-165.51	1.50	0.00	-2.41

BAGO RIVER BRIDGE

BLOCK [ No.2 : CROSS BEAM ][ BEAM MEMBER FORCE ]

MEMBER			1001045						1001047							
NODE			1045			2045			1047			2047				
NAME TITLE			SHEAR	TORQUE	MOMENT	SHEAR	TORQUE	MOMENT	SHEAR	TORQUE	MOMENT	SHEAR	TORQUE	MOMENT		
			S2 (kN)	TQ (kN·m)	M3 (kN·m)	S2 (kN)	TQ (kN·m)	M3 (kN·m)	S2 (kN)	TQ (kN·m)	M3 (kN·m)	S2 (kN)	TQ (kN·m)	M3 (kN·m)		
301	LIVE LOAD	1-LANE (case4MAX	S2	45.54	0.00	-310.99	45.54	0.00	-120.79	42.81	0.00	-322.12	42.81	0.00	-143.31	
			TQ	0.00	0.00	0.00	0.00	0.00	0.00	0.00	0.00	0.00	0.00	0.00	0.00	
			M3	0.09	0.00	1.56	15.80	0.00	18.11	0.11	0.00	0.64	12.79	0.00	0.00	6.70
			MIN S2	-0.40	0.00	-3.23	-0.40	0.00	-4.88	-0.02	0.00	-1.58	-0.02	0.00	0.00	-1.65
			TQ	0.00	0.00	0.00	0.00	0.00	0.00	0.00	0.00	0.00	0.00	0.00	0.00	0.00
			M3	36.40	0.00	-378.80	30.33	0.00	-232.00	35.94	0.00	-379.80	32.75	0.00	0.00	-231.65
		2-LANES (caseMAX	S2	3.34	0.00	0.13	3.34	0.00	14.09	2.03	0.00	10.28	2.03	0.00	0.00	18.78
			TQ	0.00	0.00	0.00	0.00	0.00	0.00	0.00	0.00	0.00	0.00	0.00	0.00	0.00
			M3	-332.90	0.00	754.77	-53.46	0.00	57.44	-322.55	0.00	691.14	-29.85	0.00	0.00	44.01
			MIN S2	-335.24	0.00	743.94	-335.24	0.00	-656.37	-324.83	0.00	678.99	-324.83	0.00	0.00	-677.82
			TQ	0.00	0.00	0.00	0.00	0.00	0.00	0.00	0.00	0.00	0.00	0.00	0.00	0.00
			M3	1.48	0.00	-9.81	-306.26	0.00	-692.89	-0.07	0.00	-2.86	-299.06	0.00	0.00	-699.40
		2-LANES (caseMAX	S2	98.20	0.00	49.07	98.20	0.00	459.23	99.63	0.00	40.29	99.63	0.00	0.00	456.44
			TQ	0.00	0.00	0.00	0.00	0.00	0.00	0.00	0.00	0.00	0.00	0.00	0.00	0.00
			M3	-43.63	0.00	403.58	49.07	0.00	509.96	-37.92	0.00	351.51	68.13	0.00	0.00	491.30
			MIN S2	-76.46	0.00	351.11	-76.46	0.00	31.73	-68.54	0.00	302.26	-68.54	0.00	0.00	15.95
			TQ	0.00	0.00	0.00	0.00	0.00	0.00	0.00	0.00	0.00	0.00	0.00	0.00	0.00
			M3	3.82	0.00	-9.60	-35.98	0.00	-27.67	5.75	0.00	-3.68	-33.98	0.00	0.00	-26.62
		2-LANES (caseMAX	S2	94.86	0.00	-319.61	94.86	0.00	76.64	92.75	0.00	-351.91	92.75	0.00	0.00	35.53
			TQ	0.00	0.00	0.00	0.00	0.00	0.00	0.00	0.00	0.00	0.00	0.00	0.00	0.00
			M3	2.73	0.00	11.73	74.28	0.00	140.60	0.60	0.00	3.23	64.96	0.00	0.00	102.55
			MIN S2	-0.22	0.00	3.37	-0.22	0.00	2.45	-0.05	0.00	-2.57	-0.05	0.00	0.00	-2.78
			TQ	0.00	0.00	0.00	0.00	0.00	0.00	0.00	0.00	0.00	0.00	0.00	0.00	0.00
			M3	92.65	0.00	-335.87	29.64	0.00	-66.04	91.31	0.00	-367.84	32.34	0.00	0.00	-74.89

BAGO RIVER BRIDGE

BLOCK [ No.2 : CROSS BEAM ][ BEAM MEMBER FORCE ]

MEMBER			1001045						1001047								
NODE			1045			2045			1047			2047					
NAME TITLE			SHEAR	TORQUE	MOMENT	SHEAR	TORQUE	MOMENT	SHEAR	TORQUE	MOMENT	SHEAR	TORQUE	MOMENT			
			S2 (kN)	TQ (kN·m)	M3 (kN·m)	S2 (kN)	TQ (kN·m)	M3 (kN·m)	S2 (kN)	TQ (kN·m)	M3 (kN·m)	S2 (kN)	TQ (kN·m)	M3 (kN·m)			
301	LIVE LOAD	2-LANES (caseMAX	S2	78.70	0.00	-462.01	78.70	0.00	-133.27	75.62	0.00	-484.50	75.62	0.00	-168.62		
			TQ	0.00	0.00	0.00	0.00	0.00	0.00	0.00	0.00	0.00	0.00	0.00	0.00		
			M3	0.57	0.00	3.39	35.61	0.00	39.24	0.19	0.00	1.32	30.07	0.00	0.00	17.27	
			MIN	S2	-0.49	0.00	-5.28	-0.49	0.00	-7.33	-0.03	0.00	-2.66	-0.03	0.00	0.00	-2.79
			TQ	0.00	0.00	0.00	0.00	0.00	0.00	0.00	0.00	0.00	0.00	0.00	0.00	0.00	
			M3	69.90	0.00	-533.76	54.22	0.00	-256.22	68.84	0.00	-546.38	58.38	0.00	0.00	-265.86	
		3-LANES (caseMAX	S2	84.18	0.00	37.46	84.18	0.00	389.07	84.69	0.00	34.65	84.69	0.00	0.00	388.41	
			TQ	0.00	0.00	0.00	0.00	0.00	0.00	0.00	0.00	0.00	0.00	0.00	0.00	0.00	
			M3	-269.90	0.00	752.82	30.51	0.00	441.04	-260.25	0.00	680.36	53.77	0.00	0.00	420.75	
			MIN	S2	-298.03	0.00	707.73	-298.03	0.00	-537.12	-286.31	0.00	637.60	-286.31	0.00	0.00	-558.32
			TQ	0.00	0.00	0.00	0.00	0.00	0.00	0.00	0.00	0.00	0.00	0.00	0.00	0.00	
			M3	3.95	0.00	-12.43	-259.92	0.00	-591.12	4.86	0.00	-4.35	-254.22	0.00	0.00	-595.79	
		3-LANES (caseMAX	S2	112.89	0.00	-492.27	112.89	0.00	-20.74	109.16	0.00	-527.34	109.16	0.00	0.00	-71.36	
			TQ	0.00	0.00	0.00	0.00	0.00	0.00	0.00	0.00	0.00	0.00	0.00	0.00	0.00	
			M3	2.36	0.00	11.14	74.31	0.00	132.30	0.58	0.00	3.22	64.28	0.00	0.00	91.92	
			MIN	S2	-0.35	0.00	1.03	-0.35	0.00	-0.45	-0.06	0.00	-3.32	-0.06	0.00	0.00	-3.56
			TQ	0.00	0.00	0.00	0.00	0.00	0.00	0.00	0.00	0.00	0.00	0.00	0.00	0.00	
			M3	104.61	0.00	-554.00	46.75	0.00	-220.36	103.07	0.00	-581.75	50.68	0.00	0.00	-227.81	
		3-LANES (caseMAX	S2	112.81	0.00	-490.20	112.81	0.00	-19.00	109.17	0.00	-527.24	109.17	0.00	0.00	-71.22	
			TQ	0.00	0.00	0.00	0.00	0.00	0.00	0.00	0.00	0.00	0.00	0.00	0.00	0.00	
			M3	2.44	0.00	10.97	74.38	0.00	132.46	0.59	0.00	3.18	64.29	0.00	0.00	91.96	
MIN	S2		-0.52	0.00	-2.68	-0.52	0.00	-4.84	-0.05	0.00	-3.28	-0.05	0.00	0.00	-3.48		
TQ	0.00		0.00	0.00	0.00	0.00	0.00	0.00	0.00	0.00	0.00	0.00	0.00	0.00			
M3	104.40		0.00	-553.55	46.45	0.00	-221.05	103.09	0.00	-581.62	50.69	0.00	0.00	-227.67			

BAGO RIVER BRIDGE

BLOCK [ No.2 : CROSS BEAM ][ BEAM MEMBER FORCE ]

MEMBER					1001045						1001047						
NODE					1045			2045			1047			2047			
NAME TITLE					SHEAR	TORQUE	MOMENT	SHEAR	TORQUE	MOMENT	SHEAR	TORQUE	MOMENT	SHEAR	TORQUE	MOMENT	
					S2 (kN)	TQ (kN·m)	M3 (kN·m)	S2 (kN)	TQ (kN·m)	M3 (kN·m)	S2 (kN)	TQ (kN·m)	M3 (kN·m)	S2 (kN)	TQ (kN·m)	M3 (kN·m)	
301	LIVE LOAD	4-LANES	MAX	S2	0.16	0.00	-4.21	0.16	0.00	-3.55	0.02	0.00	1.07	0.02	0.00	1.15	
				TQ	0.00	0.00	0.00	0.00	0.00	0.00	0.00	0.00	0.00	0.00	0.00	0.00	0.00
				M3	-0.15	0.00	3.25	-0.15	0.00	2.64	0.02	0.00	1.07	0.02	0.00	1.15	
			MIN	S2	-0.31	0.00	-1.13	-0.31	0.00	-2.42	-0.04	0.00	-2.75	-0.04	0.00	-2.92	
				TQ	0.00	0.00	0.00	0.00	0.00	0.00	0.00	0.00	0.00	0.00	0.00	0.00	
				M3	-0.03	0.00	-7.92	-0.03	0.00	-8.05	-0.04	0.00	-2.76	-0.04	0.00	-2.93	
		6-LANES	MAX	S2	151.45	0.00	-327.65	151.45	0.00	304.95	148.99	0.00	-349.53	148.99	0.00	272.81	
				TQ	0.00	0.00	0.00	0.00	0.00	0.00	0.00	0.00	0.00	0.00	0.00	0.00	
				M3	-182.37	0.00	540.51	99.58	0.00	496.00	-171.67	0.00	472.74	104.05	0.00	459.32	
			MIN	S2	-207.97	0.00	480.49	-207.97	0.00	-388.19	-196.55	0.00	419.02	-196.55	0.00	-401.96	
				TQ	0.00	0.00	0.00	0.00	0.00	0.00	0.00	0.00	0.00	0.00	0.00	0.00	
				M3	85.12	0.00	-404.40	-142.26	0.00	-585.23	129.85	0.00	-420.16	-135.40	0.00	-589.55	
		LIVE LOAD	MAX		151.45	0.00	754.77	151.45	0.00	553.71	148.99	0.00	691.14	148.99	0.00	541.19	
			MIN		-335.24	0.00	-554.00	-335.24	0.00	-801.31	-324.83	0.00	-581.75	-324.83	0.00	-809.17	
		303	SUM TOTAL	TOTAL	MAX		60.76	0.00	1016.98	60.76	0.00	437.09	94.02	0.00	711.76	94.02	0.00
MIN					-425.94	0.00	-291.79	-425.94	0.00	-917.93	-379.80	0.00	-561.12	-379.80	0.00	-1018.15	

BAGO RIVER BRIDGE

BLOCK [ No.2 : CROSS BEAM ][ BEAM MEMBER FORCE ]

MEMBER NODE	1001049 1049	2049			1001051 1051			2051							
		SHEAR S2 (kN)	TORQUE TQ (kN·m)	MOMENT M3 (kN·m)	SHEAR S2 (kN)	TORQUE TQ (kN·m)	MOMENT M3 (kN·m)	SHEAR S2 (kN)	TORQUE TQ (kN·m)	MOMENT M3 (kN·m)					
1 PAVEMENT	-33.23	0.00	18.07	-33.23	0.00	-120.72	-49.15	0.00	37.86	-49.15	0.00	-167.44			
3 RAILING	-6.05	0.00	1.09	-6.05	0.00	-24.17	-6.67	0.00	2.81	-6.67	0.00	-25.03			
5 CURB	-59.88	0.00	10.83	-59.88	0.00	-239.31	-66.00	0.00	27.83	-66.00	0.00	-247.83			
7 DECK WEIGHT	-51.40	0.00	28.85	-51.40	0.00	-185.82	-75.69	0.00	60.03	-75.69	0.00	-256.11			
8 GIRDER WEIGH	-39.34	0.00	38.41	-39.34	0.00	-125.91	-75.36	0.00	76.43	-75.36	0.00	-238.35			
10 MEDIAN STRIP	42.89	0.00	1.34	42.89	0.00	180.51	41.98	0.00	-3.76	41.98	0.00	171.60			
21 ADITIONAL WE	-14.39	0.00	8.08	-14.39	0.00	-52.03	-21.19	0.00	16.81	-21.19	0.00	-71.71			
31 MEDIAN RAILI	1.81	0.00	0.25	1.81	0.00	7.82	1.40	0.00	0.24	1.40	0.00	6.07			
51 SUPPORT WEIG	-0.00	0.00	0.00	-0.00	0.00	0.00	-0.00	0.00	0.00	-0.00	0.00	0.00			
52 NOSE WEIGHT	-0.00	0.00	-0.00	-0.00	0.00	-0.00	0.00	0.00	-0.00	0.00	0.00	-0.00			
61 1-LANE(case1TRUCK-LOAD	MAX	S2	0.31	0.00	-0.55	0.31	0.00	0.76	0.40	0.00	0.39	0.40	0.00	2.05	
		TQ	0.00	0.00	0.00	0.00	0.00	0.00	0.00	0.00	0.00	0.00	0.00	0.00	
		M3	-187.08	0.00	290.75	0.31	0.00	0.76	-193.43	0.00	286.67	0.38	0.00	2.08	
	MIN	S2	-187.08	0.00	290.75	-187.08	0.00	-490.67	-193.43	0.00	286.67	-193.43	0.00	-521.27	
		TQ	0.00	0.00	0.00	0.00	0.00	0.00	0.00	0.00	0.00	0.00	0.00	0.00	
		M3	0.31	0.00	-0.55	-187.08	0.00	-490.67	-1.05	0.00	-3.98	-193.43	0.00	-521.27	
	TANDEM-LOAD	MAX	S2	0.21	0.00	-0.37	0.21	0.00	0.52	0.27	0.00	0.26	0.27	0.00	1.38
		TQ	0.00	0.00	0.00	0.00	0.00	0.00	0.00	0.00	0.00	0.00	0.00	0.00	
		M3	-141.10	0.00	217.38	0.21	0.00	0.52	-145.83	0.00	215.82	0.26	0.00	1.41	
	MIN	S2	-141.10	0.00	217.38	-141.10	0.00	-372.00	-145.83	0.00	215.82	-145.83	0.00	-393.31	
		TQ	0.00	0.00	0.00	0.00	0.00	0.00	0.00	0.00	0.00	0.00	0.00	0.00	
		M3	0.21	0.00	-0.38	-141.10	0.00	-372.00	-0.83	0.00	-2.73	-145.83	0.00	-393.31	
DISPERSION-LMAX	S2	0.37	0.00	-0.65	0.37	0.00	0.90	0.46	0.00	0.51	0.46	0.00	2.45		
	TQ	0.00	0.00	0.00	0.00	0.00	0.00	0.00	0.00	0.00	0.00	0.00	0.00		
	M3	-88.46	0.00	156.78	0.37	0.00	0.90	-88.19	0.00	135.57	0.46	0.00	2.45		
MIN	S2	-88.46	0.00	156.78	-88.46	0.00	-212.71	-89.76	0.00	132.20	-89.76	0.00	-242.73		
	TQ	0.00	0.00	0.00	0.00	0.00	0.00	0.00	0.00	0.00	0.00	0.00	0.00		
	M3	0.37	0.00	-0.65	-88.46	0.00	-212.71	-1.11	0.00	-2.85	-89.76	0.00	-242.73		

BAGO RIVER BRIDGE

BLOCK [ No.2 : CROSS BEAM ][ BEAM MEMBER FORCE ]

MEMBER				1001049						1001051						
NODE				1049			2049			1051			2051			
				SHEAR	TORQUE	MOMENT	SHEAR	TORQUE	MOMENT	SHEAR	TORQUE	MOMENT	SHEAR	TORQUE	MOMENT	
NAME	TITLE			S2 (kN)	TQ (kN·m)	M3 (kN·m)	S2 (kN)	TQ (kN·m)	M3 (kN·m)	S2 (kN)	TQ (kN·m)	M3 (kN·m)	S2 (kN)	TQ (kN·m)	M3 (kN·m)	
62	1-LANE (case2TRUCK-LOAD	MAX	S2	68.99	0.00	13.25	68.99	0.00	301.40	67.03	0.00	10.58	67.03	0.00	290.55	
			TQ	0.00	0.00	0.00	0.00	0.00	0.00	0.00	0.00	0.00	0.00	0.00	0.00	0.00
			M3	-1.64	0.00	59.92	68.99	0.00	301.40	-5.61	0.00	55.57	67.03	0.00	290.55	
		MIN	S2	-10.08	0.00	43.18	-10.08	0.00	1.08	-12.45	0.00	43.69	-12.45	0.00	-8.31	
			TQ	0.00	0.00	0.00	0.00	0.00	0.00	0.00	0.00	0.00	0.00	0.00	0.00	
			M3	0.34	0.00	-0.66	-3.52	0.00	-3.57	0.47	0.00	-0.30	-9.29	0.00	-13.05	
		TANDEM-LOAD MAX	S2	54.01	0.00	2.45	54.01	0.00	228.03	52.62	0.00	0.85	52.62	0.00	220.66	
			TQ	0.00	0.00	0.00	0.00	0.00	0.00	0.00	0.00	0.00	0.00	0.00	0.00	
			M3	3.72	0.00	42.42	54.01	0.00	228.03	0.56	0.00	39.58	52.62	0.00	220.66	
		MIN	S2	-7.76	0.00	35.68	-7.76	0.00	3.27	-9.38	0.00	36.24	-9.38	0.00	-2.95	
			TQ	0.00	0.00	0.00	0.00	0.00	0.00	0.00	0.00	0.00	0.00	0.00	0.00	
			M3	0.23	0.00	-0.45	-5.83	0.00	-2.46	0.31	0.00	-0.21	-7.43	0.00	-8.99	
		DISPERSION-LMAX	S2	23.99	0.00	17.81	23.99	0.00	118.00	22.84	0.00	15.46	22.84	0.00	110.87	
			TQ	0.00	0.00	0.00	0.00	0.00	0.00	0.00	0.00	0.00	0.00	0.00	0.00	
			M3	11.67	0.00	51.84	20.39	0.00	124.58	9.57	0.00	41.63	21.29	0.00	115.74	
MIN	S2	-7.04	0.00	32.62	-7.04	0.00	3.22	-7.89	0.00	25.10	-7.89	0.00	-7.85			
	TQ	0.00	0.00	0.00	0.00	0.00	0.00	0.00	0.00	0.00	0.00	0.00	0.00			
	M3	5.28	0.00	-1.41	-3.45	0.00	-3.35	5.39	0.00	-1.08	-6.33	0.00	-12.72			
63	1-LANE (case3TRUCK-LOAD	MAX	S2	25.69	0.00	-87.34	25.69	0.00	19.95	21.29	0.00	-83.36	21.29	0.00	5.55	
			TQ	0.00	0.00	0.00	0.00	0.00	0.00	0.00	0.00	0.00	0.00	0.00	0.00	
			M3	-1.41	0.00	2.09	18.91	0.00	28.69	-3.53	0.00	6.25	15.09	0.00	16.43	
		MIN	S2	-1.42	0.00	2.06	-1.42	0.00	-3.88	-3.53	0.00	6.20	-3.53	0.00	-8.55	
			TQ	0.00	0.00	0.00	0.00	0.00	0.00	0.00	0.00	0.00	0.00	0.00	0.00	
			M3	25.69	0.00	-87.34	-1.42	0.00	-3.88	21.29	0.00	-83.36	-3.53	0.00	-8.55	

BAGO RIVER BRIDGE

BLOCK [ No.2 : CROSS BEAM ][ BEAM MEMBER FORCE ]

MEMBER		1001049						1001051									
NODE		1049			2049			1051			2051						
		SHEAR	TORQUE	MOMENT	SHEAR	TORQUE	MOMENT	SHEAR	TORQUE	MOMENT	SHEAR	TORQUE	MOMENT				
NAME	TITLE	S2 (kN)	TQ (kN·m)	M3 (kN·m)	S2 (kN)	TQ (kN·m)	M3 (kN·m)	S2 (kN)	TQ (kN·m)	M3 (kN·m)	S2 (kN)	TQ (kN·m)	M3 (kN·m)				
63	1-LANE (case3TANDEM-LOAD	MAX	S2	18.07	0.00	-63.29	18.07	0.00	12.17	15.01	0.00	-60.69	15.01	0.00	2.00		
			TQ	0.00	0.00	0.00	0.00	0.00	0.00	0.00	0.00	0.00	0.00	0.00	0.00		
			M3	-1.00	0.00	1.46	11.99	0.00	21.23	-2.45	0.00	4.29	9.49	0.00	13.21		
		MIN	S2	-1.01	0.00	1.45	-1.01	0.00	-2.77	-2.45	0.00	4.27	-2.45	0.00	-5.96		
			TQ	0.00	0.00	0.00	0.00	0.00	0.00	0.00	0.00	0.00	0.00	0.00	0.00		
			M3	18.07	0.00	-63.29	-1.01	0.00	-2.77	15.01	0.00	-60.69	-2.45	0.00	-5.96		
		DISPERSION-LMAX	S2	16.76	0.00	-47.88	16.76	0.00	22.12	12.92	0.00	-41.81	12.92	0.00	12.17		
			TQ	0.00	0.00	0.00	0.00	0.00	0.00	0.00	0.00	0.00	0.00	0.00	0.00		
			M3	-1.18	0.00	2.61	14.35	0.00	24.52	-3.36	0.00	6.58	10.17	0.00	16.20		
		MIN	S2	-1.28	0.00	2.44	-1.28	0.00	-2.89	-3.40	0.00	6.51	-3.40	0.00	-7.70		
			TQ	0.00	0.00	0.00	0.00	0.00	0.00	0.00	0.00	0.00	0.00	0.00	0.00		
			M3	16.66	0.00	-48.05	1.13	0.00	-5.29	12.88	0.00	-41.87	-0.65	0.00	-11.73		
		64	1-LANE (case4TRUCK-LOAD	MAX	S2	10.60	0.00	-85.84	10.60	0.00	-41.57	6.42	0.00	-72.20	6.42	0.00	-45.39
					TQ	0.00	0.00	0.00	0.00	0.00	0.00	0.00	0.00	0.00	0.00	0.00	0.00
					M3	-0.64	0.00	1.26	0.40	0.00	0.76	-2.62	0.00	8.77	0.66	0.00	0.95
MIN	S2			-0.70	0.00	0.99	-0.70	0.00	-1.91	-2.69	0.00	8.59	-2.69	0.00	-2.63		
	TQ			0.00	0.00	0.00	0.00	0.00	0.00	0.00	0.00	0.00	0.00	0.00	0.00		
	M3			5.91	0.00	-148.80	5.88	0.00	-124.14	1.84	0.00	-124.41	1.38	0.00	-117.92		
TANDEM-LOAD	MAX			S2	7.32	0.00	-64.11	7.32	0.00	-33.52	4.52	0.00	-39.53	4.52	0.00	-20.65	
	TQ			0.00	0.00	0.00	0.00	0.00	0.00	0.00	0.00	0.00	0.00	0.00	0.00		
	M3			-0.43	0.00	0.88	0.27	0.00	0.52	-1.81	0.00	6.05	0.45	0.00	0.65		
MIN	S2			-0.48	0.00	0.79	-0.48	0.00	-1.23	-1.83	0.00	5.65	-1.83	0.00	-2.01		
	TQ			0.00	0.00	0.00	0.00	0.00	0.00	0.00	0.00	0.00	0.00	0.00	0.00		
	M3			4.06	0.00	-101.21	3.79	0.00	-85.21	1.02	0.00	-85.16	0.89	0.00	-81.24		



BAGO RIVER BRIDGE

BLOCK [ No.2 : CROSS BEAM ][ BEAM MEMBER FORCE ]

MEMBER		1001049						1001051									
NODE		1049			2049			1051			2051						
		SHEAR	TORQUE	MOMENT	SHEAR	TORQUE	MOMENT	SHEAR	TORQUE	MOMENT	SHEAR	TORQUE	MOMENT				
NAME	TITLE	S2 (kN)	TQ (kN·m)	M3 (kN·m)	S2 (kN)	TQ (kN·m)	M3 (kN·m)	S2 (kN)	TQ (kN·m)	M3 (kN·m)	S2 (kN)	TQ (kN·m)	M3 (kN·m)				
64	1-LANE (case4DISPERSION-LMAX	S2	11.86	0.00	-140.01	11.86	0.00	-90.47	4.56	0.00	-79.85	4.56	0.00	-60.80			
		TQ	0.00	0.00	0.00	0.00	0.00	0.00	0.00	0.00	0.00	0.00	0.00	0.00			
		M3	-0.47	0.00	0.87	0.46	0.00	0.89	-2.31	0.00	7.14	0.80	0.00	1.10			
		MIN	S2	-0.53	0.00	0.65	-0.53	0.00	-1.54	-2.57	0.00	-12.05	-2.57	0.00	-22.79		
		TQ	0.00	0.00	0.00	0.00	0.00	0.00	0.00	0.00	0.00	0.00	0.00	0.00			
		M3	11.80	0.00	-140.23	10.87	0.00	-92.90	4.30	0.00	-99.05	1.19	0.00	-84.69			
		65	2-LANES (caseTRUCK-LOAD	MAX	S2	0.64	0.00	-1.16	0.64	0.00	1.52	0.83	0.00	0.45	0.83	0.00	3.93
				TQ	0.00	0.00	0.00	0.00	0.00	0.00	0.00	0.00	0.00	0.00	0.00	0.00	
				M3	-221.73	0.00	428.73	0.64	0.00	1.52	-232.20	0.00	420.57	0.81	0.00	3.97	
MIN	S2			-221.93	0.00	428.23	-221.93	0.00	-498.76	-232.20	0.00	420.57	-232.20	0.00	-549.34		
TQ	0.00			0.00	0.00	0.00	0.00	0.00	0.00	0.00	0.00	0.00	0.00	0.00			
M3	0.64			0.00	-1.16	-209.18	0.00	-500.72	-2.08	0.00	-5.76	-232.20	0.00	-549.34			
TANDEM-LOAD	MAX			S2	0.44	0.00	-0.78	0.44	0.00	1.04	0.57	0.00	0.29	0.57	0.00	2.66	
TQ	0.00			0.00	0.00	0.00	0.00	0.00	0.00	0.00	0.00	0.00	0.00	0.00	0.00		
M3	-165.79			0.00	315.47	0.44	0.00	1.04	-173.49	0.00	311.68	0.56	0.00	2.71			
MIN	S2	-165.85	0.00	315.33	-165.85	0.00	-377.43	-173.49	0.00	311.68	-173.49	0.00	-413.00				
TQ	0.00	0.00	0.00	0.00	0.00	0.00	0.00	0.00	0.00	0.00	0.00	0.00					
M3	0.44	0.00	-0.79	-156.93	0.00	-379.08	-1.56	0.00	-3.97	-173.49	0.00	-413.00					
DISPERSION-LMAX	S2	2.40	0.00	6.75	2.40	0.00	16.79	2.35	0.00	7.16	2.35	0.00	16.98				
TQ	0.00	0.00	0.00	0.00	0.00	0.00	0.00	0.00	0.00	0.00	0.00	0.00					
M3	-115.55	0.00	260.43	-1.61	0.00	24.76	-115.54	0.00	221.97	0.11	0.00	22.75					
MIN	S2	-117.19	0.00	252.32	-117.19	0.00	-237.20	-119.69	0.00	210.73	-119.69	0.00	-289.23				
TQ	0.00	0.00	0.00	0.00	0.00	0.00	0.00	0.00	0.00	0.00	0.00	0.00					
M3	0.76	0.00	-1.36	-113.18	0.00	-245.17	-1.81	0.00	-4.08	-117.46	0.00	-295.00					

BAGO RIVER BRIDGE

BLOCK [ No.2 : CROSS BEAM ][ BEAM MEMBER FORCE ]

MEMBER				1001049						1001051						
NODE				1049			2049			1051			2051			
NAME TITLE				SHEAR	TORQUE	MOMENT	SHEAR	TORQUE	MOMENT	SHEAR	TORQUE	MOMENT	SHEAR	TORQUE	MOMENT	
				S2 (kN)	TQ (kN·m)	M3 (kN·m)	S2 (kN)	TQ (kN·m)	M3 (kN·m)	S2 (kN)	TQ (kN·m)	M3 (kN·m)	S2 (kN)	TQ (kN·m)	M3 (kN·m)	
66	2-LANES (caseTRUCK-LOAD	MAX	S2	69.31	0.00	12.64	69.31	0.00	302.16	67.46	0.00	10.63	67.46	0.00	292.43	
			TQ	0.00	0.00	0.00	0.00	0.00	0.00	0.00	0.00	0.00	0.00	0.00	0.00	0.00
			M3	-36.29	0.00	197.90	69.31	0.00	302.16	-44.39	0.00	189.47	67.46	0.00	292.44	
		MIN	S2	-44.93	0.00	180.66	-44.93	0.00	-7.01	-51.23	0.00	177.59	-51.23	0.00	-36.38	
			TQ	0.00	0.00	0.00	0.00	0.00	0.00	0.00	0.00	0.00	0.00	0.00	0.00	0.00
			M3	0.67	0.00	-1.26	-25.62	0.00	-13.62	-0.57	0.00	-2.09	-48.07	0.00	-41.12	
		TANDEM-LOAD MAX	S2	54.23	0.00	2.04	54.23	0.00	228.55	52.92	0.00	0.88	52.92	0.00	221.93	
			TQ	0.00	0.00	0.00	0.00	0.00	0.00	0.00	0.00	0.00	0.00	0.00	0.00	0.00
			M3	-20.97	0.00	140.50	54.23	0.00	228.55	-27.10	0.00	135.44	52.92	0.00	221.95	
		MIN	S2	-32.51	0.00	133.62	-32.51	0.00	-2.16	-37.04	0.00	132.10	-37.04	0.00	-22.64	
			TQ	0.00	0.00	0.00	0.00	0.00	0.00	0.00	0.00	0.00	0.00	0.00	0.00	0.00
			M3	0.45	0.00	-0.86	-21.67	0.00	-9.54	-0.42	0.00	-1.45	-35.09	0.00	-28.67	
		DISPERSION-LMAX	S2	26.02	0.00	25.21	26.02	0.00	133.89	24.73	0.00	22.11	24.73	0.00	125.40	
			TQ	0.00	0.00	0.00	0.00	0.00	0.00	0.00	0.00	0.00	0.00	0.00	0.00	0.00
			M3	-15.42	0.00	155.49	18.41	0.00	148.44	-17.79	0.00	128.03	20.94	0.00	136.04	
MIN	S2	-35.78	0.00	128.16	-35.78	0.00	-21.27	-37.82	0.00	103.63	-37.82	0.00	-54.35			
	TQ	0.00	0.00	0.00	0.00	0.00	0.00	0.00	0.00	0.00	0.00	0.00	0.00	0.00		
	M3	5.66	0.00	-2.12	-28.17	0.00	-35.82	4.70	0.00	-2.30	-34.03	0.00	-64.99			
67	2-LANES (caseTRUCK-LOAD	MAX	S2	39.97	0.00	-195.40	39.97	0.00	-28.42	31.27	0.00	-171.87	31.27	0.00	-41.25	
			TQ	0.00	0.00	0.00	0.00	0.00	0.00	0.00	0.00	0.00	0.00	0.00	0.00	
			M3	-2.12	0.00	3.46	19.29	0.00	29.45	-6.16	0.00	13.12	15.68	0.00	17.72	
		MIN	S2	-2.24	0.00	3.09	-2.24	0.00	-6.27	-6.28	0.00	12.61	-6.28	0.00	-13.60	
			TQ	0.00	0.00	0.00	0.00	0.00	0.00	0.00	0.00	0.00	0.00	0.00	0.00	0.00
			M3	39.07	0.00	-208.59	11.96	0.00	-69.21	30.34	0.00	-190.66	5.52	0.00	-78.02	

BAGO RIVER BRIDGE

BLOCK [ No.2 : CROSS BEAM ][ BEAM MEMBER FORCE ]

MEMBER		1001049						1001051									
NODE		1049			2049			1051			2051						
		SHEAR	TORQUE	MOMENT	SHEAR	TORQUE	MOMENT	SHEAR	TORQUE	MOMENT	SHEAR	TORQUE	MOMENT				
NAME	TITLE	S2 (kN)	TQ (kN·m)	M3 (kN·m)	S2 (kN)	TQ (kN·m)	M3 (kN·m)	S2 (kN)	TQ (kN·m)	M3 (kN·m)	S2 (kN)	TQ (kN·m)	M3 (kN·m)				
67	2-LANES (caseTANDEM-LOAD	MAX	S2	28.05	0.00	-130.06	28.05	0.00	-12.91	21.98	0.00	-113.00	21.98	0.00	-21.19		
			TQ	0.00	0.00	0.00	0.00	0.00	0.00	0.00	0.00	0.00	0.00	0.00	0.00	0.00	
			M3	-1.51	0.00	2.42	12.25	0.00	21.74	-4.21	0.00	8.98	9.89	0.00	0.00	14.09	
		MIN	S2	-1.57	0.00	2.26	-1.57	0.00	-4.31	-4.32	0.00	8.84	-4.32	0.00	0.00	-9.21	
			TQ	0.00	0.00	0.00	0.00	0.00	0.00	0.00	0.00	0.00	0.00	0.00	0.00	0.00	
			M3	26.83	0.00	-147.75	7.76	0.00	-50.62	20.90	0.00	-136.14	3.44	0.00	0.00	-56.81	
		DISPERSION-LMAX	S2	30.92	0.00	-141.57	30.92	0.00	-12.42	21.38	0.00	-112.25	21.38	0.00	0.00	-22.93	
			TQ	0.00	0.00	0.00	0.00	0.00	0.00	0.00	0.00	0.00	0.00	0.00	0.00	0.00	
			M3	-1.77	0.00	3.65	15.83	0.00	25.78	-5.89	0.00	12.55	11.12	0.00	0.00	17.78	
		MIN	S2	-1.95	0.00	3.14	-1.95	0.00	-5.01	-6.04	0.00	12.05	-6.04	0.00	0.00	-13.20	
			TQ	0.00	0.00	0.00	0.00	0.00	0.00	0.00	0.00	0.00	0.00	0.00	0.00	0.00	
			M3	30.73	0.00	-142.08	13.14	0.00	-43.21	21.23	0.00	-112.75	4.22	0.00	0.00	-53.91	
		68	2-LANES (caseTRUCK-LOAD	MAX	S2	24.89	0.00	-193.87	24.89	0.00	-89.91	16.40	0.00	-160.69	16.40	0.00	-92.17
					TQ	0.00	0.00	0.00	0.00	0.00	0.00	0.00	0.00	0.00	0.00	0.00	0.00
					M3	-1.35	0.00	2.63	0.78	0.00	1.52	-5.25	0.00	15.64	1.30	0.00	0.00
MIN	S2			-1.51	0.00	2.02	-1.51	0.00	-4.30	-5.43	0.00	15.01	-5.43	0.00	0.00	-7.67	
	TQ			0.00	0.00	0.00	0.00	0.00	0.00	0.00	0.00	0.00	0.00	0.00	0.00	0.00	
	M3			19.30	0.00	-270.04	19.28	0.00	-189.44	10.90	0.00	-231.70	10.43	0.00	0.00	-187.36	
TANDEM-LOAD	MAX			S2	17.31	0.00	-130.87	17.31	0.00	-58.58	11.50	0.00	-91.83	11.50	0.00	-43.82	
	TQ			0.00	0.00	0.00	0.00	0.00	0.00	0.00	0.00	0.00	0.00	0.00	0.00	0.00	
	M3			-0.93	0.00	1.84	0.53	0.00	1.03	-3.58	0.00	10.74	0.89	0.00	0.00	1.40	
MIN	S2			-1.05	0.00	1.60	-1.05	0.00	-2.77	-3.70	0.00	10.21	-3.70	0.00	0.00	-5.26	
	TQ			0.00	0.00	0.00	0.00	0.00	0.00	0.00	0.00	0.00	0.00	0.00	0.00	0.00	
	M3			12.83	0.00	-185.66	12.56	0.00	-133.05	6.91	0.00	-160.61	6.78	0.00	0.00	-132.08	

BAGO RIVER BRIDGE

BLOCK [ No.2 : CROSS BEAM ][ BEAM MEMBER FORCE ]

MEMBER		1001049						1001051							
NODE		1049			2049			1051			2051				
		SHEAR	TORQUE	MOMENT	SHEAR	TORQUE	MOMENT	SHEAR	TORQUE	MOMENT	SHEAR	TORQUE	MOMENT		
NAME	TITLE	S2 (kN)	TQ (kN·m)	M3 (kN·m)	S2 (kN)	TQ (kN·m)	M3 (kN·m)	S2 (kN)	TQ (kN·m)	M3 (kN·m)	S2 (kN)	TQ (kN·m)	M3 (kN·m)		
68	2-LANES (caseDISPERSION-LMAX	S2	26.03	0.00	-233.74	26.03	0.00	-124.99	13.07	0.00	-150.68	13.07	0.00	-96.07	
		TQ	0.00	0.00	0.00	0.00	0.00	0.00	0.00	0.00	0.00	0.00	0.00	0.00	
		M3	-1.06	0.00	1.91	1.96	0.00	2.14	-4.85	0.00	13.20	1.79	0.00	2.49	
	MIN	S2	-1.20	0.00	1.36	-1.20	0.00	-3.66	-5.22	0.00	-6.43	-5.22	0.00	-28.24	
		TQ	0.00	0.00	0.00	0.00	0.00	0.00	0.00	0.00	0.00	0.00	0.00	0.00	
		M3	25.89	0.00	-234.30	22.88	0.00	-130.79	12.70	0.00	-170.31	6.06	0.00	-126.80	
	69	3-LANES (caseTRUCK-LOAD	MAX S2	69.63	0.00	12.09	69.63	0.00	302.93	67.86	0.00	11.03	67.86	0.00	294.48
			TQ	0.00	0.00	0.00	0.00	0.00	0.00	0.00	0.00	0.00	0.00	0.00	0.00
			M3	-223.37	0.00	488.65	69.63	0.00	302.93	-237.82	0.00	476.14	67.84	0.00	294.52
MIN		S2	-232.01	0.00	471.41	-232.01	0.00	-497.68	-244.65	0.00	464.27	-244.65	0.00	-557.65	
		TQ	0.00	0.00	0.00	0.00	0.00	0.00	0.00	0.00	0.00	0.00	0.00	0.00	
		M3	0.98	0.00	-1.82	-212.70	0.00	-504.29	-1.62	0.00	-6.06	-241.50	0.00	-562.38	
TANDEM-LOAD		MAX S2	54.44	0.00	1.67	54.44	0.00	229.07	53.19	0.00	1.14	53.19	0.00	223.32	
		TQ	0.00	0.00	0.00	0.00	0.00	0.00	0.00	0.00	0.00	0.00	0.00	0.00	
		M3	-162.07	0.00	357.88	54.44	0.00	229.07	-172.93	0.00	351.26	53.18	0.00	223.37	
MIN	S2	-173.61	0.00	351.00	-173.61	0.00	-374.16	-182.87	0.00	347.92	-182.87	0.00	-415.95		
	TQ	0.00	0.00	0.00	0.00	0.00	0.00	0.00	0.00	0.00	0.00	0.00	0.00		
	M3	0.67	0.00	-1.24	-162.77	0.00	-381.54	-1.25	0.00	-4.18	-180.92	0.00	-421.98		
DISPERSION-LMAX	S2	26.39	0.00	24.56	26.39	0.00	134.79	25.19	0.00	22.62	25.19	0.00	127.85		
	TQ	0.00	0.00	0.00	0.00	0.00	0.00	0.00	0.00	0.00	0.00	0.00	0.00		
	M3	-103.87	0.00	312.27	18.78	0.00	149.34	-105.97	0.00	263.60	21.40	0.00	138.49		
MIN	S2	-124.23	0.00	284.94	-124.23	0.00	-233.98	-127.58	0.00	235.83	-127.58	0.00	-297.08		
	TQ	0.00	0.00	0.00	0.00	0.00	0.00	0.00	0.00	0.00	0.00	0.00	0.00		
	M3	6.03	0.00	-2.77	-116.62	0.00	-248.53	3.58	0.00	-5.15	-123.79	0.00	-307.72		

BAGO RIVER BRIDGE

BLOCK [ No.2 : CROSS BEAM ][ BEAM MEMBER FORCE ]

MEMBER				1001049						1001051						
NODE				1049			2049			1051			2051			
				SHEAR	TORQUE	MOMENT	SHEAR	TORQUE	MOMENT	SHEAR	TORQUE	MOMENT	SHEAR	TORQUE	MOMENT	
NAME	TITLE			S2 (kN)	TQ (kN·m)	M3 (kN·m)	S2 (kN)	TQ (kN·m)	M3 (kN·m)	S2 (kN)	TQ (kN·m)	M3 (kN·m)	S2 (kN)	TQ (kN·m)	M3 (kN·m)	
70	3-LANES (caseTRUCK-LOAD	MAX	S2	50.57	0.00	-281.25	50.57	0.00	-70.01	37.69	0.00	-244.09	37.69	0.00	-86.67	
			TQ	0.00	0.00	0.00	0.00	0.00	0.00	0.00	0.00	0.00	0.00	0.00	0.00	0.00
			M3	-2.76	0.00	4.72	19.67	0.00	30.21	-8.78	0.00	21.89	16.31	0.00	18.84	
		MIN	S2	-2.94	0.00	4.08	-2.94	0.00	-8.18	-8.96	0.00	21.21	-8.96	0.00	-16.23	
			TQ	0.00	0.00	0.00	0.00	0.00	0.00	0.00	0.00	0.00	0.00	0.00	0.00	0.00
			M3	44.98	0.00	-357.40	17.85	0.00	-193.37	32.18	0.00	-315.08	6.90	0.00	-195.96	
		TANDEM-LOAD MAX	S2	35.37	0.00	-194.18	35.37	0.00	-46.44	26.50	0.00	-152.54	26.50	0.00	-41.84	
			TQ	0.00	0.00	0.00	0.00	0.00	0.00	0.00	0.00	0.00	0.00	0.00	0.00	0.00
			M3	-1.93	0.00	3.30	12.51	0.00	22.26	-6.03	0.00	15.03	10.32	0.00	14.86	
		MIN	S2	-2.06	0.00	3.05	-2.06	0.00	-5.54	-6.15	0.00	14.48	-6.15	0.00	-11.22	
			TQ	0.00	0.00	0.00	0.00	0.00	0.00	0.00	0.00	0.00	0.00	0.00	0.00	0.00
			M3	30.89	0.00	-248.96	11.55	0.00	-135.85	21.91	0.00	-221.30	4.33	0.00	-138.07	
		DISPERSION-LMAX	S2	42.76	0.00	-281.51	42.76	0.00	-102.89	25.90	0.00	-191.68	25.90	0.00	-83.51	
			TQ	0.00	0.00	0.00	0.00	0.00	0.00	0.00	0.00	0.00	0.00	0.00	0.00	0.00
			M3	-2.23	0.00	4.51	16.28	0.00	26.67	-8.20	0.00	19.62	11.87	0.00	19.07	
MIN	S2	-2.48	0.00	3.79	-2.48	0.00	-6.55	-8.61	0.00	-0.05	-8.61	0.00	-36.01			
	TQ	0.00	0.00	0.00	0.00	0.00	0.00	0.00	0.00	0.00	0.00	0.00	0.00	0.00		
	M3	42.52	0.00	-282.23	24.01	0.00	-136.11	25.48	0.00	-211.35	5.42	0.00	-138.60			
71	3-LANES (caseTRUCK-LOAD	MAX	S2	50.58	0.00	-281.20	50.58	0.00	-69.91	37.70	0.00	-244.04	37.70	0.00	-86.58	
			TQ	0.00	0.00	0.00	0.00	0.00	0.00	0.00	0.00	0.00	0.00	0.00	0.00	
			M3	-2.76	0.00	4.72	19.70	0.00	30.24	-8.78	0.00	21.89	16.39	0.00	18.51	
		MIN	S2	-2.94	0.00	4.08	-2.94	0.00	-8.18	-8.96	0.00	21.21	-8.96	0.00	-16.23	
			TQ	0.00	0.00	0.00	0.00	0.00	0.00	0.00	0.00	0.00	0.00	0.00	0.00	
			M3	45.00	0.00	-357.36	17.85	0.00	-193.32	32.19	0.00	-315.05	6.90	0.00	-195.91	

BAGO RIVER BRIDGE

BLOCK [ No.2 : CROSS BEAM ][ BEAM MEMBER FORCE ]

MEMBER		1001049			2049			1001051			2051		
NODE		1049			2049			1051			2051		
		SHEAR	TORQUE	MOMENT	SHEAR	TORQUE	MOMENT	SHEAR	TORQUE	MOMENT	SHEAR	TORQUE	MOMENT
NAME	TITLE	S2 (kN)	TQ (kN·m)	M3 (kN·m)	S2 (kN)	TQ (kN·m)	M3 (kN·m)	S2 (kN)	TQ (kN·m)	M3 (kN·m)	S2 (kN)	TQ (kN·m)	M3 (kN·m)
71	3-LANES (case)	TANDEM-LOAD	MAX	S2	35.38	0.00	-194.15	35.38	0.00	-46.37	26.51	0.00	-152.51
				TQ	0.00	0.00	0.00	0.00	0.00	0.00	0.00	0.00	0.00
				M3	-1.93	0.00	3.30	12.53	0.00	22.28	-6.03	0.00	15.03
			MIN	S2	-2.06	0.00	3.05	-2.06	0.00	-5.54	-6.15	0.00	14.49
				TQ	0.00	0.00	0.00	0.00	0.00	0.00	0.00	0.00	0.00
				M3	30.90	0.00	-248.94	11.55	0.00	-135.81	21.92	0.00	-221.29
		DISPERSION-L	MAX	S2	42.81	0.00	-281.66	42.81	0.00	-102.85	26.05	0.00	-192.88
				TQ	0.00	0.00	0.00	0.00	0.00	0.00	0.00	0.00	0.00
				M3	-2.23	0.00	4.54	16.32	0.00	26.68	-8.22	0.00	19.86
			MIN	S2	-2.48	0.00	3.81	-2.48	0.00	-6.54	-8.63	0.00	0.16
				TQ	0.00	0.00	0.00	0.00	0.00	0.00	0.00	0.00	0.00
				M3	42.57	0.00	-282.39	24.01	0.00	-136.07	25.63	0.00	-212.57
72	4-LANES	TRUCK-LOAD	MAX	S2	1.51	0.00	-3.27	1.51	0.00	3.03	2.45	0.00	-5.44
				TQ	0.00	0.00	0.00	0.00	0.00	0.00	0.00	0.00	0.00
				M3	-0.43	0.00	0.88	1.51	0.00	3.03	-0.65	0.00	1.06
			MIN	S2	-0.43	0.00	0.88	-0.43	0.00	-0.89	-0.66	0.00	1.06
				TQ	0.00	0.00	0.00	0.00	0.00	0.00	0.00	0.00	0.00
				M3	1.51	0.00	-3.27	-0.43	0.00	-0.89	2.45	0.00	-5.44
		TANDEM-LOAD	MAX	S2	1.03	0.00	-2.24	1.03	0.00	2.07	1.68	0.00	-3.78
				TQ	0.00	0.00	0.00	0.00	0.00	0.00	0.00	0.00	0.00
				M3	-0.29	0.00	0.60	1.03	0.00	2.07	-0.45	0.00	0.72
			MIN	S2	-0.29	0.00	0.60	-0.29	0.00	-0.61	-0.45	0.00	0.72
				TQ	0.00	0.00	0.00	0.00	0.00	0.00	0.00	0.00	0.00
				M3	1.03	0.00	-2.24	-0.29	0.00	-0.61	1.68	0.00	-3.78

BAGO RIVER BRIDGE

BLOCK [ No.2 : CROSS BEAM ][ BEAM MEMBER FORCE ]

MEMBER			1001049						1001051									
NODE			1049			2049			1051			2051						
			SHEAR	TORQUE	MOMENT	SHEAR	TORQUE	MOMENT	SHEAR	TORQUE	MOMENT	SHEAR	TORQUE	MOMENT				
NAME	TITLE		S2 (kN)	TQ (kN·m)	M3 (kN·m)	S2 (kN)	TQ (kN·m)	M3 (kN·m)	S2 (kN)	TQ (kN·m)	M3 (kN·m)	S2 (kN)	TQ (kN·m)	M3 (kN·m)				
72	4-LANES	DISPERSION-LMAX	S2	1.05	0.00	-2.27	1.05	0.00	2.14	1.70	0.00	-3.58	1.70	0.00	3.52			
			TQ	0.00	0.00	0.00	0.00	0.00	0.00	0.00	0.00	0.00	0.00	0.00	0.00	0.00		
			M3	-0.52	0.00	1.07	1.05	0.00	2.14	-0.80	0.00	1.30	1.70	0.00	0.00	3.53		
		MIN	S2	-0.52	0.00	1.07	-0.52	0.00	-1.09	-0.80	0.00	1.30	-0.80	0.00	0.00	-2.03		
			TQ	0.00	0.00	0.00	0.00	0.00	0.00	0.00	0.00	0.00	0.00	0.00	0.00	0.00		
			M3	1.05	0.00	-2.27	-0.52	0.00	-1.09	1.70	0.00	-3.58	-0.80	0.00	0.00	-2.05		
		73	6-LANES	TRUCK-LOAD	MAX	S2	126.68	0.00	-160.53	126.68	0.00	368.62	114.84	0.00	-137.32	114.84	0.00	342.37
					TQ	0.00	0.00	0.00	0.00	0.00	0.00	0.00	0.00	0.00	0.00	0.00	0.00	0.00
					M3	-183.32	0.00	433.91	100.74	0.00	443.58	-196.40	0.00	437.02	97.77	0.00	0.00	421.27
MIN	S2			-205.64	0.00	395.62	-205.64	0.00	-463.36	-221.14	0.00	403.48	-221.14	0.00	0.00	-520.23		
	TQ			0.00	0.00	0.00	0.00	0.00	0.00	0.00	0.00	0.00	0.00	0.00	0.00	0.00		
	M3			120.81	0.00	-340.37	-174.99	0.00	-648.58	103.67	0.00	-307.78	-196.53	0.00	0.00	-702.33		
TANDEM-LOAD	MAX			S2	96.03	0.00	-115.05	96.03	0.00	286.06	88.02	0.00	-99.46	88.02	0.00	268.21		
	TQ			0.00	0.00	0.00	0.00	0.00	0.00	0.00	0.00	0.00	0.00	0.00	0.00	0.00		
	M3			-139.19	0.00	316.39	77.99	0.00	331.42	-153.51	0.00	319.14	76.16	0.00	0.00	317.02		
MIN	S2			-153.86	0.00	300.62	-153.86	0.00	-342.04	-164.80	0.00	294.74	-164.80	0.00	0.00	-393.62		
	TQ			0.00	0.00	0.00	0.00	0.00	0.00	0.00	0.00	0.00	0.00	0.00	0.00	0.00		
	M3			89.54	0.00	-244.92	-131.76	0.00	-482.58	77.67	0.00	-223.79	-146.93	0.00	0.00	-520.40		
DISPERSION-LMAX	S2	66.11	0.00	-222.03	66.11	0.00	54.10	49.79	0.00	-152.84	49.79	0.00	0.00	55.13				
	TQ	0.00	0.00	0.00	0.00	0.00	0.00	0.00	0.00	0.00	0.00	0.00	0.00	0.00				
	M3	-100.52	0.00	289.72	34.99	0.00	175.79	-108.08	0.00	257.91	33.24	0.00	0.00	156.70				
MIN	S2	-117.69	0.00	265.14	-117.69	0.00	-226.44	-125.78	0.00	213.85	-125.78	0.00	0.00	-311.54				
	TQ	0.00	0.00	0.00	0.00	0.00	0.00	0.00	0.00	0.00	0.00	0.00	0.00	0.00				
	M3	44.17	0.00	-258.69	-87.09	0.00	-359.77	26.42	0.00	-194.77	-110.17	0.00	0.00	-413.37				

BAGO RIVER BRIDGE

BLOCK [ No.2 : CROSS BEAM ][ BEAM MEMBER FORCE ]

MEMBER			1001049			2049			1001051			2051			
NODE			1049			1051			1051			2051			
NAME TITLE			SHEAR	TORQUE	MOMENT	SHEAR	TORQUE	MOMENT	SHEAR	TORQUE	MOMENT	SHEAR	TORQUE	MOMENT	
			S2 (kN)	TQ (kN·m)	M3 (kN·m)	S2 (kN)	TQ (kN·m)	M3 (kN·m)	S2 (kN)	TQ (kN·m)	M3 (kN·m)	S2 (kN)	TQ (kN·m)	M3 (kN·m)	
124	SUM TOTAL	D+1LANE (caseMAX	S2	-158.75	0.00	105.48	-158.75	0.00	-557.63	-249.64	0.00	219.35	-249.64	0.00	-823.41
			TQ	-159.58	0.00	106.92	-159.58	0.00	-559.63	-250.67	0.00	218.25	-250.67	0.00	-828.80
			M3	-490.22	0.00	643.96	-158.75	0.00	-557.63	-588.61	0.00	724.94	-249.66	0.00	-823.38
		MIN	S2	-490.22	0.00	643.96	-490.22	0.00	-1403.68	-590.50	0.00	720.90	-590.50	0.00	-1745.60
			TQ	-159.58	0.00	106.92	-159.58	0.00	-559.63	-250.67	0.00	218.25	-250.67	0.00	-828.80
			M3	-158.75	0.00	105.48	-490.22	0.00	-1403.68	-253.27	0.00	210.06	-590.50	0.00	-1745.60
		D+1LANE (caseMAX	S2	-48.01	0.00	144.19	-48.01	0.00	-56.35	-142.83	0.00	249.50	-142.83	0.00	-347.10
			TQ	-159.58	0.00	106.92	-159.58	0.00	-559.63	-250.67	0.00	218.25	-250.67	0.00	-828.80
			M3	-147.54	0.00	241.03	-52.32	0.00	-48.46	-245.93	0.00	334.89	-144.70	0.00	-341.25
		MIN	S2	-180.12	0.00	197.88	-180.12	0.00	-554.47	-275.08	0.00	300.80	-275.08	0.00	-848.20
			TQ	-159.58	0.00	106.92	-159.58	0.00	-559.63	-250.67	0.00	218.25	-250.67	0.00	-828.80
			M3	-152.84	0.00	104.44	-167.93	0.00	-567.94	-243.65	0.00	216.60	-269.42	0.00	-859.72
		D+1LANE (caseMAX	S2	-108.64	0.00	-55.35	-108.64	0.00	-509.15	-209.62	0.00	68.05	-209.62	0.00	-807.54
			TQ	-159.58	0.00	106.92	-159.58	0.00	-559.63	-250.67	0.00	218.25	-250.67	0.00	-828.80
			M3	-162.68	0.00	112.57	-119.66	0.00	-495.77	-258.94	0.00	233.65	-220.36	0.00	-789.65
		MIN	S2	-162.82	0.00	112.33	-162.82	0.00	-567.75	-258.99	0.00	233.51	-258.99	0.00	-848.31
			TQ	-159.58	0.00	106.92	-159.58	0.00	-559.63	-250.67	0.00	218.25	-250.67	0.00	-828.80
			M3	-108.76	0.00	-55.55	-159.92	0.00	-570.63	-209.67	0.00	67.97	-255.69	0.00	-853.14
		D+1LANE (caseMAX	S2	-132.63	0.00	-164.09	-132.63	0.00	-718.08	-237.50	0.00	35.79	-237.50	0.00	-956.23
			TQ	-159.58	0.00	106.92	-159.58	0.00	-559.63	-250.67	0.00	218.25	-250.67	0.00	-828.80
			M3	-160.91	0.00	109.48	-158.54	0.00	-557.66	-256.59	0.00	237.35	-248.92	0.00	-826.34
		MIN	S2	-161.04	0.00	108.90	-161.04	0.00	-563.78	-256.98	0.00	214.11	-256.98	0.00	-859.31
			TQ	-159.58	0.00	106.92	-159.58	0.00	-559.63	-250.67	0.00	218.25	-250.67	0.00	-828.80
			M3	-138.32	0.00	-239.91	-139.47	0.00	-820.07	-243.30	0.00	-49.90	-247.59	0.00	-1071.93



BAGO RIVER BRIDGE

BLOCK [ No.2 : CROSS BEAM ][ BEAM MEMBER FORCE ]

MEMBER			1001049			1001051									
NODE			1049			2049			1051			2051			
NAME TITLE			SHEAR	TORQUE	MOMENT	SHEAR	TORQUE	MOMENT	SHEAR	TORQUE	MOMENT	SHEAR	TORQUE	MOMENT	
			S2 (kN)	TQ (kN·m)	M3 (kN·m)	S2 (kN)	TQ (kN·m)	M3 (kN·m)	S2 (kN)	TQ (kN·m)	M3 (kN·m)	S2 (kN)	TQ (kN·m)	M3 (kN·m)	
124	SUM TOTAL	D+2LANES (casMAX	S2	-156.53	0.00	112.52	-156.53	0.00	-541.31	-247.49	0.00	225.87	-247.49	0.00	-807.90
			TQ	-159.58	0.00	106.92	-159.58	0.00	-559.63	-250.67	0.00	218.25	-250.67	0.00	-828.80
			M3	-496.85	0.00	796.08	-160.55	0.00	-533.34	-598.41	0.00	860.80	-249.75	0.00	-802.08
		MIN	S2	-498.70	0.00	787.47	-498.70	0.00	-1295.59	-602.57	0.00	849.56	-602.57	0.00	-1667.37
			TQ	-159.58	0.00	106.92	-159.58	0.00	-559.63	-250.67	0.00	218.25	-250.67	0.00	-828.80
			M3	-158.18	0.00	104.40	-481.93	0.00	-1305.52	-254.56	0.00	208.42	-600.33	0.00	-1673.14
		D+2LANES (casMAX	S2	-64.24	0.00	144.77	-64.24	0.00	-123.57	-158.48	0.00	251.00	-158.48	0.00	-410.97
			TQ	-159.58	0.00	106.92	-159.58	0.00	-559.63	-250.67	0.00	218.25	-250.67	0.00	-828.80
			M3	-211.29	0.00	460.31	-71.85	0.00	-109.03	-312.85	0.00	535.76	-162.28	0.00	-400.32
		MIN	S2	-240.28	0.00	415.74	-240.28	0.00	-587.91	-339.72	0.00	499.48	-339.72	0.00	-919.53
			TQ	-159.58	0.00	106.92	-159.58	0.00	-559.63	-250.67	0.00	218.25	-250.67	0.00	-828.80
			M3	-153.25	0.00	103.54	-213.36	0.00	-609.06	-246.54	0.00	213.87	-332.77	0.00	-934.91
		D+2LANES (casMAX	S2	-88.68	0.00	-230.04	-88.68	0.00	-600.47	-198.02	0.00	-65.87	-198.02	0.00	-892.99
			TQ	-159.58	0.00	106.92	-159.58	0.00	-559.63	-250.67	0.00	218.25	-250.67	0.00	-828.80
			M3	-163.46	0.00	114.03	-124.46	0.00	-504.40	-262.72	0.00	243.93	-223.88	0.00	-793.31
		MIN	S2	-163.77	0.00	113.15	-163.77	0.00	-570.91	-262.99	0.00	242.92	-262.99	0.00	-855.60
			TQ	-159.58	0.00	106.92	-159.58	0.00	-559.63	-250.67	0.00	218.25	-250.67	0.00	-828.80
			M3	-89.77	0.00	-243.75	-134.47	0.00	-672.05	-199.10	0.00	-85.15	-240.93	0.00	-960.73
		D+2LANES (casMAX	S2	-108.65	0.00	-320.69	-108.65	0.00	-774.53	-221.19	0.00	-93.12	-221.19	0.00	-1017.05
			TQ	-159.58	0.00	106.92	-159.58	0.00	-559.63	-250.67	0.00	218.25	-250.67	0.00	-828.80
			M3	-161.99	0.00	111.46	-156.84	0.00	-555.97	-260.77	0.00	247.09	-247.58	0.00	-824.25
		MIN	S2	-162.29	0.00	110.30	-162.29	0.00	-567.59	-261.32	0.00	226.83	-261.32	0.00	-864.72
			TQ	-159.58	0.00	106.92	-159.58	0.00	-559.63	-250.67	0.00	218.25	-250.67	0.00	-828.80
			M3	-114.38	0.00	-397.41	-117.43	0.00	-879.86	-227.07	0.00	-183.75	-234.18	0.00	-1142.96

BAGO RIVER BRIDGE

BLOCK [ No.2 : CROSS BEAM ][ BEAM MEMBER FORCE ]

MEMBER			1001049			1001051										
NODE			1049			2049			1051			2051				
NAME TITLE			SHEAR	TORQUE	MOMENT	SHEAR	TORQUE	MOMENT	SHEAR	TORQUE	MOMENT	SHEAR	TORQUE	MOMENT		
			S2 (kN)	TQ (kN·m)	M3 (kN·m)	S2 (kN)	TQ (kN·m)	M3 (kN·m)	S2 (kN)	TQ (kN·m)	M3 (kN·m)	S2 (kN)	TQ (kN·m)	M3 (kN·m)		
124	SUM TOTAL	D+3LANES (casMAX	S2	-77.96	0.00	138.07	-77.96	0.00	-187.57	-171.58	0.00	246.86	-171.58	0.00	-469.82	
			TQ	-159.58	0.00	106.92	-159.58	0.00	-559.63	-250.67	0.00	218.25	-250.67	0.00	-828.80	
			M3	-437.73	0.00	787.70	-84.43	0.00	-175.20	-542.89	0.00	847.04	-174.82	0.00	-460.74	
		MIN	S2	-462.38	0.00	749.82	-462.38	0.00	-1181.54	-567.07	0.00	813.34	-567.07	0.00	-1555.32	
			TQ	-159.58	0.00	106.92	-159.58	0.00	-559.63	-250.67	0.00	218.25	-250.67	0.00	-828.80	
			M3	-153.62	0.00	103.03	-439.50	0.00	-1199.52	-249.00	0.00	208.72	-561.17	0.00	-1568.39	
		D+3LANES (casMAX	S2	-80.24	0.00	-371.42	-80.24	0.00	-706.59	-196.63	0.00	-152.15	-196.63	0.00	-973.45	
			TQ	-159.58	0.00	106.92	-159.58	0.00	-559.63	-250.67	0.00	218.25	-250.67	0.00	-828.80	
			M3	-163.82	0.00	114.77	-129.02	0.00	-511.29	-265.10	0.00	253.54	-226.72	0.00	-796.58	
		MIN	S2	-164.18	0.00	113.61	-164.18	0.00	-572.16	-265.61	0.00	236.24	-265.61	0.00	-873.21	
			TQ	-159.58	0.00	106.92	-159.58	0.00	-559.63	-250.67	0.00	218.25	-250.67	0.00	-828.80	
			M3	-85.20	0.00	-436.77	-124.00	0.00	-839.69	-201.66	0.00	-229.21	-240.20	0.00	-1113.18	
		D+3LANES (casMAX	S2	-80.19	0.00	-371.51	-80.19	0.00	-706.48	-196.49	0.00	-153.13	-196.49	0.00	-973.86	
			TQ	-159.58	0.00	106.92	-159.58	0.00	-559.63	-250.67	0.00	218.25	-250.67	0.00	-828.80	
			M3	-163.82	0.00	114.79	-128.96	0.00	-511.25	-265.12	0.00	253.74	-226.53	0.00	-797.34	
		MIN	S2	-164.18	0.00	113.63	-164.18	0.00	-572.14	-265.63	0.00	236.42	-265.63	0.00	-873.10	
			TQ	-159.58	0.00	106.92	-159.58	0.00	-559.63	-250.67	0.00	218.25	-250.67	0.00	-828.80	
			M3	-85.15	0.00	-436.87	-124.00	0.00	-839.61	-201.52	0.00	-230.22	-240.22	0.00	-1113.03	
		D+4LANES	MAX	S2	-157.91	0.00	103.33	-157.91	0.00	-556.27	-247.98	0.00	212.39	-247.98	0.00	-823.40
			TQ	-159.58	0.00	106.92	-159.58	0.00	-559.63	-250.67	0.00	218.25	-250.67	0.00	-828.80	
			M3	-160.19	0.00	108.19	-157.91	0.00	-556.27	-251.62	0.00	219.79	-247.99	0.00	-823.39	
		MIN	S2	-160.19	0.00	108.19	-160.19	0.00	-560.92	-251.62	0.00	219.79	-251.62	0.00	-831.22	
			TQ	-159.58	0.00	106.92	-159.58	0.00	-559.63	-250.67	0.00	218.25	-250.67	0.00	-828.80	
			M3	-157.91	0.00	103.33	-160.19	0.00	-560.92	-247.98	0.00	212.39	-251.62	0.00	-831.23	

BAGO RIVER BRIDGE

BLOCK [ No.2 : CROSS BEAM ][ BEAM MEMBER FORCE ]

MEMBER				1001049			2049			1001051			2051			
NODE				1049			1051			2051						
NAME TITLE				SHEAR	TORQUE	MOMENT	SHEAR	TORQUE	MOMENT	SHEAR	TORQUE	MOMENT	SHEAR	TORQUE	MOMENT	
				S2 (kN)	TQ (kN·m)	M3 (kN·m)	S2 (kN)	TQ (kN·m)	M3 (kN·m)	S2 (kN)	TQ (kN·m)	M3 (kN·m)	S2 (kN)	TQ (kN·m)	M3 (kN·m)	
124	SUM TOTAL	D+6LANES	MAX	S2	-34.26	0.00	-141.74	-34.26	0.00	-284.86	-143.66	0.00	29.65	-143.66	0.00	-570.43
				TQ	-159.58	0.00	106.92	-159.58	0.00	-559.63	-250.67	0.00	218.25	-250.67	0.00	-828.80
				M3	-344.08	0.00	577.28	-71.35	0.00	-157.04	-448.58	0.00	669.95	-165.52	0.00	-453.13
			MIN	S2	-369.74	0.00	536.42	-369.74	0.00	-1007.99	-476.17	0.00	619.52	-476.17	0.00	-1369.45
				TQ	-159.58	0.00	106.92	-159.58	0.00	-559.63	-250.67	0.00	218.25	-250.67	0.00	-828.80
				M3	-52.34	0.00	-282.47	-329.93	0.00	-1215.06	-166.11	0.00	-108.41	-450.03	0.00	-1554.01
	SUM TOTAL		MAX		-34.26	0.00	796.08	-34.26	0.00	-48.46	-142.83	0.00	860.80	-142.83	0.00	-341.25
			MIN		-498.70	0.00	-436.87	-498.70	0.00	-1403.68	-602.57	0.00	-230.22	-602.57	0.00	-1745.60
300	DEAD LOAD	TOTAL			-159.58	0.00	106.92	-159.58	0.00	-559.63	-250.67	0.00	218.25	-250.67	0.00	-828.80
301	LIVE LOAD	1-LANE(case1MAX	S2		0.82	0.00	-1.44	0.82	0.00	2.00	1.03	0.00	1.09	1.03	0.00	5.40
			TQ		0.00	0.00	0.00	0.00	0.00	0.00	0.00	0.00	0.00	0.00	0.00	0.00
			M3		-330.64	0.00	537.04	0.82	0.00	2.00	-337.93	0.00	506.69	1.02	0.00	5.43
			MIN	S2	-330.64	0.00	537.04	-330.64	0.00	-844.05	-339.82	0.00	502.64	-339.82	0.00	-916.80
				TQ	0.00	0.00	0.00	0.00	0.00	0.00	0.00	0.00	0.00	0.00	0.00	0.00
				M3	0.82	0.00	-1.44	-330.64	0.00	-844.05	-2.60	0.00	-8.20	-339.82	0.00	-916.80
		1-LANE(case2MAX	S2		111.57	0.00	37.27	111.57	0.00	503.28	107.84	0.00	31.25	107.84	0.00	481.71
			TQ		0.00	0.00	0.00	0.00	0.00	0.00	0.00	0.00	0.00	0.00	0.00	0.00
			M3		12.04	0.00	134.11	107.26	0.00	511.17	4.74	0.00	116.64	105.98	0.00	487.55
			MIN	S2	-20.54	0.00	90.96	-20.54	0.00	5.16	-24.41	0.00	82.55	-24.41	0.00	-19.39
				TQ	0.00	0.00	0.00	0.00	0.00	0.00	0.00	0.00	0.00	0.00	0.00	0.00
				M3	6.74	0.00	-2.48	-8.36	0.00	-8.31	7.03	0.00	-1.65	-18.75	0.00	-30.92
		1-LANE(case3MAX	S2		50.93	0.00	-162.27	50.93	0.00	50.48	41.05	0.00	-150.20	41.05	0.00	21.26
			TQ		0.00	0.00	0.00	0.00	0.00	0.00	0.00	0.00	0.00	0.00	0.00	0.00
			M3		-3.10	0.00	5.65	39.92	0.00	63.86	-8.27	0.00	15.40	30.31	0.00	39.15
			MIN	S2	-3.24	0.00	5.40	-3.24	0.00	-8.12	-8.32	0.00	15.26	-8.32	0.00	-19.50
				TQ	0.00	0.00	0.00	0.00	0.00	0.00	0.00	0.00	0.00	0.00	0.00	0.00
				M3	50.81	0.00	-162.48	-0.35	0.00	-11.00	41.00	0.00	-150.28	-5.02	0.00	-24.34

BAGO RIVER BRIDGE

BLOCK [ No.2 : CROSS BEAM ][ BEAM MEMBER FORCE ]

MEMBER			1001049						1001051							
NODE			1049			2049			1051			2051				
NAME TITLE			SHEAR	TORQUE	MOMENT	SHEAR	TORQUE	MOMENT	SHEAR	TORQUE	MOMENT	SHEAR	TORQUE	MOMENT		
			S2 (kN)	TQ (kN·m)	M3 (kN·m)	S2 (kN)	TQ (kN·m)	M3 (kN·m)	S2 (kN)	TQ (kN·m)	M3 (kN·m)	S2 (kN)	TQ (kN·m)	M3 (kN·m)		
301	LIVE LOAD	1-LANE (case4MAX	S2	26.95	0.00	-271.02	26.95	0.00	-158.45	13.18	0.00	-182.46	13.18	0.00	-127.43	
			TQ	0.00	0.00	0.00	0.00	0.00	0.00	0.00	0.00	0.00	0.00	0.00	0.00	0.00
			M3	-1.33	0.00	2.56	1.03	0.00	1.97	-5.91	0.00	19.10	1.75	0.00	0.00	2.46
			MIN S2	-1.47	0.00	1.98	-1.47	0.00	-4.15	-6.31	0.00	-4.15	-6.31	0.00	0.00	-30.50
			TQ	0.00	0.00	0.00	0.00	0.00	0.00	0.00	0.00	0.00	0.00	0.00	0.00	0.00
			M3	21.26	0.00	-346.83	20.11	0.00	-260.44	7.37	0.00	-268.15	3.08	0.00	0.00	-243.13
		2-LANES (caseMAX	S2	3.05	0.00	5.59	3.05	0.00	18.32	3.18	0.00	7.61	3.18	0.00	0.00	20.91
			TQ	0.00	0.00	0.00	0.00	0.00	0.00	0.00	0.00	0.00	0.00	0.00	0.00	0.00
			M3	-337.27	0.00	689.16	-0.97	0.00	26.29	-347.74	0.00	642.55	0.93	0.00	0.00	26.72
			MIN S2	-339.12	0.00	680.55	-339.12	0.00	-735.96	-351.90	0.00	631.31	-351.90	0.00	0.00	-838.56
			TQ	0.00	0.00	0.00	0.00	0.00	0.00	0.00	0.00	0.00	0.00	0.00	0.00	0.00
			M3	1.40	0.00	-2.52	-322.36	0.00	-745.89	-3.89	0.00	-9.84	-349.66	0.00	0.00	-844.34
		2-LANES (caseMAX	S2	95.33	0.00	37.85	95.33	0.00	436.05	92.19	0.00	32.74	92.19	0.00	0.00	417.84
			TQ	0.00	0.00	0.00	0.00	0.00	0.00	0.00	0.00	0.00	0.00	0.00	0.00	0.00
			M3	-51.71	0.00	353.39	87.72	0.00	450.60	-62.18	0.00	317.50	88.39	0.00	0.00	428.49
			MIN S2	-80.70	0.00	308.82	-80.70	0.00	-28.28	-89.05	0.00	281.23	-89.05	0.00	0.00	-90.73
			TQ	0.00	0.00	0.00	0.00	0.00	0.00	0.00	0.00	0.00	0.00	0.00	0.00	0.00
			M3	6.33	0.00	-3.38	-53.79	0.00	-49.44	4.13	0.00	-4.38	-82.10	0.00	0.00	-106.11
		2-LANES (caseMAX	S2	70.89	0.00	-336.97	70.89	0.00	-40.84	52.66	0.00	-284.12	52.66	0.00	0.00	-64.18
			TQ	0.00	0.00	0.00	0.00	0.00	0.00	0.00	0.00	0.00	0.00	0.00	0.00	0.00
			M3	-3.88	0.00	7.11	35.11	0.00	55.23	-12.05	0.00	25.67	26.80	0.00	0.00	35.50
			MIN S2	-4.19	0.00	6.23	-4.19	0.00	-11.28	-12.32	0.00	24.67	-12.32	0.00	0.00	-26.80
			TQ	0.00	0.00	0.00	0.00	0.00	0.00	0.00	0.00	0.00	0.00	0.00	0.00	0.00
			M3	69.81	0.00	-350.67	25.11	0.00	-112.42	51.57	0.00	-303.41	9.75	0.00	0.00	-131.92

BAGO RIVER BRIDGE

BLOCK [ No.2 : CROSS BEAM ][ BEAM MEMBER FORCE ]

MEMBER			1001049						1001051							
NODE			1049			2049			1051			2051				
NAME TITLE			SHEAR	TORQUE	MOMENT	SHEAR	TORQUE	MOMENT	SHEAR	TORQUE	MOMENT	SHEAR	TORQUE	MOMENT		
			S2 (kN)	TQ (kN·m)	M3 (kN·m)	S2 (kN)	TQ (kN·m)	M3 (kN·m)	S2 (kN)	TQ (kN·m)	M3 (kN·m)	S2 (kN)	TQ (kN·m)	M3 (kN·m)		
301	LIVE LOAD	2-LANES (caseMAX	S2	50.92	0.00	-427.62	50.92	0.00	-214.90	29.48	0.00	-311.38	29.48	0.00	-188.24	
			TQ	0.00	0.00	0.00	0.00	0.00	0.00	0.00	0.00	0.00	0.00	0.00	0.00	
			M3	-2.41	0.00	4.54	2.74	0.00	3.66	-10.09	0.00	28.83	3.09	0.00	0.00	4.55
			MIN S2	-2.71	0.00	3.38	-2.71	0.00	-7.96	-10.65	0.00	8.58	-10.65	0.00	0.00	-35.91
			TQ	0.00	0.00	0.00	0.00	0.00	0.00	0.00	0.00	0.00	0.00	0.00	0.00	0.00
			M3	45.19	0.00	-504.33	42.15	0.00	-320.23	23.60	0.00	-402.01	16.50	0.00	0.00	-314.16
		3-LANES (caseMAX	S2	81.62	0.00	31.15	81.62	0.00	372.06	79.09	0.00	28.60	79.09	0.00	0.00	358.98
			TQ	0.00	0.00	0.00	0.00	0.00	0.00	0.00	0.00	0.00	0.00	0.00	0.00	0.00
			M3	-278.16	0.00	680.78	75.15	0.00	384.43	-292.22	0.00	628.78	75.86	0.00	0.00	368.06
			MIN S2	-302.80	0.00	642.90	-302.80	0.00	-621.91	-316.40	0.00	595.08	-316.40	0.00	0.00	-726.52
			TQ	0.00	0.00	0.00	0.00	0.00	0.00	0.00	0.00	0.00	0.00	0.00	0.00	0.00
			M3	5.96	0.00	-3.90	-279.92	0.00	-639.89	1.67	0.00	-9.53	-310.49	0.00	0.00	-739.59
		3-LANES (caseMAX	S2	79.34	0.00	-478.34	79.34	0.00	-146.96	54.05	0.00	-370.41	54.05	0.00	0.00	-144.65
			TQ	0.00	0.00	0.00	0.00	0.00	0.00	0.00	0.00	0.00	0.00	0.00	0.00	0.00
			M3	-4.24	0.00	7.85	30.56	0.00	48.34	-14.43	0.00	35.28	23.95	0.00	0.00	32.23
			MIN S2	-4.60	0.00	6.69	-4.60	0.00	-12.53	-14.94	0.00	17.98	-14.94	0.00	0.00	-44.41
			TQ	0.00	0.00	0.00	0.00	0.00	0.00	0.00	0.00	0.00	0.00	0.00	0.00	0.00
			M3	74.38	0.00	-543.69	35.58	0.00	-280.06	49.02	0.00	-447.47	10.47	0.00	0.00	-284.37
		3-LANES (caseMAX	S2	79.38	0.00	-478.43	79.38	0.00	-146.85	54.18	0.00	-371.38	54.18	0.00	0.00	-145.06
			TQ	0.00	0.00	0.00	0.00	0.00	0.00	0.00	0.00	0.00	0.00	0.00	0.00	0.00
			M3	-4.24	0.00	7.87	30.62	0.00	48.38	-14.44	0.00	35.49	24.14	0.00	0.00	31.47
MIN S2	-4.60		0.00	6.71	-4.60	0.00	-12.51	-14.95	0.00	18.17	-14.95	0.00	0.00	-44.30		
TQ	0.00		0.00	0.00	0.00	0.00	0.00	0.00	0.00	0.00	0.00	0.00	0.00	0.00		
M3	74.43		0.00	-543.79	35.58	0.00	-279.99	49.15	0.00	-448.47	10.46	0.00	0.00	-284.23		

BAGO RIVER BRIDGE

BLOCK [ No.2 : CROSS BEAM ][ BEAM MEMBER FORCE ]

MEMBER				1001049			1001051										
NODE				1049	2049		1051	2051									
NAME TITLE				SHEAR	TORQUE	MOMENT	SHEAR	TORQUE	MOMENT	SHEAR	TORQUE	MOMENT					
				S2 (kN)	TQ (kN·m)	M3 (kN·m)	S2 (kN)	TQ (kN·m)	M3 (kN·m)	S2 (kN)	TQ (kN·m)	M3 (kN·m)					
301	LIVE LOAD	4-LANES	MAX	S2	1.66	0.00	-3.60	1.66	0.00	3.36	2.70	0.00	-5.86	2.70	0.00	5.41	
				TQ	0.00	0.00	0.00	0.00	0.00	0.00	0.00	0.00	0.00	0.00	0.00	0.00	0.00
				M3	-0.61	0.00	1.27	1.66	0.00	3.36	-0.94	0.00	1.53	2.68	0.00	5.42	
		MIN	S2	-0.61	0.00	1.27	-0.61	0.00	-1.29	-0.94	0.00	1.53	-0.94	0.00	-2.42		
			TQ	0.00	0.00	0.00	0.00	0.00	0.00	0.00	0.00	0.00	0.00	0.00	0.00	0.00	
			M3	1.66	0.00	-3.60	-0.61	0.00	-1.29	2.70	0.00	-5.86	-0.94	0.00	-2.43		
	6-LANES	MAX	S2	125.31	0.00	-248.66	125.31	0.00	274.77	107.01	0.00	-188.60	107.01	0.00	258.38		
			TQ	0.00	0.00	0.00	0.00	0.00	0.00	0.00	0.00	0.00	0.00	0.00	0.00		
			M3	-184.50	0.00	470.36	88.22	0.00	402.59	-197.91	0.00	451.70	85.15	0.00	375.68		
		MIN	S2	-210.16	0.00	429.49	-210.16	0.00	-448.36	-225.50	0.00	401.26	-225.50	0.00	-540.65		
			TQ	0.00	0.00	0.00	0.00	0.00	0.00	0.00	0.00	0.00	0.00	0.00	0.00		
			M3	107.24	0.00	-389.39	-170.35	0.00	-655.43	84.56	0.00	-326.66	-199.35	0.00	-725.20		
LIVE LOAD	MAX		125.31	0.00	689.16	125.31	0.00	511.17	107.84	0.00	642.55	107.84	0.00	487.55			
	MIN		-339.12	0.00	-543.79	-339.12	0.00	-844.05	-351.90	0.00	-448.47	-351.90	0.00	-916.80			
303	SUM TOTAL	TOTAL	MAX		-34.26	0.00	796.08	-34.26	0.00	-48.46	-142.83	0.00	860.80	-142.83	0.00	-341.25	
			MIN		-498.70	0.00	-436.87	-498.70	0.00	-1403.68	-602.57	0.00	-230.22	-602.57	0.00	-1745.60	

BAGO RIVER BRIDGE

BLOCK [ No.2 : CROSS BEAM ][ BEAM MEMBER FORCE ]

MEMBER NODE	1001053 1053	2053						1001055 1055	2055						
		SHEAR	TORQUE	MOMENT	SHEAR	TORQUE	MOMENT		SHEAR	TORQUE	MOMENT	SHEAR	TORQUE	MOMENT	
		S2 (kN)	TQ (kN·m)	M3 (kN·m)	S2 (kN)	TQ (kN·m)	M3 (kN·m)		S2 (kN)	TQ (kN·m)	M3 (kN·m)	S2 (kN)	TQ (kN·m)	M3 (kN·m)	
1	PAVEMENT	7.79	0.00	-46.40	7.79	0.00	-13.88	46.20	0.00	-94.48	46.20	0.00	98.50		
3	RAILING	-4.54	0.00	1.91	-4.54	0.00	-17.04	3.84	0.00	-7.96	3.84	0.00	8.07		
5	CURB	-44.93	0.00	18.92	-44.93	0.00	-168.73	38.00	0.00	-78.84	38.00	0.00	79.89		
7	DECK WEIGHT	20.95	0.00	-84.71	20.95	0.00	2.79	72.02	0.00	-147.17	72.02	0.00	153.65		
8	GIRDER WEIGH	53.58	0.00	-131.24	53.58	0.00	92.55	81.16	0.00	-165.35	81.16	0.00	173.65		
10	MEDIAN STRIP	77.69	0.00	-84.43	77.69	0.00	240.08	-12.61	0.00	27.28	-12.61	0.00	-25.39		
21	ADITIONAL WE	5.87	0.00	-23.72	5.87	0.00	0.78	20.16	0.00	-41.21	20.16	0.00	43.02		
31	MEDIAN RAILI	2.88	0.00	-3.22	2.88	0.00	8.82	-0.15	0.00	0.37	-0.15	0.00	-0.27		
51	SUPPORT WEIG	0.00	0.00	0.00	0.00	0.00	0.00	0.00	0.00	-0.00	0.00	0.00	0.00		
52	NOSE WEIGHT	0.00	0.00	-0.00	0.00	0.00	0.00	0.00	0.00	-0.00	0.00	0.00	0.00		
61	1-LANE(case1TRUCK-LOAD	MAX	S2	9.67	0.00	-26.08	9.67	0.00	14.29	218.69	0.00	-441.40	218.69	0.00	472.08
			TQ	0.00	0.00	0.00	0.00	0.00	0.00	0.00	0.00	0.00	0.00	0.00	0.00
			M3	-167.48	0.00	223.18	9.53	0.00	18.66	-13.84	0.00	27.92	218.69	0.00	472.08
		MIN	S2	-167.48	0.00	223.18	-167.48	0.00	-476.39	-13.84	0.00	27.92	-13.84	0.00	-29.91
			TQ	0.00	0.00	0.00	0.00	0.00	0.00	0.00	0.00	0.00	0.00	0.00	0.00
			M3	9.55	0.00	-27.02	-167.48	0.00	-476.39	218.69	0.00	-441.40	-13.84	0.00	-29.91
		TANDEM-LOAD MAX	S2	6.58	0.00	-17.99	6.58	0.00	9.49	148.76	0.00	-299.87	148.76	0.00	321.52
			TQ	0.00	0.00	0.00	0.00	0.00	0.00	0.00	0.00	0.00	0.00	0.00	0.00
			M3	-128.39	0.00	170.69	6.53	0.00	13.62	-9.44	0.00	19.04	148.76	0.00	321.52
		MIN	S2	-128.39	0.00	170.69	-128.39	0.00	-365.60	-9.44	0.00	19.04	-9.44	0.00	-20.40
			TQ	0.00	0.00	0.00	0.00	0.00	0.00	0.00	0.00	0.00	0.00	0.00	0.00
			M3	6.46	0.00	-18.42	-128.39	0.00	-365.60	148.76	0.00	-299.87	-9.44	0.00	-20.40
		DISPERSION-LMAX	S2	12.58	0.00	-35.22	12.58	0.00	17.31	329.15	0.00	-665.09	329.15	0.00	709.76
			TQ	0.00	0.00	0.00	0.00	0.00	0.00	0.00	0.00	0.00	0.00	0.00	0.00
			M3	-61.27	0.00	83.27	12.57	0.00	17.32	-15.72	0.00	31.71	329.15	0.00	709.76
MIN	S2	-61.43	0.00	83.16	-61.43	0.00	-173.44	-15.72	0.00	31.71	-15.72	0.00	-33.97		
	TQ	0.00	0.00	0.00	0.00	0.00	0.00	0.00	0.00	0.00	0.00	0.00	0.00		
	M3	12.42	0.00	-35.32	-61.43	0.00	-173.44	329.15	0.00	-665.09	-15.72	0.00	-33.97		

BAGO RIVER BRIDGE

BLOCK [ No.2 : CROSS BEAM ][ BEAM MEMBER FORCE ]

MEMBER NODE	1001053 1053	2053			1001055 1055	2055									
		SHEAR	TORQUE	MOMENT		SHEAR	TORQUE	MOMENT							
		S2 (kN)	TQ (kN·m)	M3 (kN·m)		S2 (kN)	TQ (kN·m)	M3 (kN·m)							
NAME TITLE															
62 1-LANE (case2TRUCK-LOAD	MAX	S2	89.84	0.00	-51.89	89.84	0.00	323.37	65.53	0.00	-131.57	65.53	0.00	142.13	
		TQ	0.00	0.00	0.00	0.00	0.00	0.00	0.00	0.00	0.00	0.00	0.00	0.00	
		M3	9.21	0.00	22.51	88.17	0.00	325.41	-5.72	0.00	11.53	65.53	0.00	142.13	
	MIN	S2	-0.76	0.00	1.90	-0.76	0.00	-1.27	-5.72	0.00	11.53	-5.72	0.00	-12.34	
		TQ	0.00	0.00	0.00	0.00	0.00	0.00	0.00	0.00	0.00	0.00	0.00	0.00	
		M3	89.84	0.00	-51.89	-0.76	0.00	-1.27	65.53	0.00	-131.57	-5.72	0.00	-12.34	
	TANDEM-LOAD	MAX	S2	69.02	0.00	-40.01	69.02	0.00	248.29	44.63	0.00	-89.68	44.63	0.00	96.73
		TQ	0.00	0.00	0.00	0.00	0.00	0.00	0.00	0.00	0.00	0.00	0.00	0.00	
		M3	2.63	0.00	16.91	68.56	0.00	248.86	-3.90	0.00	7.87	44.63	0.00	96.73	
	MIN	S2	-0.52	0.00	1.29	-0.52	0.00	-0.87	-3.90	0.00	7.87	-3.90	0.00	-8.42	
		TQ	0.00	0.00	0.00	0.00	0.00	0.00	0.00	0.00	0.00	0.00	0.00	0.00	
		M3	69.02	0.00	-40.01	-0.52	0.00	-0.87	44.63	0.00	-89.68	-3.90	0.00	-8.42	
	DISPERSION-LMAX	S2	38.67	0.00	-22.70	38.67	0.00	138.82	93.12	0.00	-185.45	93.12	0.00	203.49	
		TQ	0.00	0.00	0.00	0.00	0.00	0.00	0.00	0.00	0.00	0.00	0.00	0.00	
		M3	3.30	0.00	8.09	38.67	0.00	138.82	-6.58	0.00	13.28	93.12	0.00	203.49	
MIN	S2	-0.89	0.00	2.23	-0.89	0.00	-1.50	-6.58	0.00	13.28	-6.58	0.00	-14.22		
	TQ	0.00	0.00	0.00	0.00	0.00	0.00	0.00	0.00	0.00	0.00	0.00	0.00		
	M3	34.47	0.00	-28.57	-0.89	0.00	-1.50	93.11	0.00	-185.45	-6.58	0.00	-14.22		
63 1-LANE (case3TRUCK-LOAD	MAX	S2	24.75	0.00	-82.77	24.75	0.00	20.60	0.88	0.00	-1.77	0.88	0.00	1.91	
		TQ	0.00	0.00	0.00	0.00	0.00	0.00	0.00	0.00	0.00	0.00	0.00	0.00	
		M3	-0.51	0.00	0.94	17.80	0.00	34.84	-74.11	0.00	147.80	0.88	0.00	1.91	
	MIN	S2	-0.51	0.00	0.94	-0.51	0.00	-1.17	-74.11	0.00	147.80	-74.11	0.00	-161.75	
		TQ	0.00	0.00	0.00	0.00	0.00	0.00	0.00	0.00	0.00	0.00	0.00	0.00	
		M3	24.19	0.00	-85.77	-0.50	0.00	-1.17	0.88	0.00	-1.77	-74.10	0.00	-161.83	



BAGO RIVER BRIDGE

BLOCK [ No.2 : CROSS BEAM ][ BEAM MEMBER FORCE ]

MEMBER NODE	1001053 1053	2053			1001055 1055	2055									
		SHEAR	TORQUE	MOMENT		SHEAR	TORQUE	MOMENT							
		S2 (kN)	TQ (kN·m)	M3 (kN·m)		S2 (kN)	TQ (kN·m)	M3 (kN·m)							
63	1-LANE (case3TANDEM-LOAD	MAX	S2	17.25	0.00	-55.41	17.25	0.00	16.63	0.62	0.00	-1.25	0.62	0.00	1.34
			TQ	0.00	0.00	0.00	0.00	0.00	0.00	0.00	0.00	0.00	0.00	0.00	0.00
			M3	-0.34	0.00	0.64	13.06	0.00	25.51	-50.53	0.00	100.99	0.62	0.00	1.34
		MIN	S2	-0.34	0.00	0.64	-0.34	0.00	-0.79	-50.53	0.00	100.99	-50.53	0.00	-110.09
			TQ	0.00	0.00	0.00	0.00	0.00	0.00	0.00	0.00	0.00	0.00	0.00	0.00
			M3	16.88	0.00	-63.10	-0.34	0.00	-0.80	0.62	0.00	-1.25	-50.24	0.00	-110.10
	DISPERSION-LMAX		S2	15.66	0.00	-40.42	15.66	0.00	24.99	1.22	0.00	-2.45	1.22	0.00	2.63
			TQ	0.00	0.00	0.00	0.00	0.00	0.00	0.00	0.00	0.00	0.00	0.00	0.00
			M3	-0.34	0.00	1.35	13.69	0.00	28.53	-89.52	0.00	179.29	1.22	0.00	2.63
		MIN	S2	-0.59	0.00	1.08	-0.59	0.00	-1.37	-89.52	0.00	179.29	-89.52	0.00	-194.65
			TQ	0.00	0.00	0.00	0.00	0.00	0.00	0.00	0.00	0.00	0.00	0.00	0.00
			M3	15.41	0.00	-40.69	1.39	0.00	-4.91	1.22	0.00	-2.45	-89.52	0.00	-194.65
64	1-LANE (case4TRUCK-LOAD	MAX	S2	5.92	0.00	-51.19	5.92	0.00	-26.48	12.47	0.00	-25.13	12.47	0.00	26.95
			TQ	0.00	0.00	0.00	0.00	0.00	0.00	0.00	0.00	0.00	0.00	0.00	0.00
			M3	-1.64	0.00	10.82	-1.07	0.00	4.53	-188.94	0.00	379.24	12.47	0.00	26.95
		MIN	S2	-5.36	0.00	-49.51	-5.36	0.00	-71.91	-188.94	0.00	379.24	-188.94	0.00	-409.98
			TQ	0.00	0.00	0.00	0.00	0.00	0.00	0.00	0.00	0.00	0.00	0.00	0.00
			M3	-0.30	0.00	-78.05	-4.20	0.00	-87.82	12.47	0.00	-25.13	-188.94	0.00	-409.98
	TANDEM-LOAD	MAX	S2	4.39	0.00	-31.77	4.39	0.00	-13.44	8.51	0.00	-17.16	8.51	0.00	18.39
			TQ	0.00	0.00	0.00	0.00	0.00	0.00	0.00	0.00	0.00	0.00	0.00	0.00
			M3	-1.14	0.00	7.37	-0.56	0.00	3.09	-128.71	0.00	258.45	8.51	0.00	18.39
		MIN	S2	-4.16	0.00	-37.46	-4.16	0.00	-54.82	-128.71	0.00	258.45	-128.71	0.00	-279.19
			TQ	0.00	0.00	0.00	0.00	0.00	0.00	0.00	0.00	0.00	0.00	0.00	0.00
			M3	0.45	0.00	-54.43	-2.63	0.00	-61.84	8.51	0.00	-17.16	-128.71	0.00	-279.19

BAGO RIVER BRIDGE

BLOCK [ No.2 : CROSS BEAM ][ BEAM MEMBER FORCE ]

MEMBER		1001053						1001055									
NODE		1053			2053			1055			2055						
		SHEAR	TORQUE	MOMENT	SHEAR	TORQUE	MOMENT	SHEAR	TORQUE	MOMENT	SHEAR	TORQUE	MOMENT				
NAME	TITLE	S2 (kN)	TQ (kN·m)	M3 (kN·m)	S2 (kN)	TQ (kN·m)	M3 (kN·m)	S2 (kN)	TQ (kN·m)	M3 (kN·m)	S2 (kN)	TQ (kN·m)	M3 (kN·m)				
64	1-LANE (case4DISPERSION-LMAX	S2	2.76	0.00	-25.54	2.76	0.00	-14.01	13.69	0.00	-27.61	13.69	0.00	29.60			
		TQ	0.00	0.00	0.00	0.00	0.00	0.00	0.00	0.00	0.00	0.00	0.00	0.00			
		M3	-1.50	0.00	10.15	-0.96	0.00	4.71	-273.08	0.00	549.18	13.69	0.00	29.60			
		MIN	S2	-3.40	0.00	-11.80	-3.40	0.00	-26.02	-273.08	0.00	549.18	-273.08	0.00	-591.46		
		TQ	0.00	0.00	0.00	0.00	0.00	0.00	0.00	0.00	0.00	0.00	0.00	0.00			
		M3	0.85	0.00	-47.49	0.32	0.00	-44.74	13.69	0.00	-27.61	-273.08	0.00	-591.46			
		65	2-LANES (caseTRUCK-LOAD	MAX	S2	17.40	0.00	-44.55	17.40	0.00	28.11	357.12	0.00	-719.59	357.12	0.00	772.09
				TQ	0.00	0.00	0.00	0.00	0.00	0.00	0.00	0.00	0.00	0.00	0.00	0.00	
				M3	-180.48	0.00	293.45	7.78	0.00	41.31	-23.62	0.00	47.65	357.12	0.00	772.09	
MIN	S2			-180.48	0.00	293.45	-180.48	0.00	-460.42	-23.62	0.00	47.65	-23.62	0.00	-51.03		
TQ	0.00			0.00	0.00	0.00	0.00	0.00	0.00	0.00	0.00	0.00	0.00	0.00			
M3	16.94			0.00	-46.73	-168.40	0.00	-477.73	357.12	0.00	-719.59	-23.62	0.00	-51.03			
TANDEM-LOAD	MAX	S2	11.85	0.00	-30.90	11.85	0.00	18.60	243.11	0.00	-489.44	243.11	0.00	526.02			
	TQ	0.00	0.00	0.00	0.00	0.00	0.00	0.00	0.00	0.00	0.00	0.00	0.00				
	M3	-138.26	0.00	221.95	4.83	0.00	29.34	-16.12	0.00	32.50	243.11	0.00	526.02				
	MIN	S2	-138.26	0.00	221.95	-138.26	0.00	-355.55	-16.12	0.00	32.50	-16.12	0.00	-34.81			
	TQ	0.00	0.00	0.00	0.00	0.00	0.00	0.00	0.00	0.00	0.00	0.00	0.00				
	M3	11.53	0.00	-31.89	-129.02	0.00	-366.52	243.11	0.00	-489.44	-16.12	0.00	-34.81				
DISPERSION-LMAX	MAX	S2	26.79	0.00	-51.64	26.79	0.00	60.25	537.62	0.00	-1084.41	537.62	0.00	1161.25			
	TQ	0.00	0.00	0.00	0.00	0.00	0.00	0.00	0.00	0.00	0.00	0.00	0.00				
	M3	-67.93	0.00	115.64	26.28	0.00	62.09	-26.88	0.00	54.23	537.62	0.00	1161.25				
	MIN	S2	-71.96	0.00	108.71	-71.96	0.00	-191.88	-26.88	0.00	54.23	-26.88	0.00	-58.07			
	TQ	0.00	0.00	0.00	0.00	0.00	0.00	0.00	0.00	0.00	0.00	0.00	0.00				
	M3	22.76	0.00	-58.57	-71.45	0.00	-193.72	537.62	0.00	-1084.41	-26.88	0.00	-58.07				

BAGO RIVER BRIDGE

BLOCK [ No.2 : CROSS BEAM ][ BEAM MEMBER FORCE ]

MEMBER				1001053						1001055							
NODE				1053			2053			1055			2055				
NAME TITLE				SHEAR	TORQUE	MOMENT	SHEAR	TORQUE	MOMENT	SHEAR	TORQUE	MOMENT	SHEAR	TORQUE	MOMENT		
				S2 (kN)	TQ (kN·m)	M3 (kN·m)	S2 (kN)	TQ (kN·m)	M3 (kN·m)	S2 (kN)	TQ (kN·m)	M3 (kN·m)	S2 (kN)	TQ (kN·m)	M3 (kN·m)		
66	2-LANES (case	TRUCK-LOAD	MAX	S2	97.57	0.00	-70.36	97.57	0.00	337.19	203.95	0.00	-409.76	203.95	0.00	442.13	
				TQ	0.00	0.00	0.00	0.00	0.00	0.00	0.00	0.00	0.00	0.00	0.00	0.00	0.00
				M3	-3.79	0.00	92.78	86.42	0.00	348.06	-15.50	0.00	31.26	203.95	0.00	0.00	442.13
			MIN	S2	-13.76	0.00	72.17	-13.76	0.00	14.70	-15.50	0.00	31.26	-15.50	0.00	0.00	-33.47
				TQ	0.00	0.00	0.00	0.00	0.00	0.00	0.00	0.00	0.00	0.00	0.00	0.00	0.00
				M3	97.23	0.00	-71.60	-1.68	0.00	-2.62	203.95	0.00	-409.76	-15.50	0.00	0.00	-33.47
			TANDEM-LOAD	MAX	S2	74.30	0.00	-52.93	74.30	0.00	257.40	138.97	0.00	-279.24	138.97	0.00	301.23
				TQ	0.00	0.00	0.00	0.00	0.00	0.00	0.00	0.00	0.00	0.00	0.00	0.00	0.00
				M3	-7.23	0.00	68.17	66.85	0.00	264.58	-10.57	0.00	21.33	138.97	0.00	0.00	301.23
				MIN	S2	-10.38	0.00	52.55	-10.38	0.00	9.18	-10.57	0.00	21.33	-10.57	0.00	-22.83
				TQ	0.00	0.00	0.00	0.00	0.00	0.00	0.00	0.00	0.00	0.00	0.00	0.00	0.00
				M3	74.09	0.00	-53.48	-1.15	0.00	-1.78	138.97	0.00	-279.24	-10.57	0.00	0.00	-22.83
			DISPERSION-LMAX	S2	52.88	0.00	-39.13	52.88	0.00	181.76	301.59	0.00	-604.76	301.59	0.00	0.00	654.98
				TQ	0.00	0.00	0.00	0.00	0.00	0.00	0.00	0.00	0.00	0.00	0.00	0.00	0.00
				M3	-3.35	0.00	40.46	52.37	0.00	183.60	-17.74	0.00	35.80	301.59	0.00	0.00	654.98
		MIN	S2	-11.42	0.00	27.77	-11.42	0.00	-19.94	-17.74	0.00	35.79	-17.74	0.00	-38.32		
		TQ	0.00	0.00	0.00	0.00	0.00	0.00	0.00	0.00	0.00	0.00	0.00	0.00	0.00		
		M3	44.81	0.00	-51.82	-10.92	0.00	-21.78	301.59	0.00	-604.76	-17.74	0.00	0.00	-38.32		
67	2-LANES (case	TRUCK-LOAD	MAX	S2	36.10	0.00	-141.72	36.10	0.00	9.07	5.65	0.00	-11.38	5.65	0.00	12.22	
				TQ	0.00	0.00	0.00	0.00	0.00	0.00	0.00	0.00	0.00	0.00	0.00	0.00	0.00
				M3	-0.57	0.00	5.69	19.85	0.00	41.62	-203.75	0.00	407.99	5.65	0.00	0.00	12.22
			MIN	S2	-0.85	0.00	1.30	-0.85	0.00	-2.25	-203.75	0.00	407.99	-203.75	0.00	0.00	-443.05
				TQ	0.00	0.00	0.00	0.00	0.00	0.00	0.00	0.00	0.00	0.00	0.00	0.00	0.00
				M3	32.07	0.00	-166.95	6.39	0.00	-51.86	5.65	0.00	-11.38	-203.74	0.00	0.00	-443.14

BAGO RIVER BRIDGE

BLOCK [ No.2 : CROSS BEAM ][ BEAM MEMBER FORCE ]

MEMBER		1001053						1001055								
NODE		1053			2053			1055			2055					
		SHEAR	TORQUE	MOMENT	SHEAR	TORQUE	MOMENT	SHEAR	TORQUE	MOMENT	SHEAR	TORQUE	MOMENT			
NAME	TITLE	S2 (kN)	TQ (kN·m)	M3 (kN·m)	S2 (kN)	TQ (kN·m)	M3 (kN·m)	S2 (kN)	TQ (kN·m)	M3 (kN·m)	S2 (kN)	TQ (kN·m)	M3 (kN·m)			
67	2-LANES (caseTANDEM-LOAD	MAX	S2	25.39	0.00	-98.23	25.39	0.00	7.81	3.88	0.00	-7.81	3.88	0.00	8.39	
			TQ	0.00	0.00	0.00	0.00	0.00	0.00	0.00	0.00	0.00	0.00	0.00	0.00	0.00
			M3	-0.38	0.00	3.89	14.79	0.00	30.14	-138.98	0.00	278.48	3.88	0.00	0.00	8.39
		MIN	S2	-0.58	0.00	0.89	-0.58	0.00	-1.54	-138.98	0.00	278.48	-138.98	0.00	0.00	-302.05
			TQ	0.00	0.00	0.00	0.00	0.00	0.00	0.00	0.00	0.00	0.00	0.00	0.00	0.00
			M3	23.13	0.00	-119.36	3.72	0.00	-39.53	3.88	0.00	-7.81	-138.69	0.00	0.00	-302.06
		DISPERSION-LMAX	S2	22.83	0.00	-82.08	22.83	0.00	13.27	6.19	0.00	-12.48	6.19	0.00	13.39	
			TQ	0.00	0.00	0.00	0.00	0.00	0.00	0.00	0.00	0.00	0.00	0.00	0.00	
			M3	-0.60	0.00	6.15	16.68	0.00	37.24	-271.81	0.00	545.25	6.19	0.00	13.39	
		MIN	S2	-1.22	0.00	3.31	-1.22	0.00	-1.80	-271.81	0.00	545.25	-271.81	0.00	-590.12	
			TQ	0.00	0.00	0.00	0.00	0.00	0.00	0.00	0.00	0.00	0.00	0.00	0.00	
	68	2-LANES (caseTRUCK-LOAD	MAX	S2	17.27	0.00	-110.13	17.27	0.00	-37.99	20.87	0.00	-42.06	20.87	0.00	45.10
			TQ	0.00	0.00	0.00	0.00	0.00	0.00	0.00	0.00	0.00	0.00	0.00	0.00	
			M3	-1.71	0.00	15.56	0.98	0.00	11.31	-318.55	0.00	639.38	20.87	0.00	45.10	
MIN			S2	-5.63	0.00	-45.93	-5.63	0.00	-69.44	-318.55	0.00	639.38	-318.55	0.00	-691.22	
			TQ	0.00	0.00	0.00	0.00	0.00	0.00	0.00	0.00	0.00	0.00	0.00	0.00	
			M3	7.59	0.00	-159.22	2.69	0.00	-138.50	20.87	0.00	-42.06	-318.55	0.00	-691.22	
		TANDEM-LOAD	MAX	S2	12.53	0.00	-74.58	12.53	0.00	-22.24	14.23	0.00	-28.69	14.23	0.00	30.76
			TQ	0.00	0.00	0.00	0.00	0.00	0.00	0.00	0.00	0.00	0.00	0.00	0.00	
			M3	-1.17	0.00	10.61	1.18	0.00	7.72	-217.14	0.00	435.90	14.23	0.00	30.76	
		MIN	S2	-4.34	0.00	-34.94	-4.34	0.00	-53.07	-217.14	0.00	435.90	-217.14	0.00	-471.11	
			TQ	0.00	0.00	0.00	0.00	0.00	0.00	0.00	0.00	0.00	0.00	0.00	0.00	
			M3	6.70	0.00	-110.69	1.43	0.00	-100.56	14.23	0.00	-28.69	-217.14	0.00	-471.11	

BAGO RIVER BRIDGE

BLOCK [ No.2 : CROSS BEAM ][ BEAM MEMBER FORCE ]

MEMBER NODE	1001053 1053	2053			1001055 1055	2055									
		SHEAR	TORQUE	MOMENT		SHEAR	TORQUE	MOMENT							
		S2 (kN)	TQ (kN·m)	M3 (kN·m)		S2 (kN)	TQ (kN·m)	M3 (kN·m)							
NAME TITLE															
68	2-LANES (caseDISPERSION-LMAX	S2	9.90	0.00	-67.15	9.90	0.00	-25.81	22.84	0.00	-46.04	22.84	0.00	49.37	
		TQ	0.00	0.00	0.00	0.00	0.00	0.00	0.00	0.00	0.00	0.00	0.00	0.00	
		M3	-1.48	0.00	14.64	1.99	0.00	13.40	-456.18	0.00	916.78	22.84	0.00	49.37	
	MIN	S2	-3.86	0.00	-10.16	-3.86	0.00	-26.30	-456.18	0.00	916.78	-456.18	0.00	-988.69	
		TQ	0.00	0.00	0.00	0.00	0.00	0.00	0.00	0.00	0.00	0.00	0.00	0.00	
		M3	7.51	0.00	-91.95	4.05	0.00	-65.51	22.84	0.00	-46.04	-456.18	0.00	-988.69	
69	3-LANES (caseTRUCK-LOAD	MAX	S2	107.24	0.00	-96.44	107.24	0.00	351.49	422.64	0.00	-851.16	422.64	0.00	914.22
		TQ	0.00	0.00	0.00	0.00	0.00	0.00	0.00	0.00	0.00	0.00	0.00	0.00	
		M3	-171.27	0.00	315.96	95.95	0.00	366.73	-29.34	0.00	59.18	422.64	0.00	914.22	
	MIN	S2	-181.24	0.00	295.35	-181.24	0.00	-461.69	-29.34	0.00	59.18	-29.34	0.00	-63.37	
		TQ	0.00	0.00	0.00	0.00	0.00	0.00	0.00	0.00	0.00	0.00	0.00	0.00	
		M3	106.78	0.00	-98.62	-169.16	0.00	-479.00	422.64	0.00	-851.16	-29.34	0.00	-63.37	
	TANDEM-LOAD	MAX	S2	80.87	0.00	-70.92	80.87	0.00	266.89	287.73	0.00	-579.11	287.73	0.00	622.75
		TQ	0.00	0.00	0.00	0.00	0.00	0.00	0.00	0.00	0.00	0.00	0.00	0.00	
		M3	-135.62	0.00	238.86	73.38	0.00	278.20	-20.01	0.00	40.37	287.73	0.00	622.75	
	MIN	S2	-138.78	0.00	223.25	-138.78	0.00	-356.42	-20.01	0.00	40.37	-20.01	0.00	-43.23	
		TQ	0.00	0.00	0.00	0.00	0.00	0.00	0.00	0.00	0.00	0.00	0.00	0.00	
		M3	80.55	0.00	-71.90	-129.54	0.00	-367.39	287.73	0.00	-579.11	-20.01	0.00	-43.23	
	DISPERSION-LMAX	S2	65.46	0.00	-74.34	65.46	0.00	199.07	630.74	0.00	-1269.85	630.74	0.00	1364.74	
		TQ	0.00	0.00	0.00	0.00	0.00	0.00	0.00	0.00	0.00	0.00	0.00	0.00	
		M3	-64.63	0.00	123.73	64.94	0.00	200.91	-33.46	0.00	67.51	630.74	0.00	1364.74	
	MIN	S2	-72.85	0.00	110.94	-72.85	0.00	-193.38	-33.47	0.00	67.51	-33.47	0.00	-72.29	
		TQ	0.00	0.00	0.00	0.00	0.00	0.00	0.00	0.00	0.00	0.00	0.00	0.00	
		M3	57.23	0.00	-87.14	-72.34	0.00	-195.22	630.74	0.00	-1269.86	-33.47	0.00	-72.29	

BAGO RIVER BRIDGE

BLOCK [ No.2 : CROSS BEAM ][ BEAM MEMBER FORCE ]

MEMBER				1001053						1001055						
NODE				1053			2053			1055			2055			
NAME TITLE				SHEAR	TORQUE	MOMENT	SHEAR	TORQUE	MOMENT	SHEAR	TORQUE	MOMENT	SHEAR	TORQUE	MOMENT	
				S2 (kN)	TQ (kN·m)	M3 (kN·m)	S2 (kN)	TQ (kN·m)	M3 (kN·m)	S2 (kN)	TQ (kN·m)	M3 (kN·m)	S2 (kN)	TQ (kN·m)	M3 (kN·m)	
70	3-LANES (case	TRUCK-LOAD	MAX	S2	42.01	0.00	-192.91	42.01	0.00	-17.43	14.48	0.00	-29.19	14.48	0.00	31.31
			TQ	0.00	0.00	0.00	0.00	0.00	0.00	0.00	0.00	0.00	0.00	0.00	0.00	0.00
			M3	-2.21	0.00	16.50	18.78	0.00	46.15	-392.71	0.00	787.28	14.48	0.00	0.00	31.31
		MIN	S2	-6.21	0.00	-48.17	-6.21	0.00	-74.12	-392.71	0.00	787.28	-392.71	0.00	-853.08	
		TQ	0.00	0.00	0.00	0.00	0.00	0.00	0.00	0.00	0.00	0.00	0.00	0.00	0.00	
		M3	31.77	0.00	-245.00	2.18	0.00	-139.68	14.48	0.00	-29.19	-392.71	0.00	-853.17		
	TANDEM-LOAD	MAX	S2	29.77	0.00	-130.00	29.77	0.00	-5.63	9.92	0.00	-19.99	9.92	0.00	21.45	
		TQ	0.00	0.00	0.00	0.00	0.00	0.00	0.00	0.00	0.00	0.00	0.00	0.00		
		M3	-1.52	0.00	11.26	14.23	0.00	33.23	-267.71	0.00	536.96	9.92	0.00	21.45		
		MIN	S2	-4.74	0.00	-36.56	-4.74	0.00	-56.35	-267.71	0.00	536.96	-267.71	0.00	-581.27	
		TQ	0.00	0.00	0.00	0.00	0.00	0.00	0.00	0.00	0.00	0.00	0.00	0.00		
		M3	23.58	0.00	-173.79	1.08	0.00	-101.37	9.92	0.00	-19.99	-267.42	0.00	-581.28		
	DISPERSION-LMAX	MAX	S2	25.57	0.00	-107.18	25.57	0.00	-0.36	15.66	0.00	-31.55	15.66	0.00	33.85	
		TQ	0.00	0.00	0.00	0.00	0.00	0.00	0.00	0.00	0.00	0.00	0.00	0.00		
		M3	-2.17	0.00	16.32	15.76	0.00	41.98	-544.03	0.00	1092.69	15.66	0.00	33.85		
		MIN	S2	-4.75	0.00	-8.35	-4.75	0.00	-28.21	-544.03	0.00	1092.69	-544.03	0.00	-1179.72	
		TQ	0.00	0.00	0.00	0.00	0.00	0.00	0.00	0.00	0.00	0.00	0.00	0.00		
		M3	22.99	0.00	-131.85	5.06	0.00	-70.54	15.66	0.00	-31.55	-544.03	0.00	-1179.72		
71	3-LANES (case	TRUCK-LOAD	MAX	S2	42.02	0.00	-192.89	42.02	0.00	-17.36	25.21	0.00	-50.81	25.21	0.00	54.48
			TQ	0.00	0.00	0.00	0.00	0.00	0.00	0.00	0.00	0.00	0.00	0.00		
			M3	-2.03	0.00	15.91	18.78	0.00	46.17	-392.64	0.00	787.13	25.21	0.00	54.48	
	MIN	S2	-5.96	0.00	-45.62	-5.96	0.00	-70.52	-392.64	0.00	787.13	-392.64	0.00	-852.92		
	TQ	0.00	0.00	0.00	0.00	0.00	0.00	0.00	0.00	0.00	0.00	0.00	0.00			
	M3	31.78	0.00	-245.00	2.37	0.00	-139.60	25.21	0.00	-50.81	-392.63	0.00	-853.01			

BAGO RIVER BRIDGE

BLOCK [ No.2 : CROSS BEAM ][ BEAM MEMBER FORCE ]

MEMBER NODE	1001053 1053	2053			1001055 1055	2055										
		SHEAR	TORQUE	MOMENT		SHEAR	TORQUE	MOMENT								
		S2 (kN)	TQ (kN·m)	M3 (kN·m)		S2 (kN)	TQ (kN·m)	M3 (kN·m)								
71	3-LANES (case)	TANDEM-LOAD	MAX	S2	29.78	0.00	-129.99	29.78	0.00	-5.59	17.21	0.00	-34.68	17.21	0.00	37.19
				TQ	0.00	0.00	0.00	0.00	0.00	0.00	0.00	0.00	0.00	0.00	0.00	0.00
				M3	-1.39	0.00	10.85	14.24	0.00	33.25	-267.66	0.00	536.86	17.21	0.00	37.19
			MIN	S2	-4.57	0.00	-34.74	-4.57	0.00	-53.81	-267.66	0.00	536.86	-267.66	0.00	-581.16
				TQ	0.00	0.00	0.00	0.00	0.00	0.00	0.00	0.00	0.00	0.00	0.00	0.00
				M3	23.59	0.00	-173.78	1.21	0.00	-101.31	17.21	0.00	-34.68	-267.37	0.00	-581.17
		DISPERSION-L	MAX	S2	25.52	0.00	-107.42	25.52	0.00	-0.83	27.44	0.00	-55.30	27.44	0.00	59.31
				TQ	0.00	0.00	0.00	0.00	0.00	0.00	0.00	0.00	0.00	0.00	0.00	0.00
				M3	-1.60	0.00	15.31	15.63	0.00	41.92	-545.71	0.00	1096.07	27.44	0.00	59.31
			MIN	S2	-4.26	0.00	-9.78	-4.26	0.00	-27.59	-545.71	0.00	1096.07	-545.71	0.00	-1183.35
				TQ	0.00	0.00	0.00	0.00	0.00	0.00	0.00	0.00	0.00	0.00	0.00	0.00
				M3	22.85	0.00	-132.51	5.62	0.00	-70.34	27.44	0.00	-55.30	-545.71	0.00	-1183.35
72	4-LANES	TRUCK-LOAD	MAX	S2	0.56	0.00	-0.97	0.56	0.00	1.36	23.79	0.00	-47.96	23.79	0.00	51.43
				TQ	0.00	0.00	0.00	0.00	0.00	0.00	0.00	0.00	0.00	0.00	0.00	0.00
				M3	-0.93	0.00	1.35	0.56	0.00	1.37	-1.87	0.00	3.78	23.79	0.00	51.43
			MIN	S2	-1.12	0.00	0.78	-1.12	0.00	-3.90	-1.87	0.00	3.78	-1.87	0.00	-4.05
				TQ	0.00	0.00	0.00	0.00	0.00	0.00	0.00	0.00	0.00	0.00	0.00	0.00
				M3	0.14	0.00	-1.88	-1.02	0.00	-4.27	23.79	0.00	-47.96	-1.87	0.00	-4.05
		TANDEM-LOAD	MAX	S2	0.38	0.00	-0.66	0.38	0.00	0.93	16.89	0.00	-34.05	16.89	0.00	36.51
				TQ	0.00	0.00	0.00	0.00	0.00	0.00	0.00	0.00	0.00	0.00	0.00	0.00
				M3	-0.63	0.00	0.92	0.38	0.00	0.93	-1.28	0.00	2.59	16.89	0.00	36.51
			MIN	S2	-0.76	0.00	0.57	-0.76	0.00	-2.61	-1.28	0.00	2.59	-1.28	0.00	-2.77
				TQ	0.00	0.00	0.00	0.00	0.00	0.00	0.00	0.00	0.00	0.00	0.00	0.00
				M3	0.12	0.00	-1.37	-0.70	0.00	-2.91	16.89	0.00	-34.05	-1.28	0.00	-2.77

BAGO RIVER BRIDGE

BLOCK [ No.2 : CROSS BEAM ][ BEAM MEMBER FORCE ]

MEMBER			1001053						1001055								
NODE			1053			2053			1055			2055					
NAME TITLE			SHEAR	TORQUE	MOMENT	SHEAR	TORQUE	MOMENT	SHEAR	TORQUE	MOMENT	SHEAR	TORQUE	MOMENT			
			S2 (kN)	TQ (kN·m)	M3 (kN·m)	S2 (kN)	TQ (kN·m)	M3 (kN·m)	S2 (kN)	TQ (kN·m)	M3 (kN·m)	S2 (kN)	TQ (kN·m)	M3 (kN·m)			
72	4-LANES	DISPERSION-LMAX	S2	0.68	0.00	-1.29	0.68	0.00	1.57	14.67	0.00	-29.58	14.67	0.00	31.72		
			TQ	0.00	0.00	0.00	0.00	0.00	0.00	0.00	0.00	0.00	0.00	0.00	0.00	0.00	
			M3	-0.70	0.00	1.05	0.68	0.00	1.66	-2.24	0.00	4.51	14.67	0.00	0.00	31.72	
	MIN	S2	-0.85	0.00	0.59	-0.85	0.00	-2.98	-2.24	0.00	4.51	-2.24	0.00	0.00	-4.84		
		TQ	0.00	0.00	0.00	0.00	0.00	0.00	0.00	0.00	0.00	0.00	0.00	0.00	0.00		
		M3	0.53	0.00	-1.76	-0.85	0.00	-3.07	14.67	0.00	-29.58	-2.24	0.00	0.00	-4.84		
	73	6-LANES	TRUCK-LOAD	MAX	S2	181.00	0.00	-265.84	181.00	0.00	490.18	395.29	0.00	-796.38	395.29	0.00	854.74
				TQ	0.00	0.00	0.00	0.00	0.00	0.00	0.00	0.00	0.00	0.00	0.00	0.00	0.00
				M3	-133.69	0.00	275.43	166.71	0.00	547.76	-373.39	0.00	749.45	395.13	0.00	0.00	855.22
MIN			S2	-165.68	0.00	168.13	-165.68	0.00	-523.92	-373.39	0.00	749.45	-373.39	0.00	0.00	-810.19	
TQ			0.00	0.00	0.00	0.00	0.00	0.00	0.00	0.00	0.00	0.00	0.00	0.00	0.00	0.00	
M3			145.36	0.00	-346.81	-156.53	0.00	-581.45	395.28	0.00	-796.42	-373.25	0.00	0.00	-810.32		
TANDEM-LOAD		MAX	S2	136.07	0.00	-184.89	136.07	0.00	383.47	268.97	0.00	-541.65	268.97	0.00	0.00	581.86	
		TQ	0.00	0.00	0.00	0.00	0.00	0.00	0.00	0.00	0.00	0.00	0.00	0.00	0.00		
		M3	-104.50	0.00	208.48	127.96	0.00	413.28	-254.96	0.00	511.68	268.89	0.00	0.00	582.12		
		MIN	S2	-126.78	0.00	128.46	-126.78	0.00	-401.10	-254.96	0.00	511.68	-254.96	0.00	0.00	-553.29	
		TQ	0.00	0.00	0.00	0.00	0.00	0.00	0.00	0.00	0.00	0.00	0.00	0.00	0.00		
		M3	107.39	0.00	-250.51	-119.29	0.00	-440.23	268.97	0.00	-541.66	-254.92	0.00	0.00	-553.31		
		DISPERSION-LMAX	S2	87.95	0.00	-167.10	87.95	0.00	200.28	604.40	0.00	-1217.27	604.40	0.00	0.00	1307.32	
			TQ	0.00	0.00	0.00	0.00	0.00	0.00	0.00	0.00	0.00	0.00	0.00	0.00	0.00	
			M3	-61.20	0.00	127.89	78.65	0.00	238.16	-528.67	0.00	1062.32	604.40	0.00	0.00	1307.32	
MIN	S2		-71.74	0.00	91.89	-71.74	0.00	-207.78	-528.67	0.00	1062.32	-528.67	0.00	0.00	-1145.94		
TQ	0.00		0.00	0.00	0.00	0.00	0.00	0.00	0.00	0.00	0.00	0.00	0.00	0.00			
M3	76.96		0.00	-201.16	-62.83	0.00	-246.11	604.40	0.00	-1217.27	-528.67	0.00	0.00	-1145.94			



BAGO RIVER BRIDGE

BLOCK [ No.2 : CROSS BEAM ][ BEAM MEMBER FORCE ]

MEMBER			1001053						1001055						
NODE			1053			2053			1055			2055			
NAME TITLE			SHEAR	TORQUE	MOMENT	SHEAR	TORQUE	MOMENT	SHEAR	TORQUE	MOMENT	SHEAR	TORQUE	MOMENT	
			S2 (kN)	TQ (kN·m)	M3 (kN·m)	S2 (kN)	TQ (kN·m)	M3 (kN·m)	S2 (kN)	TQ (kN·m)	M3 (kN·m)	S2 (kN)	TQ (kN·m)	M3 (kN·m)	
124	SUM TOTAL	D+1LANE (caseMAX	S2	145.97	0.00	-426.45	145.97	0.00	183.29	906.03	0.00	-1835.15	906.03	0.00	1949.32
			TQ	119.29	0.00	-352.89	119.29	0.00	145.36	248.62	0.00	-507.36	248.62	0.00	531.11
			M3	-155.22	0.00	14.85	145.81	0.00	188.54	213.13	0.00	-435.79	906.03	0.00	1949.32
		MIN	S2	-155.41	0.00	14.72	-155.41	0.00	-634.43	213.13	0.00	-435.79	213.13	0.00	454.47
			TQ	119.29	0.00	-352.89	119.29	0.00	145.36	248.62	0.00	-507.36	248.62	0.00	531.11
			M3	145.65	0.00	-427.70	-155.40	0.00	-634.43	906.03	0.00	-1835.15	213.13	0.00	454.47
		D+1LANE (caseMAX	S2	273.50	0.00	-442.40	273.50	0.00	699.99	438.99	0.00	-887.78	438.99	0.00	945.86
			TQ	119.29	0.00	-352.89	119.29	0.00	145.36	248.62	0.00	-507.36	248.62	0.00	531.11
			M3	134.30	0.00	-316.17	271.49	0.00	702.44	233.86	0.00	-477.58	438.99	0.00	945.86
		MIN	S2	117.31	0.00	-347.95	117.31	0.00	142.04	233.86	0.00	-477.58	233.86	0.00	499.24
			TQ	119.29	0.00	-352.89	119.29	0.00	145.36	248.62	0.00	-507.36	248.62	0.00	531.11
			M3	268.46	0.00	-449.44	117.31	0.00	142.03	438.98	0.00	-887.79	233.86	0.00	499.24
		D+1LANE (caseMAX	S2	167.77	0.00	-500.73	167.77	0.00	200.07	251.13	0.00	-512.43	251.13	0.00	536.56
			TQ	119.29	0.00	-352.89	119.29	0.00	145.36	248.62	0.00	-507.36	248.62	0.00	531.11
			M3	118.27	0.00	-350.15	157.06	0.00	221.40	52.26	0.00	-114.85	251.13	0.00	536.56
		MIN	S2	117.97	0.00	-350.46	117.97	0.00	142.31	52.26	0.00	-114.85	52.26	0.00	103.43
			TQ	119.29	0.00	-352.89	119.29	0.00	145.36	248.62	0.00	-507.36	248.62	0.00	531.11
			M3	166.80	0.00	-504.65	120.34	0.00	138.06	251.13	0.00	-512.43	52.27	0.00	103.33
		D+1LANE (caseMAX	S2	129.70	0.00	-444.97	129.70	0.00	96.77	280.01	0.00	-570.65	280.01	0.00	598.97
			TQ	119.29	0.00	-352.89	119.29	0.00	145.36	248.62	0.00	-507.36	248.62	0.00	531.11
			M3	115.52	0.00	-327.73	116.84	0.00	156.45	-305.81	0.00	606.74	280.01	0.00	598.97
		MIN	S2	108.76	0.00	-426.46	108.76	0.00	27.84	-305.81	0.00	606.74	-305.81	0.00	-670.61
			TQ	119.29	0.00	-352.89	119.29	0.00	145.36	248.62	0.00	-507.36	248.62	0.00	531.11
			M3	119.95	0.00	-503.54	114.63	0.00	-13.71	280.01	0.00	-570.65	-305.81	0.00	-670.61

BAGO RIVER BRIDGE

BLOCK [ No.2 : CROSS BEAM ][ BEAM MEMBER FORCE ]

MEMBER			1001053						1001055						
NODE			1053			2053			1055			2055			
NAME TITLE			SHEAR	TORQUE	MOMENT	SHEAR	TORQUE	MOMENT	SHEAR	TORQUE	MOMENT	SHEAR	TORQUE	MOMENT	
			S2 (kN)	TQ (kN·m)	M3 (kN·m)	S2 (kN)	TQ (kN·m)	M3 (kN·m)	S2 (kN)	TQ (kN·m)	M3 (kN·m)	S2 (kN)	TQ (kN·m)	M3 (kN·m)	
124	SUM TOTAL	D+2LANES (casMAX	S2	163.47	0.00	-449.09	163.47	0.00	233.72	1143.36	0.00	-2311.35	1143.36	0.00	2464.45
			TQ	119.29	0.00	-352.89	119.29	0.00	145.36	248.62	0.00	-507.36	248.62	0.00	531.11
			M3	-129.13	0.00	56.20	153.34	0.00	248.76	198.11	0.00	-405.49	1143.36	0.00	2464.45
		MIN	S2	-133.16	0.00	49.27	-133.16	0.00	-506.94	198.11	0.00	-405.49	198.11	0.00	422.01
			TQ	119.29	0.00	-352.89	119.29	0.00	145.36	248.62	0.00	-507.36	248.62	0.00	531.11
			M3	158.98	0.00	-458.19	-120.57	0.00	-526.09	1143.36	0.00	-2311.35	198.11	0.00	422.01
		D+2LANES (casMAX	S2	269.74	0.00	-462.38	269.74	0.00	664.31	754.16	0.00	-1521.88	754.16	0.00	1628.23
			TQ	119.29	0.00	-352.89	119.29	0.00	145.36	248.62	0.00	-507.36	248.62	0.00	531.11
			M3	112.14	0.00	-219.66	258.08	0.00	677.02	215.38	0.00	-440.31	754.16	0.00	1628.23
		MIN	S2	94.10	0.00	-252.96	94.10	0.00	140.12	215.38	0.00	-440.31	215.38	0.00	459.33
			TQ	119.29	0.00	-352.89	119.29	0.00	145.36	248.62	0.00	-507.36	248.62	0.00	531.11
			M3	261.33	0.00	-476.31	106.69	0.00	120.97	754.15	0.00	-1521.88	215.38	0.00	459.33
		D+2LANES (casMAX	S2	178.21	0.00	-576.69	178.21	0.00	167.70	260.46	0.00	-531.22	260.46	0.00	556.72
			TQ	119.29	0.00	-352.89	119.29	0.00	145.36	248.62	0.00	-507.36	248.62	0.00	531.11
			M3	118.11	0.00	-341.05	155.82	0.00	224.22	-226.94	0.00	445.88	260.46	0.00	556.72
		MIN	S2	117.21	0.00	-348.28	117.21	0.00	141.31	-226.94	0.00	445.88	-226.94	0.00	-502.06
			TQ	119.29	0.00	-352.89	119.29	0.00	145.36	248.62	0.00	-507.36	248.62	0.00	531.11
			M3	173.56	0.00	-604.77	130.60	0.00	67.73	260.46	0.00	-531.22	-226.93	0.00	-502.14
		D+2LANES (casMAX	S2	146.45	0.00	-530.17	146.45	0.00	81.56	292.33	0.00	-595.47	292.33	0.00	625.58
			TQ	119.29	0.00	-352.89	119.29	0.00	145.36	248.62	0.00	-507.36	248.62	0.00	531.11
			M3	116.10	0.00	-322.70	122.26	0.00	170.08	-526.12	0.00	1048.80	292.33	0.00	625.58
		MIN	S2	109.80	0.00	-408.99	109.80	0.00	49.63	-526.12	0.00	1048.80	-526.12	0.00	-1148.80
			TQ	119.29	0.00	-352.89	119.29	0.00	145.36	248.62	0.00	-507.36	248.62	0.00	531.11
			M3	134.39	0.00	-604.07	126.03	0.00	-58.65	292.33	0.00	-595.47	-526.12	0.00	-1148.80

BAGO RIVER BRIDGE

BLOCK [ No.2 : CROSS BEAM ][ BEAM MEMBER FORCE ]

MEMBER			1001053			2053			1001055			2055				
NODE			1053			1055			1055			2055				
NAME TITLE			SHEAR	TORQUE	MOMENT	SHEAR	TORQUE	MOMENT	SHEAR	TORQUE	MOMENT	SHEAR	TORQUE	MOMENT		
			S2 (kN)	TQ (kN·m)	M3 (kN·m)	S2 (kN)	TQ (kN·m)	M3 (kN·m)	S2 (kN)	TQ (kN·m)	M3 (kN·m)	S2 (kN)	TQ (kN·m)	M3 (kN·m)		
124	SUM TOTAL	D+3LANES (casMAX	S2	266.07	0.00	-498.06	266.07	0.00	613.33	1143.99	0.00	-2310.22	1143.99	0.00	2468.23	
			TQ	119.29	0.00	-352.89	119.29	0.00	145.36	248.62	0.00	-507.36	248.62	0.00	531.11	
			M3	-81.23	0.00	20.84	256.04	0.00	627.85	195.23	0.00	-399.67	1143.99	0.00	2468.23	
		MIN	S2	-96.69	0.00	-7.55	-96.69	0.00	-411.45	195.23	0.00	-399.67	195.23	0.00	415.80	
			TQ	119.29	0.00	-352.89	119.29	0.00	145.36	248.62	0.00	-507.36	248.62	0.00	531.11	
			M3	258.69	0.00	-510.79	-85.99	0.00	-427.73	1143.99	0.00	-2310.22	195.23	0.00	415.80	
		D+3LANES (casMAX	S2	176.73	0.00	-607.97	176.73	0.00	130.25	274.24	0.00	-558.99	274.24	0.00	586.50	
			TQ	119.29	0.00	-352.89	119.29	0.00	145.36	248.62	0.00	-507.36	248.62	0.00	531.11	
			M3	115.56	0.00	-325.00	148.64	0.00	220.27	-547.61	0.00	1090.62	274.24	0.00	586.50	
		MIN	S2	109.96	0.00	-400.94	109.96	0.00	58.38	-547.61	0.00	1090.62	-547.61	0.00	-1196.77	
			TQ	119.29	0.00	-352.89	119.29	0.00	145.36	248.62	0.00	-507.36	248.62	0.00	531.11	
			M3	165.83	0.00	-673.21	125.44	0.00	-33.33	274.24	0.00	-558.99	-547.61	0.00	-1196.84	
		D+3LANES (casMAX	S2	176.69	0.00	-608.16	176.69	0.00	129.89	293.37	0.00	-597.55	293.37	0.00	627.84	
			TQ	119.29	0.00	-352.89	119.29	0.00	145.36	248.62	0.00	-507.36	248.62	0.00	531.11	
			M3	116.20	0.00	-326.35	148.54	0.00	220.24	-548.98	0.00	1093.36	293.37	0.00	627.84	
		MIN	S2	110.59	0.00	-399.98	110.59	0.00	61.97	-548.98	0.00	1093.36	-548.98	0.00	-1199.72	
			TQ	119.29	0.00	-352.89	119.29	0.00	145.36	248.62	0.00	-507.36	248.62	0.00	531.11	
			M3	165.73	0.00	-673.77	126.07	0.00	-33.09	293.37	0.00	-597.55	-548.97	0.00	-1199.79	
		D+4LANES	MAX	S2	120.09	0.00	-354.36	120.09	0.00	147.27	273.62	0.00	-557.75	273.62	0.00	585.16
			TQ	119.29	0.00	-352.89	119.29	0.00	145.36	248.62	0.00	-507.36	248.62	0.00	531.11	
			M3	118.23	0.00	-351.33	120.09	0.00	147.33	245.94	0.00	-501.97	273.62	0.00	585.16	
		MIN	S2	118.00	0.00	-352.00	118.00	0.00	140.89	245.94	0.00	-501.97	245.94	0.00	525.34	
			TQ	119.29	0.00	-352.89	119.29	0.00	145.36	248.62	0.00	-507.36	248.62	0.00	531.11	
			M3	119.72	0.00	-355.26	118.07	0.00	140.59	273.62	0.00	-557.75	245.94	0.00	525.34	

BAGO RIVER BRIDGE

BLOCK [ No.2 : CROSS BEAM ][ BEAM MEMBER FORCE ]

MEMBER					1001053						1001055					
NODE					1053			2053			1055			2055		
NAME TITLE					SHEAR	TORQUE	MOMENT	SHEAR	TORQUE	MOMENT	SHEAR	TORQUE	MOMENT	SHEAR	TORQUE	MOMENT
					S2 (kN)	TQ (kN·m)	M3 (kN·m)	S2 (kN)	TQ (kN·m)	M3 (kN·m)	S2 (kN)	TQ (kN·m)	M3 (kN·m)	S2 (kN)	TQ (kN·m)	M3 (kN·m)
124	SUM TOTAL	D+6LANES	MAX	S2	294.10	0.00	-634.31	294.10	0.00	594.16	898.42	0.00	-1816.23	898.42	0.00	1936.45
				TQ	119.29	0.00	-352.89	119.29	0.00	145.36	248.62	0.00	-507.36	248.62	0.00	531.11
				M3	-7.39	0.00	-90.74	278.77	0.00	656.21	-337.72	0.00	670.29	898.31	0.00	1936.77
			MIN	S2	-35.04	0.00	-183.88	-35.04	0.00	-330.24	-337.72	0.00	670.29	-337.72	0.00	-740.37
				TQ	119.29	0.00	-352.89	119.29	0.00	145.36	248.62	0.00	-507.36	248.62	0.00	531.11
				M3	263.79	0.00	-709.08	-23.30	0.00	-392.55	898.41	0.00	-1816.26	-337.63	0.00	-740.45
	SUM TOTAL		MAX		294.10	0.00	56.20	294.10	0.00	702.44	1143.99	0.00	1093.36	1143.99	0.00	2468.23
			MIN		-155.41	0.00	-709.08	-155.41	0.00	-634.43	-548.98	0.00	-2311.35	-548.98	0.00	-1199.79
300	DEAD LOAD	TOTAL			119.29	0.00	-352.89	119.29	0.00	145.36	248.62	0.00	-507.36	248.62	0.00	531.11
301	LIVE LOAD	1-LANE(case1MAX	S2		26.69	0.00	-73.55	26.69	0.00	37.93	657.41	0.00	-1327.79	657.41	0.00	1418.21
			TQ		0.00	0.00	0.00	0.00	0.00	0.00	0.00	0.00	0.00	0.00	0.00	0.00
			M3		-274.50	0.00	367.74	26.52	0.00	43.17	-35.48	0.00	71.56	657.41	0.00	1418.21
			MIN	S2	-274.70	0.00	367.61	-274.70	0.00	-779.79	-35.48	0.00	71.56	-35.48	0.00	-76.65
				TQ	0.00	0.00	0.00	0.00	0.00	0.00	0.00	0.00	0.00	0.00	0.00	0.00
				M3	26.36	0.00	-74.81	-274.69	0.00	-779.79	657.41	0.00	-1327.79	-35.48	0.00	-76.65
		1-LANE(case2MAX	S2		154.21	0.00	-89.51	154.21	0.00	554.63	190.37	0.00	-380.43	190.37	0.00	414.75
			TQ		0.00	0.00	0.00	0.00	0.00	0.00	0.00	0.00	0.00	0.00	0.00	0.00
			M3		15.02	0.00	36.72	152.21	0.00	557.08	-14.76	0.00	29.78	190.37	0.00	414.75
			MIN	S2	-1.98	0.00	4.95	-1.98	0.00	-3.32	-14.76	0.00	29.78	-14.76	0.00	-31.87
				TQ	0.00	0.00	0.00	0.00	0.00	0.00	0.00	0.00	0.00	0.00	0.00	0.00
				M3	149.18	0.00	-96.55	-1.98	0.00	-3.33	190.37	0.00	-380.43	-14.76	0.00	-31.87
		1-LANE(case3MAX	S2		48.49	0.00	-147.83	48.49	0.00	54.71	2.52	0.00	-5.07	2.52	0.00	5.44
			TQ		0.00	0.00	0.00	0.00	0.00	0.00	0.00	0.00	0.00	0.00	0.00	0.00
			M3		-1.01	0.00	2.75	37.78	0.00	76.04	-196.36	0.00	392.51	2.52	0.00	5.44
			MIN	S2	-1.31	0.00	2.43	-1.31	0.00	-3.05	-196.36	0.00	392.51	-196.36	0.00	-427.68
				TQ	0.00	0.00	0.00	0.00	0.00	0.00	0.00	0.00	0.00	0.00	0.00	0.00
				M3	47.52	0.00	-151.75	1.06	0.00	-7.30	2.52	0.00	-5.07	-196.35	0.00	-427.78

BAGO RIVER BRIDGE

BLOCK [ No.2 : CROSS BEAM ][ BEAM MEMBER FORCE ]

MEMBER			1001053						1001055							
NODE			1053			2053			1055			2055				
NAME TITLE			SHEAR	TORQUE	MOMENT	SHEAR	TORQUE	MOMENT	SHEAR	TORQUE	MOMENT	SHEAR	TORQUE	MOMENT		
			S2 (kN)	TQ (kN·m)	M3 (kN·m)	S2 (kN)	TQ (kN·m)	M3 (kN·m)	S2 (kN)	TQ (kN·m)	M3 (kN·m)	S2 (kN)	TQ (kN·m)	M3 (kN·m)		
301	LIVE LOAD	1-LANE (case4MAX	S2	10.41	0.00	-92.07	10.41	0.00	-48.59	31.40	0.00	-63.29	31.40	0.00	67.85	
			TQ	0.00	0.00	0.00	0.00	0.00	0.00	0.00	0.00	0.00	0.00	0.00	0.00	
			M3	-3.77	0.00	25.16	-2.45	0.00	11.09	-554.42	0.00	1114.10	31.40	0.00	0.00	67.85
			MIN S2	-10.52	0.00	-73.57	-10.52	0.00	-117.52	-554.42	0.00	1114.10	-554.42	0.00	0.00	-1201.72
			TQ	0.00	0.00	0.00	0.00	0.00	0.00	0.00	0.00	0.00	0.00	0.00	0.00	0.00
			M3	0.66	0.00	-150.65	-4.66	0.00	-159.07	31.40	0.00	-63.29	-554.42	0.00	0.00	-1201.72
		2-LANES (caseMAX	S2	44.18	0.00	-96.19	44.18	0.00	88.36	894.74	0.00	-1803.99	894.74	0.00	0.00	1933.33
			TQ	0.00	0.00	0.00	0.00	0.00	0.00	0.00	0.00	0.00	0.00	0.00	0.00	0.00
			M3	-248.41	0.00	409.09	34.05	0.00	103.40	-50.51	0.00	101.87	894.74	0.00	0.00	1933.33
			MIN S2	-252.44	0.00	402.16	-252.44	0.00	-652.30	-50.51	0.00	101.87	-50.51	0.00	0.00	-109.10
			TQ	0.00	0.00	0.00	0.00	0.00	0.00	0.00	0.00	0.00	0.00	0.00	0.00	0.00
			M3	39.70	0.00	-105.30	-239.86	0.00	-671.45	894.74	0.00	-1803.99	-50.51	0.00	0.00	-109.10
		2-LANES (caseMAX	S2	150.45	0.00	-109.49	150.45	0.00	518.95	505.54	0.00	-1014.52	505.54	0.00	0.00	1097.11
			TQ	0.00	0.00	0.00	0.00	0.00	0.00	0.00	0.00	0.00	0.00	0.00	0.00	0.00
			M3	-7.15	0.00	133.24	138.79	0.00	531.66	-33.24	0.00	67.05	505.54	0.00	0.00	1097.11
			MIN S2	-25.18	0.00	99.94	-25.18	0.00	-5.24	-33.24	0.00	67.05	-33.24	0.00	0.00	-71.79
			TQ	0.00	0.00	0.00	0.00	0.00	0.00	0.00	0.00	0.00	0.00	0.00	0.00	0.00
			M3	142.04	0.00	-123.42	-12.60	0.00	-24.40	505.54	0.00	-1014.52	-33.24	0.00	0.00	-71.79
		2-LANES (caseMAX	S2	58.93	0.00	-223.80	58.93	0.00	22.34	11.84	0.00	-23.86	11.84	0.00	0.00	25.61
			TQ	0.00	0.00	0.00	0.00	0.00	0.00	0.00	0.00	0.00	0.00	0.00	0.00	0.00
			M3	-1.17	0.00	11.84	36.53	0.00	78.86	-475.56	0.00	953.24	11.84	0.00	0.00	25.61
			MIN S2	-2.07	0.00	4.61	-2.07	0.00	-4.05	-475.56	0.00	953.24	-475.56	0.00	0.00	-1033.17
			TQ	0.00	0.00	0.00	0.00	0.00	0.00	0.00	0.00	0.00	0.00	0.00	0.00	0.00
			M3	54.28	0.00	-251.88	11.31	0.00	-77.63	11.84	0.00	-23.86	-475.55	0.00	0.00	-1033.25

BAGO RIVER BRIDGE

BLOCK [ No.2 : CROSS BEAM ][ BEAM MEMBER FORCE ]

MEMBER			1001053						1001055							
NODE			1053			2053			1055			2055				
NAME TITLE			SHEAR	TORQUE	MOMENT	SHEAR	TORQUE	MOMENT	SHEAR	TORQUE	MOMENT	SHEAR	TORQUE	MOMENT		
			S2 (kN)	TQ (kN·m)	M3 (kN·m)	S2 (kN)	TQ (kN·m)	M3 (kN·m)	S2 (kN)	TQ (kN·m)	M3 (kN·m)	S2 (kN)	TQ (kN·m)	M3 (kN·m)		
301	LIVE LOAD	2-LANES (caseMAX	S2	27.17	0.00	-177.28	27.17	0.00	-63.80	43.71	0.00	-88.11	43.71	0.00	94.47	
			TQ	0.00	0.00	0.00	0.00	0.00	0.00	0.00	0.00	0.00	0.00	0.00	0.00	
			M3	-3.19	0.00	30.20	2.97	0.00	24.72	-774.74	0.00	1556.16	43.71	0.00	0.00	94.47
			MIN S2	-9.49	0.00	-56.10	-9.49	0.00	-95.73	-774.74	0.00	1556.16	-774.74	0.00	0.00	-1679.91
			TQ	0.00	0.00	0.00	0.00	0.00	0.00	0.00	0.00	0.00	0.00	0.00	0.00	0.00
			M3	15.10	0.00	-251.17	6.74	0.00	-204.01	43.71	0.00	-88.11	-774.74	0.00	0.00	-1679.91
		3-LANES (caseMAX	S2	146.79	0.00	-145.17	146.79	0.00	467.97	895.37	0.00	-1802.86	895.37	0.00	0.00	1937.11
			TQ	0.00	0.00	0.00	0.00	0.00	0.00	0.00	0.00	0.00	0.00	0.00	0.00	0.00
			M3	-200.51	0.00	373.74	136.76	0.00	482.49	-53.38	0.00	107.69	895.37	0.00	0.00	1937.11
			MIN S2	-215.98	0.00	345.34	-215.98	0.00	-556.81	-53.39	0.00	107.69	-53.39	0.00	0.00	-115.31
			TQ	0.00	0.00	0.00	0.00	0.00	0.00	0.00	0.00	0.00	0.00	0.00	0.00	0.00
			M3	139.41	0.00	-157.89	-205.28	0.00	-573.09	895.37	0.00	-1802.86	-53.39	0.00	0.00	-115.31
		3-LANES (caseMAX	S2	57.45	0.00	-255.08	57.45	0.00	-15.12	25.62	0.00	-51.63	25.62	0.00	0.00	55.38
			TQ	0.00	0.00	0.00	0.00	0.00	0.00	0.00	0.00	0.00	0.00	0.00	0.00	0.00
			M3	-3.72	0.00	27.90	29.36	0.00	74.91	-796.23	0.00	1597.98	25.62	0.00	0.00	55.38
			MIN S2	-9.32	0.00	-48.04	-9.32	0.00	-86.98	-796.23	0.00	1597.98	-796.23	0.00	0.00	-1727.88
			TQ	0.00	0.00	0.00	0.00	0.00	0.00	0.00	0.00	0.00	0.00	0.00	0.00	0.00
			M3	46.54	0.00	-320.32	6.16	0.00	-178.69	25.62	0.00	-51.63	-796.22	0.00	0.00	-1727.95
		3-LANES (caseMAX	S2	57.41	0.00	-255.26	57.41	0.00	-15.47	44.75	0.00	-90.19	44.75	0.00	0.00	96.73
			TQ	0.00	0.00	0.00	0.00	0.00	0.00	0.00	0.00	0.00	0.00	0.00	0.00	0.00
			M3	-3.09	0.00	26.54	29.25	0.00	74.88	-797.60	0.00	1600.72	44.75	0.00	0.00	96.73
MIN S2	-8.69		0.00	-47.09	-8.69	0.00	-83.39	-797.60	0.00	1600.72	-797.60	0.00	0.00	-1730.84		
TQ	0.00		0.00	0.00	0.00	0.00	0.00	0.00	0.00	0.00	0.00	0.00	0.00	0.00		
M3	46.44		0.00	-320.88	6.79	0.00	-178.45	44.75	0.00	-90.19	-797.59	0.00	0.00	-1730.91		

BAGO RIVER BRIDGE

BLOCK [ No.2 : CROSS BEAM ][ BEAM MEMBER FORCE ]

MEMBER					1001053			1001055			1001055					
NODE					1053	2053		1055	2055		2055					
NAME TITLE					SHEAR	TORQUE	MOMENT	SHEAR	TORQUE	MOMENT	SHEAR	TORQUE	MOMENT			
					S2 (kN)	TQ (kN·m)	M3 (kN·m)	S2 (kN)	TQ (kN·m)	M3 (kN·m)	S2 (kN)	TQ (kN·m)	M3 (kN·m)			
301	LIVE LOAD	4-LANES	MAX	S2	0.81	0.00	-1.47	0.81	0.00	1.90	25.00	0.00	-50.40	25.00	0.00	54.04
				TQ	0.00	0.00	0.00	0.00	0.00	0.00	0.00	0.00	0.00	0.00	0.00	0.00
				M3	-1.06	0.00	1.56	0.81	0.00	1.97	-2.67	0.00	5.38	25.00	0.00	54.04
			MIN	S2	-1.28	0.00	0.89	-1.28	0.00	-4.47	-2.67	0.00	5.38	-2.67	0.00	-5.78
				TQ	0.00	0.00	0.00	0.00	0.00	0.00	0.00	0.00	0.00	0.00	0.00	0.00
				M3	0.44	0.00	-2.37	-1.22	0.00	-4.77	25.00	0.00	-50.40	-2.67	0.00	-5.78
		6-LANES	MAX	S2	174.82	0.00	-281.41	174.82	0.00	448.80	649.80	0.00	-1308.87	649.80	0.00	1405.34
				TQ	0.00	0.00	0.00	0.00	0.00	0.00	0.00	0.00	0.00	0.00	0.00	0.00
				M3	-126.67	0.00	262.16	159.49	0.00	510.84	-586.33	0.00	1177.65	649.70	0.00	1405.65
			MIN	S2	-154.33	0.00	169.01	-154.33	0.00	-475.60	-586.34	0.00	1177.65	-586.34	0.00	-1271.48
				TQ	0.00	0.00	0.00	0.00	0.00	0.00	0.00	0.00	0.00	0.00	0.00	0.00
				M3	144.51	0.00	-356.18	-142.59	0.00	-537.91	649.79	0.00	-1308.90	-586.25	0.00	-1271.57
		LIVE LOAD	MAX		174.82	0.00	409.09	174.82	0.00	557.08	895.37	0.00	1600.72	895.37	0.00	1937.11
			MIN		-274.70	0.00	-356.18	-274.70	0.00	-779.79	-797.60	0.00	-1803.99	-797.60	0.00	-1730.91
		303	SUM TOTAL	TOTAL	MAX		294.10	0.00	56.20	294.10	0.00	702.44	1143.99	0.00	1093.36	1143.99
MIN					-155.41	0.00	-709.08	-155.41	0.00	-634.43	-548.98	0.00	-2311.35	-548.98	0.00	-1199.79

BAGO RIVER BRIDGE

BLOCK [ No.2 : CROSS BEAM ][ BEAM MEMBER FORCE ]

MEMBER NODE	1002001 2001	3001						1002003 2003							
		SHEAR			TORQUE			SHEAR			TORQUE				
		S2 (kN)	TQ (kN·m)	M3 (kN·m)	S2 (kN)	TQ (kN·m)	M3 (kN·m)	S2 (kN)	TQ (kN·m)	M3 (kN·m)	S2 (kN)	TQ (kN·m)	M3 (kN·m)		
1	PAVEMENT	-8.39	0.00	16.77	-8.39	0.00	-33.55	17.81	0.00	-103.12	17.81	0.00	3.74		
3	RAILING	0.71	0.00	-1.79	0.71	0.00	2.48	-0.31	0.00	-16.58	-0.31	0.00	-18.43		
5	CURB	7.05	0.00	-17.71	7.05	0.00	24.59	-3.05	0.00	-164.17	-3.05	0.00	-182.45		
7	DECK WEIGHT	-4.60	0.00	6.47	-4.60	0.00	-21.14	24.42	0.00	-161.75	24.42	0.00	-15.25		
8	GIRDER WEIGH	62.38	0.00	-148.13	62.38	0.00	226.16	-12.91	0.00	33.61	-12.91	0.00	-43.85		
10	MEDIAN STRIP	15.74	0.00	-36.70	15.74	0.00	57.76	2.01	0.00	104.22	2.01	0.00	116.31		
21	ADITIONAL WE	-1.29	0.00	1.81	-1.29	0.00	-5.92	6.84	0.00	-45.29	6.84	0.00	-4.27		
31	MEDIAN RAILI	1.25	0.00	-2.91	1.25	0.00	4.59	0.16	0.00	8.44	0.16	0.00	9.41		
51	SUPPORT WEIG	0.00	0.00	-0.00	0.00	0.00	0.00	0.00	0.00	-0.00	0.00	0.00	0.00		
52	NOSE WEIGHT	-7.86	0.00	13.34	-7.86	0.00	-33.83	0.08	0.00	-1.24	0.08	0.00	-0.73		
61	1-LANE(case1TRUCK-LOAD	MAX	S2	72.36	0.00	-168.23	72.36	0.00	265.95	1.43	0.00	-4.85	1.43	0.00	3.74
			TQ	0.00	0.00	0.00	0.00	0.00	0.00	0.00	0.00	0.00	0.00	0.00	0.00
			M3	-7.21	0.00	16.89	72.36	0.00	265.95	-17.39	0.00	7.76	1.42	0.00	3.77
		MIN	S2	-7.21	0.00	16.89	-7.21	0.00	-26.34	-28.99	0.00	-29.36	-28.99	0.00	-203.31
			TQ	0.00	0.00	0.00	0.00	0.00	0.00	0.00	0.00	0.00	0.00	0.00	0.00
			M3	72.33	0.00	-168.39	-7.21	0.00	-26.34	-2.08	0.00	-249.06	-12.89	0.00	-302.30
		TANDEM-LOAD MAX	S2	49.43	0.00	-115.09	49.43	0.00	181.52	1.73	0.00	-124.30	1.73	0.00	-113.90
			TQ	0.00	0.00	0.00	0.00	0.00	0.00	0.00	0.00	0.00	0.00	0.00	0.00
			M3	-4.90	0.00	11.49	49.43	0.00	181.52	-16.15	0.00	8.64	0.94	0.00	2.67
		MIN	S2	-4.90	0.00	11.49	-4.90	0.00	-17.93	-21.85	0.00	-19.12	-21.85	0.00	-150.23
			TQ	0.00	0.00	0.00	0.00	0.00	0.00	0.00	0.00	0.00	0.00	0.00	0.00
			M3	49.43	0.00	-115.09	-4.90	0.00	-17.93	-1.28	0.00	-191.70	-3.30	0.00	-209.39
		DISPERSION-LMAX	S2	80.91	0.00	-189.39	80.91	0.00	296.05	2.34	0.00	-43.47	2.34	0.00	-29.44
			TQ	0.00	0.00	0.00	0.00	0.00	0.00	0.00	0.00	0.00	0.00	0.00	0.00
			M3	-8.09	0.00	18.96	80.91	0.00	296.05	-4.16	0.00	4.74	0.85	0.00	1.86
		MIN	S2	-8.09	0.00	18.96	-8.09	0.00	-29.55	-12.82	0.00	-40.79	-12.82	0.00	-117.74
			TQ	0.00	0.00	0.00	0.00	0.00	0.00	0.00	0.00	0.00	0.00	0.00	0.00
			M3	80.91	0.00	-189.39	-8.09	0.00	-29.55	-6.33	0.00	-89.00	-11.33	0.00	-149.04



BAGO RIVER BRIDGE

BLOCK [ No.2 : CROSS BEAM ][ BEAM MEMBER FORCE ]

MEMBER				1002001			1002003			1002003			3003			
NODE				2001			3001			2003			3003			
NAME TITLE				SHEAR	TORQUE	MOMENT	SHEAR	TORQUE	MOMENT	SHEAR	TORQUE	MOMENT	SHEAR	TORQUE	MOMENT	
				S2 (kN)	TQ (kN·m)	M3 (kN·m)	S2 (kN)	TQ (kN·m)	M3 (kN·m)	S2 (kN)	TQ (kN·m)	M3 (kN·m)	S2 (kN)	TQ (kN·m)	M3 (kN·m)	
62	1-LANE (case2TRUCK-LOAD	MAX	S2	27.79	0.00	-64.75	27.79	0.00	102.00	0.55	0.00	-2.82	0.55	0.00	0.46	
			TQ	0.00	0.00	0.00	0.00	0.00	0.00	0.00	0.00	0.00	0.00	0.00	0.00	0.00
			M3	-3.30	0.00	7.78	27.75	0.00	102.23	-62.11	0.00	351.57	-5.93	0.00	50.10	
		MIN	S2	-3.30	0.00	7.78	-3.30	0.00	-12.05	-62.81	0.00	342.56	-62.81	0.00	-34.30	
			TQ	0.00	0.00	0.00	0.00	0.00	0.00	0.00	0.00	0.00	0.00	0.00	0.00	0.00
			M3	27.79	0.00	-64.75	-3.30	0.00	-12.05	0.53	0.00	-2.85	-58.10	0.00	-35.13	
		TANDEM-LOAD MAX	S2	18.89	0.00	-44.03	18.89	0.00	69.32	0.38	0.00	-2.03	0.38	0.00	0.27	
			TQ	0.00	0.00	0.00	0.00	0.00	0.00	0.00	0.00	0.00	0.00	0.00	0.00	
			M3	-2.25	0.00	5.30	18.88	0.00	69.39	-48.27	0.00	266.27	-7.31	0.00	35.67	
		MIN	S2	-2.25	0.00	5.30	-2.25	0.00	-8.20	-48.47	0.00	263.75	-48.47	0.00	-27.06	
			TQ	0.00	0.00	0.00	0.00	0.00	0.00	0.00	0.00	0.00	0.00	0.00	0.00	
			M3	18.89	0.00	-44.03	-2.25	0.00	-8.20	0.38	0.00	-2.04	-48.47	0.00	-27.06	
		DISPERSION-LMAX	S2	33.29	0.00	-76.72	33.29	0.00	123.01	0.38	0.00	1.07	0.38	0.00	3.38	
			TQ	0.00	0.00	0.00	0.00	0.00	0.00	0.00	0.00	0.00	0.00	0.00	0.00	
			M3	-3.73	0.00	8.79	33.29	0.00	123.01	-22.30	0.00	143.86	-6.87	0.00	24.96	
MIN	S2	-3.73	0.00	8.79	-3.73	0.00	-13.60	-22.35	0.00	140.78	-22.35	0.00	6.67			
	TQ	0.00	0.00	0.00	0.00	0.00	0.00	0.00	0.00	0.00	0.00	0.00	0.00			
	M3	33.29	0.00	-76.72	-3.73	0.00	-13.60	0.33	0.00	-2.02	-15.10	0.00	-14.92			
63	1-LANE (case3TRUCK-LOAD	MAX	S2	0.34	0.00	-0.83	0.34	0.00	1.23	68.73	0.00	-37.39	68.73	0.00	374.97	
			TQ	0.00	0.00	0.00	0.00	0.00	0.00	0.00	0.00	0.00	0.00	0.00	0.00	
			M3	-12.78	0.00	28.70	0.34	0.00	1.23	12.62	0.00	64.26	68.73	0.00	374.97	
		MIN	S2	-12.78	0.00	28.70	-12.78	0.00	-48.01	-1.39	0.00	19.92	-1.39	0.00	11.55	
			TQ	0.00	0.00	0.00	0.00	0.00	0.00	0.00	0.00	0.00	0.00	0.00	0.00	
			M3	0.20	0.00	-0.87	-12.77	0.00	-48.02	66.96	0.00	-52.89	-0.20	0.00	-1.62	

BAGO RIVER BRIDGE

BLOCK [ No.2 : CROSS BEAM ][ BEAM MEMBER FORCE ]

MEMBER NODE	1002001 2001	3001			1002003 2003			3003							
		SHEAR	TORQUE	MOMENT	SHEAR	TORQUE	MOMENT	SHEAR	TORQUE	MOMENT					
		S2 (kN)	TQ (kN·m)	M3 (kN·m)	S2 (kN)	TQ (kN·m)	M3 (kN·m)	S2 (kN)	TQ (kN·m)	M3 (kN·m)					
63	1-LANE (case3TANDEM-LOAD	MAX	S2	0.23	0.00	-0.56	0.23	0.00	0.84	51.99	0.00	-36.99	51.99	0.00	274.94
			TQ	0.00	0.00	0.00	0.00	0.00	0.00	0.00	0.00	0.00	0.00	0.00	0.00
			M3	-9.24	0.00	20.77	0.23	0.00	0.84	5.37	0.00	46.84	51.99	0.00	274.94
		MIN	S2	-9.24	0.00	20.77	-9.24	0.00	-34.64	-1.04	0.00	17.85	-1.04	0.00	11.61
			TQ	0.00	0.00	0.00	0.00	0.00	0.00	0.00	0.00	0.00	0.00	0.00	0.00
			M3	0.16	0.00	-0.65	-9.24	0.00	-34.64	51.49	0.00	-41.31	-0.09	0.00	-1.15
	DISPERSION-LMAX		S2	2.24	0.00	-5.47	2.24	0.00	7.99	25.63	0.00	4.34	25.63	0.00	158.12
			TQ	0.00	0.00	0.00	0.00	0.00	0.00	0.00	0.00	0.00	0.00	0.00	0.00
			M3	-7.84	0.00	17.55	2.24	0.00	7.99	8.06	0.00	31.49	25.13	0.00	164.53
		MIN	S2	-7.84	0.00	17.55	-7.84	0.00	-29.50	-0.55	0.00	8.64	-0.55	0.00	5.35
			TQ	0.00	0.00	0.00	0.00	0.00	0.00	0.00	0.00	0.00	0.00	0.00	0.00
			M3	2.24	0.00	-5.48	-7.84	0.00	-29.50	17.02	0.00	-18.51	-0.04	0.00	-1.05
64	1-LANE (case4TRUCK-LOAD	MAX	S2	6.13	0.00	-14.27	6.13	0.00	22.53	10.40	0.00	-140.07	10.40	0.00	-77.70
			TQ	0.00	0.00	0.00	0.00	0.00	0.00	0.00	0.00	0.00	0.00	0.00	0.00
			M3	-63.32	0.00	146.77	6.13	0.00	22.53	-1.02	0.00	2.83	0.43	0.00	1.27
		MIN	S2	-63.34	0.00	146.70	-63.34	0.00	-233.32	-8.54	0.00	-142.33	-8.54	0.00	-193.56
			TQ	0.00	0.00	0.00	0.00	0.00	0.00	0.00	0.00	0.00	0.00	0.00	0.00
			M3	6.13	0.00	-14.27	-63.34	0.00	-233.32	1.71	0.00	-193.39	-6.43	0.00	-212.53
	TANDEM-LOAD	MAX	S2	4.20	0.00	-9.77	4.20	0.00	15.43	7.61	0.00	-101.32	7.61	0.00	-55.67
			TQ	0.00	0.00	0.00	0.00	0.00	0.00	0.00	0.00	0.00	0.00	0.00	0.00
			M3	-43.18	0.00	99.98	4.20	0.00	15.43	-0.69	0.00	2.10	0.29	0.00	0.86
		MIN	S2	-43.18	0.00	99.98	-43.18	0.00	-159.11	-6.67	0.00	-107.94	-6.67	0.00	-147.97
			TQ	0.00	0.00	0.00	0.00	0.00	0.00	0.00	0.00	0.00	0.00	0.00	0.00
			M3	4.20	0.00	-9.77	-43.18	0.00	-159.11	-0.16	0.00	-134.24	-6.08	0.00	-153.27

BAGO RIVER BRIDGE

BLOCK [ No.2 : CROSS BEAM ][ BEAM MEMBER FORCE ]

MEMBER NODE	1002001 2001	3001						1002003 2003						3003		
		SHEAR	TORQUE	MOMENT	SHEAR	TORQUE	MOMENT	SHEAR	TORQUE	MOMENT	SHEAR	TORQUE	MOMENT			
		S2 (kN)	TQ (kN·m)	M3 (kN·m)	S2 (kN)	TQ (kN·m)	M3 (kN·m)	S2 (kN)	TQ (kN·m)	M3 (kN·m)	S2 (kN)	TQ (kN·m)	M3 (kN·m)			
64	1-LANE (case4DISPERSION-LMAX	S2	6.53	0.00	-15.20	6.53	0.00	23.96	5.41	0.00	-85.17	5.41	0.00	-52.71		
		TQ	0.00	0.00	0.00	0.00	0.00	0.00	0.00	0.00	0.00	0.00	0.00	0.00		
		M3	-69.78	0.00	161.56	6.53	0.00	23.96	-0.41	0.00	1.04	0.45	0.00	1.43		
	MIN	S2	-69.78	0.00	161.56	-69.78	0.00	-257.15	-2.97	0.00	-38.24	-2.97	0.00	-56.09		
		TQ	0.00	0.00	0.00	0.00	0.00	0.00	0.00	0.00	0.00	0.00	0.00	0.00		
		M3	6.53	0.00	-15.20	-69.78	0.00	-257.15	2.85	0.00	-124.46	1.98	0.00	-110.23		
65	2-LANES (caseTRUCK-LOAD	MAX	S2	122.48	0.00	-284.30	122.48	0.00	450.57	2.40	0.00	-8.83	2.40	0.00	5.57	
		TQ	0.00	0.00	0.00	0.00	0.00	0.00	0.00	0.00	0.00	0.00	0.00	0.00		
		M3	-12.47	0.00	29.25	122.48	0.00	450.57	-71.92	0.00	153.98	2.01	0.00	6.45		
	MIN	S2	-12.47	0.00	29.25	-12.47	0.00	-45.57	-83.52	0.00	116.86	-83.52	0.00	-384.27		
		TQ	0.00	0.00	0.00	0.00	0.00	0.00	0.00	0.00	0.00	0.00	0.00	0.00		
		M3	122.43	0.00	-284.54	-12.47	0.00	-45.57	-1.12	0.00	-253.06	-67.42	0.00	-483.26		
	TANDEM-LOAD	MAX	S2	83.60	0.00	-194.19	83.60	0.00	307.42	2.41	0.00	-126.92	2.41	0.00	-112.48	
		TQ	0.00	0.00	0.00	0.00	0.00	0.00	0.00	0.00	0.00	0.00	0.00	0.00		
		M3	-8.49	0.00	19.90	83.60	0.00	307.42	-56.71	0.00	117.49	1.20	0.00	4.54		
	MIN	S2	-8.49	0.00	19.90	-8.49	0.00	-31.01	-62.41	0.00	89.73	-62.41	0.00	-284.75		
		TQ	0.00	0.00	0.00	0.00	0.00	0.00	0.00	0.00	0.00	0.00	0.00	0.00		
		M3	83.60	0.00	-194.19	-8.49	0.00	-31.01	-0.62	0.00	-194.52	-43.86	0.00	-343.91		
	DISPERSION-LMAX	S2	138.33	0.00	-322.84	138.33	0.00	507.12	2.97	0.00	-46.25	2.97	0.00	-28.44		
		TQ	0.00	0.00	0.00	0.00	0.00	0.00	0.00	0.00	0.00	0.00	0.00	0.00		
		M3	-14.00	0.00	32.85	138.33	0.00	507.12	-26.08	0.00	71.21	0.95	0.00	3.82		
	MIN	S2	-14.00	0.00	32.85	-14.00	0.00	-51.15	-36.08	0.00	24.55	-36.08	0.00	-191.91		
		TQ	0.00	0.00	0.00	0.00	0.00	0.00	0.00	0.00	0.00	0.00	0.00	0.00		
		M3	138.33	0.00	-322.84	-14.00	0.00	-51.15	-7.02	0.00	-92.92	-34.06	0.00	-224.17		

BAGO RIVER BRIDGE

BLOCK [ No.2 : CROSS BEAM ][ BEAM MEMBER FORCE ]

MEMBER				1002001						1002003						
NODE				2001			3001			2003			3003			
				SHEAR	TORQUE	MOMENT	SHEAR	TORQUE	MOMENT	SHEAR	TORQUE	MOMENT	SHEAR	TORQUE	MOMENT	
NAME	TITLE			S2 (kN)	TQ (kN·m)	M3 (kN·m)	S2 (kN)	TQ (kN·m)	M3 (kN·m)	S2 (kN)	TQ (kN·m)	M3 (kN·m)	S2 (kN)	TQ (kN·m)	M3 (kN·m)	
66	2-LANES (caseTRUCK-LOAD	MAX	S2	77.91	0.00	-180.82	77.91	0.00	286.62	1.51	0.00	-6.80	1.51	0.00	2.29	
			TQ	0.00	0.00	0.00	0.00	0.00	0.00	0.00	0.00	0.00	0.00	0.00	0.00	0.00
			M3	-8.57	0.00	20.14	77.87	0.00	286.84	-116.64	0.00	497.79	-5.35	0.00	52.77	
		MIN	S2	-8.57	0.00	20.14	-8.57	0.00	-31.28	-117.34	0.00	488.78	-117.34	0.00	-215.27	
			TQ	0.00	0.00	0.00	0.00	0.00	0.00	0.00	0.00	0.00	0.00	0.00	0.00	0.00
			M3	77.89	0.00	-180.90	-8.57	0.00	-31.28	1.50	0.00	-6.86	-112.63	0.00	-216.10	
		TANDEM-LOAD MAX	S2	53.06	0.00	-123.13	53.06	0.00	195.23	1.06	0.00	-4.65	1.06	0.00	1.69	
			TQ	0.00	0.00	0.00	0.00	0.00	0.00	0.00	0.00	0.00	0.00	0.00	0.00	0.00
			M3	-5.83	0.00	13.70	53.05	0.00	195.29	-88.84	0.00	375.12	-7.06	0.00	37.54	
		MIN	S2	-5.83	0.00	13.70	-5.83	0.00	-21.29	-89.03	0.00	372.60	-89.03	0.00	-161.58	
			TQ	0.00	0.00	0.00	0.00	0.00	0.00	0.00	0.00	0.00	0.00	0.00	0.00	0.00
			M3	53.06	0.00	-123.13	-5.83	0.00	-21.29	1.04	0.00	-4.86	-89.03	0.00	-161.58	
		DISPERSION-LMAX	S2	90.71	0.00	-210.17	90.71	0.00	334.09	1.01	0.00	-1.71	1.01	0.00	4.37	
			TQ	0.00	0.00	0.00	0.00	0.00	0.00	0.00	0.00	0.00	0.00	0.00	0.00	0.00
			M3	-9.64	0.00	22.68	90.71	0.00	334.09	-44.22	0.00	210.34	-6.77	0.00	26.92	
MIN	S2	-9.64	0.00	22.68	-9.64	0.00	-35.19	-45.60	0.00	206.11	-45.60	0.00	-67.50			
	TQ	0.00	0.00	0.00	0.00	0.00	0.00	0.00	0.00	0.00	0.00	0.00	0.00	0.00		
	M3	90.71	0.00	-210.17	-9.64	0.00	-35.19	-0.37	0.00	-5.94	-37.82	0.00	-90.05			
67	2-LANES (caseTRUCK-LOAD	MAX	S2	2.13	0.00	-4.95	2.13	0.00	7.83	143.10	0.00	-162.29	143.10	0.00	696.28	
			TQ	0.00	0.00	0.00	0.00	0.00	0.00	0.00	0.00	0.00	0.00	0.00	0.00	
			M3	-37.95	0.00	85.55	2.13	0.00	7.83	17.08	0.00	86.25	143.10	0.00	696.28	
		MIN	S2	-38.00	0.00	85.51	-38.00	0.00	-142.50	-1.78	0.00	19.16	-1.78	0.00	8.45	
			TQ	0.00	0.00	0.00	0.00	0.00	0.00	0.00	0.00	0.00	0.00	0.00	0.00	0.00
			M3	1.99	0.00	-4.99	-37.99	0.00	-142.51	139.56	0.00	-185.12	-0.58	0.00	-4.79	

BAGO RIVER BRIDGE

BLOCK [ No.2 : CROSS BEAM ][ BEAM MEMBER FORCE ]

MEMBER NODE	1002001 2001	3001			1002003 2003			3003							
		SHEAR	TORQUE	MOMENT	SHEAR	TORQUE	MOMENT	SHEAR	TORQUE	MOMENT					
		S2 (kN)	TQ (kN·m)	M3 (kN·m)	S2 (kN)	TQ (kN·m)	M3 (kN·m)	S2 (kN)	TQ (kN·m)	M3 (kN·m)					
67	2-LANES (caseTANDEM-LOAD	MAX	S2	1.46	0.00	-3.38	1.46	0.00	5.35	108.29	0.00	-136.97	108.29	0.00	512.75
			TQ	0.00	0.00	0.00	0.00	0.00	0.00	0.00	0.00	0.00	0.00	0.00	0.00
			M3	-26.83	0.00	60.47	1.46	0.00	5.35	9.94	0.00	64.64	108.29	0.00	512.75
		MIN	S2	-26.84	0.00	60.46	-26.84	0.00	-100.59	-1.31	0.00	17.46	-1.31	0.00	9.62
			TQ	0.00	0.00	0.00	0.00	0.00	0.00	0.00	0.00	0.00	0.00	0.00	0.00
			M3	1.38	0.00	-3.47	-26.84	0.00	-100.59	107.30	0.00	-143.34	-0.35	0.00	-3.41
	DISPERSION-LMAX		S2	4.34	0.00	-10.33	4.34	0.00	15.70	54.22	0.00	-32.28	54.22	0.00	293.04
			TQ	0.00	0.00	0.00	0.00	0.00	0.00	0.00	0.00	0.00	0.00	0.00	0.00
			M3	-32.93	0.00	74.72	4.34	0.00	15.70	10.18	0.00	39.02	53.63	0.00	300.63
		MIN	S2	-32.93	0.00	74.71	-32.93	0.00	-122.89	-0.85	0.00	9.56	-0.85	0.00	4.49
			TQ	0.00	0.00	0.00	0.00	0.00	0.00	0.00	0.00	0.00	0.00	0.00	0.00
			M3	4.34	0.00	-10.34	-32.93	0.00	-122.89	43.20	0.00	-61.73	-0.26	0.00	-3.09
68	2-LANES (caseTRUCK-LOAD	MAX	S2	10.21	0.00	-23.75	10.21	0.00	37.54	31.07	0.00	-300.03	31.07	0.00	-113.62
			TQ	0.00	0.00	0.00	0.00	0.00	0.00	0.00	0.00	0.00	0.00	0.00	0.00
			M3	-111.51	0.00	257.86	10.21	0.00	37.54	-1.64	0.00	4.52	0.71	0.00	2.27
		MIN	S2	-111.53	0.00	257.79	-111.53	0.00	-411.37	-9.28	0.00	-140.94	-9.28	0.00	-196.60
			TQ	0.00	0.00	0.00	0.00	0.00	0.00	0.00	0.00	0.00	0.00	0.00	0.00
			M3	10.21	0.00	-23.75	-111.53	0.00	-411.37	22.39	0.00	-353.34	12.03	0.00	-249.21
	TANDEM-LOAD	MAX	S2	7.00	0.00	-16.27	7.00	0.00	25.71	22.19	0.00	-212.44	22.19	0.00	-79.31
			TQ	0.00	0.00	0.00	0.00	0.00	0.00	0.00	0.00	0.00	0.00	0.00	0.00
			M3	-76.06	0.00	175.83	7.00	0.00	25.71	-1.15	0.00	3.36	0.48	0.00	1.55
		MIN	S2	-76.06	0.00	175.83	-76.06	0.00	-280.51	-7.20	0.00	-106.96	-7.20	0.00	-150.16
			TQ	0.00	0.00	0.00	0.00	0.00	0.00	0.00	0.00	0.00	0.00	0.00	0.00
			M3	7.00	0.00	-16.27	-76.06	0.00	-280.51	14.42	0.00	-245.36	7.46	0.00	-178.48

BAGO RIVER BRIDGE

BLOCK [ No.2 : CROSS BEAM ][ BEAM MEMBER FORCE ]

MEMBER NODE	1002001 2001	3001			1002003 2003			3003							
		SHEAR	TORQUE	MOMENT	SHEAR	TORQUE	MOMENT	SHEAR	TORQUE	MOMENT					
		S2 (kN)	TQ (kN·m)	M3 (kN·m)	S2 (kN)	TQ (kN·m)	M3 (kN·m)	S2 (kN)	TQ (kN·m)	M3 (kN·m)					
68	2-LANES (caseDISPERSION-LMAX	S2	11.01	0.00	-25.65	11.01	0.00	40.43	16.64	0.00	-177.19	16.64	0.00	-77.33	
		TQ	0.00	0.00	0.00	0.00	0.00	0.00	0.00	0.00	0.00	0.00	0.00	0.00	
		M3	-122.67	0.00	283.65	11.01	0.00	40.43	-0.66	0.00	1.67	3.94	0.00	5.32	
	MIN	S2	-122.67	0.00	283.65	-122.67	0.00	-452.37	-3.32	0.00	-38.14	-3.32	0.00	-58.06	
		TQ	0.00	0.00	0.00	0.00	0.00	0.00	0.00	0.00	0.00	0.00	0.00	0.00	
		M3	11.01	0.00	-25.65	-122.67	0.00	-452.37	13.99	0.00	-217.00	9.38	0.00	-140.71	
69	3-LANES (caseTRUCK-LOAD	MAX	S2	150.27	0.00	-349.05	150.27	0.00	552.57	2.95	0.00	-11.65	2.95	0.00	6.03
		TQ	0.00	0.00	0.00	0.00	0.00	0.00	0.00	0.00	0.00	0.00	0.00	0.00	
		M3	-15.78	0.00	37.03	150.23	0.00	552.79	-134.03	0.00	505.55	-3.92	0.00	56.55	
	MIN	S2	-15.78	0.00	37.03	-15.78	0.00	-57.62	-146.33	0.00	459.42	-146.33	0.00	-418.58	
		TQ	0.00	0.00	0.00	0.00	0.00	0.00	0.00	0.00	0.00	0.00	0.00	0.00	
		M3	150.22	0.00	-349.29	-15.78	0.00	-57.62	-0.58	0.00	-255.92	-125.52	0.00	-518.40	
	TANDEM-LOAD	MAX	S2	102.49	0.00	-238.21	102.49	0.00	376.75	2.79	0.00	-128.95	2.79	0.00	-112.21
		TQ	0.00	0.00	0.00	0.00	0.00	0.00	0.00	0.00	0.00	0.00	0.00	0.00	
		M3	-10.74	0.00	25.20	102.48	0.00	376.81	-104.98	0.00	383.76	-6.11	0.00	40.21	
	MIN	S2	-10.74	0.00	25.20	-10.74	0.00	-39.21	-110.88	0.00	353.48	-110.88	0.00	-311.81	
		TQ	0.00	0.00	0.00	0.00	0.00	0.00	0.00	0.00	0.00	0.00	0.00	0.00	
		M3	102.49	0.00	-238.21	-10.74	0.00	-39.21	-0.24	0.00	-196.56	-92.33	0.00	-370.97	
	DISPERSION-LMAX	S2	171.61	0.00	-399.56	171.61	0.00	630.13	3.35	0.00	-45.18	3.35	0.00	-25.06	
		TQ	0.00	0.00	0.00	0.00	0.00	0.00	0.00	0.00	0.00	0.00	0.00	0.00	
		M3	-17.73	0.00	41.64	171.61	0.00	630.13	-48.38	0.00	215.08	-5.92	0.00	28.78	
	MIN	S2	-17.73	0.00	41.64	-17.73	0.00	-64.74	-58.43	0.00	165.32	-58.43	0.00	-185.24	
		TQ	0.00	0.00	0.00	0.00	0.00	0.00	0.00	0.00	0.00	0.00	0.00	0.00	
		M3	171.61	0.00	-399.56	-17.73	0.00	-64.74	-6.69	0.00	-94.94	-49.15	0.00	-239.08	

BAGO RIVER BRIDGE

BLOCK [ No.2 : CROSS BEAM ][ BEAM MEMBER FORCE ]

MEMBER				1002001			1002003			1002003			3003					
NODE				2001			3001			2003			3003					
NAME TITLE				SHEAR	TORQUE	MOMENT	SHEAR	TORQUE	MOMENT	SHEAR	TORQUE	MOMENT	SHEAR	TORQUE	MOMENT			
				S2 (kN)	TQ (kN·m)	M3 (kN·m)	S2 (kN)	TQ (kN·m)	M3 (kN·m)	S2 (kN)	TQ (kN·m)	M3 (kN·m)	S2 (kN)	TQ (kN·m)	M3 (kN·m)			
70	3-LANES (case	TRUCK-LOAD	MAX	S2	5.96	0.00	-13.84	5.96	0.00	21.93	190.56	0.00	-303.80	190.56	0.00	839.59		
				TQ	0.00	0.00	0.00	0.00	0.00	0.00	0.00	0.00	0.00	0.00	0.00	0.00	0.00	
				M3	-74.57	0.00	169.59	5.96	0.00	21.93	16.54	0.00	87.58	190.56	0.00	0.00	839.59	
			MIN	S2	-74.61	0.00	169.55	-74.61	0.00	-278.14	-2.41	0.00	20.17	-2.41	0.00	0.00	5.68	
				TQ	0.00	0.00	0.00	0.00	0.00	0.00	0.00	0.00	0.00	0.00	0.00	0.00	0.00	
				M3	5.82	0.00	-13.88	-74.60	0.00	-278.15	187.03	0.00	-326.62	0.38	0.00	0.00	-11.17	
			TANDEM-LOAD	MAX	S2	4.08	0.00	-9.47	4.08	0.00	15.01	143.91	0.00	-242.57	143.91	0.00	620.92	
				TQ	0.00	0.00	0.00	0.00	0.00	0.00	0.00	0.00	0.00	0.00	0.00	0.00	0.00	
				M3	-51.65	0.00	117.51	4.08	0.00	15.01	9.55	0.00	65.63	143.91	0.00	0.00	620.92	
				MIN	S2	-51.74	0.00	117.49	-51.74	0.00	-192.94	-1.75	0.00	18.15	-1.75	0.00	0.00	7.64
				TQ	0.00	0.00	0.00	0.00	0.00	0.00	0.00	0.00	0.00	0.00	0.00	0.00	0.00	
				M3	4.00	0.00	-9.56	-51.74	0.00	-192.94	142.93	0.00	-248.94	0.38	0.00	0.00	-7.89	
			DISPERSION-LMAX	S2	8.48	0.00	-19.96	8.48	0.00	30.92	74.36	0.00	-99.44	74.36	0.00	0.00	346.71	
				TQ	0.00	0.00	0.00	0.00	0.00	0.00	0.00	0.00	0.00	0.00	0.00	0.00	0.00	
				M3	-75.01	0.00	171.56	8.48	0.00	30.92	9.97	0.00	39.49	72.76	0.00	0.00	357.16	
		MIN	S2	-75.02	0.00	171.56	-75.02	0.00	-278.53	-1.16	0.00	9.35	-1.16	0.00	0.00	2.38		
		TQ	0.00	0.00	0.00	0.00	0.00	0.00	0.00	0.00	0.00	0.00	0.00	0.00	0.00			
		M3	8.48	0.00	-19.97	-75.01	0.00	-278.54	63.23	0.00	-129.58	0.44	0.00	0.00	-8.07			
71	3-LANES (case	TRUCK-LOAD	MAX	S2	12.26	0.00	-28.48	12.26	0.00	45.10	78.40	0.00	-440.71	78.40	0.00	29.72		
				TQ	0.00	0.00	0.00	0.00	0.00	0.00	0.00	0.00	0.00	0.00	0.00	0.00	0.00	
				M3	-146.30	0.00	337.28	12.26	0.00	45.10	-1.95	0.00	5.10	48.05	0.00	0.00	145.61	
			MIN	S2	-146.32	0.00	337.22	-146.32	0.00	-540.69	-9.73	0.00	-141.04	-9.73	0.00	0.00	-199.43	
				TQ	0.00	0.00	0.00	0.00	0.00	0.00	0.00	0.00	0.00	0.00	0.00	0.00	0.00	
				M3	12.26	0.00	-28.48	-146.32	0.00	-540.69	69.72	0.00	-494.02	11.94	0.00	0.00	-253.63	

BAGO RIVER BRIDGE

BLOCK [ No.2 : CROSS BEAM ][ BEAM MEMBER FORCE ]

MEMBER		1002001						1002003								
NODE		2001			3001			2003			3003					
NAME TITLE		SHEAR	TORQUE	MOMENT	SHEAR	TORQUE	MOMENT	SHEAR	TORQUE	MOMENT	SHEAR	TORQUE	MOMENT			
		S2 (kN)	TQ (kN·m)	M3 (kN·m)	S2 (kN)	TQ (kN·m)	M3 (kN·m)	S2 (kN)	TQ (kN·m)	M3 (kN·m)	S2 (kN)	TQ (kN·m)	M3 (kN·m)			
71	3-LANES (caseTANDEM-LOAD	MAX	S2	8.39	0.00	-19.49	8.39	0.00	30.87	57.44	0.00	-317.94	57.44	0.00	26.68	
			TQ	0.00	0.00	0.00	0.00	0.00	0.00	0.00	0.00	0.00	0.00	0.00	0.00	0.00
			M3	-99.79	0.00	230.07	8.39	0.00	30.87	-1.40	0.00	3.78	35.73	0.00	107.54	
		MIN	S2	-99.79	0.00	230.07	-99.79	0.00	-368.64	-7.51	0.00	-106.88	-7.51	0.00	-151.95	
			TQ	0.00	0.00	0.00	0.00	0.00	0.00	0.00	0.00	0.00	0.00	0.00	0.00	0.00
			M3	8.39	0.00	-19.49	-99.79	0.00	-368.64	49.66	0.00	-350.86	7.41	0.00	-181.61	
	DISPERSION-LMAX	S2	13.54	0.00	-31.52	13.54	0.00	49.72	36.24	0.00	-237.17	36.24	0.00	-19.73		
		TQ	0.00	0.00	0.00	0.00	0.00	0.00	0.00	0.00	0.00	0.00	0.00	0.00		
		M3	-158.68	0.00	366.32	13.54	0.00	49.72	-0.60	0.00	2.17	23.13	0.00	64.24		
		MIN	S2	-158.68	0.00	366.32	-158.68	0.00	-585.76	-3.56	0.00	-38.48	-3.56	0.00	-59.86	
			TQ	0.00	0.00	0.00	0.00	0.00	0.00	0.00	0.00	0.00	0.00	0.00	0.00	
			M3	13.54	0.00	-31.52	-158.68	0.00	-585.76	33.27	0.00	-277.82	9.54	0.00	-143.83	
72	4-LANES TRUCK-LOAD	MAX	S2	11.97	0.00	-27.79	11.97	0.00	44.03	177.92	0.00	-474.57	177.92	0.00	592.92	
			TQ	0.00	0.00	0.00	0.00	0.00	0.00	0.00	0.00	0.00	0.00	0.00	0.00	
			M3	-149.61	0.00	343.59	11.97	0.00	44.03	16.61	0.00	71.23	165.97	0.00	670.41	
		MIN	S2	-149.66	0.00	343.51	-149.66	0.00	-554.45	-9.43	0.00	-102.90	-9.43	0.00	-159.47	
			TQ	0.00	0.00	0.00	0.00	0.00	0.00	0.00	0.00	0.00	0.00	0.00	0.00	
			M3	11.97	0.00	-27.80	-149.66	0.00	-554.45	163.57	0.00	-560.90	1.79	0.00	-220.57	
	TANDEM-LOAD	MAX	S2	8.20	0.00	-19.03	8.20	0.00	30.15	136.09	0.00	-378.46	136.09	0.00	438.07	
			TQ	0.00	0.00	0.00	0.00	0.00	0.00	0.00	0.00	0.00	0.00	0.00	0.00	
			M3	-103.52	0.00	237.55	8.20	0.00	30.15	9.37	0.00	53.29	125.73	0.00	495.28	
		MIN	S2	-103.52	0.00	237.55	-103.52	0.00	-383.57	-7.22	0.00	-90.22	-7.22	0.00	-133.55	
			TQ	0.00	0.00	0.00	0.00	0.00	0.00	0.00	0.00	0.00	0.00	0.00	0.00	
			M3	8.20	0.00	-19.03	-103.52	0.00	-383.57	128.59	0.00	-412.96	-0.88	0.00	-158.51	



BAGO RIVER BRIDGE

BLOCK [ No.2 : CROSS BEAM ][ BEAM MEMBER FORCE ]

MEMBER			1002001			3001			1002003			3003					
NODE			2001			2003			2003			2003					
NAME TITLE			SHEAR	TORQUE	MOMENT	SHEAR	TORQUE	MOMENT	SHEAR	TORQUE	MOMENT	SHEAR	TORQUE	MOMENT			
			S2 (kN)	TQ (kN·m)	M3 (kN·m)	S2 (kN)	TQ (kN·m)	M3 (kN·m)	S2 (kN)	TQ (kN·m)	M3 (kN·m)	S2 (kN)	TQ (kN·m)	M3 (kN·m)			
72	4-LANES	DISPERSION-LMAX	S2	12.55	0.00	-29.34	12.55	0.00	45.98	78.48	0.00	-232.66	78.48	0.00	238.20		
			TQ	0.00	0.00	0.00	0.00	0.00	0.00	0.00	0.00	0.00	0.00	0.00	0.00	0.00	
			M3	-161.28	0.00	371.35	12.55	0.00	45.99	8.73	0.00	37.45	67.64	0.00	0.00	313.94	
		MIN	S2	-161.28	0.00	371.34	-161.28	0.00	-596.35	-4.13	0.00	-29.29	-4.13	0.00	0.00	-54.09	
			TQ	0.00	0.00	0.00	0.00	0.00	0.00	0.00	0.00	0.00	0.00	0.00	0.00	0.00	
			M3	12.55	0.00	-29.34	-161.28	0.00	-596.35	65.24	0.00	-288.18	7.62	0.00	0.00	-130.36	
		73	6-LANES	TRUCK-LOAD MAX	S2	131.44	0.00	-305.34	131.44	0.00	483.31	155.60	0.00	-362.75	155.60	0.00	570.87
					TQ	0.00	0.00	0.00	0.00	0.00	0.00	0.00	0.00	0.00	0.00	0.00	0.00
					M3	-141.59	0.00	326.41	131.44	0.00	483.31	-61.15	0.00	476.89	136.98	0.00	0.00
MIN	S2			-141.63	0.00	326.39	-141.63	0.00	-523.38	-114.75	0.00	182.86	-114.75	0.00	0.00	-505.66	
	TQ			0.00	0.00	0.00	0.00	0.00	0.00	0.00	0.00	0.00	0.00	0.00	0.00	0.00	
	M3			131.37	0.00	-305.67	-141.62	0.00	-523.46	108.96	0.00	-701.71	-92.43	0.00	0.00	-639.44	
TANDEM-LOAD MAX	S2			89.69	0.00	-208.47	89.69	0.00	329.65	116.27	0.00	-263.01	116.27	0.00	0.00	434.63	
	TQ			0.00	0.00	0.00	0.00	0.00	0.00	0.00	0.00	0.00	0.00	0.00	0.00	0.00	
	M3			-97.18	0.00	223.87	89.69	0.00	329.65	-45.90	0.00	360.53	105.99	0.00	0.00	515.41	
MIN	S2	-97.18	0.00	223.87	-97.18	0.00	-359.24	-86.51	0.00	143.07	-86.51	0.00	0.00	-376.01			
	TQ	0.00	0.00	0.00	0.00	0.00	0.00	0.00	0.00	0.00	0.00	0.00	0.00	0.00			
	M3	89.52	0.00	-208.51	-97.18	0.00	-359.24	81.65	0.00	-520.48	-66.62	0.00	0.00	-459.72			
DISPERSION-LMAX	S2	150.10	0.00	-349.99	150.10	0.00	550.61	77.11	0.00	-243.09	77.11	0.00	0.00	219.57			
	TQ	0.00	0.00	0.00	0.00	0.00	0.00	0.00	0.00	0.00	0.00	0.00	0.00	0.00			
	M3	-159.14	0.00	367.29	150.10	0.00	550.62	-28.18	0.00	220.24	58.84	0.00	0.00	347.18			
MIN	S2	-159.14	0.00	367.29	-159.14	0.00	-587.58	-51.86	0.00	104.52	-51.86	0.00	0.00	-206.65			
	TQ	0.00	0.00	0.00	0.00	0.00	0.00	0.00	0.00	0.00	0.00	0.00	0.00	0.00			
	M3	150.10	0.00	-350.00	-159.14	0.00	-587.58	50.27	0.00	-351.36	-31.24	0.00	0.00	-321.06			

BAGO RIVER BRIDGE

BLOCK [ No.2 : CROSS BEAM ][ BEAM MEMBER FORCE ]

MEMBER			1002001			3001			1002003			3003			
NODE			2001			2001			2003			2003			
NAME TITLE			SHEAR	TORQUE	MOMENT	SHEAR	TORQUE	MOMENT	SHEAR	TORQUE	MOMENT	SHEAR	TORQUE	MOMENT	
			S2 (kN)	TQ (kN·m)	M3 (kN·m)	S2 (kN)	TQ (kN·m)	M3 (kN·m)	S2 (kN)	TQ (kN·m)	M3 (kN·m)	S2 (kN)	TQ (kN·m)	M3 (kN·m)	
124	SUM TOTAL	D+1LANE (caseMAX	S2	248.92	0.00	-597.98	248.92	0.00	895.55	39.59	0.00	-403.87	39.59	0.00	-166.36
			TQ	65.00	0.00	-168.83	65.00	0.00	221.15	35.06	0.00	-345.88	35.06	0.00	-135.53
			M3	46.65	0.00	-125.81	248.92	0.00	895.55	9.20	0.00	-330.89	37.79	0.00	-128.76
		MIN	S2	46.65	0.00	-125.81	46.65	0.00	154.07	-15.12	0.00	-430.06	-15.12	0.00	-520.78
			TQ	65.00	0.00	-168.83	65.00	0.00	221.15	35.06	0.00	-345.88	35.06	0.00	-135.53
			M3	248.88	0.00	-598.17	46.65	0.00	154.07	24.97	0.00	-751.55	5.99	0.00	-677.13
		D+1LANE (caseMAX	S2	138.29	0.00	-338.60	138.29	0.00	491.17	36.18	0.00	-347.98	36.18	0.00	-130.92
			TQ	65.00	0.00	-168.83	65.00	0.00	221.15	35.06	0.00	-345.88	35.06	0.00	-135.53
			M3	56.55	0.00	-148.95	138.25	0.00	491.43	-66.23	0.00	248.64	19.70	0.00	-45.45
		MIN	S2	56.55	0.00	-148.95	56.55	0.00	190.38	-67.14	0.00	234.12	-67.14	0.00	-168.69
			TQ	65.00	0.00	-168.83	65.00	0.00	221.15	35.06	0.00	-345.88	35.06	0.00	-135.53
			M3	138.29	0.00	-338.60	56.55	0.00	190.38	36.10	0.00	-351.73	-52.77	0.00	-195.59
		D+1LANE (caseMAX	S2	68.10	0.00	-176.39	68.10	0.00	232.21	148.29	0.00	-385.53	148.29	0.00	504.19
			TQ	65.00	0.00	-168.83	65.00	0.00	221.15	35.06	0.00	-345.88	35.06	0.00	-135.53
			M3	40.25	0.00	-113.33	68.10	0.00	232.21	59.87	0.00	-230.98	147.68	0.00	511.88
		MIN	S2	40.25	0.00	-113.34	40.25	0.00	128.14	32.73	0.00	-311.62	32.73	0.00	-115.24
			TQ	65.00	0.00	-168.83	65.00	0.00	221.15	35.06	0.00	-345.88	35.06	0.00	-135.53
			M3	67.93	0.00	-176.45	40.26	0.00	128.12	135.83	0.00	-431.57	34.77	0.00	-138.73
		D+1LANE (caseMAX	S2	80.19	0.00	-204.20	80.19	0.00	276.94	54.02	0.00	-616.17	54.02	0.00	-292.02
			TQ	65.00	0.00	-168.83	65.00	0.00	221.15	35.06	0.00	-345.88	35.06	0.00	-135.53
			M3	-94.73	0.00	201.16	80.19	0.00	276.94	33.34	0.00	-341.23	36.12	0.00	-132.29
		MIN	S2	-94.75	0.00	201.08	-94.75	0.00	-367.41	21.25	0.00	-562.57	21.25	0.00	-435.10
			TQ	65.00	0.00	-168.83	65.00	0.00	221.15	35.06	0.00	-345.88	35.06	0.00	-135.53
			M3	80.19	0.00	-204.20	-94.75	0.00	-367.41	40.53	0.00	-727.30	29.73	0.00	-522.84

BAGO RIVER BRIDGE

BLOCK [ No.2 : CROSS BEAM ][ BEAM MEMBER FORCE ]

MEMBER			1002001			3001			1002003			3003			
NODE			2001			2001			2003			2003			
NAME TITLE			SHEAR	TORQUE	MOMENT	SHEAR	TORQUE	MOMENT	SHEAR	TORQUE	MOMENT	SHEAR	TORQUE	MOMENT	
			S2 (kN)	TQ (kN·m)	M3 (kN·m)	S2 (kN)	TQ (kN·m)	M3 (kN·m)	S2 (kN)	TQ (kN·m)	M3 (kN·m)	S2 (kN)	TQ (kN·m)	M3 (kN·m)	
124	SUM TOTAL	D+2LANES (casMAX	S2	325.80	0.00	-775.97	325.80	0.00	1178.84	40.43	0.00	-400.96	40.43	0.00	-158.39
			TQ	65.00	0.00	-168.83	65.00	0.00	221.15	35.06	0.00	-345.88	35.06	0.00	-135.53
			M3	38.53	0.00	-106.73	325.80	0.00	1178.84	-62.94	0.00	-120.69	38.02	0.00	-125.26
		MIN	S2	38.53	0.00	-106.73	38.53	0.00	124.43	-84.54	0.00	-204.48	-84.54	0.00	-711.71
			TQ	65.00	0.00	-168.83	65.00	0.00	221.15	35.06	0.00	-345.88	35.06	0.00	-135.53
			M3	325.75	0.00	-776.21	38.53	0.00	124.43	26.92	0.00	-691.86	-66.42	0.00	-842.96
		D+2LANES (casMAX	S2	233.61	0.00	-559.82	233.61	0.00	841.85	37.59	0.00	-354.39	37.59	0.00	-128.86
			TQ	65.00	0.00	-168.83	65.00	0.00	221.15	35.06	0.00	-345.88	35.06	0.00	-135.53
			M3	46.78	0.00	-126.02	233.57	0.00	842.07	-125.81	0.00	362.25	22.94	0.00	-55.83
		MIN	S2	46.78	0.00	-126.02	46.78	0.00	154.68	-127.88	0.00	349.01	-127.88	0.00	-418.30
			TQ	65.00	0.00	-168.83	65.00	0.00	221.15	35.06	0.00	-345.88	35.06	0.00	-135.53
			M3	233.60	0.00	-559.90	46.78	0.00	154.68	36.19	0.00	-358.68	-115.39	0.00	-441.67
		D+2LANES (casMAX	S2	71.47	0.00	-184.12	71.47	0.00	244.68	232.38	0.00	-540.46	232.38	0.00	853.80
			TQ	65.00	0.00	-168.83	65.00	0.00	221.15	35.06	0.00	-345.88	35.06	0.00	-135.53
			M3	-5.89	0.00	-8.56	71.46	0.00	244.68	62.31	0.00	-220.62	231.79	0.00	861.38
		MIN	S2	-5.94	0.00	-8.61	-5.94	0.00	-44.24	32.43	0.00	-317.16	32.43	0.00	-122.59
			TQ	65.00	0.00	-168.83	65.00	0.00	221.15	35.06	0.00	-345.88	35.06	0.00	-135.53
			M3	71.32	0.00	-184.16	-5.93	0.00	-44.25	217.81	0.00	-592.73	34.22	0.00	-143.41
		D+2LANES (casMAX	S2	86.23	0.00	-218.23	86.23	0.00	299.12	82.77	0.00	-823.10	82.77	0.00	-326.47
			TQ	65.00	0.00	-168.83	65.00	0.00	221.15	35.06	0.00	-345.88	35.06	0.00	-135.53
			M3	-169.18	0.00	372.67	86.22	0.00	299.12	32.76	0.00	-339.69	39.71	0.00	-127.93
		MIN	S2	-169.20	0.00	372.61	-169.20	0.00	-642.59	22.46	0.00	-524.96	22.46	0.00	-390.19
			TQ	65.00	0.00	-168.83	65.00	0.00	221.15	35.06	0.00	-345.88	35.06	0.00	-135.53
			M3	86.22	0.00	-218.23	-169.20	0.00	-642.59	71.43	0.00	-916.22	56.47	0.00	-525.45

BAGO RIVER BRIDGE

BLOCK [ No.2 : CROSS BEAM ][ BEAM MEMBER FORCE ]

MEMBER			1002001			3001			1002003			3003				
NODE			2001			2001			2003			2003				
NAME TITLE			SHEAR	TORQUE	MOMENT	SHEAR	TORQUE	MOMENT	SHEAR	TORQUE	MOMENT	SHEAR	TORQUE	MOMENT		
			S2 (kN)	TQ (kN·m)	M3 (kN·m)	S2 (kN)	TQ (kN·m)	M3 (kN·m)	S2 (kN)	TQ (kN·m)	M3 (kN·m)	S2 (kN)	TQ (kN·m)	M3 (kN·m)		
124	SUM TOTAL	D+3LANES (casMAX	S2	338.60	0.00	-805.15	338.60	0.00	1226.45	40.41	0.00	-394.19	40.41	0.00	-151.70	
			TQ	65.00	0.00	-168.83	65.00	0.00	221.15	35.06	0.00	-345.88	35.06	0.00	-135.53	
			M3	36.52	0.00	-101.97	338.57	0.00	1226.64	-119.99	0.00	266.65	26.69	0.00	-63.00	
		MIN	S2	36.52	0.00	-101.97	36.52	0.00	117.14	-138.99	0.00	185.15	-138.99	0.00	-648.77	
			TQ	65.00	0.00	-168.83	65.00	0.00	221.15	35.06	0.00	-345.88	35.06	0.00	-135.53	
			M3	338.56	0.00	-805.35	36.52	0.00	117.14	28.88	0.00	-644.11	-113.41	0.00	-779.38	
		D+3LANES (casMAX	S2	77.27	0.00	-197.56	77.27	0.00	266.07	260.24	0.00	-688.63	260.24	0.00	872.82	
			TQ	65.00	0.00	-168.83	65.00	0.00	221.15	35.06	0.00	-345.88	35.06	0.00	-135.53	
			M3	-62.14	0.00	121.14	77.27	0.00	266.07	57.59	0.00	-237.87	258.88	0.00	881.71	
		MIN	S2	-62.19	0.00	121.10	-62.19	0.00	-252.02	32.02	0.00	-320.80	32.02	0.00	-128.67	
			TQ	65.00	0.00	-168.83	65.00	0.00	221.15	35.06	0.00	-345.88	35.06	0.00	-135.53	
			M3	77.15	0.00	-197.60	-62.18	0.00	-252.04	247.78	0.00	-733.66	35.76	0.00	-151.88	
		D+3LANES (casMAX	S2	86.93	0.00	-219.84	86.93	0.00	301.74	132.51	0.00	-922.08	132.51	0.00	-127.04	
			TQ	65.00	0.00	-168.83	65.00	0.00	221.15	35.06	0.00	-345.88	35.06	0.00	-135.53	
			M3	-194.23	0.00	429.23	86.93	0.00	301.74	32.89	0.00	-339.70	95.56	0.00	42.85	
		MIN	S2	-194.25	0.00	429.17	-194.25	0.00	-736.33	23.76	0.00	-498.48	23.76	0.00	-355.92	
			TQ	65.00	0.00	-168.83	65.00	0.00	221.15	35.06	0.00	-345.88	35.06	0.00	-135.53	
			M3	86.93	0.00	-219.84	-194.25	0.00	-736.33	122.61	0.00	-1001.95	53.32	0.00	-473.37	
		D+4LANES	MAX	S2	80.94	0.00	-205.97	80.94	0.00	279.66	201.71	0.00	-805.58	201.71	0.00	404.70
			TQ	65.00	0.00	-168.83	65.00	0.00	221.15	35.06	0.00	-345.88	35.06	0.00	-135.53	
			M3	-137.08	0.00	295.88	80.94	0.00	279.66	51.53	0.00	-275.24	186.91	0.00	504.30	
		MIN	S2	-137.11	0.00	295.82	-137.11	0.00	-526.87	26.24	0.00	-431.80	26.24	0.00	-274.34	
			TQ	65.00	0.00	-168.83	65.00	0.00	221.15	35.06	0.00	-345.88	35.06	0.00	-135.53	
			M3	80.94	0.00	-205.98	-137.11	0.00	-526.87	183.79	0.00	-897.79	41.17	0.00	-363.63	

BAGO RIVER BRIDGE

BLOCK [ No.2 : CROSS BEAM ][ BEAM MEMBER FORCE ]

MEMBER				1002001			1002003			1002003			3003			
NODE				2001			3001			2003			3003			
NAME TITLE				SHEAR	TORQUE	MOMENT	SHEAR	TORQUE	MOMENT	SHEAR	TORQUE	MOMENT	SHEAR	TORQUE	MOMENT	
				S2 (kN)	TQ (kN·m)	M3 (kN·m)	S2 (kN)	TQ (kN·m)	M3 (kN·m)	S2 (kN)	TQ (kN·m)	M3 (kN·m)	S2 (kN)	TQ (kN·m)	M3 (kN·m)	
124	SUM TOTAL	D+6LANES	MAX	S2	248.00	0.00	-594.80	248.00	0.00	893.20	186.32	0.00	-739.68	186.32	0.00	378.26
				TQ	65.00	0.00	-168.83	65.00	0.00	221.15	35.06	0.00	-345.88	35.06	0.00	-135.53
				M3	-130.48	0.00	282.07	248.00	0.00	893.20	-23.00	0.00	107.25	162.35	0.00	542.80
			MIN	S2	-130.50	0.00	282.05	-130.50	0.00	-500.97	-73.24	0.00	-159.09	-73.24	0.00	-598.53
				TQ	65.00	0.00	-168.83	65.00	0.00	221.15	35.06	0.00	-345.88	35.06	0.00	-135.53
				M3	247.96	0.00	-595.02	-130.50	0.00	-501.02	138.56	0.00	-1030.38	-45.32	0.00	-759.85
	SUM TOTAL		MAX		338.60	0.00	429.23	338.60	0.00	1226.64	260.24	0.00	362.25	260.24	0.00	881.71
			MIN		-194.25	0.00	-805.35	-194.25	0.00	-736.33	-138.99	0.00	-1030.38	-138.99	0.00	-842.96
300	DEAD LOAD	TOTAL			65.00	0.00	-168.83	65.00	0.00	221.15	35.06	0.00	-345.88	35.06	0.00	-135.53
301	LIVE LOAD	1-LANE(case1MAX	S2		183.92	0.00	-429.15	183.92	0.00	674.40	4.53	0.00	-57.99	4.53	0.00	-30.83
			TQ		0.00	0.00	0.00	0.00	0.00	0.00	0.00	0.00	0.00	0.00	0.00	0.00
			M3		-18.35	0.00	43.02	183.92	0.00	674.40	-25.86	0.00	15.00	2.73	0.00	6.76
			MIN	S2	-18.35	0.00	43.02	-18.35	0.00	-67.08	-50.18	0.00	-84.18	-50.18	0.00	-385.26
				TQ	0.00	0.00	0.00	0.00	0.00	0.00	0.00	0.00	0.00	0.00	0.00	0.00
				M3	183.88	0.00	-429.34	-18.35	0.00	-67.08	-10.08	0.00	-405.67	-29.07	0.00	-541.60
		1-LANE(case2MAX	S2		73.30	0.00	-169.76	73.30	0.00	270.02	1.12	0.00	-2.10	1.12	0.00	4.60
			TQ		0.00	0.00	0.00	0.00	0.00	0.00	0.00	0.00	0.00	0.00	0.00	0.00
			M3		-8.44	0.00	19.88	73.25	0.00	270.28	-101.29	0.00	594.52	-15.36	0.00	90.07
			MIN	S2	-8.44	0.00	19.88	-8.44	0.00	-30.77	-102.19	0.00	580.00	-102.19	0.00	-33.16
				TQ	0.00	0.00	0.00	0.00	0.00	0.00	0.00	0.00	0.00	0.00	0.00	0.00
				M3	73.30	0.00	-169.76	-8.44	0.00	-30.77	1.04	0.00	-5.85	-87.83	0.00	-60.06
		1-LANE(case3MAX	S2		3.10	0.00	-7.56	3.10	0.00	11.06	113.23	0.00	-39.65	113.23	0.00	639.72
			TQ		0.00	0.00	0.00	0.00	0.00	0.00	0.00	0.00	0.00	0.00	0.00	0.00
			M3		-24.75	0.00	55.50	3.10	0.00	11.06	24.82	0.00	114.91	112.62	0.00	647.40
			MIN	S2	-24.75	0.00	55.49	-24.75	0.00	-93.01	-2.33	0.00	34.27	-2.33	0.00	20.29
				TQ	0.00	0.00	0.00	0.00	0.00	0.00	0.00	0.00	0.00	0.00	0.00	0.00
				M3	2.93	0.00	-7.62	-24.74	0.00	-93.03	100.77	0.00	-85.68	-0.29	0.00	-3.20

BAGO RIVER BRIDGE

BLOCK [ No.2 : CROSS BEAM ][ BEAM MEMBER FORCE ]

MEMBER			1002001			3001			1002003			3003			
NODE			2001			2001			2003			2003			
NAME TITLE			SHEAR	TORQUE	MOMENT	SHEAR	TORQUE	MOMENT	SHEAR	TORQUE	MOMENT	SHEAR	TORQUE	MOMENT	
			S2 (kN)	TQ (kN·m)	M3 (kN·m)	S2 (kN)	TQ (kN·m)	M3 (kN·m)	S2 (kN)	TQ (kN·m)	M3 (kN·m)	S2 (kN)	TQ (kN·m)	M3 (kN·m)	
301	LIVE LOAD	1-LANE (case4MAX	S2	15.19	0.00	-35.36	15.19	0.00	55.79	18.97	0.00	-270.29	18.97	0.00	-156.50
			TQ	0.00	0.00	0.00	0.00	0.00	0.00	0.00	0.00	0.00	0.00	0.00	0.00
			M3	-159.72	0.00	369.99	15.19	0.00	55.79	-1.72	0.00	4.65	1.06	0.00	3.24
		MIN	S2	-159.75	0.00	369.91	-159.75	0.00	-588.56	-13.81	0.00	-216.69	-13.81	0.00	-299.57
			TQ	0.00	0.00	0.00	0.00	0.00	0.00	0.00	0.00	0.00	0.00	0.00	0.00
			M3	15.19	0.00	-35.36	-159.75	0.00	-588.56	5.47	0.00	-381.41	-5.33	0.00	-387.32
		2-LANES (caseMAX	S2	260.81	0.00	-607.14	260.81	0.00	957.69	5.37	0.00	-55.08	5.37	0.00	-22.87
			TQ	0.00	0.00	0.00	0.00	0.00	0.00	0.00	0.00	0.00	0.00	0.00	0.00
			M3	-26.47	0.00	62.10	260.81	0.00	957.69	-98.00	0.00	225.19	2.96	0.00	10.27
		MIN	S2	-26.47	0.00	62.10	-26.47	0.00	-96.72	-119.60	0.00	141.40	-119.60	0.00	-576.18
			TQ	0.00	0.00	0.00	0.00	0.00	0.00	0.00	0.00	0.00	0.00	0.00	0.00
			M3	260.76	0.00	-607.38	-26.47	0.00	-96.72	-8.14	0.00	-345.98	-101.48	0.00	-707.43
		2-LANES (caseMAX	S2	168.62	0.00	-390.99	168.62	0.00	620.70	2.53	0.00	-8.51	2.53	0.00	6.66
			TQ	0.00	0.00	0.00	0.00	0.00	0.00	0.00	0.00	0.00	0.00	0.00	0.00
			M3	-18.21	0.00	42.81	168.58	0.00	620.92	-160.87	0.00	708.13	-12.12	0.00	79.69
		MIN	S2	-18.21	0.00	42.81	-18.21	0.00	-66.47	-162.94	0.00	694.89	-162.94	0.00	-282.77
			TQ	0.00	0.00	0.00	0.00	0.00	0.00	0.00	0.00	0.00	0.00	0.00	0.00
			M3	168.60	0.00	-391.07	-18.21	0.00	-66.47	1.13	0.00	-12.80	-150.45	0.00	-306.14
		2-LANES (caseMAX	S2	6.47	0.00	-15.28	6.47	0.00	23.53	197.32	0.00	-194.58	197.32	0.00	989.32
			TQ	0.00	0.00	0.00	0.00	0.00	0.00	0.00	0.00	0.00	0.00	0.00	0.00
			M3	-70.89	0.00	160.27	6.47	0.00	23.53	27.25	0.00	125.26	196.73	0.00	996.91
		MIN	S2	-70.94	0.00	160.22	-70.94	0.00	-265.39	-2.63	0.00	28.72	-2.63	0.00	12.94
			TQ	0.00	0.00	0.00	0.00	0.00	0.00	0.00	0.00	0.00	0.00	0.00	0.00
			M3	6.33	0.00	-15.33	-70.92	0.00	-265.40	182.75	0.00	-246.85	-0.84	0.00	-7.88

BAGO RIVER BRIDGE

BLOCK [ No.2 : CROSS BEAM ] [ BEAM MEMBER FORCE ]

MEMBER			1002001			3001			1002003			3003				
NODE			2001			2001			2003			2003				
NAME TITLE			SHEAR	TORQUE	MOMENT	SHEAR	TORQUE	MOMENT	SHEAR	TORQUE	MOMENT	SHEAR	TORQUE	MOMENT		
			S2 (kN)	TQ (kN·m)	M3 (kN·m)	S2 (kN)	TQ (kN·m)	M3 (kN·m)	S2 (kN)	TQ (kN·m)	M3 (kN·m)	S2 (kN)	TQ (kN·m)	M3 (kN·m)		
301	LIVE LOAD	2-LANES (caseMAX	S2	21.23	0.00	-49.40	21.23	0.00	77.97	47.71	0.00	-477.22	47.71	0.00	-190.95	
			TQ	0.00	0.00	0.00	0.00	0.00	0.00	0.00	0.00	0.00	0.00	0.00	0.00	
			M3	-234.18	0.00	541.51	21.23	0.00	77.97	-2.30	0.00	6.19	4.65	0.00	0.00	7.60
			MIN S2	-234.20	0.00	541.44	-234.20	0.00	-863.74	-12.60	0.00	-179.08	-12.60	0.00	0.00	-254.66
			TQ	0.00	0.00	0.00	0.00	0.00	0.00	0.00	0.00	0.00	0.00	0.00	0.00	0.00
			M3	21.23	0.00	-49.40	-234.20	0.00	-863.74	36.37	0.00	-570.34	21.41	0.00	0.00	-389.92
		3-LANES (caseMAX	S2	273.60	0.00	-636.32	273.60	0.00	1005.30	5.35	0.00	-48.30	5.35	0.00	0.00	-16.18
			TQ	0.00	0.00	0.00	0.00	0.00	0.00	0.00	0.00	0.00	0.00	0.00	0.00	0.00
			M3	-28.48	0.00	66.87	273.57	0.00	1005.49	-155.05	0.00	612.53	-8.37	0.00	0.00	72.53
			MIN S2	-28.48	0.00	66.87	-28.48	0.00	-104.01	-174.05	0.00	531.03	-174.05	0.00	0.00	-513.25
			TQ	0.00	0.00	0.00	0.00	0.00	0.00	0.00	0.00	0.00	0.00	0.00	0.00	0.00
			M3	273.56	0.00	-636.52	-28.48	0.00	-104.01	-6.18	0.00	-298.23	-148.47	0.00	0.00	-643.86
		3-LANES (caseMAX	S2	12.27	0.00	-28.73	12.27	0.00	44.92	225.18	0.00	-342.75	225.18	0.00	0.00	1008.35
			TQ	0.00	0.00	0.00	0.00	0.00	0.00	0.00	0.00	0.00	0.00	0.00	0.00	0.00
			M3	-127.14	0.00	289.98	12.27	0.00	44.92	22.53	0.00	108.01	223.82	0.00	0.00	1017.23
			MIN S2	-127.18	0.00	289.94	-127.18	0.00	-473.17	-3.04	0.00	25.08	-3.04	0.00	0.00	6.85
			TQ	0.00	0.00	0.00	0.00	0.00	0.00	0.00	0.00	0.00	0.00	0.00	0.00	0.00
			M3	12.15	0.00	-28.77	-127.17	0.00	-473.19	212.72	0.00	-387.78	0.70	0.00	0.00	-16.35
		3-LANES (caseMAX	S2	21.93	0.00	-51.00	21.93	0.00	80.59	97.45	0.00	-576.20	97.45	0.00	0.00	8.49
			TQ	0.00	0.00	0.00	0.00	0.00	0.00	0.00	0.00	0.00	0.00	0.00	0.00	0.00
			M3	-259.23	0.00	598.06	21.93	0.00	80.59	-2.17	0.00	6.18	60.50	0.00	0.00	178.37
MIN S2	-259.25		0.00	598.00	-259.25	0.00	-957.48	-11.30	0.00	-152.60	-11.30	0.00	0.00	-220.40		
TQ	0.00		0.00	0.00	0.00	0.00	0.00	0.00	0.00	0.00	0.00	0.00	0.00	0.00		
M3	21.93		0.00	-51.00	-259.25	0.00	-957.48	87.55	0.00	-656.07	18.26	0.00	0.00	-337.84		

BAGO RIVER BRIDGE

BLOCK [ No.2 : CROSS BEAM ][ BEAM MEMBER FORCE ]

MEMBER				1002001			3001			1002003			3003				
NODE				2001			2001			2003			2003				
NAME TITLE				SHEAR	TORQUE	MOMENT	SHEAR	TORQUE	MOMENT	SHEAR	TORQUE	MOMENT	SHEAR	TORQUE	MOMENT		
				S2 (kN)	TQ (kN·m)	M3 (kN·m)	S2 (kN)	TQ (kN·m)	M3 (kN·m)	S2 (kN)	TQ (kN·m)	M3 (kN·m)	S2 (kN)	TQ (kN·m)	M3 (kN·m)		
301	LIVE LOAD	4-LANES	MAX	S2	15.94	0.00	-37.14	15.94	0.00	58.51	166.65	0.00	-459.70	166.65	0.00	540.23	
				TQ	0.00	0.00	0.00	0.00	0.00	0.00	0.00	0.00	0.00	0.00	0.00	0.00	0.00
				M3	-202.08	0.00	464.71	15.94	0.00	58.51	16.47	0.00	70.64	151.85	0.00	0.00	639.83
		MIN	S2	-202.11	0.00	464.65	-202.11	0.00	-748.02	-8.82	0.00	-85.92	-8.82	0.00	0.00	-138.81	
			TQ	0.00	0.00	0.00	0.00	0.00	0.00	0.00	0.00	0.00	0.00	0.00	0.00	0.00	
			M3	15.94	0.00	-37.14	-202.11	0.00	-748.02	148.73	0.00	-551.90	6.11	0.00	0.00	-228.11	
	6-LANES	MAX	S2	183.00	0.00	-425.97	183.00	0.00	672.05	151.26	0.00	-393.80	151.26	0.00	0.00	513.79	
			TQ	0.00	0.00	0.00	0.00	0.00	0.00	0.00	0.00	0.00	0.00	0.00	0.00	0.00	
			M3	-195.47	0.00	450.90	183.00	0.00	672.05	-58.06	0.00	453.13	127.29	0.00	0.00	678.32	
		MIN	S2	-195.50	0.00	450.89	-195.50	0.00	-722.12	-108.30	0.00	186.80	-108.30	0.00	0.00	-463.01	
			TQ	0.00	0.00	0.00	0.00	0.00	0.00	0.00	0.00	0.00	0.00	0.00	0.00	0.00	
			M3	182.96	0.00	-426.19	-195.50	0.00	-722.17	103.50	0.00	-684.49	-80.38	0.00	0.00	-624.33	
LIVE LOAD	MAX		273.60	0.00	598.06	273.60	0.00	1005.49	225.18	0.00	708.13	225.18	0.00	0.00	1017.23		
	MIN		-259.25	0.00	-636.52	-259.25	0.00	-957.48	-174.05	0.00	-684.49	-174.05	0.00	0.00	-707.43		
303	SUM TOTAL	TOTAL	MAX		338.60	0.00	429.23	338.60	0.00	1226.64	260.24	0.00	362.25	260.24	0.00	881.71	
			MIN		-194.25	0.00	-805.35	-194.25	0.00	-736.33	-138.99	0.00	-1030.38	-138.99	0.00	-842.96	



BAGO RIVER BRIDGE

BLOCK [ No.2 : CROSS BEAM ][ BEAM MEMBER FORCE ]

MEMBER NODE	1002005 2005	3005						1002007 2007						3007		
		SHEAR		TORQUE		MOMENT		SHEAR		TORQUE		MOMENT		SHEAR	TORQUE	MOMENT
		S2 (kN)	TQ (kN·m)	M3 (kN·m)	S2 (kN)	TQ (kN·m)	M3 (kN·m)	S2 (kN)	TQ (kN·m)	M3 (kN·m)	S2 (kN)	TQ (kN·m)	M3 (kN·m)	S2 (kN)	TQ (kN·m)	M3 (kN·m)
1	PAVEMENT	16.37	0.00	-59.14	16.37	0.00	39.07	20.06	0.00	-80.92	20.06	0.00	39.45			
3	RAILING	-0.89	0.00	-21.09	-0.89	0.00	-26.41	-0.65	0.00	-24.08	-0.65	0.00	-27.99			
5	CURB	-8.78	0.00	-208.75	-8.78	0.00	-261.45	-6.44	0.00	-238.43	-6.44	0.00	-277.08			
7	DECK WEIGHT	20.06	0.00	-89.64	20.06	0.00	30.70	25.29	0.00	-121.75	25.29	0.00	30.00			
8	GIRDER WEIGH	-30.54	0.00	212.23	-30.54	0.00	28.97	-28.91	0.00	215.71	-28.91	0.00	42.25			
10	MEDIAN STRIP	0.13	0.00	184.44	0.13	0.00	185.20	-1.87	0.00	208.08	-1.87	0.00	196.84			
21	ADITIONAL WE	5.62	0.00	-25.10	5.62	0.00	8.60	7.08	0.00	-34.09	7.08	0.00	8.40			
31	MEDIAN RAILI	0.01	0.00	14.87	0.01	0.00	14.95	-0.15	0.00	16.75	-0.15	0.00	15.87			
51	SUPPORT WEIG	-0.00	0.00	0.00	-0.00	0.00	-0.00	-0.00	0.00	0.00	-0.00	0.00	-0.00			
52	NOSE WEIGHT	0.33	0.00	0.64	0.33	0.00	2.64	-0.03	0.00	1.34	-0.03	0.00	1.17			
61	1-LANE(case1TRUCK-LOAD	MAX	S2	0.10	0.00	-2.18	0.10	0.00	-1.56	1.21	0.00	-8.70	1.21	0.00	-1.45	
			TQ	0.00	0.00	0.00	0.00	0.00	0.00	0.00	0.00	0.00	0.00	0.00	0.00	
			M3	-24.07	0.00	47.03	-1.45	0.00	4.00	-27.49	0.00	61.21	-0.16	0.00	0.85	
		MIN	S2	-37.41	0.00	15.38	-37.41	0.00	-209.11	-41.50	0.00	33.71	-41.50	0.00	-215.31	
			TQ	0.00	0.00	0.00	0.00	0.00	0.00	0.00	0.00	0.00	0.00	0.00	0.00	
			M3	-26.65	0.00	-185.33	-26.65	0.00	-345.22	-30.45	0.00	-159.16	-30.45	0.00	-341.84	
		TANDEM-LOAD MAX	S2	0.07	0.00	-1.48	0.07	0.00	-1.05	0.82	0.00	-5.94	0.82	0.00	-1.00	
			TQ	0.00	0.00	0.00	0.00	0.00	0.00	0.00	0.00	0.00	0.00	0.00	0.00	
			M3	-21.09	0.00	36.91	-0.83	0.00	2.89	-23.73	0.00	47.85	-0.11	0.00	0.58	
		MIN	S2	-27.60	0.00	11.31	-27.60	0.00	-154.31	-30.43	0.00	24.02	-30.43	0.00	-158.57	
			TQ	0.00	0.00	0.00	0.00	0.00	0.00	0.00	0.00	0.00	0.00	0.00	0.00	
			M3	-15.69	0.00	-148.00	-15.69	0.00	-242.15	-18.27	0.00	-130.04	-18.27	0.00	-239.64	
		DISPERSION-LMAX	S2	0.12	0.00	-2.65	0.12	0.00	-1.90	1.36	0.00	-10.02	1.36	0.00	-1.89	
			TQ	0.00	0.00	0.00	0.00	0.00	0.00	0.00	0.00	0.00	0.00	0.00	0.00	
			M3	-16.85	0.00	30.20	-0.68	0.00	2.50	-25.52	0.00	48.57	-0.62	0.00	1.54	
MIN	S2	-30.74	0.00	-29.99	-30.74	0.00	-214.40	-38.18	0.00	-1.76	-38.18	0.00	-230.85			
	TQ	0.00	0.00	0.00	0.00	0.00	0.00	0.00	0.00	0.00	0.00	0.00	0.00			
	M3	-13.76	0.00	-62.84	-29.93	0.00	-218.81	-11.31	0.00	-60.36	-36.20	0.00	-234.28			

BAGO RIVER BRIDGE

BLOCK [ No.2 : CROSS BEAM ][ BEAM MEMBER FORCE ]

MEMBER				1002005			1002007			3007						
NODE				2005			3005			2007						
NAME TITLE				SHEAR	TORQUE	MOMENT	SHEAR	TORQUE	MOMENT	SHEAR	TORQUE	MOMENT				
				S2 (kN)	TQ (kN·m)	M3 (kN·m)	S2 (kN)	TQ (kN·m)	M3 (kN·m)	S2 (kN)	TQ (kN·m)	M3 (kN·m)				
62	1-LANE (case2TRUCK-LOAD	MAX	S2	0.43	0.00	20.42	0.43	0.00	23.01	0.57	0.00	-5.16	0.57	0.00	-1.71	
			TQ	0.00	0.00	0.00	0.00	0.00	0.00	0.00	0.00	0.00	0.00	0.00	0.00	0.00
			M3	-67.52	0.00	415.88	-10.94	0.00	61.25	-69.30	0.00	424.75	-10.95	0.00	65.02	
		MIN	S2	-67.57	0.00	415.21	-67.57	0.00	9.82	-69.32	0.00	423.77	-69.32	0.00	7.84	
			TQ	0.00	0.00	0.00	0.00	0.00	0.00	0.00	0.00	0.00	0.00	0.00	0.00	0.00
			M3	0.13	0.00	-2.01	0.13	0.00	-1.23	0.57	0.00	-5.20	0.55	0.00	-1.83	
		TANDEM-LOAD MAX	S2	0.53	0.00	25.07	0.53	0.00	28.26	0.39	0.00	-3.53	0.39	0.00	-1.18	
			TQ	0.00	0.00	0.00	0.00	0.00	0.00	0.00	0.00	0.00	0.00	0.00	0.00	0.00
			M3	-51.75	0.00	310.12	-11.14	0.00	44.28	-52.83	0.00	315.10	-11.49	0.00	46.62	
		MIN	S2	-51.77	0.00	309.94	-51.77	0.00	-0.67	-52.83	0.00	314.82	-52.83	0.00	-2.18	
			TQ	0.00	0.00	0.00	0.00	0.00	0.00	0.00	0.00	0.00	0.00	0.00	0.00	0.00
			M3	0.09	0.00	-1.37	0.09	0.00	-0.84	0.39	0.00	-3.54	-52.83	0.00	-2.18	
		DISPERSION-LMAX	S2	0.24	0.00	0.28	0.24	0.00	1.70	0.65	0.00	-6.10	0.65	0.00	-2.17	
			TQ	0.00	0.00	0.00	0.00	0.00	0.00	0.00	0.00	0.00	0.00	0.00	0.00	0.00
			M3	-28.29	0.00	211.85	-15.41	0.00	50.51	-31.34	0.00	236.12	-17.98	0.00	56.64	
MIN	S2	-28.37	0.00	209.18	-28.37	0.00	38.95	-31.34	0.00	236.12	-31.34	0.00	48.05			
	TQ	0.00	0.00	0.00	0.00	0.00	0.00	0.00	0.00	0.00	0.00	0.00	0.00	0.00		
	M3	0.16	0.00	-2.39	-12.72	0.00	-9.86	0.65	0.00	-6.10	-12.71	0.00	-10.76			
63	1-LANE (case3TRUCK-LOAD	MAX	S2	68.12	0.00	27.37	68.12	0.00	436.10	67.02	0.00	29.91	67.02	0.00	432.05	
			TQ	0.00	0.00	0.00	0.00	0.00	0.00	0.00	0.00	0.00	0.00	0.00	0.00	
			M3	12.44	0.00	90.55	68.12	0.00	436.10	13.54	0.00	94.29	67.02	0.00	432.05	
		MIN	S2	-1.99	0.00	33.83	-1.99	0.00	21.90	-1.47	0.00	29.05	-1.47	0.00	20.21	
			TQ	0.00	0.00	0.00	0.00	0.00	0.00	0.00	0.00	0.00	0.00	0.00	0.00	0.00
			M3	0.15	0.00	-1.87	0.15	0.00	-0.95	0.09	0.00	-2.58	0.09	0.00	-2.03	

BAGO RIVER BRIDGE

BLOCK [ No.2 : CROSS BEAM ][ BEAM MEMBER FORCE ]

MEMBER NODE	1002005 2005	3005			1002007 2007			3007							
		SHEAR	TORQUE	MOMENT	SHEAR	TORQUE	MOMENT	SHEAR	TORQUE	MOMENT					
		S2 (kN)	TQ (kN·m)	M3 (kN·m)	S2 (kN)	TQ (kN·m)	M3 (kN·m)	S2 (kN)	TQ (kN·m)	M3 (kN·m)					
63	1-LANE (case3TANDEM-LOAD	MAX	S2	50.93	0.00	11.02	50.93	0.00	316.61	50.25	0.00	11.72	50.25	0.00	313.25
			TQ	0.00	0.00	0.00	0.00	0.00	0.00	0.00	0.00	0.00	0.00	0.00	0.00
			M3	13.54	0.00	63.18	50.93	0.00	316.61	4.83	0.00	66.08	50.25	0.00	313.25
		MIN	S2	-1.50	0.00	24.51	-1.50	0.00	15.48	-1.14	0.00	20.98	-1.14	0.00	14.12
			TQ	0.00	0.00	0.00	0.00	0.00	0.00	0.00	0.00	0.00	0.00	0.00	0.00
			M3	0.10	0.00	-1.27	0.10	0.00	-0.65	0.06	0.00	-1.76	0.06	0.00	-1.39
	DISPERSION-LMAX		S2	29.21	0.00	48.87	29.21	0.00	224.15	28.65	0.00	58.36	28.65	0.00	230.25
			TQ	0.00	0.00	0.00	0.00	0.00	0.00	0.00	0.00	0.00	0.00	0.00	0.00
			M3	18.18	0.00	71.95	28.09	0.00	236.33	17.91	0.00	87.36	27.69	0.00	249.20
		MIN	S2	-0.94	0.00	16.71	-0.94	0.00	11.06	-0.85	0.00	21.63	-0.85	0.00	16.55
			TQ	0.00	0.00	0.00	0.00	0.00	0.00	0.00	0.00	0.00	0.00	0.00	0.00
			M3	10.09	0.00	-6.36	0.18	0.00	-1.12	9.89	0.00	-7.37	0.11	0.00	-2.40
64	1-LANE (case4TRUCK-LOAD	MAX	S2	19.28	0.00	-214.67	19.28	0.00	-99.00	25.17	0.00	-240.66	25.17	0.00	-89.63
			TQ	0.00	0.00	0.00	0.00	0.00	0.00	0.00	0.00	0.00	0.00	0.00	0.00
			M3	-0.07	0.00	0.80	-0.07	0.00	0.40	-0.97	0.00	3.67	3.44	0.00	2.36
		MIN	S2	-0.07	0.00	0.80	-0.07	0.00	0.40	-0.98	0.00	3.65	-0.98	0.00	-2.25
			TQ	0.00	0.00	0.00	0.00	0.00	0.00	0.00	0.00	0.00	0.00	0.00	0.00
			M3	8.73	0.00	-292.38	7.63	0.00	-241.92	16.22	0.00	-331.26	16.22	0.00	-233.96
	TANDEM-LOAD	MAX	S2	13.43	0.00	-138.60	13.43	0.00	-58.01	17.48	0.00	-183.82	17.48	0.00	-78.94
			TQ	0.00	0.00	0.00	0.00	0.00	0.00	0.00	0.00	0.00	0.00	0.00	0.00
			M3	-0.05	0.00	0.55	-0.05	0.00	0.27	-0.66	0.00	2.53	3.07	0.00	1.78
		MIN	S2	-0.05	0.00	0.55	-0.05	0.00	0.27	-0.67	0.00	2.47	-0.67	0.00	-1.56
			TQ	0.00	0.00	0.00	0.00	0.00	0.00	0.00	0.00	0.00	0.00	0.00	0.00
			M3	4.61	0.00	-200.90	4.30	0.00	-173.76	9.89	0.00	-227.14	9.89	0.00	-167.78

BAGO RIVER BRIDGE

BLOCK [ No.2 : CROSS BEAM ][ BEAM MEMBER FORCE ]

MEMBER NODE	1002005 2005	3005			1002007 2007			3007							
		SHEAR	TORQUE	MOMENT	SHEAR	TORQUE	MOMENT	SHEAR	TORQUE	MOMENT					
		S2 (kN)	TQ (kN·m)	M3 (kN·m)	S2 (kN)	TQ (kN·m)	M3 (kN·m)	S2 (kN)	TQ (kN·m)	M3 (kN·m)					
64	1-LANE (case4DISPERSION-LMAX	S2	14.93	0.00	-218.14	14.93	0.00	-128.55	26.08	0.00	-295.70	26.08	0.00	-139.20	
		TQ	0.00	0.00	0.00	0.00	0.00	0.00	0.00	0.00	0.00	0.00	0.00	0.00	
		M3	-0.12	0.00	1.39	-0.11	0.00	0.67	-1.04	0.00	4.84	1.44	0.00	2.24	
	MIN	S2	-0.21	0.00	-9.60	-0.21	0.00	-10.89	-1.05	0.00	4.52	-1.05	0.00	-1.81	
		TQ	0.00	0.00	0.00	0.00	0.00	0.00	0.00	0.00	0.00	0.00	0.00	0.00	
		M3	14.84	0.00	-229.13	14.83	0.00	-140.10	26.07	0.00	-296.02	23.59	0.00	-143.24	
65	2-LANES (caseTRUCK-LOAD	MAX	S2	0.22	0.00	-4.28	0.22	0.00	-2.95	2.10	0.00	-15.64	2.10	0.00	-3.02
		TQ	0.00	0.00	0.00	0.00	0.00	0.00	0.00	0.00	0.00	0.00	0.00	0.00	
		M3	-89.52	0.00	255.00	-3.97	0.00	8.39	-95.72	0.00	284.96	-2.21	0.00	2.06	
	MIN	S2	-102.90	0.00	221.83	-102.90	0.00	-395.55	-109.73	0.00	257.46	-109.73	0.00	-400.90	
		TQ	0.00	0.00	0.00	0.00	0.00	0.00	0.00	0.00	0.00	0.00	0.00	0.00	
		M3	-26.53	0.00	-187.44	-92.13	0.00	-531.66	-29.56	0.00	-166.12	-98.67	0.00	-527.43	
	TANDEM-LOAD	MAX	S2	0.15	0.00	-2.89	0.15	0.00	-1.99	1.43	0.00	-10.68	1.43	0.00	-2.09
		TQ	0.00	0.00	0.00	0.00	0.00	0.00	0.00	0.00	0.00	0.00	0.00	0.00	
		M3	-69.13	0.00	188.40	-2.31	0.00	5.99	-73.53	0.00	209.92	-1.88	0.00	1.51	
	MIN	S2	-75.65	0.00	162.37	-75.65	0.00	-291.50	-80.23	0.00	186.08	-80.23	0.00	-295.28	
		TQ	0.00	0.00	0.00	0.00	0.00	0.00	0.00	0.00	0.00	0.00	0.00	0.00	
		M3	-15.61	0.00	-149.44	-63.74	0.00	-379.35	-17.66	0.00	-134.79	-68.06	0.00	-376.35	
	DISPERSION-LMAX	S2	0.26	0.00	-5.16	0.26	0.00	-3.58	2.36	0.00	-18.09	2.36	0.00	-3.92	
		TQ	0.00	0.00	0.00	0.00	0.00	0.00	0.00	0.00	0.00	0.00	0.00	0.00	
		M3	-52.65	0.00	157.81	-2.73	0.00	6.44	-66.49	0.00	203.03	-3.33	0.00	4.84	
	MIN	S2	-66.53	0.00	97.62	-66.53	0.00	-301.57	-79.15	0.00	152.69	-79.15	0.00	-322.19	
		TQ	0.00	0.00	0.00	0.00	0.00	0.00	0.00	0.00	0.00	0.00	0.00	0.00	
		M3	-13.62	0.00	-65.35	-63.53	0.00	-311.59	-10.30	0.00	-68.43	-73.46	0.00	-330.95	

BAGO RIVER BRIDGE

BLOCK [ No.2 : CROSS BEAM ][ BEAM MEMBER FORCE ]

MEMBER NODE	1002005 2005	3005			1002007 2007			3007								
		SHEAR	TORQUE	MOMENT	SHEAR	TORQUE	MOMENT	SHEAR	TORQUE	MOMENT						
		S2 (kN)	TQ (kN·m)	M3 (kN·m)	S2 (kN)	TQ (kN·m)	M3 (kN·m)	S2 (kN)	TQ (kN·m)	M3 (kN·m)						
66	2-LANES (caseTRUCK-LOAD	MAX	S2	0.55	0.00	18.32	0.55	0.00	21.63	1.47	0.00	-12.10	1.47	0.00	-3.29	
			TQ	0.00	0.00	0.00	0.00	0.00	0.00	0.00	0.00	0.00	0.00	0.00	0.00	0.00
			M3	-132.97	0.00	623.86	-13.46	0.00	65.64	-137.52	0.00	648.50	-12.99	0.00	0.00	66.23
		MIN	S2	-133.05	0.00	621.67	-133.05	0.00	-176.63	-137.54	0.00	647.51	-137.54	0.00	0.00	-177.75
			TQ	0.00	0.00	0.00	0.00	0.00	0.00	0.00	0.00	0.00	0.00	0.00	0.00	0.00
			M3	0.25	0.00	-4.12	-65.35	0.00	-187.68	1.46	0.00	-12.16	-67.68	0.00	0.00	-187.42
	TANDEM-LOAD	MAX	S2	0.61	0.00	23.65	0.61	0.00	27.32	1.00	0.00	-8.27	1.00	0.00	-2.28	
			TQ	0.00	0.00	0.00	0.00	0.00	0.00	0.00	0.00	0.00	0.00	0.00	0.00	
			M3	-99.79	0.00	461.61	-12.61	0.00	47.39	-102.62	0.00	477.17	-13.26	0.00	0.00	47.55
		MIN	S2	-99.81	0.00	461.00	-99.81	0.00	-137.86	-102.63	0.00	476.89	-102.63	0.00	0.00	-138.89
			TQ	0.00	0.00	0.00	0.00	0.00	0.00	0.00	0.00	0.00	0.00	0.00	0.00	0.00
			M3	0.17	0.00	-2.81	-47.95	0.00	-138.03	1.00	0.00	-8.29	-102.63	0.00	0.00	-138.89
	DISPERSION-LMAX	S2	0.38	0.00	-2.24	0.38	0.00	0.02	1.66	0.00	-14.16	1.66	0.00	0.00	-4.21	
			TQ	0.00	0.00	0.00	0.00	0.00	0.00	0.00	0.00	0.00	0.00	0.00	0.00	
			M3	-64.09	0.00	339.45	-17.47	0.00	54.45	-72.31	0.00	390.58	-20.68	0.00	0.00	59.94
		MIN	S2	-64.17	0.00	336.79	-64.17	0.00	-48.22	-72.31	0.00	390.58	-72.31	0.00	0.00	-43.29
			TQ	0.00	0.00	0.00	0.00	0.00	0.00	0.00	0.00	0.00	0.00	0.00	0.00	0.00
			M3	0.30	0.00	-4.90	-46.32	0.00	-102.64	1.66	0.00	-14.16	-49.97	0.00	0.00	-107.43
67	2-LANES (caseTRUCK-LOAD	MAX	S2	144.89	0.00	-68.45	144.89	0.00	800.90	144.06	0.00	-75.96	144.06	0.00	788.43	
			TQ	0.00	0.00	0.00	0.00	0.00	0.00	0.00	0.00	0.00	0.00	0.00	0.00	
			M3	17.81	0.00	116.17	144.89	0.00	800.90	19.47	0.00	124.29	144.06	0.00	0.00	788.43
		MIN	S2	-2.10	0.00	34.87	-2.10	0.00	22.28	-1.73	0.00	28.73	-1.73	0.00	0.00	18.33
			TQ	0.00	0.00	0.00	0.00	0.00	0.00	0.00	0.00	0.00	0.00	0.00	0.00	0.00
			M3	76.92	0.00	-97.69	0.32	0.00	-1.72	76.77	0.00	-109.89	-0.12	0.00	0.00	-4.21

BAGO RIVER BRIDGE

BLOCK [ No.2 : CROSS BEAM ][ BEAM MEMBER FORCE ]

MEMBER NODE	1002005 2005	3005			1002007 2007			3007							
		SHEAR	TORQUE	MOMENT	SHEAR	TORQUE	MOMENT	SHEAR	TORQUE	MOMENT					
		S2 (kN)	TQ (kN·m)	M3 (kN·m)	S2 (kN)	TQ (kN·m)	M3 (kN·m)	S2 (kN)	TQ (kN·m)	M3 (kN·m)					
67	2-LANES (caseTANDEM-LOAD	MAX	S2	108.22	0.00	-66.60	108.22	0.00	582.69	107.66	0.00	-73.02	107.66	0.00	572.95
			TQ	0.00	0.00	0.00	0.00	0.00	0.00	0.00	0.00	0.00	0.00	0.00	0.00
			M3	18.76	0.00	83.91	108.22	0.00	582.69	10.63	0.00	89.79	107.66	0.00	572.95
		MIN	S2	-1.58	0.00	25.29	-1.58	0.00	15.80	-1.32	0.00	20.73	-1.32	0.00	12.80
			TQ	0.00	0.00	0.00	0.00	0.00	0.00	0.00	0.00	0.00	0.00	0.00	0.00
			M3	57.39	0.00	-78.90	0.22	0.00	-1.17	57.37	0.00	-86.90	-0.09	0.00	-2.87
	DISPERSION-LMAX		S2	63.96	0.00	28.04	63.96	0.00	411.82	65.30	0.00	35.96	65.30	0.00	427.73
			TQ	0.00	0.00	0.00	0.00	0.00	0.00	0.00	0.00	0.00	0.00	0.00	0.00
			M3	24.01	0.00	87.78	62.43	0.00	426.94	23.78	0.00	105.57	64.27	0.00	448.37
		MIN	S2	-1.15	0.00	20.00	-1.15	0.00	13.09	-1.17	0.00	22.69	-1.17	0.00	15.66
			TQ	0.00	0.00	0.00	0.00	0.00	0.00	0.00	0.00	0.00	0.00	0.00	0.00
			M3	38.81	0.00	-39.74	0.38	0.00	-2.02	40.35	0.00	-46.91	-0.14	0.00	-4.97
68	2-LANES (caseTRUCK-LOAD	MAX	S2	51.59	0.00	-437.62	51.59	0.00	-128.07	63.93	0.00	-487.79	63.93	0.00	-104.20
			TQ	0.00	0.00	0.00	0.00	0.00	0.00	0.00	0.00	0.00	0.00	0.00	0.00
			M3	-0.13	0.00	1.62	-0.13	0.00	0.82	-1.57	0.00	5.55	8.37	0.00	5.63
		MIN	S2	-0.13	0.00	1.62	-0.13	0.00	0.82	-1.63	0.00	5.43	-1.63	0.00	-4.32
			TQ	0.00	0.00	0.00	0.00	0.00	0.00	0.00	0.00	0.00	0.00	0.00	0.00
			M3	41.04	0.00	-515.33	32.28	0.00	-276.63	54.63	0.00	-580.41	39.93	0.00	-262.77
	TANDEM-LOAD	MAX	S2	36.38	0.00	-296.26	36.38	0.00	-77.99	44.89	0.00	-358.28	44.89	0.00	-88.95
			TQ	0.00	0.00	0.00	0.00	0.00	0.00	0.00	0.00	0.00	0.00	0.00	0.00
			M3	-0.09	0.00	1.10	-0.09	0.00	0.56	-1.08	0.00	3.83	6.65	0.00	4.11
		MIN	S2	-0.09	0.00	1.10	-0.09	0.00	0.56	-1.11	0.00	3.66	-1.11	0.00	-3.01
			TQ	0.00	0.00	0.00	0.00	0.00	0.00	0.00	0.00	0.00	0.00	0.00	0.00
			M3	27.56	0.00	-358.56	22.59	0.00	-197.79	37.20	0.00	-402.17	26.80	0.00	-188.32

BAGO RIVER BRIDGE

BLOCK [ No.2 : CROSS BEAM ][ BEAM MEMBER FORCE ]

MEMBER		1002005						1002007									
NODE		2005			3005			2007			3007						
		SHEAR	TORQUE	MOMENT	SHEAR	TORQUE	MOMENT	SHEAR	TORQUE	MOMENT	SHEAR	TORQUE	MOMENT				
NAME	TITLE	S2 (kN)	TQ (kN·m)	M3 (kN·m)	S2 (kN)	TQ (kN·m)	M3 (kN·m)	S2 (kN)	TQ (kN·m)	M3 (kN·m)	S2 (kN)	TQ (kN·m)	M3 (kN·m)				
68	2-LANES (caseDISPERSION-LMAX	S2	36.42	0.00	-371.97	36.42	0.00	-153.43	55.90	0.00	-490.86	55.90	0.00	-155.47			
		TQ	0.00	0.00	0.00	0.00	0.00	0.00	0.00	0.00	0.00	0.00	0.00	0.00			
		M3	-0.25	0.00	2.84	6.38	0.00	6.69	-1.68	0.00	8.03	13.49	0.00	13.93			
		MIN	S2	-0.34	0.00	-8.15	-0.34	0.00	-10.18	-1.77	0.00	7.50	-1.77	0.00	-3.14		
		TQ	0.00	0.00	0.00	0.00	0.00	0.00	0.00	0.00	0.00	0.00	0.00	0.00			
		M3	36.33	0.00	-382.96	29.70	0.00	-170.30	55.80	0.00	-491.39	40.64	0.00	-172.55			
		69	3-LANES (caseTRUCK-LOAD	MAX	S2	0.65	0.00	16.14	0.65	0.00	20.06	2.68	0.00	-20.80	2.68	0.00	-4.74
				TQ	0.00	0.00	0.00	0.00	0.00	0.00	0.00	0.00	0.00	0.00	0.00	0.00	
				M3	-157.04	0.00	670.89	-14.91	0.00	69.64	-165.01	0.00	709.72	-13.15	0.00	67.08	
MIN	S2			-170.46	0.00	637.05	-170.46	0.00	-385.74	-179.05	0.00	681.23	-179.05	0.00	-393.06		
TQ	0.00			0.00	0.00	0.00	0.00	0.00	0.00	0.00	0.00	0.00	0.00	0.00			
M3	-26.40			0.00	-189.45	-92.00	0.00	-532.89	-28.99	0.00	-171.33	-98.12	0.00	-529.26			
TANDEM-LOAD	MAX			S2	0.68	0.00	22.17	0.68	0.00	26.27	1.82	0.00	-14.21	1.82	0.00	-3.28	
TQ	0.00			0.00	0.00	0.00	0.00	0.00	0.00	0.00	0.00	0.00	0.00	0.00	0.00		
M3	-120.88			0.00	498.52	-13.45	0.00	50.28	-126.35	0.00	525.02	-13.37	0.00	48.13			
MIN	S2	-127.41	0.00	472.31	-127.41	0.00	-292.17	-133.06	0.00	500.91	-133.06	0.00	-297.46				
TQ	0.00	0.00	0.00	0.00	0.00	0.00	0.00	0.00	0.00	0.00	0.00	0.00	0.00				
M3	-15.52	0.00	-150.81	-63.65	0.00	-380.18	-17.27	0.00	-138.33	-120.90	0.00	-378.53					
DISPERSION-LMAX	S2	0.50	0.00	-4.89	0.50	0.00	-1.88	3.02	0.00	-24.19	3.02	0.00	-6.09				
TQ	0.00	0.00	0.00	0.00	0.00	0.00	0.00	0.00	0.00	0.00	0.00	0.00	0.00				
M3	-80.94	0.00	369.66	-18.15	0.00	56.95	-97.83	0.00	439.15	-21.30	0.00	61.48					
MIN	S2	-94.90	0.00	306.80	-94.90	0.00	-262.62	-110.49	0.00	388.82	-110.49	0.00	-274.14				
TQ	0.00	0.00	0.00	0.00	0.00	0.00	0.00	0.00	0.00	0.00	0.00	0.00	0.00				
M3	-13.47	0.00	-67.74	-76.26	0.00	-321.45	-9.65	0.00	-74.52	-86.17	0.00	-341.71					

BAGO RIVER BRIDGE

BLOCK [ No.2 : CROSS BEAM ][ BEAM MEMBER FORCE ]

MEMBER NODE	1002005 2005	3005			1002007 2007			3007							
		SHEAR	TORQUE	MOMENT	SHEAR	TORQUE	MOMENT	SHEAR	TORQUE	MOMENT					
		S2 (kN)	TQ (kN·m)	M3 (kN·m)	S2 (kN)	TQ (kN·m)	M3 (kN·m)	S2 (kN)	TQ (kN·m)	M3 (kN·m)					
70 3-LANES (caseTRUCK-LOAD	MAX	S2	197.70	0.00	-230.63	197.70	0.00	955.59	198.89	0.00	-263.90	198.89	0.00	929.43	
		TQ	0.00	0.00	0.00	0.00	0.00	0.00	0.00	0.00	0.00	0.00	0.00	0.00	
		M3	17.74	0.00	116.98	197.70	0.00	955.59	18.91	0.00	125.91	198.89	0.00	929.43	
	MIN	S2	-2.17	0.00	35.67	-2.17	0.00	22.68	-2.33	0.00	30.27	-2.33	0.00	16.28	
		TQ	0.00	0.00	0.00	0.00	0.00	0.00	0.00	0.00	0.00	0.00	0.00	0.00	
		M3	129.27	0.00	-262.33	0.49	0.00	-2.32	131.21	0.00	-299.45	-0.68	0.00	-6.53	
	TANDEM-LOAD	MAX	S2	147.06	0.00	-186.61	147.06	0.00	695.77	147.65	0.00	-209.89	147.65	0.00	676.02
		TQ	0.00	0.00	0.00	0.00	0.00	0.00	0.00	0.00	0.00	0.00	0.00	0.00	
		M3	18.71	0.00	84.46	147.06	0.00	695.77	10.24	0.00	90.92	147.65	0.00	676.02	
	MIN	S2	-1.63	0.00	25.84	-1.63	0.00	16.07	-1.73	0.00	21.76	-1.73	0.00	11.37	
		TQ	0.00	0.00	0.00	0.00	0.00	0.00	0.00	0.00	0.00	0.00	0.00	0.00	
		M3	96.11	0.00	-199.59	0.34	0.00	-1.58	97.25	0.00	-224.22	-0.46	0.00	-4.45	
	DISPERSION-LMAX	S2	91.96	0.00	-66.68	91.96	0.00	485.08	98.20	0.00	-87.19	98.20	0.00	502.01	
		TQ	0.00	0.00	0.00	0.00	0.00	0.00	0.00	0.00	0.00	0.00	0.00	0.00	
		M3	23.92	0.00	89.24	89.03	0.00	501.93	23.22	0.00	108.31	96.84	0.00	523.80	
	MIN	S2	-1.28	0.00	21.45	-1.28	0.00	13.78	-1.83	0.00	25.01	-1.83	0.00	14.05	
		TQ	0.00	0.00	0.00	0.00	0.00	0.00	0.00	0.00	0.00	0.00	0.00	0.00	
		M3	66.77	0.00	-134.47	1.65	0.00	-3.07	73.16	0.00	-170.48	-0.47	0.00	-7.74	
71 3-LANES (caseTRUCK-LOAD	MAX	S2	107.50	0.00	-591.18	107.50	0.00	53.84	124.92	0.00	-652.67	124.92	0.00	96.83	
		TQ	0.00	0.00	0.00	0.00	0.00	0.00	0.00	0.00	0.00	0.00	0.00	0.00	
		M3	-0.20	0.00	2.45	55.78	0.00	182.73	-1.64	0.00	6.85	69.36	0.00	206.67	
	MIN	S2	-0.21	0.00	2.31	-0.21	0.00	1.03	-1.93	0.00	5.38	-1.93	0.00	-6.20	
		TQ	0.00	0.00	0.00	0.00	0.00	0.00	0.00	0.00	0.00	0.00	0.00	0.00	
		M3	96.56	0.00	-670.27	32.45	0.00	-277.39	115.25	0.00	-747.48	39.69	0.00	-264.96	



BAGO RIVER BRIDGE

BLOCK [ No.2 : CROSS BEAM ][ BEAM MEMBER FORCE ]

MEMBER		1002005						1002007					
NODE		2005			3005			2007			3007		
		SHEAR	TORQUE	MOMENT	SHEAR	TORQUE	MOMENT	SHEAR	TORQUE	MOMENT	SHEAR	TORQUE	MOMENT
NAME	TITLE	S2 (kN)	TQ (kN·m)	M3 (kN·m)	S2 (kN)	TQ (kN·m)	M3 (kN·m)	S2 (kN)	TQ (kN·m)	M3 (kN·m)	S2 (kN)	TQ (kN·m)	M3 (kN·m)
71	3-LANES (case)	TANDEM-LOAD	MAX	S2	77.66	0.00	-410.69	77.66	0.00	55.29	89.72	0.00	-480.57
				TQ	0.00	0.00	0.00	0.00	0.00	0.00	0.00	0.00	0.00
				M3	-0.14	0.00	1.66	41.19	0.00	133.84	-1.13	0.00	4.71
			MIN	S2	-0.15	0.00	1.64	-0.15	0.00	0.72	-1.32	0.00	3.57
				TQ	0.00	0.00	0.00	0.00	0.00	0.00	0.00	0.00	0.00
				M3	68.74	0.00	-473.37	22.70	0.00	-198.30	81.93	0.00	-525.07
		DISPERSION-L	MAX	S2	64.58	0.00	-450.40	64.58	0.00	-62.91	89.45	0.00	-585.08
				TQ	0.00	0.00	0.00	0.00	0.00	0.00	0.00	0.00	0.00
				M3	0.04	0.00	5.17	34.21	0.00	98.95	-1.50	0.00	10.68
			MIN	S2	-0.47	0.00	-6.49	-0.47	0.00	-9.34	-2.17	0.00	8.88
				TQ	0.00	0.00	0.00	0.00	0.00	0.00	0.00	0.00	0.00
				M3	64.07	0.00	-462.05	29.90	0.00	-171.19	88.78	0.00	-586.89
72	4-LANES	TRUCK-LOAD	MAX	S2	199.89	0.00	-525.23	199.89	0.00	674.13	210.99	0.00	-591.73
				TQ	0.00	0.00	0.00	0.00	0.00	0.00	0.00	0.00	0.00
				M3	19.50	0.00	95.11	180.37	0.00	773.67	18.76	0.00	97.71
			MIN	S2	-2.02	0.00	34.06	-2.02	0.00	21.93	-3.20	0.00	28.30
				TQ	0.00	0.00	0.00	0.00	0.00	0.00	0.00	0.00	0.00
				M3	118.86	0.00	-609.30	20.59	0.00	-234.52	132.94	0.00	-684.17
		TANDEM-LOAD	MAX	S2	147.25	0.00	-373.35	147.25	0.00	510.12	154.99	0.00	-438.64
				TQ	0.00	0.00	0.00	0.00	0.00	0.00	0.00	0.00	0.00
				M3	10.41	0.00	67.84	133.86	0.00	565.56	11.11	0.00	69.59
			MIN	S2	-1.55	0.00	24.79	-1.55	0.00	15.51	-2.31	0.00	23.59
				TQ	0.00	0.00	0.00	0.00	0.00	0.00	0.00	0.00	0.00
				M3	139.62	0.00	-436.57	12.51	0.00	-168.34	95.65	0.00	-485.67

BAGO RIVER BRIDGE

BLOCK [ No.2 : CROSS BEAM ][ BEAM MEMBER FORCE ]

MEMBER			1002005						1002007								
NODE			2005			3005			2007			3007					
NAME TITLE			SHEAR	TORQUE	MOMENT	SHEAR	TORQUE	MOMENT	SHEAR	TORQUE	MOMENT	SHEAR	TORQUE	MOMENT			
			S2 (kN)	TQ (kN·m)	M3 (kN·m)	S2 (kN)	TQ (kN·m)	M3 (kN·m)	S2 (kN)	TQ (kN·m)	M3 (kN·m)	S2 (kN)	TQ (kN·m)	M3 (kN·m)			
72	4-LANES	DISPERSION-LMAX	S2	108.90	0.00	-353.09	108.90	0.00	300.32	128.90	0.00	-460.33	128.90	0.00	313.06		
			TQ	0.00	0.00	0.00	0.00	0.00	0.00	0.00	0.00	0.00	0.00	0.00	0.00	0.00	
			M3	22.10	0.00	79.29	83.40	0.00	441.02	20.57	0.00	98.49	92.92	0.00	0.00	466.46	
	MIN	S2	-1.00	0.00	5.54	-1.00	0.00	-0.49	-2.43	0.00	23.13	-2.43	0.00	0.00	8.56		
		TQ	0.00	0.00	0.00	0.00	0.00	0.00	0.00	0.00	0.00	0.00	0.00	0.00	0.00		
		M3	83.14	0.00	-429.88	26.21	0.00	-156.72	104.05	0.00	-546.51	36.05	0.00	0.00	-162.40		
	73	6-LANES	TRUCK-LOAD	MAX	S2	168.60	0.00	-347.25	168.60	0.00	664.33	175.62	0.00	-366.83	175.62	0.00	686.87
				TQ	0.00	0.00	0.00	0.00	0.00	0.00	0.00	0.00	0.00	0.00	0.00	0.00	
				M3	-75.36	0.00	663.45	137.87	0.00	813.82	-81.40	0.00	705.88	138.52	0.00	0.00	825.00
MIN		S2	-127.58	0.00	413.97	-127.58	0.00	-351.50	-134.02	0.00	427.19	-134.02	0.00	0.00	-376.95		
		TQ	0.00	0.00	0.00	0.00	0.00	0.00	0.00	0.00	0.00	0.00	0.00	0.00	0.00		
		M3	106.96	0.00	-726.19	-102.37	0.00	-683.44	118.16	0.00	-767.15	-100.43	0.00	0.00	-675.93		
TANDEM-LOAD		MAX	S2	123.61	0.00	-246.36	123.61	0.00	495.32	128.25	0.00	-272.01	128.25	0.00	0.00	497.51	
		TQ	0.00	0.00	0.00	0.00	0.00	0.00	0.00	0.00	0.00	0.00	0.00	0.00	0.00		
		M3	-55.78	0.00	491.61	106.08	0.00	592.25	-66.47	0.00	519.90	106.52	0.00	0.00	598.74		
MIN	S2	-93.26	0.00	310.83	-93.26	0.00	-248.71	-97.54	0.00	320.97	-97.54	0.00	0.00	-264.25			
	TQ	0.00	0.00	0.00	0.00	0.00	0.00	0.00	0.00	0.00	0.00	0.00	0.00	0.00			
	M3	81.45	0.00	-536.85	-74.48	0.00	-492.75	89.47	0.00	-564.64	-73.27	0.00	0.00	-487.12			
DISPERSION-LMAX	S2	100.42	0.00	-284.17	100.42	0.00	318.35	118.12	0.00	-396.41	118.12	0.00	0.00	312.34			
	TQ	0.00	0.00	0.00	0.00	0.00	0.00	0.00	0.00	0.00	0.00	0.00	0.00	0.00			
	M3	-38.89	0.00	394.94	60.78	0.00	501.13	-52.75	0.00	476.99	63.61	0.00	0.00	525.12			
MIN	S2	-77.52	0.00	265.34	-77.52	0.00	-199.80	-91.70	0.00	347.34	-91.70	0.00	0.00	-202.86			
	TQ	0.00	0.00	0.00	0.00	0.00	0.00	0.00	0.00	0.00	0.00	0.00	0.00	0.00			
	M3	56.11	0.00	-457.60	-39.26	0.00	-418.35	78.14	0.00	-565.34	-39.28	0.00	0.00	-444.05			

BAGO RIVER BRIDGE

BLOCK [ No.2 : CROSS BEAM ][ BEAM MEMBER FORCE ]

MEMBER			1002005						1002007						
NODE			2005			3005			2007			3007			
NAME TITLE			SHEAR	TORQUE	MOMENT	SHEAR	TORQUE	MOMENT	SHEAR	TORQUE	MOMENT	SHEAR	TORQUE	MOMENT	
			S2 (kN)	TQ (kN·m)	M3 (kN·m)	S2 (kN)	TQ (kN·m)	M3 (kN·m)	S2 (kN)	TQ (kN·m)	M3 (kN·m)	S2 (kN)	TQ (kN·m)	M3 (kN·m)	
124	SUM TOTAL	D+1LANE (caseMAX	S2	2.57	0.00	2.67	2.57	0.00	18.10	17.46	0.00	-79.87	17.46	0.00	24.91
			TQ	2.30	0.00	8.47	2.30	0.00	22.26	14.38	0.00	-57.40	14.38	0.00	28.91
			M3	-46.81	0.00	101.14	-0.26	0.00	30.07	-49.23	0.00	74.34	13.44	0.00	31.78
		MIN	S2	-79.48	0.00	-9.07	-79.48	0.00	-485.95	-81.24	0.00	-19.06	-81.24	0.00	-506.48
			TQ	2.30	0.00	8.47	2.30	0.00	22.26	14.38	0.00	-57.40	14.38	0.00	28.91
			M3	-46.19	0.00	-289.33	-65.60	0.00	-654.57	-35.72	0.00	-320.82	-65.60	0.00	-662.44
		D+1LANE (caseMAX	S2	3.10	0.00	33.30	3.10	0.00	51.92	15.86	0.00	-70.90	15.86	0.00	24.25
			TQ	2.30	0.00	8.47	2.30	0.00	22.26	14.38	0.00	-57.40	14.38	0.00	28.91
			M3	-112.68	0.00	761.74	-29.32	0.00	156.36	-106.39	0.00	735.66	-20.33	0.00	174.91
		MIN	S2	-112.83	0.00	757.74	-112.83	0.00	80.78	-106.42	0.00	734.47	-106.42	0.00	95.98
			TQ	2.30	0.00	8.47	2.30	0.00	22.26	14.38	0.00	-57.40	14.38	0.00	28.91
			M3	2.64	0.00	3.19	-12.81	0.00	8.95	15.85	0.00	-70.95	-0.22	0.00	13.80
		D+1LANE (caseMAX	S2	119.10	0.00	99.96	119.10	0.00	814.56	129.19	0.00	48.53	129.19	0.00	823.67
			TQ	2.30	0.00	8.47	2.30	0.00	22.26	14.38	0.00	-57.40	14.38	0.00	28.91
			M3	39.05	0.00	203.46	117.75	0.00	829.18	52.13	0.00	160.59	128.04	0.00	846.41
		MIN	S2	-1.22	0.00	69.11	-1.22	0.00	61.81	11.60	0.00	3.41	11.60	0.00	73.02
			TQ	2.30	0.00	8.47	2.30	0.00	22.26	14.38	0.00	-57.40	14.38	0.00	28.91
			M3	14.59	0.00	-1.41	2.70	0.00	19.77	26.37	0.00	-69.34	14.63	0.00	23.59
		D+1LANE (caseMAX	S2	43.35	0.00	-510.91	43.35	0.00	-250.80	75.89	0.00	-701.03	75.89	0.00	-245.68
			TQ	2.30	0.00	8.47	2.30	0.00	22.26	14.38	0.00	-57.40	14.38	0.00	28.91
			M3	2.07	0.00	11.10	2.09	0.00	23.54	11.98	0.00	-47.19	20.24	0.00	34.43
		MIN	S2	1.96	0.00	-2.09	1.96	0.00	9.68	11.94	0.00	-47.60	11.94	0.00	24.05
			TQ	2.30	0.00	8.47	2.30	0.00	22.26	14.38	0.00	-57.40	14.38	0.00	28.91
			M3	30.58	0.00	-617.34	29.25	0.00	-436.17	65.12	0.00	-810.13	62.15	0.00	-423.73

BAGO RIVER BRIDGE

BLOCK [ No.2 : CROSS BEAM ][ BEAM MEMBER FORCE ]

MEMBER			1002005						1002007						
NODE			2005			3005			2007			3007			
NAME TITLE			SHEAR	TORQUE	MOMENT	SHEAR	TORQUE	MOMENT	SHEAR	TORQUE	MOMENT	SHEAR	TORQUE	MOMENT	
			S2 (kN)	TQ (kN·m)	M3 (kN·m)	S2 (kN)	TQ (kN·m)	M3 (kN·m)	S2 (kN)	TQ (kN·m)	M3 (kN·m)	S2 (kN)	TQ (kN·m)	M3 (kN·m)	
124	SUM TOTAL	D+2LANES(casMAX	S2	2.78	0.00	-0.97	2.78	0.00	15.73	18.85	0.00	-91.13	18.85	0.00	21.97
			TQ	2.30	0.00	8.47	2.30	0.00	22.26	14.38	0.00	-57.40	14.38	0.00	28.91
			M3	-139.87	0.00	421.28	-4.41	0.00	37.09	-147.82	0.00	430.59	8.85	0.00	35.81
		MIN	S2	-167.13	0.00	327.92	-167.13	0.00	-674.86	-174.49	0.00	352.76	-174.49	0.00	-694.18
			TQ	2.30	0.00	8.47	2.30	0.00	22.26	14.38	0.00	-57.40	14.38	0.00	28.91
			M3	-37.86	0.00	-244.32	-153.37	0.00	-820.99	-25.48	0.00	-291.94	-157.74	0.00	-829.47
		D+2LANES(casMAX	S2	3.23	0.00	24.55	3.23	0.00	43.91	17.51	0.00	-83.66	17.51	0.00	21.41
			TQ	2.30	0.00	8.47	2.30	0.00	22.26	14.38	0.00	-57.40	14.38	0.00	28.91
			M3	-194.75	0.00	971.78	-28.63	0.00	142.34	-195.45	0.00	981.69	-19.29	0.00	155.08
		MIN	S2	-194.92	0.00	966.92	-194.92	0.00	-202.59	-195.47	0.00	980.70	-195.47	0.00	-192.13
			TQ	2.30	0.00	8.47	2.30	0.00	22.26	14.38	0.00	-57.40	14.38	0.00	28.91
			M3	2.84	0.00	-0.56	-109.38	0.00	-268.06	17.50	0.00	-83.72	-103.26	0.00	-265.94
		D+2LANES(casMAX	S2	211.15	0.00	-31.94	211.15	0.00	1234.99	223.74	0.00	-97.39	223.74	0.00	1245.07
			TQ	2.30	0.00	8.47	2.30	0.00	22.26	14.38	0.00	-57.40	14.38	0.00	28.91
			M3	44.11	0.00	212.42	209.63	0.00	1250.11	57.63	0.00	172.46	222.72	0.00	1265.70
		MIN	S2	-0.95	0.00	63.33	-0.95	0.00	57.64	11.48	0.00	-5.98	11.48	0.00	62.90
			TQ	2.30	0.00	8.47	2.30	0.00	22.26	14.38	0.00	-57.40	14.38	0.00	28.91
			M3	118.03	0.00	-128.96	3.00	0.00	18.51	131.50	0.00	-214.20	14.12	0.00	19.73
		D+2LANES(casMAX	S2	90.31	0.00	-801.13	90.31	0.00	-259.25	134.21	0.00	-1036.04	134.21	0.00	-230.77
			TQ	2.30	0.00	8.47	2.30	0.00	22.26	14.38	0.00	-57.40	14.38	0.00	28.91
			M3	1.92	0.00	12.93	8.55	0.00	29.77	11.14	0.00	-43.82	36.25	0.00	48.48
		MIN	S2	1.83	0.00	1.94	1.83	0.00	12.90	10.98	0.00	-44.46	10.98	0.00	21.45
			TQ	2.30	0.00	8.47	2.30	0.00	22.26	14.38	0.00	-57.40	14.38	0.00	28.91
			M3	79.67	0.00	-889.82	64.28	0.00	-424.67	124.81	0.00	-1129.19	94.96	0.00	-406.41

BAGO RIVER BRIDGE

BLOCK [ No.2 : CROSS BEAM ][ BEAM MEMBER FORCE ]

MEMBER			1002005			3005			1002007			3007				
NODE			2005			2007			2007			2007				
NAME TITLE			SHEAR	TORQUE	MOMENT	SHEAR	TORQUE	MOMENT	SHEAR	TORQUE	MOMENT	SHEAR	TORQUE	MOMENT		
			S2 (kN)	TQ (kN·m)	M3 (kN·m)	S2 (kN)	TQ (kN·m)	M3 (kN·m)	S2 (kN)	TQ (kN·m)	M3 (kN·m)	S2 (kN)	TQ (kN·m)	M3 (kN·m)		
124	SUM TOTAL	D+3LANES (casMAX	S2	3.28	0.00	18.03	3.28	0.00	37.72	19.22	0.00	-95.63	19.22	0.00	19.70	
			TQ	2.30	0.00	8.47	2.30	0.00	22.26	14.38	0.00	-57.40	14.38	0.00	28.91	
			M3	-199.98	0.00	892.93	-25.80	0.00	129.86	-209.03	0.00	919.14	-14.90	0.00	138.19	
		MIN	S2	-223.26	0.00	810.74	-223.26	0.00	-528.84	-231.73	0.00	852.14	-231.73	0.00	-538.21	
			TQ	2.30	0.00	8.47	2.30	0.00	22.26	14.38	0.00	-57.40	14.38	0.00	28.91	
			M3	-31.59	0.00	-210.14	-140.72	0.00	-703.93	-18.46	0.00	-266.37	-142.27	0.00	-711.41	
		D+3LANES (casMAX	S2	248.51	0.00	-244.25	248.51	0.00	1246.83	266.91	0.00	-355.82	266.91	0.00	1245.63	
			TQ	2.30	0.00	8.47	2.30	0.00	22.26	14.38	0.00	-57.40	14.38	0.00	28.91	
			M3	37.71	0.00	183.75	246.02	0.00	1261.15	50.19	0.00	141.69	265.75	0.00	1264.15	
		MIN	S2	-0.63	0.00	57.02	-0.63	0.00	53.25	10.85	0.00	-10.40	10.85	0.00	54.68	
			TQ	2.30	0.00	8.47	2.30	0.00	22.26	14.38	0.00	-57.40	14.38	0.00	28.91	
			M3	168.93	0.00	-328.81	4.12	0.00	17.68	188.09	0.00	-456.84	13.41	0.00	16.78	
		D+3LANES (casMAX	S2	148.57	0.00	-876.87	148.57	0.00	14.55	196.60	0.00	-1109.48	196.60	0.00	70.10	
			TQ	2.30	0.00	8.47	2.30	0.00	22.26	14.38	0.00	-57.40	14.38	0.00	28.91	
			M3	2.16	0.00	14.94	78.79	0.00	261.69	11.71	0.00	-42.49	113.08	0.00	308.83	
		MIN	S2	1.72	0.00	4.91	1.72	0.00	15.20	10.90	0.00	-45.27	10.90	0.00	20.11	
			TQ	2.30	0.00	8.47	2.30	0.00	22.26	14.38	0.00	-57.40	14.38	0.00	28.91	
			M3	138.84	0.00	-954.01	55.30	0.00	-359.03	187.81	0.00	-1191.61	82.57	0.00	-345.19	
		D+4LANES	MAX	S2	203.02	0.00	-562.44	203.02	0.00	655.65	235.31	0.00	-741.24	235.31	0.00	670.65
			TQ	2.30	0.00	8.47	2.30	0.00	22.26	14.38	0.00	-57.40	14.38	0.00	28.91	
			M3	29.34	0.00	121.83	173.75	0.00	811.81	39.95	0.00	70.13	197.82	0.00	837.01	
		MIN	S2	0.33	0.00	34.21	0.33	0.00	36.20	10.73	0.00	-23.97	10.73	0.00	40.39	
			TQ	2.30	0.00	8.47	2.30	0.00	22.26	14.38	0.00	-57.40	14.38	0.00	28.91	
			M3	133.60	0.00	-667.00	32.72	0.00	-232.04	168.43	0.00	-857.34	57.05	0.00	-227.13	

BAGO RIVER BRIDGE

BLOCK [ No.2 : CROSS BEAM ][ BEAM MEMBER FORCE ]

MEMBER				1002005			1002007									
NODE				2005			3005			2007			3007			
NAME TITLE				SHEAR	TORQUE	MOMENT	SHEAR	TORQUE	MOMENT	SHEAR	TORQUE	MOMENT	SHEAR	TORQUE	MOMENT	
				S2 (kN)	TQ (kN·m)	M3 (kN·m)	S2 (kN)	TQ (kN·m)	M3 (kN·m)	S2 (kN)	TQ (kN·m)	M3 (kN·m)	S2 (kN)	TQ (kN·m)	M3 (kN·m)	
124	SUM TOTAL	D+6LANES	MAX	S2	177.16	0.00	-401.96	177.16	0.00	661.00	205.32	0.00	-553.50	205.32	0.00	678.39
				TQ	2.30	0.00	8.47	2.30	0.00	22.26	14.38	0.00	-57.40	14.38	0.00	28.91
				M3	-71.97	0.00	696.42	131.42	0.00	876.98	-72.81	0.00	711.47	145.77	0.00	906.49
			MIN	S2	-131.02	0.00	450.02	-131.02	0.00	-336.08	-132.34	0.00	446.05	-132.34	0.00	-347.96
				TQ	2.30	0.00	8.47	2.30	0.00	22.26	14.38	0.00	-57.40	14.38	0.00	28.91
				M3	108.29	0.00	-761.00	-89.76	0.00	-693.90	141.98	0.00	-923.51	-76.43	0.00	-699.07
	SUM TOTAL		MAX		248.51	0.00	971.78	248.51	0.00	1261.15	266.91	0.00	981.69	266.91	0.00	1265.70
			MIN		-223.26	0.00	-954.01	-223.26	0.00	-820.99	-231.73	0.00	-1191.61	-231.73	0.00	-829.47
300	DEAD LOAD	TOTAL			2.30	0.00	8.47	2.30	0.00	22.26	14.38	0.00	-57.40	14.38	0.00	28.91
301	LIVE LOAD	1-LANE(case1MAX	S2		0.27	0.00	-5.80	0.27	0.00	-4.16	3.08	0.00	-22.47	3.08	0.00	-4.00
			TQ		0.00	0.00	0.00	0.00	0.00	0.00	0.00	0.00	0.00	0.00	0.00	0.00
			M3		-49.11	0.00	92.67	-2.56	0.00	7.81	-63.62	0.00	131.74	-0.94	0.00	2.87
			MIN	S2	-81.78	0.00	-17.53	-81.78	0.00	-508.21	-95.62	0.00	38.34	-95.62	0.00	-535.39
				TQ	0.00	0.00	0.00	0.00	0.00	0.00	0.00	0.00	0.00	0.00	0.00	0.00
				M3	-48.49	0.00	-297.80	-67.90	0.00	-676.83	-50.10	0.00	-263.42	-79.98	0.00	-691.35
		1-LANE(case2MAX	S2		0.80	0.00	24.83	0.80	0.00	29.66	1.47	0.00	-13.51	1.47	0.00	-4.66
			TQ		0.00	0.00	0.00	0.00	0.00	0.00	0.00	0.00	0.00	0.00	0.00	0.00
			M3		-114.97	0.00	753.28	-31.62	0.00	134.10	-120.77	0.00	793.05	-34.71	0.00	146.00
			MIN	S2	-115.13	0.00	749.28	-115.13	0.00	58.52	-120.80	0.00	791.87	-120.80	0.00	67.07
				TQ	0.00	0.00	0.00	0.00	0.00	0.00	0.00	0.00	0.00	0.00	0.00	0.00
				M3	0.34	0.00	-5.28	-15.11	0.00	-13.31	1.47	0.00	-13.56	-14.60	0.00	-15.11
		1-LANE(case3MAX	S2		116.80	0.00	91.49	116.80	0.00	792.30	114.81	0.00	105.92	114.81	0.00	794.76
			TQ		0.00	0.00	0.00	0.00	0.00	0.00	0.00	0.00	0.00	0.00	0.00	0.00
			M3		36.75	0.00	194.99	115.46	0.00	806.92	37.74	0.00	217.98	113.66	0.00	817.50
			MIN	S2	-3.52	0.00	60.65	-3.52	0.00	39.55	-2.78	0.00	60.81	-2.78	0.00	44.11
				TQ	0.00	0.00	0.00	0.00	0.00	0.00	0.00	0.00	0.00	0.00	0.00	0.00
				M3	12.29	0.00	-9.87	0.40	0.00	-2.49	11.98	0.00	-11.94	0.24	0.00	-5.32

BAGO RIVER BRIDGE

BLOCK [ No.2 : CROSS BEAM ][ BEAM MEMBER FORCE ]

MEMBER			1002005						1002007								
NODE			2005			3005			2007			3007					
NAME TITLE			SHEAR	TORQUE	MOMENT	SHEAR	TORQUE	MOMENT	SHEAR	TORQUE	MOMENT	SHEAR	TORQUE	MOMENT			
			S2 (kN)	TQ (kN·m)	M3 (kN·m)	S2 (kN)	TQ (kN·m)	M3 (kN·m)	S2 (kN)	TQ (kN·m)	M3 (kN·m)	S2 (kN)	TQ (kN·m)	M3 (kN·m)			
301	LIVE LOAD	1-LANE (case4MAX	S2	41.05	0.00	-519.38	41.05	0.00	-273.06	61.51	0.00	-643.63	61.51	0.00	-274.59		
			TQ	0.00	0.00	0.00	0.00	0.00	0.00	0.00	0.00	0.00	0.00	0.00	0.00		
			M3	-0.23	0.00	2.63	-0.21	0.00	1.28	-2.40	0.00	10.20	5.86	0.00	0.00	5.52	
			MIN	S2	-0.34	0.00	-10.56	-0.34	0.00	-12.58	-2.44	0.00	9.80	-2.44	0.00	0.00	-4.86
			TQ	0.00	0.00	0.00	0.00	0.00	0.00	0.00	0.00	0.00	0.00	0.00	0.00	0.00	
			M3	28.28	0.00	-625.81	26.95	0.00	-458.43	50.74	0.00	-752.73	47.77	0.00	0.00	-452.64	
		2-LANES (caseMAX	S2	0.48	0.00	-9.44	0.48	0.00	-6.53	4.46	0.00	-33.73	4.46	0.00	0.00	-6.94	
			TQ	0.00	0.00	0.00	0.00	0.00	0.00	0.00	0.00	0.00	0.00	0.00	0.00	0.00	
			M3	-142.17	0.00	412.81	-6.71	0.00	14.83	-162.20	0.00	487.99	-5.53	0.00	0.00	6.90	
			MIN	S2	-169.43	0.00	319.45	-169.43	0.00	-697.12	-188.87	0.00	410.15	-188.87	0.00	0.00	-723.09
			TQ	0.00	0.00	0.00	0.00	0.00	0.00	0.00	0.00	0.00	0.00	0.00	0.00	0.00	
			M3	-40.16	0.00	-252.79	-155.66	0.00	-843.25	-39.86	0.00	-234.55	-172.13	0.00	0.00	-858.38	
		2-LANES (caseMAX	S2	0.93	0.00	16.08	0.93	0.00	21.65	3.13	0.00	-26.26	3.13	0.00	0.00	-7.50	
			TQ	0.00	0.00	0.00	0.00	0.00	0.00	0.00	0.00	0.00	0.00	0.00	0.00	0.00	
			M3	-197.05	0.00	963.32	-30.93	0.00	120.08	-209.83	0.00	1039.08	-33.67	0.00	0.00	126.17	
			MIN	S2	-197.22	0.00	958.46	-197.22	0.00	-224.85	-209.86	0.00	1038.09	-209.86	0.00	0.00	-221.04
			TQ	0.00	0.00	0.00	0.00	0.00	0.00	0.00	0.00	0.00	0.00	0.00	0.00	0.00	
			M3	0.54	0.00	-9.02	-111.68	0.00	-290.32	3.12	0.00	-26.33	-117.65	0.00	0.00	-294.85	
		2-LANES (caseMAX	S2	208.86	0.00	-40.41	208.86	0.00	1212.73	209.36	0.00	-40.00	209.36	0.00	0.00	1216.16	
			TQ	0.00	0.00	0.00	0.00	0.00	0.00	0.00	0.00	0.00	0.00	0.00	0.00	0.00	
			M3	41.81	0.00	203.95	207.33	0.00	1227.85	43.25	0.00	229.85	208.33	0.00	0.00	1236.79	
MIN	S2		-3.25	0.00	54.87	-3.25	0.00	35.38	-2.90	0.00	51.42	-2.90	0.00	0.00	33.99		
TQ	0.00		0.00	0.00	0.00	0.00	0.00	0.00	0.00	0.00	0.00	0.00	0.00	0.00			
M3	115.73		0.00	-137.42	0.70	0.00	-3.75	117.11	0.00	-156.81	-0.27	0.00	0.00	-9.18			

BAGO RIVER BRIDGE

BLOCK [ No.2 : CROSS BEAM ][ BEAM MEMBER FORCE ]

MEMBER			1002005						1002007							
NODE			2005			3005			2007			3007				
NAME TITLE			SHEAR	TORQUE	MOMENT	SHEAR	TORQUE	MOMENT	SHEAR	TORQUE	MOMENT	SHEAR	TORQUE	MOMENT		
			S2 (kN)	TQ (kN·m)	M3 (kN·m)	S2 (kN)	TQ (kN·m)	M3 (kN·m)	S2 (kN)	TQ (kN·m)	M3 (kN·m)	S2 (kN)	TQ (kN·m)	M3 (kN·m)		
301	LIVE LOAD	2-LANES (caseMAX	S2	88.01	0.00	-809.59	88.01	0.00	-281.51	119.83	0.00	-978.65	119.83	0.00	-259.68	
			TQ	0.00	0.00	0.00	0.00	0.00	0.00	0.00	0.00	0.00	0.00	0.00	0.00	
			M3	-0.38	0.00	4.46	6.25	0.00	7.51	-3.25	0.00	13.58	21.86	0.00	0.00	19.57
			MIN S2	-0.47	0.00	-6.53	-0.47	0.00	-9.36	-3.40	0.00	12.93	-3.40	0.00	0.00	-7.46
			TQ	0.00	0.00	0.00	0.00	0.00	0.00	0.00	0.00	0.00	0.00	0.00	0.00	0.00
			M3	77.37	0.00	-898.29	61.98	0.00	-446.94	110.43	0.00	-1071.80	80.57	0.00	0.00	-435.32
		3-LANES (caseMAX	S2	0.98	0.00	9.56	0.98	0.00	15.45	4.84	0.00	-38.24	4.84	0.00	0.00	-9.21
			TQ	0.00	0.00	0.00	0.00	0.00	0.00	0.00	0.00	0.00	0.00	0.00	0.00	0.00
			M3	-202.28	0.00	884.46	-28.10	0.00	107.60	-223.42	0.00	976.53	-29.29	0.00	0.00	109.28
			MIN S2	-225.56	0.00	802.27	-225.56	0.00	-551.10	-246.11	0.00	909.54	-246.11	0.00	0.00	-567.12
			TQ	0.00	0.00	0.00	0.00	0.00	0.00	0.00	0.00	0.00	0.00	0.00	0.00	0.00
			M3	-33.89	0.00	-218.61	-143.02	0.00	-726.19	-32.84	0.00	-208.97	-156.65	0.00	0.00	-740.32
		3-LANES (caseMAX	S2	246.21	0.00	-252.71	246.21	0.00	1224.57	252.53	0.00	-298.43	252.53	0.00	0.00	1216.72
			TQ	0.00	0.00	0.00	0.00	0.00	0.00	0.00	0.00	0.00	0.00	0.00	0.00	0.00
			M3	35.41	0.00	175.28	243.72	0.00	1238.89	35.81	0.00	199.09	251.37	0.00	0.00	1235.24
			MIN S2	-2.93	0.00	48.55	-2.93	0.00	30.99	-3.54	0.00	46.99	-3.54	0.00	0.00	25.77
			TQ	0.00	0.00	0.00	0.00	0.00	0.00	0.00	0.00	0.00	0.00	0.00	0.00	0.00
			M3	166.63	0.00	-337.28	1.82	0.00	-4.58	173.71	0.00	-399.44	-0.97	0.00	0.00	-12.13
		3-LANES (caseMAX	S2	146.27	0.00	-885.34	146.27	0.00	-7.71	182.21	0.00	-1052.09	182.21	0.00	0.00	41.19
			TQ	0.00	0.00	0.00	0.00	0.00	0.00	0.00	0.00	0.00	0.00	0.00	0.00	0.00
			M3	-0.14	0.00	6.47	76.49	0.00	239.43	-2.67	0.00	14.90	98.70	0.00	0.00	279.92
			MIN S2	-0.58	0.00	-3.55	-0.58	0.00	-7.06	-3.49	0.00	12.12	-3.49	0.00	0.00	-8.80
			TQ	0.00	0.00	0.00	0.00	0.00	0.00	0.00	0.00	0.00	0.00	0.00	0.00	0.00
			M3	136.54	0.00	-962.48	53.00	0.00	-381.29	173.43	0.00	-1134.22	68.18	0.00	0.00	-374.10



BAGO RIVER BRIDGE

BLOCK [ No.2 : CROSS BEAM ][ BEAM MEMBER FORCE ]

MEMBER				1002005			3005			1002007			3007				
NODE				2005			2005			2007			2007				
NAME TITLE				SHEAR	TORQUE	MOMENT	SHEAR	TORQUE	MOMENT	SHEAR	TORQUE	MOMENT	SHEAR	TORQUE	MOMENT		
				S2 (kN)	TQ (kN·m)	M3 (kN·m)	S2 (kN)	TQ (kN·m)	M3 (kN·m)	S2 (kN)	TQ (kN·m)	M3 (kN·m)	S2 (kN)	TQ (kN·m)	M3 (kN·m)		
301	LIVE LOAD	4-LANES	MAX	S2	200.72	0.00	-570.91	200.72	0.00	633.39	220.93	0.00	-683.84	220.93	0.00	641.74	
				TQ	0.00	0.00	0.00	0.00	0.00	0.00	0.00	0.00	0.00	0.00	0.00	0.00	0.00
				M3	27.04	0.00	113.36	171.45	0.00	789.55	25.57	0.00	127.53	183.43	0.00	0.00	808.10
		MIN	S2	-1.97	0.00	25.74	-1.97	0.00	13.94	-3.66	0.00	33.42	-3.66	0.00	0.00	11.48	
			TQ	0.00	0.00	0.00	0.00	0.00	0.00	0.00	0.00	0.00	0.00	0.00	0.00	0.00	
			M3	131.30	0.00	-675.47	30.42	0.00	-254.30	154.04	0.00	-799.94	42.66	0.00	0.00	-256.04	
		6-LANES	MAX	S2	174.86	0.00	-410.42	174.86	0.00	638.74	190.93	0.00	-496.11	190.93	0.00	649.48	
			TQ	0.00	0.00	0.00	0.00	0.00	0.00	0.00	0.00	0.00	0.00	0.00	0.00		
			M3	-74.27	0.00	687.95	129.12	0.00	854.72	-87.20	0.00	768.87	131.38	0.00	0.00	877.58	
		MIN	S2	-133.32	0.00	441.55	-133.32	0.00	-358.34	-146.72	0.00	503.45	-146.72	0.00	0.00	-376.87	
			TQ	0.00	0.00	0.00	0.00	0.00	0.00	0.00	0.00	0.00	0.00	0.00	0.00	0.00	
			M3	105.99	0.00	-769.47	-92.06	0.00	-716.16	127.60	0.00	-866.12	-90.81	0.00	0.00	-727.98	
	LIVE LOAD	MAX		246.21	0.00	963.32	246.21	0.00	1238.89	252.53	0.00	1039.08	252.53	0.00	1236.79		
		MIN		-225.56	0.00	-962.48	-225.56	0.00	-843.25	-246.11	0.00	-1134.22	-246.11	0.00	-858.38		
303	SUM TOTAL	TOTAL	MAX		248.51	0.00	971.78	248.51	0.00	1261.15	266.91	0.00	981.69	266.91	0.00	1265.70	
			MIN		-223.26	0.00	-954.01	-223.26	0.00	-820.99	-231.73	0.00	-1191.61	-231.73	0.00	-829.47	

BAGO RIVER BRIDGE

BLOCK [ No.2 : CROSS BEAM ][ BEAM MEMBER FORCE ]

MEMBER NODE	1002009 2009	3009			1002011 2011			3011								
		SHEAR	TORQUE	MOMENT	SHEAR	TORQUE	MOMENT	SHEAR	TORQUE	MOMENT						
		S2 (kN)	TQ (kN·m)	M3 (kN·m)	S2 (kN)	TQ (kN·m)	M3 (kN·m)	S2 (kN)	TQ (kN·m)	M3 (kN·m)						
1	PAVEMENT	15.81	0.00	-76.54	15.81	0.00	18.34	15.58	0.00	-93.32	15.58	0.00	0.16			
3	RAILING	-0.62	0.00	-24.52	-0.62	0.00	-28.25	-0.60	0.00	-24.16	-0.60	0.00	-27.79			
5	CURB	-6.17	0.00	-242.70	-6.17	0.00	-279.72	-5.99	0.00	-239.16	-5.99	0.00	-275.09			
7	DECK WEIGHT	18.98	0.00	-115.59	18.98	0.00	-1.71	19.89	0.00	-146.19	19.89	0.00	-26.87			
8	GIRDER WEIGH	-33.78	0.00	222.18	-33.78	0.00	19.49	-20.55	0.00	135.90	-20.55	0.00	12.62			
10	MEDIAN STRIP	-3.48	0.00	212.61	-3.48	0.00	191.73	0.32	0.00	185.50	0.32	0.00	187.42			
21	ADITIONAL WE	5.31	0.00	-32.37	5.31	0.00	-0.48	5.57	0.00	-40.93	5.57	0.00	-7.52			
31	MEDIAN RAILI	-0.27	0.00	17.05	-0.27	0.00	15.40	0.02	0.00	14.81	0.02	0.00	14.96			
51	SUPPORT WEIG	-0.00	0.00	0.00	-0.00	0.00	-0.00	-0.00	0.00	0.00	-0.00	0.00	-0.00			
52	NOSE WEIGHT	-0.06	0.00	0.73	-0.06	0.00	0.36	-0.03	0.00	0.25	-0.03	0.00	0.09			
61	1-LANE(case1TRUCK-LOAD	MAX	S2	2.63	0.00	-19.01	2.63	0.00	-3.21	5.69	0.00	-37.13	5.69	0.00	-2.99	
			TQ	0.00	0.00	0.00	0.00	0.00	0.00	0.00	0.00	0.00	0.00	0.00	0.00	
			M3	-28.52	0.00	66.96	-0.31	0.00	1.83	-22.50	0.00	44.45	-1.20	0.00	5.98	
		MIN	S2	-42.66	0.00	39.35	-42.66	0.00	-216.60	-37.18	0.00	16.11	-37.18	0.00	-206.99	
			TQ	0.00	0.00	0.00	0.00	0.00	0.00	0.00	0.00	0.00	0.00	0.00	0.00	
			M3	-31.35	0.00	-155.73	-31.73	0.00	-344.09	-26.19	0.00	-184.58	-26.19	0.00	-341.70	
		TANDEM-LOAD	MAX	S2	1.80	0.00	-12.99	1.80	0.00	-2.22	3.87	0.00	-25.48	3.87	0.00	-2.25
			TQ	0.00	0.00	0.00	0.00	0.00	0.00	0.00	0.00	0.00	0.00	0.00	0.00	
			M3	-24.46	0.00	51.84	-0.21	0.00	1.25	-20.21	0.00	35.64	-1.05	0.00	4.40	
		MIN	S2	-31.23	0.00	27.81	-31.23	0.00	-159.57	-27.79	0.00	13.03	-27.79	0.00	-153.72	
			TQ	0.00	0.00	0.00	0.00	0.00	0.00	0.00	0.00	0.00	0.00	0.00	0.00	
			M3	-18.92	0.00	-127.73	-19.02	0.00	-241.30	-15.21	0.00	-148.68	-15.21	0.00	-239.92	
DISPERSION-LMAX	MAX	S2	2.92	0.00	-21.64	2.92	0.00	-4.09	6.18	0.00	-41.26	6.18	0.00	-4.17		
	TQ	0.00	0.00	0.00	0.00	0.00	0.00	0.00	0.00	0.00	0.00	0.00	0.00			
	M3	-27.63	0.00	59.04	-0.60	0.00	3.11	-19.69	0.00	44.34	-0.51	0.00	8.33			
MIN	S2	-40.09	0.00	10.29	-40.09	0.00	-230.27	-33.00	0.00	-15.46	-33.00	0.00	-213.47			
	TQ	0.00	0.00	0.00	0.00	0.00	0.00	0.00	0.00	0.00	0.00	0.00	0.00			
	M3	-9.54	0.00	-70.39	-36.57	0.00	-237.47	-7.13	0.00	-101.06	-26.32	0.00	-225.97			

BAGO RIVER BRIDGE

BLOCK [ No.2 : CROSS BEAM ][ BEAM MEMBER FORCE ]

MEMBER				1002009			1002011									
NODE				2009			3009			2011			3011			
NAME TITLE				SHEAR	TORQUE	MOMENT	SHEAR	TORQUE	MOMENT	SHEAR	TORQUE	MOMENT	SHEAR	TORQUE	MOMENT	
				S2 (kN)	TQ (kN·m)	M3 (kN·m)	S2 (kN)	TQ (kN·m)	M3 (kN·m)	S2 (kN)	TQ (kN·m)	M3 (kN·m)	S2 (kN)	TQ (kN·m)	M3 (kN·m)	
62	1-LANE (case2TRUCK-LOAD	MAX	S2	1.19	0.00	-10.89	1.19	0.00	-3.72	2.21	0.00	-19.41	2.21	0.00	-6.14	
			TQ	0.00	0.00	0.00	0.00	0.00	0.00	0.00	0.00	0.00	0.00	0.00	0.00	0.00
			M3	-70.12	0.00	425.99	-13.13	0.00	60.34	-67.68	0.00	414.58	-10.05	0.00	63.01	
		MIN	S2	-70.28	0.00	425.67	-70.28	0.00	4.01	-67.68	0.00	414.58	-67.68	0.00	8.52	
			TQ	0.00	0.00	0.00	0.00	0.00	0.00	0.00	0.00	0.00	0.00	0.00	0.00	0.00
			M3	1.18	0.00	-10.95	1.11	0.00	-3.98	2.18	0.00	-19.76	1.90	0.00	-7.16	
		TANDEM-LOAD MAX	S2	0.81	0.00	-7.31	0.81	0.00	-2.43	1.51	0.00	-13.33	1.51	0.00	-4.27	
			TQ	0.00	0.00	0.00	0.00	0.00	0.00	0.00	0.00	0.00	0.00	0.00	0.00	0.00
			M3	-53.41	0.00	316.06	-12.74	0.00	43.23	-51.72	0.00	308.92	-10.50	0.00	45.44	
		MIN	S2	-53.45	0.00	315.97	-53.45	0.00	-4.74	-51.72	0.00	308.92	-51.72	0.00	-1.41	
			TQ	0.00	0.00	0.00	0.00	0.00	0.00	0.00	0.00	0.00	0.00	0.00	0.00	0.00
			M3	0.81	0.00	-7.46	-53.45	0.00	-4.74	1.46	0.00	-13.42	1.33	0.00	-4.86	
		DISPERSION-LMAX	S2	1.34	0.00	-12.83	1.34	0.00	-4.78	2.35	0.00	-22.93	2.35	0.00	-8.85	
			TQ	0.00	0.00	0.00	0.00	0.00	0.00	0.00	0.00	0.00	0.00	0.00	0.00	0.00
			M3	-33.05	0.00	245.72	-19.08	0.00	56.63	-29.08	0.00	226.80	-16.20	0.00	60.72	
MIN	S2	-33.05	0.00	245.72	-33.05	0.00	47.42	-29.08	0.00	226.80	-29.08	0.00	52.31			
	TQ	0.00	0.00	0.00	0.00	0.00	0.00	0.00	0.00	0.00	0.00	0.00	0.00	0.00		
	M3	1.34	0.00	-12.83	-12.63	0.00	-13.99	2.35	0.00	-22.93	-10.53	0.00	-17.26			
63	1-LANE (case3TRUCK-LOAD	MAX	S2	66.34	0.00	29.60	66.34	0.00	427.66	67.76	0.00	24.41	67.76	0.00	430.96	
			TQ	0.00	0.00	0.00	0.00	0.00	0.00	0.00	0.00	0.00	0.00	0.00	0.00	
			M3	12.69	0.00	93.14	66.34	0.00	427.66	12.69	0.00	85.96	67.76	0.00	430.96	
		MIN	S2	-2.49	0.00	38.52	-2.49	0.00	23.57	-1.86	0.00	31.82	-1.86	0.00	20.65	
			TQ	0.00	0.00	0.00	0.00	0.00	0.00	0.00	0.00	0.00	0.00	0.00	0.00	0.00
			M3	0.06	0.00	-4.75	0.06	0.00	-4.36	-0.20	0.00	-6.56	-0.66	0.00	-9.41	

BAGO RIVER BRIDGE

BLOCK [ No.2 : CROSS BEAM ][ BEAM MEMBER FORCE ]

MEMBER NODE	1002009 2009	3009			1002011 2011			3011							
		SHEAR	TORQUE	MOMENT	SHEAR	TORQUE	MOMENT	SHEAR	TORQUE	MOMENT					
		S2 (kN)	TQ (kN·m)	M3 (kN·m)	S2 (kN)	TQ (kN·m)	M3 (kN·m)	S2 (kN)	TQ (kN·m)	M3 (kN·m)					
63	1-LANE (case3TANDEM-LOAD	MAX	S2	49.90	0.00	11.56	49.90	0.00	310.99	51.05	0.00	8.66	51.05	0.00	314.93
			TQ	0.00	0.00	0.00	0.00	0.00	0.00	0.00	0.00	0.00	0.00	0.00	0.00
			M3	4.33	0.00	65.17	49.90	0.00	310.99	13.71	0.00	59.89	51.05	0.00	314.93
		MIN	S2	-1.88	0.00	28.02	-1.88	0.00	16.74	-1.41	0.00	23.11	-1.41	0.00	14.66
			TQ	0.00	0.00	0.00	0.00	0.00	0.00	0.00	0.00	0.00	0.00	0.00	0.00
			M3	0.04	0.00	-3.23	0.04	0.00	-2.97	-0.10	0.00	-4.59	-0.45	0.00	-6.40
	DISPERSION-LMAX		S2	27.92	0.00	52.83	27.92	0.00	220.33	28.66	0.00	57.76	28.66	0.00	229.71
			TQ	0.00	0.00	0.00	0.00	0.00	0.00	0.00	0.00	0.00	0.00	0.00	0.00
			M3	16.47	0.00	92.94	26.31	0.00	246.40	17.46	0.00	81.76	27.82	0.00	243.90
		MIN	S2	-1.50	0.00	29.82	-1.50	0.00	20.84	-1.55	0.00	11.61	-1.55	0.00	2.32
			TQ	0.00	0.00	0.00	0.00	0.00	0.00	0.00	0.00	0.00	0.00	0.00	0.00
			M3	9.95	0.00	-10.29	0.11	0.00	-5.23	9.65	0.00	-12.38	-0.71	0.00	-11.87
64	1-LANE (case4TRUCK-LOAD	MAX	S2	25.48	0.00	-263.15	25.48	0.00	-110.27	21.73	0.00	-224.71	21.73	0.00	-94.35
			TQ	0.00	0.00	0.00	0.00	0.00	0.00	0.00	0.00	0.00	0.00	0.00	0.00
			M3	-2.40	0.00	10.13	0.03	0.00	1.91	-6.66	0.00	28.89	0.45	0.00	4.14
		MIN	S2	-2.43	0.00	10.06	-2.43	0.00	-4.54	-6.81	0.00	27.86	-6.81	0.00	-12.98
			TQ	0.00	0.00	0.00	0.00	0.00	0.00	0.00	0.00	0.00	0.00	0.00	0.00
			M3	16.56	0.00	-333.85	16.56	0.00	-234.49	12.39	0.00	-318.40	12.39	0.00	-244.08
	TANDEM-LOAD	MAX	S2	17.54	0.00	-168.11	17.54	0.00	-62.89	15.56	0.00	-163.40	15.56	0.00	-70.07
			TQ	0.00	0.00	0.00	0.00	0.00	0.00	0.00	0.00	0.00	0.00	0.00	0.00
			M3	-1.63	0.00	6.98	0.02	0.00	1.30	-4.53	0.00	19.86	0.31	0.00	2.81
		MIN	S2	-1.66	0.00	6.81	-1.66	0.00	-3.18	-4.65	0.00	19.19	-4.65	0.00	-8.73
			TQ	0.00	0.00	0.00	0.00	0.00	0.00	0.00	0.00	0.00	0.00	0.00	0.00
			M3	9.95	0.00	-228.55	9.95	0.00	-168.87	7.05	0.00	-218.73	7.05	0.00	-176.40

BAGO RIVER BRIDGE

BLOCK [ No.2 : CROSS BEAM ][ BEAM MEMBER FORCE ]

MEMBER		1002009						1002011									
NODE		2009			3009			2011			3011						
		SHEAR	TORQUE	MOMENT	SHEAR	TORQUE	MOMENT	SHEAR	TORQUE	MOMENT	SHEAR	TORQUE	MOMENT				
NAME	TITLE	S2 (kN)	TQ (kN·m)	M3 (kN·m)	S2 (kN)	TQ (kN·m)	M3 (kN·m)	S2 (kN)	TQ (kN·m)	M3 (kN·m)	S2 (kN)	TQ (kN·m)	M3 (kN·m)				
64	1-LANE (case4DISPERSION-LMAX	S2	28.15	0.00	-306.47	28.15	0.00	-137.59	23.32	0.00	-273.13	23.32	0.00	-133.22			
		TQ	0.00	0.00	0.00	0.00	0.00	0.00	0.00	0.00	0.00	0.00	0.00	0.00			
		M3	-2.50	0.00	12.23	0.71	0.00	3.42	-6.71	0.00	31.21	0.85	0.00	7.04			
		MIN	S2	-2.58	0.00	10.20	-2.58	0.00	-5.29	-7.41	0.00	24.55	-7.41	0.00	-19.89		
		TQ	0.00	0.00	0.00	0.00	0.00	0.00	0.00	0.00	0.00	0.00	0.00	0.00			
		M3	28.07	0.00	-308.50	24.85	0.00	-146.29	22.62	0.00	-279.79	15.06	0.00	-160.14			
		65	2-LANES (caseTRUCK-LOAD	MAX	S2	4.55	0.00	-33.97	4.55	0.00	-6.65	9.64	0.00	-65.48	9.64	0.00	-7.64
				TQ	0.00	0.00	0.00	0.00	0.00	0.00	0.00	0.00	0.00	0.00	0.00	0.00	
				M3	-97.70	0.00	293.81	-0.56	0.00	3.68	-87.83	0.00	251.06	-3.43	0.00	12.47	
MIN	S2			-111.84	0.00	266.19	-111.84	0.00	-404.84	-102.51	0.00	222.72	-102.51	0.00	-392.35		
TQ	0.00			0.00	0.00	0.00	0.00	0.00	0.00	0.00	0.00	0.00	0.00	0.00			
M3	-29.45			0.00	-170.74	-100.85	0.00	-532.88	-22.24	0.00	-213.19	-91.51	0.00	-527.06			
TANDEM-LOAD	MAX	S2	3.10	0.00	-23.24	3.10	0.00	-4.63	6.57	0.00	-44.73	6.57	0.00	-5.32			
	TQ	0.00	0.00	0.00	0.00	0.00	0.00	0.00	0.00	0.00	0.00	0.00	0.00				
	M3	-74.92	0.00	215.77	-0.38	0.00	2.50	-68.03	0.00	185.95	-2.96	0.00	9.03				
	MIN	S2	-81.69	0.00	191.74	-81.69	0.00	-298.39	-75.62	0.00	163.34	-75.62	0.00	-290.36			
	TQ	0.00	0.00	0.00	0.00	0.00	0.00	0.00	0.00	0.00	0.00	0.00	0.00				
	M3	-17.62	0.00	-137.97	-69.46	0.00	-380.27	-12.53	0.00	-168.19	-63.03	0.00	-376.55				
DISPERSION-LMAX	MAX	S2	5.06	0.00	-38.91	5.06	0.00	-8.53	10.46	0.00	-73.51	10.46	0.00	-10.74			
	TQ	0.00	0.00	0.00	0.00	0.00	0.00	0.00	0.00	0.00	0.00	0.00	0.00				
	M3	-70.42	0.00	224.56	-3.89	0.00	8.15	-56.93	0.00	187.26	-3.23	0.00	18.66				
	MIN	S2	-82.88	0.00	175.81	-82.88	0.00	-321.50	-70.25	0.00	127.46	-70.25	0.00	-294.02			
	TQ	0.00	0.00	0.00	0.00	0.00	0.00	0.00	0.00	0.00	0.00	0.00	0.00				
	M3	-7.40	0.00	-87.66	-73.93	0.00	-338.18	-2.85	0.00	-133.31	-56.55	0.00	-323.43				

BAGO RIVER BRIDGE

BLOCK [ No.2 : CROSS BEAM ][ BEAM MEMBER FORCE ]

MEMBER				1002009			1002011									
NODE				2009			3009			2011			3011			
NAME TITLE				SHEAR	TORQUE	MOMENT	SHEAR	TORQUE	MOMENT	SHEAR	TORQUE	MOMENT	SHEAR	TORQUE	MOMENT	
				S2 (kN)	TQ (kN·m)	M3 (kN·m)	S2 (kN)	TQ (kN·m)	M3 (kN·m)	S2 (kN)	TQ (kN·m)	M3 (kN·m)	S2 (kN)	TQ (kN·m)	M3 (kN·m)	
66	2-LANES (caseTRUCK-LOAD	MAX	S2	3.11	0.00	-25.85	3.11	0.00	-7.17	6.16	0.00	-47.75	6.16	0.00	-10.79	
			TQ	0.00	0.00	0.00	0.00	0.00	0.00	0.00	0.00	0.00	0.00	0.00	0.00	0.00
			M3	-139.31	0.00	652.84	-13.38	0.00	62.19	-133.00	0.00	621.19	-12.28	0.00	69.50	
		MIN	S2	-139.46	0.00	652.51	-139.46	0.00	-184.24	-133.00	0.00	621.19	-133.00	0.00	-176.84	
			TQ	0.00	0.00	0.00	0.00	0.00	0.00	0.00	0.00	0.00	0.00	0.00	0.00	0.00
			M3	3.07	0.00	-25.96	-68.00	0.00	-192.77	6.12	0.00	-48.37	-63.42	0.00	-192.52	
		TANDEM-LOAD MAX	S2	2.12	0.00	-17.55	2.12	0.00	-4.84	4.21	0.00	-32.58	4.21	0.00	-7.35	
			TQ	0.00	0.00	0.00	0.00	0.00	0.00	0.00	0.00	0.00	0.00	0.00	0.00	0.00
			M3	-103.87	0.00	479.98	-12.91	0.00	44.49	-99.55	0.00	459.23	-12.41	0.00	50.07	
		MIN	S2	-103.91	0.00	479.90	-103.91	0.00	-143.56	-99.55	0.00	459.23	-99.55	0.00	-138.05	
			TQ	0.00	0.00	0.00	0.00	0.00	0.00	0.00	0.00	0.00	0.00	0.00	0.00	0.00
			M3	2.10	0.00	-17.71	-103.89	0.00	-143.71	4.14	0.00	-32.94	-46.49	0.00	-141.50	
		DISPERSION-LMAX	S2	3.48	0.00	-30.10	3.48	0.00	-9.22	6.62	0.00	-55.17	6.62	0.00	-15.43	
			TQ	0.00	0.00	0.00	0.00	0.00	0.00	0.00	0.00	0.00	0.00	0.00	0.00	0.00
			M3	-75.84	0.00	411.24	-22.38	0.00	61.67	-66.33	0.00	369.72	-18.93	0.00	71.05	
MIN	S2	-75.84	0.00	411.24	-75.84	0.00	-43.81	-66.33	0.00	369.72	-66.33	0.00	-28.24			
	TQ	0.00	0.00	0.00	0.00	0.00	0.00	0.00	0.00	0.00	0.00	0.00	0.00	0.00		
	M3	3.48	0.00	-30.10	-49.98	0.00	-114.70	6.62	0.00	-55.17	-40.77	0.00	-114.71			
67	2-LANES (caseTRUCK-LOAD	MAX	S2	142.31	0.00	-79.64	142.31	0.00	774.22	143.03	0.00	-86.66	143.03	0.00	771.53	
			TQ	0.00	0.00	0.00	0.00	0.00	0.00	0.00	0.00	0.00	0.00	0.00	0.00	
			M3	19.13	0.00	115.97	142.31	0.00	774.22	18.42	0.00	104.66	142.78	0.00	771.60	
		MIN	S2	-3.22	0.00	38.56	-3.22	0.00	19.26	-4.42	0.00	36.51	-4.42	0.00	9.99	
			TQ	0.00	0.00	0.00	0.00	0.00	0.00	0.00	0.00	0.00	0.00	0.00	0.00	0.00
			M3	75.81	0.00	-115.06	-0.58	0.00	-8.98	75.07	0.00	-117.63	-3.17	0.00	-20.28	

BAGO RIVER BRIDGE

BLOCK [ No.2 : CROSS BEAM ][ BEAM MEMBER FORCE ]

MEMBER NODE	1002009 2009	3009			1002011 2011			3011							
		SHEAR	TORQUE	MOMENT	SHEAR	TORQUE	MOMENT	SHEAR	TORQUE	MOMENT					
		S2 (kN)	TQ (kN·m)	M3 (kN·m)	S2 (kN)	TQ (kN·m)	M3 (kN·m)	S2 (kN)	TQ (kN·m)	M3 (kN·m)					
67	2-LANES (caseTANDEM-LOAD	MAX	S2	106.59	0.00	-75.25	106.59	0.00	564.29	107.39	0.00	-79.00	107.39	0.00	565.33
			TQ	0.00	0.00	0.00	0.00	0.00	0.00	0.00	0.00	0.00	0.00	0.00	0.00
			M3	10.49	0.00	83.06	106.59	0.00	564.29	19.24	0.00	75.13	107.32	0.00	565.35
		MIN	S2	-2.38	0.00	28.11	-2.38	0.00	13.85	-3.15	0.00	26.28	-3.15	0.00	7.36
			TQ	0.00	0.00	0.00	0.00	0.00	0.00	0.00	0.00	0.00	0.00	0.00	0.00
			M3	56.67	0.00	-90.35	-0.40	0.00	-6.12	56.24	0.00	-92.24	-2.15	0.00	-13.79
	DISPERSION-LMAX		S2	63.80	0.00	27.29	63.80	0.00	410.10	64.12	0.00	31.68	64.12	0.00	416.38
			TQ	0.00	0.00	0.00	0.00	0.00	0.00	0.00	0.00	0.00	0.00	0.00	0.00
			M3	21.33	0.00	112.55	62.09	0.00	440.01	20.22	0.00	101.88	63.15	0.00	431.61
		MIN	S2	-2.36	0.00	33.35	-2.36	0.00	19.19	-4.44	0.00	16.39	-4.44	0.00	-10.23
			TQ	0.00	0.00	0.00	0.00	0.00	0.00	0.00	0.00	0.00	0.00	0.00	0.00
			M3	40.11	0.00	-51.90	-0.65	0.00	-10.73	39.46	0.00	-53.80	-3.48	0.00	-25.46
68	2-LANES (caseTRUCK-LOAD	MAX	S2	64.91	0.00	-507.62	64.91	0.00	-118.15	59.73	0.00	-456.73	59.73	0.00	-98.32
			TQ	0.00	0.00	0.00	0.00	0.00	0.00	0.00	0.00	0.00	0.00	0.00	0.00
			M3	-4.00	0.00	15.68	6.16	0.00	5.44	-11.40	0.00	46.39	11.77	0.00	9.49
		MIN	S2	-4.06	0.00	15.52	-4.06	0.00	-8.85	-11.60	0.00	44.82	-11.60	0.00	-24.77
			TQ	0.00	0.00	0.00	0.00	0.00	0.00	0.00	0.00	0.00	0.00	0.00	0.00
			M3	55.90	0.00	-581.73	41.93	0.00	-258.49	49.92	0.00	-553.08	32.41	0.00	-270.42
	TANDEM-LOAD	MAX	S2	45.51	0.00	-341.22	45.51	0.00	-68.18	42.58	0.00	-328.46	42.58	0.00	-73.00
			TQ	0.00	0.00	0.00	0.00	0.00	0.00	0.00	0.00	0.00	0.00	0.00	0.00
			M3	-2.73	0.00	10.83	4.50	0.00	3.95	-7.68	0.00	31.86	6.99	0.00	6.74
		MIN	S2	-2.78	0.00	10.48	-2.78	0.00	-6.19	-7.93	0.00	30.89	-7.93	0.00	-16.67
			TQ	0.00	0.00	0.00	0.00	0.00	0.00	0.00	0.00	0.00	0.00	0.00	0.00
			M3	37.89	0.00	-402.61	27.86	0.00	-185.87	33.94	0.00	-384.53	19.11	0.00	-194.55

BAGO RIVER BRIDGE

BLOCK [ No.2 : CROSS BEAM ][ BEAM MEMBER FORCE ]

MEMBER		1002009						1002011								
NODE		2009			3009			2011			3011					
		SHEAR	TORQUE	MOMENT	SHEAR	TORQUE	MOMENT	SHEAR	TORQUE	MOMENT	SHEAR	TORQUE	MOMENT			
NAME	TITLE	S2 (kN)	TQ (kN·m)	M3 (kN·m)	S2 (kN)	TQ (kN·m)	M3 (kN·m)	S2 (kN)	TQ (kN·m)	M3 (kN·m)	S2 (kN)	TQ (kN·m)	M3 (kN·m)			
68	2-LANES (caseDISPERSION-LMAX	S2	59.32	0.00	-506.41	59.32	0.00	-150.48	51.52	0.00	-450.20	51.52	0.00	-141.08		
		TQ	0.00	0.00	0.00	0.00	0.00	0.00	0.00	0.00	0.00	0.00	0.00	0.00		
		M3	-4.18	0.00	20.17	13.15	0.00	18.36	-11.39	0.00	51.73	13.20	0.00	27.06		
		MIN	S2	-4.33	0.00	17.48	-4.33	0.00	-8.52	-12.60	0.00	41.37	-12.60	0.00	-34.25	
		TQ	0.00	0.00	0.00	0.00	0.00	0.00	0.00	0.00	0.00	0.00	0.00	0.00		
		M3	59.16	0.00	-509.11	41.84	0.00	-177.37	50.30	0.00	-460.56	25.71	0.00	-202.40		
		MAX	S2	5.75	0.00	-44.87	5.75	0.00	-10.38	11.85	0.00	-84.88	11.85	0.00	-13.78	
		TQ	0.00	0.00	0.00	0.00	0.00	0.00	0.00	0.00	0.00	0.00	0.00	0.00	0.00	
		M3	-167.83	0.00	719.80	-13.69	0.00	64.02	-155.51	0.00	665.64	-13.48	0.00	75.48		
69	3-LANES (caseTRUCK-LOAD	MIN	S2	-182.12	0.00	691.86	-182.12	0.00	-400.84	-170.19	0.00	637.30	-170.19	0.00	-383.83	
		TQ	0.00	0.00	0.00	0.00	0.00	0.00	0.00	0.00	0.00	0.00	0.00	0.00		
		M3	-28.28	0.00	-181.69	-99.74	0.00	-536.86	-20.06	0.00	-232.95	-89.61	0.00	-534.22		
		TANDEM-LOAD	MAX	S2	3.91	0.00	-30.55	3.91	0.00	-7.06	8.08	0.00	-58.06	8.08	0.00	-9.59
		TQ	0.00	0.00	0.00	0.00	0.00	0.00	0.00	0.00	0.00	0.00	0.00	0.00		
		M3	-128.33	0.00	531.82	-13.12	0.00	45.73	-119.75	0.00	494.87	-13.47	0.00	54.47		
		MIN	S2	-135.14	0.00	507.70	-135.14	0.00	-303.12	-127.34	0.00	472.26	-127.34	0.00	-291.77	
		TQ	0.00	0.00	0.00	0.00	0.00	0.00	0.00	0.00	0.00	0.00	0.00	0.00		
		M3	-16.81	0.00	-145.44	-122.91	0.00	-385.01	-11.07	0.00	-181.62	-61.70	0.00	-381.42		
		DISPERSION-LMAX	S2	6.40	0.00	-51.74	6.40	0.00	-13.31	12.81	0.00	-96.44	12.81	0.00	-19.60	
		TQ	0.00	0.00	0.00	0.00	0.00	0.00	0.00	0.00	0.00	0.00	0.00	0.00		
		M3	-103.47	0.00	470.28	-22.98	0.00	64.78	-86.02	0.00	414.06	-19.44	0.00	79.38		
		MIN	S2	-115.94	0.00	421.53	-115.94	0.00	-274.08	-99.33	0.00	354.26	-99.33	0.00	-241.71	
		TQ	0.00	0.00	0.00	0.00	0.00	0.00	0.00	0.00	0.00	0.00	0.00	0.00		
		M3	-6.06	0.00	-100.49	-86.55	0.00	-352.17	-0.51	0.00	-156.23	-67.08	0.00	-340.69		



BAGO RIVER BRIDGE

BLOCK [ No.2 : CROSS BEAM ][ BEAM MEMBER FORCE ]

MEMBER				1002009						1002011							
NODE				2009			3009			2011			3011				
NAME TITLE				SHEAR	TORQUE	MOMENT	SHEAR	TORQUE	MOMENT	SHEAR	TORQUE	MOMENT	SHEAR	TORQUE	MOMENT		
				S2 (kN)	TQ (kN·m)	M3 (kN·m)	S2 (kN)	TQ (kN·m)	M3 (kN·m)	S2 (kN)	TQ (kN·m)	M3 (kN·m)	S2 (kN)	TQ (kN·m)	M3 (kN·m)		
70	3-LANES (case	TRUCK-LOAD	MAX	S2	195.47	0.00	-274.79	195.47	0.00	898.05	192.89	0.00	-279.83	192.89	0.00	877.49	
				TQ	0.00	0.00	0.00	0.00	0.00	0.00	0.00	0.00	0.00	0.00	0.00	0.00	0.00
				M3	17.64	0.00	120.90	195.47	0.00	898.05	13.96	0.00	120.67	192.64	0.00	877.56	
			MIN	S2	-4.74	0.00	43.15	-4.74	0.00	14.69	-8.97	0.00	52.18	-8.97	0.00	-1.66	
				TQ	0.00	0.00	0.00	0.00	0.00	0.00	0.00	0.00	0.00	0.00	0.00	0.00	
				M3	128.52	0.00	-310.67	-2.01	0.00	-13.86	124.88	0.00	-311.53	-7.55	0.00	-32.59	
			TANDEM-LOAD	MAX	S2	145.28	0.00	-216.55	145.28	0.00	655.12	143.82	0.00	-219.14	143.82	0.00	643.80
					TQ	0.00	0.00	0.00	0.00	0.00	0.00	0.00	0.00	0.00	0.00	0.00	0.00
					M3	9.48	0.00	86.48	145.28	0.00	655.12	16.28	0.00	86.04	143.75	0.00	643.82
			MIN	S2	-3.42	0.00	31.31	-3.42	0.00	10.78	-6.26	0.00	37.08	-6.26	0.00	-0.48	
				TQ	0.00	0.00	0.00	0.00	0.00	0.00	0.00	0.00	0.00	0.00	0.00	0.00	
				M3	95.23	0.00	-231.77	-1.36	0.00	-9.45	92.66	0.00	-232.58	-5.09	0.00	-22.18	
			DISPERSION-LMAX	MAX	S2	96.59	0.00	-103.64	96.59	0.00	475.92	94.61	0.00	-94.25	94.61	0.00	473.41
					TQ	0.00	0.00	0.00	0.00	0.00	0.00	0.00	0.00	0.00	0.00	0.00	0.00
					M3	19.80	0.00	119.43	93.28	0.00	506.94	15.87	0.00	120.12	89.97	0.00	491.78
MIN	S2	-4.00	0.00	38.17	-4.00	0.00	14.17	-9.47	0.00	32.26	-9.47	0.00	-24.58				
	TQ	0.00	0.00	0.00	0.00	0.00	0.00	0.00	0.00	0.00	0.00	0.00	0.00				
	M3	72.79	0.00	-184.90	-0.69	0.00	-16.85	69.27	0.00	-182.11	-4.84	0.00	-42.95				
71	3-LANES (case	TRUCK-LOAD	MAX	S2	127.36	0.00	-666.79	127.36	0.00	97.38	123.20	0.00	-605.91	123.20	0.00	133.28	
				TQ	0.00	0.00	0.00	0.00	0.00	0.00	0.00	0.00	0.00	0.00	0.00		
				M3	-4.10	0.00	18.14	68.61	0.00	220.96	-14.11	0.00	52.54	75.24	0.00	241.09	
			MIN	S2	-4.88	0.00	16.10	-4.88	0.00	-13.19	-14.38	0.00	50.76	-14.38	0.00	-35.53	
				TQ	0.00	0.00	0.00	0.00	0.00	0.00	0.00	0.00	0.00	0.00	0.00	0.00	
				M3	118.02	0.00	-743.69	41.22	0.00	-263.13	112.61	0.00	-704.08	29.72	0.00	-281.43	

BAGO RIVER BRIDGE

BLOCK [ No.2 : CROSS BEAM ][ BEAM MEMBER FORCE ]

MEMBER NODE	1002009 2009	3009			1002011 2011			3011								
		SHEAR	TORQUE	MOMENT	SHEAR	TORQUE	MOMENT	SHEAR	TORQUE	MOMENT						
		S2 (kN)	TQ (kN·m)	M3 (kN·m)	S2 (kN)	TQ (kN·m)	M3 (kN·m)	S2 (kN)	TQ (kN·m)	M3 (kN·m)						
71	3-LANES (case)	TANDEM-LOAD	MAX	S2	91.54	0.00	-460.01	91.54	0.00	89.20	89.52	0.00	-440.83	89.52	0.00	96.27
				TQ	0.00	0.00	0.00	0.00	0.00	0.00	0.00	0.00	0.00	0.00	0.00	0.00
				M3	-2.79	0.00	12.50	50.53	0.00	161.33	-9.56	0.00	36.10	53.93	0.00	176.01
			MIN	S2	-3.34	0.00	10.94	-3.34	0.00	-9.10	-9.82	0.00	35.10	-9.82	0.00	-23.82
				TQ	0.00	0.00	0.00	0.00	0.00	0.00	0.00	0.00	0.00	0.00	0.00	0.00
				M3	83.83	0.00	-522.18	27.37	0.00	-189.04	80.67	0.00	-497.40	17.30	0.00	-202.04
		DISPERSION-L	MAX	S2	93.57	0.00	-598.63	93.57	0.00	-37.18	84.63	0.00	-526.59	84.63	0.00	-18.82
				TQ	0.00	0.00	0.00	0.00	0.00	0.00	0.00	0.00	0.00	0.00	0.00	0.00
				M3	-4.13	0.00	26.04	46.58	0.00	135.06	-12.97	0.00	63.25	45.17	0.00	151.21
			MIN	S2	-5.30	0.00	20.95	-5.30	0.00	-10.86	-15.61	0.00	46.13	-15.61	0.00	-47.50
				TQ	0.00	0.00	0.00	0.00	0.00	0.00	0.00	0.00	0.00	0.00	0.00	0.00
				M3	92.41	0.00	-603.72	41.69	0.00	-183.10	82.00	0.00	-543.71	23.85	0.00	-217.53
72	4-LANES	TRUCK-LOAD	MAX	S2	209.74	0.00	-598.77	209.74	0.00	659.68	204.82	0.00	-549.49	204.82	0.00	679.44
				TQ	0.00	0.00	0.00	0.00	0.00	0.00	0.00	0.00	0.00	0.00	0.00	0.00
				M3	14.86	0.00	107.57	187.65	0.00	767.42	8.44	0.00	133.22	183.03	0.00	769.20
			MIN	S2	-6.90	0.00	51.38	-6.90	0.00	10.01	-15.76	0.00	74.18	-15.76	0.00	-20.40
				TQ	0.00	0.00	0.00	0.00	0.00	0.00	0.00	0.00	0.00	0.00	0.00	0.00
				M3	133.22	0.00	-690.70	29.15	0.00	-237.22	126.60	0.00	-664.43	6.08	0.00	-263.31
		TANDEM-LOAD	MAX	S2	154.11	0.00	-449.77	154.11	0.00	474.89	151.53	0.00	-411.34	151.53	0.00	497.86
				TQ	0.00	0.00	0.00	0.00	0.00	0.00	0.00	0.00	0.00	0.00	0.00	0.00
				M3	8.29	0.00	76.42	138.31	0.00	561.21	3.07	0.00	93.60	135.94	0.00	563.79
			MIN	S2	-4.88	0.00	36.64	-4.88	0.00	7.37	-10.88	0.00	55.60	-10.88	0.00	-9.71
				TQ	0.00	0.00	0.00	0.00	0.00	0.00	0.00	0.00	0.00	0.00	0.00	0.00
				M3	95.65	0.00	-489.48	19.02	0.00	-170.41	91.36	0.00	-473.24	12.86	0.00	-188.97

BAGO RIVER BRIDGE

BLOCK [ No.2 : CROSS BEAM ][ BEAM MEMBER FORCE ]

MEMBER			1002009						1002011								
NODE			2009			3009			2011			3011					
NAME TITLE			SHEAR	TORQUE	MOMENT	SHEAR	TORQUE	MOMENT	SHEAR	TORQUE	MOMENT	SHEAR	TORQUE	MOMENT			
			S2 (kN)	TQ (kN·m)	M3 (kN·m)	S2 (kN)	TQ (kN·m)	M3 (kN·m)	S2 (kN)	TQ (kN·m)	M3 (kN·m)	S2 (kN)	TQ (kN·m)	M3 (kN·m)			
72	4-LANES	DISPERSION-LMAX	S2	129.68	0.00	-489.55	129.68	0.00	288.54	119.02	0.00	-440.46	119.02	0.00	273.66		
			TQ	0.00	0.00	0.00	0.00	0.00	0.00	0.00	0.00	0.00	0.00	0.00	0.00		
			M3	16.32	0.00	111.25	88.22	0.00	454.05	7.85	0.00	128.68	83.44	0.00	437.65		
	MIN	S2	-5.70	0.00	38.84	-5.70	0.00	4.66	-14.50	0.00	53.18	-14.50	0.00	-33.79			
		TQ	0.00	0.00	0.00	0.00	0.00	0.00	0.00	0.00	0.00	0.00	0.00	0.00			
		M3	106.02	0.00	-567.89	37.76	0.00	-172.49	95.12	0.00	-520.39	22.28	0.00	-207.83			
	73	6-LANES	TRUCK-LOAD	MAX	S2	174.00	0.00	-392.70	174.00	0.00	651.32	175.68	0.00	-343.43	175.68	0.00	710.64
				TQ	0.00	0.00	0.00	0.00	0.00	0.00	0.00	0.00	0.00	0.00	0.00	0.00	
				M3	-98.97	0.00	743.43	135.07	0.00	829.86	-89.60	0.00	727.39	137.50	0.00	842.18	
MIN		S2	-137.38	0.00	504.08	-137.38	0.00	-320.20	-135.44	0.00	432.79	-135.44	0.00	-379.85			
		TQ	0.00	0.00	0.00	0.00	0.00	0.00	0.00	0.00	0.00	0.00	0.00	0.00			
		M3	120.10	0.00	-772.87	-103.01	0.00	-689.19	123.92	0.00	-788.58	-102.25	0.00	-708.46			
TANDEM-LOAD		MAX	S2	130.14	0.00	-283.27	130.14	0.00	497.56	129.48	0.00	-270.37	129.48	0.00	506.53		
		TQ	0.00	0.00	0.00	0.00	0.00	0.00	0.00	0.00	0.00	0.00	0.00	0.00			
		M3	-75.50	0.00	544.82	103.11	0.00	618.45	-74.17	0.00	537.05	101.36	0.00	613.75			
MIN	S2	-100.89	0.00	353.57	-100.89	0.00	-251.74	-100.33	0.00	341.94	-100.33	0.00	-260.01				
	TQ	0.00	0.00	0.00	0.00	0.00	0.00	0.00	0.00	0.00	0.00	0.00	0.00				
	M3	90.85	0.00	-568.28	-75.07	0.00	-496.98	93.98	0.00	-582.02	-74.55	0.00	-511.16				
DISPERSION-LMAX	S2	120.53	0.00	-446.42	120.53	0.00	276.76	117.21	0.00	-428.26	117.21	0.00	274.97				
	TQ	0.00	0.00	0.00	0.00	0.00	0.00	0.00	0.00	0.00	0.00	0.00	0.00				
	M3	-62.70	0.00	521.73	56.96	0.00	512.77	-58.67	0.00	500.17	57.37	0.00	512.78				
MIN	S2	-99.96	0.00	396.51	-99.96	0.00	-203.26	-96.67	0.00	359.49	-96.67	0.00	-220.55				
	TQ	0.00	0.00	0.00	0.00	0.00	0.00	0.00	0.00	0.00	0.00	0.00	0.00				
	M3	83.16	0.00	-605.07	-38.52	0.00	-464.96	78.15	0.00	-608.62	-38.28	0.00	-492.92				

BAGO RIVER BRIDGE

BLOCK [ No.2 : CROSS BEAM ][ BEAM MEMBER FORCE ]

MEMBER			1002009			3009			1002011			3011			
NODE			2009			2011			2011			2011			
NAME TITLE			SHEAR	TORQUE	MOMENT	SHEAR	TORQUE	MOMENT	SHEAR	TORQUE	MOMENT	SHEAR	TORQUE	MOMENT	
			S2 (kN)	TQ (kN·m)	M3 (kN·m)	S2 (kN)	TQ (kN·m)	M3 (kN·m)	S2 (kN)	TQ (kN·m)	M3 (kN·m)	S2 (kN)	TQ (kN·m)	M3 (kN·m)	
124	SUM TOTAL	D+1LANE (caseMAX	S2	2.39	0.00	-87.91	2.39	0.00	-73.60	28.46	0.00	-301.38	28.46	0.00	-130.62
			TQ	-4.29	0.00	-39.13	-4.29	0.00	-64.85	14.21	0.00	-207.31	14.21	0.00	-122.02
			M3	-71.67	0.00	112.08	-5.38	0.00	-58.91	-36.42	0.00	-100.76	12.17	0.00	-104.85
		MIN	S2	-103.59	0.00	20.44	-103.59	0.00	-601.09	-70.01	0.00	-206.52	-70.01	0.00	-626.57
			TQ	-4.29	0.00	-39.13	-4.29	0.00	-64.85	14.21	0.00	-207.31	14.21	0.00	-122.02
			M3	-53.35	0.00	-310.48	-86.25	0.00	-762.72	-25.77	0.00	-550.08	-48.79	0.00	-803.22
		D+1LANE (caseMAX	S2	-1.24	0.00	-67.59	-1.24	0.00	-75.05	19.68	0.00	-258.11	19.68	0.00	-140.01
			TQ	-4.29	0.00	-39.13	-4.29	0.00	-64.85	14.21	0.00	-207.31	14.21	0.00	-122.02
			M3	-128.10	0.00	766.92	-42.94	0.00	75.52	-101.89	0.00	562.35	-17.29	0.00	26.45
		MIN	S2	-128.28	0.00	766.54	-128.28	0.00	-3.14	-101.89	0.00	562.35	-101.89	0.00	-49.02
			TQ	-4.29	0.00	-39.13	-4.29	0.00	-64.85	14.21	0.00	-207.31	14.21	0.00	-122.02
			M3	-1.27	0.00	-67.66	-18.10	0.00	-86.42	19.64	0.00	-258.54	3.86	0.00	-151.32
		D+1LANE (caseMAX	S2	108.83	0.00	59.79	108.83	0.00	712.74	129.92	0.00	-108.70	129.92	0.00	670.79
			TQ	-4.29	0.00	-39.13	-4.29	0.00	-64.85	14.21	0.00	-207.31	14.21	0.00	-122.02
			M3	30.71	0.00	184.17	106.90	0.00	744.03	50.38	0.00	-6.04	128.91	0.00	687.81
		MIN	S2	-9.07	0.00	42.88	-9.07	0.00	-11.55	10.12	0.00	-155.19	10.12	0.00	-94.45
			TQ	-4.29	0.00	-39.13	-4.29	0.00	-64.85	14.21	0.00	-207.31	14.21	0.00	-122.02
			M3	7.73	0.00	-57.17	-4.08	0.00	-76.35	25.56	0.00	-230.04	12.57	0.00	-147.55
		D+1LANE (caseMAX	S2	60.07	0.00	-722.66	60.07	0.00	-362.27	68.27	0.00	-804.72	68.27	0.00	-395.11
			TQ	-4.29	0.00	-39.13	-4.29	0.00	-64.85	14.21	0.00	-207.31	14.21	0.00	-122.02
			M3	-10.17	0.00	-12.30	-3.40	0.00	-58.45	-1.83	0.00	-135.18	15.77	0.00	-108.60
		MIN	S2	-10.30	0.00	-14.81	-10.30	0.00	-76.64	-2.84	0.00	-144.42	-2.84	0.00	-161.46
			TQ	-4.29	0.00	-39.13	-4.29	0.00	-64.85	14.21	0.00	-207.31	14.21	0.00	-122.02
			M3	49.27	0.00	-809.94	45.41	0.00	-521.78	56.22	0.00	-925.13	47.15	0.00	-607.08

BAGO RIVER BRIDGE

BLOCK [ No.2 : CROSS BEAM ][ BEAM MEMBER FORCE ]

MEMBER			1002009			1002011			3009			2009			3011		
NODE			2009			2011			2009			2011			2009		
NAME TITLE			SHEAR	TORQUE	MOMENT	SHEAR	TORQUE	MOMENT	SHEAR	TORQUE	MOMENT	SHEAR	TORQUE	MOMENT	SHEAR	TORQUE	MOMENT
			S2 (kN)	TQ (kN·m)	M3 (kN·m)	S2 (kN)	TQ (kN·m)	M3 (kN·m)	S2 (kN)	TQ (kN·m)	M3 (kN·m)	S2 (kN)	TQ (kN·m)	M3 (kN·m)	S2 (kN)	TQ (kN·m)	M3 (kN·m)
124	SUM TOTAL	D+2LANES(casMAX	S2	5.33	0.00	-112.01	5.33	0.00	-80.03	34.32	0.00	-346.29	34.32	0.00	-140.40		
			TQ	-4.29	0.00	-39.13	-4.29	0.00	-64.85	14.21	0.00	-207.31	14.21	0.00	-122.02		
			M3	-172.41	0.00	479.24	-8.74	0.00	-53.02	-130.55	0.00	231.01	7.55	0.00	-90.89		
		MIN	S2	-199.01	0.00	402.87	-199.01	0.00	-791.18	-158.54	0.00	142.87	-158.54	0.00	-808.39		
			TQ	-4.29	0.00	-39.13	-4.29	0.00	-64.85	14.21	0.00	-207.31	14.21	0.00	-122.02		
			M3	-41.14	0.00	-297.53	-179.06	0.00	-935.90	-10.88	0.00	-553.80	-133.85	0.00	-972.51		
		D+2LANES(casMAX	S2	2.31	0.00	-95.08	2.31	0.00	-81.24	27.00	0.00	-310.23	27.00	0.00	-148.23		
			TQ	-4.29	0.00	-39.13	-4.29	0.00	-64.85	14.21	0.00	-207.31	14.21	0.00	-122.02		
			M3	-219.43	0.00	1024.95	-40.04	0.00	59.01	-185.12	0.00	783.59	-17.00	0.00	18.53		
		MIN	S2	-219.59	0.00	1024.62	-219.59	0.00	-292.89	-185.12	0.00	783.59	-185.12	0.00	-327.10		
			TQ	-4.29	0.00	-39.13	-4.29	0.00	-64.85	14.21	0.00	-207.31	14.21	0.00	-122.02		
			M3	2.27	0.00	-95.19	-122.27	0.00	-372.32	26.96	0.00	-310.85	-89.98	0.00	-429.25		
		D+2LANES(casMAX	S2	201.82	0.00	-91.47	201.82	0.00	1119.47	221.36	0.00	-262.28	221.36	0.00	1065.89		
			TQ	-4.29	0.00	-39.13	-4.29	0.00	-64.85	14.21	0.00	-207.31	14.21	0.00	-122.02		
			M3	36.17	0.00	189.39	200.11	0.00	1149.38	52.86	0.00	-0.77	220.15	0.00	1081.19		
		MIN	S2	-9.86	0.00	32.78	-9.86	0.00	-26.40	5.36	0.00	-154.40	5.36	0.00	-122.26		
			TQ	-4.29	0.00	-39.13	-4.29	0.00	-64.85	14.21	0.00	-207.31	14.21	0.00	-122.02		
			M3	111.63	0.00	-206.10	-5.51	0.00	-84.55	128.75	0.00	-378.74	7.57	0.00	-167.76		
		D+2LANES(casMAX	S2	119.95	0.00	-1053.16	119.95	0.00	-333.47	125.47	0.00	-1114.24	125.47	0.00	-361.43		
			TQ	-4.29	0.00	-39.13	-4.29	0.00	-64.85	14.21	0.00	-207.31	14.21	0.00	-122.02		
			M3	-12.46	0.00	-3.28	15.02	0.00	-41.04	-8.57	0.00	-109.20	39.19	0.00	-85.47		
		MIN	S2	-12.68	0.00	-6.13	-12.68	0.00	-82.22	-9.99	0.00	-121.13	-9.99	0.00	-181.04		
			TQ	-4.29	0.00	-39.13	-4.29	0.00	-64.85	14.21	0.00	-207.31	14.21	0.00	-122.02		
			M3	110.77	0.00	-1129.97	79.49	0.00	-500.70	114.44	0.00	-1220.95	72.34	0.00	-594.83		

BAGO RIVER BRIDGE

BLOCK [ No.2 : CROSS BEAM ][ BEAM MEMBER FORCE ]

MEMBER			1002009						1002011							
NODE			2009			3009			2011			3011				
NAME TITLE			SHEAR	TORQUE	MOMENT	SHEAR	TORQUE	MOMENT	SHEAR	TORQUE	MOMENT	SHEAR	TORQUE	MOMENT		
			S2 (kN)	TQ (kN·m)	M3 (kN·m)	S2 (kN)	TQ (kN·m)	M3 (kN·m)	S2 (kN)	TQ (kN·m)	M3 (kN·m)	S2 (kN)	TQ (kN·m)	M3 (kN·m)		
124	SUM TOTAL	D+3LANES (casMAX	S2	6.04	0.00	-121.24	6.04	0.00	-84.98	35.17	0.00	-361.43	35.17	0.00	-150.39	
			TQ	-4.29	0.00	-39.13	-4.29	0.00	-64.85	14.21	0.00	-207.31	14.21	0.00	-122.02	
			M3	-234.89	0.00	972.44	-35.45	0.00	44.63	-191.08	0.00	710.43	-13.77	0.00	9.61	
		MIN	S2	-257.63	0.00	907.25	-257.63	0.00	-638.52	-214.87	0.00	635.52	-214.87	0.00	-653.72	
			TQ	-4.29	0.00	-39.13	-4.29	0.00	-64.85	14.21	0.00	-207.31	14.21	0.00	-122.02	
			M3	-33.47	0.00	-278.98	-162.63	0.00	-820.52	-3.27	0.00	-538.11	-118.98	0.00	-865.69	
		D+3LANES (casMAX	S2	243.97	0.00	-360.79	243.97	0.00	1103.03	258.59	0.00	-525.28	258.59	0.00	1026.24	
			TQ	-4.29	0.00	-39.13	-4.29	0.00	-64.85	14.21	0.00	-207.31	14.21	0.00	-122.02	
			M3	27.54	0.00	165.16	241.16	0.00	1129.40	39.56	0.00	-2.64	254.43	0.00	1041.92	
		MIN	S2	-11.72	0.00	30.00	-11.72	0.00	-40.31	-1.47	0.00	-135.54	-1.47	0.00	-144.33	
			TQ	-4.29	0.00	-39.13	-4.29	0.00	-64.85	14.21	0.00	-207.31	14.21	0.00	-122.02	
			M3	166.83	0.00	-460.36	-6.58	0.00	-90.95	179.24	0.00	-626.91	3.69	0.00	-186.23	
		D+3LANES (casMAX	S2	183.51	0.00	-1114.74	183.51	0.00	-13.68	190.87	0.00	-1169.94	190.87	0.00	-24.73	
			TQ	-4.29	0.00	-39.13	-4.29	0.00	-64.85	14.21	0.00	-207.31	14.21	0.00	-122.02	
			M3	-11.28	0.00	-1.58	93.62	0.00	237.77	-8.81	0.00	-108.88	116.56	0.00	211.44	
		MIN	S2	-12.94	0.00	-7.64	-12.94	0.00	-85.28	-11.27	0.00	-124.95	-11.27	0.00	-192.59	
			TQ	-4.29	0.00	-39.13	-4.29	0.00	-64.85	14.21	0.00	-207.31	14.21	0.00	-122.02	
			M3	174.58	0.00	-1184.42	66.19	0.00	-444.14	179.63	0.00	-1267.93	59.75	0.00	-546.14	
		D+4LANES	MAX	S2	216.34	0.00	-746.54	216.34	0.00	551.50	224.71	0.00	-850.77	224.71	0.00	497.50
			TQ	-4.29	0.00	-39.13	-4.29	0.00	-64.85	14.21	0.00	-207.31	14.21	0.00	-122.02	
			M3	15.98	0.00	103.10	175.03	0.00	729.11	24.80	0.00	-37.07	187.42	0.00	662.43	
		MIN	S2	-12.47	0.00	19.51	-12.47	0.00	-55.31	-5.45	0.00	-124.52	-5.45	0.00	-157.25	
			TQ	-4.29	0.00	-39.13	-4.29	0.00	-64.85	14.21	0.00	-207.31	14.21	0.00	-122.02	
			M3	151.22	0.00	-857.21	39.20	0.00	-331.16	158.33	0.00	-977.44	32.65	0.00	-428.26	

BAGO RIVER BRIDGE

BLOCK [ No.2 : CROSS BEAM ][ BEAM MEMBER FORCE ]

MEMBER				1002009			1002011									
NODE				2009			3009			2011			3011			
NAME TITLE				SHEAR	TORQUE	MOMENT	SHEAR	TORQUE	MOMENT	SHEAR	TORQUE	MOMENT	SHEAR	TORQUE	MOMENT	
				S2 (kN)	TQ (kN·m)	M3 (kN·m)	S2 (kN)	TQ (kN·m)	M3 (kN·m)	S2 (kN)	TQ (kN·m)	M3 (kN·m)	S2 (kN)	TQ (kN·m)	M3 (kN·m)	
124	SUM TOTAL	D+6LANES	MAX	S2	187.16	0.00	-584.56	187.16	0.00	538.41	204.59	0.00	-708.91	204.59	0.00	518.63
				TQ	-4.29	0.00	-39.13	-4.29	0.00	-64.85	14.21	0.00	-207.31	14.21	0.00	-122.02
				M3	-109.38	0.00	783.23	120.54	0.00	807.87	-82.16	0.00	590.60	140.88	0.00	758.70
			MIN	S2	-158.56	0.00	546.25	-158.56	0.00	-405.09	-136.66	0.00	307.67	-136.66	0.00	-512.28
				TQ	-4.29	0.00	-39.13	-4.29	0.00	-64.85	14.21	0.00	-207.31	14.21	0.00	-122.02
				M3	127.84	0.00	-934.79	-96.28	0.00	-815.04	145.56	0.00	-1115.49	-77.13	0.00	-902.92
	SUM TOTAL		MAX		243.97	0.00	1024.95	243.97	0.00	1149.38	258.59	0.00	783.59	258.59	0.00	1081.19
			MIN		-257.63	0.00	-1184.42	-257.63	0.00	-935.90	-214.87	0.00	-1267.93	-214.87	0.00	-972.51
300	DEAD LOAD	TOTAL			-4.29	0.00	-39.13	-4.29	0.00	-64.85	14.21	0.00	-207.31	14.21	0.00	-122.02
301	LIVE LOAD	1-LANE(case1MAX	S2		6.67	0.00	-48.78	6.67	0.00	-8.76	14.25	0.00	-94.07	14.25	0.00	-8.60
			TQ		0.00	0.00	0.00	0.00	0.00	0.00	0.00	0.00	0.00	0.00	0.00	0.00
			M3		-67.38	0.00	151.21	-1.09	0.00	5.93	-50.63	0.00	106.55	-2.04	0.00	17.17
			MIN	S2	-99.30	0.00	59.57	-99.30	0.00	-536.24	-84.22	0.00	0.79	-84.22	0.00	-504.55
				TQ	0.00	0.00	0.00	0.00	0.00	0.00	0.00	0.00	0.00	0.00	0.00	0.00
				M3	-49.07	0.00	-271.35	-81.97	0.00	-697.87	-39.98	0.00	-342.77	-63.00	0.00	-681.21
		1-LANE(case2MAX	S2		3.04	0.00	-28.46	3.04	0.00	-10.21	5.47	0.00	-50.80	5.47	0.00	-17.99
			TQ		0.00	0.00	0.00	0.00	0.00	0.00	0.00	0.00	0.00	0.00	0.00	0.00
			M3		-123.81	0.00	806.06	-38.65	0.00	140.37	-116.11	0.00	769.65	-31.50	0.00	148.47
			MIN	S2	-123.99	0.00	805.67	-123.99	0.00	61.71	-116.11	0.00	769.65	-116.11	0.00	73.00
				TQ	0.00	0.00	0.00	0.00	0.00	0.00	0.00	0.00	0.00	0.00	0.00	0.00
				M3	3.02	0.00	-28.53	-13.81	0.00	-21.57	5.43	0.00	-51.23	-10.35	0.00	-29.30
		1-LANE(case3MAX	S2		113.11	0.00	98.92	113.11	0.00	777.59	115.70	0.00	98.61	115.70	0.00	792.81
			TQ		0.00	0.00	0.00	0.00	0.00	0.00	0.00	0.00	0.00	0.00	0.00	0.00
			M3		35.00	0.00	223.30	111.19	0.00	808.87	36.17	0.00	201.27	114.69	0.00	809.83
			MIN	S2	-4.79	0.00	82.01	-4.79	0.00	53.29	-4.09	0.00	52.12	-4.09	0.00	27.57
				TQ	0.00	0.00	0.00	0.00	0.00	0.00	0.00	0.00	0.00	0.00	0.00	0.00
				M3	12.01	0.00	-18.04	0.21	0.00	-11.51	11.35	0.00	-22.73	-1.64	0.00	-25.53

BAGO RIVER BRIDGE

BLOCK [ No.2 : CROSS BEAM ][ BEAM MEMBER FORCE ]

MEMBER			1002009			3009			1002011			3011			
NODE			2009			2011			2011			2011			
NAME TITLE			SHEAR	TORQUE	MOMENT	SHEAR	TORQUE	MOMENT	SHEAR	TORQUE	MOMENT	SHEAR	TORQUE	MOMENT	
			S2 (kN)	TQ (kN·m)	M3 (kN·m)	S2 (kN)	TQ (kN·m)	M3 (kN·m)	S2 (kN)	TQ (kN·m)	M3 (kN·m)	S2 (kN)	TQ (kN·m)	M3 (kN·m)	
301	LIVE LOAD	1-LANE (case4MAX	S2	64.35	0.00	-683.53	64.35	0.00	-297.42	54.05	0.00	-597.41	54.05	0.00	-273.09
			TQ	0.00	0.00	0.00	0.00	0.00	0.00	0.00	0.00	0.00	0.00	0.00	0.00
			M3	-5.88	0.00	26.83	0.89	0.00	6.39	-16.05	0.00	72.12	1.56	0.00	13.42
		MIN	S2	-6.02	0.00	24.32	-6.02	0.00	-11.80	-17.05	0.00	62.89	-17.05	0.00	-39.44
			TQ	0.00	0.00	0.00	0.00	0.00	0.00	0.00	0.00	0.00	0.00	0.00	0.00
			M3	53.55	0.00	-770.81	49.70	0.00	-456.94	42.01	0.00	-717.82	32.94	0.00	-485.06
		2-LANES (caseMAX	S2	9.62	0.00	-72.88	9.62	0.00	-15.19	20.10	0.00	-138.99	20.10	0.00	-18.38
			TQ	0.00	0.00	0.00	0.00	0.00	0.00	0.00	0.00	0.00	0.00	0.00	0.00
			M3	-168.12	0.00	518.37	-4.46	0.00	11.83	-144.77	0.00	438.32	-6.66	0.00	31.13
		MIN	S2	-194.72	0.00	442.00	-194.72	0.00	-726.34	-172.76	0.00	350.18	-172.76	0.00	-686.37
			TQ	0.00	0.00	0.00	0.00	0.00	0.00	0.00	0.00	0.00	0.00	0.00	0.00
			M3	-36.85	0.00	-258.40	-174.78	0.00	-871.06	-25.10	0.00	-346.49	-148.07	0.00	-850.49
		2-LANES (caseMAX	S2	6.59	0.00	-55.95	6.59	0.00	-16.40	12.79	0.00	-102.93	12.79	0.00	-26.21
			TQ	0.00	0.00	0.00	0.00	0.00	0.00	0.00	0.00	0.00	0.00	0.00	0.00
			M3	-215.15	0.00	1064.08	-35.76	0.00	123.86	-199.33	0.00	990.90	-31.22	0.00	140.55
		MIN	S2	-215.30	0.00	1063.76	-215.30	0.00	-228.05	-199.33	0.00	990.90	-199.33	0.00	-205.08
			TQ	0.00	0.00	0.00	0.00	0.00	0.00	0.00	0.00	0.00	0.00	0.00	0.00
			M3	6.55	0.00	-56.05	-117.98	0.00	-307.47	12.75	0.00	-103.54	-104.19	0.00	-307.23
		2-LANES (caseMAX	S2	206.11	0.00	-52.34	206.11	0.00	1184.31	207.15	0.00	-54.97	207.15	0.00	1187.91
			TQ	0.00	0.00	0.00	0.00	0.00	0.00	0.00	0.00	0.00	0.00	0.00	0.00
			M3	40.46	0.00	228.52	204.39	0.00	1214.22	38.64	0.00	206.54	205.94	0.00	1203.21
		MIN	S2	-5.58	0.00	71.91	-5.58	0.00	38.45	-8.86	0.00	52.90	-8.86	0.00	-0.24
			TQ	0.00	0.00	0.00	0.00	0.00	0.00	0.00	0.00	0.00	0.00	0.00	0.00
			M3	115.92	0.00	-166.97	-1.23	0.00	-19.70	114.53	0.00	-171.43	-6.65	0.00	-45.74



BAGO RIVER BRIDGE

BLOCK [ No.2 : CROSS BEAM ][ BEAM MEMBER FORCE ]

MEMBER			1002009			3009			1002011			3011			
NODE			2009			2009			2011			2011			
NAME TITLE			SHEAR	TORQUE	MOMENT	SHEAR	TORQUE	MOMENT	SHEAR	TORQUE	MOMENT	SHEAR	TORQUE	MOMENT	
			S2 (kN)	TQ (kN·m)	M3 (kN·m)	S2 (kN)	TQ (kN·m)	M3 (kN·m)	S2 (kN)	TQ (kN·m)	M3 (kN·m)	S2 (kN)	TQ (kN·m)	M3 (kN·m)	
301	LIVE LOAD	2-LANES (caseMAX	S2	124.23	0.00	-1014.03	124.23	0.00	-268.63	111.25	0.00	-906.93	111.25	0.00	-239.41
			TQ	0.00	0.00	0.00	0.00	0.00	0.00	0.00	0.00	0.00	0.00	0.00	0.00
			M3	-8.18	0.00	35.85	19.30	0.00	23.80	-22.78	0.00	98.11	24.98	0.00	36.55
		MIN	S2	-8.39	0.00	33.00	-8.39	0.00	-17.37	-24.20	0.00	86.18	-24.20	0.00	-59.02
			TQ	0.00	0.00	0.00	0.00	0.00	0.00	0.00	0.00	0.00	0.00	0.00	0.00
			M3	115.06	0.00	-1090.84	83.77	0.00	-435.85	100.22	0.00	-1013.64	58.13	0.00	-472.81
		3-LANES (caseMAX	S2	10.33	0.00	-82.11	10.33	0.00	-20.14	20.96	0.00	-154.12	20.96	0.00	-28.37
			TQ	0.00	0.00	0.00	0.00	0.00	0.00	0.00	0.00	0.00	0.00	0.00	0.00
			M3	-230.60	0.00	1011.57	-31.17	0.00	109.48	-205.29	0.00	917.74	-27.98	0.00	131.63
		MIN	S2	-253.34	0.00	946.39	-253.34	0.00	-573.68	-229.09	0.00	842.83	-229.09	0.00	-531.71
			TQ	0.00	0.00	0.00	0.00	0.00	0.00	0.00	0.00	0.00	0.00	0.00	0.00
			M3	-29.19	0.00	-239.85	-158.35	0.00	-755.68	-17.49	0.00	-330.81	-133.19	0.00	-743.67
		3-LANES (caseMAX	S2	248.26	0.00	-321.66	248.26	0.00	1167.88	244.37	0.00	-317.97	244.37	0.00	1148.26
			TQ	0.00	0.00	0.00	0.00	0.00	0.00	0.00	0.00	0.00	0.00	0.00	0.00
			M3	31.82	0.00	204.29	245.44	0.00	1194.24	25.35	0.00	204.67	240.22	0.00	1163.94
		MIN	S2	-7.43	0.00	69.13	-7.43	0.00	24.53	-15.68	0.00	71.77	-15.68	0.00	-22.31
			TQ	0.00	0.00	0.00	0.00	0.00	0.00	0.00	0.00	0.00	0.00	0.00	0.00
			M3	171.12	0.00	-421.23	-2.30	0.00	-26.11	165.03	0.00	-419.60	-10.53	0.00	-64.21
		3-LANES (caseMAX	S2	187.80	0.00	-1075.60	187.80	0.00	51.17	176.65	0.00	-962.63	176.65	0.00	97.29
			TQ	0.00	0.00	0.00	0.00	0.00	0.00	0.00	0.00	0.00	0.00	0.00	0.00
			M3	-7.00	0.00	37.55	97.91	0.00	302.62	-23.02	0.00	98.42	102.35	0.00	333.46
		MIN	S2	-8.65	0.00	31.49	-8.65	0.00	-20.43	-25.49	0.00	82.36	-25.49	0.00	-70.57
			TQ	0.00	0.00	0.00	0.00	0.00	0.00	0.00	0.00	0.00	0.00	0.00	0.00
			M3	178.87	0.00	-1145.29	70.48	0.00	-379.29	165.42	0.00	-1060.62	45.53	0.00	-424.12

BAGO RIVER BRIDGE

BLOCK [ No.2 : CROSS BEAM ][ BEAM MEMBER FORCE ]

MEMBER				1002009			1002011			3009			1002011			3011				
NODE				2009			2011			2011			3011			3011				
NAME TITLE				SHEAR	TORQUE	MOMENT	SHEAR	TORQUE	MOMENT	SHEAR	TORQUE	MOMENT	SHEAR	TORQUE	MOMENT	SHEAR	TORQUE	MOMENT		
				S2 (kN)	TQ (kN·m)	M3 (kN·m)	S2 (kN)	TQ (kN·m)	M3 (kN·m)	S2 (kN)	TQ (kN·m)	M3 (kN·m)	S2 (kN)	TQ (kN·m)	M3 (kN·m)	S2 (kN)	TQ (kN·m)	M3 (kN·m)		
301	LIVE LOAD	4-LANES	MAX	S2	220.63	0.00	-707.41	220.63	0.00	616.34	210.50	0.00	-643.46	210.50	0.00	619.52				
				TQ	0.00	0.00	0.00	0.00	0.00	0.00	0.00	0.00	0.00	0.00	0.00	0.00	0.00	0.00	0.00	0.00
				M3	20.26	0.00	142.23	179.31	0.00	793.95	10.59	0.00	170.23	173.20	0.00	784.45				
			MIN	S2	-8.18	0.00	58.64	-8.18	0.00	9.54	-19.67	0.00	82.78	-19.67	0.00	-35.23				
				TQ	0.00	0.00	0.00	0.00	0.00	0.00	0.00	0.00	0.00	0.00	0.00	0.00	0.00	0.00	0.00	
				M3	155.51	0.00	-818.08	43.49	0.00	-266.31	144.12	0.00	-770.13	18.43	0.00	-306.24				
		6-LANES	MAX	S2	191.45	0.00	-545.43	191.45	0.00	603.26	190.38	0.00	-501.60	190.38	0.00	640.65				
				TQ	0.00	0.00	0.00	0.00	0.00	0.00	0.00	0.00	0.00	0.00	0.00	0.00	0.00	0.00	0.00	
				M3	-105.09	0.00	822.36	124.82	0.00	872.71	-96.38	0.00	797.91	126.67	0.00	880.72				
			MIN	S2	-154.27	0.00	585.38	-154.27	0.00	-340.25	-150.87	0.00	514.98	-150.87	0.00	-390.26				
				TQ	0.00	0.00	0.00	0.00	0.00	0.00	0.00	0.00	0.00	0.00	0.00	0.00	0.00	0.00	0.00	
				M3	132.12	0.00	-895.66	-92.00	0.00	-750.19	131.34	0.00	-908.18	-91.35	0.00	-780.90				
		LIVE LOAD	MAX	248.26	0.00	1064.08	248.26	0.00	1214.22	244.37	0.00	990.90	244.37	0.00	1203.21					
			MIN	-253.34	0.00	-1145.29	-253.34	0.00	-871.06	-229.09	0.00	-1060.62	-229.09	0.00	-850.49					
		303	SUM TOTAL	TOTAL	MAX	243.97	0.00	1024.95	243.97	0.00	1149.38	258.59	0.00	783.59	258.59	0.00	1081.19			
MIN	-257.63				0.00	-1184.42	-257.63	0.00	-935.90	-214.87	0.00	-1267.93	-214.87	0.00	-972.51					

BAGO RIVER BRIDGE

BLOCK [ No.2 : CROSS BEAM ][ BEAM MEMBER FORCE ]

MEMBER NODE	1002013 2013	3013						1002015 2015						3015					
		SHEAR			TORQUE			MOMENT			SHEAR			TORQUE			MOMENT		
		S2 (kN)	TQ (kN·m)	M3 (kN·m)	S2 (kN)	TQ (kN·m)	M3 (kN·m)	S2 (kN)	TQ (kN·m)	M3 (kN·m)	S2 (kN)	TQ (kN·m)	M3 (kN·m)	S2 (kN)	TQ (kN·m)	M3 (kN·m)			
1	PAVEMENT	14.53	0.00	-136.23	14.53	0.00	-49.04	2.40	0.00	-43.61	2.40	0.00	-29.22						
3	RAILING	-0.46	0.00	-22.68	-0.46	0.00	-25.41	0.21	0.00	-13.70	0.21	0.00	-12.41						
5	CURB	-4.51	0.00	-224.54	-4.51	0.00	-251.59	2.13	0.00	-135.59	2.13	0.00	-122.82						
7	DECK WEIGHT	20.58	0.00	-222.55	20.58	0.00	-99.07	6.21	0.00	-86.88	6.21	0.00	-49.63						
8	GIRDER WEIGH	0.15	0.00	-63.91	0.15	0.00	-62.99	15.24	0.00	-64.87	15.24	0.00	26.54						
10	MEDIAN STRIP	5.79	0.00	116.67	5.79	0.00	151.43	7.18	0.00	50.50	7.18	0.00	93.57						
21	ADITIONAL WE	5.76	0.00	-62.32	5.76	0.00	-27.74	1.74	0.00	-24.33	1.74	0.00	-13.90						
31	MEDIAN RAILI	0.48	0.00	9.42	0.48	0.00	12.30	0.58	0.00	4.30	0.58	0.00	7.79						
51	SUPPORT WEIG	-0.00	0.00	0.00	-0.00	0.00	-0.00	-0.00	0.00	0.00	-0.00	0.00	-0.00						
52	NOSE WEIGHT	0.00	0.00	0.02	0.00	0.00	0.03	0.02	0.00	-0.06	0.02	0.00	0.07						
61	1-LANE(case1TRUCK-LOAD	MAX	S2	14.26	0.00	-61.86	14.26	0.00	23.72	31.43	0.00	-94.28	31.43	0.00	94.29				
			TQ	0.00	0.00	0.00	0.00	0.00	0.00	0.00	0.00	0.00	0.00	0.00	0.00				
			M3	-7.88	0.00	6.85	11.10	0.00	33.36	-2.25	0.00	5.50	29.37	0.00	103.02				
		MIN	S2	-26.33	0.00	-42.45	-26.33	0.00	-200.45	-10.03	0.00	-55.01	-10.03	0.00	-115.20				
			TQ	0.00	0.00	0.00	0.00	0.00	0.00	0.00	0.00	0.00	0.00	0.00	0.00				
			M3	-13.80	0.00	-255.46	-13.80	0.00	-338.26	12.03	0.00	-283.00	8.23	0.00	-216.30				
		TANDEM-LOAD MAX	S2	9.72	0.00	-41.50	9.72	0.00	16.80	21.88	0.00	-62.78	21.88	0.00	68.51				
			TQ	0.00	0.00	0.00	0.00	0.00	0.00	0.00	0.00	0.00	0.00	0.00	0.00				
			M3	-10.70	0.00	10.94	6.74	0.00	23.12	5.68	0.00	10.95	18.41	0.00	71.24				
		MIN	S2	-20.04	0.00	-28.11	-20.04	0.00	-148.34	-8.78	0.00	-51.56	-8.78	0.00	-104.25				
			TQ	0.00	0.00	0.00	0.00	0.00	0.00	0.00	0.00	0.00	0.00	0.00	0.00				
			M3	-6.69	0.00	-198.96	-6.69	0.00	-239.11	11.55	0.00	-216.96	3.89	0.00	-152.03				
DISPERSION-LMAX	S2	18.19	0.00	-91.71	18.19	0.00	17.41	45.21	0.00	-197.62	45.21	0.00	73.65						
	TQ	0.00	0.00	0.00	0.00	0.00	0.00	0.00	0.00	0.00	0.00	0.00	0.00						
	M3	-5.61	0.00	10.75	17.81	0.00	33.24	-2.84	0.00	7.87	40.68	0.00	122.58						
MIN	S2	-20.62	0.00	-67.17	-20.62	0.00	-190.89	-6.55	0.00	-22.49	-6.55	0.00	-61.78						
	TQ	0.00	0.00	0.00	0.00	0.00	0.00	0.00	0.00	0.00	0.00	0.00	0.00						
	M3	3.17	0.00	-169.62	-20.24	0.00	-206.73	41.51	0.00	-227.99	-2.01	0.00	-110.71						

BAGO RIVER BRIDGE

BLOCK [ No.2 : CROSS BEAM ][ BEAM MEMBER FORCE ]

MEMBER				1002013			1002015			1002015			1002015			
NODE				2013			3013			2015			3015			
				SHEAR	TORQUE	MOMENT	SHEAR	TORQUE	MOMENT	SHEAR	TORQUE	MOMENT	SHEAR	TORQUE	MOMENT	
NAME	TITLE			S2 (kN)	TQ (kN·m)	M3 (kN·m)	S2 (kN)	TQ (kN·m)	M3 (kN·m)	S2 (kN)	TQ (kN·m)	M3 (kN·m)	S2 (kN)	TQ (kN·m)	M3 (kN·m)	
62	1-LANE (case2TRUCK-LOAD	MAX	S2	5.52	0.00	-25.96	5.52	0.00	7.15	10.46	0.00	-55.20	10.46	0.00	7.55	
			TQ	0.00	0.00	0.00	0.00	0.00	0.00	0.00	0.00	0.00	0.00	0.00	0.00	0.00
			M3	-62.43	0.00	372.39	-5.72	0.00	51.99	-55.21	0.00	306.17	0.57	0.00	54.36	
		MIN	S2	-62.43	0.00	372.39	-62.43	0.00	-2.17	-55.21	0.00	306.17	-55.21	0.00	-25.10	
			TQ	0.00	0.00	0.00	0.00	0.00	0.00	0.00	0.00	0.00	0.00	0.00	0.00	
			M3	5.35	0.00	-26.90	-62.33	0.00	-4.52	10.46	0.00	-55.20	-48.59	0.00	-34.94	
		TANDEM-LOAD MAX	S2	3.75	0.00	-18.08	3.75	0.00	4.43	8.18	0.00	-43.39	8.18	0.00	5.67	
			TQ	0.00	0.00	0.00	0.00	0.00	0.00	0.00	0.00	0.00	0.00	0.00	0.00	
			M3	-48.28	0.00	280.41	-7.41	0.00	37.75	-43.13	0.00	232.55	3.15	0.00	39.07	
		MIN	S2	-48.28	0.00	280.41	-48.28	0.00	-9.28	-43.13	0.00	232.55	-43.13	0.00	-26.26	
			TQ	0.00	0.00	0.00	0.00	0.00	0.00	0.00	0.00	0.00	0.00	0.00	0.00	
			M3	3.52	0.00	-18.37	-48.25	0.00	-9.94	8.18	0.00	-43.39	-42.53	0.00	-28.98	
		DISPERSION-LMAX	S2	6.59	0.00	-24.49	6.59	0.00	15.03	16.00	0.00	-42.84	16.00	0.00	53.17	
			TQ	0.00	0.00	0.00	0.00	0.00	0.00	0.00	0.00	0.00	0.00	0.00	0.00	
			M3	-24.17	0.00	167.88	-3.93	0.00	45.22	-16.82	0.00	110.60	10.60	0.00	64.29	
MIN	S2	-24.32	0.00	161.62	-24.32	0.00	15.67	-19.09	0.00	101.54	-19.09	0.00	-13.01			
	TQ	0.00	0.00	0.00	0.00	0.00	0.00	0.00	0.00	0.00	0.00	0.00	0.00			
	M3	6.43	0.00	-30.75	-13.81	0.00	-14.53	13.73	0.00	-51.90	-13.69	0.00	-24.12			
63	1-LANE (case3TRUCK-LOAD	MAX	S2	68.01	0.00	3.05	68.01	0.00	411.12	59.86	0.00	-41.09	59.86	0.00	318.06	
			TQ	0.00	0.00	0.00	0.00	0.00	0.00	0.00	0.00	0.00	0.00	0.00		
			M3	12.88	0.00	65.44	68.01	0.00	411.12	8.55	0.00	53.62	59.86	0.00	318.06	
		MIN	S2	-1.34	0.00	-3.71	-1.34	0.00	-11.73	-12.94	0.00	10.55	-12.94	0.00	-67.10	
			TQ	0.00	0.00	0.00	0.00	0.00	0.00	0.00	0.00	0.00	0.00	0.00	0.00	
			M3	-1.11	0.00	-9.23	-1.11	0.00	-15.90	55.70	0.00	-50.33	-12.94	0.00	-67.10	

BAGO RIVER BRIDGE

BLOCK [ No.2 : CROSS BEAM ][ BEAM MEMBER FORCE ]

MEMBER NODE	1002013 2013	3013			1002015 2015			3015							
		SHEAR	TORQUE	MOMENT	SHEAR	TORQUE	MOMENT	SHEAR	TORQUE	MOMENT					
		S2 (kN)	TQ (kN·m)	M3 (kN·m)	S2 (kN)	TQ (kN·m)	M3 (kN·m)	S2 (kN)	TQ (kN·m)	M3 (kN·m)					
63	1-LANE (case3TANDEM-LOAD	MAX	S2	51.36	0.00	-6.48	51.36	0.00	301.69	45.50	0.00	-38.66	45.50	0.00	234.37
			TQ	0.00	0.00	0.00	0.00	0.00	0.00	0.00	0.00	0.00	0.00	0.00	0.00
			M3	13.72	0.00	45.98	51.36	0.00	301.69	2.75	0.00	39.65	45.50	0.00	234.37
		MIN	S2	-0.92	0.00	-1.68	-0.92	0.00	-7.22	-9.77	0.00	8.41	-9.77	0.00	-50.18
			TQ	0.00	0.00	0.00	0.00	0.00	0.00	0.00	0.00	0.00	0.00	0.00	0.00
			M3	-0.63	0.00	-7.70	-0.63	0.00	-11.50	44.34	0.00	-41.24	-9.77	0.00	-50.18
	DISPERSION-LMAX		S2	28.57	0.00	26.44	28.57	0.00	197.88	22.33	0.00	-11.80	22.33	0.00	122.18
			TQ	0.00	0.00	0.00	0.00	0.00	0.00	0.00	0.00	0.00	0.00	0.00	0.00
			M3	13.93	0.00	48.95	27.83	0.00	204.20	-1.07	0.00	47.23	19.91	0.00	134.54
		MIN	S2	-1.76	0.00	8.16	-1.76	0.00	-2.38	-7.99	0.00	29.99	-7.99	0.00	-17.93
			TQ	0.00	0.00	0.00	0.00	0.00	0.00	0.00	0.00	0.00	0.00	0.00	0.00
			M3	12.88	0.00	-14.36	-1.02	0.00	-8.70	15.41	0.00	-29.04	-5.56	0.00	-30.29
64	1-LANE (case4TRUCK-LOAD	MAX	S2	13.79	0.00	-203.28	13.79	0.00	-120.57	2.22	0.00	-12.43	2.22	0.00	0.91
			TQ	0.00	0.00	0.00	0.00	0.00	0.00	0.00	0.00	0.00	0.00	0.00	0.00
			M3	-14.25	0.00	76.95	-7.80	0.00	6.04	-27.38	0.00	137.40	-8.82	0.00	27.47
		MIN	S2	-14.70	0.00	75.15	-14.70	0.00	-13.07	-29.38	0.00	135.19	-29.38	0.00	-41.12
			TQ	0.00	0.00	0.00	0.00	0.00	0.00	0.00	0.00	0.00	0.00	0.00	0.00
			M3	1.20	0.00	-282.20	1.20	0.00	-274.99	-8.02	0.00	-165.54	-13.64	0.00	-240.56
	TANDEM-LOAD	MAX	S2	9.76	0.00	-130.48	9.76	0.00	-71.90	1.52	0.00	-8.43	1.52	0.00	0.67
			TQ	0.00	0.00	0.00	0.00	0.00	0.00	0.00	0.00	0.00	0.00	0.00	0.00
			M3	-9.91	0.00	52.30	-4.88	0.00	5.86	-19.23	0.00	93.83	-4.04	0.00	25.79
		MIN	S2	-10.00	0.00	52.03	-10.00	0.00	-7.98	-20.14	0.00	91.17	-20.14	0.00	-29.66
			TQ	0.00	0.00	0.00	0.00	0.00	0.00	0.00	0.00	0.00	0.00	0.00	0.00
			M3	-0.83	0.00	-194.48	-0.83	0.00	-199.47	-6.95	0.00	-116.56	-11.45	0.00	-169.43

BAGO RIVER BRIDGE

BLOCK [ No.2 : CROSS BEAM ][ BEAM MEMBER FORCE ]

MEMBER NODE	1002013 2013	3013			1002015 2015			3015							
		SHEAR	TORQUE	MOMENT	SHEAR	TORQUE	MOMENT	SHEAR	TORQUE	MOMENT					
		S2 (kN)	TQ (kN·m)	M3 (kN·m)	S2 (kN)	TQ (kN·m)	M3 (kN·m)	S2 (kN)	TQ (kN·m)	M3 (kN·m)					
64	1-LANE (case4DISPERSION-LMAX	S2	10.61	0.00	-177.52	10.61	0.00	-113.86	3.55	0.00	-30.96	3.55	0.00	-9.67	
		TQ	0.00	0.00	0.00	0.00	0.00	0.00	0.00	0.00	0.00	0.00	0.00	0.00	
		M3	-15.94	0.00	83.03	-1.13	0.00	1.77	-36.60	0.00	161.10	-1.03	0.00	7.39	
	MIN	S2	-17.01	0.00	43.45	-17.01	0.00	-58.62	-42.83	0.00	82.50	-42.83	0.00	-174.49	
		TQ	0.00	0.00	0.00	0.00	0.00	0.00	0.00	0.00	0.00	0.00	0.00	0.00	
		M3	9.54	0.00	-217.09	-5.27	0.00	-174.25	-2.68	0.00	-109.56	-38.25	0.00	-191.55	
65	2-LANES (caseTRUCK-LOAD	MAX	S2	24.17	0.00	-106.07	24.17	0.00	38.92	50.92	0.00	-158.09	50.92	0.00	147.45
		TQ	0.00	0.00	0.00	0.00	0.00	0.00	0.00	0.00	0.00	0.00	0.00	0.00	
		M3	-64.43	0.00	157.00	20.79	0.00	48.83	-42.10	0.00	103.33	48.34	0.00	157.63	
	MIN	S2	-82.88	0.00	107.70	-82.88	0.00	-389.60	-49.88	0.00	42.82	-49.88	0.00	-256.49	
		TQ	0.00	0.00	0.00	0.00	0.00	0.00	0.00	0.00	0.00	0.00	0.00	0.00	
		M3	-3.90	0.00	-299.67	-70.21	0.00	-527.54	31.33	0.00	-347.31	-31.62	0.00	-357.59	
	TANDEM-LOAD	MAX	S2	16.46	0.00	-71.54	16.46	0.00	27.23	35.13	0.00	-106.70	35.13	0.00	104.06
		TQ	0.00	0.00	0.00	0.00	0.00	0.00	0.00	0.00	0.00	0.00	0.00	0.00	
		M3	-52.62	0.00	122.18	13.15	0.00	33.64	-24.41	0.00	85.20	30.95	0.00	108.48	
	MIN	S2	-61.96	0.00	83.13	-61.96	0.00	-288.64	-38.87	0.00	22.69	-38.87	0.00	-210.51	
		TQ	0.00	0.00	0.00	0.00	0.00	0.00	0.00	0.00	0.00	0.00	0.00	0.00	
		M3	0.02	0.00	-229.03	-48.57	0.00	-379.45	24.74	0.00	-260.96	-26.20	0.00	-258.28	
	DISPERSION-LMAX	S2	30.29	0.00	-143.97	30.29	0.00	37.77	74.00	0.00	-285.57	74.00	0.00	158.42	
		TQ	0.00	0.00	0.00	0.00	0.00	0.00	0.00	0.00	0.00	0.00	0.00	0.00	
		M3	-32.68	0.00	89.74	29.68	0.00	54.28	-16.66	0.00	48.20	69.34	0.00	207.66	
	MIN	S2	-49.25	0.00	10.79	-49.25	0.00	-284.74	-23.13	0.00	12.96	-23.13	0.00	-125.80	
		TQ	0.00	0.00	0.00	0.00	0.00	0.00	0.00	0.00	0.00	0.00	0.00	0.00	
		M3	13.71	0.00	-222.93	-48.64	0.00	-301.24	67.53	0.00	-320.81	-18.47	0.00	-175.04	

BAGO RIVER BRIDGE

BLOCK [ No.2 : CROSS BEAM ][ BEAM MEMBER FORCE ]

MEMBER				1002013			1002015			3015						
NODE				2013			3013			2015						
				SHEAR	TORQUE	MOMENT	SHEAR	TORQUE	MOMENT	SHEAR	TORQUE	MOMENT				
NAME	TITLE			S2 (kN)	TQ (kN·m)	M3 (kN·m)	S2 (kN)	TQ (kN·m)	M3 (kN·m)	S2 (kN)	TQ (kN·m)	M3 (kN·m)				
66	2-LANES (caseTRUCK-LOAD	MAX	S2	15.42	0.00	-70.17	15.42	0.00	22.35	29.95	0.00	-119.02	29.95	0.00	60.70	
			TQ	0.00	0.00	0.00	0.00	0.00	0.00	0.00	0.00	0.00	0.00	0.00	0.00	0.00
			M3	-118.98	0.00	522.55	3.97	0.00	67.46	-95.07	0.00	404.00	19.54	0.00	108.98	
		MIN	S2	-118.98	0.00	522.55	-118.98	0.00	-191.33	-95.07	0.00	404.00	-95.07	0.00	-166.39	
			TQ	0.00	0.00	0.00	0.00	0.00	0.00	0.00	0.00	0.00	0.00	0.00	0.00	0.00
			M3	15.25	0.00	-71.11	-118.73	0.00	-193.81	29.76	0.00	-119.51	-88.44	0.00	-176.23	
		TANDEM-LOAD MAX	S2	10.50	0.00	-48.13	10.50	0.00	14.86	21.42	0.00	-87.32	21.42	0.00	41.22	
			TQ	0.00	0.00	0.00	0.00	0.00	0.00	0.00	0.00	0.00	0.00	0.00	0.00	0.00
			M3	-90.20	0.00	391.64	-1.00	0.00	48.27	-73.22	0.00	306.80	15.69	0.00	76.32	
		MIN	S2	-90.20	0.00	391.64	-90.20	0.00	-149.58	-73.22	0.00	306.80	-73.22	0.00	-132.51	
			TQ	0.00	0.00	0.00	0.00	0.00	0.00	0.00	0.00	0.00	0.00	0.00	0.00	0.00
			M3	10.24	0.00	-48.43	-90.14	0.00	-150.27	21.37	0.00	-87.39	-72.62	0.00	-135.23	
		DISPERSION-LMAX	S2	18.69	0.00	-76.75	18.69	0.00	35.39	44.79	0.00	-130.79	44.79	0.00	137.93	
			TQ	0.00	0.00	0.00	0.00	0.00	0.00	0.00	0.00	0.00	0.00	0.00	0.00	0.00
			M3	-51.24	0.00	246.88	7.95	0.00	66.25	-30.63	0.00	150.93	39.27	0.00	149.36	
MIN	S2	-52.96	0.00	239.57	-52.96	0.00	-78.18	-35.67	0.00	136.99	-35.67	0.00	-77.02			
	TQ	0.00	0.00	0.00	0.00	0.00	0.00	0.00	0.00	0.00	0.00	0.00	0.00	0.00		
	M3	16.97	0.00	-84.05	-42.22	0.00	-109.04	39.75	0.00	-144.73	-30.15	0.00	-88.46			
67	2-LANES (caseTRUCK-LOAD	MAX	S2	139.68	0.00	-115.14	139.68	0.00	722.95	118.82	0.00	-159.53	118.82	0.00	553.40	
			TQ	0.00	0.00	0.00	0.00	0.00	0.00	0.00	0.00	0.00	0.00	0.00	0.00	
			M3	7.51	0.00	91.75	139.68	0.00	722.95	-3.80	0.00	108.15	118.82	0.00	553.40	
		MIN	S2	-6.87	0.00	21.95	-6.87	0.00	-19.26	-28.80	0.00	51.33	-28.80	0.00	-121.48	
			TQ	0.00	0.00	0.00	0.00	0.00	0.00	0.00	0.00	0.00	0.00	0.00	0.00	0.00
			M3	69.82	0.00	-128.01	-4.88	0.00	-28.14	114.66	0.00	-168.78	-28.80	0.00	-121.48	

BAGO RIVER BRIDGE

BLOCK [ No.2 : CROSS BEAM ][ BEAM MEMBER FORCE ]

MEMBER NODE	1002013 2013	3013			1002015 2015	3015									
		SHEAR	TORQUE	MOMENT		SHEAR	TORQUE	MOMENT							
		S2 (kN)	TQ (kN·m)	M3 (kN·m)		S2 (kN)	TQ (kN·m)	M3 (kN·m)							
NAME TITLE															
67	2-LANES (caseTANDEM-LOAD	MAX	S2	105.23	0.00	-99.50	105.23	0.00	531.90	90.34	0.00	-132.31	90.34	0.00	409.75
			TQ	0.00	0.00	0.00	0.00	0.00	0.00	0.00	0.00	0.00	0.00	0.00	0.00
			M3	10.03	0.00	64.00	105.23	0.00	531.90	-5.73	0.00	76.95	90.34	0.00	409.75
		MIN	S2	-4.70	0.00	15.73	-4.70	0.00	-12.48	-20.68	0.00	34.65	-20.68	0.00	-89.45
			TQ	0.00	0.00	0.00	0.00	0.00	0.00	0.00	0.00	0.00	0.00	0.00	0.00
			M3	53.03	0.00	-100.89	-3.48	0.00	-20.11	89.18	0.00	-134.89	-20.68	0.00	-89.45
	DISPERSION-LMAX		S2	60.41	0.00	-18.79	60.41	0.00	343.66	45.28	0.00	-64.87	45.28	0.00	206.80
			TQ	0.00	0.00	0.00	0.00	0.00	0.00	0.00	0.00	0.00	0.00	0.00	0.00
			M3	10.37	0.00	82.01	59.05	0.00	352.02	-18.83	0.00	122.13	40.76	0.00	224.39
		MIN	S2	-7.90	0.00	34.60	-7.90	0.00	-12.78	-26.47	0.00	103.30	-26.47	0.00	-55.50
			TQ	0.00	0.00	0.00	0.00	0.00	0.00	0.00	0.00	0.00	0.00	0.00	0.00
			M3	42.14	0.00	-66.19	-6.54	0.00	-21.14	37.64	0.00	-83.70	-21.94	0.00	-73.09
68	2-LANES (caseTRUCK-LOAD	MAX	S2	44.48	0.00	-416.96	44.48	0.00	-150.07	19.71	0.00	-148.96	19.71	0.00	-30.69
			TQ	0.00	0.00	0.00	0.00	0.00	0.00	0.00	0.00	0.00	0.00	0.00	0.00
			M3	-24.60	0.00	129.16	-7.41	0.00	6.22	-48.86	0.00	234.77	-7.90	0.00	27.89
		MIN	S2	-25.06	0.00	127.09	-25.06	0.00	-23.26	-50.95	0.00	232.27	-50.95	0.00	-73.43
			TQ	0.00	0.00	0.00	0.00	0.00	0.00	0.00	0.00	0.00	0.00	0.00	0.00
			M3	31.90	0.00	-495.88	17.87	0.00	-312.84	8.98	0.00	-303.86	-10.29	0.00	-294.20
	TANDEM-LOAD	MAX	S2	31.91	0.00	-282.39	31.91	0.00	-90.92	14.60	0.00	-106.13	14.60	0.00	-18.53
			TQ	0.00	0.00	0.00	0.00	0.00	0.00	0.00	0.00	0.00	0.00	0.00	0.00
			M3	-16.98	0.00	88.01	-4.59	0.00	5.98	-33.87	0.00	160.34	-3.53	0.00	26.11
		MIN	S2	-17.07	0.00	87.74	-17.07	0.00	-14.67	-34.82	0.00	156.76	-34.82	0.00	-52.15
			TQ	0.00	0.00	0.00	0.00	0.00	0.00	0.00	0.00	0.00	0.00	0.00	0.00
			M3	21.32	0.00	-346.39	11.10	0.00	-226.01	6.13	0.00	-214.25	-10.53	0.00	-206.10



BAGO RIVER BRIDGE

BLOCK [ No.2 : CROSS BEAM ][ BEAM MEMBER FORCE ]

MEMBER NODE	1002013 2013	3013			1002015 2015			3015							
		SHEAR	TORQUE	MOMENT	SHEAR	TORQUE	MOMENT	SHEAR	TORQUE	MOMENT					
		S2 (kN)	TQ (kN·m)	M3 (kN·m)	S2 (kN)	TQ (kN·m)	M3 (kN·m)	S2 (kN)	TQ (kN·m)	M3 (kN·m)					
68	2-LANES (caseDISPERSION-LMAX	S2	29.38	0.00	-321.54	29.38	0.00	-145.25	12.18	0.00	-103.97	12.18	0.00	-30.91	
		TQ	0.00	0.00	0.00	0.00	0.00	0.00	0.00	0.00	0.00	0.00	0.00	0.00	
		M3	-27.07	0.00	139.51	5.20	0.00	9.12	-64.61	0.00	278.60	1.97	0.00	12.01	
	MIN	S2	-28.39	0.00	98.33	-28.39	0.00	-71.98	-72.05	0.00	191.83	-72.05	0.00	-240.46	
		TQ	0.00	0.00	0.00	0.00	0.00	0.00	0.00	0.00	0.00	0.00	0.00	0.00	
		M3	28.06	0.00	-362.72	-4.20	0.00	-226.35	4.73	0.00	-190.74	-61.84	0.00	-283.38	
69	3-LANES (caseTRUCK-LOAD	MAX	S2	29.68	0.00	-132.03	29.68	0.00	46.07	61.38	0.00	-213.30	61.38	0.00	154.99
		TQ	0.00	0.00	0.00	0.00	0.00	0.00	0.00	0.00	0.00	0.00	0.00	0.00	
		M3	-126.86	0.00	529.40	15.07	0.00	100.82	-97.32	0.00	409.50	48.91	0.00	211.99	
	MIN	S2	-145.31	0.00	480.10	-145.31	0.00	-391.77	-105.10	0.00	349.00	-105.10	0.00	-281.59	
		TQ	0.00	0.00	0.00	0.00	0.00	0.00	0.00	0.00	0.00	0.00	0.00	0.00	
		M3	1.45	0.00	-326.57	-132.53	0.00	-532.06	41.79	0.00	-402.52	-80.21	0.00	-392.53	
	TANDEM-LOAD	MAX	S2	20.21	0.00	-89.63	20.21	0.00	31.66	43.30	0.00	-150.09	43.30	0.00	109.73
		TQ	0.00	0.00	0.00	0.00	0.00	0.00	0.00	0.00	0.00	0.00	0.00	0.00	
		M3	-100.90	0.00	402.59	5.74	0.00	71.39	-67.54	0.00	317.74	34.10	0.00	147.55	
	MIN	S2	-110.24	0.00	363.54	-110.24	0.00	-297.93	-82.00	0.00	255.24	-82.00	0.00	-236.77	
		TQ	0.00	0.00	0.00	0.00	0.00	0.00	0.00	0.00	0.00	0.00	0.00	0.00	
		M3	3.54	0.00	-247.39	-96.83	0.00	-389.39	32.92	0.00	-304.36	-68.73	0.00	-287.26	
	DISPERSION-LMAX	S2	36.88	0.00	-168.46	36.88	0.00	52.80	90.00	0.00	-328.41	90.00	0.00	211.59	
		TQ	0.00	0.00	0.00	0.00	0.00	0.00	0.00	0.00	0.00	0.00	0.00	0.00	
		M3	-56.84	0.00	257.62	25.76	0.00	99.50	-33.47	0.00	158.80	79.94	0.00	271.94	
	MIN	S2	-73.58	0.00	172.40	-73.58	0.00	-269.07	-42.22	0.00	114.50	-42.22	0.00	-138.81	
		TQ	0.00	0.00	0.00	0.00	0.00	0.00	0.00	0.00	0.00	0.00	0.00	0.00	
		M3	20.14	0.00	-253.68	-62.46	0.00	-315.77	81.26	0.00	-372.71	-32.16	0.00	-199.16	

BAGO RIVER BRIDGE

BLOCK [ No.2 : CROSS BEAM ][ BEAM MEMBER FORCE ]

MEMBER				1002013			1002015			1002015			1002015			
NODE				2013			3013			2015			3015			
NAME TITLE				SHEAR	TORQUE	MOMENT	SHEAR	TORQUE	MOMENT	SHEAR	TORQUE	MOMENT	SHEAR	TORQUE	MOMENT	
				S2 (kN)	TQ (kN·m)	M3 (kN·m)	S2 (kN)	TQ (kN·m)	M3 (kN·m)	S2 (kN)	TQ (kN·m)	M3 (kN·m)	S2 (kN)	TQ (kN·m)	M3 (kN·m)	
70	3-LANES (caseTRUCK-LOAD	MAX	S2	181.83	0.00	-301.81	181.83	0.00	789.18	145.93	0.00	-291.52	145.93	0.00	584.08	
			TQ	0.00	0.00	0.00	0.00	0.00	0.00	0.00	0.00	0.00	0.00	0.00	0.00	0.00
			M3	-2.34	0.00	141.14	181.83	0.00	789.18	-24.41	0.00	200.84	143.75	0.00	0.00	585.08
		MIN	S2	-16.73	0.00	71.24	-16.73	0.00	-29.13	-49.49	0.00	144.00	-49.49	0.00	-152.94	
			TQ	0.00	0.00	0.00	0.00	0.00	0.00	0.00	0.00	0.00	0.00	0.00	0.00	0.00
			M3	111.97	0.00	-314.69	-2.57	0.00	-40.87	141.78	0.00	-300.77	-49.23	0.00	0.00	-153.18
	TANDEM-LOAD	MAX	S2	136.12	0.00	-235.08	136.12	0.00	581.66	110.65	0.00	-229.00	110.65	0.00	434.89	
			TQ	0.00	0.00	0.00	0.00	0.00	0.00	0.00	0.00	0.00	0.00	0.00	0.00	0.00
			M3	3.32	0.00	97.73	136.12	0.00	581.66	-19.77	0.00	140.16	110.04	0.00	0.00	435.17
		MIN	S2	-11.41	0.00	49.47	-11.41	0.00	-19.02	-34.77	0.00	97.44	-34.77	0.00	-111.16	
			TQ	0.00	0.00	0.00	0.00	0.00	0.00	0.00	0.00	0.00	0.00	0.00	0.00	0.00
			M3	83.92	0.00	-236.46	-1.79	0.00	-28.95	109.49	0.00	-231.58	-34.69	0.00	0.00	-111.19
	DISPERSION-LMAX	MAX	S2	83.19	0.00	-135.39	83.19	0.00	363.78	58.47	0.00	-137.17	58.47	0.00	213.65	
			TQ	0.00	0.00	0.00	0.00	0.00	0.00	0.00	0.00	0.00	0.00	0.00	0.00	0.00
			M3	-0.43	0.00	136.32	75.23	0.00	383.12	-45.58	0.00	233.86	49.41	0.00	0.00	239.96
	MIN	S2	-18.84	0.00	87.24	-18.84	0.00	-25.79	-53.96	0.00	211.05	-53.96	0.00	-112.68		
		TQ	0.00	0.00	0.00	0.00	0.00	0.00	0.00	0.00	0.00	0.00	0.00	0.00	0.00	
		M3	64.78	0.00	-184.47	-10.87	0.00	-45.13	50.09	0.00	-159.98	-44.89	0.00	0.00	-138.99	
71	3-LANES (caseTRUCK-LOAD	MAX	S2	104.69	0.00	-562.15	104.69	0.00	66.00	69.05	0.00	-271.93	69.05	0.00	142.36	
			TQ	0.00	0.00	0.00	0.00	0.00	0.00	0.00	0.00	0.00	0.00	0.00	0.00	0.00
			M3	-30.59	0.00	157.94	52.68	0.00	224.20	-62.60	0.00	293.32	41.44	0.00	0.00	200.94
		MIN	S2	-31.10	0.00	155.57	-31.10	0.00	-31.02	-66.44	0.00	277.78	-66.44	0.00	-120.84	
			TQ	0.00	0.00	0.00	0.00	0.00	0.00	0.00	0.00	0.00	0.00	0.00	0.00	0.00
			M3	92.11	0.00	-641.07	12.72	0.00	-323.74	58.32	0.00	-426.83	-25.73	0.00	0.00	-341.92

BAGO RIVER BRIDGE

BLOCK [ No.2 : CROSS BEAM ][ BEAM MEMBER FORCE ]

MEMBER NODE	1002013 2013	3013			1002015 2015			3015								
		SHEAR	TORQUE	MOMENT	SHEAR	TORQUE	MOMENT	SHEAR	TORQUE	MOMENT						
		S2 (kN)	TQ (kN·m)	M3 (kN·m)	S2 (kN)	TQ (kN·m)	M3 (kN·m)	S2 (kN)	TQ (kN·m)	M3 (kN·m)						
71	3-LANES (case)	TANDEM-LOAD	MAX	S2	77.04	0.00	-391.74	77.04	0.00	70.50	52.22	0.00	-200.78	52.22	0.00	112.52
				TQ	0.00	0.00	0.00	0.00	0.00	0.00	0.00	0.00	0.00	0.00	0.00	0.00
				M3	-21.03	0.00	107.67	40.50	0.00	167.94	-43.09	0.00	200.35	34.08	0.00	157.15
			MIN	S2	-21.20	0.00	107.13	-21.20	0.00	-20.08	-45.50	0.00	188.59	-45.50	0.00	-84.42
				TQ	0.00	0.00	0.00	0.00	0.00	0.00	0.00	0.00	0.00	0.00	0.00	0.00
				M3	66.45	0.00	-455.74	7.67	0.00	-233.75	43.75	0.00	-308.91	-20.85	0.00	-239.76
		DISPERSION-LMAX		S2	57.21	0.00	-393.34	57.21	0.00	-50.10	30.54	0.00	-157.74	30.54	0.00	25.51
				TQ	0.00	0.00	0.00	0.00	0.00	0.00	0.00	0.00	0.00	0.00	0.00	0.00
				M3	-33.05	0.00	169.80	32.21	0.00	108.41	-84.33	0.00	354.52	19.19	0.00	74.68
			MIN	S2	-34.98	0.00	126.09	-34.98	0.00	-83.78	-92.26	0.00	266.71	-92.26	0.00	-286.84
				TQ	0.00	0.00	0.00	0.00	0.00	0.00	0.00	0.00	0.00	0.00	0.00	0.00
				M3	55.28	0.00	-437.05	-9.98	0.00	-242.30	22.62	0.00	-245.56	-80.91	0.00	-336.01
72	4-LANES	TRUCK-LOAD	MAX	S2	185.67	0.00	-540.55	185.67	0.00	573.48	137.23	0.00	-300.96	137.23	0.00	522.42
				TQ	0.00	0.00	0.00	0.00	0.00	0.00	0.00	0.00	0.00	0.00	0.00	0.00
				M3	-16.64	0.00	217.27	163.61	0.00	701.66	-52.50	0.00	340.55	116.74	0.00	559.62
			MIN	S2	-31.94	0.00	149.14	-31.94	0.00	-42.50	-79.31	0.00	283.72	-79.31	0.00	-192.13
				TQ	0.00	0.00	0.00	0.00	0.00	0.00	0.00	0.00	0.00	0.00	0.00	0.00
				M3	103.83	0.00	-619.60	6.01	0.00	-313.85	125.25	0.00	-473.98	-42.67	0.00	-394.95
		TANDEM-LOAD	MAX	S2	138.18	0.00	-384.57	138.18	0.00	444.52	104.26	0.00	-313.42	104.26	0.00	312.14
				TQ	0.00	0.00	0.00	0.00	0.00	0.00	0.00	0.00	0.00	0.00	0.00	0.00
				M3	-15.88	0.00	149.73	123.50	0.00	519.80	-39.55	0.00	235.95	92.85	0.00	421.75
			MIN	S2	-21.78	0.00	103.48	-21.78	0.00	-27.17	-55.13	0.00	193.98	-55.13	0.00	-136.77
				TQ	0.00	0.00	0.00	0.00	0.00	0.00	0.00	0.00	0.00	0.00	0.00	0.00
				M3	128.58	0.00	-450.31	3.72	0.00	-226.95	96.68	0.00	-351.44	-31.03	0.00	-281.43

BAGO RIVER BRIDGE

BLOCK [ No.2 : CROSS BEAM ][ BEAM MEMBER FORCE ]

MEMBER			1002013						1002015								
NODE			2013			3013			2015			3015					
			SHEAR	TORQUE	MOMENT	SHEAR	TORQUE	MOMENT	SHEAR	TORQUE	MOMENT	SHEAR	TORQUE	MOMENT			
NAME	TITLE		S2 (kN)	TQ (kN·m)	M3 (kN·m)	S2 (kN)	TQ (kN·m)	M3 (kN·m)	S2 (kN)	TQ (kN·m)	M3 (kN·m)	S2 (kN)	TQ (kN·m)	M3 (kN·m)			
72	4-LANES	DISPERSION-LMAX	S2	90.86	0.00	-333.09	90.86	0.00	212.08	50.83	0.00	-113.34	50.83	0.00	191.64		
			TQ	0.00	0.00	0.00	0.00	0.00	0.00	0.00	0.00	0.00	0.00	0.00	0.00	0.00	
			M3	-12.21	0.00	193.07	68.70	0.00	362.19	-72.93	0.00	346.04	43.36	0.00	0.00	233.91	
		MIN	S2	-31.04	0.00	106.22	-31.04	0.00	-80.03	-87.81	0.00	241.39	-87.81	0.00	0.00	-285.50	
			TQ	0.00	0.00	0.00	0.00	0.00	0.00	0.00	0.00	0.00	0.00	0.00	0.00	0.00	
			M3	70.41	0.00	-415.91	-8.50	0.00	-232.09	35.78	0.00	-212.66	-80.35	0.00	0.00	-327.03	
		73	6-LANES	TRUCK-LOAD MAX	S2	172.64	0.00	-419.00	172.64	0.00	616.87	159.18	0.00	-311.91	159.18	0.00	643.16
					TQ	0.00	0.00	0.00	0.00	0.00	0.00	0.00	0.00	0.00	0.00	0.00	0.00
					M3	-96.93	0.00	683.97	136.64	0.00	784.55	-107.20	0.00	670.06	140.59	0.00	0.00
MIN	S2			-129.46	0.00	401.35	-129.46	0.00	-375.40	-137.96	0.00	419.15	-137.96	0.00	0.00	-408.59	
	TQ			0.00	0.00	0.00	0.00	0.00	0.00	0.00	0.00	0.00	0.00	0.00	0.00	0.00	
	M3			124.32	0.00	-836.27	-88.09	0.00	-753.72	117.51	0.00	-755.63	-89.26	0.00	0.00	-680.95	
TANDEM-LOAD MAX	S2			127.02	0.00	-316.12	127.02	0.00	445.98	118.10	0.00	-246.27	118.10	0.00	0.00	462.35	
	TQ			0.00	0.00	0.00	0.00	0.00	0.00	0.00	0.00	0.00	0.00	0.00	0.00	0.00	
	M3			-75.62	0.00	510.39	100.87	0.00	575.39	-73.41	0.00	496.54	106.20	0.00	0.00	519.13	
MIN	S2	-96.27	0.00	327.56	-96.27	0.00	-250.06	-102.85	0.00	308.71	-102.85	0.00	0.00	-308.40			
	TQ	0.00	0.00	0.00	0.00	0.00	0.00	0.00	0.00	0.00	0.00	0.00	0.00	0.00			
	M3	94.28	0.00	-617.45	-65.13	0.00	-547.77	92.57	0.00	-568.28	-71.31	0.00	0.00	-491.90			
DISPERSION-LMAX	S2	113.31	0.00	-434.89	113.31	0.00	244.97	127.07	0.00	-423.37	127.07	0.00	0.00	339.02			
	TQ	0.00	0.00	0.00	0.00	0.00	0.00	0.00	0.00	0.00	0.00	0.00	0.00	0.00			
	M3	-60.03	0.00	432.22	83.82	0.00	432.21	-100.26	0.00	497.92	106.38	0.00	0.00	451.65			
MIN	S2	-94.09	0.00	274.11	-94.09	0.00	-290.42	-123.58	0.00	349.29	-123.58	0.00	0.00	-392.17			
	TQ	0.00	0.00	0.00	0.00	0.00	0.00	0.00	0.00	0.00	0.00	0.00	0.00	0.00			
	M3	75.93	0.00	-610.11	-61.25	0.00	-492.00	104.67	0.00	-556.60	-98.97	0.00	0.00	-488.18			

BAGO RIVER BRIDGE

BLOCK [ No.2 : CROSS BEAM ][ BEAM MEMBER FORCE ]

MEMBER			1002013						1002015						
NODE			2013			3013			2015			3015			
NAME TITLE			SHEAR	TORQUE	MOMENT	SHEAR	TORQUE	MOMENT	SHEAR	TORQUE	MOMENT	SHEAR	TORQUE	MOMENT	
			S2 (kN)	TQ (kN·m)	M3 (kN·m)	S2 (kN)	TQ (kN·m)	M3 (kN·m)	S2 (kN)	TQ (kN·m)	M3 (kN·m)	S2 (kN)	TQ (kN·m)	M3 (kN·m)	
124	SUM TOTAL	D+1LANE (caseMAX	S2	81.28	0.00	-790.41	81.28	0.00	-302.71	127.67	0.00	-664.51	127.67	0.00	101.53
			TQ	42.34	0.00	-606.12	42.34	0.00	-352.07	35.70	0.00	-314.23	35.70	0.00	-100.01
			M3	26.16	0.00	-585.01	77.04	0.00	-272.15	29.59	0.00	-298.19	119.76	0.00	170.71
		MIN	S2	-14.00	0.00	-737.67	-14.00	0.00	-821.68	15.81	0.00	-407.23	15.81	0.00	-312.38
			TQ	42.34	0.00	-606.12	42.34	0.00	-352.07	35.70	0.00	-314.23	35.70	0.00	-100.01
			M3	29.59	0.00	-1116.22	1.49	0.00	-1006.06	99.95	0.00	-927.42	43.17	0.00	-492.42
		D+1LANE (caseMAX	S2	56.86	0.00	-666.66	56.86	0.00	-325.47	67.46	0.00	-431.88	67.46	0.00	-27.15
			TQ	42.34	0.00	-606.12	42.34	0.00	-352.07	35.70	0.00	-314.23	35.70	0.00	-100.01
			M3	-61.57	0.00	42.20	30.77	0.00	-235.42	-50.73	0.00	185.90	49.11	0.00	42.37
		MIN	S2	-61.76	0.00	34.69	-61.76	0.00	-335.88	-53.46	0.00	175.03	-53.46	0.00	-145.73
			TQ	42.34	0.00	-606.12	42.34	0.00	-352.07	35.70	0.00	-314.23	35.70	0.00	-100.01
			M3	56.48	0.00	-675.31	-49.03	0.00	-374.93	64.73	0.00	-442.75	-39.03	0.00	-170.88
		D+1LANE (caseMAX	S2	158.24	0.00	-570.73	158.24	0.00	378.72	134.33	0.00	-377.69	134.33	0.00	428.28
			TQ	42.34	0.00	-606.12	42.34	0.00	-352.07	35.70	0.00	-314.23	35.70	0.00	-100.01
			M3	74.52	0.00	-468.85	157.35	0.00	386.31	44.68	0.00	-193.21	131.42	0.00	443.11
		MIN	S2	38.63	0.00	-600.79	38.63	0.00	-369.01	10.59	0.00	-265.58	10.59	0.00	-202.04
			TQ	42.34	0.00	-606.12	42.34	0.00	-352.07	35.70	0.00	-314.23	35.70	0.00	-100.01
			M3	56.47	0.00	-634.43	39.79	0.00	-381.59	121.04	0.00	-409.47	13.50	0.00	-216.88
		D+1LANE (caseMAX	S2	71.62	0.00	-1063.08	71.62	0.00	-633.38	42.63	0.00	-366.30	42.63	0.00	-110.53
			TQ	42.34	0.00	-606.12	42.34	0.00	-352.07	35.70	0.00	-314.23	35.70	0.00	-100.01
			M3	6.12	0.00	-414.15	31.63	0.00	-342.70	-41.07	0.00	43.97	23.88	0.00	-58.17
		MIN	S2	4.28	0.00	-463.81	4.28	0.00	-438.11	-50.95	0.00	-53.01	-50.95	0.00	-358.73
			TQ	42.34	0.00	-606.12	42.34	0.00	-352.07	35.70	0.00	-314.23	35.70	0.00	-100.01
			M3	55.23	0.00	-1205.27	37.46	0.00	-891.16	22.87	0.00	-644.35	-26.56	0.00	-618.54

BAGO RIVER BRIDGE

BLOCK [ No.2 : CROSS BEAM ][ BEAM MEMBER FORCE ]

MEMBER			1002013						1002015						
NODE			2013			3013			2015			3015			
NAME TITLE			SHEAR	TORQUE	MOMENT	SHEAR	TORQUE	MOMENT	SHEAR	TORQUE	MOMENT	SHEAR	TORQUE	MOMENT	
			S2 (kN)	TQ (kN·m)	M3 (kN·m)	S2 (kN)	TQ (kN·m)	M3 (kN·m)	S2 (kN)	TQ (kN·m)	M3 (kN·m)	S2 (kN)	TQ (kN·m)	M3 (kN·m)	
124	SUM TOTAL	D+2LANES (casMAX	S2	96.80	0.00	-856.17	96.80	0.00	-275.38	160.63	0.00	-757.89	160.63	0.00	205.86
			TQ	42.34	0.00	-606.12	42.34	0.00	-352.07	35.70	0.00	-314.23	35.70	0.00	-100.01
			M3	-54.76	0.00	-359.38	92.81	0.00	-248.97	-23.06	0.00	-162.70	153.39	0.00	265.28
		MIN	S2	-89.80	0.00	-487.64	-89.80	0.00	-1026.42	-37.31	0.00	-258.45	-37.31	0.00	-482.30
			TQ	42.34	0.00	-606.12	42.34	0.00	-352.07	35.70	0.00	-314.23	35.70	0.00	-100.01
			M3	52.16	0.00	-1128.72	-76.51	0.00	-1180.86	134.56	0.00	-982.36	-14.39	0.00	-632.63
		D+2LANES (casMAX	S2	76.45	0.00	-753.04	76.45	0.00	-294.34	110.44	0.00	-564.03	110.44	0.00	98.63
			TQ	42.34	0.00	-606.12	42.34	0.00	-352.07	35.70	0.00	-314.23	35.70	0.00	-100.01
			M3	-127.88	0.00	163.30	54.26	0.00	-218.36	-89.99	0.00	240.70	94.51	0.00	158.33
		MIN	S2	-129.60	0.00	156.00	-129.60	0.00	-621.58	-95.03	0.00	226.76	-95.03	0.00	-343.42
			TQ	42.34	0.00	-606.12	42.34	0.00	-352.07	35.70	0.00	-314.23	35.70	0.00	-100.01
			M3	74.56	0.00	-761.29	-118.61	0.00	-654.92	105.21	0.00	-578.47	-82.89	0.00	-364.69
		D+2LANES (casMAX	S2	242.43	0.00	-740.05	242.43	0.00	714.54	199.80	0.00	-538.63	199.80	0.00	660.19
			TQ	42.34	0.00	-606.12	42.34	0.00	-352.07	35.70	0.00	-314.23	35.70	0.00	-100.01
			M3	60.21	0.00	-432.37	241.07	0.00	722.89	13.08	0.00	-83.95	195.28	0.00	677.78
		MIN	S2	27.58	0.00	-549.57	27.58	0.00	-384.12	-19.56	0.00	-159.60	-19.56	0.00	-276.98
			TQ	42.34	0.00	-606.12	42.34	0.00	-352.07	35.70	0.00	-314.23	35.70	0.00	-100.01
			M3	154.30	0.00	-800.33	30.92	0.00	-401.35	188.01	0.00	-566.71	-15.04	0.00	-294.57
		D+2LANES (casMAX	S2	116.20	0.00	-1344.62	116.20	0.00	-647.39	67.59	0.00	-567.16	67.59	0.00	-161.61
			TQ	42.34	0.00	-606.12	42.34	0.00	-352.07	35.70	0.00	-314.23	35.70	0.00	-100.01
			M3	-9.32	0.00	-337.45	40.13	0.00	-336.74	-77.76	0.00	199.14	29.77	0.00	-60.10
		MIN	S2	-11.10	0.00	-380.70	-11.10	0.00	-447.32	-87.29	0.00	109.87	-87.29	0.00	-413.89
			TQ	42.34	0.00	-606.12	42.34	0.00	-352.07	35.70	0.00	-314.23	35.70	0.00	-100.01
			M3	102.30	0.00	-1464.72	56.01	0.00	-891.26	49.42	0.00	-808.83	-36.43	0.00	-677.58

BAGO RIVER BRIDGE

BLOCK [ No.2 : CROSS BEAM ][ BEAM MEMBER FORCE ]

MEMBER			1002013						1002015							
NODE			2013			3013			2015			3015				
NAME TITLE			SHEAR	TORQUE	MOMENT	SHEAR	TORQUE	MOMENT	SHEAR	TORQUE	MOMENT	SHEAR	TORQUE	MOMENT		
			S2 (kN)	TQ (kN·m)	M3 (kN·m)	S2 (kN)	TQ (kN·m)	M3 (kN·m)	S2 (kN)	TQ (kN·m)	M3 (kN·m)	S2 (kN)	TQ (kN·m)	M3 (kN·m)		
124	SUM TOTAL	D+3LANES (casMAX	S2	98.92	0.00	-861.54	98.92	0.00	-268.04	164.38	0.00	-774.68	164.38	0.00	211.59	
			TQ	42.34	0.00	-606.12	42.34	0.00	-352.07	35.70	0.00	-314.23	35.70	0.00	-100.01	
			M3	-113.80	0.00	62.84	77.04	0.00	-181.80	-75.47	0.00	168.83	145.23	0.00	311.34	
		MIN	S2	-143.72	0.00	-51.50	-143.72	0.00	-913.79	-89.51	0.00	79.74	-89.51	0.00	-457.34	
			TQ	42.34	0.00	-606.12	42.34	0.00	-352.07	35.70	0.00	-314.23	35.70	0.00	-100.01	
			M3	60.70	0.00	-1099.34	-123.40	0.00	-1072.73	140.29	0.00	-973.17	-59.81	0.00	-602.94	
		D+3LANES (casMAX	S2	267.61	0.00	-977.75	267.61	0.00	627.94	209.45	0.00	-678.62	209.45	0.00	578.07	
			TQ	42.34	0.00	-606.12	42.34	0.00	-352.07	35.70	0.00	-314.23	35.70	0.00	-100.01	
			M3	39.99	0.00	-370.28	260.84	0.00	644.38	-23.79	0.00	55.27	199.89	0.00	601.28	
		MIN	S2	12.11	0.00	-471.41	12.11	0.00	-398.75	-52.22	0.00	-12.43	-52.22	0.00	-325.78	
			TQ	42.34	0.00	-606.12	42.34	0.00	-352.07	35.70	0.00	-314.23	35.70	0.00	-100.01	
			M3	192.58	0.00	-1030.41	30.92	0.00	-425.17	198.79	0.00	-705.86	-44.30	0.00	-348.35	
		D+3LANES (casMAX	S2	179.96	0.00	-1418.29	179.96	0.00	-338.56	120.36	0.00	-679.45	120.36	0.00	42.69	
			TQ	42.34	0.00	-606.12	42.34	0.00	-352.07	35.70	0.00	-314.23	35.70	0.00	-100.01	
			M3	-11.75	0.00	-327.54	114.50	0.00	-69.35	-89.19	0.00	236.44	87.24	0.00	134.28	
		MIN	S2	-13.82	0.00	-366.71	-13.82	0.00	-449.65	-99.19	0.00	148.58	-99.19	0.00	-446.53	
			TQ	42.34	0.00	-606.12	42.34	0.00	-352.07	35.70	0.00	-314.23	35.70	0.00	-100.01	
			M3	167.62	0.00	-1522.52	44.67	0.00	-833.20	104.50	0.00	-885.77	-54.94	0.00	-676.24	
		D+4LANES	MAX	S2	222.09	0.00	-1173.99	222.09	0.00	158.54	157.94	0.00	-583.53	157.94	0.00	364.13
			TQ	42.34	0.00	-606.12	42.34	0.00	-352.07	35.70	0.00	-314.23	35.70	0.00	-100.01	
			M3	23.59	0.00	-339.41	193.34	0.00	339.42	-45.83	0.00	132.05	139.77	0.00	415.79	
		MIN	S2	1.40	0.00	-440.14	1.40	0.00	-431.71	-72.93	0.00	27.09	-72.93	0.00	-410.46	
			TQ	42.34	0.00	-606.12	42.34	0.00	-352.07	35.70	0.00	-314.23	35.70	0.00	-100.01	
			M3	155.60	0.00	-1279.20	40.73	0.00	-706.93	140.37	0.00	-760.55	-44.26	0.00	-569.29	

BAGO RIVER BRIDGE

BLOCK [ No.2 : CROSS BEAM ][ BEAM MEMBER FORCE ]

MEMBER				1002013			1002015									
NODE				2013			2015									
NAME TITLE				SHEAR	TORQUE	MOMENT	SHEAR	TORQUE	MOMENT	SHEAR	TORQUE	MOMENT	SHEAR	TORQUE	MOMENT	
				S2 (kN)	TQ (kN·m)	M3 (kN·m)	S2 (kN)	TQ (kN·m)	M3 (kN·m)	S2 (kN)	TQ (kN·m)	M3 (kN·m)	S2 (kN)	TQ (kN·m)	M3 (kN·m)	
124	SUM TOTAL	D+6LANES	MAX	S2	228.21	0.00	-1161.15	228.21	0.00	208.12	221.76	0.00	-792.16	221.76	0.00	538.41
				TQ	42.34	0.00	-606.12	42.34	0.00	-352.07	35.70	0.00	-314.23	35.70	0.00	-100.01
				M3	-59.68	0.00	119.40	185.64	0.00	438.82	-99.14	0.00	444.95	196.23	0.00	653.32
			MIN	S2	-102.96	0.00	-167.07	-102.96	0.00	-784.86	-134.29	0.00	185.26	-134.29	0.00	-620.50
				TQ	42.34	0.00	-606.12	42.34	0.00	-352.07	35.70	0.00	-314.23	35.70	0.00	-100.01
				M3	172.50	0.00	-1546.27	-54.73	0.00	-1161.79	180.12	0.00	-1167.18	-86.65	0.00	-859.94
	SUM TOTAL		MAX		267.61	0.00	163.30	267.61	0.00	722.89	221.76	0.00	444.95	221.76	0.00	677.78
			MIN		-143.72	0.00	-1546.27	-143.72	0.00	-1180.86	-134.29	0.00	-1167.18	-134.29	0.00	-859.94
300	DEAD LOAD	TOTAL			42.34	0.00	-606.12	42.34	0.00	-352.07	35.70	0.00	-314.23	35.70	0.00	-100.01
301	LIVE LOAD	1-LANE(case1MAX	S2		38.94	0.00	-184.28	38.94	0.00	49.36	91.97	0.00	-350.28	91.97	0.00	201.53
			TQ		0.00	0.00	0.00	0.00	0.00	0.00	0.00	0.00	0.00	0.00	0.00	0.00
			M3		-16.18	0.00	21.12	34.69	0.00	79.92	-6.11	0.00	16.04	84.06	0.00	270.71
			MIN	S2	-56.34	0.00	-131.55	-56.34	0.00	-469.61	-19.90	0.00	-93.00	-19.90	0.00	-212.38
				TQ	0.00	0.00	0.00	0.00	0.00	0.00	0.00	0.00	0.00	0.00	0.00	0.00
				M3	-12.75	0.00	-510.10	-40.85	0.00	-653.98	64.24	0.00	-613.19	7.46	0.00	-392.41
		1-LANE(case2MAX	S2		14.52	0.00	-60.53	14.52	0.00	26.61	31.75	0.00	-117.65	31.75	0.00	72.85
			TQ		0.00	0.00	0.00	0.00	0.00	0.00	0.00	0.00	0.00	0.00	0.00	0.00
			M3		-103.92	0.00	648.33	-11.57	0.00	116.66	-86.44	0.00	500.13	13.40	0.00	142.38
			MIN	S2	-104.10	0.00	640.81	-104.10	0.00	16.20	-89.16	0.00	489.26	-89.16	0.00	-45.73
				TQ	0.00	0.00	0.00	0.00	0.00	0.00	0.00	0.00	0.00	0.00	0.00	0.00
				M3	14.13	0.00	-69.18	-91.37	0.00	-22.86	29.02	0.00	-128.52	-74.73	0.00	-70.87
		1-LANE(case3MAX	S2		115.90	0.00	35.39	115.90	0.00	730.80	98.62	0.00	-63.46	98.62	0.00	528.28
			TQ		0.00	0.00	0.00	0.00	0.00	0.00	0.00	0.00	0.00	0.00	0.00	0.00
			M3		32.18	0.00	137.28	115.01	0.00	738.39	8.97	0.00	121.02	95.71	0.00	543.12
			MIN	S2	-3.71	0.00	5.34	-3.71	0.00	-16.93	-25.11	0.00	48.65	-25.11	0.00	-102.04
				TQ	0.00	0.00	0.00	0.00	0.00	0.00	0.00	0.00	0.00	0.00	0.00	0.00
				M3	14.13	0.00	-28.30	-2.55	0.00	-29.52	85.33	0.00	-95.24	-22.21	0.00	-116.87



BAGO RIVER BRIDGE

BLOCK [ No.2 : CROSS BEAM ][ BEAM MEMBER FORCE ]

MEMBER			1002013						1002015								
NODE			2013			3013			2015			3015					
NAME TITLE			SHEAR	TORQUE	MOMENT	SHEAR	TORQUE	MOMENT	SHEAR	TORQUE	MOMENT	SHEAR	TORQUE	MOMENT			
			S2 (kN)	TQ (kN·m)	M3 (kN·m)	S2 (kN)	TQ (kN·m)	M3 (kN·m)	S2 (kN)	TQ (kN·m)	M3 (kN·m)	S2 (kN)	TQ (kN·m)	M3 (kN·m)			
301	LIVE LOAD	1-LANE (case4MAX	S2	29.27	0.00	-456.95	29.27	0.00	-281.31	6.92	0.00	-52.07	6.92	0.00	-10.52		
			TQ	0.00	0.00	0.00	0.00	0.00	0.00	0.00	0.00	0.00	0.00	0.00	0.00		
			M3	-36.22	0.00	191.97	-10.71	0.00	9.37	-76.78	0.00	358.20	-11.82	0.00	0.00	41.83	
			MIN	S2	-38.06	0.00	142.32	-38.06	0.00	-86.03	-86.66	0.00	261.22	-86.66	0.00	0.00	-258.73
			TQ	0.00	0.00	0.00	0.00	0.00	0.00	0.00	0.00	0.00	0.00	0.00	0.00	0.00	
			M3	12.89	0.00	-599.15	-4.89	0.00	-539.08	-12.84	0.00	-330.12	-62.26	0.00	0.00	-518.54	
		2-LANES (caseMAX	S2	54.46	0.00	-250.05	54.46	0.00	76.70	124.92	0.00	-443.66	124.92	0.00	0.00	305.87	
			TQ	0.00	0.00	0.00	0.00	0.00	0.00	0.00	0.00	0.00	0.00	0.00	0.00	0.00	
			M3	-97.11	0.00	246.75	50.47	0.00	103.10	-58.76	0.00	151.53	117.68	0.00	0.00	365.28	
			MIN	S2	-132.14	0.00	118.49	-132.14	0.00	-674.34	-73.01	0.00	55.78	-73.01	0.00	0.00	-382.29
			TQ	0.00	0.00	0.00	0.00	0.00	0.00	0.00	0.00	0.00	0.00	0.00	0.00	0.00	
			M3	9.82	0.00	-522.60	-118.85	0.00	-828.78	98.86	0.00	-668.13	-50.09	0.00	0.00	-532.63	
		2-LANES (caseMAX	S2	34.11	0.00	-146.92	34.11	0.00	57.74	74.74	0.00	-249.80	74.74	0.00	0.00	198.64	
			TQ	0.00	0.00	0.00	0.00	0.00	0.00	0.00	0.00	0.00	0.00	0.00	0.00	0.00	
			M3	-170.22	0.00	769.42	11.91	0.00	133.71	-125.70	0.00	554.93	58.80	0.00	0.00	258.34	
			MIN	S2	-171.94	0.00	762.12	-171.94	0.00	-269.50	-130.73	0.00	540.99	-130.73	0.00	0.00	-243.42
			TQ	0.00	0.00	0.00	0.00	0.00	0.00	0.00	0.00	0.00	0.00	0.00	0.00	0.00	
			M3	32.22	0.00	-155.17	-160.95	0.00	-302.85	69.51	0.00	-264.24	-118.59	0.00	0.00	-264.68	
		2-LANES (caseMAX	S2	200.09	0.00	-133.93	200.09	0.00	1066.61	164.10	0.00	-224.40	164.10	0.00	0.00	760.19	
			TQ	0.00	0.00	0.00	0.00	0.00	0.00	0.00	0.00	0.00	0.00	0.00	0.00	0.00	
			M3	17.87	0.00	173.75	198.73	0.00	1074.97	-22.63	0.00	230.28	159.58	0.00	0.00	777.79	
MIN	S2		-14.77	0.00	56.55	-14.77	0.00	-32.05	-55.27	0.00	154.63	-55.27	0.00	0.00	-176.98		
TQ	0.00		0.00	0.00	0.00	0.00	0.00	0.00	0.00	0.00	0.00	0.00	0.00	0.00			
M3	111.96		0.00	-194.20	-11.42	0.00	-49.28	152.30	0.00	-252.48	-50.74	0.00	0.00	-194.57			

BAGO RIVER BRIDGE

BLOCK [ No.2 : CROSS BEAM ][ BEAM MEMBER FORCE ]

MEMBER			1002013						1002015								
NODE			2013			3013			2015			3015					
NAME TITLE			SHEAR	TORQUE	MOMENT	SHEAR	TORQUE	MOMENT	SHEAR	TORQUE	MOMENT	SHEAR	TORQUE	MOMENT			
			S2 (kN)	TQ (kN·m)	M3 (kN·m)	S2 (kN)	TQ (kN·m)	M3 (kN·m)	S2 (kN)	TQ (kN·m)	M3 (kN·m)	S2 (kN)	TQ (kN·m)	M3 (kN·m)			
301	LIVE LOAD	2-LANES (caseMAX	S2	73.86	0.00	-738.50	73.86	0.00	-295.32	31.89	0.00	-252.93	31.89	0.00	-61.60		
			TQ	0.00	0.00	0.00	0.00	0.00	0.00	0.00	0.00	0.00	0.00	0.00	0.00		
			M3	-51.67	0.00	268.67	-2.21	0.00	15.33	-113.46	0.00	513.37	-5.93	0.00	0.00	39.90	
			MIN	S2	-53.44	0.00	225.42	-53.44	0.00	-95.24	-123.00	0.00	424.10	-123.00	0.00	0.00	-313.89
			TQ	0.00	0.00	0.00	0.00	0.00	0.00	0.00	0.00	0.00	0.00	0.00	0.00	0.00	
			M3	59.96	0.00	-858.59	13.66	0.00	-539.19	13.71	0.00	-494.60	-72.13	0.00	0.00	-577.58	
		3-LANES (caseMAX	S2	56.58	0.00	-255.42	56.58	0.00	84.04	128.67	0.00	-460.45	128.67	0.00	0.00	311.59	
			TQ	0.00	0.00	0.00	0.00	0.00	0.00	0.00	0.00	0.00	0.00	0.00	0.00	0.00	
			M3	-156.15	0.00	668.97	34.70	0.00	170.27	-111.17	0.00	483.06	109.52	0.00	0.00	411.34	
			MIN	S2	-186.06	0.00	554.63	-186.06	0.00	-561.72	-125.22	0.00	393.97	-125.22	0.00	0.00	-357.34
			TQ	0.00	0.00	0.00	0.00	0.00	0.00	0.00	0.00	0.00	0.00	0.00	0.00	0.00	
			M3	18.35	0.00	-493.21	-165.74	0.00	-720.66	104.59	0.00	-658.94	-95.52	0.00	0.00	-502.94	
		3-LANES (caseMAX	S2	225.27	0.00	-371.62	225.27	0.00	980.01	173.74	0.00	-364.39	173.74	0.00	0.00	678.07	
			TQ	0.00	0.00	0.00	0.00	0.00	0.00	0.00	0.00	0.00	0.00	0.00	0.00	0.00	
			M3	-2.35	0.00	235.84	218.50	0.00	996.46	-59.49	0.00	369.50	164.19	0.00	0.00	701.28	
			MIN	S2	-30.23	0.00	134.71	-30.23	0.00	-46.68	-87.93	0.00	301.80	-87.93	0.00	0.00	-225.77
			TQ	0.00	0.00	0.00	0.00	0.00	0.00	0.00	0.00	0.00	0.00	0.00	0.00	0.00	
			M3	150.24	0.00	-424.28	-11.42	0.00	-73.10	163.09	0.00	-391.63	-80.01	0.00	0.00	-248.34	
		3-LANES (caseMAX	S2	137.61	0.00	-812.16	137.61	0.00	13.52	84.65	0.00	-365.22	84.65	0.00	0.00	142.69	
			TQ	0.00	0.00	0.00	0.00	0.00	0.00	0.00	0.00	0.00	0.00	0.00	0.00	0.00	
			M3	-54.09	0.00	278.58	72.15	0.00	282.72	-124.89	0.00	550.67	51.54	0.00	0.00	234.28	
			MIN	S2	-56.17	0.00	239.42	-56.17	0.00	-97.58	-134.89	0.00	462.82	-134.89	0.00	0.00	-346.53
			TQ	0.00	0.00	0.00	0.00	0.00	0.00	0.00	0.00	0.00	0.00	0.00	0.00	0.00	
			M3	125.28	0.00	-916.40	2.33	0.00	-481.13	68.80	0.00	-571.53	-90.64	0.00	0.00	-576.24	

BAGO RIVER BRIDGE

BLOCK [ No.2 : CROSS BEAM ][ BEAM MEMBER FORCE ]

MEMBER					1002013			1002015			3015						
NODE					2013			3013			2015						
NAME TITLE					SHEAR	TORQUE	MOMENT	SHEAR	TORQUE	MOMENT	SHEAR	TORQUE	MOMENT				
					S2 (kN)	TQ (kN·m)	M3 (kN·m)	S2 (kN)	TQ (kN·m)	M3 (kN·m)	S2 (kN)	TQ (kN·m)	M3 (kN·m)				
301	LIVE LOAD	4-LANES	MAX	S2	179.75	0.00	-567.87	179.75	0.00	510.61	122.24	0.00	-269.30	122.24	0.00	464.14	
				TQ	0.00	0.00	0.00	0.00	0.00	0.00	0.00	0.00	0.00	0.00	0.00	0.00	0.00
				M3	-18.75	0.00	266.72	151.00	0.00	691.50	-81.54	0.00	446.28	104.07	0.00	515.79	
		MIN	S2	-40.94	0.00	165.98	-40.94	0.00	-79.64	-108.63	0.00	341.32	-108.63	0.00	-310.46		
			TQ	0.00	0.00	0.00	0.00	0.00	0.00	0.00	0.00	0.00	0.00	0.00	0.00	0.00	
			M3	113.25	0.00	-673.08	-1.62	0.00	-354.86	104.67	0.00	-446.32	-79.96	0.00	-469.28		
	6-LANES	MAX	S2	185.87	0.00	-555.02	185.87	0.00	560.20	186.06	0.00	-477.93	186.06	0.00	638.42		
			TQ	0.00	0.00	0.00	0.00	0.00	0.00	0.00	0.00	0.00	0.00	0.00	0.00		
			M3	-102.02	0.00	725.52	143.30	0.00	790.89	-134.85	0.00	759.18	160.53	0.00	753.33		
		MIN	S2	-145.31	0.00	439.05	-145.31	0.00	-432.79	-170.00	0.00	499.49	-170.00	0.00	-520.50		
			TQ	0.00	0.00	0.00	0.00	0.00	0.00	0.00	0.00	0.00	0.00	0.00	0.00		
			M3	130.16	0.00	-940.15	-97.07	0.00	-809.72	144.42	0.00	-852.95	-122.35	0.00	-759.93		
	LIVE LOAD	MAX			225.27	0.00	769.42	225.27	0.00	1074.97	186.06	0.00	759.18	186.06	0.00	777.79	
		MIN			-186.06	0.00	-940.15	-186.06	0.00	-828.78	-170.00	0.00	-852.95	-170.00	0.00	-759.93	
303	SUM TOTAL	TOTAL	MAX		267.61	0.00	163.30	267.61	0.00	722.89	221.76	0.00	444.95	221.76	0.00	677.78	
			MIN		-143.72	0.00	-1546.27	-143.72	0.00	-1180.86	-134.29	0.00	-1167.18	-134.29	0.00	-859.94	

BAGO RIVER BRIDGE

BLOCK [ No.2 : CROSS BEAM ][ BEAM MEMBER FORCE ]

MEMBER NODE	1002017 2017	3017			1002019 2019			3019							
		SHEAR	TORQUE	MOMENT	SHEAR	TORQUE	MOMENT	SHEAR	TORQUE	MOMENT					
		S2 (kN)	TQ (kN·m)	M3 (kN·m)	S2 (kN)	TQ (kN·m)	M3 (kN·m)	S2 (kN)	TQ (kN·m)	M3 (kN·m)					
1	PAVEMENT	-8.20	0.00	21.26	-8.20	0.00	-27.94	-0.21	0.00	16.44	-0.21	0.00	15.21		
3	RAILING	0.39	0.00	-1.24	0.39	0.00	1.13	0.22	0.00	-12.36	0.22	0.00	-11.02		
5	CURB	3.90	0.00	-12.23	3.90	0.00	11.16	2.22	0.00	-122.41	2.22	0.00	-109.08		
7	DECK WEIGHT	-8.19	0.00	21.28	-8.19	0.00	-27.85	3.08	0.00	1.00	3.08	0.00	19.49		
8	GIRDER WEIGH	25.73	0.00	-62.10	25.73	0.00	92.27	20.05	0.00	-7.86	20.05	0.00	112.47		
10	MEDIAN STRIP	6.45	0.00	-14.45	6.45	0.00	24.26	8.67	0.00	51.78	8.67	0.00	103.78		
21	ADITIONAL WE	-2.29	0.00	5.96	-2.29	0.00	-7.80	0.86	0.00	0.28	0.86	0.00	5.46		
31	MEDIAN RAILI	0.52	0.00	-1.15	0.52	0.00	1.96	0.70	0.00	4.37	0.70	0.00	8.55		
51	SUPPORT WEIG	-0.00	0.00	0.00	-0.00	0.00	-0.00	-0.00	0.00	0.00	-0.00	0.00	-0.00		
52	NOSE WEIGHT	0.03	0.00	-0.07	0.03	0.00	0.09	0.04	0.00	-0.14	0.04	0.00	0.08		
61	1-LANE(case1TRUCK-LOAD	MAX	S2	23.44	0.00	-59.71	23.44	0.00	80.93	33.53	0.00	-104.60	33.53	0.00	96.55
			TQ	0.00	0.00	0.00	0.00	0.00	0.00	0.00	0.00	0.00	0.00	0.00	0.00
			M3	-1.88	0.00	4.60	23.44	0.00	80.93	-1.50	0.00	3.14	30.91	0.00	104.88
		MIN	S2	-1.88	0.00	4.60	-1.88	0.00	-6.68	-13.45	0.00	-62.96	-13.45	0.00	-143.67
			TQ	0.00	0.00	0.00	0.00	0.00	0.00	0.00	0.00	0.00	0.00	0.00	0.00
			M3	23.44	0.00	-59.78	-1.88	0.00	-6.68	9.43	0.00	-277.39	5.17	0.00	-226.64
		TANDEM-LOAD MAX	S2	16.00	0.00	-40.56	16.00	0.00	55.41	23.11	0.00	-68.70	23.11	0.00	69.97
			TQ	0.00	0.00	0.00	0.00	0.00	0.00	0.00	0.00	0.00	0.00	0.00	0.00
			M3	-1.28	0.00	3.13	16.00	0.00	55.41	6.16	0.00	8.46	19.26	0.00	72.37
		MIN	S2	-1.28	0.00	3.13	-1.28	0.00	-4.56	-11.20	0.00	-42.33	-11.20	0.00	-109.51
			TQ	0.00	0.00	0.00	0.00	0.00	0.00	0.00	0.00	0.00	0.00	0.00	0.00
			M3	15.88	0.00	-40.77	-1.28	0.00	-4.56	9.85	0.00	-213.65	1.67	0.00	-159.29
		DISPERSION-LMAX	S2	49.03	0.00	-125.60	49.03	0.00	168.61	47.97	0.00	-209.35	47.97	0.00	78.44
			TQ	0.00	0.00	0.00	0.00	0.00	0.00	0.00	0.00	0.00	0.00	0.00	0.00
			M3	-2.91	0.00	7.04	49.03	0.00	168.61	-1.49	0.00	4.09	44.04	0.00	125.09
MIN	S2	-2.91	0.00	7.04	-2.91	0.00	-10.41	-6.43	0.00	-27.27	-6.43	0.00	-65.85		
	TQ	0.00	0.00	0.00	0.00	0.00	0.00	0.00	0.00	0.00	0.00	0.00	0.00		
	M3	49.03	0.00	-125.60	-2.91	0.00	-10.41	43.02	0.00	-240.72	-2.51	0.00	-112.50		

BAGO RIVER BRIDGE

BLOCK [ No.2 : CROSS BEAM ] [ BEAM MEMBER FORCE ]

MEMBER				1002017			1002019			3019						
NODE				2017			3017			2019						
				SHEAR	TORQUE	MOMENT	SHEAR	TORQUE	MOMENT	SHEAR	TORQUE	MOMENT				
NAME	TITLE			S2 (kN)	TQ (kN·m)	M3 (kN·m)	S2 (kN)	TQ (kN·m)	M3 (kN·m)	S2 (kN)	TQ (kN·m)	M3 (kN·m)				
62	1-LANE (case2TRUCK-LOAD	MAX	S2	8.39	0.00	-21.06	8.39	0.00	29.28	11.75	0.00	-42.48	11.75	0.00	28.00	
			TQ	0.00	0.00	0.00	0.00	0.00	0.00	0.00	0.00	0.00	0.00	0.00	0.00	0.00
			M3	-0.51	0.00	1.16	8.39	0.00	29.28	-56.53	0.00	314.84	-1.57	0.00	52.42	
		MIN	S2	-0.51	0.00	1.15	-0.51	0.00	-1.91	-56.53	0.00	314.84	-56.53	0.00	-24.32	
			TQ	0.00	0.00	0.00	0.00	0.00	0.00	0.00	0.00	0.00	0.00	0.00	0.00	0.00
			M3	8.39	0.00	-21.06	-0.51	0.00	-1.91	10.89	0.00	-58.93	-49.71	0.00	-34.21	
		TANDEM-LOAD MAX	S2	5.71	0.00	-14.34	5.71	0.00	19.94	8.27	0.00	-44.72	8.27	0.00	4.92	
			TQ	0.00	0.00	0.00	0.00	0.00	0.00	0.00	0.00	0.00	0.00	0.00	0.00	0.00
			M3	-0.35	0.00	0.79	5.26	0.00	20.08	-43.95	0.00	238.20	1.62	0.00	37.55	
		MIN	S2	-0.35	0.00	0.79	-0.35	0.00	-1.29	-43.95	0.00	238.20	-43.95	0.00	-25.50	
			TQ	0.00	0.00	0.00	0.00	0.00	0.00	0.00	0.00	0.00	0.00	0.00	0.00	0.00
			M3	5.71	0.00	-14.34	-0.34	0.00	-1.29	8.27	0.00	-44.72	-43.30	0.00	-28.20	
		DISPERSION-LMAX	S2	18.22	0.00	-43.24	18.22	0.00	66.09	17.65	0.00	-51.74	17.65	0.00	54.15	
			TQ	0.00	0.00	0.00	0.00	0.00	0.00	0.00	0.00	0.00	0.00	0.00	0.00	0.00
			M3	-0.79	0.00	1.71	18.22	0.00	66.09	-17.67	0.00	119.69	11.63	0.00	66.93	
MIN	S2	-0.79	0.00	1.71	-0.79	0.00	-3.03	-19.48	0.00	107.94	-19.48	0.00	-8.91			
	TQ	0.00	0.00	0.00	0.00	0.00	0.00	0.00	0.00	0.00	0.00	0.00	0.00	0.00		
	M3	18.22	0.00	-43.24	-0.79	0.00	-3.03	15.85	0.00	-63.48	-13.45	0.00	-21.70			
63	1-LANE (case3TRUCK-LOAD	MAX	S2	0.54	0.00	-1.51	0.54	0.00	1.74	60.02	0.00	-33.47	60.02	0.00	326.67	
			TQ	0.00	0.00	0.00	0.00	0.00	0.00	0.00	0.00	0.00	0.00	0.00	0.00	
			M3	-7.41	0.00	19.05	0.54	0.00	1.75	6.97	0.00	61.85	60.02	0.00	326.67	
		MIN	S2	-7.41	0.00	19.05	-7.41	0.00	-25.38	-12.63	0.00	5.90	-12.63	0.00	-69.88	
			TQ	0.00	0.00	0.00	0.00	0.00	0.00	0.00	0.00	0.00	0.00	0.00	0.00	0.00
			M3	0.54	0.00	-1.51	-7.41	0.00	-25.38	56.18	0.00	-44.10	-12.63	0.00	-69.88	

BAGO RIVER BRIDGE

BLOCK [ No.2 : CROSS BEAM ][ BEAM MEMBER FORCE ]

MEMBER NODE	1002017 2017	3017			1002019 2019			3019							
		SHEAR	TORQUE	MOMENT	SHEAR	TORQUE	MOMENT	SHEAR	TORQUE	MOMENT					
		S2 (kN)	TQ (kN·m)	M3 (kN·m)	S2 (kN)	TQ (kN·m)	M3 (kN·m)	S2 (kN)	TQ (kN·m)	M3 (kN·m)					
63	1-LANE (case3TANDEM-LOAD	MAX	S2	0.37	0.00	-1.02	0.37	0.00	1.19	45.75	0.00	-33.45	45.75	0.00	241.03
			TQ	0.00	0.00	0.00	0.00	0.00	0.00	0.00	0.00	0.00	0.00	0.00	0.00
			M3	-5.25	0.00	13.51	0.37	0.00	1.19	1.71	0.00	44.99	45.75	0.00	241.03
		MIN	S2	-5.25	0.00	13.51	-5.25	0.00	-17.96	-9.58	0.00	5.93	-9.58	0.00	-51.56
			TQ	0.00	0.00	0.00	0.00	0.00	0.00	0.00	0.00	0.00	0.00	0.00	0.00
			M3	0.37	0.00	-1.03	-5.25	0.00	-17.96	44.67	0.00	-36.41	-9.58	0.00	-51.56
	DISPERSION-LMAX		S2	1.48	0.00	-3.92	1.48	0.00	4.97	22.51	0.00	-8.06	22.51	0.00	126.98
			TQ	0.00	0.00	0.00	0.00	0.00	0.00	0.00	0.00	0.00	0.00	0.00	0.00
			M3	-8.90	0.00	23.06	1.48	0.00	4.98	0.46	0.00	47.69	19.64	0.00	142.22
		MIN	S2	-8.90	0.00	23.05	-8.90	0.00	-30.37	-7.24	0.00	30.01	-7.24	0.00	-13.44
			TQ	0.00	0.00	0.00	0.00	0.00	0.00	0.00	0.00	0.00	0.00	0.00	0.00
			M3	1.48	0.00	-3.93	-8.90	0.00	-30.37	14.81	0.00	-25.74	-4.37	0.00	-28.68
64	1-LANE (case4TRUCK-LOAD	MAX	S2	1.92	0.00	-4.98	1.92	0.00	6.56	3.04	0.00	-112.52	3.04	0.00	-94.25
			TQ	0.00	0.00	0.00	0.00	0.00	0.00	0.00	0.00	0.00	0.00	0.00	0.00
			M3	-22.63	0.00	56.27	1.92	0.00	6.56	-28.99	0.00	142.10	-8.60	0.00	29.78
		MIN	S2	-22.64	0.00	56.24	-22.64	0.00	-79.61	-30.16	0.00	136.86	-30.16	0.00	-44.08
			TQ	0.00	0.00	0.00	0.00	0.00	0.00	0.00	0.00	0.00	0.00	0.00	0.00
			M3	1.92	0.00	-4.98	-22.64	0.00	-79.61	-4.85	0.00	-166.12	-11.77	0.00	-234.47
	TANDEM-LOAD	MAX	S2	1.31	0.00	-3.39	1.31	0.00	4.47	2.61	0.00	-69.32	2.61	0.00	-53.67
			TQ	0.00	0.00	0.00	0.00	0.00	0.00	0.00	0.00	0.00	0.00	0.00	0.00
			M3	-15.41	0.00	38.40	1.31	0.00	4.47	-19.62	0.00	97.02	-3.93	0.00	26.99
		MIN	S2	-15.41	0.00	38.40	-15.41	0.00	-54.05	-20.55	0.00	94.89	-20.55	0.00	-28.43
			TQ	0.00	0.00	0.00	0.00	0.00	0.00	0.00	0.00	0.00	0.00	0.00	0.00
			M3	1.31	0.00	-3.39	-15.39	0.00	-54.29	-5.01	0.00	-118.65	-10.73	0.00	-170.18

BAGO RIVER BRIDGE

BLOCK [ No.2 : CROSS BEAM ][ BEAM MEMBER FORCE ]

MEMBER		1002017						1002019									
NODE		2017			3017			2019			3019						
		SHEAR	TORQUE	MOMENT	SHEAR	TORQUE	MOMENT	SHEAR	TORQUE	MOMENT	SHEAR	TORQUE	MOMENT				
NAME	TITLE	S2 (kN)	TQ (kN·m)	M3 (kN·m)	S2 (kN)	TQ (kN·m)	M3 (kN·m)	S2 (kN)	TQ (kN·m)	M3 (kN·m)	S2 (kN)	TQ (kN·m)	M3 (kN·m)				
64	1-LANE (case4DISPERSION-LMAX	S2	3.03	0.00	-7.90	3.03	0.00	10.29	3.35	0.00	-44.94	3.35	0.00	-24.87			
		TQ	0.00	0.00	0.00	0.00	0.00	0.00	0.00	0.00	0.00	0.00	0.00	0.00			
		M3	-44.54	0.00	112.12	3.03	0.00	10.29	-40.89	0.00	190.89	-1.76	0.00	7.97			
		MIN	S2	-44.54	0.00	112.12	-44.54	0.00	-155.13	-45.31	0.00	139.50	-45.31	0.00	-132.35		
		TQ	0.00	0.00	0.00	0.00	0.00	0.00	0.00	0.00	0.00	0.00	0.00	0.00			
		M3	3.03	0.00	-7.90	-44.54	0.00	-155.13	-1.08	0.00	-96.33	-40.20	0.00	-165.19			
		65	2-LANES (caseTRUCK-LOAD	MAX	S2	39.22	0.00	-99.31	39.22	0.00	136.00	55.03	0.00	-180.79	55.03	0.00	149.38
				TQ	0.00	0.00	0.00	0.00	0.00	0.00	0.00	0.00	0.00	0.00	0.00	0.00	
				M3	-3.08	0.00	7.48	39.22	0.00	136.00	-43.37	0.00	108.46	51.20	0.00	159.97	
MIN	S2	-3.08	0.00	7.48	-3.08	0.00	-10.99	-55.32	0.00	42.36	-55.32	0.00	-289.59				
TQ	0.00	0.00	0.00	0.00	0.00	0.00	0.00	0.00	0.00	0.00	0.00	0.00	0.00				
M3	39.21	0.00	-99.40	-3.08	0.00	-10.99	30.87	0.00	-353.93	-36.70	0.00	-372.56					
TANDEM-LOAD	MAX	S2	26.72	0.00	-67.51	26.72	0.00	92.80	37.74	0.00	-120.52	37.74	0.00	105.93			
TQ	0.00	0.00	0.00	0.00	0.00	0.00	0.00	0.00	0.00	0.00	0.00	0.00	0.00				
M3	-2.10	0.00	5.09	26.69	0.00	92.80	-25.22	0.00	87.41	32.51	0.00	109.81					
MIN	S2	-2.10	0.00	5.09	-2.10	0.00	-7.49	-42.58	0.00	36.63	-42.58	0.00	-218.87				
TQ	0.00	0.00	0.00	0.00	0.00	0.00	0.00	0.00	0.00	0.00	0.00	0.00	0.00				
M3	26.61	0.00	-67.73	-2.10	0.00	-7.49	24.38	0.00	-265.75	-29.72	0.00	-268.65					
DISPERSION-LMAX	S2	83.07	0.00	-210.41	83.07	0.00	287.99	79.20	0.00	-309.91	79.20	0.00	165.29				
TQ	0.00	0.00	0.00	0.00	0.00	0.00	0.00	0.00	0.00	0.00	0.00	0.00	0.00				
M3	-4.76	0.00	11.42	83.07	0.00	287.99	-15.59	0.00	47.84	75.14	0.00	212.31					
MIN	S2	-4.76	0.00	11.42	-4.76	0.00	-17.14	-23.49	0.00	11.78	-23.49	0.00	-129.17				
TQ	0.00	0.00	0.00	0.00	0.00	0.00	0.00	0.00	0.00	0.00	0.00	0.00	0.00				
M3	83.07	0.00	-210.41	-4.76	0.00	-17.14	71.29	0.00	-345.97	-19.43	0.00	-176.20					

BAGO RIVER BRIDGE

BLOCK [ No.2 : CROSS BEAM ][ BEAM MEMBER FORCE ]

MEMBER NODE	1002017 2017	3017			1002019 2019			3019							
		SHEAR	TORQUE	MOMENT	SHEAR	TORQUE	MOMENT	SHEAR	TORQUE	MOMENT					
		S2 (kN)	TQ (kN·m)	M3 (kN·m)	S2 (kN)	TQ (kN·m)	M3 (kN·m)	S2 (kN)	TQ (kN·m)	M3 (kN·m)					
66	2-LANES (caseTRUCK-LOAD	MAX	S2	24.17	0.00	-60.66	24.17	0.00	84.35	33.25	0.00	-118.68	33.25	0.00	80.83
			TQ	0.00	0.00	0.00	0.00	0.00	0.00	0.00	0.00	0.00	0.00	0.00	0.00
			M3	-1.71	0.00	4.03	24.17	0.00	84.35	-98.40	0.00	420.16	18.72	0.00	107.52
		MIN	S2	-1.71	0.00	4.03	-1.71	0.00	-6.21	-98.40	0.00	420.16	-98.40	0.00	-170.23
			TQ	0.00	0.00	0.00	0.00	0.00	0.00	0.00	0.00	0.00	0.00	0.00	0.00
			M3	24.17	0.00	-60.68	-1.71	0.00	-6.21	32.33	0.00	-135.47	-91.59	0.00	-180.13
	TANDEM-LOAD	MAX	S2	16.44	0.00	-41.29	16.44	0.00	57.32	22.90	0.00	-96.54	22.90	0.00	40.88
			TQ	0.00	0.00	0.00	0.00	0.00	0.00	0.00	0.00	0.00	0.00	0.00	0.00
			M3	-1.16	0.00	2.75	15.96	0.00	57.47	-75.34	0.00	317.16	14.86	0.00	75.00
		MIN	S2	-1.16	0.00	2.75	-1.16	0.00	-4.22	-75.34	0.00	317.16	-75.34	0.00	-134.86
			TQ	0.00	0.00	0.00	0.00	0.00	0.00	0.00	0.00	0.00	0.00	0.00	0.00
			M3	16.44	0.00	-41.29	-1.16	0.00	-4.22	22.80	0.00	-96.82	-74.69	0.00	-137.56
	DISPERSION-LMAX	S2	52.26	0.00	-128.05	52.26	0.00	185.48	48.88	0.00	-152.29	48.88	0.00	140.99	
			TQ	0.00	0.00	0.00	0.00	0.00	0.00	0.00	0.00	0.00	0.00	0.00	0.00
			M3	-2.64	0.00	6.09	52.26	0.00	185.48	-31.77	0.00	163.43	42.72	0.00	154.16
		MIN	S2	-2.64	0.00	6.09	-2.64	0.00	-9.76	-36.54	0.00	147.00	-36.54	0.00	-72.23
			TQ	0.00	0.00	0.00	0.00	0.00	0.00	0.00	0.00	0.00	0.00	0.00	0.00
			M3	52.26	0.00	-128.05	-2.64	0.00	-9.76	44.12	0.00	-168.73	-30.37	0.00	-85.40
67	2-LANES (caseTRUCK-LOAD	MAX	S2	1.78	0.00	-4.75	1.78	0.00	5.90	118.54	0.00	-148.59	118.54	0.00	562.68
			TQ	0.00	0.00	0.00	0.00	0.00	0.00	0.00	0.00	0.00	0.00	0.00	0.00
			M3	-19.20	0.00	48.31	1.78	0.00	5.90	-3.54	0.00	107.12	118.54	0.00	562.68
		MIN	S2	-19.20	0.00	48.31	-19.20	0.00	-66.90	-28.23	0.00	42.67	-28.23	0.00	-126.70
			TQ	0.00	0.00	0.00	0.00	0.00	0.00	0.00	0.00	0.00	0.00	0.00	0.00
			M3	1.77	0.00	-4.75	-19.20	0.00	-66.90	114.70	0.00	-159.21	-28.23	0.00	-126.70



BAGO RIVER BRIDGE

BLOCK [ No.2 : CROSS BEAM ][ BEAM MEMBER FORCE ]

MEMBER NODE	1002017 2017	1002019 3017						1002019 2019							
		SHEAR		TORQUE		MOMENT		SHEAR		TORQUE		MOMENT			
		S2 (kN)	TQ (kN·m)	M3 (kN·m)	S2 (kN)	TQ (kN·m)	M3 (kN·m)	S2 (kN)	TQ (kN·m)	M3 (kN·m)	S2 (kN)	TQ (kN·m)	M3 (kN·m)		
67	2-LANES (caseTANDEM-LOAD	MAX	S2	1.21	0.00	-3.23	1.21	0.00	4.02	90.29	0.00	-124.66	90.29	0.00	417.06
			TQ	0.00	0.00	0.00	0.00	0.00	0.00	0.00	0.00	0.00	0.00	0.00	0.00
			M3	-13.37	0.00	33.54	1.21	0.00	4.02	-5.53	0.00	75.98	90.29	0.00	417.06
		MIN	S2	-13.37	0.00	33.54	-13.37	0.00	-46.67	-20.37	0.00	30.04	-20.37	0.00	-92.15
			TQ	0.00	0.00	0.00	0.00	0.00	0.00	0.00	0.00	0.00	0.00	0.00	0.00
			M3	1.21	0.00	-3.23	-13.37	0.00	-46.67	89.21	0.00	-127.63	-20.37	0.00	-92.15
	DISPERSION-LMAX		S2	3.45	0.00	-9.14	3.45	0.00	11.54	45.05	0.00	-55.62	45.05	0.00	214.66
			TQ	0.00	0.00	0.00	0.00	0.00	0.00	0.00	0.00	0.00	0.00	0.00	0.00
			M3	-29.67	0.00	75.56	3.45	0.00	11.55	-16.45	0.00	126.95	40.01	0.00	235.07
		MIN	S2	-29.67	0.00	75.55	-29.67	0.00	-102.48	-25.12	0.00	107.01	-25.12	0.00	-43.71
			TQ	0.00	0.00	0.00	0.00	0.00	0.00	0.00	0.00	0.00	0.00	0.00	0.00
			M3	3.45	0.00	-9.14	-29.67	0.00	-102.49	36.38	0.00	-75.56	-20.08	0.00	-64.12
68	2-LANES (caseTRUCK-LOAD	MAX	S2	3.16	0.00	-8.22	3.16	0.00	10.71	23.23	0.00	-249.62	23.23	0.00	-110.23
			TQ	0.00	0.00	0.00	0.00	0.00	0.00	0.00	0.00	0.00	0.00	0.00	0.00
			M3	-39.51	0.00	98.27	3.16	0.00	10.71	-50.99	0.00	243.63	-7.92	0.00	30.17
		MIN	S2	-39.52	0.00	98.25	-39.52	0.00	-138.88	-52.26	0.00	237.21	-52.26	0.00	-76.33
			TQ	0.00	0.00	0.00	0.00	0.00	0.00	0.00	0.00	0.00	0.00	0.00	0.00
			M3	3.16	0.00	-8.22	-39.45	0.00	-138.89	15.10	0.00	-303.63	-33.31	0.00	-267.48
	TANDEM-LOAD	MAX	S2	2.15	0.00	-5.60	2.15	0.00	7.30	17.43	0.00	-168.33	17.43	0.00	-63.73
			TQ	0.00	0.00	0.00	0.00	0.00	0.00	0.00	0.00	0.00	0.00	0.00	0.00
			M3	-26.96	0.00	67.10	2.15	0.00	7.30	-34.38	0.00	165.99	-3.42	0.00	27.28
		MIN	S2	-26.96	0.00	67.10	-26.96	0.00	-94.63	-35.63	0.00	163.49	-35.63	0.00	-50.29
			TQ	0.00	0.00	0.00	0.00	0.00	0.00	0.00	0.00	0.00	0.00	0.00	0.00
			M3	2.15	0.00	-5.60	-26.92	0.00	-94.88	9.81	0.00	-217.66	-25.48	0.00	-192.69

BAGO RIVER BRIDGE

BLOCK [ No.2 : CROSS BEAM ][ BEAM MEMBER FORCE ]

MEMBER		1002017						1002019							
NODE		2017			3017			2019			3019				
		SHEAR	TORQUE	MOMENT	SHEAR	TORQUE	MOMENT	SHEAR	TORQUE	MOMENT	SHEAR	TORQUE	MOMENT		
NAME	TITLE	S2 (kN)	TQ (kN·m)	M3 (kN·m)	S2 (kN)	TQ (kN·m)	M3 (kN·m)	S2 (kN)	TQ (kN·m)	M3 (kN·m)	S2 (kN)	TQ (kN·m)	M3 (kN·m)		
68	2-LANES (caseDISPERSION-LMAX	S2	5.02	0.00	-13.17	5.02	0.00	16.94	12.90	0.00	-113.75	12.90	0.00	-36.36	
		TQ	0.00	0.00	0.00	0.00	0.00	0.00	0.00	0.00	0.00	0.00	0.00	0.00	
		M3	-78.83	0.00	198.58	5.02	0.00	16.94	-72.62	0.00	333.83	2.46	0.00	15.54	
		MIN	S2	-78.83	0.00	198.58	-78.83	0.00	-274.39	-77.17	0.00	281.69	-77.17	0.00	-181.34
		TQ	0.00	0.00	0.00	0.00	0.00	0.00	0.00	0.00	0.00	0.00	0.00	0.00	
		M3	5.02	0.00	-13.17	-78.83	0.00	-274.39	8.35	0.00	-165.89	-66.73	0.00	-233.24	
69	3-LANES (caseTRUCK-LOAD	MAX	S2	47.61	0.00	-120.37	47.61	0.00	165.28	66.78	0.00	-223.28	66.78	0.00	177.39
		TQ	0.00	0.00	0.00	0.00	0.00	0.00	0.00	0.00	0.00	0.00	0.00	0.00	
		M3	-3.59	0.00	8.63	47.61	0.00	165.28	-99.90	0.00	423.30	49.63	0.00	212.40	
		MIN	S2	-3.59	0.00	8.63	-3.59	0.00	-12.89	-111.85	0.00	357.20	-111.85	0.00	-313.91
		TQ	0.00	0.00	0.00	0.00	0.00	0.00	0.00	0.00	0.00	0.00	0.00	0.00	
		M3	47.60	0.00	-120.46	-3.59	0.00	-12.89	41.76	0.00	-412.86	-86.42	0.00	-406.77	
	TANDEM-LOAD	MAX	S2	32.43	0.00	-81.85	32.43	0.00	112.73	46.01	0.00	-165.24	46.01	0.00	110.85
		TQ	0.00	0.00	0.00	0.00	0.00	0.00	0.00	0.00	0.00	0.00	0.00	0.00	
		M3	-2.44	0.00	5.88	31.95	0.00	112.88	-69.17	0.00	325.61	34.12	0.00	147.37	
		MIN	S2	-2.44	0.00	5.88	-2.44	0.00	-8.78	-86.53	0.00	274.83	-86.53	0.00	-244.36
		TQ	0.00	0.00	0.00	0.00	0.00	0.00	0.00	0.00	0.00	0.00	0.00	0.00	
		M3	32.32	0.00	-82.07	-2.44	0.00	-8.78	32.66	0.00	-310.47	-73.03	0.00	-296.85	
DISPERSION-LMAX	S2	101.29	0.00	-253.65	101.29	0.00	354.09	96.85	0.00	-361.65	96.85	0.00	219.43		
	TQ	0.00	0.00	0.00	0.00	0.00	0.00	0.00	0.00	0.00	0.00	0.00	0.00		
	M3	-5.55	0.00	13.13	101.29	0.00	354.09	-33.26	0.00	167.53	86.76	0.00	279.25		
	MIN	S2	-5.55	0.00	13.13	-5.55	0.00	-20.17	-42.97	0.00	119.72	-42.97	0.00	-138.08	
	TQ	0.00	0.00	0.00	0.00	0.00	0.00	0.00	0.00	0.00	0.00	0.00	0.00		
	M3	101.29	0.00	-253.65	-5.55	0.00	-20.17	87.14	0.00	-409.45	-32.88	0.00	-197.89		

BAGO RIVER BRIDGE

BLOCK [ No.2 : CROSS BEAM ][ BEAM MEMBER FORCE ]

MEMBER				1002017			1002019			3019							
NODE				2017			3017			2019							
NAME TITLE				SHEAR	TORQUE	MOMENT	SHEAR	TORQUE	MOMENT	SHEAR	TORQUE	MOMENT					
				S2 (kN)	TQ (kN·m)	M3 (kN·m)	S2 (kN)	TQ (kN·m)	M3 (kN·m)	S2 (kN)	TQ (kN·m)	M3 (kN·m)					
70	3-LANES (case	TRUCK-LOAD	MAX	S2	3.70	0.00	-9.73	3.70	0.00	12.46	143.98	0.00	-282.91	143.98	0.00	580.97	
				TQ	0.00	0.00	0.00	0.00	0.00	0.00	0.00	0.00	0.00	0.00	0.00	0.00	0.00
				M3	-35.49	0.00	88.88	3.70	0.00	12.46	-22.45	0.00	192.53	142.21	0.00	584.71	
			MIN	S2	-35.49	0.00	88.88	-35.49	0.00	-124.09	-47.14	0.00	128.08	-47.14	0.00	-154.76	
				TQ	0.00	0.00	0.00	0.00	0.00	0.00	0.00	0.00	0.00	0.00	0.00	0.00	0.00
				M3	3.70	0.00	-9.73	-35.44	0.00	-124.14	140.13	0.00	-293.53	-47.13	0.00	-154.84	
			TANDEM-LOAD	MAX	S2	2.52	0.00	-6.62	2.52	0.00	8.49	109.27	0.00	-222.64	109.27	0.00	432.97
				TQ	0.00	0.00	0.00	0.00	0.00	0.00	0.00	0.00	0.00	0.00	0.00	0.00	0.00
				M3	-24.51	0.00	61.26	2.52	0.00	8.49	-18.43	0.00	134.24	108.77	0.00	434.02	
			MIN	S2	-24.51	0.00	61.26	-24.51	0.00	-85.80	-33.27	0.00	88.31	-33.27	0.00	-111.29	
				TQ	0.00	0.00	0.00	0.00	0.00	0.00	0.00	0.00	0.00	0.00	0.00	0.00	0.00
				M3	2.52	0.00	-6.62	-24.50	0.00	-85.82	108.19	0.00	-225.60	-33.27	0.00	-111.29	
			DISPERSION-LMAX	S2	6.46	0.00	-16.99	6.46	0.00	21.77	57.28	0.00	-125.08	57.28	0.00	218.57	
				TQ	0.00	0.00	0.00	0.00	0.00	0.00	0.00	0.00	0.00	0.00	0.00	0.00	0.00
				M3	-60.73	0.00	153.79	6.46	0.00	21.77	-43.63	0.00	247.72	47.95	0.00	249.31	
MIN	S2	-60.73	0.00	153.79	-60.73	0.00	-210.59	-52.41	0.00	227.21	-52.41	0.00	-87.24				
	TQ	0.00	0.00	0.00	0.00	0.00	0.00	0.00	0.00	0.00	0.00	0.00	0.00	0.00			
	M3	6.46	0.00	-17.00	-60.73	0.00	-210.60	48.50	0.00	-145.59	-43.09	0.00	-117.97				
71	3-LANES (case	TRUCK-LOAD	MAX	S2	3.70	0.00	-9.73	3.70	0.00	12.46	76.50	0.00	-367.51	76.50	0.00	91.48	
				TQ	0.00	0.00	0.00	0.00	0.00	0.00	0.00	0.00	0.00	0.00	0.00	0.00	
				M3	-51.71	0.00	128.46	3.70	0.00	12.46	-65.05	0.00	305.71	45.35	0.00	231.89	
			MIN	S2	-51.72	0.00	128.43	-51.72	0.00	-181.92	-67.54	0.00	288.68	-67.54	0.00	-116.54	
				TQ	0.00	0.00	0.00	0.00	0.00	0.00	0.00	0.00	0.00	0.00	0.00	0.00	0.00
				M3	3.70	0.00	-9.73	-51.65	0.00	-181.93	68.37	0.00	-421.53	-48.42	0.00	-314.03	

BAGO RIVER BRIDGE

BLOCK [ No.2 : CROSS BEAM ][ BEAM MEMBER FORCE ]

MEMBER NODE	1002017 2017	3017			1002019 2019			3019								
		SHEAR	TORQUE	MOMENT	SHEAR	TORQUE	MOMENT	SHEAR	TORQUE	MOMENT						
		S2 (kN)	TQ (kN·m)	M3 (kN·m)	S2 (kN)	TQ (kN·m)	M3 (kN·m)	S2 (kN)	TQ (kN·m)	M3 (kN·m)						
71	3-LANES (case)	TANDEM-LOAD	MAX	S2	2.52	0.00	-6.62	2.52	0.00	8.49	57.82	0.00	-260.58	57.82	0.00	86.32
				TQ	0.00	0.00	0.00	0.00	0.00	0.00	0.00	0.00	0.00	0.00	0.00	0.00
				M3	-35.23	0.00	87.67	2.52	0.00	8.49	-43.97	0.00	208.31	36.96	0.00	177.33
			MIN	S2	-35.28	0.00	87.58	-35.28	0.00	-124.12	-46.15	0.00	196.28	-46.15	0.00	-80.64
				TQ	0.00	0.00	0.00	0.00	0.00	0.00	0.00	0.00	0.00	0.00	0.00	0.00
				M3	2.52	0.00	-6.62	-35.25	0.00	-124.37	50.19	0.00	-309.91	-35.49	0.00	-225.57
		DISPERSION-LMAX		S2	5.95	0.00	-15.79	5.95	0.00	19.90	32.75	0.00	-160.29	32.75	0.00	36.18
				TQ	0.00	0.00	0.00	0.00	0.00	0.00	0.00	0.00	0.00	0.00	0.00	0.00
				M3	-102.84	0.00	259.34	5.95	0.00	19.90	-94.47	0.00	434.22	20.89	0.00	94.55
			MIN	S2	-102.84	0.00	259.34	-102.84	0.00	-357.67	-99.63	0.00	380.40	-99.63	0.00	-217.38
				TQ	0.00	0.00	0.00	0.00	0.00	0.00	0.00	0.00	0.00	0.00	0.00	0.00
				M3	5.95	0.00	-15.79	-102.84	0.00	-357.67	27.58	0.00	-214.11	-87.78	0.00	-275.75
72	4-LANES	TRUCK-LOAD	MAX	S2	0.09	0.00	-0.07	0.09	0.00	0.46	142.29	0.00	-405.79	142.29	0.00	447.94
				TQ	0.00	0.00	0.00	0.00	0.00	0.00	0.00	0.00	0.00	0.00	0.00	0.00
				M3	-58.67	0.00	146.45	0.09	0.00	0.46	-54.31	0.00	348.52	125.84	0.00	581.54
			MIN	S2	-58.68	0.00	146.42	-58.68	0.00	-205.69	-78.84	0.00	278.52	-78.84	0.00	-194.55
				TQ	0.00	0.00	0.00	0.00	0.00	0.00	0.00	0.00	0.00	0.00	0.00	0.00
				M3	0.08	0.00	-0.09	-58.62	0.00	-205.71	124.66	0.00	-464.28	-60.02	0.00	-384.16
		TANDEM-LOAD	MAX	S2	0.06	0.00	-0.06	0.06	0.00	0.32	108.10	0.00	-294.44	108.10	0.00	354.14
				TQ	0.00	0.00	0.00	0.00	0.00	0.00	0.00	0.00	0.00	0.00	0.00	0.00
				M3	-40.27	0.00	100.48	0.06	0.00	0.32	-39.86	0.00	240.65	96.04	0.00	436.70
			MIN	S2	-40.27	0.00	100.48	-40.27	0.00	-141.14	-54.77	0.00	192.50	-54.77	0.00	-136.10
				TQ	0.00	0.00	0.00	0.00	0.00	0.00	0.00	0.00	0.00	0.00	0.00	0.00
				M3	0.06	0.00	-0.07	-40.24	0.00	-141.39	98.07	0.00	-346.78	-44.33	0.00	-277.27

BAGO RIVER BRIDGE

BLOCK [ No.2 : CROSS BEAM ][ BEAM MEMBER FORCE ]

MEMBER			1002017						1002019									
NODE			2017			3017			2019			3019						
NAME TITLE			SHEAR	TORQUE	MOMENT	SHEAR	TORQUE	MOMENT	SHEAR	TORQUE	MOMENT	SHEAR	TORQUE	MOMENT				
			S2 (kN)	TQ (kN·m)	M3 (kN·m)	S2 (kN)	TQ (kN·m)	M3 (kN·m)	S2 (kN)	TQ (kN·m)	M3 (kN·m)	S2 (kN)	TQ (kN·m)	M3 (kN·m)				
72	4-LANES	DISPERSION-LMAX	S2	0.57	0.00	-1.36	0.57	0.00	2.08	52.36	0.00	-124.99	52.36	0.00	189.18			
			TQ	0.00	0.00	0.00	0.00	0.00	0.00	0.00	0.00	0.00	0.00	0.00	0.00	0.00		
			M3	-100.26	0.00	253.06	0.57	0.00	2.08	-83.72	0.00	434.40	42.51	0.00	0.00	249.64		
		MIN	S2	-100.26	0.00	253.06	-100.26	0.00	-348.50	-96.83	0.00	362.35	-96.83	0.00	0.00	-218.65		
			TQ	0.00	0.00	0.00	0.00	0.00	0.00	0.00	0.00	0.00	0.00	0.00	0.00	0.00		
			M3	0.57	0.00	-1.36	-100.26	0.00	-348.50	38.79	0.00	-194.78	-86.87	0.00	0.00	-279.70		
		73	6-LANES	TRUCK-LOAD MAX	S2	42.02	0.00	-106.24	42.02	0.00	145.87	164.89	0.00	-522.56	164.89	0.00	466.81	
					TQ	0.00	0.00	0.00	0.00	0.00	0.00	0.00	0.00	0.00	0.00	0.00	0.00	0.00
					M3	-50.63	0.00	127.50	41.90	0.00	146.44	-115.56	0.00	714.04	142.79	0.00	0.00	721.10
MIN	S2			-50.85	0.00	126.20	-50.85	0.00	-178.92	-146.37	0.00	603.30	-146.37	0.00	0.00	-274.92		
	TQ			0.00	0.00	0.00	0.00	0.00	0.00	0.00	0.00	0.00	0.00	0.00	0.00	0.00		
	M3			41.96	0.00	-106.52	-50.81	0.00	-178.98	115.42	0.00	-751.53	-104.25	0.00	0.00	-692.75		
TANDEM-LOAD MAX	S2			28.61	0.00	-71.96	28.61	0.00	99.70	121.41	0.00	-396.25	121.41	0.00	0.00	332.22		
	TQ			0.00	0.00	0.00	0.00	0.00	0.00	0.00	0.00	0.00	0.00	0.00	0.00	0.00		
	M3			-34.82	0.00	88.01	28.45	0.00	99.98	-78.59	0.00	525.05	104.71	0.00	0.00	527.03		
MIN	S2	-34.93	0.00	86.83	-34.93	0.00	-122.77	-108.86	0.00	452.23	-108.86	0.00	0.00	-200.95				
	TQ	0.00	0.00	0.00	0.00	0.00	0.00	0.00	0.00	0.00	0.00	0.00	0.00	0.00				
	M3	28.48	0.00	-72.54	-34.92	0.00	-123.06	92.88	0.00	-565.36	-82.75	0.00	0.00	-503.47				
DISPERSION-LMAX	S2	89.63	0.00	-225.69	89.63	0.00	312.11	130.41	0.00	-444.20	130.41	0.00	0.00	338.28				
	TQ	0.00	0.00	0.00	0.00	0.00	0.00	0.00	0.00	0.00	0.00	0.00	0.00	0.00				
	M3	-100.21	0.00	252.40	89.63	0.00	312.11	-107.98	0.00	574.03	108.64	0.00	0.00	463.24				
MIN	S2	-100.21	0.00	252.38	-100.21	0.00	-348.89	-130.35	0.00	454.53	-130.35	0.00	0.00	-327.58				
	TQ	0.00	0.00	0.00	0.00	0.00	0.00	0.00	0.00	0.00	0.00	0.00	0.00	0.00				
	M3	89.63	0.00	-225.70	-100.21	0.00	-348.90	107.79	0.00	-552.91	-104.80	0.00	0.00	-440.07				

BAGO RIVER BRIDGE

BLOCK [ No.2 : CROSS BEAM ][ BEAM MEMBER FORCE ]

MEMBER			1002017						1002019						
NODE			2017			3017			2019			3019			
NAME TITLE			SHEAR	TORQUE	MOMENT	SHEAR	TORQUE	MOMENT	SHEAR	TORQUE	MOMENT	SHEAR	TORQUE	MOMENT	
			S2 (kN)	TQ (kN·m)	M3 (kN·m)	S2 (kN)	TQ (kN·m)	M3 (kN·m)	S2 (kN)	TQ (kN·m)	M3 (kN·m)	S2 (kN)	TQ (kN·m)	M3 (kN·m)	
124	SUM TOTAL	D+1LANE (caseMAX	S2	105.31	0.00	-265.10	105.31	0.00	366.73	133.43	0.00	-445.65	133.43	0.00	354.92
			TQ	18.33	0.00	-42.73	18.33	0.00	67.27	35.64	0.00	-68.91	35.64	0.00	144.92
			M3	12.59	0.00	-28.77	105.31	0.00	366.73	32.05	0.00	-60.24	125.59	0.00	420.88
		MIN	S2	12.59	0.00	-28.77	12.59	0.00	46.76	11.78	0.00	-177.19	11.78	0.00	-106.50
			TQ	18.33	0.00	-42.73	18.33	0.00	67.27	35.64	0.00	-68.91	35.64	0.00	144.92
			M3	105.30	0.00	-265.19	12.59	0.00	46.76	98.58	0.00	-690.65	38.84	0.00	-262.05
		D+1LANE (caseMAX	S2	50.27	0.00	-119.89	50.27	0.00	181.73	70.91	0.00	-181.97	70.91	0.00	243.50
			TQ	18.33	0.00	-42.73	18.33	0.00	67.27	35.64	0.00	-68.91	35.64	0.00	144.92
			M3	16.77	0.00	-39.29	50.27	0.00	181.73	-53.40	0.00	452.53	47.71	0.00	288.15
		MIN	S2	16.77	0.00	-39.30	16.77	0.00	61.35	-55.56	0.00	438.43	-55.56	0.00	105.05
			TQ	18.33	0.00	-42.73	18.33	0.00	67.27	35.64	0.00	-68.91	35.64	0.00	144.92
			M3	50.27	0.00	-119.89	16.77	0.00	61.35	67.72	0.00	-215.81	-40.16	0.00	77.83
		D+1LANE (caseMAX	S2	20.76	0.00	-49.25	20.76	0.00	75.33	134.68	0.00	-118.76	134.68	0.00	689.30
			TQ	18.33	0.00	-42.73	18.33	0.00	67.27	35.64	0.00	-68.91	35.64	0.00	144.92
			M3	-1.23	0.00	7.80	20.76	0.00	75.34	44.55	0.00	62.54	131.23	0.00	707.59
		MIN	S2	-1.24	0.00	7.80	-1.24	0.00	0.38	11.79	0.00	-25.81	11.79	0.00	44.94
			TQ	18.33	0.00	-42.73	18.33	0.00	67.27	35.64	0.00	-68.91	35.64	0.00	144.92
			M3	20.76	0.00	-49.26	-1.24	0.00	0.38	120.82	0.00	-152.71	15.23	0.00	26.65
		D+1LANE (caseMAX	S2	24.28	0.00	-58.19	24.28	0.00	87.50	43.31	0.00	-257.86	43.31	0.00	1.98
			TQ	18.33	0.00	-42.73	18.33	0.00	67.27	35.64	0.00	-68.91	35.64	0.00	144.92
			M3	-62.27	0.00	159.33	24.28	0.00	87.50	-48.21	0.00	330.67	23.21	0.00	190.22
		MIN	S2	-62.29	0.00	159.30	-62.29	0.00	-214.42	-54.92	0.00	262.72	-54.92	0.00	-66.79
			TQ	18.33	0.00	-42.73	18.33	0.00	67.27	35.64	0.00	-68.91	35.64	0.00	144.92
			M3	24.28	0.00	-58.19	-62.29	0.00	-214.42	28.53	0.00	-383.85	-26.73	0.00	-334.66

BAGO RIVER BRIDGE

BLOCK [ No.2 : CROSS BEAM ][ BEAM MEMBER FORCE ]

MEMBER			1002017						1002019						
NODE			2017			3017			2019			3019			
NAME TITLE			SHEAR	TORQUE	MOMENT	SHEAR	TORQUE	MOMENT	SHEAR	TORQUE	MOMENT	SHEAR	TORQUE	MOMENT	
			S2 (kN)	TQ (kN·m)	M3 (kN·m)	S2 (kN)	TQ (kN·m)	M3 (kN·m)	S2 (kN)	TQ (kN·m)	M3 (kN·m)	S2 (kN)	TQ (kN·m)	M3 (kN·m)	
124	SUM TOTAL	D+2LANES(casMAX	S2	140.62	0.00	-352.46	140.62	0.00	491.27	169.87	0.00	-559.62	169.87	0.00	459.60
			TQ	18.33	0.00	-42.73	18.33	0.00	67.27	35.64	0.00	-68.91	35.64	0.00	144.92
			M3	10.50	0.00	-23.84	140.62	0.00	491.27	-23.32	0.00	87.38	161.97	0.00	517.21
		MIN	S2	10.50	0.00	-23.84	10.50	0.00	39.15	-43.18	0.00	-14.78	-43.18	0.00	-273.84
			TQ	18.33	0.00	-42.73	18.33	0.00	67.27	35.64	0.00	-68.91	35.64	0.00	144.92
			M3	140.62	0.00	-352.55	10.50	0.00	39.15	137.81	0.00	-768.81	-20.49	0.00	-403.84
		D+2LANES(casMAX	S2	94.76	0.00	-231.45	94.76	0.00	337.10	117.77	0.00	-339.89	117.77	0.00	366.75
			TQ	18.33	0.00	-42.73	18.33	0.00	67.27	35.64	0.00	-68.91	35.64	0.00	144.92
			M3	13.99	0.00	-32.61	94.76	0.00	337.10	-94.53	0.00	514.68	97.07	0.00	406.60
		MIN	S2	13.99	0.00	-32.61	13.99	0.00	51.31	-99.30	0.00	498.24	-99.30	0.00	-97.54
			TQ	18.33	0.00	-42.73	18.33	0.00	67.27	35.64	0.00	-68.91	35.64	0.00	144.92
			M3	94.75	0.00	-231.47	13.99	0.00	51.31	112.09	0.00	-373.11	-86.32	0.00	-120.60
		D+2LANES(casMAX	S2	23.56	0.00	-56.63	23.56	0.00	84.72	199.23	0.00	-273.12	199.23	0.00	922.26
			TQ	18.33	0.00	-42.73	18.33	0.00	67.27	35.64	0.00	-68.91	35.64	0.00	144.92
			M3	-30.54	0.00	81.14	23.56	0.00	84.72	15.65	0.00	165.16	194.19	0.00	942.67
		MIN	S2	-30.54	0.00	81.14	-30.54	0.00	-102.11	-17.71	0.00	80.77	-17.71	0.00	-25.49
			TQ	18.33	0.00	-42.73	18.33	0.00	67.27	35.64	0.00	-68.91	35.64	0.00	144.92
			M3	23.56	0.00	-56.63	-30.54	0.00	-102.11	186.72	0.00	-303.68	-12.67	0.00	-45.90
		D+2LANES(casMAX	S2	26.51	0.00	-64.13	26.51	0.00	94.92	71.77	0.00	-432.28	71.77	0.00	-1.67
			TQ	18.33	0.00	-42.73	18.33	0.00	67.27	35.64	0.00	-68.91	35.64	0.00	144.92
			M3	-100.00	0.00	254.12	26.51	0.00	94.92	-87.97	0.00	508.55	30.18	0.00	190.63
		MIN	S2	-100.01	0.00	254.09	-100.01	0.00	-346.00	-93.79	0.00	449.99	-93.79	0.00	-112.75
			TQ	18.33	0.00	-42.73	18.33	0.00	67.27	35.64	0.00	-68.91	35.64	0.00	144.92
			M3	26.51	0.00	-64.13	-99.94	0.00	-346.01	59.09	0.00	-538.43	-64.40	0.00	-355.79

BAGO RIVER BRIDGE

BLOCK [ No.2 : CROSS BEAM ][ BEAM MEMBER FORCE ]

MEMBER			1002017						1002019							
NODE			2017			3017			2019			3019				
NAME TITLE			SHEAR	TORQUE	MOMENT	SHEAR	TORQUE	MOMENT	SHEAR	TORQUE	MOMENT	SHEAR	TORQUE	MOMENT		
			S2 (kN)	TQ (kN·m)	M3 (kN·m)	S2 (kN)	TQ (kN·m)	M3 (kN·m)	S2 (kN)	TQ (kN·m)	M3 (kN·m)	S2 (kN)	TQ (kN·m)	M3 (kN·m)		
124	SUM TOTAL	D+3LANES (casMAX	S2	144.90	0.00	-360.65	144.90	0.00	508.74	174.72	0.00	-566.10	174.72	0.00	482.22	
			TQ	18.33	0.00	-42.73	18.33	0.00	67.27	35.64	0.00	-68.91	35.64	0.00	144.92	
			M3	10.57	0.00	-24.23	144.90	0.00	508.74	-77.55	0.00	433.29	151.57	0.00	562.82	
		MIN	S2	10.57	0.00	-24.24	10.57	0.00	39.17	-95.96	0.00	336.47	-95.96	0.00	-239.26	
			TQ	18.33	0.00	-42.73	18.33	0.00	67.27	35.64	0.00	-68.91	35.64	0.00	144.92	
			M3	144.89	0.00	-360.73	10.57	0.00	39.17	145.20	0.00	-767.88	-65.76	0.00	-369.04	
		D+3LANES (casMAX	S2	26.97	0.00	-65.45	26.97	0.00	96.37	206.71	0.00	-415.71	206.71	0.00	824.54	
			TQ	18.33	0.00	-42.73	18.33	0.00	67.27	35.64	0.00	-68.91	35.64	0.00	144.92	
			M3	-63.46	0.00	163.54	26.97	0.00	96.37	-20.53	0.00	305.30	197.28	0.00	853.84	
		MIN	S2	-63.46	0.00	163.54	-63.46	0.00	-217.20	-48.98	0.00	233.08	-48.98	0.00	-60.77	
			TQ	18.33	0.00	-42.73	18.33	0.00	67.27	35.64	0.00	-68.91	35.64	0.00	144.92	
			M3	26.97	0.00	-65.45	-63.41	0.00	-217.25	195.98	0.00	-442.17	-41.05	0.00	-86.97	
		D+3LANES (casMAX	S2	26.53	0.00	-64.42	26.53	0.00	94.78	128.50	0.00	-517.55	128.50	0.00	253.44	
			TQ	18.33	0.00	-42.73	18.33	0.00	67.27	35.64	0.00	-68.91	35.64	0.00	144.92	
			M3	-113.03	0.00	286.89	26.53	0.00	94.78	-99.95	0.00	560.03	91.95	0.00	422.39	
		MIN	S2	-113.04	0.00	286.87	-113.04	0.00	-391.38	-106.45	0.00	499.81	-106.45	0.00	-138.91	
			TQ	18.33	0.00	-42.73	18.33	0.00	67.27	35.64	0.00	-68.91	35.64	0.00	144.92	
			M3	26.53	0.00	-64.42	-112.98	0.00	-391.38	117.20	0.00	-609.21	-80.13	0.00	-356.39	
		D+4LANES	MAX	S2	18.76	0.00	-43.67	18.76	0.00	68.92	162.16	0.00	-413.93	162.16	0.00	559.05
			TQ	18.33	0.00	-42.73	18.33	0.00	67.27	35.64	0.00	-68.91	35.64	0.00	144.92	
			M3	-84.97	0.00	216.95	18.76	0.00	68.93	-54.08	0.00	439.98	145.07	0.00	685.19	
		MIN	S2	-84.98	0.00	216.93	-84.98	0.00	-292.95	-78.55	0.00	347.65	-78.55	0.00	-123.66	
			TQ	18.33	0.00	-42.73	18.33	0.00	67.27	35.64	0.00	-68.91	35.64	0.00	144.92	
			M3	18.76	0.00	-43.68	-84.94	0.00	-292.97	141.88	0.00	-497.30	-59.84	0.00	-286.59	



BAGO RIVER BRIDGE

BLOCK [ No.2 : CROSS BEAM ][ BEAM MEMBER FORCE ]

MEMBER					1002017			3017			1002019			3019		
NODE					2017			2019			2019			2019		
NAME TITLE					SHEAR	TORQUE	MOMENT	SHEAR	TORQUE	MOMENT	SHEAR	TORQUE	MOMENT	SHEAR	TORQUE	MOMENT
					S2 (kN)	TQ (kN·m)	M3 (kN·m)	S2 (kN)	TQ (kN·m)	M3 (kN·m)	S2 (kN)	TQ (kN·m)	M3 (kN·m)	S2 (kN)	TQ (kN·m)	M3 (kN·m)
124	SUM TOTAL	D+6LANES	MAX	S2	103.91	0.00	-258.49	103.91	0.00	364.96	227.59	0.00	-697.31	227.59	0.00	668.23
				TQ	18.33	0.00	-42.73	18.33	0.00	67.27	35.64	0.00	-68.91	35.64	0.00	144.92
				M3	-79.71	0.00	204.20	103.83	0.00	365.33	-109.67	0.00	768.34	199.07	0.00	914.74
			MIN	S2	-79.86	0.00	203.34	-79.86	0.00	-275.80	-144.23	0.00	618.67	-144.23	0.00	-246.70
				TQ	18.33	0.00	-42.73	18.33	0.00	67.27	35.64	0.00	-68.91	35.64	0.00	144.92
				M3	103.87	0.00	-258.68	-79.82	0.00	-275.85	180.73	0.00	-916.80	-100.24	0.00	-591.41
	SUM TOTAL		MAX		144.90	0.00	286.89	144.90	0.00	508.74	227.59	0.00	768.34	227.59	0.00	942.67
			MIN		-113.04	0.00	-360.73	-113.04	0.00	-391.38	-144.23	0.00	-916.80	-144.23	0.00	-591.41
300	DEAD LOAD	TOTAL			18.33	0.00	-42.73	18.33	0.00	67.27	35.64	0.00	-68.91	35.64	0.00	144.92
301	LIVE LOAD	1-LANE(case1MAX	S2		86.97	0.00	-222.37	86.97	0.00	299.46	97.79	0.00	-376.74	97.79	0.00	209.99
			TQ		0.00	0.00	0.00	0.00	0.00	0.00	0.00	0.00	0.00	0.00	0.00	0.00
			M3		-5.75	0.00	13.97	86.97	0.00	299.46	-3.59	0.00	8.68	89.95	0.00	275.96
			MIN	S2	-5.75	0.00	13.97	-5.75	0.00	-20.52	-23.86	0.00	-108.28	-23.86	0.00	-251.42
				TQ	0.00	0.00	0.00	0.00	0.00	0.00	0.00	0.00	0.00	0.00	0.00	0.00
				M3	86.96	0.00	-222.45	-5.75	0.00	-20.52	62.94	0.00	-621.73	3.20	0.00	-406.97
		1-LANE(case2MAX	S2		31.94	0.00	-77.16	31.94	0.00	114.45	35.27	0.00	-113.06	35.27	0.00	98.58
			TQ		0.00	0.00	0.00	0.00	0.00	0.00	0.00	0.00	0.00	0.00	0.00	0.00
			M3		-1.56	0.00	3.44	31.94	0.00	114.45	-89.04	0.00	521.44	12.07	0.00	143.23
			MIN	S2	-1.56	0.00	3.44	-1.56	0.00	-5.93	-91.20	0.00	507.34	-91.20	0.00	-39.87
				TQ	0.00	0.00	0.00	0.00	0.00	0.00	0.00	0.00	0.00	0.00	0.00	0.00
				M3	31.93	0.00	-77.16	-1.56	0.00	-5.93	32.08	0.00	-146.90	-75.80	0.00	-67.09
		1-LANE(case3MAX	S2		2.43	0.00	-6.52	2.43	0.00	8.06	99.04	0.00	-49.84	99.04	0.00	544.38
			TQ		0.00	0.00	0.00	0.00	0.00	0.00	0.00	0.00	0.00	0.00	0.00	0.00
			M3		-19.57	0.00	50.53	2.43	0.00	8.07	8.91	0.00	131.45	95.59	0.00	562.67
			MIN	S2	-19.57	0.00	50.53	-19.57	0.00	-66.90	-23.85	0.00	43.10	-23.85	0.00	-99.99
				TQ	0.00	0.00	0.00	0.00	0.00	0.00	0.00	0.00	0.00	0.00	0.00	0.00
				M3	2.43	0.00	-6.52	-19.57	0.00	-66.90	85.18	0.00	-83.80	-20.40	0.00	-118.28

BAGO RIVER BRIDGE

BLOCK [ No.2 : CROSS BEAM ][ BEAM MEMBER FORCE ]

MEMBER			1002017						1002019						
NODE			2017			3017			2019			3019			
NAME TITLE			SHEAR	TORQUE	MOMENT	SHEAR	TORQUE	MOMENT	SHEAR	TORQUE	MOMENT	SHEAR	TORQUE	MOMENT	
			S2 (kN)	TQ (kN·m)	M3 (kN·m)	S2 (kN)	TQ (kN·m)	M3 (kN·m)	S2 (kN)	TQ (kN·m)	M3 (kN·m)	S2 (kN)	TQ (kN·m)	M3 (kN·m)	
301	LIVE LOAD	1-LANE (case4MAX	S2	5.95	0.00	-15.46	5.95	0.00	20.22	7.67	0.00	-188.95	7.67	0.00	-142.94
			TQ	0.00	0.00	0.00	0.00	0.00	0.00	0.00	0.00	0.00	0.00	0.00	0.00
			M3	-80.61	0.00	202.07	5.95	0.00	20.22	-83.85	0.00	399.58	-12.43	0.00	45.30
			MIN S2	-80.62	0.00	202.03	-80.62	0.00	-281.69	-90.56	0.00	331.63	-90.56	0.00	-211.71
			TQ	0.00	0.00	0.00	0.00	0.00	0.00	0.00	0.00	0.00	0.00	0.00	0.00
			M3	5.95	0.00	-15.46	-80.62	0.00	-281.69	-7.11	0.00	-314.94	-62.37	0.00	-479.58
		2-LANES (caseMAX	S2	122.29	0.00	-309.72	122.29	0.00	424.00	134.23	0.00	-490.70	134.23	0.00	314.67
			TQ	0.00	0.00	0.00	0.00	0.00	0.00	0.00	0.00	0.00	0.00	0.00	0.00
			M3	-7.84	0.00	18.90	122.29	0.00	424.00	-58.96	0.00	156.29	126.33	0.00	372.29
			MIN S2	-7.84	0.00	18.90	-7.84	0.00	-28.12	-78.82	0.00	54.14	-78.82	0.00	-418.76
			TQ	0.00	0.00	0.00	0.00	0.00	0.00	0.00	0.00	0.00	0.00	0.00	0.00
			M3	122.28	0.00	-309.81	-7.84	0.00	-28.12	102.17	0.00	-699.89	-56.13	0.00	-548.76
		2-LANES (caseMAX	S2	76.42	0.00	-188.72	76.42	0.00	269.83	82.13	0.00	-270.97	82.13	0.00	221.83
			TQ	0.00	0.00	0.00	0.00	0.00	0.00	0.00	0.00	0.00	0.00	0.00	0.00
			M3	-4.35	0.00	10.13	76.42	0.00	269.83	-130.17	0.00	583.59	61.43	0.00	261.68
			MIN S2	-4.35	0.00	10.12	-4.35	0.00	-15.96	-134.94	0.00	567.16	-134.94	0.00	-242.47
			TQ	0.00	0.00	0.00	0.00	0.00	0.00	0.00	0.00	0.00	0.00	0.00	0.00
			M3	76.42	0.00	-188.73	-4.35	0.00	-15.96	76.45	0.00	-304.20	-121.96	0.00	-265.53
		2-LANES (caseMAX	S2	5.22	0.00	-13.89	5.22	0.00	17.44	163.59	0.00	-204.21	163.59	0.00	777.34
			TQ	0.00	0.00	0.00	0.00	0.00	0.00	0.00	0.00	0.00	0.00	0.00	0.00
			M3	-48.87	0.00	123.87	5.22	0.00	17.45	-19.99	0.00	234.07	158.55	0.00	797.75
			MIN S2	-48.88	0.00	123.87	-48.88	0.00	-169.38	-53.35	0.00	149.68	-53.35	0.00	-170.41
			TQ	0.00	0.00	0.00	0.00	0.00	0.00	0.00	0.00	0.00	0.00	0.00	0.00
			M3	5.22	0.00	-13.90	-48.87	0.00	-169.39	151.08	0.00	-234.77	-48.31	0.00	-190.82

BAGO RIVER BRIDGE

BLOCK [ No.2 : CROSS BEAM ][ BEAM MEMBER FORCE ]

MEMBER			1002017						1002019								
NODE			2017			3017			2019			3019					
NAME TITLE			SHEAR	TORQUE	MOMENT	SHEAR	TORQUE	MOMENT	SHEAR	TORQUE	MOMENT	SHEAR	TORQUE	MOMENT			
			S2 (kN)	TQ (kN·m)	M3 (kN·m)	S2 (kN)	TQ (kN·m)	M3 (kN·m)	S2 (kN)	TQ (kN·m)	M3 (kN·m)	S2 (kN)	TQ (kN·m)	M3 (kN·m)			
301	LIVE LOAD	2-LANES (caseMAX	S2	8.17	0.00	-21.39	8.17	0.00	27.65	36.13	0.00	-363.37	36.13	0.00	-146.59		
			TQ	0.00	0.00	0.00	0.00	0.00	0.00	0.00	0.00	0.00	0.00	0.00	0.00		
			M3	-118.34	0.00	296.86	8.17	0.00	27.65	-123.61	0.00	577.46	-5.46	0.00	0.00	45.71	
			MIN	S2	-118.35	0.00	296.83	-118.35	0.00	-413.27	-129.43	0.00	518.90	-129.43	0.00	0.00	-257.67
			TQ	0.00	0.00	0.00	0.00	0.00	0.00	0.00	0.00	0.00	0.00	0.00	0.00	0.00	
			M3	8.17	0.00	-21.39	-118.28	0.00	-413.28	23.45	0.00	-469.52	-100.04	0.00	0.00	-500.71	
		3-LANES (caseMAX	S2	126.56	0.00	-317.92	126.56	0.00	441.47	139.08	0.00	-497.18	139.08	0.00	0.00	337.30	
			TQ	0.00	0.00	0.00	0.00	0.00	0.00	0.00	0.00	0.00	0.00	0.00	0.00	0.00	
			M3	-7.77	0.00	18.50	126.56	0.00	441.47	-113.19	0.00	502.20	115.93	0.00	0.00	417.90	
			MIN	S2	-7.77	0.00	18.50	-7.77	0.00	-28.10	-131.60	0.00	405.38	-131.60	0.00	0.00	-384.19
			TQ	0.00	0.00	0.00	0.00	0.00	0.00	0.00	0.00	0.00	0.00	0.00	0.00	0.00	
			M3	126.56	0.00	-318.00	-7.77	0.00	-28.10	109.56	0.00	-698.96	-101.40	0.00	0.00	-513.97	
		3-LANES (caseMAX	S2	8.63	0.00	-22.72	8.63	0.00	29.09	171.07	0.00	-346.79	171.07	0.00	0.00	679.61	
			TQ	0.00	0.00	0.00	0.00	0.00	0.00	0.00	0.00	0.00	0.00	0.00	0.00	0.00	
			M3	-81.79	0.00	206.27	8.63	0.00	29.10	-56.17	0.00	374.21	161.64	0.00	0.00	708.92	
			MIN	S2	-81.79	0.00	206.27	-81.79	0.00	-284.48	-84.62	0.00	302.00	-84.62	0.00	0.00	-205.70
			TQ	0.00	0.00	0.00	0.00	0.00	0.00	0.00	0.00	0.00	0.00	0.00	0.00	0.00	
			M3	8.63	0.00	-22.72	-81.75	0.00	-284.53	160.34	0.00	-373.25	-76.69	0.00	0.00	-231.89	
		3-LANES (caseMAX	S2	8.20	0.00	-21.69	8.20	0.00	27.50	92.86	0.00	-448.64	92.86	0.00	0.00	108.52	
			TQ	0.00	0.00	0.00	0.00	0.00	0.00	0.00	0.00	0.00	0.00	0.00	0.00	0.00	
			M3	-131.37	0.00	329.63	8.20	0.00	27.50	-135.59	0.00	628.94	56.31	0.00	0.00	277.47	
MIN	S2		-131.38	0.00	329.60	-131.38	0.00	-458.65	-142.09	0.00	568.72	-142.09	0.00	0.00	-283.83		
TQ	0.00		0.00	0.00	0.00	0.00	0.00	0.00	0.00	0.00	0.00	0.00	0.00	0.00			
M3	8.20		0.00	-21.69	-131.32	0.00	-458.66	81.56	0.00	-540.29	-115.77	0.00	0.00	-501.31			

BAGO RIVER BRIDGE

BLOCK [ No.2 : CROSS BEAM ][ BEAM MEMBER FORCE ]

MEMBER				1002017			3017			1002019			3019				
NODE				2017			2019			2019			2019				
NAME TITLE				SHEAR	TORQUE	MOMENT	SHEAR	TORQUE	MOMENT	SHEAR	TORQUE	MOMENT	SHEAR	TORQUE	MOMENT		
				S2 (kN)	TQ (kN·m)	M3 (kN·m)	S2 (kN)	TQ (kN·m)	M3 (kN·m)	S2 (kN)	TQ (kN·m)	M3 (kN·m)	S2 (kN)	TQ (kN·m)	M3 (kN·m)		
301	LIVE LOAD	4-LANES	MAX	S2	0.43	0.00	-0.93	0.43	0.00	1.65	126.52	0.00	-345.01	126.52	0.00	414.13	
				TQ	0.00	0.00	0.00	0.00	0.00	0.00	0.00	0.00	0.00	0.00	0.00	0.00	0.00
				M3	-103.31	0.00	259.68	0.43	0.00	1.65	-89.72	0.00	508.90	109.43	0.00	0.00	0.00
		MIN	S2	-103.31	0.00	259.66	-103.31	0.00	-360.22	-114.19	0.00	416.57	-114.19	0.00	0.00	0.00	-268.58
			TQ	0.00	0.00	0.00	0.00	0.00	0.00	0.00	0.00	0.00	0.00	0.00	0.00	0.00	0.00
			M3	0.42	0.00	-0.95	-103.27	0.00	-360.24	106.24	0.00	-428.39	-95.48	0.00	0.00	0.00	-431.51
	6-LANES	MAX	S2	85.57	0.00	-215.76	85.57	0.00	297.68	191.95	0.00	-628.40	191.95	0.00	0.00	0.00	523.31
			TQ	0.00	0.00	0.00	0.00	0.00	0.00	0.00	0.00	0.00	0.00	0.00	0.00	0.00	0.00
			M3	-98.05	0.00	246.93	85.50	0.00	298.06	-145.31	0.00	837.25	163.43	0.00	0.00	0.00	769.82
		MIN	S2	-98.19	0.00	246.08	-98.19	0.00	-343.08	-179.87	0.00	687.59	-179.87	0.00	0.00	0.00	-391.63
			TQ	0.00	0.00	0.00	0.00	0.00	0.00	0.00	0.00	0.00	0.00	0.00	0.00	0.00	0.00
			M3	85.54	0.00	-215.94	-98.16	0.00	-343.12	145.09	0.00	-847.89	-135.88	0.00	0.00	0.00	-736.33
	LIVE LOAD	MAX		126.56	0.00	329.63	126.56	0.00	441.47	191.95	0.00	837.25	191.95	0.00	0.00	0.00	797.75
		MIN		-131.38	0.00	-318.00	-131.38	0.00	-458.66	-179.87	0.00	-847.89	-179.87	0.00	0.00	0.00	-736.33
303	SUM TOTAL	TOTAL	MAX		144.90	0.00	286.89	144.90	0.00	508.74	227.59	0.00	768.34	227.59	0.00	942.67	
			MIN		-113.04	0.00	-360.73	-113.04	0.00	-391.38	-144.23	0.00	-916.80	-144.23	0.00	0.00	-591.41

BAGO RIVER BRIDGE

BLOCK [ No.2 : CROSS BEAM ][ BEAM MEMBER FORCE ]

MEMBER NODE	1002021 2021	3021						1002023 2023							
		SHEAR		TORQUE		MOMENT		SHEAR		TORQUE		MOMENT			
		S2 (kN)	TQ (kN·m)	M3 (kN·m)	S2 (kN)	TQ (kN·m)	M3 (kN·m)	S2 (kN)	TQ (kN·m)	M3 (kN·m)	S2 (kN)	TQ (kN·m)	M3 (kN·m)		
1	PAVEMENT	7.13	0.00	-60.98	7.13	0.00	-18.20	9.38	0.00	-119.66	9.38	0.00	-63.39		
3	RAILING	-0.52	0.00	-21.10	-0.52	0.00	-24.22	-0.55	0.00	-24.96	-0.55	0.00	-28.24		
5	CURB	-5.15	0.00	-208.91	-5.15	0.00	-239.80	-5.42	0.00	-247.07	-5.42	0.00	-279.58		
7	DECK WEIGHT	10.16	0.00	-112.90	10.16	0.00	-51.95	11.62	0.00	-195.98	11.62	0.00	-126.25		
8	GIRDER WEIGH	-1.52	0.00	10.30	-1.52	0.00	1.21	-16.44	0.00	9.79	-16.44	0.00	-88.86		
10	MEDIAN STRIP	5.97	0.00	117.70	5.97	0.00	153.53	0.87	0.00	150.75	0.87	0.00	155.97		
21	ADITIONAL WE	2.84	0.00	-31.61	2.84	0.00	-14.55	3.25	0.00	-54.87	3.25	0.00	-35.35		
31	MEDIAN RAILI	0.49	0.00	9.63	0.49	0.00	12.55	0.08	0.00	12.10	0.08	0.00	12.57		
51	SUPPORT WEIG	-0.00	0.00	0.00	-0.00	0.00	-0.00	-0.00	0.00	0.00	-0.00	0.00	-0.00		
52	NOSE WEIGHT	0.02	0.00	-0.09	0.02	0.00	0.02	0.01	0.00	-0.04	0.01	0.00	0.01		
61	1-LANE(case1TRUCK-LOAD	MAX	S2	14.67	0.00	-61.15	14.67	0.00	26.87	5.32	0.00	-25.35	5.32	0.00	6.58
			TQ	0.00	0.00	0.00	0.00	0.00	0.00	0.00	0.00	0.00	0.00	0.00	0.00
			M3	-16.51	0.00	14.65	10.95	0.00	33.67	-23.36	0.00	39.24	5.28	0.00	6.59
		MIN	S2	-29.18	0.00	-26.80	-29.18	0.00	-201.89	-37.26	0.00	2.53	-37.26	0.00	-221.03
			TQ	0.00	0.00	0.00	0.00	0.00	0.00	0.00	0.00	0.00	0.00	0.00	0.00
			M3	-13.65	0.00	-262.22	-14.28	0.00	-347.06	-23.72	0.00	-228.56	-23.98	0.00	-371.35
		TANDEM-LOAD MAX	S2	9.99	0.00	-41.98	9.99	0.00	17.97	3.63	0.00	-17.32	3.63	0.00	4.46
			TQ	0.00	0.00	0.00	0.00	0.00	0.00	0.00	0.00	0.00	0.00	0.00	0.00
			M3	-15.94	0.00	14.84	7.98	0.00	23.07	-20.89	0.00	32.72	3.59	0.00	4.48
		MIN	S2	-22.09	0.00	-17.47	-22.09	0.00	-149.99	-27.67	0.00	2.87	-27.67	0.00	-163.17
			TQ	0.00	0.00	0.00	0.00	0.00	0.00	0.00	0.00	0.00	0.00	0.00	0.00
			M3	-6.64	0.00	-204.63	-6.81	0.00	-245.26	-13.40	0.00	-181.36	-13.48	0.00	-261.93
		DISPERSION-LMAX	S2	19.05	0.00	-90.41	19.05	0.00	23.87	6.70	0.00	-31.90	6.70	0.00	8.31
			TQ	0.00	0.00	0.00	0.00	0.00	0.00	0.00	0.00	0.00	0.00	0.00	0.00
			M3	-7.38	0.00	5.94	18.82	0.00	39.29	-16.56	0.00	22.71	6.70	0.00	10.41
MIN	S2	-20.92	0.00	-71.65	-20.92	0.00	-197.15	-31.77	0.00	-51.75	-31.77	0.00	-242.38		
	TQ	0.00	0.00	0.00	0.00	0.00	0.00	0.00	0.00	0.00	0.00	0.00	0.00		
	M3	5.51	0.00	-168.00	-20.69	0.00	-212.58	-8.51	0.00	-106.36	-31.77	0.00	-244.48		

BAGO RIVER BRIDGE

BLOCK [ No.2 : CROSS BEAM ][ BEAM MEMBER FORCE ]

MEMBER				1002021						1002023						
NODE				2021			3021			2023			3023			
NAME TITLE				SHEAR	TORQUE	MOMENT	SHEAR	TORQUE	MOMENT	SHEAR	TORQUE	MOMENT	SHEAR	TORQUE	MOMENT	
				S2 (kN)	TQ (kN·m)	M3 (kN·m)	S2 (kN)	TQ (kN·m)	M3 (kN·m)	S2 (kN)	TQ (kN·m)	M3 (kN·m)	S2 (kN)	TQ (kN·m)	M3 (kN·m)	
62	1-LANE (case2TRUCK-LOAD	MAX	S2	5.97	0.00	-23.02	5.97	0.00	12.78	2.00	0.00	-8.84	2.00	0.00	3.18	
			TQ	0.00	0.00	0.00	0.00	0.00	0.00	0.00	0.00	0.00	0.00	0.00	0.00	0.00
			M3	-63.13	0.00	370.82	-7.55	0.00	44.82	-66.65	0.00	384.17	-9.49	0.00	36.46	
		MIN	S2	-63.13	0.00	370.82	-63.13	0.00	-7.98	-66.65	0.00	384.17	-66.65	0.00	-15.73	
			TQ	0.00	0.00	0.00	0.00	0.00	0.00	0.00	0.00	0.00	0.00	0.00	0.00	0.00
			M3	5.63	0.00	-24.85	-62.86	0.00	-9.28	1.97	0.00	-9.16	-66.65	0.00	-15.73	
		TANDEM-LOAD MAX	S2	4.07	0.00	-15.81	4.07	0.00	8.59	1.37	0.00	-6.08	1.37	0.00	2.13	
			TQ	0.00	0.00	0.00	0.00	0.00	0.00	0.00	0.00	0.00	0.00	0.00	0.00	0.00
			M3	-48.52	0.00	278.38	-8.75	0.00	32.19	-50.93	0.00	287.79	-10.27	0.00	26.52	
		MIN	S2	-48.52	0.00	278.38	-48.52	0.00	-12.74	-50.93	0.00	287.79	-50.93	0.00	-17.80	
			TQ	0.00	0.00	0.00	0.00	0.00	0.00	0.00	0.00	0.00	0.00	0.00	0.00	0.00
			M3	3.66	0.00	-16.95	-48.44	0.00	-13.10	1.34	0.00	-6.27	-50.93	0.00	-17.80	
		DISPERSION-LMAX	S2	7.23	0.00	-25.26	7.23	0.00	18.10	2.38	0.00	-9.48	2.38	0.00	4.81	
			TQ	0.00	0.00	0.00	0.00	0.00	0.00	0.00	0.00	0.00	0.00	0.00	0.00	0.00
			M3	-24.31	0.00	168.82	-3.33	0.00	50.23	-28.42	0.00	189.03	-9.61	0.00	36.50	
MIN	S2	-24.94	0.00	164.18	-24.94	0.00	14.52	-28.45	0.00	188.53	-28.45	0.00	17.82			
	TQ	0.00	0.00	0.00	0.00	0.00	0.00	0.00	0.00	0.00	0.00	0.00	0.00	0.00		
	M3	6.59	0.00	-29.90	-14.38	0.00	-17.61	2.35	0.00	-9.97	-16.46	0.00	-13.87			
63	1-LANE (case3TRUCK-LOAD	MAX	S2	67.69	0.00	-1.39	67.69	0.00	404.78	68.97	0.00	-7.71	68.97	0.00	406.11	
			TQ	0.00	0.00	0.00	0.00	0.00	0.00	0.00	0.00	0.00	0.00	0.00	0.00	
			M3	10.77	0.00	62.54	67.69	0.00	404.78	11.51	0.00	54.16	68.95	0.00	406.59	
		MIN	S2	-1.07	0.00	26.84	-1.07	0.00	20.42	-0.69	0.00	5.44	-0.69	0.00	1.33	
			TQ	0.00	0.00	0.00	0.00	0.00	0.00	0.00	0.00	0.00	0.00	0.00	0.00	0.00
			M3	-0.78	0.00	-7.61	-0.89	0.00	-12.94	68.97	0.00	-7.71	-0.10	0.00	-1.18	

BAGO RIVER BRIDGE

BLOCK [ No.2 : CROSS BEAM ][ BEAM MEMBER FORCE ]

MEMBER NODE	1002021 2021	3021			1002023 2023			3023							
		SHEAR	TORQUE	MOMENT	SHEAR	TORQUE	MOMENT	SHEAR	TORQUE	MOMENT					
		S2 (kN)	TQ (kN·m)	M3 (kN·m)	S2 (kN)	TQ (kN·m)	M3 (kN·m)	S2 (kN)	TQ (kN·m)	M3 (kN·m)					
63	1-LANE (case3TANDEM-LOAD	MAX	S2	51.31	0.00	-9.41	51.31	0.00	298.46	52.18	0.00	-13.36	52.18	0.00	299.73
			TQ	0.00	0.00	0.00	0.00	0.00	0.00	0.00	0.00	0.00	0.00	0.00	0.00
			M3	3.03	0.00	43.89	51.31	0.00	298.46	12.69	0.00	38.29	52.18	0.00	299.86
		MIN	S2	-0.76	0.00	15.27	-0.76	0.00	10.69	-0.47	0.00	3.75	-0.47	0.00	0.94
			TQ	0.00	0.00	0.00	0.00	0.00	0.00	0.00	0.00	0.00	0.00	0.00	0.00
			M3	51.30	0.00	-10.11	-0.50	0.00	-9.77	52.18	0.00	-13.36	0.01	0.00	-1.01
	DISPERSION-LMAX		S2	28.34	0.00	21.72	28.34	0.00	191.77	28.77	0.00	28.07	28.77	0.00	200.67
			TQ	0.00	0.00	0.00	0.00	0.00	0.00	0.00	0.00	0.00	0.00	0.00	0.00
			M3	13.29	0.00	52.57	27.16	0.00	206.15	12.81	0.00	53.25	27.48	0.00	207.74
		MIN	S2	-1.45	0.00	14.93	-1.45	0.00	6.25	-1.34	0.00	14.70	-1.34	0.00	6.67
			TQ	0.00	0.00	0.00	0.00	0.00	0.00	0.00	0.00	0.00	0.00	0.00	0.00
			M3	13.61	0.00	-15.92	-0.27	0.00	-8.13	14.61	0.00	-10.49	-0.05	0.00	-0.40
64	1-LANE (case4TRUCK-LOAD	MAX	S2	18.23	0.00	-192.81	18.23	0.00	-83.44	26.89	0.00	-241.84	26.89	0.00	-80.49
			TQ	0.00	0.00	0.00	0.00	0.00	0.00	0.00	0.00	0.00	0.00	0.00	0.00
			M3	-15.46	0.00	88.56	-9.51	0.00	9.10	-7.10	0.00	39.44	4.19	0.00	1.68
		MIN	S2	-15.59	0.00	88.14	-15.59	0.00	-5.43	-7.11	0.00	39.42	-7.11	0.00	-3.22
			TQ	0.00	0.00	0.00	0.00	0.00	0.00	0.00	0.00	0.00	0.00	0.00	0.00
			M3	2.70	0.00	-303.66	2.70	0.00	-287.43	13.70	0.00	-365.97	13.28	0.00	-284.54
	TANDEM-LOAD	MAX	S2	12.89	0.00	-156.11	12.89	0.00	-78.78	19.08	0.00	-190.61	19.08	0.00	-76.10
			TQ	0.00	0.00	0.00	0.00	0.00	0.00	0.00	0.00	0.00	0.00	0.00	0.00
			M3	-10.51	0.00	60.39	-5.05	0.00	7.42	-4.83	0.00	26.87	3.69	0.00	1.28
		MIN	S2	-10.63	0.00	59.62	-10.63	0.00	-4.16	-4.83	0.00	26.87	-4.83	0.00	-2.12
			TQ	0.00	0.00	0.00	0.00	0.00	0.00	0.00	0.00	0.00	0.00	0.00	0.00
			M3	-0.26	0.00	-210.92	-0.26	0.00	-212.45	7.30	0.00	-253.84	7.18	0.00	-210.25

BAGO RIVER BRIDGE

BLOCK [ No.2 : CROSS BEAM ][ BEAM MEMBER FORCE ]

MEMBER		1002021						1002023									
NODE		2021			3021			2023			3023						
		SHEAR	TORQUE	MOMENT	SHEAR	TORQUE	MOMENT	SHEAR	TORQUE	MOMENT	SHEAR	TORQUE	MOMENT				
NAME	TITLE	S2 (kN)	TQ (kN·m)	M3 (kN·m)	S2 (kN)	TQ (kN·m)	M3 (kN·m)	S2 (kN)	TQ (kN·m)	M3 (kN·m)	S2 (kN)	TQ (kN·m)	M3 (kN·m)				
64	1-LANE (case4DISPERSION-LMAX	S2	11.75	0.00	-172.41	11.75	0.00	-101.91	24.59	0.00	-280.67	24.59	0.00	-133.13			
		TQ	0.00	0.00	0.00	0.00	0.00	0.00	0.00	0.00	0.00	0.00	0.00	0.00			
		M3	-19.03	0.00	109.32	-3.85	0.00	2.48	-9.35	0.00	53.26	0.54	0.00	1.15			
		MIN	S2	-19.78	0.00	73.52	-19.78	0.00	-45.16	-9.39	0.00	46.48	-9.39	0.00	-9.86		
		TQ	0.00	0.00	0.00	0.00	0.00	0.00	0.00	0.00	0.00	0.00	0.00	0.00			
		M3	11.00	0.00	-208.21	-4.18	0.00	-149.55	24.55	0.00	-287.44	14.66	0.00	-144.13			
		65	2-LANES (caseTRUCK-LOAD	MAX	S2	24.99	0.00	-103.97	24.99	0.00	45.99	8.99	0.00	-42.46	8.99	0.00	11.49
				TQ	0.00	0.00	0.00	0.00	0.00	0.00	0.00	0.00	0.00	0.00	0.00	0.00	
				M3	-73.72	0.00	161.69	21.23	0.00	52.86	-87.20	0.00	210.36	8.91	0.00	11.56	
MIN	S2			-86.39	0.00	120.24	-86.39	0.00	-398.12	-101.10	0.00	173.64	-101.10	0.00	-432.94		
TQ	0.00			0.00	0.00	0.00	0.00	0.00	0.00	0.00	0.00	0.00	0.00	0.00			
M3	-3.33			0.00	-305.04	-71.49	0.00	-543.28	-20.04	0.00	-245.67	-87.82	0.00	-583.26			
TANDEM-LOAD	MAX	S2	17.02	0.00	-71.17	17.02	0.00	30.98	6.13	0.00	-28.94	6.13	0.00	7.82			
	TQ	0.00	0.00	0.00	0.00	0.00	0.00	0.00	0.00	0.00	0.00	0.00	0.00				
	M3	-58.08	0.00	122.69	15.00	0.00	36.09	-67.58	0.00	157.25	6.07	0.00	7.85				
	MIN	S2	-64.22	0.00	90.39	-64.22	0.00	-294.95	-74.36	0.00	127.40	-74.36	0.00	-318.75			
	TQ	0.00	0.00	0.00	0.00	0.00	0.00	0.00	0.00	0.00	0.00	0.00	0.00				
	M3	0.40	0.00	-233.82	-48.95	0.00	-390.22	-10.92	0.00	-193.00	-60.16	0.00	-417.51				
DISPERSION-LMAX	S2	31.94	0.00	-140.36	31.94	0.00	51.30	11.24	0.00	-51.14	11.24	0.00	16.29				
	TQ	0.00	0.00	0.00	0.00	0.00	0.00	0.00	0.00	0.00	0.00	0.00	0.00				
	M3	-34.24	0.00	83.48	31.38	0.00	67.55	-52.04	0.00	127.90	11.12	0.00	18.43				
	MIN	S2	-50.11	0.00	3.70	-50.11	0.00	-296.95	-68.13	0.00	52.71	-68.13	0.00	-356.06			
	TQ	0.00	0.00	0.00	0.00	0.00	0.00	0.00	0.00	0.00	0.00	0.00	0.00				
	M3	16.08	0.00	-220.13	-49.54	0.00	-313.20	-4.85	0.00	-126.33	-68.01	0.00	-358.21				



BAGO RIVER BRIDGE

BLOCK [ No.2 : CROSS BEAM ][ BEAM MEMBER FORCE ]

MEMBER NODE	1002021 2021	3021			1002023 2023			3023							
		SHEAR	TORQUE	MOMENT	SHEAR	TORQUE	MOMENT	SHEAR	TORQUE	MOMENT					
		S2 (kN)	TQ (kN·m)	M3 (kN·m)	S2 (kN)	TQ (kN·m)	M3 (kN·m)	S2 (kN)	TQ (kN·m)	M3 (kN·m)					
66	2-LANES (caseTRUCK-LOAD	MAX	S2	16.29	0.00	-65.85	16.29	0.00	31.89	5.67	0.00	-25.95	5.67	0.00	8.09
			TQ	0.00	0.00	0.00	0.00	0.00	0.00	0.00	0.00	0.00	0.00	0.00	0.00
			M3	-120.34	0.00	517.86	2.73	0.00	64.01	-130.49	0.00	555.28	-5.86	0.00	41.42
		MIN	S2	-120.34	0.00	517.86	-120.34	0.00	-204.20	-130.49	0.00	555.28	-130.49	0.00	-227.64
			TQ	0.00	0.00	0.00	0.00	0.00	0.00	0.00	0.00	0.00	0.00	0.00	0.00
			M3	15.95	0.00	-67.67	-120.07	0.00	-205.51	5.64	0.00	-26.27	-130.49	0.00	-227.64
		TANDEM-LOAD MAX	S2	11.10	0.00	-45.00	11.10	0.00	21.59	3.86	0.00	-17.70	3.86	0.00	5.49
			TQ	0.00	0.00	0.00	0.00	0.00	0.00	0.00	0.00	0.00	0.00	0.00	0.00
			M3	-90.65	0.00	386.23	-1.73	0.00	45.22	-97.62	0.00	412.32	-7.79	0.00	29.90
		MIN	S2	-90.65	0.00	386.23	-90.65	0.00	-157.70	-97.62	0.00	412.32	-97.62	0.00	-173.38
			TQ	0.00	0.00	0.00	0.00	0.00	0.00	0.00	0.00	0.00	0.00	0.00	0.00
			M3	10.69	0.00	-46.14	-90.58	0.00	-158.06	3.83	0.00	-17.92	-97.62	0.00	-173.38
		DISPERSION-LMAX	S2	20.12	0.00	-75.21	20.12	0.00	45.54	6.92	0.00	-28.72	6.92	0.00	12.79
			TQ	0.00	0.00	0.00	0.00	0.00	0.00	0.00	0.00	0.00	0.00	0.00	0.00
			M3	-51.17	0.00	246.36	9.23	0.00	78.49	-63.89	0.00	294.22	-5.18	0.00	44.52
MIN	S2	-54.13	0.00	239.53	-54.13	0.00	-85.28	-64.81	0.00	292.99	-64.81	0.00	-95.86		
	TQ	0.00	0.00	0.00	0.00	0.00	0.00	0.00	0.00	0.00	0.00	0.00	0.00		
	M3	17.16	0.00	-82.04	-43.24	0.00	-118.23	6.00	0.00	-29.95	-52.71	0.00	-127.60		
67	2-LANES (caseTRUCK-LOAD	MAX	S2	137.55	0.00	-133.57	137.55	0.00	691.73	143.05	0.00	-163.78	143.05	0.00	694.51
			TQ	0.00	0.00	0.00	0.00	0.00	0.00	0.00	0.00	0.00	0.00	0.00	
			M3	5.84	0.00	92.78	137.55	0.00	691.73	9.01	0.00	69.04	142.93	0.00	695.54
		MIN	S2	-6.21	0.00	54.22	-6.21	0.00	16.96	-3.20	0.00	20.21	-3.20	0.00	1.03
			TQ	0.00	0.00	0.00	0.00	0.00	0.00	0.00	0.00	0.00	0.00	0.00	0.00
			M3	69.07	0.00	-139.79	-4.33	0.00	-22.08	143.05	0.00	-163.78	-1.56	0.00	-2.57

BAGO RIVER BRIDGE

BLOCK [ No.2 : CROSS BEAM ][ BEAM MEMBER FORCE ]

MEMBER		1002021			1002023			1002023			1002023							
NODE		2021			3021			2023			3023							
NAME TITLE		SHEAR	TORQUE	MOMENT	SHEAR	TORQUE	MOMENT	SHEAR	TORQUE	MOMENT	SHEAR	TORQUE	MOMENT					
		S2 (kN)	TQ (kN·m)	M3 (kN·m)	S2 (kN)	TQ (kN·m)	M3 (kN·m)	S2 (kN)	TQ (kN·m)	M3 (kN·m)	S2 (kN)	TQ (kN·m)	M3 (kN·m)					
67	2-LANES (caseTANDEM-LOAD	MAX	S2	103.81	0.00	-111.75	103.81	0.00	511.09	107.55	0.00	-131.82	107.55	0.00	513.46			
			TQ	0.00	0.00	0.00	0.00	0.00	0.00	0.00	0.00	0.00	0.00	0.00	0.00	0.00		
			M3	-0.35	0.00	64.55	103.81	0.00	511.09	10.98	0.00	48.45	107.51	0.00	0.00	513.74		
		MIN	S2	-4.28	0.00	34.55	-4.28	0.00	8.88	-2.18	0.00	13.88	-2.18	0.00	0.00	0.79		
			TQ	0.00	0.00	0.00	0.00	0.00	0.00	0.00	0.00	0.00	0.00	0.00	0.00	0.00		
			M3	103.80	0.00	-112.45	-2.29	0.00	-16.22	107.55	0.00	-131.82	-0.75	0.00	0.00	-2.00		
			DISPERSION-LMAX	S2	59.66	0.00	-32.19	59.66	0.00	325.78	64.66	0.00	-43.25	64.66	0.00	0.00	344.69	
				TQ	0.00	0.00	0.00	0.00	0.00	0.00	0.00	0.00	0.00	0.00	0.00	0.00	0.00	
				M3	9.16	0.00	94.37	54.19	0.00	348.17	10.70	0.00	77.49	61.32	0.00	0.00	353.00	
			MIN	S2	-7.48	0.00	52.32	-7.48	0.00	7.44	-4.88	0.00	36.62	-4.88	0.00	0.00	7.33	
				TQ	0.00	0.00	0.00	0.00	0.00	0.00	0.00	0.00	0.00	0.00	0.00	0.00	0.00	
				M3	43.02	0.00	-74.24	-2.01	0.00	-14.95	49.07	0.00	-84.12	-1.55	0.00	0.00	-0.98	
		68	2-LANES (caseTRUCK-LOAD	MAX	S2	52.60	0.00	-415.47	52.60	0.00	-99.85	69.41	0.00	-507.54	69.41	0.00	-91.09	
					TQ	0.00	0.00	0.00	0.00	0.00	0.00	0.00	0.00	0.00	0.00	0.00	0.00	0.00
					M3	-26.69	0.00	152.53	-5.34	0.00	11.85	-12.29	0.00	68.60	10.27	0.00	0.00	3.98
MIN	S2			-26.82	0.00	152.11	-26.82	0.00	-8.84	-12.30	0.00	68.58	-12.30	0.00	0.00	-5.24		
	TQ			0.00	0.00	0.00	0.00	0.00	0.00	0.00	0.00	0.00	0.00	0.00	0.00	0.00		
	M3			37.08	0.00	-526.33	34.01	0.00	-305.88	56.22	0.00	-631.67	55.47	0.00	0.00	-295.95		
	TANDEM-LOAD MAX			S2	37.50	0.00	-315.82	37.50	0.00	-90.84	49.32	0.00	-379.81	49.32	0.00	0.00	-83.88	
				TQ	0.00	0.00	0.00	0.00	0.00	0.00	0.00	0.00	0.00	0.00	0.00	0.00	0.00	
				M3	-18.16	0.00	103.87	-2.83	0.00	9.42	-8.37	0.00	46.71	8.07	0.00	0.00	3.09	
	MIN			S2	-18.28	0.00	103.10	-18.28	0.00	-6.59	-8.37	0.00	46.71	-8.37	0.00	0.00	-3.50	
				TQ	0.00	0.00	0.00	0.00	0.00	0.00	0.00	0.00	0.00	0.00	0.00	0.00	0.00	
				M3	24.35	0.00	-370.62	20.40	0.00	-225.32	37.54	0.00	-443.04	37.33	0.00	0.00	-218.26	

BAGO RIVER BRIDGE

BLOCK [ No.2 : CROSS BEAM ][ BEAM MEMBER FORCE ]

MEMBER NODE	1002021 2021	1002023 2023						1002023 2023	1002023 2023					
		3021			3023				3023			3023		
		SHEAR S2 (kN)	TORQUE TQ (kN·m)	MOMENT M3 (kN·m)	SHEAR S2 (kN)	TORQUE TQ (kN·m)	MOMENT M3 (kN·m)		SHEAR S2 (kN)	TORQUE TQ (kN·m)	MOMENT M3 (kN·m)	SHEAR S2 (kN)	TORQUE TQ (kN·m)	MOMENT M3 (kN·m)
68	2-LANES (caseDISPERSION-LMAX	S2	32.04	0.00	-306.50	32.04	0.00	-114.25	54.43	0.00	-464.74	54.43	0.00	-138.16
		TQ	0.00	0.00	0.00	0.00	0.00	0.00	0.00	0.00	0.00	0.00	0.00	0.00
		M3	-32.87	0.00	189.37	4.41	0.00	16.01	-16.25	0.00	93.29	15.27	0.00	16.87
	MIN	S2	-33.63	0.00	153.54	-33.63	0.00	-48.21	-16.29	0.00	86.51	-16.29	0.00	-11.22
		TQ	0.00	0.00	0.00	0.00	0.00	0.00	0.00	0.00	0.00	0.00	0.00	0.00
		M3	31.29	0.00	-342.34	-6.00	0.00	-178.48	54.39	0.00	-471.52	22.87	0.00	-166.25
69	3-LANES (caseTRUCK-LOAD	MAX	S2	30.96	0.00	-127.00	30.96	0.00	58.76	11.00	-51.31	11.00	0.00	14.67
		TQ	0.00	0.00	0.00	0.00	0.00	0.00	0.00	0.00	0.00	0.00	0.00	0.00
		M3	-136.85	0.00	532.51	13.68	0.00	97.68	-153.85	0.00	594.53	-0.59	0.00	48.01
	MIN	S2	-149.53	0.00	491.06	-149.53	0.00	-406.10	-167.75	0.00	557.81	-167.75	0.00	-448.67
		TQ	0.00	0.00	0.00	0.00	0.00	0.00	0.00	0.00	0.00	0.00	0.00	0.00
		M3	2.30	0.00	-329.89	-134.35	0.00	-552.57	-18.07	0.00	-254.83	-154.47	0.00	-598.99
	TANDEM-LOAD	MAX	S2	21.09	0.00	-86.97	21.09	0.00	39.57	7.49	-35.02	7.49	0.00	9.95
		TQ	0.00	0.00	0.00	0.00	0.00	0.00	0.00	0.00	0.00	0.00	0.00	0.00
		M3	-106.60	0.00	401.07	6.26	0.00	68.28	-118.51	0.00	445.04	-4.20	0.00	34.38
	MIN	S2	-112.74	0.00	368.76	-112.74	0.00	-307.69	-125.29	0.00	415.19	-125.29	0.00	-336.55
		TQ	0.00	0.00	0.00	0.00	0.00	0.00	0.00	0.00	0.00	0.00	0.00	0.00
		M3	4.06	0.00	-250.77	-97.39	0.00	-403.32	-9.58	0.00	-199.28	-111.10	0.00	-435.31
	DISPERSION-LMAX	S2	39.17	0.00	-165.61	39.17	0.00	69.40	13.62	0.00	-60.62	13.62	0.00	21.10
		TQ	0.00	0.00	0.00	0.00	0.00	0.00	0.00	0.00	0.00	0.00	0.00	0.00
		M3	-58.55	0.00	252.30	28.04	0.00	117.78	-80.45	0.00	316.93	1.51	0.00	54.93
	MIN	S2	-75.05	0.00	167.88	-75.05	0.00	-282.43	-96.58	0.00	241.24	-96.58	0.00	-338.24
		TQ	0.00	0.00	0.00	0.00	0.00	0.00	0.00	0.00	0.00	0.00	0.00	0.00
		M3	22.67	0.00	-250.04	-63.92	0.00	-330.80	-2.51	0.00	-136.31	-84.47	0.00	-372.08

BAGO RIVER BRIDGE

BLOCK [ No.2 : CROSS BEAM ][ BEAM MEMBER FORCE ]

MEMBER				1002021						1002023							
NODE				2021			3021			2023			3023				
NAME TITLE				SHEAR	TORQUE	MOMENT	SHEAR	TORQUE	MOMENT	SHEAR	TORQUE	MOMENT	SHEAR	TORQUE	MOMENT		
				S2 (kN)	TQ (kN·m)	M3 (kN·m)	S2 (kN)	TQ (kN·m)	M3 (kN·m)	S2 (kN)	TQ (kN·m)	M3 (kN·m)	S2 (kN)	TQ (kN·m)	M3 (kN·m)		
70	3-LANES (case	TRUCK-LOAD	MAX	S2	175.71	0.00	-346.71	175.71	0.00	707.54	188.28	0.00	-420.09	188.28	0.00	709.61	
				TQ	0.00	0.00	0.00	0.00	0.00	0.00	0.00	0.00	0.00	0.00	0.00	0.00	0.00
				M3	-3.61	0.00	146.91	175.17	0.00	707.98	4.59	0.00	94.03	187.98	0.00	0.00	0.00
		MIN	S2	-15.66	0.00	108.36	-15.66	0.00	14.38	-7.62	0.00	45.21	-7.62	0.00	0.00	0.00	-0.49
			TQ	0.00	0.00	0.00	0.00	0.00	0.00	0.00	0.00	0.00	0.00	0.00	0.00	0.00	0.00
			M3	107.23	0.00	-352.93	-13.64	0.00	-24.76	188.28	0.00	-420.09	-5.88	0.00	0.00	0.00	-4.16
		TANDEM-LOAD	MAX	S2	131.43	0.00	-265.29	131.43	0.00	523.32	139.97	0.00	-314.90	139.97	0.00	0.00	524.90
			TQ	0.00	0.00	0.00	0.00	0.00	0.00	0.00	0.00	0.00	0.00	0.00	0.00	0.00	0.00
			M3	-6.79	0.00	101.40	131.28	0.00	523.44	7.98	0.00	65.43	139.88	0.00	0.00	0.00	525.35
			MIN	S2	-10.73	0.00	71.40	-10.73	0.00	7.04	-5.19	0.00	30.86	-5.19	0.00	0.00	-0.29
			TQ	0.00	0.00	0.00	0.00	0.00	0.00	0.00	0.00	0.00	0.00	0.00	0.00	0.00	0.00
			M3	131.42	0.00	-266.00	-8.70	0.00	-18.08	139.97	0.00	-314.90	-3.74	0.00	0.00	0.00	-3.09
		DISPERSION-LMAX	S2	81.62	0.00	-159.46	81.62	0.00	330.24	95.22	0.00	-218.17	95.22	0.00	0.00	0.00	353.17
			TQ	0.00	0.00	0.00	0.00	0.00	0.00	0.00	0.00	0.00	0.00	0.00	0.00	0.00	0.00
			M3	-2.03	0.00	160.23	64.80	0.00	369.45	4.70	0.00	112.70	79.11	0.00	0.00	0.00	375.33
		MIN	S2	-18.68	0.00	118.15	-18.68	0.00	6.04	-10.89	0.00	71.83	-10.89	0.00	0.00	6.50	
		TQ	0.00	0.00	0.00	0.00	0.00	0.00	0.00	0.00	0.00	0.00	0.00	0.00	0.00	0.00	
		M3	64.97	0.00	-201.54	-1.87	0.00	-33.17	79.64	0.00	-259.05	5.22	0.00	0.00	0.00	-15.67	
71	3-LANES (case	TRUCK-LOAD	MAX	S2	118.67	0.00	-557.18	118.67	0.00	154.86	140.77	0.00	-673.00	140.77	0.00	171.61	
				TQ	0.00	0.00	0.00	0.00	0.00	0.00	0.00	0.00	0.00	0.00	0.00	0.00	0.00
				M3	-33.50	0.00	192.95	60.72	0.00	266.56	-15.60	0.00	87.81	81.63	0.00	0.00	0.00
		MIN	S2	-33.69	0.00	191.90	-33.69	0.00	-10.23	-15.62	0.00	87.77	-15.62	0.00	0.00	0.00	-5.94
			TQ	0.00	0.00	0.00	0.00	0.00	0.00	0.00	0.00	0.00	0.00	0.00	0.00	0.00	0.00
			M3	102.57	0.00	-668.36	29.82	0.00	-312.84	127.58	0.00	-797.13	53.52	0.00	0.00	0.00	-297.28

BAGO RIVER BRIDGE

BLOCK [ No.2 : CROSS BEAM ][ BEAM MEMBER FORCE ]

MEMBER NODE	1002021 2021	3021			1002023 2023			3023								
		SHEAR	TORQUE	MOMENT	SHEAR	TORQUE	MOMENT	SHEAR	TORQUE	MOMENT						
		S2 (kN)	TQ (kN·m)	M3 (kN·m)	S2 (kN)	TQ (kN·m)	M3 (kN·m)	S2 (kN)	TQ (kN·m)	M3 (kN·m)						
71	3-LANES (case)	TANDEM-LOAD	MAX	S2	86.97	0.00	-424.33	86.97	0.00	97.51	102.50	0.00	-504.39	102.50	0.00	110.64
				TQ	0.00	0.00	0.00	0.00	0.00	0.00	0.00	0.00	0.00	0.00	0.00	0.00
				M3	-22.82	0.00	131.36	46.65	0.00	197.77	-10.62	0.00	59.77	61.25	0.00	197.60
			MIN	S2	-22.95	0.00	130.43	-22.95	0.00	-7.29	-10.62	0.00	59.77	-10.62	0.00	-3.98
				TQ	0.00	0.00	0.00	0.00	0.00	0.00	0.00	0.00	0.00	0.00	0.00	0.00
				M3	73.67	0.00	-479.22	18.23	0.00	-230.19	90.72	0.00	-567.62	35.87	0.00	-219.19
		DISPERSION-LMAX		S2	61.69	0.00	-366.55	61.69	0.00	3.58	89.59	0.00	-545.23	89.59	0.00	-7.70
				TQ	0.00	0.00	0.00	0.00	0.00	0.00	0.00	0.00	0.00	0.00	0.00	0.00
				M3	-40.33	0.00	243.75	30.80	0.00	139.85	-19.81	0.00	121.04	49.71	0.00	148.53
			MIN	S2	-42.30	0.00	204.45	-42.30	0.00	-49.37	-20.72	0.00	113.26	-20.72	0.00	-11.08
				TQ	0.00	0.00	0.00	0.00	0.00	0.00	0.00	0.00	0.00	0.00	0.00	0.00
				M3	59.71	0.00	-405.85	-11.42	0.00	-185.65	88.67	0.00	-553.01	19.16	0.00	-167.31
72	4-LANES	TRUCK-LOAD	MAX	S2	190.58	0.00	-550.56	190.58	0.00	592.93	212.81	0.00	-672.03	212.81	0.00	604.83
				TQ	0.00	0.00	0.00	0.00	0.00	0.00	0.00	0.00	0.00	0.00	0.00	0.00
				M3	-20.60	0.00	243.58	131.62	0.00	691.66	-3.07	0.00	136.20	153.91	0.00	686.36
			MIN	S2	-32.90	0.00	179.22	-32.90	0.00	-18.16	-15.51	0.00	88.96	-15.51	0.00	-4.09
				TQ	0.00	0.00	0.00	0.00	0.00	0.00	0.00	0.00	0.00	0.00	0.00	0.00
				M3	106.16	0.00	-664.53	20.16	0.00	-312.01	199.99	0.00	-796.48	42.73	0.00	-285.85
		TANDEM-LOAD	MAX	S2	141.66	0.00	-428.69	141.66	0.00	421.27	157.15	0.00	-512.33	157.15	0.00	430.59
				TQ	0.00	0.00	0.00	0.00	0.00	0.00	0.00	0.00	0.00	0.00	0.00	0.00
				M3	-18.34	0.00	167.34	100.18	0.00	511.49	-6.49	0.00	94.17	113.42	0.00	507.64
			MIN	S2	-22.43	0.00	122.34	-22.43	0.00	-12.22	-10.56	0.00	60.65	-10.56	0.00	-2.69
				TQ	0.00	0.00	0.00	0.00	0.00	0.00	0.00	0.00	0.00	0.00	0.00	0.00
				M3	128.77	0.00	-484.29	10.45	0.00	-230.49	145.65	0.00	-575.73	25.75	0.00	-211.43

BAGO RIVER BRIDGE

BLOCK [ No.2 : CROSS BEAM ][ BEAM MEMBER FORCE ]

MEMBER			1002021						1002023								
NODE			2021			3021			2023			3023					
NAME TITLE			SHEAR	TORQUE	MOMENT	SHEAR	TORQUE	MOMENT	SHEAR	TORQUE	MOMENT	SHEAR	TORQUE	MOMENT			
			S2 (kN)	TQ (kN·m)	M3 (kN·m)	S2 (kN)	TQ (kN·m)	M3 (kN·m)	S2 (kN)	TQ (kN·m)	M3 (kN·m)	S2 (kN)	TQ (kN·m)	M3 (kN·m)			
72	4-LANES	DISPERSION-LMAX	S2	90.73	0.00	-313.57	90.73	0.00	230.82	113.15	0.00	-470.96	113.15	0.00	207.97		
			TQ	0.00	0.00	0.00	0.00	0.00	0.00	0.00	0.00	0.00	0.00	0.00	0.00		
			M3	-23.34	0.00	275.80	61.78	0.00	361.79	-3.49	0.00	150.51	76.98	0.00	0.00	361.71	
	MIN	S2	-40.40	0.00	199.03	-40.40	0.00	-43.36	-18.89	0.00	104.26	-18.89	0.00	0.00	-9.06		
		TQ	0.00	0.00	0.00	0.00	0.00	0.00	0.00	0.00	0.00	0.00	0.00	0.00	0.00		
		M3	72.95	0.00	-389.84	-10.94	0.00	-175.93	97.35	0.00	-517.96	17.53	0.00	0.00	-164.43		
	73	6-LANES	TRUCK-LOAD	MAX	S2	174.70	0.00	-574.46	174.70	0.00	473.77	176.70	0.00	-636.90	176.70	0.00	423.30
				TQ	0.00	0.00	0.00	0.00	0.00	0.00	0.00	0.00	0.00	0.00	0.00	0.00	
				M3	-109.16	0.00	738.11	136.22	0.00	742.07	-116.52	0.00	699.62	146.28	0.00	0.00	699.20
MIN		S2	-137.98	0.00	675.63	-137.98	0.00	-152.25	-138.78	0.00	601.69	-138.78	0.00	0.00	-231.01		
		TQ	0.00	0.00	0.00	0.00	0.00	0.00	0.00	0.00	0.00	0.00	0.00	0.00	0.00		
		M3	129.35	0.00	-872.54	-96.13	0.00	-768.83	134.06	0.00	-920.29	-96.38	0.00	0.00	-783.07		
TANDEM-LOAD		MAX	S2	128.60	0.00	-434.51	128.60	0.00	337.11	130.22	0.00	-468.12	130.22	0.00	0.00	313.19	
		TQ	0.00	0.00	0.00	0.00	0.00	0.00	0.00	0.00	0.00	0.00	0.00	0.00	0.00		
		M3	-88.96	0.00	545.99	102.83	0.00	543.14	-91.37	0.00	521.93	108.52	0.00	0.00	512.67		
MIN	S2	-102.75	0.00	495.31	-102.75	0.00	-121.20	-103.45	0.00	478.86	-103.45	0.00	0.00	-141.87			
	TQ	0.00	0.00	0.00	0.00	0.00	0.00	0.00	0.00	0.00	0.00	0.00	0.00	0.00			
	M3	97.42	0.00	-646.23	-70.66	0.00	-562.83	100.90	0.00	-678.89	-70.19	0.00	0.00	-570.33			
DISPERSION-LMAX	S2	112.03	0.00	-421.72	112.03	0.00	250.47	114.36	0.00	-473.85	114.36	0.00	0.00	212.29			
	TQ	0.00	0.00	0.00	0.00	0.00	0.00	0.00	0.00	0.00	0.00	0.00	0.00	0.00			
	M3	-70.48	0.00	495.16	74.90	0.00	433.30	-70.25	0.00	443.89	69.51	0.00	0.00	385.42			
MIN	S2	-102.62	0.00	348.41	-102.62	0.00	-267.29	-101.64	0.00	337.12	-101.64	0.00	0.00	-272.69			
	TQ	0.00	0.00	0.00	0.00	0.00	0.00	0.00	0.00	0.00	0.00	0.00	0.00	0.00			
	M3	79.95	0.00	-580.24	-62.12	0.00	-462.07	83.80	0.00	-608.40	-52.99	0.00	0.00	-477.26			

BAGO RIVER BRIDGE

BLOCK [ No.2 : CROSS BEAM ][ BEAM MEMBER FORCE ]

MEMBER			1002021						1002023						
NODE			2021			3021			2023			3023			
NAME TITLE			SHEAR	TORQUE	MOMENT	SHEAR	TORQUE	MOMENT	SHEAR	TORQUE	MOMENT	SHEAR	TORQUE	MOMENT	
			S2 (kN)	TQ (kN·m)	M3 (kN·m)	S2 (kN)	TQ (kN·m)	M3 (kN·m)	S2 (kN)	TQ (kN·m)	M3 (kN·m)	S2 (kN)	TQ (kN·m)	M3 (kN·m)	
124	SUM TOTAL	D+1LANE (caseMAX	S2	59.88	0.00	-479.83	59.88	0.00	-120.52	17.23	0.00	-538.64	17.23	0.00	-435.26
			TQ	19.43	0.00	-297.96	19.43	0.00	-181.41	2.80	0.00	-469.93	2.80	0.00	-453.13
			M3	-9.24	0.00	-273.26	55.15	0.00	-93.86	-45.11	0.00	-395.59	17.17	0.00	-432.73
		MIN	S2	-40.69	0.00	-416.11	-40.69	0.00	-660.27	-80.04	0.00	-528.99	-80.04	0.00	-1009.22
			TQ	19.43	0.00	-297.96	19.43	0.00	-181.41	2.80	0.00	-469.93	2.80	0.00	-453.13
			M3	9.66	0.00	-814.22	-22.54	0.00	-852.98	-35.87	0.00	-871.83	-64.10	0.00	-1192.12
		D+1LANE (caseMAX	S2	35.26	0.00	-355.90	35.26	0.00	-144.36	8.06	0.00	-491.92	8.06	0.00	-443.55
			TQ	19.43	0.00	-297.96	19.43	0.00	-181.41	2.80	0.00	-469.93	2.80	0.00	-453.13
			M3	-85.50	0.00	349.61	6.36	0.00	-67.36	-111.28	0.00	217.90	-20.12	0.00	-365.58
		MIN	S2	-86.27	0.00	344.03	-86.27	0.00	-173.56	-111.32	0.00	217.31	-111.32	0.00	-450.62
			TQ	19.43	0.00	-297.96	19.43	0.00	-181.41	2.80	0.00	-469.93	2.80	0.00	-453.13
			M3	34.09	0.00	-363.66	-73.26	0.00	-213.68	7.98	0.00	-492.89	-96.93	0.00	-488.65
		D+1LANE (caseMAX	S2	134.67	0.00	-273.56	134.67	0.00	534.45	120.09	0.00	-445.50	120.09	0.00	275.01
			TQ	19.43	0.00	-297.96	19.43	0.00	-181.41	2.80	0.00	-469.93	2.80	0.00	-453.13
			M3	48.29	0.00	-159.83	133.26	0.00	551.71	31.99	0.00	-341.04	118.52	0.00	284.07
		MIN	S2	16.41	0.00	-247.85	16.41	0.00	-149.40	0.37	0.00	-445.77	0.37	0.00	-443.53
			TQ	19.43	0.00	-297.96	19.43	0.00	-181.41	2.80	0.00	-469.93	2.80	0.00	-453.13
			M3	34.81	0.00	-326.21	18.03	0.00	-206.69	103.10	0.00	-491.77	2.62	0.00	-455.02
		D+1LANE (caseMAX	S2	55.40	0.00	-736.22	55.40	0.00	-403.82	64.58	0.00	-1096.94	64.58	0.00	-709.47
			TQ	19.43	0.00	-297.96	19.43	0.00	-181.41	2.80	0.00	-469.93	2.80	0.00	-453.13
			M3	-21.97	0.00	-60.50	3.39	0.00	-167.51	-16.94	0.00	-358.69	8.48	0.00	-449.74
		MIN	S2	-23.02	0.00	-103.98	-23.02	0.00	-242.11	-17.00	0.00	-366.85	-17.00	0.00	-468.83
			TQ	19.43	0.00	-297.96	19.43	0.00	-181.41	2.80	0.00	-469.93	2.80	0.00	-453.13
			M3	35.88	0.00	-912.21	17.65	0.00	-705.79	48.70	0.00	-1254.03	36.33	0.00	-967.53

BAGO RIVER BRIDGE

BLOCK [ No.2 : CROSS BEAM ][ BEAM MEMBER FORCE ]

MEMBER			1002021			1002023									
NODE			2021			2023									
NAME TITLE			SHEAR	TORQUE	MOMENT	SHEAR	TORQUE	MOMENT							
			S2 (kN)	TQ (kN·m)	M3 (kN·m)	S2 (kN)	TQ (kN·m)	M3 (kN·m)							
124	SUM TOTAL	D+2LANES (casMAX	S2	76.36	0.00	-542.29	76.36	0.00	-84.12	23.03	0.00	-563.54	23.03	0.00	-425.35
			TQ	19.43	0.00	-297.96	19.43	0.00	-181.41	2.80	0.00	-469.93	2.80	0.00	-453.13
			M3	-88.54	0.00	-52.80	72.03	0.00	-61.00	-136.43	0.00	-131.68	22.83	0.00	-423.14
		MIN	S2	-117.08	0.00	-174.02	-117.08	0.00	-876.48	-166.42	0.00	-243.58	-166.42	0.00	-1242.13
			TQ	19.43	0.00	-297.96	19.43	0.00	-181.41	2.80	0.00	-469.93	2.80	0.00	-453.13
			M3	32.17	0.00	-823.14	-101.61	0.00	-1037.89	-22.10	0.00	-841.94	-153.03	0.00	-1394.59
		D+2LANES (casMAX	S2	55.84	0.00	-439.02	55.84	0.00	-103.98	15.39	0.00	-524.61	15.39	0.00	-432.25
			TQ	19.43	0.00	-297.96	19.43	0.00	-181.41	2.80	0.00	-469.93	2.80	0.00	-453.13
			M3	-152.09	0.00	466.26	31.38	0.00	-38.91	-191.58	0.00	379.57	-8.24	0.00	-367.18
		MIN	S2	-155.05	0.00	459.43	-155.05	0.00	-470.89	-192.49	0.00	378.34	-192.49	0.00	-776.63
			TQ	19.43	0.00	-297.96	19.43	0.00	-181.41	2.80	0.00	-469.93	2.80	0.00	-453.13
			M3	52.53	0.00	-447.68	-143.88	0.00	-505.14	14.44	0.00	-526.15	-180.39	0.00	-808.36
		D+2LANES (casMAX	S2	216.64	0.00	-463.72	216.64	0.00	836.10	210.50	0.00	-676.96	210.50	0.00	586.07
			TQ	19.43	0.00	-297.96	19.43	0.00	-181.41	2.80	0.00	-469.93	2.80	0.00	-453.13
			M3	34.43	0.00	-110.82	211.17	0.00	858.49	22.51	0.00	-323.40	207.06	0.00	595.41
		MIN	S2	5.73	0.00	-191.42	5.73	0.00	-157.01	-5.28	0.00	-413.10	-5.28	0.00	-444.76
			TQ	19.43	0.00	-297.96	19.43	0.00	-181.41	2.80	0.00	-469.93	2.80	0.00	-453.13
			M3	131.52	0.00	-512.00	13.09	0.00	-218.44	194.92	0.00	-717.83	-0.31	0.00	-456.68
		D+2LANES (casMAX	S2	104.07	0.00	-1019.94	104.07	0.00	-395.52	126.64	0.00	-1442.22	126.64	0.00	-682.37
			TQ	19.43	0.00	-297.96	19.43	0.00	-181.41	2.80	0.00	-469.93	2.80	0.00	-453.13
			M3	-40.14	0.00	43.94	18.49	0.00	-153.54	-25.74	0.00	-308.04	28.34	0.00	-432.28
		MIN	S2	-41.02	0.00	7.68	-41.02	0.00	-238.46	-25.79	0.00	-314.84	-25.79	0.00	-469.60
			TQ	19.43	0.00	-297.96	19.43	0.00	-181.41	2.80	0.00	-469.93	2.80	0.00	-453.13
			M3	87.79	0.00	-1166.63	47.44	0.00	-665.77	113.41	0.00	-1573.12	81.14	0.00	-915.33



BAGO RIVER BRIDGE

BLOCK [ No.2 : CROSS BEAM ][ BEAM MEMBER FORCE ]

MEMBER			1002021						1002023							
NODE			2021			3021			2023			3023				
NAME TITLE			SHEAR	TORQUE	MOMENT	SHEAR	TORQUE	MOMENT	SHEAR	TORQUE	MOMENT	SHEAR	TORQUE	MOMENT		
			S2 (kN)	TQ (kN·m)	M3 (kN·m)	S2 (kN)	TQ (kN·m)	M3 (kN·m)	S2 (kN)	TQ (kN·m)	M3 (kN·m)	S2 (kN)	TQ (kN·m)	M3 (kN·m)		
124	SUM TOTAL	D+3LANES (casMAX	S2	79.04	0.00	-546.68	79.04	0.00	-72.47	23.72	0.00	-565.07	23.72	0.00	-422.73	
			TQ	19.43	0.00	-297.96	19.43	0.00	-181.41	2.80	0.00	-469.93	2.80	0.00	-453.13	
			M3	-146.67	0.00	369.12	54.89	0.00	1.73	-196.36	0.00	304.80	3.59	0.00	-365.62	
		MIN	S2	-171.47	0.00	262.13	-171.47	0.00	-766.66	-221.88	0.00	209.26	-221.88	0.00	-1122.00	
			TQ	19.43	0.00	-297.96	19.43	0.00	-181.41	2.80	0.00	-469.93	2.80	0.00	-453.13	
			M3	40.65	0.00	-790.90	-149.11	0.00	-932.28	-14.69	0.00	-802.40	-200.30	0.00	-1278.53	
		D+3LANES (casMAX	S2	238.15	0.00	-728.21	238.15	0.00	700.70	243.78	0.00	-1012.46	243.78	0.00	450.23	
			TQ	19.43	0.00	-297.96	19.43	0.00	-181.41	2.80	0.00	-469.93	2.80	0.00	-453.13	
			M3	14.63	0.00	-36.89	223.40	0.00	734.40	10.69	0.00	-294.21	229.83	0.00	470.45	
		MIN	S2	-9.77	0.00	-105.44	-9.77	0.00	-164.05	-12.93	0.00	-370.45	-12.93	0.00	-448.03	
			TQ	19.43	0.00	-297.96	19.43	0.00	-181.41	2.80	0.00	-469.93	2.80	0.00	-453.13	
			M3	165.79	0.00	-769.27	6.24	0.00	-230.65	230.54	0.00	-1047.20	2.24	0.00	-469.98	
		D+3LANES (casMAX	S2	172.73	0.00	-1083.13	172.73	0.00	-46.74	198.61	0.00	-1505.43	198.61	0.00	-313.80	
			TQ	19.43	0.00	-297.96	19.43	0.00	-181.41	2.80	0.00	-469.93	2.80	0.00	-453.13	
			M3	-43.33	0.00	73.23	97.22	0.00	164.04	-27.30	0.00	-292.42	114.44	0.00	-100.20	
		MIN	S2	-45.17	0.00	38.93	-45.17	0.00	-232.07	-28.09	0.00	-299.06	-28.09	0.00	-467.60	
			TQ	19.43	0.00	-297.96	19.43	0.00	-181.41	2.80	0.00	-469.93	2.80	0.00	-453.13	
			M3	157.37	0.00	-1211.04	35.06	0.00	-605.12	186.61	0.00	-1617.55	64.58	0.00	-848.03	
		D+4LANES	MAX	S2	202.28	0.00	-859.65	202.28	0.00	354.03	214.68	0.00	-1212.88	214.68	0.00	75.19
			TQ	19.43	0.00	-297.96	19.43	0.00	-181.41	2.80	0.00	-469.93	2.80	0.00	-453.13	
			M3	-9.13	0.00	39.63	145.13	0.00	503.34	-1.46	0.00	-283.58	152.88	0.00	228.12	
		MIN	S2	-28.21	0.00	-52.11	-28.21	0.00	-221.40	-19.56	0.00	-344.34	-19.56	0.00	-461.67	
			TQ	19.43	0.00	-297.96	19.43	0.00	-181.41	2.80	0.00	-469.93	2.80	0.00	-453.13	
			M3	135.85	0.00	-983.31	25.42	0.00	-498.57	196.07	0.00	-1324.32	41.97	0.00	-745.81	

BAGO RIVER BRIDGE

BLOCK [ No.2 : CROSS BEAM ][ BEAM MEMBER FORCE ]

MEMBER					1002021			1002023			1002023					
NODE					2021			3021			2023			3023		
NAME TITLE					SHEAR	TORQUE	MOMENT	SHEAR	TORQUE	MOMENT	SHEAR	TORQUE	MOMENT	SHEAR	TORQUE	MOMENT
					S2 (kN)	TQ (kN·m)	M3 (kN·m)	S2 (kN)	TQ (kN·m)	M3 (kN·m)	S2 (kN)	TQ (kN·m)	M3 (kN·m)	S2 (kN)	TQ (kN·m)	M3 (kN·m)
124	SUM TOTAL	D+6LANES	MAX	S2	205.80	0.00	-945.48	205.80	0.00	289.34	191.99	0.00	-1191.92	191.99	0.00	-39.99
				TQ	19.43	0.00	-297.96	19.43	0.00	-181.41	2.80	0.00	-469.93	2.80	0.00	-453.13
				M3	-97.34	0.00	503.66	156.65	0.00	582.58	-118.60	0.00	273.35	143.07	0.00	251.88
			MIN	S2	-136.96	0.00	367.66	-136.96	0.00	-454.11	-153.47	0.00	140.29	-153.47	0.00	-780.53
				TQ	19.43	0.00	-297.96	19.43	0.00	-181.41	2.80	0.00	-469.93	2.80	0.00	-453.13
				M3	155.47	0.00	-1242.27	-83.43	0.00	-981.50	144.41	0.00	-1463.58	-94.29	0.00	-1272.34
	SUM TOTAL		MAX		238.15	0.00	503.66	238.15	0.00	858.49	243.78	0.00	379.57	243.78	0.00	595.41
			MIN		-171.47	0.00	-1242.27	-171.47	0.00	-1037.89	-221.88	0.00	-1617.55	-221.88	0.00	-1394.59
300	DEAD LOAD	TOTAL			19.43	0.00	-297.96	19.43	0.00	-181.41	2.80	0.00	-469.93	2.80	0.00	-453.13
301	LIVE LOAD	1-LANE(case1MAX	S2		40.46	0.00	-181.87	40.46	0.00	60.89	14.43	0.00	-68.70	14.43	0.00	17.86
			TQ		0.00	0.00	0.00	0.00	0.00	0.00	0.00	0.00	0.00	0.00	0.00	0.00
			M3		-28.67	0.00	24.70	35.72	0.00	87.55	-47.91	0.00	74.34	14.37	0.00	20.40
			MIN	S2	-60.12	0.00	-118.14	-60.12	0.00	-478.86	-82.84	0.00	-59.06	-82.84	0.00	-556.09
				TQ	0.00	0.00	0.00	0.00	0.00	0.00	0.00	0.00	0.00	0.00	0.00	0.00
				M3	-9.77	0.00	-516.26	-41.96	0.00	-671.57	-38.67	0.00	-401.90	-66.90	0.00	-739.00
		1-LANE(case2MAX	S2		15.83	0.00	-57.94	15.83	0.00	37.05	5.26	0.00	-21.98	5.26	0.00	9.58
			TQ		0.00	0.00	0.00	0.00	0.00	0.00	0.00	0.00	0.00	0.00	0.00	0.00
			M3		-104.93	0.00	647.57	-13.06	0.00	114.05	-114.08	0.00	687.84	-22.92	0.00	87.55
			MIN	S2	-105.69	0.00	642.00	-105.69	0.00	7.85	-114.12	0.00	687.24	-114.12	0.00	2.51
				TQ	0.00	0.00	0.00	0.00	0.00	0.00	0.00	0.00	0.00	0.00	0.00	0.00
				M3	14.66	0.00	-65.70	-92.69	0.00	-32.27	5.18	0.00	-22.96	-99.73	0.00	-35.52
		1-LANE(case3MAX	S2		115.24	0.00	24.40	115.24	0.00	715.86	117.28	0.00	24.43	117.28	0.00	728.14
			TQ		0.00	0.00	0.00	0.00	0.00	0.00	0.00	0.00	0.00	0.00	0.00	0.00
			M3		28.87	0.00	138.14	113.83	0.00	733.12	29.19	0.00	128.90	115.72	0.00	737.20
			MIN	S2	-3.02	0.00	50.12	-3.02	0.00	32.01	-2.43	0.00	24.17	-2.43	0.00	9.60
				TQ	0.00	0.00	0.00	0.00	0.00	0.00	0.00	0.00	0.00	0.00	0.00	0.00
				M3	15.39	0.00	-28.24	-1.39	0.00	-25.28	100.30	0.00	-21.84	-0.18	0.00	-1.89

BAGO RIVER BRIDGE

BLOCK [ No.2 : CROSS BEAM ][ BEAM MEMBER FORCE ]

MEMBER			1002021						1002023							
NODE			2021			3021			2023			3023				
NAME TITLE			SHEAR	TORQUE	MOMENT	SHEAR	TORQUE	MOMENT	SHEAR	TORQUE	MOMENT	SHEAR	TORQUE	MOMENT		
			S2 (kN)	TQ (kN·m)	M3 (kN·m)	S2 (kN)	TQ (kN·m)	M3 (kN·m)	S2 (kN)	TQ (kN·m)	M3 (kN·m)	S2 (kN)	TQ (kN·m)	M3 (kN·m)		
301	LIVE LOAD	1-LANE (case4MAX	S2	35.97	0.00	-438.26	35.97	0.00	-222.41	61.78	0.00	-627.01	61.78	0.00	-256.34	
			TQ	0.00	0.00	0.00	0.00	0.00	0.00	0.00	0.00	0.00	0.00	0.00	0.00	0.00
			M3	-41.40	0.00	237.46	-16.03	0.00	13.90	-19.74	0.00	111.24	5.68	0.00	0.00	3.39
			MIN S2	-42.45	0.00	193.99	-42.45	0.00	-60.70	-19.80	0.00	103.08	-19.80	0.00	0.00	-15.70
			TQ	0.00	0.00	0.00	0.00	0.00	0.00	0.00	0.00	0.00	0.00	0.00	0.00	0.00
			M3	16.45	0.00	-614.25	-1.77	0.00	-524.38	45.90	0.00	-784.10	33.53	0.00	0.00	-514.41
		2-LANES (caseMAX	S2	56.94	0.00	-244.33	56.94	0.00	97.29	20.23	0.00	-93.61	20.23	0.00	0.00	27.78
			TQ	0.00	0.00	0.00	0.00	0.00	0.00	0.00	0.00	0.00	0.00	0.00	0.00	0.00
			M3	-107.96	0.00	245.17	52.61	0.00	120.41	-139.24	0.00	338.25	20.03	0.00	0.00	29.99
			MIN S2	-136.50	0.00	123.94	-136.50	0.00	-695.07	-169.23	0.00	226.35	-169.23	0.00	0.00	-789.00
			TQ	0.00	0.00	0.00	0.00	0.00	0.00	0.00	0.00	0.00	0.00	0.00	0.00	0.00
			M3	12.75	0.00	-525.18	-121.04	0.00	-856.48	-24.90	0.00	-372.00	-155.83	0.00	0.00	-941.46
		2-LANES (caseMAX	S2	36.41	0.00	-141.05	36.41	0.00	77.43	12.59	0.00	-54.68	12.59	0.00	0.00	20.88
			TQ	0.00	0.00	0.00	0.00	0.00	0.00	0.00	0.00	0.00	0.00	0.00	0.00	0.00
			M3	-171.51	0.00	764.22	11.96	0.00	142.50	-194.38	0.00	849.50	-11.04	0.00	0.00	85.95
			MIN S2	-174.48	0.00	757.39	-174.48	0.00	-289.48	-195.29	0.00	848.27	-195.29	0.00	0.00	-323.50
			TQ	0.00	0.00	0.00	0.00	0.00	0.00	0.00	0.00	0.00	0.00	0.00	0.00	0.00
			M3	33.11	0.00	-149.71	-163.31	0.00	-323.73	11.64	0.00	-56.22	-183.19	0.00	0.00	-355.23
		2-LANES (caseMAX	S2	197.21	0.00	-165.76	197.21	0.00	1017.51	207.70	0.00	-207.02	207.70	0.00	0.00	1039.20
			TQ	0.00	0.00	0.00	0.00	0.00	0.00	0.00	0.00	0.00	0.00	0.00	0.00	0.00
			M3	15.01	0.00	187.15	191.74	0.00	1039.90	19.71	0.00	146.53	204.26	0.00	0.00	1048.54
MIN S2	-13.69		0.00	106.54	-13.69	0.00	24.40	-8.08	0.00	56.83	-8.08	0.00	0.00	8.37		
TQ	0.00		0.00	0.00	0.00	0.00	0.00	0.00	0.00	0.00	0.00	0.00	0.00	0.00		
M3	112.09		0.00	-214.03	-6.34	0.00	-37.03	192.12	0.00	-247.90	-3.11	0.00	0.00	-3.55		

BAGO RIVER BRIDGE

BLOCK [ No.2 : CROSS BEAM ][ BEAM MEMBER FORCE ]

MEMBER			1002021			3021			1002023			3023				
NODE			2021			2021			2023			2023				
NAME TITLE			SHEAR	TORQUE	MOMENT	SHEAR	TORQUE	MOMENT	SHEAR	TORQUE	MOMENT	SHEAR	TORQUE	MOMENT		
			S2 (kN)	TQ (kN·m)	M3 (kN·m)	S2 (kN)	TQ (kN·m)	M3 (kN·m)	S2 (kN)	TQ (kN·m)	M3 (kN·m)	S2 (kN)	TQ (kN·m)	M3 (kN·m)		
301	LIVE LOAD	2-LANES (caseMAX	S2	84.64	0.00	-721.98	84.64	0.00	-214.11	123.84	0.00	-972.29	123.84	0.00	-229.24	
			TQ	0.00	0.00	0.00	0.00	0.00	0.00	0.00	0.00	0.00	0.00	0.00	0.00	
			M3	-59.57	0.00	341.90	-0.93	0.00	27.87	-28.54	0.00	161.89	25.54	0.00	0.00	20.85
			MIN S2	-60.45	0.00	305.64	-60.45	0.00	-57.05	-28.59	0.00	155.09	-28.59	0.00	0.00	-16.47
			TQ	0.00	0.00	0.00	0.00	0.00	0.00	0.00	0.00	0.00	0.00	0.00	0.00	0.00
			M3	68.37	0.00	-868.67	28.01	0.00	-484.36	110.61	0.00	-1103.19	78.34	0.00	0.00	-462.20
		3-LANES (caseMAX	S2	59.61	0.00	-248.72	59.61	0.00	108.94	20.92	0.00	-95.14	20.92	0.00	0.00	30.40
			TQ	0.00	0.00	0.00	0.00	0.00	0.00	0.00	0.00	0.00	0.00	0.00	0.00	0.00
			M3	-166.09	0.00	667.09	35.47	0.00	183.14	-199.16	0.00	774.73	0.79	0.00	0.00	87.50
			MIN S2	-190.89	0.00	560.10	-190.89	0.00	-585.25	-224.68	0.00	679.20	-224.68	0.00	0.00	-668.87
			TQ	0.00	0.00	0.00	0.00	0.00	0.00	0.00	0.00	0.00	0.00	0.00	0.00	0.00
			M3	21.22	0.00	-492.94	-168.53	0.00	-750.87	-17.49	0.00	-332.46	-203.10	0.00	0.00	-825.40
		3-LANES (caseMAX	S2	218.73	0.00	-430.24	218.73	0.00	882.11	240.98	0.00	-542.53	240.98	0.00	0.00	903.36
			TQ	0.00	0.00	0.00	0.00	0.00	0.00	0.00	0.00	0.00	0.00	0.00	0.00	0.00
			M3	-4.79	0.00	261.07	203.97	0.00	915.81	7.89	0.00	175.73	227.03	0.00	0.00	923.57
			MIN S2	-29.19	0.00	192.53	-29.19	0.00	17.36	-15.73	0.00	99.48	-15.73	0.00	0.00	5.10
			TQ	0.00	0.00	0.00	0.00	0.00	0.00	0.00	0.00	0.00	0.00	0.00	0.00	0.00
			M3	146.37	0.00	-471.31	-13.18	0.00	-49.24	227.73	0.00	-577.27	-0.56	0.00	0.00	-16.85
		3-LANES (caseMAX	S2	153.31	0.00	-785.16	153.31	0.00	134.67	195.80	0.00	-1035.50	195.80	0.00	0.00	139.33
			TQ	0.00	0.00	0.00	0.00	0.00	0.00	0.00	0.00	0.00	0.00	0.00	0.00	0.00
			M3	-62.75	0.00	371.20	77.80	0.00	345.45	-30.10	0.00	177.52	111.64	0.00	0.00	352.93
MIN S2	-64.59		0.00	336.90	-64.59	0.00	-50.66	-30.89	0.00	170.87	-30.89	0.00	0.00	-14.47		
TQ	0.00		0.00	0.00	0.00	0.00	0.00	0.00	0.00	0.00	0.00	0.00	0.00	0.00		
M3	137.94		0.00	-913.08	15.64	0.00	-423.71	183.81	0.00	-1147.62	61.78	0.00	0.00	-394.90		

BAGO RIVER BRIDGE

BLOCK [ No.2 : CROSS BEAM ][ BEAM MEMBER FORCE ]

MEMBER					1002021			1002023								
NODE					2021	3021		2023	3023							
					SHEAR	TORQUE	MOMENT	SHEAR	TORQUE	MOMENT	SHEAR	TORQUE	MOMENT			
NAME TITLE					S2 (kN)	TQ (kN·m)	M3 (kN·m)	S2 (kN)	TQ (kN·m)	M3 (kN·m)	S2 (kN)	TQ (kN·m)	M3 (kN·m)			
301	LIVE LOAD	4-LANES	MAX	S2	182.85	0.00	-561.68	182.85	0.00	535.44	211.88	0.00	-742.94	211.88	0.00	528.32
				TQ	0.00	0.00	0.00	0.00	0.00	0.00	0.00	0.00	0.00	0.00	0.00	0.00
				M3	-28.56	0.00	337.60	125.71	0.00	684.75	-4.26	0.00	186.36	150.08	0.00	681.25
		MIN	S2	-47.64	0.00	245.86	-47.64	0.00	-39.99	-22.36	0.00	125.59	-22.36	0.00	-8.55	
			TQ	0.00	0.00	0.00	0.00	0.00	0.00	0.00	0.00	0.00	0.00	0.00	0.00	
			M3	116.43	0.00	-685.34	5.99	0.00	-317.16	193.27	0.00	-854.39	39.17	0.00	-292.68	
	6-LANES	MAX	S2	186.38	0.00	-647.51	186.38	0.00	470.75	189.19	0.00	-721.99	189.19	0.00	413.14	
			TQ	0.00	0.00	0.00	0.00	0.00	0.00	0.00	0.00	0.00	0.00	0.00	0.00	
			M3	-116.76	0.00	801.62	137.23	0.00	763.99	-121.40	0.00	743.28	140.27	0.00	705.01	
		MIN	S2	-156.39	0.00	665.62	-156.39	0.00	-272.70	-156.27	0.00	610.23	-156.27	0.00	-327.41	
			TQ	0.00	0.00	0.00	0.00	0.00	0.00	0.00	0.00	0.00	0.00	0.00	0.00	
			M3	136.05	0.00	-944.31	-102.86	0.00	-800.09	141.61	0.00	-993.64	-97.09	0.00	-819.22	
	LIVE LOAD	MAX		218.73	0.00	801.62	218.73	0.00	1039.90	240.98	0.00	849.50	240.98	0.00	1048.54	
		MIN		-190.89	0.00	-944.31	-190.89	0.00	-856.48	-224.68	0.00	-1147.62	-224.68	0.00	-941.46	
		TOTAL		238.15	0.00	503.66	238.15	0.00	858.49	243.78	0.00	379.57	243.78	0.00	595.41	
303	SUM TOTAL	TOTAL	MAX		238.15	0.00	503.66	238.15	0.00	858.49	243.78	0.00	379.57	243.78	0.00	595.41
			MIN		-171.47	0.00	-1242.27	-171.47	0.00	-1037.89	-221.88	0.00	-1617.55	-221.88	0.00	-1394.59

BAGO RIVER BRIDGE

BLOCK [ No.2 : CROSS BEAM ][ BEAM MEMBER FORCE ]

MEMBER NODE	1002025 2025	3025			1002027 2027			3027								
		SHEAR	TORQUE	MOMENT	SHEAR	TORQUE	MOMENT	SHEAR	TORQUE	MOMENT						
		S2 (kN)	TQ (kN·m)	M3 (kN·m)	S2 (kN)	TQ (kN·m)	M3 (kN·m)	S2 (kN)	TQ (kN·m)	M3 (kN·m)						
1	PAVEMENT	13.43	0.00	-138.11	13.43	0.00	-57.53	15.82	0.00	-102.51	15.82	0.00	-7.59			
3	RAILING	-0.36	0.00	-25.87	-0.36	0.00	-28.04	-0.29	0.00	-24.21	-0.29	0.00	-25.93			
5	CURB	-3.58	0.00	-256.12	-3.58	0.00	-277.57	-2.84	0.00	-239.68	-2.84	0.00	-256.72			
7	DECK WEIGHT	17.65	0.00	-220.93	17.65	0.00	-115.02	21.86	0.00	-163.62	21.86	0.00	-32.47			
8	GIRDER WEIGH	-13.62	0.00	16.82	-13.62	0.00	-64.92	-4.08	0.00	85.19	-4.08	0.00	60.72			
10	MEDIAN STRIP	0.33	0.00	161.97	0.33	0.00	163.97	2.47	0.00	170.89	2.47	0.00	185.71			
21	ADITIONAL WE	4.94	0.00	-61.86	4.94	0.00	-32.21	6.12	0.00	-45.81	6.12	0.00	-9.09			
31	MEDIAN RAILI	0.00	0.00	12.83	0.00	0.00	12.83	0.15	0.00	13.24	0.15	0.00	14.13			
51	SUPPORT WEIG	-0.00	0.00	0.00	-0.00	0.00	0.00	0.00	0.00	0.00	0.00	0.00	0.00			
52	NOSE WEIGHT	0.00	0.00	-0.01	0.00	0.00	0.00	0.00	0.00	-0.00	0.00	0.00	-0.00			
61	1-LANE(case1TRUCK-LOAD	MAX	S2	2.68	0.00	-5.56	2.68	0.00	10.51	6.63	0.00	-12.24	6.63	0.00	27.53	
			TQ	0.00	0.00	0.00	0.00	0.00	0.00	0.00	0.00	0.00	0.00	0.00	0.00	
			M3	-24.66	0.00	42.24	2.56	0.00	11.14	-23.26	0.00	40.26	6.38	0.00	28.40	
		MIN	S2	-39.17	0.00	7.07	-39.17	0.00	-227.94	-36.86	0.00	1.33	-36.86	0.00	-219.81	
			TQ	0.00	0.00	0.00	0.00	0.00	0.00	0.00	0.00	0.00	0.00	0.00	0.00	
			M3	-26.53	0.00	-221.40	-26.61	0.00	-380.58	-22.63	0.00	-234.67	-22.99	0.00	-370.73	
		TANDEM-LOAD	MAX	S2	1.82	0.00	-3.66	1.82	0.00	7.24	4.50	0.00	-8.70	4.50	0.00	18.31
			TQ	0.00	0.00	0.00	0.00	0.00	0.00	0.00	0.00	0.00	0.00	0.00	0.00	
			M3	-21.94	0.00	35.17	1.72	0.00	7.56	-20.77	0.00	33.01	4.35	0.00	19.27	
		MIN	S2	-29.02	0.00	6.09	-29.02	0.00	-168.06	-27.37	0.00	1.84	-27.37	0.00	-162.40	
			TQ	0.00	0.00	0.00	0.00	0.00	0.00	0.00	0.00	0.00	0.00	0.00	0.00	
			M3	-15.27	0.00	-176.66	-15.29	0.00	-268.29	-12.65	0.00	-185.60	-12.75	0.00	-261.56	
		DISPERSION-LMAX	MAX	S2	6.89	0.00	-17.59	6.89	0.00	23.72	11.12	0.00	-21.15	11.12	0.00	45.59
			TQ	0.00	0.00	0.00	0.00	0.00	0.00	0.00	0.00	0.00	0.00	0.00	0.00	
			M3	-19.87	0.00	28.43	6.89	0.00	23.72	-15.96	0.00	21.08	11.02	0.00	49.26	
MIN	S2	-35.60	0.00	-44.66	-35.60	0.00	-258.24	-31.23	0.00	-54.69	-31.23	0.00	-242.05			
	TQ	0.00	0.00	0.00	0.00	0.00	0.00	0.00	0.00	0.00	0.00	0.00	0.00			
	M3	-8.84	0.00	-90.68	-35.60	0.00	-258.24	-4.14	0.00	-96.92	-31.12	0.00	-245.72			

BAGO RIVER BRIDGE

BLOCK [ No.2 : CROSS BEAM ][ BEAM MEMBER FORCE ]

MEMBER				1002025			1002027									
NODE				2025			3025			2027			3027			
				SHEAR	TORQUE	MOMENT	SHEAR	TORQUE	MOMENT	SHEAR	TORQUE	MOMENT	SHEAR	TORQUE	MOMENT	
NAME	TITLE			S2 (kN)	TQ (kN·m)	M3 (kN·m)	S2 (kN)	TQ (kN·m)	M3 (kN·m)	S2 (kN)	TQ (kN·m)	M3 (kN·m)	S2 (kN)	TQ (kN·m)	M3 (kN·m)	
62	1-LANE (case2TRUCK-LOAD	MAX	S2	1.13	0.00	2.18	1.13	0.00	8.95	2.59	0.00	4.47	2.59	0.00	20.00	
			TQ	0.00	0.00	0.00	0.00	0.00	0.00	0.00	0.00	0.00	0.00	0.00	0.00	0.00
			M3	-68.12	0.00	383.83	-11.30	0.00	29.98	-66.84	0.00	376.87	-10.65	0.00	31.71	
		MIN	S2	-68.13	0.00	383.03	-68.13	0.00	-25.77	-66.84	0.00	376.87	-66.84	0.00	-24.16	
			TQ	0.00	0.00	0.00	0.00	0.00	0.00	0.00	0.00	0.00	0.00	0.00	0.00	
			M3	0.82	0.00	-2.83	-68.13	0.00	-25.77	1.57	0.00	-1.91	-66.65	0.00	-25.77	
		TANDEM-LOAD MAX	S2	0.77	0.00	1.56	0.77	0.00	6.15	1.76	0.00	2.93	1.76	0.00	13.48	
			TQ	0.00	0.00	0.00	0.00	0.00	0.00	0.00	0.00	0.00	0.00	0.00	0.00	
			M3	-51.95	0.00	287.40	-11.47	0.00	21.63	-51.04	0.00	282.38	-10.95	0.00	22.80	
		MIN	S2	-51.95	0.00	287.18	-51.95	0.00	-24.54	-51.04	0.00	282.38	-51.04	0.00	-23.85	
			TQ	0.00	0.00	0.00	0.00	0.00	0.00	0.00	0.00	0.00	0.00	0.00	0.00	
			M3	0.54	0.00	-1.94	-51.95	0.00	-24.54	0.86	0.00	-1.62	-50.99	0.00	-24.30	
		DISPERSION-LMAX	S2	2.93	0.00	1.09	2.93	0.00	18.66	4.68	0.00	7.90	4.68	0.00	35.95	
			TQ	0.00	0.00	0.00	0.00	0.00	0.00	0.00	0.00	0.00	0.00	0.00	0.00	
			M3	-28.88	0.00	194.12	-8.42	0.00	42.56	-25.01	0.00	190.07	-6.15	0.00	59.83	
MIN	S2	-30.61	0.00	189.84	-30.61	0.00	6.16	-28.84	0.00	180.83	-28.84	0.00	7.79			
	TQ	0.00	0.00	0.00	0.00	0.00	0.00	0.00	0.00	0.00	0.00	0.00	0.00			
	M3	1.20	0.00	-3.19	-19.26	0.00	-17.74	0.85	0.00	-1.35	-18.01	0.00	-16.10			
63	1-LANE (case3TRUCK-LOAD	MAX	S2	68.43	0.00	-13.18	68.43	0.00	397.39	67.78	0.00	-14.47	67.78	0.00	392.24	
			TQ	0.00	0.00	0.00	0.00	0.00	0.00	0.00	0.00	0.00	0.00	0.00		
			M3	11.42	0.00	50.77	68.43	0.00	397.39	11.03	0.00	50.22	67.78	0.00	392.24	
		MIN	S2	-0.68	0.00	18.15	-0.68	0.00	14.09	-0.82	0.00	17.76	-0.82	0.00	12.85	
			TQ	0.00	0.00	0.00	0.00	0.00	0.00	0.00	0.00	0.00	0.00	0.00	0.00	
			M3	68.30	0.00	-14.17	-0.09	0.00	-1.56	67.56	0.00	-16.30	-0.17	0.00	-0.81	

BAGO RIVER BRIDGE

BLOCK [ No.2 : CROSS BEAM ][ BEAM MEMBER FORCE ]

MEMBER NODE	1002025 2025	3025			1002027 2027			3027							
		SHEAR	TORQUE	MOMENT	SHEAR	TORQUE	MOMENT	SHEAR	TORQUE	MOMENT					
		S2 (kN)	TQ (kN·m)	M3 (kN·m)	S2 (kN)	TQ (kN·m)	M3 (kN·m)	S2 (kN)	TQ (kN·m)	M3 (kN·m)					
63	1-LANE (case3TANDEM-LOAD	MAX	S2	51.80	0.00	-17.38	51.80	0.00	293.41	51.37	0.00	-18.29	51.37	0.00	289.92
			TQ	0.00	0.00	0.00	0.00	0.00	0.00	0.00	0.00	0.00	0.00	0.00	0.00
			M3	3.45	0.00	36.16	51.80	0.00	293.41	3.22	0.00	35.76	51.37	0.00	289.92
		MIN	S2	-0.51	0.00	9.57	-0.51	0.00	6.50	-0.60	0.00	9.34	-0.60	0.00	5.76
			TQ	0.00	0.00	0.00	0.00	0.00	0.00	0.00	0.00	0.00	0.00	0.00	0.00
			M3	51.76	0.00	-17.66	-0.10	0.00	-1.24	51.30	0.00	-18.80	-0.16	0.00	-0.62
	DISPERSION-LMAX		S2	28.41	0.00	28.67	28.41	0.00	199.14	27.97	0.00	28.49	27.97	0.00	196.34
			TQ	0.00	0.00	0.00	0.00	0.00	0.00	0.00	0.00	0.00	0.00	0.00	0.00
			M3	12.26	0.00	55.95	27.67	0.00	210.49	11.52	0.00	66.07	26.96	0.00	216.18
		MIN	S2	-0.80	0.00	15.76	-0.80	0.00	10.99	-1.07	0.00	26.07	-1.07	0.00	19.63
			TQ	0.00	0.00	0.00	0.00	0.00	0.00	0.00	0.00	0.00	0.00	0.00	0.00
			M3	15.36	0.00	-11.53	-0.06	0.00	-0.37	15.38	0.00	-11.51	-0.06	0.00	-0.22
64	1-LANE (case4TRUCK-LOAD	MAX	S2	28.09	0.00	-249.73	28.09	0.00	-81.21	25.76	0.00	-247.39	25.76	0.00	-92.83
			TQ	0.00	0.00	0.00	0.00	0.00	0.00	0.00	0.00	0.00	0.00	0.00	0.00
			M3	-1.57	0.00	14.70	-1.17	0.00	6.22	-4.42	0.00	32.38	-3.11	0.00	8.95
		MIN	S2	-2.72	0.00	14.68	-2.72	0.00	-1.65	-4.69	0.00	31.47	-4.69	0.00	3.35
			TQ	0.00	0.00	0.00	0.00	0.00	0.00	0.00	0.00	0.00	0.00	0.00	0.00
			M3	15.29	0.00	-383.70	15.29	0.00	-291.93	11.23	0.00	-370.91	11.23	0.00	-303.50
	TANDEM-LOAD	MAX	S2	20.01	0.00	-197.45	20.01	0.00	-77.41	18.18	0.00	-195.24	18.18	0.00	-86.16
			TQ	0.00	0.00	0.00	0.00	0.00	0.00	0.00	0.00	0.00	0.00	0.00	0.00
			M3	-1.08	0.00	9.99	-0.77	0.00	4.22	-3.03	0.00	22.00	-2.07	0.00	6.09
		MIN	S2	-1.85	0.00	9.99	-1.85	0.00	-1.10	-3.19	0.00	20.89	-3.19	0.00	1.76
			TQ	0.00	0.00	0.00	0.00	0.00	0.00	0.00	0.00	0.00	0.00	0.00	0.00
			M3	8.53	0.00	-266.04	8.53	0.00	-214.84	5.49	0.00	-257.09	5.49	0.00	-224.12



BAGO RIVER BRIDGE

BLOCK [ No.2 : CROSS BEAM ][ BEAM MEMBER FORCE ]

MEMBER NODE	1002025 2025	1002027 2027						3027							
		SHEAR			TORQUE			SHEAR			TORQUE				
		S2 (kN)	TQ (kN·m)	M3 (kN·m)	S2 (kN)	TQ (kN·m)	M3 (kN·m)	S2 (kN)	TQ (kN·m)	M3 (kN·m)	S2 (kN)	TQ (kN·m)	M3 (kN·m)		
64	1-LANE (case4DISPERSION-LMAX	S2	27.62	0.00	-306.90	27.62	0.00	-141.17	22.65	0.00	-273.21	22.65	0.00	-137.34	
		TQ	0.00	0.00	0.00	0.00	0.00	0.00	0.00	0.00	0.00	0.00	0.00	0.00	
		M3	-5.65	0.00	42.14	-1.09	0.00	10.40	-7.42	0.00	58.51	-7.21	0.00	13.98	
	MIN	S2	-5.66	0.00	38.60	-5.66	0.00	4.65	-7.53	0.00	46.71	-7.53	0.00	1.55	
		TQ	0.00	0.00	0.00	0.00	0.00	0.00	0.00	0.00	0.00	0.00	0.00	0.00	
		M3	27.61	0.00	-310.44	23.05	0.00	-146.92	22.54	0.00	-285.01	22.33	0.00	-149.76	
65	2-LANES (caseTRUCK-LOAD	MAX	S2	4.58	0.00	-7.42	4.58	0.00	20.04	11.24	0.00	-16.51	11.24	0.00	50.91
		TQ	0.00	0.00	0.00	0.00	0.00	0.00	0.00	0.00	0.00	0.00	0.00	0.00	
		M3	-90.55	0.00	216.44	4.36	0.00	21.35	-86.69	0.00	204.81	10.79	0.00	52.96	
	MIN	S2	-105.06	0.00	181.27	-105.06	0.00	-449.07	-100.28	0.00	165.88	-100.28	0.00	-435.82	
		TQ	0.00	0.00	0.00	0.00	0.00	0.00	0.00	0.00	0.00	0.00	0.00	0.00	
		M3	-25.03	0.00	-227.43	-92.46	0.00	-602.13	-18.53	0.00	-240.98	-86.12	0.00	-587.38	
	TANDEM-LOAD	MAX	S2	3.11	0.00	-4.85	3.11	0.00	13.79	7.63	0.00	-11.37	7.63	0.00	34.40
		TQ	0.00	0.00	0.00	0.00	0.00	0.00	0.00	0.00	0.00	0.00	0.00	0.00	
		M3	-70.04	0.00	161.75	2.95	0.00	14.49	-67.14	0.00	152.67	7.33	0.00	35.94	
	MIN	S2	-77.13	0.00	132.68	-77.13	0.00	-330.10	-73.75	0.00	121.51	-73.75	0.00	-320.97	
		TQ	0.00	0.00	0.00	0.00	0.00	0.00	0.00	0.00	0.00	0.00	0.00	0.00	
		M3	-14.25	0.00	-180.78	-63.39	0.00	-430.45	-9.90	0.00	-190.00	-59.04	0.00	-420.31	
	DISPERSION-LMAX	S2	11.80	0.00	-25.88	11.80	0.00	44.91	19.02	0.00	-26.02	19.02	0.00	88.13	
		TQ	0.00	0.00	0.00	0.00	0.00	0.00	0.00	0.00	0.00	0.00	0.00	0.00	
		M3	-57.49	0.00	139.75	11.80	0.00	44.91	-48.65	0.00	121.68	18.88	0.00	91.80	
	MIN	S2	-75.00	0.00	65.84	-75.00	0.00	-384.14	-67.53	0.00	44.15	-67.53	0.00	-361.04	
		TQ	0.00	0.00	0.00	0.00	0.00	0.00	0.00	0.00	0.00	0.00	0.00	0.00	
		M3	-5.71	0.00	-99.78	-74.99	0.00	-384.14	0.15	0.00	-103.55	-67.39	0.00	-364.71	

BAGO RIVER BRIDGE

BLOCK [ No.2 : CROSS BEAM ][ BEAM MEMBER FORCE ]

MEMBER				1002025			1002027									
NODE				2025			3025			2027			3027			
NAME TITLE				SHEAR	TORQUE	MOMENT	SHEAR	TORQUE	MOMENT	SHEAR	TORQUE	MOMENT	SHEAR	TORQUE	MOMENT	
				S2 (kN)	TQ (kN·m)	M3 (kN·m)	S2 (kN)	TQ (kN·m)	M3 (kN·m)	S2 (kN)	TQ (kN·m)	M3 (kN·m)	S2 (kN)	TQ (kN·m)	M3 (kN·m)	
66	2-LANES (caseTRUCK-LOAD	MAX	S2	3.03	0.00	0.32	3.03	0.00	18.49	7.20	0.00	0.19	7.20	0.00	43.38	
			TQ	0.00	0.00	0.00	0.00	0.00	0.00	0.00	0.00	0.00	0.00	0.00	0.00	0.00
			M3	-134.00	0.00	558.03	-9.51	0.00	40.18	-130.27	0.00	541.42	-6.24	0.00	56.27	
		MIN	S2	-134.02	0.00	557.23	-134.02	0.00	-246.90	-130.27	0.00	541.42	-130.27	0.00	-240.17	
			TQ	0.00	0.00	0.00	0.00	0.00	0.00	0.00	0.00	0.00	0.00	0.00	0.00	0.00
			M3	2.31	0.00	-8.87	-133.99	0.00	-247.32	5.68	0.00	-8.21	-129.78	0.00	-242.43	
		TANDEM-LOAD MAX	S2	2.06	0.00	0.36	2.06	0.00	12.70	4.88	0.00	0.26	4.88	0.00	29.57	
			TQ	0.00	0.00	0.00	0.00	0.00	0.00	0.00	0.00	0.00	0.00	0.00	0.00	0.00
			M3	-100.05	0.00	413.98	-10.24	0.00	28.56	-97.41	0.00	402.04	-7.98	0.00	39.46	
		MIN	S2	-100.06	0.00	413.76	-100.06	0.00	-186.57	-97.41	0.00	402.04	-97.41	0.00	-182.43	
			TQ	0.00	0.00	0.00	0.00	0.00	0.00	0.00	0.00	0.00	0.00	0.00	0.00	0.00
			M3	1.56	0.00	-6.06	-100.05	0.00	-186.69	3.61	0.00	-6.02	-97.28	0.00	-183.05	
		DISPERSION-LMAX	S2	7.84	0.00	-7.20	7.84	0.00	39.84	12.58	0.00	3.03	12.58	0.00	78.49	
			TQ	0.00	0.00	0.00	0.00	0.00	0.00	0.00	0.00	0.00	0.00	0.00	0.00	0.00
			M3	-66.50	0.00	305.43	-3.51	0.00	63.75	-57.71	0.00	290.67	1.71	0.00	102.38	
MIN	S2	-70.01	0.00	300.34	-70.01	0.00	-119.73	-65.14	0.00	279.66	-65.14	0.00	-111.20			
	TQ	0.00	0.00	0.00	0.00	0.00	0.00	0.00	0.00	0.00	0.00	0.00	0.00	0.00		
	M3	4.33	0.00	-12.29	-58.66	0.00	-143.64	5.14	0.00	-7.98	-54.28	0.00	-135.09			
67	2-LANES (caseTRUCK-LOAD	MAX	S2	142.65	0.00	-178.65	142.65	0.00	677.25	139.94	0.00	-177.99	139.94	0.00	661.65	
			TQ	0.00	0.00	0.00	0.00	0.00	0.00	0.00	0.00	0.00	0.00	0.00	0.00	
			M3	10.64	0.00	61.89	142.65	0.00	677.25	8.66	0.00	74.66	139.94	0.00	661.65	
		MIN	S2	-1.62	0.00	24.15	-1.62	0.00	14.41	-3.45	0.00	40.33	-3.45	0.00	19.65	
			TQ	0.00	0.00	0.00	0.00	0.00	0.00	0.00	0.00	0.00	0.00	0.00	0.00	0.00
			M3	142.33	0.00	-180.59	0.97	0.00	-2.71	139.08	0.00	-180.52	0.24	0.00	-1.62	

BAGO RIVER BRIDGE

BLOCK [ No.2 : CROSS BEAM ][ BEAM MEMBER FORCE ]

MEMBER NODE	1002025 2025	3025			1002027 2027			3027							
		SHEAR	TORQUE	MOMENT	SHEAR	TORQUE	MOMENT	SHEAR	TORQUE	MOMENT					
		S2 (kN)	TQ (kN·m)	M3 (kN·m)	S2 (kN)	TQ (kN·m)	M3 (kN·m)	S2 (kN)	TQ (kN·m)	M3 (kN·m)					
67	2-LANES (caseTANDEM-LOAD	MAX	S2	107.24	0.00	-142.61	107.24	0.00	500.84	105.31	0.00	-141.96	105.31	0.00	489.92
			TQ	0.00	0.00	0.00	0.00	0.00	0.00	0.00	0.00	0.00	0.00	0.00	0.00
			M3	2.94	0.00	43.69	107.24	0.00	500.84	1.65	0.00	52.33	105.31	0.00	489.92
		MIN	S2	-1.16	0.00	13.67	-1.16	0.00	6.73	-2.39	0.00	24.51	-2.39	0.00	10.16
			TQ	0.00	0.00	0.00	0.00	0.00	0.00	0.00	0.00	0.00	0.00	0.00	0.00
			M3	107.15	0.00	-143.15	0.91	0.00	-2.16	105.07	0.00	-142.67	0.21	0.00	-1.24
	DISPERSION-LMAX		S2	64.86	0.00	-54.96	64.86	0.00	334.21	62.44	0.00	-52.01	62.44	0.00	322.61
			TQ	0.00	0.00	0.00	0.00	0.00	0.00	0.00	0.00	0.00	0.00	0.00	0.00
			M3	10.90	0.00	82.94	61.60	0.00	358.07	8.43	0.00	110.01	57.36	0.00	362.43
		MIN	S2	-3.06	0.00	41.58	-3.06	0.00	23.19	-4.94	0.00	68.98	-4.94	0.00	39.36
			TQ	0.00	0.00	0.00	0.00	0.00	0.00	0.00	0.00	0.00	0.00	0.00	0.00
			M3	50.89	0.00	-96.32	0.19	0.00	-0.67	49.07	0.00	-93.04	0.14	0.00	-0.46
68	2-LANES (caseTRUCK-LOAD	MAX	S2	71.78	0.00	-528.52	71.78	0.00	-97.81	66.81	0.00	-511.69	66.81	0.00	-110.83
			TQ	0.00	0.00	0.00	0.00	0.00	0.00	0.00	0.00	0.00	0.00	0.00	0.00
			M3	-2.35	0.00	25.82	-1.72	0.00	13.28	-6.79	0.00	56.81	-4.76	0.00	21.04
		MIN	S2	-4.71	0.00	25.76	-4.71	0.00	-2.47	-7.32	0.00	54.07	-7.32	0.00	10.14
			TQ	0.00	0.00	0.00	0.00	0.00	0.00	0.00	0.00	0.00	0.00	0.00	0.00
			M3	58.76	0.00	-663.12	56.87	0.00	-310.97	52.24	0.00	-640.71	51.24	0.00	-328.36
	TANDEM-LOAD	MAX	S2	51.09	0.00	-395.86	51.09	0.00	-89.34	47.34	0.00	-385.76	47.34	0.00	-101.73
			TQ	0.00	0.00	0.00	0.00	0.00	0.00	0.00	0.00	0.00	0.00	0.00	0.00
			M3	-2.43	0.00	17.54	-1.16	0.00	9.02	-4.60	0.00	38.58	-3.20	0.00	14.32
		MIN	S2	-3.20	0.00	17.54	-3.20	0.00	-1.65	-4.98	0.00	36.06	-4.98	0.00	6.16
			TQ	0.00	0.00	0.00	0.00	0.00	0.00	0.00	0.00	0.00	0.00	0.00	0.00
			M3	39.55	0.00	-464.63	36.25	0.00	-228.46	34.64	0.00	-449.15	31.79	0.00	-241.59

BAGO RIVER BRIDGE

BLOCK [ No.2 : CROSS BEAM ][ BEAM MEMBER FORCE ]

MEMBER NODE	1002025 2025	3025			1002027 2027			3027							
		SHEAR	TORQUE	MOMENT	SHEAR	TORQUE	MOMENT	SHEAR	TORQUE	MOMENT					
		S2 (kN)	TQ (kN·m)	M3 (kN·m)	S2 (kN)	TQ (kN·m)	M3 (kN·m)	S2 (kN)	TQ (kN·m)	M3 (kN·m)					
68	2-LANES (caseDISPERSION-LMAX	S2	59.18	0.00	-505.97	59.18	0.00	-150.91	50.92	0.00	-453.67	50.92	0.00	-148.13	
		TQ	0.00	0.00	0.00	0.00	0.00	0.00	0.00	0.00	0.00	0.00	0.00	0.00	
		M3	-9.24	0.00	74.45	12.32	0.00	34.92	-11.56	0.00	103.13	0.79	0.00	46.59	
	MIN	S2	-9.25	0.00	70.91	-9.25	0.00	15.41	-11.66	0.00	91.33	-11.66	0.00	21.38	
		TQ	0.00	0.00	0.00	0.00	0.00	0.00	0.00	0.00	0.00	0.00	0.00	0.00	
		M3	59.17	0.00	-509.50	37.61	0.00	-170.43	50.82	0.00	-465.46	38.47	0.00	-173.34	
69	3-LANES (caseTRUCK-LOAD	MAX	S2	5.71	0.00	-5.24	5.71	0.00	29.00	13.83	0.00	-12.05	13.83	0.00	70.90
		TQ	0.00	0.00	0.00	0.00	0.00	0.00	0.00	0.00	0.00	0.00	0.00	0.00	
		M3	-158.67	0.00	600.27	-6.95	0.00	51.32	-153.53	0.00	581.68	0.14	0.00	84.67	
	MIN	S2	-173.19	0.00	564.30	-173.19	0.00	-474.84	-167.12	0.00	542.75	-167.12	0.00	-459.98	
		TQ	0.00	0.00	0.00	0.00	0.00	0.00	0.00	0.00	0.00	0.00	0.00	0.00	
		M3	-24.21	0.00	-230.27	-160.59	0.00	-627.90	-16.95	0.00	-242.89	-152.77	0.00	-613.16	
	TANDEM-LOAD	MAX	S2	3.87	0.00	-3.29	3.87	0.00	19.94	9.39	0.00	-8.43	9.39	0.00	47.88
		TQ	0.00	0.00	0.00	0.00	0.00	0.00	0.00	0.00	0.00	0.00	0.00	0.00	
		M3	-121.99	0.00	449.15	-8.52	0.00	36.12	-118.18	0.00	435.06	-3.63	0.00	58.74	
	MIN	S2	-129.08	0.00	419.85	-129.08	0.00	-354.63	-124.78	0.00	403.89	-124.78	0.00	-344.82	
		TQ	0.00	0.00	0.00	0.00	0.00	0.00	0.00	0.00	0.00	0.00	0.00	0.00	
		M3	-13.71	0.00	-182.72	-115.34	0.00	-454.99	-9.04	0.00	-191.62	-110.03	0.00	-444.61	
	DISPERSION-LMAX	S2	14.73	0.00	-24.79	14.73	0.00	63.57	23.70	0.00	-18.12	23.70	0.00	124.08	
		TQ	0.00	0.00	0.00	0.00	0.00	0.00	0.00	0.00	0.00	0.00	0.00	0.00	
		M3	-86.38	0.00	333.87	3.37	0.00	87.47	-73.67	0.00	311.75	12.73	0.00	151.64	
	MIN	S2	-105.61	0.00	255.68	-105.61	0.00	-377.97	-96.37	0.00	224.97	-96.37	0.00	-353.25	
		TQ	0.00	0.00	0.00	0.00	0.00	0.00	0.00	0.00	0.00	0.00	0.00	0.00	
		M3	-4.51	0.00	-102.97	-94.25	0.00	-401.88	1.00	0.00	-104.90	-85.40	0.00	-380.81	

BAGO RIVER BRIDGE

BLOCK [ No.2 : CROSS BEAM ][ BEAM MEMBER FORCE ]

MEMBER NODE	1002025 2025	3025			1002027 2027			3027							
		SHEAR	TORQUE	MOMENT	SHEAR	TORQUE	MOMENT	SHEAR	TORQUE	MOMENT					
		S2 (kN)	TQ (kN·m)	M3 (kN·m)	S2 (kN)	TQ (kN·m)	M3 (kN·m)	S2 (kN)	TQ (kN·m)	M3 (kN·m)					
70	3-LANES (caseTRUCK-LOAD	MAX	S2	188.74	0.00	-448.50	188.74	0.00	683.95	182.38	0.00	-442.69	182.38	0.00	651.58
			TQ	0.00	0.00	0.00	0.00	0.00	0.00	0.00	0.00	0.00	0.00	0.00	0.00
			M3	9.07	0.00	76.59	187.59	0.00	684.37	4.24	0.00	107.03	136.83	0.00	670.59
		MIN	S2	-3.31	0.00	38.38	-3.31	0.00	18.51	-8.13	0.00	71.80	-8.13	0.00	23.00
			TQ	0.00	0.00	0.00	0.00	0.00	0.00	0.00	0.00	0.00	0.00	0.00	0.00
			M3	188.16	0.00	-451.25	23.43	0.00	-12.08	181.52	0.00	-445.23	30.21	0.00	-23.99
	TANDEM-LOAD	MAX	S2	140.22	0.00	-335.31	140.22	0.00	505.98	135.62	0.00	-330.68	135.62	0.00	483.03
			TQ	0.00	0.00	0.00	0.00	0.00	0.00	0.00	0.00	0.00	0.00	0.00	0.00
			M3	1.86	0.00	53.69	140.22	0.00	505.98	-1.38	0.00	74.33	103.24	0.00	496.01
		MIN	S2	-2.31	0.00	23.09	-2.31	0.00	9.24	-5.58	0.00	45.40	-5.58	0.00	11.92
			TQ	0.00	0.00	0.00	0.00	0.00	0.00	0.00	0.00	0.00	0.00	0.00	0.00
			M3	140.05	0.00	-336.08	19.02	0.00	-8.93	135.38	0.00	-331.39	24.05	0.00	-17.41
	DISPERSION-LMAX		S2	97.36	0.00	-250.09	97.36	0.00	334.06	91.21	0.00	-237.09	91.21	0.00	310.16
			TQ	0.00	0.00	0.00	0.00	0.00	0.00	0.00	0.00	0.00	0.00	0.00	0.00
			M3	6.57	0.00	118.62	75.41	0.00	385.93	1.27	0.00	166.82	61.92	0.00	388.59
		MIN	S2	-7.40	0.00	77.26	-7.40	0.00	32.89	-12.09	0.00	125.79	-12.09	0.00	53.24
			TQ	0.00	0.00	0.00	0.00	0.00	0.00	0.00	0.00	0.00	0.00	0.00	0.00
			M3	83.39	0.00	-291.45	14.55	0.00	-18.98	77.84	0.00	-278.12	17.20	0.00	-25.19
71	3-LANES (caseTRUCK-LOAD	MAX	S2	143.61	0.00	-702.92	143.61	0.00	158.75	137.98	0.00	-676.10	137.98	0.00	151.78
			TQ	0.00	0.00	0.00	0.00	0.00	0.00	0.00	0.00	0.00	0.00	0.00	0.00
			M3	-2.32	0.00	33.43	70.10	0.00	269.84	-7.08	0.00	73.52	66.41	0.00	283.65
		MIN	S2	-5.96	0.00	33.31	-5.96	0.00	-2.45	-7.97	0.00	64.15	-7.97	0.00	16.36
			TQ	0.00	0.00	0.00	0.00	0.00	0.00	0.00	0.00	0.00	0.00	0.00	0.00
			M3	130.42	0.00	-838.30	57.38	0.00	-312.17	122.97	0.00	-809.34	51.74	0.00	-329.15

BAGO RIVER BRIDGE

BLOCK [ No.2 : CROSS BEAM ][ BEAM MEMBER FORCE ]

MEMBER NODE	1002025 2025	3025			1002027 2027			3027								
		SHEAR	TORQUE	MOMENT	SHEAR	TORQUE	MOMENT	SHEAR	TORQUE	MOMENT						
		S2 (kN)	TQ (kN·m)	M3 (kN·m)	S2 (kN)	TQ (kN·m)	M3 (kN·m)	S2 (kN)	TQ (kN·m)	M3 (kN·m)						
71	3-LANES (case)	TANDEM-LOAD	MAX	S2	104.64	0.00	-526.79	104.64	0.00	101.03	100.25	0.00	-511.58	100.25	0.00	89.92
				TQ	0.00	0.00	0.00	0.00	0.00	0.00	0.00	0.00	0.00	0.00	0.00	0.00
				M3	-2.42	0.00	22.71	52.39	0.00	199.39	-4.83	0.00	49.91	49.71	0.00	205.96
			MIN	S2	-4.05	0.00	22.67	-4.05	0.00	-1.64	-5.43	0.00	41.90	-5.43	0.00	9.34
				TQ	0.00	0.00	0.00	0.00	0.00	0.00	0.00	0.00	0.00	0.00	0.00	0.00
				M3	93.05	0.00	-595.77	36.74	0.00	-229.36	87.43	0.00	-576.15	32.24	0.00	-242.20
		DISPERSION-LMAX		S2	94.85	0.00	-587.14	94.85	0.00	-18.03	85.06	0.00	-521.57	85.06	0.00	-11.19
				TQ	0.00	0.00	0.00	0.00	0.00	0.00	0.00	0.00	0.00	0.00	0.00	0.00
				M3	-10.10	0.00	97.98	46.83	0.00	174.03	-11.31	0.00	136.40	33.70	0.00	200.50
			MIN	S2	-10.94	0.00	86.93	-10.94	0.00	21.27	-12.65	0.00	114.02	-12.65	0.00	38.10
				TQ	0.00	0.00	0.00	0.00	0.00	0.00	0.00	0.00	0.00	0.00	0.00	0.00
				M3	94.01	0.00	-598.18	37.08	0.00	-170.79	83.72	0.00	-543.95	38.71	0.00	-173.59
72	4-LANES	TRUCK-LOAD	MAX	S2	214.75	0.00	-731.48	214.75	0.00	556.99	194.23	0.00	-663.47	194.23	0.00	501.89
				TQ	0.00	0.00	0.00	0.00	0.00	0.00	0.00	0.00	0.00	0.00	0.00	0.00
				M3	5.93	0.00	81.53	154.59	0.00	672.84	10.33	0.00	56.36	127.96	0.00	613.84
			MIN	S2	-6.23	0.00	49.37	-6.23	0.00	11.96	-1.57	0.00	24.31	-1.57	0.00	14.87
				TQ	0.00	0.00	0.00	0.00	0.00	0.00	0.00	0.00	0.00	0.00	0.00	0.00
				M3	201.73	0.00	-844.63	51.38	0.00	-301.88	180.46	0.00	-791.86	52.78	0.00	-311.11
		TANDEM-LOAD	MAX	S2	158.58	0.00	-539.00	158.58	0.00	412.48	152.78	0.00	-529.29	152.78	0.00	387.41
				TQ	0.00	0.00	0.00	0.00	0.00	0.00	0.00	0.00	0.00	0.00	0.00	0.00
				M3	-0.30	0.00	57.20	115.58	0.00	497.81	2.73	0.00	40.04	104.60	0.00	487.13
			MIN	S2	-4.29	0.00	30.82	-4.29	0.00	5.06	-1.11	0.00	13.78	-1.11	0.00	7.11
				TQ	0.00	0.00	0.00	0.00	0.00	0.00	0.00	0.00	0.00	0.00	0.00	0.00
				M3	147.20	0.00	-608.55	28.37	0.00	-221.94	140.25	0.00	-591.55	35.47	0.00	-237.39

BAGO RIVER BRIDGE

BLOCK [ No.2 : CROSS BEAM ][ BEAM MEMBER FORCE ]

MEMBER			1002025			3025			1002027			3027					
NODE			2025			2027			2027			3027					
NAME TITLE			SHEAR	TORQUE	MOMENT	SHEAR	TORQUE	MOMENT	SHEAR	TORQUE	MOMENT	SHEAR	TORQUE	MOMENT			
			S2 (kN)	TQ (kN·m)	M3 (kN·m)	S2 (kN)	TQ (kN·m)	M3 (kN·m)	S2 (kN)	TQ (kN·m)	M3 (kN·m)	S2 (kN)	TQ (kN·m)	M3 (kN·m)			
72	4-LANES	DISPERSION-LMAX	S2	104.57	0.00	-456.91	104.57	0.00	170.51	60.62	0.00	-281.34	60.62	0.00	82.40		
			TQ	0.00	0.00	0.00	0.00	0.00	0.00	0.00	0.00	0.00	0.00	0.00	0.00	0.00	
			M3	4.56	0.00	71.70	73.60	0.00	316.01	5.68	0.00	31.58	36.67	0.00	0.00	173.66	
	MIN	S2	-7.35	0.00	42.44	-7.35	0.00	-1.68	-1.31	0.00	7.84	-1.31	0.00	0.00	-0.05		
		TQ	0.00	0.00	0.00	0.00	0.00	0.00	0.00	0.00	0.00	0.00	0.00	0.00	0.00		
		M3	92.28	0.00	-487.12	23.80	0.00	-149.02	53.47	0.00	-305.61	22.73	0.00	0.00	-92.27		
	73	6-LANES	TRUCK-LOAD	MAX	S2	175.12	0.00	-626.86	175.12	0.00	423.88	171.93	0.00	-571.45	171.93	0.00	460.13
				TQ	0.00	0.00	0.00	0.00	0.00	0.00	0.00	0.00	0.00	0.00	0.00	0.00	0.00
				M3	-111.42	0.00	660.52	136.34	0.00	687.40	-115.37	0.00	681.77	131.24	0.00	0.00	702.84
MIN		S2	-136.06	0.00	559.90	-136.06	0.00	-256.45	-136.12	0.00	624.64	-136.12	0.00	0.00	-192.08		
		TQ	0.00	0.00	0.00	0.00	0.00	0.00	0.00	0.00	0.00	0.00	0.00	0.00	0.00		
		M3	130.91	0.00	-939.22	-93.37	0.00	-812.19	125.81	0.00	-904.06	-90.07	0.00	0.00	-810.17		
TANDEM-LOAD		MAX	S2	129.16	0.00	-461.82	129.16	0.00	313.14	126.40	0.00	-438.27	126.40	0.00	320.14		
		TQ	0.00	0.00	0.00	0.00	0.00	0.00	0.00	0.00	0.00	0.00	0.00	0.00	0.00		
		M3	-88.14	0.00	495.19	100.94	0.00	503.90	-90.06	0.00	507.82	97.06	0.00	0.00	512.00		
MIN	S2	-101.60	0.00	433.31	-101.60	0.00	-176.26	-101.20	0.00	460.81	-101.20	0.00	0.00	-146.39			
	TQ	0.00	0.00	0.00	0.00	0.00	0.00	0.00	0.00	0.00	0.00	0.00	0.00	0.00			
	M3	99.06	0.00	-691.97	-68.16	0.00	-590.17	94.77	0.00	-667.02	-66.94	0.00	0.00	-588.91			
DISPERSION-LMAX	S2	120.05	0.00	-483.17	120.05	0.00	237.11	118.95	0.00	-436.86	118.95	0.00	0.00	276.85			
	TQ	0.00	0.00	0.00	0.00	0.00	0.00	0.00	0.00	0.00	0.00	0.00	0.00	0.00			
	M3	-69.06	0.00	434.63	69.31	0.00	426.85	-60.33	0.00	450.40	65.19	0.00	0.00	492.94			
MIN	S2	-101.00	0.00	329.84	-101.00	0.00	-276.18	-95.86	0.00	329.48	-95.86	0.00	0.00	-245.68			
	TQ	0.00	0.00	0.00	0.00	0.00	0.00	0.00	0.00	0.00	0.00	0.00	0.00	0.00			
	M3	87.81	0.00	-622.85	-46.22	0.00	-506.52	84.03	0.00	-582.02	-37.70	0.00	0.00	-493.13			

BAGO RIVER BRIDGE

BLOCK [ No.2 : CROSS BEAM ][ BEAM MEMBER FORCE ]

MEMBER			1002025						1002027						
NODE			2025			3025			2027			3027			
NAME TITLE			SHEAR	TORQUE	MOMENT	SHEAR	TORQUE	MOMENT	SHEAR	TORQUE	MOMENT	SHEAR	TORQUE	MOMENT	
			S2 (kN)	TQ (kN·m)	M3 (kN·m)	S2 (kN)	TQ (kN·m)	M3 (kN·m)	S2 (kN)	TQ (kN·m)	M3 (kN·m)	S2 (kN)	TQ (kN·m)	M3 (kN·m)	
124	SUM TOTAL	D+1LANE (caseMAX	S2	30.28	0.00	-539.06	30.28	0.00	-357.40	60.51	0.00	-346.58	60.51	0.00	16.50
			TQ	18.80	0.00	-511.28	18.80	0.00	-398.48	39.21	0.00	-306.52	39.21	0.00	-71.23
			M3	-34.64	0.00	-426.47	30.13	0.00	-356.64	-7.85	0.00	-232.91	60.09	0.00	21.95
		MIN	S2	-70.92	0.00	-556.39	-70.92	0.00	-981.89	-42.49	0.00	-370.55	-42.49	0.00	-625.47
			TQ	18.80	0.00	-511.28	18.80	0.00	-398.48	39.21	0.00	-306.52	39.21	0.00	-71.23
			M3	-23.64	0.00	-885.78	-55.84	0.00	-1165.06	7.09	0.00	-704.43	-25.72	0.00	-810.98
		D+1LANE (caseMAX	S2	23.67	0.00	-507.36	23.67	0.00	-365.34	47.93	0.00	-291.68	47.93	0.00	-4.10
			TQ	18.80	0.00	-511.28	18.80	0.00	-398.48	39.21	0.00	-306.52	39.21	0.00	-71.23
			M3	-97.60	0.00	182.26	-4.87	0.00	-311.43	-71.01	0.00	373.82	19.05	0.00	38.61
		MIN	S2	-99.69	0.00	176.16	-99.69	0.00	-422.00	-75.60	0.00	362.72	-75.60	0.00	-90.88
			TQ	18.80	0.00	-511.28	18.80	0.00	-398.48	39.21	0.00	-306.52	39.21	0.00	-71.23
			M3	21.22	0.00	-518.52	-86.07	0.00	-450.69	42.12	0.00	-310.43	-62.39	0.00	-121.48
		D+1LANE (caseMAX	S2	135.01	0.00	-492.70	135.01	0.00	317.35	154.13	0.00	-289.70	154.13	0.00	635.06
			TQ	18.80	0.00	-511.28	18.80	0.00	-398.48	39.21	0.00	-306.52	39.21	0.00	-71.23
			M3	47.21	0.00	-383.22	134.12	0.00	330.98	66.28	0.00	-166.96	152.91	0.00	658.87
		MIN	S2	17.03	0.00	-470.59	17.03	0.00	-368.38	36.94	0.00	-253.92	36.94	0.00	-32.27
			TQ	18.80	0.00	-511.28	18.80	0.00	-398.48	39.21	0.00	-306.52	39.21	0.00	-71.23
			M3	119.19	0.00	-542.12	18.63	0.00	-400.79	138.74	0.00	-339.88	38.94	0.00	-72.48
		D+1LANE (caseMAX	S2	85.65	0.00	-1179.24	85.65	0.00	-665.34	97.30	0.00	-931.24	97.30	0.00	-347.43
			TQ	18.80	0.00	-511.28	18.80	0.00	-398.48	39.21	0.00	-306.52	39.21	0.00	-71.23
			M3	10.14	0.00	-443.07	16.09	0.00	-378.53	25.00	0.00	-197.46	26.83	0.00	-43.73
		MIN	S2	8.75	0.00	-447.35	8.75	0.00	-394.87	24.56	0.00	-212.70	24.56	0.00	-65.35
			TQ	18.80	0.00	-511.28	18.80	0.00	-398.48	39.21	0.00	-306.52	39.21	0.00	-71.23
			M3	70.29	0.00	-1344.25	64.82	0.00	-925.09	79.75	0.00	-1093.61	79.49	0.00	-615.15



BAGO RIVER BRIDGE

BLOCK [ No.2 : CROSS BEAM ][ BEAM MEMBER FORCE ]

MEMBER			1002025						1002027						
NODE			2025			3025			2027			3027			
NAME TITLE			SHEAR	TORQUE	MOMENT	SHEAR	TORQUE	MOMENT	SHEAR	TORQUE	MOMENT	SHEAR	TORQUE	MOMENT	
			S2 (kN)	TQ (kN·m)	M3 (kN·m)	S2 (kN)	TQ (kN·m)	M3 (kN·m)	S2 (kN)	TQ (kN·m)	M3 (kN·m)	S2 (kN)	TQ (kN·m)	M3 (kN·m)	
124	SUM TOTAL	D+2LANES(casMAX	S2	35.18	0.00	-544.59	35.18	0.00	-333.52	69.47	0.00	-349.05	69.47	0.00	67.80
			TQ	18.80	0.00	-511.28	18.80	0.00	-398.48	39.21	0.00	-306.52	39.21	0.00	-71.23
			M3	-129.24	0.00	-155.10	34.95	0.00	-332.22	-96.13	0.00	19.97	68.89	0.00	73.53
		MIN	S2	-161.25	0.00	-264.17	-161.25	0.00	-1231.68	-128.60	0.00	-96.49	-128.60	0.00	-868.09
			TQ	18.80	0.00	-511.28	18.80	0.00	-398.48	39.21	0.00	-306.52	39.21	0.00	-71.23
			M3	-11.93	0.00	-838.50	-148.65	0.00	-1384.74	20.84	0.00	-651.05	-114.29	0.00	-1023.33
		D+2LANES(casMAX	S2	29.67	0.00	-518.16	29.67	0.00	-340.14	58.99	0.00	-303.30	58.99	0.00	50.63
			TQ	18.80	0.00	-511.28	18.80	0.00	-398.48	39.21	0.00	-306.52	39.21	0.00	-71.23
			M3	-181.71	0.00	352.18	5.78	0.00	-294.54	-148.76	0.00	525.58	34.69	0.00	87.41
		MIN	S2	-185.23	0.00	346.29	-185.23	0.00	-765.11	-156.20	0.00	514.57	-156.20	0.00	-422.61
			TQ	18.80	0.00	-511.28	18.80	0.00	-398.48	39.21	0.00	-306.52	39.21	0.00	-71.23
			M3	25.45	0.00	-532.45	-173.84	0.00	-789.43	50.03	0.00	-322.71	-144.85	0.00	-448.75
		D+2LANES(casMAX	S2	226.31	0.00	-744.90	226.31	0.00	612.98	241.59	0.00	-536.51	241.59	0.00	913.02
			TQ	18.80	0.00	-511.28	18.80	0.00	-398.48	39.21	0.00	-306.52	39.21	0.00	-71.23
			M3	40.35	0.00	-366.46	223.05	0.00	636.85	56.31	0.00	-121.85	236.51	0.00	952.84
		MIN	S2	14.11	0.00	-445.55	14.11	0.00	-360.87	30.83	0.00	-197.20	30.83	0.00	-12.22
			TQ	18.80	0.00	-511.28	18.80	0.00	-398.48	39.21	0.00	-306.52	39.21	0.00	-71.23
			M3	212.02	0.00	-788.19	19.97	0.00	-401.85	227.37	0.00	-580.08	39.59	0.00	-73.32
		D+2LANES(casMAX	S2	149.76	0.00	-1545.77	149.76	0.00	-647.20	156.95	0.00	-1271.87	156.95	0.00	-330.20
			TQ	18.80	0.00	-511.28	18.80	0.00	-398.48	39.21	0.00	-306.52	39.21	0.00	-71.23
			M3	7.21	0.00	-411.02	29.39	0.00	-350.27	20.87	0.00	-146.58	35.25	0.00	-3.60
		MIN	S2	4.85	0.00	-414.62	4.85	0.00	-385.54	20.23	0.00	-161.11	20.23	0.00	-39.71
			TQ	18.80	0.00	-511.28	18.80	0.00	-398.48	39.21	0.00	-306.52	39.21	0.00	-71.23
			M3	136.73	0.00	-1683.91	113.28	0.00	-879.87	142.28	0.00	-1412.69	128.92	0.00	-572.93

BAGO RIVER BRIDGE

BLOCK [ No.2 : CROSS BEAM ][ BEAM MEMBER FORCE ]

MEMBER			1002025						1002027							
NODE			2025			3025			2027			3027				
NAME TITLE			SHEAR	TORQUE	MOMENT	SHEAR	TORQUE	MOMENT	SHEAR	TORQUE	MOMENT	SHEAR	TORQUE	MOMENT		
			S2 (kN)	TQ (kN·m)	M3 (kN·m)	S2 (kN)	TQ (kN·m)	M3 (kN·m)	S2 (kN)	TQ (kN·m)	M3 (kN·m)	S2 (kN)	TQ (kN·m)	M3 (kN·m)		
124	SUM TOTAL	D+3LANES (casMAX	S2	36.17	0.00	-536.81	36.17	0.00	-319.79	71.11	0.00	-332.16	71.11	0.00	94.50	
			TQ	18.80	0.00	-511.28	18.80	0.00	-398.48	39.21	0.00	-306.52	39.21	0.00	-71.23	
			M3	-189.49	0.00	282.73	15.76	0.00	-280.50	-153.90	0.00	452.90	50.15	0.00	129.63	
		MIN	S2	-218.18	0.00	185.70	-218.18	0.00	-1123.37	-184.76	0.00	346.05	-184.76	0.00	-762.48	
			TQ	18.80	0.00	-511.28	18.80	0.00	-398.48	39.21	0.00	-306.52	39.21	0.00	-71.23	
			M3	-5.61	0.00	-794.54	-197.82	0.00	-1273.79	25.65	0.00	-602.14	-163.23	0.00	-916.11	
		D+3LANES (casMAX	S2	261.99	0.00	-1105.09	261.99	0.00	466.83	271.76	0.00	-884.33	271.76	0.00	746.25	
			TQ	18.80	0.00	-511.28	18.80	0.00	-398.48	39.21	0.00	-306.52	39.21	0.00	-71.23	
			M3	32.10	0.00	-345.36	242.35	0.00	511.28	43.90	0.00	-73.74	208.15	0.00	829.07	
		MIN	S2	9.70	0.00	-412.99	9.70	0.00	-354.78	22.02	0.00	-138.56	22.02	0.00	-6.43	
			TQ	18.80	0.00	-511.28	18.80	0.00	-398.48	39.21	0.00	-306.52	39.21	0.00	-71.23	
			M3	249.62	0.00	-1142.58	51.09	0.00	-424.88	259.67	0.00	-921.37	79.51	0.00	-113.03	
		D+3LANES (casMAX	S2	221.50	0.00	-1607.84	221.50	0.00	-278.86	228.80	0.00	-1324.53	228.80	0.00	48.27	
			TQ	18.80	0.00	-511.28	18.80	0.00	-398.48	39.21	0.00	-306.52	39.21	0.00	-71.23	
			M3	8.24	0.00	-399.59	118.19	0.00	-21.18	23.59	0.00	-128.08	124.30	0.00	340.30	
		MIN	S2	4.43	0.00	-409.08	4.43	0.00	-382.48	21.69	0.00	-155.07	21.69	0.00	-24.94	
			TQ	18.80	0.00	-511.28	18.80	0.00	-398.48	39.21	0.00	-306.52	39.21	0.00	-71.23	
			M3	209.56	0.00	-1732.29	99.09	0.00	-809.00	214.90	0.00	-1456.82	116.10	0.00	-498.56	
		D+4LANES	MAX	S2	226.36	0.00	-1283.74	226.36	0.00	74.40	204.87	0.00	-920.64	204.87	0.00	308.55
			TQ	18.80	0.00	-511.28	18.80	0.00	-398.48	39.21	0.00	-306.52	39.21	0.00	-71.23	
			M3	25.62	0.00	-411.68	167.13	0.00	244.28	49.62	0.00	-249.35	146.22	0.00	440.64	
		MIN	S2	9.97	0.00	-451.61	9.97	0.00	-391.79	37.34	0.00	-285.62	37.34	0.00	-61.60	
			TQ	18.80	0.00	-511.28	18.80	0.00	-398.48	39.21	0.00	-306.52	39.21	0.00	-71.23	
			M3	209.91	0.00	-1376.92	67.66	0.00	-691.56	191.27	0.00	-1019.87	88.30	0.00	-333.43	

BAGO RIVER BRIDGE

BLOCK [ No.2 : CROSS BEAM ][ BEAM MEMBER FORCE ]

MEMBER				1002025			1002027									
NODE				2025			3025			2027			3027			
NAME TITLE				SHEAR	TORQUE	MOMENT	SHEAR	TORQUE	MOMENT	SHEAR	TORQUE	MOMENT	SHEAR	TORQUE	MOMENT	
				S2 (kN)	TQ (kN·m)	M3 (kN·m)	S2 (kN)	TQ (kN·m)	M3 (kN·m)	S2 (kN)	TQ (kN·m)	M3 (kN·m)	S2 (kN)	TQ (kN·m)	M3 (kN·m)	
124	SUM TOTAL	D+6LANES	MAX	S2	210.66	0.00	-1232.80	210.66	0.00	31.17	228.29	0.00	-961.92	228.29	0.00	407.80
				TQ	18.80	0.00	-511.28	18.80	0.00	-398.48	39.21	0.00	-306.52	39.21	0.00	-71.23
				M3	-98.51	0.00	200.56	152.47	0.00	325.79	-74.99	0.00	429.39	166.90	0.00	706.02
			MIN	S2	-135.29	0.00	67.04	-135.29	0.00	-744.68	-111.57	0.00	313.66	-111.57	0.00	-355.78
				TQ	18.80	0.00	-511.28	18.80	0.00	-398.48	39.21	0.00	-306.52	39.21	0.00	-71.23
				M3	160.97	0.00	-1526.63	-71.93	0.00	-1255.64	175.61	0.00	-1272.47	-43.83	0.00	-918.38
	SUM TOTAL		MAX		261.99	0.00	352.18	261.99	0.00	636.85	271.76	0.00	525.58	271.76	0.00	952.84
			MIN		-218.18	0.00	-1732.29	-218.18	0.00	-1384.74	-184.76	0.00	-1456.82	-184.76	0.00	-1023.33
300	DEAD LOAD	TOTAL			18.80	0.00	-511.28	18.80	0.00	-398.48	39.21	0.00	-306.52	39.21	0.00	-71.23
301	LIVE LOAD	1-LANE(case1MAX	S2		11.48	0.00	-27.78	11.48	0.00	41.08	21.30	0.00	-40.07	21.30	0.00	87.74
			TQ		0.00	0.00	0.00	0.00	0.00	0.00	0.00	0.00	0.00	0.00	0.00	0.00
			M3		-53.44	0.00	84.81	11.33	0.00	41.83	-47.07	0.00	73.61	20.87	0.00	93.19
			MIN	S2	-89.72	0.00	-45.10	-89.72	0.00	-583.42	-81.70	0.00	-64.03	-81.70	0.00	-554.23
				TQ	0.00	0.00	0.00	0.00	0.00	0.00	0.00	0.00	0.00	0.00	0.00	0.00
				M3	-42.44	0.00	-374.50	-74.64	0.00	-766.59	-32.13	0.00	-397.92	-64.93	0.00	-739.74
		1-LANE(case2MAX	S2		4.87	0.00	3.93	4.87	0.00	33.14	8.72	0.00	14.84	8.72	0.00	67.14
			TQ		0.00	0.00	0.00	0.00	0.00	0.00	0.00	0.00	0.00	0.00	0.00	0.00
			M3		-116.40	0.00	693.54	-23.67	0.00	87.05	-110.22	0.00	680.34	-20.16	0.00	109.85
			MIN	S2	-118.50	0.00	687.45	-118.50	0.00	-23.53	-114.81	0.00	669.24	-114.81	0.00	-19.65
				TQ	0.00	0.00	0.00	0.00	0.00	0.00	0.00	0.00	0.00	0.00	0.00	0.00
				M3	2.42	0.00	-7.23	-104.87	0.00	-52.21	2.91	0.00	-3.91	-101.60	0.00	-50.24
		1-LANE(case3MAX	S2		116.21	0.00	18.58	116.21	0.00	715.83	114.91	0.00	16.82	114.91	0.00	706.29
			TQ		0.00	0.00	0.00	0.00	0.00	0.00	0.00	0.00	0.00	0.00	0.00	0.00
			M3		28.41	0.00	128.07	115.32	0.00	729.45	27.06	0.00	139.55	113.69	0.00	730.10
			MIN	S2	-1.77	0.00	40.69	-1.77	0.00	30.09	-2.27	0.00	52.60	-2.27	0.00	38.97
				TQ	0.00	0.00	0.00	0.00	0.00	0.00	0.00	0.00	0.00	0.00	0.00	0.00
				M3	100.39	0.00	-30.84	-0.17	0.00	-2.32	99.52	0.00	-33.37	-0.27	0.00	-1.24

BAGO RIVER BRIDGE

BLOCK [ No.2 : CROSS BEAM ][ BEAM MEMBER FORCE ]

MEMBER			1002025						1002027								
NODE			2025			3025			2027			3027					
NAME TITLE			SHEAR	TORQUE	MOMENT	SHEAR	TORQUE	MOMENT	SHEAR	TORQUE	MOMENT	SHEAR	TORQUE	MOMENT			
			S2 (kN)	TQ (kN·m)	M3 (kN·m)	S2 (kN)	TQ (kN·m)	M3 (kN·m)	S2 (kN)	TQ (kN·m)	M3 (kN·m)	S2 (kN)	TQ (kN·m)	M3 (kN·m)			
301	LIVE LOAD	1-LANE (case4MAX	S2	66.85	0.00	-667.96	66.85	0.00	-266.86	58.09	0.00	-624.72	58.09	0.00	-276.20		
			TQ	0.00	0.00	0.00	0.00	0.00	0.00	0.00	0.00	0.00	0.00	0.00	0.00		
			M3	-8.66	0.00	68.21	-2.71	0.00	19.94	-14.21	0.00	109.06	-12.39	0.00	0.00	27.51	
			MIN	S2	-10.05	0.00	63.94	-10.05	0.00	3.61	-14.66	0.00	93.82	-14.66	0.00	0.00	5.88
			TQ	0.00	0.00	0.00	0.00	0.00	0.00	0.00	0.00	0.00	0.00	0.00	0.00	0.00	
			M3	51.49	0.00	-832.96	46.01	0.00	-526.62	40.53	0.00	-787.10	40.28	0.00	0.00	-543.91	
		2-LANES (caseMAX	S2	16.38	0.00	-33.30	16.38	0.00	64.95	30.26	0.00	-42.54	30.26	0.00	0.00	139.03	
			TQ	0.00	0.00	0.00	0.00	0.00	0.00	0.00	0.00	0.00	0.00	0.00	0.00	0.00	
			M3	-148.05	0.00	356.19	16.15	0.00	66.25	-135.34	0.00	326.48	29.67	0.00	0.00	144.77	
			MIN	S2	-180.05	0.00	247.11	-180.05	0.00	-833.21	-167.81	0.00	210.02	-167.81	0.00	0.00	-796.86
			TQ	0.00	0.00	0.00	0.00	0.00	0.00	0.00	0.00	0.00	0.00	0.00	0.00	0.00	
			M3	-30.73	0.00	-327.22	-167.45	0.00	-986.27	-18.38	0.00	-344.53	-153.51	0.00	0.00	-952.10	
		2-LANES (caseMAX	S2	10.87	0.00	-6.88	10.87	0.00	58.33	19.77	0.00	3.22	19.77	0.00	0.00	121.86	
			TQ	0.00	0.00	0.00	0.00	0.00	0.00	0.00	0.00	0.00	0.00	0.00	0.00	0.00	
			M3	-200.51	0.00	863.46	-13.02	0.00	103.93	-187.97	0.00	832.09	-4.52	0.00	0.00	158.65	
			MIN	S2	-204.03	0.00	857.57	-204.03	0.00	-366.63	-195.41	0.00	821.08	-195.41	0.00	0.00	-351.37
			TQ	0.00	0.00	0.00	0.00	0.00	0.00	0.00	0.00	0.00	0.00	0.00	0.00	0.00	
			M3	6.65	0.00	-21.16	-192.64	0.00	-390.96	10.82	0.00	-16.19	-184.07	0.00	0.00	-377.52	
		2-LANES (caseMAX	S2	207.51	0.00	-233.61	207.51	0.00	1011.46	202.38	0.00	-230.00	202.38	0.00	0.00	984.26	
			TQ	0.00	0.00	0.00	0.00	0.00	0.00	0.00	0.00	0.00	0.00	0.00	0.00	0.00	
			M3	21.55	0.00	144.82	204.25	0.00	1035.32	17.09	0.00	184.67	197.30	0.00	0.00	1024.08	
MIN	S2		-4.69	0.00	65.73	-4.69	0.00	37.60	-8.38	0.00	109.31	-8.38	0.00	0.00	59.01		
TQ	0.00		0.00	0.00	0.00	0.00	0.00	0.00	0.00	0.00	0.00	0.00	0.00	0.00			
M3	193.22		0.00	-276.91	1.17	0.00	-3.38	188.15	0.00	-273.56	0.38	0.00	0.00	-2.09			

BAGO RIVER BRIDGE

BLOCK [ No.2 : CROSS BEAM ][ BEAM MEMBER FORCE ]

MEMBER			1002025			3025			1002027			3027				
NODE			2025			2025			2027			2027				
NAME TITLE			SHEAR	TORQUE	MOMENT	SHEAR	TORQUE	MOMENT	SHEAR	TORQUE	MOMENT	SHEAR	TORQUE	MOMENT		
			S2 (kN)	TQ (kN·m)	M3 (kN·m)	S2 (kN)	TQ (kN·m)	M3 (kN·m)	S2 (kN)	TQ (kN·m)	M3 (kN·m)	S2 (kN)	TQ (kN·m)	M3 (kN·m)		
301	LIVE LOAD	2-LANES (caseMAX	S2	130.96	0.00	-1034.48	130.96	0.00	-248.72	117.73	0.00	-965.36	117.73	0.00	-258.97	
			TQ	0.00	0.00	0.00	0.00	0.00	0.00	0.00	0.00	0.00	0.00	0.00	0.00	
			M3	-11.59	0.00	100.26	10.59	0.00	48.20	-18.34	0.00	159.94	-3.97	0.00	0.00	67.63
			MIN S2	-13.96	0.00	96.67	-13.96	0.00	12.94	-18.98	0.00	145.40	-18.98	0.00	0.00	31.53
			TQ	0.00	0.00	0.00	0.00	0.00	0.00	0.00	0.00	0.00	0.00	0.00	0.00	0.00
			M3	117.93	0.00	-1172.63	94.48	0.00	-481.39	103.06	0.00	-1106.17	89.71	0.00	0.00	-501.70
		3-LANES (caseMAX	S2	17.37	0.00	-25.53	17.37	0.00	78.68	31.90	0.00	-25.65	31.90	0.00	0.00	165.73
			TQ	0.00	0.00	0.00	0.00	0.00	0.00	0.00	0.00	0.00	0.00	0.00	0.00	0.00
			M3	-208.29	0.00	794.02	-3.04	0.00	117.97	-193.11	0.00	759.42	10.94	0.00	0.00	200.86
			MIN S2	-236.98	0.00	696.99	-236.98	0.00	-724.89	-223.97	0.00	652.56	-223.97	0.00	0.00	-691.25
			TQ	0.00	0.00	0.00	0.00	0.00	0.00	0.00	0.00	0.00	0.00	0.00	0.00	0.00
			M3	-24.41	0.00	-283.26	-216.62	0.00	-875.31	-13.56	0.00	-295.62	-202.45	0.00	0.00	-844.87
		3-LANES (caseMAX	S2	243.19	0.00	-593.80	243.19	0.00	865.31	232.55	0.00	-577.82	232.55	0.00	0.00	817.48
			TQ	0.00	0.00	0.00	0.00	0.00	0.00	0.00	0.00	0.00	0.00	0.00	0.00	0.00
			M3	13.30	0.00	165.93	223.54	0.00	909.76	4.69	0.00	232.78	168.93	0.00	0.00	900.31
			MIN S2	-9.10	0.00	98.30	-9.10	0.00	43.69	-17.19	0.00	167.95	-17.19	0.00	0.00	64.80
			TQ	0.00	0.00	0.00	0.00	0.00	0.00	0.00	0.00	0.00	0.00	0.00	0.00	0.00
			M3	230.82	0.00	-631.29	32.29	0.00	-26.40	220.46	0.00	-614.85	40.29	0.00	0.00	-41.80
		3-LANES (caseMAX	S2	202.69	0.00	-1096.55	202.69	0.00	119.61	189.59	0.00	-1018.01	189.59	0.00	0.00	119.50
			TQ	0.00	0.00	0.00	0.00	0.00	0.00	0.00	0.00	0.00	0.00	0.00	0.00	0.00
			M3	-10.56	0.00	111.69	99.39	0.00	377.29	-15.63	0.00	178.44	85.09	0.00	0.00	411.53
MIN S2	-14.37		0.00	102.20	-14.37	0.00	16.00	-17.53	0.00	151.45	-17.53	0.00	0.00	46.29		
TQ	0.00		0.00	0.00	0.00	0.00	0.00	0.00	0.00	0.00	0.00	0.00	0.00	0.00		
M3	190.76		0.00	-1221.01	80.29	0.00	-410.52	175.69	0.00	-1150.30	76.89	0.00	0.00	-427.33		

BAGO RIVER BRIDGE

BLOCK [ No.2 : CROSS BEAM ][ BEAM MEMBER FORCE ]

MEMBER				1002025			1002027									
NODE				2025	3025		2027	3027								
NAME TITLE				SHEAR	TORQUE	MOMENT	SHEAR	TORQUE	MOMENT	SHEAR	TORQUE	MOMENT				
				S2 (kN)	TQ (kN·m)	M3 (kN·m)	S2 (kN)	TQ (kN·m)	M3 (kN·m)	S2 (kN)	TQ (kN·m)	M3 (kN·m)				
301	LIVE LOAD	4-LANES	MAX	S2	207.56	0.00	-772.46	207.56	0.00	472.88	165.65	0.00	-614.13	165.65	0.00	379.79
				TQ	0.00	0.00	0.00	0.00	0.00	0.00	0.00	0.00	0.00	0.00	0.00	0.00
				M3	6.82	0.00	99.60	148.32	0.00	642.75	10.41	0.00	57.16	107.01	0.00	511.87
			MIN	S2	-8.83	0.00	59.68	-8.83	0.00	6.69	-1.88	0.00	20.90	-1.88	0.00	9.64
				TQ	0.00	0.00	0.00	0.00	0.00	0.00	0.00	0.00	0.00	0.00	0.00	0.00
				M3	191.11	0.00	-865.64	48.86	0.00	-293.09	152.05	0.00	-713.36	49.08	0.00	-262.20
		6-LANES	MAX	S2	191.86	0.00	-721.52	191.86	0.00	429.64	189.07	0.00	-655.41	189.07	0.00	479.04
				TQ	0.00	0.00	0.00	0.00	0.00	0.00	0.00	0.00	0.00	0.00	0.00	0.00
				M3	-117.31	0.00	711.85	133.67	0.00	724.26	-114.20	0.00	735.91	127.68	0.00	777.26
			MIN	S2	-154.09	0.00	578.33	-154.09	0.00	-346.21	-150.79	0.00	620.18	-150.79	0.00	-284.54
				TQ	0.00	0.00	0.00	0.00	0.00	0.00	0.00	0.00	0.00	0.00	0.00	0.00
				M3	142.17	0.00	-1015.34	-90.73	0.00	-857.16	136.39	0.00	-965.95	-83.05	0.00	-847.15
		LIVE LOAD	MAX		243.19	0.00	863.46	243.19	0.00	1035.32	232.55	0.00	832.09	232.55	0.00	1024.08
			MIN		-236.98	0.00	-1221.01	-236.98	0.00	-986.27	-223.97	0.00	-1150.30	-223.97	0.00	-952.10
303	SUM TOTAL	TOTAL	MAX		261.99	0.00	352.18	261.99	0.00	636.85	271.76	0.00	525.58	271.76	0.00	952.84
			MIN		-218.18	0.00	-1732.29	-218.18	0.00	-1384.74	-184.76	0.00	-1456.82	-184.76	0.00	-1023.33

BAGO RIVER BRIDGE

BLOCK [ No.2 : CROSS BEAM ][ BEAM MEMBER FORCE ]

MEMBER NODE	1002029 2029	1002031 2031						1002031 3031							
		SHEAR			TORQUE			SHEAR			TORQUE				
		S2 (kN)	TQ (kN·m)	M3 (kN·m)	S2 (kN)	TQ (kN·m)	M3 (kN·m)	S2 (kN)	TQ (kN·m)	M3 (kN·m)	S2 (kN)	TQ (kN·m)	M3 (kN·m)		
1	PAVEMENT	15.04	0.00	-55.38	15.04	0.00	34.87	9.22	0.00	-51.46	9.22	0.00	3.87		
3	RAILING	-0.06	0.00	-20.94	-0.06	0.00	-21.33	0.21	0.00	-13.92	0.21	0.00	-12.67		
5	CURB	-0.64	0.00	-207.35	-0.64	0.00	-211.20	2.06	0.00	-137.80	2.06	0.00	-125.42		
7	DECK WEIGHT	21.65	0.00	-92.13	21.65	0.00	37.78	14.55	0.00	-91.14	14.55	0.00	-3.86		
8	GIRDER WEIGH	3.97	0.00	129.48	3.97	0.00	153.28	11.21	0.00	-1.81	11.21	0.00	65.46		
10	MEDIAN STRIP	3.11	0.00	158.01	3.11	0.00	176.65	3.55	0.00	74.15	3.55	0.00	95.45		
21	ADITIONAL WE	6.06	0.00	-25.80	6.06	0.00	10.58	4.07	0.00	-25.52	4.07	0.00	-1.08		
31	MEDIAN RAILI	0.21	0.00	12.31	0.21	0.00	13.58	0.26	0.00	6.19	0.26	0.00	7.76		
51	SUPPORT WEIG	0.00	0.00	0.00	0.00	0.00	0.00	0.00	0.00	-0.00	0.00	0.00	-0.00		
52	NOSE WEIGHT	-0.00	0.00	0.00	-0.00	0.00	-0.00	-0.00	0.00	0.01	-0.00	0.00	-0.01		
61	1-LANE(case1TRUCK-LOAD	MAX	S2	16.90	0.00	-48.47	16.90	0.00	52.96	35.87	0.00	-111.60	35.87	0.00	103.60
			TQ	0.00	0.00	0.00	0.00	0.00	0.00	0.00	0.00	0.00	0.00	0.00	0.00
			M3	-19.67	0.00	43.26	16.87	0.00	52.98	-5.66	0.00	2.83	34.38	0.00	108.62
		MIN	S2	-31.87	0.00	2.54	-31.87	0.00	-188.69	-14.52	0.00	-18.67	-14.52	0.00	-105.81
			TQ	0.00	0.00	0.00	0.00	0.00	0.00	0.00	0.00	0.00	0.00	0.00	0.00
			M3	-13.23	0.00	-237.09	-14.67	0.00	-322.26	8.87	0.00	-239.19	4.78	0.00	-192.75
		TANDEM-LOAD MAX	S2	11.52	0.00	-33.17	11.52	0.00	35.94	24.40	0.00	-74.67	24.40	0.00	71.75
			TQ	0.00	0.00	0.00	0.00	0.00	0.00	0.00	0.00	0.00	0.00	0.00	0.00
			M3	-18.10	0.00	34.85	11.52	0.00	35.94	-8.10	0.00	6.45	23.60	0.00	75.13
		MIN	S2	-23.89	0.00	2.44	-23.89	0.00	-140.91	-11.71	0.00	-26.81	-11.71	0.00	-97.07
			TQ	0.00	0.00	0.00	0.00	0.00	0.00	0.00	0.00	0.00	0.00	0.00	0.00
			M3	-6.56	0.00	-185.96	-6.96	0.00	-226.91	9.26	0.00	-184.23	1.67	0.00	-136.64
		DISPERSION-LMAX	S2	27.38	0.00	-84.19	27.38	0.00	80.11	65.22	0.00	-239.17	65.22	0.00	152.12
			TQ	0.00	0.00	0.00	0.00	0.00	0.00	0.00	0.00	0.00	0.00	0.00	0.00
			M3	-8.48	0.00	19.12	26.84	0.00	96.26	-2.25	0.00	4.48	61.64	0.00	190.47
		MIN	S2	-20.98	0.00	-52.02	-20.98	0.00	-177.91	-6.22	0.00	-17.44	-6.22	0.00	-54.76
			TQ	0.00	0.00	0.00	0.00	0.00	0.00	0.00	0.00	0.00	0.00	0.00	0.00
			M3	14.88	0.00	-155.32	-20.44	0.00	-194.06	61.25	0.00	-261.09	-2.64	0.00	-93.10

BAGO RIVER BRIDGE

BLOCK [ No.2 : CROSS BEAM ][ BEAM MEMBER FORCE ]

MEMBER				1002029						1002031						
NODE				2029			3029			2031			3031			
				SHEAR	TORQUE	MOMENT	SHEAR	TORQUE	MOMENT	SHEAR	TORQUE	MOMENT	SHEAR	TORQUE	MOMENT	
NAME	TITLE			S2 (kN)	TQ (kN·m)	M3 (kN·m)	S2 (kN)	TQ (kN·m)	M3 (kN·m)	S2 (kN)	TQ (kN·m)	M3 (kN·m)	S2 (kN)	TQ (kN·m)	M3 (kN·m)	
62	1-LANE (case2TRUCK-LOAD	MAX	S2	5.33	0.00	-8.90	5.33	0.00	23.08	10.77	0.00	-56.36	10.77	0.00	8.28	
			TQ	0.00	0.00	0.00	0.00	0.00	0.00	0.00	0.00	0.00	0.00	0.00	0.00	0.00
			M3	-63.76	0.00	375.00	-8.95	0.00	46.85	-56.10	0.00	321.06	-2.39	0.00	62.06	
		MIN	S2	-63.76	0.00	375.00	-63.76	0.00	-7.56	-56.10	0.00	321.06	-56.10	0.00	-15.55	
			TQ	0.00	0.00	0.00	0.00	0.00	0.00	0.00	0.00	0.00	0.00	0.00	0.00	0.00
			M3	4.24	0.00	-12.39	-62.92	0.00	-9.68	10.77	0.00	-56.36	-48.35	0.00	-27.66	
		TANDEM-LOAD MAX	S2	3.62	0.00	-6.18	3.62	0.00	15.56	7.97	0.00	-42.42	7.97	0.00	5.38	
			TQ	0.00	0.00	0.00	0.00	0.00	0.00	0.00	0.00	0.00	0.00	0.00	0.00	0.00
			M3	-48.79	0.00	280.32	-9.72	0.00	33.46	-43.28	0.00	240.28	1.14	0.00	44.10	
		MIN	S2	-48.79	0.00	280.32	-48.79	0.00	-12.40	-43.28	0.00	240.28	-43.28	0.00	-19.37	
			TQ	0.00	0.00	0.00	0.00	0.00	0.00	0.00	0.00	0.00	0.00	0.00	0.00	0.00
			M3	3.10	0.00	-8.56	-48.55	0.00	-12.99	7.97	0.00	-42.42	-42.40	0.00	-22.43	
		DISPERSION-LMAX	S2	8.74	0.00	-10.63	8.74	0.00	41.83	20.32	0.00	-57.70	20.32	0.00	64.25	
			TQ	0.00	0.00	0.00	0.00	0.00	0.00	0.00	0.00	0.00	0.00	0.00	0.00	0.00
			M3	-24.48	0.00	177.51	-2.64	0.00	75.37	-17.60	0.00	127.69	13.64	0.00	79.93	
MIN	S2	-25.72	0.00	173.47	-25.72	0.00	19.13	-19.41	0.00	115.78	-19.41	0.00	-0.70			
	TQ	0.00	0.00	0.00	0.00	0.00	0.00	0.00	0.00	0.00	0.00	0.00	0.00	0.00		
	M3	7.50	0.00	-14.67	-14.34	0.00	-14.40	18.51	0.00	-69.60	-12.73	0.00	-16.38			
63	1-LANE (case3TRUCK-LOAD	MAX	S2	66.20	0.00	-6.96	66.20	0.00	390.25	59.09	0.00	-25.25	59.09	0.00	329.31	
			TQ	0.00	0.00	0.00	0.00	0.00	0.00	0.00	0.00	0.00	0.00	0.00	0.00	
			M3	10.71	0.00	57.81	66.20	0.00	390.25	6.97	0.00	64.14	59.09	0.00	329.31	
		MIN	S2	-3.45	0.00	20.67	-3.45	0.00	-0.05	-10.80	0.00	8.47	-10.80	0.00	-56.34	
			TQ	0.00	0.00	0.00	0.00	0.00	0.00	0.00	0.00	0.00	0.00	0.00	0.00	0.00
			M3	65.25	0.00	-9.75	-1.93	0.00	-8.49	49.48	0.00	-36.24	-10.80	0.00	-56.34	



BAGO RIVER BRIDGE

BLOCK [ No.2 : CROSS BEAM ][ BEAM MEMBER FORCE ]

MEMBER NODE	1002029 2029	3029			1002031 2031			3031							
		SHEAR	TORQUE	MOMENT	SHEAR	TORQUE	MOMENT	SHEAR	TORQUE	MOMENT					
		S2 (kN)	TQ (kN·m)	M3 (kN·m)	S2 (kN)	TQ (kN·m)	M3 (kN·m)	S2 (kN)	TQ (kN·m)	M3 (kN·m)					
63	1-LANE (case3TANDEM-LOAD	MAX	S2	50.15	0.00	-13.08	50.15	0.00	287.81	44.85	0.00	-27.02	44.85	0.00	242.07
			TQ	0.00	0.00	0.00	0.00	0.00	0.00	0.00	0.00	0.00	0.00	0.00	0.00
			M3	3.05	0.00	40.79	50.15	0.00	287.81	1.67	0.00	46.31	44.85	0.00	242.07
		MIN	S2	-2.35	0.00	13.37	-2.35	0.00	-0.74	-8.07	0.00	6.05	-8.07	0.00	-42.37
			TQ	0.00	0.00	0.00	0.00	0.00	0.00	0.00	0.00	0.00	0.00	0.00	0.00
			M3	49.88	0.00	-13.85	-0.88	0.00	-6.36	43.59	0.00	-29.99	-8.07	0.00	-42.37
	DISPERSION-LMAX		S2	26.68	0.00	19.55	26.68	0.00	179.64	20.81	0.00	1.70	20.81	0.00	126.54
			TQ	0.00	0.00	0.00	0.00	0.00	0.00	0.00	0.00	0.00	0.00	0.00	0.00
			M3	6.97	0.00	75.72	22.77	0.00	194.47	-9.11	0.00	71.16	19.54	0.00	137.79
		MIN	S2	-5.71	0.00	43.97	-5.71	0.00	9.69	-16.63	0.00	52.89	-16.63	0.00	-46.89
			TQ	0.00	0.00	0.00	0.00	0.00	0.00	0.00	0.00	0.00	0.00	0.00	0.00
			M3	14.00	0.00	-12.19	-1.80	0.00	-5.14	13.29	0.00	-16.57	-15.36	0.00	-58.14
64	1-LANE (case4TRUCK-LOAD	MAX	S2	22.38	0.00	-229.61	22.38	0.00	-95.34	6.03	0.00	-135.58	6.03	0.00	-99.43
			TQ	0.00	0.00	0.00	0.00	0.00	0.00	0.00	0.00	0.00	0.00	0.00	0.00
			M3	-14.92	0.00	63.24	0.46	0.00	0.95	-32.43	0.00	108.41	1.92	0.00	4.41
		MIN	S2	-14.92	0.00	63.24	-14.92	0.00	-26.29	-33.47	0.00	105.49	-33.47	0.00	-95.35
			TQ	0.00	0.00	0.00	0.00	0.00	0.00	0.00	0.00	0.00	0.00	0.00	0.00
			M3	8.58	0.00	-316.67	7.18	0.00	-272.21	-2.65	0.00	-175.62	-10.42	0.00	-230.92
	TANDEM-LOAD	MAX	S2	15.76	0.00	-180.75	15.76	0.00	-86.20	4.66	0.00	-81.87	4.66	0.00	-53.88
			TQ	0.00	0.00	0.00	0.00	0.00	0.00	0.00	0.00	0.00	0.00	0.00	0.00
			M3	-10.19	0.00	43.00	0.31	0.00	0.66	-21.38	0.00	74.20	-4.61	0.00	7.87
		MIN	S2	-10.19	0.00	43.00	-10.19	0.00	-18.12	-22.76	0.00	71.04	-22.76	0.00	-65.50
			TQ	0.00	0.00	0.00	0.00	0.00	0.00	0.00	0.00	0.00	0.00	0.00	0.00
			M3	7.45	0.00	-217.37	2.76	0.00	-199.92	-3.68	0.00	-124.16	-10.18	0.00	-167.76

BAGO RIVER BRIDGE

BLOCK [ No.2 : CROSS BEAM ][ BEAM MEMBER FORCE ]

MEMBER NODE	1002029 2029	1002031						3029	1002031					
		2029			3029				2031			3031		
		SHEAR	TORQUE	MOMENT	SHEAR	TORQUE	MOMENT		SHEAR	TORQUE	MOMENT	SHEAR	TORQUE	MOMENT
NAME TITLE	S2 (kN)	TQ (kN·m)	M3 (kN·m)	S2 (kN)	TQ (kN·m)	M3 (kN·m)	S2 (kN)	TQ (kN·m)	M3 (kN·m)	S2 (kN)	TQ (kN·m)	M3 (kN·m)		
64 1-LANE (case4DISPERSION-LMAX	S2	15.57	0.00	-200.18	15.57	0.00	-106.74	4.00	0.00	-52.81	4.00	0.00	-28.81	
	TQ	0.00	0.00	0.00	0.00	0.00	0.00	0.00	0.00	0.00	0.00	0.00	0.00	
	M3	-23.25	0.00	104.94	0.56	0.00	0.81	-56.75	0.00	182.04	1.63	0.00	6.12	
	MIN S2	-23.67	0.00	81.84	-23.67	0.00	-60.20	-61.18	0.00	136.56	-61.18	0.00	-230.49	
	TQ	0.00	0.00	0.00	0.00	0.00	0.00	0.00	0.00	0.00	0.00	0.00	0.00	
	M3	15.15	0.00	-223.28	-8.67	0.00	-167.75	-0.42	0.00	-98.29	-58.80	0.00	-265.42	
	MAX S2	28.03	0.00	-77.26	28.03	0.00	90.91	58.89	0.00	-187.02	58.89	0.00	166.30	
	TQ	0.00	0.00	0.00	0.00	0.00	0.00	0.00	0.00	0.00	0.00	0.00	0.00	
	M3	-77.32	0.00	205.17	27.81	0.00	91.32	-47.40	0.00	127.53	57.39	0.00	171.32	
65 2-LANES (caseTRUCK-LOAD	MIN S2	-89.53	0.00	164.46	-89.53	0.00	-372.72	-56.26	0.00	106.03	-56.26	0.00	-231.53	
	TQ	0.00	0.00	0.00	0.00	0.00	0.00	0.00	0.00	0.00	0.00	0.00	0.00	
	M3	-2.17	0.00	-266.46	-72.33	0.00	-506.30	31.89	0.00	-314.61	-36.95	0.00	-318.46	
	TANDEM-LOAD MAX S2	19.09	0.00	-52.91	19.09	0.00	61.64	40.07	0.00	-126.09	40.07	0.00	114.33	
	TQ	0.00	0.00	0.00	0.00	0.00	0.00	0.00	0.00	0.00	0.00	0.00	0.00	
	M3	-60.36	0.00	152.51	18.98	0.00	61.99	-39.19	0.00	98.47	39.27	0.00	117.72	
	MIN S2	-66.16	0.00	120.10	-66.16	0.00	-276.85	-42.80	0.00	65.20	-42.80	0.00	-191.61	
	TQ	0.00	0.00	0.00	0.00	0.00	0.00	0.00	0.00	0.00	0.00	0.00	0.00	
	M3	0.87	0.00	-206.00	-49.22	0.00	-362.85	24.93	0.00	-235.64	-29.42	0.00	-231.18	
	DISPERSION-LMAX S2	45.26	0.00	-124.30	45.26	0.00	147.28	106.47	0.00	-361.74	106.47	0.00	277.09	
	TQ	0.00	0.00	0.00	0.00	0.00	0.00	0.00	0.00	0.00	0.00	0.00	0.00	
	M3	-36.65	0.00	113.26	43.68	0.00	166.93	-17.34	0.00	59.52	102.55	0.00	316.60	
	MIN S2	-50.65	0.00	38.24	-50.65	0.00	-265.64	-23.13	0.00	33.67	-23.13	0.00	-105.13	
	TQ	0.00	0.00	0.00	0.00	0.00	0.00	0.00	0.00	0.00	0.00	0.00	0.00	
	M3	31.27	0.00	-199.32	-49.06	0.00	-285.29	100.67	0.00	-387.58	-19.21	0.00	-144.65	

BAGO RIVER BRIDGE

BLOCK [ No.2 : CROSS BEAM ][ BEAM MEMBER FORCE ]

MEMBER				1002029						1002031						
NODE				2029			3029			2031			3031			
NAME TITLE				SHEAR	TORQUE	MOMENT	SHEAR	TORQUE	MOMENT	SHEAR	TORQUE	MOMENT	SHEAR	TORQUE	MOMENT	
				S2 (kN)	TQ (kN·m)	M3 (kN·m)	S2 (kN)	TQ (kN·m)	M3 (kN·m)	S2 (kN)	TQ (kN·m)	M3 (kN·m)	S2 (kN)	TQ (kN·m)	M3 (kN·m)	
66	2-LANES (caseTRUCK-LOAD	MAX	S2	16.45	0.00	-37.70	16.45	0.00	61.03	33.79	0.00	-131.79	33.79	0.00	70.98	
			TQ	0.00	0.00	0.00	0.00	0.00	0.00	0.00	0.00	0.00	0.00	0.00	0.00	0.00
			M3	-121.42	0.00	536.92	1.99	0.00	85.19	-97.84	0.00	445.76	20.61	0.00	0.00	124.76
		MIN	S2	-121.42	0.00	536.92	-121.42	0.00	-191.59	-97.84	0.00	445.76	-97.84	0.00	0.00	-141.27
			TQ	0.00	0.00	0.00	0.00	0.00	0.00	0.00	0.00	0.00	0.00	0.00	0.00	0.00
			M3	15.30	0.00	-41.75	-120.57	0.00	-193.71	33.79	0.00	-131.79	-90.09	0.00	0.00	-153.38
		TANDEM-LOAD MAX	S2	11.20	0.00	-25.92	11.20	0.00	41.26	23.63	0.00	-93.83	23.63	0.00	0.00	47.96
			TQ	0.00	0.00	0.00	0.00	0.00	0.00	0.00	0.00	0.00	0.00	0.00	0.00	0.00
			M3	-91.05	0.00	397.98	-2.25	0.00	59.51	-74.37	0.00	332.30	16.81	0.00	0.00	86.68
		MIN	S2	-91.05	0.00	397.98	-91.05	0.00	-148.34	-74.37	0.00	332.30	-74.37	0.00	0.00	-113.90
			TQ	0.00	0.00	0.00	0.00	0.00	0.00	0.00	0.00	0.00	0.00	0.00	0.00	0.00
			M3	10.53	0.00	-28.60	-90.82	0.00	-148.93	23.63	0.00	-93.83	-73.49	0.00	0.00	-116.97
		DISPERSION-LMAX	S2	26.62	0.00	-50.74	26.62	0.00	109.01	61.58	0.00	-180.26	61.58	0.00	0.00	189.22
			TQ	0.00	0.00	0.00	0.00	0.00	0.00	0.00	0.00	0.00	0.00	0.00	0.00	0.00
			M3	-52.65	0.00	271.66	14.20	0.00	146.05	-32.69	0.00	182.73	54.55	0.00	0.00	206.07
MIN	S2	-55.39	0.00	263.73	-55.39	0.00	-68.60	-36.33	0.00	166.89	-36.33	0.00	0.00	-51.08		
	TQ	0.00	0.00	0.00	0.00	0.00	0.00	0.00	0.00	0.00	0.00	0.00	0.00	0.00		
	M3	23.89	0.00	-58.67	-42.96	0.00	-105.64	57.94	0.00	-196.10	-29.30	0.00	0.00	-67.93		
67	2-LANES (caseTRUCK-LOAD	MAX	S2	133.67	0.00	-153.67	133.67	0.00	648.33	111.60	0.00	-137.92	111.60	0.00	531.68	
			TQ	0.00	0.00	0.00	0.00	0.00	0.00	0.00	0.00	0.00	0.00	0.00	0.00	
			M3	1.61	0.00	100.44	133.67	0.00	648.33	-14.15	0.00	127.13	111.60	0.00	0.00	531.68
		MIN	S2	-12.64	0.00	62.43	-12.64	0.00	-13.44	-31.92	0.00	71.45	-31.92	0.00	0.00	-120.04
			TQ	0.00	0.00	0.00	0.00	0.00	0.00	0.00	0.00	0.00	0.00	0.00	0.00	0.00
			M3	132.71	0.00	-156.45	-10.69	0.00	-22.54	101.99	0.00	-148.91	-31.92	0.00	0.00	-120.04

BAGO RIVER BRIDGE

BLOCK [ No.2 : CROSS BEAM ][ BEAM MEMBER FORCE ]

MEMBER		1002029						1002031									
NODE		2029			3029			2031			3031						
		SHEAR	TORQUE	MOMENT	SHEAR	TORQUE	MOMENT	SHEAR	TORQUE	MOMENT	SHEAR	TORQUE	MOMENT				
NAME	TITLE	S2 (kN)	TQ (kN·m)	M3 (kN·m)	S2 (kN)	TQ (kN·m)	M3 (kN·m)	S2 (kN)	TQ (kN·m)	M3 (kN·m)	S2 (kN)	TQ (kN·m)	M3 (kN·m)				
67	2-LANES (caseTANDEM-LOAD	MAX	S2	100.46	0.00	-124.54	100.46	0.00	478.23	84.22	0.00	-114.55	84.22	0.00	390.80		
			TQ	0.00	0.00	0.00	0.00	0.00	0.00	0.00	0.00	0.00	0.00	0.00	0.00		
			M3	-3.10	0.00	69.75	100.46	0.00	478.23	-12.72	0.00	89.25	84.22	0.00	390.80		
		MIN	S2	-8.62	0.00	42.00	-8.62	0.00	-9.71	-22.45	0.00	49.00	-22.45	0.00	-85.72		
			TQ	0.00	0.00	0.00	0.00	0.00	0.00	0.00	0.00	0.00	0.00	0.00	0.00		
			M3	100.20	0.00	-125.32	-6.99	0.00	-15.94	82.97	0.00	-117.51	-22.45	0.00	-85.72		
			DISPERSION-LMAX	S2	57.10	0.00	-44.84	57.10	0.00	297.77	40.47	0.00	-38.38	40.47	0.00	204.41	
				TQ	0.00	0.00	0.00	0.00	0.00	0.00	0.00	0.00	0.00	0.00	0.00	0.00	
				M3	-6.32	0.00	148.08	52.63	0.00	313.99	-45.01	0.00	189.05	38.59	0.00	217.91	
			MIN	S2	-19.98	0.00	114.33	-19.98	0.00	-5.53	-53.35	0.00	168.51	-53.35	0.00	-151.58	
				TQ	0.00	0.00	0.00	0.00	0.00	0.00	0.00	0.00	0.00	0.00	0.00	0.00	
				M3	43.44	0.00	-78.58	-15.51	0.00	-21.75	32.12	0.00	-58.93	-51.47	0.00	-165.08	
		68	2-LANES (caseTRUCK-LOAD	MAX	S2	62.31	0.00	-454.11	62.31	0.00	-80.23	34.08	0.00	-266.98	34.08	0.00	-62.49
					TQ	0.00	0.00	0.00	0.00	0.00	0.00	0.00	0.00	0.00	0.00	0.00	0.00
					M3	-24.02	0.00	105.86	37.42	0.00	27.72	-53.54	0.00	171.40	28.15	0.00	46.60
MIN	S2			-24.11	0.00	105.00	-24.11	0.00	-39.68	-54.59	0.00	168.48	-54.59	0.00	-159.05		
	TQ			0.00	0.00	0.00	0.00	0.00	0.00	0.00	0.00	0.00	0.00	0.00	0.00		
	M3			48.51	0.00	-541.17	-1.64	0.00	-286.37	24.83	0.00	-307.87	-31.54	0.00	-294.62		
	TANDEM-LOAD MAX			S2	44.59	0.00	-339.93	44.59	0.00	-72.41	25.57	0.00	-176.79	25.57	0.00	-23.39	
				TQ	0.00	0.00	0.00	0.00	0.00	0.00	0.00	0.00	0.00	0.00	0.00	0.00	
				M3	-16.33	0.00	71.96	24.86	0.00	20.96	-35.76	0.00	117.14	15.78	0.00	39.82	
	MIN			S2	-16.45	0.00	71.64	-16.45	0.00	-27.09	-37.14	0.00	113.99	-37.14	0.00	-108.85	
				TQ	0.00	0.00	0.00	0.00	0.00	0.00	0.00	0.00	0.00	0.00	0.00	0.00	
				M3	36.27	0.00	-376.55	-3.04	0.00	-209.63	17.22	0.00	-219.08	-24.56	0.00	-211.11	

BAGO RIVER BRIDGE

BLOCK [ No.2 : CROSS BEAM ][ BEAM MEMBER FORCE ]

MEMBER		1002029						1002031						
NODE		2029			3029			2031			3031			
		SHEAR	TORQUE	MOMENT	SHEAR	TORQUE	MOMENT	SHEAR	TORQUE	MOMENT	SHEAR	TORQUE	MOMENT	
NAME	TITLE	S2 (kN)	TQ (kN·m)	M3 (kN·m)	S2 (kN)	TQ (kN·m)	M3 (kN·m)	S2 (kN)	TQ (kN·m)	M3 (kN·m)	S2 (kN)	TQ (kN·m)	M3 (kN·m)	
68	2-LANES (caseDISPERSION-LMAX	S2	39.54	0.00	-338.35	39.54	0.00	-101.09	16.69	0.00	-116.72	16.69	0.00	-16.57
		TQ	0.00	0.00	0.00	0.00	0.00	0.00	0.00	0.00	0.00	0.00	0.00	0.00
		M3	-37.72	0.00	176.08	13.64	0.00	22.51	-95.03	0.00	297.52	11.48	0.00	28.96
		MIN S2	-38.16	0.00	152.83	-38.16	0.00	-76.14	-99.67	0.00	251.02	-99.67	0.00	-347.01
		TQ	0.00	0.00	0.00	0.00	0.00	0.00	0.00	0.00	0.00	0.00	0.00	0.00
		M3	39.10	0.00	-361.60	-12.26	0.00	-199.74	12.04	0.00	-163.21	-94.46	0.00	-392.55
69	3-LANES (caseTRUCK-LOAD	MAX S2	33.36	0.00	-86.16	33.36	0.00	113.99	69.66	0.00	-243.39	69.66	0.00	174.58
		TQ	0.00	0.00	0.00	0.00	0.00	0.00	0.00	0.00	0.00	0.00	0.00	0.00
		M3	-141.08	0.00	580.17	18.86	0.00	138.17	-103.50	0.00	448.59	54.99	0.00	233.38
		MIN S2	-153.29	0.00	539.46	-153.29	0.00	-380.28	-112.36	0.00	427.09	-112.36	0.00	-247.08
		TQ	0.00	0.00	0.00	0.00	0.00	0.00	0.00	0.00	0.00	0.00	0.00	0.00
		M3	2.07	0.00	-278.84	-135.25	0.00	-515.97	42.67	0.00	-370.98	-85.31	0.00	-346.12
	TANDEM-LOAD	MAX S2	22.71	0.00	-59.09	22.71	0.00	77.20	48.04	0.00	-168.51	48.04	0.00	119.71
		TQ	0.00	0.00	0.00	0.00	0.00	0.00	0.00	0.00	0.00	0.00	0.00	0.00
		M3	-109.15	0.00	432.83	9.27	0.00	95.45	-82.46	0.00	338.75	40.40	0.00	161.82
		MIN S2	-114.95	0.00	400.42	-114.95	0.00	-289.25	-86.08	0.00	305.48	-86.08	0.00	-210.98
		TQ	0.00	0.00	0.00	0.00	0.00	0.00	0.00	0.00	0.00	0.00	0.00	0.00
		M3	3.97	0.00	-214.56	-97.78	0.00	-375.84	32.89	0.00	-278.06	-71.82	0.00	-253.61
DISPERSION-LMAX	S2	54.01	0.00	-134.93	54.01	0.00	189.11	126.80	0.00	-419.44	126.80	0.00	341.34	
	TQ	0.00	0.00	0.00	0.00	0.00	0.00	0.00	0.00	0.00	0.00	0.00	0.00	
	M3	-61.13	0.00	290.77	41.04	0.00	242.30	-34.94	0.00	187.21	116.19	0.00	396.54	
	MIN S2	-76.37	0.00	211.71	-76.37	0.00	-246.51	-42.55	0.00	149.46	-42.55	0.00	-105.83	
	TQ	0.00	0.00	0.00	0.00	0.00	0.00	0.00	0.00	0.00	0.00	0.00	0.00	
	M3	38.77	0.00	-213.99	-63.40	0.00	-299.70	119.18	0.00	-457.19	-31.94	0.00	-161.03	

BAGO RIVER BRIDGE

BLOCK [ No.2 : CROSS BEAM ][ BEAM MEMBER FORCE ]

MEMBER				1002029						1002031						
NODE				2029			3029			2031			3031			
NAME TITLE				SHEAR	TORQUE	MOMENT	SHEAR	TORQUE	MOMENT	SHEAR	TORQUE	MOMENT	SHEAR	TORQUE	MOMENT	
				S2 (kN)	TQ (kN·m)	M3 (kN·m)	S2 (kN)	TQ (kN·m)	M3 (kN·m)	S2 (kN)	TQ (kN·m)	M3 (kN·m)	S2 (kN)	TQ (kN·m)	M3 (kN·m)	
70	3-LANES (caseTRUCK-LOAD	MAX	S2	168.39	0.00	-389.26	168.39	0.00	621.05	125.36	0.00	-280.43	125.36	0.00	471.73	
			TQ	0.00	0.00	0.00	0.00	0.00	0.00	0.00	0.00	0.00	0.00	0.00	0.00	0.00
			M3	-13.32	0.00	163.68	133.87	0.00	648.53	-46.41	0.00	234.84	112.78	0.00	533.89	
		MIN	S2	-27.57	0.00	125.67	-27.57	0.00	-39.72	-65.39	0.00	176.94	-65.39	0.00	-215.39	
			TQ	0.00	0.00	0.00	0.00	0.00	0.00	0.00	0.00	0.00	0.00	0.00	0.00	0.00
			M3	167.42	0.00	-393.96	19.14	0.00	-61.47	115.43	0.00	-291.83	-65.07	0.00	-216.49	
	TANDEM-LOAD	MAX	S2	124.71	0.00	-293.31	124.71	0.00	454.94	94.56	0.00	-214.49	94.56	0.00	352.88	
			TQ	0.00	0.00	0.00	0.00	0.00	0.00	0.00	0.00	0.00	0.00	0.00	0.00	0.00
			M3	-13.29	0.00	112.75	100.61	0.00	478.38	-33.90	0.00	162.56	85.01	0.00	392.31	
		MIN	S2	-18.81	0.00	85.00	-18.81	0.00	-27.83	-45.21	0.00	120.04	-45.21	0.00	-151.22	
			TQ	0.00	0.00	0.00	0.00	0.00	0.00	0.00	0.00	0.00	0.00	0.00	0.00	0.00
			M3	124.44	0.00	-294.09	12.21	0.00	-44.63	93.31	0.00	-217.45	-45.17	0.00	-151.53	
	DISPERSION-LMAX	MAX	S2	78.79	0.00	-193.76	78.79	0.00	279.00	47.87	0.00	-98.35	47.87	0.00	188.90	
			TQ	0.00	0.00	0.00	0.00	0.00	0.00	0.00	0.00	0.00	0.00	0.00	0.00	0.00
			M3	-29.37	0.00	252.01	61.50	0.00	323.81	-100.33	0.00	366.97	42.22	0.00	223.77	
	MIN	S2	-43.05	0.00	218.14	-43.05	0.00	-40.15	-109.23	0.00	337.36	-109.23	0.00	-318.00		
		TQ	0.00	0.00	0.00	0.00	0.00	0.00	0.00	0.00	0.00	0.00	0.00	0.00	0.00	
		M3	65.12	0.00	-227.63	-25.75	0.00	-84.96	38.97	0.00	-127.95	-103.57	0.00	-352.88		
71	3-LANES (caseTRUCK-LOAD	MAX	S2	135.19	0.00	-580.68	135.19	0.00	230.44	101.65	0.00	-369.99	101.65	0.00	239.91	
			TQ	0.00	0.00	0.00	0.00	0.00	0.00	0.00	0.00	0.00	0.00	0.00	0.00	
			M3	-27.22	0.00	128.34	110.29	0.00	338.39	-54.15	0.00	195.24	95.72	0.00	349.00	
			MIN	S2	-27.58	0.00	124.99	-27.58	0.00	-40.47	-66.71	0.00	183.72	-66.71	0.00	-216.56
				TQ	0.00	0.00	0.00	0.00	0.00	0.00	0.00	0.00	0.00	0.00	0.00	0.00
M3	121.22	0.00	-674.88	-4.09	0.00	-295.35	92.40	0.00	-410.88	-43.66	0.00	-352.13				

BAGO RIVER BRIDGE

BLOCK [ No.2 : CROSS BEAM ][ BEAM MEMBER FORCE ]

MEMBER				1002029						1002031						
NODE				2029			3029			2031			3031			
NAME TITLE				SHEAR	TORQUE	MOMENT	SHEAR	TORQUE	MOMENT	SHEAR	TORQUE	MOMENT	SHEAR	TORQUE	MOMENT	
				S2 (kN)	TQ (kN·m)	M3 (kN·m)	S2 (kN)	TQ (kN·m)	M3 (kN·m)	S2 (kN)	TQ (kN·m)	M3 (kN·m)	S2 (kN)	TQ (kN·m)	M3 (kN·m)	
71	3-LANES	caseTANDEM-LOAD	MAX	S2	99.53	0.00	-439.82	99.53	0.00	157.38	77.55	0.00	-259.97	77.55	0.00	205.36
				TQ	0.00	0.00	0.00	0.00	0.00	0.00	0.00	0.00	0.00	0.00	0.00	0.00
				M3	-18.46	0.00	87.21	79.81	0.00	250.76	-35.11	0.00	135.31	67.77	0.00	268.57
			MIN	S2	-18.81	0.00	85.00	-18.81	0.00	-27.83	-46.23	0.00	125.71	-46.23	0.00	-151.68
				TQ	0.00	0.00	0.00	0.00	0.00	0.00	0.00	0.00	0.00	0.00	0.00	0.00
				M3	91.17	0.00	-478.43	-4.28	0.00	-216.15	69.21	0.00	-302.26	-33.66	0.00	-253.95
		DISPERSION-LMAX		S2	72.16	0.00	-392.11	72.16	0.00	40.86	41.33	0.00	-151.34	41.33	0.00	96.63
				TQ	0.00	0.00	0.00	0.00	0.00	0.00	0.00	0.00	0.00	0.00	0.00	0.00
				M3	-41.27	0.00	217.52	42.39	0.00	173.00	-112.48	0.00	354.03	35.80	0.00	144.24
			MIN	S2	-43.79	0.00	190.78	-43.79	0.00	-71.98	-118.77	0.00	304.26	-118.77	0.00	-408.34
				TQ	0.00	0.00	0.00	0.00	0.00	0.00	0.00	0.00	0.00	0.00	0.00	0.00
				M3	69.64	0.00	-418.85	-14.02	0.00	-204.13	35.04	0.00	-201.11	-113.24	0.00	-455.95
72	4-LANES	TRUCK-LOAD	MAX	S2	67.68	0.00	-320.73	67.68	0.00	85.36	4.23	0.00	-18.91	4.23	0.00	6.49
				TQ	0.00	0.00	0.00	0.00	0.00	0.00	0.00	0.00	0.00	0.00	0.00	0.00
				M3	7.87	0.00	61.04	27.57	0.00	191.02	-20.99	0.00	101.11	-0.38	0.00	30.17
			MIN	S2	-2.25	0.00	27.03	-2.25	0.00	13.55	-22.53	0.00	96.93	-22.53	0.00	-38.28
				TQ	0.00	0.00	0.00	0.00	0.00	0.00	0.00	0.00	0.00	0.00	0.00	0.00
				M3	56.92	0.00	-375.53	41.01	0.00	-106.98	-1.97	0.00	-42.71	-10.09	0.00	-77.17
		TANDEM-LOAD	MAX	S2	59.72	0.00	-269.30	59.72	0.00	89.01	2.88	0.00	-12.93	2.88	0.00	4.34
				TQ	0.00	0.00	0.00	0.00	0.00	0.00	0.00	0.00	0.00	0.00	0.00	0.00
				M3	2.18	0.00	43.42	28.55	0.00	183.35	-14.03	0.00	76.82	-1.19	0.00	27.93
			MIN	S2	-1.64	0.00	15.57	-1.64	0.00	5.70	-15.57	0.00	72.54	-15.57	0.00	-20.90
				TQ	0.00	0.00	0.00	0.00	0.00	0.00	0.00	0.00	0.00	0.00	0.00	0.00
				M3	47.69	0.00	-310.54	31.77	0.00	-95.21	-0.67	0.00	-45.14	-5.80	0.00	-55.43

BAGO RIVER BRIDGE

BLOCK [ No.2 : CROSS BEAM ][ BEAM MEMBER FORCE ]

MEMBER			1002029						1002031								
NODE			2029			3029			2031			3031					
NAME TITLE			SHEAR	TORQUE	MOMENT	SHEAR	TORQUE	MOMENT	SHEAR	TORQUE	MOMENT	SHEAR	TORQUE	MOMENT			
			S2 (kN)	TQ (kN·m)	M3 (kN·m)	S2 (kN)	TQ (kN·m)	M3 (kN·m)	S2 (kN)	TQ (kN·m)	M3 (kN·m)	S2 (kN)	TQ (kN·m)	M3 (kN·m)			
72	4-LANES	DISPERSION-LMAX	S2	18.57	0.00	-104.40	18.57	0.00	7.03	5.14	0.00	-23.24	5.14	0.00	7.62		
			TQ	0.00	0.00	0.00	0.00	0.00	0.00	0.00	0.00	0.00	0.00	0.00	0.00	0.00	
			M3	1.40	0.00	22.16	6.38	0.00	42.07	-15.27	0.00	58.02	3.57	0.00	0.00	14.61	
	MIN	S2	-0.83	0.00	8.24	-0.83	0.00	3.24	-16.09	0.00	52.83	-16.09	0.00	0.00	-43.73		
		TQ	0.00	0.00	0.00	0.00	0.00	0.00	0.00	0.00	0.00	0.00	0.00	0.00	0.00		
		M3	16.36	0.00	-117.82	11.39	0.00	-31.47	4.33	0.00	-28.19	-14.52	0.00	0.00	-50.66		
	73	6-LANES	TRUCK-LOAD	MAX	S2	178.85	0.00	-554.34	178.85	0.00	518.78	172.09	0.00	-506.32	172.09	0.00	526.23
				TQ	0.00	0.00	0.00	0.00	0.00	0.00	0.00	0.00	0.00	0.00	0.00	0.00	0.00
				M3	-119.48	0.00	715.70	135.83	0.00	739.55	-126.23	0.00	670.12	148.98	0.00	0.00	714.97
MIN		S2	-147.03	0.00	659.40	-147.03	0.00	-222.75	-155.03	0.00	561.87	-155.03	0.00	0.00	-368.32		
		TQ	0.00	0.00	0.00	0.00	0.00	0.00	0.00	0.00	0.00	0.00	0.00	0.00	0.00		
		M3	132.90	0.00	-813.43	-87.95	0.00	-731.58	128.86	0.00	-679.91	-85.00	0.00	0.00	-630.89		
TANDEM-LOAD		MAX	S2	130.54	0.00	-414.38	130.54	0.00	368.89	124.99	0.00	-377.78	124.99	0.00	0.00	372.13	
		TQ	0.00	0.00	0.00	0.00	0.00	0.00	0.00	0.00	0.00	0.00	0.00	0.00	0.00		
		M3	-95.50	0.00	528.50	98.35	0.00	534.32	-99.51	0.00	494.37	100.37	0.00	0.00	521.89		
MIN	S2	-108.49	0.00	482.18	-108.49	0.00	-168.78	-114.92	0.00	418.59	-114.92	0.00	0.00	-270.93			
	TQ	0.00	0.00	0.00	0.00	0.00	0.00	0.00	0.00	0.00	0.00	0.00	0.00	0.00			
	M3	102.00	0.00	-595.86	-63.98	0.00	-532.63	98.73	0.00	-505.84	-66.64	0.00	0.00	-461.35			
DISPERSION-LMAX	S2	131.37	0.00	-446.89	131.37	0.00	341.36	164.70	0.00	-522.80	164.70	0.00	0.00	465.42			
	TQ	0.00	0.00	0.00	0.00	0.00	0.00	0.00	0.00	0.00	0.00	0.00	0.00	0.00			
	M3	-80.62	0.00	511.18	93.45	0.00	519.01	-130.73	0.00	540.67	148.29	0.00	0.00	576.12			
MIN	S2	-109.17	0.00	388.06	-109.17	0.00	-266.98	-150.60	0.00	436.71	-150.60	0.00	0.00	-466.87			
	TQ	0.00	0.00	0.00	0.00	0.00	0.00	0.00	0.00	0.00	0.00	0.00	0.00	0.00			
	M3	103.30	0.00	-575.97	-68.00	0.00	-458.35	144.82	0.00	-613.14	-130.97	0.00	0.00	-568.90			



BAGO RIVER BRIDGE

BLOCK [ No.2 : CROSS BEAM ][ BEAM MEMBER FORCE ]

MEMBER			1002029						1002031						
NODE			2029			3029			2031			3031			
NAME TITLE			SHEAR	TORQUE	MOMENT	SHEAR	TORQUE	MOMENT	SHEAR	TORQUE	MOMENT	SHEAR	TORQUE	MOMENT	
			S2 (kN)	TQ (kN·m)	M3 (kN·m)	S2 (kN)	TQ (kN·m)	M3 (kN·m)	S2 (kN)	TQ (kN·m)	M3 (kN·m)	S2 (kN)	TQ (kN·m)	M3 (kN·m)	
124	SUM TOTAL	D+1LANE (caseMAX	S2	102.48	0.00	-260.98	102.48	0.00	353.89	166.44	0.00	-662.23	166.44	0.00	336.38
			TQ	49.33	0.00	-101.79	49.33	0.00	194.21	45.14	0.00	-241.30	45.14	0.00	29.51
			M3	15.56	0.00	-26.95	101.78	0.00	373.29	35.64	0.00	-232.53	160.36	0.00	388.42
		MIN	S2	-14.09	0.00	-161.17	-14.09	0.00	-245.71	20.24	0.00	-284.63	20.24	0.00	-163.17
			TQ	49.33	0.00	-101.79	49.33	0.00	194.21	45.14	0.00	-241.30	45.14	0.00	29.51
			M3	51.32	0.00	-572.69	7.20	0.00	-425.38	129.28	0.00	-841.63	47.70	0.00	-313.51
		D+1LANE (caseMAX	S2	66.22	0.00	-125.23	66.22	0.00	272.11	82.45	0.00	-378.17	82.45	0.00	116.55
			TQ	49.33	0.00	-101.79	49.33	0.00	194.21	45.14	0.00	-241.30	45.14	0.00	29.51
			M3	-56.55	0.00	561.22	35.43	0.00	340.87	-43.30	0.00	297.20	58.63	0.00	199.90
		MIN	S2	-58.05	0.00	556.38	-58.05	0.00	208.10	-45.48	0.00	282.91	-45.48	0.00	10.01
			TQ	49.33	0.00	-101.79	49.33	0.00	194.21	45.14	0.00	-241.30	45.14	0.00	29.51
			M3	63.41	0.00	-134.26	-43.37	0.00	165.31	80.28	0.00	-392.46	-28.16	0.00	-23.34
		D+1LANE (caseMAX	S2	160.80	0.00	-86.69	160.80	0.00	878.08	141.02	0.00	-269.56	141.02	0.00	576.54
			TQ	49.33	0.00	-101.79	49.33	0.00	194.21	45.14	0.00	-241.30	45.14	0.00	29.51
			M3	70.55	0.00	58.44	156.10	0.00	895.87	42.57	0.00	-78.94	139.50	0.00	590.04
		MIN	S2	38.33	0.00	-24.22	38.33	0.00	205.78	12.22	0.00	-167.68	12.22	0.00	-94.36
			TQ	49.33	0.00	-101.79	49.33	0.00	194.21	45.14	0.00	-241.30	45.14	0.00	29.51
			M3	144.43	0.00	-128.12	44.85	0.00	177.86	120.46	0.00	-304.67	13.74	0.00	-107.86
		D+1LANE (caseMAX	S2	94.88	0.00	-617.54	94.88	0.00	-48.29	57.17	0.00	-467.37	57.17	0.00	-124.38
			TQ	49.33	0.00	-101.79	49.33	0.00	194.21	45.14	0.00	-241.30	45.14	0.00	29.51
			M3	3.53	0.00	100.02	50.56	0.00	196.31	-61.88	0.00	107.25	49.39	0.00	42.15
		MIN	S2	3.02	0.00	72.30	3.02	0.00	90.42	-68.44	0.00	49.16	-68.44	0.00	-361.50
			TQ	49.33	0.00	-101.79	49.33	0.00	194.21	45.14	0.00	-241.30	45.14	0.00	29.51
			M3	77.81	0.00	-749.73	47.56	0.00	-333.74	41.45	0.00	-569.99	-37.94	0.00	-566.10

BAGO RIVER BRIDGE

BLOCK [ No.2 : CROSS BEAM ][ BEAM MEMBER FORCE ]

MEMBER				1002029						1002031					
NODE				2029			3029			2031			3031		
NAME TITLE				SHEAR	TORQUE	MOMENT	SHEAR	TORQUE	MOMENT	SHEAR	TORQUE	MOMENT	SHEAR	TORQUE	MOMENT
				S2 (kN)	TQ (kN·m)	M3 (kN·m)	S2 (kN)	TQ (kN·m)	M3 (kN·m)	S2 (kN)	TQ (kN·m)	M3 (kN·m)	S2 (kN)	TQ (kN·m)	M3 (kN·m)
124	SUM TOTAL	D+2LANES (casMAX	S2	122.62	0.00	-303.35	122.62	0.00	432.40	210.49	0.00	-790.06	210.49	0.00	472.90
			TQ	49.33	0.00	-101.79	49.33	0.00	194.21	45.14	0.00	-241.30	45.14	0.00	29.51
			M3	-64.64	0.00	216.64	120.82	0.00	452.46	-19.60	0.00	-54.25	205.07	0.00	517.44
		MIN	S2	-90.84	0.00	100.90	-90.84	0.00	-444.16	-34.26	0.00	-101.60	-34.26	0.00	-307.15
			TQ	49.33	0.00	-101.79	49.33	0.00	194.21	45.14	0.00	-241.30	45.14	0.00	29.51
			M3	78.43	0.00	-567.58	-72.06	0.00	-597.38	177.70	0.00	-943.50	-11.03	0.00	-433.60
		D+2LANES (casMAX	S2	92.41	0.00	-190.23	92.41	0.00	364.25	140.51	0.00	-553.35	140.51	0.00	289.71
			TQ	49.33	0.00	-101.79	49.33	0.00	194.21	45.14	0.00	-241.30	45.14	0.00	29.51
			M3	-124.74	0.00	706.78	65.52	0.00	425.45	-85.39	0.00	387.19	120.30	0.00	360.34
		MIN	S2	-127.47	0.00	698.85	-127.47	0.00	-65.98	-89.03	0.00	371.35	-89.03	0.00	-162.83
			TQ	49.33	0.00	-101.79	49.33	0.00	194.21	45.14	0.00	-241.30	45.14	0.00	29.51
			M3	88.52	0.00	-202.21	-114.20	0.00	-105.14	136.87	0.00	-569.19	-74.25	0.00	-191.79
		D+2LANES (casMAX	S2	240.10	0.00	-300.30	240.10	0.00	1140.31	197.20	0.00	-417.61	197.20	0.00	765.60
			TQ	49.33	0.00	-101.79	49.33	0.00	194.21	45.14	0.00	-241.30	45.14	0.00	29.51
			M3	44.62	0.00	146.73	235.63	0.00	1156.53	-14.02	0.00	74.88	195.33	0.00	779.10
		MIN	S2	16.71	0.00	74.97	16.71	0.00	175.25	-40.13	0.00	-1.34	-40.13	0.00	-242.11
			TQ	49.33	0.00	-101.79	49.33	0.00	194.21	45.14	0.00	-241.30	45.14	0.00	29.51
			M3	225.49	0.00	-336.83	23.14	0.00	149.92	179.25	0.00	-449.14	-38.25	0.00	-255.61
		D+2LANES (casMAX	S2	151.19	0.00	-894.25	151.19	0.00	12.89	95.91	0.00	-624.99	95.91	0.00	-49.55
			TQ	49.33	0.00	-101.79	49.33	0.00	194.21	45.14	0.00	-241.30	45.14	0.00	29.51
			M3	-12.41	0.00	180.15	100.39	0.00	244.43	-103.43	0.00	227.62	84.76	0.00	105.07
		MIN	S2	-12.94	0.00	156.03	-12.94	0.00	78.40	-109.13	0.00	178.20	-109.13	0.00	-476.55
			TQ	49.33	0.00	-101.79	49.33	0.00	194.21	45.14	0.00	-241.30	45.14	0.00	29.51
			M3	136.95	0.00	-1004.57	35.43	0.00	-291.90	82.01	0.00	-712.38	-80.86	0.00	-657.66

BAGO RIVER BRIDGE

BLOCK [ No.2 : CROSS BEAM ][ BEAM MEMBER FORCE ]

MEMBER				1002029						1002031						
NODE				2029			3029			2031			3031			
NAME TITLE				SHEAR	TORQUE	MOMENT	SHEAR	TORQUE	MOMENT	SHEAR	TORQUE	MOMENT	SHEAR	TORQUE	MOMENT	
				S2 (kN)	TQ (kN·m)	M3 (kN·m)	S2 (kN)	TQ (kN·m)	M3 (kN·m)	S2 (kN)	TQ (kN·m)	M3 (kN·m)	S2 (kN)	TQ (kN·m)	M3 (kN·m)	
124	SUM TOTAL	D+3LANES (casMAX	S2	123.59	0.00	-289.72	123.59	0.00	451.85	212.12	0.00	-804.70	212.12	0.00	468.04	
			TQ	49.33	0.00	-101.79	49.33	0.00	194.21	45.14	0.00	-241.30	45.14	0.00	29.51	
			M3	-122.55	0.00	638.51	100.25	0.00	517.61	-72.53	0.00	299.13	190.64	0.00	564.94	
		MIN	S2	-145.88	0.00	536.70	-145.88	0.00	-338.56	-86.54	0.00	248.76	-86.54	0.00	-270.47	
			TQ	49.33	0.00	-101.79	49.33	0.00	194.21	45.14	0.00	-241.30	45.14	0.00	29.51	
			M3	84.04	0.00	-520.70	-119.51	0.00	-499.11	182.71	0.00	-945.24	-54.53	0.00	-401.57	
		D+3LANES (casMAX	S2	259.44	0.00	-597.36	259.44	0.00	959.25	192.38	0.00	-563.26	192.38	0.00	591.04	
			TQ	49.33	0.00	-101.79	49.33	0.00	194.21	45.14	0.00	-241.30	45.14	0.00	29.51	
			M3	13.05	0.00	251.54	215.40	0.00	1020.70	-79.59	0.00	270.23	176.89	0.00	673.53	
		MIN	S2	-10.69	0.00	190.44	-10.69	0.00	126.32	-103.29	0.00	195.86	-103.29	0.00	-423.87	
			TQ	49.33	0.00	-101.79	49.33	0.00	194.21	45.14	0.00	-241.30	45.14	0.00	29.51	
			M3	246.99	0.00	-630.14	43.71	0.00	69.75	176.38	0.00	-598.11	-98.22	0.00	-454.45	
		D+3LANES (casMAX	S2	225.58	0.00	-928.67	225.58	0.00	424.81	166.67	0.00	-684.43	166.67	0.00	315.57	
			TQ	49.33	0.00	-101.79	49.33	0.00	194.21	45.14	0.00	-241.30	45.14	0.00	29.51	
			M3	-8.88	0.00	192.18	179.12	0.00	628.89	-96.49	0.00	225.58	156.93	0.00	448.77	
		MIN	S2	-11.33	0.00	166.61	-11.33	0.00	98.63	-112.52	0.00	173.48	-112.52	0.00	-501.65	
			TQ	49.33	0.00	-101.79	49.33	0.00	194.21	45.14	0.00	-241.30	45.14	0.00	29.51	
			M3	211.56	0.00	-1031.46	33.94	0.00	-230.34	153.46	0.00	-761.50	-88.23	0.00	-657.35	
		D+4LANES	MAX	S2	105.40	0.00	-378.12	105.40	0.00	254.26	51.23	0.00	-268.69	51.23	0.00	38.68
			TQ	49.33	0.00	-101.79	49.33	0.00	194.21	45.14	0.00	-241.30	45.14	0.00	29.51	
			M3	55.36	0.00	-47.71	71.40	0.00	345.72	21.57	0.00	-137.86	47.21	0.00	58.62	
		MIN	S2	47.33	0.00	-78.87	47.33	0.00	205.13	20.03	0.00	-143.96	20.03	0.00	-23.79	
			TQ	49.33	0.00	-101.79	49.33	0.00	194.21	45.14	0.00	-241.30	45.14	0.00	29.51	
			M3	96.97	0.00	-422.47	83.39	0.00	104.22	46.67	0.00	-287.39	29.14	0.00	-53.58	

BAGO RIVER BRIDGE

BLOCK [ No.2 : CROSS BEAM ][ BEAM MEMBER FORCE ]

MEMBER				1002029			1002031									
NODE				2029	3029		2031	3031								
NAME TITLE				SHEAR	TORQUE	MOMENT	SHEAR	TORQUE	MOMENT	SHEAR	TORQUE	MOMENT				
				S2 (kN)	TQ (kN·m)	M3 (kN·m)	S2 (kN)	TQ (kN·m)	M3 (kN·m)	S2 (kN)	TQ (kN·m)	M3 (kN·m)				
124	SUM TOTAL	D+6LANES	MAX	S2	250.98	0.00	-752.59	250.98	0.00	753.29	264.05	0.00	-910.23	264.05	0.00	674.09
				TQ	49.33	0.00	-101.79	49.33	0.00	194.21	45.14	0.00	-241.30	45.14	0.00	29.51
				M3	-80.73	0.00	695.67	198.36	0.00	1012.27	-121.89	0.00	545.71	238.36	0.00	868.72
			MIN	S2	-117.20	0.00	579.06	-117.20	0.00	-124.12	-153.52	0.00	407.77	-153.52	0.00	-513.36
				TQ	49.33	0.00	-101.79	49.33	0.00	194.21	45.14	0.00	-241.30	45.14	0.00	29.51
				M3	202.87	0.00	-1004.90	-52.04	0.00	-579.25	223.03	0.00	-1081.78	-95.24	0.00	-750.35
	SUM TOTAL		MAX		259.44	0.00	706.78	259.44	0.00	1156.53	264.05	0.00	545.71	264.05	0.00	868.72
			MIN		-145.88	0.00	-1031.46	-145.88	0.00	-597.38	-153.52	0.00	-1081.78	-153.52	0.00	-750.35
300	DEAD LOAD	TOTAL			49.33	0.00	-101.79	49.33	0.00	194.21	45.14	0.00	-241.30	45.14	0.00	29.51
301	LIVE LOAD	1-LANE(case1MAX	S2		53.14	0.00	-159.19	53.14	0.00	159.68	121.30	0.00	-420.93	121.30	0.00	306.87
			TQ		0.00	0.00	0.00	0.00	0.00	0.00	0.00	0.00	0.00	0.00	0.00	0.00
			M3		-33.78	0.00	74.85	52.45	0.00	179.08	-9.49	0.00	8.77	115.23	0.00	358.90
			MIN	S2	-63.42	0.00	-59.37	-63.42	0.00	-439.92	-24.89	0.00	-43.33	-24.89	0.00	-192.68
				TQ	0.00	0.00	0.00	0.00	0.00	0.00	0.00	0.00	0.00	0.00	0.00	0.00
				M3	1.98	0.00	-470.90	-42.13	0.00	-619.59	84.14	0.00	-600.33	2.57	0.00	-343.02
		1-LANE(case2MAX	S2		16.89	0.00	-23.44	16.89	0.00	77.90	37.32	0.00	-136.87	37.32	0.00	87.04
			TQ		0.00	0.00	0.00	0.00	0.00	0.00	0.00	0.00	0.00	0.00	0.00	0.00
			M3		-105.89	0.00	663.02	-13.91	0.00	146.66	-88.44	0.00	538.50	13.49	0.00	170.39
			MIN	S2	-107.38	0.00	658.17	-107.38	0.00	13.89	-90.62	0.00	524.21	-90.62	0.00	-19.50
				TQ	0.00	0.00	0.00	0.00	0.00	0.00	0.00	0.00	0.00	0.00	0.00	0.00
				M3	14.08	0.00	-32.46	-92.70	0.00	-28.89	35.14	0.00	-151.16	-73.30	0.00	-52.85
		1-LANE(case3MAX	S2		111.46	0.00	15.10	111.46	0.00	683.87	95.88	0.00	-28.26	95.88	0.00	547.03
			TQ		0.00	0.00	0.00	0.00	0.00	0.00	0.00	0.00	0.00	0.00	0.00	0.00
			M3		21.21	0.00	160.23	106.77	0.00	701.66	-2.57	0.00	162.36	94.36	0.00	560.53
			MIN	S2	-11.00	0.00	77.57	-11.00	0.00	11.57	-32.92	0.00	73.63	-32.92	0.00	-123.87
				TQ	0.00	0.00	0.00	0.00	0.00	0.00	0.00	0.00	0.00	0.00	0.00	0.00
				M3	95.10	0.00	-26.33	-4.48	0.00	-16.35	75.32	0.00	-63.37	-31.40	0.00	-137.37

BAGO RIVER BRIDGE

BLOCK [ No.2 : CROSS BEAM ][ BEAM MEMBER FORCE ]

MEMBER			1002029						1002031						
NODE			2029			3029			2031			3031			
NAME TITLE			SHEAR	TORQUE	MOMENT	SHEAR	TORQUE	MOMENT	SHEAR	TORQUE	MOMENT	SHEAR	TORQUE	MOMENT	
			S2 (kN)	TQ (kN·m)	M3 (kN·m)	S2 (kN)	TQ (kN·m)	M3 (kN·m)	S2 (kN)	TQ (kN·m)	M3 (kN·m)	S2 (kN)	TQ (kN·m)	M3 (kN·m)	
301	LIVE LOAD	1-LANE (case4MAX	S2	45.54	0.00	-515.75	45.54	0.00	-242.50	12.03	0.00	-226.07	12.03	0.00	-153.89
			TQ	0.00	0.00	0.00	0.00	0.00	0.00	0.00	0.00	0.00	0.00	0.00	0.00
			M3	-45.80	0.00	201.81	1.23	0.00	2.10	-107.02	0.00	348.55	4.26	0.00	12.64
		MIN	S2	-46.31	0.00	174.09	-46.31	0.00	-103.79	-113.58	0.00	290.46	-113.58	0.00	-391.01
			TQ	0.00	0.00	0.00	0.00	0.00	0.00	0.00	0.00	0.00	0.00	0.00	0.00
			M3	28.47	0.00	-647.94	-1.78	0.00	-527.95	-3.69	0.00	-328.69	-83.07	0.00	-595.61
		2-LANES (caseMAX	S2	73.29	0.00	-201.56	73.29	0.00	238.19	165.36	0.00	-548.76	165.36	0.00	443.39
			TQ	0.00	0.00	0.00	0.00	0.00	0.00	0.00	0.00	0.00	0.00	0.00	0.00
			M3	-113.98	0.00	318.43	71.49	0.00	258.26	-64.74	0.00	187.05	159.94	0.00	487.92
		MIN	S2	-140.18	0.00	202.69	-140.18	0.00	-638.36	-79.39	0.00	139.70	-79.39	0.00	-336.67
			TQ	0.00	0.00	0.00	0.00	0.00	0.00	0.00	0.00	0.00	0.00	0.00	0.00
			M3	29.10	0.00	-465.78	-121.39	0.00	-791.59	132.57	0.00	-702.20	-56.17	0.00	-463.11
		2-LANES (caseMAX	S2	43.08	0.00	-88.44	43.08	0.00	170.04	95.37	0.00	-312.05	95.37	0.00	260.20
			TQ	0.00	0.00	0.00	0.00	0.00	0.00	0.00	0.00	0.00	0.00	0.00	0.00
			M3	-174.07	0.00	808.57	16.19	0.00	231.24	-130.52	0.00	628.49	75.16	0.00	330.83
		MIN	S2	-176.81	0.00	800.65	-176.81	0.00	-260.19	-134.17	0.00	612.65	-134.17	0.00	-192.35
			TQ	0.00	0.00	0.00	0.00	0.00	0.00	0.00	0.00	0.00	0.00	0.00	0.00
			M3	39.18	0.00	-100.42	-163.54	0.00	-299.35	91.73	0.00	-327.89	-119.39	0.00	-221.31
		2-LANES (caseMAX	S2	190.77	0.00	-198.51	190.77	0.00	946.10	152.07	0.00	-176.31	152.07	0.00	736.09
			TQ	0.00	0.00	0.00	0.00	0.00	0.00	0.00	0.00	0.00	0.00	0.00	0.00
			M3	-4.71	0.00	248.52	186.30	0.00	962.32	-59.15	0.00	316.18	150.19	0.00	749.59
		MIN	S2	-32.62	0.00	176.77	-32.62	0.00	-18.96	-85.26	0.00	239.96	-85.26	0.00	-271.62
			TQ	0.00	0.00	0.00	0.00	0.00	0.00	0.00	0.00	0.00	0.00	0.00	0.00
			M3	176.15	0.00	-235.03	-26.20	0.00	-44.29	134.11	0.00	-207.84	-83.39	0.00	-285.12

BAGO RIVER BRIDGE

BLOCK [ No.2 : CROSS BEAM ][ BEAM MEMBER FORCE ]

MEMBER			1002029						1002031						
NODE			2029			3029			2031			3031			
NAME TITLE			SHEAR	TORQUE	MOMENT	SHEAR	TORQUE	MOMENT	SHEAR	TORQUE	MOMENT	SHEAR	TORQUE	MOMENT	
			S2 (kN)	TQ (kN·m)	M3 (kN·m)	S2 (kN)	TQ (kN·m)	M3 (kN·m)	S2 (kN)	TQ (kN·m)	M3 (kN·m)	S2 (kN)	TQ (kN·m)	M3 (kN·m)	
301	LIVE LOAD	2-LANES (caseMAX	S2	101.86	0.00	-792.46	101.86	0.00	-181.32	50.77	0.00	-383.69	50.77	0.00	-79.06
			TQ	0.00	0.00	0.00	0.00	0.00	0.00	0.00	0.00	0.00	0.00	0.00	0.00
			M3	-61.74	0.00	281.94	51.06	0.00	50.22	-148.57	0.00	468.92	39.63	0.00	75.56
		MIN	S2	-62.27	0.00	257.82	-62.27	0.00	-115.81	-154.26	0.00	419.50	-154.26	0.00	-506.06
			TQ	0.00	0.00	0.00	0.00	0.00	0.00	0.00	0.00	0.00	0.00	0.00	0.00
			M3	87.61	0.00	-902.77	-13.90	0.00	-486.11	36.88	0.00	-471.08	-126.00	0.00	-687.17
		3-LANES (caseMAX	S2	74.26	0.00	-187.93	74.26	0.00	257.64	166.99	0.00	-563.40	166.99	0.00	438.53
			TQ	0.00	0.00	0.00	0.00	0.00	0.00	0.00	0.00	0.00	0.00	0.00	0.00
			M3	-171.88	0.00	740.30	50.91	0.00	323.40	-117.67	0.00	540.43	145.50	0.00	535.43
		MIN	S2	-195.21	0.00	638.49	-195.21	0.00	-532.77	-131.67	0.00	490.06	-131.67	0.00	-299.98
			TQ	0.00	0.00	0.00	0.00	0.00	0.00	0.00	0.00	0.00	0.00	0.00	0.00
			M3	34.71	0.00	-418.91	-168.85	0.00	-693.32	137.57	0.00	-703.94	-99.66	0.00	-431.08
		3-LANES (caseMAX	S2	210.10	0.00	-495.57	210.10	0.00	765.04	147.25	0.00	-321.96	147.25	0.00	561.53
			TQ	0.00	0.00	0.00	0.00	0.00	0.00	0.00	0.00	0.00	0.00	0.00	0.00
			M3	-36.28	0.00	353.33	166.06	0.00	826.49	-124.73	0.00	511.53	131.75	0.00	644.02
		MIN	S2	-60.02	0.00	292.24	-60.02	0.00	-67.89	-148.42	0.00	437.16	-148.42	0.00	-453.39
			TQ	0.00	0.00	0.00	0.00	0.00	0.00	0.00	0.00	0.00	0.00	0.00	0.00
			M3	197.66	0.00	-528.35	-5.62	0.00	-124.46	131.24	0.00	-356.81	-143.35	0.00	-483.96
		3-LANES (caseMAX	S2	176.25	0.00	-826.87	176.25	0.00	230.61	121.53	0.00	-443.13	121.53	0.00	286.06
			TQ	0.00	0.00	0.00	0.00	0.00	0.00	0.00	0.00	0.00	0.00	0.00	0.00
			M3	-58.22	0.00	293.98	129.78	0.00	434.68	-141.63	0.00	466.88	111.80	0.00	419.25
		MIN	S2	-60.66	0.00	268.40	-60.66	0.00	-95.58	-157.66	0.00	414.78	-157.66	0.00	-531.17
			TQ	0.00	0.00	0.00	0.00	0.00	0.00	0.00	0.00	0.00	0.00	0.00	0.00
			M3	162.23	0.00	-929.67	-15.39	0.00	-424.55	108.32	0.00	-520.20	-133.37	0.00	-686.87

BAGO RIVER BRIDGE

BLOCK [ No.2 : CROSS BEAM ][ BEAM MEMBER FORCE ]

MEMBER					1002029						1002031						
NODE					2029			3029			2031			3031			
NAME TITLE					SHEAR	TORQUE	MOMENT	SHEAR	TORQUE	MOMENT	SHEAR	TORQUE	MOMENT	SHEAR	TORQUE	MOMENT	
					S2 (kN)	TQ (kN·m)	M3 (kN·m)	S2 (kN)	TQ (kN·m)	M3 (kN·m)	S2 (kN)	TQ (kN·m)	M3 (kN·m)	S2 (kN)	TQ (kN·m)	M3 (kN·m)	
301	LIVE LOAD	4-LANES	MAX	S2	56.06	0.00	-276.33	56.06	0.00	60.05	6.09	0.00	-27.39	6.09	0.00	9.17	
				TQ	0.00	0.00	0.00	0.00	0.00	0.00	0.00	0.00	0.00	0.00	0.00	0.00	0.00
				M3	6.03	0.00	54.08	22.07	0.00	151.51	-23.56	0.00	103.44	2.07	0.00	29.11	
		MIN	S2	-2.00	0.00	22.93	-2.00	0.00	10.92	-25.11	0.00	97.34	-25.11	0.00	-53.30		
			TQ	0.00	0.00	0.00	0.00	0.00	0.00	0.00	0.00	0.00	0.00	0.00	0.00		
			M3	47.63	0.00	-320.68	34.06	0.00	-89.99	1.53	0.00	-46.09	-16.00	0.00	-83.09		
	6-LANES	MAX	S2	201.65	0.00	-650.80	201.65	0.00	559.09	218.92	0.00	-668.93	218.92	0.00	644.57		
			TQ	0.00	0.00	0.00	0.00	0.00	0.00	0.00	0.00	0.00	0.00	0.00	0.00		
			M3	-130.06	0.00	797.47	149.03	0.00	818.06	-167.02	0.00	787.01	193.23	0.00	839.21		
		MIN	S2	-166.53	0.00	680.85	-166.53	0.00	-318.32	-198.66	0.00	649.07	-198.66	0.00	-542.87		
			TQ	0.00	0.00	0.00	0.00	0.00	0.00	0.00	0.00	0.00	0.00	0.00	0.00		
			M3	153.53	0.00	-903.11	-101.37	0.00	-773.45	177.89	0.00	-840.48	-140.38	0.00	-779.87		
	LIVE LOAD	MAX		210.10	0.00	808.57	210.10	0.00	962.32	218.92	0.00	787.01	218.92	0.00	839.21		
		MIN		-195.21	0.00	-929.67	-195.21	0.00	-791.59	-198.66	0.00	-840.48	-198.66	0.00	-779.87		
	303	SUM TOTAL	TOTAL	MAX		259.44	0.00	706.78	259.44	0.00	1156.53	264.05	0.00	545.71	264.05	0.00	868.72
MIN					-145.88	0.00	-1031.46	-145.88	0.00	-597.38	-153.52	0.00	-1081.78	-153.52	0.00	-750.35	

BAGO RIVER BRIDGE

BLOCK [ No.2 : CROSS BEAM ][ BEAM MEMBER FORCE ]

MEMBER NODE	1002033 2033	3033			1002035 2035			3035							
		SHEAR	TORQUE	MOMENT	SHEAR	TORQUE	MOMENT	SHEAR	TORQUE	MOMENT					
		S2 (kN)	TQ (kN·m)	M3 (kN·m)	S2 (kN)	TQ (kN·m)	M3 (kN·m)	S2 (kN)	TQ (kN·m)	M3 (kN·m)					
1	PAVEMENT	-0.51	0.00	1.58	-0.51	0.00	-1.49	-12.71	0.00	45.37	-12.71	0.00	-30.87		
3	RAILING	0.12	0.00	-0.74	0.12	0.00	-0.01	-0.10	0.00	-9.71	-0.10	0.00	-10.34		
5	CURB	1.20	0.00	-7.33	1.20	0.00	-0.11	-1.04	0.00	-96.18	-1.04	0.00	-102.40		
7	DECK WEIGHT	0.45	0.00	-1.31	0.45	0.00	1.40	-17.81	0.00	55.75	-17.81	0.00	-51.11		
8	GIRDER WEIGH	10.04	0.00	-24.13	10.04	0.00	36.11	-6.57	0.00	107.78	-6.57	0.00	68.33		
10	MEDIAN STRIP	2.55	0.00	-4.00	2.55	0.00	11.33	0.51	0.00	72.64	0.51	0.00	75.71		
21	ADITIONAL WE	0.13	0.00	-0.37	0.13	0.00	0.39	-4.99	0.00	15.61	-4.99	0.00	-14.31		
31	MEDIAN RAILI	0.19	0.00	-0.28	0.19	0.00	0.87	0.09	0.00	5.53	0.09	0.00	6.05		
51	SUPPORT WEIG	0.00	0.00	-0.00	0.00	0.00	0.00	0.00	0.00	-0.00	0.00	0.00	-0.00		
52	NOSE WEIGHT	-0.00	0.00	0.01	-0.00	0.00	-0.01	-0.00	0.00	0.01	-0.00	0.00	-0.01		
61	1-LANE(case1TRUCK-LOAD	MAX	S2	18.69	0.00	-50.68	18.69	0.00	61.45	35.56	0.00	-110.59	35.56	0.00	102.78
			TQ	0.00	0.00	0.00	0.00	0.00	0.00	0.00	0.00	0.00	0.00	0.00	0.00
			M3	-1.58	0.00	4.26	18.68	0.00	61.47	-2.99	0.00	11.31	32.18	0.00	107.36
		MIN	S2	-1.58	0.00	4.26	-1.58	0.00	-5.20	-10.09	0.00	-40.33	-10.09	0.00	-100.88
			TQ	0.00	0.00	0.00	0.00	0.00	0.00	0.00	0.00	0.00	0.00	0.00	0.00
			M3	18.69	0.00	-50.68	-1.58	0.00	-5.20	11.59	0.00	-239.35	8.24	0.00	-176.79
		TANDEM-LOAD MAX	S2	12.68	0.00	-34.29	12.68	0.00	41.81	24.21	0.00	-77.10	24.21	0.00	68.17
			TQ	0.00	0.00	0.00	0.00	0.00	0.00	0.00	0.00	0.00	0.00	0.00	0.00
			M3	-1.07	0.00	2.90	12.68	0.00	41.81	5.60	0.00	7.95	23.32	0.00	74.33
		MIN	S2	-1.07	0.00	2.90	-1.07	0.00	-3.54	-8.54	0.00	-39.83	-8.54	0.00	-91.06
			TQ	0.00	0.00	0.00	0.00	0.00	0.00	0.00	0.00	0.00	0.00	0.00	0.00
			M3	12.68	0.00	-34.52	-1.07	0.00	-3.54	11.02	0.00	-183.37	4.17	0.00	-125.83
		DISPERSION-LMAX	S2	46.19	0.00	-127.29	46.19	0.00	149.87	58.85	0.00	-238.79	58.85	0.00	114.28
			TQ	0.00	0.00	0.00	0.00	0.00	0.00	0.00	0.00	0.00	0.00	0.00	0.00
			M3	-1.86	0.00	5.01	46.19	0.00	149.87	-2.80	0.00	14.54	54.58	0.00	152.91
MIN	S2	-1.86	0.00	5.01	-1.86	0.00	-6.14	-6.40	0.00	-9.57	-6.40	0.00	-47.96		
	TQ	0.00	0.00	0.00	0.00	0.00	0.00	0.00	0.00	0.00	0.00	0.00	0.00		
	M3	46.19	0.00	-127.29	-1.86	0.00	-6.14	55.25	0.00	-262.90	-2.14	0.00	-86.59		



BAGO RIVER BRIDGE

BLOCK [ No.2 : CROSS BEAM ][ BEAM MEMBER FORCE ]

MEMBER				1002033			1002035									
NODE				2033	3033		2035	3035								
				SHEAR	TORQUE	MOMENT	SHEAR	TORQUE	MOMENT	SHEAR	TORQUE	MOMENT				
NAME	TITLE			S2 (kN)	TQ (kN·m)	M3 (kN·m)	S2 (kN)	TQ (kN·m)	M3 (kN·m)	S2 (kN)	TQ (kN·m)	M3 (kN·m)				
62	1-LANE (case2TRUCK-LOAD	MAX	S2	5.48	0.00	-13.74	5.48	0.00	19.16	11.44	0.00	-64.68	11.44	0.00	3.98	
			TQ	0.00	0.00	0.00	0.00	0.00	0.00	0.00	0.00	0.00	0.00	0.00	0.00	0.00
			M3	-0.61	0.00	1.62	5.44	0.00	20.13	-54.34	0.00	303.00	-4.20	0.00	42.06	
		MIN	S2	-0.61	0.00	1.62	-0.61	0.00	-2.06	-54.34	0.00	303.00	-54.34	0.00	-23.04	
			TQ	0.00	0.00	0.00	0.00	0.00	0.00	0.00	0.00	0.00	0.00	0.00	0.00	0.00
			M3	5.39	0.00	-14.26	-0.61	0.00	-2.06	11.44	0.00	-64.68	-50.50	0.00	-30.18	
		TANDEM-LOAD MAX	S2	3.72	0.00	-9.06	3.72	0.00	13.25	8.67	0.00	-48.28	8.67	0.00	3.75	
			TQ	0.00	0.00	0.00	0.00	0.00	0.00	0.00	0.00	0.00	0.00	0.00	0.00	0.00
			M3	-0.42	0.00	1.10	3.66	0.00	13.96	-41.97	0.00	228.32	0.63	0.00	30.15	
		MIN	S2	-0.42	0.00	1.10	-0.42	0.00	-1.40	-41.97	0.00	228.32	-41.97	0.00	-23.51	
			TQ	0.00	0.00	0.00	0.00	0.00	0.00	0.00	0.00	0.00	0.00	0.00	0.00	0.00
			M3	3.67	0.00	-9.71	-0.42	0.00	-1.40	8.67	0.00	-48.28	-40.90	0.00	-25.50	
		DISPERSION-LMAX	S2	15.28	0.00	-38.67	15.28	0.00	53.04	17.98	0.00	-63.98	17.98	0.00	43.91	
			TQ	0.00	0.00	0.00	0.00	0.00	0.00	0.00	0.00	0.00	0.00	0.00	0.00	0.00
			M3	-0.72	0.00	1.91	15.28	0.00	53.04	-18.41	0.00	118.54	11.54	0.00	57.75	
MIN	S2	-0.73	0.00	1.91	-0.73	0.00	-2.45	-19.27	0.00	114.33	-19.27	0.00	-1.30			
	TQ	0.00	0.00	0.00	0.00	0.00	0.00	0.00	0.00	0.00	0.00	0.00	0.00	0.00		
	M3	15.28	0.00	-38.67	-0.73	0.00	-2.45	17.12	0.00	-68.18	-12.83	0.00	-15.13			
63	1-LANE (case3TRUCK-LOAD	MAX	S2	0.13	0.00	-0.42	0.13	0.00	0.38	54.51	0.00	-19.14	54.51	0.00	307.90	
			TQ	0.00	0.00	0.00	0.00	0.00	0.00	0.00	0.00	0.00	0.00	0.00	0.00	
			M3	-4.71	0.00	14.20	0.13	0.00	0.38	2.69	0.00	50.71	54.51	0.00	307.90	
		MIN	S2	-4.71	0.00	14.20	-4.71	0.00	-14.09	-12.69	0.00	3.37	-12.69	0.00	-72.75	
			TQ	0.00	0.00	0.00	0.00	0.00	0.00	0.00	0.00	0.00	0.00	0.00	0.00	0.00
			M3	0.13	0.00	-0.42	-4.65	0.00	-15.07	45.58	0.00	-27.57	-12.69	0.00	-72.75	

BAGO RIVER BRIDGE

BLOCK [ No.2 : CROSS BEAM ][ BEAM MEMBER FORCE ]

MEMBER NODE	1002033 2033	3033			1002035 2035			3035							
		SHEAR	TORQUE	MOMENT	SHEAR	TORQUE	MOMENT	SHEAR	TORQUE	MOMENT					
		S2 (kN)	TQ (kN·m)	M3 (kN·m)	S2 (kN)	TQ (kN·m)	M3 (kN·m)	S2 (kN)	TQ (kN·m)	M3 (kN·m)					
63	1-LANE (case3TANDEM-LOAD	MAX	S2	0.09	0.00	-0.29	0.09	0.00	0.26	42.05	0.00	-21.12	42.05	0.00	231.21
			TQ	0.00	0.00	0.00	0.00	0.00	0.00	0.00	0.00	0.00	0.00	0.00	0.00
			M3	-3.35	0.00	10.12	0.09	0.00	0.26	-0.99	0.00	36.26	42.05	0.00	231.21
		MIN	S2	-3.35	0.00	10.12	-3.35	0.00	-9.99	-9.49	0.00	3.61	-9.49	0.00	-53.32
			TQ	0.00	0.00	0.00	0.00	0.00	0.00	0.00	0.00	0.00	0.00	0.00	0.00
			M3	0.09	0.00	-0.29	-3.15	0.00	-10.27	40.96	0.00	-23.44	-9.49	0.00	-53.32
	DISPERSION-LMAX		S2	0.18	0.00	-0.52	0.18	0.00	0.54	18.64	0.00	2.01	18.64	0.00	113.86
			TQ	0.00	0.00	0.00	0.00	0.00	0.00	0.00	0.00	0.00	0.00	0.00	0.00
			M3	-11.03	0.00	31.57	0.17	0.00	0.56	-8.28	0.00	64.26	17.24	0.00	119.51
		MIN	S2	-11.03	0.00	31.57	-11.03	0.00	-34.62	-15.62	0.00	48.26	-15.62	0.00	-45.44
			TQ	0.00	0.00	0.00	0.00	0.00	0.00	0.00	0.00	0.00	0.00	0.00	0.00
			M3	0.17	0.00	-0.52	-11.02	0.00	-34.64	11.31	0.00	-13.99	-14.22	0.00	-51.09
64	1-LANE (case4TRUCK-LOAD	MAX	S2	1.85	0.00	-5.13	1.85	0.00	5.97	9.78	0.00	-71.77	9.78	0.00	-13.10
			TQ	0.00	0.00	0.00	0.00	0.00	0.00	0.00	0.00	0.00	0.00	0.00	0.00
			M3	-18.17	0.00	48.13	1.85	0.00	5.97	-37.98	0.00	137.16	4.00	0.00	11.79
		MIN	S2	-18.19	0.00	47.96	-18.19	0.00	-61.19	-39.14	0.00	134.13	-39.14	0.00	-100.72
			TQ	0.00	0.00	0.00	0.00	0.00	0.00	0.00	0.00	0.00	0.00	0.00	0.00
			M3	1.85	0.00	-5.13	-18.04	0.00	-61.29	-7.57	0.00	-148.05	-10.80	0.00	-208.74
	TANDEM-LOAD	MAX	S2	1.26	0.00	-3.49	1.26	0.00	4.06	8.44	0.00	-70.87	8.44	0.00	-20.24
			TQ	0.00	0.00	0.00	0.00	0.00	0.00	0.00	0.00	0.00	0.00	0.00	0.00
			M3	-12.42	0.00	32.72	1.26	0.00	4.06	-25.71	0.00	93.51	-4.21	0.00	15.34
		MIN	S2	-12.42	0.00	32.72	-12.42	0.00	-41.78	-26.69	0.00	91.69	-26.69	0.00	-68.48
			TQ	0.00	0.00	0.00	0.00	0.00	0.00	0.00	0.00	0.00	0.00	0.00	0.00
			M3	1.26	0.00	-3.49	-12.38	0.00	-41.81	-3.77	0.00	-104.84	-10.40	0.00	-162.64

BAGO RIVER BRIDGE

BLOCK [ No.2 : CROSS BEAM ][ BEAM MEMBER FORCE ]

MEMBER		1002033						1002035									
NODE		2033			3033			2035			3035						
		SHEAR	TORQUE	MOMENT	SHEAR	TORQUE	MOMENT	SHEAR	TORQUE	MOMENT	SHEAR	TORQUE	MOMENT				
NAME	TITLE	S2 (kN)	TQ (kN·m)	M3 (kN·m)	S2 (kN)	TQ (kN·m)	M3 (kN·m)	S2 (kN)	TQ (kN·m)	M3 (kN·m)	S2 (kN)	TQ (kN·m)	M3 (kN·m)				
64	1-LANE (case4DISPERSION-LMAX	S2	2.18	0.00	-6.05	2.18	0.00	7.03	7.50	0.00	-44.51	7.50	0.00	0.51			
		TQ	0.00	0.00	0.00	0.00	0.00	0.00	0.00	0.00	0.00	0.00	0.00	0.00			
		M3	-44.83	0.00	119.01	2.18	0.00	7.03	-59.95	0.00	223.68	4.28	0.00	17.29			
		MIN	S2	-44.83	0.00	119.01	-44.83	0.00	-150.00	-63.73	0.00	191.55	-63.73	0.00	-190.83		
		TQ	0.00	0.00	0.00	0.00	0.00	0.00	0.00	0.00	0.00	0.00	0.00	0.00			
		M3	2.18	0.00	-6.05	-44.83	0.00	-150.00	3.73	0.00	-76.64	-60.50	0.00	-207.61			
		65	2-LANES (caseTRUCK-LOAD	MAX	S2	30.77	0.00	-83.11	30.77	0.00	101.53	58.39	0.00	-192.79	58.39	0.00	157.55
				TQ	0.00	0.00	0.00	0.00	0.00	0.00	0.00	0.00	0.00	0.00	0.00	0.00	
				M3	-2.67	0.00	7.20	30.77	0.00	101.55	-41.88	0.00	122.74	54.66	0.00	162.76	
MIN	S2			-2.67	0.00	7.20	-2.67	0.00	-8.84	-48.98	0.00	71.11	-48.98	0.00	-222.78		
TQ	0.00			0.00	0.00	0.00	0.00	0.00	0.00	0.00	0.00	0.00	0.00	0.00			
M3	30.77			0.00	-83.11	-2.67	0.00	-8.84	34.41	0.00	-321.61	-30.65	0.00	-298.68			
TANDEM-LOAD	MAX	S2	20.89	0.00	-56.32	20.89	0.00	69.03	39.73	0.00	-132.66	39.73	0.00	105.74			
	TQ	0.00	0.00	0.00	0.00	0.00	0.00	0.00	0.00	0.00	0.00	0.00	0.00				
	M3	-1.82	0.00	4.90	20.89	0.00	69.03	-23.55	0.00	91.38	38.75	0.00	111.98				
	MIN	S2	-1.82	0.00	4.90	-1.82	0.00	-6.02	-37.70	0.00	43.61	-37.70	0.00	-182.58			
	TQ	0.00	0.00	0.00	0.00	0.00	0.00	0.00	0.00	0.00	0.00	0.00	0.00				
	M3	20.89	0.00	-56.55	-1.82	0.00	-6.02	26.52	0.00	-239.45	-24.99	0.00	-217.35				
DISPERSION-LMAX	S2	77.16	0.00	-210.38	77.16	0.00	252.60	95.68	0.00	-362.37	95.68	0.00	211.74				
	TQ	0.00	0.00	0.00	0.00	0.00	0.00	0.00	0.00	0.00	0.00	0.00	0.00				
	M3	-3.15	0.00	8.48	77.16	0.00	252.60	-17.93	0.00	67.15	91.25	0.00	250.73				
	MIN	S2	-3.15	0.00	8.48	-3.15	0.00	-10.44	-22.92	0.00	40.82	-22.92	0.00	-96.70			
	TQ	0.00	0.00	0.00	0.00	0.00	0.00	0.00	0.00	0.00	0.00	0.00	0.00				
	M3	77.16	0.00	-210.38	-3.15	0.00	-10.44	90.69	0.00	-388.70	-18.49	0.00	-135.69				

BAGO RIVER BRIDGE

BLOCK [ No.2 : CROSS BEAM ][ BEAM MEMBER FORCE ]

MEMBER				1002033						1002035						
NODE				2033			3033			2035			3035			
				SHEAR	TORQUE	MOMENT	SHEAR	TORQUE	MOMENT	SHEAR	TORQUE	MOMENT	SHEAR	TORQUE	MOMENT	
NAME	TITLE			S2 (kN)	TQ (kN·m)	M3 (kN·m)	S2 (kN)	TQ (kN·m)	M3 (kN·m)	S2 (kN)	TQ (kN·m)	M3 (kN·m)	S2 (kN)	TQ (kN·m)	M3 (kN·m)	
66	2-LANES (caseTRUCK-LOAD	MAX	S2	17.57	0.00	-46.17	17.57	0.00	59.24	34.27	0.00	-146.88	34.27	0.00	58.75	
			TQ	0.00	0.00	0.00	0.00	0.00	0.00	0.00	0.00	0.00	0.00	0.00	0.00	0.00
			M3	-1.71	0.00	4.56	17.53	0.00	60.21	-93.23	0.00	414.44	18.29	0.00	97.45	
		MIN	S2	-1.71	0.00	4.56	-1.71	0.00	-5.70	-93.23	0.00	414.44	-93.23	0.00	-144.94	
			TQ	0.00	0.00	0.00	0.00	0.00	0.00	0.00	0.00	0.00	0.00	0.00	0.00	0.00
			M3	17.48	0.00	-46.69	-1.71	0.00	-5.70	34.25	0.00	-146.94	-89.39	0.00	-152.08	
		TANDEM-LOAD MAX	S2	11.93	0.00	-31.09	11.93	0.00	40.47	24.19	0.00	-103.84	24.19	0.00	41.32	
			TQ	0.00	0.00	0.00	0.00	0.00	0.00	0.00	0.00	0.00	0.00	0.00	0.00	0.00
			M3	-1.16	0.00	3.10	11.87	0.00	41.18	-71.13	0.00	311.76	16.07	0.00	67.80	
		MIN	S2	-1.16	0.00	3.10	-1.16	0.00	-3.88	-71.13	0.00	311.76	-71.13	0.00	-115.02	
			TQ	0.00	0.00	0.00	0.00	0.00	0.00	0.00	0.00	0.00	0.00	0.00	0.00	0.00
			M3	11.88	0.00	-31.74	-1.16	0.00	-3.88	24.17	0.00	-104.36	-70.06	0.00	-117.02	
		DISPERSION-LMAX	S2	46.25	0.00	-121.76	46.25	0.00	155.77	54.82	0.00	-187.55	54.82	0.00	141.37	
			TQ	0.00	0.00	0.00	0.00	0.00	0.00	0.00	0.00	0.00	0.00	0.00	0.00	0.00
			M3	-2.02	0.00	5.38	46.25	0.00	155.77	-33.54	0.00	171.15	48.21	0.00	155.56	
MIN	S2	-2.02	0.00	5.37	-2.02	0.00	-6.74	-35.79	0.00	164.72	-35.79	0.00	-50.04			
	TQ	0.00	0.00	0.00	0.00	0.00	0.00	0.00	0.00	0.00	0.00	0.00	0.00	0.00		
	M3	46.25	0.00	-121.76	-2.02	0.00	-6.74	52.57	0.00	-193.98	-29.19	0.00	-64.23			
67	2-LANES (caseTRUCK-LOAD	MAX	S2	0.77	0.00	-2.22	0.77	0.00	2.39	95.99	0.00	-126.06	95.99	0.00	449.88	
			TQ	0.00	0.00	0.00	0.00	0.00	0.00	0.00	0.00	0.00	0.00	0.00	0.00	
			M3	-16.14	0.00	44.77	0.77	0.00	2.39	-15.09	0.00	103.07	95.99	0.00	449.88	
		MIN	S2	-16.14	0.00	44.77	-16.14	0.00	-52.06	-30.72	0.00	53.00	-30.72	0.00	-131.31	
			TQ	0.00	0.00	0.00	0.00	0.00	0.00	0.00	0.00	0.00	0.00	0.00	0.00	0.00
			M3	0.77	0.00	-2.22	-16.07	0.00	-53.04	87.07	0.00	-134.49	-30.57	0.00	-133.75	

BAGO RIVER BRIDGE

BLOCK [ No.2 : CROSS BEAM ][ BEAM MEMBER FORCE ]

MEMBER		1002033						1002035								
NODE		2033			3033			2035			3035					
		SHEAR	TORQUE	MOMENT	SHEAR	TORQUE	MOMENT	SHEAR	TORQUE	MOMENT	SHEAR	TORQUE	MOMENT			
NAME	TITLE	S2 (kN)	TQ (kN·m)	M3 (kN·m)	S2 (kN)	TQ (kN·m)	M3 (kN·m)	S2 (kN)	TQ (kN·m)	M3 (kN·m)	S2 (kN)	TQ (kN·m)	M3 (kN·m)			
67	2-LANES (caseTANDEM-LOAD	MAX	S2	0.52	0.00	-1.51	0.52	0.00	1.63	73.58	0.00	-102.87	73.58	0.00	338.58	
			TQ	0.00	0.00	0.00	0.00	0.00	0.00	0.00	0.00	0.00	0.00	0.00	0.00	
			M3	-11.14	0.00	30.96	0.52	0.00	1.63	-13.01	0.00	72.01	73.58	0.00	338.58	
		MIN	S2	-11.14	0.00	30.96	-11.14	0.00	-35.87	-21.76	0.00	38.55	-21.76	0.00	-92.01	
			TQ	0.00	0.00	0.00	0.00	0.00	0.00	0.00	0.00	0.00	0.00	0.00	0.00	
			M3	0.52	0.00	-1.51	-10.94	0.00	-36.16	72.48	0.00	-105.19	-21.54	0.00	-95.57	
		DISPERSION-LMAX	S2	0.89	0.00	-2.56	0.89	0.00	2.79	35.41	0.00	-37.85	35.41	0.00	174.62	
			TQ	0.00	0.00	0.00	0.00	0.00	0.00	0.00	0.00	0.00	0.00	0.00	0.00	
			M3	-37.03	0.00	102.04	0.88	0.00	2.81	-41.18	0.00	179.31	33.21	0.00	181.90	
		MIN	S2	-37.04	0.00	102.03	-37.04	0.00	-120.19	-48.86	0.00	162.19	-48.86	0.00	-130.99	
			TQ	0.00	0.00	0.00	0.00	0.00	0.00	0.00	0.00	0.00	0.00	0.00	0.00	
			M3	0.89	0.00	-2.57	-37.03	0.00	-120.20	27.73	0.00	-54.97	-46.67	0.00	-138.27	
68	2-LANES (caseTRUCK-LOAD	MAX	S2	3.20	0.00	-8.88	3.20	0.00	10.30	46.06	0.00	-181.00	46.06	0.00	95.34	
			TQ	0.00	0.00	0.00	0.00	0.00	0.00	0.00	0.00	0.00	0.00	0.00	0.00	
			M3	-30.47	0.00	81.78	3.20	0.00	10.30	-66.02	0.00	229.33	39.36	0.00	121.97	
		MIN	S2	-30.49	0.00	81.61	-30.49	0.00	-101.34	-67.18	0.00	226.17	-67.18	0.00	-176.92	
			TQ	0.00	0.00	0.00	0.00	0.00	0.00	0.00	0.00	0.00	0.00	0.00	0.00	
			M3	3.20	0.00	-8.88	-30.34	0.00	-101.43	28.71	0.00	-257.27	-38.75	0.00	-285.09	
		TANDEM-LOAD	MAX	S2	2.18	0.00	-6.05	2.18	0.00	7.01	35.07	0.00	-154.42	35.07	0.00	55.99
			TQ	0.00	0.00	0.00	0.00	0.00	0.00	0.00	0.00	0.00	0.00	0.00	0.00	
			M3	-20.84	0.00	55.79	2.18	0.00	7.01	-44.79	0.00	156.35	20.40	0.00	95.05	
		MIN	S2	-20.84	0.00	55.79	-20.84	0.00	-69.25	-45.78	0.00	154.52	-45.78	0.00	-120.14	
			TQ	0.00	0.00	0.00	0.00	0.00	0.00	0.00	0.00	0.00	0.00	0.00	0.00	
			M3	2.18	0.00	-6.05	-20.80	0.00	-69.27	22.86	0.00	-188.39	-29.42	0.00	-214.76	

BAGO RIVER BRIDGE

BLOCK [ No.2 : CROSS BEAM ][ BEAM MEMBER FORCE ]

MEMBER		1002033						1002035							
NODE		2033			3033			2035			3035				
		SHEAR	TORQUE	MOMENT	SHEAR	TORQUE	MOMENT	SHEAR	TORQUE	MOMENT	SHEAR	TORQUE	MOMENT		
NAME	TITLE	S2 (kN)	TQ (kN·m)	M3 (kN·m)	S2 (kN)	TQ (kN·m)	M3 (kN·m)	S2 (kN)	TQ (kN·m)	M3 (kN·m)	S2 (kN)	TQ (kN·m)	M3 (kN·m)		
68	2-LANES (caseDISPERSION-LMAX	S2	3.78	0.00	-10.53	3.78	0.00	12.18	24.12	0.00	-91.33	24.12	0.00	53.39	
		TQ	0.00	0.00	0.00	0.00	0.00	0.00	0.00	0.00	0.00	0.00	0.00	0.00	
		M3	-75.44	0.00	201.56	3.78	0.00	12.18	-103.35	0.00	382.58	19.53	0.00	73.05	
		MIN	S2	-75.44	0.00	201.56	-75.44	0.00	-251.07	-107.48	0.00	349.33	-107.48	0.00	-295.54
		TQ	0.00	0.00	0.00	0.00	0.00	0.00	0.00	0.00	0.00	0.00	0.00	0.00	
		M3	3.78	0.00	-10.53	-75.44	0.00	-251.07	19.99	0.00	-124.58	-102.89	0.00	-315.20	
69	3-LANES (caseTRUCK-LOAD	MAX	S2	36.26	0.00	-96.85	36.26	0.00	120.69	69.83	0.00	-257.47	69.83	0.00	161.53
		TQ	0.00	0.00	0.00	0.00	0.00	0.00	0.00	0.00	0.00	0.00	0.00	0.00	
		M3	-3.29	0.00	8.82	36.21	0.00	121.68	-96.22	0.00	425.75	50.46	0.00	204.82	
		MIN	S2	-3.29	0.00	8.82	-3.29	0.00	-10.90	-103.32	0.00	374.11	-103.32	0.00	-245.82
		TQ	0.00	0.00	0.00	0.00	0.00	0.00	0.00	0.00	0.00	0.00	0.00	0.00	
		M3	36.16	0.00	-97.37	-3.29	0.00	-10.90	45.85	0.00	-386.29	-81.15	0.00	-328.87	
	TANDEM-LOAD	MAX	S2	24.61	0.00	-65.38	24.61	0.00	82.28	48.41	0.00	-180.94	48.41	0.00	109.49
		TQ	0.00	0.00	0.00	0.00	0.00	0.00	0.00	0.00	0.00	0.00	0.00	0.00	
		M3	-2.24	0.00	6.00	24.55	0.00	82.99	-65.52	0.00	319.70	39.39	0.00	142.13	
		MIN	S2	-2.24	0.00	6.00	-2.24	0.00	-7.42	-79.67	0.00	271.93	-79.67	0.00	-206.09
		TQ	0.00	0.00	0.00	0.00	0.00	0.00	0.00	0.00	0.00	0.00	0.00	0.00	
		M3	24.56	0.00	-66.26	-2.24	0.00	-7.42	35.19	0.00	-287.73	-65.89	0.00	-242.85	
DISPERSION-LMAX	S2	92.45	0.00	-249.04	92.45	0.00	305.64	113.67	0.00	-426.34	113.67	0.00	255.65		
	TQ	0.00	0.00	0.00	0.00	0.00	0.00	0.00	0.00	0.00	0.00	0.00	0.00		
	M3	-3.88	0.00	10.39	92.45	0.00	305.64	-36.34	0.00	185.69	102.80	0.00	308.48		
	MIN	S2	-3.88	0.00	10.39	-3.88	0.00	-12.88	-42.19	0.00	155.15	-42.19	0.00	-98.00	
	TQ	0.00	0.00	0.00	0.00	0.00	0.00	0.00	0.00	0.00	0.00	0.00	0.00		
	M3	92.45	0.00	-249.04	-3.88	0.00	-12.88	107.82	0.00	-456.88	-31.32	0.00	-150.82		

BAGO RIVER BRIDGE

BLOCK [ No.2 : CROSS BEAM ][ BEAM MEMBER FORCE ]

MEMBER				1002033			1002035			1002035			1002035		
NODE				2033			3033			2035			3035		
NAME TITLE				SHEAR	TORQUE	MOMENT	SHEAR	TORQUE	MOMENT	SHEAR	TORQUE	MOMENT	SHEAR	TORQUE	MOMENT
				S2 (kN)	TQ (kN·m)	M3 (kN·m)	S2 (kN)	TQ (kN·m)	M3 (kN·m)	S2 (kN)	TQ (kN·m)	M3 (kN·m)	S2 (kN)	TQ (kN·m)	M3 (kN·m)
70	3-LANES (caseTRUCK-LOAD	MAX	S2	1.91	0.00	-5.40	1.91	0.00	6.04	105.82	0.00	-215.11	105.82	0.00	419.81
			TQ	0.00	0.00	0.00	0.00	0.00	0.00	0.00	0.00	0.00	0.00	0.00	0.00
			M3	-34.31	0.00	92.90	1.91	0.00	6.04	-43.15	0.00	202.13	98.54	0.00	457.85
		MIN	S2	-34.33	0.00	92.74	-34.33	0.00	-113.26	-59.57	0.00	150.27	-59.57	0.00	-207.16
			TQ	0.00	0.00	0.00	0.00	0.00	0.00	0.00	0.00	0.00	0.00	0.00	0.00
			M3	1.91	0.00	-5.41	-34.11	0.00	-114.33	83.37	0.00	-280.54	-36.14	0.00	-308.86
	TANDEM-LOAD	MAX	S2	1.30	0.00	-3.68	1.30	0.00	4.12	82.01	0.00	-173.74	82.01	0.00	318.34
			TQ	0.00	0.00	0.00	0.00	0.00	0.00	0.00	0.00	0.00	0.00	0.00	0.00
			M3	-23.56	0.00	63.69	1.30	0.00	4.12	-32.42	0.00	139.43	78.61	0.00	344.72
		MIN	S2	-23.56	0.00	63.69	-23.56	0.00	-77.66	-41.38	0.00	103.86	-41.38	0.00	-144.43
			TQ	0.00	0.00	0.00	0.00	0.00	0.00	0.00	0.00	0.00	0.00	0.00	0.00
			M3	1.30	0.00	-3.68	-23.32	0.00	-77.97	70.10	0.00	-208.75	-27.04	0.00	-227.05
	DISPERSION-LMAX	MAX	S2	2.19	0.00	-6.19	2.19	0.00	6.94	41.75	0.00	-81.31	41.75	0.00	169.20
			TQ	0.00	0.00	0.00	0.00	0.00	0.00	0.00	0.00	0.00	0.00	0.00	0.00
			M3	-77.28	0.00	208.98	2.18	0.00	6.96	-90.63	0.00	359.17	36.47	0.00	192.63
	MIN	S2	-77.28	0.00	208.98	-77.28	0.00	-254.73	-100.76	0.00	315.81	-100.76	0.00	-288.77	
		TQ	0.00	0.00	0.00	0.00	0.00	0.00	0.00	0.00	0.00	0.00	0.00	0.00	
		M3	2.19	0.00	-6.20	-77.27	0.00	-254.74	31.62	0.00	-124.67	-95.49	0.00	-312.21	
71	3-LANES (caseTRUCK-LOAD	MAX	S2	4.04	0.00	-11.25	4.04	0.00	12.98	102.20	0.00	-213.90	102.20	0.00	399.32
			TQ	0.00	0.00	0.00	0.00	0.00	0.00	0.00	0.00	0.00	0.00	0.00	
			M3	-38.16	0.00	103.33	4.04	0.00	12.98	-82.96	0.00	280.33	95.51	0.00	425.95
		MIN	S2	-38.19	0.00	103.10	-38.19	0.00	-126.06	-84.14	0.00	276.66	-84.14	0.00	-228.19
			TQ	0.00	0.00	0.00	0.00	0.00	0.00	0.00	0.00	0.00	0.00	0.00	0.00
			M3	4.04	0.00	-11.25	-38.04	0.00	-126.16	81.65	0.00	-303.52	-55.69	0.00	-361.32

BAGO RIVER BRIDGE

BLOCK [ No.2 : CROSS BEAM ][ BEAM MEMBER FORCE ]

MEMBER NODE	1002033 2033	3033			1002035 2035			3035								
		SHEAR	TORQUE	MOMENT	SHEAR	TORQUE	MOMENT	SHEAR	TORQUE	MOMENT	SHEAR	TORQUE	MOMENT			
		S2 (kN)	TQ (kN·m)	M3 (kN·m)	S2 (kN)	TQ (kN·m)	M3 (kN·m)	S2 (kN)	TQ (kN·m)	M3 (kN·m)	S2 (kN)	TQ (kN·m)	M3 (kN·m)			
71	3-LANES (case)	TANDEM-LOAD	MAX	S2	2.75	0.00	-7.66	2.75	0.00	8.83	78.58	0.00	-188.08	78.58	0.00	283.43
				TQ	0.00	0.00	0.00	0.00	0.00	0.00	0.00	0.00	0.00	0.00	0.00	0.00
				M3	-26.03	0.00	70.39	2.75	0.00	8.83	-45.78	0.00	192.61	63.91	0.00	322.50
			MIN	S2	-26.06	0.00	70.31	-26.06	0.00	-86.04	-57.57	0.00	170.97	-57.57	0.00	-174.46
				TQ	0.00	0.00	0.00	0.00	0.00	0.00	0.00	0.00	0.00	0.00	0.00	0.00
				M3	2.75	0.00	-7.66	-26.02	0.00	-86.07	65.48	0.00	-225.77	-41.21	0.00	-269.08
		DISPERSION-LMAX		S2	4.81	0.00	-13.42	4.81	0.00	15.44	46.00	0.00	-101.90	46.00	0.00	174.08
				TQ	0.00	0.00	0.00	0.00	0.00	0.00	0.00	0.00	0.00	0.00	0.00	0.00
				M3	-91.67	0.00	246.97	4.81	0.00	15.44	-125.95	0.00	485.46	40.01	0.00	199.32
			MIN	S2	-91.67	0.00	246.97	-91.67	0.00	-303.03	-134.81	0.00	440.99	-134.81	0.00	-367.86
				TQ	0.00	0.00	0.00	0.00	0.00	0.00	0.00	0.00	0.00	0.00	0.00	0.00
				M3	4.81	0.00	-13.42	-91.67	0.00	-303.03	37.14	0.00	-146.37	-128.82	0.00	-393.09
72	4-LANES	TRUCK-LOAD	MAX	S2	3.96	0.00	-11.10	3.96	0.00	12.67	8.99	0.00	-25.22	8.99	0.00	28.73
				TQ	0.00	0.00	0.00	0.00	0.00	0.00	0.00	0.00	0.00	0.00	0.00	0.00
				M3	-38.06	0.00	104.94	3.96	0.00	12.67	-84.86	0.00	268.73	8.97	0.00	28.78
			MIN	S2	-38.06	0.00	104.94	-38.06	0.00	-123.40	-84.86	0.00	268.73	-84.86	0.00	-240.45
				TQ	0.00	0.00	0.00	0.00	0.00	0.00	0.00	0.00	0.00	0.00	0.00	0.00
				M3	3.96	0.00	-11.10	-38.06	0.00	-123.40	8.94	0.00	-25.32	-84.86	0.00	-240.45
		TANDEM-LOAD	MAX	S2	2.69	0.00	-7.55	2.69	0.00	8.62	6.12	0.00	-17.14	6.12	0.00	19.59
				TQ	0.00	0.00	0.00	0.00	0.00	0.00	0.00	0.00	0.00	0.00	0.00	0.00
				M3	-26.72	0.00	73.64	2.69	0.00	8.62	-59.96	0.00	190.45	6.11	0.00	19.61
			MIN	S2	-26.72	0.00	73.64	-26.72	0.00	-86.71	-59.96	0.00	190.45	-59.96	0.00	-169.31
				TQ	0.00	0.00	0.00	0.00	0.00	0.00	0.00	0.00	0.00	0.00	0.00	0.00
				M3	2.69	0.00	-7.55	-26.72	0.00	-86.71	6.06	0.00	-17.22	-59.96	0.00	-169.31



BAGO RIVER BRIDGE

BLOCK [ No.2 : CROSS BEAM ][ BEAM MEMBER FORCE ]

MEMBER			1002033						1002035									
NODE			2033			3033			2035			3035						
			SHEAR	TORQUE	MOMENT	SHEAR	TORQUE	MOMENT	SHEAR	TORQUE	MOMENT	SHEAR	TORQUE	MOMENT				
NAME	TITLE		S2 (kN)	TQ (kN·m)	M3 (kN·m)	S2 (kN)	TQ (kN·m)	M3 (kN·m)	S2 (kN)	TQ (kN·m)	M3 (kN·m)	S2 (kN)	TQ (kN·m)	M3 (kN·m)				
72	4-LANES	DISPERSION-LMAX	S2	4.82	0.00	-13.48	4.82	0.00	15.41	10.95	0.00	-30.48	10.95	0.00	35.23			
			TQ	0.00	0.00	0.00	0.00	0.00	0.00	0.00	0.00	0.00	0.00	0.00	0.00	0.00		
			M3	-23.78	0.00	65.73	4.81	0.00	15.42	-51.85	0.00	163.09	10.95	0.00	0.00	35.29		
		MIN	S2	-23.78	0.00	65.73	-23.78	0.00	-76.96	-52.04	0.00	162.47	-52.04	0.00	0.00	-149.77		
			TQ	0.00	0.00	0.00	0.00	0.00	0.00	0.00	0.00	0.00	0.00	0.00	0.00	0.00		
			M3	4.81	0.00	-13.49	-23.78	0.00	-76.97	10.77	0.00	-30.95	-52.04	0.00	0.00	-149.79		
		73	6-LANES	TRUCK-LOAD	MAX	S2	37.13	0.00	-99.45	37.13	0.00	123.32	157.93	0.00	-406.34	157.93	0.00	541.26
					TQ	0.00	0.00	0.00	0.00	0.00	0.00	0.00	0.00	0.00	0.00	0.00	0.00	
					M3	-36.67	0.00	99.87	37.11	0.00	124.40	-142.11	0.00	701.51	137.25	0.00	0.00	651.09
MIN	S2			-36.72	0.00	99.08	-36.72	0.00	-121.23	-170.71	0.00	586.94	-170.71	0.00	0.00	-437.30		
	TQ			0.00	0.00	0.00	0.00	0.00	0.00	0.00	0.00	0.00	0.00	0.00	0.00	0.00		
	M3			37.05	0.00	-100.02	-36.57	0.00	-121.32	111.11	0.00	-601.29	-82.15	0.00	0.00	-641.12		
TANDEM-LOAD	MAX			S2	25.22	0.00	-67.18	25.22	0.00	84.14	117.87	0.00	-309.70	117.87	0.00	0.00	397.49	
	TQ			0.00	0.00	0.00	0.00	0.00	0.00	0.00	0.00	0.00	0.00	0.00	0.00	0.00		
	M3			-25.27	0.00	68.67	25.17	0.00	84.91	-103.18	0.00	510.39	95.32	0.00	0.00	482.00		
MIN	S2	-25.28	0.00	68.23	-25.28	0.00	-83.46	-125.38	0.00	430.63	-125.38	0.00	0.00	-321.64				
	TQ	0.00	0.00	0.00	0.00	0.00	0.00	0.00	0.00	0.00	0.00	0.00	0.00	0.00				
	M3	25.16	0.00	-68.04	-25.24	0.00	-83.48	76.42	0.00	-448.87	-64.77	0.00	0.00	-474.23				
DISPERSION-LMAX	S2	87.80	0.00	-237.20	87.80	0.00	289.59	145.76	0.00	-471.54	145.76	0.00	0.00	403.01				
	TQ	0.00	0.00	0.00	0.00	0.00	0.00	0.00	0.00	0.00	0.00	0.00	0.00	0.00				
	M3	-88.05	0.00	237.68	87.78	0.00	289.61	-147.78	0.00	623.30	129.16	0.00	0.00	482.16				
MIN	S2	-88.06	0.00	237.67	-88.06	0.00	-290.70	-164.17	0.00	544.00	-164.17	0.00	0.00	-441.03				
	TQ	0.00	0.00	0.00	0.00	0.00	0.00	0.00	0.00	0.00	0.00	0.00	0.00	0.00				
	M3	87.79	0.00	-237.20	-88.05	0.00	-290.71	127.42	0.00	-546.91	-145.73	0.00	0.00	-515.72				

BAGO RIVER BRIDGE

BLOCK [ No.2 : CROSS BEAM ][ BEAM MEMBER FORCE ]

MEMBER			1002033						1002035						
NODE			2033			3033			2035			3035			
NAME TITLE			SHEAR	TORQUE	MOMENT	SHEAR	TORQUE	MOMENT	SHEAR	TORQUE	MOMENT	SHEAR	TORQUE	MOMENT	
			S2 (kN)	TQ (kN·m)	M3 (kN·m)	S2 (kN)	TQ (kN·m)	M3 (kN·m)	S2 (kN)	TQ (kN·m)	M3 (kN·m)	S2 (kN)	TQ (kN·m)	M3 (kN·m)	
124	SUM TOTAL	D+1LANE (caseMAX	S2	92.03	0.00	-250.13	92.03	0.00	302.06	70.66	0.00	-222.47	70.66	0.00	201.51
			TQ	14.17	0.00	-36.57	14.17	0.00	48.48	-42.63	0.00	196.80	-42.63	0.00	-58.97
			M3	10.05	0.00	-25.44	92.03	0.00	302.08	-49.57	0.00	227.81	61.49	0.00	253.37
		MIN	S2	10.05	0.00	-25.44	10.05	0.00	34.87	-62.41	0.00	136.91	-62.41	0.00	-237.57
			TQ	14.17	0.00	-36.57	14.17	0.00	48.48	-42.63	0.00	196.80	-42.63	0.00	-58.97
			M3	92.03	0.00	-250.13	10.05	0.00	34.87	37.58	0.00	-405.91	-35.30	0.00	-375.02
		D+1LANE (caseMAX	S2	39.09	0.00	-99.45	39.09	0.00	135.11	-7.32	0.00	42.41	-7.32	0.00	-1.50
			TQ	14.17	0.00	-36.57	14.17	0.00	48.48	-42.63	0.00	196.80	-42.63	0.00	-58.97
			M3	12.57	0.00	-32.33	39.05	0.00	136.28	-129.93	0.00	702.64	-33.81	0.00	60.80
		MIN	S2	12.57	0.00	-32.33	12.57	0.00	43.07	-130.96	0.00	697.60	-130.96	0.00	-88.17
			TQ	14.17	0.00	-36.57	14.17	0.00	48.48	-42.63	0.00	196.80	-42.63	0.00	-58.97
			M3	38.98	0.00	-100.08	12.57	0.00	43.07	-8.35	0.00	37.37	-118.63	0.00	-113.34
		D+1LANE (caseMAX	S2	14.54	0.00	-37.69	14.54	0.00	49.58	45.15	0.00	176.24	45.15	0.00	447.14
			TQ	14.17	0.00	-36.57	14.17	0.00	48.48	-42.63	0.00	196.80	-42.63	0.00	-58.97
			M3	-4.72	0.00	18.36	14.53	0.00	49.60	-49.33	0.00	334.76	43.47	0.00	453.92
		MIN	S2	-4.72	0.00	18.35	-4.72	0.00	-9.98	-76.59	0.00	258.74	-76.59	0.00	-200.80
			TQ	14.17	0.00	-36.57	14.17	0.00	48.48	-42.63	0.00	196.80	-42.63	0.00	-58.97
			M3	14.54	0.00	-37.70	-4.63	0.00	-11.17	25.64	0.00	146.92	-74.91	0.00	-207.57
		D+1LANE (caseMAX	S2	19.01	0.00	-49.99	19.01	0.00	64.08	-21.89	0.00	57.27	-21.89	0.00	-74.06
			TQ	14.17	0.00	-36.57	14.17	0.00	48.48	-42.63	0.00	196.80	-42.63	0.00	-58.97
			M3	-61.44	0.00	164.00	19.01	0.00	64.08	-160.14	0.00	629.81	-32.69	0.00	-24.06
		MIN	S2	-61.46	0.00	163.79	-61.46	0.00	-204.96	-166.07	0.00	587.61	-166.07	0.00	-408.82
			TQ	14.17	0.00	-36.57	14.17	0.00	48.48	-42.63	0.00	196.80	-42.63	0.00	-58.97
			M3	19.01	0.00	-49.99	-61.28	0.00	-205.07	-47.24	0.00	-72.82	-128.19	0.00	-558.58

BAGO RIVER BRIDGE

BLOCK [ No.2 : CROSS BEAM ][ BEAM MEMBER FORCE ]

MEMBER			1002033						1002035						
NODE			2033			3033			2035			3035			
NAME TITLE			SHEAR	TORQUE	MOMENT	SHEAR	TORQUE	MOMENT	SHEAR	TORQUE	MOMENT	SHEAR	TORQUE	MOMENT	
			S2 (kN)	TQ (kN·m)	M3 (kN·m)	S2 (kN)	TQ (kN·m)	M3 (kN·m)	S2 (kN)	TQ (kN·m)	M3 (kN·m)	S2 (kN)	TQ (kN·m)	M3 (kN·m)	
124	SUM TOTAL	D+2LANES (casMAX	S2	122.11	0.00	-330.05	122.11	0.00	402.61	111.45	0.00	-358.36	111.45	0.00	310.32
			TQ	14.17	0.00	-36.57	14.17	0.00	48.48	-42.63	0.00	196.80	-42.63	0.00	-58.97
			M3	8.35	0.00	-20.88	122.11	0.00	402.63	-102.43	0.00	386.70	103.29	0.00	354.52
		MIN	S2	8.35	0.00	-20.88	8.35	0.00	29.20	-114.53	0.00	308.72	-114.53	0.00	-378.44
			TQ	14.17	0.00	-36.57	14.17	0.00	48.48	-42.63	0.00	196.80	-42.63	0.00	-58.97
			M3	122.11	0.00	-330.05	8.35	0.00	29.20	82.47	0.00	-513.51	-91.76	0.00	-493.34
		D+2LANES (casMAX	S2	78.00	0.00	-204.49	78.00	0.00	263.49	46.46	0.00	-137.63	46.46	0.00	141.15
			TQ	14.17	0.00	-36.57	14.17	0.00	48.48	-42.63	0.00	196.80	-42.63	0.00	-58.97
			M3	10.45	0.00	-26.63	77.96	0.00	264.46	-169.40	0.00	782.39	23.87	0.00	194.05
		MIN	S2	10.44	0.00	-26.63	10.44	0.00	36.04	-171.65	0.00	775.96	-171.65	0.00	-253.94
			TQ	14.17	0.00	-36.57	14.17	0.00	48.48	-42.63	0.00	196.80	-42.63	0.00	-58.97
			M3	77.90	0.00	-205.01	10.44	0.00	36.04	44.20	0.00	-144.12	-161.21	0.00	-275.28
		D+2LANES (casMAX	S2	15.83	0.00	-41.34	15.83	0.00	53.66	88.77	0.00	32.89	88.77	0.00	565.53
			TQ	14.17	0.00	-36.57	14.17	0.00	48.48	-42.63	0.00	196.80	-42.63	0.00	-58.97
			M3	-39.00	0.00	110.24	15.82	0.00	53.68	-98.89	0.00	479.18	86.58	0.00	572.81
		MIN	S2	-39.00	0.00	110.24	-39.00	0.00	-123.77	-122.21	0.00	411.99	-122.21	0.00	-321.27
			TQ	14.17	0.00	-36.57	14.17	0.00	48.48	-42.63	0.00	196.80	-42.63	0.00	-58.97
			M3	15.83	0.00	-41.35	-38.92	0.00	-124.77	72.16	0.00	7.34	-119.86	0.00	-330.99
		D+2LANES (casMAX	S2	21.16	0.00	-55.98	21.16	0.00	70.96	27.55	0.00	-75.53	27.55	0.00	89.77
			TQ	14.17	0.00	-36.57	14.17	0.00	48.48	-42.63	0.00	196.80	-42.63	0.00	-58.97
			M3	-91.74	0.00	246.77	21.16	0.00	70.96	-212.00	0.00	808.71	16.26	0.00	136.06
		MIN	S2	-91.76	0.00	246.61	-91.76	0.00	-303.93	-217.29	0.00	772.30	-217.29	0.00	-531.42
			TQ	14.17	0.00	-36.57	14.17	0.00	48.48	-42.63	0.00	196.80	-42.63	0.00	-58.97
			M3	21.16	0.00	-55.98	-91.61	0.00	-304.02	6.07	0.00	-185.06	-184.27	0.00	-659.25

BAGO RIVER BRIDGE

BLOCK [ No.2 : CROSS BEAM ][ BEAM MEMBER FORCE ]

MEMBER			1002033						1002035							
NODE			2033			3033			2035			3035				
NAME TITLE			SHEAR	TORQUE	MOMENT	SHEAR	TORQUE	MOMENT	SHEAR	TORQUE	MOMENT	SHEAR	TORQUE	MOMENT		
			S2 (kN)	TQ (kN·m)	M3 (kN·m)	S2 (kN)	TQ (kN·m)	M3 (kN·m)	S2 (kN)	TQ (kN·m)	M3 (kN·m)	S2 (kN)	TQ (kN·m)	M3 (kN·m)		
124	SUM TOTAL	D+3LANES (casMAX	S2	123.57	0.00	-330.58	123.57	0.00	410.86	113.35	0.00	-384.44	113.35	0.00	295.63	
			TQ	14.17	0.00	-36.57	14.17	0.00	48.48	-42.63	0.00	196.80	-42.63	0.00	-58.97	
			M3	8.09	0.00	-20.24	123.53	0.00	411.70	-155.30	0.00	716.52	87.65	0.00	377.33	
		MIN	S2	8.08	0.00	-20.24	8.08	0.00	28.27	-166.31	0.00	646.67	-166.31	0.00	-351.21	
			TQ	14.17	0.00	-36.57	14.17	0.00	48.48	-42.63	0.00	196.80	-42.63	0.00	-58.97	
			M3	123.49	0.00	-331.02	8.08	0.00	28.27	87.99	0.00	-519.90	-138.23	0.00	-466.70	
		D+3LANES (casMAX	S2	17.66	0.00	-46.42	17.66	0.00	59.51	82.81	0.00	-55.16	82.81	0.00	441.69	
			TQ	14.17	0.00	-36.57	14.17	0.00	48.48	-42.63	0.00	196.80	-42.63	0.00	-58.97	
			M3	-80.68	0.00	220.04	17.65	0.00	59.53	-156.34	0.00	673.90	72.14	0.00	493.95	
		MIN	S2	-80.70	0.00	219.89	-80.70	0.00	-264.31	-178.91	0.00	592.97	-178.91	0.00	-480.51	
			TQ	14.17	0.00	-36.57	14.17	0.00	48.48	-42.63	0.00	196.80	-42.63	0.00	-58.97	
			M3	17.65	0.00	-46.43	-80.50	0.00	-265.23	55.12	0.00	-147.64	-154.51	0.00	-586.87	
		D+3LANES (casMAX	S2	21.69	0.00	-57.53	21.69	0.00	72.63	83.34	0.00	-71.63	83.34	0.00	428.43	
			TQ	14.17	0.00	-36.57	14.17	0.00	48.48	-42.63	0.00	196.80	-42.63	0.00	-58.97	
			M3	-96.18	0.00	261.19	21.69	0.00	72.64	-220.20	0.00	847.72	72.57	0.00	472.52	
		MIN	S2	-96.21	0.00	261.00	-96.21	0.00	-316.26	-228.73	0.00	806.80	-228.73	0.00	-565.60	
			TQ	14.17	0.00	-36.57	14.17	0.00	48.48	-42.63	0.00	196.80	-42.63	0.00	-58.97	
			M3	21.69	0.00	-57.53	-96.08	0.00	-316.34	58.34	0.00	-185.61	-199.47	0.00	-700.21	
		D+4LANES	MAX	S2	19.88	0.00	-52.54	19.88	0.00	66.73	-29.66	0.00	160.59	-29.66	0.00	-17.39
			TQ	14.17	0.00	-36.57	14.17	0.00	48.48	-42.63	0.00	196.80	-42.63	0.00	-58.97	
			M3	-26.02	0.00	74.37	19.88	0.00	66.74	-131.49	0.00	477.48	-29.68	0.00	-17.32	
		MIN	S2	-26.02	0.00	74.36	-26.02	0.00	-81.76	-131.61	0.00	477.07	-131.61	0.00	-312.61	
			TQ	14.17	0.00	-36.57	14.17	0.00	48.48	-42.63	0.00	196.80	-42.63	0.00	-58.97	
			M3	19.88	0.00	-52.55	-26.02	0.00	-81.76	-29.82	0.00	160.22	-131.61	0.00	-312.62	

BAGO RIVER BRIDGE

BLOCK [ No.2 : CROSS BEAM ][ BEAM MEMBER FORCE ]

MEMBER					1002033						1002035					
NODE					2033			3033			2035			3035		
NAME TITLE					SHEAR	TORQUE	MOMENT	SHEAR	TORQUE	MOMENT	SHEAR	TORQUE	MOMENT	SHEAR	TORQUE	MOMENT
					S2 (kN)	TQ (kN·m)	M3 (kN·m)	S2 (kN)	TQ (kN·m)	M3 (kN·m)	S2 (kN)	TQ (kN·m)	M3 (kN·m)	S2 (kN)	TQ (kN·m)	M3 (kN·m)
124	SUM TOTAL	D+6LANES	MAX	S2	95.38	0.00	-255.39	95.38	0.00	316.87	154.77	0.00	-373.82	154.77	0.00	554.81
				TQ	14.17	0.00	-36.57	14.17	0.00	48.48	-42.63	0.00	196.80	-42.63	0.00	-58.97
				M3	-66.90	0.00	182.84	95.35	0.00	317.58	-231.06	0.00	1057.92	130.54	0.00	677.65
			MIN	S2	-66.93	0.00	182.32	-66.93	0.00	-219.28	-260.30	0.00	931.91	-260.30	0.00	-629.88
				TQ	14.17	0.00	-36.57	14.17	0.00	48.48	-42.63	0.00	196.80	-42.63	0.00	-58.97
				M3	95.32	0.00	-255.76	-66.83	0.00	-219.34	112.42	0.00	-549.53	-190.75	0.00	-810.91
	SUM TOTAL		MAX		123.57	0.00	261.19	123.57	0.00	411.70	154.77	0.00	1057.92	154.77	0.00	677.65
			MIN		-96.21	0.00	-331.02	-96.21	0.00	-316.34	-260.30	0.00	-549.53	-260.30	0.00	-810.91
300	DEAD LOAD	TOTAL			14.17	0.00	-36.57	14.17	0.00	48.48	-42.63	0.00	196.80	-42.63	0.00	-58.97
301	LIVE LOAD	1-LANE(case1MAX	S2		77.86	0.00	-213.56	77.86	0.00	253.58	113.29	0.00	-419.26	113.29	0.00	260.47
			TQ		0.00	0.00	0.00	0.00	0.00	0.00	0.00	0.00	0.00	0.00	0.00	0.00
			M3		-4.12	0.00	11.13	77.85	0.00	253.61	-6.95	0.00	31.01	104.11	0.00	312.33
			MIN	S2	-4.12	0.00	11.13	-4.12	0.00	-13.61	-19.79	0.00	-59.88	-19.79	0.00	-178.61
				TQ	0.00	0.00	0.00	0.00	0.00	0.00	0.00	0.00	0.00	0.00	0.00	0.00
				M3	77.86	0.00	-213.56	-4.12	0.00	-13.61	80.21	0.00	-602.70	7.33	0.00	-316.05
		1-LANE(case2MAX	S2		24.92	0.00	-62.89	24.92	0.00	86.64	35.31	0.00	-154.39	35.31	0.00	57.47
			TQ		0.00	0.00	0.00	0.00	0.00	0.00	0.00	0.00	0.00	0.00	0.00	0.00
			M3		-1.60	0.00	4.24	24.87	0.00	87.80	-87.31	0.00	505.85	8.82	0.00	119.77
			MIN	S2	-1.61	0.00	4.23	-1.61	0.00	-5.41	-88.33	0.00	500.80	-88.33	0.00	-29.20
				TQ	0.00	0.00	0.00	0.00	0.00	0.00	0.00	0.00	0.00	0.00	0.00	0.00
				M3	24.81	0.00	-63.51	-1.61	0.00	-5.41	34.28	0.00	-159.43	-76.01	0.00	-54.38
		1-LANE(case3MAX	S2		0.37	0.00	-1.12	0.37	0.00	1.10	87.78	0.00	-20.56	87.78	0.00	506.11
			TQ		0.00	0.00	0.00	0.00	0.00	0.00	0.00	0.00	0.00	0.00	0.00	0.00
			M3		-18.89	0.00	54.92	0.36	0.00	1.12	-6.71	0.00	137.96	86.10	0.00	512.89
			MIN	S2	-18.90	0.00	54.92	-18.90	0.00	-58.45	-33.96	0.00	61.95	-33.96	0.00	-141.83
				TQ	0.00	0.00	0.00	0.00	0.00	0.00	0.00	0.00	0.00	0.00	0.00	0.00
				M3	0.37	0.00	-1.13	-18.80	0.00	-59.65	68.26	0.00	-49.88	-32.29	0.00	-148.61

BAGO RIVER BRIDGE

BLOCK [ No.2 : CROSS BEAM ][ BEAM MEMBER FORCE ]

MEMBER			1002033						1002035							
NODE			2033			3033			2035			3035				
NAME TITLE			SHEAR	TORQUE	MOMENT	SHEAR	TORQUE	MOMENT	SHEAR	TORQUE	MOMENT	SHEAR	TORQUE	MOMENT		
			S2 (kN)	TQ (kN·m)	M3 (kN·m)	S2 (kN)	TQ (kN·m)	M3 (kN·m)	S2 (kN)	TQ (kN·m)	M3 (kN·m)	S2 (kN)	TQ (kN·m)	M3 (kN·m)		
301	LIVE LOAD	1-LANE (case4MAX	S2	4.84	0.00	-13.42	4.84	0.00	15.60	20.74	0.00	-139.53	20.74	0.00	-15.10	
			TQ	0.00	0.00	0.00	0.00	0.00	0.00	0.00	0.00	0.00	0.00	0.00	0.00	0.00
			M3	-75.61	0.00	200.56	4.84	0.00	15.60	-117.52	0.00	433.01	9.94	0.00	0.00	34.90
			MIN S2	-75.63	0.00	200.36	-75.63	0.00	-253.44	-123.44	0.00	390.81	-123.44	0.00	0.00	-349.86
			TQ	0.00	0.00	0.00	0.00	0.00	0.00	0.00	0.00	0.00	0.00	0.00	0.00	0.00
			M3	4.84	0.00	-13.42	-75.45	0.00	-253.55	-4.61	0.00	-269.62	-85.56	0.00	0.00	-499.62
		2-LANES (caseMAX	S2	107.94	0.00	-293.49	107.94	0.00	354.13	154.07	0.00	-555.16	154.07	0.00	0.00	369.29
			TQ	0.00	0.00	0.00	0.00	0.00	0.00	0.00	0.00	0.00	0.00	0.00	0.00	0.00
			M3	-5.83	0.00	15.68	107.93	0.00	354.16	-59.81	0.00	189.90	145.91	0.00	0.00	413.48
			MIN S2	-5.83	0.00	15.68	-5.83	0.00	-19.27	-71.90	0.00	111.92	-71.90	0.00	0.00	-319.48
			TQ	0.00	0.00	0.00	0.00	0.00	0.00	0.00	0.00	0.00	0.00	0.00	0.00	0.00
			M3	107.94	0.00	-293.49	-5.83	0.00	-19.27	125.10	0.00	-710.31	-49.14	0.00	0.00	-434.37
		2-LANES (caseMAX	S2	63.82	0.00	-167.92	63.82	0.00	215.01	89.09	0.00	-334.43	89.09	0.00	0.00	200.11
			TQ	0.00	0.00	0.00	0.00	0.00	0.00	0.00	0.00	0.00	0.00	0.00	0.00	0.00
			M3	-3.73	0.00	9.94	63.78	0.00	215.98	-126.77	0.00	585.59	66.50	0.00	0.00	253.02
			MIN S2	-3.73	0.00	9.94	-3.73	0.00	-12.44	-129.02	0.00	579.16	-129.02	0.00	0.00	-194.97
			TQ	0.00	0.00	0.00	0.00	0.00	0.00	0.00	0.00	0.00	0.00	0.00	0.00	0.00
			M3	63.73	0.00	-168.45	-3.73	0.00	-12.44	86.82	0.00	-340.92	-118.58	0.00	0.00	-216.31
		2-LANES (caseMAX	S2	1.66	0.00	-4.78	1.66	0.00	5.18	131.40	0.00	-163.91	131.40	0.00	0.00	624.50
			TQ	0.00	0.00	0.00	0.00	0.00	0.00	0.00	0.00	0.00	0.00	0.00	0.00	0.00
			M3	-53.17	0.00	146.81	1.65	0.00	5.20	-56.27	0.00	282.38	129.20	0.00	0.00	631.78
MIN S2	-53.18		0.00	146.81	-53.18	0.00	-172.25	-79.58	0.00	215.19	-79.58	0.00	0.00	-262.31		
TQ	0.00		0.00	0.00	0.00	0.00	0.00	0.00	0.00	0.00	0.00	0.00	0.00	0.00		
M3	1.66		0.00	-4.79	-53.10	0.00	-173.24	114.79	0.00	-189.46	-77.24	0.00	0.00	-272.03		

BAGO RIVER BRIDGE

BLOCK [ No.2 : CROSS BEAM ][ BEAM MEMBER FORCE ]

MEMBER			1002033						1002035						
NODE			2033			3033			2035			3035			
NAME TITLE			SHEAR	TORQUE	MOMENT	SHEAR	TORQUE	MOMENT	SHEAR	TORQUE	MOMENT	SHEAR	TORQUE	MOMENT	
			S2 (kN)	TQ (kN·m)	M3 (kN·m)	S2 (kN)	TQ (kN·m)	M3 (kN·m)	S2 (kN)	TQ (kN·m)	M3 (kN·m)	S2 (kN)	TQ (kN·m)	M3 (kN·m)	
301	LIVE LOAD	2-LANES (caseMAX	S2	6.98	0.00	-19.41	6.98	0.00	22.48	70.18	0.00	-272.32	70.18	0.00	148.74
			TQ	0.00	0.00	0.00	0.00	0.00	0.00	0.00	0.00	0.00	0.00	0.00	0.00
			M3	-105.91	0.00	283.34	6.98	0.00	22.48	-169.37	0.00	611.91	58.89	0.00	195.03
			MIN S2	-105.93	0.00	283.17	-105.93	0.00	-352.41	-174.66	0.00	575.50	-174.66	0.00	-472.46
			TQ	0.00	0.00	0.00	0.00	0.00	0.00	0.00	0.00	0.00	0.00	0.00	0.00
			M3	6.98	0.00	-19.41	-105.78	0.00	-352.50	48.70	0.00	-381.85	-141.64	0.00	-600.29
		3-LANES (caseMAX	S2	109.40	0.00	-294.01	109.40	0.00	362.38	155.97	0.00	-581.24	155.97	0.00	354.60
			TQ	0.00	0.00	0.00	0.00	0.00	0.00	0.00	0.00	0.00	0.00	0.00	0.00
			M3	-6.09	0.00	16.33	109.36	0.00	363.22	-112.68	0.00	519.72	130.27	0.00	436.30
			MIN S2	-6.09	0.00	16.33	-6.09	0.00	-20.21	-123.69	0.00	449.87	-123.69	0.00	-292.24
			TQ	0.00	0.00	0.00	0.00	0.00	0.00	0.00	0.00	0.00	0.00	0.00	0.00
			M3	109.32	0.00	-294.45	-6.09	0.00	-20.21	130.62	0.00	-716.69	-95.60	0.00	-407.74
		3-LANES (caseMAX	S2	3.48	0.00	-9.85	3.48	0.00	11.04	125.43	0.00	-251.96	125.43	0.00	500.65
			TQ	0.00	0.00	0.00	0.00	0.00	0.00	0.00	0.00	0.00	0.00	0.00	0.00
			M3	-94.86	0.00	256.60	3.47	0.00	11.05	-113.71	0.00	477.10	114.76	0.00	552.91
			MIN S2	-94.87	0.00	256.46	-94.87	0.00	-312.79	-136.29	0.00	396.17	-136.29	0.00	-421.54
			TQ	0.00	0.00	0.00	0.00	0.00	0.00	0.00	0.00	0.00	0.00	0.00	0.00
			M3	3.48	0.00	-9.86	-94.68	0.00	-313.71	97.75	0.00	-344.43	-111.88	0.00	-527.91
		3-LANES (caseMAX	S2	7.52	0.00	-20.97	7.52	0.00	24.16	125.97	0.00	-268.43	125.97	0.00	487.40
			TQ	0.00	0.00	0.00	0.00	0.00	0.00	0.00	0.00	0.00	0.00	0.00	0.00
			M3	-110.35	0.00	297.76	7.52	0.00	24.16	-177.57	0.00	650.92	115.19	0.00	531.48
			MIN S2	-110.38	0.00	297.56	-110.38	0.00	-364.73	-186.11	0.00	610.01	-186.11	0.00	-506.64
			TQ	0.00	0.00	0.00	0.00	0.00	0.00	0.00	0.00	0.00	0.00	0.00	0.00
			M3	7.52	0.00	-20.97	-110.25	0.00	-364.81	100.97	0.00	-382.40	-156.84	0.00	-641.25

BAGO RIVER BRIDGE

BLOCK [ No.2 : CROSS BEAM ][ BEAM MEMBER FORCE ]

MEMBER				1002033			3033			1002035			3035					
NODE				2033			2035			2035			3035					
NAME TITLE				SHEAR	TORQUE	MOMENT	SHEAR	TORQUE	MOMENT	SHEAR	TORQUE	MOMENT	SHEAR	TORQUE	MOMENT			
				S2 (kN)	TQ (kN·m)	M3 (kN·m)	S2 (kN)	TQ (kN·m)	M3 (kN·m)	S2 (kN)	TQ (kN·m)	M3 (kN·m)	S2 (kN)	TQ (kN·m)	M3 (kN·m)			
301	LIVE LOAD	4-LANES	MAX	S2	5.71	0.00	-15.98	5.71	0.00	18.26	12.96	0.00	-36.21	12.96	0.00	41.57		
				TQ	0.00	0.00	0.00	0.00	0.00	0.00	0.00	0.00	0.00	0.00	0.00	0.00	0.00	
				M3	-40.19	0.00	110.93	5.70	0.00	18.26	-88.86	0.00	280.68	12.95	0.00	0.00	0.00	41.65
			MIN	S2	-40.19	0.00	110.93	-40.19	0.00	-130.23	-88.99	0.00	280.28	-88.99	0.00	0.00	0.00	-253.64
				TQ	0.00	0.00	0.00	0.00	0.00	0.00	0.00	0.00	0.00	0.00	0.00	0.00	0.00	0.00
				M3	5.70	0.00	-15.98	-40.19	0.00	-130.24	12.81	0.00	-36.58	-88.99	0.00	0.00	0.00	-253.65
			6-LANES	MAX	S2	81.20	0.00	-218.82	81.20	0.00	268.39	197.40	0.00	-570.62	197.40	0.00	0.00	613.77
					TQ	0.00	0.00	0.00	0.00	0.00	0.00	0.00	0.00	0.00	0.00	0.00	0.00	0.00
					M3	-81.07	0.00	219.41	81.18	0.00	269.10	-188.43	0.00	861.12	173.17	0.00	0.00	736.61
				MIN	S2	-81.11	0.00	218.89	-81.11	0.00	-267.76	-217.67	0.00	735.11	-217.67	0.00	0.00	-570.92
					TQ	0.00	0.00	0.00	0.00	0.00	0.00	0.00	0.00	0.00	0.00	0.00	0.00	0.00
					M3	81.15	0.00	-219.20	-81.00	0.00	-267.82	155.04	0.00	-746.33	-148.12	0.00	0.00	-751.95
				LIVE LOAD	MAX	109.40	0.00	297.76	109.40	0.00	363.22	197.40	0.00	861.12	197.40	0.00	0.00	736.61
					MIN	-110.38	0.00	-294.45	-110.38	0.00	-364.81	-217.67	0.00	-746.33	-217.67	0.00	0.00	-751.95
		303	SUM TOTAL	TOTAL	MAX	123.57	0.00	261.19	123.57	0.00	411.70	154.77	0.00	1057.92	154.77	0.00	0.00	677.65
			MIN	-96.21	0.00	-331.02	-96.21	0.00	-316.34	-260.30	0.00	-549.53	-260.30	0.00	0.00	-810.91		



BAGO RIVER BRIDGE

BLOCK [ No.2 : CROSS BEAM ][ BEAM MEMBER FORCE ]

MEMBER NODE	NAME TITLE	1002037 2037						1002039 2039							
		SHEAR		TORQUE		MOMENT		SHEAR		TORQUE		MOMENT			
		S2 (kN)	TQ (kN·m)	M3 (kN·m)	S2 (kN)	TQ (kN·m)	M3 (kN·m)	S2 (kN)	TQ (kN·m)	M3 (kN·m)	S2 (kN)	TQ (kN·m)	M3 (kN·m)		
1	PAVEMENT	-16.08	0.00	23.65	-16.08	0.00	-72.81	-7.47	0.00	22.88	-7.47	0.00	-21.95		
3	RAILING	-0.47	0.00	-18.27	-0.47	0.00	-21.08	-0.21	0.00	-19.81	-0.21	0.00	-21.09		
5	CURB	-4.64	0.00	-180.83	-4.64	0.00	-208.69	-2.11	0.00	-196.10	-2.11	0.00	-208.78		
7	DECK WEIGHT	-24.65	0.00	17.91	-24.65	0.00	-129.99	-11.61	0.00	19.38	-11.61	0.00	-50.26		
8	GIRDER WEIGH	-22.88	0.00	145.66	-22.88	0.00	8.40	-11.97	0.00	194.69	-11.97	0.00	122.88		
10	MEDIAN STRIP	-2.87	0.00	132.48	-2.87	0.00	115.29	-1.86	0.00	155.95	-1.86	0.00	144.82		
21	ADITIONAL WE	-6.90	0.00	5.01	-6.90	0.00	-36.40	-3.25	0.00	5.43	-3.25	0.00	-14.07		
31	MEDIAN RAILI	-0.13	0.00	10.14	-0.13	0.00	9.34	-0.10	0.00	11.88	-0.10	0.00	11.28		
51	SUPPORT WEIG	-0.00	0.00	0.00	-0.00	0.00	0.00	0.00	0.00	-0.00	0.00	0.00	-0.00		
52	NOSE WEIGHT	-0.00	0.00	0.01	-0.00	0.00	-0.01	-0.00	0.00	0.00	-0.00	0.00	-0.00		
61	1-LANE(case1TRUCK-LOAD	MAX	S2	17.41	0.00	-53.39	17.41	0.00	51.09	7.22	0.00	-28.11	7.22	0.00	15.18
			TQ	0.00	0.00	0.00	0.00	0.00	0.00	0.00	0.00	0.00	0.00	0.00	0.00
			M3	-1.28	0.00	3.33	17.34	0.00	51.36	-20.36	0.00	40.41	3.92	0.00	21.46
		MIN	S2	-20.86	0.00	-40.89	-20.86	0.00	-166.04	-34.31	0.00	12.12	-34.31	0.00	-193.76
			TQ	0.00	0.00	0.00	0.00	0.00	0.00	0.00	0.00	0.00	0.00	0.00	0.00
			M3	-8.21	0.00	-242.21	-8.21	0.00	-291.45	-23.54	0.00	-175.89	-23.54	0.00	-317.15
		TANDEM-LOAD MAX	S2	11.86	0.00	-36.56	11.86	0.00	34.61	4.91	0.00	-19.28	4.91	0.00	10.17
			TQ	0.00	0.00	0.00	0.00	0.00	0.00	0.00	0.00	0.00	0.00	0.00	0.00
			M3	-8.47	0.00	4.50	11.80	0.00	35.00	-18.29	0.00	32.39	2.76	0.00	14.73
		MIN	S2	-16.12	0.00	-27.23	-16.12	0.00	-123.96	-25.58	0.00	10.04	-25.58	0.00	-143.42
			TQ	0.00	0.00	0.00	0.00	0.00	0.00	0.00	0.00	0.00	0.00	0.00	0.00
			M3	-2.99	0.00	-188.48	-2.99	0.00	-206.43	-13.51	0.00	-141.77	-13.51	0.00	-222.81
		DISPERSION-LMAX	S2	28.49	0.00	-107.88	28.49	0.00	63.09	11.29	0.00	-35.36	11.29	0.00	32.35
			TQ	0.00	0.00	0.00	0.00	0.00	0.00	0.00	0.00	0.00	0.00	0.00	0.00
			M3	-3.54	0.00	4.28	27.85	0.00	87.68	-17.19	0.00	31.34	10.69	0.00	34.46
		MIN	S2	-15.31	0.00	-59.92	-15.31	0.00	-151.78	-30.12	0.00	-26.24	-30.12	0.00	-206.95
			TQ	0.00	0.00	0.00	0.00	0.00	0.00	0.00	0.00	0.00	0.00	0.00	0.00
			M3	16.72	0.00	-172.08	-14.67	0.00	-176.38	-1.65	0.00	-92.94	-29.53	0.00	-209.06

BAGO RIVER BRIDGE

BLOCK [ No.2 : CROSS BEAM ][ BEAM MEMBER FORCE ]

MEMBER				1002037			1002039			1002039			1002039			
NODE				2037			3037			2039			3039			
				SHEAR	TORQUE	MOMENT	SHEAR	TORQUE	MOMENT	SHEAR	TORQUE	MOMENT	SHEAR	TORQUE	MOMENT	
NAME	TITLE			S2 (kN)	TQ (kN·m)	M3 (kN·m)	S2 (kN)	TQ (kN·m)	M3 (kN·m)	S2 (kN)	TQ (kN·m)	M3 (kN·m)	S2 (kN)	TQ (kN·m)	M3 (kN·m)	
62	1-LANE (case2TRUCK-LOAD	MAX	S2	5.11	0.00	-15.62	5.11	0.00	15.06	2.35	0.00	-13.46	2.35	0.00	0.64	
			TQ	0.00	0.00	0.00	0.00	0.00	0.00	0.00	0.00	0.00	0.00	0.00	0.00	0.00
			M3	-60.70	0.00	347.46	-7.41	0.00	28.88	-65.41	0.00	377.44	-11.08	0.00	37.06	
		MIN	S2	-60.70	0.00	347.46	-60.70	0.00	-16.73	-65.41	0.00	377.44	-65.41	0.00	-15.04	
			TQ	0.00	0.00	0.00	0.00	0.00	0.00	0.00	0.00	0.00	0.00	0.00	0.00	0.00
			M3	4.89	0.00	-16.63	-60.70	0.00	-16.73	2.32	0.00	-13.59	-65.41	0.00	-15.04	
		TANDEM-LOAD MAX	S2	3.49	0.00	-10.78	3.49	0.00	10.18	1.60	0.00	-9.23	1.60	0.00	0.36	
			TQ	0.00	0.00	0.00	0.00	0.00	0.00	0.00	0.00	0.00	0.00	0.00	0.00	0.00
			M3	-46.76	0.00	262.72	-8.66	0.00	20.56	-49.92	0.00	282.97	-4.09	0.00	26.23	
		MIN	S2	-46.76	0.00	262.72	-46.76	0.00	-17.82	-49.92	0.00	282.97	-49.92	0.00	-16.54	
			TQ	0.00	0.00	0.00	0.00	0.00	0.00	0.00	0.00	0.00	0.00	0.00	0.00	0.00
			M3	3.34	0.00	-11.52	-46.76	0.00	-17.82	1.59	0.00	-9.26	-49.92	0.00	-16.54	
		DISPERSION-LMAX	S2	6.80	0.00	-16.11	6.80	0.00	24.70	3.36	0.00	-12.12	3.36	0.00	8.05	
			TQ	0.00	0.00	0.00	0.00	0.00	0.00	0.00	0.00	0.00	0.00	0.00	0.00	0.00
			M3	-23.38	0.00	155.08	-2.55	0.00	48.70	-27.69	0.00	196.93	-10.44	0.00	44.30	
MIN	S2	-23.88	0.00	153.07	-23.88	0.00	9.80	-28.38	0.00	192.97	-28.38	0.00	22.69			
	TQ	0.00	0.00	0.00	0.00	0.00	0.00	0.00	0.00	0.00	0.00	0.00	0.00	0.00		
	M3	6.30	0.00	-18.12	-14.53	0.00	-14.20	2.67	0.00	-16.07	-14.57	0.00	-13.56			
63	1-LANE (case3TRUCK-LOAD	MAX	S2	61.41	0.00	-13.79	61.41	0.00	354.65	64.71	0.00	-11.58	64.71	0.00	376.66	
			TQ	0.00	0.00	0.00	0.00	0.00	0.00	0.00	0.00	0.00	0.00	0.00	0.00	
			M3	5.74	0.00	36.25	61.41	0.00	354.65	9.24	0.00	42.89	64.71	0.00	376.66	
		MIN	S2	-4.46	0.00	18.25	-4.46	0.00	-8.49	-2.29	0.00	14.55	-2.29	0.00	0.80	
			TQ	0.00	0.00	0.00	0.00	0.00	0.00	0.00	0.00	0.00	0.00	0.00	0.00	0.00
			M3	61.41	0.00	-13.79	-3.26	0.00	-14.13	64.71	0.00	-11.58	-1.34	0.00	-10.32	

BAGO RIVER BRIDGE

BLOCK [ No.2 : CROSS BEAM ][ BEAM MEMBER FORCE ]

MEMBER NODE	1002037 2037	3037			1002039 2039	3039									
		SHEAR	TORQUE	MOMENT		SHEAR	TORQUE	MOMENT							
		S2 (kN)	TQ (kN·m)	M3 (kN·m)		S2 (kN)	TQ (kN·m)	M3 (kN·m)							
63	1-LANE (case3TANDEM-LOAD	MAX	S2	47.33	0.00	-16.09	47.33	0.00	267.89	49.48	0.00	-14.31	49.48	0.00	282.58
			TQ	0.00	0.00	0.00	0.00	0.00	0.00	0.00	0.00	0.00	0.00	0.00	0.00
			M3	0.39	0.00	25.81	47.33	0.00	267.89	2.77	0.00	30.35	49.48	0.00	282.58
		MIN	S2	-3.03	0.00	12.34	-3.03	0.00	-5.85	-1.57	0.00	10.08	-1.57	0.00	0.65
			TQ	0.00	0.00	0.00	0.00	0.00	0.00	0.00	0.00	0.00	0.00	0.00	0.00
			M3	47.33	0.00	-16.09	-2.13	0.00	-9.94	49.48	0.00	-14.31	-0.92	0.00	-7.02
	DISPERSION-LMAX		S2	24.58	0.00	5.25	24.58	0.00	152.75	26.57	0.00	23.29	26.57	0.00	182.70
			TQ	0.00	0.00	0.00	0.00	0.00	0.00	0.00	0.00	0.00	0.00	0.00	0.00
			M3	-0.24	0.00	63.57	23.92	0.00	156.10	9.45	0.00	51.43	25.53	0.00	188.22
		MIN	S2	-10.10	0.00	42.98	-10.10	0.00	-17.64	-3.52	0.00	13.41	-3.52	0.00	-7.69
			TQ	0.00	0.00	0.00	0.00	0.00	0.00	0.00	0.00	0.00	0.00	0.00	0.00
			M3	14.72	0.00	-15.33	-9.44	0.00	-20.98	13.60	0.00	-14.74	-2.48	0.00	-13.21
64	1-LANE (case4TRUCK-LOAD	MAX	S2	19.23	0.00	-151.19	19.23	0.00	-35.81	33.81	0.00	-186.34	33.81	0.00	16.54
			TQ	0.00	0.00	0.00	0.00	0.00	0.00	0.00	0.00	0.00	0.00	0.00	0.00
			M3	-22.56	0.00	80.54	2.54	0.00	5.86	-5.42	0.00	22.67	24.69	0.00	41.17
		MIN	S2	-22.72	0.00	80.35	-22.72	0.00	-55.97	-8.57	0.00	20.44	-8.57	0.00	-31.00
			TQ	0.00	0.00	0.00	0.00	0.00	0.00	0.00	0.00	0.00	0.00	0.00	0.00
			M3	8.27	0.00	-274.90	8.27	0.00	-225.26	22.68	0.00	-309.61	22.68	0.00	-173.52
	TANDEM-LOAD	MAX	S2	15.10	0.00	-113.89	15.10	0.00	-23.27	25.16	0.00	-138.22	25.16	0.00	12.77
			TQ	0.00	0.00	0.00	0.00	0.00	0.00	0.00	0.00	0.00	0.00	0.00	0.00
			M3	-15.44	0.00	54.83	1.73	0.00	3.99	-3.76	0.00	15.50	19.10	0.00	35.14
		MIN	S2	-15.48	0.00	54.78	-15.48	0.00	-38.12	-5.85	0.00	13.98	-5.85	0.00	-21.09
			TQ	0.00	0.00	0.00	0.00	0.00	0.00	0.00	0.00	0.00	0.00	0.00	0.00
			M3	3.21	0.00	-194.86	3.21	0.00	-175.58	12.89	0.00	-217.75	12.89	0.00	-140.38

BAGO RIVER BRIDGE

BLOCK [ No.2 : CROSS BEAM ][ BEAM MEMBER FORCE ]

MEMBER		1002037						1002039								
NODE		2037			3037			2039			3039					
		SHEAR	TORQUE	MOMENT	SHEAR	TORQUE	MOMENT	SHEAR	TORQUE	MOMENT	SHEAR	TORQUE	MOMENT			
NAME	TITLE	S2 (kN)	TQ (kN·m)	M3 (kN·m)	S2 (kN)	TQ (kN·m)	M3 (kN·m)	S2 (kN)	TQ (kN·m)	M3 (kN·m)	S2 (kN)	TQ (kN·m)	M3 (kN·m)			
64	1-LANE (case4DISPERSION-LMAX	S2	15.90	0.00	-146.92	15.90	0.00	-51.51	28.90	0.00	-198.83	28.90	0.00	-25.42		
		TQ	0.00	0.00	0.00	0.00	0.00	0.00	0.00	0.00	0.00	0.00	0.00	0.00		
		M3	-37.37	0.00	131.93	4.61	0.00	7.50	-13.97	0.00	41.35	17.05	0.00	29.22		
		MIN	S2	-37.92	0.00	109.50	-37.92	0.00	-118.03	-14.02	0.00	38.98	-14.02	0.00	-45.11	
		TQ	0.00	0.00	0.00	0.00	0.00	0.00	0.00	0.00	0.00	0.00	0.00	0.00		
		M3	15.35	0.00	-169.35	-26.63	0.00	-177.03	28.86	0.00	-201.19	-2.17	0.00	0.00	-99.76	
		MAX	S2	28.70	0.00	-87.89	28.70	0.00	84.29	12.01	0.00	-48.95	12.01	0.00	23.09	
		TQ	0.00	0.00	0.00	0.00	0.00	0.00	0.00	0.00	0.00	0.00	0.00	0.00	0.00	
		M3	-53.59	0.00	143.52	28.62	0.00	84.57	-82.71	0.00	228.80	6.11	0.00	0.00	38.41	
65	2-LANES (caseTRUCK-LOAD	MIN	S2	-73.17	0.00	99.30	-73.17	0.00	-339.71	-96.67	0.00	200.51	-96.67	0.00	-379.50	
		TQ	0.00	0.00	0.00	0.00	0.00	0.00	0.00	0.00	0.00	0.00	0.00	0.00		
		M3	3.08	0.00	-276.71	-60.51	0.00	-465.11	-18.81	0.00	-196.83	-85.90	0.00	-502.89		
		TANDEM-LOAD	MAX	S2	19.53	0.00	-60.08	19.53	0.00	57.12	8.17	0.00	-33.57	8.17	0.00	15.44
		TQ	0.00	0.00	0.00	0.00	0.00	0.00	0.00	0.00	0.00	0.00	0.00	0.00		
		M3	-47.38	0.00	108.86	19.47	0.00	57.59	-64.02	0.00	170.07	4.22	0.00	0.00	26.33	
		MIN	S2	-55.03	0.00	77.13	-55.03	0.00	-253.03	-71.30	0.00	147.73	-71.30	0.00	-280.08	
		TQ	0.00	0.00	0.00	0.00	0.00	0.00	0.00	0.00	0.00	0.00	0.00	0.00	0.00	
		M3	4.68	0.00	-212.00	-41.90	0.00	-335.50	-10.26	0.00	-156.07	-59.23	0.00	0.00	-359.47	
		DISPERSION-LMAX	S2	45.76	0.00	-154.95	45.76	0.00	119.59	18.61	0.00	-57.93	18.61	0.00	53.72	
		TQ	0.00	0.00	0.00	0.00	0.00	0.00	0.00	0.00	0.00	0.00	0.00	0.00		
		M3	-27.56	0.00	73.17	44.98	0.00	144.46	-51.70	0.00	152.62	16.84	0.00	0.00	58.97	
		MIN	S2	-40.88	0.00	7.83	-40.88	0.00	-237.46	-65.49	0.00	92.76	-65.49	0.00	-300.19	
		TQ	0.00	0.00	0.00	0.00	0.00	0.00	0.00	0.00	0.00	0.00	0.00	0.00		
		M3	32.44	0.00	-220.29	-40.10	0.00	-262.32	4.82	0.00	-117.79	-63.72	0.00	0.00	-305.43	

BAGO RIVER BRIDGE

BLOCK [ No.2 : CROSS BEAM ][ BEAM MEMBER FORCE ]

MEMBER				1002037						1002039							
NODE				2037			3037			2039			3039				
NAME TITLE				SHEAR	TORQUE	MOMENT	SHEAR	TORQUE	MOMENT	SHEAR	TORQUE	MOMENT	SHEAR	TORQUE	MOMENT		
				S2 (kN)	TQ (kN·m)	M3 (kN·m)	S2 (kN)	TQ (kN·m)	M3 (kN·m)	S2 (kN)	TQ (kN·m)	M3 (kN·m)	S2 (kN)	TQ (kN·m)	M3 (kN·m)		
66	2-LANES (case	TRUCK-LOAD	MAX	S2	16.40	0.00	-50.12	16.40	0.00	48.26	7.14	0.00	-34.30	7.14	0.00	8.55	
				TQ	0.00	0.00	0.00	0.00	0.00	0.00	0.00	0.00	0.00	0.00	0.00	0.00	0.00
				M3	-113.01	0.00	487.65	3.87	0.00	62.08	-127.77	0.00	565.83	-8.89	0.00	54.01	
			MIN	S2	-113.01	0.00	487.65	-113.01	0.00	-190.39	-127.77	0.00	565.83	-127.77	0.00	-200.78	
				TQ	0.00	0.00	0.00	0.00	0.00	0.00	0.00	0.00	0.00	0.00	0.00	0.00	
				M3	16.17	0.00	-51.13	-113.01	0.00	-190.39	7.05	0.00	-34.53	-127.77	0.00	-200.78	
			TANDEM-LOAD	MAX	S2	11.17	0.00	-34.29	11.17	0.00	32.70	4.86	0.00	-23.52	4.86	0.00	5.63
				TQ	0.00	0.00	0.00	0.00	0.00	0.00	0.00	0.00	0.00	0.00	0.00	0.00	
				M3	-85.66	0.00	367.08	-0.99	0.00	43.15	-95.64	0.00	420.65	-2.62	0.00	37.83	
				MIN	S2	-85.66	0.00	367.08	-85.66	0.00	-146.89	-95.64	0.00	420.65	-95.64	0.00	-153.19
				TQ	0.00	0.00	0.00	0.00	0.00	0.00	0.00	0.00	0.00	0.00	0.00	0.00	
				M3	11.01	0.00	-35.04	-85.66	0.00	-146.89	4.83	0.00	-23.56	-95.64	0.00	-153.19	
			DISPERSION-LMAX	S2	24.06	0.00	-63.18	24.06	0.00	81.21	10.69	0.00	-34.68	10.69	0.00	29.43	
				TQ	0.00	0.00	0.00	0.00	0.00	0.00	0.00	0.00	0.00	0.00	0.00	0.00	
				M3	-47.40	0.00	223.97	14.58	0.00	105.47	-62.20	0.00	318.20	-4.30	0.00	68.81	
		MIN	S2	-49.45	0.00	220.81	-49.45	0.00	-75.87	-63.75	0.00	311.96	-63.75	0.00	-70.55		
		TQ	0.00	0.00	0.00	0.00	0.00	0.00	0.00	0.00	0.00	0.00	0.00	0.00			
		M3	22.02	0.00	-66.34	-39.96	0.00	-100.14	9.13	0.00	-40.92	-48.77	0.00	-109.93			
67	2-LANES (case	TRUCK-LOAD	MAX	S2	114.32	0.00	-176.37	114.32	0.00	509.55	126.25	0.00	-191.81	126.25	0.00	565.70	
				TQ	0.00	0.00	0.00	0.00	0.00	0.00	0.00	0.00	0.00	0.00	0.00	0.00	
				M3	-4.92	0.00	74.13	114.32	0.00	509.55	5.48	0.00	62.37	126.25	0.00	565.70	
			MIN	S2	-15.11	0.00	56.05	-15.11	0.00	-34.62	-6.21	0.00	33.11	-6.21	0.00	-4.15	
				TQ	0.00	0.00	0.00	0.00	0.00	0.00	0.00	0.00	0.00	0.00	0.00	0.00	
				M3	114.05	0.00	-177.57	-13.65	0.00	-40.55	126.25	0.00	-191.81	-5.18	0.00	-27.64	

BAGO RIVER BRIDGE

BLOCK [ No.2 : CROSS BEAM ][ BEAM MEMBER FORCE ]

MEMBER		1002037						1002039							
NODE		2037		3037		2039		3039							
		SHEAR	TORQUE	MOMENT	SHEAR	TORQUE	MOMENT	SHEAR	TORQUE	MOMENT	SHEAR	TORQUE	MOMENT		
NAME	TITLE	S2 (kN)	TQ (kN·m)	M3 (kN·m)	S2 (kN)	TQ (kN·m)	M3 (kN·m)	S2 (kN)	TQ (kN·m)	M3 (kN·m)	S2 (kN)	TQ (kN·m)	M3 (kN·m)		
67	2-LANES (caseTANDEM-LOAD	MAX	S2	86.71	0.00	-138.23	86.71	0.00	382.01	94.69	0.00	-147.34	94.69	0.00	420.79
			TQ	0.00	0.00	0.00	0.00	0.00	0.00	0.00	0.00	0.00	0.00	0.00	0.00
			M3	-6.85	0.00	51.71	86.71	0.00	382.01	0.22	0.00	43.72	94.69	0.00	420.79
		MIN	S2	-10.28	0.00	38.24	-10.28	0.00	-23.43	-4.26	0.00	22.90	-4.26	0.00	-2.65
			TQ	0.00	0.00	0.00	0.00	0.00	0.00	0.00	0.00	0.00	0.00	0.00	0.00
			M3	86.63	0.00	-138.56	-9.30	0.00	-27.97	94.69	0.00	-147.34	-3.53	0.00	-18.84
	DISPERSION-LMAX		S2	50.29	0.00	-73.89	50.29	0.00	227.86	60.09	0.00	-63.51	60.09	0.00	297.06
			TQ	0.00	0.00	0.00	0.00	0.00	0.00	0.00	0.00	0.00	0.00	0.00	0.00
			M3	-20.43	0.00	137.54	48.70	0.00	231.88	3.15	0.00	76.34	58.62	0.00	303.75
		MIN	S2	-30.49	0.00	116.54	-30.49	0.00	-66.40	-11.01	0.00	35.42	-11.01	0.00	-30.66
			TQ	0.00	0.00	0.00	0.00	0.00	0.00	0.00	0.00	0.00	0.00	0.00	0.00
			M3	40.23	0.00	-94.88	-28.90	0.00	-70.41	45.94	0.00	-104.43	-9.54	0.00	-37.36
68	2-LANES (caseTRUCK-LOAD	MAX	S2	71.78	0.00	-315.30	71.78	0.00	115.37	95.36	0.00	-366.57	95.36	0.00	205.58
			TQ	0.00	0.00	0.00	0.00	0.00	0.00	0.00	0.00	0.00	0.00	0.00	0.00
			M3	-39.08	0.00	139.25	55.08	0.00	157.04	-9.18	0.00	42.15	86.24	0.00	230.21
		MIN	S2	-39.24	0.00	139.06	-39.24	0.00	-96.39	-14.70	0.00	33.16	-14.70	0.00	-55.07
			TQ	0.00	0.00	0.00	0.00	0.00	0.00	0.00	0.00	0.00	0.00	0.00	0.00
			M3	60.82	0.00	-439.01	-8.25	0.00	-265.67	84.23	0.00	-489.84	16.57	0.00	-197.61
	TANDEM-LOAD	MAX	S2	54.40	0.00	-236.36	54.40	0.00	90.06	70.37	0.00	-271.25	70.37	0.00	150.98
			TQ	0.00	0.00	0.00	0.00	0.00	0.00	0.00	0.00	0.00	0.00	0.00	0.00
			M3	-26.67	0.00	94.75	41.03	0.00	117.32	-6.31	0.00	28.87	64.31	0.00	173.36
		MIN	S2	-26.71	0.00	94.62	-26.71	0.00	-65.64	-10.02	0.00	22.69	-10.02	0.00	-37.42
			TQ	0.00	0.00	0.00	0.00	0.00	0.00	0.00	0.00	0.00	0.00	0.00	0.00
			M3	42.51	0.00	-317.33	-8.02	0.00	-203.11	58.10	0.00	-350.78	8.73	0.00	-156.81

BAGO RIVER BRIDGE

BLOCK [ No.2 : CROSS BEAM ][ BEAM MEMBER FORCE ]

MEMBER		1002037						1002039								
NODE		2037			3037			2039			3039					
		SHEAR	TORQUE	MOMENT	SHEAR	TORQUE	MOMENT	SHEAR	TORQUE	MOMENT	SHEAR	TORQUE	MOMENT			
NAME	TITLE	S2 (kN)	TQ (kN·m)	M3 (kN·m)	S2 (kN)	TQ (kN·m)	M3 (kN·m)	S2 (kN)	TQ (kN·m)	M3 (kN·m)	S2 (kN)	TQ (kN·m)	M3 (kN·m)			
68	2-LANES (caseDISPERSION-LMAX	S2	42.58	0.00	-232.95	42.58	0.00	22.56	63.06	0.00	-288.25	63.06	0.00	90.09		
		TQ	0.00	0.00	0.00	0.00	0.00	0.00	0.00	0.00	0.00	0.00	0.00	0.00		
		M3	-64.16	0.00	229.51	30.25	0.00	82.30	-23.17	0.00	73.37	50.77	0.00	145.91		
	MIN	S2	-64.84	0.00	206.72	-64.84	0.00	-182.30	-24.05	0.00	69.14	-24.05	0.00	-75.15		
		TQ	0.00	0.00	0.00	0.00	0.00	0.00	0.00	0.00	0.00	0.00	0.00	0.00		
		M3	41.91	0.00	-255.74	-52.50	0.00	-242.04	62.18	0.00	-292.49	-11.76	0.00	-130.97		
	69	3-LANES (caseTRUCK-LOAD	MAX	S2	33.81	0.00	-103.51	33.81	0.00	99.35	14.36	0.00	-62.41	14.36	0.00	23.73
			TQ	0.00	0.00	0.00	0.00	0.00	0.00	0.00	0.00	0.00	0.00	0.00	0.00	
			M3	-114.29	0.00	490.98	21.21	0.00	113.44	-148.13	0.00	606.24	-4.97	0.00	75.47	
MIN		S2	-133.86	0.00	446.75	-133.86	0.00	-356.43	-162.08	0.00	577.96	-162.08	0.00	-394.54		
		TQ	0.00	0.00	0.00	0.00	0.00	0.00	0.00	0.00	0.00	0.00	0.00	0.00		
		M3	7.97	0.00	-293.34	-121.21	0.00	-481.84	-16.49	0.00	-210.42	-151.31	0.00	-517.93		
TANDEM-LOAD		MAX	S2	23.03	0.00	-70.86	23.03	0.00	67.31	9.77	0.00	-42.80	9.77	0.00	15.80	
		TQ	0.00	0.00	0.00	0.00	0.00	0.00	0.00	0.00	0.00	0.00	0.00	0.00		
		M3	-94.13	0.00	371.58	10.81	0.00	78.15	-113.93	0.00	453.04	0.14	0.00	52.57		
MIN	S2	-101.78	0.00	339.85	-101.78	0.00	-270.85	-121.22	0.00	430.70	-121.22	0.00	-296.62			
	TQ	0.00	0.00	0.00	0.00	0.00	0.00	0.00	0.00	0.00	0.00	0.00	0.00			
	M3	8.02	0.00	-223.52	-88.65	0.00	-353.33	-8.67	0.00	-165.33	-109.15	0.00	-376.01			
DISPERSION-LMAX	S2	52.56	0.00	-171.06	52.56	0.00	144.29	21.97	0.00	-70.04	21.97	0.00	61.78			
	TQ	0.00	0.00	0.00	0.00	0.00	0.00	0.00	0.00	0.00	0.00	0.00	0.00			
	M3	-50.94	0.00	228.25	42.43	0.00	193.16	-79.39	0.00	349.54	6.39	0.00	103.27			
MIN	S2	-64.76	0.00	160.90	-64.76	0.00	-227.66	-93.87	0.00	285.73	-93.87	0.00	-277.50			
	TQ	0.00	0.00	0.00	0.00	0.00	0.00	0.00	0.00	0.00	0.00	0.00	0.00			
	M3	38.74	0.00	-238.41	-54.63	0.00	-276.52	7.49	0.00	-133.86	-78.29	0.00	-318.99			

BAGO RIVER BRIDGE

BLOCK [ No.2 : CROSS BEAM ][ BEAM MEMBER FORCE ]

MEMBER				1002037						1002039						
NODE				2037			3037			2039			3039			
				SHEAR	TORQUE	MOMENT	SHEAR	TORQUE	MOMENT	SHEAR	TORQUE	MOMENT	SHEAR	TORQUE	MOMENT	
NAME	TITLE			S2 (kN)	TQ (kN·m)	M3 (kN·m)	S2 (kN)	TQ (kN·m)	M3 (kN·m)	S2 (kN)	TQ (kN·m)	M3 (kN·m)	S2 (kN)	TQ (kN·m)	M3 (kN·m)	
70	3-LANES (caseTRUCK-LOAD	MAX	S2	133.55	0.00	-327.56	133.55	0.00	473.75	159.89	0.00	-377.25	159.89	0.00	582.11	
			TQ	0.00	0.00	0.00	0.00	0.00	0.00	0.00	0.00	0.00	0.00	0.00	0.00	0.00
			M3	-21.80	0.00	134.62	116.06	0.00	513.27	0.06	0.00	85.04	150.30	0.00	0.00	606.57
		MIN	S2	-32.05	0.00	116.54	-32.05	0.00	-75.78	-12.54	0.00	46.83	-12.54	0.00	0.00	-28.38
			TQ	0.00	0.00	0.00	0.00	0.00	0.00	0.00	0.00	0.00	0.00	0.00	0.00	0.00
			M3	122.41	0.00	-452.15	-5.29	0.00	-264.95	148.93	0.00	-501.42	17.50	0.00	0.00	-201.16
		TANDEM-LOAD MAX	S2	101.81	0.00	-252.12	101.81	0.00	358.74	119.82	0.00	-285.37	119.82	0.00	0.00	433.53
			TQ	0.00	0.00	0.00	0.00	0.00	0.00	0.00	0.00	0.00	0.00	0.00	0.00	0.00
			M3	-18.35	0.00	92.90	93.89	0.00	385.50	-3.54	0.00	59.22	113.43	0.00	0.00	455.83
		MIN	S2	-21.80	0.00	79.24	-21.80	0.00	-51.55	-8.57	0.00	32.46	-8.57	0.00	0.00	-18.94
			TQ	0.00	0.00	0.00	0.00	0.00	0.00	0.00	0.00	0.00	0.00	0.00	0.00	0.00
			M3	89.84	0.00	-333.42	-6.09	0.00	-203.56	107.58	0.00	-365.09	9.37	0.00	0.00	-159.22
		DISPERSION-LMAX	S2	65.20	0.00	-214.45	65.20	0.00	176.77	88.38	0.00	-259.77	88.38	0.00	0.00	270.49
			TQ	0.00	0.00	0.00	0.00	0.00	0.00	0.00	0.00	0.00	0.00	0.00	0.00	0.00
			M3	-51.28	0.00	245.85	53.00	0.00	237.26	-7.87	0.00	109.87	75.05	0.00	0.00	331.84
MIN	S2	-61.88	0.00	202.90	-61.88	0.00	-168.39	-22.49	0.00	66.26	-22.49	0.00	0.00	-68.71		
	TQ	0.00	0.00	0.00	0.00	0.00	0.00	0.00	0.00	0.00	0.00	0.00	0.00	0.00		
	M3	54.60	0.00	-257.40	-49.68	0.00	-228.88	73.76	0.00	-303.38	-9.17	0.00	0.00	-130.05		
71	3-LANES (caseTRUCK-LOAD	MAX	S2	133.41	0.00	-331.01	133.41	0.00	469.48	160.07	0.00	-378.16	160.07	0.00	582.24	
			TQ	0.00	0.00	0.00	0.00	0.00	0.00	0.00	0.00	0.00	0.00	0.00	0.00	
			M3	-49.46	0.00	176.78	116.72	0.00	511.14	0.06	0.00	85.04	150.94	0.00	0.00	606.87
		MIN	S2	-49.62	0.00	176.58	-49.62	0.00	-121.12	-18.42	0.00	38.23	-18.42	0.00	0.00	-72.27
			TQ	0.00	0.00	0.00	0.00	0.00	0.00	0.00	0.00	0.00	0.00	0.00	0.00	0.00
			M3	122.46	0.00	-454.72	-18.58	0.00	-290.47	148.93	0.00	-501.42	12.86	0.00	0.00	-214.81



BAGO RIVER BRIDGE

BLOCK [ No.2 : CROSS BEAM ][ BEAM MEMBER FORCE ]

MEMBER		1002037						1002039								
NODE		2037			3037			2039			3039					
		SHEAR	TORQUE	MOMENT	SHEAR	TORQUE	MOMENT	SHEAR	TORQUE	MOMENT	SHEAR	TORQUE	MOMENT			
NAME	TITLE	S2 (kN)	TQ (kN·m)	M3 (kN·m)	S2 (kN)	TQ (kN·m)	M3 (kN·m)	S2 (kN)	TQ (kN·m)	M3 (kN·m)	S2 (kN)	TQ (kN·m)	M3 (kN·m)			
71	3-LANES (caseTANDEM-LOAD	MAX	S2	101.78	0.00	-252.86	101.78	0.00	357.83	119.85	0.00	-285.56	119.85	0.00	433.56	
			TQ	0.00	0.00	0.00	0.00	0.00	0.00	0.00	0.00	0.00	0.00	0.00	0.00	
			M3	-26.27	0.00	120.56	88.41	0.00	385.09	-3.54	0.00	59.22	113.79	0.00	455.94	
		MIN	S2	-33.82	0.00	120.41	-33.82	0.00	-82.52	-12.56	0.00	26.17	-12.56	0.00	-49.19	
			TQ	0.00	0.00	0.00	0.00	0.00	0.00	0.00	0.00	0.00	0.00	0.00	0.00	
			M3	89.89	0.00	-333.83	-15.13	0.00	-219.99	107.58	0.00	-365.09	6.19	0.00	-168.58	
	DISPERSION-LMAX		S2	68.68	0.00	-233.62	68.68	0.00	178.46	90.17	0.00	-266.88	90.17	0.00	274.15	
			TQ	0.00	0.00	0.00	0.00	0.00	0.00	0.00	0.00	0.00	0.00	0.00	0.00	
			M3	-71.15	0.00	313.19	55.73	0.00	241.53	-16.92	0.00	127.57	76.84	0.00	335.50	
		MIN	S2	-81.40	0.00	272.10	-81.40	0.00	-216.28	-30.11	0.00	90.58	-30.11	0.00	-90.10	
			TQ	0.00	0.00	0.00	0.00	0.00	0.00	0.00	0.00	0.00	0.00	0.00	0.00	
			M3	58.44	0.00	-274.71	-68.44	0.00	-279.35	76.98	0.00	-303.86	-16.79	0.00	-151.45	
72	4-LANES	TRUCK-LOAD	MAX	S2	6.34	0.00	-25.03	6.34	0.00	13.02	2.07	0.00	0.80	2.07	0.00	13.20
			TQ	0.00	0.00	0.00	0.00	0.00	0.00	0.00	0.00	0.00	0.00	0.00	0.00	0.00
			M3	-51.24	0.00	184.09	6.32	0.00	13.06	-17.27	0.00	36.18	2.05	0.00	13.44	
		MIN	S2	-51.24	0.00	184.09	-51.24	0.00	-123.38	-18.64	0.00	32.08	-18.64	0.00	-79.77	
			TQ	0.00	0.00	0.00	0.00	0.00	0.00	0.00	0.00	0.00	0.00	0.00	0.00	
			M3	6.34	0.00	-25.08	-51.24	0.00	-123.38	0.30	0.00	-4.23	-18.64	0.00	-79.77	
	TANDEM-LOAD	MAX	S2	4.32	0.00	-17.06	4.32	0.00	8.87	1.41	0.00	0.57	1.41	0.00	9.01	
			TQ	0.00	0.00	0.00	0.00	0.00	0.00	0.00	0.00	0.00	0.00	0.00	0.00	
			M3	-36.05	0.00	129.28	4.31	0.00	8.89	-12.18	0.00	25.92	1.39	0.00	9.14	
		MIN	S2	-36.05	0.00	129.28	-36.05	0.00	-87.04	-13.15	0.00	23.21	-13.15	0.00	-55.70	
			TQ	0.00	0.00	0.00	0.00	0.00	0.00	0.00	0.00	0.00	0.00	0.00	0.00	
			M3	4.32	0.00	-17.07	-36.05	0.00	-87.04	0.18	0.00	-2.91	-13.15	0.00	-55.70	

BAGO RIVER BRIDGE

BLOCK [ No.2 : CROSS BEAM ][ BEAM MEMBER FORCE ]

MEMBER			1002037						1002039								
NODE			2037			3037			2039			3039					
			SHEAR	TORQUE	MOMENT	SHEAR	TORQUE	MOMENT	SHEAR	TORQUE	MOMENT	SHEAR	TORQUE	MOMENT			
NAME	TITLE		S2 (kN)	TQ (kN·m)	M3 (kN·m)	S2 (kN)	TQ (kN·m)	M3 (kN·m)	S2 (kN)	TQ (kN·m)	M3 (kN·m)	S2 (kN)	TQ (kN·m)	M3 (kN·m)			
72	4-LANES	DISPERSION-LMAX	S2	7.79	0.00	-30.83	7.79	0.00	15.89	2.52	0.00	1.36	2.52	0.00	16.51		
			TQ	0.00	0.00	0.00	0.00	0.00	0.00	0.00	0.00	0.00	0.00	0.00	0.00	0.00	
			M3	-31.97	0.00	115.81	7.76	0.00	15.90	-9.74	0.00	22.56	2.52	0.00	0.00	16.51	
		MIN	S2	-31.97	0.00	115.81	-31.97	0.00	-75.99	-11.49	0.00	17.46	-11.49	0.00	0.00	-51.50	
			TQ	0.00	0.00	0.00	0.00	0.00	0.00	0.00	0.00	0.00	0.00	0.00	0.00	0.00	
			M3	7.79	0.00	-30.83	-31.93	0.00	-75.99	0.77	0.00	-3.56	-11.49	0.00	0.00	-51.50	
		73	6-LANES	TRUCK-LOAD MAX	S2	152.66	0.00	-350.72	152.66	0.00	565.22	160.91	0.00	-358.48	160.91	0.00	606.97
					TQ	0.00	0.00	0.00	0.00	0.00	0.00	0.00	0.00	0.00	0.00	0.00	0.00
					M3	-121.10	0.00	676.71	109.74	0.00	643.38	-122.84	0.00	707.79	121.40	0.00	0.00
MIN	S2			-167.79	0.00	616.21	-167.79	0.00	-390.56	-166.87	0.00	566.37	-166.87	0.00	0.00	-434.85	
	TQ			0.00	0.00	0.00	0.00	0.00	0.00	0.00	0.00	0.00	0.00	0.00	0.00	0.00	
	M3			69.52	0.00	-689.06	-75.76	0.00	-709.01	69.20	0.00	-657.07	-74.86	0.00	0.00	-678.26	
TANDEM-LOAD MAX	S2			114.24	0.00	-263.22	114.24	0.00	422.23	119.88	0.00	-268.21	119.88	0.00	0.00	451.06	
	TQ			0.00	0.00	0.00	0.00	0.00	0.00	0.00	0.00	0.00	0.00	0.00	0.00	0.00	
	M3			-102.86	0.00	501.42	91.42	0.00	476.39	-100.72	0.00	525.36	97.61	0.00	0.00	521.19	
MIN	S2	-124.55	0.00	456.67	-124.55	0.00	-290.65	-123.93	0.00	442.97	-123.93	0.00	0.00	-300.63			
	TQ	0.00	0.00	0.00	0.00	0.00	0.00	0.00	0.00	0.00	0.00	0.00	0.00	0.00			
	M3	51.99	0.00	-510.86	-56.16	0.00	-524.84	51.29	0.00	-485.95	-55.05	0.00	0.00	-500.52			
DISPERSION-LMAX	S2	112.61	0.00	-369.60	112.61	0.00	306.06	105.35	0.00	-302.50	105.35	0.00	0.00	329.61			
	TQ	0.00	0.00	0.00	0.00	0.00	0.00	0.00	0.00	0.00	0.00	0.00	0.00	0.00			
	M3	-113.33	0.00	519.08	90.12	0.00	415.43	-88.61	0.00	460.24	77.39	0.00	0.00	426.26			
MIN	S2	-136.84	0.00	411.22	-136.84	0.00	-409.84	-116.89	0.00	360.84	-116.89	0.00	0.00	-340.49			
	TQ	0.00	0.00	0.00	0.00	0.00	0.00	0.00	0.00	0.00	0.00	0.00	0.00	0.00			
	M3	87.23	0.00	-481.81	-112.71	0.00	-523.45	75.14	0.00	-415.49	-86.92	0.00	0.00	-450.55			

BAGO RIVER BRIDGE

BLOCK [ No.2 : CROSS BEAM ][ BEAM MEMBER FORCE ]

MEMBER			1002037						1002039						
NODE			2037			3037			2039			3039			
NAME TITLE			SHEAR	TORQUE	MOMENT	SHEAR	TORQUE	MOMENT	SHEAR	TORQUE	MOMENT	SHEAR	TORQUE	MOMENT	
			S2 (kN)	TQ (kN·m)	M3 (kN·m)	S2 (kN)	TQ (kN·m)	M3 (kN·m)	S2 (kN)	TQ (kN·m)	M3 (kN·m)	S2 (kN)	TQ (kN·m)	M3 (kN·m)	
124	SUM TOTAL	D+1LANE (caseMAX	S2	-23.53	0.00	-57.75	-23.53	0.00	-198.94	-16.38	0.00	118.14	-16.38	0.00	19.86
			TQ	-78.62	0.00	135.77	-78.62	0.00	-335.95	-38.58	0.00	194.30	-38.58	0.00	-37.18
			M3	-84.40	0.00	144.90	-24.39	0.00	-169.09	-83.63	0.00	280.40	-21.04	0.00	29.93
		MIN	S2	-122.02	0.00	14.80	-122.02	0.00	-717.34	-115.90	0.00	177.36	-115.90	0.00	-518.03
			TQ	-78.62	0.00	135.77	-78.62	0.00	-335.95	-38.58	0.00	194.30	-38.58	0.00	-37.18
			M3	-68.40	0.00	-361.38	-106.07	0.00	-897.34	-68.81	0.00	-128.28	-102.26	0.00	-668.63
		D+1LANE (caseMAX	S2	-64.32	0.00	97.70	-64.32	0.00	-288.25	-31.73	0.00	163.61	-31.73	0.00	-26.75
			TQ	-78.62	0.00	135.77	-78.62	0.00	-335.95	-38.58	0.00	194.30	-38.58	0.00	-37.18
			M3	-179.51	0.00	738.82	-90.57	0.00	-242.86	-150.30	0.00	883.55	-64.41	0.00	60.45
		MIN	S2	-180.11	0.00	736.40	-180.11	0.00	-344.26	-151.13	0.00	878.80	-151.13	0.00	-28.00
			TQ	-78.62	0.00	135.77	-78.62	0.00	-335.95	-38.58	0.00	194.30	-38.58	0.00	-37.18
			M3	-65.19	0.00	94.08	-168.89	0.00	-373.06	-32.59	0.00	158.71	-134.57	0.00	-71.49
		D+1LANE (caseMAX	S2	24.57	0.00	125.53	24.57	0.00	272.94	70.95	0.00	208.35	70.95	0.00	634.05
			TQ	-78.62	0.00	135.77	-78.62	0.00	-335.95	-38.58	0.00	194.30	-38.58	0.00	-37.18
			M3	-72.02	0.00	255.55	23.77	0.00	276.95	-16.15	0.00	307.50	69.70	0.00	640.68
		MIN	S2	-96.09	0.00	209.25	-96.09	0.00	-367.30	-45.55	0.00	227.85	-45.55	0.00	-45.44
			TQ	-78.62	0.00	135.77	-78.62	0.00	-335.95	-38.58	0.00	194.30	-38.58	0.00	-37.18
			M3	12.73	0.00	100.83	-93.86	0.00	-378.08	55.39	0.00	162.72	-43.16	0.00	-65.42
		D+1LANE (caseMAX	S2	-36.46	0.00	-221.96	-36.46	0.00	-440.72	36.68	0.00	-267.90	36.68	0.00	-47.83
			TQ	-78.62	0.00	135.77	-78.62	0.00	-335.95	-38.58	0.00	194.30	-38.58	0.00	-37.18
			M3	-150.53	0.00	390.74	-70.04	0.00	-319.92	-61.85	0.00	271.12	11.51	0.00	47.30
		MIN	S2	-151.39	0.00	363.59	-151.39	0.00	-544.76	-65.69	0.00	265.61	-65.69	0.00	-128.51
			TQ	-78.62	0.00	135.77	-78.62	0.00	-335.95	-38.58	0.00	194.30	-38.58	0.00	-37.18
			M3	-50.27	0.00	-397.33	-100.65	0.00	-818.69	23.27	0.00	-418.65	-13.96	0.00	-365.12

BAGO RIVER BRIDGE

BLOCK [ No.2 : CROSS BEAM ][ BEAM MEMBER FORCE ]

MEMBER			1002037						1002039						
NODE			2037			3037			2039			3039			
NAME TITLE			SHEAR	TORQUE	MOMENT	SHEAR	TORQUE	MOMENT	SHEAR	TORQUE	MOMENT	SHEAR	TORQUE	MOMENT	
			S2 (kN)	TQ (kN·m)	M3 (kN·m)	S2 (kN)	TQ (kN·m)	M3 (kN·m)	S2 (kN)	TQ (kN·m)	M3 (kN·m)	S2 (kN)	TQ (kN·m)	M3 (kN·m)	
124	SUM TOTAL	D+2LANES (casMAX	S2	-4.17	0.00	-107.07	-4.17	0.00	-132.06	-7.97	0.00	87.43	-7.97	0.00	39.64
			TQ	-78.62	0.00	135.77	-78.62	0.00	-335.95	-38.58	0.00	194.30	-38.58	0.00	-37.18
			M3	-159.77	0.00	352.46	-5.02	0.00	-106.92	-172.99	0.00	575.72	-15.63	0.00	60.20
		MIN	S2	-192.67	0.00	242.89	-192.67	0.00	-913.11	-200.74	0.00	487.57	-200.74	0.00	-716.86
			TQ	-78.62	0.00	135.77	-78.62	0.00	-335.95	-38.58	0.00	194.30	-38.58	0.00	-37.18
			M3	-43.10	0.00	-361.24	-179.24	0.00	-1063.38	-52.58	0.00	-120.31	-188.20	0.00	-845.50
		D+2LANES (casMAX	S2	-38.16	0.00	22.47	-38.16	0.00	-206.48	-20.75	0.00	125.32	-20.75	0.00	0.80
			TQ	-78.62	0.00	135.77	-78.62	0.00	-335.95	-38.58	0.00	194.30	-38.58	0.00	-37.18
			M3	-239.03	0.00	847.39	-60.16	0.00	-168.39	-228.55	0.00	1078.34	-51.77	0.00	85.64
		MIN	S2	-241.07	0.00	844.23	-241.07	0.00	-602.21	-230.10	0.00	1072.10	-230.10	0.00	-308.50
			TQ	-78.62	0.00	135.77	-78.62	0.00	-335.95	-38.58	0.00	194.30	-38.58	0.00	-37.18
			M3	-40.43	0.00	18.31	-231.59	0.00	-626.48	-22.40	0.00	118.85	-215.12	0.00	-347.88
		D+2LANES (casMAX	S2	85.99	0.00	-114.49	85.99	0.00	401.46	147.77	0.00	-61.02	147.77	0.00	825.57
			TQ	-78.62	0.00	135.77	-78.62	0.00	-335.95	-38.58	0.00	194.30	-38.58	0.00	-37.18
			M3	-103.97	0.00	347.44	84.40	0.00	405.48	-29.96	0.00	333.01	146.29	0.00	832.27
		MIN	S2	-124.22	0.00	308.37	-124.22	0.00	-436.97	-55.80	0.00	262.84	-55.80	0.00	-71.99
			TQ	-78.62	0.00	135.77	-78.62	0.00	-335.95	-38.58	0.00	194.30	-38.58	0.00	-37.18
			M3	75.66	0.00	-136.68	-121.17	0.00	-446.91	133.61	0.00	-101.93	-53.30	0.00	-102.17
		D+2LANES (casMAX	S2	35.74	0.00	-412.48	35.74	0.00	-198.02	119.84	0.00	-460.52	119.84	0.00	258.49
			TQ	-78.62	0.00	135.77	-78.62	0.00	-335.95	-38.58	0.00	194.30	-38.58	0.00	-37.18
			M3	-181.86	0.00	504.53	6.71	0.00	-96.61	-70.93	0.00	309.82	98.42	0.00	338.94
		MIN	S2	-182.70	0.00	481.54	-182.70	0.00	-614.63	-77.33	0.00	296.60	-77.33	0.00	-167.40
			TQ	-78.62	0.00	135.77	-78.62	0.00	-335.95	-38.58	0.00	194.30	-38.58	0.00	-37.18
			M3	24.11	0.00	-558.98	-139.37	0.00	-843.65	107.82	0.00	-588.02	-33.77	0.00	-365.76

BAGO RIVER BRIDGE

BLOCK [ No.2 : CROSS BEAM ][ BEAM MEMBER FORCE ]

MEMBER			1002037						1002039							
NODE			2037			3037			2039			3039				
NAME TITLE			SHEAR	TORQUE	MOMENT	SHEAR	TORQUE	MOMENT	SHEAR	TORQUE	MOMENT	SHEAR	TORQUE	MOMENT		
			S2 (kN)	TQ (kN·m)	M3 (kN·m)	S2 (kN)	TQ (kN·m)	M3 (kN·m)	S2 (kN)	TQ (kN·m)	M3 (kN·m)	S2 (kN)	TQ (kN·m)	M3 (kN·m)		
124	SUM TOTAL	D+3LANES (casMAX	S2	-5.21	0.00	-97.61	-5.21	0.00	-128.86	-7.70	0.00	81.72	-7.70	0.00	35.50	
			TQ	-78.62	0.00	135.77	-78.62	0.00	-335.95	-38.58	0.00	194.30	-38.58	0.00	-37.18	
			M3	-219.06	0.00	747.11	-24.52	0.00	-75.34	-231.96	0.00	1006.72	-37.37	0.00	114.75	
		MIN	S2	-247.45	0.00	652.27	-247.45	0.00	-832.42	-256.14	0.00	928.43	-256.14	0.00	-608.41	
			TQ	-78.62	0.00	135.77	-78.62	0.00	-335.95	-38.58	0.00	194.30	-38.58	0.00	-37.18	
			M3	-38.92	0.00	-316.22	-228.09	0.00	-980.55	-46.24	0.00	-98.33	-233.75	0.00	-748.56	
		D+3LANES (casMAX	S2	90.32	0.00	-324.94	90.32	0.00	217.00	172.45	0.00	-347.16	172.45	0.00	687.54	
			TQ	-78.62	0.00	135.77	-78.62	0.00	-335.95	-38.58	0.00	194.30	-38.58	0.00	-37.18	
			M3	-140.74	0.00	459.17	65.09	0.00	302.00	-45.22	0.00	359.98	152.96	0.00	760.47	
		MIN	S2	-158.46	0.00	407.29	-158.46	0.00	-543.49	-68.36	0.00	290.43	-68.36	0.00	-119.70	
			TQ	-78.62	0.00	135.77	-78.62	0.00	-335.95	-38.58	0.00	194.30	-38.58	0.00	-37.18	
			M3	71.84	0.00	-467.35	-125.34	0.00	-755.70	150.70	0.00	-489.78	-31.50	0.00	-318.71	
		D+3LANES (casMAX	S2	93.16	0.00	-344.17	93.16	0.00	214.80	174.12	0.00	-353.97	174.12	0.00	690.75	
			TQ	-78.62	0.00	135.77	-78.62	0.00	-335.95	-38.58	0.00	194.30	-38.58	0.00	-37.18	
			M3	-181.14	0.00	552.24	67.96	0.00	303.83	-52.91	0.00	375.02	155.04	0.00	763.83	
		MIN	S2	-189.98	0.00	517.15	-189.98	0.00	-622.73	-79.83	0.00	303.79	-79.83	0.00	-175.19	
			TQ	-78.62	0.00	135.77	-78.62	0.00	-335.95	-38.58	0.00	194.30	-38.58	0.00	-37.18	
			M3	75.14	0.00	-484.25	-152.59	0.00	-820.29	153.44	0.00	-490.18	-41.92	0.00	-348.50	
		D+4LANES	MAX	S2	-69.44	0.00	99.46	-69.44	0.00	-317.16	-35.60	0.00	195.71	-35.60	0.00	-17.87
			TQ	-78.62	0.00	135.77	-78.62	0.00	-335.95	-38.58	0.00	194.30	-38.58	0.00	-37.18	
			M3	-132.71	0.00	330.71	-69.47	0.00	-317.13	-56.14	0.00	232.49	-35.61	0.00	-17.71	
		MIN	S2	-132.71	0.00	330.71	-132.71	0.00	-465.54	-58.17	0.00	226.51	-58.17	0.00	-122.51	
			TQ	-78.62	0.00	135.77	-78.62	0.00	-335.95	-38.58	0.00	194.30	-38.58	0.00	-37.18	
			M3	-69.44	0.00	99.43	-132.69	0.00	-465.54	-37.89	0.00	189.24	-58.17	0.00	-122.51	

BAGO RIVER BRIDGE

BLOCK [ No.2 : CROSS BEAM ][ BEAM MEMBER FORCE ]

MEMBER					1002037						1002039					
NODE					2037			3037			2039			3039		
NAME TITLE					SHEAR	TORQUE	MOMENT	SHEAR	TORQUE	MOMENT	SHEAR	TORQUE	MOMENT	SHEAR	TORQUE	MOMENT
					S2 (kN)	TQ (kN·m)	M3 (kN·m)	S2 (kN)	TQ (kN·m)	M3 (kN·m)	S2 (kN)	TQ (kN·m)	M3 (kN·m)	S2 (kN)	TQ (kN·m)	M3 (kN·m)
124	SUM TOTAL	D+6LANES	MAX	S2	93.80	0.00	-332.44	93.80	0.00	230.38	134.49	0.00	-235.33	134.49	0.00	571.60
				TQ	-78.62	0.00	135.77	-78.62	0.00	-335.95	-38.58	0.00	194.30	-38.58	0.00	-37.18
				M3	-231.00	0.00	913.04	51.29	0.00	352.28	-176.02	0.00	953.52	90.63	0.00	694.11
			MIN	S2	-276.63	0.00	803.60	-276.63	0.00	-856.20	-223.03	0.00	797.00	-223.03	0.00	-541.15
				TQ	-78.62	0.00	135.77	-78.62	0.00	-335.95	-38.58	0.00	194.30	-38.58	0.00	-37.18
				M3	23.27	0.00	-625.30	-201.13	0.00	-1137.05	55.24	0.00	-502.86	-143.74	0.00	-770.91
	SUM TOTAL		MAX		93.80	0.00	913.04	93.80	0.00	405.48	174.12	0.00	1078.34	174.12	0.00	832.27
			MIN		-276.63	0.00	-625.30	-276.63	0.00	-1137.05	-256.14	0.00	-588.02	-256.14	0.00	-845.50
300	DEAD LOAD	TOTAL			-78.62	0.00	135.77	-78.62	0.00	-335.95	-38.58	0.00	194.30	-38.58	0.00	-37.18
301	LIVE LOAD	1-LANE(case1MAX	S2		55.09	0.00	-193.52	55.09	0.00	137.01	22.20	0.00	-76.17	22.20	0.00	57.04
			TQ		0.00	0.00	0.00	0.00	0.00	0.00	0.00	0.00	0.00	0.00	0.00	0.00
			M3		-5.78	0.00	9.13	54.23	0.00	166.85	-45.05	0.00	86.10	17.54	0.00	67.11
			MIN	S2	-43.40	0.00	-120.97	-43.40	0.00	-381.39	-77.32	0.00	-16.94	-77.32	0.00	-480.85
				TQ	0.00	0.00	0.00	0.00	0.00	0.00	0.00	0.00	0.00	0.00	0.00	0.00
				M3	10.22	0.00	-497.15	-27.45	0.00	-561.39	-30.23	0.00	-322.58	-63.68	0.00	-631.45
		1-LANE(case2MAX	S2		14.30	0.00	-38.07	14.30	0.00	47.70	6.85	0.00	-30.69	6.85	0.00	10.43
			TQ		0.00	0.00	0.00	0.00	0.00	0.00	0.00	0.00	0.00	0.00	0.00	0.00
			M3		-100.89	0.00	603.05	-11.95	0.00	93.09	-111.72	0.00	689.24	-25.83	0.00	97.63
			MIN	S2	-101.49	0.00	600.64	-101.49	0.00	-8.31	-112.55	0.00	684.49	-112.55	0.00	9.18
				TQ	0.00	0.00	0.00	0.00	0.00	0.00	0.00	0.00	0.00	0.00	0.00	0.00
				M3	13.43	0.00	-41.69	-90.27	0.00	-37.12	5.99	0.00	-35.59	-95.99	0.00	-34.31
		1-LANE(case3MAX	S2		103.19	0.00	-10.24	103.19	0.00	608.89	109.53	0.00	14.05	109.53	0.00	671.23
			TQ		0.00	0.00	0.00	0.00	0.00	0.00	0.00	0.00	0.00	0.00	0.00	0.00
			M3		6.60	0.00	119.78	102.39	0.00	612.90	22.43	0.00	113.19	108.29	0.00	677.86
			MIN	S2	-17.47	0.00	73.48	-17.47	0.00	-31.35	-6.97	0.00	33.55	-6.97	0.00	-8.26
				TQ	0.00	0.00	0.00	0.00	0.00	0.00	0.00	0.00	0.00	0.00	0.00	0.00
				M3	91.35	0.00	-34.94	-15.24	0.00	-42.13	93.97	0.00	-31.58	-4.58	0.00	-28.24

BAGO RIVER BRIDGE

BLOCK [ No.2 : CROSS BEAM ][ BEAM MEMBER FORCE ]

MEMBER			1002037						1002039						
NODE			2037			3037			2039			3039			
NAME TITLE			SHEAR	TORQUE	MOMENT	SHEAR	TORQUE	MOMENT	SHEAR	TORQUE	MOMENT	SHEAR	TORQUE	MOMENT	
			S2 (kN)	TQ (kN·m)	M3 (kN·m)	S2 (kN)	TQ (kN·m)	M3 (kN·m)	S2 (kN)	TQ (kN·m)	M3 (kN·m)	S2 (kN)	TQ (kN·m)	M3 (kN·m)	
301	LIVE LOAD	1-LANE (case4MAX	S2	42.16	0.00	-357.73	42.16	0.00	-104.77	75.26	0.00	-462.20	75.26	0.00	-10.65
			TQ	0.00	0.00	0.00	0.00	0.00	0.00	0.00	0.00	0.00	0.00	0.00	0.00
			M3	-71.91	0.00	254.97	8.58	0.00	16.03	-23.27	0.00	76.81	50.09	0.00	84.48
		MIN	S2	-72.77	0.00	227.82	-72.77	0.00	-208.81	-27.11	0.00	71.31	-27.11	0.00	-91.33
			TQ	0.00	0.00	0.00	0.00	0.00	0.00	0.00	0.00	0.00	0.00	0.00	0.00
			M3	28.35	0.00	-533.10	-22.03	0.00	-482.75	61.85	0.00	-612.95	24.62	0.00	-327.94
		2-LANES (caseMAX	S2	74.45	0.00	-242.84	74.45	0.00	203.89	30.62	0.00	-106.88	30.62	0.00	76.82
			TQ	0.00	0.00	0.00	0.00	0.00	0.00	0.00	0.00	0.00	0.00	0.00	0.00
			M3	-81.15	0.00	216.69	73.60	0.00	229.02	-134.41	0.00	381.42	22.95	0.00	97.38
		MIN	S2	-114.05	0.00	107.12	-114.05	0.00	-577.16	-162.16	0.00	293.27	-162.16	0.00	-679.68
			TQ	0.00	0.00	0.00	0.00	0.00	0.00	0.00	0.00	0.00	0.00	0.00	0.00
			M3	35.52	0.00	-497.01	-100.62	0.00	-727.43	-14.00	0.00	-314.62	-149.62	0.00	-808.32
		2-LANES (caseMAX	S2	40.46	0.00	-113.30	40.46	0.00	129.47	17.83	0.00	-68.98	17.83	0.00	37.97
			TQ	0.00	0.00	0.00	0.00	0.00	0.00	0.00	0.00	0.00	0.00	0.00	0.00
			M3	-160.41	0.00	711.62	18.46	0.00	167.55	-189.97	0.00	884.04	-13.19	0.00	122.82
		MIN	S2	-162.45	0.00	708.46	-162.45	0.00	-266.26	-191.52	0.00	877.80	-191.52	0.00	-271.33
			TQ	0.00	0.00	0.00	0.00	0.00	0.00	0.00	0.00	0.00	0.00	0.00	0.00
			M3	38.19	0.00	-117.46	-152.97	0.00	-290.53	16.18	0.00	-75.46	-176.54	0.00	-310.71
		2-LANES (caseMAX	S2	164.61	0.00	-250.25	164.61	0.00	737.41	186.35	0.00	-255.32	186.35	0.00	862.75
			TQ	0.00	0.00	0.00	0.00	0.00	0.00	0.00	0.00	0.00	0.00	0.00	0.00
			M3	-25.35	0.00	211.67	163.02	0.00	741.43	8.62	0.00	138.71	184.87	0.00	869.45
		MIN	S2	-45.60	0.00	172.60	-45.60	0.00	-101.02	-17.22	0.00	68.53	-17.22	0.00	-34.81
			TQ	0.00	0.00	0.00	0.00	0.00	0.00	0.00	0.00	0.00	0.00	0.00	0.00
			M3	154.28	0.00	-272.45	-42.55	0.00	-110.96	172.19	0.00	-296.24	-14.72	0.00	-65.00

BAGO RIVER BRIDGE

BLOCK [ No.2 : CROSS BEAM ][ BEAM MEMBER FORCE ]

MEMBER			1002037						1002039							
NODE			2037			3037			2039			3039				
NAME TITLE			SHEAR	TORQUE	MOMENT	SHEAR	TORQUE	MOMENT	SHEAR	TORQUE	MOMENT	SHEAR	TORQUE	MOMENT		
			S2 (kN)	TQ (kN·m)	M3 (kN·m)	S2 (kN)	TQ (kN·m)	M3 (kN·m)	S2 (kN)	TQ (kN·m)	M3 (kN·m)	S2 (kN)	TQ (kN·m)	M3 (kN·m)		
301	LIVE LOAD	2-LANES (caseMAX	S2	114.36	0.00	-548.25	114.36	0.00	137.93	158.42	0.00	-654.83	158.42	0.00	295.67	
			TQ	0.00	0.00	0.00	0.00	0.00	0.00	0.00	0.00	0.00	0.00	0.00	0.00	0.00
			M3	-103.24	0.00	368.76	85.33	0.00	239.34	-32.35	0.00	115.52	137.01	0.00	0.00	376.12
			MIN S2	-104.08	0.00	345.77	-104.08	0.00	-278.68	-38.75	0.00	102.30	-38.75	0.00	0.00	-130.22
			TQ	0.00	0.00	0.00	0.00	0.00	0.00	0.00	0.00	0.00	0.00	0.00	0.00	0.00
			M3	102.73	0.00	-694.75	-60.75	0.00	-507.70	146.40	0.00	-782.33	4.81	0.00	0.00	-328.58
		3-LANES (caseMAX	S2	73.41	0.00	-233.38	73.41	0.00	207.09	30.88	0.00	-112.59	30.88	0.00	0.00	72.68
			TQ	0.00	0.00	0.00	0.00	0.00	0.00	0.00	0.00	0.00	0.00	0.00	0.00	0.00
			M3	-140.44	0.00	611.34	54.10	0.00	260.61	-193.38	0.00	812.42	1.21	0.00	0.00	151.93
			MIN S2	-168.83	0.00	516.50	-168.83	0.00	-496.48	-217.56	0.00	734.13	-217.56	0.00	0.00	-571.23
			TQ	0.00	0.00	0.00	0.00	0.00	0.00	0.00	0.00	0.00	0.00	0.00	0.00	0.00
			M3	39.70	0.00	-451.99	-149.47	0.00	-644.60	-7.66	0.00	-292.64	-195.16	0.00	0.00	-711.38
		3-LANES (caseMAX	S2	168.94	0.00	-460.70	168.94	0.00	552.94	211.03	0.00	-541.47	211.03	0.00	0.00	724.72
			TQ	0.00	0.00	0.00	0.00	0.00	0.00	0.00	0.00	0.00	0.00	0.00	0.00	0.00
			M3	-62.12	0.00	323.40	143.71	0.00	637.95	-6.64	0.00	165.67	191.54	0.00	0.00	797.65
			MIN S2	-79.84	0.00	271.52	-79.84	0.00	-207.54	-29.77	0.00	96.13	-29.77	0.00	0.00	-82.52
			TQ	0.00	0.00	0.00	0.00	0.00	0.00	0.00	0.00	0.00	0.00	0.00	0.00	0.00
			M3	150.46	0.00	-603.12	-46.72	0.00	-419.75	189.29	0.00	-684.08	7.08	0.00	0.00	-281.53
		3-LANES (caseMAX	S2	171.78	0.00	-479.94	171.78	0.00	550.74	212.70	0.00	-548.28	212.70	0.00	0.00	727.93
			TQ	0.00	0.00	0.00	0.00	0.00	0.00	0.00	0.00	0.00	0.00	0.00	0.00	0.00
			M3	-102.52	0.00	416.47	146.58	0.00	639.77	-14.33	0.00	180.71	193.62	0.00	0.00	801.01
			MIN S2	-111.36	0.00	381.38	-111.36	0.00	-286.78	-41.25	0.00	109.49	-41.25	0.00	0.00	-138.01
			TQ	0.00	0.00	0.00	0.00	0.00	0.00	0.00	0.00	0.00	0.00	0.00	0.00	0.00
			M3	153.76	0.00	-620.02	-73.97	0.00	-484.34	192.03	0.00	-684.48	-3.34	0.00	0.00	-311.32



BAGO RIVER BRIDGE

BLOCK [ No.2 : CROSS BEAM ][ BEAM MEMBER FORCE ]

MEMBER					1002037						1002039						
NODE					2037			3037			2039			3039			
NAME TITLE					SHEAR	TORQUE	MOMENT	SHEAR	TORQUE	MOMENT	SHEAR	TORQUE	MOMENT	SHEAR	TORQUE	MOMENT	
					S2 (kN)	TQ (kN·m)	M3 (kN·m)	S2 (kN)	TQ (kN·m)	M3 (kN·m)	S2 (kN)	TQ (kN·m)	M3 (kN·m)	S2 (kN)	TQ (kN·m)	M3 (kN·m)	
301	LIVE LOAD	4-LANES	MAX	S2	9.18	0.00	-36.31	9.18	0.00	18.79	2.98	0.00	1.41	2.98	0.00	19.31	
				TQ	0.00	0.00	0.00	0.00	0.00	0.00	0.00	0.00	0.00	0.00	0.00	0.00	0.00
				M3	-54.09	0.00	194.94	9.15	0.00	18.82	-17.55	0.00	38.18	2.97	0.00	19.47	
			MIN	S2	-54.09	0.00	194.94	-54.09	0.00	-129.59	-19.59	0.00	32.20	-19.59	0.00	-85.33	
				TQ	0.00	0.00	0.00	0.00	0.00	0.00	0.00	0.00	0.00	0.00	0.00	0.00	
				M3	9.18	0.00	-36.34	-54.07	0.00	-129.59	0.70	0.00	-5.06	-19.59	0.00	-85.33	
		6-LANES	MAX	S2	172.42	0.00	-468.21	172.42	0.00	566.33	173.07	0.00	-429.64	173.07	0.00	608.78	
				TQ	0.00	0.00	0.00	0.00	0.00	0.00	0.00	0.00	0.00	0.00	0.00	0.00	
				M3	-152.38	0.00	777.27	129.91	0.00	688.23	-137.44	0.00	759.22	129.21	0.00	731.29	
			MIN	S2	-198.01	0.00	667.83	-198.01	0.00	-520.26	-184.44	0.00	602.69	-184.44	0.00	-503.97	
				TQ	0.00	0.00	0.00	0.00	0.00	0.00	0.00	0.00	0.00	0.00	0.00	0.00	
				M3	101.89	0.00	-761.07	-122.51	0.00	-801.10	93.82	0.00	-697.16	-105.16	0.00	-733.73	
		LIVE LOAD	MAX		172.42	0.00	777.27	172.42	0.00	741.43	212.70	0.00	884.04	212.70	0.00	869.45	
			MIN		-198.01	0.00	-761.07	-198.01	0.00	-801.10	-217.56	0.00	-782.33	-217.56	0.00	-808.32	
		303	SUM TOTAL	TOTAL	MAX		93.80	0.00	913.04	93.80	0.00	405.48	174.12	0.00	1078.34	174.12	0.00
MIN					-276.63	0.00	-625.30	-276.63	0.00	-1137.05	-256.14	0.00	-588.02	-256.14	0.00	-845.50	

BAGO RIVER BRIDGE

BLOCK [ No.2 : CROSS BEAM ][ BEAM MEMBER FORCE ]

MEMBER NODE	1002041 2041	3041			1002043 2043			3043							
		SHEAR S2 (kN)	TORQUE TQ (kN·m)	MOMENT M3 (kN·m)	SHEAR S2 (kN)	TORQUE TQ (kN·m)	MOMENT M3 (kN·m)	SHEAR S2 (kN)	TORQUE TQ (kN·m)	MOMENT M3 (kN·m)					
1 PAVEMENT	-5.00	0.00	-11.55	-5.00	0.00	-41.56	19.13	0.00	-42.56	19.13	0.00	72.25			
3 RAILING	-0.14	0.00	-21.26	-0.14	0.00	-22.11	0.56	0.00	-22.74	0.56	0.00	-19.41			
5 CURB	-1.41	0.00	-210.46	-1.41	0.00	-218.92	5.50	0.00	-225.10	5.50	0.00	-192.12			
7 DECK WEIGHT	-7.96	0.00	-34.75	-7.96	0.00	-82.49	31.44	0.00	-82.40	31.44	0.00	106.27			
8 GIRDER WEIGH	-9.72	0.00	125.34	-9.72	0.00	66.99	45.86	0.00	60.20	45.86	0.00	335.43			
10 MEDIAN STRIP	-1.86	0.00	149.97	-1.86	0.00	138.81	10.25	0.00	149.74	10.25	0.00	211.24			
21 ADITIONAL WE	-2.23	0.00	-9.73	-2.23	0.00	-23.10	8.80	0.00	-23.07	8.80	0.00	29.76			
31 MEDIAN RAILI	-0.10	0.00	11.23	-0.10	0.00	10.64	0.64	0.00	10.66	0.64	0.00	14.52			
51 SUPPORT WEIG	-0.00	0.00	0.00	-0.00	0.00	0.00	-0.00	0.00	0.00	-0.00	0.00	0.00			
52 NOSE WEIGHT	-0.00	0.00	0.00	-0.00	0.00	-0.00	-0.00	0.00	0.00	-0.00	0.00	-0.00			
61 1-LANE(case1TRUCK-LOAD	MAX	S2	2.82	0.00	-9.30	2.82	0.00	7.61	0.39	0.00	-3.40	0.39	0.00	-1.09	
		TQ	0.00	0.00	0.00	0.00	0.00	0.00	0.00	0.00	0.00	0.00	0.00	0.00	
		M3	-27.60	0.00	52.56	2.80	0.00	7.62	-30.11	0.00	54.98	0.19	0.00	1.53	
	MIN	S2	-39.42	0.00	19.64	-39.42	0.00	-216.88	-41.43	0.00	22.32	-41.43	0.00	-226.31	
		TQ	0.00	0.00	0.00	0.00	0.00	0.00	0.00	0.00	0.00	0.00	0.00	0.00	
		M3	-27.43	0.00	-173.30	-27.43	0.00	-337.91	-27.72	0.00	-160.83	-28.34	0.00	-328.08	
	TANDEM-LOAD	MAX	S2	1.92	0.00	-6.35	1.92	0.00	5.16	0.27	0.00	-2.41	0.27	0.00	-0.82
		TQ	0.00	0.00	0.00	0.00	0.00	0.00	0.00	0.00	0.00	0.00	0.00	0.00	
		M3	-23.23	0.00	39.83	1.91	0.00	5.20	-24.95	0.00	41.35	0.13	0.00	1.04	
	MIN	S2	-28.74	0.00	13.31	-28.74	0.00	-159.10	-30.03	0.00	15.12	-30.03	0.00	-165.08	
		TQ	0.00	0.00	0.00	0.00	0.00	0.00	0.00	0.00	0.00	0.00	0.00	0.00	
		M3	-16.24	0.00	-138.87	-16.24	0.00	-236.31	-16.40	0.00	-129.95	-16.57	0.00	-228.60	
DISPERSION-LMAX	S2	3.37	0.00	-9.42	3.37	0.00	10.82	0.48	0.00	-2.98	0.48	0.00	-0.09		
	TQ	0.00	0.00	0.00	0.00	0.00	0.00	0.00	0.00	0.00	0.00	0.00	0.00		
	M3	-24.24	0.00	43.02	3.15	0.00	11.75	-27.24	0.00	49.21	0.07	0.00	2.29		
MIN	S2	-38.76	0.00	-14.80	-38.76	0.00	-247.35	-41.06	0.00	-4.17	-41.06	0.00	-250.59		
	TQ	0.00	0.00	0.00	0.00	0.00	0.00	0.00	0.00	0.00	0.00	0.00	0.00		
	M3	-11.14	0.00	-67.24	-38.54	0.00	-248.28	-13.34	0.00	-56.35	-40.66	0.00	-252.96		

BAGO RIVER BRIDGE

BLOCK [ No.2 : CROSS BEAM ][ BEAM MEMBER FORCE ]

MEMBER NODE	1002041 2041	3041			1002043 2043			3043						
		SHEAR	TORQUE	MOMENT	SHEAR	TORQUE	MOMENT	SHEAR	TORQUE	MOMENT				
		S2 (kN)	TQ (kN·m)	M3 (kN·m)	S2 (kN)	TQ (kN·m)	M3 (kN·m)	S2 (kN)	TQ (kN·m)	M3 (kN·m)				
62 1-LANE (case2TRUCK-LOAD	MAX	S2	0.97	0.00	-4.01	0.97	0.00	1.83	0.47	0.00	6.65	0.47	0.00	9.46
		TQ	0.00	0.00	0.00	0.00	0.00	0.00	0.00	0.00	0.00	0.00	0.00	0.00
		M3	-65.92	0.00	361.70	-12.58	0.00	24.91	-60.88	0.00	358.81	-10.88	0.00	42.41
	MIN	S2	-65.92	0.00	361.70	-65.92	0.00	-33.84	-60.88	0.00	358.81	-60.88	0.00	-6.51
		TQ	0.00	0.00	0.00	0.00	0.00	0.00	0.00	0.00	0.00	0.00	0.00	0.00
		M3	0.97	0.00	-4.02	-65.92	0.00	-33.84	-0.48	0.00	-1.49	-60.62	0.00	-7.84
	TANDEM-LOAD MAX	S2	0.66	0.00	-2.74	0.66	0.00	1.24	0.34	0.00	4.05	0.34	0.00	6.09
		TQ	0.00	0.00	0.00	0.00	0.00	0.00	0.00	0.00	0.00	0.00	0.00	0.00
		M3	-49.92	0.00	269.90	-5.83	0.00	18.84	-46.10	0.00	265.60	-4.69	0.00	30.30
	MIN	S2	-49.92	0.00	269.90	-49.92	0.00	-29.59	-46.10	0.00	265.60	-46.10	0.00	-11.02
		TQ	0.00	0.00	0.00	0.00	0.00	0.00	0.00	0.00	0.00	0.00	0.00	0.00
		M3	0.66	0.00	-2.74	-49.92	0.00	-29.59	-0.33	0.00	-1.02	-46.02	0.00	-11.39
	DISPERSION-LMAX	S2	1.12	0.00	-3.99	1.12	0.00	2.70	0.65	0.00	7.33	0.65	0.00	11.24
		TQ	0.00	0.00	0.00	0.00	0.00	0.00	0.00	0.00	0.00	0.00	0.00	0.00
		M3	-31.01	0.00	193.66	-10.62	0.00	27.51	-26.07	0.00	194.75	-11.62	0.00	49.77
MIN	S2	-31.03	0.00	192.98	-31.03	0.00	6.78	-27.37	0.00	185.71	-27.37	0.00	21.46	
	TQ	0.00	0.00	0.00	0.00	0.00	0.00	0.00	0.00	0.00	0.00	0.00	0.00	
	M3	1.09	0.00	-4.67	-19.30	0.00	-18.03	-0.65	0.00	-1.71	-15.09	0.00	-17.06	
63 1-LANE (case3TRUCK-LOAD	MAX	S2	65.50	0.00	-29.81	65.50	0.00	363.16	72.75	0.00	-36.50	72.75	0.00	400.09
		TQ	0.00	0.00	0.00	0.00	0.00	0.00	0.00	0.00	0.00	0.00	0.00	0.00
		M3	10.29	0.00	32.90	65.50	0.00	363.16	19.04	0.00	21.30	72.75	0.00	400.09
	MIN	S2	-0.74	0.00	7.19	-0.74	0.00	2.72	-1.10	0.00	0.38	-1.10	0.00	-6.24
		TQ	0.00	0.00	0.00	0.00	0.00	0.00	0.00	0.00	0.00	0.00	0.00	0.00
		M3	65.50	0.00	-29.81	-0.44	0.00	-2.54	72.53	0.00	-37.87	-1.10	0.00	-6.26

BAGO RIVER BRIDGE

BLOCK [ No.2 : CROSS BEAM ][ BEAM MEMBER FORCE ]

MEMBER		1002041			1002043											
NODE		2041			2043											
		SHEAR	TORQUE	MOMENT	SHEAR	TORQUE	MOMENT									
NAME	TITLE	S2 (kN)	TQ (kN·m)	M3 (kN·m)	S2 (kN)	TQ (kN·m)	M3 (kN·m)									
63	1-LANE (case3TANDEM-LOAD	MAX	S2	49.67	0.00	-26.92	49.67	0.00	271.12	54.60	0.00	-31.92	54.60	0.00	295.72	
			TQ	0.00	0.00	0.00	0.00	0.00	0.00	0.00	0.00	0.00	0.00	0.00	0.00	0.00
			M3	4.25	0.00	24.04	49.67	0.00	271.12	10.03	0.00	16.56	54.60	0.00	0.00	295.72
		MIN	S2	-0.52	0.00	4.72	-0.52	0.00	1.63	-0.75	0.00	0.25	-0.75	0.00	0.00	-4.26
			TQ	0.00	0.00	0.00	0.00	0.00	0.00	0.00	0.00	0.00	0.00	0.00	0.00	0.00
			M3	49.67	0.00	-26.92	-0.30	0.00	-1.72	54.54	0.00	-32.31	-0.75	0.00	0.00	-4.26
		DISPERSION-LMAX	S2	28.81	0.00	11.26	28.81	0.00	184.14	40.00	0.00	1.05	40.00	0.00	241.07	
			TQ	0.00	0.00	0.00	0.00	0.00	0.00	0.00	0.00	0.00	0.00	0.00	0.00	
			M3	10.19	0.00	32.65	28.39	0.00	186.80	15.22	0.00	21.49	40.00	0.00	241.07	
		MIN	S2	-0.89	0.00	5.05	-0.89	0.00	-0.31	-1.30	0.00	0.42	-1.30	0.00	-7.39	
			TQ	0.00	0.00	0.00	0.00	0.00	0.00	0.00	0.00	0.00	0.00	0.00	0.00	
			M3	17.73	0.00	-16.34	-0.47	0.00	-2.96	23.47	0.00	-20.02	-1.30	0.00	-7.39	
64	1-LANE (case4TRUCK-LOAD	MAX	S2	38.42	0.00	-211.41	38.42	0.00	19.11	50.18	0.00	-238.29	50.18	0.00	62.83	
			TQ	0.00	0.00	0.00	0.00	0.00	0.00	0.00	0.00	0.00	0.00	0.00	0.00	
			M3	-3.14	0.00	8.03	25.76	0.00	48.46	-2.25	0.00	4.14	37.35	0.00	87.57	
		MIN	S2	-3.15	0.00	8.00	-3.15	0.00	-10.90	-2.25	0.00	4.11	-2.25	0.00	-9.40	
			TQ	0.00	0.00	0.00	0.00	0.00	0.00	0.00	0.00	0.00	0.00	0.00	0.00	
			M3	27.10	0.00	-326.16	27.10	0.00	-163.57	38.67	0.00	-337.07	37.96	0.00	-108.24	
		TANDEM-LOAD	MAX	S2	28.21	0.00	-155.65	28.21	0.00	13.61	36.12	0.00	-173.40	36.12	0.00	43.35
			TQ	0.00	0.00	0.00	0.00	0.00	0.00	0.00	0.00	0.00	0.00	0.00	0.00	
			M3	-2.14	0.00	5.47	22.28	0.00	38.52	-1.53	0.00	2.82	30.24	0.00	65.16	
		MIN	S2	-2.15	0.00	5.46	-2.15	0.00	-7.43	-1.53	0.00	2.78	-1.53	0.00	-6.42	
			TQ	0.00	0.00	0.00	0.00	0.00	0.00	0.00	0.00	0.00	0.00	0.00	0.00	
			M3	15.99	0.00	-228.23	15.99	0.00	-132.32	23.70	0.00	-233.92	23.50	0.00	-92.59	

BAGO RIVER BRIDGE

BLOCK [ No.2 : CROSS BEAM ][ BEAM MEMBER FORCE ]

MEMBER NODE	1002041 2041	3041			1002043 2043			3043						
		SHEAR S2 (kN)	TORQUE TQ (kN·m)	MOMENT M3 (kN·m)	SHEAR S2 (kN)	TORQUE TQ (kN·m)	MOMENT M3 (kN·m)	SHEAR S2 (kN)	TORQUE TQ (kN·m)	MOMENT M3 (kN·m)				
64	1-LANE (case4DISPERSION-LMAX	S2	36.70	0.00	-233.58	36.70	0.00	-13.39	53.89	0.00	-267.59	53.89	0.00	55.82
		TQ	0.00	0.00	0.00	0.00	0.00	0.00	0.00	0.00	0.00	0.00	0.00	0.00
		M3	-4.01	0.00	12.32	23.72	0.00	39.15	-2.52	0.00	4.60	41.95	0.00	89.21
	MIN	S2	-4.07	0.00	12.12	-4.07	0.00	-12.31	-2.57	0.00	4.59	-2.57	0.00	-10.83
		TQ	0.00	0.00	0.00	0.00	0.00	0.00	0.00	0.00	0.00	0.00	0.00	0.00
		M3	36.64	0.00	-233.78	8.91	0.00	-64.85	53.84	0.00	-267.60	9.38	0.00	-44.22
65	2-LANES (caseTRUCK-LOAD	MAX	S2	4.72	0.00	-15.97	4.72	0.00	12.33	0.61	0.00	-3.14	0.61	0.00
			TQ	0.00	0.00	0.00	0.00	0.00	0.00	0.00	0.00	0.00	0.00	0.00
			M3	-91.91	0.00	233.99	2.79	0.00	13.51	-92.06	0.00	240.22	-0.29	0.00
	MIN	S2	-103.84	0.00	200.24	-103.84	0.00	-422.78	-103.38	0.00	207.56	-103.38	0.00	-412.85
			TQ	0.00	0.00	0.00	0.00	0.00	0.00	0.00	0.00	0.00	0.00	0.00
			M3	-25.54	0.00	-179.97	-91.85	0.00	-543.81	-27.81	0.00	-163.58	-90.00	0.00
	TANDEM-LOAD	MAX	S2	3.21	0.00	-10.90	3.21	0.00	8.37	0.42	0.00	-2.23	0.42	0.00
			TQ	0.00	0.00	0.00	0.00	0.00	0.00	0.00	0.00	0.00	0.00	0.00
			M3	-70.09	0.00	171.32	1.78	0.00	9.26	-69.84	0.00	174.13	-0.37	0.00
	MIN	S2	-75.62	0.00	144.57	-75.62	0.00	-309.14	-74.91	0.00	147.90	-74.91	0.00	-301.65
			TQ	0.00	0.00	0.00	0.00	0.00	0.00	0.00	0.00	0.00	0.00	0.00
			M3	-14.95	0.00	-143.42	-63.12	0.00	-386.34	-16.47	0.00	-131.82	-61.37	0.00
	DISPERSION-LMAX	S2	5.61	0.00	-15.77	5.61	0.00	17.89	0.80	0.00	-2.86	0.80	0.00	1.94
			TQ	0.00	0.00	0.00	0.00	0.00	0.00	0.00	0.00	0.00	0.00	0.00
			M3	-65.17	0.00	170.39	4.91	0.00	20.45	-66.80	0.00	182.99	-0.63	0.00
	MIN	S2	-79.82	0.00	111.30	-79.82	0.00	-367.65	-81.15	0.00	126.39	-81.15	0.00	-360.61
			TQ	0.00	0.00	0.00	0.00	0.00	0.00	0.00	0.00	0.00	0.00	0.00
			M3	-9.04	0.00	-74.86	-79.12	0.00	-370.20	-13.55	0.00	-59.45	-79.72	0.00

BAGO RIVER BRIDGE

BLOCK [ No.2 : CROSS BEAM ][ BEAM MEMBER FORCE ]

MEMBER				1002041			1002043									
NODE				2041	3041		2043	3043								
				SHEAR	TORQUE	MOMENT	SHEAR	TORQUE	MOMENT	SHEAR	TORQUE	MOMENT				
NAME	TITLE			S2 (kN)	TQ (kN·m)	M3 (kN·m)	S2 (kN)	TQ (kN·m)	M3 (kN·m)	S2 (kN)	TQ (kN·m)	M3 (kN·m)				
66	2-LANES (caseTRUCK-LOAD	MAX	S2	2.87	0.00	-10.68	2.87	0.00	6.56	0.69	0.00	6.91	0.69	0.00	11.05	
			TQ	0.00	0.00	0.00	0.00	0.00	0.00	0.00	0.00	0.00	0.00	0.00	0.00	0.00
			M3	-130.24	0.00	543.13	-12.60	0.00	30.79	-122.83	0.00	544.05	-11.36	0.00	47.33	
		MIN	S2	-130.34	0.00	542.30	-130.34	0.00	-239.74	-122.83	0.00	544.05	-122.83	0.00	-193.06	
			TQ	0.00	0.00	0.00	0.00	0.00	0.00	0.00	0.00	0.00	0.00	0.00	0.00	0.00
			M3	2.87	0.00	-10.69	-130.34	0.00	-239.74	-0.56	0.00	-4.24	-122.28	0.00	-195.00	
		TANDEM-LOAD MAX	S2	1.96	0.00	-7.29	1.96	0.00	4.44	0.49	0.00	4.24	0.49	0.00	7.18	
			TQ	0.00	0.00	0.00	0.00	0.00	0.00	0.00	0.00	0.00	0.00	0.00	0.00	0.00
			M3	-96.77	0.00	401.39	-5.95	0.00	22.90	-90.98	0.00	398.39	-5.20	0.00	33.72	
		MIN	S2	-96.80	0.00	401.16	-96.80	0.00	-179.63	-90.98	0.00	398.39	-90.98	0.00	-147.58	
			TQ	0.00	0.00	0.00	0.00	0.00	0.00	0.00	0.00	0.00	0.00	0.00	0.00	0.00
			M3	1.95	0.00	-7.30	-96.80	0.00	-179.63	-0.40	0.00	-2.89	-90.83	0.00	-148.13	
		DISPERSION-LMAX	S2	3.35	0.00	-10.34	3.35	0.00	9.77	0.97	0.00	7.45	0.97	0.00	13.27	
			TQ	0.00	0.00	0.00	0.00	0.00	0.00	0.00	0.00	0.00	0.00	0.00	0.00	0.00
			M3	-71.94	0.00	321.03	-8.86	0.00	36.21	-65.63	0.00	328.53	-12.33	0.00	54.64	
MIN	S2	-72.10	0.00	319.09	-72.10	0.00	-113.52	-67.46	0.00	316.26	-67.46	0.00	-88.56			
	TQ	0.00	0.00	0.00	0.00	0.00	0.00	0.00	0.00	0.00	0.00	0.00	0.00	0.00		
	M3	3.19	0.00	-12.29	-59.89	0.00	-139.95	-0.86	0.00	-4.81	-54.16	0.00	-129.93			
67	2-LANES (caseTRUCK-LOAD	MAX	S2	129.49	0.00	-227.82	129.49	0.00	549.10	145.87	0.00	-242.97	145.87	0.00	632.41	
			TQ	0.00	0.00	0.00	0.00	0.00	0.00	0.00	0.00	0.00	0.00	0.00	0.00	
			M3	9.43	0.00	40.00	129.10	0.00	549.25	17.61	0.00	23.02	145.87	0.00	632.41	
		MIN	S2	-2.12	0.00	10.05	-2.12	0.00	-2.66	-2.59	0.00	2.01	-2.59	0.00	-13.52	
			TQ	0.00	0.00	0.00	0.00	0.00	0.00	0.00	0.00	0.00	0.00	0.00	0.00	0.00
			M3	129.49	0.00	-227.82	-1.81	0.00	-7.94	145.24	0.00	-244.76	-2.59	0.00	-13.55	

BAGO RIVER BRIDGE

BLOCK [ No.2 : CROSS BEAM ][ BEAM MEMBER FORCE ]

MEMBER		1002041			1002043			1002043			1002043				
NODE		2041			3041			2043			3043				
NAME TITLE		SHEAR	TORQUE	MOMENT	SHEAR	TORQUE	MOMENT	SHEAR	TORQUE	MOMENT	SHEAR	TORQUE	MOMENT		
		S2 (kN)	TQ (kN·m)	M3 (kN·m)	S2 (kN)	TQ (kN·m)	M3 (kN·m)	S2 (kN)	TQ (kN·m)	M3 (kN·m)	S2 (kN)	TQ (kN·m)	M3 (kN·m)		
67	2-LANES (caseTANDEM-LOAD MAX	S2	96.30	0.00	-171.59	96.30	0.00	406.23	107.40	0.00	-181.86	107.40	0.00	462.66	
		TQ	0.00	0.00	0.00	0.00	0.00	0.00	0.00	0.00	0.00	0.00	0.00	0.00	
		M3	3.66	0.00	28.98	96.20	0.00	406.27	9.06	0.00	17.73	107.40	0.00	462.66	
	MIN	S2	-1.45	0.00	6.69	-1.45	0.00	-2.03	-1.76	0.00	1.34	-1.76	0.00	-9.23	
		TQ	0.00	0.00	0.00	0.00	0.00	0.00	0.00	0.00	0.00	0.00	0.00	0.00	
		M3	96.30	0.00	-171.59	-1.23	0.00	-5.40	107.22	0.00	-182.36	-1.76	0.00	-9.23	
	DISPERSION-LMAX	S2	67.58	0.00	-99.31	67.58	0.00	306.18	93.01	0.00	-131.87	93.01	0.00	426.30	
		TQ	0.00	0.00	0.00	0.00	0.00	0.00	0.00	0.00	0.00	0.00	0.00	0.00	
		M3	8.71	0.00	40.33	66.85	0.00	309.73	14.04	0.00	23.59	93.01	0.00	426.30	
	MIN	S2	-2.88	0.00	11.69	-2.88	0.00	-5.62	-3.04	0.00	2.26	-3.04	0.00	-15.95	
		TQ	0.00	0.00	0.00	0.00	0.00	0.00	0.00	0.00	0.00	0.00	0.00	0.00	
		M3	55.99	0.00	-127.95	-2.16	0.00	-9.16	75.94	0.00	-153.19	-3.04	0.00	-15.95	
	68	2-LANES (caseTRUCK-LOAD MAX	S2	102.41	0.00	-409.41	102.41	0.00	205.05	123.30	0.00	-444.76	123.30	0.00	295.17
			TQ	0.00	0.00	0.00	0.00	0.00	0.00	0.00	0.00	0.00	0.00	0.00	0.00
			M3	-4.00	0.00	15.14	89.37	0.00	234.55	-4.11	0.00	7.01	110.48	0.00	319.91
MIN		S2	-5.38	0.00	13.29	-5.38	0.00	-18.98	-4.12	0.00	6.98	-4.12	0.00	-17.75	
		TQ	0.00	0.00	0.00	0.00	0.00	0.00	0.00	0.00	0.00	0.00	0.00	0.00	
		M3	91.09	0.00	-524.17	24.87	0.00	-171.65	111.38	0.00	-543.96	36.09	0.00	-116.59	
TANDEM-LOAD MAX		S2	74.84	0.00	-300.32	74.84	0.00	148.72	88.92	0.00	-323.34	88.92	0.00	210.29	
		TQ	0.00	0.00	0.00	0.00	0.00	0.00	0.00	0.00	0.00	0.00	0.00	0.00	
		M3	-2.73	0.00	10.41	68.80	0.00	173.67	-2.79	0.00	4.78	83.05	0.00	232.11	
MIN		S2	-3.66	0.00	9.07	-3.66	0.00	-12.91	-2.81	0.00	4.73	-2.81	0.00	-12.12	
		TQ	0.00	0.00	0.00	0.00	0.00	0.00	0.00	0.00	0.00	0.00	0.00	0.00	
		M3	62.61	0.00	-372.90	14.47	0.00	-137.82	76.39	0.00	-383.98	22.23	0.00	-98.30	

BAGO RIVER BRIDGE

BLOCK [ No.2 : CROSS BEAM ][ BEAM MEMBER FORCE ]

MEMBER NODE	1002041 2041	3041			1002043 2043			3043							
		SHEAR S2 (kN)	TORQUE TQ (kN·m)	MOMENT M3 (kN·m)	SHEAR S2 (kN)	TORQUE TQ (kN·m)	MOMENT M3 (kN·m)	SHEAR S2 (kN)	TORQUE TQ (kN·m)	MOMENT M3 (kN·m)					
68	2-LANES (caseDISPERSION-LMAX	S2	75.68	0.00	-344.88	75.68	0.00	109.17	106.99	0.00	-400.80	106.99	0.00	241.26	
		TQ	0.00	0.00	0.00	0.00	0.00	0.00	0.00	0.00	0.00	0.00	0.00	0.00	
		M3	-6.54	0.00	22.75	62.40	0.00	162.61	-4.10	0.00	8.02	95.04	0.00	274.65	
	MIN	S2	-7.02	0.00	21.60	-7.02	0.00	-20.52	-4.71	0.00	7.75	-4.71	0.00	-20.49	
		TQ	0.00	0.00	0.00	0.00	0.00	0.00	0.00	0.00	0.00	0.00	0.00	0.00	
		M3	75.19	0.00	-346.02	6.26	0.00	-73.96	106.39	0.00	-401.07	7.24	0.00	-53.88	
69	3-LANES (caseTRUCK-LOAD	MAX	S2	5.69	0.00	-19.97	5.69	0.00	14.16	1.07	0.00	3.51	1.07	0.00	9.96
		TQ	0.00	0.00	0.00	0.00	0.00	0.00	0.00	0.00	0.00	0.00	0.00	0.00	
		M3	-157.84	0.00	595.69	-9.80	0.00	38.42	-152.94	0.00	599.03	-11.17	0.00	48.86	
	MIN	S2	-169.76	0.00	561.94	-169.76	0.00	-456.62	-164.26	0.00	566.37	-164.26	0.00	-419.36	
		TQ	0.00	0.00	0.00	0.00	0.00	0.00	0.00	0.00	0.00	0.00	0.00	0.00	
		M3	-24.57	0.00	-183.99	-157.77	0.00	-577.65	-28.29	0.00	-165.07	-150.62	0.00	-523.08	
	TANDEM-LOAD	MAX	S2	3.87	0.00	-13.64	3.87	0.00	9.61	0.76	0.00	1.82	0.76	0.00	6.36
		TQ	0.00	0.00	0.00	0.00	0.00	0.00	0.00	0.00	0.00	0.00	0.00	0.00	
		M3	-120.00	0.00	441.22	-4.05	0.00	28.10	-115.93	0.00	439.73	-5.07	0.00	34.76	
	MIN	S2	-125.53	0.00	414.47	-125.53	0.00	-338.73	-121.01	0.00	413.50	-121.01	0.00	-312.67	
		TQ	0.00	0.00	0.00	0.00	0.00	0.00	0.00	0.00	0.00	0.00	0.00	0.00	
		M3	-14.29	0.00	-146.17	-113.04	0.00	-415.94	-16.80	0.00	-132.84	-107.40	0.00	-376.73	
	DISPERSION-LMAX	S2	6.73	0.00	-19.76	6.73	0.00	20.59	1.45	0.00	4.48	1.45	0.00	13.18	
		TQ	0.00	0.00	0.00	0.00	0.00	0.00	0.00	0.00	0.00	0.00	0.00	0.00	
		M3	-96.18	0.00	364.05	-5.71	0.00	47.96	-92.87	0.00	377.74	-12.25	0.00	56.93	
	MIN	S2	-110.86	0.00	304.29	-110.86	0.00	-360.86	-108.52	0.00	312.10	-108.52	0.00	-339.15	
		TQ	0.00	0.00	0.00	0.00	0.00	0.00	0.00	0.00	0.00	0.00	0.00	0.00	
		M3	-7.95	0.00	-79.53	-98.42	0.00	-388.23	-14.20	0.00	-61.16	-94.82	0.00	-382.89	



BAGO RIVER BRIDGE

BLOCK [ No.2 : CROSS BEAM ][ BEAM MEMBER FORCE ]

MEMBER				1002041						1002043						
NODE				2041			3041			2043			3043			
				SHEAR	TORQUE	MOMENT	SHEAR	TORQUE	MOMENT	SHEAR	TORQUE	MOMENT	SHEAR	TORQUE	MOMENT	
NAME	TITLE			S2 (kN)	TQ (kN·m)	M3 (kN·m)	S2 (kN)	TQ (kN·m)	M3 (kN·m)	S2 (kN)	TQ (kN·m)	M3 (kN·m)	S2 (kN)	TQ (kN·m)	M3 (kN·m)	
70	3-LANES (caseTRUCK-LOAD	MAX	S2	167.91	0.00	-439.22	167.91	0.00	568.21	196.05	0.00	-481.30	196.05	0.00	695.24	
			TQ	0.00	0.00	0.00	0.00	0.00	0.00	0.00	0.00	0.00	0.00	0.00	0.00	0.00
			M3	8.32	0.00	46.48	154.89	0.00	597.74	15.79	0.00	26.01	183.23	0.00	0.00	719.97
		MIN	S2	-4.42	0.00	15.63	-4.42	0.00	-10.90	-4.46	0.00	4.93	-4.46	0.00	0.00	-21.84
			TQ	0.00	0.00	0.00	0.00	0.00	0.00	0.00	0.00	0.00	0.00	0.00	0.00	0.00
			M3	156.58	0.00	-553.98	25.29	0.00	-171.51	183.88	0.00	-581.90	35.37	0.00	0.00	-121.88
		TANDEM-LOAD MAX	S2	124.51	0.00	-327.24	124.51	0.00	419.84	143.52	0.00	-355.31	143.52	0.00	0.00	505.98
			TQ	0.00	0.00	0.00	0.00	0.00	0.00	0.00	0.00	0.00	0.00	0.00	0.00	0.00
			M3	2.85	0.00	33.50	118.47	0.00	444.79	7.83	0.00	19.78	137.65	0.00	0.00	527.82
		MIN	S2	-3.02	0.00	10.54	-3.02	0.00	-7.61	-3.04	0.00	3.34	-3.04	0.00	0.00	-14.88
			TQ	0.00	0.00	0.00	0.00	0.00	0.00	0.00	0.00	0.00	0.00	0.00	0.00	0.00
			M3	112.29	0.00	-399.82	14.75	0.00	-137.72	130.92	0.00	-416.30	21.74	0.00	0.00	-101.83
		DISPERSION-LMAX	S2	104.10	0.00	-332.31	104.10	0.00	292.29	146.84	0.00	-399.38	146.84	0.00	0.00	481.82
			TQ	0.00	0.00	0.00	0.00	0.00	0.00	0.00	0.00	0.00	0.00	0.00	0.00	0.00
			M3	5.66	0.00	49.81	90.39	0.00	348.38	11.92	0.00	26.87	134.86	0.00	0.00	515.29
MIN	S2	-5.99	0.00	20.96	-5.99	0.00	-15.01	-5.20	0.00	5.54	-5.20	0.00	0.00	-25.69		
	TQ	0.00	0.00	0.00	0.00	0.00	0.00	0.00	0.00	0.00	0.00	0.00	0.00	0.00		
	M3	92.44	0.00	-361.16	7.71	0.00	-71.10	129.71	0.00	-420.71	6.78	0.00	0.00	-59.16		
71	3-LANES (caseTRUCK-LOAD	MAX	S2	167.91	0.00	-439.22	167.91	0.00	568.21	196.05	0.00	-481.24	196.05	0.00	695.26	
			TQ	0.00	0.00	0.00	0.00	0.00	0.00	0.00	0.00	0.00	0.00	0.00	0.00	
			M3	6.29	0.00	48.04	154.86	0.00	597.71	14.93	0.00	28.36	183.22	0.00	0.00	719.99
		MIN	S2	-6.69	0.00	15.89	-6.69	0.00	-24.26	-5.61	0.00	8.58	-5.61	0.00	0.00	-25.07
			TQ	0.00	0.00	0.00	0.00	0.00	0.00	0.00	0.00	0.00	0.00	0.00	0.00	0.00
			M3	156.58	0.00	-553.98	23.56	0.00	-176.93	183.91	0.00	-581.83	34.61	0.00	0.00	-123.91

BAGO RIVER BRIDGE

BLOCK [ No.2 : CROSS BEAM ][ BEAM MEMBER FORCE ]

MEMBER		1002041			1002043		
NODE		2041			2043		
		SHEAR	TORQUE	MOMENT	SHEAR	TORQUE	MOMENT
NAME	TITLE	S2 (kN)	TQ (kN·m)	M3 (kN·m)	S2 (kN)	TQ (kN·m)	M3 (kN·m)
71	3-LANES (caseTANDEM-LOAD	124.51	0.00	-327.24	124.51	0.00	419.84
	MAX	124.51	0.00	-327.24	124.51	0.00	419.84
	S2	124.51	0.00	-327.24	124.51	0.00	419.84
	TQ	0.00	0.00	0.00	0.00	0.00	0.00
	M3	1.52	0.00	34.46	118.47	0.00	444.79
	MIN	-4.56	0.00	10.86	-4.56	0.00	-16.53
	S2	-4.56	0.00	10.86	-4.56	0.00	-16.53
	TQ	0.00	0.00	0.00	0.00	0.00	0.00
	M3	112.29	0.00	-399.82	13.57	0.00	-141.43
	DISPERSION-LMAX	104.70	0.00	-334.08	104.70	0.00	294.10
	S2	104.70	0.00	-334.08	104.70	0.00	294.10
	TQ	0.00	0.00	0.00	0.00	0.00	0.00
	M3	2.55	0.00	57.31	91.00	0.00	350.02
	MIN	-8.87	0.00	29.28	-8.87	0.00	-23.95
	S2	-8.87	0.00	29.28	-8.87	0.00	-23.95
	TQ	0.00	0.00	0.00	0.00	0.00	0.00
	M3	93.28	0.00	-362.11	4.83	0.00	-79.87
72	4-LANES	0.68	0.00	-0.63	0.68	0.00	3.45
	TRUCK-LOAD	0.68	0.00	-0.63	0.68	0.00	3.45
	MAX	0.68	0.00	-0.63	0.68	0.00	3.45
	S2	0.68	0.00	-0.63	0.68	0.00	3.45
	TQ	0.00	0.00	0.00	0.00	0.00	0.00
	M3	-6.29	0.00	15.00	0.67	0.00	3.49
	MIN	-6.69	0.00	14.58	-6.69	0.00	-25.55
	S2	-6.69	0.00	14.58	-6.69	0.00	-25.55
	TQ	0.00	0.00	0.00	0.00	0.00	0.00
	M3	0.37	0.00	-1.23	-6.69	0.00	-25.55
	TANDEM-LOAD	0.46	0.00	-0.41	0.46	0.00	2.36
	MAX	0.46	0.00	-0.41	0.46	0.00	2.36
	S2	0.46	0.00	-0.41	0.46	0.00	2.36
	TQ	0.00	0.00	0.00	0.00	0.00	0.00
	M3	-4.44	0.00	10.67	0.46	0.00	2.37
	MIN	-4.73	0.00	10.42	-4.73	0.00	-17.94
	S2	-4.73	0.00	10.42	-4.73	0.00	-17.94
	TQ	0.00	0.00	0.00	0.00	0.00	0.00
	M3	0.26	0.00	-0.85	-4.73	0.00	-17.94

BAGO RIVER BRIDGE

BLOCK [ No.2 : CROSS BEAM ][ BEAM MEMBER FORCE ]

MEMBER			1002041			3041			1002043			3043					
NODE			2041			2043			2043			2043					
NAME TITLE			SHEAR	TORQUE	MOMENT	SHEAR	TORQUE	MOMENT	SHEAR	TORQUE	MOMENT	SHEAR	TORQUE	MOMENT			
			S2 (kN)	TQ (kN·m)	M3 (kN·m)	S2 (kN)	TQ (kN·m)	M3 (kN·m)	S2 (kN)	TQ (kN·m)	M3 (kN·m)	S2 (kN)	TQ (kN·m)	M3 (kN·m)			
72	4-LANES	DISPERSION-LMAX	S2	0.83	0.00	-0.76	0.83	0.00	4.19	1.69	0.00	-0.88	1.69	0.00	9.28		
			TQ	0.00	0.00	0.00	0.00	0.00	0.00	0.00	0.00	0.00	0.00	0.00	0.00	0.00	
			M3	-3.90	0.00	9.20	0.82	0.00	4.29	-3.97	0.00	5.15	1.69	0.00	0.00	9.28	
	MIN	S2	-4.10	0.00	8.62	-4.10	0.00	-15.96	-4.37	0.00	5.10	-4.37	0.00	0.00	-21.14		
		TQ	0.00	0.00	0.00	0.00	0.00	0.00	0.00	0.00	0.00	0.00	0.00	0.00	0.00		
		M3	0.63	0.00	-1.35	-4.09	0.00	-16.09	1.33	0.00	-0.92	-4.37	0.00	0.00	-21.14		
	73	6-LANES	TRUCK-LOAD	MAX	S2	161.02	0.00	-381.94	161.02	0.00	584.16	184.93	0.00	-399.29	184.93	0.00	710.49
				TQ	0.00	0.00	0.00	0.00	0.00	0.00	0.00	0.00	0.00	0.00	0.00	0.00	0.00
				M3	-137.42	0.00	659.73	131.71	0.00	650.56	-124.40	0.00	645.08	151.56	0.00	0.00	789.49
MIN		S2	-163.81	0.00	581.28	-163.81	0.00	-401.60	-156.64	0.00	578.47	-156.64	0.00	0.00	-361.54		
		TQ	0.00	0.00	0.00	0.00	0.00	0.00	0.00	0.00	0.00	0.00	0.00	0.00	0.00		
		M3	70.27	0.00	-669.54	-71.77	0.00	-681.61	90.89	0.00	-672.64	-60.05	0.00	0.00	-605.64		
TANDEM-LOAD		MAX	S2	119.30	0.00	-284.57	119.30	0.00	431.25	135.60	0.00	-296.54	135.60	0.00	0.00	517.24	
		TQ	0.00	0.00	0.00	0.00	0.00	0.00	0.00	0.00	0.00	0.00	0.00	0.00	0.00		
		M3	-105.34	0.00	488.00	101.66	0.00	483.24	-95.55	0.00	474.05	116.99	0.00	0.00	578.15		
MIN	S2	-121.02	0.00	428.27	-121.02	0.00	-297.82	-115.48	0.00	422.62	-115.48	0.00	0.00	-270.37			
	TQ	0.00	0.00	0.00	0.00	0.00	0.00	0.00	0.00	0.00	0.00	0.00	0.00	0.00			
	M3	51.58	0.00	-492.16	-52.63	0.00	-500.56	65.24	0.00	-491.85	-43.96	0.00	0.00	-445.45			
DISPERSION-LMAX	S2	105.57	0.00	-325.93	105.57	0.00	307.48	140.25	0.00	-365.95	140.25	0.00	0.00	475.70			
	TQ	0.00	0.00	0.00	0.00	0.00	0.00	0.00	0.00	0.00	0.00	0.00	0.00	0.00			
	M3	-87.75	0.00	407.15	79.91	0.00	385.73	-77.14	0.00	394.32	115.19	0.00	0.00	550.39			
MIN	S2	-113.42	0.00	324.16	-113.42	0.00	-356.36	-109.22	0.00	312.70	-109.22	0.00	0.00	-342.72			
	TQ	0.00	0.00	0.00	0.00	0.00	0.00	0.00	0.00	0.00	0.00	0.00	0.00	0.00			
	M3	77.96	0.00	-420.91	-86.09	0.00	-446.83	107.15	0.00	-458.71	-82.77	0.00	0.00	-425.63			

BAGO RIVER BRIDGE

BLOCK [ No.2 : CROSS BEAM ][ BEAM MEMBER FORCE ]

MEMBER			1002041			3041			1002043			3043			
NODE			2041			2043			2043			2043			
NAME TITLE			SHEAR	TORQUE	MOMENT	SHEAR	TORQUE	MOMENT	SHEAR	TORQUE	MOMENT	SHEAR	TORQUE	MOMENT	
			S2 (kN)	TQ (kN·m)	M3 (kN·m)	S2 (kN)	TQ (kN·m)	M3 (kN·m)	S2 (kN)	TQ (kN·m)	M3 (kN·m)	S2 (kN)	TQ (kN·m)	M3 (kN·m)	
124	SUM TOTAL	D+1LANE (caseMAX	S2	-20.99	0.00	-23.66	-20.99	0.00	-149.62	123.22	0.00	-182.92	123.22	0.00	556.54
			TQ	-28.42	0.00	-1.21	-28.42	0.00	-171.73	122.18	0.00	-175.26	122.18	0.00	557.95
			M3	-90.63	0.00	113.49	-21.27	0.00	-148.48	53.36	0.00	-50.24	122.50	0.00	562.53
		MIN	S2	-122.23	0.00	4.61	-122.23	0.00	-728.80	23.19	0.00	-153.49	23.19	0.00	-14.32
			TQ	-28.42	0.00	-1.21	-28.42	0.00	-171.73	122.18	0.00	-175.26	122.18	0.00	557.95
			M3	-74.71	0.00	-289.86	-107.58	0.00	-875.15	72.91	0.00	-435.88	39.38	0.00	-139.30
		D+1LANE (caseMAX	S2	-25.91	0.00	-10.81	-25.91	0.00	-166.29	123.52	0.00	-158.48	123.52	0.00	582.79
			TQ	-28.42	0.00	-1.21	-28.42	0.00	-171.73	122.18	0.00	-175.26	122.18	0.00	557.95
			M3	-144.74	0.00	665.23	-56.27	0.00	-108.83	17.84	0.00	489.01	95.18	0.00	668.57
		MIN	S2	-144.77	0.00	664.42	-144.77	0.00	-204.19	16.29	0.00	478.16	16.29	0.00	575.89
			TQ	-28.42	0.00	-1.21	-28.42	0.00	-171.73	122.18	0.00	-175.26	122.18	0.00	557.95
			M3	-25.95	0.00	-11.64	-130.69	0.00	-233.96	120.83	0.00	-179.11	31.32	0.00	528.06
		D+1LANE (caseMAX	S2	84.75	0.00	-23.46	84.75	0.00	485.04	257.47	0.00	-217.80	257.47	0.00	1327.34
			TQ	-28.42	0.00	-1.21	-28.42	0.00	-171.73	122.18	0.00	-175.26	122.18	0.00	557.95
			M3	-3.85	0.00	77.45	84.24	0.00	488.22	163.29	0.00	-123.91	257.47	0.00	1327.34
		MIN	S2	-30.39	0.00	13.47	-30.39	0.00	-168.84	119.30	0.00	-174.30	119.30	0.00	541.60
			TQ	-28.42	0.00	-1.21	-28.42	0.00	-171.73	122.18	0.00	-175.26	122.18	0.00	557.95
			M3	71.45	0.00	-56.59	-29.50	0.00	-178.33	237.39	0.00	-244.74	119.30	0.00	541.58
		D+1LANE (caseMAX	S2	61.72	0.00	-535.19	61.72	0.00	-164.86	247.06	0.00	-782.33	247.06	0.00	700.32
			TQ	-28.42	0.00	-1.21	-28.42	0.00	-171.73	122.18	0.00	-175.26	122.18	0.00	557.95
			M3	-37.00	0.00	23.21	30.96	0.00	-66.59	116.46	0.00	-164.78	217.34	0.00	770.08
		MIN	S2	-37.08	0.00	22.93	-37.08	0.00	-199.58	116.39	0.00	-164.82	116.39	0.00	533.68
			TQ	-28.42	0.00	-1.21	-28.42	0.00	-171.73	122.18	0.00	-175.26	122.18	0.00	557.95
			M3	48.07	0.00	-673.14	14.79	0.00	-445.83	233.19	0.00	-900.87	178.99	0.00	375.00

BAGO RIVER BRIDGE

BLOCK [ No.2 : CROSS BEAM ][ BEAM MEMBER FORCE ]

MEMBER			1002041			3041			1002043			3043			
NODE			2041			2043			2043			2043			
NAME TITLE			SHEAR	TORQUE	MOMENT	SHEAR	TORQUE	MOMENT	SHEAR	TORQUE	MOMENT	SHEAR	TORQUE	MOMENT	
			S2 (kN)	TQ (kN·m)	M3 (kN·m)	S2 (kN)	TQ (kN·m)	M3 (kN·m)	S2 (kN)	TQ (kN·m)	M3 (kN·m)	S2 (kN)	TQ (kN·m)	M3 (kN·m)	
124	SUM TOTAL	D+2LANES (casMAX	S2	-18.09	0.00	-32.94	-18.09	0.00	-141.51	123.59	0.00	-181.26	123.59	0.00	560.40
			TQ	-28.42	0.00	-1.21	-28.42	0.00	-171.73	122.18	0.00	-175.26	122.18	0.00	557.95
			M3	-185.51	0.00	403.17	-20.73	0.00	-137.77	-36.68	0.00	247.94	121.26	0.00	571.56
		MIN	S2	-212.08	0.00	310.33	-212.08	0.00	-962.16	-62.35	0.00	158.68	-62.35	0.00	-215.51
			TQ	-28.42	0.00	-1.21	-28.42	0.00	-171.73	122.18	0.00	-175.26	122.18	0.00	557.95
			M3	-63.00	0.00	-256.03	-199.39	0.00	-1085.74	80.82	0.00	-398.29	-47.55	0.00	-323.11
		D+2LANES (casMAX	S2	-22.20	0.00	-22.23	-22.20	0.00	-155.40	123.84	0.00	-160.90	123.84	0.00	582.28
			TQ	-28.42	0.00	-1.21	-28.42	0.00	-171.73	122.18	0.00	-175.26	122.18	0.00	557.95
			M3	-230.60	0.00	862.96	-49.88	0.00	-104.73	-66.27	0.00	697.31	98.49	0.00	659.92
		MIN	S2	-230.86	0.00	860.18	-230.86	0.00	-524.98	-68.11	0.00	685.05	-68.11	0.00	276.33
			TQ	-28.42	0.00	-1.21	-28.42	0.00	-171.73	122.18	0.00	-175.26	122.18	0.00	557.95
			M3	-22.36	0.00	-24.19	-218.65	0.00	-551.42	120.75	0.00	-184.31	-54.26	0.00	233.02
		D+2LANES (casMAX	S2	168.65	0.00	-328.33	168.65	0.00	683.56	361.06	0.00	-550.10	361.06	0.00	1616.66
			TQ	-28.42	0.00	-1.21	-28.42	0.00	-171.73	122.18	0.00	-175.26	122.18	0.00	557.95
			M3	-10.28	0.00	79.13	167.53	0.00	687.25	153.83	0.00	-128.65	361.06	0.00	1616.66
		MIN	S2	-33.42	0.00	20.53	-33.42	0.00	-180.01	116.56	0.00	-170.99	116.56	0.00	528.48
			TQ	-28.42	0.00	-1.21	-28.42	0.00	-171.73	122.18	0.00	-175.26	122.18	0.00	557.95
			M3	157.06	0.00	-356.98	-32.38	0.00	-188.83	343.36	0.00	-573.22	116.56	0.00	528.45
		D+2LANES (casMAX	S2	149.66	0.00	-755.49	149.66	0.00	142.50	352.47	0.00	-1020.83	352.47	0.00	1094.38
			TQ	-28.42	0.00	-1.21	-28.42	0.00	-171.73	122.18	0.00	-175.26	122.18	0.00	557.95
			M3	-38.95	0.00	36.68	123.35	0.00	225.43	113.97	0.00	-160.23	327.70	0.00	1152.51
		MIN	S2	-40.82	0.00	33.69	-40.82	0.00	-211.23	113.35	0.00	-160.53	113.35	0.00	519.71
			TQ	-28.42	0.00	-1.21	-28.42	0.00	-171.73	122.18	0.00	-175.26	122.18	0.00	557.95
			M3	137.86	0.00	-871.40	2.71	0.00	-417.34	339.94	0.00	-1120.29	165.51	0.00	387.48

BAGO RIVER BRIDGE

BLOCK [ No.2 : CROSS BEAM ][ BEAM MEMBER FORCE ]

MEMBER			1002041			3041			1002043			3043				
NODE			2041			2043			2043			2043				
NAME TITLE			SHEAR	TORQUE	MOMENT	SHEAR	TORQUE	MOMENT	SHEAR	TORQUE	MOMENT	SHEAR	TORQUE	MOMENT		
			S2 (kN)	TQ (kN·m)	M3 (kN·m)	S2 (kN)	TQ (kN·m)	M3 (kN·m)	S2 (kN)	TQ (kN·m)	M3 (kN·m)	S2 (kN)	TQ (kN·m)	M3 (kN·m)		
124	SUM TOTAL	D+3LANES (casMAX	S2	-17.87	0.00	-34.98	-17.87	0.00	-142.19	124.33	0.00	-168.47	124.33	0.00	577.63	
			TQ	-28.42	0.00	-1.21	-28.42	0.00	-171.73	122.18	0.00	-175.26	122.18	0.00	557.95	
			M3	-244.34	0.00	814.58	-41.60	0.00	-98.31	-86.75	0.00	654.99	102.27	0.00	647.87	
		MIN	S2	-266.95	0.00	735.09	-266.95	0.00	-866.59	-109.68	0.00	571.43	-109.68	0.00	-86.78	
			TQ	-28.42	0.00	-1.21	-28.42	0.00	-171.73	122.18	0.00	-175.26	122.18	0.00	557.95	
			M3	-56.06	0.00	-225.20	-246.19	0.00	-992.72	86.07	0.00	-367.56	-86.45	0.00	-212.13	
		D+3LANES (casMAX	S2	202.78	0.00	-657.01	202.78	0.00	559.70	413.64	0.00	-923.84	413.64	0.00	1558.46	
			TQ	-28.42	0.00	-1.21	-28.42	0.00	-171.73	122.18	0.00	-175.26	122.18	0.00	557.95	
			M3	-16.53	0.00	80.63	180.07	0.00	632.47	145.73	0.00	-130.31	392.55	0.00	1607.92	
		MIN	S2	-37.28	0.00	29.90	-37.28	0.00	-193.75	113.97	0.00	-166.37	113.97	0.00	517.55	
			TQ	-28.42	0.00	-1.21	-28.42	0.00	-171.73	122.18	0.00	-175.26	122.18	0.00	557.95	
			M3	183.25	0.00	-779.07	-0.36	0.00	-377.95	388.74	0.00	-1027.49	158.00	0.00	404.06	
		D+3LANES (casMAX	S2	203.29	0.00	-658.51	203.29	0.00	561.24	413.82	0.00	-924.34	413.82	0.00	1559.06	
			TQ	-28.42	0.00	-1.21	-28.42	0.00	-171.73	122.18	0.00	-175.26	122.18	0.00	557.95	
			M3	-20.91	0.00	88.34	180.56	0.00	633.85	143.54	0.00	-125.01	392.77	0.00	1608.47	
		MIN	S2	-41.65	0.00	37.19	-41.65	0.00	-212.71	111.97	0.00	-159.91	111.97	0.00	512.01	
			TQ	-28.42	0.00	-1.21	-28.42	0.00	-171.73	122.18	0.00	-175.26	122.18	0.00	557.95	
			M3	183.96	0.00	-779.88	-4.29	0.00	-390.01	389.39	0.00	-1027.93	156.30	0.00	399.61	
		D+4LANES	MAX	S2	-27.44	0.00	-2.11	-27.44	0.00	-166.76	124.18	0.00	-176.29	124.18	0.00	568.92
			TQ	-28.42	0.00	-1.21	-28.42	0.00	-171.73	122.18	0.00	-175.26	122.18	0.00	557.95	
			M3	-35.04	0.00	14.52	-27.45	0.00	-166.67	115.33	0.00	-166.43	124.18	0.00	568.93	
		MIN	S2	-35.43	0.00	13.87	-35.43	0.00	-198.71	115.07	0.00	-166.46	115.07	0.00	524.09	
			TQ	-28.42	0.00	-1.21	-28.42	0.00	-171.73	122.18	0.00	-175.26	122.18	0.00	557.95	
			M3	-27.77	0.00	-2.89	-35.43	0.00	-198.79	123.80	0.00	-176.35	115.07	0.00	524.09	

BAGO RIVER BRIDGE

BLOCK [ No.2 : CROSS BEAM ][ BEAM MEMBER FORCE ]

MEMBER					1002041			1002043								
NODE					2041			2043								
					SHEAR	TORQUE	MOMENT	SHEAR	TORQUE	MOMENT	SHEAR	TORQUE	MOMENT			
NAME TITLE					S2 (kN)	TQ (kN·m)	M3 (kN·m)	S2 (kN)	TQ (kN·m)	M3 (kN·m)	S2 (kN)	TQ (kN·m)	M3 (kN·m)			
124	SUM TOTAL	D+6LANES	MAX	S2	144.86	0.00	-461.32	144.86	0.00	407.84	333.55	0.00	-672.67	333.55	0.00	1328.98
				TQ	-28.42	0.00	-1.21	-28.42	0.00	-171.73	122.18	0.00	-175.26	122.18	0.00	557.95
				M3	-174.78	0.00	692.26	109.13	0.00	501.86	-8.82	0.00	500.35	295.57	0.00	1428.87
			MIN	S2	-208.62	0.00	587.33	-208.62	0.00	-664.40	-50.63	0.00	404.00	-50.63	0.00	100.18
				TQ	-28.42	0.00	-1.21	-28.42	0.00	-171.73	122.18	0.00	-175.26	122.18	0.00	557.95
				M3	67.93	0.00	-710.00	-131.03	0.00	-905.21	250.90	0.00	-910.64	29.35	0.00	-112.37
	SUM TOTAL		MAX		203.29	0.00	862.96	203.29	0.00	687.25	413.82	0.00	697.31	413.82	0.00	1616.66
			MIN		-266.95	0.00	-871.40	-266.95	0.00	-1085.74	-109.68	0.00	-1120.29	-109.68	0.00	-323.11
300	DEAD LOAD	TOTAL			-28.42	0.00	-1.21	-28.42	0.00	-171.73	122.18	0.00	-175.26	122.18	0.00	557.95
301	LIVE LOAD	1-LANE(case1MAX	S2		7.43	0.00	-22.46	7.43	0.00	22.11	1.04	0.00	-7.66	1.04	0.00	-1.42
			TQ		0.00	0.00	0.00	0.00	0.00	0.00	0.00	0.00	0.00	0.00	0.00	0.00
			M3		-62.21	0.00	114.69	7.15	0.00	23.24	-68.82	0.00	125.03	0.32	0.00	4.58
			MIN	S2	-93.81	0.00	5.81	-93.81	0.00	-557.07	-98.99	0.00	21.78	-98.99	0.00	-572.27
				TQ	0.00	0.00	0.00	0.00	0.00	0.00	0.00	0.00	0.00	0.00	0.00	0.00
				M3	-46.29	0.00	-288.65	-79.16	0.00	-703.42	-49.27	0.00	-260.61	-82.80	0.00	-697.25
		1-LANE(case2MAX	S2		2.51	0.00	-9.60	2.51	0.00	5.44	1.34	0.00	16.78	1.34	0.00	24.84
			TQ		0.00	0.00	0.00	0.00	0.00	0.00	0.00	0.00	0.00	0.00	0.00	0.00
			M3		-116.32	0.00	666.44	-27.85	0.00	62.90	-104.34	0.00	664.27	-27.00	0.00	110.61
			MIN	S2	-116.35	0.00	665.62	-116.35	0.00	-32.46	-105.89	0.00	653.42	-105.89	0.00	17.94
				TQ	0.00	0.00	0.00	0.00	0.00	0.00	0.00	0.00	0.00	0.00	0.00	0.00
				M3	2.47	0.00	-10.44	-102.26	0.00	-62.23	-1.35	0.00	-3.84	-90.86	0.00	-29.89
		1-LANE(case3MAX	S2		113.17	0.00	-22.26	113.17	0.00	656.77	135.29	0.00	-42.54	135.29	0.00	769.38
			TQ		0.00	0.00	0.00	0.00	0.00	0.00	0.00	0.00	0.00	0.00	0.00	0.00
			M3		24.57	0.00	78.66	112.66	0.00	659.95	41.11	0.00	51.35	135.29	0.00	769.38
			MIN	S2	-1.96	0.00	14.68	-1.96	0.00	2.89	-2.88	0.00	0.96	-2.88	0.00	-16.35
				TQ	0.00	0.00	0.00	0.00	0.00	0.00	0.00	0.00	0.00	0.00	0.00	0.00
				M3	99.87	0.00	-55.38	-1.08	0.00	-6.60	115.21	0.00	-69.47	-2.88	0.00	-16.37

BAGO RIVER BRIDGE

BLOCK [ No.2 : CROSS BEAM ][ BEAM MEMBER FORCE ]

MEMBER			1002041			3041			1002043			3043				
NODE			2041			2043			2043			2043				
NAME TITLE			SHEAR	TORQUE	MOMENT	SHEAR	TORQUE	MOMENT	SHEAR	TORQUE	MOMENT	SHEAR	TORQUE	MOMENT		
			S2 (kN)	TQ (kN·m)	M3 (kN·m)	S2 (kN)	TQ (kN·m)	M3 (kN·m)	S2 (kN)	TQ (kN·m)	M3 (kN·m)	S2 (kN)	TQ (kN·m)	M3 (kN·m)		
301	LIVE LOAD	1-LANE (case4MAX	S2	90.14	0.00	-533.99	90.14	0.00	6.87	124.88	0.00	-607.06	124.88	0.00	142.37	
			TQ	0.00	0.00	0.00	0.00	0.00	0.00	0.00	0.00	0.00	0.00	0.00	0.00	0.00
			M3	-8.58	0.00	24.41	59.38	0.00	105.14	-5.72	0.00	10.48	95.16	0.00	0.00	212.13
			MIN S2	-8.66	0.00	24.14	-8.66	0.00	-27.85	-5.79	0.00	10.44	-5.79	0.00	0.00	-24.27
			TQ	0.00	0.00	0.00	0.00	0.00	0.00	0.00	0.00	0.00	0.00	0.00	0.00	0.00
			M3	76.49	0.00	-671.94	43.21	0.00	-274.10	111.01	0.00	-725.61	56.81	0.00	0.00	-182.95
		2-LANES (caseMAX	S2	10.33	0.00	-31.73	10.33	0.00	30.22	1.41	0.00	-5.99	1.41	0.00	0.00	2.44
			TQ	0.00	0.00	0.00	0.00	0.00	0.00	0.00	0.00	0.00	0.00	0.00	0.00	0.00
			M3	-157.09	0.00	404.38	7.70	0.00	33.95	-158.86	0.00	423.21	-0.92	0.00	0.00	13.61
			MIN S2	-183.66	0.00	311.54	-183.66	0.00	-790.43	-184.53	0.00	333.95	-184.53	0.00	0.00	-773.46
			TQ	0.00	0.00	0.00	0.00	0.00	0.00	0.00	0.00	0.00	0.00	0.00	0.00	0.00
			M3	-34.58	0.00	-254.83	-170.97	0.00	-914.01	-41.36	0.00	-223.03	-169.73	0.00	0.00	-881.07
		2-LANES (caseMAX	S2	6.23	0.00	-21.02	6.23	0.00	16.33	1.66	0.00	14.37	1.66	0.00	0.00	24.32
			TQ	0.00	0.00	0.00	0.00	0.00	0.00	0.00	0.00	0.00	0.00	0.00	0.00	0.00
			M3	-202.18	0.00	864.17	-21.46	0.00	67.00	-188.45	0.00	872.58	-23.69	0.00	0.00	101.97
			MIN S2	-202.44	0.00	861.38	-202.44	0.00	-353.26	-190.29	0.00	860.31	-190.29	0.00	0.00	-281.62
			TQ	0.00	0.00	0.00	0.00	0.00	0.00	0.00	0.00	0.00	0.00	0.00	0.00	0.00
			M3	6.06	0.00	-22.98	-190.22	0.00	-379.69	-1.43	0.00	-9.05	-176.44	0.00	0.00	-324.93
		2-LANES (caseMAX	S2	197.07	0.00	-327.12	197.07	0.00	855.28	238.88	0.00	-374.84	238.88	0.00	0.00	1058.71
			TQ	0.00	0.00	0.00	0.00	0.00	0.00	0.00	0.00	0.00	0.00	0.00	0.00	0.00
			M3	18.14	0.00	80.34	195.95	0.00	858.98	31.65	0.00	46.61	238.88	0.00	0.00	1058.71
			MIN S2	-5.00	0.00	21.74	-5.00	0.00	-8.28	-5.62	0.00	4.28	-5.62	0.00	0.00	-29.48
			TQ	0.00	0.00	0.00	0.00	0.00	0.00	0.00	0.00	0.00	0.00	0.00	0.00	0.00
			M3	185.48	0.00	-355.77	-3.96	0.00	-17.10	221.18	0.00	-397.96	-5.62	0.00	0.00	-29.50



BAGO RIVER BRIDGE

BLOCK [ No.2 : CROSS BEAM ][ BEAM MEMBER FORCE ]

MEMBER			1002041						1002043						
NODE			2041			3041			2043			3043			
NAME TITLE			SHEAR	TORQUE	MOMENT	SHEAR	TORQUE	MOMENT	SHEAR	TORQUE	MOMENT	SHEAR	TORQUE	MOMENT	
			S2 (kN)	TQ (kN·m)	M3 (kN·m)	S2 (kN)	TQ (kN·m)	M3 (kN·m)	S2 (kN)	TQ (kN·m)	M3 (kN·m)	S2 (kN)	TQ (kN·m)	M3 (kN·m)	
301	LIVE LOAD	2-LANES (caseMAX	S2	178.09	0.00	-754.29	178.09	0.00	314.22	230.29	0.00	-845.56	230.29	0.00	536.43
			TQ	0.00	0.00	0.00	0.00	0.00	0.00	0.00	0.00	0.00	0.00	0.00	0.00
			M3	-10.53	0.00	37.88	151.77	0.00	397.16	-8.21	0.00	15.04	205.52	0.00	594.56
		MIN	S2	-12.40	0.00	34.90	-12.40	0.00	-39.51	-8.83	0.00	14.73	-8.83	0.00	-38.24
			TQ	0.00	0.00	0.00	0.00	0.00	0.00	0.00	0.00	0.00	0.00	0.00	0.00
			M3	166.28	0.00	-870.19	31.13	0.00	-245.61	217.76	0.00	-945.03	43.33	0.00	-170.47
		3-LANES (caseMAX	S2	10.55	0.00	-33.78	10.55	0.00	29.54	2.15	0.00	6.79	2.15	0.00	19.67
			TQ	0.00	0.00	0.00	0.00	0.00	0.00	0.00	0.00	0.00	0.00	0.00	0.00
			M3	-215.92	0.00	815.78	-13.18	0.00	73.42	-208.93	0.00	830.25	-19.91	0.00	89.92
		MIN	S2	-238.53	0.00	736.29	-238.53	0.00	-694.86	-231.86	0.00	746.69	-231.86	0.00	-644.74
			TQ	0.00	0.00	0.00	0.00	0.00	0.00	0.00	0.00	0.00	0.00	0.00	0.00
			M3	-27.64	0.00	-223.99	-217.77	0.00	-820.99	-36.11	0.00	-192.29	-208.63	0.00	-770.08
		3-LANES (caseMAX	S2	231.20	0.00	-655.80	231.20	0.00	731.42	291.46	0.00	-748.58	291.46	0.00	1000.50
			TQ	0.00	0.00	0.00	0.00	0.00	0.00	0.00	0.00	0.00	0.00	0.00	0.00
			M3	11.89	0.00	81.84	208.49	0.00	804.20	23.55	0.00	44.95	270.37	0.00	1049.97
		MIN	S2	-8.85	0.00	31.10	-8.85	0.00	-22.03	-8.21	0.00	8.90	-8.21	0.00	-40.40
			TQ	0.00	0.00	0.00	0.00	0.00	0.00	0.00	0.00	0.00	0.00	0.00	0.00
			M3	211.67	0.00	-777.87	28.06	0.00	-206.22	266.56	0.00	-852.22	35.82	0.00	-153.89
		3-LANES (caseMAX	S2	231.71	0.00	-657.30	231.71	0.00	732.97	291.64	0.00	-749.08	291.64	0.00	1001.11
			TQ	0.00	0.00	0.00	0.00	0.00	0.00	0.00	0.00	0.00	0.00	0.00	0.00
			M3	7.51	0.00	89.55	208.98	0.00	805.58	21.36	0.00	50.26	270.59	0.00	1050.52
		MIN	S2	-13.23	0.00	38.40	-13.23	0.00	-40.98	-10.21	0.00	15.36	-10.21	0.00	-45.94
			TQ	0.00	0.00	0.00	0.00	0.00	0.00	0.00	0.00	0.00	0.00	0.00	0.00
			M3	212.38	0.00	-778.67	24.13	0.00	-218.28	267.21	0.00	-852.66	34.12	0.00	-158.34

BAGO RIVER BRIDGE

BLOCK [ No.2 : CROSS BEAM ][ BEAM MEMBER FORCE ]

MEMBER					1002041			1002043									
NODE					2041			3041			2043			3043			
NAME TITLE					SHEAR	TORQUE	MOMENT	SHEAR	TORQUE	MOMENT	SHEAR	TORQUE	MOMENT	SHEAR	TORQUE	MOMENT	
					S2 (kN)	TQ (kN·m)	M3 (kN·m)	S2 (kN)	TQ (kN·m)	M3 (kN·m)	S2 (kN)	TQ (kN·m)	M3 (kN·m)	S2 (kN)	TQ (kN·m)	M3 (kN·m)	
301	LIVE LOAD	4-LANES	MAX	S2	0.98	0.00	-0.91	0.98	0.00	4.96	2.00	0.00	-1.03	2.00	0.00	10.97	
				TQ	0.00	0.00	0.00	0.00	0.00	0.00	0.00	0.00	0.00	0.00	0.00	0.00	0.00
				M3	-6.62	0.00	15.73	0.97	0.00	5.05	-6.85	0.00	8.84	2.00	0.00	10.98	
		MIN	S2	-7.01	0.00	15.08	-7.01	0.00	-26.98	-7.11	0.00	8.81	-7.11	0.00	-33.87		
			TQ	0.00	0.00	0.00	0.00	0.00	0.00	0.00	0.00	0.00	0.00	0.00	0.00		
			M3	0.65	0.00	-1.68	-7.01	0.00	-27.06	1.62	0.00	-1.09	-7.11	0.00	-33.87		
	6-LANES	MAX	S2	173.28	0.00	-460.12	173.28	0.00	579.57	211.37	0.00	-497.41	211.37	0.00	771.02		
			TQ	0.00	0.00	0.00	0.00	0.00	0.00	0.00	0.00	0.00	0.00	0.00	0.00		
			M3	-146.36	0.00	693.47	137.55	0.00	673.59	-131.00	0.00	675.61	173.39	0.00	870.92		
		MIN	S2	-180.20	0.00	588.53	-180.20	0.00	-492.67	-172.81	0.00	579.26	-172.81	0.00	-457.77		
			TQ	0.00	0.00	0.00	0.00	0.00	0.00	0.00	0.00	0.00	0.00	0.00	0.00		
			M3	96.35	0.00	-708.80	-102.61	0.00	-733.48	128.72	0.00	-735.38	-92.83	0.00	-670.33		
	LIVE LOAD	MAX		231.71	0.00	864.17	231.71	0.00	858.98	291.64	0.00	872.58	291.64	0.00	1058.71		
		MIN		-238.53	0.00	-870.19	-238.53	0.00	-914.01	-231.86	0.00	-945.03	-231.86	0.00	-881.07		
	303	SUM TOTAL	TOTAL	MAX		203.29	0.00	862.96	203.29	0.00	687.25	413.82	0.00	697.31	413.82	0.00	1616.66
MIN					-266.95	0.00	-871.40	-266.95	0.00	-1085.74	-109.68	0.00	-1120.29	-109.68	0.00	-323.11	

BAGO RIVER BRIDGE

BLOCK [ No.2 : CROSS BEAM ][ BEAM MEMBER FORCE ]

MEMBER NODE	1002045 2045	3045			1002047 2047			3047							
		SHEAR S2 (kN)	TORQUE TQ (kN·m)	MOMENT M3 (kN·m)	SHEAR S2 (kN)	TORQUE TQ (kN·m)	MOMENT M3 (kN·m)	SHEAR S2 (kN)	TORQUE TQ (kN·m)	MOMENT M3 (kN·m)					
1 PAVEMENT	-5.32	0.00	11.90	-5.32	0.00	-21.59	-0.86	0.00	-55.91	-0.86	0.00	-61.76			
3 RAILING	-0.17	0.00	-20.82	-0.17	0.00	-21.88	-0.04	0.00	-22.30	-0.04	0.00	-22.54			
5 CURB	-1.67	0.00	-206.15	-1.67	0.00	-216.66	-0.35	0.00	-220.81	-0.35	0.00	-223.19			
7 DECK WEIGHT	-8.71	0.00	14.12	-8.71	0.00	-40.72	-1.36	0.00	-88.08	-1.36	0.00	-97.30			
8 GIRDER WEIGH	-12.56	0.00	189.59	-12.56	0.00	110.50	-2.05	0.00	26.39	-2.05	0.00	12.49			
10 MEDIAN STRIP	-2.61	0.00	198.33	-2.61	0.00	181.92	-0.17	0.00	187.00	-0.17	0.00	185.86			
21 ADITIONAL WE	-2.44	0.00	3.95	-2.44	0.00	-11.40	-0.38	0.00	-24.66	-0.38	0.00	-27.24			
31 MEDIAN RAILI	-0.16	0.00	12.31	-0.16	0.00	11.32	-0.02	0.00	9.87	-0.02	0.00	9.74			
51 SUPPORT WEIG	-0.00	0.00	0.00	-0.00	0.00	0.00	-0.00	0.00	0.00	-0.00	0.00	0.00			
52 NOSE WEIGHT	-0.00	0.00	0.00	-0.00	0.00	0.00	-0.00	0.00	0.00	-0.00	0.00	-0.00			
61 1-LANE(case1TRUCK-LOAD	MAX	S2	0.31	0.00	-3.96	0.31	0.00	-2.03	0.14	0.00	-1.50	0.14	0.00	-0.56	
		TQ	0.00	0.00	0.00	0.00	0.00	0.00	0.00	0.00	0.00	0.00	0.00	0.00	
		M3	-38.09	0.00	75.71	-0.46	0.00	0.83	-33.87	0.00	58.29	-0.04	0.00	0.21	
	MIN	S2	-48.16	0.00	43.82	-48.16	0.00	-259.43	-42.60	0.00	25.96	-42.60	0.00	-262.44	
		TQ	0.00	0.00	0.00	0.00	0.00	0.00	0.00	0.00	0.00	0.00	0.00	0.00	
		M3	-32.59	0.00	-127.79	-32.59	0.00	-333.03	-26.78	0.00	-140.82	-27.56	0.00	-322.23	
	TANDEM-LOAD	MAX	S2	0.21	0.00	-2.70	0.21	0.00	-1.38	0.10	0.00	-1.03	0.10	0.00	-0.38
		TQ	0.00	0.00	0.00	0.00	0.00	0.00	0.00	0.00	0.00	0.00	0.00	0.00	
		M3	-30.23	0.00	55.43	-0.25	0.00	0.64	-27.05	0.00	43.37	-0.02	0.00	0.14	
	MIN	S2	-34.39	0.00	29.41	-34.39	0.00	-187.14	-30.40	0.00	16.98	-30.40	0.00	-188.83	
		TQ	0.00	0.00	0.00	0.00	0.00	0.00	0.00	0.00	0.00	0.00	0.00	0.00	
		M3	-19.39	0.00	-106.79	-19.39	0.00	-228.86	-15.55	0.00	-114.77	-15.55	0.00	-220.03	
DISPERSION-LMAX	S2	0.36	0.00	-4.67	0.36	0.00	-2.39	0.16	0.00	-1.78	0.16	0.00	-0.67		
	TQ	0.00	0.00	0.00	0.00	0.00	0.00	0.00	0.00	0.00	0.00	0.00	0.00		
	M3	-36.63	0.00	71.48	-0.26	0.00	1.00	-30.18	0.00	52.79	-0.07	0.00	0.28		
MIN	S2	-48.76	0.00	31.07	-48.76	0.00	-275.99	-42.06	0.00	7.08	-42.06	0.00	-277.65		
	TQ	0.00	0.00	0.00	0.00	0.00	0.00	0.00	0.00	0.00	0.00	0.00	0.00		
	M3	-11.77	0.00	-45.08	-48.14	0.00	-279.38	-11.72	0.00	-47.49	-41.82	0.00	-278.60		

BAGO RIVER BRIDGE

BLOCK [ No.2 : CROSS BEAM ][ BEAM MEMBER FORCE ]

MEMBER NODE	1002045 2045	3045			1002047 2047	3047										
		SHEAR	TORQUE	MOMENT		SHEAR	TORQUE	MOMENT								
		S2 (kN)	TQ (kN·m)	M3 (kN·m)		S2 (kN)	TQ (kN·m)	M3 (kN·m)								
62	1-LANE (case2TRUCK-LOAD	MAX	S2	0.31	0.00	-3.94	0.31	0.00	-2.00	0.12	0.00	-1.46	0.12	0.00	-0.66	
			TQ	0.00	0.00	0.00	0.00	0.00	0.00	0.00	0.00	0.00	0.00	0.00	0.00	0.00
			M3	-66.42	0.00	372.65	-12.96	0.00	22.99	-62.44	0.00	351.30	-7.37	0.00	11.99	
		MIN	S2	-66.42	0.00	372.65	-66.42	0.00	-45.59	-62.44	0.00	351.30	-62.44	0.00	-71.36	
			TQ	0.00	0.00	0.00	0.00	0.00	0.00	0.00	0.00	0.00	0.00	0.00	0.00	
			M3	0.31	0.00	-3.94	-66.42	0.00	-45.59	0.12	0.00	-1.46	-62.44	0.00	-71.36	
		TANDEM-LOAD	MAX	S2	0.21	0.00	-2.69	0.21	0.00	-1.36	0.08	0.00	-0.99	0.08	0.00	-0.45
			TQ	0.00	0.00	0.00	0.00	0.00	0.00	0.00	0.00	0.00	0.00	0.00	0.00	
			M3	-49.49	0.00	274.23	-6.07	0.00	17.72	-46.34	0.00	258.13	-4.50	0.00	11.16	
		MIN	S2	-49.49	0.00	274.23	-49.49	0.00	-37.39	-46.34	0.00	258.13	-46.34	0.00	-55.54	
			TQ	0.00	0.00	0.00	0.00	0.00	0.00	0.00	0.00	0.00	0.00	0.00	0.00	
			M3	0.21	0.00	-2.69	-49.49	0.00	-37.39	0.08	0.00	-0.99	-46.34	0.00	-55.54	
		DISPERSION-LMAX	MAX	S2	0.36	0.00	-4.65	0.36	0.00	-2.35	0.14	0.00	-1.72	0.14	0.00	-0.78
			TQ	0.00	0.00	0.00	0.00	0.00	0.00	0.00	0.00	0.00	0.00	0.00	0.00	
			M3	-35.39	0.00	222.07	-12.84	0.00	20.89	-32.74	0.00	200.67	-7.55	0.00	10.05	
		MIN	S2	-35.39	0.00	222.07	-35.39	0.00	-0.78	-32.74	0.00	200.67	-32.74	0.00	-20.93	
			TQ	0.00	0.00	0.00	0.00	0.00	0.00	0.00	0.00	0.00	0.00	0.00	0.00	
			M3	0.36	0.00	-4.65	-22.19	0.00	-24.01	0.14	0.00	-1.72	-25.05	0.00	-31.76	
63	1-LANE (case3TRUCK-LOAD	MAX	S2	64.97	0.00	-39.83	64.97	0.00	369.31	63.26	0.00	-73.61	63.26	0.00	354.59	
			TQ	0.00	0.00	0.00	0.00	0.00	0.00	0.00	0.00	0.00	0.00	0.00		
			M3	9.93	0.00	34.89	64.97	0.00	369.31	6.43	0.00	15.98	63.26	0.00	354.59	
		MIN	S2	-0.28	0.00	5.28	-0.28	0.00	3.50	-0.07	0.00	1.39	-0.07	0.00	0.91	
			TQ	0.00	0.00	0.00	0.00	0.00	0.00	0.00	0.00	0.00	0.00	0.00	0.00	
			M3	64.97	0.00	-39.83	0.31	0.00	-1.97	63.26	0.00	-73.61	0.10	0.00	-0.73	

BAGO RIVER BRIDGE

BLOCK [ No.2 : CROSS BEAM ][ BEAM MEMBER FORCE ]

MEMBER NODE	1002045 2045	3045			1002047 2047			3047							
		SHEAR	TORQUE	MOMENT	SHEAR	TORQUE	MOMENT	SHEAR	TORQUE	MOMENT					
		S2 (kN)	TQ (kN·m)	M3 (kN·m)	S2 (kN)	TQ (kN·m)	M3 (kN·m)	S2 (kN)	TQ (kN·m)	M3 (kN·m)					
63	1-LANE (case3TANDEM-LOAD	MAX	S2	48.58	0.00	-33.62	48.58	0.00	272.28	46.99	0.00	-57.32	46.99	0.00	260.73
			TQ	0.00	0.00	0.00	0.00	0.00	0.00	0.00	0.00	0.00	0.00	0.00	0.00
			M3	3.99	0.00	25.66	48.58	0.00	272.28	3.87	0.00	13.81	46.99	0.00	260.73
		MIN	S2	-0.20	0.00	3.24	-0.20	0.00	2.00	-0.05	0.00	1.01	-0.05	0.00	0.66
			TQ	0.00	0.00	0.00	0.00	0.00	0.00	0.00	0.00	0.00	0.00	0.00	0.00
			M3	48.58	0.00	-33.62	0.21	0.00	-1.34	46.99	0.00	-57.32	0.07	0.00	-0.50
	DISPERSION-LMAX		S2	32.17	0.00	3.84	32.17	0.00	206.44	32.24	0.00	-20.81	32.24	0.00	197.44
			TQ	0.00	0.00	0.00	0.00	0.00	0.00	0.00	0.00	0.00	0.00	0.00	0.00
			M3	11.88	0.00	31.20	31.57	0.00	211.54	7.26	0.00	12.82	32.05	0.00	199.14
		MIN	S2	-0.24	0.00	4.29	-0.24	0.00	2.78	-0.07	0.00	1.33	-0.07	0.00	0.85
			TQ	0.00	0.00	0.00	0.00	0.00	0.00	0.00	0.00	0.00	0.00	0.00	0.00
			M3	20.05	0.00	-23.06	0.37	0.00	-2.32	24.91	0.00	-32.31	0.12	0.00	-0.86
64	1-LANE (case4TRUCK-LOAD	MAX	S2	46.82	0.00	-252.75	46.82	0.00	42.06	42.92	0.00	-262.37	42.92	0.00	28.20
			TQ	0.00	0.00	0.00	0.00	0.00	0.00	0.00	0.00	0.00	0.00	0.00	0.00
			M3	0.03	0.00	2.73	36.80	0.00	73.41	0.09	0.00	0.84	33.93	0.00	59.45
		MIN	S2	-0.09	0.00	1.63	-0.09	0.00	1.04	-0.03	0.00	0.40	-0.03	0.00	0.22
			TQ	0.00	0.00	0.00	0.00	0.00	0.00	0.00	0.00	0.00	0.00	0.00	0.00
			M3	30.88	0.00	-323.35	30.88	0.00	-128.91	28.00	0.00	-322.28	27.23	0.00	-137.78
	TANDEM-LOAD	MAX	S2	33.50	0.00	-182.61	33.50	0.00	28.31	30.66	0.00	-188.90	30.66	0.00	18.62
			TQ	0.00	0.00	0.00	0.00	0.00	0.00	0.00	0.00	0.00	0.00	0.00	0.00
			M3	0.01	0.00	2.04	29.34	0.00	53.97	0.06	0.00	0.63	27.16	0.00	44.41
		MIN	S2	-0.08	0.00	1.50	-0.08	0.00	1.01	-0.02	0.00	0.27	-0.02	0.00	0.15
			TQ	0.00	0.00	0.00	0.00	0.00	0.00	0.00	0.00	0.00	0.00	0.00	0.00
			M3	18.18	0.00	-222.12	18.18	0.00	-107.63	15.85	0.00	-220.03	15.85	0.00	-112.77

BAGO RIVER BRIDGE

BLOCK [ No.2 : CROSS BEAM ][ BEAM MEMBER FORCE ]

MEMBER NODE	1002045 2045	3045			1002047 2047			3047							
		SHEAR	TORQUE	MOMENT	SHEAR	TORQUE	MOMENT	SHEAR	TORQUE	MOMENT					
		S2 (kN)	TQ (kN·m)	M3 (kN·m)	S2 (kN)	TQ (kN·m)	M3 (kN·m)	S2 (kN)	TQ (kN·m)	M3 (kN·m)					
64	1-LANE (case4DISPERSION-LMAX	S2	45.38	0.00	-263.89	45.38	0.00	21.85	41.32	0.00	-273.47	41.32	0.00	6.22	
		TQ	0.00	0.00	0.00	0.00	0.00	0.00	0.00	0.00	0.00	0.00	0.00	0.00	
		M3	0.00	0.00	2.41	33.37	0.00	65.72	0.03	0.00	0.79	29.61	0.00	52.07	
	MIN	S2	-0.13	0.00	1.90	-0.13	0.00	1.07	-0.03	0.00	0.54	-0.03	0.00	0.31	
		TQ	0.00	0.00	0.00	0.00	0.00	0.00	0.00	0.00	0.00	0.00	0.00	0.00	
		M3	45.24	0.00	-264.39	11.87	0.00	-42.80	41.25	0.00	-273.72	11.67	0.00	-45.54	
65	2-LANES (caseTRUCK-LOAD	MAX	S2	0.62	0.00	-7.91	0.62	0.00	-4.04	0.27	0.00	-2.99	0.27	0.00	-1.17
		TQ	0.00	0.00	0.00	0.00	0.00	0.00	0.00	0.00	0.00	0.00	0.00	0.00	
		M3	-103.80	0.00	280.42	-0.99	0.00	2.16	-93.07	0.00	242.50	-0.22	0.00	0.46	
	MIN	S2	-113.87	0.00	248.53	-113.87	0.00	-468.47	-101.81	0.00	210.17	-101.81	0.00	-479.00	
		TQ	0.00	0.00	0.00	0.00	0.00	0.00	0.00	0.00	0.00	0.00	0.00	0.00	
		M3	-32.29	0.00	-131.74	-98.30	0.00	-542.07	-26.65	0.00	-142.31	-86.76	0.00	-538.79	
	TANDEM-LOAD	MAX	S2	0.42	0.00	-5.39	0.42	0.00	-2.75	0.18	0.00	-2.04	0.18	0.00	-0.80
		TQ	0.00	0.00	0.00	0.00	0.00	0.00	0.00	0.00	0.00	0.00	0.00	0.00	
		M3	-77.25	0.00	201.51	-0.62	0.00	1.62	-69.25	0.00	174.53	-0.12	0.00	0.33	
	MIN	S2	-81.41	0.00	175.48	-81.41	0.00	-337.17	-72.60	0.00	148.15	-72.60	0.00	-343.34	
		TQ	0.00	0.00	0.00	0.00	0.00	0.00	0.00	0.00	0.00	0.00	0.00	0.00	
		M3	-19.18	0.00	-109.48	-66.41	0.00	-378.88	-15.46	0.00	-115.78	-57.75	0.00	-374.54	
	DISPERSION-LMAX	S2	0.73	0.00	-9.33	0.73	0.00	-4.76	0.32	0.00	-3.53	0.32	0.00	-1.39	
		TQ	0.00	0.00	0.00	0.00	0.00	0.00	0.00	0.00	0.00	0.00	0.00	0.00	
		M3	-84.53	0.00	235.25	-0.68	0.00	2.25	-73.04	0.00	193.47	-0.19	0.00	0.62	
	MIN	S2	-96.67	0.00	194.83	-96.67	0.00	-413.86	-84.92	0.00	147.76	-84.92	0.00	-427.08	
		TQ	0.00	0.00	0.00	0.00	0.00	0.00	0.00	0.00	0.00	0.00	0.00	0.00	
		M3	-11.41	0.00	-49.74	-95.26	0.00	-420.87	-11.56	0.00	-49.24	-84.41	0.00	-429.08	

BAGO RIVER BRIDGE

BLOCK [ No.2 : CROSS BEAM ][ BEAM MEMBER FORCE ]

MEMBER				1002045			1002047									
NODE				2045			3045			2047			3047			
				SHEAR	TORQUE	MOMENT	SHEAR	TORQUE	MOMENT	SHEAR	TORQUE	MOMENT	SHEAR	TORQUE	MOMENT	
NAME	TITLE			S2 (kN)	TQ (kN·m)	M3 (kN·m)	S2 (kN)	TQ (kN·m)	M3 (kN·m)	S2 (kN)	TQ (kN·m)	M3 (kN·m)	S2 (kN)	TQ (kN·m)	M3 (kN·m)	
66	2-LANES (caseTRUCK-LOAD	MAX	S2	0.62	0.00	-7.89	0.62	0.00	-4.01	0.25	0.00	-2.94	0.25	0.00	-1.27	
			TQ	0.00	0.00	0.00	0.00	0.00	0.00	0.00	0.00	0.00	0.00	0.00	0.00	0.00
			M3	-132.13	0.00	577.36	-13.49	0.00	24.32	-121.64	0.00	535.51	-7.56	0.00	12.24	
		MIN	S2	-132.13	0.00	577.36	-132.13	0.00	-254.63	-121.64	0.00	535.51	-121.64	0.00	-287.92	
			TQ	0.00	0.00	0.00	0.00	0.00	0.00	0.00	0.00	0.00	0.00	0.00	0.00	
			M3	0.62	0.00	-7.89	-132.13	0.00	-254.63	0.25	0.00	-2.94	-121.64	0.00	-287.92	
		TANDEM-LOAD MAX	S2	0.42	0.00	-5.38	0.42	0.00	-2.73	0.17	0.00	-2.00	0.17	0.00	-0.86	
			TQ	0.00	0.00	0.00	0.00	0.00	0.00	0.00	0.00	0.00	0.00	0.00	0.00	
			M3	-96.51	0.00	420.31	-6.45	0.00	18.71	-88.54	0.00	389.29	-4.59	0.00	11.35	
		MIN	S2	-96.51	0.00	420.31	-96.51	0.00	-187.41	-88.54	0.00	389.29	-88.54	0.00	-210.05	
			TQ	0.00	0.00	0.00	0.00	0.00	0.00	0.00	0.00	0.00	0.00	0.00	0.00	
			M3	0.42	0.00	-5.38	-96.51	0.00	-187.41	0.17	0.00	-2.00	-88.54	0.00	-210.05	
		DISPERSION-LMAX	S2	0.73	0.00	-9.31	0.73	0.00	-4.72	0.29	0.00	-3.47	0.29	0.00	-1.50	
			TQ	0.00	0.00	0.00	0.00	0.00	0.00	0.00	0.00	0.00	0.00	0.00	0.00	
			M3	-83.29	0.00	385.84	-13.26	0.00	22.14	-75.59	0.00	341.35	-7.67	0.00	10.39	
MIN	S2	-83.29	0.00	385.84	-83.29	0.00	-138.64	-75.59	0.00	341.35	-75.59	0.00	-170.36			
	TQ	0.00	0.00	0.00	0.00	0.00	0.00	0.00	0.00	0.00	0.00	0.00	0.00			
	M3	0.73	0.00	-9.31	-69.31	0.00	-165.51	0.29	0.00	-3.47	-67.63	0.00	-182.24			
67	2-LANES (caseTRUCK-LOAD	MAX	S2	129.11	0.00	-241.23	129.11	0.00	571.77	123.11	0.00	-291.38	123.11	0.00	541.99	
			TQ	0.00	0.00	0.00	0.00	0.00	0.00	0.00	0.00	0.00	0.00	0.00	0.00	
			M3	10.04	0.00	39.09	129.11	0.00	571.77	6.55	0.00	17.31	123.11	0.00	541.99	
		MIN	S2	-0.44	0.00	8.30	-0.44	0.00	5.56	-0.10	0.00	1.81	-0.10	0.00	1.13	
			TQ	0.00	0.00	0.00	0.00	0.00	0.00	0.00	0.00	0.00	0.00	0.00	0.00	
			M3	129.11	0.00	-241.23	0.63	0.00	-3.94	123.11	0.00	-291.38	0.19	0.00	-1.50	

BAGO RIVER BRIDGE

BLOCK [ No.2 : CROSS BEAM ][ BEAM MEMBER FORCE ]

MEMBER		1002045			1002047			1002047			1002047				
NODE		2045			3045			2047			3047				
		SHEAR	TORQUE	MOMENT	SHEAR	TORQUE	MOMENT	SHEAR	TORQUE	MOMENT	SHEAR	TORQUE	MOMENT		
NAME	TITLE	S2 (kN)	TQ (kN·m)	M3 (kN·m)	S2 (kN)	TQ (kN·m)	M3 (kN·m)	S2 (kN)	TQ (kN·m)	M3 (kN·m)	S2 (kN)	TQ (kN·m)	M3 (kN·m)		
67	2-LANES (caseTANDEM-LOAD	MAX	S2	94.56	0.00	-178.47	94.56	0.00	416.99	89.68	0.00	-212.80	89.68	0.00	394.27
			TQ	0.00	0.00	0.00	0.00	0.00	0.00	0.00	0.00	0.00	0.00	0.00	0.00
			M3	4.07	0.00	28.67	94.56	0.00	416.99	3.95	0.00	14.76	89.68	0.00	394.27
		MIN	S2	-0.31	0.00	5.14	-0.31	0.00	3.17	-0.07	0.00	1.30	-0.07	0.00	0.81
			TQ	0.00	0.00	0.00	0.00	0.00	0.00	0.00	0.00	0.00	0.00	0.00	0.00
			M3	94.56	0.00	-178.47	0.43	0.00	-2.68	89.68	0.00	-212.80	0.13	0.00	-1.03
	DISPERSION-LMAX	S2	76.76	0.00	-125.31	76.76	0.00	358.05	74.49	0.00	-168.07	74.49	0.00	336.16	
			TQ	0.00	0.00	0.00	0.00	0.00	0.00	0.00	0.00	0.00	0.00	0.00	0.00
			M3	12.26	0.00	34.77	75.63	0.00	366.85	7.34	0.00	13.95	74.15	0.00	339.21
		MIN	S2	-0.40	0.00	6.68	-0.40	0.00	4.17	-0.11	0.00	2.05	-0.11	0.00	1.28
			TQ	0.00	0.00	0.00	0.00	0.00	0.00	0.00	0.00	0.00	0.00	0.00	0.00
			M3	64.10	0.00	-153.40	0.73	0.00	-4.62	67.03	0.00	-179.98	0.23	0.00	-1.77
68	2-LANES (caseTRUCK-LOAD	MAX	S2	110.97	0.00	-454.10	110.97	0.00	244.66	102.79	0.00	-480.09	102.79	0.00	215.74
			TQ	0.00	0.00	0.00	0.00	0.00	0.00	0.00	0.00	0.00	0.00	0.00	0.00
			M3	0.15	0.00	6.92	100.95	0.00	276.01	0.21	0.00	2.16	93.79	0.00	247.00
		MIN	S2	-0.24	0.00	4.62	-0.24	0.00	3.11	-0.06	0.00	0.81	-0.06	0.00	0.44
			TQ	0.00	0.00	0.00	0.00	0.00	0.00	0.00	0.00	0.00	0.00	0.00	0.00
			M3	95.03	0.00	-524.71	31.19	0.00	-130.86	87.86	0.00	-540.00	27.31	0.00	-138.60
	TANDEM-LOAD	MAX	S2	79.49	0.00	-327.42	79.49	0.00	173.13	73.36	0.00	-344.35	73.36	0.00	152.27
			TQ	0.00	0.00	0.00	0.00	0.00	0.00	0.00	0.00	0.00	0.00	0.00	0.00
			M3	0.09	0.00	5.04	75.34	0.00	198.79	0.15	0.00	1.58	69.87	0.00	178.05
		MIN	S2	-0.19	0.00	3.37	-0.19	0.00	2.19	-0.04	0.00	0.55	-0.04	0.00	0.30
			TQ	0.00	0.00	0.00	0.00	0.00	0.00	0.00	0.00	0.00	0.00	0.00	0.00
			M3	64.18	0.00	-366.93	18.40	0.00	-108.96	58.55	0.00	-375.48	15.90	0.00	-113.33



BAGO RIVER BRIDGE

BLOCK [ No.2 : CROSS BEAM ][ BEAM MEMBER FORCE ]

MEMBER			1002045						1002047					
NODE			2045			3045			2047			3047		
			SHEAR	TORQUE	MOMENT	SHEAR	TORQUE	MOMENT	SHEAR	TORQUE	MOMENT	SHEAR	TORQUE	MOMENT
NAME	TITLE		S2 (kN)	TQ (kN·m)	M3 (kN·m)	S2 (kN)	TQ (kN·m)	M3 (kN·m)	S2 (kN)	TQ (kN·m)	M3 (kN·m)	S2 (kN)	TQ (kN·m)	M3 (kN·m)
68	2-LANES (caseDISPERSION-LMAX	S2	89.97	0.00	-392.98	89.97	0.00	173.53	83.55	0.00	-420.64	83.55	0.00	144.96
		TQ	0.00	0.00	0.00	0.00	0.00	0.00	0.00	0.00	0.00	0.00	0.00	0.00
		M3	0.39	0.00	5.95	77.44	0.00	221.06	0.11	0.00	1.91	71.71	0.00	192.20
		MIN S2	-0.29	0.00	4.24	-0.29	0.00	2.44	-0.07	0.00	1.23	-0.07	0.00	0.74
		TQ	0.00	0.00	0.00	0.00	0.00	0.00	0.00	0.00	0.00	0.00	0.00	0.00
		M3	89.29	0.00	-394.69	12.24	0.00	-45.09	83.37	0.00	-421.31	11.77	0.00	-46.50
69	3-LANES (caseTRUCK-LOAD	MAX S2	0.92	0.00	-11.85	0.92	0.00	-6.03	0.39	0.00	-4.44	0.39	0.00	-1.83
		TQ	0.00	0.00	0.00	0.00	0.00	0.00	0.00	0.00	0.00	0.00	0.00	0.00
		M3	-170.22	0.00	653.07	-13.95	0.00	25.14	-155.51	0.00	593.80	-7.59	0.00	12.45
		MIN S2	-180.29	0.00	621.18	-180.29	0.00	-514.06	-164.24	0.00	561.47	-164.24	0.00	-550.36
		TQ	0.00	0.00	0.00	0.00	0.00	0.00	0.00	0.00	0.00	0.00	0.00	0.00
		M3	-31.98	0.00	-135.68	-164.72	0.00	-587.66	-26.53	0.00	-143.76	-149.20	0.00	-610.15
	TANDEM-LOAD	MAX S2	0.63	0.00	-8.07	0.63	0.00	-4.11	0.26	0.00	-3.03	0.26	0.00	-1.25
		TQ	0.00	0.00	0.00	0.00	0.00	0.00	0.00	0.00	0.00	0.00	0.00	0.00
		M3	-126.74	0.00	475.74	-6.70	0.00	19.35	-115.59	0.00	432.66	-4.62	0.00	11.49
		MIN S2	-130.90	0.00	449.71	-130.90	0.00	-374.56	-118.94	0.00	406.28	-118.94	0.00	-398.88
		TQ	0.00	0.00	0.00	0.00	0.00	0.00	0.00	0.00	0.00	0.00	0.00	0.00
		M3	-18.97	0.00	-112.16	-115.90	0.00	-416.27	-15.38	0.00	-116.78	-104.09	0.00	-430.08
	DISPERSION-LMAX	S2	1.09	0.00	-13.97	1.09	0.00	-7.11	0.46	0.00	-5.25	0.46	0.00	-2.16
		TQ	0.00	0.00	0.00	0.00	0.00	0.00	0.00	0.00	0.00	0.00	0.00	0.00
		M3	-119.92	0.00	457.32	-13.52	0.00	23.14	-105.77	0.00	394.14	-7.74	0.00	10.66
		MIN S2	-132.06	0.00	416.91	-132.06	0.00	-414.64	-117.65	0.00	348.43	-117.65	0.00	-448.01
		TQ	0.00	0.00	0.00	0.00	0.00	0.00	0.00	0.00	0.00	0.00	0.00	0.00
		M3	-11.05	0.00	-54.39	-117.45	0.00	-444.89	-11.42	0.00	-50.96	-109.46	0.00	-460.84

BAGO RIVER BRIDGE

BLOCK [ No.2 : CROSS BEAM ][ BEAM MEMBER FORCE ]

MEMBER NODE	1002045 2045	3045			1002047 2047	3047									
		SHEAR	TORQUE	MOMENT		SHEAR	TORQUE	MOMENT							
		S2 (kN)	TQ (kN·m)	M3 (kN·m)		S2 (kN)	TQ (kN·m)	M3 (kN·m)							
70	3-LANES (caseTRUCK-LOAD	MAX	S2	175.93	0.00	-494.04	175.93	0.00	613.80	166.04	0.00	-553.80	166.04	0.00	570.15
			TQ	0.00	0.00	0.00	0.00	0.00	0.00	0.00	0.00	0.00	0.00	0.00	0.00
			M3	10.07	0.00	41.84	165.92	0.00	645.18	6.64	0.00	18.16	157.04	0.00	601.43
		MIN	S2	-0.53	0.00	9.95	-0.53	0.00	6.59	-0.13	0.00	2.22	-0.13	0.00	1.35
			TQ	0.00	0.00	0.00	0.00	0.00	0.00	0.00	0.00	0.00	0.00	0.00	0.00
			M3	159.98	0.00	-564.65	31.49	0.00	-133.00	151.09	0.00	-613.70	27.41	0.00	-139.41
	TANDEM-LOAD	MAX	S2	128.06	0.00	-361.12	128.06	0.00	445.27	120.34	0.00	-401.74	120.34	0.00	412.87
			TQ	0.00	0.00	0.00	0.00	0.00	0.00	0.00	0.00	0.00	0.00	0.00	0.00
			M3	4.08	0.00	30.72	123.91	0.00	470.95	4.01	0.00	15.39	116.85	0.00	438.67
		MIN	S2	-0.39	0.00	6.66	-0.39	0.00	4.18	-0.09	0.00	1.58	-0.09	0.00	0.95
			TQ	0.00	0.00	0.00	0.00	0.00	0.00	0.00	0.00	0.00	0.00	0.00	0.00
			M3	112.73	0.00	-400.62	18.60	0.00	-110.42	105.51	0.00	-432.86	15.97	0.00	-113.90
	DISPERSION-LMAX		S2	122.15	0.00	-389.40	122.15	0.00	379.77	115.82	0.00	-441.66	115.82	0.00	342.38
			TQ	0.00	0.00	0.00	0.00	0.00	0.00	0.00	0.00	0.00	0.00	0.00	0.00
			M3	12.26	0.00	37.22	108.98	0.00	432.56	7.37	0.00	14.77	103.77	0.00	391.28
		MIN	S2	-0.53	0.00	8.61	-0.53	0.00	5.26	-0.15	0.00	2.61	-0.15	0.00	1.60
			TQ	0.00	0.00	0.00	0.00	0.00	0.00	0.00	0.00	0.00	0.00	0.00	0.00
			M3	109.36	0.00	-418.00	12.64	0.00	-47.53	108.30	0.00	-453.81	11.91	0.00	-47.30
71	3-LANES (caseTRUCK-LOAD	MAX	S2	175.93	0.00	-493.85	175.93	0.00	613.99	166.04	0.00	-553.62	166.04	0.00	570.35
			TQ	0.00	0.00	0.00	0.00	0.00	0.00	0.00	0.00	0.00	0.00	0.00	0.00
			M3	10.08	0.00	41.80	165.92	0.00	645.34	6.64	0.00	18.16	157.04	0.00	601.60
		MIN	S2	-0.52	0.00	9.89	-0.52	0.00	6.61	-0.12	0.00	2.55	-0.12	0.00	1.72
			TQ	0.00	0.00	0.00	0.00	0.00	0.00	0.00	0.00	0.00	0.00	0.00	0.00
			M3	160.00	0.00	-564.46	31.51	0.00	-132.83	151.11	0.00	-613.53	27.40	0.00	-139.38

BAGO RIVER BRIDGE

BLOCK [ No.2 : CROSS BEAM ][ BEAM MEMBER FORCE ]

MEMBER NODE	1002045 2045	3045			1002047 2047			3047								
		SHEAR	TORQUE	MOMENT	SHEAR	TORQUE	MOMENT	SHEAR	TORQUE	MOMENT						
		S2 (kN)	TQ (kN·m)	M3 (kN·m)	S2 (kN)	TQ (kN·m)	M3 (kN·m)	S2 (kN)	TQ (kN·m)	M3 (kN·m)						
71	3-LANES (case)	TANDEM-LOAD	MAX	S2	128.06	0.00	-360.98	128.06	0.00	445.42	120.34	0.00	-401.61	120.34	0.00	413.02
				TQ	0.00	0.00	0.00	0.00	0.00	0.00	0.00	0.00	0.00	0.00	0.00	0.00
				M3	4.08	0.00	30.70	123.91	0.00	471.08	4.01	0.00	15.39	116.85	0.00	438.80
			MIN	S2	-0.38	0.00	6.60	-0.38	0.00	4.20	-0.09	0.00	1.66	-0.09	0.00	1.06
				TQ	0.00	0.00	0.00	0.00	0.00	0.00	0.00	0.00	0.00	0.00	0.00	0.00
				M3	112.75	0.00	-400.50	18.61	0.00	-110.30	105.53	0.00	-432.75	15.96	0.00	-113.86
		DISPERSION-L	MAX	S2	122.13	0.00	-389.09	122.13	0.00	379.97	115.77	0.00	-441.37	115.77	0.00	342.32
				TQ	0.00	0.00	0.00	0.00	0.00	0.00	0.00	0.00	0.00	0.00	0.00	0.00
				M3	12.28	0.00	37.13	109.00	0.00	432.57	7.39	0.00	14.73	103.76	0.00	391.33
			MIN	S2	-0.52	0.00	8.50	-0.52	0.00	5.21	-0.14	0.00	2.54	-0.14	0.00	1.59
				TQ	0.00	0.00	0.00	0.00	0.00	0.00	0.00	0.00	0.00	0.00	0.00	0.00
				M3	109.33	0.00	-417.72	12.61	0.00	-47.39	108.25	0.00	-453.56	11.87	0.00	-47.41
72	4-LANES	TRUCK-LOAD	MAX	S2	1.25	0.00	-15.71	1.25	0.00	-7.81	0.34	0.00	-5.49	0.34	0.00	-3.16
				TQ	0.00	0.00	0.00	0.00	0.00	0.00	0.00	0.00	0.00	0.00	0.00	0.00
				M3	-0.37	0.00	4.64	-0.37	0.00	2.33	-0.12	0.00	1.67	-0.12	0.00	0.87
			MIN	S2	-0.37	0.00	4.64	-0.37	0.00	2.33	-0.12	0.00	1.67	-0.12	0.00	0.87
				TQ	0.00	0.00	0.00	0.00	0.00	0.00	0.00	0.00	0.00	0.00	0.00	0.00
				M3	1.25	0.00	-15.71	1.25	0.00	-7.81	0.34	0.00	-5.51	0.34	0.00	-3.19
		TANDEM-LOAD	MAX	S2	0.86	0.00	-10.73	0.86	0.00	-5.33	0.23	0.00	-3.74	0.23	0.00	-2.16
				TQ	0.00	0.00	0.00	0.00	0.00	0.00	0.00	0.00	0.00	0.00	0.00	0.00
				M3	-0.25	0.00	3.16	-0.25	0.00	1.58	-0.08	0.00	1.13	-0.08	0.00	0.59
			MIN	S2	-0.25	0.00	3.16	-0.25	0.00	1.58	-0.08	0.00	1.13	-0.08	0.00	0.59
				TQ	0.00	0.00	0.00	0.00	0.00	0.00	0.00	0.00	0.00	0.00	0.00	0.00
				M3	0.86	0.00	-10.73	0.86	0.00	-5.33	0.23	0.00	-3.76	0.23	0.00	-2.19

BAGO RIVER BRIDGE

BLOCK [ No.2 : CROSS BEAM ][ BEAM MEMBER FORCE ]

MEMBER			1002045			3045			1002047			3047						
NODE			2045			2047			2047			3047						
NAME TITLE			SHEAR	TORQUE	MOMENT	SHEAR	TORQUE	MOMENT	SHEAR	TORQUE	MOMENT	SHEAR	TORQUE	MOMENT				
			S2 (kN)	TQ (kN·m)	M3 (kN·m)	S2 (kN)	TQ (kN·m)	M3 (kN·m)	S2 (kN)	TQ (kN·m)	M3 (kN·m)	S2 (kN)	TQ (kN·m)	M3 (kN·m)				
72	4-LANES	DISPERSION-LMAX	S2	0.88	0.00	-11.10	0.88	0.00	-5.52	0.25	0.00	-3.91	0.25	0.00	-2.21			
			TQ	0.00	0.00	0.00	0.00	0.00	0.00	0.00	0.00	0.00	0.00	0.00	0.00	0.00		
			M3	-0.45	0.00	5.65	-0.45	0.00	2.83	-0.14	0.00	2.03	-0.14	0.00	0.00	1.06		
		MIN	S2	-0.45	0.00	5.65	-0.45	0.00	2.83	-0.14	0.00	2.03	-0.14	0.00	0.00	1.06		
			TQ	0.00	0.00	0.00	0.00	0.00	0.00	0.00	0.00	0.00	0.00	0.00	0.00	0.00		
			M3	0.88	0.00	-11.10	0.88	0.00	-5.53	0.25	0.00	-3.91	0.25	0.00	0.00	-2.22		
		73	6-LANES	TRUCK-LOAD	MAX	S2	162.52	0.00	-413.52	162.52	0.00	609.85	151.14	0.00	-453.00	151.14	0.00	570.13
					TQ	0.00	0.00	0.00	0.00	0.00	0.00	0.00	0.00	0.00	0.00	0.00	0.00	0.00
					M3	-143.26	0.00	706.62	135.15	0.00	681.66	-130.37	0.00	622.85	128.12	0.00	0.00	626.03
MIN	S2			-166.51	0.00	634.54	-166.51	0.00	-413.95	-149.07	0.00	566.14	-149.07	0.00	0.00	-443.00		
	TQ			0.00	0.00	0.00	0.00	0.00	0.00	0.00	0.00	0.00	0.00	0.00	0.00	0.00		
	M3			69.78	0.00	-622.36	-73.14	0.00	-634.38	67.66	0.00	-639.69	-65.45	0.00	0.00	-633.11		
TANDEM-LOAD	MAX		S2	118.67	0.00	-303.89	118.67	0.00	443.34	109.92	0.00	-330.42	109.92	0.00	0.00	413.68		
	TQ		0.00	0.00	0.00	0.00	0.00	0.00	0.00	0.00	0.00	0.00	0.00	0.00	0.00			
	M3		-107.86	0.00	515.81	102.38	0.00	498.90	-95.29	0.00	454.56	96.31	0.00	0.00	458.09			
	MIN		S2	-121.29	0.00	459.99	-121.29	0.00	-303.74	-108.33	0.00	410.46	-108.33	0.00	0.00	-322.87		
			TQ	0.00	0.00	0.00	0.00	0.00	0.00	0.00	0.00	0.00	0.00	0.00	0.00	0.00		
			M3	49.99	0.00	-453.41	-52.20	0.00	-461.86	48.34	0.00	-462.78	-46.79	0.00	0.00	-458.21		
DISPERSION-LMAX	S2	115.33	0.00	-368.84	115.33	0.00	357.39	107.64	0.00	-398.43	107.64	0.00	0.00	330.24				
	TQ	0.00	0.00	0.00	0.00	0.00	0.00	0.00	0.00	0.00	0.00	0.00	0.00	0.00				
	M3	-99.24	0.00	473.43	87.94	0.00	436.33	-90.02	0.00	390.53	87.68	0.00	0.00	383.65				
	MIN	S2	-123.96	0.00	407.45	-123.96	0.00	-373.12	-109.10	0.00	340.93	-109.10	0.00	0.00	-397.59			
		TQ	0.00	0.00	0.00	0.00	0.00	0.00	0.00	0.00	0.00	0.00	0.00	0.00	0.00			
		M3	89.36	0.00	-445.79	-94.87	0.00	-463.99	85.91	0.00	-469.84	-86.51	0.00	0.00	-473.02			

BAGO RIVER BRIDGE

BLOCK [ No.2 : CROSS BEAM ][ BEAM MEMBER FORCE ]

MEMBER			1002045						1002047						
NODE			2045			3045			2047			3047			
NAME TITLE			SHEAR	TORQUE	MOMENT	SHEAR	TORQUE	MOMENT	SHEAR	TORQUE	MOMENT	SHEAR	TORQUE	MOMENT	
			S2 (kN)	TQ (kN·m)	M3 (kN·m)	S2 (kN)	TQ (kN·m)	M3 (kN·m)	S2 (kN)	TQ (kN·m)	M3 (kN·m)	S2 (kN)	TQ (kN·m)	M3 (kN·m)	
124	SUM TOTAL	D+1LANE (caseMAX	S2	-32.82	0.00	192.88	-32.82	0.00	-13.81	-4.87	0.00	-192.45	-4.87	0.00	-225.40
			TQ	-33.63	0.00	203.23	-33.63	0.00	-8.51	-5.23	0.00	-188.51	-5.23	0.00	-223.93
			M3	-123.29	0.00	379.86	-34.49	0.00	-6.32	-82.09	0.00	-55.22	-5.36	0.00	-223.35
		MIN	S2	-149.93	0.00	293.10	-149.93	0.00	-651.02	-106.83	0.00	-148.87	-106.83	0.00	-872.04
			TQ	-33.63	0.00	203.23	-33.63	0.00	-8.51	-5.23	0.00	-188.51	-5.23	0.00	-223.93
			M3	-86.87	0.00	-4.21	-130.51	0.00	-743.40	-51.42	0.00	-414.49	-88.49	0.00	-944.92
		D+1LANE (caseMAX	S2	-32.82	0.00	192.92	-32.82	0.00	-13.72	-4.92	0.00	-192.32	-4.92	0.00	-225.65
			TQ	-33.63	0.00	203.23	-33.63	0.00	-8.51	-5.23	0.00	-188.51	-5.23	0.00	-223.93
			M3	-155.80	0.00	916.90	-64.59	0.00	44.14	-119.44	0.00	473.85	-23.14	0.00	-197.49
		MIN	S2	-155.80	0.00	916.90	-155.80	0.00	-64.14	-119.44	0.00	473.85	-119.44	0.00	-334.68
			TQ	-33.63	0.00	203.23	-33.63	0.00	-8.51	-5.23	0.00	-188.51	-5.23	0.00	-223.93
			M3	-32.82	0.00	192.92	-139.95	0.00	-92.03	-4.92	0.00	-192.32	-110.21	0.00	-347.67
		D+1LANE (caseMAX	S2	82.95	0.00	160.05	82.95	0.00	682.39	109.36	0.00	-301.81	109.36	0.00	438.50
			TQ	-33.63	0.00	203.23	-33.63	0.00	-8.51	-5.23	0.00	-188.51	-5.23	0.00	-223.93
			M3	-7.45	0.00	282.53	82.22	0.00	688.52	11.21	0.00	-153.94	109.14	0.00	440.55
		MIN	S2	-34.25	0.00	214.71	-34.25	0.00	-0.97	-5.40	0.00	-185.26	-5.40	0.00	-221.81
			TQ	-33.63	0.00	203.23	-33.63	0.00	-8.51	-5.23	0.00	-188.51	-5.23	0.00	-223.93
			M3	68.41	0.00	127.76	-32.81	0.00	-13.66	100.56	0.00	-315.61	-4.97	0.00	-225.83
		D+1LANE (caseMAX	S2	77.01	0.00	-416.73	77.01	0.00	68.19	95.86	0.00	-831.51	95.86	0.00	-182.63
			TQ	-33.63	0.00	203.23	-33.63	0.00	-8.51	-5.23	0.00	-188.51	-5.23	0.00	-223.93
			M3	-33.58	0.00	209.39	50.58	0.00	158.45	-5.08	0.00	-186.55	71.01	0.00	-90.10
		MIN	S2	-33.90	0.00	207.46	-33.90	0.00	-5.98	-5.30	0.00	-187.38	-5.30	0.00	-223.29
			TQ	-33.63	0.00	203.23	-33.63	0.00	-8.51	-5.23	0.00	-188.51	-5.23	0.00	-223.93
			M3	57.72	0.00	-502.07	17.67	0.00	-214.57	77.86	0.00	-903.71	41.45	0.00	-443.91

BAGO RIVER BRIDGE

BLOCK [ No.2 : CROSS BEAM ][ BEAM MEMBER FORCE ]

MEMBER			1002045			3045			1002047			3047			
NODE			2045			2047			2047			3047			
NAME TITLE			SHEAR	TORQUE	MOMENT	SHEAR	TORQUE	MOMENT	SHEAR	TORQUE	MOMENT	SHEAR	TORQUE	MOMENT	
			S2 (kN)	TQ (kN·m)	M3 (kN·m)	S2 (kN)	TQ (kN·m)	M3 (kN·m)	S2 (kN)	TQ (kN·m)	M3 (kN·m)	S2 (kN)	TQ (kN·m)	M3 (kN·m)	
124	SUM TOTAL	D+2LANES(casMAX	S2	-32.29	0.00	185.99	-32.29	0.00	-17.30	-4.65	0.00	-195.03	-4.65	0.00	-226.49
			TQ	-33.63	0.00	203.23	-33.63	0.00	-8.51	-5.23	0.00	-188.51	-5.23	0.00	-223.93
			M3	-221.96	0.00	718.90	-35.29	0.00	-4.10	-171.34	0.00	247.46	-5.65	0.00	-222.85
		MIN	S2	-244.16	0.00	646.60	-244.16	0.00	-890.84	-191.96	0.00	169.41	-191.96	0.00	-1130.01
			TQ	-33.63	0.00	203.23	-33.63	0.00	-8.51	-5.23	0.00	-188.51	-5.23	0.00	-223.93
			M3	-77.32	0.00	21.75	-227.19	0.00	-971.46	-43.44	0.00	-380.06	-176.40	0.00	-1191.80
		D+2LANES(casMAX	S2	-32.28	0.00	186.03	-32.28	0.00	-17.24	-4.69	0.00	-194.92	-4.69	0.00	-226.70
			TQ	-33.63	0.00	203.23	-33.63	0.00	-8.51	-5.23	0.00	-188.51	-5.23	0.00	-223.93
			M3	-249.05	0.00	1166.43	-60.37	0.00	37.95	-202.47	0.00	688.35	-20.46	0.00	-201.30
		MIN	S2	-249.05	0.00	1166.43	-249.05	0.00	-401.78	-202.47	0.00	688.35	-202.47	0.00	-682.21
			TQ	-33.63	0.00	203.23	-33.63	0.00	-8.51	-5.23	0.00	-188.51	-5.23	0.00	-223.93
			M3	-32.28	0.00	186.03	-235.06	0.00	-428.65	-4.69	0.00	-194.92	-194.51	0.00	-694.09
		D+2LANES(casMAX	S2	172.25	0.00	-163.31	172.25	0.00	921.31	192.36	0.00	-647.96	192.36	0.00	654.22
			TQ	-33.63	0.00	203.23	-33.63	0.00	-8.51	-5.23	0.00	-188.51	-5.23	0.00	-223.93
			M3	-11.32	0.00	277.09	171.12	0.00	930.11	8.66	0.00	-157.25	192.02	0.00	657.26
		MIN	S2	-34.46	0.00	218.20	-34.46	0.00	1.22	-5.45	0.00	-184.66	-5.45	0.00	-221.52
			TQ	-33.63	0.00	203.23	-33.63	0.00	-8.51	-5.23	0.00	-188.51	-5.23	0.00	-223.93
			M3	159.59	0.00	-191.41	-32.27	0.00	-17.07	184.91	0.00	-659.87	-4.81	0.00	-227.20
		D+2LANES(casMAX	S2	167.31	0.00	-643.86	167.31	0.00	409.69	181.11	0.00	-1089.24	181.11	0.00	136.77
			TQ	-33.63	0.00	203.23	-33.63	0.00	-8.51	-5.23	0.00	-188.51	-5.23	0.00	-223.93
			M3	-33.09	0.00	216.09	144.77	0.00	488.56	-4.91	0.00	-184.44	160.28	0.00	215.27
		MIN	S2	-34.15	0.00	212.09	-34.15	0.00	-2.96	-5.36	0.00	-186.47	-5.36	0.00	-222.75
			TQ	-33.63	0.00	203.23	-33.63	0.00	-8.51	-5.23	0.00	-188.51	-5.23	0.00	-223.93
			M3	150.70	0.00	-716.17	9.81	0.00	-184.46	166.00	0.00	-1149.83	33.84	0.00	-409.04

BAGO RIVER BRIDGE

BLOCK [ No.2 : CROSS BEAM ][ BEAM MEMBER FORCE ]

MEMBER			1002045			3045			1002047			3047				
NODE			2045			2047			2047			2047				
NAME TITLE			SHEAR	TORQUE	MOMENT	SHEAR	TORQUE	MOMENT	SHEAR	TORQUE	MOMENT	SHEAR	TORQUE	MOMENT		
			S2 (kN)	TQ (kN·m)	M3 (kN·m)	S2 (kN)	TQ (kN·m)	M3 (kN·m)	S2 (kN)	TQ (kN·m)	M3 (kN·m)	S2 (kN)	TQ (kN·m)	M3 (kN·m)		
124	SUM TOTAL	D+3LANES (casMAX	S2	-31.91	0.00	181.28	-31.91	0.00	-19.68	-4.52	0.00	-196.75	-4.52	0.00	-227.32	
			TQ	-33.63	0.00	203.23	-33.63	0.00	-8.51	-5.23	0.00	-188.51	-5.23	0.00	-223.93	
			M3	-280.25	0.00	1147.06	-56.98	0.00	32.53	-227.32	0.00	651.24	-18.27	0.00	-204.28	
		MIN	S2	-299.12	0.00	1085.61	-299.12	0.00	-797.90	-244.85	0.00	584.90	-244.85	0.00	-1072.54	
			TQ	-33.63	0.00	203.23	-33.63	0.00	-8.51	-5.23	0.00	-188.51	-5.23	0.00	-223.93	
			M3	-70.19	0.00	41.67	-273.47	0.00	-886.17	-37.49	0.00	-354.02	-225.09	0.00	-1134.27	
		D+3LANES (casMAX	S2	219.75	0.00	-547.69	219.75	0.00	836.03	234.35	0.00	-1034.65	234.35	0.00	551.72	
			TQ	-33.63	0.00	203.23	-33.63	0.00	-8.51	-5.23	0.00	-188.51	-5.23	0.00	-223.93	
			M3	-14.64	0.00	270.43	200.03	0.00	907.57	6.67	0.00	-160.52	216.45	0.00	619.87	
		MIN	S2	-34.53	0.00	219.01	-34.53	0.00	1.56	-5.47	0.00	-184.40	-5.47	0.00	-221.43	
			TQ	-33.63	0.00	203.23	-33.63	0.00	-8.51	-5.23	0.00	-188.51	-5.23	0.00	-223.93	
			M3	195.31	0.00	-632.02	3.88	0.00	-161.96	215.25	0.00	-1095.90	28.18	0.00	-382.64	
		D+3LANES (casMAX	S2	219.73	0.00	-547.27	219.73	0.00	836.35	234.31	0.00	-1034.25	234.31	0.00	551.84	
			TQ	-33.63	0.00	203.23	-33.63	0.00	-8.51	-5.23	0.00	-188.51	-5.23	0.00	-223.93	
			M3	-14.62	0.00	270.32	200.05	0.00	907.71	6.69	0.00	-160.56	216.45	0.00	620.06	
		MIN	S2	-34.51	0.00	218.86	-34.51	0.00	1.54	-5.46	0.00	-184.19	-5.46	0.00	-221.11	
			TQ	-33.63	0.00	203.23	-33.63	0.00	-8.51	-5.23	0.00	-188.51	-5.23	0.00	-223.93	
			M3	195.30	0.00	-631.62	3.87	0.00	-161.69	215.22	0.00	-1095.54	28.15	0.00	-382.70	
		D+4LANES	MAX	S2	-32.24	0.00	185.80	-32.24	0.00	-17.18	-4.85	0.00	-194.62	-4.85	0.00	-227.43
			TQ	-33.63	0.00	203.23	-33.63	0.00	-8.51	-5.23	0.00	-188.51	-5.23	0.00	-223.93	
			M3	-34.16	0.00	209.92	-34.16	0.00	-5.16	-5.40	0.00	-186.11	-5.40	0.00	-222.68	
		MIN	S2	-34.16	0.00	209.92	-34.16	0.00	-5.16	-5.40	0.00	-186.11	-5.40	0.00	-222.68	
			TQ	-33.63	0.00	203.23	-33.63	0.00	-8.51	-5.23	0.00	-188.51	-5.23	0.00	-223.93	
			M3	-32.24	0.00	185.80	-32.24	0.00	-17.18	-4.85	0.00	-194.64	-4.85	0.00	-227.44	

BAGO RIVER BRIDGE

BLOCK [ No.2 : CROSS BEAM ][ BEAM MEMBER FORCE ]

MEMBER				1002045			1002047									
NODE				2045			2047									
				SHEAR	TORQUE	MOMENT	SHEAR	TORQUE	MOMENT	SHEAR	TORQUE	MOMENT				
NAME	TITLE			S2 (kN)	TQ (kN·m)	M3 (kN·m)	S2 (kN)	TQ (kN·m)	M3 (kN·m)	S2 (kN)	TQ (kN·m)	M3 (kN·m)				
124	SUM TOTAL	D+6LANES	MAX	S2	146.98	0.00	-305.30	146.98	0.00	620.20	162.98	0.00	-741.94	162.98	0.00	361.31
				TQ	-33.63	0.00	203.23	-33.63	0.00	-8.51	-5.23	0.00	-188.51	-5.23	0.00	-223.93
				M3	-191.25	0.00	970.26	111.38	0.00	718.19	-148.49	0.00	470.18	135.04	0.00	432.36
			MIN	S2	-222.43	0.00	880.53	-222.43	0.00	-520.10	-173.04	0.00	401.08	-173.04	0.00	-770.31
				TQ	-33.63	0.00	203.23	-33.63	0.00	-8.51	-5.23	0.00	-188.51	-5.23	0.00	-223.93
				M3	69.82	0.00	-491.07	-142.84	0.00	-722.45	94.59	0.00	-909.71	-104.01	0.00	-942.91
	SUM TOTAL		MAX		219.75	0.00	1166.43	219.75	0.00	930.11	234.35	0.00	688.35	234.35	0.00	657.26
			MIN		-299.12	0.00	-716.17	-299.12	0.00	-971.46	-244.85	0.00	-1149.83	-244.85	0.00	-1191.80
300	DEAD LOAD	TOTAL			-33.63	0.00	203.23	-33.63	0.00	-8.51	-5.23	0.00	-188.51	-5.23	0.00	-223.93
301	LIVE LOAD	1-LANE(case1MAX	S2		0.80	0.00	-10.35	0.80	0.00	-5.30	0.37	0.00	-3.94	0.37	0.00	-1.47
			TQ		0.00	0.00	0.00	0.00	0.00	0.00	0.00	0.00	0.00	0.00	0.00	0.00
			M3		-89.67	0.00	176.63	-0.87	0.00	2.19	-76.86	0.00	133.30	-0.13	0.00	0.58
			MIN	S2	-116.31	0.00	89.87	-116.31	0.00	-642.51	-101.60	0.00	39.65	-101.60	0.00	-648.11
				TQ	0.00	0.00	0.00	0.00	0.00	0.00	0.00	0.00	0.00	0.00	0.00	0.00
				M3	-53.24	0.00	-207.44	-96.89	0.00	-734.89	-46.19	0.00	-225.98	-83.25	0.00	-720.99
		1-LANE(case2MAX	S2		0.81	0.00	-10.31	0.81	0.00	-5.22	0.31	0.00	-3.81	0.31	0.00	-1.72
			TQ		0.00	0.00	0.00	0.00	0.00	0.00	0.00	0.00	0.00	0.00	0.00	0.00
			M3		-122.17	0.00	713.67	-30.97	0.00	52.65	-114.21	0.00	662.37	-17.91	0.00	26.44
			MIN	S2	-122.17	0.00	713.67	-122.17	0.00	-55.64	-114.21	0.00	662.37	-114.21	0.00	-110.75
				TQ	0.00	0.00	0.00	0.00	0.00	0.00	0.00	0.00	0.00	0.00	0.00	0.00
				M3	0.81	0.00	-10.31	-106.33	0.00	-83.52	0.31	0.00	-3.81	-104.98	0.00	-123.74
		1-LANE(case3MAX	S2		116.58	0.00	-43.18	116.58	0.00	690.90	114.60	0.00	-113.30	114.60	0.00	662.43
			TQ		0.00	0.00	0.00	0.00	0.00	0.00	0.00	0.00	0.00	0.00	0.00	0.00
			M3		26.18	0.00	79.30	115.85	0.00	697.02	16.44	0.00	34.57	114.37	0.00	664.48
			MIN	S2	-0.63	0.00	11.48	-0.63	0.00	7.54	-0.17	0.00	3.26	-0.17	0.00	2.12
				TQ	0.00	0.00	0.00	0.00	0.00	0.00	0.00	0.00	0.00	0.00	0.00	0.00
				M3	102.03	0.00	-75.47	0.81	0.00	-5.15	105.79	0.00	-127.10	0.27	0.00	-1.90



BAGO RIVER BRIDGE

BLOCK [ No.2 : CROSS BEAM ][ BEAM MEMBER FORCE ]

MEMBER			1002045			3045			1002047			3047			
NODE			2045			2047			2047			3047			
NAME TITLE			SHEAR	TORQUE	MOMENT	SHEAR	TORQUE	MOMENT	SHEAR	TORQUE	MOMENT	SHEAR	TORQUE	MOMENT	
			S2 (kN)	TQ (kN·m)	M3 (kN·m)	S2 (kN)	TQ (kN·m)	M3 (kN·m)	S2 (kN)	TQ (kN·m)	M3 (kN·m)	S2 (kN)	TQ (kN·m)	M3 (kN·m)	
301	LIVE LOAD	1-LANE (case4MAX	S2	110.64	0.00	-619.96	110.64	0.00	76.70	101.09	0.00	-643.00	101.09	0.00	41.30
			TQ	0.00	0.00	0.00	0.00	0.00	0.00	0.00	0.00	0.00	0.00	0.00	0.00
			M3	0.04	0.00	6.16	84.21	0.00	166.96	0.15	0.00	1.96	76.24	0.00	133.83
			MIN S2	-0.27	0.00	4.23	-0.27	0.00	2.53	-0.07	0.00	1.13	-0.07	0.00	0.00
			TQ	0.00	0.00	0.00	0.00	0.00	0.00	0.00	0.00	0.00	0.00	0.00	0.00
			M3	91.35	0.00	-705.30	51.30	0.00	-206.06	83.09	0.00	-715.20	46.68	0.00	-219.98
		2-LANES (caseMAX	S2	1.34	0.00	-17.24	1.34	0.00	-8.79	0.58	0.00	-6.52	0.58	0.00	-2.56
			TQ	0.00	0.00	0.00	0.00	0.00	0.00	0.00	0.00	0.00	0.00	0.00	0.00
			M3	-188.33	0.00	515.67	-1.67	0.00	4.41	-166.11	0.00	435.97	-0.41	0.00	1.08
			MIN S2	-210.53	0.00	443.37	-210.53	0.00	-882.33	-186.73	0.00	357.93	-186.73	0.00	-906.08
			TQ	0.00	0.00	0.00	0.00	0.00	0.00	0.00	0.00	0.00	0.00	0.00	0.00
			M3	-43.70	0.00	-181.48	-193.57	0.00	-962.95	-38.21	0.00	-191.55	-171.17	0.00	-967.87
		2-LANES (caseMAX	S2	1.35	0.00	-17.20	1.35	0.00	-8.73	0.54	0.00	-6.40	0.54	0.00	-2.77
			TQ	0.00	0.00	0.00	0.00	0.00	0.00	0.00	0.00	0.00	0.00	0.00	0.00
			M3	-215.42	0.00	963.20	-26.75	0.00	46.46	-197.23	0.00	876.86	-15.22	0.00	22.63
			MIN S2	-215.42	0.00	963.20	-215.42	0.00	-393.27	-197.23	0.00	876.86	-197.23	0.00	-458.28
			TQ	0.00	0.00	0.00	0.00	0.00	0.00	0.00	0.00	0.00	0.00	0.00	0.00
			M3	1.35	0.00	-17.20	-201.43	0.00	-420.14	0.54	0.00	-6.40	-189.27	0.00	-470.16
		2-LANES (caseMAX	S2	205.87	0.00	-366.54	205.87	0.00	929.82	197.60	0.00	-459.45	197.60	0.00	878.15
			TQ	0.00	0.00	0.00	0.00	0.00	0.00	0.00	0.00	0.00	0.00	0.00	0.00
			M3	22.30	0.00	73.86	204.74	0.00	938.62	13.89	0.00	31.27	197.26	0.00	881.19
			MIN S2	-0.83	0.00	14.98	-0.83	0.00	9.73	-0.21	0.00	3.86	-0.21	0.00	2.41
			TQ	0.00	0.00	0.00	0.00	0.00	0.00	0.00	0.00	0.00	0.00	0.00	0.00
			M3	193.22	0.00	-394.64	1.36	0.00	-8.56	190.14	0.00	-471.35	0.42	0.00	-3.27

BAGO RIVER BRIDGE

BLOCK [ No.2 : CROSS BEAM ][ BEAM MEMBER FORCE ]

MEMBER			1002045			3045			1002047			3047			
NODE			2045			2047			2047			3047			
NAME TITLE			SHEAR	TORQUE	MOMENT	SHEAR	TORQUE	MOMENT	SHEAR	TORQUE	MOMENT	SHEAR	TORQUE	MOMENT	
			S2 (kN)	TQ (kN·m)	M3 (kN·m)	S2 (kN)	TQ (kN·m)	M3 (kN·m)	S2 (kN)	TQ (kN·m)	M3 (kN·m)	S2 (kN)	TQ (kN·m)	M3 (kN·m)	
301	LIVE LOAD	2-LANES (caseMAX	S2	200.94	0.00	-847.09	200.94	0.00	418.20	186.35	0.00	-900.73	186.35	0.00	360.70
			TQ	0.00	0.00	0.00	0.00	0.00	0.00	0.00	0.00	0.00	0.00	0.00	0.00
			M3	0.53	0.00	12.86	178.39	0.00	497.07	0.32	0.00	4.07	165.51	0.00	439.20
			MIN S2	-0.53	0.00	8.86	-0.53	0.00	5.55	-0.13	0.00	2.04	-0.13	0.00	1.18
			TQ	0.00	0.00	0.00	0.00	0.00	0.00	0.00	0.00	0.00	0.00	0.00	0.00
			M3	184.32	0.00	-919.40	43.43	0.00	-175.95	171.23	0.00	-961.32	39.07	0.00	-185.11
		3-LANES (caseMAX	S2	1.71	0.00	-21.95	1.71	0.00	-11.17	0.72	0.00	-8.24	0.72	0.00	-3.39
			TQ	0.00	0.00	0.00	0.00	0.00	0.00	0.00	0.00	0.00	0.00	0.00	0.00
			M3	-246.62	0.00	943.83	-23.35	0.00	41.04	-222.09	0.00	839.75	-13.03	0.00	19.65
			MIN S2	-265.49	0.00	882.38	-265.49	0.00	-789.39	-239.61	0.00	773.42	-239.61	0.00	-848.61
			TQ	0.00	0.00	0.00	0.00	0.00	0.00	0.00	0.00	0.00	0.00	0.00	0.00
			M3	-36.57	0.00	-161.56	-239.85	0.00	-877.66	-32.26	0.00	-165.51	-219.86	0.00	-910.34
		3-LANES (caseMAX	S2	253.37	0.00	-750.92	253.37	0.00	844.54	239.58	0.00	-846.14	239.58	0.00	775.65
			TQ	0.00	0.00	0.00	0.00	0.00	0.00	0.00	0.00	0.00	0.00	0.00	0.00
			M3	18.98	0.00	67.20	233.66	0.00	916.08	11.90	0.00	27.99	221.68	0.00	843.80
			MIN S2	-0.91	0.00	15.78	-0.91	0.00	10.07	-0.24	0.00	4.11	-0.24	0.00	2.51
			TQ	0.00	0.00	0.00	0.00	0.00	0.00	0.00	0.00	0.00	0.00	0.00	0.00
			M3	228.93	0.00	-835.25	37.51	0.00	-153.46	220.48	0.00	-907.39	33.41	0.00	-158.71
		3-LANES (caseMAX	S2	253.36	0.00	-750.50	253.36	0.00	844.86	239.54	0.00	-845.74	239.54	0.00	775.77
			TQ	0.00	0.00	0.00	0.00	0.00	0.00	0.00	0.00	0.00	0.00	0.00	0.00
			M3	19.00	0.00	67.09	233.68	0.00	916.22	11.92	0.00	27.95	221.68	0.00	843.99
MIN S2	-0.89		0.00	15.63	-0.89	0.00	10.05	-0.22	0.00	4.33	-0.22	0.00	2.82		
TQ	0.00		0.00	0.00	0.00	0.00	0.00	0.00	0.00	0.00	0.00	0.00	0.00		
M3	228.93		0.00	-834.85	37.50	0.00	-153.18	220.45	0.00	-907.03	33.38	0.00	-158.77		

BAGO RIVER BRIDGE

BLOCK [ No.2 : CROSS BEAM ][ BEAM MEMBER FORCE ]

MEMBER				1002045			3045			1002047			3047				
NODE				2045			2047			2047			3047				
NAME TITLE				SHEAR	TORQUE	MOMENT	SHEAR	TORQUE	MOMENT	SHEAR	TORQUE	MOMENT	SHEAR	TORQUE	MOMENT		
				S2 (kN)	TQ (kN·m)	M3 (kN·m)	S2 (kN)	TQ (kN·m)	M3 (kN·m)	S2 (kN)	TQ (kN·m)	M3 (kN·m)	S2 (kN)	TQ (kN·m)	M3 (kN·m)		
301	LIVE LOAD	4-LANES	MAX	S2	1.39	0.00	-17.43	1.39	0.00	-8.67	0.39	0.00	-6.11	0.39	0.00	-3.50	
				TQ	0.00	0.00	0.00	0.00	0.00	0.00	0.00	0.00	0.00	0.00	0.00	0.00	0.00
				M3	-0.53	0.00	6.69	-0.53	0.00	3.35	-0.17	0.00	2.40	-0.17	0.00	1.25	
		MIN	S2	-0.53	0.00	6.69	-0.53	0.00	3.35	-0.17	0.00	2.40	-0.17	0.00	1.25		
			TQ	0.00	0.00	0.00	0.00	0.00	0.00	0.00	0.00	0.00	0.00	0.00	0.00	0.00	
			M3	1.39	0.00	-17.43	1.39	0.00	-8.67	0.39	0.00	-6.12	0.39	0.00	-3.51		
	6-LANES	MAX	S2	180.60	0.00	-508.53	180.60	0.00	628.71	168.21	0.00	-553.43	168.21	0.00	585.24		
			TQ	0.00	0.00	0.00	0.00	0.00	0.00	0.00	0.00	0.00	0.00	0.00	0.00		
			M3	-157.62	0.00	767.03	145.01	0.00	726.69	-143.26	0.00	658.70	140.27	0.00	656.29		
		MIN	S2	-188.81	0.00	677.30	-188.81	0.00	-511.59	-167.81	0.00	589.60	-167.81	0.00	-546.38		
			TQ	0.00	0.00	0.00	0.00	0.00	0.00	0.00	0.00	0.00	0.00	0.00	0.00		
			M3	103.45	0.00	-694.30	-109.21	0.00	-713.94	99.82	0.00	-721.19	-98.78	0.00	-718.98		
LIVE LOAD	MAX		253.37	0.00	963.20	253.37	0.00	938.62	239.58	0.00	876.86	239.58	0.00	881.19			
	MIN		-265.49	0.00	-919.40	-265.49	0.00	-962.95	-239.61	0.00	-961.32	-239.61	0.00	-967.87			
303	SUM TOTAL	TOTAL	MAX		219.75	0.00	1166.43	219.75	0.00	930.11	234.35	0.00	688.35	234.35	0.00	657.26	
			MIN		-299.12	0.00	-716.17	-299.12	0.00	-971.46	-244.85	0.00	-1149.83	-244.85	0.00	-1191.80	

BAGO RIVER BRIDGE

BLOCK [ No.2 : CROSS BEAM ][ BEAM MEMBER FORCE ]

MEMBER NODE	1002049 2049	3049			1002051 2051			3051							
		SHEAR S2 (kN)	TORQUE TQ (kN·m)	MOMENT M3 (kN·m)	SHEAR S2 (kN)	TORQUE TQ (kN·m)	MOMENT M3 (kN·m)	SHEAR S2 (kN)	TORQUE TQ (kN·m)	MOMENT M3 (kN·m)					
1 PAVEMENT	-2.31	0.00	-99.89	-2.31	0.00	-116.64	1.32	0.00	-126.71	1.32	0.00	-116.53			
3 RAILING	-0.08	0.00	-22.94	-0.08	0.00	-23.51	0.03	0.00	-21.93	0.03	0.00	-21.66			
5 CURB	-0.78	0.00	-227.08	-0.78	0.00	-232.72	0.34	0.00	-217.13	0.34	0.00	-214.48			
7 DECK WEIGHT	-3.78	0.00	-152.39	-3.78	0.00	-179.78	2.22	0.00	-191.55	2.22	0.00	-174.45			
8 GIRDER WEIGH	-5.49	0.00	-81.24	-5.49	0.00	-121.01	2.68	0.00	-156.39	2.68	0.00	-135.75			
10 MEDIAN STRIP	-1.06	0.00	182.83	-1.06	0.00	175.13	0.90	0.00	166.77	0.90	0.00	173.68			
21 ADITIONAL WE	-1.06	0.00	-42.67	-1.06	0.00	-50.34	0.62	0.00	-53.63	0.62	0.00	-48.84			
31 MEDIAN RAILI	-0.07	0.00	8.12	-0.07	0.00	7.65	0.04	0.00	6.29	0.04	0.00	6.58			
51 SUPPORT WEIG	-0.00	0.00	0.00	-0.00	0.00	0.00	-0.00	0.00	0.00	-0.00	0.00	0.00			
52 NOSE WEIGHT	0.00	0.00	-0.00	0.00	0.00	0.00	0.00	0.00	-0.00	0.00	0.00	0.00			
61 1-LANE(case1TRUCK-LOAD	MAX	S2	0.08	0.00	-0.71	0.08	0.00	-0.14	3.47	0.00	-17.94	3.47	0.00	8.84	
		TQ	0.00	0.00	0.00	0.00	0.00	0.00	0.00	0.00	0.00	0.00	0.00	0.00	
		M3	-24.84	0.00	42.58	0.01	0.00	0.36	-17.08	0.00	10.17	3.40	0.00	9.46	
	MIN	S2	-37.84	0.00	10.19	-37.84	0.00	-263.81	-23.98	0.00	-22.74	-23.98	0.00	-207.72	
		TQ	0.00	0.00	0.00	0.00	0.00	0.00	0.00	0.00	0.00	0.00	0.00	0.00	
		M3	-23.36	0.00	-151.10	-24.07	0.00	-320.53	-12.07	0.00	-188.09	-12.07	0.00	-281.17	
	TANDEM-LOAD	MAX	S2	0.06	0.00	-0.52	0.06	0.00	-0.10	2.39	0.00	-12.14	2.39	0.00	6.27
		TQ	0.00	0.00	0.00	0.00	0.00	0.00	0.00	0.00	0.00	0.00	0.00	0.00	
		M3	-20.36	0.00	32.02	0.00	0.00	0.24	-14.68	0.00	9.28	2.30	0.00	6.48	
	MIN	S2	-27.16	0.00	6.42	-27.16	0.00	-190.24	-17.53	0.00	-15.87	-17.53	0.00	-151.07	
		TQ	0.00	0.00	0.00	0.00	0.00	0.00	0.00	0.00	0.00	0.00	0.00	0.00	
		M3	-13.44	0.00	-120.85	-18.45	0.00	-218.38	-6.14	0.00	-145.36	-6.14	0.00	-192.74	
DISPERSION-LMAX	S2	0.04	0.00	-0.09	0.04	0.00	0.19	3.10	0.00	-26.77	3.10	0.00	-2.86		
	TQ	0.00	0.00	0.00	0.00	0.00	0.00	0.00	0.00	0.00	0.00	0.00	0.00		
	M3	-23.00	0.00	32.28	0.00	0.00	0.41	-7.28	0.00	7.36	2.78	0.00	7.21		
MIN	S2	-35.46	0.00	-18.73	-35.46	0.00	-275.53	-19.05	0.00	-53.64	-19.05	0.00	-200.62		
	TQ	0.00	0.00	0.00	0.00	0.00	0.00	0.00	0.00	0.00	0.00	0.00	0.00		
	M3	-12.43	0.00	-51.10	-35.43	0.00	-275.75	-8.67	0.00	-87.77	-18.73	0.00	-210.69		

BAGO RIVER BRIDGE

BLOCK [ No.2 : CROSS BEAM ][ BEAM MEMBER FORCE ]

MEMBER				1002049			1002051									
NODE				2049			3049			2051			3051			
				SHEAR	TORQUE	MOMENT	SHEAR	TORQUE	MOMENT	SHEAR	TORQUE	MOMENT	SHEAR	TORQUE	MOMENT	
NAME	TITLE			S2 (kN)	TQ (kN·m)	M3 (kN·m)	S2 (kN)	TQ (kN·m)	M3 (kN·m)	S2 (kN)	TQ (kN·m)	M3 (kN·m)	S2 (kN)	TQ (kN·m)	M3 (kN·m)	
62	1-LANE (case2TRUCK-LOAD	MAX	S2	0.07	0.00	0.07	0.07	0.00	0.55	1.06	0.00	-7.29	1.06	0.00	0.91	
			TQ	0.00	0.00	0.00	0.00	0.00	0.00	0.00	0.00	0.00	0.00	0.00	0.00	0.00
			M3	-60.41	0.00	340.50	0.07	0.00	0.55	-55.50	0.00	324.04	-4.33	0.00	2.39	
		MIN	S2	-60.41	0.00	340.50	-60.41	0.00	-96.95	-55.50	0.00	324.04	-55.50	0.00	-104.07	
			TQ	0.00	0.00	0.00	0.00	0.00	0.00	0.00	0.00	0.00	0.00	0.00	0.00	
			M3	-0.07	0.00	-0.16	-60.41	0.00	-96.95	1.05	0.00	-7.36	-55.50	0.00	-104.07	
		TANDEM-LOAD MAX	S2	0.05	0.00	0.05	0.05	0.00	0.37	0.73	0.00	-4.93	0.73	0.00	0.68	
			TQ	0.00	0.00	0.00	0.00	0.00	0.00	0.00	0.00	0.00	0.00	0.00	0.00	
			M3	-44.63	0.00	249.89	-5.24	0.00	1.51	-41.16	0.00	238.98	-4.03	0.00	2.35	
		MIN	S2	-44.63	0.00	249.89	-44.63	0.00	-73.33	-41.16	0.00	238.98	-41.16	0.00	-78.56	
			TQ	0.00	0.00	0.00	0.00	0.00	0.00	0.00	0.00	0.00	0.00	0.00	0.00	
			M3	-0.04	0.00	-0.11	-44.63	0.00	-73.33	0.72	0.00	-5.07	-41.16	0.00	-78.56	
		DISPERSION-LMAX	S2	0.08	0.00	0.09	0.08	0.00	0.64	0.95	0.00	-6.68	0.95	0.00	0.62	
			TQ	0.00	0.00	0.00	0.00	0.00	0.00	0.00	0.00	0.00	0.00	0.00	0.00	
			M3	-31.34	0.00	184.01	-2.92	0.00	2.96	-25.91	0.00	159.41	-1.00	0.00	2.88	
MIN	S2	-31.44	0.00	183.86	-31.44	0.00	-43.84	-25.91	0.00	159.41	-25.91	0.00	-40.45			
	TQ	0.00	0.00	0.00	0.00	0.00	0.00	0.00	0.00	0.00	0.00	0.00	0.00			
	M3	-0.03	0.00	-0.06	-28.44	0.00	-46.16	0.94	0.00	-6.68	-23.97	0.00	-42.71			
63	1-LANE (case3TRUCK-LOAD	MAX	S2	60.37	0.00	-95.85	60.37	0.00	341.34	56.51	0.00	-105.92	56.51	0.00	330.02	
			TQ	0.00	0.00	0.00	0.00	0.00	0.00	0.00	0.00	0.00	0.00	0.00		
			M3	5.13	0.00	4.55	60.37	0.00	341.34	4.61	0.00	2.49	56.51	0.00	330.02	
		MIN	S2	-0.26	0.00	0.36	-0.26	0.00	-1.51	-0.80	0.00	0.44	-0.80	0.00	-5.75	
			TQ	0.00	0.00	0.00	0.00	0.00	0.00	0.00	0.00	0.00	0.00	0.00	0.00	
			M3	60.37	0.00	-95.85	-0.26	0.00	-1.52	56.51	0.00	-105.92	-0.79	0.00	-5.78	

BAGO RIVER BRIDGE

BLOCK [ No.2 : CROSS BEAM ][ BEAM MEMBER FORCE ]

MEMBER		1002049			1002051			1002051			1002051						
NODE		2049			3049			2051			3051						
		SHEAR	TORQUE	MOMENT	SHEAR	TORQUE	MOMENT	SHEAR	TORQUE	MOMENT	SHEAR	TORQUE	MOMENT				
NAME	TITLE	S2 (kN)	TQ (kN·m)	M3 (kN·m)	S2 (kN)	TQ (kN·m)	M3 (kN·m)	S2 (kN)	TQ (kN·m)	M3 (kN·m)	S2 (kN)	TQ (kN·m)	M3 (kN·m)				
63	1-LANE (case3TANDEM-LOAD	MAX	S2	44.64	0.00	-72.70	44.64	0.00	250.58	41.88	0.00	-79.98	41.88	0.00	243.13		
			TQ	0.00	0.00	0.00	0.00	0.00	0.00	0.00	0.00	0.00	0.00	0.00	0.00		
			M3	4.45	0.00	4.76	44.64	0.00	250.58	4.24	0.00	2.40	41.88	0.00	243.13		
		MIN	S2	-0.18	0.00	0.27	-0.18	0.00	-1.02	-0.55	0.00	0.35	-0.55	0.00	-3.90		
			TQ	0.00	0.00	0.00	0.00	0.00	0.00	0.00	0.00	0.00	0.00	0.00	0.00		
			M3	44.64	0.00	-72.70	-0.18	0.00	-1.06	41.88	0.00	-79.98	-0.54	0.00	-3.98		
			DISPERSION-LMAX	S2	30.26	0.00	-37.63	30.26	0.00	181.51	26.27	0.00	-40.75	26.27	0.00	161.92	
				TQ	0.00	0.00	0.00	0.00	0.00	0.00	0.00	0.00	0.00	0.00	0.00	0.00	
				M3	3.25	0.00	3.79	30.26	0.00	181.52	1.22	0.00	3.03	26.25	0.00	162.34	
			MIN	S2	-0.19	0.00	0.25	-0.19	0.00	-1.15	-0.65	0.00	0.52	-0.65	0.00	-4.47	
				TQ	0.00	0.00	0.00	0.00	0.00	0.00	0.00	0.00	0.00	0.00	0.00	0.00	
				M3	26.81	0.00	-41.17	-0.19	0.00	-1.17	24.40	0.00	-43.25	-0.63	0.00	-4.89	
		64	1-LANE (case4TRUCK-LOAD	MAX	S2	37.48	0.00	-259.81	37.48	0.00	11.63	24.51	0.00	-205.30	24.51	0.00	-16.20
					TQ	0.00	0.00	0.00	0.00	0.00	0.00	0.00	0.00	0.00	0.00	0.00	0.00
					M3	-0.34	0.00	0.92	28.08	0.00	41.26	-3.15	0.00	10.12	17.42	0.00	15.44
MIN	S2			-0.35	0.00	0.87	-0.35	0.00	-1.65	-3.19	0.00	9.70	-3.19	0.00	-14.91		
	TQ			0.00	0.00	0.00	0.00	0.00	0.00	0.00	0.00	0.00	0.00	0.00	0.00		
	M3			23.68	0.00	-316.58	23.00	0.00	-149.81	12.75	0.00	-278.26	12.75	0.00	-179.93		
	TANDEM-LOAD MAX			S2	26.94	0.00	-187.59	26.94	0.00	7.47	17.91	0.00	-149.50	17.91	0.00	-11.31	
				TQ	0.00	0.00	0.00	0.00	0.00	0.00	0.00	0.00	0.00	0.00	0.00	0.00	
				M3	-0.24	0.00	0.66	23.40	0.00	32.50	-2.20	0.00	6.93	14.96	0.00	13.14	
	MIN			S2	-0.25	0.00	0.65	-0.25	0.00	-1.13	-2.20	0.00	6.82	-2.20	0.00	-10.13	
				TQ	0.00	0.00	0.00	0.00	0.00	0.00	0.00	0.00	0.00	0.00	0.00	0.00	
				M3	18.23	0.00	-215.79	13.18	0.00	-120.05	6.62	0.00	-190.93	6.62	0.00	-139.83	

BAGO RIVER BRIDGE

BLOCK [ No.2 : CROSS BEAM ][ BEAM MEMBER FORCE ]

MEMBER		1002049						1002051						
NODE		2049			3049			2051			3051			
		SHEAR	TORQUE	MOMENT	SHEAR	TORQUE	MOMENT	SHEAR	TORQUE	MOMENT	SHEAR	TORQUE	MOMENT	
NAME	TITLE	S2 (kN)	TQ (kN·m)	M3 (kN·m)	S2 (kN)	TQ (kN·m)	M3 (kN·m)	S2 (kN)	TQ (kN·m)	M3 (kN·m)	S2 (kN)	TQ (kN·m)	M3 (kN·m)	
64	1-LANE (case4DISPERSION-LMAX	S2	34.21	0.00	-266.43	34.21	0.00	-18.71	19.43	0.00	-197.69	19.43	0.00	-47.83
		TQ	0.00	0.00	0.00	0.00	0.00	0.00	0.00	0.00	0.00	0.00	0.00	0.00
		M3	-0.20	0.00	0.48	22.12	0.00	31.49	-2.60	0.00	7.66	8.44	0.00	9.10
		MIN S2	-0.21	0.00	0.46	-0.21	0.00	-1.06	-2.77	0.00	-1.01	-2.77	0.00	-22.39
		TQ	0.00	0.00	0.00	0.00	0.00	0.00	0.00	0.00	0.00	0.00	0.00	0.00
		M3	34.20	0.00	-266.45	11.88	0.00	-51.26	19.25	0.00	-206.37	8.21	0.00	-79.33
65	2-LANES (caseTRUCK-LOAD	MAX S2	0.12	0.00	-0.54	0.12	0.00	0.29	5.75	0.00	-30.53	5.75	0.00	13.80
		TQ	0.00	0.00	0.00	0.00	0.00	0.00	0.00	0.00	0.00	0.00	0.00	0.00
		M3	-80.03	0.00	213.87	0.04	0.00	0.81	-63.20	0.00	153.06	5.62	0.00	14.84
		MIN S2	-93.03	0.00	181.49	-93.03	0.00	-492.20	-70.10	0.00	120.16	-70.10	0.00	-420.63
		TQ	0.00	0.00	0.00	0.00	0.00	0.00	0.00	0.00	0.00	0.00	0.00	0.00
		M3	-23.37	0.00	-151.59	-79.26	0.00	-548.92	-9.83	0.00	-200.78	-58.19	0.00	-494.08
	TANDEM-LOAD	MAX S2	0.08	0.00	-0.41	0.08	0.00	0.20	3.95	0.00	-20.66	3.95	0.00	9.78
		TQ	0.00	0.00	0.00	0.00	0.00	0.00	0.00	0.00	0.00	0.00	0.00	0.00
		M3	-59.59	0.00	153.97	0.03	0.00	0.55	-47.75	0.00	112.20	3.79	0.00	10.17
		MIN S2	-66.39	0.00	128.37	-66.39	0.00	-352.42	-50.60	0.00	87.05	-50.60	0.00	-303.30
		TQ	0.00	0.00	0.00	0.00	0.00	0.00	0.00	0.00	0.00	0.00	0.00	0.00
		M3	-13.45	0.00	-121.20	-57.69	0.00	-380.56	-4.62	0.00	-154.07	-39.22	0.00	-344.97
	DISPERSION-LMAX	S2	0.08	0.00	0.02	0.08	0.00	0.63	5.06	0.00	-38.17	5.06	0.00	0.88
		TQ	0.00	0.00	0.00	0.00	0.00	0.00	0.00	0.00	0.00	0.00	0.00	0.00
		M3	-61.48	0.00	151.38	0.04	0.00	0.93	-34.00	0.00	90.77	4.58	0.00	11.32
		MIN S2	-74.03	0.00	100.05	-74.03	0.00	-436.08	-46.39	0.00	29.08	-46.39	0.00	-328.80
		TQ	0.00	0.00	0.00	0.00	0.00	0.00	0.00	0.00	0.00	0.00	0.00	0.00
		M3	-12.46	0.00	-51.31	-73.99	0.00	-436.38	-7.33	0.00	-99.87	-45.90	0.00	-339.24

BAGO RIVER BRIDGE

BLOCK [ No.2 : CROSS BEAM ][ BEAM MEMBER FORCE ]

MEMBER				1002049			1002051									
NODE				2049			3049			2051			3051			
				SHEAR	TORQUE	MOMENT	SHEAR	TORQUE	MOMENT	SHEAR	TORQUE	MOMENT	SHEAR	TORQUE	MOMENT	
NAME	TITLE			S2 (kN)	TQ (kN·m)	M3 (kN·m)	S2 (kN)	TQ (kN·m)	M3 (kN·m)	S2 (kN)	TQ (kN·m)	M3 (kN·m)	S2 (kN)	TQ (kN·m)	M3 (kN·m)	
66	2-LANES (caseTRUCK-LOAD	MAX	S2	0.10	0.00	0.23	0.10	0.00	0.98	3.34	0.00	-19.88	3.34	0.00	5.86	
			TQ	0.00	0.00	0.00	0.00	0.00	0.00	0.00	0.00	0.00	0.00	0.00	0.00	0.00
			M3	-115.60	0.00	511.79	0.10	0.00	1.00	-101.62	0.00	466.93	-2.11	0.00	7.77	
		MIN	S2	-115.60	0.00	511.79	-115.60	0.00	-325.33	-101.62	0.00	466.93	-101.62	0.00	-316.98	
			TQ	0.00	0.00	0.00	0.00	0.00	0.00	0.00	0.00	0.00	0.00	0.00	0.00	
			M3	-0.07	0.00	-0.65	-115.60	0.00	-325.33	3.29	0.00	-20.05	-101.62	0.00	-316.98	
		TANDEM-LOAD MAX	S2	0.07	0.00	0.16	0.07	0.00	0.67	2.29	0.00	-13.45	2.29	0.00	4.20	
			TQ	0.00	0.00	0.00	0.00	0.00	0.00	0.00	0.00	0.00	0.00	0.00	0.00	
			M3	-83.87	0.00	371.84	-5.21	0.00	1.82	-74.24	0.00	341.90	-2.54	0.00	6.05	
		MIN	S2	-83.87	0.00	371.84	-83.87	0.00	-235.51	-74.24	0.00	341.90	-74.24	0.00	-230.78	
			TQ	0.00	0.00	0.00	0.00	0.00	0.00	0.00	0.00	0.00	0.00	0.00	0.00	
			M3	-0.05	0.00	-0.47	-83.87	0.00	-235.51	2.24	0.00	-13.78	-74.24	0.00	-230.78	
		DISPERSION-LMAX	S2	0.12	0.00	0.19	0.12	0.00	1.08	2.91	0.00	-18.08	2.91	0.00	4.36	
			TQ	0.00	0.00	0.00	0.00	0.00	0.00	0.00	0.00	0.00	0.00	0.00	0.00	
			M3	-69.82	0.00	303.11	-2.88	0.00	3.48	-52.62	0.00	242.82	0.80	0.00	7.00	
MIN	S2	-70.01	0.00	302.65	-70.01	0.00	-204.39	-53.25	0.00	242.12	-53.25	0.00	-168.63			
	TQ	0.00	0.00	0.00	0.00	0.00	0.00	0.00	0.00	0.00	0.00	0.00	0.00			
	M3	-0.07	0.00	-0.28	-67.01	0.00	-206.79	2.28	0.00	-18.77	-51.14	0.00	-171.26			
67	2-LANES (caseTRUCK-LOAD	MAX	S2	115.37	0.00	-321.77	115.37	0.00	513.74	103.49	0.00	-318.35	103.49	0.00	480.04	
			TQ	0.00	0.00	0.00	0.00	0.00	0.00	0.00	0.00	0.00	0.00	0.00		
			M3	4.86	0.00	5.20	115.37	0.00	513.74	2.63	0.00	7.93	103.49	0.00	480.04	
		MIN	S2	-0.55	0.00	1.00	-0.55	0.00	-3.01	-2.81	0.00	5.59	-2.81	0.00	-16.06	
			TQ	0.00	0.00	0.00	0.00	0.00	0.00	0.00	0.00	0.00	0.00	0.00	0.00	
			M3	115.37	0.00	-321.77	-0.55	0.00	-3.04	103.49	0.00	-318.35	-2.79	0.00	-16.11	



BAGO RIVER BRIDGE

BLOCK [ No.2 : CROSS BEAM ][ BEAM MEMBER FORCE ]

MEMBER		1002049						1002051									
NODE		2049			3049			2051			3051						
		SHEAR	TORQUE	MOMENT	SHEAR	TORQUE	MOMENT	SHEAR	TORQUE	MOMENT	SHEAR	TORQUE	MOMENT				
NAME	TITLE	S2 (kN)	TQ (kN·m)	M3 (kN·m)	S2 (kN)	TQ (kN·m)	M3 (kN·m)	S2 (kN)	TQ (kN·m)	M3 (kN·m)	S2 (kN)	TQ (kN·m)	M3 (kN·m)				
67	2-LANES (caseTANDEM-LOAD	MAX	S2	83.76	0.00	-233.29	83.76	0.00	373.32	75.57	0.00	-232.06	75.57	0.00	350.94		
			TQ	0.00	0.00	0.00	0.00	0.00	0.00	0.00	0.00	0.00	0.00	0.00	0.00		
			M3	4.26	0.00	5.23	83.76	0.00	373.32	2.91	0.00	6.12	75.57	0.00	350.94		
		MIN	S2	-0.38	0.00	0.68	-0.38	0.00	-2.09	-1.93	0.00	3.99	-1.93	0.00	-10.90		
			TQ	0.00	0.00	0.00	0.00	0.00	0.00	0.00	0.00	0.00	0.00	0.00	0.00		
			M3	83.76	0.00	-233.29	-0.38	0.00	-2.13	75.57	0.00	-232.06	-1.88	0.00	-11.06		
			DISPERSION-LMAX	S2	67.59	0.00	-190.52	67.59	0.00	298.98	53.88	0.00	-166.52	53.88	0.00	249.10	
				TQ	0.00	0.00	0.00	0.00	0.00	0.00	0.00	0.00	0.00	0.00	0.00	0.00	
				M3	3.07	0.00	4.12	67.59	0.00	299.02	-0.33	0.00	7.17	53.47	0.00	249.86	
			MIN	S2	-0.38	0.00	0.56	-0.38	0.00	-2.19	-2.29	0.00	4.27	-2.29	0.00	-13.39	
				TQ	0.00	0.00	0.00	0.00	0.00	0.00	0.00	0.00	0.00	0.00	0.00	0.00	
				M3	64.14	0.00	-194.08	-0.37	0.00	-2.23	51.92	0.00	-169.42	-1.88	0.00	-14.15	
		68	2-LANES (caseTRUCK-LOAD	MAX	S2	92.50	0.00	-485.69	92.50	0.00	184.17	71.51	0.00	-417.71	71.51	0.00	133.96
					TQ	0.00	0.00	0.00	0.00	0.00	0.00	0.00	0.00	0.00	0.00	0.00	0.00
					M3	-0.61	0.00	1.58	83.10	0.00	213.80	-5.13	0.00	15.57	64.42	0.00	165.60
MIN	S2			-0.64	0.00	1.52	-0.64	0.00	-3.14	-5.20	0.00	14.85	-5.20	0.00	-25.22		
	TQ			0.00	0.00	0.00	0.00	0.00	0.00	0.00	0.00	0.00	0.00	0.00	0.00		
	M3			78.70	0.00	-542.46	22.71	0.00	-151.32	59.74	0.00	-490.66	10.75	0.00	-190.26		
	TANDEM-LOAD MAX			S2	66.07	0.00	-348.16	66.07	0.00	130.32	51.61	0.00	-301.57	51.61	0.00	96.60	
				TQ	0.00	0.00	0.00	0.00	0.00	0.00	0.00	0.00	0.00	0.00	0.00	0.00	
				M3	-0.44	0.00	1.14	62.53	0.00	155.35	-3.52	0.00	10.65	48.66	0.00	121.05	
	MIN			S2	-0.45	0.00	1.06	-0.45	0.00	-2.20	-3.58	0.00	10.45	-3.58	0.00	-17.14	
				TQ	0.00	0.00	0.00	0.00	0.00	0.00	0.00	0.00	0.00	0.00	0.00	0.00	
				M3	57.36	0.00	-376.35	12.97	0.00	-121.12	40.32	0.00	-342.99	5.29	0.00	-146.91	

BAGO RIVER BRIDGE

BLOCK [ No.2 : CROSS BEAM ][ BEAM MEMBER FORCE ]

MEMBER		1002049						1002051									
NODE		2049			3049			2051			3051						
		SHEAR	TORQUE	MOMENT	SHEAR	TORQUE	MOMENT	SHEAR	TORQUE	MOMENT	SHEAR	TORQUE	MOMENT				
NAME	TITLE	S2 (kN)	TQ (kN·m)	M3 (kN·m)	S2 (kN)	TQ (kN·m)	M3 (kN·m)	S2 (kN)	TQ (kN·m)	M3 (kN·m)	S2 (kN)	TQ (kN·m)	M3 (kN·m)				
68	2-LANES (caseDISPERSION-LMAX	S2	71.58	0.00	-419.42	71.58	0.00	98.94	47.22	0.00	-324.19	47.22	0.00	40.08			
		TQ	0.00	0.00	0.00	0.00	0.00	0.00	0.00	0.00	0.00	0.00	0.00	0.00			
		M3	-0.39	0.00	0.84	59.49	0.00	149.16	-4.21	0.00	11.79	35.85	0.00	97.35			
		MIN	S2	-0.40	0.00	0.80	-0.40	0.00	-2.11	-4.45	0.00	2.89	-4.45	0.00	-31.45		
		TQ	0.00	0.00	0.00	0.00	0.00	0.00	0.00	0.00	0.00	0.00	0.00	0.00			
		M3	71.56	0.00	-419.47	11.69	0.00	-52.34	46.98	0.00	-333.09	6.92	0.00	-88.72			
		69	3-LANES (caseTRUCK-LOAD	MAX	S2	0.18	0.00	-0.47	0.18	0.00	0.84	6.81	0.00	-37.82	6.81	0.00	14.71
				TQ	0.00	0.00	0.00	0.00	0.00	0.00	0.00	0.00	0.00	0.00	0.00	0.00	
				M3	-140.43	0.00	554.37	0.11	0.00	1.36	-118.70	0.00	477.10	1.30	0.00	17.23	
MIN	S2			-153.43	0.00	521.99	-153.43	0.00	-589.14	-125.60	0.00	444.20	-125.60	0.00	-524.70		
TQ	0.00			0.00	0.00	0.00	0.00	0.00	0.00	0.00	0.00	0.00	0.00	0.00			
M3	-23.44			0.00	-151.75	-139.66	0.00	-645.86	-8.78	0.00	-208.14	-113.68	0.00	-598.15			
TANDEM-LOAD	MAX			S2	0.13	0.00	-0.36	0.13	0.00	0.57	4.67	0.00	-25.59	4.67	0.00	10.47	
TQ	0.00			0.00	0.00	0.00	0.00	0.00	0.00	0.00	0.00	0.00	0.00	0.00			
M3	-104.23			0.00	403.87	-5.21	0.00	2.06	-88.91	0.00	351.18	-0.24	0.00	12.53			
MIN	S2	-111.02	0.00	378.26	-111.02	0.00	-425.75	-91.76	0.00	326.03	-91.76	0.00	-381.86				
TQ	0.00	0.00	0.00	0.00	0.00	0.00	0.00	0.00	0.00	0.00	0.00	0.00					
M3	-13.49	0.00	-121.31	-102.32	0.00	-453.89	-3.90	0.00	-159.14	-80.38	0.00	-423.53					
DISPERSION-LMAX	S2	0.16	0.00	0.10	0.16	0.00	1.27	6.01	0.00	-44.85	6.01	0.00	1.51				
TQ	0.00	0.00	0.00	0.00	0.00	0.00	0.00	0.00	0.00	0.00	0.00	0.00					
M3	-92.82	0.00	335.39	-2.88	0.00	3.89	-59.90	0.00	250.19	3.58	0.00	14.20					
MIN	S2	-105.48	0.00	283.92	-105.48	0.00	-479.92	-72.30	0.00	188.49	-72.30	0.00	-369.25				
TQ	0.00	0.00	0.00	0.00	0.00	0.00	0.00	0.00	0.00	0.00	0.00	0.00					
M3	-12.50	0.00	-51.37	-102.43	0.00	-482.54	-6.39	0.00	-106.54	-69.87	0.00	-381.95					

BAGO RIVER BRIDGE

BLOCK [ No.2 : CROSS BEAM ][ BEAM MEMBER FORCE ]

MEMBER				1002049			1002051									
NODE				2049	3049		2051	3051								
				SHEAR	TORQUE	MOMENT	SHEAR	TORQUE	MOMENT	SHEAR	TORQUE	MOMENT				
NAME	TITLE			S2 (kN)	TQ (kN·m)	M3 (kN·m)	S2 (kN)	TQ (kN·m)	M3 (kN·m)	S2 (kN)	TQ (kN·m)	M3 (kN·m)				
70	3-LANES (caseTRUCK-LOAD	MAX	S2	152.86	0.00	-581.63	152.86	0.00	525.33	128.01	0.00	-523.69	128.01	0.00	463.80	
			TQ	0.00	0.00	0.00	0.00	0.00	0.00	0.00	0.00	0.00	0.00	0.00	0.00	0.00
			M3	4.52	0.00	6.12	143.42	0.00	554.95	-0.52	0.00	18.06	120.92	0.00	495.47	
		MIN	S2	-0.90	0.00	1.88	-0.90	0.00	-4.65	-6.00	0.00	15.29	-6.00	0.00	-30.97	
			TQ	0.00	0.00	0.00	0.00	0.00	0.00	0.00	0.00	0.00	0.00	0.00	0.00	0.00
			M3	139.04	0.00	-638.39	22.44	0.00	-152.97	116.23	0.00	-596.64	9.95	0.00	-196.17	
		TANDEM-LOAD MAX	S2	110.70	0.00	-420.92	110.70	0.00	380.76	93.49	0.00	-381.60	93.49	0.00	339.60	
			TQ	0.00	0.00	0.00	0.00	0.00	0.00	0.00	0.00	0.00	0.00	0.00	0.00	0.00
			M3	4.01	0.00	5.90	107.16	0.00	405.80	0.72	0.00	13.05	90.53	0.00	364.06	
		MIN	S2	-0.63	0.00	1.33	-0.63	0.00	-3.22	-4.13	0.00	10.81	-4.13	0.00	-21.04	
			TQ	0.00	0.00	0.00	0.00	0.00	0.00	0.00	0.00	0.00	0.00	0.00	0.00	0.00
			M3	101.98	0.00	-449.10	12.78	0.00	-122.29	82.18	0.00	-423.01	4.74	0.00	-151.00	
		DISPERSION-LMAX	S2	101.75	0.00	-456.77	101.75	0.00	280.11	73.10	0.00	-363.31	73.10	0.00	200.62	
			TQ	0.00	0.00	0.00	0.00	0.00	0.00	0.00	0.00	0.00	0.00	0.00	0.00	0.00
			M3	2.88	0.00	4.57	89.66	0.00	330.38	-2.89	0.00	14.77	61.72	0.00	258.28	
MIN	S2	-0.58	0.00	0.99	-0.58	0.00	-3.23	-5.02	0.00	3.06	-5.02	0.00	-35.69			
	TQ	0.00	0.00	0.00	0.00	0.00	0.00	0.00	0.00	0.00	0.00	0.00	0.00	0.00		
	M3	98.29	0.00	-460.35	11.51	0.00	-53.50	70.97	0.00	-375.02	6.36	0.00	-93.35			
71	3-LANES (caseTRUCK-LOAD	MAX	S2	152.86	0.00	-581.47	152.86	0.00	525.53	128.02	0.00	-523.56	128.02	0.00	464.01	
			TQ	0.00	0.00	0.00	0.00	0.00	0.00	0.00	0.00	0.00	0.00	0.00	0.00	
			M3	4.51	0.00	6.15	143.46	0.00	555.16	-0.52	0.00	18.08	120.92	0.00	495.65	
		MIN	S2	-0.90	0.00	1.88	-0.90	0.00	-4.65	-6.00	0.00	15.29	-6.00	0.00	-30.97	
			TQ	0.00	0.00	0.00	0.00	0.00	0.00	0.00	0.00	0.00	0.00	0.00	0.00	0.00
			M3	139.06	0.00	-638.24	22.45	0.00	-152.84	116.25	0.00	-596.52	9.96	0.00	-196.04	

BAGO RIVER BRIDGE

BLOCK [ No.2 : CROSS BEAM ][ BEAM MEMBER FORCE ]

MEMBER		1002049						1002051								
NODE		2049			3049			2051			3051					
		SHEAR	TORQUE	MOMENT	SHEAR	TORQUE	MOMENT	SHEAR	TORQUE	MOMENT	SHEAR	TORQUE	MOMENT			
NAME	TITLE	S2 (kN)	TQ (kN·m)	M3 (kN·m)	S2 (kN)	TQ (kN·m)	M3 (kN·m)	S2 (kN)	TQ (kN·m)	M3 (kN·m)	S2 (kN)	TQ (kN·m)	M3 (kN·m)			
71	3-LANES (case)	TANDEM-LOAD	MAX	S2	110.71	0.00	-420.80	110.71	0.00	380.91	93.50	0.00	-381.50	93.50	0.00	339.75
				TQ	0.00	0.00	0.00	0.00	0.00	0.00	0.00	0.00	0.00	0.00	0.00	0.00
				M3	4.01	0.00	5.92	107.17	0.00	405.94	0.72	0.00	13.07	90.54	0.00	364.20
			MIN	S2	-0.63	0.00	1.33	-0.63	0.00	-3.22	-4.13	0.00	10.81	-4.13	0.00	-21.04
				TQ	0.00	0.00	0.00	0.00	0.00	0.00	0.00	0.00	0.00	0.00	0.00	0.00
				M3	102.00	0.00	-449.00	12.79	0.00	-122.18	82.21	0.00	-422.93	4.75	0.00	-150.90
		DISPERSION-L	MAX	S2	101.86	0.00	-457.15	101.86	0.00	280.53	73.66	0.00	-365.17	73.66	0.00	203.05
				TQ	0.00	0.00	0.00	0.00	0.00	0.00	0.00	0.00	0.00	0.00	0.00	0.00
				M3	2.86	0.00	4.67	89.77	0.00	330.77	-2.99	0.00	14.30	62.28	0.00	260.36
			MIN	S2	-0.60	0.00	1.08	-0.60	0.00	-3.28	-5.13	0.00	3.09	-5.13	0.00	-36.45
				TQ	0.00	0.00	0.00	0.00	0.00	0.00	0.00	0.00	0.00	0.00	0.00	0.00
				M3	98.40	0.00	-460.74	11.49	0.00	-53.52	71.52	0.00	-376.38	6.25	0.00	-93.75
72	4-LANES	TRUCK-LOAD	MAX	S2	0.65	0.00	-1.30	0.65	0.00	3.39	1.16	0.00	-1.98	1.16	0.00	6.99
				TQ	0.00	0.00	0.00	0.00	0.00	0.00	0.00	0.00	0.00	0.00	0.00	0.00
				M3	-0.14	0.00	0.18	0.65	0.00	3.39	0.05	0.00	0.63	1.16	0.00	6.99
			MIN	S2	-0.14	0.00	0.18	-0.14	0.00	-0.85	-0.10	0.00	-0.14	-0.10	0.00	-0.90
				TQ	0.00	0.00	0.00	0.00	0.00	0.00	0.00	0.00	0.00	0.00	0.00	0.00
				M3	0.65	0.00	-1.30	-0.14	0.00	-0.85	0.91	0.00	-2.73	-0.09	0.00	-1.13
		TANDEM-LOAD	MAX	S2	0.45	0.00	-0.91	0.45	0.00	2.33	0.82	0.00	-1.48	0.82	0.00	4.89
				TQ	0.00	0.00	0.00	0.00	0.00	0.00	0.00	0.00	0.00	0.00	0.00	0.00
				M3	-0.10	0.00	0.12	0.45	0.00	2.33	0.03	0.00	0.43	0.82	0.00	4.89
			MIN	S2	-0.10	0.00	0.12	-0.10	0.00	-0.58	-0.07	0.00	-0.09	-0.07	0.00	-0.61
				TQ	0.00	0.00	0.00	0.00	0.00	0.00	0.00	0.00	0.00	0.00	0.00	0.00
				M3	0.45	0.00	-0.91	-0.10	0.00	-0.58	0.80	0.00	-1.98	-0.06	0.00	-0.77

BAGO RIVER BRIDGE

BLOCK [ No.2 : CROSS BEAM ][ BEAM MEMBER FORCE ]

MEMBER			1002049						1002051									
NODE			2049			3049			2051			3051						
			SHEAR	TORQUE	MOMENT	SHEAR	TORQUE	MOMENT	SHEAR	TORQUE	MOMENT	SHEAR	TORQUE	MOMENT				
NAME	TITLE		S2 (kN)	TQ (kN·m)	M3 (kN·m)	S2 (kN)	TQ (kN·m)	M3 (kN·m)	S2 (kN)	TQ (kN·m)	M3 (kN·m)	S2 (kN)	TQ (kN·m)	M3 (kN·m)				
72	4-LANES	DISPERSION-LMAX	S2	0.43	0.00	-0.82	0.43	0.00	2.32	0.71	0.00	-1.31	0.71	0.00	4.17			
			TQ	0.00	0.00	0.00	0.00	0.00	0.00	0.00	0.00	0.00	0.00	0.00	0.00	0.00		
			M3	-0.17	0.00	0.23	0.43	0.00	2.32	0.03	0.00	0.49	0.70	0.00	0.00	4.49		
		MIN	S2	-0.17	0.00	0.23	-0.17	0.00	-1.03	-0.12	0.00	-0.14	-0.12	0.00	0.00	-1.08		
			TQ	0.00	0.00	0.00	0.00	0.00	0.00	0.00	0.00	0.00	0.00	0.00	0.00	0.00		
			M3	0.43	0.00	-0.82	-0.17	0.00	-1.03	0.56	0.00	-1.95	-0.11	0.00	0.00	-1.39		
		73	6-LANES	TRUCK-LOAD MAX	S2	137.43	0.00	-466.02	137.43	0.00	529.22	120.57	0.00	-440.46	120.57	0.00	489.63	
					TQ	0.00	0.00	0.00	0.00	0.00	0.00	0.00	0.00	0.00	0.00	0.00	0.00	0.00
					M3	-116.30	0.00	571.62	117.38	0.00	568.17	-101.93	0.00	513.28	104.42	0.00	0.00	530.49
MIN	S2			-138.63	0.00	527.12	-138.63	0.00	-476.78	-117.28	0.00	471.55	-117.28	0.00	0.00	-433.16		
	TQ			0.00	0.00	0.00	0.00	0.00	0.00	0.00	0.00	0.00	0.00	0.00	0.00	0.00		
	M3			100.13	0.00	-656.81	-101.69	0.00	-664.82	93.31	0.00	-668.26	-89.51	0.00	0.00	-656.38		
TANDEM-LOAD MAX	S2			99.93	0.00	-339.34	99.93	0.00	384.37	88.11	0.00	-322.27	88.11	0.00	0.00	357.44		
	TQ			0.00	0.00	0.00	0.00	0.00	0.00	0.00	0.00	0.00	0.00	0.00	0.00	0.00		
	M3			-92.62	0.00	417.95	86.56	0.00	416.75	-78.60	0.00	377.74	80.75	0.00	0.00	389.76		
MIN	S2	-100.69	0.00	382.74	-100.69	0.00	-346.45	-85.80	0.00	344.82	-85.80	0.00	0.00	-317.04				
	TQ	0.00	0.00	0.00	0.00	0.00	0.00	0.00	0.00	0.00	0.00	0.00	0.00	0.00				
	M3	72.68	0.00	-475.81	-73.72	0.00	-481.17	68.34	0.00	-484.89	-65.63	0.00	0.00	-476.33				
DISPERSION-LMAX	S2	93.55	0.00	-400.91	93.55	0.00	276.56	72.96	0.00	-360.89	72.96	0.00	0.00	201.97				
	TQ	0.00	0.00	0.00	0.00	0.00	0.00	0.00	0.00	0.00	0.00	0.00	0.00	0.00				
	M3	-81.62	0.00	324.43	78.78	0.00	319.20	-57.39	0.00	255.04	60.25	0.00	0.00	264.03				
MIN	S2	-97.28	0.00	279.60	-97.28	0.00	-424.85	-70.90	0.00	188.98	-70.90	0.00	0.00	-357.95				
	TQ	0.00	0.00	0.00	0.00	0.00	0.00	0.00	0.00	0.00	0.00	0.00	0.00	0.00				
	M3	74.51	0.00	-470.67	-79.19	0.00	-492.74	55.18	0.00	-441.53	-53.78	0.00	0.00	-434.53				

BAGO RIVER BRIDGE

BLOCK [ No.2 : CROSS BEAM ][ BEAM MEMBER FORCE ]

MEMBER			1002049						1002051						
NODE			2049			3049			2051			3051			
NAME TITLE			SHEAR	TORQUE	MOMENT	SHEAR	TORQUE	MOMENT	SHEAR	TORQUE	MOMENT	SHEAR	TORQUE	MOMENT	
			S2 (kN)	TQ (kN·m)	M3 (kN·m)	S2 (kN)	TQ (kN·m)	M3 (kN·m)	S2 (kN)	TQ (kN·m)	M3 (kN·m)	S2 (kN)	TQ (kN·m)	M3 (kN·m)	
124	SUM TOTAL	D+1LANE (caseMAX	S2	-14.49	0.00	-436.20	-14.49	0.00	-541.15	16.03	0.00	-647.95	16.03	0.00	-524.27
			TQ	-14.63	0.00	-435.25	-14.63	0.00	-541.21	8.15	0.00	-594.29	8.15	0.00	-531.45
			M3	-72.03	0.00	-345.42	-14.62	0.00	-540.29	-21.09	0.00	-573.25	15.56	0.00	-511.44
		MIN	S2	-102.59	0.00	-445.50	-102.59	0.00	-1188.43	-43.49	0.00	-685.93	-43.49	0.00	-1021.46
			TQ	-14.63	0.00	-435.25	-14.63	0.00	-541.21	8.15	0.00	-594.29	8.15	0.00	-531.45
			M3	-57.58	0.00	-677.88	-86.02	0.00	-1256.75	-16.74	0.00	-925.32	-28.81	0.00	-1121.68
		D+1LANE (caseMAX	S2	-14.46	0.00	-435.07	-14.46	0.00	-539.78	10.56	0.00	-611.05	10.56	0.00	-529.61
			TQ	-14.63	0.00	-435.25	-14.63	0.00	-541.21	8.15	0.00	-594.29	8.15	0.00	-531.45
			M3	-124.72	0.00	194.16	-18.06	0.00	-537.00	-89.54	0.00	-14.14	1.76	0.00	-525.12
		MIN	S2	-124.85	0.00	193.98	-124.85	0.00	-710.16	-89.54	0.00	-14.14	-89.54	0.00	-704.88
			TQ	-14.63	0.00	-435.25	-14.63	0.00	-541.21	8.15	0.00	-594.29	8.15	0.00	-531.45
			M3	-14.75	0.00	-435.52	-121.25	0.00	-712.94	10.54	0.00	-611.13	-87.21	0.00	-707.59
		D+1LANE (caseMAX	S2	94.12	0.00	-595.43	94.12	0.00	86.21	107.48	0.00	-770.29	107.48	0.00	58.89
			TQ	-14.63	0.00	-435.25	-14.63	0.00	-541.21	8.15	0.00	-594.29	8.15	0.00	-531.45
			M3	-4.57	0.00	-425.25	94.12	0.00	86.22	15.14	0.00	-587.67	107.46	0.00	59.39
		MIN	S2	-15.18	0.00	-434.51	-15.18	0.00	-544.41	6.41	0.00	-593.13	6.41	0.00	-543.72
			TQ	-14.63	0.00	-435.25	-14.63	0.00	-541.21	8.15	0.00	-594.29	8.15	0.00	-531.45
			M3	89.99	0.00	-599.67	-15.17	0.00	-544.44	105.24	0.00	-773.29	6.45	0.00	-544.25
		D+1LANE (caseMAX	S2	71.40	0.00	-1066.74	71.40	0.00	-549.70	60.87	0.00	-1077.88	60.87	0.00	-608.29
			TQ	-14.63	0.00	-435.25	-14.63	0.00	-541.21	8.15	0.00	-594.29	8.15	0.00	-531.45
			M3	-15.28	0.00	-433.57	45.61	0.00	-453.92	1.24	0.00	-572.94	39.18	0.00	-502.00
		MIN	S2	-15.30	0.00	-433.66	-15.30	0.00	-544.46	0.99	0.00	-583.86	0.99	0.00	-576.21
			TQ	-14.63	0.00	-435.25	-14.63	0.00	-541.21	8.15	0.00	-594.29	8.15	0.00	-531.45
			M3	54.83	0.00	-1134.89	27.22	0.00	-782.49	46.54	0.00	-1175.84	33.30	0.00	-842.56

BAGO RIVER BRIDGE

BLOCK [ No.2 : CROSS BEAM ][ BEAM MEMBER FORCE ]

MEMBER			1002049			1002051									
NODE			2049			2051									
			SHEAR	TORQUE	MOMENT	SHEAR	TORQUE	MOMENT	SHEAR	TORQUE	MOMENT	SHEAR	TORQUE	MOMENT	
NAME TITLE			S2 (kN)	TQ (kN·m)	M3 (kN·m)	S2 (kN)	TQ (kN·m)	M3 (kN·m)	S2 (kN)	TQ (kN·m)	M3 (kN·m)	S2 (kN)	TQ (kN·m)	M3 (kN·m)	
124	SUM TOTAL	D+2LANES (casMAX	S2	-14.43	0.00	-435.78	-14.43	0.00	-540.29	18.95	0.00	-662.99	18.95	0.00	-516.77
			TQ	-14.63	0.00	-435.25	-14.63	0.00	-541.21	8.15	0.00	-594.29	8.15	0.00	-531.45
			M3	-156.14	0.00	-70.00	-14.55	0.00	-539.47	-89.05	0.00	-350.45	18.34	0.00	-505.29
		MIN	S2	-181.69	0.00	-153.71	-181.69	0.00	-1469.48	-108.35	0.00	-445.06	-108.35	0.00	-1280.88
			TQ	-14.63	0.00	-435.25	-14.63	0.00	-541.21	8.15	0.00	-594.29	8.15	0.00	-531.45
			M3	-50.46	0.00	-638.15	-167.88	0.00	-1526.51	-9.02	0.00	-894.94	-95.95	0.00	-1364.77
		D+2LANES (casMAX	S2	-14.41	0.00	-434.83	-14.41	0.00	-539.15	14.39	0.00	-632.24	14.39	0.00	-521.22
			TQ	-14.63	0.00	-435.25	-14.63	0.00	-541.21	8.15	0.00	-594.29	8.15	0.00	-531.45
			M3	-200.05	0.00	379.66	-17.42	0.00	-536.73	-146.09	0.00	115.47	6.84	0.00	-516.69
		MIN	S2	-200.24	0.00	379.19	-200.24	0.00	-1070.93	-146.72	0.00	114.77	-146.72	0.00	-1017.06
			TQ	-14.63	0.00	-435.25	-14.63	0.00	-541.21	8.15	0.00	-594.29	8.15	0.00	-531.45
			M3	-14.77	0.00	-436.18	-197.24	0.00	-1073.33	13.71	0.00	-633.11	-144.61	0.00	-1019.69
		D+2LANES (casMAX	S2	168.34	0.00	-947.54	168.34	0.00	271.51	165.52	0.00	-1079.16	165.52	0.00	197.68
			TQ	-14.63	0.00	-435.25	-14.63	0.00	-541.21	8.15	0.00	-594.29	8.15	0.00	-531.45
			M3	-6.70	0.00	-425.92	168.33	0.00	271.55	10.45	0.00	-579.18	165.11	0.00	198.45
		MIN	S2	-15.57	0.00	-433.69	-15.57	0.00	-546.40	3.05	0.00	-584.43	3.05	0.00	-560.90
			TQ	-14.63	0.00	-435.25	-14.63	0.00	-541.21	8.15	0.00	-594.29	8.15	0.00	-531.45
			M3	164.88	0.00	-951.10	-15.55	0.00	-546.47	163.56	0.00	-1082.06	3.48	0.00	-561.71
		D+2LANES (casMAX	S2	149.45	0.00	-1340.36	149.45	0.00	-258.10	126.88	0.00	-1336.19	126.88	0.00	-357.41
			TQ	-14.63	0.00	-435.25	-14.63	0.00	-541.21	8.15	0.00	-594.29	8.15	0.00	-531.45
			M3	-15.63	0.00	-432.83	127.95	0.00	-178.25	-1.20	0.00	-566.93	108.42	0.00	-268.50
		MIN	S2	-15.68	0.00	-432.94	-15.68	0.00	-546.46	-1.50	0.00	-576.54	-1.50	0.00	-588.12
			TQ	-14.63	0.00	-435.25	-14.63	0.00	-541.21	8.15	0.00	-594.29	8.15	0.00	-531.45
			M3	135.63	0.00	-1397.18	19.77	0.00	-744.86	114.87	0.00	-1418.04	25.81	0.00	-810.43

BAGO RIVER BRIDGE

BLOCK [ No.2 : CROSS BEAM ][ BEAM MEMBER FORCE ]

MEMBER			1002049						1002051							
NODE			2049			3049			2051			3051				
NAME TITLE			SHEAR	TORQUE	MOMENT	SHEAR	TORQUE	MOMENT	SHEAR	TORQUE	MOMENT	SHEAR	TORQUE	MOMENT		
			S2 (kN)	TQ (kN·m)	M3 (kN·m)	S2 (kN)	TQ (kN·m)	M3 (kN·m)	S2 (kN)	TQ (kN·m)	M3 (kN·m)	S2 (kN)	TQ (kN·m)	M3 (kN·m)		
124	SUM TOTAL	D+3LANES (casMAX	S2	-14.34	0.00	-435.57	-14.34	0.00	-539.42	19.04	0.00	-664.56	19.04	0.00	-517.67	
			TQ	-14.63	0.00	-435.25	-14.63	0.00	-541.21	8.15	0.00	-594.29	8.15	0.00	-531.45	
			M3	-212.90	0.00	321.05	-16.99	0.00	-536.75	-143.67	0.00	23.91	12.29	0.00	-504.73	
		MIN	S2	-234.70	0.00	249.77	-234.70	0.00	-1449.92	-160.07	0.00	-56.50	-160.07	0.00	-1291.31	
			TQ	-14.63	0.00	-435.25	-14.63	0.00	-541.21	8.15	0.00	-594.29	8.15	0.00	-531.45	
			M3	-45.17	0.00	-607.90	-220.41	0.00	-1500.35	-4.75	0.00	-861.77	-147.87	0.00	-1364.54	
		D+3LANES (casMAX	S2	201.79	0.00	-1317.89	201.79	0.00	143.42	179.09	0.00	-1348.24	179.09	0.00	33.31	
			TQ	-14.63	0.00	-435.25	-14.63	0.00	-541.21	8.15	0.00	-594.29	8.15	0.00	-531.45	
			M3	-8.34	0.00	-426.16	183.48	0.00	211.32	5.25	0.00	-566.38	163.39	0.00	109.24	
		MIN	S2	-15.89	0.00	-432.82	-15.89	0.00	-547.91	-1.22	0.00	-578.69	-1.22	0.00	-588.11	
			TQ	-14.63	0.00	-435.25	-14.63	0.00	-541.21	8.15	0.00	-594.29	8.15	0.00	-531.45	
			M3	187.10	0.00	-1369.18	14.23	0.00	-716.72	167.26	0.00	-1420.20	22.00	0.00	-777.55	
		D+3LANES (casMAX	S2	201.89	0.00	-1318.08	201.89	0.00	143.95	179.57	0.00	-1349.71	179.57	0.00	35.55	
			TQ	-14.63	0.00	-435.25	-14.63	0.00	-541.21	8.15	0.00	-594.29	8.15	0.00	-531.45	
			M3	-8.36	0.00	-426.06	183.61	0.00	211.82	5.16	0.00	-566.77	163.87	0.00	111.15	
		MIN	S2	-15.91	0.00	-432.74	-15.91	0.00	-547.96	-1.31	0.00	-578.66	-1.31	0.00	-588.76	
			TQ	-14.63	0.00	-435.25	-14.63	0.00	-541.21	8.15	0.00	-594.29	8.15	0.00	-531.45	
			M3	187.21	0.00	-1369.38	14.22	0.00	-716.62	167.75	0.00	-1421.25	21.92	0.00	-777.77	
		D+4LANES	MAX	S2	-13.93	0.00	-436.63	-13.93	0.00	-537.50	9.36	0.00	-596.43	9.36	0.00	-524.20
			TQ	-14.63	0.00	-435.25	-14.63	0.00	-541.21	8.15	0.00	-594.29	8.15	0.00	-531.45	
			M3	-14.84	0.00	-434.99	-13.93	0.00	-537.50	8.20	0.00	-593.56	9.36	0.00	-523.99	
		MIN	S2	-14.84	0.00	-434.99	-14.84	0.00	-542.43	8.00	0.00	-594.47	8.00	0.00	-532.74	
			TQ	-14.63	0.00	-435.25	-14.63	0.00	-541.21	8.15	0.00	-594.29	8.15	0.00	-531.45	
			M3	-13.93	0.00	-436.63	-14.84	0.00	-542.43	9.10	0.00	-597.33	8.01	0.00	-533.09	



BAGO RIVER BRIDGE

BLOCK [ No.2 : CROSS BEAM ][ BEAM MEMBER FORCE ]

MEMBER					1002049						1002051					
NODE					2049			3049			2051			3051		
NAME TITLE					SHEAR	TORQUE	MOMENT	SHEAR	TORQUE	MOMENT	SHEAR	TORQUE	MOMENT	SHEAR	TORQUE	MOMENT
					S2 (kN)	TQ (kN·m)	M3 (kN·m)	S2 (kN)	TQ (kN·m)	M3 (kN·m)	S2 (kN)	TQ (kN·m)	M3 (kN·m)	S2 (kN)	TQ (kN·m)	M3 (kN·m)
124	SUM TOTAL	D+6LANES	MAX	S2	135.51	0.00	-998.76	135.51	0.00	-17.45	133.94	0.00	-1115.17	133.94	0.00	-81.91
				TQ	-14.63	0.00	-435.25	-14.63	0.00	-541.21	8.15	0.00	-594.29	8.15	0.00	-531.45
				M3	-143.28	0.00	147.18	112.88	0.00	35.58	-95.41	0.00	-94.88	115.18	0.00	-15.02
			MIN	S2	-167.97	0.00	89.11	-167.97	0.00	-1127.27	-114.17	0.00	-164.94	-114.17	0.00	-1045.67
				TQ	-14.63	0.00	-435.25	-14.63	0.00	-541.21	8.15	0.00	-594.29	8.15	0.00	-531.45
				M3	98.88	0.00	-1168.12	-132.20	0.00	-1293.62	104.67	0.00	-1315.66	-85.00	0.00	-1240.54
	SUM TOTAL		MAX		201.89	0.00	379.66	201.89	0.00	271.55	179.57	0.00	115.47	179.57	0.00	198.45
			MIN		-234.70	0.00	-1397.18	-234.70	0.00	-1526.51	-160.07	0.00	-1421.25	-160.07	0.00	-1364.77
300	DEAD LOAD	TOTAL			-14.63	0.00	-435.25	-14.63	0.00	-541.21	8.15	0.00	-594.29	8.15	0.00	-531.45
301	LIVE LOAD	1-LANE(case1MAX	S2		0.14	0.00	-0.95	0.14	0.00	0.06	7.89	0.00	-53.66	7.89	0.00	7.19
			TQ		0.00	0.00	0.00	0.00	0.00	0.00	0.00	0.00	0.00	0.00	0.00	0.00
			M3		-57.40	0.00	89.83	0.01	0.00	0.92	-29.24	0.00	21.04	7.41	0.00	20.01
			MIN	S2	-87.96	0.00	-10.25	-87.96	0.00	-647.22	-51.64	0.00	-91.65	-51.64	0.00	-490.01
				TQ	0.00	0.00	0.00	0.00	0.00	0.00	0.00	0.00	0.00	0.00	0.00	0.00
				M3	-42.95	0.00	-242.63	-71.39	0.00	-715.54	-24.88	0.00	-331.03	-36.95	0.00	-590.23
		1-LANE(case2MAX	S2		0.17	0.00	0.19	0.17	0.00	1.43	2.41	0.00	-16.76	2.41	0.00	1.84
			TQ		0.00	0.00	0.00	0.00	0.00	0.00	0.00	0.00	0.00	0.00	0.00	0.00
			M3		-110.09	0.00	629.41	-3.43	0.00	4.21	-97.68	0.00	580.15	-6.39	0.00	6.33
			MIN	S2	-110.22	0.00	629.23	-110.22	0.00	-168.95	-97.68	0.00	580.15	-97.68	0.00	-173.43
				TQ	0.00	0.00	0.00	0.00	0.00	0.00	0.00	0.00	0.00	0.00	0.00	0.00
				M3	-0.12	0.00	-0.27	-106.62	0.00	-171.73	2.39	0.00	-16.84	-95.35	0.00	-176.14
		1-LANE(case3MAX	S2		108.76	0.00	-160.17	108.76	0.00	627.42	99.34	0.00	-176.00	99.34	0.00	590.34
			TQ		0.00	0.00	0.00	0.00	0.00	0.00	0.00	0.00	0.00	0.00	0.00	0.00
			M3		10.06	0.00	10.01	108.75	0.00	627.43	6.99	0.00	6.62	99.31	0.00	590.84
			MIN	S2	-0.54	0.00	0.74	-0.54	0.00	-3.20	-1.74	0.00	1.15	-1.74	0.00	-12.27
				TQ	0.00	0.00	0.00	0.00	0.00	0.00	0.00	0.00	0.00	0.00	0.00	0.00
				M3	104.62	0.00	-164.42	-0.54	0.00	-3.23	97.10	0.00	-179.00	-1.70	0.00	-12.80

BAGO RIVER BRIDGE

BLOCK [ No.2 : CROSS BEAM ][ BEAM MEMBER FORCE ]

MEMBER			1002049						1002051							
NODE			2049			3049			2051			3051				
NAME TITLE			SHEAR	TORQUE	MOMENT	SHEAR	TORQUE	MOMENT	SHEAR	TORQUE	MOMENT	SHEAR	TORQUE	MOMENT		
			S2 (kN)	TQ (kN·m)	M3 (kN·m)	S2 (kN)	TQ (kN·m)	M3 (kN·m)	S2 (kN)	TQ (kN·m)	M3 (kN·m)	S2 (kN)	TQ (kN·m)	M3 (kN·m)		
301	LIVE LOAD	1-LANE (case4MAX	S2	86.03	0.00	-631.49	86.03	0.00	-8.49	52.73	0.00	-483.60	52.73	0.00	-76.84	
			TQ	0.00	0.00	0.00	0.00	0.00	0.00	0.00	0.00	0.00	0.00	0.00	0.00	0.00
			M3	-0.65	0.00	1.68	60.24	0.00	87.29	-6.90	0.00	21.34	31.03	0.00	0.00	29.45
			MIN S2	-0.67	0.00	1.60	-0.67	0.00	-3.25	-7.15	0.00	10.43	-7.15	0.00	0.00	-44.76
			TQ	0.00	0.00	0.00	0.00	0.00	0.00	0.00	0.00	0.00	0.00	0.00	0.00	0.00
			M3	69.46	0.00	-699.64	41.85	0.00	-241.28	38.40	0.00	-581.56	25.15	0.00	0.00	-311.11
		2-LANES (caseMAX	S2	0.20	0.00	-0.53	0.20	0.00	0.92	10.81	0.00	-68.71	10.81	0.00	0.00	14.68
			TQ	0.00	0.00	0.00	0.00	0.00	0.00	0.00	0.00	0.00	0.00	0.00	0.00	0.00
			M3	-141.51	0.00	365.26	0.09	0.00	1.74	-97.20	0.00	243.83	10.20	0.00	0.00	26.16
			MIN S2	-167.06	0.00	281.54	-167.06	0.00	-928.27	-116.49	0.00	149.23	-116.49	0.00	0.00	-749.43
			TQ	0.00	0.00	0.00	0.00	0.00	0.00	0.00	0.00	0.00	0.00	0.00	0.00	0.00
			M3	-35.83	0.00	-202.90	-153.25	0.00	-985.30	-17.16	0.00	-300.65	-104.09	0.00	0.00	-833.32
		2-LANES (caseMAX	S2	0.23	0.00	0.42	0.23	0.00	2.06	6.25	0.00	-37.96	6.25	0.00	0.00	10.23
			TQ	0.00	0.00	0.00	0.00	0.00	0.00	0.00	0.00	0.00	0.00	0.00	0.00	0.00
			M3	-185.42	0.00	814.91	-2.78	0.00	4.48	-154.24	0.00	709.76	-1.30	0.00	0.00	14.76
			MIN S2	-185.61	0.00	814.44	-185.61	0.00	-529.72	-154.86	0.00	709.06	-154.86	0.00	0.00	-485.61
			TQ	0.00	0.00	0.00	0.00	0.00	0.00	0.00	0.00	0.00	0.00	0.00	0.00	0.00
			M3	-0.14	0.00	-0.93	-182.60	0.00	-532.12	5.57	0.00	-38.83	-152.76	0.00	0.00	-488.24
		2-LANES (caseMAX	S2	182.97	0.00	-512.29	182.97	0.00	812.72	157.37	0.00	-484.87	157.37	0.00	0.00	729.13
			TQ	0.00	0.00	0.00	0.00	0.00	0.00	0.00	0.00	0.00	0.00	0.00	0.00	0.00
			M3	7.93	0.00	9.33	182.96	0.00	812.76	2.30	0.00	15.11	156.96	0.00	0.00	729.90
MIN S2	-0.93		0.00	1.57	-0.93	0.00	-5.19	-5.10	0.00	9.86	-5.10	0.00	0.00	-29.45		
TQ	0.00		0.00	0.00	0.00	0.00	0.00	0.00	0.00	0.00	0.00	0.00	0.00	0.00		
M3	179.51		0.00	-515.85	-0.92	0.00	-5.26	155.41	0.00	-487.78	-4.67	0.00	0.00	-30.26		

BAGO RIVER BRIDGE

BLOCK [ No.2 : CROSS BEAM ][ BEAM MEMBER FORCE ]

MEMBER			1002049						1002051							
NODE			2049			3049			2051			3051				
NAME TITLE			SHEAR	TORQUE	MOMENT	SHEAR	TORQUE	MOMENT	SHEAR	TORQUE	MOMENT	SHEAR	TORQUE	MOMENT		
			S2 (kN)	TQ (kN·m)	M3 (kN·m)	S2 (kN)	TQ (kN·m)	M3 (kN·m)	S2 (kN)	TQ (kN·m)	M3 (kN·m)	S2 (kN)	TQ (kN·m)	M3 (kN·m)		
301	LIVE LOAD	2-LANES (caseMAX	S2	164.08	0.00	-905.11	164.08	0.00	283.11	118.73	0.00	-741.90	118.73	0.00	174.04	
			TQ	0.00	0.00	0.00	0.00	0.00	0.00	0.00	0.00	0.00	0.00	0.00	0.00	0.00
			M3	-1.00	0.00	2.42	142.58	0.00	362.96	-9.34	0.00	27.36	100.27	0.00	0.00	262.95
			MIN S2	-1.04	0.00	2.31	-1.04	0.00	-5.25	-9.65	0.00	17.75	-9.65	0.00	0.00	-56.67
			TQ	0.00	0.00	0.00	0.00	0.00	0.00	0.00	0.00	0.00	0.00	0.00	0.00	0.00
			M3	150.26	0.00	-961.93	34.40	0.00	-203.65	106.73	0.00	-823.76	17.66	0.00	0.00	-278.98
		3-LANES (caseMAX	S2	0.29	0.00	-0.31	0.29	0.00	1.79	10.90	0.00	-70.27	10.90	0.00	0.00	13.78
			TQ	0.00	0.00	0.00	0.00	0.00	0.00	0.00	0.00	0.00	0.00	0.00	0.00	0.00
			M3	-198.26	0.00	756.30	-2.36	0.00	4.46	-151.81	0.00	618.20	4.14	0.00	0.00	26.72
			MIN S2	-220.07	0.00	685.02	-220.07	0.00	-908.70	-168.21	0.00	537.78	-168.21	0.00	0.00	-759.86
			TQ	0.00	0.00	0.00	0.00	0.00	0.00	0.00	0.00	0.00	0.00	0.00	0.00	0.00
			M3	-30.54	0.00	-172.65	-205.78	0.00	-959.14	-12.89	0.00	-267.48	-156.02	0.00	0.00	-833.09
		3-LANES (caseMAX	S2	216.42	0.00	-882.64	216.42	0.00	684.63	170.94	0.00	-753.95	170.94	0.00	0.00	564.76
			TQ	0.00	0.00	0.00	0.00	0.00	0.00	0.00	0.00	0.00	0.00	0.00	0.00	0.00
			M3	6.29	0.00	9.09	198.11	0.00	752.53	-2.90	0.00	27.90	155.24	0.00	0.00	640.69
			MIN S2	-1.26	0.00	2.44	-1.26	0.00	-6.70	-9.37	0.00	15.60	-9.37	0.00	0.00	-56.66
			TQ	0.00	0.00	0.00	0.00	0.00	0.00	0.00	0.00	0.00	0.00	0.00	0.00	0.00
			M3	201.73	0.00	-933.93	28.86	0.00	-175.51	159.11	0.00	-825.91	13.86	0.00	0.00	-246.10
		3-LANES (caseMAX	S2	216.52	0.00	-882.83	216.52	0.00	685.16	171.42	0.00	-755.43	171.42	0.00	0.00	567.00
			TQ	0.00	0.00	0.00	0.00	0.00	0.00	0.00	0.00	0.00	0.00	0.00	0.00	0.00
			M3	6.27	0.00	9.20	198.24	0.00	753.03	-2.99	0.00	27.52	155.73	0.00	0.00	642.60
			MIN S2	-1.28	0.00	2.51	-1.28	0.00	-6.75	-9.45	0.00	15.63	-9.45	0.00	0.00	-57.31
			TQ	0.00	0.00	0.00	0.00	0.00	0.00	0.00	0.00	0.00	0.00	0.00	0.00	0.00
			M3	201.84	0.00	-934.13	28.85	0.00	-175.41	159.61	0.00	-826.97	13.78	0.00	0.00	-246.32

BAGO RIVER BRIDGE

BLOCK [ No.2 : CROSS BEAM ][ BEAM MEMBER FORCE ]

MEMBER				1002049			1002051										
NODE				2049	3049		2051	3051									
				SHEAR	TORQUE	MOMENT	SHEAR	TORQUE	MOMENT	SHEAR	TORQUE	MOMENT					
NAME TITLE				S2 (kN)	TQ (kN·m)	M3 (kN·m)	S2 (kN)	TQ (kN·m)	M3 (kN·m)	S2 (kN)	TQ (kN·m)	M3 (kN·m)					
301	LIVE LOAD	4-LANES	MAX	S2	0.70	0.00	-1.38	0.70	0.00	3.71	1.22	0.00	-2.14	1.22	0.00	7.25	
				TQ	0.00	0.00	0.00	0.00	0.00	0.00	0.00	0.00	0.00	0.00	0.00	0.00	0.00
				M3	-0.20	0.00	0.27	0.70	0.00	3.71	0.05	0.00	0.73	1.21	0.00	7.46	
		MIN	S2	-0.21	0.00	0.27	-0.21	0.00	-1.22	-0.14	0.00	-0.18	-0.14	0.00	-1.29		
			TQ	0.00	0.00	0.00	0.00	0.00	0.00	0.00	0.00	0.00	0.00	0.00	0.00		
			M3	0.70	0.00	-1.38	-0.21	0.00	-1.22	0.96	0.00	-3.04	-0.13	0.00	-1.64		
	6-LANES	MAX	S2	150.14	0.00	-563.50	150.14	0.00	523.76	125.79	0.00	-520.88	125.79	0.00	449.54		
			TQ	0.00	0.00	0.00	0.00	0.00	0.00	0.00	0.00	0.00	0.00	0.00	0.00		
			M3	-128.65	0.00	582.44	127.51	0.00	576.79	-103.56	0.00	499.41	107.04	0.00	516.44		
		MIN	S2	-153.34	0.00	524.37	-153.34	0.00	-586.06	-122.31	0.00	429.34	-122.31	0.00	-514.22		
			TQ	0.00	0.00	0.00	0.00	0.00	0.00	0.00	0.00	0.00	0.00	0.00	0.00		
			M3	113.51	0.00	-732.86	-117.57	0.00	-752.41	96.52	0.00	-721.37	-93.14	0.00	-709.09		
LIVE LOAD	MAX		216.52	0.00	814.91	216.52	0.00	812.76	171.42	0.00	709.76	171.42	0.00	729.90			
	MIN		-220.07	0.00	-961.93	-220.07	0.00	-985.30	-168.21	0.00	-826.97	-168.21	0.00	-833.32			
303	SUM TOTAL	TOTAL	MAX		201.89	0.00	379.66	201.89	0.00	271.55	179.57	0.00	115.47	179.57	0.00	198.45	
			MIN		-234.70	0.00	-1397.18	-234.70	0.00	-1526.51	-160.07	0.00	-1421.25	-160.07	0.00	-1364.77	

BAGO RIVER BRIDGE

BLOCK [ No.2 : CROSS BEAM ][ BEAM MEMBER FORCE ]

MEMBER NODE	1002053 2053	3053			1002055 2055	3055									
		SHEAR S2 (kN)	TORQUE TQ (kN·m)	MOMENT M3 (kN·m)		SHEAR S2 (kN)	TORQUE TQ (kN·m)	MOMENT M3 (kN·m)							
1 PAVEMENT	2.98	0.00	-62.49	2.98	0.00	-38.19	2.53	0.00	-11.30	2.53	0.00	9.46			
3 RAILING	0.10	0.00	-14.79	0.10	0.00	-13.98	0.08	0.00	-0.58	0.08	0.00	0.11			
5 CURB	0.99	0.00	-146.43	0.99	0.00	-138.35	0.83	0.00	-5.72	0.83	0.00	1.07			
7 DECK WEIGHT	5.03	0.00	-86.32	5.03	0.00	-45.37	4.10	0.00	-18.03	4.10	0.00	15.55			
8 GIRDER WEIGH	6.44	0.00	-46.31	6.44	0.00	6.18	5.27	0.00	-22.17	5.27	0.00	21.04			
10 MEDIAN STRIP	1.87	0.00	147.93	1.87	0.00	163.14	1.05	0.00	-1.85	1.05	0.00	6.72			
21 ADITIONAL WE	1.41	0.00	-24.17	1.41	0.00	-12.70	1.15	0.00	-5.05	1.15	0.00	4.35			
31 MEDIAN RAILI	0.08	0.00	5.32	0.08	0.00	5.99	0.06	0.00	-0.15	0.06	0.00	0.33			
51 SUPPORT WEIG	0.00	0.00	0.00	0.00	0.00	0.00	0.00	0.00	0.00	0.00	0.00	0.00			
52 NOSE WEIGHT	0.00	0.00	-0.00	0.00	0.00	0.00	0.00	0.00	-0.00	0.00	0.00	0.00			
61 1-LANE(case1TRUCK-LOAD	MAX	S2	9.48	0.00	-200.98	9.48	0.00	-123.79	14.77	0.00	-61.52	14.77	0.00	59.56	
		TQ	0.00	0.00	0.00	0.00	0.00	0.00	0.00	0.00	0.00	0.00	0.00	0.00	
		M3	-0.67	0.00	2.79	5.49	0.00	20.42	-0.99	0.00	4.07	14.74	0.00	59.62	
	MIN	S2	-16.26	0.00	-17.86	-16.26	0.00	-150.32	-0.99	0.00	4.07	-0.99	0.00	-4.06	
		TQ	0.00	0.00	0.00	0.00	0.00	0.00	0.00	0.00	0.00	0.00	0.00	0.00	
		M3	8.95	0.00	-216.09	-8.33	0.00	-190.43	14.70	0.00	-61.63	-0.99	0.00	-4.06	
	TANDEM-LOAD	MAX	S2	7.05	0.00	-128.78	7.05	0.00	-71.33	10.05	0.00	-41.91	10.05	0.00	40.51
		TQ	0.00	0.00	0.00	0.00	0.00	0.00	0.00	0.00	0.00	0.00	0.00	0.00	
		M3	-10.42	0.00	2.64	3.74	0.00	13.99	-0.68	0.00	2.78	10.05	0.00	40.51	
	MIN	S2	-11.81	0.00	-23.65	-11.81	0.00	-119.84	-0.68	0.00	2.78	-0.68	0.00	-2.77	
		TQ	0.00	0.00	0.00	0.00	0.00	0.00	0.00	0.00	0.00	0.00	0.00	0.00	
		M3	7.02	0.00	-165.89	-4.12	0.00	-133.88	10.03	0.00	-41.94	-0.68	0.00	-2.77	
DISPERSION-LMAX	S2	8.66	0.00	-81.80	8.66	0.00	-11.30	22.38	0.00	-93.38	22.38	0.00	90.15		
	TQ	0.00	0.00	0.00	0.00	0.00	0.00	0.00	0.00	0.00	0.00	0.00	0.00		
	M3	-2.19	0.00	3.97	5.70	0.00	20.47	-1.13	0.00	4.63	22.38	0.00	90.15		
MIN	S2	-6.81	0.00	-20.27	-6.81	0.00	-75.76	-1.13	0.00	4.63	-1.13	0.00	-4.61		
	TQ	0.00	0.00	0.00	0.00	0.00	0.00	0.00	0.00	0.00	0.00	0.00	0.00		
	M3	4.04	0.00	-106.04	-3.85	0.00	-107.53	22.38	0.00	-93.38	-1.13	0.00	-4.61		

BAGO RIVER BRIDGE

BLOCK [ No.2 : CROSS BEAM ][ BEAM MEMBER FORCE ]

MEMBER				1002053			1002055									
NODE				2053			3053			2055			3055			
				SHEAR	TORQUE	MOMENT	SHEAR	TORQUE	MOMENT	SHEAR	TORQUE	MOMENT	SHEAR	TORQUE	MOMENT	
NAME	TITLE			S2 (kN)	TQ (kN·m)	M3 (kN·m)	S2 (kN)	TQ (kN·m)	M3 (kN·m)	S2 (kN)	TQ (kN·m)	M3 (kN·m)	S2 (kN)	TQ (kN·m)	M3 (kN·m)	
62	1-LANE (case2TRUCK-LOAD	MAX	S2	1.81	0.00	-6.35	1.81	0.00	8.40	5.13	0.00	-20.37	5.13	0.00	21.74	
			TQ	0.00	0.00	0.00	0.00	0.00	0.00	0.00	0.00	0.00	0.00	0.00	0.00	0.00
			M3	-48.37	0.00	297.92	-2.99	0.00	13.48	-0.41	0.00	1.68	5.10	0.00	21.78	
		MIN	S2	-48.37	0.00	297.92	-48.37	0.00	-96.09	-0.41	0.00	1.68	-0.41	0.00	-1.68	
			TQ	0.00	0.00	0.00	0.00	0.00	0.00	0.00	0.00	0.00	0.00	0.00	0.00	
			M3	1.77	0.00	-6.52	-47.43	0.00	-100.11	5.09	0.00	-20.41	-0.41	0.00	-1.68	
		TANDEM-LOAD MAX	S2	1.23	0.00	-4.30	1.23	0.00	5.75	3.50	0.00	-13.94	3.50	0.00	14.73	
			TQ	0.00	0.00	0.00	0.00	0.00	0.00	0.00	0.00	0.00	0.00	0.00	0.00	
			M3	-36.65	0.00	222.59	-3.10	0.00	9.32	-0.28	0.00	1.15	3.47	0.00	14.86	
		MIN	S2	-36.65	0.00	222.59	-36.65	0.00	-75.93	-0.28	0.00	1.15	-0.28	0.00	-1.15	
			TQ	0.00	0.00	0.00	0.00	0.00	0.00	0.00	0.00	0.00	0.00	0.00	0.00	
			M3	1.21	0.00	-4.47	-36.39	0.00	-77.06	3.49	0.00	-13.95	-0.28	0.00	-1.15	
		DISPERSION-LMAX	S2	2.03	0.00	-5.75	2.03	0.00	10.78	7.45	0.00	-29.82	7.45	0.00	31.28	
			TQ	0.00	0.00	0.00	0.00	0.00	0.00	0.00	0.00	0.00	0.00	0.00	0.00	
			M3	-19.02	0.00	125.34	0.68	0.00	14.79	-0.47	0.00	1.94	7.45	0.00	31.28	
MIN	S2	-19.14	0.00	124.46	-19.14	0.00	-31.42	-0.47	0.00	1.94	-0.47	0.00	-1.93			
	TQ	0.00	0.00	0.00	0.00	0.00	0.00	0.00	0.00	0.00	0.00	0.00	0.00			
	M3	1.91	0.00	-6.63	-17.79	0.00	-35.42	7.45	0.00	-29.82	-0.47	0.00	-1.93			
63	1-LANE (case3TRUCK-LOAD	MAX	S2	49.88	0.00	-98.51	49.88	0.00	307.85	0.06	0.00	-0.26	0.06	0.00	0.25	
			TQ	0.00	0.00	0.00	0.00	0.00	0.00	0.00	0.00	0.00	0.00	0.00		
			M3	3.85	0.00	12.82	49.88	0.00	307.85	-4.69	0.00	20.13	0.06	0.00	0.25	
		MIN	S2	-1.05	0.00	6.81	-1.05	0.00	-1.74	-4.70	0.00	20.04	-4.70	0.00	-18.46	
			TQ	0.00	0.00	0.00	0.00	0.00	0.00	0.00	0.00	0.00	0.00	0.00	0.00	
			M3	48.97	0.00	-102.57	-0.94	0.00	-2.27	0.06	0.00	-0.26	-4.69	0.00	-18.48	

BAGO RIVER BRIDGE

BLOCK [ No.2 : CROSS BEAM ][ BEAM MEMBER FORCE ]

MEMBER NODE	1002053 2053	3053			1002055 2055	3055			SHEAR	TORQUE	MOMENT	SHEAR	TORQUE	MOMENT			
		SHEAR	TORQUE	MOMENT		SHEAR	TORQUE	MOMENT							SHEAR	TORQUE	MOMENT
		S2 (kN)	TQ (kN·m)	M3 (kN·m)		S2 (kN)	TQ (kN·m)	M3 (kN·m)							S2 (kN)	TQ (kN·m)	M3 (kN·m)
63	1-LANE (case3TANDEM-LOAD	MAX	S2	37.76	0.00	-77.77	37.76	0.00	229.86	0.04	0.00	-0.18	0.04	0.00	0.18		
			TQ	0.00	0.00	0.00	0.00	0.00	0.00	0.00	0.00	0.00	0.00	0.00	0.00		
			M3	3.70	0.00	8.87	37.76	0.00	229.86	-3.20	0.00	13.79	0.04	0.00	0.18		
		MIN	S2	-0.72	0.00	4.70	-0.72	0.00	-1.17	-3.20	0.00	13.79	-3.20	0.00	-12.46		
			TQ	0.00	0.00	0.00	0.00	0.00	0.00	0.00	0.00	0.00	0.00	0.00	0.00		
			M3	37.51	0.00	-78.90	-0.66	0.00	-1.56	0.04	0.00	-0.18	-3.19	0.00	-12.62		
	DISPERSION-LMAX		S2	19.73	0.00	-30.31	19.73	0.00	130.43	0.09	0.00	-0.36	0.09	0.00	0.35		
			TQ	0.00	0.00	0.00	0.00	0.00	0.00	0.00	0.00	0.00	0.00	0.00	0.00		
			M3	0.49	0.00	12.26	19.56	0.00	131.53	-5.93	0.00	25.17	0.09	0.00	0.35		
		MIN	S2	-1.08	0.00	7.54	-1.08	0.00	-1.26	-5.93	0.00	25.17	-5.93	0.00	-23.45		
			TQ	0.00	0.00	0.00	0.00	0.00	0.00	0.00	0.00	0.00	0.00	0.00	0.00		
			M3	18.16	0.00	-35.03	-0.91	0.00	-2.35	0.09	0.00	-0.36	-5.93	0.00	-23.45		
64	1-LANE (case4TRUCK-LOAD	MAX	S2	17.29	0.00	-144.90	17.29	0.00	-4.05	0.89	0.00	-3.66	0.89	0.00	3.65		
			TQ	0.00	0.00	0.00	0.00	0.00	0.00	0.00	0.00	0.00	0.00	0.00	0.00		
			M3	-4.72	0.00	22.53	12.49	0.00	13.38	-14.23	0.00	57.60	0.89	0.00	3.65		
		MIN	S2	-8.42	0.00	-118.85	-8.42	0.00	-187.42	-14.23	0.00	57.60	-14.23	0.00	-59.08		
			TQ	0.00	0.00	0.00	0.00	0.00	0.00	0.00	0.00	0.00	0.00	0.00	0.00		
			M3	9.53	0.00	-184.81	-7.82	0.00	-201.62	0.89	0.00	-3.66	-14.18	0.00	-59.29		
	TANDEM-LOAD	MAX	S2	12.55	0.00	-116.19	12.55	0.00	-13.93	0.61	0.00	-2.50	0.61	0.00	2.49		
			TQ	0.00	0.00	0.00	0.00	0.00	0.00	0.00	0.00	0.00	0.00	0.00	0.00		
			M3	-3.21	0.00	15.32	11.07	0.00	11.50	-9.69	0.00	39.21	0.61	0.00	2.49		
		MIN	S2	-6.34	0.00	-69.81	-6.34	0.00	-121.46	-9.69	0.00	39.21	-9.69	0.00	-40.28		
			TQ	0.00	0.00	0.00	0.00	0.00	0.00	0.00	0.00	0.00	0.00	0.00	0.00		
			M3	4.93	0.00	-130.03	-6.22	0.00	-155.45	0.61	0.00	-2.50	-9.68	0.00	-40.34		

BAGO RIVER BRIDGE

BLOCK [ No.2 : CROSS BEAM ][ BEAM MEMBER FORCE ]

MEMBER NODE	1002053 2053	3053			1002055 2055			3055							
		SHEAR	TORQUE	MOMENT	SHEAR	TORQUE	MOMENT	SHEAR	TORQUE	MOMENT	SHEAR	TORQUE	MOMENT		
		S2 (kN)	TQ (kN·m)	M3 (kN·m)	S2 (kN)	TQ (kN·m)	M3 (kN·m)	S2 (kN)	TQ (kN·m)	M3 (kN·m)	S2 (kN)	TQ (kN·m)	M3 (kN·m)		
64	1-LANE (case4DISPERSION-LMAX	S2	7.30	0.00	-74.49	7.30	0.00	-15.00	0.98	0.00	-4.03	0.98	0.00	4.00	
		TQ	0.00	0.00	0.00	0.00	0.00	0.00	0.00	0.00	0.00	0.00	0.00	0.00	
		M3	-4.80	0.00	22.41	4.01	0.00	5.47	-20.72	0.00	83.68	0.98	0.00	4.00	
	MIN	S2	-7.40	0.00	-5.64	-7.40	0.00	-65.89	-20.72	0.00	83.68	-20.72	0.00	-86.21	
		TQ	0.00	0.00	0.00	0.00	0.00	0.00	0.00	0.00	0.00	0.00	0.00	0.00	
		M3	4.70	0.00	-102.53	-4.10	0.00	-86.36	0.98	0.00	-4.03	-20.72	0.00	-86.21	
65	2-LANES (caseTRUCK-LOAD	MAX	S2	13.13	0.00	-216.33	13.13	0.00	-109.37	24.71	0.00	-102.45	24.71	0.00	100.20
		TQ	0.00	0.00	0.00	0.00	0.00	0.00	0.00	0.00	0.00	0.00	0.00	0.00	
		M3	-34.35	0.00	117.25	9.14	0.00	34.84	-1.69	0.00	6.95	24.69	0.00	100.25	
	MIN	S2	-49.94	0.00	96.60	-49.94	0.00	-310.20	-1.69	0.00	6.95	-1.69	0.00	-6.93	
		TQ	0.00	0.00	0.00	0.00	0.00	0.00	0.00	0.00	0.00	0.00	0.00	0.00	
		M3	12.61	0.00	-231.44	-42.01	0.00	-350.31	24.64	0.00	-102.56	-1.69	0.00	-6.93	
	TANDEM-LOAD	MAX	S2	9.54	0.00	-139.23	9.54	0.00	-61.52	16.83	0.00	-69.81	16.83	0.00	68.21
		TQ	0.00	0.00	0.00	0.00	0.00	0.00	0.00	0.00	0.00	0.00	0.00	0.00	
		M3	-34.85	0.00	85.26	6.22	0.00	23.80	-1.15	0.00	4.74	16.83	0.00	68.21	
	MIN	S2	-36.25	0.00	58.97	-36.25	0.00	-236.29	-1.15	0.00	4.74	-1.15	0.00	-4.73	
		TQ	0.00	0.00	0.00	0.00	0.00	0.00	0.00	0.00	0.00	0.00	0.00	0.00	
		M3	9.51	0.00	-176.34	-28.55	0.00	-250.33	16.81	0.00	-69.84	-1.15	0.00	-4.73	
	DISPERSION-LMAX	S2	12.57	0.00	-98.36	12.57	0.00	4.05	37.30	0.00	-154.80	37.30	0.00	151.05	
		TQ	0.00	0.00	0.00	0.00	0.00	0.00	0.00	0.00	0.00	0.00	0.00	0.00	
		M3	-17.29	0.00	59.84	9.58	0.00	35.86	-1.93	0.00	7.91	37.30	0.00	151.05	
	MIN	S2	-22.74	0.00	34.06	-22.74	0.00	-151.20	-1.93	0.00	7.91	-1.93	0.00	-7.89	
		TQ	0.00	0.00	0.00	0.00	0.00	0.00	0.00	0.00	0.00	0.00	0.00	0.00	
		M3	7.12	0.00	-124.14	-19.75	0.00	-183.02	37.30	0.00	-154.80	-1.93	0.00	-7.89	



BAGO RIVER BRIDGE

BLOCK [ No.2 : CROSS BEAM ][ BEAM MEMBER FORCE ]

MEMBER				1002053			1002055									
NODE				2053	3053		2055	3055								
				SHEAR	TORQUE	MOMENT	SHEAR	TORQUE	MOMENT	SHEAR	TORQUE	MOMENT				
NAME	TITLE			S2 (kN)	TQ (kN·m)	M3 (kN·m)	S2 (kN)	TQ (kN·m)	M3 (kN·m)	S2 (kN)	TQ (kN·m)	M3 (kN·m)				
66	2-LANES (caseTRUCK-LOAD	MAX	S2	5.47	0.00	-21.70	5.47	0.00	22.82	15.08	0.00	-61.29	15.08	0.00	62.37	
			TQ	0.00	0.00	0.00	0.00	0.00	0.00	0.00	0.00	0.00	0.00	0.00	0.00	0.00
			M3	-82.05	0.00	412.37	0.66	0.00	27.90	-1.11	0.00	4.56	15.05	0.00	0.00	62.41
		MIN	S2	-82.05	0.00	412.37	-82.05	0.00	-255.97	-1.11	0.00	4.56	-1.11	0.00	0.00	-4.55
			TQ	0.00	0.00	0.00	0.00	0.00	0.00	0.00	0.00	0.00	0.00	0.00	0.00	0.00
			M3	5.42	0.00	-21.87	-81.11	0.00	-259.99	15.04	0.00	-61.34	-1.11	0.00	0.00	-4.55
		TANDEM-LOAD MAX	S2	3.72	0.00	-14.75	3.72	0.00	15.55	10.28	0.00	-41.84	10.28	0.00	0.00	42.43
			TQ	0.00	0.00	0.00	0.00	0.00	0.00	0.00	0.00	0.00	0.00	0.00	0.00	0.00
			M3	-61.08	0.00	305.20	-0.61	0.00	19.12	-0.76	0.00	3.11	10.25	0.00	0.00	42.56
		MIN	S2	-61.08	0.00	305.20	-61.08	0.00	-192.39	-0.76	0.00	3.11	-0.76	0.00	0.00	-3.10
			TQ	0.00	0.00	0.00	0.00	0.00	0.00	0.00	0.00	0.00	0.00	0.00	0.00	0.00
			M3	3.70	0.00	-14.92	-60.82	0.00	-193.51	10.26	0.00	-41.85	-0.76	0.00	0.00	-3.10
		DISPERSION-LMAX	S2	5.94	0.00	-22.30	5.94	0.00	26.13	22.37	0.00	-91.24	22.37	0.00	0.00	92.17
			TQ	0.00	0.00	0.00	0.00	0.00	0.00	0.00	0.00	0.00	0.00	0.00	0.00	0.00
			M3	-34.12	0.00	181.21	4.57	0.00	30.18	-1.27	0.00	5.22	22.37	0.00	0.00	92.17
MIN	S2	-35.07	0.00	178.79	-35.07	0.00	-106.86	-1.27	0.00	5.22	-1.27	0.00	0.00	-5.21		
	TQ	0.00	0.00	0.00	0.00	0.00	0.00	0.00	0.00	0.00	0.00	0.00	0.00	0.00		
	M3	4.99	0.00	-24.72	-33.69	0.00	-110.91	22.37	0.00	-91.24	-1.27	0.00	0.00	-5.21		
67	2-LANES (caseTRUCK-LOAD	MAX	S2	84.93	0.00	-256.83	84.93	0.00	434.96	0.40	0.00	-1.66	0.40	0.00	1.65	
			TQ	0.00	0.00	0.00	0.00	0.00	0.00	0.00	0.00	0.00	0.00	0.00	0.00	
			M3	0.96	0.00	27.57	84.93	0.00	434.96	-14.15	0.00	58.89	0.40	0.00	0.00	1.65
		MIN	S2	-3.94	0.00	21.48	-3.94	0.00	-10.62	-14.15	0.00	58.80	-14.15	0.00	0.00	-57.27
			TQ	0.00	0.00	0.00	0.00	0.00	0.00	0.00	0.00	0.00	0.00	0.00	0.00	0.00
			M3	84.01	0.00	-260.90	-3.78	0.00	-11.19	0.40	0.00	-1.66	-14.15	0.00	0.00	-57.29

BAGO RIVER BRIDGE

BLOCK [ No.2 : CROSS BEAM ][ BEAM MEMBER FORCE ]

MEMBER		1002053						1002055							
NODE		2053			3053			2055			3055				
		SHEAR	TORQUE	MOMENT	SHEAR	TORQUE	MOMENT	SHEAR	TORQUE	MOMENT	SHEAR	TORQUE	MOMENT		
NAME	TITLE	S2 (kN)	TQ (kN·m)	M3 (kN·m)	S2 (kN)	TQ (kN·m)	M3 (kN·m)	S2 (kN)	TQ (kN·m)	M3 (kN·m)	S2 (kN)	TQ (kN·m)	M3 (kN·m)		
67	2-LANES (caseTANDEM-LOAD	MAX	S2	63.19	0.00	-193.22	63.19	0.00	321.57	0.28	0.00	-1.14	0.28	0.00	1.13
			TQ	0.00	0.00	0.00	0.00	0.00	0.00	0.00	0.00	0.00	0.00	0.00	0.00
			M3	1.73	0.00	18.97	63.19	0.00	321.57	-9.65	0.00	40.23	0.28	0.00	1.13
		MIN	S2	-2.69	0.00	14.80	-2.69	0.00	-7.12	-9.65	0.00	40.23	-9.65	0.00	-38.91
			TQ	0.00	0.00	0.00	0.00	0.00	0.00	0.00	0.00	0.00	0.00	0.00	0.00
			M3	62.94	0.00	-194.35	-2.61	0.00	-7.64	0.28	0.00	-1.14	-9.64	0.00	-39.07
	DISPERSION-LMAX	S2	36.16	0.00	-102.73	36.16	0.00	191.84	0.44	0.00	-1.82	0.44	0.00	1.81	
		TQ	0.00	0.00	0.00	0.00	0.00	0.00	0.00	0.00	0.00	0.00	0.00	0.00	
		M3	-2.38	0.00	27.62	35.39	0.00	193.89	-19.21	0.00	79.62	0.44	0.00	1.81	
		MIN	S2	-4.01	0.00	22.72	-4.01	0.00	-9.91	-19.21	0.00	79.62	-19.21	0.00	-77.93
			TQ	0.00	0.00	0.00	0.00	0.00	0.00	0.00	0.00	0.00	0.00	0.00	0.00
			M3	34.53	0.00	-107.64	-3.24	0.00	-11.96	0.44	0.00	-1.82	-19.21	0.00	-77.93
68	2-LANES (caseTRUCK-LOAD	MAX	S2	52.34	0.00	-303.22	52.34	0.00	123.12	1.49	0.00	-6.13	1.49	0.00	6.10
			TQ	0.00	0.00	0.00	0.00	0.00	0.00	0.00	0.00	0.00	0.00	0.00	
			M3	-7.61	0.00	37.28	47.54	0.00	140.56	-23.69	0.00	96.34	1.49	0.00	6.10
		MIN	S2	-11.31	0.00	-104.18	-11.31	0.00	-196.30	-23.69	0.00	96.34	-23.69	0.00	-97.89
			TQ	0.00	0.00	0.00	0.00	0.00	0.00	0.00	0.00	0.00	0.00	0.00	0.00
			M3	44.57	0.00	-343.13	-10.66	0.00	-210.54	1.49	0.00	-6.13	-23.64	0.00	-98.09
	TANDEM-LOAD	MAX	S2	37.99	0.00	-231.63	37.99	0.00	77.81	1.02	0.00	-4.18	1.02	0.00	4.16
			TQ	0.00	0.00	0.00	0.00	0.00	0.00	0.00	0.00	0.00	0.00	0.00	
			M3	-5.18	0.00	25.42	36.50	0.00	103.24	-16.14	0.00	65.65	1.02	0.00	4.16
		MIN	S2	-8.31	0.00	-59.71	-8.31	0.00	-127.41	-16.14	0.00	65.65	-16.14	0.00	-66.73
			TQ	0.00	0.00	0.00	0.00	0.00	0.00	0.00	0.00	0.00	0.00	0.00	0.00
			M3	30.36	0.00	-245.48	-8.16	0.00	-161.53	1.02	0.00	-4.18	-16.13	0.00	-66.79

BAGO RIVER BRIDGE

BLOCK [ No.2 : CROSS BEAM ][ BEAM MEMBER FORCE ]

MEMBER		1002053						1002055								
NODE		2053		3053		2055		3055		2055		3055				
		SHEAR	TORQUE	MOMENT	SHEAR	TORQUE	MOMENT	SHEAR	TORQUE	MOMENT	SHEAR	TORQUE	MOMENT			
NAME	TITLE	S2 (kN)	TQ (kN·m)	M3 (kN·m)	S2 (kN)	TQ (kN·m)	M3 (kN·m)	S2 (kN)	TQ (kN·m)	M3 (kN·m)	S2 (kN)	TQ (kN·m)	M3 (kN·m)			
68	2-LANES (caseDISPERSION-LMAX	S2	23.93	0.00	-147.84	23.93	0.00	47.11	1.63	0.00	-6.71	1.63	0.00	6.68		
		TQ	0.00	0.00	0.00	0.00	0.00	0.00	0.00	0.00	0.00	0.00	0.00	0.00		
		M3	-7.71	0.00	37.96	20.04	0.00	68.52	-34.06	0.00	138.37	1.63	0.00	6.68		
		MIN	S2	-10.36	0.00	9.77	-10.36	0.00	-74.64	-34.06	0.00	138.37	-34.06	0.00	-140.92	
		TQ	0.00	0.00	0.00	0.00	0.00	0.00	0.00	0.00	0.00	0.00	0.00	0.00		
		M3	21.28	0.00	-176.04	-6.47	0.00	-96.05	1.63	0.00	-6.71	-34.06	0.00	-140.92		
		MAX	S2	14.94	0.00	-222.69	14.94	0.00	-100.96	29.85	0.00	-122.81	29.85	0.00	121.93	
		TQ	0.00	0.00	0.00	0.00	0.00	0.00	0.00	0.00	0.00	0.00	0.00	0.00		
		M3	-82.72	0.00	415.17	6.15	0.00	48.32	-2.10	0.00	8.63	29.79	0.00	122.03		
69	3-LANES (caseTRUCK-LOAD	MIN	S2	-98.31	0.00	394.51	-98.31	0.00	-406.29	-2.10	0.00	8.63	-2.10	0.00	-8.61	
		TQ	0.00	0.00	0.00	0.00	0.00	0.00	0.00	0.00	0.00	0.00	0.00	0.00		
		M3	14.37	0.00	-237.96	-89.44	0.00	-450.42	29.74	0.00	-122.97	-2.10	0.00	-8.61		
		TANDEM-LOAD	MAX	S2	10.77	0.00	-143.53	10.77	0.00	-55.77	20.33	0.00	-83.74	20.33	0.00	82.94
		TQ	0.00	0.00	0.00	0.00	0.00	0.00	0.00	0.00	0.00	0.00	0.00	0.00		
		M3	-71.50	0.00	307.85	3.12	0.00	33.11	-1.43	0.00	5.89	20.30	0.00	83.07		
		MIN	S2	-72.89	0.00	281.56	-72.89	0.00	-312.22	-1.43	0.00	5.89	-1.43	0.00	-5.87	
		TQ	0.00	0.00	0.00	0.00	0.00	0.00	0.00	0.00	0.00	0.00	0.00	0.00		
		M3	10.72	0.00	-180.81	-64.94	0.00	-327.39	20.30	0.00	-83.79	-1.43	0.00	-5.87		
		DISPERSION-LMAX	S2	14.60	0.00	-104.10	14.60	0.00	14.83	44.75	0.00	-184.62	44.75	0.00	182.33	
		TQ	0.00	0.00	0.00	0.00	0.00	0.00	0.00	0.00	0.00	0.00	0.00	0.00		
		M3	-36.31	0.00	185.18	10.26	0.00	50.65	-2.40	0.00	9.85	44.75	0.00	182.33		
		MIN	S2	-41.88	0.00	158.52	-41.88	0.00	-182.62	-2.40	0.00	9.85	-2.40	0.00	-9.82	
		TQ	0.00	0.00	0.00	0.00	0.00	0.00	0.00	0.00	0.00	0.00	0.00	0.00		
		M3	9.03	0.00	-130.76	-37.54	0.00	-218.45	44.75	0.00	-184.62	-2.40	0.00	-9.82		

BAGO RIVER BRIDGE

BLOCK [ No.2 : CROSS BEAM ][ BEAM MEMBER FORCE ]

MEMBER NODE	1002053 2053	3053			1002055 2055	3055									
		SHEAR	TORQUE	MOMENT		SHEAR	TORQUE	MOMENT							
		S2 (kN)	TQ (kN·m)	M3 (kN·m)		S2 (kN)	TQ (kN·m)	M3 (kN·m)							
70 3-LANES (caseTRUCK-LOAD	MAX	S2	102.22	0.00	-401.76	102.22	0.00	430.88	1.03	0.00	-4.26	1.03	0.00	4.23	
		TQ	0.00	0.00	0.00	0.00	0.00	0.00	0.00	0.00	0.00	0.00	0.00	0.00	
		M3	-3.76	0.00	50.10	97.41	0.00	448.34	-28.38	0.00	116.50	1.03	0.00	4.23	
	MIN	S2	-12.36	0.00	-97.22	-12.36	0.00	-197.89	-28.39	0.00	116.40	-28.39	0.00	-116.36	
		TQ	0.00	0.00	0.00	0.00	0.00	0.00	0.00	0.00	0.00	0.00	0.00	0.00	
		M3	93.52	0.00	-445.72	-11.60	0.00	-212.70	1.03	0.00	-4.26	-28.34	0.00	-116.59	
	TANDEM-LOAD	MAX	S2	75.75	0.00	-309.43	75.75	0.00	307.61	0.71	0.00	-2.91	0.71	0.00	2.90
		TQ	0.00	0.00	0.00	0.00	0.00	0.00	0.00	0.00	0.00	0.00	0.00	0.00	
		M3	-1.48	0.00	34.29	74.26	0.00	333.06	-19.35	0.00	79.45	0.71	0.00	2.90	
	MIN	S2	-9.03	0.00	-55.04	-9.03	0.00	-128.61	-19.35	0.00	79.45	-19.35	0.00	-79.20	
		TQ	0.00	0.00	0.00	0.00	0.00	0.00	0.00	0.00	0.00	0.00	0.00	0.00	
		M3	67.86	0.00	-324.40	-8.83	0.00	-163.09	0.71	0.00	-2.91	-19.32	0.00	-79.42	
	DISPERSION-LMAX	S2	43.26	0.00	-176.33	43.26	0.00	176.06	1.12	0.00	-4.60	1.12	0.00	4.57	
		TQ	0.00	0.00	0.00	0.00	0.00	0.00	0.00	0.00	0.00	0.00	0.00	0.00	
		M3	-7.14	0.00	49.86	39.19	0.00	198.64	-39.87	0.00	163.05	1.12	0.00	4.57	
	MIN	S2	-11.36	0.00	17.00	-11.36	0.00	-75.51	-39.87	0.00	163.05	-39.87	0.00	-163.88	
		TQ	0.00	0.00	0.00	0.00	0.00	0.00	0.00	0.00	0.00	0.00	0.00	0.00	
		M3	39.04	0.00	-209.19	-7.29	0.00	-98.09	1.12	0.00	-4.60	-39.87	0.00	-163.88	
71 3-LANES (caseTRUCK-LOAD	MAX	S2	102.22	0.00	-401.70	102.22	0.00	430.99	1.80	0.00	-7.41	1.80	0.00	7.37	
		TQ	0.00	0.00	0.00	0.00	0.00	0.00	0.00	0.00	0.00	0.00	0.00		
		M3	-3.76	0.00	50.11	97.42	0.00	448.43	-28.37	0.00	116.47	1.80	0.00	7.37	
	MIN	S2	-12.36	0.00	-97.37	-12.36	0.00	-198.04	-28.38	0.00	116.38	-28.38	0.00	-116.34	
		TQ	0.00	0.00	0.00	0.00	0.00	0.00	0.00	0.00	0.00	0.00	0.00	0.00	
		M3	93.54	0.00	-445.69	-11.60	0.00	-212.81	1.80	0.00	-7.41	-28.33	0.00	-116.56	

BAGO RIVER BRIDGE

BLOCK [ No.2 : CROSS BEAM ][ BEAM MEMBER FORCE ]

MEMBER		1002053						1002055					
NODE		2053			3053			2055			3055		
		SHEAR	TORQUE	MOMENT	SHEAR	TORQUE	MOMENT	SHEAR	TORQUE	MOMENT	SHEAR	TORQUE	MOMENT
NAME	TITLE	S2 (kN)	TQ (kN·m)	M3 (kN·m)	S2 (kN)	TQ (kN·m)	M3 (kN·m)	S2 (kN)	TQ (kN·m)	M3 (kN·m)	S2 (kN)	TQ (kN·m)	M3 (kN·m)
71	3-LANES (case)	TANDEM-LOAD	MAX	S2	75.75	0.00	-309.39	75.75	0.00	307.68	1.23	0.00	-5.06
				TQ	0.00	0.00	0.00	0.00	0.00	0.00	0.00	0.00	0.00
				M3	-1.48	0.00	34.30	74.26	0.00	333.11	-19.34	0.00	79.43
			MIN	S2	-9.03	0.00	-55.02	-9.03	0.00	-128.58	-19.34	0.00	79.43
				TQ	0.00	0.00	0.00	0.00	0.00	0.00	0.00	0.00	0.00
				M3	67.87	0.00	-324.38	-8.83	0.00	-163.09	1.23	0.00	-5.06
		DISPERSION-L	MAX	S2	43.82	0.00	-179.03	43.82	0.00	177.90	1.96	0.00	-8.06
				TQ	0.00	0.00	0.00	0.00	0.00	0.00	0.00	0.00	0.00
				M3	-7.22	0.00	50.37	39.75	0.00	200.39	-39.99	0.00	163.54
			MIN	S2	-11.44	0.00	17.48	-11.44	0.00	-75.67	-39.99	0.00	163.54
				TQ	0.00	0.00	0.00	0.00	0.00	0.00	0.00	0.00	0.00
				M3	39.60	0.00	-211.92	-7.37	0.00	-98.16	1.96	0.00	-8.06
72	4-LANES	TRUCK-LOAD	MAX	S2	1.12	0.00	-5.61	1.12	0.00	3.51	1.70	0.00	-6.99
				TQ	0.00	0.00	0.00	0.00	0.00	0.00	0.00	0.00	0.00
				M3	-0.07	0.00	0.51	1.12	0.00	3.51	-0.13	0.00	0.55
			MIN	S2	-0.09	0.00	0.41	-0.09	0.00	-0.32	-0.13	0.00	0.55
				TQ	0.00	0.00	0.00	0.00	0.00	0.00	0.00	0.00	0.00
				M3	1.10	0.00	-5.83	-0.08	0.00	-0.39	1.70	0.00	-6.99
		TANDEM-LOAD	MAX	S2	0.80	0.00	-3.97	0.80	0.00	2.51	1.21	0.00	-4.96
				TQ	0.00	0.00	0.00	0.00	0.00	0.00	0.00	0.00	0.00
				M3	-0.05	0.00	0.35	0.80	0.00	2.51	-0.09	0.00	0.38
			MIN	S2	-0.06	0.00	0.27	-0.06	0.00	-0.22	-0.09	0.00	0.38
				TQ	0.00	0.00	0.00	0.00	0.00	0.00	0.00	0.00	0.00
				M3	0.79	0.00	-4.13	-0.05	0.00	-0.27	1.21	0.00	-4.96

BAGO RIVER BRIDGE

BLOCK [ No.2 : CROSS BEAM ][ BEAM MEMBER FORCE ]

MEMBER NODE	1002053 2053	3053			1002055 2055	3055										
		SHEAR	TORQUE	MOMENT		SHEAR	TORQUE	MOMENT								
		S2 (kN)	TQ (kN·m)	M3 (kN·m)		S2 (kN)	TQ (kN·m)	M3 (kN·m)								
72	4-LANES	DISPERSION-LMAX	S2	0.69	0.00	-3.50	0.69	0.00	2.11	1.05	0.00	-4.31	1.05	0.00	4.29	
			TQ	0.00	0.00	0.00	0.00	0.00	0.00	0.00	0.00	0.00	0.00	0.00	0.00	
			M3	-0.09	0.00	0.63	0.67	0.00	2.18	-0.16	0.00	0.66	1.05	0.00	4.29	
		MIN	S2	-0.10	0.00	0.57	-0.10	0.00	-0.27	-0.16	0.00	0.66	-0.16	0.00	-0.65	
			TQ	0.00	0.00	0.00	0.00	0.00	0.00	0.00	0.00	0.00	0.00	0.00	0.00	
			M3	0.68	0.00	-3.56	-0.08	0.00	-0.33	1.05	0.00	-4.31	-0.16	0.00	-0.65	
73	6-LANES	TRUCK-LOAD	MAX	S2	104.61	0.00	-507.78	104.61	0.00	344.35	27.88	0.00	-114.78	27.88	0.00	113.84
			TQ	0.00	0.00	0.00	0.00	0.00	0.00	0.00	0.00	0.00	0.00	0.00	0.00	
			M3	-73.73	0.00	488.62	90.71	0.00	521.06	-26.64	0.00	109.68	27.82	0.00	114.03	
		MIN	S2	-98.05	0.00	318.66	-98.05	0.00	-480.01	-26.67	0.00	109.62	-26.67	0.00	-109.06	
			TQ	0.00	0.00	0.00	0.00	0.00	0.00	0.00	0.00	0.00	0.00	0.00	0.00	
			M3	94.29	0.00	-568.45	-87.47	0.00	-545.78	27.79	0.00	-114.92	-26.60	0.00	-109.46	
		TANDEM-LOAD	MAX	S2	77.90	0.00	-367.93	77.90	0.00	266.60	18.98	0.00	-78.10	18.98	0.00	77.56
			TQ	0.00	0.00	0.00	0.00	0.00	0.00	0.00	0.00	0.00	0.00	0.00	0.00	
			M3	-66.07	0.00	362.41	70.57	0.00	385.67	-18.16	0.00	74.76	18.97	0.00	77.58	
		MIN	S2	-73.23	0.00	242.87	-73.23	0.00	-353.65	-18.18	0.00	74.63	-18.18	0.00	-74.44	
			TQ	0.00	0.00	0.00	0.00	0.00	0.00	0.00	0.00	0.00	0.00	0.00	0.00	
			M3	70.54	0.00	-420.21	-65.63	0.00	-403.76	18.95	0.00	-78.25	-18.17	0.00	-74.55	
		DISPERSION-LMAX	S2	54.37	0.00	-259.53	54.37	0.00	183.34	42.79	0.00	-176.62	42.79	0.00	174.30	
			TQ	0.00	0.00	0.00	0.00	0.00	0.00	0.00	0.00	0.00	0.00	0.00	0.00	
			M3	-40.33	0.00	227.21	46.18	0.00	241.32	-38.74	0.00	158.38	42.79	0.00	174.30	
		MIN	S2	-49.62	0.00	168.22	-49.62	0.00	-235.96	-38.74	0.00	158.38	-38.74	0.00	-159.31	
			TQ	0.00	0.00	0.00	0.00	0.00	0.00	0.00	0.00	0.00	0.00	0.00	0.00	
			M3	44.18	0.00	-313.12	-40.49	0.00	-288.38	42.79	0.00	-176.62	-38.74	0.00	-159.31	

BAGO RIVER BRIDGE

BLOCK [ No.2 : CROSS BEAM ][ BEAM MEMBER FORCE ]

MEMBER			1002053						1002055						
NODE			2053			3053			2055			3055			
NAME TITLE			SHEAR	TORQUE	MOMENT	SHEAR	TORQUE	MOMENT	SHEAR	TORQUE	MOMENT	SHEAR	TORQUE	MOMENT	
			S2 (kN)	TQ (kN·m)	M3 (kN·m)	S2 (kN)	TQ (kN·m)	M3 (kN·m)	S2 (kN)	TQ (kN·m)	M3 (kN·m)	S2 (kN)	TQ (kN·m)	M3 (kN·m)	
124	SUM TOTAL	D+1LANE (caseMAX	S2	40.66	0.00	-566.62	40.66	0.00	-235.38	59.64	0.00	-250.73	59.64	0.00	238.30
			TQ	18.90	0.00	-227.27	18.90	0.00	-73.28	15.06	0.00	-64.84	15.06	0.00	58.64
			M3	15.47	0.00	-219.16	32.33	0.00	-24.20	12.52	0.00	-54.41	59.61	0.00	238.37
		MIN	S2	-8.78	0.00	-273.03	-8.78	0.00	-344.57	12.52	0.00	-54.41	12.52	0.00	48.23
			TQ	18.90	0.00	-227.27	18.90	0.00	-73.28	15.06	0.00	-64.84	15.06	0.00	58.64
			M3	34.49	0.00	-613.83	4.28	0.00	-430.84	59.55	0.00	-250.86	12.52	0.00	48.23
		D+1LANE (caseMAX	S2	23.51	0.00	-241.79	23.51	0.00	-50.25	30.16	0.00	-125.07	30.16	0.00	122.26
			TQ	18.90	0.00	-227.27	18.90	0.00	-73.28	15.06	0.00	-64.84	15.06	0.00	58.64
			M3	-61.96	0.00	280.63	16.13	0.00	-39.35	14.00	0.00	-60.50	30.13	0.00	122.30
		MIN	S2	-62.10	0.00	279.58	-62.10	0.00	-226.28	14.00	0.00	-60.50	14.00	0.00	54.30
			TQ	18.90	0.00	-227.27	18.90	0.00	-73.28	15.06	0.00	-64.84	15.06	0.00	58.64
			M3	23.32	0.00	-243.05	-59.35	0.00	-235.92	30.11	0.00	-125.13	14.00	0.00	54.30
		D+1LANE (caseMAX	S2	102.45	0.00	-381.85	102.45	0.00	452.66	15.24	0.00	-65.58	15.24	0.00	59.37
			TQ	18.90	0.00	-227.27	18.90	0.00	-73.28	15.06	0.00	-64.84	15.06	0.00	58.64
			M3	24.11	0.00	-197.18	102.24	0.00	453.97	2.32	0.00	-10.47	15.24	0.00	59.37
		MIN	S2	16.35	0.00	-210.06	16.35	0.00	-76.88	2.31	0.00	-10.58	2.31	0.00	8.34
			TQ	18.90	0.00	-227.27	18.90	0.00	-73.28	15.06	0.00	-64.84	15.06	0.00	58.64
			M3	99.46	0.00	-392.40	16.69	0.00	-78.83	15.24	0.00	-65.58	2.31	0.00	8.32
		D+1LANE (caseMAX	S2	48.42	0.00	-490.54	48.42	0.00	-96.14	17.30	0.00	-74.07	17.30	0.00	67.82
			TQ	18.90	0.00	-227.27	18.90	0.00	-73.28	15.06	0.00	-64.84	15.06	0.00	58.64
			M3	7.48	0.00	-173.34	38.70	0.00	-50.65	-26.88	0.00	104.69	17.30	0.00	67.82
		MIN	S2	-0.07	0.00	-376.66	-0.07	0.00	-377.26	-26.88	0.00	104.69	-26.88	0.00	-115.71
			TQ	18.90	0.00	-227.27	18.90	0.00	-73.28	15.06	0.00	-64.84	15.06	0.00	58.64
			M3	35.98	0.00	-572.09	4.60	0.00	-418.86	17.30	0.00	-74.07	-26.82	0.00	-115.96

BAGO RIVER BRIDGE

BLOCK [ No.2 : CROSS BEAM ][ BEAM MEMBER FORCE ]

MEMBER			1002053						1002055						
NODE			2053			3053			2055			3055			
NAME TITLE			SHEAR	TORQUE	MOMENT	SHEAR	TORQUE	MOMENT	SHEAR	TORQUE	MOMENT	SHEAR	TORQUE	MOMENT	
			S2 (kN)	TQ (kN·m)	M3 (kN·m)	S2 (kN)	TQ (kN·m)	M3 (kN·m)	S2 (kN)	TQ (kN·m)	M3 (kN·m)	S2 (kN)	TQ (kN·m)	M3 (kN·m)	
124	SUM TOTAL	D+2LANES (casMAX	S2	44.61	0.00	-541.96	44.61	0.00	-178.60	77.07	0.00	-322.09	77.07	0.00	309.88
			TQ	18.90	0.00	-227.27	18.90	0.00	-73.28	15.06	0.00	-64.84	15.06	0.00	58.64
			M3	-32.74	0.00	-50.18	37.63	0.00	-2.57	11.44	0.00	-49.99	77.05	0.00	309.94
		MIN	S2	-53.78	0.00	-96.62	-53.78	0.00	-534.68	11.44	0.00	-49.99	11.44	0.00	43.82
			TQ	18.90	0.00	-227.27	18.90	0.00	-73.28	15.06	0.00	-64.84	15.06	0.00	58.64
			M3	38.63	0.00	-582.85	-42.86	0.00	-606.61	77.00	0.00	-322.20	11.44	0.00	43.82
		D+2LANES (casMAX	S2	30.32	0.00	-271.28	30.32	0.00	-24.33	52.51	0.00	-217.37	52.51	0.00	213.18
			TQ	18.90	0.00	-227.27	18.90	0.00	-73.28	15.06	0.00	-64.84	15.06	0.00	58.64
			M3	-97.26	0.00	366.31	24.13	0.00	-15.20	12.68	0.00	-55.06	52.48	0.00	213.22
		MIN	S2	-98.21	0.00	363.89	-98.21	0.00	-436.11	12.68	0.00	-55.06	12.68	0.00	48.88
			TQ	18.90	0.00	-227.27	18.90	0.00	-73.28	15.06	0.00	-64.84	15.06	0.00	58.64
			M3	29.32	0.00	-273.87	-95.89	0.00	-444.18	52.47	0.00	-217.42	12.68	0.00	48.88
		D+2LANES (casMAX	S2	139.99	0.00	-586.84	139.99	0.00	553.53	15.90	0.00	-68.32	15.90	0.00	62.09
			TQ	18.90	0.00	-227.27	18.90	0.00	-73.28	15.06	0.00	-64.84	15.06	0.00	58.64
			M3	17.49	0.00	-172.08	139.22	0.00	555.58	-18.30	0.00	73.67	15.90	0.00	62.09
		MIN	S2	10.96	0.00	-183.07	10.96	0.00	-93.81	-18.31	0.00	73.58	-18.31	0.00	-76.57
			TQ	18.90	0.00	-227.27	18.90	0.00	-73.28	15.06	0.00	-64.84	15.06	0.00	58.64
			M3	137.45	0.00	-595.81	11.89	0.00	-96.43	15.90	0.00	-68.32	-18.31	0.00	-76.58
		D+2LANES (casMAX	S2	95.18	0.00	-678.34	95.18	0.00	96.96	18.18	0.00	-77.69	18.18	0.00	71.41
			TQ	18.90	0.00	-227.27	18.90	0.00	-73.28	15.06	0.00	-64.84	15.06	0.00	58.64
			M3	3.59	0.00	-152.03	86.48	0.00	135.80	-42.69	0.00	169.87	18.18	0.00	71.41
		MIN	S2	-2.77	0.00	-321.68	-2.77	0.00	-344.21	-42.69	0.00	169.87	-42.69	0.00	-180.17
			TQ	18.90	0.00	-227.27	18.90	0.00	-73.28	15.06	0.00	-64.84	15.06	0.00	58.64
			M3	84.76	0.00	-746.44	1.78	0.00	-379.86	18.18	0.00	-77.69	-42.64	0.00	-180.38



BAGO RIVER BRIDGE

BLOCK [ No.2 : CROSS BEAM ][ BEAM MEMBER FORCE ]

MEMBER			1002053						1002055							
NODE			2053			3053			2055			3055				
NAME TITLE			SHEAR	TORQUE	MOMENT	SHEAR	TORQUE	MOMENT	SHEAR	TORQUE	MOMENT	SHEAR	TORQUE	MOMENT		
			S2 (kN)	TQ (kN·m)	M3 (kN·m)	S2 (kN)	TQ (kN·m)	M3 (kN·m)	S2 (kN)	TQ (kN·m)	M3 (kN·m)	S2 (kN)	TQ (kN·m)	M3 (kN·m)		
124	SUM TOTAL	D+3LANES (casMAX	S2	44.02	0.00	-505.05	44.02	0.00	-146.49	78.47	0.00	-326.16	78.47	0.00	317.26	
			TQ	18.90	0.00	-227.27	18.90	0.00	-73.28	15.06	0.00	-64.84	15.06	0.00	58.64	
			M3	-82.27	0.00	283.02	32.86	0.00	10.85	11.23	0.00	-49.14	78.42	0.00	317.34	
		MIN	S2	-100.25	0.00	242.80	-100.25	0.00	-573.85	11.23	0.00	-49.14	11.23	0.00	42.97	
			TQ	18.90	0.00	-227.27	18.90	0.00	-73.28	15.06	0.00	-64.84	15.06	0.00	58.64	
			M3	38.80	0.00	-540.69	-89.03	0.00	-641.82	78.37	0.00	-326.30	11.23	0.00	42.97	
		D+3LANES (casMAX	S2	142.56	0.00	-718.65	142.56	0.00	442.63	16.89	0.00	-72.37	16.89	0.00	66.12	
			TQ	18.90	0.00	-227.27	18.90	0.00	-73.28	15.06	0.00	-64.84	15.06	0.00	58.64	
			M3	9.65	0.00	-142.31	135.02	0.00	476.65	-42.95	0.00	172.77	16.89	0.00	66.12	
		MIN	S2	-1.25	0.00	-295.47	-1.25	0.00	-305.67	-42.96	0.00	172.69	-42.96	0.00	-179.57	
			TQ	18.90	0.00	-227.27	18.90	0.00	-73.28	15.06	0.00	-64.84	15.06	0.00	58.64	
			M3	131.58	0.00	-783.95	2.85	0.00	-337.45	16.89	0.00	-72.37	-42.92	0.00	-179.76	
		D+3LANES (casMAX	S2	143.04	0.00	-720.90	143.04	0.00	444.28	18.26	0.00	-77.99	18.26	0.00	71.71	
			TQ	18.90	0.00	-227.27	18.90	0.00	-73.28	15.06	0.00	-64.84	15.06	0.00	58.64	
			M3	9.57	0.00	-141.86	135.50	0.00	478.22	-43.05	0.00	173.17	18.26	0.00	71.71	
		MIN	S2	-1.32	0.00	-295.18	-1.32	0.00	-305.93	-43.06	0.00	173.09	-43.06	0.00	-179.96	
			TQ	18.90	0.00	-227.27	18.90	0.00	-73.28	15.06	0.00	-64.84	15.06	0.00	58.64	
			M3	132.08	0.00	-786.25	2.78	0.00	-337.61	18.26	0.00	-77.99	-43.01	0.00	-180.15	
		D+4LANES	MAX	S2	20.08	0.00	-233.20	20.08	0.00	-69.62	16.85	0.00	-72.19	16.85	0.00	65.94
			TQ	18.90	0.00	-227.27	18.90	0.00	-73.28	15.06	0.00	-64.84	15.06	0.00	58.64	
			M3	18.80	0.00	-226.53	20.07	0.00	-69.58	14.87	0.00	-64.06	16.85	0.00	65.94	
		MIN	S2	18.78	0.00	-226.64	18.78	0.00	-73.66	14.87	0.00	-64.06	14.87	0.00	57.86	
			TQ	18.90	0.00	-227.27	18.90	0.00	-73.28	15.06	0.00	-64.84	15.06	0.00	58.64	
			M3	20.06	0.00	-233.37	18.80	0.00	-73.75	16.85	0.00	-72.19	14.87	0.00	57.86	

BAGO RIVER BRIDGE

BLOCK [ No.2 : CROSS BEAM ][ BEAM MEMBER FORCE ]

MEMBER				1002053			1002055									
NODE				2053			2055									
NAME TITLE				SHEAR	TORQUE	MOMENT	SHEAR	TORQUE	MOMENT	SHEAR	TORQUE	MOMENT	SHEAR	TORQUE	MOMENT	
				S2 (kN)	TQ (kN·m)	M3 (kN·m)	S2 (kN)	TQ (kN·m)	M3 (kN·m)	S2 (kN)	TQ (kN·m)	M3 (kN·m)	S2 (kN)	TQ (kN·m)	M3 (kN·m)	
124	SUM TOTAL	D+6LANES	MAX	S2	122.24	0.00	-726.03	122.24	0.00	269.72	61.00	0.00	-254.25	61.00	0.00	245.92
				TQ	18.90	0.00	-227.27	18.90	0.00	-73.28	15.06	0.00	-64.84	15.06	0.00	58.64
				M3	-55.24	0.00	238.02	107.88	0.00	422.27	-27.44	0.00	109.40	60.96	0.00	246.05
			MIN	S2	-77.08	0.00	89.20	-77.08	0.00	-538.66	-27.46	0.00	109.36	-27.46	0.00	-115.81
				TQ	18.90	0.00	-227.27	18.90	0.00	-73.28	15.06	0.00	-64.84	15.06	0.00	58.64
				M3	108.91	0.00	-800.30	-64.27	0.00	-615.48	60.94	0.00	-254.34	-27.41	0.00	-116.06
	SUM TOTAL		MAX		143.04	0.00	366.31	143.04	0.00	555.58	78.47	0.00	173.17	78.47	0.00	317.34
			MIN		-100.25	0.00	-800.30	-100.25	0.00	-641.82	-43.06	0.00	-326.30	-43.06	0.00	-180.38
300	DEAD LOAD	TOTAL			18.90	0.00	-227.27	18.90	0.00	-73.28	15.06	0.00	-64.84	15.06	0.00	58.64
301	LIVE LOAD	1-LANE(case1MAX	S2		21.76	0.00	-339.35	21.76	0.00	-162.11	44.58	0.00	-185.89	44.58	0.00	179.66
			TQ		0.00	0.00	0.00	0.00	0.00	0.00	0.00	0.00	0.00	0.00	0.00	0.00
			M3		-3.44	0.00	8.11	13.42	0.00	49.08	-2.54	0.00	10.44	44.55	0.00	179.73
			MIN	S2	-27.69	0.00	-45.76	-27.69	0.00	-271.30	-2.54	0.00	10.44	-2.54	0.00	-10.41
				TQ	0.00	0.00	0.00	0.00	0.00	0.00	0.00	0.00	0.00	0.00	0.00	0.00
				M3	15.59	0.00	-386.55	-14.62	0.00	-357.56	44.50	0.00	-186.02	-2.54	0.00	-10.41
		1-LANE(case2MAX	S2		4.61	0.00	-14.52	4.61	0.00	23.02	15.10	0.00	-60.23	15.10	0.00	63.62
			TQ		0.00	0.00	0.00	0.00	0.00	0.00	0.00	0.00	0.00	0.00	0.00	0.00
			M3		-80.86	0.00	507.91	-2.77	0.00	33.92	-1.06	0.00	4.34	15.07	0.00	63.67
			MIN	S2	-81.00	0.00	506.85	-81.00	0.00	-153.00	-1.06	0.00	4.34	-1.06	0.00	-4.34
				TQ	0.00	0.00	0.00	0.00	0.00	0.00	0.00	0.00	0.00	0.00	0.00	0.00
				M3	4.41	0.00	-15.78	-78.26	0.00	-162.64	15.05	0.00	-60.29	-1.06	0.00	-4.34
		1-LANE(case3MAX	S2		83.54	0.00	-154.58	83.54	0.00	525.94	0.18	0.00	-0.74	0.18	0.00	0.73
			TQ		0.00	0.00	0.00	0.00	0.00	0.00	0.00	0.00	0.00	0.00	0.00	0.00
			M3		5.20	0.00	30.10	83.33	0.00	527.25	-12.74	0.00	54.37	0.18	0.00	0.73
			MIN	S2	-2.56	0.00	17.21	-2.56	0.00	-3.60	-12.75	0.00	54.26	-12.75	0.00	-50.29
				TQ	0.00	0.00	0.00	0.00	0.00	0.00	0.00	0.00	0.00	0.00	0.00	0.00
				M3	80.56	0.00	-165.12	-2.22	0.00	-5.55	0.18	0.00	-0.74	-12.75	0.00	-50.31

BAGO RIVER BRIDGE

BLOCK [ No.2 : CROSS BEAM ][ BEAM MEMBER FORCE ]

MEMBER			1002053						1002055						
NODE			2053			3053			2055			3055			
NAME TITLE			SHEAR	TORQUE	MOMENT	SHEAR	TORQUE	MOMENT	SHEAR	TORQUE	MOMENT	SHEAR	TORQUE	MOMENT	
			S2 (kN)	TQ (kN·m)	M3 (kN·m)	S2 (kN)	TQ (kN·m)	M3 (kN·m)	S2 (kN)	TQ (kN·m)	M3 (kN·m)	S2 (kN)	TQ (kN·m)	M3 (kN·m)	
301	LIVE LOAD	1-LANE (case4MAX	S2	29.51	0.00	-263.27	29.51	0.00	-22.86	2.25	0.00	-9.23	2.25	0.00	9.18
			TQ	0.00	0.00	0.00	0.00	0.00	0.00	0.00	0.00	0.00	0.00	0.00	0.00
			M3	-11.42	0.00	53.93	19.79	0.00	22.62	-41.94	0.00	169.54	2.25	0.00	9.18
			MIN S2	-18.98	0.00	-149.39	-18.98	0.00	-303.98	-41.94	0.00	169.54	-41.94	0.00	-174.35
			TQ	0.00	0.00	0.00	0.00	0.00	0.00	0.00	0.00	0.00	0.00	0.00	0.00
			M3	17.08	0.00	-344.81	-14.30	0.00	-345.58	2.25	0.00	-9.23	-41.88	0.00	-174.59
		2-LANES (caseMAX	S2	25.70	0.00	-314.69	25.70	0.00	-105.32	62.01	0.00	-257.24	62.01	0.00	251.25
			TQ	0.00	0.00	0.00	0.00	0.00	0.00	0.00	0.00	0.00	0.00	0.00	0.00
			M3	-51.64	0.00	177.09	18.73	0.00	70.71	-3.62	0.00	14.86	61.99	0.00	251.30
			MIN S2	-72.68	0.00	130.65	-72.68	0.00	-461.41	-3.62	0.00	14.86	-3.62	0.00	-14.82
			TQ	0.00	0.00	0.00	0.00	0.00	0.00	0.00	0.00	0.00	0.00	0.00	0.00
			M3	19.73	0.00	-355.58	-61.77	0.00	-533.34	61.94	0.00	-257.35	-3.62	0.00	-14.82
		2-LANES (caseMAX	S2	11.41	0.00	-44.00	11.41	0.00	48.95	37.45	0.00	-152.53	37.45	0.00	154.54
			TQ	0.00	0.00	0.00	0.00	0.00	0.00	0.00	0.00	0.00	0.00	0.00	0.00
			M3	-116.16	0.00	593.59	5.23	0.00	58.08	-2.38	0.00	9.78	37.42	0.00	154.58
			MIN S2	-117.11	0.00	591.16	-117.11	0.00	-362.83	-2.38	0.00	9.78	-2.38	0.00	-9.76
			TQ	0.00	0.00	0.00	0.00	0.00	0.00	0.00	0.00	0.00	0.00	0.00	0.00
			M3	10.41	0.00	-46.60	-114.79	0.00	-370.90	37.41	0.00	-152.58	-2.38	0.00	-9.76
		2-LANES (caseMAX	S2	121.09	0.00	-359.57	121.09	0.00	626.80	0.85	0.00	-3.48	0.85	0.00	3.45
			TQ	0.00	0.00	0.00	0.00	0.00	0.00	0.00	0.00	0.00	0.00	0.00	0.00
			M3	-1.41	0.00	55.19	120.32	0.00	628.85	-33.36	0.00	138.51	0.85	0.00	3.45
MIN S2	-7.95		0.00	44.20	-7.95	0.00	-20.53	-33.37	0.00	138.42	-33.37	0.00	-135.20		
TQ	0.00		0.00	0.00	0.00	0.00	0.00	0.00	0.00	0.00	0.00	0.00	0.00		
M3	118.54		0.00	-368.54	-7.02	0.00	-23.15	0.85	0.00	-3.48	-33.36	0.00	-135.22		

BAGO RIVER BRIDGE

BLOCK [ No.2 : CROSS BEAM ][ BEAM MEMBER FORCE ]

MEMBER			1002053						1002055						
NODE			2053			3053			2055			3055			
NAME TITLE			SHEAR	TORQUE	MOMENT	SHEAR	TORQUE	MOMENT	SHEAR	TORQUE	MOMENT	SHEAR	TORQUE	MOMENT	
			S2 (kN)	TQ (kN·m)	M3 (kN·m)	S2 (kN)	TQ (kN·m)	M3 (kN·m)	S2 (kN)	TQ (kN·m)	M3 (kN·m)	S2 (kN)	TQ (kN·m)	M3 (kN·m)	
301	LIVE LOAD	2-LANES (caseMAX	S2	76.27	0.00	-451.06	76.27	0.00	170.24	3.12	0.00	-12.85	3.12	0.00	12.78
			TQ	0.00	0.00	0.00	0.00	0.00	0.00	0.00	0.00	0.00	0.00	0.00	0.00
			M3	-15.31	0.00	75.25	67.58	0.00	209.08	-57.75	0.00	234.71	3.12	0.00	12.78
			MIN S2	-21.67	0.00	-94.41	-21.67	0.00	-270.94	-57.75	0.00	234.71	-57.75	0.00	-238.81
			TQ	0.00	0.00	0.00	0.00	0.00	0.00	0.00	0.00	0.00	0.00	0.00	0.00
			M3	65.85	0.00	-519.17	-17.13	0.00	-306.58	3.12	0.00	-12.85	-57.70	0.00	-239.01
		3-LANES (caseMAX	S2	25.11	0.00	-277.77	25.11	0.00	-73.22	63.41	0.00	-261.32	63.41	0.00	258.62
			TQ	0.00	0.00	0.00	0.00	0.00	0.00	0.00	0.00	0.00	0.00	0.00	0.00
			M3	-101.17	0.00	510.30	13.95	0.00	84.13	-3.83	0.00	15.71	63.36	0.00	258.70
			MIN S2	-119.16	0.00	470.08	-119.16	0.00	-500.57	-3.83	0.00	15.71	-3.83	0.00	-15.67
			TQ	0.00	0.00	0.00	0.00	0.00	0.00	0.00	0.00	0.00	0.00	0.00	0.00
			M3	19.89	0.00	-313.42	-107.93	0.00	-568.54	63.31	0.00	-261.45	-3.83	0.00	-15.67
		3-LANES (caseMAX	S2	123.65	0.00	-491.38	123.65	0.00	515.90	1.83	0.00	-7.53	1.83	0.00	7.48
			TQ	0.00	0.00	0.00	0.00	0.00	0.00	0.00	0.00	0.00	0.00	0.00	0.00
			M3	-9.26	0.00	84.97	116.12	0.00	549.93	-58.01	0.00	237.61	1.83	0.00	7.48
			MIN S2	-20.16	0.00	-68.19	-20.16	0.00	-232.39	-58.02	0.00	237.53	-58.02	0.00	-238.21
			TQ	0.00	0.00	0.00	0.00	0.00	0.00	0.00	0.00	0.00	0.00	0.00	0.00
			M3	112.68	0.00	-556.67	-16.05	0.00	-264.17	1.83	0.00	-7.53	-57.98	0.00	-238.39
		3-LANES (caseMAX	S2	124.13	0.00	-493.63	124.13	0.00	517.56	3.20	0.00	-13.15	3.20	0.00	13.08
			TQ	0.00	0.00	0.00	0.00	0.00	0.00	0.00	0.00	0.00	0.00	0.00	0.00
			M3	-9.33	0.00	85.41	116.60	0.00	551.50	-58.11	0.00	238.01	3.20	0.00	13.08
			MIN S2	-20.22	0.00	-67.90	-20.22	0.00	-232.65	-58.11	0.00	237.93	-58.11	0.00	-238.60
			TQ	0.00	0.00	0.00	0.00	0.00	0.00	0.00	0.00	0.00	0.00	0.00	0.00
			M3	113.17	0.00	-558.97	-16.13	0.00	-264.33	3.20	0.00	-13.15	-58.07	0.00	-238.79

BAGO RIVER BRIDGE

BLOCK [ No.2 : CROSS BEAM ][ BEAM MEMBER FORCE ]

MEMBER				1002053			3053			1002055			3055				
NODE				2053			2055			2055			3055				
NAME TITLE				SHEAR	TORQUE	MOMENT	SHEAR	TORQUE	MOMENT	SHEAR	TORQUE	MOMENT	SHEAR	TORQUE	MOMENT		
				S2 (kN)	TQ (kN·m)	M3 (kN·m)	S2 (kN)	TQ (kN·m)	M3 (kN·m)	S2 (kN)	TQ (kN·m)	M3 (kN·m)	S2 (kN)	TQ (kN·m)	M3 (kN·m)		
301	LIVE LOAD	4-LANES	MAX	S2	1.18	0.00	-5.92	1.18	0.00	3.65	1.79	0.00	-7.35	1.79	0.00	7.31	
				TQ	0.00	0.00	0.00	0.00	0.00	0.00	0.00	0.00	0.00	0.00	0.00	0.00	0.00
				M3	-0.10	0.00	0.74	1.16	0.00	3.70	-0.19	0.00	0.78	1.79	0.00	0.00	7.31
		MIN	S2	-0.12	0.00	0.64	-0.12	0.00	-0.38	-0.19	0.00	0.78	-0.19	0.00	0.00	-0.78	
			TQ	0.00	0.00	0.00	0.00	0.00	0.00	0.00	0.00	0.00	0.00	0.00	0.00	0.00	
			M3	1.16	0.00	-6.10	-0.10	0.00	-0.47	1.79	0.00	-7.35	-0.19	0.00	0.00	-0.78	
	6-LANES	MAX	S2	103.33	0.00	-498.76	103.33	0.00	343.00	45.94	0.00	-189.41	45.94	0.00	187.29		
			TQ	0.00	0.00	0.00	0.00	0.00	0.00	0.00	0.00	0.00	0.00	0.00	0.00		
			M3	-74.14	0.00	465.29	88.97	0.00	495.55	-42.50	0.00	174.24	45.90	0.00	187.42		
		MIN	S2	-95.98	0.00	316.47	-95.98	0.00	-465.38	-42.52	0.00	174.20	-42.52	0.00	-174.44		
			TQ	0.00	0.00	0.00	0.00	0.00	0.00	0.00	0.00	0.00	0.00	0.00	0.00		
			M3	90.00	0.00	-573.02	-83.17	0.00	-542.20	45.88	0.00	-189.50	-42.47	0.00	-174.70		
LIVE LOAD	MAX		124.13	0.00	593.59	124.13	0.00	628.85	63.41	0.00	238.01	63.41	0.00	258.70			
	MIN		-119.16	0.00	-573.02	-119.16	0.00	-568.54	-58.11	0.00	-261.45	-58.11	0.00	-239.01			
303	SUM TOTAL	TOTAL	MAX		143.04	0.00	366.31	143.04	0.00	555.58	78.47	0.00	173.17	78.47	0.00	317.34	
			MIN		-100.25	0.00	-800.30	-100.25	0.00	-641.82	-43.06	0.00	-326.30	-43.06	0.00	-180.38	

BAGO RIVER BRIDGE

BLOCK [ No.2 : CROSS BEAM ][ BEAM MEMBER FORCE ]

MEMBER NODE	1003001 3001	4001			1003003 3003			4003							
		SHEAR S2 (kN)	TORQUE TQ (kN·m)	MOMENT M3 (kN·m)	SHEAR S2 (kN)	TORQUE TQ (kN·m)	MOMENT M3 (kN·m)	SHEAR S2 (kN)	TORQUE TQ (kN·m)	MOMENT M3 (kN·m)					
1 PAVEMENT	-0.56	0.00	6.55	-0.56	0.00	0.55	9.05	0.00	-30.05	9.05	0.00	62.78			
3 RAILING	-0.67	0.00	2.10	-0.67	0.00	-5.06	2.16	0.00	-18.51	2.16	0.00	3.62			
5 CURB	-6.60	0.00	20.78	-6.60	0.00	-50.09	21.36	0.00	-183.24	21.36	0.00	35.81			
7 DECK WEIGHT	4.17	0.00	-11.68	4.17	0.00	33.06	15.20	0.00	-58.92	15.20	0.00	96.97			
8 GIRDER WEIGH	56.58	0.00	-229.93	56.58	0.00	377.38	10.04	0.00	-15.14	10.04	0.00	87.82			
10 MEDIAN STRIP	22.59	0.00	-87.95	22.59	0.00	154.52	-12.85	0.00	127.64	-12.85	0.00	-4.20			
21 ADITIONAL WE	1.17	0.00	-3.27	1.17	0.00	9.26	4.26	0.00	-16.50	4.26	0.00	27.15			
31 MEDIAN RAILI	1.80	0.00	-7.02	1.80	0.00	12.35	-1.05	0.00	10.34	-1.05	0.00	-0.40			
51 SUPPORT WEIG	-0.00	0.00	0.00	-0.00	0.00	-0.00	-0.00	0.00	0.00	-0.00	0.00	0.00			
52 NOSE WEIGHT	11.66	0.00	-36.81	11.66	0.00	88.34	1.33	0.00	0.37	1.33	0.00	14.02			
61 1-LANE(case1TRUCK-LOAD	MAX	S2	46.21	0.00	-196.92	46.21	0.00	299.15	14.11	0.00	-157.78	14.11	0.00	-13.00	
		TQ	0.00	0.00	0.00	0.00	0.00	0.00	0.00	0.00	0.00	0.00	0.00	0.00	
		M3	-5.74	0.00	23.76	46.18	0.00	300.28	-1.35	0.00	4.43	4.54	0.00	33.30	
	MIN	S2	-5.74	0.00	23.76	-5.74	0.00	-37.82	-1.35	0.00	4.43	-1.35	0.00	-9.45	
		TQ	0.00	0.00	0.00	0.00	0.00	0.00	0.00	0.00	0.00	0.00	0.00	0.00	
		M3	46.21	0.00	-196.92	-5.74	0.00	-37.82	14.11	0.00	-157.78	11.01	0.00	-19.09	
	TANDEM-LOAD	MAX	S2	31.58	0.00	-134.16	31.58	0.00	204.80	10.08	0.00	-109.68	10.08	0.00	-6.30
		TQ	0.00	0.00	0.00	0.00	0.00	0.00	0.00	0.00	0.00	0.00	0.00	0.00	
		M3	-3.91	0.00	16.18	31.57	0.00	205.11	-0.92	0.00	3.02	3.13	0.00	23.04	
	MIN	S2	-3.91	0.00	16.18	-3.91	0.00	-25.75	-0.92	0.00	3.02	-0.92	0.00	-6.45	
		TQ	0.00	0.00	0.00	0.00	0.00	0.00	0.00	0.00	0.00	0.00	0.00	0.00	
		M3	31.58	0.00	-134.16	-3.91	0.00	-25.75	10.08	0.00	-109.68	6.92	0.00	-14.13	
DISPERSION-LMAX	S2	53.22	0.00	-226.80	53.22	0.00	344.42	10.57	0.00	-90.02	10.57	0.00	18.37		
	TQ	0.00	0.00	0.00	0.00	0.00	0.00	0.00	0.00	0.00	0.00	0.00	0.00		
	M3	-6.46	0.00	26.74	53.22	0.00	344.42	-1.55	0.00	5.04	4.43	0.00	26.47		
MIN	S2	-6.46	0.00	26.74	-6.46	0.00	-42.60	-1.55	0.00	5.04	-1.55	0.00	-10.82		
	TQ	0.00	0.00	0.00	0.00	0.00	0.00	0.00	0.00	0.00	0.00	0.00	0.00		
	M3	53.22	0.00	-226.80	-6.46	0.00	-42.60	10.57	0.00	-90.02	4.59	0.00	-18.92		

BAGO RIVER BRIDGE

BLOCK [ No.2 : CROSS BEAM ][ BEAM MEMBER FORCE ]

MEMBER NODE	1003001 3001	4001			1003003 3003			4003							
		SHEAR	TORQUE	MOMENT	SHEAR	TORQUE	MOMENT	SHEAR	TORQUE	MOMENT					
		S2 (kN)	TQ (kN·m)	M3 (kN·m)	S2 (kN)	TQ (kN·m)	M3 (kN·m)	S2 (kN)	TQ (kN·m)	M3 (kN·m)					
62	1-LANE (case2TRUCK-LOAD	MAX	S2	25.69	0.00	-104.59	25.69	0.00	171.17	3.04	0.00	-6.18	3.04	0.00	25.04
			TQ	0.00	0.00	0.00	0.00	0.00	0.00	0.00	0.00	0.00	0.00	0.00	0.00
			M3	-2.72	0.00	11.21	25.69	0.00	171.17	-10.93	0.00	78.65	2.74	0.00	27.54
		MIN	S2	-2.72	0.00	11.21	-2.72	0.00	-18.00	-11.44	0.00	73.19	-11.44	0.00	-44.16
			TQ	0.00	0.00	0.00	0.00	0.00	0.00	0.00	0.00	0.00	0.00	0.00	0.00
			M3	25.69	0.00	-104.59	-2.72	0.00	-18.00	2.76	0.00	-7.28	-11.00	0.00	-45.87
		TANDEM-LOAD MAX	S2	17.49	0.00	-71.17	17.49	0.00	116.61	2.10	0.00	-3.59	2.10	0.00	17.99
			TQ	0.00	0.00	0.00	0.00	0.00	0.00	0.00	0.00	0.00	0.00	0.00	0.00
			M3	-1.85	0.00	7.64	17.49	0.00	116.61	-7.99	0.00	54.43	1.86	0.00	19.01
		MIN	S2	-1.85	0.00	7.64	-1.85	0.00	-12.27	-8.08	0.00	52.95	-8.08	0.00	-29.97
			TQ	0.00	0.00	0.00	0.00	0.00	0.00	0.00	0.00	0.00	0.00	0.00	0.00
			M3	17.49	0.00	-71.17	-1.85	0.00	-12.27	1.84	0.00	-5.04	-7.55	0.00	-33.59
		DISPERSION-LMAX	S2	28.74	0.00	-118.12	28.74	0.00	190.35	2.40	0.00	-3.44	2.40	0.00	21.21
			TQ	0.00	0.00	0.00	0.00	0.00	0.00	0.00	0.00	0.00	0.00	0.00	0.00
			M3	-3.09	0.00	12.73	28.74	0.00	190.35	-5.83	0.00	45.14	1.91	0.00	23.50
MIN	S2	-3.09	0.00	12.73	-3.09	0.00	-20.47	-6.25	0.00	43.04	-6.25	0.00	-21.10		
	TQ	0.00	0.00	0.00	0.00	0.00	0.00	0.00	0.00	0.00	0.00	0.00	0.00		
	M3	28.74	0.00	-118.12	-3.09	0.00	-20.47	1.98	0.00	-5.53	-5.76	0.00	-23.38		
63	1-LANE (case3TRUCK-LOAD	MAX	S2	12.79	0.00	-39.74	12.79	0.00	97.58	1.92	0.00	2.04	1.92	0.00	21.73
			TQ	0.00	0.00	0.00	0.00	0.00	0.00	0.00	0.00	0.00	0.00	0.00	
			M3	-0.46	0.00	1.78	12.79	0.00	97.58	-40.65	0.00	336.08	-1.11	0.00	34.27
		MIN	S2	-0.46	0.00	1.78	-0.46	0.00	-3.11	-40.65	0.00	336.08	-40.65	0.00	-80.89
			TQ	0.00	0.00	0.00	0.00	0.00	0.00	0.00	0.00	0.00	0.00	0.00	0.00
			M3	12.79	0.00	-39.74	-0.46	0.00	-3.11	1.25	0.00	-2.59	-38.16	0.00	-83.56

BAGO RIVER BRIDGE

BLOCK [ No.2 : CROSS BEAM ][ BEAM MEMBER FORCE ]

MEMBER NODE	1003001 3001	4001			1003003 3003			4003							
		SHEAR	TORQUE	MOMENT	SHEAR	TORQUE	MOMENT	SHEAR	TORQUE	MOMENT					
		S2 (kN)	TQ (kN·m)	M3 (kN·m)	S2 (kN)	TQ (kN·m)	M3 (kN·m)	S2 (kN)	TQ (kN·m)	M3 (kN·m)					
63	1-LANE (case3TANDEM-LOAD	MAX	S2	8.93	0.00	-27.85	8.93	0.00	68.03	1.35	0.00	3.15	1.35	0.00	16.96
			TQ	0.00	0.00	0.00	0.00	0.00	0.00	0.00	0.00	0.00	0.00	0.00	0.00
			M3	-0.31	0.00	1.21	8.93	0.00	68.03	-30.00	0.00	243.88	-0.86	0.00	24.28
		MIN	S2	-0.31	0.00	1.21	-0.31	0.00	-2.12	-30.00	0.00	243.88	-30.00	0.00	-63.78
			TQ	0.00	0.00	0.00	0.00	0.00	0.00	0.00	0.00	0.00	0.00	0.00	0.00
			M3	8.93	0.00	-27.85	-0.31	0.00	-2.12	0.98	0.00	-1.81	-29.30	0.00	-64.53
	DISPERSION-LMAX		S2	9.39	0.00	-31.52	9.39	0.00	69.28	1.29	0.00	1.57	1.29	0.00	14.77
			TQ	0.00	0.00	0.00	0.00	0.00	0.00	0.00	0.00	0.00	0.00	0.00	0.00
			M3	-0.97	0.00	4.29	9.39	0.00	69.30	-16.36	0.00	153.59	-0.83	0.00	22.07
		MIN	S2	-0.99	0.00	4.24	-0.99	0.00	-6.34	-16.78	0.00	150.13	-16.78	0.00	-21.94
			TQ	0.00	0.00	0.00	0.00	0.00	0.00	0.00	0.00	0.00	0.00	0.00	0.00
			M3	9.38	0.00	-31.56	-0.98	0.00	-6.36	0.87	0.00	-1.89	-14.65	0.00	-29.24
64	1-LANE (case4TRUCK-LOAD	MAX	S2	4.58	0.00	-19.17	4.58	0.00	29.99	51.98	0.00	-356.00	51.98	0.00	177.15
			TQ	0.00	0.00	0.00	0.00	0.00	0.00	0.00	0.00	0.00	0.00	0.00	0.00
			M3	-56.12	0.00	229.29	4.58	0.00	29.99	-3.48	0.00	10.13	51.98	0.00	177.15
		MIN	S2	-56.12	0.00	229.29	-56.12	0.00	-373.10	-3.96	0.00	8.46	-3.96	0.00	-32.16
			TQ	0.00	0.00	0.00	0.00	0.00	0.00	0.00	0.00	0.00	0.00	0.00	0.00
			M3	4.58	0.00	-19.17	-56.12	0.00	-373.10	51.77	0.00	-357.31	-3.08	0.00	-35.59
	TANDEM-LOAD	MAX	S2	3.14	0.00	-13.13	3.14	0.00	20.55	37.61	0.00	-255.28	37.61	0.00	130.50
			TQ	0.00	0.00	0.00	0.00	0.00	0.00	0.00	0.00	0.00	0.00	0.00	0.00
			M3	-38.26	0.00	155.86	3.14	0.00	20.55	-2.57	0.00	7.10	37.61	0.00	130.50
		MIN	S2	-38.26	0.00	155.86	-38.26	0.00	-254.86	-2.75	0.00	5.73	-2.75	0.00	-22.47
			TQ	0.00	0.00	0.00	0.00	0.00	0.00	0.00	0.00	0.00	0.00	0.00	0.00
			M3	3.14	0.00	-13.13	-38.26	0.00	-254.86	37.61	0.00	-255.28	-2.35	0.00	-24.49



BAGO RIVER BRIDGE

BLOCK [ No.2 : CROSS BEAM ][ BEAM MEMBER FORCE ]

MEMBER NODE	1003001 3001	1003003						4003					
		4001			3003								
		SHEAR	TORQUE	MOMENT	SHEAR	TORQUE	MOMENT		SHEAR	TORQUE	MOMENT		
NAME TITLE	S2 (kN)	TQ (kN·m)	M3 (kN·m)	S2 (kN)	TQ (kN·m)	M3 (kN·m)	S2 (kN)	TQ (kN·m)	M3 (kN·m)	S2 (kN)	TQ (kN·m)	M3 (kN·m)	
64 1-LANE (case4DISPERSION-LMAX	S2	4.93	0.00	-20.58	4.93	0.00	32.31	24.29	0.00	-177.09	24.29	0.00	72.06
	TQ	0.00	0.00	0.00	0.00	0.00	0.00	0.00	0.00	0.00	0.00	0.00	0.00
	M3	-60.27	0.00	247.53	4.93	0.00	32.31	-2.05	0.00	5.22	23.49	0.00	75.94
	MIN S2	-60.27	0.00	247.52	-60.27	0.00	-399.44	-2.46	0.00	3.37	-2.46	0.00	-21.89
	TQ	0.00	0.00	0.00	0.00	0.00	0.00	0.00	0.00	0.00	0.00	0.00	0.00
	M3	4.93	0.00	-20.58	-60.27	0.00	-399.44	23.88	0.00	-178.95	-1.66	0.00	-25.77
65 2-LANES (caseTRUCK-LOAD	MAX S2	82.02	0.00	-347.14	82.02	0.00	533.28	17.91	0.00	-167.43	17.91	0.00	16.26
	TQ	0.00	0.00	0.00	0.00	0.00	0.00	0.00	0.00	0.00	0.00	0.00	0.00
	M3	-9.97	0.00	41.28	81.99	0.00	534.41	-2.40	0.00	7.82	8.32	0.00	62.63
	MIN S2	-9.97	0.00	41.28	-9.97	0.00	-65.78	-2.40	0.00	7.82	-2.40	0.00	-16.80
	TQ	0.00	0.00	0.00	0.00	0.00	0.00	0.00	0.00	0.00	0.00	0.00	0.00
	M3	81.97	0.00	-347.24	-9.97	0.00	-65.78	16.95	0.00	-214.17	13.33	0.00	-47.42
	TANDEM-LOAD MAX S2	55.93	0.00	-236.62	55.93	0.00	363.71	12.69	0.00	-116.51	12.69	0.00	13.64
	TQ	0.00	0.00	0.00	0.00	0.00	0.00	0.00	0.00	0.00	0.00	0.00	0.00
	M3	-6.79	0.00	28.10	55.89	0.00	364.34	-1.64	0.00	5.33	5.67	0.00	43.16
	MIN S2	-6.79	0.00	28.10	-6.79	0.00	-44.78	-1.64	0.00	5.33	-1.64	0.00	-11.47
	TQ	0.00	0.00	0.00	0.00	0.00	0.00	0.00	0.00	0.00	0.00	0.00	0.00
	M3	55.93	0.00	-236.62	-6.79	0.00	-44.78	12.44	0.00	-152.56	8.25	0.00	-34.27
DISPERSION-LMAX S2	94.32	0.00	-399.98	94.32	0.00	612.50	15.06	0.00	-119.36	15.06	0.00	35.10	
TQ	0.00	0.00	0.00	0.00	0.00	0.00	0.00	0.00	0.00	0.00	0.00	0.00	
M3	-11.24	0.00	46.50	94.32	0.00	612.50	-2.96	0.00	10.97	7.63	0.00	51.25	
MIN S2	-11.24	0.00	46.50	-11.24	0.00	-74.17	-3.17	0.00	9.02	-3.17	0.00	-23.46	
TQ	0.00	0.00	0.00	0.00	0.00	0.00	0.00	0.00	0.00	0.00	0.00	0.00	
M3	94.32	0.00	-399.98	-11.24	0.00	-74.17	14.86	0.00	-121.30	4.26	0.00	-39.60	

BAGO RIVER BRIDGE

BLOCK [ No.2 : CROSS BEAM ][ BEAM MEMBER FORCE ]

MEMBER				1003001						1003003						
NODE				3001			4001			3003			4003			
				SHEAR	TORQUE	MOMENT	SHEAR	TORQUE	MOMENT	SHEAR	TORQUE	MOMENT	SHEAR	TORQUE	MOMENT	
NAME	TITLE			S2 (kN)	TQ (kN·m)	M3 (kN·m)	S2 (kN)	TQ (kN·m)	M3 (kN·m)	S2 (kN)	TQ (kN·m)	M3 (kN·m)	S2 (kN)	TQ (kN·m)	M3 (kN·m)	
66	2-LANES (caseTRUCK-LOAD	MAX	S2	61.50	0.00	-254.81	61.50	0.00	405.30	6.84	0.00	-15.83	6.84	0.00	54.30	
			TQ	0.00	0.00	0.00	0.00	0.00	0.00	0.00	0.00	0.00	0.00	0.00	0.00	0.00
			M3	-6.96	0.00	28.73	61.50	0.00	405.30	-11.98	0.00	82.04	6.53	0.00	56.86	
		MIN	S2	-6.96	0.00	28.73	-6.96	0.00	-45.96	-12.49	0.00	76.58	-12.49	0.00	-51.51	
			TQ	0.00	0.00	0.00	0.00	0.00	0.00	0.00	0.00	0.00	0.00	0.00	0.00	0.00
			M3	61.45	0.00	-254.91	-6.96	0.00	-45.96	5.60	0.00	-63.67	-8.68	0.00	-74.20	
		TANDEM-LOAD MAX	S2	41.84	0.00	-173.62	41.84	0.00	275.52	4.71	0.00	-10.42	4.71	0.00	37.93	
			TQ	0.00	0.00	0.00	0.00	0.00	0.00	0.00	0.00	0.00	0.00	0.00	0.00	0.00
			M3	-4.74	0.00	19.56	41.81	0.00	275.85	-8.70	0.00	56.75	4.41	0.00	39.14	
		MIN	S2	-4.74	0.00	19.56	-4.74	0.00	-31.30	-8.80	0.00	55.26	-8.80	0.00	-34.99	
			TQ	0.00	0.00	0.00	0.00	0.00	0.00	0.00	0.00	0.00	0.00	0.00	0.00	0.00
			M3	41.84	0.00	-173.62	-4.74	0.00	-31.30	4.20	0.00	-47.92	-6.22	0.00	-53.73	
		DISPERSION-LMAX	S2	69.84	0.00	-291.30	69.84	0.00	458.43	6.89	0.00	-32.77	6.89	0.00	37.95	
			TQ	0.00	0.00	0.00	0.00	0.00	0.00	0.00	0.00	0.00	0.00	0.00	0.00	0.00
			M3	-7.87	0.00	32.48	69.84	0.00	458.43	-7.24	0.00	51.07	5.11	0.00	48.27	
MIN	S2	-7.87	0.00	32.48	-7.87	0.00	-52.04	-7.87	0.00	47.03	-7.87	0.00	-33.75			
	TQ	0.00	0.00	0.00	0.00	0.00	0.00	0.00	0.00	0.00	0.00	0.00	0.00	0.00		
	M3	69.84	0.00	-291.30	-7.87	0.00	-52.04	6.26	0.00	-36.81	-6.09	0.00	-44.07			
67	2-LANES (caseTRUCK-LOAD	MAX	S2	14.02	0.00	-44.97	14.02	0.00	105.56	2.97	0.00	7.37	2.97	0.00	37.84	
			TQ	0.00	0.00	0.00	0.00	0.00	0.00	0.00	0.00	0.00	0.00	0.00	0.00	
			M3	-10.04	0.00	43.82	13.70	0.00	113.77	-67.86	0.00	578.87	-2.48	0.00	64.47	
		MIN	S2	-10.08	0.00	43.63	-10.08	0.00	-64.61	-67.86	0.00	578.87	-67.86	0.00	-117.12	
			TQ	0.00	0.00	0.00	0.00	0.00	0.00	0.00	0.00	0.00	0.00	0.00	0.00	0.00
			M3	14.02	0.00	-44.97	-10.08	0.00	-64.61	1.35	0.00	-3.08	-64.31	0.00	-125.69	

BAGO RIVER BRIDGE

BLOCK [ No.2 : CROSS BEAM ][ BEAM MEMBER FORCE ]

MEMBER NODE	1003001 3001	4001			1003003 3003			4003							
		SHEAR	TORQUE	MOMENT	SHEAR	TORQUE	MOMENT	SHEAR	TORQUE	MOMENT					
		S2 (kN)	TQ (kN·m)	M3 (kN·m)	S2 (kN)	TQ (kN·m)	M3 (kN·m)	S2 (kN)	TQ (kN·m)	M3 (kN·m)					
67	2-LANES (caseTANDEM-LOAD	MAX	S2	9.77	0.00	-31.41	9.77	0.00	73.47	2.14	0.00	8.72	2.14	0.00	30.63
			TQ	0.00	0.00	0.00	0.00	0.00	0.00	0.00	0.00	0.00	0.00	0.00	0.00
			M3	-6.84	0.00	29.93	9.66	0.00	80.64	-50.37	0.00	421.92	-2.73	0.00	45.92
		MIN	S2	-6.87	0.00	29.60	-6.87	0.00	-44.19	-50.37	0.00	421.92	-50.37	0.00	-94.69
			TQ	0.00	0.00	0.00	0.00	0.00	0.00	0.00	0.00	0.00	0.00	0.00	0.00
			M3	9.77	0.00	-31.41	-6.87	0.00	-44.19	1.05	0.00	-2.14	-49.38	0.00	-97.09
	DISPERSION-LMAX		S2	11.65	0.00	-38.42	11.65	0.00	86.60	1.94	0.00	3.58	1.94	0.00	23.50
			TQ	0.00	0.00	0.00	0.00	0.00	0.00	0.00	0.00	0.00	0.00	0.00	0.00
			M3	-10.42	0.00	48.62	11.60	0.00	86.90	-26.79	0.00	260.03	-2.08	0.00	37.90
		MIN	S2	-10.56	0.00	48.09	-10.56	0.00	-65.26	-27.54	0.00	253.60	-27.54	0.00	-28.83
			TQ	0.00	0.00	0.00	0.00	0.00	0.00	0.00	0.00	0.00	0.00	0.00	0.00
			M3	11.51	0.00	-38.96	-10.52	0.00	-65.55	1.19	0.00	-2.85	-23.51	0.00	-43.23
68	2-LANES (caseTRUCK-LOAD	MAX	S2	7.58	0.00	-31.78	7.58	0.00	49.63	77.59	0.00	-513.30	77.59	0.00	282.50
			TQ	0.00	0.00	0.00	0.00	0.00	0.00	0.00	0.00	0.00	0.00	0.00	0.00
			M3	-94.45	0.00	388.60	7.58	0.00	49.63	-5.66	0.00	16.57	77.57	0.00	283.27
		MIN	S2	-94.45	0.00	388.60	-94.45	0.00	-625.29	-6.34	0.00	14.31	-6.34	0.00	-50.76
			TQ	0.00	0.00	0.00	0.00	0.00	0.00	0.00	0.00	0.00	0.00	0.00	0.00
			M3	7.58	0.00	-31.78	-94.45	0.00	-625.29	77.38	0.00	-514.60	-5.31	0.00	-55.31
	TANDEM-LOAD	MAX	S2	5.19	0.00	-21.76	5.19	0.00	33.99	56.01	0.00	-366.92	56.01	0.00	207.52
			TQ	0.00	0.00	0.00	0.00	0.00	0.00	0.00	0.00	0.00	0.00	0.00	0.00
			M3	-64.36	0.00	264.34	5.19	0.00	33.99	-4.16	0.00	11.59	56.01	0.00	207.52
		MIN	S2	-64.36	0.00	264.34	-64.36	0.00	-426.56	-4.39	0.00	9.28	-4.39	0.00	-35.77
			TQ	0.00	0.00	0.00	0.00	0.00	0.00	0.00	0.00	0.00	0.00	0.00	0.00
			M3	5.19	0.00	-21.76	-64.36	0.00	-426.56	56.01	0.00	-366.92	-3.96	0.00	-37.96

BAGO RIVER BRIDGE

BLOCK [ No.2 : CROSS BEAM ][ BEAM MEMBER FORCE ]

MEMBER NODE	1003001 3001	4001			1003003 3003			4003							
		SHEAR	TORQUE	MOMENT	SHEAR	TORQUE	MOMENT	SHEAR	TORQUE	MOMENT					
		S2 (kN)	TQ (kN·m)	M3 (kN·m)	S2 (kN)	TQ (kN·m)	M3 (kN·m)	S2 (kN)	TQ (kN·m)	M3 (kN·m)					
68	2-LANES (caseDISPERSION-LMAX	S2	8.31	0.00	-34.70	8.31	0.00	54.46	36.95	0.00	-258.65	36.95	0.00	120.31	
		TQ	0.00	0.00	0.00	0.00	0.00	0.00	0.00	0.00	0.00	0.00	0.00	0.00	
		M3	-101.69	0.00	419.97	8.31	0.00	54.46	-3.31	0.00	8.56	35.91	0.00	125.26	
	MIN	S2	-101.69	0.00	419.97	-101.69	0.00	-671.58	-3.92	0.00	5.71	-3.92	0.00	-34.51	
		TQ	0.00	0.00	0.00	0.00	0.00	0.00	0.00	0.00	0.00	0.00	0.00	0.00	
		M3	8.31	0.00	-34.70	-101.69	0.00	-671.58	36.34	0.00	-261.50	-2.88	0.00	-39.46	
69	3-LANES (caseTRUCK-LOAD	MAX	S2	107.71	0.00	-451.72	107.71	0.00	704.45	20.95	0.00	-173.61	20.95	0.00	41.30
		TQ	0.00	0.00	0.00	0.00	0.00	0.00	0.00	0.00	0.00	0.00	0.00	0.00	
		M3	-12.70	0.00	52.49	107.68	0.00	705.58	-13.33	0.00	86.47	11.06	0.00	90.17	
	MIN	S2	-12.70	0.00	52.49	-12.70	0.00	-83.78	-13.84	0.00	81.01	-13.84	0.00	-60.96	
		TQ	0.00	0.00	0.00	0.00	0.00	0.00	0.00	0.00	0.00	0.00	0.00	0.00	
		M3	107.66	0.00	-451.83	-12.70	0.00	-83.78	19.72	0.00	-221.45	2.33	0.00	-93.29	
	TANDEM-LOAD	MAX	S2	73.42	0.00	-307.78	73.42	0.00	480.32	14.79	0.00	-120.10	14.79	0.00	31.63
		TQ	0.00	0.00	0.00	0.00	0.00	0.00	0.00	0.00	0.00	0.00	0.00	0.00	
		M3	-8.64	0.00	35.74	73.38	0.00	480.96	-9.63	0.00	59.77	7.53	0.00	62.18	
	MIN	S2	-8.64	0.00	35.74	-8.64	0.00	-57.05	-9.72	0.00	58.28	-9.72	0.00	-41.44	
		TQ	0.00	0.00	0.00	0.00	0.00	0.00	0.00	0.00	0.00	0.00	0.00	0.00	
		M3	73.42	0.00	-307.78	-8.64	0.00	-57.05	14.27	0.00	-157.60	0.70	0.00	-67.86	
	DISPERSION-LMAX	S2	123.06	0.00	-518.10	123.06	0.00	802.85	17.46	0.00	-122.79	17.46	0.00	56.32	
		TQ	0.00	0.00	0.00	0.00	0.00	0.00	0.00	0.00	0.00	0.00	0.00	0.00	
		M3	-14.33	0.00	59.23	123.06	0.00	802.85	-8.79	0.00	56.11	9.54	0.00	74.74	
	MIN	S2	-14.33	0.00	59.23	-14.33	0.00	-94.64	-9.42	0.00	52.07	-9.42	0.00	-44.56	
		TQ	0.00	0.00	0.00	0.00	0.00	0.00	0.00	0.00	0.00	0.00	0.00	0.00	
		M3	123.06	0.00	-518.10	-14.33	0.00	-94.64	16.83	0.00	-126.84	-1.50	0.00	-62.99	

BAGO RIVER BRIDGE

BLOCK [ No.2 : CROSS BEAM ][ BEAM MEMBER FORCE ]

MEMBER				1003001						1003003						
NODE				3001			4001			3003			4003			
NAME TITLE				SHEAR	TORQUE	MOMENT	SHEAR	TORQUE	MOMENT	SHEAR	TORQUE	MOMENT	SHEAR	TORQUE	MOMENT	
				S2 (kN)	TQ (kN·m)	M3 (kN·m)	S2 (kN)	TQ (kN·m)	M3 (kN·m)	S2 (kN)	TQ (kN·m)	M3 (kN·m)	S2 (kN)	TQ (kN·m)	M3 (kN·m)	
70	3-LANES (caseTRUCK-LOAD	MAX	S2	16.83	0.00	-56.73	16.83	0.00	123.88	7.03	0.00	0.87	7.03	0.00	72.93	
			TQ	0.00	0.00	0.00	0.00	0.00	0.00	0.00	0.00	0.00	0.00	0.00	0.00	0.00
			M3	-34.90	0.00	149.20	16.51	0.00	132.09	-69.79	0.00	624.83	-0.15	0.00	106.34	
		MIN	S2	-34.94	0.00	149.01	-34.94	0.00	-226.09	-69.93	0.00	620.77	-69.93	0.00	-96.53	
			TQ	0.00	0.00	0.00	0.00	0.00	0.00	0.00	0.00	0.00	0.00	0.00	0.00	0.00
			M3	16.83	0.00	-56.73	-34.88	0.00	-226.12	4.60	0.00	-15.96	-66.00	0.00	-138.76	
	TANDEM-LOAD	MAX	S2	11.69	0.00	-39.48	11.69	0.00	86.03	5.01	0.00	1.09	5.01	0.00	52.43	
		TQ	0.00	0.00	0.00	0.00	0.00	0.00	0.00	0.00	0.00	0.00	0.00	0.00	0.00	
		M3	-23.81	0.00	101.71	11.58	0.00	93.19	-51.84	0.00	457.11	-1.66	0.00	75.16		
	MIN	S2	-23.84	0.00	101.39	-23.84	0.00	-154.57	-52.01	0.00	450.45	-52.01	0.00	-82.97		
		TQ	0.00	0.00	0.00	0.00	0.00	0.00	0.00	0.00	0.00	0.00	0.00	0.00	0.00	
		M3	11.69	0.00	-39.48	-23.83	0.00	-154.57	3.09	0.00	-11.25	-50.50	0.00	-106.07		
	DISPERSION-LMAX	S2	14.73	0.00	-51.32	14.73	0.00	106.78	4.84	0.00	-5.25	4.84	0.00	44.35		
		TQ	0.00	0.00	0.00	0.00	0.00	0.00	0.00	0.00	0.00	0.00	0.00	0.00	0.00	
		M3	-38.21	0.00	167.44	14.69	0.00	107.08	-28.72	0.00	282.04	-0.16	0.00	62.89		
MIN	S2	-38.35	0.00	166.90	-38.35	0.00	-244.76	-29.86	0.00	273.03	-29.86	0.00	-33.27			
	TQ	0.00	0.00	0.00	0.00	0.00	0.00	0.00	0.00	0.00	0.00	0.00	0.00	0.00		
	M3	14.59	0.00	-51.86	-38.31	0.00	-245.06	3.69	0.00	-14.26	-24.87	0.00	-51.80			
71	3-LANES (caseTRUCK-LOAD	MAX	S2	9.02	0.00	-37.85	9.02	0.00	58.96	79.99	0.00	-510.76	79.99	0.00	309.68	
			TQ	0.00	0.00	0.00	0.00	0.00	0.00	0.00	0.00	0.00	0.00	0.00	0.00	
			M3	-115.06	0.00	478.03	9.02	0.00	58.96	-6.46	0.00	59.89	78.37	0.00	322.26	
		MIN	S2	-115.19	0.00	477.86	-115.19	0.00	-758.67	-7.24	0.00	52.62	-7.24	0.00	-21.59	
			TQ	0.00	0.00	0.00	0.00	0.00	0.00	0.00	0.00	0.00	0.00	0.00	0.00	0.00
			M3	9.02	0.00	-37.85	-115.19	0.00	-758.67	78.85	0.00	-517.04	-6.19	0.00	-61.68	

BAGO RIVER BRIDGE

BLOCK [ No.2 : CROSS BEAM ][ BEAM MEMBER FORCE ]

MEMBER NODE	1003001 3001	4001						1003003 3003						4003		
		SHEAR	TORQUE	MOMENT	SHEAR	TORQUE	MOMENT	SHEAR	TORQUE	MOMENT	SHEAR	TORQUE	MOMENT			
		S2 (kN)	TQ (kN·m)	M3 (kN·m)	S2 (kN)	TQ (kN·m)	M3 (kN·m)	S2 (kN)	TQ (kN·m)	M3 (kN·m)	S2 (kN)	TQ (kN·m)	M3 (kN·m)			
71	3-LANES (case)	TANDEM-LOAD	MAX	S2	6.17	0.00	-25.91	6.17	0.00	40.37	57.79	0.00	-365.18	57.79	0.00	227.56
				TQ	0.00	0.00	0.00	0.00	0.00	0.00	0.00	0.00	0.00	0.00	0.00	0.00
				M3	-78.50	0.00	325.45	6.17	0.00	40.37	-4.99	0.00	43.61	56.07	0.00	234.42
			MIN	S2	-78.53	0.00	325.40	-78.53	0.00	-517.58	-5.24	0.00	39.91	-5.24	0.00	-13.89
				TQ	0.00	0.00	0.00	0.00	0.00	0.00	0.00	0.00	0.00	0.00	0.00	0.00
				M3	6.17	0.00	-25.91	-78.53	0.00	-517.58	56.89	0.00	-368.81	-4.58	0.00	-42.44
		DISPERSION-L	MAX	S2	10.19	0.00	-42.58	10.19	0.00	66.78	39.32	0.00	-262.60	39.32	0.00	140.68
				TQ	0.00	0.00	0.00	0.00	0.00	0.00	0.00	0.00	0.00	0.00	0.00	0.00
				M3	-124.24	0.00	517.31	10.19	0.00	66.78	-4.69	0.00	31.21	37.17	0.00	150.62
			MIN	S2	-124.24	0.00	517.31	-124.24	0.00	-816.35	-5.75	0.00	25.18	-5.75	0.00	-33.82
				TQ	0.00	0.00	0.00	0.00	0.00	0.00	0.00	0.00	0.00	0.00	0.00	0.00
				M3	10.19	0.00	-42.58	-124.24	0.00	-816.35	38.26	0.00	-268.63	-3.60	0.00	-43.76
72	4-LANES	TRUCK-LOAD	MAX	S2	20.26	0.00	-70.94	20.26	0.00	146.49	69.29	0.00	-417.03	69.29	0.00	293.67
				TQ	0.00	0.00	0.00	0.00	0.00	0.00	0.00	0.00	0.00	0.00	0.00	0.00
				M3	-101.59	0.00	422.51	20.26	0.00	146.49	-63.00	0.00	519.16	62.44	0.00	315.99
			MIN	S2	-101.64	0.00	422.18	-101.64	0.00	-668.86	-63.60	0.00	516.87	-63.60	0.00	-135.45
				TQ	0.00	0.00	0.00	0.00	0.00	0.00	0.00	0.00	0.00	0.00	0.00	0.00
				M3	20.26	0.00	-70.94	-101.64	0.00	-668.95	67.46	0.00	-432.36	-58.06	0.00	-148.34
		TANDEM-LOAD	MAX	S2	14.00	0.00	-49.06	14.00	0.00	101.26	49.65	0.00	-296.65	49.65	0.00	212.64
				TQ	0.00	0.00	0.00	0.00	0.00	0.00	0.00	0.00	0.00	0.00	0.00	0.00
				M3	-69.14	0.00	287.87	14.00	0.00	101.27	-46.77	0.00	377.94	45.65	0.00	229.27
			MIN	S2	-69.34	0.00	287.32	-69.34	0.00	-457.00	-46.96	0.00	376.45	-46.96	0.00	-105.23
				TQ	0.00	0.00	0.00	0.00	0.00	0.00	0.00	0.00	0.00	0.00	0.00	0.00
				M3	14.00	0.00	-49.06	-69.34	0.00	-457.00	48.49	0.00	-307.01	-45.66	0.00	-110.29

BAGO RIVER BRIDGE

BLOCK [ No.2 : CROSS BEAM ][ BEAM MEMBER FORCE ]

MEMBER				1003001						1003003							
NODE				3001			4001			3003			4003				
				SHEAR	TORQUE	MOMENT	SHEAR	TORQUE	MOMENT	SHEAR	TORQUE	MOMENT	SHEAR	TORQUE	MOMENT		
NAME	TITLE			S2 (kN)	TQ (kN·m)	M3 (kN·m)	S2 (kN)	TQ (kN·m)	M3 (kN·m)	S2 (kN)	TQ (kN·m)	M3 (kN·m)	S2 (kN)	TQ (kN·m)	M3 (kN·m)		
72	4-LANES	DISPERSION-LMAX	S2	16.93	0.00	-62.22	16.93	0.00	119.51	35.37	0.00	-229.56	35.37	0.00	133.27		
			TQ	0.00	0.00	0.00	0.00	0.00	0.00	0.00	0.00	0.00	0.00	0.00	0.00	0.00	
			M3	-115.14	0.00	482.50	16.89	0.00	119.78	-27.44	0.00	251.30	30.02	0.00	0.00	153.97	
		MIN	S2	-115.19	0.00	482.25	-115.19	0.00	-754.22	-28.98	0.00	240.85	-28.98	0.00	0.00	-56.36	
			TQ	0.00	0.00	0.00	0.00	0.00	0.00	0.00	0.00	0.00	0.00	0.00	0.00	0.00	
			M3	16.82	0.00	-62.67	-115.16	0.00	-754.43	33.97	0.00	-239.32	-23.60	0.00	0.00	-76.35	
		73	6-LANES	TRUCK-LOAD MAX	S2	101.38	0.00	-407.21	101.38	0.00	681.02	80.48	0.00	-535.84	80.48	0.00	289.59
					TQ	0.00	0.00	0.00	0.00	0.00	0.00	0.00	0.00	0.00	0.00	0.00	0.00
					M3	-99.95	0.00	416.87	101.32	0.00	681.92	-74.64	0.00	580.98	65.63	0.00	0.00
MIN	S2			-100.22	0.00	416.48	-100.22	0.00	-659.35	-75.43	0.00	575.80	-75.43	0.00	0.00	-197.89	
	TQ			0.00	0.00	0.00	0.00	0.00	0.00	0.00	0.00	0.00	0.00	0.00	0.00	0.00	
	M3			100.72	0.00	-415.05	-100.22	0.00	-659.41	74.45	0.00	-557.55	-60.60	0.00	0.00	-225.76	
TANDEM-LOAD MAX	S2			69.47	0.00	-277.26	69.47	0.00	468.47	57.71	0.00	-380.57	57.71	0.00	0.00	211.32	
	TQ			0.00	0.00	0.00	0.00	0.00	0.00	0.00	0.00	0.00	0.00	0.00	0.00	0.00	
	M3			-68.12	0.00	284.03	69.46	0.00	468.72	-54.52	0.00	421.06	46.43	0.00	0.00	256.01	
MIN	S2	-68.36	0.00	283.96	-68.36	0.00	-449.84	-55.09	0.00	414.02	-55.09	0.00	0.00	-151.07			
	TQ	0.00	0.00	0.00	0.00	0.00	0.00	0.00	0.00	0.00	0.00	0.00	0.00	0.00			
	M3	68.74	0.00	-283.16	-68.36	0.00	-450.32	52.83	0.00	-395.93	-47.37	0.00	0.00	-167.03			
DISPERSION-LMAX	S2	115.21	0.00	-474.95	115.21	0.00	761.72	48.41	0.00	-319.02	48.41	0.00	0.00	177.47			
	TQ	0.00	0.00	0.00	0.00	0.00	0.00	0.00	0.00	0.00	0.00	0.00	0.00	0.00			
	M3	-116.06	0.00	486.24	115.17	0.00	762.02	-36.69	0.00	314.21	36.57	0.00	0.00	209.86			
MIN	S2	-116.19	0.00	485.75	-116.19	0.00	-761.42	-38.71	0.00	301.19	-38.71	0.00	0.00	-95.87			
	TQ	0.00	0.00	0.00	0.00	0.00	0.00	0.00	0.00	0.00	0.00	0.00	0.00	0.00			
	M3	115.07	0.00	-475.49	-116.15	0.00	-761.70	46.50	0.00	-331.67	-28.05	0.00	0.00	-129.01			

BAGO RIVER BRIDGE

BLOCK [ No.2 : CROSS BEAM ][ BEAM MEMBER FORCE ]

MEMBER			1003001						1003003						
NODE			3001			4001			3003			4003			
NAME TITLE			SHEAR	TORQUE	MOMENT	SHEAR	TORQUE	MOMENT	SHEAR	TORQUE	MOMENT	SHEAR	TORQUE	MOMENT	
			S2 (kN)	TQ (kN·m)	M3 (kN·m)	S2 (kN)	TQ (kN·m)	M3 (kN·m)	S2 (kN)	TQ (kN·m)	M3 (kN·m)	S2 (kN)	TQ (kN·m)	M3 (kN·m)	
124	SUM TOTAL	D+1LANE (caseMAX	S2	209.45	0.00	-855.69	209.45	0.00	1392.60	79.11	0.00	-481.36	79.11	0.00	330.02
			TQ	90.14	0.00	-347.22	90.14	0.00	620.31	49.49	0.00	-184.00	49.49	0.00	323.57
			M3	75.50	0.00	-286.62	209.41	0.00	1393.95	46.01	0.00	-172.63	60.25	0.00	395.30
		MIN	S2	75.50	0.00	-286.62	75.50	0.00	523.80	46.01	0.00	-172.63	46.01	0.00	299.25
			TQ	90.14	0.00	-347.22	90.14	0.00	620.31	49.49	0.00	-184.00	49.49	0.00	323.57
			M3	209.45	0.00	-855.69	75.50	0.00	523.80	79.11	0.00	-481.36	68.21	0.00	277.96
		D+1LANE (caseMAX	S2	155.45	0.00	-614.47	155.45	0.00	1054.13	56.02	0.00	-195.54	56.02	0.00	379.07
			TQ	90.14	0.00	-347.22	90.14	0.00	620.31	49.49	0.00	-184.00	49.49	0.00	323.57
			M3	83.16	0.00	-318.49	155.45	0.00	1054.13	29.38	0.00	-35.45	55.07	0.00	384.81
		MIN	S2	83.16	0.00	-318.49	83.16	0.00	574.14	28.25	0.00	-44.52	28.25	0.00	245.26
			TQ	90.14	0.00	-347.22	90.14	0.00	620.31	49.49	0.00	-184.00	49.49	0.00	323.57
			M3	155.45	0.00	-614.48	83.16	0.00	574.14	55.17	0.00	-199.37	29.37	0.00	240.46
		D+1LANE (caseMAX	S2	116.76	0.00	-432.74	116.76	0.00	820.54	53.33	0.00	-179.67	53.33	0.00	367.37
			TQ	90.14	0.00	-347.22	90.14	0.00	620.31	49.49	0.00	-184.00	49.49	0.00	323.57
			M3	88.42	0.00	-339.94	116.75	0.00	820.56	-18.93	0.00	403.61	47.15	0.00	391.18
		MIN	S2	88.41	0.00	-340.00	88.41	0.00	608.97	-19.43	0.00	399.46	-19.43	0.00	200.18
			TQ	90.14	0.00	-347.22	90.14	0.00	620.31	49.49	0.00	-184.00	49.49	0.00	323.57
			M3	116.74	0.00	-432.80	88.41	0.00	608.95	52.03	0.00	-189.38	-13.89	0.00	188.20
		D+1LANE (caseMAX	S2	101.54	0.00	-394.92	101.54	0.00	695.06	141.01	0.00	-823.71	141.01	0.00	622.63
			TQ	90.14	0.00	-347.22	90.14	0.00	620.31	49.49	0.00	-184.00	49.49	0.00	323.57
			M3	-49.53	0.00	224.95	101.54	0.00	695.06	42.85	0.00	-165.58	140.05	0.00	627.28
		MIN	S2	-49.53	0.00	224.95	-49.53	0.00	-306.73	41.78	0.00	-169.81	41.78	0.00	258.71
			TQ	90.14	0.00	-347.22	90.14	0.00	620.31	49.49	0.00	-184.00	49.49	0.00	323.57
			M3	101.54	0.00	-394.92	-49.53	0.00	-306.73	140.27	0.00	-827.51	43.80	0.00	249.94



BAGO RIVER BRIDGE

BLOCK [ No.2 : CROSS BEAM ][ BEAM MEMBER FORCE ]

MEMBER			1003001						1003003						
NODE			3001			4001			3003			4003			
NAME TITLE			SHEAR	TORQUE	MOMENT	SHEAR	TORQUE	MOMENT	SHEAR	TORQUE	MOMENT	SHEAR	TORQUE	MOMENT	
			S2 (kN)	TQ (kN·m)	M3 (kN·m)	S2 (kN)	TQ (kN·m)	M3 (kN·m)	S2 (kN)	TQ (kN·m)	M3 (kN·m)	S2 (kN)	TQ (kN·m)	M3 (kN·m)	
124	SUM TOTAL	D+2LANES (casMAX	S2	266.48	0.00	-1094.34	266.48	0.00	1766.09	82.45	0.00	-470.79	82.45	0.00	374.94
			TQ	90.14	0.00	-347.22	90.14	0.00	620.31	49.49	0.00	-184.00	49.49	0.00	323.57
			M3	68.92	0.00	-259.45	266.45	0.00	1767.22	44.12	0.00	-165.21	65.44	0.00	437.45
		MIN	S2	68.92	0.00	-259.45	68.92	0.00	480.36	43.92	0.00	-167.15	43.92	0.00	283.31
			TQ	90.14	0.00	-347.22	90.14	0.00	620.31	49.49	0.00	-184.00	49.49	0.00	323.57
			M3	266.43	0.00	-1094.44	68.92	0.00	480.36	81.30	0.00	-519.48	67.08	0.00	236.55
		D+2LANES (casMAX	S2	221.47	0.00	-893.33	221.47	0.00	1484.03	63.22	0.00	-232.60	63.22	0.00	415.82
			TQ	90.14	0.00	-347.22	90.14	0.00	620.31	49.49	0.00	-184.00	49.49	0.00	323.57
			M3	75.30	0.00	-286.01	221.47	0.00	1484.03	30.27	0.00	-50.89	61.12	0.00	428.70
		MIN	S2	75.30	0.00	-286.01	75.30	0.00	522.31	29.12	0.00	-60.40	29.12	0.00	238.31
			TQ	90.14	0.00	-347.22	90.14	0.00	620.31	49.49	0.00	-184.00	49.49	0.00	323.57
			M3	221.42	0.00	-893.44	75.30	0.00	522.31	61.35	0.00	-284.49	34.71	0.00	205.30
		D+2LANES (casMAX	S2	115.81	0.00	-430.61	115.81	0.00	812.47	54.40	0.00	-173.05	54.40	0.00	384.90
			TQ	90.14	0.00	-347.22	90.14	0.00	620.31	49.49	0.00	-184.00	49.49	0.00	323.57
			M3	69.68	0.00	-254.78	115.44	0.00	820.98	-45.16	0.00	654.90	44.93	0.00	425.94
		MIN	S2	69.49	0.00	-255.51	69.49	0.00	490.45	-45.91	0.00	648.47	-45.91	0.00	177.63
			TQ	90.14	0.00	-347.22	90.14	0.00	620.31	49.49	0.00	-184.00	49.49	0.00	323.57
			M3	115.66	0.00	-431.15	69.54	0.00	490.15	52.03	0.00	-189.94	-38.33	0.00	154.65
		D+2LANES (casMAX	S2	106.03	0.00	-413.70	106.03	0.00	724.41	164.02	0.00	-955.95	164.02	0.00	726.38
			TQ	90.14	0.00	-347.22	90.14	0.00	620.31	49.49	0.00	-184.00	49.49	0.00	323.57
			M3	-106.01	0.00	461.34	106.03	0.00	724.41	40.52	0.00	-158.87	162.96	0.00	732.10
		MIN	S2	-106.01	0.00	461.34	-106.01	0.00	-676.56	39.22	0.00	-163.98	39.22	0.00	238.30
			TQ	90.14	0.00	-347.22	90.14	0.00	620.31	49.49	0.00	-184.00	49.49	0.00	323.57
			M3	106.03	0.00	-413.70	-106.01	0.00	-676.57	163.20	0.00	-960.10	41.30	0.00	228.81

BAGO RIVER BRIDGE

BLOCK [ No.2 : CROSS BEAM ][ BEAM MEMBER FORCE ]

MEMBER			1003001						1003003							
NODE			3001			4001			3003			4003				
NAME TITLE			SHEAR	TORQUE	MOMENT	SHEAR	TORQUE	MOMENT	SHEAR	TORQUE	MOMENT	SHEAR	TORQUE	MOMENT		
			S2 (kN)	TQ (kN·m)	M3 (kN·m)	S2 (kN)	TQ (kN·m)	M3 (kN·m)	S2 (kN)	TQ (kN·m)	M3 (kN·m)	S2 (kN)	TQ (kN·m)	M3 (kN·m)		
124	SUM TOTAL	D+3LANES (casMAX	S2	286.29	0.00	-1171.58	286.29	0.00	1901.51	82.14	0.00	-435.94	82.14	0.00	406.55	
			TQ	90.14	0.00	-347.22	90.14	0.00	620.31	49.49	0.00	-184.00	49.49	0.00	323.57	
			M3	67.16	0.00	-252.26	286.26	0.00	1902.47	30.68	0.00	-62.80	67.00	0.00	463.74	
		MIN	S2	67.16	0.00	-252.26	67.16	0.00	468.65	29.71	0.00	-70.88	29.71	0.00	233.88	
			TQ	90.14	0.00	-347.22	90.14	0.00	620.31	49.49	0.00	-184.00	49.49	0.00	323.57	
			M3	286.25	0.00	-1171.67	67.16	0.00	468.65	80.55	0.00	-480.05	50.19	0.00	190.73	
		D+3LANES (casMAX	S2	116.96	0.00	-439.07	116.96	0.00	816.37	59.57	0.00	-187.73	59.57	0.00	423.26	
			TQ	90.14	0.00	-347.22	90.14	0.00	620.31	49.49	0.00	-184.00	49.49	0.00	323.57	
			M3	27.99	0.00	-78.09	116.65	0.00	823.60	-34.25	0.00	586.83	49.23	0.00	467.41	
		MIN	S2	27.83	0.00	-78.70	27.83	0.00	220.08	-35.34	0.00	575.73	-35.34	0.00	213.24	
			TQ	90.14	0.00	-347.22	90.14	0.00	620.31	49.49	0.00	-184.00	49.49	0.00	323.57	
			M3	116.84	0.00	-439.53	27.93	0.00	219.80	56.54	0.00	-209.69	-27.75	0.00	161.59	
		D+3LANES (casMAX	S2	106.46	0.00	-415.59	106.46	0.00	727.19	150.90	0.00	-841.36	150.90	0.00	706.37	
			TQ	90.14	0.00	-347.22	90.14	0.00	620.31	49.49	0.00	-184.00	49.49	0.00	323.57	
			M3	-113.28	0.00	498.81	106.46	0.00	727.19	40.00	0.00	-106.57	147.69	0.00	725.52	
		MIN	S2	-113.39	0.00	498.67	-113.39	0.00	-718.46	38.45	0.00	-117.87	38.45	0.00	276.47	
			TQ	90.14	0.00	-347.22	90.14	0.00	620.31	49.49	0.00	-184.00	49.49	0.00	323.57	
			M3	106.46	0.00	-415.59	-113.39	0.00	-718.46	149.03	0.00	-851.82	41.16	0.00	233.95	
		D+4LANES	MAX	S2	114.31	0.00	-433.78	114.31	0.00	793.21	117.52	0.00	-604.29	117.52	0.00	601.08
			TQ	90.14	0.00	-347.22	90.14	0.00	620.31	49.49	0.00	-184.00	49.49	0.00	323.57	
			M3	-50.74	0.00	241.03	114.28	0.00	793.38	-9.30	0.00	316.80	109.58	0.00	629.04	
		MIN	S2	-50.80	0.00	240.65	-50.80	0.00	-304.70	-10.69	0.00	308.52	-10.69	0.00	198.90	
			TQ	90.14	0.00	-347.22	90.14	0.00	620.31	49.49	0.00	-184.00	49.49	0.00	323.57	
			M3	114.23	0.00	-434.07	-50.78	0.00	-304.89	115.41	0.00	-620.59	-3.59	0.00	177.52	

BAGO RIVER BRIDGE

BLOCK [ No.2 : CROSS BEAM ][ BEAM MEMBER FORCE ]

MEMBER					1003001						1003003					
NODE					3001			4001			3003			4003		
NAME TITLE					SHEAR	TORQUE	MOMENT	SHEAR	TORQUE	MOMENT	SHEAR	TORQUE	MOMENT	SHEAR	TORQUE	MOMENT
					S2 (kN)	TQ (kN·m)	M3 (kN·m)	S2 (kN)	TQ (kN·m)	M3 (kN·m)	S2 (kN)	TQ (kN·m)	M3 (kN·m)	S2 (kN)	TQ (kN·m)	M3 (kN·m)
124	SUM TOTAL	D+6LANES	MAX	S2	230.92	0.00	-920.63	230.92	0.00	1558.09	133.26	0.00	-739.66	133.26	0.00	627.16
				TQ	90.14	0.00	-347.22	90.14	0.00	620.31	49.49	0.00	-184.00	49.49	0.00	323.57
				M3	-50.27	0.00	239.80	230.85	0.00	1558.87	-22.88	0.00	397.87	115.92	0.00	693.39
			MIN	S2	-50.53	0.00	239.23	-50.53	0.00	-303.19	-24.71	0.00	386.04	-24.71	0.00	132.62
				TQ	90.14	0.00	-347.22	90.14	0.00	620.31	49.49	0.00	-184.00	49.49	0.00	323.57
				M3	230.40	0.00	-926.08	-50.50	0.00	-303.41	128.10	0.00	-762.00	-8.13	0.00	92.97
	SUM TOTAL		MAX		286.29	0.00	498.81	286.29	0.00	1902.47	164.02	0.00	654.90	164.02	0.00	732.10
			MIN		-113.39	0.00	-1171.67	-113.39	0.00	-718.46	-45.91	0.00	-960.10	-45.91	0.00	92.97
300	DEAD LOAD	TOTAL			90.14	0.00	-347.22	90.14	0.00	620.31	49.49	0.00	-184.00	49.49	0.00	323.57
301	LIVE LOAD	1-LANE(case1MAX	S2		119.31	0.00	-508.46	119.31	0.00	772.29	29.62	0.00	-297.36	29.62	0.00	6.45
			TQ		0.00	0.00	0.00	0.00	0.00	0.00	0.00	0.00	0.00	0.00	0.00	0.00
			M3		-14.64	0.00	60.61	119.28	0.00	773.64	-3.48	0.00	11.37	10.76	0.00	71.73
			MIN	S2	-14.64	0.00	60.61	-14.64	0.00	-96.51	-3.48	0.00	11.37	-3.48	0.00	-24.32
				TQ	0.00	0.00	0.00	0.00	0.00	0.00	0.00	0.00	0.00	0.00	0.00	0.00
				M3	119.31	0.00	-508.46	-14.64	0.00	-96.51	29.62	0.00	-297.36	18.73	0.00	-45.61
		1-LANE(case2MAX	S2		65.31	0.00	-267.25	65.31	0.00	433.82	6.54	0.00	-11.54	6.54	0.00	55.50
			TQ		0.00	0.00	0.00	0.00	0.00	0.00	0.00	0.00	0.00	0.00	0.00	0.00
			M3		-6.98	0.00	28.73	65.31	0.00	433.82	-20.11	0.00	148.55	5.58	0.00	61.24
			MIN	S2	-6.98	0.00	28.73	-6.98	0.00	-46.17	-21.23	0.00	139.48	-21.23	0.00	-78.31
				TQ	0.00	0.00	0.00	0.00	0.00	0.00	0.00	0.00	0.00	0.00	0.00	0.00
				M3	65.31	0.00	-267.26	-6.98	0.00	-46.17	5.69	0.00	-15.37	-20.11	0.00	-83.11
		1-LANE(case3MAX	S2		26.62	0.00	-85.52	26.62	0.00	200.23	3.85	0.00	4.33	3.85	0.00	43.80
			TQ		0.00	0.00	0.00	0.00	0.00	0.00	0.00	0.00	0.00	0.00	0.00	0.00
			M3		-1.71	0.00	7.28	26.62	0.00	200.25	-68.41	0.00	587.61	-2.33	0.00	67.61
			MIN	S2	-1.73	0.00	7.23	-1.73	0.00	-11.34	-68.91	0.00	583.46	-68.91	0.00	-123.39
				TQ	0.00	0.00	0.00	0.00	0.00	0.00	0.00	0.00	0.00	0.00	0.00	0.00
				M3	26.60	0.00	-85.57	-1.73	0.00	-11.36	2.54	0.00	-5.38	-63.38	0.00	-135.37

BAGO RIVER BRIDGE

BLOCK [ No.2 : CROSS BEAM ][ BEAM MEMBER FORCE ]

MEMBER			1003001						1003003							
NODE			3001			4001			3003			4003				
NAME TITLE			SHEAR	TORQUE	MOMENT	SHEAR	TORQUE	MOMENT	SHEAR	TORQUE	MOMENT	SHEAR	TORQUE	MOMENT		
			S2 (kN)	TQ (kN·m)	M3 (kN·m)	S2 (kN)	TQ (kN·m)	M3 (kN·m)	S2 (kN)	TQ (kN·m)	M3 (kN·m)	S2 (kN)	TQ (kN·m)	M3 (kN·m)		
301	LIVE LOAD	1-LANE (case4MAX	S2	11.41	0.00	-47.69	11.41	0.00	74.75	91.53	0.00	-639.71	91.53	0.00	299.06	
			TQ	0.00	0.00	0.00	0.00	0.00	0.00	0.00	0.00	0.00	0.00	0.00	0.00	
			M3	-139.67	0.00	572.18	11.41	0.00	74.75	-6.63	0.00	18.42	90.56	0.00	0.00	303.71
			MIN S2	-139.67	0.00	572.18	-139.67	0.00	-927.04	-7.71	0.00	14.19	-7.71	0.00	0.00	-64.86
			TQ	0.00	0.00	0.00	0.00	0.00	0.00	0.00	0.00	0.00	0.00	0.00	0.00	0.00
			M3	11.41	0.00	-47.70	-139.67	0.00	-927.04	90.78	0.00	-643.51	-5.69	0.00	0.00	-73.63
		2-LANES (caseMAX	S2	176.34	0.00	-747.12	176.34	0.00	1145.78	32.97	0.00	-286.79	32.97	0.00	0.00	51.37
			TQ	0.00	0.00	0.00	0.00	0.00	0.00	0.00	0.00	0.00	0.00	0.00	0.00	0.00
			M3	-21.21	0.00	87.78	176.31	0.00	1146.91	-5.37	0.00	18.80	15.95	0.00	0.00	113.88
			MIN S2	-21.21	0.00	87.78	-21.21	0.00	-139.95	-5.57	0.00	16.85	-5.57	0.00	0.00	-40.26
			TQ	0.00	0.00	0.00	0.00	0.00	0.00	0.00	0.00	0.00	0.00	0.00	0.00	0.00
			M3	176.29	0.00	-747.22	-21.21	0.00	-139.95	31.81	0.00	-335.48	17.59	0.00	0.00	-87.02
		2-LANES (caseMAX	S2	131.34	0.00	-546.11	131.34	0.00	863.72	13.73	0.00	-48.60	13.73	0.00	0.00	92.25
			TQ	0.00	0.00	0.00	0.00	0.00	0.00	0.00	0.00	0.00	0.00	0.00	0.00	0.00
			M3	-14.83	0.00	61.21	131.34	0.00	863.72	-19.22	0.00	133.11	11.64	0.00	0.00	105.13
			MIN S2	-14.83	0.00	61.21	-14.83	0.00	-98.00	-20.36	0.00	123.61	-20.36	0.00	0.00	-85.26
			TQ	0.00	0.00	0.00	0.00	0.00	0.00	0.00	0.00	0.00	0.00	0.00	0.00	0.00
			M3	131.29	0.00	-546.21	-14.83	0.00	-98.00	11.87	0.00	-100.49	-14.77	0.00	0.00	-118.27
		2-LANES (caseMAX	S2	25.67	0.00	-83.39	25.67	0.00	192.16	4.91	0.00	10.95	4.91	0.00	0.00	61.33
			TQ	0.00	0.00	0.00	0.00	0.00	0.00	0.00	0.00	0.00	0.00	0.00	0.00	0.00
			M3	-20.46	0.00	92.44	25.31	0.00	200.67	-94.64	0.00	838.90	-4.56	0.00	0.00	102.37
			MIN S2	-20.64	0.00	91.72	-20.64	0.00	-129.86	-95.39	0.00	832.47	-95.39	0.00	0.00	-145.95
			TQ	0.00	0.00	0.00	0.00	0.00	0.00	0.00	0.00	0.00	0.00	0.00	0.00	0.00
			M3	25.53	0.00	-83.93	-20.60	0.00	-130.16	2.54	0.00	-5.94	-87.82	0.00	0.00	-168.92

BAGO RIVER BRIDGE

BLOCK [ No.2 : CROSS BEAM ][ BEAM MEMBER FORCE ]

MEMBER			1003001						1003003						
NODE			3001			4001			3003			4003			
NAME TITLE			SHEAR	TORQUE	MOMENT	SHEAR	TORQUE	MOMENT	SHEAR	TORQUE	MOMENT	SHEAR	TORQUE	MOMENT	
			S2 (kN)	TQ (kN·m)	M3 (kN·m)	S2 (kN)	TQ (kN·m)	M3 (kN·m)	S2 (kN)	TQ (kN·m)	M3 (kN·m)	S2 (kN)	TQ (kN·m)	M3 (kN·m)	
301	LIVE LOAD	2-LANES (caseMAX	S2	15.89	0.00	-66.48	15.89	0.00	104.10	114.53	0.00	-771.95	114.53	0.00	402.81
			TQ	0.00	0.00	0.00	0.00	0.00	0.00	0.00	0.00	0.00	0.00	0.00	0.00
			M3	-196.14	0.00	808.57	15.89	0.00	104.10	-8.97	0.00	25.13	113.48	0.00	408.53
		MIN	S2	-196.14	0.00	808.57	-196.14	0.00	-1296.87	-10.27	0.00	20.02	-10.27	0.00	-85.27
			TQ	0.00	0.00	0.00	0.00	0.00	0.00	0.00	0.00	0.00	0.00	0.00	0.00
			M3	15.89	0.00	-66.48	-196.14	0.00	-1296.88	113.72	0.00	-776.10	-8.19	0.00	-94.76
		3-LANES (caseMAX	S2	196.15	0.00	-824.35	196.15	0.00	1281.20	32.65	0.00	-251.94	32.65	0.00	82.98
			TQ	0.00	0.00	0.00	0.00	0.00	0.00	0.00	0.00	0.00	0.00	0.00	0.00
			M3	-22.97	0.00	94.96	196.13	0.00	1282.16	-18.80	0.00	121.20	17.51	0.00	140.17
		MIN	S2	-22.97	0.00	94.96	-22.97	0.00	-151.66	-19.77	0.00	113.12	-19.77	0.00	-89.69
			TQ	0.00	0.00	0.00	0.00	0.00	0.00	0.00	0.00	0.00	0.00	0.00	0.00
			M3	196.11	0.00	-824.44	-22.97	0.00	-151.66	31.07	0.00	-296.04	0.71	0.00	-132.84
		3-LANES (caseMAX	S2	26.82	0.00	-91.85	26.82	0.00	196.06	10.08	0.00	-3.73	10.08	0.00	99.69
			TQ	0.00	0.00	0.00	0.00	0.00	0.00	0.00	0.00	0.00	0.00	0.00	0.00
			M3	-62.14	0.00	269.14	26.51	0.00	203.29	-83.74	0.00	770.84	-0.26	0.00	143.84
		MIN	S2	-62.30	0.00	268.52	-62.30	0.00	-400.23	-84.83	0.00	759.73	-84.83	0.00	-110.33
			TQ	0.00	0.00	0.00	0.00	0.00	0.00	0.00	0.00	0.00	0.00	0.00	0.00
			M3	26.70	0.00	-92.31	-62.21	0.00	-400.51	7.05	0.00	-25.69	-77.24	0.00	-161.98
		3-LANES (caseMAX	S2	16.33	0.00	-68.36	16.33	0.00	106.88	101.41	0.00	-657.36	101.41	0.00	382.80
			TQ	0.00	0.00	0.00	0.00	0.00	0.00	0.00	0.00	0.00	0.00	0.00	0.00
			M3	-203.41	0.00	846.04	16.33	0.00	106.88	-9.48	0.00	77.43	98.20	0.00	401.95
		MIN	S2	-203.52	0.00	845.89	-203.52	0.00	-1338.77	-11.04	0.00	66.14	-11.04	0.00	-47.10
			TQ	0.00	0.00	0.00	0.00	0.00	0.00	0.00	0.00	0.00	0.00	0.00	0.00
			M3	16.33	0.00	-68.36	-203.52	0.00	-1338.77	99.54	0.00	-667.82	-8.33	0.00	-89.62

BAGO RIVER BRIDGE

BLOCK [ No.2 : CROSS BEAM ][ BEAM MEMBER FORCE ]

MEMBER				1003001			4001			1003003			4003				
NODE				3001			3003			3003			4003				
NAME TITLE				SHEAR	TORQUE	MOMENT	SHEAR	TORQUE	MOMENT	SHEAR	TORQUE	MOMENT	SHEAR	TORQUE	MOMENT		
				S2 (kN)	TQ (kN·m)	M3 (kN·m)	S2 (kN)	TQ (kN·m)	M3 (kN·m)	S2 (kN)	TQ (kN·m)	M3 (kN·m)	S2 (kN)	TQ (kN·m)	M3 (kN·m)		
301	LIVE LOAD	4-LANES	MAX	S2	24.17	0.00	-86.55	24.17	0.00	172.90	68.03	0.00	-420.28	68.03	0.00	277.51	
				TQ	0.00	0.00	0.00	0.00	0.00	0.00	0.00	0.00	0.00	0.00	0.00	0.00	0.00
				M3	-140.87	0.00	588.25	24.15	0.00	173.07	-58.78	0.00	500.80	60.10	0.00	305.47	
		MIN	S2	-140.94	0.00	587.88	-140.94	0.00	-925.01	-60.17	0.00	492.52	-60.17	0.00	-124.68		
			TQ	0.00	0.00	0.00	0.00	0.00	0.00	0.00	0.00	0.00	0.00	0.00	0.00	0.00	
			M3	24.10	0.00	-86.85	-140.92	0.00	-925.20	65.92	0.00	-436.59	-53.08	0.00	-146.05		
	6-LANES	MAX	S2	140.78	0.00	-573.41	140.78	0.00	937.78	83.77	0.00	-555.66	83.77	0.00	303.59		
			TQ	0.00	0.00	0.00	0.00	0.00	0.00	0.00	0.00	0.00	0.00	0.00	0.00		
			M3	-140.41	0.00	587.02	140.72	0.00	938.56	-72.37	0.00	581.87	66.43	0.00	369.82		
		MIN	S2	-140.67	0.00	586.45	-140.67	0.00	-923.50	-74.19	0.00	570.04	-74.19	0.00	-190.95		
			TQ	0.00	0.00	0.00	0.00	0.00	0.00	0.00	0.00	0.00	0.00	0.00	0.00		
			M3	140.26	0.00	-578.85	-140.64	0.00	-923.72	78.62	0.00	-577.99	-57.62	0.00	-230.60		
LIVE LOAD	MAX		196.15	0.00	846.04	196.15	0.00	1282.16	114.53	0.00	838.90	114.53	0.00	408.53			
	MIN		-203.52	0.00	-824.44	-203.52	0.00	-1338.77	-95.39	0.00	-776.10	-95.39	0.00	-230.60			
303	SUM TOTAL	TOTAL	MAX		286.29	0.00	498.81	286.29	0.00	1902.47	164.02	0.00	654.90	164.02	0.00	732.10	
			MIN		-113.39	0.00	-1171.67	-113.39	0.00	-718.46	-45.91	0.00	-960.10	-45.91	0.00	92.97	

BAGO RIVER BRIDGE

BLOCK [ No.2 : CROSS BEAM ][ BEAM MEMBER FORCE ]

MEMBER NODE	1003005 3005	4005						1003007 3007						4007		
		SHEAR		TORQUE		MOMENT		SHEAR		TORQUE		MOMENT		SHEAR	TORQUE	MOMENT
		S2 (kN)	TQ (kN·m)	M3 (kN·m)	S2 (kN)	TQ (kN·m)	M3 (kN·m)	S2 (kN)	TQ (kN·m)	M3 (kN·m)	S2 (kN)	TQ (kN·m)	M3 (kN·m)	S2 (kN)	TQ (kN·m)	M3 (kN·m)
1	PAVEMENT	3.52	0.00	12.53	3.52	0.00	46.92	4.36	0.00	9.65	4.36	0.00	50.35			
3	RAILING	3.06	0.00	-26.35	3.06	0.00	3.55	3.28	0.00	-28.36	3.28	0.00	2.27			
5	CURB	30.27	0.00	-260.85	30.27	0.00	35.15	32.45	0.00	-280.71	32.45	0.00	22.51			
7	DECK WEIGHT	5.31	0.00	8.10	5.31	0.00	60.05	5.84	0.00	6.03	5.84	0.00	60.59			
8	GIRDER WEIGH	-24.11	0.00	164.96	-24.11	0.00	-70.75	-33.44	0.00	211.68	-33.44	0.00	-100.80			
10	MEDIAN STRIP	-28.87	0.00	230.67	-28.87	0.00	-51.67	-33.12	0.00	256.78	-33.12	0.00	-52.70			
21	ADITIONAL WE	1.49	0.00	2.27	1.49	0.00	16.82	1.64	0.00	1.69	1.64	0.00	16.97			
31	MEDIAN RAILI	-2.33	0.00	18.61	-2.33	0.00	-4.20	-2.67	0.00	20.67	-2.67	0.00	-4.28			
51	SUPPORT WEIG	0.00	0.00	0.00	0.00	0.00	0.00	0.00	0.00	0.00	0.00	0.00	0.00			
52	NOSE WEIGHT	-0.20	0.00	3.87	-0.20	0.00	1.96	-0.17	0.00	1.98	-0.17	0.00	0.43			
61	1-LANE(case1TRUCK-LOAD	MAX	S2	1.26	0.00	-123.66	1.26	0.00	-111.34	1.14	0.00	-7.28	1.14	0.00	3.33	
			TQ	0.00	0.00	0.00	0.00	0.00	0.00	0.00	0.00	0.00	0.00	0.00	0.00	
			M3	-7.30	0.00	23.41	-0.03	0.00	0.48	-9.83	0.00	30.45	1.10	0.00	3.43	
		MIN	S2	-9.34	0.00	0.74	-9.34	0.00	-90.55	-12.58	0.00	13.40	-12.58	0.00	-104.18	
			TQ	0.00	0.00	0.00	0.00	0.00	0.00	0.00	0.00	0.00	0.00	0.00	0.00	
			M3	1.07	0.00	-125.28	-2.96	0.00	-120.95	-6.44	0.00	-91.83	-6.44	0.00	-151.97	
		TANDEM-LOAD MAX	S2	0.95	0.00	-83.38	0.95	0.00	-74.06	0.77	0.00	-4.98	0.77	0.00	2.24	
			TQ	0.00	0.00	0.00	0.00	0.00	0.00	0.00	0.00	0.00	0.00	0.00	0.00	
			M3	-5.70	0.00	16.53	-0.02	0.00	0.33	-7.13	0.00	22.14	0.76	0.00	2.33	
		MIN	S2	-6.61	0.00	5.70	-6.61	0.00	-58.95	-8.72	0.00	13.93	-8.72	0.00	-67.59	
			TQ	0.00	0.00	0.00	0.00	0.00	0.00	0.00	0.00	0.00	0.00	0.00	0.00	
			M3	0.90	0.00	-88.18	-1.44	0.00	-82.85	-3.99	0.00	-66.07	-3.99	0.00	-103.31	
		DISPERSION-LMAX	S2	0.87	0.00	-38.62	0.87	0.00	-30.13	1.31	0.00	-8.58	1.31	0.00	3.62	
			TQ	0.00	0.00	0.00	0.00	0.00	0.00	0.00	0.00	0.00	0.00	0.00	0.00	
			M3	-3.90	0.00	12.73	-0.05	0.00	0.81	-7.97	0.00	20.92	1.05	0.00	3.77	
		MIN	S2	-6.28	0.00	-18.23	-6.28	0.00	-79.60	-14.59	0.00	-23.85	-14.59	0.00	-160.16	
			TQ	0.00	0.00	0.00	0.00	0.00	0.00	0.00	0.00	0.00	0.00	0.00	0.00	
			M3	-1.51	0.00	-69.58	-5.36	0.00	-110.55	-5.31	0.00	-53.36	-14.33	0.00	-160.31	

BAGO RIVER BRIDGE

BLOCK [ No.2 : CROSS BEAM ][ BEAM MEMBER FORCE ]

MEMBER				1003005			1003007			4007						
NODE				3005			4005			3007						
				SHEAR	TORQUE	MOMENT	SHEAR	TORQUE	MOMENT	SHEAR	TORQUE	MOMENT				
NAME	TITLE			S2 (kN)	TQ (kN·m)	M3 (kN·m)	S2 (kN)	TQ (kN·m)	M3 (kN·m)	S2 (kN)	TQ (kN·m)	M3 (kN·m)				
62	1-LANE (case2TRUCK-LOAD	MAX	S2	0.06	0.00	-1.70	0.06	0.00	-1.07	0.60	0.00	-5.00	0.60	0.00	0.60	
			TQ	0.00	0.00	0.00	0.00	0.00	0.00	0.00	0.00	0.00	0.00	0.00	0.00	0.00
			M3	-24.02	0.00	139.20	-0.26	0.00	1.67	-27.42	0.00	152.03	0.56	0.00	0.70	
		MIN	S2	-24.02	0.00	139.20	-24.02	0.00	-95.65	-27.46	0.00	151.85	-27.46	0.00	-104.69	
			TQ	0.00	0.00	0.00	0.00	0.00	0.00	0.00	0.00	0.00	0.00	0.00	0.00	
			M3	0.06	0.00	-1.70	-24.01	0.00	-96.52	0.60	0.00	-5.01	-27.46	0.00	-104.69	
		TANDEM-LOAD MAX	S2	0.04	0.00	-1.16	0.04	0.00	-0.73	0.41	0.00	-3.39	0.41	0.00	0.42	
			TQ	0.00	0.00	0.00	0.00	0.00	0.00	0.00	0.00	0.00	0.00	0.00	0.00	
			M3	-16.61	0.00	94.82	-0.26	0.00	1.17	-18.48	0.00	103.60	0.36	0.00	0.48	
		MIN	S2	-16.61	0.00	94.82	-16.61	0.00	-67.61	-18.85	0.00	102.84	-18.85	0.00	-73.26	
			TQ	0.00	0.00	0.00	0.00	0.00	0.00	0.00	0.00	0.00	0.00	0.00	0.00	
			M3	0.04	0.00	-1.16	-16.61	0.00	-67.85	0.40	0.00	-3.41	-18.85	0.00	-73.26	
		DISPERSION-LMAX	S2	0.07	0.00	-1.93	0.07	0.00	-1.20	0.69	0.00	-5.90	0.69	0.00	0.54	
			TQ	0.00	0.00	0.00	0.00	0.00	0.00	0.00	0.00	0.00	0.00	0.00	0.00	
			M3	-17.54	0.00	112.36	-0.30	0.00	1.75	-22.89	0.00	139.81	0.21	0.00	1.17	
MIN	S2	-17.54	0.00	112.28	-17.54	0.00	-59.24	-22.89	0.00	139.81	-22.89	0.00	-74.10			
	TQ	0.00	0.00	0.00	0.00	0.00	0.00	0.00	0.00	0.00	0.00	0.00	0.00			
	M3	0.07	0.00	-2.01	-17.17	0.00	-62.19	0.69	0.00	-5.90	-22.41	0.00	-74.73			
63	1-LANE (case3TRUCK-LOAD	MAX	S2	0.82	0.00	7.37	0.82	0.00	15.36	0.71	0.00	7.21	0.71	0.00	13.84	
			TQ	0.00	0.00	0.00	0.00	0.00	0.00	0.00	0.00	0.00	0.00	0.00		
			M3	-51.45	0.00	415.57	-2.80	0.00	28.41	-52.45	0.00	414.19	-5.51	0.00	29.21	
		MIN	S2	-51.45	0.00	415.57	-51.45	0.00	-87.50	-52.45	0.00	414.19	-52.45	0.00	-75.85	
			TQ	0.00	0.00	0.00	0.00	0.00	0.00	0.00	0.00	0.00	0.00	0.00	0.00	
			M3	0.06	0.00	-1.67	-51.45	0.00	-87.50	0.21	0.00	-3.31	-52.45	0.00	-75.85	



BAGO RIVER BRIDGE

BLOCK [ No.2 : CROSS BEAM ][ BEAM MEMBER FORCE ]

MEMBER		1003005						1003007									
NODE		3005			4005			3007			4007						
		SHEAR	TORQUE	MOMENT	SHEAR	TORQUE	MOMENT	SHEAR	TORQUE	MOMENT	SHEAR	TORQUE	MOMENT				
NAME	TITLE	S2 (kN)	TQ (kN·m)	M3 (kN·m)	S2 (kN)	TQ (kN·m)	M3 (kN·m)	S2 (kN)	TQ (kN·m)	M3 (kN·m)	S2 (kN)	TQ (kN·m)	M3 (kN·m)				
63	1-LANE (case3TANDEM-LOAD	MAX	S2	0.58	0.00	3.78	0.58	0.00	9.46	0.54	0.00	6.56	0.54	0.00	11.59		
			TQ	0.00	0.00	0.00	0.00	0.00	0.00	0.00	0.00	0.00	0.00	0.00	0.00	0.00	
			M3	-37.30	0.00	298.73	-2.03	0.00	20.32	-38.09	0.00	297.28	-2.55	0.00	0.00	21.05	
		MIN	S2	-37.30	0.00	298.73	-37.30	0.00	-65.95	-38.09	0.00	297.28	-38.09	0.00	0.00	-58.58	
			TQ	0.00	0.00	0.00	0.00	0.00	0.00	0.00	0.00	0.00	0.00	0.00	0.00	0.00	
			M3	0.04	0.00	-1.14	-37.30	0.00	-65.95	0.14	0.00	-2.26	-38.09	0.00	0.00	-58.58	
		DISPERSION-LMAX	S2	0.40	0.00	1.58	0.40	0.00	5.48	0.50	0.00	-0.43	0.50	0.00	0.00	4.27	
			TQ	0.00	0.00	0.00	0.00	0.00	0.00	0.00	0.00	0.00	0.00	0.00	0.00	0.00	
			M3	-26.01	0.00	237.12	-2.25	0.00	15.78	-27.78	0.00	253.95	-5.53	0.00	0.00	20.51	
		MIN	S2	-26.35	0.00	233.58	-26.35	0.00	-24.03	-28.05	0.00	250.50	-28.05	0.00	0.00	-11.57	
			TQ	0.00	0.00	0.00	0.00	0.00	0.00	0.00	0.00	0.00	0.00	0.00	0.00	0.00	
			M3	0.06	0.00	-1.96	-23.69	0.00	-34.32	0.23	0.00	-3.88	-22.02	0.00	0.00	-27.81	
		64	1-LANE (case4TRUCK-LOAD	MAX	S2	76.54	0.00	-476.00	76.54	0.00	272.42	85.72	0.00	-505.75	85.72	0.00	295.18
					TQ	0.00	0.00	0.00	0.00	0.00	0.00	0.00	0.00	0.00	0.00	0.00	0.00
					M3	-0.03	0.00	0.73	76.54	0.00	272.42	-0.08	0.00	1.36	85.08	0.00	0.00
MIN	S2			-0.04	0.00	0.67	-0.04	0.00	0.29	-0.65	0.00	0.73	-0.65	0.00	0.00	-5.33	
	TQ			0.00	0.00	0.00	0.00	0.00	0.00	0.00	0.00	0.00	0.00	0.00	0.00		
	M3			76.40	0.00	-477.29	0.05	0.00	-1.17	85.72	0.00	-505.75	-0.64	0.00	0.00	-5.38	
TANDEM-LOAD	MAX			S2	54.73	0.00	-339.70	54.73	0.00	195.45	60.96	0.00	-358.07	60.96	0.00	211.49	
	TQ			0.00	0.00	0.00	0.00	0.00	0.00	0.00	0.00	0.00	0.00	0.00	0.00		
	M3			-0.03	0.00	0.57	54.73	0.00	195.45	-0.05	0.00	0.92	60.78	0.00	0.00	211.59	
MIN	S2			-0.03	0.00	0.46	-0.03	0.00	0.14	-0.45	0.00	0.54	-0.45	0.00	0.00	-3.63	
	TQ			0.00	0.00	0.00	0.00	0.00	0.00	0.00	0.00	0.00	0.00	0.00	0.00		
	M3			54.69	0.00	-340.06	0.03	0.00	-0.80	60.96	0.00	-358.07	-0.43	0.00	0.00	-3.67	

BAGO RIVER BRIDGE

BLOCK [ No.2 : CROSS BEAM ][ BEAM MEMBER FORCE ]

MEMBER NODE	1003005 3005	4005			1003007 3007			4007							
		SHEAR	TORQUE	MOMENT	SHEAR	TORQUE	MOMENT	SHEAR	TORQUE	MOMENT					
		S2 (kN)	TQ (kN·m)	M3 (kN·m)	S2 (kN)	TQ (kN·m)	M3 (kN·m)	S2 (kN)	TQ (kN·m)	M3 (kN·m)					
64	1-LANE (case4DISPERSION-LMAX	S2	47.36	0.00	-301.07	47.36	0.00	162.02	58.63	0.00	-350.76	58.63	0.00	197.05	
		TQ	0.00	0.00	0.00	0.00	0.00	0.00	0.00	0.00	0.00	0.00	0.00	0.00	
		M3	-0.04	0.00	1.38	47.25	0.00	164.21	-0.53	0.00	2.80	58.51	0.00	198.18	
	MIN	S2	-0.05	0.00	1.35	-0.05	0.00	0.86	-0.76	0.00	2.34	-0.76	0.00	-4.78	
		TQ	0.00	0.00	0.00	0.00	0.00	0.00	0.00	0.00	0.00	0.00	0.00	0.00	
		M3	47.35	0.00	-301.10	0.06	0.00	-1.34	58.40	0.00	-351.23	-0.64	0.00	-5.91	
65	2-LANES (caseTRUCK-LOAD	MAX	S2	1.33	0.00	-125.37	1.33	0.00	-112.38	2.00	0.00	-13.38	2.00	0.00	5.32
		TQ	0.00	0.00	0.00	0.00	0.00	0.00	0.00	0.00	0.00	0.00	0.00	0.00	
		M3	-18.33	0.00	63.92	-0.06	0.00	0.96	-25.43	0.00	81.19	1.93	0.00	5.49	
	MIN	S2	-21.84	0.00	35.72	-21.84	0.00	-177.86	-29.31	0.00	50.09	-29.31	0.00	-223.79	
		TQ	0.00	0.00	0.00	0.00	0.00	0.00	0.00	0.00	0.00	0.00	0.00	0.00	
		M3	-9.30	0.00	-128.70	-13.83	0.00	-227.61	-5.57	0.00	-97.99	-22.22	0.00	-279.35	
	TANDEM-LOAD	MAX	S2	1.00	0.00	-84.55	1.00	0.00	-74.77	1.36	0.00	-9.16	1.36	0.00	3.58
		TQ	0.00	0.00	0.00	0.00	0.00	0.00	0.00	0.00	0.00	0.00	0.00	0.00	
		M3	-13.58	0.00	45.17	-0.04	0.00	0.65	-17.59	0.00	58.11	1.34	0.00	3.74	
	MIN	S2	-15.37	0.00	29.28	-15.37	0.00	-120.98	-20.34	0.00	45.21	-20.34	0.00	-144.81	
		TQ	0.00	0.00	0.00	0.00	0.00	0.00	0.00	0.00	0.00	0.00	0.00	0.00	
		M3	-6.02	0.00	-93.18	-8.50	0.00	-156.04	-3.40	0.00	-70.27	-14.41	0.00	-190.55	
	DISPERSION-LMAX	S2	0.95	0.00	-40.67	0.95	0.00	-31.37	2.30	0.00	-15.83	2.30	0.00	5.70	
		TQ	0.00	0.00	0.00	0.00	0.00	0.00	0.00	0.00	0.00	0.00	0.00	0.00	
		M3	-13.45	0.00	47.06	-0.11	0.00	1.67	-25.40	0.00	80.63	1.76	0.00	6.14	
	MIN	S2	-17.77	0.00	9.82	-17.77	0.00	-163.92	-33.38	0.00	34.21	-33.38	0.00	-277.67	
		TQ	0.00	0.00	0.00	0.00	0.00	0.00	0.00	0.00	0.00	0.00	0.00	0.00	
		M3	-3.36	0.00	-77.91	-16.70	0.00	-196.95	-5.68	0.00	-62.24	-32.84	0.00	-278.11	

BAGO RIVER BRIDGE

BLOCK [ No.2 : CROSS BEAM ][ BEAM MEMBER FORCE ]

MEMBER NODE	1003005 3005	4005			1003007 3007			4007							
		SHEAR	TORQUE	MOMENT	SHEAR	TORQUE	MOMENT	SHEAR	TORQUE	MOMENT					
		S2 (kN)	TQ (kN·m)	M3 (kN·m)	S2 (kN)	TQ (kN·m)	M3 (kN·m)	S2 (kN)	TQ (kN·m)	M3 (kN·m)					
66	2-LANES (caseTRUCK-LOAD	MAX	S2	0.13	0.00	-3.41	0.13	0.00	-2.10	1.46	0.00	-11.10	1.46	0.00	2.59
			TQ	0.00	0.00	0.00	0.00	0.00	0.00	0.00	0.00	0.00	0.00	0.00	0.00
			M3	-35.05	0.00	179.71	-0.29	0.00	2.15	-43.02	0.00	202.77	1.38	0.00	2.76
		MIN	S2	-36.52	0.00	174.18	-36.52	0.00	-182.96	-44.19	0.00	188.54	-44.19	0.00	-224.31
			TQ	0.00	0.00	0.00	0.00	0.00	0.00	0.00	0.00	0.00	0.00	0.00	0.00
			M3	-10.31	0.00	-5.11	-34.88	0.00	-203.18	1.46	0.00	-11.18	-43.24	0.00	-232.07
	TANDEM-LOAD	MAX	S2	0.09	0.00	-2.32	0.09	0.00	-1.44	1.00	0.00	-7.57	1.00	0.00	1.76
			TQ	0.00	0.00	0.00	0.00	0.00	0.00	0.00	0.00	0.00	0.00	0.00	0.00
			M3	-24.49	0.00	123.46	-0.28	0.00	1.50	-28.95	0.00	139.57	0.94	0.00	1.88
		MIN	S2	-25.37	0.00	118.39	-25.37	0.00	-129.65	-30.46	0.00	134.12	-30.46	0.00	-150.48
			TQ	0.00	0.00	0.00	0.00	0.00	0.00	0.00	0.00	0.00	0.00	0.00	0.00
			M3	-6.88	0.00	-6.15	-23.67	0.00	-141.04	0.99	0.00	-7.60	-29.27	0.00	-160.50
	DISPERSION-LMAX		S2	0.16	0.00	-3.98	0.16	0.00	-2.43	1.69	0.00	-13.15	1.69	0.00	2.61
			TQ	0.00	0.00	0.00	0.00	0.00	0.00	0.00	0.00	0.00	0.00	0.00	0.00
			M3	-27.10	0.00	146.69	-0.36	0.00	2.61	-40.32	0.00	199.51	0.92	0.00	3.54
		MIN	S2	-29.03	0.00	140.32	-29.03	0.00	-143.56	-41.68	0.00	197.87	-41.68	0.00	-191.61
			TQ	0.00	0.00	0.00	0.00	0.00	0.00	0.00	0.00	0.00	0.00	0.00	0.00
			M3	-1.78	0.00	-10.35	-28.51	0.00	-148.60	0.32	0.00	-14.79	-40.92	0.00	-192.54
67	2-LANES (caseTRUCK-LOAD	MAX	S2	3.21	0.00	13.97	3.21	0.00	45.37	3.84	0.00	16.50	3.84	0.00	52.35
			TQ	0.00	0.00	0.00	0.00	0.00	0.00	0.00	0.00	0.00	0.00	0.00	0.00
			M3	-81.50	0.00	694.53	-3.74	0.00	74.51	-79.86	0.00	675.93	-8.34	0.00	81.58
		MIN	S2	-81.50	0.00	694.53	-81.50	0.00	-102.33	-79.86	0.00	675.93	-79.86	0.00	-70.22
			TQ	0.00	0.00	0.00	0.00	0.00	0.00	0.00	0.00	0.00	0.00	0.00	0.00
			M3	0.11	0.00	-3.33	-81.50	0.00	-102.33	0.20	0.00	-5.56	-52.53	0.00	-78.50

BAGO RIVER BRIDGE

BLOCK [ No.2 : CROSS BEAM ][ BEAM MEMBER FORCE ]

MEMBER		1003005						1003007									
NODE		3005			4005			3007			4007						
		SHEAR	TORQUE	MOMENT	SHEAR	TORQUE	MOMENT	SHEAR	TORQUE	MOMENT	SHEAR	TORQUE	MOMENT				
NAME	TITLE	S2 (kN)	TQ (kN·m)	M3 (kN·m)	S2 (kN)	TQ (kN·m)	M3 (kN·m)	S2 (kN)	TQ (kN·m)	M3 (kN·m)	S2 (kN)	TQ (kN·m)	M3 (kN·m)				
67	2-LANES (caseTANDEM-LOAD	MAX	S2	2.34	0.00	8.26	2.34	0.00	31.12	2.77	0.00	10.21	2.77	0.00	36.04		
			TQ	0.00	0.00	0.00	0.00	0.00	0.00	0.00	0.00	0.00	0.00	0.00	0.00		
			M3	-59.27	0.00	500.14	-2.74	0.00	53.29	-58.36	0.00	486.62	-3.11	0.00	58.46		
		MIN	S2	-59.27	0.00	500.14	-59.27	0.00	-79.41	-58.36	0.00	486.62	-58.36	0.00	-58.62		
			TQ	0.00	0.00	0.00	0.00	0.00	0.00	0.00	0.00	0.00	0.00	0.00	0.00		
			M3	0.08	0.00	-2.27	-59.27	0.00	-79.41	0.13	0.00	-3.79	-38.14	0.00	-60.39		
		DISPERSION-LMAX	S2	1.64	0.00	4.53	1.64	0.00	20.60	2.23	0.00	6.29	2.23	0.00	27.10		
			TQ	0.00	0.00	0.00	0.00	0.00	0.00	0.00	0.00	0.00	0.00	0.00	0.00		
			M3	-38.95	0.00	385.92	-6.98	0.00	47.10	-38.93	0.00	400.41	-11.23	0.00	70.37		
		MIN	S2	-40.12	0.00	377.16	-40.12	0.00	-15.09	-40.39	0.00	387.05	-40.39	0.00	9.69		
			TQ	0.00	0.00	0.00	0.00	0.00	0.00	0.00	0.00	0.00	0.00	0.00	0.00		
			M3	0.48	0.00	-4.24	-31.49	0.00	-41.59	0.77	0.00	-7.07	-26.93	0.00	-33.57		
		68	2-LANES (caseTRUCK-LOAD	MAX	S2	116.10	0.00	-691.55	116.10	0.00	443.65	130.19	0.00	-731.66	130.19	0.00	484.76
					TQ	0.00	0.00	0.00	0.00	0.00	0.00	0.00	0.00	0.00	0.00	0.00	0.00
					M3	-0.05	0.00	1.46	116.05	0.00	445.87	-0.17	0.00	2.83	129.55	0.00	485.13
MIN	S2			-0.06	0.00	1.40	-0.06	0.00	0.77	-1.04	0.00	0.51	-1.04	0.00	-9.25		
	TQ			0.00	0.00	0.00	0.00	0.00	0.00	0.00	0.00	0.00	0.00	0.00	0.00		
	M3			115.95	0.00	-692.84	0.10	0.00	-2.31	130.19	0.00	-731.66	-1.02	0.00	-9.47		
TANDEM-LOAD	MAX			S2	82.75	0.00	-491.43	82.75	0.00	317.74	92.16	0.00	-515.61	92.16	0.00	345.48	
	TQ			0.00	0.00	0.00	0.00	0.00	0.00	0.00	0.00	0.00	0.00	0.00	0.00		
	M3			-0.01	0.00	1.11	82.74	0.00	318.36	-0.12	0.00	1.92	91.98	0.00	345.58		
MIN	S2			-0.05	0.00	0.95	-0.05	0.00	0.46	-0.72	0.00	0.49	-0.72	0.00	-6.19		
	TQ			0.00	0.00	0.00	0.00	0.00	0.00	0.00	0.00	0.00	0.00	0.00	0.00		
	M3			82.71	0.00	-491.79	0.07	0.00	-1.58	92.16	0.00	-515.61	-0.69	0.00	-6.46		

BAGO RIVER BRIDGE

BLOCK [ No.2 : CROSS BEAM ][ BEAM MEMBER FORCE ]

MEMBER NODE	1003005 3005	4005			1003007 3007			4007							
		SHEAR	TORQUE	MOMENT	SHEAR	TORQUE	MOMENT	SHEAR	TORQUE	MOMENT					
		S2 (kN)	TQ (kN·m)	M3 (kN·m)	S2 (kN)	TQ (kN·m)	M3 (kN·m)	S2 (kN)	TQ (kN·m)	M3 (kN·m)					
68	2-LANES (caseDISPERSION-LMAX	S2	73.76	0.00	-445.32	73.76	0.00	275.86	92.02	0.00	-520.83	92.02	0.00	338.93	
		TQ	0.00	0.00	0.00	0.00	0.00	0.00	0.00	0.00	0.00	0.00	0.00	0.00	
		M3	-0.07	0.00	2.79	73.54	0.00	280.26	-0.78	0.00	5.31	91.74	0.00	341.08	
	MIN	S2	-0.10	0.00	2.65	-0.10	0.00	1.72	-1.28	0.00	3.64	-1.28	0.00	-8.31	
		TQ	0.00	0.00	0.00	0.00	0.00	0.00	0.00	0.00	0.00	0.00	0.00	0.00	
		M3	73.73	0.00	-445.46	0.13	0.00	-2.68	91.52	0.00	-522.50	-1.01	0.00	-10.47	
69	3-LANES (caseTRUCK-LOAD	MAX	S2	1.39	0.00	-127.07	1.39	0.00	-113.45	2.60	0.00	-18.38	2.60	0.00	5.92
		TQ	0.00	0.00	0.00	0.00	0.00	0.00	0.00	0.00	0.00	0.00	0.00	0.00	
		M3	-42.35	0.00	203.12	-0.32	0.00	2.63	-52.85	0.00	233.22	2.48	0.00	6.19	
	MIN	S2	-45.86	0.00	174.92	-45.86	0.00	-273.51	-56.77	0.00	201.95	-56.77	0.00	-328.48	
		TQ	0.00	0.00	0.00	0.00	0.00	0.00	0.00	0.00	0.00	0.00	0.00	0.00	
		M3	-9.24	0.00	-130.39	-37.84	0.00	-324.13	-4.98	0.00	-103.00	-49.68	0.00	-384.04	
	TANDEM-LOAD	MAX	S2	1.04	0.00	-85.70	1.04	0.00	-75.50	1.77	0.00	-12.55	1.77	0.00	4.00
		TQ	0.00	0.00	0.00	0.00	0.00	0.00	0.00	0.00	0.00	0.00	0.00	0.00	
		M3	-30.20	0.00	139.99	-0.30	0.00	1.82	-36.07	0.00	161.71	1.70	0.00	4.22	
	MIN	S2	-31.98	0.00	124.09	-31.98	0.00	-188.59	-39.18	0.00	148.05	-39.18	0.00	-218.07	
		TQ	0.00	0.00	0.00	0.00	0.00	0.00	0.00	0.00	0.00	0.00	0.00	0.00	
		M3	-5.98	0.00	-94.34	-25.11	0.00	-223.90	-2.99	0.00	-73.68	-33.25	0.00	-263.81	
	DISPERSION-LMAX	S2	1.03	0.00	-42.60	1.03	0.00	-32.57	2.99	0.00	-21.73	2.99	0.00	6.23	
		TQ	0.00	0.00	0.00	0.00	0.00	0.00	0.00	0.00	0.00	0.00	0.00	0.00	
		M3	-30.99	0.00	159.42	-0.41	0.00	3.42	-48.29	0.00	220.43	1.97	0.00	7.31	
	MIN	S2	-35.31	0.00	122.09	-35.31	0.00	-223.16	-56.27	0.00	174.01	-56.27	0.00	-351.77	
		TQ	0.00	0.00	0.00	0.00	0.00	0.00	0.00	0.00	0.00	0.00	0.00	0.00	
		M3	-3.29	0.00	-79.93	-33.87	0.00	-259.15	-4.99	0.00	-68.15	-55.25	0.00	-352.85	

BAGO RIVER BRIDGE

BLOCK [ No.2 : CROSS BEAM ][ BEAM MEMBER FORCE ]

MEMBER				1003005						1003007							
NODE				3005			4005			3007			4007				
NAME TITLE				SHEAR	TORQUE	MOMENT	SHEAR	TORQUE	MOMENT	SHEAR	TORQUE	MOMENT	SHEAR	TORQUE	MOMENT		
				S2 (kN)	TQ (kN·m)	M3 (kN·m)	S2 (kN)	TQ (kN·m)	M3 (kN·m)	S2 (kN)	TQ (kN·m)	M3 (kN·m)	S2 (kN)	TQ (kN·m)	M3 (kN·m)		
70	3-LANES (case	TRUCK-LOAD	MAX	S2	14.24	0.00	-13.68	14.24	0.00	125.58	19.54	0.00	-21.73	19.54	0.00	160.82	
				TQ	0.00	0.00	0.00	0.00	0.00	0.00	0.00	0.00	0.00	0.00	0.00	0.00	0.00
				M3	-75.17	0.00	712.76	5.28	0.00	165.79	-79.93	0.00	677.29	6.57	0.00	196.29	
			MIN	S2	-81.52	0.00	695.26	-81.52	0.00	-101.85	-80.22	0.00	675.56	-80.22	0.00	-73.98	
				TQ	0.00	0.00	0.00	0.00	0.00	0.00	0.00	0.00	0.00	0.00	0.00	0.00	0.00
				M3	9.72	0.00	-34.29	-81.44	0.00	-103.47	14.37	0.00	-50.66	-52.87	0.00	-82.45	
			TANDEM-LOAD	MAX	S2	10.12	0.00	-10.81	10.12	0.00	88.16	13.52	0.00	-13.31	13.52	0.00	112.98
					TQ	0.00	0.00	0.00	0.00	0.00	0.00	0.00	0.00	0.00	0.00	0.00	0.00
					M3	-55.32	0.00	513.40	3.83	0.00	116.60	-58.41	0.00	487.55	6.63	0.00	136.86
			MIN	S2	-59.29	0.00	500.63	-59.29	0.00	-79.09	-58.60	0.00	486.31	-58.60	0.00	-61.25	
				TQ	0.00	0.00	0.00	0.00	0.00	0.00	0.00	0.00	0.00	0.00	0.00	0.00	0.00
				M3	6.98	0.00	-24.60	-59.24	0.00	-80.19	10.61	0.00	-35.30	-38.37	0.00	-63.08	
			DISPERSION-LMAX	MAX	S2	10.82	0.00	-20.27	10.82	0.00	85.52	17.33	0.00	-36.43	17.33	0.00	125.51
					TQ	0.00	0.00	0.00	0.00	0.00	0.00	0.00	0.00	0.00	0.00	0.00	0.00
					M3	-38.71	0.00	405.31	1.49	0.00	120.93	-38.09	0.00	413.12	3.62	0.00	173.15
MIN	S2	-40.76	0.00	391.00	-40.76	0.00	-7.52	-40.98	0.00	392.53	-40.98	0.00	9.59				
	TQ	0.00	0.00	0.00	0.00	0.00	0.00	0.00	0.00	0.00	0.00	0.00	0.00	0.00			
	M3	8.77	0.00	-34.58	-31.43	0.00	-42.93	14.44	0.00	-57.02	-27.27	0.00	-38.05				
71	3-LANES (case	TRUCK-LOAD	MAX	S2	122.09	0.00	-684.88	122.09	0.00	508.89	139.38	0.00	-746.90	139.38	0.00	555.36	
				TQ	0.00	0.00	0.00	0.00	0.00	0.00	0.00	0.00	0.00	0.00	0.00	0.00	
				M3	2.41	0.00	51.86	118.80	0.00	520.76	2.33	0.00	62.58	133.03	0.00	569.25	
			MIN	S2	-0.09	0.00	2.14	-0.09	0.00	1.25	-1.21	0.00	-0.43	-1.21	0.00	-11.70	
				TQ	0.00	0.00	0.00	0.00	0.00	0.00	0.00	0.00	0.00	0.00	0.00	0.00	0.00
				M3	120.51	0.00	-699.61	0.15	0.00	-3.44	138.31	0.00	-754.30	-1.13	0.00	-12.27	

BAGO RIVER BRIDGE

BLOCK [ No.2 : CROSS BEAM ][ BEAM MEMBER FORCE ]

MEMBER NODE	1003005 3005	4005			1003007 3007			4007								
		SHEAR	TORQUE	MOMENT	SHEAR	TORQUE	MOMENT	SHEAR	TORQUE	MOMENT						
		S2 (kN)	TQ (kN·m)	M3 (kN·m)	S2 (kN)	TQ (kN·m)	M3 (kN·m)	S2 (kN)	TQ (kN·m)	M3 (kN·m)						
71	3-LANES (case)	TANDEM-LOAD	MAX	S2	87.01	0.00	-489.89	87.01	0.00	360.87	98.63	0.00	-529.62	98.63	0.00	391.91
				TQ	0.00	0.00	0.00	0.00	0.00	0.00	0.00	0.00	0.00	0.00	0.00	0.00
				M3	1.28	0.00	38.87	84.67	0.00	369.53	1.13	0.00	46.55	95.17	0.00	403.10
			MIN	S2	-0.07	0.00	1.45	-0.07	0.00	0.79	-0.83	0.00	0.00	-0.83	0.00	-7.73
				TQ	0.00	0.00	0.00	0.00	0.00	0.00	0.00	0.00	0.00	0.00	0.00	0.00
				M3	85.63	0.00	-496.66	0.10	0.00	-2.34	97.29	0.00	-531.63	-0.76	0.00	-8.36
		DISPERSION-L	MAX	S2	80.34	0.00	-453.78	80.34	0.00	331.81	101.41	0.00	-533.48	101.41	0.00	414.07
				TQ	0.00	0.00	0.00	0.00	0.00	0.00	0.00	0.00	0.00	0.00	0.00	0.00
				M3	-0.02	0.00	33.14	78.81	0.00	347.98	-0.58	0.00	39.87	99.61	0.00	428.53
			MIN	S2	-1.35	0.00	25.34	-1.35	0.00	12.15	-2.88	0.00	27.72	-2.88	0.00	0.79
				TQ	0.00	0.00	0.00	0.00	0.00	0.00	0.00	0.00	0.00	0.00	0.00	0.00
				M3	79.01	0.00	-461.58	0.19	0.00	-4.03	99.12	0.00	-545.63	-1.08	0.00	-13.67
72	4-LANES	TRUCK-LOAD	MAX	S2	106.20	0.00	-575.31	106.20	0.00	463.09	121.02	0.00	-623.10	121.02	0.00	507.64
				TQ	0.00	0.00	0.00	0.00	0.00	0.00	0.00	0.00	0.00	0.00	0.00	0.00
				M3	-68.24	0.00	604.83	99.05	0.00	490.68	-68.11	0.00	594.78	110.74	0.00	541.14
			MIN	S2	-68.29	0.00	604.37	-68.29	0.00	-63.31	-68.31	0.00	593.98	-68.31	0.00	-44.29
				TQ	0.00	0.00	0.00	0.00	0.00	0.00	0.00	0.00	0.00	0.00	0.00	0.00
				M3	102.14	0.00	-594.90	-50.32	0.00	-85.22	116.52	0.00	-643.14	-52.45	0.00	-82.23
		TANDEM-LOAD	MAX	S2	75.41	0.00	-407.34	75.41	0.00	329.96	85.73	0.00	-437.51	85.73	0.00	363.45
				TQ	0.00	0.00	0.00	0.00	0.00	0.00	0.00	0.00	0.00	0.00	0.00	0.00
				M3	-49.86	0.00	436.94	71.31	0.00	348.56	-50.00	0.00	429.70	81.21	0.00	383.28
			MIN	S2	-49.90	0.00	436.63	-49.90	0.00	-51.31	-50.18	0.00	429.09	-50.18	0.00	-39.81
				TQ	0.00	0.00	0.00	0.00	0.00	0.00	0.00	0.00	0.00	0.00	0.00	0.00
				M3	72.64	0.00	-421.70	-36.53	0.00	-64.34	82.43	0.00	-452.93	-38.09	0.00	-62.91

BAGO RIVER BRIDGE

BLOCK [ No.2 : CROSS BEAM ][ BEAM MEMBER FORCE ]

MEMBER			1003005						1003007								
NODE			3005			4005			3007			4007					
			SHEAR	TORQUE	MOMENT	SHEAR	TORQUE	MOMENT	SHEAR	TORQUE	MOMENT	SHEAR	TORQUE	MOMENT			
NAME	TITLE		S2 (kN)	TQ (kN·m)	M3 (kN·m)	S2 (kN)	TQ (kN·m)	M3 (kN·m)	S2 (kN)	TQ (kN·m)	M3 (kN·m)	S2 (kN)	TQ (kN·m)	M3 (kN·m)			
72	4-LANES	DISPERSION-LMAX	S2	72.03	0.00	-403.16	72.03	0.00	301.11	91.93	0.00	-477.92	91.93	0.00	380.98		
			TQ	0.00	0.00	0.00	0.00	0.00	0.00	0.00	0.00	0.00	0.00	0.00	0.00	0.00	
			M3	-34.26	0.00	354.01	64.04	0.00	331.61	-34.58	0.00	365.20	80.76	0.00	0.00	419.38	
		MIN	S2	-35.96	0.00	342.96	-35.96	0.00	-8.64	-37.13	0.00	347.52	-37.13	0.00	0.00	0.64	
			TQ	0.00	0.00	0.00	0.00	0.00	0.00	0.00	0.00	0.00	0.00	0.00	0.00	0.00	
			M3	70.35	0.00	-416.04	-27.62	0.00	-39.46	89.17	0.00	-496.81	-25.32	0.00	0.00	-39.58	
		73	6-LANES	TRUCK-LOAD MAX	S2	94.71	0.00	-624.42	94.71	0.00	301.67	108.97	0.00	-567.18	108.97	0.00	450.97
					TQ	0.00	0.00	0.00	0.00	0.00	0.00	0.00	0.00	0.00	0.00	0.00	0.00
					M3	-104.13	0.00	763.09	88.42	0.00	437.13	-113.24	0.00	789.34	102.19	0.00	0.00
MIN	S2			-106.90	0.00	745.55	-106.90	0.00	-299.71	-115.61	0.00	766.60	-115.61	0.00	0.00	-313.59	
	TQ			0.00	0.00	0.00	0.00	0.00	0.00	0.00	0.00	0.00	0.00	0.00	0.00	0.00	
	M3			92.32	0.00	-644.85	-94.22	0.00	-340.58	97.86	0.00	-661.31	-107.06	0.00	0.00	-378.39	
TANDEM-LOAD MAX	S2			67.29	0.00	-441.13	67.29	0.00	216.81	76.89	0.00	-395.64	76.89	0.00	0.00	322.75	
	TQ			0.00	0.00	0.00	0.00	0.00	0.00	0.00	0.00	0.00	0.00	0.00	0.00	0.00	
	M3			-74.98	0.00	545.45	61.56	0.00	310.39	-80.20	0.00	562.83	71.25	0.00	0.00	340.62	
MIN	S2	-76.41	0.00	531.80	-76.41	0.00	-215.31	-83.15	0.00	543.41	-83.15	0.00	0.00	-233.52			
	TQ	0.00	0.00	0.00	0.00	0.00	0.00	0.00	0.00	0.00	0.00	0.00	0.00	0.00			
	M3	65.21	0.00	-456.60	-67.61	0.00	-243.05	68.85	0.00	-467.51	-75.84	0.00	0.00	-269.07			
DISPERSION-LMAX	S2	67.71	0.00	-420.81	67.71	0.00	241.29	86.96	0.00	-466.04	86.96	0.00	0.00	346.49			
	TQ	0.00	0.00	0.00	0.00	0.00	0.00	0.00	0.00	0.00	0.00	0.00	0.00	0.00			
	M3	-62.45	0.00	513.36	58.40	0.00	304.40	-76.59	0.00	573.76	74.96	0.00	0.00	383.76			
MIN	S2	-67.75	0.00	469.60	-67.75	0.00	-192.86	-84.98	0.00	531.82	-84.98	0.00	0.00	-262.16			
	TQ	0.00	0.00	0.00	0.00	0.00	0.00	0.00	0.00	0.00	0.00	0.00	0.00	0.00			
	M3	63.83	0.00	-459.83	-54.72	0.00	-243.13	78.39	0.00	-524.05	-68.31	0.00	0.00	-319.26			



BAGO RIVER BRIDGE

BLOCK [ No.2 : CROSS BEAM ][ BEAM MEMBER FORCE ]

MEMBER			1003005						1003007						
NODE			3005			4005			3007			4007			
NAME TITLE			SHEAR	TORQUE	MOMENT	SHEAR	TORQUE	MOMENT	SHEAR	TORQUE	MOMENT	SHEAR	TORQUE	MOMENT	
			S2 (kN)	TQ (kN·m)	M3 (kN·m)	S2 (kN)	TQ (kN·m)	M3 (kN·m)	S2 (kN)	TQ (kN·m)	M3 (kN·m)	S2 (kN)	TQ (kN·m)	M3 (kN·m)	
124	SUM TOTAL	D+1LANE (caseMAX	S2	-9.31	0.00	-40.93	-9.31	0.00	-131.94	-18.91	0.00	180.37	-18.91	0.00	3.68
			TQ	-11.86	0.00	153.81	-11.86	0.00	37.83	-21.84	0.00	199.41	-21.84	0.00	-4.66
			M3	-25.30	0.00	197.18	-11.95	0.00	39.38	-43.20	0.00	261.06	-19.26	0.00	3.98
		MIN	S2	-30.60	0.00	132.81	-30.60	0.00	-166.35	-54.45	0.00	186.88	-54.45	0.00	-321.87
			TQ	-11.86	0.00	153.81	-11.86	0.00	37.83	-21.84	0.00	199.41	-21.84	0.00	-4.66
			M3	-12.39	0.00	-80.02	-21.85	0.00	-239.96	-35.94	0.00	25.19	-46.77	0.00	-379.40
		D+1LANE (caseMAX	S2	-11.69	0.00	149.46	-11.69	0.00	35.11	-20.30	0.00	186.33	-20.30	0.00	-3.30
			TQ	-11.86	0.00	153.81	-11.86	0.00	37.83	-21.84	0.00	199.41	-21.84	0.00	-4.66
			M3	-61.73	0.00	455.68	-12.53	0.00	41.94	-82.21	0.00	549.62	-20.93	0.00	-2.42
		MIN	S2	-61.73	0.00	455.58	-61.73	0.00	-148.04	-82.26	0.00	549.40	-82.26	0.00	-219.21
			TQ	-11.86	0.00	153.81	-11.86	0.00	37.83	-21.84	0.00	199.41	-21.84	0.00	-4.66
			M3	-11.70	0.00	149.36	-61.28	0.00	-152.62	-20.30	0.00	186.32	-81.68	0.00	-219.97
		D+1LANE (caseMAX	S2	-10.40	0.00	164.55	-10.40	0.00	62.85	-20.39	0.00	207.55	-20.39	0.00	17.06
			TQ	-11.86	0.00	153.81	-11.86	0.00	37.83	-21.84	0.00	199.41	-21.84	0.00	-4.66
			M3	-104.81	0.00	937.05	-17.93	0.00	90.85	-118.11	0.00	1001.18	-35.08	0.00	55.00
		MIN	S2	-105.22	0.00	932.79	-105.22	0.00	-96.01	-118.44	0.00	997.04	-118.44	0.00	-109.56
			TQ	-11.86	0.00	153.81	-11.86	0.00	37.83	-21.84	0.00	199.41	-21.84	0.00	-4.66
			M3	-11.72	0.00	149.44	-102.03	0.00	-108.36	-21.31	0.00	190.78	-111.20	0.00	-129.05
		D+1LANE (caseMAX	S2	136.82	0.00	-778.68	136.82	0.00	559.16	151.38	0.00	-828.40	151.38	0.00	586.01
			TQ	-11.86	0.00	153.81	-11.86	0.00	37.83	-21.84	0.00	199.41	-21.84	0.00	-4.66
			M3	-11.94	0.00	156.34	136.69	0.00	561.79	-22.57	0.00	204.41	150.47	0.00	587.80
		MIN	S2	-11.97	0.00	156.24	-11.97	0.00	39.21	-23.53	0.00	203.09	-23.53	0.00	-16.80
			TQ	-11.86	0.00	153.81	-11.86	0.00	37.83	-21.84	0.00	199.41	-21.84	0.00	-4.66
			M3	136.64	0.00	-780.26	-11.73	0.00	34.83	151.10	0.00	-828.95	-23.39	0.00	-18.21

BAGO RIVER BRIDGE

BLOCK [ No.2 : CROSS BEAM ][ BEAM MEMBER FORCE ]

MEMBER			1003005						1003007						
NODE			3005			4005			3007			4007			
NAME TITLE			SHEAR	TORQUE	MOMENT	SHEAR	TORQUE	MOMENT	SHEAR	TORQUE	MOMENT	SHEAR	TORQUE	MOMENT	
			S2 (kN)	TQ (kN·m)	M3 (kN·m)	S2 (kN)	TQ (kN·m)	M3 (kN·m)	S2 (kN)	TQ (kN·m)	M3 (kN·m)	S2 (kN)	TQ (kN·m)	M3 (kN·m)	
124	SUM TOTAL	D+2LANES(casMAX	S2	-9.58	0.00	-12.23	-9.58	0.00	-105.92	-17.54	0.00	170.20	-17.54	0.00	6.35
			TQ	-11.86	0.00	153.81	-11.86	0.00	37.83	-21.84	0.00	199.41	-21.84	0.00	-4.66
			M3	-43.65	0.00	264.79	-12.03	0.00	40.45	-72.67	0.00	361.23	-18.15	0.00	6.97
		MIN	S2	-51.47	0.00	199.34	-51.47	0.00	-303.94	-84.53	0.00	283.71	-84.53	0.00	-506.13
			TQ	-11.86	0.00	153.81	-11.86	0.00	37.83	-21.84	0.00	199.41	-21.84	0.00	-4.66
			M3	-24.53	0.00	-52.80	-42.39	0.00	-386.73	-33.09	0.00	39.18	-76.90	0.00	-562.12
		D+2LANES(casMAX	S2	-11.57	0.00	146.42	-11.57	0.00	33.29	-18.69	0.00	175.17	-18.69	0.00	0.54
			TQ	-11.86	0.00	153.81	-11.86	0.00	37.83	-21.84	0.00	199.41	-21.84	0.00	-4.66
			M3	-74.01	0.00	480.21	-12.52	0.00	42.59	-105.18	0.00	601.69	-19.54	0.00	1.64
		MIN	S2	-77.42	0.00	468.31	-77.42	0.00	-288.68	-107.71	0.00	585.82	-107.71	0.00	-420.58
			TQ	-11.86	0.00	153.81	-11.86	0.00	37.83	-21.84	0.00	199.41	-21.84	0.00	-4.66
			M3	-23.95	0.00	138.35	-75.25	0.00	-313.95	-20.06	0.00	173.45	-106.00	0.00	-429.27
		D+2LANES(casMAX	S2	-7.01	0.00	172.30	-7.01	0.00	103.80	-15.78	0.00	222.20	-15.78	0.00	74.80
			TQ	-11.86	0.00	153.81	-11.86	0.00	37.83	-21.84	0.00	199.41	-21.84	0.00	-4.66
			M3	-132.31	0.00	1234.26	-22.59	0.00	159.44	-140.63	0.00	1275.76	-41.41	0.00	147.29
		MIN	S2	-133.47	0.00	1225.50	-133.47	0.00	-79.58	-142.09	0.00	1262.39	-142.09	0.00	-65.19
			TQ	-11.86	0.00	153.81	-11.86	0.00	37.83	-21.84	0.00	199.41	-21.84	0.00	-4.66
			M3	-11.27	0.00	146.24	-124.84	0.00	-106.08	-20.88	0.00	186.78	-101.30	0.00	-116.74
		D+2LANES(casMAX	S2	177.99	0.00	-983.06	177.99	0.00	757.34	200.37	0.00	-1053.08	200.37	0.00	819.03
			TQ	-11.86	0.00	153.81	-11.86	0.00	37.83	-21.84	0.00	199.41	-21.84	0.00	-4.66
			M3	-11.98	0.00	158.05	177.72	0.00	763.96	-22.79	0.00	207.55	199.45	0.00	821.55
		MIN	S2	-12.02	0.00	157.86	-12.02	0.00	40.32	-24.17	0.00	203.56	-24.17	0.00	-22.23
			TQ	-11.86	0.00	153.81	-11.86	0.00	37.83	-21.84	0.00	199.41	-21.84	0.00	-4.66
			M3	177.82	0.00	-984.49	-11.64	0.00	32.84	199.87	0.00	-1054.75	-23.87	0.00	-24.60

BAGO RIVER BRIDGE

BLOCK [ No.2 : CROSS BEAM ][ BEAM MEMBER FORCE ]

MEMBER			1003005						1003007							
NODE			3005			4005			3007			4007				
NAME TITLE			SHEAR	TORQUE	MOMENT	SHEAR	TORQUE	MOMENT	SHEAR	TORQUE	MOMENT	SHEAR	TORQUE	MOMENT		
			S2 (kN)	TQ (kN·m)	M3 (kN·m)	S2 (kN)	TQ (kN·m)	M3 (kN·m)	S2 (kN)	TQ (kN·m)	M3 (kN·m)	S2 (kN)	TQ (kN·m)	M3 (kN·m)		
124	SUM TOTAL	D+3LANES (casMAX	S2	-9.81	0.00	9.59	-9.81	0.00	-86.28	-17.09	0.00	165.32	-17.09	0.00	5.67	
			TQ	-11.86	0.00	153.81	-11.86	0.00	37.83	-21.84	0.00	199.41	-21.84	0.00	-4.66	
			M3	-74.20	0.00	461.97	-12.48	0.00	42.97	-107.81	0.00	585.02	-18.06	0.00	6.82	
		MIN	S2	-80.86	0.00	406.26	-80.86	0.00	-384.33	-117.93	0.00	518.98	-117.93	0.00	-582.88	
			TQ	-11.86	0.00	153.81	-11.86	0.00	37.83	-21.84	0.00	199.41	-21.84	0.00	-4.66	
			M3	-22.51	0.00	-24.96	-72.81	0.00	-457.95	-30.31	0.00	53.94	-111.03	0.00	-631.01	
		D+3LANES (casMAX	S2	9.44	0.00	124.95	9.44	0.00	217.26	9.50	0.00	149.98	9.50	0.00	238.71	
			TQ	-11.86	0.00	153.81	-11.86	0.00	37.83	-21.84	0.00	199.41	-21.84	0.00	-4.66	
			M3	-108.66	0.00	1104.17	-6.11	0.00	281.54	-122.17	0.00	1126.26	-13.18	0.00	309.36	
		MIN	S2	-115.80	0.00	1077.12	-115.80	0.00	-55.14	-124.87	0.00	1107.28	-124.87	0.00	-59.39	
			TQ	-11.86	0.00	153.81	-11.86	0.00	37.83	-21.84	0.00	199.41	-21.84	0.00	-4.66	
			M3	3.85	0.00	95.26	-107.80	0.00	-86.61	2.65	0.00	107.88	-89.97	0.00	-107.09	
		D+3LANES (casMAX	S2	160.21	0.00	-814.06	160.21	0.00	752.42	182.83	0.00	-888.91	182.83	0.00	819.36	
			TQ	-11.86	0.00	153.81	-11.86	0.00	37.83	-21.84	0.00	199.41	-21.84	0.00	-4.66	
			M3	-9.83	0.00	226.06	156.11	0.00	776.26	-20.36	0.00	286.50	175.90	0.00	843.45	
		MIN	S2	-13.09	0.00	177.17	-13.09	0.00	49.22	-25.32	0.00	222.61	-25.32	0.00	-13.93	
			TQ	-11.86	0.00	153.81	-11.86	0.00	37.83	-21.84	0.00	199.41	-21.84	0.00	-4.66	
			M3	157.73	0.00	-833.21	-11.57	0.00	31.48	179.97	0.00	-905.52	-23.72	0.00	-26.71	
		D+4LANES	MAX	S2	103.99	0.00	-482.20	103.99	0.00	534.57	116.57	0.00	-516.25	116.57	0.00	572.94
			TQ	-11.86	0.00	153.81	-11.86	0.00	37.83	-21.84	0.00	199.41	-21.84	0.00	-4.66	
			M3	-78.49	0.00	777.05	94.15	0.00	572.32	-88.59	0.00	823.40	102.63	0.00	619.67	
		MIN	S2	-79.62	0.00	769.57	-79.62	0.00	-8.94	-90.38	0.00	811.39	-90.38	0.00	-33.04	
			TQ	-11.86	0.00	153.81	-11.86	0.00	37.83	-21.84	0.00	199.41	-21.84	0.00	-4.66	
			M3	100.26	0.00	-503.30	-62.53	0.00	-43.21	111.85	0.00	-541.56	-72.39	0.00	-83.84	

BAGO RIVER BRIDGE

BLOCK [ No.2 : CROSS BEAM ][ BEAM MEMBER FORCE ]

MEMBER					1003005						1003007					
NODE					3005			4005			3007			4007		
NAME TITLE					SHEAR	TORQUE	MOMENT	SHEAR	TORQUE	MOMENT	SHEAR	TORQUE	MOMENT	SHEAR	TORQUE	MOMENT
					S2 (kN)	TQ (kN·m)	M3 (kN·m)	S2 (kN)	TQ (kN·m)	M3 (kN·m)	S2 (kN)	TQ (kN·m)	M3 (kN·m)	S2 (kN)	TQ (kN·m)	M3 (kN·m)
124	SUM TOTAL	D+6LANES	MAX	S2	93.72	0.00	-525.59	93.72	0.00	390.75	105.52	0.00	-472.18	105.52	0.00	513.69
				TQ	-11.86	0.00	153.81	-11.86	0.00	37.83	-21.84	0.00	199.41	-21.84	0.00	-4.66
				M3	-120.13	0.00	983.50	83.57	0.00	519.82	-145.23	0.00	1085.42	93.31	0.00	556.56
			MIN	S2	-125.38	0.00	943.66	-125.38	0.00	-282.34	-152.22	0.00	1043.38	-152.22	0.00	-378.90
				TQ	-11.86	0.00	153.81	-11.86	0.00	37.83	-21.84	0.00	199.41	-21.84	0.00	-4.66
				M3	89.63	0.00	-564.23	-108.67	0.00	-341.58	92.72	0.00	-571.07	-135.83	0.00	-458.14
	SUM TOTAL		MAX		177.99	0.00	1234.26	177.99	0.00	776.26	200.37	0.00	1275.76	200.37	0.00	843.45
			MIN		-133.47	0.00	-984.49	-133.47	0.00	-457.95	-152.22	0.00	-1054.75	-152.22	0.00	-631.01
300	DEAD LOAD	TOTAL			-11.86	0.00	153.81	-11.86	0.00	37.83	-21.84	0.00	199.41	-21.84	0.00	-4.66
301	LIVE LOAD	1-LANE(case1MAX	S2		2.55	0.00	-194.73	2.55	0.00	-169.77	2.93	0.00	-19.04	2.93	0.00	8.34
			TQ		0.00	0.00	0.00	0.00	0.00	0.00	0.00	0.00	0.00	0.00	0.00	0.00
			M3		-13.44	0.00	43.37	-0.09	0.00	1.55	-21.36	0.00	61.65	2.58	0.00	8.64
			MIN	S2	-18.73	0.00	-21.00	-18.73	0.00	-204.18	-32.61	0.00	-12.54	-32.61	0.00	-317.21
				TQ	0.00	0.00	0.00	0.00	0.00	0.00	0.00	0.00	0.00	0.00	0.00	0.00
				M3	-0.53	0.00	-233.83	-9.99	0.00	-277.79	-14.10	0.00	-174.22	-24.93	0.00	-374.74
		1-LANE(case2MAX	S2		0.17	0.00	-4.35	0.17	0.00	-2.72	1.55	0.00	-13.08	1.55	0.00	1.37
			TQ		0.00	0.00	0.00	0.00	0.00	0.00	0.00	0.00	0.00	0.00	0.00	0.00
			M3		-49.87	0.00	301.87	-0.67	0.00	4.11	-60.37	0.00	350.20	0.91	0.00	2.25
			MIN	S2	-49.87	0.00	301.77	-49.87	0.00	-185.87	-60.42	0.00	349.99	-60.42	0.00	-214.54
				TQ	0.00	0.00	0.00	0.00	0.00	0.00	0.00	0.00	0.00	0.00	0.00	0.00
				M3	0.17	0.00	-4.45	-49.41	0.00	-190.45	1.54	0.00	-13.10	-59.84	0.00	-215.31
		1-LANE(case3MAX	S2		1.46	0.00	10.75	1.46	0.00	25.02	1.45	0.00	8.14	1.45	0.00	21.73
			TQ		0.00	0.00	0.00	0.00	0.00	0.00	0.00	0.00	0.00	0.00	0.00	0.00
			M3		-92.95	0.00	783.24	-6.07	0.00	53.02	-96.27	0.00	801.77	-13.24	0.00	59.66
			MIN	S2	-93.36	0.00	778.98	-93.36	0.00	-133.84	-96.60	0.00	797.63	-96.60	0.00	-104.90
				TQ	0.00	0.00	0.00	0.00	0.00	0.00	0.00	0.00	0.00	0.00	0.00	0.00
				M3	0.15	0.00	-4.36	-90.17	0.00	-146.19	0.53	0.00	-8.64	-89.36	0.00	-124.39

BAGO RIVER BRIDGE

BLOCK [ No.2 : CROSS BEAM ][ BEAM MEMBER FORCE ]

MEMBER			1003005						1003007							
NODE			3005			4005			3007			4007				
NAME TITLE			SHEAR	TORQUE	MOMENT	SHEAR	TORQUE	MOMENT	SHEAR	TORQUE	MOMENT	SHEAR	TORQUE	MOMENT		
			S2 (kN)	TQ (kN·m)	M3 (kN·m)	S2 (kN)	TQ (kN·m)	M3 (kN·m)	S2 (kN)	TQ (kN·m)	M3 (kN·m)	S2 (kN)	TQ (kN·m)	M3 (kN·m)		
301	LIVE LOAD	1-LANE (case4MAX	S2	148.68	0.00	-932.48	148.68	0.00	521.33	173.22	0.00	-1027.81	173.22	0.00	590.67	
			TQ	0.00	0.00	0.00	0.00	0.00	0.00	0.00	0.00	0.00	0.00	0.00	0.00	
			M3	-0.08	0.00	2.53	148.55	0.00	523.96	-0.72	0.00	4.99	172.31	0.00	0.00	592.47
			MIN S2	-0.11	0.00	2.43	-0.11	0.00	1.38	-1.69	0.00	3.68	-1.69	0.00	0.00	-12.13
			TQ	0.00	0.00	0.00	0.00	0.00	0.00	0.00	0.00	0.00	0.00	0.00	0.00	0.00
			M3	148.50	0.00	-934.07	0.13	0.00	-3.00	172.94	0.00	-1028.37	-1.54	0.00	0.00	-13.55
		2-LANES (caseMAX	S2	2.28	0.00	-166.04	2.28	0.00	-143.75	4.30	0.00	-29.21	4.30	0.00	0.00	11.01
			TQ	0.00	0.00	0.00	0.00	0.00	0.00	0.00	0.00	0.00	0.00	0.00	0.00	0.00
			M3	-31.79	0.00	110.99	-0.17	0.00	2.62	-50.83	0.00	161.82	3.69	0.00	0.00	11.63
			MIN S2	-39.61	0.00	45.53	-39.61	0.00	-341.77	-62.69	0.00	84.30	-62.69	0.00	0.00	-501.46
			TQ	0.00	0.00	0.00	0.00	0.00	0.00	0.00	0.00	0.00	0.00	0.00	0.00	0.00
			M3	-12.67	0.00	-206.61	-30.53	0.00	-424.56	-11.25	0.00	-160.23	-55.06	0.00	0.00	-557.46
		2-LANES (caseMAX	S2	0.29	0.00	-7.39	0.29	0.00	-4.54	3.15	0.00	-24.24	3.15	0.00	0.00	5.20
			TQ	0.00	0.00	0.00	0.00	0.00	0.00	0.00	0.00	0.00	0.00	0.00	0.00	0.00
			M3	-62.14	0.00	326.40	-0.65	0.00	4.76	-83.34	0.00	402.28	2.30	0.00	0.00	6.31
			MIN S2	-65.56	0.00	314.50	-65.56	0.00	-326.51	-85.87	0.00	386.41	-85.87	0.00	0.00	-415.91
			TQ	0.00	0.00	0.00	0.00	0.00	0.00	0.00	0.00	0.00	0.00	0.00	0.00	0.00
			M3	-12.09	0.00	-15.46	-63.39	0.00	-351.78	1.78	0.00	-25.96	-84.16	0.00	0.00	-424.60
		2-LANES (caseMAX	S2	4.86	0.00	18.49	4.86	0.00	65.97	6.07	0.00	22.79	6.07	0.00	0.00	79.46
			TQ	0.00	0.00	0.00	0.00	0.00	0.00	0.00	0.00	0.00	0.00	0.00	0.00	0.00
			M3	-120.45	0.00	1080.45	-10.73	0.00	121.61	-118.79	0.00	1076.34	-19.57	0.00	0.00	151.95
			MIN S2	-121.61	0.00	1071.69	-121.61	0.00	-117.41	-120.25	0.00	1062.98	-120.25	0.00	0.00	-60.52
			TQ	0.00	0.00	0.00	0.00	0.00	0.00	0.00	0.00	0.00	0.00	0.00	0.00	0.00
			M3	0.60	0.00	-7.57	-112.98	0.00	-143.91	0.96	0.00	-12.63	-79.46	0.00	0.00	-112.08

BAGO RIVER BRIDGE

BLOCK [ No.2 : CROSS BEAM ][ BEAM MEMBER FORCE ]

MEMBER			1003005						1003007							
NODE			3005			4005			3007			4007				
NAME TITLE			SHEAR	TORQUE	MOMENT	SHEAR	TORQUE	MOMENT	SHEAR	TORQUE	MOMENT	SHEAR	TORQUE	MOMENT		
			S2 (kN)	TQ (kN·m)	M3 (kN·m)	S2 (kN)	TQ (kN·m)	M3 (kN·m)	S2 (kN)	TQ (kN·m)	M3 (kN·m)	S2 (kN)	TQ (kN·m)	M3 (kN·m)		
301	LIVE LOAD	2-LANES (caseMAX	S2	189.85	0.00	-1136.87	189.85	0.00	719.51	222.21	0.00	-1252.49	222.21	0.00	823.69	
			TQ	0.00	0.00	0.00	0.00	0.00	0.00	0.00	0.00	0.00	0.00	0.00	0.00	0.00
			M3	-0.12	0.00	4.25	189.58	0.00	726.13	-0.95	0.00	8.14	221.29	0.00	0.00	826.21
			MIN S2	-0.16	0.00	4.05	-0.16	0.00	2.49	-2.32	0.00	4.15	-2.32	0.00	0.00	-17.56
			TQ	0.00	0.00	0.00	0.00	0.00	0.00	0.00	0.00	0.00	0.00	0.00	0.00	0.00
			M3	189.68	0.00	-1138.30	0.22	0.00	-4.99	221.71	0.00	-1254.16	-2.02	0.00	0.00	-19.93
		3-LANES (caseMAX	S2	2.06	0.00	-144.21	2.06	0.00	-124.11	4.75	0.00	-34.09	4.75	0.00	0.00	10.33
			TQ	0.00	0.00	0.00	0.00	0.00	0.00	0.00	0.00	0.00	0.00	0.00	0.00	0.00
			M3	-62.34	0.00	308.16	-0.62	0.00	5.14	-85.97	0.00	385.61	3.78	0.00	0.00	11.48
			MIN S2	-68.99	0.00	252.46	-68.99	0.00	-422.17	-96.09	0.00	319.57	-96.09	0.00	0.00	-578.21
			TQ	0.00	0.00	0.00	0.00	0.00	0.00	0.00	0.00	0.00	0.00	0.00	0.00	0.00
			M3	-10.65	0.00	-178.77	-60.95	0.00	-495.78	-8.47	0.00	-145.47	-89.19	0.00	0.00	-626.35
		3-LANES (caseMAX	S2	21.30	0.00	-28.86	21.30	0.00	179.43	31.34	0.00	-49.44	31.34	0.00	0.00	243.38
			TQ	0.00	0.00	0.00	0.00	0.00	0.00	0.00	0.00	0.00	0.00	0.00	0.00	0.00
			M3	-96.80	0.00	950.36	5.76	0.00	243.71	-100.32	0.00	926.85	8.66	0.00	0.00	314.02
			MIN S2	-103.94	0.00	923.32	-103.94	0.00	-92.97	-103.02	0.00	907.87	-103.02	0.00	0.00	-54.73
			TQ	0.00	0.00	0.00	0.00	0.00	0.00	0.00	0.00	0.00	0.00	0.00	0.00	0.00
			M3	15.71	0.00	-58.54	-95.94	0.00	-124.44	24.49	0.00	-91.53	-68.12	0.00	0.00	-102.42
		3-LANES (caseMAX	S2	172.07	0.00	-967.87	172.07	0.00	714.59	204.67	0.00	-1088.32	204.67	0.00	0.00	824.02
			TQ	0.00	0.00	0.00	0.00	0.00	0.00	0.00	0.00	0.00	0.00	0.00	0.00	0.00
			M3	2.03	0.00	72.25	167.97	0.00	738.43	1.48	0.00	87.08	197.74	0.00	0.00	848.11
MIN S2	-1.22		0.00	23.36	-1.22	0.00	11.39	-3.47	0.00	23.20	-3.47	0.00	0.00	-9.27		
TQ	0.00		0.00	0.00	0.00	0.00	0.00	0.00	0.00	0.00	0.00	0.00	0.00	0.00		
M3	169.59		0.00	-987.02	0.29	0.00	-6.35	201.81	0.00	-1104.94	-1.88	0.00	0.00	-22.04		

BAGO RIVER BRIDGE

BLOCK [ No.2 : CROSS BEAM ][ BEAM MEMBER FORCE ]

MEMBER				1003005			4005			1003007			4007					
NODE				3005			3007			3007			4007					
NAME TITLE				SHEAR	TORQUE	MOMENT	SHEAR	TORQUE	MOMENT	SHEAR	TORQUE	MOMENT	SHEAR	TORQUE	MOMENT			
				S2 (kN)	TQ (kN·m)	M3 (kN·m)	S2 (kN)	TQ (kN·m)	M3 (kN·m)	S2 (kN)	TQ (kN·m)	M3 (kN·m)	S2 (kN)	TQ (kN·m)	M3 (kN·m)			
301	LIVE LOAD	4-LANES	MAX	S2	115.85	0.00	-636.01	115.85	0.00	496.74	138.42	0.00	-715.67	138.42	0.00	577.60		
				TQ	0.00	0.00	0.00	0.00	0.00	0.00	0.00	0.00	0.00	0.00	0.00	0.00	0.00	
				M3	-66.63	0.00	623.24	106.01	0.00	534.49	-66.75	0.00	623.99	124.48	0.00	624.34	0.00	624.34
			MIN	S2	-67.76	0.00	615.77	-67.76	0.00	-46.77	-68.54	0.00	611.98	-68.54	0.00	0.00	0.00	-28.37
				TQ	0.00	0.00	0.00	0.00	0.00	0.00	0.00	0.00	0.00	0.00	0.00	0.00	0.00	0.00
				M3	112.12	0.00	-657.11	-50.67	0.00	-81.04	133.70	0.00	-740.97	-50.55	0.00	0.00	0.00	-79.18
			6-LANES	MAX	S2	105.58	0.00	-679.40	105.58	0.00	352.92	127.36	0.00	-671.59	127.36	0.00	518.35	
				TQ	0.00	0.00	0.00	0.00	0.00	0.00	0.00	0.00	0.00	0.00	0.00	0.00	0.00	
				M3	-108.27	0.00	829.69	95.43	0.00	481.99	-123.39	0.00	886.01	115.15	0.00	0.00	0.00	561.22
		MIN		S2	-113.52	0.00	789.85	-113.52	0.00	-320.17	-130.38	0.00	843.97	-130.38	0.00	0.00	0.00	-374.24
				TQ	0.00	0.00	0.00	0.00	0.00	0.00	0.00	0.00	0.00	0.00	0.00	0.00	0.00	0.00
				M3	101.50	0.00	-718.04	-96.81	0.00	-379.41	114.56	0.00	-770.49	-113.99	0.00	0.00	0.00	-453.47
			LIVE LOAD	MAX		189.85	0.00	1080.45	189.85	0.00	738.43	222.21	0.00	1076.34	222.21	0.00	848.11	
		MIN			-121.61	0.00	-1138.30	-121.61	0.00	-495.78	-130.38	0.00	-1254.16	-130.38	0.00	0.00	-626.35	
303	SUM TOTAL	TOTAL	MAX		177.99	0.00	1234.26	177.99	0.00	776.26	200.37	0.00	1275.76	200.37	0.00	843.45		
			MIN		-133.47	0.00	-984.49	-133.47	0.00	-457.95	-152.22	0.00	-1054.75	-152.22	0.00	-631.01		

BAGO RIVER BRIDGE

BLOCK [ No.2 : CROSS BEAM ][ BEAM MEMBER FORCE ]

MEMBER NODE	1003009 3009	4009			1003011 3011			4011						
		SHEAR S2 (kN)	TORQUE TQ (kN·m)	MOMENT M3 (kN·m)	SHEAR S2 (kN)	TORQUE TQ (kN·m)	MOMENT M3 (kN·m)	SHEAR S2 (kN)	TORQUE TQ (kN·m)	MOMENT M3 (kN·m)				
1 PAVEMENT	6.69	0.00	-11.12	6.69	0.00	48.76	7.87	0.00	-31.54	7.87	0.00	36.15		
3 RAILING	3.38	0.00	-28.72	3.38	0.00	1.58	3.49	0.00	-28.40	3.49	0.00	1.63		
5 CURB	33.51	0.00	-284.37	33.51	0.00	15.64	34.54	0.00	-281.19	34.54	0.00	16.10		
7 DECK WEIGHT	9.36	0.00	-25.78	9.36	0.00	58.03	11.91	0.00	-60.02	11.91	0.00	42.51		
8 GIRDER WEIGH	-31.43	0.00	183.42	-31.43	0.00	-97.98	-22.84	0.00	115.15	-22.84	0.00	-81.45		
10 MEDIAN STRIP	-33.27	0.00	250.87	-33.27	0.00	-46.97	-31.34	0.00	228.71	-31.34	0.00	-41.03		
21 ADITIONAL WE	2.62	0.00	-7.22	2.62	0.00	16.25	3.34	0.00	-16.80	3.34	0.00	11.90		
31 MEDIAN RAILI	-2.67	0.00	20.12	-2.67	0.00	-3.79	-2.49	0.00	18.20	-2.49	0.00	-3.22		
51 SUPPORT WEIG	0.00	0.00	-0.00	0.00	0.00	0.00	0.00	0.00	0.00	0.00	0.00	0.00		
52 NOSE WEIGHT	-0.06	0.00	0.71	-0.06	0.00	0.19	-0.01	0.00	0.17	-0.01	0.00	0.11		
61 1-LANE(case1TRUCK-LOAD	MAX	S2	2.94	0.00	-16.15	2.94	0.00	10.16	6.85	0.00	-31.34	6.85	0.00	27.59
		TQ	0.00	0.00	0.00	0.00	0.00	0.00	0.00	0.00	0.00	0.00	0.00	
		M3	-11.77	0.00	34.60	2.86	0.00	10.27	-10.00	0.00	27.52	6.80	0.00	27.69
	MIN	S2	-15.08	0.00	18.26	-15.08	0.00	-116.71	-12.90	0.00	5.27	-12.90	0.00	-105.75
		TQ	0.00	0.00	0.00	0.00	0.00	0.00	0.00	0.00	0.00	0.00	0.00	
		M3	-6.80	0.00	-93.28	-7.29	0.00	-156.17	-3.10	0.00	-115.63	-3.71	0.00	-144.49
	TANDEM-LOAD MAX	S2	2.00	0.00	-11.03	2.00	0.00	6.87	4.67	0.00	-21.47	4.67	0.00	18.70
		TQ	0.00	0.00	0.00	0.00	0.00	0.00	0.00	0.00	0.00	0.00	0.00	
		M3	-8.60	0.00	25.41	1.97	0.00	7.01	-7.73	0.00	19.53	4.62	0.00	18.87
	MIN	S2	-10.47	0.00	17.51	-10.47	0.00	-76.27	-9.03	0.00	8.88	-9.03	0.00	-68.85
		TQ	0.00	0.00	0.00	0.00	0.00	0.00	0.00	0.00	0.00	0.00	0.00	
		M3	-4.23	0.00	-67.31	-5.44	0.00	-106.32	-1.68	0.00	-82.86	-3.12	0.00	-98.43
	DISPERSION-LMAX	S2	3.38	0.00	-18.78	3.38	0.00	11.45	7.89	0.00	-43.91	7.89	0.00	24.03
		TQ	0.00	0.00	0.00	0.00	0.00	0.00	0.00	0.00	0.00	0.00	0.00	
		M3	-10.81	0.00	29.41	3.38	0.00	11.45	-8.74	0.00	26.88	7.84	0.00	31.56
MIN	S2	-17.71	0.00	-14.60	-17.71	0.00	-173.13	-14.52	0.00	-23.72	-14.52	0.00	-148.71	
	TQ	0.00	0.00	0.00	0.00	0.00	0.00	0.00	0.00	0.00	0.00	0.00		
	M3	-3.52	0.00	-62.80	-17.71	0.00	-173.13	2.11	0.00	-94.50	-14.46	0.00	-156.24	



BAGO RIVER BRIDGE

BLOCK [ No.2 : CROSS BEAM ][ BEAM MEMBER FORCE ]

MEMBER				1003009						1003011						
NODE				3009			4009			3011			4011			
				SHEAR	TORQUE	MOMENT	SHEAR	TORQUE	MOMENT	SHEAR	TORQUE	MOMENT	SHEAR	TORQUE	MOMENT	
NAME	TITLE			S2 (kN)	TQ (kN·m)	M3 (kN·m)	S2 (kN)	TQ (kN·m)	M3 (kN·m)	S2 (kN)	TQ (kN·m)	M3 (kN·m)	S2 (kN)	TQ (kN·m)	M3 (kN·m)	
62	1-LANE (case2TRUCK-LOAD	MAX	S2	1.56	0.00	-10.39	1.56	0.00	3.55	3.74	0.00	-19.98	3.74	0.00	12.25	
			TQ	0.00	0.00	0.00	0.00	0.00	0.00	0.00	0.00	0.00	0.00	0.00	0.00	0.00
			M3	-28.14	0.00	148.21	1.55	0.00	3.60	-27.81	0.00	139.12	3.74	0.00	12.25	
		MIN	S2	-28.18	0.00	147.97	-28.18	0.00	-104.33	-27.90	0.00	139.11	-27.90	0.00	-101.02	
			TQ	0.00	0.00	0.00	0.00	0.00	0.00	0.00	0.00	0.00	0.00	0.00	0.00	
			M3	1.55	0.00	-10.40	-28.18	0.00	-104.33	3.74	0.00	-19.98	-27.90	0.00	-101.02	
		TANDEM-LOAD MAX	S2	1.06	0.00	-7.07	1.06	0.00	2.44	2.55	0.00	-13.60	2.55	0.00	8.37	
			TQ	0.00	0.00	0.00	0.00	0.00	0.00	0.00	0.00	0.00	0.00	0.00	0.00	
			M3	-18.99	0.00	101.20	1.06	0.00	2.45	-19.28	0.00	94.56	2.55	0.00	8.37	
		MIN	S2	-19.35	0.00	100.16	-19.35	0.00	-73.12	-19.28	0.00	94.56	-19.28	0.00	-71.40	
			TQ	0.00	0.00	0.00	0.00	0.00	0.00	0.00	0.00	0.00	0.00	0.00	0.00	
			M3	1.06	0.00	-7.07	-19.35	0.00	-73.12	2.55	0.00	-13.60	-19.28	0.00	-71.40	
		DISPERSION-LMAX	S2	1.80	0.00	-12.25	1.80	0.00	3.83	4.35	0.00	-23.69	4.35	0.00	13.74	
			TQ	0.00	0.00	0.00	0.00	0.00	0.00	0.00	0.00	0.00	0.00	0.00	0.00	
			M3	-24.31	0.00	142.50	1.71	0.00	3.87	-23.50	0.00	130.73	4.21	0.00	14.01	
MIN	S2	-24.31	0.00	142.50	-24.31	0.00	-75.13	-23.50	0.00	130.72	-23.50	0.00	-71.52			
	TQ	0.00	0.00	0.00	0.00	0.00	0.00	0.00	0.00	0.00	0.00	0.00	0.00			
	M3	1.80	0.00	-12.25	-24.22	0.00	-75.17	4.35	0.00	-23.69	-23.35	0.00	-71.79			
63	1-LANE (case3TRUCK-LOAD	MAX	S2	0.56	0.00	-6.09	0.56	0.00	-1.04	1.46	0.00	-11.03	1.46	0.00	1.54	
			TQ	0.00	0.00	0.00	0.00	0.00	0.00	0.00	0.00	0.00	0.00	0.00		
			M3	-53.77	0.00	409.99	-5.38	0.00	29.60	-56.38	0.00	412.83	-2.50	0.00	30.96	
		MIN	S2	-53.77	0.00	409.99	-53.77	0.00	-71.40	-56.38	0.00	412.83	-56.38	0.00	-72.46	
			TQ	0.00	0.00	0.00	0.00	0.00	0.00	0.00	0.00	0.00	0.00	0.00	0.00	
			M3	0.56	0.00	-6.10	-53.77	0.00	-71.40	1.46	0.00	-11.06	-56.26	0.00	-72.72	

BAGO RIVER BRIDGE

BLOCK [ No.2 : CROSS BEAM ][ BEAM MEMBER FORCE ]

MEMBER NODE	1003009 3009	1003011						4011							
		4009			3011			4011			4011				
		SHEAR S2 (kN)	TORQUE TQ (kN·m)	MOMENT M3 (kN·m)	SHEAR S2 (kN)	TORQUE TQ (kN·m)	MOMENT M3 (kN·m)	SHEAR S2 (kN)	TORQUE TQ (kN·m)	MOMENT M3 (kN·m)	SHEAR S2 (kN)	TORQUE TQ (kN·m)	MOMENT M3 (kN·m)		
63	1-LANE (case3TANDEM-LOAD	MAX	S2	0.38	0.00	-4.13	0.38	0.00	-0.69	1.01	0.00	1.82	1.01	0.00	10.50
			TQ	0.00	0.00	0.00	0.00	0.00	0.00	0.00	0.00	0.00	0.00	0.00	0.00
			M3	-39.26	0.00	295.52	-2.15	0.00	20.69	-41.50	0.00	299.64	-1.83	0.00	22.08
		MIN	S2	-39.26	0.00	295.52	-39.26	0.00	-55.97	-41.50	0.00	299.64	-41.50	0.00	-57.52
			TQ	0.00	0.00	0.00	0.00	0.00	0.00	0.00	0.00	0.00	0.00	0.00	0.00
			M3	0.38	0.00	-4.15	-39.26	0.00	-55.97	0.99	0.00	-7.53	-41.46	0.00	-57.59
	DISPERSION-LMAX		S2	0.84	0.00	-2.62	0.84	0.00	4.90	2.27	0.00	-10.77	2.27	0.00	8.79
			TQ	0.00	0.00	0.00	0.00	0.00	0.00	0.00	0.00	0.00	0.00	0.00	0.00
			M3	-27.84	0.00	250.36	-6.16	0.00	24.76	-28.95	0.00	243.96	-3.72	0.00	24.16
		MIN	S2	-28.06	0.00	245.76	-28.06	0.00	-5.46	-29.36	0.00	240.79	-29.36	0.00	-11.92
			TQ	0.00	0.00	0.00	0.00	0.00	0.00	0.00	0.00	0.00	0.00	0.00	0.00
			M3	0.62	0.00	-7.23	-21.06	0.00	-25.32	1.86	0.00	-13.94	-23.37	0.00	-27.30
64	1-LANE (case4TRUCK-LOAD	MAX	S2	90.49	0.00	-511.35	90.49	0.00	298.84	91.12	0.00	-500.57	91.12	0.00	283.69
			TQ	0.00	0.00	0.00	0.00	0.00	0.00	0.00	0.00	0.00	0.00	0.00	0.00
			M3	-1.52	0.00	4.56	90.49	0.00	298.84	-3.50	0.00	12.24	91.12	0.00	283.69
		MIN	S2	-1.66	0.00	4.38	-1.66	0.00	-10.49	-3.76	0.00	11.36	-3.76	0.00	-21.05
			TQ	0.00	0.00	0.00	0.00	0.00	0.00	0.00	0.00	0.00	0.00	0.00	0.00
			M3	90.49	0.00	-511.35	-1.64	0.00	-10.89	91.12	0.00	-500.57	-3.67	0.00	-21.65
	TANDEM-LOAD	MAX	S2	64.44	0.00	-362.76	64.44	0.00	214.21	65.39	0.00	-357.72	65.39	0.00	205.12
			TQ	0.00	0.00	0.00	0.00	0.00	0.00	0.00	0.00	0.00	0.00	0.00	0.00
			M3	-1.08	0.00	3.16	64.44	0.00	214.21	-2.23	0.00	8.37	65.39	0.00	205.12
		MIN	S2	-1.14	0.00	2.93	-1.14	0.00	-7.28	-2.57	0.00	7.55	-2.57	0.00	-14.59
			TQ	0.00	0.00	0.00	0.00	0.00	0.00	0.00	0.00	0.00	0.00	0.00	0.00
			M3	64.44	0.00	-362.76	-1.11	0.00	-7.42	65.39	0.00	-357.72	-2.56	0.00	-14.74

BAGO RIVER BRIDGE

BLOCK [ No.2 : CROSS BEAM ][ BEAM MEMBER FORCE ]

MEMBER		1003009						1003011									
NODE		3009			4009			3011			4011						
		SHEAR	TORQUE	MOMENT	SHEAR	TORQUE	MOMENT	SHEAR	TORQUE	MOMENT	SHEAR	TORQUE	MOMENT				
NAME	TITLE	S2 (kN)	TQ (kN·m)	M3 (kN·m)	S2 (kN)	TQ (kN·m)	M3 (kN·m)	S2 (kN)	TQ (kN·m)	M3 (kN·m)	S2 (kN)	TQ (kN·m)	M3 (kN·m)				
64	1-LANE (case4DISPERSION-LMAX	S2	62.27	0.00	-359.43	62.27	0.00	198.07	58.35	0.00	-330.38	58.35	0.00	171.83			
		TQ	0.00	0.00	0.00	0.00	0.00	0.00	0.00	0.00	0.00	0.00	0.00	0.00			
		M3	-1.83	0.00	7.29	61.96	0.00	199.26	-4.38	0.00	16.29	58.16	0.00	172.17			
		MIN	S2	-1.96	0.00	7.07	-1.96	0.00	-10.45	-4.49	0.00	16.12	-4.49	0.00	-22.52		
		TQ	0.00	0.00	0.00	0.00	0.00	0.00	0.00	0.00	0.00	0.00	0.00	0.00			
		M3	62.14	0.00	-359.64	-1.65	0.00	-11.64	58.24	0.00	-330.55	-4.30	0.00	-22.87			
		65	2-LANES (caseTRUCK-LOAD	MAX	S2	5.18	0.00	-29.36	5.18	0.00	17.04	12.14	0.00	-56.99	12.14	0.00	47.49
				TQ	0.00	0.00	0.00	0.00	0.00	0.00	0.00	0.00	0.00	0.00	0.00	0.00	
				M3	-27.87	0.00	91.40	5.09	0.00	17.17	-24.05	0.00	70.89	12.08	0.00	47.59	
MIN	S2			-33.11	0.00	60.32	-33.11	0.00	-236.14	-28.87	0.00	32.47	-28.87	0.00	-216.05		
TQ	0.00			0.00	0.00	0.00	0.00	0.00	0.00	0.00	0.00	0.00	0.00	0.00			
M3	-4.56			0.00	-106.58	-23.70	0.00	-285.46	2.19	0.00	-141.43	-18.12	0.00	-266.49			
TANDEM-LOAD	MAX			S2	3.53	0.00	-20.08	3.53	0.00	11.52	8.28	0.00	-39.02	8.28	0.00	32.22	
TQ	0.00			0.00	0.00	0.00	0.00	0.00	0.00	0.00	0.00	0.00	0.00	0.00	0.00		
M3	-20.03			0.00	65.41	3.48	0.00	11.72	-17.75	0.00	50.20	8.23	0.00	32.40			
MIN	S2	-23.03	0.00	50.02	-23.03	0.00	-156.22	-20.19	0.00	31.42	-20.19	0.00	-142.36				
TQ	0.00	0.00	0.00	0.00	0.00	0.00	0.00	0.00	0.00	0.00	0.00	0.00	0.00				
M3	-2.70	0.00	-76.37	-16.21	0.00	-194.75	1.93	0.00	-100.45	-12.53	0.00	-182.21					
DISPERSION-LMAX	S2	5.96	0.00	-34.31	5.96	0.00	19.07	13.99	0.00	-73.78	13.99	0.00	46.64				
TQ	0.00	0.00	0.00	0.00	0.00	0.00	0.00	0.00	0.00	0.00	0.00	0.00	0.00				
M3	-30.33	0.00	95.48	5.96	0.00	19.07	-25.49	0.00	80.97	13.93	0.00	54.17					
MIN	S2	-38.77	0.00	49.57	-38.77	0.00	-297.51	-33.56	0.00	25.87	-33.56	0.00	-262.98				
TQ	0.00	0.00	0.00	0.00	0.00	0.00	0.00	0.00	0.00	0.00	0.00	0.00	0.00				
M3	-2.47	0.00	-80.22	-38.77	0.00	-297.51	5.92	0.00	-128.88	-33.50	0.00	-270.52					

BAGO RIVER BRIDGE

BLOCK [ No.2 : CROSS BEAM ][ BEAM MEMBER FORCE ]

MEMBER NODE	1003009 3009	4009			1003011 3011			4011							
		SHEAR	TORQUE	MOMENT	SHEAR	TORQUE	MOMENT	SHEAR	TORQUE	MOMENT					
		S2 (kN)	TQ (kN·m)	M3 (kN·m)	S2 (kN)	TQ (kN·m)	M3 (kN·m)	S2 (kN)	TQ (kN·m)	M3 (kN·m)					
66	2-LANES (caseTRUCK-LOAD	MAX	S2	3.80	0.00	-23.61	3.80	0.00	10.43	9.04	0.00	-45.63	9.04	0.00	32.15
			TQ	0.00	0.00	0.00	0.00	0.00	0.00	0.00	0.00	0.00	0.00	0.00	0.00
			M3	-44.23	0.00	205.01	3.77	0.00	10.51	-41.85	0.00	182.49	9.03	0.00	32.15
		MIN	S2	-46.22	0.00	190.04	-46.22	0.00	-223.75	-43.87	0.00	166.31	-43.87	0.00	-211.33
			TQ	0.00	0.00	0.00	0.00	0.00	0.00	0.00	0.00	0.00	0.00	0.00	0.00
			M3	3.79	0.00	-23.71	-44.59	0.00	-233.62	9.03	0.00	-45.78	-42.31	0.00	-223.03
	TANDEM-LOAD	MAX	S2	2.59	0.00	-16.11	2.59	0.00	7.10	6.16	0.00	-31.15	6.16	0.00	21.89
			TQ	0.00	0.00	0.00	0.00	0.00	0.00	0.00	0.00	0.00	0.00	0.00	0.00
			M3	-30.42	0.00	141.20	2.57	0.00	7.17	-29.29	0.00	125.23	6.16	0.00	21.89
		MIN	S2	-31.92	0.00	132.67	-31.92	0.00	-153.07	-30.44	0.00	117.10	-30.44	0.00	-144.91
			TQ	0.00	0.00	0.00	0.00	0.00	0.00	0.00	0.00	0.00	0.00	0.00	0.00
			M3	2.59	0.00	-16.13	-30.13	0.00	-161.56	6.16	0.00	-31.20	-28.69	0.00	-155.19
	DISPERSION-LMAX		S2	4.38	0.00	-27.78	4.38	0.00	11.45	10.45	0.00	-53.56	10.45	0.00	36.35
			TQ	0.00	0.00	0.00	0.00	0.00	0.00	0.00	0.00	0.00	0.00	0.00	0.00
			M3	-43.83	0.00	208.57	4.30	0.00	11.49	-40.24	0.00	184.82	10.30	0.00	36.62
		MIN	S2	-45.37	0.00	206.67	-45.37	0.00	-199.52	-42.53	0.00	180.31	-42.53	0.00	-185.79
			TQ	0.00	0.00	0.00	0.00	0.00	0.00	0.00	0.00	0.00	0.00	0.00	0.00
			M3	2.84	0.00	-29.67	-45.28	0.00	-199.56	8.16	0.00	-58.08	-42.39	0.00	-186.06
67	2-LANES (caseTRUCK-LOAD	MAX	S2	3.55	0.00	-0.58	3.55	0.00	31.18	5.21	0.00	-10.56	5.21	0.00	34.31
			TQ	0.00	0.00	0.00	0.00	0.00	0.00	0.00	0.00	0.00	0.00	0.00	0.00
			M3	-80.09	0.00	659.19	-7.37	0.00	82.40	-83.83	0.00	660.65	-2.08	0.00	81.44
		MIN	S2	-80.09	0.00	659.19	-80.09	0.00	-57.88	-83.83	0.00	660.65	-83.83	0.00	-60.90
			TQ	0.00	0.00	0.00	0.00	0.00	0.00	0.00	0.00	0.00	0.00	0.00	0.00
			M3	0.55	0.00	-9.57	-54.03	0.00	-75.86	1.60	0.00	-16.72	-56.79	0.00	-79.89

BAGO RIVER BRIDGE

BLOCK [ No.2 : CROSS BEAM ][ BEAM MEMBER FORCE ]

MEMBER		1003009						1003011									
NODE		3009			4009			3011			4011						
		SHEAR	TORQUE	MOMENT	SHEAR	TORQUE	MOMENT	SHEAR	TORQUE	MOMENT	SHEAR	TORQUE	MOMENT				
NAME	TITLE	S2 (kN)	TQ (kN·m)	M3 (kN·m)	S2 (kN)	TQ (kN·m)	M3 (kN·m)	S2 (kN)	TQ (kN·m)	M3 (kN·m)	S2 (kN)	TQ (kN·m)	M3 (kN·m)				
67	2-LANES (caseTANDEM-LOAD	MAX	S2	2.59	0.00	-0.40	2.59	0.00	22.81	3.70	0.00	2.16	3.70	0.00	34.03		
			TQ	0.00	0.00	0.00	0.00	0.00	0.00	0.00	0.00	0.00	0.00	0.00	0.00		
			M3	-58.94	0.00	476.92	-2.12	0.00	58.03	-62.19	0.00	481.30	-1.60	0.00	58.08		
		MIN	S2	-58.94	0.00	476.92	-58.94	0.00	-50.81	-62.19	0.00	481.30	-62.19	0.00	-53.96		
			TQ	0.00	0.00	0.00	0.00	0.00	0.00	0.00	0.00	0.00	0.00	0.00	0.00		
			M3	0.38	0.00	-6.51	-39.43	0.00	-59.01	2.81	0.00	-11.45	-41.82	0.00	-62.50		
		DISPERSION-LMAX	S2	3.35	0.00	5.63	3.35	0.00	35.63	4.90	0.00	-9.24	4.90	0.00	32.92		
			TQ	0.00	0.00	0.00	0.00	0.00	0.00	0.00	0.00	0.00	0.00	0.00	0.00		
			M3	-37.68	0.00	387.36	-11.06	0.00	82.11	-40.54	0.00	380.55	-8.33	0.00	73.43		
		MIN	S2	-39.71	0.00	369.70	-39.71	0.00	14.20	-42.30	0.00	366.83	-42.30	0.00	2.73		
			TQ	0.00	0.00	0.00	0.00	0.00	0.00	0.00	0.00	0.00	0.00	0.00	0.00		
			M3	1.33	0.00	-12.02	-25.29	0.00	-32.28	3.14	0.00	-22.95	-29.08	0.00	-37.78		
		68	2-LANES (caseTRUCK-LOAD	MAX	S2	136.23	0.00	-731.36	136.23	0.00	488.36	134.67	0.00	-700.94	134.67	0.00	458.20
					TQ	0.00	0.00	0.00	0.00	0.00	0.00	0.00	0.00	0.00	0.00	0.00	0.00
					M3	-1.78	0.00	7.26	136.23	0.00	488.36	-5.54	0.00	17.64	134.67	0.00	458.20
MIN	S2			-2.67	0.00	5.78	-2.67	0.00	-18.10	-5.97	0.00	16.21	-5.97	0.00	-35.15		
	TQ			0.00	0.00	0.00	0.00	0.00	0.00	0.00	0.00	0.00	0.00	0.00	0.00		
	M3			136.23	0.00	-731.36	-2.60	0.00	-18.72	134.67	0.00	-700.94	-5.78	0.00	-36.21		
TANDEM-LOAD	MAX			S2	96.51	0.00	-516.14	96.51	0.00	347.96	96.11	0.00	-498.18	96.11	0.00	329.04	
	TQ			0.00	0.00	0.00	0.00	0.00	0.00	0.00	0.00	0.00	0.00	0.00	0.00		
	M3			-1.25	0.00	4.99	96.51	0.00	347.96	-3.61	0.00	12.18	96.11	0.00	329.04		
MIN	S2			-1.83	0.00	4.07	-1.83	0.00	-12.29	-4.09	0.00	11.03	-4.09	0.00	-24.16		
	TQ			0.00	0.00	0.00	0.00	0.00	0.00	0.00	0.00	0.00	0.00	0.00	0.00		
	M3			96.51	0.00	-516.14	-1.78	0.00	-12.75	96.11	0.00	-498.18	-4.03	0.00	-24.71		

BAGO RIVER BRIDGE

BLOCK [ No.2 : CROSS BEAM ][ BEAM MEMBER FORCE ]

MEMBER NODE	1003009 3009	4009			1003011 3011			4011							
		SHEAR S2 (kN)	TORQUE TQ (kN·m)	MOMENT M3 (kN·m)	SHEAR S2 (kN)	TORQUE TQ (kN·m)	MOMENT M3 (kN·m)	SHEAR S2 (kN)	TORQUE TQ (kN·m)	MOMENT M3 (kN·m)					
68	2-LANES (caseDISPERSION-LMAX	S2	97.48	0.00	-531.55	97.48	0.00	341.18	89.73	0.00	-479.06	89.73	0.00	293.24	
		TQ	0.00	0.00	0.00	0.00	0.00	0.00	0.00	0.00	0.00	0.00	0.00	0.00	
		M3	-2.82	0.00	12.65	96.75	0.00	343.23	-6.98	0.00	27.27	89.47	0.00	293.83	
	MIN	S2	-3.29	0.00	11.37	-3.29	0.00	-18.04	-7.49	0.00	25.99	-7.49	0.00	-38.46	
		TQ	0.00	0.00	0.00	0.00	0.00	0.00	0.00	0.00	0.00	0.00	0.00	0.00	
		M3	97.01	0.00	-532.82	-2.56	0.00	-20.09	89.22	0.00	-480.34	-7.23	0.00	-39.06	
69	3-LANES (caseTRUCK-LOAD	MAX	S2	6.74	0.00	-39.75	6.74	0.00	20.59	15.88	0.00	-76.98	15.88	0.00	59.74
		TQ	0.00	0.00	0.00	0.00	0.00	0.00	0.00	0.00	0.00	0.00	0.00	0.00	
		M3	-56.01	0.00	239.61	6.63	0.00	20.77	-51.86	0.00	210.01	15.83	0.00	59.84	
	MIN	S2	-61.29	0.00	208.29	-61.29	0.00	-340.46	-56.77	0.00	171.58	-56.77	0.00	-317.08	
		TQ	0.00	0.00	0.00	0.00	0.00	0.00	0.00	0.00	0.00	0.00	0.00	0.00	
		M3	-3.00	0.00	-116.99	-51.88	0.00	-389.79	5.93	0.00	-161.41	-46.02	0.00	-367.51	
	TANDEM-LOAD	MAX	S2	4.59	0.00	-27.14	4.59	0.00	13.96	10.83	0.00	-52.62	10.83	0.00	40.59
		TQ	0.00	0.00	0.00	0.00	0.00	0.00	0.00	0.00	0.00	0.00	0.00	0.00	
		M3	-39.02	0.00	166.61	4.54	0.00	14.17	-37.03	0.00	144.76	10.78	0.00	40.77	
	MIN	S2	-42.39	0.00	150.18	-42.39	0.00	-229.34	-39.47	0.00	125.98	-39.47	0.00	-213.76	
		TQ	0.00	0.00	0.00	0.00	0.00	0.00	0.00	0.00	0.00	0.00	0.00	0.00	
		M3	-1.64	0.00	-83.44	-35.57	0.00	-267.88	4.48	0.00	-114.05	-31.81	0.00	-253.62	
	DISPERSION-LMAX	S2	7.76	0.00	-46.56	7.76	0.00	22.89	18.34	0.00	-97.47	18.34	0.00	60.38	
		TQ	0.00	0.00	0.00	0.00	0.00	0.00	0.00	0.00	0.00	0.00	0.00	0.00	
		M3	-54.64	0.00	237.98	7.67	0.00	22.94	-48.98	0.00	211.70	18.14	0.00	68.18	
	MIN	S2	-63.07	0.00	192.07	-63.07	0.00	-372.64	-57.06	0.00	156.59	-57.06	0.00	-334.50	
		TQ	0.00	0.00	0.00	0.00	0.00	0.00	0.00	0.00	0.00	0.00	0.00	0.00	
		M3	-0.68	0.00	-92.47	-62.99	0.00	-372.68	10.27	0.00	-152.57	-56.86	0.00	-342.30	

BAGO RIVER BRIDGE

BLOCK [ No.2 : CROSS BEAM ][ BEAM MEMBER FORCE ]

MEMBER				1003009						1003011								
NODE				3009			4009			3011			4011					
NAME TITLE				SHEAR	TORQUE	MOMENT	SHEAR	TORQUE	MOMENT	SHEAR	TORQUE	MOMENT	SHEAR	TORQUE	MOMENT			
				S2 (kN)	TQ (kN·m)	M3 (kN·m)	S2 (kN)	TQ (kN·m)	M3 (kN·m)	S2 (kN)	TQ (kN·m)	M3 (kN·m)	S2 (kN)	TQ (kN·m)	M3 (kN·m)			
70	3-LANES (case	TRUCK-LOAD	MAX	S2	22.62	0.00	-46.98	22.62	0.00	155.51	25.63	0.00	-64.99	25.63	0.00	155.64		
				TQ	0.00	0.00	0.00	0.00	0.00	0.00	0.00	0.00	0.00	0.00	0.00	0.00	0.00	
				M3	-80.30	0.00	661.65	11.64	0.00	207.05	-84.37	0.00	665.02	18.34	0.00	0.00	0.00	202.76
			MIN	S2	-81.01	0.00	660.20	-81.01	0.00	-65.12	-85.83	0.00	664.31	-85.83	0.00	0.00	0.00	-74.44
				TQ	0.00	0.00	0.00	0.00	0.00	0.00	0.00	0.00	0.00	0.00	0.00	0.00	0.00	0.00
				M3	18.50	0.00	-63.22	-54.92	0.00	-83.34	21.63	0.00	-71.56	-58.72	0.00	0.00	0.00	-93.62
			TANDEM-LOAD	MAX	S2	15.72	0.00	-34.53	15.72	0.00	106.24	17.77	0.00	-33.99	17.77	0.00	0.00	118.93
					TQ	0.00	0.00	0.00	0.00	0.00	0.00	0.00	0.00	0.00	0.00	0.00	0.00	0.00
					M3	-59.08	0.00	478.58	10.73	0.00	144.14	-63.43	0.00	484.38	12.46	0.00	0.00	142.99
			MIN	S2	-59.57	0.00	477.77	-59.57	0.00	-55.58	-63.56	0.00	484.12	-63.56	0.00	0.00	0.00	-62.97
				TQ	0.00	0.00	0.00	0.00	0.00	0.00	0.00	0.00	0.00	0.00	0.00	0.00	0.00	0.00
				M3	12.45	0.00	-44.33	-40.02	0.00	-64.10	16.52	0.00	-49.81	-43.16	0.00	0.00	0.00	-71.90
			DISPERSION-LMAX	MAX	S2	21.99	0.00	-52.95	21.99	0.00	143.91	22.85	0.00	-67.60	22.85	0.00	0.00	129.07
					TQ	0.00	0.00	0.00	0.00	0.00	0.00	0.00	0.00	0.00	0.00	0.00	0.00	0.00
					M3	-37.53	0.00	398.64	7.22	0.00	193.12	-41.82	0.00	395.79	9.40	0.00	0.00	171.23
MIN	S2	-40.92	0.00	375.08	-40.92	0.00	8.68	-44.98	0.00	376.52	-44.98	0.00	0.00	0.00	-10.59			
	TQ	0.00	0.00	0.00	0.00	0.00	0.00	0.00	0.00	0.00	0.00	0.00	0.00	0.00	0.00			
	M3	18.59	0.00	-76.51	-26.16	0.00	-40.53	19.70	0.00	-86.86	-31.52	0.00	0.00	0.00	-52.75			
71	3-LANES (case	TRUCK-LOAD	MAX	S2	146.49	0.00	-755.34	146.49	0.00	556.18	143.33	0.00	-718.80	143.33	0.00	514.90		
				TQ	0.00	0.00	0.00	0.00	0.00	0.00	0.00	0.00	0.00	0.00	0.00	0.00		
				M3	-1.76	0.00	85.29	142.10	0.00	571.89	-10.76	0.00	124.87	138.43	0.00	0.00	530.18	
			MIN	S2	-3.07	0.00	4.87	-3.07	0.00	-22.64	-11.18	0.00	123.44	-11.18	0.00	0.00	27.19	
				TQ	0.00	0.00	0.00	0.00	0.00	0.00	0.00	0.00	0.00	0.00	0.00	0.00	0.00	
				M3	145.16	0.00	-760.20	-2.95	0.00	-23.54	142.18	0.00	-723.80	-6.46	0.00	0.00	-44.15	

BAGO RIVER BRIDGE

BLOCK [ No.2 : CROSS BEAM ][ BEAM MEMBER FORCE ]

MEMBER NODE	1003009 3009	4009			1003011 3011			4011								
		SHEAR	TORQUE	MOMENT	SHEAR	TORQUE	MOMENT	SHEAR	TORQUE	MOMENT						
		S2 (kN)	TQ (kN·m)	M3 (kN·m)	S2 (kN)	TQ (kN·m)	M3 (kN·m)	S2 (kN)	TQ (kN·m)	M3 (kN·m)						
71	3-LANES (case)	TANDEM-LOAD	MAX	S2	103.79	0.00	-532.82	103.79	0.00	396.45	102.22	0.00	-507.47	102.22	0.00	372.35
				TQ	0.00	0.00	0.00	0.00	0.00	0.00	0.00	0.00	0.00	0.00	0.00	0.00
				M3	-1.83	0.00	62.86	102.21	0.00	405.10	-7.91	0.00	91.02	99.81	0.00	379.12
			MIN	S2	-2.40	0.00	61.93	-2.40	0.00	40.45	-8.38	0.00	89.87	-8.38	0.00	17.73
				TQ	0.00	0.00	0.00	0.00	0.00	0.00	0.00	0.00	0.00	0.00	0.00	0.00
				M3	102.91	0.00	-536.71	-2.01	0.00	-16.04	100.90	0.00	-514.00	-4.51	0.00	-30.19
		DISPERSION-L	MAX	S2	107.47	0.00	-546.26	107.47	0.00	415.96	97.47	0.00	-490.59	97.47	0.00	348.40
				TQ	0.00	0.00	0.00	0.00	0.00	0.00	0.00	0.00	0.00	0.00	0.00	0.00
				M3	-3.41	0.00	56.09	104.30	0.00	431.71	-10.09	0.00	87.26	93.82	0.00	365.10
			MIN	S2	-5.91	0.00	43.37	-5.91	0.00	-9.57	-12.41	0.00	74.70	-12.41	0.00	-32.14
				TQ	0.00	0.00	0.00	0.00	0.00	0.00	0.00	0.00	0.00	0.00	0.00	0.00
				M3	104.97	0.00	-558.97	-2.74	0.00	-25.32	95.15	0.00	-503.14	-8.75	0.00	-48.83
72	4-LANES	TRUCK-LOAD	MAX	S2	129.09	0.00	-641.68	129.09	0.00	514.03	129.88	0.00	-626.91	129.88	0.00	490.99
				TQ	0.00	0.00	0.00	0.00	0.00	0.00	0.00	0.00	0.00	0.00	0.00	0.00
				M3	-71.23	0.00	594.78	119.54	0.00	548.29	-79.98	0.00	620.71	122.00	0.00	521.36
			MIN	S2	-71.46	0.00	593.99	-71.46	0.00	-45.85	-80.40	0.00	619.06	-80.40	0.00	-72.99
				TQ	0.00	0.00	0.00	0.00	0.00	0.00	0.00	0.00	0.00	0.00	0.00	0.00
				M3	127.84	0.00	-660.76	-55.62	0.00	-89.59	128.25	0.00	-648.67	-61.77	0.00	-112.31
		TANDEM-LOAD	MAX	S2	91.51	0.00	-447.65	91.51	0.00	371.65	92.55	0.00	-440.58	92.55	0.00	355.99
				TQ	0.00	0.00	0.00	0.00	0.00	0.00	0.00	0.00	0.00	0.00	0.00	0.00
				M3	-52.65	0.00	431.58	86.82	0.00	388.91	-59.24	0.00	452.06	88.05	0.00	372.49
			MIN	S2	-52.79	0.00	431.12	-52.79	0.00	-41.53	-59.45	0.00	450.96	-59.45	0.00	-60.78
				TQ	0.00	0.00	0.00	0.00	0.00	0.00	0.00	0.00	0.00	0.00	0.00	0.00
				M3	90.22	0.00	-466.19	-40.53	0.00	-68.34	91.45	0.00	-460.66	-45.28	0.00	-84.51



BAGO RIVER BRIDGE

BLOCK [ No.2 : CROSS BEAM ][ BEAM MEMBER FORCE ]

MEMBER			1003009						1003011								
NODE			3009			4009			3011			4011					
			SHEAR	TORQUE	MOMENT	SHEAR	TORQUE	MOMENT	SHEAR	TORQUE	MOMENT	SHEAR	TORQUE	MOMENT			
NAME	TITLE		S2 (kN)	TQ (kN·m)	M3 (kN·m)	S2 (kN)	TQ (kN·m)	M3 (kN·m)	S2 (kN)	TQ (kN·m)	M3 (kN·m)	S2 (kN)	TQ (kN·m)	M3 (kN·m)			
72	4-LANES	DISPERSION-LMAX	S2	99.27	0.00	-496.21	99.27	0.00	392.61	92.74	0.00	-461.73	92.74	0.00	336.50		
			TQ	0.00	0.00	0.00	0.00	0.00	0.00	0.00	0.00	0.00	0.00	0.00	0.00	0.00	
			M3	-35.13	0.00	356.18	87.62	0.00	433.49	-39.78	0.00	355.59	80.60	0.00	0.00	374.48	
		MIN	S2	-37.97	0.00	335.91	-37.97	0.00	-4.01	-42.38	0.00	339.01	-42.38	0.00	0.00	-25.75	
			TQ	0.00	0.00	0.00	0.00	0.00	0.00	0.00	0.00	0.00	0.00	0.00	0.00	0.00	
			M3	96.31	0.00	-517.27	-25.63	0.00	-46.99	90.19	0.00	-478.46	-30.14	0.00	0.00	-64.66	
		73	6-LANES	TRUCK-LOAD MAX	S2	118.76	0.00	-591.56	118.76	0.00	471.74	125.81	0.00	-606.34	125.81	0.00	476.58
					TQ	0.00	0.00	0.00	0.00	0.00	0.00	0.00	0.00	0.00	0.00	0.00	0.00
					M3	-122.98	0.00	811.92	111.65	0.00	499.74	-127.58	0.00	805.59	117.59	0.00	0.00
MIN	S2			-127.62	0.00	791.08	-127.62	0.00	-351.49	-132.10	0.00	784.74	-132.10	0.00	0.00	-352.25	
	TQ			0.00	0.00	0.00	0.00	0.00	0.00	0.00	0.00	0.00	0.00	0.00	0.00	0.00	
	M3			104.98	0.00	-681.46	-116.04	0.00	-406.87	110.48	0.00	-701.98	-121.61	0.00	0.00	-412.54	
TANDEM-LOAD MAX	S2			83.79	0.00	-418.36	83.79	0.00	331.84	89.06	0.00	-427.86	89.06	0.00	0.00	338.66	
	TQ			0.00	0.00	0.00	0.00	0.00	0.00	0.00	0.00	0.00	0.00	0.00	0.00	0.00	
	M3			-90.04	0.00	593.32	77.31	0.00	354.57	-91.94	0.00	580.52	81.76	0.00	0.00	357.48	
MIN	S2	-93.08	0.00	572.35	-93.08	0.00	-260.97	-95.09	0.00	555.24	-95.09	0.00	0.00	-263.25			
	TQ	0.00	0.00	0.00	0.00	0.00	0.00	0.00	0.00	0.00	0.00	0.00	0.00	0.00			
	M3	74.42	0.00	-482.75	-86.69	0.00	-292.37	79.31	0.00	-499.22	-88.18	0.00	0.00	-295.23			
DISPERSION-LMAX	S2	97.37	0.00	-502.31	97.37	0.00	369.48	100.41	0.00	-512.81	100.41	0.00	0.00	351.41			
	TQ	0.00	0.00	0.00	0.00	0.00	0.00	0.00	0.00	0.00	0.00	0.00	0.00	0.00			
	M3	-82.19	0.00	577.84	84.81	0.00	406.85	-84.51	0.00	561.88	88.65	0.00	0.00	390.34			
MIN	S2	-91.57	0.00	531.23	-91.57	0.00	-288.57	-93.52	0.00	507.49	-93.52	0.00	0.00	-297.42			
	TQ	0.00	0.00	0.00	0.00	0.00	0.00	0.00	0.00	0.00	0.00	0.00	0.00	0.00			
	M3	88.14	0.00	-561.30	-75.33	0.00	-345.96	91.87	0.00	-575.98	-78.47	0.00	0.00	-346.77			

BAGO RIVER BRIDGE

BLOCK [ No.2 : CROSS BEAM ][ BEAM MEMBER FORCE ]

MEMBER			1003009						1003011						
NODE			3009			4009			3011			4011			
NAME TITLE			SHEAR	TORQUE	MOMENT	SHEAR	TORQUE	MOMENT	SHEAR	TORQUE	MOMENT	SHEAR	TORQUE	MOMENT	
			S2 (kN)	TQ (kN·m)	M3 (kN·m)	S2 (kN)	TQ (kN·m)	M3 (kN·m)	S2 (kN)	TQ (kN·m)	M3 (kN·m)	S2 (kN)	TQ (kN·m)	M3 (kN·m)	
124	SUM TOTAL	D+1LANE (caseMAX	S2	-4.28	0.00	55.98	-4.28	0.00	17.64	22.15	0.00	-146.02	22.15	0.00	44.64
			TQ	-11.86	0.00	97.90	-11.86	0.00	-8.30	4.46	0.00	-55.72	4.46	0.00	-17.31
			M3	-38.97	0.00	174.71	-4.38	0.00	17.76	-18.03	0.00	9.56	22.02	0.00	53.80
		MIN	S2	-51.20	0.00	102.29	-51.20	0.00	-356.11	-28.44	0.00	-77.85	-28.44	0.00	-322.66
			TQ	-11.86	0.00	97.90	-11.86	0.00	-8.30	4.46	0.00	-55.72	4.46	0.00	-17.31
			M3	-24.23	0.00	-89.39	-41.86	0.00	-403.45	3.28	0.00	-307.87	-17.35	0.00	-378.18
		D+1LANE (caseMAX	S2	-7.84	0.00	70.73	-7.84	0.00	0.56	14.17	0.00	-108.12	14.17	0.00	13.88
			TQ	-11.86	0.00	97.90	-11.86	0.00	-8.30	4.46	0.00	-55.72	4.46	0.00	-17.31
			M3	-74.80	0.00	446.75	-7.95	0.00	0.66	-57.10	0.00	268.10	14.00	0.00	14.21
		MIN	S2	-74.85	0.00	446.47	-74.85	0.00	-223.64	-57.21	0.00	268.09	-57.21	0.00	-224.36
			TQ	-11.86	0.00	97.90	-11.86	0.00	-8.30	4.46	0.00	-55.72	4.46	0.00	-17.31
			M3	-7.84	0.00	70.72	-74.75	0.00	-223.69	14.17	0.00	-108.13	-57.04	0.00	-224.68
		D+1LANE (caseMAX	S2	-10.18	0.00	87.45	-10.18	0.00	-3.66	8.94	0.00	-81.87	8.94	0.00	-4.91
			TQ	-11.86	0.00	97.90	-11.86	0.00	-8.30	4.46	0.00	-55.72	4.46	0.00	-17.31
			M3	-109.79	0.00	890.33	-25.71	0.00	56.94	-97.94	0.00	732.43	-3.00	0.00	48.84
		MIN	S2	-110.05	0.00	884.80	-110.05	0.00	-100.52	-98.43	0.00	728.63	-98.43	0.00	-118.57
			TQ	-11.86	0.00	97.90	-11.86	0.00	-8.30	4.46	0.00	-55.72	4.46	0.00	-17.31
			M3	-10.45	0.00	81.91	-101.65	0.00	-124.36	8.45	0.00	-85.72	-91.09	0.00	-137.33
		D+1LANE (caseMAX	S2	171.45	0.00	-947.04	171.45	0.00	587.99	183.82	0.00	-1052.86	183.82	0.00	529.31
			TQ	-11.86	0.00	97.90	-11.86	0.00	-8.30	4.46	0.00	-55.72	4.46	0.00	-17.31
			M3	-15.88	0.00	112.12	171.08	0.00	589.42	-5.00	0.00	-21.49	183.59	0.00	529.73
		MIN	S2	-16.20	0.00	111.64	-16.20	0.00	-33.42	-5.44	0.00	-22.74	-5.44	0.00	-69.59
			TQ	-11.86	0.00	97.90	-11.86	0.00	-8.30	4.46	0.00	-55.72	4.46	0.00	-17.31
			M3	171.30	0.00	-947.29	-15.80	0.00	-35.34	183.69	0.00	-1053.05	-5.09	0.00	-70.72

BAGO RIVER BRIDGE

BLOCK [ No.2 : CROSS BEAM ][ BEAM MEMBER FORCE ]

MEMBER			1003009			1003011									
NODE			3009			4009			3011			4011			
NAME TITLE			SHEAR	TORQUE	MOMENT	SHEAR	TORQUE	MOMENT	SHEAR	TORQUE	MOMENT	SHEAR	TORQUE	MOMENT	
			S2 (kN)	TQ (kN·m)	M3 (kN·m)	S2 (kN)	TQ (kN·m)	M3 (kN·m)	S2 (kN)	TQ (kN·m)	M3 (kN·m)	S2 (kN)	TQ (kN·m)	M3 (kN·m)	
124	SUM TOTAL	D+2LANES(casMAX	S2	-0.72	0.00	34.23	-0.72	0.00	27.81	30.59	0.00	-186.49	30.59	0.00	76.82
			TQ	-11.86	0.00	97.90	-11.86	0.00	-8.30	4.46	0.00	-55.72	4.46	0.00	-17.31
			M3	-70.06	0.00	284.78	-0.81	0.00	27.94	-45.08	0.00	96.14	30.48	0.00	84.45
		MIN	S2	-83.74	0.00	207.79	-83.74	0.00	-541.95	-57.97	0.00	2.62	-57.97	0.00	-496.34
			TQ	-11.86	0.00	97.90	-11.86	0.00	-8.30	4.46	0.00	-55.72	4.46	0.00	-17.31
			M3	-18.89	0.00	-88.90	-74.33	0.00	-591.27	12.57	0.00	-326.03	-47.16	0.00	-554.31
		D+2LANES(casMAX	S2	-3.68	0.00	46.52	-3.68	0.00	13.58	23.94	0.00	-154.91	23.94	0.00	51.19
			TQ	-11.86	0.00	97.90	-11.86	0.00	-8.30	4.46	0.00	-55.72	4.46	0.00	-17.31
			M3	-99.92	0.00	511.47	-3.79	0.00	13.70	-77.63	0.00	311.59	23.79	0.00	51.46
		MIN	S2	-103.45	0.00	494.61	-103.45	0.00	-431.56	-81.95	0.00	290.90	-81.95	0.00	-414.43
			TQ	-11.86	0.00	97.90	-11.86	0.00	-8.30	4.46	0.00	-55.72	4.46	0.00	-17.31
			M3	-5.23	0.00	44.52	-101.74	0.00	-441.47	21.65	0.00	-159.58	-80.24	0.00	-426.39
		D+2LANES(casMAX	S2	-4.96	0.00	102.96	-4.96	0.00	58.51	14.57	0.00	-75.51	14.57	0.00	49.93
			TQ	-11.86	0.00	97.90	-11.86	0.00	-8.30	4.46	0.00	-55.72	4.46	0.00	-17.31
			M3	-129.63	0.00	1144.45	-30.29	0.00	156.22	-119.91	0.00	985.48	-5.95	0.00	137.56
		MIN	S2	-131.66	0.00	1126.79	-131.66	0.00	-51.97	-121.67	0.00	971.76	-121.67	0.00	-75.48
			TQ	-11.86	0.00	97.90	-11.86	0.00	-8.30	4.46	0.00	-55.72	4.46	0.00	-17.31
			M3	-9.98	0.00	76.31	-91.19	0.00	-116.43	9.20	0.00	-95.39	-81.41	0.00	-134.97
		D+2LANES(casMAX	S2	221.85	0.00	-1165.01	221.85	0.00	821.24	228.86	0.00	-1235.72	228.86	0.00	734.13
			TQ	-11.86	0.00	97.90	-11.86	0.00	-8.30	4.46	0.00	-55.72	4.46	0.00	-17.31
			M3	-16.46	0.00	117.81	221.12	0.00	823.29	-8.06	0.00	-10.81	228.60	0.00	734.72
		MIN	S2	-17.81	0.00	115.06	-17.81	0.00	-44.44	-8.99	0.00	-13.52	-8.99	0.00	-90.92
			TQ	-11.86	0.00	97.90	-11.86	0.00	-8.30	4.46	0.00	-55.72	4.46	0.00	-17.31
			M3	221.38	0.00	-1166.28	-17.02	0.00	-47.10	228.35	0.00	-1237.00	-8.55	0.00	-92.57

BAGO RIVER BRIDGE

BLOCK [ No.2 : CROSS BEAM ][ BEAM MEMBER FORCE ]

MEMBER			1003009			4009			1003011			4011				
NODE			3009			3011			3011			4011				
NAME TITLE			SHEAR	TORQUE	MOMENT	SHEAR	TORQUE	MOMENT	SHEAR	TORQUE	MOMENT	SHEAR	TORQUE	MOMENT		
			S2 (kN)	TQ (kN·m)	M3 (kN·m)	S2 (kN)	TQ (kN·m)	M3 (kN·m)	S2 (kN)	TQ (kN·m)	M3 (kN·m)	S2 (kN)	TQ (kN·m)	M3 (kN·m)		
124	SUM TOTAL	D+3LANES (casMAX	S2	0.46	0.00	24.53	0.46	0.00	28.67	33.55	0.00	-203.99	33.55	0.00	84.79	
			TQ	-11.86	0.00	97.90	-11.86	0.00	-8.30	4.46	0.00	-55.72	4.46	0.00	-17.31	
			M3	-105.91	0.00	503.85	0.30	0.00	28.85	-81.25	0.00	302.73	33.33	0.00	91.51	
		MIN	S2	-117.57	0.00	438.21	-117.57	0.00	-614.44	-92.29	0.00	223.23	-92.29	0.00	-571.15	
			TQ	-11.86	0.00	97.90	-11.86	0.00	-8.30	4.46	0.00	-55.72	4.46	0.00	-17.31	
			M3	-14.99	0.00	-80.14	-109.50	0.00	-656.40	18.23	0.00	-322.60	-82.98	0.00	-620.65	
		D+3LANES (casMAX	S2	26.05	0.00	12.96	26.05	0.00	246.21	45.67	0.00	-168.42	45.67	0.00	224.70	
			TQ	-11.86	0.00	97.90	-11.86	0.00	-8.30	4.46	0.00	-55.72	4.46	0.00	-17.31	
			M3	-112.01	0.00	999.14	4.17	0.00	331.85	-102.80	0.00	845.97	28.04	0.00	300.59	
		MIN	S2	-115.51	0.00	977.89	-115.51	0.00	-56.27	-106.72	0.00	828.99	-106.72	0.00	-89.59	
			TQ	-11.86	0.00	97.90	-11.86	0.00	-8.30	4.46	0.00	-55.72	4.46	0.00	-17.31	
			M3	19.67	0.00	-20.87	-80.78	0.00	-113.59	39.59	0.00	-190.38	-72.24	0.00	-141.72	
		D+3LANES (casMAX	S2	204.00	0.00	-1008.46	204.00	0.00	818.01	209.15	0.00	-1083.70	209.15	0.00	716.50	
			TQ	-11.86	0.00	97.90	-11.86	0.00	-8.30	4.46	0.00	-55.72	4.46	0.00	-17.31	
			M3	-16.26	0.00	218.07	197.58	0.00	844.76	-13.26	0.00	124.59	201.87	0.00	743.67	
		MIN	S2	-19.50	0.00	138.91	-19.50	0.00	-35.67	-15.59	0.00	112.70	-15.59	0.00	-21.52	
			TQ	-11.86	0.00	97.90	-11.86	0.00	-8.30	4.46	0.00	-55.72	4.46	0.00	-17.31	
			M3	200.74	0.00	-1023.40	-16.70	0.00	-49.83	206.20	0.00	-1098.62	-8.47	0.00	-96.34	
		D+4LANES	MAX	S2	136.57	0.00	-641.73	136.57	0.00	581.02	149.16	0.00	-763.33	149.16	0.00	520.56
			TQ	-11.86	0.00	97.90	-11.86	0.00	-8.30	4.46	0.00	-55.72	4.46	0.00	-17.31	
			M3	-81.00	0.00	716.03	122.79	0.00	629.86	-73.38	0.00	578.87	136.15	0.00	564.99	
		MIN	S2	-82.99	0.00	702.33	-82.99	0.00	-40.70	-75.35	0.00	567.03	-75.35	0.00	-81.49	
			TQ	-11.86	0.00	97.90	-11.86	0.00	-8.30	4.46	0.00	-55.72	4.46	0.00	-17.31	
			M3	133.84	0.00	-667.82	-64.67	0.00	-97.07	146.45	0.00	-788.35	-55.28	0.00	-132.34	

BAGO RIVER BRIDGE

BLOCK [ No.2 : CROSS BEAM ][ BEAM MEMBER FORCE ]

MEMBER				1003009			4009			1003011			4011			
NODE				3009			3011			3011			4011			
NAME TITLE				SHEAR	TORQUE	MOMENT	SHEAR	TORQUE	MOMENT	SHEAR	TORQUE	MOMENT	SHEAR	TORQUE	MOMENT	
				S2 (kN)	TQ (kN·m)	M3 (kN·m)	S2 (kN)	TQ (kN·m)	M3 (kN·m)	S2 (kN)	TQ (kN·m)	M3 (kN·m)	S2 (kN)	TQ (kN·m)	M3 (kN·m)	
124	SUM TOTAL	D+6LANES	MAX	S2	128.63	0.00	-613.12	128.63	0.00	538.50	151.51	0.00	-783.16	151.51	0.00	520.89
				TQ	-11.86	0.00	97.90	-11.86	0.00	-8.30	4.46	0.00	-55.72	4.46	0.00	-17.31
				M3	-145.22	0.00	1001.24	115.84	0.00	580.99	-133.39	0.00	833.14	138.52	0.00	563.03
			MIN	S2	-154.33	0.00	957.40	-154.33	0.00	-424.34	-142.18	0.00	784.23	-142.18	0.00	-439.59
				TQ	-11.86	0.00	97.90	-11.86	0.00	-8.30	4.46	0.00	-55.72	4.46	0.00	-17.31
				M3	113.67	0.00	-709.89	-136.25	0.00	-497.64	135.99	0.00	-886.39	-125.59	0.00	-510.86
	SUM TOTAL		MAX		221.85	0.00	1144.45	221.85	0.00	844.76	228.86	0.00	985.48	228.86	0.00	743.67
			MIN		-154.33	0.00	-1166.28	-154.33	0.00	-656.40	-142.18	0.00	-1237.00	-142.18	0.00	-620.65
300	DEAD LOAD	TOTAL			-11.86	0.00	97.90	-11.86	0.00	-8.30	4.46	0.00	-55.72	4.46	0.00	-17.31
301	LIVE LOAD	1-LANE(case1MAX	S2		7.58	0.00	-41.92	7.58	0.00	25.93	17.69	0.00	-90.30	17.69	0.00	61.95
			TQ		0.00	0.00	0.00	0.00	0.00	0.00	0.00	0.00	0.00	0.00	0.00	0.00
			M3		-27.11	0.00	76.81	7.49	0.00	26.06	-22.49	0.00	65.28	17.56	0.00	71.11
			MIN	S2	-39.34	0.00	4.39	-39.34	0.00	-347.81	-32.90	0.00	-22.13	-32.90	0.00	-305.35
				TQ	0.00	0.00	0.00	0.00	0.00	0.00	0.00	0.00	0.00	0.00	0.00	0.00
				M3	-12.37	0.00	-187.29	-29.99	0.00	-395.15	-1.18	0.00	-252.15	-21.81	0.00	-360.88
		1-LANE(case2MAX	S2		4.02	0.00	-27.17	4.02	0.00	8.86	9.71	0.00	-52.41	9.71	0.00	31.19
			TQ		0.00	0.00	0.00	0.00	0.00	0.00	0.00	0.00	0.00	0.00	0.00	0.00
			M3		-62.94	0.00	348.85	3.91	0.00	8.96	-61.56	0.00	323.82	9.54	0.00	31.51
			MIN	S2	-62.99	0.00	348.57	-62.99	0.00	-215.35	-61.68	0.00	323.80	-61.68	0.00	-207.05
				TQ	0.00	0.00	0.00	0.00	0.00	0.00	0.00	0.00	0.00	0.00	0.00	0.00
				M3	4.02	0.00	-27.18	-62.88	0.00	-215.39	9.71	0.00	-52.41	-61.50	0.00	-207.37
		1-LANE(case3MAX	S2		1.69	0.00	-10.45	1.69	0.00	4.64	4.48	0.00	-26.16	4.48	0.00	12.39
			TQ		0.00	0.00	0.00	0.00	0.00	0.00	0.00	0.00	0.00	0.00	0.00	0.00
			M3		-97.92	0.00	792.42	-13.85	0.00	65.24	-102.40	0.00	788.15	-7.46	0.00	66.15
			MIN	S2	-98.19	0.00	786.90	-98.19	0.00	-92.23	-102.89	0.00	784.34	-102.89	0.00	-101.26
				TQ	0.00	0.00	0.00	0.00	0.00	0.00	0.00	0.00	0.00	0.00	0.00	0.00
				M3	1.41	0.00	-15.99	-89.79	0.00	-116.06	3.99	0.00	-30.00	-95.55	0.00	-120.02

BAGO RIVER BRIDGE

BLOCK [ No.2 : CROSS BEAM ][ BEAM MEMBER FORCE ]

MEMBER			1003009						1003011						
NODE			3009			4009			3011			4011			
NAME TITLE			SHEAR	TORQUE	MOMENT	SHEAR	TORQUE	MOMENT	SHEAR	TORQUE	MOMENT	SHEAR	TORQUE	MOMENT	
			S2 (kN)	TQ (kN·m)	M3 (kN·m)	S2 (kN)	TQ (kN·m)	M3 (kN·m)	S2 (kN)	TQ (kN·m)	M3 (kN·m)	S2 (kN)	TQ (kN·m)	M3 (kN·m)	
301	LIVE LOAD	1-LANE (case4MAX	S2	183.31	0.00	-1044.94	183.31	0.00	596.29	179.36	0.00	-997.14	179.36	0.00	546.62
			TQ	0.00	0.00	0.00	0.00	0.00	0.00	0.00	0.00	0.00	0.00	0.00	0.00
			M3	-4.02	0.00	14.22	182.94	0.00	597.72	-9.46	0.00	34.23	179.13	0.00	547.03
		MIN	S2	-4.34	0.00	13.74	-4.34	0.00	-25.13	-9.91	0.00	32.98	-9.91	0.00	-52.29
			TQ	0.00	0.00	0.00	0.00	0.00	0.00	0.00	0.00	0.00	0.00	0.00	0.00
			M3	183.16	0.00	-1045.19	-3.94	0.00	-27.04	179.23	0.00	-997.34	-9.56	0.00	-53.42
		2-LANES (caseMAX	S2	11.14	0.00	-63.67	11.14	0.00	36.10	26.13	0.00	-130.77	26.13	0.00	94.13
			TQ	0.00	0.00	0.00	0.00	0.00	0.00	0.00	0.00	0.00	0.00	0.00	0.00
			M3	-58.20	0.00	186.88	11.05	0.00	36.24	-49.54	0.00	151.86	26.01	0.00	101.76
		MIN	S2	-71.88	0.00	109.89	-71.88	0.00	-533.65	-62.43	0.00	58.34	-62.43	0.00	-479.04
			TQ	0.00	0.00	0.00	0.00	0.00	0.00	0.00	0.00	0.00	0.00	0.00	0.00
			M3	-7.03	0.00	-186.80	-62.47	0.00	-582.97	8.11	0.00	-270.31	-51.62	0.00	-537.00
		2-LANES (caseMAX	S2	8.18	0.00	-51.38	8.18	0.00	21.88	19.48	0.00	-99.19	19.48	0.00	68.49
			TQ	0.00	0.00	0.00	0.00	0.00	0.00	0.00	0.00	0.00	0.00	0.00	0.00
			M3	-88.06	0.00	413.57	8.07	0.00	21.99	-82.10	0.00	367.31	19.33	0.00	68.77
		MIN	S2	-91.59	0.00	396.71	-91.59	0.00	-423.27	-86.41	0.00	346.62	-86.41	0.00	-397.12
			TQ	0.00	0.00	0.00	0.00	0.00	0.00	0.00	0.00	0.00	0.00	0.00	0.00
			M3	6.63	0.00	-53.38	-89.88	0.00	-433.18	17.19	0.00	-103.86	-84.70	0.00	-409.09
		2-LANES (caseMAX	S2	6.90	0.00	5.06	6.90	0.00	66.81	10.11	0.00	-19.80	10.11	0.00	67.24
			TQ	0.00	0.00	0.00	0.00	0.00	0.00	0.00	0.00	0.00	0.00	0.00	0.00
			M3	-117.77	0.00	1046.55	-18.43	0.00	164.51	-124.37	0.00	1041.19	-10.41	0.00	154.87
		MIN	S2	-119.80	0.00	1028.89	-119.80	0.00	-43.67	-126.13	0.00	1027.48	-126.13	0.00	-58.17
			TQ	0.00	0.00	0.00	0.00	0.00	0.00	0.00	0.00	0.00	0.00	0.00	0.00
			M3	1.88	0.00	-21.59	-79.33	0.00	-108.14	4.74	0.00	-39.67	-85.87	0.00	-117.66

BAGO RIVER BRIDGE

BLOCK [ No.2 : CROSS BEAM ][ BEAM MEMBER FORCE ]

MEMBER			1003009						1003011						
NODE			3009			4009			3011			4011			
NAME TITLE			SHEAR	TORQUE	MOMENT	SHEAR	TORQUE	MOMENT	SHEAR	TORQUE	MOMENT	SHEAR	TORQUE	MOMENT	
			S2 (kN)	TQ (kN·m)	M3 (kN·m)	S2 (kN)	TQ (kN·m)	M3 (kN·m)	S2 (kN)	TQ (kN·m)	M3 (kN·m)	S2 (kN)	TQ (kN·m)	M3 (kN·m)	
301	LIVE LOAD	2-LANES (caseMAX	S2	233.71	0.00	-1262.91	233.71	0.00	829.54	224.40	0.00	-1180.00	224.40	0.00	751.44
			TQ	0.00	0.00	0.00	0.00	0.00	0.00	0.00	0.00	0.00	0.00	0.00	0.00
			M3	-4.60	0.00	19.91	232.98	0.00	831.58	-12.53	0.00	44.91	224.14	0.00	752.03
		MIN	S2	-5.95	0.00	17.16	-5.95	0.00	-36.14	-13.46	0.00	42.20	-13.46	0.00	-73.61
			TQ	0.00	0.00	0.00	0.00	0.00	0.00	0.00	0.00	0.00	0.00	0.00	0.00
			M3	233.24	0.00	-1264.18	-5.16	0.00	-38.80	223.89	0.00	-1181.28	-13.02	0.00	-75.26
		3-LANES (caseMAX	S2	12.32	0.00	-73.37	12.32	0.00	36.96	29.09	0.00	-148.27	29.09	0.00	102.10
			TQ	0.00	0.00	0.00	0.00	0.00	0.00	0.00	0.00	0.00	0.00	0.00	0.00
			M3	-94.05	0.00	405.95	12.16	0.00	37.15	-85.71	0.00	358.45	28.87	0.00	108.82
		MIN	S2	-105.71	0.00	340.31	-105.71	0.00	-606.14	-96.75	0.00	278.95	-96.75	0.00	-553.84
			TQ	0.00	0.00	0.00	0.00	0.00	0.00	0.00	0.00	0.00	0.00	0.00	0.00
			M3	-3.13	0.00	-178.04	-97.64	0.00	-648.10	13.77	0.00	-266.89	-87.45	0.00	-603.34
		3-LANES (caseMAX	S2	37.91	0.00	-84.94	37.91	0.00	254.50	41.21	0.00	-112.70	41.21	0.00	242.00
			TQ	0.00	0.00	0.00	0.00	0.00	0.00	0.00	0.00	0.00	0.00	0.00	0.00
			M3	-100.15	0.00	901.24	16.04	0.00	340.15	-107.26	0.00	901.68	23.57	0.00	317.90
		MIN	S2	-103.65	0.00	879.99	-103.65	0.00	-47.98	-111.18	0.00	884.70	-111.18	0.00	-72.28
			TQ	0.00	0.00	0.00	0.00	0.00	0.00	0.00	0.00	0.00	0.00	0.00	0.00
			M3	31.53	0.00	-118.77	-68.92	0.00	-105.29	35.13	0.00	-134.66	-76.71	0.00	-124.41
		3-LANES (caseMAX	S2	215.87	0.00	-1106.36	215.87	0.00	826.31	204.69	0.00	-1027.98	204.69	0.00	733.81
			TQ	0.00	0.00	0.00	0.00	0.00	0.00	0.00	0.00	0.00	0.00	0.00	0.00
			M3	-4.40	0.00	120.17	209.44	0.00	853.06	-17.72	0.00	180.31	197.41	0.00	760.98
		MIN	S2	-7.64	0.00	41.00	-7.64	0.00	-27.38	-20.06	0.00	168.41	-20.06	0.00	-4.21
			TQ	0.00	0.00	0.00	0.00	0.00	0.00	0.00	0.00	0.00	0.00	0.00	0.00
			M3	212.60	0.00	-1121.30	-4.84	0.00	-41.53	201.73	0.00	-1042.90	-12.93	0.00	-79.04

BAGO RIVER BRIDGE

BLOCK [ No.2 : CROSS BEAM ][ BEAM MEMBER FORCE ]

MEMBER				1003009			1003011			1003011							
NODE				3009			4009			3011			4011				
NAME TITLE				SHEAR	TORQUE	MOMENT	SHEAR	TORQUE	MOMENT	SHEAR	TORQUE	MOMENT	SHEAR	TORQUE	MOMENT		
				S2 (kN)	TQ (kN·m)	M3 (kN·m)	S2 (kN)	TQ (kN·m)	M3 (kN·m)	S2 (kN)	TQ (kN·m)	M3 (kN·m)	S2 (kN)	TQ (kN·m)	M3 (kN·m)		
301	LIVE LOAD	4-LANES	MAX	S2	148.43	0.00	-739.63	148.43	0.00	589.32	144.70	0.00	-707.62	144.70	0.00	537.87	
				TQ	0.00	0.00	0.00	0.00	0.00	0.00	0.00	0.00	0.00	0.00	0.00	0.00	0.00
				M3	-69.13	0.00	618.13	134.65	0.00	638.15	-77.84	0.00	634.59	131.69	0.00	582.29	
		MIN	S2	-71.13	0.00	604.43	-71.13	0.00	-32.41	-79.81	0.00	622.75	-79.81	0.00	-64.18		
			TQ	0.00	0.00	0.00	0.00	0.00	0.00	0.00	0.00	0.00	0.00	0.00	0.00	0.00	
			M3	145.70	0.00	-765.72	-52.81	0.00	-88.78	141.98	0.00	-732.63	-59.74	0.00	-115.03		
	6-LANES	MAX	S2	140.49	0.00	-711.02	140.49	0.00	546.79	147.04	0.00	-727.44	147.04	0.00	538.19		
			TQ	0.00	0.00	0.00	0.00	0.00	0.00	0.00	0.00	0.00	0.00	0.00	0.00		
			M3	-133.36	0.00	903.34	127.70	0.00	589.28	-137.85	0.00	888.86	134.06	0.00	580.34		
		MIN	S2	-142.47	0.00	859.50	-142.47	0.00	-416.04	-146.65	0.00	839.95	-146.65	0.00	-422.28		
			TQ	0.00	0.00	0.00	0.00	0.00	0.00	0.00	0.00	0.00	0.00	0.00	0.00		
			M3	125.53	0.00	-807.79	-124.39	0.00	-489.34	131.52	0.00	-830.68	-130.05	0.00	-493.55		
LIVE LOAD	MAX		233.71	0.00	1046.55	233.71	0.00	853.06	224.40	0.00	1041.19	224.40	0.00	760.98			
	MIN		-142.47	0.00	-1264.18	-142.47	0.00	-648.10	-146.65	0.00	-1181.28	-146.65	0.00	-603.34			
303	SUM TOTAL	TOTAL	MAX		221.85	0.00	1144.45	221.85	0.00	844.76	228.86	0.00	985.48	228.86	0.00	743.67	
			MIN		-154.33	0.00	-1166.28	-154.33	0.00	-656.40	-142.18	0.00	-1237.00	-142.18	0.00	-620.65	



BAGO RIVER BRIDGE

BLOCK [ No.2 : CROSS BEAM ][ BEAM MEMBER FORCE ]

MEMBER NODE	1003013 3013	4013			1003015 3015			4015							
		SHEAR S2 (kN)	TORQUE TQ (kN·m)	MOMENT M3 (kN·m)	SHEAR S2 (kN)	TORQUE TQ (kN·m)	MOMENT M3 (kN·m)	SHEAR S2 (kN)	TORQUE TQ (kN·m)	MOMENT M3 (kN·m)					
1 PAVEMENT	16.14	0.00	-90.72	16.14	0.00	43.30	-4.51	0.00	-6.68	-4.51	0.00	-42.95			
3 RAILING	3.53	0.00	-26.57	3.53	0.00	2.74	1.41	0.00	-12.45	1.41	0.00	-1.07			
5 CURB	34.93	0.00	-263.02	34.93	0.00	27.08	14.01	0.00	-123.29	14.01	0.00	-10.57			
7 DECK WEIGHT	26.77	0.00	-157.16	26.77	0.00	65.22	-3.43	0.00	-28.43	-3.43	0.00	-56.01			
8 GIRDER WEIGH	12.35	0.00	-68.24	12.35	0.00	34.35	10.83	0.00	-61.51	10.83	0.00	25.70			
10 MEDIAN STRIP	-20.81	0.00	162.22	-20.81	0.00	-10.65	-4.85	0.00	61.35	-4.85	0.00	22.35			
21 ADITIONAL WE	7.50	0.00	-44.01	7.50	0.00	18.26	-0.96	0.00	-7.96	-0.96	0.00	-15.68			
31 MEDIAN RAILI	-1.70	0.00	13.16	-1.70	0.00	-0.94	-0.46	0.00	5.29	-0.46	0.00	1.59			
51 SUPPORT WEIG	-0.00	0.00	0.00	-0.00	0.00	-0.00	-0.00	0.00	0.00	-0.00	0.00	-0.00			
52 NOSE WEIGHT	0.01	0.00	0.01	0.01	0.00	0.10	0.02	0.00	-0.06	0.02	0.00	0.10			
61 1-LANE(case1TRUCK-LOAD	MAX	S2	9.93	0.00	-32.85	9.93	0.00	49.59	18.16	0.00	-48.18	18.16	0.00	97.99	
		TQ	0.00	0.00	0.00	0.00	0.00	0.00	0.00	0.00	0.00	0.00	0.00	0.00	
		M3	-2.27	0.00	2.87	9.82	0.00	49.79	2.31	0.00	16.94	18.09	0.00	98.35	
	MIN	S2	-4.25	0.00	-9.32	-4.25	0.00	-44.64	-0.94	0.00	1.18	-0.94	0.00	-6.38	
		TQ	0.00	0.00	0.00	0.00	0.00	0.00	0.00	0.00	0.00	0.00	0.00	0.00	
		M3	8.38	0.00	-158.20	6.82	0.00	-94.08	13.76	0.00	-142.85	11.73	0.00	-36.05	
	TANDEM-LOAD	MAX	S2	6.78	0.00	-22.71	6.78	0.00	33.61	12.40	0.00	-32.43	12.40	0.00	67.35
		TQ	0.00	0.00	0.00	0.00	0.00	0.00	0.00	0.00	0.00	0.00	0.00	0.00	
		M3	-1.25	0.00	2.28	6.69	0.00	33.99	0.61	0.00	15.37	12.40	0.00	67.35	
	MIN	S2	-3.18	0.00	-6.64	-3.18	0.00	-33.03	-0.65	0.00	0.88	-0.65	0.00	-4.35	
		TQ	0.00	0.00	0.00	0.00	0.00	0.00	0.00	0.00	0.00	0.00	0.00	0.00	
		M3	6.19	0.00	-113.07	4.33	0.00	-64.75	9.67	0.00	-101.18	7.48	0.00	-25.51	
DISPERSION-LMAX	S2	14.42	0.00	-108.59	14.42	0.00	11.15	29.94	0.00	-133.71	29.94	0.00	107.27		
	TQ	0.00	0.00	0.00	0.00	0.00	0.00	0.00	0.00	0.00	0.00	0.00	0.00		
	M3	-1.21	0.00	4.15	11.07	0.00	58.36	0.18	0.00	4.55	23.18	0.00	126.56		
MIN	S2	-2.56	0.00	-8.60	-2.56	0.00	-29.83	-0.79	0.00	-0.21	-0.79	0.00	-6.57		
	TQ	0.00	0.00	0.00	0.00	0.00	0.00	0.00	0.00	0.00	0.00	0.00	0.00		
	M3	13.07	0.00	-121.34	0.79	0.00	-77.05	28.97	0.00	-138.47	5.97	0.00	-25.85		

BAGO RIVER BRIDGE

BLOCK [ No.2 : CROSS BEAM ][ BEAM MEMBER FORCE ]

MEMBER				1003013						1003015						
NODE				3013			4013			3015			4015			
				SHEAR	TORQUE	MOMENT	SHEAR	TORQUE	MOMENT	SHEAR	TORQUE	MOMENT	SHEAR	TORQUE	MOMENT	
NAME	TITLE			S2 (kN)	TQ (kN·m)	M3 (kN·m)	S2 (kN)	TQ (kN·m)	M3 (kN·m)	S2 (kN)	TQ (kN·m)	M3 (kN·m)	S2 (kN)	TQ (kN·m)	M3 (kN·m)	
62	1-LANE (case2TRUCK-LOAD	MAX	S2	3.97	0.00	-17.52	3.97	0.00	15.45	8.96	0.00	-32.58	8.96	0.00	39.51	
			TQ	0.00	0.00	0.00	0.00	0.00	0.00	0.00	0.00	0.00	0.00	0.00	0.00	0.00
			M3	-21.08	0.00	103.38	3.91	0.00	16.49	-10.14	0.00	51.26	8.74	0.00	40.42	
		MIN	S2	-21.49	0.00	102.86	-21.49	0.00	-75.60	-11.33	0.00	44.65	-11.33	0.00	-46.56	
			TQ	0.00	0.00	0.00	0.00	0.00	0.00	0.00	0.00	0.00	0.00	0.00	0.00	
			M3	3.88	0.00	-17.67	-21.49	0.00	-75.60	8.93	0.00	-32.72	-10.87	0.00	-47.95	
		TANDEM-LOAD MAX	S2	2.72	0.00	-11.79	2.72	0.00	10.80	6.23	0.00	-22.50	6.23	0.00	27.64	
			TQ	0.00	0.00	0.00	0.00	0.00	0.00	0.00	0.00	0.00	0.00	0.00	0.00	
			M3	-14.35	0.00	71.28	2.64	0.00	11.31	-6.76	0.00	36.66	6.17	0.00	27.89	
		MIN	S2	-14.94	0.00	69.60	-14.94	0.00	-54.45	-8.05	0.00	32.97	-8.05	0.00	-31.80	
			TQ	0.00	0.00	0.00	0.00	0.00	0.00	0.00	0.00	0.00	0.00	0.00	0.00	
			M3	2.66	0.00	-12.31	-14.94	0.00	-54.45	5.99	0.00	-22.75	-7.45	0.00	-35.10	
		DISPERSION-LMAX	S2	5.27	0.00	-17.99	5.27	0.00	25.79	11.74	0.00	-37.05	11.74	0.00	57.45	
			TQ	0.00	0.00	0.00	0.00	0.00	0.00	0.00	0.00	0.00	0.00	0.00	0.00	
			M3	-13.20	0.00	72.64	4.92	0.00	26.96	-4.50	0.00	26.13	11.43	0.00	58.55	
MIN	S2	-13.34	0.00	71.95	-13.34	0.00	-38.86	-5.07	0.00	23.64	-5.07	0.00	-17.19			
	TQ	0.00	0.00	0.00	0.00	0.00	0.00	0.00	0.00	0.00	0.00	0.00	0.00			
	M3	5.13	0.00	-18.68	-12.99	0.00	-40.03	11.17	0.00	-39.54	-4.77	0.00	-18.29			
63	1-LANE (case3TRUCK-LOAD	MAX	S2	3.32	0.00	0.77	3.32	0.00	28.34	8.88	0.00	-55.59	8.88	0.00	15.91	
			TQ	0.00	0.00	0.00	0.00	0.00	0.00	0.00	0.00	0.00	0.00	0.00		
			M3	-54.22	0.00	387.48	-2.20	0.00	39.41	-45.39	0.00	299.11	-2.24	0.00	30.18	
		MIN	S2	-54.22	0.00	387.48	-54.22	0.00	-62.84	-45.39	0.00	299.11	-45.39	0.00	-66.21	
			TQ	0.00	0.00	0.00	0.00	0.00	0.00	0.00	0.00	0.00	0.00	0.00	0.00	
			M3	0.85	0.00	-13.41	-53.75	0.00	-65.11	8.88	0.00	-55.59	-41.15	0.00	-66.49	

BAGO RIVER BRIDGE

BLOCK [ No.2 : CROSS BEAM ][ BEAM MEMBER FORCE ]

MEMBER		1003013						1003015							
NODE		3013			4013			3015			4015				
		SHEAR	TORQUE	MOMENT	SHEAR	TORQUE	MOMENT	SHEAR	TORQUE	MOMENT	SHEAR	TORQUE	MOMENT		
NAME	TITLE	S2 (kN)	TQ (kN·m)	M3 (kN·m)	S2 (kN)	TQ (kN·m)	M3 (kN·m)	S2 (kN)	TQ (kN·m)	M3 (kN·m)	S2 (kN)	TQ (kN·m)	M3 (kN·m)		
63	1-LANE (case3TANDEM-LOAD	MAX	S2	2.35	0.00	-1.47	2.35	0.00	18.04	7.03	0.00	-43.64	7.03	0.00	12.93
			TQ	0.00	0.00	0.00	0.00	0.00	0.00	0.00	0.00	0.00	0.00	0.00	0.00
			M3	-40.25	0.00	283.03	-0.32	0.00	27.48	-33.85	0.00	219.22	-3.08	0.00	20.93
		MIN	S2	-40.25	0.00	283.03	-40.25	0.00	-51.24	-33.85	0.00	219.22	-33.85	0.00	-53.22
			TQ	0.00	0.00	0.00	0.00	0.00	0.00	0.00	0.00	0.00	0.00	0.00	0.00
			M3	0.81	0.00	-10.53	-40.12	0.00	-51.88	7.03	0.00	-43.64	-32.67	0.00	-53.30
	DISPERSION-LMAX	S2	3.00	0.00	-6.86	3.00	0.00	18.07	6.66	0.00	-29.20	6.66	0.00	24.43	
		TQ	0.00	0.00	0.00	0.00	0.00	0.00	0.00	0.00	0.00	0.00	0.00	0.00	
		M3	-25.64	0.00	198.91	-1.19	0.00	27.90	-21.21	0.00	141.84	4.71	0.00	30.42	
		MIN	S2	-26.19	0.00	195.24	-26.19	0.00	-22.30	-21.60	0.00	139.32	-21.60	0.00	-34.49
			TQ	0.00	0.00	0.00	0.00	0.00	0.00	0.00	0.00	0.00	0.00	0.00	0.00
			M3	2.45	0.00	-10.53	-22.00	0.00	-32.12	6.28	0.00	-31.72	-19.64	0.00	-40.49
64	1-LANE (case4TRUCK-LOAD	MAX	S2	92.04	0.00	-505.89	92.04	0.00	258.58	68.11	0.00	-365.07	68.11	0.00	183.10
			TQ	0.00	0.00	0.00	0.00	0.00	0.00	0.00	0.00	0.00	0.00	0.00	0.00
			M3	-13.29	0.00	53.88	90.77	0.00	258.96	-34.12	0.00	131.50	68.11	0.00	183.10
		MIN	S2	-13.89	0.00	52.43	-13.89	0.00	-62.95	-34.29	0.00	125.37	-34.29	0.00	-150.59
			TQ	0.00	0.00	0.00	0.00	0.00	0.00	0.00	0.00	0.00	0.00	0.00	0.00
			M3	92.04	0.00	-505.89	-13.64	0.00	-64.12	67.70	0.00	-367.06	-33.93	0.00	-151.97
	TANDEM-LOAD	MAX	S2	66.76	0.00	-364.23	66.76	0.00	190.23	50.04	0.00	-264.82	50.04	0.00	137.96
			TQ	0.00	0.00	0.00	0.00	0.00	0.00	0.00	0.00	0.00	0.00	0.00	0.00
			M3	-9.27	0.00	36.92	66.40	0.00	190.34	-22.77	0.00	91.11	50.04	0.00	137.96
		MIN	S2	-9.46	0.00	35.17	-9.46	0.00	-43.39	-23.59	0.00	86.98	-23.59	0.00	-102.92
			TQ	0.00	0.00	0.00	0.00	0.00	0.00	0.00	0.00	0.00	0.00	0.00	0.00
			M3	66.76	0.00	-364.23	-9.42	0.00	-43.70	50.04	0.00	-264.82	-22.84	0.00	-103.49

BAGO RIVER BRIDGE

BLOCK [ No.2 : CROSS BEAM ][ BEAM MEMBER FORCE ]

MEMBER NODE	1003013 3013	4013			1003015 3015			4015							
		SHEAR	TORQUE	MOMENT	SHEAR	TORQUE	MOMENT	SHEAR	TORQUE	MOMENT	SHEAR	TORQUE	MOMENT		
		S2 (kN)	TQ (kN·m)	M3 (kN·m)	S2 (kN)	TQ (kN·m)	M3 (kN·m)	S2 (kN)	TQ (kN·m)	M3 (kN·m)	S2 (kN)	TQ (kN·m)	M3 (kN·m)		
64	1-LANE (case4DISPERSION-LMAX	S2	52.69	0.00	-302.28	52.69	0.00	135.33	32.62	0.00	-178.48	32.62	0.00	84.07	
		TQ	0.00	0.00	0.00	0.00	0.00	0.00	0.00	0.00	0.00	0.00	0.00	0.00	
		M3	-15.10	0.00	55.67	51.66	0.00	138.78	-42.48	0.00	143.90	31.56	0.00	87.88	
	MIN	S2	-15.49	0.00	53.40	-15.49	0.00	-75.28	-42.91	0.00	142.09	-42.91	0.00	-203.25	
		TQ	0.00	0.00	0.00	0.00	0.00	0.00	0.00	0.00	0.00	0.00	0.00	0.00	
		M3	52.30	0.00	-304.55	-14.47	0.00	-78.73	32.19	0.00	-180.29	-41.85	0.00	-207.05	
65	2-LANES (caseTRUCK-LOAD	MAX	S2	16.78	0.00	-56.59	16.78	0.00	82.80	30.72	0.00	-81.10	30.72	0.00	166.15
		TQ	0.00	0.00	0.00	0.00	0.00	0.00	0.00	0.00	0.00	0.00	0.00	0.00	
		M3	-8.13	0.00	17.44	16.68	0.00	82.99	4.37	0.00	17.59	30.65	0.00	166.51	
	MIN	S2	-12.24	0.00	-4.09	-12.24	0.00	-105.77	-1.29	0.00	1.03	-1.29	0.00	-9.35	
		TQ	0.00	0.00	0.00	0.00	0.00	0.00	0.00	0.00	0.00	0.00	0.00	0.00	
		M3	3.40	0.00	-198.79	1.35	0.00	-178.04	16.94	0.00	-206.16	14.57	0.00	-75.12	
	TANDEM-LOAD	MAX	S2	11.47	0.00	-38.93	11.47	0.00	56.31	20.98	0.00	-55.06	20.98	0.00	113.82
		TQ	0.00	0.00	0.00	0.00	0.00	0.00	0.00	0.00	0.00	0.00	0.00	0.00	
		M3	-6.10	0.00	12.78	11.37	0.00	56.69	2.18	0.00	17.61	20.98	0.00	113.82	
	MIN	S2	-8.92	0.00	-3.43	-8.92	0.00	-77.52	-0.90	0.00	0.86	-0.90	0.00	-6.37	
		TQ	0.00	0.00	0.00	0.00	0.00	0.00	0.00	0.00	0.00	0.00	0.00	0.00	
		M3	3.07	0.00	-144.63	1.07	0.00	-122.84	12.26	0.00	-148.02	9.29	0.00	-53.12	
	DISPERSION-LMAX	S2	22.55	0.00	-137.47	22.55	0.00	49.82	48.91	0.00	-208.62	48.91	0.00	185.01	
		TQ	0.00	0.00	0.00	0.00	0.00	0.00	0.00	0.00	0.00	0.00	0.00	0.00	
		M3	-5.13	0.00	14.54	19.16	0.00	99.56	0.24	0.00	5.28	40.47	0.00	217.99	
	MIN	S2	-8.67	0.00	-12.84	-8.67	0.00	-84.81	-1.25	0.00	-3.18	-1.25	0.00	-13.21	
		TQ	0.00	0.00	0.00	0.00	0.00	0.00	0.00	0.00	0.00	0.00	0.00	0.00	
		M3	19.02	0.00	-164.85	-5.27	0.00	-134.56	47.42	0.00	-217.08	7.19	0.00	-46.20	

BAGO RIVER BRIDGE

BLOCK [ No.2 : CROSS BEAM ][ BEAM MEMBER FORCE ]

MEMBER				1003013						1003015						
NODE				3013			4013			3015			4015			
				SHEAR	TORQUE	MOMENT	SHEAR	TORQUE	MOMENT	SHEAR	TORQUE	MOMENT	SHEAR	TORQUE	MOMENT	
NAME	TITLE			S2 (kN)	TQ (kN·m)	M3 (kN·m)	S2 (kN)	TQ (kN·m)	M3 (kN·m)	S2 (kN)	TQ (kN·m)	M3 (kN·m)	S2 (kN)	TQ (kN·m)	M3 (kN·m)	
66	2-LANES (caseTRUCK-LOAD	MAX	S2	10.83	0.00	-41.26	10.83	0.00	48.65	21.52	0.00	-65.50	21.52	0.00	107.67	
			TQ	0.00	0.00	0.00	0.00	0.00	0.00	0.00	0.00	0.00	0.00	0.00	0.00	0.00
			M3	-26.94	0.00	117.95	10.77	0.00	49.70	-8.09	0.00	51.91	21.30	0.00	108.58	
		MIN	S2	-29.48	0.00	108.08	-29.48	0.00	-136.74	-11.68	0.00	44.49	-11.68	0.00	-49.53	
			TQ	0.00	0.00	0.00	0.00	0.00	0.00	0.00	0.00	0.00	0.00	0.00	0.00	0.00
			M3	-1.09	0.00	-58.26	-26.95	0.00	-159.56	12.10	0.00	-96.03	-8.02	0.00	-87.02	
		TANDEM-LOAD MAX	S2	7.40	0.00	-28.01	7.40	0.00	33.49	14.81	0.00	-45.13	14.81	0.00	74.11	
			TQ	0.00	0.00	0.00	0.00	0.00	0.00	0.00	0.00	0.00	0.00	0.00	0.00	0.00
			M3	-19.20	0.00	81.77	7.33	0.00	34.01	-5.19	0.00	38.90	14.75	0.00	74.36	
		MIN	S2	-20.68	0.00	72.81	-20.68	0.00	-98.94	-8.29	0.00	32.95	-8.29	0.00	-33.81	
			TQ	0.00	0.00	0.00	0.00	0.00	0.00	0.00	0.00	0.00	0.00	0.00	0.00	0.00
			M3	-0.47	0.00	-43.87	-18.20	0.00	-112.54	8.58	0.00	-69.58	-5.65	0.00	-62.70	
		DISPERSION-LMAX	S2	13.40	0.00	-46.87	13.40	0.00	64.46	30.71	0.00	-111.96	30.71	0.00	135.19	
			TQ	0.00	0.00	0.00	0.00	0.00	0.00	0.00	0.00	0.00	0.00	0.00	0.00	0.00
			M3	-17.12	0.00	83.03	13.01	0.00	68.16	-4.45	0.00	26.86	28.73	0.00	149.99	
MIN	S2	-19.45	0.00	67.71	-19.45	0.00	-93.84	-5.53	0.00	20.68	-5.53	0.00	-23.84			
	TQ	0.00	0.00	0.00	0.00	0.00	0.00	0.00	0.00	0.00	0.00	0.00	0.00	0.00		
	M3	11.08	0.00	-62.19	-19.06	0.00	-97.54	29.63	0.00	-118.14	-3.55	0.00	-38.64			
67	2-LANES (caseTRUCK-LOAD	MAX	S2	7.89	0.00	-2.49	7.89	0.00	63.05	11.33	0.00	-65.37	11.33	0.00	25.85	
			TQ	0.00	0.00	0.00	0.00	0.00	0.00	0.00	0.00	0.00	0.00	0.00	0.00	
			M3	-79.27	0.00	609.04	-3.23	0.00	87.99	-68.68	0.00	477.24	-5.80	0.00	56.21	
		MIN	S2	-79.27	0.00	609.04	-79.27	0.00	-49.33	-68.68	0.00	477.24	-68.68	0.00	-75.57	
			TQ	0.00	0.00	0.00	0.00	0.00	0.00	0.00	0.00	0.00	0.00	0.00	0.00	0.00
			M3	4.29	0.00	-24.84	-59.01	0.00	-91.91	9.18	0.00	-72.32	-53.31	0.00	-123.13	

BAGO RIVER BRIDGE

BLOCK [ No.2 : CROSS BEAM ][ BEAM MEMBER FORCE ]

MEMBER		1003013						1003015									
NODE		3013			4013			3015			4015						
		SHEAR	TORQUE	MOMENT	SHEAR	TORQUE	MOMENT	SHEAR	TORQUE	MOMENT	SHEAR	TORQUE	MOMENT				
NAME	TITLE	S2 (kN)	TQ (kN·m)	M3 (kN·m)	S2 (kN)	TQ (kN·m)	M3 (kN·m)	S2 (kN)	TQ (kN·m)	M3 (kN·m)	S2 (kN)	TQ (kN·m)	M3 (kN·m)				
67	2-LANES (caseTANDEM-LOAD	MAX	S2	5.51	0.00	-6.55	5.51	0.00	39.25	8.69	0.00	-50.30	8.69	0.00	19.66		
			TQ	0.00	0.00	0.00	0.00	0.00	0.00	0.00	0.00	0.00	0.00	0.00	0.00	0.00	
			M3	-59.29	0.00	446.53	0.39	0.00	61.85	-51.44	0.00	350.71	-4.22	0.00	0.00	40.05	
		MIN	S2	-59.29	0.00	446.53	-59.29	0.00	-45.94	-51.44	0.00	350.71	-51.44	0.00	0.00	-63.35	
			TQ	0.00	0.00	0.00	0.00	0.00	0.00	0.00	0.00	0.00	0.00	0.00	0.00	0.00	
			M3	3.27	0.00	-18.63	-43.73	0.00	-70.14	8.37	0.00	-61.23	-40.99	0.00	0.00	-91.81	
		DISPERSION-LMAX	S2	7.15	0.00	-13.18	7.15	0.00	46.20	11.47	0.00	-47.45	11.47	0.00	0.00	44.85	
			TQ	0.00	0.00	0.00	0.00	0.00	0.00	0.00	0.00	0.00	0.00	0.00	0.00	0.00	
			M3	-40.62	0.00	319.21	-2.84	0.00	72.56	-42.75	0.00	257.78	6.63	0.00	0.00	58.80	
		MIN	S2	-41.96	0.00	310.10	-41.96	0.00	-38.37	-43.48	0.00	252.14	-43.48	0.00	0.00	-97.82	
			TQ	0.00	0.00	0.00	0.00	0.00	0.00	0.00	0.00	0.00	0.00	0.00	0.00	0.00	
			M3	5.82	0.00	-22.29	-31.97	0.00	-64.73	10.74	0.00	-53.09	-38.64	0.00	0.00	-111.77	
		68	2-LANES (caseTRUCK-LOAD	MAX	S2	135.10	0.00	-707.49	135.10	0.00	414.59	96.68	0.00	-496.86	96.68	0.00	281.29
					TQ	0.00	0.00	0.00	0.00	0.00	0.00	0.00	0.00	0.00	0.00	0.00	0.00
					M3	-22.90	0.00	88.47	133.83	0.00	414.97	-56.54	0.00	208.89	96.55	0.00	0.00
MIN	S2			-23.59	0.00	86.59	-23.59	0.00	-109.34	-56.75	0.00	202.70	-56.75	0.00	0.00	-254.07	
	TQ			0.00	0.00	0.00	0.00	0.00	0.00	0.00	0.00	0.00	0.00	0.00	0.00		
	M3			135.10	0.00	-707.49	-23.30	0.00	-110.58	96.27	0.00	-498.86	-56.40	0.00	0.00	-256.52	
TANDEM-LOAD	MAX			S2	97.48	0.00	-506.86	97.48	0.00	302.79	70.61	0.00	-356.97	70.61	0.00	0.00	211.39
	TQ			0.00	0.00	0.00	0.00	0.00	0.00	0.00	0.00	0.00	0.00	0.00	0.00	0.00	
	M3			-15.88	0.00	60.44	97.13	0.00	302.90	-37.82	0.00	143.77	70.61	0.00	0.00	211.39	
MIN	S2			-16.08	0.00	58.57	-16.08	0.00	-75.02	-38.95	0.00	139.47	-38.95	0.00	0.00	-173.99	
	TQ			0.00	0.00	0.00	0.00	0.00	0.00	0.00	0.00	0.00	0.00	0.00	0.00	0.00	
	M3			97.48	0.00	-506.86	-16.05	0.00	-75.33	70.61	0.00	-356.97	-38.19	0.00	0.00	-174.86	

BAGO RIVER BRIDGE

BLOCK [ No.2 : CROSS BEAM ][ BEAM MEMBER FORCE ]

MEMBER NODE	1003013 3013	4013						1003015 3015	4015											
		SHEAR			TORQUE				MOMENT			SHEAR			TORQUE			MOMENT		
		S2 (kN)	TQ (kN·m)	M3 (kN·m)	S2 (kN)	TQ (kN·m)	M3 (kN·m)		S2 (kN)	TQ (kN·m)	M3 (kN·m)	S2 (kN)	TQ (kN·m)	M3 (kN·m)	S2 (kN)	TQ (kN·m)	M3 (kN·m)			
68	2-LANES (caseDISPERSION-LMAX	S2	80.50	0.00	-440.30	80.50	0.00	228.33	48.85	0.00	-255.24	48.85	0.00	137.94						
		TQ	0.00	0.00	0.00	0.00	0.00	0.00	0.00	0.00	0.00	0.00	0.00	0.00						
		M3	-25.74	0.00	93.13	79.06	0.00	233.44	-71.54	0.00	239.88	47.57	0.00	142.91						
	MIN	S2	-26.27	0.00	89.64	-26.27	0.00	-128.56	-72.21	0.00	237.21	-72.21	0.00	-343.99						
		TQ	0.00	0.00	0.00	0.00	0.00	0.00	0.00	0.00	0.00	0.00	0.00	0.00						
		M3	79.97	0.00	-443.79	-24.83	0.00	-133.66	48.18	0.00	-257.91	-70.93	0.00	-348.96						
69	3-LANES (caseTRUCK-LOAD	MAX	S2	20.75	0.00	-74.11	20.75	0.00	98.24	39.68	0.00	-113.68	39.68	0.00	205.66					
		TQ	0.00	0.00	0.00	0.00	0.00	0.00	0.00	0.00	0.00	0.00	0.00	0.00						
		M3	-29.21	0.00	120.82	20.60	0.00	99.49	-5.78	0.00	68.85	39.39	0.00	206.93						
	MIN	S2	-33.73	0.00	98.77	-33.73	0.00	-181.38	-12.62	0.00	45.67	-12.62	0.00	-55.91						
		TQ	0.00	0.00	0.00	0.00	0.00	0.00	0.00	0.00	0.00	0.00	0.00	0.00						
		M3	7.28	0.00	-216.46	-20.13	0.00	-253.64	25.86	0.00	-238.88	3.71	0.00	-123.07						
	TANDEM-LOAD	MAX	S2	14.19	0.00	-50.72	14.19	0.00	67.10	27.21	0.00	-77.56	27.21	0.00	141.46					
		TQ	0.00	0.00	0.00	0.00	0.00	0.00	0.00	0.00	0.00	0.00	0.00	0.00						
		M3	-20.45	0.00	84.05	14.02	0.00	68.00	-4.58	0.00	54.27	27.15	0.00	141.71						
	MIN	S2	-23.85	0.00	66.16	-23.85	0.00	-131.97	-8.94	0.00	33.83	-8.94	0.00	-38.16						
		TQ	0.00	0.00	0.00	0.00	0.00	0.00	0.00	0.00	0.00	0.00	0.00	0.00						
		M3	5.73	0.00	-156.94	-13.86	0.00	-177.30	18.25	0.00	-170.76	1.84	0.00	-88.21						
	DISPERSION-LMAX	S2	27.82	0.00	-155.46	27.82	0.00	75.61	60.65	0.00	-245.67	60.65	0.00	242.46						
		TQ	0.00	0.00	0.00	0.00	0.00	0.00	0.00	0.00	0.00	0.00	0.00	0.00						
		M3	-18.33	0.00	87.18	24.08	0.00	126.52	-4.27	0.00	31.41	51.91	0.00	276.54						
	MIN	S2	-22.01	0.00	59.11	-22.01	0.00	-123.67	-6.32	0.00	20.47	-6.32	0.00	-30.40						
		TQ	0.00	0.00	0.00	0.00	0.00	0.00	0.00	0.00	0.00	0.00	0.00	0.00						
		M3	24.14	0.00	-183.53	-18.26	0.00	-174.59	58.59	0.00	-256.62	2.42	0.00	-64.49						

BAGO RIVER BRIDGE

BLOCK [ No.2 : CROSS BEAM ][ BEAM MEMBER FORCE ]

MEMBER				1003013						1003015						
NODE				3013			4013			3015			4015			
				SHEAR	TORQUE	MOMENT	SHEAR	TORQUE	MOMENT	SHEAR	TORQUE	MOMENT	SHEAR	TORQUE	MOMENT	
NAME	TITLE			S2 (kN)	TQ (kN·m)	M3 (kN·m)	S2 (kN)	TQ (kN·m)	M3 (kN·m)	S2 (kN)	TQ (kN·m)	M3 (kN·m)	S2 (kN)	TQ (kN·m)	M3 (kN·m)	
70	3-LANES (caseTRUCK-LOAD	MAX	S2	32.04	0.00	-86.55	32.04	0.00	179.60	27.75	0.00	-123.80	27.75	0.00	99.54	
			TQ	0.00	0.00	0.00	0.00	0.00	0.00	0.00	0.00	0.00	0.00	0.00	0.00	0.00
			M3	-88.37	0.00	641.29	20.92	0.00	204.54	-89.91	0.00	549.01	10.59	0.00	130.49	
		MIN	S2	-88.48	0.00	641.27	-88.48	0.00	-93.63	-89.91	0.00	549.01	-89.91	0.00	-174.66	
			TQ	0.00	0.00	0.00	0.00	0.00	0.00	0.00	0.00	0.00	0.00	0.00	0.00	0.00
			M3	28.44	0.00	-108.90	-68.22	0.00	-136.35	25.60	0.00	-130.75	-74.53	0.00	-222.43	
		TANDEM-LOAD MAX	S2	22.56	0.00	-65.01	22.56	0.00	122.35	20.57	0.00	-91.48	20.57	0.00	74.08	
			TQ	0.00	0.00	0.00	0.00	0.00	0.00	0.00	0.00	0.00	0.00	0.00	0.00	0.00
			M3	-65.55	0.00	468.58	17.44	0.00	144.95	-65.93	0.00	399.75	7.66	0.00	94.47	
		MIN	S2	-65.58	0.00	468.57	-65.58	0.00	-76.11	-65.93	0.00	399.75	-65.93	0.00	-130.89	
			TQ	0.00	0.00	0.00	0.00	0.00	0.00	0.00	0.00	0.00	0.00	0.00	0.00	0.00
			M3	20.32	0.00	-77.09	-49.96	0.00	-100.36	20.25	0.00	-102.41	-55.47	0.00	-159.36	
		DISPERSION-LMAX	S2	26.07	0.00	-88.09	26.07	0.00	128.45	23.94	0.00	-96.49	23.94	0.00	96.19	
			TQ	0.00	0.00	0.00	0.00	0.00	0.00	0.00	0.00	0.00	0.00	0.00	0.00	0.00
			M3	-50.37	0.00	357.48	15.90	0.00	155.74	-69.10	0.00	348.03	18.97	0.00	111.40	
MIN	S2	-52.24	0.00	345.80	-52.24	0.00	-88.13	-70.21	0.00	340.67	-70.21	0.00	-224.41			
	TQ	0.00	0.00	0.00	0.00	0.00	0.00	0.00	0.00	0.00	0.00	0.00	0.00	0.00		
	M3	24.20	0.00	-99.77	-42.07	0.00	-115.41	22.83	0.00	-103.85	-65.24	0.00	-239.61			
71	3-LANES (caseTRUCK-LOAD	MAX	S2	142.70	0.00	-727.42	142.70	0.00	457.82	98.48	0.00	-504.79	98.48	0.00	287.85	
			TQ	0.00	0.00	0.00	0.00	0.00	0.00	0.00	0.00	0.00	0.00	0.00	0.00	
			M3	-29.80	0.00	195.87	136.16	0.00	474.83	-67.78	0.00	315.25	95.96	0.00	310.06	
		MIN	S2	-30.48	0.00	194.00	-30.48	0.00	-59.19	-69.76	0.00	246.73	-69.76	0.00	-314.77	
			TQ	0.00	0.00	0.00	0.00	0.00	0.00	0.00	0.00	0.00	0.00	0.00	0.00	0.00
			M3	141.37	0.00	-731.47	-28.99	0.00	-139.37	98.06	0.00	-506.79	-69.35	0.00	-317.31	



BAGO RIVER BRIDGE

BLOCK [ No.2 : CROSS BEAM ][ BEAM MEMBER FORCE ]

MEMBER NODE	1003013 3013	4013			1003015 3015	4015										
		SHEAR	TORQUE	MOMENT		SHEAR	TORQUE	MOMENT								
		S2 (kN)	TQ (kN·m)	M3 (kN·m)		S2 (kN)	TQ (kN·m)	M3 (kN·m)								
71	3-LANES (case)	TANDEM-LOAD	MAX	S2	102.95	0.00	-517.86	102.95	0.00	337.20	71.88	0.00	-352.19	71.88	0.00	226.37
				TQ	0.00	0.00	0.00	0.00	0.00	0.00	0.00	0.00	0.00	0.00	0.00	0.00
				M3	-21.45	0.00	140.71	100.04	0.00	344.87	-46.73	0.00	224.29	70.16	0.00	231.75
			MIN	S2	-21.66	0.00	138.84	-21.66	0.00	-41.05	-47.85	0.00	219.99	-47.85	0.00	-165.12
				TQ	0.00	0.00	0.00	0.00	0.00	0.00	0.00	0.00	0.00	0.00	0.00	0.00
				M3	102.32	0.00	-523.52	-19.94	0.00	-94.89	70.75	0.00	-366.77	-47.04	0.00	-216.39
		DISPERSION-LMAX		S2	87.10	0.00	-455.05	87.10	0.00	268.41	53.02	0.00	-269.64	53.02	0.00	157.10
				TQ	0.00	0.00	0.00	0.00	0.00	0.00	0.00	0.00	0.00	0.00	0.00	0.00
				M3	-34.54	0.00	159.51	82.10	0.00	285.68	-91.09	0.00	330.90	49.69	0.00	168.18
			MIN	S2	-36.06	0.00	150.17	-36.06	0.00	-149.32	-92.27	0.00	324.97	-92.27	0.00	-417.71
				TQ	0.00	0.00	0.00	0.00	0.00	0.00	0.00	0.00	0.00	0.00	0.00	0.00
				M3	85.58	0.00	-464.39	-31.06	0.00	-166.59	51.83	0.00	-275.58	-88.95	0.00	-428.80
72	4-LANES	TRUCK-LOAD	MAX	S2	134.22	0.00	-656.10	134.22	0.00	458.67	99.98	0.00	-501.39	99.98	0.00	303.29
				TQ	0.00	0.00	0.00	0.00	0.00	0.00	0.00	0.00	0.00	0.00	0.00	0.00
				M3	-94.12	0.00	649.13	124.01	0.00	486.81	-119.64	0.00	654.86	85.91	0.00	326.03
			MIN	S2	-94.95	0.00	646.53	-94.95	0.00	-142.07	-119.95	0.00	648.39	-119.95	0.00	-317.02
				TQ	0.00	0.00	0.00	0.00	0.00	0.00	0.00	0.00	0.00	0.00	0.00	0.00
				M3	130.58	0.00	-675.84	-81.67	0.00	-199.73	98.44	0.00	-530.11	-109.14	0.00	-377.22
		TANDEM-LOAD	MAX	S2	96.78	0.00	-472.00	96.78	0.00	331.79	74.25	0.00	-389.20	74.25	0.00	208.37
				TQ	0.00	0.00	0.00	0.00	0.00	0.00	0.00	0.00	0.00	0.00	0.00	0.00
				M3	-69.40	0.00	472.75	89.44	0.00	351.78	-85.56	0.00	472.34	62.98	0.00	241.22
			MIN	S2	-69.66	0.00	470.72	-69.66	0.00	-107.85	-86.46	0.00	468.31	-86.46	0.00	-227.54
				TQ	0.00	0.00	0.00	0.00	0.00	0.00	0.00	0.00	0.00	0.00	0.00	0.00
				M3	94.02	0.00	-485.02	-59.29	0.00	-143.40	73.96	0.00	-389.37	-78.67	0.00	-264.97

BAGO RIVER BRIDGE

BLOCK [ No.2 : CROSS BEAM ][ BEAM MEMBER FORCE ]

MEMBER				1003013						1003015							
NODE				3013			4013			3015			4015				
				SHEAR	TORQUE	MOMENT	SHEAR	TORQUE	MOMENT	SHEAR	TORQUE	MOMENT	SHEAR	TORQUE	MOMENT		
NAME	TITLE			S2 (kN)	TQ (kN·m)	M3 (kN·m)	S2 (kN)	TQ (kN·m)	M3 (kN·m)	S2 (kN)	TQ (kN·m)	M3 (kN·m)	S2 (kN)	TQ (kN·m)	M3 (kN·m)		
72	4-LANES	DISPERSION-LMAX	S2	80.88	0.00	-420.43	80.88	0.00	251.34	42.45	0.00	-226.45	42.45	0.00	115.19		
			TQ	0.00	0.00	0.00	0.00	0.00	0.00	0.00	0.00	0.00	0.00	0.00	0.00	0.00	
			M3	-58.89	0.00	380.79	70.03	0.00	281.65	-100.40	0.00	446.89	36.53	0.00	0.00	134.21	
		MIN	S2	-60.97	0.00	366.85	-60.97	0.00	-139.57	-102.00	0.00	438.18	-102.00	0.00	0.00	-382.81	
			TQ	0.00	0.00	0.00	0.00	0.00	0.00	0.00	0.00	0.00	0.00	0.00	0.00	0.00	
			M3	78.75	0.00	-434.40	-50.04	0.00	-170.53	40.96	0.00	-235.21	-96.02	0.00	0.00	-401.93	
		73	6-LANES	TRUCK-LOAD MAX	S2	131.35	0.00	-608.96	131.35	0.00	481.96	119.60	0.00	-540.97	119.60	0.00	421.67
					TQ	0.00	0.00	0.00	0.00	0.00	0.00	0.00	0.00	0.00	0.00	0.00	0.00
					M3	-121.22	0.00	748.10	121.62	0.00	507.39	-122.45	0.00	675.79	111.48	0.00	0.00
MIN	S2			-125.51	0.00	716.76	-125.51	0.00	-325.66	-126.81	0.00	641.46	-126.81	0.00	0.00	-379.19	
	TQ			0.00	0.00	0.00	0.00	0.00	0.00	0.00	0.00	0.00	0.00	0.00	0.00	0.00	
	M3			126.08	0.00	-750.66	-112.34	0.00	-382.17	101.71	0.00	-639.29	-108.98	0.00	0.00	-421.45	
TANDEM-LOAD MAX	S2			93.79	0.00	-433.04	93.79	0.00	345.98	86.81	0.00	-393.41	86.81	0.00	0.00	305.25	
	TQ			0.00	0.00	0.00	0.00	0.00	0.00	0.00	0.00	0.00	0.00	0.00	0.00	0.00	
	M3			-89.12	0.00	541.14	88.92	0.00	364.23	-88.05	0.00	487.19	78.80	0.00	0.00	324.13	
MIN	S2	-90.84	0.00	527.69	-90.84	0.00	-226.84	-91.39	0.00	465.83	-91.39	0.00	0.00	-269.71			
	TQ	0.00	0.00	0.00	0.00	0.00	0.00	0.00	0.00	0.00	0.00	0.00	0.00	0.00			
	M3	87.91	0.00	-537.02	-82.08	0.00	-274.35	74.54	0.00	-466.34	-80.61	0.00	0.00	-300.30			
DISPERSION-LMAX	S2	101.35	0.00	-537.75	101.35	0.00	304.01	101.66	0.00	-464.23	101.66	0.00	0.00	354.00			
	TQ	0.00	0.00	0.00	0.00	0.00	0.00	0.00	0.00	0.00	0.00	0.00	0.00	0.00			
	M3	-76.25	0.00	456.63	87.47	0.00	377.58	-104.34	0.00	470.67	88.58	0.00	0.00	399.62			
MIN	S2	-80.92	0.00	422.45	-80.92	0.00	-249.68	-107.79	0.00	452.27	-107.79	0.00	0.00	-415.31			
	TQ	0.00	0.00	0.00	0.00	0.00	0.00	0.00	0.00	0.00	0.00	0.00	0.00	0.00			
	M3	96.54	0.00	-568.00	-65.30	0.00	-315.19	98.54	0.00	-482.03	-95.56	0.00	0.00	-457.95			

BAGO RIVER BRIDGE

BLOCK [ No.2 : CROSS BEAM ][ BEAM MEMBER FORCE ]

MEMBER			1003013						1003015						
NODE			3013			4013			3015			4015			
NAME TITLE			SHEAR	TORQUE	MOMENT	SHEAR	TORQUE	MOMENT	SHEAR	TORQUE	MOMENT	SHEAR	TORQUE	MOMENT	
			S2 (kN)	TQ (kN·m)	M3 (kN·m)	S2 (kN)	TQ (kN·m)	M3 (kN·m)	S2 (kN)	TQ (kN·m)	M3 (kN·m)	S2 (kN)	TQ (kN·m)	M3 (kN·m)	
124	SUM TOTAL	D+1LANE (caseMAX	S2	107.93	0.00	-644.06	107.93	0.00	252.35	69.80	0.00	-392.01	69.80	0.00	169.77
			TQ	78.72	0.00	-474.33	78.72	0.00	179.46	12.08	0.00	-173.74	12.08	0.00	-76.54
			M3	74.54	0.00	-465.91	103.78	0.00	309.24	15.08	0.00	-147.96	61.60	0.00	193.35
		MIN	S2	70.55	0.00	-495.83	70.55	0.00	90.10	10.00	0.00	-172.58	10.00	0.00	-92.07
			TQ	78.72	0.00	-474.33	78.72	0.00	179.46	12.08	0.00	-173.74	12.08	0.00	-76.54
			M3	104.45	0.00	-809.78	87.85	0.00	-25.89	63.35	0.00	-511.33	33.31	0.00	-150.82
		D+1LANE (caseMAX	S2	89.80	0.00	-516.95	89.80	0.00	228.95	36.92	0.00	-257.30	36.92	0.00	39.82
			TQ	78.72	0.00	-474.33	78.72	0.00	179.46	12.08	0.00	-173.74	12.08	0.00	-76.54
			M3	37.58	0.00	-263.11	89.32	0.00	231.60	-5.50	0.00	-80.88	36.29	0.00	42.23
		MIN	S2	36.92	0.00	-264.56	36.92	0.00	42.11	-7.61	0.00	-91.80	-7.61	0.00	-153.04
			TQ	78.72	0.00	-474.33	78.72	0.00	179.46	12.08	0.00	-173.74	12.08	0.00	-76.54
			M3	89.52	0.00	-517.95	37.35	0.00	40.71	36.19	0.00	-260.45	-6.68	0.00	-156.03
		D+1LANE (caseMAX	S2	86.30	0.00	-481.64	86.30	0.00	235.16	30.73	0.00	-275.49	30.73	0.00	-28.12
			TQ	78.72	0.00	-474.33	78.72	0.00	179.46	12.08	0.00	-173.74	12.08	0.00	-76.54
			M3	-17.11	0.00	229.34	74.65	0.00	260.23	-67.84	0.00	355.40	15.04	0.00	-3.81
		MIN	S2	-17.77	0.00	224.93	-17.77	0.00	77.30	-68.30	0.00	352.38	-68.30	0.00	-197.38
			TQ	78.72	0.00	-474.33	78.72	0.00	179.46	12.08	0.00	-173.74	12.08	0.00	-76.54
			M3	82.67	0.00	-503.05	-12.19	0.00	62.78	30.27	0.00	-278.52	-60.87	0.00	-204.90
		D+1LANE (caseMAX	S2	252.39	0.00	-1444.13	252.39	0.00	652.15	132.95	0.00	-826.01	132.95	0.00	244.07
			TQ	78.72	0.00	-474.33	78.72	0.00	179.46	12.08	0.00	-173.74	12.08	0.00	-76.54
			M3	44.65	0.00	-342.87	249.64	0.00	656.76	-79.84	0.00	156.73	131.68	0.00	248.63
		MIN	S2	43.45	0.00	-347.34	43.45	0.00	13.58	-80.55	0.00	147.21	-80.55	0.00	-501.14
			TQ	78.72	0.00	-474.33	78.72	0.00	179.46	12.08	0.00	-173.74	12.08	0.00	-76.54
			M3	251.92	0.00	-1446.86	44.99	0.00	8.04	131.94	0.00	-830.57	-78.86	0.00	-507.36

BAGO RIVER BRIDGE

BLOCK [ No.2 : CROSS BEAM ][ BEAM MEMBER FORCE ]

MEMBER			1003013						1003015						
NODE			3013			4013			3015			4015			
NAME TITLE			SHEAR	TORQUE	MOMENT	SHEAR	TORQUE	MOMENT	SHEAR	TORQUE	MOMENT	SHEAR	TORQUE	MOMENT	
			S2 (kN)	TQ (kN·m)	M3 (kN·m)	S2 (kN)	TQ (kN·m)	M3 (kN·m)	S2 (kN)	TQ (kN·m)	M3 (kN·m)	S2 (kN)	TQ (kN·m)	M3 (kN·m)	
124	SUM TOTAL	D+2LANES (casMAX	S2	118.05	0.00	-668.39	118.05	0.00	312.08	91.70	0.00	-463.47	91.70	0.00	274.62
			TQ	78.72	0.00	-474.33	78.72	0.00	179.46	12.08	0.00	-173.74	12.08	0.00	-76.54
			M3	65.45	0.00	-442.35	114.55	0.00	362.02	16.68	0.00	-150.87	83.20	0.00	307.97
		MIN	S2	57.81	0.00	-491.26	57.81	0.00	-11.12	9.54	0.00	-175.89	9.54	0.00	-99.10
			TQ	78.72	0.00	-474.33	78.72	0.00	179.46	12.08	0.00	-173.74	12.08	0.00	-76.54
			M3	101.13	0.00	-837.97	74.80	0.00	-133.13	76.43	0.00	-596.98	33.84	0.00	-197.86
		D+2LANES (casMAX	S2	102.95	0.00	-562.46	102.95	0.00	292.58	64.30	0.00	-351.21	64.30	0.00	166.32
			TQ	78.72	0.00	-474.33	78.72	0.00	179.46	12.08	0.00	-173.74	12.08	0.00	-76.54
			M3	34.65	0.00	-273.35	102.50	0.00	297.32	-0.47	0.00	-94.97	62.10	0.00	182.03
		MIN	S2	29.79	0.00	-298.54	29.79	0.00	-51.12	-5.13	0.00	-108.58	-5.13	0.00	-149.91
			TQ	78.72	0.00	-474.33	78.72	0.00	179.46	12.08	0.00	-173.74	12.08	0.00	-76.54
			M3	88.70	0.00	-594.78	32.71	0.00	-77.63	53.80	0.00	-387.91	0.51	0.00	-202.19
		D+2LANES (casMAX	S2	93.76	0.00	-489.99	93.76	0.00	288.72	34.88	0.00	-286.57	34.88	0.00	-5.83
			TQ	78.72	0.00	-474.33	78.72	0.00	179.46	12.08	0.00	-173.74	12.08	0.00	-76.54
			M3	-41.17	0.00	453.92	72.65	0.00	340.01	-99.36	0.00	561.27	12.91	0.00	38.48
		MIN	S2	-42.51	0.00	444.80	-42.51	0.00	91.76	-100.09	0.00	555.64	-100.09	0.00	-249.92
			TQ	78.72	0.00	-474.33	78.72	0.00	179.46	12.08	0.00	-173.74	12.08	0.00	-76.54
			M3	88.82	0.00	-521.46	-12.27	0.00	22.82	32.00	0.00	-299.15	-79.88	0.00	-311.44
		D+2LANES (casMAX	S2	294.31	0.00	-1622.12	294.31	0.00	822.38	157.61	0.00	-925.84	157.61	0.00	342.69
			TQ	78.72	0.00	-474.33	78.72	0.00	179.46	12.08	0.00	-173.74	12.08	0.00	-76.54
			M3	30.07	0.00	-292.73	291.61	0.00	827.88	-116.00	0.00	275.03	156.20	0.00	348.99
		MIN	S2	28.86	0.00	-298.10	28.86	0.00	-58.43	-116.88	0.00	266.16	-116.88	0.00	-674.60
			TQ	78.72	0.00	-474.33	78.72	0.00	179.46	12.08	0.00	-173.74	12.08	0.00	-76.54
			M3	293.78	0.00	-1625.62	30.58	0.00	-64.78	156.53	0.00	-930.51	-115.25	0.00	-682.02

BAGO RIVER BRIDGE

BLOCK [ No.2 : CROSS BEAM ][ BEAM MEMBER FORCE ]

MEMBER				1003013						1003015						
NODE				3013			4013			3015			4015			
NAME TITLE				SHEAR	TORQUE	MOMENT	SHEAR	TORQUE	MOMENT	SHEAR	TORQUE	MOMENT	SHEAR	TORQUE	MOMENT	
				S2 (kN)	TQ (kN·m)	M3 (kN·m)	S2 (kN)	TQ (kN·m)	M3 (kN·m)	S2 (kN)	TQ (kN·m)	M3 (kN·m)	S2 (kN)	TQ (kN·m)	M3 (kN·m)	
124	SUM TOTAL	D+3LANES (casMAX	S2	120.00	0.00	-669.47	120.00	0.00	327.24	97.35	0.00	-479.19	97.35	0.00	304.36	
			TQ	78.72	0.00	-474.33	78.72	0.00	179.46	12.08	0.00	-173.74	12.08	0.00	-76.54	
			M3	38.30	0.00	-297.53	116.69	0.00	371.57	3.54	0.00	-88.52	89.68	0.00	334.42	
		MIN	S2	31.34	0.00	-340.14	31.34	0.00	-79.83	-4.02	0.00	-117.53	-4.02	0.00	-149.91	
			TQ	78.72	0.00	-474.33	78.72	0.00	179.46	12.08	0.00	-173.74	12.08	0.00	-76.54	
			M3	105.43	0.00	-814.32	46.08	0.00	-184.53	83.86	0.00	-594.91	17.29	0.00	-235.96	
		D+3LANES (casMAX	S2	128.11	0.00	-622.77	128.11	0.00	441.31	56.01	0.00	-360.99	56.01	0.00	89.84	
			TQ	78.72	0.00	-474.33	78.72	0.00	179.46	12.08	0.00	-173.74	12.08	0.00	-76.54	
			M3	-39.21	0.00	374.63	110.01	0.00	485.70	-123.08	0.00	588.74	37.20	0.00	129.07	
		MIN	S2	-40.90	0.00	364.68	-40.90	0.00	24.97	-124.03	0.00	582.49	-124.03	0.00	-415.74	
			TQ	78.72	0.00	-474.33	78.72	0.00	179.46	12.08	0.00	-173.74	12.08	0.00	-76.54	
			M3	123.46	0.00	-651.70	-15.03	0.00	-34.54	53.24	0.00	-373.15	-106.73	0.00	-469.28	
		D+3LANES (casMAX	S2	274.05	0.00	-1479.43	274.05	0.00	796.76	140.85	0.00	-832.01	140.85	0.00	301.66	
			TQ	78.72	0.00	-474.33	78.72	0.00	179.46	12.08	0.00	-173.74	12.08	0.00	-76.54	
			M3	24.03	0.00	-172.26	264.24	0.00	825.89	-122.96	0.00	375.48	135.88	0.00	329.97	
		MIN	S2	22.16	0.00	-181.79	22.16	0.00	2.22	-125.65	0.00	312.20	-125.65	0.00	-699.14	
			TQ	78.72	0.00	-474.33	78.72	0.00	179.46	12.08	0.00	-173.74	12.08	0.00	-76.54	
			M3	271.62	0.00	-1490.81	27.67	0.00	-80.61	139.49	0.00	-838.75	-122.48	0.00	-710.72	
		D+4LANES	MAX	S2	218.53	0.00	-1174.08	218.53	0.00	640.97	104.65	0.00	-646.84	104.65	0.00	195.48
			TQ	78.72	0.00	-474.33	78.72	0.00	179.46	12.08	0.00	-173.74	12.08	0.00	-76.54	
			M3	-20.74	0.00	195.11	204.84	0.00	678.96	-130.95	0.00	542.40	91.66	0.00	222.62	
		MIN	S2	-22.63	0.00	184.36	-22.63	0.00	-3.60	-132.19	0.00	532.53	-132.19	0.00	-531.43	
			TQ	78.72	0.00	-474.33	78.72	0.00	179.46	12.08	0.00	-173.74	12.08	0.00	-76.54	
			M3	214.78	0.00	-1195.99	-6.89	0.00	-61.20	102.68	0.00	-671.20	-121.27	0.00	-582.98	

BAGO RIVER BRIDGE

BLOCK [ No.2 : CROSS BEAM ][ BEAM MEMBER FORCE ]

MEMBER					1003013						1003015					
NODE					3013			4013			3015			4015		
NAME TITLE					SHEAR	TORQUE	MOMENT	SHEAR	TORQUE	MOMENT	SHEAR	TORQUE	MOMENT	SHEAR	TORQUE	MOMENT
					S2 (kN)	TQ (kN·m)	M3 (kN·m)	S2 (kN)	TQ (kN·m)	M3 (kN·m)	S2 (kN)	TQ (kN·m)	M3 (kN·m)	S2 (kN)	TQ (kN·m)	M3 (kN·m)
124	SUM TOTAL	D+6LANES	MAX	S2	229.97	0.00	-1219.69	229.97	0.00	690.34	155.90	0.00	-827.13	155.90	0.00	427.64
				TQ	78.72	0.00	-474.33	78.72	0.00	179.46	12.08	0.00	-173.74	12.08	0.00	-76.54
				M3	-49.64	0.00	308.74	214.63	0.00	754.70	-135.34	0.00	571.46	142.12	0.00	475.15
			MIN	S2	-55.46	0.00	266.16	-55.46	0.00	-194.51	-140.41	0.00	537.18	-140.41	0.00	-592.96
				TQ	78.72	0.00	-474.33	78.72	0.00	179.46	12.08	0.00	-173.74	12.08	0.00	-76.54
				M3	223.42	0.00	-1331.46	-36.75	0.00	-273.82	142.24	0.00	-902.60	-120.87	0.00	-648.15
	SUM TOTAL		MAX		294.31	0.00	453.92	294.31	0.00	827.88	157.61	0.00	588.74	157.61	0.00	475.15
			MIN		-55.46	0.00	-1625.62	-55.46	0.00	-273.82	-140.41	0.00	-930.51	-140.41	0.00	-710.72
300	DEAD LOAD	TOTAL			78.72	0.00	-474.33	78.72	0.00	179.46	12.08	0.00	-173.74	12.08	0.00	-76.54
301	LIVE LOAD	1-LANE(case1MAX	S2		29.21	0.00	-169.73	29.21	0.00	72.89	57.72	0.00	-218.27	57.72	0.00	246.31
				TQ	0.00	0.00	0.00	0.00	0.00	0.00	0.00	0.00	0.00	0.00	0.00	0.00
				M3	-4.17	0.00	8.42	25.07	0.00	129.78	3.00	0.00	25.79	49.53	0.00	269.89
			MIN	S2	-8.17	0.00	-21.50	-8.17	0.00	-89.36	-2.08	0.00	1.17	-2.08	0.00	-15.54
				TQ	0.00	0.00	0.00	0.00	0.00	0.00	0.00	0.00	0.00	0.00	0.00	0.00
				M3	25.73	0.00	-335.45	9.13	0.00	-205.35	51.27	0.00	-337.59	21.24	0.00	-74.29
		1-LANE(case2MAX	S2		11.09	0.00	-42.62	11.09	0.00	49.48	24.84	0.00	-83.55	24.84	0.00	116.36
				TQ	0.00	0.00	0.00	0.00	0.00	0.00	0.00	0.00	0.00	0.00	0.00	0.00
				M3	-41.14	0.00	211.22	10.60	0.00	52.14	-17.58	0.00	92.87	24.21	0.00	118.77
			MIN	S2	-41.79	0.00	209.77	-41.79	0.00	-137.36	-19.69	0.00	81.95	-19.69	0.00	-76.50
				TQ	0.00	0.00	0.00	0.00	0.00	0.00	0.00	0.00	0.00	0.00	0.00	0.00
				M3	10.81	0.00	-43.62	-41.37	0.00	-138.76	24.12	0.00	-86.71	-18.76	0.00	-79.49
		1-LANE(case3MAX	S2		7.59	0.00	-7.31	7.59	0.00	55.70	18.66	0.00	-101.75	18.66	0.00	48.41
				TQ	0.00	0.00	0.00	0.00	0.00	0.00	0.00	0.00	0.00	0.00	0.00	0.00
				M3	-95.82	0.00	703.67	-4.07	0.00	80.77	-79.92	0.00	529.15	2.97	0.00	72.73
			MIN	S2	-96.49	0.00	699.26	-96.49	0.00	-102.16	-80.38	0.00	526.12	-80.38	0.00	-120.85
				TQ	0.00	0.00	0.00	0.00	0.00	0.00	0.00	0.00	0.00	0.00	0.00	0.00
				M3	3.96	0.00	-28.72	-90.91	0.00	-116.68	18.20	0.00	-104.77	-72.95	0.00	-128.37

BAGO RIVER BRIDGE

BLOCK [ No.2 : CROSS BEAM ][ BEAM MEMBER FORCE ]

MEMBER			1003013						1003015							
NODE			3013			4013			3015			4015				
NAME TITLE			SHEAR	TORQUE	MOMENT	SHEAR	TORQUE	MOMENT	SHEAR	TORQUE	MOMENT	SHEAR	TORQUE	MOMENT		
			S2 (kN)	TQ (kN·m)	M3 (kN·m)	S2 (kN)	TQ (kN·m)	M3 (kN·m)	S2 (kN)	TQ (kN·m)	M3 (kN·m)	S2 (kN)	TQ (kN·m)	M3 (kN·m)		
301	LIVE LOAD	1-LANE (case4MAX	S2	173.67	0.00	-969.80	173.67	0.00	472.69	120.87	0.00	-652.26	120.87	0.00	320.60	
			TQ	0.00	0.00	0.00	0.00	0.00	0.00	0.00	0.00	0.00	0.00	0.00	0.00	
			M3	-34.06	0.00	131.46	170.92	0.00	477.29	-91.92	0.00	330.48	119.60	0.00	0.00	325.17
			MIN S2	-35.26	0.00	127.00	-35.26	0.00	-165.88	-92.63	0.00	320.95	-92.63	0.00	0.00	-424.61
			TQ	0.00	0.00	0.00	0.00	0.00	0.00	0.00	0.00	0.00	0.00	0.00	0.00	0.00
			M3	173.20	0.00	-972.53	-33.73	0.00	-171.43	119.87	0.00	-656.83	-90.94	0.00	0.00	-430.82
		2-LANES (caseMAX	S2	39.33	0.00	-194.06	39.33	0.00	132.61	79.63	0.00	-289.72	79.63	0.00	0.00	351.15
			TQ	0.00	0.00	0.00	0.00	0.00	0.00	0.00	0.00	0.00	0.00	0.00	0.00	0.00
			M3	-13.26	0.00	31.98	35.84	0.00	182.55	4.60	0.00	22.87	71.12	0.00	0.00	384.50
			MIN S2	-20.91	0.00	-16.93	-20.91	0.00	-190.59	-2.54	0.00	-2.15	-2.54	0.00	0.00	-22.57
			TQ	0.00	0.00	0.00	0.00	0.00	0.00	0.00	0.00	0.00	0.00	0.00	0.00	0.00
			M3	22.42	0.00	-363.64	-3.92	0.00	-312.59	64.36	0.00	-423.24	21.76	0.00	0.00	-121.32
		2-LANES (caseMAX	S2	24.23	0.00	-88.13	24.23	0.00	113.11	52.22	0.00	-177.46	52.22	0.00	0.00	242.86
			TQ	0.00	0.00	0.00	0.00	0.00	0.00	0.00	0.00	0.00	0.00	0.00	0.00	0.00
			M3	-44.06	0.00	200.98	23.78	0.00	117.85	-12.55	0.00	78.77	50.03	0.00	0.00	258.57
			MIN S2	-48.93	0.00	175.79	-48.93	0.00	-230.58	-17.21	0.00	65.17	-17.21	0.00	0.00	-73.37
			TQ	0.00	0.00	0.00	0.00	0.00	0.00	0.00	0.00	0.00	0.00	0.00	0.00	0.00
			M3	9.98	0.00	-120.45	-46.01	0.00	-257.10	41.73	0.00	-214.17	-11.57	0.00	0.00	-125.66
		2-LANES (caseMAX	S2	15.04	0.00	-15.66	15.04	0.00	109.25	22.80	0.00	-112.83	22.80	0.00	0.00	70.70
			TQ	0.00	0.00	0.00	0.00	0.00	0.00	0.00	0.00	0.00	0.00	0.00	0.00	0.00
			M3	-119.89	0.00	928.25	-6.07	0.00	160.55	-111.43	0.00	735.02	0.83	0.00	0.00	115.01
MIN S2	-121.22		0.00	919.14	-121.22	0.00	-87.70	-112.16	0.00	729.38	-112.16	0.00	0.00	-173.38		
TQ	0.00		0.00	0.00	0.00	0.00	0.00	0.00	0.00	0.00	0.00	0.00	0.00	0.00		
M3	10.10		0.00	-47.13	-90.98	0.00	-156.64	19.92	0.00	-125.41	-91.95	0.00	0.00	-234.90		

BAGO RIVER BRIDGE

BLOCK [ No.2 : CROSS BEAM ][ BEAM MEMBER FORCE ]

MEMBER			1003013						1003015						
NODE			3013			4013			3015			4015			
NAME TITLE			SHEAR	TORQUE	MOMENT	SHEAR	TORQUE	MOMENT	SHEAR	TORQUE	MOMENT	SHEAR	TORQUE	MOMENT	
			S2 (kN)	TQ (kN·m)	M3 (kN·m)	S2 (kN)	TQ (kN·m)	M3 (kN·m)	S2 (kN)	TQ (kN·m)	M3 (kN·m)	S2 (kN)	TQ (kN·m)	M3 (kN·m)	
301	LIVE LOAD	2-LANES (caseMAX	S2	215.60	0.00	-1147.79	215.60	0.00	642.92	145.53	0.00	-752.10	145.53	0.00	419.23
			TQ	0.00	0.00	0.00	0.00	0.00	0.00	0.00	0.00	0.00	0.00	0.00	0.00
			M3	-48.64	0.00	181.60	212.89	0.00	648.41	-128.08	0.00	448.77	144.12	0.00	425.53
		MIN	S2	-49.86	0.00	176.23	-49.86	0.00	-237.90	-128.96	0.00	439.90	-128.96	0.00	-598.06
			TQ	0.00	0.00	0.00	0.00	0.00	0.00	0.00	0.00	0.00	0.00	0.00	0.00
			M3	215.07	0.00	-1151.29	-48.13	0.00	-244.24	144.45	0.00	-756.77	-127.33	0.00	-605.48
		3-LANES (caseMAX	S2	41.29	0.00	-195.14	41.29	0.00	147.77	85.28	0.00	-305.45	85.28	0.00	380.90
			TQ	0.00	0.00	0.00	0.00	0.00	0.00	0.00	0.00	0.00	0.00	0.00	0.00
			M3	-40.41	0.00	176.80	37.97	0.00	192.10	-8.54	0.00	85.22	77.60	0.00	410.96
		MIN	S2	-47.37	0.00	134.19	-47.37	0.00	-259.29	-16.10	0.00	56.22	-16.10	0.00	-73.37
			TQ	0.00	0.00	0.00	0.00	0.00	0.00	0.00	0.00	0.00	0.00	0.00	0.00
			M3	26.71	0.00	-339.99	-32.64	0.00	-363.99	71.79	0.00	-421.17	5.21	0.00	-159.43
		3-LANES (caseMAX	S2	49.40	0.00	-148.44	49.40	0.00	261.84	43.94	0.00	-187.24	43.94	0.00	166.37
			TQ	0.00	0.00	0.00	0.00	0.00	0.00	0.00	0.00	0.00	0.00	0.00	0.00
			M3	-117.93	0.00	848.96	31.30	0.00	306.23	-135.16	0.00	762.49	25.13	0.00	205.61
		MIN	S2	-119.62	0.00	839.01	-119.62	0.00	-154.49	-136.10	0.00	756.23	-136.10	0.00	-339.21
			TQ	0.00	0.00	0.00	0.00	0.00	0.00	0.00	0.00	0.00	0.00	0.00	0.00
			M3	44.74	0.00	-177.37	-93.75	0.00	-214.00	41.16	0.00	-199.40	-118.80	0.00	-392.74
		3-LANES (caseMAX	S2	195.33	0.00	-1005.10	195.33	0.00	617.30	128.78	0.00	-658.26	128.78	0.00	378.20
			TQ	0.00	0.00	0.00	0.00	0.00	0.00	0.00	0.00	0.00	0.00	0.00	0.00
			M3	-54.68	0.00	302.07	185.52	0.00	646.43	-135.04	0.00	549.23	123.80	0.00	406.51
		MIN	S2	-56.56	0.00	292.54	-56.56	0.00	-177.24	-137.73	0.00	485.95	-137.73	0.00	-622.61
			TQ	0.00	0.00	0.00	0.00	0.00	0.00	0.00	0.00	0.00	0.00	0.00	0.00
			M3	192.91	0.00	-1016.48	-51.04	0.00	-260.07	127.41	0.00	-665.01	-134.56	0.00	-634.19



BAGO RIVER BRIDGE

BLOCK [ No.2 : CROSS BEAM ][ BEAM MEMBER FORCE ]

MEMBER					1003013						1003015					
NODE					3013			4013			3015			4015		
NAME TITLE					SHEAR	TORQUE	MOMENT	SHEAR	TORQUE	MOMENT	SHEAR	TORQUE	MOMENT	SHEAR	TORQUE	MOMENT
					S2 (kN)	TQ (kN·m)	M3 (kN·m)	S2 (kN)	TQ (kN·m)	M3 (kN·m)	S2 (kN)	TQ (kN·m)	M3 (kN·m)	S2 (kN)	TQ (kN·m)	M3 (kN·m)
301	LIVE LOAD	4-LANES	MAX	S2	139.81	0.00	-699.75	139.81	0.00	461.51	92.58	0.00	-473.10	92.58	0.00	272.02
				TQ	0.00	0.00	0.00	0.00	0.00	0.00	0.00	0.00	0.00	0.00	0.00	0.00
				M3	-99.46	0.00	669.44	126.12	0.00	499.50	-143.03	0.00	716.14	79.59	0.00	299.16
			MIN	S2	-101.35	0.00	658.69	-101.35	0.00	-183.06	-144.27	0.00	706.27	-144.27	0.00	-454.89
				TQ	0.00	0.00	0.00	0.00	0.00	0.00	0.00	0.00	0.00	0.00	0.00	0.00
				M3	136.06	0.00	-721.66	-85.61	0.00	-240.67	90.61	0.00	-497.45	-133.35	0.00	-506.44
		6-LANES	MAX	S2	151.25	0.00	-745.36	151.25	0.00	510.88	143.82	0.00	-653.38	143.82	0.00	504.18
				TQ	0.00	0.00	0.00	0.00	0.00	0.00	0.00	0.00	0.00	0.00	0.00	0.00
				M3	-128.35	0.00	783.07	135.91	0.00	575.23	-147.42	0.00	745.20	130.04	0.00	551.69
			MIN	S2	-134.18	0.00	740.49	-134.18	0.00	-373.98	-152.49	0.00	710.92	-152.49	0.00	-516.43
				TQ	0.00	0.00	0.00	0.00	0.00	0.00	0.00	0.00	0.00	0.00	0.00	0.00
				M3	144.70	0.00	-857.13	-115.47	0.00	-453.28	130.16	0.00	-728.85	-132.95	0.00	-571.61
		LIVE LOAD	MAX		215.60	0.00	928.25	215.60	0.00	648.41	145.53	0.00	762.49	145.53	0.00	551.69
			MIN		-134.18	0.00	-1151.29	-134.18	0.00	-453.28	-152.49	0.00	-756.77	-152.49	0.00	-634.19
303	SUM TOTAL	TOTAL	MAX		294.31	0.00	453.92	294.31	0.00	827.88	157.61	0.00	588.74	157.61	0.00	475.15
			MIN		-55.46	0.00	-1625.62	-55.46	0.00	-273.82	-140.41	0.00	-930.51	-140.41	0.00	-710.72

BAGO RIVER BRIDGE

BLOCK [ No.2 : CROSS BEAM ][ BEAM MEMBER FORCE ]

MEMBER NODE	1003017 3017	4017						1003019 3019						4019		
		SHEAR		TORQUE		MOMENT		SHEAR		TORQUE		MOMENT		SHEAR	TORQUE	MOMENT
		S2 (kN)	TQ (kN·m)	M3 (kN·m)	S2 (kN)	TQ (kN·m)	M3 (kN·m)	S2 (kN)	TQ (kN·m)	M3 (kN·m)	S2 (kN)	TQ (kN·m)	M3 (kN·m)	S2 (kN)	TQ (kN·m)	M3 (kN·m)
1	PAVEMENT	-18.66	0.00	54.84	-18.66	0.00	-91.42	-18.20	0.00	73.37	-18.20	0.00	-66.23			
3	RAILING	-1.65	0.00	4.12	-1.65	0.00	-8.78	1.16	0.00	-10.12	1.16	0.00	-1.23			
5	CURB	-16.29	0.00	40.79	-16.29	0.00	-86.90	11.48	0.00	-100.22	11.48	0.00	-12.19			
7	DECK WEIGHT	-24.29	0.00	69.54	-24.29	0.00	-120.92	-23.56	0.00	92.40	-23.56	0.00	-88.30			
8	GIRDER WEIGH	28.43	0.00	-95.83	28.43	0.00	127.07	-3.93	0.00	51.21	-3.93	0.00	21.09			
10	MEDIAN STRIP	21.52	0.00	-62.23	21.52	0.00	106.48	-5.92	0.00	69.51	-5.92	0.00	24.09			
21	ADITIONAL WE	-6.80	0.00	19.47	-6.80	0.00	-33.86	-6.60	0.00	25.87	-6.60	0.00	-24.73			
31	MEDIAN RAILI	1.75	0.00	-5.06	1.75	0.00	8.66	-0.53	0.00	5.88	-0.53	0.00	1.82			
51	SUPPORT WEIG	-0.00	0.00	0.00	-0.00	0.00	-0.00	-0.00	0.00	0.00	-0.00	0.00	-0.00			
52	NOSE WEIGHT	0.04	0.00	-0.13	0.04	0.00	0.20	0.03	0.00	-0.10	0.03	0.00	0.16			
61	1-LANE(case1TRUCK-LOAD	MAX	S2	27.90	0.00	-89.33	27.90	0.00	129.45	23.09	0.00	-63.84	23.09	0.00	113.27	
			TQ	0.00	0.00	0.00	0.00	0.00	0.00	0.00	0.00	0.00	0.00	0.00	0.00	
			M3	-2.89	0.00	9.10	27.90	0.00	129.45	3.44	0.00	13.21	23.06	0.00	113.31	
		MIN	S2	-2.89	0.00	9.10	-2.89	0.00	-13.56	-0.59	0.00	1.01	-0.59	0.00	-3.51	
			TQ	0.00	0.00	0.00	0.00	0.00	0.00	0.00	0.00	0.00	0.00	0.00	0.00	
			M3	27.77	0.00	-89.48	-2.89	0.00	-13.56	12.86	0.00	-139.14	10.10	0.00	-44.98	
		TANDEM-LOAD MAX	S2	19.00	0.00	-60.62	19.00	0.00	88.39	15.77	0.00	-43.97	15.77	0.00	77.02	
			TQ	0.00	0.00	0.00	0.00	0.00	0.00	0.00	0.00	0.00	0.00	0.00	0.00	
			M3	-1.97	0.00	6.20	19.00	0.00	88.39	1.22	0.00	13.25	15.77	0.00	77.02	
		MIN	S2	-1.97	0.00	6.20	-1.97	0.00	-9.23	-0.41	0.00	0.75	-0.41	0.00	-2.40	
			TQ	0.00	0.00	0.00	0.00	0.00	0.00	0.00	0.00	0.00	0.00	0.00	0.00	
			M3	18.90	0.00	-61.02	-1.97	0.00	-9.23	8.99	0.00	-98.27	6.26	0.00	-31.64	
		DISPERSION-LMAX	S2	56.97	0.00	-186.11	56.97	0.00	260.57	34.07	0.00	-141.55	34.07	0.00	119.84	
			TQ	0.00	0.00	0.00	0.00	0.00	0.00	0.00	0.00	0.00	0.00	0.00	0.00	
			M3	-4.58	0.00	14.40	56.97	0.00	260.57	0.42	0.00	3.54	28.11	0.00	144.20	
		MIN	S2	-4.58	0.00	14.40	-4.58	0.00	-21.53	-0.43	0.00	0.11	-0.43	0.00	-3.21	
			TQ	0.00	0.00	0.00	0.00	0.00	0.00	0.00	0.00	0.00	0.00	0.00	0.00	
			M3	56.97	0.00	-186.11	-4.58	0.00	-21.53	33.22	0.00	-144.98	5.53	0.00	-27.57	

BAGO RIVER BRIDGE

BLOCK [ No.2 : CROSS BEAM ][ BEAM MEMBER FORCE ]

MEMBER				1003017			1003019			4019						
NODE				3017			4017			3019			4019			
				SHEAR	TORQUE	MOMENT	SHEAR	TORQUE	MOMENT	SHEAR	TORQUE	MOMENT	SHEAR	TORQUE	MOMENT	
NAME	TITLE			S2 (kN)	TQ (kN·m)	M3 (kN·m)	S2 (kN)	TQ (kN·m)	M3 (kN·m)	S2 (kN)	TQ (kN·m)	M3 (kN·m)	S2 (kN)	TQ (kN·m)	M3 (kN·m)	
62	1-LANE (case2TRUCK-LOAD	MAX	S2	14.31	0.00	-44.05	14.31	0.00	68.18	11.93	0.00	-41.08	11.93	0.00	50.42	
			TQ	0.00	0.00	0.00	0.00	0.00	0.00	0.00	0.00	0.00	0.00	0.00	0.00	0.00
			M3	-0.96	0.00	2.97	14.31	0.00	68.18	-12.80	0.00	61.39	11.34	0.00	51.35	
		MIN	S2	-0.96	0.00	2.97	-0.96	0.00	-4.54	-13.97	0.00	54.22	-13.97	0.00	-52.96	
			TQ	0.00	0.00	0.00	0.00	0.00	0.00	0.00	0.00	0.00	0.00	0.00	0.00	0.00
			M3	14.31	0.00	-44.05	-0.96	0.00	-4.54	11.73	0.00	-42.31	-13.35	0.00	-54.14	
		TANDEM-LOAD MAX	S2	9.79	0.00	-30.03	9.79	0.00	46.76	8.28	0.00	-29.16	8.28	0.00	34.34	
			TQ	0.00	0.00	0.00	0.00	0.00	0.00	0.00	0.00	0.00	0.00	0.00	0.00	0.00
			M3	-0.65	0.00	2.02	9.79	0.00	46.76	-8.53	0.00	43.42	7.82	0.00	35.11	
		MIN	S2	-0.65	0.00	2.02	-0.65	0.00	-3.08	-9.90	0.00	39.78	-9.90	0.00	-36.18	
			TQ	0.00	0.00	0.00	0.00	0.00	0.00	0.00	0.00	0.00	0.00	0.00	0.00	0.00
			M3	9.79	0.00	-30.03	-0.65	0.00	-3.08	8.22	0.00	-29.51	-9.14	0.00	-39.38	
		DISPERSION-LMAX	S2	28.94	0.00	-91.27	28.94	0.00	135.62	14.35	0.00	-43.53	14.35	0.00	66.52	
			TQ	0.00	0.00	0.00	0.00	0.00	0.00	0.00	0.00	0.00	0.00	0.00	0.00	0.00
			M3	-1.61	0.00	4.96	28.94	0.00	135.62	-6.29	0.00	33.94	13.97	0.00	67.86	
MIN	S2	-1.61	0.00	4.96	-1.61	0.00	-7.63	-6.82	0.00	31.78	-6.82	0.00	-20.51			
	TQ	0.00	0.00	0.00	0.00	0.00	0.00	0.00	0.00	0.00	0.00	0.00	0.00	0.00		
	M3	28.94	0.00	-91.27	-1.61	0.00	-7.63	13.82	0.00	-45.69	-6.44	0.00	-21.86			
63	1-LANE (case3TRUCK-LOAD	MAX	S2	7.77	0.00	-15.17	7.77	0.00	45.78	10.99	0.00	-63.34	10.99	0.00	21.00	
			TQ	0.00	0.00	0.00	0.00	0.00	0.00	0.00	0.00	0.00	0.00	0.00	0.00	
			M3	-2.17	0.00	7.47	7.77	0.00	45.78	-49.80	0.00	313.99	10.99	0.00	21.00	
		MIN	S2	-2.19	0.00	7.44	-2.19	0.00	-9.70	-49.80	0.00	313.99	-49.80	0.00	-68.07	
			TQ	0.00	0.00	0.00	0.00	0.00	0.00	0.00	0.00	0.00	0.00	0.00	0.00	0.00
			M3	7.77	0.00	-15.17	-2.19	0.00	-9.73	10.99	0.00	-63.34	-45.32	0.00	-68.20	

BAGO RIVER BRIDGE

BLOCK [ No.2 : CROSS BEAM ][ BEAM MEMBER FORCE ]

MEMBER NODE	1003017 3017	4017			1003019 3019	4019									
		SHEAR	TORQUE	MOMENT		SHEAR	TORQUE	MOMENT							
		S2 (kN)	TQ (kN·m)	M3 (kN·m)		S2 (kN)	TQ (kN·m)	M3 (kN·m)							
63	1-LANE (case3TANDEM-LOAD	MAX	S2	5.51	0.00	-10.77	5.51	0.00	32.40	8.17	0.00	-47.57	8.17	0.00	15.06
			TQ	0.00	0.00	0.00	0.00	0.00	0.00	0.00	0.00	0.00	0.00	0.00	0.00
			M3	-1.49	0.00	5.14	5.51	0.00	32.40	-37.13	0.00	230.50	8.17	0.00	15.06
		MIN	S2	-1.50	0.00	5.02	-1.50	0.00	-6.70	-37.13	0.00	230.50	-37.13	0.00	-54.36
			TQ	0.00	0.00	0.00	0.00	0.00	0.00	0.00	0.00	0.00	0.00	0.00	0.00
			M3	5.51	0.00	-10.77	-1.50	0.00	-6.70	8.17	0.00	-47.57	-35.88	0.00	-54.40
	DISPERSION-LMAX		S2	7.96	0.00	-17.35	7.96	0.00	45.06	6.11	0.00	-31.37	6.11	0.00	15.50
			TQ	0.00	0.00	0.00	0.00	0.00	0.00	0.00	0.00	0.00	0.00	0.00	0.00
			M3	-2.39	0.00	8.81	7.94	0.00	45.14	-23.12	0.00	151.43	3.33	0.00	21.05
		MIN	S2	-2.48	0.00	8.59	-2.48	0.00	-10.85	-23.21	0.00	151.09	-23.21	0.00	-26.96
			TQ	0.00	0.00	0.00	0.00	0.00	0.00	0.00	0.00	0.00	0.00	0.00	0.00
			M3	7.87	0.00	-17.56	-2.46	0.00	-10.93	6.02	0.00	-31.71	-20.43	0.00	-32.50
64	1-LANE (case4TRUCK-LOAD	MAX	S2	2.45	0.00	-7.84	2.45	0.00	11.39	72.45	0.00	-368.29	72.45	0.00	187.48
			TQ	0.00	0.00	0.00	0.00	0.00	0.00	0.00	0.00	0.00	0.00	0.00	0.00
			M3	-36.81	0.00	113.93	2.45	0.00	11.39	-36.61	0.00	138.61	72.45	0.00	187.48
		MIN	S2	-38.07	0.00	112.99	-38.07	0.00	-185.48	-37.09	0.00	133.81	-37.09	0.00	-150.71
			TQ	0.00	0.00	0.00	0.00	0.00	0.00	0.00	0.00	0.00	0.00	0.00	0.00
			M3	2.45	0.00	-7.84	-38.07	0.00	-185.48	72.45	0.00	-368.29	-36.89	0.00	-152.79
	TANDEM-LOAD	MAX	S2	1.67	0.00	-5.35	1.67	0.00	7.76	53.79	0.00	-270.78	53.79	0.00	141.83
			TQ	0.00	0.00	0.00	0.00	0.00	0.00	0.00	0.00	0.00	0.00	0.00	0.00
			M3	-25.34	0.00	77.94	1.67	0.00	7.76	-24.28	0.00	95.25	53.79	0.00	141.83
		MIN	S2	-25.94	0.00	76.46	-25.94	0.00	-126.88	-25.46	0.00	92.62	-25.46	0.00	-102.72
			TQ	0.00	0.00	0.00	0.00	0.00	0.00	0.00	0.00	0.00	0.00	0.00	0.00
			M3	1.67	0.00	-5.35	-25.94	0.00	-126.88	53.79	0.00	-270.78	-24.89	0.00	-104.28

BAGO RIVER BRIDGE

BLOCK [ No.2 : CROSS BEAM ][ BEAM MEMBER FORCE ]

MEMBER NODE	1003017 3017	4017			1003019 3019	4019							
		SHEAR	TORQUE	MOMENT		SHEAR	TORQUE	MOMENT					
NAME TITLE	S2 (kN)	TQ (kN·m)	M3 (kN·m)	S2 (kN)	TQ (kN·m)	M3 (kN·m)	S2 (kN)	TQ (kN·m)	M3 (kN·m)	S2 (kN)	TQ (kN·m)	M3 (kN·m)	
64 1-LANE (case4DISPERSION-LMAX	S2	3.77	0.00	-12.08	3.77	0.00	17.46	30.76	0.00	-159.17	30.76	0.00	76.80
	TQ	0.00	0.00	0.00	0.00	0.00	0.00	0.00	0.00	0.00	0.00	0.00	0.00
	M3	-79.79	0.00	243.36	3.77	0.00	17.46	-50.94	0.00	175.51	30.30	0.00	78.26
	MIN S2	-79.79	0.00	243.36	-79.79	0.00	-382.18	-51.14	0.00	175.05	-51.14	0.00	-217.28
	TQ	0.00	0.00	0.00	0.00	0.00	0.00	0.00	0.00	0.00	0.00	0.00	0.00
	M3	3.77	0.00	-12.08	-79.79	0.00	-382.18	30.56	0.00	-159.63	-50.68	0.00	-218.74
	MAX S2	48.81	0.00	-155.70	48.81	0.00	227.00	39.86	0.00	-110.70	39.86	0.00	195.09
	TQ	0.00	0.00	0.00	0.00	0.00	0.00	0.00	0.00	0.00	0.00	0.00	0.00
	M3	-4.82	0.00	15.14	48.81	0.00	227.00	3.27	0.00	13.34	39.83	0.00	195.13
65 2-LANES (caseTRUCK-LOAD	MIN S2	-4.82	0.00	15.14	-4.82	0.00	-22.62	-2.77	0.00	-12.46	-2.77	0.00	-33.73
	TQ	0.00	0.00	0.00	0.00	0.00	0.00	0.00	0.00	0.00	0.00	0.00	0.00
	M3	48.56	0.00	-155.89	-4.82	0.00	-22.62	14.54	0.00	-197.03	11.21	0.00	-91.75
	TANDEM-LOAD MAX S2	33.28	0.00	-105.96	33.28	0.00	154.96	27.24	0.00	-76.08	27.24	0.00	132.89
	TQ	0.00	0.00	0.00	0.00	0.00	0.00	0.00	0.00	0.00	0.00	0.00	0.00
	M3	-3.28	0.00	10.31	33.28	0.00	154.96	3.37	0.00	13.43	27.24	0.00	132.89
	MIN S2	-3.28	0.00	10.31	-3.28	0.00	-15.40	-2.03	0.00	-12.67	-2.03	0.00	-28.27
	TQ	0.00	0.00	0.00	0.00	0.00	0.00	0.00	0.00	0.00	0.00	0.00	0.00
	M3	33.14	0.00	-106.38	-3.28	0.00	-15.40	10.64	0.00	-141.86	6.81	0.00	-64.62
	DISPERSION-LMAX S2	100.24	0.00	-326.28	100.24	0.00	459.67	56.25	0.00	-217.98	56.25	0.00	213.53
	TQ	0.00	0.00	0.00	0.00	0.00	0.00	0.00	0.00	0.00	0.00	0.00	0.00
	M3	-7.68	0.00	24.08	100.24	0.00	459.67	0.13	0.00	4.97	49.25	0.00	249.84
	MIN S2	-7.68	0.00	24.08	-7.68	0.00	-36.11	-1.39	0.00	-4.38	-1.39	0.00	-15.05
	TQ	0.00	0.00	0.00	0.00	0.00	0.00	0.00	0.00	0.00	0.00	0.00	0.00
	M3	100.24	0.00	-326.28	-7.68	0.00	-36.11	54.73	0.00	-227.33	5.61	0.00	-51.36

BAGO RIVER BRIDGE

BLOCK [ No.2 : CROSS BEAM ][ BEAM MEMBER FORCE ]

MEMBER NODE	1003017 3017	4017			1003019 3019	4019									
		SHEAR	TORQUE	MOMENT		SHEAR	TORQUE	MOMENT							
		S2 (kN)	TQ (kN·m)	M3 (kN·m)		S2 (kN)	TQ (kN·m)	M3 (kN·m)							
66	2-LANES (caseTRUCK-LOAD	MAX	S2	35.22	0.00	-110.41	35.22	0.00	165.73	28.70	0.00	-87.94	28.70	0.00	132.23
			TQ	0.00	0.00	0.00	0.00	0.00	0.00	0.00	0.00	0.00	0.00	0.00	0.00
			M3	-2.88	0.00	9.01	35.22	0.00	165.73	-12.97	0.00	61.52	28.11	0.00	133.17
		MIN	S2	-2.88	0.00	9.01	-2.88	0.00	-13.60	-16.15	0.00	40.75	-16.15	0.00	-83.18
			TQ	0.00	0.00	0.00	0.00	0.00	0.00	0.00	0.00	0.00	0.00	0.00	0.00
			M3	35.11	0.00	-110.46	-2.88	0.00	-13.60	13.41	0.00	-100.21	-12.23	0.00	-100.92
	TANDEM-LOAD	MAX	S2	24.07	0.00	-75.38	24.07	0.00	113.32	19.75	0.00	-61.27	19.75	0.00	90.21
			TQ	0.00	0.00	0.00	0.00	0.00	0.00	0.00	0.00	0.00	0.00	0.00	0.00
			M3	-1.96	0.00	6.13	24.07	0.00	113.32	-6.38	0.00	43.61	19.29	0.00	90.99
		MIN	S2	-1.96	0.00	6.13	-1.96	0.00	-9.25	-11.52	0.00	26.36	-11.52	0.00	-62.05
			TQ	0.00	0.00	0.00	0.00	0.00	0.00	0.00	0.00	0.00	0.00	0.00	0.00
			M3	24.04	0.00	-75.39	-1.96	0.00	-9.25	9.87	0.00	-73.09	-8.59	0.00	-72.36
	DISPERSION-LMAX	S2	72.21	0.00	-231.44	72.21	0.00	334.72	36.52	0.00	-119.96	36.52	0.00	160.20	
			TQ	0.00	0.00	0.00	0.00	0.00	0.00	0.00	0.00	0.00	0.00	0.00	0.00
			M3	-4.70	0.00	14.65	72.21	0.00	334.72	-6.57	0.00	35.37	35.11	0.00	173.50
		MIN	S2	-4.70	0.00	14.65	-4.70	0.00	-22.21	-7.78	0.00	27.30	-7.78	0.00	-32.35
			TQ	0.00	0.00	0.00	0.00	0.00	0.00	0.00	0.00	0.00	0.00	0.00	0.00
			M3	72.21	0.00	-231.44	-4.70	0.00	-22.21	35.32	0.00	-128.04	-6.36	0.00	-45.65
67	2-LANES (caseTRUCK-LOAD	MAX	S2	9.26	0.00	-19.95	9.26	0.00	52.65	12.78	0.00	-71.22	12.78	0.00	26.82
			TQ	0.00	0.00	0.00	0.00	0.00	0.00	0.00	0.00	0.00	0.00	0.00	0.00
			M3	-13.09	0.00	43.59	9.26	0.00	52.65	-74.14	0.00	494.64	2.23	0.00	37.30
		MIN	S2	-13.11	0.00	43.36	-13.11	0.00	-59.46	-74.14	0.00	494.64	-74.14	0.00	-74.12
			TQ	0.00	0.00	0.00	0.00	0.00	0.00	0.00	0.00	0.00	0.00	0.00	0.00
			M3	9.26	0.00	-19.95	-13.11	0.00	-59.49	12.60	0.00	-85.62	-55.19	0.00	-111.51

BAGO RIVER BRIDGE

BLOCK [ No.2 : CROSS BEAM ][ BEAM MEMBER FORCE ]

MEMBER NODE	1003017 3017	4017			1003019 3019	4019									
		SHEAR	TORQUE	MOMENT		SHEAR	TORQUE	MOMENT							
		S2 (kN)	TQ (kN·m)	M3 (kN·m)		S2 (kN)	TQ (kN·m)	M3 (kN·m)							
67	2-LANES (caseTANDEM-LOAD	MAX	S2	6.52	0.00	-14.02	6.52	0.00	37.08	10.38	0.00	-67.30	10.38	0.00	12.35
			TQ	0.00	0.00	0.00	0.00	0.00	0.00	0.00	0.00	0.00	0.00	0.00	0.00
			M3	-8.96	0.00	29.89	6.52	0.00	37.08	-55.50	0.00	363.98	2.02	0.00	27.80
		MIN	S2	-8.97	0.00	29.77	-8.97	0.00	-40.52	-55.50	0.00	363.98	-55.50	0.00	-61.81
			TQ	0.00	0.00	0.00	0.00	0.00	0.00	0.00	0.00	0.00	0.00	0.00	0.00
			M3	6.52	0.00	-14.02	-8.91	0.00	-40.61	10.34	0.00	-68.58	-42.51	0.00	-83.86
	DISPERSION-LMAX		S2	10.68	0.00	-24.25	10.68	0.00	59.45	9.79	0.00	-50.30	9.79	0.00	24.81
			TQ	0.00	0.00	0.00	0.00	0.00	0.00	0.00	0.00	0.00	0.00	0.00	0.00
			M3	-21.53	0.00	74.49	10.59	0.00	59.87	-46.99	0.00	279.92	2.97	0.00	38.06
		MIN	S2	-21.82	0.00	73.70	-21.82	0.00	-97.41	-47.23	0.00	278.96	-47.23	0.00	-83.35
			TQ	0.00	0.00	0.00	0.00	0.00	0.00	0.00	0.00	0.00	0.00	0.00	0.00
			M3	10.38	0.00	-25.05	-21.74	0.00	-97.83	9.55	0.00	-51.27	-40.41	0.00	-96.61
68	2-LANES (caseTRUCK-LOAD	MAX	S2	3.94	0.00	-12.62	3.94	0.00	18.27	100.05	0.00	-482.20	100.05	0.00	285.35
			TQ	0.00	0.00	0.00	0.00	0.00	0.00	0.00	0.00	0.00	0.00	0.00	0.00
			M3	-62.00	0.00	190.62	3.94	0.00	18.27	-60.89	0.00	221.19	100.05	0.00	285.35
		MIN	S2	-63.26	0.00	189.68	-63.26	0.00	-306.33	-61.54	0.00	215.76	-61.54	0.00	-256.35
			TQ	0.00	0.00	0.00	0.00	0.00	0.00	0.00	0.00	0.00	0.00	0.00	0.00
			M3	3.94	0.00	-12.62	-63.26	0.00	-306.33	100.05	0.00	-482.20	-61.30	0.00	-258.73
	TANDEM-LOAD	MAX	S2	2.68	0.00	-8.60	2.68	0.00	12.45	74.20	0.00	-354.61	74.20	0.00	214.65
			TQ	0.00	0.00	0.00	0.00	0.00	0.00	0.00	0.00	0.00	0.00	0.00	0.00
			M3	-42.54	0.00	130.27	2.68	0.00	12.45	-40.91	0.00	151.46	74.20	0.00	214.65
		MIN	S2	-43.14	0.00	128.79	-43.14	0.00	-209.41	-42.14	0.00	148.65	-42.14	0.00	-174.63
			TQ	0.00	0.00	0.00	0.00	0.00	0.00	0.00	0.00	0.00	0.00	0.00	0.00
			M3	2.68	0.00	-8.60	-43.14	0.00	-209.41	74.20	0.00	-354.61	-41.40	0.00	-176.23

BAGO RIVER BRIDGE

BLOCK [ No.2 : CROSS BEAM ][ BEAM MEMBER FORCE ]

MEMBER		1003017						1003019							
NODE		3017			4017			3019			4019				
		SHEAR	TORQUE	MOMENT	SHEAR	TORQUE	MOMENT	SHEAR	TORQUE	MOMENT	SHEAR	TORQUE	MOMENT		
NAME	TITLE	S2 (kN)	TQ (kN·m)	M3 (kN·m)	S2 (kN)	TQ (kN·m)	M3 (kN·m)	S2 (kN)	TQ (kN·m)	M3 (kN·m)	S2 (kN)	TQ (kN·m)	M3 (kN·m)		
68	2-LANES (caseDISPERSION-LMAX	S2	6.06	0.00	-19.48	6.06	0.00	28.04	44.02	0.00	-215.58	44.02	0.00	122.10	
		TQ	0.00	0.00	0.00	0.00	0.00	0.00	0.00	0.00	0.00	0.00	0.00	0.00	
		M3	-133.15	0.00	409.57	6.06	0.00	28.04	-86.54	0.00	298.59	43.54	0.00	123.78	
	MIN	S2	-133.15	0.00	409.57	-133.15	0.00	-634.39	-86.89	0.00	297.76	-86.89	0.00	-368.84	
		TQ	0.00	0.00	0.00	0.00	0.00	0.00	0.00	0.00	0.00	0.00	0.00	0.00	
		M3	6.06	0.00	-19.48	-133.15	0.00	-634.39	43.66	0.00	-216.40	-86.41	0.00	-370.52	
	69	3-LANES (caseTRUCK-LOAD	MAX S2	63.13	0.00	-199.75	63.13	0.00	295.19	51.79	0.00	-151.78	51.79	0.00	245.51
			TQ	0.00	0.00	0.00	0.00	0.00	0.00	0.00	0.00	0.00	0.00	0.00	0.00
			M3	-5.77	0.00	18.11	63.13	0.00	295.19	-9.54	0.00	74.73	51.17	0.00	246.48
MIN		S2	-5.77	0.00	18.11	-5.77	0.00	-27.16	-16.74	0.00	41.76	-16.74	0.00	-86.69	
		TQ	0.00	0.00	0.00	0.00	0.00	0.00	0.00	0.00	0.00	0.00	0.00	0.00	
		M3	62.88	0.00	-199.94	-5.77	0.00	-27.16	26.27	0.00	-239.34	-2.14	0.00	-145.89	
TANDEM-LOAD		MAX S2	43.07	0.00	-135.99	43.07	0.00	201.71	35.52	0.00	-105.24	35.52	0.00	167.23	
		TQ	0.00	0.00	0.00	0.00	0.00	0.00	0.00	0.00	0.00	0.00	0.00	0.00	
		M3	-3.93	0.00	12.33	43.07	0.00	201.71	-5.16	0.00	56.85	35.06	0.00	168.01	
MIN	S2	-3.93	0.00	12.33	-3.93	0.00	-18.48	-11.93	0.00	27.10	-11.93	0.00	-64.45		
	TQ	0.00	0.00	0.00	0.00	0.00	0.00	0.00	0.00	0.00	0.00	0.00	0.00		
	M3	42.94	0.00	-136.41	-3.93	0.00	-18.48	18.86	0.00	-171.36	-2.33	0.00	-104.01		
DISPERSION-LMAX	S2	129.18	0.00	-417.55	129.18	0.00	595.29	70.59	0.00	-261.51	70.59	0.00	280.04		
	TQ	0.00	0.00	0.00	0.00	0.00	0.00	0.00	0.00	0.00	0.00	0.00	0.00		
	M3	-9.28	0.00	29.05	129.18	0.00	595.29	-6.16	0.00	38.91	63.22	0.00	317.70		
MIN	S2	-9.28	0.00	29.05	-9.28	0.00	-43.74	-8.21	0.00	27.41	-8.21	0.00	-35.56		
	TQ	0.00	0.00	0.00	0.00	0.00	0.00	0.00	0.00	0.00	0.00	0.00	0.00		
	M3	129.18	0.00	-417.55	-9.28	0.00	-43.74	68.54	0.00	-273.02	-0.83	0.00	-73.22		



BAGO RIVER BRIDGE

BLOCK [ No.2 : CROSS BEAM ][ BEAM MEMBER FORCE ]

MEMBER				1003017						1003019						
NODE				3017			4017			3019			4019			
NAME TITLE				SHEAR	TORQUE	MOMENT	SHEAR	TORQUE	MOMENT	SHEAR	TORQUE	MOMENT	SHEAR	TORQUE	MOMENT	
				S2 (kN)	TQ (kN·m)	M3 (kN·m)	S2 (kN)	TQ (kN·m)	M3 (kN·m)	S2 (kN)	TQ (kN·m)	M3 (kN·m)	S2 (kN)	TQ (kN·m)	M3 (kN·m)	
70	3-LANES (caseTRUCK-LOAD	MAX	S2	11.71	0.00	-27.79	11.71	0.00	64.05	33.31	0.00	-145.06	33.31	0.00	110.45	
			TQ	0.00	0.00	0.00	0.00	0.00	0.00	0.00	0.00	0.00	0.00	0.00	0.00	0.00
			M3	-35.39	0.00	114.93	11.71	0.00	64.05	-94.14	0.00	560.72	22.76	0.00	120.93	
		MIN	S2	-35.42	0.00	114.63	-35.42	0.00	-163.07	-94.14	0.00	560.72	-94.14	0.00	-161.50	
			TQ	0.00	0.00	0.00	0.00	0.00	0.00	0.00	0.00	0.00	0.00	0.00	0.00	0.00
			M3	11.71	0.00	-27.79	-35.42	0.00	-163.10	33.13	0.00	-159.46	-75.19	0.00	-198.99	
	TANDEM-LOAD	MAX	S2	8.19	0.00	-19.37	8.19	0.00	44.84	25.38	0.00	-120.80	25.38	0.00	73.93	
		TQ	0.00	0.00	0.00	0.00	0.00	0.00	0.00	0.00	0.00	0.00	0.00	0.00	0.00	
		M3	-24.24	0.00	78.75	8.19	0.00	44.84	-69.15	0.00	409.09	17.02	0.00	89.39		
	MIN	S2	-24.25	0.00	78.61	-24.25	0.00	-111.53	-69.15	0.00	409.09	-69.15	0.00	-121.40		
		TQ	0.00	0.00	0.00	0.00	0.00	0.00	0.00	0.00	0.00	0.00	0.00	0.00	0.00	
		M3	8.19	0.00	-19.37	-24.19	0.00	-111.62	25.34	0.00	-122.07	-56.16	0.00	-143.45		
	DISPERSION-LMAX	S2	14.42	0.00	-36.24	14.42	0.00	76.78	21.17	0.00	-94.79	21.17	0.00	67.61		
		TQ	0.00	0.00	0.00	0.00	0.00	0.00	0.00	0.00	0.00	0.00	0.00	0.00	0.00	
		M3	-66.94	0.00	217.43	14.33	0.00	77.20	-76.34	0.00	384.41	14.30	0.00	81.72		
MIN	S2	-67.23	0.00	216.64	-67.23	0.00	-310.49	-76.84	0.00	381.84	-76.84	0.00	-207.63			
	TQ	0.00	0.00	0.00	0.00	0.00	0.00	0.00	0.00	0.00	0.00	0.00	0.00	0.00		
	M3	14.12	0.00	-37.04	-67.15	0.00	-310.91	20.67	0.00	-97.36	-69.97	0.00	-221.74			
71	3-LANES (caseTRUCK-LOAD	MAX	S2	4.46	0.00	-14.32	4.46	0.00	20.63	101.39	0.00	-488.56	101.39	0.00	289.26	
			TQ	0.00	0.00	0.00	0.00	0.00	0.00	0.00	0.00	0.00	0.00	0.00	0.00	
			M3	-75.69	0.00	233.31	4.46	0.00	20.63	-77.92	0.00	361.90	89.53	0.00	303.17	
		MIN	S2	-77.00	0.00	232.36	-77.00	0.00	-371.34	-78.80	0.00	356.33	-78.80	0.00	-248.15	
			TQ	0.00	0.00	0.00	0.00	0.00	0.00	0.00	0.00	0.00	0.00	0.00	0.00	0.00
			M3	4.46	0.00	-14.32	-77.00	0.00	-371.38	99.74	0.00	-489.85	-75.49	0.00	-320.96	

BAGO RIVER BRIDGE

BLOCK [ No.2 : CROSS BEAM ][ BEAM MEMBER FORCE ]

MEMBER		1003017						1003019								
NODE		3017			4017			3019			4019					
NAME TITLE		SHEAR	TORQUE	MOMENT	SHEAR	TORQUE	MOMENT	SHEAR	TORQUE	MOMENT	SHEAR	TORQUE	MOMENT			
		S2 (kN)	TQ (kN·m)	M3 (kN·m)	S2 (kN)	TQ (kN·m)	M3 (kN·m)	S2 (kN)	TQ (kN·m)	M3 (kN·m)	S2 (kN)	TQ (kN·m)	M3 (kN·m)			
71	3-LANES (caseTANDEM-LOAD	MAX	S2	3.04	0.00	-9.75	3.04	0.00	14.05	75.11	0.00	-358.93	75.11	0.00	217.29	
			TQ	0.00	0.00	0.00	0.00	0.00	0.00	0.00	0.00	0.00	0.00	0.00	0.00	0.00
			M3	-51.86	0.00	159.37	3.04	0.00	14.05	-53.86	0.00	254.60	68.45	0.00	228.46	
		MIN	S2	-52.48	0.00	157.72	-52.48	0.00	-253.74	-55.09	0.00	251.80	-55.09	0.00	-170.85	
			TQ	0.00	0.00	0.00	0.00	0.00	0.00	0.00	0.00	0.00	0.00	0.00	0.00	0.00
			M3	3.04	0.00	-9.75	-52.48	0.00	-253.74	74.43	0.00	-364.52	-51.07	0.00	-218.56	
	DISPERSION-LMAX	S2	6.96	0.00	-21.85	6.96	0.00	32.69	46.67	0.00	-227.56	46.67	0.00	130.48		
		TQ	0.00	0.00	0.00	0.00	0.00	0.00	0.00	0.00	0.00	0.00	0.00	0.00		
		M3	-160.03	0.00	498.42	6.91	0.00	32.93	-113.58	0.00	429.16	42.63	0.00	139.84		
		MIN	S2	-160.11	0.00	498.09	-160.11	0.00	-757.24	-114.16	0.00	426.61	-114.16	0.00	-449.16	
			TQ	0.00	0.00	0.00	0.00	0.00	0.00	0.00	0.00	0.00	0.00	0.00	0.00	
			M3	6.88	0.00	-22.19	-160.06	0.00	-757.48	46.09	0.00	-230.10	-110.12	0.00	-458.52	
72	4-LANES TRUCK-LOAD	MAX	S2	7.48	0.00	-14.22	7.48	0.00	44.39	108.28	0.00	-538.66	108.28	0.00	291.98	
			TQ	0.00	0.00	0.00	0.00	0.00	0.00	0.00	0.00	0.00	0.00	0.00	0.00	
			M3	-73.19	0.00	232.39	7.30	0.00	45.21	-129.92	0.00	691.37	99.25	0.00	315.11	
		MIN	S2	-74.17	0.00	230.07	-74.17	0.00	-351.45	-130.60	0.00	686.53	-130.60	0.00	-315.35	
			TQ	0.00	0.00	0.00	0.00	0.00	0.00	0.00	0.00	0.00	0.00	0.00	0.00	
			M3	7.48	0.00	-14.22	-74.12	0.00	-354.56	107.59	0.00	-540.90	-115.71	0.00	-367.43	
	TANDEM-LOAD	MAX	S2	5.28	0.00	-10.07	5.28	0.00	31.37	81.02	0.00	-402.68	81.02	0.00	218.88	
			TQ	0.00	0.00	0.00	0.00	0.00	0.00	0.00	0.00	0.00	0.00	0.00	0.00	
			M3	-50.30	0.00	159.00	5.09	0.00	32.22	-92.72	0.00	497.71	73.94	0.00	236.76	
		MIN	S2	-50.64	0.00	156.55	-50.64	0.00	-240.47	-93.95	0.00	495.14	-93.95	0.00	-225.57	
			TQ	0.00	0.00	0.00	0.00	0.00	0.00	0.00	0.00	0.00	0.00	0.00	0.00	
			M3	5.28	0.00	-10.07	-50.60	0.00	-242.40	80.83	0.00	-403.30	-83.67	0.00	-258.14	

BAGO RIVER BRIDGE

BLOCK [ No.2 : CROSS BEAM ][ BEAM MEMBER FORCE ]

MEMBER			1003017						1003019									
NODE			3017			4017			3019			4019						
			SHEAR	TORQUE	MOMENT	SHEAR	TORQUE	MOMENT	SHEAR	TORQUE	MOMENT	SHEAR	TORQUE	MOMENT				
NAME	TITLE		S2 (kN)	TQ (kN·m)	M3 (kN·m)	S2 (kN)	TQ (kN·m)	M3 (kN·m)	S2 (kN)	TQ (kN·m)	M3 (kN·m)	S2 (kN)	TQ (kN·m)	M3 (kN·m)				
72	4-LANES	DISPERSION-LMAX	S2	7.48	0.00	-14.25	7.48	0.00	44.40	40.81	0.00	-206.29	40.81	0.00	106.79			
			TQ	0.00	0.00	0.00	0.00	0.00	0.00	0.00	0.00	0.00	0.00	0.00	0.00	0.00		
			M3	-143.92	0.00	449.83	7.40	0.00	44.79	-126.11	0.00	546.62	33.61	0.00	0.00	122.25		
		MIN	S2	-144.18	0.00	449.09	-144.18	0.00	-681.33	-126.73	0.00	544.24	-126.73	0.00	0.00	-427.93		
			TQ	0.00	0.00	0.00	0.00	0.00	0.00	0.00	0.00	0.00	0.00	0.00	0.00	0.00		
			M3	7.21	0.00	-15.00	-144.10	0.00	-681.72	40.15	0.00	-208.90	-119.46	0.00	0.00	-443.49		
		73	6-LANES	TRUCK-LOAD	MAX	S2	63.29	0.00	-187.41	63.29	0.00	308.77	133.76	0.00	-567.31	133.76	0.00	458.83
					TQ	0.00	0.00	0.00	0.00	0.00	0.00	0.00	0.00	0.00	0.00	0.00	0.00	0.00
					M3	-66.68	0.00	211.30	63.29	0.00	308.77	-133.17	0.00	704.46	119.34	0.00	0.00	471.89
MIN	S2			-68.65	0.00	209.40	-68.65	0.00	-328.84	-138.56	0.00	685.08	-138.56	0.00	0.00	-377.85		
	TQ			0.00	0.00	0.00	0.00	0.00	0.00	0.00	0.00	0.00	0.00	0.00	0.00	0.00		
	M3			62.67	0.00	-187.91	-68.63	0.00	-328.97	122.99	0.00	-639.36	-121.05	0.00	0.00	-441.88		
TANDEM-LOAD	MAX			S2	43.54	0.00	-128.25	43.54	0.00	213.12	97.42	0.00	-414.51	97.42	0.00	0.00	332.87	
	TQ			0.00	0.00	0.00	0.00	0.00	0.00	0.00	0.00	0.00	0.00	0.00	0.00	0.00		
	M3			-45.80	0.00	144.53	43.54	0.00	213.12	-95.69	0.00	508.33	86.91	0.00	0.00	340.69		
MIN	S2	-46.77	0.00	142.13	-46.77	0.00	-224.54	-99.72	0.00	492.81	-99.72	0.00	0.00	-272.18				
	TQ	0.00	0.00	0.00	0.00	0.00	0.00	0.00	0.00	0.00	0.00	0.00	0.00	0.00				
	M3	43.34	0.00	-128.83	-46.77	0.00	-224.54	90.35	0.00	-466.07	-90.31	0.00	0.00	-314.43				
DISPERSION-LMAX	S2	119.59	0.00	-376.62	119.59	0.00	560.99	103.85	0.00	-447.17	103.85	0.00	0.00	349.51				
	TQ	0.00	0.00	0.00	0.00	0.00	0.00	0.00	0.00	0.00	0.00	0.00	0.00	0.00				
	M3	-146.49	0.00	458.00	119.54	0.00	561.28	-126.05	0.00	557.03	91.46	0.00	0.00	394.40				
MIN	S2	-146.77	0.00	457.25	-146.77	0.00	-693.45	-128.55	0.00	544.33	-128.55	0.00	0.00	-441.81				
	TQ	0.00	0.00	0.00	0.00	0.00	0.00	0.00	0.00	0.00	0.00	0.00	0.00	0.00				
	M3	119.30	0.00	-377.32	-146.69	0.00	-693.85	101.44	0.00	-460.18	-116.21	0.00	0.00	-485.00				

BAGO RIVER BRIDGE

BLOCK [ No.2 : CROSS BEAM ][ BEAM MEMBER FORCE ]

MEMBER			1003017						1003019						
NODE			3017			4017			3019			4019			
NAME TITLE			SHEAR	TORQUE	MOMENT	SHEAR	TORQUE	MOMENT	SHEAR	TORQUE	MOMENT	SHEAR	TORQUE	MOMENT	
			S2 (kN)	TQ (kN·m)	M3 (kN·m)	S2 (kN)	TQ (kN·m)	M3 (kN·m)	S2 (kN)	TQ (kN·m)	M3 (kN·m)	S2 (kN)	TQ (kN·m)	M3 (kN·m)	
124	SUM TOTAL	D+1LANE (caseMAX	S2	85.91	0.00	-305.01	85.91	0.00	368.54	22.54	0.00	-38.67	22.54	0.00	134.21
			TQ	-15.94	0.00	25.52	-15.94	0.00	-99.48	-46.06	0.00	207.79	-46.06	0.00	-145.53
			M3	-24.91	0.00	53.72	85.91	0.00	368.54	-41.43	0.00	227.89	15.34	0.00	163.48
		MIN	S2	-24.91	0.00	53.72	-24.91	0.00	-141.59	-47.28	0.00	209.13	-47.28	0.00	-153.59
			TQ	-15.94	0.00	25.52	-15.94	0.00	-99.48	-46.06	0.00	207.79	-46.06	0.00	-145.53
			M3	85.75	0.00	-305.19	-24.91	0.00	-141.59	9.25	0.00	-133.15	-27.30	0.00	-232.59
		D+1LANE (caseMAX	S2	35.96	0.00	-136.87	35.96	0.00	145.08	-14.53	0.00	106.26	-14.53	0.00	-5.21
			TQ	-15.94	0.00	25.52	-15.94	0.00	-99.48	-46.06	0.00	207.79	-46.06	0.00	-145.53
			M3	-19.02	0.00	35.04	35.96	0.00	145.08	-68.96	0.00	322.18	-15.68	0.00	-2.47
		MIN	S2	-19.02	0.00	35.04	-19.02	0.00	-114.09	-71.00	0.00	310.99	-71.00	0.00	-233.70
			TQ	-15.94	0.00	25.52	-15.94	0.00	-99.48	-46.06	0.00	207.79	-46.06	0.00	-145.53
			M3	35.96	0.00	-136.87	-19.02	0.00	-114.09	-15.40	0.00	102.19	-69.81	0.00	-236.73
		D+1LANE (caseMAX	S2	2.94	0.00	-13.50	2.94	0.00	9.52	-25.53	0.00	94.14	-25.53	0.00	-101.72
			TQ	-15.94	0.00	25.52	-15.94	0.00	-99.48	-46.06	0.00	207.79	-46.06	0.00	-145.53
			M3	-21.40	0.00	45.05	2.92	0.00	9.62	-133.56	0.00	766.30	-28.86	0.00	-95.07
		MIN	S2	-21.54	0.00	44.76	-21.54	0.00	-124.14	-133.67	0.00	765.89	-133.67	0.00	-259.57
			TQ	-15.94	0.00	25.52	-15.94	0.00	-99.48	-46.06	0.00	207.79	-46.06	0.00	-145.53
			M3	2.82	0.00	-13.76	-21.52	0.00	-124.28	-25.64	0.00	93.72	-124.97	0.00	-266.37
		D+1LANE (caseMAX	S2	-8.48	0.00	1.62	-8.48	0.00	-64.86	77.79	0.00	-425.16	77.79	0.00	171.61
			TQ	-15.94	0.00	25.52	-15.94	0.00	-99.48	-46.06	0.00	207.79	-46.06	0.00	-145.53
			M3	-155.85	0.00	454.27	-8.48	0.00	-64.86	-151.11	0.00	584.74	77.24	0.00	173.36
		MIN	S2	-157.37	0.00	453.14	-157.37	0.00	-780.67	-151.93	0.00	578.42	-151.93	0.00	-587.11
			TQ	-15.94	0.00	25.52	-15.94	0.00	-99.48	-46.06	0.00	207.79	-46.06	0.00	-145.53
			M3	-8.48	0.00	1.62	-157.37	0.00	-780.67	77.55	0.00	-425.72	-151.14	0.00	-591.36

BAGO RIVER BRIDGE

BLOCK [ No.2 : CROSS BEAM ][ BEAM MEMBER FORCE ]

MEMBER			1003017						1003019						
NODE			3017			4017			3019			4019			
NAME TITLE			SHEAR	TORQUE	MOMENT	SHEAR	TORQUE	MOMENT	SHEAR	TORQUE	MOMENT	SHEAR	TORQUE	MOMENT	
			S2 (kN)	TQ (kN·m)	M3 (kN·m)	S2 (kN)	TQ (kN·m)	M3 (kN·m)	S2 (kN)	TQ (kN·m)	M3 (kN·m)	S2 (kN)	TQ (kN·m)	M3 (kN·m)	
124	SUM TOTAL	D+2LANES(casMAX	S2	133.11	0.00	-456.46	133.11	0.00	587.19	50.05	0.00	-120.89	50.05	0.00	263.09
			TQ	-15.94	0.00	25.52	-15.94	0.00	-99.48	-46.06	0.00	207.79	-46.06	0.00	-145.53
			M3	-28.44	0.00	64.74	133.11	0.00	587.19	-42.66	0.00	226.10	43.02	0.00	299.44
		MIN	S2	-28.44	0.00	64.74	-28.44	0.00	-158.21	-50.22	0.00	190.96	-50.22	0.00	-194.31
			TQ	-15.94	0.00	25.52	-15.94	0.00	-99.48	-46.06	0.00	207.79	-46.06	0.00	-145.53
			M3	132.86	0.00	-456.65	-28.44	0.00	-158.21	23.21	0.00	-216.56	-29.23	0.00	-288.64
		D+2LANES(casMAX	S2	91.49	0.00	-316.33	91.49	0.00	400.98	19.16	0.00	-0.11	19.16	0.00	146.91
			TQ	-15.94	0.00	25.52	-15.94	0.00	-99.48	-46.06	0.00	207.79	-46.06	0.00	-145.53
			M3	-23.53	0.00	49.18	91.49	0.00	400.98	-65.60	0.00	304.68	17.16	0.00	161.14
		MIN	S2	-23.53	0.00	49.17	-23.53	0.00	-135.29	-69.99	0.00	275.84	-69.99	0.00	-261.06
			TQ	-15.94	0.00	25.52	-15.94	0.00	-99.48	-46.06	0.00	207.79	-46.06	0.00	-145.53
			M3	91.37	0.00	-316.38	-23.53	0.00	-135.29	2.67	0.00	-20.45	-64.65	0.00	-292.09
		D+2LANES(casMAX	S2	3.99	0.00	-18.68	3.99	0.00	12.62	-23.49	0.00	86.27	-23.49	0.00	-93.90
			TQ	-15.94	0.00	25.52	-15.94	0.00	-99.48	-46.06	0.00	207.79	-46.06	0.00	-145.53
			M3	-50.56	0.00	143.60	3.91	0.00	13.04	-167.19	0.00	982.35	-40.85	0.00	-70.17
		MIN	S2	-50.88	0.00	142.57	-50.88	0.00	-256.36	-167.43	0.00	981.39	-167.43	0.00	-303.00
			TQ	-15.94	0.00	25.52	-15.94	0.00	-99.48	-46.06	0.00	207.79	-46.06	0.00	-145.53
			M3	3.70	0.00	-19.47	-50.80	0.00	-256.80	-23.90	0.00	70.90	-141.66	0.00	-353.64
		D+2LANES(casMAX	S2	-5.94	0.00	-6.58	-5.94	0.00	-53.17	98.01	0.00	-489.98	98.01	0.00	261.92
			TQ	-15.94	0.00	25.52	-15.94	0.00	-99.48	-46.06	0.00	207.79	-46.06	0.00	-145.53
			M3	-211.10	0.00	625.71	-5.94	0.00	-53.17	-193.49	0.00	727.56	97.53	0.00	263.60
		MIN	S2	-212.36	0.00	624.77	-212.36	0.00	-1040.20	-194.49	0.00	721.31	-194.49	0.00	-770.71
			TQ	-15.94	0.00	25.52	-15.94	0.00	-99.48	-46.06	0.00	207.79	-46.06	0.00	-145.53
			M3	-5.94	0.00	-6.58	-212.36	0.00	-1040.20	97.66	0.00	-490.80	-193.77	0.00	-774.77

BAGO RIVER BRIDGE

BLOCK [ No.2 : CROSS BEAM ][ BEAM MEMBER FORCE ]

MEMBER			1003017						1003019							
NODE			3017			4017			3019			4019				
NAME TITLE			SHEAR	TORQUE	MOMENT	SHEAR	TORQUE	MOMENT	SHEAR	TORQUE	MOMENT	SHEAR	TORQUE	MOMENT		
			S2 (kN)	TQ (kN·m)	M3 (kN·m)	S2 (kN)	TQ (kN·m)	M3 (kN·m)	S2 (kN)	TQ (kN·m)	M3 (kN·m)	S2 (kN)	TQ (kN·m)	M3 (kN·m)		
124	SUM TOTAL	D+3LANES (casMAX	S2	147.52	0.00	-499.18	147.52	0.00	657.42	57.97	0.00	-143.51	57.97	0.00	301.19	
			TQ	-15.94	0.00	25.52	-15.94	0.00	-99.48	-46.06	0.00	207.79	-46.06	0.00	-145.53	
			M3	-28.74	0.00	65.60	147.52	0.00	657.42	-59.40	0.00	304.38	51.17	0.00	334.03	
		MIN	S2	-28.74	0.00	65.60	-28.74	0.00	-159.75	-67.27	0.00	266.58	-67.27	0.00	-249.44	
			TQ	-15.94	0.00	25.52	-15.94	0.00	-99.48	-46.06	0.00	207.79	-46.06	0.00	-145.53	
			M3	147.31	0.00	-499.35	-28.74	0.00	-159.75	34.54	0.00	-227.71	-48.58	0.00	-331.77	
		D+3LANES (casMAX	S2	6.27	0.00	-28.91	6.27	0.00	20.22	0.25	0.00	3.92	0.25	0.00	5.82	
			TQ	-15.94	0.00	25.52	-15.94	0.00	-99.48	-46.06	0.00	207.79	-46.06	0.00	-145.53	
			M3	-102.92	0.00	308.02	6.20	0.00	20.58	-190.97	0.00	1011.16	-14.56	0.00	26.72	
		MIN	S2	-103.20	0.00	307.09	-103.20	0.00	-502.00	-191.39	0.00	1008.97	-191.39	0.00	-459.29	
			TQ	-15.94	0.00	25.52	-15.94	0.00	-99.48	-46.06	0.00	207.79	-46.06	0.00	-145.53	
			M3	6.02	0.00	-29.58	-103.13	0.00	-502.38	-0.33	0.00	-10.50	-169.44	0.00	-503.15	
		D+3LANES (casMAX	S2	-6.24	0.00	-5.23	-6.24	0.00	-54.16	79.80	0.00	-400.91	79.80	0.00	211.24	
			TQ	-15.94	0.00	25.52	-15.94	0.00	-99.48	-46.06	0.00	207.79	-46.06	0.00	-145.53	
			M3	-216.30	0.00	647.49	-6.28	0.00	-53.95	-208.83	0.00	880.19	66.28	0.00	231.03	
		MIN	S2	-217.49	0.00	646.40	-217.49	0.00	-1058.77	-210.07	0.00	873.29	-210.07	0.00	-738.24	
			TQ	-15.94	0.00	25.52	-15.94	0.00	-99.48	-46.06	0.00	207.79	-46.06	0.00	-145.53	
			M3	-6.31	0.00	-5.51	-217.44	0.00	-1059.01	77.91	0.00	-404.16	-203.82	0.00	-808.09	
		D+4LANES	MAX	S2	-6.22	0.00	7.01	-6.22	0.00	-41.77	50.85	0.00	-276.43	50.85	0.00	113.67
			TQ	-15.94	0.00	25.52	-15.94	0.00	-99.48	-46.06	0.00	207.79	-46.06	0.00	-145.53	
			M3	-157.06	0.00	468.96	-6.39	0.00	-40.98	-212.47	0.00	1012.48	40.30	0.00	138.76	
		MIN	S2	-157.87	0.00	466.97	-157.87	0.00	-770.78	-213.32	0.00	1007.79	-213.32	0.00	-628.66	
			TQ	-15.94	0.00	25.52	-15.94	0.00	-99.48	-46.06	0.00	207.79	-46.06	0.00	-145.53	
			M3	-6.40	0.00	6.53	-157.79	0.00	-773.07	49.97	0.00	-279.58	-198.91	0.00	-672.63	

BAGO RIVER BRIDGE

BLOCK [ No.2 : CROSS BEAM ][ BEAM MEMBER FORCE ]

MEMBER					1003017						1003019					
NODE					3017			4017			3019			4019		
NAME TITLE					SHEAR	TORQUE	MOMENT	SHEAR	TORQUE	MOMENT	SHEAR	TORQUE	MOMENT	SHEAR	TORQUE	MOMENT
					S2 (kN)	TQ (kN·m)	M3 (kN·m)	S2 (kN)	TQ (kN·m)	M3 (kN·m)	S2 (kN)	TQ (kN·m)	M3 (kN·m)	S2 (kN)	TQ (kN·m)	M3 (kN·m)
124	SUM TOTAL	D+6LANES	MAX	S2	102.92	0.00	-341.11	102.92	0.00	465.86	108.39	0.00	-451.63	108.39	0.00	379.89
				TQ	-15.94	0.00	25.52	-15.94	0.00	-99.48	-46.06	0.00	207.79	-46.06	0.00	-145.53
				M3	-154.50	0.00	460.56	102.89	0.00	466.05	-214.55	0.00	1027.76	90.96	0.00	417.56
			MIN	S2	-155.96	0.00	458.85	-155.96	0.00	-763.97	-219.67	0.00	1006.90	-219.67	0.00	-678.31
				TQ	-15.94	0.00	25.52	-15.94	0.00	-99.48	-46.06	0.00	207.79	-46.06	0.00	-145.53
				M3	102.34	0.00	-341.88	-155.90	0.00	-764.32	99.83	0.00	-506.92	-200.28	0.00	-748.00
	SUM TOTAL		MAX		147.52	0.00	647.49	147.52	0.00	657.42	108.39	0.00	1027.76	108.39	0.00	417.56
			MIN		-217.49	0.00	-499.35	-217.49	0.00	-1059.01	-219.67	0.00	-506.92	-219.67	0.00	-808.09
300	DEAD LOAD	TOTAL			-15.94	0.00	25.52	-15.94	0.00	-99.48	-46.06	0.00	207.79	-46.06	0.00	-145.53
301	LIVE LOAD	1-LANE(case1MAX	S2		101.85	0.00	-330.53	101.85	0.00	468.02	68.59	0.00	-246.47	68.59	0.00	279.74
			TQ		0.00	0.00	0.00	0.00	0.00	0.00	0.00	0.00	0.00	0.00	0.00	0.00
			M3		-8.97	0.00	28.20	101.85	0.00	468.02	4.62	0.00	20.10	61.40	0.00	309.01
			MIN	S2	-8.97	0.00	28.20	-8.97	0.00	-42.10	-1.23	0.00	1.34	-1.23	0.00	-8.07
				TQ	0.00	0.00	0.00	0.00	0.00	0.00	0.00	0.00	0.00	0.00	0.00	0.00
				M3	101.69	0.00	-330.71	-8.97	0.00	-42.10	55.31	0.00	-340.94	18.75	0.00	-87.06
		1-LANE(case2MAX	S2		51.90	0.00	-162.39	51.90	0.00	244.56	31.53	0.00	-101.54	31.53	0.00	140.32
			TQ		0.00	0.00	0.00	0.00	0.00	0.00	0.00	0.00	0.00	0.00	0.00	0.00
			M3		-3.08	0.00	9.52	51.90	0.00	244.56	-22.91	0.00	114.39	30.37	0.00	143.06
			MIN	S2	-3.08	0.00	9.52	-3.08	0.00	-14.61	-24.95	0.00	103.20	-24.95	0.00	-88.17
				TQ	0.00	0.00	0.00	0.00	0.00	0.00	0.00	0.00	0.00	0.00	0.00	0.00
				M3	51.90	0.00	-162.39	-3.08	0.00	-14.61	30.65	0.00	-105.60	-23.75	0.00	-91.20
		1-LANE(case3MAX	S2		18.88	0.00	-39.02	18.88	0.00	109.00	20.53	0.00	-113.65	20.53	0.00	43.81
			TQ		0.00	0.00	0.00	0.00	0.00	0.00	0.00	0.00	0.00	0.00	0.00	0.00
			M3		-5.46	0.00	19.53	18.86	0.00	109.10	-87.50	0.00	558.51	17.19	0.00	50.46
			MIN	S2	-5.60	0.00	19.24	-5.60	0.00	-24.66	-87.62	0.00	558.09	-87.62	0.00	-114.04
				TQ	0.00	0.00	0.00	0.00	0.00	0.00	0.00	0.00	0.00	0.00	0.00	0.00
				M3	18.77	0.00	-39.28	-5.58	0.00	-24.79	20.41	0.00	-114.07	-78.91	0.00	-120.84

BAGO RIVER BRIDGE

BLOCK [ No.2 : CROSS BEAM ][ BEAM MEMBER FORCE ]

MEMBER			1003017						1003019							
NODE			3017			4017			3019			4019				
NAME TITLE			SHEAR	TORQUE	MOMENT	SHEAR	TORQUE	MOMENT	SHEAR	TORQUE	MOMENT	SHEAR	TORQUE	MOMENT		
			S2 (kN)	TQ (kN·m)	M3 (kN·m)	S2 (kN)	TQ (kN·m)	M3 (kN·m)	S2 (kN)	TQ (kN·m)	M3 (kN·m)	S2 (kN)	TQ (kN·m)	M3 (kN·m)		
301	LIVE LOAD	1-LANE (case4MAX	S2	7.46	0.00	-23.90	7.46	0.00	34.62	123.85	0.00	-632.95	123.85	0.00	317.14	
			TQ	0.00	0.00	0.00	0.00	0.00	0.00	0.00	0.00	0.00	0.00	0.00	0.00	
			M3	-139.91	0.00	428.75	7.46	0.00	34.62	-105.06	0.00	376.94	123.29	0.00	0.00	318.89
			MIN S2	-141.42	0.00	427.62	-141.42	0.00	-681.19	-105.88	0.00	370.63	-105.88	0.00	0.00	-441.58
			TQ	0.00	0.00	0.00	0.00	0.00	0.00	0.00	0.00	0.00	0.00	0.00	0.00	0.00
			M3	7.46	0.00	-23.90	-141.42	0.00	-681.19	123.61	0.00	-633.51	-105.08	0.00	0.00	-445.83
		2-LANES (caseMAX	S2	149.05	0.00	-481.97	149.05	0.00	686.67	96.11	0.00	-328.68	96.11	0.00	0.00	408.62
			TQ	0.00	0.00	0.00	0.00	0.00	0.00	0.00	0.00	0.00	0.00	0.00	0.00	0.00
			M3	-12.49	0.00	39.22	149.05	0.00	686.67	3.39	0.00	18.31	89.08	0.00	0.00	444.97
			MIN S2	-12.49	0.00	39.22	-12.49	0.00	-58.73	-4.16	0.00	-16.83	-4.16	0.00	0.00	-48.78
			TQ	0.00	0.00	0.00	0.00	0.00	0.00	0.00	0.00	0.00	0.00	0.00	0.00	0.00
			M3	148.81	0.00	-482.17	-12.49	0.00	-58.73	69.27	0.00	-424.35	16.82	0.00	0.00	-143.11
		2-LANES (caseMAX	S2	107.43	0.00	-341.85	107.43	0.00	500.46	65.22	0.00	-207.90	65.22	0.00	0.00	292.44
			TQ	0.00	0.00	0.00	0.00	0.00	0.00	0.00	0.00	0.00	0.00	0.00	0.00	0.00
			M3	-7.58	0.00	23.66	107.43	0.00	500.46	-19.55	0.00	96.88	63.22	0.00	0.00	306.67
			MIN S2	-7.58	0.00	23.66	-7.58	0.00	-35.81	-23.93	0.00	68.05	-23.93	0.00	0.00	-115.53
			TQ	0.00	0.00	0.00	0.00	0.00	0.00	0.00	0.00	0.00	0.00	0.00	0.00	0.00
			M3	107.32	0.00	-341.90	-7.58	0.00	-35.81	48.73	0.00	-228.24	-18.60	0.00	0.00	-146.56
		2-LANES (caseMAX	S2	19.94	0.00	-44.20	19.94	0.00	112.10	22.57	0.00	-121.52	22.57	0.00	0.00	51.63
			TQ	0.00	0.00	0.00	0.00	0.00	0.00	0.00	0.00	0.00	0.00	0.00	0.00	0.00
			M3	-34.62	0.00	118.08	19.85	0.00	112.52	-121.13	0.00	774.56	5.20	0.00	0.00	75.36
			MIN S2	-34.94	0.00	117.05	-34.94	0.00	-156.88	-121.37	0.00	773.60	-121.37	0.00	0.00	-157.48
			TQ	0.00	0.00	0.00	0.00	0.00	0.00	0.00	0.00	0.00	0.00	0.00	0.00	0.00
			M3	19.64	0.00	-44.99	-34.86	0.00	-157.32	22.16	0.00	-136.89	-95.60	0.00	0.00	-208.11



BAGO RIVER BRIDGE

BLOCK [ No.2 : CROSS BEAM ][ BEAM MEMBER FORCE ]

MEMBER			1003017						1003019							
NODE			3017			4017			3019			4019				
NAME TITLE			SHEAR	TORQUE	MOMENT	SHEAR	TORQUE	MOMENT	SHEAR	TORQUE	MOMENT	SHEAR	TORQUE	MOMENT		
			S2 (kN)	TQ (kN·m)	M3 (kN·m)	S2 (kN)	TQ (kN·m)	M3 (kN·m)	S2 (kN)	TQ (kN·m)	M3 (kN·m)	S2 (kN)	TQ (kN·m)	M3 (kN·m)		
301	LIVE LOAD	2-LANES (caseMAX	S2	10.00	0.00	-32.10	10.00	0.00	46.31	144.07	0.00	-697.77	144.07	0.00	407.45	
			TQ	0.00	0.00	0.00	0.00	0.00	0.00	0.00	0.00	0.00	0.00	0.00	0.00	0.00
			M3	-195.15	0.00	600.19	10.00	0.00	46.31	-147.43	0.00	519.77	143.59	0.00	0.00	409.13
			MIN S2	-196.42	0.00	599.25	-196.42	0.00	-940.72	-148.44	0.00	513.52	-148.44	0.00	0.00	-625.18
			TQ	0.00	0.00	0.00	0.00	0.00	0.00	0.00	0.00	0.00	0.00	0.00	0.00	0.00
			M3	10.00	0.00	-32.10	-196.42	0.00	-940.72	143.72	0.00	-698.59	-147.71	0.00	0.00	-629.24
		3-LANES (caseMAX	S2	163.46	0.00	-524.70	163.46	0.00	756.90	104.02	0.00	-351.30	104.02	0.00	0.00	446.72
			TQ	0.00	0.00	0.00	0.00	0.00	0.00	0.00	0.00	0.00	0.00	0.00	0.00	0.00
			M3	-12.80	0.00	40.08	163.46	0.00	756.90	-13.34	0.00	96.59	97.23	0.00	0.00	479.56
			MIN S2	-12.80	0.00	40.08	-12.80	0.00	-60.26	-21.21	0.00	58.79	-21.21	0.00	0.00	-103.91
			TQ	0.00	0.00	0.00	0.00	0.00	0.00	0.00	0.00	0.00	0.00	0.00	0.00	0.00
			M3	163.25	0.00	-524.87	-12.80	0.00	-60.26	80.59	0.00	-435.50	-2.52	0.00	0.00	-186.25
		3-LANES (caseMAX	S2	22.21	0.00	-54.43	22.21	0.00	119.70	46.30	0.00	-203.87	46.30	0.00	0.00	151.35
			TQ	0.00	0.00	0.00	0.00	0.00	0.00	0.00	0.00	0.00	0.00	0.00	0.00	0.00
			M3	-86.98	0.00	282.51	22.14	0.00	120.06	-144.91	0.00	803.37	31.49	0.00	0.00	172.25
			MIN S2	-87.25	0.00	281.58	-87.25	0.00	-402.52	-145.34	0.00	801.18	-145.34	0.00	0.00	-313.76
			TQ	0.00	0.00	0.00	0.00	0.00	0.00	0.00	0.00	0.00	0.00	0.00	0.00	0.00
			M3	21.96	0.00	-55.10	-87.18	0.00	-402.90	45.73	0.00	-218.29	-123.39	0.00	0.00	-357.62
		3-LANES (caseMAX	S2	9.70	0.00	-30.75	9.70	0.00	45.32	125.85	0.00	-608.70	125.85	0.00	0.00	356.77
			TQ	0.00	0.00	0.00	0.00	0.00	0.00	0.00	0.00	0.00	0.00	0.00	0.00	0.00
			M3	-200.36	0.00	621.97	9.66	0.00	45.53	-162.78	0.00	672.39	112.34	0.00	0.00	376.56
MIN S2	-201.54		0.00	620.88	-201.54	0.00	-959.29	-164.01	0.00	665.50	-164.01	0.00	0.00	-592.71		
TQ	0.00		0.00	0.00	0.00	0.00	0.00	0.00	0.00	0.00	0.00	0.00	0.00	0.00		
M3	9.63		0.00	-31.03	-201.50	0.00	-959.53	123.96	0.00	-611.95	-157.77	0.00	0.00	-662.56		

BAGO RIVER BRIDGE

BLOCK [ No.2 : CROSS BEAM ][ BEAM MEMBER FORCE ]

MEMBER					1003017						1003019						
NODE					3017			4017			3019			4019			
NAME TITLE					SHEAR	TORQUE	MOMENT	SHEAR	TORQUE	MOMENT	SHEAR	TORQUE	MOMENT	SHEAR	TORQUE	MOMENT	
					S2 (kN)	TQ (kN·m)	M3 (kN·m)	S2 (kN)	TQ (kN·m)	M3 (kN·m)	S2 (kN)	TQ (kN·m)	M3 (kN·m)	S2 (kN)	TQ (kN·m)	M3 (kN·m)	
301	LIVE LOAD	4-LANES	MAX	S2	9.72	0.00	-18.50	9.72	0.00	57.71	96.91	0.00	-484.22	96.91	0.00	259.20	
				TQ	0.00	0.00	0.00	0.00	0.00	0.00	0.00	0.00	0.00	0.00	0.00	0.00	0.00
				M3	-141.12	0.00	443.44	9.55	0.00	58.50	-166.41	0.00	804.69	86.36	0.00	284.29	
		MIN	S2	-141.93	0.00	441.46	-141.93	0.00	-671.30	-167.26	0.00	800.00	-167.26	0.00	-483.13		
			TQ	0.00	0.00	0.00	0.00	0.00	0.00	0.00	0.00	0.00	0.00	0.00	0.00		
			M3	9.55	0.00	-18.99	-141.85	0.00	-673.58	96.03	0.00	-487.37	-152.86	0.00	-527.10		
	6-LANES	MAX	S2	118.87	0.00	-366.62	118.87	0.00	565.34	154.45	0.00	-659.42	154.45	0.00	525.42		
			TQ	0.00	0.00	0.00	0.00	0.00	0.00	0.00	0.00	0.00	0.00	0.00			
			M3	-138.56	0.00	435.04	118.84	0.00	565.53	-168.49	0.00	819.97	137.02	0.00	563.09		
		MIN	S2	-140.02	0.00	433.33	-140.02	0.00	-664.49	-173.62	0.00	799.11	-173.62	0.00	-532.78		
			TQ	0.00	0.00	0.00	0.00	0.00	0.00	0.00	0.00	0.00	0.00	0.00	0.00		
			M3	118.28	0.00	-367.40	-139.96	0.00	-664.83	145.88	0.00	-714.71	-154.22	0.00	-602.47		
	LIVE LOAD	MAX		163.46	0.00	621.97	163.46	0.00	756.90	154.45	0.00	819.97	154.45	0.00	563.09		
		MIN		-201.54	0.00	-524.87	-201.54	0.00	-959.53	-173.62	0.00	-714.71	-173.62	0.00	-662.56		
	303	SUM TOTAL	TOTAL	MAX		147.52	0.00	647.49	147.52	0.00	657.42	108.39	0.00	1027.76	108.39	0.00	417.56
MIN					-217.49	0.00	-499.35	-217.49	0.00	-1059.01	-219.67	0.00	-506.92	-219.67	0.00	-808.09	

BAGO RIVER BRIDGE

BLOCK [ No.2 : CROSS BEAM ][ BEAM MEMBER FORCE ]

MEMBER NODE	1003021 3021	4021			1003023 3023			4023							
		SHEAR S2 (kN)	TORQUE TQ (kN·m)	MOMENT M3 (kN·m)	SHEAR S2 (kN)	TORQUE TQ (kN·m)	MOMENT M3 (kN·m)	SHEAR S2 (kN)	TORQUE TQ (kN·m)	MOMENT M3 (kN·m)					
1 PAVEMENT	0.71	0.00	-11.20	0.71	0.00	-5.88	19.36	0.00	-101.15	19.36	0.00	43.34			
3 RAILING	3.50	0.00	-24.43	3.50	0.00	1.97	4.17	0.00	-29.19	4.17	0.00	1.92			
5 CURB	34.63	0.00	-241.83	34.63	0.00	19.50	41.27	0.00	-289.01	41.27	0.00	19.01			
7 DECK WEIGHT	4.39	0.00	-40.36	4.39	0.00	-7.27	31.50	0.00	-174.77	31.50	0.00	60.33			
8 GIRDER WEIGH	-6.32	0.00	28.78	-6.32	0.00	-18.87	6.89	0.00	-54.34	6.89	0.00	-2.91			
10 MEDIAN STRIP	-23.62	0.00	161.63	-23.62	0.00	-16.62	-26.36	0.00	178.16	-26.36	0.00	-18.58			
21 ADITIONAL WE	1.23	0.00	-11.30	1.23	0.00	-2.04	8.82	0.00	-48.93	8.82	0.00	16.89			
31 MEDIAN RAILI	-1.95	0.00	13.28	-1.95	0.00	-1.43	-2.13	0.00	14.35	-2.13	0.00	-1.52			
51 SUPPORT WEIG	-0.00	0.00	0.00	-0.00	0.00	-0.00	-0.00	0.00	0.00	-0.00	0.00	-0.00			
52 NOSE WEIGHT	0.02	0.00	-0.05	0.02	0.00	0.07	0.01	0.00	-0.02	0.01	0.00	0.03			
61 1-LANE(case1TRUCK-LOAD	MAX	S2	10.65	0.00	-29.84	10.65	0.00	50.51	4.74	0.00	-14.96	4.74	0.00	20.43	
		TQ	0.00	0.00	0.00	0.00	0.00	0.00	0.00	0.00	0.00	0.00	0.00	0.00	
		M3	-3.03	0.00	3.74	10.63	0.00	50.55	-6.33	0.00	12.30	4.70	0.00	20.45	
	MIN	S2	-5.29	0.00	-21.45	-5.29	0.00	-61.37	-9.93	0.00	-8.88	-9.93	0.00	-82.97	
		TQ	0.00	0.00	0.00	0.00	0.00	0.00	0.00	0.00	0.00	0.00	0.00	0.00	
		M3	8.83	0.00	-166.19	7.02	0.00	-105.00	1.40	0.00	-149.20	1.19	0.00	-139.69	
	TANDEM-LOAD	MAX	S2	7.28	0.00	-20.63	7.28	0.00	34.27	3.23	0.00	-10.20	3.23	0.00	13.94
		TQ	0.00	0.00	0.00	0.00	0.00	0.00	0.00	0.00	0.00	0.00	0.00	0.00	
		M3	-2.81	0.00	3.02	7.15	0.00	34.39	-5.25	0.00	9.42	3.22	0.00	13.94	
	MIN	S2	-3.94	0.00	-8.54	-3.94	0.00	-38.27	-6.99	0.00	-0.29	-6.99	0.00	-52.43	
		TQ	0.00	0.00	0.00	0.00	0.00	0.00	0.00	0.00	0.00	0.00	0.00	0.00	
		M3	6.58	0.00	-118.96	4.44	0.00	-72.16	1.62	0.00	-107.06	1.56	0.00	-95.21	
DISPERSION-LMAX	S2	15.95	0.00	-111.61	15.95	0.00	8.72	6.69	0.00	-49.57	6.69	0.00	0.36		
	TQ	0.00	0.00	0.00	0.00	0.00	0.00	0.00	0.00	0.00	0.00	0.00	0.00		
	M3	-0.54	0.00	1.17	12.24	0.00	60.62	-3.38	0.00	5.11	6.10	0.00	28.10		
MIN	S2	-2.24	0.00	-13.65	-2.24	0.00	-30.59	-8.27	0.00	-42.64	-8.27	0.00	-104.41		
	TQ	0.00	0.00	0.00	0.00	0.00	0.00	0.00	0.00	0.00	0.00	0.00	0.00		
	M3	14.24	0.00	-126.44	1.46	0.00	-82.50	1.79	0.00	-97.32	-7.68	0.00	-132.15		

BAGO RIVER BRIDGE

BLOCK [ No.2 : CROSS BEAM ][ BEAM MEMBER FORCE ]

MEMBER				1003021						1003023						
NODE				3021			4021			3023			4023			
				SHEAR	TORQUE	MOMENT	SHEAR	TORQUE	MOMENT	SHEAR	TORQUE	MOMENT	SHEAR	TORQUE	MOMENT	
NAME	TITLE			S2 (kN)	TQ (kN·m)	M3 (kN·m)	S2 (kN)	TQ (kN·m)	M3 (kN·m)	S2 (kN)	TQ (kN·m)	M3 (kN·m)	S2 (kN)	TQ (kN·m)	M3 (kN·m)	
62	1-LANE (case2TRUCK-LOAD	MAX	S2	3.79	0.00	-13.53	3.79	0.00	15.04	1.46	0.00	-4.31	1.46	0.00	6.60	
			TQ	0.00	0.00	0.00	0.00	0.00	0.00	0.00	0.00	0.00	0.00	0.00	0.00	0.00
			M3	-22.40	0.00	94.66	3.50	0.00	17.14	-24.55	0.00	99.45	1.43	0.00	6.74	
		MIN	S2	-22.52	0.00	94.47	-22.52	0.00	-75.42	-24.55	0.00	99.45	-24.55	0.00	-83.78	
			TQ	0.00	0.00	0.00	0.00	0.00	0.00	0.00	0.00	0.00	0.00	0.00	0.00	
			M3	3.48	0.00	-14.37	-22.52	0.00	-75.42	1.41	0.00	-4.53	-24.53	0.00	-83.87	
		TANDEM-LOAD MAX	S2	2.59	0.00	-8.94	2.59	0.00	10.57	1.00	0.00	-2.97	1.00	0.00	4.47	
			TQ	0.00	0.00	0.00	0.00	0.00	0.00	0.00	0.00	0.00	0.00	0.00	0.00	
			M3	-14.91	0.00	64.79	2.32	0.00	11.67	-17.15	0.00	67.76	0.98	0.00	4.60	
		MIN	S2	-15.71	0.00	64.10	-15.71	0.00	-54.42	-17.15	0.00	67.76	-17.15	0.00	-60.22	
			TQ	0.00	0.00	0.00	0.00	0.00	0.00	0.00	0.00	0.00	0.00	0.00	0.00	
			M3	2.48	0.00	-10.04	-15.71	0.00	-54.42	0.95	0.00	-3.12	-17.14	0.00	-60.24	
		DISPERSION-LMAX	S2	5.08	0.00	-16.33	5.08	0.00	21.98	1.76	0.00	-3.86	1.76	0.00	9.26	
			TQ	0.00	0.00	0.00	0.00	0.00	0.00	0.00	0.00	0.00	0.00	0.00	0.00	
			M3	-14.27	0.00	69.41	4.72	0.00	23.06	-16.96	0.00	78.56	1.61	0.00	9.72	
MIN	S2	-14.40	0.00	69.06	-14.40	0.00	-39.62	-17.04	0.00	77.73	-17.04	0.00	-49.47			
	TQ	0.00	0.00	0.00	0.00	0.00	0.00	0.00	0.00	0.00	0.00	0.00	0.00			
	M3	4.94	0.00	-16.68	-14.05	0.00	-40.70	1.68	0.00	-4.69	-16.90	0.00	-49.92			
63	1-LANE (case3TRUCK-LOAD	MAX	S2	1.00	0.00	-5.11	1.00	0.00	2.43	2.49	0.00	5.29	2.49	0.00	23.87	
			TQ	0.00	0.00	0.00	0.00	0.00	0.00	0.00	0.00	0.00	0.00	0.00	0.00	
			M3	-56.94	0.00	380.03	-5.04	0.00	29.20	-55.31	0.00	373.45	-2.08	0.00	35.74	
		MIN	S2	-56.94	0.00	380.03	-56.94	0.00	-49.57	-55.31	0.00	373.45	-55.31	0.00	-39.41	
			TQ	0.00	0.00	0.00	0.00	0.00	0.00	0.00	0.00	0.00	0.00	0.00	0.00	
			M3	0.33	0.00	-9.14	-56.89	0.00	-51.44	1.44	0.00	-3.24	-55.31	0.00	-39.41	

BAGO RIVER BRIDGE

BLOCK [ No.2 : CROSS BEAM ][ BEAM MEMBER FORCE ]

MEMBER		1003021						1003023							
NODE		3021			4021			3023			4023				
NAME TITLE		SHEAR	TORQUE	MOMENT	SHEAR	TORQUE	MOMENT	SHEAR	TORQUE	MOMENT	SHEAR	TORQUE	MOMENT		
		S2 (kN)	TQ (kN·m)	M3 (kN·m)	S2 (kN)	TQ (kN·m)	M3 (kN·m)	S2 (kN)	TQ (kN·m)	M3 (kN·m)	S2 (kN)	TQ (kN·m)	M3 (kN·m)		
63	1-LANE (case3TANDEM-LOAD	MAX	S2	0.68	0.00	-3.47	0.68	0.00	1.65	1.84	0.00	0.81	1.84	0.00	14.56
			TQ	0.00	0.00	0.00	0.00	0.00	0.00	0.00	0.00	0.00	0.00	0.00	0.00
			M3	-42.59	0.00	279.83	-3.28	0.00	22.28	-41.49	0.00	275.42	-1.25	0.00	26.82
		MIN	S2	-42.59	0.00	279.83	-42.59	0.00	-41.51	-41.49	0.00	275.42	-41.49	0.00	-34.29
			TQ	0.00	0.00	0.00	0.00	0.00	0.00	0.00	0.00	0.00	0.00	0.00	0.00
			M3	0.44	0.00	-8.00	-42.58	0.00	-42.03	1.23	0.00	-2.45	-41.49	0.00	-34.29
	DISPERSION-LMAX	S2	1.86	0.00	-9.03	1.86	0.00	5.02	1.17	0.00	3.65	1.17	0.00	12.40	
		TQ	0.00	0.00	0.00	0.00	0.00	0.00	0.00	0.00	0.00	0.00	0.00	0.00	
		M3	-28.36	0.00	202.87	-3.42	0.00	17.12	-24.49	0.00	191.09	-5.23	0.00	26.69	
		MIN	S2	-28.46	0.00	200.84	-28.46	0.00	-13.91	-25.08	0.00	186.29	-25.08	0.00	-0.89
			TQ	0.00	0.00	0.00	0.00	0.00	0.00	0.00	0.00	0.00	0.00	0.00	0.00
			M3	1.76	0.00	-11.06	-23.18	0.00	-26.01	0.58	0.00	-1.15	-18.68	0.00	-15.18
64	1-LANE (case4TRUCK-LOAD	MAX	S2	106.95	0.00	-535.37	106.95	0.00	271.59	120.04	0.00	-586.13	120.04	0.00	309.86
			TQ	0.00	0.00	0.00	0.00	0.00	0.00	0.00	0.00	0.00	0.00	0.00	0.00
			M3	-17.25	0.00	66.55	106.95	0.00	271.59	-6.54	0.00	24.69	120.04	0.00	309.86
		MIN	S2	-17.45	0.00	65.62	-17.45	0.00	-66.03	-6.54	0.00	24.69	-6.54	0.00	-24.11
			TQ	0.00	0.00	0.00	0.00	0.00	0.00	0.00	0.00	0.00	0.00	0.00	0.00
			M3	106.95	0.00	-535.37	-17.42	0.00	-66.60	120.04	0.00	-586.13	-6.53	0.00	-24.26
	TANDEM-LOAD	MAX	S2	78.65	0.00	-392.06	78.65	0.00	201.39	87.70	0.00	-426.92	87.70	0.00	227.71
			TQ	0.00	0.00	0.00	0.00	0.00	0.00	0.00	0.00	0.00	0.00	0.00	0.00
			M3	-11.51	0.00	45.31	78.65	0.00	201.39	-4.46	0.00	16.78	87.70	0.00	227.71
		MIN	S2	-11.89	0.00	44.84	-11.89	0.00	-44.85	-4.46	0.00	16.78	-4.46	0.00	-16.50
			TQ	0.00	0.00	0.00	0.00	0.00	0.00	0.00	0.00	0.00	0.00	0.00	0.00
			M3	78.65	0.00	-392.06	-11.80	0.00	-45.40	87.70	0.00	-426.92	-4.46	0.00	-16.55

BAGO RIVER BRIDGE

BLOCK [ No.2 : CROSS BEAM ][ BEAM MEMBER FORCE ]

MEMBER NODE	1003021 3021	4021			1003023 3023			4023							
		SHEAR	TORQUE	MOMENT	SHEAR	TORQUE	MOMENT	SHEAR	TORQUE	MOMENT					
		S2 (kN)	TQ (kN·m)	M3 (kN·m)	S2 (kN)	TQ (kN·m)	M3 (kN·m)	S2 (kN)	TQ (kN·m)	M3 (kN·m)					
64	1-LANE (case4DISPERSION-LMAX	S2	55.20	0.00	-282.16	55.20	0.00	134.37	67.09	0.00	-335.46	67.09	0.00	165.29	
		TQ	0.00	0.00	0.00	0.00	0.00	0.00	0.00	0.00	0.00	0.00	0.00	0.00	
		M3	-22.89	0.00	85.85	55.05	0.00	134.70	-8.53	0.00	33.38	67.09	0.00	165.29	
	MIN	S2	-22.89	0.00	85.38	-22.89	0.00	-87.33	-8.53	0.00	33.38	-8.53	0.00	-30.32	
		TQ	0.00	0.00	0.00	0.00	0.00	0.00	0.00	0.00	0.00	0.00	0.00	0.00	
		M3	55.20	0.00	-282.63	-22.73	0.00	-87.66	67.09	0.00	-335.46	-8.53	0.00	-30.32	
65	2-LANES (caseTRUCK-LOAD	MAX	S2	17.76	0.00	-49.63	17.76	0.00	84.39	7.85	0.00	-24.65	7.85	0.00	33.92
		TQ	0.00	0.00	0.00	0.00	0.00	0.00	0.00	0.00	0.00	0.00	0.00	0.00	
		M3	-9.79	0.00	16.91	17.74	0.00	84.43	-15.68	0.00	30.38	7.80	0.00	33.94	
	MIN	S2	-14.09	0.00	-20.36	-14.09	0.00	-126.69	-22.04	0.00	-0.49	-22.04	0.00	-165.03	
		TQ	0.00	0.00	0.00	0.00	0.00	0.00	0.00	0.00	0.00	0.00	0.00	0.00	
		M3	3.61	0.00	-214.62	1.34	0.00	-194.92	-8.72	0.00	-185.07	-9.03	0.00	-251.55	
	TANDEM-LOAD	MAX	S2	12.12	0.00	-34.17	12.12	0.00	57.31	5.35	0.00	-16.82	5.35	0.00	23.12
		TQ	0.00	0.00	0.00	0.00	0.00	0.00	0.00	0.00	0.00	0.00	0.00	0.00	
		M3	-6.82	0.00	12.20	12.00	0.00	57.43	-12.64	0.00	22.38	5.34	0.00	23.13	
	MIN	S2	-10.23	0.00	-8.41	-10.23	0.00	-85.61	-15.59	0.00	5.02	-15.59	0.00	-111.38	
		TQ	0.00	0.00	0.00	0.00	0.00	0.00	0.00	0.00	0.00	0.00	0.00	0.00	
		M3	3.36	0.00	-156.35	1.08	0.00	-134.51	-4.85	0.00	-136.12	-4.94	0.00	-172.72	
	DISPERSION-LMAX	S2	24.81	0.00	-140.16	24.81	0.00	47.03	10.61	0.00	-60.10	10.61	0.00	19.08	
		TQ	0.00	0.00	0.00	0.00	0.00	0.00	0.00	0.00	0.00	0.00	0.00	0.00	
		M3	-4.31	0.00	9.49	20.95	0.00	101.87	-11.53	0.00	21.33	10.02	0.00	46.82	
	MIN	S2	-8.80	0.00	-22.82	-8.80	0.00	-89.21	-20.69	0.00	-41.21	-20.69	0.00	-195.66	
		TQ	0.00	0.00	0.00	0.00	0.00	0.00	0.00	0.00	0.00	0.00	0.00	0.00	
		M3	20.32	0.00	-172.48	-4.94	0.00	-144.05	1.45	0.00	-122.63	-20.10	0.00	-223.41	

BAGO RIVER BRIDGE

BLOCK [ No.2 : CROSS BEAM ][ BEAM MEMBER FORCE ]

MEMBER				1003021						1003023						
NODE				3021			4021			3023			4023			
NAME TITLE				SHEAR	TORQUE	MOMENT	SHEAR	TORQUE	MOMENT	SHEAR	TORQUE	MOMENT	SHEAR	TORQUE	MOMENT	
				S2 (kN)	TQ (kN·m)	M3 (kN·m)	S2 (kN)	TQ (kN·m)	M3 (kN·m)	S2 (kN)	TQ (kN·m)	M3 (kN·m)	S2 (kN)	TQ (kN·m)	M3 (kN·m)	
66	2-LANES (caseTRUCK-LOAD	MAX	S2	10.90	0.00	-33.32	10.90	0.00	48.93	4.57	0.00	-14.00	4.57	0.00	20.09	
			TQ	0.00	0.00	0.00	0.00	0.00	0.00	0.00	0.00	0.00	0.00	0.00	0.00	0.00
			M3	-29.17	0.00	107.83	10.62	0.00	51.03	-33.89	0.00	117.53	4.53	0.00	20.23	
		MIN	S2	-31.32	0.00	95.55	-31.32	0.00	-140.75	-36.66	0.00	107.83	-36.66	0.00	-165.85	
			TQ	0.00	0.00	0.00	0.00	0.00	0.00	0.00	0.00	0.00	0.00	0.00	0.00	
			M3	-1.74	0.00	-62.80	-28.20	0.00	-165.34	-8.71	0.00	-40.39	-34.74	0.00	-195.72	
	TANDEM-LOAD	MAX	S2	7.43	0.00	-22.48	7.43	0.00	33.61	3.12	0.00	-9.60	3.12	0.00	13.66	
			TQ	0.00	0.00	0.00	0.00	0.00	0.00	0.00	0.00	0.00	0.00	0.00	0.00	
			M3	-18.91	0.00	73.97	7.17	0.00	34.70	-24.54	0.00	80.72	3.10	0.00	13.79	
		MIN	S2	-22.00	0.00	64.23	-22.00	0.00	-101.76	-25.75	0.00	73.07	-25.75	0.00	-119.17	
			TQ	0.00	0.00	0.00	0.00	0.00	0.00	0.00	0.00	0.00	0.00	0.00	0.00	
			M3	-0.74	0.00	-47.43	-19.06	0.00	-116.76	-5.52	0.00	-32.17	-23.64	0.00	-137.75	
	DISPERSION-LMAX	MAX	S2	13.94	0.00	-44.87	13.94	0.00	60.30	5.68	0.00	-14.39	5.68	0.00	27.99	
			TQ	0.00	0.00	0.00	0.00	0.00	0.00	0.00	0.00	0.00	0.00	0.00	0.00	
			M3	-18.04	0.00	77.74	13.43	0.00	64.31	-25.11	0.00	94.77	5.53	0.00	28.44	
		MIN	S2	-20.96	0.00	59.89	-20.96	0.00	-98.24	-29.46	0.00	79.16	-29.46	0.00	-140.72	
			TQ	0.00	0.00	0.00	0.00	0.00	0.00	0.00	0.00	0.00	0.00	0.00	0.00	
			M3	11.02	0.00	-62.72	-20.45	0.00	-102.25	1.33	0.00	-30.00	-29.31	0.00	-141.17	
67	2-LANES (caseTRUCK-LOAD	MAX	S2	2.38	0.00	15.64	2.38	0.00	33.57	9.00	0.00	1.76	9.00	0.00	68.93	
			TQ	0.00	0.00	0.00	0.00	0.00	0.00	0.00	0.00	0.00	0.00	0.00	0.00	
			M3	-77.10	0.00	567.71	-13.07	0.00	75.04	-70.13	0.00	539.96	-4.53	0.00	99.27	
		MIN	S2	-77.30	0.00	567.25	-77.30	0.00	-16.01	-70.13	0.00	539.96	-70.13	0.00	16.47	
			TQ	0.00	0.00	0.00	0.00	0.00	0.00	0.00	0.00	0.00	0.00	0.00	0.00	
			M3	1.57	0.00	-15.12	-63.53	0.00	-76.81	6.37	0.00	-13.55	-57.91	0.00	-49.16	

BAGO RIVER BRIDGE

BLOCK [ No.2 : CROSS BEAM ][ BEAM MEMBER FORCE ]

MEMBER		1003021						1003023									
NODE		3021			4021			3023			4023						
		SHEAR	TORQUE	MOMENT	SHEAR	TORQUE	MOMENT	SHEAR	TORQUE	MOMENT	SHEAR	TORQUE	MOMENT				
NAME	TITLE	S2 (kN)	TQ (kN·m)	M3 (kN·m)	S2 (kN)	TQ (kN·m)	M3 (kN·m)	S2 (kN)	TQ (kN·m)	M3 (kN·m)	S2 (kN)	TQ (kN·m)	M3 (kN·m)				
67	2-LANES (caseTANDEM-LOAD	MAX	S2	1.78	0.00	14.69	1.78	0.00	28.13	6.56	0.00	1.96	6.56	0.00	50.96		
			TQ	0.00	0.00	0.00	0.00	0.00	0.00	0.00	0.00	0.00	0.00	0.00	0.00		
			M3	-58.21	0.00	419.58	-6.71	0.00	55.52	-53.36	0.00	400.29	-0.90	0.00	71.73		
		MIN	S2	-58.27	0.00	419.45	-58.27	0.00	-20.19	-53.36	0.00	400.29	-53.36	0.00	1.96		
			TQ	0.00	0.00	0.00	0.00	0.00	0.00	0.00	0.00	0.00	0.00	0.00	0.00		
			M3	1.28	0.00	-12.06	-46.99	0.00	-59.28	4.32	0.00	-9.80	-43.21	0.00	-40.92		
		DISPERSION-LMAX	S2	5.15	0.00	-10.73	5.15	0.00	28.11	6.98	0.00	5.98	6.98	0.00	58.08		
			TQ	0.00	0.00	0.00	0.00	0.00	0.00	0.00	0.00	0.00	0.00	0.00	0.00		
			M3	-44.22	0.00	325.00	-6.46	0.00	58.13	-32.38	0.00	279.18	-5.13	0.00	89.73		
		MIN	S2	-45.39	0.00	314.20	-45.39	0.00	-28.30	-34.89	0.00	264.68	-34.89	0.00	4.23		
			TQ	0.00	0.00	0.00	0.00	0.00	0.00	0.00	0.00	0.00	0.00	0.00	0.00		
			M3	3.98	0.00	-21.53	-33.78	0.00	-58.33	4.47	0.00	-8.52	-22.78	0.00	-27.43		
		68	2-LANES (caseTRUCK-LOAD	MAX	S2	153.96	0.00	-730.49	153.96	0.00	431.19	175.82	0.00	-813.59	175.82	0.00	498.79
					TQ	0.00	0.00	0.00	0.00	0.00	0.00	0.00	0.00	0.00	0.00	0.00	0.00
					M3	-30.19	0.00	114.79	153.93	0.00	431.84	-11.46	0.00	43.40	175.82	0.00	498.79
MIN	S2			-30.40	0.00	113.85	-30.40	0.00	-115.52	-11.47	0.00	43.37	-11.47	0.00	-42.22		
	TQ			0.00	0.00	0.00	0.00	0.00	0.00	0.00	0.00	0.00	0.00	0.00	0.00		
	M3			153.96	0.00	-730.49	-30.37	0.00	-116.10	175.79	0.00	-813.78	-11.46	0.00	-42.37		
TANDEM-LOAD	MAX			S2	112.87	0.00	-533.67	112.87	0.00	317.98	127.91	0.00	-590.66	127.91	0.00	364.13	
	TQ			0.00	0.00	0.00	0.00	0.00	0.00	0.00	0.00	0.00	0.00	0.00	0.00		
	M3			-20.26	0.00	78.06	112.86	0.00	318.16	-7.82	0.00	29.52	127.91	0.00	364.13		
MIN	S2			-20.70	0.00	77.58	-20.70	0.00	-78.60	-7.82	0.00	29.52	-7.82	0.00	-28.85		
	TQ			0.00	0.00	0.00	0.00	0.00	0.00	0.00	0.00	0.00	0.00	0.00	0.00		
	M3			112.87	0.00	-533.67	-20.61	0.00	-79.16	127.91	0.00	-590.71	-7.82	0.00	-28.89		



BAGO RIVER BRIDGE

BLOCK [ No.2 : CROSS BEAM ][ BEAM MEMBER FORCE ]

MEMBER NODE	1003021 3021	4021			1003023 3023			4023							
		SHEAR	TORQUE	MOMENT	SHEAR	TORQUE	MOMENT	SHEAR	TORQUE	MOMENT					
		S2 (kN)	TQ (kN·m)	M3 (kN·m)	S2 (kN)	TQ (kN·m)	M3 (kN·m)	S2 (kN)	TQ (kN·m)	M3 (kN·m)					
68	2-LANES (caseDISPERSION-LMAX	S2	81.90	0.00	-394.64	81.90	0.00	223.34	102.09	0.00	-479.99	102.09	0.00	282.02	
		TQ	0.00	0.00	0.00	0.00	0.00	0.00	0.00	0.00	0.00	0.00	0.00	0.00	
		M3	-39.92	0.00	150.46	81.74	0.00	223.73	-15.01	0.00	59.06	102.09	0.00	282.02	
	MIN	S2	-39.94	0.00	149.92	-39.94	0.00	-151.42	-15.01	0.00	59.06	-15.01	0.00	-52.99	
		TQ	0.00	0.00	0.00	0.00	0.00	0.00	0.00	0.00	0.00	0.00	0.00	0.00	
		M3	81.89	0.00	-395.18	-39.77	0.00	-151.81	102.09	0.00	-479.99	-15.01	0.00	-52.99	
69	3-LANES (caseTRUCK-LOAD	MAX	S2	21.55	0.00	-63.16	21.55	0.00	99.43	9.31	0.00	-28.96	9.31	0.00	40.52
		TQ	0.00	0.00	0.00	0.00	0.00	0.00	0.00	0.00	0.00	0.00	0.00	0.00	
		M3	-32.19	0.00	111.57	21.25	0.00	101.58	-40.23	0.00	129.82	9.23	0.00	40.68	
	MIN	S2	-36.61	0.00	74.10	-36.61	0.00	-202.12	-46.59	0.00	98.95	-46.59	0.00	-248.82	
		TQ	0.00	0.00	0.00	0.00	0.00	0.00	0.00	0.00	0.00	0.00	0.00	0.00	
		M3	7.09	0.00	-228.99	-21.18	0.00	-270.35	-7.31	0.00	-189.59	-33.56	0.00	-335.42	
	TANDEM-LOAD	MAX	S2	14.71	0.00	-43.11	14.71	0.00	67.88	6.35	0.00	-19.80	6.35	0.00	27.59
		TQ	0.00	0.00	0.00	0.00	0.00	0.00	0.00	0.00	0.00	0.00	0.00	0.00	
		M3	-21.73	0.00	76.99	14.32	0.00	69.09	-29.78	0.00	90.14	6.32	0.00	27.73	
	MIN	S2	-25.94	0.00	55.68	-25.94	0.00	-140.03	-32.74	0.00	72.78	-32.74	0.00	-171.60	
		TQ	0.00	0.00	0.00	0.00	0.00	0.00	0.00	0.00	0.00	0.00	0.00	0.00	
		M3	5.84	0.00	-166.39	-14.63	0.00	-188.92	-3.90	0.00	-139.23	-22.08	0.00	-232.96	
	DISPERSION-LMAX	S2	29.89	0.00	-156.49	29.89	0.00	69.01	12.37	0.00	-63.96	12.37	0.00	28.34	
		TQ	0.00	0.00	0.00	0.00	0.00	0.00	0.00	0.00	0.00	0.00	0.00	0.00	
		M3	-18.58	0.00	78.91	25.67	0.00	124.93	-28.49	0.00	99.89	11.63	0.00	56.54	
	MIN	S2	-23.20	0.00	46.24	-23.20	0.00	-128.83	-37.73	0.00	36.52	-37.73	0.00	-245.13	
		TQ	0.00	0.00	0.00	0.00	0.00	0.00	0.00	0.00	0.00	0.00	0.00	0.00	
		M3	25.26	0.00	-189.16	-18.99	0.00	-184.75	3.12	0.00	-127.32	-37.00	0.00	-273.32	

BAGO RIVER BRIDGE

BLOCK [ No.2 : CROSS BEAM ][ BEAM MEMBER FORCE ]

MEMBER				1003021						1003023						
NODE				3021			4021			3023			4023			
NAME TITLE				SHEAR	TORQUE	MOMENT	SHEAR	TORQUE	MOMENT	SHEAR	TORQUE	MOMENT	SHEAR	TORQUE	MOMENT	
				S2 (kN)	TQ (kN·m)	M3 (kN·m)	S2 (kN)	TQ (kN·m)	M3 (kN·m)	S2 (kN)	TQ (kN·m)	M3 (kN·m)	S2 (kN)	TQ (kN·m)	M3 (kN·m)	
70	3-LANES (caseTRUCK-LOAD	MAX	S2	42.22	0.00	-138.00	42.22	0.00	180.54	58.74	0.00	-191.97	58.74	0.00	246.49	
			TQ	0.00	0.00	0.00	0.00	0.00	0.00	0.00	0.00	0.00	0.00	0.00	0.00	0.00
			M3	-88.22	0.00	609.18	26.78	0.00	222.01	-74.39	0.00	556.21	45.21	0.00	0.00	276.83
		MIN	S2	-88.43	0.00	608.73	-88.43	0.00	-58.50	-74.40	0.00	556.21	-74.40	0.00	0.00	0.90
			TQ	0.00	0.00	0.00	0.00	0.00	0.00	0.00	0.00	0.00	0.00	0.00	0.00	0.00
			M3	41.41	0.00	-168.76	-74.65	0.00	-119.30	56.12	0.00	-207.29	-62.17	0.00	0.00	-64.73
	TANDEM-LOAD	MAX	S2	30.61	0.00	-96.29	30.61	0.00	134.64	42.26	0.00	-136.77	42.26	0.00	0.00	178.70
			TQ	0.00	0.00	0.00	0.00	0.00	0.00	0.00	0.00	0.00	0.00	0.00	0.00	0.00
			M3	-65.77	0.00	447.77	22.11	0.00	162.03	-56.26	0.00	411.35	34.80	0.00	0.00	199.47
		MIN	S2	-65.83	0.00	447.64	-65.83	0.00	-49.07	-56.26	0.00	411.35	-56.26	0.00	0.00	-8.62
			TQ	0.00	0.00	0.00	0.00	0.00	0.00	0.00	0.00	0.00	0.00	0.00	0.00	0.00
			M3	30.10	0.00	-123.04	-54.55	0.00	-88.15	40.02	0.00	-148.53	-46.11	0.00	0.00	-51.50
	DISPERSION-LMAX	MAX	S2	28.71	0.00	-103.59	28.71	0.00	113.02	38.81	0.00	-119.87	38.81	0.00	0.00	169.81
			TQ	0.00	0.00	0.00	0.00	0.00	0.00	0.00	0.00	0.00	0.00	0.00	0.00	0.00
			M3	-58.50	0.00	380.40	17.09	0.00	143.10	-38.09	0.00	301.95	26.70	0.00	0.00	201.47
	MIN	S2	-59.86	0.00	369.38	-59.86	0.00	-82.30	-40.61	0.00	287.45	-40.61	0.00	0.00	-15.65	
		TQ	0.00	0.00	0.00	0.00	0.00	0.00	0.00	0.00	0.00	0.00	0.00	0.00	0.00	
		M3	27.35	0.00	-114.62	-48.24	0.00	-112.37	36.29	0.00	-134.37	-28.49	0.00	0.00	-47.31	
71	3-LANES (caseTRUCK-LOAD	MAX	S2	155.76	0.00	-713.59	155.76	0.00	461.69	182.85	0.00	-816.15	182.85	0.00	548.73	
			TQ	0.00	0.00	0.00	0.00	0.00	0.00	0.00	0.00	0.00	0.00	0.00	0.00	
			M3	-43.21	0.00	261.89	147.65	0.00	483.67	-19.96	0.00	174.75	174.71	0.00	0.00	568.56
		MIN	S2	-43.42	0.00	260.95	-43.42	0.00	-66.68	-19.96	0.00	174.72	-19.96	0.00	0.00	25.74
			TQ	0.00	0.00	0.00	0.00	0.00	0.00	0.00	0.00	0.00	0.00	0.00	0.00	0.00
			M3	154.96	0.00	-735.60	-38.98	0.00	-148.61	180.98	0.00	-824.38	-14.77	0.00	0.00	-54.38

BAGO RIVER BRIDGE

BLOCK [ No.2 : CROSS BEAM ][ BEAM MEMBER FORCE ]

MEMBER NODE	1003021 3021	4021			1003023 3023	4023										
		SHEAR	TORQUE	MOMENT		SHEAR	TORQUE	MOMENT								
		S2 (kN)	TQ (kN·m)	M3 (kN·m)		S2 (kN)	TQ (kN·m)	M3 (kN·m)								
71	3-LANES (case)	TANDEM-LOAD	MAX	S2	114.43	0.00	-519.23	114.43	0.00	344.20	133.19	0.00	-593.44	133.19	0.00	400.73
				TQ	0.00	0.00	0.00	0.00	0.00	0.00	0.00	0.00	0.00	0.00	0.00	0.00
				M3	-30.50	0.00	187.43	111.35	0.00	353.94	-15.10	0.00	129.00	130.08	0.00	411.70
			MIN	S2	-30.93	0.00	186.95	-30.93	0.00	-46.46	-15.10	0.00	128.99	-15.10	0.00	16.27
				TQ	0.00	0.00	0.00	0.00	0.00	0.00	0.00	0.00	0.00	0.00	0.00	0.00
				M3	113.55	0.00	-537.14	-26.47	0.00	-101.29	132.09	0.00	-598.43	-10.08	0.00	-37.06
		DISPERSION-LMAX		S2	85.88	0.00	-396.16	85.88	0.00	251.85	109.39	0.00	-481.76	109.39	0.00	334.74
				TQ	0.00	0.00	0.00	0.00	0.00	0.00	0.00	0.00	0.00	0.00	0.00	0.00
				M3	-55.78	0.00	261.88	80.37	0.00	268.31	-22.11	0.00	134.66	104.76	0.00	350.17
			MIN	S2	-57.00	0.00	252.78	-57.00	0.00	-177.29	-23.90	0.00	125.73	-23.90	0.00	-52.70
				TQ	0.00	0.00	0.00	0.00	0.00	0.00	0.00	0.00	0.00	0.00	0.00	0.00
				M3	84.67	0.00	-405.25	-51.49	0.00	-193.75	107.59	0.00	-490.68	-19.28	0.00	-68.13
72	4-LANES	TRUCK-LOAD	MAX	S2	152.20	0.00	-696.60	152.20	0.00	451.81	180.32	0.00	-788.84	180.32	0.00	557.16
				TQ	0.00	0.00	0.00	0.00	0.00	0.00	0.00	0.00	0.00	0.00	0.00	0.00
				M3	-103.45	0.00	662.84	138.68	0.00	502.42	-78.61	0.00	567.76	167.26	0.00	594.72
			MIN	S2	-103.66	0.00	660.39	-103.66	0.00	-121.76	-78.61	0.00	567.76	-78.61	0.00	-19.04
				TQ	0.00	0.00	0.00	0.00	0.00	0.00	0.00	0.00	0.00	0.00	0.00	0.00
				M3	150.60	0.00	-718.08	-93.41	0.00	-191.01	178.89	0.00	-801.61	-69.05	0.00	-90.04
		TANDEM-LOAD	MAX	S2	111.85	0.00	-508.63	111.85	0.00	335.26	131.74	0.00	-564.66	131.74	0.00	418.69
				TQ	0.00	0.00	0.00	0.00	0.00	0.00	0.00	0.00	0.00	0.00	0.00	0.00
				M3	-75.72	0.00	483.20	104.22	0.00	369.61	-59.04	0.00	418.69	125.49	0.00	432.68
			MIN	S2	-76.08	0.00	482.31	-76.08	0.00	-91.76	-59.04	0.00	418.69	-59.04	0.00	-22.04
				TQ	0.00	0.00	0.00	0.00	0.00	0.00	0.00	0.00	0.00	0.00	0.00	0.00
				M3	110.55	0.00	-526.00	-67.41	0.00	-137.08	130.04	0.00	-584.39	-50.85	0.00	-68.80

BAGO RIVER BRIDGE

BLOCK [ No.2 : CROSS BEAM ][ BEAM MEMBER FORCE ]

MEMBER			1003021						1003023								
NODE			3021			4021			3023			4023					
			SHEAR	TORQUE	MOMENT	SHEAR	TORQUE	MOMENT	SHEAR	TORQUE	MOMENT	SHEAR	TORQUE	MOMENT			
NAME	TITLE		S2 (kN)	TQ (kN·m)	M3 (kN·m)	S2 (kN)	TQ (kN·m)	M3 (kN·m)	S2 (kN)	TQ (kN·m)	M3 (kN·m)	S2 (kN)	TQ (kN·m)	M3 (kN·m)			
72	4-LANES	DISPERSION-LMAX	S2	78.13	0.00	-359.33	78.13	0.00	230.21	102.67	0.00	-447.96	102.67	0.00	318.39		
			TQ	0.00	0.00	0.00	0.00	0.00	0.00	0.00	0.00	0.00	0.00	0.00	0.00	0.00	
			M3	-80.32	0.00	455.44	66.76	0.00	259.65	-45.57	0.00	323.16	91.00	0.00	0.00	349.21	
		MIN	S2	-81.64	0.00	443.91	-81.64	0.00	-172.10	-47.77	0.00	309.47	-47.77	0.00	0.00	-47.09	
			TQ	0.00	0.00	0.00	0.00	0.00	0.00	0.00	0.00	0.00	0.00	0.00	0.00	0.00	
			M3	76.79	0.00	-370.74	-70.23	0.00	-201.88	100.50	0.00	-461.38	-36.13	0.00	0.00	-78.17	
		73	6-LANES	TRUCK-LOAD MAX	S2	145.04	0.00	-634.83	145.04	0.00	459.52	157.43	0.00	-669.91	157.43	0.00	505.18
					TQ	0.00	0.00	0.00	0.00	0.00	0.00	0.00	0.00	0.00	0.00	0.00	0.00
					M3	-129.97	0.00	725.87	133.40	0.00	503.69	-115.54	0.00	658.45	145.43	0.00	0.00
MIN	S2			-134.40	0.00	692.29	-134.40	0.00	-321.77	-121.54	0.00	629.93	-121.54	0.00	0.00	-277.25	
	TQ			0.00	0.00	0.00	0.00	0.00	0.00	0.00	0.00	0.00	0.00	0.00	0.00	0.00	
	M3			142.53	0.00	-765.55	-120.74	0.00	-383.93	152.25	0.00	-805.60	-65.64	0.00	0.00	-350.67	
TANDEM-LOAD MAX	S2			105.22	0.00	-461.09	105.22	0.00	332.78	113.91	0.00	-481.38	113.91	0.00	0.00	368.90	
	TQ			0.00	0.00	0.00	0.00	0.00	0.00	0.00	0.00	0.00	0.00	0.00	0.00	0.00	
	M3			-95.63	0.00	526.09	98.73	0.00	365.37	-86.38	0.00	481.10	110.33	0.00	0.00	385.15	
MIN	S2	-97.51	0.00	514.20	-97.51	0.00	-221.53	-88.50	0.00	470.68	-88.50	0.00	0.00	-189.89			
	TQ	0.00	0.00	0.00	0.00	0.00	0.00	0.00	0.00	0.00	0.00	0.00	0.00	0.00			
	M3	103.06	0.00	-556.36	-87.71	0.00	-274.58	110.61	0.00	-582.30	-79.39	0.00	0.00	-251.95			
DISPERSION-LMAX	S2	101.08	0.00	-494.82	101.08	0.00	267.85	106.40	0.00	-481.24	106.40	0.00	0.00	312.94			
	TQ	0.00	0.00	0.00	0.00	0.00	0.00	0.00	0.00	0.00	0.00	0.00	0.00	0.00			
	M3	-94.24	0.00	506.22	86.85	0.00	343.72	-70.00	0.00	402.67	94.71	0.00	0.00	366.21			
MIN	S2	-99.03	0.00	471.95	-99.03	0.00	-275.29	-79.21	0.00	339.48	-79.21	0.00	0.00	-251.78			
	TQ	0.00	0.00	0.00	0.00	0.00	0.00	0.00	0.00	0.00	0.00	0.00	0.00	0.00			
	M3	96.16	0.00	-527.15	-82.81	0.00	-345.51	97.05	0.00	-544.81	-65.21	0.00	0.00	-303.88			

BAGO RIVER BRIDGE

BLOCK [ No.2 : CROSS BEAM ][ BEAM MEMBER FORCE ]

MEMBER			1003021						1003023						
NODE			3021			4021			3023			4023			
NAME TITLE			SHEAR	TORQUE	MOMENT	SHEAR	TORQUE	MOMENT	SHEAR	TORQUE	MOMENT	SHEAR	TORQUE	MOMENT	
			S2 (kN)	TQ (kN·m)	M3 (kN·m)	S2 (kN)	TQ (kN·m)	M3 (kN·m)	S2 (kN)	TQ (kN·m)	M3 (kN·m)	S2 (kN)	TQ (kN·m)	M3 (kN·m)	
124	SUM TOTAL	D+1LANE (caseMAX	S2	44.50	0.00	-295.22	44.50	0.00	40.50	97.24	0.00	-582.35	97.24	0.00	143.45
			TQ	12.58	0.00	-125.48	12.58	0.00	-30.56	83.52	0.00	-504.91	83.52	0.00	118.51
			M3	8.30	0.00	-119.59	40.03	0.00	102.84	71.86	0.00	-484.02	96.47	0.00	176.77
		MIN	S2	3.54	0.00	-167.60	3.54	0.00	-140.91	61.68	0.00	-566.74	61.68	0.00	-106.35
			TQ	12.58	0.00	-125.48	12.58	0.00	-30.56	83.52	0.00	-504.91	83.52	0.00	118.51
			M3	40.26	0.00	-476.64	22.75	0.00	-255.56	87.35	0.00	-800.74	75.72	0.00	-207.71
		D+1LANE (caseMAX	S2	23.22	0.00	-161.31	23.22	0.00	13.86	87.38	0.00	-514.72	87.38	0.00	137.54
			TQ	12.58	0.00	-125.48	12.58	0.00	-30.56	83.52	0.00	-504.91	83.52	0.00	118.51
			M3	-31.42	0.00	71.41	22.45	0.00	17.68	33.72	0.00	-291.31	87.17	0.00	138.26
		MIN	S2	-31.72	0.00	70.76	-31.72	0.00	-168.61	33.61	0.00	-292.30	33.61	0.00	-41.39
			TQ	12.58	0.00	-125.48	12.58	0.00	-30.56	83.52	0.00	-504.91	83.52	0.00	118.51
			M3	22.68	0.00	-162.74	-31.30	0.00	-169.91	87.22	0.00	-515.97	33.81	0.00	-42.03
		D+1LANE (caseMAX	S2	16.01	0.00	-142.45	16.01	0.00	-21.62	87.92	0.00	-494.20	87.92	0.00	162.04
			TQ	12.58	0.00	-125.48	12.58	0.00	-30.56	83.52	0.00	-504.91	83.52	0.00	118.51
			M3	-89.78	0.00	574.00	2.43	0.00	25.02	-12.24	0.00	172.54	74.75	0.00	193.42
		MIN	S2	-89.90	0.00	571.56	-89.90	0.00	-106.74	-12.95	0.00	166.78	-12.95	0.00	70.15
			TQ	12.58	0.00	-125.48	12.58	0.00	-30.56	83.52	0.00	-504.91	83.52	0.00	118.51
			M3	15.09	0.00	-149.72	-83.51	0.00	-123.50	85.95	0.00	-510.18	-5.26	0.00	53.01
		D+1LANE (caseMAX	S2	207.17	0.00	-1106.53	207.17	0.00	456.59	308.07	0.00	-1610.83	308.07	0.00	688.68
			TQ	12.58	0.00	-125.48	12.58	0.00	-30.56	83.52	0.00	-504.91	83.52	0.00	118.51
			M3	-35.58	0.00	57.39	206.98	0.00	456.98	65.43	0.00	-435.22	308.07	0.00	688.68
		MIN	S2	-35.83	0.00	55.72	-35.83	0.00	-214.59	65.43	0.00	-435.22	65.43	0.00	53.20
			TQ	12.58	0.00	-125.48	12.58	0.00	-30.56	83.52	0.00	-504.91	83.52	0.00	118.51
			M3	207.16	0.00	-1107.08	-35.60	0.00	-215.68	308.07	0.00	-1610.83	65.44	0.00	53.02

BAGO RIVER BRIDGE

BLOCK [ No.2 : CROSS BEAM ][ BEAM MEMBER FORCE ]

MEMBER			1003021						1003023						
NODE			3021			4021			3023			4023			
NAME TITLE			SHEAR	TORQUE	MOMENT	SHEAR	TORQUE	MOMENT	SHEAR	TORQUE	MOMENT	SHEAR	TORQUE	MOMENT	
			S2 (kN)	TQ (kN·m)	M3 (kN·m)	S2 (kN)	TQ (kN·m)	M3 (kN·m)	S2 (kN)	TQ (kN·m)	M3 (kN·m)	S2 (kN)	TQ (kN·m)	M3 (kN·m)	
124	SUM TOTAL	D+2LANES (casMAX	S2	55.15	0.00	-315.27	55.15	0.00	100.86	101.97	0.00	-589.66	101.97	0.00	171.51
			TQ	12.58	0.00	-125.48	12.58	0.00	-30.56	83.52	0.00	-504.91	83.52	0.00	118.51
			M3	-1.53	0.00	-99.08	51.27	0.00	155.74	56.31	0.00	-453.20	101.33	0.00	199.27
		MIN	S2	-10.31	0.00	-168.67	-10.31	0.00	-246.47	40.78	0.00	-546.62	40.78	0.00	-242.18
			TQ	12.58	0.00	-125.48	12.58	0.00	-30.56	83.52	0.00	-504.91	83.52	0.00	118.51
			M3	36.51	0.00	-512.58	8.98	0.00	-369.53	76.25	0.00	-812.62	54.39	0.00	-356.44
		D+2LANES (casMAX	S2	37.42	0.00	-203.68	37.42	0.00	78.66	93.76	0.00	-533.30	93.76	0.00	166.58
			TQ	12.58	0.00	-125.48	12.58	0.00	-30.56	83.52	0.00	-504.91	83.52	0.00	118.51
			M3	-34.63	0.00	60.09	36.62	0.00	84.77	24.52	0.00	-292.61	93.59	0.00	167.18
		MIN	S2	-39.70	0.00	29.96	-39.70	0.00	-269.55	17.40	0.00	-317.91	17.40	0.00	-188.05
			TQ	12.58	0.00	-125.48	12.58	0.00	-30.56	83.52	0.00	-504.91	83.52	0.00	118.51
			M3	21.86	0.00	-251.00	-36.06	0.00	-298.15	76.14	0.00	-575.30	19.46	0.00	-218.38
		D+2LANES (casMAX	S2	20.10	0.00	-120.57	20.10	0.00	31.11	99.50	0.00	-497.17	99.50	0.00	245.52
			TQ	12.58	0.00	-125.48	12.58	0.00	-30.56	83.52	0.00	-504.91	83.52	0.00	118.51
			M3	-108.74	0.00	767.22	-6.95	0.00	102.61	-18.99	0.00	314.23	73.85	0.00	307.51
		MIN	S2	-110.12	0.00	755.97	-110.12	0.00	-74.88	-21.50	0.00	299.73	-21.50	0.00	139.21
			TQ	12.58	0.00	-125.48	12.58	0.00	-30.56	83.52	0.00	-504.91	83.52	0.00	118.51
			M3	18.13	0.00	-162.13	-84.73	0.00	-165.70	94.36	0.00	-526.99	2.83	0.00	41.92
		D+2LANES (casMAX	S2	248.45	0.00	-1250.61	248.45	0.00	623.96	361.43	0.00	-1798.49	361.43	0.00	899.32
			TQ	12.58	0.00	-125.48	12.58	0.00	-30.56	83.52	0.00	-504.91	83.52	0.00	118.51
			M3	-57.53	0.00	139.77	248.24	0.00	625.01	57.05	0.00	-402.46	361.43	0.00	899.32
		MIN	S2	-57.76	0.00	138.28	-57.76	0.00	-297.50	57.04	0.00	-402.49	57.04	0.00	23.30
			TQ	12.58	0.00	-125.48	12.58	0.00	-30.56	83.52	0.00	-504.91	83.52	0.00	118.51
			M3	248.43	0.00	-1251.15	-57.56	0.00	-298.47	361.40	0.00	-1798.68	57.05	0.00	23.15

BAGO RIVER BRIDGE

BLOCK [ No.2 : CROSS BEAM ][ BEAM MEMBER FORCE ]

MEMBER			1003021						1003023							
NODE			3021			4021			3023			4023				
NAME TITLE			SHEAR	TORQUE	MOMENT	SHEAR	TORQUE	MOMENT	SHEAR	TORQUE	MOMENT	SHEAR	TORQUE	MOMENT		
			S2 (kN)	TQ (kN·m)	M3 (kN·m)	S2 (kN)	TQ (kN·m)	M3 (kN·m)	S2 (kN)	TQ (kN·m)	M3 (kN·m)	S2 (kN)	TQ (kN·m)	M3 (kN·m)		
124	SUM TOTAL	D+3LANES (casMAX	S2	56.30	0.00	-312.18	56.30	0.00	112.62	101.94	0.00	-583.89	101.94	0.00	177.04	
			TQ	12.58	0.00	-125.48	12.58	0.00	-30.56	83.52	0.00	-504.91	83.52	0.00	118.51	
			M3	-30.58	0.00	36.43	52.46	0.00	161.97	25.11	0.00	-309.66	101.25	0.00	201.15	
		MIN	S2	-38.26	0.00	-23.19	-38.26	0.00	-311.87	11.85	0.00	-389.76	11.85	0.00	-301.34	
			TQ	12.58	0.00	-125.48	12.58	0.00	-30.56	83.52	0.00	-504.91	83.52	0.00	118.51	
			M3	40.08	0.00	-480.91	-21.56	0.00	-417.39	79.96	0.00	-774.29	23.55	0.00	-398.92	
		D+3LANES (casMAX	S2	72.87	0.00	-330.84	72.87	0.00	218.97	166.44	0.00	-769.98	166.44	0.00	472.37	
			TQ	12.58	0.00	-125.48	12.58	0.00	-30.56	83.52	0.00	-504.91	83.52	0.00	118.51	
			M3	-112.14	0.00	715.67	49.86	0.00	279.79	-12.09	0.00	224.53	144.64	0.00	525.06	
		MIN	S2	-113.47	0.00	705.91	-113.47	0.00	-150.24	-14.23	0.00	212.20	-14.23	0.00	105.97	
			TQ	12.58	0.00	-125.48	12.58	0.00	-30.56	83.52	0.00	-504.91	83.52	0.00	118.51	
			M3	71.03	0.00	-366.36	-91.88	0.00	-227.48	162.07	0.00	-795.32	6.45	0.00	23.28	
		D+3LANES (casMAX	S2	217.98	0.00	-1068.76	217.98	0.00	575.95	331.92	0.00	-1608.14	331.92	0.00	869.47	
			TQ	12.58	0.00	-125.48	12.58	0.00	-30.56	83.52	0.00	-504.91	83.52	0.00	118.51	
			M3	-71.57	0.00	319.72	206.40	0.00	608.62	47.77	0.00	-241.92	321.07	0.00	899.43	
		MIN	S2	-72.78	0.00	311.19	-72.78	0.00	-237.93	46.24	0.00	-249.53	46.24	0.00	95.59	
			TQ	12.58	0.00	-125.48	12.58	0.00	-30.56	83.52	0.00	-504.91	83.52	0.00	118.51	
			M3	216.26	0.00	-1095.21	-64.32	0.00	-321.57	328.81	0.00	-1622.71	54.58	0.00	14.38	
		D+4LANES	MAX	S2	162.30	0.00	-811.84	162.30	0.00	412.75	267.47	0.00	-1308.84	267.47	0.00	687.62
			TQ	12.58	0.00	-125.48	12.58	0.00	-30.56	83.52	0.00	-504.91	83.52	0.00	118.51	
			M3	-106.87	0.00	601.40	146.12	0.00	464.79	2.80	0.00	74.18	251.39	0.00	732.06	
		MIN	S2	-107.87	0.00	592.31	-107.87	0.00	-221.57	1.37	0.00	65.29	1.37	0.00	75.52	
			TQ	12.58	0.00	-125.48	12.58	0.00	-30.56	83.52	0.00	-504.91	83.52	0.00	118.51	
			M3	160.38	0.00	-833.21	-93.79	0.00	-285.94	265.13	0.00	-1325.86	15.15	0.00	9.18	

BAGO RIVER BRIDGE

BLOCK [ No.2 : CROSS BEAM ][ BEAM MEMBER FORCE ]

MEMBER					1003021						1003023					
NODE					3021			4021			3023			4023		
NAME TITLE					SHEAR	TORQUE	MOMENT	SHEAR	TORQUE	MOMENT	SHEAR	TORQUE	MOMENT	SHEAR	TORQUE	MOMENT
					S2 (kN)	TQ (kN·m)	M3 (kN·m)	S2 (kN)	TQ (kN·m)	M3 (kN·m)	S2 (kN)	TQ (kN·m)	M3 (kN·m)	S2 (kN)	TQ (kN·m)	M3 (kN·m)
124	SUM TOTAL	D+6LANES	MAX	S2	172.56	0.00	-859.75	172.56	0.00	442.23	255.00	0.00	-1253.16	255.00	0.00	650.29
				TQ	12.58	0.00	-125.48	12.58	0.00	-30.56	83.52	0.00	-504.91	83.52	0.00	118.51
				M3	-133.16	0.00	675.37	155.74	0.00	520.26	-37.08	0.00	184.81	239.61	0.00	701.27
			MIN	S2	-139.15	0.00	631.27	-139.15	0.00	-418.65	-46.97	0.00	125.21	-46.97	0.00	-225.36
				TQ	12.58	0.00	-125.48	12.58	0.00	-30.56	83.52	0.00	-504.91	83.52	0.00	118.51
				M3	167.73	0.00	-965.74	-119.73	0.00	-504.69	245.56	0.00	-1382.68	-1.53	0.00	-306.94
	SUM TOTAL		MAX		248.45	0.00	767.22	248.45	0.00	625.01	361.43	0.00	314.23	361.43	0.00	899.43
			MIN		-139.15	0.00	-1251.15	-139.15	0.00	-504.69	-46.97	0.00	-1798.68	-46.97	0.00	-398.92
300	DEAD LOAD	TOTAL			12.58	0.00	-125.48	12.58	0.00	-30.56	83.52	0.00	-504.91	83.52	0.00	118.51
301	LIVE LOAD	1-LANE(case1MAX	S2		31.92	0.00	-169.74	31.92	0.00	71.07	13.72	0.00	-77.43	13.72	0.00	24.94
			TQ		0.00	0.00	0.00	0.00	0.00	0.00	0.00	0.00	0.00	0.00	0.00	0.00
			M3		-4.28	0.00	5.89	27.45	0.00	133.41	-11.66	0.00	20.89	12.95	0.00	58.26
			MIN	S2	-9.04	0.00	-42.12	-9.04	0.00	-110.35	-21.84	0.00	-61.83	-21.84	0.00	-224.86
				TQ	0.00	0.00	0.00	0.00	0.00	0.00	0.00	0.00	0.00	0.00	0.00	0.00
				M3	27.68	0.00	-351.16	10.17	0.00	-225.00	3.83	0.00	-295.83	-7.80	0.00	-326.22
		1-LANE(case2MAX	S2		10.64	0.00	-35.83	10.64	0.00	44.42	3.86	0.00	-9.81	3.86	0.00	19.03
			TQ		0.00	0.00	0.00	0.00	0.00	0.00	0.00	0.00	0.00	0.00	0.00	0.00
			M3		-44.00	0.00	196.89	9.87	0.00	48.25	-49.80	0.00	213.60	3.65	0.00	19.75
			MIN	S2	-44.30	0.00	196.24	-44.30	0.00	-138.05	-49.91	0.00	212.61	-49.91	0.00	-159.90
				TQ	0.00	0.00	0.00	0.00	0.00	0.00	0.00	0.00	0.00	0.00	0.00	0.00
				M3	10.10	0.00	-37.26	-43.88	0.00	-139.35	3.70	0.00	-11.06	-49.71	0.00	-160.54
		1-LANE(case3MAX	S2		3.43	0.00	-16.97	3.43	0.00	8.95	4.40	0.00	10.72	4.40	0.00	43.53
			TQ		0.00	0.00	0.00	0.00	0.00	0.00	0.00	0.00	0.00	0.00	0.00	0.00
			M3		-102.36	0.00	699.48	-10.15	0.00	55.58	-95.76	0.00	677.45	-8.77	0.00	74.91
			MIN	S2	-102.48	0.00	697.04	-102.48	0.00	-76.18	-96.47	0.00	671.69	-96.47	0.00	-48.36
				TQ	0.00	0.00	0.00	0.00	0.00	0.00	0.00	0.00	0.00	0.00	0.00	0.00
				M3	2.51	0.00	-24.24	-96.09	0.00	-92.94	2.43	0.00	-5.27	-88.78	0.00	-65.50



BAGO RIVER BRIDGE

BLOCK [ No.2 : CROSS BEAM ][ BEAM MEMBER FORCE ]

MEMBER			1003021						1003023							
NODE			3021			4021			3023			4023				
NAME TITLE			SHEAR	TORQUE	MOMENT	SHEAR	TORQUE	MOMENT	SHEAR	TORQUE	MOMENT	SHEAR	TORQUE	MOMENT		
			S2 (kN)	TQ (kN·m)	M3 (kN·m)	S2 (kN)	TQ (kN·m)	M3 (kN·m)	S2 (kN)	TQ (kN·m)	M3 (kN·m)	S2 (kN)	TQ (kN·m)	M3 (kN·m)		
301	LIVE LOAD	1-LANE (case4MAX	S2	194.59	0.00	-981.04	194.59	0.00	487.15	224.55	0.00	-1105.92	224.55	0.00	570.17	
			TQ	0.00	0.00	0.00	0.00	0.00	0.00	0.00	0.00	0.00	0.00	0.00	0.00	0.00
			M3	-48.16	0.00	182.88	194.40	0.00	487.54	-18.09	0.00	69.69	224.55	0.00	0.00	570.17
			MIN S2	-48.41	0.00	181.21	-48.41	0.00	-184.03	-18.09	0.00	69.69	-18.09	0.00	0.00	-65.31
			TQ	0.00	0.00	0.00	0.00	0.00	0.00	0.00	0.00	0.00	0.00	0.00	0.00	0.00
			M3	194.58	0.00	-981.60	-48.18	0.00	-185.12	224.55	0.00	-1105.92	-18.08	0.00	0.00	-65.49
		2-LANES (caseMAX	S2	42.57	0.00	-189.79	42.57	0.00	131.43	18.45	0.00	-84.74	18.45	0.00	0.00	53.00
			TQ	0.00	0.00	0.00	0.00	0.00	0.00	0.00	0.00	0.00	0.00	0.00	0.00	0.00
			M3	-14.11	0.00	26.40	38.69	0.00	186.30	-27.21	0.00	51.71	17.81	0.00	0.00	80.76
			MIN S2	-22.89	0.00	-43.19	-22.89	0.00	-215.91	-42.74	0.00	-41.70	-42.74	0.00	0.00	-360.69
			TQ	0.00	0.00	0.00	0.00	0.00	0.00	0.00	0.00	0.00	0.00	0.00	0.00	0.00
			M3	23.93	0.00	-387.10	-3.60	0.00	-338.97	-7.27	0.00	-307.70	-29.13	0.00	0.00	-474.95
		2-LANES (caseMAX	S2	24.84	0.00	-78.20	24.84	0.00	109.23	10.24	0.00	-28.39	10.24	0.00	0.00	48.07
			TQ	0.00	0.00	0.00	0.00	0.00	0.00	0.00	0.00	0.00	0.00	0.00	0.00	0.00
			M3	-47.21	0.00	185.57	24.04	0.00	115.33	-59.00	0.00	212.30	10.07	0.00	0.00	48.67
			MIN S2	-52.28	0.00	155.44	-52.28	0.00	-238.99	-66.12	0.00	187.00	-66.12	0.00	0.00	-306.56
			TQ	0.00	0.00	0.00	0.00	0.00	0.00	0.00	0.00	0.00	0.00	0.00	0.00	0.00
			M3	9.28	0.00	-125.52	-48.64	0.00	-267.59	-7.38	0.00	-70.39	-64.06	0.00	0.00	-336.89
		2-LANES (caseMAX	S2	7.52	0.00	4.91	7.52	0.00	61.67	15.98	0.00	7.75	15.98	0.00	0.00	127.01
			TQ	0.00	0.00	0.00	0.00	0.00	0.00	0.00	0.00	0.00	0.00	0.00	0.00	0.00
			M3	-121.32	0.00	892.71	-19.53	0.00	133.17	-102.51	0.00	819.14	-9.67	0.00	0.00	189.00
MIN S2	-122.70		0.00	881.45	-122.70	0.00	-44.31	-105.02	0.00	804.64	-105.02	0.00	0.00	20.70		
TQ	0.00		0.00	0.00	0.00	0.00	0.00	0.00	0.00	0.00	0.00	0.00	0.00	0.00		
M3	5.55		0.00	-36.65	-97.31	0.00	-135.14	10.84	0.00	-22.07	-80.69	0.00	0.00	-76.59		

BAGO RIVER BRIDGE

BLOCK [ No.2 : CROSS BEAM ][ BEAM MEMBER FORCE ]

MEMBER			1003021						1003023							
NODE			3021			4021			3023			4023				
NAME TITLE			SHEAR	TORQUE	MOMENT	SHEAR	TORQUE	MOMENT	SHEAR	TORQUE	MOMENT	SHEAR	TORQUE	MOMENT		
			S2 (kN)	TQ (kN·m)	M3 (kN·m)	S2 (kN)	TQ (kN·m)	M3 (kN·m)	S2 (kN)	TQ (kN·m)	M3 (kN·m)	S2 (kN)	TQ (kN·m)	M3 (kN·m)		
301	LIVE LOAD	2-LANES (caseMAX	S2	235.87	0.00	-1125.13	235.87	0.00	654.53	277.91	0.00	-1293.58	277.91	0.00	780.81	
			TQ	0.00	0.00	0.00	0.00	0.00	0.00	0.00	0.00	0.00	0.00	0.00	0.00	
			M3	-70.11	0.00	265.25	235.66	0.00	655.57	-26.47	0.00	102.45	277.91	0.00	0.00	780.81
			MIN S2	-70.34	0.00	263.76	-70.34	0.00	-266.94	-26.48	0.00	102.43	-26.48	0.00	0.00	-95.21
			TQ	0.00	0.00	0.00	0.00	0.00	0.00	0.00	0.00	0.00	0.00	0.00	0.00	0.00
			M3	235.85	0.00	-1125.67	-70.14	0.00	-267.91	277.88	0.00	-1293.77	-26.47	0.00	0.00	-95.36
		3-LANES (caseMAX	S2	43.72	0.00	-186.70	43.72	0.00	143.18	18.42	0.00	-78.98	18.42	0.00	0.00	58.53
			TQ	0.00	0.00	0.00	0.00	0.00	0.00	0.00	0.00	0.00	0.00	0.00	0.00	0.00
			M3	-43.16	0.00	161.91	39.88	0.00	192.53	-58.41	0.00	195.25	17.73	0.00	0.00	82.64
			MIN S2	-50.84	0.00	102.29	-50.84	0.00	-281.31	-71.67	0.00	115.15	-71.67	0.00	0.00	-419.85
			TQ	0.00	0.00	0.00	0.00	0.00	0.00	0.00	0.00	0.00	0.00	0.00	0.00	0.00
			M3	27.50	0.00	-355.43	-34.14	0.00	-386.83	-3.56	0.00	-269.38	-59.97	0.00	0.00	-517.43
		3-LANES (caseMAX	S2	60.29	0.00	-205.36	60.29	0.00	249.53	82.92	0.00	-265.06	82.92	0.00	0.00	353.86
			TQ	0.00	0.00	0.00	0.00	0.00	0.00	0.00	0.00	0.00	0.00	0.00	0.00	0.00
			M3	-124.72	0.00	841.15	37.28	0.00	310.35	-95.61	0.00	729.44	61.12	0.00	0.00	406.55
			MIN S2	-126.05	0.00	831.39	-126.05	0.00	-119.67	-97.75	0.00	717.11	-97.75	0.00	0.00	-12.54
			TQ	0.00	0.00	0.00	0.00	0.00	0.00	0.00	0.00	0.00	0.00	0.00	0.00	0.00
			M3	58.45	0.00	-240.87	-104.46	0.00	-196.92	78.55	0.00	-290.41	-77.07	0.00	0.00	-95.23
		3-LANES (caseMAX	S2	205.40	0.00	-943.28	205.40	0.00	606.51	248.40	0.00	-1103.23	248.40	0.00	0.00	750.96
			TQ	0.00	0.00	0.00	0.00	0.00	0.00	0.00	0.00	0.00	0.00	0.00	0.00	0.00
			M3	-84.15	0.00	445.20	193.82	0.00	639.18	-35.75	0.00	263.00	237.55	0.00	0.00	780.92
			MIN S2	-85.36	0.00	436.68	-85.36	0.00	-207.37	-37.28	0.00	255.39	-37.28	0.00	0.00	-22.92
			TQ	0.00	0.00	0.00	0.00	0.00	0.00	0.00	0.00	0.00	0.00	0.00	0.00	0.00
			M3	203.68	0.00	-969.72	-76.90	0.00	-291.01	245.29	0.00	-1117.80	-28.94	0.00	0.00	-104.13

BAGO RIVER BRIDGE

BLOCK [ No.2 : CROSS BEAM ][ BEAM MEMBER FORCE ]

MEMBER					1003021						1003023						
NODE					3021			4021			3023			4023			
NAME TITLE					SHEAR	TORQUE	MOMENT	SHEAR	TORQUE	MOMENT	SHEAR	TORQUE	MOMENT	SHEAR	TORQUE	MOMENT	
					S2 (kN)	TQ (kN·m)	M3 (kN·m)	S2 (kN)	TQ (kN·m)	M3 (kN·m)	S2 (kN)	TQ (kN·m)	M3 (kN·m)	S2 (kN)	TQ (kN·m)	M3 (kN·m)	
301	LIVE LOAD	4-LANES	MAX	S2	149.72	0.00	-686.35	149.72	0.00	443.31	183.95	0.00	-803.92	183.95	0.00	569.11	
				TQ	0.00	0.00	0.00	0.00	0.00	0.00	0.00	0.00	0.00	0.00	0.00	0.00	0.00
				M3	-119.45	0.00	726.88	133.54	0.00	495.35	-80.72	0.00	579.09	167.87	0.00	613.55	
			MIN	S2	-120.45	0.00	717.79	-120.45	0.00	-191.01	-82.15	0.00	570.20	-82.15	0.00	-42.99	
				TQ	0.00	0.00	0.00	0.00	0.00	0.00	0.00	0.00	0.00	0.00	0.00	0.00	
				M3	147.80	0.00	-707.73	-106.37	0.00	-255.38	181.61	0.00	-820.94	-68.37	0.00	-109.33	
		6-LANES	MAX	S2	159.98	0.00	-734.27	159.98	0.00	472.79	171.48	0.00	-748.24	171.48	0.00	531.78	
				TQ	0.00	0.00	0.00	0.00	0.00	0.00	0.00	0.00	0.00	0.00	0.00		
				M3	-145.74	0.00	800.86	143.16	0.00	550.82	-120.60	0.00	689.73	156.09	0.00	582.76	
			MIN	S2	-151.73	0.00	756.76	-151.73	0.00	-388.09	-130.49	0.00	630.12	-130.49	0.00	-343.87	
				TQ	0.00	0.00	0.00	0.00	0.00	0.00	0.00	0.00	0.00	0.00	0.00	0.00	
				M3	155.15	0.00	-840.26	-132.31	0.00	-474.13	162.04	0.00	-877.76	-85.05	0.00	-425.45	
		LIVE LOAD	MAX		235.87	0.00	892.71	235.87	0.00	655.57	277.91	0.00	819.14	277.91	0.00	780.92	
			MIN		-151.73	0.00	-1125.67	-151.73	0.00	-474.13	-130.49	0.00	-1293.77	-130.49	0.00	-517.43	
		303	SUM TOTAL	TOTAL	MAX	248.45	0.00	767.22	248.45	0.00	625.01	361.43	0.00	314.23	361.43	0.00	899.43
MIN	-139.15				0.00	-1251.15	-139.15	0.00	-504.69	-46.97	0.00	-1798.68	-46.97	0.00	-398.92		

BAGO RIVER BRIDGE

BLOCK [ No.2 : CROSS BEAM ][ BEAM MEMBER FORCE ]

MEMBER NODE	NAME TITLE	1003025						1003027							
		3025			4025			3027			4027				
		SHEAR S2 (kN)	TORQUE TQ (kN·m)	MOMENT M3 (kN·m)	SHEAR S2 (kN)	TORQUE TQ (kN·m)	MOMENT M3 (kN·m)	SHEAR S2 (kN)	TORQUE TQ (kN·m)	MOMENT M3 (kN·m)	SHEAR S2 (kN)	TORQUE TQ (kN·m)	MOMENT M3 (kN·m)		
1	PAVEMENT	21.38	0.00	-110.25	21.38	0.00	48.59	9.99	0.00	-53.40	9.99	0.00	19.66		
3	RAILING	4.15	0.00	-29.20	4.15	0.00	1.64	3.94	0.00	-27.11	3.94	0.00	1.72		
5	CURB	41.10	0.00	-289.04	41.10	0.00	16.28	39.00	0.00	-268.36	39.00	0.00	17.02		
7	DECK WEIGHT	33.78	0.00	-183.85	33.78	0.00	67.09	16.27	0.00	-92.12	16.27	0.00	26.95		
8	GIRDER WEIGH	3.56	0.00	-32.09	3.56	0.00	-5.61	-17.24	0.00	92.73	-17.24	0.00	-33.45		
10	MEDIAN STRIP	-27.88	0.00	189.61	-27.88	0.00	-17.53	-31.21	0.00	210.18	-31.21	0.00	-18.18		
21	ADITIONAL WE	9.46	0.00	-51.48	9.46	0.00	18.79	4.56	0.00	-25.79	4.56	0.00	7.55		
31	MEDIAN RAILI	-2.20	0.00	14.81	-2.20	0.00	-1.53	-2.46	0.00	16.00	-2.46	0.00	-1.99		
51	SUPPORT WEIG	-0.00	0.00	0.00	-0.00	0.00	-0.00	-0.00	0.00	0.00	-0.00	0.00	0.00		
52	NOSE WEIGHT	0.00	0.00	-0.01	0.00	0.00	0.01	0.00	0.00	-0.00	0.00	0.00	0.00		
61	1-LANE(case1TRUCK-LOAD	MAX	S2	1.39	0.00	-153.71	1.39	0.00	-143.37	3.22	0.00	4.58	3.22	0.00	28.14
			TQ	0.00	0.00	0.00	0.00	0.00	0.00	0.00	0.00	0.00	0.00	0.00	0.00
			M3	-5.80	0.00	9.56	1.02	0.00	10.74	1.87	0.00	11.38	2.91	0.00	29.39
		MIN	S2	-9.72	0.00	-12.57	-9.72	0.00	-84.75	-11.41	0.00	-13.41	-11.41	0.00	-96.87
			TQ	0.00	0.00	0.00	0.00	0.00	0.00	0.00	0.00	0.00	0.00	0.00	0.00
			M3	1.39	0.00	-153.71	1.30	0.00	-143.82	3.10	0.00	-161.52	1.26	0.00	-142.83
		TANDEM-LOAD MAX	S2	1.67	0.00	-110.28	1.67	0.00	-97.91	2.76	0.00	-115.55	2.76	0.00	-95.34
			TQ	0.00	0.00	0.00	0.00	0.00	0.00	0.00	0.00	0.00	0.00	0.00	0.00
			M3	-4.99	0.00	7.56	0.73	0.00	7.28	-6.41	0.00	8.11	2.00	0.00	19.97
		MIN	S2	-6.85	0.00	-2.68	-6.85	0.00	-53.55	-8.08	0.00	-3.03	-8.08	0.00	-62.14
			TQ	0.00	0.00	0.00	0.00	0.00	0.00	0.00	0.00	0.00	0.00	0.00	0.00
			M3	1.67	0.00	-110.28	1.64	0.00	-98.03	2.76	0.00	-115.55	0.53	0.00	-97.65
		DISPERSION-LMAX	S2	3.37	0.00	-27.19	3.37	0.00	-2.16	6.59	0.00	-25.19	6.59	0.00	23.06
			TQ	0.00	0.00	0.00	0.00	0.00	0.00	0.00	0.00	0.00	0.00	0.00	0.00
			M3	-2.77	0.00	12.54	2.79	0.00	25.84	1.99	0.00	21.31	5.61	0.00	58.54
		MIN	S2	-9.21	0.00	-46.65	-9.21	0.00	-115.10	-8.20	0.00	-44.44	-8.20	0.00	-104.41
			TQ	0.00	0.00	0.00	0.00	0.00	0.00	0.00	0.00	0.00	0.00	0.00	0.00
			M3	-3.07	0.00	-86.38	-8.64	0.00	-143.10	-3.59	0.00	-90.93	-7.22	0.00	-139.89

BAGO RIVER BRIDGE

BLOCK [ No.2 : CROSS BEAM ][ BEAM MEMBER FORCE ]

MEMBER				1003025			1003027			4027						
NODE				3025			4025			3027						
				SHEAR	TORQUE	MOMENT	SHEAR	TORQUE	MOMENT	SHEAR	TORQUE	MOMENT				
NAME	TITLE			S2 (kN)	TQ (kN·m)	M3 (kN·m)	S2 (kN)	TQ (kN·m)	M3 (kN·m)	S2 (kN)	TQ (kN·m)	M3 (kN·m)				
62	1-LANE (case2TRUCK-LOAD	MAX	S2	0.32	0.00	0.35	0.32	0.00	2.70	0.74	0.00	0.71	0.74	0.00	6.13	
			TQ	0.00	0.00	0.00	0.00	0.00	0.00	0.00	0.00	0.00	0.00	0.00	0.00	0.00
			M3	-23.71	0.00	89.15	-0.50	0.00	4.62	-25.54	0.00	84.57	-0.18	0.00	15.64	
		MIN	S2	-23.85	0.00	89.03	-23.85	0.00	-88.11	-25.87	0.00	84.23	-25.87	0.00	-105.05	
			TQ	0.00	0.00	0.00	0.00	0.00	0.00	0.00	0.00	0.00	0.00	0.00	0.00	
			M3	-0.05	0.00	-1.41	-23.85	0.00	-88.11	-0.40	0.00	-0.30	-25.87	0.00	-105.05	
		TANDEM-LOAD MAX	S2	0.22	0.00	0.21	0.22	0.00	1.82	0.50	0.00	0.48	0.50	0.00	4.17	
			TQ	0.00	0.00	0.00	0.00	0.00	0.00	0.00	0.00	0.00	0.00	0.00	0.00	
			M3	-15.73	0.00	60.77	-0.35	0.00	3.14	-17.41	0.00	58.30	-0.14	0.00	10.61	
		MIN	S2	-16.63	0.00	60.39	-16.63	0.00	-63.16	-17.94	0.00	56.95	-17.94	0.00	-74.35	
			TQ	0.00	0.00	0.00	0.00	0.00	0.00	0.00	0.00	0.00	0.00	0.00	0.00	
			M3	-0.07	0.00	-1.11	-16.63	0.00	-63.16	-0.38	0.00	-0.24	-17.94	0.00	-74.35	
		DISPERSION-LMAX	S2	0.39	0.00	0.98	0.39	0.00	3.85	1.14	0.00	8.71	1.14	0.00	17.07	
			TQ	0.00	0.00	0.00	0.00	0.00	0.00	0.00	0.00	0.00	0.00	0.00	0.00	
			M3	-16.97	0.00	82.74	-0.64	0.00	11.39	-17.38	0.00	91.35	0.63	0.00	34.22	
MIN	S2	-17.26	0.00	81.34	-17.26	0.00	-46.90	-18.64	0.00	82.54	-18.64	0.00	-53.88			
	TQ	0.00	0.00	0.00	0.00	0.00	0.00	0.00	0.00	0.00	0.00	0.00	0.00			
	M3	0.09	0.00	-0.43	-16.24	0.00	-54.44	-0.13	0.00	-0.10	-18.13	0.00	-71.04			
63	1-LANE (case3TRUCK-LOAD	MAX	S2	3.22	0.00	-2.82	3.22	0.00	21.14	1.49	0.00	0.29	1.49	0.00	11.20	
			TQ	0.00	0.00	0.00	0.00	0.00	0.00	0.00	0.00	0.00	0.00	0.00		
			M3	-54.20	0.00	358.94	-2.20	0.00	33.68	-59.32	0.00	357.48	0.20	0.00	20.09	
		MIN	S2	-54.20	0.00	358.94	-54.20	0.00	-43.72	-59.32	0.00	357.48	-59.32	0.00	-76.54	
			TQ	0.00	0.00	0.00	0.00	0.00	0.00	0.00	0.00	0.00	0.00	0.00	0.00	
			M3	2.57	0.00	-7.55	-53.90	0.00	-44.04	0.38	0.00	-3.53	-59.32	0.00	-76.54	

BAGO RIVER BRIDGE

BLOCK [ No.2 : CROSS BEAM ][ BEAM MEMBER FORCE ]

MEMBER		1003025						1003027								
NODE		3025			4025			3027			4027					
		SHEAR	TORQUE	MOMENT	SHEAR	TORQUE	MOMENT	SHEAR	TORQUE	MOMENT	SHEAR	TORQUE	MOMENT			
NAME	TITLE	S2 (kN)	TQ (kN·m)	M3 (kN·m)	S2 (kN)	TQ (kN·m)	M3 (kN·m)	S2 (kN)	TQ (kN·m)	M3 (kN·m)	S2 (kN)	TQ (kN·m)	M3 (kN·m)			
63	1-LANE (case3TANDEM-LOAD	MAX	S2	2.26	0.00	0.89	2.26	0.00	17.70	1.24	0.00	1.69	1.24	0.00	10.73	
			TQ	0.00	0.00	0.00	0.00	0.00	0.00	0.00	0.00	0.00	0.00	0.00	0.00	
			M3	-40.77	0.00	265.38	-1.33	0.00	25.29	-44.36	0.00	264.57	-0.70	0.00	16.22	
		MIN	S2	-40.77	0.00	265.38	-40.77	0.00	-37.47	-44.36	0.00	264.57	-44.36	0.00	-60.04	
			TQ	0.00	0.00	0.00	0.00	0.00	0.00	0.00	0.00	0.00	0.00	0.00	0.00	
			M3	2.14	0.00	-5.54	-40.68	0.00	-37.56	0.37	0.00	-2.63	-44.36	0.00	-60.04	
		DISPERSION-LMAX	S2	1.92	0.00	1.31	1.92	0.00	15.56	1.28	0.00	1.64	1.28	0.00	11.01	
			TQ	0.00	0.00	0.00	0.00	0.00	0.00	0.00	0.00	0.00	0.00	0.00	0.00	
			M3	-24.98	0.00	193.01	-4.78	0.00	27.60	-28.31	0.00	205.50	-4.89	0.00	25.58	
		MIN	S2	-25.63	0.00	188.90	-25.63	0.00	-1.53	-29.24	0.00	202.31	-29.24	0.00	-11.67	
			TQ	0.00	0.00	0.00	0.00	0.00	0.00	0.00	0.00	0.00	0.00	0.00	0.00	
			M3	1.27	0.00	-2.80	-18.94	0.00	-13.56	0.34	0.00	-1.56	-23.07	0.00	-26.25	
64	1-LANE (case4TRUCK-LOAD	MAX	S2	121.77	0.00	-604.06	121.77	0.00	300.57	113.51	0.00	-601.02	113.51	0.00	229.53	
			TQ	0.00	0.00	0.00	0.00	0.00	0.00	0.00	0.00	0.00	0.00	0.00	0.00	
			M3	-2.88	0.00	15.86	121.77	0.00	300.57	-5.09	0.00	29.56	112.60	0.00	232.33	
		MIN	S2	-2.91	0.00	15.69	-2.91	0.00	-5.96	-5.23	0.00	28.63	-5.23	0.00	-9.67	
			TQ	0.00	0.00	0.00	0.00	0.00	0.00	0.00	0.00	0.00	0.00	0.00	0.00	
			M3	121.59	0.00	-606.55	-2.80	0.00	-6.40	113.51	0.00	-601.02	-4.79	0.00	-10.72	
		TANDEM-LOAD	MAX	S2	88.92	0.00	-439.48	88.92	0.00	221.06	82.64	0.00	-437.47	82.64	0.00	167.23
			TQ	0.00	0.00	0.00	0.00	0.00	0.00	0.00	0.00	0.00	0.00	0.00	0.00	
			M3	-1.96	0.00	10.76	88.92	0.00	221.06	-3.47	0.00	20.05	82.39	0.00	168.01	
		MIN	S2	-1.98	0.00	10.61	-1.98	0.00	-4.09	-3.56	0.00	19.59	-3.56	0.00	-6.42	
			TQ	0.00	0.00	0.00	0.00	0.00	0.00	0.00	0.00	0.00	0.00	0.00	0.00	
			M3	88.87	0.00	-440.18	-1.85	0.00	-4.36	82.64	0.00	-437.47	-3.33	0.00	-7.38	

BAGO RIVER BRIDGE

BLOCK [ No.2 : CROSS BEAM ][ BEAM MEMBER FORCE ]

MEMBER		1003025						1003027						
NODE		3025			4025			3027			4027			
		SHEAR	TORQUE	MOMENT	SHEAR	TORQUE	MOMENT	SHEAR	TORQUE	MOMENT	SHEAR	TORQUE	MOMENT	
NAME	TITLE	S2 (kN)	TQ (kN·m)	M3 (kN·m)	S2 (kN)	TQ (kN·m)	M3 (kN·m)	S2 (kN)	TQ (kN·m)	M3 (kN·m)	S2 (kN)	TQ (kN·m)	M3 (kN·m)	
64	1-LANE (case4DISPERSION-LMAX	S2	69.59	0.00	-355.60	69.59	0.00	161.35	61.80	0.00	-333.51	61.80	0.00	118.64
		TQ	0.00	0.00	0.00	0.00	0.00	0.00	0.00	0.00	0.00	0.00	0.00	0.00
		M3	-7.14	0.00	37.03	69.59	0.00	161.35	-8.28	0.00	53.01	61.24	0.00	119.76
		MIN S2	-7.14	0.00	37.03	-7.14	0.00	-16.04	-8.54	0.00	50.49	-8.54	0.00	-12.03
		TQ	0.00	0.00	0.00	0.00	0.00	0.00	0.00	0.00	0.00	0.00	0.00	0.00
		M3	69.59	0.00	-355.60	-7.14	0.00	-16.04	61.53	0.00	-336.03	-7.99	0.00	-13.15
65	2-LANES (caseTRUCK-LOAD	MAX S2	2.20	0.00	-155.11	2.20	0.00	-138.78	4.95	0.00	11.56	4.95	0.00	47.81
		TQ	0.00	0.00	0.00	0.00	0.00	0.00	0.00	0.00	0.00	0.00	0.00	0.00
		M3	-15.06	0.00	24.61	1.32	0.00	18.39	2.68	0.00	25.68	4.30	0.00	51.81
		MIN S2	-21.68	0.00	-8.94	-21.68	0.00	-170.03	-25.14	0.00	-12.25	-25.14	0.00	-196.19
		TQ	0.00	0.00	0.00	0.00	0.00	0.00	0.00	0.00	0.00	0.00	0.00	0.00
		M3	-8.25	0.00	-197.78	-8.48	0.00	-259.82	-6.33	0.00	-212.80	-8.85	0.00	-266.26
	TANDEM-LOAD	MAX S2	2.22	0.00	-111.22	2.22	0.00	-94.75	3.95	0.00	-110.52	3.95	0.00	-81.65
		TQ	0.00	0.00	0.00	0.00	0.00	0.00	0.00	0.00	0.00	0.00	0.00	0.00
		M3	-12.33	0.00	18.12	0.92	0.00	12.48	-13.45	0.00	18.11	2.91	0.00	35.17
		MIN S2	-15.35	0.00	-0.76	-15.35	0.00	-114.78	-17.75	0.00	-2.93	-17.75	0.00	-132.82
		TQ	0.00	0.00	0.00	0.00	0.00	0.00	0.00	0.00	0.00	0.00	0.00	0.00
		M3	-4.48	0.00	-144.88	-4.55	0.00	-178.38	-3.34	0.00	-154.88	-5.77	0.00	-182.53
	DISPERSION-LMAX	S2	4.64	0.00	-23.90	4.64	0.00	10.55	9.71	0.00	-1.67	9.71	0.00	69.36
		TQ	0.00	0.00	0.00	0.00	0.00	0.00	0.00	0.00	0.00	0.00	0.00	0.00
		M3	-10.19	0.00	35.61	3.88	0.00	44.33	-1.81	0.00	53.58	8.73	0.00	104.84
		MIN S2	-21.89	0.00	-45.52	-21.89	0.00	-208.16	-20.92	0.00	-57.09	-20.92	0.00	-210.20
		TQ	0.00	0.00	0.00	0.00	0.00	0.00	0.00	0.00	0.00	0.00	0.00	0.00
		M3	-7.07	0.00	-105.03	-21.14	0.00	-241.93	-9.40	0.00	-112.34	-19.95	0.00	-245.68

BAGO RIVER BRIDGE

BLOCK [ No.2 : CROSS BEAM ][ BEAM MEMBER FORCE ]

MEMBER				1003025			1003027			4027					
NODE				3025			4025			3027					
				SHEAR	TORQUE	MOMENT	SHEAR	TORQUE	MOMENT	SHEAR	TORQUE	MOMENT			
NAME	TITLE			S2 (kN)	TQ (kN·m)	M3 (kN·m)	S2 (kN)	TQ (kN·m)	M3 (kN·m)	S2 (kN)	TQ (kN·m)	M3 (kN·m)			
66	2-LANES (caseTRUCK-LOAD	MAX	S2	1.12	0.00	-1.05	1.12	0.00	7.30	2.48	0.00	7.69	2.48	0.00	25.80
			TQ	0.00	0.00	0.00	0.00	0.00	0.00	0.00	0.00	0.00	0.00	0.00	0.00
			M3	-32.97	0.00	104.20	-0.20	0.00	12.27	-24.74	0.00	98.88	1.21	0.00	38.07
		MIN	S2	-35.81	0.00	92.67	-35.81	0.00	-173.39	-39.60	0.00	85.39	-39.60	0.00	-204.38
			TQ	0.00	0.00	0.00	0.00	0.00	0.00	0.00	0.00	0.00	0.00	0.00	0.00
			M3	-9.69	0.00	-45.48	-33.63	0.00	-204.11	-9.83	0.00	-51.58	-35.98	0.00	-228.49
		TANDEM-LOAD MAX	S2	0.77	0.00	-0.72	0.77	0.00	4.99	1.69	0.00	5.51	1.69	0.00	17.86
			TQ	0.00	0.00	0.00	0.00	0.00	0.00	0.00	0.00	0.00	0.00	0.00	0.00
			M3	-23.07	0.00	71.33	-0.16	0.00	8.34	-24.45	0.00	68.30	0.77	0.00	25.81
		MIN	S2	-25.13	0.00	62.31	-25.13	0.00	-124.40	-27.62	0.00	57.05	-27.62	0.00	-145.03
			TQ	0.00	0.00	0.00	0.00	0.00	0.00	0.00	0.00	0.00	0.00	0.00	0.00
			M3	-6.22	0.00	-35.71	-22.82	0.00	-143.50	-6.48	0.00	-39.57	-24.24	0.00	-159.24
		DISPERSION-LMAX	S2	1.66	0.00	4.26	1.66	0.00	16.56	4.26	0.00	32.23	4.26	0.00	63.37
			TQ	0.00	0.00	0.00	0.00	0.00	0.00	0.00	0.00	0.00	0.00	0.00	0.00
			M3	-24.38	0.00	105.81	0.46	0.00	29.89	-21.18	0.00	123.62	3.74	0.00	80.53
MIN	S2	-29.94	0.00	82.47	-29.94	0.00	-139.95	-31.37	0.00	69.89	-31.37	0.00	-159.68		
	TQ	0.00	0.00	0.00	0.00	0.00	0.00	0.00	0.00	0.00	0.00	0.00	0.00		
	M3	-3.91	0.00	-19.08	-28.74	0.00	-153.27	-5.94	0.00	-21.50	-30.86	0.00	-176.84		
67	2-LANES (caseTRUCK-LOAD	MAX	S2	11.24	0.00	-21.39	11.24	0.00	62.08	7.04	0.00	-10.58	7.04	0.00	40.92
			TQ	0.00	0.00	0.00	0.00	0.00	0.00	0.00	0.00	0.00	0.00	0.00	
			M3	-67.44	0.00	508.19	-4.19	0.00	93.17	-78.38	0.00	503.88	3.00	0.00	57.79
		MIN	S2	-67.44	0.00	508.19	-67.44	0.00	7.16	-78.38	0.00	503.88	-78.38	0.00	-69.62
			TQ	0.00	0.00	0.00	0.00	0.00	0.00	0.00	0.00	0.00	0.00	0.00	0.00
			M3	9.26	0.00	-27.94	-55.83	0.00	-47.46	5.70	0.00	-17.79	-62.19	0.00	-81.11



BAGO RIVER BRIDGE

BLOCK [ No.2 : CROSS BEAM ][ BEAM MEMBER FORCE ]

MEMBER		1003025						1003027									
NODE		3025			4025			3027			4027						
		SHEAR	TORQUE	MOMENT	SHEAR	TORQUE	MOMENT	SHEAR	TORQUE	MOMENT	SHEAR	TORQUE	MOMENT				
NAME	TITLE	S2 (kN)	TQ (kN·m)	M3 (kN·m)	S2 (kN)	TQ (kN·m)	M3 (kN·m)	S2 (kN)	TQ (kN·m)	M3 (kN·m)	S2 (kN)	TQ (kN·m)	M3 (kN·m)				
67	2-LANES (caseTANDEM-LOAD	MAX	S2	8.19	0.00	-9.91	8.19	0.00	50.90	5.62	0.00	-7.69	5.62	0.00	33.42		
			TQ	0.00	0.00	0.00	0.00	0.00	0.00	0.00	0.00	0.00	0.00	0.00	0.00	0.00	
			M3	-51.60	0.00	378.35	-0.73	0.00	67.63	-59.39	0.00	375.55	1.32	0.00	44.03		
		MIN	S2	-51.60	0.00	378.35	-51.60	0.00	-4.98	-59.39	0.00	375.55	-59.39	0.00	-59.03		
			TQ	0.00	0.00	0.00	0.00	0.00	0.00	0.00	0.00	0.00	0.00	0.00	0.00	0.00	
			M3	7.04	0.00	-20.57	-42.03	0.00	-39.91	3.80	0.00	-13.19	-46.41	0.00	-63.22		
		DISPERSION-LMAX	S2	9.54	0.00	-7.32	9.54	0.00	63.54	6.28	0.00	-7.12	6.28	0.00	38.83		
			TQ	0.00	0.00	0.00	0.00	0.00	0.00	0.00	0.00	0.00	0.00	0.00	0.00	0.00	
			M3	-34.00	0.00	284.06	-1.98	0.00	89.01	-40.79	0.00	311.39	-5.55	0.00	61.78		
		MIN	S2	-36.03	0.00	272.94	-36.03	0.00	5.26	-42.80	0.00	303.75	-42.80	0.00	-9.45		
			TQ	0.00	0.00	0.00	0.00	0.00	0.00	0.00	0.00	0.00	0.00	0.00	0.00	0.00	
			M3	7.51	0.00	-18.44	-24.51	0.00	-20.21	4.26	0.00	-14.77	-30.97	0.00	-32.40		
		68	2-LANES (caseTRUCK-LOAD	MAX	S2	178.81	0.00	-846.95	178.81	0.00	481.43	162.29	0.00	-837.14	162.29	0.00	350.33
					TQ	0.00	0.00	0.00	0.00	0.00	0.00	0.00	0.00	0.00	0.00	0.00	0.00
					M3	-5.07	0.00	29.68	178.81	0.00	481.43	-8.74	0.00	55.52	160.28	0.00	354.51
MIN	S2			-5.13	0.00	29.33	-5.13	0.00	-8.82	-8.98	0.00	53.99	-8.98	0.00	-11.70		
	TQ			0.00	0.00	0.00	0.00	0.00	0.00	0.00	0.00	0.00	0.00	0.00	0.00		
	M3			178.60	0.00	-851.87	-4.29	0.00	-10.77	162.29	0.00	-837.14	-7.68	0.00	-15.58		
TANDEM-LOAD	MAX			S2	129.98	0.00	-613.93	129.98	0.00	351.66	117.63	0.00	-607.34	117.63	0.00	253.35	
	TQ			0.00	0.00	0.00	0.00	0.00	0.00	0.00	0.00	0.00	0.00	0.00	0.00		
	M3			-3.44	0.00	20.14	129.98	0.00	351.66	-5.93	0.00	37.68	117.07	0.00	254.51		
MIN	S2			-3.49	0.00	19.93	-3.49	0.00	-5.97	-6.10	0.00	36.72	-6.10	0.00	-7.92		
	TQ			0.00	0.00	0.00	0.00	0.00	0.00	0.00	0.00	0.00	0.00	0.00	0.00		
	M3			129.92	0.00	-615.30	-2.87	0.00	-7.33	117.63	0.00	-607.34	-5.11	0.00	-10.71		

BAGO RIVER BRIDGE

BLOCK [ No.2 : CROSS BEAM ][ BEAM MEMBER FORCE ]

MEMBER		1003025						1003027							
NODE		3025			4025			3027			4027				
		SHEAR	TORQUE	MOMENT	SHEAR	TORQUE	MOMENT	SHEAR	TORQUE	MOMENT	SHEAR	TORQUE	MOMENT		
NAME	TITLE	S2 (kN)	TQ (kN·m)	M3 (kN·m)	S2 (kN)	TQ (kN·m)	M3 (kN·m)	S2 (kN)	TQ (kN·m)	M3 (kN·m)	S2 (kN)	TQ (kN·m)	M3 (kN·m)		
68	2-LANES (caseDISPERSION-LMAX	S2	106.54	0.00	-516.74	106.54	0.00	274.69	91.32	0.00	-474.44	91.32	0.00	193.77	
		TQ	0.00	0.00	0.00	0.00	0.00	0.00	0.00	0.00	0.00	0.00	0.00	0.00	
		M3	-12.74	0.00	68.97	106.54	0.00	274.69	-14.20	0.00	99.65	87.78	0.00	197.13	
	MIN	S2	-12.74	0.00	68.97	-12.74	0.00	-25.64	-14.86	0.00	94.90	-14.86	0.00	-13.81	
		TQ	0.00	0.00	0.00	0.00	0.00	0.00	0.00	0.00	0.00	0.00	0.00	0.00	
		M3	106.54	0.00	-516.74	-12.74	0.00	-25.64	90.66	0.00	-479.19	-11.31	0.00	-17.16	
	69	3-LANES (caseTRUCK-LOAD	MAX S2	2.52	0.00	-154.76	2.52	0.00	-136.07	5.70	0.00	12.26	5.70	0.00	53.94
			TQ	0.00	0.00	0.00	0.00	0.00	0.00	0.00	0.00	0.00	0.00	0.00	0.00
			M3	-38.77	0.00	113.76	0.82	0.00	23.01	-22.86	0.00	110.26	4.12	0.00	67.46
MIN		S2	-45.53	0.00	80.09	-45.53	0.00	-258.14	-51.01	0.00	71.98	-51.01	0.00	-301.24	
		TQ	0.00	0.00	0.00	0.00	0.00	0.00	0.00	0.00	0.00	0.00	0.00	0.00	
		M3	-8.30	0.00	-199.19	-32.33	0.00	-347.93	-6.73	0.00	-213.10	-34.72	0.00	-371.31	
TANDEM-LOAD		MAX S2	2.43	0.00	-111.01	2.43	0.00	-92.92	4.45	0.00	-110.05	4.45	0.00	-77.48	
		TQ	0.00	0.00	0.00	0.00	0.00	0.00	0.00	0.00	0.00	0.00	0.00	0.00	
		M3	-28.06	0.00	78.89	0.57	0.00	15.62	-30.86	0.00	76.42	2.77	0.00	45.78	
MIN	S2	-31.98	0.00	59.63	-31.98	0.00	-177.94	-35.70	0.00	54.02	-35.70	0.00	-207.18		
	TQ	0.00	0.00	0.00	0.00	0.00	0.00	0.00	0.00	0.00	0.00	0.00	0.00		
	M3	-4.55	0.00	-146.00	-21.18	0.00	-241.54	-3.72	0.00	-155.13	-23.71	0.00	-256.89		
DISPERSION-LMAX	S2	5.02	0.00	-22.93	5.02	0.00	14.40	10.85	0.00	7.04	10.85	0.00	86.43		
	TQ	0.00	0.00	0.00	0.00	0.00	0.00	0.00	0.00	0.00	0.00	0.00	0.00		
	M3	-27.15	0.00	118.35	3.25	0.00	55.72	-19.19	0.00	144.93	9.35	0.00	139.07		
MIN	S2	-39.15	0.00	35.82	-39.15	0.00	-255.05	-39.57	0.00	25.45	-39.57	0.00	-264.08		
	TQ	0.00	0.00	0.00	0.00	0.00	0.00	0.00	0.00	0.00	0.00	0.00	0.00		
		M3	-6.98	0.00	-105.46	-37.38	0.00	-296.37	-9.53	0.00	-112.44	-38.07	0.00	-316.72	

BAGO RIVER BRIDGE

BLOCK [ No.2 : CROSS BEAM ][ BEAM MEMBER FORCE ]

MEMBER				1003025						1003027						
NODE				3025			4025			3027			4027			
NAME TITLE				SHEAR	TORQUE	MOMENT	SHEAR	TORQUE	MOMENT	SHEAR	TORQUE	MOMENT	SHEAR	TORQUE	MOMENT	
				S2 (kN)	TQ (kN·m)	M3 (kN·m)	S2 (kN)	TQ (kN·m)	M3 (kN·m)	S2 (kN)	TQ (kN·m)	M3 (kN·m)	S2 (kN)	TQ (kN·m)	M3 (kN·m)	
70	3-LANES (caseTRUCK-LOAD	MAX	S2	62.82	0.00	-236.34	62.82	0.00	230.32	54.18	0.00	-234.25	54.18	0.00	162.20	
			TQ	0.00	0.00	0.00	0.00	0.00	0.00	0.00	0.00	0.00	0.00	0.00	0.00	0.00
			M3	-70.32	0.00	524.05	47.33	0.00	263.82	-83.47	0.00	533.44	49.95	0.00	179.17	
		MIN	S2	-70.36	0.00	523.88	-70.36	0.00	1.20	-83.61	0.00	532.52	-83.61	0.00	-79.29	
			TQ	0.00	0.00	0.00	0.00	0.00	0.00	0.00	0.00	0.00	0.00	0.00	0.00	0.00
			M3	60.84	0.00	-242.90	-58.63	0.00	-53.86	52.85	0.00	-241.46	-67.22	0.00	-91.80	
		TANDEM-LOAD MAX	S2	45.23	0.00	-162.80	45.23	0.00	173.19	38.66	0.00	-165.78	38.66	0.00	117.12	
			TQ	0.00	0.00	0.00	0.00	0.00	0.00	0.00	0.00	0.00	0.00	0.00	0.00	0.00
			M3	-53.56	0.00	389.11	36.29	0.00	190.60	-62.87	0.00	395.61	34.37	0.00	127.73	
		MIN	S2	-53.58	0.00	388.96	-53.58	0.00	-9.07	-62.95	0.00	395.14	-62.95	0.00	-65.45	
			TQ	0.00	0.00	0.00	0.00	0.00	0.00	0.00	0.00	0.00	0.00	0.00	0.00	0.00
			M3	44.08	0.00	-173.47	-43.88	0.00	-44.26	36.84	0.00	-171.27	-49.81	0.00	-70.59	
		DISPERSION-LMAX	S2	44.25	0.00	-155.80	44.25	0.00	172.95	36.22	0.00	-151.05	36.22	0.00	113.97	
			TQ	0.00	0.00	0.00	0.00	0.00	0.00	0.00	0.00	0.00	0.00	0.00	0.00	0.00
			M3	-40.36	0.00	318.28	32.73	0.00	198.42	-48.84	0.00	363.83	24.18	0.00	137.51	
MIN	S2	-42.39	0.00	307.16	-42.39	0.00	-7.73	-51.31	0.00	354.11	-51.31	0.00	-21.36			
	TQ	0.00	0.00	0.00	0.00	0.00	0.00	0.00	0.00	0.00	0.00	0.00	0.00	0.00		
	M3	42.22	0.00	-166.93	-30.87	0.00	-33.20	33.75	0.00	-160.76	-39.27	0.00	-44.90			
71	3-LANES (caseTRUCK-LOAD	MAX	S2	186.16	0.00	-856.45	186.16	0.00	526.52	166.64	0.00	-847.87	166.64	0.00	371.47	
			TQ	0.00	0.00	0.00	0.00	0.00	0.00	0.00	0.00	0.00	0.00	0.00	0.00	
			M3	-12.79	0.00	148.10	178.43	0.00	546.81	-26.00	0.00	193.82	160.92	0.00	388.79	
		MIN	S2	-12.85	0.00	147.75	-12.85	0.00	52.28	-26.24	0.00	192.29	-26.24	0.00	0.33	
			TQ	0.00	0.00	0.00	0.00	0.00	0.00	0.00	0.00	0.00	0.00	0.00	0.00	0.00
			M3	184.15	0.00	-867.40	-5.30	0.00	-13.41	165.58	0.00	-850.43	-7.47	0.00	-17.27	

BAGO RIVER BRIDGE

BLOCK [ No.2 : CROSS BEAM ][ BEAM MEMBER FORCE ]

MEMBER		1003025						1003027								
NODE		3025			4025			3027			4027					
		SHEAR	TORQUE	MOMENT	SHEAR	TORQUE	MOMENT	SHEAR	TORQUE	MOMENT	SHEAR	TORQUE	MOMENT			
NAME	TITLE	S2 (kN)	TQ (kN·m)	M3 (kN·m)	S2 (kN)	TQ (kN·m)	M3 (kN·m)	S2 (kN)	TQ (kN·m)	M3 (kN·m)	S2 (kN)	TQ (kN·m)	M3 (kN·m)			
71	3-LANES (case)	TANDEM-LOAD	MAX	S2	135.45	0.00	-619.12	135.45	0.00	387.10	120.82	0.00	-612.77	120.82	0.00	271.30
				TQ	0.00	0.00	0.00	0.00	0.00	0.00	0.00	0.00	0.00	0.00	0.00	0.00
				M3	-10.24	0.00	110.75	132.62	0.00	396.93	-18.97	0.00	138.07	115.82	0.00	278.62
			MIN	S2	-10.28	0.00	110.54	-10.28	0.00	34.15	-19.14	0.00	137.12	-19.14	0.00	-2.93
				TQ	0.00	0.00	0.00	0.00	0.00	0.00	0.00	0.00	0.00	0.00	0.00	0.00
				M3	134.35	0.00	-626.54	-3.56	0.00	-9.13	120.33	0.00	-617.04	-5.86	0.00	-12.04
		DISPERSION-LMAX		S2	115.04	0.00	-527.07	115.04	0.00	327.50	95.77	0.00	-480.26	95.77	0.00	220.48
				TQ	0.00	0.00	0.00	0.00	0.00	0.00	0.00	0.00	0.00	0.00	0.00	0.00
				M3	-19.64	0.00	146.62	109.48	0.00	340.75	-24.30	0.00	200.36	85.44	0.00	240.54
			MIN	S2	-21.01	0.00	139.76	-21.01	0.00	-16.33	-26.06	0.00	190.42	-26.06	0.00	-0.25
				TQ	0.00	0.00	0.00	0.00	0.00	0.00	0.00	0.00	0.00	0.00	0.00	0.00
				M3	113.66	0.00	-533.94	-15.45	0.00	-29.58	94.01	0.00	-490.20	-15.73	0.00	-20.31
72	4-LANES	TRUCK-LOAD	MAX	S2	185.16	0.00	-835.05	185.16	0.00	540.46	159.20	0.00	-810.87	159.20	0.00	354.00
				TQ	0.00	0.00	0.00	0.00	0.00	0.00	0.00	0.00	0.00	0.00	0.00	0.00
				M3	-68.49	0.00	510.51	173.28	0.00	571.85	-70.38	0.00	464.64	153.15	0.00	369.81
			MIN	S2	-68.49	0.00	510.51	-68.49	0.00	1.69	-71.43	0.00	458.90	-71.43	0.00	-63.74
				TQ	0.00	0.00	0.00	0.00	0.00	0.00	0.00	0.00	0.00	0.00	0.00	0.00
				M3	182.35	0.00	-849.53	-57.91	0.00	-55.70	158.07	0.00	-816.14	-52.30	0.00	-77.20
		TANDEM-LOAD	MAX	S2	134.71	0.00	-604.24	134.71	0.00	396.52	119.82	0.00	-604.40	119.82	0.00	272.35
				TQ	0.00	0.00	0.00	0.00	0.00	0.00	0.00	0.00	0.00	0.00	0.00	0.00
				M3	-52.21	0.00	379.40	128.07	0.00	416.79	-58.04	0.00	372.65	112.64	0.00	280.14
			MIN	S2	-52.21	0.00	379.40	-52.21	0.00	-8.45	-58.46	0.00	369.05	-58.46	0.00	-58.71
				TQ	0.00	0.00	0.00	0.00	0.00	0.00	0.00	0.00	0.00	0.00	0.00	0.00
				M3	133.09	0.00	-613.66	-43.41	0.00	-45.49	119.38	0.00	-611.82	-43.46	0.00	-64.95

BAGO RIVER BRIDGE

BLOCK [ No.2 : CROSS BEAM ][ BEAM MEMBER FORCE ]

MEMBER			1003025						1003027								
NODE			3025			4025			3027			4027					
			SHEAR	TORQUE	MOMENT	SHEAR	TORQUE	MOMENT	SHEAR	TORQUE	MOMENT	SHEAR	TORQUE	MOMENT			
NAME	TITLE		S2 (kN)	TQ (kN·m)	M3 (kN·m)	S2 (kN)	TQ (kN·m)	M3 (kN·m)	S2 (kN)	TQ (kN·m)	M3 (kN·m)	S2 (kN)	TQ (kN·m)	M3 (kN·m)			
72	4-LANES	DISPERSION-LMAX	S2	94.38	0.00	-426.72	94.38	0.00	274.43	51.63	0.00	-256.26	51.63	0.00	121.52		
			TQ	0.00	0.00	0.00	0.00	0.00	0.00	0.00	0.00	0.00	0.00	0.00	0.00	0.00	
			M3	-30.85	0.00	240.41	85.64	0.00	294.04	-15.06	0.00	125.54	48.11	0.00	0.00	129.23	
		MIN	S2	-32.36	0.00	232.05	-32.36	0.00	-8.35	-17.26	0.00	115.53	-17.26	0.00	0.00	-10.79	
			TQ	0.00	0.00	0.00	0.00	0.00	0.00	0.00	0.00	0.00	0.00	0.00	0.00	0.00	
			M3	92.90	0.00	-434.81	-23.62	0.00	-27.85	49.37	0.00	-266.03	-13.78	0.00	0.00	-18.50	
		73	6-LANES	TRUCK-LOAD MAX	S2	155.83	0.00	-697.65	155.83	0.00	459.98	140.79	0.00	-663.50	140.79	0.00	366.68
					TQ	0.00	0.00	0.00	0.00	0.00	0.00	0.00	0.00	0.00	0.00	0.00	0.00
					M3	-107.19	0.00	612.38	147.24	0.00	500.50	-114.61	0.00	632.44	135.23	0.00	0.00
MIN	S2			-113.34	0.00	580.14	-113.34	0.00	-261.85	-129.69	0.00	594.24	-129.69	0.00	0.00	-354.70	
	TQ			0.00	0.00	0.00	0.00	0.00	0.00	0.00	0.00	0.00	0.00	0.00	0.00	0.00	
	M3			153.85	0.00	-847.54	-100.14	0.00	-339.64	122.46	0.00	-847.22	-114.09	0.00	0.00	-417.30	
TANDEM-LOAD MAX	S2			113.26	0.00	-605.30	113.26	0.00	236.06	101.67	0.00	-592.99	101.67	0.00	0.00	150.91	
	TQ			0.00	0.00	0.00	0.00	0.00	0.00	0.00	0.00	0.00	0.00	0.00	0.00	0.00	
	M3			-80.76	0.00	448.73	108.38	0.00	362.76	-92.43	0.00	461.04	97.47	0.00	0.00	281.50	
MIN	S2	-83.00	0.00	437.20	-83.00	0.00	-179.41	-94.54	0.00	447.59	-94.54	0.00	0.00	-244.15			
	TQ	0.00	0.00	0.00	0.00	0.00	0.00	0.00	0.00	0.00	0.00	0.00	0.00	0.00			
	M3	102.95	0.00	-614.49	-72.77	0.00	-244.80	89.70	0.00	-614.74	-83.10	0.00	0.00	-298.30			
DISPERSION-LMAX	S2	106.01	0.00	-487.96	106.01	0.00	299.57	95.53	0.00	-422.69	95.53	0.00	0.00	276.30			
	TQ	0.00	0.00	0.00	0.00	0.00	0.00	0.00	0.00	0.00	0.00	0.00	0.00	0.00			
	M3	-65.89	0.00	417.05	93.59	0.00	360.60	-64.50	0.00	476.29	82.34	0.00	0.00	348.72			
MIN	S2	-76.99	0.00	341.03	-76.99	0.00	-230.91	-83.21	0.00	365.02	-83.21	0.00	0.00	-243.84			
	TQ	0.00	0.00	0.00	0.00	0.00	0.00	0.00	0.00	0.00	0.00	0.00	0.00	0.00			
	M3	94.52	0.00	-566.39	-62.67	0.00	-290.88	75.45	0.00	-537.33	-68.13	0.00	0.00	-313.70			

BAGO RIVER BRIDGE

BLOCK [ No.2 : CROSS BEAM ][ BEAM MEMBER FORCE ]

MEMBER			1003025						1003027						
NODE			3025			4025			3027			4027			
NAME TITLE			SHEAR	TORQUE	MOMENT	SHEAR	TORQUE	MOMENT	SHEAR	TORQUE	MOMENT	SHEAR	TORQUE	MOMENT	
			S2 (kN)	TQ (kN·m)	M3 (kN·m)	S2 (kN)	TQ (kN·m)	M3 (kN·m)	S2 (kN)	TQ (kN·m)	M3 (kN·m)	S2 (kN)	TQ (kN·m)	M3 (kN·m)	
124	SUM TOTAL	D+1LANE (caseMAX	S2	89.07	0.00	-708.58	89.07	0.00	-46.90	34.62	0.00	-172.61	34.62	0.00	80.71
			TQ	83.35	0.00	-491.50	83.35	0.00	127.73	22.84	0.00	-147.88	22.84	0.00	19.27
			M3	73.07	0.00	-464.98	87.93	0.00	171.62	27.48	0.00	-108.66	33.08	0.00	124.78
		MIN	S2	60.64	0.00	-562.57	60.64	0.00	-112.09	-0.68	0.00	-217.30	-0.68	0.00	-222.25
			TQ	83.35	0.00	-491.50	83.35	0.00	127.73	22.84	0.00	-147.88	22.84	0.00	19.27
			M3	81.34	0.00	-779.60	74.56	0.00	-216.57	22.25	0.00	-450.83	15.70	0.00	-319.98
		D+1LANE (caseMAX	S2	84.20	0.00	-489.91	84.20	0.00	135.59	25.10	0.00	-136.58	25.10	0.00	47.11
			TQ	83.35	0.00	-491.50	83.35	0.00	127.73	22.84	0.00	-147.88	22.84	0.00	19.27
			M3	34.55	0.00	-285.23	81.99	0.00	146.95	-28.66	0.00	63.22	23.38	0.00	79.12
		MIN	S2	34.03	0.00	-287.05	34.03	0.00	-34.28	-30.57	0.00	52.24	-30.57	0.00	-171.45
			TQ	83.35	0.00	-491.50	83.35	0.00	127.73	22.84	0.00	-147.88	22.84	0.00	19.27
			M3	83.40	0.00	-493.70	35.25	0.00	-43.33	22.21	0.00	-148.36	-29.95	0.00	-192.04
		D+1LANE (caseMAX	S2	89.53	0.00	-493.30	89.53	0.00	171.77	26.17	0.00	-145.57	26.17	0.00	45.93
			TQ	83.35	0.00	-491.50	83.35	0.00	127.73	22.84	0.00	-147.88	22.84	0.00	19.27
			M3	-11.67	0.00	170.84	74.99	0.00	201.26	-82.30	0.00	527.69	17.22	0.00	74.08
		MIN	S2	-12.45	0.00	165.90	-12.45	0.00	73.43	-83.43	0.00	523.86	-83.43	0.00	-86.59
			TQ	83.35	0.00	-491.50	83.35	0.00	127.73	22.84	0.00	-147.88	22.84	0.00	19.27
			M3	87.96	0.00	-503.92	-4.05	0.00	58.60	23.71	0.00	-153.99	-76.02	0.00	-104.07
		D+1LANE (caseMAX	S2	312.99	0.00	-1643.10	312.99	0.00	682.03	233.21	0.00	-1269.32	233.21	0.00	437.08
			TQ	83.35	0.00	-491.50	83.35	0.00	127.73	22.84	0.00	-147.88	22.84	0.00	19.27
			M3	71.33	0.00	-428.04	312.99	0.00	682.03	6.80	0.00	-48.81	231.46	0.00	441.78
		MIN	S2	71.29	0.00	-428.24	71.29	0.00	101.33	6.31	0.00	-52.94	6.31	0.00	-6.77
			TQ	83.35	0.00	-491.50	83.35	0.00	127.73	22.84	0.00	-147.88	22.84	0.00	19.27
			M3	312.77	0.00	-1646.09	71.42	0.00	100.79	232.89	0.00	-1272.34	7.51	0.00	-9.38

BAGO RIVER BRIDGE

BLOCK [ No.2 : CROSS BEAM ][ BEAM MEMBER FORCE ]

MEMBER			1003025						1003027						
NODE			3025			4025			3027			4027			
NAME TITLE			SHEAR	TORQUE	MOMENT	SHEAR	TORQUE	MOMENT	SHEAR	TORQUE	MOMENT	SHEAR	TORQUE	MOMENT	
			S2 (kN)	TQ (kN·m)	M3 (kN·m)	S2 (kN)	TQ (kN·m)	M3 (kN·m)	S2 (kN)	TQ (kN·m)	M3 (kN·m)	S2 (kN)	TQ (kN·m)	M3 (kN·m)	
124	SUM TOTAL	D+2LANES(casMAX	S2	90.19	0.00	-670.51	90.19	0.00	-0.49	37.51	0.00	-138.00	37.51	0.00	136.45
			TQ	83.35	0.00	-491.50	83.35	0.00	127.73	22.84	0.00	-147.88	22.84	0.00	19.27
			M3	58.11	0.00	-431.28	88.56	0.00	190.44	23.71	0.00	-68.62	35.87	0.00	175.93
		MIN	S2	39.78	0.00	-545.96	39.78	0.00	-250.46	-23.22	0.00	-217.23	-23.22	0.00	-387.12
			TQ	83.35	0.00	-491.50	83.35	0.00	127.73	22.84	0.00	-147.88	22.84	0.00	19.27
			M3	68.04	0.00	-794.31	53.73	0.00	-374.02	7.11	0.00	-473.02	-5.95	0.00	-492.67
		D+2LANES(casMAX	S2	86.13	0.00	-488.29	86.13	0.00	151.58	29.58	0.00	-107.97	29.58	0.00	108.45
			TQ	83.35	0.00	-491.50	83.35	0.00	127.73	22.84	0.00	-147.88	22.84	0.00	19.27
			M3	26.01	0.00	-281.49	83.61	0.00	169.89	-23.07	0.00	74.61	27.79	0.00	137.87
		MIN	S2	17.60	0.00	-316.36	17.60	0.00	-185.61	-48.13	0.00	7.39	-48.13	0.00	-344.78
			TQ	83.35	0.00	-491.50	83.35	0.00	127.73	22.84	0.00	-147.88	22.84	0.00	19.27
			M3	69.76	0.00	-556.06	20.98	0.00	-229.65	7.08	0.00	-220.96	-43.99	0.00	-386.05
		D+2LANES(casMAX	S2	104.13	0.00	-520.20	104.13	0.00	253.35	36.16	0.00	-165.58	36.16	0.00	99.02
			TQ	83.35	0.00	-491.50	83.35	0.00	127.73	22.84	0.00	-147.88	22.84	0.00	19.27
			M3	-18.09	0.00	300.76	77.19	0.00	309.91	-96.32	0.00	667.39	20.30	0.00	138.85
		MIN	S2	-20.12	0.00	289.63	-20.12	0.00	140.14	-98.34	0.00	659.75	-98.34	0.00	-59.79
			TQ	83.35	0.00	-491.50	83.35	0.00	127.73	22.84	0.00	-147.88	22.84	0.00	19.27
			M3	100.12	0.00	-537.88	3.02	0.00	60.06	32.81	0.00	-180.44	-70.32	0.00	-94.23
		D+2LANES(casMAX	S2	368.70	0.00	-1855.19	368.70	0.00	883.85	276.46	0.00	-1459.46	276.46	0.00	563.37
			TQ	83.35	0.00	-491.50	83.35	0.00	127.73	22.84	0.00	-147.88	22.84	0.00	19.27
			M3	65.55	0.00	-392.85	368.70	0.00	883.85	-0.09	0.00	7.28	270.90	0.00	570.91
		MIN	S2	65.48	0.00	-393.20	65.48	0.00	93.27	-0.99	0.00	1.01	-0.99	0.00	-6.23
			TQ	83.35	0.00	-491.50	83.35	0.00	127.73	22.84	0.00	-147.88	22.84	0.00	19.27
			M3	368.49	0.00	-1860.10	66.33	0.00	91.32	275.80	0.00	-1464.21	3.85	0.00	-13.47

BAGO RIVER BRIDGE

BLOCK [ No.2 : CROSS BEAM ][ BEAM MEMBER FORCE ]

MEMBER			1003025			1003027			4025			4027				
NODE			3025			3027			4025			4027				
NAME TITLE			SHEAR	TORQUE	MOMENT	SHEAR	TORQUE	MOMENT	SHEAR	TORQUE	MOMENT	SHEAR	TORQUE	MOMENT		
			S2 (kN)	TQ (kN·m)	M3 (kN·m)	S2 (kN)	TQ (kN·m)	M3 (kN·m)	S2 (kN)	TQ (kN·m)	M3 (kN·m)	S2 (kN)	TQ (kN·m)	M3 (kN·m)		
124	SUM TOTAL	D+3LANES (casMAX	S2	89.76	0.00	-642.54	89.76	0.00	24.31	36.91	0.00	-131.47	36.91	0.00	138.59	
			TQ	83.35	0.00	-491.50	83.35	0.00	127.73	22.84	0.00	-147.88	22.84	0.00	19.27	
			M3	27.32	0.00	-294.20	86.81	0.00	194.65	-12.90	0.00	69.02	34.30	0.00	194.82	
		MIN	S2	11.37	0.00	-392.97	11.37	0.00	-308.48	-54.15	0.00	-65.07	-54.15	0.00	-461.25	
			TQ	83.35	0.00	-491.50	83.35	0.00	127.73	22.84	0.00	-147.88	22.84	0.00	19.27	
			M3	70.37	0.00	-750.45	24.10	0.00	-419.92	9.02	0.00	-424.59	-39.03	0.00	-565.55	
		D+3LANES (casMAX	S2	174.37	0.00	-824.82	174.37	0.00	470.51	99.69	0.00	-475.38	99.69	0.00	254.02	
			TQ	83.35	0.00	-491.50	83.35	0.00	127.73	22.84	0.00	-147.88	22.84	0.00	19.27	
			M3	-10.72	0.00	224.48	151.41	0.00	520.63	-89.62	0.00	614.79	85.85	0.00	288.45	
		MIN	S2	-12.48	0.00	214.88	-12.48	0.00	122.18	-91.84	0.00	605.75	-91.84	0.00	-66.29	
			TQ	83.35	0.00	-491.50	83.35	0.00	127.73	22.84	0.00	-147.88	22.84	0.00	19.27	
			M3	170.96	0.00	-839.85	7.28	0.00	53.73	96.45	0.00	-489.77	-67.67	0.00	-96.92	
		D+3LANES (casMAX	S2	339.37	0.00	-1667.49	339.37	0.00	853.65	245.90	0.00	-1276.80	245.90	0.00	522.43	
			TQ	83.35	0.00	-491.50	83.35	0.00	127.73	22.84	0.00	-147.88	22.84	0.00	19.27	
			M3	55.79	0.00	-240.98	328.08	0.00	882.15	-19.90	0.00	187.16	232.25	0.00	554.20	
		MIN	S2	54.57	0.00	-247.12	54.57	0.00	158.28	-21.60	0.00	177.42	-21.60	0.00	19.34	
			TQ	83.35	0.00	-491.50	83.35	0.00	127.73	22.84	0.00	-147.88	22.84	0.00	19.27	
			M3	336.50	0.00	-1682.63	65.72	0.00	91.19	243.49	0.00	-1287.42	3.13	0.00	-12.67	
		D+4LANES	MAX	S2	265.06	0.00	-1311.65	265.06	0.00	657.41	159.88	0.00	-841.51	159.88	0.00	328.36
			TQ	83.35	0.00	-491.50	83.35	0.00	127.73	22.84	0.00	-147.88	22.84	0.00	19.27	
			M3	18.78	0.00	-3.40	251.65	0.00	690.55	-32.69	0.00	235.73	153.67	0.00	343.65	
		MIN	S2	17.80	0.00	-8.83	17.80	0.00	123.40	-34.80	0.00	225.50	-34.80	0.00	-29.17	
			TQ	83.35	0.00	-491.50	83.35	0.00	127.73	22.84	0.00	-147.88	22.84	0.00	19.27	
			M3	262.27	0.00	-1326.32	30.36	0.00	73.42	157.68	0.00	-851.30	-20.11	0.00	-42.93	



BAGO RIVER BRIDGE

BLOCK [ No.2 : CROSS BEAM ][ BEAM MEMBER FORCE ]

MEMBER				1003025			1003027			1003027			1003027			
NODE				3025			4025			3027			4027			
NAME TITLE				SHEAR	TORQUE	MOMENT	SHEAR	TORQUE	MOMENT	SHEAR	TORQUE	MOMENT	SHEAR	TORQUE	MOMENT	
				S2 (kN)	TQ (kN·m)	M3 (kN·m)	S2 (kN)	TQ (kN·m)	M3 (kN·m)	S2 (kN)	TQ (kN·m)	M3 (kN·m)	S2 (kN)	TQ (kN·m)	M3 (kN·m)	
124	SUM TOTAL	D+6LANES	MAX	S2	253.55	0.00	-1262.14	253.55	0.00	621.44	176.45	0.00	-853.91	176.45	0.00	437.21
				TQ	83.35	0.00	-491.50	83.35	0.00	127.73	22.84	0.00	-147.88	22.84	0.00	19.27
				M3	-29.14	0.00	177.63	239.89	0.00	687.44	-93.58	0.00	572.79	164.27	0.00	502.62
			MIN	S2	-40.36	0.00	107.26	-40.36	0.00	-192.56	-115.54	0.00	475.63	-115.54	0.00	-369.78
				TQ	83.35	0.00	-491.50	83.35	0.00	127.73	22.84	0.00	-147.88	22.84	0.00	19.27
				M3	244.80	0.00	-1410.55	-22.47	0.00	-282.11	151.49	0.00	-1047.84	-95.59	0.00	-455.88
	SUM TOTAL		MAX		368.70	0.00	300.76	368.70	0.00	883.85	276.46	0.00	667.39	276.46	0.00	570.91
			MIN		-40.36	0.00	-1860.10	-40.36	0.00	-419.92	-115.54	0.00	-1464.21	-115.54	0.00	-565.55
300	DEAD LOAD	TOTAL			83.35	0.00	-491.50	83.35	0.00	127.73	22.84	0.00	-147.88	22.84	0.00	19.27
301	LIVE LOAD	1-LANE(case1MAX	S2		5.71	0.00	-217.08	5.71	0.00	-174.63	11.78	0.00	-24.73	11.78	0.00	61.43
			TQ		0.00	0.00	0.00	0.00	0.00	0.00	0.00	0.00	0.00	0.00	0.00	0.00
			M3		-10.29	0.00	26.52	4.58	0.00	43.89	4.64	0.00	39.22	10.23	0.00	105.51
			MIN	S2	-22.72	0.00	-71.07	-22.72	0.00	-239.82	-23.52	0.00	-69.42	-23.52	0.00	-241.53
				TQ	0.00	0.00	0.00	0.00	0.00	0.00	0.00	0.00	0.00	0.00	0.00	0.00
				M3	-2.02	0.00	-288.11	-8.80	0.00	-344.30	-0.59	0.00	-302.94	-7.15	0.00	-339.25
		1-LANE(case2MAX	S2		0.84	0.00	1.59	0.84	0.00	7.86	2.26	0.00	11.30	2.26	0.00	27.84
			TQ		0.00	0.00	0.00	0.00	0.00	0.00	0.00	0.00	0.00	0.00	0.00	0.00
			M3		-48.81	0.00	206.27	-1.36	0.00	19.22	-51.50	0.00	211.11	0.54	0.00	59.84
			MIN	S2	-49.33	0.00	204.45	-49.33	0.00	-162.01	-53.42	0.00	200.12	-53.42	0.00	-190.72
				TQ	0.00	0.00	0.00	0.00	0.00	0.00	0.00	0.00	0.00	0.00	0.00	0.00
				M3	0.05	0.00	-2.21	-48.10	0.00	-171.06	-0.64	0.00	-0.47	-52.80	0.00	-211.31
		1-LANE(case3MAX	S2		6.17	0.00	-1.80	6.17	0.00	44.04	3.33	0.00	2.32	3.33	0.00	26.66
			TQ		0.00	0.00	0.00	0.00	0.00	0.00	0.00	0.00	0.00	0.00	0.00	0.00
			M3		-95.02	0.00	662.34	-8.37	0.00	73.54	-105.15	0.00	675.58	-5.63	0.00	54.80
			MIN	S2	-95.80	0.00	657.40	-95.80	0.00	-54.29	-106.27	0.00	671.74	-106.27	0.00	-105.86
				TQ	0.00	0.00	0.00	0.00	0.00	0.00	0.00	0.00	0.00	0.00	0.00	0.00
				M3	4.61	0.00	-12.42	-87.40	0.00	-69.13	0.86	0.00	-6.11	-98.87	0.00	-123.35

BAGO RIVER BRIDGE

BLOCK [ No.2 : CROSS BEAM ][ BEAM MEMBER FORCE ]

MEMBER			1003025						1003027							
NODE			3025			4025			3027			4027				
NAME TITLE			SHEAR	TORQUE	MOMENT	SHEAR	TORQUE	MOMENT	SHEAR	TORQUE	MOMENT	SHEAR	TORQUE	MOMENT		
			S2 (kN)	TQ (kN·m)	M3 (kN·m)	S2 (kN)	TQ (kN·m)	M3 (kN·m)	S2 (kN)	TQ (kN·m)	M3 (kN·m)	S2 (kN)	TQ (kN·m)	M3 (kN·m)		
301	LIVE LOAD	1-LANE (case4MAX	S2	229.63	0.00	-1151.60	229.63	0.00	554.30	210.36	0.00	-1121.44	210.36	0.00	417.80	
			TQ	0.00	0.00	0.00	0.00	0.00	0.00	0.00	0.00	0.00	0.00	0.00	0.00	
			M3	-12.02	0.00	63.46	229.63	0.00	554.30	-16.04	0.00	99.08	208.62	0.00	0.00	422.51
			MIN S2	-12.07	0.00	63.25	-12.07	0.00	-26.40	-16.54	0.00	94.94	-16.54	0.00	0.00	-26.05
			TQ	0.00	0.00	0.00	0.00	0.00	0.00	0.00	0.00	0.00	0.00	0.00	0.00	0.00
			M3	229.42	0.00	-1154.59	-11.94	0.00	-26.93	210.04	0.00	-1124.46	-15.34	0.00	0.00	-28.65
		2-LANES (caseMAX	S2	6.84	0.00	-179.02	6.84	0.00	-128.22	14.66	0.00	9.89	14.66	0.00	0.00	117.17
			TQ	0.00	0.00	0.00	0.00	0.00	0.00	0.00	0.00	0.00	0.00	0.00	0.00	0.00
			M3	-25.25	0.00	60.22	5.20	0.00	62.71	0.87	0.00	79.26	13.02	0.00	0.00	156.66
			MIN S2	-43.58	0.00	-54.46	-43.58	0.00	-378.18	-46.06	0.00	-69.34	-46.06	0.00	0.00	-406.39
			TQ	0.00	0.00	0.00	0.00	0.00	0.00	0.00	0.00	0.00	0.00	0.00	0.00	0.00
			M3	-15.32	0.00	-302.81	-29.62	0.00	-501.75	-15.74	0.00	-325.14	-28.80	0.00	0.00	-511.94
		2-LANES (caseMAX	S2	2.78	0.00	3.21	2.78	0.00	23.86	6.73	0.00	39.91	6.73	0.00	0.00	89.18
			TQ	0.00	0.00	0.00	0.00	0.00	0.00	0.00	0.00	0.00	0.00	0.00	0.00	0.00
			M3	-57.35	0.00	210.01	0.25	0.00	42.16	-45.92	0.00	222.50	4.95	0.00	0.00	118.60
			MIN S2	-65.75	0.00	175.14	-65.75	0.00	-313.34	-70.97	0.00	155.27	-70.97	0.00	0.00	-364.05
			TQ	0.00	0.00	0.00	0.00	0.00	0.00	0.00	0.00	0.00	0.00	0.00	0.00	0.00
			M3	-13.60	0.00	-64.56	-62.37	0.00	-357.38	-15.77	0.00	-73.08	-66.84	0.00	0.00	-405.32
		2-LANES (caseMAX	S2	20.77	0.00	-28.70	20.77	0.00	125.62	13.32	0.00	-17.70	13.32	0.00	0.00	79.75
			TQ	0.00	0.00	0.00	0.00	0.00	0.00	0.00	0.00	0.00	0.00	0.00	0.00	0.00
			M3	-101.45	0.00	792.26	-6.17	0.00	182.18	-119.17	0.00	815.28	-2.55	0.00	0.00	119.57
MIN S2	-103.48		0.00	781.13	-103.48	0.00	12.42	-121.18	0.00	807.63	-121.18	0.00	0.00	-79.07		
TQ	0.00		0.00	0.00	0.00	0.00	0.00	0.00	0.00	0.00	0.00	0.00	0.00	0.00		
M3	16.76		0.00	-46.39	-80.34	0.00	-67.67	9.97	0.00	-32.55	-93.16	0.00	0.00	-113.50		

BAGO RIVER BRIDGE

BLOCK [ No.2 : CROSS BEAM ][ BEAM MEMBER FORCE ]

MEMBER			1003025						1003027							
NODE			3025			4025			3027			4027				
NAME TITLE			SHEAR	TORQUE	MOMENT	SHEAR	TORQUE	MOMENT	SHEAR	TORQUE	MOMENT	SHEAR	TORQUE	MOMENT		
			S2 (kN)	TQ (kN·m)	M3 (kN·m)	S2 (kN)	TQ (kN·m)	M3 (kN·m)	S2 (kN)	TQ (kN·m)	M3 (kN·m)	S2 (kN)	TQ (kN·m)	M3 (kN·m)		
301	LIVE LOAD	2-LANES (caseMAX	S2	285.35	0.00	-1363.69	285.35	0.00	756.12	253.61	0.00	-1311.58	253.61	0.00	544.10	
			TQ	0.00	0.00	0.00	0.00	0.00	0.00	0.00	0.00	0.00	0.00	0.00	0.00	
			M3	-17.81	0.00	98.65	285.35	0.00	756.12	-22.94	0.00	155.17	248.05	0.00	0.00	551.64
			MIN S2	-17.87	0.00	98.30	-17.87	0.00	-34.45	-23.83	0.00	148.89	-23.83	0.00	0.00	-25.51
			TQ	0.00	0.00	0.00	0.00	0.00	0.00	0.00	0.00	0.00	0.00	0.00	0.00	0.00
			M3	285.14	0.00	-1368.60	-17.03	0.00	-36.41	252.95	0.00	-1316.33	-18.99	0.00	0.00	-32.74
		3-LANES (caseMAX	S2	6.41	0.00	-151.04	6.41	0.00	-103.42	14.06	0.00	16.41	14.06	0.00	0.00	119.31
			TQ	0.00	0.00	0.00	0.00	0.00	0.00	0.00	0.00	0.00	0.00	0.00	0.00	0.00
			M3	-56.03	0.00	197.29	3.46	0.00	66.92	-35.74	0.00	216.91	11.45	0.00	0.00	175.55
			MIN S2	-71.98	0.00	98.53	-71.98	0.00	-436.21	-76.99	0.00	82.81	-76.99	0.00	0.00	-480.53
			TQ	0.00	0.00	0.00	0.00	0.00	0.00	0.00	0.00	0.00	0.00	0.00	0.00	0.00
			M3	-12.99	0.00	-258.96	-59.25	0.00	-547.65	-13.83	0.00	-276.70	-61.87	0.00	0.00	-584.83
		3-LANES (caseMAX	S2	91.01	0.00	-333.32	91.01	0.00	342.78	76.84	0.00	-327.50	76.84	0.00	0.00	234.75
			TQ	0.00	0.00	0.00	0.00	0.00	0.00	0.00	0.00	0.00	0.00	0.00	0.00	0.00
			M3	-94.07	0.00	715.98	68.06	0.00	392.90	-112.47	0.00	762.68	63.01	0.00	0.00	269.18
			MIN S2	-95.83	0.00	706.38	-95.83	0.00	-5.55	-114.69	0.00	753.63	-114.69	0.00	0.00	-85.56
			TQ	0.00	0.00	0.00	0.00	0.00	0.00	0.00	0.00	0.00	0.00	0.00	0.00	0.00
			M3	87.60	0.00	-348.35	-76.07	0.00	-74.00	73.60	0.00	-341.89	-90.51	0.00	0.00	-116.19
		3-LANES (caseMAX	S2	256.02	0.00	-1175.99	256.02	0.00	725.92	223.05	0.00	-1128.91	223.05	0.00	0.00	503.16
			TQ	0.00	0.00	0.00	0.00	0.00	0.00	0.00	0.00	0.00	0.00	0.00	0.00	0.00
			M3	-27.57	0.00	250.51	244.72	0.00	754.43	-42.75	0.00	335.05	209.41	0.00	0.00	534.93
MIN S2	-28.78		0.00	244.38	-28.78	0.00	30.55	-44.45	0.00	325.30	-44.45	0.00	0.00	0.06		
TQ	0.00		0.00	0.00	0.00	0.00	0.00	0.00	0.00	0.00	0.00	0.00	0.00	0.00		
M3	253.14		0.00	-1191.14	-17.64	0.00	-36.54	220.65	0.00	-1139.54	-19.72	0.00	0.00	-31.94		

BAGO RIVER BRIDGE

BLOCK [ No.2 : CROSS BEAM ][ BEAM MEMBER FORCE ]

MEMBER					1003025			1003027								
NODE					3025	4025		3027	4027							
NAME TITLE					SHEAR	TORQUE	MOMENT	SHEAR	TORQUE	MOMENT	SHEAR	TORQUE	MOMENT			
					S2 (kN)	TQ (kN·m)	M3 (kN·m)	S2 (kN)	TQ (kN·m)	M3 (kN·m)	S2 (kN)	TQ (kN·m)	M3 (kN·m)			
301	LIVE LOAD	4-LANES	MAX	S2	181.70	0.00	-820.15	181.70	0.00	529.68	137.04	0.00	-693.63	137.04	0.00	309.09
				TQ	0.00	0.00	0.00	0.00	0.00	0.00	0.00	0.00	0.00	0.00	0.00	0.00
				M3	-64.57	0.00	488.09	168.30	0.00	562.83	-55.54	0.00	383.62	130.82	0.00	324.37
			MIN	S2	-65.55	0.00	482.66	-65.55	0.00	-4.33	-57.65	0.00	373.38	-57.65	0.00	-48.44
				TQ	0.00	0.00	0.00	0.00	0.00	0.00	0.00	0.00	0.00	0.00	0.00	0.00
				M3	178.91	0.00	-834.82	-52.99	0.00	-54.30	134.84	0.00	-703.41	-42.95	0.00	-62.20
		6-LANES	MAX	S2	170.20	0.00	-770.64	170.20	0.00	493.71	153.61	0.00	-706.02	153.61	0.00	417.93
				TQ	0.00	0.00	0.00	0.00	0.00	0.00	0.00	0.00	0.00	0.00	0.00	0.00
				M3	-112.50	0.00	669.13	156.54	0.00	559.72	-116.43	0.00	720.67	141.42	0.00	483.34
			MIN	S2	-123.71	0.00	598.76	-123.71	0.00	-320.29	-138.39	0.00	623.52	-138.39	0.00	-389.05
				TQ	0.00	0.00	0.00	0.00	0.00	0.00	0.00	0.00	0.00	0.00	0.00	0.00
				M3	161.44	0.00	-919.06	-105.82	0.00	-409.83	128.65	0.00	-899.96	-118.44	0.00	-475.15
		LIVE LOAD	MAX		285.35	0.00	792.26	285.35	0.00	756.12	253.61	0.00	815.28	253.61	0.00	551.64
			MIN		-123.71	0.00	-1368.60	-123.71	0.00	-547.65	-138.39	0.00	-1316.33	-138.39	0.00	-584.83
303	SUM TOTAL	TOTAL	MAX		368.70	0.00	300.76	368.70	0.00	883.85	276.46	0.00	667.39	276.46	0.00	570.91
			MIN		-40.36	0.00	-1860.10	-40.36	0.00	-419.92	-115.54	0.00	-1464.21	-115.54	0.00	-565.55

BAGO RIVER BRIDGE

BLOCK [ No.2 : CROSS BEAM ][ BEAM MEMBER FORCE ]

MEMBER NODE	1003029 3029	4029			1003031 3031			4031							
		SHEAR S2 (kN)	TORQUE TQ (kN·m)	MOMENT M3 (kN·m)	SHEAR S2 (kN)	TORQUE TQ (kN·m)	MOMENT M3 (kN·m)	SHEAR S2 (kN)	TORQUE TQ (kN·m)	MOMENT M3 (kN·m)					
1 PAVEMENT	-3.50	0.00	2.66	-3.50	0.00	-20.54	2.79	0.00	-27.57	2.79	0.00	-11.04			
3 RAILING	3.62	0.00	-22.66	3.62	0.00	1.34	2.59	0.00	-14.82	2.59	0.00	0.55			
5 CURB	35.87	0.00	-224.38	35.87	0.00	13.24	25.66	0.00	-146.73	25.66	0.00	5.45			
7 DECK WEIGHT	-5.03	0.00	-4.61	-5.03	0.00	-37.94	6.82	0.00	-55.82	6.82	0.00	-15.37			
8 GIRDER WEIGH	-45.48	0.00	178.64	-45.48	0.00	-122.59	-3.80	0.00	1.05	-3.80	0.00	-21.47			
10 MEDIAN STRIP	-36.39	0.00	197.38	-36.39	0.00	-43.65	-16.11	0.00	89.96	-16.11	0.00	-5.56			
21 ADITIONAL WE	-1.41	0.00	-1.29	-1.41	0.00	-10.62	1.91	0.00	-15.63	1.91	0.00	-4.30			
31 MEDIAN RAILI	-2.80	0.00	15.18	-2.80	0.00	-3.39	-1.40	0.00	7.56	-1.40	0.00	-0.72			
51 SUPPORT WEIG	-0.00	0.00	0.00	-0.00	0.00	0.00	0.00	0.00	-0.00	0.00	0.00	0.00			
52 NOSE WEIGHT	0.00	0.00	-0.00	0.00	0.00	-0.00	-0.00	0.00	0.00	-0.00	0.00	-0.01			
61 1-LANE(case1TRUCK-LOAD	MAX	S2	7.99	0.00	-4.19	7.99	0.00	48.75	26.64	0.00	-42.72	26.64	0.00	115.28	
		TQ	0.00	0.00	0.00	0.00	0.00	0.00	0.00	0.00	0.00	0.00	0.00	0.00	
		M3	-10.66	0.00	24.56	7.99	0.00	48.76	5.29	0.00	11.90	26.62	0.00	115.32	
	MIN	S2	-13.65	0.00	4.33	-13.65	0.00	-86.06	-4.27	0.00	-3.55	-4.27	0.00	-28.90	
		TQ	0.00	0.00	0.00	0.00	0.00	0.00	0.00	0.00	0.00	0.00	0.00	0.00	
		M3	4.41	0.00	-138.90	-2.64	0.00	-123.69	8.45	0.00	-109.86	4.22	0.00	-68.17	
	TANDEM-LOAD	MAX	S2	5.44	0.00	-3.00	5.44	0.00	33.01	18.15	0.00	-29.40	18.15	0.00	78.24
		TQ	0.00	0.00	0.00	0.00	0.00	0.00	0.00	0.00	0.00	0.00	0.00	0.00	
		M3	-7.78	0.00	18.15	5.43	0.00	33.14	2.37	0.00	10.93	17.95	0.00	78.30	
	MIN	S2	-9.64	0.00	8.83	-9.64	0.00	-55.03	-3.36	0.00	-2.36	-3.36	0.00	-22.29	
		TQ	0.00	0.00	0.00	0.00	0.00	0.00	0.00	0.00	0.00	0.00	0.00	0.00	
		M3	3.46	0.00	-99.86	-0.68	0.00	-84.89	5.85	0.00	-77.93	2.05	0.00	-48.01	
DISPERSION-LMAX	S2	13.46	0.00	-47.38	13.46	0.00	41.81	44.63	0.00	-100.86	44.63	0.00	163.82		
	TQ	0.00	0.00	0.00	0.00	0.00	0.00	0.00	0.00	0.00	0.00	0.00	0.00		
	M3	0.21	0.00	16.04	11.92	0.00	78.01	0.83	0.00	4.38	41.61	0.00	187.72		
MIN	S2	-8.13	0.00	-13.02	-8.13	0.00	-66.89	-1.82	0.00	-5.95	-1.82	0.00	-16.77		
	TQ	0.00	0.00	0.00	0.00	0.00	0.00	0.00	0.00	0.00	0.00	0.00	0.00		
	M3	5.12	0.00	-76.43	-6.59	0.00	-103.08	41.98	0.00	-111.19	1.20	0.00	-40.66		

BAGO RIVER BRIDGE

BLOCK [ No.2 : CROSS BEAM ][ BEAM MEMBER FORCE ]

MEMBER NODE	1003029 3029	4029			1003031 3031			4031							
		SHEAR	TORQUE	MOMENT	SHEAR	TORQUE	MOMENT	SHEAR	TORQUE	MOMENT					
		S2 (kN)	TQ (kN·m)	M3 (kN·m)	S2 (kN)	TQ (kN·m)	M3 (kN·m)	S2 (kN)	TQ (kN·m)	M3 (kN·m)					
62	1-LANE (case2TRUCK-LOAD	MAX	S2	1.87	0.00	-4.24	1.87	0.00	8.18	11.64	0.00	-30.39	11.64	0.00	38.62
			TQ	0.00	0.00	0.00	0.00	0.00	0.00	0.00	0.00	0.00	0.00	0.00	0.00
			M3	-27.34	0.00	95.56	0.86	0.00	12.19	-21.92	0.00	78.89	11.31	0.00	40.16
		MIN	S2	-27.42	0.00	95.09	-27.42	0.00	-86.55	-23.36	0.00	70.55	-23.36	0.00	-67.96
			TQ	0.00	0.00	0.00	0.00	0.00	0.00	0.00	0.00	0.00	0.00	0.00	0.00
			M3	1.72	0.00	-4.38	-27.36	0.00	-87.32	11.61	0.00	-30.52	-23.12	0.00	-68.63
		TANDEM-LOAD MAX	S2	1.32	0.00	-4.17	1.32	0.00	4.57	8.06	0.00	-20.85	8.06	0.00	26.95
			TQ	0.00	0.00	0.00	0.00	0.00	0.00	0.00	0.00	0.00	0.00	0.00	0.00
			M3	-18.78	0.00	66.27	0.52	0.00	8.29	-14.62	0.00	55.44	8.01	0.00	27.29
		MIN	S2	-18.92	0.00	63.29	-18.92	0.00	-62.04	-16.60	0.00	51.54	-16.60	0.00	-46.93
			TQ	0.00	0.00	0.00	0.00	0.00	0.00	0.00	0.00	0.00	0.00	0.00	0.00
			M3	1.32	0.00	-4.17	-18.92	0.00	-62.04	7.78	0.00	-21.29	-15.10	0.00	-49.00
		DISPERSION-LMAX	S2	2.06	0.00	2.32	2.06	0.00	15.98	17.71	0.00	-37.66	17.71	0.00	67.38
			TQ	0.00	0.00	0.00	0.00	0.00	0.00	0.00	0.00	0.00	0.00	0.00	0.00
			M3	-18.83	0.00	87.47	1.25	0.00	22.00	-11.87	0.00	45.56	17.25	0.00	68.18
		MIN	S2	-19.50	0.00	81.60	-19.50	0.00	-47.54	-12.41	0.00	44.69	-12.41	0.00	-28.91
			TQ	0.00	0.00	0.00	0.00	0.00	0.00	0.00	0.00	0.00	0.00	0.00	0.00
			M3	1.39	0.00	-3.55	-18.68	0.00	-53.57	17.17	0.00	-38.52	-11.95	0.00	-29.71
63	1-LANE (case3TRUCK-LOAD	MAX	S2	0.74	0.00	-1.75	0.74	0.00	3.16	8.08	0.00	-43.90	8.08	0.00	3.99
			TQ	0.00	0.00	0.00	0.00	0.00	0.00	0.00	0.00	0.00	0.00	0.00	
			M3	-63.15	0.00	360.86	-3.24	0.00	19.10	-67.75	0.00	331.69	-6.76	0.00	13.13
		MIN	S2	-63.15	0.00	360.86	-63.15	0.00	-57.44	-67.75	0.00	331.69	-67.75	0.00	-70.09
			TQ	0.00	0.00	0.00	0.00	0.00	0.00	0.00	0.00	0.00	0.00	0.00	0.00
			M3	0.74	0.00	-1.75	-63.15	0.00	-57.44	8.08	0.00	-43.90	-67.75	0.00	-70.09

BAGO RIVER BRIDGE

BLOCK [ No.2 : CROSS BEAM ][ BEAM MEMBER FORCE ]

MEMBER		1003029						1003031								
NODE		3029			4029			3031			4031					
		SHEAR	TORQUE	MOMENT	SHEAR	TORQUE	MOMENT	SHEAR	TORQUE	MOMENT	SHEAR	TORQUE	MOMENT			
NAME	TITLE	S2 (kN)	TQ (kN·m)	M3 (kN·m)	S2 (kN)	TQ (kN·m)	M3 (kN·m)	S2 (kN)	TQ (kN·m)	M3 (kN·m)	S2 (kN)	TQ (kN·m)	M3 (kN·m)			
63	1-LANE (case3TANDEM-LOAD	MAX	S2	0.50	0.00	-1.19	0.50	0.00	2.15	7.34	0.00	-37.03	7.34	0.00	6.52	
			TQ	0.00	0.00	0.00	0.00	0.00	0.00	0.00	0.00	0.00	0.00	0.00	0.00	0.00
			M3	-47.24	0.00	266.45	-3.68	0.00	14.95	-50.40	0.00	243.42	-6.12	0.00	0.00	11.32
		MIN	S2	-47.24	0.00	266.45	-47.24	0.00	-46.46	-50.40	0.00	243.42	-50.40	0.00	0.00	-55.45
			TQ	0.00	0.00	0.00	0.00	0.00	0.00	0.00	0.00	0.00	0.00	0.00	0.00	0.00
			M3	-0.60	0.00	-1.42	-47.24	0.00	-46.46	7.34	0.00	-37.03	-50.40	0.00	0.00	-55.45
	DISPERSION-LMAX	S2	1.01	0.00	-1.12	1.01	0.00	5.60	3.26	0.00	-15.12	3.26	0.00	4.24		
		TQ	0.00	0.00	0.00	0.00	0.00	0.00	0.00	0.00	0.00	0.00	0.00	0.00		
		M3	-35.33	0.00	198.89	-3.39	0.00	13.10	-33.46	0.00	148.18	-0.18	0.00	8.62		
		MIN	S2	-35.53	0.00	197.66	-35.53	0.00	-37.66	-34.19	0.00	146.80	-34.19	0.00	-55.96	
			TQ	0.00	0.00	0.00	0.00	0.00	0.00	0.00	0.00	0.00	0.00	0.00	0.00	
			M3	0.82	0.00	-2.35	-31.12	0.00	-45.16	2.54	0.00	-16.49	-30.75	0.00	-60.35	
64	1-LANE (case4TRUCK-LOAD	MAX	S2	119.13	0.00	-532.18	119.13	0.00	256.92	95.73	0.00	-392.32	95.73	0.00	175.42	
			TQ	0.00	0.00	0.00	0.00	0.00	0.00	0.00	0.00	0.00	0.00	0.00	0.00	
			M3	-12.28	0.00	31.30	119.13	0.00	256.92	-26.28	0.00	72.17	95.73	0.00	175.42	
		MIN	S2	-12.44	0.00	31.04	-12.44	0.00	-51.35	-26.31	0.00	71.67	-26.31	0.00	-84.37	
			TQ	0.00	0.00	0.00	0.00	0.00	0.00	0.00	0.00	0.00	0.00	0.00	0.00	
			M3	119.13	0.00	-532.18	-12.42	0.00	-51.44	95.73	0.00	-392.32	-23.41	0.00	-103.87	
	TANDEM-LOAD	MAX	S2	87.11	0.00	-385.77	87.11	0.00	191.21	71.19	0.00	-287.44	71.19	0.00	134.73	
			TQ	0.00	0.00	0.00	0.00	0.00	0.00	0.00	0.00	0.00	0.00	0.00	0.00	
			M3	-8.28	0.00	21.22	87.11	0.00	191.21	-17.55	0.00	54.41	71.19	0.00	134.73	
		MIN	S2	-8.44	0.00	20.85	-8.44	0.00	-35.04	-18.28	0.00	47.02	-18.28	0.00	-61.40	
			TQ	0.00	0.00	0.00	0.00	0.00	0.00	0.00	0.00	0.00	0.00	0.00	0.00	
			M3	87.11	0.00	-385.77	-8.44	0.00	-35.04	71.19	0.00	-287.44	-15.76	0.00	-70.49	

BAGO RIVER BRIDGE

BLOCK [ No.2 : CROSS BEAM ][ BEAM MEMBER FORCE ]

MEMBER NODE	1003029 3029	4029			1003031 3031	4031							
		SHEAR	TORQUE	MOMENT		SHEAR	TORQUE	MOMENT					
NAME TITLE	S2 (kN)	TQ (kN·m)	M3 (kN·m)	S2 (kN)	TQ (kN·m)	M3 (kN·m)	S2 (kN)	TQ (kN·m)	M3 (kN·m)	S2 (kN)	TQ (kN·m)	M3 (kN·m)	
64 1-LANE (case4DISPERSION-LMAX	S2	60.35	0.00	-279.67	60.35	0.00	120.08	38.42	0.00	-161.46	38.42	0.00	66.41
	TQ	0.00	0.00	0.00	0.00	0.00	0.00	0.00	0.00	0.00	0.00	0.00	0.00
	M3	-20.65	0.00	55.69	59.48	0.00	122.06	-46.48	0.00	76.81	37.20	0.00	69.70
	MIN S2	-20.88	0.00	54.86	-20.88	0.00	-83.47	-47.43	0.00	73.57	-47.43	0.00	-207.72
	TQ	0.00	0.00	0.00	0.00	0.00	0.00	0.00	0.00	0.00	0.00	0.00	0.00
	M3	60.12	0.00	-280.50	-20.02	0.00	-85.45	37.47	0.00	-164.70	-46.20	0.00	-211.01
65 2-LANES (caseTRUCK-LOAD	MAX S2	12.52	0.00	-4.50	12.52	0.00	78.42	44.92	0.00	-73.99	44.92	0.00	192.40
	TQ	0.00	0.00	0.00	0.00	0.00	0.00	0.00	0.00	0.00	0.00	0.00	0.00
	M3	-23.91	0.00	53.72	12.42	0.00	79.24	-2.31	0.00	28.20	44.88	0.00	192.52
	MIN S2	-29.24	0.00	21.75	-29.24	0.00	-171.95	-13.98	0.00	5.81	-13.98	0.00	-77.08
	TQ	0.00	0.00	0.00	0.00	0.00	0.00	0.00	0.00	0.00	0.00	0.00	0.00
	M3	-4.66	0.00	-175.69	-14.30	0.00	-227.83	4.52	0.00	-148.13	-1.00	0.00	-133.03
	TANDEM-LOAD MAX S2	8.53	0.00	-3.08	8.53	0.00	53.46	30.58	0.00	-50.53	30.58	0.00	130.81
	TQ	0.00	0.00	0.00	0.00	0.00	0.00	0.00	0.00	0.00	0.00	0.00	0.00
	M3	-17.88	0.00	38.47	8.42	0.00	53.87	-3.88	0.00	22.26	30.38	0.00	130.88
	MIN S2	-20.60	0.00	20.08	-20.60	0.00	-116.35	-10.31	0.00	0.13	-10.31	0.00	-60.99
	TQ	0.00	0.00	0.00	0.00	0.00	0.00	0.00	0.00	0.00	0.00	0.00	0.00
	M3	-2.57	0.00	-128.82	-9.07	0.00	-156.58	3.88	0.00	-108.26	-1.97	0.00	-93.95
DISPERSION-LMAX S2	20.11	0.00	-41.41	20.11	0.00	91.81	74.43	0.00	-153.23	74.43	0.00	288.15	
TQ	0.00	0.00	0.00	0.00	0.00	0.00	0.00	0.00	0.00	0.00	0.00	0.00	
M3	-4.63	0.00	44.31	18.57	0.00	128.01	-1.74	0.00	12.69	71.18	0.00	315.83	
MIN S2	-20.76	0.00	-8.46	-20.76	0.00	-145.95	-6.71	0.00	-8.23	-6.71	0.00	-48.03	
TQ	0.00	0.00	0.00	0.00	0.00	0.00	0.00	0.00	0.00	0.00	0.00	0.00	
M3	3.98	0.00	-94.18	-19.22	0.00	-182.15	69.45	0.00	-174.15	-3.47	0.00	-75.71	



BAGO RIVER BRIDGE

BLOCK [ No.2 : CROSS BEAM ][ BEAM MEMBER FORCE ]

MEMBER NODE	1003029 3029	4029			1003031 3031			4031							
		SHEAR	TORQUE	MOMENT	SHEAR	TORQUE	MOMENT	SHEAR	TORQUE	MOMENT					
		S2 (kN)	TQ (kN·m)	M3 (kN·m)	S2 (kN)	TQ (kN·m)	M3 (kN·m)	S2 (kN)	TQ (kN·m)	M3 (kN·m)					
66	2-LANES (caseTRUCK-LOAD	MAX	S2	6.40	0.00	-4.54	6.40	0.00	37.84	29.92	0.00	-61.66	29.92	0.00	115.75
			TQ	0.00	0.00	0.00	0.00	0.00	0.00	0.00	0.00	0.00	0.00	0.00	0.00
			M3	-40.58	0.00	124.72	5.30	0.00	42.67	-29.52	0.00	95.19	29.57	0.00	117.36
		MIN	S2	-43.02	0.00	112.51	-43.02	0.00	-172.44	-33.06	0.00	79.92	-33.06	0.00	-116.13
			TQ	0.00	0.00	0.00	0.00	0.00	0.00	0.00	0.00	0.00	0.00	0.00	0.00
			M3	-7.35	0.00	-41.17	-39.02	0.00	-191.46	7.67	0.00	-68.79	-28.33	0.00	-133.50
		TANDEM-LOAD MAX	S2	4.42	0.00	-4.24	4.42	0.00	25.02	20.49	0.00	-41.99	20.49	0.00	79.52
			TQ	0.00	0.00	0.00	0.00	0.00	0.00	0.00	0.00	0.00	0.00	0.00	0.00
			M3	-28.87	0.00	86.59	3.51	0.00	29.01	-20.87	0.00	66.77	20.44	0.00	79.87
		MIN	S2	-29.88	0.00	74.55	-29.88	0.00	-123.36	-23.55	0.00	54.03	-23.55	0.00	-85.63
			TQ	0.00	0.00	0.00	0.00	0.00	0.00	0.00	0.00	0.00	0.00	0.00	0.00
			M3	-4.72	0.00	-33.12	-27.30	0.00	-133.73	5.81	0.00	-51.62	-19.13	0.00	-94.95
		DISPERSION-LMAX	S2	8.71	0.00	8.29	8.71	0.00	65.98	47.51	0.00	-90.03	47.51	0.00	191.71
			TQ	0.00	0.00	0.00	0.00	0.00	0.00	0.00	0.00	0.00	0.00	0.00	0.00
			M3	-23.67	0.00	115.74	7.90	0.00	72.00	-14.43	0.00	53.87	46.83	0.00	196.28
MIN	S2	-32.12	0.00	86.15	-32.12	0.00	-126.61	-17.30	0.00	42.41	-17.30	0.00	-60.17		
	TQ	0.00	0.00	0.00	0.00	0.00	0.00	0.00	0.00	0.00	0.00	0.00	0.00		
	M3	0.25	0.00	-21.30	-31.31	0.00	-132.63	44.64	0.00	-101.49	-16.62	0.00	-64.75		
67	2-LANES (caseTRUCK-LOAD	MAX	S2	4.55	0.00	-1.82	4.55	0.00	28.34	9.39	0.00	-47.01	9.39	0.00	8.67
			TQ	0.00	0.00	0.00	0.00	0.00	0.00	0.00	0.00	0.00	0.00	0.00	
			M3	-79.97	0.00	507.18	-7.57	0.00	63.31	-91.12	0.00	476.47	-16.13	0.00	24.63
		MIN	S2	-79.97	0.00	507.18	-79.97	0.00	-22.52	-91.12	0.00	476.47	-91.12	0.00	-63.93
			TQ	0.00	0.00	0.00	0.00	0.00	0.00	0.00	0.00	0.00	0.00	0.00	0.00
			M3	3.42	0.00	-8.12	-71.84	0.00	-90.91	6.57	0.00	-48.61	-80.94	0.00	-132.03

BAGO RIVER BRIDGE

BLOCK [ No.2 : CROSS BEAM ][ BEAM MEMBER FORCE ]

MEMBER		1003029						1003031									
NODE		3029			4029			3031			4031						
		SHEAR	TORQUE	MOMENT	SHEAR	TORQUE	MOMENT	SHEAR	TORQUE	MOMENT	SHEAR	TORQUE	MOMENT				
NAME	TITLE	S2 (kN)	TQ (kN·m)	M3 (kN·m)	S2 (kN)	TQ (kN·m)	M3 (kN·m)	S2 (kN)	TQ (kN·m)	M3 (kN·m)	S2 (kN)	TQ (kN·m)	M3 (kN·m)				
67	2-LANES (caseTANDEM-LOAD	MAX	S2	3.26	0.00	2.01	3.26	0.00	23.60	8.24	0.00	-39.14	8.24	0.00	9.70		
			TQ	0.00	0.00	0.00	0.00	0.00	0.00	0.00	0.00	0.00	0.00	0.00	0.00	0.00	
			M3	-60.31	0.00	375.88	-2.94	0.00	45.54	-67.57	0.00	348.19	-12.82	0.00	20.61		
		MIN	S2	-60.31	0.00	375.88	-60.31	0.00	-23.59	-67.57	0.00	348.19	-67.57	0.00	-52.53		
			TQ	0.00	0.00	0.00	0.00	0.00	0.00	0.00	0.00	0.00	0.00	0.00	0.00	0.00	
			M3	1.01	0.00	-6.07	-53.13	0.00	-69.26	6.42	0.00	-43.38	-59.39	0.00	-97.71		
		DISPERSION-LMAX	S2	5.53	0.00	-4.03	5.53	0.00	32.64	5.54	0.00	-20.17	5.54	0.00	12.68		
			TQ	0.00	0.00	0.00	0.00	0.00	0.00	0.00	0.00	0.00	0.00	0.00	0.00	0.00	
			M3	-56.19	0.00	303.38	-3.64	0.00	51.11	-67.16	0.00	243.28	-1.72	0.00	22.24		
		MIN	S2	-57.39	0.00	297.23	-57.39	0.00	-82.88	-68.34	0.00	240.36	-68.34	0.00	-164.95		
			TQ	0.00	0.00	0.00	0.00	0.00	0.00	0.00	0.00	0.00	0.00	0.00	0.00	0.00	
			M3	4.34	0.00	-10.18	-48.22	0.00	-101.35	4.36	0.00	-23.09	-61.08	0.00	-174.51		
		68	2-LANES (caseTRUCK-LOAD	MAX	S2	164.61	0.00	-696.94	164.61	0.00	393.43	118.11	0.00	-456.71	118.11	0.00	243.73
					TQ	0.00	0.00	0.00	0.00	0.00	0.00	0.00	0.00	0.00	0.00	0.00	0.00
					M3	-20.87	0.00	56.51	164.61	0.00	393.43	-39.45	0.00	88.54	117.89	0.00	245.46
MIN	S2			-21.18	0.00	55.55	-21.18	0.00	-84.74	-39.51	0.00	87.99	-39.51	0.00	-146.32		
	TQ			0.00	0.00	0.00	0.00	0.00	0.00	0.00	0.00	0.00	0.00	0.00	0.00		
	M3			164.37	0.00	-699.21	-21.11	0.00	-84.90	117.97	0.00	-457.57	-36.61	0.00	-165.82		
TANDEM-LOAD MAX	S2			119.37	0.00	-500.48	119.37	0.00	290.20	87.00	0.00	-329.21	87.00	0.00	186.77		
	TQ			0.00	0.00	0.00	0.00	0.00	0.00	0.00	0.00	0.00	0.00	0.00	0.00		
	M3			-14.13	0.00	38.34	119.37	0.00	290.20	-23.60	0.00	65.59	87.00	0.00	186.77		
MIN	S2			-14.38	0.00	37.62	-14.38	0.00	-57.64	-27.28	0.00	58.12	-27.28	0.00	-103.66		
	TQ			0.00	0.00	0.00	0.00	0.00	0.00	0.00	0.00	0.00	0.00	0.00	0.00		
	M3			117.78	0.00	-501.90	-14.33	0.00	-57.84	86.94	0.00	-335.41	-24.76	0.00	-112.74		

BAGO RIVER BRIDGE

BLOCK [ No.2 : CROSS BEAM ][ BEAM MEMBER FORCE ]

MEMBER			1003029						1003031					
NODE			3029			4029			3031			4031		
			SHEAR	TORQUE	MOMENT	SHEAR	TORQUE	MOMENT	SHEAR	TORQUE	MOMENT	SHEAR	TORQUE	MOMENT
NAME	TITLE		S2 (kN)	TQ (kN·m)	M3 (kN·m)	S2 (kN)	TQ (kN·m)	M3 (kN·m)	S2 (kN)	TQ (kN·m)	M3 (kN·m)	S2 (kN)	TQ (kN·m)	M3 (kN·m)
68	2-LANES (caseDISPERSION-LMAX	S2	86.21	0.00	-377.04	86.21	0.00	194.01	49.65	0.00	-198.05	49.65	0.00	96.42
		TQ	0.00	0.00	0.00	0.00	0.00	0.00	0.00	0.00	0.00	0.00	0.00	0.00
		M3	-35.18	0.00	100.04	85.10	0.00	196.84	-74.01	0.00	121.19	47.56	0.00	102.69
		MIN S2	-35.91	0.00	98.00	-35.91	0.00	-139.83	-75.71	0.00	115.80	-75.71	0.00	-333.21
		TQ	0.00	0.00	0.00	0.00	0.00	0.00	0.00	0.00	0.00	0.00	0.00	0.00
		M3	85.48	0.00	-379.08	-34.79	0.00	-142.66	47.95	0.00	-203.43	-73.62	0.00	-339.48
69	3-LANES (caseTRUCK-LOAD	MAX S2	14.39	0.00	-8.73	14.39	0.00	86.59	56.56	0.00	-104.38	56.56	0.00	231.03
		TQ	0.00	0.00	0.00	0.00	0.00	0.00	0.00	0.00	0.00	0.00	0.00	0.00
		M3	-51.25	0.00	149.28	13.29	0.00	91.43	-24.23	0.00	107.09	56.19	0.00	232.68
		MIN S2	-56.67	0.00	116.84	-56.67	0.00	-258.50	-37.33	0.00	76.37	-37.33	0.00	-145.03
		TQ	0.00	0.00	0.00	0.00	0.00	0.00	0.00	0.00	0.00	0.00	0.00	0.00
		M3	-2.94	0.00	-180.07	-41.66	0.00	-315.14	16.13	0.00	-178.65	-24.12	0.00	-201.66
	TANDEM-LOAD	MAX S2	9.85	0.00	-7.24	9.85	0.00	58.02	38.64	0.00	-71.39	38.64	0.00	157.76
		TQ	0.00	0.00	0.00	0.00	0.00	0.00	0.00	0.00	0.00	0.00	0.00	0.00
		M3	-36.65	0.00	104.74	8.93	0.00	62.16	-18.50	0.00	77.70	38.39	0.00	158.17
		MIN S2	-39.52	0.00	83.37	-39.52	0.00	-178.40	-26.91	0.00	51.67	-26.91	0.00	-107.92
		TQ	0.00	0.00	0.00	0.00	0.00	0.00	0.00	0.00	0.00	0.00	0.00	0.00
		M3	-1.26	0.00	-132.98	-27.99	0.00	-218.62	11.66	0.00	-129.55	-17.07	0.00	-142.95
	DISPERSION-LMAX	S2	22.17	0.00	-39.09	22.17	0.00	107.79	92.14	0.00	-190.89	92.14	0.00	355.53
		TQ	0.00	0.00	0.00	0.00	0.00	0.00	0.00	0.00	0.00	0.00	0.00	0.00
		M3	-23.45	0.00	131.78	19.82	0.00	150.01	-13.61	0.00	58.25	88.44	0.00	384.00
		MIN S2	-40.25	0.00	73.14	-40.25	0.00	-193.49	-19.12	0.00	36.46	-19.12	0.00	-76.94
		TQ	0.00	0.00	0.00	0.00	0.00	0.00	0.00	0.00	0.00	0.00	0.00	0.00
		M3	5.38	0.00	-97.73	-37.90	0.00	-235.72	86.62	0.00	-212.68	-15.42	0.00	-105.42

BAGO RIVER BRIDGE

BLOCK [ No.2 : CROSS BEAM ][ BEAM MEMBER FORCE ]

MEMBER				1003029						1003031						
NODE				3029			4029			3031			4031			
				SHEAR	TORQUE	MOMENT	SHEAR	TORQUE	MOMENT	SHEAR	TORQUE	MOMENT	SHEAR	TORQUE	MOMENT	
NAME	TITLE			S2 (kN)	TQ (kN·m)	M3 (kN·m)	S2 (kN)	TQ (kN·m)	M3 (kN·m)	S2 (kN)	TQ (kN·m)	M3 (kN·m)	S2 (kN)	TQ (kN·m)	M3 (kN·m)	
70	3-LANES (caseTRUCK-LOAD	MAX	S2	62.55	0.00	-226.53	62.55	0.00	187.77	59.61	0.00	-233.98	59.61	0.00	119.55	
			TQ	0.00	0.00	0.00	0.00	0.00	0.00	0.00	0.00	0.00	0.00	0.00	0.00	0.00
			M3	-92.25	0.00	538.48	50.42	0.00	222.74	-114.05	0.00	536.41	34.09	0.00	135.51	
		MIN	S2	-92.41	0.00	538.22	-92.41	0.00	-73.88	-115.57	0.00	527.24	-115.57	0.00	-158.14	
			TQ	0.00	0.00	0.00	0.00	0.00	0.00	0.00	0.00	0.00	0.00	0.00	0.00	0.00
			M3	61.42	0.00	-232.82	-84.27	0.00	-142.34	56.79	0.00	-235.58	-104.36	0.00	-235.90	
		TANDEM-LOAD MAX	S2	45.36	0.00	-160.64	45.36	0.00	139.83	46.43	0.00	-180.04	46.43	0.00	95.31	
			TQ	0.00	0.00	0.00	0.00	0.00	0.00	0.00	0.00	0.00	0.00	0.00	0.00	0.00
			M3	-68.59	0.00	397.10	39.17	0.00	161.77	-82.07	0.00	390.96	25.37	0.00	106.22	
		MIN	S2	-68.75	0.00	396.72	-68.75	0.00	-58.63	-84.27	0.00	387.09	-84.27	0.00	-112.69	
			TQ	0.00	0.00	0.00	0.00	0.00	0.00	0.00	0.00	0.00	0.00	0.00	0.00	0.00
			M3	43.11	0.00	-168.72	-61.57	0.00	-104.30	44.61	0.00	-184.27	-75.16	0.00	-168.20	
		DISPERSION-LMAX	S2	37.46	0.00	-132.24	37.46	0.00	115.85	26.08	0.00	-96.81	26.08	0.00	57.88	
			TQ	0.00	0.00	0.00	0.00	0.00	0.00	0.00	0.00	0.00	0.00	0.00	0.00	0.00
			M3	-76.76	0.00	358.56	28.06	0.00	135.09	-111.24	0.00	315.55	18.48	0.00	68.46	
MIN	S2	-78.11	0.00	351.97	-78.11	0.00	-165.42	-112.72	0.00	311.97	-112.72	0.00	-356.51			
	TQ	0.00	0.00	0.00	0.00	0.00	0.00	0.00	0.00	0.00	0.00	0.00	0.00	0.00		
	M3	36.11	0.00	-138.83	-68.72	0.00	-184.66	24.61	0.00	-100.39	-105.11	0.00	-367.09			
71	3-LANES (caseTRUCK-LOAD	MAX	S2	169.06	0.00	-701.53	169.06	0.00	418.30	124.57	0.00	-496.16	124.57	0.00	242.60	
			TQ	0.00	0.00	0.00	0.00	0.00	0.00	0.00	0.00	0.00	0.00	0.00	0.00	
			M3	-51.71	0.00	273.19	164.60	0.00	430.02	-90.61	0.00	356.90	107.68	0.00	255.44	
		MIN	S2	-52.02	0.00	272.23	-52.02	0.00	-72.36	-90.67	0.00	356.34	-90.67	0.00	-181.35	
			TQ	0.00	0.00	0.00	0.00	0.00	0.00	0.00	0.00	0.00	0.00	0.00	0.00	0.00
			M3	167.43	0.00	-707.48	-26.07	0.00	-100.31	124.44	0.00	-497.03	-85.13	0.00	-204.98	

BAGO RIVER BRIDGE

BLOCK [ No.2 : CROSS BEAM ][ BEAM MEMBER FORCE ]

MEMBER		1003029						1003031								
NODE		3029			4029			3031			4031					
		SHEAR	TORQUE	MOMENT	SHEAR	TORQUE	MOMENT	SHEAR	TORQUE	MOMENT	SHEAR	TORQUE	MOMENT			
NAME	TITLE	S2 (kN)	TQ (kN·m)	M3 (kN·m)	S2 (kN)	TQ (kN·m)	M3 (kN·m)	S2 (kN)	TQ (kN·m)	M3 (kN·m)	S2 (kN)	TQ (kN·m)	M3 (kN·m)			
71	3-LANES (caseTANDEM-LOAD	MAX	S2	122.74	0.00	-501.39	122.74	0.00	311.58	93.03	0.00	-362.39	93.03	0.00	189.29	
			TQ	0.00	0.00	0.00	0.00	0.00	0.00	0.00	0.00	0.00	0.00	0.00	0.00	
			M3	-37.46	0.00	198.60	119.58	0.00	317.26	-63.15	0.00	269.50	77.19	0.00	195.00	
		MIN	S2	-37.71	0.00	197.88	-37.71	0.00	-51.89	-66.83	0.00	262.04	-66.83	0.00	-134.31	
			TQ	0.00	0.00	0.00	0.00	0.00	0.00	0.00	0.00	0.00	0.00	0.00	0.00	
			M3	120.42	0.00	-507.87	-17.68	0.00	-68.32	92.96	0.00	-368.60	-63.58	0.00	-144.55	
	DISPERSION-LMAX		S2	89.21	0.00	-379.17	89.21	0.00	211.73	53.30	0.00	-213.54	53.30	0.00	102.55	
			TQ	0.00	0.00	0.00	0.00	0.00	0.00	0.00	0.00	0.00	0.00	0.00	0.00	
			M3	-55.07	0.00	222.21	82.31	0.00	227.26	-102.27	0.00	238.44	47.28	0.00	113.22	
		MIN	S2	-56.53	0.00	215.86	-56.53	0.00	-158.57	-104.73	0.00	231.53	-104.73	0.00	-389.58	
			TQ	0.00	0.00	0.00	0.00	0.00	0.00	0.00	0.00	0.00	0.00	0.00	0.00	
			M3	87.75	0.00	-385.52	-49.63	0.00	-174.10	50.84	0.00	-220.45	-98.71	0.00	-400.24	
72	4-LANES	TRUCK-LOAD	MAX	S2	69.77	0.00	-320.67	69.77	0.00	141.49	6.37	0.00	-14.38	6.37	0.00	23.41
			TQ	0.00	0.00	0.00	0.00	0.00	0.00	0.00	0.00	0.00	0.00	0.00	0.00	
			M3	-13.76	0.00	131.31	63.95	0.00	167.18	-28.12	0.00	76.17	2.26	0.00	25.54	
		MIN	S2	-16.21	0.00	103.69	-16.21	0.00	-3.69	-30.12	0.00	69.92	-30.12	0.00	-108.70	
			TQ	0.00	0.00	0.00	0.00	0.00	0.00	0.00	0.00	0.00	0.00	0.00	0.00	
			M3	68.47	0.00	-325.95	-1.42	0.00	-21.57	1.54	0.00	-19.78	-26.75	0.00	-127.88	
	TANDEM-LOAD	MAX	S2	61.54	0.00	-275.57	61.54	0.00	132.04	4.34	0.00	-9.77	4.34	0.00	15.94	
			TQ	0.00	0.00	0.00	0.00	0.00	0.00	0.00	0.00	0.00	0.00	0.00	0.00	
			M3	-15.58	0.00	131.32	54.06	0.00	150.08	-19.41	0.00	59.35	1.04	0.00	19.95	
		MIN	S2	-16.09	0.00	101.48	-16.09	0.00	-5.13	-21.08	0.00	53.25	-21.08	0.00	-71.77	
			TQ	0.00	0.00	0.00	0.00	0.00	0.00	0.00	0.00	0.00	0.00	0.00	0.00	
			M3	60.19	0.00	-282.24	-1.11	0.00	-15.04	-1.58	0.00	-19.48	-19.30	0.00	-88.16	

BAGO RIVER BRIDGE

BLOCK [ No.2 : CROSS BEAM ][ BEAM MEMBER FORCE ]

MEMBER			1003029						1003031								
NODE			3029			4029			3031			4031					
			SHEAR	TORQUE	MOMENT	SHEAR	TORQUE	MOMENT	SHEAR	TORQUE	MOMENT	SHEAR	TORQUE	MOMENT			
NAME	TITLE		S2 (kN)	TQ (kN·m)	M3 (kN·m)	S2 (kN)	TQ (kN·m)	M3 (kN·m)	S2 (kN)	TQ (kN·m)	M3 (kN·m)	S2 (kN)	TQ (kN·m)	M3 (kN·m)			
72	4-LANES	DISPERSION-LMAX	S2	19.71	0.00	-86.83	19.71	0.00	43.74	7.84	0.00	-17.68	7.84	0.00	28.79		
			TQ	0.00	0.00	0.00	0.00	0.00	0.00	0.00	0.00	0.00	0.00	0.00	0.00	0.00	
			M3	-2.84	0.00	25.94	16.39	0.00	53.09	-21.26	0.00	44.69	7.38	0.00	0.00	29.45	
		MIN	S2	-3.66	0.00	22.20	-3.66	0.00	-2.04	-22.24	0.00	43.52	-22.24	0.00	0.00	-88.35	
			TQ	0.00	0.00	0.00	0.00	0.00	0.00	0.00	0.00	0.00	0.00	0.00	0.00	0.00	
			M3	18.89	0.00	-90.58	-0.36	0.00	-11.22	6.86	0.00	-18.79	-21.79	0.00	0.00	-89.00	
		73	6-LANES	TRUCK-LOAD MAX	S2	150.92	0.00	-561.93	150.92	0.00	437.72	157.12	0.00	-505.47	157.12	0.00	426.32
					TQ	0.00	0.00	0.00	0.00	0.00	0.00	0.00	0.00	0.00	0.00	0.00	0.00
					M3	-147.12	0.00	667.05	147.93	0.00	457.51	-133.67	0.00	621.10	138.01	0.00	0.00
MIN	S2			-151.95	0.00	639.12	-151.95	0.00	-367.39	-156.98	0.00	572.70	-156.98	0.00	0.00	-358.28	
	TQ			0.00	0.00	0.00	0.00	0.00	0.00	0.00	0.00	0.00	0.00	0.00	0.00	0.00	
	M3			127.11	0.00	-712.58	-138.20	0.00	-419.63	137.13	0.00	-588.14	-142.06	0.00	0.00	-424.68	
TANDEM-LOAD MAX	S2			109.10	0.00	-406.80	109.10	0.00	315.84	114.69	0.00	-369.81	114.69	0.00	0.00	310.34	
	TQ			0.00	0.00	0.00	0.00	0.00	0.00	0.00	0.00	0.00	0.00	0.00	0.00	0.00	
	M3			-107.48	0.00	482.95	105.70	0.00	333.76	-96.35	0.00	460.89	99.85	0.00	0.00	319.71	
MIN	S2			-109.81	0.00	471.94	-109.81	0.00	-255.45	-113.32	0.00	411.34	-113.32	0.00	0.00	-260.71	
	TQ			0.00	0.00	0.00	0.00	0.00	0.00	0.00	0.00	0.00	0.00	0.00	0.00	0.00	
	M3			91.03	0.00	-519.52	-97.47	0.00	-298.54	98.19	0.00	-431.44	-103.50	0.00	0.00	-304.08	
DISPERSION-LMAX	S2	101.33	0.00	-381.53	101.33	0.00	289.65	136.19	0.00	-380.46	136.19	0.00	0.00	427.21			
	TQ	0.00	0.00	0.00	0.00	0.00	0.00	0.00	0.00	0.00	0.00	0.00	0.00	0.00			
	M3	-93.43	0.00	454.36	90.39	0.00	348.42	-123.33	0.00	358.83	124.88	0.00	0.00	466.20			
MIN	S2	-109.11	0.00	397.78	-109.11	0.00	-324.96	-130.45	0.00	333.85	-130.45	0.00	0.00	-439.81			
	TQ	0.00	0.00	0.00	0.00	0.00	0.00	0.00	0.00	0.00	0.00	0.00	0.00	0.00			
	M3	84.87	0.00	-437.32	-96.36	0.00	-380.46	129.21	0.00	-405.82	-118.73	0.00	0.00	-477.02			

BAGO RIVER BRIDGE

BLOCK [ No.2 : CROSS BEAM ][ BEAM MEMBER FORCE ]

MEMBER			1003029			1003031									
NODE			3029			4029			3031			4031			
NAME TITLE			SHEAR	TORQUE	MOMENT	SHEAR	TORQUE	MOMENT	SHEAR	TORQUE	MOMENT	SHEAR	TORQUE	MOMENT	
			S2 (kN)	TQ (kN·m)	M3 (kN·m)	S2 (kN)	TQ (kN·m)	M3 (kN·m)	S2 (kN)	TQ (kN·m)	M3 (kN·m)	S2 (kN)	TQ (kN·m)	M3 (kN·m)	
124	SUM TOTAL	D+1LANE (caseMAX	S2	-29.37	0.00	79.04	-29.37	0.00	-115.48	104.00	0.00	-334.30	104.00	0.00	282.45
			TQ	-55.12	0.00	140.92	-55.12	0.00	-224.16	18.47	0.00	-162.01	18.47	0.00	-52.46
			M3	-67.66	0.00	189.63	-31.22	0.00	-72.04	25.81	0.00	-142.47	100.34	0.00	311.18
		MIN	S2	-81.25	0.00	130.50	-81.25	0.00	-407.70	11.15	0.00	-173.41	11.15	0.00	-107.27
			TQ	-55.12	0.00	140.92	-55.12	0.00	-224.16	18.47	0.00	-162.01	18.47	0.00	-52.46
			M3	-43.68	0.00	-117.47	-66.20	0.00	-496.29	78.99	0.00	-427.26	24.97	0.00	-183.06
		D+1LANE (caseMAX	S2	-50.39	0.00	138.62	-50.39	0.00	-195.18	53.69	0.00	-243.67	53.69	0.00	74.74
			TQ	-55.12	0.00	140.92	-55.12	0.00	-224.16	18.47	0.00	-162.01	18.47	0.00	-52.46
			M3	-110.52	0.00	360.55	-52.58	0.00	-183.13	-22.07	0.00	-12.67	52.75	0.00	77.54
		MIN	S2	-111.42	0.00	352.95	-111.42	0.00	-385.07	-24.45	0.00	-23.72	-24.45	0.00	-168.70
			TQ	-55.12	0.00	140.92	-55.12	0.00	-224.16	18.47	0.00	-162.01	18.47	0.00	-52.46
			M3	-51.38	0.00	131.40	-110.37	0.00	-393.22	53.00	0.00	-244.86	-23.62	0.00	-170.47
		D+1LANE (caseMAX	S2	-53.01	0.00	137.48	-53.01	0.00	-213.65	32.08	0.00	-232.83	32.08	0.00	-42.59
			TQ	-55.12	0.00	140.92	-55.12	0.00	-224.16	18.47	0.00	-162.01	18.47	0.00	-52.46
			M3	-173.29	0.00	812.63	-63.08	0.00	-185.52	-102.98	0.00	413.83	10.14	0.00	-26.36
		MIN	S2	-173.53	0.00	811.15	-173.53	0.00	-338.28	-103.85	0.00	412.18	-103.85	0.00	-203.72
			TQ	-55.12	0.00	140.92	-55.12	0.00	-224.16	18.47	0.00	-162.01	18.47	0.00	-52.46
			M3	-53.25	0.00	136.00	-168.24	0.00	-347.27	31.21	0.00	-234.48	-99.72	0.00	-208.98
		D+1LANE (caseMAX	S2	160.26	0.00	-833.30	160.26	0.00	228.24	179.46	0.00	-826.54	179.46	0.00	237.73
			TQ	-55.12	0.00	140.92	-55.12	0.00	-224.16	18.47	0.00	-162.01	18.47	0.00	-52.46
			M3	-94.64	0.00	245.30	159.22	0.00	230.61	-68.83	0.00	16.77	177.98	0.00	241.68
		MIN	S2	-95.10	0.00	243.99	-95.10	0.00	-385.95	-70.02	0.00	12.28	-70.02	0.00	-402.97
			TQ	-55.12	0.00	140.92	-55.12	0.00	-224.16	18.47	0.00	-162.01	18.47	0.00	-52.46
			M3	159.99	0.00	-834.30	-94.05	0.00	-388.43	178.31	0.00	-830.43	-65.07	0.00	-430.32

BAGO RIVER BRIDGE

BLOCK [ No.2 : CROSS BEAM ] [ BEAM MEMBER FORCE ]

MEMBER			1003029						1003031						
NODE			3029			4029			3031			4031			
NAME TITLE			SHEAR	TORQUE	MOMENT	SHEAR	TORQUE	MOMENT	SHEAR	TORQUE	MOMENT	SHEAR	TORQUE	MOMENT	
			S2 (kN)	TQ (kN·m)	M3 (kN·m)	S2 (kN)	TQ (kN·m)	M3 (kN·m)	S2 (kN)	TQ (kN·m)	M3 (kN·m)	S2 (kN)	TQ (kN·m)	M3 (kN·m)	
124	SUM TOTAL	D+2LANES (casMAX	S2	-22.49	0.00	95.02	-22.49	0.00	-53.93	137.82	0.00	-389.23	137.82	0.00	428.09
			TQ	-55.12	0.00	140.92	-55.12	0.00	-224.16	18.47	0.00	-162.01	18.47	0.00	-52.46
			M3	-83.65	0.00	238.95	-24.12	0.00	-16.91	14.42	0.00	-121.12	134.53	0.00	455.88
		MIN	S2	-105.12	0.00	154.21	-105.12	0.00	-542.06	-2.22	0.00	-164.43	-2.22	0.00	-177.57
			TQ	-55.12	0.00	140.92	-55.12	0.00	-224.16	18.47	0.00	-162.01	18.47	0.00	-52.46
			M3	-55.79	0.00	-128.94	-88.64	0.00	-634.14	92.44	0.00	-484.29	14.01	0.00	-261.20
		D+2LANES (casMAX	S2	-40.01	0.00	144.67	-40.01	0.00	-120.34	95.89	0.00	-313.69	95.89	0.00	254.99
			TQ	-55.12	0.00	140.92	-55.12	0.00	-224.16	18.47	0.00	-162.01	18.47	0.00	-52.46
			M3	-119.37	0.00	381.39	-41.92	0.00	-109.49	-25.48	0.00	-12.95	94.88	0.00	261.18
		MIN	S2	-130.26	0.00	339.59	-130.26	0.00	-523.21	-31.88	0.00	-39.68	-31.88	0.00	-228.77
			TQ	-55.12	0.00	140.92	-55.12	0.00	-224.16	18.47	0.00	-162.01	18.47	0.00	-52.46
			M3	-62.21	0.00	78.45	-125.45	0.00	-548.25	70.79	0.00	-332.29	-26.48	0.00	-250.71
		D+2LANES (casMAX	S2	-45.03	0.00	135.07	-45.03	0.00	-163.18	33.40	0.00	-229.19	33.40	0.00	-31.11
			TQ	-55.12	0.00	140.92	-55.12	0.00	-224.16	18.47	0.00	-162.01	18.47	0.00	-52.46
			M3	-191.27	0.00	951.49	-66.32	0.00	-109.75	-139.81	0.00	557.74	0.62	0.00	-5.59
		MIN	S2	-192.47	0.00	945.33	-192.47	0.00	-329.57	-140.99	0.00	554.82	-140.99	0.00	-281.34
			TQ	-55.12	0.00	140.92	-55.12	0.00	-224.16	18.47	0.00	-162.01	18.47	0.00	-52.46
			M3	-47.36	0.00	122.62	-175.17	0.00	-416.42	29.40	0.00	-233.71	-123.55	0.00	-359.00
		D+2LANES (casMAX	S2	195.71	0.00	-933.06	195.71	0.00	363.27	186.23	0.00	-816.76	186.23	0.00	287.68
			TQ	-55.12	0.00	140.92	-55.12	0.00	-224.16	18.47	0.00	-162.01	18.47	0.00	-52.46
			M3	-111.17	0.00	297.48	194.60	0.00	366.10	-94.99	0.00	47.72	183.92	0.00	295.68
		MIN	S2	-112.20	0.00	294.48	-112.20	0.00	-448.73	-96.75	0.00	41.78	-96.75	0.00	-531.99
			TQ	-55.12	0.00	140.92	-55.12	0.00	-224.16	18.47	0.00	-162.01	18.47	0.00	-52.46
			M3	194.73	0.00	-937.37	-111.03	0.00	-451.73	184.39	0.00	-823.01	-91.76	0.00	-557.76



BAGO RIVER BRIDGE

BLOCK [ No.2 : CROSS BEAM ][ BEAM MEMBER FORCE ]

MEMBER			1003029						1003031							
NODE			3029			4029			3031			4031				
NAME TITLE			SHEAR	TORQUE	MOMENT	SHEAR	TORQUE	MOMENT	SHEAR	TORQUE	MOMENT	SHEAR	TORQUE	MOMENT		
			S2 (kN)	TQ (kN·m)	M3 (kN·m)	S2 (kN)	TQ (kN·m)	M3 (kN·m)	S2 (kN)	TQ (kN·m)	M3 (kN·m)	S2 (kN)	TQ (kN·m)	M3 (kN·m)		
124	SUM TOTAL	D+3LANES (casMAX	S2	-24.04	0.00	100.27	-24.04	0.00	-58.94	144.86	0.00	-412.98	144.86	0.00	446.11	
			TQ	-55.12	0.00	140.92	-55.12	0.00	-224.16	18.47	0.00	-162.01	18.47	0.00	-52.46	
			M3	-118.61	0.00	379.82	-26.98	0.00	-18.94	-13.69	0.00	-21.47	141.40	0.00	471.72	
		MIN	S2	-137.50	0.00	302.40	-137.50	0.00	-608.36	-29.51	0.00	-66.11	-29.51	0.00	-241.14	
			TQ	-55.12	0.00	140.92	-55.12	0.00	-224.16	18.47	0.00	-162.01	18.47	0.00	-52.46	
			M3	-53.05	0.00	-95.21	-122.75	0.00	-692.39	105.81	0.00	-494.63	-15.14	0.00	-313.48	
		D+3LANES (casMAX	S2	29.89	0.00	-164.04	29.89	0.00	33.92	91.31	0.00	-443.18	91.31	0.00	98.35	
			TQ	-55.12	0.00	140.92	-55.12	0.00	-224.16	18.47	0.00	-162.01	18.47	0.00	-52.46	
			M3	-198.78	0.00	903.41	11.59	0.00	79.99	-173.03	0.00	562.15	63.16	0.00	120.91	
		MIN	S2	-200.06	0.00	897.59	-200.06	0.00	-427.57	-175.57	0.00	551.31	-175.57	0.00	-489.91	
			TQ	-55.12	0.00	140.92	-55.12	0.00	-224.16	18.47	0.00	-162.01	18.47	0.00	-52.46	
			M3	27.78	0.00	-174.99	-185.15	0.00	-502.11	87.66	0.00	-447.58	-159.58	0.00	-565.01	
		D+3LANES (casMAX	S2	164.41	0.00	-777.67	164.41	0.00	311.36	169.66	0.00	-765.26	169.66	0.00	240.92	
			TQ	-55.12	0.00	140.92	-55.12	0.00	-224.16	18.47	0.00	-162.01	18.47	0.00	-52.46	
			M3	-145.88	0.00	562.01	154.76	0.00	334.53	-145.48	0.00	344.03	150.19	0.00	260.89	
		MIN	S2	-147.39	0.00	555.80	-147.39	0.00	-420.45	-147.62	0.00	337.69	-147.62	0.00	-537.75	
			TQ	-55.12	0.00	140.92	-55.12	0.00	-224.16	18.47	0.00	-162.01	18.47	0.00	-52.46	
			M3	161.78	0.00	-788.13	-119.46	0.00	-457.41	167.46	0.00	-771.87	-137.80	0.00	-566.90	
		D+4LANES	MAX	S2	3.05	0.00	-123.96	3.05	0.00	-103.76	27.71	0.00	-182.85	27.71	0.00	-18.53
			TQ	-55.12	0.00	140.92	-55.12	0.00	-224.16	18.47	0.00	-162.01	18.47	0.00	-52.46	
			M3	-65.91	0.00	243.13	-2.90	0.00	-80.99	-13.63	0.00	-83.45	24.74	0.00	-16.72	
		MIN	S2	-68.03	0.00	222.75	-68.03	0.00	-227.88	-15.56	0.00	-88.27	-15.56	0.00	-180.55	
			TQ	-55.12	0.00	140.92	-55.12	0.00	-224.16	18.47	0.00	-162.01	18.47	0.00	-52.46	
			M3	1.67	0.00	-129.82	-56.28	0.00	-245.47	23.94	0.00	-187.08	-13.08	0.00	-193.43	

BAGO RIVER BRIDGE

BLOCK [ No.2 : CROSS BEAM ][ BEAM MEMBER FORCE ]

MEMBER					1003029			1003031								
NODE					3029			4029			3031			4031		
NAME TITLE					SHEAR	TORQUE	MOMENT	SHEAR	TORQUE	MOMENT	SHEAR	TORQUE	MOMENT	SHEAR	TORQUE	MOMENT
					S2 (kN)	TQ (kN·m)	M3 (kN·m)	S2 (kN)	TQ (kN·m)	M3 (kN·m)	S2 (kN)	TQ (kN·m)	M3 (kN·m)	S2 (kN)	TQ (kN·m)	M3 (kN·m)
124	SUM TOTAL	D+6LANES	MAX	S2	108.84	0.00	-472.33	108.84	0.00	248.63	209.12	0.00	-737.86	209.12	0.00	502.32
				TQ	-55.12	0.00	140.92	-55.12	0.00	-224.16	18.47	0.00	-162.01	18.47	0.00	-52.46
				M3	-211.48	0.00	869.84	99.79	0.00	299.69	-148.58	0.00	474.94	189.35	0.00	537.43
			MIN	S2	-224.81	0.00	814.91	-224.81	0.00	-674.19	-168.36	0.00	427.25	-168.36	0.00	-571.23
				TQ	-55.12	0.00	140.92	-55.12	0.00	-224.16	18.47	0.00	-162.01	18.47	0.00	-52.46
				M3	82.67	0.00	-606.51	-207.58	0.00	-744.22	191.59	0.00	-808.08	-151.04	0.00	-638.57
	SUM TOTAL		MAX		195.71	0.00	951.49	195.71	0.00	366.10	209.12	0.00	562.15	209.12	0.00	537.43
			MIN		-224.81	0.00	-937.37	-224.81	0.00	-744.22	-175.57	0.00	-830.43	-175.57	0.00	-638.57
300	DEAD LOAD	TOTAL			-55.12	0.00	140.92	-55.12	0.00	-224.16	18.47	0.00	-162.01	18.47	0.00	-52.46
301	LIVE LOAD	1-LANE(case1MAX	S2		25.75	0.00	-61.88	25.75	0.00	108.68	85.53	0.00	-172.30	85.53	0.00	334.92
			TQ		0.00	0.00	0.00	0.00	0.00	0.00	0.00	0.00	0.00	0.00	0.00	0.00
			M3		-12.54	0.00	48.71	23.89	0.00	152.13	7.34	0.00	19.54	81.87	0.00	363.65
			MIN	S2	-26.14	0.00	-10.42	-26.14	0.00	-183.54	-7.32	0.00	-11.40	-7.32	0.00	-54.80
				TQ	0.00	0.00	0.00	0.00	0.00	0.00	0.00	0.00	0.00	0.00	0.00	0.00
				M3	11.43	0.00	-258.39	-11.08	0.00	-272.12	60.52	0.00	-265.25	6.50	0.00	-130.60
		1-LANE(case2MAX	S2		4.72	0.00	-2.30	4.72	0.00	28.98	35.22	0.00	-81.66	35.22	0.00	127.20
			TQ		0.00	0.00	0.00	0.00	0.00	0.00	0.00	0.00	0.00	0.00	0.00	0.00
			M3		-55.40	0.00	219.63	2.54	0.00	41.03	-40.54	0.00	149.34	34.28	0.00	130.01
			MIN	S2	-56.30	0.00	212.03	-56.30	0.00	-160.91	-42.92	0.00	138.29	-42.92	0.00	-116.24
				TQ	0.00	0.00	0.00	0.00	0.00	0.00	0.00	0.00	0.00	0.00	0.00	0.00
				M3	3.74	0.00	-9.52	-55.25	0.00	-169.06	34.53	0.00	-82.85	-42.09	0.00	-118.01
		1-LANE(case3MAX	S2		2.11	0.00	-3.44	2.11	0.00	10.52	13.61	0.00	-70.82	13.61	0.00	9.88
			TQ		0.00	0.00	0.00	0.00	0.00	0.00	0.00	0.00	0.00	0.00	0.00	0.00
			M3		-118.18	0.00	671.71	-7.96	0.00	38.64	-121.45	0.00	575.84	-8.33	0.00	26.11
			MIN	S2	-118.41	0.00	670.23	-118.41	0.00	-114.12	-122.32	0.00	574.19	-122.32	0.00	-151.26
				TQ	0.00	0.00	0.00	0.00	0.00	0.00	0.00	0.00	0.00	0.00	0.00	0.00
				M3	1.87	0.00	-4.92	-113.12	0.00	-123.11	12.73	0.00	-72.48	-118.19	0.00	-156.52

BAGO RIVER BRIDGE

BLOCK [ No.2 : CROSS BEAM ][ BEAM MEMBER FORCE ]

MEMBER			1003029						1003031							
NODE			3029			4029			3031			4031				
NAME TITLE			SHEAR	TORQUE	MOMENT	SHEAR	TORQUE	MOMENT	SHEAR	TORQUE	MOMENT	SHEAR	TORQUE	MOMENT		
			S2 (kN)	TQ (kN·m)	M3 (kN·m)	S2 (kN)	TQ (kN·m)	M3 (kN·m)	S2 (kN)	TQ (kN·m)	M3 (kN·m)	S2 (kN)	TQ (kN·m)	M3 (kN·m)		
301	LIVE LOAD	1-LANE (case4MAX	S2	215.38	0.00	-974.22	215.38	0.00	452.40	160.99	0.00	-664.53	160.99	0.00	290.19	
			TQ	0.00	0.00	0.00	0.00	0.00	0.00	0.00	0.00	0.00	0.00	0.00	0.00	
			M3	-39.52	0.00	104.38	214.34	0.00	454.77	-87.31	0.00	178.78	159.51	0.00	0.00	294.14
			MIN S2	-39.99	0.00	103.07	-39.99	0.00	-161.79	-88.49	0.00	174.29	-88.49	0.00	0.00	-350.51
			TQ	0.00	0.00	0.00	0.00	0.00	0.00	0.00	0.00	0.00	0.00	0.00	0.00	0.00
			M3	215.10	0.00	-975.22	-38.93	0.00	-164.27	159.84	0.00	-668.42	-83.54	0.00	0.00	-377.86
		2-LANES (caseMAX	S2	32.63	0.00	-45.90	32.63	0.00	170.23	119.34	0.00	-227.22	119.34	0.00	0.00	480.56
			TQ	0.00	0.00	0.00	0.00	0.00	0.00	0.00	0.00	0.00	0.00	0.00	0.00	0.00
			M3	-28.53	0.00	98.03	30.99	0.00	207.25	-4.05	0.00	40.89	116.06	0.00	0.00	508.35
			MIN S2	-50.00	0.00	13.29	-50.00	0.00	-317.90	-20.69	0.00	-2.42	-20.69	0.00	0.00	-125.11
			TQ	0.00	0.00	0.00	0.00	0.00	0.00	0.00	0.00	0.00	0.00	0.00	0.00	0.00
			M3	-0.68	0.00	-269.86	-33.52	0.00	-409.98	73.97	0.00	-322.28	-4.47	0.00	0.00	-208.74
		2-LANES (caseMAX	S2	15.11	0.00	3.75	15.11	0.00	103.82	77.42	0.00	-151.69	77.42	0.00	0.00	307.46
			TQ	0.00	0.00	0.00	0.00	0.00	0.00	0.00	0.00	0.00	0.00	0.00	0.00	0.00
			M3	-64.25	0.00	240.46	13.20	0.00	114.67	-43.95	0.00	149.06	76.40	0.00	0.00	313.65
			MIN S2	-75.14	0.00	198.66	-75.14	0.00	-299.04	-50.35	0.00	122.33	-50.35	0.00	0.00	-176.30
			TQ	0.00	0.00	0.00	0.00	0.00	0.00	0.00	0.00	0.00	0.00	0.00	0.00	0.00
			M3	-7.09	0.00	-62.47	-70.33	0.00	-324.09	52.32	0.00	-170.28	-44.95	0.00	0.00	-198.25
		2-LANES (caseMAX	S2	10.09	0.00	-5.85	10.09	0.00	60.98	14.93	0.00	-67.18	14.93	0.00	0.00	21.35
			TQ	0.00	0.00	0.00	0.00	0.00	0.00	0.00	0.00	0.00	0.00	0.00	0.00	0.00
			M3	-136.16	0.00	810.57	-11.21	0.00	114.41	-158.28	0.00	719.75	-17.86	0.00	0.00	46.87
MIN S2	-137.36		0.00	804.41	-137.36	0.00	-105.40	-159.46	0.00	716.83	-159.46	0.00	0.00	-228.88		
TQ	0.00		0.00	0.00	0.00	0.00	0.00	0.00	0.00	0.00	0.00	0.00	0.00	0.00		
M3	7.76		0.00	-18.30	-120.06	0.00	-192.26	10.93	0.00	-71.70	-142.02	0.00	0.00	-306.54		

BAGO RIVER BRIDGE

BLOCK [ No.2 : CROSS BEAM ][ BEAM MEMBER FORCE ]

MEMBER			1003029						1003031							
NODE			3029			4029			3031			4031				
NAME TITLE			SHEAR	TORQUE	MOMENT	SHEAR	TORQUE	MOMENT	SHEAR	TORQUE	MOMENT	SHEAR	TORQUE	MOMENT		
			S2 (kN)	TQ (kN·m)	M3 (kN·m)	S2 (kN)	TQ (kN·m)	M3 (kN·m)	S2 (kN)	TQ (kN·m)	M3 (kN·m)	S2 (kN)	TQ (kN·m)	M3 (kN·m)		
301	LIVE LOAD	2-LANES (caseMAX	S2	250.83	0.00	-1073.98	250.83	0.00	587.43	167.76	0.00	-654.76	167.76	0.00	340.15	
			TQ	0.00	0.00	0.00	0.00	0.00	0.00	0.00	0.00	0.00	0.00	0.00	0.00	0.00
			M3	-56.05	0.00	156.55	249.71	0.00	590.27	-113.46	0.00	209.73	165.45	0.00	0.00	348.15
			MIN S2	-57.09	0.00	153.56	-57.09	0.00	-224.57	-115.22	0.00	203.79	-115.22	0.00	0.00	-479.53
			TQ	0.00	0.00	0.00	0.00	0.00	0.00	0.00	0.00	0.00	0.00	0.00	0.00	0.00
			M3	249.85	0.00	-1078.29	-55.91	0.00	-227.57	165.92	0.00	-661.01	-110.23	0.00	0.00	-505.29
		3-LANES (caseMAX	S2	31.08	0.00	-40.65	31.08	0.00	165.23	126.39	0.00	-250.98	126.39	0.00	0.00	498.57
			TQ	0.00	0.00	0.00	0.00	0.00	0.00	0.00	0.00	0.00	0.00	0.00	0.00	0.00
			M3	-63.50	0.00	238.90	28.14	0.00	205.23	-32.16	0.00	140.54	122.93	0.00	0.00	524.18
			MIN S2	-82.38	0.00	161.48	-82.38	0.00	-384.19	-47.99	0.00	95.90	-47.99	0.00	0.00	-188.68
			TQ	0.00	0.00	0.00	0.00	0.00	0.00	0.00	0.00	0.00	0.00	0.00	0.00	0.00
			M3	2.07	0.00	-236.13	-67.63	0.00	-468.23	87.34	0.00	-332.62	-33.61	0.00	0.00	-261.02
		3-LANES (caseMAX	S2	85.00	0.00	-304.96	85.00	0.00	258.08	72.84	0.00	-281.17	72.84	0.00	0.00	150.82
			TQ	0.00	0.00	0.00	0.00	0.00	0.00	0.00	0.00	0.00	0.00	0.00	0.00	0.00
			M3	-143.66	0.00	762.49	66.71	0.00	304.15	-191.50	0.00	724.16	44.69	0.00	0.00	173.38
			MIN S2	-144.94	0.00	756.66	-144.94	0.00	-203.41	-194.04	0.00	713.32	-194.04	0.00	0.00	-437.45
			TQ	0.00	0.00	0.00	0.00	0.00	0.00	0.00	0.00	0.00	0.00	0.00	0.00	0.00
			M3	82.89	0.00	-315.91	-130.04	0.00	-277.95	69.19	0.00	-285.57	-178.05	0.00	0.00	-512.54
		3-LANES (caseMAX	S2	219.53	0.00	-918.59	219.53	0.00	535.52	151.19	0.00	-603.25	151.19	0.00	0.00	293.38
			TQ	0.00	0.00	0.00	0.00	0.00	0.00	0.00	0.00	0.00	0.00	0.00	0.00	0.00
			M3	-90.76	0.00	421.09	209.88	0.00	558.69	-163.95	0.00	506.04	131.72	0.00	0.00	313.36
MIN S2	-92.27		0.00	414.88	-92.27	0.00	-196.29	-166.09	0.00	499.70	-166.09	0.00	0.00	-485.29		
TQ	0.00		0.00	0.00	0.00	0.00	0.00	0.00	0.00	0.00	0.00	0.00	0.00	0.00		
M3	216.90		0.00	-929.05	-64.35	0.00	-233.25	148.98	0.00	-609.86	-156.27	0.00	0.00	-514.43		

BAGO RIVER BRIDGE

BLOCK [ No.2 : CROSS BEAM ][ BEAM MEMBER FORCE ]

MEMBER					1003029						1003031						
NODE					3029			4029			3031			4031			
NAME TITLE					SHEAR	TORQUE	MOMENT	SHEAR	TORQUE	MOMENT	SHEAR	TORQUE	MOMENT	SHEAR	TORQUE	MOMENT	
					S2 (kN)	TQ (kN·m)	M3 (kN·m)	S2 (kN)	TQ (kN·m)	M3 (kN·m)	S2 (kN)	TQ (kN·m)	M3 (kN·m)	S2 (kN)	TQ (kN·m)	M3 (kN·m)	
301	LIVE LOAD	4-LANES	MAX	S2	58.17	0.00	-264.88	58.17	0.00	120.40	9.24	0.00	-20.84	9.24	0.00	33.93	
				TQ	0.00	0.00	0.00	0.00	0.00	0.00	0.00	0.00	0.00	0.00	0.00	0.00	0.00
				M3	-10.79	0.00	102.21	52.22	0.00	143.17	-32.10	0.00	78.56	6.26	0.00	35.74	
		MIN	S2	-12.92	0.00	81.83	-12.92	0.00	-3.72	-34.03	0.00	73.73	-34.03	0.00	-128.08		
			TQ	0.00	0.00	0.00	0.00	0.00	0.00	0.00	0.00	0.00	0.00	0.00	0.00		
			M3	56.78	0.00	-270.74	-1.16	0.00	-21.31	5.47	0.00	-25.07	-31.55	0.00	-140.97		
	6-LANES	MAX	S2	163.96	0.00	-613.25	163.96	0.00	472.79	190.65	0.00	-575.85	190.65	0.00	554.79		
			TQ	0.00	0.00	0.00	0.00	0.00	0.00	0.00	0.00	0.00	0.00	0.00	0.00		
			M3	-156.36	0.00	728.92	154.91	0.00	523.85	-167.05	0.00	636.95	170.88	0.00	589.90		
		MIN	S2	-169.69	0.00	673.98	-169.69	0.00	-450.03	-186.83	0.00	589.26	-186.83	0.00	-518.76		
			TQ	0.00	0.00	0.00	0.00	0.00	0.00	0.00	0.00	0.00	0.00	0.00	0.00		
			M3	137.79	0.00	-747.44	-152.46	0.00	-520.06	173.12	0.00	-646.07	-169.51	0.00	-586.11		
	LIVE LOAD	MAX	250.83	0.00	810.57	250.83	0.00	590.27	190.65	0.00	724.16	190.65	0.00	589.90			
		MIN	-169.69	0.00	-1078.29	-169.69	0.00	-520.06	-194.04	0.00	-668.42	-194.04	0.00	-586.11			
	303	SUM TOTAL	TOTAL	MAX	195.71	0.00	951.49	195.71	0.00	366.10	209.12	0.00	562.15	209.12	0.00	537.43	
MIN				-224.81	0.00	-937.37	-224.81	0.00	-744.22	-175.57	0.00	-830.43	-175.57	0.00	-638.57		

BAGO RIVER BRIDGE

BLOCK [ No.2 : CROSS BEAM ][ BEAM MEMBER FORCE ]

MEMBER NODE	1003033 3033	4033			1003035 3035			4035							
		SHEAR	TORQUE	MOMENT	SHEAR	TORQUE	MOMENT	SHEAR	TORQUE	MOMENT	SHEAR	TORQUE	MOMENT		
		S2 (kN)	TQ (kN·m)	M3 (kN·m)	S2 (kN)	TQ (kN·m)	M3 (kN·m)	S2 (kN)	TQ (kN·m)	M3 (kN·m)	S2 (kN)	TQ (kN·m)	M3 (kN·m)		
1	PAVEMENT	-9.17	0.00	16.65	-9.17	0.00	-31.52	-18.56	0.00	37.21	-18.56	0.00	-48.27		
3	RAILING	-2.05	0.00	3.91	-2.05	0.00	-6.86	1.89	0.00	-9.04	1.89	0.00	-0.32		
5	CURB	-20.30	0.00	38.76	-20.30	0.00	-67.91	18.75	0.00	-89.51	18.75	0.00	-3.14		
7	DECK WEIGHT	-12.23	0.00	20.77	-12.23	0.00	-43.46	-25.40	0.00	48.21	-25.40	0.00	-68.77		
8	GIRDER WEIGH	30.04	0.00	-73.00	30.04	0.00	84.81	-34.49	0.00	128.81	-34.49	0.00	-30.02		
10	MEDIAN STRIP	21.93	0.00	-46.31	21.93	0.00	68.88	-17.50	0.00	78.19	-17.50	0.00	-2.42		
21	ADITIONAL WE	-3.42	0.00	5.82	-3.42	0.00	-12.17	-7.11	0.00	13.50	-7.11	0.00	-19.26		
31	MEDIAN RAILI	1.73	0.00	-3.64	1.73	0.00	5.43	-1.29	0.00	6.02	-1.29	0.00	0.09		
51	SUPPORT WEIG	0.00	0.00	-0.00	0.00	0.00	0.00	0.00	0.00	-0.00	0.00	0.00	-0.00		
52	NOSE WEIGHT	-0.01	0.00	0.01	-0.01	0.00	-0.02	-0.00	0.00	0.01	-0.00	0.00	-0.01		
61	1-LANE(case1TRUCK-LOAD	MAX	S2	55.22	0.00	-127.22	55.22	0.00	162.86	35.82	0.00	-58.37	35.82	0.00	106.59
			TQ	0.00	0.00	0.00	0.00	0.00	0.00	0.00	0.00	0.00	0.00	0.00	0.00
			M3	-4.63	0.00	10.71	55.22	0.00	162.86	6.06	0.00	13.74	35.62	0.00	107.02
		MIN	S2	-4.63	0.00	10.71	-4.63	0.00	-13.61	-3.49	0.00	7.25	-3.49	0.00	-8.83
			TQ	0.00	0.00	0.00	0.00	0.00	0.00	0.00	0.00	0.00	0.00	0.00	0.00
			M3	55.18	0.00	-127.29	-4.63	0.00	-13.61	16.81	0.00	-109.91	16.81	0.00	-32.47
		TANDEM-LOAD MAX	S2	37.60	0.00	-86.77	37.60	0.00	110.78	24.39	0.00	-39.05	24.39	0.00	73.26
			TQ	0.00	0.00	0.00	0.00	0.00	0.00	0.00	0.00	0.00	0.00	0.00	0.00
			M3	-3.14	0.00	7.28	37.60	0.00	110.78	2.45	0.00	12.79	24.39	0.00	73.26
		MIN	S2	-3.15	0.00	7.27	-3.15	0.00	-9.26	-2.38	0.00	4.96	-2.38	0.00	-5.99
			TQ	0.00	0.00	0.00	0.00	0.00	0.00	0.00	0.00	0.00	0.00	0.00	0.00
			M3	37.60	0.00	-86.77	-3.15	0.00	-9.26	11.89	0.00	-78.11	11.89	0.00	-23.33
		DISPERSION-LMAX	S2	127.33	0.00	-296.12	127.33	0.00	372.81	67.86	0.00	-132.06	67.86	0.00	180.48
			TQ	0.00	0.00	0.00	0.00	0.00	0.00	0.00	0.00	0.00	0.00	0.00	0.00
			M3	-5.39	0.00	12.52	127.33	0.00	372.81	-2.69	0.00	12.04	60.59	0.00	193.36
MIN	S2	-5.39	0.00	12.52	-5.39	0.00	-15.81	-4.12	0.00	8.85	-4.12	0.00	-10.12		
	TQ	0.00	0.00	0.00	0.00	0.00	0.00	0.00	0.00	0.00	0.00	0.00	0.00		
	M3	127.33	0.00	-296.12	-5.39	0.00	-15.81	66.43	0.00	-135.25	3.15	0.00	-23.00		

BAGO RIVER BRIDGE

BLOCK [ No.2 : CROSS BEAM ][ BEAM MEMBER FORCE ]

MEMBER				1003033						1003035						
NODE				3033			4033			3035			4035			
				SHEAR	TORQUE	MOMENT	SHEAR	TORQUE	MOMENT	SHEAR	TORQUE	MOMENT	SHEAR	TORQUE	MOMENT	
NAME	TITLE			S2 (kN)	TQ (kN·m)	M3 (kN·m)	S2 (kN)	TQ (kN·m)	M3 (kN·m)	S2 (kN)	TQ (kN·m)	M3 (kN·m)	S2 (kN)	TQ (kN·m)	M3 (kN·m)	
62	1-LANE (case2TRUCK-LOAD	MAX	S2	21.44	0.00	-49.30	21.44	0.00	63.32	18.17	0.00	-46.01	18.17	0.00	37.65	
			TQ	0.00	0.00	0.00	0.00	0.00	0.00	0.00	0.00	0.00	0.00	0.00	0.00	0.00
			M3	-1.52	0.00	3.72	21.41	0.00	63.37	-17.73	0.00	56.23	17.82	0.00	38.92	
		MIN	S2	-1.52	0.00	3.72	-1.52	0.00	-4.28	-21.29	0.00	52.78	-21.29	0.00	-45.28	
			TQ	0.00	0.00	0.00	0.00	0.00	0.00	0.00	0.00	0.00	0.00	0.00	0.00	0.00
			M3	21.44	0.00	-49.30	-1.52	0.00	-4.28	18.17	0.00	-46.01	-21.29	0.00	-48.46	
		TANDEM-LOAD MAX	S2	14.64	0.00	-34.09	14.64	0.00	42.82	12.63	0.00	-31.98	12.63	0.00	26.20	
			TQ	0.00	0.00	0.00	0.00	0.00	0.00	0.00	0.00	0.00	0.00	0.00	0.00	0.00
			M3	-1.04	0.00	2.54	14.55	0.00	43.33	-13.65	0.00	39.70	12.59	0.00	26.50	
		MIN	S2	-1.04	0.00	2.54	-1.04	0.00	-2.93	-15.39	0.00	32.71	-15.39	0.00	-38.16	
			TQ	0.00	0.00	0.00	0.00	0.00	0.00	0.00	0.00	0.00	0.00	0.00	0.00	0.00
			M3	14.64	0.00	-34.09	-1.04	0.00	-2.93	12.63	0.00	-31.98	-15.39	0.00	-38.16	
		DISPERSION-LMAX	S2	50.92	0.00	-117.76	50.92	0.00	149.75	22.81	0.00	-41.19	22.81	0.00	63.88	
			TQ	0.00	0.00	0.00	0.00	0.00	0.00	0.00	0.00	0.00	0.00	0.00	0.00	0.00
			M3	-1.74	0.00	4.31	50.92	0.00	149.75	-8.20	0.00	36.25	21.84	0.00	67.04	
MIN	S2	-1.74	0.00	4.31	-1.74	0.00	-4.83	-10.16	0.00	32.09	-10.16	0.00	-14.69			
	TQ	0.00	0.00	0.00	0.00	0.00	0.00	0.00	0.00	0.00	0.00	0.00	0.00	0.00		
	M3	50.92	0.00	-117.76	-1.74	0.00	-4.83	20.86	0.00	-45.35	-9.18	0.00	-17.85			
63	1-LANE (case3TRUCK-LOAD	MAX	S2	7.96	0.00	-8.27	7.96	0.00	33.53	15.77	0.00	-68.31	15.77	0.00	4.30	
			TQ	0.00	0.00	0.00	0.00	0.00	0.00	0.00	0.00	0.00	0.00	0.00	0.00	
			M3	-11.42	0.00	27.38	7.96	0.00	33.53	-76.66	0.00	320.37	-9.96	0.00	23.37	
		MIN	S2	-11.43	0.00	27.22	-11.43	0.00	-32.84	-76.66	0.00	320.37	-76.66	0.00	-32.67	
			TQ	0.00	0.00	0.00	0.00	0.00	0.00	0.00	0.00	0.00	0.00	0.00	0.00	
			M3	5.84	0.00	-9.13	-11.43	0.00	-32.84	15.77	0.00	-68.31	-71.03	0.00	-37.23	

BAGO RIVER BRIDGE

BLOCK [ No.2 : CROSS BEAM ][ BEAM MEMBER FORCE ]

MEMBER NODE	NAME TITLE	1003033 3033						1003035 3035									
		SHEAR		TORQUE		MOMENT		SHEAR		TORQUE		MOMENT					
		S2 (kN)	TQ (kN·m)	M3 (kN·m)	S2 (kN)	TQ (kN·m)	M3 (kN·m)	S2 (kN)	TQ (kN·m)	M3 (kN·m)	S2 (kN)	TQ (kN·m)	M3 (kN·m)				
63	1-LANE (case3TANDEM-LOAD	MAX	S2	6.04	0.00	-6.62	6.04	0.00	25.09	12.66	0.00	-52.63	12.66	0.00	5.66		
			TQ	0.00	0.00	0.00	0.00	0.00	0.00	0.00	0.00	0.00	0.00	0.00	0.00	0.00	
			M3	-7.81	0.00	18.66	6.04	0.00	25.09	-59.09	0.00	242.50	-10.87	0.00	0.00	17.70	
		MIN	S2	-7.81	0.00	18.62	-7.81	0.00	-22.41	-59.09	0.00	242.50	-59.09	0.00	0.00	-29.61	
			TQ	0.00	0.00	0.00	0.00	0.00	0.00	0.00	0.00	0.00	0.00	0.00	0.00	0.00	
			M3	5.09	0.00	-7.99	-7.81	0.00	-22.41	12.66	0.00	-52.63	-57.51	0.00	0.00	-30.88	
		DISPERSION-LMAX	S2	5.62	0.00	-7.55	5.62	0.00	21.98	5.14	0.00	-22.03	5.14	0.00	0.00	1.63	
			TQ	0.00	0.00	0.00	0.00	0.00	0.00	0.00	0.00	0.00	0.00	0.00	0.00	0.00	
			M3	-22.40	0.00	53.45	5.57	0.00	22.14	-39.05	0.00	146.22	-0.76	0.00	0.00	10.92	
		MIN	S2	-22.64	0.00	53.09	-22.64	0.00	-65.84	-41.24	0.00	141.21	-41.24	0.00	0.00	-48.70	
			TQ	0.00	0.00	0.00	0.00	0.00	0.00	0.00	0.00	0.00	0.00	0.00	0.00	0.00	
			M3	5.38	0.00	-7.91	-22.59	0.00	-66.00	2.95	0.00	-27.03	-35.34	0.00	0.00	-57.99	
		64	1-LANE (case4TRUCK-LOAD	MAX	S2	6.44	0.00	-14.17	6.44	0.00	19.66	119.18	0.00	-360.25	119.18	0.00	188.63
					TQ	0.00	0.00	0.00	0.00	0.00	0.00	0.00	0.00	0.00	0.00	0.00	0.00
					M3	-66.50	0.00	143.05	6.44	0.00	19.66	-44.36	0.00	103.63	119.18	0.00	0.00
MIN	S2			-66.55	0.00	142.90	-66.55	0.00	-206.74	-48.31	0.00	92.50	-48.31	0.00	0.00	-129.97	
	TQ			0.00	0.00	0.00	0.00	0.00	0.00	0.00	0.00	0.00	0.00	0.00	0.00		
	M3			6.44	0.00	-14.17	-66.38	0.00	-207.01	119.18	0.00	-360.25	-45.41	0.00	0.00	-143.86	
TANDEM-LOAD MAX	S2			4.38	0.00	-9.64	4.38	0.00	13.39	92.17	0.00	-281.61	92.17	0.00	0.00	142.88	
	TQ			0.00	0.00	0.00	0.00	0.00	0.00	0.00	0.00	0.00	0.00	0.00	0.00	0.00	
	M3			-45.13	0.00	97.52	4.38	0.00	13.39	-27.87	0.00	71.54	92.17	0.00	0.00	142.88	
MIN	S2			-45.27	0.00	96.40	-45.27	0.00	-141.44	-32.86	0.00	60.28	-32.86	0.00	0.00	-91.06	
	TQ			0.00	0.00	0.00	0.00	0.00	0.00	0.00	0.00	0.00	0.00	0.00	0.00	0.00	
	M3			4.38	0.00	-9.64	-45.27	0.00	-141.44	92.17	0.00	-281.61	-30.50	0.00	0.00	-97.75	



BAGO RIVER BRIDGE

BLOCK [ No.2 : CROSS BEAM ][ BEAM MEMBER FORCE ]

MEMBER NODE	1003033 3033	4033			1003035 3035	4035									
		SHEAR	TORQUE	MOMENT		SHEAR	TORQUE	MOMENT							
		S2 (kN)	TQ (kN·m)	M3 (kN·m)		S2 (kN)	TQ (kN·m)	M3 (kN·m)							
64	1-LANE (case4DISPERSION-LMAX	S2	7.63	0.00	-16.76	7.63	0.00	23.33	43.15	0.00	-120.75	43.15	0.00	78.00	
		TQ	0.00	0.00	0.00	0.00	0.00	0.00	0.00	0.00	0.00	0.00	0.00	0.00	
		M3	-155.38	0.00	348.86	7.63	0.00	23.33	-88.90	0.00	148.46	42.98	0.00	78.23	
	MIN	S2	-155.38	0.00	348.86	-155.38	0.00	-467.41	-88.90	0.00	148.45	-88.90	0.00	-260.98	
		TQ	0.00	0.00	0.00	0.00	0.00	0.00	0.00	0.00	0.00	0.00	0.00	0.00	
		M3	7.63	0.00	-16.76	-155.38	0.00	-467.41	43.15	0.00	-120.75	-88.73	0.00	-261.22	
65	2-LANES (caseTRUCK-LOAD	MAX	S2	92.37	0.00	-212.51	92.37	0.00	272.74	61.41	0.00	-103.69	61.41	0.00	179.10
		TQ	0.00	0.00	0.00	0.00	0.00	0.00	0.00	0.00	0.00	0.00	0.00	0.00	
		M3	-7.71	0.00	17.94	92.37	0.00	272.74	3.66	0.00	19.55	61.21	0.00	179.54	
	MIN	S2	-7.71	0.00	17.94	-7.71	0.00	-22.57	-5.93	0.00	12.98	-5.93	0.00	-14.33	
		TQ	0.00	0.00	0.00	0.00	0.00	0.00	0.00	0.00	0.00	0.00	0.00	0.00	
		M3	92.33	0.00	-212.58	-7.71	0.00	-22.57	17.55	0.00	-156.12	17.55	0.00	-75.31	
	TANDEM-LOAD	MAX	S2	62.87	0.00	-144.74	62.87	0.00	185.54	41.92	0.00	-70.28	41.92	0.00	122.76
		TQ	0.00	0.00	0.00	0.00	0.00	0.00	0.00	0.00	0.00	0.00	0.00	0.00	
		M3	-5.24	0.00	12.20	62.87	0.00	185.54	0.79	0.00	16.74	41.92	0.00	122.76	
	MIN	S2	-5.25	0.00	12.19	-5.25	0.00	-15.37	-4.04	0.00	8.89	-4.04	0.00	-9.70	
		TQ	0.00	0.00	0.00	0.00	0.00	0.00	0.00	0.00	0.00	0.00	0.00	0.00	
		M3	62.87	0.00	-144.74	-5.25	0.00	-15.37	12.68	0.00	-113.63	12.68	0.00	-55.24	
	DISPERSION-LMAX	S2	217.34	0.00	-505.65	217.34	0.00	636.14	110.81	0.00	-206.58	110.81	0.00	303.76	
		TQ	0.00	0.00	0.00	0.00	0.00	0.00	0.00	0.00	0.00	0.00	0.00	0.00	
		M3	-8.96	0.00	20.95	217.34	0.00	636.14	-5.36	0.00	20.34	102.64	0.00	324.37	
	MIN	S2	-8.96	0.00	20.95	-8.96	0.00	-26.13	-7.75	0.00	12.13	-7.75	0.00	-23.55	
		TQ	0.00	0.00	0.00	0.00	0.00	0.00	0.00	0.00	0.00	0.00	0.00	0.00	
		M3	217.34	0.00	-505.65	-8.96	0.00	-26.13	108.43	0.00	-214.79	0.43	0.00	-44.16	

BAGO RIVER BRIDGE

BLOCK [ No.2 : CROSS BEAM ][ BEAM MEMBER FORCE ]

MEMBER				1003033						1003035						
NODE				3033			4033			3035			4035			
				SHEAR	TORQUE	MOMENT	SHEAR	TORQUE	MOMENT	SHEAR	TORQUE	MOMENT	SHEAR	TORQUE	MOMENT	
NAME	TITLE			S2 (kN)	TQ (kN·m)	M3 (kN·m)	S2 (kN)	TQ (kN·m)	M3 (kN·m)	S2 (kN)	TQ (kN·m)	M3 (kN·m)	S2 (kN)	TQ (kN·m)	M3 (kN·m)	
66	2-LANES (caseTRUCK-LOAD	MAX	S2	58.59	0.00	-134.59	58.59	0.00	173.19	43.75	0.00	-91.34	43.75	0.00	110.17	
			TQ	0.00	0.00	0.00	0.00	0.00	0.00	0.00	0.00	0.00	0.00	0.00	0.00	0.00
			M3	-4.61	0.00	10.95	58.56	0.00	173.24	-20.14	0.00	62.04	43.41	0.00	111.44	
		MIN	S2	-4.61	0.00	10.95	-4.61	0.00	-13.24	-23.73	0.00	58.52	-23.73	0.00	-50.77	
			TQ	0.00	0.00	0.00	0.00	0.00	0.00	0.00	0.00	0.00	0.00	0.00	0.00	0.00
			M3	58.59	0.00	-134.59	-4.60	0.00	-13.24	18.90	0.00	-92.22	-20.56	0.00	-91.29	
		TANDEM-LOAD MAX	S2	39.90	0.00	-92.06	39.90	0.00	117.57	30.16	0.00	-63.21	30.16	0.00	75.70	
			TQ	0.00	0.00	0.00	0.00	0.00	0.00	0.00	0.00	0.00	0.00	0.00	0.00	0.00
			M3	-3.14	0.00	7.45	39.82	0.00	118.09	-15.30	0.00	43.65	30.12	0.00	76.00	
		MIN	S2	-3.14	0.00	7.45	-3.14	0.00	-9.04	-17.05	0.00	36.64	-17.05	0.00	-41.88	
			TQ	0.00	0.00	0.00	0.00	0.00	0.00	0.00	0.00	0.00	0.00	0.00	0.00	0.00
			M3	39.90	0.00	-92.06	-3.14	0.00	-9.04	13.42	0.00	-67.51	-14.60	0.00	-70.07	
		DISPERSION-LMAX	S2	140.93	0.00	-327.29	140.93	0.00	413.08	65.76	0.00	-115.71	65.76	0.00	187.15	
			TQ	0.00	0.00	0.00	0.00	0.00	0.00	0.00	0.00	0.00	0.00	0.00	0.00	0.00
			M3	-5.31	0.00	12.74	140.93	0.00	413.08	-10.88	0.00	44.55	63.88	0.00	198.04	
MIN	S2	-5.31	0.00	12.74	-5.31	0.00	-15.16	-13.79	0.00	35.37	-13.79	0.00	-28.12			
	TQ	0.00	0.00	0.00	0.00	0.00	0.00	0.00	0.00	0.00	0.00	0.00	0.00	0.00		
	M3	140.93	0.00	-327.29	-5.31	0.00	-15.16	62.85	0.00	-124.89	-11.91	0.00	-39.01			
67	2-LANES (caseTRUCK-LOAD	MAX	S2	10.46	0.00	-13.60	10.46	0.00	41.37	17.12	0.00	-68.11	17.12	0.00	10.75	
			TQ	0.00	0.00	0.00	0.00	0.00	0.00	0.00	0.00	0.00	0.00	0.00	0.00	
			M3	-42.99	0.00	101.82	10.46	0.00	41.37	-82.47	0.00	403.42	-15.30	0.00	80.58	
		MIN	S2	-43.00	0.00	101.66	-43.00	0.00	-124.25	-94.41	0.00	360.82	-94.41	0.00	-73.97	
			TQ	0.00	0.00	0.00	0.00	0.00	0.00	0.00	0.00	0.00	0.00	0.00	0.00	0.00
			M3	8.35	0.00	-14.46	-43.00	0.00	-124.58	13.66	0.00	-85.75	-86.94	0.00	-98.21	

BAGO RIVER BRIDGE

BLOCK [ No.2 : CROSS BEAM ][ BEAM MEMBER FORCE ]

MEMBER		1003033						1003035										
NODE		3033			4033			3035			4035							
		SHEAR	TORQUE	MOMENT	SHEAR	TORQUE	MOMENT	SHEAR	TORQUE	MOMENT	SHEAR	TORQUE	MOMENT					
NAME	TITLE	S2 (kN)	TQ (kN·m)	M3 (kN·m)	S2 (kN)	TQ (kN·m)	M3 (kN·m)	S2 (kN)	TQ (kN·m)	M3 (kN·m)	S2 (kN)	TQ (kN·m)	M3 (kN·m)					
67	2-LANES (caseTANDEM-LOAD	MAX	S2	7.74	0.00	-10.25	7.74	0.00	30.43	13.58	0.00	-52.52	13.58	0.00	10.04			
			TQ	0.00	0.00	0.00	0.00	0.00	0.00	0.00	0.00	0.00	0.00	0.00	0.00	0.00		
			M3	-29.33	0.00	69.33	7.74	0.00	30.43	-64.36	0.00	305.29	-12.83	0.00	0.00	60.58		
		MIN	S2	-29.34	0.00	69.28	-29.34	0.00	-84.85	-71.15	0.00	269.12	-71.15	0.00	0.00	-58.56		
			TQ	0.00	0.00	0.00	0.00	0.00	0.00	0.00	0.00	0.00	0.00	0.00	0.00	0.00		
			M3	6.79	0.00	-11.62	-29.34	0.00	-84.94	12.64	0.00	-68.78	-68.50	0.00	0.00	-72.62		
			DISPERSION-LMAX	S2	8.57	0.00	-13.53	8.57	0.00	31.51	10.56	0.00	-28.25	10.56	0.00	0.00	20.37	
				TQ	0.00	0.00	0.00	0.00	0.00	0.00	0.00	0.00	0.00	0.00	0.00	0.00	0.00	
				M3	-95.59	0.00	224.32	8.48	0.00	31.82	-83.15	0.00	246.49	-1.20	0.00	0.00	38.68	
			MIN	S2	-95.87	0.00	223.80	-95.87	0.00	-279.86	-87.81	0.00	237.17	-87.81	0.00	0.00	-167.22	
				TQ	0.00	0.00	0.00	0.00	0.00	0.00	0.00	0.00	0.00	0.00	0.00	0.00	0.00	
				M3	8.30	0.00	-14.06	-95.77	0.00	-280.17	5.90	0.00	-37.56	-76.05	0.00	0.00	-185.54	
		68	2-LANES (caseTRUCK-LOAD	MAX	S2	11.25	0.00	-24.66	11.25	0.00	34.42	128.44	0.00	-341.50	128.44	0.00	250.02	
					TQ	0.00	0.00	0.00	0.00	0.00	0.00	0.00	0.00	0.00	0.00	0.00	0.00	0.00
					M3	-110.62	0.00	240.09	11.25	0.00	34.42	-47.54	0.00	160.92	125.53	0.00	0.00	258.00
MIN	S2			-110.68	0.00	239.93	-110.68	0.00	-341.51	-78.11	0.00	128.69	-78.11	0.00	0.00	-231.04		
	TQ			0.00	0.00	0.00	0.00	0.00	0.00	0.00	0.00	0.00	0.00	0.00	0.00	0.00		
	M3			11.25	0.00	-24.66	-110.50	0.00	-341.78	121.99	0.00	-362.32	-75.21	0.00	0.00	-244.93		
	TANDEM-LOAD MAX			S2	7.66	0.00	-16.80	7.66	0.00	23.45	99.07	0.00	-279.41	99.07	0.00	0.00	176.85	
				TQ	0.00	0.00	0.00	0.00	0.00	0.00	0.00	0.00	0.00	0.00	0.00	0.00	0.00	
				M3	-75.25	0.00	163.77	7.66	0.00	23.45	-27.83	0.00	113.38	98.19	0.00	0.00	193.52	
	MIN			S2	-75.39	0.00	162.65	-75.39	0.00	-233.40	-53.17	0.00	85.03	-53.17	0.00	0.00	-159.85	
				TQ	0.00	0.00	0.00	0.00	0.00	0.00	0.00	0.00	0.00	0.00	0.00	0.00	0.00	
				M3	7.66	0.00	-16.80	-75.39	0.00	-233.40	94.02	0.00	-283.02	-50.81	0.00	0.00	-166.53	

BAGO RIVER BRIDGE

BLOCK [ No.2 : CROSS BEAM ][ BEAM MEMBER FORCE ]

MEMBER		1003033						1003035								
NODE		3033			4033			3035			4035					
		SHEAR	TORQUE	MOMENT	SHEAR	TORQUE	MOMENT	SHEAR	TORQUE	MOMENT	SHEAR	TORQUE	MOMENT			
NAME	TITLE	S2 (kN)	TQ (kN·m)	M3 (kN·m)	S2 (kN)	TQ (kN·m)	M3 (kN·m)	S2 (kN)	TQ (kN·m)	M3 (kN·m)	S2 (kN)	TQ (kN·m)	M3 (kN·m)			
68	2-LANES (caseDISPERSION-LMAX	S2	13.40	0.00	-29.34	13.40	0.00	41.08	52.37	0.00	-131.95	52.37	0.00	109.25		
		TQ	0.00	0.00	0.00	0.00	0.00	0.00	0.00	0.00	0.00	0.00	0.00	0.00		
		M3	-251.29	0.00	567.55	13.40	0.00	41.08	-148.85	0.00	264.84	47.79	0.00	116.96		
		MIN	S2	-251.29	0.00	567.55	-251.29	0.00	-752.64	-149.53	0.00	262.68	-149.53	0.00	-425.96	
		TQ	0.00	0.00	0.00	0.00	0.00	0.00	0.00	0.00	0.00	0.00	0.00	0.00		
		M3	13.40	0.00	-29.34	-251.29	0.00	-752.64	51.70	0.00	-134.11	-144.94	0.00	-433.67		
		MAX	S2	113.80	0.00	-261.81	113.80	0.00	336.06	79.57	0.00	-149.71	79.57	0.00	216.76	
		TQ	0.00	0.00	0.00	0.00	0.00	0.00	0.00	0.00	0.00	0.00	0.00	0.00		
		M3	-9.24	0.00	21.67	113.78	0.00	336.10	-14.08	0.00	75.78	79.03	0.00	218.47		
69	3-LANES (caseTRUCK-LOAD	MIN	S2	-9.24	0.00	21.67	-9.24	0.00	-26.86	-27.22	0.00	65.76	-27.22	0.00	-59.60	
		TQ	0.00	0.00	0.00	0.00	0.00	0.00	0.00	0.00	0.00	0.00	0.00	0.00		
		M3	113.77	0.00	-261.88	-9.23	0.00	-26.86	35.71	0.00	-202.13	-3.74	0.00	-123.77		
		TANDEM-LOAD	MAX	S2	77.51	0.00	-178.83	77.51	0.00	228.36	54.55	0.00	-102.26	54.55	0.00	148.96
		TQ	0.00	0.00	0.00	0.00	0.00	0.00	0.00	0.00	0.00	0.00	0.00	0.00		
		M3	-6.28	0.00	14.73	77.42	0.00	228.87	-12.86	0.00	56.44	54.51	0.00	149.26		
		MIN	S2	-6.29	0.00	14.72	-6.29	0.00	-18.30	-19.43	0.00	41.60	-19.43	0.00	-47.86	
		TQ	0.00	0.00	0.00	0.00	0.00	0.00	0.00	0.00	0.00	0.00	0.00	0.00		
		M3	77.51	0.00	-178.83	-6.29	0.00	-18.30	25.31	0.00	-145.62	-2.71	0.00	-93.40		
		DISPERSION-LMAX	S2	268.26	0.00	-623.41	268.26	0.00	785.89	133.63	0.00	-247.77	133.63	0.00	367.63	
		TQ	0.00	0.00	0.00	0.00	0.00	0.00	0.00	0.00	0.00	0.00	0.00	0.00		
		M3	-10.70	0.00	25.26	268.26	0.00	785.89	-13.56	0.00	56.59	124.48	0.00	391.41		
		MIN	S2	-10.70	0.00	25.26	-10.70	0.00	-30.96	-17.90	0.00	44.22	-17.90	0.00	-38.24	
		TQ	0.00	0.00	0.00	0.00	0.00	0.00	0.00	0.00	0.00	0.00	0.00	0.00		
		M3	268.26	0.00	-623.41	-10.70	0.00	-30.96	129.28	0.00	-260.14	-8.76	0.00	-62.01		

BAGO RIVER BRIDGE

BLOCK [ No.2 : CROSS BEAM ][ BEAM MEMBER FORCE ]

MEMBER				1003033			1003035			1003035			1003035			
NODE				3033			4033			3035			4035			
NAME TITLE				SHEAR	TORQUE	MOMENT	SHEAR	TORQUE	MOMENT	SHEAR	TORQUE	MOMENT	SHEAR	TORQUE	MOMENT	
				S2 (kN)	TQ (kN·m)	M3 (kN·m)	S2 (kN)	TQ (kN·m)	M3 (kN·m)	S2 (kN)	TQ (kN·m)	M3 (kN·m)	S2 (kN)	TQ (kN·m)	M3 (kN·m)	
70	3-LANES (caseTRUCK-LOAD	MAX	S2	14.60	0.00	-22.60	14.60	0.00	54.12	124.09	0.00	-385.26	124.09	0.00	186.23	
			TQ	0.00	0.00	0.00	0.00	0.00	0.00	0.00	0.00	0.00	0.00	0.00	0.00	0.00
			M3	-96.75	0.00	228.07	14.60	0.00	54.12	-109.68	0.00	469.50	91.67	0.00	0.00	256.06
		MIN	S2	-96.76	0.00	227.90	-96.76	0.00	-280.42	-127.61	0.00	416.12	-127.61	0.00	0.00	-171.57
			TQ	0.00	0.00	0.00	0.00	0.00	0.00	0.00	0.00	0.00	0.00	0.00	0.00	0.00
			M3	12.49	0.00	-23.46	-96.76	0.00	-280.75	120.63	0.00	-402.90	-119.09	0.00	0.00	-203.48
	TANDEM-LOAD	MAX	S2	10.56	0.00	-16.36	10.56	0.00	39.10	94.46	0.00	-294.26	94.46	0.00	0.00	140.77
			TQ	0.00	0.00	0.00	0.00	0.00	0.00	0.00	0.00	0.00	0.00	0.00	0.00	0.00
			M3	-65.94	0.00	155.35	10.56	0.00	39.10	-82.63	0.00	351.81	68.05	0.00	0.00	191.31
		MIN	S2	-65.94	0.00	155.30	-65.94	0.00	-191.12	-93.84	0.00	305.33	-93.84	0.00	0.00	-126.84
			TQ	0.00	0.00	0.00	0.00	0.00	0.00	0.00	0.00	0.00	0.00	0.00	0.00	0.00
			M3	9.60	0.00	-17.73	-65.94	0.00	-191.22	93.52	0.00	-310.52	-90.51	0.00	0.00	-144.43
	DISPERSION-LMAX	MAX	S2	13.35	0.00	-23.88	13.35	0.00	46.27	47.13	0.00	-129.83	47.13	0.00	0.00	87.22
			TQ	0.00	0.00	0.00	0.00	0.00	0.00	0.00	0.00	0.00	0.00	0.00	0.00	0.00
			M3	-228.27	0.00	525.43	13.25	0.00	46.59	-155.01	0.00	362.68	35.20	0.00	0.00	105.76
	MIN	S2	-228.55	0.00	524.91	-228.55	0.00	-675.78	-159.92	0.00	353.31	-159.92	0.00	0.00	-383.18	
		TQ	0.00	0.00	0.00	0.00	0.00	0.00	0.00	0.00	0.00	0.00	0.00	0.00	0.00	
		M3	13.08	0.00	-24.41	-228.45	0.00	-676.09	42.22	0.00	-139.19	-147.99	0.00	0.00	-401.73	
71	3-LANES (caseTRUCK-LOAD	MAX	S2	15.62	0.00	-29.09	15.62	0.00	52.99	137.48	0.00	-392.34	137.48	0.00	240.82	
			TQ	0.00	0.00	0.00	0.00	0.00	0.00	0.00	0.00	0.00	0.00	0.00	0.00	
			M3	-135.16	0.00	294.74	15.62	0.00	52.99	-120.37	0.00	470.52	115.57	0.00	0.00	281.37
		MIN	S2	-135.29	0.00	294.55	-135.29	0.00	-416.23	-150.95	0.00	438.29	-150.95	0.00	0.00	-256.88
			TQ	0.00	0.00	0.00	0.00	0.00	0.00	0.00	0.00	0.00	0.00	0.00	0.00	0.00
			M3	14.44	0.00	-31.53	-135.12	0.00	-416.49	130.49	0.00	-414.42	-91.27	0.00	0.00	-305.30

BAGO RIVER BRIDGE

BLOCK [ No.2 : CROSS BEAM ][ BEAM MEMBER FORCE ]

MEMBER		1003033						1003035								
NODE		3033			4033			3035			4035					
		SHEAR	TORQUE	MOMENT	SHEAR	TORQUE	MOMENT	SHEAR	TORQUE	MOMENT	SHEAR	TORQUE	MOMENT			
NAME	TITLE	S2 (kN)	TQ (kN·m)	M3 (kN·m)	S2 (kN)	TQ (kN·m)	M3 (kN·m)	S2 (kN)	TQ (kN·m)	M3 (kN·m)	S2 (kN)	TQ (kN·m)	M3 (kN·m)			
71	3-LANES (case)	TANDEM-LOAD	MAX	S2	11.38	0.00	-21.22	11.38	0.00	38.58	107.93	0.00	-323.19	107.93	0.00	173.89
				TQ	0.00	0.00	0.00	0.00	0.00	0.00	0.00	0.00	0.00	0.00	0.00	0.00
				M3	-92.15	0.00	201.41	11.38	0.00	38.58	-83.35	0.00	345.81	87.32	0.00	211.22
			MIN	S2	-92.28	0.00	200.28	-92.28	0.00	-284.53	-108.70	0.00	317.46	-108.70	0.00	-183.15
				TQ	0.00	0.00	0.00	0.00	0.00	0.00	0.00	0.00	0.00	0.00	0.00	0.00
				M3	9.84	0.00	-21.47	-92.28	0.00	-284.53	102.88	0.00	-326.79	-61.97	0.00	-208.13
		DISPERSION-LMAX		S2	19.50	0.00	-39.84	19.50	0.00	62.59	56.93	0.00	-145.02	56.93	0.00	117.15
				TQ	0.00	0.00	0.00	0.00	0.00	0.00	0.00	0.00	0.00	0.00	0.00	0.00
				M3	-291.12	0.00	661.21	19.41	0.00	62.86	-199.90	0.00	419.54	45.85	0.00	132.97
			MIN	S2	-291.34	0.00	660.79	-291.34	0.00	-869.81	-202.09	0.00	415.49	-202.09	0.00	-515.23
				TQ	0.00	0.00	0.00	0.00	0.00	0.00	0.00	0.00	0.00	0.00	0.00	0.00
				M3	19.27	0.00	-40.25	-291.26	0.00	-870.07	54.74	0.00	-149.07	-191.01	0.00	-531.05
72	4-LANES	TRUCK-LOAD	MAX	S2	14.65	0.00	-31.68	14.65	0.00	45.26	8.55	0.00	-3.50	8.55	0.00	35.86
				TQ	0.00	0.00	0.00	0.00	0.00	0.00	0.00	0.00	0.00	0.00	0.00	0.00
				M3	-133.00	0.00	292.80	14.64	0.00	45.26	-82.87	0.00	98.32	8.51	0.00	36.06
			MIN	S2	-133.04	0.00	292.75	-133.04	0.00	-406.21	-86.82	0.00	92.20	-86.82	0.00	-307.64
				TQ	0.00	0.00	0.00	0.00	0.00	0.00	0.00	0.00	0.00	0.00	0.00	0.00
				M3	14.65	0.00	-31.68	-133.03	0.00	-406.21	3.82	0.00	-9.89	-86.82	0.00	-307.64
		TANDEM-LOAD	MAX	S2	9.97	0.00	-21.57	9.97	0.00	30.83	5.81	0.00	-2.31	5.81	0.00	24.45
				TQ	0.00	0.00	0.00	0.00	0.00	0.00	0.00	0.00	0.00	0.00	0.00	0.00
				M3	-93.58	0.00	205.89	9.97	0.00	30.83	-58.76	0.00	70.69	5.79	0.00	24.57
			MIN	S2	-93.58	0.00	205.89	-93.58	0.00	-285.75	-61.50	0.00	66.82	-61.50	0.00	-216.40
				TQ	0.00	0.00	0.00	0.00	0.00	0.00	0.00	0.00	0.00	0.00	0.00	0.00
				M3	9.97	0.00	-21.57	-93.55	0.00	-285.86	2.76	0.00	-7.33	-61.37	0.00	-216.66

BAGO RIVER BRIDGE

BLOCK [ No.2 : CROSS BEAM ][ BEAM MEMBER FORCE ]

MEMBER			1003033						1003035								
NODE			3033			4033			3035			4035					
			SHEAR	TORQUE	MOMENT	SHEAR	TORQUE	MOMENT	SHEAR	TORQUE	MOMENT	SHEAR	TORQUE	MOMENT			
NAME	TITLE		S2 (kN)	TQ (kN·m)	M3 (kN·m)	S2 (kN)	TQ (kN·m)	M3 (kN·m)	S2 (kN)	TQ (kN·m)	M3 (kN·m)	S2 (kN)	TQ (kN·m)	M3 (kN·m)			
72	4-LANES	DISPERSION-LMAX	S2	17.87	0.00	-38.60	17.87	0.00	55.30	10.43	0.00	-4.95	10.43	0.00	43.09		
			TQ	0.00	0.00	0.00	0.00	0.00	0.00	0.00	0.00	0.00	0.00	0.00	0.00	0.00	
			M3	-82.52	0.00	181.85	17.87	0.00	55.30	-50.25	0.00	58.58	10.32	0.00	0.00	44.19	
		MIN	S2	-82.53	0.00	181.84	-82.53	0.00	-251.73	-52.96	0.00	54.58	-52.96	0.00	0.00	-189.31	
			TQ	0.00	0.00	0.00	0.00	0.00	0.00	0.00	0.00	0.00	0.00	0.00	0.00	0.00	
			M3	17.87	0.00	-38.61	-82.53	0.00	-251.73	7.66	0.00	-8.99	-52.84	0.00	0.00	-190.64	
		73	6-LANES	TRUCK-LOAD MAX	S2	125.82	0.00	-282.55	125.82	0.00	378.44	203.58	0.00	-554.81	203.58	0.00	382.77
					TQ	0.00	0.00	0.00	0.00	0.00	0.00	0.00	0.00	0.00	0.00	0.00	0.00
					M3	-123.75	0.00	270.80	125.82	0.00	378.44	-154.96	0.00	623.65	166.07	0.00	0.00
MIN	S2			-123.79	0.00	270.60	-123.79	0.00	-379.74	-182.68	0.00	508.20	-182.68	0.00	0.00	-333.14	
	TQ			0.00	0.00	0.00	0.00	0.00	0.00	0.00	0.00	0.00	0.00	0.00	0.00	0.00	
	M3			125.73	0.00	-282.65	-123.57	0.00	-379.82	177.90	0.00	-604.21	-155.99	0.00	0.00	-392.10	
TANDEM-LOAD MAX	S2			86.85	0.00	-195.22	86.85	0.00	261.03	151.92	0.00	-420.08	151.92	0.00	0.00	279.59	
	TQ			0.00	0.00	0.00	0.00	0.00	0.00	0.00	0.00	0.00	0.00	0.00	0.00	0.00	
	M3			-84.58	0.00	185.56	86.85	0.00	261.10	-114.91	0.00	461.91	127.52	0.00	0.00	321.75	
MIN	S2	-84.63	0.00	184.29	-84.63	0.00	-260.32	-133.66	0.00	381.47	-133.66	0.00	0.00	-234.09			
	TQ	0.00	0.00	0.00	0.00	0.00	0.00	0.00	0.00	0.00	0.00	0.00	0.00	0.00			
	M3	86.85	0.00	-195.22	-84.62	0.00	-260.33	118.13	0.00	-459.76	-116.14	0.00	0.00	-282.49			
DISPERSION-LMAX	S2	262.79	0.00	-602.77	262.79	0.00	777.81	174.91	0.00	-372.07	174.91	0.00	0.00	433.47			
	TQ	0.00	0.00	0.00	0.00	0.00	0.00	0.00	0.00	0.00	0.00	0.00	0.00	0.00			
	M3	-275.37	0.00	626.42	262.70	0.00	778.07	-197.32	0.00	459.60	154.44	0.00	0.00	474.41			
MIN	S2	-275.63	0.00	625.96	-275.63	0.00	-822.08	-205.33	0.00	439.69	-205.33	0.00	0.00	-505.96			
	TQ	0.00	0.00	0.00	0.00	0.00	0.00	0.00	0.00	0.00	0.00	0.00	0.00	0.00			
	M3	262.53	0.00	-603.21	-275.55	0.00	-822.33	166.71	0.00	-392.01	-185.52	0.00	0.00	-544.88			

BAGO RIVER BRIDGE

BLOCK [ No.2 : CROSS BEAM ][ BEAM MEMBER FORCE ]

MEMBER			1003033						1003035						
NODE			3033			4033			3035			4035			
NAME TITLE			SHEAR	TORQUE	MOMENT	SHEAR	TORQUE	MOMENT	SHEAR	TORQUE	MOMENT	SHEAR	TORQUE	MOMENT	
			S2 (kN)	TQ (kN·m)	M3 (kN·m)	S2 (kN)	TQ (kN·m)	M3 (kN·m)	S2 (kN)	TQ (kN·m)	M3 (kN·m)	S2 (kN)	TQ (kN·m)	M3 (kN·m)	
124	SUM TOTAL	D+1LANE (caseMAX	S2	225.57	0.00	-545.04	225.57	0.00	639.99	40.71	0.00	-15.12	40.71	0.00	172.37
			TQ	6.51	0.00	-37.03	6.51	0.00	-2.82	-83.71	0.00	213.40	-83.71	0.00	-172.11
			M3	-5.51	0.00	-9.15	225.57	0.00	639.99	-79.66	0.00	244.34	31.75	0.00	188.35
		MIN	S2	-5.51	0.00	-9.15	-5.51	0.00	-38.12	-92.84	0.00	232.72	-92.84	0.00	-194.85
			TQ	6.51	0.00	-37.03	6.51	0.00	-2.82	-83.71	0.00	213.40	-83.71	0.00	-172.11
			M3	225.53	0.00	-545.12	-5.51	0.00	-38.12	16.19	0.00	-80.79	-59.75	0.00	-238.68
		D+1LANE (caseMAX	S2	93.34	0.00	-237.51	93.34	0.00	252.87	-34.53	0.00	108.75	-34.53	0.00	-50.28
			TQ	6.51	0.00	-37.03	6.51	0.00	-2.82	-83.71	0.00	213.40	-83.71	0.00	-172.11
			M3	2.60	0.00	-27.39	93.31	0.00	252.93	-114.83	0.00	324.38	-36.12	0.00	-44.96
		MIN	S2	2.60	0.00	-27.39	2.60	0.00	-13.75	-121.45	0.00	315.24	-121.45	0.00	-244.07
			TQ	6.51	0.00	-37.03	6.51	0.00	-2.82	-83.71	0.00	213.40	-83.71	0.00	-172.11
			M3	93.34	0.00	-237.51	2.60	0.00	-13.75	-36.88	0.00	103.76	-120.27	0.00	-251.68
		D+1LANE (caseMAX	S2	22.80	0.00	-56.02	22.80	0.00	63.79	-58.62	0.00	104.99	-58.62	0.00	-164.99
			TQ	6.51	0.00	-37.03	6.51	0.00	-2.82	-83.71	0.00	213.40	-83.71	0.00	-172.11
			M3	-34.07	0.00	59.97	22.75	0.00	63.99	-222.55	0.00	773.30	-96.57	0.00	-130.96
		MIN	S2	-34.37	0.00	59.33	-34.37	0.00	-121.23	-225.18	0.00	767.29	-225.18	0.00	-269.75
			TQ	6.51	0.00	-37.03	6.51	0.00	-2.82	-83.71	0.00	213.40	-83.71	0.00	-172.11
			M3	19.98	0.00	-57.48	-34.31	0.00	-121.43	-61.25	0.00	98.99	-211.35	0.00	-286.38
		D+1LANE (caseMAX	S2	23.40	0.00	-74.14	23.40	0.00	48.78	111.10	0.00	-363.80	111.10	0.00	147.84
			TQ	6.51	0.00	-37.03	6.51	0.00	-2.82	-83.71	0.00	213.40	-83.71	0.00	-172.11
			M3	-259.74	0.00	553.26	23.40	0.00	48.78	-243.62	0.00	515.91	110.89	0.00	148.12
		MIN	S2	-259.80	0.00	553.08	-259.80	0.00	-811.80	-248.36	0.00	502.54	-248.36	0.00	-641.26
			TQ	6.51	0.00	-37.03	6.51	0.00	-2.82	-83.71	0.00	213.40	-83.71	0.00	-172.11
			M3	23.40	0.00	-74.14	-259.59	0.00	-812.12	111.09	0.00	-363.81	-244.67	0.00	-658.20



BAGO RIVER BRIDGE

BLOCK [ No.2 : CROSS BEAM ][ BEAM MEMBER FORCE ]

MEMBER			1003033						1003035						
NODE			3033			4033			3035			4035			
NAME TITLE			SHEAR	TORQUE	MOMENT	SHEAR	TORQUE	MOMENT	SHEAR	TORQUE	MOMENT	SHEAR	TORQUE	MOMENT	
			S2 (kN)	TQ (kN·m)	M3 (kN·m)	S2 (kN)	TQ (kN·m)	M3 (kN·m)	S2 (kN)	TQ (kN·m)	M3 (kN·m)	S2 (kN)	TQ (kN·m)	M3 (kN·m)	
124	SUM TOTAL	D+2LANES(casMAX	S2	316.21	0.00	-755.19	316.21	0.00	906.06	88.51	0.00	-96.87	88.51	0.00	310.75
			TQ	6.51	0.00	-37.03	6.51	0.00	-2.82	-83.71	0.00	213.40	-83.71	0.00	-172.11
			M3	-10.16	0.00	1.86	316.21	0.00	906.06	-85.42	0.00	253.29	80.14	0.00	331.80
		MIN	S2	-10.16	0.00	1.86	-10.16	0.00	-51.53	-97.39	0.00	238.51	-97.39	0.00	-209.99
			TQ	6.51	0.00	-37.03	6.51	0.00	-2.82	-83.71	0.00	213.40	-83.71	0.00	-172.11
			M3	316.18	0.00	-755.26	-10.16	0.00	-51.53	42.26	0.00	-157.50	-65.74	0.00	-291.58
		D+2LANES(casMAX	S2	206.03	0.00	-498.91	206.03	0.00	583.46	25.81	0.00	6.35	25.81	0.00	125.21
			TQ	6.51	0.00	-37.03	6.51	0.00	-2.82	-83.71	0.00	213.40	-83.71	0.00	-172.11
			M3	-3.40	0.00	-13.34	206.00	0.00	583.50	-114.72	0.00	319.98	23.58	0.00	137.37
		MIN	S2	-3.40	0.00	-13.34	-3.40	0.00	-31.22	-121.22	0.00	307.28	-121.22	0.00	-251.00
			TQ	6.51	0.00	-37.03	6.51	0.00	-2.82	-83.71	0.00	213.40	-83.71	0.00	-172.11
			M3	206.03	0.00	-498.91	-3.40	0.00	-31.22	-1.96	0.00	-3.71	-116.17	0.00	-302.41
		D+2LANES(casMAX	S2	25.55	0.00	-64.17	25.55	0.00	70.06	-56.03	0.00	117.04	-56.03	0.00	-140.99
			TQ	6.51	0.00	-37.03	6.51	0.00	-2.82	-83.71	0.00	213.40	-83.71	0.00	-172.11
			M3	-132.07	0.00	289.12	25.45	0.00	70.38	-249.33	0.00	863.31	-100.21	0.00	-52.85
		MIN	S2	-132.36	0.00	288.42	-132.36	0.00	-406.93	-265.92	0.00	811.39	-265.92	0.00	-413.30
			TQ	6.51	0.00	-37.03	6.51	0.00	-2.82	-83.71	0.00	213.40	-83.71	0.00	-172.11
			M3	23.16	0.00	-65.55	-132.26	0.00	-407.58	-64.15	0.00	90.09	-246.70	0.00	-455.86
		D+2LANES(casMAX	S2	31.16	0.00	-91.03	31.16	0.00	72.68	97.11	0.00	-260.05	97.11	0.00	187.16
			TQ	6.51	0.00	-37.03	6.51	0.00	-2.82	-83.71	0.00	213.40	-83.71	0.00	-172.11
			M3	-355.40	0.00	770.62	31.16	0.00	72.68	-280.10	0.00	639.16	89.61	0.00	202.85
		MIN	S2	-355.46	0.00	770.45	-355.46	0.00	-1096.97	-311.35	0.00	604.78	-311.35	0.00	-829.11
			TQ	6.51	0.00	-37.03	6.51	0.00	-2.82	-83.71	0.00	213.40	-83.71	0.00	-172.11
			M3	31.16	0.00	-91.03	-355.28	0.00	-1097.24	89.98	0.00	-283.03	-303.86	0.00	-850.72

BAGO RIVER BRIDGE

BLOCK [ No.2 : CROSS BEAM ][ BEAM MEMBER FORCE ]

MEMBER			1003033						1003035							
NODE			3033			4033			3035			4035				
NAME TITLE			SHEAR	TORQUE	MOMENT	SHEAR	TORQUE	MOMENT	SHEAR	TORQUE	MOMENT	SHEAR	TORQUE	MOMENT		
			S2 (kN)	TQ (kN·m)	M3 (kN·m)	S2 (kN)	TQ (kN·m)	M3 (kN·m)	S2 (kN)	TQ (kN·m)	M3 (kN·m)	S2 (kN)	TQ (kN·m)	M3 (kN·m)		
124	SUM TOTAL	D+3LANES (casMAX	S2	331.26	0.00	-789.47	331.26	0.00	950.84	97.51	0.00	-124.46	97.51	0.00	324.62	
			TQ	6.51	0.00	-37.03	6.51	0.00	-2.82	-83.71	0.00	213.40	-83.71	0.00	-172.11	
			M3	-10.44	0.00	2.86	331.24	0.00	950.88	-107.20	0.00	325.91	89.27	0.00	346.28	
		MIN	S2	-10.44	0.00	2.86	-10.44	0.00	-51.97	-122.07	0.00	306.89	-122.07	0.00	-255.28	
			TQ	6.51	0.00	-37.03	6.51	0.00	-2.82	-83.71	0.00	213.40	-83.71	0.00	-172.11	
			M3	331.23	0.00	-789.52	-10.43	0.00	-51.97	56.54	0.00	-179.53	-94.33	0.00	-330.02	
		D+3LANES (casMAX	S2	30.28	0.00	-76.54	30.28	0.00	82.51	61.83	0.00	-224.43	61.83	0.00	60.31	
			TQ	6.51	0.00	-37.03	6.51	0.00	-2.82	-83.71	0.00	213.40	-83.71	0.00	-172.11	
			M3	-269.75	0.00	603.44	30.19	0.00	82.78	-308.70	0.00	920.74	24.13	0.00	135.43	
		MIN	S2	-270.00	0.00	602.86	-270.00	0.00	-815.59	-328.11	0.00	867.42	-328.11	0.00	-643.65	
			TQ	6.51	0.00	-37.03	6.51	0.00	-2.82	-83.71	0.00	213.40	-83.71	0.00	-172.11	
			M3	28.24	0.00	-77.72	-269.91	0.00	-816.14	54.71	0.00	-247.38	-310.72	0.00	-686.54	
		D+3LANES (casMAX	S2	36.36	0.00	-95.61	36.36	0.00	95.42	81.54	0.00	-243.36	81.54	0.00	132.16	
			TQ	6.51	0.00	-37.03	6.51	0.00	-2.82	-83.71	0.00	213.40	-83.71	0.00	-172.11	
			M3	-355.82	0.00	775.52	36.29	0.00	95.65	-355.94	0.00	969.95	53.50	0.00	180.08	
		MIN	S2	-356.13	0.00	775.01	-356.13	0.00	-1095.94	-383.79	0.00	939.12	-383.79	0.00	-828.41	
			TQ	6.51	0.00	-37.03	6.51	0.00	-2.82	-83.71	0.00	213.40	-83.71	0.00	-172.11	
			M3	35.17	0.00	-98.04	-355.91	0.00	-1096.39	73.73	0.00	-265.56	-323.64	0.00	-883.01	
		D+4LANES	MAX	S2	27.65	0.00	-82.71	27.65	0.00	62.55	-71.37	0.00	207.91	-71.37	0.00	-120.80
			TQ	6.51	0.00	-37.03	6.51	0.00	-2.82	-83.71	0.00	213.40	-83.71	0.00	-172.11	
			M3	-133.58	0.00	271.49	27.65	0.00	62.55	-170.24	0.00	315.38	-71.47	0.00	-119.95	
		MIN	S2	-133.61	0.00	271.45	-133.61	0.00	-430.48	-174.56	0.00	308.80	-174.56	0.00	-495.13	
			TQ	6.51	0.00	-37.03	6.51	0.00	-2.82	-83.71	0.00	213.40	-83.71	0.00	-172.11	
			M3	27.65	0.00	-82.72	-133.60	0.00	-430.48	-76.25	0.00	201.12	-174.48	0.00	-495.99	

BAGO RIVER BRIDGE

BLOCK [ No.2 : CROSS BEAM ][ BEAM MEMBER FORCE ]

MEMBER				1003033			1003035			4035						
NODE				3033			4033			3035						
NAME TITLE				SHEAR	TORQUE	MOMENT	SHEAR	TORQUE	MOMENT	SHEAR	TORQUE	MOMENT	SHEAR	TORQUE	MOMENT	
				S2 (kN)	TQ (kN·m)	M3 (kN·m)	S2 (kN)	TQ (kN·m)	M3 (kN·m)	S2 (kN)	TQ (kN·m)	M3 (kN·m)	S2 (kN)	TQ (kN·m)	M3 (kN·m)	
124	SUM TOTAL	D+6LANES	MAX	S2	259.11	0.00	-612.49	259.11	0.00	748.74	162.31	0.00	-389.07	162.31	0.00	358.44
				TQ	6.51	0.00	-37.03	6.51	0.00	-2.82	-83.71	0.00	213.40	-83.71	0.00	-172.11
				M3	-252.92	0.00	546.17	259.05	0.00	748.91	-312.69	0.00	917.51	124.62	0.00	426.43
			MIN	S2	-253.11	0.00	545.73	-253.11	0.00	-784.00	-335.92	0.00	829.53	-335.92	0.00	-717.53
				TQ	6.51	0.00	-37.03	6.51	0.00	-2.82	-83.71	0.00	213.40	-83.71	0.00	-172.11
				M3	258.88	0.00	-612.84	-252.92	0.00	-784.21	140.29	0.00	-434.14	-305.69	0.00	-781.15
	SUM TOTAL		MAX		331.26	0.00	775.52	331.26	0.00	950.88	162.31	0.00	969.95	162.31	0.00	426.43
			MIN		-356.13	0.00	-789.52	-356.13	0.00	-1097.24	-383.79	0.00	-434.14	-383.79	0.00	-883.01
300	DEAD LOAD	TOTAL			6.51	0.00	-37.03	6.51	0.00	-2.82	-83.71	0.00	213.40	-83.71	0.00	-172.11
301	LIVE LOAD	1-LANE(case1MAX	S2		219.05	0.00	-508.01	219.05	0.00	642.81	124.42	0.00	-228.51	124.42	0.00	344.48
			TQ		0.00	0.00	0.00	0.00	0.00	0.00	0.00	0.00	0.00	0.00	0.00	0.00
			M3		-12.03	0.00	27.88	219.05	0.00	642.81	4.05	0.00	30.94	115.46	0.00	360.47
			MIN	S2	-12.03	0.00	27.88	-12.03	0.00	-35.30	-9.13	0.00	19.32	-9.13	0.00	-22.74
				TQ	0.00	0.00	0.00	0.00	0.00	0.00	0.00	0.00	0.00	0.00	0.00	0.00
				M3	219.01	0.00	-508.09	-12.03	0.00	-35.30	99.89	0.00	-294.19	23.96	0.00	-66.57
		1-LANE(case2MAX	S2		86.83	0.00	-200.47	86.83	0.00	255.69	49.18	0.00	-104.65	49.18	0.00	121.83
			TQ		0.00	0.00	0.00	0.00	0.00	0.00	0.00	0.00	0.00	0.00	0.00	0.00
			M3		-3.92	0.00	9.64	86.80	0.00	255.74	-31.12	0.00	110.98	47.59	0.00	127.16
			MIN	S2	-3.92	0.00	9.64	-3.92	0.00	-10.94	-37.74	0.00	101.84	-37.74	0.00	-71.96
				TQ	0.00	0.00	0.00	0.00	0.00	0.00	0.00	0.00	0.00	0.00	0.00	0.00
				M3	86.83	0.00	-200.47	-3.92	0.00	-10.94	46.83	0.00	-109.64	-36.57	0.00	-79.57
		1-LANE(case3MAX	S2		16.29	0.00	-18.99	16.29	0.00	66.61	25.08	0.00	-108.40	25.08	0.00	7.12
			TQ		0.00	0.00	0.00	0.00	0.00	0.00	0.00	0.00	0.00	0.00	0.00	0.00
			M3		-40.59	0.00	97.00	16.24	0.00	66.81	-138.84	0.00	559.90	-12.86	0.00	41.15
			MIN	S2	-40.88	0.00	96.36	-40.88	0.00	-118.41	-141.47	0.00	553.89	-141.47	0.00	-97.64
				TQ	0.00	0.00	0.00	0.00	0.00	0.00	0.00	0.00	0.00	0.00	0.00	0.00
				M3	13.47	0.00	-20.45	-40.83	0.00	-118.61	22.46	0.00	-114.41	-127.64	0.00	-114.26

BAGO RIVER BRIDGE

BLOCK [ No.2 : CROSS BEAM ][ BEAM MEMBER FORCE ]

MEMBER			1003033						1003035							
NODE			3033			4033			3035			4035				
NAME TITLE			SHEAR	TORQUE	MOMENT	SHEAR	TORQUE	MOMENT	SHEAR	TORQUE	MOMENT	SHEAR	TORQUE	MOMENT		
			S2 (kN)	TQ (kN·m)	M3 (kN·m)	S2 (kN)	TQ (kN·m)	M3 (kN·m)	S2 (kN)	TQ (kN·m)	M3 (kN·m)	S2 (kN)	TQ (kN·m)	M3 (kN·m)		
301	LIVE LOAD	1-LANE (case4MAX	S2	16.88	0.00	-37.11	16.88	0.00	51.59	194.80	0.00	-577.20	194.80	0.00	319.95	
			TQ	0.00	0.00	0.00	0.00	0.00	0.00	0.00	0.00	0.00	0.00	0.00	0.00	0.00
			M3	-266.25	0.00	590.30	16.88	0.00	51.59	-159.91	0.00	302.51	194.59	0.00	0.00	320.23
			MIN S2	-266.31	0.00	590.11	-266.31	0.00	-808.98	-164.65	0.00	289.14	-164.65	0.00	0.00	-469.14
			TQ	0.00	0.00	0.00	0.00	0.00	0.00	0.00	0.00	0.00	0.00	0.00	0.00	0.00
			M3	16.88	0.00	-37.11	-266.11	0.00	-809.31	194.80	0.00	-577.21	-160.96	0.00	0.00	-486.09
		2-LANES (caseMAX	S2	309.70	0.00	-718.16	309.70	0.00	908.87	172.22	0.00	-310.27	172.22	0.00	0.00	482.86
			TQ	0.00	0.00	0.00	0.00	0.00	0.00	0.00	0.00	0.00	0.00	0.00	0.00	0.00
			M3	-16.67	0.00	38.90	309.70	0.00	908.87	-1.71	0.00	39.89	163.85	0.00	0.00	503.91
			MIN S2	-16.67	0.00	38.90	-16.67	0.00	-48.71	-13.68	0.00	25.11	-13.68	0.00	0.00	-37.88
			TQ	0.00	0.00	0.00	0.00	0.00	0.00	0.00	0.00	0.00	0.00	0.00	0.00	0.00
			M3	309.67	0.00	-718.22	-16.67	0.00	-48.71	125.97	0.00	-370.90	17.97	0.00	0.00	-119.47
		2-LANES (caseMAX	S2	199.51	0.00	-461.88	199.51	0.00	586.28	109.52	0.00	-207.05	109.52	0.00	0.00	297.32
			TQ	0.00	0.00	0.00	0.00	0.00	0.00	0.00	0.00	0.00	0.00	0.00	0.00	0.00
			M3	-9.92	0.00	23.69	199.49	0.00	586.32	-31.01	0.00	106.59	107.29	0.00	0.00	309.48
			MIN S2	-9.92	0.00	23.69	-9.92	0.00	-28.40	-37.52	0.00	93.89	-37.52	0.00	0.00	-78.89
			TQ	0.00	0.00	0.00	0.00	0.00	0.00	0.00	0.00	0.00	0.00	0.00	0.00	0.00
			M3	199.51	0.00	-461.88	-9.91	0.00	-28.40	81.75	0.00	-217.11	-32.46	0.00	0.00	-130.30
		2-LANES (caseMAX	S2	19.04	0.00	-27.14	19.04	0.00	72.88	27.68	0.00	-96.36	27.68	0.00	0.00	31.12
			TQ	0.00	0.00	0.00	0.00	0.00	0.00	0.00	0.00	0.00	0.00	0.00	0.00	0.00
			M3	-138.59	0.00	326.15	18.94	0.00	73.20	-165.62	0.00	649.91	-16.50	0.00	0.00	119.27
MIN S2	-138.87		0.00	325.46	-138.87	0.00	-404.11	-182.22	0.00	598.00	-182.22	0.00	0.00	-241.19		
TQ	0.00		0.00	0.00	0.00	0.00	0.00	0.00	0.00	0.00	0.00	0.00	0.00	0.00		
M3	16.65		0.00	-28.52	-138.77	0.00	-404.76	19.56	0.00	-123.31	-162.99	0.00	0.00	-283.75		

BAGO RIVER BRIDGE

BLOCK [ No.2 : CROSS BEAM ][ BEAM MEMBER FORCE ]

MEMBER			1003033						1003035							
NODE			3033			4033			3035			4035				
NAME TITLE			SHEAR	TORQUE	MOMENT	SHEAR	TORQUE	MOMENT	SHEAR	TORQUE	MOMENT	SHEAR	TORQUE	MOMENT		
			S2 (kN)	TQ (kN·m)	M3 (kN·m)	S2 (kN)	TQ (kN·m)	M3 (kN·m)	S2 (kN)	TQ (kN·m)	M3 (kN·m)	S2 (kN)	TQ (kN·m)	M3 (kN·m)		
301	LIVE LOAD	2-LANES (caseMAX	S2	24.65	0.00	-54.00	24.65	0.00	75.50	180.81	0.00	-473.45	180.81	0.00	359.27	
			TQ	0.00	0.00	0.00	0.00	0.00	0.00	0.00	0.00	0.00	0.00	0.00	0.00	0.00
			M3	-361.91	0.00	807.65	24.65	0.00	75.50	-196.39	0.00	425.76	173.32	0.00	0.00	374.96
			MIN S2	-361.97	0.00	807.48	-361.97	0.00	-1094.15	-227.64	0.00	391.38	-227.64	0.00	0.00	-657.00
			TQ	0.00	0.00	0.00	0.00	0.00	0.00	0.00	0.00	0.00	0.00	0.00	0.00	0.00
			M3	24.65	0.00	-54.00	-361.80	0.00	-1094.42	173.69	0.00	-496.43	-220.16	0.00	0.00	-678.60
		3-LANES (caseMAX	S2	324.75	0.00	-752.44	324.75	0.00	953.66	181.22	0.00	-337.86	181.22	0.00	0.00	496.73
			TQ	0.00	0.00	0.00	0.00	0.00	0.00	0.00	0.00	0.00	0.00	0.00	0.00	0.00
			M3	-16.95	0.00	39.89	324.73	0.00	953.70	-23.49	0.00	112.51	172.98	0.00	0.00	518.39
			MIN S2	-16.95	0.00	39.89	-16.95	0.00	-49.15	-38.36	0.00	93.49	-38.36	0.00	0.00	-83.17
			TQ	0.00	0.00	0.00	0.00	0.00	0.00	0.00	0.00	0.00	0.00	0.00	0.00	0.00
			M3	324.72	0.00	-752.49	-16.95	0.00	-49.15	140.25	0.00	-392.93	-10.62	0.00	0.00	-157.91
		3-LANES (caseMAX	S2	23.76	0.00	-39.51	23.76	0.00	85.33	145.54	0.00	-437.83	145.54	0.00	0.00	232.42
			TQ	0.00	0.00	0.00	0.00	0.00	0.00	0.00	0.00	0.00	0.00	0.00	0.00	0.00
			M3	-276.27	0.00	640.47	23.68	0.00	85.60	-224.99	0.00	707.35	107.83	0.00	0.00	307.55
			MIN S2	-276.51	0.00	639.89	-276.51	0.00	-812.77	-244.40	0.00	654.02	-244.40	0.00	0.00	-471.54
			TQ	0.00	0.00	0.00	0.00	0.00	0.00	0.00	0.00	0.00	0.00	0.00	0.00	0.00
			M3	21.73	0.00	-40.69	-276.42	0.00	-813.32	138.42	0.00	-460.77	-227.02	0.00	0.00	-514.43
		3-LANES (caseMAX	S2	29.85	0.00	-58.58	29.85	0.00	98.24	165.25	0.00	-456.76	165.25	0.00	0.00	304.27
			TQ	0.00	0.00	0.00	0.00	0.00	0.00	0.00	0.00	0.00	0.00	0.00	0.00	0.00
			M3	-362.34	0.00	812.55	29.78	0.00	98.46	-272.23	0.00	756.55	137.20	0.00	0.00	352.19
MIN S2	-362.64		0.00	812.04	-362.64	0.00	-1093.13	-300.08	0.00	725.72	-300.08	0.00	0.00	-656.29		
TQ	0.00		0.00	0.00	0.00	0.00	0.00	0.00	0.00	0.00	0.00	0.00	0.00	0.00		
M3	28.66		0.00	-61.01	-362.43	0.00	-1093.58	157.44	0.00	-478.96	-239.94	0.00	0.00	-710.89		

BAGO RIVER BRIDGE

BLOCK [ No.2 : CROSS BEAM ][ BEAM MEMBER FORCE ]

MEMBER				1003033			1003035			1003035			1003035				
NODE				3033			4033			3035			4035				
NAME TITLE				SHEAR	TORQUE	MOMENT	SHEAR	TORQUE	MOMENT	SHEAR	TORQUE	MOMENT	SHEAR	TORQUE	MOMENT		
				S2 (kN)	TQ (kN·m)	M3 (kN·m)	S2 (kN)	TQ (kN·m)	M3 (kN·m)	S2 (kN)	TQ (kN·m)	M3 (kN·m)	S2 (kN)	TQ (kN·m)	M3 (kN·m)		
301	LIVE LOAD	4-LANES	MAX	S2	21.14	0.00	-45.68	21.14	0.00	65.37	12.33	0.00	-5.49	12.33	0.00	51.31	
				TQ	0.00	0.00	0.00	0.00	0.00	0.00	0.00	0.00	0.00	0.00	0.00	0.00	0.00
				M3	-140.09	0.00	308.52	21.14	0.00	65.37	-86.53	0.00	101.99	12.24	0.00	52.16	
			MIN	S2	-140.12	0.00	308.49	-140.12	0.00	-427.66	-90.86	0.00	95.41	-90.86	0.00	-323.02	
				TQ	0.00	0.00	0.00	0.00	0.00	0.00	0.00	0.00	0.00	0.00	0.00	0.00	
				M3	21.13	0.00	-45.69	-140.11	0.00	-427.66	7.46	0.00	-12.28	-90.78	0.00	-323.88	
		6-LANES	MAX	S2	252.59	0.00	-575.46	252.59	0.00	751.56	246.02	0.00	-602.47	246.02	0.00	530.56	
				TQ	0.00	0.00	0.00	0.00	0.00	0.00	0.00	0.00	0.00	0.00	0.00	0.00	
				M3	-259.43	0.00	583.20	252.54	0.00	751.73	-228.98	0.00	704.11	208.33	0.00	598.54	
			MIN	S2	-259.62	0.00	582.76	-259.62	0.00	-781.18	-252.21	0.00	616.13	-252.21	0.00	-545.41	
				TQ	0.00	0.00	0.00	0.00	0.00	0.00	0.00	0.00	0.00	0.00	0.00	0.00	
				M3	252.36	0.00	-575.81	-259.43	0.00	-781.40	224.00	0.00	-647.54	-221.98	0.00	-609.04	
		LIVE LOAD	MAX		324.75	0.00	812.55	324.75	0.00	953.70	246.02	0.00	756.55	246.02	0.00	598.54	
			MIN		-362.64	0.00	-752.49	-362.64	0.00	-1094.42	-300.08	0.00	-647.54	-300.08	0.00	-710.89	
			TOTAL		331.26	0.00	775.52	331.26	0.00	950.88	162.31	0.00	969.95	162.31	0.00	426.43	
303	SUM TOTAL	TOTAL	MAX		331.26	0.00	775.52	331.26	0.00	950.88	162.31	0.00	969.95	162.31	0.00	426.43	
			MIN		-356.13	0.00	-789.52	-356.13	0.00	-1097.24	-383.79	0.00	-434.14	-383.79	0.00	-883.01	

BAGO RIVER BRIDGE

BLOCK [ No.2 : CROSS BEAM ][ BEAM MEMBER FORCE ]

MEMBER NODE	1003037 3037	4037			1003039 3039	4039									
		SHEAR S2 (kN)	TORQUE TQ (kN·m)	MOMENT M3 (kN·m)		SHEAR S2 (kN)	TORQUE TQ (kN·m)	MOMENT M3 (kN·m)							
1 PAVEMENT	-3.60	0.00	-38.53	-3.60	0.00	-53.58	-8.85	0.00	8.92	-8.85	0.00	-28.06			
3 RAILING	5.16	0.00	-21.51	5.16	0.00	0.06	4.72	0.00	-20.34	4.72	0.00	-0.63			
5 CURB	51.13	0.00	-212.98	51.13	0.00	0.58	46.73	0.00	-201.40	46.73	0.00	-6.20			
7 DECK WEIGHT	-0.28	0.00	-79.92	-0.28	0.00	-81.09	-10.09	0.00	-1.84	-10.09	0.00	-43.97			
8 GIRDER WEIGH	-31.78	0.00	53.00	-31.78	0.00	-79.76	-56.61	0.00	182.09	-56.61	0.00	-54.36			
10 MEDIAN STRIP	-35.82	0.00	127.50	-35.82	0.00	-22.13	-39.59	0.00	155.38	-39.59	0.00	-9.98			
21 ADITIONAL WE	-0.08	0.00	-22.38	-0.08	0.00	-22.70	-2.82	0.00	-0.52	-2.82	0.00	-12.31			
31 MEDIAN RAILI	-2.74	0.00	10.15	-2.74	0.00	-1.31	-3.03	0.00	11.98	-3.03	0.00	-0.67			
51 SUPPORT WEIG	-0.00	0.00	0.00	-0.00	0.00	-0.00	0.00	0.00	-0.00	0.00	0.00	0.00			
52 NOSE WEIGHT	-0.00	0.00	0.00	-0.00	0.00	-0.01	-0.00	0.00	0.00	-0.00	0.00	-0.00			
61 1-LANE(case1TRUCK-LOAD	MAX	S2	11.31	0.00	-3.95	11.31	0.00	43.28	7.54	0.00	-10.27	7.54	0.00	21.23	
		TQ	0.00	0.00	0.00	0.00	0.00	0.00	0.00	0.00	0.00	0.00	0.00	0.00	
		M3	5.91	0.00	4.54	11.29	0.00	43.34	-7.69	0.00	15.18	7.49	0.00	21.46	
	MIN	S2	-7.34	0.00	-31.56	-7.34	0.00	-62.23	-16.55	0.00	-33.77	-16.55	0.00	-102.90	
		TQ	0.00	0.00	0.00	0.00	0.00	0.00	0.00	0.00	0.00	0.00	0.00	0.00	
		M3	3.41	0.00	-142.53	3.41	0.00	-128.30	-8.64	0.00	-119.84	-8.64	0.00	-155.93	
	TANDEM-LOAD	MAX	S2	7.73	0.00	-2.90	7.73	0.00	29.40	5.14	0.00	-6.95	5.14	0.00	14.53
		TQ	0.00	0.00	0.00	0.00	0.00	0.00	0.00	0.00	0.00	0.00	0.00	0.00	
		M3	3.46	0.00	4.78	7.60	0.00	29.53	-6.65	0.00	10.94	5.13	0.00	14.59	
	MIN	S2	-5.39	0.00	-23.73	-5.39	0.00	-46.27	-11.65	0.00	-16.72	-11.65	0.00	-65.38	
		TQ	0.00	0.00	0.00	0.00	0.00	0.00	0.00	0.00	0.00	0.00	0.00	0.00	
		M3	3.37	0.00	-102.67	3.37	0.00	-88.59	-4.97	0.00	-86.52	-4.97	0.00	-107.28	
DISPERSION-LMAX	S2	15.51	0.00	-45.81	15.51	0.00	18.95	9.42	0.00	-9.11	9.42	0.00	30.23		
	TQ	0.00	0.00	0.00	0.00	0.00	0.00	0.00	0.00	0.00	0.00	0.00	0.00		
	M3	1.43	0.00	1.05	14.14	0.00	54.34	-6.03	0.00	14.86	9.17	0.00	31.49		
MIN	S2	-3.58	0.00	-37.31	-3.58	0.00	-52.28	-18.76	0.00	-49.90	-18.76	0.00	-128.27		
	TQ	0.00	0.00	0.00	0.00	0.00	0.00	0.00	0.00	0.00	0.00	0.00	0.00		
	M3	10.49	0.00	-84.17	-2.21	0.00	-87.66	-3.31	0.00	-73.87	-18.51	0.00	-129.53		

BAGO RIVER BRIDGE

BLOCK [ No.2 : CROSS BEAM ][ BEAM MEMBER FORCE ]

MEMBER				1003037			1003039			4039						
NODE				3037			4037			3039						
				SHEAR	TORQUE	MOMENT	SHEAR	TORQUE	MOMENT	SHEAR	TORQUE	MOMENT				
NAME	TITLE			S2 (kN)	TQ (kN·m)	M3 (kN·m)	S2 (kN)	TQ (kN·m)	M3 (kN·m)	S2 (kN)	TQ (kN·m)	M3 (kN·m)				
62	1-LANE (case2TRUCK-LOAD	MAX	S2	1.93	0.00	-6.33	1.93	0.00	1.74	4.34	0.00	-9.85	4.34	0.00	8.29	
			TQ	0.00	0.00	0.00	0.00	0.00	0.00	0.00	0.00	0.00	0.00	0.00	0.00	0.00
			M3	-32.42	0.00	72.32	-0.30	0.00	4.77	-42.57	0.00	92.20	4.31	0.00	8.31	
		MIN	S2	-32.42	0.00	72.32	-32.42	0.00	-63.10	-42.57	0.00	92.20	-42.57	0.00	-85.62	
			TQ	0.00	0.00	0.00	0.00	0.00	0.00	0.00	0.00	0.00	0.00	0.00	0.00	0.00
			M3	1.93	0.00	-6.33	-32.42	0.00	-63.10	4.32	0.00	-9.92	-42.48	0.00	-86.07	
		TANDEM-LOAD MAX	S2	1.51	0.00	-5.34	1.51	0.00	0.97	2.96	0.00	-6.74	2.96	0.00	5.62	
			TQ	0.00	0.00	0.00	0.00	0.00	0.00	0.00	0.00	0.00	0.00	0.00	0.00	0.00
			M3	-23.48	0.00	49.93	-0.08	0.00	3.71	-30.63	0.00	63.84	2.93	0.00	5.66	
		MIN	S2	-23.48	0.00	49.93	-23.48	0.00	-48.13	-30.63	0.00	63.84	-30.63	0.00	-64.11	
			TQ	0.00	0.00	0.00	0.00	0.00	0.00	0.00	0.00	0.00	0.00	0.00	0.00	0.00
			M3	1.51	0.00	-5.34	-23.48	0.00	-48.13	2.95	0.00	-6.76	-30.61	0.00	-64.24	
		DISPERSION-LMAX	S2	2.57	0.00	-2.26	2.57	0.00	8.45	5.01	0.00	-11.59	5.01	0.00	9.34	
			TQ	0.00	0.00	0.00	0.00	0.00	0.00	0.00	0.00	0.00	0.00	0.00	0.00	0.00
			M3	-17.61	0.00	46.68	1.67	0.00	9.74	-28.60	0.00	78.57	3.45	0.00	11.13	
MIN	S2	-18.06	0.00	45.89	-18.06	0.00	-29.56	-28.60	0.00	78.54	-28.60	0.00	-40.93			
	TQ	0.00	0.00	0.00	0.00	0.00	0.00	0.00	0.00	0.00	0.00	0.00	0.00	0.00		
	M3	2.11	0.00	-3.05	-17.16	0.00	-30.85	5.01	0.00	-11.62	-27.04	0.00	-42.71			
63	1-LANE (case3TRUCK-LOAD	MAX	S2	7.41	0.00	1.79	7.41	0.00	32.75	5.12	0.00	7.48	5.12	0.00	28.86	
			TQ	0.00	0.00	0.00	0.00	0.00	0.00	0.00	0.00	0.00	0.00	0.00	0.00	
			M3	-74.94	0.00	336.55	-3.67	0.00	51.07	-84.44	0.00	352.64	-2.63	0.00	40.74	
		MIN	S2	-74.94	0.00	336.55	-74.94	0.00	23.53	-84.44	0.00	352.64	-84.44	0.00	-0.07	
			TQ	0.00	0.00	0.00	0.00	0.00	0.00	0.00	0.00	0.00	0.00	0.00	0.00	0.00
			M3	-4.16	0.00	-1.43	-7.60	0.00	-27.84	2.05	0.00	-9.53	-3.52	0.00	-6.11	



BAGO RIVER BRIDGE

BLOCK [ No.2 : CROSS BEAM ][ BEAM MEMBER FORCE ]

MEMBER		1003037						1003039							
NODE		3037			4037			3039			4039				
		SHEAR	TORQUE	MOMENT	SHEAR	TORQUE	MOMENT	SHEAR	TORQUE	MOMENT	SHEAR	TORQUE	MOMENT		
NAME	TITLE	S2 (kN)	TQ (kN·m)	M3 (kN·m)	S2 (kN)	TQ (kN·m)	M3 (kN·m)	S2 (kN)	TQ (kN·m)	M3 (kN·m)	S2 (kN)	TQ (kN·m)	M3 (kN·m)		
63	1-LANE (case3TANDEM-LOAD	MAX	S2	6.82	0.00	1.27	6.82	0.00	29.77	4.57	0.00	6.88	4.57	0.00	25.98
			TQ	0.00	0.00	0.00	0.00	0.00	0.00	0.00	0.00	0.00	0.00	0.00	0.00
			M3	-59.04	0.00	257.69	-2.01	0.00	38.16	-65.94	0.00	269.29	-6.74	0.00	29.70
		MIN	S2	-59.04	0.00	257.69	-59.04	0.00	11.08	-65.94	0.00	269.29	-65.94	0.00	-6.15
			TQ	0.00	0.00	0.00	0.00	0.00	0.00	0.00	0.00	0.00	0.00	0.00	0.00
			M3	-2.75	0.00	-1.34	-5.21	0.00	-18.93	1.39	0.00	-6.49	-65.94	0.00	-6.15
	DISPERSION-LMAX	S2	4.10	0.00	3.13	4.10	0.00	20.25	3.55	0.00	-5.87	3.55	0.00	8.95	
		TQ	0.00	0.00	0.00	0.00	0.00	0.00	0.00	0.00	0.00	0.00	0.00	0.00	
		M3	-36.13	0.00	142.67	-19.68	0.00	42.03	-34.15	0.00	163.33	-17.08	0.00	28.61	
		MIN	S2	-38.56	0.00	137.63	-38.56	0.00	-23.43	-35.41	0.00	157.94	-35.41	0.00	10.01
			TQ	0.00	0.00	0.00	0.00	0.00	0.00	0.00	0.00	0.00	0.00	0.00	0.00
			M3	1.67	0.00	-1.91	-14.78	0.00	-45.21	2.29	0.00	-11.25	-14.79	0.00	-9.65
64	1-LANE (case4TRUCK-LOAD	MAX	S2	183.29	0.00	-478.69	183.29	0.00	286.91	174.56	0.00	-466.54	174.56	0.00	262.61
			TQ	0.00	0.00	0.00	0.00	0.00	0.00	0.00	0.00	0.00	0.00	0.00	0.00
			M3	-20.63	0.00	15.25	183.29	0.00	286.91	-3.46	0.00	16.23	174.56	0.00	262.61
		MIN	S2	-23.34	0.00	14.25	-23.34	0.00	-83.23	-6.05	0.00	11.55	-6.05	0.00	-13.71
			TQ	0.00	0.00	0.00	0.00	0.00	0.00	0.00	0.00	0.00	0.00	0.00	0.00
			M3	183.00	0.00	-481.44	-23.31	0.00	-83.32	174.56	0.00	-466.54	-2.72	0.00	-19.94
	TANDEM-LOAD	MAX	S2	140.08	0.00	-368.49	140.08	0.00	216.61	133.17	0.00	-358.43	133.17	0.00	197.83
			TQ	0.00	0.00	0.00	0.00	0.00	0.00	0.00	0.00	0.00	0.00	0.00	0.00
			M3	-13.81	0.00	10.46	140.08	0.00	216.61	-2.03	0.00	12.01	133.17	0.00	197.83
		MIN	S2	-15.89	0.00	9.73	-15.89	0.00	-56.63	-4.13	0.00	7.61	-4.13	0.00	-9.65
			TQ	0.00	0.00	0.00	0.00	0.00	0.00	0.00	0.00	0.00	0.00	0.00	0.00
			M3	140.00	0.00	-369.26	-15.82	0.00	-56.69	133.17	0.00	-358.43	-1.87	0.00	-13.60

BAGO RIVER BRIDGE

BLOCK [ No.2 : CROSS BEAM ][ BEAM MEMBER FORCE ]

MEMBER NODE	1003037 3037	4037			1003039 3039	4039									
		SHEAR	TORQUE	MOMENT		SHEAR	TORQUE	MOMENT							
		S2 (kN)	TQ (kN·m)	M3 (kN·m)		S2 (kN)	TQ (kN·m)	M3 (kN·m)							
64	1-LANE (case4DISPERSION-LMAX	S2	80.82	0.00	-197.93	80.82	0.00	139.65	70.02	0.00	-176.26	70.02	0.00	116.22	
		TQ	0.00	0.00	0.00	0.00	0.00	0.00	0.00	0.00	0.00	0.00	0.00	0.00	
		M3	-32.88	0.00	23.90	80.82	0.00	139.67	-5.47	0.00	18.11	69.28	0.00	119.06	
	MIN	S2	-33.15	0.00	23.69	-33.15	0.00	-114.76	-8.84	0.00	5.39	-8.84	0.00	-31.53	
		TQ	0.00	0.00	0.00	0.00	0.00	0.00	0.00	0.00	0.00	0.00	0.00	0.00	
		M3	80.56	0.00	-198.14	-33.14	0.00	-114.78	66.65	0.00	-188.97	-8.10	0.00	-34.38	
65	2-LANES (caseTRUCK-LOAD	MAX	S2	17.38	0.00	-6.66	17.38	0.00	65.95	13.47	0.00	-20.37	13.47	0.00	35.89
			TQ	0.00	0.00	0.00	0.00	0.00	0.00	0.00	0.00	0.00	0.00	0.00	
			M3	3.45	0.00	5.53	17.37	0.00	66.00	-21.71	0.00	36.20	13.34	0.00	36.29
		MIN	S2	-19.67	0.00	-60.88	-19.67	0.00	-143.05	-39.97	0.00	-58.51	-39.97	0.00	-225.46
			TQ	0.00	0.00	0.00	0.00	0.00	0.00	0.00	0.00	0.00	0.00	0.00	
			M3	-8.62	0.00	-191.51	-8.62	0.00	-227.52	-31.90	0.00	-147.10	-31.90	0.00	-280.34
	TANDEM-LOAD	MAX	S2	11.88	0.00	-4.78	11.88	0.00	44.85	9.18	0.00	-13.71	9.18	0.00	24.62
			TQ	0.00	0.00	0.00	0.00	0.00	0.00	0.00	0.00	0.00	0.00	0.00	
			M3	-0.13	0.00	6.29	11.75	0.00	44.98	-18.03	0.00	26.06	9.15	0.00	24.71
		MIN	S2	-13.83	0.00	-48.17	-13.83	0.00	-105.92	-27.66	0.00	-29.13	-27.66	0.00	-144.65
			TQ	0.00	0.00	0.00	0.00	0.00	0.00	0.00	0.00	0.00	0.00	0.00	
			M3	-4.54	0.00	-140.83	-4.54	0.00	-159.79	-20.62	0.00	-109.51	-20.62	0.00	-195.63
	DISPERSION-LMAX		S2	23.07	0.00	-49.00	23.07	0.00	47.38	16.46	0.00	-19.48	16.46	0.00	49.28
			TQ	0.00	0.00	0.00	0.00	0.00	0.00	0.00	0.00	0.00	0.00	0.00	
			M3	-0.77	0.00	3.93	21.70	0.00	82.79	-21.70	0.00	41.31	15.69	0.00	52.65
		MIN	S2	-12.95	0.00	-54.95	-12.95	0.00	-109.04	-42.37	0.00	-35.36	-42.37	0.00	-212.33
			TQ	0.00	0.00	0.00	0.00	0.00	0.00	0.00	0.00	0.00	0.00	0.00	
			M3	10.90	0.00	-107.88	-11.57	0.00	-144.44	-4.20	0.00	-96.16	-41.59	0.00	-215.69

BAGO RIVER BRIDGE

BLOCK [ No.2 : CROSS BEAM ][ BEAM MEMBER FORCE ]

MEMBER				1003037						1003039						
NODE				3037			4037			3039			4039			
				SHEAR	TORQUE	MOMENT	SHEAR	TORQUE	MOMENT	SHEAR	TORQUE	MOMENT	SHEAR	TORQUE	MOMENT	
NAME	TITLE			S2 (kN)	TQ (kN·m)	M3 (kN·m)	S2 (kN)	TQ (kN·m)	M3 (kN·m)	S2 (kN)	TQ (kN·m)	M3 (kN·m)	S2 (kN)	TQ (kN·m)	M3 (kN·m)	
66	2-LANES (caseTRUCK-LOAD	MAX	S2	8.01	0.00	-9.04	8.01	0.00	24.40	10.27	0.00	-19.95	10.27	0.00	22.95	
			TQ	0.00	0.00	0.00	0.00	0.00	0.00	0.00	0.00	0.00	0.00	0.00	0.00	0.00
			M3	-34.89	0.00	73.30	5.78	0.00	27.43	-56.59	0.00	113.22	10.17	0.00	23.14	
		MIN	S2	-44.75	0.00	42.99	-44.75	0.00	-143.92	-65.99	0.00	67.46	-65.99	0.00	-208.18	
			TQ	0.00	0.00	0.00	0.00	0.00	0.00	0.00	0.00	0.00	0.00	0.00	0.00	
			M3	-10.10	0.00	-55.31	-44.45	0.00	-162.32	-18.93	0.00	-37.19	-65.74	0.00	-210.48	
		TANDEM-LOAD MAX	S2	5.66	0.00	-7.21	5.66	0.00	16.42	6.99	0.00	-13.49	6.99	0.00	15.72	
			TQ	0.00	0.00	0.00	0.00	0.00	0.00	0.00	0.00	0.00	0.00	0.00	0.00	
			M3	-27.07	0.00	51.44	4.07	0.00	19.16	-42.01	0.00	78.96	6.94	0.00	15.78	
		MIN	S2	-31.91	0.00	25.50	-31.91	0.00	-107.78	-46.64	0.00	51.42	-46.64	0.00	-143.39	
			TQ	0.00	0.00	0.00	0.00	0.00	0.00	0.00	0.00	0.00	0.00	0.00	0.00	
			M3	-6.40	0.00	-43.50	-31.39	0.00	-119.33	-12.70	0.00	-29.75	-46.26	0.00	-152.59	
		DISPERSION-LMAX	S2	10.13	0.00	-5.45	10.13	0.00	36.88	12.05	0.00	-21.96	12.05	0.00	28.39	
			TQ	0.00	0.00	0.00	0.00	0.00	0.00	0.00	0.00	0.00	0.00	0.00	0.00	
			M3	-19.81	0.00	49.56	9.23	0.00	38.19	-44.27	0.00	105.03	9.97	0.00	32.28	
MIN	S2	-27.43	0.00	28.25	-27.43	0.00	-86.32	-52.21	0.00	93.08	-52.21	0.00	-124.98			
	TQ	0.00	0.00	0.00	0.00	0.00	0.00	0.00	0.00	0.00	0.00	0.00	0.00			
	M3	2.52	0.00	-26.75	-26.53	0.00	-87.63	4.11	0.00	-33.91	-50.12	0.00	-128.88			
67	2-LANES (caseTRUCK-LOAD	MAX	S2	36.22	0.00	23.25	36.22	0.00	174.55	24.57	0.00	45.58	24.57	0.00	148.20	
			TQ	0.00	0.00	0.00	0.00	0.00	0.00	0.00	0.00	0.00	0.00	0.00		
			M3	-47.17	0.00	362.02	24.45	0.00	193.98	-65.79	0.00	392.31	16.82	0.00	160.08	
		MIN	S2	-87.92	0.00	344.16	-87.92	0.00	-23.07	-89.48	0.00	364.38	-89.48	0.00	-9.36	
			TQ	0.00	0.00	0.00	0.00	0.00	0.00	0.00	0.00	0.00	0.00	0.00	0.00	
			M3	9.99	0.00	-4.38	-20.56	0.00	-74.52	2.60	0.00	-18.83	-8.10	0.00	-16.55	

BAGO RIVER BRIDGE

BLOCK [ No.2 : CROSS BEAM ][ BEAM MEMBER FORCE ]

MEMBER		1003037						1003039							
NODE		3037			4037			3039			4039				
		SHEAR	TORQUE	MOMENT	SHEAR	TORQUE	MOMENT	SHEAR	TORQUE	MOMENT	SHEAR	TORQUE	MOMENT		
NAME	TITLE	S2 (kN)	TQ (kN·m)	M3 (kN·m)	S2 (kN)	TQ (kN·m)	M3 (kN·m)	S2 (kN)	TQ (kN·m)	M3 (kN·m)	S2 (kN)	TQ (kN·m)	M3 (kN·m)		
67	2-LANES (caseTANDEM-LOAD	MAX	S2	27.37	0.00	18.69	27.37	0.00	132.99	18.14	0.00	35.83	18.14	0.00	111.59
			TQ	0.00	0.00	0.00	0.00	0.00	0.00	0.00	0.00	0.00	0.00	0.00	0.00
			M3	-38.69	0.00	276.22	18.34	0.00	141.70	-52.60	0.00	298.68	6.82	0.00	115.31
		MIN	S2	-67.90	0.00	262.87	-67.90	0.00	-20.72	-69.38	0.00	277.85	-69.38	0.00	-11.94
			TQ	0.00	0.00	0.00	0.00	0.00	0.00	0.00	0.00	0.00	0.00	0.00	0.00
			M3	5.70	0.00	-4.00	-14.06	0.00	-50.76	1.75	0.00	-12.82	-69.11	0.00	-13.32
	DISPERSION-LMAX	S2	25.88	0.00	-10.90	25.88	0.00	97.21	19.33	0.00	-18.74	19.33	0.00	62.01	
		TQ	0.00	0.00	0.00	0.00	0.00	0.00	0.00	0.00	0.00	0.00	0.00	0.00	
		M3	-55.32	0.00	186.22	-0.25	0.00	129.97	-39.07	0.00	217.56	-6.60	0.00	100.32	
		MIN	S2	-61.18	0.00	172.22	-61.18	0.00	-83.34	-44.60	0.00	197.65	-44.60	0.00	11.37
			TQ	0.00	0.00	0.00	0.00	0.00	0.00	0.00	0.00	0.00	0.00	0.00	0.00
			M3	20.02	0.00	-24.89	-35.05	0.00	-116.10	13.81	0.00	-38.66	-18.67	0.00	-26.94
68	2-LANES (caseTRUCK-LOAD	MAX	S2	212.94	0.00	-458.22	212.94	0.00	431.22	194.01	0.00	-428.44	194.01	0.00	381.95
			TQ	0.00	0.00	0.00	0.00	0.00	0.00	0.00	0.00	0.00	0.00	0.00	0.00
			M3	9.02	0.00	35.72	212.94	0.00	431.22	15.19	0.00	55.90	194.01	0.00	381.95
		MIN	S2	-41.43	0.00	25.07	-41.43	0.00	-147.98	-11.08	0.00	23.29	-11.08	0.00	-23.00
			TQ	0.00	0.00	0.00	0.00	0.00	0.00	0.00	0.00	0.00	0.00	0.00	0.00
			M3	197.27	0.00	-490.70	-41.40	0.00	-148.08	173.54	0.00	-475.59	-3.88	0.00	-33.64
	TANDEM-LOAD	MAX	S2	160.75	0.00	-351.02	160.75	0.00	320.44	146.73	0.00	-329.48	146.73	0.00	283.43
			TQ	0.00	0.00	0.00	0.00	0.00	0.00	0.00	0.00	0.00	0.00	0.00	0.00
			M3	6.86	0.00	27.93	160.75	0.00	320.44	11.31	0.00	41.40	146.73	0.00	283.43
		MIN	S2	-28.21	0.00	17.06	-28.21	0.00	-100.79	-7.57	0.00	16.17	-7.57	0.00	-15.43
			TQ	0.00	0.00	0.00	0.00	0.00	0.00	0.00	0.00	0.00	0.00	0.00	0.00
			M3	153.48	0.00	-376.96	-28.15	0.00	-100.84	132.45	0.00	-364.59	-2.67	0.00	-22.93

BAGO RIVER BRIDGE

BLOCK [ No.2 : CROSS BEAM ][ BEAM MEMBER FORCE ]

MEMBER		1003037						1003039									
NODE		3037			4037			3039			4039						
		SHEAR	TORQUE	MOMENT	SHEAR	TORQUE	MOMENT	SHEAR	TORQUE	MOMENT	SHEAR	TORQUE	MOMENT				
NAME	TITLE	S2 (kN)	TQ (kN·m)	M3 (kN·m)	S2 (kN)	TQ (kN·m)	M3 (kN·m)	S2 (kN)	TQ (kN·m)	M3 (kN·m)	S2 (kN)	TQ (kN·m)	M3 (kN·m)				
68	2-LANES (caseDISPERSION-LMAX	S2	104.63	0.00	-215.76	104.63	0.00	221.26	85.05	0.00	-182.07	85.05	0.00	173.20			
		TQ	0.00	0.00	0.00	0.00	0.00	0.00	0.00	0.00	0.00	0.00	0.00	0.00			
		M3	-57.52	0.00	68.94	102.45	0.00	231.37	-10.16	0.00	72.23	79.81	0.00	191.65			
		MIN	S2	-61.00	0.00	60.55	-61.00	0.00	-194.23	-18.62	0.00	38.23	-18.62	0.00	-39.56		
		TQ	0.00	0.00	0.00	0.00	0.00	0.00	0.00	0.00	0.00	0.00	0.00	0.00			
		M3	101.14	0.00	-224.14	-58.82	0.00	-204.34	76.59	0.00	-216.08	-13.38	0.00	-58.01			
		69	3-LANES (caseTRUCK-LOAD	MAX	S2	19.32	0.00	-12.99	19.32	0.00	67.69	17.81	0.00	-30.22	17.81	0.00	44.18
				TQ	0.00	0.00	0.00	0.00	0.00	0.00	0.00	0.00	0.00	0.00	0.00	0.00	
				M3	-28.97	0.00	77.84	17.07	0.00	70.77	-64.28	0.00	128.41	17.66	0.00	44.59	
MIN	S2	-52.09	0.00	11.43	-52.09	0.00	-206.15	-82.54	0.00	33.69	-82.54	0.00	-311.08				
TQ	0.00	0.00	0.00	0.00	0.00	0.00	0.00	0.00	0.00	0.00	0.00	0.00	0.00				
M3	-6.69	0.00	-197.84	-41.04	0.00	-290.62	-27.57	0.00	-157.03	-74.38	0.00	-366.41					
TANDEM-LOAD	MAX	S2	13.39	0.00	-10.12	13.39	0.00	45.82	12.14	0.00	-20.45	12.14	0.00	30.25			
TQ	0.00	0.00	0.00	0.00	0.00	0.00	0.00	0.00	0.00	0.00	0.00	0.00	0.00				
M3	-23.61	0.00	56.23	11.67	0.00	48.69	-48.66	0.00	89.90	12.08	0.00	30.37					
MIN	S2	-37.30	0.00	1.77	-37.30	0.00	-154.05	-58.29	0.00	34.71	-58.29	0.00	-208.77				
TQ	0.00	0.00	0.00	0.00	0.00	0.00	0.00	0.00	0.00	0.00	0.00	0.00	0.00				
M3	-3.03	0.00	-146.17	-28.02	0.00	-207.93	-17.67	0.00	-116.26	-51.23	0.00	-259.87					
DISPERSION-LMAX	S2	25.64	0.00	-51.26	25.64	0.00	55.83	21.47	0.00	-31.07	21.47	0.00	58.62				
TQ	0.00	0.00	0.00	0.00	0.00	0.00	0.00	0.00	0.00	0.00	0.00	0.00	0.00				
M3	-18.39	0.00	50.61	23.37	0.00	92.52	-50.30	0.00	119.89	19.14	0.00	63.77					
MIN	S2	-31.01	0.00	-9.06	-31.01	0.00	-138.60	-70.97	0.00	43.18	-70.97	0.00	-253.25				
TQ	0.00	0.00	0.00	0.00	0.00	0.00	0.00	0.00	0.00	0.00	0.00	0.00	0.00				
M3	13.01	0.00	-110.93	-28.74	0.00	-175.29	0.81	0.00	-107.78	-68.63	0.00	-258.40					

BAGO RIVER BRIDGE

BLOCK [ No.2 : CROSS BEAM ][ BEAM MEMBER FORCE ]

MEMBER				1003037						1003039						
NODE				3037			4037			3039			4039			
				SHEAR	TORQUE	MOMENT	SHEAR	TORQUE	MOMENT	SHEAR	TORQUE	MOMENT	SHEAR	TORQUE	MOMENT	
NAME	TITLE			S2 (kN)	TQ (kN·m)	M3 (kN·m)	S2 (kN)	TQ (kN·m)	M3 (kN·m)	S2 (kN)	TQ (kN·m)	M3 (kN·m)	S2 (kN)	TQ (kN·m)	M3 (kN·m)	
70	3-LANES (caseTRUCK-LOAD	MAX	S2	218.88	0.00	-457.06	218.88	0.00	457.22	199.13	0.00	-420.96	199.13	0.00	410.81	
			TQ	0.00	0.00	0.00	0.00	0.00	0.00	0.00	0.00	0.00	0.00	0.00	0.00	0.00
			M3	-64.59	0.00	373.51	206.33	0.00	479.66	-69.25	0.00	408.55	191.39	0.00	422.69	
		MIN	S2	-106.22	0.00	355.41	-106.22	0.00	-88.25	-95.52	0.00	375.93	-95.52	0.00	-23.07	
			TQ	0.00	0.00	0.00	0.00	0.00	0.00	0.00	0.00	0.00	0.00	0.00	0.00	0.00
			M3	192.66	0.00	-484.69	-38.81	0.00	-139.76	177.16	0.00	-485.37	-13.76	0.00	-31.38	
		TANDEM-LOAD MAX	S2	167.36	0.00	-350.57	167.36	0.00	348.50	151.31	0.00	-322.59	151.31	0.00	309.42	
			TQ	0.00	0.00	0.00	0.00	0.00	0.00	0.00	0.00	0.00	0.00	0.00	0.00	0.00
			M3	-50.08	0.00	284.04	158.12	0.00	358.04	-54.63	0.00	310.69	139.99	0.00	313.14	
		MIN	S2	-80.38	0.00	270.46	-80.38	0.00	-65.28	-73.51	0.00	285.46	-73.51	0.00	-21.59	
			TQ	0.00	0.00	0.00	0.00	0.00	0.00	0.00	0.00	0.00	0.00	0.00	0.00	0.00
			M3	145.70	0.00	-373.26	-26.53	0.00	-95.33	134.92	0.00	-371.24	-73.02	0.00	-23.50	
		DISPERSION-LMAX	S2	104.55	0.00	-203.52	104.55	0.00	233.19	89.44	0.00	-196.87	89.44	0.00	176.73	
			TQ	0.00	0.00	0.00	0.00	0.00	0.00	0.00	0.00	0.00	0.00	0.00	0.00	0.00
			M3	-82.80	0.00	206.20	78.42	0.00	265.97	-44.78	0.00	235.74	62.45	0.00	218.50	
MIN	S2	-88.93	0.00	192.00	-88.93	0.00	-179.46	-52.17	0.00	204.71	-52.17	0.00	-13.19			
	TQ	0.00	0.00	0.00	0.00	0.00	0.00	0.00	0.00	0.00	0.00	0.00	0.00	0.00		
	M3	98.43	0.00	-217.72	-62.80	0.00	-212.24	82.05	0.00	-227.91	-25.17	0.00	-54.96			
71	3-LANES (caseTRUCK-LOAD	MAX	S2	220.35	0.00	-456.44	220.35	0.00	463.97	199.31	0.00	-421.17	199.31	0.00	411.35	
			TQ	0.00	0.00	0.00	0.00	0.00	0.00	0.00	0.00	0.00	0.00	0.00	0.00	
			M3	-65.30	0.00	370.71	209.27	0.00	482.29	-69.25	0.00	408.54	191.47	0.00	422.90	
		MIN	S2	-115.75	0.00	360.06	-115.75	0.00	-123.42	-95.52	0.00	375.93	-95.52	0.00	-23.06	
			TQ	0.00	0.00	0.00	0.00	0.00	0.00	0.00	0.00	0.00	0.00	0.00	0.00	0.00
			M3	199.69	0.00	-492.26	-54.30	0.00	-194.33	174.02	0.00	-484.87	-3.49	0.00	-41.10	

BAGO RIVER BRIDGE

BLOCK [ No.2 : CROSS BEAM ][ BEAM MEMBER FORCE ]

MEMBER		1003037						1003039								
NODE		3037			4037			3039			4039					
		SHEAR	TORQUE	MOMENT	SHEAR	TORQUE	MOMENT	SHEAR	TORQUE	MOMENT	SHEAR	TORQUE	MOMENT			
NAME	TITLE	S2 (kN)	TQ (kN·m)	M3 (kN·m)	S2 (kN)	TQ (kN·m)	M3 (kN·m)	S2 (kN)	TQ (kN·m)	M3 (kN·m)	S2 (kN)	TQ (kN·m)	M3 (kN·m)			
71	3-LANES (case)	TANDEM-LOAD	MAX	S2	167.57	0.00	-349.75	167.57	0.00	350.21	151.41	0.00	-322.77	151.41	0.00	309.68
				TQ	0.00	0.00	0.00	0.00	0.00	0.00	0.00	0.00	0.00	0.00	0.00	0.00
				M3	-52.04	0.00	285.29	158.74	0.00	358.60	-54.63	0.00	310.69	140.00	0.00	313.16
			MIN	S2	-87.12	0.00	274.42	-87.12	0.00	-89.49	-73.51	0.00	285.46	-73.51	0.00	-21.59
				TQ	0.00	0.00	0.00	0.00	0.00	0.00	0.00	0.00	0.00	0.00	0.00	0.00
				M3	155.13	0.00	-378.02	-36.98	0.00	-132.47	132.75	0.00	-370.90	-68.61	0.00	-29.08
		DISPERSION-L	MAX	S2	109.73	0.00	-212.55	109.73	0.00	245.78	87.14	0.00	-185.90	87.14	0.00	178.09
				TQ	0.00	0.00	0.00	0.00	0.00	0.00	0.00	0.00	0.00	0.00	0.00	0.00
				M3	-99.18	0.00	214.09	83.99	0.00	277.70	-43.93	0.00	235.34	61.19	0.00	220.79
			MIN	S2	-104.75	0.00	200.45	-104.75	0.00	-237.11	-53.83	0.00	194.18	-53.83	0.00	-30.65
				TQ	0.00	0.00	0.00	0.00	0.00	0.00	0.00	0.00	0.00	0.00	0.00	0.00
				M3	104.15	0.00	-226.19	-79.02	0.00	-269.03	77.25	0.00	-227.05	-27.88	0.00	-73.35
72	4-LANES	TRUCK-LOAD	MAX	S2	10.14	0.00	-6.51	10.14	0.00	35.86	2.87	0.00	-18.62	2.87	0.00	-6.64
				TQ	0.00	0.00	0.00	0.00	0.00	0.00	0.00	0.00	0.00	0.00	0.00	0.00
				M3	-59.86	0.00	35.68	10.14	0.00	35.86	-2.12	0.00	11.20	-0.47	0.00	3.13
			MIN	S2	-59.86	0.00	35.68	-59.86	0.00	-214.35	-4.70	0.00	-12.13	-4.70	0.00	-31.77
				TQ	0.00	0.00	0.00	0.00	0.00	0.00	0.00	0.00	0.00	0.00	0.00	0.00
				M3	10.14	0.00	-6.51	-59.86	0.00	-214.35	-0.68	0.00	-36.63	-0.68	0.00	-39.45
		TANDEM-LOAD	MAX	S2	6.90	0.00	-4.42	6.90	0.00	24.38	1.96	0.00	-12.71	1.96	0.00	-4.51
				TQ	0.00	0.00	0.00	0.00	0.00	0.00	0.00	0.00	0.00	0.00	0.00	0.00
				M3	-41.66	0.00	24.94	6.90	0.00	24.38	-1.42	0.00	7.61	-0.28	0.00	2.14
			MIN	S2	-41.80	0.00	24.92	-41.80	0.00	-149.69	-3.39	0.00	-8.28	-3.39	0.00	-22.45
				TQ	0.00	0.00	0.00	0.00	0.00	0.00	0.00	0.00	0.00	0.00	0.00	0.00
				M3	6.89	0.00	-4.43	-41.80	0.00	-149.69	-0.73	0.00	-24.98	-0.73	0.00	-28.03

BAGO RIVER BRIDGE

BLOCK [ No.2 : CROSS BEAM ][ BEAM MEMBER FORCE ]

MEMBER			1003037						1003039								
NODE			3037			4037			3039			4039					
NAME TITLE			SHEAR	TORQUE	MOMENT	SHEAR	TORQUE	MOMENT	SHEAR	TORQUE	MOMENT	SHEAR	TORQUE	MOMENT			
			S2 (kN)	TQ (kN·m)	M3 (kN·m)	S2 (kN)	TQ (kN·m)	M3 (kN·m)	S2 (kN)	TQ (kN·m)	M3 (kN·m)	S2 (kN)	TQ (kN·m)	M3 (kN·m)			
72	4-LANES	DISPERSION-LMAX	S2	12.46	0.00	-7.99	12.46	0.00	44.07	2.24	0.00	-14.65	2.24	0.00	-5.30		
			TQ	0.00	0.00	0.00	0.00	0.00	0.00	0.00	0.00	0.00	0.00	0.00	0.00	0.00	
			M3	-38.64	0.00	23.11	12.46	0.00	44.07	-2.58	0.00	13.62	-0.79	0.00	0.00	3.90	
	MIN	S2	-38.64	0.00	23.11	-38.64	0.00	-138.29	-4.17	0.00	2.09	-4.17	0.00	0.00	-15.31		
		TQ	0.00	0.00	0.00	0.00	0.00	0.00	0.00	0.00	0.00	0.00	0.00	0.00	0.00		
		M3	12.46	0.00	-7.99	-38.64	0.00	-138.29	0.69	0.00	-26.05	-1.17	0.00	0.00	-24.26		
	73	6-LANES	TRUCK-LOAD	MAX	S2	213.87	0.00	-451.10	213.87	0.00	442.23	196.98	0.00	-448.83	196.98	0.00	373.94
				TQ	0.00	0.00	0.00	0.00	0.00	0.00	0.00	0.00	0.00	0.00	0.00	0.00	0.00
				M3	-125.23	0.00	535.51	201.68	0.00	517.02	-162.09	0.00	618.45	179.45	0.00	0.00	429.46
MIN		S2	-172.55	0.00	384.54	-172.55	0.00	-336.20	-183.99	0.00	439.54	-183.99	0.00	0.00	-328.98		
		TQ	0.00	0.00	0.00	0.00	0.00	0.00	0.00	0.00	0.00	0.00	0.00	0.00	0.00		
		M3	170.05	0.00	-644.44	-98.77	0.00	-449.08	138.12	0.00	-605.52	-168.74	0.00	0.00	-395.01		
TANDEM-LOAD		MAX	S2	162.75	0.00	-347.57	162.75	0.00	332.23	149.06	0.00	-335.92	149.06	0.00	0.00	286.71	
		TQ	0.00	0.00	0.00	0.00	0.00	0.00	0.00	0.00	0.00	0.00	0.00	0.00	0.00		
		M3	-95.59	0.00	405.71	145.89	0.00	379.96	-122.31	0.00	463.44	139.49	0.00	0.00	314.60		
MIN	S2	-127.68	0.00	294.13	-127.68	0.00	-239.18	-136.08	0.00	340.94	-136.08	0.00	0.00	-227.48			
	TQ	0.00	0.00	0.00	0.00	0.00	0.00	0.00	0.00	0.00	0.00	0.00	0.00	0.00			
	M3	131.37	0.00	-491.25	-68.38	0.00	-316.73	108.71	0.00	-460.49	-124.44	0.00	0.00	-286.34			
DISPERSION-LMAX	S2	128.98	0.00	-255.46	128.98	0.00	283.28	104.28	0.00	-214.43	104.28	0.00	0.00	221.16			
	TQ	0.00	0.00	0.00	0.00	0.00	0.00	0.00	0.00	0.00	0.00	0.00	0.00	0.00			
	M3	-113.87	0.00	264.70	102.34	0.00	350.14	-92.08	0.00	348.76	77.33	0.00	0.00	265.54			
MIN	S2	-131.57	0.00	196.14	-131.57	0.00	-353.43	-120.34	0.00	243.41	-120.34	0.00	0.00	-259.23			
	TQ	0.00	0.00	0.00	0.00	0.00	0.00	0.00	0.00	0.00	0.00	0.00	0.00	0.00			
	M3	111.05	0.00	-324.77	-102.08	0.00	-421.39	76.14	0.00	-323.71	-90.50	0.00	0.00	-309.80			



BAGO RIVER BRIDGE

BLOCK [ No.2 : CROSS BEAM ][ BEAM MEMBER FORCE ]

MEMBER			1003037						1003039						
NODE			3037			4037			3039			4039			
NAME TITLE			SHEAR	TORQUE	MOMENT	SHEAR	TORQUE	MOMENT	SHEAR	TORQUE	MOMENT	SHEAR	TORQUE	MOMENT	
			S2 (kN)	TQ (kN·m)	M3 (kN·m)	S2 (kN)	TQ (kN·m)	M3 (kN·m)	S2 (kN)	TQ (kN·m)	M3 (kN·m)	S2 (kN)	TQ (kN·m)	M3 (kN·m)	
124	SUM TOTAL	D+1LANE (caseMAX	S2	14.16	0.00	-244.39	14.16	0.00	-185.25	-49.18	0.00	111.01	-49.18	0.00	-94.42
			TQ	-18.02	0.00	-184.67	-18.02	0.00	-259.94	-69.53	0.00	134.27	-69.53	0.00	-156.17
			M3	-9.21	0.00	-177.96	12.49	0.00	-142.74	-86.01	0.00	170.32	-49.54	0.00	-92.64
		MIN	S2	-31.13	0.00	-267.32	-31.13	0.00	-397.35	-111.91	0.00	33.86	-111.91	0.00	-433.58
			TQ	-18.02	0.00	-184.67	-18.02	0.00	-259.94	-69.53	0.00	134.27	-69.53	0.00	-156.17
			M3	-1.34	0.00	-456.71	-16.59	0.00	-519.09	-83.87	0.00	-98.18	-102.12	0.00	-498.72
		D+1LANE (caseMAX	S2	-12.62	0.00	-194.98	-12.62	0.00	-247.72	-58.31	0.00	108.55	-58.31	0.00	-135.02
			TQ	-18.02	0.00	-184.67	-18.02	0.00	-259.94	-69.53	0.00	134.27	-69.53	0.00	-156.17
			M3	-78.06	0.00	-41.88	-16.38	0.00	-242.54	-154.94	0.00	339.20	-60.22	0.00	-132.86
		MIN	S2	-78.60	0.00	-42.82	-78.60	0.00	-371.13	-154.94	0.00	339.16	-154.94	0.00	-308.03
			TQ	-18.02	0.00	-184.67	-18.02	0.00	-259.94	-69.53	0.00	134.27	-69.53	0.00	-156.17
			M3	-13.17	0.00	-195.93	-77.52	0.00	-372.67	-58.33	0.00	108.42	-152.96	0.00	-310.71
		D+1LANE (caseMAX	S2	-4.20	0.00	-178.77	-4.20	0.00	-196.33	-59.14	0.00	136.21	-59.14	0.00	-110.81
			TQ	-18.02	0.00	-184.67	-18.02	0.00	-259.94	-69.53	0.00	134.27	-69.53	0.00	-156.17
			M3	-151.31	0.00	390.40	-46.04	0.00	-148.23	-211.85	0.00	753.43	-93.18	0.00	-72.95
		MIN	S2	-154.22	0.00	384.36	-154.22	0.00	-259.83	-213.36	0.00	746.97	-213.36	0.00	-144.24
			TQ	-18.02	0.00	-184.67	-18.02	0.00	-259.94	-69.53	0.00	134.27	-69.53	0.00	-156.17
			M3	-21.01	0.00	-188.68	-44.88	0.00	-347.60	-64.33	0.00	109.33	-91.50	0.00	-175.09
		D+1LANE (caseMAX	S2	298.91	0.00	-996.61	298.91	0.00	251.93	223.97	0.00	-637.08	223.97	0.00	298.42
			TQ	-18.02	0.00	-184.67	-18.02	0.00	-259.94	-69.53	0.00	134.27	-69.53	0.00	-156.17
			M3	-82.24	0.00	-137.68	298.90	0.00	251.96	-80.24	0.00	175.48	223.08	0.00	301.83
		MIN	S2	-85.80	0.00	-139.14	-85.80	0.00	-497.54	-87.40	0.00	154.60	-87.40	0.00	-210.47
			TQ	-18.02	0.00	-184.67	-18.02	0.00	-259.94	-69.53	0.00	134.27	-69.53	0.00	-156.17
			M3	298.25	0.00	-1000.16	-85.76	0.00	-497.66	219.92	0.00	-652.34	-82.52	0.00	-221.36

BAGO RIVER BRIDGE

BLOCK [ No.2 : CROSS BEAM ][ BEAM MEMBER FORCE ]

MEMBER			1003037						1003039						
NODE			3037			4037			3039			4039			
NAME TITLE			SHEAR	TORQUE	MOMENT	SHEAR	TORQUE	MOMENT	SHEAR	TORQUE	MOMENT	SHEAR	TORQUE	MOMENT	
			S2 (kN)	TQ (kN·m)	M3 (kN·m)	S2 (kN)	TQ (kN·m)	M3 (kN·m)	S2 (kN)	TQ (kN·m)	M3 (kN·m)	S2 (kN)	TQ (kN·m)	M3 (kN·m)	
124	SUM TOTAL	D+2LANES(casMAX	S2	22.44	0.00	-240.33	22.44	0.00	-146.61	-39.60	0.00	94.42	-39.60	0.00	-71.01
			TQ	-18.02	0.00	-184.67	-18.02	0.00	-259.94	-69.53	0.00	134.27	-69.53	0.00	-156.17
			M3	-15.35	0.00	-175.21	21.04	0.00	-111.15	-112.94	0.00	211.78	-40.50	0.00	-67.24
		MIN	S2	-50.64	0.00	-300.50	-50.64	0.00	-512.03	-151.87	0.00	40.40	-151.87	0.00	-593.96
			TQ	-18.02	0.00	-184.67	-18.02	0.00	-259.94	-69.53	0.00	134.27	-69.53	0.00	-156.17
			M3	-15.74	0.00	-484.06	-38.22	0.00	-631.90	-105.64	0.00	-108.99	-143.03	0.00	-652.21
		D+2LANES(casMAX	S2	0.12	0.00	-199.16	0.12	0.00	-198.66	-47.21	0.00	92.37	-47.21	0.00	-104.84
			TQ	-18.02	0.00	-184.67	-18.02	0.00	-259.94	-69.53	0.00	134.27	-69.53	0.00	-156.17
			M3	-72.72	0.00	-61.81	-3.01	0.00	-194.32	-170.39	0.00	352.52	-49.40	0.00	-100.75
		MIN	S2	-90.20	0.00	-113.42	-90.20	0.00	-490.18	-187.73	0.00	294.81	-187.73	0.00	-489.34
			TQ	-18.02	0.00	-184.67	-18.02	0.00	-259.94	-69.53	0.00	134.27	-69.53	0.00	-156.17
			M3	-25.60	0.00	-266.73	-88.99	0.00	-509.89	-84.35	0.00	63.18	-185.39	0.00	-495.53
		D+2LANES(casMAX	S2	44.08	0.00	-172.32	44.08	0.00	11.82	-25.63	0.00	161.10	-25.63	0.00	54.03
			TQ	-18.02	0.00	-184.67	-18.02	0.00	-259.94	-69.53	0.00	134.27	-69.53	0.00	-156.17
			M3	-120.51	0.00	363.57	6.18	0.00	64.01	-174.40	0.00	744.14	-59.31	0.00	104.23
		MIN	S2	-167.12	0.00	331.72	-167.12	0.00	-366.35	-203.61	0.00	696.30	-203.61	0.00	-154.16
			TQ	-18.02	0.00	-184.67	-18.02	0.00	-259.94	-69.53	0.00	134.27	-69.53	0.00	-156.17
			M3	11.99	0.00	-213.94	-73.63	0.00	-450.56	-53.12	0.00	76.79	-96.30	0.00	-199.67
		D+2LANES(casMAX	S2	299.54	0.00	-858.65	299.54	0.00	392.54	209.53	0.00	-476.25	209.53	0.00	398.98
			TQ	-18.02	0.00	-184.67	-18.02	0.00	-259.94	-69.53	0.00	134.27	-69.53	0.00	-156.17
			M3	-66.52	0.00	-80.01	297.37	0.00	402.65	-64.50	0.00	262.40	204.29	0.00	417.43
		MIN	S2	-120.45	0.00	-99.05	-120.45	0.00	-602.15	-99.24	0.00	195.79	-99.24	0.00	-218.73
			TQ	-18.02	0.00	-184.67	-18.02	0.00	-259.94	-69.53	0.00	134.27	-69.53	0.00	-156.17
			M3	280.40	0.00	-899.51	-118.24	0.00	-612.36	180.60	0.00	-557.40	-86.79	0.00	-247.83

BAGO RIVER BRIDGE

BLOCK [ No.2 : CROSS BEAM ][ BEAM MEMBER FORCE ]

MEMBER			1003037						1003039							
NODE			3037			4037			3039			4039				
NAME TITLE			SHEAR	TORQUE	MOMENT	SHEAR	TORQUE	MOMENT	SHEAR	TORQUE	MOMENT	SHEAR	TORQUE	MOMENT		
			S2 (kN)	TQ (kN·m)	M3 (kN·m)	S2 (kN)	TQ (kN·m)	M3 (kN·m)	S2 (kN)	TQ (kN·m)	M3 (kN·m)	S2 (kN)	TQ (kN·m)	M3 (kN·m)		
124	SUM TOTAL	D+3LANES (casMAX	S2	20.19	0.00	-239.29	20.19	0.00	-154.95	-36.14	0.00	82.17	-36.14	0.00	-68.80	
			TQ	-18.02	0.00	-184.67	-18.02	0.00	-259.94	-69.53	0.00	134.27	-69.53	0.00	-156.17	
			M3	-58.28	0.00	-75.49	16.35	0.00	-121.14	-166.93	0.00	345.32	-38.26	0.00	-64.06	
		MIN	S2	-88.66	0.00	-182.65	-88.66	0.00	-552.98	-200.02	0.00	199.61	-200.02	0.00	-635.86	
			TQ	-18.02	0.00	-184.67	-18.02	0.00	-259.94	-69.53	0.00	134.27	-69.53	0.00	-156.17	
			M3	-12.65	0.00	-447.12	-77.33	0.00	-655.96	-92.29	0.00	-90.81	-191.10	0.00	-687.27	
		D+3LANES (casMAX	S2	256.90	0.00	-746.17	256.90	0.00	326.91	175.75	0.00	-390.89	175.75	0.00	343.24	
			TQ	-18.02	0.00	-184.67	-18.02	0.00	-259.94	-69.53	0.00	134.27	-69.53	0.00	-156.17	
			M3	-143.31	0.00	308.08	224.01	0.00	373.85	-166.45	0.00	681.92	146.22	0.00	388.83	
		MIN	S2	-183.89	0.00	280.63	-183.89	0.00	-487.49	-195.07	0.00	627.81	-195.07	0.00	-187.00	
			TQ	-18.02	0.00	-184.67	-18.02	0.00	-259.94	-69.53	0.00	134.27	-69.53	0.00	-156.17	
			M3	229.40	0.00	-781.72	-104.38	0.00	-559.13	150.80	0.00	-472.01	-102.62	0.00	-229.56	
		D+3LANES (casMAX	S2	262.55	0.00	-753.31	262.55	0.00	343.34	173.95	0.00	-381.73	173.95	0.00	344.85	
			TQ	-18.02	0.00	-184.67	-18.02	0.00	-259.94	-69.53	0.00	134.27	-69.53	0.00	-156.17	
			M3	-157.83	0.00	312.41	231.25	0.00	386.05	-165.74	0.00	681.56	145.22	0.00	390.96	
		MIN	S2	-205.45	0.00	291.77	-205.45	0.00	-566.39	-196.48	0.00	618.87	-196.48	0.00	-201.83	
			TQ	-18.02	0.00	-184.67	-18.02	0.00	-259.94	-69.53	0.00	134.27	-69.53	0.00	-156.17	
			M3	240.24	0.00	-795.35	-131.34	0.00	-653.80	144.04	0.00	-470.86	-96.20	0.00	-253.45	
		D+4LANES	MAX	S2	-3.33	0.00	-194.09	-3.33	0.00	-207.99	-66.22	0.00	112.64	-66.22	0.00	-163.94
			TQ	-18.02	0.00	-184.67	-18.02	0.00	-259.94	-69.53	0.00	134.27	-69.53	0.00	-156.17	
			M3	-82.04	0.00	-146.46	-3.33	0.00	-207.99	-72.59	0.00	150.40	-70.35	0.00	-151.61	
		MIN	S2	-82.04	0.00	-146.46	-82.04	0.00	-489.16	-75.30	0.00	127.75	-75.30	0.00	-186.78	
			TQ	-18.02	0.00	-184.67	-18.02	0.00	-259.94	-69.53	0.00	134.27	-69.53	0.00	-156.17	
			M3	-3.33	0.00	-194.09	-82.04	0.00	-489.16	-69.52	0.00	93.53	-70.73	0.00	-197.58	

BAGO RIVER BRIDGE

BLOCK [ No.2 : CROSS BEAM ][ BEAM MEMBER FORCE ]

MEMBER				1003037			4037			1003039			4039			
NODE				3037			3039			3039			4039			
NAME TITLE				SHEAR	TORQUE	MOMENT	SHEAR	TORQUE	MOMENT	SHEAR	TORQUE	MOMENT	SHEAR	TORQUE	MOMENT	
				S2 (kN)	TQ (kN·m)	M3 (kN·m)	S2 (kN)	TQ (kN·m)	M3 (kN·m)	S2 (kN)	TQ (kN·m)	M3 (kN·m)	S2 (kN)	TQ (kN·m)	M3 (kN·m)	
124	SUM TOTAL	D+6LANES	MAX	S2	204.83	0.00	-643.94	204.83	0.00	211.64	126.29	0.00	-296.85	126.29	0.00	230.64
				TQ	-18.02	0.00	-184.67	-18.02	0.00	-259.94	-69.53	0.00	134.27	-69.53	0.00	-156.17
				M3	-173.44	0.00	335.47	179.59	0.00	303.72	-234.75	0.00	762.96	97.38	0.00	295.57
			MIN	S2	-215.70	0.00	192.78	-215.70	0.00	-708.20	-267.34	0.00	578.19	-267.34	0.00	-538.51
				TQ	-18.02	0.00	-184.67	-18.02	0.00	-259.94	-69.53	0.00	134.27	-69.53	0.00	-156.17
				M3	164.70	0.00	-814.66	-148.57	0.00	-825.74	69.73	0.00	-469.73	-238.04	0.00	-614.31
	SUM TOTAL		MAX		299.54	0.00	390.40	299.54	0.00	402.65	223.97	0.00	762.96	223.97	0.00	417.43
			MIN		-215.70	0.00	-1000.16	-215.70	0.00	-825.74	-267.34	0.00	-652.34	-267.34	0.00	-687.27
300	DEAD LOAD	TOTAL			-18.02	0.00	-184.67	-18.02	0.00	-259.94	-69.53	0.00	134.27	-69.53	0.00	-156.17
301	LIVE LOAD	1-LANE(case1MAX	S2		32.18	0.00	-59.72	32.18	0.00	74.69	20.35	0.00	-23.26	20.35	0.00	61.75
			TQ		0.00	0.00	0.00	0.00	0.00	0.00	0.00	0.00	0.00	0.00	0.00	0.00
			M3		8.81	0.00	6.71	30.51	0.00	117.21	-16.47	0.00	36.05	19.99	0.00	63.53
			MIN	S2	-13.11	0.00	-82.65	-13.11	0.00	-137.41	-42.37	0.00	-100.40	-42.37	0.00	-277.40
				TQ	0.00	0.00	0.00	0.00	0.00	0.00	0.00	0.00	0.00	0.00	0.00	0.00
				M3	16.68	0.00	-272.04	1.43	0.00	-259.15	-14.34	0.00	-232.45	-32.59	0.00	-342.55
		1-LANE(case2MAX	S2		5.40	0.00	-10.31	5.40	0.00	12.23	11.22	0.00	-25.72	11.22	0.00	21.16
			TQ		0.00	0.00	0.00	0.00	0.00	0.00	0.00	0.00	0.00	0.00	0.00	0.00
			M3		-60.04	0.00	142.79	1.64	0.00	17.41	-85.41	0.00	204.93	9.31	0.00	23.32
			MIN	S2	-60.58	0.00	141.85	-60.58	0.00	-111.19	-85.41	0.00	204.90	-85.41	0.00	-151.85
				TQ	0.00	0.00	0.00	0.00	0.00	0.00	0.00	0.00	0.00	0.00	0.00	0.00
				M3	4.85	0.00	-11.26	-59.50	0.00	-112.73	11.20	0.00	-25.84	-83.43	0.00	-154.54
		1-LANE(case3MAX	S2		13.82	0.00	5.90	13.82	0.00	63.61	10.40	0.00	1.94	10.40	0.00	45.37
			TQ		0.00	0.00	0.00	0.00	0.00	0.00	0.00	0.00	0.00	0.00	0.00	0.00
			M3		-133.29	0.00	575.07	-28.02	0.00	111.71	-142.31	0.00	619.16	-23.65	0.00	83.22
			MIN	S2	-136.20	0.00	569.03	-136.20	0.00	0.11	-143.83	0.00	612.70	-143.83	0.00	11.93
				TQ	0.00	0.00	0.00	0.00	0.00	0.00	0.00	0.00	0.00	0.00	0.00	0.00
				M3	-2.98	0.00	-4.01	-26.86	0.00	-87.65	5.21	0.00	-24.94	-21.97	0.00	-18.91

BAGO RIVER BRIDGE

BLOCK [ No.2 : CROSS BEAM ][ BEAM MEMBER FORCE ]

MEMBER			1003037						1003039						
NODE			3037			4037			3039			4039			
NAME TITLE			SHEAR	TORQUE	MOMENT	SHEAR	TORQUE	MOMENT	SHEAR	TORQUE	MOMENT	SHEAR	TORQUE	MOMENT	
			S2 (kN)	TQ (kN·m)	M3 (kN·m)	S2 (kN)	TQ (kN·m)	M3 (kN·m)	S2 (kN)	TQ (kN·m)	M3 (kN·m)	S2 (kN)	TQ (kN·m)	M3 (kN·m)	
301	LIVE LOAD	1-LANE (case4MAX	S2	316.93	0.00	-811.94	316.93	0.00	511.88	293.50	0.00	-771.35	293.50	0.00	454.59
			TQ	0.00	0.00	0.00	0.00	0.00	0.00	0.00	0.00	0.00	0.00	0.00	0.00
			M3	-64.22	0.00	46.99	316.93	0.00	511.90	-10.71	0.00	41.21	292.61	0.00	458.01
			MIN S2	-67.78	0.00	45.53	-67.78	0.00	-237.60	-17.87	0.00	20.33	-17.87	0.00	-54.29
			TQ	0.00	0.00	0.00	0.00	0.00	0.00	0.00	0.00	0.00	0.00	0.00	0.00
			M3	316.27	0.00	-815.49	-67.74	0.00	-237.72	289.45	0.00	-786.61	-12.98	0.00	-65.19
		2-LANES (caseMAX	S2	40.46	0.00	-55.66	40.46	0.00	113.33	29.93	0.00	-39.85	29.93	0.00	85.17
			TQ	0.00	0.00	0.00	0.00	0.00	0.00	0.00	0.00	0.00	0.00	0.00	0.00
			M3	2.67	0.00	9.46	39.07	0.00	148.79	-43.41	0.00	77.52	29.04	0.00	88.93
			MIN S2	-32.62	0.00	-115.83	-32.62	0.00	-252.09	-82.33	0.00	-93.87	-82.33	0.00	-437.79
			TQ	0.00	0.00	0.00	0.00	0.00	0.00	0.00	0.00	0.00	0.00	0.00	0.00
			M3	2.28	0.00	-299.39	-20.20	0.00	-371.96	-36.10	0.00	-243.26	-73.49	0.00	-496.03
		2-LANES (caseMAX	S2	18.14	0.00	-14.49	18.14	0.00	61.28	22.32	0.00	-41.90	22.32	0.00	51.34
			TQ	0.00	0.00	0.00	0.00	0.00	0.00	0.00	0.00	0.00	0.00	0.00	0.00
			M3	-54.70	0.00	122.86	15.01	0.00	65.62	-100.85	0.00	218.25	20.14	0.00	55.42
			MIN S2	-72.18	0.00	71.25	-72.18	0.00	-230.24	-118.20	0.00	160.54	-118.20	0.00	-333.16
			TQ	0.00	0.00	0.00	0.00	0.00	0.00	0.00	0.00	0.00	0.00	0.00	0.00
			M3	-7.58	0.00	-82.07	-70.97	0.00	-249.95	-14.82	0.00	-71.09	-115.86	0.00	-339.36
		2-LANES (caseMAX	S2	62.10	0.00	12.35	62.10	0.00	271.76	43.90	0.00	26.84	43.90	0.00	210.21
			TQ	0.00	0.00	0.00	0.00	0.00	0.00	0.00	0.00	0.00	0.00	0.00	0.00
			M3	-102.49	0.00	548.24	24.20	0.00	323.95	-104.87	0.00	609.87	10.23	0.00	260.40
			MIN S2	-149.10	0.00	516.39	-149.10	0.00	-106.41	-134.07	0.00	562.03	-134.07	0.00	2.01
			TQ	0.00	0.00	0.00	0.00	0.00	0.00	0.00	0.00	0.00	0.00	0.00	0.00
			M3	30.01	0.00	-29.27	-55.61	0.00	-190.62	16.41	0.00	-57.48	-26.77	0.00	-43.50

BAGO RIVER BRIDGE

BLOCK [ No.2 : CROSS BEAM ][ BEAM MEMBER FORCE ]

MEMBER			1003037						1003039						
NODE			3037			4037			3039			4039			
NAME TITLE			SHEAR	TORQUE	MOMENT	SHEAR	TORQUE	MOMENT	SHEAR	TORQUE	MOMENT	SHEAR	TORQUE	MOMENT	
			S2 (kN)	TQ (kN·m)	M3 (kN·m)	S2 (kN)	TQ (kN·m)	M3 (kN·m)	S2 (kN)	TQ (kN·m)	M3 (kN·m)	S2 (kN)	TQ (kN·m)	M3 (kN·m)	
301	LIVE LOAD	2-LANES (caseMAX	S2	317.56	0.00	-673.98	317.56	0.00	652.48	279.07	0.00	-610.52	279.07	0.00	555.15
			TQ	0.00	0.00	0.00	0.00	0.00	0.00	0.00	0.00	0.00	0.00	0.00	0.00
			M3	-48.50	0.00	104.66	315.39	0.00	662.59	5.03	0.00	128.13	273.82	0.00	573.61
			MIN S2	-102.42	0.00	85.62	-102.42	0.00	-342.21	-29.70	0.00	61.52	-29.70	0.00	-62.55
			TQ	0.00	0.00	0.00	0.00	0.00	0.00	0.00	0.00	0.00	0.00	0.00	0.00
			M3	298.42	0.00	-714.84	-100.22	0.00	-352.42	250.14	0.00	-691.67	-17.26	0.00	-91.65
		3-LANES (caseMAX	S2	38.21	0.00	-54.62	38.21	0.00	104.99	33.39	0.00	-52.10	33.39	0.00	87.38
			TQ	0.00	0.00	0.00	0.00	0.00	0.00	0.00	0.00	0.00	0.00	0.00	0.00
			M3	-40.26	0.00	109.18	34.37	0.00	138.80	-97.39	0.00	211.05	31.28	0.00	92.11
			MIN S2	-70.64	0.00	2.02	-70.64	0.00	-293.03	-130.48	0.00	65.34	-130.48	0.00	-479.68
			TQ	0.00	0.00	0.00	0.00	0.00	0.00	0.00	0.00	0.00	0.00	0.00	0.00
			M3	5.37	0.00	-262.45	-59.31	0.00	-396.02	-22.75	0.00	-225.08	-121.56	0.00	-531.09
		3-LANES (caseMAX	S2	274.92	0.00	-561.50	274.92	0.00	586.85	245.29	0.00	-525.15	245.29	0.00	499.41
			TQ	0.00	0.00	0.00	0.00	0.00	0.00	0.00	0.00	0.00	0.00	0.00	0.00
			M3	-125.29	0.00	492.75	242.03	0.00	633.79	-96.92	0.00	547.65	215.76	0.00	545.01
			MIN S2	-165.87	0.00	465.29	-165.87	0.00	-227.55	-125.54	0.00	493.54	-125.54	0.00	-30.82
			TQ	0.00	0.00	0.00	0.00	0.00	0.00	0.00	0.00	0.00	0.00	0.00	0.00
			M3	247.42	0.00	-597.05	-86.36	0.00	-299.19	220.33	0.00	-606.28	-33.09	0.00	-73.38
		3-LANES (caseMAX	S2	280.57	0.00	-568.64	280.57	0.00	603.29	243.48	0.00	-516.00	243.48	0.00	501.03
			TQ	0.00	0.00	0.00	0.00	0.00	0.00	0.00	0.00	0.00	0.00	0.00	0.00
			M3	-139.81	0.00	497.08	249.27	0.00	645.99	-96.20	0.00	547.30	214.76	0.00	547.13
MIN S2	-187.43		0.00	476.44	-187.43	0.00	-306.45	-126.95	0.00	484.60	-126.95	0.00	-45.66		
TQ	0.00		0.00	0.00	0.00	0.00	0.00	0.00	0.00	0.00	0.00	0.00	0.00		
M3	258.26		0.00	-610.69	-113.32	0.00	-393.85	213.58	0.00	-605.13	-26.66	0.00	-97.28		

BAGO RIVER BRIDGE

BLOCK [ No.2 : CROSS BEAM ][ BEAM MEMBER FORCE ]

MEMBER					1003037						1003039						
NODE					3037			4037			3039			4039			
NAME TITLE					SHEAR	TORQUE	MOMENT	SHEAR	TORQUE	MOMENT	SHEAR	TORQUE	MOMENT	SHEAR	TORQUE	MOMENT	
					S2 (kN)	TQ (kN·m)	M3 (kN·m)	S2 (kN)	TQ (kN·m)	M3 (kN·m)	S2 (kN)	TQ (kN·m)	M3 (kN·m)	S2 (kN)	TQ (kN·m)	M3 (kN·m)	
301	LIVE LOAD	4-LANES	MAX	S2	14.69	0.00	-9.42	14.69	0.00	51.95	3.32	0.00	-21.62	3.32	0.00	-7.76	
				TQ	0.00	0.00	0.00	0.00	0.00	0.00	0.00	0.00	0.00	0.00	0.00	0.00	0.00
				M3	-64.02	0.00	38.21	14.69	0.00	51.95	-3.06	0.00	16.13	-0.82	0.00	4.57	
		MIN	S2	-64.02	0.00	38.21	-64.02	0.00	-229.21	-5.76	0.00	-6.52	-5.76	0.00	-30.60		
			TQ	0.00	0.00	0.00	0.00	0.00	0.00	0.00	0.00	0.00	0.00	0.00	0.00		
			M3	14.69	0.00	-9.42	-64.02	0.00	-229.21	0.01	0.00	-40.74	-1.20	0.00	-41.41		
	6-LANES	MAX	S2	222.85	0.00	-459.27	222.85	0.00	471.58	195.82	0.00	-431.12	195.82	0.00	386.82		
			TQ	0.00	0.00	0.00	0.00	0.00	0.00	0.00	0.00	0.00	0.00	0.00	0.00		
			M3	-155.42	0.00	520.14	197.61	0.00	563.66	-165.21	0.00	628.69	166.91	0.00	451.75		
	MIN	S2	-197.68	0.00	377.45	-197.68	0.00	-448.26	-197.81	0.00	443.92	-197.81	0.00	-382.34			
		TQ	0.00	0.00	0.00	0.00	0.00	0.00	0.00	0.00	0.00	0.00	0.00	0.00			
		M3	182.72	0.00	-629.99	-130.55	0.00	-565.80	139.27	0.00	-604.00	-168.50	0.00	-458.13			
	LIVE LOAD	MAX	S2	317.56	0.00	575.07	317.56	0.00	662.59	293.50	0.00	628.69	293.50	0.00	573.61		
			MIN	-197.68	0.00	-815.49	-197.68	0.00	-565.80	-197.81	0.00	-786.61	-197.81	0.00	-531.09		
	303	SUM TOTAL	TOTAL	MAX	299.54	0.00	390.40	299.54	0.00	402.65	223.97	0.00	762.96	223.97	0.00	417.43	
MIN				-215.70	0.00	-1000.16	-215.70	0.00	-825.74	-267.34	0.00	-652.34	-267.34	0.00	-687.27		

BAGO RIVER BRIDGE

BLOCK [ No.2 : CROSS BEAM ][ BEAM MEMBER FORCE ]

MEMBER NODE	1003041 3041	4041			1003043 3043	4043									
		SHEAR S2 (kN)	TORQUE TQ (kN·m)	MOMENT M3 (kN·m)		SHEAR S2 (kN)	TORQUE TQ (kN·m)	MOMENT M3 (kN·m)							
1 PAVEMENT	16.80	0.00	-52.00	16.80	0.00	18.17	26.67	0.00	-22.95	26.67	0.00	88.44			
3 RAILING	5.43	0.00	-22.28	5.43	0.00	0.41	5.72	0.00	-21.71	5.72	0.00	2.18			
5 CURB	53.79	0.00	-220.57	53.79	0.00	4.10	56.62	0.00	-214.89	56.62	0.00	21.61			
7 DECK WEIGHT	31.43	0.00	-100.59	31.43	0.00	30.71	47.11	0.00	-50.78	47.11	0.00	146.02			
8 GIRDER WEIGH	3.81	0.00	34.19	3.81	0.00	50.11	25.74	0.00	105.47	25.74	0.00	212.99			
10 MEDIAN STRIP	-27.59	0.00	128.85	-27.59	0.00	13.63	-24.03	0.00	153.76	-24.03	0.00	53.38			
21 ADITIONAL WE	8.80	0.00	-28.16	8.80	0.00	8.60	13.19	0.00	-14.22	13.19	0.00	40.89			
31 MEDIAN RAILI	-2.22	0.00	10.06	-2.22	0.00	0.79	-1.95	0.00	11.20	-1.95	0.00	3.05			
51 SUPPORT WEIG	0.00	0.00	0.00	0.00	0.00	0.00	0.00	0.00	0.00	0.00	0.00	0.00			
52 NOSE WEIGHT	-0.00	0.00	0.00	-0.00	0.00	-0.00	-0.00	0.00	0.00	-0.00	0.00	-0.00			
61 1-LANE(case1TRUCK-LOAD	MAX	S2	1.35	0.00	0.14	1.35	0.00	5.78	0.20	0.00	0.33	0.20	0.00	1.16	
		TQ	0.00	0.00	0.00	0.00	0.00	0.00	0.00	0.00	0.00	0.00	0.00	0.00	
		M3	-8.74	0.00	7.34	1.35	0.00	5.79	-7.75	0.00	7.03	0.20	0.00	1.16	
	MIN	S2	-15.96	0.00	-25.99	-15.96	0.00	-92.66	-16.36	0.00	-28.87	-16.36	0.00	-97.21	
		TQ	0.00	0.00	0.00	0.00	0.00	0.00	0.00	0.00	0.00	0.00	0.00	0.00	
		M3	-7.21	0.00	-130.98	-7.21	0.00	-161.10	-6.85	0.00	-129.57	-6.85	0.00	-158.18	
	TANDEM-LOAD	MAX	S2	0.92	0.00	0.10	0.92	0.00	3.96	0.13	0.00	0.23	0.13	0.00	0.79
		TQ	0.00	0.00	0.00	0.00	0.00	0.00	0.00	0.00	0.00	0.00	0.00	0.00	
		M3	-4.98	0.00	5.07	0.92	0.00	3.96	-5.58	0.00	5.05	0.13	0.00	0.79	
	MIN	S2	-11.20	0.00	-20.47	-11.20	0.00	-67.23	-11.30	0.00	-24.97	-11.30	0.00	-72.19	
		TQ	0.00	0.00	0.00	0.00	0.00	0.00	0.00	0.00	0.00	0.00	0.00	0.00	
		M3	-4.07	0.00	-93.65	-4.07	0.00	-110.66	-3.88	0.00	-92.15	-3.88	0.00	-108.34	
DISPERSION-LMAX	S2	1.49	0.00	0.61	1.49	0.00	6.83	0.26	0.00	0.24	0.26	0.00	1.32		
	TQ	0.00	0.00	0.00	0.00	0.00	0.00	0.00	0.00	0.00	0.00	0.00	0.00		
	M3	-2.77	0.00	4.95	1.38	0.00	7.34	-5.53	0.00	4.92	0.24	0.00	1.41		
MIN	S2	-17.90	0.00	-69.75	-17.90	0.00	-144.53	-19.00	0.00	-72.52	-19.00	0.00	-151.88		
	TQ	0.00	0.00	0.00	0.00	0.00	0.00	0.00	0.00	0.00	0.00	0.00	0.00		
	M3	-13.65	0.00	-74.08	-17.79	0.00	-145.05	-13.21	0.00	-77.20	-18.99	0.00	-151.97		



BAGO RIVER BRIDGE

BLOCK [ No.2 : CROSS BEAM ][ BEAM MEMBER FORCE ]

MEMBER				1003041			1003043			1003043			1003043			
NODE				3041			4041			3043			4043			
				SHEAR	TORQUE	MOMENT	SHEAR	TORQUE	MOMENT	SHEAR	TORQUE	MOMENT	SHEAR	TORQUE	MOMENT	
NAME	TITLE			S2 (kN)	TQ (kN·m)	M3 (kN·m)	S2 (kN)	TQ (kN·m)	M3 (kN·m)	S2 (kN)	TQ (kN·m)	M3 (kN·m)	S2 (kN)	TQ (kN·m)	M3 (kN·m)	
62	1-LANE (case2TRUCK-LOAD	MAX	S2	0.22	0.00	-0.70	0.22	0.00	0.23	1.01	0.00	1.86	1.01	0.00	6.08	
			TQ	0.00	0.00	0.00	0.00	0.00	0.00	0.00	0.00	0.00	0.00	0.00	0.00	0.00
			M3	-34.63	0.00	67.33	-0.39	0.00	2.32	-32.12	0.00	72.27	0.33	0.00	7.69	
		MIN	S2	-34.63	0.00	67.33	-34.63	0.00	-77.30	-32.41	0.00	72.25	-32.41	0.00	-63.12	
			TQ	0.00	0.00	0.00	0.00	0.00	0.00	0.00	0.00	0.00	0.00	0.00	0.00	
			M3	0.22	0.00	-0.70	-34.46	0.00	-77.53	-0.60	0.00	-1.08	-32.41	0.00	-63.12	
		TANDEM-LOAD MAX	S2	0.26	0.00	-0.71	0.26	0.00	0.38	0.85	0.00	1.31	0.85	0.00	4.87	
			TQ	0.00	0.00	0.00	0.00	0.00	0.00	0.00	0.00	0.00	0.00	0.00	0.00	
			M3	-24.92	0.00	46.20	-0.24	0.00	1.59	-23.19	0.00	49.12	-0.26	0.00	5.58	
		MIN	S2	-24.92	0.00	46.20	-24.92	0.00	-57.90	-23.19	0.00	49.12	-23.19	0.00	-47.73	
			TQ	0.00	0.00	0.00	0.00	0.00	0.00	0.00	0.00	0.00	0.00	0.00	0.00	
			M3	0.26	0.00	-0.71	-24.88	0.00	-57.97	-0.41	0.00	-0.74	-23.19	0.00	-47.73	
		DISPERSION-LMAX	S2	0.35	0.00	0.10	0.35	0.00	1.57	0.66	0.00	2.24	0.66	0.00	4.98	
			TQ	0.00	0.00	0.00	0.00	0.00	0.00	0.00	0.00	0.00	0.00	0.00	0.00	
			M3	-19.79	0.00	51.22	-0.73	0.00	4.57	-18.31	0.00	60.17	-1.50	0.00	10.73	
MIN	S2	-20.17	0.00	50.78	-20.17	0.00	-33.49	-19.77	0.00	56.64	-19.77	0.00	-25.94			
	TQ	0.00	0.00	0.00	0.00	0.00	0.00	0.00	0.00	0.00	0.00	0.00	0.00			
	M3	-0.04	0.00	-0.34	-19.10	0.00	-36.48	-0.80	0.00	-1.28	-17.62	0.00	-31.69			
63	1-LANE (case3TRUCK-LOAD	MAX	S2	10.10	0.00	-2.01	10.10	0.00	40.19	11.33	0.00	5.87	11.33	0.00	53.19	
			TQ	0.00	0.00	0.00	0.00	0.00	0.00	0.00	0.00	0.00	0.00	0.00	0.00	
			M3	-72.55	0.00	320.44	4.55	0.00	55.26	-68.82	0.00	328.68	3.42	0.00	77.99	
		MIN	S2	-72.55	0.00	320.44	-72.55	0.00	17.38	-69.03	0.00	328.44	-69.03	0.00	40.12	
			TQ	0.00	0.00	0.00	0.00	0.00	0.00	0.00	0.00	0.00	0.00	0.00	0.00	
			M3	10.10	0.00	-2.01	-0.97	0.00	-3.42	-0.90	0.00	-1.05	-0.90	0.00	-4.82	

BAGO RIVER BRIDGE

BLOCK [ No.2 : CROSS BEAM ][ BEAM MEMBER FORCE ]

MEMBER		1003041						1003043									
NODE		3041			4041			3043			4043						
		SHEAR	TORQUE	MOMENT	SHEAR	TORQUE	MOMENT	SHEAR	TORQUE	MOMENT	SHEAR	TORQUE	MOMENT				
NAME	TITLE	S2 (kN)	TQ (kN·m)	M3 (kN·m)	S2 (kN)	TQ (kN·m)	M3 (kN·m)	S2 (kN)	TQ (kN·m)	M3 (kN·m)	S2 (kN)	TQ (kN·m)	M3 (kN·m)				
63	1-LANE (case3TANDEM-LOAD	MAX	S2	8.74	0.00	-1.61	8.74	0.00	34.89	9.34	0.00	5.31	9.34	0.00	44.32		
			TQ	0.00	0.00	0.00	0.00	0.00	0.00	0.00	0.00	0.00	0.00	0.00	0.00		
			M3	-57.22	0.00	244.96	-1.23	0.00	40.45	-54.38	0.00	249.19	-2.23	0.00	55.59		
		MIN	S2	-57.22	0.00	244.96	-57.22	0.00	5.94	-54.44	0.00	249.12	-54.44	0.00	21.72		
			TQ	0.00	0.00	0.00	0.00	0.00	0.00	0.00	0.00	0.00	0.00	0.00	0.00		
			M3	8.74	0.00	-1.61	-0.66	0.00	-2.33	-0.61	0.00	-0.72	-0.61	0.00	-3.28		
			DISPERSION-LMAX	S2	5.51	0.00	8.52	5.51	0.00	31.55	8.32	0.00	19.58	8.32	0.00	54.36	
				TQ	0.00	0.00	0.00	0.00	0.00	0.00	0.00	0.00	0.00	0.00	0.00	0.00	
				M3	-21.97	0.00	132.31	-14.89	0.00	51.40	-14.84	0.00	146.15	-14.70	0.00	84.16	
			MIN	S2	-25.83	0.00	123.14	-25.83	0.00	15.23	-24.23	0.00	125.32	-24.23	0.00	24.11	
				TQ	0.00	0.00	0.00	0.00	0.00	0.00	0.00	0.00	0.00	0.00	0.00	0.00	
				M3	1.65	0.00	-0.65	-5.43	0.00	-4.63	-1.06	0.00	-1.24	-1.21	0.00	-5.69	
		64	1-LANE (case4TRUCK-LOAD	MAX	S2	188.82	0.00	-493.11	188.82	0.00	295.58	189.61	0.00	-465.76	189.61	0.00	326.24
					TQ	0.00	0.00	0.00	0.00	0.00	0.00	0.00	0.00	0.00	0.00	0.00	0.00
					M3	0.71	0.00	2.20	188.82	0.00	295.58	11.30	0.00	6.82	189.16	0.00	328.39
MIN	S2			-2.87	0.00	1.01	-2.87	0.00	-10.99	-1.53	0.00	-0.99	-1.53	0.00	-7.39		
	TQ			0.00	0.00	0.00	0.00	0.00	0.00	0.00	0.00	0.00	0.00	0.00	0.00		
	M3			188.82	0.00	-493.11	-2.87	0.00	-10.99	189.61	0.00	-465.76	-1.53	0.00	-7.39		
	TANDEM-LOAD			MAX	S2	142.73	0.00	-375.53	142.73	0.00	220.64	143.24	0.00	-354.20	143.24	0.00	244.13
				TQ	0.00	0.00	0.00	0.00	0.00	0.00	0.00	0.00	0.00	0.00	0.00	0.00	
				M3	0.32	0.00	1.53	142.73	0.00	220.64	8.53	0.00	4.93	143.12	0.00	244.72	
	MIN			S2	-1.96	0.00	0.68	-1.96	0.00	-7.48	-1.04	0.00	-0.68	-1.04	0.00	-5.04	
				TQ	0.00	0.00	0.00	0.00	0.00	0.00	0.00	0.00	0.00	0.00	0.00	0.00	
				M3	142.73	0.00	-375.53	-1.96	0.00	-7.48	143.24	0.00	-354.20	-1.04	0.00	-5.04	

BAGO RIVER BRIDGE

BLOCK [ No.2 : CROSS BEAM ][ BEAM MEMBER FORCE ]

MEMBER NODE	1003041 3041	4041			1003043 3043	4043							
		SHEAR	TORQUE	MOMENT		SHEAR	TORQUE	MOMENT					
NAME TITLE	S2 (kN)	TQ (kN·m)	M3 (kN·m)	S2 (kN)	TQ (kN·m)	M3 (kN·m)	S2 (kN)	TQ (kN·m)	M3 (kN·m)	S2 (kN)	TQ (kN·m)	M3 (kN·m)	
64 1-LANE (case4DISPERSION-LMAX	S2	86.00	0.00	-199.71	86.00	0.00	159.53	92.36	0.00	-180.93	92.36	0.00	204.85
	TQ	0.00	0.00	0.00	0.00	0.00	0.00	0.00	0.00	0.00	0.00	0.00	0.00
	M3	-2.37	0.00	2.68	85.97	0.00	159.66	7.43	0.00	5.14	92.36	0.00	204.85
	MIN S2	-3.49	0.00	1.96	-3.49	0.00	-12.60	-1.75	0.00	-1.17	-1.75	0.00	-8.50
	TQ	0.00	0.00	0.00	0.00	0.00	0.00	0.00	0.00	0.00	0.00	0.00	0.00
	M3	84.89	0.00	-200.42	-3.45	0.00	-12.73	83.17	0.00	-187.23	-1.75	0.00	-8.50
65 2-LANES (caseTRUCK-LOAD	MAX S2	2.07	0.00	0.38	2.07	0.00	9.01	0.41	0.00	0.66	0.41	0.00	2.37
	TQ	0.00	0.00	0.00	0.00	0.00	0.00	0.00	0.00	0.00	0.00	0.00	0.00
	M3	-20.91	0.00	16.47	2.06	0.00	9.02	-17.50	0.00	17.93	0.41	0.00	2.38
	MIN S2	-35.13	0.00	-47.09	-35.13	0.00	-193.85	-34.73	0.00	-48.62	-34.73	0.00	-193.69
	TQ	0.00	0.00	0.00	0.00	0.00	0.00	0.00	0.00	0.00	0.00	0.00	0.00
	M3	-25.63	0.00	-176.63	-25.63	0.00	-283.68	-23.84	0.00	-172.00	-24.14	0.00	-272.06
	TANDEM-LOAD MAX S2	1.41	0.00	0.24	1.41	0.00	6.14	0.28	0.00	0.45	0.28	0.00	1.62
	TQ	0.00	0.00	0.00	0.00	0.00	0.00	0.00	0.00	0.00	0.00	0.00	0.00
	M3	-14.88	0.00	11.37	1.41	0.00	6.17	-12.57	0.00	12.73	0.28	0.00	1.62
	MIN S2	-24.25	0.00	-25.48	-24.25	0.00	-126.79	-24.02	0.00	-29.49	-24.02	0.00	-129.83
	TQ	0.00	0.00	0.00	0.00	0.00	0.00	0.00	0.00	0.00	0.00	0.00	0.00
	M3	-16.34	0.00	-129.16	-16.34	0.00	-197.41	-15.13	0.00	-125.42	-15.22	0.00	-188.78
DISPERSION-LMAX S2	2.29	0.00	1.17	2.29	0.00	10.75	0.52	0.00	0.67	0.52	0.00	2.83	
TQ	0.00	0.00	0.00	0.00	0.00	0.00	0.00	0.00	0.00	0.00	0.00	0.00	
M3	-10.17	0.00	14.49	2.02	0.00	11.99	-14.79	0.00	17.18	0.32	0.00	3.15	
MIN S2	-36.81	0.00	-79.32	-36.81	0.00	-233.09	-38.22	0.00	-79.16	-38.22	0.00	-238.82	
TQ	0.00	0.00	0.00	0.00	0.00	0.00	0.00	0.00	0.00	0.00	0.00	0.00	
M3	-24.35	0.00	-92.65	-36.54	0.00	-234.33	-22.92	0.00	-95.67	-38.03	0.00	-239.14	

BAGO RIVER BRIDGE

BLOCK [ No.2 : CROSS BEAM ][ BEAM MEMBER FORCE ]

MEMBER				1003041			1003043									
NODE				3041			4041			3043			4043			
				SHEAR	TORQUE	MOMENT	SHEAR	TORQUE	MOMENT	SHEAR	TORQUE	MOMENT	SHEAR	TORQUE	MOMENT	
NAME	TITLE			S2 (kN)	TQ (kN·m)	M3 (kN·m)	S2 (kN)	TQ (kN·m)	M3 (kN·m)	S2 (kN)	TQ (kN·m)	M3 (kN·m)	S2 (kN)	TQ (kN·m)	M3 (kN·m)	
66	2-LANES (caseTRUCK-LOAD	MAX	S2	0.94	0.00	-0.47	0.94	0.00	3.45	1.22	0.00	2.19	1.22	0.00	7.29	
			TQ	0.00	0.00	0.00	0.00	0.00	0.00	0.00	0.00	0.00	0.00	0.00	0.00	0.00
			M3	-46.80	0.00	76.47	0.33	0.00	5.55	-41.87	0.00	83.18	0.54	0.00	8.91	
		MIN	S2	-53.80	0.00	46.23	-53.80	0.00	-178.49	-50.78	0.00	52.50	-50.78	0.00	-159.60	
			TQ	0.00	0.00	0.00	0.00	0.00	0.00	0.00	0.00	0.00	0.00	0.00	0.00	
			M3	-18.19	0.00	-46.35	-52.87	0.00	-200.10	-17.59	0.00	-43.51	-49.70	0.00	-177.00	
		TANDEM-LOAD MAX	S2	0.75	0.00	-0.57	0.75	0.00	2.56	1.00	0.00	1.54	1.00	0.00	5.70	
			TQ	0.00	0.00	0.00	0.00	0.00	0.00	0.00	0.00	0.00	0.00	0.00	0.00	
			M3	-34.83	0.00	52.50	0.25	0.00	3.80	-30.18	0.00	56.80	-0.12	0.00	6.40	
		MIN	S2	-37.98	0.00	41.19	-37.98	0.00	-117.46	-35.91	0.00	44.61	-35.91	0.00	-105.37	
			TQ	0.00	0.00	0.00	0.00	0.00	0.00	0.00	0.00	0.00	0.00	0.00	0.00	
			M3	-12.01	0.00	-36.22	-37.14	0.00	-144.72	-11.67	0.00	-34.01	-34.53	0.00	-128.17	
		DISPERSION-LMAX	S2	1.16	0.00	0.66	1.16	0.00	5.50	0.91	0.00	2.67	0.91	0.00	6.49	
			TQ	0.00	0.00	0.00	0.00	0.00	0.00	0.00	0.00	0.00	0.00	0.00	0.00	
			M3	-27.19	0.00	60.77	-0.09	0.00	9.22	-27.57	0.00	72.42	-1.42	0.00	12.47	
MIN	S2	-39.08	0.00	41.21	-39.08	0.00	-122.04	-39.00	0.00	50.01	-39.00	0.00	-112.88			
	TQ	0.00	0.00	0.00	0.00	0.00	0.00	0.00	0.00	0.00	0.00	0.00	0.00			
	M3	-10.74	0.00	-18.90	-37.84	0.00	-125.77	-10.51	0.00	-19.75	-36.66	0.00	-118.86			
67	2-LANES (caseTRUCK-LOAD	MAX	S2	42.85	0.00	5.47	42.85	0.00	184.44	46.76	0.00	29.24	46.76	0.00	224.55	
			TQ	0.00	0.00	0.00	0.00	0.00	0.00	0.00	0.00	0.00	0.00	0.00		
			M3	-40.33	0.00	329.40	37.29	0.00	199.51	-33.40	0.00	353.72	38.83	0.00	250.94	
		MIN	S2	-74.16	0.00	321.19	-74.16	0.00	11.40	-70.14	0.00	327.41	-70.14	0.00	34.46	
			TQ	0.00	0.00	0.00	0.00	0.00	0.00	0.00	0.00	0.00	0.00	0.00	0.00	
			M3	29.88	0.00	-11.13	-2.57	0.00	-9.40	-2.00	0.00	-2.09	-2.01	0.00	-10.48	

BAGO RIVER BRIDGE

BLOCK [ No.2 : CROSS BEAM ][ BEAM MEMBER FORCE ]

MEMBER NODE	1003041 3041	4041			1003043 3043	4043							
		SHEAR	TORQUE	MOMENT		SHEAR	TORQUE	MOMENT					
NAME TITLE	S2 (kN)	TQ (kN·m)	M3 (kN·m)	S2 (kN)	TQ (kN·m)	M3 (kN·m)	S2 (kN)	TQ (kN·m)	M3 (kN·m)	S2 (kN)	TQ (kN·m)	M3 (kN·m)	
67 2-LANES (caseTANDEM-LOAD	MAX S2	31.69	0.00	5.32	31.69	0.00	137.71	34.27	0.00	23.63	34.27	0.00	166.77
	TQ	0.00	0.00	0.00	0.00	0.00	0.00	0.00	0.00	0.00	0.00	0.00	0.00
	M3	-34.41	0.00	252.31	21.73	0.00	143.27	-29.46	0.00	267.98	22.69	0.00	178.49
	MIN S2	-58.32	0.00	245.47	-58.32	0.00	1.86	-55.20	0.00	248.42	-55.20	0.00	17.86
	TQ	0.00	0.00	0.00	0.00	0.00	0.00	0.00	0.00	0.00	0.00	0.00	0.00
	M3	24.85	0.00	-8.24	-1.75	0.00	-6.41	-1.37	0.00	-1.42	-1.37	0.00	-7.14
	DISPERSION-LMAX S2	32.22	0.00	-7.36	32.22	0.00	127.23	40.23	0.00	21.07	40.23	0.00	189.12
	TQ	0.00	0.00	0.00	0.00	0.00	0.00	0.00	0.00	0.00	0.00	0.00	0.00
	M3	-20.11	0.00	161.49	9.84	0.00	156.57	-1.66	0.00	184.50	15.60	0.00	229.41
	MIN S2	-29.81	0.00	142.18	-29.81	0.00	17.66	-27.13	0.00	141.30	-27.13	0.00	27.96
	TQ	0.00	0.00	0.00	0.00	0.00	0.00	0.00	0.00	0.00	0.00	0.00	0.00
	M3	22.53	0.00	-26.67	-7.43	0.00	-11.68	14.76	0.00	-22.13	-2.51	0.00	-12.34
68 2-LANES (caseTRUCK-LOAD	MAX S2	221.56	0.00	-485.63	221.56	0.00	439.83	225.04	0.00	-442.39	225.04	0.00	497.59
	TQ	0.00	0.00	0.00	0.00	0.00	0.00	0.00	0.00	0.00	0.00	0.00	0.00
	M3	32.94	0.00	11.17	221.56	0.00	439.83	46.70	0.00	31.89	224.56	0.00	501.33
	MIN S2	-5.11	0.00	1.89	-5.11	0.00	-19.45	-2.85	0.00	-2.01	-2.85	0.00	-13.91
	TQ	0.00	0.00	0.00	0.00	0.00	0.00	0.00	0.00	0.00	0.00	0.00	0.00
	M3	208.60	0.00	-502.23	-5.11	0.00	-19.45	188.30	0.00	-466.78	-2.85	0.00	-13.91
	TANDEM-LOAD MAX S2	165.68	0.00	-368.60	165.68	0.00	323.46	168.17	0.00	-335.88	168.17	0.00	366.58
	TQ	0.00	0.00	0.00	0.00	0.00	0.00	0.00	0.00	0.00	0.00	0.00	0.00
	M3	23.13	0.00	8.88	165.68	0.00	323.46	33.45	0.00	23.72	168.04	0.00	367.62
	MIN S2	-3.48	0.00	1.28	-3.48	0.00	-13.24	-1.94	0.00	-1.37	-1.94	0.00	-9.50
	TQ	0.00	0.00	0.00	0.00	0.00	0.00	0.00	0.00	0.00	0.00	0.00	0.00
	M3	158.84	0.00	-382.16	-3.48	0.00	-13.24	142.34	0.00	-354.90	-1.94	0.00	-9.50

BAGO RIVER BRIDGE

BLOCK [ No.2 : CROSS BEAM ][ BEAM MEMBER FORCE ]

MEMBER NODE	1003041 3041	4041			1003043 3043	4043							
		SHEAR	TORQUE	MOMENT		SHEAR	TORQUE	MOMENT					
NAME TITLE	S2 (kN)	TQ (kN·m)	M3 (kN·m)	S2 (kN)	TQ (kN·m)	M3 (kN·m)	S2 (kN)	TQ (kN·m)	M3 (kN·m)	S2 (kN)	TQ (kN·m)	M3 (kN·m)	
68 2-LANES (caseDISPERSION-LMAX	S2	112.85	0.00	-215.66	112.85	0.00	255.72	124.30	0.00	-179.44	124.30	0.00	339.76
	TQ	0.00	0.00	0.00	0.00	0.00	0.00	0.00	0.00	0.00	0.00	0.00	0.00
	M3	-1.22	0.00	32.00	110.84	0.00	265.33	20.65	0.00	43.49	122.69	0.00	350.26
	MIN S2	-8.13	0.00	21.14	-8.13	0.00	-12.80	-4.88	0.00	14.84	-4.88	0.00	-5.54
	TQ	0.00	0.00	0.00	0.00	0.00	0.00	0.00	0.00	0.00	0.00	0.00	0.00
	M3	105.94	0.00	-226.52	-6.11	0.00	-22.41	98.77	0.00	-208.09	-3.27	0.00	-16.04
69 3-LANES (caseTRUCK-LOAD	MAX S2	2.29	0.00	-0.33	2.29	0.00	9.24	1.42	0.00	2.53	1.42	0.00	8.45
	TQ	0.00	0.00	0.00	0.00	0.00	0.00	0.00	0.00	0.00	0.00	0.00	0.00
	M3	-55.53	0.00	83.80	1.67	0.00	11.34	-49.62	0.00	90.21	0.74	0.00	10.07
	MIN S2	-69.76	0.00	20.25	-69.76	0.00	-271.15	-67.14	0.00	23.64	-67.14	0.00	-256.80
	TQ	0.00	0.00	0.00	0.00	0.00	0.00	0.00	0.00	0.00	0.00	0.00	0.00
	M3	-25.40	0.00	-177.34	-60.08	0.00	-361.21	-24.44	0.00	-173.08	-56.55	0.00	-335.18
	TANDEM-LOAD MAX S2	1.68	0.00	-0.47	1.68	0.00	6.52	1.13	0.00	1.76	1.13	0.00	6.49
	TQ	0.00	0.00	0.00	0.00	0.00	0.00	0.00	0.00	0.00	0.00	0.00	0.00
	M3	-39.81	0.00	57.57	1.17	0.00	7.76	-35.76	0.00	61.85	0.02	0.00	7.19
	MIN S2	-49.18	0.00	20.71	-49.18	0.00	-184.70	-47.21	0.00	19.63	-47.21	0.00	-177.56
	TQ	0.00	0.00	0.00	0.00	0.00	0.00	0.00	0.00	0.00	0.00	0.00	0.00
	M3	-16.08	0.00	-129.87	-41.21	0.00	-255.38	-15.54	0.00	-126.16	-38.41	0.00	-236.51
DISPERSION-LMAX S2	2.65	0.00	1.27	2.65	0.00	12.32	1.17	0.00	2.91	1.17	0.00	7.80	
TQ	0.00	0.00	0.00	0.00	0.00	0.00	0.00	0.00	0.00	0.00	0.00	0.00	
M3	-29.95	0.00	65.71	1.29	0.00	16.56	-33.10	0.00	77.34	-1.17	0.00	13.88	
MIN S2	-56.99	0.00	-28.54	-56.99	0.00	-266.57	-58.00	0.00	-22.51	-58.00	0.00	-264.76	
TQ	0.00	0.00	0.00	0.00	0.00	0.00	0.00	0.00	0.00	0.00	0.00	0.00	
M3	-24.39	0.00	-92.99	-55.63	0.00	-270.81	-23.72	0.00	-96.95	-55.65	0.00	-270.84	

BAGO RIVER BRIDGE

BLOCK [ No.2 : CROSS BEAM ][ BEAM MEMBER FORCE ]

MEMBER				1003041						1003043						
NODE				3041			4041			3043			4043			
				SHEAR	TORQUE	MOMENT	SHEAR	TORQUE	MOMENT	SHEAR	TORQUE	MOMENT	SHEAR	TORQUE	MOMENT	
NAME	TITLE			S2 (kN)	TQ (kN·m)	M3 (kN·m)	S2 (kN)	TQ (kN·m)	M3 (kN·m)	S2 (kN)	TQ (kN·m)	M3 (kN·m)	S2 (kN)	TQ (kN·m)	M3 (kN·m)	
70	3-LANES (caseTRUCK-LOAD	MAX	S2	231.66	0.00	-487.64	231.66	0.00	480.02	236.44	0.00	-436.71	236.44	0.00	550.89	
			TQ	0.00	0.00	0.00	0.00	0.00	0.00	0.00	0.00	0.00	0.00	0.00	0.00	0.00
			M3	-39.62	0.00	331.60	226.11	0.00	495.09	-22.10	0.00	360.54	228.15	0.00	579.55	
		MIN	S2	-76.42	0.00	322.05	-76.42	0.00	2.85	-71.46	0.00	326.41	-71.46	0.00	27.94	
			TQ	0.00	0.00	0.00	0.00	0.00	0.00	0.00	0.00	0.00	0.00	0.00	0.00	0.00
			M3	218.70	0.00	-504.25	-4.83	0.00	-17.95	187.68	0.00	-468.04	-3.33	0.00	-17.00	
		TANDEM-LOAD MAX	S2	174.42	0.00	-370.21	174.42	0.00	358.35	177.52	0.00	-330.59	177.52	0.00	410.90	
			TQ	0.00	0.00	0.00	0.00	0.00	0.00	0.00	0.00	0.00	0.00	0.00	0.00	0.00
			M3	-34.09	0.00	253.84	164.46	0.00	363.91	-20.93	0.00	272.90	165.84	0.00	423.26	
		MIN	S2	-59.86	0.00	246.06	-59.86	0.00	-3.97	-56.09	0.00	247.73	-56.09	0.00	13.42	
			TQ	0.00	0.00	0.00	0.00	0.00	0.00	0.00	0.00	0.00	0.00	0.00	0.00	0.00
			M3	167.58	0.00	-383.77	-3.29	0.00	-12.24	141.88	0.00	-355.64	-2.27	0.00	-11.58	
		DISPERSION-LMAX	S2	118.12	0.00	-207.05	118.12	0.00	286.33	132.67	0.00	-160.16	132.67	0.00	394.01	
			TQ	0.00	0.00	0.00	0.00	0.00	0.00	0.00	0.00	0.00	0.00	0.00	0.00	0.00
			M3	-21.82	0.00	164.03	95.70	0.00	315.79	5.74	0.00	189.65	108.05	0.00	434.30	
MIN	S2	-32.63	0.00	144.00	-32.63	0.00	7.68	-28.67	0.00	140.11	-28.67	0.00	20.35			
	TQ	0.00	0.00	0.00	0.00	0.00	0.00	0.00	0.00	0.00	0.00	0.00	0.00	0.00		
	M3	107.31	0.00	-227.08	-10.22	0.00	-21.78	98.27	0.00	-209.71	-4.04	0.00	-19.94			
71	3-LANES (caseTRUCK-LOAD	MAX	S2	231.67	0.00	-487.65	231.67	0.00	480.04	236.37	0.00	-436.52	236.37	0.00	550.79	
			TQ	0.00	0.00	0.00	0.00	0.00	0.00	0.00	0.00	0.00	0.00	0.00	0.00	
			M3	-39.62	0.00	331.61	226.11	0.00	495.09	-22.12	0.00	360.58	227.97	0.00	579.31	
		MIN	S2	-77.66	0.00	322.33	-77.66	0.00	-2.07	-71.88	0.00	326.44	-71.88	0.00	26.21	
			TQ	0.00	0.00	0.00	0.00	0.00	0.00	0.00	0.00	0.00	0.00	0.00	0.00	0.00
			M3	218.71	0.00	-504.25	-6.71	0.00	-25.38	187.18	0.00	-467.82	-3.96	0.00	-19.60	

BAGO RIVER BRIDGE

BLOCK [ No.2 : CROSS BEAM ][ BEAM MEMBER FORCE ]

MEMBER NODE	1003041 3041	4041			1003043 3043	4043										
		SHEAR	TORQUE	MOMENT		SHEAR	TORQUE	MOMENT								
		S2 (kN)	TQ (kN·m)	M3 (kN·m)		S2 (kN)	TQ (kN·m)	M3 (kN·m)								
71	3-LANES (case)	TANDEM-LOAD	MAX	S2	174.42	0.00	-370.21	174.42	0.00	358.35	177.51	0.00	-330.57	177.51	0.00	410.89
				TQ	0.00	0.00	0.00	0.00	0.00	0.00	0.00	0.00	0.00	0.00	0.00	0.00
				M3	-34.09	0.00	253.84	164.46	0.00	363.91	-20.93	0.00	272.91	165.80	0.00	423.20
			MIN	S2	-60.70	0.00	246.25	-60.70	0.00	-7.30	-56.39	0.00	247.75	-56.39	0.00	12.23
				TQ	0.00	0.00	0.00	0.00	0.00	0.00	0.00	0.00	0.00	0.00	0.00	0.00
				M3	167.58	0.00	-383.77	-4.57	0.00	-17.31	141.58	0.00	-355.60	-2.71	0.00	-13.38
		DISPERSION-L	MAX	S2	118.50	0.00	-207.16	118.50	0.00	287.80	132.67	0.00	-159.87	132.67	0.00	394.27
				TQ	0.00	0.00	0.00	0.00	0.00	0.00	0.00	0.00	0.00	0.00	0.00	0.00
				M3	-23.86	0.00	164.44	96.08	0.00	317.26	5.85	0.00	189.62	108.04	0.00	434.57
			MIN	S2	-34.63	0.00	144.42	-34.63	0.00	-0.23	-29.33	0.00	140.18	-29.33	0.00	17.67
				TQ	0.00	0.00	0.00	0.00	0.00	0.00	0.00	0.00	0.00	0.00	0.00	0.00
				M3	107.73	0.00	-227.18	-12.21	0.00	-29.69	97.49	0.00	-209.31	-4.70	0.00	-22.63
72	4-LANES	TRUCK-LOAD	MAX	S2	1.27	0.00	-0.77	1.27	0.00	4.52	1.11	0.00	1.24	1.11	0.00	5.87
				TQ	0.00	0.00	0.00	0.00	0.00	0.00	0.00	0.00	0.00	0.00	0.00	0.00
				M3	-7.42	0.00	3.22	1.27	0.00	4.52	1.11	0.00	1.24	1.11	0.00	5.87
			MIN	S2	-7.42	0.00	3.22	-7.42	0.00	-27.75	-4.79	0.00	-4.11	-4.79	0.00	-24.11
				TQ	0.00	0.00	0.00	0.00	0.00	0.00	0.00	0.00	0.00	0.00	0.00	0.00
				M3	1.26	0.00	-0.77	-7.42	0.00	-27.75	-4.79	0.00	-4.11	-4.79	0.00	-24.11
		TANDEM-LOAD	MAX	S2	0.86	0.00	-0.52	0.86	0.00	3.08	0.75	0.00	0.84	0.75	0.00	3.99
				TQ	0.00	0.00	0.00	0.00	0.00	0.00	0.00	0.00	0.00	0.00	0.00	0.00
				M3	-5.18	0.00	2.22	0.86	0.00	3.08	0.75	0.00	0.84	0.75	0.00	3.99
			MIN	S2	-5.18	0.00	2.22	-5.18	0.00	-19.40	-3.31	0.00	-2.80	-3.31	0.00	-16.62
				TQ	0.00	0.00	0.00	0.00	0.00	0.00	0.00	0.00	0.00	0.00	0.00	0.00
				M3	0.86	0.00	-0.53	-5.18	0.00	-19.40	-3.31	0.00	-2.80	-3.31	0.00	-16.62



BAGO RIVER BRIDGE

BLOCK [ No.2 : CROSS BEAM ][ BEAM MEMBER FORCE ]

MEMBER			1003041						1003043									
NODE			3041			4041			3043			4043						
			SHEAR	TORQUE	MOMENT	SHEAR	TORQUE	MOMENT	SHEAR	TORQUE	MOMENT	SHEAR	TORQUE	MOMENT				
NAME	TITLE		S2 (kN)	TQ (kN·m)	M3 (kN·m)	S2 (kN)	TQ (kN·m)	M3 (kN·m)	S2 (kN)	TQ (kN·m)	M3 (kN·m)	S2 (kN)	TQ (kN·m)	M3 (kN·m)				
72	4-LANES	DISPERSION-LMAX	S2	1.56	0.00	-0.95	1.56	0.00	5.56	1.35	0.00	1.50	1.35	0.00	7.16			
			TQ	0.00	0.00	0.00	0.00	0.00	0.00	0.00	0.00	0.00	0.00	0.00	0.00	0.00		
			M3	-4.80	0.00	2.19	1.56	0.00	5.56	1.34	0.00	1.51	1.35	0.00	0.00	7.16		
		MIN	S2	-4.80	0.00	2.19	-4.80	0.00	-17.84	-3.24	0.00	-2.91	-3.24	0.00	0.00	-16.43		
			TQ	0.00	0.00	0.00	0.00	0.00	0.00	0.00	0.00	0.00	0.00	0.00	0.00	0.00		
			M3	1.56	0.00	-0.95	-4.80	0.00	-17.84	-3.22	0.00	-2.91	-3.24	0.00	0.00	-16.43		
		73	6-LANES	TRUCK-LOAD MAX	S2	211.30	0.00	-467.30	211.30	0.00	415.28	214.18	0.00	-416.90	214.18	0.00	477.75	
					TQ	0.00	0.00	0.00	0.00	0.00	0.00	0.00	0.00	0.00	0.00	0.00	0.00	0.00
					M3	-117.86	0.00	495.51	197.99	0.00	474.26	-98.21	0.00	533.46	197.27	0.00	0.00	555.55
MIN	S2			-152.17	0.00	365.75	-152.17	0.00	-269.88	-143.96	0.00	376.18	-143.96	0.00	0.00	-225.14		
	TQ			0.00	0.00	0.00	0.00	0.00	0.00	0.00	0.00	0.00	0.00	0.00	0.00	0.00		
	M3			167.85	0.00	-641.43	-73.55	0.00	-365.14	154.80	0.00	-605.74	-67.20	0.00	0.00	-332.50		
TANDEM-LOAD MAX	S2			160.04	0.00	-356.21	160.04	0.00	312.26	161.60	0.00	-317.18	161.60	0.00	0.00	357.82		
	TQ			0.00	0.00	0.00	0.00	0.00	0.00	0.00	0.00	0.00	0.00	0.00	0.00	0.00		
	M3			-91.70	0.00	373.57	142.54	0.00	346.20	-77.60	0.00	397.33	143.03	0.00	0.00	403.99		
MIN	S2	-113.61	0.00	270.55	-113.61	0.00	-204.01	-107.20	0.00	288.30	-107.20	0.00	0.00	-159.46				
	TQ	0.00	0.00	0.00	0.00	0.00	0.00	0.00	0.00	0.00	0.00	0.00	0.00	0.00				
	M3	135.12	0.00	-485.95	-106.29	0.00	-260.29	119.97	0.00	-456.40	-46.64	0.00	0.00	-235.50				
DISPERSION-LMAX	S2	115.84	0.00	-199.60	115.84	0.00	284.26	127.30	0.00	-153.64	127.30	0.00	0.00	378.11				
	TQ	0.00	0.00	0.00	0.00	0.00	0.00	0.00	0.00	0.00	0.00	0.00	0.00	0.00				
	M3	-53.44	0.00	228.23	93.75	0.00	315.44	-27.85	0.00	263.82	102.01	0.00	0.00	421.15				
MIN	S2	-88.67	0.00	124.25	-88.67	0.00	-246.13	-84.34	0.00	126.31	-84.34	0.00	0.00	-225.96				
	TQ	0.00	0.00	0.00	0.00	0.00	0.00	0.00	0.00	0.00	0.00	0.00	0.00	0.00				
	M3	80.15	0.00	-308.90	-64.20	0.00	-284.46	71.04	0.00	-295.49	-56.70	0.00	0.00	-277.93				

BAGO RIVER BRIDGE

BLOCK [ No.2 : CROSS BEAM ][ BEAM MEMBER FORCE ]

MEMBER			1003041			1003043			1003043			1003043			
NODE			3041			4041			3043			4043			
NAME TITLE			SHEAR	TORQUE	MOMENT	SHEAR	TORQUE	MOMENT	SHEAR	TORQUE	MOMENT	SHEAR	TORQUE	MOMENT	
			S2 (kN)	TQ (kN·m)	M3 (kN·m)	S2 (kN)	TQ (kN·m)	M3 (kN·m)	S2 (kN)	TQ (kN·m)	M3 (kN·m)	S2 (kN)	TQ (kN·m)	M3 (kN·m)	
124	SUM TOTAL	D+1LANE (caseMAX	S2	93.67	0.00	-249.61	93.67	0.00	141.65	149.62	0.00	-53.42	149.62	0.00	571.53
			TQ	90.26	0.00	-250.51	90.26	0.00	126.52	149.07	0.00	-54.11	149.07	0.00	568.56
			M3	76.46	0.00	-235.76	93.53	0.00	142.28	133.14	0.00	-39.77	149.60	0.00	571.65
		MIN	S2	49.62	0.00	-365.38	49.62	0.00	-158.11	106.64	0.00	-175.78	106.64	0.00	269.66
			TQ	90.26	0.00	-250.51	90.26	0.00	126.52	149.07	0.00	-54.11	149.07	0.00	568.56
			M3	65.23	0.00	-496.59	60.26	0.00	-240.86	125.00	0.00	-302.23	118.07	0.00	196.38
		D+1LANE (caseMAX	S2	90.95	0.00	-251.23	90.95	0.00	128.68	151.07	0.00	-49.18	151.07	0.00	581.83
			TQ	90.26	0.00	-250.51	90.26	0.00	126.52	149.07	0.00	-54.11	149.07	0.00	568.56
			M3	24.97	0.00	-108.24	88.92	0.00	134.78	88.55	0.00	104.82	147.67	0.00	590.67
		MIN	S2	24.50	0.00	-108.77	24.50	0.00	-6.43	86.46	0.00	100.56	86.46	0.00	461.69
			TQ	90.26	0.00	-250.51	90.26	0.00	126.52	149.07	0.00	-54.11	149.07	0.00	568.56
			M3	90.49	0.00	-251.76	26.00	0.00	-10.29	147.39	0.00	-56.95	89.04	0.00	454.79
		D+1LANE (caseMAX	S2	109.00	0.00	-242.69	109.00	0.00	212.61	172.66	0.00	-23.56	172.66	0.00	697.62
			TQ	90.26	0.00	-250.51	90.26	0.00	126.52	149.07	0.00	-54.11	149.07	0.00	568.56
			M3	-23.17	0.00	292.79	77.85	0.00	254.51	48.68	0.00	515.68	135.54	0.00	763.14
		MIN	S2	-27.80	0.00	281.79	-27.80	0.00	165.65	37.17	0.00	490.40	37.17	0.00	645.65
			TQ	90.26	0.00	-250.51	90.26	0.00	126.52	149.07	0.00	-54.11	149.07	0.00	568.56
			M3	104.36	0.00	-253.70	82.59	0.00	116.87	146.71	0.00	-56.87	146.54	0.00	555.96
		D+1LANE (caseMAX	S2	420.05	0.00	-1081.88	420.05	0.00	672.65	487.43	0.00	-830.14	487.43	0.00	1205.88
			TQ	90.26	0.00	-250.51	90.26	0.00	126.52	149.07	0.00	-54.11	149.07	0.00	568.56
			M3	88.27	0.00	-244.65	420.01	0.00	672.80	171.55	0.00	-39.76	486.89	0.00	1208.45
		MIN	S2	82.63	0.00	-246.94	82.63	0.00	98.21	145.13	0.00	-56.70	145.13	0.00	549.50
			TQ	90.26	0.00	-250.51	90.26	0.00	126.52	149.07	0.00	-54.11	149.07	0.00	568.56
			M3	418.71	0.00	-1082.74	82.67	0.00	98.05	476.41	0.00	-837.70	145.13	0.00	549.50

BAGO RIVER BRIDGE

BLOCK [ No.2 : CROSS BEAM ][ BEAM MEMBER FORCE ]

MEMBER			1003041						1003043						
NODE			3041			4041			3043			4043			
NAME TITLE			SHEAR	TORQUE	MOMENT	SHEAR	TORQUE	MOMENT	SHEAR	TORQUE	MOMENT	SHEAR	TORQUE	MOMENT	
			S2 (kN)	TQ (kN·m)	M3 (kN·m)	S2 (kN)	TQ (kN·m)	M3 (kN·m)	S2 (kN)	TQ (kN·m)	M3 (kN·m)	S2 (kN)	TQ (kN·m)	M3 (kN·m)	
124	SUM TOTAL	D+2LANES (casMAX	S2	94.62	0.00	-248.96	94.62	0.00	146.28	150.00	0.00	-52.78	150.00	0.00	573.76
			TQ	90.26	0.00	-250.51	90.26	0.00	126.52	149.07	0.00	-54.11	149.07	0.00	568.56
			M3	59.19	0.00	-219.54	94.34	0.00	147.53	116.78	0.00	-19.00	149.81	0.00	574.10
		MIN	S2	18.32	0.00	-376.92	18.32	0.00	-300.41	76.12	0.00	-181.88	76.12	0.00	136.06
			TQ	90.26	0.00	-250.51	90.26	0.00	126.52	149.07	0.00	-54.11	149.07	0.00	568.56
			M3	40.28	0.00	-519.78	28.10	0.00	-391.49	102.32	0.00	-321.77	86.90	0.00	57.36
		D+2LANES (casMAX	S2	92.36	0.00	-250.32	92.36	0.00	135.47	151.21	0.00	-49.25	151.21	0.00	582.34
			TQ	90.26	0.00	-250.51	90.26	0.00	126.52	149.07	0.00	-54.11	149.07	0.00	568.56
			M3	16.28	0.00	-113.27	90.50	0.00	141.29	79.63	0.00	101.49	148.19	0.00	589.94
		MIN	S2	-2.62	0.00	-163.07	-2.62	0.00	-174.01	59.30	0.00	48.40	59.30	0.00	296.09
			TQ	90.26	0.00	-250.51	90.26	0.00	126.52	149.07	0.00	-54.11	149.07	0.00	568.56
			M3	61.33	0.00	-315.76	-0.45	0.00	-199.35	120.97	0.00	-117.37	62.71	0.00	272.71
		D+2LANES (casMAX	S2	165.33	0.00	-252.40	165.33	0.00	438.20	236.06	0.00	-3.80	236.06	0.00	982.23
			TQ	90.26	0.00	-250.51	90.26	0.00	126.52	149.07	0.00	-54.11	149.07	0.00	568.56
			M3	29.82	0.00	240.39	137.40	0.00	482.60	114.01	0.00	484.11	203.51	0.00	1048.92
		MIN	S2	-13.71	0.00	212.86	-13.71	0.00	155.59	51.80	0.00	414.60	51.80	0.00	630.98
			TQ	90.26	0.00	-250.51	90.26	0.00	126.52	149.07	0.00	-54.11	149.07	0.00	568.56
			M3	142.67	0.00	-288.31	80.26	0.00	105.45	161.83	0.00	-78.34	144.55	0.00	545.75
		D+2LANES (casMAX	S2	424.67	0.00	-951.80	424.67	0.00	822.07	498.41	0.00	-675.94	498.41	0.00	1405.92
			TQ	90.26	0.00	-250.51	90.26	0.00	126.52	149.07	0.00	-54.11	149.07	0.00	568.56
			M3	121.98	0.00	-207.34	422.66	0.00	831.68	216.42	0.00	21.27	496.32	0.00	1420.15
		MIN	S2	77.03	0.00	-227.47	77.03	0.00	94.28	141.34	0.00	-41.28	141.34	0.00	549.11
			TQ	90.26	0.00	-250.51	90.26	0.00	126.52	149.07	0.00	-54.11	149.07	0.00	568.56
			M3	404.80	0.00	-979.26	79.04	0.00	84.67	436.14	0.00	-728.98	142.95	0.00	538.61

BAGO RIVER BRIDGE

BLOCK [ No.2 : CROSS BEAM ][ BEAM MEMBER FORCE ]

MEMBER			1003041						1003043							
NODE			3041			4041			3043			4043				
NAME TITLE			SHEAR	TORQUE	MOMENT	SHEAR	TORQUE	MOMENT	SHEAR	TORQUE	MOMENT	SHEAR	TORQUE	MOMENT		
			S2 (kN)	TQ (kN·m)	M3 (kN·m)	S2 (kN)	TQ (kN·m)	M3 (kN·m)	S2 (kN)	TQ (kN·m)	M3 (kN·m)	S2 (kN)	TQ (kN·m)	M3 (kN·m)		
124	SUM TOTAL	D+3LANES (casMAX	S2	94.46	0.00	-249.71	94.46	0.00	144.85	151.27	0.00	-49.49	151.27	0.00	582.38	
			TQ	90.26	0.00	-250.51	90.26	0.00	126.52	149.07	0.00	-54.11	149.07	0.00	568.56	
			M3	17.60	0.00	-123.41	92.78	0.00	150.23	78.76	0.00	88.31	148.70	0.00	588.92	
		MIN	S2	-17.47	0.00	-257.56	-17.47	0.00	-330.54	42.71	0.00	-53.16	42.71	0.00	125.23	
			TQ	90.26	0.00	-250.51	90.26	0.00	126.52	149.07	0.00	-54.11	149.07	0.00	568.56	
			M3	47.94	0.00	-480.28	-8.10	0.00	-410.70	108.14	0.00	-283.63	53.71	0.00	53.45	
		D+3LANES (casMAX	S2	387.58	0.00	-841.00	387.58	0.00	777.92	462.82	0.00	-561.46	462.82	0.00	1371.73	
			TQ	90.26	0.00	-250.51	90.26	0.00	126.52	149.07	0.00	-54.11	149.07	0.00	568.56	
			M3	38.04	0.00	170.78	363.80	0.00	815.77	135.16	0.00	413.55	434.83	0.00	1430.34	
		MIN	S2	-2.43	0.00	145.64	-2.43	0.00	135.48	63.97	0.00	342.42	63.97	0.00	609.61	
			TQ	90.26	0.00	-250.51	90.26	0.00	126.52	149.07	0.00	-54.11	149.07	0.00	568.56	
			M3	367.37	0.00	-872.13	77.47	0.00	92.75	392.13	0.00	-630.20	142.80	0.00	537.16	
		D+3LANES (casMAX	S2	387.91	0.00	-841.09	387.91	0.00	779.19	462.75	0.00	-561.04	462.75	0.00	1371.86	
			TQ	90.26	0.00	-250.51	90.26	0.00	126.52	149.07	0.00	-54.11	149.07	0.00	568.56	
			M3	36.31	0.00	171.13	364.12	0.00	817.02	135.24	0.00	413.57	434.68	0.00	1430.36	
		MIN	S2	-5.19	0.00	146.23	-5.19	0.00	124.57	63.05	0.00	342.52	63.05	0.00	605.86	
			TQ	90.26	0.00	-250.51	90.26	0.00	126.52	149.07	0.00	-54.11	149.07	0.00	568.56	
			M3	367.73	0.00	-872.22	74.18	0.00	79.71	391.04	0.00	-629.67	141.71	0.00	532.68	
		D+4LANES	MAX	S2	92.10	0.00	-251.62	92.10	0.00	133.08	150.67	0.00	-52.33	150.67	0.00	577.03
			TQ	90.26	0.00	-250.51	90.26	0.00	126.52	149.07	0.00	-54.11	149.07	0.00	568.56	
			M3	82.33	0.00	-246.99	92.10	0.00	133.08	150.66	0.00	-52.33	150.67	0.00	577.03	
		MIN	S2	82.33	0.00	-246.99	82.33	0.00	96.88	143.86	0.00	-58.67	143.86	0.00	542.21	
			TQ	90.26	0.00	-250.51	90.26	0.00	126.52	149.07	0.00	-54.11	149.07	0.00	568.56	
			M3	92.10	0.00	-251.62	82.33	0.00	96.88	143.86	0.00	-58.67	143.86	0.00	542.21	

BAGO RIVER BRIDGE

BLOCK [ No.2 : CROSS BEAM ][ BEAM MEMBER FORCE ]

MEMBER				1003041			1003043									
NODE				3041	4041		3043	4043								
NAME TITLE				SHEAR	TORQUE	MOMENT	SHEAR	TORQUE	MOMENT	SHEAR	TORQUE	MOMENT				
				S2 (kN)	TQ (kN·m)	M3 (kN·m)	S2 (kN)	TQ (kN·m)	M3 (kN·m)	S2 (kN)	TQ (kN·m)	M3 (kN·m)				
124	SUM TOTAL	D+6LANES	MAX	S2	302.90	0.00	-683.99	302.90	0.00	581.23	371.04	0.00	-424.96	371.04	0.00	1124.87
				TQ	90.26	0.00	-250.51	90.26	0.00	126.52	149.07	0.00	-54.11	149.07	0.00	568.56
				M3	-21.08	0.00	219.93	279.90	0.00	639.83	67.14	0.00	464.12	343.60	0.00	1203.42
			MIN	S2	-66.29	0.00	68.00	-66.29	0.00	-208.88	0.68	0.00	272.51	0.68	0.00	275.35
				TQ	90.26	0.00	-250.51	90.26	0.00	126.52	149.07	0.00	-54.11	149.07	0.00	568.56
				M3	251.46	0.00	-868.22	0.73	0.00	-295.72	295.87	0.00	-639.91	68.54	0.00	171.79
	SUM TOTAL		MAX		424.67	0.00	292.79	424.67	0.00	831.68	498.41	0.00	515.68	498.41	0.00	1430.36
			MIN		-66.29	0.00	-1082.74	-66.29	0.00	-410.70	0.68	0.00	-837.70	0.68	0.00	53.45
300	DEAD LOAD	TOTAL			90.26	0.00	-250.51	90.26	0.00	126.52	149.07	0.00	-54.11	149.07	0.00	568.56
301	LIVE LOAD	1-LANE(case1MAX	S2		3.41	0.00	0.90	3.41	0.00	15.13	0.55	0.00	0.69	0.55	0.00	2.97
			TQ		0.00	0.00	0.00	0.00	0.00	0.00	0.00	0.00	0.00	0.00	0.00	0.00
			M3		-13.81	0.00	14.74	3.27	0.00	15.76	-15.93	0.00	14.34	0.53	0.00	3.09
			MIN	S2	-40.64	0.00	-114.88	-40.64	0.00	-284.63	-42.43	0.00	-121.67	-42.43	0.00	-298.91
				TQ	0.00	0.00	0.00	0.00	0.00	0.00	0.00	0.00	0.00	0.00	0.00	0.00
				M3	-25.03	0.00	-246.08	-30.01	0.00	-367.38	-24.07	0.00	-248.12	-31.00	0.00	-372.18
		1-LANE(case2MAX	S2		0.69	0.00	-0.72	0.69	0.00	2.16	2.00	0.00	4.93	2.00	0.00	13.26
			TQ		0.00	0.00	0.00	0.00	0.00	0.00	0.00	0.00	0.00	0.00	0.00	0.00
			M3		-65.30	0.00	142.27	-1.34	0.00	8.26	-60.52	0.00	158.93	-1.41	0.00	22.10
			MIN	S2	-65.76	0.00	141.74	-65.76	0.00	-132.95	-62.62	0.00	154.67	-62.62	0.00	-106.88
				TQ	0.00	0.00	0.00	0.00	0.00	0.00	0.00	0.00	0.00	0.00	0.00	0.00
				M3	0.22	0.00	-1.25	-64.26	0.00	-136.81	-1.68	0.00	-2.83	-60.03	0.00	-113.77
		1-LANE(case3MAX	S2		18.74	0.00	7.82	18.74	0.00	86.09	23.58	0.00	30.55	23.58	0.00	129.06
			TQ		0.00	0.00	0.00	0.00	0.00	0.00	0.00	0.00	0.00	0.00	0.00	0.00
			M3		-113.43	0.00	543.30	-12.41	0.00	127.99	-100.39	0.00	569.79	-13.53	0.00	194.58
			MIN	S2	-118.07	0.00	532.29	-118.07	0.00	39.13	-111.91	0.00	544.51	-111.91	0.00	77.08
				TQ	0.00	0.00	0.00	0.00	0.00	0.00	0.00	0.00	0.00	0.00	0.00	0.00
				M3	14.10	0.00	-3.19	-7.68	0.00	-9.65	-2.36	0.00	-2.76	-2.53	0.00	-12.61

BAGO RIVER BRIDGE

BLOCK [ No.2 : CROSS BEAM ][ BEAM MEMBER FORCE ]

MEMBER			1003041						1003043								
NODE			3041			4041			3043			4043					
NAME TITLE			SHEAR	TORQUE	MOMENT	SHEAR	TORQUE	MOMENT	SHEAR	TORQUE	MOMENT	SHEAR	TORQUE	MOMENT			
			S2 (kN)	TQ (kN·m)	M3 (kN·m)	S2 (kN)	TQ (kN·m)	M3 (kN·m)	S2 (kN)	TQ (kN·m)	M3 (kN·m)	S2 (kN)	TQ (kN·m)	M3 (kN·m)			
301	LIVE LOAD	1-LANE (case4MAX	S2	329.78	0.00	-831.38	329.78	0.00	546.13	338.36	0.00	-776.02	338.36	0.00	637.31		
			TQ	0.00	0.00	0.00	0.00	0.00	0.00	0.00	0.00	0.00	0.00	0.00	0.00	0.00	
			M3	-1.99	0.00	5.86	329.74	0.00	546.28	22.48	0.00	14.35	337.82	0.00	0.00	639.88	
			MIN	S2	-7.63	0.00	3.56	-7.63	0.00	-28.32	-3.94	0.00	-2.59	-3.94	0.00	0.00	-19.06
			TQ	0.00	0.00	0.00	0.00	0.00	0.00	0.00	0.00	0.00	0.00	0.00	0.00	0.00	0.00
			M3	328.45	0.00	-832.24	-7.59	0.00	-28.47	327.34	0.00	-783.59	-3.94	0.00	0.00	-19.06	
		2-LANES (caseMAX	S2	4.36	0.00	1.54	4.36	0.00	19.76	0.93	0.00	1.33	0.93	0.00	0.00	5.20	
			TQ	0.00	0.00	0.00	0.00	0.00	0.00	0.00	0.00	0.00	0.00	0.00	0.00	0.00	
			M3	-31.08	0.00	30.96	4.08	0.00	21.01	-32.29	0.00	35.11	0.73	0.00	0.00	5.53	
			MIN	S2	-71.95	0.00	-126.41	-71.95	0.00	-426.93	-72.95	0.00	-127.77	-72.95	0.00	0.00	-432.50
			TQ	0.00	0.00	0.00	0.00	0.00	0.00	0.00	0.00	0.00	0.00	0.00	0.00	0.00	
			M3	-49.98	0.00	-269.28	-62.17	0.00	-518.01	-46.76	0.00	-267.66	-62.17	0.00	0.00	-511.20	
		2-LANES (caseMAX	S2	2.10	0.00	0.19	2.10	0.00	8.95	2.14	0.00	4.86	2.14	0.00	0.00	13.78	
			TQ	0.00	0.00	0.00	0.00	0.00	0.00	0.00	0.00	0.00	0.00	0.00	0.00	0.00	
			M3	-73.98	0.00	137.23	0.24	0.00	14.77	-69.44	0.00	155.60	-0.88	0.00	0.00	21.38	
			MIN	S2	-92.88	0.00	87.44	-92.88	0.00	-300.53	-89.77	0.00	102.51	-89.77	0.00	0.00	-272.48
			TQ	0.00	0.00	0.00	0.00	0.00	0.00	0.00	0.00	0.00	0.00	0.00	0.00	0.00	
			M3	-28.93	0.00	-65.26	-90.71	0.00	-325.87	-28.10	0.00	-63.26	-86.36	0.00	0.00	-295.86	
		2-LANES (caseMAX	S2	75.07	0.00	-1.89	75.07	0.00	311.68	86.99	0.00	50.31	86.99	0.00	0.00	413.66	
			TQ	0.00	0.00	0.00	0.00	0.00	0.00	0.00	0.00	0.00	0.00	0.00	0.00	0.00	
			M3	-60.45	0.00	490.90	47.13	0.00	356.08	-35.07	0.00	538.22	54.44	0.00	0.00	480.35	
			MIN	S2	-103.97	0.00	463.36	-103.97	0.00	29.06	-97.27	0.00	468.71	-97.27	0.00	0.00	62.42
			TQ	0.00	0.00	0.00	0.00	0.00	0.00	0.00	0.00	0.00	0.00	0.00	0.00	0.00	
			M3	52.41	0.00	-37.81	-10.00	0.00	-21.07	12.76	0.00	-24.23	-4.52	0.00	0.00	-22.82	

BAGO RIVER BRIDGE

BLOCK [ No.2 : CROSS BEAM ][ BEAM MEMBER FORCE ]

MEMBER			1003041						1003043						
NODE			3041			4041			3043			4043			
NAME TITLE			SHEAR	TORQUE	MOMENT	SHEAR	TORQUE	MOMENT	SHEAR	TORQUE	MOMENT	SHEAR	TORQUE	MOMENT	
			S2 (kN)	TQ (kN·m)	M3 (kN·m)	S2 (kN)	TQ (kN·m)	M3 (kN·m)	S2 (kN)	TQ (kN·m)	M3 (kN·m)	S2 (kN)	TQ (kN·m)	M3 (kN·m)	
301	LIVE LOAD	2-LANES (caseMAX	S2	334.41	0.00	-701.30	334.41	0.00	695.54	349.34	0.00	-621.83	349.34	0.00	837.35
			TQ	0.00	0.00	0.00	0.00	0.00	0.00	0.00	0.00	0.00	0.00	0.00	0.00
			M3	31.72	0.00	43.16	332.40	0.00	705.15	67.35	0.00	75.38	347.25	0.00	851.58
		MIN	S2	-13.23	0.00	23.03	-13.23	0.00	-32.24	-7.73	0.00	12.84	-7.73	0.00	-19.45
			TQ	0.00	0.00	0.00	0.00	0.00	0.00	0.00	0.00	0.00	0.00	0.00	0.00
			M3	314.54	0.00	-728.75	-11.22	0.00	-41.85	287.07	0.00	-674.87	-6.13	0.00	-29.95
		3-LANES (caseMAX	S2	4.20	0.00	0.80	4.20	0.00	18.33	2.20	0.00	4.62	2.20	0.00	13.82
			TQ	0.00	0.00	0.00	0.00	0.00	0.00	0.00	0.00	0.00	0.00	0.00	0.00
			M3	-72.66	0.00	127.09	2.52	0.00	23.71	-70.31	0.00	142.42	-0.37	0.00	20.36
		MIN	S2	-107.74	0.00	-7.05	-107.74	0.00	-457.07	-106.36	0.00	0.95	-106.36	0.00	-443.33
			TQ	0.00	0.00	0.00	0.00	0.00	0.00	0.00	0.00	0.00	0.00	0.00	0.00
			M3	-42.32	0.00	-229.77	-98.36	0.00	-537.22	-40.94	0.00	-229.52	-95.37	0.00	-515.11
		3-LANES (caseMAX	S2	297.32	0.00	-590.49	297.32	0.00	651.39	313.74	0.00	-507.34	313.74	0.00	803.17
			TQ	0.00	0.00	0.00	0.00	0.00	0.00	0.00	0.00	0.00	0.00	0.00	0.00
			M3	-52.23	0.00	421.29	273.54	0.00	689.25	-13.91	0.00	467.66	285.76	0.00	861.78
		MIN	S2	-92.69	0.00	396.14	-92.69	0.00	8.96	-85.11	0.00	396.53	-85.11	0.00	41.04
			TQ	0.00	0.00	0.00	0.00	0.00	0.00	0.00	0.00	0.00	0.00	0.00	0.00
			M3	277.11	0.00	-621.63	-12.79	0.00	-33.77	243.05	0.00	-576.08	-6.27	0.00	-31.41
		3-LANES (caseMAX	S2	297.64	0.00	-590.59	297.64	0.00	652.66	313.68	0.00	-506.93	313.68	0.00	803.30
			TQ	0.00	0.00	0.00	0.00	0.00	0.00	0.00	0.00	0.00	0.00	0.00	0.00
			M3	-53.96	0.00	421.64	273.86	0.00	690.50	-13.83	0.00	467.68	285.61	0.00	861.80
		MIN	S2	-95.45	0.00	396.73	-95.45	0.00	-1.95	-86.03	0.00	396.63	-86.03	0.00	37.30
			TQ	0.00	0.00	0.00	0.00	0.00	0.00	0.00	0.00	0.00	0.00	0.00	0.00
			M3	277.47	0.00	-621.72	-16.08	0.00	-46.81	241.97	0.00	-575.56	-7.37	0.00	-35.89

BAGO RIVER BRIDGE

BLOCK [ No.2 : CROSS BEAM ][ BEAM MEMBER FORCE ]

MEMBER				1003041			1003043									
NODE				3041	4041		3043	4043								
				SHEAR	TORQUE	MOMENT	SHEAR	TORQUE	MOMENT	SHEAR	TORQUE	MOMENT				
NAME TITLE				S2 (kN)	TQ (kN·m)	M3 (kN·m)	S2 (kN)	TQ (kN·m)	M3 (kN·m)	S2 (kN)	TQ (kN·m)	M3 (kN·m)				
301	LIVE LOAD	4-LANES	MAX	S2	1.84	0.00	-1.12	1.84	0.00	6.56	1.60	0.00	1.78	1.60	0.00	8.47
			TQ	0.00	0.00	0.00	0.00	0.00	0.00	0.00	0.00	0.00	0.00	0.00	0.00	0.00
			M3	-7.94	0.00	3.52	1.84	0.00	6.56	1.59	0.00	1.79	1.60	0.00	8.47	
		MIN	S2	-7.94	0.00	3.52	-7.94	0.00	-29.64	-5.22	0.00	-4.56	-5.22	0.00	-26.35	
		TQ	0.00	0.00	0.00	0.00	0.00	0.00	0.00	0.00	0.00	0.00	0.00	0.00	0.00	
		M3	1.83	0.00	-1.12	-7.94	0.00	-29.64	-5.21	0.00	-4.56	-5.22	0.00	-26.35		
	6-LANES	MAX	S2	212.64	0.00	-433.48	212.64	0.00	454.70	221.97	0.00	-370.85	221.97	0.00	556.30	
		TQ	0.00	0.00	0.00	0.00	0.00	0.00	0.00	0.00	0.00	0.00	0.00	0.00	0.00	
		M3	-111.35	0.00	470.43	189.63	0.00	513.30	-81.94	0.00	518.23	194.53	0.00	634.85		
		MIN	S2	-156.55	0.00	318.50	-156.55	0.00	-335.40	-148.39	0.00	326.62	-148.39	0.00	-293.21	
		TQ	0.00	0.00	0.00	0.00	0.00	0.00	0.00	0.00	0.00	0.00	0.00	0.00	0.00	
		M3	161.20	0.00	-617.71	-89.53	0.00	-422.24	146.80	0.00	-585.80	-80.54	0.00	-396.78		
LIVE LOAD	MAX		334.41	0.00	543.30	334.41	0.00	705.15	349.34	0.00	569.79	349.34	0.00	861.80		
	MIN		-156.55	0.00	-832.24	-156.55	0.00	-537.22	-148.39	0.00	-783.59	-148.39	0.00	-515.11		
303	SUM TOTAL	TOTAL	MAX		424.67	0.00	292.79	424.67	0.00	831.68	498.41	0.00	515.68	498.41	0.00	1430.36
			MIN		-66.29	0.00	-1082.74	-66.29	0.00	-410.70	0.68	0.00	-837.70	0.68	0.00	53.45



BAGO RIVER BRIDGE

BLOCK [ No.2 : CROSS BEAM ][ BEAM MEMBER FORCE ]

MEMBER NODE	1003045 3045	4045			1003047 3047			4047						
		SHEAR S2 (kN)	TORQUE TQ (kN·m)	MOMENT M3 (kN·m)	SHEAR S2 (kN)	TORQUE TQ (kN·m)	MOMENT M3 (kN·m)	SHEAR S2 (kN)	TORQUE TQ (kN·m)	MOMENT M3 (kN·m)				
1 PAVEMENT	15.69	0.00	-40.16	15.69	0.00	25.38	11.53	0.00	-54.53	11.53	0.00	-6.38		
3 RAILING	5.40	0.00	-22.07	5.40	0.00	0.50	5.33	0.00	-22.39	5.33	0.00	-0.13		
5 CURB	53.49	0.00	-218.45	53.49	0.00	4.99	52.76	0.00	-221.62	52.76	0.00	-1.25		
7 DECK WEIGHT	27.48	0.00	-72.21	27.48	0.00	42.58	17.98	0.00	-85.57	17.98	0.00	-10.45		
8 GIRDER WEIGH	-0.58	0.00	63.86	-0.58	0.00	61.42	-10.78	0.00	29.72	-10.78	0.00	-15.31		
10 MEDIAN STRIP	-35.09	0.00	165.29	-35.09	0.00	18.73	-46.36	0.00	189.74	-46.36	0.00	-3.90		
21 ADITIONAL WE	7.69	0.00	-20.22	7.69	0.00	11.92	5.04	0.00	-23.96	5.04	0.00	-2.93		
31 MEDIAN RAILI	-2.30	0.00	10.52	-2.30	0.00	0.93	-2.44	0.00	9.99	-2.44	0.00	-0.22		
51 SUPPORT WEIG	0.00	0.00	0.00	0.00	0.00	0.00	0.00	0.00	0.00	0.00	0.00	0.00		
52 NOSE WEIGHT	-0.00	0.00	0.00	-0.00	0.00	-0.00	-0.00	0.00	0.00	-0.00	0.00	-0.00		
61 1-LANE(case1TRUCK-LOAD	MAX	S2	0.22	0.00	-1.76	0.22	0.00	-0.84	0.18	0.00	-0.70	0.18	0.00	0.07
		TQ	0.00	0.00	0.00	0.00	0.00	0.00	0.00	0.00	0.00	0.00	0.00	0.00
		M3	-8.33	0.00	7.56	-0.02	0.00	0.33	-8.83	0.00	3.31	0.18	0.00	0.07
	MIN	S2	-17.11	0.00	-40.94	-17.11	0.00	-112.42	-16.30	0.00	-44.51	-16.30	0.00	-112.57
		TQ	0.00	0.00	0.00	0.00	0.00	0.00	0.00	0.00	0.00	0.00	0.00	0.00
		M3	-9.55	0.00	-122.37	-9.66	0.00	-162.37	-10.69	0.00	-115.00	-10.76	0.00	-159.79
	TANDEM-LOAD MAX	S2	0.15	0.00	-1.21	0.15	0.00	-0.58	0.13	0.00	-0.48	0.13	0.00	0.05
		TQ	0.00	0.00	0.00	0.00	0.00	0.00	0.00	0.00	0.00	0.00	0.00	0.00
		M3	-7.11	0.00	5.54	-0.01	0.00	0.23	-5.03	0.00	2.31	0.12	0.00	0.05
	MIN	S2	-11.84	0.00	-16.67	-11.84	0.00	-66.14	-11.26	0.00	-19.30	-11.26	0.00	-66.33
		TQ	0.00	0.00	0.00	0.00	0.00	0.00	0.00	0.00	0.00	0.00	0.00	0.00
		M3	-5.96	0.00	-85.45	-6.84	0.00	-110.51	-6.92	0.00	-79.53	-7.45	0.00	-108.83
DISPERSION-LMAX	S2	0.25	0.00	-2.11	0.25	0.00	-1.08	0.22	0.00	-0.83	0.22	0.00	0.08	
	TQ	0.00	0.00	0.00	0.00	0.00	0.00	0.00	0.00	0.00	0.00	0.00	0.00	
	M3	-4.16	0.00	4.08	-0.06	0.00	0.42	-3.01	0.00	1.89	0.22	0.00	0.08	
MIN	S2	-22.16	0.00	-71.31	-22.16	0.00	-163.88	-21.36	0.00	-73.85	-21.36	0.00	-163.09	
	TQ	0.00	0.00	0.00	0.00	0.00	0.00	0.00	0.00	0.00	0.00	0.00	0.00	
	M3	-17.75	0.00	-77.50	-21.85	0.00	-165.38	-18.14	0.00	-76.57	-21.36	0.00	-163.09	

BAGO RIVER BRIDGE

BLOCK [ No.2 : CROSS BEAM ][ BEAM MEMBER FORCE ]

MEMBER				1003045			1003047									
NODE				3045			4045			3047			4047			
				SHEAR	TORQUE	MOMENT	SHEAR	TORQUE	MOMENT	SHEAR	TORQUE	MOMENT	SHEAR	TORQUE	MOMENT	
NAME	TITLE			S2 (kN)	TQ (kN·m)	M3 (kN·m)	S2 (kN)	TQ (kN·m)	M3 (kN·m)	S2 (kN)	TQ (kN·m)	M3 (kN·m)	S2 (kN)	TQ (kN·m)	M3 (kN·m)	
62	1-LANE (case2TRUCK-LOAD	MAX	S2	0.07	0.00	-1.29	0.07	0.00	-0.98	0.19	0.00	-0.73	0.19	0.00	0.04	
			TQ	0.00	0.00	0.00	0.00	0.00	0.00	0.00	0.00	0.00	0.00	0.00	0.00	0.00
			M3	-32.58	0.00	60.70	-0.64	0.00	1.95	-25.89	0.00	49.24	0.18	0.00	0.00	0.04
		MIN	S2	-33.10	0.00	58.96	-33.10	0.00	-79.31	-31.91	0.00	44.83	-31.91	0.00	-88.45	
			TQ	0.00	0.00	0.00	0.00	0.00	0.00	0.00	0.00	0.00	0.00	0.00	0.00	
			M3	0.07	0.00	-1.35	-33.10	0.00	-79.31	0.19	0.00	-0.73	-31.91	0.00	-88.45	
		TANDEM-LOAD MAX	S2	0.05	0.00	-0.89	0.05	0.00	-0.68	0.13	0.00	-0.50	0.13	0.00	0.03	
			TQ	0.00	0.00	0.00	0.00	0.00	0.00	0.00	0.00	0.00	0.00	0.00	0.00	
			M3	-21.07	0.00	42.00	-0.44	0.00	1.58	-19.43	0.00	33.82	0.13	0.00	0.03	
		MIN	S2	-23.49	0.00	40.03	-23.49	0.00	-58.08	-22.46	0.00	29.72	-22.46	0.00	-64.11	
			TQ	0.00	0.00	0.00	0.00	0.00	0.00	0.00	0.00	0.00	0.00	0.00	0.00	
			M3	0.05	0.00	-0.92	-23.49	0.00	-58.08	0.13	0.00	-0.50	-22.46	0.00	-64.11	
		DISPERSION-LMAX	S2	0.09	0.00	-1.36	0.09	0.00	-0.98	0.22	0.00	-0.87	0.22	0.00	0.05	
			TQ	0.00	0.00	0.00	0.00	0.00	0.00	0.00	0.00	0.00	0.00	0.00	0.00	
			M3	-21.83	0.00	52.62	-0.78	0.00	2.19	-21.75	0.00	44.15	0.02	0.00	0.25	
MIN	S2	-22.28	0.00	52.31	-22.28	0.00	-40.75	-22.91	0.00	43.74	-22.91	0.00	-51.94			
	TQ	0.00	0.00	0.00	0.00	0.00	0.00	0.00	0.00	0.00	0.00	0.00	0.00			
	M3	-0.35	0.00	-1.67	-21.41	0.00	-43.92	-0.94	0.00	-1.28	-22.71	0.00	-52.15			
63	1-LANE (case3TRUCK-LOAD	MAX	S2	8.65	0.00	7.67	8.65	0.00	43.80	6.91	0.00	18.19	6.91	0.00	47.06	
			TQ	0.00	0.00	0.00	0.00	0.00	0.00	0.00	0.00	0.00	0.00	0.00	0.00	
			M3	-71.71	0.00	321.08	0.18	0.00	64.40	-72.88	0.00	315.99	-1.38	0.00	58.06	
		MIN	S2	-71.71	0.00	321.08	-71.71	0.00	21.56	-72.88	0.00	315.99	-72.88	0.00	11.57	
			TQ	0.00	0.00	0.00	0.00	0.00	0.00	0.00	0.00	0.00	0.00	0.00	0.00	
			M3	-0.03	0.00	-1.02	-0.03	0.00	-1.16	0.19	0.00	-0.76	-0.06	0.00	-0.01	

BAGO RIVER BRIDGE

BLOCK [ No.2 : CROSS BEAM ][ BEAM MEMBER FORCE ]

MEMBER		1003045						1003047									
NODE		3045			4045			3047			4047						
		SHEAR	TORQUE	MOMENT	SHEAR	TORQUE	MOMENT	SHEAR	TORQUE	MOMENT	SHEAR	TORQUE	MOMENT				
NAME	TITLE	S2 (kN)	TQ (kN·m)	M3 (kN·m)	S2 (kN)	TQ (kN·m)	M3 (kN·m)	S2 (kN)	TQ (kN·m)	M3 (kN·m)	S2 (kN)	TQ (kN·m)	M3 (kN·m)				
63	1-LANE (case3TANDEM-LOAD	MAX	S2	7.11	0.00	7.09	7.11	0.00	36.78	5.58	0.00	8.64	5.58	0.00	31.95		
			TQ	0.00	0.00	0.00	0.00	0.00	0.00	0.00	0.00	0.00	0.00	0.00	0.00		
			M3	-56.19	0.00	243.14	-4.66	0.00	45.42	-56.86	0.00	238.88	-5.87	0.00	40.74		
		MIN	S2	-56.19	0.00	243.14	-56.19	0.00	8.42	-56.86	0.00	238.88	-56.86	0.00	1.36		
			TQ	0.00	0.00	0.00	0.00	0.00	0.00	0.00	0.00	0.00	0.00	0.00	0.00		
			M3	-0.02	0.00	-0.69	-0.02	0.00	-0.79	0.13	0.00	-0.52	-0.04	0.00	-0.01		
			DISPERSION-LMAX	S2	5.42	0.00	15.46	5.42	0.00	38.09	4.11	0.00	11.54	4.11	0.00	28.70	
				TQ	0.00	0.00	0.00	0.00	0.00	0.00	0.00	0.00	0.00	0.00	0.00	0.00	
				M3	-19.39	0.00	141.55	-16.15	0.00	60.91	-21.98	0.00	139.35	-15.72	0.00	48.46	
			MIN	S2	-24.85	0.00	124.90	-24.85	0.00	21.11	-25.87	0.00	126.92	-25.87	0.00	18.88	
				TQ	0.00	0.00	0.00	0.00	0.00	0.00	0.00	0.00	0.00	0.00	0.00	0.00	
				M3	-0.04	0.00	-1.19	-3.28	0.00	-1.71	0.22	0.00	-0.89	-6.04	0.00	-0.88	
		64	1-LANE (case4TRUCK-LOAD	MAX	S2	184.51	0.00	-469.93	184.51	0.00	300.78	182.53	0.00	-474.59	182.53	0.00	287.84
					TQ	0.00	0.00	0.00	0.00	0.00	0.00	0.00	0.00	0.00	0.00	0.00	0.00
					M3	9.12	0.00	5.87	184.07	0.00	301.23	6.92	0.00	2.34	182.53	0.00	287.84
MIN	S2			-0.25	0.00	-0.31	-0.25	0.00	-1.36	-0.11	0.00	0.76	-0.11	0.00	0.29		
	TQ			0.00	0.00	0.00	0.00	0.00	0.00	0.00	0.00	0.00	0.00	0.00	0.00		
	M3			184.51	0.00	-469.93	-0.24	0.00	-1.38	182.53	0.00	-474.59	0.16	0.00	-0.02		
	TANDEM-LOAD			MAX	S2	139.39	0.00	-358.52	139.39	0.00	223.73	137.98	0.00	-361.43	137.98	0.00	214.90
				TQ	0.00	0.00	0.00	0.00	0.00	0.00	0.00	0.00	0.00	0.00	0.00	0.00	
				M3	6.91	0.00	4.24	139.27	0.00	223.86	5.23	0.00	2.22	137.98	0.00	214.90	
	MIN			S2	-0.17	0.00	-0.20	-0.17	0.00	-0.92	-0.08	0.00	0.63	-0.08	0.00	0.29	
				TQ	0.00	0.00	0.00	0.00	0.00	0.00	0.00	0.00	0.00	0.00	0.00	0.00	
				M3	139.39	0.00	-358.52	-0.17	0.00	-0.94	137.98	0.00	-361.43	0.11	0.00	-0.01	

BAGO RIVER BRIDGE

BLOCK [ No.2 : CROSS BEAM ][ BEAM MEMBER FORCE ]

MEMBER		1003045						1003047									
NODE		3045			4045			3047			4047						
		SHEAR	TORQUE	MOMENT	SHEAR	TORQUE	MOMENT	SHEAR	TORQUE	MOMENT	SHEAR	TORQUE	MOMENT				
NAME	TITLE	S2 (kN)	TQ (kN·m)	M3 (kN·m)	S2 (kN)	TQ (kN·m)	M3 (kN·m)	S2 (kN)	TQ (kN·m)	M3 (kN·m)	S2 (kN)	TQ (kN·m)	M3 (kN·m)				
64	1-LANE (case4DISPERSION-LMAX	S2	87.70	0.00	-188.07	87.70	0.00	178.27	84.75	0.00	-194.14	84.75	0.00	159.85			
		TQ	0.00	0.00	0.00	0.00	0.00	0.00	0.00	0.00	0.00	0.00	0.00	0.00			
		M3	3.83	0.00	3.19	87.70	0.00	178.27	3.50	0.00	2.31	84.49	0.00	160.03			
		MIN	S2	-0.28	0.00	-0.43	-0.28	0.00	-1.60	-0.10	0.00	0.59	-0.10	0.00	0.16		
		TQ	0.00	0.00	0.00	0.00	0.00	0.00	0.00	0.00	0.00	0.00	0.00	0.00			
		M3	83.59	0.00	-191.69	-0.28	0.00	-1.60	81.14	0.00	-195.86	0.15	0.00	0.00	-0.02		
		65	2-LANES (caseTRUCK-LOAD	MAX	S2	0.37	0.00	-3.28	0.37	0.00	-1.75	0.37	0.00	-1.42	0.37	0.00	0.12
				TQ	0.00	0.00	0.00	0.00	0.00	0.00	0.00	0.00	0.00	0.00	0.00	0.00	
				M3	-20.25	0.00	16.39	-0.03	0.00	0.67	-21.28	0.00	8.75	0.36	0.00	0.12	
MIN	S2			-36.94	0.00	-68.47	-36.94	0.00	-222.78	-36.05	0.00	-76.31	-36.05	0.00	-226.87		
TQ	0.00			0.00	0.00	0.00	0.00	0.00	0.00	0.00	0.00	0.00	0.00	0.00			
M3	-28.46			0.00	-167.31	-28.57	0.00	-286.27	-29.56	0.00	-163.36	-29.62	0.00	-286.95			
TANDEM-LOAD	MAX			S2	0.25	0.00	-2.26	0.25	0.00	-1.21	0.25	0.00	-0.97	0.25	0.00	0.08	
TQ	0.00			0.00	0.00	0.00	0.00	0.00	0.00	0.00	0.00	0.00	0.00	0.00			
M3	-16.94			0.00	11.90	-0.17	0.00	0.48	-15.14	0.00	6.21	0.24	0.00	0.08			
MIN	S2	-25.55	0.00	-27.61	-25.55	0.00	-134.34	-24.91	0.00	-33.44	-24.91	0.00	-137.48				
TQ	0.00	0.00	0.00	0.00	0.00	0.00	0.00	0.00	0.00	0.00	0.00	0.00					
M3	-18.45	0.00	-119.79	-19.32	0.00	-197.00	-19.39	0.00	-115.95	-19.91	0.00	-197.34					
DISPERSION-LMAX	S2	0.41	0.00	-3.96	0.41	0.00	-2.24	0.44	0.00	-1.68	0.44	0.00	0.14				
TQ	0.00	0.00	0.00	0.00	0.00	0.00	0.00	0.00	0.00	0.00	0.00	0.00					
M3	-14.79	0.00	13.63	-0.17	0.00	0.93	-11.87	0.00	7.98	0.44	0.00	0.14					
MIN	S2	-44.38	0.00	-80.47	-44.38	0.00	-265.84	-43.51	0.00	-88.95	-43.51	0.00	-270.67				
TQ	0.00	0.00	0.00	0.00	0.00	0.00	0.00	0.00	0.00	0.00	0.00	0.00					
M3	-29.17	0.00	-98.06	-43.80	0.00	-269.01	-31.20	0.00	-98.60	-43.51	0.00	-270.67					

BAGO RIVER BRIDGE

BLOCK [ No.2 : CROSS BEAM ][ BEAM MEMBER FORCE ]

MEMBER				1003045			1003047										
NODE				3045			4045			3047			4047				
NAME TITLE				SHEAR	TORQUE	MOMENT	SHEAR	TORQUE	MOMENT	SHEAR	TORQUE	MOMENT	SHEAR	TORQUE	MOMENT		
				S2 (kN)	TQ (kN·m)	M3 (kN·m)	S2 (kN)	TQ (kN·m)	M3 (kN·m)	S2 (kN)	TQ (kN·m)	M3 (kN·m)	S2 (kN)	TQ (kN·m)	M3 (kN·m)		
66	2-LANES (case	TRUCK-LOAD	MAX	S2	0.22	0.00	-2.82	0.22	0.00	-1.89	0.37	0.00	-1.45	0.37	0.00	0.10	
				TQ	0.00	0.00	0.00	0.00	0.00	0.00	0.00	0.00	0.00	0.00	0.00	0.00	0.00
				M3	-44.50	0.00	69.53	-0.65	0.00	2.28	-38.34	0.00	54.68	0.37	0.00	0.00	0.10
			MIN	S2	-52.93	0.00	31.42	-52.93	0.00	-189.68	-51.66	0.00	13.03	-51.66	0.00	-202.74	
				TQ	0.00	0.00	0.00	0.00	0.00	0.00	0.00	0.00	0.00	0.00	0.00	0.00	
				M3	-18.84	0.00	-46.28	-52.01	0.00	-203.21	-18.68	0.00	-49.10	-50.77	0.00	-215.60	
			TANDEM-LOAD	MAX	S2	0.15	0.00	-1.94	0.15	0.00	-1.31	0.25	0.00	-0.99	0.25	0.00	0.07
				TQ	0.00	0.00	0.00	0.00	0.00	0.00	0.00	0.00	0.00	0.00	0.00	0.00	
				M3	-30.90	0.00	48.36	-0.60	0.00	1.83	-29.54	0.00	37.71	0.25	0.00	0.07	
				MIN	S2	-37.20	0.00	29.10	-37.20	0.00	-126.27	-36.11	0.00	15.58	-36.11	0.00	-135.26
				TQ	0.00	0.00	0.00	0.00	0.00	0.00	0.00	0.00	0.00	0.00	0.00	0.00	
				M3	-12.44	0.00	-35.26	-35.97	0.00	-144.56	-12.34	0.00	-36.92	-34.93	0.00	-152.62	
			DISPERSION-LMAX	S2	0.26	0.00	-3.21	0.26	0.00	-2.14	0.44	0.00	-1.71	0.44	0.00	0.11	
				TQ	0.00	0.00	0.00	0.00	0.00	0.00	0.00	0.00	0.00	0.00	0.00	0.00	
				M3	-32.46	0.00	62.17	-0.88	0.00	2.70	-30.61	0.00	50.24	0.24	0.00	0.31	
		MIN	S2	-44.50	0.00	43.15	-44.50	0.00	-142.71	-45.05	0.00	28.63	-45.05	0.00	-159.53		
		TQ	0.00	0.00	0.00	0.00	0.00	0.00	0.00	0.00	0.00	0.00	0.00	0.00			
		M3	-11.77	0.00	-22.23	-43.36	0.00	-147.55	-14.00	0.00	-23.32	-44.85	0.00	-159.73			
67	2-LANES (case	TRUCK-LOAD	MAX	S2	40.44	0.00	23.06	40.44	0.00	191.96	37.41	0.00	26.40	37.41	0.00	182.66	
				TQ	0.00	0.00	0.00	0.00	0.00	0.00	0.00	0.00	0.00	0.00	0.00	0.00	
				M3	-39.98	0.00	337.24	31.91	0.00	213.09	-48.27	0.00	326.25	28.99	0.00	194.55	
			MIN	S2	-71.82	0.00	320.42	-71.82	0.00	20.43	-73.03	0.00	317.07	-73.03	0.00	12.04	
				TQ	0.00	0.00	0.00	0.00	0.00	0.00	0.00	0.00	0.00	0.00	0.00	0.00	
				M3	-0.13	0.00	-1.83	-0.14	0.00	-2.39	0.38	0.00	-1.53	-0.11	0.00	-0.02	

BAGO RIVER BRIDGE

BLOCK [ No.2 : CROSS BEAM ][ BEAM MEMBER FORCE ]

MEMBER NODE	1003045 3045	4045			1003047 3047	4047									
		SHEAR	TORQUE	MOMENT		SHEAR	TORQUE	MOMENT							
		S2 (kN)	TQ (kN·m)	M3 (kN·m)		S2 (kN)	TQ (kN·m)	M3 (kN·m)							
67	2-LANES (caseTANDEM-LOAD	MAX	S2	29.52	0.00	18.71	29.52	0.00	142.00	27.20	0.00	14.97	27.20	0.00	128.59
			TQ	0.00	0.00	0.00	0.00	0.00	0.00	0.00	0.00	0.00	0.00	0.00	0.00
			M3	-33.80	0.00	254.97	17.74	0.00	150.78	-42.67	0.00	245.86	15.71	0.00	137.63
		MIN	S2	-56.27	0.00	242.70	-56.27	0.00	7.66	-56.97	0.00	239.56	-56.97	0.00	1.60
			TQ	0.00	0.00	0.00	0.00	0.00	0.00	0.00	0.00	0.00	0.00	0.00	0.00
			M3	10.03	0.00	-1.55	-0.09	0.00	-1.63	0.26	0.00	-1.04	-0.08	0.00	-0.01
	DISPERSION-LMAX		S2	32.87	0.00	10.51	32.87	0.00	147.81	28.96	0.00	1.78	28.96	0.00	122.74
			TQ	0.00	0.00	0.00	0.00	0.00	0.00	0.00	0.00	0.00	0.00	0.00	0.00
			M3	-10.94	0.00	175.95	9.38	0.00	180.70	-15.52	0.00	171.99	6.98	0.00	152.25
		MIN	S2	-26.89	0.00	142.08	-26.89	0.00	29.74	-28.07	0.00	145.84	-28.07	0.00	28.61
			TQ	0.00	0.00	0.00	0.00	0.00	0.00	0.00	0.00	0.00	0.00	0.00	0.00
			M3	16.91	0.00	-23.37	-3.41	0.00	-3.15	16.41	0.00	-24.36	-6.09	0.00	-0.89
68	2-LANES (caseTRUCK-LOAD	MAX	S2	216.24	0.00	-454.37	216.24	0.00	448.88	212.96	0.00	-466.17	212.96	0.00	423.37
			TQ	0.00	0.00	0.00	0.00	0.00	0.00	0.00	0.00	0.00	0.00	0.00	0.00
			M3	40.78	0.00	22.23	215.73	0.00	449.86	32.16	0.00	12.72	212.84	0.00	424.27
		MIN	S2	-0.43	0.00	-0.84	-0.43	0.00	-2.65	-0.26	0.00	1.84	-0.26	0.00	0.76
			TQ	0.00	0.00	0.00	0.00	0.00	0.00	0.00	0.00	0.00	0.00	0.00	0.00
			M3	184.35	0.00	-470.52	-0.42	0.00	-2.68	182.72	0.00	-475.39	0.29	0.00	-0.02
	TANDEM-LOAD	MAX	S2	161.75	0.00	-346.75	161.75	0.00	328.90	159.55	0.00	-354.93	159.55	0.00	311.49
			TQ	0.00	0.00	0.00	0.00	0.00	0.00	0.00	0.00	0.00	0.00	0.00	0.00
			M3	29.26	0.00	16.23	161.61	0.00	329.17	23.64	0.00	9.28	159.51	0.00	311.74
		MIN	S2	-0.29	0.00	-0.56	-0.29	0.00	-1.79	-0.19	0.00	1.31	-0.19	0.00	0.52
			TQ	0.00	0.00	0.00	0.00	0.00	0.00	0.00	0.00	0.00	0.00	0.00	0.00
			M3	149.45	0.00	-359.37	-0.29	0.00	-1.83	138.11	0.00	-361.97	0.20	0.00	-0.02

BAGO RIVER BRIDGE

BLOCK [ No.2 : CROSS BEAM ][ BEAM MEMBER FORCE ]

MEMBER		1003045						1003047						
NODE		3045			4045			3047			4047			
		SHEAR	TORQUE	MOMENT	SHEAR	TORQUE	MOMENT	SHEAR	TORQUE	MOMENT	SHEAR	TORQUE	MOMENT	
NAME	TITLE	S2 (kN)	TQ (kN·m)	M3 (kN·m)	S2 (kN)	TQ (kN·m)	M3 (kN·m)	S2 (kN)	TQ (kN·m)	M3 (kN·m)	S2 (kN)	TQ (kN·m)	M3 (kN·m)	
68	2-LANES (caseDISPERSION-LMAX	S2	115.16	0.00	-193.05	115.16	0.00	287.96	109.58	0.00	-203.86	109.58	0.00	253.84
		TQ	0.00	0.00	0.00	0.00	0.00	0.00	0.00	0.00	0.00	0.00	0.00	0.00
		M3	12.28	0.00	37.57	113.23	0.00	298.05	9.96	0.00	34.99	107.06	0.00	263.79
	MIN	S2	-2.41	0.00	17.03	-2.41	0.00	6.97	-2.31	0.00	19.55	-2.31	0.00	9.91
		TQ	0.00	0.00	0.00	0.00	0.00	0.00	0.00	0.00	0.00	0.00	0.00	0.00
		M3	100.46	0.00	-213.59	-0.48	0.00	-3.12	97.31	0.00	-219.31	0.21	0.00	-0.03
69	3-LANES (caseTRUCK-LOAD	MAX	S2	0.44	0.00	-4.57	0.44	0.00	-2.73	0.56	-2.16	0.56	0.00	0.16
		TQ	0.00	0.00	0.00	0.00	0.00	0.00	0.00	0.00	0.00	0.00	0.00	0.00
		M3	-52.83	0.00	77.08	-0.67	0.00	2.61	-47.16	0.00	57.99	0.55	0.00	0.16
	MIN	S2	-70.05	0.00	-9.51	-70.05	0.00	-302.09	-67.95	0.00	-31.47	-67.95	0.00	-315.31
		TQ	0.00	0.00	0.00	0.00	0.00	0.00	0.00	0.00	0.00	0.00	0.00	0.00
		M3	-28.39	0.00	-168.65	-61.67	0.00	-365.58	-29.37	0.00	-164.09	-61.53	0.00	-375.40
	TANDEM-LOAD	MAX	S2	0.30	0.00	-3.15	0.30	0.00	-1.89	0.38	-1.47	0.38	0.00	0.11
		TQ	0.00	0.00	0.00	0.00	0.00	0.00	0.00	0.00	0.00	0.00	0.00	0.00
		M3	-38.00	0.00	53.90	-0.61	0.00	2.05	-34.57	0.00	40.02	0.37	0.00	0.11
	MIN	S2	-49.04	0.00	12.43	-49.04	0.00	-192.41	-47.37	0.00	-3.73	-47.37	0.00	-201.59
		TQ	0.00	0.00	0.00	0.00	0.00	0.00	0.00	0.00	0.00	0.00	0.00	0.00
		M3	-18.40	0.00	-120.71	-42.81	0.00	-255.08	-19.27	0.00	-116.45	-42.38	0.00	-261.45
	DISPERSION-LMAX	S2	0.50	0.00	-5.32	0.50	0.00	-3.22	0.66	0.00	-2.54	0.66	0.00	0.19
		TQ	0.00	0.00	0.00	0.00	0.00	0.00	0.00	0.00	0.00	0.00	0.00	0.00
		M3	-36.63	0.00	66.25	-0.94	0.00	3.12	-33.62	0.00	52.13	0.45	0.00	0.39
	MIN	S2	-66.66	0.00	-28.16	-66.66	0.00	-306.59	-66.41	0.00	-45.21	-66.41	0.00	-322.62
		TQ	0.00	0.00	0.00	0.00	0.00	0.00	0.00	0.00	0.00	0.00	0.00	0.00
		M3	-29.53	0.00	-99.73	-65.21	0.00	-312.93	-32.14	0.00	-99.89	-66.21	0.00	-322.82

BAGO RIVER BRIDGE

BLOCK [ No.2 : CROSS BEAM ][ BEAM MEMBER FORCE ]

MEMBER				1003045						1003047								
NODE				3045			4045			3047			4047					
NAME TITLE				SHEAR	TORQUE	MOMENT	SHEAR	TORQUE	MOMENT	SHEAR	TORQUE	MOMENT	SHEAR	TORQUE	MOMENT			
				S2 (kN)	TQ (kN·m)	M3 (kN·m)	S2 (kN)	TQ (kN·m)	M3 (kN·m)	S2 (kN)	TQ (kN·m)	M3 (kN·m)	S2 (kN)	TQ (kN·m)	M3 (kN·m)			
70	3-LANES (case	TRUCK-LOAD	MAX	S2	225.03	0.00	-447.11	225.03	0.00	492.82	220.00	0.00	-448.39	220.00	0.00	470.56		
			TQ	0.00	0.00	0.00	0.00	0.00	0.00	0.00	0.00	0.00	0.00	0.00	0.00	0.00		
			M3	-30.86	0.00	343.11	216.10	0.00	514.47	-41.35	0.00	328.58	211.58	0.00	0.00	0.00	482.45	
			MIN	S2	-72.00	0.00	319.95	-72.00	0.00	19.19	-73.14	0.00	317.83	-73.14	0.00	0.00	0.00	12.32
			TQ	0.00	0.00	0.00	0.00	0.00	0.00	0.00	0.00	0.00	0.00	0.00	0.00	0.00	0.00	
			M3	184.46	0.00	-472.00	-0.31	0.00	-3.69	182.97	0.00	-476.32	0.01	0.00	0.00	0.00	-0.03	
		TANDEM-LOAD	MAX	S2	168.96	0.00	-339.97	168.96	0.00	365.78	165.23	0.00	-346.61	165.23	0.00	0.00	343.55	
			TQ	0.00	0.00	0.00	0.00	0.00	0.00	0.00	0.00	0.00	0.00	0.00	0.00	0.00		
			M3	-26.88	0.00	259.21	157.07	0.00	374.71	-37.44	0.00	248.08	153.74	0.00	0.00	0.00	352.58	
			MIN	S2	-56.40	0.00	242.41	-56.40	0.00	6.85	-57.05	0.00	240.20	-57.05	0.00	0.00	0.00	1.88
			TQ	0.00	0.00	0.00	0.00	0.00	0.00	0.00	0.00	0.00	0.00	0.00	0.00	0.00	0.00	
			M3	149.48	0.00	-360.23	-0.21	0.00	-2.51	138.28	0.00	-362.63	-0.00	0.00	0.00	0.00	-0.02	
			DISPERSION-LMAX	S2	120.66	0.00	-177.78	120.66	0.00	326.21	113.73	0.00	-192.42	113.73	0.00	0.00	0.00	282.64
				TQ	0.00	0.00	0.00	0.00	0.00	0.00	0.00	0.00	0.00	0.00	0.00	0.00	0.00	0.00
				M3	-7.10	0.00	179.18	97.17	0.00	359.10	-12.02	0.00	174.29	91.60	0.00	0.00	0.00	312.31
MIN	S2	-27.10	0.00	141.41	-27.10	0.00	28.22	-28.17	0.00	146.43	-28.17	0.00	0.00	0.00	28.77			
TQ	0.00	0.00	0.00	0.00	0.00	0.00	0.00	0.00	0.00	0.00	0.00	0.00	0.00	0.00				
M3	100.66	0.00	-215.55	-3.61	0.00	-4.68	97.58	0.00	-220.28	-6.04	0.00	0.00	0.00	-0.91				
71	3-LANES (case	TRUCK-LOAD	MAX	S2	224.89	0.00	-446.70	224.89	0.00	492.68	219.87	0.00	-447.98	219.87	0.00	470.43		
			TQ	0.00	0.00	0.00	0.00	0.00	0.00	0.00	0.00	0.00	0.00	0.00	0.00	0.00		
			M3	-30.95	0.00	343.38	215.91	0.00	514.24	-40.75	0.00	328.79	211.45	0.00	0.00	0.00	482.31	
			MIN	S2	-72.17	0.00	320.30	-72.17	0.00	18.87	-73.17	0.00	317.90	-73.17	0.00	0.00	0.00	12.29
			TQ	0.00	0.00	0.00	0.00	0.00	0.00	0.00	0.00	0.00	0.00	0.00	0.00	0.00	0.00	
			M3	184.25	0.00	-471.32	-0.53	0.00	-3.91	182.91	0.00	-476.16	0.23	0.00	0.00	0.00	-0.03	



BAGO RIVER BRIDGE

BLOCK [ No.2 : CROSS BEAM ][ BEAM MEMBER FORCE ]

MEMBER		1003045						1003047									
NODE		3045			4045			3047			4047						
NAME TITLE		SHEAR	TORQUE	MOMENT	SHEAR	TORQUE	MOMENT	SHEAR	TORQUE	MOMENT	SHEAR	TORQUE	MOMENT				
		S2 (kN)	TQ (kN·m)	M3 (kN·m)	S2 (kN)	TQ (kN·m)	M3 (kN·m)	S2 (kN)	TQ (kN·m)	M3 (kN·m)	S2 (kN)	TQ (kN·m)	M3 (kN·m)				
71	3-LANES (caseTANDEM-LOAD	MAX	S2	168.86	0.00	-339.66	168.86	0.00	365.68	165.13	0.00	-346.29	165.13	0.00	343.44		
			TQ	0.00	0.00	0.00	0.00	0.00	0.00	0.00	0.00	0.00	0.00	0.00	0.00		
			M3	-26.96	0.00	259.42	156.95	0.00	374.57	-33.25	0.00	248.22	153.63	0.00	352.46		
		MIN	S2	-56.51	0.00	242.63	-56.51	0.00	6.60	-57.07	0.00	240.25	-57.07	0.00	1.85		
			TQ	0.00	0.00	0.00	0.00	0.00	0.00	0.00	0.00	0.00	0.00	0.00	0.00		
			M3	149.38	0.00	-359.92	-0.36	0.00	-2.67	138.23	0.00	-362.50	0.17	0.00	-0.02		
			DISPERSION-LMAX	S2	120.59	0.00	-177.60	120.59	0.00	326.10	113.69	0.00	-192.35	113.69	0.00	282.52	
				TQ	0.00	0.00	0.00	0.00	0.00	0.00	0.00	0.00	0.00	0.00	0.00	0.00	
				M3	-7.09	0.00	179.06	97.10	0.00	358.95	-12.02	0.00	174.34	91.35	0.00	312.22	
		MIN	S2	-27.33	0.00	142.13	-27.33	0.00	27.95	-28.18	0.00	146.48	-28.18	0.00	28.79		
			TQ	0.00	0.00	0.00	0.00	0.00	0.00	0.00	0.00	0.00	0.00	0.00	0.00		
			M3	100.35	0.00	-214.54	-3.84	0.00	-4.90	97.53	0.00	-220.21	-5.84	0.00	-0.91		
	72	4-LANES	TRUCK-LOAD	MAX	S2	0.06	0.00	1.08	0.06	0.00	1.32	0.75	0.00	-3.13	0.75	0.00	0.02
					TQ	0.00	0.00	0.00	0.00	0.00	0.00	0.00	0.00	0.00	0.00	0.00	0.00
					M3	0.05	0.00	1.15	0.06	0.00	1.38	-0.22	0.00	0.90	0.49	0.00	0.04
			MIN	S2	-0.54	0.00	-2.78	-0.54	0.00	-5.04	-0.22	0.00	0.90	-0.22	0.00	-0.02	
				TQ	0.00	0.00	0.00	0.00	0.00	0.00	0.00	0.00	0.00	0.00	0.00	0.00	
				M3	-0.49	0.00	-2.82	-0.54	0.00	-5.04	0.75	0.00	-3.13	0.02	0.00	-0.03	
			TANDEM-LOAD	MAX	S2	0.04	0.00	0.74	0.04	0.00	0.90	0.51	0.00	-2.14	0.51	0.00	0.01
				TQ	0.00	0.00	0.00	0.00	0.00	0.00	0.00	0.00	0.00	0.00	0.00	0.00	
				M3	0.04	0.00	0.78	0.04	0.00	0.94	-0.15	0.00	0.61	0.34	0.00	0.03	
		MIN	S2	-0.38	0.00	-1.86	-0.38	0.00	-3.46	-0.15	0.00	0.61	-0.15	0.00	-0.02		
			TQ	0.00	0.00	0.00	0.00	0.00	0.00	0.00	0.00	0.00	0.00	0.00	0.00		
			M3	-0.33	0.00	-1.92	-0.38	0.00	-3.46	0.51	0.00	-2.14	0.02	0.00	-0.02		

BAGO RIVER BRIDGE

BLOCK [ No.2 : CROSS BEAM ][ BEAM MEMBER FORCE ]

MEMBER			1003045						1003047									
NODE			3045			4045			3047			4047						
			SHEAR	TORQUE	MOMENT	SHEAR	TORQUE	MOMENT	SHEAR	TORQUE	MOMENT	SHEAR	TORQUE	MOMENT				
NAME	TITLE		S2 (kN)	TQ (kN·m)	M3 (kN·m)	S2 (kN)	TQ (kN·m)	M3 (kN·m)	S2 (kN)	TQ (kN·m)	M3 (kN·m)	S2 (kN)	TQ (kN·m)	M3 (kN·m)				
72	4-LANES	DISPERSION-LMAX	S2	0.07	0.00	1.36	0.07	0.00	1.65	0.53	0.00	-2.20	0.53	0.00	0.02			
			TQ	0.00	0.00	0.00	0.00	0.00	0.00	0.00	0.00	0.00	0.00	0.00	0.00	0.00		
			M3	0.07	0.00	1.40	0.07	0.00	1.68	-0.27	0.00	1.09	0.37	0.00	0.00	0.03		
		MIN	S2	-0.33	0.00	-2.10	-0.33	0.00	-3.49	-0.27	0.00	1.09	-0.27	0.00	0.00	-0.03		
			TQ	0.00	0.00	0.00	0.00	0.00	0.00	0.00	0.00	0.00	0.00	0.00	0.00	0.00		
			M3	-0.33	0.00	-2.13	-0.33	0.00	-3.51	0.53	0.00	-2.20	-0.10	0.00	0.00	-0.04		
		73	6-LANES	TRUCK-LOAD MAX	S2	200.41	0.00	-422.76	200.41	0.00	414.34	193.03	0.00	-426.57	193.03	0.00	379.71	
					TQ	0.00	0.00	0.00	0.00	0.00	0.00	0.00	0.00	0.00	0.00	0.00	0.00	0.00
					M3	-112.95	0.00	511.35	181.63	0.00	473.45	-121.83	0.00	493.33	172.95	0.00	0.00	426.32
MIN	S2			-147.47	0.00	341.28	-147.47	0.00	-274.71	-146.66	0.00	318.30	-146.66	0.00	0.00	-294.29		
	TQ			0.00	0.00	0.00	0.00	0.00	0.00	0.00	0.00	0.00	0.00	0.00	0.00	0.00		
	M3			146.04	0.00	-598.74	-70.55	0.00	-346.00	142.69	0.00	-595.39	-140.39	0.00	0.00	-358.52		
TANDEM-LOAD MAX	S2			151.19	0.00	-322.04	151.19	0.00	309.50	145.72	0.00	-318.89	145.72	0.00	0.00	289.76		
	TQ			0.00	0.00	0.00	0.00	0.00	0.00	0.00	0.00	0.00	0.00	0.00	0.00	0.00		
	M3			-87.88	0.00	381.28	139.25	0.00	343.85	-95.00	0.00	368.17	132.17	0.00	0.00	311.14		
MIN	S2	-109.25	0.00	276.62	-109.25	0.00	-179.73	-108.94	0.00	320.76	-108.94	0.00	0.00	-134.28				
	TQ	0.00	0.00	0.00	0.00	0.00	0.00	0.00	0.00	0.00	0.00	0.00	0.00	0.00				
	M3	113.60	0.00	-451.10	-102.81	0.00	-245.80	110.87	0.00	-446.92	-103.61	0.00	0.00	-257.32				
DISPERSION-LMAX	S2	114.50	0.00	-176.45	114.50	0.00	301.82	107.27	0.00	-186.66	107.27	0.00	0.00	261.40				
	TQ	0.00	0.00	0.00	0.00	0.00	0.00	0.00	0.00	0.00	0.00	0.00	0.00	0.00				
	M3	-44.06	0.00	243.46	91.88	0.00	337.02	-45.81	0.00	225.39	87.78	0.00	0.00	288.16				
MIN	S2	-89.78	0.00	123.75	-89.78	0.00	-251.28	-89.86	0.00	115.58	-89.86	0.00	0.00	-259.76				
	TQ	0.00	0.00	0.00	0.00	0.00	0.00	0.00	0.00	0.00	0.00	0.00	0.00	0.00				
	M3	67.86	0.00	-301.41	-64.07	0.00	-295.96	62.64	0.00	-303.88	-66.28	0.00	0.00	-297.39				

BAGO RIVER BRIDGE

BLOCK [ No.2 : CROSS BEAM ][ BEAM MEMBER FORCE ]

MEMBER			1003045						1003047						
NODE			3045			4045			3047			4047			
NAME TITLE			SHEAR	TORQUE	MOMENT	SHEAR	TORQUE	MOMENT	SHEAR	TORQUE	MOMENT	SHEAR	TORQUE	MOMENT	
			S2 (kN)	TQ (kN·m)	M3 (kN·m)	S2 (kN)	TQ (kN·m)	M3 (kN·m)	S2 (kN)	TQ (kN·m)	M3 (kN·m)	S2 (kN)	TQ (kN·m)	M3 (kN·m)	
124	SUM TOTAL	D+1LANE (caseMAX	S2	72.36	0.00	-138.06	72.36	0.00	164.17	33.53	0.00	-180.45	33.53	0.00	-40.39
			TQ	71.80	0.00	-133.43	71.80	0.00	166.46	33.05	0.00	-178.61	33.05	0.00	-40.56
			M3	56.81	0.00	-119.46	71.70	0.00	167.37	18.84	0.00	-172.36	33.53	0.00	-40.39
		MIN	S2	24.67	0.00	-268.12	24.67	0.00	-165.09	-12.14	0.00	-320.64	-12.14	0.00	-371.36
			TQ	71.80	0.00	-133.43	71.80	0.00	166.46	33.05	0.00	-178.61	33.05	0.00	-40.56
			M3	39.03	0.00	-373.27	33.98	0.00	-226.84	-1.55	0.00	-408.50	-5.50	0.00	-428.02
		D+1LANE (caseMAX	S2	71.99	0.00	-136.61	71.99	0.00	164.10	33.54	0.00	-180.53	33.54	0.00	-40.45
			TQ	71.80	0.00	-133.43	71.80	0.00	166.46	33.05	0.00	-178.61	33.05	0.00	-40.56
			M3	6.50	0.00	2.55	70.09	0.00	171.43	-24.11	0.00	-66.53	33.29	0.00	-40.21
		MIN	S2	5.34	0.00	0.09	5.34	0.00	22.39	-32.73	0.00	-72.33	-32.73	0.00	-209.03
			TQ	71.80	0.00	-133.43	71.80	0.00	166.46	33.05	0.00	-178.61	33.05	0.00	-40.56
			M3	71.45	0.00	-137.05	6.38	0.00	18.58	32.15	0.00	-181.03	-32.49	0.00	-209.27
		D+1LANE (caseMAX	S2	88.68	0.00	-105.67	88.68	0.00	264.74	46.28	0.00	-142.94	46.28	0.00	50.35
			TQ	71.80	0.00	-133.43	71.80	0.00	166.46	33.05	0.00	-178.61	33.05	0.00	-40.56
			M3	-37.52	0.00	421.74	52.64	0.00	316.84	-80.78	0.00	367.80	12.53	0.00	87.26
		MIN	S2	-44.07	0.00	401.75	-44.07	0.00	217.68	-85.45	0.00	352.88	-85.45	0.00	-4.02
			TQ	71.80	0.00	-133.43	71.80	0.00	166.46	33.05	0.00	-178.61	33.05	0.00	-40.56
			M3	71.71	0.00	-136.08	67.81	0.00	163.02	33.54	0.00	-180.59	25.73	0.00	-41.63
		D+1LANE (caseMAX	S2	398.45	0.00	-923.02	398.45	0.00	741.31	353.78	0.00	-981.09	353.78	0.00	496.66
			TQ	71.80	0.00	-133.43	71.80	0.00	166.46	33.05	0.00	-178.61	33.05	0.00	-40.56
			M3	87.33	0.00	-122.56	397.92	0.00	741.86	45.56	0.00	-173.04	353.48	0.00	496.88
		MIN	S2	71.16	0.00	-134.31	71.16	0.00	162.91	32.79	0.00	-176.99	32.79	0.00	-40.02
			TQ	71.80	0.00	-133.43	71.80	0.00	166.46	33.05	0.00	-178.61	33.05	0.00	-40.56
			M3	393.52	0.00	-927.36	71.17	0.00	162.89	349.46	0.00	-983.15	33.42	0.00	-40.61

BAGO RIVER BRIDGE

BLOCK [ No.2 : CROSS BEAM ][ BEAM MEMBER FORCE ]

MEMBER			1003045						1003047						
NODE			3045			4045			3047			4047			
NAME TITLE			SHEAR	TORQUE	MOMENT	SHEAR	TORQUE	MOMENT	SHEAR	TORQUE	MOMENT	SHEAR	TORQUE	MOMENT	
			S2 (kN)	TQ (kN·m)	M3 (kN·m)	S2 (kN)	TQ (kN·m)	M3 (kN·m)	S2 (kN)	TQ (kN·m)	M3 (kN·m)	S2 (kN)	TQ (kN·m)	M3 (kN·m)	
124	SUM TOTAL	D+2LANES(casMAX	S2	72.57	0.00	-140.66	72.57	0.00	162.48	33.86	0.00	-181.71	33.86	0.00	-40.30
			TQ	71.80	0.00	-133.43	71.80	0.00	166.46	33.05	0.00	-178.61	33.05	0.00	-40.56
			M3	36.75	0.00	-103.41	71.60	0.00	168.06	-0.10	0.00	-161.88	33.85	0.00	-40.30
		MIN	S2	-9.53	0.00	-282.37	-9.53	0.00	-322.16	-46.50	0.00	-343.87	-46.50	0.00	-538.11
			TQ	71.80	0.00	-133.43	71.80	0.00	166.46	33.05	0.00	-178.61	33.05	0.00	-40.56
			M3	14.16	0.00	-398.79	-0.57	0.00	-388.81	-27.70	0.00	-440.58	-40.08	0.00	-598.19
		D+2LANES(casMAX	S2	72.27	0.00	-139.45	72.27	0.00	162.43	33.86	0.00	-181.78	33.86	0.00	-40.35
			TQ	71.80	0.00	-133.43	71.80	0.00	166.46	33.05	0.00	-178.61	33.05	0.00	-40.56
			M3	-5.17	0.00	-1.73	70.26	0.00	171.44	-35.90	0.00	-73.70	33.65	0.00	-40.15
		MIN	S2	-25.63	0.00	-58.85	-25.63	0.00	-165.92	-63.66	0.00	-136.94	-63.66	0.00	-402.83
			TQ	71.80	0.00	-133.43	71.80	0.00	166.46	33.05	0.00	-178.61	33.05	0.00	-40.56
			M3	41.19	0.00	-201.94	-23.57	0.00	-184.30	0.37	0.00	-251.02	-62.57	0.00	-415.90
		D+2LANES(casMAX	S2	145.10	0.00	-99.86	145.10	0.00	506.23	99.42	0.00	-150.43	99.42	0.00	264.84
			TQ	71.80	0.00	-133.43	71.80	0.00	166.46	33.05	0.00	-178.61	33.05	0.00	-40.56
			M3	20.88	0.00	379.77	113.09	0.00	560.25	-30.74	0.00	319.62	69.02	0.00	306.24
		MIN	S2	-26.92	0.00	329.07	-26.92	0.00	216.63	-68.04	0.00	284.30	-68.04	0.00	0.09
			TQ	71.80	0.00	-133.43	71.80	0.00	166.46	33.05	0.00	-178.61	33.05	0.00	-40.56
			M3	88.58	0.00	-158.62	68.25	0.00	160.92	49.84	0.00	-204.51	26.85	0.00	-41.47
		D+2LANES(casMAX	S2	403.20	0.00	-780.84	403.20	0.00	903.30	355.59	0.00	-848.64	355.59	0.00	636.65
			TQ	71.80	0.00	-133.43	71.80	0.00	166.46	33.05	0.00	-178.61	33.05	0.00	-40.56
			M3	124.86	0.00	-73.63	400.75	0.00	914.37	75.16	0.00	-130.90	352.95	0.00	647.49
		MIN	S2	68.96	0.00	-117.24	68.96	0.00	170.78	30.48	0.00	-157.22	30.48	0.00	-29.89
			TQ	71.80	0.00	-133.43	71.80	0.00	166.46	33.05	0.00	-178.61	33.05	0.00	-40.56
			M3	356.61	0.00	-817.54	70.90	0.00	160.67	313.08	0.00	-873.30	33.54	0.00	-40.62

BAGO RIVER BRIDGE

BLOCK [ No.2 : CROSS BEAM ][ BEAM MEMBER FORCE ]

MEMBER			1003045			1003047										
NODE			3045			4045			3047			4047				
NAME TITLE			SHEAR	TORQUE	MOMENT	SHEAR	TORQUE	MOMENT	SHEAR	TORQUE	MOMENT	SHEAR	TORQUE	MOMENT		
			S2 (kN)	TQ (kN·m)	M3 (kN·m)	S2 (kN)	TQ (kN·m)	M3 (kN·m)	S2 (kN)	TQ (kN·m)	M3 (kN·m)	S2 (kN)	TQ (kN·m)	M3 (kN·m)		
124	SUM TOTAL	D+3LANES (casMAX	S2	72.60	0.00	-141.84	72.60	0.00	161.40	34.08	0.00	-182.61	34.08	0.00	-40.26	
			TQ	71.80	0.00	-133.43	71.80	0.00	166.46	33.05	0.00	-178.61	33.05	0.00	-40.56	
			M3	-4.24	0.00	-11.60	70.42	0.00	171.34	-35.62	0.00	-85.01	33.90	0.00	-40.09	
		MIN	S2	-44.40	0.00	-165.45	-44.40	0.00	-350.91	-81.16	0.00	-243.79	-81.16	0.00	-582.81	
			TQ	71.80	0.00	-133.43	71.80	0.00	166.46	33.05	0.00	-178.61	33.05	0.00	-40.56	
			M3	22.57	0.00	-361.55	-36.05	0.00	-410.27	-19.23	0.00	-403.00	-75.53	0.00	-634.05	
		D+3LANES (casMAX	S2	365.63	0.00	-664.58	365.63	0.00	862.63	316.72	0.00	-723.30	316.72	0.00	599.65	
			TQ	71.80	0.00	-133.43	71.80	0.00	166.46	33.05	0.00	-178.61	33.05	0.00	-40.56	
			M3	39.53	0.00	310.52	338.08	0.00	909.00	-12.32	0.00	248.83	290.76	0.00	634.98	
		MIN	S2	-12.44	0.00	258.73	-12.44	0.00	206.76	-53.06	0.00	216.01	-53.06	0.00	-5.64	
			TQ	71.80	0.00	-133.43	71.80	0.00	166.46	33.05	0.00	-178.61	33.05	0.00	-40.56	
			M3	314.15	0.00	-717.84	68.46	0.00	159.35	271.52	0.00	-770.73	27.93	0.00	-41.35	
		D+3LANES (casMAX	S2	365.46	0.00	-664.09	365.46	0.00	862.42	316.57	0.00	-722.89	316.57	0.00	599.44	
			TQ	71.80	0.00	-133.43	71.80	0.00	166.46	33.05	0.00	-178.61	33.05	0.00	-40.56	
			M3	39.46	0.00	310.65	337.85	0.00	908.68	-11.81	0.00	249.05	290.42	0.00	634.79	
		MIN	S2	-12.78	0.00	259.64	-12.78	0.00	206.27	-53.09	0.00	216.11	-53.09	0.00	-5.65	
			TQ	71.80	0.00	-133.43	71.80	0.00	166.46	33.05	0.00	-178.61	33.05	0.00	-40.56	
			M3	313.70	0.00	-716.40	68.08	0.00	158.97	271.42	0.00	-770.53	28.28	0.00	-41.37	
		D+4LANES	MAX	S2	71.88	0.00	-131.84	71.88	0.00	168.40	33.88	0.00	-182.07	33.88	0.00	-40.54
			TQ	71.80	0.00	-133.43	71.80	0.00	166.46	33.05	0.00	-178.61	33.05	0.00	-40.56	
			M3	71.87	0.00	-131.76	71.88	0.00	168.45	32.73	0.00	-177.32	33.61	0.00	-40.52	
		MIN	S2	71.23	0.00	-136.59	71.23	0.00	160.92	32.73	0.00	-177.32	32.73	0.00	-40.60	
			TQ	71.80	0.00	-133.43	71.80	0.00	166.46	33.05	0.00	-178.61	33.05	0.00	-40.56	
			M3	71.26	0.00	-136.65	71.23	0.00	160.91	33.88	0.00	-182.07	33.00	0.00	-40.61	

BAGO RIVER BRIDGE

BLOCK [ No.2 : CROSS BEAM ][ BEAM MEMBER FORCE ]

MEMBER				1003045			1003047			4047						
NODE				3045			4045			3047			4047			
NAME TITLE				SHEAR	TORQUE	MOMENT	SHEAR	TORQUE	MOMENT	SHEAR	TORQUE	MOMENT	SHEAR	TORQUE	MOMENT	
				S2 (kN)	TQ (kN·m)	M3 (kN·m)	S2 (kN)	TQ (kN·m)	M3 (kN·m)	S2 (kN)	TQ (kN·m)	M3 (kN·m)	S2 (kN)	TQ (kN·m)	M3 (kN·m)	
124	SUM TOTAL	D+6LANES	MAX	S2	276.49	0.00	-522.91	276.49	0.00	631.97	228.24	0.00	-577.21	228.24	0.00	376.16
				TQ	71.80	0.00	-133.43	71.80	0.00	166.46	33.05	0.00	-178.61	33.05	0.00	-40.56
				M3	-30.27	0.00	357.20	249.57	0.00	693.27	-75.92	0.00	288.56	202.53	0.00	423.85
			MIN	S2	-82.42	0.00	168.85	-82.42	0.00	-175.43	-120.69	0.00	103.41	-120.69	0.00	-400.70
				TQ	71.80	0.00	-133.43	71.80	0.00	166.46	33.05	0.00	-178.61	33.05	0.00	-40.56
				M3	210.83	0.00	-718.52	-15.71	0.00	-250.81	166.51	0.00	-763.13	-101.29	0.00	-466.90
	SUM TOTAL		MAX		403.20	0.00	421.74	403.20	0.00	914.37	355.59	0.00	367.80	355.59	0.00	647.49
			MIN		-82.42	0.00	-927.36	-82.42	0.00	-410.27	-120.69	0.00	-983.15	-120.69	0.00	-634.05
300	DEAD LOAD	TOTAL			71.80	0.00	-133.43	71.80	0.00	166.46	33.05	0.00	-178.61	33.05	0.00	-40.56
301	LIVE LOAD	1-LANE(case1MAX	S2		0.56	0.00	-4.64	0.56	0.00	-2.30	0.48	0.00	-1.84	0.48	0.00	0.18
			TQ		0.00	0.00	0.00	0.00	0.00	0.00	0.00	0.00	0.00	0.00	0.00	0.00
			M3		-14.99	0.00	13.96	-0.10	0.00	0.91	-14.20	0.00	6.25	0.48	0.00	0.18
			MIN	S2	-47.13	0.00	-134.70	-47.13	0.00	-331.55	-45.19	0.00	-142.03	-45.19	0.00	-330.79
				TQ	0.00	0.00	0.00	0.00	0.00	0.00	0.00	0.00	0.00	0.00	0.00	0.00
				M3	-32.77	0.00	-239.85	-37.82	0.00	-393.30	-34.60	0.00	-229.88	-38.54	0.00	-387.45
		1-LANE(case2MAX	S2		0.20	0.00	-3.19	0.20	0.00	-2.36	0.49	0.00	-1.92	0.49	0.00	0.11
			TQ		0.00	0.00	0.00	0.00	0.00	0.00	0.00	0.00	0.00	0.00	0.00	0.00
			M3		-65.30	0.00	135.97	-1.70	0.00	4.97	-57.16	0.00	112.08	0.24	0.00	0.35
			MIN	S2	-66.46	0.00	133.52	-66.46	0.00	-144.07	-65.78	0.00	106.28	-65.78	0.00	-168.47
				TQ	0.00	0.00	0.00	0.00	0.00	0.00	0.00	0.00	0.00	0.00	0.00	0.00
				M3	-0.34	0.00	-3.62	-65.41	0.00	-147.88	-0.90	0.00	-2.42	-65.54	0.00	-168.71
		1-LANE(case3MAX	S2		16.88	0.00	27.76	16.88	0.00	98.27	13.23	0.00	35.67	13.23	0.00	90.91
			TQ		0.00	0.00	0.00	0.00	0.00	0.00	0.00	0.00	0.00	0.00	0.00	0.00
			M3		-109.31	0.00	555.16	-19.16	0.00	150.37	-113.83	0.00	546.41	-20.52	0.00	127.82
			MIN	S2	-115.86	0.00	535.18	-115.86	0.00	51.21	-118.49	0.00	531.50	-118.49	0.00	36.54
				TQ	0.00	0.00	0.00	0.00	0.00	0.00	0.00	0.00	0.00	0.00	0.00	0.00
				M3	-0.09	0.00	-2.65	-3.98	0.00	-3.44	0.49	0.00	-1.98	-7.32	0.00	-1.07

BAGO RIVER BRIDGE

BLOCK [ No.2 : CROSS BEAM ][ BEAM MEMBER FORCE ]

MEMBER			1003045						1003047						
NODE			3045			4045			3047			4047			
NAME TITLE			SHEAR	TORQUE	MOMENT	SHEAR	TORQUE	MOMENT	SHEAR	TORQUE	MOMENT	SHEAR	TORQUE	MOMENT	
			S2 (kN)	TQ (kN·m)	M3 (kN·m)	S2 (kN)	TQ (kN·m)	M3 (kN·m)	S2 (kN)	TQ (kN·m)	M3 (kN·m)	S2 (kN)	TQ (kN·m)	M3 (kN·m)	
301	LIVE LOAD	1-LANE (case4MAX	S2	326.66	0.00	-789.60	326.66	0.00	574.85	320.73	0.00	-802.48	320.73	0.00	537.22
			TQ	0.00	0.00	0.00	0.00	0.00	0.00	0.00	0.00	0.00	0.00	0.00	0.00
			M3	15.54	0.00	10.87	326.12	0.00	575.40	12.51	0.00	5.57	320.43	0.00	537.45
			MIN S2	-0.64	0.00	-0.88	-0.64	0.00	-3.55	-0.26	0.00	1.62	-0.26	0.00	0.54
			TQ	0.00	0.00	0.00	0.00	0.00	0.00	0.00	0.00	0.00	0.00	0.00	0.00
			M3	321.73	0.00	-793.94	-0.63	0.00	-3.57	316.41	0.00	-804.54	0.37	0.00	-0.05
		2-LANES (caseMAX	S2	0.78	0.00	-7.24	0.78	0.00	-3.99	0.81	0.00	-3.10	0.81	0.00	0.26
			TQ	0.00	0.00	0.00	0.00	0.00	0.00	0.00	0.00	0.00	0.00	0.00	0.00
			M3	-35.04	0.00	30.02	-0.20	0.00	1.59	-33.15	0.00	16.73	0.80	0.00	0.27
			MIN S2	-81.32	0.00	-148.94	-81.32	0.00	-488.62	-79.55	0.00	-165.26	-79.55	0.00	-497.54
			TQ	0.00	0.00	0.00	0.00	0.00	0.00	0.00	0.00	0.00	0.00	0.00	0.00
			M3	-57.63	0.00	-265.36	-72.37	0.00	-555.28	-60.75	0.00	-261.96	-73.13	0.00	-557.62
		2-LANES (caseMAX	S2	0.48	0.00	-6.03	0.48	0.00	-4.04	0.81	0.00	-3.17	0.81	0.00	0.21
			TQ	0.00	0.00	0.00	0.00	0.00	0.00	0.00	0.00	0.00	0.00	0.00	0.00
			M3	-76.97	0.00	131.69	-1.53	0.00	4.98	-68.95	0.00	104.92	0.60	0.00	0.41
			MIN S2	-97.43	0.00	74.57	-97.43	0.00	-332.39	-96.71	0.00	41.67	-96.71	0.00	-362.27
			TQ	0.00	0.00	0.00	0.00	0.00	0.00	0.00	0.00	0.00	0.00	0.00	0.00
			M3	-30.61	0.00	-68.51	-95.37	0.00	-350.76	-32.68	0.00	-72.41	-95.62	0.00	-375.34
		2-LANES (caseMAX	S2	73.31	0.00	33.56	73.31	0.00	339.77	66.37	0.00	28.18	66.37	0.00	305.41
			TQ	0.00	0.00	0.00	0.00	0.00	0.00	0.00	0.00	0.00	0.00	0.00	0.00
			M3	-50.92	0.00	513.19	41.29	0.00	393.79	-63.79	0.00	498.23	35.97	0.00	346.80
MIN S2	-98.71		0.00	462.49	-98.71	0.00	50.17	-101.09	0.00	462.92	-101.09	0.00	40.65		
TQ	0.00		0.00	0.00	0.00	0.00	0.00	0.00	0.00	0.00	0.00	0.00	0.00		
M3	16.78		0.00	-25.19	-3.54	0.00	-5.54	16.79	0.00	-25.90	-6.20	0.00	-0.91		

BAGO RIVER BRIDGE

BLOCK [ No.2 : CROSS BEAM ][ BEAM MEMBER FORCE ]

MEMBER			1003045						1003047							
NODE			3045			4045			3047			4047				
NAME TITLE			SHEAR	TORQUE	MOMENT	SHEAR	TORQUE	MOMENT	SHEAR	TORQUE	MOMENT	SHEAR	TORQUE	MOMENT		
			S2 (kN)	TQ (kN·m)	M3 (kN·m)	S2 (kN)	TQ (kN·m)	M3 (kN·m)	S2 (kN)	TQ (kN·m)	M3 (kN·m)	S2 (kN)	TQ (kN·m)	M3 (kN·m)		
301	LIVE LOAD	2-LANES (caseMAX	S2	331.40	0.00	-647.42	331.40	0.00	736.84	322.54	0.00	-670.03	322.54	0.00	677.21	
			TQ	0.00	0.00	0.00	0.00	0.00	0.00	0.00	0.00	0.00	0.00	0.00	0.00	
			M3	53.07	0.00	59.80	328.96	0.00	747.90	42.11	0.00	47.71	319.90	0.00	0.00	688.05
			MIN S2	-2.84	0.00	16.18	-2.84	0.00	4.32	-2.57	0.00	21.39	-2.57	0.00	0.00	10.67
			TQ	0.00	0.00	0.00	0.00	0.00	0.00	0.00	0.00	0.00	0.00	0.00	0.00	0.00
			M3	284.82	0.00	-684.11	-0.90	0.00	-5.80	280.03	0.00	-694.69	0.49	0.00	0.00	-0.06
		3-LANES (caseMAX	S2	0.80	0.00	-8.41	0.80	0.00	-5.06	1.03	0.00	-4.00	1.03	0.00	0.00	0.30
			TQ	0.00	0.00	0.00	0.00	0.00	0.00	0.00	0.00	0.00	0.00	0.00	0.00	0.00
			M3	-76.04	0.00	121.83	-1.37	0.00	4.88	-68.67	0.00	93.61	0.85	0.00	0.00	0.47
			MIN S2	-116.20	0.00	-32.02	-116.20	0.00	-517.38	-114.21	0.00	-65.18	-114.21	0.00	0.00	-542.24
			TQ	0.00	0.00	0.00	0.00	0.00	0.00	0.00	0.00	0.00	0.00	0.00	0.00	0.00
			M3	-49.23	0.00	-228.12	-107.85	0.00	-576.74	-52.28	0.00	-224.39	-108.58	0.00	0.00	-593.48
		3-LANES (caseMAX	S2	293.83	0.00	-531.16	293.83	0.00	696.17	283.67	0.00	-544.69	283.67	0.00	0.00	640.22
			TQ	0.00	0.00	0.00	0.00	0.00	0.00	0.00	0.00	0.00	0.00	0.00	0.00	0.00
			M3	-32.27	0.00	443.94	266.28	0.00	742.53	-45.37	0.00	427.44	257.71	0.00	0.00	675.55
			MIN S2	-84.24	0.00	392.16	-84.24	0.00	40.30	-86.11	0.00	394.62	-86.11	0.00	0.00	34.93
			TQ	0.00	0.00	0.00	0.00	0.00	0.00	0.00	0.00	0.00	0.00	0.00	0.00	0.00
			M3	242.35	0.00	-584.42	-3.33	0.00	-7.11	238.47	0.00	-592.12	-5.12	0.00	0.00	-0.79
		3-LANES (caseMAX	S2	293.66	0.00	-530.66	293.66	0.00	695.96	283.52	0.00	-544.28	283.52	0.00	0.00	640.00
			TQ	0.00	0.00	0.00	0.00	0.00	0.00	0.00	0.00	0.00	0.00	0.00	0.00	0.00
			M3	-32.34	0.00	444.08	266.06	0.00	742.22	-44.86	0.00	427.66	257.37	0.00	0.00	675.35
			MIN S2	-84.57	0.00	393.07	-84.57	0.00	39.80	-86.14	0.00	394.72	-86.14	0.00	0.00	34.91
			TQ	0.00	0.00	0.00	0.00	0.00	0.00	0.00	0.00	0.00	0.00	0.00	0.00	0.00
			M3	241.91	0.00	-582.97	-3.71	0.00	-7.50	238.38	0.00	-591.92	-4.77	0.00	0.00	-0.80



BAGO RIVER BRIDGE

BLOCK [ No.2 : CROSS BEAM ][ BEAM MEMBER FORCE ]

MEMBER				1003045			1003047										
NODE				3045	4045		3047	4047									
NAME TITLE				SHEAR	TORQUE	MOMENT	SHEAR	TORQUE	MOMENT	SHEAR	TORQUE	MOMENT	SHEAR	TORQUE	MOMENT		
				S2 (kN)	TQ (kN·m)	M3 (kN·m)	S2 (kN)	TQ (kN·m)	M3 (kN·m)	S2 (kN)	TQ (kN·m)	M3 (kN·m)	S2 (kN)	TQ (kN·m)	M3 (kN·m)		
301	LIVE LOAD	4-LANES	MAX	S2	0.08	0.00	1.59	0.08	0.00	1.93	0.83	0.00	-3.46	0.83	0.00	0.03	
				TQ	0.00	0.00	0.00	0.00	0.00	0.00	0.00	0.00	0.00	0.00	0.00	0.00	0.00
				M3	0.08	0.00	1.66	0.08	0.00	1.99	-0.32	0.00	1.29	0.56	0.00	0.00	0.04
		MIN	S2	-0.57	0.00	-3.17	-0.57	0.00	-5.55	-0.32	0.00	1.29	-0.32	0.00	0.00	-0.04	
			TQ	0.00	0.00	0.00	0.00	0.00	0.00	0.00	0.00	0.00	0.00	0.00	0.00	0.00	
			M3	-0.53	0.00	-3.22	-0.57	0.00	-5.56	0.83	0.00	-3.46	-0.05	0.00	0.00	-0.05	
	6-LANES	MAX	S2	204.69	0.00	-389.48	204.69	0.00	465.51	195.19	0.00	-398.60	195.19	0.00	416.72		
			TQ	0.00	0.00	0.00	0.00	0.00	0.00	0.00	0.00	0.00	0.00	0.00	0.00		
			M3	-102.06	0.00	490.62	177.78	0.00	526.80	-108.97	0.00	467.17	169.48	0.00	464.41		
		MIN	S2	-154.22	0.00	302.27	-154.22	0.00	-341.89	-153.74	0.00	282.02	-153.74	0.00	-360.13		
			TQ	0.00	0.00	0.00	0.00	0.00	0.00	0.00	0.00	0.00	0.00	0.00	0.00		
			M3	139.04	0.00	-585.10	-87.50	0.00	-417.27	133.46	0.00	-584.52	-134.33	0.00	-426.34		
	LIVE LOAD	MAX		331.40	0.00	555.16	331.40	0.00	747.90	322.54	0.00	546.41	322.54	0.00	688.05		
		MIN		-154.22	0.00	-793.94	-154.22	0.00	-576.74	-153.74	0.00	-804.54	-153.74	0.00	-593.48		
	303	SUM TOTAL	TOTAL	MAX		403.20	0.00	421.74	403.20	0.00	914.37	355.59	0.00	367.80	355.59	0.00	647.49
MIN					-82.42	0.00	-927.36	-82.42	0.00	-410.27	-120.69	0.00	-983.15	-120.69	0.00	-634.05	

BAGO RIVER BRIDGE

BLOCK [ No.2 : CROSS BEAM ][ BEAM MEMBER FORCE ]

MEMBER NODE	1003049 3049	4049			1003051 3051			4051							
		SHEAR S2 (kN)	TORQUE TQ (kN·m)	MOMENT M3 (kN·m)	SHEAR S2 (kN)	TORQUE TQ (kN·m)	MOMENT M3 (kN·m)	SHEAR S2 (kN)	TORQUE TQ (kN·m)	MOMENT M3 (kN·m)					
1 PAVEMENT	33.93	0.00	-129.28	33.93	0.00	12.45	46.94	0.00	-158.42	46.94	0.00	37.67			
3 RAILING	6.06	0.00	-24.43	6.06	0.00	0.87	6.58	0.00	-24.74	6.58	0.00	2.77			
5 CURB	59.97	0.00	-241.85	59.97	0.00	8.63	65.18	0.00	-244.90	65.18	0.00	27.38			
7 DECK WEIGHT	52.61	0.00	-199.91	52.61	0.00	19.82	71.97	0.00	-240.90	71.97	0.00	59.73			
8 GIRDER WEIGH	40.98	0.00	-146.06	40.98	0.00	25.11	70.12	0.00	-218.37	70.12	0.00	74.51			
10 MEDIAN STRIP	-42.23	0.00	175.94	-42.23	0.00	-0.46	-43.26	0.00	177.30	-43.26	0.00	-3.40			
21 ADITIONAL WE	14.73	0.00	-55.98	14.73	0.00	5.55	20.15	0.00	-67.45	20.15	0.00	16.72			
31 MEDIAN RAILI	-1.79	0.00	7.57	-1.79	0.00	0.10	-1.46	0.00	6.34	-1.46	0.00	0.23			
51 SUPPORT WEIG	0.00	0.00	0.00	0.00	0.00	0.00	0.00	0.00	0.00	0.00	0.00	0.00			
52 NOSE WEIGHT	0.00	0.00	-0.00	0.00	0.00	0.00	0.00	0.00	0.00	0.00	0.00	0.00			
61 1-LANE(case1TRUCK-LOAD	MAX	S2	0.64	0.00	-2.76	0.64	0.00	-0.10	2.45	0.00	-2.55	2.45	0.00	7.70	
		TQ	0.00	0.00	0.00	0.00	0.00	0.00	0.00	0.00	0.00	0.00	0.00	0.00	
		M3	-0.37	0.00	1.07	0.50	0.00	0.55	-0.61	0.00	0.91	2.37	0.00	7.95	
	MIN	S2	-10.36	0.00	-44.50	-10.36	0.00	-87.77	-6.69	0.00	-45.99	-6.69	0.00	-73.92	
		TQ	0.00	0.00	0.00	0.00	0.00	0.00	0.00	0.00	0.00	0.00	0.00	0.00	
		M3	-5.47	0.00	-126.71	-5.51	0.00	-149.65	-1.42	0.00	-119.30	-1.92	0.00	-125.87	
	TANDEM-LOAD	MAX	S2	0.44	0.00	-1.77	0.44	0.00	0.08	1.68	0.00	-1.62	1.68	0.00	5.39
		TQ	0.00	0.00	0.00	0.00	0.00	0.00	0.00	0.00	0.00	0.00	0.00	0.00	
		M3	-0.25	0.00	0.73	0.38	0.00	0.39	-0.41	0.00	0.62	1.67	0.00	5.46	
	MIN	S2	-7.14	0.00	-35.55	-7.14	0.00	-65.37	-4.71	0.00	-21.07	-4.71	0.00	-40.76	
		TQ	0.00	0.00	0.00	0.00	0.00	0.00	0.00	0.00	0.00	0.00	0.00	0.00	
		M3	-3.50	0.00	-86.97	-3.80	0.00	-101.79	-0.92	0.00	-82.11	-1.06	0.00	-86.13	
DISPERSION-LMAX	S2	0.49	0.00	-2.20	0.49	0.00	-0.15	2.39	0.00	-23.02	2.39	0.00	-13.03		
	TQ	0.00	0.00	0.00	0.00	0.00	0.00	0.00	0.00	0.00	0.00	0.00	0.00		
	M3	-0.44	0.00	1.26	0.36	0.00	0.37	-0.73	0.00	1.06	2.12	0.00	6.49		
MIN	S2	-11.61	0.00	-94.27	-11.61	0.00	-142.79	-4.69	0.00	-62.25	-4.69	0.00	-81.82		
	TQ	0.00	0.00	0.00	0.00	0.00	0.00	0.00	0.00	0.00	0.00	0.00	0.00		
	M3	-10.68	0.00	-97.74	-11.48	0.00	-143.31	-1.56	0.00	-86.34	-4.42	0.00	-101.34		

BAGO RIVER BRIDGE

BLOCK [ No.2 : CROSS BEAM ][ BEAM MEMBER FORCE ]

MEMBER				1003049			1003051									
NODE				3049	4049		3051	4051								
				SHEAR	TORQUE	MOMENT	SHEAR	TORQUE	MOMENT	SHEAR	TORQUE	MOMENT				
NAME	TITLE			S2 (kN)	TQ (kN·m)	M3 (kN·m)	S2 (kN)	TQ (kN·m)	M3 (kN·m)	S2 (kN)	TQ (kN·m)	M3 (kN·m)				
62	1-LANE (case2TRUCK-LOAD	MAX	S2	1.31	0.00	-5.56	1.31	0.00	-0.07	3.13	0.00	-7.74	3.13	0.00	5.35	
			TQ	0.00	0.00	0.00	0.00	0.00	0.00	0.00	0.00	0.00	0.00	0.00	0.00	0.00
			M3	-18.49	0.00	26.47	0.80	0.00	0.72	-15.34	0.00	17.30	3.12	0.00	5.35	
		MIN	S2	-25.45	0.00	18.98	-25.45	0.00	-87.33	-21.57	0.00	6.87	-21.57	0.00	-83.23	
			TQ	0.00	0.00	0.00	0.00	0.00	0.00	0.00	0.00	0.00	0.00	0.00	0.00	
			M3	1.31	0.00	-5.56	-25.45	0.00	-87.33	3.13	0.00	-7.74	-21.57	0.00	-83.23	
		TANDEM-LOAD MAX	S2	0.92	0.00	-3.91	0.92	0.00	-0.07	2.18	0.00	-5.41	2.18	0.00	3.68	
			TQ	0.00	0.00	0.00	0.00	0.00	0.00	0.00	0.00	0.00	0.00	0.00	0.00	
			M3	-11.68	0.00	19.54	0.59	0.00	0.49	-9.65	0.00	13.71	2.17	0.00	3.68	
		MIN	S2	-17.92	0.00	11.60	-17.92	0.00	-63.27	-15.23	0.00	3.02	-15.23	0.00	-60.58	
			TQ	0.00	0.00	0.00	0.00	0.00	0.00	0.00	0.00	0.00	0.00	0.00	0.00	
			M3	0.92	0.00	-3.91	-17.92	0.00	-63.27	2.18	0.00	-5.41	-15.23	0.00	-60.58	
		DISPERSION-LMAX	S2	1.19	0.00	-4.19	1.19	0.00	0.80	3.05	0.00	-6.75	3.05	0.00	5.97	
			TQ	0.00	0.00	0.00	0.00	0.00	0.00	0.00	0.00	0.00	0.00	0.00	0.00	
			M3	-13.92	0.00	23.11	0.97	0.00	1.16	-10.34	0.00	16.33	3.00	0.00	6.06	
MIN	S2	-16.45	0.00	20.50	-16.45	0.00	-48.20	-13.10	0.00	12.43	-13.10	0.00	-42.28			
	TQ	0.00	0.00	0.00	0.00	0.00	0.00	0.00	0.00	0.00	0.00	0.00	0.00			
	M3	-1.34	0.00	-6.81	-16.23	0.00	-48.57	0.29	0.00	-10.65	-13.05	0.00	-42.36			
63	1-LANE (case3TRUCK-LOAD	MAX	S2	10.36	0.00	-1.00	10.36	0.00	42.26	12.06	0.00	-6.46	12.06	0.00	43.91	
			TQ	0.00	0.00	0.00	0.00	0.00	0.00	0.00	0.00	0.00	0.00	0.00		
			M3	-68.88	0.00	301.58	2.03	0.00	60.57	-67.59	0.00	294.45	5.32	0.00	56.20	
		MIN	S2	-68.88	0.00	301.58	-68.88	0.00	13.85	-67.59	0.00	294.45	-67.59	0.00	12.14	
			TQ	0.00	0.00	0.00	0.00	0.00	0.00	0.00	0.00	0.00	0.00	0.00	0.00	
			M3	7.11	0.00	-5.18	-0.32	0.00	-0.33	8.83	0.00	-11.17	-0.45	0.00	-0.51	

BAGO RIVER BRIDGE

BLOCK [ No.2 : CROSS BEAM ][ BEAM MEMBER FORCE ]

MEMBER		1003049						1003051							
NODE		3049			4049			3051			4051				
		SHEAR	TORQUE	MOMENT	SHEAR	TORQUE	MOMENT	SHEAR	TORQUE	MOMENT	SHEAR	TORQUE	MOMENT		
NAME	TITLE	S2 (kN)	TQ (kN·m)	M3 (kN·m)	S2 (kN)	TQ (kN·m)	M3 (kN·m)	S2 (kN)	TQ (kN·m)	M3 (kN·m)	S2 (kN)	TQ (kN·m)	M3 (kN·m)		
63	1-LANE (case3TANDEM-LOAD	MAX	S2	8.04	0.00	1.69	8.04	0.00	35.27	9.15	0.00	-1.72	9.15	0.00	36.52
			TQ	0.00	0.00	0.00	0.00	0.00	0.00	0.00	0.00	0.00	0.00	0.00	0.00
			M3	-53.98	0.00	228.28	-3.48	0.00	42.93	-53.04	0.00	223.42	-0.74	0.00	40.15
		MIN	S2	-53.98	0.00	228.28	-53.98	0.00	2.83	-53.04	0.00	223.42	-53.04	0.00	1.88
			TQ	0.00	0.00	0.00	0.00	0.00	0.00	0.00	0.00	0.00	0.00	0.00	0.00
			M3	5.92	0.00	-3.66	-0.22	0.00	-0.23	7.12	0.00	-7.70	-0.31	0.00	-0.35
	DISPERSION-LMAX	S2	7.10	0.00	1.70	7.10	0.00	31.37	7.34	0.00	-5.56	7.34	0.00	25.09	
		TQ	0.00	0.00	0.00	0.00	0.00	0.00	0.00	0.00	0.00	0.00	0.00	0.00	
		M3	-20.35	0.00	123.82	-11.59	0.00	50.48	-21.35	0.00	117.34	-10.66	0.00	42.33	
		MIN	S2	-23.79	0.00	117.49	-23.79	0.00	18.11	-23.02	0.00	112.21	-23.02	0.00	16.07
			TQ	0.00	0.00	0.00	0.00	0.00	0.00	0.00	0.00	0.00	0.00	0.00	0.00
			M3	3.66	0.00	-4.63	-5.09	0.00	-0.99	5.68	0.00	-10.69	-5.02	0.00	-1.17
64	1-LANE (case4TRUCK-LOAD	MAX	S2	187.42	0.00	-490.80	187.42	0.00	292.06	192.83	0.00	-516.29	192.83	0.00	289.15
			TQ	0.00	0.00	0.00	0.00	0.00	0.00	0.00	0.00	0.00	0.00	0.00	0.00
			M3	-0.28	0.00	0.98	187.42	0.00	292.06	-0.30	0.00	1.80	192.83	0.00	289.15
		MIN	S2	-0.28	0.00	0.98	-0.28	0.00	-0.20	-0.31	0.00	1.73	-0.31	0.00	0.44
			TQ	0.00	0.00	0.00	0.00	0.00	0.00	0.00	0.00	0.00	0.00	0.00	0.00
			M3	187.42	0.00	-490.80	-0.28	0.00	-0.20	192.83	0.00	-516.29	0.86	0.00	-3.37
	TANDEM-LOAD	MAX	S2	141.40	0.00	-372.28	141.40	0.00	218.36	145.50	0.00	-390.14	145.50	0.00	217.62
			TQ	0.00	0.00	0.00	0.00	0.00	0.00	0.00	0.00	0.00	0.00	0.00	0.00
			M3	-0.19	0.00	0.67	141.40	0.00	218.36	-0.21	0.00	1.23	145.50	0.00	217.62
		MIN	S2	-0.19	0.00	0.67	-0.19	0.00	-0.13	-0.21	0.00	1.19	-0.21	0.00	0.31
			TQ	0.00	0.00	0.00	0.00	0.00	0.00	0.00	0.00	0.00	0.00	0.00	0.00
			M3	141.40	0.00	-372.28	-0.19	0.00	-0.14	145.50	0.00	-390.14	0.52	0.00	-2.31

BAGO RIVER BRIDGE

BLOCK [ No.2 : CROSS BEAM ][ BEAM MEMBER FORCE ]

MEMBER		1003049						1003051								
NODE		3049			4049			3051			4051					
		SHEAR	TORQUE	MOMENT	SHEAR	TORQUE	MOMENT	SHEAR	TORQUE	MOMENT	SHEAR	TORQUE	MOMENT			
NAME	TITLE	S2 (kN)	TQ (kN·m)	M3 (kN·m)	S2 (kN)	TQ (kN·m)	M3 (kN·m)	S2 (kN)	TQ (kN·m)	M3 (kN·m)	S2 (kN)	TQ (kN·m)	M3 (kN·m)			
64	1-LANE (case4DISPERSION-LMAX	S2	88.42	0.00	-213.27	88.42	0.00	156.04	88.52	0.00	-235.25	88.52	0.00	134.50		
		TQ	0.00	0.00	0.00	0.00	0.00	0.00	0.00	0.00	0.00	0.00	0.00	0.00		
		M3	-0.33	0.00	1.15	88.42	0.00	156.04	-0.36	0.00	2.09	87.30	0.00	137.38		
		MIN	S2	-0.33	0.00	1.15	-0.33	0.00	-0.23	-0.36	0.00	2.09	-0.36	0.00	0.58	
		TQ	0.00	0.00	0.00	0.00	0.00	0.00	0.00	0.00	0.00	0.00	0.00	0.00		
		M3	88.42	0.00	-213.27	-0.33	0.00	-0.23	88.52	0.00	-235.25	0.86	0.00	-2.30		
		MAX	S2	1.37	0.00	-6.14	1.37	0.00	-0.40	4.90	0.00	-7.14	4.90	0.00	13.32	
		TQ	0.00	0.00	0.00	0.00	0.00	0.00	0.00	0.00	0.00	0.00	0.00	0.00		
		M3	-0.73	0.00	2.12	1.02	0.00	1.12	-1.18	0.00	1.96	4.75	0.00	14.13		
65	2-LANES (caseTRUCK-LOAD	MIN	S2	-24.33	0.00	-94.64	-24.33	0.00	-196.26	-16.89	0.00	-92.65	-16.89	0.00	-163.20	
		TQ	0.00	0.00	0.00	0.00	0.00	0.00	0.00	0.00	0.00	0.00	0.00	0.00		
		M3	-18.54	0.00	-193.78	-18.57	0.00	-271.30	-10.63	0.00	-188.79	-11.13	0.00	-233.84		
		TANDEM-LOAD	MAX	S2	0.96	0.00	-3.96	0.96	0.00	0.04	3.35	0.00	-4.61	3.35	0.00	9.40
		TQ	0.00	0.00	0.00	0.00	0.00	0.00	0.00	0.00	0.00	0.00	0.00	0.00		
		M3	-0.50	0.00	1.44	0.76	0.00	0.79	-0.80	0.00	1.33	3.27	0.00	9.71		
		MIN	S2	-16.90	0.00	-61.91	-16.90	0.00	-132.52	-11.84	0.00	-44.24	-11.84	0.00	-93.67	
		TQ	0.00	0.00	0.00	0.00	0.00	0.00	0.00	0.00	0.00	0.00	0.00	0.00		
		M3	-12.05	0.00	-135.96	-12.35	0.00	-186.50	-6.93	0.00	-132.86	-7.07	0.00	-162.01		
		DISPERSION-LMAX	S2	1.11	0.00	-5.11	1.11	0.00	-0.47	4.77	0.00	-27.95	4.77	0.00	-8.01	
		TQ	0.00	0.00	0.00	0.00	0.00	0.00	0.00	0.00	0.00	0.00	0.00	0.00		
		M3	-1.54	0.00	2.69	0.79	0.00	0.78	-1.64	0.00	2.35	4.38	0.00	11.95		
		MIN	S2	-25.50	0.00	-131.69	-25.50	0.00	-238.19	-13.33	0.00	-98.18	-13.33	0.00	-153.86	
		TQ	0.00	0.00	0.00	0.00	0.00	0.00	0.00	0.00	0.00	0.00	0.00	0.00		
		M3	-22.85	0.00	-139.49	-25.17	0.00	-239.44	-6.92	0.00	-128.48	-12.94	0.00	-173.82		

BAGO RIVER BRIDGE

BLOCK [ No.2 : CROSS BEAM ][ BEAM MEMBER FORCE ]

MEMBER				1003049			1003051									
NODE				3049	4049		3051	4051								
				SHEAR	TORQUE	MOMENT	SHEAR	TORQUE	MOMENT	SHEAR	TORQUE	MOMENT				
NAME	TITLE			S2 (kN)	TQ (kN·m)	M3 (kN·m)	S2 (kN)	TQ (kN·m)	M3 (kN·m)	S2 (kN)	TQ (kN·m)	M3 (kN·m)				
66	2-LANES (caseTRUCK-LOAD	MAX	S2	2.05	0.00	-8.93	2.05	0.00	-0.36	5.58	0.00	-12.33	5.58	0.00	10.96	
			TQ	0.00	0.00	0.00	0.00	0.00	0.00	0.00	0.00	0.00	0.00	0.00	0.00	0.00
			M3	-18.85	0.00	27.52	1.32	0.00	1.28	-15.91	0.00	18.34	5.50	0.00	11.53	
		MIN	S2	-39.42	0.00	-31.15	-39.42	0.00	-195.82	-31.77	0.00	-39.79	-31.77	0.00	-172.51	
			TQ	0.00	0.00	0.00	0.00	0.00	0.00	0.00	0.00	0.00	0.00	0.00	0.00	0.00
			M3	-11.75	0.00	-72.63	-38.52	0.00	-208.98	-6.08	0.00	-77.23	-30.78	0.00	-191.21	
		TANDEM-LOAD MAX	S2	1.43	0.00	-6.09	1.43	0.00	-0.12	3.85	0.00	-8.40	3.85	0.00	7.69	
			TQ	0.00	0.00	0.00	0.00	0.00	0.00	0.00	0.00	0.00	0.00	0.00	0.00	0.00
			M3	-11.92	0.00	20.26	0.97	0.00	0.90	-10.03	0.00	14.42	3.77	0.00	7.93	
		MIN	S2	-27.69	0.00	-14.76	-27.69	0.00	-130.41	-22.35	0.00	-20.14	-22.35	0.00	-113.49	
			TQ	0.00	0.00	0.00	0.00	0.00	0.00	0.00	0.00	0.00	0.00	0.00	0.00	0.00
			M3	-7.63	0.00	-52.90	-26.47	0.00	-147.98	-3.84	0.00	-56.16	-21.24	0.00	-136.46	
		DISPERSION-LMAX	S2	1.81	0.00	-7.10	1.81	0.00	0.48	5.43	0.00	-11.68	5.43	0.00	10.99	
			TQ	0.00	0.00	0.00	0.00	0.00	0.00	0.00	0.00	0.00	0.00	0.00	0.00	0.00
			M3	-15.02	0.00	24.54	1.40	0.00	1.57	-11.26	0.00	17.62	5.26	0.00	11.51	
MIN	S2	-30.33	0.00	-16.92	-30.33	0.00	-143.61	-21.74	0.00	-23.50	-21.74	0.00	-114.32			
	TQ	0.00	0.00	0.00	0.00	0.00	0.00	0.00	0.00	0.00	0.00	0.00	0.00	0.00		
	M3	-13.50	0.00	-48.55	-29.92	0.00	-144.69	-5.06	0.00	-52.80	-21.57	0.00	-114.85			
67	2-LANES (caseTRUCK-LOAD	MAX	S2	45.47	0.00	-9.33	45.47	0.00	180.59	50.33	0.00	-30.42	50.33	0.00	179.79	
			TQ	0.00	0.00	0.00	0.00	0.00	0.00	0.00	0.00	0.00	0.00	0.00	0.00	
			M3	-69.19	0.00	302.58	36.91	0.00	199.54	-67.99	0.00	295.96	43.59	0.00	192.09	
		MIN	S2	-69.19	0.00	302.58	-69.19	0.00	13.56	-67.99	0.00	295.96	-67.99	0.00	11.96	
			TQ	0.00	0.00	0.00	0.00	0.00	0.00	0.00	0.00	0.00	0.00	0.00	0.00	0.00
			M3	29.53	0.00	-16.62	-0.63	0.00	-0.62	46.25	0.00	-35.16	0.43	0.00	-1.92	

BAGO RIVER BRIDGE

BLOCK [ No.2 : CROSS BEAM ][ BEAM MEMBER FORCE ]

MEMBER		1003049			1003051						1003051				
NODE		3049			4049			3051			4051				
		SHEAR	TORQUE	MOMENT	SHEAR	TORQUE	MOMENT	SHEAR	TORQUE	MOMENT	SHEAR	TORQUE	MOMENT		
NAME	TITLE	S2 (kN)	TQ (kN·m)	M3 (kN·m)	S2 (kN)	TQ (kN·m)	M3 (kN·m)	S2 (kN)	TQ (kN·m)	M3 (kN·m)	S2 (kN)	TQ (kN·m)	M3 (kN·m)		
67	2-LANES (caseTANDEM-LOAD	MAX	S2	32.95	0.00	-3.78	32.95	0.00	133.85	36.46	0.00	-18.50	36.46	0.00	133.79
			TQ	0.00	0.00	0.00	0.00	0.00	0.00	0.00	0.00	0.00	0.00	0.00	0.00
			M3	-54.19	0.00	228.97	21.37	0.00	141.70	-53.31	0.00	224.45	26.57	0.00	137.43
		MIN	S2	-54.19	0.00	228.97	-54.19	0.00	2.63	-53.31	0.00	224.44	-53.31	0.00	1.75
			TQ	0.00	0.00	0.00	0.00	0.00	0.00	0.00	0.00	0.00	0.00	0.00	0.00
			M3	21.99	0.00	-11.68	-0.43	0.00	-0.42	34.43	0.00	-24.48	0.32	0.00	-1.33
	DISPERSION-LMAX		S2	35.97	0.00	-24.26	35.97	0.00	125.98	36.37	0.00	-47.04	36.37	0.00	104.90
			TQ	0.00	0.00	0.00	0.00	0.00	0.00	0.00	0.00	0.00	0.00	0.00	0.00
			M3	-18.51	0.00	147.72	15.64	0.00	153.13	-20.81	0.00	138.12	16.18	0.00	129.92
		MIN	S2	-25.78	0.00	133.51	-25.78	0.00	25.83	-24.90	0.00	126.79	-24.90	0.00	22.77
			TQ	0.00	0.00	0.00	0.00	0.00	0.00	0.00	0.00	0.00	0.00	0.00	0.00
			M3	28.69	0.00	-38.46	-5.46	0.00	-1.33	32.28	0.00	-58.37	-4.71	0.00	-2.25
68	2-LANES (caseTRUCK-LOAD	MAX	S2	222.47	0.00	-498.92	222.47	0.00	430.33	231.02	0.00	-540.02	231.02	0.00	424.97
			TQ	0.00	0.00	0.00	0.00	0.00	0.00	0.00	0.00	0.00	0.00	0.00	0.00
			M3	-0.58	0.00	1.98	222.24	0.00	430.96	-0.65	0.00	3.46	231.02	0.00	424.97
		MIN	S2	-0.58	0.00	1.97	-0.58	0.00	-0.44	-0.67	0.00	3.38	-0.67	0.00	0.60
			TQ	0.00	0.00	0.00	0.00	0.00	0.00	0.00	0.00	0.00	0.00	0.00	0.00
			M3	209.83	0.00	-502.19	-0.57	0.00	-0.44	230.18	0.00	-540.07	1.74	0.00	-4.79
	TANDEM-LOAD	MAX	S2	166.26	0.00	-377.60	166.26	0.00	316.89	172.75	0.00	-406.75	172.75	0.00	314.85
			TQ	0.00	0.00	0.00	0.00	0.00	0.00	0.00	0.00	0.00	0.00	0.00	0.00
			M3	-0.39	0.00	1.35	166.20	0.00	317.07	-0.45	0.00	2.37	172.75	0.00	314.85
		MIN	S2	-0.39	0.00	1.35	-0.39	0.00	-0.30	-0.45	0.00	2.31	-0.45	0.00	0.41
			TQ	0.00	0.00	0.00	0.00	0.00	0.00	0.00	0.00	0.00	0.00	0.00	0.00
			M3	157.46	0.00	-380.26	-0.39	0.00	-0.30	172.75	0.00	-406.75	1.14	0.00	-3.29

BAGO RIVER BRIDGE

BLOCK [ No.2 : CROSS BEAM ][ BEAM MEMBER FORCE ]

MEMBER		1003049						1003051							
NODE		3049			4049			3051			4051				
		SHEAR	TORQUE	MOMENT	SHEAR	TORQUE	MOMENT	SHEAR	TORQUE	MOMENT	SHEAR	TORQUE	MOMENT		
NAME	TITLE	S2 (kN)	TQ (kN·m)	M3 (kN·m)	S2 (kN)	TQ (kN·m)	M3 (kN·m)	S2 (kN)	TQ (kN·m)	M3 (kN·m)	S2 (kN)	TQ (kN·m)	M3 (kN·m)		
68	2-LANES (caseDISPERSION-LMAX	S2	117.25	0.00	-239.17	117.25	0.00	250.60	117.52	0.00	-276.69	117.52	0.00	214.19	
		TQ	0.00	0.00	0.00	0.00	0.00	0.00	0.00	0.00	0.00	0.00	0.00	0.00	
		M3	1.52	0.00	25.07	115.62	0.00	258.67	0.23	0.00	23.06	113.85	0.00	225.06	
	MIN	S2	-2.31	0.00	17.19	-2.31	0.00	7.55	-2.20	0.00	16.86	-2.20	0.00	7.66	
		TQ	0.00	0.00	0.00	0.00	0.00	0.00	0.00	0.00	0.00	0.00	0.00	0.00	
		M3	113.42	0.00	-247.05	-0.68	0.00	-0.52	115.09	0.00	-282.89	1.47	0.00	-3.21	
69	3-LANES (caseTRUCK-LOAD	MAX	S2	2.69	0.00	-11.70	2.69	0.00	-0.47	8.03	0.00	-14.88	8.03	0.00	18.66
		TQ	0.00	0.00	0.00	0.00	0.00	0.00	0.00	0.00	0.00	0.00	0.00	0.00	
		M3	-19.22	0.00	28.59	1.82	0.00	1.83	-16.52	0.00	19.26	7.87	0.00	19.48	
	MIN	S2	-49.78	0.00	-75.66	-49.78	0.00	-283.59	-38.46	0.00	-85.78	-38.46	0.00	-246.43	
		TQ	0.00	0.00	0.00	0.00	0.00	0.00	0.00	0.00	0.00	0.00	0.00	0.00	
		M3	-17.22	0.00	-199.34	-44.02	0.00	-358.63	-7.50	0.00	-196.53	-32.70	0.00	-317.08	
	TANDEM-LOAD	MAX	S2	1.87	0.00	-7.87	1.87	0.00	-0.03	5.53	0.00	-10.02	5.53	0.00	13.08
		TQ	0.00	0.00	0.00	0.00	0.00	0.00	0.00	0.00	0.00	0.00	0.00	0.00	
		M3	-12.17	0.00	20.99	1.35	0.00	1.28	-10.44	0.00	15.04	5.44	0.00	13.39	
	MIN	S2	-34.83	0.00	-50.31	-34.83	0.00	-195.78	-27.06	0.00	-41.21	-27.06	0.00	-154.25	
		TQ	0.00	0.00	0.00	0.00	0.00	0.00	0.00	0.00	0.00	0.00	0.00	0.00	
		M3	-11.14	0.00	-139.87	-30.28	0.00	-249.77	-4.76	0.00	-138.27	-22.30	0.00	-222.58	
	DISPERSION-LMAX	S2	2.30	0.00	-9.30	2.30	0.00	0.33	7.82	0.00	-34.71	7.82	0.00	-2.04	
		TQ	0.00	0.00	0.00	0.00	0.00	0.00	0.00	0.00	0.00	0.00	0.00	0.00	
		M3	-15.46	0.00	25.80	1.76	0.00	1.94	-11.98	0.00	18.68	7.38	0.00	18.00	
	MIN	S2	-41.94	0.00	-111.19	-41.94	0.00	-286.40	-26.43	0.00	-85.75	-26.43	0.00	-196.15	
		TQ	0.00	0.00	0.00	0.00	0.00	0.00	0.00	0.00	0.00	0.00	0.00	0.00	
		M3	-24.18	0.00	-146.29	-41.40	0.00	-288.00	-6.62	0.00	-139.14	-25.99	0.00	-216.19	



BAGO RIVER BRIDGE

BLOCK [ No.2 : CROSS BEAM ][ BEAM MEMBER FORCE ]

MEMBER				1003049						1003051						
NODE				3049			4049			3051			4051			
				SHEAR	TORQUE	MOMENT	SHEAR	TORQUE	MOMENT	SHEAR	TORQUE	MOMENT	SHEAR	TORQUE	MOMENT	
NAME	TITLE			S2 (kN)	TQ (kN·m)	M3 (kN·m)	S2 (kN)	TQ (kN·m)	M3 (kN·m)	S2 (kN)	TQ (kN·m)	M3 (kN·m)	S2 (kN)	TQ (kN·m)	M3 (kN·m)	
70	3-LANES (case	TRUCK-LOAD	MAX	S2	232.95	0.00	-500.33	232.95	0.00	472.71	243.21	0.00	-546.89	243.21	0.00	468.99
				TQ	0.00	0.00	0.00	0.00	0.00	0.00	0.00	0.00	0.00	0.00	0.00	0.00
				M3	-69.49	0.00	303.58	224.39	0.00	491.66	-68.34	0.00	297.62	236.48	0.00	481.29
			MIN	S2	-69.49	0.00	303.57	-69.49	0.00	13.32	-68.35	0.00	297.60	-68.35	0.00	12.10
				TQ	0.00	0.00	0.00	0.00	0.00	0.00	0.00	0.00	0.00	0.00	0.00	0.00
				M3	217.01	0.00	-507.61	-0.93	0.00	-0.86	239.13	0.00	-551.63	1.29	0.00	-5.29
	TANDEM-LOAD		MAX	S2	174.40	0.00	-376.22	174.40	0.00	352.26	182.01	0.00	-408.79	182.01	0.00	351.47
				TQ	0.00	0.00	0.00	0.00	0.00	0.00	0.00	0.00	0.00	0.00	0.00	0.00
				M3	-54.39	0.00	229.64	162.82	0.00	360.11	-53.55	0.00	225.58	172.12	0.00	355.10
			MIN	S2	-54.39	0.00	229.64	-54.39	0.00	2.47	-53.56	0.00	225.54	-53.56	0.00	1.84
				TQ	0.00	0.00	0.00	0.00	0.00	0.00	0.00	0.00	0.00	0.00	0.00	0.00
				M3	163.44	0.00	-384.12	-0.63	0.00	-0.59	179.98	0.00	-414.78	0.83	0.00	-3.64
	DISPERSION-LMAX			S2	124.40	0.00	-237.59	124.40	0.00	282.04	124.88	0.00	-282.19	124.88	0.00	239.42
				TQ	0.00	0.00	0.00	0.00	0.00	0.00	0.00	0.00	0.00	0.00	0.00	0.00
				M3	-18.85	0.00	148.88	104.08	0.00	309.20	-21.22	0.00	140.06	103.53	0.00	266.97
			MIN	S2	-26.13	0.00	134.67	-26.13	0.00	25.55	-25.32	0.00	128.73	-25.32	0.00	22.98
				TQ	0.00	0.00	0.00	0.00	0.00	0.00	0.00	0.00	0.00	0.00	0.00	0.00
				M3	117.13	0.00	-251.80	-5.80	0.00	-1.61	120.79	0.00	-293.52	-3.97	0.00	-4.56
71	3-LANES (case	TRUCK-LOAD	MAX	S2	232.82	0.00	-499.92	232.82	0.00	472.58	243.08	0.00	-546.48	243.08	0.00	468.87
				TQ	0.00	0.00	0.00	0.00	0.00	0.00	0.00	0.00	0.00	0.00	0.00	0.00
				M3	-69.49	0.00	303.62	224.26	0.00	491.52	-68.27	0.00	297.99	236.34	0.00	481.16
			MIN	S2	-69.49	0.00	303.62	-69.49	0.00	13.36	-68.28	0.00	297.91	-68.28	0.00	12.70
				TQ	0.00	0.00	0.00	0.00	0.00	0.00	0.00	0.00	0.00	0.00	0.00	0.00
				M3	216.94	0.00	-507.37	-0.88	0.00	-0.73	239.01	0.00	-551.24	1.38	0.00	-4.98

BAGO RIVER BRIDGE

BLOCK [ No.2 : CROSS BEAM ][ BEAM MEMBER FORCE ]

MEMBER		1003049						1003051							
NODE		3049			4049			3051			4051				
		SHEAR	TORQUE	MOMENT	SHEAR	TORQUE	MOMENT	SHEAR	TORQUE	MOMENT	SHEAR	TORQUE	MOMENT		
NAME	TITLE	S2 (kN)	TQ (kN·m)	M3 (kN·m)	S2 (kN)	TQ (kN·m)	M3 (kN·m)	S2 (kN)	TQ (kN·m)	M3 (kN·m)	S2 (kN)	TQ (kN·m)	M3 (kN·m)		
71	3-LANES (caseTANDEM-LOAD	MAX	S2	174.30	0.00	-375.90	174.30	0.00	352.15	181.91	0.00	-408.46	181.91	0.00	351.36
			TQ	0.00	0.00	0.00	0.00	0.00	0.00	0.00	0.00	0.00	0.00	0.00	0.00
			M3	-54.39	0.00	229.68	162.72	0.00	359.99	-53.50	0.00	225.84	172.01	0.00	354.99
		MIN	S2	-54.39	0.00	229.68	-54.39	0.00	2.50	-53.51	0.00	225.78	-53.51	0.00	2.26
			TQ	0.00	0.00	0.00	0.00	0.00	0.00	0.00	0.00	0.00	0.00	0.00	0.00
			M3	163.38	0.00	-383.92	-0.60	0.00	-0.50	179.87	0.00	-414.45	0.89	0.00	-3.43
	DISPERSION-LMAX	S2	124.35	0.00	-237.46	124.35	0.00	281.95	124.85	0.00	-282.28	124.85	0.00	239.20	
			TQ	0.00	0.00	0.00	0.00	0.00	0.00	0.00	0.00	0.00	0.00	0.00	0.00
			M3	-18.81	0.00	148.88	104.02	0.00	309.11	-21.07	0.00	140.55	103.13	0.00	267.31
		MIN	S2	-26.09	0.00	134.67	-26.09	0.00	25.70	-25.17	0.00	129.22	-25.17	0.00	24.09
			TQ	0.00	0.00	0.00	0.00	0.00	0.00	0.00	0.00	0.00	0.00	0.00	0.00
			M3	117.08	0.00	-251.67	-5.76	0.00	-1.46	120.75	0.00	-293.61	-3.45	0.00	-4.02
72	4-LANES	TRUCK-LOAD	MAX	S2	0.38	0.00	-1.20	0.38	0.00	0.38	0.52	0.00	-1.65	0.52	0.52
			TQ	0.00	0.00	0.00	0.00	0.00	0.00	0.00	0.00	0.00	0.00	0.00	0.00
			M3	-1.21	0.00	3.99	0.38	0.00	0.38	-1.52	0.00	6.31	-0.39	0.00	0.98
		MIN	S2	-1.21	0.00	3.99	-1.21	0.00	-1.06	-1.52	0.00	6.25	-1.52	0.00	-0.09
			TQ	0.00	0.00	0.00	0.00	0.00	0.00	0.00	0.00	0.00	0.00	0.00	0.00
			M3	0.38	0.00	-1.20	-1.21	0.00	-1.06	0.52	0.00	-1.65	-0.95	0.00	-0.74
	TANDEM-LOAD	MAX	S2	0.26	0.00	-0.81	0.26	0.00	0.26	0.35	0.00	-1.12	0.35	0.00	0.36
			TQ	0.00	0.00	0.00	0.00	0.00	0.00	0.00	0.00	0.00	0.00	0.00	0.00
			M3	-0.82	0.00	2.72	0.26	0.00	0.26	-1.03	0.00	4.34	-0.26	0.00	0.71
		MIN	S2	-0.82	0.00	2.72	-0.82	0.00	-0.72	-1.04	0.00	4.26	-1.04	0.00	-0.06
			TQ	0.00	0.00	0.00	0.00	0.00	0.00	0.00	0.00	0.00	0.00	0.00	0.00
			M3	0.26	0.00	-0.81	-0.82	0.00	-0.72	0.35	0.00	-1.13	-0.64	0.00	-0.50

BAGO RIVER BRIDGE

BLOCK [ No.2 : CROSS BEAM ][ BEAM MEMBER FORCE ]

MEMBER			1003049			1003051											
NODE			3049	4049		3051	4051										
			SHEAR	TORQUE	MOMENT	SHEAR	TORQUE	MOMENT	SHEAR	TORQUE	MOMENT	SHEAR	TORQUE	MOMENT			
NAME	TITLE		S2 (kN)	TQ (kN·m)	M3 (kN·m)	S2 (kN)	TQ (kN·m)	M3 (kN·m)	S2 (kN)	TQ (kN·m)	M3 (kN·m)	S2 (kN)	TQ (kN·m)	M3 (kN·m)			
72	4-LANES	DISPERSION-LMAX	S2	0.46	0.00	-1.46	0.46	0.00	0.46	0.63	0.00	-2.01	0.63	0.00	0.64		
			TQ	0.00	0.00	0.00	0.00	0.00	0.00	0.00	0.00	0.00	0.00	0.00	0.00	0.00	
			M3	-0.86	0.00	2.83	0.46	0.00	0.46	-1.11	0.00	4.36	0.23	0.00	0.00	0.93	
	MIN	S2	-0.86	0.00	2.83	-0.86	0.00	-0.78	-1.11	0.00	4.35	-1.11	0.00	0.00	-0.28		
		TQ	0.00	0.00	0.00	0.00	0.00	0.00	0.00	0.00	0.00	0.00	0.00	0.00	0.00		
		M3	0.46	0.00	-1.46	-0.86	0.00	-0.78	0.63	0.00	-2.02	-0.72	0.00	0.00	-0.57		
	73	6-LANES	TRUCK-LOAD	MAX	S2	206.45	0.00	-471.02	206.45	0.00	391.32	218.87	0.00	-509.45	218.87	0.00	404.77
				TQ	0.00	0.00	0.00	0.00	0.00	0.00	0.00	0.00	0.00	0.00	0.00	0.00	0.00
				M3	-100.16	0.00	443.81	184.11	0.00	432.19	-99.00	0.00	430.56	194.03	0.00	0.00	439.55
MIN		S2	-125.59	0.00	363.67	-125.59	0.00	-160.90	-116.53	0.00	350.95	-116.53	0.00	0.00	-135.79		
		TQ	0.00	0.00	0.00	0.00	0.00	0.00	0.00	0.00	0.00	0.00	0.00	0.00	0.00		
		M3	177.00	0.00	-657.59	-119.72	0.00	-340.15	194.42	0.00	-693.40	-105.16	0.00	0.00	-307.00		
TANDEM-LOAD		MAX	S2	154.62	0.00	-347.55	154.62	0.00	298.28	163.35	0.00	-385.92	163.35	0.00	296.39		
		TQ	0.00	0.00	0.00	0.00	0.00	0.00	0.00	0.00	0.00	0.00	0.00	0.00	0.00		
		M3	-77.66	0.00	331.82	139.79	0.00	315.21	-77.04	0.00	323.57	145.84	0.00	0.00	320.94		
MIN	S2	-95.32	0.00	282.82	-95.32	0.00	-115.34	-89.17	0.00	288.35	-89.17	0.00	0.00	-84.13			
	TQ	0.00	0.00	0.00	0.00	0.00	0.00	0.00	0.00	0.00	0.00	0.00	0.00	0.00			
	M3	135.59	0.00	-488.88	-88.85	0.00	-244.74	145.53	0.00	-514.33	-78.93	0.00	0.00	-223.20			
DISPERSION-LMAX	S2	117.66	0.00	-232.53	117.66	0.00	258.92	122.48	0.00	-296.88	122.48	0.00	0.00	214.71			
	TQ	0.00	0.00	0.00	0.00	0.00	0.00	0.00	0.00	0.00	0.00	0.00	0.00	0.00			
	M3	-34.17	0.00	174.30	100.24	0.00	284.14	-32.87	0.00	158.83	104.67	0.00	0.00	259.26			
MIN	S2	-65.02	0.00	46.50	-65.02	0.00	-225.10	-50.09	0.00	55.09	-50.09	0.00	0.00	-154.13			
	TQ	0.00	0.00	0.00	0.00	0.00	0.00	0.00	0.00	0.00	0.00	0.00	0.00	0.00			
	M3	87.33	0.00	-372.31	-42.86	0.00	-262.52	106.21	0.00	-400.97	-26.54	0.00	0.00	-196.87			

BAGO RIVER BRIDGE

BLOCK [ No.2 : CROSS BEAM ][ BEAM MEMBER FORCE ]

MEMBER			1003049			1003051									
NODE			3049	4049		3051	4051								
			SHEAR	TORQUE	MOMENT	SHEAR	TORQUE	MOMENT	SHEAR	TORQUE	MOMENT				
NAME	TITLE		S2 (kN)	TQ (kN·m)	M3 (kN·m)	S2 (kN)	TQ (kN·m)	M3 (kN·m)	S2 (kN)	TQ (kN·m)	M3 (kN·m)				
124	SUM TOTAL	D+1LANE (caseMAX	S2	165.61	0.00	-619.95	165.61	0.00	71.78	242.05	0.00	-801.83	242.05	0.00	209.19
			TQ	164.25	0.00	-613.99	164.25	0.00	72.09	236.23	0.00	-771.14	236.23	0.00	215.59
			M3	163.28	0.00	-611.20	165.28	0.00	73.20	234.62	0.00	-768.77	241.62	0.00	232.91
		MIN	S2	137.89	0.00	-780.53	137.89	0.00	-204.58	222.58	0.00	-901.03	222.58	0.00	28.70
			TQ	164.25	0.00	-613.99	164.25	0.00	72.09	236.23	0.00	-771.14	236.23	0.00	215.59
			M3	144.86	0.00	-883.33	143.86	0.00	-279.47	232.65	0.00	-1017.91	228.63	0.00	-57.07
		D+1LANE (caseMAX	S2	167.26	0.00	-625.69	167.26	0.00	72.97	243.65	0.00	-788.53	243.65	0.00	229.18
			TQ	164.25	0.00	-613.99	164.25	0.00	72.09	236.23	0.00	-771.14	236.23	0.00	215.59
			M3	125.36	0.00	-554.50	166.38	0.00	74.34	205.41	0.00	-730.78	243.58	0.00	229.28
		MIN	S2	113.97	0.00	-566.62	113.97	0.00	-90.56	194.63	0.00	-747.98	194.63	0.00	64.97
			TQ	164.25	0.00	-613.99	164.25	0.00	72.09	236.23	0.00	-771.14	236.23	0.00	215.59
			M3	164.23	0.00	-628.83	114.24	0.00	-90.99	240.34	0.00	-793.21	194.68	0.00	64.87
		D+1LANE (caseMAX	S2	185.21	0.00	-613.15	185.21	0.00	160.45	259.51	0.00	-785.57	259.51	0.00	298.39
			TQ	164.25	0.00	-613.99	164.25	0.00	72.09	236.23	0.00	-771.14	236.23	0.00	215.59
			M3	57.18	0.00	-103.51	152.77	0.00	205.35	129.50	0.00	-277.00	229.83	0.00	333.83
		MIN	S2	53.04	0.00	-111.11	53.04	0.00	110.44	127.51	0.00	-283.16	127.51	0.00	249.44
			TQ	164.25	0.00	-613.99	164.25	0.00	72.09	236.23	0.00	-771.14	236.23	0.00	215.59
			M3	177.17	0.00	-625.76	157.75	0.00	70.50	253.63	0.00	-797.38	229.67	0.00	213.58
		D+1LANE (caseMAX	S2	495.26	0.00	-1458.88	495.26	0.00	609.82	573.85	0.00	-1672.98	573.85	0.00	723.97
			TQ	164.25	0.00	-613.99	164.25	0.00	72.09	236.23	0.00	-771.14	236.23	0.00	215.59
			M3	163.52	0.00	-611.44	495.26	0.00	609.82	235.44	0.00	-766.47	572.38	0.00	727.43
		MIN	S2	163.52	0.00	-611.44	163.52	0.00	71.57	235.42	0.00	-766.56	235.42	0.00	216.81
			TQ	164.25	0.00	-613.99	164.25	0.00	72.09	236.23	0.00	-771.14	236.23	0.00	215.59
			M3	495.26	0.00	-1458.88	163.52	0.00	71.57	573.85	0.00	-1672.98	238.29	0.00	208.78

BAGO RIVER BRIDGE

BLOCK [ No.2 : CROSS BEAM ][ BEAM MEMBER FORCE ]

MEMBER			1003049						1003051						
NODE			3049			4049			3051			4051			
NAME TITLE			SHEAR	TORQUE	MOMENT	SHEAR	TORQUE	MOMENT	SHEAR	TORQUE	MOMENT	SHEAR	TORQUE	MOMENT	
			S2 (kN)	TQ (kN·m)	M3 (kN·m)	S2 (kN)	TQ (kN·m)	M3 (kN·m)	S2 (kN)	TQ (kN·m)	M3 (kN·m)	S2 (kN)	TQ (kN·m)	M3 (kN·m)	
124	SUM TOTAL	D+2LANES(casMAX	S2	166.74	0.00	-625.24	166.74	0.00	71.22	245.90	0.00	-806.24	245.90	0.00	220.89
			TQ	164.25	0.00	-613.99	164.25	0.00	72.09	236.23	0.00	-771.14	236.23	0.00	215.59
			M3	161.98	0.00	-609.19	166.06	0.00	73.98	233.41	0.00	-766.83	245.36	0.00	241.67
		MIN	S2	114.43	0.00	-840.32	114.43	0.00	-362.36	206.01	0.00	-961.98	206.01	0.00	-101.47
			TQ	164.25	0.00	-613.99	164.25	0.00	72.09	236.23	0.00	-771.14	236.23	0.00	215.59
			M3	122.87	0.00	-947.26	120.51	0.00	-438.64	218.69	0.00	-1088.42	212.16	0.00	-192.08
		D+2LANES(casMAX	S2	168.12	0.00	-630.02	168.12	0.00	72.21	247.24	0.00	-795.16	247.24	0.00	237.54
			TQ	164.25	0.00	-613.99	164.25	0.00	72.09	236.23	0.00	-771.14	236.23	0.00	215.59
			M3	130.39	0.00	-561.94	166.98	0.00	74.93	209.07	0.00	-735.18	246.99	0.00	238.64
		MIN	S2	94.50	0.00	-662.07	94.50	0.00	-267.34	182.71	0.00	-834.44	182.71	0.00	-71.25
			TQ	164.25	0.00	-613.99	164.25	0.00	72.09	236.23	0.00	-771.14	236.23	0.00	215.59
			M3	139.00	0.00	-735.18	95.82	0.00	-281.58	225.09	0.00	-901.17	183.87	0.00	-90.46
		D+2LANES(casMAX	S2	245.69	0.00	-647.58	245.69	0.00	378.66	322.93	0.00	-848.60	322.93	0.00	500.28
			TQ	164.25	0.00	-613.99	164.25	0.00	72.09	236.23	0.00	-771.14	236.23	0.00	215.59
			M3	76.55	0.00	-163.69	216.81	0.00	424.76	147.43	0.00	-337.06	296.00	0.00	537.60
		MIN	S2	69.28	0.00	-177.90	69.28	0.00	111.48	143.34	0.00	-348.39	143.34	0.00	250.32
			TQ	164.25	0.00	-613.99	164.25	0.00	72.09	236.23	0.00	-771.14	236.23	0.00	215.59
			M3	222.48	0.00	-669.07	158.16	0.00	70.15	314.76	0.00	-864.66	231.95	0.00	211.41
		D+2LANES(casMAX	S2	503.97	0.00	-1352.08	503.97	0.00	753.01	584.78	0.00	-1587.86	584.78	0.00	854.75
			TQ	164.25	0.00	-613.99	164.25	0.00	72.09	236.23	0.00	-771.14	236.23	0.00	215.59
			M3	165.20	0.00	-586.95	502.11	0.00	761.72	235.80	0.00	-744.62	581.10	0.00	865.62
		MIN	S2	161.37	0.00	-594.83	161.37	0.00	79.20	233.36	0.00	-750.90	233.36	0.00	223.85
			TQ	164.25	0.00	-613.99	164.25	0.00	72.09	236.23	0.00	-771.14	236.23	0.00	215.59
			M3	487.51	0.00	-1363.23	163.00	0.00	71.13	581.50	0.00	-1594.10	239.44	0.00	207.60

BAGO RIVER BRIDGE

BLOCK [ No.2 : CROSS BEAM ][ BEAM MEMBER FORCE ]

MEMBER			1003049						1003051							
NODE			3049			4049			3051			4051				
NAME TITLE			SHEAR	TORQUE	MOMENT	SHEAR	TORQUE	MOMENT	SHEAR	TORQUE	MOMENT	SHEAR	TORQUE	MOMENT		
			S2 (kN)	TQ (kN·m)	M3 (kN·m)	S2 (kN)	TQ (kN·m)	M3 (kN·m)	S2 (kN)	TQ (kN·m)	M3 (kN·m)	S2 (kN)	TQ (kN·m)	M3 (kN·m)		
124	SUM TOTAL	D+3LANES (casMAX	S2	168.50	0.00	-631.84	168.50	0.00	71.97	249.70	0.00	-813.29	249.70	0.00	229.72	
			TQ	164.25	0.00	-613.99	164.25	0.00	72.09	236.23	0.00	-771.14	236.23	0.00	215.59	
			M3	134.78	0.00	-567.77	167.30	0.00	75.29	212.00	0.00	-738.89	249.19	0.00	247.45	
		MIN	S2	86.29	0.00	-772.82	86.29	0.00	-412.40	181.07	0.00	-916.95	181.07	0.00	-160.60	
			TQ	164.25	0.00	-613.99	164.25	0.00	72.09	236.23	0.00	-771.14	236.23	0.00	215.59	
			M3	129.06	0.00	-907.78	91.64	0.00	-477.55	224.23	0.00	-1056.46	186.34	0.00	-237.69	
		D+3LANES (casMAX	S2	468.00	0.00	-1241.22	468.00	0.00	713.63	549.11	0.00	-1475.87	549.11	0.00	817.75	
			TQ	164.25	0.00	-613.99	164.25	0.00	72.09	236.23	0.00	-771.14	236.23	0.00	215.59	
			M3	89.16	0.00	-229.41	443.45	0.00	752.82	160.10	0.00	-399.11	525.23	0.00	851.61	
		MIN	S2	82.98	0.00	-241.48	82.98	0.00	105.13	156.61	0.00	-408.76	156.61	0.00	245.41	
			TQ	164.25	0.00	-613.99	164.25	0.00	72.09	236.23	0.00	-771.14	236.23	0.00	215.59	
			M3	448.27	0.00	-1259.49	158.53	0.00	69.99	542.16	0.00	-1489.53	233.96	0.00	207.22	
		D+3LANES (casMAX	S2	467.85	0.00	-1240.76	467.85	0.00	713.44	548.97	0.00	-1475.59	548.97	0.00	817.45	
			TQ	164.25	0.00	-613.99	164.25	0.00	72.09	236.23	0.00	-771.14	236.23	0.00	215.59	
			M3	89.19	0.00	-229.37	443.29	0.00	752.63	160.29	0.00	-398.39	524.78	0.00	851.79	
		MIN	S2	83.01	0.00	-241.44	83.01	0.00	105.29	156.80	0.00	-408.09	156.80	0.00	246.86	
			TQ	164.25	0.00	-613.99	164.25	0.00	72.09	236.23	0.00	-771.14	236.23	0.00	215.59	
			M3	448.16	0.00	-1259.17	158.60	0.00	70.23	542.03	0.00	-1489.26	234.47	0.00	207.94	
		D+4LANES	MAX	S2	164.80	0.00	-615.72	164.80	0.00	72.64	236.98	0.00	-773.52	236.98	0.00	216.34
			TQ	164.25	0.00	-613.99	164.25	0.00	72.09	236.23	0.00	-771.14	236.23	0.00	215.59	
			M3	162.90	0.00	-609.56	164.80	0.00	72.64	234.52	0.00	-764.21	236.13	0.00	216.83	
		MIN	S2	162.90	0.00	-609.56	162.90	0.00	70.89	234.52	0.00	-764.25	234.52	0.00	215.34	
			TQ	164.25	0.00	-613.99	164.25	0.00	72.09	236.23	0.00	-771.14	236.23	0.00	215.59	
			M3	164.80	0.00	-615.72	162.91	0.00	70.89	236.98	0.00	-773.53	235.15	0.00	214.74	

BAGO RIVER BRIDGE

BLOCK [ No.2 : CROSS BEAM ][ BEAM MEMBER FORCE ]

MEMBER				1003049			1003051									
NODE				3049	4049		3051	4051								
				SHEAR	TORQUE	MOMENT	SHEAR	TORQUE	MOMENT	SHEAR	TORQUE	MOMENT				
NAME	TITLE			S2 (kN)	TQ (kN·m)	M3 (kN·m)	S2 (kN)	TQ (kN·m)	M3 (kN·m)	S2 (kN)	TQ (kN·m)	M3 (kN·m)				
124	SUM TOTAL	D+6LANES	MAX	S2	374.92	0.00	-1071.30	374.92	0.00	494.75	458.11	0.00	-1295.26	458.11	0.00	618.25
				TQ	164.25	0.00	-613.99	164.25	0.00	72.09	236.23	0.00	-771.14	236.23	0.00	215.59
				M3	76.94	0.00	-212.22	349.08	0.00	537.70	150.52	0.00	-388.04	430.38	0.00	669.82
			MIN	S2	40.36	0.00	-347.38	40.36	0.00	-178.81	127.93	0.00	-507.22	127.93	0.00	27.14
				TQ	164.25	0.00	-613.99	164.25	0.00	72.09	236.23	0.00	-771.14	236.23	0.00	215.59
				M3	336.07	0.00	-1283.43	58.57	0.00	-319.64	431.64	0.00	-1482.48	150.63	0.00	-111.93
	SUM TOTAL		MAX		503.97	0.00	-103.51	503.97	0.00	761.72	584.78	0.00	-277.00	584.78	0.00	865.62
			MIN		40.36	0.00	-1458.88	40.36	0.00	-477.55	127.51	0.00	-1672.98	127.51	0.00	-237.69
300	DEAD LOAD	TOTAL			164.25	0.00	-613.99	164.25	0.00	72.09	236.23	0.00	-771.14	236.23	0.00	215.59
301	LIVE LOAD	1-LANE(case1MAX	S2		1.35	0.00	-5.96	1.35	0.00	-0.31	5.82	0.00	-30.69	5.82	0.00	-6.39
			TQ		0.00	0.00	0.00	0.00	0.00	0.00	0.00	0.00	0.00	0.00	0.00	0.00
			M3		-0.97	0.00	2.79	1.03	0.00	1.11	-1.61	0.00	2.37	5.39	0.00	17.33
			MIN	S2	-26.37	0.00	-166.54	-26.37	0.00	-276.67	-13.65	0.00	-129.89	-13.65	0.00	-186.89
				TQ	0.00	0.00	0.00	0.00	0.00	0.00	0.00	0.00	0.00	0.00	0.00	0.00
				M3	-19.39	0.00	-269.34	-20.39	0.00	-351.56	-3.58	0.00	-246.76	-7.60	0.00	-272.66
		1-LANE(case2MAX	S2		3.01	0.00	-11.70	3.01	0.00	0.87	7.42	0.00	-17.39	7.42	0.00	13.59
			TQ		0.00	0.00	0.00	0.00	0.00	0.00	0.00	0.00	0.00	0.00	0.00	0.00
			M3		-38.89	0.00	59.49	2.13	0.00	2.25	-30.82	0.00	40.36	7.35	0.00	13.69
			MIN	S2	-50.28	0.00	47.37	-50.28	0.00	-162.65	-41.60	0.00	23.16	-41.60	0.00	-150.62
				TQ	0.00	0.00	0.00	0.00	0.00	0.00	0.00	0.00	0.00	0.00	0.00	0.00
				M3	-0.03	0.00	-14.84	-50.01	0.00	-163.08	4.11	0.00	-22.07	-41.55	0.00	-150.72
		1-LANE(case3MAX	S2		20.95	0.00	0.84	20.95	0.00	88.36	23.28	0.00	-14.43	23.28	0.00	82.80
			TQ		0.00	0.00	0.00	0.00	0.00	0.00	0.00	0.00	0.00	0.00	0.00	0.00
			M3		-107.08	0.00	510.48	-11.48	0.00	133.26	-106.73	0.00	494.14	-6.40	0.00	118.24
			MIN	S2	-111.21	0.00	502.88	-111.21	0.00	38.35	-108.72	0.00	487.99	-108.72	0.00	33.85
				TQ	0.00	0.00	0.00	0.00	0.00	0.00	0.00	0.00	0.00	0.00	0.00	0.00
				M3	12.92	0.00	-11.77	-6.50	0.00	-1.59	17.40	0.00	-26.24	-6.56	0.00	-2.01

BAGO RIVER BRIDGE

BLOCK [ No.2 : CROSS BEAM ][ BEAM MEMBER FORCE ]

MEMBER			1003049						1003051							
NODE			3049			4049			3051			4051				
NAME TITLE			SHEAR	TORQUE	MOMENT	SHEAR	TORQUE	MOMENT	SHEAR	TORQUE	MOMENT	SHEAR	TORQUE	MOMENT		
			S2 (kN)	TQ (kN·m)	M3 (kN·m)	S2 (kN)	TQ (kN·m)	M3 (kN·m)	S2 (kN)	TQ (kN·m)	M3 (kN·m)	S2 (kN)	TQ (kN·m)	M3 (kN·m)		
301	LIVE LOAD	1-LANE (case4MAX	S2	331.01	0.00	-844.89	331.01	0.00	537.73	337.62	0.00	-901.84	337.62	0.00	508.38	
			TQ	0.00	0.00	0.00	0.00	0.00	0.00	0.00	0.00	0.00	0.00	0.00	0.00	0.00
			M3	-0.73	0.00	2.55	331.01	0.00	537.73	-0.79	0.00	4.67	336.15	0.00	0.00	511.84
			MIN S2	-0.74	0.00	2.55	-0.74	0.00	-0.52	-0.81	0.00	4.59	-0.81	0.00	0.00	1.22
			TQ	0.00	0.00	0.00	0.00	0.00	0.00	0.00	0.00	0.00	0.00	0.00	0.00	0.00
			M3	331.01	0.00	-844.89	-0.73	0.00	-0.52	337.62	0.00	-901.84	2.06	0.00	0.00	-6.81
		2-LANES (caseMAX	S2	2.48	0.00	-11.25	2.48	0.00	-0.87	9.67	0.00	-35.10	9.67	0.00	0.00	5.30
			TQ	0.00	0.00	0.00	0.00	0.00	0.00	0.00	0.00	0.00	0.00	0.00	0.00	0.00
			M3	-2.27	0.00	4.81	1.81	0.00	1.89	-2.82	0.00	4.31	9.13	0.00	0.00	26.08
			MIN S2	-49.83	0.00	-226.33	-49.83	0.00	-434.45	-30.22	0.00	-190.83	-30.22	0.00	0.00	-317.06
			TQ	0.00	0.00	0.00	0.00	0.00	0.00	0.00	0.00	0.00	0.00	0.00	0.00	0.00
			M3	-41.38	0.00	-333.27	-43.74	0.00	-510.73	-17.54	0.00	-317.27	-24.07	0.00	0.00	-407.67
		2-LANES (caseMAX	S2	3.87	0.00	-16.03	3.87	0.00	0.12	11.01	0.00	-24.02	11.01	0.00	0.00	21.95
			TQ	0.00	0.00	0.00	0.00	0.00	0.00	0.00	0.00	0.00	0.00	0.00	0.00	0.00
			M3	-33.87	0.00	52.06	2.72	0.00	2.84	-27.16	0.00	35.96	10.76	0.00	0.00	23.05
			MIN S2	-69.75	0.00	-48.07	-69.75	0.00	-339.43	-53.52	0.00	-63.29	-53.52	0.00	0.00	-286.83
			TQ	0.00	0.00	0.00	0.00	0.00	0.00	0.00	0.00	0.00	0.00	0.00	0.00	0.00
			M3	-25.25	0.00	-121.19	-68.43	0.00	-353.67	-11.14	0.00	-130.03	-52.36	0.00	0.00	-306.05
		2-LANES (caseMAX	S2	81.44	0.00	-33.59	81.44	0.00	306.57	86.70	0.00	-77.45	86.70	0.00	0.00	284.69
			TQ	0.00	0.00	0.00	0.00	0.00	0.00	0.00	0.00	0.00	0.00	0.00	0.00	0.00
			M3	-87.70	0.00	450.30	52.55	0.00	352.67	-88.80	0.00	434.08	59.77	0.00	0.00	322.01
MIN S2	-94.97		0.00	436.09	-94.97	0.00	39.39	-92.89	0.00	422.75	-92.89	0.00	0.00	34.73		
TQ	0.00		0.00	0.00	0.00	0.00	0.00	0.00	0.00	0.00	0.00	0.00	0.00	0.00		
M3	58.22		0.00	-55.08	-6.09	0.00	-1.95	78.53	0.00	-93.52	-4.28	0.00	0.00	-4.18		



BAGO RIVER BRIDGE

BLOCK [ No.2 : CROSS BEAM ][ BEAM MEMBER FORCE ]

MEMBER			1003049						1003051							
NODE			3049			4049			3051			4051				
NAME TITLE			SHEAR	TORQUE	MOMENT	SHEAR	TORQUE	MOMENT	SHEAR	TORQUE	MOMENT	SHEAR	TORQUE	MOMENT		
			S2 (kN)	TQ (kN·m)	M3 (kN·m)	S2 (kN)	TQ (kN·m)	M3 (kN·m)	S2 (kN)	TQ (kN·m)	M3 (kN·m)	S2 (kN)	TQ (kN·m)	M3 (kN·m)		
301	LIVE LOAD	2-LANES (caseMAX	S2	339.72	0.00	-738.09	339.72	0.00	680.92	348.55	0.00	-816.72	348.55	0.00	639.16	
			TQ	0.00	0.00	0.00	0.00	0.00	0.00	0.00	0.00	0.00	0.00	0.00	0.00	
			M3	0.94	0.00	27.04	337.86	0.00	689.63	-0.43	0.00	26.52	344.87	0.00	0.00	650.03
			MIN S2	-2.89	0.00	19.16	-2.89	0.00	7.11	-2.87	0.00	20.24	-2.87	0.00	0.00	8.26
			TQ	0.00	0.00	0.00	0.00	0.00	0.00	0.00	0.00	0.00	0.00	0.00	0.00	0.00
			M3	323.26	0.00	-749.24	-1.25	0.00	-0.96	345.27	0.00	-822.96	3.21	0.00	0.00	-7.99
		3-LANES (caseMAX	S2	4.24	0.00	-17.85	4.24	0.00	-0.12	13.47	0.00	-42.15	13.47	0.00	0.00	14.13
			TQ	0.00	0.00	0.00	0.00	0.00	0.00	0.00	0.00	0.00	0.00	0.00	0.00	0.00
			M3	-29.48	0.00	46.22	3.04	0.00	3.20	-24.23	0.00	32.25	12.96	0.00	0.00	31.86
			MIN S2	-77.97	0.00	-158.83	-77.97	0.00	-484.49	-55.16	0.00	-145.80	-55.16	0.00	0.00	-376.19
			TQ	0.00	0.00	0.00	0.00	0.00	0.00	0.00	0.00	0.00	0.00	0.00	0.00	0.00
			M3	-35.19	0.00	-293.79	-72.61	0.00	-549.64	-12.00	0.00	-285.32	-49.89	0.00	0.00	-453.28
		3-LANES (caseMAX	S2	303.75	0.00	-627.23	303.75	0.00	641.53	312.88	0.00	-704.73	312.88	0.00	0.00	602.16
			TQ	0.00	0.00	0.00	0.00	0.00	0.00	0.00	0.00	0.00	0.00	0.00	0.00	0.00
			M3	-75.09	0.00	384.59	279.20	0.00	680.73	-76.13	0.00	372.03	289.00	0.00	0.00	636.02
			MIN S2	-81.27	0.00	372.51	-81.27	0.00	33.03	-79.62	0.00	362.38	-79.62	0.00	0.00	29.82
			TQ	0.00	0.00	0.00	0.00	0.00	0.00	0.00	0.00	0.00	0.00	0.00	0.00	0.00
			M3	284.02	0.00	-645.50	-5.72	0.00	-2.10	305.93	0.00	-718.38	-2.27	0.00	0.00	-8.37
		3-LANES (caseMAX	S2	303.60	0.00	-626.77	303.60	0.00	641.35	312.74	0.00	-704.45	312.74	0.00	0.00	601.86
			TQ	0.00	0.00	0.00	0.00	0.00	0.00	0.00	0.00	0.00	0.00	0.00	0.00	0.00
			M3	-75.06	0.00	384.63	279.04	0.00	680.54	-75.94	0.00	372.75	288.55	0.00	0.00	636.20
MIN S2	-81.24		0.00	372.55	-81.24	0.00	33.20	-79.43	0.00	363.05	-79.43	0.00	0.00	31.27		
TQ	0.00		0.00	0.00	0.00	0.00	0.00	0.00	0.00	0.00	0.00	0.00	0.00	0.00		
M3	283.91		0.00	-645.18	-5.65	0.00	-1.86	305.80	0.00	-718.12	-1.76	0.00	0.00	-7.65		

BAGO RIVER BRIDGE

BLOCK [ No.2 : CROSS BEAM ][ BEAM MEMBER FORCE ]

MEMBER				1003049			1003051										
NODE				3049	4049		3051	4051									
				SHEAR	TORQUE	MOMENT	SHEAR	TORQUE	MOMENT	SHEAR	TORQUE	MOMENT					
NAME TITLE				S2 (kN)	TQ (kN·m)	M3 (kN·m)	S2 (kN)	TQ (kN·m)	M3 (kN·m)	S2 (kN)	TQ (kN·m)	M3 (kN·m)					
301	LIVE LOAD	4-LANES	MAX	S2	0.54	0.00	-1.73	0.54	0.00	0.55	0.75	0.00	-2.38	0.75	0.00	0.75	
				TQ	0.00	0.00	0.00	0.00	0.00	0.00	0.00	0.00	0.00	0.00	0.00	0.00	0.00
				M3	-1.35	0.00	4.43	0.54	0.00	0.55	-1.71	0.00	6.93	-0.10	0.00	1.24	
		MIN	S2	-1.35	0.00	4.43	-1.35	0.00	-1.20	-1.71	0.00	6.89	-1.71	0.00	-0.25		
			TQ	0.00	0.00	0.00	0.00	0.00	0.00	0.00	0.00	0.00	0.00	0.00	0.00		
			M3	0.54	0.00	-1.73	-1.35	0.00	-1.20	0.75	0.00	-2.39	-1.08	0.00	-0.85		
		6-LANES	MAX	S2	210.67	0.00	-457.31	210.67	0.00	422.66	221.88	0.00	-524.12	221.88	0.00	402.67	
			TQ	0.00	0.00	0.00	0.00	0.00	0.00	0.00	0.00	0.00	0.00	0.00	0.00		
			M3	-87.31	0.00	401.77	184.82	0.00	465.61	-85.71	0.00	383.11	194.15	0.00	454.23		
		MIN	S2	-123.90	0.00	266.61	-123.90	0.00	-250.90	-108.30	0.00	263.92	-108.30	0.00	-188.45		
			TQ	0.00	0.00	0.00	0.00	0.00	0.00	0.00	0.00	0.00	0.00	0.00	0.00		
			M3	171.81	0.00	-669.44	-105.68	0.00	-391.73	195.41	0.00	-711.34	-85.60	0.00	-327.52		
	LIVE LOAD	MAX		339.72	0.00	510.48	339.72	0.00	689.63	348.55	0.00	494.14	348.55	0.00	650.03		
		MIN		-123.90	0.00	-844.89	-123.90	0.00	-549.64	-108.72	0.00	-901.84	-108.72	0.00	-453.28		
303	SUM TOTAL	TOTAL	MAX		503.97	0.00	-103.51	503.97	0.00	761.72	584.78	0.00	-277.00	584.78	0.00	865.62	
			MIN		40.36	0.00	-1458.88	40.36	0.00	-477.55	127.51	0.00	-1672.98	127.51	0.00	-237.69	

BAGO RIVER BRIDGE

BLOCK [ No.2 : CROSS BEAM ][ BEAM MEMBER FORCE ]

MEMBER NODE	1003053 3053	4053			1003055 3055	4055										
		SHEAR S2 (kN)	TORQUE TQ (kN·m)	MOMENT M3 (kN·m)		SHEAR S2 (kN)	TORQUE TQ (kN·m)	MOMENT M3 (kN·m)								
1 PAVEMENT	-4.88	0.00	-10.14	-4.88	0.00	-30.53	26.36	0.00	-56.57	26.36	0.00	53.52				
3 RAILING	4.56	0.00	-16.64	4.56	0.00	2.42	-1.43	0.00	2.93	-1.43	0.00	-3.04				
5 CURB	45.17	0.00	-164.74	45.17	0.00	23.92	-14.15	0.00	29.04	-14.15	0.00	-30.08				
7 DECK WEIGHT	-16.33	0.00	9.64	-16.33	0.00	-58.59	45.41	0.00	-97.26	45.41	0.00	92.42				
8 GIRDER WEIGH	-47.13	0.00	99.74	-47.13	0.00	-97.13	70.07	0.00	-149.40	70.07	0.00	143.27				
10 MEDIAN STRIP	-76.05	0.00	241.42	-76.05	0.00	-76.25	42.62	0.00	-89.49	42.62	0.00	88.55				
21 ADITIONAL WE	-4.57	0.00	2.70	-4.57	0.00	-16.40	12.71	0.00	-27.23	12.71	0.00	25.88				
31 MEDIAN RAILI	-2.79	0.00	8.85	-2.79	0.00	-2.82	1.84	0.00	-3.88	1.84	0.00	3.82				
51 SUPPORT WEIG	-0.00	0.00	0.00	-0.00	0.00	0.00	-0.00	0.00	0.00	-0.00	0.00	-0.00				
52 NOSE WEIGHT	0.00	0.00	-0.00	0.00	0.00	0.00	0.00	0.00	-0.00	0.00	0.00	0.00				
61 1-LANE(case1TRUCK-LOAD	MAX	S2	6.00	0.00	-78.20	6.00	0.00	-53.12	198.89	0.00	-427.50	198.89	0.00	403.25		
		TQ	0.00	0.00	0.00	0.00	0.00	0.00	0.00	0.00	0.00	0.00	0.00	0.00		
		M3	-0.09	0.00	0.29	2.37	0.00	8.45	-14.06	0.00	30.12	198.89	0.00	403.25		
		MIN	S2	-5.17	0.00	-35.34	-5.17	0.00	-56.94	-14.06	0.00	30.12	-14.06	0.00	-28.62	
			TQ	0.00	0.00	0.00	0.00	0.00	0.00	0.00	0.00	0.00	0.00	0.00	0.00	
			M3	4.95	0.00	-95.81	1.07	0.00	-83.57	198.85	0.00	-427.87	-14.06	0.00	-28.62	
		TANDEM-LOAD	MAX	S2	4.62	0.00	-59.49	4.62	0.00	-40.18	135.56	0.00	-291.44	135.56	0.00	274.80
				TQ	0.00	0.00	0.00	0.00	0.00	0.00	0.00	0.00	0.00	0.00	0.00	
				M3	-0.06	0.00	0.20	1.62	0.00	5.80	-9.59	0.00	20.54	135.56	0.00	274.80
			MIN	S2	-3.89	0.00	-19.43	-3.89	0.00	-35.67	-9.59	0.00	20.54	-9.59	0.00	-19.52
				TQ	0.00	0.00	0.00	0.00	0.00	0.00	0.00	0.00	0.00	0.00	0.00	
				M3	3.15	0.00	-67.42	0.08	0.00	-58.24	135.55	0.00	-291.55	-9.59	0.00	-19.52
	DISPERSION-LMAX	S2	4.39	0.00	-35.51	4.39	0.00	-17.18	299.67	0.00	-643.50	299.67	0.00	608.20		
			TQ	0.00	0.00	0.00	0.00	0.00	0.00	0.00	0.00	0.00	0.00	0.00		
			M3	-0.13	0.00	0.36	2.24	0.00	7.72	-15.98	0.00	34.22	299.67	0.00	608.20	
		MIN	S2	-2.33	0.00	-17.79	-2.33	0.00	-27.52	-15.98	0.00	34.22	-15.98	0.00	-32.52	
			TQ	0.00	0.00	0.00	0.00	0.00	0.00	0.00	0.00	0.00	0.00	0.00		
			M3	2.19	0.00	-53.66	-0.18	0.00	-52.41	299.67	0.00	-643.50	-15.98	0.00	-32.52	

BAGO RIVER BRIDGE

BLOCK [ No.2 : CROSS BEAM ][ BEAM MEMBER FORCE ]

MEMBER NODE	1003053 3053	4053			1003055 3055	4055								
		SHEAR	TORQUE	MOMENT		SHEAR	TORQUE	MOMENT						
		S2 (kN)	TQ (kN·m)	M3 (kN·m)		S2 (kN)	TQ (kN·m)	M3 (kN·m)						
NAME TITLE														
62 1-LANE (case2TRUCK-LOAD	MAX	S2	0.28	0.00	-0.90	0.28	0.00	0.26	80.63	0.00	-174.36	80.63	0.00	162.42
		TQ	0.00	0.00	0.00	0.00	0.00	0.00	0.00	0.00	0.00	0.00	0.00	0.00
		M3	-17.24	0.00	32.13	-0.27	0.00	0.33	-5.83	0.00	12.49	80.63	0.00	162.42
	MIN	S2	-24.23	0.00	18.17	-24.23	0.00	-83.04	-5.83	0.00	12.49	-5.83	0.00	-11.88
		TQ	0.00	0.00	0.00	0.00	0.00	0.00	0.00	0.00	0.00	0.00	0.00	0.00
		M3	0.28	0.00	-0.90	-23.69	0.00	-86.04	80.63	0.00	-174.36	-5.83	0.00	-11.88
	TANDEM-LOAD MAX	S2	0.19	0.00	-0.61	0.19	0.00	0.18	55.08	0.00	-118.87	55.08	0.00	111.19
		TQ	0.00	0.00	0.00	0.00	0.00	0.00	0.00	0.00	0.00	0.00	0.00	0.00
		M3	-12.67	0.00	23.65	-0.19	0.00	0.23	-3.98	0.00	8.52	55.08	0.00	111.19
	MIN	S2	-16.89	0.00	14.96	-16.89	0.00	-55.60	-3.98	0.00	8.52	-3.98	0.00	-8.10
		TQ	0.00	0.00	0.00	0.00	0.00	0.00	0.00	0.00	0.00	0.00	0.00	0.00
		M3	-8.74	0.00	-0.74	-16.55	0.00	-63.26	55.08	0.00	-118.87	-3.98	0.00	-8.10
	DISPERSION-LMAX	S2	0.33	0.00	-0.95	0.33	0.00	0.42	112.06	0.00	-241.23	112.06	0.00	226.85
		TQ	0.00	0.00	0.00	0.00	0.00	0.00	0.00	0.00	0.00	0.00	0.00	0.00
		M3	-12.43	0.00	24.88	0.15	0.00	0.75	-6.72	0.00	14.39	112.06	0.00	226.85
MIN	S2	-14.51	0.00	20.79	-14.51	0.00	-39.83	-6.72	0.00	14.39	-6.72	0.00	-13.68	
	TQ	0.00	0.00	0.00	0.00	0.00	0.00	0.00	0.00	0.00	0.00	0.00	0.00	
	M3	-1.75	0.00	-5.04	-14.34	0.00	-40.16	112.06	0.00	-241.23	-6.72	0.00	-13.68	
63 1-LANE (case3TRUCK-LOAD	MAX	S2	0.53	0.00	-1.24	0.53	0.00	0.97	0.87	0.00	-1.86	0.87	0.00	1.76
		TQ	0.00	0.00	0.00	0.00	0.00	0.00	0.00	0.00	0.00	0.00	0.00	0.00
		M3	-87.89	0.00	329.69	-10.20	0.00	28.11	-58.62	0.00	126.49	0.87	0.00	1.76
	MIN	S2	-89.43	0.00	326.05	-89.43	0.00	-47.48	-58.62	0.00	126.49	-58.62	0.00	-118.36
		TQ	0.00	0.00	0.00	0.00	0.00	0.00	0.00	0.00	0.00	0.00	0.00	0.00
		M3	0.53	0.00	-1.25	-89.43	0.00	-47.48	0.87	0.00	-1.86	-58.62	0.00	-118.36

BAGO RIVER BRIDGE

BLOCK [ No.2 : CROSS BEAM ][ BEAM MEMBER FORCE ]

MEMBER NODE	1003053 3053	4053			1003055 3055	4055									
		SHEAR	TORQUE	MOMENT		SHEAR	TORQUE	MOMENT							
		S2 (kN)	TQ (kN·m)	M3 (kN·m)		S2 (kN)	TQ (kN·m)	M3 (kN·m)							
NAME TITLE															
63 1-LANE (case3TANDEM-LOAD	MAX	S2	0.36	0.00	-0.85	0.36	0.00	0.66	0.61	0.00	-1.31	0.61	0.00	1.24	
		TQ	0.00	0.00	0.00	0.00	0.00	0.00	0.00	0.00	0.00	0.00	0.00	0.00	
		M3	-68.40	0.00	251.91	-2.35	0.00	20.64	-39.94	0.00	86.33	0.61	0.00	1.24	
	MIN	S2	-68.83	0.00	250.90	-68.83	0.00	-36.60	-39.94	0.00	86.33	-39.94	0.00	-80.49	
		TQ	0.00	0.00	0.00	0.00	0.00	0.00	0.00	0.00	0.00	0.00	0.00	0.00	
		M3	0.36	0.00	-0.85	-68.83	0.00	-36.60	0.61	0.00	-1.31	-39.82	0.00	-80.52	
	DISPERSION-LMAX	S2	0.63	0.00	-1.43	0.63	0.00	1.19	1.23	0.00	-2.61	1.23	0.00	2.54	
		TQ	0.00	0.00	0.00	0.00	0.00	0.00	0.00	0.00	0.00	0.00	0.00	0.00	
		M3	-37.60	0.00	143.11	-4.68	0.00	9.24	-72.22	0.00	157.11	1.22	0.00	2.55	
	MIN	S2	-37.60	0.00	143.07	-37.60	0.00	-13.99	-72.22	0.00	157.10	-72.22	0.00	-144.57	
		TQ	0.00	0.00	0.00	0.00	0.00	0.00	0.00	0.00	0.00	0.00	0.00	0.00	
		M3	0.63	0.00	-1.47	-32.29	0.00	-22.05	1.23	0.00	-2.62	-72.21	0.00	-144.58	
	64 1-LANE (case4TRUCK-LOAD	MAX	S2	166.99	0.00	-460.99	166.99	0.00	236.52	12.59	0.00	-26.97	12.59	0.00	25.60
			TQ	0.00	0.00	0.00	0.00	0.00	0.00	0.00	0.00	0.00	0.00	0.00	0.00
			M3	-9.37	0.00	28.22	166.99	0.00	236.52	-213.77	0.00	457.94	12.59	0.00	25.60
MIN		S2	-9.43	0.00	22.24	-9.43	0.00	-17.15	-213.77	0.00	457.94	-213.77	0.00	-434.99	
		TQ	0.00	0.00	0.00	0.00	0.00	0.00	0.00	0.00	0.00	0.00	0.00	0.00	
		M3	166.99	0.00	-460.99	-9.01	0.00	-18.92	12.59	0.00	-26.97	-213.77	0.00	-434.99	
TANDEM-LOAD MAX		S2	128.06	0.00	-355.12	128.06	0.00	179.80	8.59	0.00	-18.41	8.59	0.00	17.48	
		TQ	0.00	0.00	0.00	0.00	0.00	0.00	0.00	0.00	0.00	0.00	0.00	0.00	
		M3	-6.44	0.00	20.37	128.06	0.00	179.80	-145.49	0.00	312.03	8.59	0.00	17.48	
MIN		S2	-6.44	0.00	20.37	-6.44	0.00	-6.54	-145.49	0.00	312.03	-145.49	0.00	-295.66	
		TQ	0.00	0.00	0.00	0.00	0.00	0.00	0.00	0.00	0.00	0.00	0.00	0.00	
		M3	128.06	0.00	-355.12	-6.19	0.00	-12.91	8.59	0.00	-18.41	-145.49	0.00	-295.66	

BAGO RIVER BRIDGE

BLOCK [ No.2 : CROSS BEAM ][ BEAM MEMBER FORCE ]

MEMBER NODE	1003053 3053	4053			1003055 3055	4055			SHEAR	TORQUE	MOMENT	SHEAR	TORQUE	MOMENT			
		SHEAR	TORQUE	MOMENT		SHEAR	TORQUE	MOMENT							SHEAR	TORQUE	MOMENT
		S2 (kN)	TQ (kN·m)	M3 (kN·m)		S2 (kN)	TQ (kN·m)	M3 (kN·m)							S2 (kN)	TQ (kN·m)	M3 (kN·m)
64	1-LANE (case4DISPERSION-LMAX	S2	60.66	0.00	-165.22	60.66	0.00	88.14	13.82	0.00	-29.61	13.82	0.00	28.11			
		TQ	0.00	0.00	0.00	0.00	0.00	0.00	0.00	0.00	0.00	0.00	0.00	0.00			
		M3	-11.92	0.00	26.97	60.54	0.00	88.20	-307.92	0.00	659.70	13.82	0.00	28.11			
	MIN	S2	-11.97	0.00	26.87	-11.97	0.00	-23.12	-307.92	0.00	659.70	-307.92	0.00	-626.48			
		TQ	0.00	0.00	0.00	0.00	0.00	0.00	0.00	0.00	0.00	0.00	0.00	0.00			
		M3	60.61	0.00	-165.32	-11.85	0.00	-23.18	13.82	0.00	-29.61	-307.92	0.00	-626.48			
65	2-LANES (caseTRUCK-LOAD	MAX	S2	6.77	0.00	-77.43	6.77	0.00	-49.14	337.29	0.00	-725.21	337.29	0.00	683.65		
		TQ	0.00	0.00	0.00	0.00	0.00	0.00	0.00	0.00	0.00	0.00	0.00	0.00			
		M3	-0.59	0.00	2.33	3.10	0.00	12.56	-24.01	0.00	51.42	337.21	0.00	683.66			
	MIN	S2	-15.86	0.00	-52.74	-15.86	0.00	-118.99	-24.01	0.00	51.42	-24.01	0.00	-48.87			
		TQ	0.00	0.00	0.00	0.00	0.00	0.00	0.00	0.00	0.00	0.00	0.00	0.00			
		M3	-1.33	0.00	-151.47	-6.18	0.00	-167.35	337.25	0.00	-725.59	-24.01	0.00	-48.87			
	TANDEM-LOAD	MAX	S2	5.15	0.00	-59.01	5.15	0.00	-37.50	229.82	0.00	-494.25	229.82	0.00	465.73		
		TQ	0.00	0.00	0.00	0.00	0.00	0.00	0.00	0.00	0.00	0.00	0.00	0.00			
		M3	-0.29	0.00	1.59	2.13	0.00	8.60	-16.38	0.00	35.08	229.82	0.00	465.73			
	MIN	S2	-11.57	0.00	-32.25	-11.57	0.00	-80.59	-16.38	0.00	35.08	-16.38	0.00	-33.34			
		TQ	0.00	0.00	0.00	0.00	0.00	0.00	0.00	0.00	0.00	0.00	0.00	0.00			
		M3	-0.50	0.00	-109.49	-5.74	0.00	-116.38	229.81	0.00	-494.35	-16.38	0.00	-33.34			
	DISPERSION-LMAX	S2	5.22	0.00	-37.40	5.22	0.00	-15.58	507.07	0.00	-1089.44	507.07	0.00	1028.60			
		TQ	0.00	0.00	0.00	0.00	0.00	0.00	0.00	0.00	0.00	0.00	0.00	0.00			
		M3	-1.50	0.00	3.37	2.92	0.00	11.43	-27.33	0.00	58.54	507.07	0.00	1028.60			
	MIN	S2	-8.64	0.00	-36.56	-8.64	0.00	-72.65	-27.33	0.00	58.54	-27.33	0.00	-55.64			
		TQ	0.00	0.00	0.00	0.00	0.00	0.00	0.00	0.00	0.00	0.00	0.00	0.00			
		M3	-1.91	0.00	-77.33	-6.33	0.00	-99.66	507.07	0.00	-1089.44	-27.33	0.00	-55.64			

BAGO RIVER BRIDGE

BLOCK [ No.2 : CROSS BEAM ][ BEAM MEMBER FORCE ]

MEMBER				1003053			1003055			4055					
NODE				3053			4053			3055			4055		
NAME TITLE				SHEAR	TORQUE	MOMENT	SHEAR	TORQUE	MOMENT	SHEAR	TORQUE	MOMENT	SHEAR	TORQUE	MOMENT
				S2 (kN)	TQ (kN·m)	M3 (kN·m)	S2 (kN)	TQ (kN·m)	M3 (kN·m)	S2 (kN)	TQ (kN·m)	M3 (kN·m)	S2 (kN)	TQ (kN·m)	M3 (kN·m)
66	2-LANES (caseTRUCK-LOAD	MAX	S2	1.05	0.00	-0.13	1.05	0.00	4.24	219.03	0.00	-472.07	219.03	0.00	442.82
			TQ	0.00	0.00	0.00	0.00	0.00	0.00	0.00	0.00	0.00	0.00	0.00	0.00
			M3	-17.73	0.00	34.17	0.46	0.00	4.44	-15.78	0.00	33.79	218.95	0.00	442.82
		MIN	S2	-34.92	0.00	0.78	-34.92	0.00	-145.09	-15.78	0.00	33.79	-15.78	0.00	-32.12
			TQ	0.00	0.00	0.00	0.00	0.00	0.00	0.00	0.00	0.00	0.00	0.00	0.00
			M3	-6.01	0.00	-56.57	-30.94	0.00	-169.83	219.03	0.00	-472.07	-15.78	0.00	-32.12
	TANDEM-LOAD	MAX	S2	0.72	0.00	-0.13	0.72	0.00	2.86	149.34	0.00	-321.67	149.34	0.00	302.12
		TQ	0.00	0.00	0.00	0.00	0.00	0.00	0.00	0.00	0.00	0.00	0.00	0.00	
		M3	-12.90	0.00	25.04	0.32	0.00	3.04	-10.77	0.00	23.05	149.34	0.00	302.12	
	MIN	S2	-24.58	0.00	2.14	-24.58	0.00	-100.52	-10.77	0.00	23.05	-10.77	0.00	-21.92	
		TQ	0.00	0.00	0.00	0.00	0.00	0.00	0.00	0.00	0.00	0.00	0.00	0.00	
		M3	-12.39	0.00	-42.82	-22.36	0.00	-121.39	149.34	0.00	-321.67	-10.77	0.00	-21.92	
	DISPERSION-LMAX	S2	1.16	0.00	-2.84	1.16	0.00	2.02	319.47	0.00	-687.16	319.47	0.00	647.25	
		TQ	0.00	0.00	0.00	0.00	0.00	0.00	0.00	0.00	0.00	0.00	0.00	0.00	
		M3	-13.81	0.00	27.89	0.83	0.00	4.46	-18.07	0.00	38.70	319.47	0.00	647.25	
MIN	S2	-20.83	0.00	2.02	-20.83	0.00	-84.97	-18.07	0.00	38.70	-18.07	0.00	-36.80		
	TQ	0.00	0.00	0.00	0.00	0.00	0.00	0.00	0.00	0.00	0.00	0.00	0.00		
	M3	-5.85	0.00	-28.71	-20.49	0.00	-87.41	319.47	0.00	-687.16	-18.07	0.00	-36.80		
67	2-LANES (caseTRUCK-LOAD	MAX	S2	13.58	0.00	23.52	13.58	0.00	80.23	5.66	0.00	-12.13	5.66	0.00	11.50
			TQ	0.00	0.00	0.00	0.00	0.00	0.00	0.00	0.00	0.00	0.00	0.00	
			M3	-85.94	0.00	360.11	2.85	0.00	107.36	-191.31	0.00	412.43	5.66	0.00	11.50
		MIN	S2	-96.85	0.00	345.12	-96.85	0.00	-59.42	-191.31	0.00	412.43	-191.31	0.00	-386.68
			TQ	0.00	0.00	0.00	0.00	0.00	0.00	0.00	0.00	0.00	0.00	0.00	0.00
			M3	1.24	0.00	-2.73	-96.29	0.00	-61.30	5.66	0.00	-12.13	-191.31	0.00	-386.68

BAGO RIVER BRIDGE

BLOCK [ No.2 : CROSS BEAM ][ BEAM MEMBER FORCE ]

MEMBER NODE	1003053 3053	4053			1003055 3055	4055							
		SHEAR	TORQUE	MOMENT		SHEAR	TORQUE	MOMENT					
NAME TITLE	S2 (kN)	TQ (kN·m)	M3 (kN·m)	S2 (kN)	TQ (kN·m)	M3 (kN·m)	S2 (kN)	TQ (kN·m)	M3 (kN·m)	S2 (kN)	TQ (kN·m)	M3 (kN·m)	
67 2-LANES (caseTANDEM-LOAD	MAX S2	10.19	0.00	15.56	10.19	0.00	58.12	3.89	0.00	-8.33	3.89	0.00	7.90
	TQ	0.00	0.00	0.00	0.00	0.00	0.00	0.00	0.00	0.00	0.00	0.00	0.00
	M3	-66.57	0.00	272.95	7.47	0.00	78.10	-130.41	0.00	281.18	3.89	0.00	7.90
	MIN S2	-73.89	0.00	263.49	-73.89	0.00	-45.15	-130.41	0.00	281.18	-130.41	0.00	-263.53
	TQ	0.00	0.00	0.00	0.00	0.00	0.00	0.00	0.00	0.00	0.00	0.00	0.00
	M3	0.84	0.00	-1.86	-73.65	0.00	-46.03	3.89	0.00	-8.33	-130.29	0.00	-263.56
	DISPERSION-LMAX S2	10.85	0.00	-17.07	10.85	0.00	28.27	6.23	0.00	-13.33	6.23	0.00	12.70
	TQ	0.00	0.00	0.00	0.00	0.00	0.00	0.00	0.00	0.00	0.00	0.00	0.00
	M3	-50.31	0.00	196.22	0.85	0.00	45.72	-259.11	0.00	559.21	6.22	0.00	12.72
	MIN S2	-51.03	0.00	193.41	-51.03	0.00	-19.72	-259.12	0.00	559.20	-259.12	0.00	-523.13
	TQ	0.00	0.00	0.00	0.00	0.00	0.00	0.00	0.00	0.00	0.00	0.00	0.00
	M3	10.13	0.00	-19.87	-41.02	0.00	-37.18	6.23	0.00	-13.34	-259.11	0.00	-523.14
68 2-LANES (caseTRUCK-LOAD	MAX S2	180.00	0.00	-436.13	180.00	0.00	315.75	21.05	0.00	-45.11	21.05	0.00	42.82
	TQ	0.00	0.00	0.00	0.00	0.00	0.00	0.00	0.00	0.00	0.00	0.00	0.00
	M3	-7.44	0.00	58.68	180.00	0.00	315.75	-346.43	0.00	743.81	21.05	0.00	42.82
	MIN S2	-16.85	0.00	41.31	-16.85	0.00	-29.09	-346.43	0.00	743.81	-346.43	0.00	-703.24
	TQ	0.00	0.00	0.00	0.00	0.00	0.00	0.00	0.00	0.00	0.00	0.00	0.00
	M3	167.88	0.00	-462.72	-15.87	0.00	-32.74	21.05	0.00	-45.11	-346.43	0.00	-703.24
	TANDEM-LOAD MAX S2	137.87	0.00	-338.66	137.87	0.00	237.24	14.36	0.00	-30.77	14.36	0.00	29.21
	TQ	0.00	0.00	0.00	0.00	0.00	0.00	0.00	0.00	0.00	0.00	0.00	0.00
	M3	-4.62	0.00	41.44	137.87	0.00	237.24	-235.93	0.00	506.84	14.36	0.00	29.21
	MIN S2	-11.50	0.00	32.96	-11.50	0.00	-15.08	-235.93	0.00	506.84	-235.93	0.00	-478.66
	TQ	0.00	0.00	0.00	0.00	0.00	0.00	0.00	0.00	0.00	0.00	0.00	0.00
	M3	128.67	0.00	-356.30	-11.01	0.00	-22.34	14.36	0.00	-30.77	-235.93	0.00	-478.66



BAGO RIVER BRIDGE

BLOCK [ No.2 : CROSS BEAM ][ BEAM MEMBER FORCE ]

MEMBER		1003053						1003055								
NODE		3053			4053			3055			4055					
		SHEAR	TORQUE	MOMENT	SHEAR	TORQUE	MOMENT	SHEAR	TORQUE	MOMENT	SHEAR	TORQUE	MOMENT			
NAME	TITLE	S2 (kN)	TQ (kN·m)	M3 (kN·m)	S2 (kN)	TQ (kN·m)	M3 (kN·m)	S2 (kN)	TQ (kN·m)	M3 (kN·m)	S2 (kN)	TQ (kN·m)	M3 (kN·m)			
68	2-LANES (caseDISPERSION-LMAX	S2	71.07	0.00	-181.10	71.07	0.00	115.74	23.03	0.00	-49.36	23.03	0.00	46.85		
		TQ	0.00	0.00	0.00	0.00	0.00	0.00	0.00	0.00	0.00	0.00	0.00	0.00		
		M3	-24.67	0.00	80.14	66.26	0.00	125.20	-495.62	0.00	1063.53	23.03	0.00	46.85		
		MIN	S2	-25.43	0.00	77.28	-25.43	0.00	-28.96	-495.62	0.00	1063.53	-495.62	0.00	-1006.69	
		TQ	0.00	0.00	0.00	0.00	0.00	0.00	0.00	0.00	0.00	0.00	0.00	0.00		
		M3	70.30	0.00	-183.96	-20.62	0.00	-38.42	23.03	0.00	-49.36	-495.62	0.00	-1006.69		
		MAX	S2	7.05	0.00	-78.33	7.05	0.00	-48.88	417.92	0.00	-899.57	417.92	0.00	846.07	
		TQ	0.00	0.00	0.00	0.00	0.00	0.00	0.00	0.00	0.00	0.00	0.00	0.00	0.00	
		M3	-17.82	0.00	34.46	2.83	0.00	12.90	-29.84	0.00	63.91	417.84	0.00	846.08		
69	3-LANES (caseTRUCK-LOAD	MIN	S2	-40.09	0.00	-34.57	-40.09	0.00	-202.03	-29.84	0.00	63.91	-29.84	0.00	-60.74	
		TQ	0.00	0.00	0.00	0.00	0.00	0.00	0.00	0.00	0.00	0.00	0.00	0.00		
		M3	-1.06	0.00	-152.38	-29.87	0.00	-253.40	417.88	0.00	-899.95	-29.84	0.00	-60.74		
		TANDEM-LOAD	MAX	S2	5.34	0.00	-59.62	5.34	0.00	-37.32	284.90	0.00	-613.11	284.90	0.00	576.92
		TQ	0.00	0.00	0.00	0.00	0.00	0.00	0.00	0.00	0.00	0.00	0.00	0.00		
		M3	-12.97	0.00	25.24	1.94	0.00	8.83	-20.36	0.00	43.59	284.90	0.00	576.92		
		MIN	S2	-28.47	0.00	-17.29	-28.47	0.00	-136.19	-20.36	0.00	43.59	-20.36	0.00	-41.44	
		TQ	0.00	0.00	0.00	0.00	0.00	0.00	0.00	0.00	0.00	0.00	0.00	0.00		
		M3	-9.24	0.00	-110.24	-22.28	0.00	-179.64	284.89	0.00	-613.22	-20.36	0.00	-41.44		
		DISPERSION-LMAX	S2	5.55	0.00	-38.35	5.55	0.00	-15.16	619.13	0.00	-1330.66	619.13	0.00	1255.45	
		TQ	0.00	0.00	0.00	0.00	0.00	0.00	0.00	0.00	0.00	0.00	0.00	0.00		
		M3	-13.94	0.00	28.24	3.07	0.00	12.18	-34.05	0.00	72.92	619.13	0.00	1255.45		
		MIN	S2	-23.15	0.00	-15.77	-23.15	0.00	-112.48	-34.05	0.00	72.92	-34.05	0.00	-69.32	
		TQ	0.00	0.00	0.00	0.00	0.00	0.00	0.00	0.00	0.00	0.00	0.00	0.00		
		M3	-3.67	0.00	-82.37	-20.67	0.00	-139.83	619.13	0.00	-1330.66	-34.05	0.00	-69.32		

BAGO RIVER BRIDGE

BLOCK [ No.2 : CROSS BEAM ][ BEAM MEMBER FORCE ]

MEMBER				1003053						1003055						
NODE				3053			4053			3055			4055			
NAME TITLE				SHEAR	TORQUE	MOMENT	SHEAR	TORQUE	MOMENT	SHEAR	TORQUE	MOMENT	SHEAR	TORQUE	MOMENT	
				S2 (kN)	TQ (kN·m)	M3 (kN·m)	S2 (kN)	TQ (kN·m)	M3 (kN·m)	S2 (kN)	TQ (kN·m)	M3 (kN·m)	S2 (kN)	TQ (kN·m)	M3 (kN·m)	
70	3-LANES (caseTRUCK-LOAD	MAX	S2	180.46	0.00	-437.19	180.46	0.00	316.62	14.57	0.00	-31.22	14.57	0.00	29.62	
			TQ	0.00	0.00	0.00	0.00	0.00	0.00	0.00	0.00	0.00	0.00	0.00	0.00	0.00
			M3	-95.32	0.00	388.33	169.74	0.00	343.75	-405.12	0.00	870.46	14.57	0.00	29.62	
		MIN	S2	-106.28	0.00	367.36	-106.28	0.00	-76.57	-405.12	0.00	870.46	-405.12	0.00	-821.75	
			TQ	0.00	0.00	0.00	0.00	0.00	0.00	0.00	0.00	0.00	0.00	0.00	0.00	
			M3	168.13	0.00	-463.44	-105.15	0.00	-80.22	14.57	0.00	-31.22	-405.12	0.00	-821.75	
	TANDEM-LOAD	MAX	S2	138.24	0.00	-339.53	138.24	0.00	237.91	9.98	0.00	-21.39	9.98	0.00	20.29	
			TQ	0.00	0.00	0.00	0.00	0.00	0.00	0.00	0.00	0.00	0.00	0.00	0.00	
			M3	-73.01	0.00	293.32	135.53	0.00	257.89	-275.92	0.00	593.27	9.98	0.00	20.29	
		MIN	S2	-80.33	0.00	283.86	-80.33	0.00	-51.69	-275.92	0.00	593.27	-275.92	0.00	-559.24	
			TQ	0.00	0.00	0.00	0.00	0.00	0.00	0.00	0.00	0.00	0.00	0.00	0.00	
			M3	128.90	0.00	-356.96	-79.84	0.00	-58.94	9.98	0.00	-21.39	-275.80	0.00	-559.27	
	DISPERSION-LMAX	MAX	S2	71.23	0.00	-181.79	71.23	0.00	115.75	15.77	0.00	-33.76	15.77	0.00	32.09	
			TQ	0.00	0.00	0.00	0.00	0.00	0.00	0.00	0.00	0.00	0.00	0.00	0.00	
			M3	-62.20	0.00	223.16	61.12	0.00	133.26	-566.12	0.00	1216.97	15.76	0.00	32.11	
	MIN	S2	-62.97	0.00	220.25	-62.97	0.00	-42.76	-566.13	0.00	1216.96	-566.13	0.00	-1147.76		
		TQ	0.00	0.00	0.00	0.00	0.00	0.00	0.00	0.00	0.00	0.00	0.00	0.00		
		M3	70.46	0.00	-184.69	-52.85	0.00	-60.27	15.76	0.00	-33.77	-566.12	0.00	-1147.78		
71	3-LANES (caseTRUCK-LOAD	MAX	S2	180.72	0.00	-437.62	180.72	0.00	317.23	25.40	0.00	-54.44	25.40	0.00	51.67	
			TQ	0.00	0.00	0.00	0.00	0.00	0.00	0.00	0.00	0.00	0.00	0.00	0.00	
			M3	-95.34	0.00	388.41	169.80	0.00	343.85	-405.02	0.00	870.23	25.40	0.00	51.67	
		MIN	S2	-106.28	0.00	367.38	-106.28	0.00	-76.57	-405.02	0.00	870.23	-405.02	0.00	-821.54	
			TQ	0.00	0.00	0.00	0.00	0.00	0.00	0.00	0.00	0.00	0.00	0.00	0.00	
			M3	168.59	0.00	-464.21	-105.31	0.00	-80.22	25.40	0.00	-54.44	-405.02	0.00	-821.54	

BAGO RIVER BRIDGE

BLOCK [ No.2 : CROSS BEAM ][ BEAM MEMBER FORCE ]

MEMBER		1003053						1003055										
NODE		3053			4053			3055			4055							
NAME TITLE		SHEAR	TORQUE	MOMENT	SHEAR	TORQUE	MOMENT	SHEAR	TORQUE	MOMENT	SHEAR	TORQUE	MOMENT					
		S2 (kN)	TQ (kN·m)	M3 (kN·m)	S2 (kN)	TQ (kN·m)	M3 (kN·m)	S2 (kN)	TQ (kN·m)	M3 (kN·m)	S2 (kN)	TQ (kN·m)	M3 (kN·m)					
71	3-LANES (caseTANDEM-LOAD	MAX	S2	138.36	0.00	-339.68	138.36	0.00	238.26	17.34	0.00	-37.16	17.34	0.00	35.27			
			TQ	0.00	0.00	0.00	0.00	0.00	0.00	0.00	0.00	0.00	0.00	0.00	0.00	0.00		
			M3	-73.02	0.00	293.36	135.52	0.00	257.88	-275.85	0.00	593.12	17.34	0.00	0.00	35.27		
		MIN	S2	-80.33	0.00	283.87	-80.33	0.00	-51.69	-275.85	0.00	593.12	-275.85	0.00	0.00	-559.10		
			TQ	0.00	0.00	0.00	0.00	0.00	0.00	0.00	0.00	0.00	0.00	0.00	0.00	0.00		
			M3	129.16	0.00	-357.32	-79.84	0.00	-58.95	17.34	0.00	-37.16	-275.73	0.00	0.00	-559.13		
		DISPERSION-LMAX	S2	71.88	0.00	-182.78	71.88	0.00	117.47	27.65	0.00	-59.23	27.65	0.00	0.00	56.27		
			TQ	0.00	0.00	0.00	0.00	0.00	0.00	0.00	0.00	0.00	0.00	0.00	0.00	0.00		
			M3	-62.30	0.00	223.30	61.76	0.00	134.98	-567.80	0.00	1220.57	27.64	0.00	0.00	56.28		
		MIN	S2	-63.07	0.00	220.39	-63.07	0.00	-43.06	-567.81	0.00	1220.56	-567.81	0.00	0.00	-1151.17		
			TQ	0.00	0.00	0.00	0.00	0.00	0.00	0.00	0.00	0.00	0.00	0.00	0.00	0.00		
			M3	71.11	0.00	-185.69	-52.96	0.00	-60.57	27.65	0.00	-59.24	-567.80	0.00	0.00	-1151.19		
		72	4-LANES	TRUCK-LOAD	MAX	S2	3.14	0.00	-6.36	3.14	0.00	6.74	23.98	0.00	-51.39	23.98	0.00	48.77
						TQ	0.00	0.00	0.00	0.00	0.00	0.00	0.00	0.00	0.00	0.00	0.00	0.00
						M3	-0.66	0.00	1.52	3.14	0.00	6.74	-1.89	0.00	4.06	23.98	0.00	0.00
MIN	S2			-0.66	0.00	1.52	-0.66	0.00	-1.25	-1.89	0.00	4.06	-1.89	0.00	0.00	-3.85		
	TQ			0.00	0.00	0.00	0.00	0.00	0.00	0.00	0.00	0.00	0.00	0.00	0.00	0.00		
	M3			3.14	0.00	-6.36	-0.66	0.00	-1.25	23.98	0.00	-51.39	-1.89	0.00	0.00	-3.85		
TANDEM-LOAD	MAX			S2	2.17	0.00	-4.39	2.17	0.00	4.69	17.03	0.00	-36.49	17.03	0.00	0.00	34.63	
				TQ	0.00	0.00	0.00	0.00	0.00	0.00	0.00	0.00	0.00	0.00	0.00	0.00		
				M3	-0.45	0.00	1.04	2.17	0.00	4.69	-1.30	0.00	2.78	17.03	0.00	0.00	34.63	
MIN	S2			-0.45	0.00	1.04	-0.45	0.00	-0.85	-1.30	0.00	2.78	-1.30	0.00	0.00	-2.64		
	TQ			0.00	0.00	0.00	0.00	0.00	0.00	0.00	0.00	0.00	0.00	0.00	0.00	0.00		
	M3			2.17	0.00	-4.39	-0.45	0.00	-0.85	17.03	0.00	-36.49	-1.30	0.00	0.00	-2.64		

BAGO RIVER BRIDGE

BLOCK [ No.2 : CROSS BEAM ][ BEAM MEMBER FORCE ]

MEMBER			1003053						1003055								
NODE			3053			4053			3055			4055					
NAME TITLE			SHEAR	TORQUE	MOMENT	SHEAR	TORQUE	MOMENT	SHEAR	TORQUE	MOMENT	SHEAR	TORQUE	MOMENT			
			S2 (kN)	TQ (kN·m)	M3 (kN·m)	S2 (kN)	TQ (kN·m)	M3 (kN·m)	S2 (kN)	TQ (kN·m)	M3 (kN·m)	S2 (kN)	TQ (kN·m)	M3 (kN·m)			
72	4-LANES	DISPERSION-LMAX	S2	2.09	0.00	-4.32	2.09	0.00	4.41	14.78	0.00	-31.67	14.78	0.00	30.06		
			TQ	0.00	0.00	0.00	0.00	0.00	0.00	0.00	0.00	0.00	0.00	0.00	0.00	0.00	
			M3	-0.81	0.00	1.86	2.09	0.00	4.41	-2.24	0.00	4.80	14.78	0.00	0.00	30.06	
	MIN	S2	-0.81	0.00	1.86	-0.81	0.00	-1.54	-2.24	0.00	4.80	-2.24	0.00	0.00	-4.55		
		TQ	0.00	0.00	0.00	0.00	0.00	0.00	0.00	0.00	0.00	0.00	0.00	0.00	0.00		
		M3	2.09	0.00	-4.32	-0.81	0.00	-1.54	14.78	0.00	-31.67	-2.24	0.00	0.00	-4.55		
	73	6-LANES	TRUCK-LOAD	MAX	S2	165.95	0.00	-513.39	165.95	0.00	179.77	394.00	0.00	-847.49	394.00	0.00	798.23
				TQ	0.00	0.00	0.00	0.00	0.00	0.00	0.00	0.00	0.00	0.00	0.00	0.00	0.00
				M3	-165.92	0.00	557.03	135.03	0.00	297.89	-380.28	0.00	817.21	393.13	0.00	0.00	799.76
MIN			S2	-178.22	0.00	490.99	-178.22	0.00	-253.43	-380.55	0.00	816.89	-380.55	0.00	0.00	-772.66	
TQ			0.00	0.00	0.00	0.00	0.00	0.00	0.00	0.00	0.00	0.00	0.00	0.00	0.00	0.00	
M3			157.04	0.00	-577.88	-141.97	0.00	-336.34	394.00	0.00	-847.49	-380.55	0.00	0.00	-772.66		
TANDEM-LOAD		MAX	S2	127.07	0.00	-394.40	127.07	0.00	136.37	269.03	0.00	-577.40	269.03	0.00	0.00	546.35	
		TQ	0.00	0.00	0.00	0.00	0.00	0.00	0.00	0.00	0.00	0.00	0.00	0.00	0.00		
		M3	-127.47	0.00	420.15	105.50	0.00	223.94	-259.11	0.00	557.00	268.95	0.00	0.00	546.67		
		MIN	S2	-134.37	0.00	385.33	-134.37	0.00	-175.93	-259.18	0.00	556.91	-259.18	0.00	0.00	-525.68	
		TQ	0.00	0.00	0.00	0.00	0.00	0.00	0.00	0.00	0.00	0.00	0.00	0.00	0.00		
		M3	119.75	0.00	-438.33	-105.44	0.00	-242.90	268.73	0.00	-578.13	-259.18	0.00	0.00	-525.68		
		DISPERSION-LMAX	S2	71.97	0.00	-207.88	71.97	0.00	92.73	591.93	0.00	-1271.78	591.93	0.00	0.00	1200.70	
			TQ	0.00	0.00	0.00	0.00	0.00	0.00	0.00	0.00	0.00	0.00	0.00	0.00	0.00	
			M3	-74.58	0.00	246.02	60.63	0.00	134.82	-551.60	0.00	1185.12	591.92	0.00	0.00	1200.72	
MIN	S2		-83.48	0.00	206.85	-83.48	0.00	-141.84	-551.60	0.00	1185.11	-551.60	0.00	0.00	-1118.94		
TQ	0.00		0.00	0.00	0.00	0.00	0.00	0.00	0.00	0.00	0.00	0.00	0.00	0.00			
M3	63.56		0.00	-248.41	-70.84	0.00	-182.53	591.92	0.00	-1271.79	-551.60	0.00	0.00	-1118.96			

BAGO RIVER BRIDGE

BLOCK [ No.2 : CROSS BEAM ][ BEAM MEMBER FORCE ]

MEMBER			1003053						1003055						
NODE			3053			4053			3055			4055			
NAME TITLE			SHEAR	TORQUE	MOMENT	SHEAR	TORQUE	MOMENT	SHEAR	TORQUE	MOMENT	SHEAR	TORQUE	MOMENT	
			S2 (kN)	TQ (kN·m)	M3 (kN·m)	S2 (kN)	TQ (kN·m)	M3 (kN·m)	S2 (kN)	TQ (kN·m)	M3 (kN·m)	S2 (kN)	TQ (kN·m)	M3 (kN·m)	
124	SUM TOTAL	D+1LANE (caseMAX	S2	-89.56	0.00	34.37	-89.56	0.00	-339.74	781.70	0.00	-1677.06	781.70	0.00	1588.09
			TQ	-102.04	0.00	170.82	-102.04	0.00	-255.38	183.43	0.00	-391.86	183.43	0.00	374.34
			M3	-102.30	0.00	171.60	-96.51	0.00	-235.98	147.38	0.00	-314.65	781.70	0.00	1588.09
		MIN	S2	-111.03	0.00	107.06	-111.03	0.00	-356.73	147.38	0.00	-314.65	147.38	0.00	300.97
			TQ	-102.04	0.00	170.82	-102.04	0.00	-255.38	183.43	0.00	-391.86	183.43	0.00	374.34
			M3	-93.47	0.00	-8.54	-100.97	0.00	-418.56	781.65	0.00	-1677.51	147.38	0.00	300.97
		D+1LANE (caseMAX	S2	-101.31	0.00	168.60	-101.31	0.00	-254.57	414.66	0.00	-890.57	414.66	0.00	841.46
			TQ	-102.04	0.00	170.82	-102.04	0.00	-255.38	183.43	0.00	-391.86	183.43	0.00	374.34
			M3	-137.64	0.00	239.23	-102.17	0.00	-254.09	168.37	0.00	-359.61	414.66	0.00	841.46
		MIN	S2	-148.53	0.00	217.58	-148.53	0.00	-402.83	168.37	0.00	-359.61	168.37	0.00	343.67
			TQ	-102.04	0.00	170.82	-102.04	0.00	-255.38	183.43	0.00	-391.86	183.43	0.00	374.34
			M3	-103.81	0.00	163.69	-147.68	0.00	-406.83	414.66	0.00	-890.57	168.37	0.00	343.67
		D+1LANE (caseMAX	S2	-100.65	0.00	167.61	-100.65	0.00	-252.79	185.95	0.00	-397.22	185.95	0.00	379.49
			TQ	-102.04	0.00	170.82	-102.04	0.00	-255.38	183.43	0.00	-391.86	183.43	0.00	374.34
			M3	-252.62	0.00	738.18	-119.89	0.00	-210.56	26.43	0.00	-51.54	185.94	0.00	379.51
		MIN	S2	-254.47	0.00	733.77	-254.47	0.00	-329.14	26.43	0.00	-51.55	26.43	0.00	58.83
			TQ	-102.04	0.00	170.82	-102.04	0.00	-255.38	183.43	0.00	-391.86	183.43	0.00	374.34
			M3	-100.65	0.00	167.56	-248.10	0.00	-338.81	185.95	0.00	-397.24	26.44	0.00	58.81
		D+1LANE (caseMAX	S2	171.14	0.00	-580.63	171.14	0.00	134.22	215.12	0.00	-459.76	215.12	0.00	438.80
			TQ	-102.04	0.00	170.82	-102.04	0.00	-255.38	183.43	0.00	-391.86	183.43	0.00	374.34
			M3	-127.59	0.00	237.04	171.00	0.00	134.29	-442.60	0.00	949.31	215.12	0.00	438.80
		MIN	S2	-127.71	0.00	229.75	-127.71	0.00	-303.71	-442.60	0.00	949.31	-442.60	0.00	-899.42
			TQ	-102.04	0.00	170.82	-102.04	0.00	-255.38	183.43	0.00	-391.86	183.43	0.00	374.34
			M3	171.08	0.00	-580.75	-127.08	0.00	-305.91	215.12	0.00	-459.76	-442.60	0.00	-899.42

BAGO RIVER BRIDGE

BLOCK [ No.2 : CROSS BEAM ][ BEAM MEMBER FORCE ]

MEMBER			1003053						1003055						
NODE			3053			4053			3055			4055			
NAME TITLE			SHEAR	TORQUE	MOMENT	SHEAR	TORQUE	MOMENT	SHEAR	TORQUE	MOMENT	SHEAR	TORQUE	MOMENT	
			S2 (kN)	TQ (kN·m)	M3 (kN·m)	S2 (kN)	TQ (kN·m)	M3 (kN·m)	S2 (kN)	TQ (kN·m)	M3 (kN·m)	S2 (kN)	TQ (kN·m)	M3 (kN·m)	
124	SUM TOTAL	D+2LANES (casMAX	S2	-90.04	0.00	55.99	-90.04	0.00	-320.11	1027.80	0.00	-2206.50	1027.80	0.00	2086.60
			TQ	-102.04	0.00	170.82	-102.04	0.00	-255.38	183.43	0.00	-391.86	183.43	0.00	374.34
			M3	-104.13	0.00	176.51	-96.02	0.00	-231.39	132.09	0.00	-281.90	1027.72	0.00	2086.60
		MIN	S2	-126.54	0.00	81.52	-126.54	0.00	-447.02	132.09	0.00	-281.90	132.09	0.00	269.84
			TQ	-102.04	0.00	170.82	-102.04	0.00	-255.38	183.43	0.00	-391.86	183.43	0.00	374.34
			M3	-105.28	0.00	-57.98	-114.55	0.00	-522.40	1027.76	0.00	-2206.88	132.09	0.00	269.84
		D+2LANES (casMAX	S2	-99.83	0.00	167.85	-99.83	0.00	-249.13	721.93	0.00	-1551.09	721.93	0.00	1464.41
			TQ	-102.04	0.00	170.82	-102.04	0.00	-255.38	183.43	0.00	-391.86	183.43	0.00	374.34
			M3	-133.58	0.00	232.87	-100.74	0.00	-246.48	149.58	0.00	-319.37	721.85	0.00	1464.42
		MIN	S2	-157.78	0.00	173.61	-157.78	0.00	-485.44	149.58	0.00	-319.37	149.58	0.00	305.43
			TQ	-102.04	0.00	170.82	-102.04	0.00	-255.38	183.43	0.00	-391.86	183.43	0.00	374.34
			M3	-113.90	0.00	85.54	-153.47	0.00	-512.62	721.93	0.00	-1551.09	149.58	0.00	305.43
		D+2LANES (casMAX	S2	-77.61	0.00	177.27	-77.61	0.00	-146.89	195.32	0.00	-417.32	195.32	0.00	398.55
			TQ	-102.04	0.00	170.82	-102.04	0.00	-255.38	183.43	0.00	-391.86	183.43	0.00	374.34
			M3	-238.29	0.00	727.14	-98.34	0.00	-102.30	-266.99	0.00	579.78	195.32	0.00	398.56
		MIN	S2	-249.91	0.00	709.36	-249.91	0.00	-334.52	-266.99	0.00	579.77	-266.99	0.00	-535.46
			TQ	-102.04	0.00	170.82	-102.04	0.00	-255.38	183.43	0.00	-391.86	183.43	0.00	374.34
			M3	-90.66	0.00	148.21	-239.35	0.00	-353.85	195.32	0.00	-417.33	-266.98	0.00	-535.48
		D+2LANES (casMAX	S2	149.04	0.00	-446.41	149.04	0.00	176.11	227.52	0.00	-486.33	227.52	0.00	464.01
			TQ	-102.04	0.00	170.82	-102.04	0.00	-255.38	183.43	0.00	-391.86	183.43	0.00	374.34
			M3	-134.14	0.00	309.64	144.23	0.00	185.57	-658.62	0.00	1415.49	227.52	0.00	464.01
		MIN	S2	-144.32	0.00	289.40	-144.32	0.00	-313.43	-658.62	0.00	1415.49	-658.62	0.00	-1335.59
			TQ	-102.04	0.00	170.82	-102.04	0.00	-255.38	183.43	0.00	-391.86	183.43	0.00	374.34
			M3	136.14	0.00	-475.86	-138.53	0.00	-326.54	227.52	0.00	-486.33	-658.62	0.00	-1335.59

BAGO RIVER BRIDGE

BLOCK [ No.2 : CROSS BEAM ][ BEAM MEMBER FORCE ]

MEMBER			1003053						1003055							
NODE			3053			4053			3055			4055				
NAME TITLE			SHEAR	TORQUE	MOMENT	SHEAR	TORQUE	MOMENT	SHEAR	TORQUE	MOMENT	SHEAR	TORQUE	MOMENT		
			S2 (kN)	TQ (kN·m)	M3 (kN·m)	S2 (kN)	TQ (kN·m)	M3 (kN·m)	S2 (kN)	TQ (kN·m)	M3 (kN·m)	S2 (kN)	TQ (kN·m)	M3 (kN·m)		
124	SUM TOTAL	D+3LANES (casMAX	S2	-91.32	0.00	71.64	-91.32	0.00	-309.82	1064.93	0.00	-2287.56	1064.93	0.00	2160.64	
			TQ	-102.04	0.00	170.82	-102.04	0.00	-255.38	183.43	0.00	-391.86	183.43	0.00	374.34	
			M3	-129.03	0.00	224.12	-97.02	0.00	-234.07	129.12	0.00	-275.56	1064.86	0.00	2160.64	
		MIN	S2	-155.79	0.00	128.03	-155.79	0.00	-522.72	129.12	0.00	-275.56	129.12	0.00	263.79	
			TQ	-102.04	0.00	170.82	-102.04	0.00	-255.38	183.43	0.00	-391.86	183.43	0.00	374.34	
			M3	-106.05	0.00	-28.71	-145.00	0.00	-589.62	1064.89	0.00	-2287.88	129.12	0.00	263.79	
		D+3LANES (casMAX	S2	111.91	0.00	-355.31	111.91	0.00	112.13	209.22	0.00	-447.09	209.22	0.00	426.80	
			TQ	-102.04	0.00	170.82	-102.04	0.00	-255.38	183.43	0.00	-391.86	183.43	0.00	374.34	
			M3	-235.93	0.00	690.58	94.19	0.00	150.08	-642.13	0.00	1382.45	209.21	0.00	426.81	
		MIN	S2	-245.90	0.00	670.29	-245.90	0.00	-356.81	-642.13	0.00	1382.44	-642.13	0.00	-1299.74	
			TQ	-102.04	0.00	170.82	-102.04	0.00	-255.38	183.43	0.00	-391.86	183.43	0.00	374.34	
			M3	100.77	0.00	-380.09	-236.34	0.00	-374.80	209.21	0.00	-447.10	-642.12	0.00	-1299.75	
		D+3LANES (casMAX	S2	112.67	0.00	-356.53	112.67	0.00	114.11	228.53	0.00	-488.48	228.53	0.00	466.09	
			TQ	-102.04	0.00	170.82	-102.04	0.00	-255.38	183.43	0.00	-391.86	183.43	0.00	374.34	
			M3	-236.04	0.00	690.77	94.80	0.00	151.62	-643.47	0.00	1385.32	228.52	0.00	466.10	
		MIN	S2	-245.99	0.00	670.42	-245.99	0.00	-357.07	-643.47	0.00	1385.32	-643.47	0.00	-1302.46	
			TQ	-102.04	0.00	170.82	-102.04	0.00	-255.38	183.43	0.00	-391.86	183.43	0.00	374.34	
			M3	101.71	0.00	-381.60	-236.56	0.00	-375.06	228.53	0.00	-488.49	-643.46	0.00	-1302.47	
		D+4LANES	MAX	S2	-98.64	0.00	163.88	-98.64	0.00	-248.14	208.63	0.00	-445.85	208.63	0.00	425.58
			TQ	-102.04	0.00	170.82	-102.04	0.00	-255.38	183.43	0.00	-391.86	183.43	0.00	374.34	
			M3	-103.00	0.00	173.02	-98.64	0.00	-248.14	180.75	0.00	-386.10	208.63	0.00	425.58	
		MIN	S2	-103.00	0.00	173.02	-103.00	0.00	-257.20	180.75	0.00	-386.10	180.75	0.00	368.88	
			TQ	-102.04	0.00	170.82	-102.04	0.00	-255.38	183.43	0.00	-391.86	183.43	0.00	374.34	
			M3	-98.64	0.00	163.88	-103.00	0.00	-257.20	208.63	0.00	-445.85	180.75	0.00	368.88	

BAGO RIVER BRIDGE

BLOCK [ No.2 : CROSS BEAM ][ BEAM MEMBER FORCE ]

MEMBER				1003053			1003055									
NODE				3053	4053		3055	4055								
NAME TITLE				SHEAR	TORQUE	MOMENT	SHEAR	TORQUE	MOMENT	SHEAR	TORQUE	MOMENT				
				S2 (kN)	TQ (kN·m)	M3 (kN·m)	S2 (kN)	TQ (kN·m)	M3 (kN·m)	S2 (kN)	TQ (kN·m)	M3 (kN·m)				
124	SUM TOTAL	D+6LANES	MAX	S2	52.61	0.00	-298.00	52.61	0.00	-78.25	824.28	0.00	-1769.38	824.28	0.00	1673.65
				TQ	-102.04	0.00	170.82	-102.04	0.00	-255.38	183.43	0.00	-391.86	183.43	0.00	374.34
				M3	-258.36	0.00	692.80	25.15	0.00	25.88	-422.29	0.00	909.65	823.71	0.00	1674.66
			MIN	S2	-272.14	0.00	624.42	-272.14	0.00	-512.31	-422.47	0.00	909.44	-422.47	0.00	-855.20
				TQ	-102.04	0.00	170.82	-102.04	0.00	-255.38	183.43	0.00	-391.86	183.43	0.00	374.34
				M3	41.35	0.00	-366.27	-240.36	0.00	-592.65	824.28	0.00	-1769.39	-422.46	0.00	-855.21
	SUM TOTAL		MAX		171.14	0.00	738.18	171.14	0.00	185.57	1064.93	0.00	1415.49	1064.93	0.00	2160.64
			MIN		-272.14	0.00	-580.75	-272.14	0.00	-592.65	-658.62	0.00	-2287.88	-658.62	0.00	-1335.59
300	DEAD LOAD	TOTAL			-102.04	0.00	170.82	-102.04	0.00	-255.38	183.43	0.00	-391.86	183.43	0.00	374.34
301	LIVE LOAD	1-LANE(case1MAX	S2		12.47	0.00	-136.45	12.47	0.00	-84.36	598.26	0.00	-1285.20	598.26	0.00	1213.75
				TQ	0.00	0.00	0.00	0.00	0.00	0.00	0.00	0.00	0.00	0.00	0.00	0.00
				M3	-0.26	0.00	0.78	5.53	0.00	19.41	-36.05	0.00	77.21	598.26	0.00	1213.75
			MIN	S2	-9.00	0.00	-63.76	-9.00	0.00	-101.34	-36.05	0.00	77.21	-36.05	0.00	-73.37
				TQ	0.00	0.00	0.00	0.00	0.00	0.00	0.00	0.00	0.00	0.00	0.00	0.00
				M3	8.56	0.00	-179.36	1.07	0.00	-163.18	598.22	0.00	-1285.65	-36.05	0.00	-73.37
		1-LANE(case2MAX	S2		0.73	0.00	-2.22	0.73	0.00	0.82	231.22	0.00	-498.71	231.22	0.00	467.12
				TQ	0.00	0.00	0.00	0.00	0.00	0.00	0.00	0.00	0.00	0.00	0.00	0.00
				M3	-35.60	0.00	68.41	-0.13	0.00	1.30	-15.06	0.00	32.25	231.22	0.00	467.12
			MIN	S2	-46.49	0.00	46.76	-46.49	0.00	-147.45	-15.06	0.00	32.25	-15.06	0.00	-30.67
				TQ	0.00	0.00	0.00	0.00	0.00	0.00	0.00	0.00	0.00	0.00	0.00	0.00
				M3	-1.77	0.00	-7.13	-45.64	0.00	-151.44	231.22	0.00	-498.71	-15.06	0.00	-30.67
		1-LANE(case3MAX	S2		1.39	0.00	-3.21	1.39	0.00	2.59	2.52	0.00	-5.37	2.52	0.00	5.15
				TQ	0.00	0.00	0.00	0.00	0.00	0.00	0.00	0.00	0.00	0.00	0.00	0.00
				M3	-150.59	0.00	567.36	-17.86	0.00	44.82	-157.00	0.00	340.32	2.51	0.00	5.17
			MIN	S2	-152.43	0.00	562.95	-152.43	0.00	-73.76	-157.01	0.00	340.31	-157.01	0.00	-315.51
				TQ	0.00	0.00	0.00	0.00	0.00	0.00	0.00	0.00	0.00	0.00	0.00	0.00
				M3	1.39	0.00	-3.26	-146.06	0.00	-83.43	2.51	0.00	-5.38	-157.00	0.00	-315.53



BAGO RIVER BRIDGE

BLOCK [ No.2 : CROSS BEAM ][ BEAM MEMBER FORCE ]

MEMBER			1003053						1003055							
NODE			3053			4053			3055			4055				
NAME TITLE			SHEAR	TORQUE	MOMENT	SHEAR	TORQUE	MOMENT	SHEAR	TORQUE	MOMENT	SHEAR	TORQUE	MOMENT		
			S2 (kN)	TQ (kN·m)	M3 (kN·m)	S2 (kN)	TQ (kN·m)	M3 (kN·m)	S2 (kN)	TQ (kN·m)	M3 (kN·m)	S2 (kN)	TQ (kN·m)	M3 (kN·m)		
301	LIVE LOAD	1-LANE (case4MAX	S2	273.17	0.00	-751.45	273.17	0.00	389.60	31.69	0.00	-67.90	31.69	0.00	64.46	
			TQ	0.00	0.00	0.00	0.00	0.00	0.00	0.00	0.00	0.00	0.00	0.00	0.00	0.00
			M3	-25.55	0.00	66.23	273.04	0.00	389.67	-626.03	0.00	1341.17	31.69	0.00	0.00	64.46
			MIN S2	-25.68	0.00	58.93	-25.68	0.00	-48.33	-626.03	0.00	1341.17	-626.03	0.00	0.00	-1273.77
			TQ	0.00	0.00	0.00	0.00	0.00	0.00	0.00	0.00	0.00	0.00	0.00	0.00	0.00
			M3	273.12	0.00	-751.57	-25.04	0.00	-50.53	31.69	0.00	-67.90	-626.03	0.00	0.00	-1273.77
		2-LANES (caseMAX	S2	12.00	0.00	-114.83	12.00	0.00	-64.72	844.36	0.00	-1814.64	844.36	0.00	0.00	1712.25
			TQ	0.00	0.00	0.00	0.00	0.00	0.00	0.00	0.00	0.00	0.00	0.00	0.00	0.00
			M3	-2.09	0.00	5.70	6.01	0.00	23.99	-51.34	0.00	109.95	844.29	0.00	0.00	1712.26
			MIN S2	-24.50	0.00	-89.30	-24.50	0.00	-191.64	-51.34	0.00	109.95	-51.34	0.00	0.00	-104.50
			TQ	0.00	0.00	0.00	0.00	0.00	0.00	0.00	0.00	0.00	0.00	0.00	0.00	0.00
			M3	-3.25	0.00	-228.80	-12.51	0.00	-267.02	844.32	0.00	-1815.02	-51.34	0.00	0.00	-104.50
		2-LANES (caseMAX	S2	2.21	0.00	-2.97	2.21	0.00	6.26	538.50	0.00	-1159.23	538.50	0.00	0.00	1090.07
			TQ	0.00	0.00	0.00	0.00	0.00	0.00	0.00	0.00	0.00	0.00	0.00	0.00	0.00
			M3	-31.54	0.00	62.05	1.29	0.00	8.90	-33.85	0.00	72.49	538.42	0.00	0.00	1090.07
			MIN S2	-55.75	0.00	2.79	-55.75	0.00	-230.06	-33.85	0.00	72.49	-33.85	0.00	0.00	-68.92
			TQ	0.00	0.00	0.00	0.00	0.00	0.00	0.00	0.00	0.00	0.00	0.00	0.00	0.00
			M3	-11.86	0.00	-85.28	-51.44	0.00	-257.24	538.50	0.00	-1159.23	-33.85	0.00	0.00	-68.92
		2-LANES (caseMAX	S2	24.43	0.00	6.45	24.43	0.00	108.49	11.89	0.00	-25.46	11.89	0.00	0.00	24.20
			TQ	0.00	0.00	0.00	0.00	0.00	0.00	0.00	0.00	0.00	0.00	0.00	0.00	0.00
			M3	-136.25	0.00	556.32	3.70	0.00	153.08	-450.42	0.00	971.64	11.88	0.00	0.00	24.22
MIN S2	-147.88		0.00	538.54	-147.88	0.00	-79.14	-450.43	0.00	971.63	-450.43	0.00	0.00	-909.80		
TQ	0.00		0.00	0.00	0.00	0.00	0.00	0.00	0.00	0.00	0.00	0.00	0.00	0.00		
M3	11.37		0.00	-22.61	-137.31	0.00	-98.47	11.89	0.00	-25.47	-450.42	0.00	0.00	-909.82		

BAGO RIVER BRIDGE

BLOCK [ No.2 : CROSS BEAM ][ BEAM MEMBER FORCE ]

MEMBER			1003053						1003055							
NODE			3053			4053			3055			4055				
NAME TITLE			SHEAR	TORQUE	MOMENT	SHEAR	TORQUE	MOMENT	SHEAR	TORQUE	MOMENT	SHEAR	TORQUE	MOMENT		
			S2 (kN)	TQ (kN·m)	M3 (kN·m)	S2 (kN)	TQ (kN·m)	M3 (kN·m)	S2 (kN)	TQ (kN·m)	M3 (kN·m)	S2 (kN)	TQ (kN·m)	M3 (kN·m)		
301	LIVE LOAD	2-LANES (caseMAX	S2	251.07	0.00	-617.23	251.07	0.00	431.49	44.08	0.00	-94.47	44.08	0.00	89.67	
			TQ	0.00	0.00	0.00	0.00	0.00	0.00	0.00	0.00	0.00	0.00	0.00	0.00	0.00
			M3	-32.11	0.00	138.82	246.26	0.00	440.95	-842.06	0.00	1807.35	44.08	0.00	0.00	89.67
			MIN S2	-42.29	0.00	118.58	-42.29	0.00	-58.04	-842.06	0.00	1807.35	-842.06	0.00	0.00	-1709.93
			TQ	0.00	0.00	0.00	0.00	0.00	0.00	0.00	0.00	0.00	0.00	0.00	0.00	0.00
			M3	238.18	0.00	-646.68	-36.50	0.00	-71.16	44.08	0.00	-94.47	-842.06	0.00	0.00	-1709.93
		3-LANES (caseMAX	S2	10.71	0.00	-99.18	10.71	0.00	-54.44	881.49	0.00	-1895.70	881.49	0.00	0.00	1786.29
			TQ	0.00	0.00	0.00	0.00	0.00	0.00	0.00	0.00	0.00	0.00	0.00	0.00	0.00
			M3	-27.00	0.00	53.30	5.02	0.00	21.31	-54.31	0.00	116.30	881.43	0.00	0.00	1786.30
			MIN S2	-53.76	0.00	-42.79	-53.76	0.00	-267.33	-54.31	0.00	116.30	-54.31	0.00	0.00	-110.55
			TQ	0.00	0.00	0.00	0.00	0.00	0.00	0.00	0.00	0.00	0.00	0.00	0.00	0.00
			M3	-4.02	0.00	-199.53	-42.97	0.00	-334.24	881.46	0.00	-1896.02	-54.31	0.00	0.00	-110.55
		3-LANES (caseMAX	S2	213.94	0.00	-526.13	213.94	0.00	367.51	25.78	0.00	-55.23	25.78	0.00	0.00	52.45
			TQ	0.00	0.00	0.00	0.00	0.00	0.00	0.00	0.00	0.00	0.00	0.00	0.00	0.00
			M3	-133.89	0.00	519.76	196.22	0.00	405.46	-825.56	0.00	1774.31	25.77	0.00	0.00	52.47
			MIN S2	-143.86	0.00	499.48	-143.86	0.00	-101.43	-825.56	0.00	1774.30	-825.56	0.00	0.00	-1674.08
			TQ	0.00	0.00	0.00	0.00	0.00	0.00	0.00	0.00	0.00	0.00	0.00	0.00	0.00
			M3	202.80	0.00	-550.91	-134.30	0.00	-119.42	25.78	0.00	-55.24	-825.56	0.00	0.00	-1674.10
		3-LANES (caseMAX	S2	214.71	0.00	-527.35	214.71	0.00	369.49	45.09	0.00	-96.62	45.09	0.00	0.00	91.74
			TQ	0.00	0.00	0.00	0.00	0.00	0.00	0.00	0.00	0.00	0.00	0.00	0.00	0.00
			M3	-134.00	0.00	519.95	196.83	0.00	407.01	-826.90	0.00	1777.18	45.09	0.00	0.00	91.76
			MIN S2	-143.95	0.00	499.60	-143.95	0.00	-101.69	-826.90	0.00	1777.18	-826.90	0.00	0.00	-1676.80
			TQ	0.00	0.00	0.00	0.00	0.00	0.00	0.00	0.00	0.00	0.00	0.00	0.00	0.00
			M3	203.75	0.00	-552.42	-134.52	0.00	-119.68	45.09	0.00	-96.63	-826.90	0.00	0.00	-1676.81

BAGO RIVER BRIDGE

BLOCK [ No.2 : CROSS BEAM ][ BEAM MEMBER FORCE ]

MEMBER				1003053			1003055			1003055			1003055				
NODE				3053			4053			3055			4055				
NAME TITLE				SHEAR	TORQUE	MOMENT	SHEAR	TORQUE	MOMENT	SHEAR	TORQUE	MOMENT	SHEAR	TORQUE	MOMENT		
				S2 (kN)	TQ (kN·m)	M3 (kN·m)	S2 (kN)	TQ (kN·m)	M3 (kN·m)	S2 (kN)	TQ (kN·m)	M3 (kN·m)	S2 (kN)	TQ (kN·m)	M3 (kN·m)		
301	LIVE LOAD	4-LANES	MAX	S2	3.40	0.00	-6.94	3.40	0.00	7.24	25.19	0.00	-53.99	25.19	0.00	51.24	
				TQ	0.00	0.00	0.00	0.00	0.00	0.00	0.00	0.00	0.00	0.00	0.00	0.00	0.00
				M3	-0.96	0.00	2.20	3.40	0.00	7.24	-2.69	0.00	5.76	25.19	0.00	0.00	51.24
		MIN	S2	-0.96	0.00	2.20	-0.96	0.00	-1.81	-2.69	0.00	5.76	-2.69	0.00	0.00	-5.46	
			TQ	0.00	0.00	0.00	0.00	0.00	0.00	0.00	0.00	0.00	0.00	0.00	0.00	0.00	
			M3	3.40	0.00	-6.94	-0.96	0.00	-1.81	25.19	0.00	-53.99	-2.69	0.00	0.00	-5.46	
		6-LANES	MAX	S2	154.65	0.00	-468.82	154.65	0.00	177.13	640.85	0.00	-1377.52	640.85	0.00	1299.30	
				TQ	0.00	0.00	0.00	0.00	0.00	0.00	0.00	0.00	0.00	0.00	0.00	0.00	
				M3	-156.33	0.00	521.98	127.18	0.00	281.26	-605.73	0.00	1301.51	640.28	0.00	1300.31	
			MIN	S2	-170.10	0.00	453.60	-170.10	0.00	-256.93	-605.90	0.00	1301.30	-605.90	0.00	-1229.54	
				TQ	0.00	0.00	0.00	0.00	0.00	0.00	0.00	0.00	0.00	0.00	0.00	0.00	
				M3	143.39	0.00	-537.09	-138.33	0.00	-337.27	640.85	0.00	-1377.53	-605.89	0.00	-1229.56	
	LIVE LOAD	MAX		273.17	0.00	567.36	273.17	0.00	440.95	881.49	0.00	1807.35	881.49	0.00	1786.30		
		MIN		-170.10	0.00	-751.57	-170.10	0.00	-337.27	-842.06	0.00	-1896.02	-842.06	0.00	-1709.93		
303	SUM TOTAL	TOTAL	MAX		171.14	0.00	738.18	171.14	0.00	185.57	1064.93	0.00	1415.49	1064.93	0.00	2160.64	
			MIN		-272.14	0.00	-580.75	-272.14	0.00	-592.65	-658.62	0.00	-2287.88	-658.62	0.00	-1335.59	

BAGO RIVER BRIDGE

OUTPUT CASE

NAME TITLE

- 1 PAVEMENT
- 3 RAILING
- 5 CURB
- 7 DECK WEIGHT
- 8 GIRDER WEIGHT
- 10 MEDIAN STRIP
- 21 ADDITIONAL WEIGHT
- 31 MEDIAN RAILING
- 51 SUPPORT WEIGHT
- 52 NOSE WEIGHT

61	1-LANE (case1)	TRUCK-LOAD	MAX/MIN	SIMUL (EVERY FORCE)
		TANDEM-LOAD	MAX/MIN	SIMUL (EVERY FORCE)
		DISPERSION-LOAD	MAX/MIN	SIMUL (EVERY FORCE)
62	1-LANE (case2)	TRUCK-LOAD	MAX/MIN	SIMUL (EVERY FORCE)
		TANDEM-LOAD	MAX/MIN	SIMUL (EVERY FORCE)
		DISPERSION-LOAD	MAX/MIN	SIMUL (EVERY FORCE)
63	1-LANE (case3)	TRUCK-LOAD	MAX/MIN	SIMUL (EVERY FORCE)
		TANDEM-LOAD	MAX/MIN	SIMUL (EVERY FORCE)
		DISPERSION-LOAD	MAX/MIN	SIMUL (EVERY FORCE)
64	1-LANE (case4)	TRUCK-LOAD	MAX/MIN	SIMUL (EVERY FORCE)
		TANDEM-LOAD	MAX/MIN	SIMUL (EVERY FORCE)
		DISPERSION-LOAD	MAX/MIN	SIMUL (EVERY FORCE)
65	2-LANES (case1)	TRUCK-LOAD	MAX/MIN	SIMUL (EVERY FORCE)
		TANDEM-LOAD	MAX/MIN	SIMUL (EVERY FORCE)
		DISPERSION-LOAD	MAX/MIN	SIMUL (EVERY FORCE)
66	2-LANES (case2)	TRUCK-LOAD	MAX/MIN	SIMUL (EVERY FORCE)
		TANDEM-LOAD	MAX/MIN	SIMUL (EVERY FORCE)
		DISPERSION-LOAD	MAX/MIN	SIMUL (EVERY FORCE)
67	2-LANES (case3)	TRUCK-LOAD	MAX/MIN	SIMUL (EVERY FORCE)
		TANDEM-LOAD	MAX/MIN	SIMUL (EVERY FORCE)
		DISPERSION-LOAD	MAX/MIN	SIMUL (EVERY FORCE)
68	2-LANES (case4)	TRUCK-LOAD	MAX/MIN	SIMUL (EVERY FORCE)

BAGO RIVER BRIDGE

OUTPUT CASE

NAME TITLE

68	2-LANES (case4)	TANDEM-LOAD	MAX/MIN	SIMUL (EVERY FORCE)
		DISPERSION-LOAD	MAX/MIN	SIMUL (EVERY FORCE)
69	3-LANES (case1)	TRUCK-LOAD	MAX/MIN	SIMUL (EVERY FORCE)
		TANDEM-LOAD	MAX/MIN	SIMUL (EVERY FORCE)
		DISPERSION-LOAD	MAX/MIN	SIMUL (EVERY FORCE)
70	3-LANES (case2)	TRUCK-LOAD	MAX/MIN	SIMUL (EVERY FORCE)
		TANDEM-LOAD	MAX/MIN	SIMUL (EVERY FORCE)
		DISPERSION-LOAD	MAX/MIN	SIMUL (EVERY FORCE)
71	3-LANES (case3)	TRUCK-LOAD	MAX/MIN	SIMUL (EVERY FORCE)
		TANDEM-LOAD	MAX/MIN	SIMUL (EVERY FORCE)
		DISPERSION-LOAD	MAX/MIN	SIMUL (EVERY FORCE)
72	4-LANES	TRUCK-LOAD	MAX/MIN	SIMUL (EVERY FORCE)
		TANDEM-LOAD	MAX/MIN	SIMUL (EVERY FORCE)
		DISPERSION-LOAD	MAX/MIN	SIMUL (EVERY FORCE)
73	6-LANES	TRUCK-LOAD	MAX/MIN	SIMUL (EVERY FORCE)
		TANDEM-LOAD	MAX/MIN	SIMUL (EVERY FORCE)
		DISPERSION-LOAD	MAX/MIN	SIMUL (EVERY FORCE)
124	SUM TOTAL	D+1LANE (case1)	MAX/MIN	SIMUL (EVERY FORCE)
		D+1LANE (case2)	MAX/MIN	SIMUL (EVERY FORCE)
		D+1LANE (case3)	MAX/MIN	SIMUL (EVERY FORCE)
		D+1LANE (case4)	MAX/MIN	SIMUL (EVERY FORCE)
		D+2LANES (cace1)	MAX/MIN	SIMUL (EVERY FORCE)
		D+2LANES (case2)	MAX/MIN	SIMUL (EVERY FORCE)
		D+2LANES (cace3)	MAX/MIN	SIMUL (EVERY FORCE)
		D+2LANES (case4)	MAX/MIN	SIMUL (EVERY FORCE)
		D+3LANES (cace1)	MAX/MIN	SIMUL (EVERY FORCE)
		D+3LANES (cace2)	MAX/MIN	SIMUL (EVERY FORCE)
		D+3LANES (cace3)	MAX/MIN	SIMUL (EVERY FORCE)
		D+4LANES	MAX/MIN	SIMUL (EVERY FORCE)
		D+6LANES	MAX/MIN	SIMUL (EVERY FORCE)
		SUM TOTAL	MAX/MIN	
300	DEAD LOAD	TOTAL		

BAGO RIVER BRIDGE

OUTPUT CASE

NAME TITLE

301 LIVE LOAD	1-LANE (case1)	MAX/MIN	SIMUL (EVERY FORCE)
	1-LANE (case2)	MAX/MIN	SIMUL (EVERY FORCE)
	1-LANE (case3)	MAX/MIN	SIMUL (EVERY FORCE)
	1-LANE (case4)	MAX/MIN	SIMUL (EVERY FORCE)
	2-LANES (case1)	MAX/MIN	SIMUL (EVERY FORCE)
	2-LANES (case2)	MAX/MIN	SIMUL (EVERY FORCE)
	2-LANES (case3)	MAX/MIN	SIMUL (EVERY FORCE)
	2-LANES (case4)	MAX/MIN	SIMUL (EVERY FORCE)
	3-LANES (case1)	MAX/MIN	SIMUL (EVERY FORCE)
	3-LANES (case2)	MAX/MIN	SIMUL (EVERY FORCE)
	3-LANES (case3)	MAX/MIN	SIMUL (EVERY FORCE)
	4-LANES	MAX/MIN	SIMUL (EVERY FORCE)
	6-LANES	MAX/MIN	SIMUL (EVERY FORCE)
	LIVE LOAD	MAX/MIN	
303 SUM TOTAL	TOTAL	MAX/MIN	

OUTPUT ELEMENT BLOCK

NAME TITLE	ELEMENT SIZE
3 SUPPORT No. 1	4
4 SUPPORT No. 2	4
5 SUPPORT No. 3	4
6 SUPPORT No. 4	4

BAGO RIVER BRIDGE

BLOCK [ No. 3 : SUPPORT No. 1 ][ SUPPORT REACTION ]

SUPPORT		7101001	7102001	7103001	7104001	
NODE		1001	2001	3001	4001	
		FORCE3	FORCE3	FORCE3	FORCE3	
NAME	TITLE	D3 (kN)	D3 (kN)	D3 (kN)	D3 (kN)	
1	PAVEMENT	275.81	272.82	358.50	420.52	
3	RAILING	12.36	2.24	4.03	12.38	
5	CURB	122.41	22.17	39.89	122.52	
7	DECK WEIGHT	457.96	413.73	549.98	638.43	
8	GIRDER WEIGH	722.80	454.48	607.65	580.56	
10	MEDIAN STRIP	119.82	90.44	128.52	53.35	
21	ADITIONAL WE	128.23	115.85	154.00	178.76	
31	MEDIAN RAILI	9.47	7.19	10.21	4.13	
51	SUPPORT WEIG	13.76	15.59	22.15	20.35	
52	NOSE WEIGHT	3.35	-10.96	20.14	19.20	
61	1-LANE(case1)TRUCK-LOAD	MAX D3	426.24	3.96	42.19	3.27
		MIN D3	-25.77	-61.87	-7.40	-35.22
		TANDEM-LOAD MAX D3	313.65	2.74	29.31	2.22
		MIN D3	-17.59	-60.29	-5.03	-24.18
		DISPERSION-LMAX D3	362.00	7.92	45.22	5.62
		MIN D3	-29.82	-47.84	-8.94	-39.41
62	1-LANE(case2)TRUCK-LOAD	MAX D3	138.46	244.97	85.22	18.96
		MIN D3	-15.79	-2.74	-8.02	-6.24
		TANDEM-LOAD MAX D3	94.21	204.55	59.53	13.03
		MIN D3	-10.74	-1.87	-5.46	-4.25
		DISPERSION-LMAX D3	156.55	71.49	81.28	25.46
		MIN D3	-18.49	-5.07	-9.53	-7.36
63	1-LANE(case3)TRUCK-LOAD	MAX D3	47.05	87.08	267.50	63.02
		MIN D3	-8.34	-6.44	-8.49	-9.14
		TANDEM-LOAD MAX D3	32.32	60.97	210.12	43.22
		MIN D3	-5.67	-4.39	-5.78	-6.23
		DISPERSION-LMAX D3	53.33	76.22	130.95	71.89
		MIN D3	-9.87	-7.66	-10.07	-10.86

BAGO RIVER BRIDGE

BLOCK [ No. 3 : SUPPORT No. 1 ][ SUPPORT REACTION ]

SUPPORT		7101001	7102001	7103001	7104001		
NODE		1001	2001	3001	4001		
		FORCE3	FORCE3	FORCE3	FORCE3		
NAME	TITLE	D3 (kN)	D3 (kN)	D3 (kN)	D3 (kN)		
64	1-LANE (case4) TRUCK-LOAD	MAX	D3	9.55	115.05	68.46	377.88
		MIN	D3	-133.20	-15.16	-16.81	-15.64
	TANDEM-LOAD	MAX	D3	6.60	78.55	46.94	275.24
		MIN	D3	-90.92	-10.34	-21.34	-10.66
	DISPERSION-LMAX	MAX	D3	13.31	129.19	73.85	271.24
		MIN	D3	-145.35	-17.28	-13.47	-18.10
65	2-LANES (case1) TRUCK-LOAD	MAX	D3	643.50	140.24	98.60	6.69
		MIN	D3	-46.57	-80.18	-15.11	-44.70
	TANDEM-LOAD	MAX	D3	461.72	114.86	68.18	4.54
		MIN	D3	-31.77	-72.86	-10.28	-30.80
	DISPERSION-LMAX	MAX	D3	615.57	46.06	105.71	11.90
		MIN	D3	-53.99	-63.93	-18.12	-53.90
66	2-LANES (case2) TRUCK-LOAD	MAX	D3	355.72	381.25	141.64	22.38
		MIN	D3	-36.58	-21.06	-15.72	-15.72
	TANDEM-LOAD	MAX	D3	242.28	316.67	98.41	15.35
		MIN	D3	-24.92	-14.45	-10.70	-10.87
	DISPERSION-LMAX	MAX	D3	410.12	109.63	141.78	31.74
		MIN	D3	-42.67	-21.17	-18.72	-21.85
67	2-LANES (case3) TRUCK-LOAD	MAX	D3	50.75	173.20	514.69	167.91
		MIN	D3	-19.01	-15.63	-17.29	-20.33
	TANDEM-LOAD	MAX	D3	34.83	121.03	404.24	114.87
		MIN	D3	-13.74	-10.64	-11.78	-13.85
	DISPERSION-LMAX	MAX	D3	62.64	165.02	258.77	190.56
		MIN	D3	-26.36	-18.46	-20.50	-24.08
68	2-LANES (case4) TRUCK-LOAD	MAX	D3	14.15	213.42	146.43	663.46
		MIN	D3	-219.20	-27.46	-25.96	-29.14
	TANDEM-LOAD	MAX	D3	9.77	145.72	100.09	481.08
		MIN	D3	-149.70	-18.73	-27.59	-19.84



BAGO RIVER BRIDGE

BLOCK [ No. 3 : SUPPORT No. 1 ][ SUPPORT REACTION ]

SUPPORT		7101001	7102001	7103001	7104001
NODE		1001	2001	3001	4001
		FORCE3	FORCE3	FORCE3	FORCE3
NAME	TITLE	D3 (kN)	D3 (kN)	D3 (kN)	D3 (kN)
68	2-LANES (case4)DISPERSION-LMAX	22.27	242.16	163.35	489.51
	MIN	-240.67	-31.43	-24.30	-33.85
69	3-LANES (case1)TRUCK-LOAD	781.96	385.21	183.83	25.65
	MIN	-62.36	-82.92	-23.13	-50.93
	TANDEM-LOAD	555.93	319.41	127.72	17.57
	MIN	-42.51	-74.74	-15.74	-35.05
	DISPERSION-LMAX	772.12	117.55	186.99	37.36
	MIN	-72.49	-69.01	-27.65	-61.26
70	3-LANES (case2)TRUCK-LOAD	54.64	261.75	680.49	347.89
	MIN	-68.93	-27.64	-26.42	-33.63
	TANDEM-LOAD	37.51	181.41	530.58	239.05
	MIN	-47.73	-18.82	-18.01	-22.88
	DISPERSION-LMAX	70.34	270.15	368.71	362.44
	MIN	-87.17	-32.39	-31.31	-39.67
71	3-LANES (case3)TRUCK-LOAD	18.28	301.18	299.86	856.77
	MIN	-260.81	-36.94	-34.80	-40.54
	TANDEM-LOAD	12.58	205.49	214.35	617.51
	MIN	-178.05	-25.18	-33.61	-27.60
	DISPERSION-LMAX	29.40	338.83	270.77	654.60
	MIN	-288.29	-42.44	-34.76	-47.24
72	4-LANES TRUCK-LOAD	56.07	380.98	662.96	814.00
	MIN	-232.23	-43.08	-40.55	-49.47
	TANDEM-LOAD	38.60	262.33	504.55	579.56
	MIN	-158.56	-29.37	-35.46	-33.68
	DISPERSION-LMAX	57.91	395.00	410.06	672.82
	MIN	-268.59	-40.32	-35.36	-46.11
73	6-LANES TRUCK-LOAD	693.08	658.43	780.11	761.48
	MIN	-256.70	-99.38	-55.30	-84.86

BAGO RIVER BRIDGE

BLOCK [ No. 3 : SUPPORT No. 1 ][ SUPPORT REACTION ]

SUPPORT		7101001	7102001	7103001	7104001
NODE		1001	2001	3001	4001
		FORCE3	FORCE3	FORCE3	FORCE3
NAME	TITLE	D3 (kN)	D3 (kN)	D3 (kN)	D3 (kN)
73	6-LANES				
	TANDEM-LOAD				
	MAX	496.06	491.75	582.78	543.14
	MIN	-175.91	-83.71	-45.49	-57.95
	DISPERSION-L				
	MAX	687.93	469.54	554.79	662.78
	MIN	-306.87	-102.93	-60.24	-101.05
124	SUM TOTAL				
	D+1LANE (case1)				
	MAX	2811.85	1397.81	1999.96	2060.86
	MIN	1799.24	1251.90	1875.46	1960.63
	D+1LANE (case2)				
	MAX	2219.97	1763.30	2094.88	2103.49
	MIN	1824.82	1374.16	1874.01	2033.87
	D+1LANE (case3)				
	MAX	1986.41	1579.51	2373.21	2212.09
	MIN	1844.11	1366.61	1872.81	2026.19
	D+1LANE (case4)				
	MAX	1893.39	1676.64	2065.85	2829.14
	MIN	1531.68	1344.62	1858.74	2009.70
	D+2LANES (case1)				
	MAX	3125.03	1569.84	2099.39	2068.78
	MIN	1765.39	1239.43	1861.84	1951.59
	D+2LANES (case2)				
	MAX	2631.79	1874.42	2178.49	2104.31
	MIN	1786.71	1341.32	1860.63	2012.63
	D+2LANES (case3)				
	MAX	1979.34	1721.76	2668.53	2408.66
	MIN	1820.59	1349.45	1857.28	2005.77
	D+2LANES (case4)				
	MAX	1902.38	1839.13	2204.85	3203.17
	MIN	1406.08	1324.66	1844.81	1987.20
	D+3LANES (case1)				
	MAX	3186.93	1810.89	2210.27	2103.74
	MIN	1751.34	1254.41	1851.91	1954.82
	D+3LANES (case2)				
	MAX	1972.18	1835.66	2786.89	2653.97
	MIN	1733.27	1332.52	1846.01	1987.89
	D+3LANES (case3)				
	MAX	1906.48	1927.55	2380.10	3334.86
	MIN	1399.22	1316.07	1835.95	1975.58
	D+4LANES				
	MAX	1940.04	1887.94	2592.53	3016.63
	MIN	1540.42	1329.34	1845.73	1988.06



BAGO RIVER BRIDGE

BLOCK [ No. 3 : SUPPORT No. 1 ][ SUPPORT REACTION ]

SUPPORT				7101001	7102001	7103001	7104001
NODE				1001	2001	3001	4001
				FORCE3	FORCE3	FORCE3	FORCE3
NAME	TITLE			D3 (kN)	D3 (kN)	D3 (kN)	D3 (kN)
301	LIVE LOAD	4-LANES	MAX D3	74.09	504.39	697.46	966.44
			MIN D3	-325.53	-54.21	-49.34	-62.13
	6-LANES	MAX D3	897.66	733.18	867.69	925.77	
		MIN D3	-366.32	-131.50	-75.10	-120.84	
	LIVE LOAD	MAX	1320.97	733.18	891.82	1284.67	
		MIN	-466.74	-144.11	-75.10	-120.84	
303	SUM TOTAL	TOTAL	MAX	3186.93	2116.73	2786.89	3334.86
			MIN	1399.22	1239.43	1819.97	1929.35

BAGO RIVER BRIDGE

BLOCK [ No. 4 : SUPPORT No. 2 ][ SUPPORT REACTION ]

SUPPORT		7101017	7102017	7103017	7104017	
NODE		1017	2017	3017	4017	
		FORCE3	FORCE3	FORCE3	FORCE3	
NAME	TITLE	D3 (kN)	D3 (kN)	D3 (kN)	D3 (kN)	
1	PAVEMENT	636.44	693.86	780.46	982.12	
3	RAILING	28.21	7.05	7.58	31.46	
5	CURB	279.25	69.76	75.02	311.43	
7	DECK WEIGHT	1033.01	1068.40	1196.89	1493.87	
8	GIRDER WEIGH	1473.33	1363.98	1419.72	1417.85	
10	MEDIAN STRIP	202.86	268.85	290.18	108.44	
21	ADITIONAL WE	289.24	299.15	335.13	418.28	
31	MEDIAN RAILI	17.32	22.73	24.47	9.90	
51	SUPPORT WEIG	-0.00	0.00	0.00	0.00	
52	NOSE WEIGHT	0.19	-0.03	-0.00	-0.16	
61	1-LANE(case1)TRUCK-LOAD	MAX D3	449.05	88.31	68.91	0.00
		MIN D3	-30.25	-66.04	-20.32	-56.06
		TANDEM-LOAD MAX D3	316.32	64.14	47.05	0.00
		MIN D3	-20.53	-60.30	-13.80	-38.36
		DISPERSION-LMAX D3	711.51	144.34	123.00	0.00
		MIN D3	-51.74	-51.34	-37.35	-129.14
62	1-LANE(case2)TRUCK-LOAD	MAX D3	138.58	287.55	107.48	30.11
		MIN D3	-21.89	-19.92	-20.50	-20.72
		TANDEM-LOAD MAX D3	94.29	210.09	74.39	20.55
		MIN D3	-14.86	-13.52	-13.91	-14.07
		DISPERSION-LMAX D3	292.33	283.76	208.89	62.93
		MIN D3	-37.59	-33.64	-34.69	-35.00
63	1-LANE(case3)TRUCK-LOAD	MAX D3	61.33	108.20	298.64	96.27
		MIN D3	-15.98	-20.76	-20.63	-25.15
		TANDEM-LOAD MAX D3	41.88	75.11	213.62	65.93
		MIN D3	-10.85	-14.08	-14.00	-17.07
		DISPERSION-LMAX D3	105.42	212.89	321.66	205.48
		MIN D3	-27.08	-35.17	-34.87	-42.97

BAGO RIVER BRIDGE

BLOCK [ No. 4 : SUPPORT No. 2 ][ SUPPORT REACTION ]

SUPPORT		7101017	7102017	7103017	7104017		
NODE		1017	2017	3017	4017		
		FORCE3	FORCE3	FORCE3	FORCE3		
NAME	TITLE	D3 (kN)	D3 (kN)	D3 (kN)	D3 (kN)		
64	1-LANE (case4) TRUCK-LOAD	MAX	D3	1.31	75.97	86.98	419.15
		MIN	D3	-96.62	-21.88	-37.13	-31.34
	TANDEM-LOAD	MAX	D3	1.04	51.97	59.26	288.44
		MIN	D3	-66.19	-14.84	-32.54	-21.26
	DISPERSION-LMAX	MAX	D3	0.38	149.14	165.98	729.85
		MIN	D3	-207.27	-37.65	-46.38	-53.46
65	2-LANES (case1) TRUCK-LOAD	MAX	D3	661.46	252.86	145.88	2.49
		MIN	D3	-56.27	-85.40	-40.73	-73.99
	TANDEM-LOAD	MAX	D3	460.76	180.18	99.43	1.75
		MIN	D3	-38.18	-73.45	-27.66	-50.78
	DISPERSION-LMAX	MAX	D3	1199.22	370.09	281.84	4.25
		MIN	D3	-96.40	-84.01	-71.93	-185.63
66	2-LANES (case2) TRUCK-LOAD	MAX	D3	350.99	452.10	184.44	32.60
		MIN	D3	-47.91	-39.28	-40.91	-38.65
	TANDEM-LOAD	MAX	D3	238.72	326.13	126.77	22.30
		MIN	D3	-32.51	-26.67	-27.77	-26.49
	DISPERSION-LMAX	MAX	D3	780.04	509.50	367.73	67.18
		MIN	D3	-82.25	-66.32	-69.26	-91.48
67	2-LANES (case3) TRUCK-LOAD	MAX	D3	79.94	197.97	548.96	249.11
		MIN	D3	-32.35	-42.07	-41.34	-53.35
	TANDEM-LOAD	MAX	D3	54.55	137.20	392.31	170.02
		MIN	D3	-22.57	-28.53	-28.05	-36.21
	DISPERSION-LMAX	MAX	D3	127.09	399.14	619.25	557.28
		MIN	D3	-60.87	-71.29	-69.86	-91.15
68	2-LANES (case4) TRUCK-LOAD	MAX	D3	1.31	151.78	184.46	701.66
		MIN	D3	-149.90	-43.19	-57.84	-59.53
	TANDEM-LOAD	MAX	D3	1.04	103.56	125.40	480.60
		MIN	D3	-102.73	-29.29	-46.59	-40.41

BAGO RIVER BRIDGE

BLOCK [ No. 4 : SUPPORT No. 2 ][ SUPPORT REACTION ]

SUPPORT		7101017	7102017	7103017	7104017
NODE		1017	2017	3017	4017
		FORCE3	FORCE3	FORCE3	FORCE3
NAME	TITLE	D3 (kN)	D3 (kN)	D3 (kN)	D3 (kN)
68	2-LANES (case4)DISPERSION-LMAX	0.39	314.70	384.59	1293.91
	MIN	-334.37	-73.79	-81.37	-101.74
69	3-LANES (case1)TRUCK-LOAD	800.04	540.42	253.36	32.60
	MIN	-78.16	-105.31	-61.23	-94.71
	TANDEM-LOAD	555.05	390.27	173.82	22.30
	MIN	-53.04	-86.97	-41.57	-64.85
	DISPERSION-LMAX	1491.54	653.84	490.72	67.18
	MIN	-133.99	-117.65	-106.62	-220.62
70	3-LANES (case2)TRUCK-LOAD	80.81	273.98	670.37	500.00
	MIN	-81.14	-63.95	-62.13	-84.69
	TANDEM-LOAD	55.26	188.96	476.03	340.52
	MIN	-55.97	-43.38	-42.15	-57.48
	DISPERSION-LMAX	127.43	568.36	852.72	1075.52
	MIN	-153.42	-108.37	-104.97	-144.52
71	3-LANES (case3)TRUCK-LOAD	4.13	237.69	406.69	879.36
	MIN	-169.03	-63.95	-78.47	-84.69
	TANDEM-LOAD	3.01	162.37	283.22	601.42
	MIN	-116.17	-43.38	-60.58	-57.48
	DISPERSION-LMAX	5.85	497.27	667.27	1691.67
	MIN	-386.95	-108.98	-116.25	-144.82
72	4-LANES TRUCK-LOAD	68.63	346.97	729.44	946.86
	MIN	-165.07	-0.02	-33.42	0.00
	TANDEM-LOAD	46.88	238.69	514.76	647.73
	MIN	-113.39	-0.06	-29.87	0.00
	DISPERSION-LMAX	112.35	654.25	955.07	1760.96
	MIN	-290.08	-0.56	-11.27	0.00
73	6-LANES TRUCK-LOAD	742.69	793.91	881.55	843.25
	MIN	-224.09	-155.95	-132.28	-176.84

BAGO RIVER BRIDGE

BLOCK [ No. 4 : SUPPORT No. 2 ][ SUPPORT REACTION ]

SUPPORT				7101017	7102017	7103017	7104017
NODE				1017	2017	3017	4017
				FORCE3	FORCE3	FORCE3	FORCE3
NAME	TITLE			D3 (kN)	D3 (kN)	D3 (kN)	D3 (kN)
73	6-LANES	TANDEM-LOAD	MAX D3	515.74	564.74	617.20	577.27
			MIN D3	-152.81	-120.16	-96.68	-120.29
		DISPERSION-L	MAX D3	1355.45	1172.35	1286.76	1683.49
			MIN D3	-460.97	-212.28	-208.23	-334.53
124	SUM TOTAL	D+1LANE (case1)	MAX D3	5352.52	4072.94	4359.73	4773.20
			MIN D3	3861.47	3652.91	4060.22	4550.95
		D+1LANE (case2)	MAX D3	4476.94	4479.33	4509.07	4884.84
			MIN D3	3888.48	3729.49	4063.21	4706.33
		D+1LANE (case3)	MAX D3	4159.95	4179.06	4873.78	5135.30
			MIN D3	3908.18	3726.64	4062.84	4691.44
		D+1LANE (case4)	MAX D3	3961.88	4063.88	4432.98	6151.99
			MIN D3	3595.18	3722.32	4029.22	4671.43
		D+2LANES (case1)	MAX D3	5820.54	4416.70	4557.15	4779.94
			MIN D3	3807.19	3624.35	4016.77	4513.58
		D+2LANES (case2)	MAX D3	5090.89	4755.36	4681.61	4872.97
			MIN D3	3829.69	3688.16	4019.26	4643.07
		D+2LANES (case3)	MAX D3	4166.88	4390.86	5297.65	5579.59
			MIN D3	3866.63	3680.39	4018.24	4628.70
		D+2LANES (case4)	MAX D3	3961.55	4260.23	4698.48	6768.77
			MIN D3	3475.58	3676.77	3990.22	4611.92
		D+3LANES (case1)	MAX D3	5907.70	4808.87	4761.90	4858.01
			MIN D3	3779.53	3604.24	3986.76	4505.16
		D+3LANES (case2)	MAX D3	4136.85	4509.75	5424.06	6112.38
			MIN D3	3760.48	3647.28	3987.40	4578.37
		D+3LANES (case3)	MAX D3	3968.34	4418.47	5042.30	6958.58
			MIN D3	3487.27	3646.76	3963.92	4578.11
		D+4LANES	MAX D3	4077.50	4444.55	5224.37	6533.28
			MIN D3	3664.01	3793.38	4100.38	4773.19



BAGO RIVER BRIDGE

BLOCK [ No. 4 : SUPPORT No. 2 ][ SUPPORT REACTION ]

SUPPORT				7101017	7102017	7103017	7104017
NODE				1017	2017	3017	4017
				FORCE3	FORCE3	FORCE3	FORCE3
NAME	TITLE			D3 (kN)	D3 (kN)	D3 (kN)	D3 (kN)
124	SUM TOTAL	D+6LANES	MAX D3	5323.65	5071.82	5538.84	6415.58
			MIN D3	3514.57	3554.41	3908.11	4440.81
	SUM TOTAL	MAX		5907.70	5071.82	5538.84	6958.58
		MIN		3475.58	3554.41	3908.11	4440.81
300	DEAD LOAD	TOTAL		3959.85	3793.75	4129.43	4773.19
301	LIVE LOAD	1-LANE (case1)	MAX D3	1392.67	279.18	230.29	0.00
			MIN D3	-98.38	-140.85	-69.21	-222.25
		1-LANE (case2)	MAX D3	517.09	685.57	379.64	111.65
			MIN D3	-71.38	-64.27	-66.22	-66.87
		1-LANE (case3)	MAX D3	200.09	385.31	744.35	362.11
			MIN D3	-51.67	-67.11	-66.60	-81.75
		1-LANE (case4)	MAX D3	2.02	270.13	303.55	1378.80
			MIN D3	-364.67	-71.43	-100.22	-101.76
		2-LANES (case1)	MAX D3	1860.68	622.95	427.71	6.74
			MIN D3	-152.67	-169.41	-112.66	-259.61
		2-LANES (case2)	MAX D3	1131.03	961.61	552.17	99.78
			MIN D3	-130.16	-105.59	-110.17	-130.13
		2-LANES (case3)	MAX D3	207.02	597.10	1168.21	806.39
			MIN D3	-93.22	-113.36	-111.19	-144.50
		2-LANES (case4)	MAX D3	1.69	466.47	569.05	1995.57
			MIN D3	-484.27	-116.99	-139.22	-161.28
		3-LANES (case1)	MAX D3	1947.85	1015.12	632.47	84.81
			MIN D3	-180.33	-189.52	-142.67	-268.03
		3-LANES (case2)	MAX D3	177.00	715.99	1294.63	1339.19
			MIN D3	-199.37	-146.47	-142.03	-194.83
		3-LANES (case3)	MAX D3	8.48	624.71	912.87	2185.38
			MIN D3	-472.59	-146.99	-165.51	-195.08

BAGO RIVER BRIDGE

BLOCK [ No. 4 : SUPPORT No. 2 ][ SUPPORT REACTION ]

SUPPORT				7101017	7102017	7103017	7104017
NODE				1017	2017	3017	4017
				FORCE3	FORCE3	FORCE3	FORCE3
NAME TITLE				D3 (kN)	D3 (kN)	D3 (kN)	D3 (kN)
301	LIVE LOAD	4-LANES	MAX D3	117.64	650.80	1094.93	1760.09
			MIN D3	-295.85	-0.38	-29.05	0.00
	6-LANES	MAX D3	1363.79	1278.07	1409.40	1642.38	
		MIN D3	-445.29	-239.35	-221.33	-332.39	
	LIVE LOAD	MAX	1947.85	1278.07	1409.40	2185.38	
		MIN	-484.27	-239.35	-221.33	-332.39	
303	SUM TOTAL	TOTAL	MAX	5907.70	5071.82	5538.84	6958.58
			MIN	3475.58	3554.41	3908.11	4440.81

BAGO RIVER BRIDGE

BLOCK [ No. 5 : SUPPORT No. 3 ][ SUPPORT REACTION ]

SUPPORT		7101033	7102033	7103033	7104033	
NODE		1033	2033	3033	4033	
		FORCE3	FORCE3	FORCE3	FORCE3	
NAME	TITLE	D3 (kN)	D3 (kN)	D3 (kN)	D3 (kN)	
1	PAVEMENT	904.02	797.38	818.85	1029.17	
3	RAILING	37.87	12.91	13.43	38.85	
5	CURB	374.93	127.79	132.92	384.62	
7	DECK WEIGHT	1473.90	1269.58	1303.95	1642.38	
8	GIRDER WEIGH	2070.42	1847.47	1875.88	2070.72	
10	MEDIAN STRIP	331.23	396.46	406.12	304.27	
21	ADITIONAL WE	412.69	355.48	365.11	459.87	
31	MEDIAN RAILI	23.21	29.07	29.85	20.88	
51	SUPPORT WEIG	0.00	0.00	0.00	0.00	
52	NOSE WEIGHT	-0.02	0.00	-0.00	0.02	
61	1-LANE(case1)TRUCK-LOAD	MAX D3	446.64	74.18	93.40	1.97
		MIN D3	-26.06	-69.25	-13.66	-88.36
		TANDEM-LOAD MAX D3	312.85	53.11	63.56	1.41
		MIN D3	-17.69	-60.40	-9.30	-60.88
		DISPERSION-LMAX D3	880.22	145.59	209.08	0.70
		MIN D3	-31.75	-32.40	-18.19	-170.52
62	1-LANE(case2)TRUCK-LOAD	MAX D3	147.87	285.14	106.24	52.40
		MIN D3	-17.14	-10.52	-12.21	-10.67
		TANDEM-LOAD MAX D3	100.36	207.64	73.88	35.56
		MIN D3	-11.68	-7.15	-8.31	-7.27
		DISPERSION-LMAX D3	370.24	312.33	259.12	100.86
		MIN D3	-21.00	-12.78	-14.91	-14.95
63	1-LANE(case3)TRUCK-LOAD	MAX D3	50.58	112.69	291.25	138.06
		MIN D3	-10.56	-11.44	-11.11	-16.60
		TANDEM-LOAD MAX D3	34.30	78.44	209.57	93.86
		MIN D3	-7.18	-7.78	-7.54	-11.30
		DISPERSION-LMAX D3	109.92	262.10	332.05	333.75
		MIN D3	-14.15	-13.91	-13.51	-20.18

BAGO RIVER BRIDGE

BLOCK [ No. 5 : SUPPORT No. 3 ][ SUPPORT REACTION ]

SUPPORT		7101033	7102033	7103033	7104033		
NODE		1033	2033	3033	4033		
		FORCE3	FORCE3	FORCE3	FORCE3		
NAME	TITLE	D3 (kN)	D3 (kN)	D3 (kN)	D3 (kN)		
64	1-LANE (case4) TRUCK-LOAD	MAX	D3	7.21	109.98	97.11	437.69
		MIN	D3	-112.94	-13.61	-60.20	-31.26
	TANDEM-LOAD	MAX	D3	4.98	74.92	68.57	301.84
		MIN	D3	-77.46	-9.27	-49.33	-21.22
	DISPERSION-LMAX	MAX	D3	6.57	226.13	162.16	880.44
		MIN	D3	-217.52	-17.91	-28.13	-37.88
65	2-LANES (case1) TRUCK-LOAD	MAX	D3	671.78	235.69	185.46	9.72
		MIN	D3	-47.67	-79.16	-26.61	-125.68
	TANDEM-LOAD	MAX	D3	466.04	167.45	126.06	6.69
		MIN	D3	-32.38	-67.14	-18.10	-86.49
	DISPERSION-LMAX	MAX	D3	1490.79	385.77	437.99	12.58
		MIN	D3	-58.13	-44.44	-34.02	-227.11
66	2-LANES (case2) TRUCK-LOAD	MAX	D3	373.01	446.65	198.31	60.14
		MIN	D3	-38.76	-20.43	-25.16	-47.99
	TANDEM-LOAD	MAX	D3	253.55	321.99	136.39	40.84
		MIN	D3	-26.37	-13.89	-17.11	-32.88
	DISPERSION-LMAX	MAX	D3	980.80	552.51	488.03	112.74
		MIN	D3	-47.38	-24.81	-30.75	-71.54
67	2-LANES (case3) TRUCK-LOAD	MAX	D3	50.58	215.32	491.02	342.97
		MIN	D3	-34.46	-23.50	-21.47	-37.36
	TANDEM-LOAD	MAX	D3	34.30	148.07	351.39	232.91
		MIN	D3	-24.20	-15.98	-14.58	-25.43
	DISPERSION-LMAX	MAX	D3	116.60	505.07	610.39	881.90
		MIN	D3	-63.29	-28.59	-26.07	-45.38
68	2-LANES (case4) TRUCK-LOAD	MAX	D3	10.16	212.62	233.19	689.48
		MIN	D3	-177.07	-26.60	-69.41	-58.24
	TANDEM-LOAD	MAX	D3	7.04	144.55	162.22	473.33
		MIN	D3	-121.68	-18.11	-55.59	-39.57

BAGO RIVER BRIDGE

BLOCK [ No. 5 : SUPPORT No. 3 ][ SUPPORT REACTION ]

SUPPORT		7101033	7102033	7103033	7104033
NODE		1033	2033	3033	4033
		FORCE3	FORCE3	FORCE3	FORCE3
NAME	TITLE	D3 (kN)	D3 (kN)	D3 (kN)	D3 (kN)
68	2-LANES (case4)DISPERSION-LMAX	13.88	462.54	401.69	1521.70
	MIN	-306.88	-33.74	-39.24	-70.76
69	3-LANES (case1)TRUCK-LOAD	819.65	520.83	291.71	62.11
	MIN	-64.81	-89.68	-38.82	-136.35
	TANDEM-LOAD	566.40	375.10	199.94	42.25
	MIN	-44.06	-74.29	-26.41	-93.76
	DISPERSION-LMAX	1861.02	698.10	697.11	113.44
	MIN	-79.13	-57.21	-48.94	-242.06
70	3-LANES (case2)TRUCK-LOAD	52.38	325.31	588.22	705.61
	MIN	-112.64	-36.19	-31.07	-62.38
	TANDEM-LOAD	35.62	222.99	420.05	483.03
	MIN	-78.21	-24.62	-21.11	-42.43
	DISPERSION-LMAX	117.35	736.62	798.07	1669.37
	MIN	-235.44	-44.12	-42.37	-75.60
71	3-LANES (case3)TRUCK-LOAD	60.73	322.97	519.37	851.40
	MIN	-193.97	-38.97	-79.38	-80.97
	TANDEM-LOAD	41.35	222.29	368.48	583.56
	MIN	-133.45	-26.52	-62.36	-55.05
	DISPERSION-LMAX	88.52	711.77	724.70	1930.68
	MIN	-331.01	-48.81	-51.30	-98.63
72	4-LANES TRUCK-LOAD	43.46	260.28	182.64	680.23
	MIN	-196.72	-50.10	-39.13	-95.61
	TANDEM-LOAD	30.43	183.71	133.92	487.52
	MIN	-137.76	-34.09	-26.60	-65.01
	DISPERSION-LMAX	30.74	162.91	103.96	404.68
	MIN	-135.62	-61.20	-47.62	-117.48
73	6-LANES TRUCK-LOAD	855.68	851.73	872.10	849.48
	MIN	-223.06	-115.07	-107.55	-198.27

BAGO RIVER BRIDGE

BLOCK [ No. 5 : SUPPORT No. 3 ][ SUPPORT REACTION ]

SUPPORT				7101033	7102033	7103033	7104033
NODE				1033	2033	3033	4033
				FORCE3	FORCE3	FORCE3	FORCE3
NAME	TITLE			D3 (kN)	D3 (kN)	D3 (kN)	D3 (kN)
73	6-LANES	TANDEM-LOAD	MAX D3	590.00	599.97	612.07	581.58
			MIN D3	-152.68	-90.53	-80.81	-136.35
		DISPERSION-L	MAX D3	1812.90	1369.35	1395.09	1931.88
			MIN D3	-376.32	-104.57	-98.82	-324.48
124	SUM TOTAL	D+1LANE (case1)	MAX D3	7220.48	5099.87	5309.06	5953.98
			MIN D3	5558.89	4714.16	4907.86	5640.12
		D+1LANE (case2)	MAX D3	6249.97	5553.11	5384.52	6134.68
			MIN D3	5582.48	4808.19	4913.53	5920.02
		D+1LANE (case3)	MAX D3	5820.85	5285.89	5694.05	6516.95
			MIN D3	5598.59	4805.72	4916.54	5906.63
		D+1LANE (case4)	MAX D3	5644.79	5239.48	5257.21	7532.53
			MIN D3	5231.70	4798.32	4840.09	5867.81
		D+2LANES (case1)	MAX D3	7790.81	5457.59	5569.54	5973.07
			MIN D3	5522.45	4712.54	4885.46	5597.99
		D+2LANES (case2)	MAX D3	6982.06	5835.30	5632.43	6123.65
			MIN D3	5542.11	4790.90	4890.18	5831.24
		D+2LANES (case3)	MAX D3	5795.42	5556.53	6047.49	7175.65
			MIN D3	5530.49	4784.05	4898.54	5868.03
		D+2LANES (case4)	MAX D3	5652.29	5511.30	5580.97	8161.95
			MIN D3	5144.30	4775.80	4837.43	5821.77
		D+3LANES (case1)	MAX D3	7906.82	5872.23	5786.58	6099.99
			MIN D3	5505.90	4711.28	4871.49	5629.12
		D+3LANES (case2)	MAX D3	5772.52	5738.78	6124.43	7969.50
			MIN D3	5332.38	4767.88	4883.67	5833.48
		D+3LANES (case3)	MAX D3	5755.11	5715.67	6003.55	8315.54
			MIN D3	5182.02	4761.53	4835.01	5798.11
		D+4LANES	MAX D3	5676.48	5111.22	5132.37	6655.96
			MIN D3	5412.23	4763.79	4889.70	5812.26

BAGO RIVER BRIDGE

BLOCK [ No. 5 : SUPPORT No. 3 ][ SUPPORT REACTION ]

SUPPORT				7101033	7102033	7103033	7104033
NODE				1033	2033	3033	4033
				FORCE3	FORCE3	FORCE3	FORCE3
NAME	TITLE			D3 (kN)	D3 (kN)	D3 (kN)	D3 (kN)
124	SUM TOTAL D+6LANES	MAX	D3	7362.83	6279.84	6419.76	7758.66
		MIN	D3	5238.65	4693.38	4811.95	5610.98
	SUM TOTAL	MAX		7906.82	6279.84	6419.76	8315.54
		MIN		5144.30	4693.38	4811.95	5597.99
300	DEAD LOAD TOTAL			5628.25	4836.14	4946.09	5950.77
301	LIVE LOAD 1-LANE(case1)	MAX	D3	1592.23	263.72	362.97	3.20
		MIN	D3	-69.36	-121.99	-38.22	-310.66
	1-LANE(case2)	MAX	D3	621.72	716.97	438.44	183.91
		MIN	D3	-45.77	-27.96	-32.55	-30.75
	1-LANE(case3)	MAX	D3	192.60	449.75	747.96	566.17
		MIN	D3	-29.65	-30.42	-29.54	-44.14
	1-LANE(case4)	MAX	D3	16.54	403.33	311.13	1581.75
		MIN	D3	-396.55	-37.82	-106.00	-82.96
	2-LANES(case1)	MAX	D3	2162.57	621.45	623.45	22.29
		MIN	D3	-105.79	-123.60	-60.63	-352.79
	2-LANES(case2)	MAX	D3	1353.81	999.16	686.34	172.88
		MIN	D3	-86.14	-45.24	-55.90	-119.53
	2-LANES(case3)	MAX	D3	167.18	720.39	1101.41	1224.87
		MIN	D3	-97.76	-52.09	-47.54	-82.74
	2-LANES(case4)	MAX	D3	24.04	675.16	634.88	2211.17
		MIN	D3	-483.95	-60.34	-108.65	-129.00
	3-LANES(case1)	MAX	D3	2278.57	1036.09	840.50	149.22
		MIN	D3	-122.35	-124.86	-74.59	-321.65
	3-LANES(case2)	MAX	D3	144.27	902.64	1178.35	2018.73
		MIN	D3	-295.87	-68.26	-62.42	-117.29
	3-LANES(case3)	MAX	D3	126.86	879.53	1057.46	2364.77
		MIN	D3	-446.23	-74.61	-111.08	-152.66

BAGO RIVER BRIDGE

BLOCK [ No. 5 : SUPPORT No. 3 ] [ SUPPORT REACTION ]

SUPPORT				7101033	7102033	7103033	7104033
NODE				1033	2033	3033	4033
				FORCE3	FORCE3	FORCE3	FORCE3
NAME TITLE				D3 (kN)	D3 (kN)	D3 (kN)	D3 (kN)
301	LIVE LOAD	4-LANES	MAX D3	48.23	275.08	186.29	705.19
			MIN D3	-216.02	-72.35	-56.39	-138.51
	6-LANES	MAX D3	1734.58	1443.70	1473.67	1807.88	
		MIN D3	-389.59	-142.76	-134.14	-339.79	
	LIVE LOAD	MAX	2278.57	1443.70	1473.67	2364.77	
		MIN	-483.95	-142.76	-134.14	-352.79	
303	SUM TOTAL	TOTAL	MAX	7906.82	6279.84	6419.76	8315.54
			MIN	5144.30	4693.38	4811.95	5597.99



BAGO RIVER BRIDGE

BLOCK [ No.6 : SUPPORT No.4 ][ SUPPORT REACTION ]

SUPPORT		7101055	7102055	7103055	7104055	
NODE		1055	2055	3055	4055	
		FORCE3	FORCE3	FORCE3	FORCE3	
NAME	TITLE	D3 (kN)	D3 (kN)	D3 (kN)	D3 (kN)	
1	PAVEMENT	382.14	307.52	366.59	303.76	
3	RAILING	16.62	4.37	6.38	13.96	
5	CURB	164.58	43.26	63.18	138.22	
7	DECK WEIGHT	636.53	532.42	627.67	509.59	
8	GIRDER WEIGH	841.05	757.97	879.39	677.54	
10	MEDIAN STRIP	177.51	297.32	320.12	145.41	
21	ADITIONAL WE	178.23	149.08	175.75	142.68	
31	MEDIAN RAILI	8.61	12.31	13.63	6.80	
51	SUPPORT WEIG	17.20	31.13	31.13	17.20	
52	NOSE WEIGHT	0.00	-0.00	0.00	-0.00	
61	1-LANE(case1)TRUCK-LOAD	MAX D3	427.94	7.19	234.43	10.11
		MIN D3	-19.46	-115.48	-17.98	-169.85
		TANDEM-LOAD MAX D3	308.29	4.92	159.50	6.91
		MIN D3	-13.28	-78.38	-12.26	-115.32
		DISPERSION-LMAX D3	518.99	7.99	345.40	10.92
		MIN D3	-22.55	-190.18	-20.89	-256.50
62	1-LANE(case2)TRUCK-LOAD	MAX D3	143.53	248.36	142.83	1.60
		MIN D3	-11.01	-5.74	-10.69	-30.64
		TANDEM-LOAD MAX D3	97.73	208.10	97.99	1.12
		MIN D3	-7.49	-3.94	-7.28	-21.33
		DISPERSION-LMAX D3	199.79	71.87	198.08	3.72
		MIN D3	-12.90	-12.04	-12.54	-43.24
63	1-LANE(case3)TRUCK-LOAD	MAX D3	1.88	138.27	240.53	137.88
		MIN D3	-24.64	-5.88	-5.41	-5.29
		TANDEM-LOAD MAX D3	1.28	95.19	208.34	93.83
		MIN D3	-17.10	-3.99	-3.69	-3.60
		DISPERSION-LMAX D3	10.26	178.55	81.75	176.46
		MIN D3	-31.48	-6.92	-10.30	-6.21

BAGO RIVER BRIDGE

BLOCK [ No.6 : SUPPORT No.4 ][ SUPPORT REACTION ]

SUPPORT		7101055	7102055	7103055	7104055		
NODE		1055	2055	3055	4055		
		FORCE3	FORCE3	FORCE3	FORCE3		
NAME	TITLE	D3 (kN)	D3 (kN)	D3 (kN)	D3 (kN)		
64	1-LANE (case4) TRUCK-LOAD	MAX	D3	8.38	226.27	6.17	428.30
		MIN	D3	-158.93	-16.67	-111.25	-18.16
	TANDEM-LOAD	MAX	D3	5.72	153.86	4.22	307.71
		MIN	D3	-108.28	-11.34	-75.73	-12.37
	DISPERSION-LMAX	MAX	D3	9.12	322.08	7.07	495.37
		MIN	D3	-228.59	-18.83	-174.51	-20.41
65	2-LANES (case1) TRUCK-LOAD	MAX	D3	665.58	125.70	418.31	15.93
		MIN	D3	-34.69	-171.49	-32.30	-268.48
	TANDEM-LOAD	MAX	D3	469.87	112.76	284.90	10.90
		MIN	D3	-23.65	-116.46	-22.00	-182.56
	DISPERSION-LMAX	MAX	D3	871.55	36.26	616.85	17.25
		MIN	D3	-40.28	-270.50	-37.61	-407.31
66	2-LANES (case2) TRUCK-LOAD	MAX	D3	381.17	366.88	326.71	7.42
		MIN	D3	-26.24	-61.75	-25.02	-129.27
	TANDEM-LOAD	MAX	D3	259.31	315.94	223.39	5.10
		MIN	D3	-17.86	-42.02	-17.02	-88.56
	DISPERSION-LMAX	MAX	D3	552.35	100.15	469.53	10.05
		MIN	D3	-30.63	-92.37	-29.26	-194.05
67	2-LANES (case3) TRUCK-LOAD	MAX	D3	3.38	315.76	360.66	370.59
		MIN	D3	-114.26	-15.39	-55.69	-14.94
	TANDEM-LOAD	MAX	D3	2.30	216.15	316.52	252.15
		MIN	D3	-78.09	-10.48	-38.06	-10.19
	DISPERSION-LMAX	MAX	D3	12.75	428.41	108.95	505.56
		MIN	D3	-158.27	-17.92	-78.33	-17.28
68	2-LANES (case4) TRUCK-LOAD	MAX	D3	12.45	403.74	126.29	660.98
		MIN	D3	-248.52	-29.73	-161.51	-32.00
	TANDEM-LOAD	MAX	D3	8.51	274.80	112.40	466.01
		MIN	D3	-169.25	-20.24	-110.08	-21.79

BAGO RIVER BRIDGE

BLOCK [ No.6 : SUPPORT No.4 ][ SUPPORT REACTION ]

SUPPORT		7101055	7102055	7103055	7104055
NODE		1055	2055	3055	4055
		FORCE3	FORCE3	FORCE3	FORCE3
NAME	TITLE	D3 (kN)	D3 (kN)	D3 (kN)	D3 (kN)
68	2-LANES (case4)DISPERSION-LMAX	13.91	572.69	35.35	825.36
	MIN	-354.17	-33.60	-240.58	-35.98
69	3-LANES (case1)TRUCK-LOAD	812.86	374.06	561.15	17.53
	MIN	-45.70	-177.23	-42.99	-299.13
	TANDEM-LOAD	567.60	320.86	382.89	12.01
	MIN	-31.14	-120.40	-29.28	-203.89
	DISPERSION-LMAX	1071.35	108.14	814.92	20.96
	MIN	-53.18	-282.54	-50.15	-450.55
70	3-LANES (case2)TRUCK-LOAD	8.46	542.05	364.21	798.88
	MIN	-273.22	-28.54	-166.97	-28.98
	TANDEM-LOAD	5.82	370.02	318.98	559.86
	MIN	-186.39	-19.46	-113.81	-19.76
	DISPERSION-LMAX	18.17	749.76	113.07	999.92
	MIN	-386.67	-32.98	-252.92	-33.19
71	3-LANES (case3)TRUCK-LOAD	13.76	541.99	376.05	798.82
	MIN	-273.14	-39.20	-163.62	-41.56
	TANDEM-LOAD	9.40	369.98	320.74	559.81
	MIN	-186.33	-26.73	-111.52	-28.34
	DISPERSION-LMAX	23.65	751.99	116.39	1002.72
	MIN	-381.59	-44.32	-247.14	-46.72
72	4-LANES TRUCK-LOAD	13.68	7.68	10.15	7.12
	MIN	-6.36	-43.63	-7.91	-45.07
	TANDEM-LOAD	9.86	5.22	7.37	4.84
	MIN	-4.37	-30.43	-5.40	-31.53
	DISPERSION-LMAX	11.12	9.43	9.78	8.75
	MIN	-4.96	-28.32	-6.13	-28.86
73	6-LANES TRUCK-LOAD	756.98	902.77	928.46	736.90
	MIN	-271.98	-195.47	-189.36	-290.39

BAGO RIVER BRIDGE

BLOCK [ No.6 : SUPPORT No.4 ][ SUPPORT REACTION ]

SUPPORT				7101055	7102055	7103055	7104055
NODE				1055	2055	3055	4055
				FORCE3	FORCE3	FORCE3	FORCE3
NAME	TITLE			D3 (kN)	D3 (kN)	D3 (kN)	D3 (kN)
73	6-LANES	TANDEM-LOAD	MAX D3	530.77	684.73	696.49	519.51
			MIN D3	-185.20	-132.89	-128.92	-197.49
		DISPERSION-L	MAX D3	1001.58	791.67	858.39	934.41
			MIN D3	-401.81	-308.49	-281.39	-458.92
124	SUM TOTAL	D+1LANE (case1)	MAX D3	3558.80	2153.58	3179.65	1980.40
			MIN D3	2372.06	1768.58	2437.21	1443.54
		D+1LANE (case2)	MAX D3	2834.47	2519.66	2892.94	1961.55
			MIN D3	2393.79	2114.03	2455.97	1866.51
		D+1LANE (case3)	MAX D3	2437.05	2515.55	2870.59	2332.38
			MIN D3	2355.13	2120.01	2465.00	1941.36
		D+1LANE (case4)	MAX D3	2443.47	2793.39	2499.73	3063.58
			MIN D3	1957.45	2092.77	2140.94	1908.88
		D+2LANES (case1)	MAX D3	3959.61	2297.34	3519.01	1988.34
			MIN D3	2347.51	1693.38	2413.94	1279.37
		D+2LANES (case2)	MAX D3	3356.00	2602.40	3280.09	1972.64
			MIN D3	2365.62	1981.25	2429.58	1631.85
		D+2LANES (case3)	MAX D3	2438.62	2879.54	2953.46	2831.31
			MIN D3	2149.96	2102.06	2349.83	1922.95
		D+2LANES (case4)	MAX D3	2448.85	3111.80	2645.50	3441.51
			MIN D3	1819.79	2072.04	2081.76	1887.18
		D+3LANES (case1)	MAX D3	4024.06	2545.24	3653.51	1987.89
			MIN D3	2338.43	1744.56	2404.68	1317.94
		D+3LANES (case2)	MAX D3	2445.12	3233.41	2889.54	3484.15
			MIN D3	1861.58	2083.08	2126.95	1902.32
		D+3LANES (case3)	MAX D3	2454.28	3235.26	2902.43	3486.48
			MIN D3	1865.96	2064.38	2134.71	1880.13
		D+4LANES	MAX D3	2438.60	2146.49	2496.81	1965.48
			MIN D3	2415.12	2088.60	2474.73	1907.12

BAGO RIVER BRIDGE

BLOCK [ No.6 : SUPPORT No.4 ][ SUPPORT REACTION ]

SUPPORT		7101055	7102055	7103055	7104055
NODE		1055	2055	3055	4055
		FORCE3	FORCE3	FORCE3	FORCE3
NAME	TITLE	D3 (kN)	D3 (kN)	D3 (kN)	D3 (kN)
124	SUM TOTAL D+6LANES	3565.55	3236.76	3645.30	3041.52
		MAX D3			
		MIN D3	1984.51	1807.80	2177.86
	SUM TOTAL	MAX	4024.06	3236.76	3653.51
		MIN	1819.79	1693.38	2081.76
300	DEAD LOAD TOTAL	2422.48	2135.37	2483.85	1955.17
301	LIVE LOAD 1-LANE(case1)	1136.32	18.21	695.80	25.23
		MAX D3			
		MIN D3	-50.42	-366.79	-46.64
	1-LANE(case2)	411.99	384.28	409.09	6.38
		MAX D3			
		MIN D3	-28.69	-21.34	-27.88
	1-LANE(case3)	14.57	380.18	386.74	377.21
		MAX D3			
		MIN D3	-67.35	-15.36	-18.85
	1-LANE(case4)	20.99	658.02	15.88	1108.41
		MAX D3			
		MIN D3	-465.03	-42.60	-342.91
	2-LANES(case1)	1537.13	161.96	1035.16	33.17
		MAX D3			
		MIN D3	-74.97	-441.99	-69.91
	2-LANES(case2)	933.52	467.03	796.24	17.47
		MAX D3			
		MIN D3	-56.87	-154.12	-54.28
	2-LANES(case3)	16.14	744.17	469.61	876.14
		MAX D3			
		MIN D3	-272.52	-33.31	-134.02
	2-LANES(case4)	26.37	976.43	161.64	1486.34
		MAX D3			
		MIN D3	-602.69	-63.33	-402.09
	3-LANES(case1)	1601.57	409.87	1169.66	32.72
		MAX D3			
		MIN D3	-84.05	-390.81	-79.17
	3-LANES(case2)	22.63	1098.04	405.69	1528.98
		MAX D3			
		MIN D3	-560.91	-52.29	-356.90
	3-LANES(case3)	31.79	1099.88	418.57	1531.31
		MAX D3			
		MIN D3	-556.52	-70.99	-349.14

BAGO RIVER BRIDGE

BLOCK [ No. 6 : SUPPORT No. 4 ] [ SUPPORT REACTION ]

SUPPORT				7101055	7102055	7103055	7104055	
NODE				1055	2055	3055	4055	
				FORCE3	FORCE3	FORCE3	FORCE3	
NAME	TITLE			D3 (kN)	D3 (kN)	D3 (kN)	D3 (kN)	
301	LIVE LOAD	4-LANES	MAX	D3	16.12	11.12	12.95	10.31
			MIN	D3	-7.36	-46.77	-9.12	-48.05
	6-LANES	MAX	D3	1143.06	1101.39	1161.45	1086.36	
		MIN	D3	-437.97	-327.58	-305.99	-487.06	
	LIVE LOAD	MAX		1601.57	1101.39	1169.66	1531.31	
		MIN		-602.69	-441.99	-402.09	-675.79	
303	SUM TOTAL	TOTAL	MAX		4024.06	3236.76	3653.51	3486.48
			MIN		1819.79	1693.38	2081.76	1279.37

BAGO RIVER BRIDGE

BLOCK [ No. 3 : SUPPORT No. 1 ][ UPLIFT REACTION ]

	SUPPORT	7101001	7102001	7103001	7104001
	NODE	1001	2001	3001	4001
		D3 (kN)	D3 (kN)	D3 (kN)	D3 (kN)
TOTAL-DEAD (RD)		1865. 95	1383. 54	1895. 07	2050. 19
TOTAL-LIVE (RL)		-3923. 95	-1445. 83	-854. 24	-1238. 14
UPLIFT-REACTION (RD+2RL)		-5981. 95<-	-1508. 11<-	186. 60	-426. 09<-

BLOCK [ No. 4 : SUPPORT No. 2 ][ UPLIFT REACTION ]

	SUPPORT	7101017	7102017	7103017	7104017
	NODE	1017	2017	3017	4017
		D3 (kN)	D3 (kN)	D3 (kN)	D3 (kN)
TOTAL-DEAD (RD)		3959. 85	3793. 75	4129. 43	4773. 19
TOTAL-LIVE (RL)		-4291. 43	-2283. 38	-2115. 12	-2919. 52
UPLIFT-REACTION (RD+2RL)		-4623. 00<-	-773. 01<-	-100. 81<-	-1065. 85<-

BLOCK [ No. 5 : SUPPORT No. 3 ][ UPLIFT REACTION ]

	SUPPORT	7101033	7102033	7103033	7104033
	NODE	1033	2033	3033	4033
		D3 (kN)	D3 (kN)	D3 (kN)	D3 (kN)
TOTAL-DEAD (RD)		5628. 25	4836. 14	4946. 09	5950. 77
TOTAL-LIVE (RL)		-4038. 25	-1558. 80	-1426. 79	-3183. 98
UPLIFT-REACTION (RD+2RL)		-2448. 25<-	1718. 54	2092. 50	-417. 19<-

BLOCK [ No. 6 : SUPPORT No. 4 ][ UPLIFT REACTION ]

	SUPPORT	7101055	7102055	7103055	7104055
	NODE	1055	2055	3055	4055
		D3 (kN)	D3 (kN)	D3 (kN)	D3 (kN)
TOTAL-DEAD (RD)		2422. 48	2135. 37	2483. 85	1955. 17
TOTAL-LIVE (RL)		-4643. 67	-2861. 99	-3107. 51	-4309. 71
UPLIFT-REACTION (RD+2RL)		-6864. 85<-	-3588. 61<-	-3731. 17<-	-6664. 26<-

BAGO RIVER BRIDGE

[ DEAD TOTAL GLOBAL REACTION FORCE Z (kN) ]

	BLOCK	3	4	5	6	TOTAL
NAME TITLE		DZ (kN)	DZ (kN)	DZ (kN)	DZ (kN)	DZ (kN)
1	PAVEMENT	1327.64	3092.88	3549.42	1360.01	9329.95
3	RAILING	31.01	74.29	103.06	41.34	249.69
5	CURB	306.99	735.46	1020.25	409.25	2471.95
7	DECK WEIGHT	2060.11	4792.17	5689.81	2306.20	14848.29
8	GIRDER WEIGHT	2365.48	5674.88	7864.49	3155.95	19060.79
10	MEDIAN STRIP	392.13	870.34	1438.08	940.36	3640.91
21	ADDITIONAL WEIGHT	576.83	1341.81	1593.15	645.74	4157.52
31	MEDIAN RAILING	30.99	74.41	103.00	41.35	249.76
51	SUPPORT WEIGHT	71.85	0.00	0.00	96.67	168.52
52	NOSE WEIGHT	31.73	0.00	-0.00	0.00	31.73
	TOTAL	7194.76	16656.24	21361.25	8996.87	54209.12



BAGO RIVER BRIDGE

OUTPUT CASE

NAME TITLE

- 1 PAVEMENT
- 3 RAILING
- 5 CURB
- 7 DECK WEIGHT
- 8 GIRDER WEIGHT
- 10 MEDIAN STRIP
- 21 ADDITIONAL WEIGHT
- 31 MEDIAN RAILING
- 51 SUPPORT WEIGHT
- 52 NOSE WEIGHT

61	1-LANE (case1)	TRUCK-LOAD	MAX/MIN
		TANDEM-LOAD	MAX/MIN
		DISPERSION-LOAD	MAX/MIN
62	1-LANE (case2)	TRUCK-LOAD	MAX/MIN
		TANDEM-LOAD	MAX/MIN
		DISPERSION-LOAD	MAX/MIN
63	1-LANE (case3)	TRUCK-LOAD	MAX/MIN
		TANDEM-LOAD	MAX/MIN
		DISPERSION-LOAD	MAX/MIN
64	1-LANE (case4)	TRUCK-LOAD	MAX/MIN
		TANDEM-LOAD	MAX/MIN
		DISPERSION-LOAD	MAX/MIN
65	2-LANES (case1)	TRUCK-LOAD	MAX/MIN
		TANDEM-LOAD	MAX/MIN
		DISPERSION-LOAD	MAX/MIN
66	2-LANES (case2)	TRUCK-LOAD	MAX/MIN
		TANDEM-LOAD	MAX/MIN
		DISPERSION-LOAD	MAX/MIN
67	2-LANES (case3)	TRUCK-LOAD	MAX/MIN
		TANDEM-LOAD	MAX/MIN
		DISPERSION-LOAD	MAX/MIN
68	2-LANES (case4)	TRUCK-LOAD	MAX/MIN
		TANDEM-LOAD	MAX/MIN

BAGO RIVER BRIDGE

OUTPUT CASE

NAME TITLE

68	2-LANES (case4)	DISPERSION-LOAD	MAX/MIN
69	3-LANES (case1)	TRUCK-LOAD	MAX/MIN
		TANDEM-LOAD	MAX/MIN
		DISPERSION-LOAD	MAX/MIN
70	3-LANES (case2)	TRUCK-LOAD	MAX/MIN
		TANDEM-LOAD	MAX/MIN
		DISPERSION-LOAD	MAX/MIN
71	3-LANES (case3)	TRUCK-LOAD	MAX/MIN
		TANDEM-LOAD	MAX/MIN
		DISPERSION-LOAD	MAX/MIN
72	4-LANES	TRUCK-LOAD	MAX/MIN
		TANDEM-LOAD	MAX/MIN
		DISPERSION-LOAD	MAX/MIN
73	6-LANES	TRUCK-LOAD	MAX/MIN
		TANDEM-LOAD	MAX/MIN
		DISPERSION-LOAD	MAX/MIN
124	SUM TOTAL	D+1LANE (case1)	MAX/MIN
		D+1LANE (case2)	MAX/MIN
		D+1LANE (case3)	MAX/MIN
		D+1LANE (case4)	MAX/MIN
		D+2LANES (case1)	MAX/MIN
		D+2LANES (case2)	MAX/MIN
		D+2LANES (case3)	MAX/MIN
		D+2LANES (case4)	MAX/MIN
		D+3LANES (case1)	MAX/MIN
		D+3LANES (case2)	MAX/MIN
		D+3LANES (case3)	MAX/MIN
		D+4LANES	MAX/MIN
		D+6LANES	MAX/MIN
		SUM TOTAL	MAX/MIN
300	DEAD LOAD	TOTAL	
301	LIVE LOAD	1-LANE (case1)	MAX/MIN
		1-LANE (case2)	MAX/MIN

BAGO RIVER BRIDGE

OUTPUT CASE

NAME TITLE

301 LIVE LOAD	1-LANE (case3)	MAX/MIN
	1-LANE (case4)	MAX/MIN
	2-LANES (case1)	MAX/MIN
	2-LANES (case2)	MAX/MIN
	2-LANES (case3)	MAX/MIN
	2-LANES (case4)	MAX/MIN
	3-LANES (case1)	MAX/MIN
	3-LANES (case2)	MAX/MIN
	3-LANES (case3)	MAX/MIN
	4-LANES	MAX/MIN
	6-LANES	MAX/MIN
	LIVE LOAD	MAX/MIN
303 SUM TOTAL	TOTAL	MAX/MIN

OUTPUT APREACT GROUP

NAME TITLE

1 1ST SPAN WITHOUT IMSUPPORT	7101001	7102001	7103001	7104001
NODE	1001	2001	3001	4001
2 2ND SPAN WITHOUT IMSUPPORT	7101017	7102017	7103017	7104017
NODE	1017	2017	3017	4017
3 3RD SPAN WITHOUT IMSUPPORT	7101033	7102033	7103033	7104033
NODE	1033	2033	3033	4033
4 4TH SPAN WITHOUT IMSUPPORT	7101055	7102055	7103055	7104055
NODE	1055	2055	3055	4055
101 1ST SPAN WITH IMPAC SUPPORT	7101001	7102001	7103001	7104001
NODE	1001	2001	3001	4001
102 2ND SPAN WITH IMPAC SUPPORT	7101017	7102017	7103017	7104017
NODE	1017	2017	3017	4017
103 3RD SPAN WITH IMPAC SUPPORT	7101033	7102033	7103033	7104033
NODE	1033	2033	3033	4033
104 4TH SPAN WITH IMPAC SUPPORT	7101055	7102055	7103055	7104055
NODE	1055	2055	3055	4055

BAGO RIVER BRIDGE

[ No.1 : 1ST SPAN WITHOUT IMPACT ] [ FORCE3 (kN) ]

SUPPORT		7101001	7102001	7103001	7104001	TOTAL				
NODE		1001	2001	3001	4001					
NAME	TITLE	D3 (kN)	D3 (kN)	D3 (kN)	D3 (kN)	(kN)				
1	PAVEMENT	275.81	272.82	358.50	420.52	1327.64				
3	RAILING	12.36	2.24	4.03	12.38	31.01				
5	CURB	122.41	22.17	39.89	122.52	306.99				
7	DECK WEIGHT	457.96	413.73	549.98	638.43	2060.11				
8	GIRDER WEIGH	722.80	454.48	607.65	580.56	2365.48				
10	MEDIAN STRIP	119.82	90.44	128.52	53.35	392.13				
21	ADITIONAL WE	128.23	115.85	154.00	178.76	576.83				
31	MEDIAN RAILI	9.47	7.19	10.21	4.13	30.99				
51	SUPPORT WEIG	13.76	15.59	22.15	20.35	71.85				
52	NOSE WEIGHT	3.35	-10.96	20.14	19.20	31.73				
61	1-LANE(case1TRUCK-LOAD	MAX	7101001 (D3)	367.68	-53.37	3.15	-7.67	309.80		
			7102001 (D3)	-20.37	3.42	-4.94	-0.38	-22.27		
			7103001 (D3)	213.01	-26.20	36.39	-29.14	194.06		
			7104001 (D3)	4.97	1.61	3.22	2.89	12.69		
			APREACT	367.68	-53.37	3.15	-7.67	309.80		
			MIN	7101001 (D3)	-22.26	2.75	-6.22	-1.55	-27.27	
				7102001 (D3)	367.68	-53.37	3.15	-7.67	309.80	
				7103001 (D3)	-21.47	2.17	-6.39	-2.05	-27.74	
				7104001 (D3)	231.23	-17.83	35.11	-30.38	218.13	
			APREACT	-21.59	2.23	-6.39	-2.01	-27.76		
			TANDEM-LOAD	MAX	7101001 (D3)	270.55	-52.01	0.41	-1.13	217.83
					7102001 (D3)	-13.68	2.37	-3.26	-0.17	-14.75
					7103001 (D3)	146.59	-17.55	25.28	-20.12	134.20
					7104001 (D3)	3.39	1.09	2.19	1.96	8.63

BAGO RIVER BRIDGE

[ No.1 : 1ST SPAN WITHOUT IMPACT ] [ FORCE3 (kN) ]

SUPPORT		7101001	7102001	7103001	7104001	TOTAL		
NODE		1001	2001	3001	4001			
NAME	TITLE	D3 (kN)	D3 (kN)	D3 (kN)	D3 (kN)	(kN)		
61	1-LANE(case1TANDEM-LOAD	MAX	APREACT	270.55	-52.01	0.41	-1.13	217.83
		MIN	7101001 (D3)	-15.19	1.93	-4.20	-0.99	-18.44
			7102001 (D3)	270.55	-52.01	0.41	-1.13	217.83
			7103001 (D3)	-14.81	1.57	-4.35	-1.32	-18.91
			7104001 (D3)	158.66	-11.19	23.96	-20.86	150.57
			APREACT	-14.81	1.57	-4.35	-1.32	-18.91
	DISPERSION-LMAX		7101001 (D3)	362.00	-42.98	45.12	-31.01	333.13
			7102001 (D3)	24.77	7.92	1.85	0.44	34.99
			7103001 (D3)	337.88	-37.36	45.22	-30.23	315.51
			7104001 (D3)	5.46	3.89	5.29	5.62	20.26
			APREACT	362.00	-42.98	45.12	-31.01	333.13
		MIN	7101001 (D3)	-29.82	3.06	-8.84	-2.78	-38.38
			7102001 (D3)	307.41	-47.84	34.43	-34.23	259.77
			7103001 (D3)	-5.70	-2.56	-8.94	-3.56	-20.76
			7104001 (D3)	326.72	-43.81	30.99	-39.41	274.49
			APREACT	-29.82	3.06	-8.84	-2.78	-38.38
62	1-LANE(case2TRUCK-LOAD	MAX	7101001 (D3)	119.44	36.35	65.14	14.86	235.79
			7102001 (D3)	39.13	211.31	56.39	3.00	309.84
			7103001 (D3)	106.41	77.20	73.52	10.72	267.84
			7104001 (D3)	115.96	22.97	53.85	16.35	209.14
			APREACT	39.13	211.31	56.39	3.00	309.84
		MIN	7101001 (D3)	-13.63	-1.92	-6.77	-5.07	-27.39
			7102001 (D3)	-11.69	-2.37	-6.41	-5.18	-25.65
			7103001 (D3)	-13.42	-2.19	-6.92	-5.35	-27.88

BAGO RIVER BRIDGE

[ No.1 : 1ST SPAN WITHOUT IMPACT ] [ FORCE3 (kN) ]

SUPPORT		7101001	7102001	7103001	7104001	TOTAL		
NODE		1001	2001	3001	4001			
NAME	TITLE	D3 (kN)	D3 (kN)	D3 (kN)	D3 (kN)	(kN)		
62	1-LANE (case2TRUCK-LOAD	MIN	7104001 (D3)	-13.20	-2.27	-6.90	-5.38	-27.76
			APREACT	-13.42	-2.19	-6.92	-5.35	-27.88
	TANDEM-LOAD	MAX	7101001 (D3)	81.27	29.10	47.72	9.37	167.45
			7102001 (D3)	8.91	176.45	32.05	0.43	217.83
			7103001 (D3)	71.80	54.34	51.35	6.83	184.33
			7104001 (D3)	78.04	14.18	35.13	11.24	138.59
			APREACT	8.91	176.45	32.05	0.43	217.83
		MIN	7101001 (D3)	-9.28	-1.27	-4.58	-3.41	-18.53
			7102001 (D3)	-8.09	-1.62	-4.42	-3.56	-17.68
			7103001 (D3)	-9.19	-1.47	-4.71	-3.62	-18.99
			7104001 (D3)	-8.90	-1.57	-4.68	-3.67	-18.81
			APREACT	-9.19	-1.47	-4.71	-3.62	-18.99
	DISPERSION-LMAX		7101001 (D3)	156.55	69.43	81.28	25.46	332.71
			7102001 (D3)	121.08	71.49	70.11	22.07	284.76
			7103001 (D3)	156.55	69.43	81.28	25.46	332.71
			7104001 (D3)	155.74	67.66	81.05	25.46	329.91
			APREACT	156.55	69.43	81.28	25.46	332.71
		MIN	7101001 (D3)	-18.49	-3.02	-9.53	-7.36	-38.40
			7102001 (D3)	16.97	-5.07	1.63	-3.98	9.55
			7103001 (D3)	-18.49	-3.02	-9.53	-7.36	-38.40
			7104001 (D3)	-17.69	-1.25	-9.31	-7.36	-35.60
			APREACT	-18.49	-3.02	-9.53	-7.36	-38.40
63	1-LANE (case3TRUCK-LOAD	MAX	7101001 (D3)	40.58	45.90	56.28	52.08	194.85
			7102001 (D3)	22.85	75.12	124.54	45.49	268.00

BAGO RIVER BRIDGE

[ No.1 : 1ST SPAN WITHOUT IMPACT ] [ FORCE3 (kN) ]

SUPPORT		7101001	7102001	7103001	7104001	TOTAL	
NODE		1001	2001	3001	4001		
NAME	TITLE	D3 (kN)	D3 (kN)	D3 (kN)	D3 (kN)	(kN)	
63	1-LANE (case3TRUCK-LOAD	MAX 7103001 (D3)	5.81	57.30	230.75	15.99	309.85
		7104001 (D3)	38.79	56.61	69.04	54.36	218.79
		APREACT	5.81	57.30	230.75	15.99	309.85
		MIN 7101001 (D3)	-7.20	-5.56	-7.33	-7.89	-27.98
		7102001 (D3)	-7.20	-5.56	-7.33	-7.89	-27.98
		7103001 (D3)	-7.20	-5.56	-7.33	-7.89	-27.98
	TANDEM-LOAD	MAX 7104001 (D3)	-7.20	-5.56	-7.33	-7.89	-27.98
		APREACT	-7.20	-5.56	-7.33	-7.89	-27.98
		7101001 (D3)	27.88	31.98	38.97	35.91	134.74
		7102001 (D3)	14.12	52.59	87.49	30.24	184.44
		7103001 (D3)	0.82	32.20	181.25	3.56	217.83
		7104001 (D3)	26.24	39.64	47.85	37.28	151.02
	DISPERSION-LMAX	APREACT	0.82	32.20	181.25	3.56	217.83
		MIN 7101001 (D3)	-4.90	-3.79	-4.99	-5.38	-19.06
		7102001 (D3)	-4.90	-3.79	-4.99	-5.38	-19.06
		7103001 (D3)	-4.90	-3.79	-4.99	-5.38	-19.06
		7104001 (D3)	-4.90	-3.79	-4.99	-5.38	-19.06
		APREACT	-4.90	-3.79	-4.99	-5.38	-19.06
DISPERSION-LMAX	7101001 (D3)	53.33	74.79	120.76	70.54	319.42	
	7102001 (D3)	53.31	76.22	130.95	71.89	332.37	
	7103001 (D3)	53.31	76.22	130.95	71.89	332.37	
	7104001 (D3)	53.31	76.22	130.95	71.89	332.37	
	APREACT	53.31	76.22	130.95	71.89	332.37	
	MIN 7101001 (D3)	-9.87	-6.23	0.11	-9.51	-25.50	

BAGO RIVER BRIDGE

[ No.1 : 1ST SPAN WITHOUT IMPACT ] [ FORCE3 (kN) ]

SUPPORT		7101001	7102001	7103001	7104001	TOTAL		
NODE		1001	2001	3001	4001			
NAME	TITLE	D3 (kN)	D3 (kN)	D3 (kN)	D3 (kN)	(kN)		
63	1-LANE (case3DISPERSION-LMIN	7102001 (D3)	-9.85	-7.66	-10.07	-10.86	-38.44	
		7103001 (D3)	-9.85	-7.66	-10.07	-10.86	-38.44	
		7104001 (D3)	-9.85	-7.66	-10.07	-10.86	-38.44	
		APREACT	-9.85	-7.66	-10.07	-10.86	-38.44	
64	1-LANE (case4TRUCK-LOAD MAX	7101001 (D3)	8.25	-12.12	-6.83	-12.13	-22.83	
		7102001 (D3)	-114.54	99.25	55.83	145.97	186.51	
		7103001 (D3)	-111.34	91.55	59.06	180.02	219.29	
		7104001 (D3)	-23.08	15.30	-8.29	325.96	309.89	
		APREACT	-23.08	15.30	-8.29	325.96	309.89	
		MIN	7101001 (D3)	-114.90	98.40	57.26	154.73	195.49
			7102001 (D3)	7.50	-13.09	-7.92	-13.41	-26.92
			7103001 (D3)	0.00	-0.00	-14.50	159.50	145.00
	7104001 (D3)		6.89	-13.06	-8.13	-13.50	-27.81	
	TANDEM-LOAD MAX	APREACT	5.78	-12.61	-8.18	-13.22	-28.24	
		7101001 (D3)	5.70	-8.15	-4.54	-8.13	-15.12	
		7102001 (D3)	-77.67	67.76	37.37	95.87	123.33	
		7103001 (D3)	-75.30	61.42	40.49	124.74	151.35	
		7104001 (D3)	-3.37	2.19	-18.41	237.43	217.84	
		APREACT	-3.37	2.19	-18.41	237.43	217.84	
		MIN	7101001 (D3)	-78.43	66.87	39.48	107.26	135.18
7102001 (D3)			4.99	-8.93	-5.46	-9.17	-18.57	
7103001 (D3)	-3.37		2.19	-18.41	237.43	217.84		
7104001 (D3)	4.82		-8.92	-5.51	-9.20	-18.82		
	APREACT	4.05	-8.65	-5.58	-9.06	-19.24		



BAGO RIVER BRIDGE

[ No.1 : 1ST SPAN WITHOUT IMPACT ] [ FORCE3 (kN) ]

SUPPORT		7101001	7102001	7103001	7104001	TOTAL	
NODE		1001	2001	3001	4001		
NAME	TITLE	D3 (kN)	D3 (kN)	D3 (kN)	D3 (kN)	(kN)	
64	1-LANE (case4DISPERSION-LMAX	7101001 (D3)	13.31	-11.58	-4.47	-10.45	-13.20
		7102001 (D3)	-140.01	129.19	71.58	271.24	332.01
		7103001 (D3)	-137.84	127.94	73.85	237.72	301.66
		7104001 (D3)	-140.01	129.19	71.58	271.24	332.01
		APREACT	-140.01	129.19	71.58	271.24	332.01
	MIN	7101001 (D3)	-145.35	123.50	64.85	263.59	306.59
		7102001 (D3)	7.96	-17.28	-11.20	-18.10	-38.62
		7103001 (D3)	5.79	-16.02	-13.47	15.42	-8.27
		7104001 (D3)	7.96	-17.28	-11.20	-18.10	-38.62
		APREACT	7.96	-17.28	-11.20	-18.10	-38.62
65	2-LANES (caseTRUCK-LOAD	MAX 7101001 (D3)	555.09	-9.32	47.17	-15.41	577.52
		7102001 (D3)	159.94	120.97	9.70	-3.05	287.56
		7103001 (D3)	393.76	-11.88	85.06	-37.23	429.70
		7104001 (D3)	9.57	3.40	6.45	5.92	25.33
		APREACT	547.99	64.19	17.80	-10.35	619.62
	MIN	7101001 (D3)	-40.22	3.18	-12.71	-4.85	-54.60
		7102001 (D3)	479.45	-69.17	28.95	-11.74	427.49
		7103001 (D3)	-38.98	2.19	-13.05	-5.72	-55.56
		7104001 (D3)	414.16	1.71	83.63	-38.56	460.95
		APREACT	-39.10	2.25	-13.05	-5.68	-55.58
TANDEM-LOAD	MAX 7101001 (D3)	398.28	-19.96	30.20	-6.43	402.08	
	7102001 (D3)	105.66	99.08	-1.08	-0.57	203.09	
	7103001 (D3)	271.86	-3.29	58.82	-25.83	301.55	
	7104001 (D3)	6.52	2.31	4.38	4.02	17.22	

BAGO RIVER BRIDGE

[ No.1 : 1ST SPAN WITHOUT IMPACT ] [ FORCE3 (kN) ]

SUPPORT		7101001	7102001	7103001	7104001	TOTAL		
NODE		1001	2001	3001	4001			
NAME	TITLE	D3 (kN)	D3 (kN)	D3 (kN)	D3 (kN)	(kN)		
65	2-LANES (caseTANDEM-LOAD	MAX	APREACT	389.89	44.71	2.59	-1.53	435.66
		MIN	7101001 (D3)	-27.43	2.27	-8.58	-3.19	-36.93
			7102001 (D3)	344.24	-62.85	17.26	-3.82	294.83
			7103001 (D3)	-26.82	1.63	-8.88	-3.79	-37.86
			7104001 (D3)	283.92	3.06	57.49	-26.57	317.92
			APREACT	-26.82	1.63	-8.88	-3.79	-37.86
	DISPERSION-LMAX		7101001 (D3)	615.57	-20.97	105.61	-34.15	666.07
			7102001 (D3)	139.02	46.06	28.81	1.01	214.89
			7103001 (D3)	591.45	-15.35	105.71	-33.37	648.45
			7104001 (D3)	46.45	6.39	20.95	11.90	85.69
			APREACT	615.57	-20.97	105.61	-34.15	666.07
		MIN	7101001 (D3)	-53.99	3.10	-18.02	-7.85	-76.77
			7102001 (D3)	422.56	-63.93	58.78	-43.00	374.40
			7103001 (D3)	-29.88	-2.52	-18.12	-8.63	-59.15
			7104001 (D3)	515.13	-24.26	66.64	-53.90	503.61
			APREACT	-53.99	3.10	-18.02	-7.85	-76.77
66	2-LANES (caseTRUCK-LOAD	MAX	7101001 (D3)	306.85	80.39	109.15	7.13	503.52
			7102001 (D3)	219.44	328.87	71.03	0.33	619.67
			7103001 (D3)	287.16	91.51	122.18	2.62	503.47
			7104001 (D3)	120.56	24.77	57.08	19.38	221.78
			APREACT	219.44	328.87	71.03	0.33	619.67
		MIN	7101001 (D3)	-31.59	-1.49	-13.27	-8.37	-54.72
			7102001 (D3)	100.08	-18.17	19.38	-9.25	92.05
			7103001 (D3)	-30.93	-2.17	-13.58	-9.02	-55.70

BAGO RIVER BRIDGE

[ No.1 : 1ST SPAN WITHOUT IMPACT ] [ FORCE3 (kN) ]

SUPPORT		7101001	7102001	7103001	7104001	TOTAL	
NODE		1001	2001	3001	4001		
NAME	TITLE	D3 (kN)	D3 (kN)	D3 (kN)	D3 (kN)	(kN)	
66	2-LANES (caseTRUCK-LOAD	MIN 7104001 (D3)	169.73	17.28	41.62	-13.56	215.07
		APREACT	-30.93	-2.17	-13.58	-9.02	-55.70
	TANDEM-LOAD	MAX 7101001 (D3)	208.99	61.14	77.50	4.07	351.71
		7102001 (D3)	128.24	273.16	34.23	0.03	435.67
		7103001 (D3)	197.07	68.60	84.89	1.12	351.68
		7104001 (D3)	81.17	15.40	37.32	13.29	147.18
		APREACT	128.24	273.16	34.23	0.03	435.67
		MIN 7101001 (D3)	-21.52	-0.93	-8.97	-5.60	-37.02
	7102001 (D3)	65.60	-12.46	12.43	-6.25	59.32	
	7103001 (D3)	-21.19	-1.41	-9.24	-6.09	-37.94	
	7104001 (D3)	116.37	12.69	28.86	-9.38	148.54	
	APREACT	-21.19	-1.41	-9.24	-6.09	-37.94	
	DISPERSION-LMAX	7101001 (D3)	410.12	91.44	141.78	22.32	665.65
		7102001 (D3)	235.33	109.63	97.07	22.64	464.67
		7103001 (D3)	410.12	91.44	141.78	22.32	665.65
		7104001 (D3)	196.73	70.16	96.71	31.74	395.34
		APREACT	410.12	91.44	141.78	22.32	665.65
		MIN 7101001 (D3)	-42.67	-2.98	-18.72	-12.43	-76.80
	7102001 (D3)	132.12	-21.17	25.99	-12.75	124.19	
	7103001 (D3)	-42.67	-2.98	-18.72	-12.43	-76.80	
7104001 (D3)	170.72	18.30	26.34	-21.85	193.51		
APREACT	-42.67	-2.98	-18.72	-12.43	-76.80		
67	2-LANES (caseTRUCK-LOAD	MAX 7101001 (D3)	43.86	48.34	59.53	55.57	207.30
		7102001 (D3)	14.25	149.40	226.85	135.97	526.46

BAGO RIVER BRIDGE

[ No.1 : 1ST SPAN WITHOUT IMPACT ] [ FORCE3 (kN) ]

SUPPORT		7101001	7102001	7103001	7104001	TOTAL		
NODE		1001	2001	3001	4001			
NAME	TITLE	D3 (kN)	D3 (kN)	D3 (kN)	D3 (kN)	(kN)		
67	2-LANES (caseTRUCK-LOAD	MAX	7103001 (D3)	1.71	82.33	443.97	91.70	619.70
			7104001 (D3)	30.18	130.89	171.35	144.84	477.26
		APREACT	1.71	82.33	443.97	91.70	619.70	
	MIN	7101001 (D3)	-16.40	65.45	109.24	81.77	240.06	
		7102001 (D3)	-9.90	-13.50	-14.89	-17.55	-55.84	
		7103001 (D3)	-10.21	-13.40	-14.93	-17.50	-56.04	
		7104001 (D3)	-9.95	-13.50	-14.91	-17.56	-55.91	
		APREACT	-10.21	-13.40	-14.93	-17.50	-56.04	
		TANDEM-LOAD	MAX	7101001 (D3)	30.10	33.64	41.19	38.28
		7102001 (D3)	8.51	104.40	151.38	92.04	356.34	
		7103001 (D3)	0.18	35.96	348.70	50.83	435.67	
		7104001 (D3)	20.63	91.45	111.75	99.09	322.92	
		APREACT	0.18	35.96	348.70	50.83	435.67	
	MIN	7101001 (D3)	-11.86	45.13	76.54	55.60	165.40	
		7102001 (D3)	-6.57	-9.19	-10.07	-11.91	-37.74	
		7103001 (D3)	-6.91	-9.15	-10.17	-11.94	-38.18	
		7104001 (D3)	-6.84	-9.18	-10.17	-11.96	-38.14	
		APREACT	-6.91	-9.15	-10.17	-11.94	-38.18	
		DISPERSION-LMAX	7101001 (D3)	62.64	100.85	149.02	102.93	415.44
		7102001 (D3)	50.17	165.02	258.77	190.56	664.52	
	7103001 (D3)	50.17	165.02	258.77	190.56	664.52		
	7104001 (D3)	50.17	165.02	258.77	190.56	664.52		
	APREACT	50.17	165.02	258.77	190.56	664.52		
	MIN	7101001 (D3)	-26.36	45.71	89.25	63.55	172.14	

BAGO RIVER BRIDGE

[ No.1 : 1ST SPAN WITHOUT IMPACT ] [ FORCE3 (kN) ]

SUPPORT		7101001	7102001	7103001	7104001	TOTAL		
NODE		1001	2001	3001	4001			
NAME	TITLE	D3 (kN)	D3 (kN)	D3 (kN)	D3 (kN)	(kN)		
67	2-LANES (caseDISPERSION-LMIN	7102001 (D3)	-13.89	-18.46	-20.50	-24.08	-76.94	
		7103001 (D3)	-13.89	-18.46	-20.50	-24.08	-76.94	
		7104001 (D3)	-13.89	-18.46	-20.50	-24.08	-76.94	
		APREACT	-13.89	-18.46	-20.50	-24.08	-76.94	
68	2-LANES (caseTRUCK-LOAD MAX	7101001 (D3)	12.22	-20.95	-12.60	-21.41	-42.74	
		7102001 (D3)	-188.72	184.10	113.19	273.26	381.83	
		7103001 (D3)	-166.44	152.78	126.31	374.72	487.36	
		7104001 (D3)	-40.01	33.72	53.76	572.31	619.78	
		APREACT	-40.01	33.72	53.76	572.31	619.78	
		MIN	7101001 (D3)	-189.08	182.87	117.90	293.76	405.44
			7102001 (D3)	9.91	-23.72	-15.76	-25.07	-54.63
			7103001 (D3)	1.58	-10.33	-22.41	148.00	116.85
	7104001 (D3)		9.06	-23.64	-16.02	-25.17	-55.77	
		APREACT	7.36	-22.94	-16.09	-24.72	-56.39	
	TANDEM-LOAD MAX	7101001 (D3)	8.44	-14.43	-8.66	-14.73	-29.38	
		7102001 (D3)	-128.37	125.69	76.98	184.09	258.40	
		7103001 (D3)	-111.40	101.38	86.34	259.52	335.83	
		7104001 (D3)	-5.86	4.89	21.67	414.98	435.68	
		APREACT	-5.86	4.89	21.67	414.98	435.68	
		MIN	7101001 (D3)	-129.13	124.71	80.00	198.75	274.33
7102001 (D3)			6.73	-16.18	-10.76	-17.11	-37.32	
7103001 (D3)			-2.21	-4.89	-23.80	229.56	198.66	
7104001 (D3)	6.56		-16.17	-10.82	-17.13	-37.57		
	APREACT	5.21	-15.74	-10.98	-16.92	-38.42		

BAGO RIVER BRIDGE

[ No.1 : 1ST SPAN WITHOUT IMPACT ] [ FORCE3 (kN) ]

SUPPORT		7101001	7102001	7103001	7104001	TOTAL	
NODE		1001	2001	3001	4001		
NAME	TITLE	D3 (kN)	D3 (kN)	D3 (kN)	D3 (kN)	(kN)	
68	2-LANES (caseDISPERSION-LMAX	7101001 (D3)	22.27	-16.88	-5.41	-14.63	-14.65
		7102001 (D3)	-228.52	242.16	161.08	489.51	664.24
		7103001 (D3)	-226.35	240.91	163.35	455.99	633.89
		7104001 (D3)	-228.52	242.16	161.08	489.51	664.24
		APREACT	-228.52	242.16	161.08	489.51	664.24
	MIN	7101001 (D3)	-240.67	227.62	144.46	470.29	601.70
		7102001 (D3)	10.12	-31.43	-22.03	-33.85	-77.19
		7103001 (D3)	7.96	-30.17	-24.30	-0.33	-46.84
		7104001 (D3)	10.12	-31.43	-22.03	-33.85	-77.19
		APREACT	10.12	-31.43	-22.03	-33.85	-77.19
69	3-LANES (caseTRUCK-LOAD	MAX 7101001 (D3)	674.53	27.02	112.30	-0.55	813.31
		7102001 (D3)	199.07	332.29	66.09	-0.05	597.40
		7103001 (D3)	500.16	65.31	158.57	-26.51	697.53
		7104001 (D3)	125.53	26.37	60.30	22.27	234.47
		APREACT	587.12	275.50	74.19	-7.34	929.46
	MIN	7101001 (D3)	-53.85	1.26	-19.48	-9.92	-81.99
		7102001 (D3)	467.76	-71.53	22.54	-16.92	401.84
		7103001 (D3)	-52.40	0.00	-19.97	-11.06	-83.43
		7104001 (D3)	400.96	-0.56	76.73	-43.94	433.19
		APREACT	-52.52	0.06	-19.97	-11.02	-83.46
	TANDEM-LOAD	MAX 7101001 (D3)	479.55	9.13	77.92	2.94	569.53
		7102001 (D3)	114.57	275.53	30.97	-0.14	420.92
		7103001 (D3)	343.66	51.05	110.17	-19.00	485.88
		7104001 (D3)	84.56	16.49	39.51	15.26	155.81

BAGO RIVER BRIDGE

[ No.1 : 1ST SPAN WITHOUT IMPACT ] [ FORCE3 (kN) ]

SUPPORT		7101001	7102001	7103001	7104001	TOTAL		
NODE		1001	2001	3001	4001			
NAME	TITLE	D3 (kN)	D3 (kN)	D3 (kN)	D3 (kN)	(kN)		
69	3-LANES (caseTANDEM-LOAD	MAX	APREACT	398.80	221.15	34.64	-1.10	653.49
		MIN	7101001 (D3)	-36.71	1.01	-13.16	-6.60	-55.46
			7102001 (D3)	336.15	-64.47	12.84	-7.38	277.15
			7103001 (D3)	-36.00	0.16	-13.59	-7.42	-56.85
			7104001 (D3)	275.03	1.50	52.81	-30.24	299.10
			APREACT	-36.00	0.16	-13.59	-7.42	-56.85
	DISPERSION-LMAX		7101001 (D3)	772.12	48.46	186.89	-8.70	998.78
			7102001 (D3)	260.11	117.55	98.92	23.08	499.65
			7103001 (D3)	748.00	54.08	186.99	-7.91	981.16
			7104001 (D3)	202.19	74.05	102.00	37.36	415.60
			APREACT	772.12	48.46	186.89	-8.70	998.78
		MIN	7101001 (D3)	-72.49	0.08	-27.56	-15.21	-115.17
			7102001 (D3)	439.53	-69.01	60.42	-46.98	383.96
			7103001 (D3)	-48.37	-5.54	-27.65	-15.99	-97.55
			7104001 (D3)	497.44	-25.51	57.33	-61.26	468.01
			APREACT	-72.49	0.08	-27.56	-15.21	-115.17
70	3-LANES (caseTRUCK-LOAD	MAX	7101001 (D3)	47.21	39.84	53.81	46.54	187.41
			7102001 (D3)	-27.10	225.79	292.24	254.59	745.52
			7103001 (D3)	-8.57	104.20	587.00	246.94	929.57
			7104001 (D3)	19.90	152.76	314.37	300.09	787.12
			APREACT	-8.57	104.20	587.00	246.94	929.57
		MIN	7101001 (D3)	-59.46	138.79	163.98	182.92	426.22
			7102001 (D3)	-7.96	-23.87	-22.70	-29.02	-83.54
			7103001 (D3)	-9.02	-23.51	-22.81	-28.84	-84.19

BAGO RIVER BRIDGE

[ No.1 : 1ST SPAN WITHOUT IMPACT ] [ FORCE3 (kN) ]

SUPPORT		7101001	7102001	7103001	7104001	TOTAL		
NODE		1001	2001	3001	4001			
NAME	TITLE	D3 (kN)	D3 (kN)	D3 (kN)	D3 (kN)	(kN)		
70	3-LANES (caseTRUCK-LOAD	MIN	7104001 (D3)	-8.23	-23.83	-22.77	-29.04	-83.87
			APREACT	-9.02	-23.51	-22.81	-28.84	-84.19
	TANDEM-LOAD	MAX	7101001 (D3)	32.42	27.60	37.09	31.85	128.96
			7102001 (D3)	-19.34	156.49	196.46	173.93	507.53
			7103001 (D3)	-1.34	39.22	457.68	157.94	653.51
			7104001 (D3)	19.11	94.71	220.73	206.21	540.76
			APREACT	-1.34	39.22	457.68	157.94	653.51
		MIN	7101001 (D3)	-41.18	94.48	112.70	122.49	288.50
			7102001 (D3)	-5.16	-16.25	-15.36	-19.71	-56.48
			7103001 (D3)	-6.03	-16.09	-15.55	-19.70	-57.36
			7104001 (D3)	-5.43	-16.25	-15.45	-19.76	-56.89
			APREACT	-6.03	-16.09	-15.55	-19.70	-57.36
	DISPERSION-LMAX		7101001 (D3)	70.34	96.61	148.46	99.69	415.09
			7102001 (D3)	-4.71	270.15	368.71	362.44	996.59
			7103001 (D3)	-4.71	270.15	368.71	362.44	996.59
			7104001 (D3)	-4.71	270.15	368.71	362.44	996.59
			APREACT	-4.71	270.15	368.71	362.44	996.59
		MIN	7101001 (D3)	-87.17	141.16	188.95	223.08	466.01
			7102001 (D3)	-12.12	-32.39	-31.31	-39.67	-115.49
			7103001 (D3)	-12.12	-32.39	-31.31	-39.67	-115.49
			7104001 (D3)	-12.12	-32.39	-31.31	-39.67	-115.49
			APREACT	-12.12	-32.39	-31.31	-39.67	-115.49
71	3-LANES (caseTRUCK-LOAD	MAX	7101001 (D3)	15.87	-18.69	-9.35	-18.05	-30.22
			7102001 (D3)	-224.57	259.80	184.86	395.70	615.79



BAGO RIVER BRIDGE

[ No.1 : 1ST SPAN WITHOUT IMPACT ] [ FORCE3 (kN) ]

SUPPORT		7101001	7102001	7103001	7104001	TOTAL	
NODE		1001	2001	3001	4001		
NAME	TITLE	D3 (kN)	D3 (kN)	D3 (kN)	D3 (kN)	(kN)	
71	3-LANES (case)						
	TRUCK-LOAD						
	MAX						
		7103001 (D3)	-177.22	174.34	258.66	541.47	797.24
		7104001 (D3)	-50.79	55.29	186.11	739.06	929.66
		APREACT	-50.79	55.29	186.11	739.06	929.66
	MIN						
		7101001 (D3)	-224.97	258.55	190.53	417.53	641.64
		7102001 (D3)	7.83	-31.90	-23.29	-34.88	-82.24
		7103001 (D3)	-1.04	-18.38	-30.03	138.23	88.78
		7104001 (D3)	6.75	-31.81	-23.64	-35.01	-83.71
		APREACT	4.74	-30.99	-23.72	-34.49	-84.46
	TANDEM-LOAD						
	MAX						
		7101001 (D3)	10.92	-12.89	-6.45	-12.45	-20.88
		7102001 (D3)	-152.71	177.25	124.04	265.17	413.75
		7103001 (D3)	-113.01	104.58	184.90	377.21	553.67
		7104001 (D3)	-7.47	8.09	120.23	532.67	653.52
		APREACT	-7.47	8.09	120.23	532.67	653.52
	MIN						
		7101001 (D3)	-153.59	175.98	132.47	287.17	442.04
		7102001 (D3)	5.38	-21.75	-15.86	-23.77	-56.00
		7103001 (D3)	-3.95	-10.40	-29.00	222.88	179.53
		7104001 (D3)	4.90	-21.71	-16.02	-23.83	-56.66
		APREACT	3.48	-21.25	-16.18	-23.60	-57.55
	DISPERSION-LMAX						
		7101001 (D3)	29.40	-14.18	-0.47	-10.03	4.73
		7102001 (D3)	-265.36	338.83	268.50	654.60	996.56
		7103001 (D3)	-263.20	337.57	270.77	621.08	966.22
		7104001 (D3)	-265.36	338.83	268.50	654.60	996.56
		APREACT	-265.36	338.83	268.50	654.60	996.56
	MIN						
		7101001 (D3)	-288.29	310.57	236.48	617.39	876.14

BAGO RIVER BRIDGE

[ No.1 : 1ST SPAN WITHOUT IMPACT ] [ FORCE3 (kN) ]

SUPPORT		7101001	7102001	7103001	7104001	TOTAL	
NODE		1001	2001	3001	4001		
NAME	TITLE	D3 (kN)	D3 (kN)	D3 (kN)	D3 (kN)	(kN)	
71	3-LANES (caseDISPERSION-LMIN	7102001 (D3)	6.47	-42.44	-32.49	-47.24	-115.69
		7103001 (D3)	4.31	-41.18	-34.76	-13.72	-85.35
		7104001 (D3)	6.47	-42.44	-32.49	-47.24	-115.69
		APREACT	6.47	-42.44	-32.49	-47.24	-115.69
72	4-LANES TRUCK-LOAD MAX	7101001 (D3)	48.38	21.89	39.25	29.67	139.18
		7102001 (D3)	-171.04	328.64	311.68	431.16	900.44
		7103001 (D3)	-125.84	177.44	571.87	525.37	1148.85
		7104001 (D3)	-20.57	151.11	311.54	702.17	1144.24
		APREACT	-39.73	108.11	505.53	665.57	1239.47
		MIN 7101001 (D3)	-200.33	245.48	205.56	372.86	623.56
		7102001 (D3)	-0.01	-37.20	-30.65	-42.61	-110.47
		7103001 (D3)	-8.58	-23.76	-35.00	128.14	60.80
		7104001 (D3)	-0.90	-37.13	-30.93	-42.72	-111.68
		APREACT	-2.85	-36.34	-31.02	-42.22	-112.43
	TANDEM-LOAD MAX	7101001 (D3)	33.31	16.86	29.00	20.88	100.06
		7102001 (D3)	-120.07	226.29	222.75	285.60	614.57
		7103001 (D3)	-75.36	86.73	435.23	358.26	804.85
		7104001 (D3)	4.62	91.93	183.15	499.93	779.63
		APREACT	-5.89	33.32	377.10	466.83	871.35
		MIN 7101001 (D3)	-136.78	169.09	134.65	256.10	423.06
		7102001 (D3)	0.15	-25.36	-20.83	-29.01	-75.06
		7103001 (D3)	-9.03	-14.03	-30.61	214.15	160.48
		7104001 (D3)	-0.30	-25.34	-20.99	-29.08	-75.71
		APREACT	-1.70	-24.89	-21.15	-28.87	-76.60

BAGO RIVER BRIDGE

[ No.1 : 1ST SPAN WITHOUT IMPACT ] [ FORCE3 (kN) ]

SUPPORT		7101001	7102001	7103001	7104001	TOTAL						
NODE		1001	2001	3001	4001							
NAME	TITLE	D3 (kN)	D3 (kN)	D3 (kN)	D3 (kN)	(kN)						
72	4-LANES	DISPERSION-LMAX	7101001 (D3)	57.91	56.92	108.97	51.97	275.78				
			7102001 (D3)	-215.47	395.00	405.44	648.51	1233.49				
			7103001 (D3)	-209.53	389.35	410.06	628.46	1218.34				
			7104001 (D3)	-222.52	389.79	393.37	672.82	1233.46				
			APREACT	-199.23	389.15	396.50	647.25	1233.67				
			MIN	7101001 (D3)	-268.59	305.57	273.22	582.26	892.46			
			7102001 (D3)	0.32	-40.32	-33.09	-46.11	-119.19				
			7103001 (D3)	-1.84	-39.06	-35.36	-12.59	-88.85				
			7104001 (D3)	0.32	-40.32	-33.09	-46.11	-119.19				
			APREACT	0.32	-40.31	-33.09	-46.11	-119.19				
			73	6-LANES	TRUCK-LOAD	MAX	7101001 (D3)	597.94	53.56	151.41	69.36	872.27
						7102001 (D3)	170.63	567.97	468.54	352.57	1559.71	
						7103001 (D3)	239.64	270.08	672.93	452.72	1635.38	
						7104001 (D3)	158.79	178.98	333.33	656.93	1328.04	
APREACT	341.38	370.53				570.30	576.93	1859.14				
MIN	7101001 (D3)	-221.48				234.88	244.61	348.32	606.32			
7102001 (D3)	432.85	-85.76				-3.91	-44.57	298.60				
7103001 (D3)	-52.27	-19.00				-47.74	124.36	5.34				
7104001 (D3)	204.81	-50.83				-1.28	-73.24	79.46				
APREACT	-46.85	-31.43				-43.75	-45.89	-167.91				
TANDEM-LOAD	MAX	7101001 (D3)				427.97	22.66	102.13	52.98	605.74		
	7102001 (D3)	87.68				424.19	325.40	233.33	1070.61			
	7103001 (D3)	155.85				173.21	502.71	299.87	1131.64			
	7104001 (D3)	123.22				98.80	227.70	468.56	918.28			

BAGO RIVER BRIDGE

[ No.1 : 1ST SPAN WITHOUT IMPACT ] [ FORCE3 (kN) ]

SUPPORT NODE		7101001	7102001	7103001	7104001	TOTAL		
NAME TITLE		1001	2001	3001	4001	(kN)		
		D3 (kN)	D3 (kN)	D3 (kN)	D3 (kN)			
73	6-LANES	TANDEM-LOAD MAX	APREACT	240.95	249.74	410.88	405.45	1307.02
		MIN	7101001 (D3)	-151.78	164.63	156.82	237.39	407.07
			7102001 (D3)	310.40	-72.23	-5.78	-26.57	205.81
			7103001 (D3)	-39.09	-10.64	-39.27	211.69	122.69
			7104001 (D3)	140.38	-33.60	-0.85	-50.02	55.91
			APREACT	-31.89	-21.42	-29.80	-31.27	-114.39
		DISPERSION-LMAX	7101001 (D3)	687.93	99.77	274.59	72.55	1134.85
			7102001 (D3)	48.40	469.54	488.61	616.80	1623.36
			7103001 (D3)	378.49	427.35	554.79	580.74	1941.37
			7104001 (D3)	23.84	441.45	477.81	662.78	1605.88
			APREACT	435.31	396.83	528.82	589.58	1950.54
		MIN	7101001 (D3)	-306.87	266.43	208.00	505.25	672.82
			7102001 (D3)	374.94	-102.93	11.36	-91.66	191.72
			7103001 (D3)	-37.15	-47.28	-60.24	-28.89	-173.57
			7104001 (D3)	402.96	-69.80	8.02	-101.05	240.12
			APREACT	-60.21	-42.32	-57.81	-61.18	-221.53
124	SUM TOTAL	D+1LANE (caseMAX	7101001 (D3)	2741.57	1267.93	1953.00	2003.77	7966.27
			7102001 (D3)	1871.23	1397.16	1891.36	2050.27	7210.02
			7103001 (D3)	2527.02	1307.27	1993.00	1978.95	7806.25
			7104001 (D3)	1878.47	1390.15	1905.29	2060.40	7234.31
			APREACT	2741.57	1267.93	1953.00	2003.77	7966.27
		MIN	7101001 (D3)	1803.46	1390.52	1877.01	2045.00	7115.99
			7102001 (D3)	2676.06	1262.10	1940.17	1999.91	7878.24
			7103001 (D3)	1833.35	1383.08	1876.68	2043.46	7136.57

BAGO RIVER BRIDGE

[ No. 1 : 1ST SPAN WITHOUT IMPACT ] [ FORCE3 (kN) ]

SUPPORT		7101001	7102001	7103001	7104001	TOTAL	
NODE		1001	2001	3001	4001		
NAME	TITLE	D3 (kN)	D3 (kN)	D3 (kN)	D3 (kN)	(kN)	
124	SUM TOTAL						
	D+1LANE (caseMIN	7104001 (D3)	2535.50	1309.58	1974.39	1966.44	7785.90
		APREACT	1804.26	1389.89	1876.79	2044.45	7115.40
	D+1LANE (caseMAX	7101001 (D3)	2197.14	1510.48	2070.78	2098.57	7876.97
		7102001 (D3)	2058.21	1722.91	2046.88	2080.28	7908.28
		7103001 (D3)	2181.50	1559.50	2080.83	2093.60	7915.42
		7104001 (D3)	2192.00	1492.31	2056.95	2100.36	7841.62
		APREACT	2100.77	1720.44	2060.28	2084.34	7965.82
	MIN	7101001 (D3)	1827.40	1377.63	1875.50	2035.27	7115.81
		7102001 (D3)	1872.28	1374.61	1889.34	2039.20	7175.44
		7103001 (D3)	1827.66	1377.29	1875.33	2034.94	7115.22
		7104001 (D3)	1828.89	1379.33	1875.62	2034.89	7118.73
		APREACT	1827.66	1377.29	1875.33	2034.94	7115.22
	D+1LANE (caseMAX	7101001 (D3)	1978.65	1528.38	2107.52	2197.33	7811.88
		7102001 (D3)	1957.34	1565.16	2201.65	2191.05	7915.20
		7103001 (D3)	1936.89	1543.77	2329.10	2155.65	7965.42
		7104001 (D3)	1976.47	1542.94	2135.05	2201.70	7856.15
		APREACT	1936.89	1543.77	2329.10	2155.65	7965.42
	MIN	7101001 (D3)	1845.47	1369.39	1886.42	2029.31	7130.59
		7102001 (D3)	1845.50	1367.67	1874.20	2027.68	7115.05
		7103001 (D3)	1845.50	1367.67	1874.20	2027.68	7115.05
		7104001 (D3)	1845.50	1367.67	1874.20	2027.68	7115.05
		APREACT	1845.50	1367.67	1874.20	2027.68	7115.05
	D+1LANE (caseMAX	7101001 (D3)	1891.82	1355.10	1881.51	2023.09	7151.53
		7102001 (D3)	1560.50	1657.67	2047.96	2550.85	7816.98

BAGO RIVER BRIDGE

[ No.1 : 1ST SPAN WITHOUT IMPACT ] [ FORCE3 (kN) ]

SUPPORT		7101001	7102001	7103001	7104001	TOTAL		
NODE		1001	2001	3001	4001			
NAME	TITLE	D3 (kN)	D3 (kN)	D3 (kN)	D3 (kN)	(kN)		
124	SUM TOTAL	D+1LANE (caseMAX	7103001 (D3)	1566.93	1646.93	2054.56	2551.48	7819.90
			7104001 (D3)	1670.25	1556.93	1971.02	2766.83	7965.04
			APREACT	1670.25	1556.93	1971.02	2766.83	7965.04
		MIN	7101001 (D3)	1553.65	1649.82	2041.61	2552.18	7797.26
			7102001 (D3)	1884.51	1347.10	1872.13	2012.38	7116.11
			7103001 (D3)	1872.91	1364.32	1861.52	2260.09	7358.83
			7104001 (D3)	1883.77	1347.14	1871.88	2012.26	7115.05
			APREACT	1882.44	1347.68	1871.81	2012.60	7114.54
		D+2LANES (casMAX	7101001 (D3)	3036.61	1353.26	2047.85	2000.63	8438.35
			7102001 (D3)	2164.91	1550.58	1933.58	2048.14	7697.21
			7103001 (D3)	2851.16	1356.31	2085.84	1979.59	8272.91
			7104001 (D3)	1921.97	1393.33	1922.47	2068.01	7305.78
			APREACT	3029.52	1426.76	2018.48	2005.69	8480.45
		MIN	7101001 (D3)	1771.74	1389.82	1864.34	2037.50	7063.40
			7102001 (D3)	2767.96	1250.45	1982.80	1995.45	7996.66
			7103001 (D3)	1797.10	1383.21	1863.90	2035.84	7080.06
			7104001 (D3)	2795.24	1361.00	2045.35	1957.73	8159.32
			APREACT	1772.86	1388.89	1864.00	2036.67	7062.42
		D+2LANES (casMAX	7101001 (D3)	2582.92	1555.38	2146.00	2079.63	8363.93
			7102001 (D3)	2320.73	1822.04	2063.17	2073.16	8279.09
			7103001 (D3)	2563.23	1566.50	2159.03	2075.13	8363.88
			7104001 (D3)	2183.25	1478.47	2048.86	2101.31	7811.88
			APREACT	2495.51	1803.85	2107.88	2072.83	8480.08
		MIN	7101001 (D3)	1791.70	1379.07	1863.09	2029.39	7063.25

BAGO RIVER BRIDGE

[ No.1 : 1ST SPAN WITHOUT IMPACT ] [ FORCE3 (kN) ]

SUPPORT		7101001	7102001	7103001	7104001	TOTAL	
NODE		1001	2001	3001	4001		
NAME	TITLE	D3 (kN)	D3 (kN)	D3 (kN)	D3 (kN)	(kN)	
124	SUM TOTAL						
	D+2LANES (casMIN)						
		7102001 (D3)	2098.15	1344.21	1940.44	2028.19	7411.00
		7103001 (D3)	1792.35	1378.39	1862.78	2028.75	7062.27
		7104001 (D3)	2206.40	1419.12	1963.04	2014.78	7603.34
		APREACT	1792.35	1378.39	1862.78	2028.75	7062.27
	D+2LANES (casMAX)						
		7101001 (D3)	1972.45	1532.74	2103.63	2208.69	7817.51
		7102001 (D3)	1930.37	1697.97	2380.69	2376.72	8385.74
		7103001 (D3)	1917.83	1630.90	2597.81	2332.44	8478.99
		7104001 (D3)	1946.31	1679.45	2325.19	2385.59	8336.54
		APREACT	1917.83	1630.90	2597.81	2332.44	8478.99
	MIN						
		7101001 (D3)	1823.19	1494.71	2093.55	2195.51	7606.96
		7102001 (D3)	1842.17	1351.59	1859.67	2008.55	7061.98
		7103001 (D3)	1841.86	1351.69	1859.64	2008.60	7061.78
		7104001 (D3)	1842.12	1351.59	1859.66	2008.55	7061.91
		APREACT	1841.86	1351.69	1859.64	2008.60	7061.78
	D+2LANES (casMAX)						
		7101001 (D3)	1900.45	1345.71	1877.06	2014.16	7137.38
		7102001 (D3)	1448.72	1809.81	2169.34	2812.96	8240.83
		7103001 (D3)	1473.16	1777.23	2184.73	2880.90	8316.02
		7104001 (D3)	1597.43	1659.43	2109.91	3112.01	8478.78
		APREACT	1597.43	1659.43	2109.91	3112.01	8478.78
	MIN						
		7101001 (D3)	1436.20	1794.03	2157.43	2814.24	8201.90
		7102001 (D3)	1885.98	1328.40	1857.29	1991.27	7062.95
		7103001 (D3)	1875.49	1343.05	1848.37	2197.86	7264.77
		7104001 (D3)	1885.13	1328.48	1857.02	1991.17	7061.80
		APREACT	1883.43	1329.18	1856.95	1991.62	7061.19

BAGO RIVER BRIDGE

[ No.1 : 1ST SPAN WITHOUT IMPACT ] [ FORCE3 (kN) ]

SUPPORT		7101001	7102001	7103001	7104001	TOTAL		
NODE		1001	2001	3001	4001			
NAME	TITLE	D3 (kN)	D3 (kN)	D3 (kN)	D3 (kN)	(kN)		
124	SUM TOTAL	D+3LANES (casMAX	7101001 (D3)	3095.61	1447.71	2149.39	2042.33	8735.04
			7102001 (D3)	2256.25	1765.90	2035.33	2069.77	8127.25
			7103001 (D3)	2926.89	1485.03	2188.80	2020.93	8621.65
			7104001 (D3)	2144.52	1468.90	2033.03	2100.87	7747.32
			APREACT	3021.31	1658.91	2116.99	2036.56	8833.77
		MIN	7101001 (D3)	1758.57	1384.69	1855.09	2028.83	7027.18
			7102001 (D3)	2637.15	1264.09	1965.58	1995.87	7862.69
			7103001 (D3)	1780.30	1378.84	1854.59	2027.20	7040.92
			7104001 (D3)	2629.59	1361.39	2009.03	1960.77	7960.78
			APREACT	1759.69	1383.66	1854.67	2027.90	7025.93
		D+3LANES (casMAX	7101001 (D3)	1965.87	1499.53	2067.00	2174.49	7706.89
			7102001 (D3)	1838.92	1805.10	2456.88	2574.66	8675.55
			7103001 (D3)	1854.66	1701.75	2707.42	2568.16	8831.99
			7104001 (D3)	1878.87	1743.02	2475.69	2613.34	8710.92
			APREACT	1854.66	1701.75	2707.42	2568.16	8831.99
		MIN	7101001 (D3)	1741.31	1621.50	2195.06	2395.29	7953.15
			7102001 (D3)	1848.88	1335.73	1849.17	1991.81	7025.59
			7103001 (D3)	1847.98	1336.03	1849.07	1991.96	7025.04
			7104001 (D3)	1848.65	1335.75	1849.11	1991.79	7025.31
			APREACT	1847.98	1336.03	1849.07	1991.96	7025.04
		D+3LANES (casMAX	7101001 (D3)	1904.44	1355.60	1886.73	2026.32	7173.09
			7102001 (D3)	1449.51	1892.38	2280.43	2942.95	8565.26
			7103001 (D3)	1491.59	1818.67	2345.08	3038.35	8693.70
			7104001 (D3)	1597.22	1718.54	2281.49	3234.80	8832.05



BAGO RIVER BRIDGE

[ No.1 : 1ST SPAN WITHOUT IMPACT ] [ FORCE3 (kN) ]

SUPPORT		7101001	7102001	7103001	7104001	TOTAL			
NODE		1001	2001	3001	4001				
NAME	TITLE	D3 (kN)	D3 (kN)	D3 (kN)	D3 (kN)	(kN)			
124	SUM TOTAL	D+3LANES (casMAX	APREACT	1597.22	1718.54	2281.49	3234.80	8832.05	
		MIN	7101001 (D3)	1429.68	1867.30	2258.03	2929.87	8484.87	
			7102001 (D3)	1878.11	1320.36	1847.66	1980.39	7026.52	
			7103001 (D3)	1868.74	1332.92	1840.00	2156.03	7197.68	
			7104001 (D3)	1877.19	1320.43	1847.36	1980.28	7025.27	
			APREACT	1875.49	1321.13	1847.29	1980.72	7024.63	
		D+4LANES	MAX	7101001 (D3)	1935.04	1434.77	1991.42	2103.25	7464.49
				7102001 (D3)	1614.72	1853.91	2361.20	2751.98	8581.82
				7103001 (D3)	1647.96	1751.96	2533.33	2800.18	8733.44
				7104001 (D3)	1707.95	1735.13	2353.26	2943.93	8740.27
				APREACT	1710.63	1706.76	2481.39	2903.52	8802.30
			MIN	7101001 (D3)	1561.16	1741.73	2206.28	2671.02	8180.18
				7102001 (D3)	1866.16	1333.16	1853.64	1992.52	7045.48
				7103001 (D3)	1859.18	1342.71	1849.34	2125.30	7176.53
				7104001 (D3)	1865.58	1333.20	1853.46	1992.45	7044.69
				APREACT	1864.31	1333.72	1853.40	1992.78	7044.20
		D+6LANES	MAX	7101001 (D3)	2701.78	1483.21	2171.97	2142.43	8499.38
				7102001 (D3)	2008.32	2057.93	2517.22	2680.28	9263.75
				7103001 (D3)	2267.74	1836.88	2693.09	2721.94	9519.65
				7104001 (D3)	1984.66	1786.83	2422.31	2908.00	9101.81
				APREACT	2370.80	1882.33	2609.50	2808.42	9671.05
			MIN	7101001 (D3)	1522.53	1709.40	2189.27	2605.01	8026.20
				7102001 (D3)	2391.02	1260.90	1899.92	1961.64	7513.47
				7103001 (D3)	1807.83	1340.46	1824.89	2112.24	7085.42

BAGO RIVER BRIDGE

[ No.1 : 1ST SPAN WITHOUT IMPACT ] [ FORCE3 (kN) ]

SUPPORT				7101001	7102001	7103001	7104001	TOTAL	
NODE				1001	2001	3001	4001		
NAME	TITLE			D3 (kN)	D3 (kN)	D3 (kN)	D3 (kN)	(kN)	
124	SUM TOTAL	D+6LANES	MIN	7104001 (D3)	2261.01	1305.14	1899.45	1936.90	7402.49
				APREACT	1796.36	1335.61	1829.06	1980.59	6941.62
		SUM TOTAL	MAX	7101001 (D3)	3095.61	1447.71	2149.39	2042.33	8735.04
				7102001 (D3)	2008.32	2057.93	2517.22	2680.28	9263.75
				7103001 (D3)	1854.66	1701.75	2707.42	2568.16	8831.99
				7104001 (D3)	1597.22	1718.54	2281.49	3234.80	8832.05
				APREACT	2370.80	1882.33	2609.50	2808.42	9671.05
			MIN	7101001 (D3)	1429.68	1867.30	2258.03	2929.87	8484.87
				7102001 (D3)	2767.96	1250.45	1982.80	1995.45	7996.66
				7103001 (D3)	1807.83	1340.46	1824.89	2112.24	7085.42
				7104001 (D3)	2261.01	1305.14	1899.45	1936.90	7402.49
				APREACT	1796.36	1335.61	1829.06	1980.59	6941.62
300	DEAD LOAD	TOTAL			1865.95	1383.54	1895.07	2050.19	7194.76
301	LIVE LOAD	1-LANE (case1MAX)		7101001 (D3)	875.62	-115.61	57.93	-46.42	771.51
				7102001 (D3)	5.28	13.61	-3.71	0.07	15.26
				7103001 (D3)	661.07	-76.27	97.93	-71.24	611.49
				7104001 (D3)	12.52	6.60	10.21	10.21	39.55
				APREACT	875.62	-115.61	57.93	-46.42	771.51
			MIN	7101001 (D3)	-62.49	6.98	-18.07	-5.19	-78.77
				7102001 (D3)	810.11	-121.44	45.10	-50.29	683.48
				7103001 (D3)	-32.60	-0.46	-18.40	-6.73	-58.20
				7104001 (D3)	669.54	-73.97	79.32	-83.75	591.14
				APREACT	-61.69	6.35	-18.28	-5.74	-79.36
		1-LANE (case2MAX)		7101001 (D3)	331.19	126.93	175.70	48.38	682.20

BAGO RIVER BRIDGE

[ No.1 : 1ST SPAN WITHOUT IMPACT ] [ FORCE3 (kN) ]

SUPPORT		7101001	7102001	7103001	7104001	TOTAL		
NODE		1001	2001	3001	4001			
NAME	TITLE	D3 (kN)	D3 (kN)	D3 (kN)	D3 (kN)	(kN)		
301	LIVE LOAD	1-LANE (case2MAX	7102001 (D3)	192.26	339.36	151.80	30.09	713.51
			7103001 (D3)	315.55	175.95	185.76	43.41	720.66
			7104001 (D3)	326.04	108.76	161.88	50.17	646.86
			APREACT	234.81	336.89	165.21	34.15	771.06
		MIN	7101001 (D3)	-38.55	-5.92	-19.57	-14.92	-78.96
			7102001 (D3)	6.33	-8.93	-5.73	-10.99	-19.32
			7103001 (D3)	-38.30	-6.25	-19.75	-15.25	-79.54
			7104001 (D3)	-37.07	-4.22	-19.45	-15.30	-76.03
			APREACT	-38.30	-6.25	-19.75	-15.25	-79.54
		1-LANE (case3MAX	7101001 (D3)	112.70	144.83	212.45	147.14	617.12
			7102001 (D3)	91.39	181.61	306.58	140.86	720.44
			7103001 (D3)	70.94	160.23	434.03	105.46	770.66
			7104001 (D3)	110.51	159.39	239.98	151.51	661.39
			APREACT	70.94	160.23	434.03	105.46	770.66
		MIN	7101001 (D3)	-20.48	-14.15	-8.66	-20.88	-64.17
			7102001 (D3)	-20.45	-15.87	-20.88	-22.51	-79.71
			7103001 (D3)	-20.45	-15.87	-20.88	-22.51	-79.71
			7104001 (D3)	-20.45	-15.87	-20.88	-22.51	-79.71
			APREACT	-20.45	-15.87	-20.88	-22.51	-79.71
		1-LANE (case4MAX	7101001 (D3)	25.87	-28.44	-13.56	-27.10	-43.23
			7102001 (D3)	-305.45	274.13	152.89	500.66	622.22
			7103001 (D3)	-299.02	263.38	159.49	501.29	625.14
			7104001 (D3)	-195.70	173.39	75.95	716.64	770.28
			APREACT	-195.70	173.39	75.95	716.64	770.28

BAGO RIVER BRIDGE

[ No.1 : 1ST SPAN WITHOUT IMPACT ] [ FORCE3 (kN) ]

SUPPORT		7101001	7102001	7103001	7104001	TOTAL		
NODE		1001	2001	3001	4001			
NAME	TITLE	D3 (kN)	D3 (kN)	D3 (kN)	D3 (kN)	(kN)		
301	LIVE LOAD	1-LANE (case4MIN	7101001 (D3)	-312.31	266.28	146.54	501.99	602.50
			7102001 (D3)	18.56	-36.44	-22.95	-37.81	-78.65
			7103001 (D3)	6.95	-19.22	-33.56	209.90	164.07
			7104001 (D3)	17.82	-36.41	-23.20	-37.93	-79.71
			APREACT	16.48	-35.86	-23.26	-37.59	-80.23
		2-LANES (caseMAX	7101001 (D3)	1170.66	-30.29	152.78	-49.56	1243.59
			7102001 (D3)	298.96	167.03	38.51	-2.05	502.45
			7103001 (D3)	985.21	-27.23	190.77	-70.60	1078.14
			7104001 (D3)	56.02	9.79	27.40	17.82	111.02
			APREACT	1163.56	43.22	123.41	-44.50	1285.69
		MIN	7101001 (D3)	-94.21	6.27	-30.73	-12.69	-131.36
			7102001 (D3)	902.01	-133.10	87.73	-54.74	801.90
			7103001 (D3)	-68.86	-0.33	-31.17	-14.35	-114.70
			7104001 (D3)	929.29	-22.55	150.28	-92.46	964.56
			APREACT	-93.10	5.35	-31.07	-13.52	-132.35
		2-LANES (caseMAX	7101001 (D3)	716.97	171.83	250.92	29.44	1169.17
			7102001 (D3)	454.77	438.49	168.10	22.97	1084.33
			7103001 (D3)	697.27	182.95	263.96	24.94	1169.12
			7104001 (D3)	317.29	94.92	153.79	51.12	617.12
			APREACT	629.56	420.31	212.81	22.64	1285.31
		MIN	7101001 (D3)	-74.26	-4.47	-31.99	-20.80	-131.51
			7102001 (D3)	232.20	-39.34	45.37	-22.00	216.24
			7103001 (D3)	-73.60	-5.15	-32.30	-21.44	-132.49
			7104001 (D3)	340.45	35.58	67.97	-35.41	408.58

BAGO RIVER BRIDGE

[ No.1 : 1ST SPAN WITHOUT IMPACT ] [ FORCE3 (kN) ]

SUPPORT		7101001	7102001	7103001	7104001	TOTAL	
NODE		1001	2001	3001	4001		
NAME	TITLE	D3 (kN)	D3 (kN)	D3 (kN)	D3 (kN)	(kN)	
301	LIVE LOAD						
	2-LANES (caseMIN	APREACT	-73.60	-5.15	-32.30	-21.44	-132.49
	2-LANES (caseMAX	7101001 (D3)	106.49	149.20	208.56	158.50	622.74
		7102001 (D3)	64.41	314.42	485.62	326.53	1190.98
		7103001 (D3)	51.87	247.35	702.74	282.25	1284.22
		7104001 (D3)	80.35	295.91	430.12	335.40	1141.78
		APREACT	51.87	247.35	702.74	282.25	1284.22
	MIN	7101001 (D3)	-42.76	111.16	198.48	145.32	412.20
		7102001 (D3)	-23.79	-31.96	-35.40	-41.64	-132.78
		7103001 (D3)	-24.10	-31.86	-35.43	-41.59	-132.98
		7104001 (D3)	-23.84	-31.95	-35.41	-41.64	-132.85
		APREACT	-24.10	-31.86	-35.43	-41.59	-132.98
	2-LANES (caseMAX	7101001 (D3)	34.49	-37.83	-18.01	-36.03	-57.38
		7102001 (D3)	-417.23	426.26	274.27	762.77	1046.07
		7103001 (D3)	-392.80	393.68	289.66	830.71	1121.26
		7104001 (D3)	-268.53	275.88	214.84	1061.82	1284.01
		APREACT	-268.53	275.88	214.84	1061.82	1284.01
	MIN	7101001 (D3)	-429.75	410.49	262.36	764.05	1007.14
		7102001 (D3)	20.03	-55.14	-37.79	-58.92	-131.81
		7103001 (D3)	9.54	-40.50	-46.70	147.67	70.01
		7104001 (D3)	19.18	-55.07	-38.05	-59.02	-132.96
		APREACT	17.48	-54.36	-38.12	-58.57	-133.57
	3-LANES (caseMAX	7101001 (D3)	1229.65	64.17	254.32	-7.86	1540.28
		7102001 (D3)	390.30	382.36	140.26	19.58	932.49
		7103001 (D3)	1060.94	101.49	293.73	-29.26	1426.89

BAGO RIVER BRIDGE

[ No.1 : 1ST SPAN WITHOUT IMPACT ] [ FORCE3 (kN) ]

SUPPORT		7101001	7102001	7103001	7104001	TOTAL		
NODE		1001	2001	3001	4001			
NAME	TITLE	D3 (kN)	D3 (kN)	D3 (kN)	D3 (kN)	(kN)		
301	LIVE LOAD	3-LANES (caseMAX	7104001 (D3)	278.56	85.36	137.95	50.68	552.56
			APREACT	1155.35	275.37	221.92	-13.64	1639.01
		MIN	7101001 (D3)	-107.38	1.14	-39.98	-21.36	-167.59
			7102001 (D3)	771.19	-119.46	70.51	-54.32	667.93
			7103001 (D3)	-85.65	-4.71	-40.48	-22.99	-153.84
			7104001 (D3)	763.64	-22.15	113.96	-89.42	766.02
			APREACT	-106.26	0.12	-40.40	-22.29	-168.83
		3-LANES (caseMAX	7101001 (D3)	99.92	115.98	171.93	124.30	512.13
			7102001 (D3)	-27.04	421.55	561.81	524.47	1480.79
			7103001 (D3)	-11.29	318.20	812.35	517.97	1637.23
			7104001 (D3)	12.91	359.47	580.62	563.15	1516.15
			APREACT	-11.29	318.20	812.35	517.97	1637.23
		MIN	7101001 (D3)	-124.64	237.95	299.98	345.10	758.39
			7102001 (D3)	-17.07	-47.82	-45.90	-58.38	-169.17
			7103001 (D3)	-17.97	-47.52	-46.00	-58.23	-169.72
			7104001 (D3)	-17.30	-47.79	-45.97	-58.40	-169.45
			APREACT	-17.97	-47.52	-46.00	-58.23	-169.72
		3-LANES (caseMAX	7101001 (D3)	38.48	-27.94	-8.35	-23.87	-21.67
			7102001 (D3)	-416.44	508.83	385.35	892.75	1370.50
			7103001 (D3)	-374.36	435.13	450.01	988.16	1498.94
			7104001 (D3)	-268.73	335.00	386.41	1184.61	1637.29
			APREACT	-268.73	335.00	386.41	1184.61	1637.29
		MIN	7101001 (D3)	-436.28	483.75	362.96	879.68	1290.11
			7102001 (D3)	12.16	-63.18	-47.42	-69.80	-168.24

BAGO RIVER BRIDGE

[ No.1 : 1ST SPAN WITHOUT IMPACT ] [ FORCE3 (kN) ]

SUPPORT		7101001	7102001	7103001	7104001	TOTAL			
NODE		1001	2001	3001	4001				
NAME	TITLE	D3 (kN)	D3 (kN)	D3 (kN)	D3 (kN)	(kN)			
301	LIVE LOAD	3-LANES (caseMIN	7103001 (D3)	2.78	-50.63	-55.07	105.84	2.92	
			7104001 (D3)	11.24	-63.11	-47.71	-69.91	-169.49	
			APREACT	9.53	-62.41	-47.78	-69.47	-170.13	
		4-LANES	MAX	7101001 (D3)	69.09	51.23	96.34	53.06	269.73
				7102001 (D3)	-251.23	470.37	466.13	701.79	1387.06
				7103001 (D3)	-217.99	368.42	638.26	749.99	1538.67
				7104001 (D3)	-158.01	351.59	458.19	893.74	1545.51
				APREACT	-155.32	323.22	586.32	853.33	1607.54
			MIN	7101001 (D3)	-304.80	358.18	311.20	620.82	985.42
				7102001 (D3)	0.20	-50.39	-41.43	-57.67	-149.28
				7103001 (D3)	-6.77	-40.83	-45.73	75.11	-18.23
				7104001 (D3)	-0.38	-50.34	-41.61	-57.74	-150.07
				APREACT	-1.65	-49.82	-41.67	-57.42	-150.56
		6-LANES	MAX	7101001 (D3)	835.82	99.66	276.90	92.24	1304.62
				7102001 (D3)	142.37	674.38	622.15	630.09	2068.99
				7103001 (D3)	401.78	453.33	798.02	671.75	2324.89
				7104001 (D3)	118.71	403.28	527.24	857.81	1907.05
				APREACT	504.85	498.79	714.42	758.23	2476.29
			MIN	7101001 (D3)	-343.43	325.85	294.20	554.82	831.44
				7102001 (D3)	525.07	-122.65	4.84	-88.55	318.71
				7103001 (D3)	-58.13	-43.08	-70.19	62.05	-109.35
				7104001 (D3)	395.05	-78.41	4.38	-113.29	207.73
				APREACT	-69.59	-47.94	-66.01	-69.60	-253.14
		LIVE LOAD	MAX	7101001 (D3)	1229.65	64.17	254.32	-7.86	1540.28

BAGO RIVER BRIDGE

[ No.1 : 1ST SPAN WITHOUT IMPACT ] [ FORCE3 (kN) ]

SUPPORT				7101001	7102001	7103001	7104001	TOTAL				
NODE				1001	2001	3001	4001					
NAME	TITLE			D3 (kN)	D3 (kN)	D3 (kN)	D3 (kN)	(kN)				
301	LIVE LOAD	LIVE LOAD	MAX	7102001 (D3)	142.37	674.38	622.15	630.09	2068.99			
				7103001 (D3)	-11.29	318.20	812.35	517.97	1637.23			
				7104001 (D3)	-268.73	335.00	386.41	1184.61	1637.29			
				APREACT	504.85	498.79	714.42	758.23	2476.29			
				MIN	7101001 (D3)	-436.28	483.75	362.96	879.68	1290.11		
				7102001 (D3)	902.01	-133.10	87.73	-54.74	801.90			
				7103001 (D3)	-58.13	-43.08	-70.19	62.05	-109.35			
				7104001 (D3)	395.05	-78.41	4.38	-113.29	207.73			
				APREACT	-69.59	-47.94	-66.01	-69.60	-253.14			
			303	SUM TOTAL	TOTAL	MAX	7101001 (D3)	3095.61	1447.71	2149.39	2042.33	8735.04
							7102001 (D3)	2008.32	2057.93	2517.22	2680.28	9263.75
							7103001 (D3)	1854.66	1701.75	2707.42	2568.16	8831.99
							7104001 (D3)	1597.22	1718.54	2281.49	3234.80	8832.05
							APREACT	2370.80	1882.33	2609.50	2808.42	9671.05
	MIN	7101001 (D3)				1429.68	1867.30	2258.03	2929.87	8484.87		
	7102001 (D3)	2767.96				1250.45	1982.80	1995.45	7996.66			
	7103001 (D3)	1807.83				1340.46	1824.89	2112.24	7085.42			
	7104001 (D3)	2261.01				1305.14	1899.45	1936.90	7402.49			
	APREACT	1796.36				1335.61	1829.06	1980.59	6941.62			



BAGO RIVER BRIDGE

[ No. 2 : 2ND SPAN WITHOUT IMPACT ] [ FORCE3 (kN) ]

SUPPORT	7101017	7102017	7103017	7104017	TOTAL			
NODE	1017	2017	3017	4017				
NAME TITLE	D3 (kN)	D3 (kN)	D3 (kN)	D3 (kN)	(kN)			
1 PAVEMENT	636.44	693.86	780.46	982.12	3092.88			
3 RAILING	28.21	7.05	7.58	31.46	74.29			
5 CURB	279.25	69.76	75.02	311.43	735.46			
7 DECK WEIGHT	1033.01	1068.40	1196.89	1493.87	4792.17			
8 GIRDER WEIGH	1473.33	1363.98	1419.72	1417.85	5674.88			
10 MEDIAN STRIP	202.86	268.85	290.18	108.44	870.34			
21 ADITIONAL WE	289.24	299.15	335.13	418.28	1341.81			
31 MEDIAN RAILI	17.32	22.73	24.47	9.90	74.41			
51 SUPPORT WEIG	-0.00	0.00	0.00	0.00	0.00			
52 NOSE WEIGHT	0.19	-0.03	-0.00	-0.16	0.00			
61 1-LANE(case1TRUCK-LOAD	MAX	7101017 (D3)	387.50	-56.27	-1.87	-4.40	324.96	
		7102017 (D3)	242.39	76.18	35.55	-44.60	309.51	
		7103017 (D3)	208.52	56.60	59.45	-46.23	278.33	
		7104017 (D3)	-0.00	0.00	0.00	0.00	-0.00	
		APREACT	377.29	-43.27	-1.83	-6.80	325.39	
	MIN	7101017 (D3)	-26.75	-16.09	-17.53	-11.97	-72.34	
		7102017 (D3)	386.59	-57.00	-2.18	-4.41	323.01	
		7103017 (D3)	-26.31	-16.62	-17.97	-13.06	-73.96	
		7104017 (D3)	224.48	64.31	54.58	-48.36	295.01	
		APREACT	-26.31	-16.62	-17.97	-13.06	-73.96	
	TANDEM-LOAD	MAX	7101017 (D3)	272.99	-51.84	-0.30	-0.75	220.10
		7102017 (D3)	169.49	55.33	16.52	-28.13	213.21	
		7103017 (D3)	139.16	37.61	40.59	-30.92	186.44	
		7104017 (D3)	-0.00	0.00	0.00	0.00	-0.00	

BAGO RIVER BRIDGE

[ No. 2 : 2ND SPAN WITHOUT IMPACT ] [ FORCE3 (kN) ]

SUPPORT		7101017	7102017	7103017	7104017	TOTAL		
NODE		1017	2017	3017	4017			
NAME	TITLE	D3 (kN)	D3 (kN)	D3 (kN)	D3 (kN)	(kN)		
61	1-LANE(case1TANDEM-LOAD	MAX	APREACT	252.54	-24.73	-2.05	-5.09	220.67
		MIN	7101017 (D3)	-18.15	-10.85	-11.83	-8.01	-48.85
			7102017 (D3)	272.74	-52.04	-0.39	-0.75	219.55
			7103017 (D3)	-17.77	-11.30	-12.20	-8.93	-50.20
			7104017 (D3)	150.18	41.95	39.10	-33.09	198.14
			APREACT	-17.77	-11.30	-12.20	-8.93	-50.20
	DISPERSION-LMAX		7101017 (D3)	711.51	124.74	120.11	-105.01	851.35
			7102017 (D3)	591.88	144.34	121.68	-102.67	755.22
			7103017 (D3)	548.41	138.16	123.00	-97.90	711.66
			7104017 (D3)	0.18	0.06	0.07	0.00	0.31
			APREACT	711.51	124.74	120.11	-105.01	851.35
		MIN	7101017 (D3)	-51.74	-31.74	-34.47	-24.14	-142.08
			7102017 (D3)	67.89	-51.34	-36.04	-26.47	-45.95
			7103017 (D3)	111.36	-45.16	-37.35	-31.24	-2.39
			7104017 (D3)	659.59	92.95	85.57	-129.14	708.96
			APREACT	-51.74	-31.74	-34.47	-24.14	-142.08
62	1-LANE(case2TRUCK-LOAD	MAX	7101017 (D3)	119.54	75.79	77.27	22.91	295.51
			7102017 (D3)	20.44	248.21	53.66	0.71	323.02
			7103017 (D3)	105.78	107.84	92.72	11.05	317.38
			7104017 (D3)	113.81	61.10	64.70	25.98	265.58
			APREACT	29.73	235.25	58.94	1.30	325.22
		MIN	7101017 (D3)	-19.35	-17.57	-18.09	-18.20	-73.21
			7102017 (D3)	-19.32	-17.61	-18.12	-18.29	-73.35
			7103017 (D3)	-19.32	-17.61	-18.12	-18.29	-73.35

BAGO RIVER BRIDGE

[ No. 2 : 2ND SPAN WITHOUT IMPACT ] [ FORCE3 (kN) ]

SUPPORT		7101017	7102017	7103017	7104017	TOTAL		
NODE		1017	2017	3017	4017			
NAME	TITLE	D3 (kN)	D3 (kN)	D3 (kN)	D3 (kN)	(kN)		
62	1-LANE (case2TRUCK-LOAD	MIN	7104017 (D3)	-19.16	-17.58	-18.08	-18.33	-73.15
			APREACT	-19.32	-17.61	-18.12	-18.29	-73.35
	TANDEM-LOAD	MAX	7101017 (D3)	81.34	53.95	55.28	14.33	204.89
			7102017 (D3)	6.37	181.33	31.74	0.12	219.56
			7103017 (D3)	76.21	65.45	64.17	8.38	214.21
			7104017 (D3)	78.00	42.24	44.48	17.73	182.44
			APREACT	22.71	155.19	41.77	0.86	220.53
		MIN	7101017 (D3)	-13.14	-11.90	-12.26	-12.32	-49.62
			7102017 (D3)	-13.09	-11.96	-12.30	-12.44	-49.78
			7103017 (D3)	-13.09	-11.96	-12.30	-12.44	-49.78
			7104017 (D3)	-13.04	-11.95	-12.29	-12.44	-49.73
			APREACT	-13.09	-11.96	-12.30	-12.44	-49.78
	DISPERSION-LMAX		7101017 (D3)	292.33	283.76	208.89	62.51	847.48
			7102017 (D3)	292.33	283.76	208.89	62.51	847.48
			7103017 (D3)	292.33	283.76	208.89	62.51	847.48
			7104017 (D3)	272.80	231.21	197.20	62.93	764.14
			APREACT	292.33	283.76	208.89	62.51	847.48
		MIN	7101017 (D3)	-37.59	-33.64	-34.69	-34.58	-140.50
			7102017 (D3)	-37.59	-33.64	-34.69	-34.58	-140.50
			7103017 (D3)	-37.59	-33.64	-34.69	-34.58	-140.50
			7104017 (D3)	-18.07	18.91	-23.00	-35.00	-57.16
			APREACT	-37.59	-33.64	-34.69	-34.58	-140.50
63	1-LANE (case3TRUCK-LOAD	MAX	7101017 (D3)	52.90	64.44	67.58	79.74	264.66
			7102017 (D3)	22.13	93.34	137.82	63.68	316.96

BAGO RIVER BRIDGE

[ No. 2 : 2ND SPAN WITHOUT IMPACT ] [ FORCE3 (kN) ]

SUPPORT		7101017	7102017	7103017	7104017	TOTAL		
NODE		1017	2017	3017	4017			
NAME	TITLE	D3 (kN)	D3 (kN)	D3 (kN)	D3 (kN)	(kN)		
63	1-LANE (case3TRUCK-LOAD	MAX 7103017 (D3)	1.34	54.29	257.70	11.51	324.83	
		7104017 (D3)	47.41	78.56	84.33	83.05	293.35	
		APREACT	2.70	58.54	248.13	15.76	325.13	
	MIN	7101017 (D3)	-14.13	-18.28	-18.18	-22.08	-72.68	
		7102017 (D3)	-14.07	-18.35	-18.24	-22.23	-72.89	
		7103017 (D3)	-14.07	-18.35	-18.24	-22.23	-72.89	
		7104017 (D3)	-13.98	-18.33	-18.21	-22.24	-72.76	
			APREACT	-14.07	-18.35	-18.24	-22.23	-72.89
		TANDEM-LOAD MAX	7101017 (D3)	36.12	44.40	46.50	54.81	181.83
	7102017 (D3)		16.82	64.79	85.83	46.47	213.90	
	7103017 (D3)		0.28	31.90	184.35	3.54	220.07	
	7104017 (D3)		33.55	51.73	54.84	56.87	196.99	
			APREACT	1.86	41.36	165.47	11.78	220.46
	MIN		7101017 (D3)	-9.59	-12.43	-12.36	-15.03	-49.41
		7102017 (D3)	-9.57	-12.45	-12.38	-15.07	-49.47	
		7103017 (D3)	-9.57	-12.45	-12.38	-15.07	-49.47	
		7104017 (D3)	-9.45	-12.43	-12.34	-15.09	-49.31	
			APREACT	-9.57	-12.45	-12.38	-15.07	-49.47
		DISPERSION-LMAX	7101017 (D3)	105.42	199.49	257.41	194.58	756.89
	7102017 (D3)		104.58	212.89	321.66	205.48	844.60	
7103017 (D3)	104.58		212.89	321.66	205.48	844.60		
7104017 (D3)	104.58		212.89	321.66	205.48	844.60		
	APREACT		104.58	212.89	321.66	205.48	844.60	
MIN	7101017 (D3)		-27.08	-21.77	29.38	-32.07	-51.54	

BAGO RIVER BRIDGE

[ No. 2 : 2ND SPAN WITHOUT IMPACT ] [ FORCE3 (kN) ]

SUPPORT		7101017	7102017	7103017	7104017	TOTAL		
NODE		1017	2017	3017	4017			
NAME	TITLE	D3 (kN)	D3 (kN)	D3 (kN)	D3 (kN)	(kN)		
63	1-LANE (case3DISPERSION-LMIN	7102017 (D3)	-26.24	-35.17	-34.87	-42.97	-139.25	
		7103017 (D3)	-26.24	-35.17	-34.87	-42.97	-139.25	
		7104017 (D3)	-26.24	-35.17	-34.87	-42.97	-139.25	
		APREACT	-26.24	-35.17	-34.87	-42.97	-139.25	
64	1-LANE (case4TRUCK-LOAD MAX	7101017 (D3)	1.16	-7.41	-6.63	-12.54	-25.42	
		7102017 (D3)	-79.59	65.60	65.98	174.74	226.73	
		7103017 (D3)	-81.05	55.12	75.11	221.38	270.55	
		7104017 (D3)	-4.65	-0.19	-32.04	361.70	324.82	
		APREACT	-7.00	0.27	-26.55	358.35	325.07	
		MIN	7101017 (D3)	-83.43	63.87	72.24	197.02	249.70
			7102017 (D3)	-6.88	-19.34	-18.37	-27.58	-72.17
			7103017 (D3)	-4.65	-0.19	-32.04	361.70	324.82
	7104017 (D3)		-6.31	-19.25	-18.22	-27.71	-71.50	
	TANDEM-LOAD MAX	APREACT	-7.08	-19.34	-18.39	-27.46	-72.26	
		7101017 (D3)	0.92	-3.70	-3.27	-6.43	-12.48	
		7102017 (D3)	-55.90	44.87	46.99	125.17	161.14	
		7103017 (D3)	-53.12	33.46	51.17	157.96	189.48	
		7104017 (D3)	-0.74	-0.04	-28.08	248.92	220.06	
		APREACT	-4.96	-0.26	-16.59	242.22	220.41	
		MIN	7101017 (D3)	-57.15	41.98	50.66	140.62	176.11
7102017 (D3)			-4.55	-13.12	-12.45	-18.77	-48.90	
7103017 (D3)	-0.74		-0.04	-28.08	248.92	220.06		
7104017 (D3)	-4.41		-13.10	-12.41	-18.80	-48.72		
	APREACT	-4.90	-13.11	-12.47	-18.56	-49.04		

BAGO RIVER BRIDGE

[ No. 2 : 2ND SPAN WITHOUT IMPACT ] [ FORCE3 (kN) ]

SUPPORT		7101017	7102017	7103017	7104017	TOTAL	
NODE		1017	2017	3017	4017		
NAME	TITLE	D3 (kN)	D3 (kN)	D3 (kN)	D3 (kN)	(kN)	
64	1-LANE (case4DISPERSION-LMAX	7101017 (D3)	0.38	-2.72	-2.44	-4.58	-9.36
		7102017 (D3)	-191.25	149.14	164.48	634.35	756.72
		7103017 (D3)	-191.70	149.03	165.98	613.56	736.87
		7104017 (D3)	-194.82	148.58	154.71	729.85	838.31
		APREACT	-194.82	148.58	154.71	729.85	838.31
	MIN	7101017 (D3)	-207.27	114.21	122.04	680.96	709.94
		7102017 (D3)	-15.65	-37.65	-44.88	42.04	-56.14
		7103017 (D3)	-15.20	-37.54	-46.38	62.83	-36.29
		7104017 (D3)	-12.08	-37.09	-35.11	-53.46	-137.74
		APREACT	-12.08	-37.09	-35.11	-53.46	-137.74
65	2-LANES (caseTRUCK-LOAD	MAX 7101017 (D3)	570.73	45.27	46.48	-17.05	645.43
		7102017 (D3)	419.46	218.17	43.67	-46.88	634.42
		7103017 (D3)	380.57	127.55	125.83	-59.63	574.32
		7104017 (D3)	29.79	11.15	13.31	2.15	56.40
		APREACT	555.54	94.80	10.52	-10.17	650.69
	MIN	7101017 (D3)	-49.76	-32.94	-35.35	-27.11	-145.15
		7102017 (D3)	363.78	-74.12	-20.23	-20.08	249.35
		7103017 (D3)	-49.13	-33.74	-36.02	-28.73	-147.62
		7104017 (D3)	202.21	47.26	36.65	-64.21	221.92
		APREACT	-49.13	-33.74	-36.02	-28.73	-147.62
	TANDEM-LOAD	MAX 7101017 (D3)	397.58	18.65	31.11	-9.18	438.16
		7102017 (D3)	288.40	155.47	17.94	-28.52	433.30
		7103017 (D3)	258.26	88.38	85.77	-40.78	391.63
		7104017 (D3)	21.64	8.07	9.63	1.51	40.85

BAGO RIVER BRIDGE

[ No. 2 : 2ND SPAN WITHOUT IMPACT ] [ FORCE3 (kN) ]

SUPPORT		7101017	7102017	7103017	7104017	TOTAL		
NODE		1017	2017	3017	4017			
NAME	TITLE	D3 (kN)	D3 (kN)	D3 (kN)	D3 (kN)	(kN)		
65	2-LANES (caseTANDEM-LOAD	MAX	APREACT	373.78	67.65	7.54	-7.71	441.27
		MIN	7101017 (D3)	-33.76	-22.34	-23.98	-18.38	-98.47
			7102017 (D3)	257.31	-63.67	-12.64	-11.44	169.56
			7103017 (D3)	-33.19	-22.93	-24.45	-19.62	-100.19
			7104017 (D3)	135.17	30.41	26.98	-43.85	148.71
			APREACT	-33.19	-22.93	-24.45	-19.62	-100.19
	DISPERSION-LMAX		7101017 (D3)	1199.22	350.49	278.96	-127.89	1700.77
			7102017 (D3)	1079.59	370.09	280.52	-125.56	1604.64
			7103017 (D3)	1036.12	363.91	281.84	-120.79	1561.07
			7104017 (D3)	85.65	33.74	38.38	4.25	162.03
			APREACT	1199.22	350.49	278.96	-127.89	1700.77
		MIN	7101017 (D3)	-96.40	-64.41	-69.04	-53.49	-283.34
			7102017 (D3)	23.23	-84.01	-70.61	-55.82	-187.21
			7103017 (D3)	66.70	-77.84	-71.93	-60.59	-143.64
			7104017 (D3)	1017.17	252.33	171.53	-185.63	1255.40
			APREACT	-96.40	-64.41	-69.04	-53.49	-283.34
66	2-LANES (caseTRUCK-LOAD	MAX	7101017 (D3)	302.77	177.33	125.62	10.25	615.98
			7102017 (D3)	197.51	390.21	61.79	-1.57	647.93
			7103017 (D3)	277.83	178.79	159.10	-2.36	613.38
			7104017 (D3)	143.59	72.25	78.00	28.13	321.97
			APREACT	207.98	373.31	71.29	-2.06	650.52
		MIN	7101017 (D3)	-42.36	-34.41	-35.91	-33.34	-146.02
			7102017 (D3)	-42.14	-34.73	-36.17	-33.97	-147.01
			7103017 (D3)	-42.14	-34.73	-36.17	-33.97	-147.01

BAGO RIVER BRIDGE

[ No. 2 : 2ND SPAN WITHOUT IMPACT ] [ FORCE3 (kN) ]

SUPPORT		7101017	7102017	7103017	7104017	TOTAL	
NODE		1017	2017	3017	4017		
NAME	TITLE	D3 (kN)	D3 (kN)	D3 (kN)	D3 (kN)	(kN)	
66	2-LANES (caseTRUCK-LOAD	MIN 7104017 (D3)	-41.43	-34.63	-36.00	-34.17	-146.24
		APREACT	-42.14	-34.73	-36.17	-33.97	-147.01
	TANDEM-LOAD	MAX 7101017 (D3)	205.92	124.44	86.69	5.90	422.95
		7102017 (D3)	125.29	281.48	33.16	-0.27	439.65
		7103017 (D3)	195.31	116.22	109.35	-1.48	419.41
		7104017 (D3)	99.63	50.31	54.11	19.24	223.29
		APREACT	143.96	247.57	51.37	-1.76	441.13
		MIN 7101017 (D3)	-28.75	-23.39	-24.40	-22.69	-99.24
	7102017 (D3)	-28.52	-23.58	-24.55	-23.12	-99.77	
	7103017 (D3)	-28.52	-23.58	-24.55	-23.12	-99.77	
	7104017 (D3)	-28.06	-23.49	-24.41	-23.20	-99.16	
	APREACT	-28.52	-23.58	-24.55	-23.12	-99.77	
	DISPERSION-LMAX	7101017 (D3)	780.04	509.50	367.73	39.63	1696.90
		7102017 (D3)	780.04	509.50	367.73	39.63	1696.90
		7103017 (D3)	780.04	509.50	367.73	39.63	1696.90
		7104017 (D3)	358.28	264.89	235.51	67.18	925.85
		APREACT	780.04	509.50	367.73	39.63	1696.90
		MIN 7101017 (D3)	-82.25	-66.32	-69.26	-63.93	-281.76
	7102017 (D3)	-82.25	-66.32	-69.26	-63.93	-281.76	
	7103017 (D3)	-82.25	-66.32	-69.26	-63.93	-281.76	
7104017 (D3)	339.50	178.30	62.96	-91.48	489.28		
APREACT	-82.25	-66.32	-69.26	-63.93	-281.76		
67	2-LANES (caseTRUCK-LOAD	MAX 7101017 (D3)	68.95	121.32	125.68	182.81	498.77
		7102017 (D3)	23.08	170.77	235.38	195.44	624.67



BAGO RIVER BRIDGE

[ No. 2 : 2ND SPAN WITHOUT IMPACT ] [ FORCE3 (kN) ]

SUPPORT		7101017	7102017	7103017	7104017	TOTAL		
NODE		1017	2017	3017	4017			
NAME	TITLE	D3 (kN)	D3 (kN)	D3 (kN)	D3 (kN)	(kN)		
67	2-LANES (case TRUCK-LOAD	MAX 7103017 (D3)	-0.96	66.86	473.72	110.04	649.66	
		7104017 (D3)	49.21	155.68	180.20	214.88	599.98	
		APREACT	-0.12	76.91	456.58	116.87	650.24	
	MIN	7101017 (D3)	-28.27	52.84	103.84	102.07	230.48	
		7102017 (D3)	-24.61	-37.20	-36.55	-47.10	-145.46	
		7103017 (D3)	-24.65	-37.20	-36.55	-47.07	-145.47	
		7104017 (D3)	-24.00	-37.05	-36.34	-47.17	-144.56	
			APREACT	-24.65	-37.20	-36.55	-47.07	-145.47
		TANDEM-LOAD	MAX 7101017 (D3)	47.06	82.27	85.05	123.28	337.66
		7102017 (D3)	14.60	118.35	157.55	135.54	426.05	
		7103017 (D3)	-0.07	34.06	338.56	67.58	440.13	
		7104017 (D3)	36.11	103.70	116.92	146.66	403.40	
		APREACT	-0.46	55.86	304.51	81.00	440.91	
	MIN	7101017 (D3)	-19.71	32.03	80.78	67.02	160.11	
		7102017 (D3)	-16.81	-25.23	-24.80	-31.88	-98.72	
		7103017 (D3)	-16.81	-25.23	-24.80	-31.88	-98.72	
		7104017 (D3)	-16.35	-25.17	-24.70	-32.02	-98.24	
			APREACT	-16.81	-25.23	-24.80	-31.88	-98.72
DISPERSION-LMAX		7101017 (D3)	127.09	294.65	356.34	353.04	1131.12	
	7102017 (D3)	111.66	399.14	619.25	557.28	1687.33		
	7103017 (D3)	111.66	399.14	619.25	557.28	1687.33		
	7104017 (D3)	111.66	399.14	619.25	557.28	1687.33		
	APREACT	111.66	399.14	619.25	557.28	1687.33		
	MIN 7101017 (D3)	-60.87	33.20	193.05	113.09	278.48		

BAGO RIVER BRIDGE

[ No. 2 : 2ND SPAN WITHOUT IMPACT ] [ FORCE3 (kN) ]

SUPPORT		7101017	7102017	7103017	7104017	TOTAL	
NODE		1017	2017	3017	4017		
NAME	TITLE	D3 (kN)	D3 (kN)	D3 (kN)	D3 (kN)	(kN)	
67	2-LANES (caseDISPERSION-LMIN	7102017 (D3)	-45.44	-71.29	-69.86	-91.15	-277.73
		7103017 (D3)	-45.44	-71.29	-69.86	-91.15	-277.73
		7104017 (D3)	-45.44	-71.29	-69.86	-91.15	-277.73
		APREACT	-45.44	-71.29	-69.86	-91.15	-277.73
68	2-LANES (caseTRUCK-LOAD	MAX 7101017 (D3)	1.16	-7.41	-6.63	-12.54	-25.42
		7102017 (D3)	-125.30	131.06	137.60	332.88	476.25
		7103017 (D3)	-111.71	94.53	159.28	434.27	576.36
		7104017 (D3)	-8.56	5.90	46.91	605.47	649.71
		APREACT	-12.16	8.50	51.86	601.94	650.15
		MIN 7101017 (D3)	-129.44	129.11	145.80	360.03	505.50
		7102017 (D3)	-17.42	-38.19	-36.68	-52.44	-144.74
		7103017 (D3)	-15.23	-19.03	-50.36	336.85	252.24
		7104017 (D3)	-16.33	-37.96	-36.36	-52.64	-143.30
		APREACT	-17.66	-38.18	-36.70	-52.30	-144.84
		TANDEM-LOAD MAX 7101017 (D3)	0.92	-3.70	-3.27	-6.43	-12.48
		7102017 (D3)	-86.66	89.43	94.19	229.06	326.03
		7103017 (D3)	-71.74	57.10	108.29	305.49	399.14
		7104017 (D3)	-1.31	0.90	25.78	414.76	440.12
		APREACT	-8.75	6.02	36.03	407.52	440.83
		MIN 7101017 (D3)	-88.71	86.41	101.41	252.95	352.07
		7102017 (D3)	-11.79	-25.90	-24.88	-35.58	-98.15
		7103017 (D3)	-7.98	-12.82	-40.50	232.11	170.81
		7104017 (D3)	-11.31	-25.84	-24.77	-35.73	-97.65
		APREACT	-12.13	-25.89	-24.90	-35.38	-98.29

BAGO RIVER BRIDGE

[ No. 2 : 2ND SPAN WITHOUT IMPACT ] [ FORCE3 (kN) ]

SUPPORT		7101017	7102017	7103017	7104017	TOTAL	
NODE		1017	2017	3017	4017		
NAME	TITLE	D3 (kN)	D3 (kN)	D3 (kN)	D3 (kN)	(kN)	
68	2-LANES (caseDISPERSION=LMAX	7101017 (D3)	0.39	-2.78	-2.49	-4.68	-9.57
		7102017 (D3)	-299.27	314.70	383.09	1198.42	1596.94
		7103017 (D3)	-299.72	314.59	384.59	1177.63	1577.09
		7104017 (D3)	-302.84	314.14	373.32	1293.91	1678.53
		APREACT	-302.84	314.14	373.32	1293.91	1678.53
	MIN	7101017 (D3)	-334.37	243.69	305.71	1196.85	1411.88
		7102017 (D3)	-34.72	-73.79	-79.87	-6.25	-194.63
		7103017 (D3)	-34.26	-73.68	-81.37	14.54	-174.78
		7104017 (D3)	-31.14	-73.24	-70.10	-101.74	-276.22
		APREACT	-31.14	-73.24	-70.10	-101.74	-276.22
69	3-LANES (caseTRUCK-LOAD	MAX 7101017 (D3)	690.27	121.07	123.75	5.86	940.94
		7102017 (D3)	439.90	466.39	97.33	-46.17	957.44
		7103017 (D3)	486.35	235.39	218.55	-48.58	891.70
		7104017 (D3)	143.59	72.25	78.00	28.13	321.97
		APREACT	585.27	330.05	69.46	-8.87	975.91
	MIN	7101017 (D3)	-69.11	-50.50	-53.44	-45.31	-218.36
		7102017 (D3)	344.46	-91.73	-38.35	-38.37	176.00
		7103017 (D3)	-68.45	-51.35	-54.14	-47.03	-220.97
		7104017 (D3)	183.05	29.68	18.57	-82.53	148.77
		APREACT	-68.45	-51.35	-54.14	-47.03	-220.97
	TANDEM-LOAD	MAX 7101017 (D3)	478.91	72.60	86.39	5.15	643.05
		7102017 (D3)	294.77	336.81	49.68	-28.40	652.86
		7103017 (D3)	334.47	153.83	149.94	-32.40	605.84
		7104017 (D3)	99.63	50.31	54.11	19.24	223.29

BAGO RIVER BRIDGE

[ No. 2 : 2ND SPAN WITHOUT IMPACT ] [ FORCE3 (kN) ]

SUPPORT		7101017	7102017	7103017	7104017	TOTAL		
NODE		1017	2017	3017	4017			
NAME	TITLE	D3 (kN)	D3 (kN)	D3 (kN)	D3 (kN)	(kN)		
69	3-LANES (caseTANDEM-LOAD	MAX	APREACT	396.50	222.84	49.31	-6.85	661.80
		MIN	7101017 (D3)	-46.90	-34.24	-36.24	-30.70	-148.08
			7102017 (D3)	244.22	-75.63	-24.94	-23.87	119.78
			7103017 (D3)	-46.28	-34.88	-36.76	-32.05	-149.98
			7104017 (D3)	122.12	18.46	14.69	-56.29	98.99
			APREACT	-46.28	-34.88	-36.76	-32.05	-149.98
	DISPERSION-LMAX		7101017 (D3)	1491.54	634.24	487.84	-65.38	2548.25
			7102017 (D3)	1371.91	653.84	489.41	-63.05	2452.12
			7103017 (D3)	1328.44	647.66	490.72	-58.28	2408.56
			7104017 (D3)	358.46	264.95	235.58	67.18	926.16
			APREACT	1491.54	634.24	487.84	-65.38	2548.25
		MIN	7101017 (D3)	-133.99	-98.05	-103.73	-88.07	-423.84
			7102017 (D3)	-14.36	-117.65	-105.30	-90.40	-327.71
			7103017 (D3)	29.11	-111.47	-106.62	-95.17	-284.15
			7104017 (D3)	999.10	271.25	148.53	-220.62	1198.25
			APREACT	-133.99	-98.05	-103.73	-88.07	-423.84
70	3-LANES (caseTRUCK-LOAD	MAX	7101017 (D3)	69.72	115.24	120.22	172.61	477.80
			7102017 (D3)	-18.82	236.41	306.95	349.63	874.17
			7103017 (D3)	-4.30	73.76	578.48	326.53	974.48
			7104017 (D3)	45.87	162.58	284.97	431.38	924.80
			APREACT	-4.78	87.27	560.13	332.70	975.32
		MIN	7101017 (D3)	-70.39	118.44	177.44	260.77	486.26
			7102017 (D3)	-31.49	-56.55	-54.92	-74.67	-217.63
			7103017 (D3)	-31.73	-56.54	-54.94	-74.53	-217.73

BAGO RIVER BRIDGE

[ No. 2 : 2ND SPAN WITHOUT IMPACT ] [ FORCE3 (kN) ]

SUPPORT		7101017	7102017	7103017	7104017	TOTAL		
NODE		1017	2017	3017	4017			
NAME	TITLE	D3 (kN)	D3 (kN)	D3 (kN)	D3 (kN)	(kN)		
70	3-LANES (caseTRUCK-LOAD	MIN	7104017 (D3)	-30.31	-56.29	-54.57	-74.88	-216.05
			APREACT	-31.73	-56.54	-54.94	-74.53	-217.73
	TANDEM-LOAD	MAX	7101017 (D3)	47.68	78.63	81.79	117.09	325.19
			7102017 (D3)	-14.24	163.05	208.31	244.88	602.00
			7103017 (D3)	-0.59	35.25	410.82	214.72	660.20
			7104017 (D3)	35.59	104.89	189.18	293.80	623.46
			APREACT	-3.95	63.80	374.35	227.13	661.33
		MIN	7101017 (D3)	-48.56	76.72	131.53	176.35	336.05
			7102017 (D3)	-21.36	-38.35	-37.25	-50.65	-147.62
			7103017 (D3)	-21.70	-38.34	-37.27	-50.44	-147.76
			7104017 (D3)	-20.76	-38.27	-37.11	-50.82	-146.96
			APREACT	-21.70	-38.34	-37.27	-50.44	-147.76
	DISPERSION-LMAX		7101017 (D3)	127.43	294.46	356.28	353.30	1131.46
			7102017 (D3)	31.65	568.36	852.72	1075.52	2528.26
			7103017 (D3)	31.65	568.36	852.72	1075.52	2528.26
			7104017 (D3)	31.65	568.36	852.72	1075.52	2528.26
			APREACT	31.65	568.36	852.72	1075.52	2528.26
		MIN	7101017 (D3)	-153.42	165.54	391.47	577.70	981.29
			7102017 (D3)	-57.65	-108.37	-104.97	-144.52	-415.50
			7103017 (D3)	-57.65	-108.37	-104.97	-144.52	-415.50
			7104017 (D3)	-57.65	-108.37	-104.97	-144.52	-415.50
			APREACT	-57.65	-108.37	-104.97	-144.52	-415.50
71	3-LANES (caseTRUCK-LOAD	MAX	7101017 (D3)	3.59	7.47	7.28	10.18	28.52
			7102017 (D3)	-139.83	205.25	231.51	467.57	764.49

BAGO RIVER BRIDGE

[ No. 2 : 2ND SPAN WITHOUT IMPACT ] [ FORCE3 (kN) ]

SUPPORT		7101017	7102017	7103017	7104017	TOTAL		
NODE		1017	2017	3017	4017			
NAME	TITLE	D3 (kN)	D3 (kN)	D3 (kN)	D3 (kN)	(kN)		
71	3-LANES (caseTRUCK-LOAD	MAX 7103017 (D3)	-115.06	105.70	351.11	557.68	899.43	
		7104017 (D3)	-17.22	76.81	138.97	758.75	957.32	
		APREACT	-15.47	24.74	235.18	730.80	975.25	
	MIN	7101017 (D3)	-145.96	197.85	259.64	495.82	807.34	
		7102017 (D3)	-31.49	-56.55	-54.92	-74.67	-217.63	
		7103017 (D3)	-29.30	-37.38	-68.59	314.62	179.35	
		7104017 (D3)	-30.31	-56.29	-54.57	-74.88	-216.05	
		APREACT	-31.73	-56.54	-54.94	-74.53	-217.73	
	TANDEM-LOAD	MAX	7101017 (D3)	2.62	7.58	7.26	10.87	28.34
		7102017 (D3)	-97.92	140.21	162.50	321.74	526.53	
		7103017 (D3)	-72.36	59.00	244.51	387.56	618.71	
		7104017 (D3)	-8.51	49.18	92.59	518.98	652.24	
		APREACT	-11.37	18.85	157.87	495.92	661.27	
	MIN	7101017 (D3)	-100.31	135.96	173.71	345.71	555.06	
		7102017 (D3)	-21.36	-38.35	-37.25	-50.65	-147.62	
		7103017 (D3)	-17.55	-25.27	-52.88	217.04	121.34	
		7104017 (D3)	-20.76	-38.27	-37.11	-50.82	-146.96	
		APREACT	-21.70	-38.34	-37.27	-50.44	-147.76	
	DISPERSION-LMAX	7101017 (D3)	5.85	45.51	46.60	78.54	176.50	
		7102017 (D3)	-320.27	497.27	665.77	1596.18	2438.94	
	7103017 (D3)	-320.72	497.15	667.27	1575.39	2419.09		
	7104017 (D3)	-323.84	496.71	656.00	1691.67	2520.54		
	APREACT	-323.84	496.71	656.00	1691.67	2520.54		
MIN	7101017 (D3)	-386.95	342.77	504.43	1468.31	1928.56		

BAGO RIVER BRIDGE

[ No. 2 : 2ND SPAN WITHOUT IMPACT ] [ FORCE3 (kN) ]

SUPPORT		7101017	7102017	7103017	7104017	TOTAL		
NODE		1017	2017	3017	4017			
NAME	TITLE	D3 (kN)	D3 (kN)	D3 (kN)	D3 (kN)	(kN)		
71	3-LANES (caseDISPERSION-LMIN	7102017 (D3)	-60.82	-108.98	-114.75	-49.32	-333.88	
		7103017 (D3)	-60.37	-108.87	-116.25	-28.53	-314.03	
		7104017 (D3)	-57.25	-108.43	-104.98	-144.82	-415.48	
		APREACT	-57.25	-108.43	-104.98	-144.82	-415.48	
72	4-LANES TRUCK-LOAD MAX	7101017 (D3)	59.20	122.23	126.33	192.93	500.70	
		7102017 (D3)	-115.13	299.52	370.22	526.80	1081.42	
		7103017 (D3)	-88.76	127.45	629.61	571.85	1240.15	
		7104017 (D3)	35.20	159.20	238.16	816.98	1249.55	
		APREACT	-12.50	83.69	511.99	717.20	1300.39	
		MIN	7101017 (D3)	-142.54	198.96	265.88	486.35	808.66
			7102017 (D3)	-5.02	-0.02	-27.73	357.66	324.89
			7103017 (D3)	-4.62	-0.01	-28.84	358.29	324.82
	7104017 (D3)		0.00	0.00	0.00	0.00	0.00	
	TANDEM-LOAD MAX	APREACT	0.00	0.00	0.00	0.00	0.00	
		7101017 (D3)	40.44	85.20	88.31	135.06	349.00	
		7102017 (D3)	-79.61	206.05	249.23	364.73	740.40	
		7103017 (D3)	-53.92	67.03	444.30	391.29	848.70	
		7104017 (D3)	30.55	103.17	150.83	558.92	843.47	
		APREACT	-9.38	60.73	342.96	487.43	881.74	
		MIN	7101017 (D3)	-97.91	129.91	192.65	336.93	561.58
7102017 (D3)			-4.92	-0.05	-14.44	239.82	220.41	
7103017 (D3)	-0.74		-0.01	-25.78	246.59	220.06		
7104017 (D3)	0.00		0.00	0.00	0.00	0.00		
	APREACT	0.00	0.00	0.00	0.00	0.00		

BAGO RIVER BRIDGE

[ No. 2 : 2ND SPAN WITHOUT IMPACT ] [ FORCE3 (kN) ]

SUPPORT				7101017	7102017	7103017	7104017	TOTAL				
NODE				1017	2017	3017	4017					
NAME	TITLE			D3 (kN)	D3 (kN)	D3 (kN)	D3 (kN)	(kN)				
72	4-LANES	DISPERSION=LMAX	7101017 (D3)	112.35	263.37	324.66	309.62	1010.01				
			7102017 (D3)	-178.51	654.25	951.64	1654.24	3081.62				
			7103017 (D3)	-179.93	651.43	955.07	1632.76	3059.33				
			7104017 (D3)	-191.39	647.15	934.20	1760.96	3150.92				
			APREACT	-161.32	651.44	940.17	1721.47	3151.76				
			MIN	7101017 (D3)	-290.08	401.10	630.19	1465.83	2207.04			
			7102017 (D3)	-3.57	-0.56	-9.77	95.50	81.59				
			7103017 (D3)	-3.12	-0.44	-11.27	116.29	101.45				
			7104017 (D3)	0.00	0.00	0.00	0.00	0.00				
			APREACT	0.00	0.00	0.00	0.00	0.00				
			73	6-LANES	TRUCK-LOAD	MAX	7101017 (D3)	640.82	165.61	209.40	137.16	1152.98
						7102017 (D3)	227.46	685.24	457.99	400.84	1771.53	
						7103017 (D3)	279.40	377.94	760.76	414.05	1832.15	
						7104017 (D3)	154.72	198.15	273.44	727.53	1353.85	
APREACT	458.52	374.14				537.07	581.37	1951.10				
MIN	7101017 (D3)	-195.44				61.66	79.65	283.07	228.93			
7102017 (D3)	300.66	-136.78				-92.71	-112.81	-41.64				
7103017 (D3)	-97.48	-88.44				-116.33	260.65	-41.61				
7104017 (D3)	150.46	-25.41				-36.47	-155.20	-66.63				
APREACT	-100.23	-107.88				-109.08	-121.52	-438.71				
TANDEM-LOAD	MAX	7101017 (D3)				445.02	103.34	143.96	93.75	786.07		
7102017 (D3)	137.50	487.47				301.97	266.28	1193.21				
7103017 (D3)	186.81	247.84				532.65	281.05	1248.34				
7104017 (D3)	109.62	141.08				171.52	498.07	920.28				



BAGO RIVER BRIDGE

[ No. 2 : 2ND SPAN WITHOUT IMPACT ] [ FORCE3 (kN) ]

SUPPORT		7101017	7102017	7103017	7104017	TOTAL		
NODE		1017	2017	3017	4017			
NAME	TITLE	D3 (kN)	D3 (kN)	D3 (kN)	D3 (kN)	(kN)		
73	6-LANES							
	TANDEM-LOAD MAX	APREACT	310.01	255.75	362.39	394.87	1323.02	
	MIN	7101017 (D3)	-133.27	40.25	58.03	202.87	167.88	
		7102017 (D3)	213.87	-105.19	-62.10	-74.43	-27.85	
		7103017 (D3)	-63.69	-60.12	-84.91	180.10	-28.62	
		7104017 (D3)	99.06	-19.56	-22.11	-105.57	-48.18	
		APREACT	-68.02	-73.22	-74.03	-82.47	-297.74	
	DISPERSION-LMAX	7101017 (D3)	1355.45	753.67	706.54	227.10	3042.75	
		7102017 (D3)	889.76	1172.35	1285.14	1468.90	4816.15	
		7103017 (D3)	877.12	1169.55	1286.76	1440.16	4773.59	
		7104017 (D3)	160.58	861.71	1057.71	1683.49	3763.49	
		APREACT	1121.96	1108.23	1243.83	1427.18	4901.20	
	MIN	7101017 (D3)	-460.97	181.36	370.19	1119.70	1210.29	
		7102017 (D3)	-60.54	-212.28	-205.40	-124.24	-602.46	
		7103017 (D3)	-17.17	-205.94	-208.23	-107.87	-539.20	
		7104017 (D3)	786.09	111.32	12.95	-334.53	575.83	
		APREACT	-178.66	-191.86	-194.04	-215.90	-780.46	
124	SUM TOTAL	D+1LANE (caseMAX	7101017 (D3)	5278.66	3875.92	4271.32	4641.91	18067.81
			7102017 (D3)	4960.97	4058.38	4318.11	4596.46	17933.92
			7103017 (D3)	4868.16	4027.46	4348.36	4600.24	17844.22
			7104017 (D3)	3960.07	3793.82	4129.52	4773.20	16656.61
			APREACT	5266.41	3891.52	4271.37	4639.02	18068.33
	MIN	7101017 (D3)	3865.67	3736.36	4067.03	4729.87	16398.94	
		7102017 (D3)	4505.24	3663.75	4083.57	4736.15	16988.71	
		7103017 (D3)	4061.92	3719.62	4063.04	4720.04	16564.62	

BAGO RIVER BRIDGE

[ No. 2 : 2ND SPAN WITHOUT IMPACT ] [ FORCE3 (kN) ]

SUPPORT		7101017	7102017	7103017	7104017	TOTAL	
NODE		1017	2017	3017	4017		
NAME	TITLE	D3 (kN)	D3 (kN)	D3 (kN)	D3 (kN)	(kN)	
124	SUM TOTAL						
	D+1LANE (caseMIN	7104017 (D3)	5020.74	3982.46	4297.61	4560.19	17861.00
		APREACT	3866.20	3735.72	4066.50	4728.56	16396.99
	D+1LANE (caseMAX	7101017 (D3)	4454.09	4225.21	4472.82	4875.70	18027.83
		7102017 (D3)	4335.17	4432.12	4444.49	4849.06	18060.84
		7103017 (D3)	4437.59	4263.67	4491.35	4861.46	18054.08
		7104017 (D3)	4423.79	4144.52	4443.71	4879.88	17891.89
		APREACT	4346.32	4416.56	4450.82	4849.77	18063.48
	MIN	7101017 (D3)	3891.52	3732.31	4066.10	4709.85	16399.79
		7102017 (D3)	3891.56	3732.26	4066.06	4709.74	16399.61
		7103017 (D3)	3891.56	3732.26	4066.06	4709.74	16399.61
		7104017 (D3)	3915.17	3795.36	4080.13	4709.21	16499.87
		APREACT	3891.56	3732.26	4066.06	4709.74	16399.61
	D+1LANE (caseMAX	7101017 (D3)	4149.84	4110.46	4519.42	5102.38	17882.10
		7102017 (D3)	4111.90	4161.22	4680.81	5096.18	18050.11
		7103017 (D3)	4086.95	4114.37	4824.66	5033.58	18059.56
		7104017 (D3)	4142.24	4143.49	4616.62	5119.43	18021.78
		APREACT	4088.58	4119.46	4813.18	5038.69	18059.92
	MIN	7101017 (D3)	3910.40	3745.69	4142.87	4708.21	16507.17
		7102017 (D3)	3911.48	3729.53	4065.70	4694.95	16401.66
		7103017 (D3)	3911.48	3729.53	4065.70	4694.95	16401.66
		7104017 (D3)	3911.59	3729.55	4065.74	4694.94	16401.83
		APREACT	3911.48	3729.53	4065.70	4694.95	16401.66
	D+1LANE (caseMAX	7101017 (D3)	3961.70	3781.60	4118.55	4752.66	16614.51
		7102017 (D3)	3634.85	4051.44	4405.98	5744.11	17836.38

BAGO RIVER BRIDGE

[ No. 2 : 2ND SPAN WITHOUT IMPACT ] [ FORCE3 (kN) ]

SUPPORT		7101017	7102017	7103017	7104017	TOTAL		
NODE		1017	2017	3017	4017			
NAME	TITLE	D3 (kN)	D3 (kN)	D3 (kN)	D3 (kN)	(kN)		
124	SUM TOTAL	D+1LANE (caseMAX	7103017 (D3)	3632.55	4038.73	4418.74	5775.12	17865.14
			7104017 (D3)	3720.49	3971.83	4276.63	6083.04	18051.99
			APREACT	3717.67	3972.37	4283.22	6079.03	18052.29
		MIN	7101017 (D3)	3611.01	4007.45	4362.57	5826.78	17807.80
			7102017 (D3)	3932.82	3725.36	4053.53	4790.55	16502.26
			7103017 (D3)	3936.04	3748.49	4035.32	5282.62	17002.47
			7104017 (D3)	3937.79	3726.15	4065.44	4675.79	16405.16
			APREACT	3936.86	3726.04	4065.24	4676.09	16404.24
		D+2LANES (casMAX	7101017 (D3)	5729.80	4189.52	4454.87	4628.25	19002.43
			7102017 (D3)	5458.90	4382.01	4453.63	4600.75	18895.30
			7103017 (D3)	5376.54	4285.21	4537.11	4592.78	18791.63
			7104017 (D3)	4075.29	3838.65	4181.12	4779.60	16874.66
			APREACT	5714.61	4239.04	4418.91	4635.13	19007.70
		MIN	7101017 (D3)	3813.70	3696.40	4025.04	4692.60	16227.75
			7102017 (D3)	4346.87	3635.62	4038.59	4697.30	16718.38
			7103017 (D3)	3977.43	3682.18	4021.49	4683.88	16364.98
			7104017 (D3)	5179.24	4093.35	4337.62	4523.36	18133.56
			APREACT	3814.33	3695.60	4024.37	4690.98	16225.28
		D+2LANES (casMAX	7101017 (D3)	5042.66	4480.59	4622.78	4823.08	18969.11
			7102017 (D3)	4937.40	4693.46	4558.95	4811.25	19001.07
			7103017 (D3)	5017.73	4482.05	4656.26	4810.47	18966.51
			7104017 (D3)	4461.73	4130.90	4442.94	4868.50	17904.07
			APREACT	4947.87	4676.57	4568.46	4810.76	19003.66
		MIN	7101017 (D3)	3835.24	3693.03	4024.26	4675.93	16228.45

BAGO RIVER BRIDGE

[ No. 2 : 2ND SPAN WITHOUT IMPACT ] [ FORCE3 (kN) ]

SUPPORT		7101017	7102017	7103017	7104017	TOTAL	
NODE		1017	2017	3017	4017		
NAME	TITLE	D3 (kN)	D3 (kN)	D3 (kN)	D3 (kN)	(kN)	
124	SUM TOTAL						
	D+2LANES (casMIN)						
		7102017 (D3)	3835.46	3692.71	4024.00	4675.30	16227.47
		7103017 (D3)	3835.46	3692.71	4024.00	4675.30	16227.47
		7104017 (D3)	4257.93	3937.43	4156.39	4647.54	16999.28
		APREACT	3835.46	3692.71	4024.00	4675.30	16227.47
	D+2LANES (casMAX)						
		7101017 (D3)	4155.90	4209.73	4611.46	5309.05	18286.13
		7102017 (D3)	4094.59	4363.66	4984.06	5525.92	18968.23
		7103017 (D3)	4070.55	4259.75	5222.40	5440.51	18993.22
		7104017 (D3)	4120.72	4348.57	4928.89	5545.36	18943.54
		APREACT	4071.39	4269.80	5205.26	5447.34	18993.80
	MIN						
		7101017 (D3)	3870.72	3879.79	4426.33	4988.36	17165.19
		7102017 (D3)	3889.81	3685.26	4023.03	4634.95	16233.05
		7103017 (D3)	3889.77	3685.27	4023.03	4634.97	16233.04
		7104017 (D3)	3890.42	3685.42	4023.23	4634.87	16233.95
		APREACT	3889.77	3685.27	4023.03	4634.97	16233.04
	D+2LANES (casMAX)						
		7101017 (D3)	3961.40	3783.57	4120.31	4755.98	16621.25
		7102017 (D3)	3535.29	4239.51	4650.13	6304.49	18729.43
		7103017 (D3)	3548.42	4202.87	4673.31	6385.09	18809.69
		7104017 (D3)	3648.45	4113.80	4549.66	6672.58	18984.49
		APREACT	3644.86	4116.40	4554.62	6669.05	18984.92
	MIN						
		7101017 (D3)	3496.04	4166.55	4580.95	6330.07	18573.61
		7102017 (D3)	3907.72	3681.77	4012.88	4714.50	16316.87
		7103017 (D3)	3910.36	3701.04	3997.70	5124.59	16733.70
		7104017 (D3)	3912.38	3682.55	4022.98	4618.81	16236.72
		APREACT	3911.05	3682.34	4022.64	4619.15	16235.17

BAGO RIVER BRIDGE

[ No. 2 : 2ND SPAN WITHOUT IMPACT ] [ FORCE3 (kN) ]

SUPPORT		7101017	7102017	7103017	7104017	TOTAL		
NODE		1017	2017	3017	4017			
NAME	TITLE	D3 (kN)	D3 (kN)	D3 (kN)	D3 (kN)	(kN)		
124	SUM TOTAL	D+3LANES (casMAX	7101017 (D3)	5814.39	4435.77	4649.28	4722.60	19622.04
			7102017 (D3)	5499.90	4745.95	4628.17	4680.36	19554.37
			7103017 (D3)	5502.43	4544.35	4732.32	4682.36	19461.46
			7104017 (D3)	4386.60	4080.37	4395.98	4854.20	17717.15
			APREACT	5725.15	4613.40	4603.14	4710.09	19651.78
	MIN		7101017 (D3)	3787.22	3667.48	3995.84	4659.83	16110.37
			7102017 (D3)	4240.44	3615.78	4007.33	4663.74	16527.28
			7103017 (D3)	3926.42	3655.35	3992.79	4652.33	16226.89
			7104017 (D3)	4964.68	4049.54	4271.47	4515.51	17801.20
			APREACT	3787.78	3666.76	3995.24	4658.37	16108.15
		D+3LANES (casMAX	7101017 (D3)	4127.43	4142.00	4534.46	5220.22	18024.11
			7102017 (D3)	3970.76	4477.81	5115.16	5984.57	19548.30
			7103017 (D3)	3983.11	4339.56	5345.96	5964.94	19633.56
			7104017 (D3)	4025.75	4415.06	5096.47	6054.06	19591.33
			APREACT	3982.70	4351.04	5330.36	5970.18	19634.28
	MIN		7101017 (D3)	3769.61	4035.13	4613.01	5485.90	17903.65
			7102017 (D3)	3884.09	3653.58	3993.53	4586.88	16118.07
			7103017 (D3)	3883.88	3653.59	3993.52	4587.00	16117.99
			7104017 (D3)	3885.09	3653.79	3993.83	4586.70	16119.41
			APREACT	3883.88	3653.59	3993.52	4587.00	16117.99
		D+3LANES (casMAX	7101017 (D3)	3967.88	3838.78	4175.23	4848.61	16830.50
			7102017 (D3)	3568.76	4390.89	4892.12	6527.38	19379.16
			7103017 (D3)	3589.43	4306.18	4995.06	6586.31	19476.98
			7104017 (D3)	3669.95	4281.25	4805.16	6856.06	19612.41

BAGO RIVER BRIDGE

[ No. 2 : 2ND SPAN WITHOUT IMPACT ] [ FORCE3 (kN) ]

SUPPORT		7101017	7102017	7103017	7104017	TOTAL			
NODE		1017	2017	3017	4017				
NAME	TITLE	D3 (kN)	D3 (kN)	D3 (kN)	D3 (kN)	(kN)			
124	SUM TOTAL	D+3LANES (casMAX	APREACT	3671.43	4236.99	4886.94	6832.30	19627.66	
		MIN	7101017 (D3)	3506.88	4253.28	4778.89	6442.71	18981.75	
			7102017 (D3)	3881.39	3653.05	3985.21	4667.80	16187.45	
			7103017 (D3)	3883.64	3669.44	3972.32	5016.37	16541.76	
			7104017 (D3)	3885.43	3653.74	3993.82	4586.45	16119.44	
			APREACT	3884.22	3653.54	3993.51	4586.75	16118.01	
		D+4LANES	MAX	7101017 (D3)	4071.37	4044.40	4422.58	5099.85	17638.20
				7102017 (D3)	3768.99	4413.71	4988.64	6190.87	19362.21
				7103017 (D3)	3785.20	4300.03	5159.48	6206.19	19450.90
				7104017 (D3)	3858.33	4317.88	4891.47	6448.86	19516.54
				APREACT	3846.87	4271.59	5073.34	6358.33	19550.13
			MIN	7101017 (D3)	3678.65	4183.79	4711.88	6042.11	18616.44
				7102017 (D3)	3954.27	3793.38	4105.06	5067.74	16920.45
				7103017 (D3)	3954.83	3793.46	4103.36	5081.67	16933.31
				7104017 (D3)	3959.85	3793.75	4129.43	4773.19	16656.24
				APREACT	3959.85	3793.75	4129.43	4773.19	16656.24
		D+6LANES	MAX	7101017 (D3)	5257.43	4391.28	4724.79	5009.96	19383.47
				7102017 (D3)	4686.05	5001.19	5262.47	5988.53	20938.23
				7103017 (D3)	4711.60	4799.62	5460.32	5978.43	20949.97
				7104017 (D3)	4164.80	4482.66	4994.68	6340.36	19982.51
				APREACT	4987.17	4757.29	5287.02	6078.75	21110.23
			MIN	7101017 (D3)	3533.19	3951.72	4421.83	5685.00	17591.73
				7102017 (D3)	4115.93	3566.87	3935.66	4619.11	16237.57
				7103017 (D3)	3885.33	3602.41	3918.47	4872.50	16278.71

BAGO RIVER BRIDGE

[ No. 2 : 2ND SPAN WITHOUT IMPACT ] [ FORCE3 (kN) ]

SUPPORT				7101017	7102017	7103017	7104017	TOTAL	
NODE				1017	2017	3017	4017		
NAME	TITLE			D3 (kN)	D3 (kN)	D3 (kN)	D3 (kN)	(kN)	
124	SUM TOTAL	D+6LANES	MIN	7104017 (D3)	4568.61	3849.60	4114.15	4454.87	16987.22
				APREACT	3778.58	3598.92	3932.41	4553.87	15863.78
		SUM TOTAL	MAX	7101017 (D3)	5814.39	4435.77	4649.28	4722.60	19622.04
				7102017 (D3)	4686.05	5001.19	5262.47	5988.53	20938.23
				7103017 (D3)	4711.60	4799.62	5460.32	5978.43	20949.97
				7104017 (D3)	3669.95	4281.25	4805.16	6856.06	19612.41
				APREACT	4987.17	4757.29	5287.02	6078.75	21110.23
			MIN	7101017 (D3)	3496.04	4166.55	4580.95	6330.07	18573.61
				7102017 (D3)	4115.93	3566.87	3935.66	4619.11	16237.57
				7103017 (D3)	3885.33	3602.41	3918.47	4872.50	16278.71
				7104017 (D3)	4568.61	3849.60	4114.15	4454.87	16987.22
				APREACT	3778.58	3598.92	3932.41	4553.87	15863.78
300	DEAD LOAD	TOTAL			3959.85	3793.75	4129.43	4773.19	16656.24
301	LIVE LOAD	1-LANE (case1MAX)		7101017 (D3)	1318.80	82.17	141.89	-131.28	1411.57
				7102017 (D3)	1001.12	264.62	188.67	-176.73	1277.68
				7103017 (D3)	908.30	233.71	218.93	-172.96	1187.98
				7104017 (D3)	0.21	0.07	0.09	0.00	0.37
				APREACT	1306.56	97.77	141.94	-134.17	1412.09
			MIN	7101017 (D3)	-94.18	-57.39	-62.40	-43.33	-257.30
				7102017 (D3)	545.38	-130.00	-45.87	-37.05	332.47
				7103017 (D3)	102.07	-74.14	-66.39	-53.15	-91.62
				7104017 (D3)	1060.89	188.70	168.18	-213.01	1204.76
				APREACT	-93.66	-58.03	-62.93	-44.63	-259.25
		1-LANE (case2MAX)		7101017 (D3)	494.24	431.46	343.39	102.51	1371.59

BAGO RIVER BRIDGE

[ No. 2 : 2ND SPAN WITHOUT IMPACT ] [ FORCE3 (kN) ]

SUPPORT		7101017	7102017	7103017	7104017	TOTAL		
NODE		1017	2017	3017	4017			
NAME	TITLE	D3 (kN)	D3 (kN)	D3 (kN)	D3 (kN)	(kN)		
301	LIVE LOAD	1-LANE (case2MAX	7102017 (D3)	375.32	638.37	315.06	75.86	1404.60
			7103017 (D3)	477.73	469.92	361.92	88.27	1397.84
			7104017 (D3)	463.93	350.77	314.27	106.69	1235.66
			APREACT	386.47	622.81	321.39	76.58	1407.24
		MIN	7101017 (D3)	-68.34	-61.44	-63.33	-63.34	-256.45
			7102017 (D3)	-68.30	-61.50	-63.38	-63.45	-256.62
			7103017 (D3)	-68.30	-61.50	-63.38	-63.45	-256.62
			7104017 (D3)	-44.68	1.60	-49.30	-63.99	-156.37
			APREACT	-68.30	-61.50	-63.38	-63.45	-256.62
		1-LANE (case3MAX	7101017 (D3)	189.98	316.71	389.98	329.19	1225.86
			7102017 (D3)	152.04	367.47	551.37	322.99	1393.87
			7103017 (D3)	127.09	320.61	695.23	260.39	1403.32
			7104017 (D3)	182.39	349.74	487.18	346.23	1365.54
			APREACT	128.73	325.71	683.75	265.49	1403.68
		MIN	7101017 (D3)	-49.45	-48.07	13.44	-64.99	-149.07
			7102017 (D3)	-48.37	-64.23	-63.73	-78.24	-254.57
			7103017 (D3)	-48.37	-64.23	-63.73	-78.24	-254.57
			7104017 (D3)	-48.26	-64.20	-63.69	-78.26	-254.41
			APREACT	-48.37	-64.23	-63.73	-78.24	-254.57
		1-LANE (case4MAX	7101017 (D3)	1.84	-12.15	-10.88	-20.54	-41.73
			7102017 (D3)	-325.01	257.69	276.55	970.91	1180.14
			7103017 (D3)	-327.30	244.97	289.30	1001.93	1208.90
			7104017 (D3)	-239.37	178.08	147.20	1309.85	1395.76
			APREACT	-242.19	178.62	153.79	1305.83	1396.06



BAGO RIVER BRIDGE

[ No. 2 : 2ND SPAN WITHOUT IMPACT ] [ FORCE3 (kN) ]

SUPPORT		7101017	7102017	7103017	7104017	TOTAL	
NODE		1017	2017	3017	4017		
NAME	TITLE	D3 (kN)	D3 (kN)	D3 (kN)	D3 (kN)	(kN)	
301	LIVE LOAD						
	1-LANE (case4MIN	7101017 (D3)	-348.85	213.69	233.13	1053.59	1151.56
		7102017 (D3)	-27.03	-68.39	-75.91	17.35	-153.98
		7103017 (D3)	-23.81	-45.27	-94.11	509.43	346.23
		7104017 (D3)	-22.07	-67.61	-64.00	-97.41	-251.08
		APREACT	-22.99	-67.71	-64.19	-97.10	-252.00
	2-LANES (caseMAX	7101017 (D3)	1769.94	395.76	325.43	-144.94	2346.19
		7102017 (D3)	1499.05	588.26	324.20	-172.44	2239.06
		7103017 (D3)	1416.68	491.46	407.67	-180.42	2135.39
		7104017 (D3)	115.44	44.89	51.69	6.40	218.42
		APREACT	1754.76	445.28	289.48	-138.06	2351.46
	MIN	7101017 (D3)	-146.15	-97.35	-104.40	-80.59	-428.49
		7102017 (D3)	387.01	-158.13	-90.84	-75.90	62.14
		7103017 (D3)	17.58	-111.58	-107.94	-89.32	-291.26
		7104017 (D3)	1219.38	299.59	208.18	-249.83	1477.32
		APREACT	-145.52	-98.16	-105.06	-82.22	-430.95
	2-LANES (caseMAX	7101017 (D3)	1082.81	686.84	493.35	49.88	2312.87
		7102017 (D3)	977.55	899.71	429.51	38.06	2344.83
		7103017 (D3)	1057.87	688.30	526.83	37.27	2310.27
		7104017 (D3)	501.88	337.14	313.51	95.30	1247.83
		APREACT	988.02	882.82	439.02	37.56	2347.42
	MIN	7101017 (D3)	-124.62	-100.73	-105.17	-97.27	-427.78
		7102017 (D3)	-124.39	-101.05	-105.43	-97.90	-428.77
		7103017 (D3)	-124.39	-101.05	-105.43	-97.90	-428.77
		7104017 (D3)	298.07	143.67	26.95	-125.65	343.05

BAGO RIVER BRIDGE

[ No. 2 : 2ND SPAN WITHOUT IMPACT ] [ FORCE3 (kN) ]

SUPPORT		7101017	7102017	7103017	7104017	TOTAL	
NODE		1017	2017	3017	4017		
NAME	TITLE	D3 (kN)	D3 (kN)	D3 (kN)	D3 (kN)	(kN)	
301	LIVE LOAD						
	2-LANES (caseMIN	APREACT	-124.39	-101.05	-105.43	-97.90	-428.77
	2-LANES (caseMAX	7101017 (D3)	196.04	415.97	482.02	535.85	1629.89
		7102017 (D3)	134.74	569.90	854.63	752.72	2311.99
		7103017 (D3)	110.70	466.00	1092.97	667.32	2336.98
		7104017 (D3)	160.87	554.82	799.45	772.17	2287.30
		APREACT	111.54	476.05	1075.83	674.15	2337.56
	MIN	7101017 (D3)	-89.14	86.03	296.90	215.16	508.96
		7102017 (D3)	-70.05	-108.49	-106.40	-138.25	-423.19
		7103017 (D3)	-70.08	-108.49	-106.41	-138.22	-423.20
		7104017 (D3)	-69.43	-108.34	-106.20	-138.32	-422.29
		APREACT	-70.08	-108.49	-106.41	-138.22	-423.20
	2-LANES (caseMAX	7101017 (D3)	1.54	-10.19	-9.12	-17.22	-34.99
		7102017 (D3)	-424.56	445.76	520.70	1531.29	2073.19
		7103017 (D3)	-411.43	409.11	543.87	1611.89	2153.45
		7104017 (D3)	-311.40	320.04	420.23	1899.38	2328.25
		APREACT	-315.00	322.64	425.18	1895.85	2328.68
	MIN	7101017 (D3)	-463.81	372.79	451.52	1556.88	1917.38
		7102017 (D3)	-52.14	-111.99	-116.56	-58.69	-339.37
		7103017 (D3)	-49.49	-92.71	-131.73	351.39	77.46
		7104017 (D3)	-47.48	-111.20	-106.46	-154.39	-419.52
		APREACT	-48.80	-111.42	-106.80	-154.04	-421.07
	3-LANES (caseMAX	7101017 (D3)	1854.54	642.01	519.85	-50.59	2965.81
		7102017 (D3)	1540.04	952.19	498.73	-92.84	2898.13
		7103017 (D3)	1542.57	750.60	602.88	-90.83	2805.22

BAGO RIVER BRIDGE

[ No. 2 : 2ND SPAN WITHOUT IMPACT ] [ FORCE3 (kN) ]

SUPPORT		7101017	7102017	7103017	7104017	TOTAL	
NODE		1017	2017	3017	4017		
NAME	TITLE	D3 (kN)	D3 (kN)	D3 (kN)	D3 (kN)	(kN)	
301	LIVE LOAD						
	3-LANES (caseMAX	7104017 (D3)	426.74	286.62	266.54	81.01	1060.92
		APREACT	1765.29	819.65	473.71	-63.11	2995.54
	MIN	7101017 (D3)	-172.64	-126.27	-133.60	-113.37	-545.87
		7102017 (D3)	280.58	-177.97	-122.11	-109.46	-128.95
		7103017 (D3)	-33.44	-138.40	-136.65	-120.86	-429.35
		7104017 (D3)	1004.83	255.79	142.04	-257.68	1144.96
		APREACT	-172.07	-126.99	-134.19	-114.83	-548.09
	3-LANES (caseMAX	7101017 (D3)	167.58	348.24	405.03	447.03	1367.88
		7102017 (D3)	10.91	684.05	985.72	1211.37	2892.06
		7103017 (D3)	23.25	545.81	1216.52	1191.74	2977.32
		7104017 (D3)	65.89	621.30	967.04	1280.86	2935.10
		APREACT	22.85	557.29	1200.92	1196.98	2978.04
	MIN	7101017 (D3)	-190.24	241.38	483.57	712.70	1247.41
		7102017 (D3)	-75.77	-140.18	-135.90	-186.31	-538.16
		7103017 (D3)	-75.97	-140.17	-135.92	-186.19	-538.25
		7104017 (D3)	-74.76	-139.96	-135.60	-186.49	-536.83
		APREACT	-75.97	-140.17	-135.92	-186.19	-538.25
	3-LANES (caseMAX	7101017 (D3)	8.03	45.03	45.79	75.42	174.26
		7102017 (D3)	-391.09	597.14	762.69	1754.19	2722.92
		7103017 (D3)	-370.42	512.42	865.63	1813.11	2820.74
		7104017 (D3)	-289.91	487.50	675.72	2082.86	2956.18
		APREACT	-288.42	443.23	757.50	2059.10	2971.42
	MIN	7101017 (D3)	-452.98	459.53	649.45	1669.51	2325.51
		7102017 (D3)	-78.47	-140.70	-144.22	-105.40	-468.79

BAGO RIVER BRIDGE

[ No. 2 : 2ND SPAN WITHOUT IMPACT ] [ FORCE3 (kN) ]

SUPPORT			7101017	7102017	7103017	7104017	TOTAL			
NODE			1017	2017	3017	4017				
NAME	TITLE		D3 (kN)	D3 (kN)	D3 (kN)	D3 (kN)	(kN)			
301	LIVE LOAD	3-LANES (caseMIN	7103017 (D3)	-76.22	-124.32	-157.12	243.18	-114.48		
			7104017 (D3)	-74.43	-140.01	-135.61	-186.75	-536.80		
			APREACT	-75.64	-140.22	-135.93	-186.45	-538.23		
			4-LANES	MAX	7101017 (D3)	111.51	250.64	293.14	326.66	981.96
					7102017 (D3)	-190.86	619.95	859.21	1417.68	2705.97
					7103017 (D3)	-174.65	506.28	1030.04	1432.99	2794.66
		MIN		7104017 (D3)	-101.52	524.13	762.03	1675.66	2860.30	
				APREACT	-112.98	477.84	943.90	1585.14	2893.89	
				7101017 (D3)	-281.21	390.04	582.45	1268.92	1960.20	
		6-LANES	MAX	7102017 (D3)	-5.58	-0.37	-24.38	294.55	264.21	
				7103017 (D3)	-5.03	-0.30	-26.07	308.47	277.07	
				7104017 (D3)	0.00	0.00	0.00	0.00	0.00	
				APREACT	0.00	0.00	0.00	0.00	0.00	
				7101017 (D3)	1297.57	597.53	595.36	236.77	2727.23	
				7102017 (D3)	726.19	1207.43	1133.04	1215.33	4281.99	
			MIN	7103017 (D3)	751.74	1005.86	1330.88	1205.24	4293.73	
				7104017 (D3)	204.95	688.91	865.25	1567.16	3326.27	
				APREACT	1027.31	963.54	1157.59	1305.56	4453.99	
				7101017 (D3)	-426.66	157.96	292.39	911.80	935.49	
				7102017 (D3)	156.08	-226.89	-193.77	-154.09	-418.67	
				7103017 (D3)	-74.52	-191.35	-210.96	99.31	-377.52	
		LIVE LOAD	MAX	7104017 (D3)	608.76	55.84	-15.29	-318.33	330.98	
				APREACT	-181.28	-194.83	-197.02	-219.32	-792.46	
				7101017 (D3)	1854.54	642.01	519.85	-50.59	2965.81	

BAGO RIVER BRIDGE

[ No. 2 : 2ND SPAN WITHOUT IMPACT ] [ FORCE3 (kN) ]

SUPPORT				7101017	7102017	7103017	7104017	TOTAL				
NODE				1017	2017	3017	4017					
NAME	TITLE			D3 (kN)	D3 (kN)	D3 (kN)	D3 (kN)	(kN)				
301	LIVE LOAD	LIVE LOAD	MAX	7102017 (D3)	726.19	1207.43	1133.04	1215.33	4281.99			
				7103017 (D3)	751.74	1005.86	1330.88	1205.24	4293.73			
				7104017 (D3)	-289.91	487.50	675.72	2082.86	2956.18			
				APREACT	1027.31	963.54	1157.59	1305.56	4453.99			
			MIN	7101017 (D3)	-463.81	372.79	451.52	1556.88	1917.38			
				7102017 (D3)	156.08	-226.89	-193.77	-154.09	-418.67			
				7103017 (D3)	-74.52	-191.35	-210.96	99.31	-377.52			
				7104017 (D3)	608.76	55.84	-15.29	-318.33	330.98			
				APREACT	-181.28	-194.83	-197.02	-219.32	-792.46			
			303	SUM TOTAL	TOTAL	MAX	7101017 (D3)	5814.39	4435.77	4649.28	4722.60	19622.04
							7102017 (D3)	4686.05	5001.19	5262.47	5988.53	20938.23
							7103017 (D3)	4711.60	4799.62	5460.32	5978.43	20949.97
							7104017 (D3)	3669.95	4281.25	4805.16	6856.06	19612.41
							APREACT	4987.17	4757.29	5287.02	6078.75	21110.23
MIN	7101017 (D3)	3496.04				4166.55	4580.95	6330.07	18573.61			
	7102017 (D3)	4115.93				3566.87	3935.66	4619.11	16237.57			
	7103017 (D3)	3885.33				3602.41	3918.47	4872.50	16278.71			
	7104017 (D3)	4568.61				3849.60	4114.15	4454.87	16987.22			
	APREACT	3778.58				3598.92	3932.41	4553.87	15863.78			

BAGO RIVER BRIDGE

[ No. 3 : 3RD SPAN WITHOUT IMPACT ] [ FORCE3 (kN) ]

SUPPORT		7101033	7102033	7103033	7104033	TOTAL	
NODE		1033	2033	3033	4033		
NAME	TITLE	D3 (kN)	D3 (kN)	D3 (kN)	D3 (kN)	(kN)	
1	PAVEMENT	904.02	797.38	818.85	1029.17	3549.42	
3	RAILING	37.87	12.91	13.43	38.85	103.06	
5	CURB	374.93	127.79	132.92	384.62	1020.25	
7	DECK WEIGHT	1473.90	1269.58	1303.95	1642.38	5689.81	
8	GIRDER WEIGH	2070.42	1847.47	1875.88	2070.72	7864.49	
10	MEDIAN STRIP	331.23	396.46	406.12	304.27	1438.08	
21	ADITIONAL WE	412.69	355.48	365.11	459.87	1593.15	
31	MEDIAN RAILI	23.21	29.07	29.85	20.88	103.00	
51	SUPPORT WEIG	0.00	0.00	0.00	0.00	0.00	
52	NOSE WEIGHT	-0.02	0.00	-0.00	0.02	-0.00	
61	1-LANE(case1TRUCK-LOAD						
	MAX						
		7101033 (D3)	391.10	-59.01	0.01	-4.92	327.18
		7102033 (D3)	273.19	65.59	52.00	-51.82	338.96
		7103033 (D3)	238.38	50.10	82.58	-49.99	321.08
		7104033 (D3)	-13.16	-3.26	-5.92	1.70	-20.65
		APREACT	279.06	64.15	44.79	-48.80	339.20
	MIN						
		7101033 (D3)	-22.48	-7.75	-11.69	-1.54	-43.46
		7102033 (D3)	389.18	-60.42	-1.22	-5.97	321.57
		7103033 (D3)	-22.24	-7.98	-11.79	-2.14	-44.14
		7104033 (D3)	218.48	48.25	63.40	-76.30	253.83
		APREACT	-22.05	-8.02	-11.77	-2.35	-44.19
	TANDEM-LOAD						
	MAX						
		7101033 (D3)	273.79	-52.40	0.07	-0.78	220.68
		7102033 (D3)	188.91	46.96	26.32	-32.26	229.93
		7103033 (D3)	165.27	34.85	56.20	-35.60	220.71
		7104033 (D3)	-9.82	-2.46	-4.44	1.22	-15.50

BAGO RIVER BRIDGE

[ No. 3 : 3RD SPAN WITHOUT IMPACT ] [ FORCE3 (kN) ]

SUPPORT		7101033	7102033	7103033	7104033	TOTAL		
NODE		1033	2033	3033	4033			
NAME	TITLE	D3 (kN)	D3 (kN)	D3 (kN)	D3 (kN)	(kN)		
61	1-LANE (case1TANDEM-LOAD	MAX	APREACT	188.91	46.96	26.32	-32.26	229.93
		MIN	7101033 (D3)	-15.26	-5.12	-7.83	-0.75	-28.97
			7102033 (D3)	273.25	-52.79	-0.28	-1.08	219.11
			7103033 (D3)	-15.19	-5.40	-8.02	-1.38	-29.99
			7104033 (D3)	145.73	31.02	45.35	-52.57	169.52
			APREACT	-14.82	-5.47	-7.97	-1.74	-30.00
	DISPERSION-LMAX		7101033 (D3)	880.22	124.48	207.65	-166.96	1045.39
			7102033 (D3)	748.63	145.59	208.72	-163.26	939.68
			7103033 (D3)	759.85	142.46	209.08	-161.69	949.70
			7104033 (D3)	-7.91	-2.12	-3.68	0.70	-13.01
			APREACT	880.22	124.48	207.65	-166.96	1045.39
		MIN	7101033 (D3)	-31.75	-11.29	-16.76	-2.87	-62.67
			7102033 (D3)	99.84	-32.40	-17.82	-6.56	43.05
			7103033 (D3)	88.62	-29.27	-18.19	-8.13	33.03
			7104033 (D3)	856.39	115.31	194.57	-170.52	995.74
			APREACT	-31.75	-11.29	-16.76	-2.87	-62.67
62	1-LANE (case2TRUCK-LOAD	MAX	7101033 (D3)	130.75	78.60	84.35	41.44	335.14
			7102033 (D3)	19.70	248.50	53.91	-0.57	321.54
			7103033 (D3)	112.01	109.55	93.94	22.99	338.50
			7104033 (D3)	123.69	66.29	76.25	46.33	312.56
			APREACT	123.58	92.28	92.88	30.12	338.85
		MIN	7101033 (D3)	-14.79	-8.92	-10.44	-8.78	-42.93
			7102033 (D3)	-14.67	-9.07	-10.52	-9.16	-43.43
			7103033 (D3)	-14.77	-9.05	-10.54	-9.06	-43.42

BAGO RIVER BRIDGE

[ No. 3 : 3RD SPAN WITHOUT IMPACT ] [ FORCE3 (kN) ]

SUPPORT		7101033	7102033	7103033	7104033	TOTAL	
NODE		1033	2033	3033	4033		
NAME	TITLE	D3 (kN)	D3 (kN)	D3 (kN)	D3 (kN)	(kN)	
62	1-LANE (case2TRUCK-LOAD	MIN 7104033 (D3)	-14.38	-9.00	-10.39	-9.21	-42.98
		APREACT	-14.70	-9.07	-10.53	-9.14	-43.45
	TANDEM-LOAD	MAX 7101033 (D3)	88.74	52.61	56.17	29.02	226.53
		7102033 (D3)	6.16	181.38	31.81	-0.25	219.11
		7103033 (D3)	81.19	65.98	65.33	17.14	229.63
		7104033 (D3)	84.47	45.26	52.10	31.44	213.27
		APREACT	84.41	61.15	65.03	19.13	229.73
		MIN 7101033 (D3)	-10.07	-6.11	-7.14	-6.05	-29.37
	7102033 (D3)	-9.93	-6.17	-7.14	-6.26	-29.49	
	7103033 (D3)	-10.07	-6.15	-7.16	-6.13	-29.51	
	7104033 (D3)	-9.84	-6.15	-7.10	-6.27	-29.36	
	APREACT	-10.07	-6.15	-7.16	-6.13	-29.51	
	DISPERSION-LMAX	7101033 (D3)	370.24	312.33	259.12	98.60	1040.29
		7102033 (D3)	370.24	312.33	259.12	98.60	1040.29
		7103033 (D3)	370.24	312.33	259.12	98.60	1040.29
		7104033 (D3)	331.18	249.12	231.43	100.86	912.59
		APREACT	370.24	312.33	259.12	98.60	1040.29
		MIN 7101033 (D3)	-21.00	-12.78	-14.91	-12.69	-61.38
	7102033 (D3)	-21.00	-12.78	-14.91	-12.69	-61.38	
	7103033 (D3)	-21.00	-12.78	-14.91	-12.69	-61.38	
7104033 (D3)	18.06	50.44	12.78	-14.95	66.32		
APREACT	-21.00	-12.78	-14.91	-12.69	-61.38		
63	1-LANE (case3TRUCK-LOAD	MAX 7101033 (D3)	44.72	79.52	71.36	116.39	311.99
		7102033 (D3)	20.58	99.64	115.65	102.46	338.33



BAGO RIVER BRIDGE

[ No. 3 : 3RD SPAN WITHOUT IMPACT ] [ FORCE3 (kN) ]

SUPPORT		7101033	7102033	7103033	7104033	TOTAL			
NODE		1033	2033	3033	4033				
NAME	TITLE	D3 (kN)	D3 (kN)	D3 (kN)	D3 (kN)	(kN)			
63	1-LANE (case3TRUCK-LOAD	MAX	7103033 (D3)	-0.06	53.37	253.78	14.45	321.54	
		7104033 (D3)	42.65	85.68	80.70	122.08	331.10		
		APREACT	28.19	98.25	98.34	113.84	338.62		
	MIN	7101033 (D3)	-9.11	-9.86	-9.58	-14.29	-42.84		
		7102033 (D3)	-9.08	-9.87	-9.58	-14.32	-42.85		
		7103033 (D3)	-9.10	-9.87	-9.58	-14.30	-42.86		
		7104033 (D3)	-9.07	-9.87	-9.58	-14.32	-42.84		
		APREACT	-9.10	-9.87	-9.58	-14.30	-42.86		
		TANDEM-LOAD	MAX	7101033 (D3)	30.33	54.35	48.74	79.46	212.89
			7102033 (D3)	15.52	69.36	70.31	74.31	229.51	
	7103033 (D3)		-0.10	31.63	183.06	4.52	219.11		
	7104033 (D3)		28.93	58.02	55.31	82.99	225.25		
	APREACT		17.64	68.97	65.49	77.49	229.59		
	MIN		7101033 (D3)	-6.20	-6.69	-6.51	-9.68	-29.08	
		7102033 (D3)	-6.15	-6.71	-6.51	-9.75	-29.12		
		7103033 (D3)	-6.15	-6.71	-6.51	-9.75	-29.12		
		7104033 (D3)	-6.15	-6.71	-6.51	-9.75	-29.12		
		APREACT	-6.15	-6.71	-6.51	-9.75	-29.12		
		DISPERSION-LMAX	7101033 (D3)	109.92	244.55	265.63	314.61	934.71	
	7102033 (D3)		108.58	262.10	332.05	333.75	1036.48		
7103033 (D3)	108.58		262.10	332.05	333.75	1036.48			
7104033 (D3)	108.58		262.10	332.05	333.75	1036.48			
APREACT	108.58		262.10	332.05	333.75	1036.48			
MIN	7101033 (D3)		-14.15	3.64	52.91	-1.04	41.36		

BAGO RIVER BRIDGE

[ No. 3 : 3RD SPAN WITHOUT IMPACT ] [ FORCE3 (kN) ]

SUPPORT		7101033	7102033	7103033	7104033	TOTAL		
NODE		1033	2033	3033	4033			
NAME	TITLE	D3 (kN)	D3 (kN)	D3 (kN)	D3 (kN)	(kN)		
63	1-LANE (case3DISPERSION-LMIN	7102033 (D3)	-12.81	-13.91	-13.51	-20.18	-60.42	
		7103033 (D3)	-12.81	-13.91	-13.51	-20.18	-60.42	
		7104033 (D3)	-12.81	-13.91	-13.51	-20.18	-60.42	
		APREACT	-12.81	-13.91	-13.51	-20.18	-60.42	
64	1-LANE (case4TRUCK-LOAD MAX	7101033 (D3)	6.22	-9.82	-5.39	-23.91	-32.91	
		7102033 (D3)	-64.91	97.25	68.74	221.02	322.11	
		7103033 (D3)	-60.87	64.66	85.87	248.27	337.92	
		7104033 (D3)	-5.74	-1.50	-52.44	381.22	321.55	
		APREACT	-56.89	56.47	84.20	254.51	338.28	
		MIN	7101033 (D3)	-97.52	58.59	34.93	236.50	232.49
			7102033 (D3)	4.46	-11.74	-7.25	-26.69	-41.22
			7103033 (D3)	-5.74	-1.50	-52.44	381.22	321.55
	7104033 (D3)		5.01	-11.70	-7.08	-26.96	-40.74	
		APREACT	4.39	-11.73	-7.26	-26.63	-41.22	
	TANDEM-LOAD MAX	7101033 (D3)	4.30	-6.54	-3.55	-16.01	-21.79	
		7102033 (D3)	-44.75	66.24	47.03	150.96	219.49	
		7103033 (D3)	-37.10	33.72	60.63	172.11	229.36	
		7104033 (D3)	-1.00	-0.40	-43.10	263.60	219.11	
		APREACT	-37.10	33.72	60.63	172.11	229.36	
		MIN	7101033 (D3)	-66.89	40.70	23.03	157.95	154.80
7102033 (D3)			3.12	-7.99	-4.92	-18.23	-28.02	
7103033 (D3)			-1.00	-0.40	-43.10	263.60	219.11	
7104033 (D3)	3.64		-7.87	-4.69	-18.31	-27.22		
	APREACT	3.12	-7.99	-4.92	-18.23	-28.02		

BAGO RIVER BRIDGE

[ No. 3 : 3RD SPAN WITHOUT IMPACT ] [ FORCE3 (kN) ]

SUPPORT		7101033	7102033	7103033	7104033	TOTAL	
NODE		1033	2033	3033	4033		
NAME	TITLE	D3 (kN)	D3 (kN)	D3 (kN)	D3 (kN)	(kN)	
64	1-LANE (case4DISPERSION-LMAX	7101033 (D3)	6.57	-16.59	-10.17	-37.88	-58.07
		7102033 (D3)	-212.07	226.13	159.17	767.67	940.90
		7103033 (D3)	-212.88	225.89	162.16	746.57	921.74
		7104033 (D3)	-217.52	224.81	144.21	880.44	1031.93
		APREACT	-217.52	224.81	144.21	880.44	1031.93
		MIN 7101033 (D3)	-217.52	224.81	144.21	880.44	1031.93
		7102033 (D3)	1.12	-17.91	-25.14	74.89	32.97
		7103033 (D3)	1.93	-17.67	-28.13	95.99	52.13
		7104033 (D3)	6.57	-16.59	-10.17	-37.88	-58.07
		APREACT	6.57	-16.59	-10.17	-37.88	-58.07
65	2-LANES (caseTRUCK-LOAD	MAX 7101033 (D3)	590.18	20.75	72.16	-16.89	666.20
		7102033 (D3)	449.72	206.32	60.30	-55.84	660.51
		7103033 (D3)	427.48	113.68	164.00	-55.03	650.12
		7104033 (D3)	120.40	39.60	55.62	8.55	224.17
		APREACT	478.14	143.91	116.93	-60.77	678.21
		MIN 7101033 (D3)	-41.12	-16.11	-22.77	-6.73	-86.73
		7102033 (D3)	370.85	-68.97	-12.37	-11.76	277.76
		7103033 (D3)	-40.76	-16.49	-22.95	-7.73	-87.93
		7104033 (D3)	383.84	108.66	131.56	-108.52	515.53
		APREACT	-40.44	-16.57	-22.92	-8.09	-88.02
		TANDEM-LOAD MAX 7101033 (D3)	409.25	1.89	48.84	-9.48	450.51
		7102033 (D3)	307.58	146.84	27.67	-33.05	449.04
		7103033 (D3)	292.59	77.23	111.47	-38.55	442.73
		7104033 (D3)	78.77	25.92	36.37	5.88	146.94

BAGO RIVER BRIDGE

[ No. 3 : 3RD SPAN WITHOUT IMPACT ] [ FORCE3 (kN) ]

SUPPORT		7101033	7102033	7103033	7104033	TOTAL		
NODE		1033	2033	3033	4033			
NAME	TITLE	D3 (kN)	D3 (kN)	D3 (kN)	D3 (kN)	(kN)		
65	2-LANES (caseTANDEM-LOAD	MAX	APREACT	324.37	101.26	75.10	-40.96	459.77
		MIN	7101033 (D3)	-27.93	-10.85	-15.40	-4.39	-58.57
			7102033 (D3)	260.87	-58.61	-7.83	-5.07	189.36
			7103033 (D3)	-27.83	-11.18	-15.61	-5.12	-59.74
			7104033 (D3)	259.11	72.88	91.95	-74.69	349.25
			APREACT	-27.46	-11.25	-15.56	-5.49	-59.75
	DISPERSION-LMAX		7101033 (D3)	1490.79	364.66	436.56	-203.89	2088.11
			7102033 (D3)	1359.20	385.77	437.63	-200.20	1982.39
			7103033 (D3)	1370.42	382.64	437.99	-198.63	1992.42
			7104033 (D3)	144.60	51.99	68.71	12.58	277.88
			APREACT	1490.79	364.66	436.56	-203.89	2088.11
		MIN	7101033 (D3)	-58.13	-23.33	-32.59	-10.64	-124.69
			7102033 (D3)	73.46	-44.44	-33.66	-14.33	-18.97
			7103033 (D3)	62.24	-41.31	-34.02	-15.90	-28.99
			7104033 (D3)	1288.06	289.34	335.25	-227.11	1685.54
			APREACT	-58.13	-23.33	-32.59	-10.64	-124.69
66	2-LANES (caseTRUCK-LOAD	MAX	7101033 (D3)	329.83	158.36	156.49	29.48	674.16
			7102033 (D3)	196.23	389.23	62.21	-4.58	643.09
			7103033 (D3)	301.11	173.13	175.36	17.95	667.54
			7104033 (D3)	257.26	109.15	137.79	53.18	557.38
			APREACT	322.66	172.04	165.02	18.15	677.87
		MIN	7101033 (D3)	-33.43	-17.28	-21.53	-13.97	-86.20
			7102033 (D3)	-33.01	-17.63	-21.67	-14.95	-87.24
			7103033 (D3)	-33.29	-17.57	-21.70	-14.65	-87.21

BAGO RIVER BRIDGE

[ No. 3 : 3RD SPAN WITHOUT IMPACT ] [ FORCE3 (kN) ]

SUPPORT		7101033	7102033	7103033	7104033	TOTAL		
NODE		1033	2033	3033	4033			
NAME	TITLE	D3 (kN)	D3 (kN)	D3 (kN)	D3 (kN)	(kN)		
66	2-LANES (caseTRUCK-LOAD	MIN	7104033 (D3)	150.98	51.40	57.77	-41.43	218.72
			APREACT	-33.09	-17.62	-21.68	-14.88	-87.28
	TANDEM-LOAD	MAX	7101033 (D3)	224.20	106.90	104.94	20.32	456.36
			7102033 (D3)	124.83	281.25	33.16	-1.03	438.21
			7103033 (D3)	208.50	108.36	120.60	14.19	451.65
			7104033 (D3)	173.05	73.64	92.90	36.11	375.71
			APREACT	219.87	115.45	113.81	10.44	459.56
		MIN	7101033 (D3)	-22.74	-11.84	-14.71	-9.68	-58.98
			7102033 (D3)	-22.31	-11.99	-14.69	-10.25	-59.24
			7103033 (D3)	-22.70	-11.92	-14.76	-9.87	-59.26
			7104033 (D3)	103.54	35.72	39.50	-28.39	150.37
			APREACT	-22.70	-11.92	-14.76	-9.87	-59.26
	DISPERSION-LMAX		7101033 (D3)	980.80	552.51	488.03	61.66	2083.00
			7102033 (D3)	980.80	552.51	488.03	61.66	2083.00
			7103033 (D3)	980.80	552.51	488.03	61.66	2083.00
			7104033 (D3)	483.69	303.23	303.82	112.74	1203.48
			APREACT	980.80	552.51	488.03	61.66	2083.00
		MIN	7101033 (D3)	-47.38	-24.81	-30.75	-20.46	-123.40
			7102033 (D3)	-47.38	-24.81	-30.75	-20.46	-123.40
			7103033 (D3)	-47.38	-24.81	-30.75	-20.46	-123.40
			7104033 (D3)	449.73	224.46	153.47	-71.54	756.12
			APREACT	-47.38	-24.81	-30.75	-20.46	-123.40
67	2-LANES (caseTRUCK-LOAD	MAX	7101033 (D3)	44.72	79.52	71.36	116.39	311.99
			7102033 (D3)	7.88	190.40	191.59	277.10	666.97

BAGO RIVER BRIDGE

[ No. 3 : 3RD SPAN WITHOUT IMPACT ] [ FORCE3 (kN) ]

SUPPORT		7101033	7102033	7103033	7104033	TOTAL			
NODE		1033	2033	3033	4033				
NAME	TITLE	D3 (kN)	D3 (kN)	D3 (kN)	D3 (kN)	(kN)			
67	2-LANES (caseTRUCK-LOAD	MAX	7103033 (D3)	-3.86	63.15	427.82	155.96	643.08	
		7104033 (D3)	25.21	170.48	170.27	303.27	669.22		
		APREACT	10.82	179.96	191.61	294.68	677.07		
	MIN	7101033 (D3)	-29.75	53.56	83.22	140.80	247.83		
		7102033 (D3)	-14.29	-20.27	-18.50	-32.18	-85.24		
		7103033 (D3)	-14.45	-20.25	-18.52	-32.03	-85.24		
		7104033 (D3)	-13.99	-20.21	-18.37	-32.23	-84.79		
		APREACT	-14.42	-20.26	-18.52	-32.07	-85.26		
		TANDEM-LOAD	MAX	7101033 (D3)	30.33	54.35	48.74	79.46	212.89
			7102033 (D3)	7.49	130.93	120.68	191.68	450.78	
	7103033 (D3)		-0.81	33.18	306.93	98.91	438.21		
	7104033 (D3)		16.70	113.30	118.78	205.95	454.73		
	APREACT		5.41	124.26	128.95	200.45	459.07		
	MIN	7101033 (D3)	-20.89	39.38	50.98	96.48	165.95		
		7102033 (D3)	-9.66	-13.79	-12.56	-21.92	-57.93		
		7103033 (D3)	-9.83	-13.75	-12.58	-21.73	-57.88		
		7104033 (D3)	-9.58	-13.77	-12.53	-21.94	-57.81		
		APREACT	-9.66	-13.79	-12.56	-21.92	-57.93		
	DISPERSION-LMAX	7101033 (D3)	116.60	306.16	314.83	425.40	1162.99		
		7102033 (D3)	73.44	505.07	610.39	881.90	2070.79		
7103033 (D3)		73.44	505.07	610.39	881.90	2070.79			
7104033 (D3)		73.44	505.07	610.39	881.90	2070.79			
APREACT		73.44	505.07	610.39	881.90	2070.79			
MIN		7101033 (D3)	-63.29	170.32	269.48	411.12	787.63		

BAGO RIVER BRIDGE

[ No. 3 : 3RD SPAN WITHOUT IMPACT ] [ FORCE3 (kN) ]

SUPPORT		7101033	7102033	7103033	7104033	TOTAL		
NODE		1033	2033	3033	4033			
NAME	TITLE	D3 (kN)	D3 (kN)	D3 (kN)	D3 (kN)	(kN)		
67	2-LANES (caseDISPERSION-LMIN	7102033 (D3)	-20.13	-28.59	-26.07	-45.38	-120.17	
		7103033 (D3)	-20.13	-28.59	-26.07	-45.38	-120.17	
		7104033 (D3)	-20.13	-28.59	-26.07	-45.38	-120.17	
		APREACT	-20.13	-28.59	-26.07	-45.38	-120.17	
68	2-LANES (caseTRUCK-LOAD MAX	7101033 (D3)	8.76	-17.77	-10.43	-41.67	-61.11	
		7102033 (D3)	-77.60	188.01	144.68	395.66	650.75	
		7103033 (D3)	-65.26	79.56	205.64	447.68	667.62	
		7104033 (D3)	-26.03	24.02	30.52	598.65	627.16	
		APREACT	-74.97	137.13	176.68	437.89	676.73	
		MIN	7101033 (D3)	-152.91	118.06	77.21	422.42	464.79
			7102033 (D3)	5.04	-22.94	-15.17	-49.84	-82.91
			7103033 (D3)	-5.35	-12.67	-60.38	358.28	279.89
	7104033 (D3)		5.94	-22.86	-14.87	-50.24	-82.03	
		APREACT	4.93	-22.93	-15.19	-49.73	-82.92	
	TANDEM-LOAD MAX	7101033 (D3)	6.07	-11.28	-6.48	-26.77	-38.45	
		7102033 (D3)	-52.78	127.81	97.40	268.33	440.76	
		7103033 (D3)	-40.47	45.26	143.32	305.55	453.67	
		7104033 (D3)	-17.01	20.18	9.71	411.69	424.57	
		APREACT	-49.92	88.41	124.02	296.32	458.84	
		MIN	7101033 (D3)	-105.07	81.17	50.76	282.61	309.46
7102033 (D3)			3.57	-15.62	-10.29	-34.02	-56.37	
7103033 (D3)			-0.81	-7.96	-48.50	248.10	190.84	
7104033 (D3)	4.19		-15.48	-10.03	-34.13	-55.45		
	APREACT	3.57	-15.62	-10.29	-34.02	-56.37		

BAGO RIVER BRIDGE

[ No. 3 : 3RD SPAN WITHOUT IMPACT ] [ FORCE3 (kN) ]

SUPPORT		7101033	7102033	7103033	7104033	TOTAL	
NODE		1033	2033	3033	4033		
NAME	TITLE	D3 (kN)	D3 (kN)	D3 (kN)	D3 (kN)	(kN)	
68	2-LANES (caseDISPERSION-LMAX	7101033 (D3)	13.88	23.79	23.04	29.85	90.57
		7102033 (D3)	-295.22	462.54	398.70	1408.93	1974.95
		7103033 (D3)	-296.03	462.30	401.69	1387.83	1955.79
		7104033 (D3)	-300.67	461.22	383.74	1521.70	2065.99
		APREACT	-300.67	461.22	383.74	1521.70	2065.99
	MIN	7101033 (D3)	-306.88	405.01	339.41	1421.08	1858.63
		7102033 (D3)	2.23	-33.74	-36.25	42.01	-25.76
		7103033 (D3)	3.04	-33.50	-39.24	63.11	-6.60
		7104033 (D3)	7.67	-32.42	-21.29	-70.76	-116.79
		APREACT	7.67	-32.42	-21.29	-70.76	-116.79
69	3-LANES (caseTRUCK-LOAD	MAX 7101033 (D3)	720.94	99.35	156.50	24.55	1001.34
		7102033 (D3)	469.42	454.82	114.21	-56.40	982.05
		7103033 (D3)	539.49	223.23	257.94	-32.04	988.62
		7104033 (D3)	244.10	105.89	131.87	54.88	536.73
		APREACT	601.72	236.19	209.81	-30.65	1017.06
	MIN	7101033 (D3)	-55.91	-25.03	-33.22	-15.51	-129.66
		7102033 (D3)	356.17	-78.04	-22.89	-20.92	234.32
		7103033 (D3)	-55.53	-25.54	-33.49	-16.79	-131.35
		7104033 (D3)	369.46	99.65	121.16	-117.73	472.54
		APREACT	-55.15	-25.64	-33.45	-17.23	-131.47
	TANDEM-LOAD	MAX 7101033 (D3)	497.98	54.51	105.01	19.54	677.04
		7102033 (D3)	313.74	328.22	59.48	-33.30	668.15
		7103033 (D3)	373.77	143.20	176.80	-21.41	672.36
		7104033 (D3)	163.23	71.18	88.47	37.32	360.21



BAGO RIVER BRIDGE

[ No. 3 : 3RD SPAN WITHOUT IMPACT ] [ FORCE3 (kN) ]

SUPPORT		7101033	7102033	7103033	7104033	TOTAL		
NODE		1033	2033	3033	4033			
NAME	TITLE	D3 (kN)	D3 (kN)	D3 (kN)	D3 (kN)	(kN)		
69	3-LANES (caseTANDEM-LOAD	MAX	APREACT	408.78	162.41	140.13	-21.83	689.50
		MIN	7101033 (D3)	-38.00	-16.96	-22.54	-10.44	-87.95
			7102033 (D3)	250.95	-64.78	-14.97	-11.33	159.87
			7103033 (D3)	-37.89	-17.33	-22.78	-11.25	-89.25
			7104033 (D3)	249.27	66.73	84.84	-80.96	319.89
			APREACT	-37.53	-17.39	-22.73	-11.61	-89.26
	DISPERSION-LMAX		7101033 (D3)	1861.02	676.99	695.68	-105.30	3128.39
			7102033 (D3)	1729.44	698.10	696.75	-101.60	3022.68
			7103033 (D3)	1740.65	694.97	697.11	-100.03	3032.70
			7104033 (D3)	475.78	301.11	300.14	113.44	1190.47
			APREACT	1861.02	676.99	695.68	-105.30	3128.39
		MIN	7101033 (D3)	-79.13	-36.10	-47.50	-23.33	-186.06
			7102033 (D3)	52.46	-57.21	-48.57	-27.02	-80.35
			7103033 (D3)	41.24	-54.09	-48.94	-28.59	-90.37
			7104033 (D3)	1306.11	339.77	348.03	-242.06	1751.86
			APREACT	-79.13	-36.10	-47.50	-23.33	-186.06
70	3-LANES (caseTRUCK-LOAD	MAX	7101033 (D3)	46.28	73.92	67.74	104.02	291.97
			7102033 (D3)	-57.03	287.65	260.33	498.12	989.07
			7103033 (D3)	-64.23	128.21	513.77	403.25	981.00
			7104033 (D3)	20.33	173.98	180.49	621.53	996.33
			APREACT	-45.33	237.40	276.60	546.69	1015.36
		MIN	7101033 (D3)	-98.88	142.59	160.92	377.51	582.14
			7102033 (D3)	-15.62	-31.21	-26.75	-53.58	-127.16
			7103033 (D3)	-16.01	-31.15	-26.80	-53.20	-127.15

BAGO RIVER BRIDGE

[ No. 3 : 3RD SPAN WITHOUT IMPACT ] [ FORCE3 (kN) ]

SUPPORT		7101033	7102033	7103033	7104033	TOTAL	
NODE		1033	2033	3033	4033		
NAME	TITLE	D3 (kN)	D3 (kN)	D3 (kN)	D3 (kN)	(kN)	
70	3-LANES (caseTRUCK-LOAD	MIN 7104033 (D3)	-14.83	-31.09	-26.44	-53.81	-126.17
		APREACT	-15.92	-31.17	-26.80	-53.30	-127.19
	TANDEM-LOAD	MAX 7101033 (D3)	31.47	50.15	46.02	70.20	197.84
		7102033 (D3)	-37.26	197.18	167.71	342.64	670.27
		7103033 (D3)	-37.31	67.49	367.63	269.77	667.58
		7104033 (D3)	15.88	113.99	120.48	425.04	675.39
		APREACT	-31.09	158.56	189.66	371.31	688.43
		MIN 7101033 (D3)	-68.64	102.58	102.27	255.70	391.90
	DISPERSION-LMAX	7102033 (D3)	-10.49	-21.24	-18.16	-36.54	-86.43
		7103033 (D3)	-10.97	-21.13	-18.21	-36.02	-86.33
		7104033 (D3)	-10.30	-21.21	-18.08	-36.60	-86.19
		APREACT	-10.49	-21.24	-18.16	-36.54	-86.43
		7101033 (D3)	117.35	302.01	312.04	416.49	1147.89
		7102033 (D3)	-95.57	736.62	795.86	1644.56	3081.47
		7103033 (D3)	-94.98	736.46	798.07	1615.78	3055.33
		7104033 (D3)	-96.13	736.52	793.40	1669.37	3103.16
		APREACT	-96.13	736.52	793.40	1669.37	3103.16
		MIN 7101033 (D3)	-235.44	390.49	443.66	1177.28	1775.98
		7102033 (D3)	-22.52	-44.12	-40.15	-50.80	-157.59
		7103033 (D3)	-23.11	-43.96	-42.37	-22.02	-131.46
7104033 (D3)		-21.96	-44.02	-37.70	-75.60	-179.29	
APREACT		-21.96	-44.02	-37.70	-75.60	-179.29	
71	3-LANES (caseTRUCK-LOAD	MAX 7101033 (D3)	53.48	61.75	60.92	74.72	250.88
		7102033 (D3)	-50.63	285.59	242.87	511.53	989.37

BAGO RIVER BRIDGE

[ No. 3 : 3RD SPAN WITHOUT IMPACT ] [ FORCE3 (kN) ]

SUPPORT		7101033	7102033	7103033	7104033	TOTAL	
NODE		1033	2033	3033	4033		
NAME	TITLE	D3 (kN)	D3 (kN)	D3 (kN)	D3 (kN)	(kN)	
71	3-LANES (caseTRUCK-LOAD	MAX 7103033 (D3)	-67.70	104.58	455.01	497.28	989.18
		7104033 (D3)	-37.74	91.08	91.14	738.47	882.96
		APREACT	-47.99	234.70	274.87	553.76	1015.35
		MIN 7101033 (D3)	-167.49	191.47	190.79	542.29	757.06
		7102033 (D3)	1.75	-33.61	-23.76	-69.45	-125.07
		7103033 (D3)	-8.73	-23.32	-68.98	338.75	237.72
	TANDEM-LOAD	MAX 7104033 (D3)	2.64	-33.53	-23.46	-69.84	-124.19
		APREACT	1.60	-33.59	-23.78	-69.31	-125.08
		7101033 (D3)	36.41	43.08	42.26	52.70	174.44
		7102033 (D3)	-36.01	196.56	162.85	346.95	670.35
		7103033 (D3)	-41.01	57.07	323.49	333.21	672.78
		7104033 (D3)	-24.68	67.75	54.33	506.87	604.27
	DISPERSION-LMAX	APREACT	-33.15	157.15	189.47	374.95	688.43
		MIN 7101033 (D3)	-115.24	128.49	142.95	356.21	512.40
		7102033 (D3)	1.35	-22.88	-16.13	-47.37	-85.03
		7103033 (D3)	-3.15	-15.18	-54.34	234.91	162.24
		7104033 (D3)	1.97	-22.74	-15.86	-47.49	-84.11
		APREACT	1.35	-22.88	-16.13	-47.37	-85.03
	DISPERSION-LMIN	7101033 (D3)	88.52	188.78	190.44	263.76	731.50
		7102033 (D3)	-240.34	711.77	721.71	1817.91	3011.05
		7103033 (D3)	-241.15	711.53	724.70	1796.80	2991.89
		7104033 (D3)	-245.79	710.45	706.75	1930.68	3102.09
		APREACT	-245.79	710.45	706.75	1930.68	3102.09
		MIN 7101033 (D3)	-331.01	474.18	482.96	1568.28	2194.42

BAGO RIVER BRIDGE

[ No. 3 : 3RD SPAN WITHOUT IMPACT ] [ FORCE3 (kN) ]

SUPPORT		7101033	7102033	7103033	7104033	TOTAL	
NODE		1033	2033	3033	4033		
NAME	TITLE	D3 (kN)	D3 (kN)	D3 (kN)	D3 (kN)	(kN)	
71	3-LANES (caseDISPERSION-LMIN	7102033 (D3)	-2.15	-48.81	-48.31	14.14	-85.13
		7103033 (D3)	-1.34	-48.57	-51.30	35.24	-65.97
		7104033 (D3)	3.29	-47.49	-33.34	-98.63	-176.17
		APREACT	3.29	-47.49	-33.34	-98.63	-176.17
72	4-LANES TRUCK-LOAD MAX	7101033 (D3)	37.52	34.90	38.26	39.46	150.14
		7102033 (D3)	-131.68	224.76	157.71	587.39	838.18
		7103033 (D3)	-131.68	224.76	157.71	587.39	838.18
		7104033 (D3)	-131.68	224.76	157.71	587.39	838.18
		APREACT	-131.68	224.76	157.71	587.39	838.18
		MIN 7101033 (D3)	-169.87	162.93	99.85	493.60	586.51
		7102033 (D3)	-9.23	-43.22	-33.67	-82.03	-168.15
		7103033 (D3)	-9.87	-43.10	-33.76	-81.39	-168.12
		7104033 (D3)	-8.04	-43.07	-33.23	-82.47	-166.82
		APREACT	-9.48	-43.19	-33.71	-81.80	-168.18
	TANDEM-LOAD MAX	7101033 (D3)	26.27	26.72	28.87	30.26	112.13
		7102033 (D3)	-92.37	158.64	115.64	420.98	602.90
		7103033 (D3)	-92.37	158.64	115.64	420.98	602.90
		7104033 (D3)	-92.37	158.64	115.64	420.98	602.90
		APREACT	-92.37	158.64	115.64	420.98	602.90
		MIN 7101033 (D3)	-118.95	113.98	73.76	354.47	423.26
		7102033 (D3)	-6.09	-29.41	-22.86	-55.94	-114.30
		7103033 (D3)	-6.92	-29.22	-22.95	-55.03	-114.11
		7104033 (D3)	-5.38	-29.25	-22.55	-56.08	-113.26
		APREACT	-6.09	-29.41	-22.86	-55.94	-114.30

BAGO RIVER BRIDGE

[ No. 3 : 3RD SPAN WITHOUT IMPACT ] [ FORCE3 (kN) ]

SUPPORT		7101033	7102033	7103033	7104033	TOTAL						
NODE		1033	2033	3033	4033							
NAME	TITLE	D3 (kN)	D3 (kN)	D3 (kN)	D3 (kN)	(kN)						
72	4-LANES	DISPERSION=LMAX	7101033 (D3)	30.74	19.66	24.05	18.08	92.54				
			7102033 (D3)	-92.79	162.91	103.56	404.68	578.36				
			7103033 (D3)	-90.05	162.55	103.96	401.93	578.39				
			7104033 (D3)	-92.79	162.91	103.56	404.68	578.36				
			APREACT	-90.32	162.57	103.92	402.22	578.40				
			MIN	7101033 (D3)	-135.62	81.56	31.76	268.74	246.45			
			7102033 (D3)	-10.99	-61.20	-47.11	-117.48	-236.79				
			7103033 (D3)	-13.92	-60.81	-47.62	-114.83	-237.18				
			7104033 (D3)	-10.99	-61.20	-47.11	-117.48	-236.79				
			APREACT	-13.92	-60.81	-47.62	-114.83	-237.18				
			73	6-LANES	TRUCK-LOAD	MAX	7101033 (D3)	752.92	249.46	284.79	257.87	1545.03
						7102033 (D3)	372.89	748.79	424.40	432.88	1978.97	
						7103033 (D3)	396.74	403.14	763.77	387.31	1950.95	
						7104033 (D3)	250.38	246.17	248.85	740.92	1486.32	
APREACT	545.12	479.92				492.89	514.48	2032.41				
MIN	7101033 (D3)	-192.55				82.49	38.78	364.21	292.93			
7102033 (D3)	345.00	-99.82				-46.19	-89.90	109.09				
7103033 (D3)	-64.68	-48.38				-93.18	312.41	106.17				
7104033 (D3)	352.41	82.76				102.23	-171.13	366.27				
APREACT	-54.83	-59.08				-57.48	-85.42	-256.80				
TANDEM-LOAD	MAX	7101033 (D3)				518.89	161.25	192.39	176.00	1048.53		
	7102033 (D3)	248.38				527.44	266.82	301.18	1343.82			
	7103033 (D3)	287.32				235.73	536.17	261.65	1320.87			
	7104033 (D3)	168.25				168.32	157.02	507.93	1001.52			

BAGO RIVER BRIDGE

[ No. 3 : 3RD SPAN WITHOUT IMPACT ] [ FORCE3 (kN) ]

SUPPORT				7101033	7102033	7103033	7104033	TOTAL	
NODE				1033	2033	3033	4033		
NAME	TITLE			D3 (kN)	D3 (kN)	D3 (kN)	D3 (kN)	(kN)	
73	6-LANES	TANDEM-LOAD	MAX	APREACT	369.81	325.91	334.75	347.45	1377.92
			MIN	7101033 (D3)	-131.80	56.71	24.59	243.38	192.88
				7102033 (D3)	242.89	-78.67	-31.07	-58.39	74.77
				7103033 (D3)	-41.33	-32.42	-70.16	216.76	72.85
				7104033 (D3)	238.27	54.25	73.01	-117.69	247.83
				APREACT	-36.98	-40.18	-39.01	-58.29	-174.46
		DISPERSION-LMAX		7101033 (D3)	1812.90	885.63	925.97	280.62	3905.12
				7102033 (D3)	1336.68	1369.35	1382.65	1641.13	5729.81
				7103033 (D3)	1427.30	1352.79	1395.09	1547.65	5722.83
				7104033 (D3)	283.94	1009.89	1018.54	1931.88	4244.24
				APREACT	1523.32	1318.37	1358.55	1673.81	5874.05
			MIN	7101033 (D3)	-376.32	377.38	374.22	1365.29	1740.56
				7102033 (D3)	57.44	-104.57	-93.87	-14.66	-155.66
				7103033 (D3)	37.76	-99.94	-98.82	13.29	-147.69
				7104033 (D3)	1195.72	249.49	276.28	-324.48	1397.01
				APREACT	-77.73	-80.92	-79.44	-115.33	-353.42
124	SUM TOTAL	D+1LANE (case	MAX	7101033 (D3)	7153.84	4914.70	5195.28	5744.52	23008.34
				7102033 (D3)	6854.43	5089.56	5258.94	5692.68	22895.61
				7103033 (D3)	6826.13	5067.22	5296.08	5696.75	22886.19
				7104033 (D3)	5602.96	4829.68	4934.57	5953.65	21320.86
				APREACT	7019.39	5062.50	5249.01	5691.86	23022.76
			MIN	7101033 (D3)	5563.18	4813.28	4911.95	5945.48	21233.90
				7102033 (D3)	6215.07	4724.76	4923.23	5935.73	21798.79
				7103033 (D3)	5707.90	4791.44	4910.12	5938.45	21347.91

BAGO RIVER BRIDGE

[ No. 3 : 3RD SPAN WITHOUT IMPACT ] [ FORCE3 (kN) ]

SUPPORT		7101033	7102033	7103033	7104033	TOTAL		
NODE		1033	2033	3033	4033			
NAME	TITLE	D3 (kN)	D3 (kN)	D3 (kN)	D3 (kN)	(kN)		
124	SUM TOTAL	D+1LANE (caseMIN	7104033 (D3)	6918.08	5032.41	5255.64	5654.59	22860.73
		APREACT		5563.69	4812.96	4911.86	5944.51	21233.02
		D+1LANE (caseMAX	7101033 (D3)	6229.43	5305.26	5358.25	6118.82	23011.76
			7102033 (D3)	6096.17	5509.14	5321.73	6068.41	22995.45
			7103033 (D3)	6206.95	5342.40	5369.77	6096.68	23015.79
			7104033 (D3)	6174.09	5214.63	5315.31	6127.40	22831.43
		APREACT		6220.82	5321.67	5368.48	6105.24	23016.21
		MIN	7101033 (D3)	5585.30	4810.10	4915.66	5925.02	21236.08
			7102033 (D3)	5585.44	4809.92	4915.56	5924.55	21235.47
			7103033 (D3)	5585.32	4809.94	4915.55	5924.68	21235.49
			7104033 (D3)	5632.66	4885.86	4948.95	5921.78	21389.25
		APREACT		5585.40	4809.92	4915.55	5924.58	21235.45
		D+1LANE (caseMAX	7101033 (D3)	5813.82	5225.02	5350.47	6467.97	22857.29
			7102033 (D3)	5783.23	5270.24	5483.33	6474.22	23011.02
			7103033 (D3)	5758.47	5214.71	5649.08	6368.61	22990.88
			7104033 (D3)	5809.72	5253.48	5441.38	6497.77	23002.35
		APREACT		5792.37	5268.56	5462.56	6487.88	23011.37
		MIN	7101033 (D3)	5600.34	4828.68	4998.08	5932.38	21359.48
			7102033 (D3)	5601.98	4807.60	4918.38	5909.37	21237.34
			7103033 (D3)	5601.95	4807.60	4918.37	5909.39	21237.32
			7104033 (D3)	5601.99	4807.60	4918.38	5909.37	21237.35
		APREACT		5601.95	4807.60	4918.37	5909.39	21237.32
		D+1LANE (caseMAX	7101033 (D3)	5643.60	4804.45	4927.40	5876.63	21252.08
			7102033 (D3)	5295.87	5224.20	5219.58	7137.21	22876.86

BAGO RIVER BRIDGE

[ No. 3 : 3RD SPAN WITHOUT IMPACT ] [ FORCE3 (kN) ]

SUPPORT		7101033	7102033	7103033	7104033	TOTAL	
NODE		1033	2033	3033	4033		
NAME	TITLE	D3 (kN)	D3 (kN)	D3 (kN)	D3 (kN)	(kN)	
124	SUM TOTAL						
	D+1LANE (caseMAX	7103033 (D3)	5299.74	5184.80	5243.72	7144.57	22872.84
		7104033 (D3)	5360.34	5104.11	5056.21	7464.77	22985.43
		APREACT	5298.95	5173.67	5220.17	7312.71	23005.50
	MIN	7101033 (D3)	5250.19	5176.22	5161.05	7291.10	22878.56
		7102033 (D3)	5634.95	4800.56	4907.22	6008.61	21351.34
		7103033 (D3)	5623.68	4813.13	4849.41	6523.44	21809.66
		7104033 (D3)	5642.15	4802.19	4925.38	5872.96	21242.69
		APREACT	5641.41	4802.16	4925.16	5873.37	21242.10
	D+2LANES (casMAX	7101033 (D3)	7709.22	5221.55	5454.80	5729.99	24115.56
		7102033 (D3)	7437.17	5428.23	5444.01	5694.74	24004.15
		7103033 (D3)	7426.15	5332.45	5548.07	5697.11	24003.79
		7104033 (D3)	5893.25	4927.74	5070.42	5971.90	21863.31
		APREACT	7597.18	5344.71	5499.58	5686.11	24127.57
	MIN	7101033 (D3)	5529.00	4796.70	4890.72	5933.41	21149.84
		7102033 (D3)	6072.55	4722.73	4900.06	5924.68	21620.03
		7103033 (D3)	5649.73	4778.34	4889.11	5927.15	21244.33
		7104033 (D3)	7300.14	5234.14	5412.90	5615.14	23562.31
		APREACT	5529.68	4796.25	4890.57	5932.05	21148.55
	D+2LANES (casMAX	7101033 (D3)	6938.88	5547.01	5590.61	6041.91	24118.41
		7102033 (D3)	6805.28	5777.88	5496.33	6007.85	24087.34
		7103033 (D3)	6910.16	5561.78	5609.47	6030.39	24111.79
		7104033 (D3)	6369.20	5248.53	5387.70	6116.69	23122.12
		APREACT	6931.70	5560.69	5599.14	6030.59	24122.12
	MIN	7101033 (D3)	5547.44	4794.05	4893.81	5916.35	21151.65



BAGO RIVER BRIDGE

[ No. 3 : 3RD SPAN WITHOUT IMPACT ] [ FORCE3 (kN) ]

SUPPORT		7101033	7102033	7103033	7104033	TOTAL	
NODE		1033	2033	3033	4033		
NAME	TITLE	D3 (kN)	D3 (kN)	D3 (kN)	D3 (kN)	(kN)	
124	SUM TOTAL						
	D+2LANES (casMIN)						
		7102033 (D3)	5547.86	4793.70	4893.67	5915.37	21150.61
		7103033 (D3)	5547.58	4793.76	4893.64	5915.67	21150.64
		7104033 (D3)	6228.96	5112.01	5157.32	5837.80	22336.08
		APREACT	5547.77	4793.71	4893.65	5915.44	21150.57
	D+2LANES (casMAX)						
		7101033 (D3)	5789.57	5221.83	5332.27	6492.57	22836.24
		7102033 (D3)	5709.56	5531.61	5748.07	7109.77	24099.01
		7103033 (D3)	5697.82	5404.36	5984.30	6988.64	24075.12
		7104033 (D3)	5726.89	5511.69	5726.74	7135.94	24101.27
		APREACT	5712.50	5521.17	5748.09	7127.36	24109.12
	MIN						
		7101033 (D3)	5535.21	5060.02	5298.79	6502.69	22396.71
		7102033 (D3)	5593.82	4787.28	4901.52	5873.22	21155.84
		7103033 (D3)	5593.67	4787.31	4901.49	5873.37	21155.84
		7104033 (D3)	5594.13	4787.35	4901.65	5873.16	21156.29
		APREACT	5593.70	4787.30	4901.49	5873.33	21155.81
	D+2LANES (casMAX)						
		7101033 (D3)	5650.89	4842.16	4958.69	5938.96	21390.70
		7102033 (D3)	5255.42	5486.69	5489.47	7755.37	23986.95
		7103033 (D3)	5266.95	5378.01	5553.42	7786.28	23984.66
		7104033 (D3)	5301.55	5321.38	5360.35	8071.12	24054.39
		APREACT	5252.61	5434.48	5506.51	7910.37	24103.96
	MIN						
		7101033 (D3)	5168.46	5359.21	5362.71	7794.28	23684.67
		7102033 (D3)	5635.52	4779.46	4894.66	5942.94	21252.58
		7103033 (D3)	5625.93	4789.97	4846.47	6372.17	21634.54
		7104033 (D3)	5641.87	4780.86	4909.93	5829.77	21162.43
		APREACT	5640.85	4780.80	4909.61	5830.28	21161.54

BAGO RIVER BRIDGE

[ No. 3 : 3RD SPAN WITHOUT IMPACT ] [ FORCE3 (kN) ]

SUPPORT		7101033	7102033	7103033	7104033	TOTAL		
NODE		1033	2033	3033	4033			
NAME	TITLE	D3 (kN)	D3 (kN)	D3 (kN)	D3 (kN)	(kN)		
124	SUM TOTAL	D+3LANES (casMAX	7101033 (D3)	7822.91	5496.03	5670.44	5882.14	24871.52
			7102033 (D3)	7497.27	5816.12	5635.40	5816.47	24765.27
			7103033 (D3)	7566.37	5616.61	5757.88	5838.51	24779.38
			7104033 (D3)	6240.14	5182.09	5313.30	6093.84	22829.38
			APREACT	7721.58	5612.34	5715.75	5835.22	24884.89
	MIN		7101033 (D3)	5513.47	4784.18	4877.47	5917.77	21092.89
			7102033 (D3)	5975.58	4721.17	4885.34	5910.02	21492.13
			7103033 (D3)	5616.10	4768.46	4876.03	5912.20	21172.79
			7104033 (D3)	7052.48	5209.65	5344.90	5644.95	23251.99
			APREACT	5514.11	4783.66	4877.27	5916.30	21091.35
		D+3LANES (casMAX	7101033 (D3)	5767.33	5155.69	5268.90	6393.21	22585.13
			7102033 (D3)	5498.54	5706.77	5843.85	7772.05	24821.21
			7103033 (D3)	5492.92	5571.11	6061.15	7666.95	24792.14
			7104033 (D3)	5563.82	5610.07	5773.90	7898.03	24845.82
			APREACT	5508.01	5663.97	5855.59	7834.42	24861.99
	MIN		7101033 (D3)	5344.07	5289.26	5459.98	7272.34	23365.66
			7102033 (D3)	5595.83	4772.11	4889.22	5862.05	21119.21
			7103033 (D3)	5595.00	4772.30	4887.30	5886.84	21141.43
			7104033 (D3)	5596.97	4772.30	4891.57	5840.77	21101.61
			APREACT	5596.05	4772.23	4891.26	5841.21	21100.74
		D+3LANES (casMAX	7101033 (D3)	5748.95	5049.09	5159.75	6238.49	22196.27
			7102033 (D3)	5380.93	5683.89	5765.98	7930.80	24761.60
			7103033 (D3)	5365.73	5529.84	5948.84	7900.74	24745.15
			7104033 (D3)	5387.26	5517.44	5624.29	8219.55	24748.54

BAGO RIVER BRIDGE

[ No. 3 : 3RD SPAN WITHOUT IMPACT ] [ FORCE3 (kN) ]

SUPPORT		7101033	7102033	7103033	7104033	TOTAL			
NODE		1033	2033	3033	4033				
NAME	TITLE	D3 (kN)	D3 (kN)	D3 (kN)	D3 (kN)	(kN)			
124	SUM TOTAL	D+3LANES (casMAX	APREACT	5378.54	5639.52	5780.46	8062.55	24861.07	
		MIN	7101033 (D3)	5204.52	5401.95	5518.77	7744.76	23870.00	
			7102033 (D3)	5627.90	4766.08	4884.83	5903.76	21182.58	
			7103033 (D3)	5619.69	4775.03	4843.85	6268.67	21507.24	
			7104033 (D3)	5633.30	4767.28	4897.81	5807.57	21105.95	
			APREACT	5632.41	4767.22	4897.53	5808.02	21105.19	
		D+4LANES	MAX	7101033 (D3)	5672.62	4871.61	4986.59	5988.17	21518.99
				7102033 (D3)	5482.34	5088.13	5115.91	6595.62	22282.00
				7103033 (D3)	5484.12	5087.90	5116.17	6593.83	22282.02
				7104033 (D3)	5482.34	5088.13	5115.91	6595.62	22282.00
				APREACT	5483.95	5087.91	5116.15	6594.02	22282.03
			MIN	7101033 (D3)	5429.69	4995.06	5031.64	6446.30	21902.68
				7102033 (D3)	5615.10	4768.26	4893.58	5821.09	21098.04
				7103033 (D3)	5612.79	4768.60	4893.19	5823.23	21097.80
				7104033 (D3)	5615.88	4768.36	4893.86	5820.80	21098.91
				APREACT	5613.04	4768.54	4893.22	5822.97	21097.77
		D+6LANES	MAX	7101033 (D3)	7296.03	5573.95	5733.08	6300.79	24903.85
				7102033 (D3)	6739.47	6212.94	6120.66	7298.88	26371.96
				7103033 (D3)	6813.88	5977.49	6349.35	7208.50	26349.21
				7104033 (D3)	5975.56	5652.58	5769.89	7688.09	25086.11
				APREACT	6972.73	6005.03	6149.52	7373.16	26500.45
			MIN	7101033 (D3)	5258.48	5135.06	5214.54	7074.95	22683.02
				7102033 (D3)	5889.83	4703.29	4855.05	5882.81	21330.97
				7103033 (D3)	5610.75	4739.74	4821.29	6162.48	21334.26

BAGO RIVER BRIDGE

[ No. 3 : 3RD SPAN WITHOUT IMPACT ] [ FORCE3 (kN) ]

SUPPORT				7101033	7102033	7103033	7104033	TOTAL	
NODE				1033	2033	3033	4033		
NAME	TITLE			D3 (kN)	D3 (kN)	D3 (kN)	D3 (kN)	(kN)	
124	SUM TOTAL	D+6LANES	MIN	7104033 (D3)	6634.54	5052.10	5192.12	5628.63	22507.38
				APREACT	5542.08	4745.14	4857.09	5820.29	20964.61
		SUM TOTAL	MAX	7101033 (D3)	7822.91	5496.03	5670.44	5882.14	24871.52
				7102033 (D3)	6739.47	6212.94	6120.66	7298.88	26371.96
				7103033 (D3)	6813.88	5977.49	6349.35	7208.50	26349.21
				7104033 (D3)	5387.26	5517.44	5624.29	8219.55	24748.54
				APREACT	6972.73	6005.03	6149.52	7373.16	26500.45
			MIN	7101033 (D3)	5168.46	5359.21	5362.71	7794.28	23684.67
				7102033 (D3)	5889.83	4703.29	4855.05	5882.81	21330.97
				7103033 (D3)	5610.75	4739.74	4821.29	6162.48	21334.26
				7104033 (D3)	7300.14	5234.14	5412.90	5615.14	23562.31
				APREACT	5542.08	4745.14	4857.09	5820.29	20964.61
300	DEAD LOAD	TOTAL			5628.25	4836.14	4946.09	5950.77	21361.25
301	LIVE LOAD	1-LANE (case1MAX)		7101033 (D3)	1525.59	78.56	249.19	-206.25	1647.09
				7102033 (D3)	1226.19	253.42	312.86	-258.10	1534.37
				7103033 (D3)	1197.88	231.08	350.00	-254.02	1524.94
				7104033 (D3)	-25.29	-6.46	-11.52	2.88	-40.39
				APREACT	1391.14	226.35	302.92	-258.91	1661.51
			MIN	7101033 (D3)	-65.07	-22.86	-34.14	-5.29	-127.35
				7102033 (D3)	586.83	-111.39	-22.86	-15.05	437.54
				7103033 (D3)	79.65	-44.70	-35.97	-12.32	-13.34
				7104033 (D3)	1289.84	196.27	309.56	-296.19	1499.48
				APREACT	-64.56	-23.18	-34.23	-6.26	-128.23
		1-LANE (case2MAX)		7101033 (D3)	601.18	469.12	412.16	168.05	1650.51

BAGO RIVER BRIDGE

[ No. 3 : 3RD SPAN WITHOUT IMPACT ] [ FORCE3 (kN) ]

SUPPORT		7101033	7102033	7103033	7104033	TOTAL			
NODE		1033	2033	3033	4033				
NAME	TITLE	D3 (kN)	D3 (kN)	D3 (kN)	D3 (kN)	(kN)			
301	LIVE LOAD	1-LANE (case2MAX	7102033 (D3)	467.92	673.00	375.64	117.64	1634.20	
			7103033 (D3)	578.70	506.26	423.68	145.90	1654.54	
			7104033 (D3)	545.84	378.49	369.22	176.63	1470.18	
			APREACT	592.57	485.53	422.40	154.46	1654.96	
			MIN	7101033 (D3)	-42.95	-26.04	-30.43	-25.76	-125.17
			7102033 (D3)	-42.81	-26.22	-30.52	-26.22	-125.77	
		7103033 (D3)	-42.93	-26.20	-30.54	-26.10	-125.76		
		7104033 (D3)	4.41	49.72	2.86	-28.99	28.00		
		APREACT	-42.85	-26.22	-30.53	-26.20	-125.80		
		1-LANE (case3MAX	7101033 (D3)	185.57	388.88	404.39	517.20	1496.04	
			7102033 (D3)	154.99	434.09	537.24	523.45	1649.77	
			7103033 (D3)	130.22	378.57	703.00	417.84	1629.63	
	7104033 (D3)		181.47	417.34	495.30	547.00	1641.10		
	APREACT		164.12	432.42	516.47	537.11	1650.12		
	MIN		7101033 (D3)	-27.91	-7.46	51.99	-18.39	-1.77	
	1-LANE (case4MAX	7102033 (D3)	-26.27	-28.54	-27.71	-41.40	-123.91		
		7103033 (D3)	-26.30	-28.54	-27.71	-41.38	-123.93		
		7104033 (D3)	-26.26	-28.54	-27.70	-41.41	-123.90		
		APREACT	-26.30	-28.54	-27.71	-41.38	-123.93		
		7101033 (D3)	15.35	-31.69	-18.68	-74.14	-109.17		
		7102033 (D3)	-332.37	388.06	273.49	1186.43	1515.61		
		7103033 (D3)	-328.51	348.66	297.64	1193.80	1511.59		
		7104033 (D3)	-267.91	267.97	110.13	1514.00	1624.18		
		APREACT	-329.30	337.53	274.09	1361.94	1644.25		

BAGO RIVER BRIDGE

[ No. 3 : 3RD SPAN WITHOUT IMPACT ] [ FORCE3 (kN) ]

SUPPORT		7101033	7102033	7103033	7104033	TOTAL		
NODE		1033	2033	3033	4033			
NAME	TITLE	D3 (kN)	D3 (kN)	D3 (kN)	D3 (kN)	(kN)		
301	LIVE LOAD	1-LANE (case4MIN	7101033 (D3)	-378.05	340.08	214.96	1340.33	1517.31
			7102033 (D3)	6.70	-35.58	-38.87	57.84	-9.91
			7103033 (D3)	-4.56	-23.01	-96.67	572.66	448.41
			7104033 (D3)	13.90	-33.95	-20.70	-77.81	-118.56
		APREACT	13.16	-33.98	-20.93	-77.40	-119.15	
		2-LANES (caseMAX	7101033 (D3)	2080.97	385.41	508.72	-220.78	2754.31
		7102033 (D3)	1808.92	592.09	497.93	-256.04	2642.90	
		7103033 (D3)	1797.90	496.31	601.99	-253.66	2642.54	
		7104033 (D3)	265.01	91.59	124.33	21.13	502.06	
		APREACT	1968.93	508.57	553.49	-264.66	2766.32	
		MIN	7101033 (D3)	-99.25	-39.44	-55.37	-17.37	-211.41
		7102033 (D3)	444.30	-113.41	-46.02	-26.09	258.78	
		7103033 (D3)	21.48	-57.80	-56.97	-23.63	-116.92	
		7104033 (D3)	1671.89	397.99	466.81	-335.63	2201.07	
		APREACT	-98.57	-39.89	-55.51	-18.72	-212.70	
		2-LANES (caseMAX	7101033 (D3)	1310.63	710.87	644.52	91.14	2757.16
		7102033 (D3)	1177.03	941.74	550.25	57.08	2726.09	
		7103033 (D3)	1281.91	725.64	663.39	79.61	2750.54	
		7104033 (D3)	740.95	412.38	441.61	165.92	1760.87	
		APREACT	1303.46	724.55	653.05	79.81	2760.87	
		MIN	7101033 (D3)	-80.81	-42.09	-52.28	-34.43	-209.60
		7102033 (D3)	-80.39	-42.44	-52.41	-35.40	-210.64	
		7103033 (D3)	-80.67	-42.38	-52.45	-35.11	-210.60	
		7104033 (D3)	600.71	275.87	211.23	-112.97	974.83	

BAGO RIVER BRIDGE

[ No. 3 : 3RD SPAN WITHOUT IMPACT ] [ FORCE3 (kN) ]

SUPPORT		7101033	7102033	7103033	7104033	TOTAL	
NODE		1033	2033	3033	4033		
NAME	TITLE	D3 (kN)	D3 (kN)	D3 (kN)	D3 (kN)	(kN)	
301	LIVE LOAD						
	2-LANES (caseMIN	APREACT	-80.48	-42.43	-52.43	-35.34	-210.68
	2-LANES (caseMAX	7101033 (D3)	161.32	385.69	386.19	541.79	1474.99
		7102033 (D3)	81.32	695.47	801.98	1159.00	2737.76
		7103033 (D3)	69.57	568.22	1038.21	1037.87	2713.87
		7104033 (D3)	98.64	675.55	780.66	1185.17	2740.02
		APREACT	84.25	685.03	802.00	1176.59	2747.87
	MIN	7101033 (D3)	-93.04	223.88	352.70	551.92	1035.46
		7102033 (D3)	-34.42	-48.86	-44.57	-77.56	-205.41
		7103033 (D3)	-34.58	-48.83	-44.59	-77.41	-205.41
		7104033 (D3)	-34.12	-48.79	-44.44	-77.61	-204.96
		APREACT	-34.55	-48.84	-44.59	-77.45	-205.44
	2-LANES (caseMAX	7101033 (D3)	22.64	6.02	12.61	-11.82	29.45
		7102033 (D3)	-372.83	650.55	543.38	1804.59	2625.70
		7103033 (D3)	-361.30	541.87	607.33	1835.51	2623.41
		7104033 (D3)	-326.70	485.24	414.26	2120.34	2693.14
		APREACT	-375.64	598.34	560.42	1959.59	2742.71
	MIN	7101033 (D3)	-459.79	523.07	416.63	1843.50	2323.42
		7102033 (D3)	7.27	-56.68	-51.42	-7.83	-108.67
		7103033 (D3)	-2.31	-46.17	-99.62	421.39	273.29
		7104033 (D3)	13.62	-55.28	-36.16	-121.00	-198.82
		APREACT	12.60	-55.34	-36.48	-120.49	-199.71
	3-LANES (caseMAX	7101033 (D3)	2194.66	659.89	724.36	-68.63	3510.27
		7102033 (D3)	1869.03	979.98	689.32	-134.30	3404.02
		7103033 (D3)	1938.12	780.47	811.79	-112.26	3418.13

BAGO RIVER BRIDGE

[ No. 3 : 3RD SPAN WITHOUT IMPACT ] [ FORCE3 (kN) ]

SUPPORT		7101033	7102033	7103033	7104033	TOTAL	
NODE		1033	2033	3033	4033		
NAME	TITLE	D3 (kN)	D3 (kN)	D3 (kN)	D3 (kN)	(kN)	
301	LIVE LOAD						
	3-LANES (caseMAX	7104033 (D3)	611.89	345.95	367.21	143.07	1468.13
		APREACT	2093.33	776.20	769.66	-115.55	3523.64
	MIN	7101033 (D3)	-114.78	-51.96	-68.61	-33.01	-268.36
		7102033 (D3)	347.34	-114.97	-60.74	-40.75	130.88
		7103033 (D3)	-12.15	-67.68	-70.06	-38.57	-188.46
		7104033 (D3)	1424.23	373.51	398.82	-305.82	1890.74
		APREACT	-114.13	-52.48	-68.81	-34.47	-269.90
	3-LANES (caseMAX	7101033 (D3)	139.09	319.55	322.82	442.43	1223.88
		7102033 (D3)	-129.71	870.63	897.76	1821.28	3459.96
		7103033 (D3)	-135.33	734.97	1115.07	1716.18	3430.89
		7104033 (D3)	-64.43	773.93	827.81	1947.26	3484.57
		APREACT	-120.24	827.83	909.50	1883.65	3500.74
	MIN	7101033 (D3)	-284.17	453.12	513.89	1321.57	2004.41
		7102033 (D3)	-32.42	-64.03	-56.87	-88.72	-242.04
		7103033 (D3)	-33.25	-63.84	-58.79	-63.93	-219.82
		7104033 (D3)	-31.28	-63.84	-54.52	-110.00	-259.64
		APREACT	-32.20	-63.91	-54.82	-109.57	-260.51
	3-LANES (caseMAX	7101033 (D3)	120.70	212.95	213.66	287.71	835.02
		7102033 (D3)	-247.32	847.75	819.90	1980.02	3400.35
		7103033 (D3)	-262.52	693.70	1002.76	1949.97	3383.91
		7104033 (D3)	-240.99	681.30	678.21	2268.78	3387.29
		APREACT	-249.71	803.38	834.38	2111.77	3499.82
	MIN	7101033 (D3)	-423.72	565.81	572.68	1793.99	2508.75
		7102033 (D3)	-0.35	-70.06	-61.26	-47.01	-178.67



BAGO RIVER BRIDGE

[ No. 3 : 3RD SPAN WITHOUT IMPACT ] [ FORCE3 (kN) ]

SUPPORT NODE		7101033	7102033	7103033	7104033	TOTAL		
NAME TITLE		1033	2033	3033	4033	(kN)		
		D3 (kN)	D3 (kN)	D3 (kN)	D3 (kN)			
301 LIVE LOAD	3-LANES (caseMIN	7103033 (D3)	-8.56	-61.11	-102.23	317.89	145.99	
		7104033 (D3)	5.05	-68.86	-48.28	-143.20	-255.30	
		APREACT	4.16	-68.92	-48.56	-142.75	-256.06	
	4-LANES	MAX	7101033 (D3)	44.37	35.47	40.50	37.40	157.74
			7102033 (D3)	-145.90	251.99	169.83	644.85	920.75
			7103033 (D3)	-144.13	251.75	170.09	643.06	920.77
			7104033 (D3)	-145.90	251.99	169.83	644.85	920.75
			APREACT	-144.30	251.77	170.06	643.25	920.78
		MIN	7101033 (D3)	-198.56	158.92	85.55	495.52	541.43
			7102033 (D3)	-13.14	-67.88	-52.51	-129.68	-263.21
			7103033 (D3)	-15.46	-67.54	-52.90	-127.54	-263.44
			7104033 (D3)	-12.37	-67.78	-52.22	-129.97	-262.34
			APREACT	-15.21	-67.60	-52.87	-127.81	-263.48
	6-LANES	MAX	7101033 (D3)	1667.78	737.81	786.99	350.02	3542.60
			7102033 (D3)	1111.23	1376.79	1174.58	1348.11	5010.71
			7103033 (D3)	1185.63	1141.35	1403.26	1257.72	4987.96
			7104033 (D3)	347.31	816.44	823.80	1737.32	3724.86
			APREACT	1344.49	1168.89	1203.44	1422.39	5139.20
		MIN	7101033 (D3)	-369.77	298.92	268.45	1124.17	1321.77
			7102033 (D3)	261.58	-132.85	-91.04	-67.96	-30.28
			7103033 (D3)	-17.49	-96.40	-124.80	211.70	-26.99
			7104033 (D3)	1006.29	215.96	246.03	-322.15	1146.13
			APREACT	-86.17	-91.00	-88.99	-130.48	-396.64
	LIVE LOAD	MAX	7101033 (D3)	2194.66	659.89	724.36	-68.63	3510.27

BAGO RIVER BRIDGE

[ No. 3 : 3RD SPAN WITHOUT IMPACT ] [ FORCE3 (kN) ]

SUPPORT				7101033	7102033	7103033	7104033	TOTAL	
NODE				1033	2033	3033	4033		
NAME	TITLE			D3 (kN)	D3 (kN)	D3 (kN)	D3 (kN)	(kN)	
301	LIVE LOAD	LIVE LOAD	MAX	7102033 (D3)	1111.23	1376.79	1174.58	1348.11	5010.71
				7103033 (D3)	1185.63	1141.35	1403.26	1257.72	4987.96
				7104033 (D3)	-240.99	681.30	678.21	2268.78	3387.29
				APREACT	1344.49	1168.89	1203.44	1422.39	5139.20
			MIN	7101033 (D3)	-459.79	523.07	416.63	1843.50	2323.42
				7102033 (D3)	261.58	-132.85	-91.04	-67.96	-30.28
				7103033 (D3)	-17.49	-96.40	-124.80	211.70	-26.99
				7104033 (D3)	1671.89	397.99	466.81	-335.63	2201.07
				APREACT	-86.17	-91.00	-88.99	-130.48	-396.64
			303	SUM TOTAL	TOTAL	MAX	7101033 (D3)	7822.91	5496.03
	7102033 (D3)	6739.47				6212.94	6120.66	7298.88	26371.96
	7103033 (D3)	6813.88				5977.49	6349.35	7208.50	26349.21
	7104033 (D3)	5387.26				5517.44	5624.29	8219.55	24748.54
	APREACT	6972.73				6005.03	6149.52	7373.16	26500.45
MIN	7101033 (D3)	5168.46				5359.21	5362.71	7794.28	23684.67
	7102033 (D3)	5889.83				4703.29	4855.05	5882.81	21330.97
	7103033 (D3)	5610.75				4739.74	4821.29	6162.48	21334.26
	7104033 (D3)	7300.14				5234.14	5412.90	5615.14	23562.31
	APREACT	5542.08				4745.14	4857.09	5820.29	20964.61

BAGO RIVER BRIDGE

[ No. 4 : 4TH SPAN WITHOUT IMPACT ] [ FORCE3 (kN) ]

SUPPORT		7101055	7102055	7103055	7104055	TOTAL			
NODE		1055	2055	3055	4055				
NAME	TITLE	D3 (kN)	D3 (kN)	D3 (kN)	D3 (kN)	(kN)			
1	PAVEMENT	382.14	307.52	366.59	303.76	1360.01			
3	RAILING	16.62	4.37	6.38	13.96	41.34			
5	CURB	164.58	43.26	63.18	138.22	409.25			
7	DECK WEIGHT	636.53	532.42	627.67	509.59	2306.20			
8	GIRDER WEIGH	841.05	757.97	879.39	677.54	3155.95			
10	MEDIAN STRIP	177.51	297.32	320.12	145.41	940.36			
21	ADITIONAL WE	178.23	149.08	175.75	142.68	645.74			
31	MEDIAN RAILI	8.61	12.31	13.63	6.80	41.35			
51	SUPPORT WEIG	17.20	31.13	31.13	17.20	96.67			
52	NOSE WEIGHT	0.00	-0.00	0.00	-0.00	0.00			
61	1-LANE(case1TRUCK-LOAD	MAX	7101055 (D3)	378.41	-72.30	38.97	-32.96	312.11	
			7102055 (D3)	-15.79	6.20	-14.50	8.66	-15.43	
			7103055 (D3)	261.67	-100.58	207.30	-150.14	218.25	
			7104055 (D3)	-16.46	6.18	-15.15	8.73	-16.71	
			APREACT	378.41	-72.30	38.97	-32.96	312.11	
		MIN	7101055 (D3)	-16.81	5.85	-15.53	8.45	-18.04	
			7102055 (D3)	246.66	-102.11	204.90	-147.61	201.83	
			7103055 (D3)	-16.81	5.85	-15.53	8.45	-18.04	
			7104055 (D3)	263.06	-100.24	207.20	-150.19	219.83	
			APREACT	-16.38	5.30	-15.18	7.82	-18.45	
		TANDEM-LOAD	MAX	7101055 (D3)	272.60	-54.96	5.00	-4.27	218.36
			7102055 (D3)	-10.96	4.25	-10.07	5.95	-10.83	
			7103055 (D3)	175.23	-68.88	141.04	-101.90	145.49	
			7104055 (D3)	-11.14	4.24	-10.25	5.97	-11.18	

BAGO RIVER BRIDGE

[ No. 4 : 4TH SPAN WITHOUT IMPACT ] [ FORCE3 (kN) ]

SUPPORT		7101055	7102055	7103055	7104055	TOTAL		
NODE		1055	2055	3055	4055			
NAME	TITLE	D3 (kN)	D3 (kN)	D3 (kN)	D3 (kN)	(kN)		
61	1-LANE (case1TANDEM-LOAD	MAX	APREACT	272.60	-54.96	5.00	-4.27	218.36
		MIN	7101055 (D3)	-11.47	4.04	-10.58	5.81	-12.20
			7102055 (D3)	163.96	-69.31	137.98	-99.28	133.36
			7103055 (D3)	-11.47	4.04	-10.58	5.81	-12.20
			7104055 (D3)	183.25	-66.74	140.10	-101.97	154.65
			APREACT	-11.23	3.67	-10.40	5.40	-12.56
	DISPERSION-LMAX		7101055 (D3)	518.99	-189.56	345.40	-256.44	418.39
			7102055 (D3)	-14.79	7.99	-17.03	10.51	-13.33
			7103055 (D3)	518.99	-189.56	345.40	-256.44	418.39
			7104055 (D3)	-20.93	7.68	-19.28	10.92	-21.61
			APREACT	518.99	-189.56	345.40	-256.44	418.39
		MIN	7101055 (D3)	-22.55	7.37	-20.89	10.85	-25.22
			7102055 (D3)	511.23	-190.18	341.54	-256.10	406.50
			7103055 (D3)	-22.55	7.37	-20.89	10.85	-25.22
			7104055 (D3)	517.37	-189.87	343.79	-256.50	414.79
			APREACT	-22.55	7.37	-20.89	10.85	-25.22
62	1-LANE (case2TRUCK-LOAD	MAX	7101055 (D3)	126.92	29.20	126.01	-26.43	255.70
			7102055 (D3)	41.48	219.61	61.57	-9.13	313.53
			7103055 (D3)	126.87	30.78	126.30	-26.64	257.31
			7104055 (D3)	-8.12	0.18	-7.81	1.38	-14.37
			APREACT	41.48	219.61	61.57	-9.13	313.53
		MIN	7101055 (D3)	-9.51	-0.44	-9.23	0.96	-18.22
			7102055 (D3)	45.62	-5.08	43.37	-12.02	71.89
			7103055 (D3)	-9.51	-0.44	-9.23	0.96	-18.22

BAGO RIVER BRIDGE

[ No. 4 : 4TH SPAN WITHOUT IMPACT ] [ FORCE3 (kN) ]

SUPPORT		7101055	7102055	7103055	7104055	TOTAL		
NODE		1055	2055	3055	4055			
NAME	TITLE	D3 (kN)	D3 (kN)	D3 (kN)	D3 (kN)	(kN)		
62	1-LANE (case2TRUCK-LOAD	MIN	7104055 (D3)	119.96	57.98	123.53	-27.10	274.37
			APREACT	-9.44	-0.57	-9.18	0.82	-18.37
	TANDEM-LOAD	MAX	7101055 (D3)	86.41	16.81	85.16	-17.61	170.78
			7102055 (D3)	9.28	184.01	26.45	-1.37	218.36
			7103055 (D3)	85.84	26.50	86.65	-18.82	180.18
			7104055 (D3)	-5.41	0.16	-5.20	0.96	-9.48
			APREACT	9.28	184.01	26.45	-1.37	218.36
		MIN	7101055 (D3)	-6.47	-0.33	-6.29	0.62	-12.47
			7102055 (D3)	29.95	-3.48	28.45	-8.03	46.89
			7103055 (D3)	-6.47	-0.33	-6.29	0.62	-12.47
			7104055 (D3)	84.30	32.03	85.94	-18.86	183.40
			APREACT	-6.45	-0.37	-6.27	0.58	-12.51
	DISPERSION-LMAX		7101055 (D3)	199.79	60.59	198.08	-40.67	417.79
			7102055 (D3)	112.91	71.87	116.60	-13.82	287.56
			7103055 (D3)	199.79	60.59	198.08	-40.67	417.79
			7104055 (D3)	15.14	8.99	16.41	3.72	44.26
			APREACT	199.79	60.59	198.08	-40.67	417.79
		MIN	7101055 (D3)	-12.90	-0.76	-12.54	1.15	-25.05
			7102055 (D3)	73.98	-12.04	68.94	-25.71	105.17
			7103055 (D3)	-12.90	-0.76	-12.54	1.15	-25.05
			7104055 (D3)	171.76	50.83	169.12	-43.24	348.47
			APREACT	-12.90	-0.76	-12.54	1.15	-25.05
63	1-LANE (case3TRUCK-LOAD	MAX	7101055 (D3)	1.62	1.20	1.71	0.98	5.51
			7102055 (D3)	-20.99	122.26	40.98	120.68	262.93

BAGO RIVER BRIDGE

[ No. 4 : 4TH SPAN WITHOUT IMPACT ] [ FORCE3 (kN) ]

SUPPORT		7101055	7102055	7103055	7104055	TOTAL			
NODE		1055	2055	3055	4055				
NAME	TITLE	D3 (kN)	D3 (kN)	D3 (kN)	D3 (kN)	(kN)			
63	1-LANE (case3TRUCK-LOAD	MAX	7103055 (D3)	-8.52	64.44	212.69	43.49	312.11	
			7104055 (D3)	-20.40	122.23	33.68	121.92	257.43	
		APREACT	-8.52	64.44	212.69	43.49	312.11		
		MIN	7101055 (D3)	-21.79	120.27	60.67	115.37	274.52	
			7102055 (D3)	-4.01	-5.08	-4.48	-4.57	-18.13	
			7103055 (D3)	-4.22	-4.96	-4.67	-4.42	-18.27	
			7104055 (D3)	-3.91	-5.07	-4.38	-4.57	-17.92	
			APREACT	-4.18	-5.03	-4.64	-4.49	-18.33	
		TANDEM-LOAD	MAX	7101055 (D3)	1.10	0.81	1.16	0.66	3.74
				7102055 (D3)	-14.90	84.17	28.29	82.70	180.27
				7103055 (D3)	-1.14	26.36	184.22	8.92	218.36
				7104055 (D3)	-13.21	82.25	18.88	82.97	170.89
				APREACT	-1.14	26.36	184.22	8.92	218.36
			MIN	7101055 (D3)	-15.12	83.62	33.79	81.22	183.50
				7102055 (D3)	-2.79	-3.45	-3.11	-3.09	-12.44
				7103055 (D3)	-2.89	-3.35	-3.19	-2.97	-12.39
				7104055 (D3)	-2.62	-3.44	-2.94	-3.11	-12.11
				APREACT	-2.83	-3.44	-3.14	-3.07	-12.48
		DISPERSION-LMAX		7101055 (D3)	10.26	48.81	24.08	45.25	128.40
				7102055 (D3)	-15.64	178.55	77.67	176.46	417.04
				7103055 (D3)	-3.77	133.05	81.75	127.83	338.85
				7104055 (D3)	-15.64	178.55	77.67	176.46	417.04
				APREACT	-15.64	178.55	77.67	176.46	417.04
			MIN	7101055 (D3)	-31.48	122.81	47.37	125.00	263.70

BAGO RIVER BRIDGE

[ No. 4 : 4TH SPAN WITHOUT IMPACT ] [ FORCE3 (kN) ]

SUPPORT		7101055	7102055	7103055	7104055	TOTAL		
NODE		1055	2055	3055	4055			
NAME	TITLE	D3 (kN)	D3 (kN)	D3 (kN)	D3 (kN)	(kN)		
63	1-LANE (case3DISPERSION-LMIN	7102055 (D3)	-5.58	-6.92	-6.22	-6.21	-24.94	
		7103055 (D3)	-17.45	38.57	-10.30	42.42	53.25	
		7104055 (D3)	-5.58	-6.92	-6.22	-6.21	-24.94	
		APREACT	-5.58	-6.92	-6.22	-6.21	-24.94	
64	1-LANE (case4TRUCK-LOAD MAX	7101055 (D3)	7.23	-13.93	5.31	-15.24	-16.63	
		7102055 (D3)	-140.41	200.08	-97.46	256.65	218.86	
		7103055 (D3)	7.16	-13.27	5.32	-14.56	-15.35	
		7104055 (D3)	-27.92	33.93	-71.23	378.72	313.51	
		APREACT	-27.92	33.93	-71.23	378.72	313.51	
		MIN	7101055 (D3)	-140.54	200.06	-97.19	258.06	220.39
			7102055 (D3)	7.01	-14.40	5.04	-15.68	-18.03
			7103055 (D3)	-138.42	198.46	-98.37	246.01	207.68
	7104055 (D3)		7.05	-14.39	5.08	-15.68	-17.95	
		APREACT	6.50	-14.12	4.59	-15.33	-18.36	
	TANDEM-LOAD MAX	7101055 (D3)	4.94	-9.41	3.64	-10.30	-11.13	
		7102055 (D3)	-95.19	136.05	-66.71	171.75	145.89	
		7103055 (D3)	4.92	-9.22	3.65	-10.11	-10.77	
		7104055 (D3)	-4.06	4.89	-54.56	272.09	218.36	
		APREACT	-4.06	4.89	-54.56	272.09	218.36	
		MIN	7101055 (D3)	-95.74	135.53	-64.87	180.14	155.05
7102055 (D3)			4.84	-9.79	3.50	-10.68	-12.14	
7103055 (D3)			-94.63	135.60	-66.97	168.78	142.77	
7104055 (D3)	4.84		-9.79	3.50	-10.68	-12.14		
	APREACT	4.53	-9.70	3.21	-10.54	-12.51		

BAGO RIVER BRIDGE

[ No. 4 : 4TH SPAN WITHOUT IMPACT ] [ FORCE3 (kN) ]

SUPPORT		7101055	7102055	7103055	7104055	TOTAL	
NODE		1055	2055	3055	4055		
NAME	TITLE	D3 (kN)	D3 (kN)	D3 (kN)	D3 (kN)	(kN)	
64	1-LANE (case4DISPERSION-LMAX	7101055 (D3)	9.12	-16.12	6.87	-17.75	-17.88
		7102055 (D3)	-227.97	322.08	-173.39	495.37	416.09
		7103055 (D3)	8.69	-15.27	7.07	-12.27	-11.78
		7104055 (D3)	-227.97	322.08	-173.39	495.37	416.09
		APREACT	-227.97	322.08	-173.39	495.37	416.09
	MIN	7101055 (D3)	-228.59	319.37	-174.31	492.71	409.18
		7102055 (D3)	8.50	-18.83	5.95	-20.41	-24.79
		7103055 (D3)	-228.17	318.52	-174.51	487.23	403.08
		7104055 (D3)	8.50	-18.83	5.95	-20.41	-24.79
		APREACT	8.50	-18.83	5.95	-20.41	-24.79
65	2-LANES (caseTRUCK-LOAD	MAX 7101055 (D3)	588.53	-71.26	175.57	-106.70	586.15
		7102055 (D3)	149.51	111.00	12.14	-5.82	266.83
		7103055 (D3)	461.53	-138.92	369.89	-237.35	455.15
		7104055 (D3)	-28.66	9.33	-26.55	13.75	-32.12
		APREACT	567.64	30.92	82.02	-56.34	624.24
	MIN	7101055 (D3)	-29.96	8.61	-27.89	13.21	-36.03
		7102055 (D3)	412.90	-151.64	352.91	-227.83	386.34
		7103055 (D3)	-29.95	8.50	-27.89	13.10	-36.24
		7104055 (D3)	462.92	-138.59	369.80	-237.40	456.72
		APREACT	-29.30	7.67	-27.37	12.15	-36.85
TANDEM-LOAD	MAX 7101055 (D3)	415.48	-59.51	102.32	-56.74	401.54	
	7102055 (D3)	109.47	99.60	-4.43	2.88	207.54	
	7103055 (D3)	309.60	-96.60	251.92	-161.35	303.57	
	7104055 (D3)	-19.62	6.39	-18.17	9.41	-21.99	



BAGO RIVER BRIDGE

[ No. 4 : 4TH SPAN WITHOUT IMPACT ] [ FORCE3 (kN) ]

SUPPORT		7101055	7102055	7103055	7104055	TOTAL		
NODE		1055	2055	3055	4055			
NAME	TITLE	D3 (kN)	D3 (kN)	D3 (kN)	D3 (kN)	(kN)		
65	2-LANES (caseTANDEM-LOAD	MAX	APREACT	393.03	40.39	10.64	-7.34	436.73
		MIN	7101055 (D3)	-20.42	5.96	-19.00	9.10	-24.36
			7102055 (D3)	280.69	-102.98	241.27	-155.06	263.91
			7103055 (D3)	-20.42	5.96	-19.00	9.10	-24.36
			7104055 (D3)	317.62	-94.45	250.99	-161.42	312.73
			APREACT	-20.08	5.33	-18.75	8.40	-25.09
	DISPERSION-LMAX		7101055 (D3)	871.55	-244.92	616.85	-406.92	836.56
			7102055 (D3)	39.63	36.26	-1.43	2.20	76.66
			7103055 (D3)	871.55	-244.92	616.85	-406.92	836.56
			7104055 (D3)	-35.70	11.74	-33.06	17.25	-39.78
			APREACT	871.55	-244.92	616.85	-406.92	836.56
		MIN	7101055 (D3)	-40.28	10.69	-37.61	16.86	-50.35
			7102055 (D3)	791.63	-270.50	580.67	-392.26	709.54
			7103055 (D3)	-40.28	10.69	-37.61	16.86	-50.35
			7104055 (D3)	866.97	-245.98	612.30	-407.31	825.98
			APREACT	-40.28	10.69	-37.61	16.86	-50.35
66	2-LANES (caseTRUCK-LOAD	MAX	7101055 (D3)	337.04	30.25	262.61	-100.17	529.73
			7102055 (D3)	206.78	324.41	88.21	-23.61	595.80
			7103055 (D3)	326.73	-7.57	288.89	-113.85	494.20
			7104055 (D3)	-20.31	3.33	-19.21	6.41	-29.78
			APREACT	230.72	322.84	104.61	-32.51	625.66
		MIN	7101055 (D3)	-22.66	2.32	-21.60	5.72	-36.21
			7102055 (D3)	211.86	-54.60	191.37	-92.24	256.40
			7103055 (D3)	-22.65	2.21	-21.60	5.62	-36.42

BAGO RIVER BRIDGE

[ No. 4 : 4TH SPAN WITHOUT IMPACT ] [ FORCE3 (kN) ]

SUPPORT		7101055	7102055	7103055	7104055	TOTAL		
NODE		1055	2055	3055	4055			
NAME	TITLE	D3 (kN)	D3 (kN)	D3 (kN)	D3 (kN)	(kN)		
66	2-LANES (caseTRUCK-LOAD	MIN	7104055 (D3)	319.82	19.63	286.12	-114.31	511.27
			APREACT	-22.35	1.80	-21.36	5.15	-36.77
	TANDEM-LOAD	MAX	7101055 (D3)	229.29	12.26	182.48	-70.08	353.96
			7102055 (D3)	129.71	279.37	32.09	-4.44	436.72
			7103055 (D3)	220.21	-1.22	197.53	-78.27	338.26
			7104055 (D3)	-13.88	2.30	-13.12	4.41	-20.29
			APREACT	129.71	279.37	32.09	-4.44	436.72
		MIN	7101055 (D3)	-15.43	1.59	-14.70	3.91	-24.63
			7102055 (D3)	146.68	-37.15	131.74	-63.82	177.44
			7103055 (D3)	-15.43	1.59	-14.70	3.91	-24.63
			7104055 (D3)	218.66	4.31	196.82	-78.31	341.48
			APREACT	-15.30	1.29	-14.61	3.58	-25.04
	DISPERSION-LMAX		7101055 (D3)	552.35	5.23	469.53	-191.15	835.95
			7102055 (D3)	167.34	100.15	132.20	-22.13	377.55
			7103055 (D3)	552.35	5.23	469.53	-191.15	835.95
			7104055 (D3)	0.36	13.06	2.63	10.05	26.10
			APREACT	552.35	5.23	469.53	-191.15	835.95
		MIN	7101055 (D3)	-30.63	2.56	-29.26	7.15	-50.18
			7102055 (D3)	354.38	-92.37	308.07	-161.87	408.22
			7103055 (D3)	-30.63	2.56	-29.26	7.15	-50.18
			7104055 (D3)	521.36	-5.28	437.63	-194.05	759.67
			APREACT	-30.63	2.56	-29.26	7.15	-50.18
67	2-LANES (caseTRUCK-LOAD	MAX	7101055 (D3)	2.92	2.62	3.13	2.23	10.90
			7102055 (D3)	-100.23	279.20	5.72	315.53	500.23

BAGO RIVER BRIDGE

[ No. 4 : 4TH SPAN WITHOUT IMPACT ] [ FORCE3 (kN) ]

SUPPORT		7101055	7102055	7103055	7104055	TOTAL		
NODE		1055	2055	3055	4055			
NAME	TITLE	D3 (kN)	D3 (kN)	D3 (kN)	D3 (kN)	(kN)		
67	2-LANES (caseTRUCK-LOAD	MAX	7103055 (D3)	-21.97	90.67	318.91	206.75	594.36
			7104055 (D3)	-88.30	254.92	37.54	327.69	531.85
			APREACT	-30.26	106.79	317.78	229.89	624.21
		MIN	7101055 (D3)	-101.03	277.21	25.41	310.22	511.81
			7102055 (D3)	-4.22	-13.29	-5.66	-12.89	-36.05
			7103055 (D3)	-75.38	137.95	-49.13	158.35	171.79
			7104055 (D3)	-3.79	-13.24	-5.24	-12.90	-35.17
			APREACT	-4.85	-13.03	-6.24	-12.53	-36.66
	TANDEM-LOAD	MAX	7101055 (D3)	1.99	1.79	2.13	1.52	7.42
			7102055 (D3)	-68.83	191.13	2.71	213.61	338.61
			7103055 (D3)	-3.99	31.91	279.88	128.91	436.72
			7104055 (D3)	-61.57	176.81	16.12	222.96	354.32
			APREACT	-3.99	31.91	279.88	128.91	436.72
		MIN	7101055 (D3)	-69.05	190.57	8.20	212.12	341.84
			7102055 (D3)	-2.88	-9.05	-3.86	-8.77	-24.56
			7103055 (D3)	-51.78	94.79	-33.58	108.98	118.41
			7104055 (D3)	-2.61	-9.03	-3.60	-8.80	-24.04
			APREACT	-3.25	-8.92	-4.20	-8.59	-24.97
	DISPERSION-LMAX		7101055 (D3)	12.75	46.64	26.22	42.67	128.28
			7102055 (D3)	-139.16	428.41	38.89	505.56	833.70
			7103055 (D3)	-15.57	162.25	108.95	196.53	452.17
			7104055 (D3)	-139.16	428.41	38.89	505.56	833.70
			APREACT	-139.16	428.41	38.89	505.56	833.70
		MIN	7101055 (D3)	-158.27	363.85	4.40	445.61	655.59

BAGO RIVER BRIDGE

[ No. 4 : 4TH SPAN WITHOUT IMPACT ] [ FORCE3 (kN) ]

SUPPORT		7101055	7102055	7103055	7104055	TOTAL		
NODE		1055	2055	3055	4055			
NAME	TITLE	D3 (kN)	D3 (kN)	D3 (kN)	D3 (kN)	(kN)		
67	2-LANES (caseDISPERSION-LMIN	7102055 (D3)	-6.35	-17.92	-8.27	-17.28	-49.82	
		7103055 (D3)	-129.94	248.23	-78.33	291.74	331.71	
		7104055 (D3)	-6.35	-17.92	-8.27	-17.28	-49.82	
		APREACT	-6.35	-17.92	-8.27	-17.28	-49.82	
68	2-LANES (caseTRUCK-LOAD MAX	7101055 (D3)	10.75	-24.11	7.49	-26.12	-31.99	
		7102055 (D3)	-219.62	357.00	-132.69	451.47	456.16	
		7103055 (D3)	-6.30	12.95	111.55	148.70	266.90	
		7104055 (D3)	-95.81	166.61	-67.35	584.46	587.92	
		APREACT	-49.66	76.28	33.87	565.13	625.61	
		MIN	7101055 (D3)	-219.75	356.98	-132.43	452.88	457.68
			7102055 (D3)	10.25	-25.67	6.82	-27.63	-36.24
			7103055 (D3)	-209.54	341.35	-142.81	408.75	397.74
	7104055 (D3)		10.37	-25.66	6.94	-27.63	-35.97	
		APREACT	9.50	-25.26	6.15	-27.10	-36.71	
	TANDEM-LOAD MAX	7101055 (D3)	7.35	-16.50	5.12	-17.87	-21.90	
		7102055 (D3)	-149.10	242.99	-92.28	302.63	304.24	
		7103055 (D3)	2.07	-3.67	99.30	109.89	207.59	
		7104055 (D3)	-52.41	99.45	-57.31	412.06	401.79	
		APREACT	-6.91	10.44	41.10	392.09	436.72	
		MIN	7101055 (D3)	-149.66	242.47	-90.44	311.02	313.40
7102055 (D3)			7.02	-17.48	4.68	-18.82	-24.60	
7103055 (D3)			-143.51	233.72	-97.34	280.71	273.58	
7104055 (D3)	7.02		-17.48	4.68	-18.82	-24.60		
	APREACT	6.64	-17.35	4.34	-18.63	-25.00		

BAGO RIVER BRIDGE

[ No. 4 : 4TH SPAN WITHOUT IMPACT ] [ FORCE3 (kN) ]

SUPPORT		7101055	7102055	7103055	7104055	TOTAL	
NODE		1055	2055	3055	4055		
NAME	TITLE	D3 (kN)	D3 (kN)	D3 (kN)	D3 (kN)	(kN)	
68	2-LANES (caseDISPERSION-LMAX	7101055 (D3)	13.91	-27.80	10.10	-30.33	-34.11
		7102055 (D3)	-352.45	572.69	-212.99	825.36	832.61
		7103055 (D3)	-0.84	4.68	35.35	46.69	85.88
		7104055 (D3)	-352.45	572.69	-212.99	825.36	832.61
		APREACT	-352.45	572.69	-212.99	825.36	832.61
		MIN 7101055 (D3)	-354.17	566.89	-215.34	819.72	817.09
		7102055 (D3)	12.20	-33.60	7.75	-35.98	-49.63
		7103055 (D3)	-339.42	534.41	-240.58	742.69	697.10
		7104055 (D3)	12.20	-33.60	7.75	-35.98	-49.63
		APREACT	12.20	-33.60	7.75	-35.98	-49.63
69	3-LANES (caseTRUCK-LOAD	MAX 7101055 (D3)	718.76	-43.31	297.30	-129.50	843.26
		7102055 (D3)	190.99	330.61	73.71	-14.95	580.36
		7103055 (D3)	588.40	-108.14	496.19	-263.99	712.45
		7104055 (D3)	-36.78	9.51	-34.36	15.14	-46.49
		APREACT	612.44	249.28	139.31	-61.84	939.18
		MIN 7101055 (D3)	-39.47	8.17	-37.12	14.17	-54.25
		7102055 (D3)	458.52	-156.72	396.27	-239.85	458.23
		7103055 (D3)	-39.46	8.06	-37.13	14.06	-54.46
		7104055 (D3)	582.88	-80.61	493.33	-264.50	731.09
		APREACT	-38.74	7.09	-36.55	12.97	-55.22
		TANDEM-LOAD MAX 7101055 (D3)	501.89	-42.70	187.48	-74.35	572.33
		7102055 (D3)	118.75	283.61	22.02	1.51	425.90
		7103055 (D3)	395.44	-70.10	338.57	-180.16	483.74
		7104055 (D3)	-25.02	6.54	-23.37	10.37	-31.48

BAGO RIVER BRIDGE

[ No. 4 : 4TH SPAN WITHOUT IMPACT ] [ FORCE3 (kN) ]

SUPPORT		7101055	7102055	7103055	7104055	TOTAL		
NODE		1055	2055	3055	4055			
NAME	TITLE	D3 (kN)	D3 (kN)	D3 (kN)	D3 (kN)	(kN)		
69	3-LANES (caseTANDEM-LOAD	MAX	APREACT	402.31	224.40	37.09	-8.71	655.09
		MIN	7101055 (D3)	-26.89	5.63	-25.29	9.72	-36.82
			7102055 (D3)	310.63	-106.46	269.72	-163.09	310.80
			7103055 (D3)	-26.89	5.63	-25.29	9.72	-36.82
			7104055 (D3)	401.92	-62.43	336.93	-180.28	496.13
			APREACT	-26.53	4.96	-25.02	8.99	-37.60
	DISPERSION-LMAX		7101055 (D3)	1071.35	-184.34	814.92	-447.59	1254.34
			7102055 (D3)	152.55	108.14	115.16	-11.62	364.23
			7103055 (D3)	1071.35	-184.34	814.92	-447.59	1254.34
			7104055 (D3)	-20.57	20.74	-16.65	20.96	4.49
			APREACT	1071.35	-184.34	814.92	-447.59	1254.34
		MIN	7101055 (D3)	-53.18	9.93	-50.15	18.00	-75.40
			7102055 (D3)	865.62	-282.54	649.61	-417.97	814.72
			7103055 (D3)	-53.18	9.93	-50.15	18.00	-75.40
			7104055 (D3)	1038.73	-195.14	781.42	-450.55	1174.46
			APREACT	-53.18	9.93	-50.15	18.00	-75.40
70	3-LANES (caseTRUCK-LOAD	MAX	7101055 (D3)	7.30	-7.82	6.11	-9.03	-3.43
			7102055 (D3)	-240.66	479.30	-91.76	572.22	719.09
			7103055 (D3)	-17.62	81.14	321.98	196.42	581.92
			7104055 (D3)	-116.23	288.86	-33.68	706.40	845.35
			APREACT	-58.19	140.74	246.56	608.61	937.71
		MIN	7101055 (D3)	-241.59	477.29	-71.81	568.31	732.20
			7102055 (D3)	-0.73	-24.65	-3.66	-24.95	-53.99
			7103055 (D3)	-213.82	336.43	-147.53	404.39	379.46

BAGO RIVER BRIDGE

[ No. 4 : 4TH SPAN WITHOUT IMPACT ] [ FORCE3 (kN) ]

SUPPORT		7101055	7102055	7103055	7104055	TOTAL		
NODE		1055	2055	3055	4055			
NAME	TITLE	D3 (kN)	D3 (kN)	D3 (kN)	D3 (kN)	(kN)		
70	3-LANES (caseTRUCK-LOAD	MIN	7104055 (D3)	0.07	-24.60	-2.88	-25.03	-52.43
			APREACT	-2.02	-24.03	-4.83	-24.13	-55.01
	TANDEM-LOAD	MAX	7101055 (D3)	5.03	-5.23	4.23	-6.06	-2.03
			7102055 (D3)	-164.03	327.19	-64.02	385.38	484.51
			7103055 (D3)	-0.95	25.15	282.00	121.59	427.79
			7104055 (D3)	-65.63	181.70	-38.44	495.05	572.68
			APREACT	-8.05	36.80	225.32	401.01	655.08
		MIN	7101055 (D3)	-164.81	326.11	-56.69	392.28	496.90
			7102055 (D3)	-0.43	-16.81	-2.43	-17.03	-36.69
			7103055 (D3)	-146.44	230.40	-100.56	277.78	261.18
			7104055 (D3)	-0.06	-16.79	-2.07	-17.06	-35.98
			APREACT	-1.25	-16.47	-3.18	-16.56	-37.46
	DISPERSION-LMAX		7101055 (D3)	18.17	34.85	30.04	29.88	112.94
			7102055 (D3)	-366.19	749.76	-133.67	999.92	1249.83
			7103055 (D3)	-10.73	153.45	113.07	191.41	447.21
			7104055 (D3)	-366.19	749.76	-133.67	999.92	1249.83
			APREACT	-366.19	749.76	-133.67	999.92	1249.83
		MIN	7101055 (D3)	-386.67	681.93	-169.89	936.86	1062.23
			7102055 (D3)	-2.31	-32.98	-6.18	-33.19	-74.66
			7103055 (D3)	-357.77	563.33	-252.92	775.32	727.96
			7104055 (D3)	-2.31	-32.98	-6.18	-33.19	-74.66
			APREACT	-2.31	-32.98	-6.18	-33.19	-74.66
71	3-LANES (caseTRUCK-LOAD	MAX	7101055 (D3)	11.88	-22.54	8.77	-24.68	-26.57
			7102055 (D3)	-240.58	479.25	-91.70	572.12	719.09

BAGO RIVER BRIDGE

[ No. 4 : 4TH SPAN WITHOUT IMPACT ] [ FORCE3 (kN) ]

SUPPORT		7101055	7102055	7103055	7104055	TOTAL	
NODE		1055	2055	3055	4055		
NAME	TITLE	D3 (kN)	D3 (kN)	D3 (kN)	D3 (kN)	(kN)	
71	3-LANES (case TRUCK-LOAD	MAX 7103055 (D3)	-13.87	73.88	332.39	188.02	580.43
		7104055 (D3)	-116.18	288.83	-33.65	706.35	845.35
		APREACT	-57.23	137.20	254.71	604.45	939.13
		MIN 7101055 (D3)	-241.52	477.24	-71.74	568.22	732.20
		7102055 (D3)	9.85	-33.85	5.46	-35.88	-54.43
		7103055 (D3)	-210.59	334.59	-144.63	402.02	381.39
	TANDEM-LOAD	MAX 7104055 (D3)	9.98	-33.83	5.58	-35.89	-54.16
		APREACT	9.00	-33.41	4.69	-35.31	-55.04
		7101055 (D3)	8.12	-15.43	5.99	-16.90	-18.23
		7102055 (D3)	-163.98	327.15	-63.97	385.31	484.51
		7103055 (D3)	0.93	22.69	283.53	118.80	425.95
		7104055 (D3)	-65.60	181.69	-38.41	495.01	572.68
	DISPERSION-LMAX	APREACT	-8.05	36.80	225.32	401.01	655.08
		MIN 7101055 (D3)	-164.76	326.08	-56.64	392.22	496.90
		7102055 (D3)	6.75	-23.08	3.76	-24.47	-37.04
		7103055 (D3)	-144.25	229.23	-98.59	276.26	262.66
		7104055 (D3)	6.75	-23.08	3.76	-24.47	-37.04
		APREACT	6.35	-22.94	3.38	-24.27	-37.49
	DISPERSION-LMIN	7101055 (D3)	23.65	18.21	33.34	12.14	87.34
		7102055 (D3)	-369.04	751.99	-136.16	1002.72	1249.51
		7103055 (D3)	-5.27	137.10	116.39	173.97	422.20
		7104055 (D3)	-369.04	751.99	-136.16	1002.72	1249.51
		APREACT	-369.04	751.99	-136.16	1002.72	1249.51
		MIN 7101055 (D3)	-381.59	689.46	-164.09	943.87	1087.65



BAGO RIVER BRIDGE

[ No. 4 : 4TH SPAN WITHOUT IMPACT ] [ FORCE3 (kN) ]

SUPPORT		7101055	7102055	7103055	7104055	TOTAL	
NODE		1055	2055	3055	4055		
NAME	TITLE	D3 (kN)	D3 (kN)	D3 (kN)	D3 (kN)	(kN)	
71	3-LANES (caseDISPERSION-LMIN	7102055 (D3)	11. 10	-44. 32	5. 41	-46. 72	-74. 52
		7103055 (D3)	-352. 67	570. 57	-247. 14	782. 03	752. 79
		7104055 (D3)	11. 10	-44. 32	5. 41	-46. 72	-74. 52
		APREACT	11. 10	-44. 32	5. 41	-46. 72	-74. 52
72	4-LANES TRUCK-LOAD MAX	7101055 (D3)	11. 81	-22. 09	8. 76	-24. 22	-25. 73
		7102055 (D3)	4. 00	6. 62	4. 66	6. 14	21. 42
		7103055 (D3)	11. 81	-22. 06	8. 76	-24. 19	-25. 67
		7104055 (D3)	3. 97	6. 62	4. 62	6. 14	21. 35
		APREACT	4. 15	6. 58	4. 80	6. 07	21. 60
		MIN 7101055 (D3)	-5. 49	-10. 27	-6. 53	-9. 63	-31. 92
		7102055 (D3)	4. 04	-37. 68	-0. 61	-38. 92	-73. 16
		7103055 (D3)	-5. 17	-15. 35	-6. 83	-14. 84	-42. 19
		7104055 (D3)	4. 04	-37. 68	-0. 61	-38. 92	-73. 16
		APREACT	4. 04	-37. 68	-0. 61	-38. 92	-73. 16
		TANDEM-LOAD MAX 7101055 (D3)	8. 51	-15. 47	6. 36	-17. 00	-17. 59
		7102055 (D3)	2. 76	4. 50	3. 20	4. 17	14. 63
		7103055 (D3)	8. 51	-15. 46	6. 36	-16. 99	-17. 58
		7104055 (D3)	2. 71	4. 50	3. 16	4. 18	14. 54
		APREACT	2. 79	4. 50	3. 23	4. 16	14. 68
		MIN 7101055 (D3)	-3. 77	-7. 06	-4. 49	-6. 62	-21. 93
		7102055 (D3)	3. 39	-26. 27	0. 13	-27. 22	-49. 97
		7103055 (D3)	-3. 58	-10. 12	-4. 67	-9. 76	-28. 13
		7104055 (D3)	3. 39	-26. 27	0. 13	-27. 22	-49. 97
		APREACT	3. 39	-26. 27	0. 13	-27. 22	-49. 97

BAGO RIVER BRIDGE

[ No. 4 : 4TH SPAN WITHOUT IMPACT ] [ FORCE3 (kN) ]

SUPPORT NODE			7101055	7102055	7103055	7104055	TOTAL	
NAME TITLE			1055	2055	3055	4055	(kN)	
			D3 (kN)	D3 (kN)	D3 (kN)	D3 (kN)		
72	4-LANES	DISPERSION-LMAX	7101055 (D3)	11.12	-9.48	9.60	-11.29	-0.05
			7102055 (D3)	5.65	9.43	6.58	8.75	30.41
			7103055 (D3)	10.91	-6.35	9.78	-8.08	6.26
			7104055 (D3)	5.65	9.43	6.58	8.75	30.41
			APREACT	5.90	9.24	6.80	8.52	30.46
		MIN	7101055 (D3)	-4.96	-9.63	-5.94	-9.06	-29.59
			7102055 (D3)	0.37	-28.32	-3.03	-28.86	-59.84
			7103055 (D3)	-4.76	-12.79	-6.13	-12.30	-35.98
			7104055 (D3)	0.37	-28.32	-3.03	-28.86	-59.84
			APREACT	0.17	-28.15	-3.21	-28.65	-59.84
73	6-LANES	TRUCK-LOAD MAX	7101055 (D3)	669.13	38.57	330.16	-34.67	1003.20
			7102055 (D3)	-68.63	798.12	87.85	502.58	1319.92
			7103055 (D3)	521.57	65.63	820.86	-96.27	1311.79
			7104055 (D3)	-13.31	326.47	56.36	651.30	1020.83
			APREACT	476.24	463.97	474.57	460.73	1875.50
		MIN	7101055 (D3)	-239.58	344.11	-152.26	433.70	385.96
			7102055 (D3)	384.29	-172.05	326.58	-242.42	296.40
			7103055 (D3)	-230.64	324.49	-166.55	391.70	319.01
			7104055 (D3)	480.48	-157.20	397.23	-256.01	464.49
			APREACT	-29.75	-26.29	-31.87	-22.31	-110.21
		TANDEM-LOAD MAX	7101055 (D3)	469.17	31.61	202.65	-2.78	700.66
			7102055 (D3)	-64.15	605.36	46.64	344.59	932.44
			7103055 (D3)	350.94	35.19	615.78	-79.35	922.55
			7104055 (D3)	9.68	202.22	42.15	459.17	713.21

BAGO RIVER BRIDGE

[ No. 4 : 4TH SPAN WITHOUT IMPACT ] [ FORCE3 (kN) ]

SUPPORT		7101055	7102055	7103055	7104055	TOTAL		
NODE		1055	2055	3055	4055			
NAME	TITLE	D3 (kN)	D3 (kN)	D3 (kN)	D3 (kN)	(kN)		
73	6-LANES							
	TANDEM-LOAD MAX	APREACT	335.29	320.27	328.17	326.44	1310.17	
		MIN	7101055 (D3)	-163.13	233.54	-104.11	298.48	264.77
			7102055 (D3)	261.02	-116.97	223.54	-164.80	202.80
			7103055 (D3)	-156.78	219.84	-113.39	265.96	215.64
			7104055 (D3)	330.49	-105.22	268.50	-174.10	319.67
			APREACT	-20.19	-17.96	-21.64	-15.27	-75.05
	DISPERSION-LMAX		7101055 (D3)	1001.58	-158.85	777.95	-394.57	1226.10
			7102055 (D3)	-193.29	791.67	-4.62	885.63	1479.40
			7103055 (D3)	956.76	-29.48	858.39	-246.60	1539.07
			7104055 (D3)	-351.19	706.72	-145.76	934.41	1144.18
			APREACT	634.73	511.57	621.23	490.31	2257.84
		MIN	7101055 (D3)	-401.81	628.84	-212.98	868.74	882.78
			7102055 (D3)	805.64	-308.49	596.62	-432.21	661.55
			7103055 (D3)	-378.56	527.77	-281.39	735.00	602.83
			7104055 (D3)	952.21	-235.24	712.11	-458.92	970.16
			APREACT	-41.66	-31.79	-44.02	-26.13	-143.60
124	SUM TOTAL	D+1LANE (caseMAX	7101055 (D3)	3499.36	1821.13	2945.10	1607.88	9873.47
			7102055 (D3)	2385.78	2152.40	2446.01	1978.17	8962.36
			7103055 (D3)	3359.27	1787.21	3147.08	1467.27	9760.84
			7104055 (D3)	2377.61	2152.00	2442.53	1978.74	8950.88
			APREACT	3499.36	1821.13	2945.10	1607.88	9873.47
		MIN	7101055 (D3)	2375.25	2151.24	2440.16	1978.33	8944.97
			7102055 (D3)	3331.96	1784.62	3139.58	1470.71	9726.87
			7103055 (D3)	2375.25	2151.24	2440.16	1978.33	8944.97

BAGO RIVER BRIDGE

[ No. 4 : 4TH SPAN WITHOUT IMPACT ] [ FORCE3 (kN) ]

SUPPORT		7101055	7102055	7103055	7104055	TOTAL	
NODE		1055	2055	3055	4055		
NAME	TITLE	D3 (kN)	D3 (kN)	D3 (kN)	D3 (kN)	(kN)	
124	SUM TOTAL						
	D+1LANE (caseMIN	7104055 (D3)	3358.99	1787.24	3145.05	1467.13	9758.41
		APREACT	2375.76	2150.58	2440.57	1977.58	8944.48
	D+1LANE (caseMAX	7101055 (D3)	2814.53	2243.12	2872.76	1874.65	9805.05
		7102055 (D3)	2607.75	2485.15	2697.65	1927.63	9718.19
		7103055 (D3)	2814.48	2245.01	2873.10	1874.39	9806.98
		7104055 (D3)	2430.91	2146.38	2494.17	1961.29	9032.74
		APREACT	2712.01	2471.61	2795.42	1895.41	9874.45
	MIN	7101055 (D3)	2395.59	2133.93	2457.72	1957.70	8944.95
		7102055 (D3)	2566.01	2114.83	2618.62	1909.90	9209.35
		7103055 (D3)	2395.59	2133.93	2457.72	1957.70	8944.95
		7104055 (D3)	2772.54	2265.94	2835.03	1870.77	9744.29
		APREACT	2395.68	2133.78	2457.79	1957.53	8944.77
	D+1LANE (caseMAX	7101055 (D3)	2436.74	2195.39	2514.80	2010.64	9157.57
		7102055 (D3)	2378.53	2496.35	2626.22	2311.73	9812.84
		7103055 (D3)	2407.73	2372.37	2837.18	2160.74	9778.03
		7104055 (D3)	2379.24	2496.30	2617.47	2313.23	9806.23
		APREACT	2393.50	2426.96	2832.28	2219.10	9871.85
	MIN	7101055 (D3)	2358.56	2427.07	2613.50	2243.61	9642.73
		7102055 (D3)	2410.97	2120.97	2471.02	1942.24	8945.20
		7103055 (D3)	2396.48	2175.71	2465.88	2000.78	9038.84
		7104055 (D3)	2411.09	2120.99	2471.13	1942.23	8945.44
		APREACT	2410.77	2121.03	2470.83	1942.33	8944.95
	D+1LANE (caseMAX	7101055 (D3)	2442.10	2099.31	2498.47	1915.58	8955.46
		7102055 (D3)	1980.43	2761.96	2158.84	2857.60	9758.82

BAGO RIVER BRIDGE

[ No. 4 : 4TH SPAN WITHOUT IMPACT ] [ FORCE3 (kN) ]

SUPPORT		7101055	7102055	7103055	7104055	TOTAL	
NODE		1055	2055	3055	4055		
NAME	TITLE	D3 (kN)	D3 (kN)	D3 (kN)	D3 (kN)	(kN)	
124	SUM TOTAL						
	D+1LANE (caseMAX	7103055 (D3)	2441.51	2101.12	2498.72	1922.97	8964.32
		7104055 (D3)	2115.41	2562.58	2190.32	3004.08	9872.39
		APREACT	2115.41	2562.58	2190.32	3004.08	9872.39
	MIN	7101055 (D3)	1979.53	2758.68	2158.05	2856.09	9752.36
		7102055 (D3)	2441.09	2095.50	2497.04	1911.86	8945.49
		7103055 (D3)	1982.58	2755.75	2156.39	2835.06	9729.78
		7104055 (D3)	2441.13	2095.51	2497.08	1911.86	8945.58
		APREACT	2440.48	2095.83	2496.50	1912.28	8945.09
	D+2LANES (casMAX	7101055 (D3)	3882.57	1819.19	3276.27	1441.55	10419.58
		7102055 (D3)	2611.63	2282.64	2494.56	1951.55	9340.37
		7103055 (D3)	3755.56	1751.53	3470.59	1310.90	10288.58
		7104055 (D3)	2358.12	2156.45	2424.24	1986.17	8924.98
		APREACT	3861.67	1921.37	3182.72	1491.91	10457.67
	MIN	7101055 (D3)	2352.24	2154.67	2418.36	1985.23	8910.50
		7102055 (D3)	3627.02	1713.23	3417.43	1335.07	10092.76
		7103055 (D3)	2352.25	2154.57	2418.35	1985.13	8910.29
		7104055 (D3)	3752.37	1750.80	3465.95	1310.45	10279.58
		APREACT	2352.90	2153.73	2418.87	1984.18	8909.68
	D+2LANES (casMAX	7101055 (D3)	3311.88	2170.85	3215.99	1663.85	10362.56
		7102055 (D3)	2796.61	2559.93	2704.26	1909.43	9970.22
		7103055 (D3)	3301.57	2133.03	3242.27	1650.16	10327.03
		7104055 (D3)	2402.53	2151.77	2467.28	1971.62	8993.20
		APREACT	3205.55	2463.43	3057.99	1731.51	10458.49
	MIN	7101055 (D3)	2369.20	2140.24	2432.99	1968.04	8910.48

BAGO RIVER BRIDGE

[ No. 4 : 4TH SPAN WITHOUT IMPACT ] [ FORCE3 (kN) ]

SUPPORT		7101055	7102055	7103055	7104055	TOTAL	
NODE		1055	2055	3055	4055		
NAME	TITLE	D3 (kN)	D3 (kN)	D3 (kN)	D3 (kN)	(kN)	
124	SUM TOTAL						
	D+2LANES (casMIN)						
		7102055 (D3)	2988.73	1988.40	2983.30	1701.06	9661.49
		7103055 (D3)	2369.20	2140.14	2432.99	1967.94	8910.27
		7104055 (D3)	3263.66	2149.73	3207.61	1646.81	10267.81
		APREACT	2369.50	2139.73	2433.23	1967.47	8909.92
	D+2LANES (casMAX)						
		7101055 (D3)	2438.16	2184.63	2513.21	2000.06	9136.06
		7102055 (D3)	2183.09	2842.99	2528.46	2776.25	10330.80
		7103055 (D3)	2384.94	2388.30	2911.71	2358.45	10043.40
		7104055 (D3)	2195.02	2818.70	2560.29	2788.41	10362.42
		APREACT	2253.06	2670.58	2840.53	2690.62	10454.78
	MIN						
		7101055 (D3)	2163.19	2776.43	2513.66	2711.00	10164.28
		7102055 (D3)	2411.92	2104.16	2469.92	1925.00	8911.00
		7103055 (D3)	2217.16	2521.55	2356.39	2405.26	9500.37
		7104055 (D3)	2412.35	2104.21	2470.34	1924.98	8911.88
		APREACT	2411.28	2104.42	2469.34	1925.35	8910.39
	D+2LANES (casMAX)						
		7101055 (D3)	2447.15	2083.46	2501.45	1898.71	8930.77
		7102055 (D3)	1850.41	3065.07	2138.17	3232.00	10285.64
		7103055 (D3)	2415.35	2153.00	2630.75	2150.56	9349.65
		7104055 (D3)	1974.22	2874.68	2203.52	3364.99	10417.41
		APREACT	2020.36	2784.34	2304.73	3345.66	10455.10
	MIN						
		7101055 (D3)	1848.56	3059.24	2136.08	3227.76	10271.65
		7102055 (D3)	2444.93	2076.10	2498.42	1891.56	8911.00
		7103055 (D3)	1873.52	3011.13	2100.46	3106.61	10091.72
		7104055 (D3)	2445.05	2076.11	2498.55	1891.55	8911.27
		APREACT	2444.18	2076.51	2497.75	1892.09	8910.53

BAGO RIVER BRIDGE

[ No. 4 : 4TH SPAN WITHOUT IMPACT ] [ FORCE3 (kN) ]

SUPPORT		7101055	7102055	7103055	7104055	TOTAL		
NODE		1055	2055	3055	4055			
NAME	TITLE	D3 (kN)	D3 (kN)	D3 (kN)	D3 (kN)	(kN)		
124	SUM TOTAL	D+3LANES (casMAX	7101055 (D3)	3944.07	1941.87	3429.24	1464.64	10779.83
			7102055 (D3)	2714.49	2508.31	2644.39	1932.59	9799.78
			7103055 (D3)	3833.26	1886.76	3598.30	1350.32	10668.65
			7104055 (D3)	2373.74	2161.08	2440.49	1985.85	8961.17
			APREACT	3853.70	2190.57	3294.95	1522.15	10861.37
		MIN	7101055 (D3)	2343.73	2150.75	2409.67	1982.52	8886.68
			7102055 (D3)	3548.00	1762.00	3372.85	1396.02	10078.88
			7103055 (D3)	2343.74	2150.67	2409.67	1982.43	8886.50
			7104055 (D3)	3800.85	1900.98	3567.39	1347.38	10616.59
			APREACT	2344.35	2149.84	2410.16	1981.50	8885.85
		D+3LANES (casMAX	7101055 (D3)	2444.13	2158.36	2514.58	1972.89	9089.95
			7102055 (D3)	1906.66	3180.07	2292.23	3291.49	10670.46
			7103055 (D3)	2398.39	2334.78	2853.64	2284.82	9871.63
			7104055 (D3)	2012.42	3018.20	2341.60	3405.55	10777.77
			APREACT	2061.76	2892.30	2579.81	3322.42	10856.29
		MIN	7101055 (D3)	1888.46	3120.70	2278.41	3234.56	10522.14
			7102055 (D3)	2419.89	2086.39	2475.49	1905.74	8887.52
			7103055 (D3)	1936.63	2900.16	2143.47	2957.92	9938.18
			7104055 (D3)	2420.58	2086.43	2476.15	1905.68	8888.85
			APREACT	2418.80	2086.92	2474.49	1906.44	8886.66
		D+3LANES (casMAX	7101055 (D3)	2452.68	2131.69	2519.65	1944.50	9048.52
			7102055 (D3)	1904.30	3181.93	2290.18	3293.78	10670.18
			7103055 (D3)	2406.22	2314.71	2865.32	2262.86	9849.11
			7104055 (D3)	2010.04	3020.06	2339.52	3407.88	10777.51

BAGO RIVER BRIDGE

[ No. 4 : 4TH SPAN WITHOUT IMPACT ] [ FORCE3 (kN) ]

SUPPORT		7101055	7102055	7103055	7104055	TOTAL			
NODE		1055	2055	3055	4055				
NAME	TITLE	D3 (kN)	D3 (kN)	D3 (kN)	D3 (kN)	(kN)			
124	SUM TOTAL	D+3LANES (casMAX	APREACT	2060.15	2891.18	2584.62	3321.26	10857.22	
		MIN	7101055 (D3)	1892.84	3127.07	2283.40	3240.44	10543.75	
			7102055 (D3)	2440.29	2068.93	2493.09	1884.96	8887.27	
			7103055 (D3)	1943.71	2904.75	2150.85	2961.62	9960.92	
			7104055 (D3)	2440.40	2068.94	2493.20	1884.95	8887.49	
			APREACT	2439.56	2069.30	2492.43	1885.44	8886.75	
		D+4LANES	MAX	7101055 (D3)	2437.39	2114.86	2495.78	1932.09	8980.12
				7102055 (D3)	2428.75	2145.81	2491.16	1964.85	9030.56
				7103055 (D3)	2437.25	2116.91	2495.90	1934.20	8984.26
				7104055 (D3)	2428.73	2145.80	2491.13	1964.85	9030.52
				APREACT	2429.02	2145.65	2491.39	1964.65	9030.71
			MIN	7101055 (D3)	2415.69	2122.44	2475.74	1943.02	8956.89
				7102055 (D3)	2425.35	2092.47	2481.49	1911.12	8910.43
				7103055 (D3)	2416.03	2117.08	2475.43	1937.53	8946.06
				7104055 (D3)	2425.35	2092.47	2481.49	1911.12	8910.43
				APREACT	2425.22	2092.58	2481.37	1911.25	8910.43
		D+6LANES	MAX	7101055 (D3)	3508.44	2057.19	3204.12	1676.16	10445.92
				7102055 (D3)	2252.23	3168.74	2537.95	2857.51	10816.43
				7103055 (D3)	3383.40	2158.87	3575.36	1732.30	10849.94
				7104055 (D3)	2185.55	2806.95	2425.74	2985.88	10404.13
				APREACT	3144.61	2769.47	3196.12	2573.34	11683.55
			MIN	7101055 (D3)	2005.58	2767.79	2246.44	2801.75	9821.56
				7102055 (D3)	3195.94	1823.02	3083.93	1516.65	9619.54
				7103055 (D3)	2026.51	2689.34	2192.69	2687.52	9596.07



BAGO RIVER BRIDGE

[ No. 4 : 4TH SPAN WITHOUT IMPACT ] [ FORCE3 (kN) ]

SUPPORT				7101055	7102055	7103055	7104055	TOTAL	
NODE				1055	2055	3055	4055		
NAME	TITLE			D3 (kN)	D3 (kN)	D3 (kN)	D3 (kN)	(kN)	
124	SUM TOTAL	D+6LANES	MIN	7104055 (D3)	3353.73	1880.28	3204.92	1490.46	9929.40
				APREACT	2376.06	2097.62	2434.52	1923.68	8831.90
		SUM TOTAL	MAX	7101055 (D3)	3944.07	1941.87	3429.24	1464.64	10779.83
				7102055 (D3)	1904.30	3181.93	2290.18	3293.78	10670.18
				7103055 (D3)	3833.26	1886.76	3598.30	1350.32	10668.65
				7104055 (D3)	2010.04	3020.06	2339.52	3407.88	10777.51
				APREACT	3144.61	2769.47	3196.12	2573.34	11683.55
			MIN	7101055 (D3)	1848.56	3059.24	2136.08	3227.76	10271.65
				7102055 (D3)	3627.02	1713.23	3417.43	1335.07	10092.76
				7103055 (D3)	1873.52	3011.13	2100.46	3106.61	10091.72
				7104055 (D3)	3752.37	1750.80	3465.95	1310.45	10279.58
				APREACT	2376.06	2097.62	2434.52	1923.68	8831.90
300	DEAD LOAD	TOTAL			2422.48	2135.37	2483.85	1955.17	8996.87
301	LIVE LOAD	1-LANE (case1MAX)		7101055 (D3)	1076.88	-314.24	461.24	-347.28	876.60
				7102055 (D3)	-36.70	17.03	-37.84	23.01	-34.51
				7103055 (D3)	936.79	-348.17	663.23	-487.89	763.97
				7104055 (D3)	-44.87	16.62	-41.32	23.58	-45.99
				APREACT	1076.88	-314.24	461.24	-347.28	876.60
			MIN	7101055 (D3)	-47.23	15.87	-43.70	23.16	-51.90
				7102055 (D3)	909.48	-350.75	655.73	-484.46	730.00
				7103055 (D3)	-47.23	15.87	-43.70	23.16	-51.90
				7104055 (D3)	936.51	-348.13	661.19	-488.04	761.53
				APREACT	-46.72	15.21	-43.29	22.41	-52.39
		1-LANE (case2MAX)		7101055 (D3)	392.05	107.74	388.91	-80.52	808.18

BAGO RIVER BRIDGE

[ No. 4 : 4TH SPAN WITHOUT IMPACT ] [ FORCE3 (kN) ]

SUPPORT		7101055	7102055	7103055	7104055	TOTAL		
NODE		1055	2055	3055	4055			
NAME	TITLE	D3 (kN)	D3 (kN)	D3 (kN)	D3 (kN)	(kN)		
301	LIVE LOAD	1-LANE (case2MAX	7102055 (D3)	185.27	349.78	213.80	-27.54	721.31
			7103055 (D3)	391.99	109.64	389.25	-80.77	810.11
			7104055 (D3)	8.43	11.00	10.32	6.12	35.87
			APREACT	289.53	336.24	311.57	-59.76	877.58
		MIN	7101055 (D3)	-26.89	-1.44	-26.13	2.53	-51.92
			7102055 (D3)	143.53	-20.55	134.76	-45.27	212.48
			7103055 (D3)	-26.89	-1.44	-26.13	2.53	-51.92
			7104055 (D3)	350.06	130.57	351.18	-84.40	747.41
			APREACT	-26.80	-1.60	-26.06	2.36	-52.10
		1-LANE (case3MAX	7101055 (D3)	14.26	60.02	30.94	55.47	160.70
			7102055 (D3)	-43.95	360.97	142.37	356.57	815.96
			7103055 (D3)	-14.75	237.00	353.33	205.58	781.15
			7104055 (D3)	-43.24	360.93	133.62	358.06	809.36
			APREACT	-28.98	291.59	348.43	263.94	874.97
		MIN	7101055 (D3)	-63.92	291.69	129.65	288.44	645.86
			7102055 (D3)	-11.51	-14.40	-12.84	-12.93	-51.68
			7103055 (D3)	-26.00	40.33	-17.97	45.61	41.97
			7104055 (D3)	-11.39	-14.39	-12.72	-12.94	-51.43
			APREACT	-11.72	-14.34	-13.03	-12.84	-51.92
		1-LANE (case4MAX	7101055 (D3)	19.62	-36.07	14.62	-39.59	-41.42
			7102055 (D3)	-442.05	626.58	-325.02	902.43	761.95
			7103055 (D3)	19.03	-34.25	14.87	-32.20	-32.55
			7104055 (D3)	-307.07	427.21	-293.53	1048.91	875.52
			APREACT	-307.07	427.21	-293.53	1048.91	875.52

BAGO RIVER BRIDGE

[ No. 4 : 4TH SPAN WITHOUT IMPACT ] [ FORCE3 (kN) ]

SUPPORT		7101055	7102055	7103055	7104055	TOTAL	
NODE		1055	2055	3055	4055		
NAME	TITLE	D3 (kN)	D3 (kN)	D3 (kN)	D3 (kN)	(kN)	
301	LIVE LOAD						
	1-LANE (case4MIN	7101055 (D3)	-442.95	623.31	-325.80	900.93	755.49
		7102055 (D3)	18.60	-39.87	13.19	-43.31	-51.39
		7103055 (D3)	-439.91	620.38	-327.46	879.89	732.91
		7104055 (D3)	18.65	-39.87	13.23	-43.31	-51.30
		APREACT	18.00	-39.54	12.64	-42.88	-51.78
	2-LANES (caseMAX	7101055 (D3)	1460.08	-316.18	792.42	-513.62	1422.70
		7102055 (D3)	189.14	147.26	10.70	-3.62	343.50
		7103055 (D3)	1333.08	-383.85	986.74	-644.27	1291.70
		7104055 (D3)	-64.36	21.08	-59.61	31.00	-71.90
		APREACT	1439.19	-214.00	698.87	-463.26	1460.79
	MIN	7101055 (D3)	-70.24	19.30	-65.50	30.06	-86.38
		7102055 (D3)	1204.54	-422.14	933.58	-620.09	1095.88
		7103055 (D3)	-70.23	19.19	-65.50	29.96	-86.58
		7104055 (D3)	1329.89	-384.57	982.10	-644.72	1282.71
		APREACT	-69.58	18.35	-64.98	29.01	-87.20
	2-LANES (caseMAX	7101055 (D3)	889.40	35.47	732.14	-291.32	1365.69
		7102055 (D3)	374.12	424.56	220.41	-45.74	973.35
		7103055 (D3)	879.08	-2.34	758.42	-305.01	1330.16
		7104055 (D3)	-19.95	16.39	-16.58	16.46	-3.68
		APREACT	783.07	328.06	574.14	-223.66	1461.61
	MIN	7101055 (D3)	-53.29	4.87	-50.86	12.88	-86.39
		7102055 (D3)	566.25	-146.97	499.44	-254.11	664.62
		7103055 (D3)	-53.28	4.77	-50.86	12.77	-86.60
		7104055 (D3)	841.18	14.35	723.76	-308.35	1270.94

BAGO RIVER BRIDGE

[ No. 4 : 4TH SPAN WITHOUT IMPACT ] [ FORCE3 (kN) ]

SUPPORT		7101055	7102055	7103055	7104055	TOTAL	
NODE		1055	2055	3055	4055		
NAME	TITLE	D3 (kN)	D3 (kN)	D3 (kN)	D3 (kN)	(kN)	
301	LIVE LOAD						
	2-LANES (caseMIN	APREACT	-52.98	4.35	-50.63	12.30	-86.95
	2-LANES (caseMAX	7101055 (D3)	15.67	49.26	29.35	44.90	139.18
		7102055 (D3)	-239.39	707.62	44.61	821.09	1333.92
		7103055 (D3)	-37.54	252.92	427.86	403.28	1046.53
		7104055 (D3)	-227.46	683.33	76.43	833.25	1365.54
		APREACT	-169.42	535.20	356.68	735.45	1457.91
	MIN	7101055 (D3)	-259.29	641.06	29.81	755.83	1167.40
		7102055 (D3)	-10.56	-31.21	-13.93	-30.17	-85.88
		7103055 (D3)	-205.32	386.18	-127.46	450.09	503.49
		7104055 (D3)	-10.13	-31.16	-13.51	-30.18	-84.99
		APREACT	-11.20	-30.96	-14.52	-29.81	-86.48
	2-LANES (caseMAX	7101055 (D3)	24.67	-51.91	17.60	-56.45	-66.10
		7102055 (D3)	-572.07	929.69	-345.68	1276.83	1288.77
		7103055 (D3)	-7.13	17.63	146.90	195.39	352.78
		7104055 (D3)	-448.26	739.31	-280.34	1409.83	1420.54
		APREACT	-402.12	648.97	-179.12	1390.49	1458.23
	MIN	7101055 (D3)	-573.92	923.87	-347.77	1272.59	1274.78
		7102055 (D3)	22.44	-59.27	14.57	-63.61	-85.87
		7103055 (D3)	-548.96	875.76	-383.40	1151.44	1094.84
		7104055 (D3)	22.57	-59.26	14.70	-63.62	-85.61
		APREACT	21.70	-58.86	13.90	-63.08	-86.34
	3-LANES (caseMAX	7101055 (D3)	1521.59	-193.50	945.39	-490.53	1782.96
		7102055 (D3)	292.01	372.94	160.54	-22.58	802.90
		7103055 (D3)	1410.78	-248.61	1114.45	-604.85	1671.78

BAGO RIVER BRIDGE

[ No. 4 : 4TH SPAN WITHOUT IMPACT ] [ FORCE3 (kN) ]

SUPPORT		7101055	7102055	7103055	7104055	TOTAL	
NODE		1055	2055	3055	4055		
NAME	TITLE	D3 (kN)	D3 (kN)	D3 (kN)	D3 (kN)	(kN)	
301	LIVE LOAD						
	3-LANES (caseMAX	7104055 (D3)	-48.74	25.71	-43.36	30.69	-35.70
		APREACT	1431.21	55.20	811.10	-433.02	1864.49
	MIN	7101055 (D3)	-78.75	15.38	-74.18	27.35	-110.20
		7102055 (D3)	1125.52	-373.37	889.00	-559.15	1082.01
		7103055 (D3)	-78.74	15.29	-74.19	27.26	-110.38
		7104055 (D3)	1378.36	-234.39	1083.54	-607.79	1619.72
		APREACT	-78.13	14.47	-73.69	26.33	-111.02
	3-LANES (caseMAX	7101055 (D3)	21.65	22.98	30.73	17.72	93.08
		7102055 (D3)	-515.82	1044.70	-191.62	1336.32	1673.58
		7103055 (D3)	-24.09	199.41	369.79	329.65	874.76
		7104055 (D3)	-410.06	882.83	-142.25	1450.38	1780.90
		APREACT	-360.72	756.92	95.96	1367.25	1859.41
	MIN	7101055 (D3)	-534.02	985.33	-205.44	1279.39	1525.26
		7102055 (D3)	-2.59	-48.98	-8.36	-49.42	-109.36
		7103055 (D3)	-485.86	764.79	-340.38	1002.75	941.31
		7104055 (D3)	-1.91	-48.94	-7.70	-49.48	-108.03
		APREACT	-3.69	-48.45	-9.36	-48.72	-110.22
	3-LANES (caseMAX	7101055 (D3)	30.20	-3.68	35.79	-10.67	51.65
		7102055 (D3)	-518.18	1046.55	-193.67	1338.61	1673.31
		7103055 (D3)	-16.26	179.33	381.46	307.70	852.23
		7104055 (D3)	-412.44	884.69	-144.33	1452.71	1780.63
		APREACT	-362.33	755.81	100.77	1366.09	1860.34
	MIN	7101055 (D3)	-529.64	991.70	-200.45	1285.28	1546.87
		7102055 (D3)	17.81	-66.44	9.24	-70.21	-109.61

BAGO RIVER BRIDGE

[ No. 4 : 4TH SPAN WITHOUT IMPACT ] [ FORCE3 (kN) ]

SUPPORT		7101055	7102055	7103055	7104055	TOTAL			
NODE		1055	2055	3055	4055				
NAME	TITLE	D3 (kN)	D3 (kN)	D3 (kN)	D3 (kN)	(kN)			
301	LIVE LOAD	3-LANES (caseMIN	7103055 (D3)	-478.78	769.38	-333.00	1006.45	964.05	
			7104055 (D3)	17.92	-66.43	9.34	-70.21	-109.38	
			APREACT	17.08	-66.07	8.58	-69.72	-110.13	
		4-LANES	MAX	7101055 (D3)	14.90	-20.51	11.93	-23.08	-16.76
				7102055 (D3)	6.27	10.43	7.30	9.68	33.69
				7103055 (D3)	14.77	-18.46	12.05	-20.97	-12.61
				7104055 (D3)	6.25	10.43	7.28	9.68	33.64
				APREACT	6.53	10.28	7.54	9.48	33.84
			MIN	7101055 (D3)	-6.79	-12.94	-8.11	-12.15	-39.98
				7102055 (D3)	2.87	-42.90	-2.36	-44.05	-86.45
				7103055 (D3)	-6.46	-18.29	-8.42	-17.64	-50.81
				7104055 (D3)	2.87	-42.90	-2.36	-44.05	-86.45
				APREACT	2.74	-42.79	-2.48	-43.92	-86.45
		6-LANES	MAX	7101055 (D3)	1085.96	-78.18	720.27	-279.01	1449.05
				7102055 (D3)	-170.25	1033.37	54.10	902.34	1819.56
				7103055 (D3)	960.92	23.50	1091.51	-222.86	1853.06
				7104055 (D3)	-236.93	671.58	-58.11	1030.72	1407.25
				APREACT	722.13	634.10	712.27	618.18	2686.67
			MIN	7101055 (D3)	-416.90	632.42	-237.41	846.58	824.68
				7102055 (D3)	773.45	-312.35	600.08	-438.51	622.67
				7103055 (D3)	-395.98	553.97	-291.16	732.36	599.19
				7104055 (D3)	931.25	-255.09	721.07	-464.71	932.53
				APREACT	-46.42	-37.75	-49.33	-31.48	-164.98
		LIVE LOAD	MAX	7101055 (D3)	1521.59	-193.50	945.39	-490.53	1782.96

BAGO RIVER BRIDGE

[ No. 4 : 4TH SPAN WITHOUT IMPACT ] [ FORCE3 (kN) ]

SUPPORT				7101055	7102055	7103055	7104055	TOTAL	
NODE				1055	2055	3055	4055		
NAME	TITLE			D3 (kN)	D3 (kN)	D3 (kN)	D3 (kN)	(kN)	
301	LIVE LOAD	LIVE LOAD	MAX	7102055 (D3)	-518.18	1046.55	-193.67	1338.61	1673.31
				7103055 (D3)	1410.78	-248.61	1114.45	-604.85	1671.78
				7104055 (D3)	-412.44	884.69	-144.33	1452.71	1780.63
				APREACT	722.13	634.10	712.27	618.18	2686.67
			MIN	7101055 (D3)	-573.92	923.87	-347.77	1272.59	1274.78
				7102055 (D3)	1204.54	-422.14	933.58	-620.09	1095.88
				7103055 (D3)	-548.96	875.76	-383.40	1151.44	1094.84
				7104055 (D3)	1329.89	-384.57	982.10	-644.72	1282.71
				APREACT	-46.42	-37.75	-49.33	-31.48	-164.98
			303	SUM TOTAL	TOTAL	MAX	7101055 (D3)	3944.07	1941.87
	7102055 (D3)	1904.30				3181.93	2290.18	3293.78	10670.18
	7103055 (D3)	3833.26				1886.76	3598.30	1350.32	10668.65
	7104055 (D3)	2010.04				3020.06	2339.52	3407.88	10777.51
	APREACT	3144.61				2769.47	3196.12	2573.34	11683.55
MIN	7101055 (D3)	1848.56				3059.24	2136.08	3227.76	10271.65
	7102055 (D3)	3627.02				1713.23	3417.43	1335.07	10092.76
	7103055 (D3)	1873.52				3011.13	2100.46	3106.61	10091.72
	7104055 (D3)	3752.37				1750.80	3465.95	1310.45	10279.58
	APREACT	2376.06				2097.62	2434.52	1923.68	8831.90

BAGO RIVER BRIDGE

[ No.101 : 1ST SPAN WITH IMPACT ] [ FORCE3(kN) ]

SUPPORT NODE		7101001	7102001	7103001	7104001	TOTAL			
NAME TITLE		D3 (kN)	D3 (kN)	D3 (kN)	D3 (kN)	(kN)			
1	PAVEMENT	275.81	272.82	358.50	420.52	1327.64			
3	RAILING	12.36	2.24	4.03	12.38	31.01			
5	CURB	122.41	22.17	39.89	122.52	306.99			
7	DECK WEIGHT	457.96	413.73	549.98	638.43	2060.11			
8	GIRDER WEIGH	722.80	454.48	607.65	580.56	2365.48			
10	MEDIAN STRIP	119.82	90.44	128.52	53.35	392.13			
21	ADITIONAL WE	128.23	115.85	154.00	178.76	576.83			
31	MEDIAN RAILI	9.47	7.19	10.21	4.13	30.99			
51	SUPPORT WEIG	13.76	15.59	22.15	20.35	71.85			
52	NOSE WEIGHT	3.35	-10.96	20.14	19.20	31.73			
61	1-LANE(case1TRUCK-LOAD	MAX	7101001 (D3)	426.24	-61.87	3.66	-8.89	359.14	
			7102001 (D3)	-23.59	3.96	-5.72	-0.44	-25.79	
			7103001 (D3)	246.93	-30.38	42.19	-33.78	224.97	
			7104001 (D3)	5.62	1.82	3.64	3.27	14.35	
			APREACT	426.24	-61.87	3.66	-8.89	359.14	
		MIN	7101001 (D3)	-25.77	3.19	-7.20	-1.79	-31.58	
			7102001 (D3)	426.24	-61.87	3.66	-8.89	359.14	
			7103001 (D3)	-24.86	2.51	-7.40	-2.37	-32.12	
			7104001 (D3)	268.06	-20.67	40.70	-35.22	252.87	
			APREACT	-25.00	2.58	-7.40	-2.32	-32.15	
		TANDEM-LOAD	MAX	7101001 (D3)	313.65	-60.29	0.48	-1.31	252.52
			7102001 (D3)	-15.84	2.74	-3.78	-0.20	-17.08	
			7103001 (D3)	169.94	-20.34	29.31	-23.33	155.58	
			7104001 (D3)	3.83	1.23	2.47	2.22	9.76	



BAGO RIVER BRIDGE

[ No.101 : 1ST SPAN WITH IMPACT ] [ FORCE3(kN) ]

SUPPORT		7101001	7102001	7103001	7104001	TOTAL		
NODE		1001	2001	3001	4001			
NAME	TITLE	D3 (kN)	D3 (kN)	D3 (kN)	D3 (kN)	(kN)		
61	1-LANE(case1TANDEM-LOAD	MAX	APREACT	313.65	-60.29	0.48	-1.31	252.52
		MIN	7101001 (D3)	-17.59	2.24	-4.86	-1.15	-21.36
			7102001 (D3)	313.65	-60.29	0.48	-1.31	252.52
			7103001 (D3)	-17.15	1.82	-5.03	-1.53	-21.90
			7104001 (D3)	183.93	-12.97	27.77	-24.18	174.55
			APREACT	-17.15	1.82	-5.03	-1.53	-21.90
	DISPERSION-LMAX		7101001 (D3)	362.00	-42.98	45.12	-31.01	333.13
			7102001 (D3)	24.77	7.92	1.85	0.44	34.99
			7103001 (D3)	337.88	-37.36	45.22	-30.23	315.51
			7104001 (D3)	5.46	3.89	5.29	5.62	20.26
			APREACT	362.00	-42.98	45.12	-31.01	333.13
		MIN	7101001 (D3)	-29.82	3.06	-8.84	-2.78	-38.38
			7102001 (D3)	307.41	-47.84	34.43	-34.23	259.77
			7103001 (D3)	-5.70	-2.56	-8.94	-3.56	-20.76
			7104001 (D3)	326.72	-43.81	30.99	-39.41	274.49
			APREACT	-29.82	3.06	-8.84	-2.78	-38.38
62	1-LANE(case2TRUCK-LOAD	MAX	7101001 (D3)	138.46	42.13	75.51	17.23	273.34
			7102001 (D3)	45.36	244.97	65.37	3.48	359.19
			7103001 (D3)	123.36	89.49	85.22	12.43	310.50
			7104001 (D3)	134.43	26.63	62.43	18.96	242.45
			APREACT	45.36	244.97	65.37	3.48	359.19
		MIN	7101001 (D3)	-15.79	-2.22	-7.84	-5.87	-31.72
			7102001 (D3)	-13.54	-2.74	-7.42	-6.00	-29.71
			7103001 (D3)	-15.54	-2.54	-8.02	-6.19	-32.29

BAGO RIVER BRIDGE

[ No.101 : 1ST SPAN WITH IMPACT ] [ FORCE3(kN) ]

SUPPORT		7101001	7102001	7103001	7104001	TOTAL		
NODE		1001	2001	3001	4001			
NAME	TITLE	D3 (kN)	D3 (kN)	D3 (kN)	D3 (kN)	(kN)		
62	1-LANE (case2TRUCK-LOAD	MIN	7104001 (D3)	-15.29	-2.63	-7.99	-6.24	-32.14
			APREACT	-15.54	-2.54	-8.02	-6.19	-32.29
	TANDEM-LOAD	MAX	7101001 (D3)	94.21	33.73	55.32	10.86	194.12
			7102001 (D3)	10.32	204.55	37.15	0.50	252.53
			7103001 (D3)	83.24	63.00	59.53	7.91	213.69
			7104001 (D3)	90.47	16.44	40.73	13.03	160.67
			APREACT	10.32	204.55	37.15	0.50	252.53
		MIN	7101001 (D3)	-10.74	-1.47	-5.30	-3.95	-21.46
			7102001 (D3)	-9.37	-1.87	-5.11	-4.12	-20.48
			7103001 (D3)	-10.64	-1.70	-5.46	-4.20	-21.99
			7104001 (D3)	-10.30	-1.81	-5.42	-4.25	-21.79
			APREACT	-10.64	-1.70	-5.46	-4.20	-21.99
	DISPERSION-LMAX		7101001 (D3)	156.55	69.43	81.28	25.46	332.71
			7102001 (D3)	121.08	71.49	70.11	22.07	284.76
			7103001 (D3)	156.55	69.43	81.28	25.46	332.71
			7104001 (D3)	155.74	67.66	81.05	25.46	329.91
			APREACT	156.55	69.43	81.28	25.46	332.71
		MIN	7101001 (D3)	-18.49	-3.02	-9.53	-7.36	-38.40
			7102001 (D3)	16.97	-5.07	1.63	-3.98	9.55
			7103001 (D3)	-18.49	-3.02	-9.53	-7.36	-38.40
			7104001 (D3)	-17.69	-1.25	-9.31	-7.36	-35.60
			APREACT	-18.49	-3.02	-9.53	-7.36	-38.40
63	1-LANE (case3TRUCK-LOAD	MAX	7101001 (D3)	47.05	53.22	65.24	60.38	225.88
			7102001 (D3)	26.49	87.08	144.37	52.74	310.68

BAGO RIVER BRIDGE

[ No.101 : 1ST SPAN WITH IMPACT ] [ FORCE3(kN) ]

SUPPORT		7101001	7102001	7103001	7104001	TOTAL	
NODE		1001	2001	3001	4001		
NAME	TITLE	D3 (kN)	D3 (kN)	D3 (kN)	D3 (kN)	(kN)	
63	1-LANE (case3TRUCK-LOAD	MAX 7103001 (D3)	6.73	66.43	267.50	18.54	359.20
		7104001 (D3)	44.97	65.62	80.03	63.02	253.64
		APREACT	6.73	66.43	267.50	18.54	359.20
		MIN 7101001 (D3)	-8.34	-6.44	-8.49	-9.14	-32.40
		7102001 (D3)	-8.34	-6.44	-8.49	-9.14	-32.40
		7103001 (D3)	-8.34	-6.44	-8.49	-9.14	-32.40
		7104001 (D3)	-8.34	-6.44	-8.49	-9.14	-32.40
		APREACT	-8.34	-6.44	-8.49	-9.14	-32.40
	TANDEM-LOAD	MAX 7101001 (D3)	32.32	37.08	45.18	41.63	156.20
		7102001 (D3)	16.37	60.97	101.42	35.05	213.81
		7103001 (D3)	0.95	37.33	210.12	4.13	252.53
		7104001 (D3)	30.42	45.96	55.48	43.22	175.07
		APREACT	0.95	37.33	210.12	4.13	252.53
		MIN 7101001 (D3)	-5.67	-4.39	-5.78	-6.23	-22.08
		7102001 (D3)	-5.67	-4.39	-5.78	-6.23	-22.08
		7103001 (D3)	-5.67	-4.39	-5.78	-6.23	-22.08
	DISPERSION-LMAX	MAX 7101001 (D3)	53.33	74.79	120.76	70.54	319.42
		7102001 (D3)	53.31	76.22	130.95	71.89	332.37
		7103001 (D3)	53.31	76.22	130.95	71.89	332.37
		7104001 (D3)	53.31	76.22	130.95	71.89	332.37
APREACT		53.31	76.22	130.95	71.89	332.37	
MIN 7101001 (D3)		-9.87	-6.23	0.11	-9.51	-25.50	

BAGO RIVER BRIDGE

[ No.101 : 1ST SPAN WITH IMPACT ] [ FORCE3(kN) ]

SUPPORT		7101001	7102001	7103001	7104001	TOTAL	
NODE		1001	2001	3001	4001		
NAME	TITLE	D3 (kN)	D3 (kN)	D3 (kN)	D3 (kN)	(kN)	
63	1-LANE (case3DISPERSION-LMIN	7102001 (D3)	-9.85	-7.66	-10.07	-10.86	-38.44
		7103001 (D3)	-9.85	-7.66	-10.07	-10.86	-38.44
		7104001 (D3)	-9.85	-7.66	-10.07	-10.86	-38.44
		APREACT	-9.85	-7.66	-10.07	-10.86	-38.44
64	1-LANE (case4TRUCK-LOAD MAX	7101001 (D3)	9.55	-14.03	-7.91	-14.04	-26.43
		7102001 (D3)	-132.78	115.05	64.72	169.22	216.21
		7103001 (D3)	-129.08	106.13	68.46	208.69	254.21
		7104001 (D3)	-26.76	17.73	-9.61	377.88	359.25
		APREACT	-26.76	17.73	-9.61	377.88	359.25
	MIN	7101001 (D3)	-133.20	114.07	66.39	179.37	226.63
		7102001 (D3)	8.69	-15.16	-9.18	-15.53	-31.18
		7103001 (D3)	0.00	-0.00	-16.81	184.90	168.10
		7104001 (D3)	7.98	-15.13	-9.42	-15.64	-32.20
		APREACT	6.69	-14.60	-9.48	-15.31	-32.70
	TANDEM-LOAD MAX	7101001 (D3)	6.60	-9.44	-5.26	-9.41	-17.51
		7102001 (D3)	-90.04	78.55	43.33	111.14	142.98
		7103001 (D3)	-87.29	71.21	46.94	144.60	175.46
		7104001 (D3)	-3.90	2.54	-21.34	275.24	252.54
		APREACT	-3.90	2.54	-21.34	275.24	252.54
	MIN	7101001 (D3)	-90.92	77.53	45.77	124.34	156.71
		7102001 (D3)	5.78	-10.34	-6.32	-10.62	-21.51
		7103001 (D3)	-3.90	2.54	-21.34	275.24	252.54
		7104001 (D3)	5.58	-10.33	-6.38	-10.66	-21.79
		APREACT	4.69	-10.02	-6.47	-10.49	-22.28

BAGO RIVER BRIDGE

[ No.101 : 1ST SPAN WITH IMPACT ] [ FORCE3(kN) ]

SUPPORT		7101001	7102001	7103001	7104001	TOTAL	
NODE		1001	2001	3001	4001		
NAME	TITLE	D3 (kN)	D3 (kN)	D3 (kN)	D3 (kN)	(kN)	
64	1-LANE (case4DISPERSION-LMAX	7101001 (D3)	13.31	-11.58	-4.47	-10.45	-13.20
		7102001 (D3)	-140.01	129.19	71.58	271.24	332.01
		7103001 (D3)	-137.84	127.94	73.85	237.72	301.66
		7104001 (D3)	-140.01	129.19	71.58	271.24	332.01
		APREACT	-140.01	129.19	71.58	271.24	332.01
	MIN	7101001 (D3)	-145.35	123.50	64.85	263.59	306.59
		7102001 (D3)	7.96	-17.28	-11.20	-18.10	-38.62
		7103001 (D3)	5.79	-16.02	-13.47	15.42	-8.27
		7104001 (D3)	7.96	-17.28	-11.20	-18.10	-38.62
		APREACT	7.96	-17.28	-11.20	-18.10	-38.62
65	2-LANES (caseTRUCK-LOAD	MAX 7101001 (D3)	643.50	-10.81	54.68	-17.86	669.51
		7102001 (D3)	185.44	140.24	11.25	-3.54	333.39
		7103001 (D3)	456.47	-13.78	98.60	-43.16	498.14
		7104001 (D3)	10.82	3.85	7.29	6.69	28.65
		APREACT	635.27	74.41	20.63	-12.00	718.31
	MIN	7101001 (D3)	-46.57	3.68	-14.72	-5.61	-63.22
		7102001 (D3)	555.82	-80.18	33.56	-13.61	495.58
		7103001 (D3)	-45.14	2.54	-15.11	-6.62	-64.34
		7104001 (D3)	480.13	1.98	96.96	-44.70	534.37
		APREACT	-45.29	2.61	-15.11	-6.57	-64.36
	TANDEM-LOAD	MAX 7101001 (D3)	461.72	-23.14	35.01	-7.46	466.13
		7102001 (D3)	122.51	114.86	-1.25	-0.67	235.45
		7103001 (D3)	315.16	-3.82	68.18	-29.94	349.58
		7104001 (D3)	7.37	2.61	4.96	4.54	19.48

BAGO RIVER BRIDGE

[ No.101 : 1ST SPAN WITH IMPACT ] [ FORCE3(kN) ]

SUPPORT		7101001	7102001	7103001	7104001	TOTAL		
NODE		1001	2001	3001	4001			
NAME	TITLE	D3 (kN)	D3 (kN)	D3 (kN)	D3 (kN)	(kN)		
65	2-LANES (caseTANDEM-LOAD	MAX	APREACT	451.99	51.83	3.00	-1.78	505.05
		MIN	7101001 (D3)	-31.77	2.63	-9.94	-3.69	-42.77
			7102001 (D3)	399.07	-72.86	20.01	-4.43	341.79
			7103001 (D3)	-31.05	1.89	-10.28	-4.39	-43.84
			7104001 (D3)	329.15	3.55	66.65	-30.80	368.55
			APREACT	-31.05	1.89	-10.28	-4.39	-43.84
	DISPERSION-LMAX		7101001 (D3)	615.57	-20.97	105.61	-34.15	666.07
			7102001 (D3)	139.02	46.06	28.81	1.01	214.89
			7103001 (D3)	591.45	-15.35	105.71	-33.37	648.45
			7104001 (D3)	46.45	6.39	20.95	11.90	85.69
			APREACT	615.57	-20.97	105.61	-34.15	666.07
		MIN	7101001 (D3)	-53.99	3.10	-18.02	-7.85	-76.77
			7102001 (D3)	422.56	-63.93	58.78	-43.00	374.40
			7103001 (D3)	-29.88	-2.52	-18.12	-8.63	-59.15
			7104001 (D3)	515.13	-24.26	66.64	-53.90	503.61
			APREACT	-53.99	3.10	-18.02	-7.85	-76.77
66	2-LANES (caseTRUCK-LOAD	MAX	7101001 (D3)	355.72	93.20	126.53	8.26	583.72
			7102001 (D3)	254.39	381.25	82.35	0.38	718.36
			7103001 (D3)	332.89	106.09	141.64	3.04	583.67
			7104001 (D3)	139.63	28.66	66.08	22.38	256.74
			APREACT	254.39	381.25	82.35	0.38	718.36
		MIN	7101001 (D3)	-36.58	-1.72	-15.36	-9.70	-63.37
			7102001 (D3)	116.03	-21.06	22.48	-10.71	106.74
			7103001 (D3)	-35.82	-2.51	-15.72	-10.44	-64.50

BAGO RIVER BRIDGE

[ No.101 : 1ST SPAN WITH IMPACT ] [ FORCE3(kN) ]

SUPPORT		7101001	7102001	7103001	7104001	TOTAL	
NODE		1001	2001	3001	4001		
NAME	TITLE	D3 (kN)	D3 (kN)	D3 (kN)	D3 (kN)	(kN)	
66	2-LANES (caseTRUCK-LOAD MIN	7104001 (D3)	196.78	20.03	48.26	-15.72	249.36
		APREACT	-35.82	-2.51	-15.72	-10.44	-64.50
	TANDEM-LOAD MAX	7101001 (D3)	242.28	70.88	89.85	4.72	407.73
		7102001 (D3)	148.67	316.67	39.68	0.04	505.06
		7103001 (D3)	228.46	79.53	98.41	1.30	407.69
		7104001 (D3)	94.01	17.81	43.21	15.35	170.38
		APREACT	148.67	316.67	39.68	0.04	505.06
	MIN	7101001 (D3)	-24.92	-1.07	-10.38	-6.49	-42.87
		7102001 (D3)	76.06	-14.45	14.42	-7.24	68.79
		7103001 (D3)	-24.54	-1.64	-10.70	-7.06	-43.94
		7104001 (D3)	134.92	14.71	33.46	-10.87	172.22
		APREACT	-24.54	-1.64	-10.70	-7.06	-43.94
	DISPERSION-LMAX	7101001 (D3)	410.12	91.44	141.78	22.32	665.65
		7102001 (D3)	235.33	109.63	97.07	22.64	464.67
		7103001 (D3)	410.12	91.44	141.78	22.32	665.65
		7104001 (D3)	196.73	70.16	96.71	31.74	395.34
		APREACT	410.12	91.44	141.78	22.32	665.65
	MIN	7101001 (D3)	-42.67	-2.98	-18.72	-12.43	-76.80
		7102001 (D3)	132.12	-21.17	25.99	-12.75	124.19
		7103001 (D3)	-42.67	-2.98	-18.72	-12.43	-76.80
		7104001 (D3)	170.72	18.30	26.34	-21.85	193.51
		APREACT	-42.67	-2.98	-18.72	-12.43	-76.80
67	2-LANES (caseTRUCK-LOAD MAX	7101001 (D3)	50.75	55.98	68.92	64.32	239.97
		7102001 (D3)	16.51	173.20	262.98	157.63	610.32

BAGO RIVER BRIDGE

[ No.101 : 1ST SPAN WITH IMPACT ] [ FORCE3(kN) ]

SUPPORT		7101001	7102001	7103001	7104001	TOTAL		
NODE		1001	2001	3001	4001			
NAME	TITLE	D3 (kN)	D3 (kN)	D3 (kN)	D3 (kN)	(kN)		
67	2-LANES (caseTRUCK-LOAD	MAX	7103001 (D3)	1.98	95.44	514.69	106.30	718.41
		7104001 (D3)	34.99	151.73	198.64	167.91	553.28	
		APREACT	1.98	95.44	514.69	106.30	718.41	
	MIN	7101001 (D3)	-19.01	75.89	126.64	94.80	278.33	
		7102001 (D3)	-11.46	-15.63	-17.25	-20.33	-64.67	
		7103001 (D3)	-11.82	-15.52	-17.29	-20.27	-64.90	
		7104001 (D3)	-11.52	-15.63	-17.27	-20.33	-64.75	
		APREACT	-11.82	-15.52	-17.29	-20.27	-64.90	
		TANDEM-LOAD	MAX	7101001 (D3)	34.83	38.95	47.68	44.31
	7102001 (D3)		9.87	121.03	175.49	106.70	413.09	
	7103001 (D3)		0.21	41.69	404.24	58.92	505.06	
	7104001 (D3)		23.92	106.02	129.54	114.87	374.35	
	APREACT		0.21	41.69	404.24	58.92	505.06	
	MIN		7101001 (D3)	-13.74	52.32	88.73	64.46	191.77
		7102001 (D3)	-7.61	-10.64	-11.66	-13.79	-43.70	
		7103001 (D3)	-8.00	-10.60	-11.78	-13.83	-44.22	
		7104001 (D3)	-7.92	-10.63	-11.78	-13.85	-44.17	
		APREACT	-8.00	-10.60	-11.78	-13.83	-44.22	
		DISPERSION-LMAX	7101001 (D3)	62.64	100.85	149.02	102.93	415.44
	7102001 (D3)		50.17	165.02	258.77	190.56	664.52	
	7103001 (D3)		50.17	165.02	258.77	190.56	664.52	
	7104001 (D3)		50.17	165.02	258.77	190.56	664.52	
	APREACT		50.17	165.02	258.77	190.56	664.52	
	MIN		7101001 (D3)	-26.36	45.71	89.25	63.55	172.14



BAGO RIVER BRIDGE

[ No.101 : 1ST SPAN WITH IMPACT ] [ FORCE3(kN) ]

SUPPORT		7101001	7102001	7103001	7104001	TOTAL		
NODE		1001	2001	3001	4001			
NAME	TITLE	D3 (kN)	D3 (kN)	D3 (kN)	D3 (kN)	(kN)		
67	2-LANES (caseDISPERSION-LMIN	7102001 (D3)	-13.89	-18.46	-20.50	-24.08	-76.94	
		7103001 (D3)	-13.89	-18.46	-20.50	-24.08	-76.94	
		7104001 (D3)	-13.89	-18.46	-20.50	-24.08	-76.94	
		APREACT	-13.89	-18.46	-20.50	-24.08	-76.94	
68	2-LANES (caseTRUCK-LOAD MAX	7101001 (D3)	14.15	-24.26	-14.59	-24.79	-49.49	
		7102001 (D3)	-218.77	213.42	131.22	316.78	442.65	
		7103001 (D3)	-192.96	177.11	146.43	434.40	564.99	
		7104001 (D3)	-46.39	39.09	62.32	663.46	718.49	
		APREACT	-46.39	39.09	62.32	663.46	718.49	
		MIN	7101001 (D3)	-219.20	212.00	136.68	340.55	470.02
			7102001 (D3)	11.48	-27.46	-18.25	-29.03	-63.26
			7103001 (D3)	1.83	-11.96	-25.96	171.59	135.49
	7104001 (D3)		10.49	-27.38	-18.56	-29.14	-64.59	
	TANDEM-LOAD MAX	APREACT	8.52	-26.56	-18.63	-28.63	-65.30	
		7101001 (D3)	9.77	-16.71	-10.03	-17.06	-34.02	
		7102001 (D3)	-148.82	145.72	89.25	213.41	299.56	
		7103001 (D3)	-129.14	117.52	100.09	300.85	389.32	
		7104001 (D3)	-6.79	5.66	25.12	481.08	505.07	
		APREACT	-6.79	5.66	25.12	481.08	505.07	
		MIN	7101001 (D3)	-149.70	144.57	92.74	230.41	318.02
7102001 (D3)			7.79	-18.73	-12.46	-19.81	-43.22	
7103001 (D3)	-2.56		-5.66	-27.59	266.13	230.32		
7104001 (D3)	7.59		-18.72	-12.53	-19.84	-43.51		
	APREACT	6.04	-18.22	-12.71	-19.60	-44.50		

BAGO RIVER BRIDGE

[ No.101 : 1ST SPAN WITH IMPACT ] [ FORCE3(kN) ]

SUPPORT		7101001	7102001	7103001	7104001	TOTAL			
NODE		1001	2001	3001	4001				
NAME	TITLE	D3 (kN)	D3 (kN)	D3 (kN)	D3 (kN)	(kN)			
68	2-LANES (caseDISPERSION-LMAX	7101001 (D3)	22.27	-16.88	-5.41	-14.63	-14.65		
		7102001 (D3)	-228.52	242.16	161.08	489.51	664.24		
		7103001 (D3)	-226.35	240.91	163.35	455.99	633.89		
		7104001 (D3)	-228.52	242.16	161.08	489.51	664.24		
		APREACT	-228.52	242.16	161.08	489.51	664.24		
	MIN	7101001 (D3)	-240.67	227.62	144.46	470.29	601.70		
		7102001 (D3)	10.12	-31.43	-22.03	-33.85	-77.19		
		7103001 (D3)	7.96	-30.17	-24.30	-0.33	-46.84		
		7104001 (D3)	10.12	-31.43	-22.03	-33.85	-77.19		
		APREACT	10.12	-31.43	-22.03	-33.85	-77.19		
		69	3-LANES (caseTRUCK-LOAD MAX	7101001 (D3)	781.96	31.33	130.19	-0.63	942.85
				7102001 (D3)	230.80	385.21	76.62	-0.06	692.57
				7103001 (D3)	579.83	75.71	183.83	-30.74	808.63
				7104001 (D3)	145.25	30.48	69.72	25.65	271.10
APREACT	680.63			319.38	86.00	-8.51	1077.50		
MIN	7101001 (D3)		-62.36	1.46	-22.56	-11.49	-94.95		
	7102001 (D3)		542.27	-82.92	26.14	-19.61	465.88		
	7103001 (D3)		-60.68	0.00	-23.13	-12.81	-96.62		
	7104001 (D3)		464.84	-0.64	88.96	-50.93	502.23		
	APREACT	-60.83	0.07	-23.13	-12.76	-96.65			
	TANDEM-LOAD MAX	7101001 (D3)	555.93	10.59	90.33	3.41	660.25		
		7102001 (D3)	132.83	319.41	35.90	-0.16	487.98		
		7103001 (D3)	398.40	59.18	127.72	-22.03	563.27		
		7104001 (D3)	97.84	19.05	45.68	17.57	180.14		
APREACT									

BAGO RIVER BRIDGE

[ No.101 : 1ST SPAN WITH IMPACT ] [ FORCE3(kN) ]

SUPPORT		7101001	7102001	7103001	7104001	TOTAL		
NODE		1001	2001	3001	4001			
NAME	TITLE	D3 (kN)	D3 (kN)	D3 (kN)	D3 (kN)	(kN)		
69	3-LANES (caseTANDEM-LOAD	MAX	APREACT	462.32	256.38	40.16	-1.27	757.58
		MIN	7101001 (D3)	-42.51	1.17	-15.24	-7.64	-64.23
			7102001 (D3)	389.70	-74.74	14.89	-8.55	321.31
			7103001 (D3)	-41.69	0.19	-15.74	-8.59	-65.83
			7104001 (D3)	318.84	1.74	61.23	-35.05	346.77
			APREACT	-41.69	0.19	-15.74	-8.59	-65.83
	DISPERSION-LMAX		7101001 (D3)	772.12	48.46	186.89	-8.70	998.78
			7102001 (D3)	260.11	117.55	98.92	23.08	499.65
			7103001 (D3)	748.00	54.08	186.99	-7.91	981.16
			7104001 (D3)	202.19	74.05	102.00	37.36	415.60
			APREACT	772.12	48.46	186.89	-8.70	998.78
		MIN	7101001 (D3)	-72.49	0.08	-27.56	-15.21	-115.17
			7102001 (D3)	439.53	-69.01	60.42	-46.98	383.96
			7103001 (D3)	-48.37	-5.54	-27.65	-15.99	-97.55
			7104001 (D3)	497.44	-25.51	57.33	-61.26	468.01
			APREACT	-72.49	0.08	-27.56	-15.21	-115.17
70	3-LANES (caseTRUCK-LOAD	MAX	7101001 (D3)	54.64	46.13	62.30	53.87	216.93
			7102001 (D3)	-31.41	261.75	338.78	295.14	864.26
			7103001 (D3)	-9.94	120.80	680.49	286.28	1077.63
			7104001 (D3)	23.07	177.09	364.44	347.89	912.49
			APREACT	-9.94	120.80	680.49	286.28	1077.63
		MIN	7101001 (D3)	-68.93	160.90	190.10	212.06	494.14
			7102001 (D3)	-9.22	-27.64	-26.28	-33.60	-96.74
			7103001 (D3)	-10.45	-27.23	-26.42	-33.40	-97.49

BAGO RIVER BRIDGE

[ No.101 : 1ST SPAN WITH IMPACT ] [ FORCE3(kN) ]

SUPPORT		7101001	7102001	7103001	7104001	TOTAL	
NODE		1001	2001	3001	4001		
NAME	TITLE	D3 (kN)	D3 (kN)	D3 (kN)	D3 (kN)	(kN)	
70	3-LANES (caseTRUCK-LOAD MIN	7104001 (D3)	-9.53	-27.60	-26.37	-33.63	-97.13
		APREACT	-10.45	-27.23	-26.42	-33.40	-97.49
	TANDEM-LOAD MAX	7101001 (D3)	37.51	31.96	42.94	36.87	149.28
		7102001 (D3)	-22.42	181.41	227.75	201.63	588.37
		7103001 (D3)	-1.55	45.47	530.58	183.10	757.60
		7104001 (D3)	22.16	109.79	255.88	239.05	626.89
		APREACT	-1.55	45.47	530.58	183.10	757.60
	MIN	7101001 (D3)	-47.73	109.54	130.66	142.01	334.47
		7102001 (D3)	-5.98	-18.82	-17.78	-22.82	-65.40
		7103001 (D3)	-6.98	-18.63	-18.01	-22.81	-66.42
		7104001 (D3)	-6.28	-18.82	-17.90	-22.88	-65.88
		APREACT	-6.98	-18.63	-18.01	-22.81	-66.42
	DISPERSION-LMAX	7101001 (D3)	70.34	96.61	148.46	99.69	415.09
		7102001 (D3)	-4.71	270.15	368.71	362.44	996.59
		7103001 (D3)	-4.71	270.15	368.71	362.44	996.59
		7104001 (D3)	-4.71	270.15	368.71	362.44	996.59
		APREACT	-4.71	270.15	368.71	362.44	996.59
	MIN	7101001 (D3)	-87.17	141.16	188.95	223.08	466.01
		7102001 (D3)	-12.12	-32.39	-31.31	-39.67	-115.49
		7103001 (D3)	-12.12	-32.39	-31.31	-39.67	-115.49
		7104001 (D3)	-12.12	-32.39	-31.31	-39.67	-115.49
		APREACT	-12.12	-32.39	-31.31	-39.67	-115.49
71	3-LANES (caseTRUCK-LOAD MAX	7101001 (D3)	18.28	-21.71	-10.91	-21.00	-35.34
		7102001 (D3)	-260.34	301.18	214.30	458.73	713.87

BAGO RIVER BRIDGE

[ No.101 : 1ST SPAN WITH IMPACT ] [ FORCE3(kN) ]

SUPPORT		7101001	7102001	7103001	7104001	TOTAL		
NODE		1001	2001	3001	4001			
NAME	TITLE	D3 (kN)	D3 (kN)	D3 (kN)	D3 (kN)	(kN)		
71	3-LANES (caseTRUCK-LOAD	MAX	7103001 (D3)	-205.45	202.11	299.86	627.71	924.23
			7104001 (D3)	-58.88	64.09	215.75	856.77	1077.73
			APREACT	-58.88	64.09	215.75	856.77	1077.73
		MIN	7101001 (D3)	-260.81	299.74	220.88	484.03	743.83
			7102001 (D3)	9.07	-36.94	-26.97	-40.39	-95.23
			7103001 (D3)	-1.20	-21.28	-34.80	160.27	102.99
			7104001 (D3)	7.81	-36.84	-27.37	-40.54	-96.94
			APREACT	5.49	-35.89	-27.47	-39.94	-97.81
	TANDEM-LOAD	MAX	7101001 (D3)	12.58	-14.97	-7.53	-14.48	-24.41
			7102001 (D3)	-177.04	205.49	143.80	307.40	479.65
			7103001 (D3)	-131.01	121.23	214.35	437.28	641.86
			7104001 (D3)	-8.66	9.37	139.38	617.51	757.61
			APREACT	-8.66	9.37	139.38	617.51	757.61
		MIN	7101001 (D3)	-178.05	204.01	153.57	332.91	512.44
			7102001 (D3)	6.23	-25.18	-18.37	-27.53	-64.85
			7103001 (D3)	-4.57	-12.04	-33.61	258.40	208.18
			7104001 (D3)	5.68	-25.14	-18.55	-27.60	-65.61
			APREACT	4.02	-24.60	-18.73	-27.33	-66.64
	DISPERSION-LMAX		7101001 (D3)	29.40	-14.18	-0.47	-10.03	4.73
			7102001 (D3)	-265.36	338.83	268.50	654.60	996.56
			7103001 (D3)	-263.20	337.57	270.77	621.08	966.22
			7104001 (D3)	-265.36	338.83	268.50	654.60	996.56
			APREACT	-265.36	338.83	268.50	654.60	996.56
		MIN	7101001 (D3)	-288.29	310.57	236.48	617.39	876.14

BAGO RIVER BRIDGE

[ No.101 : 1ST SPAN WITH IMPACT ] [ FORCE3(kN) ]

SUPPORT		7101001	7102001	7103001	7104001	TOTAL		
NODE		1001	2001	3001	4001			
NAME	TITLE	D3 (kN)	D3 (kN)	D3 (kN)	D3 (kN)	(kN)		
71	3-LANES (caseDISPERSION-LMIN	7102001 (D3)	6.47	-42.44	-32.49	-47.24	-115.69	
		7103001 (D3)	4.31	-41.18	-34.76	-13.72	-85.35	
		7104001 (D3)	6.47	-42.44	-32.49	-47.24	-115.69	
		APREACT	6.47	-42.44	-32.49	-47.24	-115.69	
72	4-LANES TRUCK-LOAD MAX	7101001 (D3)	56.07	25.40	45.51	34.42	161.41	
		7102001 (D3)	-198.28	380.98	361.33	499.84	1043.86	
		7103001 (D3)	-145.88	205.71	662.96	609.05	1331.84	
		7104001 (D3)	-23.84	175.17	361.16	814.00	1326.49	
		APREACT	-46.06	125.32	586.05	771.58	1436.89	
		MIN	7101001 (D3)	-232.23	284.58	238.31	432.25	722.91
			7102001 (D3)	-0.01	-43.08	-35.49	-49.34	-127.93
			7103001 (D3)	-9.94	-27.51	-40.55	148.58	70.59
	7104001 (D3)		-1.04	-43.00	-35.82	-49.47	-129.34	
	TANDEM-LOAD MAX	APREACT	-3.30	-42.08	-35.92	-48.90	-130.20	
		7101001 (D3)	38.60	19.57	33.63	24.23	116.04	
		7102001 (D3)	-139.19	262.33	258.23	331.08	712.45	
		7103001 (D3)	-87.36	100.54	504.55	415.32	933.04	
		7104001 (D3)	5.36	106.57	212.32	579.56	903.80	
		APREACT	-6.83	38.62	437.17	541.18	1010.14	
		MIN	7101001 (D3)	-158.56	196.02	156.10	296.90	490.46
7102001 (D3)			0.17	-29.37	-24.13	-33.60	-86.92	
7103001 (D3)	-10.46		-16.25	-35.46	248.28	186.11		
7104001 (D3)	-0.35		-29.34	-24.31	-33.68	-87.68		
	APREACT	-1.97	-28.82	-24.49	-33.43	-88.71		

BAGO RIVER BRIDGE

[ No.101 : 1ST SPAN WITH IMPACT ] [ FORCE3(kN) ]

SUPPORT		7101001	7102001	7103001	7104001	TOTAL			
NODE		1001	2001	3001	4001				
NAME	TITLE	D3 (kN)	D3 (kN)	D3 (kN)	D3 (kN)	(kN)			
72	4-LANES	DISPERSION-LMAX	7101001 (D3)	57.91	56.92	108.97	51.97	275.78	
			7102001 (D3)	-215.47	395.00	405.44	648.51	1233.49	
			7103001 (D3)	-209.53	389.35	410.06	628.46	1218.34	
			7104001 (D3)	-222.52	389.79	393.37	672.82	1233.46	
			APREACT	-199.23	389.15	396.50	647.25	1233.67	
		MIN	7101001 (D3)	-268.59	305.57	273.22	582.26	892.46	
			7102001 (D3)	0.32	-40.32	-33.09	-46.11	-119.19	
			7103001 (D3)	-1.84	-39.06	-35.36	-12.59	-88.85	
			7104001 (D3)	0.32	-40.32	-33.09	-46.11	-119.19	
			APREACT	0.32	-40.31	-33.09	-46.11	-119.19	
73	6-LANES	TRUCK-LOAD	MAX	7101001 (D3)	693.08	62.03	175.44	80.32	1010.87
				7102001 (D3)	197.81	658.43	543.16	408.73	1808.13
				7103001 (D3)	277.81	313.10	780.11	524.83	1895.86
				7104001 (D3)	183.94	207.44	386.33	761.48	1539.20
				APREACT	395.75	429.55	661.13	668.82	2155.25
		MIN		7101001 (D3)	-256.70	272.29	283.60	403.81	702.99
				7102001 (D3)	501.81	-99.38	-4.50	-51.63	346.30
				7103001 (D3)	-60.53	-22.01	-55.30	144.20	6.36
				7104001 (D3)	237.46	-58.88	-1.44	-84.86	92.28
				APREACT	-54.26	-36.39	-50.66	-53.14	-194.45
		TANDEM-LOAD	MAX	7101001 (D3)	496.06	26.23	118.34	61.37	702.00
				7102001 (D3)	101.65	491.75	377.23	270.50	1241.13
				7103001 (D3)	180.67	200.80	582.78	347.63	1311.89
				7104001 (D3)	142.74	114.50	263.91	543.14	1064.29

BAGO RIVER BRIDGE

[ No.101 : 1ST SPAN WITH IMPACT ] [ FORCE3(kN) ]

SUPPORT		7101001	7102001	7103001	7104001	TOTAL		
NODE		1001	2001	3001	4001			
NAME	TITLE	D3 (kN)	D3 (kN)	D3 (kN)	D3 (kN)	(kN)		
73	6-LANES	TANDEM-LOAD MAX	APREACT	279.33	289.52	476.33	470.03	1515.19
		MIN	7101001 (D3)	-175.91	190.86	181.82	275.21	471.97
			7102001 (D3)	359.84	-83.71	-6.67	-30.77	238.68
			7103001 (D3)	-45.28	-12.32	-45.49	245.43	142.34
			7104001 (D3)	162.76	-38.92	-0.95	-57.95	64.93
			APREACT	-36.93	-24.81	-34.51	-36.21	-132.47
		DISPERSION-LMAX	7101001 (D3)	687.93	99.77	274.59	72.55	1134.85
			7102001 (D3)	48.40	469.54	488.61	616.80	1623.36
			7103001 (D3)	378.49	427.35	554.79	580.74	1941.37
			7104001 (D3)	23.84	441.45	477.81	662.78	1605.88
			APREACT	435.31	396.83	528.82	589.58	1950.54
		MIN	7101001 (D3)	-306.87	266.43	208.00	505.25	672.82
			7102001 (D3)	374.94	-102.93	11.36	-91.66	191.72
			7103001 (D3)	-37.15	-47.28	-60.24	-28.89	-173.57
			7104001 (D3)	402.96	-69.80	8.02	-101.05	240.12
			APREACT	-60.21	-42.32	-57.81	-61.18	-221.53
124	SUM TOTAL	D+1LANE (caseMAX	7101001 (D3)	2811.85	1257.73	1953.60	2002.30	8025.49
			7102001 (D3)	1867.37	1397.81	1890.43	2050.19	7205.80
			7103001 (D3)	2567.74	1302.27	1999.96	1973.38	7843.34
			7104001 (D3)	1879.25	1390.40	1905.79	2060.86	7236.30
			APREACT	2811.85	1257.73	1953.60	2002.30	8025.49
		MIN	7101001 (D3)	1799.24	1391.04	1875.83	2044.71	7110.82
			7102001 (D3)	2746.33	1251.90	1940.77	1998.44	7937.45
			7103001 (D3)	1829.28	1383.49	1875.46	2043.07	7131.30



BAGO RIVER BRIDGE

[ No.101 : 1ST SPAN WITH IMPACT ] [ FORCE3(kN) ]

SUPPORT		7101001	7102001	7103001	7104001	TOTAL	
NODE		1001	2001	3001	4001		
NAME	TITLE	D3 (kN)	D3 (kN)	D3 (kN)	D3 (kN)	(kN)	
124	SUM TOTAL	D+1LANE (caseMIN 7104001 (D3)	2579.69	1306.17	1981.10	1960.63	7827.59
		APREACT	1800.17	1390.32	1875.58	2044.07	7110.13
		D+1LANE (caseMAX 7101001 (D3)	2219.97	1517.42	2083.23	2101.41	7922.03
		7102001 (D3)	2065.69	1763.30	2057.65	2080.86	7967.50
		7103001 (D3)	2201.84	1574.25	2094.88	2095.65	7966.62
		7104001 (D3)	2214.16	1496.70	2067.25	2103.49	7881.59
		APREACT	2108.25	1760.83	2071.06	2084.92	8025.04
	MIN	7101001 (D3)	1824.82	1377.26	1874.22	2034.31	7110.61
		7102001 (D3)	1870.07	1374.16	1888.13	2038.22	7170.58
		7103001 (D3)	1825.11	1376.88	1874.01	2033.93	7109.93
		7104001 (D3)	1826.38	1378.90	1874.31	2033.87	7113.47
		APREACT	1825.11	1376.88	1874.01	2033.93	7109.93
		D+1LANE (caseMAX 7101001 (D3)	1986.41	1537.15	2118.28	2207.29	7849.12
		7102001 (D3)	1961.71	1579.51	2225.45	2199.75	7966.42
		7103001 (D3)	1938.00	1554.73	2373.21	2158.70	8024.64
		7104001 (D3)	1983.88	1553.76	2148.24	2212.09	7897.97
		APREACT	1938.00	1554.73	2373.21	2158.70	8024.64
	MIN	7101001 (D3)	1844.11	1368.34	1885.03	2027.81	7125.28
		7102001 (D3)	1844.14	1366.61	1872.81	2026.19	7109.75
		7103001 (D3)	1844.14	1366.61	1872.81	2026.19	7109.75
		7104001 (D3)	1844.14	1366.61	1872.81	2026.19	7109.75
		APREACT	1844.14	1366.61	1872.81	2026.19	7109.75
		D+1LANE (caseMAX 7101001 (D3)	1893.39	1352.81	1880.21	2020.79	7147.20
		7102001 (D3)	1538.61	1676.64	2058.63	2578.75	7852.63

BAGO RIVER BRIDGE

[ No.101 : 1ST SPAN WITH IMPACT ] [ FORCE3(kN) ]

SUPPORT		7101001	7102001	7103001	7104001	TOTAL		
NODE		1001	2001	3001	4001			
NAME	TITLE	D3 (kN)	D3 (kN)	D3 (kN)	D3 (kN)	(kN)		
124	SUM TOTAL	D+1LANE (caseMAX	7103001 (D3)	1545.65	1664.43	2065.85	2585.89	7861.81
			7104001 (D3)	1665.84	1559.86	1969.44	2829.14	8024.27
			APREACT	1665.84	1559.86	1969.44	2829.14	8024.27
		MIN	7101001 (D3)	1531.68	1668.63	2052.56	2581.75	7834.62
			7102001 (D3)	1885.93	1344.62	1870.62	2009.83	7111.01
			7103001 (D3)	1872.91	1364.32	1858.74	2290.57	7386.55
			7104001 (D3)	1885.08	1344.66	1870.33	2009.70	7109.78
			APREACT	1883.54	1345.29	1870.26	2010.09	7109.18
		D+2LANES (casMAX	7101001 (D3)	3125.03	1351.77	2055.36	1998.17	8530.34
			7102001 (D3)	2190.41	1569.84	1935.13	2047.66	7743.04
			7103001 (D3)	2913.88	1354.42	2099.39	1973.66	8341.35
			7104001 (D3)	1923.23	1393.78	1923.31	2068.78	7309.10
			APREACT	3116.80	1436.99	2021.32	2004.04	8579.14
		MIN	7101001 (D3)	1765.39	1390.32	1862.33	2036.73	7054.77
			7102001 (D3)	2844.33	1239.43	1987.41	1993.58	8064.75
			7103001 (D3)	1790.94	1383.56	1861.84	2034.94	7071.28
			7104001 (D3)	2861.21	1361.27	2058.67	1951.59	8232.74
			APREACT	1766.68	1389.25	1861.94	2035.77	7053.63
		D+2LANES (casMAX	7101001 (D3)	2631.79	1568.18	2163.38	2080.77	8444.12
			7102001 (D3)	2355.68	1874.42	2074.49	2073.21	8377.79
			7103001 (D3)	2608.96	1581.08	2178.49	2075.55	8444.07
			7104001 (D3)	2202.32	1482.36	2057.86	2104.31	7846.84
			APREACT	2530.46	1856.23	2119.19	2072.89	8578.77
		MIN	7101001 (D3)	1786.71	1378.84	1860.99	2028.07	7054.60

BAGO RIVER BRIDGE

[ No.101 : 1ST SPAN WITH IMPACT ] [ FORCE3(kN) ]

SUPPORT		7101001	7102001	7103001	7104001	TOTAL		
NODE		1001	2001	3001	4001			
NAME	TITLE	D3 (kN)	D3 (kN)	D3 (kN)	D3 (kN)	(kN)		
124	SUM TOTAL	D+2LANES (casMIN	7102001 (D3)	2114.11	1341.32	1943.54	2026.73	7425.69
			7103001 (D3)	1787.46	1378.05	1860.63	2027.32	7053.47
			7104001 (D3)	2233.45	1421.88	1969.68	2012.63	7637.63
			APREACT	1787.46	1378.05	1860.63	2027.32	7053.47
		D+2LANES (casMAX	7101001 (D3)	1979.34	1540.37	2113.02	2217.44	7850.17
			7102001 (D3)	1932.64	1721.76	2416.82	2398.38	8469.60
			7103001 (D3)	1918.10	1644.01	2668.53	2347.05	8577.69
			7104001 (D3)	1951.11	1700.30	2352.48	2408.66	8412.56
			APREACT	1918.10	1644.01	2668.53	2347.05	8577.69
		MIN	7101001 (D3)	1820.59	1505.14	2110.96	2208.54	7645.23
			7102001 (D3)	1840.60	1349.45	1857.32	2005.78	7053.16
			7103001 (D3)	1840.24	1349.57	1857.28	2005.84	7052.92
			7104001 (D3)	1840.54	1349.46	1857.30	2005.77	7053.08
			APREACT	1840.24	1349.57	1857.28	2005.84	7052.92
		D+2LANES (casMAX	7101001 (D3)	1902.38	1342.40	1875.07	2010.78	7130.63
			7102001 (D3)	1418.66	1839.13	2187.37	2856.49	8301.65
			7103001 (D3)	1446.65	1801.56	2204.85	2940.59	8393.64
			7104001 (D3)	1591.05	1664.80	2118.47	3203.17	8577.49
			APREACT	1591.05	1664.80	2118.47	3203.17	8577.49
		MIN	7101001 (D3)	1406.08	1823.16	2176.21	2861.03	8266.48
			7102001 (D3)	1887.55	1324.66	1854.80	1987.31	7054.31
			7103001 (D3)	1875.74	1341.41	1844.81	2221.45	7283.41
			7104001 (D3)	1886.56	1324.74	1854.49	1987.20	7052.99
			APREACT	1884.60	1325.55	1854.41	1987.71	7052.27

BAGO RIVER BRIDGE

[ No.101 : 1ST SPAN WITH IMPACT ] [ FORCE3(kN) ]

SUPPORT		7101001	7102001	7103001	7104001	TOTAL		
NODE		1001	2001	3001	4001			
NAME	TITLE	D3 (kN)	D3 (kN)	D3 (kN)	D3 (kN)	(kN)		
124	SUM TOTAL	D+3LANES (casMAX	7101001 (D3)	3186.93	1451.37	2164.60	2042.26	8845.15
			7102001 (D3)	2283.22	1810.89	2044.28	2069.76	8208.15
			7103001 (D3)	2994.61	1493.87	2210.27	2017.34	8716.09
			7104001 (D3)	2161.28	1472.39	2041.03	2103.74	7778.45
			APREACT	3100.79	1696.21	2127.04	2035.56	8959.60
	MIN		7101001 (D3)	1751.34	1384.86	1852.47	2027.50	7016.16
			7102001 (D3)	2700.49	1254.41	1968.64	1993.59	7917.12
			7103001 (D3)	1773.26	1378.84	1851.91	2025.71	7029.71
			7104001 (D3)	2683.89	1361.32	2019.43	1954.82	8019.46
			APREACT	1752.64	1383.67	1851.99	2026.42	7014.71
		D+3LANES (casMAX	7101001 (D3)	1972.18	1504.87	2074.21	2180.71	7731.98
			7102001 (D3)	1835.25	1835.66	2496.44	2609.13	8776.48
			7103001 (D3)	1853.50	1715.86	2786.89	2601.60	8957.84
			7104001 (D3)	1881.56	1763.70	2518.25	2653.97	8817.48
			APREACT	1853.50	1715.86	2786.89	2601.60	8957.84
	MIN		7101001 (D3)	1733.27	1640.29	2217.26	2420.06	8010.88
			7102001 (D3)	1847.81	1332.52	1846.12	1987.91	7014.37
			7103001 (D3)	1846.77	1332.87	1846.01	1988.09	7013.73
			7104001 (D3)	1847.55	1332.55	1846.05	1987.89	7014.04
			APREACT	1846.77	1332.87	1846.01	1988.09	7013.73
		D+3LANES (casMAX	7101001 (D3)	1906.48	1353.04	1885.40	2023.82	7168.74
			7102001 (D3)	1419.11	1927.55	2305.45	2996.52	8648.63
			7103001 (D3)	1467.60	1842.27	2380.10	3111.66	8801.64
			7104001 (D3)	1590.35	1726.03	2306.68	3334.86	8957.91

BAGO RIVER BRIDGE

[ No.101 : 1ST SPAN WITH IMPACT ] [ FORCE3(kN) ]

SUPPORT		7101001	7102001	7103001	7104001	TOTAL			
NODE		1001	2001	3001	4001				
NAME	TITLE	D3 (kN)	D3 (kN)	D3 (kN)	D3 (kN)	(kN)			
124	SUM TOTAL	D+3LANES (casMAX	APREACT	1590.35	1726.03	2306.68	3334.86	8957.91	
		MIN	7101001 (D3)	1399.22	1902.30	2283.82	2986.40	8571.74	
			7102001 (D3)	1879.16	1316.07	1844.53	1975.71	7015.47	
			7103001 (D3)	1868.60	1330.45	1835.95	2174.76	7209.75	
			7104001 (D3)	1878.10	1316.16	1844.19	1975.58	7014.02	
			APREACT	1876.12	1316.97	1844.11	1976.09	7013.29	
		D+4LANES	MAX	7101001 (D3)	1940.04	1437.06	1995.49	2106.35	7478.93
				7102001 (D3)	1597.01	1887.94	2393.47	2796.62	8675.04
				7103001 (D3)	1634.94	1770.33	2592.53	2854.58	8852.38
				7104001 (D3)	1705.82	1750.77	2385.52	3016.63	8858.73
				APREACT	1706.52	1717.96	2533.73	2972.43	8930.62
			MIN	7101001 (D3)	1540.42	1767.14	2227.56	2709.62	8244.76
				7102001 (D3)	1866.16	1329.34	1850.49	1988.15	7034.13
				7103001 (D3)	1858.30	1340.27	1845.73	2138.59	7182.89
				7104001 (D3)	1865.48	1329.39	1850.28	1988.06	7033.22
				APREACT	1864.02	1329.99	1850.21	1988.44	7032.65
		D+6LANES	MAX	7101001 (D3)	2763.61	1488.71	2187.59	2149.56	8589.48
				7102001 (D3)	2025.99	2116.73	2565.72	2716.78	9425.23
				7103001 (D3)	2292.55	1864.84	2762.76	2768.81	9688.96
				7104001 (D3)	2001.01	1805.33	2456.76	2975.96	9239.06
				APREACT	2406.15	1920.69	2668.54	2868.15	9863.53
			MIN	7101001 (D3)	1499.64	1733.71	2214.61	2641.08	8089.04
				7102001 (D3)	2435.84	1252.04	1899.53	1957.05	7544.47
				7103001 (D3)	1802.46	1338.51	1819.97	2125.14	7086.08

BAGO RIVER BRIDGE

[ No.101 : 1ST SPAN WITH IMPACT ] [ FORCE3(kN) ]

				SUPPORT	7101001	7102001	7103001	7104001	TOTAL
				NODE	1001	2001	3001	4001	
NAME	TITLE			D3 (kN)	D3 (kN)	D3 (kN)	D3 (kN)	D3 (kN)	(kN)
124	SUM TOTAL	D+6LANES	MIN	7104001 (D3)	2282.23	1299.90	1899.34	1929.35	7410.83
				APREACT	1791.55	1332.38	1824.57	1975.88	6924.37
		SUM TOTAL	MAX	7101001 (D3)	3186.93	1451.37	2164.60	2042.26	8845.15
				7102001 (D3)	2025.99	2116.73	2565.72	2716.78	9425.23
				7103001 (D3)	1853.50	1715.86	2786.89	2601.60	8957.84
				7104001 (D3)	1590.35	1726.03	2306.68	3334.86	8957.91
				APREACT	2406.15	1920.69	2668.54	2868.15	9863.53
			MIN	7101001 (D3)	1399.22	1902.30	2283.82	2986.40	8571.74
				7102001 (D3)	2844.33	1239.43	1987.41	1993.58	8064.75
				7103001 (D3)	1802.46	1338.51	1819.97	2125.14	7086.08
				7104001 (D3)	2282.23	1299.90	1899.34	1929.35	7410.83
				APREACT	1791.55	1332.38	1824.57	1975.88	6924.37
300	DEAD LOAD	TOTAL			1865.95	1383.54	1895.07	2050.19	7194.76
301	LIVE LOAD	1-LANE (case1MAX)		7101001 (D3)	945.89	-125.81	58.53	-47.89	830.72
				7102001 (D3)	1.42	14.26	-4.65	0.00	11.04
				7103001 (D3)	701.78	-81.28	104.88	-76.81	648.58
				7104001 (D3)	13.30	6.86	10.72	10.67	41.54
				APREACT	945.89	-125.81	58.53	-47.89	830.72
			MIN	7101001 (D3)	-66.72	7.50	-19.24	-5.49	-83.95
				7102001 (D3)	880.38	-131.64	45.70	-51.75	742.69
				7103001 (D3)	-36.68	-0.05	-19.61	-7.12	-63.46
				7104001 (D3)	713.74	-77.38	86.03	-89.56	632.83
				APREACT	-65.79	6.77	-19.49	-6.12	-84.63
		1-LANE (case2MAX)		7101001 (D3)	354.01	133.88	188.15	51.22	727.27

BAGO RIVER BRIDGE

[ No.101 : 1ST SPAN WITH IMPACT ] [ FORCE3(kN) ]

SUPPORT		7101001	7102001	7103001	7104001	TOTAL		
NODE		1001	2001	3001	4001			
NAME	TITLE	D3 (kN)	D3 (kN)	D3 (kN)	D3 (kN)	(kN)		
301	LIVE LOAD	1-LANE (case2MAX	7102001 (D3)	199.73	379.75	162.58	30.67	772.73
			7103001 (D3)	335.88	190.71	199.81	45.46	771.85
			7104001 (D3)	348.21	113.15	172.17	53.30	686.83
			APREACT	242.29	377.28	175.98	34.73	830.28
		MIN	7101001 (D3)	-41.13	-6.28	-20.85	-15.88	-84.15
			7102001 (D3)	4.11	-9.38	-6.94	-11.97	-24.18
			7103001 (D3)	-40.84	-6.67	-21.06	-16.26	-84.83
			7104001 (D3)	-39.57	-4.65	-20.76	-16.32	-81.30
			APREACT	-40.84	-6.67	-21.06	-16.26	-84.83
		1-LANE (case3MAX	7101001 (D3)	120.46	153.60	223.20	157.10	654.36
			7102001 (D3)	95.76	195.97	330.38	149.55	771.66
			7103001 (D3)	72.05	171.18	478.14	108.51	829.88
			7104001 (D3)	117.93	170.21	253.17	161.90	703.21
			APREACT	72.05	171.18	478.14	108.51	829.88
		MIN	7101001 (D3)	-21.85	-15.21	-10.05	-22.38	-69.48
			7102001 (D3)	-21.82	-16.93	-22.27	-24.00	-85.02
			7103001 (D3)	-21.82	-16.93	-22.27	-24.00	-85.02
			7104001 (D3)	-21.82	-16.93	-22.27	-24.00	-85.02
			APREACT	-21.82	-16.93	-22.27	-24.00	-85.02
		1-LANE (case4MAX	7101001 (D3)	27.43	-30.74	-14.86	-29.40	-47.56
			7102001 (D3)	-327.34	293.09	163.56	528.56	657.87
			7103001 (D3)	-320.31	280.88	170.78	535.70	667.05
			7104001 (D3)	-200.12	176.31	74.36	778.95	829.51
			APREACT	-200.12	176.31	74.36	778.95	829.51

BAGO RIVER BRIDGE

[ No.101 : 1ST SPAN WITH IMPACT ] [ FORCE3(kN) ]

SUPPORT		7101001	7102001	7103001	7104001	TOTAL	
NODE		1001	2001	3001	4001		
NAME	TITLE	D3 (kN)	D3 (kN)	D3 (kN)	D3 (kN)	(kN)	
301	LIVE LOAD						
	1-LANE (case4MIN)						
		7101001 (D3)	-334.27	285.08	157.49	531.56	639.86
		7102001 (D3)	19.98	-38.93	-24.45	-40.36	-83.75
		7103001 (D3)	6.95	-19.22	-36.33	240.38	191.78
		7104001 (D3)	19.13	-38.88	-24.74	-40.49	-84.98
		APREACT	17.58	-38.26	-24.81	-40.10	-85.58
	2-LANES (caseMAX)						
		7101001 (D3)	1259.07	-31.77	160.29	-52.02	1335.57
		7102001 (D3)	324.46	186.30	40.06	-2.53	548.28
		7103001 (D3)	1047.93	-29.12	204.31	-76.53	1146.58
		7104001 (D3)	57.27	10.24	28.24	18.59	114.34
		APREACT	1250.84	53.44	126.24	-46.15	1384.38
	MIN						
		7101001 (D3)	-100.57	6.78	-32.74	-13.46	-139.99
		7102001 (D3)	978.38	-144.11	92.34	-56.61	869.99
		7103001 (D3)	-75.02	0.02	-33.23	-15.25	-123.49
		7104001 (D3)	995.26	-22.28	163.60	-98.60	1037.98
		APREACT	-99.28	5.70	-33.14	-14.42	-141.13
	2-LANES (caseMAX)						
		7101001 (D3)	765.84	184.64	268.31	30.58	1249.36
		7102001 (D3)	489.72	490.87	179.41	23.02	1183.03
		7103001 (D3)	743.01	197.53	283.42	25.36	1249.31
		7104001 (D3)	336.36	98.81	162.79	54.12	652.08
		APREACT	664.51	472.69	224.12	22.70	1384.01
	MIN						
		7101001 (D3)	-79.25	-4.71	-34.08	-22.12	-140.16
		7102001 (D3)	248.15	-42.23	48.47	-23.46	230.93
		7103001 (D3)	-78.49	-5.50	-34.44	-22.87	-141.30
		7104001 (D3)	367.50	38.33	74.61	-37.57	442.87



BAGO RIVER BRIDGE

[ No. 101 : 1ST SPAN WITH IMPACT ] [ FORCE3(kN) ]

SUPPORT		7101001	7102001	7103001	7104001	TOTAL	
NODE		1001	2001	3001	4001		
NAME	TITLE	D3 (kN)	D3 (kN)	D3 (kN)	D3 (kN)	(kN)	
301	LIVE LOAD						
	2-LANES (caseMIN	APREACT	-78.49	-5.50	-34.44	-22.87	-141.30
	2-LANES (caseMAX	7101001 (D3)	113.39	156.83	217.95	167.25	655.41
		7102001 (D3)	66.68	338.22	521.75	348.19	1274.84
		7103001 (D3)	52.15	260.47	773.46	296.86	1382.93
		7104001 (D3)	85.16	316.75	457.41	358.47	1217.79
		APREACT	52.15	260.47	773.46	296.86	1382.93
	MIN	7101001 (D3)	-45.37	121.60	215.89	158.35	450.47
		7102001 (D3)	-25.35	-34.09	-37.75	-44.41	-141.61
		7103001 (D3)	-25.71	-33.98	-37.79	-44.35	-141.84
		7104001 (D3)	-25.41	-34.09	-37.77	-44.42	-141.69
		APREACT	-25.71	-33.98	-37.79	-44.35	-141.84
	2-LANES (caseMAX	7101001 (D3)	36.42	-41.14	-20.00	-39.41	-64.14
		7102001 (D3)	-447.29	455.59	292.29	806.30	1106.89
		7103001 (D3)	-419.31	418.01	309.78	890.40	1198.88
		7104001 (D3)	-274.90	281.25	223.40	1152.98	1382.73
		APREACT	-274.90	281.25	223.40	1152.98	1382.73
	MIN	7101001 (D3)	-459.87	439.61	281.14	810.83	1071.72
		7102001 (D3)	21.60	-58.89	-40.28	-62.88	-140.45
		7103001 (D3)	9.79	-42.13	-50.26	171.26	88.65
		7104001 (D3)	20.61	-58.81	-40.58	-62.99	-141.77
		APREACT	18.64	-57.99	-40.66	-62.48	-142.49
	3-LANES (caseMAX	7101001 (D3)	1320.97	67.82	269.52	-7.93	1650.39
		7102001 (D3)	417.27	427.34	149.21	19.57	1013.39
		7103001 (D3)	1128.65	110.33	315.20	-32.85	1521.33

BAGO RIVER BRIDGE

[ No.101 : 1ST SPAN WITH IMPACT ] [ FORCE3(kN) ]

SUPPORT NODE		7101001	7102001	7103001	7104001	TOTAL	
NAME TITLE		D3 (kN)	D3 (kN)	D3 (kN)	D3 (kN)	(kN)	
301 LIVE LOAD	3-LANES (caseMAX	7104001 (D3)	295.33	88.85	145.96	53.55	583.69
		APREACT	1234.84	312.67	231.96	-14.63	1764.84
	MIN	7101001 (D3)	-114.62	1.31	-42.60	-22.69	-178.60
		7102001 (D3)	834.53	-129.14	73.57	-56.60	722.36
		7103001 (D3)	-92.69	-4.71	-43.17	-24.48	-165.05
		7104001 (D3)	817.94	-22.23	124.35	-95.37	824.70
		APREACT	-113.32	0.13	-43.08	-23.77	-180.05
	3-LANES (caseMAX	7101001 (D3)	106.23	121.33	179.14	130.52	537.22
		7102001 (D3)	-30.71	452.12	601.37	558.94	1581.72
		7103001 (D3)	-12.45	332.31	891.82	551.41	1763.08
		7104001 (D3)	15.61	380.16	623.18	603.78	1622.72
		APREACT	-12.45	332.31	891.82	551.41	1763.08
	MIN	7101001 (D3)	-132.69	256.75	322.19	369.87	816.12
		7102001 (D3)	-18.14	-51.02	-48.95	-62.28	-180.40
		7103001 (D3)	-19.19	-50.68	-49.07	-62.10	-181.03
		7104001 (D3)	-18.40	-50.99	-49.03	-62.30	-180.72
		APREACT	-19.19	-50.68	-49.07	-62.10	-181.03
	3-LANES (caseMAX	7101001 (D3)	40.53	-30.51	-9.68	-26.37	-26.02
		7102001 (D3)	-446.85	544.00	410.38	946.33	1453.86
		7103001 (D3)	-398.35	458.73	485.03	1061.47	1606.88
		7104001 (D3)	-275.61	342.48	411.61	1284.67	1763.15
		APREACT	-275.61	342.48	411.61	1284.67	1763.15
	MIN	7101001 (D3)	-466.74	518.76	388.75	936.21	1376.98
		7102001 (D3)	13.21	-67.47	-50.54	-74.48	-179.29

BAGO RIVER BRIDGE

[ No.101 : 1ST SPAN WITH IMPACT ] [ FORCE3(kN) ]

SUPPORT		7101001	7102001	7103001	7104001	TOTAL			
NODE		1001	2001	3001	4001				
NAME	TITLE	D3 (kN)	D3 (kN)	D3 (kN)	D3 (kN)	(kN)			
301	LIVE LOAD	3-LANES (caseMIN	7103001 (D3)	2.64	-53.10	-59.12	124.57	14.99	
			7104001 (D3)	12.14	-67.39	-50.88	-74.61	-180.74	
			APREACT	10.17	-66.58	-50.97	-74.10	-181.47	
		4-LANES	MAX	7101001 (D3)	74.09	53.51	100.42	56.15	284.17
				7102001 (D3)	-268.94	504.39	498.40	746.43	1480.28
				7103001 (D3)	-231.02	386.79	697.46	804.39	1657.61
				7104001 (D3)	-160.14	367.23	490.44	966.44	1663.97
				APREACT	-159.44	334.41	638.65	922.23	1735.86
			MIN	7101001 (D3)	-325.53	383.60	332.49	659.43	1049.99
				7102001 (D3)	0.20	-54.21	-44.58	-62.05	-160.63
				7103001 (D3)	-7.65	-43.27	-49.34	88.40	-11.87
				7104001 (D3)	-0.47	-54.16	-44.79	-62.13	-161.54
				APREACT	-1.94	-53.56	-44.86	-61.75	-162.11
		6-LANES	MAX	7101001 (D3)	897.66	105.17	292.52	99.37	1394.72
				7102001 (D3)	160.04	733.18	670.65	666.59	2230.47
				7103001 (D3)	426.59	481.29	867.69	718.62	2494.20
				7104001 (D3)	135.06	421.78	561.69	925.77	2044.30
				APREACT	540.19	537.15	773.47	817.96	2668.77
			MIN	7101001 (D3)	-366.32	350.17	319.54	590.89	894.28
				7102001 (D3)	569.89	-131.50	4.46	-93.14	349.71
				7103001 (D3)	-63.50	-45.04	-75.10	74.95	-108.68
				7104001 (D3)	416.28	-83.64	4.27	-120.84	216.06
				APREACT	-74.41	-51.17	-70.51	-74.31	-270.39
		LIVE LOAD	MAX	7101001 (D3)	1320.97	67.82	269.52	-7.93	1650.39

BAGO RIVER BRIDGE

[ No.101 : 1ST SPAN WITH IMPACT ] [ FORCE3(kN) ]

SUPPORT				7101001	7102001	7103001	7104001	TOTAL	
NODE				1001	2001	3001	4001		
NAME	TITLE			D3 (kN)	D3 (kN)	D3 (kN)	D3 (kN)	(kN)	
301	LIVE LOAD	LIVE LOAD	MAX	7102001 (D3)	160.04	733.18	670.65	666.59	2230.47
				7103001 (D3)	-12.45	332.31	891.82	551.41	1763.08
				7104001 (D3)	-275.61	342.48	411.61	1284.67	1763.15
				APREACT	540.19	537.15	773.47	817.96	2668.77
			MIN	7101001 (D3)	-466.74	518.76	388.75	936.21	1376.98
				7102001 (D3)	978.38	-144.11	92.34	-56.61	869.99
				7103001 (D3)	-63.50	-45.04	-75.10	74.95	-108.68
				7104001 (D3)	416.28	-83.64	4.27	-120.84	216.06
				APREACT	-74.41	-51.17	-70.51	-74.31	-270.39
			303	SUM TOTAL	TOTAL	MAX	7101001 (D3)	3186.93	1451.37
	7102001 (D3)	2025.99				2116.73	2565.72	2716.78	9425.23
	7103001 (D3)	1853.50				1715.86	2786.89	2601.60	8957.84
	7104001 (D3)	1590.35				1726.03	2306.68	3334.86	8957.91
	APREACT	2406.15				1920.69	2668.54	2868.15	9863.53
MIN	7101001 (D3)	1399.22				1902.30	2283.82	2986.40	8571.74
	7102001 (D3)	2844.33				1239.43	1987.41	1993.58	8064.75
	7103001 (D3)	1802.46				1338.51	1819.97	2125.14	7086.08
	7104001 (D3)	2282.23				1299.90	1899.34	1929.35	7410.83
	APREACT	1791.55				1332.38	1824.57	1975.88	6924.37

BAGO RIVER BRIDGE

[ No.102 : 2ND SPAN WITH IMPACT ] [ FORCE3(kN) ]

SUPPORT		7101017	7102017	7103017	7104017	TOTAL	
NODE		1017	2017	3017	4017		
NAME	TITLE	D3 (kN)	D3 (kN)	D3 (kN)	D3 (kN)	(kN)	
1	PAVEMENT	636.44	693.86	780.46	982.12	3092.88	
3	RAILING	28.21	7.05	7.58	31.46	74.29	
5	CURB	279.25	69.76	75.02	311.43	735.46	
7	DECK WEIGHT	1033.01	1068.40	1196.89	1493.87	4792.17	
8	GIRDER WEIGH	1473.33	1363.98	1419.72	1417.85	5674.88	
10	MEDIAN STRIP	202.86	268.85	290.18	108.44	870.34	
21	ADITIONAL WE	289.24	299.15	335.13	418.28	1341.81	
31	MEDIAN RAILI	17.32	22.73	24.47	9.90	74.41	
51	SUPPORT WEIG	-0.00	0.00	0.00	0.00	0.00	
52	NOSE WEIGHT	0.19	-0.03	-0.00	-0.16	0.00	
61	1-LANE(case1TRUCK-LOAD						
	MAX						
		7101017 (D3)	449.05	-65.20	-2.17	-5.10	376.58
		7102017 (D3)	281.00	88.31	41.21	-51.71	358.81
		7103017 (D3)	241.73	65.61	68.91	-53.59	322.66
		7104017 (D3)	-0.00	0.00	0.00	0.00	-0.00
		APREACT	437.28	-50.14	-2.12	-7.89	377.14
	MIN						
		7101017 (D3)	-30.25	-18.20	-19.83	-13.53	-81.81
		7102017 (D3)	447.86	-66.04	-2.53	-5.10	374.20
		7103017 (D3)	-29.75	-18.80	-20.32	-14.77	-83.64
		7104017 (D3)	260.24	74.55	63.27	-56.06	341.99
		APREACT	-29.75	-18.80	-20.32	-14.77	-83.64
	TANDEM-LOAD						
	MAX						
		7101017 (D3)	316.32	-60.07	-0.35	-0.87	255.04
		7102017 (D3)	196.48	64.14	19.16	-32.61	247.17
		7103017 (D3)	161.33	43.60	47.05	-35.85	216.13
		7104017 (D3)	-0.00	0.00	0.00	0.00	-0.00

BAGO RIVER BRIDGE

[ No.102 : 2ND SPAN WITH IMPACT ] [ FORCE3(kN) ]

SUPPORT		7101017	7102017	7103017	7104017	TOTAL		
NODE		1017	2017	3017	4017			
NAME	TITLE	D3 (kN)	D3 (kN)	D3 (kN)	D3 (kN)	(kN)		
61	1-LANE(case1TANDEM-LOAD	MAX	APREACT	292.74	-28.66	-2.38	-5.90	255.80
		MIN	7101017 (D3)	-20.53	-12.27	-13.38	-9.06	-55.24
			7102017 (D3)	315.99	-60.30	-0.45	-0.87	254.37
			7103017 (D3)	-20.09	-12.78	-13.80	-10.10	-56.77
			7104017 (D3)	174.10	48.63	45.33	-38.36	229.70
			APREACT	-20.09	-12.78	-13.80	-10.10	-56.77
	DISPERSION-LMAX		7101017 (D3)	711.51	124.74	120.11	-105.01	851.35
			7102017 (D3)	591.88	144.34	121.68	-102.67	755.22
			7103017 (D3)	548.41	138.16	123.00	-97.90	711.66
			7104017 (D3)	0.18	0.06	0.07	0.00	0.31
			APREACT	711.51	124.74	120.11	-105.01	851.35
		MIN	7101017 (D3)	-51.74	-31.74	-34.47	-24.14	-142.08
			7102017 (D3)	67.89	-51.34	-36.04	-26.47	-45.95
			7103017 (D3)	111.36	-45.16	-37.35	-31.24	-2.39
			7104017 (D3)	659.59	92.95	85.57	-129.14	708.96
			APREACT	-51.74	-31.74	-34.47	-24.14	-142.08
62	1-LANE(case2TRUCK-LOAD	MAX	7101017 (D3)	138.58	87.86	89.58	26.56	342.58
			7102017 (D3)	23.67	287.55	62.17	0.82	374.21
			7103017 (D3)	122.63	125.02	107.48	12.80	367.94
			7104017 (D3)	131.93	70.83	75.00	30.11	307.88
			APREACT	34.46	272.65	68.31	1.51	376.94
		MIN	7101017 (D3)	-21.89	-19.87	-20.45	-20.59	-82.79
			7102017 (D3)	-21.85	-19.92	-20.50	-20.69	-82.95
			7103017 (D3)	-21.85	-19.92	-20.50	-20.69	-82.95

BAGO RIVER BRIDGE

[ No.102 : 2ND SPAN WITH IMPACT ] [ FORCE3(kN) ]

SUPPORT		7101017	7102017	7103017	7104017	TOTAL	
NODE		1017	2017	3017	4017		
NAME	TITLE	D3 (kN)	D3 (kN)	D3 (kN)	D3 (kN)	(kN)	
62	1-LANE (case2TRUCK-LOAD	MIN 7104017 (D3)	-21.67	-19.88	-20.45	-20.72	-82.72
		APREACT	-21.85	-19.92	-20.50	-20.69	-82.95
	TANDEM-LOAD	MAX 7101017 (D3)	94.29	62.54	64.08	16.61	237.52
		7102017 (D3)	7.38	210.09	36.77	0.14	254.38
		7103017 (D3)	88.35	75.88	74.39	9.71	248.33
		7104017 (D3)	90.42	48.97	51.56	20.55	211.50
		APREACT	26.33	179.89	48.42	1.00	255.64
		MIN 7101017 (D3)	-14.86	-13.46	-13.86	-13.93	-56.11
	7102017 (D3)	-14.80	-13.52	-13.91	-14.06	-56.30	
	7103017 (D3)	-14.80	-13.52	-13.91	-14.06	-56.30	
	7104017 (D3)	-14.75	-13.51	-13.90	-14.07	-56.24	
	APREACT	-14.80	-13.52	-13.91	-14.06	-56.30	
	DISPERSION-LMAX	7101017 (D3)	292.33	283.76	208.89	62.51	847.48
		7102017 (D3)	292.33	283.76	208.89	62.51	847.48
		7103017 (D3)	292.33	283.76	208.89	62.51	847.48
		7104017 (D3)	272.80	231.21	197.20	62.93	764.14
		APREACT	292.33	283.76	208.89	62.51	847.48
		MIN 7101017 (D3)	-37.59	-33.64	-34.69	-34.58	-140.50
	7102017 (D3)	-37.59	-33.64	-34.69	-34.58	-140.50	
	7103017 (D3)	-37.59	-33.64	-34.69	-34.58	-140.50	
7104017 (D3)	-18.07	18.91	-23.00	-35.00	-57.16		
APREACT	-37.59	-33.64	-34.69	-34.58	-140.50		
63	1-LANE (case3TRUCK-LOAD	MAX 7101017 (D3)	61.33	74.70	78.35	92.44	306.81
		7102017 (D3)	25.65	108.20	159.77	73.82	367.44

BAGO RIVER BRIDGE

[ No.102 : 2ND SPAN WITH IMPACT ] [ FORCE3(kN) ]

SUPPORT		7101017	7102017	7103017	7104017	TOTAL	
NODE		1017	2017	3017	4017		
NAME	TITLE	D3 (kN)	D3 (kN)	D3 (kN)	D3 (kN)	(kN)	
63	1-LANE (case3TRUCK-LOAD	MAX 7103017 (D3)	1.55	62.92	298.64	13.34	376.44
		7104017 (D3)	54.96	91.08	97.76	96.27	340.07
		APREACT	3.13	67.85	287.59	18.27	376.84
	MIN	7101017 (D3)	-15.98	-20.68	-20.56	-24.98	-82.19
		7102017 (D3)	-15.91	-20.76	-20.63	-25.14	-82.43
		7103017 (D3)	-15.91	-20.76	-20.63	-25.14	-82.43
		7104017 (D3)	-15.81	-20.73	-20.59	-25.15	-82.28
		APREACT	-15.91	-20.76	-20.63	-25.14	-82.43
		TANDEM-LOAD MAX	7101017 (D3)	41.88	51.48	53.91	63.54
	MIN	7102017 (D3)	19.49	75.11	99.50	53.87	247.96
		7103017 (D3)	0.32	36.96	213.62	4.10	255.00
		7104017 (D3)	38.89	59.97	63.58	65.93	228.37
		APREACT	2.15	47.95	191.81	13.65	255.56
		7101017 (D3)	-10.85	-14.06	-13.98	-16.99	-55.88
	DISPERSION-LMAX	7102017 (D3)	-10.83	-14.08	-14.00	-17.04	-55.94
		7103017 (D3)	-10.83	-14.08	-14.00	-17.04	-55.94
		7104017 (D3)	-10.69	-14.05	-13.96	-17.07	-55.77
		APREACT	-10.83	-14.08	-14.00	-17.04	-55.94
		7101017 (D3)	105.42	199.49	257.41	194.58	756.89
	MIN	7102017 (D3)	104.58	212.89	321.66	205.48	844.60
		7103017 (D3)	104.58	212.89	321.66	205.48	844.60
7104017 (D3)		104.58	212.89	321.66	205.48	844.60	
APREACT		104.58	212.89	321.66	205.48	844.60	
7101017 (D3)		-27.08	-21.77	29.38	-32.07	-51.54	



BAGO RIVER BRIDGE

[ No.102 : 2ND SPAN WITH IMPACT ] [ FORCE3(kN) ]

SUPPORT		7101017	7102017	7103017	7104017	TOTAL		
NODE		1017	2017	3017	4017			
NAME	TITLE	D3 (kN)	D3 (kN)	D3 (kN)	D3 (kN)	(kN)		
63	1-LANE (case3DISPERSION-LMIN	7102017 (D3)	-26.24	-35.17	-34.87	-42.97	-139.25	
		7103017 (D3)	-26.24	-35.17	-34.87	-42.97	-139.25	
		7104017 (D3)	-26.24	-35.17	-34.87	-42.97	-139.25	
		APREACT	-26.24	-35.17	-34.87	-42.97	-139.25	
64	1-LANE (case4TRUCK-LOAD MAX	7101017 (D3)	1.31	-8.38	-7.50	-14.18	-28.74	
		7102017 (D3)	-92.17	75.97	76.41	202.36	262.57	
		7103017 (D3)	-93.86	63.83	86.98	256.37	313.31	
		7104017 (D3)	-5.39	-0.22	-37.13	419.15	376.42	
		APREACT	-8.12	0.31	-30.77	415.33	376.76	
		MIN	7101017 (D3)	-96.62	73.96	83.66	228.16	289.16
			7102017 (D3)	-7.78	-21.88	-20.78	-31.19	-81.62
			7103017 (D3)	-5.39	-0.22	-37.13	419.15	376.42
	7104017 (D3)		-7.14	-21.77	-20.61	-31.34	-80.86	
		APREACT	-8.01	-21.87	-20.79	-31.05	-81.72	
	TANDEM-LOAD MAX	7101017 (D3)	1.04	-4.18	-3.70	-7.27	-14.12	
		7102017 (D3)	-64.73	51.97	54.42	144.95	186.60	
		7103017 (D3)	-61.52	38.75	59.26	182.93	219.42	
		7104017 (D3)	-0.86	-0.05	-32.54	288.44	254.99	
		APREACT	-5.75	-0.30	-19.23	280.78	255.50	
		MIN	7101017 (D3)	-66.19	48.61	58.67	162.84	203.94
7102017 (D3)			-5.15	-14.84	-14.08	-21.23	-55.30	
7103017 (D3)			-0.86	-0.05	-32.54	288.44	254.99	
7104017 (D3)	-4.99		-14.81	-14.04	-21.26	-55.10		
	APREACT	-5.54	-14.82	-14.11	-20.99	-55.46		

BAGO RIVER BRIDGE

[ No.102 : 2ND SPAN WITH IMPACT ] [ FORCE3(kN) ]

SUPPORT		7101017	7102017	7103017	7104017	TOTAL	
NODE		1017	2017	3017	4017		
NAME	TITLE	D3 (kN)	D3 (kN)	D3 (kN)	D3 (kN)	(kN)	
64	1-LANE (case4DISPERSION-LMAX	7101017 (D3)	0.38	-2.72	-2.44	-4.58	-9.36
		7102017 (D3)	-191.25	149.14	164.48	634.35	756.72
		7103017 (D3)	-191.70	149.03	165.98	613.56	736.87
		7104017 (D3)	-194.82	148.58	154.71	729.85	838.31
		APREACT	-194.82	148.58	154.71	729.85	838.31
	MIN	7101017 (D3)	-207.27	114.21	122.04	680.96	709.94
		7102017 (D3)	-15.65	-37.65	-44.88	42.04	-56.14
		7103017 (D3)	-15.20	-37.54	-46.38	62.83	-36.29
		7104017 (D3)	-12.08	-37.09	-35.11	-53.46	-137.74
		APREACT	-12.08	-37.09	-35.11	-53.46	-137.74
65	2-LANES (caseTRUCK-LOAD	MAX 7101017 (D3)	661.46	52.51	53.88	-19.77	748.09
		7102017 (D3)	486.20	252.86	50.63	-54.35	735.34
		7103017 (D3)	441.18	147.86	145.88	-69.13	665.80
		7104017 (D3)	34.49	12.92	15.41	2.49	65.31
		APREACT	643.88	109.88	12.20	-11.79	754.17
	MIN	7101017 (D3)	-56.27	-37.25	-39.98	-30.65	-164.16
		7102017 (D3)	422.06	-85.40	-22.94	-22.83	290.90
		7103017 (D3)	-55.56	-38.16	-40.73	-32.49	-166.94
		7104017 (D3)	235.05	55.27	43.00	-73.99	259.34
		APREACT	-55.56	-38.16	-40.73	-32.49	-166.94
	TANDEM-LOAD	MAX 7101017 (D3)	460.76	21.65	36.07	-10.64	507.83
		7102017 (D3)	334.27	180.18	20.80	-33.06	502.19
		7103017 (D3)	299.39	102.46	99.43	-47.27	454.01
		7104017 (D3)	25.06	9.34	11.16	1.75	47.30

BAGO RIVER BRIDGE

[ No.102 : 2ND SPAN WITH IMPACT ] [ FORCE3(kN) ]

SUPPORT		7101017	7102017	7103017	7104017	TOTAL		
NODE		1017	2017	3017	4017			
NAME	TITLE	D3 (kN)	D3 (kN)	D3 (kN)	D3 (kN)	(kN)		
65	2-LANES (caseTANDEM-LOAD	MAX	APREACT	433.29	78.43	8.74	-8.94	511.52
		MIN	7101017 (D3)	-38.18	-25.27	-27.12	-20.79	-111.36
			7102017 (D3)	298.55	-73.45	-14.31	-12.95	197.84
			7103017 (D3)	-37.54	-25.93	-27.66	-22.19	-113.31
			7104017 (D3)	308.02	113.64	90.54	-50.78	461.42
			APREACT	-37.54	-25.93	-27.66	-22.19	-113.31
	DISPERSION-LMAX		7101017 (D3)	1199.22	350.49	278.96	-127.89	1700.77
			7102017 (D3)	1079.59	370.09	280.52	-125.56	1604.64
			7103017 (D3)	1036.12	363.91	281.84	-120.79	1561.07
			7104017 (D3)	85.65	33.74	38.38	4.25	162.03
			APREACT	1199.22	350.49	278.96	-127.89	1700.77
		MIN	7101017 (D3)	-96.40	-64.41	-69.04	-53.49	-283.34
			7102017 (D3)	23.23	-84.01	-70.61	-55.82	-187.21
			7103017 (D3)	66.70	-77.84	-71.93	-60.59	-143.64
			7104017 (D3)	1017.17	252.33	171.53	-185.63	1255.40
			APREACT	-96.40	-64.41	-69.04	-53.49	-283.34
66	2-LANES (caseTRUCK-LOAD	MAX	7101017 (D3)	350.99	205.58	145.63	11.89	714.09
			7102017 (D3)	228.87	452.10	71.58	-1.82	750.74
			7103017 (D3)	322.09	207.27	184.44	-2.73	711.07
			7104017 (D3)	166.43	83.75	90.41	32.60	373.19
			APREACT	241.06	432.67	82.64	-2.39	753.97
		MIN	7101017 (D3)	-47.91	-38.92	-40.61	-37.70	-165.14
			7102017 (D3)	-47.65	-39.28	-40.91	-38.42	-166.25
			7103017 (D3)	-47.65	-39.28	-40.91	-38.42	-166.25

BAGO RIVER BRIDGE

[ No.102 : 2ND SPAN WITH IMPACT ] [ FORCE3(kN) ]

SUPPORT		7101017	7102017	7103017	7104017	TOTAL	
NODE		1017	2017	3017	4017		
NAME	TITLE	D3 (kN)	D3 (kN)	D3 (kN)	D3 (kN)	(kN)	
66	2-LANES (caseTRUCK-LOAD	MIN 7104017 (D3)	-46.86	-39.16	-40.72	-38.65	-165.38
		APREACT	-47.65	-39.28	-40.91	-38.42	-166.25
	TANDEM-LOAD	MAX 7101017 (D3)	238.72	144.26	100.50	6.84	490.32
		7102017 (D3)	145.17	326.13	38.42	-0.31	509.41
		7103017 (D3)	226.41	134.74	126.77	-1.71	486.21
		7104017 (D3)	115.48	58.31	62.72	22.30	258.81
		APREACT	166.88	286.97	59.55	-2.04	511.36
		MIN 7101017 (D3)	-32.51	-26.46	-27.60	-25.66	-112.23
	7102017 (D3)	-32.25	-26.67	-27.77	-26.15	-112.84	
	7103017 (D3)	-32.25	-26.67	-27.77	-26.15	-112.84	
	7104017 (D3)	119.17	51.50	31.30	-26.49	175.48	
	APREACT	-32.25	-26.67	-27.77	-26.15	-112.84	
	DISPERSION-LMAX	7101017 (D3)	780.04	509.50	367.73	39.63	1696.90
		7102017 (D3)	780.04	509.50	367.73	39.63	1696.90
		7103017 (D3)	780.04	509.50	367.73	39.63	1696.90
		7104017 (D3)	358.28	264.89	235.51	67.18	925.85
		APREACT	780.04	509.50	367.73	39.63	1696.90
		MIN 7101017 (D3)	-82.25	-66.32	-69.26	-63.93	-281.76
	7102017 (D3)	-82.25	-66.32	-69.26	-63.93	-281.76	
	7103017 (D3)	-82.25	-66.32	-69.26	-63.93	-281.76	
7104017 (D3)	339.50	178.30	62.96	-91.48	489.28		
APREACT	-82.25	-66.32	-69.26	-63.93	-281.76		
67	2-LANES (caseTRUCK-LOAD	MAX 7101017 (D3)	79.94	140.65	145.70	211.93	578.21
		7102017 (D3)	26.76	197.97	272.87	226.57	724.16

BAGO RIVER BRIDGE

[ No.102 : 2ND SPAN WITH IMPACT ] [ FORCE3(kN) ]

SUPPORT		7101017	7102017	7103017	7104017	TOTAL		
NODE		1017	2017	3017	4017			
NAME	TITLE	D3 (kN)	D3 (kN)	D3 (kN)	D3 (kN)	(kN)		
67	2-LANES (caseTRUCK-LOAD	MAX	7103017 (D3)	-1.11	77.49	548.96	127.52	752.86
			7104017 (D3)	57.05	180.48	208.90	249.11	695.54
		APREACT	-0.14	89.15	529.17	135.46	753.64	
	MIN	7101017 (D3)	-32.35	61.68	120.75	118.80	268.88	
		7102017 (D3)	-27.83	-42.07	-41.33	-53.26	-164.50	
		7103017 (D3)	-27.87	-42.07	-41.34	-53.24	-164.51	
		7104017 (D3)	-27.14	-41.90	-41.10	-53.35	-163.48	
		APREACT	-27.87	-42.07	-41.34	-53.24	-164.51	
		TANDEM-LOAD	MAX	7101017 (D3)	54.55	95.38	98.59	142.91
		7102017 (D3)	16.93	137.20	182.64	157.13	493.91	
		7103017 (D3)	-0.08	39.47	392.31	78.31	510.00	
		7104017 (D3)	41.86	120.22	135.55	170.02	467.65	
		APREACT	-0.54	64.75	352.98	93.90	511.10	
	MIN	7101017 (D3)	-22.57	37.43	93.88	78.02	186.76	
		7102017 (D3)	-19.01	-28.53	-28.05	-36.05	-111.64	
		7103017 (D3)	-19.01	-28.53	-28.05	-36.05	-111.64	
		7104017 (D3)	-18.49	-28.46	-27.93	-36.21	-111.10	
		APREACT	-19.01	-28.53	-28.05	-36.05	-111.64	
		DISPERSION-LMAX	7101017 (D3)	127.09	294.65	356.34	353.04	1131.12
		7102017 (D3)	111.66	399.14	619.25	557.28	1687.33	
	7103017 (D3)	111.66	399.14	619.25	557.28	1687.33		
	7104017 (D3)	111.66	399.14	619.25	557.28	1687.33		
	APREACT	111.66	399.14	619.25	557.28	1687.33		
	MIN	7101017 (D3)	-60.87	33.20	193.05	113.09	278.48	

BAGO RIVER BRIDGE

[ No.102 : 2ND SPAN WITH IMPACT ] [ FORCE3(kN) ]

SUPPORT		7101017	7102017	7103017	7104017	TOTAL		
NODE		1017	2017	3017	4017			
NAME	TITLE	D3 (kN)	D3 (kN)	D3 (kN)	D3 (kN)	(kN)		
67	2-LANES (caseDISPERSION-LMIN	7102017 (D3)	-45.44	-71.29	-69.86	-91.15	-277.73	
		7103017 (D3)	-45.44	-71.29	-69.86	-91.15	-277.73	
		7104017 (D3)	-45.44	-71.29	-69.86	-91.15	-277.73	
		APREACT	-45.44	-71.29	-69.86	-91.15	-277.73	
68	2-LANES (caseTRUCK-LOAD MAX	7101017 (D3)	1.31	-8.38	-7.50	-14.18	-28.74	
		7102017 (D3)	-145.10	151.78	159.35	385.49	551.52	
		7103017 (D3)	-129.37	109.47	184.46	502.90	667.46	
		7104017 (D3)	-9.93	6.84	54.37	701.66	752.94	
		APREACT	-14.10	9.86	60.12	697.66	753.54	
		MIN	7101017 (D3)	-149.90	149.51	168.85	416.93	585.39
			7102017 (D3)	-19.70	-43.19	-41.48	-59.31	-163.69
			7103017 (D3)	-17.35	-21.53	-57.84	391.06	294.34
	7104017 (D3)		-18.47	-42.93	-41.12	-59.53	-162.06	
		APREACT	-19.97	-43.18	-41.50	-59.15	-163.80	
	TANDEM-LOAD MAX	7101017 (D3)	1.04	-4.18	-3.70	-7.27	-14.12	
		7102017 (D3)	-100.35	103.56	109.08	265.27	377.56	
		7103017 (D3)	-83.08	66.12	125.40	353.78	462.22	
		7104017 (D3)	-1.52	1.04	29.87	480.60	509.99	
		APREACT	-10.14	6.98	41.77	472.40	511.01	
		MIN	7101017 (D3)	-102.73	100.07	117.44	292.94	407.71
7102017 (D3)			-13.33	-29.29	-28.13	-40.24	-111.00	
7103017 (D3)			-9.05	-14.50	-46.59	269.42	199.29	
7104017 (D3)	-12.79		-29.22	-28.01	-40.41	-110.43		
	APREACT	-13.72	-29.27	-28.16	-40.01	-111.16		

BAGO RIVER BRIDGE

[ No.102 : 2ND SPAN WITH IMPACT ] [ FORCE3(kN) ]

SUPPORT		7101017	7102017	7103017	7104017	TOTAL	
NODE		1017	2017	3017	4017		
NAME	TITLE	D3 (kN)	D3 (kN)	D3 (kN)	D3 (kN)	(kN)	
68	2-LANES (caseDISPERSION=LMAX	7101017 (D3)	0.39	-2.78	-2.49	-4.68	-9.57
		7102017 (D3)	-299.27	314.70	383.09	1198.42	1596.94
		7103017 (D3)	-299.72	314.59	384.59	1177.63	1577.09
		7104017 (D3)	-302.84	314.14	373.32	1293.91	1678.53
		APREACT	-302.84	314.14	373.32	1293.91	1678.53
	MIN	7101017 (D3)	-334.37	243.69	305.71	1196.85	1411.88
		7102017 (D3)	-34.72	-73.79	-79.87	-6.25	-194.63
		7103017 (D3)	-34.26	-73.68	-81.37	14.54	-174.78
		7104017 (D3)	-31.14	-73.24	-70.10	-101.74	-276.22
		APREACT	-31.14	-73.24	-70.10	-101.74	-276.22
69	3-LANES (caseTRUCK-LOAD	MAX 7101017 (D3)	800.04	140.38	143.46	6.79	1090.67
		7102017 (D3)	509.87	540.42	112.79	-53.53	1109.55
		7103017 (D3)	563.81	272.88	253.36	-56.32	1033.73
		7104017 (D3)	166.43	83.75	90.41	32.60	373.19
		APREACT	678.34	382.53	80.52	-10.28	1131.11
	MIN	7101017 (D3)	-78.16	-57.11	-60.43	-51.24	-246.95
		7102017 (D3)	400.21	-105.31	-43.43	-43.52	207.94
		7103017 (D3)	-77.41	-58.08	-61.23	-53.18	-249.90
		7104017 (D3)	213.38	35.39	22.55	-94.71	176.61
		APREACT	-77.41	-58.08	-61.23	-53.18	-249.90
	TANDEM-LOAD	MAX 7101017 (D3)	555.05	84.19	100.15	5.97	745.35
		7102017 (D3)	341.65	390.27	57.57	-32.92	756.57
		7103017 (D3)	387.74	178.34	173.82	-37.56	702.34
		7104017 (D3)	115.48	58.31	62.72	22.30	258.81

BAGO RIVER BRIDGE

[ No.102 : 2ND SPAN WITH IMPACT ] [ FORCE3(kN) ]

SUPPORT		7101017	7102017	7103017	7104017	TOTAL		
NODE		1017	2017	3017	4017			
NAME	TITLE	D3 (kN)	D3 (kN)	D3 (kN)	D3 (kN)	(kN)		
69	3-LANES (caseTANDEM-LOAD	MAX	APREACT	459.62	258.31	57.17	-7.94	767.16
		MIN	7101017 (D3)	-53.04	-38.73	-40.98	-34.72	-167.47
			7102017 (D3)	283.74	-86.97	-28.22	-27.02	141.54
			7103017 (D3)	-52.34	-39.45	-41.57	-36.25	-169.61
			7104017 (D3)	293.27	100.13	76.64	-64.85	405.18
			APREACT	-52.34	-39.45	-41.57	-36.25	-169.61
	DISPERSION-LMAX		7101017 (D3)	1491.54	634.24	487.84	-65.38	2548.25
			7102017 (D3)	1371.91	653.84	489.41	-63.05	2452.12
			7103017 (D3)	1328.44	647.66	490.72	-58.28	2408.56
			7104017 (D3)	358.46	264.95	235.58	67.18	926.16
			APREACT	1491.54	634.24	487.84	-65.38	2548.25
		MIN	7101017 (D3)	-133.99	-98.05	-103.73	-88.07	-423.84
			7102017 (D3)	-14.36	-117.65	-105.30	-90.40	-327.71
			7103017 (D3)	29.11	-111.47	-106.62	-95.17	-284.15
			7104017 (D3)	999.10	271.25	148.53	-220.62	1198.25
			APREACT	-133.99	-98.05	-103.73	-88.07	-423.84
70	3-LANES (caseTRUCK-LOAD	MAX	7101017 (D3)	80.81	133.77	139.52	200.40	554.50
			7102017 (D3)	-21.77	273.98	355.76	405.13	1013.10
			7103017 (D3)	-4.98	85.49	670.37	378.41	1129.28
			7104017 (D3)	53.17	188.48	330.31	500.00	1071.96
			APREACT	-5.54	101.16	649.19	385.61	1130.42
		MIN	7101017 (D3)	-81.14	137.65	205.98	302.59	565.08
			7102017 (D3)	-35.62	-63.95	-62.11	-84.45	-246.12
			7103017 (D3)	-35.88	-63.94	-62.13	-84.29	-246.24



BAGO RIVER BRIDGE

[ No.102 : 2ND SPAN WITH IMPACT ] [ FORCE3(kN) ]

SUPPORT		7101017	7102017	7103017	7104017	TOTAL	
NODE		1017	2017	3017	4017		
NAME	TITLE	D3 (kN)	D3 (kN)	D3 (kN)	D3 (kN)	(kN)	
70	3-LANES (caseTRUCK-LOAD	MIN 7104017 (D3)	-34.28	-63.66	-61.71	-84.69	-244.34
		APREACT	-35.88	-63.94	-62.13	-84.29	-246.24
	TANDEM-LOAD	MAX 7101017 (D3)	55.26	91.26	94.91	135.91	377.34
		7102017 (D3)	-16.47	188.96	241.42	283.75	697.66
		7103017 (D3)	-0.69	40.84	476.03	248.81	765.00
		7104017 (D3)	41.26	121.59	219.27	340.52	722.65
		APREACT	-4.58	73.96	433.94	263.29	766.62
		MIN 7101017 (D3)	-55.97	89.19	152.66	204.63	390.51
	7102017 (D3)	-24.16	-43.38	-42.13	-57.28	-166.94	
	7103017 (D3)	-24.55	-43.36	-42.15	-57.04	-167.10	
	7104017 (D3)	-23.48	-43.28	-41.97	-57.48	-166.20	
	APREACT	-24.55	-43.36	-42.15	-57.04	-167.10	
	DISPERSION-LMAX	7101017 (D3)	127.43	294.46	356.28	353.30	1131.46
		7102017 (D3)	31.65	568.36	852.72	1075.52	2528.26
		7103017 (D3)	31.65	568.36	852.72	1075.52	2528.26
		7104017 (D3)	31.65	568.36	852.72	1075.52	2528.26
		APREACT	31.65	568.36	852.72	1075.52	2528.26
		MIN 7101017 (D3)	-153.42	165.54	391.47	577.70	981.29
	7102017 (D3)	-57.65	-108.37	-104.97	-144.52	-415.50	
	7103017 (D3)	-57.65	-108.37	-104.97	-144.52	-415.50	
7104017 (D3)	-57.65	-108.37	-104.97	-144.52	-415.50		
APREACT	-57.65	-108.37	-104.97	-144.52	-415.50		
71	3-LANES (caseTRUCK-LOAD	MAX 7101017 (D3)	4.13	8.85	8.61	12.13	33.71
		7102017 (D3)	-161.93	237.69	268.10	541.47	885.32

BAGO RIVER BRIDGE

[ No.102 : 2ND SPAN WITH IMPACT ] [ FORCE3(kN) ]

SUPPORT		7101017	7102017	7103017	7104017	TOTAL		
NODE		1017	2017	3017	4017			
NAME	TITLE	D3 (kN)	D3 (kN)	D3 (kN)	D3 (kN)	(kN)		
71	3-LANES (caseTRUCK-LOAD	MAX 7103017 (D3)	-133.25	122.40	406.69	645.88	1041.72	
		7104017 (D3)	-19.96	89.05	161.09	879.36	1109.54	
		APREACT	-17.94	28.68	272.58	847.01	1130.33	
	MIN	7101017 (D3)	-169.03	229.12	300.67	574.18	934.94	
		7102017 (D3)	-35.62	-63.95	-62.11	-84.45	-246.12	
		7103017 (D3)	-33.26	-42.28	-78.47	365.92	211.90	
		7104017 (D3)	-34.28	-63.66	-61.71	-84.69	-244.34	
		APREACT	-35.89	-63.94	-62.13	-84.29	-246.24	
	TANDEM-LOAD	MAX	7101017 (D3)	3.01	8.88	8.50	12.76	33.15
		7102017 (D3)	-113.40	162.37	188.19	372.59	609.75	
		7103017 (D3)	-83.80	68.33	283.22	448.86	716.62	
		7104017 (D3)	-9.87	57.01	107.33	601.42	755.89	
		APREACT	-13.18	21.86	183.00	574.87	766.54	
	MIN	7101017 (D3)	-116.17	157.45	201.16	400.35	642.79	
		7102017 (D3)	-24.16	-43.38	-42.13	-57.28	-166.94	
		7103017 (D3)	-19.87	-28.58	-60.58	252.38	143.35	
		7104017 (D3)	-23.48	-43.28	-41.97	-57.48	-166.20	
		APREACT	-24.55	-43.36	-42.15	-57.04	-167.10	
	DISPERSION-LMAX	7101017 (D3)	5.85	45.51	46.60	78.54	176.50	
		7102017 (D3)	-320.27	497.27	665.77	1596.18	2438.94	
	7103017 (D3)	-320.72	497.15	667.27	1575.39	2419.09		
	7104017 (D3)	-323.84	496.71	656.00	1691.67	2520.54		
	APREACT	-323.84	496.71	656.00	1691.67	2520.54		
MIN	7101017 (D3)	-386.95	342.77	504.43	1468.31	1928.56		

BAGO RIVER BRIDGE

[ No.102 : 2ND SPAN WITH IMPACT ] [ FORCE3(kN) ]

SUPPORT		7101017	7102017	7103017	7104017	TOTAL		
NODE		1017	2017	3017	4017			
NAME	TITLE	D3 (kN)	D3 (kN)	D3 (kN)	D3 (kN)	(kN)		
71	3-LANES (caseDISPERSION-LMIN	7102017 (D3)	-60.82	-108.98	-114.75	-49.32	-333.88	
		7103017 (D3)	-60.37	-108.87	-116.25	-28.53	-314.03	
		7104017 (D3)	-57.25	-108.43	-104.98	-144.82	-415.48	
		APREACT	-57.25	-108.43	-104.98	-144.82	-415.48	
72	4-LANES TRUCK-LOAD MAX	7101017 (D3)	68.63	141.70	146.45	223.66	580.44	
		7102017 (D3)	-133.30	346.97	428.90	610.14	1252.72	
		7103017 (D3)	-102.79	147.64	729.44	662.36	1436.65	
		7104017 (D3)	40.81	184.55	276.07	946.86	1448.30	
		APREACT	-14.49	97.01	593.40	831.26	1507.18	
		MIN	7101017 (D3)	-165.07	230.41	307.90	563.22	936.47
			7102017 (D3)	-5.82	-0.02	-32.13	414.49	376.51
			7103017 (D3)	-5.35	-0.01	-33.42	415.20	376.42
	7104017 (D3)		0.00	0.00	0.00	0.00	0.00	
	TANDEM-LOAD MAX	APREACT	0.00	0.00	0.00	0.00	0.00	
		7101017 (D3)	46.88	98.77	102.37	156.57	404.59	
		7102017 (D3)	-92.17	238.69	288.72	422.44	857.69	
		7103017 (D3)	-62.44	77.64	514.76	453.26	983.22	
		7104017 (D3)	35.42	119.60	174.84	647.73	977.58	
		APREACT	-10.88	70.41	397.56	565.02	1022.11	
		MIN	7101017 (D3)	-113.39	150.45	223.10	390.18	650.34
7102017 (D3)			-5.71	-0.06	-16.74	278.00	255.50	
7103017 (D3)	-0.86		-0.01	-29.87	285.73	254.99		
7104017 (D3)	0.00		0.00	0.00	0.00	0.00		
	APREACT	0.00	0.00	0.00	0.00	0.00		

BAGO RIVER BRIDGE

[ No.102 : 2ND SPAN WITH IMPACT ] [ FORCE3(kN) ]

SUPPORT		7101017	7102017	7103017	7104017	TOTAL						
NODE		1017	2017	3017	4017							
NAME	TITLE	D3 (kN)	D3 (kN)	D3 (kN)	D3 (kN)	(kN)						
72	4-LANES	DISPERSION=LMAX	7101017 (D3)	112.35	263.37	324.66	309.62	1010.01				
			7102017 (D3)	-178.51	654.25	951.64	1654.24	3081.62				
			7103017 (D3)	-179.93	651.43	955.07	1632.76	3059.33				
			7104017 (D3)	-191.39	647.15	934.20	1760.96	3150.92				
			APREACT	-161.32	651.44	940.17	1721.47	3151.76				
			MIN	7101017 (D3)	-290.08	401.10	630.19	1465.83	2207.04			
			7102017 (D3)	-3.57	-0.56	-9.77	95.50	81.59				
			7103017 (D3)	-3.12	-0.44	-11.27	116.29	101.45				
			7104017 (D3)	0.00	0.00	0.00	0.00	0.00				
			APREACT	0.00	0.00	0.00	0.00	0.00				
			73	6-LANES	TRUCK-LOAD	MAX	7101017 (D3)	742.69	192.18	242.91	159.30	1337.08
						7102017 (D3)	263.75	793.91	530.62	464.28	2052.57	
						7103017 (D3)	324.00	437.98	881.55	479.57	2123.11	
						7104017 (D3)	179.37	229.71	317.00	843.25	1569.33	
APREACT	531.43	433.64				622.47	673.83	2261.37				
MIN	7101017 (D3)	-224.09				73.28	94.18	329.65	273.01			
7102017 (D3)	350.34	-155.95				-104.89	-127.70	-38.19				
7103017 (D3)	-110.37	-100.01				-132.28	304.68	-37.97				
7104017 (D3)	176.47	-26.88				-39.70	-176.84	-66.94				
APREACT	-113.36	-122.00				-123.36	-137.42	-496.14				
TANDEM-LOAD	MAX	7101017 (D3)				515.74	119.93	166.98	108.86	911.51		
7102017 (D3)	159.45	564.74				349.77	308.33	1382.30				
7103017 (D3)	216.62	287.21				617.20	325.52	1446.56				
7104017 (D3)	127.07	163.55				198.85	577.27	1066.74				

BAGO RIVER BRIDGE

[ No.102 : 2ND SPAN WITH IMPACT ] [ FORCE3(kN) ]

SUPPORT		7101017	7102017	7103017	7104017	TOTAL		
NODE		1017	2017	3017	4017			
NAME	TITLE	D3 (kN)	D3 (kN)	D3 (kN)	D3 (kN)	(kN)		
73	6-LANES							
	TANDEM-LOAD MAX	APREACT	359.36	296.47	420.09	457.73	1533.64	
	MIN	7101017 (D3)	-152.81	47.88	68.52	236.19	199.77	
		7102017 (D3)	249.17	-120.16	-70.24	-84.19	-25.42	
		7103017 (D3)	-72.05	-67.98	-96.68	210.47	-26.24	
		7104017 (D3)	116.23	-20.92	-23.89	-120.29	-48.86	
		APREACT	-76.93	-82.80	-83.72	-93.26	-336.71	
	DISPERSION-LMAX	7101017 (D3)	1355.45	753.67	706.54	227.10	3042.75	
		7102017 (D3)	889.76	1172.35	1285.14	1468.90	4816.15	
		7103017 (D3)	877.12	1169.55	1286.76	1440.16	4773.59	
		7104017 (D3)	160.58	861.71	1057.71	1683.49	3763.49	
		APREACT	1121.96	1108.23	1243.83	1427.18	4901.20	
	MIN	7101017 (D3)	-460.97	181.36	370.19	1119.70	1210.29	
		7102017 (D3)	-60.54	-212.28	-205.40	-124.24	-602.46	
		7103017 (D3)	-17.17	-205.94	-208.23	-107.87	-539.20	
		7104017 (D3)	786.09	111.32	12.95	-334.53	575.83	
		APREACT	-178.66	-191.86	-194.04	-215.90	-780.46	
124	SUM TOTAL	D+1LANE(caseMAX	7101017 (D3)	5352.52	3865.20	4270.96	4641.07	18129.76
			7102017 (D3)	5007.30	4072.94	4324.90	4587.93	17993.07
			7103017 (D3)	4908.01	4038.28	4359.73	4591.40	17897.42
			7104017 (D3)	3960.07	3793.82	4129.52	4773.20	16656.61
			APREACT	5338.40	3883.28	4271.02	4637.72	18130.42
	MIN	7101017 (D3)	3861.47	3733.83	4064.28	4727.99	16387.57	
		7102017 (D3)	4578.76	3652.91	4083.15	4735.31	17050.13	
		7103017 (D3)	4057.79	3717.01	4060.22	4717.99	16553.00	

BAGO RIVER BRIDGE

[ No.102 : 2ND SPAN WITH IMPACT ] [ FORCE3(kN) ]

SUPPORT		7101017	7102017	7103017	7104017	TOTAL		
NODE		1017	2017	3017	4017			
NAME	TITLE	D3 (kN)	D3 (kN)	D3 (kN)	D3 (kN)	(kN)		
124	SUM TOTAL	D+1LANE (caseMIN	7104017 (D3)	5063.65	3994.75	4308.04	4550.95	17917.39
		APREACT		3862.07	3733.11	4063.68	4726.51	16385.37
		D+1LANE (caseMAX	7101017 (D3)	4476.94	4239.70	4487.59	4880.08	18084.31
			7102017 (D3)	4339.06	4479.33	4454.69	4849.19	18122.27
			7103017 (D3)	4457.81	4284.28	4509.07	4863.57	18114.74
			7104017 (D3)	4445.54	4156.20	4456.07	4884.84	17942.65
		APREACT		4352.00	4461.44	4462.07	4850.02	18125.54
		MIN	7101017 (D3)	3888.48	3729.55	4063.26	4706.99	16388.29
			7102017 (D3)	3888.52	3729.49	4063.21	4706.87	16388.09
			7103017 (D3)	3888.52	3729.49	4063.21	4706.87	16388.09
			7104017 (D3)	3912.16	3792.59	4077.29	4706.33	16488.38
		APREACT		3888.52	3729.49	4063.21	4706.87	16388.09
		D+1LANE (caseMAX	7101017 (D3)	4159.95	4122.78	4532.34	5117.62	17932.69
			7102017 (D3)	4116.13	4179.06	4707.15	5108.35	18110.69
			7103017 (D3)	4087.20	4124.72	4873.78	5035.78	18121.48
			7104017 (D3)	4151.30	4158.51	4632.74	5135.30	18077.85
		APREACT		4089.10	4130.64	4860.53	5041.70	18121.96
		MIN	7101017 (D3)	3908.18	3742.82	4140.02	4704.74	16495.75
			7102017 (D3)	3909.27	3726.64	4062.84	4691.46	16390.21
			7103017 (D3)	3909.27	3726.64	4062.84	4691.46	16390.21
			7104017 (D3)	3909.40	3726.68	4062.88	4691.44	16390.40
		APREACT		3909.27	3726.64	4062.84	4691.46	16390.21
		D+1LANE (caseMAX	7101017 (D3)	3961.88	3780.44	4117.51	4750.69	16610.51
			7102017 (D3)	3619.75	4063.88	4418.50	5777.25	17879.38

BAGO RIVER BRIDGE

[ No.102 : 2ND SPAN WITH IMPACT ] [ FORCE3(kN) ]

SUPPORT		7101017	7102017	7103017	7104017	TOTAL		
NODE		1017	2017	3017	4017			
NAME	TITLE	D3 (kN)	D3 (kN)	D3 (kN)	D3 (kN)	(kN)		
124	SUM TOTAL	D+1LANE (caseMAX	7103017 (D3)	3617.18	4049.18	4432.98	5817.11	17916.45
			7104017 (D3)	3719.60	3971.79	4270.52	6151.99	18113.91
			APREACT	3716.33	3972.42	4278.16	6147.41	18114.32
		MIN	7101017 (D3)	3595.18	4019.56	4376.27	5864.15	17855.16
			7102017 (D3)	3931.74	3722.32	4050.64	4786.22	16490.92
			7103017 (D3)	3935.15	3748.45	4029.22	5351.57	17064.39
			7104017 (D3)	3936.80	3723.12	4062.58	4671.43	16393.93
			APREACT	3935.75	3723.00	4062.35	4671.78	16392.88
		D+2LANES (casMAX	7101017 (D3)	5820.54	4196.76	4462.27	4625.54	19105.10
			7102017 (D3)	5525.64	4416.70	4460.58	4593.29	18996.21
			7103017 (D3)	5437.15	4305.53	4557.15	4583.28	18883.11
			7104017 (D3)	4080.00	3840.41	4183.22	4779.94	16883.57
			APREACT	5802.95	4254.12	4420.59	4633.51	19111.17
		MIN	7101017 (D3)	3807.19	3692.09	4020.41	4689.06	16208.74
			7102017 (D3)	4405.15	3624.35	4035.88	4694.55	16759.93
			7103017 (D3)	3971.00	3677.76	4016.77	4680.12	16345.65
			7104017 (D3)	5212.08	4101.36	4343.96	4513.58	18170.98
			APREACT	3807.90	3691.18	4019.66	4687.22	16205.96
		D+2LANES (casMAX	7101017 (D3)	5090.89	4508.84	4642.79	4824.71	19067.22
			7102017 (D3)	4968.77	4755.36	4568.74	4811.00	19103.87
			7103017 (D3)	5061.98	4510.53	4681.61	4810.09	19064.21
			7104017 (D3)	4484.56	4142.39	4455.35	4872.97	17955.28
			APREACT	4980.95	4735.92	4579.80	4810.43	19107.11
		MIN	7101017 (D3)	3829.69	3688.52	4019.56	4671.56	16209.34

BAGO RIVER BRIDGE

[ No.102 : 2ND SPAN WITH IMPACT ] [ FORCE3(kN) ]

SUPPORT		7101017	7102017	7103017	7104017	TOTAL		
NODE		1017	2017	3017	4017			
NAME	TITLE	D3 (kN)	D3 (kN)	D3 (kN)	D3 (kN)	(kN)		
124	SUM TOTAL	D+2LANES (casMIN	7102017 (D3)	3829.95	3688.16	4019.26	4670.85	16208.23
			7103017 (D3)	3829.95	3688.16	4019.26	4670.85	16208.23
			7104017 (D3)	4252.50	3932.89	4151.68	4643.07	16980.14
			APREACT	3829.95	3688.16	4019.26	4670.85	16208.23
		D+2LANES (casMAX	7101017 (D3)	4166.88	4229.05	4631.47	5338.16	18365.57
			7102017 (D3)	4098.27	4390.86	5021.55	5557.05	19067.73
			7103017 (D3)	4070.40	4270.38	5297.65	5458.00	19096.42
			7104017 (D3)	4128.56	4373.37	4957.59	5579.59	19039.10
			APREACT	4071.38	4282.04	5277.86	5465.93	19097.20
		MIN	7101017 (D3)	3866.63	3888.63	4443.24	5005.09	17203.59
			7102017 (D3)	3886.58	3680.39	4018.24	4628.78	16214.01
			7103017 (D3)	3886.54	3680.40	4018.24	4628.81	16213.99
			7104017 (D3)	3887.28	3680.57	4018.48	4628.70	16215.02
			APREACT	3886.54	3680.40	4018.24	4628.81	16213.99
		D+2LANES (casMAX	7101017 (D3)	3961.55	3782.60	4119.44	4754.34	16617.92
			7102017 (D3)	3515.49	4260.23	4671.88	6357.10	18804.70
			7103017 (D3)	3530.77	4217.81	4698.48	6453.73	18900.78
			7104017 (D3)	3647.09	4114.73	4557.12	6768.77	19087.71
			APREACT	3642.92	4117.75	4562.87	6764.77	19088.31
		MIN	7101017 (D3)	3475.58	4186.95	4603.99	6386.98	18653.51
			7102017 (D3)	3905.44	3676.77	4008.07	4707.64	16297.92
			7103017 (D3)	3908.24	3698.55	3990.22	5178.79	16775.80
			7104017 (D3)	3910.24	3677.58	4018.22	4611.92	16217.96
			APREACT	3908.74	3677.34	4017.83	4612.30	16216.21



BAGO RIVER BRIDGE

[ No.102 : 2ND SPAN WITH IMPACT ] [ FORCE3(kN) ]

SUPPORT		7101017	7102017	7103017	7104017	TOTAL		
NODE		1017	2017	3017	4017			
NAME	TITLE	D3 (kN)	D3 (kN)	D3 (kN)	D3 (kN)	(kN)		
124	SUM TOTAL	D+3LANES (casMAX	7101017 (D3)	5907.70	4452.18	4666.04	4723.39	19749.32
			7102017 (D3)	5559.37	4808.87	4641.30	4674.11	19683.65
			7103017 (D3)	5568.27	4576.22	4761.90	4675.79	19582.18
			7104017 (D3)	4406.01	4090.14	4406.52	4858.01	17760.68
			APREACT	5804.26	4658.01	4612.54	4708.89	19783.69
		MIN	7101017 (D3)	3779.53	3661.86	3989.89	4654.78	16086.07
			7102017 (D3)	4287.83	3604.24	4003.01	4659.37	16554.44
			7103017 (D3)	3918.80	3649.64	3986.76	4647.10	16202.30
			7104017 (D3)	4990.46	4054.39	4274.85	4505.16	17824.87
			APREACT	3780.17	3661.05	3989.21	4653.13	16083.56
		D+3LANES (casMAX	7101017 (D3)	4136.85	4157.75	4550.87	5243.84	18089.31
			7102017 (D3)	3968.26	4509.75	5156.64	6031.74	19666.39
			7103017 (D3)	3982.53	4349.53	5424.06	6009.03	19765.15
			7104017 (D3)	4031.96	4437.07	5135.01	6112.38	19716.42
			APREACT	3982.05	4362.85	5406.06	6015.15	19766.11
		MIN	7101017 (D3)	3760.48	4051.47	4637.26	5521.44	17970.65
			7102017 (D3)	3880.58	3647.28	3987.42	4578.57	16093.86
			7103017 (D3)	3880.35	3647.29	3987.40	4578.71	16093.76
			7104017 (D3)	3881.72	3647.53	3987.76	4578.37	16095.37
			APREACT	3880.35	3647.29	3987.40	4578.71	16093.76
		D+3LANES (casMAX	7101017 (D3)	3968.34	3839.96	4176.36	4850.27	16834.92
			7102017 (D3)	3549.98	4418.47	4923.22	6590.20	19481.87
			7103017 (D3)	3573.98	4320.38	5042.30	6661.27	19597.93
			7104017 (D3)	3667.62	4291.65	4823.96	6958.58	19741.80

BAGO RIVER BRIDGE

[ No.102 : 2ND SPAN WITH IMPACT ] [ FORCE3(kN) ]

SUPPORT		7101017	7102017	7103017	7104017	TOTAL			
NODE		1017	2017	3017	4017				
NAME	TITLE	D3 (kN)	D3 (kN)	D3 (kN)	D3 (kN)	(kN)			
124	SUM TOTAL	D+3LANES (casMAX	APREACT	3669.34	4240.34	4918.72	6931.08	19759.48	
		MIN	7101017 (D3)	3487.27	4279.86	4813.77	6509.32	19090.21	
			7102017 (D3)	3877.88	3646.76	3979.10	4659.49	16163.23	
			7103017 (D3)	3880.26	3665.27	3963.92	5059.97	16569.43	
			7104017 (D3)	3882.05	3647.48	3987.75	4578.11	16095.39	
			APREACT	3880.69	3647.25	3987.39	4578.45	16093.78	
		D+4LANES	MAX	7101017 (D3)	4077.50	4057.05	4435.66	5119.83	17690.03
				7102017 (D3)	3757.18	4444.55	5026.79	6245.05	19473.56
				7103017 (D3)	3776.08	4313.16	5224.37	6265.02	19578.63
				7104017 (D3)	3861.98	4334.36	4916.11	6533.28	19645.73
				APREACT	3845.58	4280.25	5126.25	6432.47	19684.55
			MIN	7101017 (D3)	3664.01	4204.23	4739.20	6092.08	18699.52
				7102017 (D3)	3953.75	3793.38	4102.19	5104.68	16954.01
				7103017 (D3)	3954.35	3793.46	4100.38	5118.66	16966.85
				7104017 (D3)	3959.85	3793.75	4129.43	4773.19	16656.24
				APREACT	3959.85	3793.75	4129.43	4773.19	16656.24
		D+6LANES	MAX	7101017 (D3)	5323.65	4408.56	4746.57	5024.36	19503.13
				7102017 (D3)	4709.64	5071.82	5309.68	6029.76	21120.90
				7103017 (D3)	4740.59	4838.65	5538.84	6021.02	21139.09
				7104017 (D3)	4180.82	4503.18	5023.00	6415.58	20122.57
				APREACT	5034.56	4795.97	5342.53	6138.85	21311.91
			MIN	7101017 (D3)	3514.57	3959.27	4431.27	5715.27	17620.38
				7102017 (D3)	4148.23	3554.41	3927.74	4609.43	16239.81
				7103017 (D3)	3876.96	3594.89	3908.11	4901.13	16281.07

BAGO RIVER BRIDGE

[ No.102 : 2ND SPAN WITH IMPACT ] [ FORCE3(kN) ]

SUPPORT				7101017	7102017	7103017	7104017	TOTAL	
NODE				1017	2017	3017	4017		
NAME	TITLE			D3 (kN)	D3 (kN)	D3 (kN)	D3 (kN)	(kN)	
124	SUM TOTAL	D+6LANES	MIN	7104017 (D3)	4585.52	3848.64	4112.04	4440.81	16987.02
				APREACT	3770.05	3589.74	3923.13	4543.53	15826.45
		SUM TOTAL	MAX	7101017 (D3)	5907.70	4452.18	4666.04	4723.39	19749.32
				7102017 (D3)	4709.64	5071.82	5309.68	6029.76	21120.90
				7103017 (D3)	4740.59	4838.65	5538.84	6021.02	21139.09
				7104017 (D3)	3667.62	4291.65	4823.96	6958.58	19741.80
				APREACT	5034.56	4795.97	5342.53	6138.85	21311.91
			MIN	7101017 (D3)	3475.58	4186.95	4603.99	6386.98	18653.51
				7102017 (D3)	4148.23	3554.41	3927.74	4609.43	16239.81
				7103017 (D3)	3876.96	3594.89	3908.11	4901.13	16281.07
				7104017 (D3)	4585.52	3848.64	4112.04	4440.81	16987.02
				APREACT	3770.05	3589.74	3923.13	4543.53	15826.45
300	DEAD LOAD	TOTAL			3959.85	3793.75	4129.43	4773.19	16656.24
301	LIVE LOAD	1-LANE (case1MAX)		7101017 (D3)	1392.67	71.45	141.53	-132.12	1473.52
				7102017 (D3)	1047.45	279.18	195.47	-185.26	1336.84
				7103017 (D3)	948.16	244.53	230.29	-181.79	1241.18
				7104017 (D3)	0.21	0.07	0.09	0.00	0.37
				APREACT	1378.55	89.52	141.59	-135.47	1474.19
			MIN	7101017 (D3)	-98.38	-59.92	-65.16	-45.21	-268.66
				7102017 (D3)	618.91	-140.85	-46.28	-37.88	393.90
				7103017 (D3)	97.93	-76.75	-69.21	-55.21	-103.24
				7104017 (D3)	1103.80	200.99	178.61	-222.25	1261.15
				APREACT	-97.79	-60.64	-65.75	-46.68	-270.87
		1-LANE (case2MAX)		7101017 (D3)	517.09	445.94	358.15	106.88	1428.07

BAGO RIVER BRIDGE

[ No.102 : 2ND SPAN WITH IMPACT ] [ FORCE3(kN) ]

SUPPORT		7101017	7102017	7103017	7104017	TOTAL		
NODE		1017	2017	3017	4017			
NAME	TITLE	D3 (kN)	D3 (kN)	D3 (kN)	D3 (kN)	(kN)		
301	LIVE LOAD	1-LANE (case2MAX	7102017 (D3)	379.20	685.57	325.26	76.00	1466.03
			7103017 (D3)	497.95	490.53	379.64	90.38	1458.50
			7104017 (D3)	485.69	362.44	326.64	111.65	1286.42
			APREACT	392.15	667.69	332.64	76.83	1469.30
		MIN	7101017 (D3)	-71.38	-64.20	-66.17	-66.20	-267.95
			7102017 (D3)	-71.33	-64.27	-66.22	-66.32	-268.15
			7103017 (D3)	-71.33	-64.27	-66.22	-66.32	-268.15
			7104017 (D3)	-47.69	-1.16	-52.14	-66.87	-167.86
			APREACT	-71.33	-64.27	-66.22	-66.32	-268.15
		1-LANE (case3MAX	7101017 (D3)	200.09	329.03	402.90	344.43	1276.45
			7102017 (D3)	156.27	385.31	577.72	335.16	1454.45
			7103017 (D3)	127.35	330.96	744.35	262.58	1465.25
			7104017 (D3)	191.45	364.76	503.30	362.11	1421.61
			APREACT	129.24	336.89	731.09	268.50	1465.73
		MIN	7101017 (D3)	-51.67	-50.94	10.58	-68.46	-160.48
			7102017 (D3)	-50.58	-67.11	-66.60	-81.73	-266.02
			7103017 (D3)	-50.58	-67.11	-66.60	-81.73	-266.02
			7104017 (D3)	-50.46	-67.08	-66.55	-81.75	-265.84
			APREACT	-50.58	-67.11	-66.60	-81.73	-266.02
		1-LANE (case4MAX	7101017 (D3)	2.02	-13.32	-11.92	-22.51	-45.72
			7102017 (D3)	-340.10	270.13	289.06	1004.05	1223.14
			7103017 (D3)	-342.68	255.42	303.55	1043.91	1260.21
			7104017 (D3)	-240.25	178.04	141.09	1378.80	1457.68
			APREACT	-243.52	178.67	148.73	1374.21	1458.09

BAGO RIVER BRIDGE

[ No.102 : 2ND SPAN WITH IMPACT ] [ FORCE3(kN) ]

SUPPORT		7101017	7102017	7103017	7104017	TOTAL	
NODE		1017	2017	3017	4017		
NAME	TITLE	D3 (kN)	D3 (kN)	D3 (kN)	D3 (kN)	(kN)	
301	LIVE LOAD						
	1-LANE (case4MIN)						
		7101017 (D3)	-364.67	225.81	246.83	1090.95	1198.92
		7102017 (D3)	-28.12	-71.43	-78.79	13.02	-165.32
		7103017 (D3)	-24.70	-45.30	-100.22	578.38	408.15
		7104017 (D3)	-23.06	-70.63	-66.86	-101.76	-262.31
		APREACT	-24.11	-70.75	-67.08	-101.41	-263.35
	2-LANES (caseMAX)						
		7101017 (D3)	1860.68	403.00	332.84	-147.66	2448.86
		7102017 (D3)	1565.78	622.95	331.15	-179.91	2339.97
		7103017 (D3)	1477.30	511.77	427.71	-189.92	2226.87
		7104017 (D3)	120.15	46.66	53.79	6.74	227.34
		APREACT	1843.09	460.37	291.16	-139.68	2454.94
	MIN						
		7101017 (D3)	-152.67	-101.66	-109.02	-84.14	-447.49
		7102017 (D3)	445.29	-169.41	-93.55	-78.65	103.69
		7103017 (D3)	11.15	-115.99	-112.66	-93.08	-310.59
		7104017 (D3)	1252.22	307.60	214.53	-259.61	1514.74
		APREACT	-151.95	-102.57	-109.78	-85.98	-450.28
	2-LANES (caseMAX)						
		7101017 (D3)	1131.03	715.08	513.36	51.51	2410.98
		7102017 (D3)	1008.91	961.61	439.31	37.81	2447.64
		7103017 (D3)	1102.13	716.78	552.17	36.90	2407.97
		7104017 (D3)	524.71	348.64	325.92	99.78	1299.04
		APREACT	1021.10	942.17	450.37	37.24	2450.87
	MIN						
		7101017 (D3)	-130.16	-105.23	-109.87	-101.63	-446.90
		7102017 (D3)	-129.91	-105.59	-110.17	-102.35	-448.01
		7103017 (D3)	-129.91	-105.59	-110.17	-102.35	-448.01
		7104017 (D3)	292.65	139.14	22.24	-130.13	323.90

BAGO RIVER BRIDGE

[ No.102 : 2ND SPAN WITH IMPACT ] [ FORCE3(kN) ]

SUPPORT		7101017	7102017	7103017	7104017	TOTAL		
NODE		1017	2017	3017	4017			
NAME	TITLE	D3 (kN)	D3 (kN)	D3 (kN)	D3 (kN)	(kN)		
301	LIVE LOAD	2-LANES (caseMIN	APREACT	-129.91	-105.59	-110.17	-102.35	-448.01
		2-LANES (caseMAX	7101017 (D3)	207.02	435.30	502.04	564.97	1709.33
			7102017 (D3)	138.41	597.10	892.12	783.85	2411.49
			7103017 (D3)	110.55	476.62	1168.21	684.80	2440.19
			7104017 (D3)	168.70	579.61	828.15	806.39	2382.86
			APREACT	111.52	488.28	1148.42	692.74	2440.97
		MIN	7101017 (D3)	-93.22	94.88	313.80	231.90	547.36
			7102017 (D3)	-73.27	-113.36	-111.19	-144.41	-442.23
			7103017 (D3)	-73.31	-113.36	-111.19	-144.39	-442.25
			7104017 (D3)	-72.58	-113.19	-110.96	-144.50	-441.22
			APREACT	-73.31	-113.36	-111.19	-144.39	-442.25
		2-LANES (caseMAX	7101017 (D3)	1.69	-11.16	-9.99	-18.86	-38.31
			7102017 (D3)	-444.37	466.47	542.45	1583.91	2148.46
			7103017 (D3)	-429.09	424.05	569.05	1680.53	2244.54
			7104017 (D3)	-312.76	320.98	427.68	1995.57	2431.48
			APREACT	-316.93	324.00	433.43	1991.57	2432.07
		MIN	7101017 (D3)	-484.27	393.20	474.56	1613.78	1997.27
			7102017 (D3)	-54.42	-116.99	-121.36	-65.56	-358.32
			7103017 (D3)	-51.61	-95.21	-139.22	405.60	119.56
			7104017 (D3)	-49.62	-116.17	-111.22	-161.28	-438.28
			APREACT	-51.12	-116.42	-111.60	-160.89	-440.03
		3-LANES (caseMAX	7101017 (D3)	1947.85	658.43	536.60	-49.80	3093.08
			7102017 (D3)	1599.52	1015.12	511.87	-99.09	3027.42
			7103017 (D3)	1608.42	782.46	632.47	-97.41	2925.94

BAGO RIVER BRIDGE

[ No.102 : 2ND SPAN WITH IMPACT ] [ FORCE3(kN) ]

SUPPORT		7101017	7102017	7103017	7104017	TOTAL	
NODE		1017	2017	3017	4017		
NAME	TITLE	D3 (kN)	D3 (kN)	D3 (kN)	D3 (kN)	(kN)	
301	LIVE LOAD						
	3-LANES (caseMAX	7104017 (D3)	446.15	296.39	277.09	84.81	1104.45
		APREACT	1844.40	864.26	483.10	-64.31	3127.45
	MIN	7101017 (D3)	-180.33	-131.89	-139.54	-118.41	-570.17
		7102017 (D3)	327.97	-189.52	-126.43	-113.83	-101.80
		7103017 (D3)	-41.05	-144.12	-142.67	-126.10	-453.94
		7104017 (D3)	1030.61	260.64	145.42	-268.03	1168.63
		APREACT	-179.69	-132.71	-140.22	-120.06	-572.68
	3-LANES (caseMAX	7101017 (D3)	177.00	363.99	421.44	470.64	1433.07
		7102017 (D3)	8.41	715.99	1027.20	1258.55	3010.15
		7103017 (D3)	22.67	555.77	1294.63	1235.84	3108.91
		7104017 (D3)	72.10	643.31	1005.58	1339.19	3060.18
		APREACT	22.20	569.09	1276.62	1241.96	3109.88
	MIN	7101017 (D3)	-199.37	257.71	507.83	748.24	1314.41
		7102017 (D3)	-79.27	-146.47	-142.02	-194.62	-562.38
		7103017 (D3)	-79.50	-146.46	-142.03	-194.49	-562.48
		7104017 (D3)	-78.14	-146.23	-141.67	-194.83	-560.87
		APREACT	-79.50	-146.46	-142.03	-194.49	-562.48
	3-LANES (caseMAX	7101017 (D3)	8.48	46.20	46.92	77.07	178.68
		7102017 (D3)	-409.88	624.71	793.79	1817.00	2825.63
		7103017 (D3)	-385.88	526.62	912.87	1888.08	2941.69
		7104017 (D3)	-292.24	497.89	694.53	2185.38	3085.57
		APREACT	-290.52	446.58	789.29	2157.88	3103.24
	MIN	7101017 (D3)	-472.59	486.11	684.34	1736.12	2433.98
		7102017 (D3)	-81.97	-146.99	-150.33	-113.70	-493.00

BAGO RIVER BRIDGE

[ No.102 : 2ND SPAN WITH IMPACT ] [ FORCE3(kN) ]

SUPPORT		7101017	7102017	7103017	7104017	TOTAL				
NODE		1017	2017	3017	4017					
NAME	TITLE	D3 (kN)	D3 (kN)	D3 (kN)	D3 (kN)	(kN)				
301	LIVE LOAD	3-LANES (caseMIN	7103017 (D3)	-79.59	-128.48	-165.51	286.78	-86.81		
			7104017 (D3)	-77.80	-146.28	-141.68	-195.08	-560.84		
			APREACT	-79.17	-146.51	-142.04	-194.74	-562.46		
	4-LANES	MAX	7101017 (D3)	117.64	263.30	306.22	346.63	1033.80		
			7102017 (D3)	-202.67	650.80	897.35	1471.85	2817.32		
			7103017 (D3)	-183.77	519.40	1094.93	1491.83	2922.39		
			7104017 (D3)	-97.87	540.61	786.67	1760.09	2989.49		
			APREACT	-114.28	486.49	996.82	1659.27	3028.31		
			7101017 (D3)	-295.85	410.48	609.76	1318.88	2043.28		
	4-LANES	MIN	7102017 (D3)	-6.10	-0.38	-27.24	331.49	297.77		
			7103017 (D3)	-5.51	-0.30	-29.05	345.47	310.61		
			7104017 (D3)	0.00	0.00	0.00	0.00	0.00		
			APREACT	0.00	0.00	0.00	0.00	0.00		
			6-LANES	MAX	7101017 (D3)	1363.79	614.80	617.14	251.16	2846.89
					7102017 (D3)	749.78	1278.07	1180.25	1256.56	4464.66
	7103017 (D3)	780.73			1044.90	1409.40	1247.82	4482.85		
	7104017 (D3)	220.97			709.42	893.56	1642.38	3466.33		
	APREACT	1074.71			1002.21	1213.10	1365.65	4655.67		
	7101017 (D3)	-445.29			165.51	301.84	942.08	964.15		
	6-LANES	MIN	7102017 (D3)	188.37	-239.35	-201.69	-163.76	-416.42		
			7103017 (D3)	-82.90	-198.87	-221.33	127.93	-375.16		
			7104017 (D3)	625.67	54.89	-17.39	-332.39	330.78		
			APREACT	-189.81	-204.01	-206.31	-229.66	-829.79		
			LIVE LOAD	MAX	7101017 (D3)	1947.85	658.43	536.60	-49.80	3093.08



BAGO RIVER BRIDGE

[ No.102 : 2ND SPAN WITH IMPACT ] [ FORCE3(kN) ]

SUPPORT				7101017	7102017	7103017	7104017	TOTAL	
NODE				1017	2017	3017	4017		
NAME	TITLE			D3 (kN)	D3 (kN)	D3 (kN)	D3 (kN)	(kN)	
301	LIVE LOAD	LIVE LOAD	MAX	7102017 (D3)	749.78	1278.07	1180.25	1256.56	4464.66
				7103017 (D3)	780.73	1044.90	1409.40	1247.82	4482.85
				7104017 (D3)	-292.24	497.89	694.53	2185.38	3085.57
				APREACT	1074.71	1002.21	1213.10	1365.65	4655.67
			MIN	7101017 (D3)	-484.27	393.20	474.56	1613.78	1997.27
				7102017 (D3)	188.37	-239.35	-201.69	-163.76	-416.42
				7103017 (D3)	-82.90	-198.87	-221.33	127.93	-375.16
				7104017 (D3)	625.67	54.89	-17.39	-332.39	330.78
				APREACT	-189.81	-204.01	-206.31	-229.66	-829.79
			303	SUM TOTAL	TOTAL	MAX	7101017 (D3)	5907.70	4452.18
	7102017 (D3)	4709.64				5071.82	5309.68	6029.76	21120.90
	7103017 (D3)	4740.59				4838.65	5538.84	6021.02	21139.09
	7104017 (D3)	3667.62				4291.65	4823.96	6958.58	19741.80
	APREACT	5034.56				4795.97	5342.53	6138.85	21311.91
MIN	7101017 (D3)	3475.58				4186.95	4603.99	6386.98	18653.51
	7102017 (D3)	4148.23				3554.41	3927.74	4609.43	16239.81
	7103017 (D3)	3876.96				3594.89	3908.11	4901.13	16281.07
	7104017 (D3)	4585.52				3848.64	4112.04	4440.81	16987.02
	APREACT	3770.05				3589.74	3923.13	4543.53	15826.45

BAGO RIVER BRIDGE

[ No.103 : 3RD SPAN WITH IMPACT ] [ FORCE3(kN) ]

SUPPORT		7101033	7102033	7103033	7104033	TOTAL		
NODE		1033	2033	3033	4033			
NAME	TITLE	D3 (kN)	D3 (kN)	D3 (kN)	D3 (kN)	(kN)		
1	PAVEMENT	904.02	797.38	818.85	1029.17	3549.42		
3	RAILING	37.87	12.91	13.43	38.85	103.06		
5	CURB	374.93	127.79	132.92	384.62	1020.25		
7	DECK WEIGHT	1473.90	1269.58	1303.95	1642.38	5689.81		
8	GIRDER WEIGH	2070.42	1847.47	1875.88	2070.72	7864.49		
10	MEDIAN STRIP	331.23	396.46	406.12	304.27	1438.08		
21	ADITIONAL WE	412.69	355.48	365.11	459.87	1593.15		
31	MEDIAN RAILI	23.21	29.07	29.85	20.88	103.00		
51	SUPPORT WEIG	0.00	0.00	0.00	0.00	0.00		
52	NOSE WEIGHT	-0.02	0.00	-0.00	0.02	-0.00		
61	1-LANE(case1TRUCK-LOAD	MAX	7101033 (D3)	446.64	-69.25	-1.42	-6.89	369.07
			7102033 (D3)	308.95	74.18	58.81	-58.60	383.33
			7103033 (D3)	269.59	56.66	93.40	-56.54	363.11
			7104033 (D3)	-15.26	-3.78	-6.87	1.97	-23.94
			APREACT	315.59	72.55	50.65	-55.19	383.60
		MIN	7101033 (D3)	-26.06	-8.99	-13.55	-1.78	-50.38
			7102033 (D3)	446.64	-69.25	-1.42	-6.89	369.07
			7103033 (D3)	-25.78	-9.25	-13.66	-2.48	-51.17
			7104033 (D3)	253.01	55.88	73.42	-88.36	293.95
			APREACT	-25.57	-9.30	-13.64	-2.72	-51.23
	TANDEM-LOAD	MAX	7101033 (D3)	312.85	-60.40	-0.32	-1.25	250.89
			7102033 (D3)	213.64	53.11	29.77	-36.49	260.04
			7103033 (D3)	186.90	39.41	63.56	-40.26	249.60
			7104033 (D3)	-11.38	-2.85	-5.14	1.41	-17.97

BAGO RIVER BRIDGE

[ No.103 : 3RD SPAN WITH IMPACT ] [ FORCE3(kN) ]

SUPPORT		7101033	7102033	7103033	7104033	TOTAL		
NODE		1033	2033	3033	4033			
NAME	TITLE	D3 (kN)	D3 (kN)	D3 (kN)	D3 (kN)	(kN)		
61	1-LANE(case1TANDEM-LOAD	MAX	APREACT	213.64	53.11	29.77	-36.49	260.04
		MIN	7101033 (D3)	-17.69	-5.94	-9.08	-0.87	-33.58
			7102033 (D3)	312.85	-60.40	-0.32	-1.25	250.89
			7103033 (D3)	-17.61	-6.27	-9.30	-1.59	-34.77
			7104033 (D3)	168.76	35.92	52.52	-60.88	196.32
			APREACT	-17.19	-6.34	-9.24	-2.02	-34.78
	DISPERSION-LMAX		7101033 (D3)	880.22	124.48	207.65	-166.96	1045.39
			7102033 (D3)	748.63	145.59	208.72	-163.26	939.68
			7103033 (D3)	759.85	142.46	209.08	-161.69	949.70
			7104033 (D3)	-7.91	-2.12	-3.68	0.70	-13.01
			APREACT	880.22	124.48	207.65	-166.96	1045.39
		MIN	7101033 (D3)	-31.75	-11.29	-16.76	-2.87	-62.67
			7102033 (D3)	99.84	-32.40	-17.82	-6.56	43.05
			7103033 (D3)	88.62	-29.27	-18.19	-8.13	33.03
			7104033 (D3)	856.39	115.31	194.57	-170.52	995.74
			APREACT	-31.75	-11.29	-16.76	-2.87	-62.67
62	1-LANE(case2TRUCK-LOAD	MAX	7101033 (D3)	147.87	88.89	95.39	46.87	379.01
			7102033 (D3)	22.66	285.14	61.93	-0.67	369.06
			7103033 (D3)	126.68	123.90	106.24	26.00	382.81
			7104033 (D3)	139.88	74.96	86.23	52.40	353.48
			APREACT	139.75	104.36	105.03	34.06	383.21
		MIN	7101033 (D3)	-17.14	-10.34	-12.11	-10.17	-49.77
			7102033 (D3)	-17.01	-10.52	-12.20	-10.62	-50.35
			7103033 (D3)	-17.13	-10.50	-12.21	-10.50	-50.34

BAGO RIVER BRIDGE

[ No.103 : 3RD SPAN WITH IMPACT ] [ FORCE3(kN) ]

SUPPORT		7101033	7102033	7103033	7104033	TOTAL	
NODE		1033	2033	3033	4033		
NAME	TITLE	D3 (kN)	D3 (kN)	D3 (kN)	D3 (kN)	(kN)	
62	1-LANE (case2TRUCK-LOAD	MIN 7104033 (D3)	-16.67	-10.44	-12.05	-10.67	-49.83
		APREACT	-17.05	-10.52	-12.21	-10.60	-50.37
	TANDEM-LOAD	MAX 7101033 (D3)	100.36	59.50	63.52	32.82	256.19
		7102033 (D3)	7.08	207.64	36.45	-0.29	250.89
		7103033 (D3)	91.81	74.61	73.88	19.38	259.69
		7104033 (D3)	95.52	51.18	58.92	35.56	241.19
		APREACT	95.46	69.16	73.55	21.63	259.80
		MIN 7101033 (D3)	-11.68	-7.08	-8.28	-7.01	-34.05
	7102033 (D3)	-11.51	-7.15	-8.28	-7.25	-34.19	
	7103033 (D3)	-11.67	-7.13	-8.31	-7.10	-34.21	
	7104033 (D3)	-11.41	-7.13	-8.24	-7.27	-34.04	
	APREACT	-11.67	-7.13	-8.31	-7.10	-34.21	
	DISPERSION-LMAX	7101033 (D3)	370.24	312.33	259.12	98.60	1040.29
		7102033 (D3)	370.24	312.33	259.12	98.60	1040.29
		7103033 (D3)	370.24	312.33	259.12	98.60	1040.29
		7104033 (D3)	331.18	249.12	231.43	100.86	912.59
		APREACT	370.24	312.33	259.12	98.60	1040.29
		MIN 7101033 (D3)	-21.00	-12.78	-14.91	-12.69	-61.38
	7102033 (D3)	-21.00	-12.78	-14.91	-12.69	-61.38	
	7103033 (D3)	-21.00	-12.78	-14.91	-12.69	-61.38	
7104033 (D3)	18.06	50.44	12.78	-14.95	66.32		
APREACT	-21.00	-12.78	-14.91	-12.69	-61.38		
63	1-LANE (case3TRUCK-LOAD	MAX 7101033 (D3)	50.58	89.93	80.70	131.63	352.84
		7102033 (D3)	23.27	112.69	130.79	115.87	382.62

BAGO RIVER BRIDGE

[ No.103 : 3RD SPAN WITH IMPACT ] [ FORCE3(kN) ]

SUPPORT		7101033	7102033	7103033	7104033	TOTAL	
NODE		1033	2033	3033	4033		
NAME	TITLE	D3 (kN)	D3 (kN)	D3 (kN)	D3 (kN)	(kN)	
63	1-LANE (case3TRUCK-LOAD	MAX 7103033 (D3)	-0.08	61.30	291.25	16.59	369.06
		7104033 (D3)	48.23	96.90	91.26	138.06	374.45
		APREACT	31.88	111.11	111.22	128.74	382.95
	MIN	7101033 (D3)	-10.56	-11.43	-11.11	-16.56	-49.66
		7102033 (D3)	-10.53	-11.44	-11.11	-16.60	-49.67
		7103033 (D3)	-10.55	-11.44	-11.11	-16.58	-49.68
		7104033 (D3)	-10.51	-11.44	-11.10	-16.60	-49.66
		APREACT	-10.55	-11.44	-11.11	-16.58	-49.68
		TANDEM-LOAD	MAX 7101033 (D3)	34.30	61.47	55.12	89.87
	7102033 (D3)	17.55	78.44	79.52	84.04	259.55	
	7103033 (D3)	-0.12	36.24	209.57	5.20	250.89	
	7104033 (D3)	32.72	65.62	62.55	93.86	254.74	
	APREACT	19.95	78.00	74.06	87.63	259.65	
	MIN	7101033 (D3)	-7.18	-7.76	-7.54	-11.23	-33.71
		7102033 (D3)	-7.13	-7.78	-7.54	-11.30	-33.75
		7103033 (D3)	-7.13	-7.78	-7.54	-11.30	-33.75
		7104033 (D3)	-7.13	-7.78	-7.54	-11.30	-33.75
		APREACT	-7.13	-7.78	-7.54	-11.30	-33.75
	DISPERSION-LMAX	7101033 (D3)	109.92	244.55	265.63	314.61	934.71
		7102033 (D3)	108.58	262.10	332.05	333.75	1036.48
7103033 (D3)		108.58	262.10	332.05	333.75	1036.48	
7104033 (D3)		108.58	262.10	332.05	333.75	1036.48	
APREACT		108.58	262.10	332.05	333.75	1036.48	
MIN 7101033 (D3)		-14.15	3.64	52.91	-1.04	41.36	

BAGO RIVER BRIDGE

[ No.103 : 3RD SPAN WITH IMPACT ] [ FORCE3(kN) ]

SUPPORT		7101033	7102033	7103033	7104033	TOTAL		
NODE		1033	2033	3033	4033			
NAME	TITLE	D3 (kN)	D3 (kN)	D3 (kN)	D3 (kN)	(kN)		
63	1-LANE (case3DISPERSION-LMIN	7102033 (D3)	-12.81	-13.91	-13.51	-20.18	-60.42	
		7103033 (D3)	-12.81	-13.91	-13.51	-20.18	-60.42	
		7104033 (D3)	-12.81	-13.91	-13.51	-20.18	-60.42	
		APREACT	-12.81	-13.91	-13.51	-20.18	-60.42	
64	1-LANE (case4TRUCK-LOAD MAX	7101033 (D3)	7.21	-11.39	-6.25	-27.72	-38.15	
		7102033 (D3)	-73.40	109.98	77.74	249.96	364.27	
		7103033 (D3)	-68.84	73.12	97.11	280.77	382.16	
		7104033 (D3)	-6.62	-1.75	-60.20	437.69	369.12	
		APREACT	-64.34	63.86	95.22	287.83	382.56	
		MIN	7101033 (D3)	-112.94	67.85	40.45	273.88	269.24
			7102033 (D3)	5.17	-13.61	-8.41	-30.94	-47.79
			7103033 (D3)	-6.62	-1.75	-60.20	437.69	369.12
	7104033 (D3)		5.81	-13.57	-8.21	-31.26	-47.22	
		APREACT	5.09	-13.60	-8.42	-30.87	-47.79	
	TANDEM-LOAD MAX	7101033 (D3)	4.98	-7.58	-4.11	-18.56	-25.26	
		7102033 (D3)	-50.61	74.92	53.19	170.72	248.22	
		7103033 (D3)	-41.95	38.14	68.57	194.64	259.39	
		7104033 (D3)	-1.15	-0.46	-49.33	301.84	250.90	
		APREACT	-41.95	38.14	68.57	194.64	259.39	
		MIN	7101033 (D3)	-77.46	47.13	26.67	182.91	179.26
7102033 (D3)			3.61	-9.27	-5.70	-21.13	-32.49	
7103033 (D3)			-1.15	-0.46	-49.33	301.84	250.90	
7104033 (D3)	4.22		-9.12	-5.43	-21.22	-31.56		
	APREACT	3.61	-9.27	-5.70	-21.13	-32.49		

BAGO RIVER BRIDGE

[ No.103 : 3RD SPAN WITH IMPACT ] [ FORCE3(kN) ]

SUPPORT		7101033	7102033	7103033	7104033	TOTAL	
NODE		1033	2033	3033	4033		
NAME	TITLE	D3 (kN)	D3 (kN)	D3 (kN)	D3 (kN)	(kN)	
64	1-LANE (case4DISPERSION-LMAX	7101033 (D3)	6.57	-16.59	-10.17	-37.88	-58.07
		7102033 (D3)	-212.07	226.13	159.17	767.67	940.90
		7103033 (D3)	-212.88	225.89	162.16	746.57	921.74
		7104033 (D3)	-217.52	224.81	144.21	880.44	1031.93
		APREACT	-217.52	224.81	144.21	880.44	1031.93
	MIN	7101033 (D3)	-217.52	224.81	144.21	880.44	1031.93
		7102033 (D3)	1.12	-17.91	-25.14	74.89	32.97
		7103033 (D3)	1.93	-17.67	-28.13	95.99	52.13
		7104033 (D3)	6.57	-16.59	-10.17	-37.88	-58.07
		APREACT	6.57	-16.59	-10.17	-37.88	-58.07
65	2-LANES (caseTRUCK-LOAD	MAX 7101033 (D3)	671.78	20.95	80.17	-20.43	752.47
		7102033 (D3)	511.59	235.69	68.37	-63.25	752.40
		7103033 (D3)	483.44	128.56	185.46	-62.23	735.23
		7104033 (D3)	135.79	44.69	62.73	9.72	252.93
		APREACT	540.74	162.75	132.24	-68.73	767.00
	MIN	7101033 (D3)	-47.67	-18.67	-26.40	-7.80	-100.54
		7102033 (D3)	425.38	-79.16	-14.34	-13.60	318.29
		7103033 (D3)	-47.25	-19.12	-26.61	-8.96	-101.93
		7104033 (D3)	444.50	125.83	152.35	-125.68	597.01
		APREACT	-46.88	-19.21	-26.57	-9.38	-102.04
	TANDEM-LOAD	MAX 7101033 (D3)	466.04	1.00	54.84	-11.08	510.80
		7102033 (D3)	349.53	167.45	31.33	-37.39	510.92
		7103033 (D3)	330.89	87.34	126.06	-43.60	500.68
		7104033 (D3)	88.80	29.25	41.00	6.69	165.74

BAGO RIVER BRIDGE

[ No.103 : 3RD SPAN WITH IMPACT ] [ FORCE3(kN) ]

SUPPORT		7101033	7102033	7103033	7104033	TOTAL		
NODE		1033	2033	3033	4033			
NAME	TITLE	D3 (kN)	D3 (kN)	D3 (kN)	D3 (kN)	(kN)		
65	2-LANES (caseTANDEM-LOAD	MAX	APREACT	366.83	114.51	84.93	-46.32	519.95
		MIN	7101033 (D3)	-32.38	-12.58	-17.86	-5.09	-67.90
			7102033 (D3)	298.50	-67.14	-9.08	-5.88	216.40
			7103033 (D3)	-32.26	-12.96	-18.10	-5.94	-69.26
			7104033 (D3)	300.06	84.40	106.48	-86.49	404.45
			APREACT	-31.83	-13.04	-18.04	-6.36	-69.27
	DISPERSION-LMAX		7101033 (D3)	1490.79	364.66	436.56	-203.89	2088.11
			7102033 (D3)	1359.20	385.77	437.63	-200.20	1982.39
			7103033 (D3)	1370.42	382.64	437.99	-198.63	1992.42
			7104033 (D3)	144.60	51.99	68.71	12.58	277.88
			APREACT	1490.79	364.66	436.56	-203.89	2088.11
		MIN	7101033 (D3)	-58.13	-23.33	-32.59	-10.64	-124.69
			7102033 (D3)	73.46	-44.44	-33.66	-14.33	-18.97
			7103033 (D3)	62.24	-41.31	-34.02	-15.90	-28.99
			7104033 (D3)	1288.06	289.34	335.25	-227.11	1685.54
			APREACT	-58.13	-23.33	-32.59	-10.64	-124.69
66	2-LANES (caseTRUCK-LOAD	MAX	7101033 (D3)	373.01	179.09	176.98	33.33	762.41
			7102033 (D3)	225.30	446.65	71.49	-5.32	738.12
			7103033 (D3)	340.53	195.79	198.31	20.30	754.93
			7104033 (D3)	290.94	123.44	155.83	60.14	630.35
			APREACT	364.90	194.56	186.62	20.53	766.61
		MIN	7101033 (D3)	-38.76	-20.03	-24.96	-16.19	-99.93
			7102033 (D3)	-38.27	-20.43	-25.12	-17.33	-101.14
			7103033 (D3)	-38.59	-20.37	-25.16	-16.98	-101.10



BAGO RIVER BRIDGE

[ No.103 : 3RD SPAN WITH IMPACT ] [ FORCE3(kN) ]

SUPPORT		7101033	7102033	7103033	7104033	TOTAL		
NODE		1033	2033	3033	4033			
NAME	TITLE	D3 (kN)	D3 (kN)	D3 (kN)	D3 (kN)	(kN)		
66	2-LANES (caseTRUCK-LOAD	MIN	7104033 (D3)	174.83	59.52	66.88	-47.99	253.23
			APREACT	-38.36	-20.43	-25.14	-17.25	-101.18
	TANDEM-LOAD	MAX	7101033 (D3)	253.55	120.90	118.68	22.99	516.11
			7102033 (D3)	142.97	321.99	38.01	-1.19	501.77
			7103033 (D3)	235.80	122.54	136.39	16.05	510.77
			7104033 (D3)	195.71	83.28	105.07	40.84	424.89
			APREACT	248.65	130.56	128.71	11.80	519.72
		MIN	7101033 (D3)	-26.37	-13.73	-17.05	-11.23	-68.37
		7102033 (D3)	-25.86	-13.89	-17.04	-11.88	-68.67	
		7103033 (D3)	-26.32	-13.82	-17.11	-11.45	-68.70	
		7104033 (D3)	119.89	41.36	45.73	-32.88	174.10	
		APREACT	-26.32	-13.82	-17.11	-11.45	-68.70	
	DISPERSION-LMAX	7101033 (D3)	980.80	552.51	488.03	61.66	2083.00	
		7102033 (D3)	980.80	552.51	488.03	61.66	2083.00	
		7103033 (D3)	980.80	552.51	488.03	61.66	2083.00	
		7104033 (D3)	483.69	303.23	303.82	112.74	1203.48	
		APREACT	980.80	552.51	488.03	61.66	2083.00	
		MIN	7101033 (D3)	-47.38	-24.81	-30.75	-20.46	-123.40
		7102033 (D3)	-47.38	-24.81	-30.75	-20.46	-123.40	
		7103033 (D3)	-47.38	-24.81	-30.75	-20.46	-123.40	
	7104033 (D3)	449.73	224.46	153.47	-71.54	756.12		
	APREACT	-47.38	-24.81	-30.75	-20.46	-123.40		
67	2-LANES (caseTRUCK-LOAD	MAX	7101033 (D3)	50.58	89.93	80.70	131.63	352.84
			7102033 (D3)	8.91	215.32	216.67	313.37	754.28

BAGO RIVER BRIDGE

[ No.103 : 3RD SPAN WITH IMPACT ] [ FORCE3(kN) ]

SUPPORT		7101033	7102033	7103033	7104033	TOTAL	
NODE		1033	2033	3033	4033		
NAME	TITLE	D3 (kN)	D3 (kN)	D3 (kN)	D3 (kN)	(kN)	
67	2-LANES (caseTRUCK-LOAD	MAX 7103033 (D3)	-4.47	72.55	491.02	179.04	738.14
		7104033 (D3)	28.51	192.79	192.56	342.97	756.83
		APREACT	12.24	203.52	216.70	333.26	765.71
		MIN 7101033 (D3)	-34.46	62.02	96.36	163.03	286.95
		7102033 (D3)	-16.57	-23.50	-21.44	-37.30	-98.81
		7103033 (D3)	-16.75	-23.47	-21.47	-37.13	-98.82
		7104033 (D3)	-16.22	-23.42	-21.29	-37.36	-98.29
		APREACT	-16.71	-23.49	-21.47	-37.17	-98.84
	TANDEM-LOAD	MAX 7101033 (D3)	34.30	61.47	55.12	89.87	240.76
		7102033 (D3)	8.47	148.07	136.48	216.78	509.80
		7103033 (D3)	-0.94	38.03	351.39	113.28	501.78
		7104033 (D3)	18.88	128.14	134.32	232.91	514.26
		APREACT	6.12	140.52	145.84	226.69	519.17
		MIN 7101033 (D3)	-24.20	45.60	59.03	111.72	192.15
		7102033 (D3)	-11.19	-15.98	-14.56	-25.41	-67.16
		7103033 (D3)	-11.39	-15.94	-14.58	-25.19	-67.10
	DISPERSION-LMAX	7104033 (D3)	-11.10	-15.96	-14.52	-25.43	-67.02
		APREACT	-11.19	-15.98	-14.56	-25.41	-67.16
		7101033 (D3)	116.60	306.16	314.83	425.40	1162.99
		7102033 (D3)	73.44	505.07	610.39	881.90	2070.79
		7103033 (D3)	73.44	505.07	610.39	881.90	2070.79
		7104033 (D3)	73.44	505.07	610.39	881.90	2070.79
		APREACT	73.44	505.07	610.39	881.90	2070.79
		MIN 7101033 (D3)	-63.29	170.32	269.48	411.12	787.63

BAGO RIVER BRIDGE

[ No.103 : 3RD SPAN WITH IMPACT ] [ FORCE3(kN) ]

SUPPORT		7101033	7102033	7103033	7104033	TOTAL	
NODE		1033	2033	3033	4033		
NAME	TITLE	D3 (kN)	D3 (kN)	D3 (kN)	D3 (kN)	(kN)	
67	2-LANES (caseDISPERSION-LMIN	7102033 (D3)	-20.13	-28.59	-26.07	-45.38	-120.17
		7103033 (D3)	-20.13	-28.59	-26.07	-45.38	-120.17
		7104033 (D3)	-20.13	-28.59	-26.07	-45.38	-120.17
		APREACT	-20.13	-28.59	-26.07	-45.38	-120.17
68	2-LANES (caseTRUCK-LOAD MAX	7101033 (D3)	10.16	-20.60	-12.10	-48.31	-70.85
		7102033 (D3)	-87.76	212.62	163.62	447.46	735.94
		7103033 (D3)	-73.81	89.98	233.19	507.37	756.73
		7104033 (D3)	-30.12	27.81	35.86	689.48	723.03
		APREACT	-84.78	155.08	199.81	495.22	765.32
	MIN	7101033 (D3)	-177.07	136.73	89.42	489.19	538.26
		7102033 (D3)	5.85	-26.60	-17.59	-57.78	-96.12
		7103033 (D3)	-6.17	-14.69	-69.41	411.09	320.82
		7104033 (D3)	6.89	-26.50	-17.24	-58.24	-95.09
		APREACT	5.71	-26.58	-17.61	-57.65	-96.13
	TANDEM-LOAD MAX	7101033 (D3)	7.04	-13.07	-7.51	-31.03	-44.57
		7102033 (D3)	-59.69	144.55	110.15	303.46	498.46
		7103033 (D3)	-45.76	51.19	162.22	345.78	513.42
		7104033 (D3)	-19.69	23.36	11.83	473.33	488.83
		APREACT	-56.45	99.98	140.26	335.12	518.91
	MIN	7101033 (D3)	-121.68	94.00	58.78	327.27	358.37
		7102033 (D3)	4.13	-18.11	-11.93	-39.43	-65.34
		7103033 (D3)	-0.93	-9.23	-55.59	283.87	218.12
		7104033 (D3)	4.86	-17.95	-11.62	-39.57	-64.29
		APREACT	4.13	-18.11	-11.93	-39.43	-65.34

BAGO RIVER BRIDGE

[ No.103 : 3RD SPAN WITH IMPACT ] [ FORCE3(kN) ]

SUPPORT		7101033	7102033	7103033	7104033	TOTAL	
NODE		1033	2033	3033	4033		
NAME	TITLE	D3 (kN)	D3 (kN)	D3 (kN)	D3 (kN)	(kN)	
68	2-LANES (caseDISPERSION-LMAX	7101033 (D3)	13.88	23.79	23.04	29.85	90.57
		7102033 (D3)	-295.22	462.54	398.70	1408.93	1974.95
		7103033 (D3)	-296.03	462.30	401.69	1387.83	1955.79
		7104033 (D3)	-300.67	461.22	383.74	1521.70	2065.99
		APREACT	-300.67	461.22	383.74	1521.70	2065.99
	MIN	7101033 (D3)	-306.88	405.01	339.41	1421.08	1858.63
		7102033 (D3)	2.23	-33.74	-36.25	42.01	-25.76
		7103033 (D3)	3.04	-33.50	-39.24	63.11	-6.60
		7104033 (D3)	7.67	-32.42	-21.29	-70.76	-116.79
		APREACT	7.67	-32.42	-21.29	-70.76	-116.79
69	3-LANES (caseTRUCK-LOAD	MAX 7101033 (D3)	819.65	109.84	175.56	26.44	1131.49
		7102033 (D3)	534.25	520.83	130.30	-63.92	1121.46
		7103033 (D3)	610.12	252.45	291.71	-36.23	1118.04
		7104033 (D3)	275.68	119.66	148.97	62.11	606.41
		APREACT	680.49	267.11	237.27	-34.66	1150.21
	MIN	7101033 (D3)	-64.81	-29.02	-38.51	-17.98	-150.31
		7102033 (D3)	408.37	-89.68	-26.54	-24.22	267.93
		7103033 (D3)	-64.38	-29.61	-38.82	-19.46	-152.27
		7104033 (D3)	427.83	115.39	140.30	-136.35	547.18
		APREACT	-63.93	-29.72	-38.78	-19.97	-152.41
	TANDEM-LOAD	MAX 7101033 (D3)	566.40	60.50	118.36	21.74	766.99
		7102033 (D3)	356.61	375.10	67.78	-37.68	761.81
		7103033 (D3)	422.70	161.95	199.94	-24.22	760.38
		7104033 (D3)	184.32	80.43	99.92	42.25	406.92

BAGO RIVER BRIDGE

[ No.103 : 3RD SPAN WITH IMPACT ] [ FORCE3(kN) ]

SUPPORT		7101033	7102033	7103033	7104033	TOTAL		
NODE		1033	2033	3033	4033			
NAME	TITLE	D3 (kN)	D3 (kN)	D3 (kN)	D3 (kN)	(kN)		
69	3-LANES (caseTANDEM-LOAD	MAX	APREACT	462.29	183.67	158.48	-24.69	779.76
		MIN	7101033 (D3)	-44.06	-19.66	-26.13	-12.10	-101.95
			7102033 (D3)	286.99	-74.29	-17.36	-13.13	182.21
			7103033 (D3)	-43.93	-20.09	-26.41	-13.04	-103.47
			7104033 (D3)	288.65	77.28	98.25	-93.76	370.41
			APREACT	-43.51	-20.16	-26.34	-13.46	-103.48
	DISPERSION-LMAX		7101033 (D3)	1861.02	676.99	695.68	-105.30	3128.39
			7102033 (D3)	1729.44	698.10	696.75	-101.60	3022.68
			7103033 (D3)	1740.65	694.97	697.11	-100.03	3032.70
			7104033 (D3)	475.78	301.11	300.14	113.44	1190.47
			APREACT	1861.02	676.99	695.68	-105.30	3128.39
		MIN	7101033 (D3)	-79.13	-36.10	-47.50	-23.33	-186.06
			7102033 (D3)	52.46	-57.21	-48.57	-27.02	-80.35
			7103033 (D3)	41.24	-54.09	-48.94	-28.59	-90.37
			7104033 (D3)	1306.11	339.77	348.03	-242.06	1751.86
			APREACT	-79.13	-36.10	-47.50	-23.33	-186.06
70	3-LANES (caseTRUCK-LOAD	MAX	7101033 (D3)	52.38	83.44	76.51	117.29	329.62
			7102033 (D3)	-64.49	325.31	294.41	563.33	1118.56
			7103033 (D3)	-72.74	146.13	588.22	458.69	1120.30
			7104033 (D3)	22.97	196.77	204.18	705.61	1129.52
			APREACT	-51.27	268.48	312.81	618.26	1148.28
		MIN	7101033 (D3)	-112.64	162.70	184.23	430.74	665.03
			7102033 (D3)	-18.11	-36.19	-31.01	-62.11	-147.41
			7103033 (D3)	-18.55	-36.11	-31.07	-61.67	-147.40

BAGO RIVER BRIDGE

[ No.103 : 3RD SPAN WITH IMPACT ] [ FORCE3(kN) ]

SUPPORT		7101033	7102033	7103033	7104033	TOTAL	
NODE		1033	2033	3033	4033		
NAME	TITLE	D3 (kN)	D3 (kN)	D3 (kN)	D3 (kN)	(kN)	
70	3-LANES (caseTRUCK-LOAD	MIN 7104033 (D3)	-17.20	-36.04	-30.65	-62.38	-146.27
		APREACT	-18.46	-36.14	-31.06	-61.79	-147.45
	TANDEM-LOAD	MAX 7101033 (D3)	35.62	56.60	51.97	79.13	223.32
		7102033 (D3)	-42.14	222.99	189.67	387.50	758.01
	7103033 (D3)	-42.22	76.83	420.05	306.51	761.17	
	7104033 (D3)	17.96	128.91	136.25	483.03	766.15	
	APREACT	-35.16	179.32	214.49	419.92	778.56	
	MIN	7101033 (D3)	-78.21	117.07	117.04	291.78	447.67
		7102033 (D3)	-12.17	-24.62	-21.05	-42.35	-100.19
	7103033 (D3)	-12.72	-24.49	-21.11	-41.76	-100.08	
	7104033 (D3)	-11.94	-24.58	-20.96	-42.43	-99.91	
	APREACT	-12.17	-24.62	-21.05	-42.35	-100.19	
	DISPERSION-LMAX	7101033 (D3)	117.35	302.01	312.04	416.49	1147.89
		7102033 (D3)	-95.57	736.62	795.86	1644.56	3081.47
	7103033 (D3)	-94.98	736.46	798.07	1615.78	3055.33	
	7104033 (D3)	-96.13	736.52	793.40	1669.37	3103.16	
	APREACT	-96.13	736.52	793.40	1669.37	3103.16	
	MIN	7101033 (D3)	-235.44	390.49	443.66	1177.28	1775.98
		7102033 (D3)	-22.52	-44.12	-40.15	-50.80	-157.59
	7103033 (D3)	-23.11	-43.96	-42.37	-22.02	-131.46	
7104033 (D3)	-21.96	-44.02	-37.70	-75.60	-179.29		
APREACT	-21.96	-44.02	-37.70	-75.60	-179.29		
71	3-LANES (caseTRUCK-LOAD	MAX 7101033 (D3)	60.73	69.33	68.60	83.32	281.99
		7102033 (D3)	-57.25	322.97	274.67	578.50	1118.89

BAGO RIVER BRIDGE

[ No.103 : 3RD SPAN WITH IMPACT ] [ FORCE3(kN) ]

SUPPORT		7101033	7102033	7103033	7104033	TOTAL	
NODE		1033	2033	3033	4033		
NAME	TITLE	D3 (kN)	D3 (kN)	D3 (kN)	D3 (kN)	(kN)	
71	3-LANES (caseTRUCK-LOAD	MAX 7103033 (D3)	-76.63	118.70	519.37	564.36	1125.80
		7104033 (D3)	-43.67	105.47	106.07	851.40	1019.26
		APREACT	-54.28	265.43	310.86	626.26	1148.27
		MIN 7101033 (D3)	-193.97	221.73	220.94	628.00	876.71
		7102033 (D3)	2.02	-38.97	-27.55	-80.51	-144.99
		7103033 (D3)	-10.08	-27.05	-79.38	388.45	271.94
		7104033 (D3)	3.07	-38.87	-27.19	-80.97	-143.97
		APREACT	1.86	-38.94	-27.57	-80.35	-145.00
	TANDEM-LOAD	MAX 7101033 (D3)	41.35	48.40	47.61	58.84	196.19
		7102033 (D3)	-40.73	222.29	184.17	392.37	758.10
		7103033 (D3)	-46.39	64.73	368.48	377.48	764.31
		7104033 (D3)	-28.58	78.45	63.50	583.56	696.93
		APREACT	-37.49	177.73	214.27	424.04	778.55
		MIN 7101033 (D3)	-133.45	148.79	165.54	412.51	593.39
		7102033 (D3)	1.57	-26.52	-18.70	-54.91	-98.57
		7103033 (D3)	-3.65	-17.60	-62.36	268.58	184.97
	DISPERSION-LMAX	7104033 (D3)	2.29	-26.36	-18.39	-55.05	-97.51
		APREACT	1.57	-26.52	-18.70	-54.91	-98.57
		7101033 (D3)	88.52	188.78	190.44	263.76	731.50
		7102033 (D3)	-240.34	711.77	721.71	1817.91	3011.05
		7103033 (D3)	-241.15	711.53	724.70	1796.80	2991.89
		7104033 (D3)	-245.79	710.45	706.75	1930.68	3102.09
		APREACT	-245.79	710.45	706.75	1930.68	3102.09
		MIN 7101033 (D3)	-331.01	474.18	482.96	1568.28	2194.42

BAGO RIVER BRIDGE

[ No.103 : 3RD SPAN WITH IMPACT ] [ FORCE3(kN) ]

SUPPORT		7101033	7102033	7103033	7104033	TOTAL		
NODE		1033	2033	3033	4033			
NAME	TITLE	D3 (kN)	D3 (kN)	D3 (kN)	D3 (kN)	(kN)		
71	3-LANES (caseDISPERSION-LMIN	7102033 (D3)	-2.15	-48.81	-48.31	14.14	-85.13	
		7103033 (D3)	-1.34	-48.57	-51.30	35.24	-65.97	
		7104033 (D3)	3.29	-47.49	-33.34	-98.63	-176.17	
		APREACT	3.29	-47.49	-33.34	-98.63	-176.17	
72	4-LANES TRUCK-LOAD MAX	7101033 (D3)	43.46	40.40	44.30	45.65	173.79	
		7102033 (D3)	-152.49	260.28	182.64	680.23	970.66	
		7103033 (D3)	-152.49	260.28	182.64	680.23	970.66	
		7104033 (D3)	-152.49	260.28	182.64	680.23	970.66	
		APREACT	-152.49	260.28	182.64	680.23	970.66	
		MIN	7101033 (D3)	-196.72	188.67	115.62	571.60	679.16
			7102033 (D3)	-10.70	-50.10	-39.03	-95.10	-194.93
			7103033 (D3)	-11.44	-49.97	-39.13	-94.36	-194.90
	7104033 (D3)		-9.32	-49.93	-38.53	-95.61	-193.38	
		APREACT	-10.99	-50.06	-39.08	-94.83	-194.97	
	TANDEM-LOAD MAX	7101033 (D3)	30.43	30.93	33.43	35.01	129.80	
		7102033 (D3)	-106.97	183.71	133.92	487.52	698.19	
		7103033 (D3)	-106.97	183.71	133.92	487.52	698.19	
		7104033 (D3)	-106.97	183.71	133.92	487.52	698.19	
		APREACT	-106.97	183.71	133.92	487.52	698.19	
		MIN	7101033 (D3)	-137.76	131.99	85.41	410.48	490.12
7102033 (D3)			-7.06	-34.09	-26.50	-64.85	-132.50	
7103033 (D3)			-8.02	-33.87	-26.60	-63.79	-132.29	
7104033 (D3)	-6.23		-33.91	-26.14	-65.01	-131.30		
	APREACT	-7.06	-34.09	-26.50	-64.85	-132.50		



BAGO RIVER BRIDGE

[ No.103 : 3RD SPAN WITH IMPACT ] [ FORCE3(kN) ]

SUPPORT		7101033	7102033	7103033	7104033	TOTAL						
NODE		1033	2033	3033	4033							
NAME	TITLE	D3 (kN)	D3 (kN)	D3 (kN)	D3 (kN)	(kN)						
72	4-LANES	DISPERSION-LMAX	7101033 (D3)	30.74	19.66	24.05	18.08	92.54				
			7102033 (D3)	-92.79	162.91	103.56	404.68	578.36				
			7103033 (D3)	-90.05	162.55	103.96	401.93	578.39				
			7104033 (D3)	-92.79	162.91	103.56	404.68	578.36				
			APREACT	-90.32	162.57	103.92	402.22	578.40				
			MIN	7101033 (D3)	-135.62	81.56	31.76	268.74	246.45			
			7102033 (D3)	-10.99	-61.20	-47.11	-117.48	-236.79				
			7103033 (D3)	-13.92	-60.81	-47.62	-114.83	-237.18				
			7104033 (D3)	-10.99	-61.20	-47.11	-117.48	-236.79				
			APREACT	-13.92	-60.81	-47.62	-114.83	-237.18				
			73	6-LANES	TRUCK-LOAD	MAX	7101033 (D3)	855.68	279.69	320.49	289.57	1745.43
						7102033 (D3)	423.94	851.73	481.04	489.47	2246.18	
						7103033 (D3)	449.60	460.79	872.10	440.01	2222.49	
						7104033 (D3)	281.90	279.68	282.64	849.48	1693.70	
APREACT	616.48	542.75				557.41	581.83	2298.48				
MIN	7101033 (D3)	-223.06				95.48	44.86	421.73	339.02			
7102033 (D3)	395.57	-115.07				-53.56	-104.19	122.76				
7103033 (D3)	-74.95	-56.09				-107.55	358.02	119.44				
7104033 (D3)	408.10	95.79				118.35	-198.27	423.95				
APREACT	-63.56	-68.49				-66.63	-99.02	-297.70				
TANDEM-LOAD	MAX	7101033 (D3)				590.00	181.20	217.08	198.21	1186.49		
	7102033 (D3)	282.10				599.97	302.51	340.59	1525.18			
	7103033 (D3)	325.88				269.40	612.07	297.45	1504.80			
	7104033 (D3)	189.41				191.30	178.30	581.58	1140.59			

BAGO RIVER BRIDGE

[ No.103 : 3RD SPAN WITH IMPACT ] [ FORCE3(kN) ]

SUPPORT NODE		7101033	7102033	7103033	7104033	TOTAL		
NAME TITLE		D3 (kN)	D3 (kN)	D3 (kN)	D3 (kN)	(kN)		
73	6-LANES							
	TANDEM-LOAD MAX	APREACT	418.22	368.58	378.57	392.93	1558.31	
	MIN	7101033 (D3)	-152.68	65.64	28.44	281.82	223.22	
		7102033 (D3)	277.79	-90.53	-36.02	-67.69	83.55	
		7103033 (D3)	-47.92	-37.58	-80.81	247.64	81.34	
		7104033 (D3)	275.92	62.79	84.52	-136.35	286.87	
		APREACT	-42.87	-46.58	-45.22	-67.57	-202.25	
	DISPERSION-LMAX	7101033 (D3)	1812.90	885.63	925.97	280.62	3905.12	
		7102033 (D3)	1336.68	1369.35	1382.65	1641.13	5729.81	
		7103033 (D3)	1427.30	1352.79	1395.09	1547.65	5722.83	
		7104033 (D3)	283.94	1009.89	1018.54	1931.88	4244.24	
		APREACT	1523.32	1318.37	1358.55	1673.81	5874.05	
	MIN	7101033 (D3)	-376.32	377.38	374.22	1365.29	1740.56	
		7102033 (D3)	57.44	-104.57	-93.87	-14.66	-155.66	
		7103033 (D3)	37.76	-99.94	-98.82	13.29	-147.69	
		7104033 (D3)	1195.72	249.49	276.28	-324.48	1397.01	
		APREACT	-77.73	-80.92	-79.44	-115.33	-353.42	
124	SUM TOTAL	D+1LANE (caseMAX	7101033 (D3)	7220.48	4902.42	5193.56	5742.15	23058.61
			7102033 (D3)	6897.35	5099.87	5267.11	5684.53	22948.86
			7103033 (D3)	6863.58	5075.09	5309.06	5688.90	22936.63
			7104033 (D3)	5600.44	4829.06	4933.44	5953.98	21316.91
			APREACT	7063.23	5072.57	5256.05	5684.20	23076.04
	MIN	7101033 (D3)	5558.89	4811.80	4909.72	5945.19	21225.60	
		7102033 (D3)	6284.02	4714.16	4922.99	5934.62	21855.80	
		7103033 (D3)	5703.65	4789.92	4907.86	5938.04	21339.47	

BAGO RIVER BRIDGE

[ No.103 : 3RD SPAN WITH IMPACT ] [ FORCE3(kN) ]

SUPPORT		7101033	7102033	7103033	7104033	TOTAL		
NODE		1033	2033	3033	4033			
NAME	TITLE	D3 (kN)	D3 (kN)	D3 (kN)	D3 (kN)	(kN)		
124	SUM TOTAL	D+1LANE (caseMIN	7104033 (D3)	6959.52	5041.56	5267.67	5640.12	22908.87
		APREACT		5559.47	4811.43	4909.61	5944.06	21224.58
		D+1LANE (caseMAX	7101033 (D3)	6249.97	5317.60	5371.50	6125.33	23064.41
			7102033 (D3)	6099.73	5553.11	5331.35	6068.28	23052.47
			7103033 (D3)	6224.54	5359.62	5384.52	6100.29	23068.97
			7104033 (D3)	6193.52	5225.04	5327.29	6134.68	22880.53
		APREACT		6240.23	5336.17	5383.07	6109.97	23069.45
		MIN	7101033 (D3)	5582.48	4808.40	4913.66	5923.34	21227.88
			7102033 (D3)	5582.64	4808.19	4913.55	5922.80	21227.17
			7103033 (D3)	5582.50	4808.21	4913.53	5922.94	21227.19
			7104033 (D3)	5629.91	4884.14	4946.96	5920.02	21381.04
		APREACT		5582.59	4808.19	4913.54	5922.83	21227.15
		D+1LANE (caseMAX	7101033 (D3)	5820.85	5237.52	5361.68	6486.26	22906.30
			7102033 (D3)	5786.47	5285.89	5501.50	6490.32	23064.17
			7103033 (D3)	5758.45	5224.22	5694.05	6371.19	23047.90
			7104033 (D3)	5816.42	5266.94	5454.06	6516.95	23054.37
		APREACT		5796.80	5283.99	5478.01	6505.77	23064.57
		MIN	7101033 (D3)	5598.59	4826.79	4996.25	5929.65	21351.29
			7102033 (D3)	5600.24	4805.72	4916.55	5906.64	21229.15
			7103033 (D3)	5600.21	4805.72	4916.54	5906.66	21229.13
			7104033 (D3)	5600.26	4805.72	4916.55	5906.63	21229.16
		APREACT		5600.21	4805.72	4916.54	5906.66	21229.13
		D+1LANE (caseMAX	7101033 (D3)	5644.79	4802.57	4926.37	5872.06	21245.79
			7102033 (D3)	5285.68	5239.48	5230.38	7171.93	22927.46

BAGO RIVER BRIDGE

[ No.103 : 3RD SPAN WITH IMPACT ] [ FORCE3(kN) ]

SUPPORT		7101033	7102033	7103033	7104033	TOTAL		
NODE		1033	2033	3033	4033			
NAME	TITLE	D3 (kN)	D3 (kN)	D3 (kN)	D3 (kN)	(kN)		
124	SUM TOTAL	D+1LANE (caseMAX	7103033 (D3)	5290.18	5194.96	5257.21	7183.57	22925.92
			7104033 (D3)	5359.29	5103.81	5046.89	7532.53	23042.51
			APREACT	5290.01	5182.54	5233.40	7352.69	23058.65
		MIN	7101033 (D3)	5231.70	5187.33	5167.67	7335.95	22922.66
			7102033 (D3)	5635.80	4798.32	4905.83	6003.51	21343.46
			7103033 (D3)	5622.63	4812.84	4840.09	6591.19	21866.75
			7104033 (D3)	5643.10	4799.96	4924.03	5867.81	21234.90
			APREACT	5642.25	4799.92	4923.77	5868.28	21234.22
		D+2LANES (casMAX	7101033 (D3)	7790.81	5221.75	5462.81	5726.45	24201.83
			7102033 (D3)	7499.04	5457.59	5452.08	5687.33	24096.04
			7103033 (D3)	7482.11	5347.34	5569.54	5689.91	24088.90
			7104033 (D3)	5908.64	4932.83	5077.53	5973.07	21892.07
			APREACT	7659.77	5363.55	5514.88	5678.15	24216.36
		MIN	7101033 (D3)	5522.45	4794.14	4887.09	5932.33	21136.02
			7102033 (D3)	6127.09	4712.54	4898.09	5922.84	21660.56
			7103033 (D3)	5643.23	4775.72	4885.46	5925.91	21230.32
			7104033 (D3)	7360.81	5251.31	5433.69	5597.99	23643.80
			APREACT	5523.24	4793.61	4886.92	5930.76	21134.53
		D+2LANES (casMAX	7101033 (D3)	6982.06	5567.74	5611.10	6045.77	24206.67
			7102033 (D3)	6834.35	5835.30	5505.61	6007.12	24182.37
			7103033 (D3)	6949.58	5584.44	5632.43	6032.74	24199.18
			7104033 (D3)	6402.88	5262.81	5405.74	6123.65	23195.08
			APREACT	6973.94	5583.21	5620.74	6032.96	24210.86
		MIN	7101033 (D3)	5542.11	4791.30	4890.38	5914.12	21137.92

BAGO RIVER BRIDGE

[ No.103 : 3RD SPAN WITH IMPACT ] [ FORCE3(kN) ]

SUPPORT		7101033	7102033	7103033	7104033	TOTAL		
NODE		1033	2033	3033	4033			
NAME	TITLE	D3 (kN)	D3 (kN)	D3 (kN)	D3 (kN)	(kN)		
124	SUM TOTAL	D+2LANES (casMIN	7102033 (D3)	5542.60	4790.90	4890.22	5912.99	21136.71
			7103033 (D3)	5542.27	4790.96	4890.18	5913.33	21136.75
			7104033 (D3)	6252.80	5120.12	5166.44	5831.24	22370.60
			APREACT	5542.50	4790.90	4890.20	5913.07	21136.67
		D+2LANES (casMAX	7101033 (D3)	5795.42	5232.24	5341.61	6507.80	22877.08
			7102033 (D3)	5710.60	5556.53	5773.15	7146.05	24186.33
			7103033 (D3)	5697.21	5413.76	6047.49	7011.71	24170.18
			7104033 (D3)	5730.19	5534.00	5749.03	7175.65	24188.87
			APREACT	5713.92	5544.73	5773.17	7165.94	24197.76
		MIN	7101033 (D3)	5530.49	5068.48	5311.93	6524.93	22435.83
			7102033 (D3)	5591.55	4784.05	4898.57	5868.09	21142.26
			7103033 (D3)	5591.37	4784.08	4898.54	5868.27	21142.26
			7104033 (D3)	5591.90	4784.13	4898.72	5868.03	21142.78
			APREACT	5591.40	4784.07	4898.54	5868.22	21142.23
		D+2LANES (casMAX	7101033 (D3)	5652.29	4839.33	4957.03	5932.32	21380.97
			7102033 (D3)	5245.26	5511.30	5508.41	7807.16	24072.14
			7103033 (D3)	5258.41	5388.42	5580.97	7845.97	24073.77
			7104033 (D3)	5297.46	5325.17	5365.69	8161.95	24150.26
			APREACT	5242.79	5452.44	5529.64	7967.69	24192.56
		MIN	7101033 (D3)	5144.30	5377.87	5374.92	7861.04	23758.13
			7102033 (D3)	5636.32	4775.80	4892.25	5935.00	21239.37
			7103033 (D3)	5625.12	4787.95	4837.43	6424.98	21675.47
			7104033 (D3)	5642.81	4777.22	4907.56	5821.77	21149.36
			APREACT	5641.64	4777.15	4907.19	5822.36	21148.33

BAGO RIVER BRIDGE

[ No.103 : 3RD SPAN WITH IMPACT ] [ FORCE3(kN) ]

SUPPORT		7101033	7102033	7103033	7104033	TOTAL		
NODE		1033	2033	3033	4033			
NAME	TITLE	D3 (kN)	D3 (kN)	D3 (kN)	D3 (kN)	(kN)		
124	SUM TOTAL	D+3LANES (casMAX	7101033 (D3)	7906.82	5504.95	5686.64	5883.75	24982.15
			7102033 (D3)	7552.38	5872.23	5649.08	5810.08	24883.77
			7103033 (D3)	7626.40	5641.45	5786.58	5834.95	24889.38
			7104033 (D3)	6266.99	5193.80	5327.83	6099.99	22888.60
			APREACT	7788.53	5638.62	5739.10	5831.81	24998.06
	MIN		7101033 (D3)	5505.90	4780.79	4872.98	5915.67	21075.33
			7102033 (D3)	6019.95	4711.28	4882.25	5907.22	21520.70
			7103033 (D3)	5608.58	4765.00	4871.49	5909.93	21155.00
			7104033 (D3)	7102.10	5223.03	5361.17	5629.12	23315.43
			APREACT	5506.65	4780.19	4872.74	5913.97	21073.55
		D+3LANES (casMAX	7101033 (D3)	5772.52	5163.78	5276.35	6404.48	22617.14
			7102033 (D3)	5492.19	5738.78	5872.82	7827.48	24931.27
			7103033 (D3)	5485.69	5586.35	6124.43	7714.08	24910.54
			7104033 (D3)	5566.06	5629.43	5794.03	7969.50	24959.03
			APREACT	5502.96	5690.39	5886.37	7895.26	24974.98
	MIN		7101033 (D3)	5332.38	5306.35	5479.80	7317.59	23436.11
			7102033 (D3)	5593.71	4767.88	4885.60	5854.80	21101.99
			7103033 (D3)	5592.83	4768.08	4883.67	5879.64	21124.22
			7104033 (D3)	5594.96	4768.09	4887.99	5833.48	21084.53
			APREACT	5593.89	4768.01	4887.64	5833.99	21083.52
		D+3LANES (casMAX	7101033 (D3)	5755.11	5055.54	5166.27	6245.80	22222.72
			7102033 (D3)	5375.30	5715.67	5793.01	7987.72	24871.70
			7103033 (D3)	5358.14	5541.84	6003.55	7957.76	24861.29
			7104033 (D3)	5382.21	5529.67	5636.98	8315.54	24864.40

BAGO RIVER BRIDGE

[ No.103 : 3RD SPAN WITH IMPACT ] [ FORCE3(kN) ]

SUPPORT		7101033	7102033	7103033	7104033	TOTAL			
NODE		1033	2033	3033	4033				
NAME	TITLE	D3 (kN)	D3 (kN)	D3 (kN)	D3 (kN)	(kN)			
124	SUM TOTAL	D+3LANES (casMAX	APREACT	5373.20	5665.64	5811.05	8124.17	24974.05	
		MIN	7101033 (D3)	5182.02	5427.67	5544.40	7817.62	23971.71	
			7102033 (D3)	5628.14	4761.53	4881.61	5894.36	21165.64	
			7103033 (D3)	5618.54	4771.87	4835.01	6310.91	21536.33	
			7104033 (D3)	5633.66	4762.74	4894.63	5798.11	21089.13	
			APREACT	5632.63	4762.68	4894.31	5798.64	21088.25	
		D+4LANES	MAX	7101033 (D3)	5676.48	4875.18	4990.51	5992.20	21534.36
				7102033 (D3)	5468.82	5111.22	5132.11	6655.96	22368.11
				7103033 (D3)	5470.60	5110.99	5132.37	6654.18	22368.13
				7104033 (D3)	5468.82	5111.22	5132.11	6655.96	22368.11
				APREACT	5470.42	5111.00	5132.35	6654.37	22368.14
			MIN	7101033 (D3)	5412.23	5011.79	5041.89	6497.00	21962.90
				7102033 (D3)	5614.15	4763.79	4890.09	5812.60	21080.63
				7103033 (D3)	5611.77	4764.13	4889.70	5814.80	21080.40
				7104033 (D3)	5615.05	4763.91	4890.42	5812.26	21081.64
				APREACT	5612.05	4764.07	4889.73	5814.50	21080.36
		D+6LANES	MAX	7101033 (D3)	7362.83	5593.59	5756.29	6321.39	25034.11
				7102033 (D3)	6772.65	6279.84	6157.48	7335.66	26545.64
				7103033 (D3)	6848.23	6014.97	6419.76	7242.75	26525.71
				7104033 (D3)	5996.04	5674.36	5791.86	7758.66	25220.91
				APREACT	7019.12	6045.87	6191.47	7416.94	26673.39
			MIN	7101033 (D3)	5238.65	5143.50	5218.49	7112.33	22712.98
				7102033 (D3)	5922.70	4693.38	4850.26	5873.52	21339.86
				7103033 (D3)	5604.08	4734.72	4811.95	6192.13	21342.88

BAGO RIVER BRIDGE

[ No.103 : 3RD SPAN WITH IMPACT ] [ FORCE3(kN) ]

SUPPORT				7101033	7102033	7103033	7104033	TOTAL	
NODE				1033	2033	3033	4033		
NAME	TITLE			D3 (kN)	D3 (kN)	D3 (kN)	D3 (kN)	(kN)	
124	SUM TOTAL	D+6LANES	MIN	7104033 (D3)	6670.73	5060.57	5202.59	5610.98	22544.88
				APREACT	5536.41	4739.03	4851.14	5811.45	20938.02
		SUM TOTAL	MAX	7101033 (D3)	7906.82	5504.95	5686.64	5883.75	24982.15
				7102033 (D3)	6772.65	6279.84	6157.48	7335.66	26545.64
				7103033 (D3)	6848.23	6014.97	6419.76	7242.75	26525.71
				7104033 (D3)	5382.21	5529.67	5636.98	8315.54	24864.40
				APREACT	7019.12	6045.87	6191.47	7416.94	26673.39
			MIN	7101033 (D3)	5144.30	5377.87	5374.92	7861.04	23758.13
				7102033 (D3)	5922.70	4693.38	4850.26	5873.52	21339.86
				7103033 (D3)	5604.08	4734.72	4811.95	6192.13	21342.88
				7104033 (D3)	7360.81	5251.31	5433.69	5597.99	23643.80
				APREACT	5536.41	4739.03	4851.14	5811.45	20938.02
300	DEAD LOAD	TOTAL			5628.25	4836.14	4946.09	5950.77	21361.25
301	LIVE LOAD	1-LANE (case1MAX)		7101033 (D3)	1592.23	66.28	247.48	-208.62	1697.36
				7102033 (D3)	1269.10	263.72	321.03	-266.24	1587.61
				7103033 (D3)	1235.33	238.95	362.97	-261.88	1575.38
				7104033 (D3)	-27.81	-7.08	-12.65	3.20	-44.34
				APREACT	1434.98	236.43	309.96	-266.58	1714.79
			MIN	7101033 (D3)	-69.36	-24.34	-36.37	-5.58	-135.65
				7102033 (D3)	655.77	-121.99	-23.09	-16.15	494.55
				7103033 (D3)	75.40	-46.22	-38.22	-12.73	-21.78
				7104033 (D3)	1331.27	205.42	321.58	-310.66	1547.62
				APREACT	-68.77	-24.71	-36.48	-6.71	-136.67
		1-LANE (case2MAX)		7101033 (D3)	621.72	481.46	425.41	174.56	1703.16



BAGO RIVER BRIDGE

[ No.103 : 3RD SPAN WITH IMPACT ] [ FORCE3(kN) ]

SUPPORT		7101033	7102033	7103033	7104033	TOTAL		
NODE		1033	2033	3033	4033			
NAME	TITLE	D3 (kN)	D3 (kN)	D3 (kN)	D3 (kN)	(kN)		
301	LIVE LOAD	1-LANE (case2MAX	7102033 (D3)	471.48	716.97	385.26	117.51	1691.22
			7103033 (D3)	596.29	523.47	438.44	149.51	1707.72
			7104033 (D3)	565.27	388.90	381.20	183.91	1519.28
			APREACT	611.99	500.03	436.99	159.19	1708.20
		MIN	7101033 (D3)	-45.77	-27.74	-32.42	-27.44	-133.37
			7102033 (D3)	-45.61	-27.96	-32.53	-27.97	-134.08
			7103033 (D3)	-45.75	-27.93	-32.55	-27.83	-134.06
			7104033 (D3)	1.67	48.00	0.87	-30.75	19.79
			APREACT	-45.66	-27.96	-32.55	-27.94	-134.10
		1-LANE (case3MAX	7101033 (D3)	192.60	401.38	415.60	535.48	1545.05
			7102033 (D3)	158.22	449.75	555.41	539.54	1702.92
			7103033 (D3)	130.20	388.08	747.96	420.41	1686.65
			7104033 (D3)	188.17	430.80	507.97	566.17	1693.12
			APREACT	168.55	447.85	531.92	554.99	1703.32
		MIN	7101033 (D3)	-29.65	-9.35	50.16	-21.12	-9.96
			7102033 (D3)	-28.01	-30.42	-29.54	-44.14	-132.10
			7103033 (D3)	-28.04	-30.42	-29.54	-44.11	-132.12
			7104033 (D3)	-27.99	-30.42	-29.53	-44.14	-132.09
			APREACT	-28.04	-30.42	-29.54	-44.11	-132.12
		1-LANE (case4MAX	7101033 (D3)	16.54	-33.57	-19.71	-78.71	-115.46
			7102033 (D3)	-342.57	403.33	284.29	1221.15	1566.21
			7103033 (D3)	-338.07	358.82	311.13	1232.80	1564.67
			7104033 (D3)	-268.96	267.67	100.81	1581.75	1681.27
			APREACT	-338.23	346.40	287.31	1401.92	1697.40

BAGO RIVER BRIDGE

[ No.103 : 3RD SPAN WITH IMPACT ] [ FORCE3(kN) ]

SUPPORT		7101033	7102033	7103033	7104033	TOTAL			
NODE		1033	2033	3033	4033				
NAME	TITLE	D3 (kN)	D3 (kN)	D3 (kN)	D3 (kN)	(kN)			
301	LIVE LOAD	1-LANE (case4MIN	7101033 (D3)	-396.55	351.19	221.59	1385.18	1561.41	
			7102033 (D3)	7.55	-37.82	-40.25	52.74	-17.78	
			7103033 (D3)	-5.62	-23.30	-106.00	640.42	505.50	
			7104033 (D3)	14.86	-36.18	-22.06	-82.96	-126.35	
		APREACT	14.00	-36.22	-22.31	-82.49	-127.03		
		2-LANES (caseMAX	7101033 (D3)	2162.57	385.61	516.73	-224.32	2840.58	
			7102033 (D3)	1870.79	621.45	505.99	-263.45	2734.79	
			7103033 (D3)	1853.86	511.20	623.45	-260.86	2727.65	
			7104033 (D3)	280.39	96.69	131.44	22.29	530.82	
			APREACT	2031.52	527.41	568.80	-272.62	2855.11	
		MIN	7101033 (D3)	-105.79	-42.00	-58.99	-18.44	-225.23	
			7102033 (D3)	498.84	-123.60	-47.99	-27.93	299.31	
			7103033 (D3)	14.99	-60.42	-60.63	-24.86	-130.93	
			7104033 (D3)	1732.56	415.17	487.61	-352.79	2282.55	
			APREACT	-105.01	-42.53	-59.16	-20.01	-226.72	
			2-LANES (caseMAX	7101033 (D3)	1353.81	731.60	665.01	94.99	2845.42
				7102033 (D3)	1206.10	999.16	559.52	56.34	2821.12
				7103033 (D3)	1321.33	748.30	686.34	81.96	2837.93
				7104033 (D3)	774.63	426.67	459.65	172.88	1833.83
				APREACT	1345.70	747.07	674.65	82.19	2849.61
		MIN	7101033 (D3)	-86.14	-44.84	-55.70	-36.65	-223.33	
			7102033 (D3)	-85.65	-45.24	-55.86	-37.78	-224.54	
			7103033 (D3)	-85.98	-45.18	-55.90	-37.44	-224.49	
			7104033 (D3)	624.55	283.98	220.35	-119.53	1009.35	

BAGO RIVER BRIDGE

[ No.103 : 3RD SPAN WITH IMPACT ] [ FORCE3(kN) ]

SUPPORT				7101033	7102033	7103033	7104033	TOTAL
NODE				1033	2033	3033	4033	
NAME	TITLE			D3 (kN)	D3 (kN)	D3 (kN)	D3 (kN)	(kN)
301	LIVE LOAD	2-LANES (caseMIN	APREACT	-85.75	-45.24	-55.89	-37.71	-224.58
		2-LANES (caseMAX	7101033 (D3)	167.18	396.10	395.53	557.03	1515.83
			7102033 (D3)	82.35	720.39	827.06	1195.27	2825.08
			7103033 (D3)	68.97	577.62	1101.41	1060.94	2808.93
			7104033 (D3)	101.94	697.86	802.95	1224.87	2827.63
			APREACT	85.67	708.59	827.08	1215.17	2836.51
		MIN	7101033 (D3)	-97.76	232.34	365.85	574.15	1074.58
			7102033 (D3)	-36.70	-52.09	-47.52	-82.68	-218.99
			7103033 (D3)	-36.88	-52.06	-47.54	-82.51	-218.99
			7104033 (D3)	-36.35	-52.01	-47.37	-82.74	-218.47
			APREACT	-36.85	-52.07	-47.54	-82.55	-219.02
		2-LANES (caseMAX	7101033 (D3)	24.04	3.19	10.95	-18.45	19.72
			7102033 (D3)	-382.99	675.16	562.32	1856.39	2710.89
			7103033 (D3)	-369.84	552.28	634.88	1895.20	2712.52
			7104033 (D3)	-330.79	489.03	419.60	2211.17	2789.01
			APREACT	-385.46	616.29	583.55	2016.92	2831.31
		MIN	7101033 (D3)	-483.95	541.73	428.83	1910.27	2396.88
			7102033 (D3)	8.07	-60.34	-53.84	-15.77	-121.88
			7103033 (D3)	-3.13	-48.19	-108.65	474.20	314.22
			7104033 (D3)	14.56	-58.92	-38.53	-129.00	-211.89
			APREACT	13.39	-58.99	-38.90	-128.41	-212.92
		3-LANES (caseMAX	7101033 (D3)	2278.57	668.81	740.55	-67.03	3620.90
			7102033 (D3)	1924.13	1036.09	702.99	-140.69	3522.52
			7103033 (D3)	1998.16	805.31	840.50	-115.83	3528.14

BAGO RIVER BRIDGE

[ No.103 : 3RD SPAN WITH IMPACT ] [ FORCE3(kN) ]

SUPPORT		7101033	7102033	7103033	7104033	TOTAL		
NODE		1033	2033	3033	4033			
NAME	TITLE	D3 (kN)	D3 (kN)	D3 (kN)	D3 (kN)	(kN)		
301	LIVE LOAD	3-LANES (caseMAX	7104033 (D3)	638.74	357.65	381.74	149.22	1527.35
			APREACT	2160.28	802.48	793.01	-118.96	3636.81
		MIN	7101033 (D3)	-122.35	-55.35	-73.11	-35.11	-285.92
			7102033 (D3)	391.70	-124.86	-63.84	-43.55	159.45
			7103033 (D3)	-19.67	-71.14	-74.59	-40.84	-206.25
			7104033 (D3)	1473.85	386.89	415.08	-321.65	1954.18
			APREACT	-121.60	-55.95	-73.34	-36.81	-287.70
		3-LANES (caseMAX	7101033 (D3)	144.27	327.64	330.27	453.71	1255.89
			7102033 (D3)	-136.05	902.64	926.73	1876.71	3570.02
			7103033 (D3)	-142.56	750.21	1178.35	1763.30	3549.29
			7104033 (D3)	-62.19	793.29	847.95	2018.73	3597.78
			APREACT	-125.29	854.25	940.28	1944.48	3613.73
		MIN	7101033 (D3)	-295.87	470.21	533.71	1366.81	2074.86
			7102033 (D3)	-34.53	-68.26	-60.49	-95.98	-259.26
			7103033 (D3)	-35.41	-68.06	-62.42	-71.14	-237.03
			7104033 (D3)	-33.28	-68.05	-58.10	-117.29	-276.72
			APREACT	-34.36	-68.13	-58.45	-116.78	-277.73
		3-LANES (caseMAX	7101033 (D3)	126.86	219.40	220.19	295.02	861.47
			7102033 (D3)	-252.95	879.53	846.92	2036.94	3510.45
			7103033 (D3)	-270.11	705.70	1057.46	2006.99	3500.04
			7104033 (D3)	-246.04	693.53	690.89	2364.77	3503.15
			APREACT	-255.05	829.50	864.96	2173.39	3612.80
		MIN	7101033 (D3)	-446.23	591.53	598.32	1866.84	2610.46
			7102033 (D3)	-0.11	-74.61	-64.47	-56.41	-195.61

BAGO RIVER BRIDGE

[ No.103 : 3RD SPAN WITH IMPACT ] [ FORCE3(kN) ]

SUPPORT NODE		7101033	7102033	7103033	7104033	TOTAL		
NAME TITLE		1033	2033	3033	4033	(kN)		
		D3 (kN)	D3 (kN)	D3 (kN)	D3 (kN)			
301 LIVE LOAD	3-LANES (caseMIN	7103033 (D3)	-9.71	-64.28	-111.08	360.14	175.08	
		7104033 (D3)	5.41	-73.40	-51.46	-152.66	-272.11	
		APREACT	4.38	-73.46	-51.78	-152.13	-273.00	
	4-LANES	MAX	7101033 (D3)	48.23	39.04	44.42	41.42	173.11
			7102033 (D3)	-159.43	275.08	186.03	705.19	1006.86
			7103033 (D3)	-157.65	274.85	186.29	703.40	1006.88
			7104033 (D3)	-159.43	275.08	186.03	705.19	1006.86
			APREACT	-157.83	274.86	186.26	703.59	1006.89
		MIN	7101033 (D3)	-216.02	175.65	95.80	546.22	601.65
			7102033 (D3)	-14.10	-72.35	-55.99	-138.18	-280.62
			7103033 (D3)	-16.48	-72.01	-56.39	-135.97	-280.85
			7104033 (D3)	-13.20	-72.24	-55.66	-138.51	-279.61
			APREACT	-16.19	-72.07	-56.36	-136.28	-280.89
	6-LANES	MAX	7101033 (D3)	1734.58	757.45	810.20	370.62	3672.86
			7102033 (D3)	1144.41	1443.70	1211.39	1384.89	5184.39
			7103033 (D3)	1219.98	1178.83	1473.67	1291.98	5164.46
			7104033 (D3)	367.79	838.22	845.77	1807.88	3859.66
			APREACT	1390.87	1209.73	1245.38	1466.17	5312.14
		MIN	7101033 (D3)	-389.59	307.36	272.40	1161.56	1351.73
			7102033 (D3)	294.45	-142.76	-95.83	-77.25	-21.39
			7103033 (D3)	-24.17	-101.42	-134.14	241.36	-18.37
			7104033 (D3)	1042.48	224.43	256.51	-339.79	1183.63
			APREACT	-91.84	-97.12	-94.94	-139.33	-423.23
	LIVE LOAD	MAX	7101033 (D3)	2278.57	668.81	740.55	-67.03	3620.90

BAGO RIVER BRIDGE

[ No.103 : 3RD SPAN WITH IMPACT ] [ FORCE3(kN) ]

SUPPORT				7101033	7102033	7103033	7104033	TOTAL	
NODE				1033	2033	3033	4033		
NAME	TITLE			D3 (kN)	D3 (kN)	D3 (kN)	D3 (kN)	(kN)	
301	LIVE LOAD	LIVE LOAD	MAX	7102033 (D3)	1144.41	1443.70	1211.39	1384.89	5184.39
				7103033 (D3)	1219.98	1178.83	1473.67	1291.98	5164.46
				7104033 (D3)	-246.04	693.53	690.89	2364.77	3503.15
				APREACT	1390.87	1209.73	1245.38	1466.17	5312.14
			MIN	7101033 (D3)	-483.95	541.73	428.83	1910.27	2396.88
				7102033 (D3)	294.45	-142.76	-95.83	-77.25	-21.39
				7103033 (D3)	-24.17	-101.42	-134.14	241.36	-18.37
				7104033 (D3)	1732.56	415.17	487.61	-352.79	2282.55
				APREACT	-91.84	-97.12	-94.94	-139.33	-423.23
			303	SUM TOTAL	TOTAL	MAX	7101033 (D3)	7906.82	5504.95
	7102033 (D3)	6772.65				6279.84	6157.48	7335.66	26545.64
	7103033 (D3)	6848.23				6014.97	6419.76	7242.75	26525.71
	7104033 (D3)	5382.21				5529.67	5636.98	8315.54	24864.40
	APREACT	7019.12				6045.87	6191.47	7416.94	26673.39
MIN	7101033 (D3)	5144.30				5377.87	5374.92	7861.04	23758.13
	7102033 (D3)	5922.70				4693.38	4850.26	5873.52	21339.86
	7103033 (D3)	5604.08				4734.72	4811.95	6192.13	21342.88
	7104033 (D3)	7360.81				5251.31	5433.69	5597.99	23643.80
	APREACT	5536.41				4739.03	4851.14	5811.45	20938.02

BAGO RIVER BRIDGE

[ No.104 : 4TH SPAN WITH IMPACT ] [ FORCE3(kN) ]

SUPPORT		7101055	7102055	7103055	7104055	TOTAL			
NODE		1055	2055	3055	4055				
NAME	TITLE	D3 (kN)	D3 (kN)	D3 (kN)	D3 (kN)	(kN)			
1	PAVEMENT	382.14	307.52	366.59	303.76	1360.01			
3	RAILING	16.62	4.37	6.38	13.96	41.34			
5	CURB	164.58	43.26	63.18	138.22	409.25			
7	DECK WEIGHT	636.53	532.42	627.67	509.59	2306.20			
8	GIRDER WEIGH	841.05	757.97	879.39	677.54	3155.95			
10	MEDIAN STRIP	177.51	297.32	320.12	145.41	940.36			
21	ADITIONAL WE	178.23	149.08	175.75	142.68	645.74			
31	MEDIAN RAILI	8.61	12.31	13.63	6.80	41.35			
51	SUPPORT WEIG	17.20	31.13	31.13	17.20	96.67			
52	NOSE WEIGHT	0.00	-0.00	0.00	-0.00	0.00			
61	1-LANE(case1TRUCK-LOAD	MAX	7101055 (D3)	427.94	-81.77	44.07	-37.28	352.97	
			7102055 (D3)	-18.29	7.19	-16.80	10.03	-17.87	
			7103055 (D3)	295.92	-113.74	234.43	-169.79	246.82	
			7104055 (D3)	-19.07	7.15	-17.55	10.11	-19.35	
			APREACT	427.94	-81.77	44.07	-37.28	352.97	
		MIN	7101055 (D3)	-19.46	6.77	-17.98	9.78	-20.89	
			7102055 (D3)	278.95	-115.48	231.72	-166.94	228.26	
			7103055 (D3)	-19.46	6.77	-17.98	9.78	-20.89	
			7104055 (D3)	297.49	-113.37	234.33	-169.85	248.60	
			APREACT	-18.97	6.13	-17.58	9.06	-21.36	
		TANDEM-LOAD	MAX	7101055 (D3)	308.29	-62.16	5.66	-4.83	246.95
			7102055 (D3)	-12.69	4.92	-11.66	6.89	-12.54	
			7103055 (D3)	198.17	-77.90	159.50	-115.24	164.53	
			7104055 (D3)	-12.90	4.91	-11.87	6.91	-12.95	

BAGO RIVER BRIDGE

[ No.104 : 4TH SPAN WITH IMPACT ] [ FORCE3(kN) ]

SUPPORT		7101055	7102055	7103055	7104055	TOTAL		
NODE		1055	2055	3055	4055			
NAME	TITLE	D3 (kN)	D3 (kN)	D3 (kN)	D3 (kN)	(kN)		
61	1-LANE(case1TANDEM-LOAD	MAX	APREACT	308.29	-62.16	5.66	-4.83	246.95
		MIN	7101055 (D3)	-13.28	4.68	-12.26	6.73	-14.12
			7102055 (D3)	185.42	-78.38	156.05	-112.27	150.82
			7103055 (D3)	-13.28	4.68	-12.26	6.73	-14.12
			7104055 (D3)	207.24	-75.47	158.45	-115.32	174.89
			APREACT	-13.01	4.25	-12.05	6.26	-14.55
	DISPERSION-LMAX		7101055 (D3)	518.99	-189.56	345.40	-256.44	418.39
			7102055 (D3)	-14.79	7.99	-17.03	10.51	-13.33
			7103055 (D3)	518.99	-189.56	345.40	-256.44	418.39
			7104055 (D3)	-20.93	7.68	-19.28	10.92	-21.61
			APREACT	518.99	-189.56	345.40	-256.44	418.39
		MIN	7101055 (D3)	-22.55	7.37	-20.89	10.85	-25.22
			7102055 (D3)	511.23	-190.18	341.54	-256.10	406.50
			7103055 (D3)	-22.55	7.37	-20.89	10.85	-25.22
			7104055 (D3)	517.37	-189.87	343.79	-256.50	414.79
			APREACT	-22.55	7.37	-20.89	10.85	-25.22
62	1-LANE(case2TRUCK-LOAD	MAX	7101055 (D3)	143.53	33.02	142.51	-29.89	289.17
			7102055 (D3)	46.91	248.36	69.63	-10.33	354.58
			7103055 (D3)	143.48	34.81	142.83	-30.13	290.99
			7104055 (D3)	-9.40	0.20	-9.05	1.60	-16.64
			APREACT	46.91	248.36	69.63	-10.33	354.58
		MIN	7101055 (D3)	-11.01	-0.51	-10.69	1.12	-21.10
			7102055 (D3)	51.60	-5.74	49.04	-13.59	81.30
			7103055 (D3)	-11.01	-0.51	-10.69	1.12	-21.10



BAGO RIVER BRIDGE

[ No.104 : 4TH SPAN WITH IMPACT ] [ FORCE3(kN) ]

SUPPORT		7101055	7102055	7103055	7104055	TOTAL		
NODE		1055	2055	3055	4055			
NAME	TITLE	D3 (kN)	D3 (kN)	D3 (kN)	D3 (kN)	(kN)		
62	1-LANE (case2TRUCK-LOAD	MIN	7104055 (D3)	135.66	65.57	139.70	-30.64	310.29
			APREACT	-10.93	-0.66	-10.63	0.95	-21.27
	TANDEM-LOAD	MAX	7101055 (D3)	97.73	19.01	96.31	-19.91	193.14
			7102055 (D3)	10.49	208.10	29.91	-1.55	246.95
			7103055 (D3)	97.08	29.97	97.99	-21.28	203.76
			7104055 (D3)	-6.26	0.18	-6.02	1.12	-10.98
			APREACT	10.49	208.10	29.91	-1.55	246.95
		MIN	7101055 (D3)	-7.49	-0.39	-7.28	0.72	-14.44
			7102055 (D3)	33.87	-3.94	32.18	-9.09	53.03
			7103055 (D3)	-7.49	-0.39	-7.28	0.72	-14.44
			7104055 (D3)	95.34	36.22	97.19	-21.33	207.41
			APREACT	-7.47	-0.43	-7.26	0.68	-14.48
	DISPERSION-LMAX		7101055 (D3)	199.79	60.59	198.08	-40.67	417.79
			7102055 (D3)	112.91	71.87	116.60	-13.82	287.56
			7103055 (D3)	199.79	60.59	198.08	-40.67	417.79
			7104055 (D3)	15.14	8.99	16.41	3.72	44.26
			APREACT	199.79	60.59	198.08	-40.67	417.79
		MIN	7101055 (D3)	-12.90	-0.76	-12.54	1.15	-25.05
			7102055 (D3)	73.98	-12.04	68.94	-25.71	105.17
			7103055 (D3)	-12.90	-0.76	-12.54	1.15	-25.05
			7104055 (D3)	171.76	50.83	169.12	-43.24	348.47
			APREACT	-12.90	-0.76	-12.54	1.15	-25.05
63	1-LANE (case3TRUCK-LOAD	MAX	7101055 (D3)	1.88	1.39	1.98	1.14	6.39
			7102055 (D3)	-23.74	138.27	46.34	136.48	297.36

BAGO RIVER BRIDGE

[ No.104 : 4TH SPAN WITH IMPACT ] [ FORCE3(kN) ]

SUPPORT		7101055	7102055	7103055	7104055	TOTAL		
NODE		1055	2055	3055	4055			
NAME	TITLE	D3 (kN)	D3 (kN)	D3 (kN)	D3 (kN)	(kN)		
63	1-LANE (case3TRUCK-LOAD	MAX	7103055 (D3)	-9.63	72.88	240.53	49.18	352.97
			7104055 (D3)	-23.07	138.23	38.09	137.88	291.13
			APREACT	-9.63	72.88	240.53	49.18	352.97
		MIN	7101055 (D3)	-24.64	136.01	68.61	130.47	310.46
			7102055 (D3)	-4.64	-5.88	-5.19	-5.29	-20.99
			7103055 (D3)	-4.89	-5.74	-5.41	-5.11	-21.16
			7104055 (D3)	-4.53	-5.87	-5.07	-5.29	-20.75
			APREACT	-4.84	-5.82	-5.37	-5.20	-21.23
	TANDEM-LOAD	MAX	7101055 (D3)	1.28	0.94	1.35	0.77	4.34
			7102055 (D3)	-16.85	95.19	32.00	93.53	203.87
			7103055 (D3)	-1.29	29.81	208.34	10.08	246.95
			7104055 (D3)	-14.94	93.02	21.36	93.83	193.27
			APREACT	-1.29	29.81	208.34	10.08	246.95
		MIN	7101055 (D3)	-17.10	94.56	38.21	91.85	207.52
			7102055 (D3)	-3.23	-3.99	-3.60	-3.58	-14.41
			7103055 (D3)	-3.34	-3.88	-3.69	-3.44	-14.35
	DISPERSION-LMAX		7104055 (D3)	-3.03	-3.99	-3.41	-3.60	-14.03
			APREACT	-3.28	-3.98	-3.64	-3.56	-14.45
			7101055 (D3)	10.26	48.81	24.08	45.25	128.40
			7102055 (D3)	-15.64	178.55	77.67	176.46	417.04
		7103055 (D3)	-3.77	133.05	81.75	127.83	338.85	
		7104055 (D3)	-15.64	178.55	77.67	176.46	417.04	
		APREACT	-15.64	178.55	77.67	176.46	417.04	
MIN		7101055 (D3)	-31.48	122.81	47.37	125.00	263.70	

BAGO RIVER BRIDGE

[ No.104 : 4TH SPAN WITH IMPACT ] [ FORCE3(kN) ]

SUPPORT		7101055	7102055	7103055	7104055	TOTAL		
NODE		1055	2055	3055	4055			
NAME	TITLE	D3 (kN)	D3 (kN)	D3 (kN)	D3 (kN)	(kN)		
63	1-LANE (case3DISPERSION-LMIN	7102055 (D3)	-5.58	-6.92	-6.22	-6.21	-24.94	
		7103055 (D3)	-17.45	38.57	-10.30	42.42	53.25	
		7104055 (D3)	-5.58	-6.92	-6.22	-6.21	-24.94	
		APREACT	-5.58	-6.92	-6.22	-6.21	-24.94	
64	1-LANE (case4TRUCK-LOAD MAX	7101055 (D3)	8.38	-16.14	6.15	-17.65	-19.26	
		7102055 (D3)	-158.79	226.27	-110.22	290.25	247.52	
		7103055 (D3)	8.29	-15.37	6.17	-16.86	-17.77	
		7104055 (D3)	-31.57	38.37	-80.55	428.30	354.55	
		APREACT	-31.57	38.37	-80.55	428.30	354.55	
		MIN	7101055 (D3)	-158.93	226.25	-109.92	291.84	249.24
			7102055 (D3)	8.12	-16.67	5.84	-18.16	-20.88
			7103055 (D3)	-156.54	224.45	-111.25	278.21	234.87
	7104055 (D3)		8.16	-16.67	5.88	-18.16	-20.79	
		APREACT	7.53	-16.36	5.31	-17.75	-21.26	
	TANDEM-LOAD MAX	7101055 (D3)	5.72	-10.90	4.22	-11.93	-12.89	
		7102055 (D3)	-107.65	153.86	-75.45	194.23	164.99	
		7103055 (D3)	5.70	-10.68	4.22	-11.71	-12.47	
		7104055 (D3)	-4.60	5.53	-61.70	307.71	246.94	
		APREACT	-4.60	5.53	-61.70	307.71	246.94	
		MIN	7101055 (D3)	-108.28	153.28	-73.37	203.72	175.35
7102055 (D3)			5.60	-11.34	4.05	-12.37	-14.06	
7103055 (D3)			-107.02	153.35	-75.73	190.87	161.46	
7104055 (D3)	5.60		-11.34	4.05	-12.37	-14.06		
	APREACT	5.24	-11.24	3.72	-12.21	-14.48		

BAGO RIVER BRIDGE

[ No.104 : 4TH SPAN WITH IMPACT ] [ FORCE3(kN) ]

SUPPORT		7101055	7102055	7103055	7104055	TOTAL	
NODE		1055	2055	3055	4055		
NAME	TITLE	D3 (kN)	D3 (kN)	D3 (kN)	D3 (kN)	(kN)	
64	1-LANE (case4DISPERSION-LMAX	7101055 (D3)	9.12	-16.12	6.87	-17.75	-17.88
		7102055 (D3)	-227.97	322.08	-173.39	495.37	416.09
		7103055 (D3)	8.69	-15.27	7.07	-12.27	-11.78
		7104055 (D3)	-227.97	322.08	-173.39	495.37	416.09
		APREACT	-227.97	322.08	-173.39	495.37	416.09
		MIN 7101055 (D3)	-228.59	319.37	-174.31	492.71	409.18
		7102055 (D3)	8.50	-18.83	5.95	-20.41	-24.79
		7103055 (D3)	-228.17	318.52	-174.51	487.23	403.08
		7104055 (D3)	8.50	-18.83	5.95	-20.41	-24.79
		APREACT	8.50	-18.83	5.95	-20.41	-24.79
65	2-LANES (caseTRUCK-LOAD	MAX 7101055 (D3)	665.58	-80.58	198.55	-120.67	662.88
		7102055 (D3)	168.65	125.70	13.33	-6.34	301.34
		7103055 (D3)	521.95	-157.11	418.31	-268.42	514.73
		7104055 (D3)	-33.19	10.81	-30.75	15.93	-37.20
		APREACT	641.95	34.97	92.76	-63.72	705.96
		MIN 7101055 (D3)	-34.69	9.97	-32.30	15.29	-41.72
		7102055 (D3)	466.96	-171.49	399.11	-257.66	436.92
		7103055 (D3)	-34.68	9.85	-32.30	15.17	-41.96
		7104055 (D3)	523.52	-156.73	418.21	-268.48	516.51
		APREACT	-33.93	8.88	-31.69	14.07	-42.67
		TANDEM-LOAD MAX 7101055 (D3)	469.87	-67.30	115.71	-64.17	454.11
		7102055 (D3)	123.51	112.76	-5.28	3.42	234.41
		7103055 (D3)	350.13	-109.24	284.90	-182.47	343.31
		7104055 (D3)	-22.72	7.39	-21.04	10.90	-25.47

BAGO RIVER BRIDGE

[ No.104 : 4TH SPAN WITH IMPACT ] [ FORCE3(kN) ]

SUPPORT		7101055	7102055	7103055	7104055	TOTAL		
NODE		1055	2055	3055	4055			
NAME	TITLE	D3 (kN)	D3 (kN)	D3 (kN)	D3 (kN)	(kN)		
65	2-LANES (caseTANDEM-LOAD	MAX	APREACT	444.48	45.68	12.04	-8.30	493.90
		MIN	7101055 (D3)	-23.65	6.90	-22.00	10.54	-28.21
			7102055 (D3)	317.43	-116.46	272.85	-175.36	298.46
			7103055 (D3)	-23.65	6.90	-22.00	10.54	-28.21
			7104055 (D3)	359.20	-106.82	283.84	-182.56	353.67
			APREACT	-23.25	6.17	-21.71	9.73	-29.06
	DISPERSION-LMAX		7101055 (D3)	871.55	-244.92	616.85	-406.92	836.56
			7102055 (D3)	39.63	36.26	-1.43	2.20	76.66
			7103055 (D3)	871.55	-244.92	616.85	-406.92	836.56
			7104055 (D3)	-35.70	11.74	-33.06	17.25	-39.78
			APREACT	871.55	-244.92	616.85	-406.92	836.56
		MIN	7101055 (D3)	-40.28	10.69	-37.61	16.86	-50.35
			7102055 (D3)	791.63	-270.50	580.67	-392.26	709.54
			7103055 (D3)	-40.28	10.69	-37.61	16.86	-50.35
			7104055 (D3)	866.97	-245.98	612.30	-407.31	825.98
			APREACT	-40.28	10.69	-37.61	16.86	-50.35
66	2-LANES (caseTRUCK-LOAD	MAX	7101055 (D3)	381.17	34.21	296.99	-113.28	599.08
			7102055 (D3)	233.85	366.88	99.76	-26.70	673.79
			7103055 (D3)	369.50	-8.56	326.71	-128.76	558.90
			7104055 (D3)	-23.52	3.86	-22.25	7.42	-34.49
			APREACT	260.92	365.10	118.31	-36.76	707.56
		MIN	7101055 (D3)	-26.24	2.68	-25.01	6.63	-41.94
			7102055 (D3)	239.60	-61.75	216.43	-104.31	289.96
			7103055 (D3)	-26.23	2.56	-25.02	6.51	-42.18

BAGO RIVER BRIDGE

[ No.104 : 4TH SPAN WITH IMPACT ] [ FORCE3(kN) ]

SUPPORT		7101055	7102055	7103055	7104055	TOTAL	
NODE		1055	2055	3055	4055		
NAME	TITLE	D3 (kN)	D3 (kN)	D3 (kN)	D3 (kN)	(kN)	
66	2-LANES (caseTRUCK-LOAD MIN	7104055 (D3)	361.69	22.20	323.58	-129.27	578.20
		APREACT	-25.89	2.08	-24.74	5.96	-42.58
	TANDEM-LOAD MAX	7101055 (D3)	259.31	13.87	206.37	-79.25	400.30
		7102055 (D3)	146.69	315.94	36.29	-5.02	493.90
		7103055 (D3)	249.03	-1.38	223.39	-88.51	382.54
		7104055 (D3)	-16.07	2.67	-15.20	5.10	-23.50
		APREACT	146.69	315.94	36.29	-5.02	493.90
	MIN	7101055 (D3)	-17.86	1.84	-17.02	4.53	-28.52
		7102055 (D3)	165.88	-42.02	148.98	-72.17	200.67
		7103055 (D3)	-17.86	1.84	-17.02	4.53	-28.52
		7104055 (D3)	247.29	4.87	222.59	-88.56	386.19
		APREACT	-17.71	1.49	-16.92	4.15	-29.00
	DISPERSION-LMAX	7101055 (D3)	552.35	5.23	469.53	-191.15	835.95
		7102055 (D3)	167.34	100.15	132.20	-22.13	377.55
		7103055 (D3)	552.35	5.23	469.53	-191.15	835.95
		7104055 (D3)	0.36	13.06	2.63	10.05	26.10
		APREACT	552.35	5.23	469.53	-191.15	835.95
	MIN	7101055 (D3)	-30.63	2.56	-29.26	7.15	-50.18
		7102055 (D3)	354.38	-92.37	308.07	-161.87	408.22
		7103055 (D3)	-30.63	2.56	-29.26	7.15	-50.18
		7104055 (D3)	521.36	-5.28	437.63	-194.05	759.67
		APREACT	-30.63	2.56	-29.26	7.15	-50.18
67	2-LANES (caseTRUCK-LOAD MAX	7101055 (D3)	3.38	3.04	3.63	2.59	12.64
		7102055 (D3)	-113.35	315.76	6.47	356.84	565.71

BAGO RIVER BRIDGE

[ No.104 : 4TH SPAN WITH IMPACT ] [ FORCE3(kN) ]

SUPPORT		7101055	7102055	7103055	7104055	TOTAL	
NODE		1055	2055	3055	4055		
NAME	TITLE	D3 (kN)	D3 (kN)	D3 (kN)	D3 (kN)	(kN)	
67	2-LANES (caseTRUCK-LOAD	MAX 7103055 (D3)	-24.85	102.54	360.66	233.82	672.17
		7104055 (D3)	-99.86	288.29	42.45	370.59	601.47
		APREACT	-34.22	120.77	359.39	259.99	705.93
	MIN	7101055 (D3)	-114.26	313.50	28.74	350.83	578.81
		7102055 (D3)	-4.88	-15.39	-6.56	-14.92	-41.75
		7103055 (D3)	-85.36	155.87	-55.69	178.96	193.78
		7104055 (D3)	-4.39	-15.33	-6.07	-14.94	-40.73
		APREACT	-5.62	-15.09	-7.23	-14.51	-42.46
	TANDEM-LOAD	MAX 7101055 (D3)	2.30	2.07	2.47	1.76	8.60
		7102055 (D3)	-77.84	216.15	3.06	241.57	382.94
		7103055 (D3)	-4.51	36.09	316.52	145.79	493.89
		7104055 (D3)	-69.63	199.96	18.23	252.15	400.71
		APREACT	-4.51	36.09	316.52	145.79	493.89
	MIN	7101055 (D3)	-78.09	215.52	9.28	239.89	386.60
		7102055 (D3)	-3.33	-10.48	-4.47	-10.16	-28.44
		7103055 (D3)	-58.64	107.11	-38.06	123.16	133.58
		7104055 (D3)	-3.02	-10.46	-4.17	-10.19	-27.84
		APREACT	-3.76	-10.33	-4.87	-9.95	-28.91
	DISPERSION-LMAX	7101055 (D3)	12.75	46.64	26.22	42.67	128.28
		7102055 (D3)	-139.16	428.41	38.89	505.56	833.70
	7103055 (D3)	-15.57	162.25	108.95	196.53	452.17	
	7104055 (D3)	-139.16	428.41	38.89	505.56	833.70	
	APREACT	-139.16	428.41	38.89	505.56	833.70	
MIN	7101055 (D3)	-158.27	363.85	4.40	445.61	655.59	

BAGO RIVER BRIDGE

[ No.104 : 4TH SPAN WITH IMPACT ] [ FORCE3(kN) ]

SUPPORT		7101055	7102055	7103055	7104055	TOTAL	
NODE		1055	2055	3055	4055		
NAME	TITLE	D3 (kN)	D3 (kN)	D3 (kN)	D3 (kN)	(kN)	
67	2-LANES (caseDISPERSION-LMIN	7102055 (D3)	-6.35	-17.92	-8.27	-17.28	-49.82
		7103055 (D3)	-129.94	248.23	-78.33	291.74	331.71
		7104055 (D3)	-6.35	-17.92	-8.27	-17.28	-49.82
		APREACT	-6.35	-17.92	-8.27	-17.28	-49.82
68	2-LANES (caseTRUCK-LOAD	MAX 7101055 (D3)	12.45	-27.92	8.68	-30.25	-37.04
		7102055 (D3)	-248.37	403.74	-150.07	510.57	515.87
		7103055 (D3)	-6.93	14.29	126.29	167.77	301.43
		7104055 (D3)	-108.35	188.43	-76.16	660.98	664.89
		APREACT	-56.16	86.26	38.30	639.11	707.51
		MIN 7101055 (D3)	-248.52	403.71	-149.76	512.17	517.60
		7102055 (D3)	11.87	-29.73	7.90	-32.00	-41.96
		7103055 (D3)	-236.98	386.03	-161.51	462.26	449.81
		7104055 (D3)	12.01	-29.71	8.04	-32.00	-41.66
		APREACT	11.00	-29.25	7.12	-31.38	-42.51
	TANDEM-LOAD	MAX 7101055 (D3)	8.51	-19.11	5.93	-20.69	-25.36
		7102055 (D3)	-168.62	274.80	-104.36	342.25	344.07
		7103055 (D3)	2.48	-4.40	112.40	124.00	234.47
		7104055 (D3)	-59.27	112.47	-64.81	466.01	454.39
		APREACT	-7.82	11.81	46.48	443.42	493.89
		MIN 7101055 (D3)	-169.25	274.22	-102.28	351.74	354.42
		7102055 (D3)	8.13	-20.24	5.43	-21.79	-28.48
		7103055 (D3)	-162.30	264.32	-110.08	317.46	309.39
		7104055 (D3)	8.13	-20.24	5.43	-21.79	-28.48
		APREACT	7.69	-20.09	5.02	-21.58	-28.96



BAGO RIVER BRIDGE

[ No.104 : 4TH SPAN WITH IMPACT ] [ FORCE3(kN) ]

SUPPORT		7101055	7102055	7103055	7104055	TOTAL	
NODE		1055	2055	3055	4055		
NAME	TITLE	D3 (kN)	D3 (kN)	D3 (kN)	D3 (kN)	(kN)	
68	2-LANES (caseDISPERSION-LMAX	7101055 (D3)	13.91	-27.80	10.10	-30.33	-34.11
		7102055 (D3)	-352.45	572.69	-212.99	825.36	832.61
		7103055 (D3)	-0.84	4.68	35.35	46.69	85.88
		7104055 (D3)	-352.45	572.69	-212.99	825.36	832.61
		APREACT	-352.45	572.69	-212.99	825.36	832.61
		MIN 7101055 (D3)	-354.17	566.89	-215.34	819.72	817.09
		7102055 (D3)	12.20	-33.60	7.75	-35.98	-49.63
		7103055 (D3)	-339.42	534.41	-240.58	742.69	697.10
		7104055 (D3)	12.20	-33.60	7.75	-35.98	-49.63
		APREACT	12.20	-33.60	7.75	-35.98	-49.63
69	3-LANES (caseTRUCK-LOAD	MAX 7101055 (D3)	812.86	-48.98	336.22	-146.45	953.65
		7102055 (D3)	215.57	374.06	82.96	-16.67	655.92
		7103055 (D3)	665.43	-122.30	561.15	-298.55	805.72
		7104055 (D3)	-42.59	11.01	-39.79	17.53	-53.84
		APREACT	692.61	281.91	157.54	-69.94	1062.13
		MIN 7101055 (D3)	-45.70	9.46	-42.99	16.41	-62.82
		7102055 (D3)	518.55	-177.23	448.15	-271.25	518.22
		7103055 (D3)	-45.69	9.34	-42.99	16.29	-63.06
		7104055 (D3)	659.18	-91.17	557.91	-299.13	826.80
		APREACT	-44.86	8.22	-42.32	15.02	-63.94
		TANDEM-LOAD MAX 7101055 (D3)	567.60	-48.29	212.03	-84.08	647.25
		7102055 (D3)	134.00	320.86	24.63	1.87	481.36
		7103055 (D3)	447.20	-79.27	382.89	-203.75	547.07
		7104055 (D3)	-28.98	7.58	-27.07	12.01	-36.45

BAGO RIVER BRIDGE

[ No.104 : 4TH SPAN WITH IMPACT ] [ FORCE3(kN) ]

SUPPORT		7101055	7102055	7103055	7104055	TOTAL		
NODE		1055	2055	3055	4055			
NAME	TITLE	D3 (kN)	D3 (kN)	D3 (kN)	D3 (kN)	(kN)		
69	3-LANES (caseTANDEM-LOAD	MAX	APREACT	454.98	253.78	41.94	-9.85	740.85
		MIN	7101055 (D3)	-31.14	6.52	-29.28	11.26	-42.64
			7102055 (D3)	351.30	-120.40	305.03	-184.44	351.49
			7103055 (D3)	-31.14	6.52	-29.28	11.26	-42.64
			7104055 (D3)	454.53	-70.60	381.03	-203.89	561.08
			APREACT	-30.72	5.74	-28.97	10.41	-43.54
	DISPERSION-LMAX		7101055 (D3)	1071.35	-184.34	814.92	-447.59	1254.34
			7102055 (D3)	152.55	108.14	115.16	-11.62	364.23
			7103055 (D3)	1071.35	-184.34	814.92	-447.59	1254.34
			7104055 (D3)	-20.57	20.74	-16.65	20.96	4.49
			APREACT	1071.35	-184.34	814.92	-447.59	1254.34
		MIN	7101055 (D3)	-53.18	9.93	-50.15	18.00	-75.40
			7102055 (D3)	865.62	-282.54	649.61	-417.97	814.72
			7103055 (D3)	-53.18	9.93	-50.15	18.00	-75.40
			7104055 (D3)	1038.73	-195.14	781.42	-450.55	1174.46
			APREACT	-53.18	9.93	-50.15	18.00	-75.40
70	3-LANES (caseTRUCK-LOAD	MAX	7101055 (D3)	8.46	-9.05	7.08	-10.46	-3.96
			7102055 (D3)	-272.17	542.05	-103.78	647.13	813.23
			7103055 (D3)	-19.80	91.51	364.21	221.85	657.76
			7104055 (D3)	-131.45	326.68	-38.09	798.88	956.01
			APREACT	-65.81	159.17	278.84	688.28	1060.47
		MIN	7101055 (D3)	-273.22	539.77	-81.21	642.71	828.05
			7102055 (D3)	-0.85	-28.54	-4.24	-28.90	-62.53
			7103055 (D3)	-241.93	380.34	-166.97	457.21	428.64

BAGO RIVER BRIDGE

[ No.104 : 4TH SPAN WITH IMPACT ] [ FORCE3(kN) ]

SUPPORT		7101055	7102055	7103055	7104055	TOTAL	
NODE		1055	2055	3055	4055		
NAME	TITLE	D3 (kN)	D3 (kN)	D3 (kN)	D3 (kN)	(kN)	
70	3-LANES (caseTRUCK-LOAD	MIN 7104055 (D3)	0.08	-28.49	-3.33	-28.98	-60.72
		APREACT	-2.34	-27.82	-5.59	-27.94	-63.70
	TANDEM-LOAD	MAX 7101055 (D3)	5.82	-6.05	4.90	-7.02	-2.35
		7102055 (D3)	-185.51	370.02	-72.40	435.83	547.93
	7103055 (D3)	-1.00	28.26	318.98	137.31	483.55	
	7104055 (D3)	-74.22	205.49	-43.48	559.86	647.65	
	APREACT	-9.11	41.62	254.82	453.50	740.84	
	MIN	7101055 (D3)	-186.39	368.81	-64.11	443.64	561.95
		7102055 (D3)	-0.50	-19.46	-2.81	-19.72	-42.49
	7103055 (D3)	-165.68	260.47	-113.81	314.06	295.04	
	7104055 (D3)	-0.07	-19.44	-2.39	-19.76	-41.67	
	APREACT	-1.45	-19.07	-3.68	-19.18	-43.38	
	DISPERSION-LMAX	7101055 (D3)	18.17	34.85	30.04	29.88	112.94
		7102055 (D3)	-366.19	749.76	-133.67	999.92	1249.83
	7103055 (D3)	-10.73	153.45	113.07	191.41	447.21	
	7104055 (D3)	-366.19	749.76	-133.67	999.92	1249.83	
	APREACT	-366.19	749.76	-133.67	999.92	1249.83	
	MIN	7101055 (D3)	-386.67	681.93	-169.89	936.86	1062.23
		7102055 (D3)	-2.31	-32.98	-6.18	-33.19	-74.66
	7103055 (D3)	-357.77	563.33	-252.92	775.32	727.96	
7104055 (D3)	-2.31	-32.98	-6.18	-33.19	-74.66		
APREACT	-2.31	-32.98	-6.18	-33.19	-74.66		
71	3-LANES (caseTRUCK-LOAD	MAX 7101055 (D3)	13.76	-26.10	10.16	-28.58	-30.77
		7102055 (D3)	-272.08	541.99	-103.70	647.01	813.23

BAGO RIVER BRIDGE

[ No.104 : 4TH SPAN WITH IMPACT ] [ FORCE3(kN) ]

SUPPORT		7101055	7102055	7103055	7104055	TOTAL	
NODE		1055	2055	3055	4055		
NAME	TITLE	D3 (kN)	D3 (kN)	D3 (kN)	D3 (kN)	(kN)	
71	3-LANES (caseTRUCK-LOAD	MAX 7103055 (D3)	-15.49	83.19	376.05	212.24	655.99
		7104055 (D3)	-131.39	326.64	-38.05	798.82	956.02
		APREACT	-64.73	155.17	288.06	683.58	1062.08
	MIN	7101055 (D3)	-273.14	539.72	-81.13	642.61	828.06
		7102055 (D3)	11.41	-39.20	6.32	-41.56	-63.03
		7103055 (D3)	-238.19	378.20	-163.62	454.47	430.87
		7104055 (D3)	11.55	-39.18	6.46	-41.56	-62.72
		APREACT	10.42	-38.69	5.43	-40.89	-63.74
	TANDEM-LOAD	MAX 7101055 (D3)	9.40	-17.87	6.93	-19.57	-21.10
		7102055 (D3)	-185.45	369.98	-72.35	435.75	547.93
		7103055 (D3)	1.19	25.41	320.74	134.08	481.42
		7104055 (D3)	-74.19	205.48	-43.44	559.81	647.65
		APREACT	-9.11	41.62	254.82	453.50	740.84
	MIN	7101055 (D3)	-186.33	368.77	-64.06	443.56	561.95
		7102055 (D3)	7.82	-26.73	4.35	-28.34	-42.89
		7103055 (D3)	-163.15	259.12	-111.52	312.30	296.75
		7104055 (D3)	7.82	-26.73	4.35	-28.34	-42.89
		APREACT	7.35	-26.57	3.91	-28.11	-43.41
	DISPERSION-LMAX	7101055 (D3)	23.65	18.21	33.34	12.14	87.34
		7102055 (D3)	-369.04	751.99	-136.16	1002.72	1249.51
		7103055 (D3)	-5.27	137.10	116.39	173.97	422.20
		7104055 (D3)	-369.04	751.99	-136.16	1002.72	1249.51
		APREACT	-369.04	751.99	-136.16	1002.72	1249.51
	MIN	7101055 (D3)	-381.59	689.46	-164.09	943.87	1087.65

BAGO RIVER BRIDGE

[ No.104 : 4TH SPAN WITH IMPACT ] [ FORCE3(kN) ]

SUPPORT		7101055	7102055	7103055	7104055	TOTAL		
NODE		1055	2055	3055	4055			
NAME	TITLE	D3 (kN)	D3 (kN)	D3 (kN)	D3 (kN)	(kN)		
71	3-LANES (caseDISPERSION-LMIN	7102055 (D3)	11.10	-44.32	5.41	-46.72	-74.52	
		7103055 (D3)	-352.67	570.57	-247.14	782.03	752.79	
		7104055 (D3)	11.10	-44.32	5.41	-46.72	-74.52	
		APREACT	11.10	-44.32	5.41	-46.72	-74.52	
72	4-LANES TRUCK-LOAD MAX	7101055 (D3)	13.68	-25.57	10.15	-28.04	-29.78	
		7102055 (D3)	4.64	7.68	5.40	7.12	24.83	
		7103055 (D3)	13.68	-25.54	10.15	-28.01	-29.71	
		7104055 (D3)	4.60	7.67	5.36	7.12	24.75	
		APREACT	4.81	7.63	5.56	7.04	25.04	
		MIN	7101055 (D3)	-6.36	-11.90	-7.56	-11.15	-36.97
			7102055 (D3)	4.68	-43.63	-0.70	-45.07	-84.72
			7103055 (D3)	-5.99	-17.77	-7.91	-17.18	-48.86
	7104055 (D3)		4.68	-43.63	-0.70	-45.07	-84.72	
	TANDEM-LOAD MAX	APREACT	4.68	-43.63	-0.70	-45.07	-84.72	
		7101055 (D3)	9.86	-17.91	7.37	-19.68	-20.37	
		7102055 (D3)	3.20	5.22	3.71	4.83	16.97	
		7103055 (D3)	9.86	-17.90	7.37	-19.67	-20.35	
		7104055 (D3)	3.14	5.22	3.66	4.84	16.86	
		APREACT	3.24	5.21	3.75	4.82	17.02	
		MIN	7101055 (D3)	-4.37	-8.17	-5.20	-7.66	-25.40
7102055 (D3)			3.93	-30.43	0.15	-31.53	-57.87	
7103055 (D3)	-4.14		-11.72	-5.40	-11.30	-32.57		
7104055 (D3)	3.93		-30.43	0.15	-31.53	-57.87		
	APREACT	3.93	-30.43	0.15	-31.53	-57.87		

BAGO RIVER BRIDGE

[ No.104 : 4TH SPAN WITH IMPACT ] [ FORCE3(kN) ]

SUPPORT				7101055	7102055	7103055	7104055	TOTAL				
NODE				1055	2055	3055	4055					
NAME	TITLE			D3 (kN)	D3 (kN)	D3 (kN)	D3 (kN)	(kN)				
72	4-LANES	DISPERSION-LMAX	7101055 (D3)	11.12	-9.48	9.60	-11.29	-0.05				
			7102055 (D3)	5.65	9.43	6.58	8.75	30.41				
			7103055 (D3)	10.91	-6.35	9.78	-8.08	6.26				
			7104055 (D3)	5.65	9.43	6.58	8.75	30.41				
			APREACT	5.90	9.24	6.80	8.52	30.46				
			MIN	7101055 (D3)	-4.96	-9.63	-5.94	-9.06	-29.59			
			7102055 (D3)	0.37	-28.32	-3.03	-28.86	-59.84				
			7103055 (D3)	-4.76	-12.79	-6.13	-12.30	-35.98				
			7104055 (D3)	0.37	-28.32	-3.03	-28.86	-59.84				
			APREACT	0.17	-28.15	-3.21	-28.65	-59.84				
			73	6-LANES	TRUCK-LOAD	MAX	7101055 (D3)	756.98	43.01	373.56	-39.87	1133.69
						7102055 (D3)	-78.04	902.77	98.97	568.61	1492.30	
						7103055 (D3)	590.04	73.86	928.46	-109.26	1483.10	
						7104055 (D3)	-15.80	369.43	63.06	736.90	1153.60	
APREACT	538.58	524.71				536.70	521.04	2121.03				
MIN	7101055 (D3)	-271.98				389.13	-173.21	490.60	434.54			
7102055 (D3)	434.57	-195.47				369.20	-275.07	333.23				
7103055 (D3)	-261.87	366.95				-189.36	443.11	358.82				
7104055 (D3)	543.55	-178.61				449.29	-290.39	523.83				
APREACT	-34.45	-30.44				-36.90	-25.83	-127.63				
TANDEM-LOAD	MAX	7101055 (D3)				530.77	35.34	229.30	-3.58	791.82		
	7102055 (D3)	-72.85				684.73	52.48	389.86	1054.21			
	7103055 (D3)	397.01				39.55	696.49	-90.01	1043.03			
	7104055 (D3)	10.45				228.85	47.21	519.51	806.01			

BAGO RIVER BRIDGE

[ No.104 : 4TH SPAN WITH IMPACT ] [ FORCE3(kN) ]

SUPPORT		7101055	7102055	7103055	7104055	TOTAL		
NODE		1055	2055	3055	4055			
NAME	TITLE	D3 (kN)	D3 (kN)	D3 (kN)	D3 (kN)	(kN)		
73	6-LANES							
	TANDEM-LOAD MAX	APREACT	379.18	362.19	371.13	369.17	1481.68	
		MIN	7101055 (D3)	-185.20	264.10	-118.43	337.65	298.12
			7102055 (D3)	295.18	-132.89	252.72	-187.00	228.01
			7103055 (D3)	-178.01	248.61	-128.92	300.86	242.53
			7104055 (D3)	373.87	-119.56	303.70	-197.49	360.52
			APREACT	-23.38	-20.80	-25.06	-17.68	-86.92
	DISPERSION-LMAX		7101055 (D3)	1001.58	-158.85	777.95	-394.57	1226.10
			7102055 (D3)	-193.29	791.67	-4.62	885.63	1479.40
			7103055 (D3)	956.76	-29.48	858.39	-246.60	1539.07
			7104055 (D3)	-351.19	706.72	-145.76	934.41	1144.18
			APREACT	634.73	511.57	621.23	490.31	2257.84
		MIN	7101055 (D3)	-401.81	628.84	-212.98	868.74	882.78
			7102055 (D3)	805.64	-308.49	596.62	-432.21	661.55
			7103055 (D3)	-378.56	527.77	-281.39	735.00	602.83
			7104055 (D3)	952.21	-235.24	712.11	-458.92	970.16
			APREACT	-41.66	-31.79	-44.02	-26.13	-143.60
124	SUM TOTAL	D+1LANE(caseMAX	7101055 (D3)	3558.80	1809.78	2951.22	1602.71	9922.50
			7102055 (D3)	2382.78	2153.58	2443.26	1979.81	8959.44
			7103055 (D3)	3400.38	1771.41	3179.65	1443.69	9795.13
			7104055 (D3)	2374.49	2153.17	2439.65	1980.40	8947.71
			APREACT	3558.80	1809.78	2951.22	1602.71	9922.50
		MIN	7101055 (D3)	2372.06	2152.35	2437.21	1979.93	8941.55
			7102055 (D3)	3370.71	1768.58	3171.77	1447.52	9758.58
			7103055 (D3)	2372.06	2152.35	2437.21	1979.93	8941.55

BAGO RIVER BRIDGE

[ No.104 : 4TH SPAN WITH IMPACT ] [ FORCE3(kN) ]

SUPPORT		7101055	7102055	7103055	7104055	TOTAL	
NODE		1055	2055	3055	4055		
NAME	TITLE	D3 (kN)	D3 (kN)	D3 (kN)	D3 (kN)	(kN)	
124	SUM TOTAL						
	D+1LANE (caseMIN	7104055 (D3)	3400.32	1771.49	3177.60	1443.54	9792.94
		APREACT	2372.65	2151.58	2437.69	1979.06	8940.98
	D+1LANE (caseMAX	7101055 (D3)	2834.47	2247.70	2892.55	1870.49	9845.22
		7102055 (D3)	2614.27	2519.66	2707.32	1926.20	9767.44
		7103055 (D3)	2834.41	2249.85	2892.94	1870.21	9847.41
		7104055 (D3)	2429.37	2146.41	2492.69	1961.55	9030.02
		APREACT	2718.53	2506.11	2805.10	1893.97	9923.71
	MIN	7101055 (D3)	2393.79	2133.85	2455.97	1957.88	8941.49
		7102055 (D3)	2573.18	2114.03	2625.43	1908.01	9220.65
		7103055 (D3)	2393.79	2133.85	2455.97	1957.88	8941.49
		7104055 (D3)	2791.38	2275.05	2854.44	1866.51	9787.39
		APREACT	2393.89	2133.67	2456.05	1957.68	8941.29
	D+1LANE (caseMAX	7101055 (D3)	2437.05	2195.62	2515.12	2010.83	9158.63
		7102055 (D3)	2375.24	2515.55	2632.66	2330.69	9854.14
		7103055 (D3)	2406.40	2382.49	2870.59	2167.58	9827.06
		7104055 (D3)	2376.04	2515.50	2622.76	2332.38	9846.68
		APREACT	2392.16	2437.09	2865.69	2225.94	9920.88
	MIN	7101055 (D3)	2355.13	2445.96	2623.03	2261.73	9685.86
		7102055 (D3)	2410.21	2120.01	2470.17	1941.37	8941.76
		7103055 (D3)	2395.68	2174.77	2465.00	1999.94	9035.38
		7104055 (D3)	2410.35	2120.03	2470.30	1941.36	8942.04
		APREACT	2409.97	2120.08	2469.95	1941.48	8941.48
	D+1LANE (caseMAX	7101055 (D3)	2443.47	2096.66	2499.48	1912.68	8952.30
		7102055 (D3)	1958.37	2793.39	2143.53	2897.91	9793.20



BAGO RIVER BRIDGE

[ No.104 : 4TH SPAN WITH IMPACT ] [ FORCE3(kN) ]

SUPPORT		7101055	7102055	7103055	7104055	TOTAL	
NODE		1055	2055	3055	4055		
NAME	TITLE	D3 (kN)	D3 (kN)	D3 (kN)	D3 (kN)	(kN)	
124	SUM TOTAL						
	D+1LANE (caseMAX	7103055 (D3)	2442.87	2098.61	2499.73	1920.21	8961.41
		7104055 (D3)	2111.03	2567.91	2179.13	3063.58	9921.64
		APREACT	2111.03	2567.91	2179.13	3063.58	9921.64
	MIN	7101055 (D3)	1957.45	2790.11	2142.78	2896.63	9786.98
		7102055 (D3)	2442.42	2092.77	2498.00	1908.88	8942.07
		7103055 (D3)	1960.83	2786.93	2140.94	2873.71	9762.41
		7104055 (D3)	2442.47	2092.78	2498.05	1908.88	8942.17
		APREACT	2441.72	2093.15	2497.37	1909.38	8941.61
	D+2LANES (casMAX	7101055 (D3)	3959.61	1809.87	3299.25	1427.58	10496.31
		7102055 (D3)	2630.77	2297.34	2495.75	1951.02	9374.88
		7103055 (D3)	3815.98	1733.34	3519.01	1279.82	10348.16
		7104055 (D3)	2353.59	2157.92	2420.04	1988.34	8919.90
		APREACT	3935.99	1925.42	3193.46	1484.53	10539.39
	MIN	7101055 (D3)	2347.51	2156.03	2413.95	1987.32	8904.80
		7102055 (D3)	3681.07	1693.38	3463.63	1305.25	10143.33
		7103055 (D3)	2347.52	2155.91	2413.94	1987.20	8904.56
		7104055 (D3)	3812.97	1732.66	3514.36	1279.37	10339.37
		APREACT	2348.27	2154.94	2414.55	1986.10	8903.85
	D+2LANES (casMAX	7101055 (D3)	3356.00	2174.81	3250.37	1650.74	10431.91
		7102055 (D3)	2823.68	2602.40	2715.80	1906.34	10048.22
		7103055 (D3)	3344.34	2132.04	3280.09	1635.26	10391.73
		7104055 (D3)	2399.32	2152.29	2464.24	1972.64	8988.49
		APREACT	3235.75	2505.70	3071.69	1727.25	10540.39
	MIN	7101055 (D3)	2365.62	2140.61	2429.58	1968.95	8904.76

BAGO RIVER BRIDGE

[ No.104 : 4TH SPAN WITH IMPACT ] [ FORCE3(kN) ]

SUPPORT		7101055	7102055	7103055	7104055	TOTAL	
NODE		1055	2055	3055	4055		
NAME	TITLE	D3 (kN)	D3 (kN)	D3 (kN)	D3 (kN)	(kN)	
124	SUM TOTAL						
	D+2LANES (casMIN)						
		7102055 (D3)	3016.46	1981.25	3008.35	1688.99	9695.06
		7103055 (D3)	2365.62	2140.49	2429.58	1968.83	8904.51
		7104055 (D3)	3305.53	2152.30	3245.07	1631.85	10334.74
		APREACT	2365.97	2140.01	2429.85	1968.28	8904.11
	D+2LANES (casMAX)						
		7101055 (D3)	2438.62	2185.05	2513.70	2000.42	9137.79
		7102055 (D3)	2169.97	2879.54	2529.21	2817.56	10396.28
		7103055 (D3)	2382.07	2400.17	2953.46	2385.51	10121.21
		7104055 (D3)	2183.46	2852.07	2565.20	2831.31	10432.04
		APREACT	2249.10	2684.56	2882.13	2720.71	10536.50
	MIN						
		7101055 (D3)	2149.96	2812.72	2516.99	2751.61	10231.28
		7102055 (D3)	2411.25	2102.06	2469.02	1922.96	8905.30
		7103055 (D3)	2207.18	2539.48	2349.83	2425.87	9522.36
		7104055 (D3)	2411.75	2102.12	2469.51	1922.95	8906.32
		APREACT	2410.52	2102.36	2468.35	1923.37	8904.60
	D+2LANES (casMAX)						
		7101055 (D3)	2448.85	2079.65	2502.63	1894.59	8925.72
		7102055 (D3)	1821.66	3111.80	2120.80	3291.10	10345.36
		7103055 (D3)	2414.72	2154.34	2645.50	2169.63	9384.18
		7104055 (D3)	1961.68	2896.49	2194.70	3441.51	10494.38
		APREACT	2013.86	2794.33	2309.17	3419.64	10537.00
	MIN						
		7101055 (D3)	1819.79	3105.98	2118.75	3287.05	10331.57
		7102055 (D3)	2446.55	2072.04	2499.50	1887.19	8905.28
		7103055 (D3)	1846.09	3055.82	2081.76	3160.12	10143.78
		7104055 (D3)	2446.69	2072.06	2499.65	1887.18	8905.58
		APREACT	2445.68	2072.52	2498.73	1887.80	8904.73

BAGO RIVER BRIDGE

[ No.104 : 4TH SPAN WITH IMPACT ] [ FORCE3(kN) ]

SUPPORT		7101055	7102055	7103055	7104055	TOTAL		
NODE		1055	2055	3055	4055			
NAME	TITLE	D3 (kN)	D3 (kN)	D3 (kN)	D3 (kN)	(kN)		
124	SUM TOTAL	D+3LANES (casMAX	7101055 (D3)	4024.06	1937.05	3462.33	1450.23	10873.67
			7102055 (D3)	2735.38	2545.24	2652.26	1931.12	9864.00
			7103055 (D3)	3898.74	1874.73	3653.51	1320.95	10747.93
			7104055 (D3)	2368.80	2162.36	2435.88	1987.89	8954.92
			APREACT	3921.85	2218.31	3310.45	1515.27	10965.88
	MIN		7101055 (D3)	2338.43	2151.85	2404.68	1984.42	8879.39
			7102055 (D3)	3599.03	1744.56	3416.95	1369.33	10129.87
			7103055 (D3)	2338.44	2151.75	2404.68	1984.32	8879.18
			7104055 (D3)	3865.71	1892.01	3622.29	1317.94	10697.94
			APREACT	2339.15	2150.80	2405.25	1983.24	8878.43
		D+3LANES (casMAX	7101055 (D3)	2445.12	2157.31	2515.41	1971.67	9089.51
			7102055 (D3)	1879.88	3233.41	2282.02	3355.16	10750.47
			7103055 (D3)	2396.53	2343.59	2889.54	2306.44	9936.10
			7104055 (D3)	1999.49	3050.34	2337.85	3484.15	10871.84
			APREACT	2055.28	2907.96	2607.25	3390.14	10960.63
	MIN		7101055 (D3)	1861.58	3173.81	2270.42	3297.80	10603.61
			7102055 (D3)	2419.79	2083.08	2475.00	1902.39	8880.26
			7103055 (D3)	1912.73	2937.49	2126.95	3002.82	9979.99
			7104055 (D3)	2420.59	2083.13	2475.77	1902.32	8881.80
			APREACT	2418.53	2083.69	2473.85	1903.20	8879.27
		D+3LANES (casMAX	7101055 (D3)	2454.28	2128.67	2520.83	1941.19	9044.96
			7102055 (D3)	1877.53	3235.26	2279.98	3357.44	10750.20
			7103055 (D3)	2404.84	2322.62	2902.43	2283.45	9913.34
			7104055 (D3)	1997.12	3052.20	2335.78	3486.48	10871.57

BAGO RIVER BRIDGE

[ No.104 : 4TH SPAN WITH IMPACT ] [ FORCE3(kN) ]

SUPPORT		7101055	7102055	7103055	7104055	TOTAL			
NODE		1055	2055	3055	4055				
NAME	TITLE	D3 (kN)	D3 (kN)	D3 (kN)	D3 (kN)	(kN)			
124	SUM TOTAL	D+3LANES (casMAX	APREACT	2053.78	2906.45	2612.97	3388.52	10961.72	
		MIN	7101055 (D3)	1865.96	3180.17	2275.41	3303.67	10625.22	
			7102055 (D3)	2441.61	2064.38	2493.82	1880.14	8879.96	
			7103055 (D3)	1920.25	2941.83	2134.71	3006.20	10002.98	
			7104055 (D3)	2441.74	2064.40	2493.95	1880.13	8880.22	
			APREACT	2440.77	2064.82	2493.06	1880.70	8879.35	
		D+4LANES	MAX	7101055 (D3)	2438.60	2112.59	2496.69	1929.60	8977.48
				7102055 (D3)	2429.17	2146.49	2491.64	1965.48	9032.78
				7103055 (D3)	2438.47	2114.65	2496.81	1931.71	8981.63
				7104055 (D3)	2429.14	2146.49	2491.61	1965.48	9032.73
				APREACT	2429.45	2146.34	2491.89	1965.28	9032.95
			MIN	7101055 (D3)	2415.12	2121.38	2475.07	1942.03	8953.61
				7102055 (D3)	2425.77	2088.60	2481.43	1907.12	8902.91
				7103055 (D3)	2415.49	2115.50	2474.73	1936.00	8941.73
				7104055 (D3)	2425.77	2088.60	2481.43	1907.12	8902.91
				APREACT	2425.63	2088.71	2481.31	1907.25	8902.91
		D+6LANES	MAX	7101055 (D3)	3565.55	2060.08	3232.33	1672.78	10530.74
				7102055 (D3)	2246.11	3236.76	2545.18	2900.42	10928.48
				7103055 (D3)	3427.91	2164.22	3645.30	1723.86	10961.29
				7104055 (D3)	2183.94	2834.87	2430.09	3041.52	10490.43
				APREACT	3185.13	2808.95	3236.51	2612.55	11843.14
			MIN	7101055 (D3)	1984.51	2797.06	2232.83	2838.74	9853.13
				7102055 (D3)	3228.62	1807.80	3111.63	1495.43	9643.48
				7103055 (D3)	2006.20	2716.94	2177.86	2720.94	9621.94

BAGO RIVER BRIDGE

[ No.104 : 4TH SPAN WITH IMPACT ] [ FORCE3(kN) ]

SUPPORT				7101055	7102055	7103055	7104055	TOTAL	
NODE				1055	2055	3055	4055		
NAME	TITLE			D3 (kN)	D3 (kN)	D3 (kN)	D3 (kN)	(kN)	
124	SUM TOTAL	D+6LANES	MIN	7104055 (D3)	3394.73	1866.37	3238.76	1468.11	9967.97
				APREACT	2373.01	2094.92	2431.25	1921.39	8820.57
		SUM TOTAL	MAX	7101055 (D3)	4024.06	1937.05	3462.33	1450.23	10873.67
				7102055 (D3)	2246.11	3236.76	2545.18	2900.42	10928.48
				7103055 (D3)	3898.74	1874.73	3653.51	1320.95	10747.93
				7104055 (D3)	1997.12	3052.20	2335.78	3486.48	10871.57
				APREACT	3185.13	2808.95	3236.51	2612.55	11843.14
			MIN	7101055 (D3)	1819.79	3105.98	2118.75	3287.05	10331.57
				7102055 (D3)	3681.07	1693.38	3463.63	1305.25	10143.33
				7103055 (D3)	1846.09	3055.82	2081.76	3160.12	10143.78
				7104055 (D3)	3812.97	1732.66	3514.36	1279.37	10339.37
				APREACT	2373.01	2094.92	2431.25	1921.39	8820.57
300	DEAD LOAD	TOTAL			2422.48	2135.37	2483.85	1955.17	8996.87
301	LIVE LOAD	1-LANE (case1MAX)		7101055 (D3)	1136.32	-325.60	467.37	-352.46	925.63
				7102055 (D3)	-39.70	18.21	-40.59	24.65	-37.44
				7103055 (D3)	977.90	-363.97	695.80	-511.48	798.25
				7104055 (D3)	-47.99	17.80	-44.20	25.23	-49.16
				APREACT	1136.32	-325.60	467.37	-352.46	925.63
			MIN	7101055 (D3)	-50.42	16.98	-46.64	24.76	-55.32
				7102055 (D3)	948.23	-366.79	687.92	-507.65	761.71
				7103055 (D3)	-50.42	16.98	-46.64	24.76	-55.32
				7104055 (D3)	977.83	-363.88	693.75	-511.63	796.07
				APREACT	-49.83	16.21	-46.16	23.89	-55.89
		1-LANE (case2MAX)		7101055 (D3)	411.99	112.33	408.70	-84.67	848.35

BAGO RIVER BRIDGE

[ No.104 : 4TH SPAN WITH IMPACT ] [ FORCE3(kN) ]

SUPPORT		7101055	7102055	7103055	7104055	TOTAL		
NODE		1055	2055	3055	4055			
NAME	TITLE	D3 (kN)	D3 (kN)	D3 (kN)	D3 (kN)	(kN)		
301	LIVE LOAD	1-LANE (case2MAX	7102055 (D3)	191.79	384.28	223.47	-28.97	770.57
			7103055 (D3)	411.92	114.47	409.09	-84.96	850.53
			7104055 (D3)	6.89	11.04	8.84	6.38	33.15
			APREACT	296.05	370.74	321.24	-61.20	926.83
		MIN	7101055 (D3)	-28.69	-1.52	-27.88	2.72	-55.38
			7102055 (D3)	150.70	-21.34	141.58	-47.16	223.77
			7103055 (D3)	-28.69	-1.52	-27.88	2.72	-55.38
			7104055 (D3)	368.90	139.68	370.59	-88.66	790.51
			APREACT	-28.59	-1.70	-27.80	2.52	-55.58
		1-LANE (case3MAX	7101055 (D3)	14.57	60.25	31.27	55.66	161.75
			7102055 (D3)	-47.25	380.18	148.81	375.52	857.27
			7103055 (D3)	-16.09	247.12	386.74	212.41	830.18
			7104055 (D3)	-46.45	380.13	138.91	377.21	849.80
			APREACT	-30.32	301.71	381.84	270.77	924.00
		MIN	7101055 (D3)	-67.35	310.59	139.18	306.57	688.98
			7102055 (D3)	-12.27	-15.36	-13.69	-13.80	-55.12
			7103055 (D3)	-26.81	39.39	-18.85	44.77	38.50
			7104055 (D3)	-12.13	-15.35	-13.55	-13.80	-54.83
			APREACT	-12.51	-15.29	-13.91	-13.69	-55.40
		1-LANE (case4MAX	7101055 (D3)	20.99	-38.71	15.63	-42.48	-44.57
			7102055 (D3)	-464.11	658.02	-340.33	942.75	796.33
			7103055 (D3)	20.38	-36.77	15.88	-34.96	-35.46
			7104055 (D3)	-311.45	432.54	-304.72	1108.41	924.77
			APREACT	-311.45	432.54	-304.72	1108.41	924.77

BAGO RIVER BRIDGE

[ No.104 : 4TH SPAN WITH IMPACT ] [ FORCE3(kN) ]

SUPPORT		7101055	7102055	7103055	7104055	TOTAL	
NODE		1055	2055	3055	4055		
NAME	TITLE	D3 (kN)	D3 (kN)	D3 (kN)	D3 (kN)	(kN)	
301	LIVE LOAD						
	1-LANE (case4MIN	7101055 (D3)	-465.03	654.74	-341.07	941.47	790.11
		7102055 (D3)	19.93	-42.60	14.14	-46.28	-54.81
		7103055 (D3)	-461.65	651.56	-342.91	918.54	765.53
		7104055 (D3)	19.99	-42.60	14.20	-46.29	-54.70
		APREACT	19.23	-42.22	13.51	-45.79	-55.27
	2-LANES (caseMAX	7101055 (D3)	1537.13	-325.51	815.40	-527.59	1499.44
		7102055 (D3)	208.29	161.96	11.90	-4.14	378.01
		7103055 (D3)	1393.50	-402.03	1035.16	-675.34	1351.29
		7104055 (D3)	-68.89	22.55	-63.81	33.17	-76.97
		APREACT	1513.50	-209.96	709.60	-470.64	1542.51
	MIN	7101055 (D3)	-74.97	20.66	-69.90	32.15	-92.07
		7102055 (D3)	1258.59	-441.99	979.78	-649.92	1146.46
		7103055 (D3)	-74.97	20.54	-69.91	32.03	-92.31
		7104055 (D3)	1390.49	-402.71	1030.51	-675.79	1342.50
		APREACT	-74.22	19.57	-69.30	30.93	-93.02
	2-LANES (caseMAX	7101055 (D3)	933.52	39.43	766.52	-304.43	1435.04
		7102055 (D3)	401.19	467.03	231.95	-48.83	1051.35
		7103055 (D3)	921.86	-3.33	796.24	-319.91	1394.86
		7104055 (D3)	-23.16	16.92	-19.61	17.47	-8.39
		APREACT	813.27	370.32	587.84	-227.92	1543.52
	MIN	7101055 (D3)	-56.87	5.24	-54.27	13.78	-92.12
		7102055 (D3)	593.98	-154.12	524.50	-266.18	698.18
		7103055 (D3)	-56.86	5.12	-54.28	13.66	-92.36
		7104055 (D3)	883.05	16.92	761.21	-323.32	1337.87

BAGO RIVER BRIDGE

[ No.104 : 4TH SPAN WITH IMPACT ] [ FORCE3(kN) ]

SUPPORT		7101055	7102055	7103055	7104055	TOTAL	
NODE		1055	2055	3055	4055		
NAME	TITLE	D3 (kN)	D3 (kN)	D3 (kN)	D3 (kN)	(kN)	
301	LIVE LOAD						
	2-LANES (caseMIN	APREACT	-56.52	4.64	-54.00	13.12	-92.76
	2-LANES (caseMAX	7101055 (D3)	16.14	49.68	29.85	45.25	140.92
		7102055 (D3)	-252.51	744.17	45.36	862.39	1399.41
		7103055 (D3)	-40.42	264.79	469.61	430.35	1124.34
		7104055 (D3)	-239.02	716.70	81.35	876.14	1435.17
		APREACT	-173.38	549.19	398.28	765.55	1539.63
	MIN	7101055 (D3)	-272.52	677.35	33.14	796.44	1234.41
		7102055 (D3)	-11.23	-33.31	-14.83	-32.20	-91.58
		7103055 (D3)	-215.30	404.10	-134.02	470.70	525.49
		7104055 (D3)	-10.73	-33.26	-14.34	-32.22	-90.55
		APREACT	-11.97	-33.02	-15.50	-31.79	-92.28
	2-LANES (caseMAX	7101055 (D3)	26.37	-55.72	18.78	-60.58	-71.16
		7102055 (D3)	-600.83	976.43	-363.05	1335.94	1348.49
		7103055 (D3)	-7.76	18.97	161.64	214.46	387.31
		7104055 (D3)	-460.80	761.12	-289.15	1486.34	1497.50
		APREACT	-408.62	658.96	-174.69	1464.47	1540.13
	MIN	7101055 (D3)	-602.69	970.60	-365.10	1331.88	1334.69
		7102055 (D3)	24.06	-63.33	15.65	-67.98	-91.60
		7103055 (D3)	-576.40	920.45	-402.09	1204.95	1146.91
		7104055 (D3)	24.21	-63.31	15.79	-67.98	-91.29
		APREACT	23.20	-62.85	14.87	-67.36	-92.14
	3-LANES (caseMAX	7101055 (D3)	1601.57	-198.32	978.47	-504.94	1876.79
		7102055 (D3)	312.89	409.87	168.41	-24.04	867.13
		7103055 (D3)	1476.26	-260.64	1169.66	-634.22	1751.05



BAGO RIVER BRIDGE

[ No.104 : 4TH SPAN WITH IMPACT ] [ FORCE3(kN) ]

SUPPORT		7101055	7102055	7103055	7104055	TOTAL	
NODE		1055	2055	3055	4055		
NAME	TITLE	D3 (kN)	D3 (kN)	D3 (kN)	D3 (kN)	(kN)	
301	LIVE LOAD						
	3-LANES (caseMAX	7104055 (D3)	-53.68	26.99	-47.98	32.72	-41.95
		APREACT	1499.36	82.94	826.60	-439.90	1969.00
	MIN	7101055 (D3)	-84.05	16.48	-79.17	29.25	-117.49
		7102055 (D3)	1176.55	-390.81	933.10	-585.84	1133.00
		7103055 (D3)	-84.04	16.38	-79.17	29.15	-117.69
		7104055 (D3)	1443.22	-243.37	1138.43	-637.22	1701.07
		APREACT	-83.34	15.42	-78.60	28.07	-118.44
	3-LANES (caseMAX	7101055 (D3)	22.63	21.94	31.55	16.51	92.63
		7102055 (D3)	-542.60	1098.04	-201.83	1399.99	1753.60
		7103055 (D3)	-25.95	208.22	405.69	351.27	939.23
		7104055 (D3)	-422.99	914.97	-146.00	1528.98	1874.97
		APREACT	-367.20	772.59	123.39	1434.97	1963.76
	MIN	7101055 (D3)	-560.91	1038.44	-213.43	1342.63	1606.74
		7102055 (D3)	-2.69	-52.29	-8.85	-52.78	-116.61
		7103055 (D3)	-509.75	802.11	-356.90	1047.65	983.11
		7104055 (D3)	-1.90	-52.25	-8.08	-52.85	-115.07
		APREACT	-3.96	-51.68	-10.01	-51.96	-117.61
	3-LANES (caseMAX	7101055 (D3)	31.79	-6.70	36.97	-13.98	48.08
		7102055 (D3)	-544.95	1099.88	-203.88	1402.27	1753.33
		7103055 (D3)	-17.64	187.25	418.57	328.28	916.46
		7104055 (D3)	-425.37	916.83	-148.07	1531.31	1874.70
		APREACT	-368.70	771.08	129.12	1433.35	1964.85
	MIN	7101055 (D3)	-556.52	1044.80	-208.44	1348.50	1628.35
		7102055 (D3)	19.13	-70.99	9.97	-75.03	-116.92

BAGO RIVER BRIDGE

[ No.104 : 4TH SPAN WITH IMPACT ] [ FORCE3(kN) ]

SUPPORT		7101055	7102055	7103055	7104055	TOTAL			
NODE		1055	2055	3055	4055				
NAME	TITLE	D3 (kN)	D3 (kN)	D3 (kN)	D3 (kN)	(kN)			
301	LIVE LOAD	3-LANES (caseMIN	7103055 (D3)	-502.23	806.45	-349.14	1051.03	1006.11	
			7104055 (D3)	19.26	-70.97	10.09	-75.03	-116.66	
			APREACT	18.29	-70.56	9.21	-74.47	-117.52	
		4-LANES	MAX	7101055 (D3)	16.12	-22.78	12.83	-25.56	-19.39
				7102055 (D3)	6.69	11.12	7.79	10.31	35.91
				7103055 (D3)	15.99	-20.73	12.95	-23.45	-15.24
				7104055 (D3)	6.66	11.12	7.76	10.31	35.85
				APREACT	6.96	10.96	8.04	10.11	36.08
			MIN	7101055 (D3)	-7.36	-13.99	-8.78	-13.13	-43.26
				7102055 (D3)	3.29	-46.77	-2.43	-48.05	-93.96
				7103055 (D3)	-6.99	-19.87	-9.12	-19.16	-55.14
				7104055 (D3)	3.29	-46.77	-2.43	-48.05	-93.96
				APREACT	3.15	-46.66	-2.54	-47.91	-93.96
		6-LANES	MAX	7101055 (D3)	1143.06	-75.29	748.48	-282.38	1533.87
				7102055 (D3)	-176.37	1101.39	61.32	945.26	1931.60
				7103055 (D3)	1005.42	28.85	1161.45	-231.31	1964.41
				7104055 (D3)	-238.54	699.50	-53.76	1086.36	1493.56
				APREACT	762.65	673.58	752.65	657.38	2846.27
			MIN	7101055 (D3)	-437.97	661.68	-251.03	883.57	856.26
				7102055 (D3)	806.13	-327.58	627.78	-459.73	646.61
				7103055 (D3)	-416.28	581.57	-305.99	765.77	625.07
				7104055 (D3)	972.25	-269.01	754.91	-487.06	971.10
				APREACT	-49.47	-40.45	-52.60	-33.78	-176.30
		LIVE LOAD	MAX	7101055 (D3)	1601.57	-198.32	978.47	-504.94	1876.79

BAGO RIVER BRIDGE

[ No.104 : 4TH SPAN WITH IMPACT ] [ FORCE3(kN) ]

SUPPORT				7101055	7102055	7103055	7104055	TOTAL		
NODE				1055	2055	3055	4055			
NAME	TITLE			D3 (kN)	D3 (kN)	D3 (kN)	D3 (kN)	(kN)		
301	LIVE LOAD	LIVE LOAD	MAX	7102055 (D3)	-176.37	1101.39	61.32	945.26	1931.60	
				7103055 (D3)	1476.26	-260.64	1169.66	-634.22	1751.05	
				7104055 (D3)	-425.37	916.83	-148.07	1531.31	1874.70	
				APREACT	762.65	673.58	752.65	657.38	2846.27	
				MIN	7101055 (D3)	-602.69	970.60	-365.10	1331.88	1334.69
				7102055 (D3)	1258.59	-441.99	979.78	-649.92	1146.46	
				7103055 (D3)	-576.40	920.45	-402.09	1204.95	1146.91	
				7104055 (D3)	1390.49	-402.71	1030.51	-675.79	1342.50	
				APREACT	-49.47	-40.45	-52.60	-33.78	-176.30	
			303	SUM TOTAL	TOTAL	MAX	7101055 (D3)	4024.06	1937.05	3462.33
	7102055 (D3)	2246.11				3236.76	2545.18	2900.42	10928.48	
	7103055 (D3)	3898.74				1874.73	3653.51	1320.95	10747.93	
	7104055 (D3)	1997.12				3052.20	2335.78	3486.48	10871.57	
	APREACT	3185.13				2808.95	3236.51	2612.55	11843.14	
	MIN	7101055 (D3)				1819.79	3105.98	2118.75	3287.05	10331.57
	7102055 (D3)	3681.07				1693.38	3463.63	1305.25	10143.33	
	7103055 (D3)	1846.09				3055.82	2081.76	3160.12	10143.78	
	7104055 (D3)	3812.97				1732.66	3514.36	1279.37	10339.37	
	APREACT	2373.01				2094.92	2431.25	1921.39	8820.57	